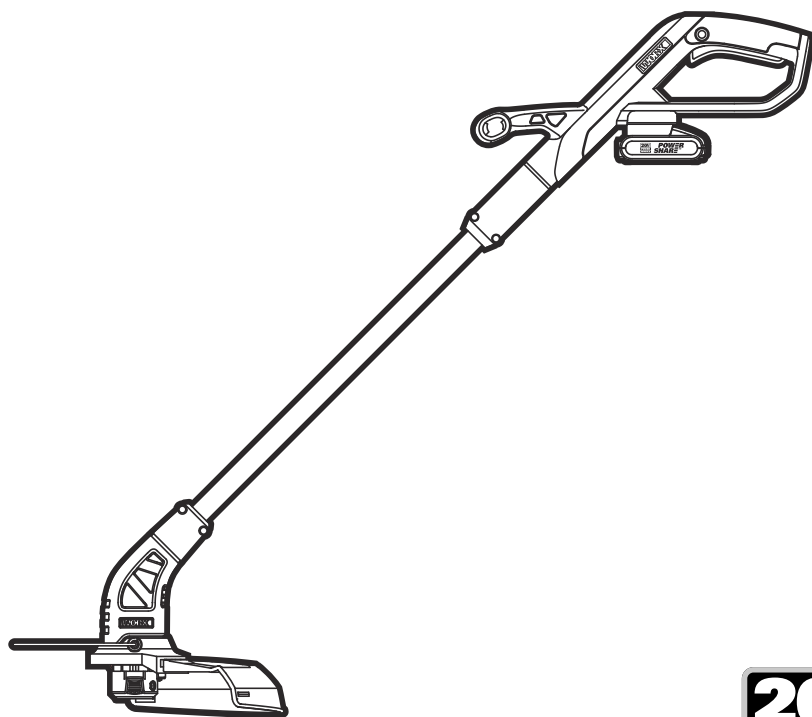


WORX



SAFETY AND OPERATING MANUAL

ORIGINAL INSTRUCTIONS

2-in-1
Grass Trimmer/Edger

WG157E
WG157E.9

PRODUCT SAFETY

GENERAL SAFETY WARNINGS

 **WARNING: Read all safety warnings and all instructions.**

Failure to follow the warnings and instructions may result in electric shock, fire and/or serious injury.

Save all warnings and instructions for future reference.

The appliance is only to be used with the power supply unit provided with the appliance.

IMPORTANT READ CAREFULLY BEFORE USE

KEEP FOR FUTURE REFERENCE

SAFE OPERATING PRACTICES

1. TRAINING

- a) Read the instructions carefully. Be familiar with the controls and the correct use of the machine.
- b) Never allow children, persons with reduced physical, sensory or mental capabilities or lack of experience and knowledge or people unfamiliar with these instructions to use the machine, local regulations may restrict the age of the operator.

- c) Keep in mind that the operator or user is responsible for accidents or hazards occurring to other people or their property.

2. PREPARATION

- a) Before use, always visually inspect the machine for damaged, missing or misplaced guards or shields.
- b) Never operate the machine while people, especially children, or pets are nearby.

3. OPERATION

- a) Wear eye protection, long trousers and stout shoes at all times while operating the machine.
- b) Avoid using the machine in bad weather conditions especially when there is a risk of lightning.
- c) Use the machine only in daylight or good artificial light.
- d) Never operate the machine with damaged guards or shields or without guards or shields in place.
- e) Switch on the motor only when the hands and feet are away from the cutting means.
- f) Always disconnect the machine from the power supply (e.g. remove the battery pack from the machine)

- 1) Whenever the machine is left unattended;
 - 2) Before clearing a blockage;
 - 3) Before checking, cleaning or working on the machine;
 - 4) After striking a foreign object;
 - 5) Whenever the machine starts vibrating abnormally.
 - g) Take care against injury to feet and hands from the cutting means.
 - h) Always ensure that the ventilation openings are kept clear of debris.
 - i) Never fit metal cutting elements.
 - j) Always be sure of your footing on slopes.
 - k) Walk, never run.
 - l) Not overreach and keep the balance at all times.
 - m) Not to touch moving hazardous parts before removing the battery pack from the machine and the moving hazardous parts have come to a complete stop.
- recommended replacement parts and accessories.
- c) Inspect and maintain the machine regularly. Have the machine repaired only by an authorized repairer.
 - d) When not in use, store the machine out of the reach of children.

SAFETY WARNINGS FOR BATTERY PACK

- a) Do not dismantle, open or shred cells or battery pack.**
- b) Do not short-circuit a battery pack. Do not store battery packs haphazardly in a box or drawer where they may short-circuit each other or be short-circuited by conductive materials.**

When battery pack is not in use, keep it away from other metal objects, like paper clips, coins, keys, nails, screws or other small metal objects, that can make a connection from one terminal to another. Shorting the battery terminals together may cause burns or a fire.

- c) Do not expose battery pack to heat or fire. Avoid storage in direct sunlight.**
- d) Do not subject battery**


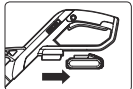

4. MAINTENANCE AND STORAGE

- a) Disconnect the machine from the power supply (e.g. remove the battery pack from the machine) before carrying out maintenance or cleaning work.
- b) Use only the manufacturer's

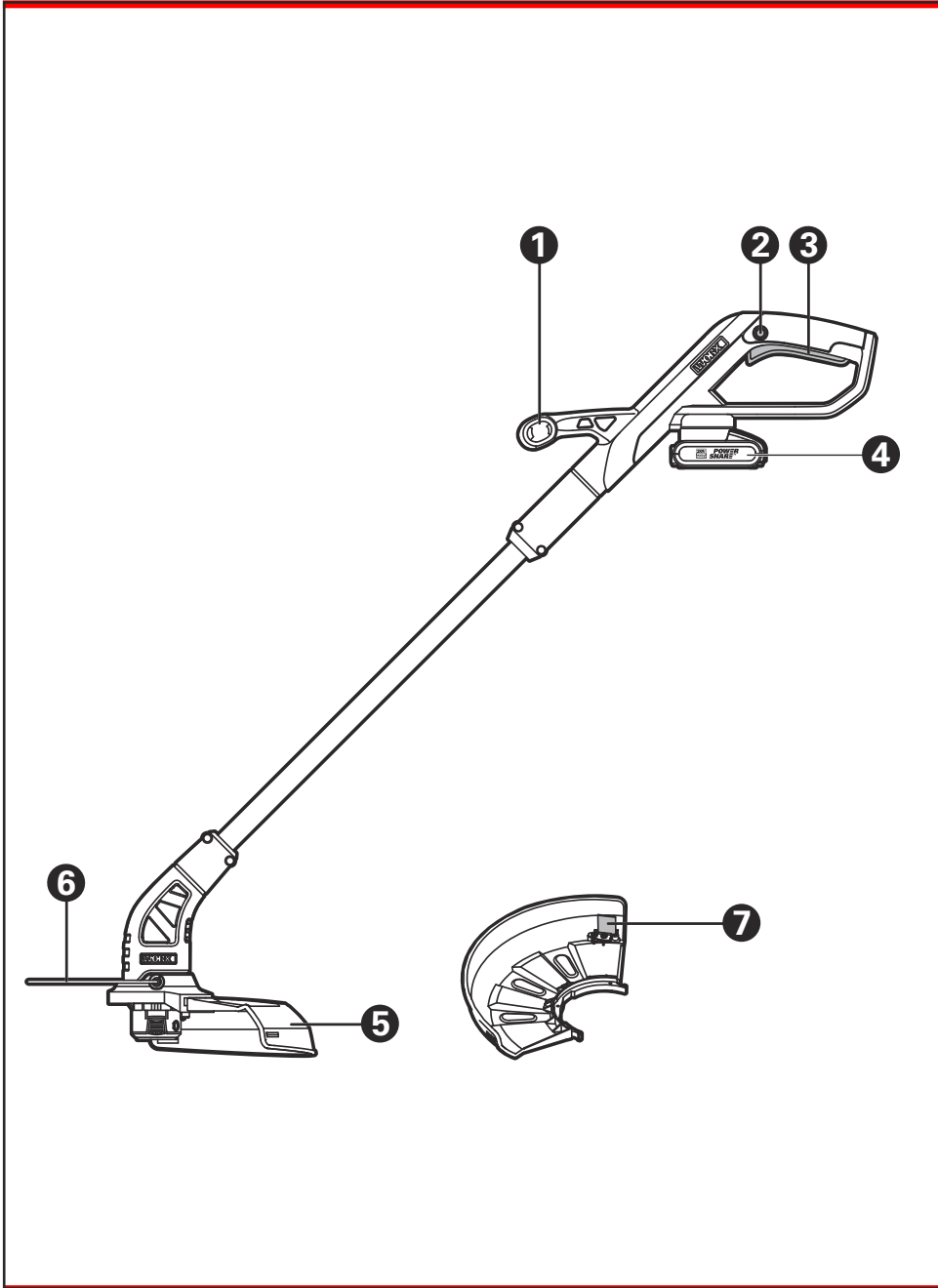
- pack to mechanical shock.
- e) **In the event of battery leaking, do not allow the liquid to come into contact with the skin or eyes. If contact has been made, wash the affected area with copious amounts of water and seek medical advice.**
 - f) **Seek medical advice immediately if a cell or battery pack has been swallowed.**
 - g) **Keep battery pack clean and dry.**
 - h) **Wipe the battery pack terminals with a clean dry cloth if they become dirty.**
 - i) **Battery pack needs to be charged before use. Always refer to this instruction and use the correct charging procedure.**
 - j) **Do not maintain battery pack on charge when not in use.**
 - k) **After extended periods of storage, it may be necessary to charge and discharge the battery pack several times to obtain maximum performance.**
 - l) **Battery pack gives its best performance when it is operated at normal room temperature (20°C ± 5°C).**
 - m) **When disposing of battery packs, keep battery packs of different electrochemical systems separate from each other.**
 - n) **Recharge only with the charger specified by WORX. Do not use any charger other than that specifically provided for use with the equipment.**
A charger that is suitable for one type of battery pack may create a risk of fire when used with another battery pack.
 - o) **Do not use any battery pack which is not designed for use with the equipment.**
 - p) **Keep battery pack out of the reach of children.**
 - q) **Retain the original product literature for future reference.**
 - r) **Remove the battery from the equipment when not in use.**
 - s) **Dispose of properly.**

SYMBOLS

	Read operator's manual
	Warning
	Keep bystanders away
	Wear eye and ear protection
	Do not expose to rain
	Trimming
	Edging
	Wear protective gloves
 Li-Ion 	Do not dispose of batteries, Return exhausted batteries to your local collection or recycling point.
	Do not expose to rain or water

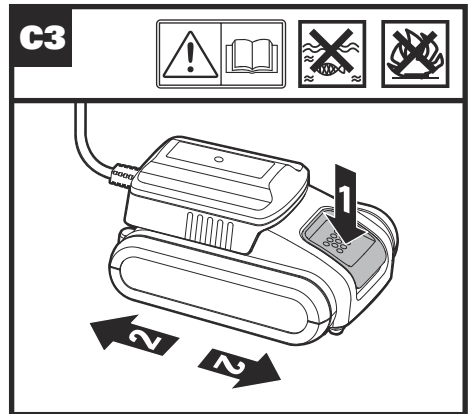
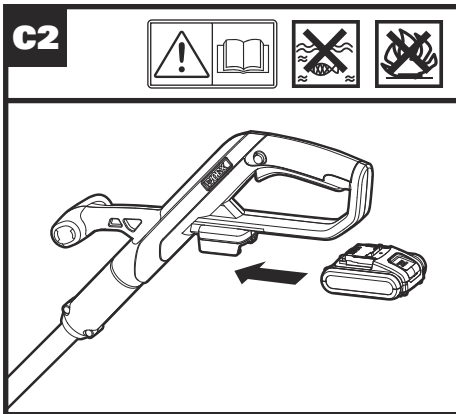
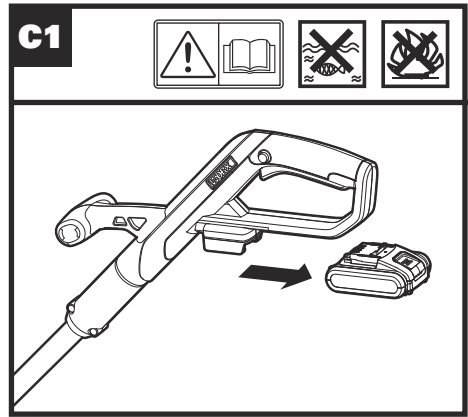
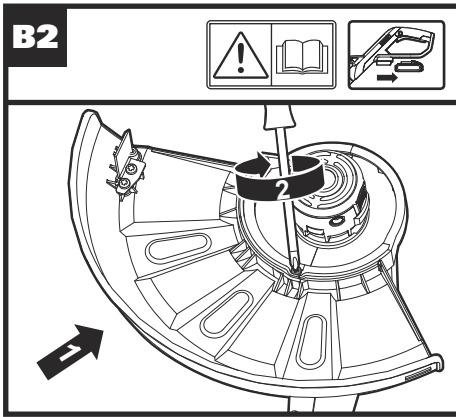
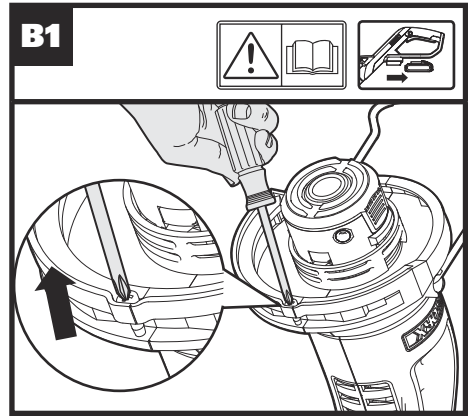
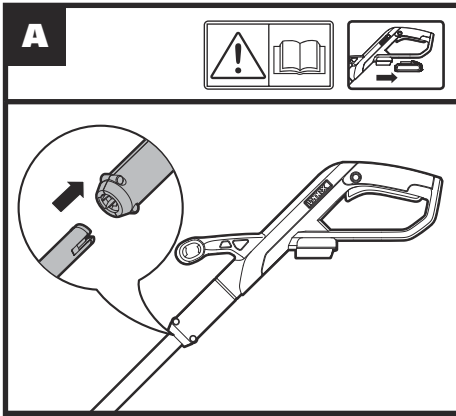
	Do not burn
	Make sure the battery is removed prior to changing accessories.
	Waste electrical products must not be disposed of with household waste. Please recycle where facilities exist. Check with your local authorities or retailer for recycling advice.

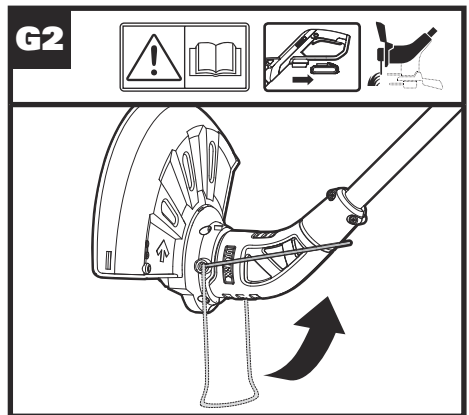
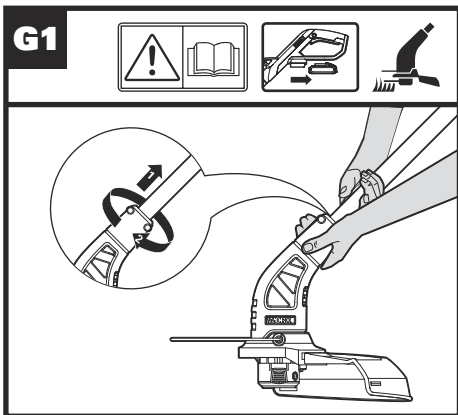
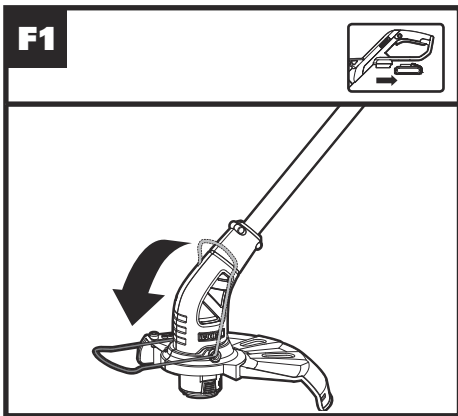
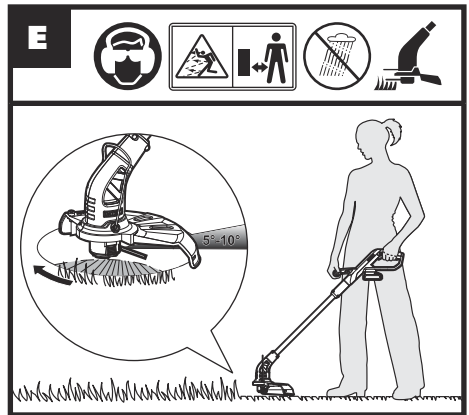
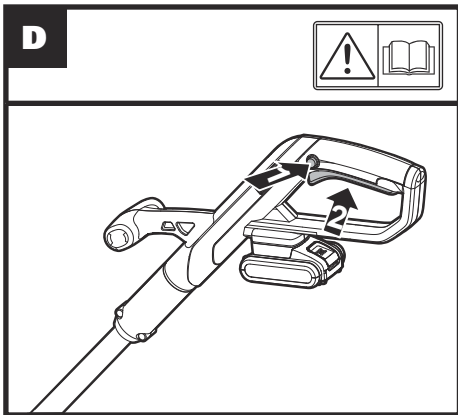
x1NR18/65-y: Cylindrical lithium Ion battery cells with max diameter of 18mm and max height of 65mm; "x" represents a number cells serial connected, blank if 1; "-y" represents a number of cells paralleled connected, blank if 1.



**2-in-1
Grass Trimmer/Edger**

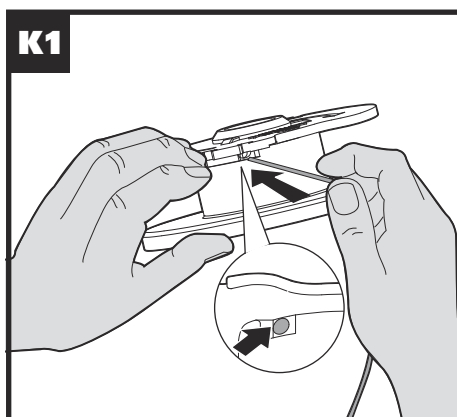
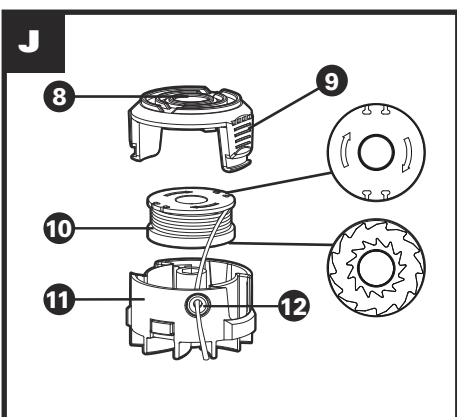
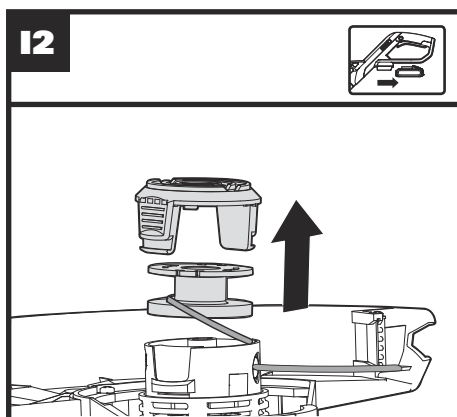
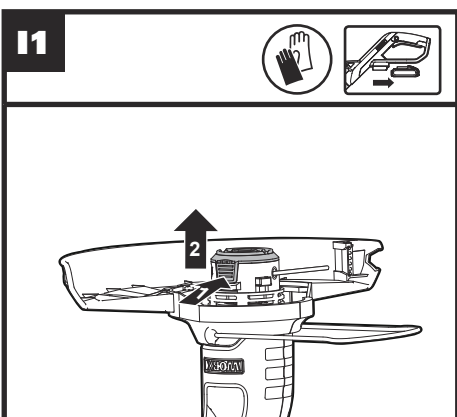
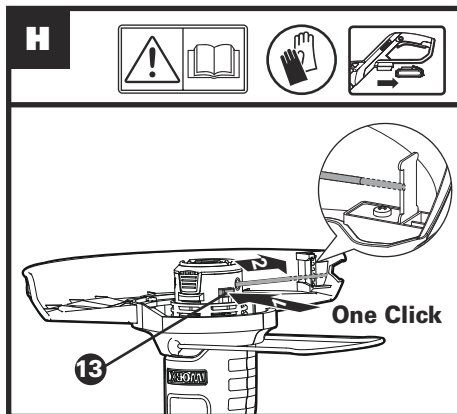
**WG157E
WG157E.9**



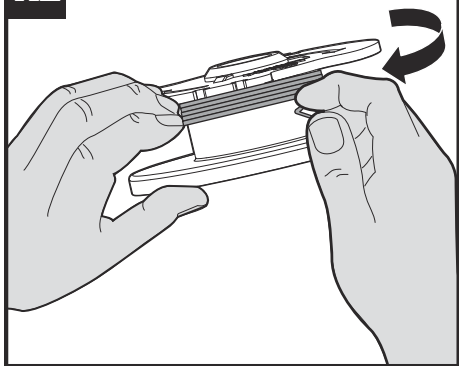


**2-in-1
Grass Trimmer/Edger**

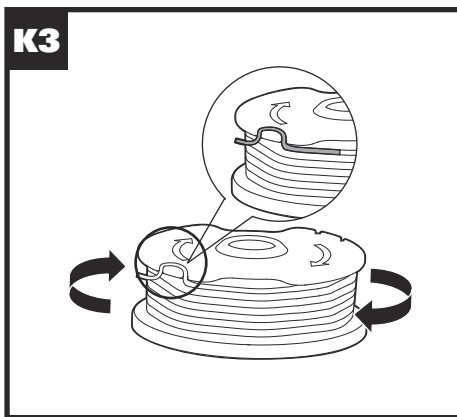
**WG157E
WG157E.9**



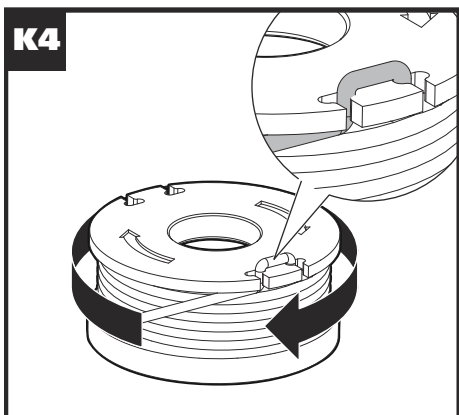
K2



K3



K4



COMPONENT LIST

1. AUXILIARY HANDLE
2. LOCK OFF BUTTON
3. ON/OFF SWITCH
4. BATTERY PACK*
5. SAFETY GUARD
6. FLOWER GUARD
7. LINE CUTTER
8. TRIMMER HEAD COVER (See Fig.J)
9. CAP RELEASE LATCH (See Fig.J)
10. SPOOL (See Fig. J)
11. TRIMMER HEAD (See Fig. J)
12. EYELET (See Fig. J)
13. LINE FEED BUTTON (See Fig. H)

* Not all the accessories illustrated or described are included in standard delivery.

TECHNICAL DATA

Type **WG157E WG157E.9** (1-designation of machinery, representative of Cordless Grass Trimmer)

	WG157E	WG157E.9
Voltage	20V \equiv Max** Lithium	
No load speed	8500/min	
Cutting diameter	25cm	
Line diameter	1.65mm	
Charging time	Approx. 3hr	/
Machine weight	1.9kg	1.5kg

** Voltage measured without workload. Initial battery voltage reaches maximum of 20 volts. Nominal voltage is 18 volts.

NOISE DATA

A weighted sound pressure L_{pA}	80dB(A)
A weighted sound power L_{wA}	94dB(A)
K_{pA}	3.0dB(A)

Wear ear protection.



VIBRATION INFORMATION

Typical weighted vibration	$a_h < 2.5m/s^2$
	Uncertainty $K=1.5m/s^2$

The declared vibration total value may be used for comparing one tool with another, and may also be used in a preliminary assessment of exposure.

WARNING! The vibration emission value during actual use of the power tool can differ from the declared value depending on the ways in which the tool is used dependant on the following examples and other variations on how the tool is used:

How the tool is used and the materials being cut or drilled.

The tool being in good condition and well maintained.

The use the correct accessory for the tool and ensuring it is sharp and in good condition.

The tightness of the grip on the handles and if any anti vibration accessories are used.

And the tool is being used as intended by its design and these instructions.

This tool may cause hand-arm vibration syndrome if its use is not adequately managed.

WARNING! To be accurate, an estimation of exposure level in the actual conditions of use should also take account of all parts of the operating cycle such as the times when the tool is switched off and when it is running idle but not actually doing the job. This may significantly reduce the exposure level over the total working period.

Helping to minimize your vibration exposure risk. ALWAYS use sharp chisels, drills and blades.

Maintain this tool in accordance with these instructions and keep well lubricated (where appropriate).

If the tool is to be used regularly then invest in anti vibration accessories.

Plan your work schedule to spread any high vibration tool use across a number of days.

**2-in-1
Grass Trimmer/Edger**

**WG157E
WG157E.9**

ACCESSORIES

	WG157E	WG157E.9
Charger (WA3760)	1	/
Battery pack (WA3550.1)	1	/
Spool (WA0004)	1	1
Safety guard	1	1

We recommend that you purchase your accessories from the same store that sold you the tool. Refer to the accessory packaging for further details. Store personnel can assist you and offer advice.

OPERATING INSTRUCTIONS



NOTE: Before using the tool, read the instruction book carefully.

Intended Use

The machine is intended for the cutting of grass and weeds under bushes, as well as on slopes and edges that can not be reached with the lawn mower.



WARNING!

The charger and Battery Pack are specially designed to work together so do not attempt to use any other devices. Never insert or allow foreign metallic objects into your charger or Battery Pack connections because of electrical failure and other hazards that will occur.



WARNING!

Always wear the eye protection. Never lean over the trimmer head. Rocks or debris can ricochet or be thrown into eyes and face and cause blindness or other serious injury. When operating unit, check for the following:

Wear eye protection and heavy clothing. Hold front handle with one hand and Auxiliary Handle with the other hand. Keep unit below waist level. Work only from your right to your left to ensure debris is thrown away from you. Without bending over, keep line near and parallel to the ground (perpendicular when edging) and not crowded into material being cut.



WARNING!

Make sure that line is fed out before operation. Make sure motor is up to full speed before trimming or edging.



WARNING!

Only use 1.65mm diameter cutting line. Other sizes of line will not feed properly and will result in improper cutting head function or can cause serious injury. Do not use other material such as wire, string, rope, etc. Wire can break off during cutting

and become a dangerous projectile that can cause serious injury.

Action	Figure
Assembly	
Assembling the Main Handle Note: Make sure that the handle is firmly locked in place. Do not try to remove these pieces after connecting.	See Fig. A
Assembling the Safety Guard WARNING! Make Sure the Safety Switch is Locked Off to Prevent Accidental Starting.	See Fig. B1, B2
Removing/Installing Battery Pack Note: When removing the battery pack, hold it firmly to avoid potential accidents.	See Fig. C1, C2
Charging Battery Pack More details can be found in charger's manual.	See Fig. C3
Operation	
Safety ON/OFF Switch WARNING! The cutting head continues to rotate after the trimmer has been switched off; wait until it has completely stopped then lay down the tool.	See Fig. D
Trimming	See Fig. E
Using Flower Guard	See Fig. F1, F2
Edging WARNING! Always remove the battery pack before adjusting the trimming head position. Note: The trimmer head will only rotate in one direction.	See Fig. G1- G3
Manually Feeding the Line	See Fig. H
Removing the Cap	See Fig. I1, I2
Replacing the Trimmer Line and Spool	See Fig. J
Manually Winding the Line	See Fig. K1-K4

WORKING HINTS

1. AUTOMATIC LINE FEED SYSTEM

When initially switching on the trimmer, a small length of line is fed out. A 'clattering' noise will be heard when the lines hit the Line Cutter. DO NOT BE ALARMED. This is quite normal. After about 5 seconds the line will be cut to the correct length and the noise will reduce as the motor gains full speed. If the noise of the line being cut can't be heard, more line will need to be fed out. To feed more line,

it is first necessary to allow the trimmer to stop completely; it must come to a complete rest, then restart, allowing the motor to reach full speed. Repeat above until you hear the line hitting against the Line Cutter.

2. MANUALLY FEEDING THE LINE (SEE FIG. H)

Press and release manual line feed button (13), whilst gently pull out the lines until the lines reaches the line cutter.

If the line extends past the line cutter, too much line has been fed out.

If too much line is fed out, remove the cutting head cover and rotate the spool anti-clockwise until the line is at the desired length.

STORING YOUR GRASS TRIMMER



Always remove the battery pack from your trimmer after use.

Store in a dry place where the trimmer and battery can be protected from damage.

MAINTENANCE



Always remove the battery pack from your trimmer after use.

Always check the product prior to being used for any damage.

Never operate your product if it is damaged.

Your power tool requires no additional lubrication or maintenance. There are no user serviceable parts in your power tool. Never use water or chemical cleaners to clean your power tool. Wipe clean with a dry cloth. Always store your power tool in a dry place. Keep the motor ventilation slots clean. Keep all working controls free of dust.

TROUBLESHOOTING


The following table gives checks and actions that you can perform if your machine does not operate correctly. If these do not identify and correct the problem, contact your service agent.



WARNING: Switch the machine off and remove the battery prior to any troubleshooting.

Problems	Possible Causes	Corrective Action
Trimmer fails to operate.	Battery discharged. Battery too hot/cold. Motor is broken. Internal wiring of machine damaged.	Recharge battery; also see the content in charger manual Allow to cool/warm. Contact Service Agent. Contact Service Agent.
Trimmer runs intermittently.	Motor is broken. Battery not fully charged. On/Off switch defective.	Contact Service Agent. Recharge battery. Contact Service Agent.
Excessive vibrations/ noise.	Machine defective. Line spool is not wound well.	Contact Service Agent. Rewind the line. See "To fit spool and line assembly."
Cutting time per battery charge too low.	Battery has not been used for long period or only charged for short term. Grass too high. Battery defective.	Fully charge battery; also see the content in charger manual Cut in stages. Replace the battery.
Machine does not cut.	Line broken. Battery not fully charged. Motor is broken (speed is too low). Grass entangled around cutting head.	Replace the line. Recharge battery; also see the content in charger manual Contact Service Agent. Remove grass.
Continuous lighting of the battery charge indicator No charging procedure possible.	Battery not (properly) inserted. Battery contacts contaminated. Battery defective.	Properly insert battery into battery charger. Clean the battery contacts (e.g. by inserting and removing the battery several times) or replace the battery. Replace the battery.
Battery charge indicator does not light up.	Plug of battery charger not plugged in (properly). Socket outlet, mains cable or battery charger defective.	Insert mains plug (fully) into the socket outlet. Check the mains voltage; have the battery charger checked by an authorized after-sales service agent.
Auto feed does not work	Cutting line is not wound well. The line is tangled. Line is used up.	Manually feed the line, if still can not feed out, remove the spool out and rewind the line. Replace with a new line spool.

ENVIRONMENTAL PROTECTION

 Waste electrical products must not be disposed of with household waste. Please recycle where facilities exist. Check with your local authorities or retailer for recycling advice.

DECLARATION OF CONFORMITY

We,
Positec Power Tools (Europe) Ltd
PO Box 6242, Newbury, RG14 9LT, UK

Declare that the product,
Description **WORX Cordless Lawn Trimmer / Lawn Edge Trimmer**
Type **WG157E WG157E.9 (1-designation of machinery, representative of Cordless Grass Trimmer)**
Function **Cutting grass and similar soft vegetation and for trimming grass edges**

Complies with the following Directives,
2006/42/EC
2014/30/EU
2011/65/EU
2000/14/EC amended by 2005/88/EC

2000/14/EC amended by 2005/88/EC:
- Conformity Assessment Procedure as per **Annex VI**
- Measured Sound Power Level **89.8dB(A)**
- Declared Guaranteed Sound Power Level **94dB(A)**

-The notified body involved
Name: **Intertek Testing & Certification Ltd (notified body 0359)**
Address: **Davy Avenue, Knowlhill, Milton Keynes, MK5 8NL**

Standards conform to:
EN 60335-1
EN 50636-2-91
EN 62233
EN ISO 3744
EN 55014-1
EN 55014-2

The person authorized to compile the technical file,
Name: Jim Kirkwood
Address: Positec Power Tools (Europe) Ltd, PO Box 6242, Newbury, RG14 9LT, UK



2018/02/01
Allen Ding
Deputy Chief Engineer, Testing & Certification
Positec Technology (China) Co., Ltd.
18, Dongwang Road, Suzhou Industrial
Park, Jiangsu 215123, P. R. China

**2-in-1
Grass Trimmer/Edger**

**WG157E
WG157E.9**

WORX
it's your nature

After-sales Service and Application

At www.worx.com you can order spare parts or arrange the collection of a product in need of servicing or repair.

Tel. Service: 0345 202 9679

E-Mail: customerservices@worxtools.com

www.worx.com

Copyright © 2018, Positec. All Rights Reserved.
AR01304802