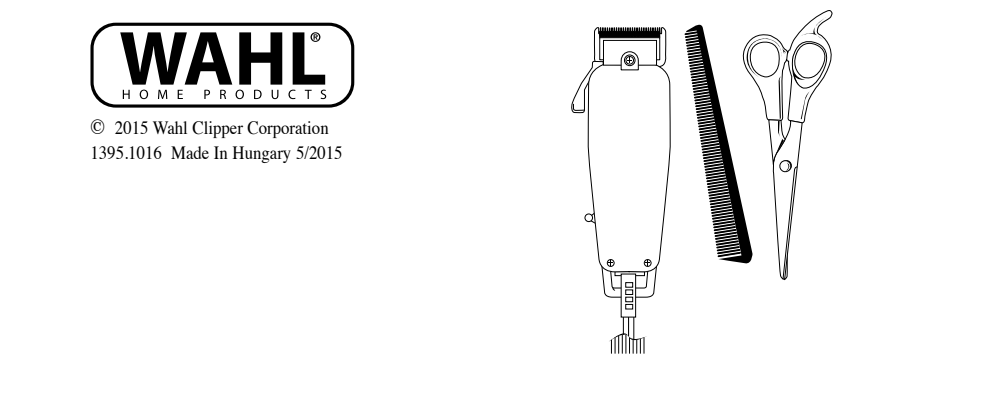
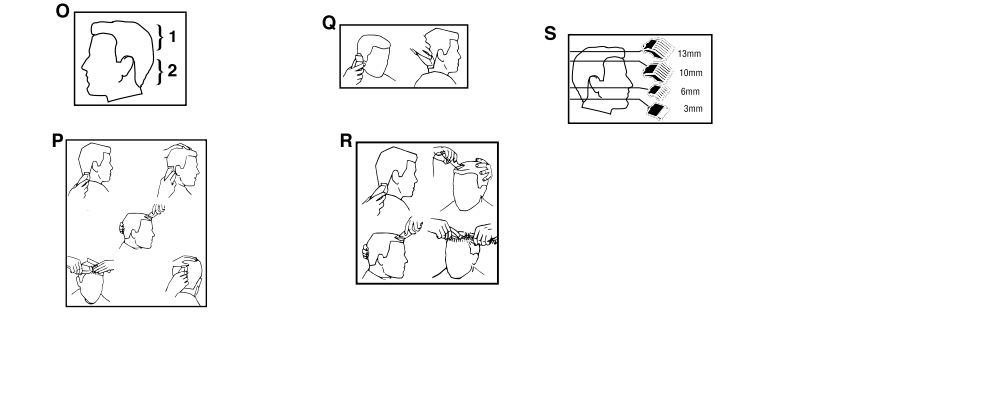
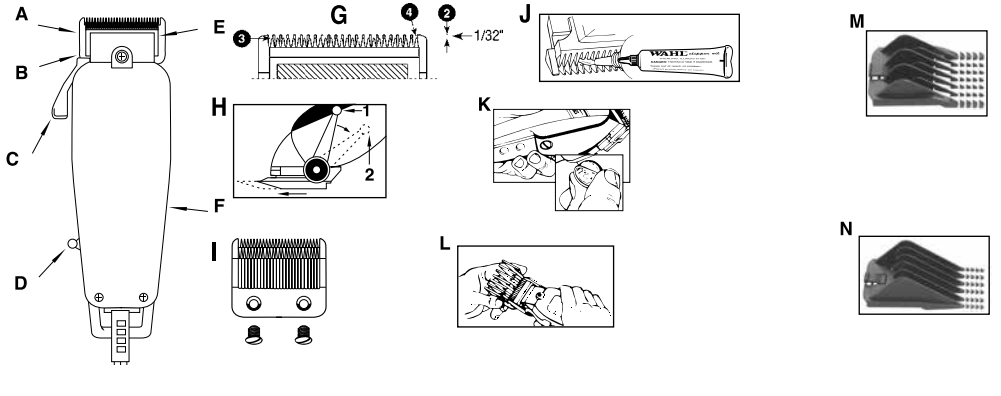


Questo manuale d'istruzione è fornito da trovaprezzi.it. Scopri tutte le offerte per Wahl ColorPro Cordless Combo o cerca il tuo prodotto tra le migliori offerte di Cura della Persona

trovaprezzi.it



© 2015 Wahl Clipper Corporation
13953016 Made In Hungary 53015



WAHL CLIPPER CORPORATION
World Headquarters
PO Box 378 Sterling, IL 61081

Wahl GmbH
Ruegenwalder Weg 9
78689 Unterkirch, Germany

Wahl (UK) Ltd.
Horne Bay Trade Park
Wentworth Way, Bognor Regis
CT6 8JZ England

Wahl Agencies Pty Ltd
PO Box 456
Woolford ACT 4110
Australia

Wahl India Grooming Products Pvt. Ltd
2nd Floor, X Cubo, Opa Fun Republic
Plot No. 40/1, Sector 10, Gurgaon
Gurgaon - 122002, Haryana, India
Mumbai - 400 053 Maharashtra, India

Wahl Argentina
Av. Alvarez Jereje 5655
Buenos Aires (C1407GPK) Argentina

Wahl Brasil
Av. Marquês de Pombal, 301 sala 802
Boracéia - CEP: 22200-000
Rio de Janeiro - RJ

Wahl France
Avenue de la République
93000 La Plaine St-Denis
France

Wahl Germany
Ruegenwalder Weg 9
78689 Unterkirch, Germany

Wahl Italy
Via Salaria, 1000
00198 Roma, Italy

Wahl Japan
1-1-1, Higashi-Shinjuku
Shinjuku-ku, Tokyo 162-8502
Japan

Wahl Korea
100-1, Seongnam-si
Gyeonggi-do, Korea

Wahl Mexico
Carretera a Cuernavaca
Cajalero, Mexico

Wahl Netherlands
Postbus 100
3720 AA Dordrecht, The Netherlands

Wahl Poland
ul. Włocławska 10
01-111 Warszawa, Poland

Wahl Russia
Moscow, Russia

Wahl Spain
Calle de la Industria 10
28014 Madrid, Spain

Wahl Taiwan
No. 100, Sec. 2, Roosevelt Rd.
Taipei, Taiwan

Wahl USA
10000 W. Higgins Road
Chicago, IL 60631, USA

Wahl Vietnam
10000 W. Higgins Road
Chicago, IL 60631, USA

Operating instructions

IMPORTANT SAFEGUARDS
When using this appliance, the following basic precautions should always be followed, including the points listed below. Read all instructions and safeguards before using.

DANGER
To reduce the risk of injury or death by electric shock:
1. Do not reach for an appliance that has fallen into water. Unplug immediately from the outlet.
2. Do not place the shaved area or a hair on a high speed or your Wahl clipper.
3. Do not place a stop appliance where it can fall or be pulled into a wet or a tank. Do not place in a drop into water or other liquid.
4. Always unplug the appliance from the electrical outlet immediately after using.
5. Always dry the appliance before cleaning.

WARNING
To reduce the risk of burns, fire, electric shock or injury to persons:
This appliance can be used by children aged from 8 years and above and persons with reduced physical, sensory or mental capabilities or lack of experience and knowledge if they have been given supervision or instruction concerning use of the appliance in a safe way and understand the hazards involved. Children shall not play with the appliance. Cleaning and user maintenance shall not be made by children without supervision.
• Warning: Keep the Product Dry. It is essential to PREVENT electrical equipment from coming into contact with water or other liquids.
• Use the appliance only as its intended use as described in this manual. Do not use attachments not recommended by the manufacturer.
• If the supply cord is damaged, it must be replaced by the manufacturer or its service agent or a similarly qualified person in order to avoid a hazard.
• Do not use outdoors or operate where aerosol (spray) products are being used or where oxygen is being administered.
• Do not use the appliance with a damaged or broken comb nor with teeth missing from the blades, as injury may occur.

SAVE THESE INSTRUCTIONS
This clipper has been designed for household use.
A- Bottom blade
B- Blade side (on Multi-cut (MC) clipper only)
C- Taper lever (on Multi-cut (MC) clipper only)
D- Switch
E- Top blade
F- Power screw
G- Blade side (on Multi-cut (MC) clipper only)
H- Blade side (on Multi-cut (MC) clipper only)
I- Power screw
J- Blade side (on Multi-cut (MC) clipper only)
K- Blade side (on Multi-cut (MC) clipper only)
L- Blade side (on Multi-cut (MC) clipper only)
M- Blade side (on Multi-cut (MC) clipper only)
N- Blade side (on Multi-cut (MC) clipper only)
O- Blade side (on Multi-cut (MC) clipper only)
P- Blade side (on Multi-cut (MC) clipper only)
Q- Blade side (on Multi-cut (MC) clipper only)
R- Blade side (on Multi-cut (MC) clipper only)
S- Blade side (on Multi-cut (MC) clipper only)
T- Blade side (on Multi-cut (MC) clipper only)
U- Blade side (on Multi-cut (MC) clipper only)
V- Blade side (on Multi-cut (MC) clipper only)
W- Blade side (on Multi-cut (MC) clipper only)
X- Blade side (on Multi-cut (MC) clipper only)
Y- Blade side (on Multi-cut (MC) clipper only)
Z- Blade side (on Multi-cut (MC) clipper only)

CLIPPER MAINTENANCE
Your Wahl clipper blades are aligned and oiling before leaving our factory; however, it is possible for blades to get bumped out of alignment. Blades must be realigned if they have been removed for cleaning or replacement. To determine if realignment is necessary, compare your clipper blades with diagram (D).

1 If your clipper has a taper lever, position the taper lever in the close cut position. (H)
2 End of top blade teeth should be approximately 1/32" (6.4 mm) from bottom blade. This is important so that the clipper does not cut too close or allow the moving cutter to touch the skin.
3 Extreme left-hand tooth of top blade must be covering or to the left of the first small tooth of bottom blade.
4 Extreme right-hand tooth of top blade must be touching the big tooth on the bottom blade.

If blade alignment is incorrect, add a few drops of Wahl Clipper Oil to the blades, turn clipper "On" for a few moments, turn "Off" and unplug. Loosen screws slightly and adjust (steps 2-4 listed above). Tighten screws until blades are aligned. Other than blades this clipper has no user serviceable parts. (diagram I)

Oil. (J)
The blades of your new clipper should be oiled every haircuts. Simply place a few drops of Wahl Clipper Oil on the teeth of the blades. Use only the Wahl Clipper Oil included in the pack. At the high speed of your Wahl clipper, the correct type of oil must be used. Do not use hair oil, grease or any oil mixed with kerosene or any solvent, as the solvent will evaporate and leave the thick oil, slowing down the blades. Wahl Clipper Oil is a very thin, natural oil which will not evaporate and will not slow down the blades.

POWER SCREW. (Not found on all models of Wahl Clippers)
If your clipper has a power screw, it has been adjusted for peak efficiency before leaving the factory. However, if voltage in your home is low, you may need to readjust it.
To adjust power, use the plastic brush, a screwdriver or a thin coin to turn power screw in a clockwise direction until you feel resistance to the coil, making a noise. Then, turn power screw out (counterclockwise), until just loose steps. This is the maximum power setting. (K)

CORD
The cord should be used to pull the clipper. Since freedom of movement needs to be maintained, care should be taken to prevent the power whose hair is to be cut on a stool or chair so that the top of the head will not come into contact with your eyes.
4 After plugging the hair to remain all the way, hold the clipper in a relaxed, comfortable grip, with the namplate under the palm near your index finger. This grip will help you maintain comfortable, accurate cutting control.

TAPEL LEVER (Not found on all models of Wahl Clippers)
If your clipper has an adjustable taper lever, it is conveniently located near your thumb (if you're right-handed), so it can easily be adjusted to the length you desire.
The taper lever adds versatility to your clipper by allowing you to gradually change the closeness of your cut without a guide comb. When the lever is in the uppermost position, the blades will give you the closest cut and leave the hair very short. (diagram H) Pushing the lever downward gradually increases the cutting length. In its lowest position, the blades will leave the hair approximately the same length as the 1/2" guide comb. (diagram H2)
The taper lever will also extend the use of your blades since a different cutting edge is used in each setting. In addition, if extremely heavy haircutting has jammed the blades, it will help you remove hair that has become wedged between the blades without removing the blades. While the clipper is running, rapidly move the lever to the "close cut" to "longer cut" a couple of times. Doing this each time you've finished using your clipper will help keep the blades clear of cut hair. If your clipper stops cutting and this does not help, your cutting blades may be dull. Either remove the blades or purchase your clipper with a slightly longer cut. With the teeth fat against the hair, slowly start trimming from the back. Again, it is better to leave the hair longer the first few haircuts.

WAHL'S GUIDE TO FOOLPROOF HOME HAIRCUTTING Before you cut your hair

1 Your clipper should be clean, oiled and in perfect working condition.
2 Your kit includes a plastic case, place it around the clipper, tying the strings and overlapping the capcaper portion to prevent hair from falling down into the collar. If no capcaper is provided, a towel will do nicely.
3 The first step is to cut the hair on a stool or chair so that the top of the head will not come into contact with your eyes.
4 After plugging the hair to remain all the way, hold the clipper in a relaxed, comfortable grip, with the namplate under the palm near your index finger. This grip will help you maintain comfortable, accurate cutting control.

NOTE: To attach guide combs, hold comb with the teeth up. Snap guide comb attachment firmly to the bottom of the clipper blade. (L)

ADJUSTABLE GUIDE COMBS LISTING:
Adjustable Guide Combs - allowing multiple cutting lengths in the convenience of a single comb.
Individual Black Guide Combs - providing predetermined lengths indicated on each guide comb.
Individual Color Guide Combs - providing predetermined lengths indicated on each guide comb. Combs are these combs are available in the following colors:
Using adjustable guide combs:
The small adjustable guide comb has five settings from 3/8" to 5/8" (9mm to 16mm) in 1/8" (3mm) increments. (M)
The large adjustable guide comb has five settings from 1/4" to 1-1/4" (19mm to 32mm) in 1/8" (3mm) increments. (N)
Using your thumb, you can change the length of the cut by simply sliding the adjustable lever to the next position.
Both adjustable guide combs have positive click stops and indicators that show position number and cutting length in millimeters for quick and easy setting/identification.

The large adjustable guide comb can be used from the top of the head to the crown of the head. (O)
The small adjustable guide comb can be used from the nape of the neck to the ear area. (Q)
Using individual (black or colored) guide combs:
Some kits do not include all Wahl guide combs. However, any of these combs (or additional accessories not listed here) can be ordered from your dealer or can be ordered directly from Wahl.

CUTTING HAIR TO DESIRED LENGTH COMBS LISTING:
3mm - Black/Red
10mm - Black/Dark Blue
16mm - Black/Yellow
25mm - Black/White
31mm - Black/White
Right Ear Taper - Black only
6mm - Black/Purple
13mm - Black/Orange/Pink
19mm - Black/Lavender
25mm - Black/White
31mm - Black/White
Left Ear Taper - Black only

CUTTING HAIR TO DESIRED LENGTH COMBS LISTING:
The first step is to cut the hair out only a small amount until you become accustomed to how long each guide comb leaves the hair. Always start by placing the largest guide comb on the clipper, then use shorter combs (or settings.) If using adjustable guide combs, it's a shorter length is desired.
Repeat around sides and back of head.
If you desire shorter hair, either change to a shorter guide comb (or setting.) If using adjustable guide combs or (or settings.) use more pressure and less lift away from head with the present attachment.
This entire procedure requires practice, and it is always better to leave too much hair the first few haircuts.
For the top of the head, you will get a fairly short cut if you use the 1/2" guide comb (if you cut the hair, including the 1-1/4" or 1-1/2" comb, you will get a slightly longer cut.) With the teeth fat against the hair, slowly start trimming from the back. Again, it is better to leave the hair longer the first few haircuts.

FOR LONGER HAIR ON TOP:
By not using a guide comb, a longer cut can be achieved. Use either a barber comb or a regular comb and lift the hair on top to the desired length. Start by cutting the hair with the fingers and cut to desired length. Continue using this procedure from the front to the back of the head, gradually cutting the hair shorter by reducing the space between the comb or fingers and the head. Comb frequently to remove trimmed hair and check for uneven strands.

TAPERING AROUND EARS:
USING LEFT AND RIGHT EAR GUIDE COMBS
The Left and Right Ear Guide Combs have a built in taper ranging from 1/8" to 1/2". By following the outline of the ear with the appropriate comb you achieve a gradual taper and blending without having to use multiple combs.
TO TAPER THE AREA BORDERING THE LEFT EAR:
Attach the Left Ear Taper Comb to your clipper and stand facing the left ear. While holding the clipper at a slight angle against the head, position the teeth onto your clipper and start by trimming the sides from the bottom upwards. Hold the clipper lightly against the hair, with the guide comb pointing up and flat against the head. Slowly lift the clipper up and outward through the hair, cutting only a small amount at a time.
Repeat around sides and back of head.
If you desire shorter hair, either change to a shorter guide comb (or setting.) If using adjustable guide combs or (or settings.) use more pressure and less lift away from head with the present attachment.
This entire procedure requires practice, and it is always better to leave too much hair the first few haircuts.
For the top of the head, you will get a fairly short cut if you use the 1/2" guide comb (if you cut the hair, including the 1-1/4" or 1-1/2" comb, you will get a slightly longer cut.) With the teeth fat against the hair, slowly start trimming from the back. Again, it is better to leave the hair longer the first few haircuts.

FOR LONGER HAIR ON TOP:
By not using a guide comb, a longer cut can be achieved. Use either a barber comb or a regular comb and lift the hair on top to the desired length. Start by cutting the hair with the fingers and cut to desired length. Continue using this procedure from the front to the back of the head, gradually cutting the hair shorter by reducing the space between the comb or fingers and the head. Comb frequently to remove trimmed hair and check for uneven strands.

TAPERING AROUND EARS:
USING LEFT AND RIGHT EAR GUIDE COMBS
The Left and Right Ear Guide Combs have a built in taper ranging from 1/8" to 1/2". By following the outline of the ear with the appropriate comb you achieve a gradual taper and blending without having to use multiple combs.
TO TAPER THE AREA BORDERING THE LEFT EAR:
Attach the Left Ear Taper Comb to your clipper and stand facing the left ear. While holding the clipper at a slight angle against the head, position the teeth onto your clipper and start by trimming the sides from the bottom upwards. Hold the clipper lightly against the hair, with the guide comb pointing up and flat against the head. Slowly lift the clipper up and outward through the hair, cutting only a small amount at a time.
Repeat around sides and back of head.
If you desire shorter hair, either change to a shorter guide comb (or setting.) If using adjustable guide combs or (or settings.) use more pressure and less lift away from head with the present attachment.
This entire procedure requires practice, and it is always better to leave too much hair the first few haircuts.
For the top of the head, you will get a fairly short cut if you use the 1/2" guide comb (if you cut the hair, including the 1-1/4" or 1-1/2" comb, you will get a slightly longer cut.) With the teeth fat against the hair, slowly start trimming from the back. Again, it is better to leave the hair longer the first few haircuts.

FOR LONGER HAIR ON TOP:
By not using a guide comb, a longer cut can be achieved. Use either a barber comb or a regular comb and lift the hair on top to the desired length. Start by cutting the hair with the fingers and cut to desired length. Continue using this procedure from the front to the back of the head, gradually cutting the hair shorter by reducing the space between the comb or fingers and the head. Comb frequently to remove trimmed hair and check for uneven strands.

TAPERING AROUND EARS:
USING LEFT AND RIGHT EAR GUIDE COMBS
The Left and Right Ear Guide Combs have a built in taper ranging from 1/8" to 1/2". By following the outline of the ear with the appropriate comb you achieve a gradual taper and blending without having to use multiple combs.
TO TAPER THE AREA BORDERING THE LEFT EAR:
Attach the Left Ear Taper Comb to your clipper and stand facing the left ear. While holding the clipper at a slight angle against the head, position the teeth onto your clipper and start by trimming the sides from the bottom upwards. Hold the clipper lightly against the hair, with the guide comb pointing up and flat against the head. Slowly lift the clipper up and outward through the hair, cutting only a small amount at a time.
Repeat around sides and back of head.
If you desire shorter hair, either change to a shorter guide comb (or setting.) If using adjustable guide combs or (or settings.) use more pressure and less lift away from head with the present attachment.
This entire procedure requires practice, and it is always better to leave too much hair the first few haircuts.
For the top of the head, you will get a fairly short cut if you use the 1/2" guide comb (if you cut the hair, including the 1-1/4" or 1-1/2" comb, you will get a slightly longer cut.) With the teeth fat against the hair, slowly start trimming from the back. Again, it is better to leave the hair longer the first few haircuts.

FOR LONGER HAIR ON TOP:
By not using a guide comb, a longer cut can be achieved. Use either a barber comb or a regular comb and lift the hair on top to the desired length. Start by cutting the hair with the fingers and cut to desired length. Continue using this procedure from the front to the back of the head, gradually cutting the hair shorter by reducing the space between the comb or fingers and the head. Comb frequently to remove trimmed hair and check for uneven strands.

TAPERING AROUND EARS:
USING LEFT AND RIGHT EAR GUIDE COMBS
The Left and Right Ear Guide Combs have a built in taper ranging from 1/8" to 1/2". By following the outline of the ear with the appropriate comb you achieve a gradual taper and blending without having to use multiple combs.
TO TAPER THE AREA BORDERING THE LEFT EAR:
Attach the Left Ear Taper Comb to your clipper and stand facing the left ear. While holding the clipper at a slight angle against the head, position the teeth onto your clipper and start by trimming the sides from the bottom upwards. Hold the clipper lightly against the hair, with the guide comb pointing up and flat against the head. Slowly lift the clipper up and outward through the hair, cutting only a small amount at a time.
Repeat around sides and back of head.
If you desire shorter hair, either change to a shorter guide comb (or setting.) If using adjustable guide combs or (or settings.) use more pressure and less lift away from head with the present attachment.
This entire procedure requires practice, and it is always better to leave too much hair the first few haircuts.
For the top of the head, you will get a fairly short cut if you use the 1/2" guide comb (if you cut the hair, including the 1-1/4" or 1-1/2" comb, you will get a slightly longer cut.) With the teeth fat against the hair, slowly start trimming from the back. Again, it is better to leave the hair longer the first few haircuts.

FOR LONGER HAIR ON TOP:
By not using a guide comb, a longer cut can be achieved. Use either a barber comb or a regular comb and lift the hair on top to the desired length. Start by cutting the hair with the fingers and cut to desired length. Continue using this procedure from the front to the back of the head, gradually cutting the hair shorter by reducing the space between the comb or fingers and the head. Comb frequently to remove trimmed hair and check for uneven strands.

TAPERING AROUND EARS:
USING LEFT AND RIGHT EAR GUIDE COMBS
The Left and Right Ear Guide Combs have a built in taper ranging from 1/8" to 1/2". By following the outline of the ear with the appropriate comb you achieve a gradual taper and blending without having to use multiple combs.
TO TAPER THE AREA BORDERING THE LEFT EAR:
Attach the Left Ear Taper Comb to your clipper and stand facing the left ear. While holding the clipper at a slight angle against the head, position the teeth onto your clipper and start by trimming the sides from the bottom upwards. Hold the clipper lightly against the hair, with the guide comb pointing up and flat against the head. Slowly lift the clipper up and outward through the hair, cutting only a small amount at a time.
Repeat around sides and back of head.
If you desire shorter hair, either change to a shorter guide comb (or setting.) If using adjustable guide combs or (or settings.) use more pressure and less lift away from head with the present attachment.
This entire procedure requires practice, and it is always better to leave too much hair the first few haircuts.
For the top of the head, you will get a fairly short cut if you use the 1/2" guide comb (if you cut the hair, including the 1-1/4" or 1-1/2" comb, you will get a slightly longer cut.) With the teeth fat against the hair, slowly start trimming from the back. Again, it is better to leave the hair longer the first few haircuts.

FOR LONGER HAIR ON TOP:
By not using a guide comb, a longer cut can be achieved. Use either a barber comb or a regular comb and lift the hair on top to the desired length. Start by cutting the hair with the fingers and cut to desired length. Continue using this procedure from the front to the back of the head, gradually cutting the hair shorter by reducing the space between the comb or fingers and the head. Comb frequently to remove trimmed hair and check for uneven strands.

TAPERING AROUND EARS:
USING LEFT AND RIGHT EAR GUIDE COMBS
The Left and Right Ear Guide Combs have a built in taper ranging from 1/8" to 1/2". By following the outline of the ear with the appropriate comb you achieve a gradual taper and blending without having to use multiple combs.
TO TAPER THE AREA BORDERING THE LEFT EAR:
Attach the Left Ear Taper Comb to your clipper and stand facing the left ear. While holding the clipper at a slight angle against the head, position the teeth onto your clipper and start by trimming the sides from the bottom upwards. Hold the clipper lightly against the hair, with the guide comb pointing up and flat against the head. Slowly lift the clipper up and outward through the hair, cutting only a small amount at a time.
Repeat around sides and back of head.
If you desire shorter hair, either change to a shorter guide comb (or setting.) If using adjustable guide combs or (or settings.) use more pressure and less lift away from head with the present attachment.
This entire procedure requires practice, and it is always better to leave too much hair the first few haircuts.
For the top of the head, you will get a fairly short cut if you use the 1/2" guide comb (if you cut the hair, including the 1-1/4" or 1-1/2" comb, you will get a slightly longer cut.) With the teeth fat against the hair, slowly start trimming from the back. Again, it is better to leave the hair longer the first few haircuts.

FOR LONGER HAIR ON TOP:
By not using a guide comb, a longer cut can be achieved. Use either a barber comb or a regular comb and lift the hair on top to the desired length. Start by cutting the hair with the fingers and cut to desired length. Continue using this procedure from the front to the back of the head, gradually cutting the hair shorter by reducing the space between the comb or fingers and the head. Comb frequently to remove trimmed hair and check for uneven strands.

TAPERING AROUND EARS:
USING LEFT AND RIGHT EAR GUIDE COMBS
The Left and Right Ear Guide Combs have a built in taper ranging from 1/8" to 1/2". By following the outline of the ear with the appropriate comb you achieve a gradual taper and blending without having to use multiple combs.
TO TAPER THE AREA BORDERING THE LEFT EAR:
Attach the Left Ear Taper Comb to your clipper and stand facing the left ear. While holding the clipper at a slight angle against the head, position the teeth onto your clipper and start by trimming the sides from the bottom upwards. Hold the clipper lightly against the hair, with the guide comb pointing up and flat against the head. Slowly lift the clipper up and outward through the hair, cutting only a small amount at a time.
Repeat around sides and back of head.
If you desire shorter hair, either change to a shorter guide comb (or setting.) If using adjustable guide combs or (or settings.) use more pressure and less lift away from head with the present attachment.
This entire procedure requires practice, and it is always better to leave too much hair the first few haircuts.
For the top of the head, you will get a fairly short cut if you use the 1/2" guide comb (if you cut the hair, including the 1-1/4" or 1-1/2" comb, you will get a slightly longer cut.) With the teeth fat against the hair, slowly start trimming from the back. Again, it is better to leave the hair longer the first few haircuts.

FOR LONGER HAIR ON TOP:
By not using a guide comb, a longer cut can be achieved. Use either a barber comb or a regular comb and lift the hair on top to the desired length. Start by cutting the hair with the fingers and cut to desired length. Continue using this procedure from the front to the back of the head, gradually cutting the hair shorter by reducing the space between the comb or fingers and the head. Comb frequently to remove trimmed hair and check for uneven strands.

TAPERING AROUND EARS:
USING LEFT AND RIGHT EAR GUIDE COMBS
The Left and Right Ear Guide Combs have a built in taper ranging from 1/8" to 1/2". By following the outline of the ear with the appropriate comb you achieve a gradual taper and blending without having to use multiple combs.
TO TAPER THE AREA BORDERING THE LEFT EAR:
Attach the Left Ear Taper Comb to your clipper and stand facing the left ear. While holding the clipper at a slight angle against the head, position the teeth onto your clipper and start by trimming the sides from the bottom upwards. Hold the clipper lightly against the hair, with the guide comb pointing up and flat against the head. Slowly lift the clipper up and outward through the hair, cutting only a small amount at a time.
Repeat around sides and back of head.
If you desire shorter hair, either change to a shorter guide comb (or setting.) If using adjustable guide combs or (or settings.) use more pressure and less lift away from head with the present attachment.
This entire procedure requires practice, and it is always better to leave too much hair the first few haircuts.
For the top of the head, you will get a fairly short cut if you use the 1/2" guide comb (if you cut the hair, including the 1-1/4" or 1-1/2" comb, you will get a slightly longer cut.) With the teeth fat against the hair, slowly start trimming from the back. Again, it is better to leave the hair longer the first few haircuts.

FOR LONGER HAIR ON TOP:
By not using a guide comb, a longer cut can be achieved. Use either a barber comb or a regular comb and lift the hair on top to the desired length. Start by cutting the hair with the fingers and cut to desired length. Continue using this procedure from the front to the back of the head, gradually cutting the hair shorter by reducing the space between the comb or fingers and the head. Comb frequently to remove trimmed hair and check for uneven strands.

TAPERING AROUND EARS:
USING LEFT AND RIGHT EAR GUIDE COMBS
The Left and Right Ear Guide Combs have a built in taper ranging from 1/8" to 1/2". By following the outline of the ear with the appropriate comb you achieve a gradual taper and blending without having to use multiple combs.
TO TAPER THE AREA BORDERING THE LEFT EAR:
Attach the Left Ear Taper Comb to your clipper and stand facing the left ear. While holding the clipper at a slight angle against the head, position the teeth onto your clipper and start by trimming the sides from the bottom upwards. Hold the clipper lightly against the hair, with the guide comb pointing up and flat against the head. Slowly lift the clipper up and outward through the hair, cutting only a small amount at a time.
Repeat around sides and back of head.
If you desire shorter hair, either change to a shorter guide comb (or setting.) If using adjustable guide combs or (or settings.) use more pressure and less lift away from head with the present attachment.
This entire procedure requires practice, and it is always better to leave too much hair the first few haircuts.
For the top of the head, you will get a fairly short cut if you use the 1/2" guide comb (if you cut the hair, including the 1-1/4" or 1-1/2" comb, you will get a slightly longer cut.) With the teeth fat against the hair, slowly start trimming from the back. Again, it is better to leave the hair longer the first few haircuts.

FOR LONGER HAIR ON TOP:
By not using a guide comb, a longer cut can be achieved. Use either a barber comb or a regular comb and lift the hair on top to the desired length. Start by cutting the hair with the fingers and cut to desired length. Continue using this procedure from the front to the back of the head, gradually cutting the hair shorter by reducing the space between the comb or fingers and the head. Comb frequently to remove trimmed hair and check for uneven strands.

TAPERING AROUND EARS:
USING LEFT AND RIGHT EAR GUIDE COMBS
The Left and Right Ear Guide Combs have a built in taper ranging from 1/8" to 1/2". By following the outline of the ear with the appropriate comb you achieve a gradual taper and blending without having to use multiple combs.
TO TAPER THE AREA BORDERING THE LEFT EAR:
Attach the Left Ear Taper Comb to your clipper and stand facing the left ear. While holding the clipper at a slight angle against the head, position the teeth onto your clipper and start by trimming the sides from the bottom upwards. Hold the clipper lightly against the hair, with the guide comb pointing up and flat against the head. Slowly lift the clipper up and outward through the hair, cutting only a small amount at a time.
Repeat around sides and back of head.
If you desire shorter hair, either change to a shorter guide comb (or setting.) If using adjustable guide combs or (or settings.) use more pressure and less lift away from head with the present attachment.
This entire procedure requires practice, and it is always better to leave too much hair the first few haircuts.
For the top of the head, you will get a fairly short cut if you use the 1/2" guide comb (if you cut the hair, including the 1-1/4" or 1-1/2" comb, you will get a slightly longer cut.) With the teeth fat against the hair, slowly start trimming from the back. Again, it is better to leave the hair longer the first few haircuts.

FOR LONGER HAIR ON TOP:
By not using a guide comb, a longer cut can be achieved. Use either a barber comb or a regular comb and lift the hair on top to the desired length. Start by cutting the hair with the fingers and cut to desired length. Continue using this procedure from the front to the back of the head, gradually cutting the hair shorter by reducing the space between the comb or fingers and the head. Comb frequently to remove trimmed hair and check for uneven strands.

TAPERING AROUND EARS:
USING LEFT AND RIGHT EAR GUIDE COMBS
The Left and Right Ear Guide Combs have a built in taper ranging from 1/8" to 1/2". By following the outline of the ear with the appropriate comb you achieve a gradual taper and blending without having to use multiple combs.
TO TAPER THE AREA BORDERING THE LEFT EAR:
Attach the Left Ear Taper Comb to your clipper and stand facing the left ear. While holding the clipper at a slight angle against the head, position the teeth onto your clipper and start by trimming the sides from the bottom upwards. Hold the clipper lightly against the hair, with the guide comb pointing up and flat against the head. Slowly lift the clipper up and outward through the hair, cutting only a small amount at a time.
Repeat around sides and back of head.
If you desire shorter hair, either change to a shorter guide comb (or setting.) If using adjustable guide combs or (or settings.) use more pressure and less lift away from head with the present attachment.
This entire procedure requires practice, and it is always better to leave too much hair the first few haircuts.
For the top of the head, you will get a fairly short cut if you use the 1/2" guide comb (if you cut the hair, including the 1-1/4" or 1-1/2" comb, you will get a slightly longer cut.) With the teeth fat against the hair, slowly start trimming from the back. Again, it is better to leave the hair longer the first few haircuts.

FOR LONGER HAIR ON TOP:
By not using a guide comb, a longer cut can be achieved. Use either a barber comb or a regular comb and lift the hair on top to the desired length. Start by cutting the hair with the fingers and cut to desired length. Continue using this procedure from the front to the back of the head, gradually cutting the hair shorter by reducing the space between the comb or fingers and the head. Comb frequently to remove trimmed hair and check for uneven strands.

TAPERING AROUND EARS:
USING LEFT AND RIGHT EAR GUIDE COMBS
The Left and Right Ear Guide Combs have a built in taper ranging from 1/8" to 1/2". By following the outline of the ear with the appropriate comb you achieve a gradual taper and blending without having to use multiple combs.
TO TAPER THE AREA BORDERING THE LEFT EAR:
Attach the Left Ear Taper Comb to your clipper and stand facing the left ear. While holding the clipper at a slight angle against the head, position the teeth onto your clipper and start by trimming the sides from the bottom upwards. Hold the clipper lightly against the hair, with the guide comb pointing up and flat against the head. Slowly lift the clipper up and outward through the hair, cutting only a small amount at a time.
Repeat around sides and back of head.
If you desire shorter hair, either change to a shorter guide comb (or setting.) If using adjustable guide combs or (or settings.) use more pressure and less lift away from head with the present attachment.
This entire procedure requires practice, and it is always better to leave too much hair the first few haircuts.
For the top of the head, you will get a fairly short cut if you use the 1/2" guide comb (if you cut the hair, including the 1-1/4" or 1-1/2" comb, you will get a slightly longer cut.) With the teeth fat against the hair, slowly start trimming from the back. Again, it is better to leave the hair longer the first few haircuts.

FOR LONGER HAIR ON TOP:
By not using a guide comb, a longer cut can be achieved. Use either a barber comb or a regular comb and lift the hair on top to the desired length. Start by cutting the hair with the fingers and cut to desired length. Continue using this procedure from the front to the back of the head, gradually cutting the hair shorter by reducing the space between the comb or fingers and the head. Comb frequently to remove trimmed hair and check for uneven strands.

TAPERING AROUND EARS:
USING LEFT AND RIGHT EAR GUIDE COMBS
The Left and Right Ear Guide Combs have a built in taper ranging from 1/8" to 1/2". By following the outline of the ear with the appropriate comb you achieve a gradual taper and blending without having to use multiple combs.
TO TAPER THE AREA BORDERING THE LEFT EAR:
Attach the Left Ear Taper Comb to your clipper and stand facing the left ear. While holding the clipper at a slight angle against the head, position the teeth onto your clipper and start by trimming the sides from the bottom upwards. Hold the clipper lightly against the hair, with the guide comb pointing up and flat against the head. Slowly lift the clipper up and outward through the hair, cutting only a small amount at a time.
Repeat around sides and back of head.
If you desire shorter hair, either change to a shorter guide comb (or setting.) If using adjustable guide combs or (or settings.) use more pressure and less lift away from head with the present attachment.
This entire procedure requires practice, and it is always better to leave too much hair the first few haircuts.
For the top of the head, you will get a fairly short cut if you use the 1/2" guide comb (if you cut the hair, including the 1-1/4" or 1-1/2" comb, you will get a slightly longer cut.) With the teeth fat against the hair, slowly start trimming from the back. Again, it is better to leave the hair longer the first few haircuts.

FOR LONGER HAIR ON TOP:
By not using a guide comb, a longer cut can be achieved. Use either a barber comb or a regular comb and lift the hair on top to the desired length. Start by cutting the hair with the fingers and cut to desired length. Continue using this procedure from the front to the back of the head, gradually cutting the hair shorter by reducing the space between the comb or fingers and the head. Comb frequently to remove trimmed hair and check for uneven strands.

TAPERING AROUND EARS:
USING LEFT AND RIGHT EAR GUIDE COMBS
The Left and Right Ear Guide Combs have a built in taper ranging from 1/8" to 1/2". By following the outline of the ear with the appropriate comb you achieve a gradual taper and blending without having to use multiple combs.
TO TAPER THE AREA BORDERING THE LEFT EAR:
Attach the Left Ear Taper Comb to your clipper and stand facing the left ear. While holding the clipper at a slight angle against the head, position the teeth onto your clipper and start by trimming the sides from the bottom upwards. Hold the clipper lightly against the hair, with the guide comb pointing up and flat against the head. Slowly lift the clipper up and outward through the hair, cutting only a small amount at a time.
Repeat around sides and back of head.
If you desire shorter hair, either change to a shorter guide comb (or setting.) If using adjustable guide combs or (or settings.) use more pressure and less lift away from head with the present attachment.
This entire procedure requires practice, and it is always better to leave too much hair the first few haircuts.
For the top of the head, you will get a fairly short cut if you use the 1/2" guide comb (if you cut the hair, including the 1-1/4" or 1-1/2" comb, you will get a slightly longer cut.) With the teeth fat against the hair, slowly start trimming from the back. Again, it is better to leave the hair longer the first few haircuts.

FOR LONGER HAIR ON TOP:
By not using a guide comb, a longer cut can be achieved. Use either a barber comb or a regular comb and lift the hair on top to the desired length. Start by cutting the hair with the fingers and cut to desired length. Continue using this procedure from the front to the back of the head, gradually cutting the hair shorter by reducing the space between the comb or fingers and the head. Comb frequently to remove trimmed hair and check for uneven strands.

TAPERING AROUND EARS:
USING LEFT AND RIGHT EAR GUIDE COMBS
The Left

