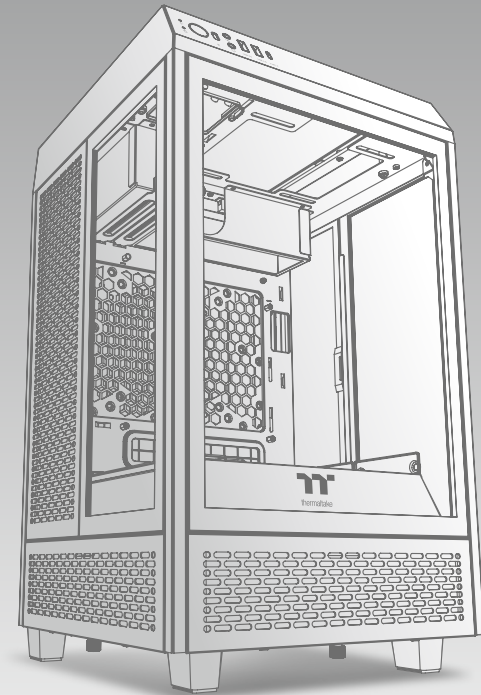


 thermaltake



Picture is for reference only

The Tower 100

User's Manual
Benutzerhandbuch
Mode d'emploi
Manual del usuario
Manuale dell'utente
Manual do Utilizador

安裝說明書
用戶手冊
ユーザーズマニュアル
Руководство пользователя
kullanıcı elkitabı
(EEE Yönetmeliğine Uygundur)
คู่มือการใ้ช


thermaltake

© 2020 Thermaltake Technology Co., Ltd. All Rights Reserved. A-2020.10
All other registered trademarks belong to their respective companies. www.thermaltake.com

 Tested To Comply
With FCC Standards
FOR HOME OR OFFICE USE

 RoHS
COMPLIANT

 CE



TT Premium



TT Premium

To continue achieving the corporate mission of delivering the perfect user experience, Thermaltake developed "TT Premium" with the essence of combining supreme quality products with a new logo design. TT Premium is far more than just a guarantee of quality. Behind the name, it represents the passion in DIY, Modding and Thermaltake's desire to be the most innovative brand in the PC hardware market. To satisfy the demand of the high-end PC users, TT Premium follows its core values of Excellent Quality, Unique Design, Diverse Combinations and Boundless Creativity to provide a high performance PC product for every enthusiast. <http://tppremium.com>

Tt LCS-Liquid Cooling Support Certification



Tt LCS Certified is a Thermaltake exclusive certification applied to only products that pass the design and hardcore enthusiasts standards that a true LCS chassis should be held to. The Tt LCS certification was created so that we at Thermaltake can designate to all power users which chassis have been tested to be best compatible with extreme liquid cooling configurations to ensure you get the best performance from the best features and fitment.

Join Tt Community To Receive Benefits



Dear Valued Customer,
Thank you for choosing Thermaltake.
As a new user we value your thoughts and opinions and your feedback is important to us. We at Thermaltake would like to use this opportunity to invite you to join our Community Forums. Register today to start enjoying the full benefits of our community.



Benefits of being a member:

- Quick and responsive user support
- Receive help and advice with new builds
- Keep up to date with new product releases
- Share your thoughts and builds with the community
- Enter monthly contests and giveaways

Brand official website
<http://www.thermaltake.com/>

Global Facebook
<https://www.facebook.com/ThermaltakeInc>

Taiwan Facebook
<http://www.facebook.com/ThermaltakeTW>

Global community forums
<http://community.thermaltake.com>

CONTENTS




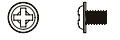
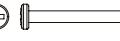

Chapter 1. Product Introduction

1.0	Specification	01
1.1	Accessory	01
1.2	Warning and Notice	02

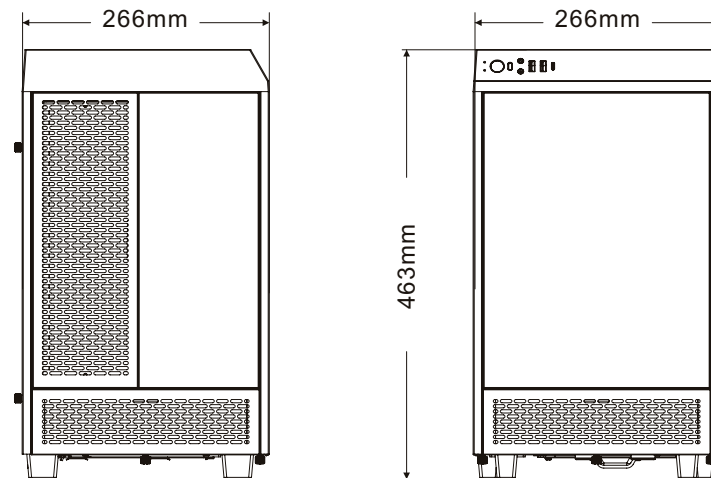
Chapter 2. Installation Guide

2.0	Remove Components	05
2.1	Power Supply Unit (PSU) Installation	07
2.2	Motherboard Installation	08
2.3	3.5" & 2.5" HDD Installation	09
2.4	PCI Card Installation	11
2.5	Air Cooling Installation	12
2.6	AIO Liquid Cooling Installation	13
2.7	I/O Connection	14
2.8	Remove Filter	15

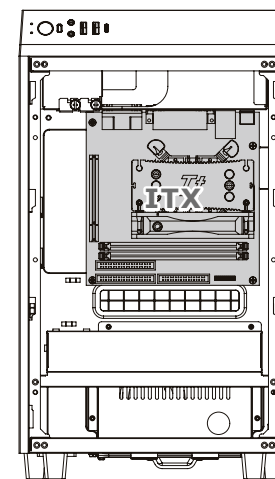
Case Type	Mini Tower
Dimension (HxWxD)	462.8 x 266 x 266 mm (18.2 x 10.5 x 10.5 inch)
Side Panel	Tempered Glass x 3 (4mm thickness)
Material	SPCC
Cooling System	Top (exhaust) : 120 x 120 x 25 mm Turbo fan (1000rpm, 16dBA) x 1 Rear (exhaust) : 120 x 120 x 25 mm Turbo fan (1000rpm, 16dBA) x 1
Drive Bays	-
- Accessible	2 x 2.5" (With side bracket)
- Hidden	2 x 3.5" (With rear bracket)
Expansion Slots	2
Motherboards	6.7" x 6.7" (Mini ITX)
I/O Port	1 x Type-C, 2 x USB 3.0, 1 x HD Audio
PSU	Standard PS2 PSU (optional)
Fan Support	Top : 1 x 120mm, 1 x 140mm Rear : 1 x 120mm, 1 x 140mm Power Cover : 1 x 120mm, 1 x 140mm
Radiator Support	Top : 1 x 120mm
Clearance	CPU cooler max height : 190mm VGA max length : 330mm PSU max length : 180mm

Figure	Part Name	Q'ty	Used For
	Screw #6-32 x 6mm	4	Power
	Screw #6-32 x 5mm	12	Motherboard / 3.5" SSD
	Buzzer	1	Motherboard Alarm
	Screw M3 x 5mm	16	2.5" SSD
	Screw #6-32 x 29mm	4	Case Fan
	CableTie	10	Cable Management

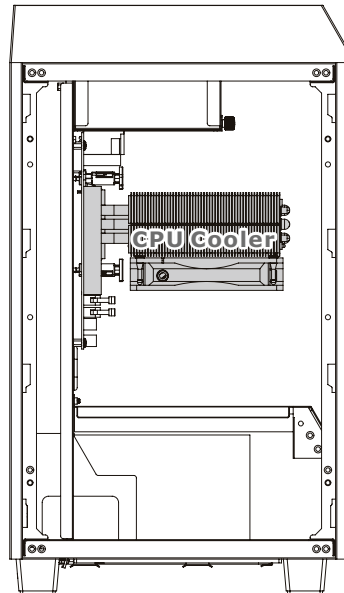
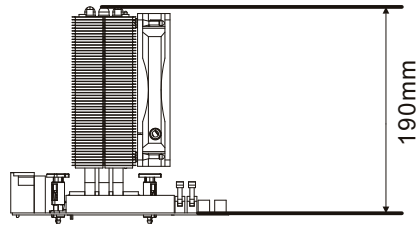
Chassis dimension



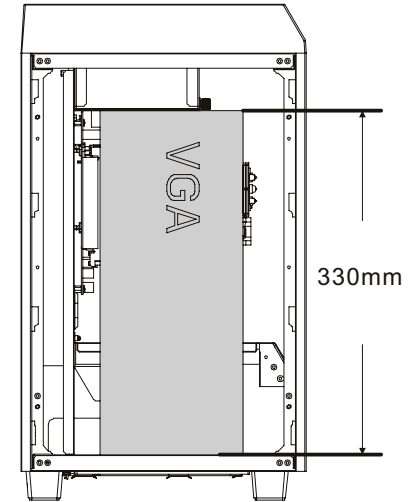
Motherboard Compatibility: ITX



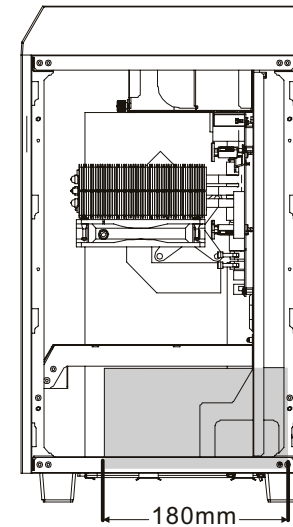
CPU cooler max height: 190mm

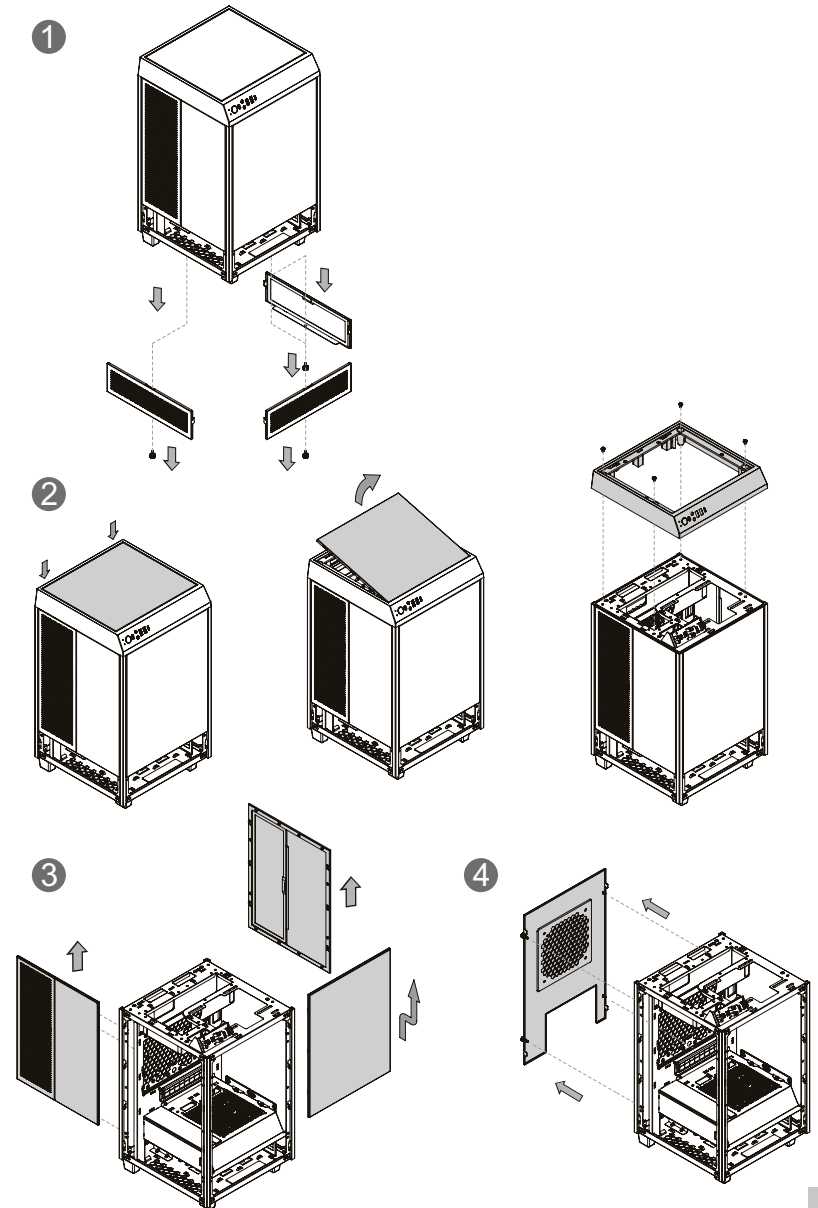
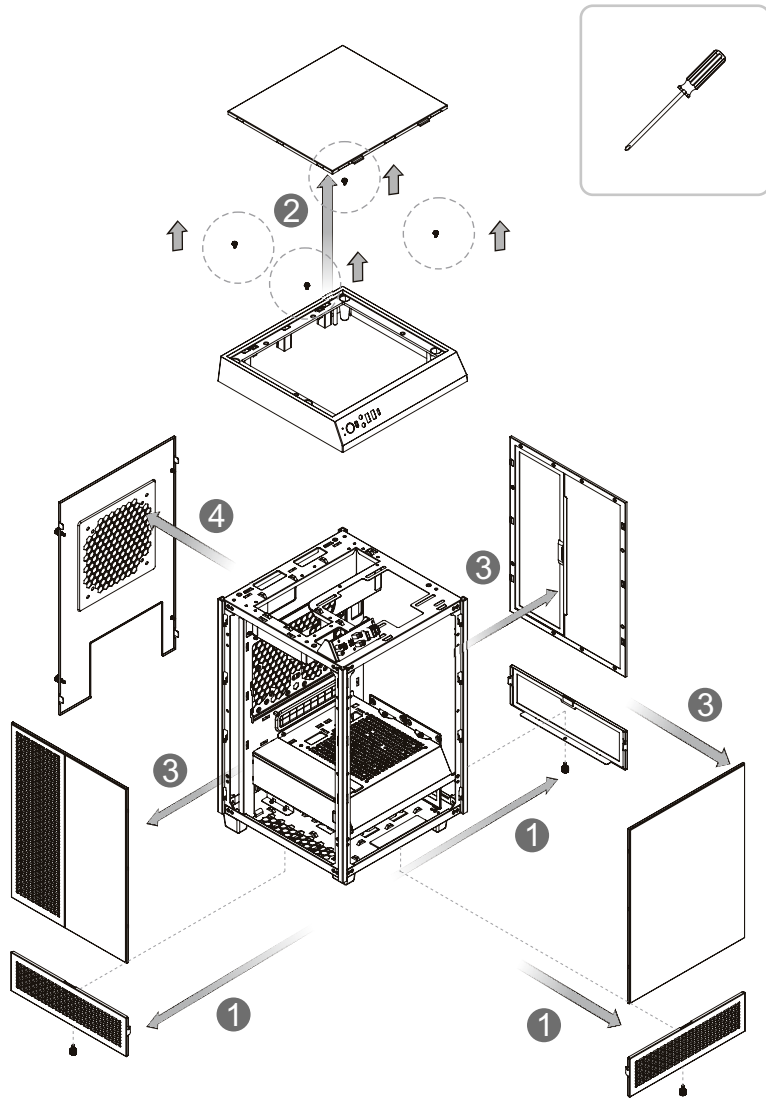


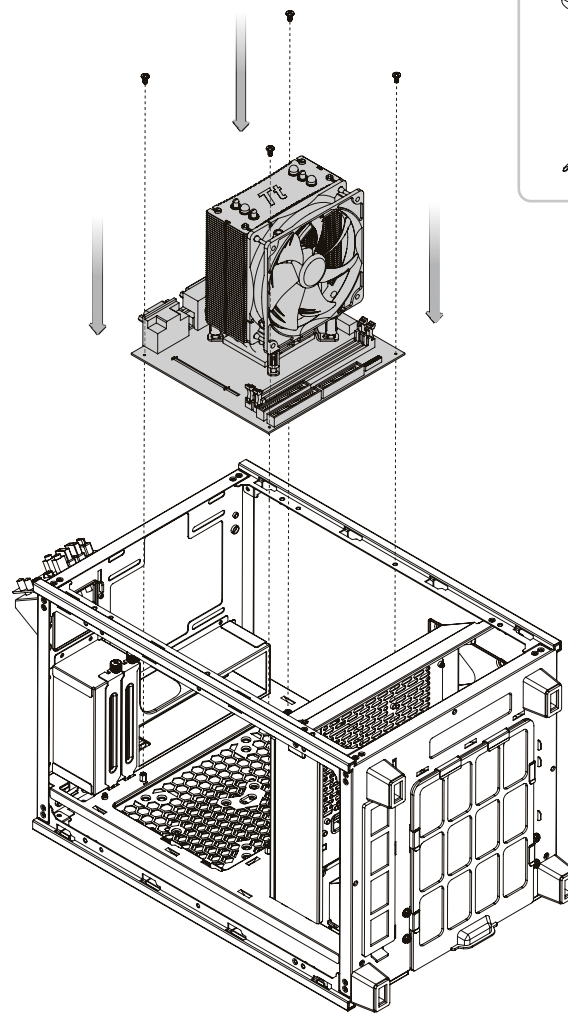
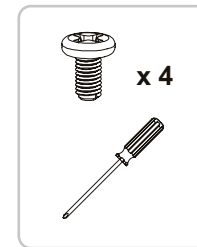
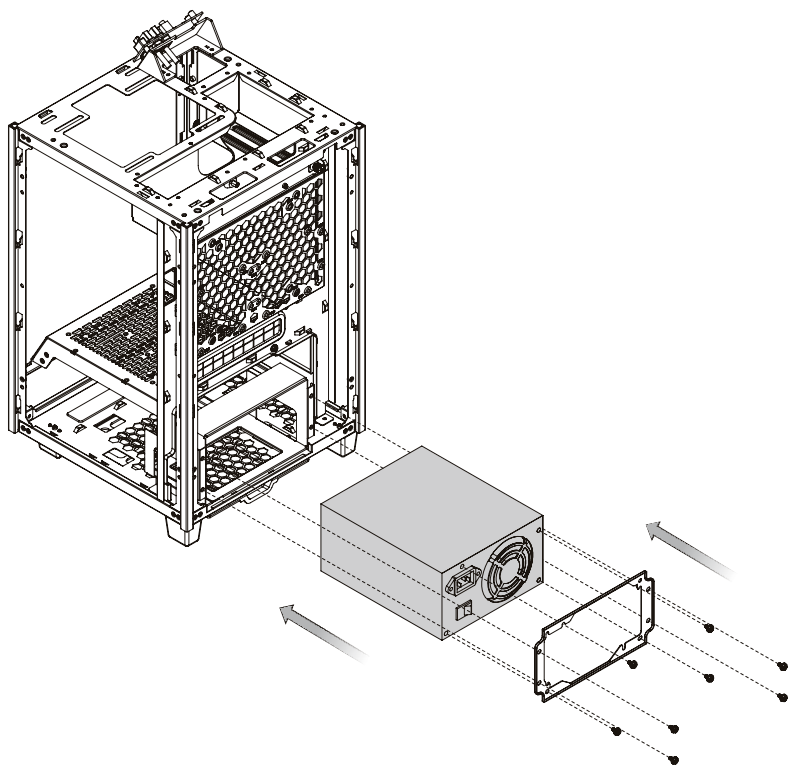
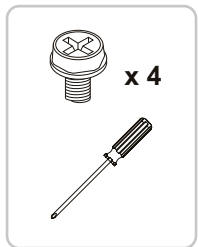
VGA length max length: 330mm



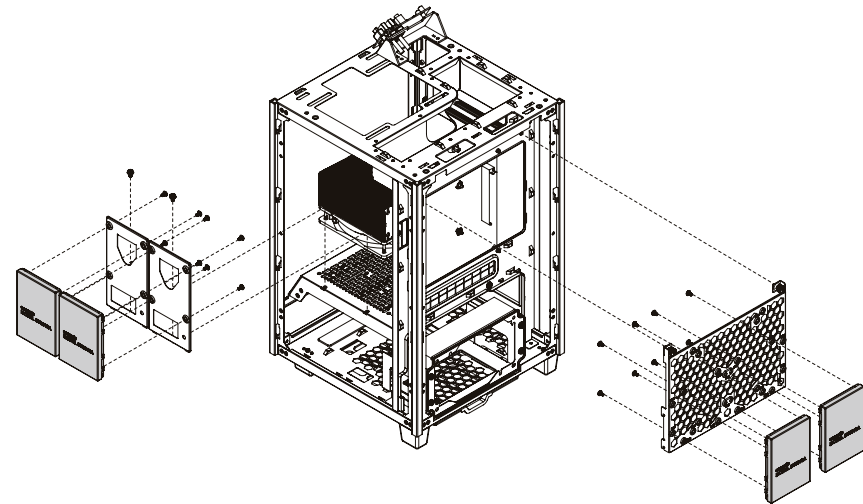
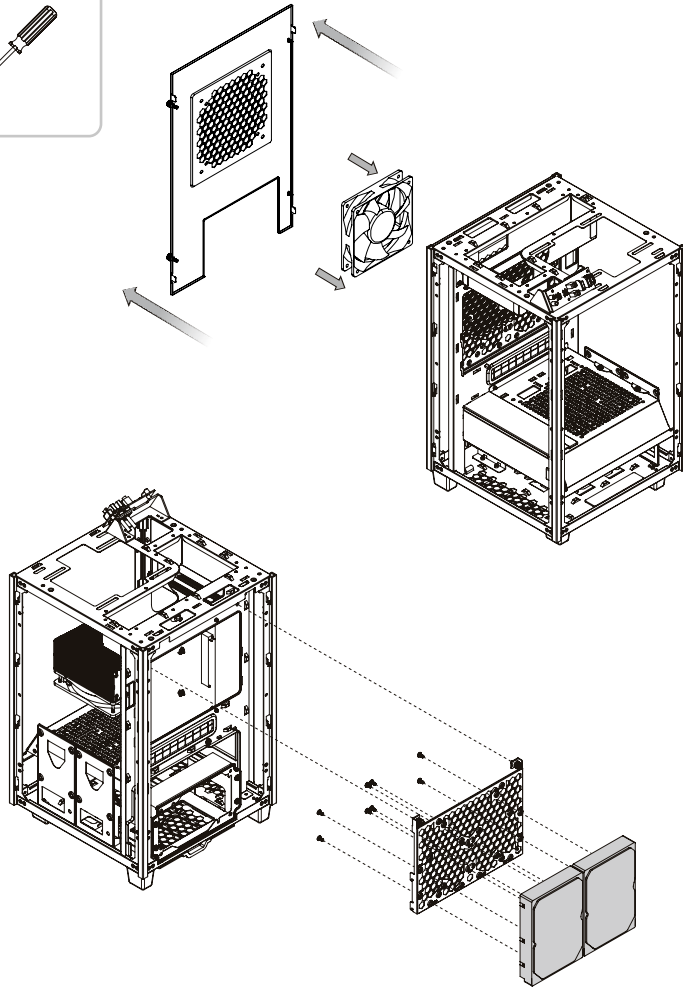
PSU max length: 180mm

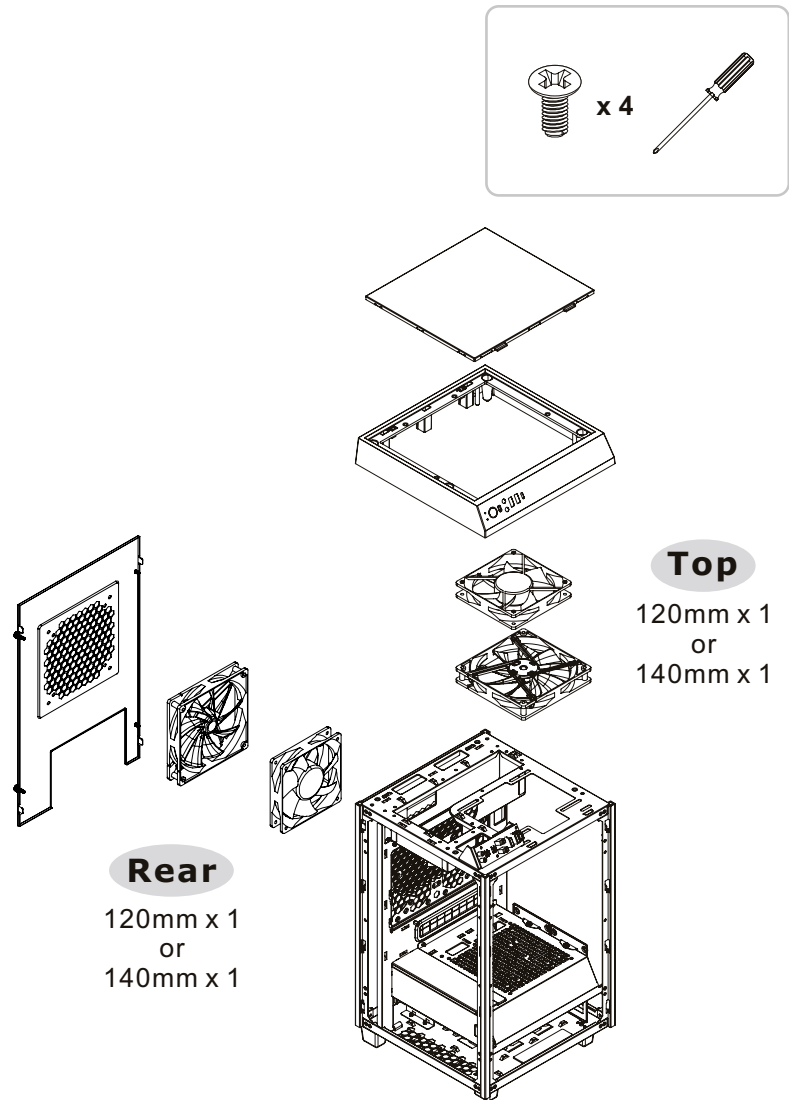
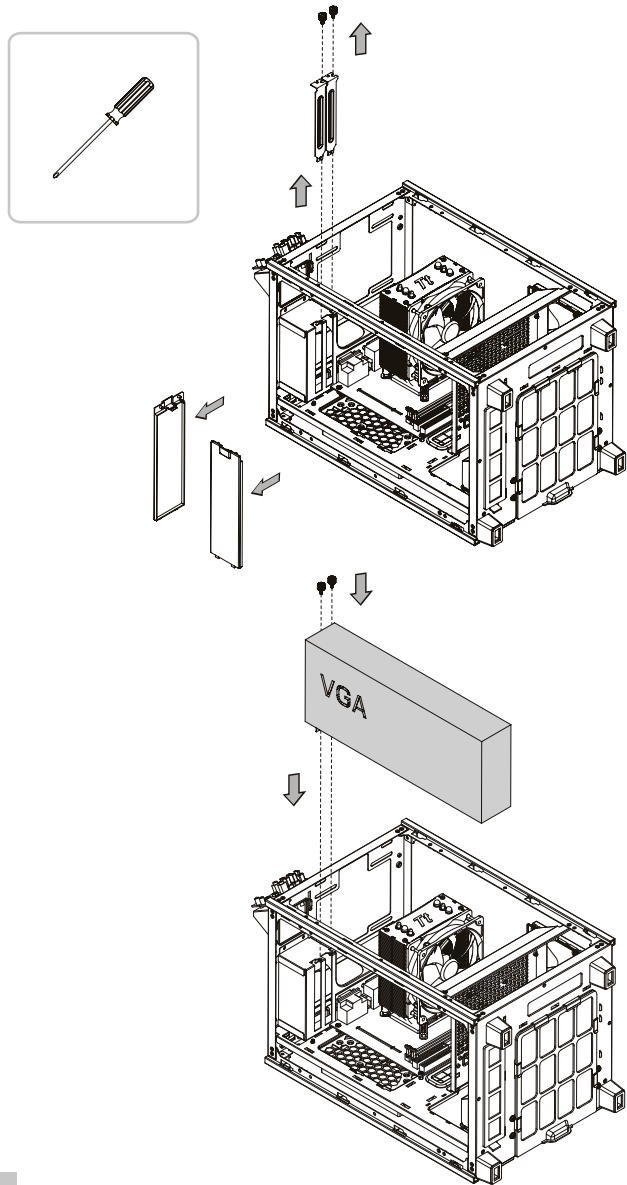


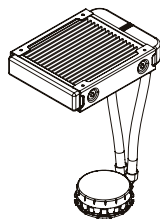
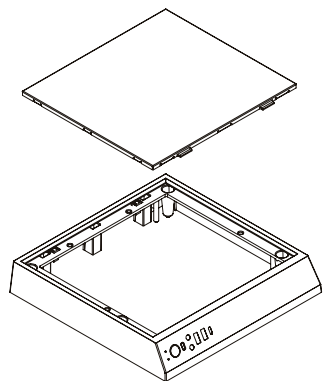




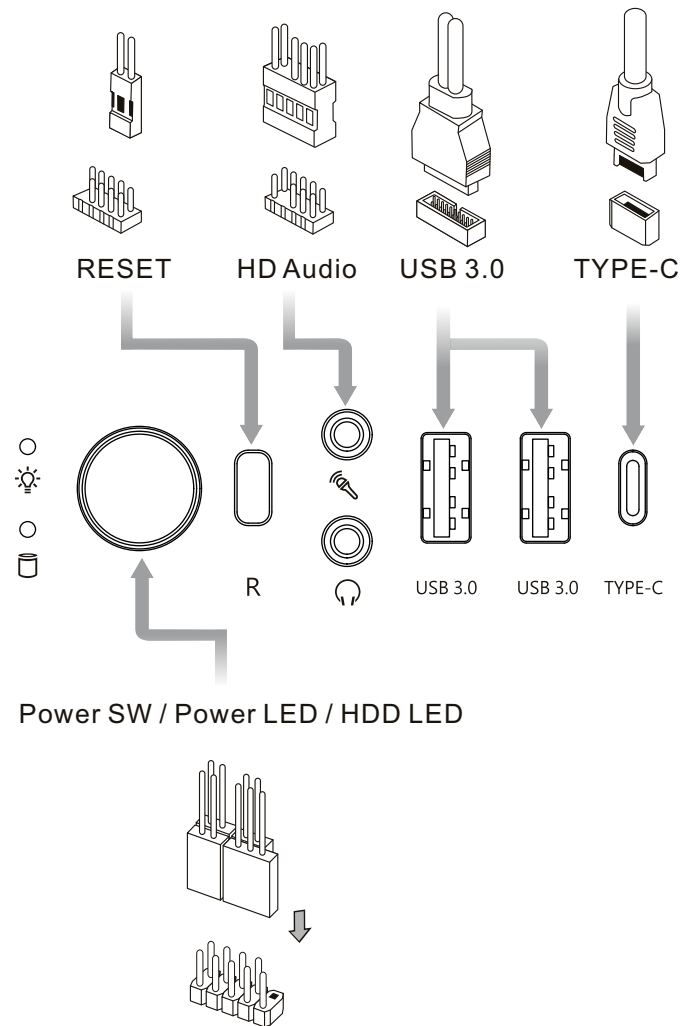
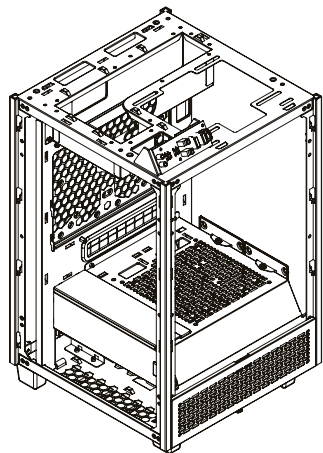
Notice: Remove fan before install HDD device !

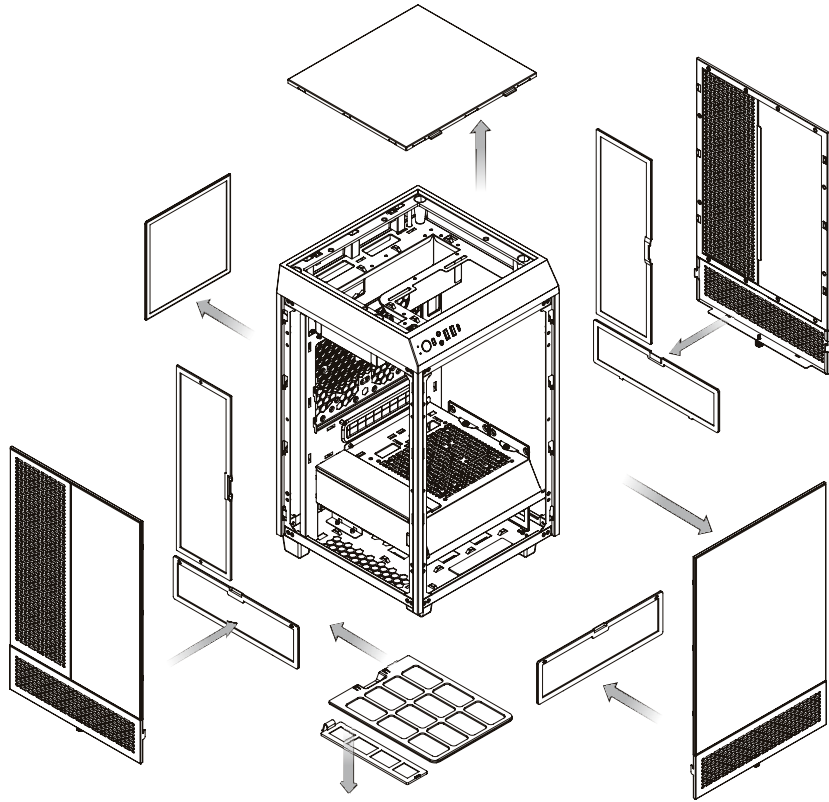






Top
120mm x 1





Note:

A series of horizontal dashed lines for taking notes.
