

\* Picture is for reference only

# CTE E600 MX

- |                      |                              |
|----------------------|------------------------------|
| User's Manual        | 安裝說明書                        |
| Benutzerhandbuch     | 用戶手冊                         |
| Mode d'emploi        | ユーザーマニュアル                    |
| Manual del usuario   | Руководство пользователя     |
| Manuale dell'utente  | kullanıcı elkitabı           |
| Manual do Utilizador | (EEE) Yönetmeliğine Uygundur |
|                      | คู่มือการใช้งาน              |

## TT Premium



### TT Premium

To continue achieving the corporate mission of delivering the perfect user experience, Thermaltake developed "TT Premium" with the essence of combining supreme quality products with a new logo design. TT Premium is far more than just a guarantee of quality. Behind the name, it represents the passion in DIY, Modding and Thermaltake's desire to be the most innovative brand in the PC hardware market. To satisfy the demand of the high-end PC users, TT Premium follows its core values of Excellent Quality, Unique Design, Diverse Combinations and Boundless Creativity to provide a high performance PC product for every enthusiast. <http://tppremium.com>

## Tt LCS-Liquid Cooling Support Certification



Tt LCS Certified is a Thermaltake exclusive certification applied to only products that pass the design and hardcore enthusiasts standards that a true LCS chassis should be held to. The Tt LCS certification was created so that we at Thermaltake can designate to all power users which chassis have been tested to be best compatible with extreme liquid cooling configurations to ensure you get the best performance from the best features and fitment.

## Join Tt Community To Receive Benefits



Dear Valued Customer,  
Thank you for choosing Thermaltake.  
As a new user we value your thoughts and opinions and your feedback is important to us. We at Thermaltake would like to use this opportunity to invite you to join our Community Forums. Register today to start enjoying the full benefits of our community.



### Benefits of being a member:

- Quick and responsive user support
- Receive help and advice with new builds
- Keep up to date with new product releases
- Share your thoughts and builds with the community
- Enter monthly contests and giveaways

**Brand official website**  
<http://www.thermaltake.com/>

**Global Facebook**  
<https://www.facebook.com/ThermaltakeInc>

**Taiwan Facebook**  
<http://www.facebook.com/ThermaltakeTW>

**Global community forums**  
<http://community.thermaltake.com>

# CONTENTS

## Chapter 1. Product Introduction

1.0	Specification .....	01
1.1	Accessory .....	02
1.2	Warning and Notice .....	03

## Chapter 2. Installation Guide

2.0	Remove Panels .....	06
2.1	Power Supply Unit (PSU) Installation .....	07
2.2	Motherboard Installation .....	08
2.3	3.5" HDD Installation .....	09
2.4	2.5" SSD Installation .....	10
2.5	VGA Card Installation .....	11
2.6	Air Cooling Installation .....	15
2.7	AIO Liquid Cooling Installation .....	16
2.8	Liquid Cooling Installation .....	17
2.9	I/O Connection .....	19
2.10	Remove Filters .....	20

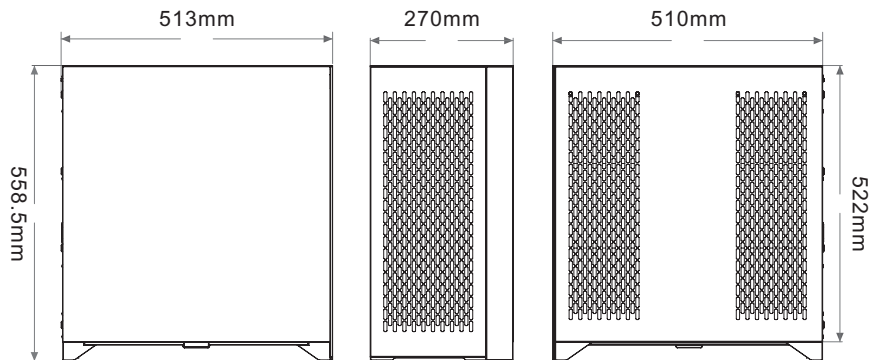
Case Type	Mid Tower
Dimension (H*W*D)	558.5 x 270 x 513 mm (21.99 x 10.63 x 20.2 inch)
Panel	Tempered Glass x 2
Material	SPCC
Drive Bays	2 x 3.5", 2 x 2.5"
Expansion Slots	7
Motherboards	6.7" x 6.7" (Mini ITX), 9.6" x 9.6" (Micro ATX), 12" x 9.6" (ATX), 12" x 10.5" (E-ATX)
I/O Port	USB 3.0 x 2, Type-C x 1, HD Audio x 1
PSU	Standard PS2 PSU (optional)
Fan Support	Front: 3 x 120mm, 2 x 120mm, 1 x 120mm 3 x 140mm, 2 x 140mm, 1 x 140mm
	Top: 2 x 120mm, 1 x 120mm
	Right (M/B Side): 3 x 120mm, 2 x 120mm, 1 x 120mm 3 x 140mm, 2 x 140mm, 1 x 140mm
	Rear: 3 x 120mm, 2 x 120mm, 1 x 120mm 3 x 140mm, 2 x 140mm, 1 x 140mm
	Bottom: 3 x 120mm, 2 x 120mm, 1 x 120mm 3 x 140mm, 2 x 140mm, 1 x 140mm
Radiator Support	Front: 1 x 360mm, 1 x 240mm, 1 x 120mm 1 x 420mm, 1 x 280mm, 1 x 140mm
	Top: 1 x 240mm, 1 x 120mm
	Right (M/B Side): 1 x 360mm, 1 x 240mm, 1 x 120mm 1 x 420mm, 1 x 280mm, 1 x 140mm
	Rear: 1 x 360mm, 1 x 240mm, 1 x 120mm 1 x 420mm, 1 x 280mm, 1 x 140mm
	Bottom (DIY only): 1 x 360mm, 1 x 240mm, 1 x 120mm 1 x 420mm, 1 x 280mm, 1 x 140mm
Clearance	CPU cooler max height: 166mm VGA max length: 415mm (With radiator) 443.8mm (Without radiator) PSU max length: 220mm

Figure	Part Name	Q'ty	Used For
	Stand-off #6-32 x 6.5mm	4	PCI-E Riser Cable Bracket -C / Backup
	Screw #6-32 x 6mm	4	Power Supply
	Screw #6-32 x 5mm	30	Motherboard / 3.5" HDD / Riser Cable Bracket -A-B-C / Riser Cable / VGA
	Screw M3 x 5mm	8	2.5" HDD / SSD
	Nut Setter	1	Motherboard Stand-off
	Screw Ø5 x 10mm	12	Case Fan
	Clip	5	Side Panel
	Zip Ties	10	Cable Management
	Cable Ties	10	Cable Management
	Buzzer	1	Motherboard Alarm
	PCI-E Riser Cable Bracket-A	1	Vertical VGA Mount
	PCI-E Riser Cable Bracket-B	1	Floating VGA Mount
	PCI-E Riser Cable Bracket-C	1	Floating VGA Mount
	PCI-E 4.0 Dual 90° Riser Cable 400mm	1	Floating VGA Mount

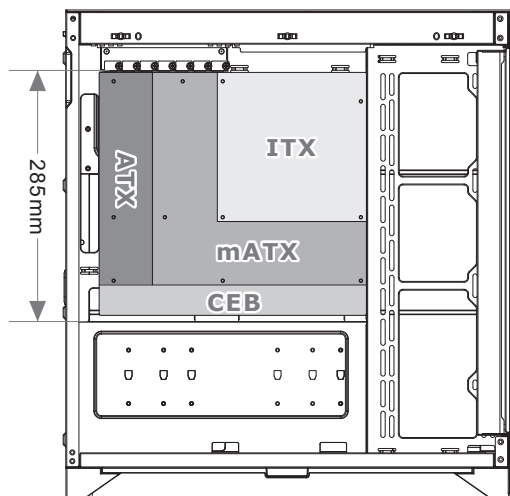
Additional Tempered Glass Panel

Figure	Part Name	Q'ty	Used For
	Tempered Glass Panel	1	Front Panel Option

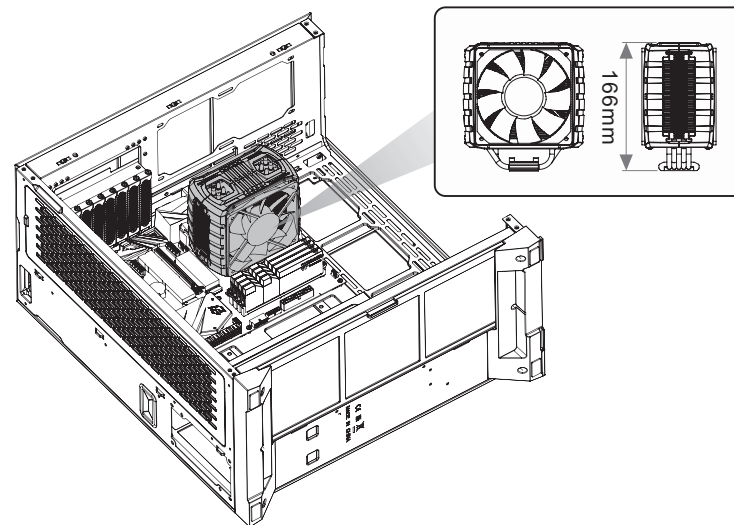
## Chassis dimension



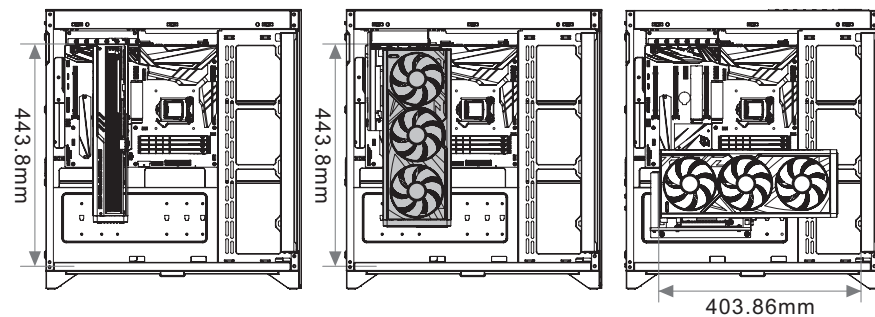
Motherboard compatibility: ITX / mATX / ATX / E-ATX  
(Up to 285mm wide)



CPU cooler max height: 166mm

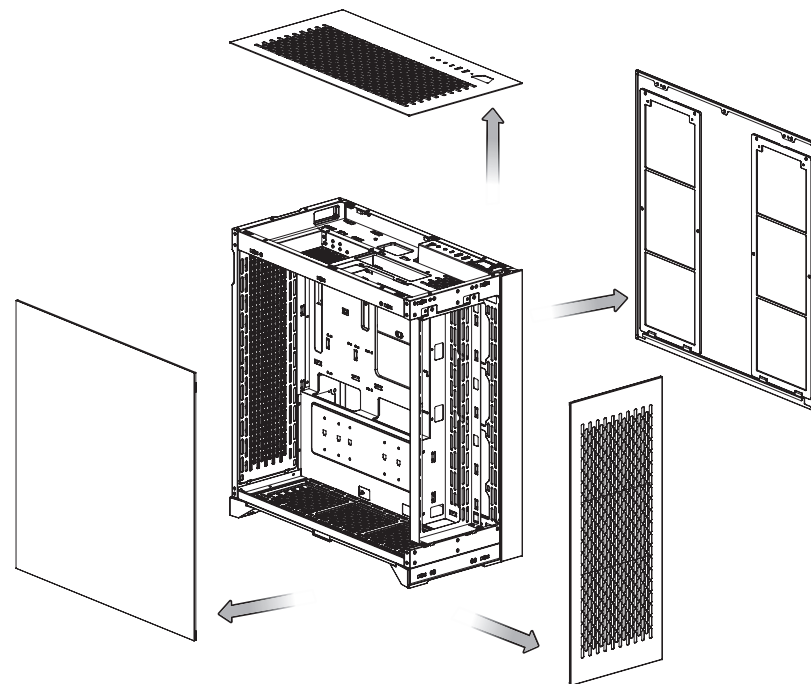
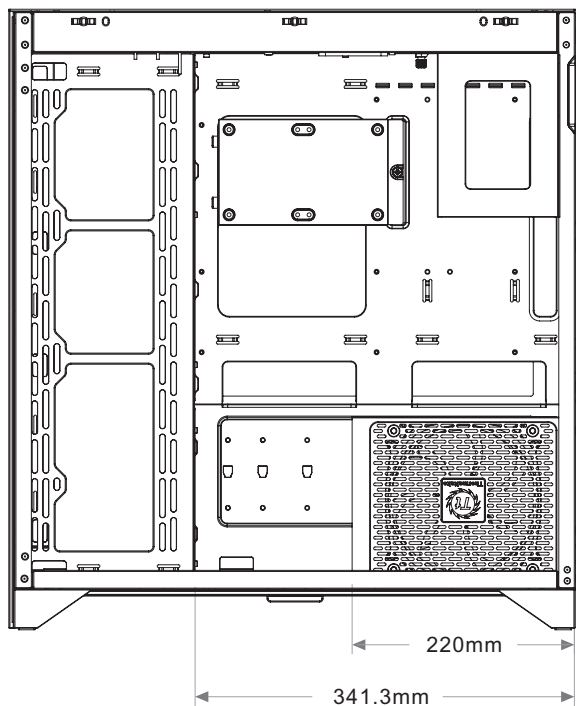


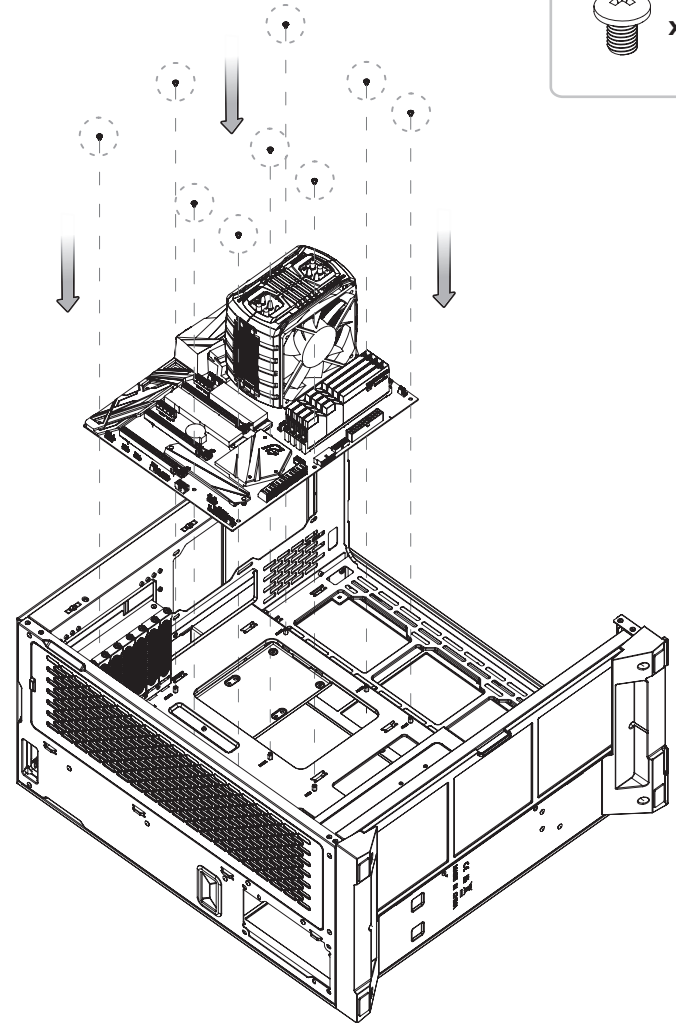
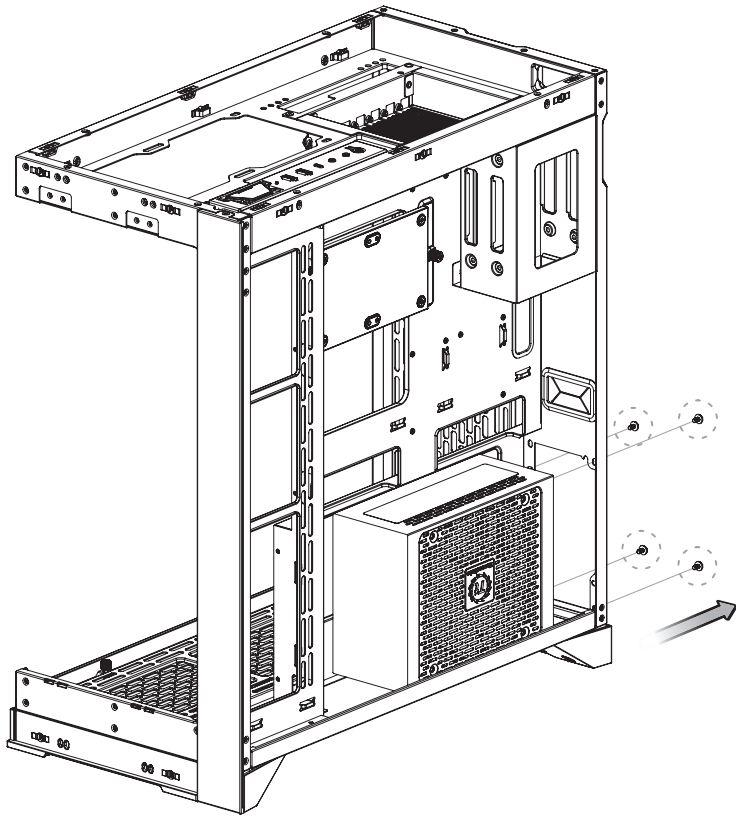
VGA max length: 443.8mm

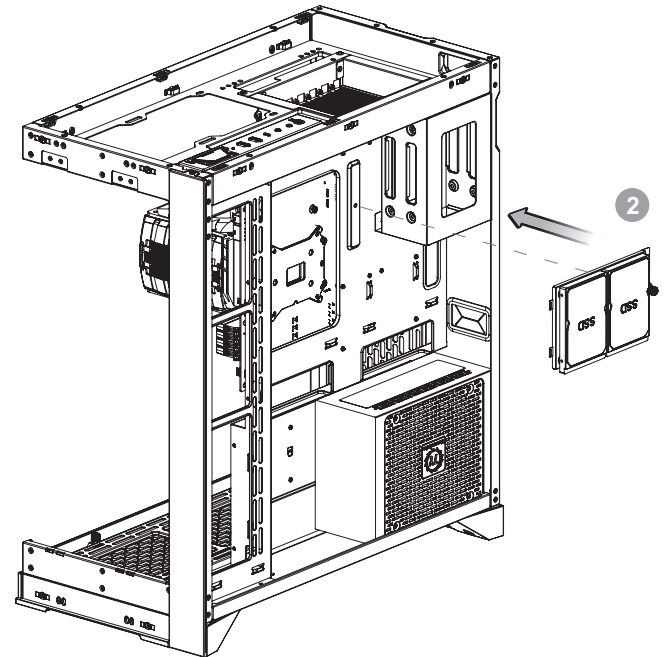
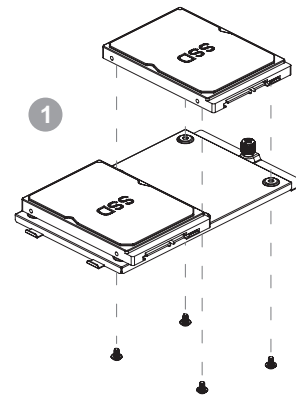
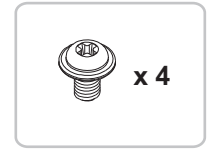
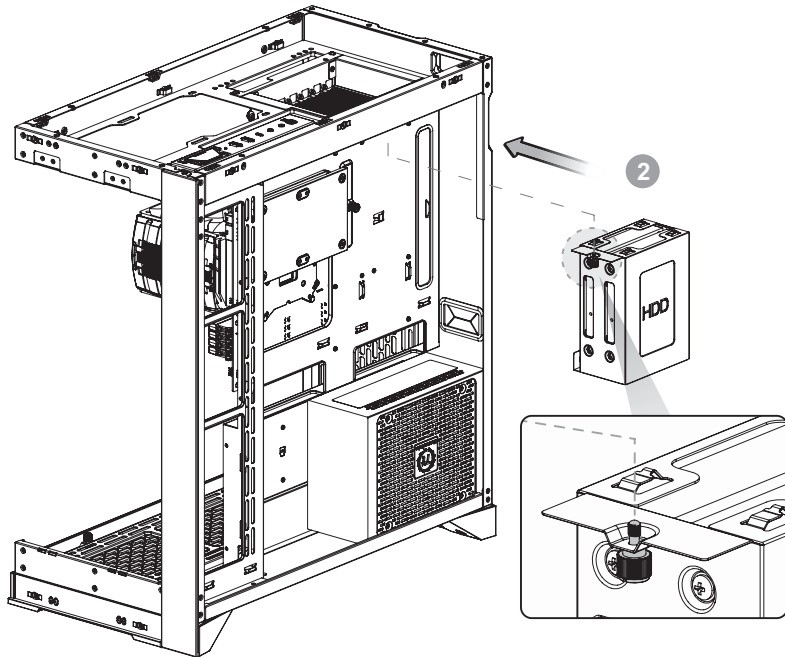
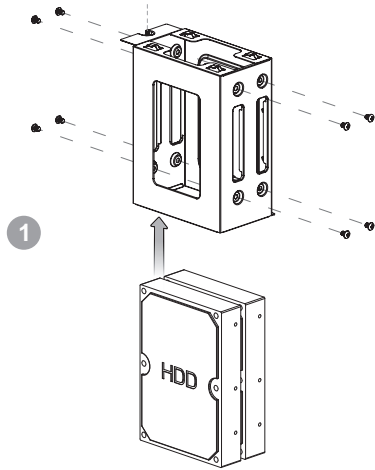
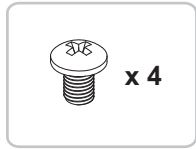




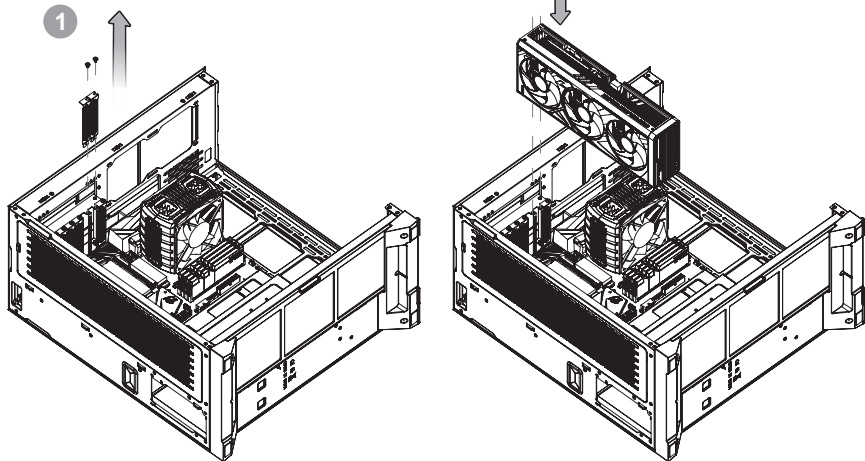
PSU max length: 220 mm



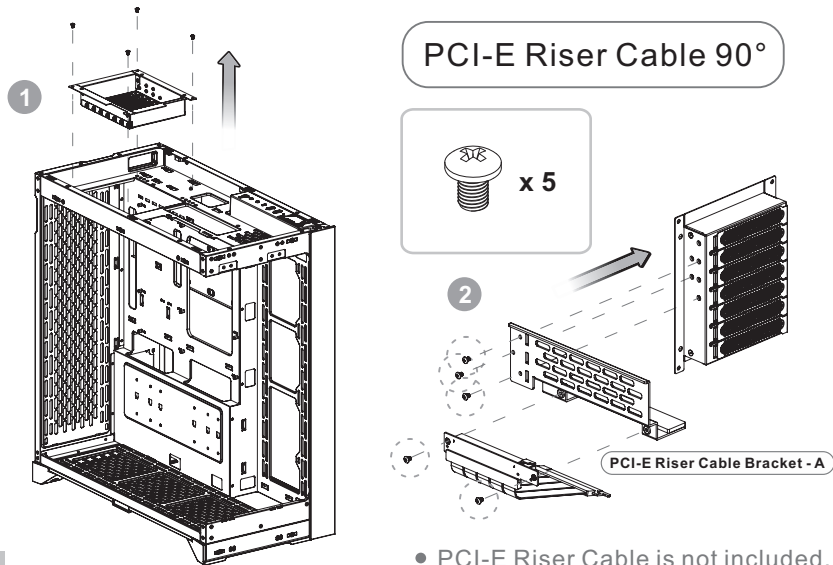




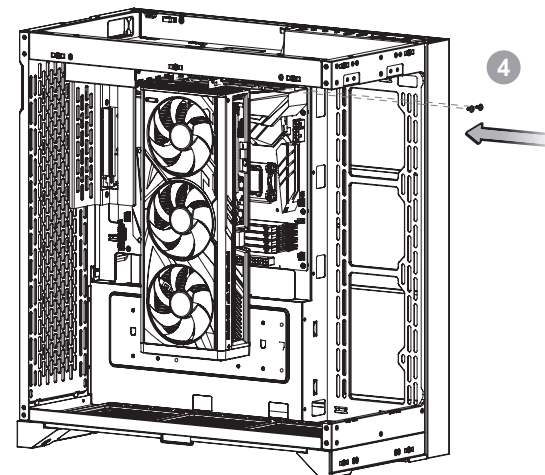
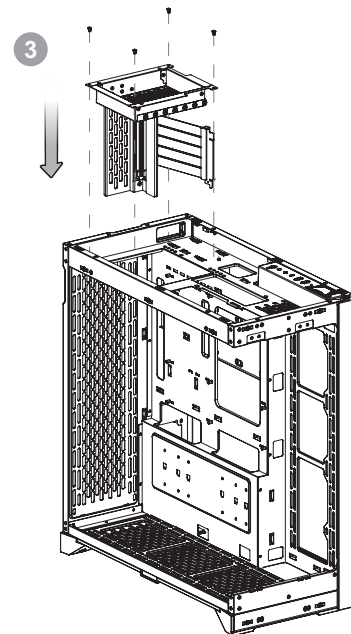
Type A



Type B



• PCI-E Riser Cable is not included.



## Type C

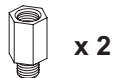
1

PCI-E 4.0 Dual 90° Riser Cable(400mm)

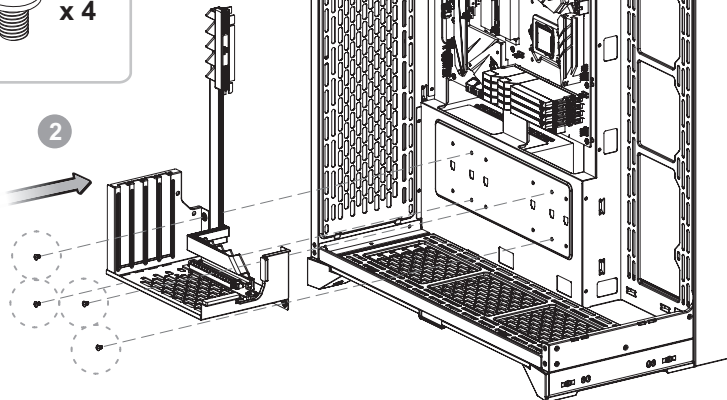


PCI-E Riser Cable Bracket - B

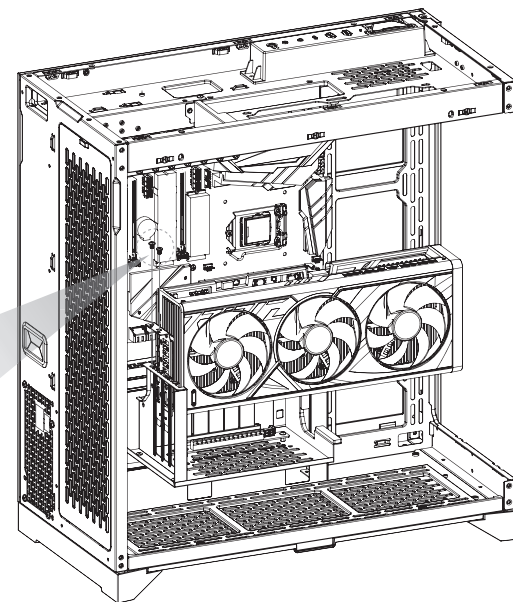
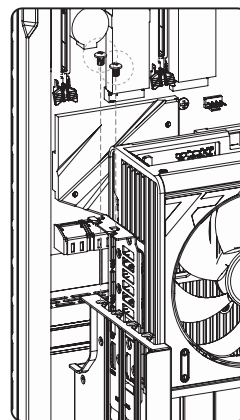
PCI-E Riser Cable Bracket - C



2

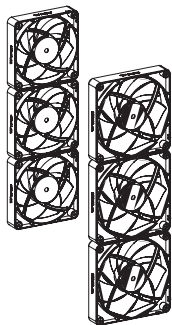


3



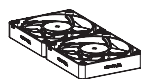
**Rear**

120mm x 3  
or  
140mm x 3



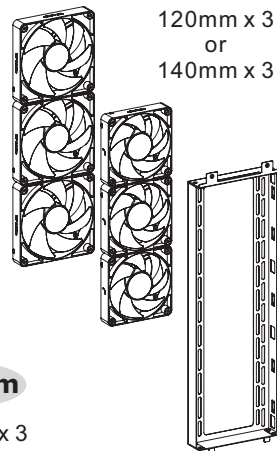
**Top**

120mm x 2



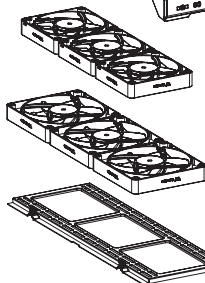
**Front**

120mm x 3  
or  
140mm x 3



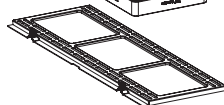
**M/B Side**

120mm x 3  
or  
140mm x 3



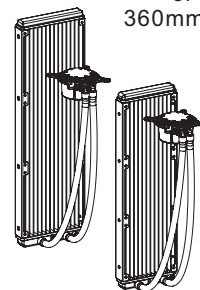
**Bottom**

120mm x 3  
or  
140mm x 3



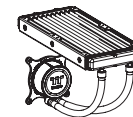
**Rear**

420mm x 1  
or  
360mm x 1



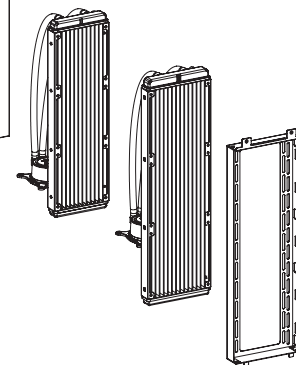
**Top**

240mm x 1



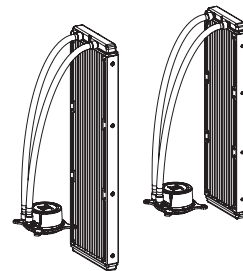
**Front**

420mm x 1  
or  
360mm x 1



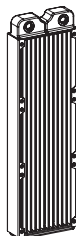
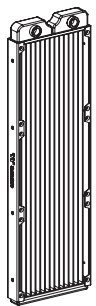
**M/B Side**

420mm x 1  
or  
360mm x 1



**Rear**

420mm x 1  
or  
360mm x 1



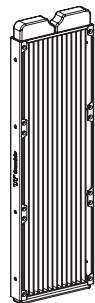
**Top**

240mm x 1



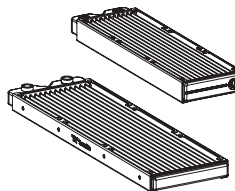
**Front**

420mm x 1  
or  
360mm x 1



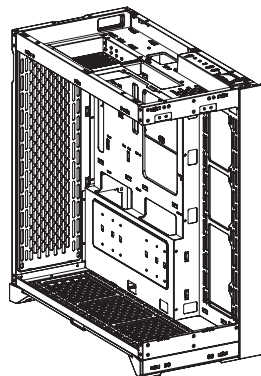
**M/B Side**

420mm x 1  
or  
360mm x 1



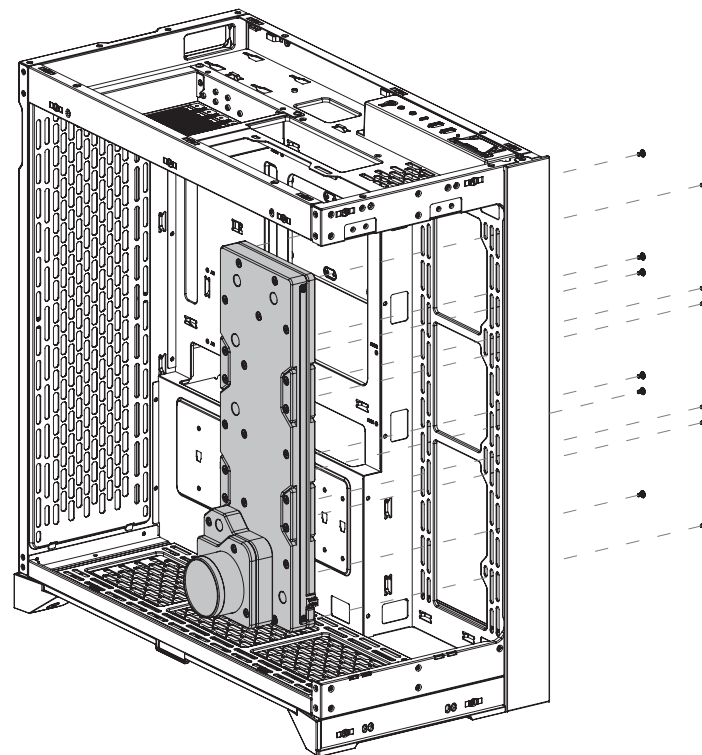
**Bottom**

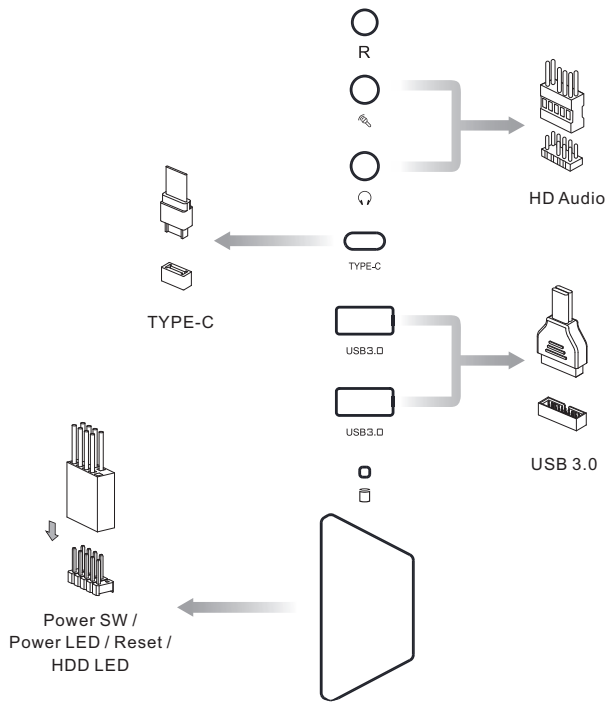
420mm x 1  
or  
360mm x 1



- Width Limitation: 140mm

Pacific DP100-D5 Plus Distro-Plate





Motherboard Header Diagram

