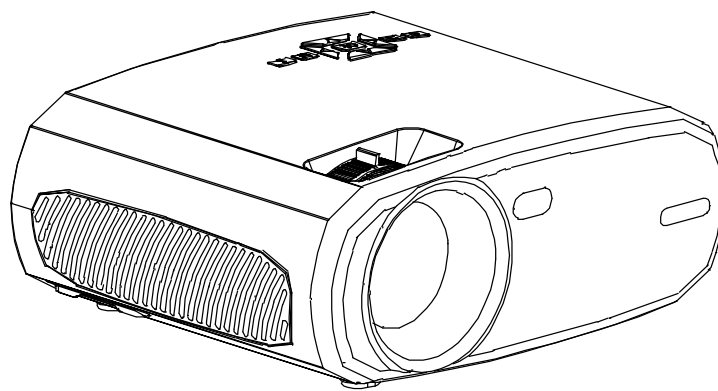


# Technaxx® \* User Manual

## FullHD 1080p Projector TX-177



### Features

- Native 1080P projector with multimedia player
- Projection size from 50" to 200"
- Integrated 3 Watts speaker
- Manual focus adjustment
- Long LED lifetime 40,000 hours
- Connectable with Computer/Notebook, Tablet, Smartphone and Gaming consoles via AV, VGA, or HDMI
- Playback of Video, Photo and Audio Files from USB, SD or external hard disk
- Usable with Remote Control

## Table of Content

Features .....	1	Projection mode.....	10
Product view & functions.....	3	Sound.....	10
Remote control .....	4	Sleep Timer .....	11
Power on / Power off.....	5	Options.....	11
Multimedia boot screen.....	5	Language setting.....	11
Image focus.....	5	Restore Factory Default..	11
Keystone .....	5	OSD Duration .....	11
Multimedia connection .....	6	Software Update.....	12
Input source selection .....	6	Multimedia formats.....	12
HDMI signal input.....	6	Multimedia playback.....	12
VGA input.....	7	Technical specifications ....	14
Video input.....	8	Hints .....	15
Audio output (AUX) .....	8	Safety instructions.....	15
Settings .....	9	Declaration of Conformity..	16
Picture mode.....	9	Disposal.....	16
Colour temperature .....	9	FCC Statement.....	17
Aspect Ratio.....	10	US Warranty .....	17

Service phone No. for technical support: 01805 012643\* (14 cent/minute from German fixed-line and 42 cent/minute from mobile networks).

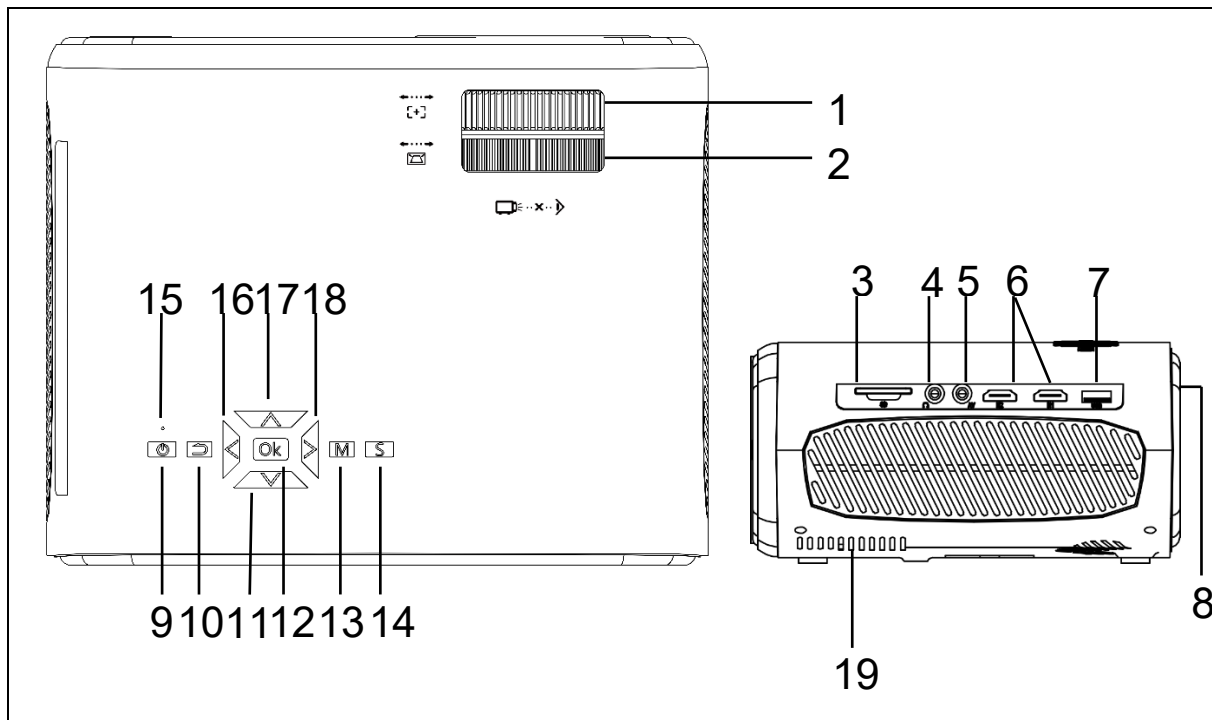
Free Email: [support@technaxx.de](mailto:support@technaxx.de)

\*The support hotline is available Mon-Fri from 9 am to 1 pm & 2 pm to 5 pm.

Keep this user manual for future reference or product sharing carefully. Do the same with the original accessories for this product. In case of warranty, please contact the dealer or the store where you bought this product.

***Enjoy your product \* Share your experience and opinion on one of the well-known internet portals.***

## Product view & functions



1	Focus adjustment	2	Keystone correction
3	SD-Card	4	AUX-Port
5	AV-Port	6	HDMI-Port
7	USB-Port	8	VGA-Port
9	Power / stand-by	10	Exit
11	Move down	12	OK button / options
13	Menu / back	14	Signal source / play/ pause
15	LED Power indicator	16	Volume - / Move left
17	Move up	18	Volume + / Move right
19	Air outlet		

**Power button:** Press this button to power on the device. To set the projector in stand-by, press twice.

**Volume plus and minus button / move:** Press the two buttons to increase or decrease volume. They can also be used in the menu as selection and parameter adjustment.

**Menu:** Open or exit the menu system.

**Ok button:** Confirm and player options.

**Signal source:** Select source input. Play / pause in player.

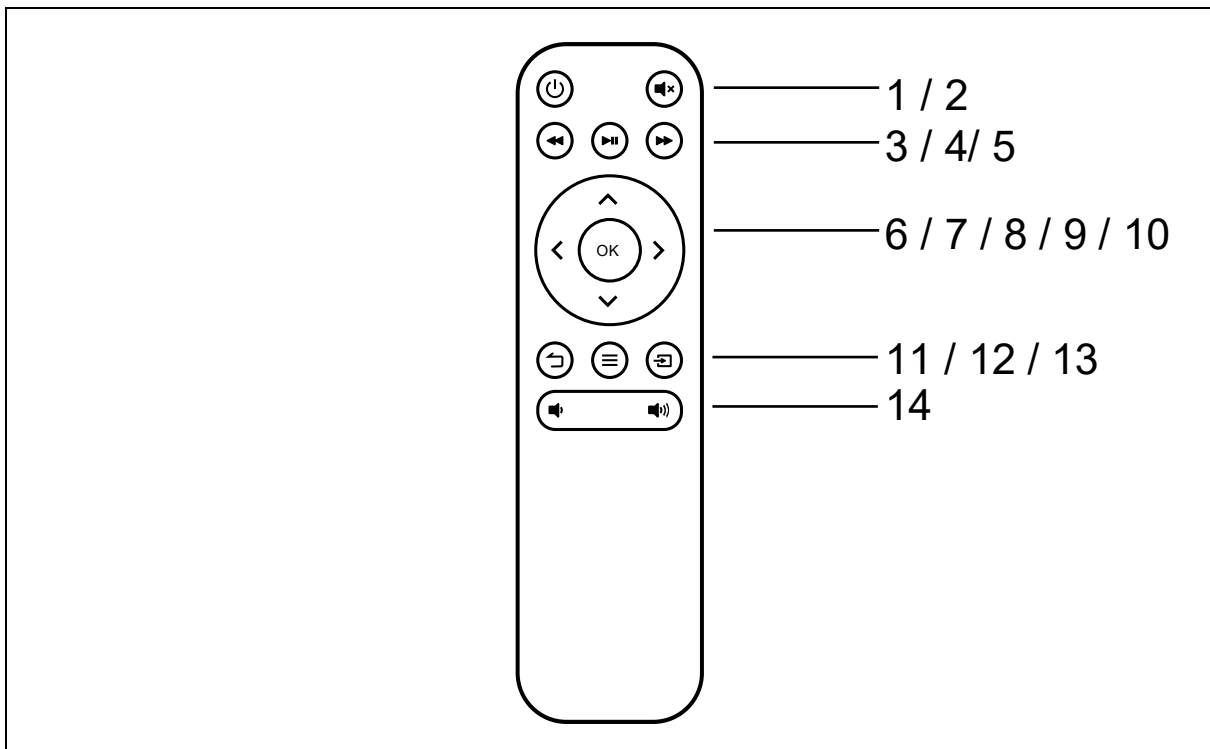
**Air outlet:** Do not cover the air-cooling openings during operation to avoid overheating of the device. \*



**WARNING**

\*DEVICE CAN CATCH FIRE!

## Remote control



1	Power	2	Mute
3	Previous	4	Play / pause
5	Next	6	Move left
7	Move up	8	Ok / play / pause
9	Move right	10	Move Down
11	Exit	12	Menu / options / back
13	Signal source	14	Volume down / up

### Mute

Press the mute button on the remote to mute the sound. Press again mute to reactivate the sound.

### Hints:

- Do not put any items between the remote control and remote-control receiving host to avoid blocking the signal.
- Point the remote control to the right side of the device or the projection screen, to receive the infrared radiation.
- To prevent battery leakage corrosion in the remote control, take out the battery when not in use.
- Do not put the remote control in high temperature or damp places, in order to avoid damage.

## **Power on / Power off**

After the device gets power through the power cable, it goes into stand-by status:

- Press the **POWER** button on the device or on remote control to turn on the device.
- Press the **POWER** button twice again to enable stand-by mode. If you do not use the device for a long time, take the power cord from the power socket.

## **Multimedia boot screen**

When the projector starts working, the screen display takes about 5 seconds to come into the multimedia screen.

## **Image focus**

Put the device in front of a projector screen or white wall. Adjust the focus with the focus adjustment wheel (1) until the image is clear enough. Then the focus is finished. During the focusing, you could display a video or display the menu to check the adjustment.

## **Keystone**

Sometimes, the image projected on the wall looks like a trapeze rather than a square, causing distortion that needs to be avoided. You can adjust it with the keystone correction wheel (2).

**NOTE:** The device does not have vertical keystone correction function.

## Multimedia connection

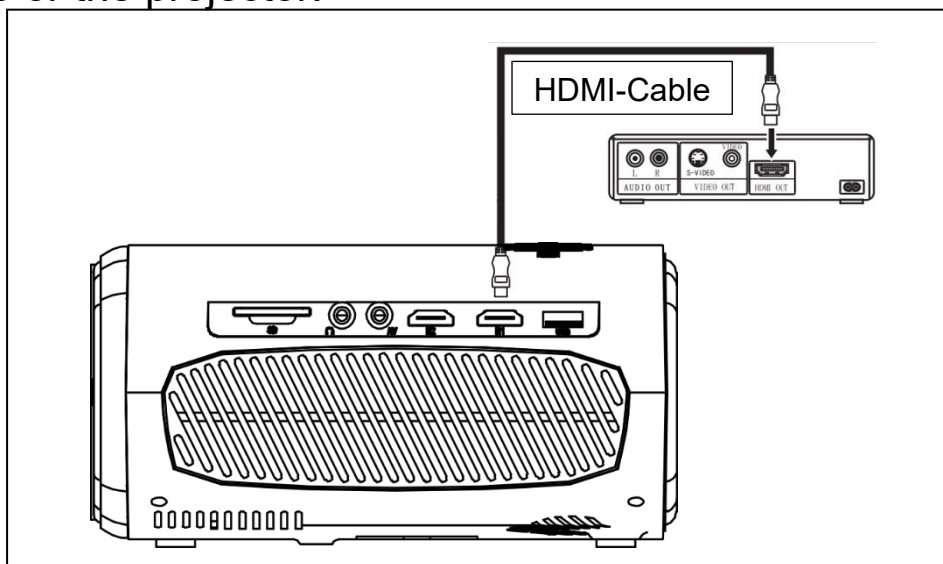
### Input source selection

1. Select an input signal from the device: (Check that the correct signal cable is connected).
2. Press the S button on the device or the SOURCE button on the remote control to display the right interface.
3. Press the S button on the device or the SOURCE button on the remote control to select the following input PC, AV, HDMI, SD and USB. Choose your needed input signal with the OK button.

The projector supports Plug & Play function (Auto-recognition of PC monitor).

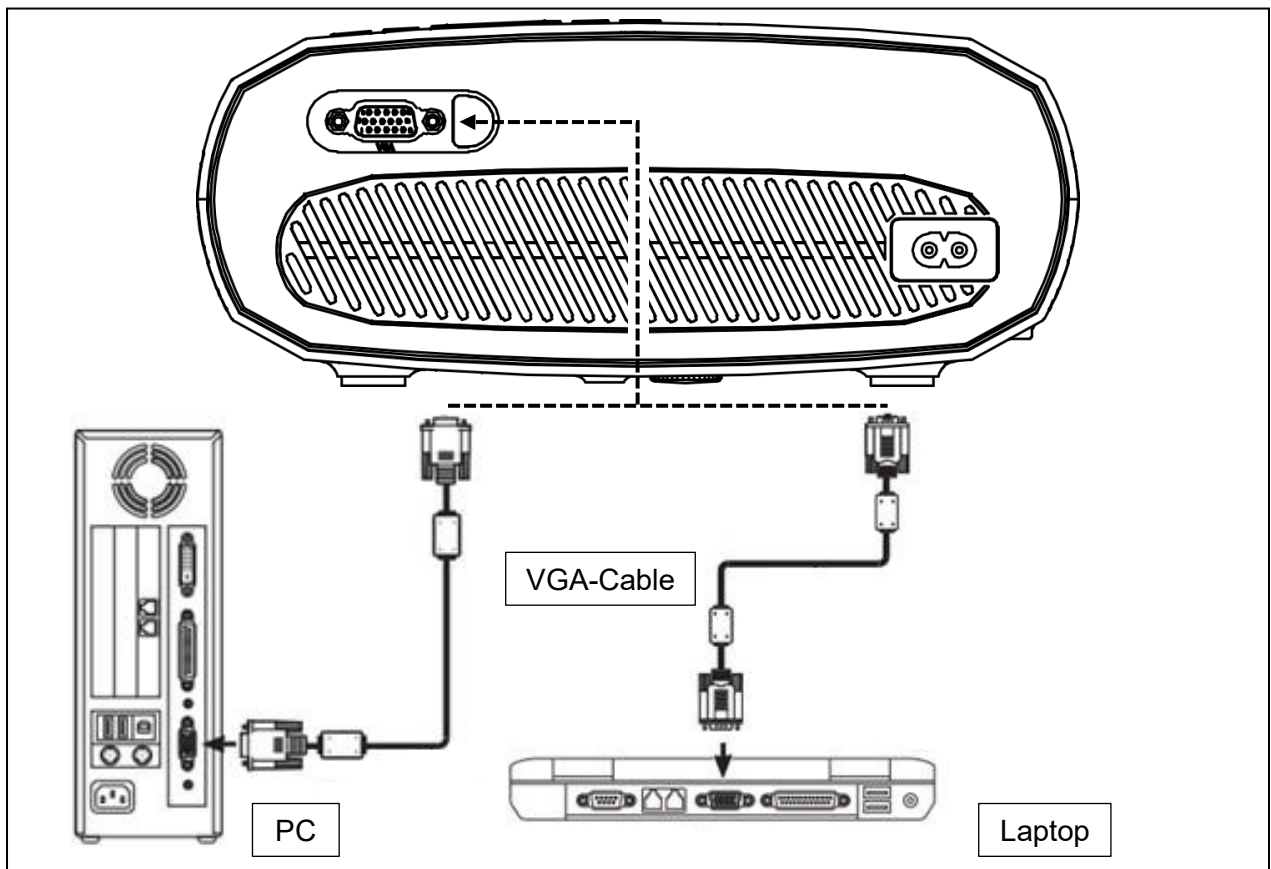
### HDMI signal input

The device can be used with HD / DVD / Blue Ray players or Game consoles for example. Connect the HDMI cable from your player to the device. Two devices can be connected at the same time. Switch between the devices by press source button at the remote or the projector.



## VGA input

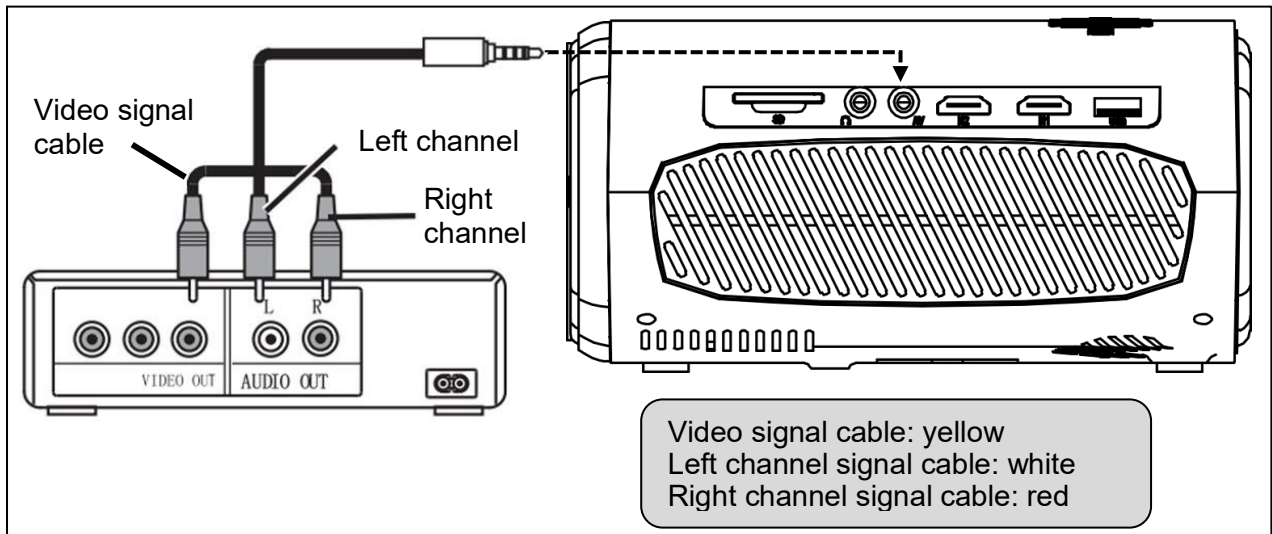
The port can be connected to a computer or other VGA video signal output socket. Refer to the following picture:



**NOTE:** The device and connection of laptop may not be able to display images at the same time, if that happens, set the computer display attributes to dual output mode (WINDOWS: Windows logo key + P / Macintosh: Adjust the control panel to enable mirroring after start-up.). Adjust the PC/Notebook display resolution to 1920 x 1080 px, which can provide the best picture quality.

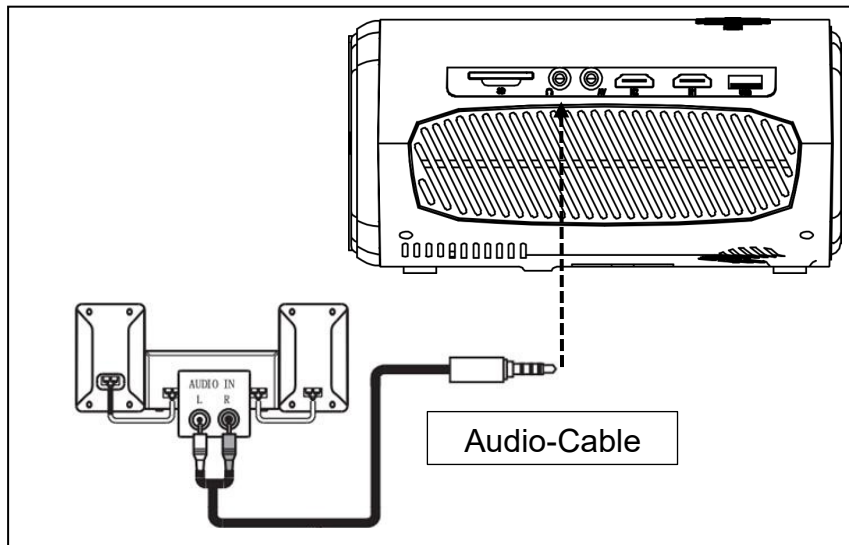
## Video input (AV)

The device can be connected to a LD / DVD player, video cameras, video recorder or other devices with AV support.



## Audio output (AUX)

Connect the Audio output port of the device to an external power amplifier if you want to playback high power music.





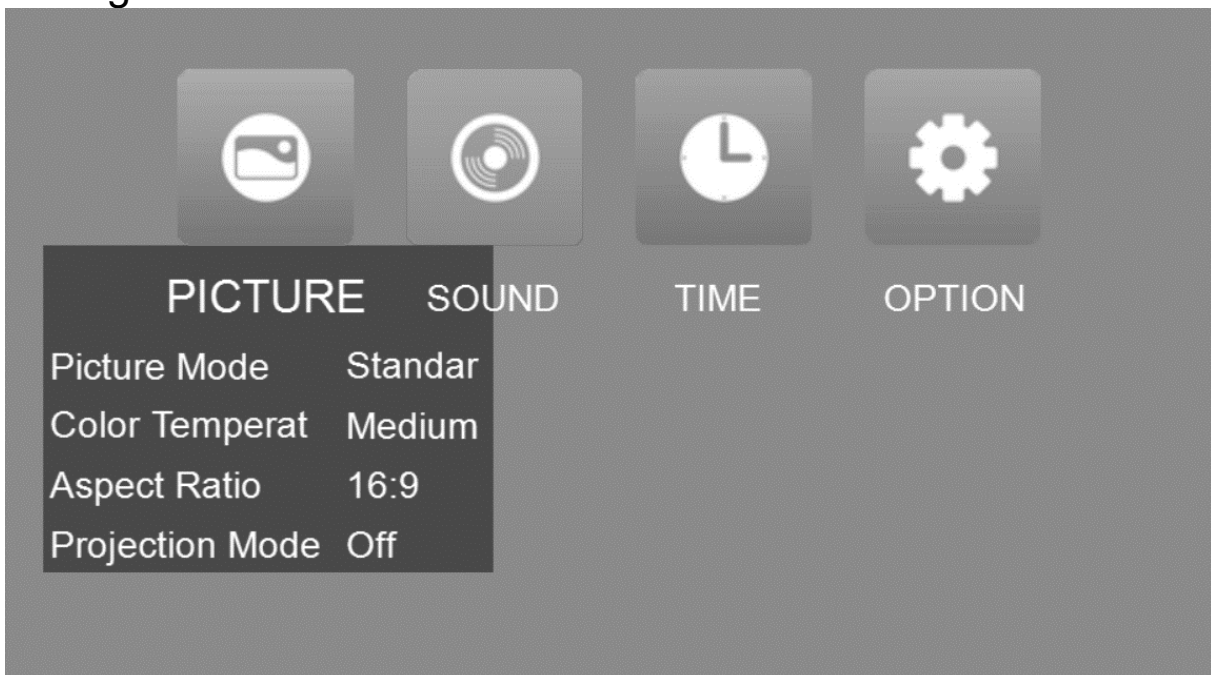
## Settings

Press the **Menu** button on the device or at remote control to show the menu screen.

- Select with the remote control move buttons or the <,  $\wedge$ ,  $\vee$ , > buttons on the projector the menu item you need to adjust and confirm with **OK**.
- Press the remote control move buttons or the <,  $\wedge$ ,  $\vee$ , > buttons, to adjust the parameter values of the selected menu item.
- Repeat the steps to regulate other MENU items, or directly click BACK or EXIT button to EXIT the interface.

## Picture mode

Choose with the <, > buttons between STANDARD, SOFT, USER and VIVID mode. Press the BACK button on the device or the MENU button on the remote control to exit the PICTURE settings.



## Colour temperature

Set the picture to the values: Standard / Warm / User / Cool. The picture shows reduced colour in the picture for blue / red or user configuration.

- *Warm* setting is for longer viewing periods. Blue colour will be reduced in this setting.
- *Cool* is brighter as it shows less red colour in the picture and is suitable for office spaces.

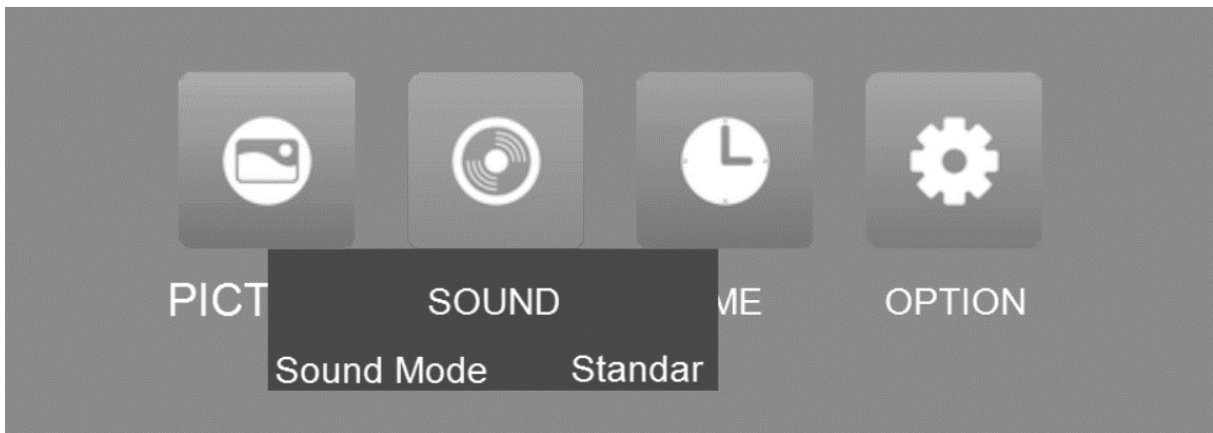
## Aspect Ratio

You can choose between AUTO, 16:9 and 4:3. Choose the value according to your output device. 4:3 ratio is necessary for some computer to display an image.

## Projection mode

Press the MENU button on the remote control or on the device to enter the MENU. Press <,  $\wedge$ ,  $\vee$ , > to reach projection mode. Press the OK button to rotate the image as you need it. Press the BACK button on the device or the MENU button on the remote control to confirm and exit.

## Sound



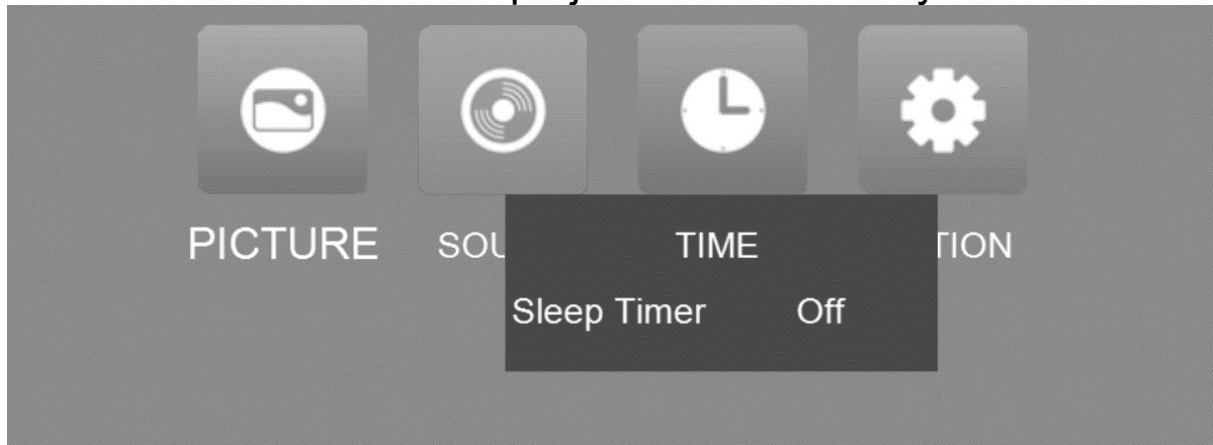
Press the MENU button on the remote control or on the device to enter the MENU. Press the <, > buttons to go to the Sound mode settings.

Press the  $\wedge$ ,  $\vee$ , buttons to choose the items you need to adjust and then press the <, > buttons to adjust the values of the single items. Possible options are: Standard / Music / Movie / Sports / User. Press the BACK button on the device or the MENU button on the remote control to confirm and exit.

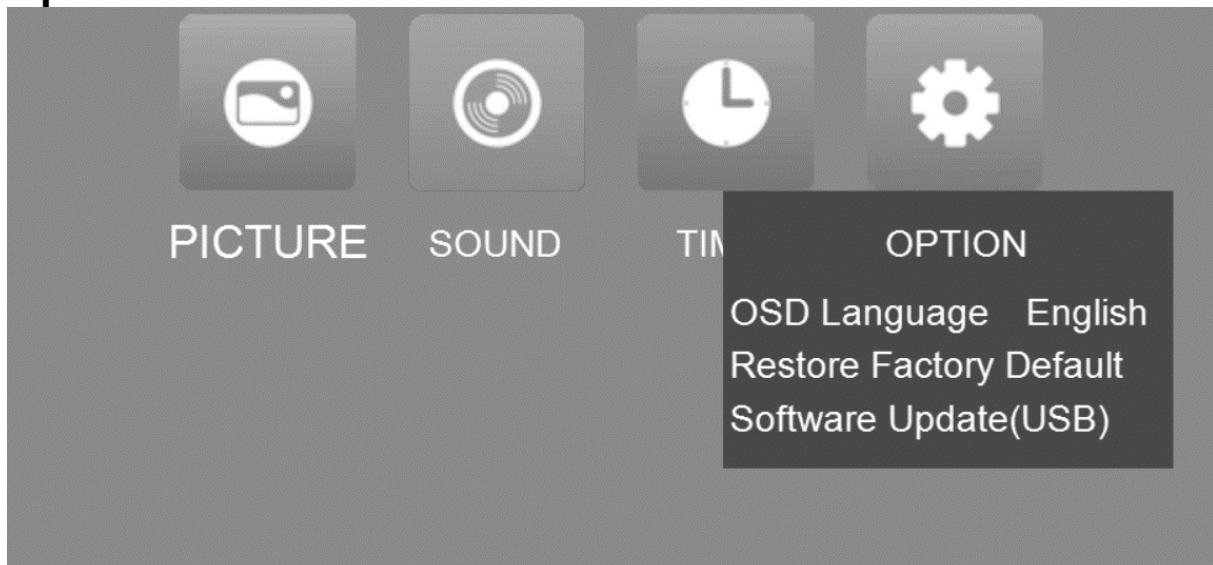
User Options let you adjust the treble and bass separately.

## Sleep Timer

Set the time to turn off the projector automatically.



## Options



### Language setting

Change the OSD language according to your needs.

### Restore Factory Default

Reset all settings to default. Please note: All previous settings will be changed to default.

### OSD Duration

Set the time of the duration of the menu overlay.

## Software Update

For future updates via USB-flash drive, please look periodically to our website for software updates:

(<https://www.technaxx.de/support/>) and search for the product name or TX-177.

## Multimedia formats

Following file types are supported for the media player for USB and SD card connection:

**Audio file:** MP3 / WMA / ASF / OGG / AAC / WAV

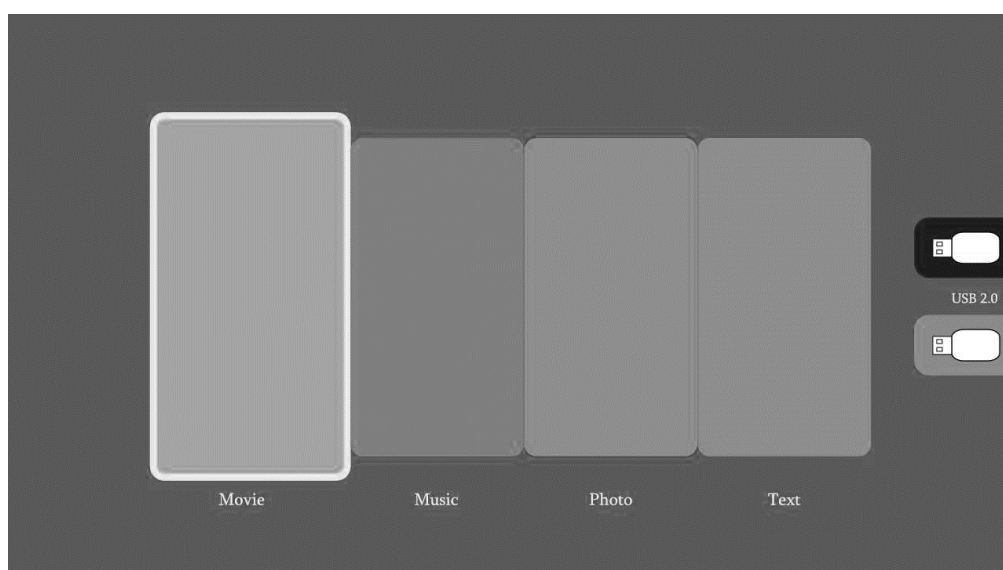
**Picture file:** JPEG / BMP / PNG / GIF

**Video file:** 3GP (H.263, MPEG4) / AVI (XVID, DIVX, H.264) / MKV (XVID, H.264, DIVX) / FLV (FLV1) / MOV (H.264) / MP4 (MPEG4, AVC) / MEP (MEPG1) / VOB (MPEG2) / MPG (MPG-PS) / RMVB (RV40) / RM

**Note:** Due to the copyright issue of Dolby, this projector does **NOT** support Dolby audio decoding. Dolby audio files can be played via HDMI connected devices.

## Multimedia playback

Choose the content which needs to be displayed: Movie, Music, Photo, Text.



To playback media files, search in the root directory of the SD-card or USB-flash drive for the selected media type and press play. For multiple media playback select the files with OK and press play at the remote control.

For slide shows you can select multiple picture files or folders to show as slide show.

If no action happens after hover over a file, the file will be pre-viewed in a small window (only available for picture and videos).

**The projector supports HDMI, MHL, FireTV, Google chromecast and other HDMI streaming devices. You can also connect your mobile devices and tablets with it.**

- This product is NOT recommended for PPT, Word, Excel or business presentation.
- To connect the projector with tablet or smart phone, you need a HDMI adapter. *For Android phones which supports MHL, you need an MHL to HDMI cable; for iPhone/iPad, you need a lightning (Lightning Digital AV Adapter) to HDMI adapter cable.*
- Note that it only provides clear image in dark room.

## Technical specifications

Projection technic	LCD LED projection system
Lens	Multichip composite coating optical lens
Power	AC 100 - 240 V~, 50/60 Hz
Projector consumption / brightness	70 Watt / 15000 Lumen
Standby power consumption	1.3 Watt
Projection size / distance	50" - 200" / 1.6 - 6.2 m
Contrast ration / Display colours	1500:1 / 16.7 M
Lamp colour temperature / lifetime	9000K / 40000 hours
Keystone correction	Optical $\pm 15^\circ$ (horizontal)
Signal ports	<b>AV input</b> (1. OVp-p $\pm 5\%$ , 480i, 576i) <b>VGA input</b> (480i, 480p, 576i, 576p, 720p, 1080i, 1080p) <b>HDMI input</b> (480i, 480p, 576i, 576p, 720p, 1080i, 1080p) <b>AUX output</b> (3.5 mm)
Native resolution	1920 x 1080 pixel
Aspect ratio	4:3 / 16:9 / Auto
Audio speaker	3 Watt
USB / SD card / external hard disk format	<b>Video:</b> MPEG1, MPEG2, MPEG4, RM, AVI, RMVB, MOV, MKV, FLV, VOB, MPG, ASF <b>Music:</b> WMA, MP3, M4A(AAC) <b>Photo:</b> JPEG, BMP, PNG, GIF
USB / SD card	Max. 1 TB (Format: FAT32 / NTFS)
External hard disk	Max. 2 TB (Format: NTFS)
USB Power Supply	5 V, 0.5 A (Max.)
Weight / Dimensions	1360 g / (L) 23.4 x (W) 18.7 x (H) 9.6 cm
Compatible devices	Digital camera, TV-Box, PC/Notebook, Smartphone, Game console, USB-Device, SD card, external hard disk, Amplifier.
Packing contents	Technaxx® FullHD Projector TX-177, AV signal cable, remote control (2x AAA included), HDMI cable, power cable, user manual

## **Hints**

- Make sure you lay the cable in a way that the danger of stumbling is avoided.
- Never hold or carry the device by the power cable.
- Do not clamp or damage the power cable.
- Ensure that the power adapter do not come into contact with water, steam or other liquids.
- You have to check the complete construction at regular intervals for functionality, tightness and damage to prevent the defect of the device.
- Install the product due to this user manual and operate or maintain it in accordance with the manufacturers operating instructions.
- Only use the product for purposes due to its intended function & only for household use.
- Do not damage the product. Following cases may damage the product: Incorrect voltage, accidents (including liquid or moisture), misuse or abuse of the product, faulty or improper installation, mains supply problems including power spikes or lightning damage, infestation by insects, tampering or modification of the product by persons other than authorized service personnel, exposure to abnormally corrosive materials, insertion of foreign objects into the unit, used with accessories not preapproved.
- Refer to and heed all warnings and precautions in the user manual.

## **Safety instructions**

- Use standard power cord with ground wire, to ensure stable power supply and the same power voltage with the product marked.
- Do not disassemble the product by yourself, otherwise we will not provide free warranty service.
- Do not look into the lens when the projector is working, otherwise it will damage your eyes easily.
- Do not cover the product's ventilation hole.
- Keep the product away from rain, moisture, water or any other liquid as it is not waterproof. It may cause an electric shock.
- Turn off and cut off the power supply if not use the product for a long time.
- Use the original packing when moving the product.

## Declaration of Conformity



The EU Declaration of Conformity can be requested at the following address: [www.technaxx.de/](http://www.technaxx.de/) (in the lower bar "Declaration of Conformity").

## Disposal



Disposal of the packaging. Sort packaging materials by type upon disposal.

Dispose of cardboard and paperboard in the waste paper. Foils should be submitted for recyclables collection.



Disposing of old equipment (Applies in the European Union and other European countries with separate collection (collection of recyclable materials) Old equipment must not be disposed of with household waste! Every consumer is required by law to dispose of old devices that can no longer be used separately from household waste, e.g. at a collection point in his or her municipality or district. This ensures that the old devices are properly recycled and that negative effects on the environment are avoided. For this reason, electrical devices are marked with the symbol shown here.



Batteries and rechargeable batteries must not be disposed of in household waste! As a consumer, you are required by law to dispose of all batteries and rechargeable batteries, whether they contain harmful substances\* or not, at a collection point in your community/city or with a retailer, to ensure that the batteries can be disposed of in an environmentally friendly manner. \* marked with: Cd = cadmium, Hg = mercury, Pb = lead. Return your product to your collection point with the fully discharged battery installed inside!



## **FCC Statement**

This device complies with part 15 of the FCC Rules. Operation is subject to the following two conditions:

- (1) This device may not cause harmful interference, and
- (2) this device must accept any interference received, including interference that may cause undesired operation.

Any changes or modifications not expressly approved by the party responsible for compliance could void the user's authority to operate the equipment.

NOTE: This equipment has been tested and found to comply with the limits for a Class B digital device, pursuant to Part 15 of the FCC Rules. These limits are designed to provide reasonable protection against harmful interference in a residential installation. This equipment generates, uses and can radiate radio frequency energy and, if not installed and used in accordance with the instructions, may cause harmful interference to radio communications. However, there is no guarantee that interference will not occur in a particular installation.

If this equipment does cause harmful interference to radio or television reception, which can be determined by turning the equipment off and on, the user is encouraged to try to correct the interference by one or more of the following measures:

- Reorient or relocate the receiving antenna.
- Increase the separation between the equipment and receiver.
- Connect the equipment into an outlet on a circuit different from that to which the receiver is connected.
- Consult the dealer or an experienced radio/TV technician for help.

The device has been evaluated to meet general RF exposure requirement. The device can be used in portable exposure condition without restriction.

## **US Warranty**

Thank you for your interest in the products and services of Technaxx Deutschland GmbH & Co.KG. This Limited Warranty applies to physical goods, and only for physical goods, purchased from Technaxx Deutschland GmbH & Co.KG.

This Limited Warranty covers any defects in material or workmanship under normal use during the Warranty Period. During the Warranty Period, Technaxx Deutschland GmbH & Co.KG will repair or replace, products or parts of a product that proves defective because of improper material or workmanship, under normal use and maintenance.

The Warranty Period for Physical Goods purchased from Technaxx Deutschland GmbH & Co.KG is 1year from the date of purchase. A replacement Physical Good or part assumes the remaining warranty of the original Physical Good or 1 year from the date of replacement or repair, whichever is longer.

This Limited Warranty does not cover any problem that is caused by:

- conditions, malfunctions or damage not resulting from defects in material or workmanship

To obtain warranty service, you must first contact us to determine the problem and the most appropriate solution for you.

Technaxx Deutschland GmbH & Co.KG, Konrad-Zuse-Ring 16-18, 61137 Schöneck, Germany

\* [www.technaxx.de](http://www.technaxx.de) \* [support@technaxx.de](mailto:support@technaxx.de) \*

Made in China

Distributed by:  
Technaxx Germany GmbH & Co. KG  
Konrad-Zuse-Ring 16-18,  
61137 Schöneck, Germany

FullHD 1080P Projector TX-177