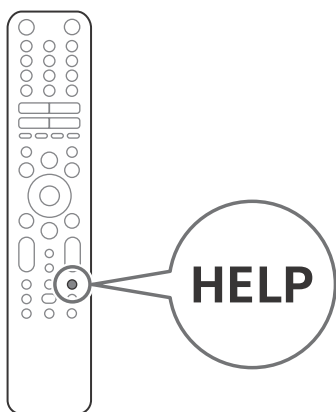


SONY®

5-026-684-12(1)



Television



BRAVIA

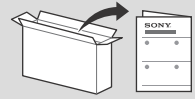
Reference Guide	GB
Guide de référence	FR
Guía de referencia	ES
Referentiegids	NL
Referenzanleitung	DE
Guia de referència	PT
Guida di riferimento	IT
Referensmaterial	SE
Referencevejledning	DK
Viiteopas	FI
Referanseveiledning	NO
Przewodnik	PL
Referenční příručka	CZ
Referenčná príručka	SK
Felhasználói útmutató	HU
Ghid de referință	RO
Информация за продукта	BG
Οδηγός αναφοράς	GR
Başvuru Kılavuzu	TR
Справочник	RU
Довідковий посібник	UA

About Manuals

This TV comes with the following manuals. Please retain the manuals for future reference.

Setup Guide

- TV installation and setup.



Reference Guide (this manual) / Safety Documentation

- Safety information, remote control, troubleshooting, wall-mount installation, specification, etc.



Help Guide (On screen Manual)

- Settings, functions, Internet connection, troubleshooting, etc.
- To open it, press the **HELP** button on the remote control and select Help Guide.

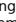


- You can refer to the Help Guide with your smartphone.



https://rd1.sony.net/help/tv/iaep1/h_aep/

Setting menus are subject to change without notice.

IMPORTANT - Read the End User Software Licence Agreement before using your Sony product. Using your product indicates your acceptance of the End User Software Licence Agreement. The software licence agreement between you and Sony is available online at Sony website (<https://www.sony.net/tv-software-licenses/>) or on your product screen. Press  (Quick Settings) on the remote control and select [Settings] → [System] → [About] → [Legal information] → [Notices and licences].

Note

- Before operating the TV, please read the "Safety Information".
- Read the supplied safety documentation for additional safety information.
- Images and illustrations used in the Setup Guide and this manual are for reference only and may differ from the actual product.
- The "x"/"xx" that appears in the model name corresponds to a numeric digit, related to design, colour or TV system.

Location of the identification label

Labels for the TV Model No., Production Date (year/month) and Power Supply rating are located on the rear of the TV or package. They can be found by removing the terminal cover.

IMPORTANT NOTICE

Notice for Radio Equipment

Hereby, Sony Corporation declares that the radio equipment types XR-85X95J, XR-75X95J, XR-65X95J are in compliance with Directive 2014/53/EU. The full text of the EU declaration of conformity is available at the following internet address: <https://compliance.sony.eu>

Hereby, Sony Corporation declares that the radio equipment types XR-85X95J, XR-75X95J, XR-65X95J are in compliance with the UK relevant statutory requirements. The full text of the declaration of conformity is available at the following internet address: <https://compliance.sony.co.uk>

For this radio equipment, the following restrictions on putting into service or of requirements for authorization of use apply in AT, BE, HR, CY, CZ, DK, EE, FI, FR, DE, EL, HU, IE, IT, LV, LT, LU, MT, NL, PL, PT, SK, SI, ES, SE, UK, UK (NI), IS, LI, NO, CH, BG, RO, TR, AL, BA, MK, MD, RS, ME, Kosovo :
5150 - 5350 MHz band is restricted to indoor operations only.

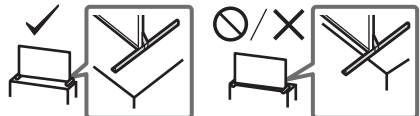
Safety Information

Installation/Set-up

Install and use the TV set in accordance with the instructions below in order to avoid any risk of fire, electric shock or damage and/or injuries.

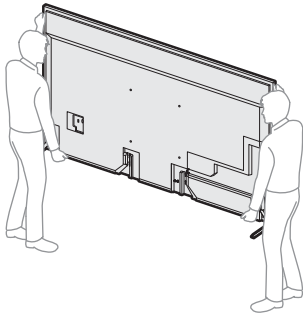
Installation

- The TV set should be installed near an easily accessible mains socket.
- Place the TV set on a stable, level surface to prevent it from falling over and causing personal injury or property damage.
- Install the TV where it cannot be pulled, pushed, or knocked over.
- Install the TV so that the TV's Table-Top Stand does not protrude out from the TV stand (not supplied). If the Table-Top Stand protrudes out from the TV stand, it may cause TV set to topple over, fall down, and cause personal injury or damage to the TV.



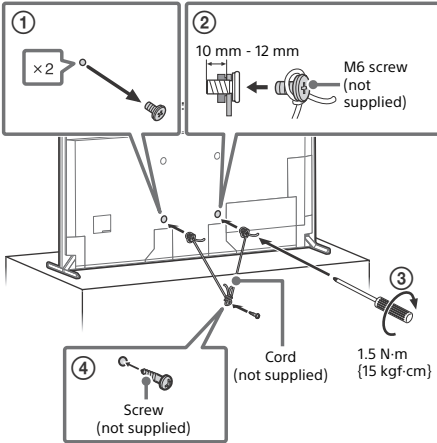
Transporting

- Before transporting the TV set, disconnect all cables.
- Before transporting the TV set, remove the terminal covers.
- Two or more people are needed to transport a large TV set.
- When transporting the TV set by hand, hold it as shown below. Do not put stress on the LCD panel and the frame around the screen.
- When lifting or moving the TV set, hold it firmly from the bottom.



- When transporting the TV set, do not subject it to jolts or excessive vibration.
- When transporting the TV set for repairs or when moving, pack it using the original carton and packing material.

Topple prevention

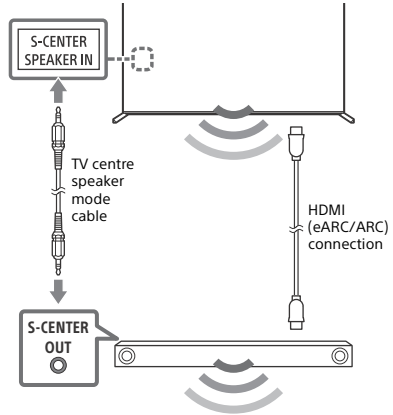


Using TV as Part of Audio System

Note

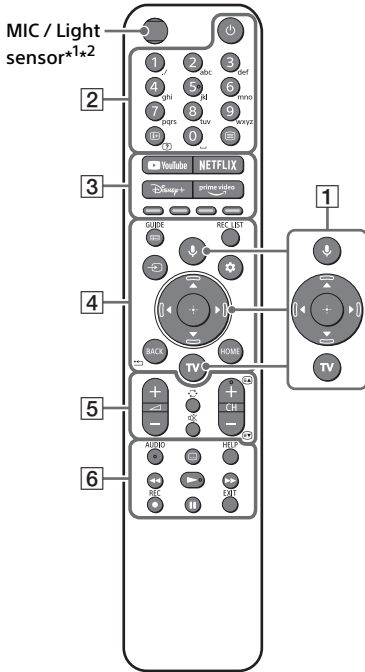
- Before connecting cables, disconnect the mains lead of both TV and AV receiver.
- Refer to the instruction manual of the Audio system with S-CENTER OUT terminal for detail.

GB



Remote Control and TV

The remote control shape, layout, availability and function of remote control buttons may vary depending on your region/country/TV model/TV settings.



1 (Microphone) / (Google Assistant): Use Google Assistant*³*⁴ or voice search*⁴.

For hints on how to control your TV, press the microphone button on the remote control and say "voice hints".*³

: On screen menu navigation and selection.

TV: Display TV channel list or switch to input.

2 (Power)

Number buttons

(Info/Text reveal): Display information.

(Text): Display text information.

3 **YouTube™ / NETFLIX / Disney+ / Prime Video / Colour buttons**

4 **GUIDE**/: Display the digital programme guide of TV or TV box*⁵.

REC LIST: Display the Rec list of USB HDD*⁶/DVR*⁵.

(Input select): Display and select the input source, etc.

(Quick settings): Display Quick Settings.

BACK/

HOME

5 **+/- (Volume)**

(Jump)

(Mute)*⁷

CH +/-//: Select the channel, or next () / previous () page.

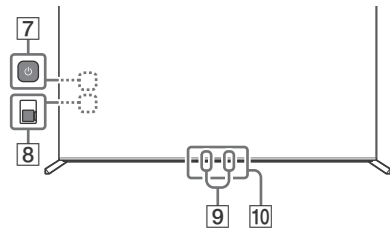
6 **AUDIO**: Select the sound of multilingual source or dual sound (depend on programme source).

(Subtitle setting)

HELP: Display the Help menu.

REC: Record the currently viewed programme on USB HDD*⁶/DVR*⁵.

EXIT



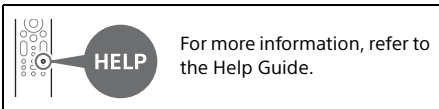
7 (Power): (It can be found by removing the side cover)

8 **BUILT-IN MIC SWITCH**: Turn on/off the built-in MIC. (It can be found by removing the side cover)

9 **Built-in MIC***³*⁴*⁸: To enable the built-in MIC, press the microphone button on the remote control and follow the on-screen instructions.

10 **Remote Control sensor / Light sensor / LED**

- *1 The remote control backlight will illuminate when the light sensor detects the ambient light is low. Automatic illumination of the backlight can be turned off.
- *2 RMF-TX621E only. To see the model name of the remote control, open the remote control cover and see the label on the remote control.
- *3 Only on limited region/country/TV model/language.
- *4 Google Assistant or voice search requires an Internet connection.
- *5 [TV box setup] setting is required.
- *6 Not available for Italy.
- *7 Accessibility shortcut is available by pressing and holding Mute (Mute).
- *8 Power consumption will increase when the built-in MIC is enabled as it is always listening.



Installing the TV to the Wall

Using the optional Wall-Mount Bracket (SU-WL850 or SU-WL450)* (not supplied)

To Customers:

For product protection and safety reasons, Sony strongly recommends that installation of your TV be performed by Sony dealers or licensed contractors. Do not attempt to install it yourself.

To Sony Dealers and Contractors:

Provide full attention to safety during the installation, periodic maintenance and examination of this product.

Wall-Mount Bracket Installation Information

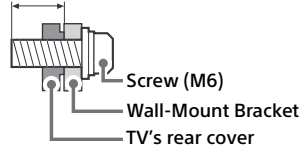
For instructions on Wall-Mount Bracket installation, see the Installation Information (Wall-Mount Bracket) on the product page for your TV model.

<https://www.sony.eu/support>

- Follow the instruction guide provided with the Wall-Mount Bracket for your model. Sufficient expertise is required in installing this TV, especially to determine the strength of the wall for withstanding the TV's weight.
- Sony is not liable for any damage or injury caused by mishandling or improper installation.
- Only qualified service personnel should carry out wall-mount installations.

- For safety reasons, it is strongly recommended that you use Sony accessories, including:
 - Wall-Mount Bracket SU-WL850
 - Wall-Mount Bracket SU-WL450
- Be sure to use the screws supplied with the Wall-Mount Bracket when attaching the Wall-Mount Bracket to the TV set. The supplied screws are designed as indicated by illustration when measured from the attaching surface of the Wall-Mount Bracket. The diameter and length of the screws differ depending on the Wall-Mount Bracket model. Use of screws other than those supplied may result in internal damage to the TV set or cause it to fall, etc.

10 mm - 12 mm



- Be sure to store the unused screws and Table-Top Stand in a safe place until you are ready to attach the Table-Top Stand. Keep the screws away from small children.

* Only on limited region/country/TV model.

Troubleshooting

General troubleshooting for issues like: black screen, no sound, frozen picture, TV does not respond, or network is lost, do the following steps.

- 1** Restart your TV by pressing the power button on the remote control for about five seconds. The TV will restart. If the TV does not recover, try unplugging the mains lead then press the power button on the TV and release it. Wait for two minutes, and plug in the mains lead. Or, press the power button on the TV for about 40 seconds until the TV turns off.
- 2** Refer to the Help menu by pressing **HELP** on the remote control.
- 3** Connect your TV to the Internet and perform a software update. Sony recommends you to keep your TV software updated. Software updates provide new features and performance improvements.

4 Visit Sony support website (information provided at the end of this manual).

When you plug in the TV, the TV may not be able to turn on for a while even if you press the power button on the remote control or the TV.

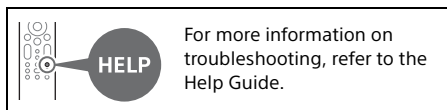
It takes time to initialize the system. Wait for about one minute, then operate it again.

The remote control does not function.

- Replace the batteries.

The parental lock password has been forgotten.

- Enter 9999 for the PIN and enter the new PIN.



Specifications

System

Panel system: LCD (Liquid Crystal Display) Panel, LED Backlight

TV system: Depend on your country/area selection/TV model

Analogue: B/G, D/K, I

Digital: DVB-T/DVB-C/DVB-T2

Satellite: DVB-S/DVB-S2

Colour system: PAL/SECAM/NTSC3.58 (Video only)/NTSC4.43 (Video only)

Channel coverage: Depend on your country/area selection/TV model

Analogue: UHF/VHF/Cable

Digital: UHF/VHF/Cable

Satellite: IF Frequency 950-2150 MHz

Sound output: 10 W + 10 W + 10 W + 10 W + 10 W

Wireless technology

Protocol IEEE 802.11a/b/g/n/ac

Bluetooth® Version 4.2

Frequency band(s)

Frequency range	Output power
Wireless LAN (TV)	
2400-2483.5 MHz	< 20.0 dBm
5150-5250 MHz	< 23.0 dBm
5250-5350 MHz	< 20.0 dBm
5470-5725 MHz	< 20.0 dBm
5725-5850 MHz	< 13.9 dBm
Bluetooth® (TV)	
2400-2483.5 MHz	< 10.0 dBm
Bluetooth® (Remote control)	
2400-2483.5 MHz	< 10.0 dBm

Input/Output jacks

Antenna (aerial)/cable

75 ohm external terminal for VHF/UHF

Satellite antenna

Female F Type Connector, 75 ohm.

DiSEqC 1.0, LNB 13 V/18 V & 22 kHz tone, Single Cable Distribution EN50494.

↔ / ↔ AV IN / S-CENTER SPEAKER IN

Video/Audio input (mini jack)

S-centre speaker input (mini jack)

HDMI IN 1/2/3/4 (HDCP 2.3-compatible)

Video:

4096 × 2160p (50, 60 Hz)^{1*2}, 4096 × 2160p (24 Hz)¹, 3840 × 2160p (50, 60 Hz)², 3840 × 2160p (24, 25, 30 Hz), 1080p (30, 50, 60, 100, 120 Hz), 1080i/24p, 1080i (50, 60 Hz), 720p (30, 50, 60 Hz), 720/24p, 576p, 480p, PC Formats³
3840 × 2160p (100, 120 Hz)^{2*4}

Audio:

In eARC (Enhanced Audio Return Channel) mode

Refer to the online Help Guide for details.

Except eARC mode

5.1 channel linear PCM: 32/44.1/48/88.2/96/176.4/192 kHz 16/20/24 bits, Dolby Audio, Dolby Atmos, DTS

eARC/ARC (Enhanced Audio Return Channel/Audio Return Channel) (HDMI IN 3 only)⁵

In eARC mode

Refer to the online Help Guide for details.

In ARC mode

Two channel linear PCM: 48 kHz 16 bits, Dolby Audio, Dolby Atmos, DTS

↔ DIGITAL AUDIO OUT (OPTICAL)

Digital optical jack (Two channel linear PCM: 48 kHz 16 bits, Dolby Audio, DTS)

↻ (Stereo mini jack)

Headphone

- 1, • 2, • 3 (HDD REC)*⁶
- USB device port (• 3 USB HDD device for REC feature)
- USB port 1 and 2 support High Speed USB (USB 2.0)
- USB port 3 supports Super Speed USB (USB 3.1 Gen 1)



CAM (Conditional Access Module) slot

LAN

10BASE-T/100BASE-TX connector (Depending on the operating environment of the network, connection speed may differ. The communication rate and quality are not guaranteed.)

Power, Product Fiche and others

Power requirements

220 V - 240 V AC, 50 Hz

Energy Efficiency Class*⁷

XR-85X9xJ: A

XR-75X9xJ: A

XR-65X9xJ: B

Screen size (measured diagonally) (Approx.)

XR-85X9xJ: 214.8 cm / 85 inches

XR-75X9xJ: 189.3 cm / 75 inches

XR-65X9xJ: 163.9 cm / 65 inches

Power consumption*⁷

In [Standard] mode

XR-85X9xJ: 221 W

XR-75X9xJ: 206 W

XR-65X9xJ: 173 W

Annual energy consumption*^{7,8}

XR-85X9xJ: 307 kWh per year

XR-75X9xJ: 286 kWh per year

XR-65X9xJ: 240 kWh per year

Standby power consumption*^{7,9,10}

XR-85X9xJ: 0.50 W (35 W in software/EPG update mode)

XR-75X9xJ: 0.50 W (33 W in software/EPG update mode)

XR-65X9xJ: 0.50 W (34 W in software/EPG update mode)

Display resolution (horizontal × vertical) (pixels)

3840 × 2160

Output rating

500 mA (for USB 1/2), 900 mA (for USB 3)

Dimensions (Approx.) (w × h × d) (cm)

with Table-Top Stand

Standard position:

XR-85X9xJ: 188.8 × 109.8 × 45.0

XR-75X9xJ: 166.7 × 97.4 × 39.0

XR-65X9xJ: 144.3 × 84.8 × 33.8

Narrow position:

XR-85X9xJ: 188.8 × 111.0 × 45.0

XR-75X9xJ: 166.7 × 98.5 × 39.0

Soundbar position:

XR-85X9xJ: 188.8 × 115.8 × 45.0

XR-75X9xJ: 166.7 × 103.4 × 39.0

XR-65X9xJ: 144.3 × 90.8 × 33.8

without Table-Top Stand

XR-85X9xJ: 188.8 × 108.6 × 6.1

XR-75X9xJ: 166.7 × 96.1 × 6.1

XR-65X9xJ: 144.3 × 83.5 × 6.6

Stand width (Approx.) (cm)

Standard position:

XR-85X9xJ: 188.7

XR-75X9xJ: 166.6

XR-65X9xJ: 144.2

Narrow position:

XR-85X9xJ / 75X9xJ: 61.0

Soundbar position:

XR-85X9xJ: 188.7

XR-75X9xJ: 166.6

XR-65X9xJ: 144.2

Mass (Approx.) (kg)

with Table-Top Stand

XR-85X9xJ: 51.2

XR-75X9xJ: 39.1

XR-65X9xJ: 28.5

without Table-Top Stand

XR-85X9xJ: 48.7

XR-75X9xJ: 36.8

XR-65X9xJ: 27.5

Others

Optional accessories

Wall-Mount Bracket: SU-WL850

(XR-75X9xJ / 65X9xJ only)

Wall-Mount Bracket: SU-WL450

Operating temperature: 0 °C – 40 °C

Operating humidity: 10 % – 80 % RH (non-condensing)

*1 When 4096 × 2160p is input and [Wide mode] is set to [Normal], the resolution is displayed as 3840 × 2160p. To display 4096 × 2160p, set [Wide mode] setting to [Full 1] or [Full 2].

*2 Refer to the on screen menu to set [HDMI signal format].

*3 Refer to the online Help Guide for details.

*4 HDMI IN 3 & 4 only. Use the Ultra High Speed HDMI Cable to connect.

*5 Connect your audio system to the HDMI IN 3 to route TV audio to your audio system.

*6 Function not available in Italy.

*7 This information is for EU and other countries whose relevant regulation is based on EU energy labelling regulation.

- *8 Energy consumption in kWh per year, based on the power consumption of the television operating 4 hours per day for 365 days. The actual energy consumption will depend on how the television is used.
- *9 Specified standby power is reached after the TV finishes necessary internal processes.
- *10 Standby power consumption will increase when your TV is connected to the network.

Note

- Optional accessories availability depends on countries/region/TV model/stock.
- Design and specifications are subject to change without notice.
- Subscriptions for services and applications may be required and additional terms, conditions and/or charges may apply when using Google Assistant.
- Product fiche in this manual is for COMMISSION DELEGATED REGULATION (EU) 1062/2010. Refer to its website for (EU) 2019/2013 information.

Notes on Digital TV function

- Digital TV (DVB terrestrial, satellite and cable), interactive services and network functions may not be available in all countries or areas. Some functions might not be enabled or might not operate correctly with some providers and network environments. Some TV service providers may charge a fee for their services.
- This TV supports digital broadcasting using MPEG-2, H.264/MPEG-4 AVC and H.265/HEVC codecs, but compatibility with all operator/service signals, which may change over time, cannot be guaranteed.

Trademark information

- The terms HDMI, HDMI High-Definition Multimedia Interface, and the HDMI Logo are trademarks or registered trademarks of HDMI Licensing Administrator, Inc.
- Dolby, Dolby Vision, Dolby Atmos, Dolby Audio, and the double-D symbol are trademarks of Dolby Laboratories Licensing Corporation. Manufactured under license from Dolby Laboratories. Confidential unpublished works. Copyright © 1992-2020 Dolby Laboratories. All rights reserved.
- Gracenote, the Gracenote logo and logotype, "Powered by Gracenote" logo are either registered trademarks or trademarks of Gracenote, Inc. in the United States and/or other countries.
- Google TV and related logos are trademarks of Google LLC.

- For DTS patents, see <http://patents.dts.com>. Manufactured under license from DTS, Inc. DTS, Digital Surround, and the DTS logo are registered trademarks or trademarks of DTS, Inc. in the United States and other countries. © 2020 DTS, Inc. ALL RIGHTS RESERVED.
- Netflix is a registered trademark of Netflix, Inc.
- DiSEqC™ is a trademark of EUTELSAT. This TV supports DiSEqC 1.0. This TV is not intended for controlling motorized antennas.
- TUXERA is a registered trademark of Tuxera Inc. in the US and other countries.
- All other trademarks are the property of their respective owners.

Product registration number (COMMISSION DELEGATED REGULATION (EU) 2019/2013)

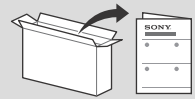
XR-85X95J (527154), XR-75X95J (527151),
XR-65X95J (527140).

À propos des manuels

Ce téléviseur est livré avec les manuels suivants. Conservez les manuels à titre de référence.

Guide d'installation

- Installation et configuration du téléviseur.



Guide de référence (ce manuel) / Documentation de sécurité

- Consignes de sécurité, télécommande, dépannage, fixation murale, spécifications, etc.



Guide d'aide (Manuel en ligne)

- Paramètres, fonctions, connexion internet, dépannage, etc.
- Pour l'ouvrir appuyez sur la touche **HELP** de la télécommande et sélectionnez le Guide d'aide.




- Vous pouvez vous reporter au Guide d'aide avec votre smartphone.



https://rd1.sony.net/help/tv/iaep1/h_aep/

Les menus de configuration sont sujets à modification sans préavis.

IMPORTANT – Lisez le Contrat de licence logicielle de l'utilisateur final avant d'utiliser votre produit Sony. Utiliser votre produit indique vous avez accepté le Contrat de licence logicielle de l'utilisateur final. Le contrat de licence logicielle entre vous et Sony est disponible en ligne sur le site Web Sony (<https://www.sony.net/tv-software-licenses/>) ou sur l'écran de votre produit. Appuyez sur  (Paramètres rapides) sur la télécommande et sélectionnez [Paramètres] → [Système] → [À propos] → [Informations légales] → [Avis et licences].

Pour cet équipement radio, les restrictions de mise en service ou de demandes d'autorisation d'utilisation suivantes s'appliquent en AT, BE, HR, CY, CZ, DK, EE, FI, FR, DE, EL, HU, IE, IT, LV, LT, LU, MT, NL, PL, PT, SK, SI, ES, SE, UK, UK (NI), IS, LI, NO, CH, BG, RO, TR, AL, BA, MK, MD, RS, ME, Kosovo :
La bande 5150 - 5350 MHz est limitée aux utilisations en intérieur uniquement.

Consignes de sécurité

Remarque

- Avant d'utiliser le téléviseur, lisez les « Consignes de sécurité ».
- Lisez la documentation de sécurité fournie pour plus d'informations de sécurité.
- Les images et illustrations reprises dans ce manuel et dans le Guide d'installation sont fournies pour référence uniquement et peuvent présenter des différences par rapport au produit proprement dit.
- Le « x »/« xx » qui apparaît dans le nom de modèle correspond à un chiffre qui désigne la présentation, la couleur ou la norme de télévision.

Emplacement de l'étiquette d'identification

Les étiquettes reprenant le numéro de modèle, la date de production (année/mois) et les caractéristiques nominales de l'alimentation se trouvent à l'arrière du téléviseur ou de l'emballage. Vous les trouverez en retirant le cache des bornes.

AVIS IMPORTANT

Avis concernant les équipements radio

Le soussigné, Sony Corporation, déclare que les équipements radioélectriques de type XR-85X95J, XR-75X95J, XR-65X95J sont conformes à la directive 2014/53/UE. Le texte complet de la déclaration UE de conformité est disponible à l'adresse internet suivante :

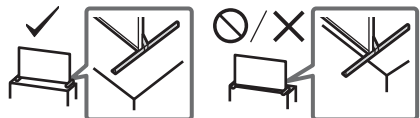
<https://compliance.sony.eu>

Installation/Mise en place

Installez et utilisez le téléviseur conformément aux instructions ci-dessous afin d'éviter tout risque d'incendie, d'électrocution ou autre dommage et/ou blessure.

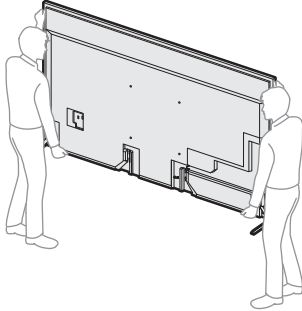
Installation

- Le téléviseur doit être installé à proximité d'une prise de courant aisément accessible.
- Positionnez le téléviseur sur une surface stable et horizontale afin d'éviter qu'il ne tombe, n'entraîne des blessures ou n'endommage des biens.
- Installez le téléviseur dans un endroit où vous ne risquez pas de le pousser, de le tirer ou de le renverser.
- Installez le téléviseur de façon à ce que son support de table ne dépasse pas du support TV (non fourni). Si le support de table dépasse du support TV, le téléviseur risque d'être renversé, de tomber, d'être endommagé ou de provoquer des blessures.



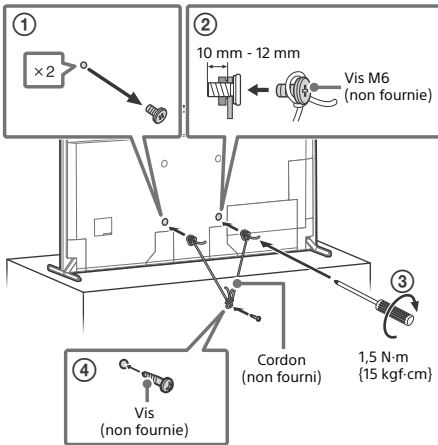
Transport

- Avant de transporter le téléviseur, débranchez tous ses câbles.
- Avant de transporter le téléviseur, retirez les caches des connecteurs.
- La présence de deux personnes ou plus est nécessaire pour le transport des téléviseurs de grande taille.
- Pour transporter le téléviseur à la main, saisissez-le de la manière illustrée. N'exercez aucune pression sur le panneau LCD ni sur le cadre qui entoure l'écran.
- Pour soulever ou déplacer le téléviseur, saisissez-le par sa base.



- Lorsque vous transportez le téléviseur, ne le soumettez pas à des secousses ou des vibrations excessives.
- Lorsque vous transportez le téléviseur pour le porter à réparer ou lorsque vous déménagez, glissez-le dans son emballage et son carton d'origine.

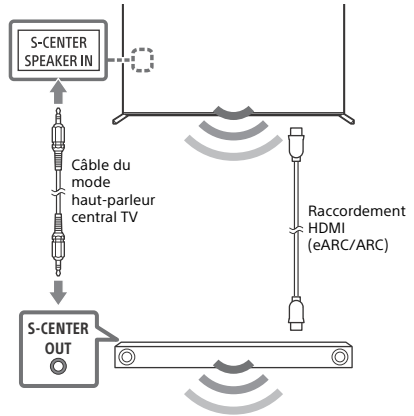
Prévention des basculements



Utilisation du téléviseur comme élément du système audio

Remarque

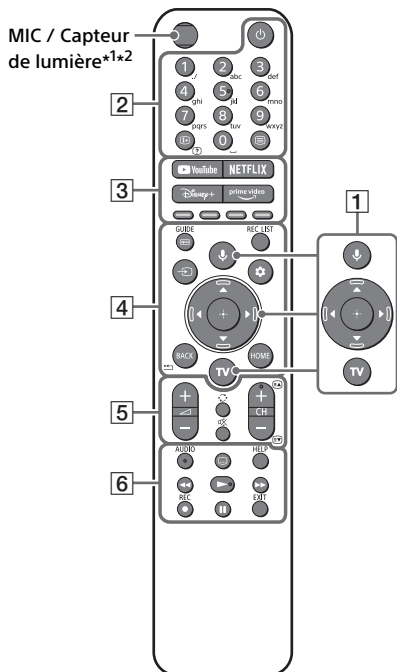
- Avant de raccorder des câbles, débranchez le cordon d'alimentation du téléviseur et du récepteur AV.
- Reportez-vous au mode d'emploi du système audio avec connecteur S-CENTER OUT pour plus de détails.



FR

Télécommande et téléviseur

La forme de la télécommande, la disposition, la disponibilité et la fonction des touches de la télécommande peuvent varier selon votre région/pays/modèle de téléviseur/réglages du téléviseur.



- 1** (Microphone) / (Assistant Google) : Utilise l'Assistant Google*3*4 ou la recherche vocale*4. Pour avoir des conseils sur le contrôle vocal de votre téléviseur, appuyez sur la touche microphone de la télécommande et dites « amène-moi sur le guide audio ».*3

▲/▼/◀/▶/⊕ : Navigation et sélection du menu à l'écran.

TV : Affiche la liste des chaînes de télévision ou commute l'entrée.

- 2** (Alimentation)

Touches numériques

ⓘ+/? (Affichage des infos/du Télétexte) : Affichez des informations.

☰ (Télétexte) : Affichez les informations de Télétexte.

- 3** **YouTube™ / NETFLIX / Disney+ / Prime Video / Touches de couleurs**

- 4** **GUIDE/☰** : Affiche le guide des programmes numériques du téléviseur ou du Décodeur Câble/Satellite*5.

REC LIST : Pour afficher la liste des enregistrements du disque dur USB*6/ DVR*5.

↔ (Sélection de l'entrée) : Pour afficher et sélectionner la source d'entrée, etc.

⚙️ (Paramètres rapides) : Pour afficher les Paramètres rapides.

BACK/◀

HOME

- 5** **↔ +/- (Volume)**

⏮ (Saut)

🔇 (Coupage du son)*7

CH +/-/⏪/⏩ : Sélectionne la chaîne, ou la page suivante (⏪) / précédente (⏩).

- 6** **AUDIO** : Pour sélectionner le son d'une source multilingue ou un double son (selon la source du programme).

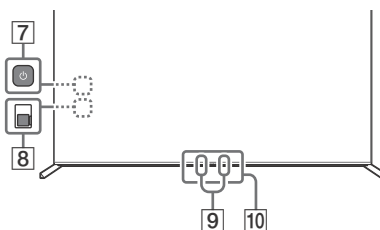
⋮ (Réglage des sous-titres)

HELP : Affichez le menu Aide.

◀◀/▶▶/||

● REC : Pour enregistrer le programme en cours de visionnage sur le disque dur USB*6/DVR*5.

EXIT



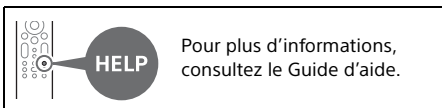
- 7** (Alimentation) : (On peut le trouver en retirant le cache latéral)

- 8** **BUILT-IN MIC SWITCH (Commutateur du microphone intégré)** : Allumer/Éteindre le micro intégré. (On peut le trouver en retirant le cache latéral)

9 MICRO intégré*3*4*8 : Pour activer le micro intégré, appuyez sur la touche microphone de la télécommande et suivez les instructions qui s'affichent à l'écran.

10 Capteur de télécommande / Capteur de lumière / LED

- *1 Le rétroéclairage de la télécommande s'allume lorsque le capteur de lumière détecte que la lumière ambiante est faible. L'allumage automatique du rétroéclairage peut être mis hors tension.
- *2 RMF-TX621E uniquement. Pour voir le nom du modèle de la télécommande, ouvrez le couvercle de la télécommande et lisez l'étiquette se trouvant sur la télécommande.
- *3 Uniquement pour certaines régions, certains pays, certains modèles de téléviseur ou certaines langues.
- *4 L'Assistant Google ou la recherche vocale nécessite une connexion à Internet.
- *5 Le réglage [Configuration de votre décodeur Câble/Satellite] est nécessaire.
- *6 Non disponible pour l'Italie.
- *7 Le raccourci de l'accessibilité est disponible en maintenant enfoncé M (Coupeure du son).
- *8 La consommation électrique augmente lorsque le micro est activé jusqu'à il reste à l'écoute.



Installation du téléviseur au mur

Utilisation du Support de fixation murale en option (SU-WL850 ou SU-WL450)* (non fourni)

A l'attention des clients :

Pour protéger le produit et pour des raisons de sécurité, Sony conseille vivement de confier l'installation de votre téléviseur à des revendeurs ou des installateurs agréés Sony. N'essayez pas de l'installer vous-même.

A l'attention des revendeurs et installateurs Sony :

Soyez particulièrement attentif à la sécurité pendant l'installation, l'entretien périodique et l'examen du produit.

Informations sur l'installation du Support de fixation murale

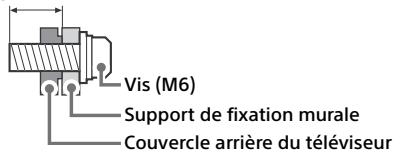
Pour obtenir les instructions de l'installation du Support de fixation murale, veuillez vous reporter à la section Informations sur l'installation (Support de fixation murale) sur la page du produit correspondant à votre modèle de téléviseur.

<https://www.sony.eu/support>

- Suivez le guide d'instructions fourni avec le Support de fixation murale concernant votre modèle. Une expertise suffisante est nécessaire pour réussir l'installation du téléviseur, notamment pour déterminer la résistance du mur au poids du téléviseur.
- Sony n'est responsable d'aucun dégât ou blessure provoqué par une erreur de manipulation ou installation incorrecte.
- L'installation murale du téléviseur doit être confiée à un technicien spécialisé.
- Pour des raisons de sécurité, il est vivement recommandé d'utiliser les accessoires Sony, notamment :
 - Support de fixation murale SU-WL850
 - Support de fixation murale SU-WL450
- Veillez à bien utiliser les vis fournies avec le Support de fixation murale lors de la mise en place du Support de fixation murale sur le téléviseur. Les vis fournies sont conçues de la manière illustrée, mesurées à partir de la surface de fixation du Support de fixation murale.

Leur diamètre et leur longueur varient suivant le modèle de Support de fixation murale. L'utilisation de vis autres que celles fournies peut occasionner des dégâts à l'intérieur du téléviseur ou provoquer sa chute, etc.

10 mm - 12 mm



- Veillez à conserver les vis inutilisées et le support de table en lieu sûr jusqu'à ce que vous soyez prêt à fixer le support de table. Gardez les vis hors de portée des jeunes enfants.

* Uniquement pour certaines régions, certains pays ou certains modèles de téléviseur.

Dépannage

Pour les dépannages généraux tels que : écran noir, absence de son, image figée, téléviseur ne réagissant plus pas de réaction du téléviseur ou perte de réseau, suivez les étapes ci-après.

- 1 Redémarrez votre téléviseur en appuyant sur la touche de mise en marche de la télécommande pendant environ cinq secondes. Le téléviseur redémarre. Si le téléviseur n'est pas remis en état, essayez de débrancher le cordon d'alimentation secteur, puis appuyez sur le touche de mise en marche du téléviseur et relâchez-la. Attendez deux minutes et branchez le cordon d'alimentation secteur.
Ou appuyez sur la touche de mise en marche sur le téléviseur pendant environ 40 secondes jusqu'à ce que le téléviseur se mette hors tension.
- 2 Consultez le menu d'aide en appuyant sur la touche **HELP** de la télécommande.
- 3 Raccordez votre téléviseur à Internet et effectuez une mise à jour du logiciel. Sony vous recommande de mettre à jour le logiciel de votre téléviseur régulièrement. Les mises à jour fournissent de nouvelles fonctionnalités et améliorent les performances.
- 4 Allez sur le site Web d'assistance Sony (informations fournies à la fin de ce manuel).

Lorsque vous branchez le téléviseur, il est possible que vous ne puissiez pas allumer le téléviseur immédiatement même si vous appuyez sur la touche de mise en marche de la télécommande ou du téléviseur.

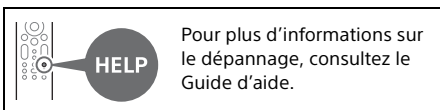
L'initialisation du système prend du temps. Attendez environ une minute, puis utilisez-le normalement.

La télécommande ne fonctionne pas.

- Remplacez les piles.

Le mot de passe du verrouillage parental a été oublié.

- Saisissez 9999 comme code PIN et saisissez le nouveau code PIN.



Spécifications

Système

Type d'affichage : LCD (écran à cristaux liquides), Rétro-éclairage LED

Norme de télévision : Selon le choix de votre pays/région/modèle de téléviseur

Analogique : B/G, D/K, I

Numérique : DVB-T/DVB-C/DVB-T2

Satellite : DVB-S/DVB-S2

Norme de couleurs : PAL/SECAM/NTSC3.58 (Vidéo uniquement)/NTSC4.43 (Vidéo uniquement)

Canaux couverts : Selon le choix de votre pays/région/modèle de téléviseur

Analogique : UHF/VHF/Câble

Numérique : UHF/VHF/Câble

Satellite : Fréquence IF 950-2150 MHz

Sortie son : 10 W + 10 W + 10 W + 10 W + 10 W

Technologie sans fil

Protocole IEEE 802.11a/b/g/n/ac

Bluetooth® Version 4.2

Bande(s) de fréquence

Plage de fréquences	Puissance de sortie
LAN sans fil (Téléviseur)	
2400-2483,5 MHz	< 20,0 dBm
5150-5250 MHz	< 23,0 dBm
5250-5350 MHz	< 20,0 dBm
5470-5725 MHz	< 20,0 dBm
5725-5850 MHz	< 13,9 dBm
Bluetooth® (Téléviseur)	
2400-2483,5 MHz	< 10,0 dBm
Bluetooth® (Télécommande)	
2400-2483,5 MHz	< 10,0 dBm

Prises d'entrée/de sortie

Antenne/câble

Borne 75 ohms externe pour VHF/UHF

Antenne satellite

Connecteur femelle type-F, 75 ohms.

DiSeqC 1.0, LNB 13 V/18 V & 22 kHz tone,

Diffusion par câble unique EN50494.

AV IN / S-CENTER SPEAKER IN

Entrée audio/vidéo (mini-prise)

Entrée du haut-parleur central S (mini-prise)

HDMI IN 1/2/3/4 (Compatible HDCP 2.3)

Vidéo :

4096 × 2160p (50, 60 Hz)*1*2, 4096 × 2160p (24 Hz)*1, 3840 × 2160p (50, 60 Hz)*2, 3840 × 2160p (24, 25, 30 Hz), 1080p (30, 50, 60, 100, 120 Hz), 1080i (50, 60 Hz), 720p (30, 50, 60 Hz), 720/24p, 576p, 480p, Formats PC*3
3840 × 2160p (100, 120 Hz)*2*4

Audio :

En mode eARC (Enhanced Audio Return Channel)

Reportez-vous au Guide d'aide en ligne pour plus de détails.

Sauf mode eARC

PCM linéaire 5,1 canaux : 32/44,1/48/88,2/96/176,4/192 kHz 16/20/24 bits, Dolby Audio, Dolby Atmos, DTS

eARC/ARC (Enhanced Audio Return Channel/ Audio Return Channel) (HDMI IN 3 uniquement)*5

En mode eARC

Reportez-vous au Guide d'aide en ligne pour plus de détails.

En mode ARC

PCM linéaire deux canaux : 48 kHz 16 bits, Dolby Audio, Dolby Atmos, DTS

↻ DIGITAL AUDIO OUT (OPTICAL)

Prise optique numérique (PCM linéaire deux canaux : 48 kHz 16 bits, Dolby Audio, DTS)

🎧 (mini-prise stéréo)

Casque

🔌 1, 🔌 2, 🔌 3 (HDD REC)*6

Port pour périphérique USB (🔌 3 Disque dur USB pour la fonction REC)

Les ports USB 1 et 2 prennent en charge la High Speed USB (USB 2.0)

Le port USB 3 prend en charge la Super Speed USB (USB 3.1 Gen 1)



Fente CAM (Module pour système à contrôle d'accès)



LAN

Connecteur 10BASE-T/100BASE-TX (La vitesse de connexion du réseau peut varier en fonction de l'environnement d'exploitation. Le débit et la qualité de la communication ne sont pas garantis.)

Puissance, fiche produit et autres

Alimentation

220 V - 240 V CA, 50 Hz

Classe d'efficacité énergétique*7

XR-85X9xJ : A

XR-75X9xJ : A

XR-65X9xJ : B

Taille d'écran (mesurée en diagonale) (Environ)

XR-85X9xJ : 214,8 cm / 85 pouces

XR-75X9xJ : 189,3 cm / 75 pouces

XR-65X9xJ : 163,9 cm / 65 pouces

Consommation électrique*7

En mode [Standard]

XR-85X9xJ : 221 W

XR-75X9xJ : 206 W

XR-65X9xJ : 173 W

Consommation énergétique annuelle*7*8

XR-85X9xJ : 307 kWh par an

XR-75X9xJ : 286 kWh par an

XR-65X9xJ : 240 kWh par an

Consommation électrique en veille*7*9*10

XR-85X9xJ : 0,50 W (35 W en mode de mise à jour du logiciel/EPG)

XR-75X9xJ : 0,50 W (33 W en mode de mise à jour du logiciel/EPG)

XR-65X9xJ : 0,50 W (34 W en mode de mise à jour du logiciel/EPG)

Résolution d'affichage (horizontal × vertical) (points)

3840 × 2160

Puissance de sortie nominale

500 mA (pour USB 1/2), 900 mA (pour USB 3)

Dimensions (Environ) (l × h × p) (cm)

Avec support de table

Position standard :

XR-85X9xJ : 188,8 × 109,8 × 45,0

XR-75X9xJ : 166,7 × 97,4 × 39,0

XR-65X9xJ : 144,3 × 84,8 × 33,8

Position étroite :

XR-85X9xJ : 188,8 × 111,0 × 45,0

XR-75X9xJ : 166,7 × 98,5 × 39,0

Position de la barre audio :

XR-85X9xJ : 188,8 × 115,8 × 45,0

XR-75X9xJ : 166,7 × 103,4 × 39,0

XR-65X9xJ : 144,3 × 90,8 × 33,8

Sans support de table

XR-85X9xJ : 188,8 × 108,6 × 6,1

XR-75X9xJ : 166,7 × 96,1 × 6,1

XR-65X9xJ : 144,3 × 83,5 × 6,6

Largeur du support (Environ) (cm)

Position standard :

XR-85X9xJ : 188,7

XR-75X9xJ : 166,6

XR-65X9xJ : 144,2

Position étroite :

XR-85X9xJ / 75X9xJ : 61,0

Position de la barre audio :

XR-85X9xJ : 188,7

XR-75X9xJ : 166,6

XR-65X9xJ : 144,2

Poids (Environ) (kg)

Avec support de table

XR-85X9xJ : 51,2

XR-75X9xJ : 39,1

XR-65X9xJ : 28,5

Sans support de table

XR-85X9xJ : 48,7

XR-75X9xJ : 36,8

XR-65X9xJ : 27,5

Autres

Accessoires en option

Support de fixation murale : SU-WL850

(XR-75X9xJ / 65X9xJ uniquement)

Support de fixation murale : SU-WL450

Température de fonctionnement : 0 °C – 40 °C

Humidité de fonctionnement : 10 % – 80 % HR
(sans condensation)

*1 Si la valeur d'entrée est 4096 × 2160p et que [Mode Large] est réglé sur [Normal], la résolution s'affiche à 3840 × 2160p. Pour afficher au format 4096 × 2160p, réglez le paramètre [Mode Large] sur [Étiré 1] ou [Étiré 2].

*2 Reportez-vous au menu à l'écran pour régler [Format du signal HDMI].

*3 Reportez-vous au Guide d'aide en ligne pour plus de détails.

*4 HDMI IN 3 & 4 uniquement. Utilisez le câble HDMI ultra-haute vitesse pour la connexion.

*5 Raccordez votre système audio au HDMI IN 3 pour acheminer l'audio de votre téléviseur vers votre système audio.

*6 Fonction non disponible en Italie.

*7 Ces informations s'appliquent à l'UE ainsi qu'aux pays dont la législation applicable est conforme aux règlements de l'UE en matière d'étiquetage énergétique.

*8 Consommation énergétique en kWh par an, en considérant la consommation électrique du poste lorsqu'il reste allumé 4 heures par jour pendant 365 jours. La consommation électrique réelle dépendra du mode d'utilisation du téléviseur.

*9 La consommation spécifiée en mode de veille est atteinte une fois que le téléviseur a terminé tous les processus internes nécessaires.

*10 La consommation électrique en veille augmentera lorsque votre téléviseur sera connecté au réseau.

Remarque

- La disponibilité des accessoires en option varie selon les pays, les régions, les modèles de téléviseur et les stocks.
- La conception et les spécifications sont sujettes à modification sans préavis.
- Des abonnements à des services et à des applications peuvent être requis et des conditions, des frais et/ou des frais supplémentaires peuvent s'appliquer lorsque vous utilisez l'Assistant Google.
- La fiche produit de ce manuel concerne le RÈGLEMENT DÉLÉGUÉ (UE) 1062/2010 DE LA COMMISSION. Reportez-vous à son site Web pour plus d'informations sur le règlement (UE) 2019/2013.

Remarques sur la fonction de télévision numérique

- La télévision numérique (DVB terrestre, satellite et câble), les services interactifs et les fonctions réseau peuvent ne pas être disponibles dans tous les pays ou régions. Certaines fonctions pourraient ne pas être activées ou pourraient ne pas fonctionner correctement avec certains opérateurs et environnements réseau. Il est possible que certains opérateurs de services télévisuels facturent des frais pour leurs services.
- Ce téléviseur prend en charge la diffusion numérique en utilisant les codecs MPEG-2, H.264/MPEG-4 AVC et H.265/HEVC, mais la compatibilité avec tous les signaux de l'opérateur/service, susceptibles de changer au fil du temps, ne peut pas être garantie.

Informations sur les marques commerciales

- Les termes HDMI et High-Definition Multimedia Interface ainsi que le logo HDMI sont des marques commerciales ou des marques déposées de HDMI Licensing Administrator, Inc. aux États-Unis et dans d'autres pays.
- Dolby, Dolby Vision, Dolby Atmos, Dolby Audio et le symbole double-D sont des marques de Dolby Laboratories Licensing Corporation. Fabriqué sous licence de Dolby Laboratories. Travaux confidentiels et non publiés. Copyright © 1992-2020 Dolby Laboratories. Tous droits réservés.
- Gracenote, le logo et le graphisme Gracenote ainsi que le logo « Powered by Gracenote » sont des marques commerciales ou des marques déposées de Gracenote, Inc. aux États-Unis et/ou dans d'autres pays.
- Google TV et les logos associés sont des marques de Google LLC.

- Pour les brevets DTS, visitez <http://patents.dts.com>. Fabriqué sous licence de DTS, Inc. DTS, Digital Surround et le logo DTS sont des marques déposées ou des marques commerciales de DTS, Inc. aux États-Unis et dans d'autres pays. © 2020, DTS, Inc. TOUS DROITS RÉSERVÉS.
- Netflix est une marque déposée de Netflix, Inc.
- DiSEqC™ est une marque déposée de EUTELSAT. Ce téléviseur prend en charge DiSEqC 1.0. Ce téléviseur n'est pas destiné à commander des antennes à moteur.
- TUXERA est une marque déposée de Tuxera Inc. aux États-Unis et dans d'autres pays.
- Toutes les autres marques commerciales appartiennent à leurs propriétaires respectifs.

**Numéro d'enregistrement du produit
(RÈGLEMENT DÉLÉGUÉ (UE) 2019/2013 DE LA
COMMISSION)**

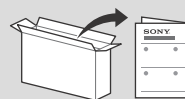
XR-85X95J (527154), XR-75X95J (527151),
XR-65X95J (527140).

Acerca de los manuales

Este televisor se entrega con los siguientes manuales. Conserve los manuales para poderlos consultar en el futuro.

Guía de configuración

- Instalación y configuración del televisor.



Guía de referencia (este manual) / Documentación de seguridad

- Información de seguridad, mando a distancia, solución de problemas, instalación en la pared, especificaciones, etc.



Guía de ayuda (manual en pantalla)

- Ajustes, funciones, conexión a Internet, solución de problemas, etc.
- Para abrir, pulse el botón **HELP** en el mando a distancia y seleccione la Guía de ayuda.



- Puede consultar la Guía de ayuda desde su smartphone.



https://rd1.sony.net/help/tv/iaep1/h_aep/

Los menús de ajustes están sujetos a cambios sin previo aviso.

IMPORTANTE – Lea el **Acuerdo de licencia de software para el usuario final antes de utilizar su producto Sony**. El uso del producto indica su aceptación de este Acuerdo de licencia de software para el usuario final. El acuerdo de licencia de software entre usted y Sony se encuentra disponible en línea en el sitio web de Sony (<https://www.sony.net/tv-software-licences/>) o en la pantalla de su producto. Presione **⚙** (Configuración rápida) en el mando a distancia y seleccione [Ajustes] → [Sistema] → [Información] → [Información legal] → [Avisos y licencias].

Nota

- Antes de utilizar el televisor, lea el apartado "Información de seguridad".
- Lea la documentación de seguridad suministrada para obtener información adicional sobre seguridad.
- Las imágenes y las ilustraciones utilizadas en la Guía de configuración y este manual son solo ejemplos y pueden no coincidir con el producto real.
- La "x"/"xx" que aparece en el nombre del modelo corresponde a un dígito numérico relacionado con el diseño, el color o el sistema de televisión.

Ubicación de la etiqueta identificativa

Las etiquetas correspondientes al Número de modelo, a la Fecha de producción (año/mes) y al voltaje de la Fuente de alimentación se encuentran situadas en la parte posterior del televisor o el embalaje. Para acceder a ellas, quite la tapa del terminal.

AVISO IMPORTANTE

Nota sobre equipos inalámbricos

Por la presente, Sony Corporation declara que los tipos de equipo radioeléctrico XR-85X95J, XR-75X95J, XR-65X95J son conformes con la Directiva 2014/53/UE. El texto completo de la declaración UE de conformidad está disponible en la dirección Internet siguiente:
<https://compliance.sony.eu>

Para este equipo de radio, aplican las siguientes restricciones de puesta en servicio o requisitos de autorización de uso en AT, BE, HR, CY, CZ, DK, EE, FI, FR, DE, EL, HU, IE, IT, LV, LT, LU, MT, NL, PL, PT, SK, SI, ES, SE, UK, UK (NI), IS, LI, NO, CH, BG, RO, TR, AL, BA, MK, MD, RS, ME, Kosovo :
La banda de 5150 - 5350 MHz solo está permitida para operaciones en interiores.

Información de seguridad

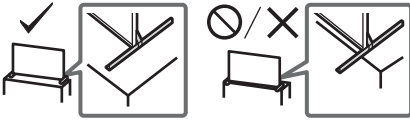
Instalación/configuración

Instale y utilice el televisor siguiendo las instrucciones que se indican a continuación para evitar el riesgo de incendios, descargas eléctricas u otros daños y/o lesiones.

Instalación

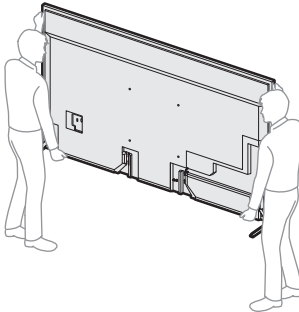
- Debe instalar el televisor cerca de una toma de corriente de fácil acceso.
- Coloque el televisor sobre una superficie nivelada y estable para evitar que pueda caerse y provocar daños personales o materiales.
- Instale el televisor en lugares donde no pueda caerse ni sufrir golpes.

- Instale el televisor de modo que el soporte de sobremesa del televisor no sobresalga del soporte para TV (no suministrado). Si el soporte de sobremesa sobresale del soporte para TV, el televisor podría desequilibrarse, caerse y provocar daños personales o estropearse.



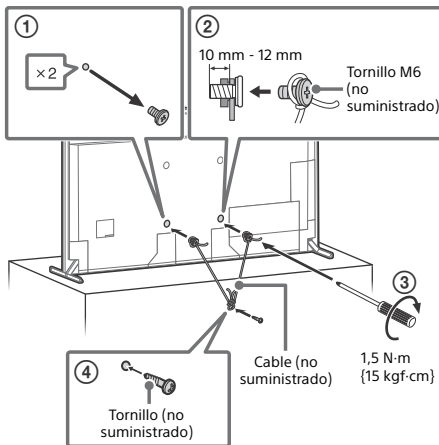
Transporte

- Desconecte todos los cables antes de transportar el televisor.
- Antes de transportar el televisor, retire las tapas de los terminales.
- Se necesitan dos o más personas para transportar un televisor grande.
- Al transportar el televisor manualmente, sujételo de la forma descrita a continuación. No ejerza presión sobre la pantalla LCD ni el marco que la rodea.
- Al levantar o mover el televisor, sujételo con firmeza por su parte inferior.



- Durante el transporte, no someta el televisor a sacudidas o vibraciones excesivas.
- Cuando transporte el televisor para repararlo o cuando lo cambie de sitio, embálelo con la caja y el material de embalaje originales.

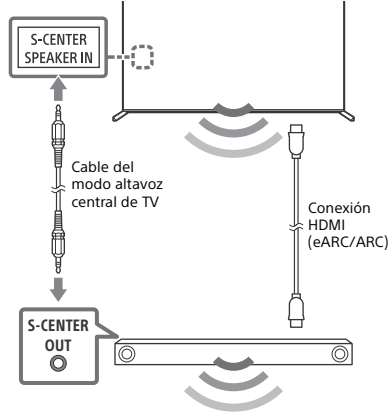
Prevención de volcado



Uso del televisor como parte del sistema de audio

Nota

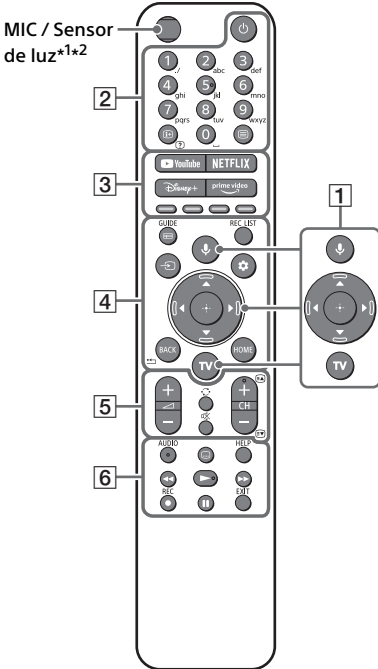
- Antes de conectar los cables, desconecte el cable de alimentación tanto del televisor como del receptor de AV.
- Para obtener más detalles, consulte el manual de instrucciones del sistema de audio con el terminal S-CENTER OUT.



ES

Mando a distancia y televisor

La forma del mando a distancia, la distribución, la disponibilidad y la función de sus botones pueden variar en función del país, la región, el modelo o los ajustes del televisor.



1 (Micrófono) / (Asistente de Google): Utilice el Asistente de Google*^{3*4} o la búsqueda por voz*⁴. Para obtener consejos sobre cómo controlar su televisor, pulse el botón del micrófono en el mando a distancia y pronuncie la frase "pistas de voz".*³

▲/▼/◀/▶/⊕: Navegación y selección de menús en pantalla.

TV: Visualiza una lista de canales de TV o cambia a entrada.

2 (Encendido)

Botones numéricos

ℹ/? (Información/datos de texto): Permite acceder a información.

≡ (Texto): Permite acceder a información de texto.

3 **YouTube™ / NETFLIX / Disney+ / Prime Video / Botones de colores**

4 **GUIDE/☰**: Visualiza la guía de programas digitales del TV o receptor de cable/satélite*⁵.

REC LIST: Visualice la lista de grabación del USB HDD*⁶/DVR*⁵.

(Selección de la entrada): Permite ver y seleccionar la fuente de entrada u otras.

(Configuración rápida): Visualice la configuración rápida.

BACK/◀

HOME

5 (Volumen)

(Saltar)

(Silenciamiento)*⁷

CH +/-/▶/◀/⏪/⏩: Selección de canal, o la página siguiente (▶) / anterior (◀).

6 **AUDIO**: Seleccione el sonido de la fuente multilingüe o el sonido dual (según la fuente del programa).

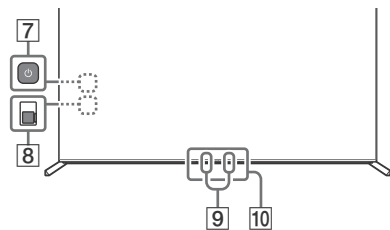
(Ajuste de subtítulos)

HELP: Permite acceder al menú de ayuda.

◀◀/▶▶/⏪/⏩

● REC: Grabe el programa que está mirando en el USB HDD*⁶/DVR*⁵.

EXIT



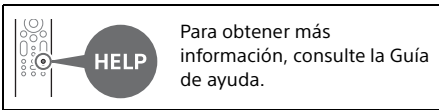
7 (Encendido): (Para acceder a él, quite la tapa lateral)

8 **BUILT-IN MIC SWITCH (Cambio de micrófono integrado)**: Encienda o apague el micrófono integrado. (Para acceder a él, quite la tapa lateral)

9 **Micrófono integrado*^{3*4*8}**: Para habilitar el micrófono integrado, pulse el botón del micrófono en el mando a distancia y, luego, siga las instrucciones en pantalla.

10 Sensor del mando a distancia / Sensor de luz / LED

- *1 La luz de fondo del mando a distancia se ilumina cuando el sensor de luz detecta que el nivel de luz ambiental es bajo. La iluminación automática de la luz de fondo puede apagarse.
- *2 Sólo el modelo RMF-TX621E. Para ver el nombre del modelo del mando a distancia, abra la tapa del mando a distancia y consulte la etiqueta del mando a distancia.
- *3 Solo en algunos países/regiones/modelos de televisor/idiomas.
- *4 El Asistente de Google o la búsqueda por voz requiere una conexión a Internet.
- *5 El ajuste de [Configuración del Receptor de cable/satélite] es necesario.
- *6 No disponible en Italia.
- *7 El atajo de accesibilidad estará disponible pulsando ⌘ (Silenciamiento).
- *8 El consumo de energía aumentará cuando el micrófono integrado esté habilitado, ya que siempre está activado.



Instalación del televisor en una pared

Utilización del Soporte de pared opcional (SU-WL850 o SU-WL450)* (no suministrado)

Para los clientes:

Por motivos de protección del producto y de seguridad, Sony recomienda dejar la instalación del televisor en manos de distribuidores Sony o proveedores autorizados. Nunca intente realizar la instalación sin ayuda.

Para distribuidores y contratistas de Sony:

Preste especial atención a la seguridad durante la instalación, el mantenimiento periódico y las revisiones de este producto.

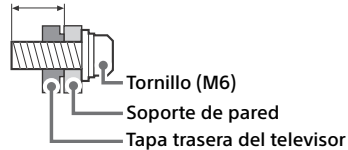
Información para la instalación del Soporte de pared

Para obtener instrucciones acerca de la instalación del Soporte de pared, consulte la información de instalación (Soporte de pared) en la página del producto de su modelo de televisor.

<https://www.sony.eu/support>

- Siga la guía de instrucciones suministrada con el Soporte de pared correspondiente a su modelo. Para instalar este televisor, es necesario disponer de conocimientos suficientes, especialmente para determinar si la pared es lo bastante resistente para aguantar el peso del televisor.
- Sony no se hace responsable de daños o lesiones provocados por una manipulación o una instalación incorrectas.
- La instalación en pared solo puede ser realizada por personal cualificado.
- Por razones de seguridad, se recomienda utilizar accesorios Sony como:
 - Soporte de pared SU-WL850
 - Soporte de pared SU-WL450
- Asegúrese de utilizar los tornillos suministrados con el Soporte de pared al fijar el Soporte de pared al televisor. Los tornillos suministrados han sido diseñados tal y como indica la ilustración si se miden desde la superficie de colocación del Soporte de pared. El diámetro y longitud de los tornillos varía en función del modelo de Soporte de pared. Si utiliza tornillos distintos de los suministrados, puede provocar un daño interno en el televisor o éste puede caerse, etc.

10 mm - 12 mm



- Guarde los tornillos que no utilice y el soporte de sobremesa en un lugar seguro hasta que esté a punto para montar el soporte de sobremesa. Mantenga los tornillos lejos del alcance de los niños.

* Solo en algunos países/regiones/modelos de televisor.

Solución de problemas

Para la solución de problemas generales en situaciones como, por ejemplo, pantalla negra, no hay sonido, imagen congelada, el televisor no responde o la conexión de red se ha perdido, realice los pasos siguientes.

- 1 Reinicie el televisor pulsando el botón de encendido en el mando a distancia durante aproximadamente cinco segundos. El televisor se reiniciará. Si el televisor no se recupera, intente desenchufar el cable de corriente y, luego, pulsar el botón de encendido en el televisor y soltarlo. Espere durante dos minutos y conecte el cable de alimentación.
También puede intentar pulsar el botón de encendido en el televisor durante unos 40 segundos hasta que este se apague.
- 2 Para consultar el menú Ayuda, pulse **HELP** en el mando a distancia.
- 3 Conecte el televisor a Internet y realice una actualización de software. Sony recomienda actualizar siempre el software del televisor. Las actualizaciones de software mejoran el rendimiento del televisor y añaden nuevas funciones.
- 4 Visite el sitio web de soporte de Sony (encontrará la información al final de este manual).

Al conectar el televisor, es posible que no se encienda aunque pulse el botón de encendido del mando a distancia o del televisor.

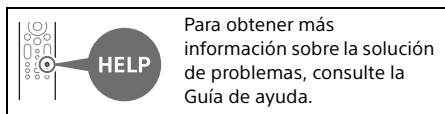
El sistema tarda un tiempo en inicializarse. Espere aproximadamente un minuto y vuelva a intentarlo.

El mando a distancia no funciona.

- Cambie las pilas.

Se ha olvidado la contraseña del bloqueo paterno.

- Introduzca 9999 para el PIN e introduzca el nuevo PIN.



Especificaciones

Sistema

Sistema de panel: Panel LCD (pantalla de cristal líquido), Retroiluminación LED

Sistema de televisión: Según el país/selección de área/modelo de televisor

Análogo: B/G, D/K, I

Digital: DVB-T/DVB-C/DVB-T2

Satélite: DVB-S/DVB-S2

Sistema de color: PAL/SECAM/NTSC3.58 (Sólo vídeo)/NTSC4.43 (Sólo vídeo)

Cobertura de canales: Según el país/selección de área/modelo de televisor

Análogo: UHF/VHF/Cable

Digital: UHF/VHF/Cable

Satélite: Frecuencia IF 950-2150 MHz

Salida de sonido: 10 W + 10 W + 10 W + 10 W + 10 W

Tecnología inalámbrica

Protocolo IEEE 802.11a/b/g/n/ac

Bluetooth® versión 4.2

Bandas de frecuencia

Intervalo de frecuencias	Potencia de salida
LAN inalámbrica (TV)	
2400-2483,5 MHz	< 20,0 dBm
5150-5250 MHz	< 23,0 dBm
5250-5350 MHz	< 20,0 dBm
5470-5725 MHz	< 20,0 dBm
5725-5850 MHz	< 13,9 dBm
Bluetooth® (TV)	
2400-2483,5 MHz	< 10,0 dBm
Bluetooth® (Mando a distancia)	
2400-2483,5 MHz	< 10,0 dBm

Conectores de entrada/salida

Antena/Cable

Terminal externo de 75 ohmios para VHF/UHF

Antena de satélite

Conector tipo F hembra, 75 ohmios.

DiSEqC 1.0, LNB 13 V/18 V y tono de 22 kHz,

Distribución de cable único EN50494.

↻ / ↻ AV IN / S-CENTER SPEAKER IN

Entrada de vídeo/audio (miniconector)

Entrada de altavoz S-centre (miniconector)

HDMI IN 1/2/3/4 (Compatible con HDCP 2.3)

Video:

4096 × 2160p (50, 60 Hz)*1*2, 4096 × 2160p (24 Hz)*1, 3840 × 2160p (50, 60 Hz)*2, 3840 × 2160p (24, 25, 30 Hz), 1080p (30, 50, 60, 100, 120 Hz), 1080/24p, 1080i (50, 60 Hz), 720p (30, 50, 60 Hz), 720/24p, 576p, 480p, Formatos de PC*3
3840 × 2160p (100, 120 Hz)*2*4

Audio:

En el modo eARC (Enhanced Audio Return Channel)

Consulte la Guía de ayuda en línea para obtener más detalles.

Excepto en el modo eARC

PCM lineal de 5,1 canales: 32/44,1/48/88,2/96/176,4/192 kHz 16/20/24 bits, Dolby Audio, Dolby Atmos, DTS

eARC/ARC (Enhanced Audio Return Channel/ Audio Return Channel) (Sólo HDMI IN 3)*5

En el modo eARC

Consulte la Guía de ayuda en línea para obtener más detalles.

En el modo ARC

PCM lineal de dos canales: 48 kHz 16 bits, Dolby Audio, Dolby Atmos, DTS

⇨ DIGITAL AUDIO OUT (OPTICAL)

Toma digital óptica (PCM lineal de dos canales: 48 kHz 16 bits, Dolby Audio, DTS)

🎧 (minitoma estéreo)

Auricular

🔌➔1, 🔌➔2, 🔌➔3 (HDD REC)*6

Puerto para dispositivo USB (dispositivo HDD)
🔌➔ 3 USB para función REC)

Los puertos USB 1 y 2 son compatibles con USB de alta velocidad (USB 2.0)

El puerto USB 3 es compatible con Super Speed USB (USB 3.1 Gen 1)



Ranura CAM (módulo de acceso condicional)



Conector 10BASE-T/100BASE-TX (La velocidad de conexión puede variar según el entorno operativo de la red. No se garantizan la frecuencia y la calidad de comunicación).

Alimentación, ficha de producto y otros

Requisitos de alimentación

220 V - 240 V CA, 50 Hz

Categoría de eficiencia energética*7

XR-85X9xJ: A

XR-75X9xJ: A

XR-65X9xJ: B

Tamaño de la pantalla (medida diagonalmente) (Aprox.)

XR-85X9xJ: 214,8 cm / 85 pulgadas

XR-75X9xJ: 189,3 cm / 75 pulgadas

XR-65X9xJ: 163,9 cm / 65 pulgadas

Consumo de energía*7

En el modo [Estándar]

XR-85X9xJ: 221 W

XR-75X9xJ: 206 W

XR-65X9xJ: 173 W

Consumo de energía anual*7*8

XR-85X9xJ: 307 kWh por año

XR-75X9xJ: 286 kWh por año

XR-65X9xJ: 240 kWh por año

Consumo de energía en modo de espera*7*9*10

XR-85X9xJ: 0,50 W (35 W en el modo de actualización del software/EPG)

XR-75X9xJ: 0,50 W (33 W en el modo de actualización del software/EPG)

XR-65X9xJ: 0,50 W (34 W en el modo de actualización del software/EPG)

Resolución de la pantalla (horizontal × vertical)

(píxeles)

3840 × 2160

Potencia de salida

500 mA (para USB 1/2), 900 mA (para USB 3)

Dimensiones (Aprox.) (ancho x alto x fondo) (cm)

con soporte de sobremesa

Posición estándar:

XR-85X9xJ: 188,8 × 109,8 × 45,0

XR-75X9xJ: 166,7 × 97,4 × 39,0

XR-65X9xJ: 144,3 × 84,8 × 33,8

Posición estrecha:

XR-85X9xJ: 188,8 × 111,0 × 45,0

XR-75X9xJ: 166,7 × 98,5 × 39,0

Posición de la barra de sonido:

XR-85X9xJ: 188,8 × 115,8 × 45,0

XR-75X9xJ: 166,7 × 103,4 × 39,0

XR-65X9xJ: 144,3 × 90,8 × 33,8

sin soporte de sobremesa

XR-85X9xJ: 188,8 × 108,6 × 6,1

XR-75X9xJ: 166,7 × 96,1 × 6,1

XR-65X9xJ: 144,3 × 83,5 × 6,6

Anchura del soporte (Aprox.) (cm)

Posición estándar:

XR-85X9xJ: 188,7

XR-75X9xJ: 166,6

XR-65X9xJ: 144,2

Posición estrecha:

XR-85X9xJ / 75X9xJ: 61,0

Posición de la barra de sonido:

XR-85X9xJ: 188,7

XR-75X9xJ: 166,6

XR-65X9xJ: 144,2

Peso (Aprox.) (kg)

con soporte de sobremesa

XR-85X9xJ: 51,2

XR-75X9xJ: 39,1

XR-65X9xJ: 28,5

sin soporte de sobremesa

XR-85X9xJ: 48,7

XR-75X9xJ: 36,8

XR-65X9xJ: 27,5

Otros

Accesorios opcionales

Soporte de pared: SU-WL850 (sólo XR-75X9xJ / 65X9xJ)

Soporte de pared: SU-WL450

Temperatura de funcionamiento: De 0 °C a 40 °C

Humedad de funcionamiento: 10 % – 80 % RH (sin condensación)

*1 Si se introduce 4096 × 2160p y [Modo horizontal] se cambia a [Normal], la resolución mostrada será 3840 × 2160p. Para ver 4096 × 2160p, cambie el ajuste de [Modo horizontal] a [Completo 1] o [Completo 2].

*2 Consulte el menú en pantalla para configurar [Formato de señal HDMI].

*3 Consulte la Guía de ayuda en línea para obtener más detalles.

*4 Sólo entradas HDMI IN 3 & 4. Utilice el Cable HDMI de ultra alta velocidad para la conexión.

*5 Conecte su sistema de audio a HDMI IN 3 para enviar el audio del televisor a su sistema de audio.

*6 Esta función no está disponible en Italia.

*7 Esta información es para la UE y otros países cuyas normativas relevantes se basen en la normativa de etiquetado de energía de la UE.

*8 Consumo de energía en kWh al año, con el televisor funcionando 4 horas al día durante 365 días. El consumo de energía real depende de la frecuencia de uso del televisor.

*9 El consumo de energía en modo de espera especificado se alcanza cuando el televisor termina los procesos internos necesarios.

*10 El consumo de energía en modo de espera aumenta si el televisor está conectado a la red.

Nota

- La disponibilidad de los accesorios opcionales depende del país, la región, el modelo de televisor y las existencias.
- El diseño y las especificaciones están sujetos a cambios sin previo aviso.
- Es posible que se requieran suscripciones para servicios y aplicaciones y que se apliquen términos, condiciones y/o cargos adicionales cuando se utiliza el Asistente de Google.

- La ficha de producto en este manual es para el REGLAMENTO DELEGADO (UE) DE LA COMISIÓN 1062/2010. Consulte su sitio web para obtener información sobre (UE) 2019/2013.

Notas sobre la función de Televisión digital

- Es posible que los servicios interactivos y las funciones de la red de televisión digital (DVB terrestre, por satélite o por cable) no estén disponibles en todos los países o regiones. Es posible que algunas funciones estén inhabilitadas o que no funcionen correctamente con algunos proveedores y entornos de red. Algunos proveedores de servicio de televisión pueden cobrar una tarifa por sus servicios.
- Este televisor es compatible con emisiones digitales con codificación MPEG-2, H.264/MPEG-4 AVC y H.265/HEVC, aunque no es posible garantizar la compatibilidad con todos los operadores y señales de servicio, dado que con el tiempo pueden variar.
- Este televisor soporta la recepción de televisión digital terrestre, DVB-T2, la alta definición y la ultraalta definición.

Información sobre las marcas comerciales

- Los términos HDMI y HDMI High-Definition Multimedia Interface, y el Logotipo HDMI son marcas comerciales o marcas registradas de HDMI Licensing Administrator, Inc. en los Estados Unidos y en otros países.
- Dolby, Dolby Vision, Dolby Atmos, Dolby Audio y el símbolo de la doble D son marcas comerciales de Dolby Laboratories Licensing Corporation. Fabricado con la licencia de Dolby Laboratories. Documentos confidenciales sin publicar. Copyright © 1992-2020 Dolby Laboratories. Todos los derechos reservados.
- Gracenote, el símbolo y el logotipo de Gracenote y el logotipo "Powered by Gracenote" son marcas comerciales registradas o marcas comerciales de Gracenote, Inc. en Estados Unidos y/u otros países.
- Google TV y los logotipos relacionados son marcas comerciales de Google LLC.
- Para obtener información sobre las patentes DTS, consulte <http://patents.dts.com>. Fabricado con licencia de DTS, Inc. Digital Surround y el logotipo de DTS son marcas comerciales registradas o marcas comerciales de DTS, Inc. en los Estados Unidos y en otros países. © 2020 DTS, Inc. TODOS LOS DERECHOS RESERVADOS.
- Netflix es una marca comercial registrada de Netflix, Inc.

- DiSEqC™ es una marca comercial de EUTELSAT. Este televisor es compatible con DiSEqC 1.0. Este televisor no está diseñado para controlar antenas motorizadas.
- TUXERA es una marca comercial registrada de Tuxera Inc. en los EEUU y otros países.
- Todas las demás marcas comerciales son propiedad de sus respectivos propietarios.

**Número de registro de producto
(REGLAMENTO DELEGADO (UE) DE LA
COMISIÓN 2019/2013)**

XR-85X95J (527154), XR-75X95J (527151),
XR-65X95J (527140).

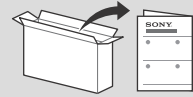
ES

Over handleidingen

Deze TV wordt met de volgende handleidingen geleverd. Bewaar de handleidingen voor toekomstig gebruik.

Installatiehandleiding

- Installatie en instelling van de TV.



Referentieids (deze handleiding) / Veiligheidsdocumentatie

- Veiligheidsinformatie, afstandsbediening, problemen oplossen, wandmontage-installatie, specificatie, enz.



Helpgids (handleiding op het scherm)

- Instellingen, functies, internetverbinding, problemen oplossen enz.
- Om deze te openen, drukt u op de knop **HELP** op de afstandsbediening en selecteer Helpgids.




- U kunt de Helpgids op uw smartphone bekijken.



https://rd1.sony.net/help/tv/iaep1/h_aep/

De instellingsmenu's kunnen zonder voorafgaande kennisgeving worden gewijzigd.

BELANGRIJK - lees de softwarelicentieovereenkomst voor eindgebruikers voordat u uw Sony-product gaat gebruiken.

Gebruik maken van dit product geeft aan dat u de softwarelicentieovereenkomst voor eindgebruikers accepteert. De softwarelicentieovereenkomst tussen u en Sony is online beschikbaar op de Sony-website (<https://www.sony.net/tv-software-licenses/>) of op uw productscherm. Druk op  (Snelle instellingen) op de afstandsbediening; en selecteer [Instellingen] → [Systeem] → [Over] → [Juridische informatie] → [Opmerkingen en licenties].

Opmerkingen

- Lees voor het bedienen van de televisie de "Veiligheidsinformatie".
- Lees de meegeleverde documentatie voor extra veiligheidsinformatie.
- De afbeeldingen en illustraties die in de installatiehandleiding en de handleiding worden gebruikt, gelden uitsluitend als referentie en kunnen van het actuele product afwijken.
- De "x"/"xx" die wordt weergegeven in de modelnaam komt overeen met een cijfer dat betrekking heeft op het ontwerp, de kleur of het tv-systeem.

Locatie van het identificatielabel

Het label met het modelnummer, de productiedatum (jaar/maand) en de voedingsklasse bevinden zich op de achterkant van de tv en verpakking. U kunt ze vinden door de beschermkap van de aansluitingen te verwijderen.

BELANGRIJK BERICHT

Opmerking voor radioapparatuur

Hierbij verklaart Sony Corporation dat de types radioapparatuur XR-85X95J, XR-75X95J, XR-65X95J conform zijn met Richtlijn 2014/53/EU. De volledige tekst van de EU-conformiteitsverklaring kan worden geraadpleegd op het volgende internetadres: <https://compliance.sony.eu>

Voor deze radioapparatuur gelden in AT, BE, HR, CY, CZ, DK, EE, FI, FR, DE, EL, HU, IE, IT, LV, LT, LU, MT, NL, PL, PT, SK, SI, ES, SE, UK, UK (NI), IS, LI, NO, CH, BG, RO, TR, AL, BA, MK, MD, RS, ME en Kosovo de volgende beperkingen op het in gebruik nemen of op de voorschriften voor toestemming tot het gebruik: de 5150 - 5350 MHz-band mag uitsluitend binnen worden gebruikt.

Veiligheidsinformatie

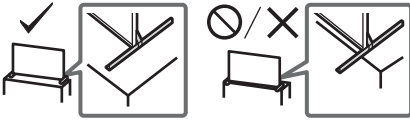
Installatie/configuratie

Installeer en gebruik de televisie volgens de instructies hieronder zodat het risico van brand, elektrische schok, schade en/of letsel wordt voorkomen.

Installatie

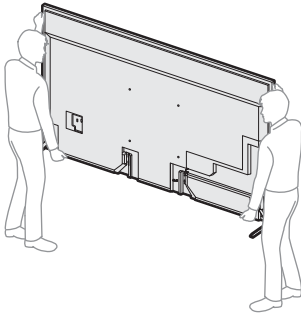
- Het televisietoestel moet in de buurt van een goed toegankelijk stopcontact worden geplaatst.
- Plaats het televisietoestel op een stabiel, horizontaal oppervlak zodat het toestel niet kan vallen en geen persoonlijk letsel of materiële schade wordt veroorzaakt.
- Zet de televisie op een plaats waar er niet aan getrokken of tegen geduwd kan worden, en waar deze niet omver kan vallen.

- Plaats de tv zo dat de tv-standaard niet buiten de rand van het televisiemeubel (niet bijgeleverd) steekt. Als de tv-standaard buiten de rand van het televisiemeubel steekt, kan de tv omkantelen of vallen en dat kan persoonlijk letsel of beschadiging van het toestel tot gevolg hebben.



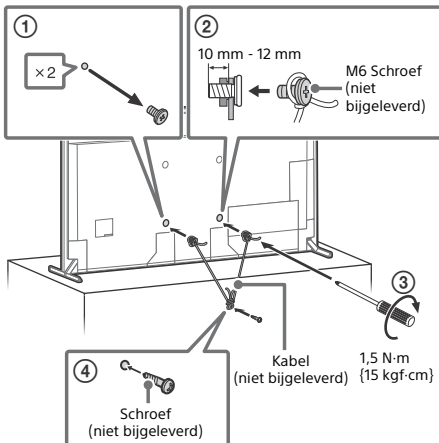
Transport

- Voordat u het televisietoestel transporteert, moet u alle snoeren loskoppelen.
- Verwijder de beschermkappen van de aansluitingen, voordat u het televisietoestel transporteert.
- Voor het transport van een groot televisietoestel zijn twee of meer personen nodig.
- Wanneer de televisie met de hand wordt gedragen, dient u deze als volgt vast te houden. Druk niet tegen het LCD-scherm en het kader rond het scherm.
- Als u het televisietoestel optilt of verplaatst, moet u het stevig aan de onderzijde vastpakken.



- Wanneer u het televisietoestel vervoert, mag u dit niet blootstellen aan schokken of sterke trillingen.
- Wanneer u het televisietoestel naar de reparateur brengt of vervoert, verpakt u het in de oorspronkelijke doos en verpakkingsmaterialen.

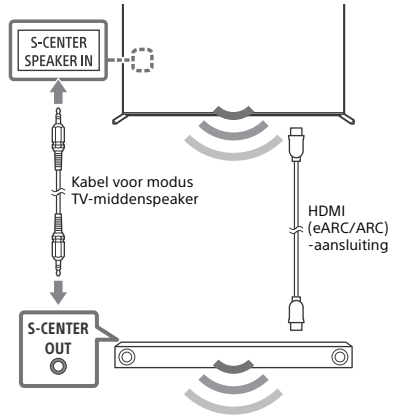
Omvulpreventie



De tv gebruiken als deel van een audiosysteem

Opmerkingen

- Voor u kabels verbindt, moet u zowel de stekker van de TV als van de AV-ontvanger uit het stopcontact halen.
- Zie de gebruiksaanwijzing van het audiosysteem met S-CENTER OUT-aansluiting voor meer informatie.

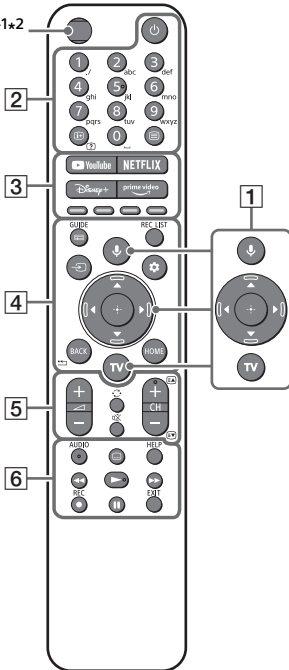


Afstandsbediening en tv

De vorm van de afstandsbediening, indeling, beschikbaarheid en functie van de toetsen van de afstandsbediening kunnen verschillen afhankelijk van uw regio/land/tv-model/tv-instellingen.

MIC /

Lichtsensoren*1*2



- 1** (Microfoon) / (Google Assistant): Gebruik de Google Assistant*3*4 of gesproken zoekopdrachten*4. Voor tips over de bediening van uw tv, drukt u op de microfoonknop op de afstandsbediening en zegt u "spraaktips".*3
- ▲/▼/◀/▶/⊕**: Menu voor navigatie en selectie op het scherm.
- TV**: Weergave van de lijst met tv-kanalen of wissel naar invoer.

- 2** (Uitschakelen)

Cijfertoetsen

ⓘ+/? (Info/Tekst tonen): Hiermee kunt u informatie weergeven.

☰ (Teletekst): Hiermee kunt u tekstinformatie weergeven.

- 3** **YouTube™ / NETFLIX / Disney+ / Prime Video / Kleurtoetsen**

- 4** **GUIDE**/: Geef de digitale programmagids van de tv of Kabel-/satellietreceiver*5 weer.

REC LIST: Weergave van de opnamelijst van USB HDD*6/DVR*5.

(Ingangsselectie): De ingangsbron weergeven en selecteren enz.

(Snelle instellingen): Weergave van snelle instellingen.

BACK/

HOME

- 5** +/- (Volume)

(Overschakelen)

(Dempen van het geluid)*7

CH +/-//: Selecteer het kanaal of de volgende () / vorige () pagina.

- 6** **AUDIO**: Selecteer het geluid van een meertalige bron of tweevoudig geluid (afhankelijk van de programmabron).

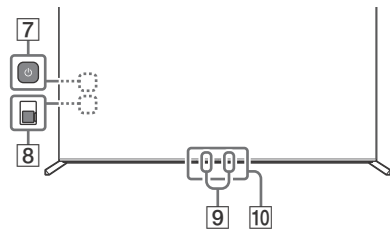
(Ondertiteling instellen)

HELP: Hiermee kunt u het helpmenu openen.

/▶/▶▶/||

● REC: Registreer het momenteel bekeken programma op USB HDD*6/DVR*5.

EXIT



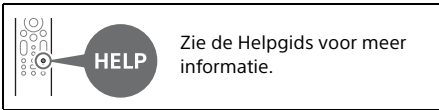
- 7** (Uitschakelen): (Deze vindt u door het deksel aan de zijkant te verwijderen)

- 8** **BUILT-IN MIC SWITCH (Ingebouwde microfoonschakelaar)**: Schakel de ingebouwde microfoon in/uit. (Deze vindt u door het deksel aan de zijkant te verwijderen)

- 9 **Ingebouwde microfoon***³*⁴*⁸: Druk om de ingebouwde microfoon in te schakelen op de microfoonknop op de afstandsbediening en volg de aanwijzingen op het scherm.

10 **Afstandsbedieningssensor / Lichtsensor / LED**

- *1 De achtergrondverlichting van de afstandsbediening gaat branden wanneer de lichtsensoren detecteert dat er weinig omgevingslicht is. Automatische belichting door de achtergrondverlichting kan worden uitgeschakeld.
- *2 Alleen RMF-TX621E. De modelnaam van de afstandsbediening is zichtbaar door het deksel van de afstandsbediening te openen en het label op de afstandsbediening te bekijken.
- *3 Beperkt tot bepaalde regio's/landen/tv-modellen/talen.
- *4 De Google Assistent of gesproken zoekopdrachten vereisen een internetverbinding.
- *5 Instelling van de [Instelling kabel-/satellietreceiver] is vereist.
- *6 Niet beschikbaar voor Italië.
- *7 Toegankelijkheidssneltoets is beschikbaar door  (Dempen van het geluid) in te drukken en vast te houden.
- *8 Het stroomverbruik wordt hoger als de ingebouwde microfoon is ingeschakeld, omdat deze altijd luistert.



De televisie op de wand installeren

De optionele Wandmontagesteun gebruiken (SU-WL850 of SU-WL450)* (niet bijgeleverd)

Voor klanten:

Om redenen van productbescherming en veiligheid adviseert Sony ten stelligste dat de installatie van uw televisie wordt uitgevoerd door een Sony-verkoper of door een erkende aannemer. Probeer dit niet zelf te doen.

Voor Sony-dealers en installateurs:

Schenk voldoende aandacht aan de veiligheid tijdens de installatie, het periodiek onderhoud en het onderzoek van dit product.

Installatie-informatie Wandmontagesteun

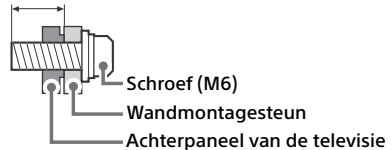
Zie voor instructies over montage van de Wandmontagesteun de installatie-informatie (Wandmontagesteun) op de productpagina van uw televisiemodel.

<https://www.sony.eu/support>

- Volg de instructiegids die bij de Wandmontagesteun voor uw model geleverd is. Er is voldoende ervaring vereist om deze televisie te installeren, met name om te bepalen of de wand het gewicht van de televisie kan dragen.
- Sony is niet aansprakelijk voor schade of letsels als gevolg van onjuist handelen of onjuiste installatie.
- Laat wandinstallaties alleen door gekwalificeerd servicepersoneel uitvoeren.
- Het wordt om veiligheidsredenen aanbevolen accessoires van Sony te gebruiken, zoals:
 - Wandmontagesteun SU-WL850
 - Wandmontagesteun SU-WL450
- Gebruik de schroeven die bij de Wandmontagesteun geleverd zijn voor het bevestigen van de Wandmontagesteun aan het televisietoestel. De bijgeleverde schroeven zijn ontworpen zoals aangegeven op de afbeelding, wanneer gemeten vanaf het bevestigingsoppervlak van de Wandmontagesteun.

De diameter en de lengte van de schroeven verschillen naar gelang het model van de Wandmontagesteun. Het gebruik van andere schroeven dan de meegeleverde schroeven kan resulteren in interne schade van het televisietoestel of kan ertoe leiden dat de televisie valt enz.

10 mm - 12 mm



- Bewaar de ongebruikte schroeven en de tafelstandaard op een veilige plaats voor het geval u de tafelstandaard opnieuw wilt bevestigen. Houd de schroeven op een veilige afstand van kleine kinderen.

* Beperkt tot bepaalde regio's/landen/tv-modellen.

Problemen oplossen

Voer de volgende stappen uit bij het oplossen van algemene problemen zoals: zwart scherm, geen geluid, bevroren beeld, televisie reageert niet of geen verbinding met netwerk.

- 1 Herstart de tv door de aan-/uitknop op de afstandsbediening ongeveer vijf seconden in te drukken. De televisie zal herstarten. Haal de stekker uit het stopcontact als de tv niet wordt hersteld en druk daarna op de aan/uitknop op de tv en laat deze los. Wacht ongeveer twee minuten en steek dan de stekker in het stopcontact. Of druk ongeveer 40 seconden lang op de aan/uitknop op de tv, totdat de tv uitschakelt.
- 2 Zie het Helpmenu door **HELP** in te drukken op de afstandsbediening.
- 3 Sluit de televisie aan op het internet en voer een software-update uit. Sony adviseert u om de software van uw tv up to date te houden. Software-updates zorgen voor nieuwe functies en betere prestaties.
- 4 Bezoek de Sony ondersteuningswebsite (informatie aangegeven aan het einde van deze handleiding).

Wanneer u de stekker van de tv in het stopcontact steekt, kan de tv mogelijk gedurende enige tijd niet worden ingeschakeld, zelfs niet als u op de aan-/uitknop op de afstandsbediening of op de tv drukt.

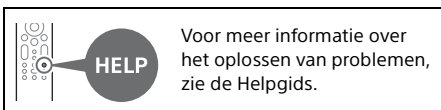
Het initialiseren van het systeem neemt enige tijd in beslag. Wacht ongeveer een minuut en probeer het daarna opnieuw.

De afstandsbediening werkt niet.

- Vervang de batterijen.

Het wachtwoord kinderslot is vergeten.

- Voer de 9999 en voer de nieuwe PIN-code in.



Specificaties

Systeem

Beeldschermstelsel: LCD-scherm (Liquid Crystal Display), LED-achtergrondverlichting
TV-systeem: Afhangelijk van uw land/regioselectie/televisiemodel

Analoog: B/G, D/K, I
Digitaal: DVB-T/DVB-C/DVB-T2
Satelliet: DVB-S/DVB-S2

Kleurensysteem: PAL/SECAM/NTSC3.58 (alleen video)/NTSC4.43 (alleen video)

Beschikbare kanalen: Afhangelijk van uw land/regioselectie/televisiemodel

Analoog: UHF/VHF/Kabel
Digitaal: UHF/VHF/Kabel
Satelliet: IF-frequentie 950-2150 MHz

Geluidsuitgang: 10 W + 10 W + 10 W + 10 W + 10 W

Draadloze technologie

Protocol IEEE 802.11a/b/g/n/ac

Bluetooth® versie 4.2

Frequentieband(en)

Frequentiebereik	Uitgangsvermogen
Draadloos LAN (TV)	
2400-2483,5 MHz	< 20,0 dBm
5150-5250 MHz	< 23,0 dBm
5250-5350 MHz	< 20,0 dBm
5470-5725 MHz	< 20,0 dBm
5725-5850 MHz	< 13,9 dBm
Bluetooth® (TV)	
2400-2483,5 MHz	< 10,0 dBm
Bluetooth® (Afstandsbediening)	
2400-2483,5 MHz	< 10,0 dBm

Ingangs-/uitgangsaansluitingen

Antenne/kabel

75 ohm externe aansluiting voor VHF/UHF

Satellietantenne

Vrouwelijke F-aansluiting, 75 ohm.

DiSEqC 1.0, LNB 13 V/18 V & 22 kHz-toon, enkele kabel distributie volgens EN50494.

AV IN / S-CENTER SPEAKER IN
A/V-ingang (mini-aansluiting)

Ingang S-center luidspreker (mini-aansluiting)

HDMI IN 1/2/3/4 (Voldoet aan HDCP 2.3)

Video:

4096 × 2160p (50, 60 Hz)^{*1*2}, 4096 × 2160p (24 Hz)^{*1}, 3840 × 2160p (50, 60 Hz)^{*2}, 3840 × 2160p (24, 25, 30 Hz), 1080p (30, 50, 60, 100, 120 Hz), 1080/24p, 1080i (50, 60 Hz), 720p (30, 50, 60 Hz), 720/24p, 576p, 480p, Pc-formaten^{*3}
3840 × 2160p (100, 120 Hz)^{*2*4}

Audio:

In eARC (Enhanced Audio Return Channel)-modus

Voor meer informatie zie de online Helpgids.

Behalve eARC-modus

5,1-kanaals lineaire PCM: 32/44,1/48/88,2/96/176,4/192 kHz 16/20/24 bits, Dolby Audio, Dolby Atmos, DTS

eARC/ARC (Enhanced Audio Return Channel/ Audio Return Channel) (alleen HDMI IN 3)^{*5}

In eARC-modus

Voor meer informatie zie de online Helpgids.

In ARC-modus

Tweekanaals lineaire PCM: 48 kHz 16 bits, Dolby Audio, Dolby Atmos, DTS

↻ DIGITAL AUDIO OUT (OPTICAL)

Digitale optische aansluiting (tweekanaals lineaire PCM: 48 kHz 16 bits, Dolby Audio, DTS)

🎧 (stereo miniaansluiting)

Hoofdtelefoon

🔌➔1, 🔌➔2, 🔌➔3 (HDD REC)^{*6}

Poort voor USB-apparaat (🔌➔3 USB HDD -apparaat voor REC-functie)

USB-poort 1 en 2 bieden ondersteuning voor High Speed USB (USB 2.0)

USB-poort 3 biedt ondersteuning voor Super Speed USB (USB 3.1 Gen 1)



CAM-sleuf (Conditional Access Module)



LAN

10BASE-T/100BASE-TX-stekker (Afhankelijk van de besturingsomgeving van het netwerk kan de verbindingssnelheid variëren. De communicatiesnelheid en kwaliteit zijn niet gegarandeerd.)

Voeding, productfiche en overige

Stroomvereisten

220 V - 240 V AC, 50 Hz

Energie-efficiëntieklasse^{*7}

XR-85X9xJ: A

XR-75X9xJ: A

XR-65X9xJ: B

Schermgrootte (diagonaal gemeten) (ong.)

XR-85X9xJ: 214,8 cm / 85 inch

XR-75X9xJ: 189,3 cm / 75 inch

XR-65X9xJ: 163,9 cm / 65 inch

Stroomverbruik^{*7}

In stand [Standaard]

XR-85X9xJ: 221 W

XR-75X9xJ: 206 W

XR-65X9xJ: 173 W

Jaarlijks energieverbruik^{*7*8}

XR-85X9xJ: 307 kWh per jaar

XR-75X9xJ: 286 kWh per jaar

XR-65X9xJ: 240 kWh per jaar

Stand-by vermogensgebruik^{*7*9*10}

XR-85X9xJ: 0,50 W (35 W in de stand voor

bijwerken van de software/EPG)

XR-75X9xJ: 0,50 W (33 W in de stand voor

bijwerken van de software/EPG)

XR-65X9xJ: 0,50 W (34 W in de stand voor

bijwerken van de software/EPG)

Beeldschermresolutie (horizontaal × verticaal) (pixels)

3840 × 2160

Uitvoervermogen

500 mA (voor USB 1/2), 900 mA (voor USB 3)

Afmetingen (ong.) (b × h × d) (cm)

met tafelstandaard

Standaardpositie:

XR-85X9xJ: 188,8 × 109,8 × 45,0

XR-75X9xJ: 166,7 × 97,4 × 39,0

XR-65X9xJ: 144,3 × 84,8 × 33,8

Smalle positie:

XR-85X9xJ: 188,8 × 111,0 × 45,0

XR-75X9xJ: 166,7 × 98,5 × 39,0

Geluidsbalkpositie:

XR-85X9xJ: 188,8 × 115,8 × 45,0

XR-75X9xJ: 166,7 × 103,4 × 39,0

XR-65X9xJ: 144,3 × 90,8 × 33,8

zonder tafelstandaard

XR-85X9xJ: 188,8 × 108,6 × 6,1

XR-75X9xJ: 166,7 × 96,1 × 6,1

XR-65X9xJ: 144,3 × 83,5 × 6,6

Breedte van de standaard (ong.) (cm)

Standaardpositie:

XR-85X9xJ: 188,7

XR-75X9xJ: 166,6

XR-65X9xJ: 144,2

Smalle positie:

XR-85X9xJ / 75X9xJ: 61,0

Geluidsbalkpositie:

XR-85X9xJ: 188,7

XR-75X9xJ: 166,6

XR-65X9xJ: 144,2

Gewicht (ong.) (kg)

met tafelstandaard

XR-85X9xJ: 51,2

XR-75X9xJ: 39,1

XR-65X9xJ: 28,5

zonder tafelstandaard

XR-85X9xJ: 48,7

XR-75X9xJ: 36,8

XR-65X9xJ: 27,5

Andere

Optionele accessoires

Wandmontagesteun: SU-WL850 (alleen

XR-75X9xJ / 65X9xJ)

Wandmontagesteun: SU-WL450

Bedrijfstemperatuur: 0 °C – 40 °C

Bedrijfsvochtigheid: 10 % – 80 % relatieve
luchtvochtigheid (zonder condensatie)

*1 Als 4096 × 2160p de invoer is en [Wide-modus] is ingesteld op [Normaal], dan wordt de resolutie weergegeven als 3840 × 2160p. Om 4096 × 2160p weer te geven, stel [Wide-modus] in op [Volb. 1] of [Volb. 2].

*2 Zie het menu op het scherm om [Indeling HDMI-signaal] in te stellen.

*3 Voor meer informatie zie de online Helpgids.

*4 Alleen HDMI IN 3 & 4. Gebruik de Ultra High Speed HDMI-kabel voor de aansluiting.

*5 Wilt u het audiosignaal van de televisie naar het audiosysteem sturen, sluit dan uw audiosysteem aan op HDMI IN 3.

*6 Functie niet beschikbaar in Italië.

*7 Deze informatie is voor de EU en andere landen waarvan de relevante verordening is gebaseerd op de EU-richtlijnen omtrent het energielabel.

*8 Energieverbruik per jaar in kWh, gebaseerd op het stroomverbruik van een televisie die 365 dagen werkt gedurende 4 uur per dag. Het eigenlijke energieverbruik zal afhangen van de manier waarop de televisie wordt gebruikt.

*9 Het gespecificeerde stand-by vermogen wordt bereikt als de televisie de benodigde interne processen heeft voltooid.

*10 Het stand-bystroomverbruik neemt toe wanneer uw televisie aangesloten is op het netwerk.

Opmerkingen

- De beschikbaarheid van optionele accessoires is afhankelijk van uw land/regio/tv-model/voorraad.
- Ontwerp en specificaties kunnen zonder voorafgaande kennisgeving worden gewijzigd.
- Abonnementen voor services en applicaties zijn mogelijk vereist en extra algemene voorwaarden en/of kosten kunnen van toepassing zijn wanneer u de Google Assistent gebruikt.
- Het productblad in deze handleiding heeft betrekking op de GEDELEGEEERDE VERORDENING (EU) 1062/2010 VAN DE COMMISSIE. De informatie voor (EU) 2019/2013 is op de website beschikbaar.

Opmerkingen over de digitale televisiefunctie

- Digitale televisie (DVB, ether, satelliet en kabel), interactieve diensten en netwerkfuncties zijn wellicht niet in alle landen of gebieden beschikbaar. Sommige functies kunnen niet zijn ingeschakeld of werken wellicht niet goed bij bepaalde aanbieders en netwerkomgevingen. Bepaalde aanbieders van televisiediensten kunnen voor hun service kosten in rekening brengen.
- Deze televisie ondersteunt digitale uitzendingen met gebruik van MPEG-2, H.264/MPEG-4 AVC en H.265/HEVC codecs, maar ondersteuning van alle bedienings-/onderhoudsignalen die in de loop der tijd kunnen wijzigen, kan niet worden gegarandeerd.

Informatie over handelsmerken

- De begrippen HDMI, HDMI High-Definition Multimedia Interface en het HDMI-logo zijn handelsmerken of geregistreerde handelsmerken van HDMI Licensing Administrator, Inc. in de Verenigde Staten en andere landen.
- Dolby, Dolby Vision, Dolby Atmos, Dolby Audio, en het dubbele-D-symbool zijn handelsmerken van Dolby Laboratories Licensing Corporation. Geproduceerd onder licentie van Dolby Laboratories. Vertrouwelijke ongepubliceerde werken. Copyright © 1992-2020 Dolby Laboratories. Alle rechten voorbehouden.
- Gracenote, het Gracenote-logo en -logotype, en het logo "Powered by Gracenote" zijn geregistreerde handelsmerken of handelsmerken van Gracenote, Inc. in de Verenigde Staten en/of in andere landen.
- Google TV en hieraan gerelateerde logo's zijn handelsmerken van Google LLC.
- Raadpleeg <http://patents.dts.com> voor meer informatie over DTS-patenten. Geproduceerd onder licentie van DTS, Inc. DTS, Digital Surround en het DTS-logo zijn geregistreerde handelsmerken of handelsmerken van DTS, Inc. in de Verenigde Staten en andere landen. © 2020 DTS, Inc. ALLE RECHTEN VOORBEHOUDEN.
- Netflix is een gedeponeerd handelsmerk van Netflix, Inc.
- DiSEqC™ is een handelsmerk van EUTELSAT. Deze tv biedt ondersteuning voor DiSEqC 1.0. Deze tv is niet geschikt voor het aansturen van gemotoriseerde antennes.

- TUXERA is een gedeponeerd handelsmerk van Tuxera Inc. in de VS en andere landen.
- Alle andere handelsmerken zijn eigendom van de betreffende eigenaren.

**Productregistratienummer (GEDELEGEERDE
VERORDENING (EU) 2019/2013 VAN DE
COMMISSIE)**

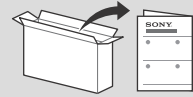
XR-85X95J (527154), XR-75X95J (527151),
XR-65X95J (527140).

Über die Anleitungen

Dieses Fernsehgerät wird mit den folgenden Anleitungen geliefert. Bewahren Sie die Anleitungen zum späteren Nachschlagen auf.

Einrichtungshandbuch

- Installation und Einrichtung des Fernsehgeräts.



Referenzanleitung (diese Anleitung) / Sicherheitsdokumentation

- Sicherheitsinformation, Fernbedienung, Störungsbehebung, Wandmontage, Technische Daten usw.



Hilfe (On-screen-Anleitung)

- Einstellungen, Funktionen, Internetverbindung, Störungsbehebung usw.
- Zum Öffnen drücken Sie die **HELP**-Taste an der Fernbedienung und wählen Sie Hilfe.




- Sie können die Hilfe mit Ihrem Smartphone aufrufen.



https://rd1.sony.net/help/tv/iaep1/h_aep/

Einstellungsmenüs können ohne Vorankündigung geändert werden.

WICHTIG - Lesen Sie die Endbenutzer-Lizenzvereinbarung, bevor Sie Ihr Sony-Produkt verwenden. Die Verwendung Ihres Produkts bedeutet, dass Sie die Endbenutzer-Lizenzvereinbarung akzeptieren. Die Endbenutzer-Lizenzvereinbarung zwischen Ihnen und Sony ist online auf der Sony-Website (<https://www.sony.net/tv-software-licenses/>) oder auf Ihrem Produkt-Bildschirm verfügbar. Drücken Sie  (Schnelleinstellungen) auf der Fernbedienung und wählen Sie [Einstellungen] → [System] → [Info] → [Rechtliche Hinweise] → [Hinweise und Lizenzen].

Hinweis

- Lesen Sie sich vor der Bedienung des Fernsehgeräts die „Sicherheitsinformationen“ durch.
- Lesen Sie die mitgelieferte Sicherheitsdokumentation für zusätzliche Sicherheitsinformationen.
- Darstellungen und Abbildungen, die im Einrichtungshandbuch und in dieser Anleitung verwendet werden, dienen nur der Referenz und können vom tatsächlichen Produkt abweichen.
- Das „x“/„xx“ das in der Modellbezeichnung angegeben wird, entspricht einer Ziffer, die sich auf das Design, die Farbe oder das System des Fernsehgeräts bezieht.

Position des Bezeichnungsschildes

Aufkleber mit Modellnummer, Herstellungsdatum (Jahr/Monat) und Bemessungsdaten für die Betriebsspannung befinden sich auf der Rückseite des Fernsehgeräts oder auf der Verpackung. Sie finden sie, wenn Sie die Anschlussabdeckung entfernen.

WICHTIGER HINWEIS

Hinweis für Funkgeräte

Hiermit erklärt Sony Corporation, dass die Funkanlagentypen XR-85X95J, XR-75X95J, XR-65X95J der Richtlinie 2014/53/EU entsprechen. Der vollständige Text der EU-Konformitätserklärung ist unter der folgenden Internetadresse verfügbar: <https://compliance.sony.eu>

Für dieses Funkgerät gelten die folgenden Einschränkungen für die Inbetriebnahme oder Anforderungen an die Betriebszulassung in AT, BE, HR, CY, CZ, DK, EE, FI, FR, DE, EL, HU, IE, IT, LV, LT, LU, MT, NL, PL, PT, SK, SI, ES, SE, UK, UK (NI), IS, LI, NO, CH, BG, RO, TR, AL, BA, MK, MD, RS, ME, Kosovo : Das Frequenzband 5150 - 5350 MHz ist auf den Einsatz drinnen beschränkt.

Sicherheitsinformationen

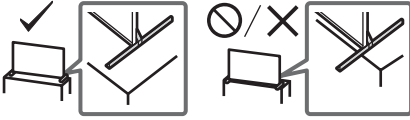
Installation/Einstellung

Installieren und benutzen Sie das Fernsehgerät unter Berücksichtigung der im Folgenden angegebenen Anweisungen, um alle Risiken wie Feuer, Stromschlag oder Beschädigungen und/oder Verletzungen zu vermeiden.

Installation

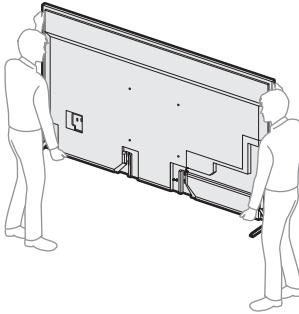
- Das Fernsehgerät sollte neben einer frei zugänglichen Netzsteckdose installiert werden.
- Stellen Sie das Fernsehgerät auf eine stabile, ebene Oberfläche, um zu verhindern, dass es herunterfällt und Personenschäden oder Sachschäden verursacht.
- Stellen Sie das Fernsehgerät an einem Ort auf, an dem es nicht gezogen, verschoben oder umgestoßen werden kann.

- Stellen Sie das Fernsehgerät so auf, dass der Tischständer des Fernsehgeräts nicht über den Fernsehständer (nicht mitgeliefert) hinausragt. Wenn der Tischständer über den Fernsehständer hinausragt, kann das Fernsehgerät umkippen und herunterfallen, was zu Verletzungen bzw. Schäden am Fernsehgerät führen kann.



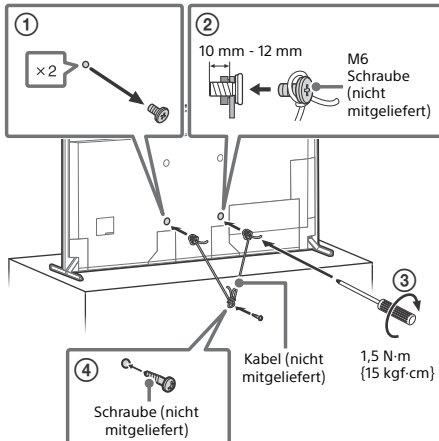
Transport

- Vor dem Transport des Fernsehgeräts ziehen Sie bitte alle Kabel aus dem Gerät.
- Vor dem Transport des Fernsehgeräts entfernen Sie die Anschlussabdeckungen.
- Zum Transport eines großen Fernsehgeräts sind zwei oder mehr Personen nötig.
- Wenn Sie das Fernsehgerät ohne Hilfsmittel transportieren, halten Sie es wie unten dargestellt. Üben Sie weder auf den LCD-Bildschirm noch auf den Bildschirmrahmen Druck aus.
- Halten Sie das Fernsehgerät sicher an der Unterseite fest, wenn Sie es anheben oder transportieren.



- Setzen Sie das Fernsehgerät beim Transport weder Stößen noch starken Erschütterungen aus.
- Wenn Sie das Fernsehgerät für Reparaturen oder bei einem Umzug transportieren müssen, verpacken Sie es mithilfe der Originalverpackungsmaterialien im Originalkarton.

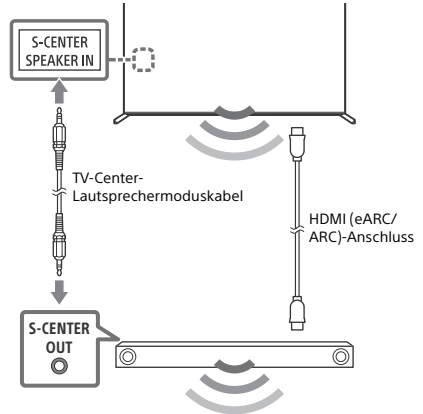
Verhinderung des Umkippens



Verwendung des Fernsehgeräts als Teil des Audiosystems

Hinweis

- Trennen Sie das Netzkabel des Fernsehers und des AV-Receivers, bevor Sie Kabel anschließen.
- Einzelheiten zum Anschluss S-CENTER OUT finden Sie in der Anleitung des Audiosystems.



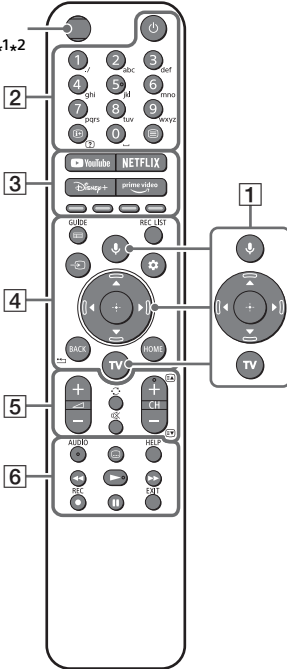
DE

Fernbedienung und Fernseher

Die Form der Fernbedienung sowie das Layout, Verfügbarkeit und Funktion der Fernbedienungstasten kann abhängig von der Region/vom Land/vom Fernsehgerät-Modell/von den Einstellungen des Fernsehgeräts variieren.

MIC /

Lichtsensor*1+2



- 1** (Mikrofon) / (Google Assistant): Verwenden Sie Google Assistant*3+4 oder Sprachsuche*4. Um Hinweise zur Steuerung Ihres Fernsehgeräts zu erhalten, drücken Sie die Mikrofontaste auf der Fernbedienung und sagen Sie „Hinweise zur Spracherkennung“.*3
- : Navigation und Auswahl auf dem Bildschirmmenü.
- TV**: Rufen Sie die TV-Kanalliste auf oder schalten Sie auf einen Eingang.

- 2** (Power)

Zifferntasten

(Info/Text aufdecken): Zeigt Informationen an.

(Text): Diese Taste zeigt Textinformationen an.

- 3** **YouTube™ / NETFLIX / Disney+ / Prime Video / Farbtasten**

- 4** **GUIDE**/: Rufen Sie die Digitalprogrammführung von Fernsehgerät oder Receiver*5 auf.

REC LIST: Aufnahmeliste von USB HDD*6 / DVR*5 anzeigen lassen.

(Eingangswahl): Eingangswahl usw. anzeigen lassen und auswählen.

(Schnelleinstellungen): Schnelleinstellungen anzeigen lassen.

BACK/

HOME

- 5** +/- (Lautstärke)

(Springen)

(Stummschalten)*7

CH +/-//: Wählen Sie den Kanal oder die nächste () oder vorherige () Seite.

- 6** **AUDIO**: Auswahl von mehrsprachigem Ton oder Zweikanalton (abhängig von der Programmquelle).

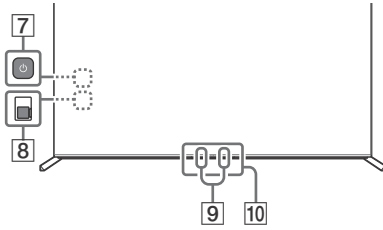
(Untertitelleinstellung)

HELP: Zeigen Sie das Hilfe-Menü an.

/ / /

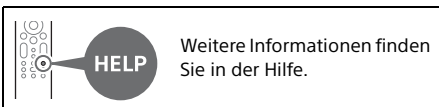
REC: Aufnahme des Programms, das derzeit wiedergegeben wird, auf USB HDD*6/DVR*5.

EXIT



- 7** **⏻ (Power):** (Sie finden es, wenn Sie die Seitenabdeckung entfernen)
- 8** **BUILT-IN MIC SWITCH (Schalter des integrierten Mikrofons):** Schalten Sie das eingebaute Mikrofon ein/aus. (Sie finden es, wenn Sie die Seitenabdeckung entfernen)
- 9** **Integriertes Mikrofon*³*⁴*⁸:** Um das integrierte Mikrofon zu aktivieren, drücken Sie auf der Fernbedienung die Mikrofontaste und folgen Sie den Anweisungen auf dem Bildschirm.
- 10** **Sensor der Fernbedienung / Lichtsensor / LED**

- *1 Die Hintergrundbeleuchtung der Fernbedienung leuchtet auf, wenn der Lichtsensor erkennt, dass das Umgebungslicht schwach ist. Die automatische Hintergrundbeleuchtung kann ausgeschaltet werden.
- *2 Nur bei RMF-TX621E. Den Modellnamen der Fernbedienung finden Sie auf dem Label der Fernbedienung, nachdem Sie die Abdeckung der Fernbedienung öffnen.
- *3 Nur in bestimmten Regionen/Ländern bzw. für bestimmte Fernsehmodelle/Sprachen.
- *4 Der Google Assistant oder die Sprachsuche erfordern eine Internetverbindung.
- *5 Die Einstellung [Receiver-Einrichtung] ist erforderlich.
- *6 Nicht verfügbar für Italien.
- *7 Tastenkombinationen für Eingabehilfen stehen zur Verfügung, indem **⌘** (Stummschalten) gedrückt gehalten wird.
- *8 Der Stromverbrauch erhöht sich, wenn das integrierte Mikrofon aktiviert ist, da es ständig zuhört.



Montieren des Fernsehgeräts an der Wand

Verwenden der optionalen Wandhalterung (SU-WL850 oder SU-WL450)* (nicht mitgeliefert)

An die Kunden:

Aus Gründen des Produktschutzes und aus Sicherheitsgründen empfiehlt Sony dringend, die Montage des Fernsehgeräts von Sony-Händlern oder lizenzierten Fachleuten durchführen zu lassen. Versuchen Sie nicht, es selbst zu montieren.

An Sony-Händler und -Fachleute:

Widmen Sie während der Montage, der regelmäßigen Wartung und der Überprüfung dieses Produkts Ihre volle Aufmerksamkeit der Sicherheit.

Installationsinformationen Wandhalterung

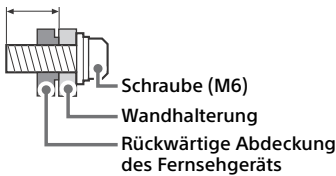
Anleitungen zur Montage der Wandhalterung finden Sie in den Installationshinweisen (Wandhalterung) auf der Produktseite Ihres Fernsehgerätmodells.

<https://www.sony.eu/support>

- Befolgen Sie die Gebrauchsanweisung im Lieferumfang der Wandhalterung für Ihr Modell. Für die Montage dieses Fernsehgeräts ist ausreichendes Fachwissen erforderlich, insbesondere um die Stärke der Wand zu bestimmen, die dem Gewicht des Fernsehgeräts standhalten kann.
- Sony haftet nicht für Schäden oder Verletzungen durch eine fehlerhafte Handhabung oder unsachgemäße Montage.
- Wandeinbauten sollten nur von qualifiziertem Fachpersonal ausgeführt werden.
- Aus Sicherheitsgründen wird dringend empfohlen, ausschließlich Sony Zubehörteile zu verwenden, inklusive:
 - Wandhalterung SU-WL850
 - Wandhalterung SU-WL450

- Verwenden Sie unbedingt die Schrauben im Lieferumfang der Wandhalterung, wenn Sie die Wandhalterung am Fernsehgerät befestigen. Die mitgelieferten Schrauben sind, gemessen von der Befestigungsfläche der Wandhalterung, wie in der Abbildung dargestellt konzipiert. Durchmesser und Länge der Schrauben variieren je nach Modell der Wandhalterung. Durch die Verwendung anderer als der mitgelieferten Schrauben kann das Fernsehgerät beschädigt werden oder herunterfallen.

10 mm - 12 mm



- Lagern Sie die nicht verwendeten Schrauben sowie den Tischständer an einem sicheren Ort, bis Sie den Tischständer anbringen möchten. Halten Sie die Schrauben von kleinen Kindern fern.

* Nur in bestimmten Regionen/Ländern bzw. für bestimmte Fernsehmodelle.

Störungsbehebung

Zur allgemeinen Störungsbehebung bei Fehlern wie Schwarzbild, kein Ton, eingefrorenes Bild, Fernsehgerät reagiert nicht oder Netzwerk verloren führen Sie die folgenden Schritte aus.

- 1 Starten Sie Ihr Fernsehgerät neu, indem Sie die Netztaaste auf der Fernbedienung etwa fünf Sekunden lang drücken. Das Fernsehgerät wird neu gestartet. Wenn das Fernsehgerät nicht wiederhergestellt wird, ziehen Sie das Netzkabel aus der Steckdose, drücken Sie dann die Netztaaste am Fernsehgerät und lassen Sie sie los. Warten Sie zwei Minuten und schließen Sie das Netzkabel an. Alternativ drücken Sie etwa 40 Sekunden lang die Netztaaste am Fernsehgerät, bis sich das Fernsehgerät ausschaltet.
- 2 Schlagen Sie im Hilfe-Menü nach, indem Sie auf der Fernbedienung die Taste **HELP** drücken.
- 3 Verbinden Sie Ihr Fernsehgerät mit dem Internet, und führen Sie ein Softwareupdate durch. Sony empfiehlt, die Software des Fernsehgeräts zu aktualisieren. Softwareupdates verbessern die Leistung oder fügen neue Funktionen hinzu.
- 4 Besuchen Sie die Sony-Supportwebsite (Informationen finden Sie am Ende dieser Anleitung).

Wenn Sie das Fernsehgerät anschließen, lässt es sich unter Umständen nicht sofort wieder durch Drücken der Ein-/Ausschalttaaste auf der Fernbedienung oder am Fernsehgerät einschalten.

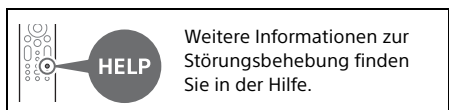
Es dauert eine Weile, das System zu initialisieren. Warten Sie ungefähr eine Minute und versuchen Sie es dann erneut.

Die Fernbedienung funktioniert nicht.

- Tauschen Sie die Batterien aus.

Das Passwort für die Kindersicherung wurde vergessen.

- Geben Sie 9999 als PIN ein, und geben Sie dann die neue PIN ein.



Technische Daten

System

Bildschirmssystem: LCD-Bildschirm (Flüssigkristallbildschirm), LED-Hintergrundbeleuchtung
 Fernsehnorm: Hängt von Landes-/Bereichsauswahl/Fernsehgerätemodell ab
 Analog: B/G, D/K, I
 Digital: DVB-T/DVB-C/DVB-T2
 Satellit: DVB-S/DVB-S2
 Farbsystem: PAL/SECAM/NTSC3.58 (nur Video)/NTSC4.43 (nur Video)
 Kanalbereich: Hängt von Landes-/Bereichsauswahl/Fernsehgerätemodell ab
 Analog: UHF/VHF/Kabel
 Digital: UHF/VHF/Kabel
 Satellit: IF Frequenz 950-2150 MHz
 Tonausgänge: 10 W + 10 W + 10 W + 10 W + 10 W
 Wireless-Technologie
 Protokoll IEEE 802.11a/b/g/n/ac
 Bluetooth® Version 4.2
 Frequenzbänder

Frequenzbereich	Ausgangsleistung
WLAN (Fernseher)	
2400-2483,5 MHz	< 20,0 dBm
5150-5250 MHz	< 23,0 dBm
5250-5350 MHz	< 20,0 dBm
5470-5725 MHz	< 20,0 dBm
5725-5850 MHz	< 13,9 dBm
Bluetooth® (Fernseher)	
2400-2483,5 MHz	< 10,0 dBm
Bluetooth® (Fernbedienung)	
2400-2483,5 MHz	< 10,0 dBm

Eingangs-/Ausgangsbuchsen

Antenne/Kabel
 75 Ohm, externer Anschluss für VHF/UHF
 Satellitenantenne
 Buchsenverbindung vom Typ F, 75 Ohm.
 DiSEqC 1.0, LNB 13 V/18 V & 22 kHz Ton, Einkabelsystem EN50494.
 AV IN / S-CENTER SPEAKER IN
 Video/Audio-Eingang (Miniklinke)
 S-Center-Lautsprecherzugang (Miniklinke)

HDMI IN 1/2/3/4 (HDCP 2.3-kompatibel)

Video:
 4096 × 2160p (50, 60 Hz)*1*2, 4096 × 2160p (24 Hz)*1, 3840 × 2160p (50, 60 Hz)*2, 3840 × 2160p (24, 25, 30 Hz), 1080p (30, 50, 60, 100, 120 Hz), 1080/24p, 1080i (50, 60 Hz), 720p (30, 50, 60 Hz), 720/24p, 576p, 480p, Computerformate*3
 3840 × 2160p (100, 120 Hz)*2*4

Audio:
 Im eARC (Enhanced Audio Return Channel)-Modus
 Weitere Einzelheiten finden Sie in der Online-Hilfe.
 Außer eARC-Modus
 5,1-Kanal linear PCM: 32/44,1/48/88,2/96/176,4/192 kHz 16/20/24 Bit, Dolby Audio, Dolby Atmos, DTS

eARC/ARC (Enhanced Audio Return Channel/Audio Return Channel) (nur HDMI IN 3)*5

Im eARC-Modus
 Weitere Einzelheiten finden Sie in der Online-Hilfe.

Im ARC-Modus
 Zwei Kanäle, lineares PCM: 48 kHz 16 Bit, Dolby Audio, Dolby Atmos, DTS

↻ DIGITAL AUDIO OUT (OPTICAL)
 Optische Digitalbuchse (zwei Kanäle, lineares PCM: 48 kHz 16 Bit, Dolby Audio, DTS)

🎧 (Stereo-Minibuchse)
 Kopfhörer

➡ 1, ➡ 2, ➡ 3 (HDD REC)*6
 USB-Geräteanschluss (➡ 3 USB-HDD-Gerät für REC-Funktion)
 USB-Anschluss 1 und 2 unterstützen High-Speed-USB (USB 2.0)
 Der USB-Anschluss 3 unterstützt SuperSpeed-USB (USB 3.1 Gen 1)

📷 Einschub CAM (Zugangskontrollmodul)

📶 LAN
 10BASE-T/100BASE-TX-Anschluss (Je nach Betriebsumgebung des Netzwerks kann die Verbindungsgeschwindigkeit variieren. Kommunikationsrate und Kommunikationsqualität können nicht garantiert werden.)

Stromversorgung, Produktdatenblatt und anderes

Stromversorgung

220 V bis 240 V Wechselspannung, 50 Hz

Energieeffizienzklasse*7

XR-85X9xJ: A

XR-75X9xJ: A

XR-65X9xJ: B

Bildschirmgröße (Diagonale) (Ca.)

XR-85X9xJ: 214,8 cm / 85 Zoll

XR-75X9xJ: 189,3 cm / 75 Zoll

XR-65X9xJ: 163,9 cm / 65 Zoll

Leistungsaufnahme*7

Im [Standard]-Modus

XR-85X9xJ: 221 W

XR-75X9xJ: 206 W

XR-65X9xJ: 173 W

Jährlicher Energieverbrauch*7+8

XR-85X9xJ: 307 kWh pro Jahr

XR-75X9xJ: 286 kWh pro Jahr

XR-65X9xJ: 240 kWh pro Jahr

Stromverbrauch im Standby-Betrieb*7+9+10

XR-85X9xJ: 0,50 W (35 W im Software-/

EPG-Aktualisierungsmodus)

XR-75X9xJ: 0,50 W (33 W im Software-/

EPG-Aktualisierungsmodus)

XR-65X9xJ: 0,50 W (34 W im Software-/

EPG-Aktualisierungsmodus)

Anzeigeauflösung (horizontal × vertikal) (Pixel)

3840 × 2160

Ausgangsleistung

500 mA (für USB 1/2), 900 mA (für USB 3)

Abmessungen (Ca.) (B × H × T) (cm)

mit Tischständer

Standardposition:

XR-85X9xJ: 188,8 × 109,8 × 45,0

XR-75X9xJ: 166,7 × 97,4 × 39,0

XR-65X9xJ: 144,3 × 84,8 × 33,8

Enge Position:

XR-85X9xJ: 188,8 × 111,0 × 45,0

XR-75X9xJ: 166,7 × 98,5 × 39,0

Soundbar-Position:

XR-85X9xJ: 188,8 × 115,8 × 45,0

XR-75X9xJ: 166,7 × 103,4 × 39,0

XR-65X9xJ: 144,3 × 90,8 × 33,8

ohne Tischständer

XR-85X9xJ: 188,8 × 108,6 × 6,1

XR-75X9xJ: 166,7 × 96,1 × 6,1

XR-65X9xJ: 144,3 × 83,5 × 6,6

Ständerbreite (Ca.) (cm)

Standardposition:

XR-85X9xJ: 188,7

XR-75X9xJ: 166,6

XR-65X9xJ: 144,2

Enge Position:

XR-85X9xJ / 75X9xJ: 61,0

Soundbar-Position:

XR-85X9xJ: 188,7

XR-75X9xJ: 166,6

XR-65X9xJ: 144,2

Gewicht (Ca.) (kg)

mit Tischständer

XR-85X9xJ: 51,2

XR-75X9xJ: 39,1

XR-65X9xJ: 28,5

ohne Tischständer

XR-85X9xJ: 48,7

XR-75X9xJ: 36,8

XR-65X9xJ: 27,5

Sonstiges

Sonderzubehör

Wandhalterung: SU-WL850 (nur XR-75X9xJ / 65X9xJ)

Wandhalterung: SU-WL450

Betriebstemperatur: 0 °C – 40 °C

Betriebsluftfeuchtigkeit: 10 % – 80 % relative
Luftfeuchtigkeit (nicht kondensierend)

*1 Wenn 4096 × 2160p eingegeben wird und [Wide-Modus] auf [Normal] eingestellt ist, wird die Auflösung als 3840 × 2160p angezeigt. Um 4096 × 2160p anzuzeigen, setzen Sie die Einstellung [Wide-Modus] auf [Voll 1] oder [Voll 2].

*2 Siehe Bildschirmenü zur Einstellung von [HDMI-SignalfORMAT].

*3 Weitere Einzelheiten finden Sie in der Online-Hilfe.

*4 Nur HDMI IN 3 & 4. Verwenden Sie zum Anschluss das Ultra High-Speed HDMI-Kabel.

*5 Schließen Sie Ihr Audiosystem an HDMI IN 3 an, um den Fernsehton an Ihr Audiosystem weiterzuleiten.

*6 Funktion nicht verfügbar in Italien.

*7 Diese Informationen gelten für die EU und andere Länder, deren einschlägige Vorschriften auf der EU-Energieetikettierungsverordnung basieren.

*8 Der Energieverbrauch in kWh pro Jahr wurde basierend auf der Leistungsaufnahme des Fernsehgeräts bei einer Betriebsdauer von 4 Stunden täglich an 365 Tagen berechnet. Der tatsächliche Energieverbrauch hängt von der Verwendung des Fernsehgeräts ab.

*9 Der Stromverbrauch im Standby-Betrieb wird erreicht, nachdem das Fernsehgerät die notwendigen internen Prozesse abgeschlossen hat.

*10 Die Standby-Leistung steigt, wenn der Fernseher mit dem Netzwerk verbunden ist.

Hinweis

- Die Verfügbarkeit des optionalen Zubehörs hängt vom Land/der Region/dem Fernsehmodell/der Lagerhaltung ab.
- Änderungen, die dem technischen Fortschritt dienen, bleiben vorbehalten.
- Für die Nutzung des Google Assistant können Abonnements für Dienste und Anwendungen erforderlich sein, und es können zusätzliche Bedingungen, Bedingungen und/oder Gebühren gelten.
- Das Produktdatenblatt in dieser Anleitung bezieht sich auf die DELEGIERTE VERORDNUNG (EU) 1062/2010 DER KOMMISSION. Informationen zu (EU) 2019/2013 finden Sie auf der Website der Verordnung.

Hinweise zu Funktionen für digitale Sender

- Digitalfernsehen (terrestrisches DVB-T, Satellit und Kabel), interaktive Dienste und Netzwerkfunktionen sind möglicherweise nicht in allen Ländern oder Regionen verfügbar. Einige Funktionen sind möglicherweise bei einigen Anbietern und in manchen Netzwerkkumgebungen nicht aktiviert oder funktionieren evtl. nicht ordnungsgemäß. Einige TV-Dienstleister verlangen u. U. eine Gebühr für ihre Dienste.
- Dieses Fernsehgerät unterstützt Digitalrundfunk mit MPEG-2-, H.264/MPEG-4 AVC- und H.265/HEVC-Codecs. Eine Kompatibilität mit allen Betreibern/Dienstsignalen, die sich im Laufe der Zeit ändern können, kann jedoch nicht garantiert werden.
- Die Transparenzerklärung im Zusammenhang mit dem Medienstaatsvertrag finden Sie hier <https://www.sony.de/electronics/support/articles/00245690>

Information zu Warenzeichen

- Die Begriffe HDMI und HDMI High-Definition Multimedia Interface sowie das HDMI- Logo sind Marken oder eingetragene Marken von HDMI Licensing Administrator, Inc. in den Vereinigten Staaten und anderen Ländern.
- Dolby, Dolby Vision, Dolby Atmos, Dolby Audio und das Doppel-D-Symbol sind Warenzeichen von Dolby Laboratories Licensing Corporation. In Lizenz von Dolby Laboratories gefertigt. Vertrauliche unveröffentlichte Werke. Copyright © 1992-2020 Dolby Laboratories. Alle Rechte vorbehalten.
- Gracenote, das Gracenote-Logo und der Schriftzug sowie das Logo „Powered by Gracenote“ sind eingetragene Marken oder Marken von Gracenote, Inc. in den Vereinigten Staaten und/oder anderen Ländern.

- Google TV und verwandte Logos sind Marken von Google LLC.
- Die DTS-Patente finden Sie unter <http://patents.dts.com>. Hergestellt unter Lizenz von DTS, Inc. DTS, Digital Surround und das DTS-Logo sind eingetragene Marken oder Marken von DTS, Inc. in den Vereinigten Staaten und anderen Ländern. © 2020 DTS, Inc. ALLE RECHTE VORBEHALTEN.
- Netflix ist eine eingetragene Marke von Netflix, Inc.
- DiSEqC™ ist ein Markenzeichen der EUTELSAT. Dieses Fernsehgerät unterstützt DiSEqC 1.0. Dieses Fernsehgerät eignet sich nicht zum Steuern von Motorantennen.
- TUXERA ist ein eingetragenes Markenzeichen der Tuxera Inc. in den USA und in anderen Ländern.
- Alle anderen Marken befinden sich im Besitz ihrer jeweiligen Eigentümer.

Produktregistrierungsnummer (DELEGIERTE VERORDNUNG (EU) 2019/2013 DER KOMMISSION)

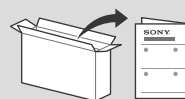
XR-85X95J (527154), XR-75X95J (527151), XR-65X95J (527140).

Sobre os manuais

Este televisor vem com os seguintes manuais. Guarde os manuais para futuras consultas.

Guia de configuração

- Instalação e configuração do televisor.



Guia de referência (este manual) / Documentação de segurança

- Informações de segurança, telecomando, resolução de problemas, instalação em parede, características técnicas, etc.



Guia de ajuda (Manual no ecrã)

- Definições, funções, ligação à Internet, resolução de problemas, etc.
- Para abri-lo, prima o botão **HELP** no telecomando e seleccione Guia de ajuda.




- Pode consultar o Guia de ajuda com o seu smartphone.



https://rd1.sony.net/help/tv/iaep1/h_aep/

Os menus de definições estão sujeitos a alteração sem aviso prévio.

IMPORTANTE - Leia o Contrato de Licença de Software do Utilizador Final antes de utilizar o seu produto Sony. Utilizar o produto indica sua aceitação do Contrato de Licença de Software do Utilizador Final. O contrato de licença de software entre o utilizador e a Sony está disponível online no website da Sony (<https://www.sony.net/tv-software-licenses/>) ou no ecrã do seu produto. Prima  (Definições rápidas) no telecomando e seleccione [Definições] → [Sistema] → [Acerca de] → [Informações legais] → [Avisos e licenças].

No que diz respeito a este equipamento de rádio, as seguintes restrições relativas à colocação em serviço ou dos requisitos de autorização de utilização aplicam-se em AT, BE, HR, CY, CZ, DK, EE, FI, FR, DE, EL, HU, IE, IT, LV, LT, LU, MT, NL, PL, PT, SK, SI, ES, SE, UK, UK (NI), IS, LI, NO, CH, BG, RO, TR, AL, BA, MK, MD, RS, ME, Kosovo : a banda 5150 - 5350 MHz está restringida apenas a operações no interior.

Informações de segurança

Nota

- Antes de utilizar o televisor, por favor leia "Informações de segurança".
- Leia a documentação de segurança fornecida para obter informações de segurança adicionais.
- As imagens e ilustrações utilizadas no Guia de configuração e neste manual destinam-se a ser utilizadas apenas como referência e podem ser diferentes do produto real.
- O "x"/"xx" que aparece no nome do modelo corresponde a um dígito numérico, relacionado com o design, a cor ou o sistema do televisor.

Localização da etiqueta de identificação

As etiquetas com o N.º de Modelo, a Data de Fabrico (ano/mês) e a classificação de Alimentação encontram-se na parte traseira do televisor ou na embalagem. Podem ser encontradas removendo a capa do terminal.

AVISO IMPORTANTE

Aviso para Equipamento de Rádio

A Sony Corporation declara que os tipos de equipamento de rádio XR-85X95J, XR-75X95J, XR-65X95J estão em conformidade com a Diretiva 2014/53/UE. O texto integral da declaração de conformidade está disponível no seguinte endereço de Internet: <https://compliance.sony.eu>

Instalação/Programação

Instale e utilize o televisor conforme as instruções abaixo para evitar todo o risco de incêndio, choque elétrico ou avaria e/ou feridas.

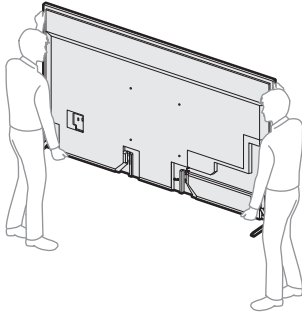
Instalação

- O televisor deve ser instalado perto de uma tomada de corrente elétrica facilmente acessível.
- Coloque o televisor numa superfície nivelada e estável, para evitar que caia e provoque ferimentos pessoais ou danos no produto.
- Instale o televisor num local onde não possa ser puxado, empurrado ou derrubado.
- Instale o televisor de forma a que o Suporte de mesa do televisor não fique de fora do suporte do televisor (não fornecido). Se o Suporte de mesa ficar de fora do suporte do televisor, poderá levar a que o aparelho caia e provoque ferimentos pessoais ou danos no televisor.



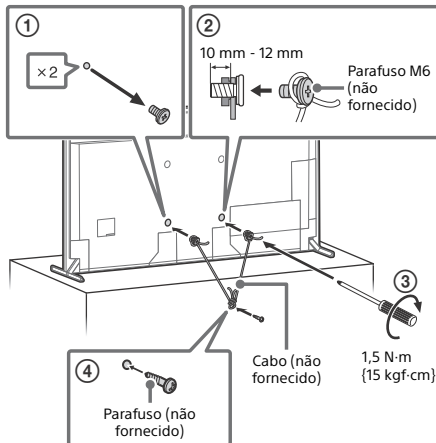
Transporte

- Antes de transportar o televisor, desligue todos os cabos.
- Retire as coberturas do terminal antes de transportar o televisor.
- São necessárias duas ou mais pessoas para transportar um televisor de tamanho grande.
- Ao transportar manualmente o televisor, segure-o conforme é apresentado abaixo. Não faça pressão sobre o painel LCD nem sobre a moldura em redor do ecrã.
- Quando levantar ou mover o televisor, segure-o firmemente pela parte de baixo.



- Não exponha o televisor a choques ou vibrações excessivas durante o transporte.
- Se tiver que transportar o televisor ou levá-lo para reparações, utilize a caixa e os materiais de embalagem originais.

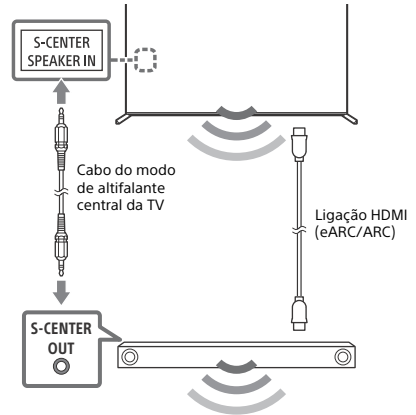
Prevenir quedas



Utilizar o televisor como parte do sistema de áudio

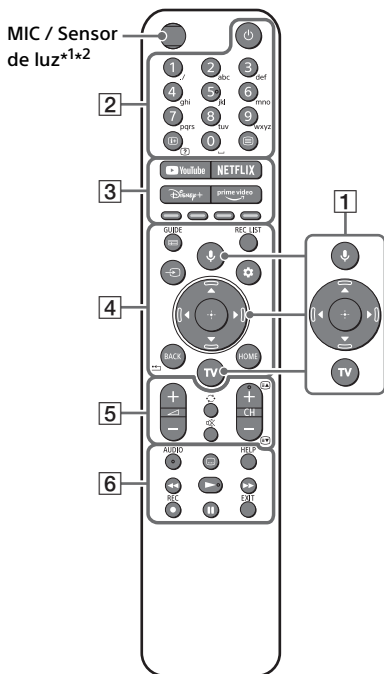
Nota

- Antes de ligar os cabos, desligue o cabo de alimentação do televisor e do recetor de AV.
- Consulte o Manual de Instruções do sistema de áudio com terminal S-CENTER OUT para obter informações detalhadas.



Telecomando e Televisor

A forma, disposição, disponibilidade e função dos botões do telecomando pode variar, dependendo da região/país/modelo de televisor/definições do televisor.



1 (Microfone) / (Assistente Google):

Utilize o Assistente Google*^{3x4} ou a pesquisa por voz*⁴. Para obter sugestões sobre como controlar o seu televisor, prima o botão do Microfone no telecomando e diga "sugestões de voz".*³

////: Menu de navegação e seleção no ecrã.

TV: Apresenta a lista de canais de TV ou muda para entrada.

2 (Desligar/ligar)

Botões numéricos

/ (**Revelação de Informação/Teletexto**): Apresentar informações.

(**Teletexto**): Apresentar informações de teletexto.

3 **YouTube™ / NETFLIX / Disney+ / Prime Video / Botões coloridos**

4 **GUIDE**/: Apresenta o guia de programas digital de TV ou o TV box de cabo*⁵.

REC LIST: Apresenta a lista Rec do USB HDD*⁶/DVR*⁵.

(**Seleção de entrada**): Apresenta e seleciona a fonte de entrada, etc.

(**Definições rápidas**): Apresenta as Definições rápidas.

BACK/

HOME

5 +/- (Volume)

(**Saltar**)

(**Sem som**)*⁷

CH +/-///: Seleciona o canal ou a página seguinte () / anterior ().

6 **AUDIO**: Seleccione o som da fonte multilíngue ou som duplo (dependendo da fonte do programa).

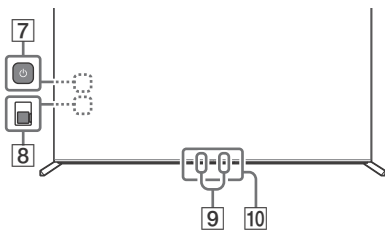
(**Configurar legendas**)

HELP: Apresentar menu de Ajuda.

///

● **REC**: Grave o programa em visualização atualmente em USB HDD*⁶/DVR*⁵.

EXIT



- 7** **(Desligar/ligar):** (Pode ser encontrado removendo a capa lateral)
- 8** **BUILT-IN MIC SWITCH (Interruptor de microfone integrado):** Ligue/Desligue o microfone incorporado. (Pode ser encontrado removendo a capa lateral)
- 9** **Microfone incorporado*^{3*4*8}:** Para ativar o microfone incorporado, prima o botão do Microfone no telecomando e cumpra as instruções apresentadas no ecrã.
- 10** **Sensor do telecomando / Sensor de luz / LED**

*1 A luz de fundo do telecomando acenderá quando o sensor de luz detetar que a luz ambiente está baixa. A iluminação automática da luz de fundo pode ser desligada.

*2 Apenas nos modelos RMF-TX621E. Para ver o número do modelo do telecomando, abra a tampa do telecomando e veja a etiqueta no telecomando.

*3 Apenas em determinadas regiões/países/modelos de televisor/idioma.

*4 O Assistente Google ou a pesquisa por voz requer uma ligação à Internet.

*5 [Configuração da TV box de cabo] é necessária a configuração.

*6 Não disponível para Itália.

*7 O atalho de acessibilidade fica disponível ao manter (Sem som) premido.

*8 O consumo de energia aumentará quando o microfone incorporado está ativado porque está sempre em escuta.

HELP Para mais informações, consulte o Guia de ajuda.

Instalar o televisor na parede

Utilizar o Suporte de parede opcional (SU-WL850 ou SU-WL450)* (não fornecido)

Para os clientes:

Para proteção do produto e por razões de segurança, a Sony recomenda vivamente que a instalação do seu televisor seja efetuada por agentes Sony ou contratantes licenciados. Não tente instalá-lo por si próprio.

Para os agentes e contratantes da Sony:

Preste total atenção às medidas de segurança durante a instalação, manutenção periódica e análise deste produto.

Informações de instalação do Suporte de parede

Para obter instruções sobre a instalação do Suporte de parede, veja a Informação de Instalação (Suporte de parede) na página do produto para o modelo do seu televisor.

<https://www.sony.eu/support>

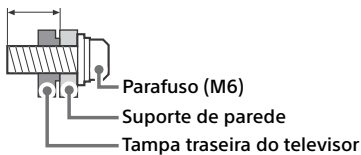
- Siga o guia de instruções fornecido com o Suporte de parede para o seu modelo.

É necessária uma formação técnica adequada para instalar este televisor, especialmente para determinar a resistência da parede para suportar o peso do televisor.

- A Sony não se responsabiliza por quaisquer danos ou ferimentos causados pela utilização indevida ou instalação incorreta.
- Só técnicos de assistência qualificados devem realizar as instalações de Suporte de parede.
- Por razões de segurança, recomendamos fortemente que utilize acessórios da Sony, a incluir:
 - Suporte de parede SU-WL850
 - Suporte de parede SU-WL450

- Certifique-se de que utiliza os parafusos fornecidos com o Suporte de parede quando instalar o Suporte de parede no televisor. Os parafusos fornecidos têm a dimensão indicada pela ilustração quando medidos a partir da superfície de fixação do Suporte de parede. O diâmetro e o comprimento dos parafusos são diferentes dependendo do modelo de Suporte de parede. A utilização de parafusos diferentes dos fornecidos pode provocar avarias internas no televisor ou fazer com que caia, etc.

10 mm - 12 mm



- Certifique-se de que armazena os parafusos não utilizados e o Suporte de mesa num local seguro até estar pronto para prender o Suporte de mesa. Mantenha os parafusos fora do alcance de crianças pequenas.

* Apenas em determinadas regiões/países/modelos de televisor.

Resolução de problemas

Resolução de problemas geral de questões como: ecrã preto, sem som, imagem bloqueada, o televisor não responde ou se perdeu a rede, realize os passos seguintes.

- 1 Reinicie o seu televisor premindo o botão de alimentação no telecomando durante cerca de cinco segundos. O televisor vai reiniciar. Se o televisor não recuperar, tente desligar o cabo de alimentação e, em seguida, prima o botão de alimentação no televisor e solte-o. Espere dois minutos e ligue o cabo de alimentação. Em alternativa, prima o botão de alimentação no televisor durante cerca de 40 segundos até o televisor se desligar.
- 2 Consulte o menu Ajuda carregando em **HELP** no telecomando.
- 3 Ligue o televisor à Internet e realize uma atualização de software. A Sony recomenda-o a manter o software do seu televisor atualizado. As atualizações de software proporcionam novas funcionalidades e melhoram o desempenho.
- 4 Visite o website de suporte da Sony (informações fornecidas no final deste manual).

Quando liga o televisor, o televisor pode demorar algum tempo a ligar mesmo que carregue no botão de alimentação no telecomando ou no televisor.


Demora algum tempo para inicializar o sistema. Aguarde cerca de um minuto e, em seguida, volte a operar.

O telecomando não funciona.

- Substitua as pilhas.

Esqueceu a palavra-passe do bloqueio parental.

- Digite 9999 para o PIN e, em seguida, digite o novo PIN.



Para mais informações sobre a resolução de problemas, consulte o Guia de ajuda.

Características técnicas

Sistema

Sistema do ecrã: Ecrã LCD (Visor de cristais líquidos), Retroiluminação LED

Sistema de televisão: Depende do país/área/modelos de televisor

Analogico: B/G, D/K, I

Digital: DVB-T/DVB-C/DVB-T2

Satélite: DVB-S/DVB-S2

Sistema de Cor: PAL/SECAM/NTSC3.58 (apenas vídeo)/NTSC4.43 (apenas vídeo)

Cobertura de canais: Depende do país/área/modelos de televisor

Analogico: UHF/VHF/Cabo

Digital: UHF/VHF/Cabo

Satélite: Frequência IF 950-2150 MHz

Saída de som: 10 W + 10 W + 10 W + 10 W + 10 W

Tecnologia sem fios

Protocolo IEEE 802.11a/b/g/n/ac

Bluetooth® Versão 4.2

Banda de frequência(s)

Gama de frequência	Potência de saída
LAN sem fios (Televisor)	
2400-2483,5 MHz	< 20,0 dBm
5150-5250 MHz	< 23,0 dBm
5250-5350 MHz	< 20,0 dBm
5470-5725 MHz	< 20,0 dBm
5725-5850 MHz	< 13,9 dBm
Bluetooth® (Televisor)	
2400-2483,5 MHz	< 10,0 dBm
Bluetooth® (Telecomando)	
2400-2483,5 MHz	< 10,0 dBm

Tomadas de Entrada/Saída

Antena (aérea)/cabo

Terminal externo de 75 ohm para VHF/UHF

Antena de satélite

Conector de tipo F fêmea, 75 ohm.

DiSEqC 1.0, LNB 13 V/18 V & tom 22 kHz,

Distribuição por um Cabo EN50494.

AV IN / S-CENTER SPEAKER IN

Entrada de vídeo/áudio (mini-tomada)

Entrada do altifalante S-centre (mini-tomada)

HDMI IN 1/2/3/4 (HDCP 2.3-compatível)

Vídeo:

4096 × 2160p (50, 60 Hz)*1*2, 4096 × 2160p (24 Hz)*1, 3840 × 2160p (50, 60 Hz)*2, 3840 × 2160p (24, 25, 30 Hz), 1080p (30, 50, 60, 100, 120 Hz), 1080/24p, 1080i (50, 60 Hz), 720p (30, 50, 60 Hz), 720/24p, 576p, 480p, Formatos PC*3
3840 × 2160p (100, 120 Hz)*2*4

Áudio:

No modo eARC (Enhanced Audio Return Channel)

Consulte o Guia de ajuda online para mais detalhes.

Exceto no modo eARC

PCM linear do canal 5,1: 32/44,1/48/88,2/96/176,4/192 kHz 16/20/24 bits, Dolby Audio, Dolby Atmos, DTS

eARC/ARC (Enhanced Audio Return Channel/Audio Return Channel) (Apenas HDMI IN 3)*5

No modo eARC

Consulte o Guia de ajuda online para mais detalhes.

No modo ARC

PCM linear de dois canais: 48 kHz 16 bits, Dolby Audio, Dolby Atmos, DTS

DIGITAL AUDIO OUT (OPTICAL)

Tomada digital ótica (PCM linear de dois canais: 48 kHz 16 bits, Dolby Audio, DTS)

(Mini-tomada estéreo)

Auscultador

1, 2, 3 (HDD REC)*6

Porta do dispositivo USB (3 dispositivo USB HDD para a funcionalidade REC)

As portas USB 1 e 2 suportam High Speed USB (USB 2.0)

A porta USB 3 suporta Super Speed USB (USB 3.1 Gen 1)



Ranhora CAM (Módulo de Acesso Condicional)

LAN

Conector 10BASE-T/100BASE-TX (Dependendo do ambiente de operação da rede, a velocidade de ligação pode variar. A taxa de comunicação e qualidade de comunicação não são garantidas.)

Alimentação, Ficha de Produto e outros

Requisitos de energia

220 V - 240 V CA, 50 Hz

Classe de eficiência energética*7

XR-85X9xJ: A

XR-75X9xJ: A

XR-65X9xJ: B

Dimensões do ecrã (medido diagonalmente)
(Aprox.)

XR-85X9xJ: 214,8 cm / 85 polegadas

XR-75X9xJ: 189,3 cm / 75 polegadas

XR-65X9xJ: 163,9 cm / 65 polegadas

Consumo de energia*7

No modo [Standard]

XR-85X9xJ: 221 W

XR-75X9xJ: 206 W

XR-65X9xJ: 173 W

Consumo anual de energia*7*8

XR-85X9xJ: 307 kWh por ano

XR-75X9xJ: 286 kWh por ano

XR-65X9xJ: 240 kWh por ano

Consumo de energia no modo de espera
(standby)*7*9*10

XR-85X9xJ: 0,50 W (35 W no modo de
atualização do EPG/software)

XR-75X9xJ: 0,50 W (33 W no modo de
atualização do EPG/software)

XR-65X9xJ: 0,50 W (34 W no modo de
atualização do EPG/software)

Resolução do ecrã (horizontal x vertical) (pixéis)
3840 x 2160

Potência nominal

500 mA (para USB 1/2), 900 mA (para USB 3)

Dimensões (Aprox.) (larg. x alt. x prof.) (cm)

com suporte de fixação para mesas

Posição normal:

XR-85X9xJ: 188,8 x 109,8 x 45,0

XR-75X9xJ: 166,7 x 97,4 x 39,0

XR-65X9xJ: 144,3 x 84,8 x 33,8

Posição estreita:

XR-85X9xJ: 188,8 x 111,0 x 45,0

XR-75X9xJ: 166,7 x 98,5 x 39,0

Posição da barra de som:

XR-85X9xJ: 188,8 x 115,8 x 45,0

XR-75X9xJ: 166,7 x 103,4 x 39,0

XR-65X9xJ: 144,3 x 90,8 x 33,8

sem suporte de fixação para mesas

XR-85X9xJ: 188,8 x 108,6 x 6,1

XR-75X9xJ: 166,7 x 96,1 x 6,1

XR-65X9xJ: 144,3 x 83,5 x 6,6

Largura do suporte (Aprox.) (cm)

Posição normal:

XR-85X9xJ: 188,7

XR-75X9xJ: 166,6

XR-65X9xJ: 144,2

Posição estreita:

XR-85X9xJ / 75X9xJ: 61,0

Posição da barra de som:

XR-85X9xJ: 188,7

XR-75X9xJ: 166,6

XR-65X9xJ: 144,2

Peso (Aprox.) (kg)

com suporte de fixação para mesas

XR-85X9xJ: 51,2

XR-75X9xJ: 39,1

XR-65X9xJ: 28,5

sem suporte de fixação para mesas

XR-85X9xJ: 48,7

XR-75X9xJ: 36,8

XR-65X9xJ: 27,5

Outros

Acessórios opcionais

Suporte de parede: SU-WL850 (Apenas nos
modelos XR-75X9xJ / 65X9xJ)

Suporte de parede: SU-WL450

Temperatura de operação: 0 °C - 40 °C

Humidade operacional: 10 % - 80 % HR (não
condensada)

*1 Quando é introduzido 4096 x 2160p e [Modo
expandido] é configurado para [Normal], a
resolução é mostrada em 3840 x 2160p. Para
visualizar em 4096 x 2160p, configure [Modo
expandido] para [Integral 1] ou [Integral 2].

*2 Consulte o menu no ecrã para definir [Formato de
sinal HDMI].

*3 Consulte o Guia de ajuda online para mais detalhes.

*4 Apenas HDMI IN 3 & 4. Utilize o cabo HDMI de
velocidade ultrarrápida para estabelecer a ligação.

*5 Ligue o seu sistema de áudio a HDMI IN 3 para
encaminhar o áudio do televisor para o seu sistema
de áudio.

*6 Função não disponível em Itália.

*7 Esta informação é para a UE e outros países cujos
regulamentos relevantes são baseados no
regulamento de rotulagem de energia da UE.

*8 Consumo de energia em kWh por ano, com base no
consumo de energia verificado com o televisor a
funcionar 4 horas por dia durante 365 dias. O
consumo de energia real irá depender da forma
como o televisor é utilizado.

*9 A energia em modo de espera (standby)
especificada é atingida depois de o televisor
concluir os processos internos necessários.

*10 O consumo de energia em modo de espera
(standby) irá aumentar quando o televisor estiver
ligado à rede.

Nota

- A disponibilidade dos acessórios opcionais depende dos países/região/modelo de televisor/stock.
- O design e as características técnicas estão sujeitas a alteração sem aviso prévio.
- Podem ser necessárias subscrições para serviços e aplicações, e podem ser aplicados termos adicionais, condições e/ou taxas ao utilizar o Assistente Google.
- A ficha de informação do produto neste Manual refere-se ao REGULAMENTO DELEGADO DA COMISSÃO (UE) 1062/2010. Consulte o Website de (UE) 2019/2013 para obter informação adicional.

Aviso para a função de televisão digital

- A Televisão Digital (DVB terrestre, satélite e cabo), serviços interativos e funções de rede, podem não estar disponíveis em todos os países e áreas. Algumas funções podem não ser permitidas ou podem não funcionar corretamente com alguns fornecedores e ambientes de rede. Alguns fornecedores de serviço de Televisão podem cobrar uma taxa pelos seus serviços.
- Este televisor suporta transmissão digital utilizando codecs MPEG-2, H.264/MPEG-4 AVC e H.265/HEVC, mas a compatibilidade com todos os sinais do operador/serviço, que pode mudar com o tempo, não pode ser garantida.

Informação da marca registada

- Os termos HDMI e High-Definition Multimedia Interface e o logotipo HDMI são marcas ou marcas registradas da HDMI Licensing Administrator, Inc. nos Estados Unidos e em outros países.
- Dolby, Dolby Vision, Dolby Atmos, Dolby Audio e o símbolo duplo D são marcas da Dolby Laboratories Licensing Corporation. Fabricado sob licença da Dolby Laboratories. Trabalhos confidenciais não publicados. Copyright © 1992-2020 Dolby Laboratories. Todos os direitos reservados.
- Gracenote, o logótipo Gracenote, o logótipo "Powered by Gracenote" são marcas comerciais registadas ou marcas comerciais da Gracenote, Inc. nos Estados Unidos e/ou noutros países.
- Google TV e logótipos relacionados são marcas comerciais da Google LLC.
- Para obter informações sobre patentes DTS, consulte <http://patents.dts.com>. Fabricado sob licença da DTS, Inc. DTS, Digital Surround e o logótipo DTS são marcas comerciais registadas ou marcas comerciais da DTS, Inc. nos Estados Unidos e/ou noutros países. © 2020 DTS, Inc. TODOS OS DIREITOS RESERVADOS.
- Netflix é uma marca registada da Netflix, Inc.

- DiSEqC™ é uma marca comercial da EUTELSAT. Este televisor suporta DiSEqC 1.0. Este televisor não se destina ao controlo de antenas motorizadas.
- TUXERA é uma marca comercial registada da Tuxera Inc. nos EUA e outros países.
- Todas as outras marcas registadas são propriedade dos seus respetivos proprietários.

Número de Registro do Produto (REGULAMENTO DELEGADO DA COMISSÃO (UE) 2019/2013)

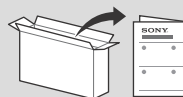
XR-85X95J (527154), XR-75X95J (527151),
XR-65X95J (527140).

Informazioni sui manuali

Questo televisore è fornito con i seguenti manuali. Conservare i manuali per riferimenti futuri.

Guida di installazione

- Installazione e configurazione del televisore.



Guida di riferimento (questo manuale) / Documentazione di sicurezza

- Avvertenze sulla sicurezza, telecomando, risoluzione dei problemi, installazione su parete, caratteristiche tecniche, ecc.



Guida (Manuale su schermo)

- Impostazioni, funzioni, connessione Internet, risoluzione dei problemi, ecc.
- Per aprirla, premere il pulsante **HELP** sul telecomando e selezionare Guida.




- È possibile consultare la Guida con lo smartphone.



https://rd1.sony.net/help/tv/iaep1/h_aep/

I menu di impostazione sono soggetti a modifiche senza preavviso.

IMPORTANTE - Leggere il Contratto di licenza software con l'utente finale prima di utilizzare il proprio prodotto Sony. L'utilizzo del prodotto indica la propria accettazione del Contratto di licenza software con l'utente finale. Il contratto di licenza software tra l'utente e Sony è disponibile online sul sito web Sony (<https://www.sony.net/tv-software-licenses/>) o sulla schermata del prodotto. Premere  (Impostazioni rapide) sul telecomando e selezionare [Impostazioni] → [Sistema] → [Informazioni] → [Informazioni legali] → [Note e licenze].

Nota

- Prima di mettere in funzione il televisore, leggere le "Avvertenze sulla sicurezza".
- Leggere la documentazione di sicurezza in dotazione per ulteriori informazioni sulla sicurezza.
- Le immagini e le illustrazioni utilizzate nella Guida di installazione e nel presente manuale servono esclusivamente come riferimento e possono differire dal prodotto effettivo.
- La "x"/"xx" che compare nel nome del modello corrisponde a un codice numerico legato al design, al colore o al sistema TV.

Ubicazione della targhetta di identificazione

Le etichette indicanti il modello, la data di produzione (anno/mese) e la tensione di alimentazione sono ubicate sul retro del televisore o sull'imballo. Per vedere queste informazioni, rimuovere il coperchio dei terminali.

NOTA IMPORTANTE

Nota per le apparecchiature radio

Il fabbricante, Sony Corporation, dichiara che i tipi di apparecchiatura radio XR-85X95J, XR-75X95J, XR-65X95J sono conformi alla direttiva 2014/53/UE. Il testo completo della dichiarazione di conformità UE è disponibile al seguente indirizzo Internet:
<https://compliance.sony.eu>

Per la presente apparecchiatura radio, si applicano le seguenti restrizioni relative alla messa in servizio o relative ai requisiti per l'autorizzazione all'uso in AT, BE, HR, CY, CZ, DK, EE, FI, FR, DE, EL, HU, IE, IT, LV, LT, LU, MT, NL, PL, PT, SK, SI, ES, SE, UK, UK (NI), IS, LI, NO, CH, BG, RO, TR, AL, BA, MK, MD, RS, ME, Kosovo : la restrizione della banda 5150 - 5350 MHz si limita esclusivamente al funzionamento in interni.

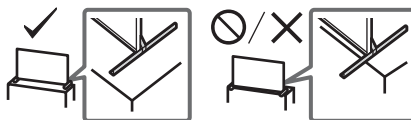
Avvertenze sulla sicurezza

Installazione/Impostazione

Installare e utilizzare il televisore attenendosi alle istruzioni di seguito al fine di evitare il rischio di incendi, scosse elettriche o danni e/o lesioni.

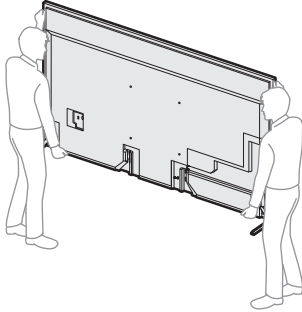
Installazione

- Il televisore deve essere installato in prossimità di una presa di corrente facilmente accessibile.
- Posizionare il televisore su una superficie stabile e piana per evitare che possa cadere e causare lesioni personali o danni materiali.
- Installare il televisore in una posizione che non permetta di tirarlo, spingerlo o rovesciarlo.
- Installare il televisore in modo che il relativo supporto da tavolo non sporga dal supporto del televisore (non in dotazione). Se il supporto da tavolo sporge dal supporto del televisore, il televisore potrebbe rovesciarsi o cadere e causare danni alle persone o al televisore stesso.



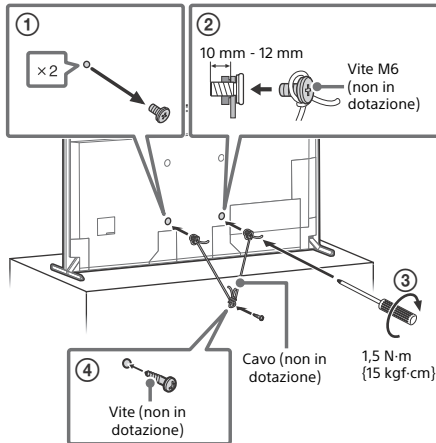
Trasporto

- Prima di trasportare il televisore, scollegare tutti i cavi.
- Prima di trasportare il televisore, rimuovere i coperchi dei terminali.
- Per trasportare un televisore di grandi dimensioni sono necessarie due o più persone.
- Quando si trasporta il televisore manualmente, sostenerlo come mostrato sotto. Non praticare pressione sul pannello LCD e sulla cornice intorno allo schermo.
- Quando si solleva o si sposta il televisore, tenerlo saldamente dal lato inferiore.



- Durante il trasporto, non sottoporre il televisore a urti o vibrazioni eccessive.
- Nel caso in cui si renda necessario trasportare il televisore per farlo riparare o per un trasloco, richiuderlo sempre nell'imballaggio originale.

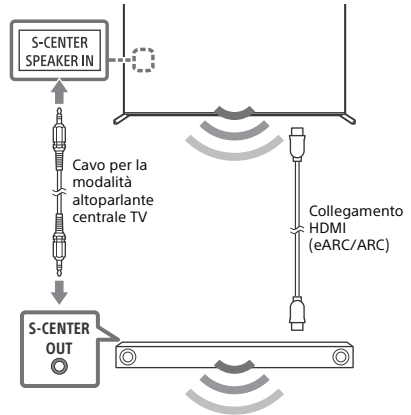
Prevenzione delle cadute



Utilizzo del televisore come parte di un sistema audio

Nota

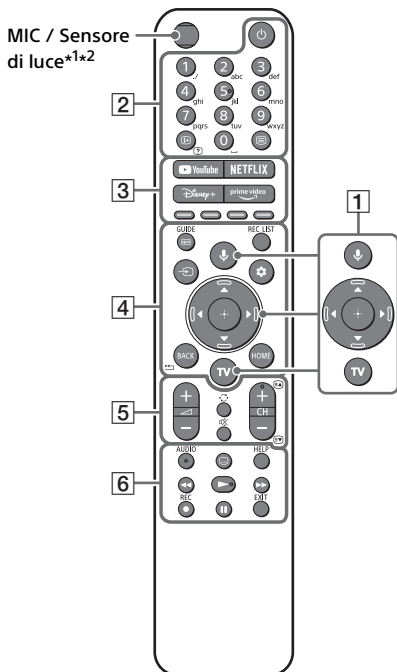
- Prima di collegare i cavi, disinserire il cavo di alimentazione di televisore e ricevitore AV dalla presa di rete.
- Per i dettagli, consultare il manuale d'uso del sistema audio con terminale S-CENTER OUT.



IT

Telecomando e televisore

La forma del telecomando, il layout, la disponibilità e le funzioni dei tasti del telecomando possono variare a seconda della regione/del paese/del modello del televisore/delle impostazioni del televisore.



- 1** (Microfono) / (Assistente Google): Utilizzare l'Assistente Google*^{3,4} o la ricerca vocale*⁴. Per suggerimenti su come controllare il televisore, premere il pulsante del microfono sul telecomando e pronunciare la frase "menu aiuto".*³

▲/▼/◀/▶/⊕: Navigazione e selezione nel menu su schermo.

TV: Visualizzare la lista canali del televisore o commutare per inserire.

- 2** (Alimentazione)

Tasti numerici

ⓘ/? (Info/Mostra testo): Consente di visualizzare le informazioni sul programma in onda, oppure la soluzione dei quesiti nel Televideo.

☰ (Televideo): Consente di visualizzare le informazioni del Televideo.

- 3** **YouTube™ / NETFLIX / Disney+ / Prime Video / Tasti colorati**

- 4** **GUIDE/☰**: Visualizzare la guida programmi digitali del televisore o il ricevitore cavo/satellite*⁵.

REC LIST: Consente di visualizzare l'elenco Rec dell'USB HDD*⁶/DVR*⁵.

➔ (Selezione ingresso): Consente di visualizzare e selezionare la sorgente di ingresso, ecc.

⚙ (Impostazioni rapide): Consente di visualizzare le Impostazioni rapide.

BACK/◀

HOME

- 5** **↕ +/- (Volume)**

⏮ (Salto)

⊗ (Disattivazione audio)*⁷

CH +/-/⏪/⏩: Selezionare il canale o la pagina successiva (⏪) / precedente (⏩).

- 6** **AUDIO**: Consente di selezionare l'audio di una sorgente multilingue o dual (a seconda della sorgente del programma).

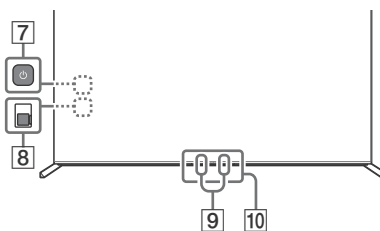
⋮ (Impostazione Sottotitoli)

HELP: Consente di visualizzare il menu Guida.

◀◀/▶▶/||

● REC: Consente di registrare il programma attualmente visualizzato sull'USB HDD*⁶/DVR*⁵.

EXIT



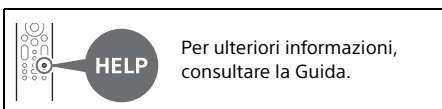
- 7** **⏻ (Alimentazione)**: (Si può trovare rimuovendo il coperchio laterale)

- 8** **BUILT-IN MIC SWITCH (Interruttore microfono integrato)**: Attivare/disattivare il microfono integrato. (Si può trovare rimuovendo il coperchio laterale)

9 Microfono integrato*3*4*8: Per abilitare il microfono integrato, premere il pulsante del microfono sul telecomando e seguire le istruzioni sullo schermo.

10 Sensore del telecomando / Sensore di luce / LED

- *1 La retroilluminazione del telecomando si accende quando il sensore di luce rileva che la luce ambientale è scarsa. L'accensione automatica della retroilluminazione può essere disattivata.
- *2 Solo RMF-TX621E. Per vedere il nome del modello del telecomando, aprire il coperchio del telecomando e vedere l'etichetta sul telecomando.
- *3 Solo per alcune regioni/Paesi/modelli TV/lingue.
- *4 L'Assistente Google o la ricerca vocale richiedono una connessione a Internet.
- *5 È necessaria l'impostazione [Configurazione del ricevitore cavo/satellite].
- *6 Non disponibile per l'Italia.
- *7 Il collegamento rapido all'accesso è disponibile premendo e tenendo premuto ⓧ (Disattivazione audio).
- *8 Il consumo energetico aumenta quando è abilitato il microfono integrato, in quanto è sempre in ascolto.



Installazione del televisore a parete

Uso della staffa di montaggio a parete opzionale (SU-WL850 o SU-WL450)* (non in dotazione)

Per i clienti:

Per evitare di danneggiare il prodotto e per ragioni di sicurezza, Sony raccomanda vivamente di affidare l'installazione del televisore a rivenditori o a installatori autorizzati Sony. Non cercare di eseguire l'installazione personalmente.

Per i rivenditori e installatori Sony:

Prestare massima attenzione alla sicurezza durante gli interventi di installazione, manutenzione periodica e controllo del prodotto.

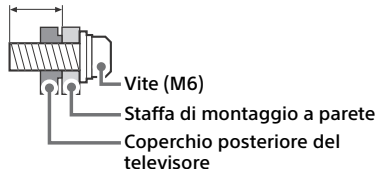
Informazioni di installazione per la staffa di montaggio a parete

Per istruzioni sull'installazione della staffa di montaggio a parete, consultare le informazioni di installazione (staffa di montaggio a parete) sulla pagina del prodotto per il modello del televisore.

<https://www.sony.eu/support>

- Attenersi alla guida di istruzioni fornite con la staffa di montaggio a parete per il modello in uso. Per l'installazione di questo televisore è necessario disporre di sufficiente competenza, in particolare per determinare la solidità della parete e per decidere se è in grado di sostenere il peso del televisore.
 - Sony non potrà essere ritenuta responsabile per danni o lesioni causate da usi non appropriati del prodotto o da installazione non corretta.
 - Per l'installazione a parete rivolgersi esclusivamente a personale qualificato.
 - Per motivi di sicurezza, si consiglia caldamente di utilizzare esclusivamente accessori Sony, come ad esempio:
 - Staffa di montaggio a parete SU-WL850
 - Staffa di montaggio a parete SU-WL450
 - Fissare la staffa di montaggio a parete al televisore utilizzando esclusivamente le viti fornite in dotazione. Le viti in dotazione sono come appaiono nell'illustrazione, misurate dalla superficie di fissaggio della staffa di montaggio a parete.
- Il diametro e la lunghezza delle viti differiscono in base al modello di staffa per il montaggio a parete. L'uso di viti diverse da quelle in dotazione può determinare danni interni al televisore o provocarne la caduta, ecc.

10 mm - 12 mm



- Conservare il piedistallo e le viti non utilizzate del TV in un luogo sicuro per un eventuale uso futuro. Tenere le viti fuori dalla portata dei bambini.

* Solo per alcune Regioni/Paesi/Modelli TV.

Risoluzione dei problemi

Per risolvere problemi come: assenza di immagine, assenza di suono, immagine bloccata, nessuna reazione ai comandi, o problemi di connessione alla rete, provare ad eseguire le seguenti operazioni.

- 1 Riavviare il televisore premendo il pulsante di accensione sul telecomando per circa cinque secondi. Il televisore si riavvia. Se il televisore non si ripristina, provare a scollegare il cavo di alimentazione, quindi premere il pulsante d'accensione sul televisore e rilasciarlo. Attendere due minuti, quindi inserire la spina del cavo di alimentazione nella rete elettrica. Oppure premere il pulsante d'accensione sul televisore per circa 40 secondi finché il televisore non si spegne.
- 2 Consultare il menu Guida premendo il tasto **HELP** sul telecomando.
- 3 Connettere il televisore a Internet ed eseguire l'aggiornamento del software. Sony consiglia di mantenere aggiornato il software del televisore. Gli aggiornamenti software forniscono nuove funzioni e miglioramenti delle prestazioni.
- 4 Visitare il sito web di assistenza Sony (informazioni fornite in calce a questo manuale).

Alla prima accensione, o dopo un periodo d'inattività, è possibile che il televisore non si accenda immediatamente anche se si preme il tasto di accensione sul telecomando oppure sul televisore.


L'inizializzazione del sistema necessita di un po' di tempo. Attendere circa un minuto, quindi riprovare.

Il telecomando non funziona.

- Sostituire le batterie.

La password di blocco parentale è stata dimenticata.

- Inserire 9999 come PIN e inserire il nuovo PIN.

	Per ulteriori informazioni sulla risoluzione dei problemi, fare riferimento alla Guida.
--	---

Caratteristiche tecniche

Sistema

Tipo di pannello: Pannello LCD (cristalli liquidi), Retroilluminazione a LED

Sistema TV: In base al paese/regione seleziona/al modello del televisore

Analogico: B/G, D/K, I

Digitale: DVB-T/DVB-C/DVB-T2

Satellite: DVB-S/DVB-S2

Sistema colore: PAL/SECAM/NTSC3.58 (Solo video)/NTSC4.43 (Solo video)

Gamma di sintonia: In base al paese/regione seleziona/al modello del televisore

Analogico: UHF/VHF/TV via cavo

Digitale: UHF/VHF/TV via cavo

Satellite: Frequenza IF 950-2150 MHz

Uscita audio: 10 W + 10 W + 10 W + 10 W + 10 W

Tecnologia wireless

Protocollo IEEE 802.11a/b/g/n/ac

Bluetooth® Versione 4.2

Bande di frequenza

Gamma di frequenza	Potenza in uscita
LAN wireless (TV)	
2400-2483,5 MHz	< 20,0 dBm
5150-5250 MHz	< 23,0 dBm
5250-5350 MHz	< 20,0 dBm
5470-5725 MHz	< 20,0 dBm
5725-5850 MHz	< 13,9 dBm
Bluetooth® (TV)	
2400-2483,5 MHz	< 10,0 dBm
Bluetooth® (Telecomando)	
2400-2483,5 MHz	< 10,0 dBm

Prese di ingresso/uscita

Antenna/Tv via cavo

Terminale esterno 75 ohm per VHF/UHF

Antenna satellitare

Connettore di Tipo F Femmina, 75 ohm.

DiSEqC 1.0, LNB 13 V/18 V e tono a 22 kHz,

Distribuzione via cavo singolo EN50494.

↻ / ↻ AV IN / S-CENTER SPEAKER IN

Ingresso audio/video (mini jack)

Ingresso altoparlante centrale S (mini jack)

HDMI IN 1/2/3/4 (Compatibile HDCP 2.3)

Video:

4096 × 2160p (50, 60 Hz)^{*1*2}, 4096 × 2160p (24 Hz)^{*1}, 3840 × 2160p (50, 60 Hz)^{*2}, 3840 × 2160p (24, 25, 30 Hz), 1080p (30, 50, 60, 100, 120 Hz), 1080/24p, 1080i (50, 60 Hz), 720p (30, 50, 60 Hz), 720/24p, 576p, 480p, Formati PC^{*3}
3840 × 2160p (100, 120 Hz)^{*2*4}

Audio:

In modalità eARC (Enhanced Audio Return Channel)

Per i dettagli, fare riferimento alla Guida online.

Eccezione modalità eARC

PCM lineare 5,1 canali: 32/44,1/48/88,2/96/176,4/192 kHz 16/20/24 bit, Dolby Audio, Dolby Atmos, DTS

eARC/ARC (Enhanced Audio Return Channel/Audio Return Channel) (Solo HDMI IN 3)^{*5}

In modalità eARC

Per i dettagli, fare riferimento alla Guida online.

In modalità ARC

PCM lineare due canali: 48 kHz 16 bit, Dolby Audio, Dolby Atmos, DTS

↪ DIGITAL AUDIO OUT (OPTICAL)

Presse ottica digitale (PCM lineare due canali: 48 kHz 16 bit, Dolby Audio, DTS)

🎧 (Mini jack stereo)

Cuffie

🔌 1, 🔌 2, 🔌 3 (HDD REC)^{*6}

Porta del dispositivo USB (dispositivo USB HDD)
🔌 3 per funzione REC)

Le porte USB 1 e 2 supportano USB High Speed (USB 2.0)

La porta USB 3 supporta USB Super Speed (USB 3.1 Gen 1)



Alloggiamento CAM (modulo ad accesso condizionato)



Connettore 10BASE-T/100BASE-TX (La velocità di connessione può variare a seconda delle caratteristiche operative della rete. La velocità di comunicazione e la qualità non sono garantite.)

Potenza, caratteristiche prodotto e altro

Requisiti d'alimentazione

220 V - 240 V CA, 50 Hz

Classe di efficienza energetica^{*7}

XR-85X9xJ: A

XR-75X9xJ: A

XR-65X9xJ: B

Dimensioni schermo (diagonale) (circa)

XR-85X9xJ: 214,8 cm / 85 pollici

XR-75X9xJ: 189,3 cm / 75 pollici

XR-65X9xJ: 163,9 cm / 65 pollici

Potenza assorbita^{*7}

In modalità [Standard]

XR-85X9xJ: 221 W

XR-75X9xJ: 206 W

XR-65X9xJ: 173 W

Consumo energetico annuo^{*7*8}

XR-85X9xJ: 307 kWh all'anno

XR-75X9xJ: 286 kWh all'anno

XR-65X9xJ: 240 kWh all'anno

Potenza assorbita in modalità standby^{*7*9*10}

XR-85X9xJ: 0,50 W (35 W durante la modalità di aggiornamento software o della Guida TV elettronica)

XR-75X9xJ: 0,50 W (33 W durante la modalità di aggiornamento software o della Guida TV elettronica)

XR-65X9xJ: 0,50 W (34 W durante la modalità di aggiornamento software o della Guida TV elettronica)

Risoluzione schermo (orizzontale × verticale) (pixel)

3840 × 2160

Valori nominali uscita

500 mA (per USB 1/2), 900 mA (per USB 3)

Dimensioni (circa) (l × a × p) (cm)

con supporto da tavolo

Posizione standard:

XR-85X9xJ: 188,8 × 109,8 × 45,0

XR-75X9xJ: 166,7 × 97,4 × 39,0

XR-65X9xJ: 144,3 × 84,8 × 33,8

Posizione stretta:

XR-85X9xJ: 188,8 × 111,0 × 45,0

XR-75X9xJ: 166,7 × 98,5 × 39,0

Posizione della sound bar:

XR-85X9xJ: 188,8 × 115,8 × 45,0

XR-75X9xJ: 166,7 × 103,4 × 39,0

XR-65X9xJ: 144,3 × 90,8 × 33,8

senza supporto da tavolo

XR-85X9xJ: 188,8 × 108,6 × 6,1

XR-75X9xJ: 166,7 × 96,1 × 6,1

XR-65X9xJ: 144,3 × 83,5 × 6,6

Larghezza supporto (circa) (cm)

Posizione standard:

XR-85X9xJ: 188,7

XR-75X9xJ: 166,6

XR-65X9xJ: 144,2

Posizione stretta:

XR-85X9xJ / 75X9xJ: 61,0

Posizione della sound bar:

XR-85X9xJ: 188,7

XR-75X9xJ: 166,6

XR-65X9xJ: 144,2

Peso (circa) (kg)

con supporto da tavolo

XR-85X9xJ: 51,2

XR-75X9xJ: 39,1

XR-65X9xJ: 28,5

senza supporto da tavolo

XR-85X9xJ: 48,7

XR-75X9xJ: 36,8

XR-65X9xJ: 27,5

Altri

Accessori opzionali

Staffa di montaggio a parete: SU-WL850

(Solo XR-75X9xJ / 65X9xJ)

Staffa di montaggio a parete: SU-WL450

Temperatura di utilizzo: Da 0 °C a 40 °C

Umidità d'esercizio: Dal 10 % all'80 % di u. r.

(in assenza di condensa)

*1 Se la risoluzione di ingresso è 4096 × 2160p e [Formato Immagine] è impostato su [Normale], la risoluzione viene impostata come 3840 × 2160p. Per visualizzare 4096 × 2160p, impostare [Formato Immagine] su [Intero 1] o [Intero 2].

*2 Consultare il menu su schermo [Formato segnale HDMI].

*3 Per i dettagli, fare riferimento alla Guida online.

*4 Solo HDMI IN 3 & 4. Per il collegamento, utilizzare il cavo HDMI ad altissima velocità.

*5 Collegare il sistema audio a HDMI IN 3 per dirigere l'audio del televisore verso il sistema audio.

*6 Funzione non disponibile in Italia.

*7 Queste informazioni si riferiscono all'UE e ad altri Paesi il cui regolamento pertinente è basato sul regolamento UE sull'etichettatura energetica.

*8 Consumo energetico annuale in kWh, basato sulla potenza assorbita di un televisore che funzioni 4 ore al giorno per 365 giorni. Il consumo energetico effettivo dipenderà dal modo in cui verrà utilizzato il televisore.

*9 Il valore dell'assorbimento di potenza specificato in modalità standby viene raggiunto dopo alcuni minuti dallo spegnimento, cioè dopo che il televisore avrà terminato tutti i processi interni.

*10 Quando la TV è connessa alla rete Internet, la potenza assorbita in modalità standby aumenta.

Nota

- La disponibilità degli accessori opzionali dipende dai paesi/dalle regioni/dai modelli di televisore/dalle scorte.
- Design e caratteristiche tecniche sono soggetti a modifiche senza preavviso.
- Potrebbero essere richiesti abbonamenti ai servizi e alle applicazioni e potrebbero essere applicati termini, condizioni e/o costi aggiuntivi quando si usa l'Assistente Google.
- Le caratteristiche prodotte contenute nel presente manuale sono per REGOLAMENTO DELEGATO (UE) 1062/2010 DELLA COMMISSIONE. Consultare il relativo sito Web per informazioni su (UE) 2019/2013.

Note sul funzionamento della TV Digitale

- La TV digitale (digitale terrestre, satellite e TV via cavo), i servizi interattivi e le funzioni di rete internet potrebbero non essere disponibili in tutti i Paesi o le regioni. Alcune funzioni potrebbero non essere abilitate o potrebbero non funzionare correttamente con alcuni fornitori di servizi o reti internet. Alcuni provider di servizi TV potrebbero applicare tariffe per i loro servizi.
- Questo televisore supporta trasmissione digitale con i codec MPEG-2, H.264/MPEG-4 AVC e H.265/HEVC, ma non si garantisce la compatibilità con tutti i segnali dell'operatore/del servizio, che potrebbero cambiare nel tempo.

Informazioni sui marchi

- I termini HDMI e HDMI High-Definition Multimedia Interface e il logo HDMI sono marchi o marchi registrati di HDMI Licensing Administrator, Inc. negli Stati Uniti e in altri paesi.
- Dolby, Dolby Vision, Dolby Atmos, Dolby Audio e il simbolo della doppia D sono marchi di Dolby Laboratories Licensing Corporation. Prodotto su licenza di Dolby Laboratories. Opere riservate non pubblicate. Copyright © 1992-2020 Dolby Laboratories. Tutti i diritti riservati.
- Gracernote, il logo e il logotipo Gracernote, nonché il logo "Powered by Gracernote" sono marchi di fabbrica o marchi di fabbrica registrati di Gracernote, Inc. negli Stati Uniti e/o in altri paesi.
- Google TV e i logo correlati sono marchi di Google LLC.
- Per i brevetti DTS, consultare il sito <http://patents.dts.com>. Prodotto su licenza di DTS, Inc. DTS, Digital Surround e il logo DTS sono marchi di fabbrica registrati o marchi di fabbrica di DTS, Inc. negli Stati Uniti e in altri Paesi. © 2020 DTS, Inc. TUTTI I DIRITTI RISERVATI.

- Netflix è un marchio registrato di Netflix, Inc.
- DiSEqC™ è un marchio di fabbrica di EUTELSAT. Questo televisore supporta DiSEqC 1.0 ma non è progettato per il controllo di antenne motorizzate.
- TUXERA è un marchio di fabbrica registrato di Tuxera Inc. negli Stati Uniti e in altri Paesi.
- Tutti gli altri marchi di fabbrica sono di proprietà delle rispettive aziende.

**Numero di registrazione del prodotto
(REGOLAMENTO DELEGATO (UE) 2019/2013
DELLA COMMISSIONE)**

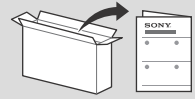
XR-85X95J (527154), XR-75X95J (527151),
XR-65X95J (527140).

Om manualer

Följande manualer medföljer denna TV. Spara manualerna för framtida referensbehov.

Startguide

- Installation och inställning av TV:n.



Referensmaterial (denna manual) / Säkerhetsdokumentation

- Säkerhetsinformation, fjärrkontroll, felsökning, väggmontering, specifikationer m.m.



Hjälpguide (skärmanual)

- Inställningar, funktioner, internetanslutning, felsökning m.m.
- Öppna hjälpguiden genom att trycka på **HELP** på fjärrkontrollen och välja Hjälpguide.



- Du kan ta fram Hjälpguiden med din smartmobil.



https://rd1.sony.net/help/tv/iaep1/h_aep/

Inställningsmenyer kan ändras utan förvarning.

VIKTIGT- Läs licensavtalet för slutanvändare av programvara, innan Sony-produkten används. Genom att använda produkten godkänner du licensavtalet för slutanvändare av programvara. Licensavtalet för programvaran mellan dig och Sony finns tillgängligt på Sonys webbplats (<https://www.sony.net/tv-software-licenses/>) eller på produktens skärm. Tryck på (Snabbinställningar) på fjärrkontrollen och välj [Inställningar] → [System] → [Om] → [Juridisk information] → [Meddelanden och licenser].

För denna radioutrustning tillämpas följande begränsningar för uppstart eller behörighetskrav för användning i AT, BE, HR, CY, CZ, DK, EE, FI, FR, DE, EL, HU, IE, IT, LV, LU, MT, NL, PL, PT, SK, SI, ES, SE, UK, UK (NI), IS, LI, NO, CH, BG, RO, TR, AL, BA, MK, MD, RS, ME, Kosovo :
5150 - 5350 MHz-bandet är begränsat till inomhusanvändning endast.

Säkerhetsinformation

Obs!

- Innan du använder TV:n ska du läsa "Säkerhetsinformation".
- Läs medföljande säkerhetsdokumentation för ytterligare information om säkerhet.
- De bilder och illustrationer som används i Startguiden och i denna handbok är bara referenser och kan skilja sig från utseendet på den faktiska produkten.
- "x"/"xx" som visas i modellnamnet motsvarar en numerisk siffra som har med design, färg eller TV-system att göra.

Identifieringsetikettens placering

Etiketter för modellnr, tillverkningsdatum (år/månad) och strömförsörjning finns på TV:ns eller förpackningens baksida. Du hittar detta under kontaktskyddet.

Installation

Installera och använd TV:n enligt följande anvisningar för att undvika brandrisk, elektriska stötar eller skador på person eller egendom.

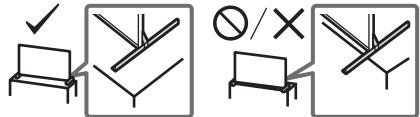
Installation

- TV:n bör placeras nära ett lätt åtkomligt eluttag.
- Placera TV-apparaten på en stabil, plan yta för att undvika att den faller ner och orsakar personskada eller egendomsskada.
- Placera TV:n på en plats där den inte kan dras, tryckas eller vältras omkull.
- Montera TV:n så att TV:ns bordsstativ inte skjuter ut från TV-bänken (medföljer ej). Om bordsstativet skjuter ut från TV-bänken, kan det hända att TV:n välter, faller i golvet och orsakar personskada eller skada på TV:n.

VIKTIGT MEDDELANDE

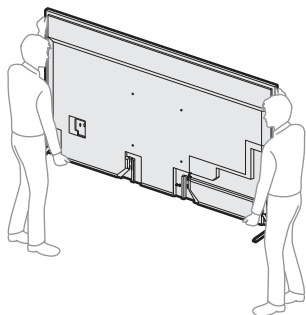
Meddelande för radioutrustning

Härmed försäkras Sony Corporation att denna typ av radioutrustning XR-85X95J, XR-75X95J, XR-65X95J överensstämmer med direktiv 2014/53/EU. Den fullständiga texten till EU-försäkran om överensstämmelse finns på följande webbadress:
<https://compliance.sony.eu>



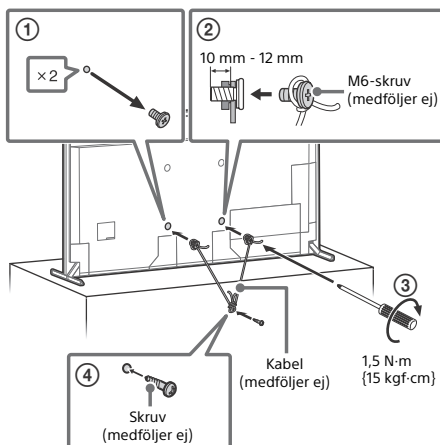
Transport

- Lossa alla kablar från TV:n innan du transporterar den.
- Avlägsna terminalskydden från TV:n innan du transporterar den.
- Det krävs två eller fler personer för att bära en stor TV-apparat.
- När TV:n ska transporteras bör den hållas enligt nedan. Tryck inte på LCD-panelen eller ramen runt bildskärmen.
- När du lyfter eller flyttar TV:n ska du hålla den ordentligt i undersidan.



- Se till att TV:n inte utsätts för stötar eller kraftiga vibrationer när den transporteras.
- Du bör använda originalkartongen och dess emballage när du sänder in TV:n för reparation eller om du flyttar.

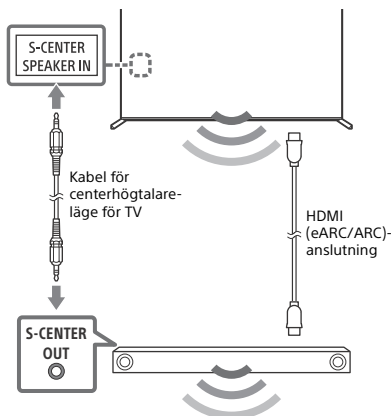
Förebyggande av fall



Använda TV:n som del av ljudsystem

Obs!

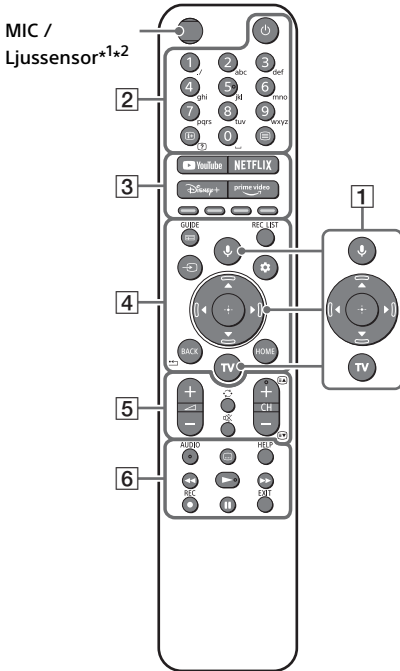
- Koppla från nätkabeln för både TV:n och AV-mottagaren innan du ansluter kablar.
- Se bruksanvisningen för ljudsystemet med S-CENTER OUT-terminal för mer detaljer.



SE

Fjärrkontroll och TV

Fjärrkontrollens form, layout, tillgänglighet och fjärrkontrollknapparnas funktioner kan variera beroende på region/land/TV-modell/TV-inställningar.



1 (Mikrofon) / (Google Assistant):

Använd Google Assistant^{*3,4} eller röstsökning^{*4}. Få tips om hur TV:n manövreras genom att trycka på mikrofonknappen på fjärrkontrollen och säga "rösttips".^{*3}

▲/▼/◀/▶/⊕: Menynavigering och -val på skärmen.

TV: Visa TV-kanallistan eller växla till ingång.

2 (Ström)

Sifferknappar

(Visa info/text): Visa information.

(Text): Visa textinformation.

3 YouTube™ / NETFLIX / Disney+ / Prime Video / Färgknappar

4 **GUIDE**/: Visa den digitala programguiden för TV eller kabel/satellit/extern box^{*5}.

REC LIST: Visa Rec-listan för USB HDD^{*6}/DVR^{*5}.

(**Ingångsväljare**): Visa och välj ingångskällan, osv.

(**Snabbinställningar**): Visa snabbinställningar.

BACK/

HOME

5 +/- (Volym)

(**Hoppa**)

(**Ljudlöst**)^{*7}

CH +/-//: Välj kanal eller nästa () / föregående () sida.

6 **AUDIO:** Välj ljud för flerspråkig källa eller dubbelt ljud (beroende på programkälla).

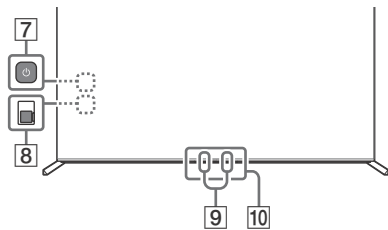
(**Inställning av textning**)

HELP: Visa Hjälpmenyn.

///

● **REC:** Spela in det visade programmet på USB HDD^{*6}/DVR^{*5}.

EXIT



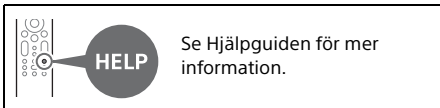
7 (**Ström**): (Du hittar detta under sidskyddet)

8 **BUILT-IN MIC SWITCH (Inbyggd MIC-switch):** Sätt på/stäng av den inbyggda mikrofonen. (Du hittar detta under sidskyddet)

9 **Inbyggd mikrofon**^{*3,4,8}: För att aktivera den inbyggda mikrofonen, tryck på mikrofonknappen på fjärrkontrollen och följ instruktionerna på skärmen.

10 **Fjärrkontroll-sensor / Ljussensor / LED**

- *1 Fjärrkontrollens bakgrundsbelysning tänds när ljussensorn känner av att belysningen i omgivningen är svag. Funktionen för automatisk tändning av bakgrundsbelysningen kan stängas av.
- *2 Endast RMF-TX621E. För att se fjärrkontrollens modellnamn, öppna fjärrkontrollskyddet och se etiketten på fjärrkontrollen.
- *3 Endast för begränsad region/land/TV-modell/språk.
- *4 En internetanslutning krävs för Google Assistant eller röstsökning.
- *5 [Kabel / satellit / extern box-inställning]-inställning krävs.
- *6 Ej tillgängligt för Italien.
- *7 Genom att hålla \otimes (Ljudlöst) intryckt nås en åtkomlighetsgenväg.
- *8 Energiförbrukningen kommer att öka när den inbyggda mikrofonen är aktiverad eftersom den alltid lyssnar.



Montera TV:n på väggen

Använda Väggfästet (tillval) (SU-WL850 eller SU-WL450)* (medföljer ej)

Till kunden:

Sony rekommenderar starkt att du låter din Sony-återförsäljare eller en auktoriserad installatör installera TV:n, både av säkerhetsskäl och för att skydda produkten. Försök inte installera den själv.

Till Sony-återförsäljare och installatörer:

Var ytterst noggrann med säkerheten vid installation, regelbundet underhåll och besiktning av denna produkt.

Installationsinformation för Väggfäste

För instruktioner om installation av Väggfäste, se installationsinformationen (Väggfäste) på produktsidan för din TV-modell.

<https://www.sony.eu/support>

- Följ instruktionsguiden som levereras med Väggfästet för din modell. Expert hjälp krävs för installation av denna TV, speciellt för att avgöra väggens styrka att hålla TV:ns vikt.
- Sony kan inte hållas ansvariga för någon form av egendomsskador eller personskador som beror på felaktig hantering eller felaktig installation.
- Endast en behörig servicetekniker bör utföra vägginstallationer.

- Av säkerhetsskäl rekommenderar vi bestämt att du endast använder tillbehör från Sony, inklusive:
 - Väggfäste SU-WL850
 - Väggfäste SU-WL450
- Använd de skruvar som levererades med Väggfästet när Väggfästet monteras på TV:n. De medföljande skruvarna är utformade enligt bilden mätt från Väggfästets kontaktyta. Skruvarnas diameter och längd varierar beroende på Väggfästets modell. Användning av andra skruvar kan skada TV:n internt eller medföra att den faller ned.

10 mm - 12 mm



- Se till att oanvända skruvar och bordsstativet förvaras på en säker plats tills du åter vill montera bordsstativet. Förvara skruvarna oåtkomligt för små barn.

* Endast för begränsad region/land/TV-modell.

Felsökning

För allmän felsökning för problem som: svart skärm, inget ljud, frusen bild, TV:n reagerar inte, eller nätverket är tappat, utför du följande steg.

- 1 Starta om TV:n genom att trycka in strömbrytaren på fjärrkontrollen i cirka fem sekunder. TV:n startar om. Om TV:n inte återställs, försök med att koppla ur strömsladden och tryck sedan på strömbrytarknappen på TV:n och släpp den sedan. Vänta i två minuter och anslut sedan strömsladden. Eller tryck på strömbrytarknappen på TV:n i ungefär 40 sekunder tills TV:n stängs av.
- 2 Se Hjälpmenyn genom att trycka på **HELP** på fjärrkontrollen.
- 3 Anslut din TV till Internet och utför en programvaruuppdatering. Sony rekommenderar att du alltid håller programvaran till din TV uppdaterad. Programuppdateringar ger nya funktioner och prestandaförbättringar.

4 Gå in på Sonys supportwebbplats (information finns i slutet av denna manual).

När du ansluter TV:n till elnätet är det kanske inte möjligt att slå på TV:n under en viss tid, även om du trycker på strömbrytarknappen på fjärrkontrollen eller TV:n.

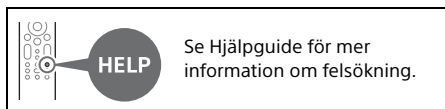
Det tar tid att initiera systemet. Vänta cirka en minut och försök sedan igen.

Fjärrkontrollen fungerar inte.

- Byt ut batterierna.

Lösenordet till barnlåset har glömts av.

- Ange 9999 för PIN-koden och ange en ny PIN-kod.



Specifikationer

System

Skärmsystem: LCD-skärm (bildskärm med flytande kristaller), LED-bakgrundsbelysning
TV-system: Beroende på val av land/område/
TV-modell

Analog: B/G, D/K, I

Digital: DVB-T/DVB-C/DVB-T2

Satellit: DVB-S/DVB-S2

Färgsystem: PAL/SECAM/NTSC3.58 (Endast video)/NTSC4.43 (Endast video)

Kanaltäckning: Beroende på val av land/
område/TV-modell

Analog: UHF/VHF/kabel

Digital: UHF/VHF/kabel

Satellit: IF-frekvens 950-2150 MHz

Ljudutgång: 10 W + 10 W + 10 W + 10 W + 10 W

Trådlös teknik

Protokoll IEEE 802.11a/b/g/n/ac

Bluetooth® version 4.2

Frekvensband

Frekvensområde	Utgångseffekt
Trådlöst LAN (TV)	
2400-2483,5 MHz	< 20,0 dBm
5150-5250 MHz	< 23,0 dBm
5250-5350 MHz	< 20,0 dBm
5470-5725 MHz	< 20,0 dBm
5725-5850 MHz	< 13,9 dBm
Bluetooth® (TV)	
2400-2483,5 MHz	< 10,0 dBm
Bluetooth® (Fjärrkontroll)	
2400-2483,5 MHz	< 10,0 dBm

Uttag för ingångar/utgångar

Antenn/kabel

75 ohms externt uttag för VHF/UHF

Satellitantenn

Honkontakt av F-Typ, 75 ohm.

DiSEqC 1.0, LNB 13 V/18 V & 22 kHz-ton,
Distribution via enkel kabel-TV EN50494.

↻ / ↷ AV IN / S-CENTER SPEAKER IN
Video/Ljudingång (Mini Jack)

S-centerhögtalaringång (Mini Jack)

HDMI IN 1/2/3/4 (HDCP 2.3-kompatibel)

Video:

4096 × 2160p (50, 60 Hz)^{*1*2}, 4096 × 2160p
(24 Hz)^{*1}, 3840 × 2160p (50, 60 Hz)^{*2},
3840 × 2160p (24, 25, 30 Hz), 1080p (30, 50,
60, 100, 120 Hz), 1080i (50, 60 Hz),
720p (30, 50, 60 Hz), 720/24p, 576p, 480p,
PC-format^{*3}
3840 × 2160p (100, 120 Hz)^{*2*4}

Ljud:

I eARC (Enhanced Audio Return Channel)-
läge

Se Hjälpguiden på nätet för närmare
detaljer.

Förutom eARC-läge

5,1-kanals linjär PCM: 32/44,1/48/88,2/96/
176,4/192 kHz 16/20/24-bitars, Dolby
Audio, Dolby Atmos, DTS

eARC/ARC (Enhanced Audio Return Channel/
Audio Return Channel) (Endast HDMI IN 3)^{*5}

I eARC-läge

Se Hjälpguiden på nätet för närmare detaljer.

I ARC-läge

Tvåkanalig linjär PCM: 48 kHz 16-bitars,
Dolby Audio, Dolby Atmos, DTS

↻ ↷ DIGITAL AUDIO OUT (OPTICAL)

Digitalt optiskt kontakt (tvåkanalig linjär PCM:
48 kHz 16-bitars, Dolby Audio, DTS)

🔊 (Stereominiuttag)

Hörlurar

🔌1, 🔌2, 🔌3 (HDD REC)*6

USB-enhetsport (🔌 3 USB HDD-enhet för REC-funktion)

USB-port 1 och 2 har stöd för High Speed USB (USB 2.0)

USB-port 3 har stöd för Super Speed USB (USB 3.1 Gen 1)



CAM-plats (CA-modul)



LAN

10BASE-T/100BASE-TX-kontakt (Beroende på nätverkets funktionsmiljö, kan anslutningshastigheten avvika.

Kommunikationshastighet och -kvalitet garanteras inte.)

Ström, informationsblad och annat

Strömförsörjning

220 V - 240 V växelström (AC), 50 Hz

Energieffektivitetsklass*7

XR-85X9xJ: A

XR-75X9xJ: A

XR-65X9xJ: B

Skärmstorlek (diagonalt uppmätt) (Ca.)

XR-85X9xJ: 214,8 cm / 85 tum

XR-75X9xJ: 189,3 cm / 75 tum

XR-65X9xJ: 163,9 cm / 65 tum

Energiförbrukning*7

I [Standard]-läge

XR-85X9xJ: 221 W

XR-75X9xJ: 206 W

XR-65X9xJ: 173 W

Årlig energiförbrukning*7*8

XR-85X9xJ: 307 kWh per år

XR-75X9xJ: 286 kWh per år

XR-65X9xJ: 240 kWh per år

Energiförbrukning i standbyläge*7*9*10

XR-85X9xJ: 0,50 W (35 W i

programvaruuppdateringsläge/

EPG-uppdateringsläge)

XR-75X9xJ: 0,50 W (33 W i

programvaruuppdateringsläge/

EPG-uppdateringsläge)

XR-65X9xJ: 0,50 W (34 W i

programvaruuppdateringsläge/

EPG-uppdateringsläge)

Bildskärmsupplösning (horisontellt × vertikalt)

(pixlar)

3840 × 2160

Utteffekt

500 mA (för USB 1/2), 900 mA (för USB 3)

Mått (Ca.) (b × h × d) (cm)

med bordsstativ

Standardposition:

XR-85X9xJ: 188,8 × 109,8 × 45,0

XR-75X9xJ: 166,7 × 97,4 × 39,0

XR-65X9xJ: 144,3 × 84,8 × 33,8

Inskränkt position:

XR-85X9xJ: 188,8 × 111,0 × 45,0

XR-75X9xJ: 166,7 × 98,5 × 39,0

Soundbar-enhetens position:

XR-85X9xJ: 188,8 × 115,8 × 45,0

XR-75X9xJ: 166,7 × 103,4 × 39,0

XR-65X9xJ: 144,3 × 90,8 × 33,8

utan bordsstativ

XR-85X9xJ: 188,8 × 108,6 × 6,1

XR-75X9xJ: 166,7 × 96,1 × 6,1

XR-65X9xJ: 144,3 × 83,5 × 6,6

Stativets bredd (Ca.) (cm)

Standardposition:

XR-85X9xJ: 188,7

XR-75X9xJ: 166,6

XR-65X9xJ: 144,2

Inskränkt position:

XR-85X9xJ / 75X9xJ: 61,0

Soundbar-enhetens position:

XR-85X9xJ: 188,7

XR-75X9xJ: 166,6

XR-65X9xJ: 144,2

Vikt (Ca.) (kg)

med bordsstativ

XR-85X9xJ: 51,2

XR-75X9xJ: 39,1

XR-65X9xJ: 28,5

utan bordsstativ

XR-85X9xJ: 48,7

XR-75X9xJ: 36,8

XR-65X9xJ: 27,5

Övrigt

Valfritt tillbehör

Väggfäste: SU-WL850 (XR-75X9xJ / 65X9xJ endast)

Väggfäste: SU-WL450

Användningstemperatur: 0 °C – 40 °C

Luftfuktighet vid användning: 10 % – 80 % relativ luftfuktighet (icke-kondenserande)

*1 Om 4096 × 2160p matas in och [Bredbildsläge] är inställd till [Normal], visas upplösningen som 3840 × 2160p. För att visa 4096 × 2160p, ställ in inställningen [Bredbildsläge] till [Full 1] eller [Full 2].

*2 Se menyn på skärmen för att ställa in [HDMI-signalformat].

*3 Se Hjälpguiden på nätet för närmare detaljer.

- *4 Endast HDMI IN 3 & 4. Använd HDMI-kabel med ultrahög hastighet för att ansluta.
- *5 Anslut ditt ljudsystem till HDMI IN 3 för att sända TV-ljud till ditt ljudsystem.
- *6 Funktionen ej tillgänglig i Italien.
- *7 Denna information gäller EU och andra länder vars relevanta förordning är baserad på EU:s förordning för energimärkning.
- *8 Energiförbrukning i kWh per år, baseras på TV:ns strömförbrukning under 4 timmar per dag i 365 dagar. Den verkliga energiförbrukningen varierar beroende på hur TV-apparaten används.
- *9 Specificerad standby-effekt uppnås när TV:n har avslutat nödvändiga interna processer.
- *10 Effektförbrukningen i standbyläge ökar när din TV är ansluten till nätverket.

Obs!

- Tillgången på valfria tillbehör beror på land/region/TV-modell/lager.
- Design och specifikationer kan ändras utan förvarning.
- Abonnement på tjänster och program kan krävas och ytterligare villkor, förutsättningar och/eller avgifter kan gälla vid användning av Google Assistant.
- Informationsbladet i denna manual är för KOMMISSIONENS DELEGERADE FÖRORDNING (EU) 1062/2010. Se dess webbplats för information om (EU) 2019/2013.

Anmärkningar om digital TV

- Digital-TV (DVB-T, satellit och kabel), interaktiva tjänster och nätverksfunktioner kanske inte är tillgängliga i alla länder eller områden. Vissa funktioner kanske inte är aktiverade eller kanske inte fungerar korrekt med vissa leverantörer och nätverksmiljöer. Vissa TV-tjänstleverantörer kan ta en avgift för sina tjänster.
- Denna TV stöder digitalsändning med användning av MPEG-2-, H.264/MPEG-4 AVC- och H.265/HEVC-codecs, men kompatibilitet med alla operatörs-/tjänstsignaler, vilka kan variera med tiden, kan inte garanteras.

Information om varumärken

- Benämningarna HDMI och HDMI High-Definition Multimedia Interface och HDMI- logotypen är varumärken eller registrerade varumärken som tillhör HDMI Licensing Administrator, Inc. i USA och andra länder.
- Dolby, Dolby Vision, Dolby Atmos, Dolby Audio och den dubbla D-symbolen är varumärken som tillhör Dolby Laboratories Licensing Corporation. Tillverkad på licens från Dolby Laboratories. Sekretessbelagda, icke publicerade arbeten. Copyright © 1992-2020 Dolby Laboratories. Med ensamrätt.

- Gracenote, Gracenote-logon och -logotypen, och "Powered by Gracenote"-logon är antingen registrerade varumärken eller varumärken som tillhör Gracenote, Inc. i USA och/eller andra länder.
- Google TV och relaterade logotyper är varumärken som tillhör Google LLC.
- För DTS-patent se <http://patents.dts.com>. Tillverkad under licens från DTS, Inc. DTS, Digital Surround, och DTS-logotypen är registrerade varumärken eller varumärken som tillhör DTS, Inc. i USA och andra länder. © 2020 DTS, Inc. MED ENSAMRÄTT.
- Netflix är ett registrerat varumärke som tillhör Netflix, Inc.
- DiSEqC™ är ett varumärke som tillhör EUTELSAT. Denna TV stöder DiSEqC 1.0. Denna TV bör inte användas för att manövrera motorstyrda antenner.
- TUXERA är ett registrerat varumärke som tillhör Tuxera Inc. i USA och andra länder.
- Alla andra varumärken tillhör sina respektive ägare.

Produktregistreringsnummer

(KOMMISSIONENS DELEGERADE FÖRORDNING (EU) 2019/2013)

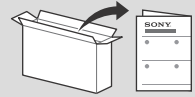
XR-85X95J (527154), XR-75X95J (527151), XR-65X95J (527140).

Om brugervejledninger

Dette TV leveres med følgende brugervejledninger. Opbevar brugervejledningerne for fremtidig reference.

Installationsvejledning

- Installation og opsætning af TV.



Referencevejledning (denne brugervejledning) / Sikkerhedsdokumentation

- Sikkerhedsoplysninger, fjernbetjening, fejlfinding, installation af vægmontering, specifikation osv.



Hjælpevejledning (brugervejledning på skærmen)

- Indstillinger, funktioner, internetforbindelse, fejlfinding osv.
- Tryk på knappen **HELP** på fjernbetjeningen, og vælg Hjælpevejledning for at åbne den.




- Du kan se Hjælpevejledning med din smartphone.



https://rd1.sony.net/help/tv/iaep1/h_aep/

Indstillingsmenuer kan ændres uden varsel.

VIGTIGT - Læs softwarelicensaftalen for slutbruger, før du anvender dit Sony-produkt. Anvendelse af dit produkt indikerer din accept af softwarelicensaftalen for slutbruger. Softwarelicensaftalen mellem dig og Sony er tilgængelig online på Sonys hjemmeside (<https://www.sony.net/tv-software-licenses/>) eller på skærmen af dit produkt. Tryk på  (Hurtige indstillinger) på fjernbetjeningen, og vælg [Indstillinger] → [System] → [Om] → [Juridiske oplysninger] → [Notater og licenser].

Bemærk

- Før du benytter TV'et, bedes du læse "Sikkerhedsoplysninger".
- Læs den medfølgende sikkerhedsdokumentation for yderligere sikkerhedsoplysninger.
- Billeder og illustrationer i Installationsvejledningen og denne vejledning er udelukkende til referencebrug og kan afvige fra det faktiske produkt.
- Det viste "x"/"xx" i modelnavnet er et numerisk tal, der henviser til design, farve eller TV-system.

Placering af identifikationsmærkat

Mærkatet med oplysninger om modelnummer, produktionsdato (år/måned) og strømforsyning findes på bagsiden af TV'et eller på emballagen. De kan findes ved at fjerne terminaldækslet.

VIGTIG BESKED

Bemærkning til radioudstyr

Hermed erklærer Sony Corporation, at radioudstyrstyperne XR-85X95J, XR-75X95J, XR-65X95J er i overensstemmelse med direktiv 2014/53/EU. EU-overensstemmelseserklæringens fulde tekst kan findes på følgende internetadresse: <https://compliance.sony.eu>

For dette radioudstyr gælder følgende restriktioner for at sætte det i drift eller tage det ud af drift, samt krav til autorisation til brug gældende i AT, BE, HR, CY, CZ, DK, EE, FI, FR, DE, EL, HU, IE, IT, LV, LT, LU, MT, NL, PL, PT, SK, SI, ES, SE, UK, UK (NI), IS, LI, NO, CH, BG, RO, TR, AL, BA, MK, MD, RS, ME, Kosovo :
Frekvensbåndet 5150 - 5350 MHz er begrænset til kun at måtte bruges indendørs.

Sikkerhedsoplysninger

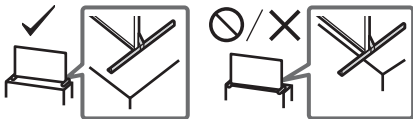
Installation/Opsætning

Installer og brug TV'et i overensstemmelse med nedenstående vejledning for at undgå brand, elektrisk stød eller skader på personer og materiel.

Installation

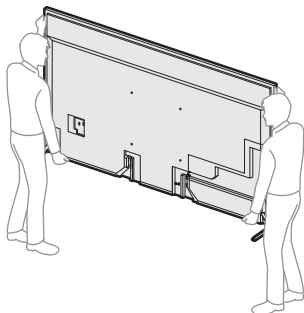
- TV'et skal sættes op ved en let tilgængelig stikkontakt.
- Anbring TV-apparatet på en stabil, plan overflade, så det ikke vælter, og forårsager personskade eller skader på ejendom.
- Placer TV'et et sted, hvor der ikke kan trækkes i det, hvor det ikke skubbes eller væltes.

- Placer TV'et, så TV-foden ikke stikker frem fra TV-bordet (medfølger ikke). Hvis TV-foden stikker frem fra TV-bordet, kan TV'et vælte, falde ned og medføre personskade eller beskedige TV'et.



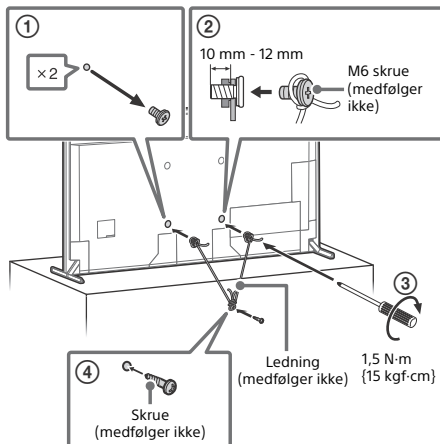
Transport

- Før transport af TV'et tages alle kabler ud.
- Fjern terminaldækslerne, inden TV'et transporteres.
- Der skal to eller flere personer til at bære et stort TV-apparat.
- Når TV'et flyttes med hånden, skal det holdes som vist nedenfor. Belast ikke LCD-skærmen og rammen omkring skærmen.
- Ved løft eller flytning af tv-apparatet, hold det fast fra bunden.



- TV'et må ikke udsættes for fysiske stød eller kraftige vibrationer under transport.
- TV'et skal pakkes ind i originalemballagen og sættes ned i originalkassen, når det skal til reparation eller blot flyttes.

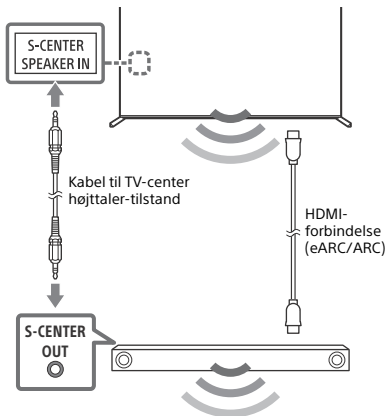
Vælteforebyggelse



Sådan bruges TV'et som en del af et lydsystem

Bemærk

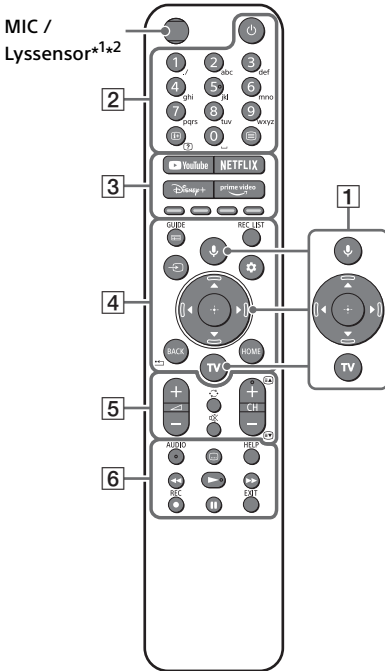
- Før du tilslutter kabler, skal du frakoble strømledningen på både TV og AV-modtager.
- Der henvises til lydsystemets betjeningsvejledning for detaljer om S-CENTER OUT.



DK

Fjernbetjening og TV

Fjernbetjeningens form, layout, tilgængelighed og funktionen af dens knapper kan variere afhængigt af region/land/TV-model/TV-indstillinger.



1 (Mikrofon) / (Google Assistant):

Anvend Google Assistant^{*3,4} eller stemmesøgning^{*4}. For tips til hvordan du styrer dit TV, skal du trykke på mikrofonknappen på fjernbetjeningen og sige "taletips".^{*3}

: Skærmmenu-navigering og valg.

TV: Få vist listen med TV-kanaler, eller skift til indtastning.

2 (Strømtilslutning)

Talknapper

(Informationer/Vis skjult tekst):
Vis information.

(Tekst-TV): Viser tekstinformationer.

3 YouTube™ / NETFLIX / Disney+ / Prime Video / Farveknapper

4 **GUIDE**/: Få vist den digitale programvejledning for TV eller kabel-/satellitboks^{*5}.

REC LIST: Vis Rec-listen for USB HDD^{*6}/DVR^{*5}.

(Indgangsvælger): Vis og vælg indgangskilden, etc.

(Hurtige indstillinger): Vis hurtige indstillinger.

BACK/

HOME

5 +/- (Lydstyrke)

(Spring)

(Lydløs)^{*7}

CH +/-//: Vælg kanal eller næste () / forrige () side.

6 **AUDIO:** Vælg lyden fra flersproget kilde eller dual-lyd (afhængig af programkilde).

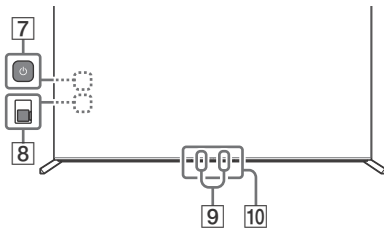
(Undertekst-indstilling)

HELP: Vis menuen Hjælp.

//

● **REC:** Optag det program der ses nu på USB HDD^{*6}/DVR^{*5}.

EXIT



- 7** **(Strømtilslutning):** (Den kan findes ved at fjerne sidedækslet)
- 8** **BUILT-IN MIC SWITCH (Indbygget mikrofon-knap):** Slå den indbyggede MIC til/fra. (Den kan findes ved at fjerne sidedækslet)
- 9** **Indbygget MIC^{*3}*4*8:** For at aktivere den indbyggede MIC, tryk på mikrofonknappen på fjernbetjeningen, og følg vejledningen på skærmen.
- 10** **Fjernbetjeningens sensor / Lyssensor / LED**

*1 Fjernbetjeningens baggrundsbelysning lyser, når lyssensoren registrerer, at den omgivende belysning er lav. Automatisk baggrundsbelysning kan slukkes.

*2 Kun RMF-TX621E. For at se fjernbetjeningens modelnavn, åbn fjernbetjeningens kontrolrække og se mærkaten i fjernbetjeningen.

*3 Kun ved begrænset region/land/TV-model/sprog.

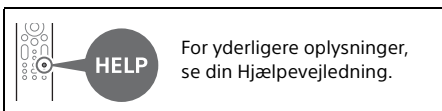
*4 Google Assistent eller stemmesøgning kræver internetforbindelse.

*5 Indstillingen [Opsætning af styring af Kabel-/satellitboks] kræves.

*6 Ikke tilgængelig i Italien.

*7 En genvej til tilgængelighed er tilgængelig ved at trykke på (Lydløs) og holde den nede.

*8 Strømforbruget vil forøges, når den indbyggede MIC er aktiveret, da den altid lytter.



Vægmontering af TV'et

Anvendelse af det valgfrie Beslag til vægmontering (SU-WL850 eller SU-WL450)* (medfølger ikke)

Til kunderne:

Af hensyn til produktets og den generelle sikkerhed anbefaler Sony på det kraftigste, at monteringen af TV'et udføres af en Sony-forhandler eller en autoriseret installatør. Forsøg ikke at montere det selv.

Til Sony-forhandlere og installatører:

Vær opmærksom på sikkerheden under montering, vedligeholdelse og eftersyn af produktet.

Beslag til vægmontering - vejledning

For vejledning til installation af Beslag til vægmontering, se installationsvejledningen (Beslag til vægmontering) på din TV-models produktside.

<https://www.sony.eu/support>

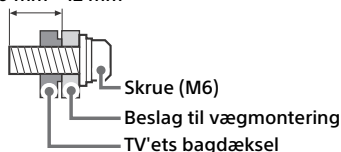
- Følg instruktionsvejledningen, som følger med Beslaget til vægmontering, for din model. Monteringen af dette TV kræver tilstrækkelig ekspertise. Dette er især vigtigt, når du skal finde ud af, om væggen kan bære TV'ets vægt.
- Sony er ikke ansvarlig for beskadigelse eller personskade, der opstår som følge af forkert håndtering eller forkert montering.
- Kun en autoriseret installatør må udføre væginstallationer.
- Af sikkerhedsmæssige grunde anbefales det at anvende Sony-tilbehør, herunder:
 - Beslag til vægmontering SU-WL850
 - Beslag til vægmontering SU-WL450

DK

- Sørg for at bruge de skruer, der følger med Beslaget til vægmontering ved montering af Beslaget til vægmontering på TV'et. De medfølgende skruer er designet som vist på illustrationen, når der måles fra fastgørelsesoverfladen til Beslaget til vægmontering.

Skruernes diameter og længde afhænger af Beslaget til vægmontering. Hvis der anvendes andre skruer end de medfølgende, kan det medføre indvendige skader på TV-apparatet eller få det til at falde ned eller lignende.

10 mm - 12 mm



- Sørg for at opbevare de ubrugte skruer og TV-foden på et sikkert sted, indtil du er klar til at fastgøre TV-foden. Opbevar skruerne uden for børns rækkevidde.

* Kun ved begrænset region/land/TV-model.

Fejlfinding

Ved generel fejlfinding for emner som: sort skærm, ingen lyd, frosset billede, TV'et reagerer ikke, eller netværk afbrydes, gøres følgende.

- 1 Genstart dit TV ved at trykke på afbryderen på fjernbetjeningen i omtrent fem sekunder. TV'et vil genstarte. Hvis TV'et ikke gendannes, prøv at tage netledningen ud, og tryk på afbryderen på TV'et, og slip den. Vent i to minutter, og tilslut netledningen. Eller tryk på afbryderen på TV'et i ca. 40 sekunder, indtil TV'et slukkes.
- 2 Se i Hjælpevejledningen ved at trykke **HELP** på fjernbetjeningen.
- 3 Tilslut dit TV til internettet, og udfør en softwareopdatering. Sony anbefaler, at du holder TV'ets software opdateret. Softwareopdateringer indeholder nye funktioner og ydelsesforbedringer.
- 4 Besøg Sonys supporthjemmeside (oplysninger er forhåndenværende i slutningen af denne brugervejledning).

Når du sætter TV'ets stik i, kan der gå et stykke tid, før TV'et kan tændes, selvom du trykker på afbryderen på fjernbetjeningen eller på TV'et.


Det tager tid at initialisere systemet. Vent omkring et minut, og prøv igen.

Fjernbetjeningen virker ikke.

- Udskift batterierne.

Adgangskoden til børnesikring er blevet glemt.

- Indtast 9999 for PIN, og indtast den nye PIN.



For yderligere oplysninger om fejlfinding, se din Hjælpevejledning.

Specifikationer

System

Panelsystem: LCD-panel (flydende krystal), LED-baggrundslys

TV-system: Afhænger af land/områdevalg/
TV-model

Analog: B/G, D/K, I

Digital: DVB-T/DVB-C/DVB-T2

Satellit: DVB-S/DVB-S2

Farvesystem: PAL/SECAM/NTSC3.58 (kun video)/NTSC4.43 (kun video)

Kanaldækning: Afhænger af land/områdevalg/
TV-model

Analog: UHF/VHF/kabel

Digital: UHF/VHF/kabel

Satellit: IF-frekvens 950-2150 MHz

Lydeffekt: 10 W + 10 W + 10 W + 10 W + 10 W

Trådløs teknologi

Protokol IEEE 802.11a/b/g/n/ac

Bluetooth® Version 4.2

Frekvensbånd

Frekvensområde	Udgangseffekt
Trådløst LAN (TV)	
2400-2483,5 MHz	< 20,0 dBm
5150-5250 MHz	< 23,0 dBm
5250-5350 MHz	< 20,0 dBm
5470-5725 MHz	< 20,0 dBm
5725-5850 MHz	< 13,9 dBm
Bluetooth® (TV)	
2400-2483,5 MHz	< 10,0 dBm
Bluetooth® (Fjernbetjening)	
2400-2483,5 MHz	< 10,0 dBm

Indgangs-/Udgangsstik

Antennekabel

75 ohm, eksternt stik til VHF/UHF

Satellitantenne

Hunstik af F-type stik, 75 ohm.

DiSEqC 1.0, LNB 13 V/18 V & 22 kHz-tone,

Enkeltkabeldistribution EN50494.

↻ / ↻ AV IN / S-CENTER SPEAKER IN

Video-/lydingang (minijack-stik)

Inputterminal til S-centerhøjtaler (minijack-stik)

HDMI IN 1/2/3/4 (HDCP 2.3-kompatibel)

Video:

4096 × 2160p (50, 60 Hz)*1*2, 4096 × 2160p (24 Hz)*1, 3840 × 2160p (50, 60 Hz)*2, 3840 × 2160p (24, 25, 30 Hz), 1080p (30, 50, 60, 100, 120 Hz), 1080/24p, 1080i (50, 60 Hz), 720p (30, 50, 60 Hz), 720/24p, 576p, 480p, Pc-formater*3
3840 × 2160p (100, 120 Hz)*2*4

Lyd:

1 eARC (Enhanced Audio Return Channel)-tilstand

Se Hjælpevejledningen online for detaljer.

Bortset fra eARC-tilstand

5,1-kanals lineær PCM: 32/44,1/48/88,2/

96/176,4/192 kHz 16/20/24 bit, Dolby

Audio, Dolby Atmos, DTS

eARC/ARC (Enhanced Audio Return Channel/
Audio Return Channel) (kun HDMI IN 3)*5

1 eARC-tilstand

Se Hjælpevejledningen online for detaljer.

1 ARC-tilstand

To-kanals lineær PCM: 48 kHz 16 bit,

Dolby Audio, Dolby Atmos, DTS

↻ DIGITAL AUDIO OUT (OPTICAL)

Digitalt optisk stik (to-kanals lineær PCM:

48 kHz 16 bit, Dolby Audio, DTS)

⦿ (Stereo-minijack)

Hovedtelefoner

↔ 1, ↔ 2, ↔ 3 (HDD REC)*6

USB-port (↔ 3 USB HDD-enhed for

REC-funktion)

USB-port 1 og 2 understøtter High Speed USB (USB 2.0)

USB-port 3 understøtter Super Speed USB

(USB 3.1 Gen 1)



CAM (Conditional Access Module)-holder



LAN

10BASE-T/100BASE-TX-stik

(Forbindeshastigheden kan variere, afhængigt af netværksmiljøet. Der garanteres ikke for kommunikationshastighed og -kvalitet.)

DK

Strøm, datablad og andet

Strømkrav

220 V - 240 V AC, 50 Hz

Lavenergiklasse*7

XR-85X9xJ: A

XR-75X9xJ: A

XR-65X9xJ: B

Skærmstørrelse (målt diagonalt) (Ca.)

XR-85X9xJ: 214,8 cm / 85 tommer

XR-75X9xJ: 189,3 cm / 75 tommer

XR-65X9xJ: 163,9 cm / 65 tommer

Strømforbrug*7

I [Standard] tilstand

XR-85X9xJ: 221 W

XR-75X9xJ: 206 W

XR-65X9xJ: 173 W

Årligt energiforbrug*7*8

XR-85X9xJ: 307 kWh pr. år

XR-75X9xJ: 286 kWh pr. år

XR-65X9xJ: 240 kWh pr. år

Strømforbrug i standby*7*9*10

XR-85X9xJ: 0,50 W (35 W i software-/

EPG-opdateringstilstand)

XR-75X9xJ: 0,50 W (33 W i software-/

EPG-opdateringstilstand)

XR-65X9xJ: 0,50 W (34 W i software-/

EPG-opdateringstilstand)

Skærmopløsning (vandret × lodret) (pixels)

3840 × 2160

Udgangseffekt

500 mA (for USB 1/2), 900 mA (for USB 3)

Mål (Ca.) (b × h × d) (cm)

Inkl. TV-fod

Standardposition:

XR-85X9xJ: 188,8 × 109,8 × 45,0

XR-75X9xJ: 166,7 × 97,4 × 39,0

XR-65X9xJ: 144,3 × 84,8 × 33,8

Smal position:

XR-85X9xJ: 188,8 × 111,0 × 45,0

XR-75X9xJ: 166,7 × 98,5 × 39,0

Soundbar-position:

XR-85X9xJ: 188,8 × 115,8 × 45,0

XR-75X9xJ: 166,7 × 103,4 × 39,0

XR-65X9xJ: 144,3 × 90,8 × 33,8

Uden TV-fod

XR-85X9xJ: 188,8 × 108,6 × 6,1

XR-75X9xJ: 166,7 × 96,1 × 6,1

XR-65X9xJ: 144,3 × 83,5 × 6,6

Stativets bredde (Ca.) (cm)

Standardposition:

XR-85X9xJ: 188,7

XR-75X9xJ: 166,6

XR-65X9xJ: 144,2

Smal position:

XR-85X9xJ / 75X9xJ: 61,0

Soundbar-position:

XR-85X9xJ: 188,7

XR-75X9xJ: 166,6

XR-65X9xJ: 144,2

Vægt (Ca.) (kg)

Inkl. TV-fod

XR-85X9xJ: 51,2

XR-75X9xJ: 39,1

XR-65X9xJ: 28,5

Uden TV-fod

XR-85X9xJ: 48,7

XR-75X9xJ: 36,8

XR-65X9xJ: 27,5

Andre

Ekstraudstyr

Beslag til vægmontering: SU-WL850 (kun

XR-75X9xJ / 65X9xJ)

Beslag til vægmontering: SU-WL450

Driftstemperatur: 0 °C til 40 °C

Driftsfugtighed: 10 % til 80 % RH (ikke-kondenserende)

*1 Når 4096 × 2160p er input og [Bredformatstilstand] er sat til [Normal], vises opløsningen som 3840 × 2160p. For at vise 4096 × 2160p, sæt indstillingen [Bredformatstilstand] til [Fuld 1] eller [Fuld 2].

*2 For indstilling af [HDMI-signalformat] henvises til skærmmenuen.

*3 Se Hjælpevejledningen online for detaljer.

*4 Kun HDMI IN 3 & 4. Brug Ultrahøjhastigheds HDMI-kabel for tilslutning.

*5 Tilslut dit lydsystem til HDMI IN 3 for at overføre TV-lyd til dit lydsystem.

*6 Funktion ikke tilgængelig i Italien.

*7 Disse oplysninger gælder for EU og andre lande, hvis relevante bestemmelse er baseret på EU-bestemmelsen for energimærkning.

*8 Energiforbrug i kWh pr. år er baseret på TV'ets strømforbrug ved brug i 4 timer om dagen, 365 dage om året. Det egentlige energiforbrug afhænger af, hvordan TV'et bruges.

*9 Den angivne standbyeffekt nås, når TV'et har afsluttet nødvendige interne processer.

*10 Strømforbruget i standby øges, når TV'et er tilsluttet netværket.

Bemærk

- Tilgængeligheden af ekstraudstyr afhænger af land/område/TV-model/lager.
- Design og specifikationer kan ændres uden varsel.
- Abonnement på tjenester og applikationer kan være påkrævet, og yderligere vilkår, betingelser og/eller gebyrer kan være gældende ved anvendelse af Google Assistant.
- Databladet i denne manual er til KOMMISSIONENS DELEGEREDE FORORDNING (EU) 1062/2010. Se websiden for (EU) 2019/2013 information.

Bemærkninger om digital TV-funktion

- Digitale TV (DVB terrestrisk, satellit og kabel), interaktive tjenester og netværksfunktioner er muligvis ikke tilgængelige i alle lande eller områder. Nogle funktioner er muligvis ikke aktiveret eller fungerer måske ikke korrekt hos nogle leverandører og netværksmiljøer. Nogle TV-udbydere kan opkræve et gebyr for deres ydelser.
- Dette TV understøtter digital udsendelse ved hjælp af MPEG-2, H.264/MPEG-4 AVC og H.265/HEVC codec, men kompatibilitet med alle operatør/service-signaler, som kan ændre sig over tid, kan ikke garanteres.

Oplysninger om varemærker

- Ordene HDMI og HDMI High-Definition Multimedia Interface og HDMI-logoet er varemærker eller registrerede varemærker tilhørende HDMI Licensing Administrator, Inc. i USA og andre lande.
- Dolby, Dolby Vision, Dolby Atmos, Dolby Audio og det dobbelte D-symbol er varemærker tilhørende Dolby Laboratories Licensing Corporation. Fremstillet under licens fra Dolby Laboratories. Fortrolige og ikke offentliggjorte arbejder. Copyright © 1992-2020 Dolby Laboratories. Alle rettigheder forbeholdes.
- Gracenote, Gracenote logoet og logotype, logoet "Powered by Gracenote" er enten registrerede varemærker eller varemærker tilhørende Gracenote, Inc. i USA og/eller andre lande.
- Google TV og relaterede logoer er varemærker tilhørende Google LLC.
- For DTS-patenter henvises til <http://patents.dts.com>. Fremstillet under licens fra DTS, Inc. DTS, Digital Surround og DTS-logoet er registrerede varemærker eller varemærker tilhørende DTS, Inc. i USA og andre lande.
© 2020 DTS, Inc. ALLE RETTIGHEDER FORBEHOLDES.

- Netflix er et registreret varemærke tilhørende Netflix, Inc.
- DiSEqC™ er et varemærke tilhørende EUTELSAT. Dette TV understøtter DiSEqC 1.0. Dette TV er ikke beregnet til at styre motoriserede antenner.
- TUXERA er et registreret varemærke tilhørende Tuxera Inc. i USA og andre lande.
- Alle andre varemærker er tilhørende deres respektive ejere.

Produktregistreringsnummer (KOMMISSIONENS DELEGEREDE FORORDNING (EU) 2019/2013)

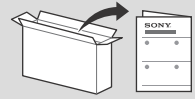
XR-85X95J (527154), XR-75X95J (527151),
XR-65X95J (527140).

Tietoa oppaista

Television mukana toimitetaan seuraavat oppaat. Säilytä oppaat myöhempää käyttöä varten.

Asetusopas

- Television asentaminen ja asetukset.



Viiteopas (tämä opaskirja) / Turvaohjeistus

- Turvallisuusohjeet, kaukosäädin, vianmääritys, seinäasennus, tekniset tiedot jne.



Käyttöopas (sähköinen opas)

- Asetukset, toiminnot, Internet-yhteys, vianmääritys jne.
- Avaa painamalla kaukosäätimen **HELP**-painiketta ja valitsemalla Käyttöopas.



- Käyttöopas toimii myös älypuhelimella.



https://rd1.sony.net/help/tv/iaep1/h_aep/

Asetusvalikkoja saatetaan muuttaa siitä erikseen ilmoittamatta.

TÄRKEÄÄ - Lue loppukäyttäjän ohjelmistolisenssisopimus ennen Sony-laitteen käyttöä. Tuotteen käyttäminen tarkoittaa sitä, että käyttäjä on hyväksynyt loppukäyttäjän ohjelmistolisenssisopimuksen. Käyttäjän ja Sonyn välinen ohjelmistolisenssisopimus on saatavana verkossa Sonyn verkkosivustolla (<https://www.sony.net/tv-software-licenses/>) tai laitteen näytöllä. Paina kaukosäätimen **⚙️** (Pika-asetukset) -painiketta ja valitse [Asetukset] → [Järjestelmä] → [Tietoja] → [Oikeudelliset tiedot] → [Ilmoitukset ja lisenssit].

Huomautus

- Lue ennen TV:n käyttöä kohta "Turvallisuusohjeet".
- Lue turvallisuutta koskevat lisätiedot mukana toimitetusta turvaohjeistuksesta.
- Asennusoppaassa ja tässä käyttöohjeessa käytetyt kuvat ja piirroksat ovat ohjeellisia ja voivat poiketa kyseisestä tuotteesta.
- Mallinimen "x"/"xx"-kirjain vastaa numeroa, joka liittyy rakenteeseen, väriin tai TV-järjestelmään.

Tunnistemerkitöjen sijainti

Mallinumerotiedot, valmistuspäivämäärä (vuosi/kuukausi) ja jännitemerkintä sijaitsevat television takaosassa tai pakkauksessa. Ne löytyvät kun liitinten kansi avataan.

TÄRKEÄ HUOMAUTUS

Radiolaitteisiin liittyvä huomautus

Sony Corporation vakuuttaa, että radiolaitetyypit XR-85X95J, XR-75X95J, XR-65X95J ovat direktiivin 2014/53/EU mukaisia. EU-vaatimustenmukaisuusvakuutuksen täysimittainen teksti on saatavilla seuraavassa internetosoitteessa: <https://compliance.sony.eu>

Seuraavat tätä radiolaitetta koskevat käyttörajoitukset tai käyttövaltuutusvaatimukset ovat voimassa maissa AT, BE, HR, CY, CZ, DK, EE, FI, FR, DE, EL, HU, IE, IT, LV, LT, LU, MT, NL, PL, PT, SK, SI, ES, SE, UK, UK (NI), IS, LI, NO, CH, BG, RO, TR, AL, BA, MK, MD, RS, ME, Kosovo :

Taajuudet 5150 - 5350 MHz on rajoitettu vain sisäkäyttöön.

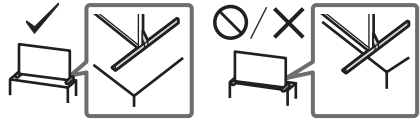
Turvallisuusohjeet

Asennus ja käyttö

Noudata television asennuksessa ja käytössä seuraavia ohjeita välttääksesi tulipalon tai sähköiskun vaaran tai laitteen vaurioitumisen ja/tai henkilövahingon.

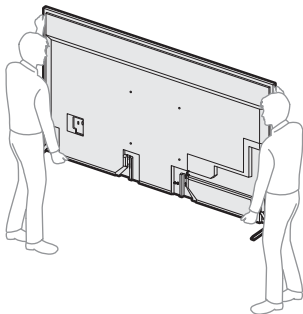
Asennus

- Televisio on sijoitettava helposti käsillä olevan verkkopistorasian lähelle.
- Aseta televisio tukevalle, tasaiselle alustalle, ettei se kaadu ja aiheuta henkilö- tai omaisuusvahinkoja.
- Asenna televisio paikkaan, jossa sitä ei voida vetää, työntää tai kaataa.
- Asenna televisio niin, ettei TV:n pöytäjalusta työnny televisiotason (ei sisällä toimitukseen) ulkopuolelle. Jos TV:n pöytäjalusta työnny televisiotason ulkopuolelle, TV voi kaatua tai pudota ja aiheuttaa henkilövahingon tai television vaurioitumisen.



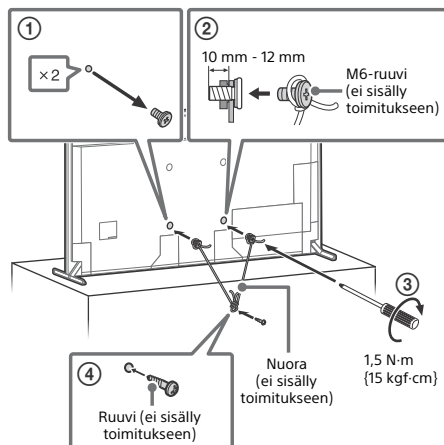
Laitteen kuljettaminen ja siirtäminen

- Irrota kaikki johdot ennen television siirtämistä.
- Irrota liitinten kanteet ennen television siirtämistä.
- Suurikokoisen television siirtämisessä tarvitaan vähintään kaksi henkilöä.
- Kun TV:tä kuljetetaan käsin, pidä siitä kiinni alla olevan mukaisesti. Älä paina LCD-ruudun pintaa tai ruudun ympärillä olevaa kehystä.
- Kun nostat tai siirrä televisiota, kannattele sitä tukevasti alapuolelta.



- Älä altista laitetta iskuille tai liialliselle värinälle kuljetuksen aikana.
- Kun toimitat television huoltoon, tai kun kuljetat sitä muuton yhteydessä, pakkaa laite alkuperäiseen pakkaukseen ja suoja se alkuperäisillä pakkausmateriaaleilla.

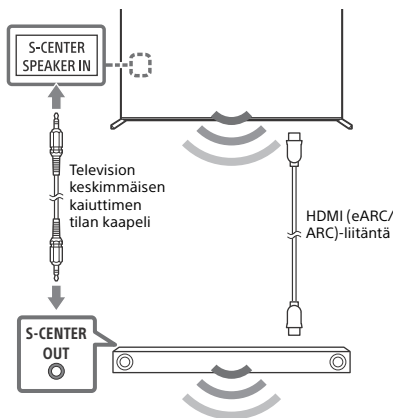
Kaatumisen estäminen



TV:n käyttäminen osana äänijärjestelmää

Huomautus

- Irrota sekä TV:n että AV-vastaanottimen virtajohto pistorasiasta ennen kaapeleiden liittämistä.
- Katso lisätietoja S-CENTER OUT -liitäntää käyttävän äänijärjestelmän käyttöoppaasta.

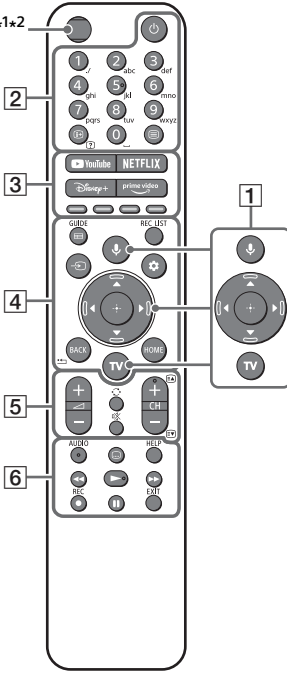


Kaukosäädin ja TV

Kaukosäätimen muoto sekä kaukosäätimen painikkeiden asetelu, saatavuus ja toiminta saattavat vaihdella alueen/maan/TV-mallin/TV:n asetusten mukaan.

MIC /

Valotunnistin*1x2



1 (Mikrofoni) / (Google Assistant):

Käytä Google Assistantia*3*4 tai puhehaku*4. Television käyttövinkkejä saat painamalla kaukosäätimen mikrofoni-painiketta ja sanomalla "äänivihjeet".*3

: Navigointiin ja valitsemiseen ruutuvalikoissa.

TV: Näytä television kanavaluettelo tai vaihda tuloon.

2 (Virta)

Numeropainikkeet

/ (Tiedot/tekstin paljastus): Näytä tiedot.

(Teksti): Näytä tekstitiedot.

3 YouTube™ / NETFLIX / Disney+ / Prime Video / Väripainikkeet

4 (GUIDE):

Näytä television tai kaapeli-/satelliittivastaanottimen*5 digitaalinen ohjelmaopas.

REC LIST: Näyttää USB-kiintolevyn*6 tai DVR-laitteen*5 tallennuslistan.

(Tulosignaalin valinta): Näytä ja valitse ohjelmälähde, jne.

(Pika-asetukset): Näytä Pika-asetukset.

BACK /

HOME

5 +/- (Äänenvoimakkuus)

(Hyppää)

(Mykistys)*7

CH +/- / / : Valitse kanava tai seuraava (E) / edellinen (E) sivu.

6 **AUDIO:** Valitsee äänen monikieliselletä kaksikieliseksi ohjelmalle (riippuu ohjelmalähteestä).

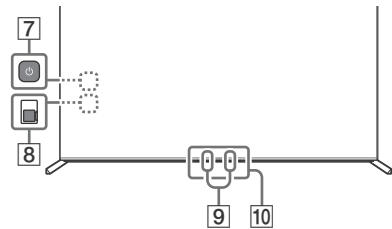
(Tekstityksen asetukset)

HELP: Näytä Ohje-valikko.

/ / /

● **REC:** Tallentaa katselemasi ohjelman USB-kiintolevylle*6 tai DVR-laitteelle*5.

EXIT



7 (Virta): (Löytyy sivukannen takaa)

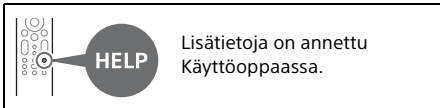
8 **BUILT-IN MIC SWITCH** (Sisäänrakennetun mikrofonin kytkin):

Kytkee sisäisen mikrofonin päälle/pois. (Löytyy sivukannen takaa)

9 **Sisäinen mikrofoni***3*4*8: Ota sisäinen mikrofoni käyttöön painamalla kaukosäätimen mikrofoni-painiketta ja noudattamalla näytön ohjeita.

10 **Kaukosäädinanturi / Valotunnistin / LED**

- *1 Kaukosäätimen taustavalo valaisee silloin, kun valotunnistin on havainnut, että ympäristön valaistus on heikko. Taustavalon automaattinen valaisu voidaan laittaa pois päältä.
- *2 Vain RMF-TX621E. Saat kaukosäätimen mallinimen selville avaamalla kaukosäätimen kannen ja katsomalla sen sisällä olevaa tarraa.
- *3 Vain rajoitetuilla alueilla/maissa/TV-malleissa/kielissä.
- *4 Google Assistant tai puhehaku vaativat Internet-yhteyden.
- *5 [Kaapeli-/satellitvastaanotin] -asetus on määritettävä.
- *6 Ei käytettävissä Italiassa.
- *7 Helppokäyttötoiminto käynnistyy pitämällä * (Mykistys) -näppäintä alhaalla.
- *8 Virrankulutus kasvaa, kun sisäinen mikrofoni on käytössä, koska se kuuntelee aina.



Television asennus seinälle

Lisävarusteena saatavan Seinäasennuskiinnittimen käyttäminen (SU-WL850 tai SU-WL450)* (ei sisälly toimitukseen)

Asiakkaille:

Tuotteen suojelemiseksi ja turvallisuuden vuoksi Sony suosittelee, että television asennus annetaan Sonyn jälleenmyyjän tai luvallisen urakoitsijan tehtäväksi. Älä yritä asentaa sitä itse.

Sony-jälleenmyyjille ja -urakoitsijoille:

Kiinnitä erityistä huomiota turvallisuuteen tämän tuotteen asennuksen, huollon ja tarkastuksen aikana.

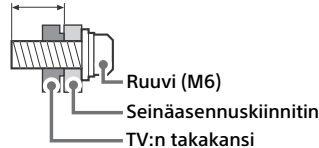
Seinäasennuskiinnitin asennustiedot

Ohjeita Seinäasennuskiinnittimen asennukseen on TV-mallisi tuotesivun Asennustiedot (Seinäasennuskiinnitin) -kohdassa. <https://www.sony.eu/support>

- Noudata oman mallisi Seinäasennuskiinnittimen mukana toimitettuja ohjeita. Tämän TV:n asentaminen edellyttää riittävää ammattitaitoa erityisesti sen määrittämiseksi, kestäkö seinä television painon.
- Sony ei ole vastuussa mistään vahingosta tai vammoista, jotka johtuvat tuotteen väärästä käsittelystä tai asennuksesta.

- Seinäasennuksen saa suorittaa ainoastaan asiantunteva henkilöstö.
- Turvallisuussyistä on erittäin tärkeää käyttää Sonyn varusteita:
 - Seinäasennuskiinnitin SU-WL850
 - Seinäasennuskiinnitin SU-WL450
- Muista käyttää Seinäasennuskiinnittimen mukana toimitettuja ruuveja, kun kiinnität Seinäasennuskiinnittimen TV-vastaanottimeen. Mukana toimitetut ruuvit on suunniteltu kuvan mukaisesti Seinäasennuskiinnittimen asennuspinnasta mitattuna. Ruuvien halkaisija ja pituus vaihtelevat riippuen Seinäasennustelineen mallista. Muiden kuin mukana toimitettujen ruuvien käyttö voi aiheuttaa vaurioita television sisäosiin, television putoamisen tai muuta vahinkoa.

10 mm - 12 mm



- Varmista, että käyttämättömät ruuvit ja pöytäjalusta ovat varmassa tallessa, kunnes olet valmis kiinnittämään pöytäjalustan. Pidä ruuvit poissa pienten lasten ulottuvilta.

* Vain rajoitetuilla alueilla/maissa/TV-malleissa.

Vianmääritys

Yleisissä vianmäärityskysymyksissä, kuten: musta näyttö, ei ääntä, jähmettynyt kuva, TV ei reagoi tai verkko on kadonnut, suorita seuraavat vaiheet.

- 1 Käynnistä TV uudelleen pitämällä kaukosäätimen virtapainiketta alhaalla noin viisi sekuntia. TV käynnistyy uudelleen. Jos TV ei palaudu, kokeile irrottaa virtajohto, painaa sitten TV:n virtapainiketta ja vapauttaa se. Odota kaksi minuuttia ja kytke verkkovirtajohto pistorasiaan. Tai voit painaa TV:n virtapainiketta noin 40 sekunnin ajan, kunnes TV sammuu.
- 2 Lisätietoja apuvalikosta painamalla **HELP** kaukosäätimessä.

3 Yhdistä TV:si Internetiin ja suorita ohjelmistopäivitys. Sony suosittelee pitämään TV:n ohjelmiston päivitettyinä. Ohjelmistopäivitykset antavat uusia ominaisuuksia ja parantavat suoritusnopeutta.

4 Käy Sonyn tukisivustolla (tiedot löytyvät tämän opaskirjan lopusta).

Kun kytket TV:n verkkovirtaan, TV ei välttämättä kytkeydy heti päälle vaikka painaisit virtapainiketta kaukosäätimestä tai TV:stä.

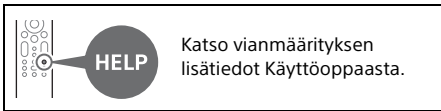
Järjestelmän alustaminen vie aikaa. Odota noin minuutti ja yritä sitten uudelleen.

Kaukosäädin ei toimi.

- Vaihda paristot.

Lapsilukon salasana on unohtunut.

- Kirjoita ensin PIN-koodi 9999 ja anna sitten uusi PIN-koodi.



Taajuuskaista(t)

Taajuusalue	Lähtöteho
Langaton LAN (Televisio)	
2400-2483,5 MHz	< 20,0 dBm
5150-5250 MHz	< 23,0 dBm
5250-5350 MHz	< 20,0 dBm
5470-5725 MHz	< 20,0 dBm
5725-5850 MHz	< 13,9 dBm
Bluetooth® (Televisio)	
2400-2483,5 MHz	< 10,0 dBm
Bluetooth® (Kaukosäädin)	
2400-2483,5 MHz	< 10,0 dBm

Tulo-/lähtöliitännät

Antenni/kaapeli

75 ohmin ulkoinen liitäntä VHF/UHF-liittimelle

Satelliittiantenni

Naaraspuolinen F-tyypin liitin, 75 ohmia.

DiSeqC 1.0, LNB 13 V/18 V & 22 kHz ohjaus, Yhden kaapelin jakelu EN50494.

↔ / ↔ AV IN / S-CENTER SPEAKER IN
Video/Audio-tulo (miniliitäntä)

S-centre-kaiuttimen tuloliitäntä (miniliitäntä)

HDMI IN 1/2/3/4 (HDCP 2.3 -yhteensopiva)

Video:

4096 × 2160p (50, 60 Hz)^{*1*2}, 4096 × 2160p (24 Hz)^{*1}, 3840 × 2160p (50, 60 Hz)^{*2}, 3840 × 2160p (24, 25, 30 Hz), 1080p (30, 50, 60, 100, 120 Hz), 1080i/24p, 1080i (50, 60 Hz), 720p (30, 50, 60 Hz), 720i/24p, 576p, 480p, PC-muodot^{*3}
3840 × 2160p (100, 120 Hz)^{*2*4}

Audio:

eARC (Enhanced Audio Return Channel)-tilassa

Katso lisätiedot verkkokäyttöoppaasta.

Muussa kuin eARC-tilassa

5,1-kanavainen lineaarinen PCM: 32/44,1/48/88,2/96/176,4/192 kHz 16/20/24 bittiä, Dolby Audio, Dolby Atmos, DTS

eARC/ARC (Enhanced Audio Return Channel/Audio Return Channel) (Vain HDMI IN 3)^{*5}

eARC-tilassa

Katso lisätiedot verkkokäyttöoppaasta.

ARC-tilassa

Kaksikanavainen lineaarinen PCM: 48 kHz 16 bittiä, Dolby Audio, Dolby Atmos, DTS

↔ DIGITAL AUDIO OUT (OPTICAL)

Optinen digitaaliliitäntä (kaksikanavainen lineaarinen PCM: 48 kHz 16 bittiä, Dolby Audio, DTS)

Tekniset tiedot

Järjestelmä

Näyttöpaneeli: LCD-paneeli, LED-taustavallo

TV-järjestelmä: Riippuu maa-/aluevalinnasta/TV-mallista

Analoginen: B/G, D/K, I

Digitaalinen: DVB-T/DVB-C/DVB-T2

Satelliitti: DVB-S/DVB-S2

Värijärjestelmä: PAL/SECAM/NTSC3.58 (Vain video)/NTSC4.43 (Vain video)

Kanavien näkyvyysalue: Riippuu maa-/aluevalinnasta/TV-mallista

Analoginen: UHF/VHF/Kaapeli

Digitaalinen: UHF/VHF/Kaapeli

Satelliitti: IF-taajuus 950-2150 MHz

Äänentoisto: 10 W + 10 W + 10 W + 10 W + 10 W

Langaton teknologia

Protokolla IEEE 802.11a/b/g/n/ac

Bluetooth® versio 4.2

⦿ (stereominiliitin)

Kuulokkeet

➔1, ➔2, ➔3 (HDD REC)*6

USB-laiteportti (➔) 3 USB-kiintolevy

REC-toimintoa varten)

USB-liitännät 1 ja 2 tukevat nopeaa USB:tä (USB 2.0)

USB-liitännät 3 tukee supernopeaa USB:tä (USB 3.1 Gen 1)



Maksu-TV-moduuli (CAM) paikka



LAN

10BASE-T/100BASE-TX-liitäntä (Yhteysnopeus voi vaihdella verkon käyttöympäristön mukaan. Tiedonsiirtonopeutta ja laatua ei taata.)

Teho, tuoteseloste ja muuta

Tehovaatimukset

220 V - 240 V AC, 50 Hz

Energiatehokkuusluokka*7

XR-85X9xJ: A

XR-75X9xJ: A

XR-65X9xJ: B

Näytön koko (halkaisija) (Noin)

XR-85X9xJ: 214,8 cm / 85 tuumaa

XR-75X9xJ: 189,3 cm / 75 tuumaa

XR-65X9xJ: 163,9 cm / 65 tuumaa

Virrankulutus*7

[Vakio]-tilassa

XR-85X9xJ: 221 W

XR-75X9xJ: 206 W

XR-65X9xJ: 173 W

Vuosittainen energiankulutus*7*8

XR-85X9xJ: 307 kWh/vuosi

XR-75X9xJ: 286 kWh/vuosi

XR-65X9xJ: 240 kWh/vuosi

Virrankulutus valmiustilassa*7*9*10

XR-85X9xJ: 0,50 W (35 W ohjelmiston/
elektronisen ohjelmaoppaan päivitystilassa)

XR-75X9xJ: 0,50 W (33 W ohjelmiston/
elektronisen ohjelmaoppaan päivitystilassa)

XR-65X9xJ: 0,50 W (34 W ohjelmiston/
elektronisen ohjelmaoppaan päivitystilassa)

Näytön erottelutarkkuus (vaaka × pysty)

(kuvapisteinä)

3840 × 2160

Ulostuloarvot

500 mA (USB 1/2), 900 mA (USB 3)

Mitat (Noin) (l × k × s) (cm)

pöytäjalustan kanssa

Vakioasento:

XR-85X9xJ: 188,8 × 109,8 × 45,0

XR-75X9xJ: 166,7 × 97,4 × 39,0

XR-65X9xJ: 144,3 × 84,8 × 33,8

Kapea-asento:

XR-85X9xJ: 188,8 × 111,0 × 45,0

XR-75X9xJ: 166,7 × 98,5 × 39,0

Soundbar-sijainti:

XR-85X9xJ: 188,8 × 115,8 × 45,0

XR-75X9xJ: 166,7 × 103,4 × 39,0

XR-65X9xJ: 144,3 × 90,8 × 33,8

ilman pöytäjalustaa

XR-85X9xJ: 188,8 × 108,6 × 6,1

XR-75X9xJ: 166,7 × 96,1 × 6,1

XR-65X9xJ: 144,3 × 83,5 × 6,6

Jalustan leveys (Noin) (cm)

Vakioasento:

XR-85X9xJ: 188,7

XR-75X9xJ: 166,6

XR-65X9xJ: 144,2

Kapea-asento:

XR-85X9xJ / 75X9xJ: 61,0

Soundbar-sijainti:

XR-85X9xJ: 188,7

XR-75X9xJ: 166,6

XR-65X9xJ: 144,2

Paino (Noin) (kg)

pöytäjalustan kanssa

XR-85X9xJ: 51,2

XR-75X9xJ: 39,1

XR-65X9xJ: 28,5

ilman pöytäjalustaa

XR-85X9xJ: 48,7

XR-75X9xJ: 36,8

XR-65X9xJ: 27,5

Muita tietoja

Lisävarusteet

Seinäasennuskiinnitin: SU-WL850 (Vain

XR-75X9xJ / 65X9xJ)

Seinäasennuskiinnitin: SU-WL450

Käyttölämpötila: 0 °C – 40 °C

Käyttökosteus: 10 % – 80 % RH (ei-kondensoiva)

*1 Kun lähteen resoluutio on 4096 × 2160p ja [Laaja tila] -asetus on [Normaali], näytettävä resoluutio on 3840 × 2160p. Jos haluat resoluutioksi 4096 × 2160p, aseta [Laaja tila]-asetukseksi [Koko kuva 1] tai [Koko kuva 2].

*2 Katso ohjeita näyttövalikosta [HDMI-signaalimuoto]-asetuksen valitsemiseen.

*3 Katso lisätiedot verkkokäyttöoppaasta.

*4 Vain HDMI IN 3 & 4. Käytä yhdistämiseen ultranopeaa HDMI-kaapelia.

- *5 Liitä äänijärjestelmä HDMI IN 3 -liitäntään, jos haluat kuulla TV:n äänen äänijärjestelmän kautta.
- *6 Toiminto ei ole saatavana Italiassa.
- *7 Nämä tiedot koskevat EU:ta ja muita maita, joiden asianomainen sääntely perustuu EU:n energiamerkintöjen säädöksiin.
- *8 Vuosittainen energiankulutus (kWh), joka perustuu television 4 tunnin päivittäiseen käyttöön 365 päivänä vuodessa. Todellinen energiankulutus riippuu siitä, miten televisiota käytetään.
- *9 Mainittu valmiustilan virrankulutus on voimassa sen jälkeen, kun televisio on suorittanut välttämättömät sisäiset toimenpiteet.
- *10 Valmiustilan virrankulutus kasvaa, kun televisio on yhdistetty verkkoon.

Huomautus

- Lisävarusteiden saatavuus riippuu maasta/alueesta/television mallista/varastotilanteesta.
- Rakennetta ja teknisiä tietoja saatetaan muuttaa siitä erikseen ilmoittamatta.
- Google Assistantin käyttö voi edellyttää palveluiden ja sovellusten tilaamista, minkä lisäksi sen käyttöön voi liittyä lisäehtoja ja/tai lisämaksuja.
- Käyttöoppaassa oleva tuoteseloste vastaa KOMISSION DELEGOITUA ASETUSTA (EU) 1062/2010. Katso sen verkkosivustosta lisätietoja asetuksesta (EU) 2019/2013.

Digitaalisen television toimintaan liittyviä huomautuksia

- Digi-TV (DVB antennin, satelliitin tai kaapelin kautta), vuorovaikutteiset palvelut ja verkkotoiminnot eivät välttämättä ole käytettävissä kaikissa maissa tai kaikilla alueilla. Jotkut toiminnot eivät ehkä ole käytössä tai eivät toimi oikein joidenkin palveluntarjoajien ja verkkoympäristöjen kanssa. Jotkut TV-palveluntarjoajat saattavat veloittaa maksun palveluistaan.
- Tämä TV tukee digitaalilähetyksiä, joissa käytetään MPEG-2-, H.264/MPEG-4 AVC- ja H.265/HEVC-koodekkeja, mutta emme voi taata yhteensopivuutta kaikkien operaattori-/palvelusignaalien kanssa, koska ne voivat muuttua ajan myötä.

Tuotemerkit

- Termit HDMI ja HDMI High-Definition Multimedia Interface ja HDMI-logo ovat HDMI Licensing Administrator, Inc.:n tavaramerkkejä tai rekisteröityjä tavaramerkkejä Yhdysvalloissa ja muissa maissa.
- Dolby, Dolby Vision, Dolby Atmos, Dolby Audio ja kaksois-D-symboli ovat Dolby Laboratories Licensing Corporation tavaramerkkejä. Valmistettu Dolby Laboratories myöntämällä lisenssillä. Luottamuksellisia julkaisemattomia teoksia. Copyright © 1992-2020 Dolby Laboratories. Kaikki oikeudet pidätetään.

- Gracenote, Gracenote-logo ja -logotyyppi ja "Powered by Gracenote" -logo ovat joko Gracenote, Inc.:n tavaramerkkejä tai rekisteröityjä tavaramerkkejä Yhdysvalloissa ja/tai muissa maissa.
- Google TV ja siihen liittyvät logot ovat Google LLC:n tavaramerkkejä.
- DTS-patentit, ks. <http://patents.dts.com>. Valmistettu DTS, Inc.:n lisenssillä. DTS, Digital Surround ja DTS-logo ovat DTS, Inc.:n Yhdysvalloissa tai muissa maissa rekisteröityjä tavaramerkkejä ja tavaramerkkejä. © 2020 DTS, Inc. KAIKKI OIKEUDET PIDÄTETÄÄN.
- Netflix on Netflix Inc rekisteröimä tavaramerkki.
- DiSEqC™ on EUTELSATin tavaramerkki. Tässä televisiosta on DiSEqC 1.0 -tuki. Tätä televisiosta ei ole tarkoitettu moottorikäyttöisten antennien ohjaukseen.
- TUXERA on Tuxera Inc.:n rekisteröity tavaramerkki Yhdysvalloissa ja muissa maissa.
- Kaikki muut tavaramerkit ovat omistajiensa omaisuutta.

Tuotteen rekisteröintinumero (KOMISSION DELEGOITU ASETUS (EU) 2019/2013)

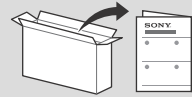
XR-85X95J (527154), XR-75X95J (527151), XR-65X95J (527140).

Om håndbøker

Denne TV-en leveres med følgende håndbøker. Vennligst behold håndbøkene for fremtidig referanse.

Innstillingsveiledning

- TV-installasjon og oppsett.



Referanseveiledning (denne håndboken) / Sikkerhetsdokumentasjon

- Sikkerhetsinformasjon, fjernkontroll, feilsøking, veggmontering, spesifikasjon, og så videre.



Hjelpeveiledning (håndbok på skjermen)

- Innstillinger, funksjoner, Internett-tilkobling, feilsøking og så videre.
- For å åpne den, trykk på **HELP**-knappen på fjernkontrollen og velg Hjelpeveiledning.




- Du kan se Hjelpeveiledningen med en smarttelefon.



https://rd1.sony.net/help/tv/iaep1/h_aep/

Innstillingsmenyer kan endres uten varsel.

VIKTIG - Les lisensavtalen for sluttbrukerprogramvare før du bruker Sony-produktet ditt. Ved å bruke produktet ditt indikerer at du aksepterer lisensavtalen for sluttbrukerprogramvare. Lisensavtalen for programvare mellom deg og Sony er tilgjengelig online på Sonys hjemmeside (<https://www.sony.net/tv-software-licenses/>) eller på produktskjermbildet. Trykk  (Hurtiginnstillinger) på fjernkontrollen og velg [Innstillinger] → [System] → [Info] → [Juridisk informasjon] → [Merknader og lisenser].

Merknader

- Før du bruker TV-en, vær vennlig å lese "Sikkerhetsinformasjon".
- Les den medfølgende sikkerhetsdokumentasjonen for ytterligere sikkerhetsinformasjon.
- Bilder og illustrasjoner som brukes i installasjonsveiledningen og i denne håndboken, er kun ment som referanse, og kan avvike fra produktets faktiske utseende.
- "x"/"xx"-en som vises i modellnavnet korresponderer til et tall, som er knyttet til design, farge eller TV-system.

Plassering av identifikasjonsmerket

Etiketter med modellnr., produksjonsdato (år/måned) og strømforsyningsområde er plassert på baksiden av TV-en eller esken. Disse finner du ved å fjerne terminaldekslet.

VIKTIG MERKNAD

Merknad for radioutstyr

Herved erklærer Sony Corporation at radioutstyrstypene XR-85X95J, XR-75X95J, XR-65X95J er i samsvar med direktiv 2014/53/EU. EU-erklæring fulltekst finner du på Internett under: <https://compliance.sony.eu>

For dette radioutstyret gjelder følgende begrensninger for bruk eller krav for autorisering av bruk i AT, BE, HR, CY, CZ, DK, EE, FI, FR, DE, EL, HU, IE, IT, LV, LT, LU, MT, NL, PL, PT, SK, SI, ES, SE, UK, UK (NI), IS, LI, NO, CH, BG, RO, TR, AL, BA, MK, MD, RS, ME, Kosovo :
5150 - 5350 MHz-båndet skal bare benyttes for innendørs bruk.

Sikkerhetsinformasjon

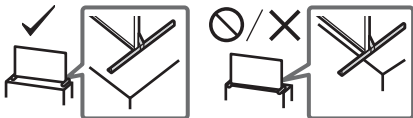
Installasjon/oppsett

Installer og bruk TV-apparatet i samsvar med instruksjonene nedenfor for å unngå risiko for brann, elektrisk støt eller annen skade og/eller personskader.

Installasjon

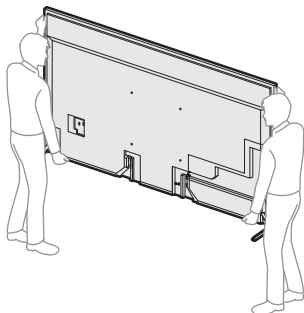
- TV-en bør installeres i nærheten av en lett tilgjengelig stikkontakt.
- Plasser TV-settet på en stabil, plan overflate for å unngå at den faller ned og forårsaker personskade eller skade på TV-en.
- Installer TV-en på en plass hvor den ikke kan bli skjovet, dyttet eller ramlet ned.

- Installer TV-en slik at TV-ens bordstativ ikke stikker frem fra TV-stativet (medfølger ikke). Hvis bordstativet stikker frem fra TV-stativet, kan det føre til at TV-en velter, faller ned og dette kan skade personer eller TV-en.



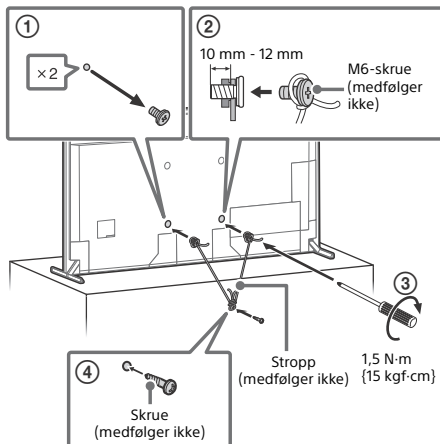
Bæring

- Før du bærer TV-apparatet, må du koble fra alle kablene.
- Før TV-en transporteres må terminaldekslene fjernes.
- Et stort TV-apparat må bæres av to eller flere personer.
- Når du transporterer TV-en for hånd, må du holde den som vist under. Ikke utsett LCD-skjermen og rammen rundt for press-belastning.
- Når TV-en løftes eller flyttes, må den holdes fast fra undersiden.



- Ikke utsett TV-apparatet for støt eller sterke vibrasjoner når du flytter det.
- Når du leverer inn TV-apparatet på grunn av reparasjon eller hvis du flytter, bør du transportere det i originalemballasjen.

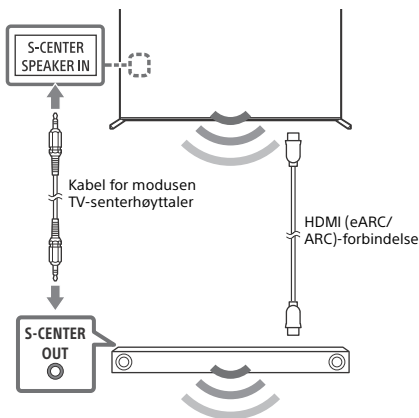
Tippforebygging



Bruk av TV som del av lydsystem

Merknader

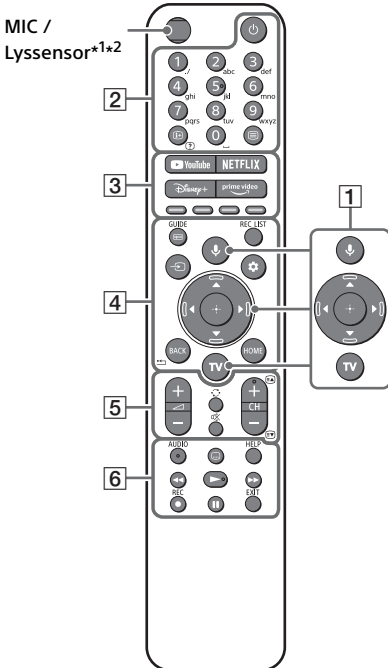
- Før du kobler til kabler, koble fra hovedledningen til både TV-en og AV-mottakeren.
- Se bruksanvisningen for lydsystemet med S-CENTER OUT-terminal for informasjonen.



NO

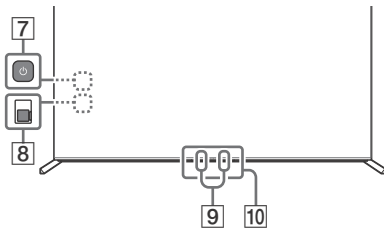
Fjernkontroll og TV

Utformingen av fjernkontrollen, layouten, tilgjengeligheten og funksjonen til knappene på fjernkontrollen kan variere avhengig av regionen/landet/TV-modellen/TV-innstillingene.



- 1** (Mikrofon) / (Google Assistent):
Bruk Google Assistent*^{3,4} eller talesøk*⁴.
For hint om hvordan du kontrollerer TV-en, trykk på mikrofonknappen på fjernkontrollen og uttal uttrykket "tips stemmestyring".*³
▲/▼/◀/▶/⊕: Meny på skjermen for navigasjon og valg.
TV: Vis TV-kanalliste eller bytt til inngang.

- 2** (Strøm)
Nummerknapper
 (Info/vis tekst): Vis informasjon.
 (Tekst): Vis tekstinformasjon.
- 3** **YouTube™ / NETFLIX / Disney+ / Prime Video / Fargeknapper**
- 4** **GUIDE**/: Vis den digitale programguiden til TV-en eller TV-dekoderen*⁵.
REC LIST: Vis anbefalingslisten for USB HDD*⁶/DVR*⁵.
 (Valg av innhold): Vis og velg inngangskilden osv.
 (Hurtiginnstilling): Vis hurtiginnstillingene.
BACK/
HOME
5 +/- (Volum)
 (Hopp)
 (Demp)*⁷
CH +/-//: Velg kanal, eller neste () / forrige () side.
- 6** **AUDIO**: Velg lyd for flerspråklig kilde eller flerspråklig lyd (avhengig av programkilden).
 (Teksting-innstilling)
HELP: Vis Hjelp-menyen.
 (◀/▶/▶▶/||)
REC: Ta opp programmet som vises på USB HDD*⁶/DVR*⁵.
EXIT

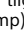


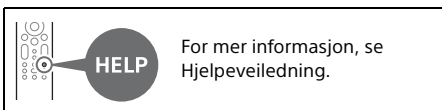
7 **⏻ (Strøm):** (Dette finner du ved å fjerne sidedekkslet)

8 **BUILT-IN MIC SWITCH (Innebygget MIC-bryter):** Slå på/av innebygget mikrofon. (Dette finner du ved å fjerne sidedekkslet)

9 **Innebygd mikrofon*3*4*8:** For å aktivere den innebygde mikrofonen trykkes mikrofonknappen på fjernkontrollen og instruksjonen på skjermen følges.

10 **Fjernkontroll-sensor / Lyssensor / LED**

- *1 Fjernkontrollens baklys tennes når lyssensoren oppdager at omgivelseslyset er dempet. Baklysets automatiske belysning kan slås av.
- *2 Kun RMF-TX621E. For å se modellnavnet på fjernkontrollen åpnes fjernkontrolldekslet, se etiketten på fjernkontrollen.
- *3 Kun for begrenset region/land/TV-modell/språk.
- *4 Google Assistent eller talesøk krever en Internett-tilkobling.
- *5 [Oppsett av TV-dekoder] innstilling er påkrevet.
- *6 Ikke tilgjengelig i Italia.
- *7 Snarvei for tilgjengelighet er tilgjengelig ved å trykke og holde inne  (Demp).
- *8 Strømforbruket øker når den innebygde mikrofonen er aktivert, da den alltid lytter.



Montere TV-en på veggen

Bruke den ekstra Veggmonteringsbraketten (SU-WL850 eller SU-WL450)* (medfølger ikke)

Til kunder:

Av hensyn til produktets beskyttelse og sikkerheten, anbefaler Sony sterkt at TV-en installeres av Sony-forhandlere eller autoriserte montører. Ikke forsøk å installere den selv.

Til Sony-forhandlere og -montører:

Legg spesielt merke til sikkerheten under installasjonen, periodisk vedlikehold og ved undersøkelse av dette produktet.

Informasjon om installasjon av Veggmonteringsbraketten

For instruksjoner om montering av Veggmonteringsbrakett, se monteringsinformasjon (Veggmonteringsbrakett) på produksiden for din TV-modell.

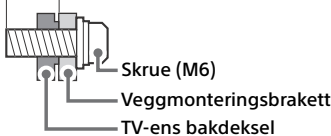
<https://www.sony.eu/support>

- Følg instruksjonsveiledningen som fulgte med Veggmonteringsbraketten for modellen din. Tilstrekkelig ekspertise er nødvendig for å montere denne TV-en, spesielt for å fastslå at veggen kan bære TV-ens vekt.
- Sony er ikke ansvarlig for eventuell skade eller personskade forårsaket av feil behandling eller installasjon.
- Kun kvalifisert servicepersonell skal utføre eventuell installasjon av veggbraketter.
- Av sikkerhetsgrunner anbefales det på det sterkeste at du bruker tilleggsutstyr fra Sony som omfatter:
 - Veggmonteringsbrakett SU-WL850
 - Veggmonteringsbrakett SU-WL450

NO

- Sørg for at du bruker skruene som følger med Veggmonteringsbraketten når du fester Veggmonteringsbraketten til TV-en. De medfølgende skruene er utformet som vist på illustrasjonen målt fra monteringsoverflaten til Veggmonteringsbraketten. Skruenes diameter og lengde varierer ut fra Veggmonteringsbrakettens modell. Hvis du bruker andre skruer enn de som følger med, kan TV-apparatet bli skadet innvendig eller det kan falle ned osv.

10 mm - 12 mm



- Oppbevar skruer som ikke brukes samt bordstativet på et trygt sted inntil du er klar til å feste bordstativet. Oppbevar skruene unna små barn.
- * Kun i begrenset region/land/TV-modell.

Feilsøking

Generell feilsøking for problemer som: svart skjerm, ingen lyd, frosset bilde, TV reagerer ikke, eller nettverk mistet, utfør følgende steg.

- 1 Start TV-en din på nytt ved å holde nede strømknappen på fjernkontrollen i cirka fem sekunder. TV-en vil starte på nytt. Hvis TV-en ikke starter, prøv å trekke ut strømledningen, trykk deretter på strømknappen på TV-en og slipp den. Vent i to minutter, og sett i strømledningen. Eller trykk på strømknappen på TV-en i omtrent 40 sekunder inntil TV-en slås av.
- 2 Se Hjelpmenyen ved å trykke **HELP** på fjernkontrollen.
- 3 Koble TV-en din til internett og utfør en programvareoppdatering. Sony anbefaler at du holder TV-ens programvare oppdatert. Programvareoppdateringer gir nye funksjoner og bedre ytelse.
- 4 Gå til Sonys supportnettside (informasjon oppgitt bakerst i denne håndboken).

Når du kobler til TV-en kan det hende at den ikke er i stand til å slå seg på på en stund selv om du trykker på strømknappen på fjernkontrollen eller TV-en.


Det tar tid å starte opp systemet. Vent omtrent ett minutt, og prøv deretter igjen.

Fjernkontrollen virker ikke.

- Skift batteriene.

Passordet for foreldrelåsen er glemt.

- Skriv inn 9999 for PIN-koden, og skriv deretter den nye PIN-koden.



For mer informasjon om feilsøking, se i Hjelveiledningen.

Spesifikasjoner

System

Skjermssystem: LCD (Liquid Crystal Display = skjerm med flytende krystaller), LED-baklyst
TV-system: Avhengig av land / område valg / TV-modell

Analog: B/G, D/K, I

Digital: DVB-T/DVB-C/DVB-T2

Satellitt: DVB-S/DVB-S2

Fargesystem: PAL/SECAM/NTSC3.58 (Kun video)/NTSC4.43 (Kun video)

Kanaldekning: Avhengig av land / område valg / TV-modell

Analog: UHF/VHF/kabel

Digital: UHF/VHF/kabel

Satellitt: IF-frekvens 950-2150 MHz

Lydutgang: 10 W + 10 W + 10 W + 10 W + 10 W

Trådløs teknologi

Protokoll IEEE 802.11a/b/g/n/ac

Bluetooth® versjon 4.2

Frekvensbånd

Frekvensbånd	Utgangseffekt
Trådløst LAN (TV)	
2400-2483,5 MHz	< 20,0 dBm
5150-5250 MHz	< 23,0 dBm
5250-5350 MHz	< 20,0 dBm
5470-5725 MHz	< 20,0 dBm
5725-5850 MHz	< 13,9 dBm
Bluetooth® (TV)	
2400-2483,5 MHz	< 10,0 dBm
Bluetooth® (Fjernkontroll)	
2400-2483,5 MHz	< 10,0 dBm

Inngangs-/utgangskontakter

Antenne/kabel

75 ohm ekstern terminal for VHF/UHF

Satellittmottaker

Hunn F-kontakt, 75 ohm.

DiSEqC 1.0, LNB 13 V/18 V og 22 kHz tone,

Distribusjon med én kabel EN50494.

AV IN / S-CENTER SPEAKER IN

Video-/lydinngang (minijack)

S-centre høyttalerinngang (minijack)

HDMI IN 1/2/3/4 (HDCP 2.3-kompatibel)

Video:

4096 × 2160p (50, 60 Hz)^{*1*2}, 4096 × 2160p (24 Hz)^{*1}, 3840 × 2160p (50, 60 Hz)^{*2}, 3840 × 2160p (24, 25, 30 Hz), 1080p (30, 50, 60, 100, 120 Hz), 1080/24p, 1080i (50, 60 Hz), 720p (30, 50, 60 Hz), 720/24p, 576p, 480p, PC-formater^{*3}
3840 × 2160p (100, 120 Hz)^{*2*4}

Lyd:

I eARC (Enhanced Audio Return Channel)-modus

Se Hjelpeveiledningen på nettet for mer informasjon.

Unntatt eARC-modus

5,1 kanal lineær PCM: 32/44,1/48/88,2/96/176,4/192 kHz 16/20/24 biter, Dolby Audio, Dolby Atmos, DTS

eARC/ARC (Enhanced Audio Return Channel/Audio Return Channel) (Kun HDMI IN 3)^{*5}

I eARC-modus

Se Hjelpeveiledningen på nettet for mer informasjon.

I ARC-modus

Tokanals lineær PCM: 48 kHz 16 biter, Dolby Audio, Dolby Atmos, DTS

DIGITAL AUDIO OUT (OPTICAL)

Digital optisk kontakt (tokanals lineær PCM: 48 kHz 16 biter, Dolby Audio, DTS)

(minijack, stereo)

Hodetelefon

1, 2, 3 (HDD REC)^{*6}

USB-enhetsport (3 USB HDD-enhet for REC-funksjon)

USB-port 1 og 2 støtter høyhastighets USB (USB 2.0)

USB-port 3 støtter superrask USB (USB 3.1 Gen 1)



CAM-spor (Conditional Access Module)

LAN

10BASE-T/100BASE-TX-kontakt

(Tilkoblingshastigheten kan variere avhengig av driftsmiljøet til nettverket.

Kommunikasjonshastighet og kvalitet garanteres ikke.)

NO

Strøm, produktmikrokort og annet

Strømkrav

220 V - 240 V vekselstrøm, 50 Hz

Energieffektivitetsklasse^{*7}

XR-85X9xJ: A

XR-75X9xJ: A

XR-65X9xJ: B

Skjermstørrelse (målt diagonalt) (ca.)

XR-85X9xJ: 214,8 cm / 85 tommer

XR-75X9xJ: 189,3 cm / 75 tommer

XR-65X9xJ: 163,9 cm / 65 tommer

Strømforbruk^{*7}

I [Standard]-modus

XR-85X9xJ: 221 W

XR-75X9xJ: 206 W

XR-65X9xJ: 173 W

Årlig energiforbruk^{*7*8}

XR-85X9xJ: 307 kWh per år

XR-75X9xJ: 286 kWh per år

XR-65X9xJ: 240 kWh per år

Strømforbruk i hvilemodus^{*7*9*10}

XR-85X9xJ: 0,50 W (35 W i programvare-/

EPG-oppdateringsmodus)

XR-75X9xJ: 0,50 W (33 W i programvare-/

EPG-oppdateringsmodus)

XR-65X9xJ: 0,50 W (34 W i programvare-/

EPG-oppdateringsmodus)

Skjermoppløsning (horisontal × vertikal) (piksler)

3840 × 2160

Nominell effekt

500 mA (for USB 1/2), 900 mA (for USB 3)

Mål (ca.) (b × h × d) (cm)

med bordstativ

Standardplassering:

XR-85X9xJ: 188,8 × 109,8 × 45,0

XR-75X9xJ: 166,7 × 97,4 × 39,0

XR-65X9xJ: 144,3 × 84,8 × 33,8

Snever plassering:

XR-85X9xJ: 188,8 × 111,0 × 45,0

XR-75X9xJ: 166,7 × 98,5 × 39,0

Lydplankens plassering:

XR-85X9xJ: 188,8 × 115,8 × 45,0

XR-75X9xJ: 166,7 × 103,4 × 39,0

XR-65X9xJ: 144,3 × 90,8 × 33,8

uten bordstativ

XR-85X9xJ: 188,8 × 108,6 × 6,1

XR-75X9xJ: 166,7 × 96,1 × 6,1

XR-65X9xJ: 144,3 × 83,5 × 6,6

Stativbredde (ca.) (cm)

Standardplassering:

XR-85X9xJ: 188,7

XR-75X9xJ: 166,6

XR-65X9xJ: 144,2

Snever plassering:

XR-85X9xJ / 75X9xJ: 61,0

Lydplankens plassering:

XR-85X9xJ: 188,7

XR-75X9xJ: 166,6

XR-65X9xJ: 144,2

Vekt (ca.) (kg)

med bordstativ

XR-85X9xJ: 51,2

XR-75X9xJ: 39,1

XR-65X9xJ: 28,5

uten bordstativ

XR-85X9xJ: 48,7

XR-75X9xJ: 36,8

XR-65X9xJ: 27,5

Annet

Tilleggsutstyr

Veggmonteringsbrakett: SU-WL850 (Kun

XR-75X9xJ / 65X9xJ)

Veggmonteringsbrakett: SU-WL450

Driftstemperatur: 0 °C – 40 °C

Driftsluftfuktighet: 10 % – 80 % relativ fuktighet (ikke-kondenserende)

*1 Når det tilføres 4096 × 2160p på inngangen og [Bred modus] er innstilt på [Normal], vil oppløsningen vises som 3840 × 2160p. For å vise 4096 × 2160p, settes [Bred modus] innstillingen på [Full 1] eller [Full 2].

*2 Se menyen på skjermen for å innstille [HDMI-signalformat].

*3 Se Hjelpveiledningen på nettet for mer informasjon.

*4 Kun HDMI IN 3 & 4. Bruk HDMI-ultrahøyhastighetskabel for å koble til.

*5 Koble lydsystemet ditt til HDMI IN 3 for å tilføre TV-lyd til lydsystemet.

*6 Funksjon ikke tilgjengelig i Italia.

*7 Denne informasjonen er for EU og andre land der relevante forskrifter er basert på EUs forskrifter for energimerking.

*8 Energiforbruk i kWh per år, basert på TV-ens strømforbruk når den brukes 4 timer om dagen i 365 dager. Det faktiske energiforbruket vil avhenge av hvordan TV brukes.

*9 Spesifisert strømforbruk i hvilemodus nås etter at TV-en har avsluttet nødvendige interne prosesser.

*10 Strømforbruk i hvilemodus vil øke når TV-en er koblet til nettverket.

Merknader

- Tilgjengeligheten til tilleggsutstyr avhenger av land/region/TV-modell/lagerstatus.
- Design og spesifikasjoner kan endres uten varsel.
- Når du bruker Google Assistant kan det være nødvendig med abonnement på tjenester og applikasjoner. Tilleggsvilkår, betingelser og/eller gebyrer kan gjelde.
- Produktdatabladet i denne håndboken er for DELEGERT KOMMISJONSFORORDNING (EU) 1062/2010. Se nettsiden for informasjon om (EU) 2019/2013.

Merknader til digital TV-funksjon

- Digital-TV (DVB bakke, satellitt og kabel), interaktive tjenester og nettverksfunksjoner vil kanskje ikke være tilgjengelige i alle land eller regioner. Noen funksjoner er muligens ikke aktivert eller vil kanskje ikke virke korrekt hos noen leverandører og i noen nettverksmiljøer. Noen TV-tjenesteleverandører vil kunne kreve gebyr for tjenestene sine.
- Denne TV-en støtter digital kringkasting med kodekene MPEG-2, H.264/MPEG-4 AVC og H.265/HEVC, men kompatibilitet kan ikke garanteres med alle operatører/tjenestesignaler, da de disse vil kunne endres med tiden.

Varemerker

- Uttrykkene HDMI og HDMI High-Definition Multimedia Interface, og HDMI-logoen, er varemerker eller registrerte varemerker som tilhører HDMI Licensing Administrator, Inc. i USA og andre land.
- Dolby, Dolby Vision, Dolby Atmos, Dolby Audio og dobbelt-D symbolet er varemerker som tilhører Dolby Laboratories Licensing Corporation. Produsert på lisens fra Dolby Laboratories. Konfidensielt og upublisert arbeid. Opphavsrett © 1992-2020 Dolby Laboratories. Alle rettigheter forbeholdes.
- Gracenote, Gracenote-logoen og logoens skrift, og "Powered by Gracenote"-logoen er enten registrerte varemerker eller varemerker for Gracenote, Inc. i USA og/eller andre land.
- Google TV og relaterte logoer er varemerker som tilhører Google LLC.
- For DTS-patenter, se <http://patents.dts.com>. Fremstilt under lisens fra DTS, Inc. DTS, Digital Surround og DTS-logoen er registrerte varemerker eller varemerker for DTS, Inc. i USA og andre land. © 2020 DTS, Inc. ALLE RETTIGHETER FORBEHOLDES.

- Netflix er et registrert varemerke for Netflix, Inc.
- DiSEqC™ er et varemerke for EUTELSAT. Denne TV-en støtter DiSEqC 1.0. Denne TV-en er ikke ment for å kontrollere motoriserte antenner.
- TUXERA er et registrert varemerke for Tuxera Inc. i USA og andre land.
- Alle andre varemerker eies av de respektive eierne.

Produktregistreringsnummer (DELEGERT KOMMISJONSFORORDNING (EU) 2019/2013)

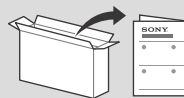
XR-85X95J (527154), XR-75X95J (527151), XR-65X95J (527140).

Informacje o instrukcjach

Ten telewizor jest dostarczany z następującymi instrukcjami. Prosimy o zachowanie instrukcji do wykorzystania w przyszłości.

Przewodnik ustawień

- Instalacja i konfiguracja telewizora.



Przewodnik (ta instrukcja) / Dokumentacja bezpieczeństwa

- Informacje dotyczące bezpieczeństwa, pilot, rozwiązywanie problemów, instalacja na ścianie, dane techniczne itp.



Przewodnik pomocniczy (Instrukcja ekranowa)

- Ustawienia, funkcje, połączenie z Internetem, rozwiązywanie problemów itp.
- Aby ją otworzyć, naciśnij na pilocie przycisk **HELP**, a następnie wybierz Przewodnik pomocniczy.




- Możesz skorzystać z Przewodnika pomocniczego za pomocą smartfona.



https://rd1.sony.net/help/tv/iaep1/h_aep/

Menu ustawień mogą zostać zmienione bez powiadomienia.

WAŻNE - Przed użyciem produktu Sony przeczytaj Umowę licencyjną oprogramowania użytkownika końcowego.

Korzystanie z produktu oznacza akceptację Umowy licencyjnej oprogramowania użytkownika końcowego. Umowa licencyjna na oprogramowanie między Tobą a Sony jest dostępna online na stronie Sony (<https://www.sony.net/tv-software-licenses/>) lub na ekranie produktu. Naciśnij  (Szybkie ustawienia) na pilocie i wybierz opcję [Ustawienia] → [System] → [Informacje] → [Informacje prawne] → [Uwagi i licencje].

Uwaga

- Przed przystąpieniem do eksploatacji telewizora należy zapoznać się z częścią „Informacje dotyczące bezpieczeństwa”.
- Aby zapoznać się z dodatkowymi informacjami na temat bezpieczeństwa, przeczytaj dostarczoną dokumentację bezpieczeństwa.
- Zdjęcia i ilustracje użyte w Przewodniku ustawień i w tej instrukcji mają charakter jedynie poglądowy i mogą się różnić od rzeczywistego produktu.
- Znak „x”/„xx” widoczny obok nazwy modelu odpowiada wartości liczbowej powiązanej z projektem, kolorem lub systemem telewizyjnym.

Lokalizacja etykiety identyfikacyjnej

Etykiety z numerem modelu, datą produkcji (rok i miesiąc) oraz specyfikacją elektryczną znajdują się z tyłu telewizora lub opakowania. Można je znaleźć, zdejmując osłonę złączy.

WAŻNA UWAGA

Informacja dotycząca sprzętu radiowego

Sony Corporation niniejszym oświadcza, że typy urządzeń radiowych XR-85X95J, XR-75X95J, XR-65X95J są zgodne z dyrektywą 2014/53/UE. Pełny tekst deklaracji zgodności UE jest dostępny pod następującym adresem internetowym: <https://compliance.sony.eu>

Dla tego sprzętu radiowego zastosowanie mają poniższe ograniczenia dotyczące użytkowania lub wymóg uzyskania zezwolenia na użytkowanie obowiązujący w AT, BE, HR, CY, CZ, DK, EE, FI, FR, DE, EL, HU, IE, IT, LV, LT, LU, MT, NL, PL, PT, SK, SI, ES, SE, UK, UK (NI), IS, LI, NO, CH, BG, RO, TR, AL, BA, MK, MD, RS, ME, Kosovo :
pasmo 5150 - 5350 MHz jest ograniczone wyłącznie do zastosowań wewnątrz pomieszczeń.

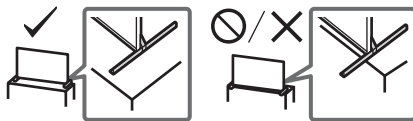
Informacje dotyczące bezpieczeństwa

Montaż i instalacja

Aby uniknąć ryzyka wybuchu pożaru, porażenia prądem elektrycznym, uszkodzenia sprzętu i/lub ewentualnych obrażeń ciała, odbiornik TV należy zainstalować zgodnie z instrukcjami podanymi poniżej.

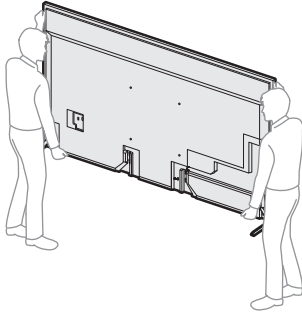
Instalacja

- Telewizor powinien być zainstalowany w pobliżu łatwo dostępnego gniazdka.
- Ustaw telewizor na stabilnej, równej powierzchni tak, aby zapobiec ryzyku jego przewrócenia i spowodowania obrażeń ciała lub uszkodzenia mienia.
- Zainstaluj telewizor w miejscu, w którym nie może zostać pociągnięty, popchnięty lub przewrócony.
- Zainstaluj telewizor w taki sposób, aby podstawa telewizora nie wystawała poza stojak (nie należy do wyposażenia). Jeśli podstawa telewizora wystaje poza stojak, może to spowodować przewrócenie i upadek telewizora, a w efekcie obrażenia osobiste lub uszkodzenie telewizora.



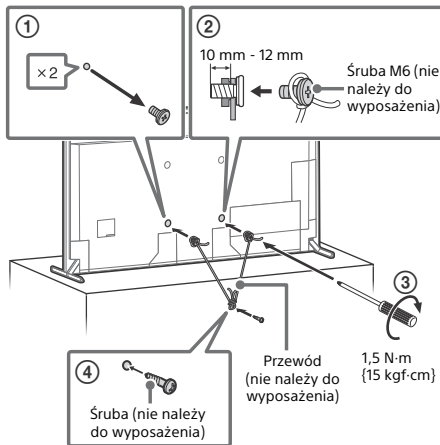
Transport

- Przed rozpoczęciem przenoszenia odbiornika należy odłączyć od niego wszystkie kable.
- Przed transportem telewizora zdejmij osłony złączy.
- Do przenoszenia dużego odbiornika TV potrzeba dwóch lub więcej osób.
- Przenosząc telewizor w rękach, należy go trzymać tak jak na rysunku. Nie wolno naciskać ekranu ciekłokrystalicznego ani ramy dookoła ekranu.
- Przy podnoszeniu lub przenoszeniu telewizora należy go dobrze chwycić od spodu.



- Podczas transportu odbiornik nie powinien być narażony na wstrząsy mechaniczne i nadmierne wibracje.
- Na czas transportu odbiornika do naprawy lub podczas przeprowadzki, należy zapakować go w oryginalny karton i elementy opakowania.

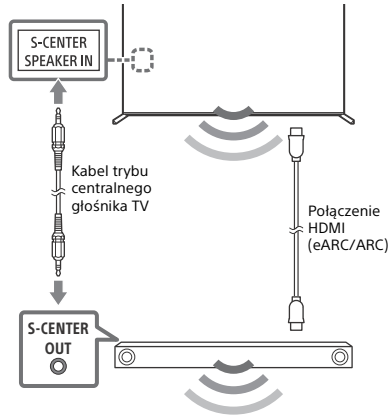
Zabezpieczenie przed przewróceniem



Używanie telewizora w ramach systemu audio

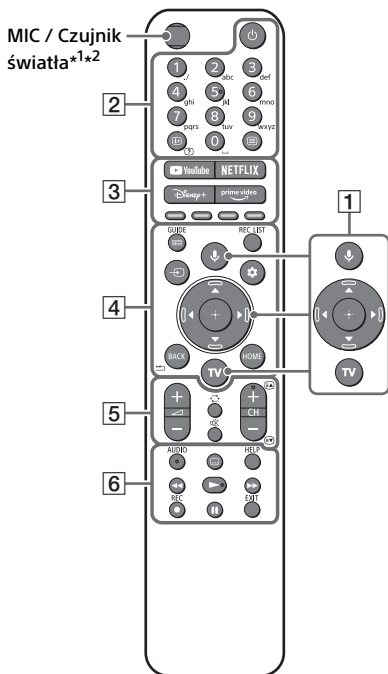
Uwaga

- Przed podłączeniem kabli, odłącz zasilanie od telewizora i odbiornika AV.
- Zapoznaj się ze szczegółowymi informacjami, które zawarto w instrukcji obsługi systemu audio ze złączem S-CENTER OUT.



Pilot i telewizor

Kształt, układ, dostępność i działanie funkcji przycisków pilota mogą się różnić w zależności od regionu/kraju/modelu/ustawień telewizora.



- 1** **🎤 (Mikrofon) / 🗨️ (Asystent Google):** Użyj Asystenta Google^{*3x4} lub wyszukiwania głosowego^{*4}. Aby uzyskać wskazówki na temat sterowania telewizorem, naciśnij przycisk mikrofonu na pilocie i wypowiedz frazę „wskazówki głosowe”.^{*3}
- ▲/▼/◀/▶/⊕: Nawigacja w menu ekranowym i wybór opcji.
- TV:** Wyświetli listę kanałów telewizyjnych lub przełączy na wejście.

2 🔌 (Zasilanie)

Przyciski numeryczne

- 1+/?** (Wyświetlanie informacji/tekstu): Wyświetlanie informacji.
- ≡** (Tekst): Wyświetlanie informacji tekstowych.

3 YouTube™ / NETFLIX / Disney+ / Prime Video / Kolorowe przyciski

- 4** **GUIDE/📺:** Wyświetlanie cyfrowego przewodnika po programach telewizora lub dekodera TV^{*5}.

REC LIST: Wyświetlenie listy nagrań urządzenia USB HDD^{*6}/DVR^{*5}.

➡️ **(Wybór wejścia):** Wyświetlanie i wybieranie źródła sygnału wejściowego itp.

⚙️ (Szybkie ustawienia): Wyświetlenie szybkich ustawień.

BACK/⬅️

HOME

5 🔊 +/- (Głośność)

↻ **(Przejsięcie)**

🔊 **(Wyciszenie)*7**

CH +/-/⏪/⏩/⏮/⏭: Wybierz kanał, lub następną (⏪) / poprzednią (⏩) stronę.

- 6** **AUDIO:** Wybór dźwięku źródła wielojęzycznego lub podwójnego dźwięku (w zależności od źródła programu).

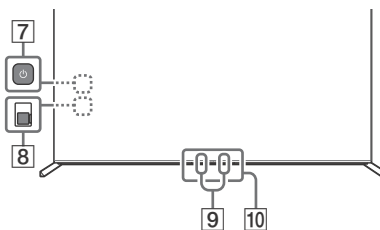
⋮ **(Tryb napisów)**

HELP: Wyświetlanie menu pomocy.

⏮/⏪/⏩/⏭/⏹

● **REC:** Nagrywanie aktualnie oglądanego programu na dysku USB HDD^{*6}/DVR^{*5}.

EXIT

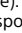


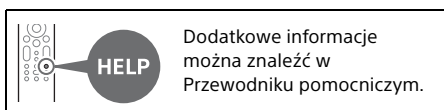
- 7** 🔌 **(Zasilanie):** (można go znaleźć, zdejmując osłonę boczną)

- 8** **BUILT-IN MIC SWITCH (Przełącznik wbudowanego mikrofonu):** Włączanie/wyłączanie wbudowanego mikrofonu. (można go znaleźć, zdejmując osłonę boczną)

- 9** **Wbudowany mikrofon*3x4x8:** Aby włączyć wbudowany mikrofon, naciśnij przycisk mikrofonu na pilocie i wykonaj polecenia wyświetlone na ekranie.

10 Czujnik pilota zdalnego sterowania / Czujnik światła / LED

- *1 Podświetlenie pilota włączy się, gdy czujnik światła wykryje niski poziom natężenia oświetlenia otoczenia. Automatyczne włączanie podświetlenia można wyłączyć.
- *2 Tylko model RMF-TX621E. Aby zobaczyć nazwę modelu pilota, otwórz pokrywę pilota w celu zapoznania się z etykietą.
- *3 Wyłączenie w przypadku niektórych regionów/krajów/modeli telewizora/języków.
- *4 Asystent Google lub wyszukiwanie głosowe wymaga połączenia z Internetem.
- *5 Ustawienie [Konfiguracja dekodera] jest wymagane.
- *6 Niedostępna we Włoszech.
- *7 Skrót dostępności jest dostępny przez naciśnięcie i przytrzymanie przycisku  (Wyciszenie).
- *8 Włączenie wbudowanego mikrofonu spowoduje wzrost poboru mocy, ponieważ mikrofon ten będzie działał przez cały czas.



Montaż telewizora na ścianie

Używanie opcjonalnego Uchwyty ściennego (SU-WL850 lub SU-WL450)* (nie należy do wyposażenia)

Do klientów:

Ze względu na ochronę produktu i zapewnienie bezpieczeństwa firma Sony zaleca, aby montaż tego telewizora był wykonywany przez przedstawicieli firmy Sony lub licencjonowanych wykonawców. Nie próbować wykonywać montażu samodzielnie.

Do dystrybutorów firmy Sony i licencjonowanych wykonawców:

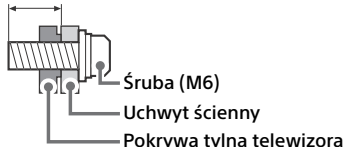
Zwraca uwagę na bezpieczeństwo podczas montażu, konserwacji okresowej i sprawdzania tego produktu.

Informacje dotyczące montażu przy użyciu uchwyt ścienny

Aby uzyskać instrukcje montażu Uchwytu ściennego, zobacz Informacje dotyczące montażu (Uchwyt ścienny) na stronie produktu swojego modelu telewizora.
<https://www.sony.eu/support>

- Postępuj zgodnie z instrukcjami dostarczonymi z Uchwytom ściennym dla danego modelu. Do zamontowania tego telewizora wymagane jest odpowiednie doświadczenie, szczególnie w celu oceny, czy ściana jest odpowiednio wytrzymała, aby unieść ciężar telewizora.
- Firma Sony nie ponosi żadnej odpowiedzialności za uszkodzenia lub obrażenia spowodowane nieprawidłową obsługą lub montażem.
- Montaż uchwytu na ścianie należy zlecić wykwalifikowanemu instalatorowi.
- Ze względów bezpieczeństwa zaleca się stosowanie akcesoriów Sony:
 - Uchwyt ścienny SU-WL850
 - Uchwyt ścienny SU-WL450
- Podczas montażu Uchwytu ściennego do telewizora należy używać śrub dostarczonych razem z Uchwytom ściennym. Dostarczone śruby są zaprojektowane w sposób pokazany na ilustracji w przypadku pomiaru od powierzchni mocującej Uchwytu ściennego. Średnica i długość śrub różnią się w zależności od modelu Uchwytu ściennego. Stosowanie śrub innych niż dostarczane w komplecie może spowodować uszkodzenia wewnętrzne w odborniku TV, jego upadek, itp.

10 mm - 12 mm



- Nieużywane śruby i podstawę należy przechowywać w bezpiecznym miejscu z przeznaczeniem do zamontowania w przyszłości. Śruby należy przechowywać poza zasięgiem dzieci.
- * Wyłączenie w przypadku niektórych regionów/krajów/modeli telewizora.

PL

Rozwiązywanie problemów

W celu rozwiązywania ogólnych problemów, takich jak: czarny ekran, brak dźwięku, zawieszony obraz, brak reakcji telewizora lub utrata sygnału sieciowego, wykonaj następujące czynności.

- 1 Uruchom telewizor ponownie, naciskając przycisk zasilania na pilocie przez pięć sekund. Telewizor zostanie uruchomiony. Jeżeli telewizor nie zacznie ponownie działać, spróbuj odłączyć przewód sieciowy, a następnie naciśnij i puść przycisk zasilania na telewizorze. Poczekaj dwie minuty i podłącz przewód zasilający. Ewentualnie naciśnij przycisk zasilania na telewizorze i przytrzymaj go przez około 40 sekund do momentu, aż telewizor wyłączy się.
- 2 Zapoznaj się z menu Pomoc, naciskając przycisk **HELP** na pilocie.
- 3 Podłącz telewizor do Internetu i wykonaj aktualizację oprogramowania. Firma Sony zaleca aktualizację oprogramowania telewizora. Aktualizacje oprogramowania zawierają nowe funkcje i ulepszenia wydajności.
- 4 Odwiedź stronę wsparcia firmy Sony (informacje podane na końcu niniejszej instrukcji).

Gdy telewizor zostanie podłączony, przez pewien czas może się nie włączyć pomimo naciśnięcia przycisku zasilania na pilocie lub telewizorze.

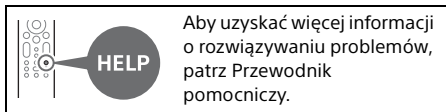
Uruchomienie systemu wymaga trochę czasu. Należy odczekać jedną minutę, następnie spróbować włączyć telewizor ponownie.

Pilota nie działa.

- Wymień baterie.

Zapomniano hasła do blokady rodzicielskiej.

- Wprowadź numer 9999 jako kod PIN i wprowadź nowy PIN.



Dane techniczne

System

System panelu: Panel z wyświetlaczem ciekłokrystalicznym (LCD), Podświetlenie LED
System TV: W zależności od kraju/wybranego regionu/modelu telewizora

Analogowy: B/G, D/K, I

Cyfrowy: DVB-T/DVB-C/DVB-T2

Satelita: DVB-S/DVB-S2

System kolorów: PAL/SECAM/NTSC3.58 (tylko wideo)/NTSC4.43 (tylko wideo)

Zakres kanałów: W zależności od kraju/wybranego regionu/modelu telewizora

Analogowy: UHF/VHF/kabel

Cyfrowy: UHF/VHF/kabel

Satelita: częstotliwość 950-2150 MHz

Wyjście dźwięku: 10 W + 10 W + 10 W + 10 W + 10 W

Technologia bezprzewodowa

Protokół IEEE 802.11a/b/g/n/ac

Bluetooth® wer. 4.2

Pasma częstotliwości

Zakres częstotliwości	Moc wyjściowa
Bezprzewodowa sieć LAN (Telewizor)	
2400-2483,5 MHz	< 20,0 dBm
5150-5250 MHz	< 23,0 dBm
5250-5350 MHz	< 20,0 dBm
5470-5725 MHz	< 20,0 dBm
5725-5850 MHz	< 13,9 dBm
Bluetooth® (Telewizor)	
2400-2483,5 MHz	< 10,0 dBm
Bluetooth® (Pilot)	
2400-2483,5 MHz	< 10,0 dBm

Gniazda wejścia/wyjścia

Antena/kabel

75-omowa antena zewnętrzna VHF/UHF

Antena satelitarna

Żeńskie złącze typu F, 75 omów.

DiSeqC 1.0, LNB 13 V/18 V i sygnał 22 kHz,

Dystr. za pomocą poj. kabla EN50494.

AV IN / S-CENTER SPEAKER IN

Wejście wideo/audio (mini jack)

Wejście na głośnik S-centre (mini jack)

HDMI IN 1/2/3/4 (Zgodność z HDCP 2.3)

Wideo:

4096 × 2160p (50, 60 Hz)^{*1*2}, 4096 × 2160p (24 Hz)^{*1}, 3840 × 2160p (50, 60 Hz)^{*2}, 3840 × 2160p (24, 25, 30 Hz), 1080p (30, 50, 60, 100, 120 Hz), 1080/24p, 1080i (50, 60 Hz), 720p (30, 50, 60 Hz), 720/24p, 576p, 480p, formaty komputerowe^{*3}
3840 × 2160p (100, 120 Hz)^{*2*4}

Audio:

W trybie eARC (Enhanced Audio Return Channel)

Aby uzyskać szczegółowe informacje, zobacz Przewodnik pomocniczy online.

Z wyjątkiem trybu eARC

5,1 kanałów, liniowe PCM: 32/44,1/48/88,2/96/176,4/192 kHz 16/20/24 bity, Dolby Audio, Dolby Atmos, DTS

eARC/ARC (Enhanced Audio Return Channel/Audio Return Channel) (tylko HDMI IN 3)^{*5}

W trybie eARC

Aby uzyskać szczegółowe informacje, zobacz Przewodnik pomocniczy online.

W trybie ARC

Dwukanałowe liniowe PCM: 48 kHz 16 bity, Dolby Audio, Dolby Atmos, DTS

↻ DIGITAL AUDIO OUT (OPTICAL)

Cyfrowe gniazdo optyczne (dwukanałowe liniowe PCM: 48 kHz 16 bity, Dolby Audio, DTS)

🎧 (mini jack stereo)

Sluchawki

🔌 1, 🔌 2, 🔌 3 (HDD REC)^{*6}

Port urządzeń USB (Dysk twardy USB 🔌 3 dla funkcji REC)

Porty USB 1 i 2 obsługują standard High Speed USB (USB 2.0)

Port USB 3 obsługuje standard Super Speed USB (USB 3.1 Gen 1)



Gniazdo CAM (moduł dostępu warunkowego)



LAN

Gniazdo 10BASE-T/100BASE-TX (Prędkość połączenia zależy od parametrów sieci. Nie gwarantuje się prędkości i jakości transmisji.)

Moc, karta produktu i inne

Wymagania dotyczące zasilania

220 V – 240 V (prąd zmienny), 50 Hz

Klasa efektywności energetycznej^{*7}

XR-85X9xJ: A

XR-75X9xJ: A

XR-65X9xJ: B

Wielkość ekranu (przekątna) (ok.)

XR-85X9xJ: 214,8 cm / 85 cali

XR-75X9xJ: 189,3 cm / 75 cali

XR-65X9xJ: 163,9 cm / 65 cali

Pobór mocy^{*7}

W trybie [Standardowy]

XR-85X9xJ: 221 W

XR-75X9xJ: 206 W

XR-65X9xJ: 173 W

Roczne zużycie energii^{*7*8}

XR-85X9xJ: 307 kWh rocznie

XR-75X9xJ: 286 kWh rocznie

XR-65X9xJ: 240 kWh rocznie

Pobór mocy w trybie czuwania^{*7*9*10}

XR-85X9xJ: 0,50 W (35 W w trybie aktualizacji oprogramowania lub elektronicznego przewodnika po programach)

XR-75X9xJ: 0,50 W (33 W w trybie aktualizacji oprogramowania lub elektronicznego przewodnika po programach)

XR-65X9xJ: 0,50 W (34 W w trybie aktualizacji oprogramowania lub elektronicznego przewodnika po programach)

Rozdzielczość wyświetlacza (poziom × pion)

(piksele)

3840 × 2160

Wartości znamionowe wyjścia

500 mA (w przypadku USB 1/2), 900 mA (w przypadku USB 3)

Wymiary (przybliżone) (szer. × wys. × gł.) (cm)

z podstawą

Położenie standardowe:

XR-85X9xJ: 188,8 × 109,8 × 45,0

XR-75X9xJ: 166,7 × 97,4 × 39,0

XR-65X9xJ: 144,3 × 84,8 × 33,8

Położenie pionowe:

XR-85X9xJ: 188,8 × 111,0 × 45,0

XR-75X9xJ: 166,7 × 98,5 × 39,0

Położenie głośnika sound bar:

XR-85X9xJ: 188,8 × 115,8 × 45,0

XR-75X9xJ: 166,7 × 103,4 × 39,0

XR-65X9xJ: 144,3 × 90,8 × 33,8

bez podstawy

XR-85X9xJ: 188,8 × 108,6 × 6,1

XR-75X9xJ: 166,7 × 96,1 × 6,1

XR-65X9xJ: 144,3 × 83,5 × 6,6

Szerokość podstawy (przybliżone) (cm)

Położenie standardowe:

XR-85X9xJ: 188,7

XR-75X9xJ: 166,6

XR-65X9xJ: 144,2

Położenie pionowe:

XR-85X9xJ / 75X9xJ: 61,0

Położenie głośnika sound bar:

XR-85X9xJ: 188,7

XR-75X9xJ: 166,6

XR-65X9xJ: 144,2

Waga (przybliżona) (kg)

z podstawą

XR-85X9xJ: 51,2

XR-75X9xJ: 39,1

XR-65X9xJ: 28,5

bez podstawy

XR-85X9xJ: 48,7

XR-75X9xJ: 36,8

XR-65X9xJ: 27,5

Inne

Wyposażenie dodatkowe

Uchwyt ścienny: SU-WL850 (tylko model

XR-75X9xJ / 65X9xJ)

Uchwyt ścienny: SU-WL450

Temperatura robocza: 0 °C – 40 °C

Wilgotność robocza: 10 % – 80 % wilgotności względnej (bez kondensacji)

*1 W przypadku podłączenia do wejścia z rozdzielczością 4096 × 2160p i opcji [Tryb szerokoekranowy] ustawionej na [Normalny] wybrana zostaje rozdzielczość wyświetlania 3840 × 2160p. Aby wyświetlać rozdzielczość 4096 × 2160p, opcję [Tryb szerokoekranowy] należy ustawić na [Pełny 1] lub [Pełny 2].

*2 Zapoznaj się z menu ekranowym, aby ustawić [Format sygnału HDMI].

*3 Aby uzyskać szczegółowe informacje, zobacz Przewodnik pomocniczy online.

*4 Tylko HDMI IN 3 & 4. Wykonaj połączenie za pomocą kabla HDMI o bardzo dużej szybkości transmisji.

*5 Podłącz zestaw audio do HDMI IN 3, aby doprowadzić dźwięk telewizora do zestawu audio.

*6 Funkcja jest niedostępna we Włoszech.

*7 Te informacje dotyczą krajów UE i innych krajów, których odpowiednie przepisy oparte są o przepisy UE dotyczące etykiet efektywności energetycznej.

*8 Zużycie energii w kWh rocznie, w oparciu o wyliczenie zużycia energii dla telewizora pracującego 4 godziny dziennie przez 365 dni w roku. Rzeczywiste zużycie energii zależy od sposobu korzystania z telewizora.

*9 Podany pobór mocy w trybie czuwania jest osiągany po zakończeniu wykonywania przez odbiornik TV wymaganych procesów wewnętrznych.

*10 Pobór mocy w trybie czuwania wzrośnie przy połączeniu telewizora z siecią.

Uwaga

- Dostępność wyposażenia opcjonalnego zależy od kraju, regionu, modelu telewizora i stanu magazynowego.
- Projekt i dane techniczne mogą zostać zmienione bez powiadomienia.
- Mogą być wymagane subskrypcje usług i aplikacji, a podczas korzystania z Asystenta Google mogą obowiązywać dodatkowe warunki i / lub opłaty.
- Karta produktu w niniejszym podręczniku odnosi się do ROZPORZĄDZENIA DELEGOWANEGO KOMISJI (UE) 1062/2010. W celu uzyskania informacji na temat rozporządzenia (UE) 2019/2013 należy skorzystać z odpowiedniej witryny internetowej.

Informacje dotyczące telewizji cyfrowej

- Telewizja cyfrowa (naziemna DVB, satelitarna i kablowa), usługi interaktywne i funkcje sieciowe mogą nie być dostępne we wszystkich krajach lub obszarach. Niektóre funkcje mogą nie być włączone lub mogą nie działać poprawnie w przypadku niektórych dostawców i środowisk sieciowych. Niektórzy dostawcy usług telewizyjnych mogą pobierać opłaty za swoje usługi.
- Ten telewizor obsługuje nadawanie cyfrowe z użyciem kodeków MPEG-2, H.264/MPEG-4 AVC i H.265/HEVC, ale nie można zagwarantować zgodności ze wszystkimi sygnałami operatorów/usług, które mogą się zmienić z biegiem czasu.

Informacje dot. znaków towarowych

- Terminy HDMI, HDMI High Definition Multimedia Interface oraz logo HDMI są znakami towarowymi lub zarejestrowanymi znakami towarowymi HDMI Licensing Administrator, Inc. w Stanach Zjednoczonych i innych krajach.
- Dolby, Dolby Vision, Dolby Atmos, Dolby Audio i symbol z podwójnym D są znakami towarowymi firmy Dolby Laboratories Licensing Corporation. Wyprodukowano na licencji Dolby Laboratories. Dokumenty poufne, niepublikowane. Copyright © 1992-2020 Dolby Laboratories. Wszystkie prawa zastrzeżone.
- Gracenote, logo i logotyp Gracenote oraz logo „Powered by Gracenote” są znakami towarowymi lub zarejestrowanymi znakami towarowymi Gracenote, Inc. w USA oraz innych krajach.
- Google TV i powiązane logotypy są zastrzeżonymi znakami towarowymi firmy Google LLC.

- W kwestii informacji na temat patentów DTS należy skorzystać z witryny <http://patents.dts.com>. Produkowane na licencji DTS, Inc. DTS, Digital Surround oraz logo DTS są zastrzeżonymi znakami towarowymi lub znakami towarowymi firmy DTS, Inc. w Stanach Zjednoczonych i innych krajach.
© 2020 DTS, Inc. WSZYSTKIE PRAWA ZASTRZEŻONE.
- Netflix jest zarejestrowanym znakiem towarowym firmy Netflix, Inc.
- DiSEqC™ jest znakiem towarowym firmy EUTELSAT. Ten telewizor obsługuje standard DiSEqC 1.0. Ten telewizor nie służy do sterowania antenami z napędem.
- TUXERA jest zastrzeżonym znakiem towarowym firmy Tuxera Inc. w USA i innych krajach.
- Wszystkie inne znaki towarowe są własnością ich właścicieli.

**Numer rejestracji produktu
(ROZPORZĄDZENIE DELEGOWANE KOMISJI (UE)
2019/2013)**

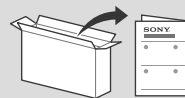
XR-85X95J (527154), XR-75X95J (527151),
XR-65X95J (527140).

O návodech

Tento televizor je dodáván s následujícími návody. Ušchovejte tyto návody pro jejich případné budoucí použití.

Průvodce nastavením

- Instalace a nastavení televize.



Referenční příručka (tento návod) / Bezpečnostní dokumentace

- Bezpečnostní informace, dálkové ovládání, řešení problémů, instalace na stěnu, specifikace atd.



Uživatelská příručka (Návod na obrazovce)

- Nastavení, funkce, připojení k internetu, řešení problémů atd.
- Chcete-li ji otevřít, stiskněte tlačítko **HELP** na dálkovém ovladači a vyberte Uživatelská příručka.




- Uživatelskou příručku můžete najít a přečíst si ji ve svém chytrém telefonu.



https://rd1.sony.net/help/tv/iaep1/h_aep/

Nabídky nastavení mohou být změněny bez předchozího upozornění.

DŮLEŽITÉ - Před použitím Vámi zakoupeného výrobku firmy Sony si přečtěte Licenční smlouvu na software s koncovým uživatelem. Používáním výrobku potvrzujete, že souhlasíte s Licenční smlouvou na software s koncovým uživatelem. Licenční smlouva na software mezi vámi a společností Sony je k dispozici online na webových stránkách společnosti Sony (<https://www.sony.net/tv-software-licenses/>) nebo na obrazovce Vámi zakoupeného výrobku. Stiskněte  (Rychlá nastavení) na dálkovém ovládání a zvolte [Nastavení] → [Systém] → [O zařízení] → [Právní informace] → [Upozornění a licence].

Poznámka

- Před zapnutím televizoru si přečtěte „Bezpečnostní informace“.
- Přečtěte si dodaný dokument bezpečnostní dokumentace, kde naleznete další bezpečnostní informace.
- Obrázky a ilustrace v Průvodci nastavením a v tomto návodu slouží jen pro vaši referenci a mohou se lišit od skutečného vzhledu produktu.
- Symbol „x“/„xx“, který se objevuje v názvu modelu, odpovídá číslu popisující design, barvu nebo systém TV.

Umístění identifikačního štítku

Štítky s číslem modelu, datem výroby (rokem/měsícem) a specifikací zdroje napájení se nacházejí na zadní části televizoru nebo na obalu. Mohou být nalezeny po sejmutí krytu terminálu.

DŮLEŽITÁ POZNÁMKA

Prohlášení k rádiovým zařízením

Sony Corporation tímto prohlašuje, že rádiová zařízení XR-85X95J, XR-75X95J, XR-65X95J jsou v souladu se směrnici 2014/53/EU. Úplné znění EU prohlášení o shodě je k dispozici na této internetové adrese:
<https://compliance.sony.eu>

U tohoto rádiového zařízení se vztahují následující omezení uvádění do provozu nebo požadavků na povolení použití v AT, BE, HR, CY, CZ, DK, EE, FI, FR, DE, EL, HU, IE, IT, LV, LT, LU, MT, NL, PL, PT, SK, SI, ES, SE, UK, UK (NI), IS, LI, NO, CH, BG, RO, TR, AL, BA, MK, MD, RS, ME, Kosovo :
Pásmo 5150 – 5350 MHz je omezeno pouze na interní provoz.

Bezpečnostní informace

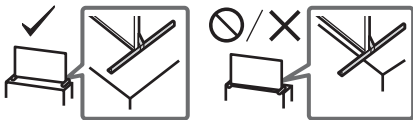
Instalace/Nastavení

Televizor instalujte a používejte podle následujících pokynů, zabráníte tak nebezpečí požáru, úrazu elektrickým proudem nebo poškození anebo zranění.

Instalace

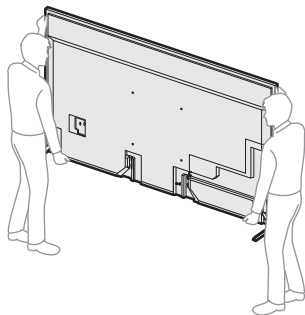
- Televizor musí být instalován v blízkosti snadno přístupné zásuvky.
- Umístěte televizor na stabilní vodorovný povrch, aby přístroj nemohl spadnout a způsobit poranění osob nebo poškození majetku.
- Televizor nainstalujte na místo, kde za něj nebude možné zatáhnout, zatlačit na něj nebo ho shodit.

- Televizor nainstalujte tak, aby stolní stojan televizoru nepřechýlal z podstavce televizoru (není součástí dodávky). Pokud by stolní stojan přechýlal z podstavce televizoru, mohl by se televizor překlápět, spadnout a mohlo by tak dojít ke zranění osob nebo k poškození televizoru.



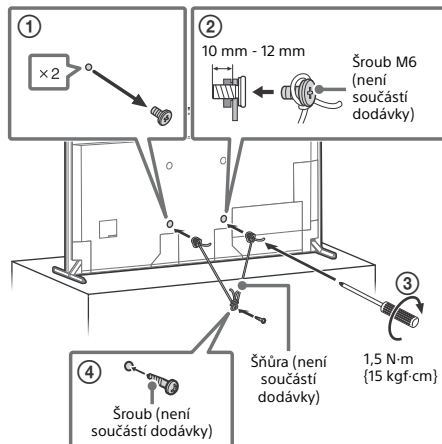
Přeprava

- Před přemístěním televizoru odpojte všechny kabely.
- Před přepravou televizoru sejměte kryty konektorů.
- K přenosu velkého televizoru jsou nutné dvě nebo více osob.
- Když přenášíte TV v rukou, držte jej, jak je znázorněno níže.
- Netlačte na LCD panel a rám okolo obrazovky.
- Při zdvihnutí TV pevně držte za spodní stranu.



- Při přenášení televizoru dbejte na to, aby do něčeho nenarazil, nebo nadměrně nevíbroval.
- Jestliže vezete televizor do opravy, nebo ho stěhuje, vždy ho zabalte do originální krabice a obalového materiálu.

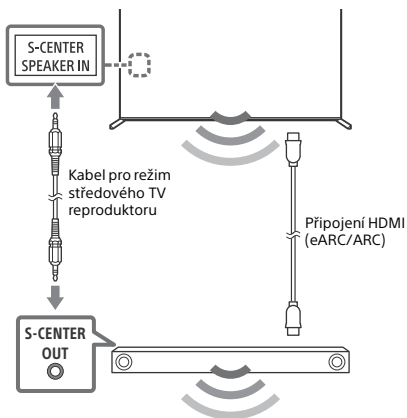
Ochrana před převrácením



Použití TV jako části audio systému

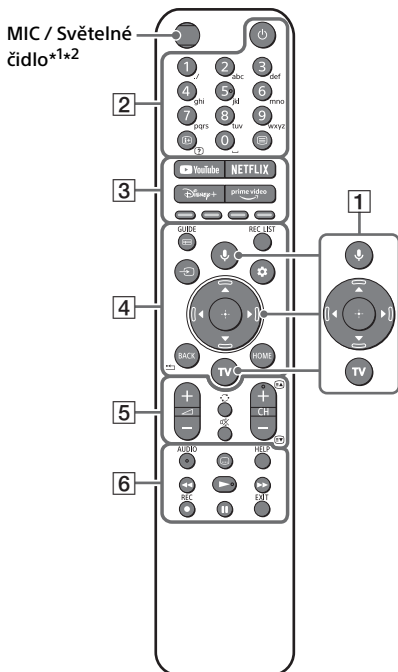
Poznámka

- Než připojíte kabely, odpojte televizor i přijímač AV od elektrické sítě.
- Viz návod na použití audiosystému s terminálem S-CENTER OUT, kde jsou podrobnosti.



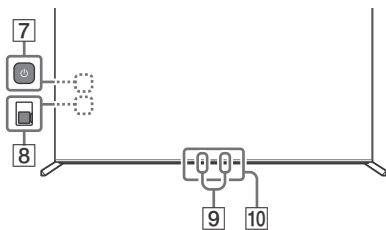
Dálkové ovládání a televizor

Tvar dálkového ovladače, rozložení, dostupnost a funkce tlačítek dálkového ovladače se může lišit v závislosti na zemi, oblasti, modelu televizoru a nastavení televizoru.



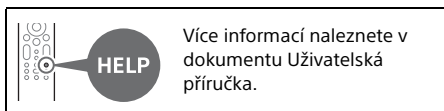
- 1** (Mikrofon) / (Asistent Google): Použijte Asistent Google*3*4 nebo hlasové vyhledávání*4. Tipy, jak ovládat váš televizor, získáte stisknutím tlačítka mikrofonu a vyslovením fráze „tipy pro hlasové povely“.*3
- ▲/▼/◀/▶/⊕**: Navigace a výběr v nabídce na obrazovce.
- TV**: Zobrazte seznam televizních kanálů nebo přepněte na určení vstupu.

- 2** (Napájení)
Číselná tlačítka
/? (Informace/Odhalení textu): Zobrazte informace.
 (Text): Zobrazte textové informace.
- 3** **YouTube™ / NETFLIX / Disney+ / Prime Video / Barevná tlačítka**
- 4** **GUIDE/**: Zobrazte digitálního programového průvodce televizoru nebo kabelového/satelitního přijímače*5.
REC LIST: Zobrazte seznam nahrávek Rec na USB HDD*6/DVR*5.
 (**Volba vstupu**): Zobrazte a zvolte vstupní zdroj atd.
 (Rychlá nastavení): Zobrazit rychlá nastavení.
BACK/◀
HOME
- 5** **+/- (Hlasitost)**
 (Skok)
 (Ztišit)*7
CH +/-/◀/▶: Vyberte příslušný kanál nebo následující (◀) / předchozí (▶) stránku.
- 6** **AUDIO**: Vybere zvuk vícejazyčného zdroje nebo duální zvuk (v závislosti na zdroji programu).
 (Nastavení titulků)
HELP: Zobrazte nabídku nápovědy.
- REC**: Nahrajte právě sledovaný program na USB HDD*6/DVR*5.
- EXIT**



- 7** **☰ (Napájení):** (Může být nalezen po sejmutí bočního krytu)
- 8** **BUILT-IN MIC SWITCH (Spínač vestavěného mikrofonu):** Zapnutí/vypnutí vestavěného mikrofonu. (Může být nalezen po sejmutí bočního krytu)
- 9** **Vestavěný mikrofon***³*⁴*⁸: K povolení vestavěného mikrofonu stiskněte tlačítko mikrofonu na dálkovém ovládacím a řiďte se pokyny na obrazovce.
- 10** **Čidlo dálkového ovládání / Světelné čidlo / LED**

- *1 Podsvícení dálkového ovládání se rozsvítí, pokud světelné čidlo detekuje slabé okolní osvětlení. Automatické osvětlení podsvícení je možné vypnout.
- *2 Pouze modely RMF-TX621E. Chcete-li zjistit název modulu dálkového ovladače, otevřete kryt dálkového ovladače a prohlédněte si na něm štítek.
- *3 Pouze pro některé oblasti/země/modely televizoru/jazyky.
- *4 Asistent Google nebo hlasové vyhledávání vyžaduje připojení k internetu.
- *5 Je vyžadováno nastavení [Nastavení kabelového/satelitního přijímače].
- *6 Není dostupné pro Itálii.
- *7 Zkratka přístupnosti je k dispozici stisknutím a podržením **⌘** (Ztišit).
- *8 Spotřeba elektrické energie se zvýší, když bude vestavěný mikrofon stále zapnutý, protože stále naslouchá povelům.



Montáž televizoru na zeď

Používání volitelného Nástěnného držáku (SU-WL850 nebo SU-WL450)* (není součástí dodávky)

Pro zákazníky:

Společnost Sony za účelem ochrany produktu a z důvodů bezpečnosti důrazně doporučuje, aby instalaci televizoru provedl prodejce Sony nebo autorizovaný dodavatel. Nepokoušejte se o jeho instalaci sami.

Prodejci a dodavatele Sony:

Během instalace, pravidelné údržby a prohlídek výrobku důsledně dbejte na bezpečnost.

Nástěnný držák - informace pro instalaci

Pokyny k instalaci Nástěnného držáku na stěnu naleznete v části Informace o instalaci (Nástěnný držák) na stránce produktu modelu televizoru.

<https://www.sony.eu/support>

- Řiďte se pokyny dodanými s Nástěnným držákem pro váš model. Instalace tohoto produktu vyžaduje dostatečné zkušenosti, zejména pak pro posouzení, zda zeď unese hmotnost televizoru.
- Společnost Sony nenesе žádnou odpovědnost za poškození nebo zranění způsobené nesprávnou manipulací nebo instalací.
- Montáž TV na stěnu smí provádět pouze kvalifikovaný servisní personál.
- Z bezpečnostních důvodů důrazně doporučujeme používání příslušenství Sony včetně:
 - Nástěnný držák SU-WL850
 - Nástěnný držák SU-WL450

CZ

- Když k TV připevňujete Nástěnný držák, použijte šrouby dodané s Nástěnným držákem. Dodané šrouby jsou navrženy k použití, jak je vyznačeno na obrázku, měřeno od montážního povrchu Nástěnného držáku. Průměr a délka šroubů se liší podle modelu Nástěnného držáku. Použití jiných šroubů může mít za následek vnitřní poškození televizoru nebo způsobit jeho pád apod.

10 mm - 12 mm



- Ujistěte se, že nepoužité šrouby a stolní stojan budou uchovány na bezpečném místě do doby, kdy budete chtít stolní stojan připevnit. Šrouby uchovávejte mimo dosah malých dětí.

* Pouze pro některé oblasti/země/modely televizoru.

Řešení problémů

Při obecném řešení problémů, jako jsou černá obrazovka, nehrající zvuk, nehybný obraz, nereagující televizor nebo ztráta sítě, postupujte následovně.

- 1 Vypněte televizor stisknutím tlačítka napájení na dálkovém ovládacím přístroji přibližně na 5 sekund a znovu zapněte. Televizor se restartuje. Pokud se funkce televizoru neobnoví, zkuste jej odpojit od zdroje napájení, poté stiskněte a uvolněte tlačítko napájení na televizoru. Počkejte dvě minuty a TV opět připojte ke zdroji napájení. Nebo stiskněte tlačítko zapínání na televizoru asi na 40 sekund, dokud se televizor nevyepne.
- 2 Více informací naleznete v nabídce nápovědy po stisknutí tlačítka **HELP** na dálkovém ovládacím přístroji.
- 3 Připojte televizor k internetu a aktualizujte software. Společnost Sony doporučuje udržovat software televizoru aktualizovaný. Softwarové aktualizace poskytují nové funkce a vylepšení výkonu.
- 4 Navštivte internetové stránky podpory Sony (informace naleznete na konci tohoto návodu).

Když televizor odpojíte, je možné, že televizor nebude možné nějakou dobu zapnout, i když stisknete tlačítko napájení na dálkovém ovladači nebo na televizoru.

Inicializace systému nějakou dobu trvá. Počkejte přibližně jednu minutu, potom to zkuste znovu.

Dálkové ovládání nefunguje.

- Vyměňte baterie.

Zapomněli jste heslo rodičovského zámku.

- Zadejte 9999 pro kód PIN a zadejte nový PIN.

	<p>Další informace o řešení problémů naleznete v Uživatelské příručce.</p>
--	--

Specifikace

Systém

Systém panelu: Panel LCD (displej s kapalnými krystaly), Podsvícení LED
TV systém: Závisí na oblasti, zemi nebo modelu televizoru

Analogové: B/G, D/K, I
Digitální: DVB-T/DVB-C/DVB-T2
Satelit: DVB-S/DVB-S2

Systém barev: PAL/SECAM/NTSC3.58 (Pouze video)/NTSC4.43 (Pouze video)

Výběr kanálů: Závisí na oblasti, zemi nebo modelu televizoru

Analogové: UHF/VHF/kabel
Digitální: UHF/VHF/kabel
Satelit: mezifrekvenční kmitočet 950-2150 MHz

Zvukový výstup: 10 W + 10 W + 10 W + 10 W + 10 W

Bezdrátová technologie
Protokol IEEE 802.11a/b/g/n/ac
Verze Bluetooth® 4.2
Kmitočtové pásmo (pásmo)

Frekvenční rozsah	Výstupní výkon
Bezdrátová síť LAN (Televize)	
2400-2483,5 MHz	< 20,0 dBm
5150-5250 MHz	< 23,0 dBm
5250-5350 MHz	< 20,0 dBm
5470-5725 MHz	< 20,0 dBm
5725-5850 MHz	< 13,9 dBm
Bluetooth® (Televize)	
2400-2483,5 MHz	< 10,0 dBm
Bluetooth® (Dálkové ovládání)	
2400-2483,5 MHz	< 10,0 dBm

Vstupní/Výstupní konektory

Anténa/kabel
75 ohmová externí zásuvka pro VHF/UHF
Satelitní anténa
Konektor typ F (zásuvka), 75 ohmová.
DiSEqC 1.0, LNB 13 V/18 V a tón 22 kHz, rozvod signálu jediným kabelem EN50494.
↻ / ↻ AV IN / S-CENTER SPEAKER IN
Video/audio vstup (mini jack konektor)
Vstup reproduktoru S-centre (mini jack konektor)

HDMI IN 1/2/3/4 (kompatibilní s HDCP 2.3)

Video:
4096 × 2160p (50, 60 Hz)*1*2, 4096 × 2160p (24 Hz)*1, 3840 × 2160p (50, 60 Hz)*2, 3840 × 2160p (24, 25, 30 Hz), 1080p (30, 50, 60, 100, 120 Hz), 1080/24p, 1080i (50, 60 Hz), 720p (30, 50, 60 Hz), 720/24p, 576p, 480p, PC formáty*3
3840 × 2160p (100, 120 Hz)*2*4

Audio:
V režimu eARC (Enhanced Audio Return Channel)
Podrobnosti naleznete online v Uživatelské příručce.

Kromě režimu eARC
5,1 kanálové lineární PCM: 32/44,1/48/88,2/96/176,4/192 kHz 16/20/24 bitů,
Dolby Audio, Dolby Atmos, DTS

eARC/ARC (Enhanced Audio Return Channel/ Audio Return Channel) (Pouze HDMI IN 3)*5

V režimu eARC
Podrobnosti naleznete online v Uživatelské příručce.

V režimu ARC
Dvoukanálový lineární PCM: 48 kHz 16 bitů,
Dolby Audio, Dolby Atmos, DTS

↻ DIGITAL AUDIO OUT (OPTICAL)
Digitální optický konektor jack (dvoukanálový lineární PCM: 48 kHz 16 bitů, Dolby Audio, DTS)

↻ (stereo mini konektor)

Sluchátka

↻ 1, ↻ 2, ↻ 3 (HDD REC)*6

Port zařízení USB (↻ 3 USB HDD zařízení pro funkci nahrávání)

USB porty 1 a 2 podporují vysokorychlostní USB (USB 2.0)

USB port 3 podporuje super rychlé USB (USB 3.1 Gen 1)



Slot CAM (modul podmíněného přístupu)

LAN

Konektor 10BASE-T/100BASE-TX (V závislosti na provozním prostředí sítě se rychlost připojení může lišit. Rychlost a kvalita komunikace nejsou zaručeny.)

Napájení, specifikace produktu a další

Požadavky na napájení

220 V – 240 V AC, 50 Hz

Třída energetické účinnosti*7

XR-85X9xJ: A

XR-75X9xJ: A

XR-65X9xJ: B

Velikost obrazovky (úhlopříčka) (příbl.)

XR-85X9xJ: 214,8 cm / 85 palců

XR-75X9xJ: 189,3 cm / 75 palců

XR-65X9xJ: 163,9 cm / 65 palců

Spotřeba elektrické energie*7

V režimu [Standardní]

XR-85X9xJ: 221 W

XR-75X9xJ: 206 W

XR-65X9xJ: 173 W

Roční spotřeba energie*7*8

XR-85X9xJ: 307 kWh za rok

XR-75X9xJ: 286 kWh za rok

XR-65X9xJ: 240 kWh za rok

Spotřeba elektrické energie v pohotovostním

režimu*7*9*10

XR-85X9xJ: 0,50 W (35 W v režimu aktualizace softwaru/EPG)

XR-75X9xJ: 0,50 W (33 W v režimu aktualizace softwaru/EPG)

XR-65X9xJ: 0,50 W (34 W v režimu aktualizace softwaru/EPG)

Rozlišení displeje (vodorovně × svisle) (pixely)

3840 × 2160

Vlastnosti výstupu

500 mA (pro USB 1/2), 900 mA (pro USB 3)

Rozměry (příbl.) (š × v × h) (cm)

se stolním stojanem

Standardní poloha:

XR-85X9xJ: 188,8 × 109,8 × 45,0

XR-75X9xJ: 166,7 × 97,4 × 39,0

XR-65X9xJ: 144,3 × 84,8 × 33,8

Úzká poloha:

XR-85X9xJ: 188,8 × 111,0 × 45,0

XR-75X9xJ: 166,7 × 98,5 × 39,0

Poloha reproduktoru Soundbar:

XR-85X9xJ: 188,8 × 115,8 × 45,0

XR-75X9xJ: 166,7 × 103,4 × 39,0

XR-65X9xJ: 144,3 × 90,8 × 33,8

bez stolního stojanu

XR-85X9xJ: 188,8 × 108,6 × 6,1

XR-75X9xJ: 166,7 × 96,1 × 6,1

XR-65X9xJ: 144,3 × 83,5 × 6,6

Šířka stojanu (příbl.) (cm)

Standardní poloha:

XR-85X9xJ: 188,7

XR-75X9xJ: 166,6

XR-65X9xJ: 144,2

Úzká poloha:

XR-85X9xJ / 75X9xJ: 61,0

Poloha reproduktoru Soundbar:

XR-85X9xJ: 188,7

XR-75X9xJ: 166,6

XR-65X9xJ: 144,2

Hmotnost (příbl.) (kg)

se stolním stojanem

XR-85X9xJ: 51,2

XR-75X9xJ: 39,1

XR-65X9xJ: 28,5

bez stolního stojanu

XR-85X9xJ: 48,7

XR-75X9xJ: 36,8

XR-65X9xJ: 27,5

Ostatní

Volitelné příslušenství

Nástěnný držák: SU-WL850 (pouze modely

XR-75X9xJ / 65X9xJ)

Nástěnný držák: SU-WL450

Provozní teplota: 0 °C – 40 °C

Provozní vlhkost: Relativní vlhkost 10 % – 80 % (nekondenzující)

*1 Když je vstup 4096 × 2160p a [Širokoúhlý režim] je nastaveno na [Výchozí], rozlišení bude zobrazeno jako 3840 × 2160p. Pro zobrazení 4096 × 2160p, nastavte [Širokoúhlý režim] na [Plný 1] nebo [Plný 2].

*2 Viz nabídka na obrazovce pro nastavení [Formát signálu HDMI].

*3 Podrobnosti naleznete online v Uživatelské příručce.

*4 Pouze HDMI IN 3 & 4. K připojení použijte ultra vysokorychlostní kabel HDMI.

*5 Připojte svůj audio systém do portu HDMI IN 3 pro reprodukci zvuku TV vaším audio systémem.

*6 Funkce není v Itálii dostupná.

*7 Tyto informace jsou určeny pro EU a pro další země, jejichž příslušné předpisy vycházejí z nařízení EU o energetických štítcích.

*8 Spotřeba energie v kWh za rok spočítaná na základě spotřeby televizoru zapnutého 4 hodiny denně po 365 dní. Skutečná spotřeba energie závisí na způsobu používání televizoru.

*9 Specifikovaná spotřeba elektrické energie v pohotovostním režimu je dosažena po dokončení nezbytných vnitřních procesů televizoru.

*10 Spotřeba elektrické energie v pohotovostním režimu se zvýší, pokud je televizor připojen k síti.

Poznámka

- Dostupnost volitelného příslušenství závisí na zemi/oblasti/modelu televizoru/zásobách na skladě.
- Vzhled a specifikace se mohou změnit bez předchozího upozornění.
- Pro používání Asistent Google může být vyžadováno předplatné služeb a aplikací a mohou platit další smluvní podmínky a/nebo poplatky.
- Specifikace produktu v této příručce jsou určeny pro NAŘÍZENÍ DELEGOVANÉ KOMISÍ (EU) 1062/2010. Další informace o nařízení (EU) 2019/2013 naleznete na příslušných webových stránkách.

Poznámky k funkcím digitální televize

- Digitální televize (DVB pozemní, satelitní a kabelová), interaktivní služby a síťové funkce nemusí být dostupné ve všech zemích nebo oblastech. Některé funkce nemusí být některými poskytovateli a v některých síťových prostředích aktivovány nebo nemusí pracovat správně. Některí poskytovatelé televizních služeb mohou za své služby účtovat poplatky.
- Tento televizor podporuje digitální vysílání s využitím kodeků MPEG-2, H.264/MPEG-4 AVC a H.265/HEVC, nicméně nelze zaručit kompatibilitu se signály všech operátorů/ služeb, které se mohou v průběhu času měnit.

Informace o obchodních značkách

- Pojmy HDMI a HDMI High-Definition Multimedia Interface a rovněž logo HDMI jsou ochranné známky nebo zapsané ochranné známky společnosti HDMI Licensing Administrator, Inc. ve Spojených státech a dalších zemích.
- Dolby, Dolby Vision, Dolby Atmos, Dolby Audio a symbol dvojitého D jsou ochranné známky společnosti Dolby Laboratories Licensing Corporation. Vyrobeno na základě licence poskytnuté společností Dolby Laboratories. Důvěrné nepublikované materiály. Copyright © 1992-2020 Dolby Laboratories. Všechna práva vyhrazena.
- Gracenote, logo a ligatura Gracenote a logo „Powered by Gracenote“ jsou buď registrované obchodní známky, nebo obchodní známky společnosti Gracenote, Inc. ve Spojených státech a/nebo jiných zemích.
- Google TV a související loga jsou ochrannými známkami Google LLC.
- Informace o patentech DTS naleznete na <http://patents.dts.com>. Vyrobeno na základě licence od společnosti DTS, Inc. DTS, Digital Surround a logo DTS jsou registrované obchodní známky nebo obchodní značky společnosti DTS, Inc. ve Spojených státech a v dalších zemích. © 2020 DTS, Inc. VŠECHNA PRÁVA VYHRAZENA.

- Netflix je registrovaná ochranná známka společnosti Netflix, Inc.
- DiSEqC™ je ochranná známka společnosti EUTELSAT. Tento televizor podporuje DiSEqC 1.0. Tento televizor není určen k ovládní antén s motorovým pohonem.
- TUXERA je registrovaná ochranná známka společnosti Tuxera Inc. v USA a v dalších zemích.
- Všechny ostatní ochranné známky jsou majetkem příslušných vlastníků.

Číslo registrace výrobku (NAŘÍZENÍ DELEGOVANÉ KOMISÍ (EU) 2019/2013)

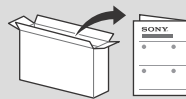
XR-85X95J (527154), XR-75X95J (527151), XR-65X95J (527140).

O príručkách

Tento televízor sa dodáva s nasledujúcimi príručkami. Uchovajte príručky pre budúce použitie.

Sprievodca nastavením

- Inštalácia a nastavenie televízora.



Referenčná príručka (táto príručka) / Bezpečnostná dokumentácia

- Informácie o bezpečnosti, diaľkový ovládač, riešenie problémov, inštalácia na stenu, špecifikácia atď.



Príručka (Príručka na obrazovke)

- Nastavenia, funkcie, pripojenie k internetu, riešenie problémov atď.
- Ak ju chcete otvoriť, stlačte tlačidlo pomocníka **HELP** na diaľkovom ovládači a zvolte Príručka.




- Príručku si môžete pozrieť pomocou smartphonu.



https://rd1.sony.net/help/tv/iaep1/h_aep/

Nastavenia ponúk sa môžu zmeniť bez oznámenia.

DÔLEŽITÉ - Pred použitím výrobku Sony si prečítajte licenčnú zmluvu týkajúcu sa softvéru koncového používateľa. Používanie vášho výrobku znamená, že súhlasíte s licenčnou zmluvou týkajúcou sa softvéru koncového používateľa. Licenčná zmluva týkajúca sa softvéru medzi vami a spoločnosťou Sony je k dispozícii online na webovej stránke spoločnosti Sony (<https://www.sony.net/tv-software-licenses/>) alebo na obrazovke vášho výrobku. Stlačte tlačidlo  (Rýchle nastavenia) na diaľkovom ovládači a vyberte položky [Nastavenia] → [Systém] → [Informácie] → [Právne informácie] → [Upozornenia a licencie].

Poznámka

- Pred uvedením tohto televízneho prijímača do činnosti si prečítajte „Informácie o bezpečnosti“.
- Prečítajte si dodanú bezpečnostnú dokumentáciu ohľadom dodatočných bezpečnostných informácií.
- Obrázky a ilustrácie použité v Sprievodcovi nastavením a v tomto návode slúžia len na referenčné účely a môžu sa líšiť od samotného produktu.
- Znak „x“/„xx“, ktorý sa uvádza v názve modelu, zodpovedá číselnému znaku, ktorý sa týka konštrukcie, farby alebo systému televízneho vysielania.

Umiestnenie identifikačného štítku

Štítky s číslom modelu, dátumom výroby (rok/mesiac) a s údajmi o napájacom zdroji sa nachádzajú na zadnej časti TV prijímača alebo na balení. Možno ich nájsť, ak demontujete kryt konektorov.

DÔLEŽITÉ UPOZORNENIE

Poznámka pre rádiové zariadenie

Sony Corporation týmto vyhlasuje, že rádiové zariadenia typu XR-85X95J, XR-75X95J, XR-65X95J sú v súlade so smernicou 2014/53/EÚ. Úplné EÚ vyhlásenie o zhode je k dispozícii na tejto internetovej adrese: <https://compliance.sony.eu>

Pre toto rádiové zariadenie platia nasledujúce obmedzenia týkajúce sa uvedenia do prevádzky alebo požiadaviek na autorizáciu používania v krajinách AT, BE, HR, CY, CZ, DK, EE, FI, FR, DE, EL, HU, IE, IT, LV, LT, LU, MT, NL, PL, PT, SK, SI, ES, SE, UK, UK (NI), IS, LI, NO, CH, BG, RO, TR, AL, BA, MK, MD, RS, ME, Kosovo :
Pásmo 5150 - 5350 MHz je obmedzené len na použitie v interiéri.

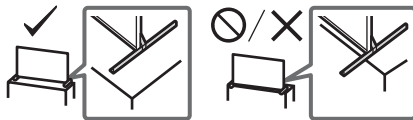
Informácie o bezpečnosti

Inštalácia/Nastavenie

Televízny prijímač nainštalujte a používajte v súlade s dolu uvedenými pokynmi, aby ste predišli vzniku rizika požiaru, zásahu elektrickým prúdom, poškodeniam alebo úrazom.

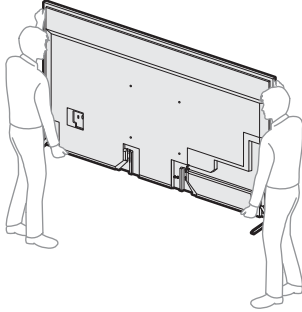
Inštalácia

- Televízny prijímač treba nainštalovať v blízkosti ľahko dostupnej sieťovej zásuvky.
- Umiestnite televízny prijímač na stabilný rovný povrch, aby nedošlo k jeho prevrhnutiu a následnému zraneniu alebo poškodeniu majetku.
- Televízny prijímač nainštalujte na miesto, odkiaľ ho nemožno stiahnuť, posunúť ani prevrhnúť.
- Televízny prijímač nainštalujte tak, aby stolový stojan televízneho prijímača neprečnieval mimo TV stojana (nedodáva sa). Ak stolový stojan prečnieva mimo TV stojana, televízny prijímač sa môže prevrhnúť, spadnúť a spôsobiť zranenie osôb alebo sa môže televízny prijímač poškodiť.



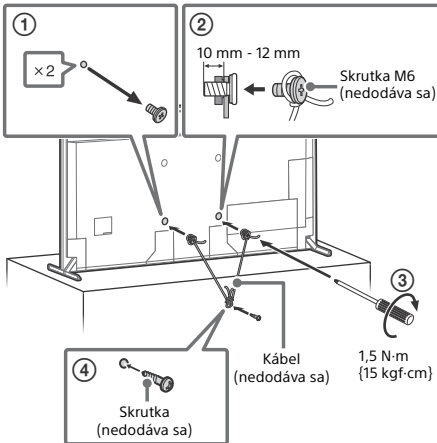
Preprava

- Pred premiestňovaním televízneho prijímača odpojte všetky káble.
- Pred prepravou televízneho prijímača odmontujte kryty konektorov.
- Na prenášanie veľkého televízneho prijímača sú potrebné dve alebo viaceré osoby.
- Pri prenášaní držte televízny prijímač tak, ako je to znázornené nižšie. LCD panel a rám okolo obrazovky chráňte pred zvýšeným namáhaním.
- Pri dvíhaní alebo prenášaní televízneho prijímača ho držte za spodnú stranu.



- Pri prenášaní a preprave chráňte televízny prijímač pred nárazmi alebo nadmernými vibráciami.
- Pri preprave do opravy alebo pri sťahovaní zabaľte televízny prijímač do pôvodného kartónu a baliaceho materiálu.

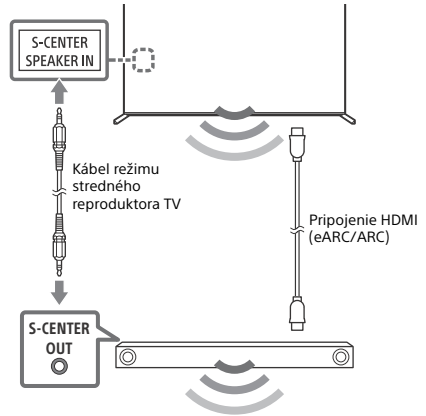
Predchádzanie prevrhnutiu



Používanie televízora ako súčasti audiosystému

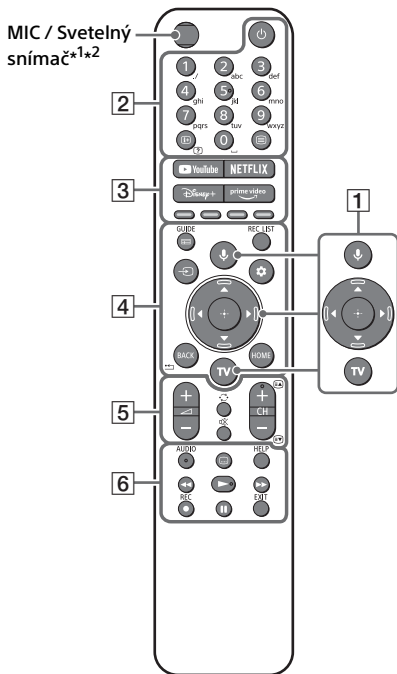
Poznámka

- Pred pripojením káblov odpojte TV aj prijímač AV z elektrickej siete.
- Podrobnosti nájdete v návode na použitie audiosystému s konektorom S-CENTER OUT.



Dialkový ovládač a televízny prijímač

Tvar diaľkového ovládača, rozloženie, dostupnosť a funkcia tlačidiel na diaľkovom ovládači sa môžu líšiť v závislosti od oblasti/krajiny/modelu televízneho prijímača/nastavenia televízneho prijímača.



- 1** (Mikrofón) / (Asistent Google): Použijete Asistent Google*^{3,4} alebo hlasové vyhľadávanie*⁴. Ak chcete získať tipy na spôsob ovládania televízneho prijímača, stlačte tlačidlo mikrofónu na diaľkovom ovládači a povedzte „hlasové tipy“.*³

▲/▼/◀/▶/⊕: Navigácia a výber ponuky na obrazovke.

TV: Zobrazte zoznam TV kanálov alebo prepnite na vstup.

- 2** (Napájanie)

Tlačidlá s číslami

ℹ️/? (Zobrazenie informácií/textu): Zobrazenie informácií.

☰ (Text): Zobrazenie textových informácií.

- 3** **YouTube™ / NETFLIX / Disney+ / Prime Video / Farebné tlačidlá**

- 4** **GUIDE**/: Zobrazte digitálneho sprievodcu programom pre televízor alebo set-top box*⁵.

REC LIST: Zobrazenie zoznamu nahrávania na USB HDD*⁶/DVR*⁵.

↪️ (Výber vstupu): Zobrazenie a voľba zdroja vstupu a pod.

⚙️ (Rýchle nastavenia): Zobrazenie rýchlych nastavení.

BACK/

HOME

- 5** **↔️ +/- (Hlasitosť)**

↻ (Prechod)

⊗ (Stlmenie)*⁷

CH +/-////: Zvoľte kanál alebo nasledujúcu () / predchádzajúcu () stránku.

- 6** **AUDIO**: Výber zvuku viacjazyčného zdroja alebo duálneho zvuku (závisí od zdroja programu).

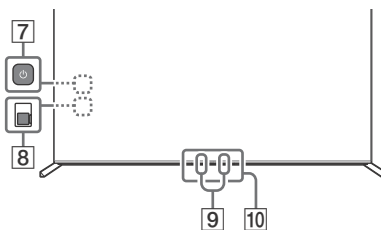
⋮ (Nastavenie titulkov)

HELP: Zobrazenie ponuky pomocníka.

◀️/▶️/▶️▶️/⏸️

● REC: Zaznamenanie práve sledovaného programu na USB HDD*⁶/DVR*⁵.

EXIT



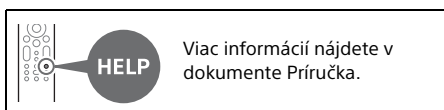
- 7** (Napájanie): (Možno ho nájsť, ak demontujete bočný kryt)

- 8** **BUILT-IN MIC SWITCH (Prepínač vstavaného mikrofónu)**: Zapnutie/vypnutie vstavaného mikrofónu. (Možno ho nájsť, ak demontujete bočný kryt)

- 9** **Zabudovaný mikrofón*^{3,4,8}**: Ak chcete zapnúť zabudovaný mikrofón, stlačte tlačidlo mikrofónu na diaľkovom ovládači a postupujte podľa pokynov na obrazovke.

10 Snímač diaľkového ovládania / Svetelný snímač / LED

- *1 Podsvietenie diaľkového ovládača sa zapne, keď svetelný snímač zistí, že okolité svetlo je slabé. Automatické zapnutie podsvietenia je možné vypnúť.
- *2 Len model RMF-TX621E. Ak chcete zistiť názov modelu diaľkového ovládača, otvorte kryt diaľkového ovládača a pozrite si štítok diaľkového ovládača.
- *3 Len v obmedzených oblastiach/krajinách/modeloch TV prijímačov/jazykoch.
- *4 Asistent Google alebo hlasové vyhľadávanie vyžadujú pripojenie k internetu.
- *5 Vyžaduje sa nastavenie [Nastavenie set-top boxu].
- *6 Nie je k dispozícii pre Taliansko.
- *7 Skratka prístupnosti je dostupná stlačením a podržaním **⌘** (Stlmenie).
- *8 Spotreba energie sa zvýši, keď je zabudovaný mikrofón zapnutý, pretože vždy počúva.



Montáž TV prijímača na stenu

Použitie voliteľnej Montážnej konzoly na stenu (SU-WL850 alebo SU-WL450)* (nedodáva sa)

Pre zákazníkov:

Z dôvodov ochrany produktu a bezpečnosti spoločnosť Sony odporúča, aby montáž TV prijímača vykonali predajcovia spoločnosti Sony alebo licencovaní dodávatelia. Nepokúšajte sa ho montovať sami.

Pre predajcov a dodávateľov Sony:

Počas montáže, pravidelnej údržby a kontroly tohto produktu venujte plnú pozornosť bezpečnosti.

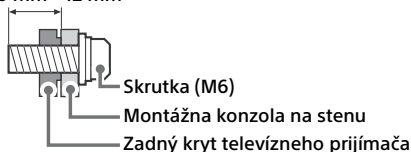
Informácie o inštalácii Montážna konzola na stenu

Pokyny na inštaláciu Montážnej konzoly na stenu nájdete na stránke produktu modelu televízneho prijímača v časti Informácie o inštalácii (Montážna konzola na stenu). <https://www.sony.eu/support>

- Postupujte podľa návodu, ktorý je dodaný spolu s Montážnou konzolou na stenu pre váš model. Montáž tohto televízneho prijímača vyžaduje adekvátne odborné znalosti. Obzvlášť je potrebné určiť, či je stena dostatočne pevná na to, aby udržala hmotnosť televízneho prijímača.
- Spoločnosť Sony nezodpovedá za žiadne škody ani zranenia spôsobené nevhodnou manipuláciou alebo nesprávnou montážou.
- Inštaláciu upevnenia na stenu môže uskutočňovať iba kvalifikovaný pracovník servisu.
- Z bezpečnostných dôvodov rozhodne odporúčame používať príslušenstvo značky Sony, ako napr.:
 - Montážna konzola na stenu SU-WL850
 - Montážna konzola na stenu SU-WL450
- Na pripavenie Montážnej konzoly na stenu k TV prijímaču použite skrutky dodané s Montážnou konzolou na stenu. Dodané skrutky, znázornené na ilustrácii, sú merané od pripevňovacieho povrchu Montážnej konzoly na stenu.

Priemer a dĺžka skrutky závisia od modelu Montážnej konzoly na stenu. Použitie iných ako dodávaných skrutiek môže mať za následok vnútorné poškodenie televízneho prijímača, alebo spôsobiť jeho pád atď.

10 mm - 12 mm



- Nepoužívané skrutky a stolový stojan uchovávajte na bezpečnom mieste, kým nie ste pripravení na pripavenie stolového stojana. Skrutky uchovávajte mimo dosahu detí.
- * Len v obmedzených oblastiach/krajinách/modeloch TV prijímačov.

SK

Riešenie problémov

Všeobecné riešenie problémov, ako sú: čierna obrazovka, žiadny zvuk, zamrznutý obraz, televízny prijímač nereaguje alebo sa stratila sieť, vykonajte nasledujúce kroky.

- 1 Reštartujte televízny prijímač stlačením hlavného vypínača na diaľkovom ovládači približne na päť sekúnd. Televízny prijímač sa reštartuje. Ak televízny prijímač nezačne fungovať, skúste odpojiť sieťový kábel, potom stlačte vypínač na televíznom prijímači a uvoľnite ho. Počkajte dve minúty a zapojte sieťový šnúru. Alebo stlačte vypínač na televíznom prijímači na približne 40 sekúnd, až kým sa televízny prijímač nevypne.
- 2 Pozrite ponuku pomocníka stlačením tlačidla **HELP** na diaľkovom ovládači.
- 3 Pripojte televízny prijímač na internet a vykonajte aktualizáciu softvéru. Spoločnosť Sony odporúča udržiavať softvér TV aktualizovaný. Aktualizácie softvéru poskytujú nové funkcie a vylepšenia výkonu.
- 4 Navštívte podpornú webovú stránku spoločnosti Sony (informácie uvedené na konci tejto príručky).

Keď televízny prijímač zapojíte, televízny prijímač sa možno nezapne, aj keď stlačíte tlačidlo hlavného vypínača na diaľkovom ovládači alebo na televíznom prijímači.

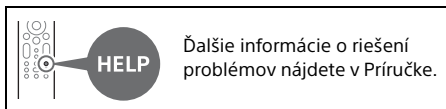
Inicializácia systému trvá určitú dobu. Počkajte približne jednu minútu a potom to skúste znova.

Diaľkový ovládač nefunguje.

- Vymeňte batérie.

Heslo rodičovského zámku bolo zabudnuté.

- Zadajte 9999 pre PIN a zadajte nový PIN.



Špecifikácie

Systém

Systém panela: Panel LCD (displej s tekutými kryštálmi), Podsvietenie LED

Systém televízneho vysielania: Závisí to od výberu krajiny a regiónu/modelu televízneho prijímača

Analogový: B/G, D/K, I

Digitálny: DVB-T/DVB-C/DVB-T2

Satelit: DVB-S/DVB-S2

Systém farieb: PAL/SECAM/NTSC3.58 (len video)/NTSC4.43 (len video)

Kanálový rozsah: Závisí to od výberu krajiny a regiónu/modelu televízneho prijímača

Analogový: UHF/VHF/káblový

Digitálny: UHF/VHF/káblový

Satelit: Medzifrekvencia 950-2150 MHz

Zvukový výstup: 10 W + 10 W + 10 W + 10 W + 10 W

Bezdrôtová technológia

Protokol IEEE 802.11a/b/g/n/ac

Bluetooth® verzia 4.2

Frekvenčné pásmo/pásmo

Frekvenčný rozsah	Výstupný výkon
Bezdrôtová sieť LAN (Televízia)	
2400-2483,5 MHz	< 20,0 dBm
5150-5250 MHz	< 23,0 dBm
5250-5350 MHz	< 20,0 dBm
5470-5725 MHz	< 20,0 dBm
5725-5850 MHz	< 13,9 dBm
Bluetooth® (Televízia)	
2400-2483,5 MHz	< 10,0 dBm
Bluetooth® (Diaľkový ovládač)	
2400-2483,5 MHz	< 10,0 dBm

Vstupné a výstupné konektory

Anténa/kábel

75 ohmov, externý konektor pre VHF/UHF

Satelitná anténa

Konektor samica typu F, 75 ohmov.

DiSEqC 1.0, LNB 13 V/18 V a tón 22 kHz,

Jednokábelový rozvod EN50494.

↻ / ↻ AV IN / S-CENTER SPEAKER IN

Vstup video/audio (mini jack)

Vstup stredového reproduktora S (mini jack)

HDMI IN 1/2/3/4 (HDCP 2.3-kompatibilné)

Video:

4096 × 2160p (50, 60 Hz)^{*1*2}, 4096 × 2160p (24 Hz)^{*1}, 3840 × 2160p (50, 60 Hz)^{*2}, 3840 × 2160p (24, 25, 30 Hz), 1080p (30, 50, 60, 100, 120 Hz), 1080/24p, 1080i (50, 60 Hz), 720p (30, 50, 60 Hz), 720/24p, 576p, 480p, Formáty PC^{*3}
3840 × 2160p (100, 120 Hz)^{*2*4}

Audio:

V režime eARC (Enhanced Audio Return Channel)

Podrobnosti nájdete v online Príručke.

Okrem režimu eARC

5,1 lineárny kanál PCM: 32/44,1/48/88,2/96/176,4/192 kHz 16/20/24 bitov, Dolby Audio, Dolby Atmos, DTS

eARC/ARC (Enhanced Audio Return Channel/ Audio Return Channel) (len model HDMI IN 3)^{*5}

V režime eARC

Podrobnosti nájdete v online Príručke.

V režime ARC

Dvojkanálový lineárny PCM: 48 kHz 16 bitov, Dolby Audio, Dolby Atmos, DTS

⇨ DIGITAL AUDIO OUT (OPTICAL)

Digitálny optický konektor (dvojkanálový lineárny PCM: 48 kHz 16 bitov, Dolby Audio, DTS)

🎧 (Stereo mini konektor)

Slúchadlo

🔌➔1, 🔌➔2, 🔌➔3 (HDD REC)^{*6}

Port v zariadení USB (🔌➔3 Zariadenie s USB HDD pre funkciu REC)

Port USB 1 a 2 podporujú vysokorýchlostné pripojenie USB (USB 2.0)

Port USB 3 podporuje super vysokorýchlostné pripojenie USB (USB 3.1 Gen 1)



Slot CAM (modul pre podmienený prístup)

🌐 LAN

Konektor 10BASE-T/100BASE-TX (V závislosti od prevádzkového prostredia siete sa môže rýchlosť pripojenia meniť. Rýchlosť a kvalita komunikácie nie je pre tento TV prijímač zaručená.)

Napájanie, informácie o produkte a ďalšie

Požiadavky na napájanie

220 V – 240 V striedavého prúdu, 50 Hz

Trieda energetickej účinnosti^{*7}

XR-85X9xJ: A

XR-75X9xJ: A

XR-65X9xJ: B

Rozmery obrazovky (merané diagonálne) (Pribl.)

XR-85X9xJ: 214,8 cm / 85 palcov

XR-75X9xJ: 189,3 cm / 75 palcov

XR-65X9xJ: 163,9 cm / 65 palcov

Príkon^{*7}

V režime [Štandardný]

XR-85X9xJ: 221 W

XR-75X9xJ: 206 W

XR-65X9xJ: 173 W

Ročná spotreba energie^{*7*8}

XR-85X9xJ: 307 kWh za rok

XR-75X9xJ: 286 kWh za rok

XR-65X9xJ: 240 kWh za rok

Príkon v pohotovostnom režime^{*7*9*10}

XR-85X9xJ: 0,50 W (35 W v režime aktualizácie softvéru/EPG)

XR-75X9xJ: 0,50 W (33 W v režime aktualizácie softvéru/EPG)

XR-65X9xJ: 0,50 W (34 W v režime aktualizácie softvéru/EPG)

Rozlíšenie displeja (vodorovne × zvisle) (pixelov)
3840 × 2160

Menovitý výkon

500 mA (pre USB 1/2), 900 mA (pre USB 3)

Rozmery (Pribl.) (Š × v × h) (cm)

so stolovým stojanom

Štandardná poloha:

XR-85X9xJ: 188,8 × 109,8 × 45,0

XR-75X9xJ: 166,7 × 97,4 × 39,0

XR-65X9xJ: 144,3 × 84,8 × 33,8

Zúžená poloha:

XR-85X9xJ: 188,8 × 111,0 × 45,0

XR-75X9xJ: 166,7 × 98,5 × 39,0

Poloha reproduktorového panela:

XR-85X9xJ: 188,8 × 115,8 × 45,0

XR-75X9xJ: 166,7 × 103,4 × 39,0

XR-65X9xJ: 144,3 × 90,8 × 33,8

bez stolového stojana

XR-85X9xJ: 188,8 × 108,6 × 6,1

XR-75X9xJ: 166,7 × 96,1 × 6,1

XR-65X9xJ: 144,3 × 83,5 × 6,6

Šírka stojana (Pribl.) (cm)

Štandardná poloha:

XR-85X9xJ: 188,7

XR-75X9xJ: 166,6

XR-65X9xJ: 144,2

Zúžená poloha:

XR-85X9xJ / 75X9xJ: 61,0

Poloha reproduktorového panela:

XR-85X9xJ: 188,7

XR-75X9xJ: 166,6

XR-65X9xJ: 144,2

Hmotnosť (Pribl.) (kg)

so stolovým stojanom

XR-85X9xJ: 51,2

XR-75X9xJ: 39,1

XR-65X9xJ: 28,5

bez stolového stojana

XR-85X9xJ: 48,7

XR-75X9xJ: 36,8

XR-65X9xJ: 27,5

Iné

Voliteľné príslušenstvo

Montážna konzola na stenu: SU-WL850 (len XR-75X9xJ / 65X9xJ)

Montážna konzola na stenu: SU-WL450

Prevádzková teplota: 0 °C – 40 °C

Prevádzková vlhkosť: 10 % – 80 % RH (nekondenzovaná)

- *1 Keď je vstup 4096 × 2160p a [Široký režim] je nastavené na [Štandardný], rozlíšenie sa zobrazí ako 3840 × 2160p. Na zobrazenie 4096 × 2160p vyberte nastavenie [Široký režim] na [Plný 1] alebo [Plný 2].
- *2 Informácie o tom, ako nastaviť [Formát signálu HDMI], nájdete v ponuke na obrazovke.
- *3 Podrobnosti nájdete v online Príručke.
- *4 Len HDMI IN 3 & 4. Na pripojenie použijete Ultra vysokorychlostný kábel HDMI.
- *5 Pripojte audiosystém na HDMI IN 3 pre vedenie audio signálu z televízneho prijímača do audiosystému.
- *6 Funkcia nie je k dispozícii v Taliansku.
- *7 Tieto informácie sú určené pre EÚ a ďalšie krajiny, ktorých príslušné nariadenie je založené na predpisoch EÚ o energetickom označovaní.
- *8 Spotreba energie za rok v kWh. Táto hodnota platí pre spotrebu energie v prípade televízneho prijímača, ktorý bude používaný 4 hodiny denne počas 365 dní. Skutočná spotreba energie bude závisieť na spôsobe používania televízneho prijímača.
- *9 Uvedený príkon v pohotovostnom režime sa dosiahne, keď televízny prijímač dokončí nevyhnutné vnútorné procesy.
- *10 Spotreba energie v pohotovostnom režime sa zvýši po pripojení televízneho prijímača k sieti.

Poznámka

- Dostupnosť voliteľného príslušenstva závisí od krajiny/regiónu/modelu TV prijímača/zásob.
- Dizajn a špecifikácie sa môžu zmeniť bez oznámenia.
- Pri používaní Asistent Google sa môže vyžadovať predplatné za služby a aplikácie, pričom sa na ne môžu vzťahovať ďalšie zmluvné podmienky a/alebo poplatky.
- Opis výrobu v tomto návode sa uvádza vzhľadom na DELEGOVANÉ NARIADENIE KOMISIE (EÚ) č. 1062/2010. Viac informácií týkajúcich sa nariadenia (EÚ) č. 2019/2013 nájdete na webovej lokalite.

Poznámky k funkcii Digital TV

- Digitálna TV (terestriálne, satelitné a káblové DVB), interaktívne služby a sieťové funkcie nemusia byť dostupné vo všetkých krajinách alebo oblastiach. Niektoré funkcie nemusia byť aktivované alebo nemusia fungovať správne u niektorých poskytovateľov alebo v sieťových prostrediach. Niektorí poskytovatelia TV služieb môžu za svoje služby účtovať poplatok.
- Táto TV podporuje digitálne vysielanie s použitím kodekov MPEG-2, H.264/MPEG-4 AVC a H.265/HEVC, ale nie je možné zaručiť kompatibilitu so signálmi všetkých operátorov/služieb, ktoré sa môžu v priebehu času meniť.

Informácie o ochranných známkach

- Výrazy HDMI, HDMI High-Definition Multimedia Interface a logo HDMI sú obchodnými známkami alebo registrovanými obchodnými známkami spoločnosti HDMI Licensing Administrator, Inc. v Spojených štátoch amerických a ďalších krajinách.
- Dolby, Dolby Vision, Dolby Atmos, Dolby Audio a dvojitý symbol D sú obchodnými značkami spoločnosti Dolby Laboratories Licensing Corporation. Vyrobené na základe licencie od spoločnosti Dolby Laboratories. Dôverná nezverejnená diela. Autorské právo © 1992-2020 Dolby Laboratories. Všetky práva vyhradené.
- Gracenote, logo a logotyp Gracenote a logo „Powered by Gracenote“ sú registrované ochranné známky alebo ochranné známky spoločnosti Gracenote, Inc., v USA a/alebo v iných krajinách.
- Google TV a súvisiace logá sú ochranné známky spoločnosti Google LLC.
- Informácie o patentoch DTS nájdete na adrese <http://patents.dts.com>. Vyrobené na základe licencie od spoločnosti DTS, Inc. DTS, Digital Surround a logo DTS sú registrované ochranné známky alebo ochranné známky spoločnosti DTS, Inc. v Spojených štátoch a ďalších krajinách. © 2020 DTS, Inc. VŠETKY PRÁVA VYHRADENÉ.
- Netflix je registrovaná ochranná známka spoločnosti Netflix, Inc.
- DiSEqC™ je ochranná známka spoločnosti EUTELSAT. Tento TV prijímač podporuje DiSEqC 1.0. Tento TV prijímač nie je určený pre kontrolné motorizované antény.

- TUXERA je registrovaná ochranná známka spoločnosti Tuxera Inc. registrovaná v USA a iných krajinách.
- Všetky ostatné ochranné známky sú vlastníctvom príslušných vlastníkov.

**Registračné číslo výrobku (DELEGOVANÉ
NARIADENIE KOMISIE (EÚ) 2019/2013)**

XR-85X95J (527154), XR-75X95J (527151),

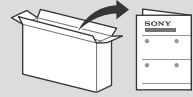
XR-65X95J (527140).

Az útmutatókról

A TV-készülékhez a következő útmutatókat melléeltük. Kérjük, őrizze meg az útmutatókat későbbi tájékozódás céljából.

Beállítási útmutató

- TV telepítése és beállítása.



Felhasználói útmutató (a jelen útmutató) / Biztonsági dokumentáció

- Biztonsági előírások, távvezérlő, hibaelhárítás, fali konzol felszerelése, műszaki adatok stb.



Súgóútmutató (Képernyőn megjelenő útmutató)

- Beállítások, funkciók, Internetkapcsolat, hibaelhárítás stb.
- A megnyitásához nyomja meg a **HELP** gombot a távirányítón és válassza a Súgóútmutató lehetőséget.




- Okostelefonjáról is elérheti a Súgóútmutatót.



https://rd1.sony.net/help/tv/iaep1/h_aep/

A beállítási menük előzetes bejelentés nélkül megváltozhatnak.

FONTOS - Olvassa el a Szoftver végfelhasználói licen szerződését a Sony termék használata előtt. A készülék használatával elfogadja a Szoftver végfelhasználói licen szerződését. Az Ön és a Sony között létrejött szoftver licen szerződés elérhető online a Sony weboldalán (<https://www.sony.net/tv-software-licenses/>) vagy a készülék képernyőjén. Nyomja meg a  (Gyors beállítások) gombot a távirányítón, és válassza ki a [Beállítások] → [Rendszer] → [Névjegy] → [Jogi információk] → [Megjegyzések és licenck] menüpontot.

Megjegyzés

- Kérjük, hogy a tv használata előtt olvassa el a következőt: „Biztonsági előírások”.
- További biztonsági előírásokért olvassa el a mellékelt biztonsági dokumentációt.
- A Beállítási útmutatóban, valamint az ebben az útmutatóban szereplő képek és ábrák csak tájékoztató célok szolgálnak, és eltérhetnek a valós terméktől.
- A típusnévben szereplő „x”/„xx” a kialakításra, a színváltozatra vagy a televízió-rendszerre vonatkozó számjegyek felel meg.

Az azonosító címke helye

A típusszám, a gyártási idő (év/hónap) és az áramellátás típusának címkéje a televízió hátulján vagy a csomagoláson található. A címkék a csatlakozódélt eltávolítása után válnak láthatóvá.

FONTOS FIGYELMEZTETÉS

Megjegyzés a rádióberendezéssel kapcsolatban

A Sony Corporation igazolja, hogy a XR-85X95J, XR-75X95J, XR-65X95J típusú rádiós berendezések megfelelnek a 2014/53/EU irányelv előírásainak. Az EU-megfelelőségi nyilatkozat teljes szövege elérhető a következő internetes címen: <https://compliance.sony.eu>

Erre a rádióberendezésre vonatkozóan az üzembe helyezéssel kapcsolatos következő korlátozások, vagy a használat jóváhagyásával kapcsolatos következő követelmények alkalmazandók ezekben az országokban: AT, BE, HR, CY, CZ, DK, EE, FI, FR, DE, EL, HU, IE, IT, LV, LT, LU, MT, NL, PL, PT, SK, SI, ES, SE, UK, UK (NI), IS, LI, NO, CH, BG, RO, TR, AL, BA, MK, MD, RS, ME, Koszovó :
Az 5150 – 5350 MHz-es sáv beltéri használatra van korlátozva.

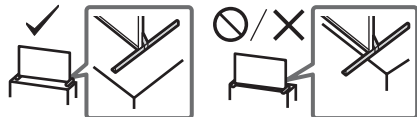
Biztonsági előírások

Üzembe helyezés, beállítás

Tűz, áramütés, anyagi kár vagy sérülés elkerülése érdekében a tv-készüléket az alábbi utasításoknak megfelelően helyezze üzembe és használja.

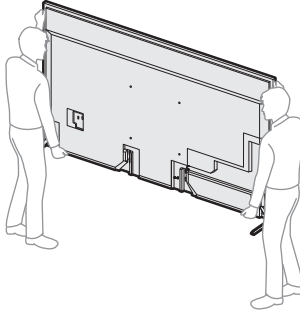
Üzembe helyezés

- A tv-készüléket egy könnyen elérhető hálózati aljzat közelébe helyezze.
- Helyezze a tv-készüléket stabil, sík felületre, hogy megelőzze annak leesését, ami személyi sérülést, vagy a tulajdon megrongálódását okozhatja.
- Helyezze a tv-készüléket egy olyan helyre, ahonnan nem lehet lerántani, lelökni vagy feldönteni.
- Helyezze el úgy a tv-készüléket, hogy a tv asztali állványa ne lógjon túl a tv-állványon (nincs mellékelve). Ha az asztali állvány túllóg a tv-állványon, az a tv-készülék eldőlését vagy leesését okozhatja, ami személyi sérülést vagy a tv megrongálódását eredményezheti.



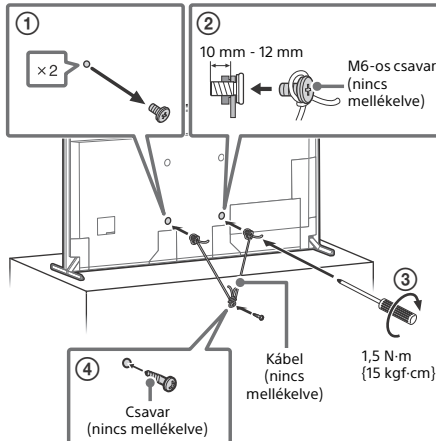
Szállítás

- A tv-készülék szállítása előtt húzza ki az összes kábelt.
- A tv-készülék szállítása előtt távolítsa el a csatlakozófedeleket.
- A tv-készülék szállításához legalább két ember szükséges.
- Ha kézzel szállítja a tv-készüléket, akkor azt az alábbi ábra szerint kell megfogni. Ne gyakoroljon nyomást az LCD-képernyőre és a képernyőt körülvevő keretre.
- Ha felemeli vagy áthelyezi a tv-készüléket, az aljánál fogja meg.



- Amikor szállítja a készüléket, ne tegye ki ütődésnek vagy erős rázkódásnak.
- Ha a készüléket szervizbe szállítja vagy költözködik, mindig csomagolja vissza az eredeti dobozába.

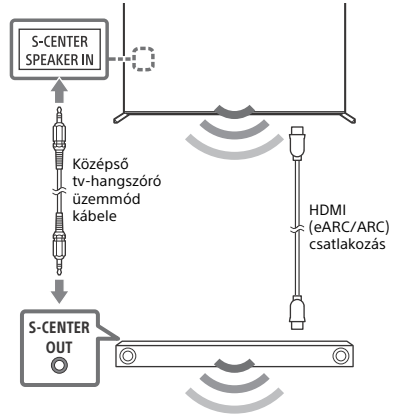
A felbúrulás megakadályozása



A tv használata hangrendszer részeként

Megjegyzés

- A kábelek csatlakoztatása előtt a TV és az AV-erősítő hálózati kábelét is csatlakoztassa le a hálózati feszültségről.
- Részletekért tekintse meg az S-CENTER OUT csatlakozóval ellátott hangrendszer használati útmutatóját.

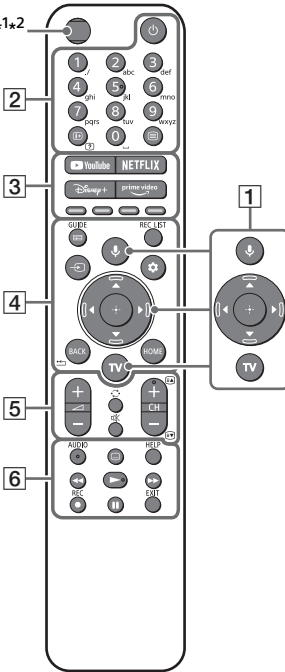


Távvezérlő és TV

A távvezérlő alakja, gombjainak elrendezése, elérhetősége és funkciója a régiótól/országtól/a tv típusától/a tv beállításaitól függően változhat.

MIC /

Fényérzékelő*1*2



1 (Mikrofon) / (Google Segéd):

Használja a Google Segéd*3*4 vagy hangalapú keresés*4 lehetőségeket. A tv-készülék vezérlésére vonatkozó tanácsokért nyomja meg a mikrofon gombot a távvezérlőn, és mondja be a „hangos tanácsok” kifejezést.*3

: A képernyőn történő navigálás és elem kiválasztás eszköze.

TV: A TV-csatornák listájának megjelenítése vagy bemenet váltása.

2 (Teljesítmény)

Számgombok

(Információ/Szöveg felfedése):

Információk megjelenítése.

(Teletext): Teletext információk megjelenítése.

3 YouTube™ / NETFLIX / Disney+ / Prime Video / Színes gombok

4 : A TV-készülék vagy Kábel- és műholdvevő*5 digitális műsorújságjának megjelenítése.

REC LIST: Az USB HDD*6/DVR*5 felvételi listájának megjelenítése.

(Bemenetválasztás): Jelenítse meg és válassza ki a bemeneti forrást stb.

(Gyors beállítások): Gyors beállítások megjelenítése.

BACK /

HOME

5 +/- (Hangerő)

(Ugrás)

(Némítés)*7

CH +/- / / : Válassza ki a csatornát, vagy a következő () / előző () oldalt.

6 **AUDIO:** Válassza ki a többnyelvű forrás hangját vagy a kettős hangot (a műsor forrásától függően).

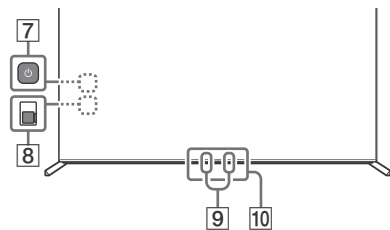
(Feliratok beállítása)

HELP: Súgó menü megjelenítése.

/ / /

● **REC:** Az aktuálisan megtekintett műsor rögzítése USB HDD*6/DVR*5 eszközre.

EXIT



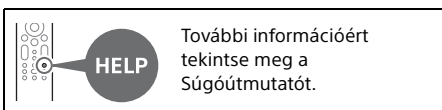
7 (Teljesítmény): (A csatlakozófedél eltávolítása után válik láthatóvá)

8 **BUILT-IN MIC SWITCH (Beépített mikrofon kapcsolója):** Kapcsolja be/ki a beépített mikrofont. (A csatlakozófedél eltávolítása után válik láthatóvá)

9 **Beépített mikrofon*3*4*8:** A beépített mikrofon használatához nyomja meg a mikrofon gombot a távvezérlőn, és kövesse a képernyőn megjelenő utasításokat.

10 Távvezérlő érzékelője / Fényérzékelő / LED

- *1 A távvezérlő háttérvilágítása világít, ha a fényérzékelő túl alacsony környezeti fényt érzékel. A háttérvilágítás automatikus megvilágítása kikapcsolható.
- *2 Csak RMF-TX621E. A távvezérlő típusnevének megtekintéséhez nyissa fel a távvezérlő fedelét, és tekintse meg a távvezérlő címkéjét.
- *3 Csak egyes régiók/országok/TV-készülék típusok/nyelvek esetén.
- *4 A Google Segéd vagy a hangalapú keresés használatához internetkapcsolat szükséges.
- *5 [Kábel- és műholdvevő beállítás] beállítás szükséges.
- *6 Nem érhető el Olaszországban.
- *7 A kiegészítő parancsikon elérhető a «X» (Némítás) gomb megnyomásával és nyomva tartásával.
- *8 A teljesítményfelvétel megnő a beépített mikrofon engedélyezésekor, mivel az folyamatosan készenlétben áll.



A tv felszerelése a falra

Az opcionális Fali konzol használata (SU-WL850 vagy SU-WL450)* (nincs mellékelve)

Vásárlóink figyelmeibe:

Termék- és baleset-biztonsági okokból a Sony azt tanácsolja, hogy a tv-készülék üzembe helyezését Sony viszonteladó vagy alvállalkozó hajtsa végre. Ne kísérelje meg a termék önálló felszerelését.

Sony viszonteladók és alvállalkozók figyelmeibe:

A termék üzembe helyezésekor, rendszeres karbantartásakor és vizsgálatokor maradéktalanul tartson be minden biztonsági óvintézkedést.

Fali konzol felszerelési tájékoztató

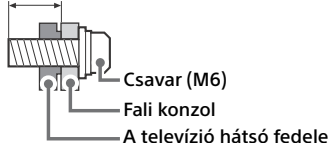
A Fali konzolos felszerelésre vonatkozó útmutatásért olvassa el a Fali konzolhoz tartozó felszerelési tudnivalókat az adott TV-típus termékoldalán.

<https://www.sony.eu/support>

- Kövesse az adott típus Fali konzoljához mellékelt használati útmutatóban leírtakat. A TV felszerelése megfelelő szaktudást igényel, különösen a készülék súlyát tartó fal teherbírásának megállapítását illetően.
- A Sony nem vállal felelősséget a gondatlan vagy szakszerűtlen szerelésből eredő személyi sérülésekről vagy anyagi károkról.
- A készülék falra szerelését szakemberrel végeztesse.
- Biztonsági okokból, határozottan javasolt az eredeti Sony tartozékok használata, közöttük a következők:
 - Fali konzol SU-WL850
 - Fali konzol SU-WL450
- A Fali konzolt a Fali konzolhoz mellékelt csavarokkal rögzítse a tv-készülékhez. A mellékelt csavarok kialakítása az ábrának megfelelő, a Fali konzol csatlakozófelületétől mérve.

A csavarok hossza és átmérője a Fali konzol típusától függően különböző. A mellékelt csavarok helyett más csavarok használata a tv-készülék belső sérülését eredményezheti, illetve a készülék leesését stb. okozhatja.

10 mm - 12 mm



- A nem használt csavarokat és asztali állványt biztonságos helyen tárolja addig, amíg készen nem áll az asztali állvány rögzítésére. A csavarokat kisgyerekek elől tartsa elzárva.
- * Csak egyes régiókban/országokban/tv-modellekben.

Hibaelhárítás

Általános hibaelhárításhoz az alábbi lépéseket kövesse a következő típusú problémák esetében: fekete képernyő, nincs hang, kimeredett kép, a TV nem reagál, nem található hálózat.

- 1 Indítsa újra a TV-t a távvezérlő bekapcsológombjának körülbelül öt másodpercig tartó megnyomásával. A TV újraindul. Ha a tv nem áll helyre, próbálja kihúzni a tápkábelt a hálózati aljzataból, majd nyomja meg a tv-n található bekapcsológombot, és engedje fel. Várjon két percet, majd csatlakoztassa a hálózati kábelt. Másik lehetőségként nyomja meg a bekapcsológombot a tv-n körülbelül 40 másodpercig, amíg a tv ki nem kapcsol.
- 2 Tekintse meg a Súgóútmutatót a távvezérlő **HELP** gombjának megnyomásával.
- 3 Csatlakoztassa a TV-t az internethez, és végezzen el egy szoftverfrissítést. A Sony javasolja, hogy a TV szoftverét tartsa mindig a legfrissebb állapotban. A szoftverfrissítések új funkciókat és teljesítménynövekedést kínálnak.
- 4 Keresse fel a Sony támogatási webhelyét (információ a jelen kézikönyv végén található).

Ha bedugja a TV-t, előfordulhat, hogy a TV nem kapcsol be egyből, amikor megnyomja a bekapcsológombot a távvezérlőn vagy a TV-n.

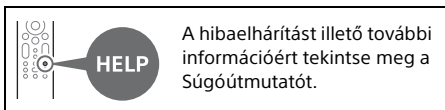
A rendszer inicializálása időt vesz igénybe. Várjon körülbelül egy percet, majd próbálja újra.

A távvezérlő nem működik.

- Cserélje ki az elemeket.

Efelejtette a szülői zárhoz tartozó jelszót.

- Írja be a 9999 PIN-kódot, és adja meg az új PIN-kódot.



Műszaki adatok

Rendszer

Megjelenítő típusa: LCD (folyadékkristályos kijelző), LED háttérvilágítás

Tv-rendszer: Országtól/területválasztástól/tv-modelltől függően

Analog: B/G, D/K, I

Digitális: DVB-T/DVB-C/DVB-T2

Műhold: DVB-S/DVB-S2

Színrendszer: PAL/SECAM/NTSC3.58 (Csak videó)/NTSC4.43 (Csak videó)

Fogható csatornák: Országtól/területválasztástól/tv-modelltől függően

Analog: UHF/VHF/kábel

Digitális: UHF/VHF/kábel

Műhold: 950-2150 MHz KF frekvencia

Hangkimenet: 10 W + 10 W + 10 W + 10 W + 10 W

Vezeték nélküli technológia

IEEE 802.11a/b/g/n/ac protokoll

Bluetooth® 4.2-es verzió

Frekvenciasáv(ok)

Frekvenciatartomány	Kimeneti teljesítmény
Vezeték nélküli LAN (Televízió)	
2400-2483,5 MHz	< 20,0 dBm
5150-5250 MHz	< 23,0 dBm
5250-5350 MHz	< 20,0 dBm
5470-5725 MHz	< 20,0 dBm
5725-5850 MHz	< 13,9 dBm
Bluetooth® (Televízió)	
2400-2483,5 MHz	< 10,0 dBm
Bluetooth® (Távvezérlő)	
2400-2483,5 MHz	< 10,0 dBm

Bemeneti/kimeneti csatlakozók

Antenna/kábel

75 Ohm külső antennacsatlakozó VHF/UHF-hez

Műholdantenna

F típusú anya csatlakozó, 75 Ohm.

DiSEqC 1.0, LNB 13 V/18 V és 22 kHz-es kapcsolójele, Egykábeles terjesztés EN50494.

AV IN / S-CENTER SPEAKER IN
Video/Audio bemenet (mini csatlakozó)
S-centre hangszóró bemenete (mini csatlakozó)

HDMI IN 1/2/3/4 (HDCP 2.3 kompatibilis)

Video:

4096 × 2160p (50, 60 Hz)*1*2, 4096 × 2160p (24 Hz)*1, 3840 × 2160p (50, 60 Hz)*2, 3840 × 2160p (24, 25, 30 Hz), 1080p (30, 50, 60, 100, 120 Hz), 1080/24p, 1080i (50, 60 Hz), 720p (30, 50, 60 Hz), 720/24p, 576p, 480p, PC formátumok*3
3840 × 2160p (100, 120 Hz)*2*4

Audio:

eARC (Enhanced Audio Return Channel) üzemmódban

Részletes leírást az online Súgóútmutatóban talál.

Kivéve eARC üzemmódban

5,1 csatornás lineáris PCM: 32/44,1/48/88,2/96/176,4/192 kHz 16/20/24 bit, Dolby Audio, Dolby Atmos, DTS

eARC/ARC (Enhanced Audio Return Channel/ Audio Return Channel) (Csak HDMI IN 3)*5

eARC üzemmódban

Részletes leírást az online Súgóútmutatóban talál.

ARC üzemmódban

Kétszatornás lineáris PCM: 48 kHz 16 bit, Dolby Audio, Dolby Atmos, DTS

↻ DIGITAL AUDIO OUT (OPTICAL)

Digitális optikai csatlakozó (kétszatornás lineáris PCM: 48 kHz 16 bit, Dolby Audio, DTS)

🎧 (sztereó mini csatlakozó)

Fejhallgató

🔌 1, 🔌 2, 🔌 3 (HDD REC)*6

USB-eszköz csatlakozója (🔌 3 USB HDD-eszköz a FELVÉTEL funkcióhoz)

Az 1. és 2. USB-csatlakozó támogatja a High Speed USB (USB 2.0) szabványt

A 3. USB-csatlakozó támogatja a Super Speed USB (USB 3.1 Gen 1) szabványt



Feltételes hozzáférési modul (CAM) nyílása



10BASE-T/100BASE-TX csatlakozó (A hálózati környezettől függően a csatlakozási sebesség különbözhet. A kommunikáció sebessége és minősége nem garantált.)

Tápellátás, adatlap és egyebek

Tápellátás

220 V – 240 V AC, 50 Hz

Energiahatékonysági osztály*7

XR-85X9xJ: A

XR-75X9xJ: A

XR-65X9xJ: B

Képernyőméret (átlósan mérve) (Kb.)

XR-85X9xJ: 214,8 cm / 85 hüvelyk

XR-75X9xJ: 189,3 cm / 75 hüvelyk

XR-65X9xJ: 163,9 cm / 65 hüvelyk

Teljesítményfelvétel*7

[Normál] üzemmódban

XR-85X9xJ: 221 W

XR-75X9xJ: 206 W

XR-65X9xJ: 173 W

Éves energiafogyasztás*7*8

XR-85X9xJ: 307 kWh évente

XR-75X9xJ: 286 kWh évente

XR-65X9xJ: 240 kWh évente

Energiafogyasztás kiegészítő üzemmódban*7*9*10

XR-85X9xJ: 0,50 W (35 W szoftver-/EPG-frissítési üzemmódban)

XR-75X9xJ: 0,50 W (33 W szoftver-/EPG-frissítési üzemmódban)

XR-65X9xJ: 0,50 W (34 W szoftver-/EPG-frissítési üzemmódban)

Kijelző felbontása (vízszintes × függőleges) (képpont)

3840 × 2160

Kimeneti áramerősség

500 mA (USB 1/2 esetén), 900 mA (USB 3 esetén)

Méretek (Kb.) (szé × ma × mé) (cm)

asztali állvánnyal

Standard pozíció:

XR-85X9xJ: 188,8 × 109,8 × 45,0

XR-75X9xJ: 166,7 × 97,4 × 39,0

XR-65X9xJ: 144,3 × 84,8 × 33,8

Szűk pozíció:

XR-85X9xJ: 188,8 × 111,0 × 45,0

XR-75X9xJ: 166,7 × 98,5 × 39,0

Sound bar pozíciója:

XR-85X9xJ: 188,8 × 115,8 × 45,0

XR-75X9xJ: 166,7 × 103,4 × 39,0

XR-65X9xJ: 144,3 × 90,8 × 33,8

asztali állvány nélkül

XR-85X9xJ: 188,8 × 108,6 × 6,1

XR-75X9xJ: 166,7 × 96,1 × 6,1

XR-65X9xJ: 144,3 × 83,5 × 6,6

Állvány szélessége (Kb.) (cm)

Standard pozíció:

XR-85X9xJ: 188,7

XR-75X9xJ: 166,6

XR-65X9xJ: 144,2

Szűk pozíció:

XR-85X9xJ / 75X9xJ: 61,0

Sound bar pozíciója:

XR-85X9xJ: 188,7

XR-75X9xJ: 166,6

XR-65X9xJ: 144,2

Tömeg (Kb.) (kg)

asztali állvánnyal

XR-85X9xJ: 51,2

XR-75X9xJ: 39,1

XR-65X9xJ: 28,5

asztali állvány nélkül

XR-85X9xJ: 48,7

XR-75X9xJ: 36,8

XR-65X9xJ: 27,5

Egyebek

Külön megvásárolható tartozékok

Fali konzol: SU-WL850 (Csak a XR-75X9xJ / 65X9xJ esetén)

Fali konzol: SU-WL450

Üzemi hőmérséklet: 0 °C – 40 °C között

Működési páratartalom: 10 % – 80 % RH relatív páratartalom között (kicsapódás nélkül)

- *1 Ha a bemenet felbontása 4096 × 2160p, és a [Szélesvásznú mód] beállítás értéke [Normál], a megjelenített kép felbontása 3840 × 2160p. 4096 × 2160p felbontás megjelenítéséhez állítsa a [Szélesvásznú mód] beállítást [Teljes 1] vagy [Teljes 2] értékre.
- *2 A [HDMI-jelformátum] beállításához tekintse meg a képernyőmenüt.
- *3 Részletes leírást az online Súgóútmutatóban talál.
- *4 Csak HDMI IN 3 & 4. A csatlakozáshoz használja az Ultra nagysebességű HDMI kábelt.
- *5 Csatlakoztassa hangrendszerét a HDMI IN 3 aljzathoz, hogy a TV audiojelei eljussanak a hangrendszeréhez.
- *6 A funkció nem érhető el Olaszországban.
- *7 Ez az információ az EU-ra és más olyan országokra vonatkozik, melyek vonatkozó törvényei az EU energiaticskézési szabályozásán alapulnak.
- *8 Energiafogyasztás kWh/év értékben kifejezve, amely adat olyan televíziókészülék teljesítményfelvételén alapul, amelyet 365 napon keresztül napjában 4 órát üzemeltetnek. A tényleges energiafogyasztás a televízió használati módjától függ.
- *9 A megadott készenléti energiafogyasztást akkor éri el a tv-készülék, miután befejezte a szükséges belső folyamatokat.
- *10 Ha a tv-készülék csatlakoztatva van a hálózathoz, az energiafogyasztás készenléti üzemmódban megnő.

Megjegyzés

- A külön megvásárolható tartozékok elérhetősége az országtól/ régiótól/ tv-típus/ árukészlettlől függ.
- A forma és a műszaki adatok előzetes bejelentés nélkül megváltozhatnak.
- A Google Segéd használatához különböző szolgáltatásokra és alkalmazásokra történő előfizetésre lehet szükség, valamint további feltételek és/vagy költségek merülhetnek fel.

- A jelen kézikönyvben található terméklap a következőhöz készült: BIZOTTSÁGI FELHATALMAZÁSON ALAPULÓ RENDELET (EU) 1062/2010. Látogasson el a webhelyre az (EU) 2019/2013 információkért.

Megjegyzések a digitális tv-funkcióról

- Előfordulhat, hogy a digitális TV (digitális földfelszíni videoadás, műholdas- és kábeltelvízió), az interaktív szolgáltatások és a hálózati funkciók nem érhetők el minden országban vagy területen. Lehetséges, hogy egyes funkciók nincsenek engedélyezve vagy nem működnek megfelelően bizonyos szolgáltatók és hálózati környezetek használata esetén. Egyes TV-szolgáltatók díjat számolhatnak fel a szolgáltatásaikért.
- Ez a TV támogatja az MPEG-2, H.264/MPEG-4 AVC és H.265/HEVC kodekeket használó digitális műsorszolgáltatást, de nem garantálható, hogy az idővel esetlegesen változó összes szolgáltatóval/szolgáltatásjellel kompatibilis lesz.

Védjegyekkel kapcsolatos információk

- A HDMI és a HDMI High-Definition Multimedia Interface kifejezések, valamint a HDMI embléma a HDMI Licensing Administrator, Inc. védjegyei vagy bejegyzett védjegyei az Amerikai Egyesült Államokban és más országokban.
- Dolby, Dolby Vision, Dolby Atmos, Dolby Audio, és a dupla D szimbólum a Dolby Laboratories Licensing Corporation védjegyei. A gyártás a Dolby Laboratories licenccel történt. Bizalmas kiadatlan anyagok. Dolby Laboratories © 1992-2020 szerzői jog. Minden jog fenntartva.
- A Gracenote, a Gracenote embléma és a „Powered by Gracenote” embléma a Gracenote, Inc. vállalat védjegye vagy bejegyzett védjegye az Egyesült Államokban és/vagy más országokban.
- A Google TV és a kapcsolódó logók a Google LLC védjegyei.
- DTS-szabadalmakról lásd a <http://patents.dts.com> webhelyet. Készült a DTS, Inc. licence alapján. A DTS, a Digital Surround, valamint a DTS logó a DTS, Inc. bejegyzett védjegyei vagy védjegyei az Amerikai Egyesült Államokban és más országokban. © 2020 DTS, Inc. MINDEN JOG FENNTARTVA.
- A Netflix a Netflix, Inc. bejegyzett védjegye.
- A DiSEqC™ az EUTELSAT védjegye. Ez a tv-készülék támogatja a DiSEqC 1.0 szabványt. Ez a tv-készülék nem motoros antennák vezérlésére lett tervezve.

- A TUXERA a Tuxera Inc. cég Egyesült Államokban és más országokban bejegyzett védjegye.
- Minden egyéb védjegy a megfelelő tulajdonosok tulajdonát képezi.

**Termékregisztrációs szám (BIZOTTSÁGI
FELHATALMAZÁSON ALAPULÓ RENDELET, (EU)
2019/2013)**

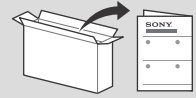
XR-85X95J (527154), XR-75X95J (527151),
XR-65X95J (527140).

Despre manuale

Acest televizor este livrat împreună cu următoarele manuale. Vă rugăm să păstrați aceste manuale pentru a le consulta pe viitor.

Ghid de configurare

- Instalare și configurare televizor.



Ghid de referință (acest manual) / Documentație privind siguranța

- Informații privind siguranța, telecomandă, depanare, instalare pe perete, specificații etc.



Ghid de asistență (manual pe ecran)

- Setări, funcții, conexiune la internet, depanare etc.
- Pentru a-l deschide, apăsați butonul **HELP** de pe telecomandă și selectați Ghid de asistență.




- Puteți consulta Ghidul de asistență cu smartphone-ul dumneavoastră.



https://rd1.sony.net/help/tv/iaep1/h_aep/

Meniurile de setări se pot modifica fără notificare prealabilă.

IMPORTANT - Citiți Acordul de licență pentru utilizatorul final al software-ului înainte de a utiliza produsul Sony. Utilizarea produsului dumneavoastră indică acceptarea acordului de licență pentru utilizatorul final al software-ului. Acordul de licență software între dumneavoastră și Sony este disponibil online pe site-ul Sony (<https://www.sony.net/tv-software-licenses/>) sau pe ecranul produsului dumneavoastră. Apăsați  (Setări rapide) de pe telecomandă și selectați [Setări] → [Sistem] → [Despre] → [Informații de ordin juridic] → [Avice și licențe].

Notă

- Înainte de a utiliza televizorul, vă rugăm să citiți „Informații privind siguranța”.
- Pentru detalii suplimentare, citiți documentația furnizată privind siguranța.
- Imaginile și ilustrațiile utilizate în Ghidul de configurare și în acest manual au scop doar de referință și pot diferi față de produsul real.
- Simbolul „x”, „xx” care apare în numele modelului corespunde unei cifre numerice, aferente designului, culorii sau sistemului TV.

Unde se află eticheta de identificare

Etichetele cu numărul modelului, data fabricației (an/lună) și tensiunea de alimentare se află în partea posterioară a televizorului sau pe ambalaj. Acestea pot fi găsite prin demontarea capacului terminalului.

INFORMAȚIE IMPORTANTĂ

Observație cu privire la echipamentul radio

Prin prezența, Sony Corporation declară că tipurile de echipament radio XR-85X95J, XR-75X95J, XR-65X95J sunt în conformitate cu Directiva 2014/53/UE. Textul integral al declarației UE de conformitate este disponibil la următoarea adresă internet: <https://compliance.sony.eu>

Pentru acest echipament radio, următoarele restricții privind punerea în funcțiune sau cerințele de autorizare a utilizării sunt valabile în AT, BE, HR, CY, CZ, DK, EE, FI, FR, DE, EL, HU, IE, IT, LV, LT, LU, MT, NL, PL, PT, SK, SI, ES, SE, UK, UK (NI), IS, LI, NO, CH, BG, RO, TR, AL, BA, MK, MD, RS, ME, Kosovo :
Banda de 5150 - 5350 MHz este restricționată numai pentru utilizarea în spații închise.

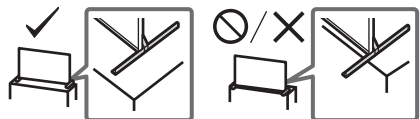
Informații privind siguranța

Instalare/Configurare

Instalați și utilizați televizorul conform instrucțiunilor prezentate în continuare, pentru a evita riscurile de incendii, șocurile electrice sau deteriorări/răniri.

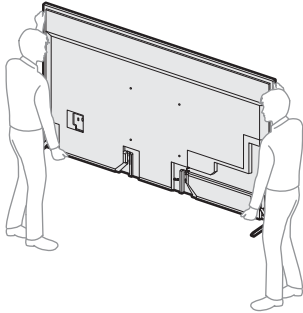
Instalarea

- Televizorul trebuie instalat în apropierea unei prize ușor accesibile.
- Așezați televizorul pe o suprafață dreaptă și stabilă, pentru a evita căderea acestuia și vătămarea corporală sau pagubele materiale.
- Instalați televizorul într-un loc de unde nu poate fi tras, împins sau răsturnat.
- Instalați televizorul astfel încât suportul de masă al acestuia să nu iasă în afara suportului de televizor (neinclus). Dacă suportul de masă iese în afara suportului de televizor, este posibil ca televizorul să se răstoarne, să cadă și să provoace vătămări corporale sau să se deterioreze.



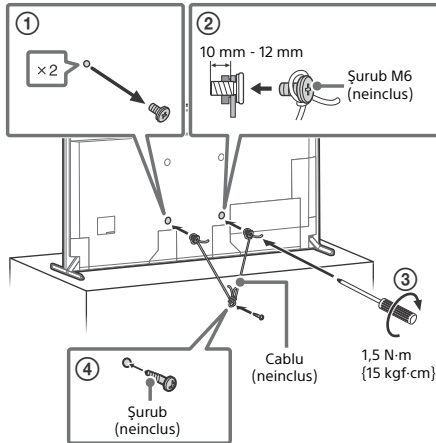
Transportul

- Înainte de a deplasa televizorul, decuplați toate cablurile.
- Înainte de a transporta televizorul, scoateți capacele mufelor.
- La transportul unui televizor de mari dimensiuni, este recomandată participarea a două sau mai multe persoane.
- Când transportați manual aparatul TV, susțineți-l așa cum este prezentat mai jos. Nu forțați panoul LCD sau cadrul din jurul ecranului.
- Atunci când ridicați sau mutați televizorul, țineți-l bine de partea de jos.



- Feriți televizorul de șocuri mecanice și de vibrații prea puternice în timpul transportului.
- Când duceți aparatul la reparat sau când vă mutați, folosiți ambalajul original.

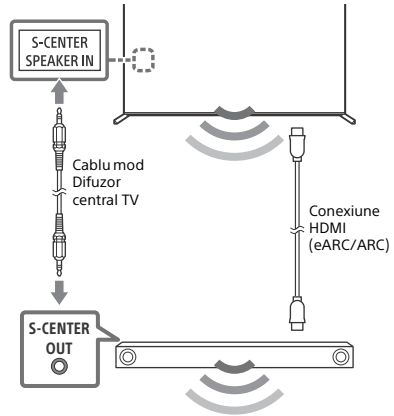
Asigurarea stabilității



Utilizarea televizorului în cadrul unui sistem audio

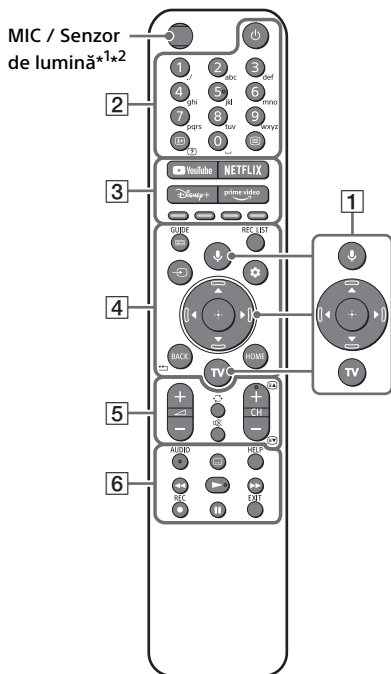
Notă

- Înainte de conectarea cablurilor, deconectați cablurile de alimentare de la rețea pentru TV și Receptorul AV.
- Pentru detalii, consultați manualul de instrucțiuni al sistemului audio cu S-CENTER OUT ieșire.



Telecomanda și televizorul

Forma, dispunerea, disponibilitatea și funcționarea butoanelor telecomenzii pot varia în funcție de regiune/țară/modelul televizorului/setările televizorului.



- 1** **🎤 (Microfon) / 🗣️ (Asistent Google):** Utilizați Asistentul Google*3*4 sau căutarea vocală*4. Pentru indicii despre controlul televizorului dumneavoastră, apăsați butonul de microfon de pe telecomandă și roștiți „Indicii vocale”.*3

▲/▼/◀/▶/⊕: Parcurgerea și selectarea opțiunilor de meniu afișate pe ecran.

TV: Afișați lista de canale TV sau comutați la intrare.

- 2** **🔌 (Oprire)**
Butoane numerice

ℹ️/? (Afișare informații/text): Afișează informații.

☰ (Text): Afișează informații de tip text.

- 3** **YouTube™ / NETFLIX / Disney+ / Prime Video / Butoane colorate**

- 4** **GUIDE/☰:** Afișați ghidul digital de programe al televizorului sau al receptorului de cablu/satelit*5.

REC LIST: Afișarea listei de înregistrări pentru hard diskul USB*6/DVR*5.

↔️ (Selectarea intrării): Afișarea și selectarea sursei de intrare etc.

⚙️ (Setări rapide): Afișarea setărilor rapide.

BACK/⬅️

HOME

- 5** **↔️ +/- (Volum)**

🔄 (Salt)

🔊 (Anulare sunet)*7

CH +/-/⏪/⏩/⏮/⏭: Selectați canalul sau pagina următoare (⏪) / anterioară (⏭).

- 6** **AUDIO:** Selectați sunetul sursei multilingve sau sunetul dublu (în funcție de sursa programului).

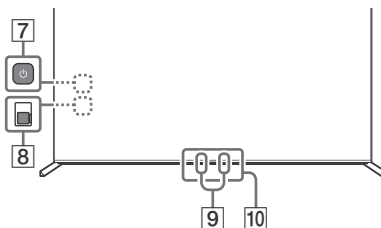
⋮ (Setări subtitrare)

HELP: Afișează meniul de asistență.

⏪/⏩/⏮/⏭/⏸

● REC: Înregistrați programul vizionat în momentul acesta pe hard diskul USB*6/DVR*5.

EXIT



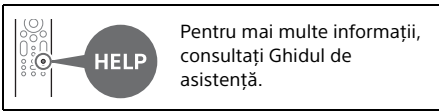
- 7** **🔌 (Oprire):** (Poate fi găsit prin demontarea capacului lateral)

- 8** **BUILT-IN MIC SWITCH (Comutator microfon integrat):** Pornirea/oprirea microfonului încorporat. (Poate fi găsit prin demontarea capacului lateral)

- 9** **Microfon încorporat*3*4*8:** Pentru a activa microfonul încorporat, apăsați butonul de microfon de pe telecomandă și urmați instrucțiunile afișate pe ecran.

- 10** **Senzor telecomandă / Senzor de lumină / LED**

- *1 Lumina de fundal a telecomenzii se va aprinde atunci când senzorul de lumină detectează că lumina ambientă este scăzută. Aprinderea automată a luminii de fundal poate fi dezactivată.
- *2 Numai RMF-TX621E. Pentru a vedea denumirea modelului telecomenzii, deschideți capacul telecomenzii și consultați eticheta de pe telecomandă.
- *3 Numai pentru anumite țări/regiuni/modele de televizor/limbi.
- *4 Asistentul Google sau căutarea vocală necesită o conexiune la internet.
- *5 Este necesară setarea [Configurare receptor de cablu/satelit].
- *6 Nu este disponibil pentru Italia.
- *7 Comanda rapidă pentru accesibilitate este disponibilă apăsând și menținând apăsat \otimes (Anulare sunet).
- *8 Consumul de energie va crește atunci când microfonul încorporat este pornit, deoarece acesta este activ întotdeauna.



Montarea televizorului pe perete

Utilizarea Dispozitivului opțional de montare pe perete (SU-WL850 sau SU-WL450)* (neinclus)

Pentru clienți:

Pentru protecția produsului și din motive de siguranță, Sony recomandă insistent ca instalarea televizorului să fie efectuată numai de către dealeri Sony sau contractori licențiați. Nu încercați să îl instalați dumneavoastră înșivă pe perete.

Pentru distribuitorii Sony și contractanți:

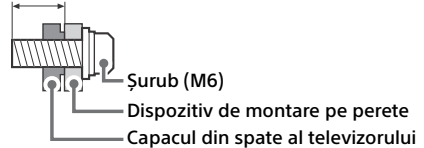
Acordați atenție maximă aspectelor de siguranță în timpul instalării, întreținerii periodice și examinării produsului.

Informații de instalare a Dispozitivului de montare pe perete

Pentru instrucțiuni privind instalarea Dispozitivului de montare pe perete, consultați informațiile de instalare (Dispozitiv de montare pe perete) de pe pagina produsului pentru modelul televizorului dumneavoastră. <https://www.sony.eu/support>

- Respectați ghidul de instrucțiuni furnizat împreună cu Dispozitiv de montare pe perete pentru modelul dumneavoastră. Este necesară o experiență suficientă pentru instalarea acestui televizor, mai ales pentru a stabili rezistența peretelui pentru a susține greutatea televizorului.
- Sony nu este responsabilă pentru daune materiale sau vătămări corporale cauzate de manipularea eronată sau instalarea necorespunzătoare.
- Instalarea televizorului pe perete trebuie executată numai de către persoane calificate.
- Din motive de siguranță, se recomandă cu insistență utilizarea accesoriilor Sony, inclusiv:
 - Dispozitiv de montare pe perete SU-WL850
 - Dispozitiv de montare pe perete SU-WL450
- Asigurați-vă că folosiți șuruburile furnizate cu Dispozitivul de montare pe perete atunci când instalați Dispozitivul de montare pe perete la aparatul TV. Șuruburile furnizate sunt indicate conform ilustrației atunci când măsurarea se face de la suprafața de montare a Dispozitivului de montare pe perete. Diametrul și lungimea șuruburilor diferă în funcție de modelul Dispozitivului de montare pe perete. Utilizarea altor șuruburi decât a celor furnizate poate avea ca rezultat deteriorarea internă a televizorului sau căderea acestuia, etc.

10 mm - 12 mm



- Nu omiteți să depozitați șuruburile și suportul de masă la loc sigur până ce sunteți gata să fixați suportul de masă. Nu lăsați șuruburile la îndemâna copiilor.

* Numai pentru anumite țări/regiuni/modele de televizor.

Depanare

Pentru remedierea problemelor precum: ecran negru, lipsa sunetului, imagine statică, televizorul nu răspunde la comenzi sau pierderea conexiunii la rețea, efectuați pașii de mai jos.

- 1 Reporniți televizorul prin apăsarea butonului de pornire/oprire de pe telecomandă pentru aproximativ cinci secunde. Televizorul repornește. Dacă problema televizorului nu se remediază, încercați să scoateți cablul de alimentare din priză, după care apăsați butonul de pornire/oprire al televizorului și eliberați-l. Așteptați două minute, apoi conectați la rețea cablul de alimentare. Sau țineți apăsat timp de 40 de secunde butonul de pornire/oprire al televizorului până când televizorul se oprește.
- 2 Consultați meniul de asistență prin apăsarea butonului **HELP** de pe telecomandă.
- 3 Conectați televizorul la internet și actualizați software-ul. Sony vă recomandă să păstrați software-ul TV-ului actualizat. Actualizările software oferă caracteristici noi și îmbunătățiri de performanță.
- 4 Vizitați site-ul de asistență Sony (informațiile necesare se află la sfârșitul acestui manual).

După ce introduceți cablul de alimentare în priză, este posibil ca televizorul să nu pornească pentru un timp, chiar dacă apăsați butonul de pornire/oprire de pe telecomandă sau de pe televizor.

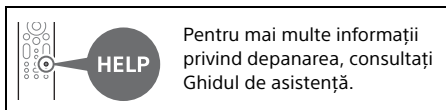
Inițializarea sistemului durează un anumit timp. Așteptați aproximativ un minut, apoi încercați din nou.

Telecomanda nu funcționează.

- Înlocuiți bateriile.

Ați uitat codul pentru blocarea accesului copiilor.

- Introduceți 9999 pentru PIN și introduceți noul PIN.



Specificații

Sistem

Tip de panou: Panou LCD (Liquid Crystal Display - Afișaj cu cristale lichide), Retroiluminare cu leduri

Sistem TV: În funcție de țara/regiunea aleasă/ modelul televizorului

Analogic: B/G, D/K, I

Digital: DVB-T/DVB-C/DVB-T2

Satelit: DVB-S/DVB-S2

Sistem culoare: PAL/SECAM/NTSC3.58 (Numai video)/NTSC4.43 (Numai video)

Acoperire canale: În funcție de țara/regiunea aleasă/modelul televizorului

Analogic: UHF/VHF/Cablu

Digital: UHF/VHF/Cablu

Satelit: Frecvență IF 950-2150 MHz

Ieșire audio: 10 W + 10 W + 10 W + 10 W + 10 W

Tehnologie wireless

Protocol IEEE 802.11a/b/g/n/ac

Bluetooth® versiunea 4.2

Bandă (benzi) de frecvență

Gama de frecvență	Putere de ieșire
LAN wireless (Televizor)	
2400-2483,5 MHz	< 20,0 dBm
5150-5250 MHz	< 23,0 dBm
5250-5350 MHz	< 20,0 dBm
5470-5725 MHz	< 20,0 dBm
5725-5850 MHz	< 13,9 dBm
Bluetooth® (Televizor)	
2400-2483,5 MHz	< 10,0 dBm
Bluetooth® (Telecomandă)	
2400-2483,5 MHz	< 10,0 dBm

Mufe intrare/ieșire

Antenă (exterioară)/cablu

Bornă externă 75 ohm pentru VHF/UHF

Antenă de satelit

Conector mamă de tip F, 75 ohm.

DiSEqC 1.0, LNB 13 V/18 V & ton 22 kHz,

Distribuție printr-un singur cablu EN50494.

↻ / ↻ AV IN / S-CENTER SPEAKER IN

Intrare video/audio (mini mufă)

Intrare difuzor S-centre (mini mufă)

HDMI IN 1/2/3/4 (Compatibil cu HDCP 2.3)

Video:

4096 × 2160p (50, 60 Hz)*1*2, 4096 × 2160p (24 Hz)*1, 3840 × 2160p (50, 60 Hz)*2, 3840 × 2160p (24, 25, 30 Hz), 1080p (30, 50, 60, 100, 120 Hz), 1080/24p, 1080i (50, 60 Hz), 720p (30, 50, 60 Hz), 720/24p, 576p, 480p, Formate PC*3
3840 × 2160p (100, 120 Hz)*2*4

Audio:

În modul eARC (Enhanced Audio Return Channel)

Pentru detalii, consultați Ghidul de asistență online.

Cu excepția modului eARC

PCM liniar pe 5,1 canale: 32/44,1/48/88,2/96/176,4/192 kHz 16/20/24 biți, Dolby Audio, Dolby Atmos, DTS

eARC/ARC (Enhanced Audio Return Channel/Audio Return Channel) (Numai HDMI IN 3)*5

În modul eARC

Pentru detalii, consultați Ghidul de asistență online.

În modul ARC

PCM liniar pe două canale: 48 kHz 16 biți, Dolby Audio, Dolby Atmos, DTS

↻ DIGITAL AUDIO OUT (OPTICAL)

Mufă optică digitală (PCM liniar pe două canale: 48 kHz 16 biți, Dolby Audio, DTS)

🎧 (Mini mufă stereo)

Căști

🔌➔1, 🔌➔2, 🔌➔3 (HDD REC)*6

Port dispozitiv USB (🔌➔3 dispozitive HDD USB pentru caracteristica REC)

Porturile USB 1 și 2 sunt compatibile cu High Speed USB (USB de mare viteză) (USB 2.0)

Portul USB 3 este compatibil cu Super Speed USB (USB de foarte mare viteză) (USB 3.1 Gen 1)



Slot CAM (modul de acces condiționat)



LAN

Conector 10BASE-T/100BASE-TX (În funcție de mediul de funcționare a rețelei, viteza conexiunii poate varia. Viteza de comunicare și calitatea nu sunt garantate.)

Alimentare, date tehnice ale produsului și altele

Cerințe de alimentare

220 V - 240 V c.a., 50 Hz

Clasă de eficiență energetică*7

XR-85X9xJ: A

XR-75X9xJ: A

XR-65X9xJ: B

Dimensiunea ecranului (măsurată pe diagonală) (aprox.)

XR-85X9xJ: 214,8 cm / 85 țoli

XR-75X9xJ: 189,3 cm / 75 țoli

XR-65X9xJ: 163,9 cm / 65 țoli

Consum de putere*7

În modul [Standard]

XR-85X9xJ: 221 W

XR-75X9xJ: 206 W

XR-65X9xJ: 173 W

Consumul de energie anual*7*8

XR-85X9xJ: 307 kWh pe an

XR-75X9xJ: 286 kWh pe an

XR-65X9xJ: 240 kWh pe an

Consum de energie în modul standby*7*9*10

XR-85X9xJ: 0,50 W (35 W în modul software/actualizare program)

XR-75X9xJ: 0,50 W (33 W în modul software/actualizare program)

XR-65X9xJ: 0,50 W (34 W în modul software/actualizare program)

Rezoluție ecran (orizontal × vertical) (pixeli)

3840 × 2160

Mărimi de ieșire nominale

500 mA (pentru USB 1/2), 900 mA (pentru USB 3)

Dimensiuni (aprox.) (l x h x L) (cm)

cu suport de masă

Poziția standard:

XR-85X9xJ: 188,8 × 109,8 × 45,0

XR-75X9xJ: 166,7 × 97,4 × 39,0

XR-65X9xJ: 144,3 × 84,8 × 33,8

Poziția îngustă:

XR-85X9xJ: 188,8 × 111,0 × 45,0

XR-75X9xJ: 166,7 × 98,5 × 39,0

Poziția barei de sunet:

XR-85X9xJ: 188,8 × 115,8 × 45,0

XR-75X9xJ: 166,7 × 103,4 × 39,0

XR-65X9xJ: 144,3 × 90,8 × 33,8

fără suport de masă

XR-85X9xJ: 188,8 × 108,6 × 6,1

XR-75X9xJ: 166,7 × 96,1 × 6,1

XR-65X9xJ: 144,3 × 83,5 × 6,6

Lățime suport (aprox.) (cm)

Poziția standard:

XR-85X9xJ: 188,7

XR-75X9xJ: 166,6

XR-65X9xJ: 144,2

Poziția îngustă:

XR-85X9xJ / 75X9xJ: 61,0

Poziția barei de sunet:

XR-85X9xJ: 188,7

XR-75X9xJ: 166,6

XR-65X9xJ: 144,2

Masă (aprox.) (kg)

cu suport de masă

XR-85X9xJ: 51,2

XR-75X9xJ: 39,1

XR-65X9xJ: 28,5

fără suport de masă

XR-85X9xJ: 48,7

XR-75X9xJ: 36,8

XR-65X9xJ: 27,5

Altele

Accesorii opționale

Dispozitiv de montare pe perete: SU-WL850
(numai XR-75X9xJ / 65X9xJ)

Dispozitiv de montare pe perete: SU-WL450

Temperatură de utilizare: 0 °C – 40 °C

Umiditate de funcționare: UR 10 % - 80 % (fără condens)

- *1 Atunci când se utilizează 4096 × 2160p și [Mod panoramic] este setat la [Normal], rezoluția este afișată ca 3840 × 2160p. Pentru a afișa 4096 × 2160p, setați opțiunea [Mod panoramic] la [Complet 1] sau la [Complet 2].
- *2 Consultați meniul afișat pe ecran pentru a seta [Formatul semnalului HDMI].
- *3 Pentru detalii, consultați Ghidul de asistență online.
- *4 Numai HDMI IN 3 & 4. Utilizați Ultra High Speed HDMI Cable pentru conectare.
- *5 Conectați sistemul audio la HDMI IN 3 pentru a transmite semnalele audio ale televizorului la sistemul audio.
- *6 Funcția nu este disponibilă în Italia.
- *7 Aceste informații se referă la UE și la alte țări ale căror regulamente relevante se bazează pe regulamentul UE privind etichetarea energetică.
- *8 Consum de energie pe an în kWh, în baza consumului de energie al televizorului, când este în funcțiune 4 ore pe zi pe o perioadă de 365 de zile. Consumul real de energie va depinde de modul în care este utilizat televizorul.
- *9 Puterea specificată în modul standby este atinsă după ce televizorul încheie procesele interne necesare.
- *10 Consumul de energie în modul standby va crește atunci când televizorul dumneavoastră este conectat la rețea.

Notă

- Accesorii opționale sunt disponibile în funcție de țări/regiune/modelul televizorului/stoc.
- Designul și specificațiile se pot modifica fără notificare prealabilă.
- Pot fi necesare abonamente pentru servicii și aplicații și se pot aplica termeni, condiții și/sau taxe suplimentare atunci când utilizați Asistentul Google.
- Fișa produsului din acest manual este pentru REGULAMENTUL DELEGAT AL COMISIEI (UE) 1062/2010. Consultați site-ul aferent pentru informații despre (UE) 2019/2013.

Note privind televiziunea digitală

- Canalele digitale (prin antenă DVB, satelit și cablu), serviciile interactive și funcțiile de rețea pot să nu fie disponibile în toate țările sau regiunile. Este posibil ca unele funcții să nu poată fi activate sau să nu funcționeze corect cu anumiți furnizori de servicii și medii de rețea. Unii furnizori pot solicita taxe pentru serviciile oferite.
- Acest televizor acceptă posturi digitale prin folosirea codecurilor MPEG-2, H.264/MPEG-4 AVC și H.265/HEVC, dar compatibilitatea cu semnalele tuturor operatorilor/serviciilor, care se pot schimba în timp, nu poate fi garantată.

Informații legate de mărci

- Termenii HDMI, HDMI High-Definition Multimedia Interface și sigla HDMI sunt mărci comerciale sau mărci comerciale înregistrate ale HDMI Licensing Administrator, Inc. în Statele Unite și în alte țări.
- Simbolurile Dolby, Dolby Vision, Dolby Atmos, Dolby Audio, și double-D sunt mărci comerciale ale Dolby Laboratories Licensing Corporation. Fabricat sub licență de la Dolby Laboratories. Lucrări nepublicate confidențiale. Drepturi de autor © 1992-2020 Dolby Laboratories. Toate drepturile rezervate.
- Gracenote, sigla și logotipul Gracenote și sigla „Powered by Gracenote” sunt mărci comerciale înregistrate sau mărci comerciale ale Gracenote, Inc. în Statele Unite și/sau alte țări.
- Google TV și siglele conexe sunt mărci comerciale deținute de Google LLC.
- Pentru informații despre brevetele DTS, vizitați <http://patents.dts.com>. Fabricat sub licență primită de la DTS, Inc. DTS, Digital Surround și sigla DTS sunt mărci comerciale înregistrate sau mărci înregistrate ale DTS, Inc. în Statele Unite ale Americii și în alte țări. © 2020 DTS, Inc. TOATE DREPTURILE REZERVATE.
- Netflix este marcă comercială înregistrată a Netflix, Inc.
- DiSEqC™ este marcă comercială a EUTELSAT. Acest televizor acceptă DiSEqC 1.0. Acest televizor nu este proiectat pentru controlul antenelor motorizate.
- TUXERA este marcă comercială înregistrată a Tuxera Inc. în S.U.A. și în alte țări.
- Toate celelalte mărci comerciale sunt proprietatea respectivilor deținători.

**Numărul de înregistrare a produsului
(REGULAMENTUL DELEGAT AL COMISIEI (UE)
2019/2013)**

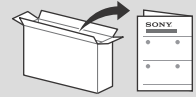
XR-85X95J (527154), XR-75X95J (527151),
XR-65X95J (527140).

За ръководствата

Този телевизор се предлага със следните ръководства. Моля, запазете ръководствата за бъдещи справки.

Ръководство за настройка

- Инсталиране и настройка на телевизора.



Информация за продукта (това ръководство) / Документация за безопасност

- Информация за безопасност, дистанционно управление, отстраняване на неизправности, монтаж на стена, спецификация и т.н.



Помощно ръководство (Ръководство на екрана)

- Настройки, функции, интернет връзка, отстраняване на неизправности и т.н.
- За да го отворите, натиснете бутона **HELP** на дистанционното управление и изберете Помощно ръководство.




- Можете да разгледате Помощното ръководство със смартфона си.



https://rd1.sony.net/help/tv/iaep1h_aep/

Менютата за настройки подлежат на промяна без предупреждение.

ВАЖНО - Преди да използвате вашия продукт Sony, прочетете лицензионното споразумение за софтуер с крайния потребител. Използването на вашия продукт означава, че приемате лицензионното споразумение за софтуер с крайния потребител. Лицензионното споразумение за софтуер между вас и Sony е достъпно онлайн на уебсайта на Sony (<https://www.sony.net/tv-software-licenses/>) или на екрана на вашия продукт. Натиснете  (Бързи настройки) на дистанционното управление и изберете [Настройки] → [Система] → [Информация] → [Правна информация] → [Уведомления и лицензи].

Забележка

- Преди да започнете работа с телевизора, моля, прочетете "Информация за безопасност".
- Прочетете дадената документация за безопасност за допълнителни сведения за безопасността.
- Изображенията и илюстрациите, използвани в Ръководството за настройка и в това ръководство, са само за справка и може да се различават от действителния продукт.
- Знакът "x"/"xx", който се появява в името на модела, съответства на номер, свързан с дизайна, цвета или системата на телевизора.

Място на идентификационния етикет

Етикетите за номер на модела, дата на производство (година/месец) и клас на захранване, са разположени на гърба на телевизора или опаковката. Те могат да се намерят като отстраните капака на терминалите.

ВАЖНА ЗАБЕЛЕЖКА

Забележка за радио оборудване

С настоящото Sony Corporation декларира, че типове радиооборудване XR-85X95J, XR-75X95J, XR-65X95J съответстват на Директива 2014/53/ЕС. Цялостният текст на ЕС декларацията за съответствие може да се намери на следния интернет адрес: <https://compliance.sony.eu>

За това радио оборудване важат следните ограничения за въвеждане в експлоатация или за разрешение за употреба в AT, BE, HR, CY, CZ, DK, EE, FI, FR, DE, EL, HU, IE, IT, LV, LT, LU, MT, NL, PL, PT, SK, SI, ES, SE, UK, UK (NI), IS, LI, NO, CH, BG, RO, TR, AL, BA, MK, MD, RS, ME, Косово :
5150 - 5350 MHz честота е ограничена само за работа на закрито.

Информация за безопасност

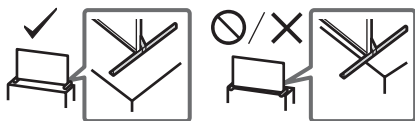
Инсталация/Настройка

Инсталирайте и използвайте телевизора в съответствие с инструкциите, описани по-долу, за да избегнете риск от пожар, токов удар или повреда и/или наранявания.

Инсталация

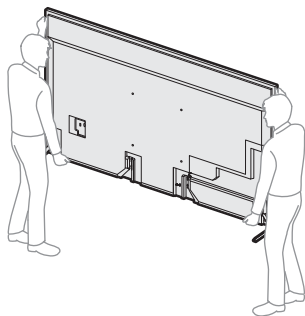
- Телевизорът трябва да бъде инсталиран близо до лесно достъпен контакт.
- Поставете телевизора на стабилна, равна повърхност, за да избегнете падането му, което може да причини нараняване на човек или повреда на имущество.
- Монтирайте телевизора на място, където не може да бъде дръпнат, бутнат или преобърнат.

- Поставете телевизора така, че стойката за маса на ТВ да не е стърчи от масата, на която е поставен телевизорът (не се доставя). Ако стойката за маса е издадена навън спрямо масата, на която е поставен телевизора, това може да доведе до преобръщане или падане на телевизора и да доведе до нараняване на човек или повреда на телевизора.



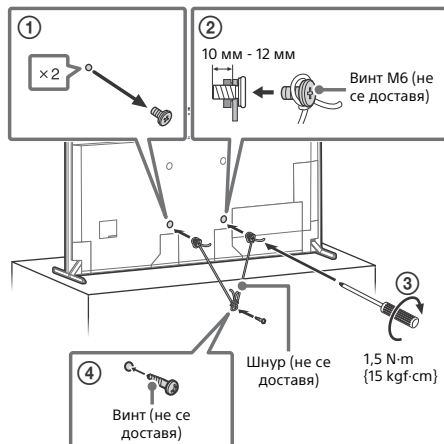
Пренасяне

- Преди да местите телевизора, изключете всички кабели от него.
- Преди да местите телевизора, отстранете капачиците на терминалите.
- Пренасянето на голям телевизор изисква двама или повече души.
- Когато местите телевизора на ръце, дръжте го, както е показано по-долу. Не натискайте LCD панела и рамката около екрана.
- Когато повдигате или местите телевизора, го дръжте здраво от долу.



- При пренасяне не излагайте телевизора на сътресения или прекалени вибрации.
- Когато пренасяте телевизора при ремонт или при смяна на жилището, пакетирайте го, като използвате оригиналната опаковка и материали за пакетирание.

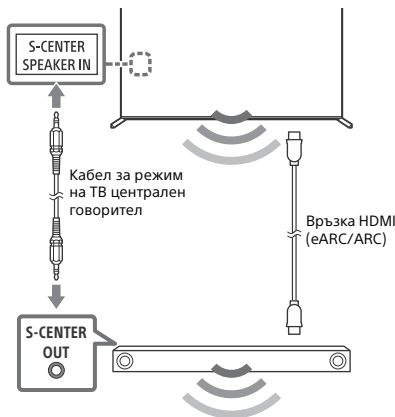
Предотвратяване на падане



Използване на телевизора като част от аудио система

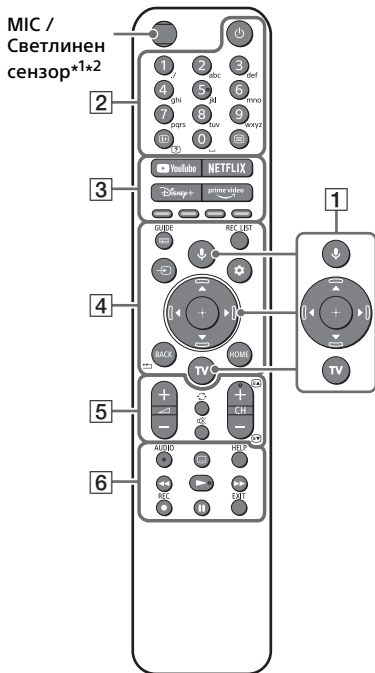
Забележка

- Преди да свържете кабелите, изключете захранващите кабели на телевизора и на AV приемника.
- За повече информация вижте ръководството за употреба на аудио системата с извод S-CENTER OUT.



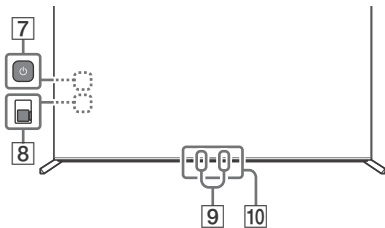
Дистанционно управление и телевизор

Разположението, формата, наличността и функциите на бутоните на дистанционното управление могат да се различават в зависимост от региона/държавата/модела на телевизора/настройките на телевизора.



- 1** (Микрофон) / (Google Асистент): Използвайте Google Асистент*^{3,4} или гласово търсене*⁴. За съвети как да контролирате телевизора си, натиснете бутона на микрофона на дистанционното управление и кажете "гласови съвети".*³
- ▲/▼/◀/▶/⊕**: Навигация в екранното меню и избор.
- TV**: Показва списъка с телевизионни канали или превключва към вход.

- 2** (Захранване)
- Бутони с цифри**
- /** (Инфо/Показване на текст): Показва информация.
- (Текст): Показва текстова информация.
- 3** **YouTube™ / NETFLIX / Disney+ / Prime Video / Цветни бутони**
- 4** **GUIDE** / : Показва справочника на цифровите програми на телевизора или кабелния/сателитен декодер*⁵.
- REC LIST**: Показва списък със записани предавания от USB HDD*⁶/DVR*⁵.
- (Избор на вход): Показва и избира входния източник и пр.
- (Бързи настройки): Показва Бързи настройки.
- BACK** /
- HOME**
- 5** **+/-** (Сила на звука)
- (Прескачане)
- (Заглушаване)*⁷
- CH +/-** / / : Избира канала или следваща / предишна страница.
- 6** **AUDIO**: Изберете съответния звук от многоезичния източник или двойния звук (зависи от източника на програмата).
- (Настройка на субтитрите)
- HELP**: Показва помощно меню.
- / /**
- REC**: Записва гледаната в момента програма на USB HDD*⁶/DVR*⁵.
- EXIT**



- 7** (Захранване): (Може да се намери чрез махане на страничния капак)
- 8** **BUILT-IN MIC SWITCH (Превключвател на вградения микрофон):** Включване/ изключване на вградения микрофон. (Може да се намери чрез махане на страничния капак)
- 9** **Вграден микрофон*3*4*8:** За да активирате вградения микрофон, натиснете бутона на микрофона на дистанционното управление и следвайте инструкциите на екрана.
- 10** **Сензор за дистанционното управление / Светлинен сензор / LED**

*1 Подсветката на дистанционно управление ще се включи, когато светлинният сензор установи, че околната светлина е слаба. Автоматичното включване на подсветката може да бъде изключено.

*2 Само RMF-TX621E. За да видите името на модела на дистанционното управление, отворете капака на дистанционното управление и вижте етикета върху дистанционното управление.

*3 Само за определени региони/страни/модели телевизори/езици.

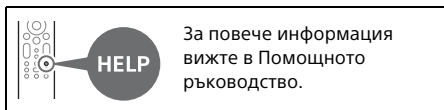
*4 Google Асистент или гласово търсене изисква интернет връзка.

*5 Необходима е [Настройка на кабелния/ сателитния декодер].

*6 Не се предлага за Италия.

*7 Опциите за достъпност са налични чрез натискане и задържане на (Заглушаване).

*8 Когато е активиран вграденият микрофон, консумацията на енергия ще се увеличи, понеже той приема постоянно.



Монтаж на телевизора на стена

Използване на опционалната Конзола за закрепване към стена (SU-WL850 или SU-WL450)* (не се доставя)

До потребителите:

От съображения за безопасност и за защита на продукта, Sony препоръчва монтажът на вашия телевизор да бъде извършен от дистрибутор на Sony или от лицензиран подизпълнител. Не се опитвайте да го монтирате сами.

До търговците и доставчиците на Sony:

Подходете с подчертано внимание към безопасността по време на монтажа, периодичната поддръжка и проверката на този продукт.

Информация за монтаж на Конзола за закрепване към стена

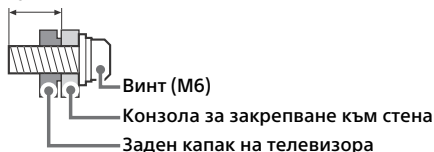
За инструкции относно монтирането на Конзолата за закрепване към стена вижте Информация за монтаж (Конзола за закрепване към стена) на страницата за вашия модел телевизор.

<https://www.sony.eu/support>

- Следвайте инструкциите, предоставени с Конзолата за закрепване към стена за вашия модел. За монтажа на този телевизор се изисква значителен опит, особено за определяне на здравината на стената, която трябва да издържи тежестта на телевизора.
- Sony не носи отговорност за повреди или наранявания, причинени от неправилни манипулации или монтаж.
- Монтажът на устройството към стената трябва да се извърши само от квалифициран персонал.
- За по-голяма безопасност ви препоръчваме да използвате оригиналните аксесоари на Sony, включително:
 - Конзола за закрепване към стена SU-WL850
 - Конзола за закрепване към стена SU-WL450

- Уверете се, че използвате винтовете приложени към Конзолата за закрепване към стена, когато закачате Конзолата за закрепване към стена към телевизора. Приложените винтове са проектирани както е показано на илюстрацията, измерването е направено спрямо закачващата повърхност на Конзолата за закрепване към стена. Диаметърът и дължината на винтовете се различават в зависимост от модела на Конзолата за закрепване към стена. Използването на винтове, различни от тези в комплекта на конзолата, може да доведе до вътрешни повреди на телевизора или да стане причина за падането му и т.н.

10 мм - 12 мм



- Запазете оригиналните винтове и поставката за маса на сигурно място, в случай, че желаете отново да закачите поставката за маса. Дръжте винтовете настрана от малки деца.
- * Само за определени региони/страни/модели телевизори.

Отстраняване на неизправности

За отстраняване на общи неизправности като: черен екран, липса на звук, замръзнала картина, блокиране на телевизор или загуба на мрежа, изпълнете следните стъпки.

- 1 Рестартирайте вашия телевизор чрез натискане на бутона за захранване на дистанционното управление за около пет секунди. Телевизорът ще се рестартира. Ако телевизорът не се възстанови, опитайте да извадите захранващия кабел, след това натиснете бутона за включване на телевизора и го пуснете. Изчакайте две минути и включете захранващия кабел. Или натиснете бутона за включване на телевизора за около 40 секунди, докато телевизорът се изключи.
- 2 Вижте Помощното ръководство чрез натискане на **HELP** на дистанционното управление.
- 3 Свържете своя телевизор с интернет и направете актуализация на софтуера. Sony препоръчва да поддържате софтуера на телевизора си актуален. Актуализациите на софтуера предоставят нови функции и подобрения на производителността.
- 4 Посетете уебсайта за поддръжка на Sony (информацията е предоставена в края на това ръководство).

Когато включите захранващия кабел на телевизора, той може да не се включи веднага, дори ако натиснете бутона за включване на дистанционното управление или телевизора.


Инициализирането на системата отнема време. Изчакайте за около една минута и опитайте отново.

Дистанционното управление не работи.

- Сменете батериите.

Забравена парола за родителско заключване.

- Въведете 9999 за ПИН кода и въведете новия ПИН код.



За повече информация относно отстраняване на проблеми, вижте Помощното ръководство.

Спецификации

Система

Система на панела: LCD (течнокристален дисплей) панел, LED подсветка

ТВ система: В зависимост от вашата държава/избора на зона/модел на телевизора

Аналогов: B/G, D/K, I

Цифров: DVB-T/DVB-C/DVB-T2

Сателит: DVB-S/DVB-S2

Цветова система: PAL/SECAM/NTSC3.58 (само видео)/NTSC4.43 (само видео)

Покритие на каналите: В зависимост от вашата държава/избора на зона/модел на телевизора

Аналогов: UHF/VHF/кабел

Цифров: UHF/VHF/кабел

Сателит: IF честота 950-2150 MHz

Звуков изход: 10 W + 10 W + 10 W + 10 W + 10 W

Безжична технология

IEEE 802.11a/b/g/n/ac протокол

Bluetooth® версия 4.2

Честотна(и) лента(и)

Честотен обхват	Изходяща мощност
Безжичен LAN (Телевизор)	
2400-2483,5 MHz	< 20,0 dBm
5150-5250 MHz	< 23,0 dBm
5250-5350 MHz	< 20,0 dBm
5470-5725 MHz	< 20,0 dBm
5725-5850 MHz	< 13,9 dBm
Bluetooth® (Телевизор)	
2400-2483,5 MHz	< 10,0 dBm
Bluetooth® (Дистанционно управление)	
2400-2483,5 MHz	< 10,0 dBm

Входно/изходни жакове

Антена/кабел

75 ома външен терминал за VHF/UHF

Сателитна антена

Конектор тип F, женски, 75 ома.

DiSEqC 1.0, LNB 13 V/18 V & 22 kHz тон,

Разпределяне по 1 кабел EN50494.

↻ / ↻ AV IN / S-CENTER SPEAKER IN

Видео/аудио вход (мини жак)

Вход за S-централен високоговорител (мини жак)

HDMI IN 1/2/3/4 (Съвместим с HDCP 2.3)

Видео:

4096 × 2160p (50, 60 Hz)*1*2, 4096 × 2160p (24 Hz)*1, 3840 × 2160p (50, 60 Hz)*2, 3840 × 2160p (24, 25, 30 Hz), 1080p (30, 50, 60, 100, 120 Hz), 1080/24p, 1080i (50, 60 Hz), 720p (30, 50, 60 Hz), 720/24p, 576p, 480p, PC формати*3
3840 × 2160p (100, 120 Hz)*2*4

Аудио:

В режим eARC (Enhanced Audio Return Channel)

За повече информация вижте онлайн Помощното ръководство.

С изключение на режим eARC

5,1 канален линейен PCM: 32/44,1/48/88,2/96/176,4/192 kHz 16/20/24 бита, Dolby Audio, Dolby Atmos, DTS

eARC/ARC (Enhanced Audio Return Channel/Audio Return Channel) (само HDMI IN 3)*5

В режим eARC

За повече информация вижте онлайн Помощното ръководство.

В режим ARC

Двуканален линейен PCM: 48 kHz 16 бита, Dolby Audio, Dolby Atmos, DTS

↻ DIGITAL AUDIO OUT (OPTICAL)

Цифров оптичен жак (Двуканален линейен PCM: 48 kHz 16 бита, Dolby Audio, DTS)

🎧 (Стерео мини жак)

Слушалки

🔌 1, 🔌 2, 🔌 3 (HDD REC)*6

порт за USB устройство (🔌 3 USB HDD устройство за функция REC)

USB порт 1 и 2 поддържат High Speed USB (USB 2.0)

USB порт 3 поддържа Super Speed USB (USB 3.1 Gen 1)



CAM (модул за условен достъп) гнездо

🔌 LAN

10BASE-T/100BASE-TX конектор

(в зависимост от условията на работа на мрежата, скоростта на пренос на данните може да се различава. Капацитетът и качеството на комуникацията не са гарантирани.)

Захранване, фиш на продукта и други

Изисквания за захранването

220 V – 240 V AC, 50 Hz

Енергиен клас*7

XR-85X9xJ: A

XR-75X9xJ: A

XR-65X9xJ: B

Размер на екрана (измерен по диагонала)
(прибл.)

XR-85X9xJ: 214,8 см / 85 инча

XR-75X9xJ: 189,3 см / 75 инча

XR-65X9xJ: 163,9 см / 65 инча

Консумация на енергия*7

B [Стандартен] режим

XR-85X9xJ: 221 W

XR-75X9xJ: 206 W

XR-65X9xJ: 173 W

Годишна консумация на енергия*7*8

XR-85X9xJ: 307 kWh годишно

XR-75X9xJ: 286 kWh годишно

XR-65X9xJ: 240 kWh годишно

Консумация на енергия в режим

Готовност*7*9*10

XR-85X9xJ: 0,50 W (35 W в режим на

актуализация на софтуер/EPG)

XR-75X9xJ: 0,50 W (33 W в режим на

актуализация на софтуер/EPG)

XR-65X9xJ: 0,50 W (34 W в режим на

актуализация на софтуер/EPG)

Резолуция на дисплея (по хоризонтала × по
вертикала) (пиксели)

3840 × 2160

Исходни номинални данни

500 mA (за USB 1/2), 900 mA (за USB 3)

Размери (прибл.) (ш × в × д) (см)

с поставка за маса

Стандартно положение:

XR-85X9xJ: 188,8 × 109,8 × 45,0

XR-75X9xJ: 166,7 × 97,4 × 39,0

XR-65X9xJ: 144,3 × 84,8 × 33,8

Вътрешно разположени:

XR-85X9xJ: 188,8 × 111,0 × 45,0

XR-75X9xJ: 166,7 × 98,5 × 39,0

Положение на саундбара:

XR-85X9xJ: 188,8 × 115,8 × 45,0

XR-75X9xJ: 166,7 × 103,4 × 39,0

XR-65X9xJ: 144,3 × 90,8 × 33,8

без поставка за маса

XR-85X9xJ: 188,8 × 108,6 × 6,1

XR-75X9xJ: 166,7 × 96,1 × 6,1

XR-65X9xJ: 144,3 × 83,5 × 6,6

Ширина на стойката (прибл.) (см)

Стандартно положение:

XR-85X9xJ: 188,7

XR-75X9xJ: 166,6

XR-65X9xJ: 144,2

Вътрешно разположени:

XR-85X9xJ / 75X9xJ: 61,0

Положение на саундбара:

XR-85X9xJ: 188,7

XR-75X9xJ: 166,6

XR-65X9xJ: 144,2

Тегло (прибл.) (kg)

с поставка за маса

XR-85X9xJ: 51,2

XR-75X9xJ: 39,1

XR-65X9xJ: 28,5

без поставка за маса

XR-85X9xJ: 48,7

XR-75X9xJ: 36,8

XR-65X9xJ: 27,5

Други

Допълнителни аксесоари

Конзола за закрепване към стена:

SU-WL850 (само XR-75X9xJ / 65X9xJ)

Конзола за закрепване към стена:

SU-WL450

Работна температура: 0 °C – 40 °C

Работна влажност: Относителна влажност
10 % – 80 % (без образуване на конденз)

*1 Когато се подава 4096 × 2160p и [Широкоекранен режим] е настроен на [Нормален], резолюцията се показва като 3840 × 2160p. За показване на 4096 × 2160p сложете настройката [Широкоекранен режим] на [Пълен 1] или [Пълен 2].

*2 Вижте екранното меню, за да настроите [Формат на HDMI сигнала].

*3 За повече информация вижте онлайн Помощното ръководство.

*4 Само HDMI IN 3 & 4. Използвайте ултра високо скоростен кабел HDMI, за да се свържете.

*5 Свържете аудио системата си към HDMI IN 3, за да насочите телевизионния аудио сигнал към вашата аудио система.

*6 Функцията не е достъпна в Италия.

*7 Тази информация е за ЕС и други държави, които приложими разпоредби се основават на европейските разпоредби за енергийно етиктиране.

- *8 Годишната консумация на енергия в kWh е базирана на консумацията на телевизор, който работи 4 часа на ден, 365 дни. Действителната консумация на енергия зависи от това как се използва телевизора.
- *9 Указаната консумация на енергия в режим Готовност се достига след като телевизорът приключи необходимите вътрешни процеси.
- *10 Консумацията на енергия в режим Готовност ще се увеличи, когато вашият телевизор е свързан към мрежа.

Забележка

- Наличието на допълнителни аксесоари зависи от държавата/региона/модела на телевизора и наличността.
- Дизайнът и спецификациите подлежат на промяна без предупреждение.
- Може да се изискват абонаменти за услуги и приложения и могат да се прилагат допълнителни срокове, условия и/или такси при използване на Google Асистент.
- Продуктивият фиш в това ръководство е за ДЕЛЕГИРАН РЕГЛАМЕНТ (ЕС) 1062/2010 НА КОМИСИЯТА. Вижте уебсайта за информация относно (ЕС) 2019/2013.

Забележка за цифровата функция на телевизора

- Цифрова телевизия (DVB наземно, сателитно и кабелно), интерактивни услуги и мрежови функции може да не са достъпни във всички страни или райони. Някои функции може да не са активирани или може да не работят правилно с някои доставчици и мрежови среди. Някои доставчици на телевизионни услуги може да начисляват такса за услугите си.
- Този телевизор поддържа цифрово предаване, използвайки MPEG-2, H.264 / MPEG-4 AVC и H.265 / HEVC кодеци, но не може да бъде гарантирана съвместимостта с всички сигнали на оператори/услуги, които може да се променят с течение на времето.

Информация за търговски марки

- Термините HDMI и Интерфейс за мултимедия с висока разделителна способност HDMI (HDMI - High-Definition Multimedia Interface), както и логото HDMI са запазени марки на HDMI Licensing Administrator, Inc. в Съединените щати и други държави.
- Dolby, Dolby Vision, Dolby Atmos, Dolby Audio, и символът на двойното "D" са търговски марки на Dolby Laboratories Licensing Corporation. Произведено по лиценз на Dolby Laboratories. Конфиденциални непубликувани трудове. Авторско право © 1992-2020 Dolby Laboratories. Всички права запазени.
- Gracenote, логото и логотипът Gracenote, както и логото "Powered by Gracenote" са регистрирани търговски марки или търговски марки на Gracenote, Inc. в САЩ и/или други държави.
- Google TV и свързаните лога са търговски марки на Google LLC.
- За DTS патенти, вижте <http://patents.dts.com>. Произведено по лиценз на DTS, Inc. DTS, Digital Surround и логото DTS са регистрирани търговски марки или търговски марки на DTS, Inc., в САЩ и други страни. © 2020 DTS, Inc. ВСИЧКИ ПРАВА ЗАПАЗЕНИ.
- Netflix е регистрирана търговска марка на Netflix, Inc.
- DiSEqC™ е търговска марка на EUTELSAT. Този телевизор поддържа DiSEqC 1.0. Този телевизор не е предназначен за управление на антени с мотор.
- TUXERA е регистрирана търговска марка на Tuxera Inc. в САЩ и други страни.
- Всички други търговски марки са притежание на съответните им собственици.

Регистрационен номер на продукта (ДЕЛЕГИРАН РЕГЛАМЕНТ (ЕС) 2019/2013 НА КОМИСИЯТА)

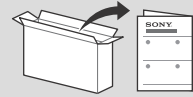
XR-85X95J (527154), XR-75X95J (527151), XR-65X95J (527140).

Σχετικά με τα εγχειρίδια οδηγιών

Η τηλεόραση αυτή παρέχεται μαζί με τα παρακάτω εγχειρίδια οδηγιών. Παρακαλούμε φυλάξτε τα εγχειρίδια οδηγιών για μελλοντική χρήση.

Οδηγός εγκατάστασης

- Εγκατάσταση και ρυθμίσεις τηλεόρασης.



Οδηγός αναφοράς (το παρόν εγχειρίδιο) / Έγγραφο τεκμηρίωση σχετικά με την ασφάλεια

- Πληροφορίες σχετικά με την ασφάλεια, τηλεχειριστήριο, αντιμετώπιση προβλημάτων, επιτοίχια εγκατάσταση, τεχνικά χαρακτηριστικά κ.λπ.



Οδηγός βοήθειας (Εγχειρίδιο στην οθόνη)

- Ρυθμίσεις, λειτουργίες, σύνδεση Internet, αντιμετώπιση προβλημάτων κ.λπ.
- Για να τον ανοίξετε, πιάστε το κουμπί **HELP** στο τηλεχειριστήριο και επιλέξτε Οδηγός βοήθειας.

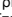


- Μπορείτε να δείτε τον Οδηγό βοήθειας με το smartphone σας.



https://rd1.sony.net/help/tv/iaep1/h_aep/

Τα μενού ρυθμίσεων υπόκεινται σε αλλαγή χωρίς προειδοποίηση.

ΣΗΜΑΝΤΙΚΟ - Διαβάστε τη Συμφωνία άδειας χρήσης λογισμικού τελικού χρήστη προτού χρησιμοποιήσετε το προϊόν Sony. Η χρήση του προϊόντος υποδηλώνει την αποδοχή της Συμφωνίας άδειας χρήσης λογισμικού τελικού χρήστη. Η συμφωνία άδειας χρήσης λογισμικού ανάμεσα σε εσάς και τη Sony διατίθεται ηλεκτρονικά στην τοποθεσία web της Sony (<https://www.sony.net/tv-software-licenses/>) ή στην οθόνη του προϊόντος. Πιέστε το  (Γρήγορες ρυθμίσεις) στο τηλεχειριστήριο και επιλέξτε [Ρυθμίσεις] → [Σύστημα] → [Πληροφορίες] → [Νομικές πληροφορίες] → [Σημειώσεις και άδειες χρήσης].

Σημείωση

- Πρωτό θέστε σε λειτουργία την τηλεόραση, διαβάστε την ενότητα "Πληροφορίες σχετικά με την ασφάλεια".
- Για περισσότερες πληροφορίες σχετικά με την ασφάλεια, ανατρέξτε στην ενότητα "έγγραφο τεκμηρίωση σχετικά με την ασφάλεια".
- Οι εικόνες και τα γραφικά που χρησιμοποιούνται στον Οδηγό εγκατάστασης και σε αυτό το εγχειρίδιο παρέχονται μόνο για λόγους αναφοράς και ενδέχεται να διαφέρουν από το πραγματικό προϊόν.
- Το σύμβολο "x"/"xx" που εμφανίζεται στο όνομα του μοντέλου αντιστοιχεί σε ένα αριθμητικό ψηφίο, που σχετίζεται με το σχέδιο, το χρώμα ή το σύστημα τηλεόρασης.

Θέση της αναγνωριστικής ετικέτας

Οι ετικέτες με τον Αριθμό μοντέλου, την Ημερομηνία παραγωγής (έτος/μήνας) και την Ονομαστική τιμή ισχύος βρίσκονται στο πίσω μέρος της τηλεόρασης ή του πακέτου. Μπορείτε να τις βρείτε αφαιρώντας το κάλυμμα ακροδέκτη.

ΣΗΜΑΝΤΙΚΗ ΣΗΜΕΙΩΣΗ

Σημείωση για τον ραδιοεξοπλισμό

Με την παρούσα η Sony Corporation, δηλώνει ότι οι τύποι ραδιοεξοπλισμού XR-85X95J, XR-75X95J, XR-65X95J πληρούν τους όρους της οδηγίας 2014/53/ΕΕ. Το πλήρες κείμενο της δήλωσης συμμόρφωσης ΕΕ διατίθεται στην ακόλουθη ιστοσελίδα στο διαδίκτυο: <https://compliance.sony.eu>

Για τον συγκεκριμένο ραδιοεξοπλισμό, ισχύουν οι παρακάτω περιορισμοί λειτουργίας ή περιορισμοί άδειας χρήσης στις χώρες AT, BE, HR, CY, CZ, DK, EE, FI, FR, DE, EL, HU, IE, IT, LV, LT, LU, MT, NL, PL, PT, SK, SI, ES, SE, UK, UK (NI), IS, LI, NO, CH, BG, RO, TR, AL, BA, MK, MD, RS, ME, Κόσοβο :
η ζώνη 5150 - 5350 MHz περιορίζεται αποκλειστικά σε χρήση εσωτερικού χώρου.

Πληροφορίες σχετικά με την ασφάλεια

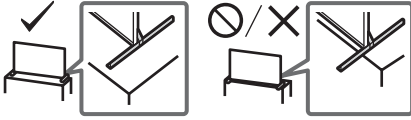
Εγκατάσταση/Ρύθμιση

Προκειμένου να αποφεύγετε τυχόν κινδύνους πυρκαγιάς, ηλεκτροπληξίας ή ζημιών ή/και τραυματισμών, εγκαταστήστε και χρησιμοποιήστε την τηλεόραση σύμφωνα με τις παρακάτω οδηγίες.

Εγκατάσταση

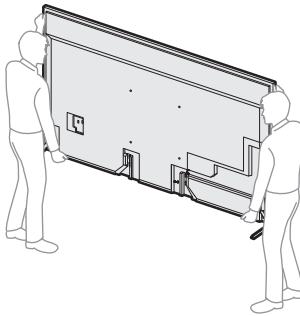
- Η τηλεόραση πρέπει να εγκατασταθεί κοντά σε παροχή ρεύματος εύκολα προσβάσιμη.
- Τοποθετήστε τη συσκευή της τηλεόρασης σε μια σταθερή, επίπεδη επιφάνεια, ώστε να αποφευχθεί η πτώση της και η πρόκληση ανθρώπινου τραυματισμού ή ζημιών.
- Εγκαταστήστε την τηλεόραση σε ένα σημείο στο οποίο δεν θα κινδυνεύει να τραβηχτεί, να στρωχθεί ή να ανατραπεί.

- Εγκαταστήστε την τηλεόραση έτσι ώστε η βάση επιτραπέζιας τοποθέτησης να μην προεξέχει από τη βάση της τηλεόρασης (δεν παρέχεται). Εάν η βάση επιτραπέζιας τοποθέτησης προεξέχει από τη βάση της τηλεόρασης, η τηλεόραση ενδέχεται να αναποδογυρίσει, να πέσει και να προκληθεί ανθρώπινος τραυματισμός ή βλάβη στην τηλεόραση.



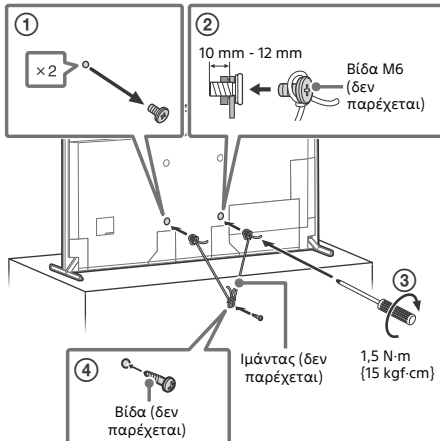
Μεταφορά

- Πριν μεταφέρετε την τηλεόραση, αποσυνδέστε όλα τα καλώδια.
- Πριν μεταφέρετε την τηλεόραση, αφαιρέστε τα καλύμματα ακροδεκτών.
- Για τη μεταφορά μιας μεγάλης τηλεόρασης χρειάζονται δύο ή περισσότερα άτομα.
- Όταν μεταφέρετε την τηλεόραση με τα χέρια, να την κρατάτε όπως υποδεικνύεται παρακάτω. Μην ασκείτε πίεση στην οθόνη LCD και στο πλαίσιο που περιβάλλει την οθόνη.
- Όταν σηκώνετε ή μετακινείτε την τηλεόραση, κρατάτε την γέρα από το κάτω μέρος.



- Κατά τη μεταφορά, μην υποβάλλετε την τηλεόραση σε χτυπήματα ή υπερβολικούς κραδασμούς.
- Όταν μεταφέρετε την τηλεόραση για επισκευή ή όταν την μεταφέρετε σε άλλο χώρο, συσκευάστε την χρησιμοποιώντας το αρχικό χαρτόκουτο και τα υλικά συσκευασίας.

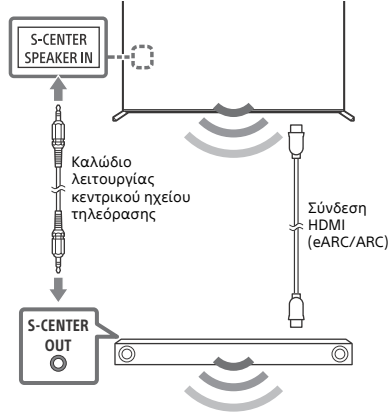
Αποτροπή πτώσης



Χρήση της τηλεόρασης ως μέρος ενός ηχοσυστήματος

Σημείωση

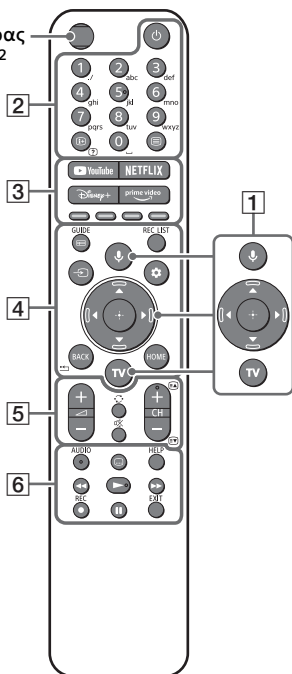
- Πριν συνδέσετε τα καλώδια, αποσυνδέστε το καλώδιο τροφοδοσίας της τηλεόρασης και του δέκτη AV.
- Για λεπτομέρειες, ανατρέξτε στο εγχειρίδιο οδηγιών του ηχοσυστήματος με ακροδέκτη S-CENTER OUT.



Τηλεχειριστήριο και τηλεόραση

Το σχήμα, η διάταξη, η διαθεσιμότητα και η λειτουργία των κουμπιών του τηλεχειριστηρίου μπορεί να διαφέρουν ανάλογα με την περιοχή/τη χώρα/το μοντέλο της τηλεόρασης/τις ρυθμίσεις της τηλεόρασης.

MIC /
Αισθητήρας
φωτός*1*2



- 1** **🎤 (Μικρόφωνο) / 🗣️ (Βοηθός Google):** Χρησιμοποιήστε τον Βοηθό Google*3*4 ή τη φωνητική αναζήτηση*4. Για συμβουλές σχετικά με τον έλεγχο της τηλεόρασής σας, πατήστε το κουμπί μικροφώνου στο τηλεχειριστήριο και πείτε τη φράση "φωνητικές συμβουλές".*3

▲/▼/◀/▶/⊕: Πλοήγηση και επιλογή μενού στην οθόνη.

TV: Εμφανίστε τη λίστα τηλεοπτικών καναλιών ή μεταβείτε σε είσοδο.

- 2** **🔌 (Ισχύς)**

Αριθμητικά κουμπιά

ⓘ+/? (Αποκάλυψη πληροφοριών/κειμένου): Εμφανίστε πληροφορίες.

☰ (Κείμενο): Εμφανίστε πληροφορίες κειμένου.

- 3** **YouTube™ / NETFLIX / Disney+ / Prime Video / Χρωματιστά κουμπιά**

- 4** **GUIDE/☰:** Εμφανίστε τον ψηφιακό οδηγό προγράμματος της τηλεόρασης ή του Αποκωδικοποιητή τηλεόρασης*5.

REC LIST: Εμφανίστε τη λίστα εγγραφής USB HDD*6/DVR*5.

↪️ (Επιλογή εισόδου): Εμφανίστε και επιλέξτε την πηγή εισόδου κ.λπ.

⚙️ (Γρήγορες ρυθμίσεις): Εμφανίστε τις γρήγορες ρυθμίσεις.

BACK/◀️

HOME

- 5** **⏪ +/– ('Ένταση)**

↻ (Μετάβαση)

🔇 (Σίγαση)*7

CH +/-/⏪/⏩: Επιλέξτε το κανάλι ή την επόμενη (⏪) / προηγούμενη (⏩) σελίδα.

- 6** **AUDIO:** Επιλέξτε ήχο από πηγή για πολλές γλώσσες ή διπλό ήχο (ανάλογα με την πηγή προγράμματος).

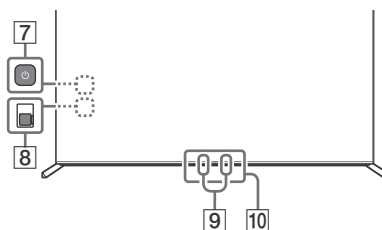
🗨️ (Ρύθμιση υποτίτλων)

HELP: Εμφανίστε το Μενού βοήθειας.

◀️/▶️/▶️▶️/⏸️

● REC: Εγγράψτε το τρέχον πρόγραμμα στο USB HDD*6/DVR*5.

EXIT



- 7** **🔌 (Ισχύς):** (Μπορεί να εντοπιστεί αφαιρώντας το πλαϊνό κάλυμμα)

8 BUILT-IN MIC SWITCH (Διακόπτης ενσωματωμένου μικροφώνου):
Ενεργοποίηση/απενεργοποίηση του ενσωματωμένου μικροφώνου. (Μπορεί να εντοπιστεί αφαιρώντας το πλαϊνό κάλυμμα)

9 Ενσωματωμένο μικρόφωνο*3*4*8: Για να ενεργοποιηστεί το ενσωματωμένο μικρόφωνο, πατήστε το κουμπί μικροφώνου στο τηλεχειριστήριο και ακολουθήστε τις οδηγίες που εμφανίζονται στην οθόνη.

10 Αισθητήρας Τηλεχειρισμού / Αισθητήρας φωτός / LED

*1 Ο οπίσθιος φωτισμός του τηλεχειριστηρίου θα ανάψει όταν ο αισθητήρας φωτός ανιχνεύσει ότι ο περιβάλλον φωτισμός είναι χαμηλός. Το αυτόματο άναμμα του οπίσθιου φωτισμού μπορεί να απενεργοποιηθεί.

*2 Μόνο για το μοντέλο RMF-TX621E. Για να δείτε το όνομα μοντέλου του τηλεχειριστηρίου, ανοίξτε το κάλυμμα του τηλεχειριστηρίου και δείτε την ετικέτα στο τηλεχειριστήριο.

*3 Μόνο σε περιορισμένες περιοχές/χώρες/μοντέλα τηλεόρασης/γλώσσες.

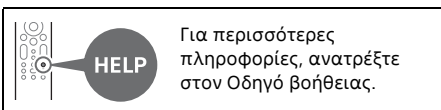
*4 Ο Βοηθός Google ή η φωνητική αναζήτηση απαιτεί σύνδεση Internet.

*5 Απαιτείται η ρύθμιση [Ρύθμιση αποκωδικοποιητή τηλεόρασης].

*6 Δεν είναι διαθέσιμο για την Ιταλία.

*7 Η συντόμηση προσβασιμότητας είναι διαθέσιμη με παρατεταμένο πάτημα του κουμπιού *X (Σίγαση).

*8 Η κατανάλωση ισχύος θα αυξηθεί όταν το ενσωματωμένο μικρόφωνο ενεργοποιηθεί καθώς ακούει συνέχεια.



Εγκατάσταση της τηλεόρασης στον τοίχο

Χρήση της προαιρετικής Επιτοίχιας Βάσης (SU-WL850 ή SU-WL450)* (δεν παρέχεται)

Προς τους πελάτες:

Για λόγους προστασίας και ασφάλειας του προϊόντος, η Sony συνιστά ένθερμα η εγκατάσταση της τηλεόρασής σας να πραγματοποιείται από αντιπροσώπους της Sony ή εξουσιοδοτημένους τεχνικούς. Μην επιχειρήσετε να την εγκαταστήσετε μόνοι σας.

Προς τους αντιπροσώπους της Sony και τους τεχνικούς:

Δώστε μεγάλη προσοχή στην ασφάλεια κατά την εγκατάσταση, την περιοδική συντήρηση και τον έλεγχο του προϊόντος αυτού.

Πληροφορίες εγκατάστασης επιτοίχιας βάσης

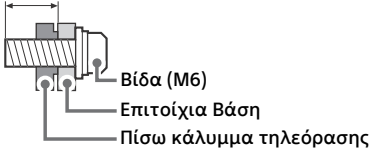
Για οδηγίες σχετικά με την εγκατάσταση της Επιτοίχιας Βάσης, ανατρέξτε στις Πληροφορίες Εγκατάστασης (Επιτοίχια Βάση) στη σελίδα προϊόντος για το μοντέλο της τηλεόρασής σας.

<https://www.sony.eu/support>

- Ακολουθήστε το εγχειρίδιο οδηγιών που παρέχεται με την Επιτοίχια Βάση για το μοντέλο σας. Απαιτείται επαρκής εμπειρία για την εγκατάσταση αυτής της τηλεόρασης και ειδικότερα για να προσδιοριστεί η αντοχή του τοίχου που θα συγκρατεί το βάρος της τηλεόρασης.
- Η Sony δεν αναλαμβάνει καμία ευθύνη για τυχόν ζημιά ή τραυματισμό που ενδέχεται να προκληθεί από λανθασμένους χειρισμούς ή ακατάλληλη εγκατάσταση.
- Η εγκατάσταση στον τοίχο πρέπει να πραγματοποιείται μόνο από εξειδικευμένο προσωπικό.
- Για λόγους ασφαλείας, συστήνεται η χρήση των εξαρτημάτων της Sony, μεταξύ των οποίων περιλαμβάνονται:
 - Επιτοίχια Βάση SU-WL850
 - Επιτοίχια Βάση SU-WL450

- Βεβαιωθείτε ότι χρησιμοποιείτε τις βίδες που παρέχονται με την Επιτοίχια βάση όταν τοποθετείτε την Επιτοίχια βάση στην τηλεόραση. Οι βίδες που παρέχονται έχουν σχεδιαστεί, έτσι ώστε να έχουν τις διαστάσεις που υποδεικνύονται στην εικόνα, όταν τις μετρήσουμε από την επιφάνεια στερέωσης της Επιτοίχιας βάσης. Η διάμετρος και το μήκος των βιδών διαφέρουν ανάλογα με το μοντέλο της Επιτοίχιας βάσης. Η χρήση διαφορετικών βιδών από αυτές που παρέχονται μπορεί να προκαλέσει εσωτερική ζημιά στην τηλεόραση ή μπορεί να πέσει, κλπ.

10 mm - 12 mm



- Φροντίστε να φυλάξετε τις βίδες που δεν χρησιμοποιήσατε και τη βάση επιτραπέζιας τοποθέτησης σε ασφαλές μέρος έως ότου είστε έτοιμοι να συνδέσετε τη βάση επιτραπέζιας τοποθέτησης. Κρατήστε τις βίδες μακριά από μικρά παιδιά.
- * Μόνο σε περιορισμένες περιοχές/χώρες/μοντέλα τηλεόρασης.

Αντιμετώπιση προβλημάτων

Για τη γενική αντιμετώπιση προβλημάτων για θέματα όπως: μαύρη οθόνη, δεν υπάρχει ήχος, παγωμένη εικόνα, η τηλεόραση δεν ανταποκρίνεται, ή δεν υπάρχει δίκτυο, ακολουθήστε τα παρακάτω βήματα.

- 1 Επανεκκινήστε την τηλεόρασή σας πιέζοντας το κουμπί λειτουργίας στο τηλεχειριστήριο για περίπου πέντε δευτερόλεπτα. Η τηλεόραση θα κάνει επανεκκίνηση. Αν δεν επανέλθει η τηλεόραση σε κανονική λειτουργία, δοκιμάστε να αποσυνδέσετε το καλώδιο ρεύματος και, στη συνέχεια, πιέστε το κουμπί λειτουργίας στην τηλεόραση και αφήστε το. Περιμένετε για δύο λεπτά, και συνδέστε το καλώδιο τροφοδοσίας. Εναλλακτικά πιέστε το κουμπί λειτουργίας στην τηλεόραση για περίπου 40 δευτερόλεπτα μέχρι να απενεργοποιηθεί η τηλεόραση.
- 2 Ανατρέξτε στο μενού Βοήθειας πιέζοντας το **HELP** στο τηλεχειριστήριο.
- 3 Συνδέστε την τηλεόρασή σας στο Internet και εκτελέστε αναβάθμιση λογισμικού. Η Sony συνιστά να διατηρείτε το λογισμικό της τηλεόρασής σας ενημερωμένο. Οι ενημερώσεις λογισμικού παρέχουν νέα χαρακτηριστικά και βελτιώσεις στην απόδοση.
- 4 Επισκεφτείτε την τοποθεσία web υποστήριξης της Sony (παρέχονται πληροφορίες στο τέλος του παρόντος εγχειριδίου).

Όταν συνδέσετε την τηλεόραση, η τηλεόραση ενδεχομένως να μην ανοίγει αμέσως, ακόμα κι αν πατήσετε το κουμπί λειτουργίας στο τηλεχειριστήριο ή στην τηλεόραση.


Χρειάζεται κάποιος χρόνος για την προετοιμασία του συστήματος. Περιμένετε ένα λεπτό περίπου και, κατόπιν θέστε τη ξανά σε λειτουργία.

Το τηλεχειριστήριο δεν λειτουργεί.

- Αλλάξτε τις μπαταρίες.

Έχετε ξεχάσει τον κωδικό πρόσβασης γονικού κλειδώματος.

- Πληκτρολογήστε τον αριθμό 9999 ως PIN και πληκτρολογήστε το νέο PIN.



Για περισσότερες πληροφορίες όσον αφορά την αντιμετώπιση προβλημάτων, ανατρέξτε στον Οδηγό βοήθειας.

Τεχνικά χαρακτηριστικά

Σύστημα

Σύστημα οθόνης: Οθόνη LCD (Οθόνη υγρών κρυστάλλων), Οπίσθιος φωτισμός LED
 Τηλεοπτικό σύστημα μετάδοσης: Ανάλογα με την επιλογή χώρας/περιοχής/μοντέλου τηλεόρασης

Αναλογικό: B/G, D/K, I

Ψηφιακό: DVB-T/DVB-C/DVB-T2

Δορυφορικό: DVB-S/DVB-S2

Σύστημα χρωμάτων: PAL/SECAM/NTSC3.58 (Μόνο εικόνα)/NTSC4.43 (Μόνο εικόνα)

Κάλυψη καναλιών: Ανάλογα με την επιλογή χώρας/περιοχής/μοντέλου τηλεόρασης

Αναλογικό: UHF/VHF/Καλωδιακή

Ψηφιακό: UHF/VHF/Καλωδιακή

Δορυφορικό: Ενδιάμεση συχνότητα (IF)
 950-2150 MHz

Έξοδος Ήχου: 10 W + 10 W + 10 W + 10 W

Ασύρματη τεχνολογία

Πρωτόκολλο IEEE 802.11a/b/g/n/ac

Bluetooth® έκδοση 4.2

Ζώνη συχνοτήτων

Περιοχή συχνοτήτων	Ισχύς εξόδου
Ασύρματο LAN (Τηλεόραση)	
2400-2483,5 MHz	< 20,0 dBm
5150-5250 MHz	< 23,0 dBm
5250-5350 MHz	< 20,0 dBm
5470-5725 MHz	< 20,0 dBm
5725-5850 MHz	< 13,9 dBm
Bluetooth® (Τηλεόραση)	
2400-2483,5 MHz	< 10,0 dBm
Bluetooth® (Τηλεχειριστήριο)	
2400-2483,5 MHz	< 10,0 dBm

Υποδοχές εισόδου/εξόδου

Κεραία/καλωδιακή

Εξωτερικός ακροδέκτης 75 ohm για VHF/UHF

Δορυφορική κεραία

Θηλυκό βύσμα τύπου F, 75 ohm.

DISEqC 1.0, LNB 13 V/18 V & τόνος 22 kHz,
 Διανομή μέσω ενός καλωδίου EN50494.

↻ / ↻ AV IN / S-CENTER SPEAKER IN
 είσοδος εικόνας/είσοδος ήχου (μίνι υποδοχή)

Είσοδος κεντρικού S ηχείου (μίνι υποδοχή)

HDMI IN 1/2/3/4 (συμβατό με HDCP 2.3)

Βίντεο:

4096 × 2160p (50, 60 Hz)^{*1+2}, 4096 × 2160p (24 Hz)^{*1}, 3840 × 2160p (50, 60 Hz)^{*2}, 3840 × 2160p (24, 25, 30 Hz), 1080p (30, 50, 60, 100, 120 Hz), 1080/24p, 1080i (50, 60 Hz), 720p (30, 50, 60 Hz), 720/24p, 576p, 480p, PC Μορφές υπολογιστή^{*3}
 3840 × 2160p (100, 120 Hz)^{*2+4}

Ήχος:

Στη λειτουργία eARC (Enhanced Audio Return Channel)

Ανατρέξτε στον ηλεκτρονικό Οδηγό βοήθειας για λεπτομέρειες.

Εξαιρείται η λειτουργία eARC

Γραμμικό PCM 5,1 καναλιών: 32/44,1/48/88,2/96/176,4/192 kHz 16/20/24 bit, Dolby Audio, Dolby Atmos, DTS

eARC/ARC (Enhanced Audio Return Channel/Audio Return Channel) (μόνο για HDMI IN 3)^{*5}

Στη λειτουργία eARC

Ανατρέξτε στον ηλεκτρονικό Οδηγό βοήθειας για λεπτομέρειες.

Στη λειτουργία ARC

Γραμμικό PCM δύο καναλιών: 48 kHz 16 bit, Dolby Audio, Dolby Atmos, DTS

↻ DIGITAL AUDIO OUT (OPTICAL)

Οπτική ψηφιακή υποδοχή (Γραμμικό PCM δύο καναλιών: 48 kHz 16 bit, Dolby Audio, DTS)

◀ (Μίνι στερεοφωνική υποδοχή)

Ακουστικά

•↔1, •↔2, •↔3 (HDD REC)^{*6}

Θύρα συσκευής USB (•↔ 3 για συσκευή USB HDD για τη λειτουργία ΕΓΓΡΑΦΗΣ)

Οι θύρες USB 1 και 2 υποστηρίζουν High Speed USB (USB 2.0)

Η θύρα USB 3 υποστηρίζει Super Speed USB (USB 3.1 Gen 1)



Υποδοχή CAM (Μονάδα Περιορισμένης Πρόσβασης)

GR



Σύνδεσμος 10BASE-T/100BASE-TX (Η ταχύτητα σύνδεσης ενδέχεται να διαφέρει, ανάλογα με το περιβάλλον λειτουργίας του δικτύου. Η ταχύτητα και η ποιότητα επικοινωνίας δεν είναι εγγυημένες.)

Ισχύς, Δελτίο Προϊόντος και άλλα

Απαιτήσεις τροφοδοσίας

220 V - 240 V AC, 50 Hz

Κλάση ενεργειακής απόδοσης*7

XR-85X9xJ: A

XR-75X9xJ: A

XR-65X9xJ: B

Μέγεθος οθόνης (διαγωνίως) (Περίπου)

XR-85X9xJ: 214,8 cm / 85 ίντσες

XR-75X9xJ: 189,3 cm / 75 ίντσες

XR-65X9xJ: 163,9 cm / 65 ίντσες

Κατανάλωση ισχύος*7

Στη λειτουργία [Κανονικό]

XR-85X9xJ: 221 W

XR-75X9xJ: 206 W

XR-65X9xJ: 173 W

Ετήσια κατανάλωση ενέργειας*7*8

XR-85X9xJ: 307 kWh ανά έτος

XR-75X9xJ: 286 kWh ανά έτος

XR-65X9xJ: 240 kWh ανά έτος

Κατανάλωση ενέργειας σε κατάσταση αναμονής*7*9*10

XR-85X9xJ: 0,50 W (35 W στη λειτουργία

ενημέρωσης λογισμικού/EPG)

XR-75X9xJ: 0,50 W (33 W στη λειτουργία

ενημέρωσης λογισμικού/EPG)

XR-65X9xJ: 0,50 W (34 W στη λειτουργία

ενημέρωσης λογισμικού/EPG)

Ανάλυση οθόνης (οριζόντια × κατακόρυφη) (pixel)

3840 × 2160

Ονομαστική έξοδος

500 mA (για USB 1/2), 900 mA (για USB 3)

Διαστάσεις (Περίπου) (π × υ × β) (cm)

με βάση επιτραπέζιας τοποθέτησης

Τυπική θέση:

XR-85X9xJ: 188,8 × 109,8 × 45,0

XR-75X9xJ: 166,7 × 97,4 × 39,0

XR-65X9xJ: 144,3 × 84,8 × 33,8

Περιορισμένη θέση:

XR-85X9xJ: 188,8 × 111,0 × 45,0

XR-75X9xJ: 166,7 × 98,5 × 39,0

Θέση sound bar:

XR-85X9xJ: 188,8 × 115,8 × 45,0

XR-75X9xJ: 166,7 × 103,4 × 39,0

XR-65X9xJ: 144,3 × 90,8 × 33,8

χωρίς βάση επιτραπέζιας τοποθέτησης

XR-85X9xJ: 188,8 × 108,6 × 6,1

XR-75X9xJ: 166,7 × 96,1 × 6,1

XR-65X9xJ: 144,3 × 83,5 × 6,6

Πλάτος βάσης (Περίπου) (cm)

Τυπική θέση:

XR-85X9xJ: 188,7

XR-75X9xJ: 166,6

XR-65X9xJ: 144,2

Περιορισμένη θέση:

XR-85X9xJ / 75X9xJ: 61,0

Θέση sound bar:

XR-85X9xJ: 188,7

XR-75X9xJ: 166,6

XR-65X9xJ: 144,2

Βάρος (Περίπου) (kg)

με βάση επιτραπέζιας τοποθέτησης

XR-85X9xJ: 51,2

XR-75X9xJ: 39,1

XR-65X9xJ: 28,5

χωρίς βάση επιτραπέζιας τοποθέτησης

XR-85X9xJ: 48,7

XR-75X9xJ: 36,8

XR-65X9xJ: 27,5

Άλλα

Προαιρετικά εξαρτήματα

Επιτοίχια Βάση: SU-WL850 (μόνο για το μοντέλο XR-75X9xJ / 65X9xJ)

Επιτοίχια Βάση: SU-WL450

Θερμοκρασία λειτουργίας: 0 °C – 40 °C

Υγρασία λειτουργίας: 10 % – 80 % σχετική υγρασία (χωρίς συμπύκνωση)

*1 Όταν η είσοδος είναι 4096 × 2160p και η επιλογή [Λειτουργία ευρείας οθόνης] έχει οριστεί σε [Κανονικό], η ανάλυση προβάλλεται ως 3840 × 2160p. Για να προβληθεί ως 4096 × 2160p, ορίστε τη ρύθμιση [Λειτουργία ευρείας οθόνης] σε [Πλήρες 1] ή [Πλήρες 2].

*2 Ανατρέξτε στο μενού στην οθόνη για να ρυθμίσετε το στοιχείο [Μορφή σήματος HDMI].

*3 Ανατρέξτε στον ηλεκτρονικό Οδηγό βοήθειας για λεπτομέρειες.

*4 Μόνο για HDMI IN 3 & 4. Χρησιμοποιήστε το καλώδιο HDMI εξαιρετικά υψηλής ταχύτητας για σύνδεση.

*5 Συνδέστε το ηχοσύστημά σας στο HDMI IN 3 για να δρομολογήσετε τον ήχο της τηλεόρασης στο ηχοσύστημά σας.

*6 Η λειτουργία δεν είναι διαθέσιμη στην Ιταλία.

*7 Αυτές οι πληροφορίες προορίζονται για την ΕΕ και άλλες χώρες των οποίων ο σχετικός κανονισμός βασίζεται στον κανονισμό για την ενεργειακή σήμανση της ΕΕ.

- *8 Κατανάλωση ενέργειας σε kWh ανά έτος, με βάση την κατανάλωση ισχύος της τηλεόρασης σε ημερήσια 4 ωρη λειτουργία επί 365 ημέρες. Η πραγματική κατανάλωση ενέργειας εξαρτάται από τον τρόπο χρήσης της τηλεόρασης.
- *9 Η συγκεκριμένη κατανάλωση ενέργειας σε αναμονή επιτυγχάνεται αφού η τηλεόραση ολοκληρώσει τις απαραίτητες εσωτερικές διαδικασίες.
- *10 Η κατανάλωση ενέργειας σε κατάσταση αναμονής αυξάνεται, όταν η τηλεόραση είναι συνδεδεμένη στο δίκτυο.

Σημειώσεις

- Η διαθεσιμότητα των προαιρετικών εξαρτημάτων εξαρτάται από τη χώρα/την περιοχή/το μοντέλο της τηλεόρασης/το απόθεμα.
- Ο σχεδιασμός και τα τεχνικά χαρακτηριστικά υπόκεινται σε αλλαγή χωρίς προειδοποίηση.
- Ενδέχεται να απαιτούνται εγγραφές για υπηρεσίες και εφαρμογές, και ενδέχεται να ισχύουν πρόσθετοι όροι, προϋποθέσεις και/ή χρεώσεις κατά τη χρήση του Βοηθού Google.
- Το δελτίο προϊόντος σε αυτό το εγχειρίδιο είναι σύμφωνα με τον ΚΑΤ' ΕΞΟΥΣΙΟΔΟΤΗΣΗ ΚΑΝΟΝΙΣΜΟΣ (ΕΕ) 1062/2010. Ανατρέξτε στην ιστοσελίδα για τον κανονισμό (ΕΕ) 2019/2013 για σχετικές πληροφορίες.

Σημειώσεις για τη λειτουργία Ψηφιακής τηλεόρασης

- Η ψηφιακή τηλεόραση (επίγεια, δορυφορική και καλωδιακή τηλεόραση DVB), οι αλληλεπιδραστικές υπηρεσίες και οι λειτουργίες δικτύου ενδέχεται να μην είναι διαθέσιμες σε όλες τις χώρες ή περιοχές. Ορισμένες λειτουργίες ενδέχεται να μην είναι ενεργοποιημένες ή να μη λειτουργούν σωστά με ορισμένους παροχείς και περιβάλλοντα δικτύου. Ορισμένοι παροχείς υπηρεσιών τηλεόρασης ενδέχεται να χρεώνουν πρόσθετη αμοιβή για τις υπηρεσίες τους.
- Η τηλεόραση αυτή υποστηρίζει ψηφιακή μετάδοση χρησιμοποιώντας κωδικοποιητές MPEG-2, H.264/MPEG-4 AVC και H.265/HEVC, αλλά η συμβατότητα με τα σήματα των παρόχων/υπηρεσιών, που μπορεί να αλλάξουν με το πέρασμα του χρόνου, δεν είναι εγγυημένη.

Πληροφορίες για το εμπορικό σήμα

- Οι όροι HDMI και HDMI High-Definition Multimedia Interface, καθώς και το λογότυπο HDMI είναι εμπορικά σήματα ή σήματα κατατεθέντα της HDMI Licensing Administrator, Inc. στις Ηνωμένες Πολιτείες και σε άλλες χώρες.

- Το Dolby, Dolby Vision, Dolby Atmos, Dolby Audio και το σύμβολο διπλού D αποτελούν εμπορικά σήματα της Dolby Laboratories Licensing Corporation. Δημιουργήθηκε με άδεια από την Dolby Laboratories. Απόρρητα μη δημοσιοποιημένα έργα. Copyright © 1992-2020 Dolby Laboratories. Με την επιφύλαξη παντός δικαιώματος.
- Η ονομασία Gracenote, το λογότυπο και η μορφή του λογότυπου Gracenote καθώς και το λογότυπο "Powered by Gracenote" είναι σήματα κατατεθέντα ή εμπορικά σήματα της Gracenote, Inc. στις Ηνωμένες Πολιτείες ή/και σε άλλες χώρες.
- Η ονομασία Google TV και τα σχετικά λογότυπα είναι εμπορικά σήματα της Google LLC.
- Για τις ευρεσιτεχνίες DTS, ανατρέξτε στην τοποθεσία <http://patents.dts.com>. Κατασκευάζεται κατόπιν άδειας από την DTS, Inc. Η ονομασία DTS, Digital Surround και το λογότυπο DTS είναι σήματα κατατεθέντα ή εμπορικά σήματα της DTS, Inc. στις Ηνωμένες Πολιτείες και σε άλλες χώρες. © 2020 DTS, Inc. ΜΕ ΤΗΝ ΕΠΙΦΥΛΑΞΗ ΠΑΝΤΟΣ ΔΙΚΑΙΩΜΑΤΟΣ.
- Η ονομασία Netflix είναι σήμα κατατεθέν της Netflix, Inc.
- Η ονομασία DiSEqC™ είναι εμπορικό σήμα της EUTELSAT. Αυτή η τηλεόραση υποστηρίζει το πρωτόκολλο DiSEqC 1.0. Αυτή η τηλεόραση δεν προορίζεται για χειρισμό μηχανοκίνητων κεραίων.
- Η ονομασία TUXERA είναι σήμα κατατεθέν της Tuxera Inc. στις Η.Π.Α και σε άλλες χώρες.
- Όλα τα υπόλοιπα εμπορικά σήματα είναι ιδιοκτησία των αντίστοιχων κατόχων τους.

Αριθμός καταχώρισης προϊόντος (ΚΑΤ' ΕΞΟΥΣΙΟΔΟΤΗΣΗ ΚΑΝΟΝΙΣΜΟΣ (ΕΕ) 2019/2013)

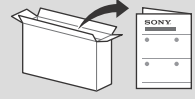
XR-85X95J (527154), XR-75X95J (527151), XR-65X95J (527140).

Kılavuzlar Hakkında

Bu televizyon aşağıdaki kılavuzlarla birlikte gelir. Lütfen kılavuzları ileride başvurmak üzere saklayın.

Kurulum Kılavuzu

- Televizyon montajı ve kurulumu.



Başvuru Kılavuzu (bu kılavuz) / Güvenlik Belgeleri

- Güvenlik bilgileri, uzaktan kumanda, sorun giderme, duvara askı montajı, spesifikasyon vb.



Yardım Kılavuzu (Ekran üstü Kılavuz)

- Ayarlar, işlevler, İnternet bağlantısı, sorun giderme vb.
- Açmak için uzaktan kumandada bulunan **HELP** düğmesine basın ve Yardım Kılavuzunu seçin.

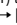


- Yardım Kılavuzuna akıllı telefonunuz ile başvurabilirsiniz.



https://rd1.sony.net/help/tv/iaep1/h_aep/

Ayar menülerinde bilgi vermesizin değişiklik yapılabilir.

ÖNEMLİ - Sony ürününüzü kullanmadan önce Son Kullanıcı Yazılım Lisans Sözleşmesini okuyunuz. Ürününüzü kullanmak, Son Kullanıcı Yazılım Lisans Sözleşmesini kabul ettiğinizi gösterir. Sony ile aranızdaki yazılım lisans sözleşmesi çevrimiçi olarak Sony web sitesinde (<https://www.sony.net/tv-software-licenses/>) veya ürün ekranınızda mevcuttur. Uzaktan kumandada  (Hızlı Ayarlar) tuşuna basın ve seçin: [Ayarlar] → [Sistem] → [Hakkında] → [Yasal bilgiler] → [Bildirimler ve lisanslar].

Not

- Televizyonu çalıştırmadan önce lütfen okuyun: "Güvenlik Bilgileri".
- Ek güvenlik bilgileri için birlikte verilen güvenlik belgelerini okuyunuz.
- Kurulum Kılavuzu'nda ve kılavuzda kullanılan resimler ve çizimler yalnızca başvuru amaçlıdır ve gerçek üründen farklı olabilir.
- Model adındaki "x"/"xx", tasarım, renk veya televizyon sistemi farkı ile ilgili bir rakama karşılık gelmektedir.

Tanım etiketinin konumu

Televizyon Model No, Üretim Tarihi (yıl/ay) ve Güç Beslemesi nominal değerleri için etiketler televizyonun veya ambalajın arkasında bulunur. Bunlar terminal kapağı söküldüğünde görülebilir.

ÖNEMLİ NOT

Radyo Ekipmanı Beyanı

Sony Corporation, XR-85X95J, XR-75X95J, XR-65X95J radyo ekipmanı türlerinin 2014/53/EU Direktifiyle uyumlu olduğunu beyan etmektedir. AB uygunluk beyanının tam metni, aşağıdaki internet adresinde mevcuttur: <https://compliance.sony.eu>

Bu radyo ekipmanı için kullanıma alma hususunda aşağıdaki kısıtlamalar veya kullanım yetkisi gereksinimleri şunlar için geçerlidir: AT, BE, HR, CY, CZ, DK, EE, FI, FR, DE, EL, HU, IE, IT, LV, LT, LU, MT, NL, PL, PT, SK, SI, ES, SE, UK, UK (NI), IS, LI, NO, CH, BG, RO, TR, AL, BA, MK, MD, RS, ME, Kosova : 5150 - 5350 MHz bandı, sadece iç mekan işlemleriyle sınırlandırılmıştır.

Güvenlik Bilgileri

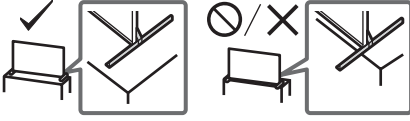
Montaj/Kurulum

Herhangi bir yangın, elektrik çarpması veya hasar ve/veya yaralanma riskini önlemek amacıyla televizyon setini aşağıdaki talimatlara uygun olarak monte ediniz ve kullanınız.

Montaj

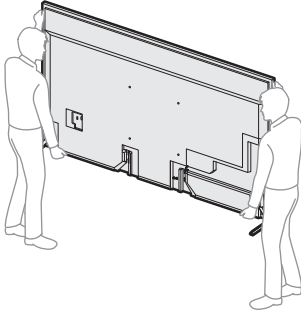
- Televizyon seti, erişimi kolay bir prizın yakınına monte edilmelidir.
- Televizyonun düşüp yaralanma veya maddi hasara yol açmasını önlemek için televizyon setini sabit, düz bir yüzeye yerleştirin.
- Televizyonu çekilemeyeceği, itilemeyeceği veya devrilemeyeceği bir yere kurun.

- Televizyonu, televizyonun Masa Üstü Sehpası televizyon standından (ürünle verilmez) dışarı çıkmayacak şekilde kurun. Masa Üstü Sehpası televizyon sehпасından dışarı çıkarsa, televizyon standından devrilmesine, düşmesine ve ciddi yaralanmalara veya televizyonun hasar görmesine neden olabilir.



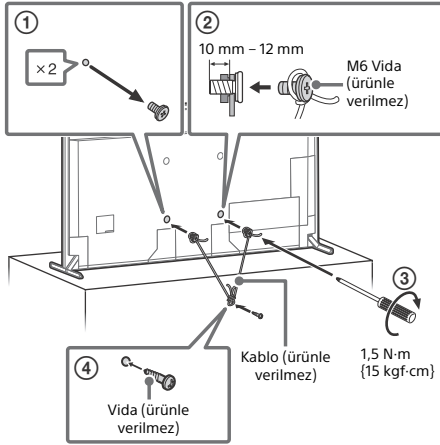
Nakliye

- Televizyon setini taşımadan önce, tüm kablolarını sökünüz.
- Televizyon setini taşımadan önce terminal kapaklarını çıkarın.
- Büyük bir televizyon setini taşımak için iki veya daha fazla kişi gerekir.
- Televizyon elle taşınırken aşağıda gösterildiği şekilde tutun. LCD panele ve ekranın etrafındaki muhafaza kasasına baskı uygulamayınız.
- Televizyon setini kaldırırken veya taşırken, alt kısmından sıkıca tutun.



- Televizyon setini taşırken, sarsıntılara ve aşırı titreşimlere maruz bırakmayınız.
- Televizyon setini tamir için taşırken veya yerini değiştirirken, orijinal karton ve ambalaj malzemelerini kullanarak paketleyiniz.

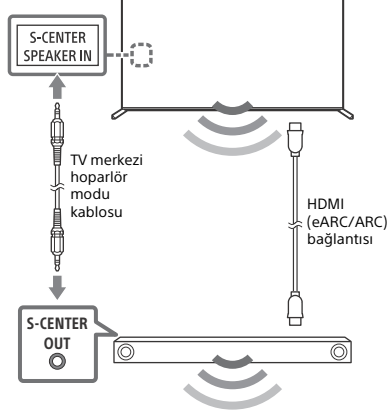
Devrilmenin önlenmesi



Televizyonu Ses Sisteminin bir Parçası olarak kullanma

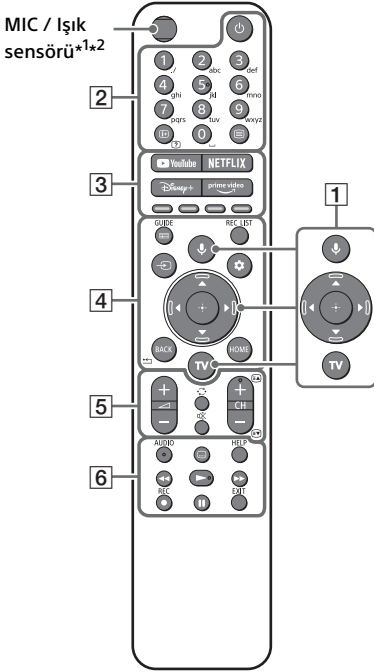
Not

- Kabloları bağlamadan önce, hem televizyonun hem de AV alıcısının elektrik kablolarını prizden çıkartın.
- Ayrıntılar için S-CENTER OUT terminalli Ses sisteminin kullanım kılavuzuna bakın.



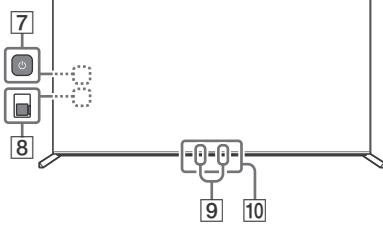
Uzaktan Kumanda ve Televizyon

Uzaktan kumandanın şekli, düzeni, bulunabilirliği ve uzaktan kumanda düğmesinin çalışma şekli bölgeye/ülkeye/televizyonun modeli/televizyonun ayarlarına göre değişir.

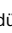


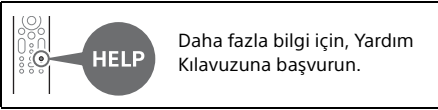
- 1 **🔊 (Mikrofon) / 🗣️ (Google Asistan):** Google Asistan*3*4 veya sesle arama*4 kullanınız. Televizyonunuzu nasıl kontrol edeceğinize ilişkin ipuçları için uzaktan kumandanın mikrofon düğmesine basın ve "sesli ipuçları" ifadesini söyleyin.*3
- ▲/▼/◀/▶/⊕: Ekran üzeri menü navigasyonu ve seçimi.
- TV:** Televizyon kanal listesini görüntüleyin veya girişe geçiş yapın.

- 2 **🔌 (Güç)**
Rakam düğmeleri
ⓘ/? **(Bilgi/Gizli metni göster):** Bilgi gösterir.
☰ **(Teletext):** Teletext bilgisini görüntüler.
- 3 **YouTube™ / NETFLIX / Disney+ / Prime Video / Renkli tuşlar**
- 4 **GUIDE/☰:** Televizyon veya kablolu/uydu kutusu*5 dijital program kılavuzunu görüntüleyin.
REC LIST: USB HDD*6/DVR*5 Rec listesini görüntüleyin.
↪ **(Giriş seçimi):** Giriş kaynağını vs. görüntüleyin ve seçin.
⚙️ **(Hızlı Ayarlar):** Hızlı Ayarları Görüntüleyin.
BACK/◀
HOME
- 5 **⏪ +/- (Ses)**
🔄 **(Atla)**
🔇 **(Sessiz)*7**
CH +/-/⏪/⏩: Kanalı veya sonraki (⏪) / önceki (⏩) sayfayı seçin.
- 6 **AUDIO:** Çok dilli kaynağın sesini veya çift ses seçin (program kaynağına bağlı olarak).
HELP: Yardım menüsünü gösterir.
◀◀/▶▶/⏸/⏹
- **REC:** Şu anda görüntüleneni programı USB HDD*6/DVR'ye*5 kaydedin.
EXIT



- 7 **⏻ (Güç):** (Yan kapak çıkarıldığında görülebilir)
- 8 **BUILT-IN MIC SWITCH (Dahili Mikrofon düğmesi):** Dahili MIC'yi açmak kapatmak. (Yan kapak çıkarıldığında görülebilir)
- 9 **Dahili mikrofon*3*4*8:** Dahili mikrofonu etkinleştirmek için uzaktan kumanda üzerindeki mikrofon düğmesine bakın ve ekrandaki talimatları takip edin.
- 10 **Uzaktan kumanda sensörü / Işık sensörü / LED**

- *1 Uzaktan kumanda arka ışığı, ışık sensörü ortam ışığının düşük olduğunu algıladığında yanacaktır. Arka ışığın otomatik yanması kapatılabilir.
- *2 Sadece RMF-TX621E. Uzaktan kumandanın model adını görmek için uzaktan kumandanın kapağını açın ve uzaktan kumanda üzerindeki etikete bakın.
- *3 Sadece kısıtlı bölgede/ülkede/televizyon modelinde/dilde.
- *4 Google Asistan veya sesle arama bir İnternet bağlantısı gerektirir.
- *5 [Kablolu/uydu kutusu ayarı] ayarı gereklidir.
- *6 İtalya için geçerli değildir.
- *7 Erişilebilirlik kısayolu  (Sessiz) düğmesine basılı tutularak kullanılabilir.
- *8 Sürekli dinlemede olduğundan yerleşik MIC etkinleştirildiğinde güç tüketimi artacaktır.



Televizyonu duvara monte etme

Opsiyonel Duvara Askı Aparatını kullanma (SU-WL850 veya SU-WL450)* (ürünle verilmez)

Müşterilere:

Ürün koruması ve güvenlik nedenleriyle, Sony televizyonunuzun montajının kesinlikle Sony bayileri veya lisanslı yüklenicileri tarafından yapılmasını önerir. Cihazı kendiniz monte etmeye çalışmayın.

Sony Bayilerine ve Yüklenicilerine:

Bu ürünün montajı, periyodik bakımı ve muayenesi sırasında emniyete çok dikkat edin.

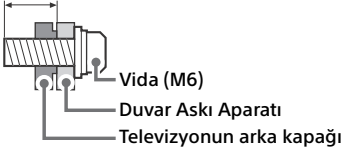
Duvar Askı Aparatı Montaj Bilgileri

Duvar Askı Aparatı takma talimatları için Televizyon modelinizin ürün sayfasındaki Kurulum Bilgilerine (Duvar Askı Aparatı) bakın. <https://www.sony.eu/support>

- Sizin modelinize ait Duvar Askı Aparatı ile birlikte verilen talimat kılavuzuna uyun. Bu televizyonu kurmak, özellikle de duvarın televizyonun ağırlığına dayanacak güçte olduğunu belirlemek için yeterli uzmanlık gereklidir.
- Yanlış taşımanın veya hatalı montajın neden olduğu hasar veya yaralanmalardan Sony sorumlu değildir.
- Duvara monte etme işlemlerini sadece kalifiye servis personeli gerçekleştirmelidir.
- Emniyet nedenlerinden ötürü, Sony aksesuarlarını kullanmanızı önemle tavsiye ederiz, buna aşağıdaki bileşen de dahildir:
 - Duvar Askı Aparatı SU-WL850
 - Duvar Askı Aparatı SU-WL450

- Duvar Askı Aparatını televizyona takarken, Duvar Askı Aparatı ile verilen vidaları kullandığınızdan emin olun. Ürünle verilen vidalar, şekilde gösterildiği gibi Duvar Askı Aparatının bağlantı yüzeyinden itibaren ölçülerek tasarlanmıştır. Vidaların çapı ve uzunluğu, Duvar Askı Aparatının modeline bağlı olarak değişiklik gösterir. Temin edilmiş vidaların haricinde başka vidaların kullanılması, TV setinin iç kısmının zarar görmesine veya düşmesine vs. neden olabilir.

10 mm – 12 mm



- Masa Üstü Sehpasını takmaya hazır olana kadar, kullanılmayan vidaları ve Masa Üstü Sehpasını güvenli bir yerde tutun. Vidaları küçük çocuklardan uzak tutun.
- * Sadece belirli bölgelerde/ülkelerde/televizyon modellerinde.

Sorun Giderme

Siyah ekran, ses yok, donmuş görüntü, televizyon yanıt vermiyor ya da ağ kaybedildi gibi sorunlar için genel sorun giderme amacıyla aşağıdaki adımları izleyin.

- 1 Uzaktan kumandanın güç düğmesine yaklaşık beş saniye basarak televizyonunuzu yeniden başlatın. Televizyon yeniden başlatılacaktır. Televizyon düzelmezse, elektrik kablosunu prizden çıkarın ve ardından televizyonun güç düğmesine basın ve bırakın. İki dakika bekleyin ve güç kablosunu prize takın. Veya televizyonun güç düğmesine, televizyon kapanana kadar yaklaşık 40 saniye basın.
- 2 Uzaktan kumandada **HELP** tuşuna basarak Yardım menüsüne başvurun.
- 3 Televizyonunuzu İnternete bağlayın ve bir yazılım güncellemesi gerçekleştirin. Sony, televizyonunuzun yazılımını hep güncel tutmanızı tavsiye eder. Yazılım güncellemeleri, televizyon performansınızı geliştirir ve yeni özellikler ekler.
- 4 Sony destek web sitesini ziyaret edin (bilgiler bu kılavuzun sonunda verilmiştir).

Televizyonun fişini takıp tekrar çıkarttığınızda, uzaktan kumandadaki veya televizyondaki güç düğmesine bassanız bile televizyon bir süre açılmayabilir.


Sistemin başlatılması zaman alır. Yaklaşık bir dakika bekleyip tekrar çalıştırın.

Uzaktan kumanda çalışmıyor.

- Pilleri değiştirin.

Ebeveyn kilidi şifresi unutuldu.

- PIN için 9999 sayısını girin ve yeni PIN girin.



Sorun giderme hakkında daha fazla bilgi için Yardım Kılavuzuna bakın.

Spesifikasyonlar

Sistem

Panel Sistemi: LCD (Sıvı Kristal Ekran) Panel, LED'li arkadan aydınlatma

Televizyon Sistemi: Ülkenize/alan seçiminize/televizyon modelinize bağlı olarak

Analog: B/G, D/K, I

Dijital: DVB-T/DVB-C/DVB-T2

Uydu: DVB-S/DVB-S2

Renk Sistemi: PAL/SECAM/NTSC3.58 (Sadece video)/NTSC4.43 (Sadece video)

Kanal kapsamı: Ülkenize/alan seçiminize/televizyon modelinize bağlı olarak

Analog: UHF/VHF/Kablolu

Dijital: UHF/VHF/Kablolu

Uydu: IF Frekansı 950-2150 MHz

Ses çıkışı: 10 W + 10 W + 10 W + 10 W + 10 W + 10 W

Kablosuz teknolojisi

IEEE 802.11a/b/g/n/ac protokolü

Bluetooth® Sürümü 4.2

Frekans bandı/bantları

Frekans aralığı	Çıkış Gücü
Kablosuz LAN (TV)	
2400-2483,5 MHz	< 20,0 dBm
5150-5250 MHz	< 23,0 dBm
5250-5350 MHz	< 20,0 dBm
5470-5725 MHz	< 20,0 dBm
5725-5850 MHz	< 13,9 dBm
Bluetooth® (TV)	
2400-2483,5 MHz	< 10,0 dBm
Bluetooth® (Uzaktan kumanda)	
2400-2483,5 MHz	< 10,0 dBm

Giriş/Çıkış jaları

Anten/kablo

VHF/UHF için 75 ohm harici terminal

Uydu anteni

Dişi F tipi Konektör, 75 ohm.

DiSEqC 1.0, LNB 13 V/18 V ve 22 kHz ton,

Tek Kablo Dağıtım EN50494.

AV IN / S-CENTER SPEAKER IN

Video/Ses girişi (mini jak)

S-orta hoparlör girişi (mini jak)

HDMI IN 1/2/3/4 (HDCP 2.3-uyumlu)

Video:

4096 × 2160p (50, 60 Hz)*1*2, 4096 × 2160p (24 Hz)*1, 3840 × 2160p (50, 60 Hz)*2, 3840 × 2160p (24, 25, 30 Hz), 1080p (30, 50, 60, 100, 120 Hz), 1080/24p, 1080i (50, 60 Hz), 720p (30, 50, 60 Hz), 720/24p, 576p, 480p, PC Formatları*3
3840 × 2160p (100, 120 Hz)*2*4

Ses:

eARC (Enhanced Audio Return Channel) modunda

Ayrıntılar için çevrimiçi Yardım Kılavuzuna bakınız.

eARC modu hariç

5,1 kanal doğrusal PCM: 32/44,1/48/88,2/96/176,4/192 kHz 16/20/24 bit, Dolby Audio, Dolby Atmos, DTS

eARC/ARC (Enhanced Audio Return Channel/ Audio Return Channel) (Sadece HDMI IN 3)*5

eARC modunda

Ayrıntılar için çevrimiçi Yardım Kılavuzuna bakınız.

ARC modunda

İki kanal doğrusal PCM: 48 kHz 16 bit, Dolby Audio, Dolby Atmos, DTS

DIGITAL AUDIO OUT (OPTICAL)

Dijital optik jak (İki kanal doğrusal PCM: 48 kHz 16 bit, Dolby Audio, DTS)

(Stereo Mini Jak)

Kulaklık

1, 2, 3 (HDD REC)*6

USB cihaz portu (3 Kayıt özelliği için USB HDD cihazı)

1 ve 2 USB portu High Speed USB'yi (USB 2.0) destekler

3 USB portu Super Speed USB'yi (USB 3.1 Gen 1) destekler



CAM (Koşullu Erişim Modülü) yuvası



10BASE-T/100BASE-TX konektörü (Ağın çalışma ortamına bağlı olarak bağlantı hızı değişebilir. İletişim hızı ve iletişim kalitesi garanti edilmez.)

Güç, Ürün Fişi ve diğerleri

Güç gereksinimleri
220 V - 240 V AC, 50 Hz

Enerji Verimliliği Sınıfı*7

XR-85X9xJ: A
XR-75X9xJ: A
XR-65X9xJ: B

Ekran boyutu (çarpaz ölçü) (yakl.)

XR-85X9xJ: 214,8 cm / 85 inç
XR-75X9xJ: 189,3 cm / 75 inç
XR-65X9xJ: 163,9 cm / 65 inç

Güç tüketimi*7

[Standart] modunda

XR-85X9xJ: 221 W
XR-75X9xJ: 206 W
XR-65X9xJ: 173 W

Yıllık enerji tüketimi*7*8

XR-85X9xJ: yılda 307 kWh
XR-75X9xJ: yılda 286 kWh
XR-65X9xJ: yılda 240 kWh

Bekleme modunda güç tüketimi*7*9*10

XR-85X9xJ: 0,50 W (Yazılım/EPG güncelleme modunda 35 W)
XR-75X9xJ: 0,50 W (Yazılım/EPG güncelleme modunda 33 W)
XR-65X9xJ: 0,50 W (Yazılım/EPG güncelleme modunda 34 W)

Görüntü çözünürlüğü (yatay × dikey) (piksel)

3840 × 2160

Nominal çıkış

500 mA (USB 1/2 için), 900 mA (USB 3 için)

Boyutlar (yakl.) (g × y × d) (cm)

Masa Üstü Sehпасı ile

Standart konum:
XR-85X9xJ: 188,8 × 109,8 × 45,0
XR-75X9xJ: 166,7 × 97,4 × 39,0
XR-65X9xJ: 144,3 × 84,8 × 33,8

Dar konum:

XR-85X9xJ: 188,8 × 111,0 × 45,0
XR-75X9xJ: 166,7 × 98,5 × 39,0
Sound bar konumu:
XR-85X9xJ: 188,8 × 115,8 × 45,0
XR-75X9xJ: 166,7 × 103,4 × 39,0
XR-65X9xJ: 144,3 × 90,8 × 33,8

Masa Üstü Sehпасı olmadan

XR-85X9xJ: 188,8 × 108,6 × 6,1
XR-75X9xJ: 166,7 × 96,1 × 6,1
XR-65X9xJ: 144,3 × 83,5 × 6,6

Sehpa genişliği (yakl.) (cm)

Standart konum:

XR-85X9xJ: 188,7
XR-75X9xJ: 166,6
XR-65X9xJ: 144,2

Dar konum:

XR-85X9xJ / 75X9xJ: 61,0

Sound bar konumu:

XR-85X9xJ: 188,7
XR-75X9xJ: 166,6
XR-65X9xJ: 144,2

Ağırlık (yakl.) (kg)

Masa Üstü Sehпасı ile

XR-85X9xJ: 51,2
XR-75X9xJ: 39,1
XR-65X9xJ: 28,5

Masa Üstü Sehпасı olmadan

XR-85X9xJ: 48,7
XR-75X9xJ: 36,8
XR-65X9xJ: 27,5

Diğer

Opsiyonel aksesuarlar

Duvar Askı Aparatı: SU-WL850 (yalnızca XR-75X9xJ / 65X9xJ)

Duvar Askı Aparatı: SU-WL450

Çalışma sıcaklığı: 0 °C ila 40 °C

Çalışma nemi: %10 ila %80 bağıl nem (yoğuşması)

*1 Giriş 4096 × 2160p olduğunda ve [Geniş Mod] [Normal] olarak ayarlandığında, çözünürlük 3840 × 2160p olarak gösterilir. 4096 × 2160p olarak görüntülemek için [Geniş Mod]'i [Full 1] veya [Full 2] olarak ayarlayın.

*2 [HDMI sinyal formatı]'nı ayarlamak için ekran üzeri menüye bakın.

*3 Ayrıntılar için çevrimiçi Yardım Kılavuzuna bakınız.

*4 Sadece HDMI IN 3 & 4. Bağlamak için Ultra Yüksek Hızlı HDMI Kablosunu kullanın.

*5 Ses sisteminize televizyonun sesini bağlamak için ses sisteminizi HDMI IN 3'ye bağlayın.

*6 Fonksiyon İtalya'da geçerli değildir.

*7 Bu bilgiler, AB ülkeleri ve ilgili mevzuatı AB enerji etiketleme mevzuatına dayalı olan diğer ülkeler içindir.

*8 Televizyonun 365 gün boyunca günde 4 saat çalıştırıldığında güç tüketimi baz alındığında kWh cinsinden yıl başına enerji tüketimidir. Gerçek enerji tüketimi televizyonun nasıl kullanıldığında bağlı olarak değişecektir.

*9 Belirtilen bekleme durumundaki güce, sadece televizyon gerekli dahili işlemleri tamamladıktan sonra ulaşılır.

*10 Televizyon ağa bağlandığında bekleme modundaki güç tüketimi artar.

Not

- Opsiyonel aksesuarlar ÷lkeye/b÷lgeye/televizyon modeline/stok durumuna g÷re bulunur.
- Tasarım ve spesifikasyonlarda bilgi vermeksizin deęişiklik yapılabilir.
- Hizmetler ve uygulamalar için abonelik gerekebilir ve Google Asistan'ı kullanırken ek şartlar, koşullar ve/veya ücretler geçerli olabilir.
- Bu kılavuzdaki ürün tanıtımı 1062/2010 numaralı YETKİ DEVRİNE DAYANAN KOMİSYON TÛZÛĐŰ (AB) içindir. (AB) 2019/2013 ile ilgili bilgi almak için ilgili web sitesine bakın.

Dijital TV fonksiyonu hakkında

- Dijital TV (DVB karasal, uydu ve kablo), interaktif hizmetler ve aę işlevleri tüm ÷lkelerde veya bölgelerde kullanılamayabilir. Bazı işlevler etkinleştirilemeyebilir veya bazı sağlayıcılar ve aę ortamlarında düzgün çalışmayabilir. Bazı TV hizmeti sağlayıcıları, hizmetleri için bir ücret talep edebilir.
- Bu TV, MPEG-2, H.264 / MPEG-4 AVC ve H.265 / HEVC kodlayıcı-kod çözücülerini kullanarak dijital yayını desteklemektedir; ancak, zaman içinde deęişebilecek olan tüm operatör / servis sinyalleriyle uyumluluk garanti edilemez.

Ticari markaya ilişkin bilgi

- HDMI ve HDMI High-Definition Multimedia Interface terimleri ve HDMI Logosu, HDMI Licensing Administrator, Inc. şirketinin ABD'deki ve dięer ÷lkelerdeki ticari markası ya da tescilli markasıdır.
- Dolby, Dolby Vision, Dolby Atmos, Dolby Audio ve çift D sembolü, Dolby Laboratories Licensing Corporation'ın ticari markalarıdır. Dolby Laboratories lisansı altında üretilmiştir. Gizli yayınlanmayan çalışmalar. Telif hakkı © 1992-2020 Dolby Laboratories. Tüm hakları saklıdır.
- Gracenote, Gracenote logosu ve logo türü, "Powered by Gracenote" logosu, Gracenote Inc.'nin Amerika Birleşik Devletleri ve/veya dięer ÷lkelerde tescilli ticari markaları veya ticari markalarıdır.
- Google TV ve ilgili logolar Google LLC'nin ticari markalarıdır.
- DTS patentleri için, <http://patents.dts.com> adresini ziyaret edin. DTS, Inc.'in lisansı altında üretilmiştir. DTS, Digital Surround ve DTS logosu, Amerika Birleşik Devletleri ve dięer ÷lkelerde DTS, Inc.'nin tescilli ticari markaları veya ticari markalarıdır. © 2020 DTS, Inc. TÛM HAKLARI SAKLIDIR.

- Netflix, Netflix, Inc.'nin tescilli ticari markasıdır.
- DiSEqC™, EUTELSAT'ın bir ticari markasıdır. Bu televizyon DiSEqC 1.0'ı destekler. Bu televizyon motorlu antenleri kumanda etmek için tasarlanmamıştır.
- TUXERA, A.B.D. ve dięer ÷lkelerde Tuxera Inc.'in tescilli ticari markasıdır.
- Dięer bütün ticari markalar ilgili sahiplerinin mülkiyetindedir.

Ürün kayıt numarası (YETKİ DEVRİNE DAYANAN KOMİSYON TÛZÛĐŰ (AB) 2019/2013)

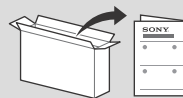
XR-85X95J (527154), XR-75X95J (527151), XR-65X95J (527140).

О руководствах

Телевизор поставляется вместе со следующими руководствами. Пожалуйста, сохраняйте руководства для консультаций в будущем.

Руководство по установке

- Установка и настройка телевизора.



Справочник (данное руководство) / Документация по безопасности

- Сведения по безопасности, пульт ДУ, поиск неисправностей, настенная установка, технические характеристики и т. п.



Справочное руководство (экранное руководство)

- Настройки, функции, подключение к сети Интернет, поиск неисправностей и т. п.
- Чтобы открыть его, нажмите кнопку **HELP** на пульте ДУ и выберите Справочное руководство.




- Вы можете просматривать Справочное руководство на смартфоне.



https://rd1.sony.net/help/tv/iaep1/h_aep/

Меню настройки могут быть изменены без уведомления.

ВАЖНО – Перед использованием этим продуктом Sony прочтите Лицензионное соглашение с конечным пользователем программного обеспечения. Пользование данным продуктом означает принятие вами Лицензионного соглашения с конечным пользователем программного обеспечения. Лицензионное соглашение между вами и Sony доступно в режиме онлайн на веб-сайте Sony (<https://www.sony.net/tv-software-licenses/>) или на экране вашего продукта. Нажмите  (Быстрые настройки) на пульте дистанционного управления и выберите [Настройки] → [Система] → [Об устройстве] → [Юридическая информация] → [Примечания и лицензии].

Примечание

- Перед началом работы с телевизором прочитайте раздел “Сведения по безопасности”.
- Для получения дополнительных сведений по безопасности ознакомьтесь с прилагаемой документацией по безопасности.
- Рисунки и изображения, используемые в документе “Руководство по установке” и в настоящем руководстве, представлены только для справки и могут отличаться от фактического изделия.
- Символ “x”/“хх” в названии модели соответствует одной цифре, относящейся к дизайну, вариации цвета или телевизору.
- Реализацию осуществлять в соответствии с действующими требованиями законодательства. Отслужившее изделие утилизировать в соответствии с действующими требованиями законодательства.

Расположение идентифицирующей этикетки

Этикетки с номером модели, датой производства (год/месяц) и характеристиками источника питания расположены на задней панели телевизора или на упаковке. Они находятся под крышковой разъемов.

Дата изготовления указана на изделии и упаковке на этикетке со штрих-кодом в следующем формате: YYYY/MM, где YYYY - год, MM - месяц изготовления.

ВАЖНОЕ ПРИМЕЧАНИЕ

Название продукта: Телевизор

Производитель: Сони Корпорейшн, 1-7-1 Конан Минато-ку Токио, 108-0075 Япония
Сделано в Словакии.
Страна производства указана на изделии и упаковке.



Импортер на территории стран Таможенного союза: АО «Сони Электроникс», Россия, 123103, Москва, Карамышевский проезд, 6

Организация, уполномоченная принимать претензии от потребителей на территории Казахстана
АО «Сони Электроникс»
Представительство в Казахстане, 050010, Республика Казахстан, г. Алматы, пр. Достык, дом 117/7

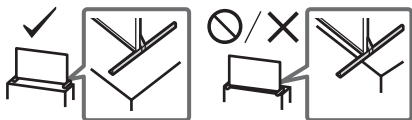
Сведения по безопасности

Установка/подключение

Во избежание возгорания, поражения электрическим током, повреждения телевизора и/или травм выполняйте установку и эксплуатацию телевизора в соответствии с нижеследующими указаниями.

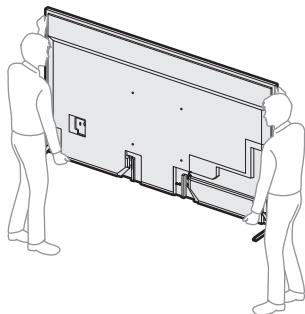
Установка

- Телевизор следует устанавливать вблизи легкодоступной сетевой розетки.
- Во избежание опрокидывания устройства, получения травмы или повреждения имущества установите телевизор на устойчивую ровную поверхность.
- Установите телевизор в таком месте, где его нельзя задеть или опрокинуть.
- Установите телевизор таким образом, чтобы его настольная подставка не выступала за подставку для телевизора (не входит в комплект). Если настольная подставка выступает за подставку для телевизора, телевизор может опрокинуться и упасть, что может привести к травме или повреждению телевизора.



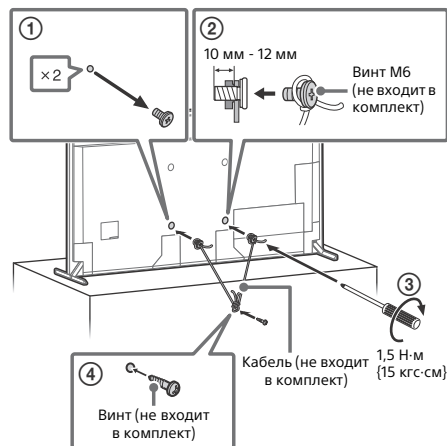
Перемещение

- Перед перемещением телевизора отсоедините от него все кабели.
- Перед перемещением телевизора снимите крышки разъемов.
- Для переноски телевизора больших размеров требуются два или более человек.
- При переноске телевизора вручную держите его, как показано ниже. Не прикладывайте усилия к ЖК-панели и рамке экрана.
- При подъеме или перемещении телевизора крепко придерживайте его снизу.



- При перевозке берегите телевизор от ударов и сильной вибрации.
- Если необходимо доставить телевизор в ремонтную мастерскую или перевезти в другое место, упакуйте его в картонную коробку и упаковочный материал, в которых он поставлялся изначально.

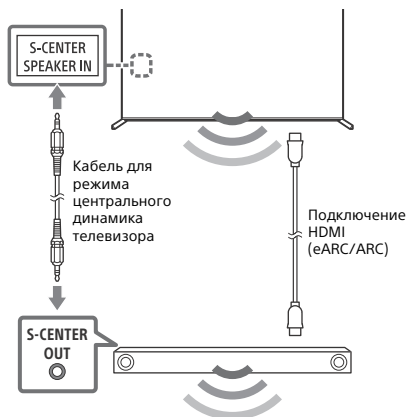
Предотвращение опрокидывания



Использование телевизора в качестве элемента аудиосистемы

Примечание

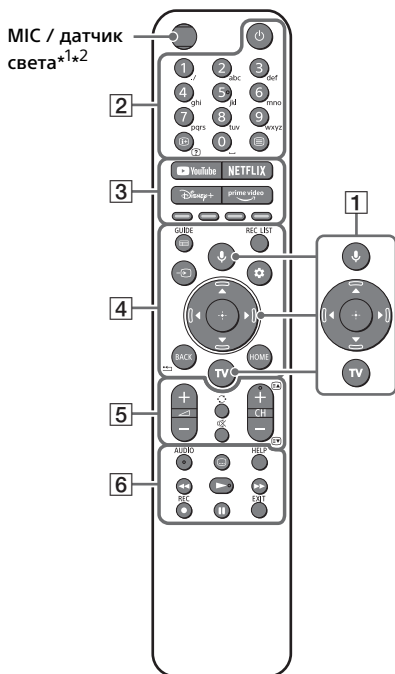
- Перед подключением кабелей отключите телевизор и AV-ресивер от сети.
- Для получения более подробной информации см. руководство по эксплуатации аудиосистемы с разъемом S-CENTER OUT.



RU

Пульт ДУ и телевизор

Форма, расположение, наличие и функции кнопок пульта дистанционного управления зависят от региона/страны/модели/параметров телевизора.



1 (микрофон) / (Google Ассистент):

Используйте Google Ассистент*^{3,4} или голосовой поиск*⁴. Для получения советов по управлению телевизором нажмите кнопку микрофона на пульте дистанционного управления и произнесите фразу "голосовые советы."*³

: Навигация и выбор пунктов экранного меню.

TV: Отобразите список каналов телевизора или переключите на вход.

2 (Включение)

Цифровые кнопки

/ (информация/Вывод скрытого текста): Отображение информации.

(текст): Отображение текстовой информации.

3 YouTube™ / NETFLIX / Disney+ / Prime Video / Цветные кнопки

4 : Отобразите электронную программу телепередач телевизора или ТВ-приставка*⁵.

REC LIST: Отображение списка записей на жестком диске USB*⁶/DVR*⁵.

(выбор источника входного сигнала): Служит для отображения и выбора источника входного сигнала и т.д.

(быстрые настройки): Показать меню быстрых настроек.

BACK /

HOME

5 +/- (громкость)

(переход)

(отключение звука)*⁷

CH +/- / / : Выбор канала или следующей () / предыдущей () страницы.

6 **AUDIO:** Выбор языка для многоязычного источника или двухканального звука (функция зависит от источника программы).

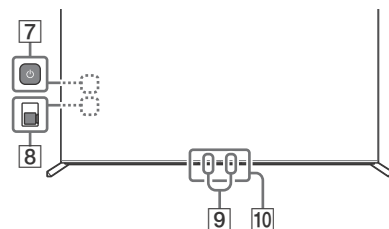
(установка субтитров)

HELP: Отображение меню справки.

/ /

REC: Запись текущей программы на жесткий диск USB*⁶/DVR*⁵.

EXIT



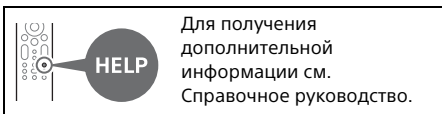
7 (Включение): (Для получения доступа к нему снимите боковую крышку)

8 **BUILT-IN MIC SWITCH (Переключатель встроенного микрофона):** Включение/выключение встроенного микрофона. (Для получения доступа к нему снимите боковую крышку)

9 Встроенный микрофон*3*4*8: Чтобы включить встроенный микрофон, нажмите кнопку микрофона на пульте дистанционного управления и следуйте инструкциям на экране.

10 Датчик пульта дистанционного управления / датчик света / LED

- *1 Подсветка пульта ДУ включится, если датчик света обнаружит, что внешнего освещения недостаточно. Автоматическое включение подсветки можно отключить.
- *2 Только RMF-TX621E. Для информации о названии модели пульта ДУ откройте крышку пульта и см. этикетку на пульте ДУ.
- *3 Только в определенных регионах/странах/моделях телевизора/языках.
- *4 Для использования Google Ассистента или голосового поиска требуется подключение к сети Интернет.
- *5 Требуется настройка [Настройка ТВ-приставки].
- *6 Недоступно для Италии.
- *7 Быстрый доступ обеспечивается нажатием и удержанием кнопки «*» (отключение звука).
- *8 Энергопотребление повышается, так как встроенный микрофон всегда выполняет прослушивание, когда он включен.



Установка телевизора на стену

Использование дополнительного кронштейна для настенной установки (SU-WL850 или SU-WL450)* (не входит в комплект)

К сведению покупателей:

Для обеспечения сохранности изделия и из соображений безопасности компания Sony настоятельно рекомендует привлекать для установки телевизора только дилеров или лицензированных подрядчиков Sony. Не пытайтесь выполнить установку самостоятельно.

К сведению дилеров и подрядчиков Sony:

Уделяйте повышенное внимание безопасности во время установки, периодического обслуживания и осмотра данного изделия.

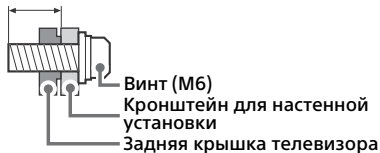
Сведения по монтажу с помощью кронштейна для настенной установки

Для получения инструкций по установке кронштейна для настенной установки см. сведения об установке (Кронштейн для настенной установки) на странице вашей модели телевизора.

<https://www.sony.eu/support>

- Следуйте инструкции к кронштейну для настенной установки для вашей модели. Для правильной установки телевизора необходим достаточный опыт, в особенности при определении того, в состоянии ли стена выдержать вес телевизора.
- Компания Sony не несет ответственности за любые поломки или травмы, вызванные неправильным обращением с изделием или его неправильной установкой.
- Настенная установка телевизора должна выполняться только квалифицированными специалистами сервисной службы.
- По соображениям безопасности настоятельно рекомендуется использовать аксессуары Sony, в том числе:
 - Кронштейн для настенной установки SU-WL850
 - Кронштейн для настенной установки SU-WL450
- Обязательно используйте винты, прилагаемые к кронштейну для настенной установки, когда будете прикреплять кронштейн для настенной установки к телевизору. Прилагаемые винты имеют конструкцию, которая указана на рисунке, при измерении от контактной поверхности кронштейна для настенной установки. Диаметр и длина винтов различаются в зависимости от модели кронштейна для настенной установки. Использование винтов, отличных от входящих в комплект поставки, может привести к повреждению телевизора или вызвать его падение и т. д.

10 мм - 12 мм



RU

- Если вы решили пока не устанавливать настольную подставку, храните неиспользованные винты и настольную подставку в безопасном месте. Храните винты в недоступных для маленьких детей местах.

* Только в определенных регионах/странах/моделях телевизора.

Поиск неисправностей

Основные способы поиска и устранения неисправностей для следующих проблем: пустой экран, отсутствие звука, замерзший кадр, отсутствие реакции телевизора при нажатии кнопок, потеря сети. При возникновении данных проблем выполните следующие действия.

- 1 Перезапустите телевизор, нажимая кнопку питания на пульте дистанционного управления в течение около пяти секунд. Телевизор перезапустится. Если телевизор не возвращается в предыдущий режим, попробуйте отсоединить сетевой кабель, а затем нажмите кнопку питания на телевизоре и отпустите ее. Подождите две минуты, а затем снова подключите сетевой кабель.

Или нажмите и удерживайте кнопку питания на телевизоре в течение около 40 секунд, пока телевизор не выключится.

- 2 См. меню справки, нажав на пульте дистанционного управления кнопку **HELP**.
- 3 Подключите телевизор к Интернету и выполните обновление программного обеспечения. Компания Sony рекомендует своевременно обновлять программное обеспечение телевизора. Благодаря обновлению программного обеспечения улучшаются рабочие характеристики телевизора, а также доступны новые функции.
- 4 Посетите веб-сайт поддержки Sony (информация представлена в конце этого руководства).

При включении телевизор может некоторое время не включаться — даже при нажатии кнопки питания на пульте дистанционного управления или самом телевизоре.

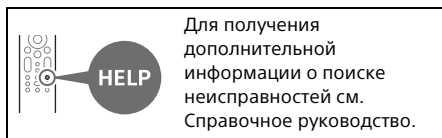
Для инициализации системы требуется некоторое время. Подождите примерно одну минуту, затем повторите попытку.

Не работает пульт дистанционного управления.

- Замените батарейки.

Забыли пароль для функции “Замок от детей”.

- Введите 9999 в качестве PIN-кода и введите новый PIN-код.



Технические характеристики

Система

Система панели: Панель ЖКД (жидкокристаллический дисплей), Светодиодная подсветка

Система телевидения: В зависимости от выбранной страны/региона/модели телевизора

Аналоговый: B/G, D/K, I

Цифровой: DVB-T/DVB-C/DVB-T2

Спутник: DVB-S/DVB-S2

Система цвета: PAL/SECAM/NTSC3.58 (только видео)/NTSC4.43 (только видео)

Диапазон принимаемых каналов: В зависимости от выбранной страны/региона/модели телевизора

Аналоговый: UHF/VHF/кабель

Цифровой: UHF/VHF/кабель

Спутник: промежуточная частота 950-2150 МГц

Выход звука: 10 Вт + 10 Вт + 10 Вт + 10 Вт + 10 Вт

Беспроводная технология

Протокол IEEE 802.11a/b/g/n/ac

Bluetooth® версии 4.2

Входные/выходные разъемы

Антенна/кабель

Разъем 75 Ом для VHF/UHF

Спутниковая антенна

Гнездовой разъем типа F, 75 Ом.

DiSEqC 1.0, LNB 13 В/18 В, тон 22 кГц, Перед.
по одному кабелю EN50494.

↻ / ↻ AV IN / S-CENTER SPEAKER IN

Видео-/аудиовход (разъем типа minijack)

Входной разъем центрального динамика

S-Centre Speaker (разъем типа minijack)

HDMI IN 1/2/3/4 (с поддержкой HDCP 2.3)

Видео:

4096 × 2160p (50, 60 Гц)^{*1+2}, 4096 × 2160p
(24 Гц)^{*1}, 3840 × 2160p (50, 60 Гц)^{*2},
3840 × 2160p (24, 25, 30 Гц), 1080p (30, 50,
60, 100, 120 Гц), 1080/24p, 1080i (50, 60 Гц),
720p (30, 50, 60 Гц), 720/24p, 576p, 480p,
Форматы ПК^{*3}
3840 × 2160p (100, 120 Гц)^{*2+4}

Аудио:

В режиме eARC (Enhanced Audio Return
Channel)

Для получения подробной информации
см. интерактивное Справочное
руководство.

За исключением режима eARC

5,1-канальный линейный PCM: 32/44,1/
48/88,2/96/176,4/192 кГц 16/20/24 бит,
Dolby Audio, Dolby Atmos, DTS

eARC/ARC (Enhanced Audio Return Channel/
Audio Return Channel) (только HDMI IN 3)^{*5}

В режиме eARC

Для получения подробной информации
см. интерактивное Справочное
руководство.

В режиме ARC

Двухканальный линейный PCM: 48 кГц
16 бит, Dolby Audio, Dolby Atmos, DTS

⇄ DIGITAL AUDIO OUT (OPTICAL)

Цифровой оптический разъем

(двухканальный линейный PCM: 48 кГц
16 бит, Dolby Audio, DTS)

⦿ (стерео мини-гнездо)

Наушники

•↔ 1, •↔ 2, •↔ 3 (HDD REC)^{*6}

Порт устройства USB (жесткий диск •↔ 3
USB для функции записи)

USB-порты 1 и 2 поддерживают
высокоскоростное соединение USB
(USB 2.0)

USB-порт 3 поддерживает сверхскоростное
соединение USB (USB 3.1 Gen 1)



Разъем под CAM (модуль ограниченного
доступа)

LAN

Разъем 10BASE-T/100BASE-TX (скорость
соединения зависит от операционной
среды сети. Скорость и качество передачи
данных не гарантируются.)

Питание, справочный лист технических данных устройства и другое

Требования по электропитанию

220 В – 240 В пер. тока, 50 Гц

Класс энергопотребления

XR-85X9хJ: A

XR-75X9хJ: A

XR-65X9хJ: B

Размер экрана (по диагонали) (прибл.)

XR-85X9хJ: 214,8 см / 85 дюймов

XR-75X9хJ: 189,3 см / 75 дюймов

XR-65X9хJ: 163,9 см / 65 дюймов

Удельная потребляемая мощность в режиме
[Стандартный]:

XR-85X9хJ: 11,3 мВт/см²

XR-75X9хJ: 13,5 мВт/см²

XR-65X9хJ: 15,1 мВт/см²

Энергопотребление

В режиме [Стандартный]

XR-85X9хJ: 221 Вт

XR-75X9хJ: 206 Вт

XR-65X9хJ: 173 Вт

Ежегодное энергопотребление^{*7}

XR-85X9хJ: 307 в кВт·ч за год

XR-75X9хJ: 286 в кВт·ч за год

XR-65X9хJ: 240 в кВт·ч за год

Мощность, потребляемая в дежурном
режиме^{*8+9}

XR-85X9хJ: 0,50 Вт (35 Вт в режиме
обновления программного обеспечения и
данных EPG)

XR-75X9хJ: 0,50 Вт (33 Вт в режиме
обновления программного обеспечения и
данных EPG)

XR-65X9хJ: 0,50 Вт (34 Вт в режиме
обновления программного обеспечения и
данных EPG)

Разрешение экрана (по горизонтали ×
по вертикали) (точек)

3840 × 2160

Выходные параметры

500 мА (для USB 1/2), 900 мА (для USB 3)

Размеры (прибл.) (ш × в × г) (см)

С настольной подставкой

Стандартное положение:

XR-85X9хl: 188,8 × 109,8 × 45,0

XR-75X9хl: 166,7 × 97,4 × 39,0

XR-65X9хl: 144,3 × 84,8 × 33,8

Узкое положение:

XR-85X9хl: 188,8 × 111,0 × 45,0

XR-75X9хl: 166,7 × 98,5 × 39,0

Положение звуковой панели:

XR-85X9хl: 188,8 × 115,8 × 45,0

XR-75X9хl: 166,7 × 103,4 × 39,0

XR-65X9хl: 144,3 × 90,8 × 33,8

Без настольной подставки

XR-85X9хl: 188,8 × 108,6 × 6,1

XR-75X9хl: 166,7 × 96,1 × 6,1

XR-65X9хl: 144,3 × 83,5 × 6,6

Ширина подставки (прибл.) (см)

Стандартное положение:

XR-85X9хl: 188,7

XR-75X9хl: 166,6

XR-65X9хl: 144,2

Узкое положение:

XR-85X9хl / 75X9хl: 61,0

Положение звуковой панели:

XR-85X9хl: 188,7

XR-75X9хl: 166,6

XR-65X9хl: 144,2

Масса (прибл.) (кг)

С настольной подставкой

XR-85X9хl: 51,2

XR-75X9хl: 39,1

XR-65X9хl: 28,5

Без настольной подставки

XR-85X9хl: 48,7

XR-75X9хl: 36,8

XR-65X9хl: 27,5

Прочее

Дополнительные принадлежности

Кронштейн для настенной установки:

SU-WL850 (только XR-75X9хl / 65X9хl)

Кронштейн для настенной установки:

SU-WL450

Условия хранения:

Товары сохраняют в упакованном виде в темных, сухих, чистых, хорошо вентилируемых помещениях, изолированных от мест хранения кислот и щелочей.

Температура хранения*10: от -20 °С до +60 °С. Относительная влажность хранения*10: < 80 % (без конденсации).

Рабочая температура: от 0 °С до 40 °С.

Рабочая относительная влажность:

10 – 80 % (без конденсации).

*1 При вводе сигнала 4096 × 2160p и установке для параметра [Широкоэкранный режим] значения [Нормальный], отображается разрешение 3840 × 2160p. Для получения изображения 4096 × 2160p установите для параметра [Широкоэкранный режим] значение [Полный 1] или [Полный 2].

*2 См. экранное меню, чтобы установить [Формат сигнала HDMI].

*3 Для получения подробной информации см. интерактивное Справочное руководство.

*4 Только HDMI IN 3 & 4. Для подключения используйте кабель Ultra High Speed HDMI Cable.

*5 Подключите аудиосистему к HDMI IN 3 для перенаправления аудиосигнала телевизора на аудиосистему.

*6 Функция недоступна для Италии.

*7 За потребление электроэнергии в кВт·ч за год принята энергопотребление телевизора, работающего 4 часа в день в течение 365 дней. Фактическое энергопотребление будет напрямую зависеть от способа использования телевизора.

*8 Указанная величина мощности потребления в режиме ожидания достигается после того, как телевизор выполнит необходимые внутренние процессы.

*9 Потребляемая мощность в режиме ожидания увеличится при подключении телевизора к сети.

*10 Примечание: максимальные значения для обоих параметров не могут быть достигнуты одновременно.

Примечание

- Доступность дополнительных аксессуаров зависит от страны/региона/модели телевизора/наличия в продаже.
- Конструкция и технические характеристики могут быть изменены без уведомления.
- Могут потребоваться подписки для служб и приложений, а также применяться дополнительные положения, условия и/или тарифы оплаты при использовании Google Ассистентом.

Примечание относительно цифрового ТВ

- Цифровое ТВ (цифровое эфирное/спутниковое/кабельное телевизионное вещание), интерактивные службы и функции сети могут быть доступны не во всех странах и регионах. Некоторые функции могут не работать или работать ненадлежащим образом с некоторыми поставщиками услуг и в некоторых сетевых средах. Поставщики телевизионных услуг могут установить дополнительный сбор за свои услуги.
- Данный телевизор поддерживает цифровое вещание, используя кодеки MPEG-2, H.264/MPEG-4 AVC и H.265/HEVC, но его совместимость со всеми сигналами оператора/служебными сигналами, которые со временем могут изменяться, не гарантируется.

Информация о торговых марках

- Термины HDMI и HDMI High-Definition Multimedia Interface и Логотип HDMI являются товарными знаками или зарегистрированными товарными знаками HDMI Licensing Administrator, Inc. в Соединенных Штатах и других странах.
- Dolby, Dolby Vision, Dolby Atmos, Dolby Audio и символ с двойной буквой D являются торговыми марками Dolby Laboratories Licensing Corporation. Произведено по лицензии Dolby Laboratories. Конфиденциальные неопубликованные материалы. Авторское право © 1992-2020 Dolby Laboratories. Все права защищены.
- Gracenote, эмблема и логотип Gracenote, а также логотип "Powered by Gracenote" являются зарегистрированными торговыми марками или торговыми марками Gracenote, Inc. в США и/или других странах.
- Google TV и сопутствующие логотипы являются торговыми знаками корпорации Google LLC.
- Сведения о патентах DTS см. <http://patents.dts.com>. Изготовлено по лицензии DTS, Inc. DTS, Digital Surround и логотип DTS являются зарегистрированными товарными знаками или товарными знаками DTS, Inc. в США и других странах. © 2020 DTS, Inc. ВСЕ ПРАВА ЗАЩИЩЕНЫ.
- Netflix является зарегистрированной торговой маркой Netflix, Inc.

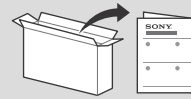
- DiSEqC™ является товарным знаком EUTELSAT. Данный телевизор поддерживает протокол связи DiSEqC 1.0. Данный телевизор не предназначен для управления моторизованными антеннами.
- TUXERA является зарегистрированным товарным знаком Tuxera Inc. в США и других странах.
- Все другие торговые марки являются собственностью соответствующих владельцев.

Про посібники

Цей телевізор постачається з наступними посібниками. Збережіть ці посібники для використання в майбутньому.

Посібник із налаштування

- Встановлення та налаштування телевізора.



Довідковий посібник (цей посібник) / Документація з безпеки

- Інформація щодо безпечної експлуатації, пристрою дистанційного керування, пошуку та усунення несправностей, настінного кріплення, характеристик тощо.



Довідка (Екранний посібник)

- Налаштування, функції, підключення до Інтернету, пошук та усунення несправностей тощо.
- Щоб відкрити його, натисніть кнопку **HELP** на пристрої дистанційного керування та виберіть «Довідка».




- Ви можете ознайомитись із Довідкою зі смартфона.



https://rd1.sony.net/help/tv/iaep1/h_aep/

Меню налаштувань можуть бути змінені без повідомлення.

ВАЖЛИВО - Ознайомтеся з Ліцензійною угодою щодо програмного забезпечення для кінцевого користувача перед тим, як використовувати продукт Sony. Використовуючи цей продукт, ви приймаєте Ліцензійну угоду щодо програмного забезпечення для кінцевого користувача. Ця ліцензійна угода щодо програмного забезпечення між вами і компанією Sony доступна онлайн на веб-сайті компанії Sony (<https://www.sony.net/tv-software-licenses/>) або на екрані вашого продукту. Натисніть  (Швидкі настройки) на пристрої дистанційного керування і виберіть [Налаштування] → [Система] → [Про пристрій] → [Правова інформація] → [Сповідання та ліцензії].

Примітка

- Перед тим як використовувати телевізор, будь ласка, прочитайте «Інформація щодо безпечної експлуатації».
- Ознайомтеся з доданою документацією з безпеки, щоб отримати додаткову інформацію про безпеку.
- Зовнішній вигляд виробу може відрізнятися від зображень та ілюстрацій у посібнику з налаштування та в цьому посібнику. Такі зображення й ілюстрації призначено виключно для довідки.
- Літера «х»/«xx» у назві моделі відповідає цифровому позначенню її конструкції, кольору чи системі телебачення.

Розташування ідентифікаційної етикетки

Етикетки, на яких вказано номер моделі, дату виробництва (рік/місяць) й електричні параметри, знаходяться ззаду на телевізорі або на упаковці. Їх можна знайти, знявши клемишу кришки.

Дата виготовлення зазначена на виробі та упаковці на етикетці зі штрих-кодом у наступному форматі: YYYY/MM, де YYYY - рік, MM - місяць виготовлення.

ВАЖЛИВА ПРИМІТКА

Назва виробу: Телевізор

Справжнім Сони Корпорейшн заявляє, що телевізори SONY моделей XR-85X95J, XR-75X95J, XR-65X95J відповідають Технічному регламенту радіообладнання; повний текст декларації про відповідність доступний на веб-сайті за такою адресою: <http://www.compliance.sony.ua/>.

Радіообладнання може використовуватися на території України без порушення чинних вимог щодо радіочастотного спектру.

Виробник: Сони Корпорейшн, 1-7-1 Конан Мінато-ку Токіо, 108-0075 Японія
Вироблено у Словаччині.
Країна виробництва зазначається на виробі та пакуванні.

Інформація щодо безпечної експлуатації

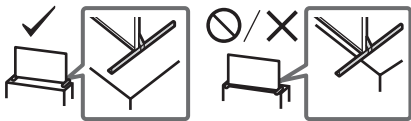
Встановлення/налаштування

Встановіть та використовуйте телевізор згідно з нижчезагаданими інструкціями з метою запобігання ризику виникнення пожежі, ураження електричним струмом та/або травм.

Встановлення

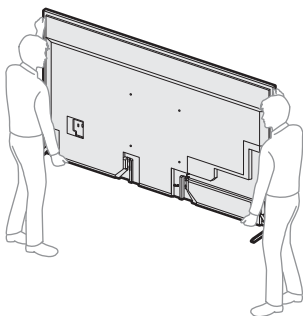
- Телевізор має бути встановлений поблизу легкодоступної електричної розетки.
- Поставте телевізор на надійній рівній поверхні, щоб уникнути його падіння та травмування людей або пошкодження цінного майна.
- Поставте телевізор на надійній рівній поверхні.

- Установіть телевізор таким чином, щоб настільна підпора телевізора не виступала зі стійки для телевізора (не входить до комплекту постачання). Якщо настільна підпора виступає зі стійки телевізора, це може призвести до перекидання або падіння телевізора та стати причиною травмування людей або пошкодження телевізора.



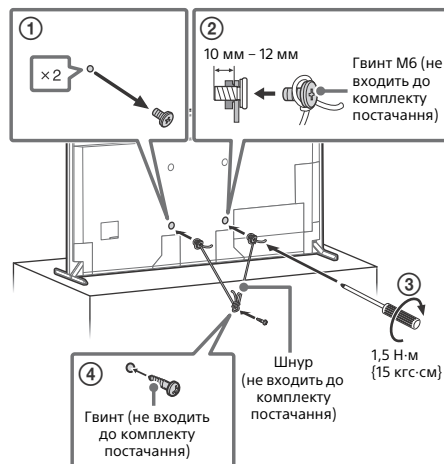
Транспортування

- Перед транспортуванням телевізора від'єднайте всі кабелі.
- Перш ніж транспортувати телевізор, зніміть усі клемні кришки.
- Для транспортування великого телевізора потрібно дві або більше осіб.
- При транспортуванні телевізора вручну тримайте його, як показано на малюнку. Не натискайте на РК-панель та рамку довкола екрана.
- Під час піднімання або переміщення телевізора міцно тримайте його знизу.



- При переміщенні телевізора оберегайте його від поштовхів або надмірної вібрації.
- При транспортуванні телевізора до сервісного центру або при переїзді запакуйте його в коробку, використовуючи призначені для нього пакувальні матеріали.

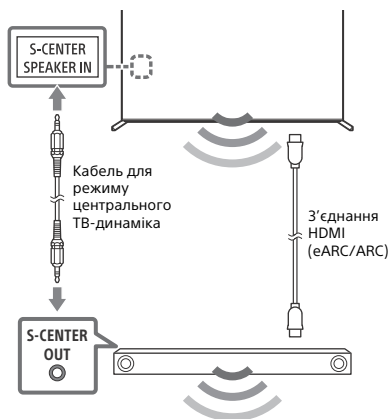
Попередження падіння



Використання телевізора як частини аудіосистеми

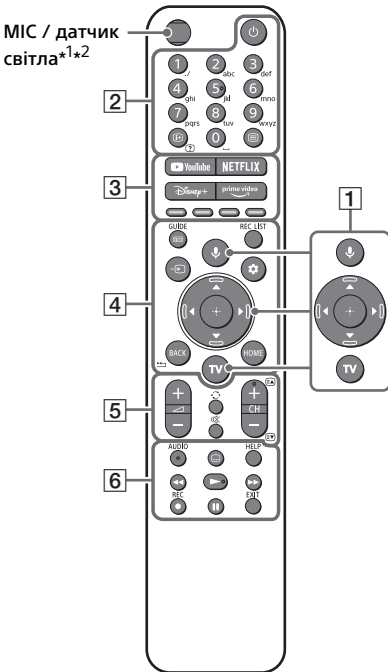
Примітка

- Перш ніж підключити з'єднувальні кабелі від'єднайте кабелі живлення телевізора та приймача AV від мережі.
- Докладніше читайте в посібнику з експлуатації аудіосистеми з роз'ємом S-CENTER OUT.



Пристрій дистанційного керування та телевізор

Форма пристрою дистанційного керування, компоновання, наявність і функції кнопок на пристрої дистанційного керування залежать від регіону/країни/моделі/налаштувань телевізора.



1 (мікрофон) / (Google Асистент):

Використання Google Асистента*^{3,4} або голосового пошуку*⁴. Щоб отримати підказки щодо керування телевізором, натисніть кнопку мікрофона на пристрої дистанційного керування і скажіть «голосові підказки».*³

////: Екранне меню навігації та вибору.

TV: Відображення списку телеканалів або перемикання на вхід.

2 (Потужність)

Кнопки з цифрами

/ (інформація/відображення тексту): Відображення інформації.

(текст): Відображення текстової інформації.

3 YouTube™ / NETFLIX / Disney+ / Prime Video / Кольорові кнопки

4 **GUIDE**/: Відображення цифрової програми передач телевізора або ТВ-тюнера*⁵.

REC LIST: Відображення списку записів USB HDD*⁶/DVR*⁵.

(вибір вхідного каналу):

Відображення та вибір джерела вхідного сигналу тощо.

(швидкі настройки): Відображення швидких налаштувань.

BACK/

HOME

5 +/- (гучність)

(перехід)

(вимкнення звуку)*⁷

CH +/-//: Вибір каналу або наступної () / попередньої () сторінки.

6 **AUDIO:** Вибір звуку багатомовного джерела або подвійного звуку (залежно від джерела передачі).

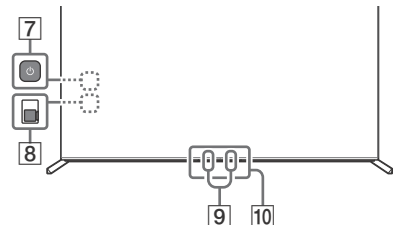
(параметри субтитрів)

HELP: Відображення довідкового меню.

///

REC: Запис поточної передачі на пристрій USB HDD*⁶/DVR*⁵.

EXIT



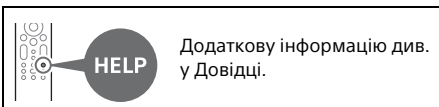
7 (Потужність): (розташована за бічною кришкою)

8 BUILT-IN MIC SWITCH (Перемикач вбудованого мікрофона): Ввімкнення/вимкнення вбудованого мікрофона. (розташована за бічною кришкою)

9 Вбудований мікрофон*3*4*8: Щоб увімкнути вбудований мікрофон, натисніть кнопку мікрофона на пристрої дистанційного керування і дотримуйтеся інструкцій на екрані.

10 Датчик пристрою дистанційного керування / датчик світла / LED

- *1 Коли датчик світла виявить низький рівень загального освітлення, увімкнеться підсвічування пристрою дистанційного керування. Функцію автоматичного ввімкнення підсвічування можна вимкнути.
- *2 Тільки RMF-TX621E. Щоб переглянути назву моделі пульта дистанційного керування, відкрийте кришку пульта дистанційного керування й перегляньте етикетку на пульті дистанційного керування.
- *3 Лише для обмеженого регіону/країни/моделі телевізорів/мови.
- *4 Google Асистент чи голосовий пошук потребує підключення до Інтернету.
- *5 Потрібно здійснити налаштування [Налаштування ТВ-тюнера].
- *6 Недоступно в Італії.
- *7 Швидкий доступ доступний після натиснення та утримання «X» (вимкнення звуку).
- *8 Якщо ввімкнути вбудований мікрофон, споживання енергії збільшиться, оскільки мікрофон завжди працює.



Встановлення телевізора на стіні

Використання Кронштейна для настінного кріплення (продається окремо) (SU-WL850 або SU-WL450)* (не входить до комплекту постачання)

Інформація для споживачів:

Для захисту виробу та з міркувань безпеки компанія Sony наполегливо рекомендує, щоб встановлення телевізора здійснювалося дилерами або ліцензованими підрядниками Sony. Не намагайтеся встановити його самостійно.

Дилерам та підрядникам Sony:

Приділяйте максимальну увагу безпеці під час встановлення, періодичного обслуговування та перевірки виробу.

Інформація щодо монтажу Кронштейна для настінного кріплення

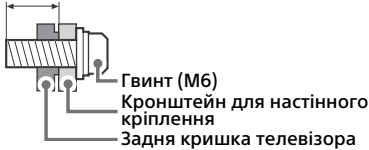
Пояснення щодо встановлення стінного Кронштейна для настінного кріплення у розділі «Інформація про встановлення» (Кронштейн для настінного кріплення) на сторінці товару стосовно моделі вашого телевізора.

<https://www.sony.eu/support>

- Дотримуйтеся інструкцій, наведених стосовно Кронштейна для настінного кріплення вашої моделі. Для встановлення цього телевізора, особливо для визначення міцності стіни, яка повинна витримувати вагу телевізора, необхідно мати достатній досвід.
- Компанія Sony не несе жодної відповідальності за збитки й травми, викликані неправильною експлуатацією чи встановленням.
- Встановлення телевізора на стіну повинен здійснювати тільки кваліфікований працівник центру сервісного обслуговування.
- З міркувань безпеки рекомендується використовувати допоміжне устаткування виробництва Sony, зокрема:
 - Кронштейн для настінного кріплення SU-WL850
 - Кронштейн для настінного кріплення SU-WL450

- Приєднуючи до телевізора Кронштейн для настінного кріплення, використовуйте гвинти, що надаються в комплекті з Кронштейном для настінного кріплення. Параметри зображених на ілюстрації гвинтів, що постачаються в комплекті, наведено за умови вимірювання від з'єднувальної поверхні Кронштейна для настінного кріплення. Діаметр і довжина гвинтів варіюються залежно від моделі Кронштейна для настінного кріплення. Використання будь-яких інших гвинтів, крім комплектних, може призвести до внутрішнього пошкодження телевізора або його падіння тощо.

10 мм – 12 мм



- Обов'язково зберігайте невикористані гвинти та настільну підпору в безпечному місці, доки не знадобиться приєднати її. Тримайте гвинти подалі від малих дітей.

* Лише для обмеженого регіону/країни/моделі телевізорів.

- 2 Див. меню **HELP** (натисніть на пристрої дистанційного керування).
- 3 Підключіть телевізор до інтернету й оновіть програмне забезпечення. Компанія Sony рекомендує своєчасно оновлювати програмне забезпечення телевізора. Ці оновлення надають користувачам нові функції і дозволяють телевізору працювати швидше.
- 4 Відвідайте сайт служби підтримки Sony (відповідна інформація міститься в кінці цього посібника).

Коли вставляєте штекер телевізора, телевізор може не увімкнутися одразу після натиснення кнопки живлення на пристрої дистанційного керування або на самому телевізорі.

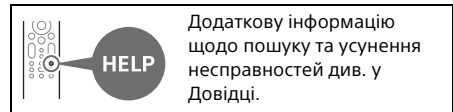
Для ініціалізації системи потрібен певний час. Зачекайте одну хвилину, а потім знову натисніть кнопку.

Пульт дистанційного керування не працює.

- Замініть батарейки.

Ви забули пароль для розблокування функції «Батьківський замок».

- Уведіть 9999 для PIN-коду та введіть новий PIN-код.



Пошук та усунення несправностей

Для пошуку та усунення загальних несправностей (чорний екран, відсутність звуку, «зависання» зображення, відсутність реакції від телевізора або втрата мережевого підключення) виконуйте такі дії.

- 1 Перезапустіть телевізор, натиснувши та тримаючи кнопку живлення на пристрої дистанційного керування протягом близько п'яти секунд. Телевізор перезапуститься. Якщо телевізор не відновиться, від'єднайте кабель живлення, тоді натисніть кнопку живлення на телевізорі і відпустіть її. Зачекайте дві хвилини і під'єднайте кабель живлення. Або натисніть кнопку живлення на телевізорі й утримуйте її впродовж 40 секунд, поки телевізор не вимкнеться.

Технічні характеристики

Система

Система панелі: РК-панель (Рідкокристалічний Дисплей), Світлодіодне підсвічування

Телевізійна система: залежно від країни, регіону або моделі телевізора

Аналогова: B/G, D/K, I

Цифрова: DVB-T/DVB-C/DVB-T2

Супутник: DVB-S/DVB-S2

Система кольору: PAL/SECAM/NTSC3.58 (тільки відео)/NTSC4.43 (тільки відео)

Покриття каналів: залежно від країни, регіону або моделі телевізора

Аналогова: UHF/VHF/кабель

Цифрова: UHF/VHF/кабель

Супутник: Проміжна частота 950–2150 МГц

Вихід звуку: 10 Вт + 10 Вт + 10 Вт + 10 Вт + 10 Вт
 Бездротова технологія
 Протокол IEEE 802.11a/b/g/n/ac
 Bluetooth® 4.2
 Телевізор:

Стандарт зв'язку (мережі, інтерфейсу передавання даних) - IEEE 802.11a/b/g/n/ac	
Смуга радіочастот, в якій працює (передавання / приймання)	Максимальна потужність випромінювання у зазначених смугах радіочастот
2400-2483,5 МГц	20,0 дБм
5150-5350 МГц, 5470-5670 МГц, 5670-5725 МГц, 5725-5850 МГц	20,0 дБм

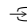
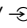
Стандарт зв'язку (мережі, інтерфейсу передавання даних) - Bluetooth® IEEE 802.15.1	
Смуга радіочастот, в якій працює (передавання / приймання)	Максимальна потужність випромінювання у зазначених смугах радіочастот
2400-2483,5 МГц	10,0 дБм

Голосове дистанційне керування:

Стандарт зв'язку (мережі, інтерфейсу передавання даних) - Bluetooth® IEEE 802.15.1	
Смуга радіочастот, в якій працює (передавання / приймання)	Максимальна потужність випромінювання у зазначених смугах радіочастот
2400-2483,5 МГц	10,0 дБм

Вхідні та вихідні гнізда

Антенна/кабель
 Зовнішній роз'єм із опором 75 Ом для VHF/ UHF
 Супутникова антенна
 Гніздовий роз'єм типу F, 75 Ом.
 DiSEqC 1.0, LNB 13 В/18 В, звук 22 кГц,
 Передача одним кабелем EN50494.

 /  AV IN / S-CENTER SPEAKER IN
 Вхід Video/Audio (Відео/Аудіо) (роз'єм типу mini jack)
 S-центральний вхід динаміка (роз'єм типу mini jack)
 HDMI IN 1/2/3/4 (сумісність із HDCP 2.3)


Відео:
 4096 × 2160р (50, 60 Гц)^{*1*2}, 4096 × 2160р (24 Гц)^{*1}, 3840 × 2160р (50, 60 Гц)^{*2}, 3840 × 2160р (24, 25, 30 Гц), 1080р (30, 50, 60, 100, 120 Гц), 1080/24р, 1080i (50, 60 Гц), 720р (30, 50, 60 Гц), 720/24р, 576р, 480р, формати ПК^{*3}
 3840 × 2160р (100, 120 Гц)^{*2*4}

Аудіо:
 У режимі eARC (Enhanced Audio Return Channel)
 Детальнішу інформацію див. в онлайн Довідці.
 Крім режиму eARC
 5,1-канальна лінійно-імпульсна модуляція: 32/44,1/48/88,2/96/176,4/192 кГц 16/20/24 біти, Dolby Audio, Dolby Atmos, DTS

eARC/ARC (Enhanced Audio Return Channel/ Audio Return Channel) (тільки HDMI IN 3)^{*5}

У режимі eARC
 Детальнішу інформацію див. в онлайн Довідці.

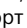
У режимі ARC
 Двоканальна лінійна імпульсно-кодова модуляція (Linear PCM): 48 кГц 16 біти, Dolby Audio, Dolby Atmos, DTS

 DIGITAL AUDIO OUT (OPTICAL)
 Цифровий оптичний роз'єм (двоканальна лінійна імпульсно-кодова модуляція (Linear PCM): 48 кГц 16 біти, Dolby Audio, DTS)

 (роз'єм міні-стерео)

Навушники

 1,  2,  3 (HDD REC)^{*6}

Порт USB пристрою ( 3 пристрій)

USB HDD для функції запису REC)

Порти USB 1 і 2 підтримують стандарт High Speed USB (USB 2.0)

Порт USB 3 підтримує стандарт Super Speed USB (USB 3.1 Gen 1)



Гніздо CAM (модуль обумовленого доступу)



LAN

Роз'єм 10BASE-T/100BASE-TX (залежно від робочого середовища мережі швидкість з'єднання може відрізнятися. Швидкість та якість передачі даних не гарантуються.)

Живлення, технічні дані виробу та інше

Вимоги до джерела живлення

220 В - 240 В змінного струму, 50 Гц

Клас енергоефективності

XR-85X9хJ: A

XR-75X9хJ: A

XR-65X9хJ: B

Зовнішня діагональ екрана телевізора, сантиметрів та дюймів:

XR-85X9хJ: 214,8 см / 85 дюймів

XR-75X9хJ: 189,3 см / 75 дюймів

XR-65X9хJ: 163,9 см / 65 дюймів

Споживча потужність телевізора в режимі "ввімкнено"

XR-85X9хJ: 221 Вт

XR-75X9хJ: 206 Вт

XR-65X9хJ: 173 Вт

Річний обсяг енергоспоживання*7

XR-85X9хJ: 307 кВт•г на рік

XR-75X9хJ: 286 кВт•г на рік

XR-65X9хJ: 240 кВт•г на рік

Споживча потужність телевізора в режимах "очікування" та/або "вимкнено"*8*9:

XR-85X9хJ: 0,50 Вт (35 Вт у режимі

оновлення програмного забезпечення/електронної програми телепередач)

XR-75X9хJ: 0,50 Вт (33 Вт у режимі

оновлення програмного забезпечення/електронної програми телепередач)

XR-65X9хJ: 0,50 Вт (34 Вт у режимі

оновлення програмного забезпечення/електронної програми телепередач)

Роздільна здатність екрана телевізора у фактичних горизонтальних та вертикальних пікселях:

3840 точки (по горизонталі) × 2160 рядки (по вертикалі)

Вихідна потужність

500 мА (для USB 1/2), 900 мА (для USB 3)

Розміри (прибл.) (ш × в × г) (см)

з настільною підпорою

Стандартне положення:

XR-85X9хJ: 188,8 × 109,8 × 45,0

XR-75X9хJ: 166,7 × 97,4 × 39,0

XR-65X9хJ: 144,3 × 84,8 × 33,8

Вузьке положення:

XR-85X9хJ: 188,8 × 111,0 × 45,0

XR-75X9хJ: 166,7 × 98,5 × 39,0

Положення звукової панелі:

XR-85X9хJ: 188,8 × 115,8 × 45,0

XR-75X9хJ: 166,7 × 103,4 × 39,0

XR-65X9хJ: 144,3 × 90,8 × 33,8

без настільної підпори

XR-85X9хJ: 188,8 × 108,6 × 6,1

XR-75X9хJ: 166,7 × 96,1 × 6,1

XR-65X9хJ: 144,3 × 83,5 × 6,6

Ширина підпори (прибл.) (см)

Стандартне положення:

XR-85X9хJ: 188,7

XR-75X9хJ: 166,6

XR-65X9хJ: 144,2

Вузьке положення:

XR-85X9хJ / 75X9хJ: 61,0

Положення звукової панелі:

XR-85X9хJ: 188,7

XR-75X9хJ: 166,6

XR-65X9хJ: 144,2

Вага (прибл.) (кг)

з настільною підпорою

XR-85X9хJ: 51,2

XR-75X9хJ: 39,1

XR-65X9хJ: 28,5

без настільної підпори

XR-85X9хJ: 48,7

XR-75X9хJ: 36,8

XR-65X9хJ: 27,5

Інше

Додаткові аксесуари

Кронштейн для настінного кріплення:

SU-WL850 (тільки XR-75X9хJ / 65X9хJ)

Кронштейн для настінного кріплення:

SU-WL450

Умови зберігання:

Продукцію зберігають в упакованому виді в темних, сухих, чистих, добре вентиляваних приміщеннях, ізольованих від місць зберігання кислот і лугів.

Температура зберігання*10: від -20 °C до +60 °C. Відносна вологість зберігання*10:

< 80 % (без конденсації).

Робоча температура: від 0 °C до 40 °C.

Робоча відносна вологість: 10 % – 80 %

(без конденсації).

*1 Якщо 4096 × 2160р є вхідним та [Широкоекранний режим] встановлено на [Нормальна], то роздільна здатність відображається як 3840 × 2160р пікселів. Для відображення 4096 × 2160р, встановіть [Широкоекранний режим] покази на [Повний 1] або [Повний 2].

*2 Дивіться екранне меню, щоб налаштувати параметр [Формат сигналу HDMI].

*3 Детальнішу інформацію див. в онлайн Довідці.

*4 Тільки HDMI IN 3 & 4. Для з'єднання використовуйте кабель HDMI для надшвидкісної передачі даних.

- *5 Підключіть аудіосистему до HDMI IN 3, щоб направити телевізійний аудіосигнал до вашої аудіосистеми.
- *6 Ця функція недоступна в Італії.
- *7 Енергоспоживання XYZ кВт•г на рік з урахуванням споживчої потужності телевізора за чотири години роботи на день протягом 365 днів (фактичне енергоспоживання залежить від використання телевізора).
- *8 Вказане споживання електроенергії в режимі очікування досягається після того, як телевізор завершить усі внутрішні процеси.
- *9 Споживання електроенергії в режимі очікування збільшується, якщо телевізор підключено до мережі.
- *10 Примітка: неможливо отримати максимальні значення для обох параметрів одночасно.

Примітка

- Доступність додаткових аксесуарів залежить від країни, регіону, моделі та наявності на складі.
- Зовнішній вигляд і технічні характеристики можуть бути змінені без попередження.
- Можливо, потрібні підписки на послуги та додатки, а додаткові правила, умови та/або оплата можуть застосовуватися під час використання Google Асистента.

Примітки щодо функції цифрового телебачення

- Цифрове телебачення (цифрове телевізійне мовлення, супутникове та кабельне телебачення), інтерактивні послуги та мережеві функції можуть бути недоступними в деяких країнах і регіонах. Деякі функції можуть бути вимкненими або можуть не працювати належним чином для певних провайдерів і мережевих середовищ. Деякі постачальники послуг телебачення можуть нараховувати плату за свої послуги.
- Цей телевізор підтримує цифрове мовлення з використанням кодеків MPEG-2, H.264/MPEG-4 AVC та H.265/HEVC; водночас не гарантовано сумісність з усіма сигналами операторів/службовими сигналами, що можуть змінюватися з часом.

Інформація про товарні знаки

- HDMI, HDMI High-Definition Multimedia Interface та логотип HDMI є торговельними марками або зареєстрованими торговельними марками HDMI Licensing Administrator, Inc. в США та інших країнах.

- Dolby, Dolby Vision, Dolby Atmos, Dolby Audio і емблема з подвійним «D» – торговельні марки компанії Dolby Laboratories Licensing Corporation. Виготовлено за ліцензією компанії Dolby Laboratories. Конфіденційні неопубліковані роботи. © Dolby Laboratories, 1992-2020. Усі права захищено.
- Gracenote, лого та логотип Gracenote, «логотип «За підтримки Gracenote»» є або зареєстрованими товарними знаками або товарними марками Gracenote, Inc. у США та/або інших країнах.
- Google TV і пов'язані логотипи є товарними знаками Google LLC.
- Патенти на стандарт DTS див. на веб-сайті <http://patents.dts.com>. Вироблено за ліцензією DTS, Inc. DTS, Digital Surround і логотип DTS є зареєстрованими товарними знаками або товарними знаками компанії DTS, Inc. у США та інших країнах. © 2020 DTS, Inc. УСІ ПРАВА ЗАХИЩЕНО.
- Netflix є зареєстрованим товарним знаком Netflix, Inc.
- DiSEqC™ є товарним знаком EUTELSAT. Цей телевізор підтримує DiSEqC 1.0. Цей телевізор не призначений для керування моторизованих антен.
- TUXERA — зареєстрований товарний знак Tuxera Inc. у США й інших країнах.
- Усі інші торговельні марки є власністю відповідних власників.

ملاحظات تتناول وظيفة التلفزيون الرقمية

- قد لا يُتاح التلفزيون الرقمي (DVB الأرضي، والريسيفر والكبل)، والخدمات التفاعلية ووظائف الشبكة في جميع البلاد أو المناطق. قد لا يتم تمكين بعض الوظائف أو قد لا تعمل بشكلٍ صحيح مع بعض مزودي الخدمة وبيئات الشبكة. قد يفرض بعض مزودي خدمة التلفزيون رسوم مقابل خدماتهم.
- يدعم هذا التلفزيون البث الرقمي باستخدام برامج الترميز MPEG-2، و MPEG-4 AVC/H.264، و HEVC/H.265، ولكن لا يمكن ضمان التوافق مع كل إشارات المُشغل/الخدمة، الذي قد يتغير بمرور الوقت.

معلومات عن العلامات التجارية

- مصطلح HDMI High-Definition Multimedia Interface و شعار HDMI علامات تجارية مسجلة لشركة HDMI Licensing Administrator, Inc. في الولايات المتحدة الأمريكية ودول أخرى.
 - إن Dolby Audio، Dolby Atmos، Dolby Vision، Dolby D ورمز D المزدوج تمثل علامات تجارية لـ Licensing Corporation لمعامل Dolby. تم التصنيع بموجب ترخيص من معامل Dolby. أعمال سرية غير منشورة. حقوق الطبع والنشر © 1992-2020 لمعامل Dolby. جميع الحقوق محفوظة.
 - تعد Gracenote وشعار Gracenote ونوع الشعار وشعار "Powered by Gracenote" إما علامات تجارية مسجلة أو علامات تجارية لشركة Gracenote, Inc. في الولايات المتحدة و/أو الدول الأخرى.
 - Google TV والشعارات ذات الصلة هي علامات تجارية لشركة Google LLC.
 - للتعرف على براءات اختراع DTS، انظر <http://patents.dts.com>. مصنوع بموجب ترخيص من DTS, Inc. كلمة DTS وعبارة Digital Surround وشعار DTS هي علامات تجارية مُسجَّلة أو علامات تجارية لصالح شركة DTS, Inc. في الولايات المتحدة الأمريكية وبلدان أخرى. © 2020 DTS, Inc. جميع الحقوق محفوظة.
 - Netflix هي علامة تجارية مسجلة لشركة Netflix, Inc.
 - إن "DiSEqC" علامة تجارية لشركة EUTELSAT. يدعم هذا التلفاز بروتوكول DiSEqC 1.0. هذا التلفاز غير معد للتحكم في الهوائيات المزودة بمحرك.
 - TUXERA هي علامة تجارية مسجلة تابعة لشركة Tuxera Inc، ويقع مقرها في الولايات المتحدة وبلدان أخرى.
 - جميع العلامات التجارية الأخرى هي ملك لأصحابها.
- رقم تسجيل المنتج (لائحة اللجنة المعتمدة (الاتحاد الأوروبي)

(2013/2019)

(527154) XR-85X95J، (527151) XR-75X95J،

(527140) XR-65X95J

الطاقة، بطاقة المنتج، وغيرها

عرض الحامل (تقريبي) (سم)

الموقع المعياري:

188.7 :XR-85X9xj

166.6 :XR-75X9xj

144.2 :XR-65X9xj

موقع المضيق:

61.0 :XR-85X9xj / XR-75X9xj

موقع الساوند بار:

188.7 :XR-85X9xj

166.6 :XR-75X9xj

144.2 :XR-65X9xj

كتلة (تقريبي) (كجم)

مع حامل أعلى الطاولة

51.2 :XR-85X9xj

39.1 :XR-75X9xj

28.5 :XR-65X9xj

بدون حامل أعلى الطاولة

48.7 :XR-85X9xj

36.8 :XR-75X9xj

27.5 :XR-65X9xj

أخرى

ملحقات اختيارية

كثيفة التثبيت الجدارية: SU-WL850 (الموديل | XR-75X9xj /

65X9xj فقط)

كثيفة التثبيت الجدارية: SU-WL450

درجة حرارة التشغيل: 0 °م - 40 °م

الرطوبة أثناء التشغيل: رطوبة نسبية 10 % - 80 % (دون تكاثف)

1* عند إدخال 2160p × 4096 بكسل، وتعيين [وضع عرض] على [عادي]، يتم العرض

بذقة 2160p × 3840. لعرض 2160p × 4096، قم بتعيين الإعداد [وضع عرض]

على [كامل 1] أو [كامل 2].

2* راجع قائمة المعلومات المعروضة على الشاشة لضبط [تنسيق إشارة HDMI].

3* راجع دليل المساعدة على الانترنت للحصول على تفاصيل.

4* HDMI IN 3 & 4 استخدم كابل HDMI عالي السرعة للتوصيل.

5* قم بتوصيل نظام الصوت الخاص بك إلى 3 HDMI IN لتوجيه صوت التلفزيون إلى نظام الصوت.

6* لا تتوفر الوظيفة في إيطاليا.

7* المعلومات موجّهة لبلدان الاتحاد الأوروبي وغيرها من البلدان التي يعتمد نظامها

ذو الصلة على لوائح وضع علامات الطاقة التابعة للاتحاد الأوروبي.

8* يُحسب استهلاك الطاقة بالكيلو وات في الساعة سنويًا بناءً على استهلاك طاقة

التلفزيون الذي يعمل 4 ساعات يوميًا لمدة 365 يومًا. يعتمد الاستهلاك الفعلي

للطاقة على كيفية استخدام التلفزيون.

9* يتم الحصول على الطاقة الاحتياطية المحددة بعد أن يُنهي التلفزيون العمليات

الداخلية اللازمة.

10* يزداد استهلاك الطاقة الاحتياطية عندما يتصل التلفزيون بالشبكة.

ملاحظة

• يعتمد توافر الملحقات الاختيارية على البلدان/الإقليم/موديل التلفزيون/المخزون.

• يخضع التصميم والموصفات الفنية للتغيير دون إخطار.

• قد يتطلب الأمر اشتراكات الخدمات والتطبيقات، وقد يتم تطبيق احكام و/أو

شروط و/أو اجور اضافية عند استخدام التطبيق مساعد Google.

• بطاقة المنتج في هذا الدليل للاتحة اللجنة المعتمدة (الاتحاد الأوروبي) 2010/1062.

• راجع موقع الويب الخاص بها للحصول على معلومات (الاتحاد الأوروبي) 2013/2019.

220 فولت - 240 فولت بالتيار المتردد، 50 هرتز

فئة الكفاءة في استهلاك الطاقة*7

A :XR-85X9xj

A :XR-75X9xj

B :XR-65X9xj

مقاس الشاشة (مقاس قطرًا) (تقريبي)

:XR-85X9xj 214.8 سم / 85 بوصة

:XR-75X9xj 189.3 سم / 75 بوصة

:XR-65X9xj 163.9 سم / 65 بوصة

استهلاك القدرة الكهربائية*7

في وضع [قياسي]

:XR-85X9xj 221 واط

:XR-75X9xj 206 واط

:XR-65X9xj 173 واط

استهلاك الطاقة السنوي*6,7

:XR-85X9xj 307 كيلو وات في الساعة سنويًا

:XR-75X9xj 286 كيلو وات في الساعة سنويًا

:XR-65X9xj 240 كيلو وات في الساعة سنويًا

استهلاك الطاقة الاحتياطية*6,7,9,10

:XR-85X9xj 0.50 واط (35 واط في وضع تحديث دليل البرامج

الإلكتروني/البرامج)

:XR-75X9xj 0.50 واط (33 واط في وضع تحديث دليل البرامج

الإلكتروني/البرامج)

:XR-65X9xj 0.50 واط (34 واط في وضع تحديث دليل البرامج

الإلكتروني/البرامج)

دقة شاشة العرض (أفقي × عمودي) (البيكسلات)

2160 × 3840

معدل الخرج

500 mA (USB 1/2)، 900 mA (USB 3)

الأبعاد (تقريبي) (عرض × ارتفاع × عمق) (سم)

مع حامل أعلى الطاولة

الموقع المعياري:

:XR-85X9xj 188.8 × 109.8 × 45.0

:XR-75X9xj 166.7 × 97.4 × 39.0

:XR-65X9xj 144.3 × 84.8 × 33.8

موقع المضيق:

:XR-85X9xj 188.8 × 111.0 × 45.0

:XR-75X9xj 166.7 × 98.5 × 39.0

موقع الساوند بار:

:XR-85X9xj 188.8 × 115.8 × 45.0

:XR-75X9xj 166.7 × 103.4 × 39.0

:XR-65X9xj 144.3 × 90.8 × 33.8

بدون حامل أعلى الطاولة

:XR-85X9xj 188.8 × 108.6 × 6.1

:XR-75X9xj 166.7 × 96.1 × 6.1

:XR-65X9xj 144.3 × 83.5 × 6.6

لا تعمل وحدة التحكم عن بعد.

• استبدل البطاريات.

نسيت كلمة مرور قفل الوالدين.

• قم بإدخال الرقم 9999 لرمز التعريف الشخصي PIN و قم بإدخال رمز التعريف الشخصي PIN الجديد.



لمزيد من المعلومات حول تحري الخلل وإصلاحه، يرجى الرجوع إلى دليل المساعدة.

قوابس الإدخال/الإخراج

كبل/الهوائي (الإريال)

الطرف الخارجي 75 أوم الخاص بـ UHF/VHF

هوائي الرسيقر

موصل أنثى من النوع F، 75 أوم.

1.0 LNB، 13 فولت/18 فولت وتغمة 22 كيلوهرتز، توزيع الكابل

الأحادي EN50494.

Ⓜ / Ⓜ S-CENTER SPEAKER IN / AV IN

الدخل الفيديو/الصوتي (مقبس صغير)

إدخال مكبر الصوت الرئيسي S-centre (مقبس صغير)

HDMI IN 1/2/3/4 (المتوافقة مع HDCP 2.3)

الفيديو:

4096 × 2160p (60، 50 هرتز)*² × 2160p (24 هرتز)*¹

3840 × 2160p (50، 60 هرتز)*² × 3840 × 2160p (24، 25، 30 هرتز)،

1080p (30، 50، 60، 100، 120 هرتز)، 1080i، 1080/24p،

60 هرتز، 720p (30، 50، 60 هرتز)، 720/24p، 480p،

تنسيقات الكمبيوتر الشخصي*³

3840 × 2160p (100، 120 هرتز)*⁴

الصوتي:

في الوضع eARC (Enhanced Audio Return Channel)

راجع دليل المساعدة على الانترنت للحصول على تفاصيل.

باستثناء الوضع eARC

5.1 خط المحطة تعديل كود النبضة PCM: 96/88.2/48/44.1/32

192/176.4 كيلوهرتز 24/20/16 بتات، Dolby Audio،

DTS، Dolby Atmos

eARC/ARC (Enhanced Audio Return Channel/Audio Return

Channel) HDMI IN 3 فقط)*⁵

في الوضع eARC

راجع دليل المساعدة على الانترنت للحصول على تفاصيل.

في الوضع ARC

اثنان من خط القناة، تعديل كود النبضة PCM: 48 كيلوهرتز 16 بتات،

DTS، Dolby Audio، Dolby Atmos

DIGITAL AUDIO OUT (OPTICAL) Ⓜ

المقبس البصري الرقمي (اثنان من خط القناة، تعديل كود النبضة PCM:

48 كيلوهرتز 16 بتات، DTS، Dolby Audio)

Ⓜ (مقبس صغير لنظام صوتي مجسم)

السماعة

Ⓜ، Ⓜ، Ⓜ، Ⓜ (HDD REC)*⁶

منفذ الجهاز لـ USB (جهاز Ⓜ USB HDD 3 يختص بميزة التسجيل)

منفذ 1، 2 الخاص بـ USB يدعم السرعة العالية لـ USB (USB 2.0)

منفذ 3 الخاص بـ USB يدعم السرعة العالية لـ USB (USB 3.1 Gen 1)



فتحة CAM (وحدة الوصول المشروط)

LAN Ⓜ

موصل 10BASE-T/100BASE-TX (تبعاً لبيئة التشغيل للشبكة، قد

تختلف سرعة التوصيل، وبالتالي يكون معدل الاتصال وجودته غير

مضمونة.)

المواصفات الفنية

النظام

نظام اللوحة (الشاشة): لوحة LCD (عرض بلورية سائلة)، إضاءة خلفية LED

نظام التلفزيون: يعتمد على البلد/تحديد المنطقة/طراز التلفزيون

تماثلي: I.D/K.B/G

رقمي: DVB-T/DVB-C/DVB-T2

رسيقر: DVB-S/DVB-S2

نظام الألوان: NTSC4.43/(فيديو فقط)/NTSC3.58/SECAM/PAL (فيديو

فقط)

تغطية القنوات: يعتمد على البلد/تحديد المنطقة/طراز التلفزيون

تماثلي: VHF/UHF

رقمي: VHF/UHF

رسيقر: تردد 950-2150 ميگاهرتز

خرج الصوت: 10 واط + 10 واط + 10 واط + 10 واط + 10 واط

التقنية اللاسلكية

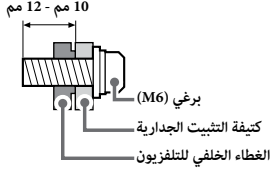
بروتوكول IEEE 802.11a/b/g/n/ac

إصدار Bluetooth* 4.2

نطاق (نطاقات) التردد

نطاق التردد	طاقة الخرج
شبكة LAN اللاسلكية (التلفزيون)	
2400-2483.5 ميگاهرتز	> 20.0 ديسيبل ملي واط
5150-5250 ميگاهرتز	> 23.0 ديسيبل ملي واط
5250-5350 ميگاهرتز	> 20.0 ديسيبل ملي واط
5470-5725 ميگاهرتز	> 20.0 ديسيبل ملي واط
5725-5850 ميگاهرتز	> 13.9 ديسيبل ملي واط
Bluetooth* (التلفزيون)	
2400-2483.5 ميگاهرتز	> 10.0 ديسيبل ملي واط
Bluetooth* (وحدة التحكم عن بعد)	
2400-2483.5 ميگاهرتز	> 10.0 ديسيبل ملي واط

- تأكد من استخدام البراغي المرفقة بكتيفة التثبيت الجدارية عند ربط كتيفة التثبيت الجدارية بجهاز التلفزيون. يأتي تصميم المرفقة كما هو موضح بالرسم التوضيحي، عند قياسها من السطح المرفق لكتيفة التثبيت الجدارية.
- يختلف قطر وطول البراغي اعتماداً على موديل كتيفة التثبيت الجدارية. إن استخدام برغي آخرى خلافاً لتلك المرفقة بالجهاز قد يُحدث تلف داخلي لجهاز التلفزيون أو يسبب سقوطه أو تداعيات أخرى.



- يلزم التأكد من تخزين البراغي والحامل الأفقي غير المستخدمين في مكان آمن إلى حين احتياجك لتوصيل التلفزيون بالحامل. عليك بإبقاء البراغي بعيداً عن متناول الأطفال.
- * فقط وفقاً لإقليم محدود/بلد/موديل التلفزيون.

تحري الخلل وإصلاحه

لتحري الخلل وإصلاحه بوجه عام لمشكلات مثل: ظهور شاشة سوداء أو عدم صدور صوت أو تجمد الصورة أو عدم استجابة التلفزيون أو فقد الشبكة، اتبع الخطوات التالية.

- 1 أعد تشغيل جهاز التلفزيون لديك عن طريق الضغط على زر التشغيل الموجود في وحدة التحكم عن بُعد لمدة خمس ثوانٍ تقريباً. سيُقوم التلفزيون بإعادة التشغيل. إذا لم يتم تشغيل التلفزيون، فجرب فصل الموصل الرئيسي ثم اضغط على زر الطاقة الموجود على التلفزيون وقم بتحريه. انتظر لمدة دقيقتين وقم بتوصيل الموصل الرئيسي. أو اضغط على زر الطاقة في التلفزيون لمدة 40 ثانية تقريباً حتى يتوقف تشغيل التلفزيون.
 - 2 راجع قائمة المساعدة عن طريق الضغط على **HELP** في جهاز التحكم عن بُعد.
 - 3 صل التلفزيون بالإنترنت وحُدث البرنامج. تتصلك شركة Sony بالتحديث الدائم لبرامج تلفزيونك. حيث توفر تحديثات البرامج ميزات جديدة وتحسينات للأداء.
 - 4 تفضل زيارة موقع دعم Sony (المعلومات متاحة في نهاية هذا الدليل). عند توصيل التلفزيون بالكهرباء، قد لا يعمل التلفزيون لفترة من الوقت حتى عند الضغط على زر التشغيل الموجود في وحدة التحكم عن بُعد أو التلفزيون.
- قد تستغرق تهيئة النظام بعض الوقت. انتظر حوالي دقيقة واحدة، ثم شغله مرة أخرى.

- 1* سببها الإضاءة الخلفية لوحدة التحكم عن بُعد عندما يكشف مستشعر الضوء أن الإضاءة المحيطة منخفضة. يمكن إيقاف الإضاءة التلقائية للإضاءة الخلفية.
- 2* RMF-TX621E فقط. للاطلاع على اسم الموديل الخاص بجهاز التحكم عن بُعد، افتح غطاء وحدة التحكم عن بُعد وراجع الملصق الموجود على وحدة التحكم عن بُعد.
- 3* فقط وفقاً لمنطقة/بلد/ موديل التلفزيون/ لغة محدودة.
- 4* يتطلب التطبيق مساعد Google أو البحث الصوتي اتصالاً بالإنترنت.
- 5* يتطلب الأمرالي إعداد جهاز الكابل/القمم الصناعي.
- 6* غير متوفر لإيطاليا.
- 7* تتوفر ميزة اختصارات الوصول عن طريق الضغط مع الاستمرار على 0% (كم الصوت).
- 8* سيزداد استهلاك الطاقة عند تمكين الميكروفون المدمج نظراً لأنه يصغي دائماً.

لمزيد من المعلومات، راجع دليل المساعدة.



تركيب التلفزيون في الجدار

استخدام كتيفة التثبيت الجدارية الاختيارية (SU-WL850) أو (SU-WL450) * (غير مرفق)

بالنسبة للعملاء:

لحماية المنتج وأسباب السلامة، توصي Sony بشدة أن يتولى تركيب التلفزيون بأيدي Sony أو المقاولين المرخص لهم. لا تحاول تركيبه بنفسك.

موزع Sony ومتعهدوها:

توفير الاهتمام الكامل بالسلامة خلال التركيب، والصيانة الدورية، وفحص المنتج.

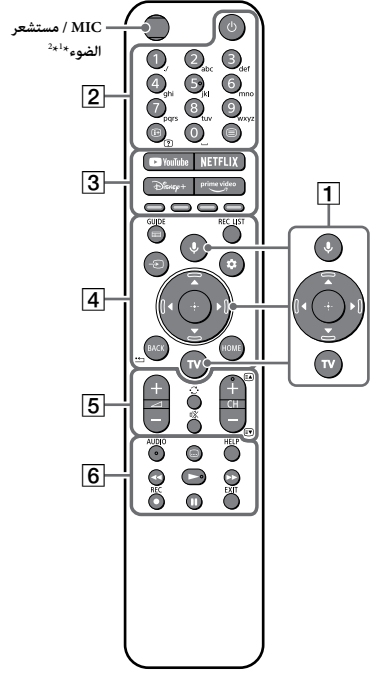
معلومات تركيب كتيفة التثبيت الجدارية

للحصول على تعليمات عن تركيب كتيفة التثبيت الجدارية، راجع معلومات التركيب (لكتيفة التثبيت الجدارية) على صفحة المنتج الخاصة بموديل التلفاز. <https://www.sony.eu/support>

- اتبع دليل التعليمات المرفق مع كتيفة التثبيت الجدارية. يلزم توفر قدر كافي من الخبرة للتمكن من تركيب التلفزيون، خاصة فيما يتعلق بقدرة الحائط على تحمل وزن التلفزيون.
- لا تتحمل Sony مسؤولية أية أضرار أو إصابات تحدث نتيجة لسوء التعامل أو التركيب غير الصحيح.
- لا ينفذ تركيبات التثبيت الجدارية سوى أفراد الخدمة المؤهلين.
- لأسباب أمنية، يوصى بشدة استخدام إكسسوارات Sony، التي تتضمن:
 - كتيفة التثبيت الجدارية SU-WL850
 - كتيفة التثبيت الجدارية SU-WL450

وحدة التحكم عن بعد والتلفزيون

قد يختلف شكل وحدة التحكم عن بعد وتصميمها وإنتاجها ووظيفة أزرارها وفقاً للإقليم التابع لك/البلد/طراز التلفزيون/إعدادات التلفزيون.



4 **GUIDE**: عرض دليل البرنامج الرقمي على التلفزيون أو جهاز

الكابل/القمر الصناعي*5.

REC LIST: عرض قائمة التسجيل الخاصة بـ USB HDD*6/DVR*5.

(حدد المدخل): لعرض وتحديد مصدر المدخل الخ.

الإعدادات السريعة: لعرض الإعدادات السريعة.

BACK

HOME

5 **+/-** (الصوت)

(التنقل)

6 (كتم الصوت)*7

CH +/-: حدد القناة أو الصفحة التالية (▲) /

السابقة (▼).

6 **AUDIO**: حدد صوت المصدر متعدد اللغات أو الصوت الثنائي

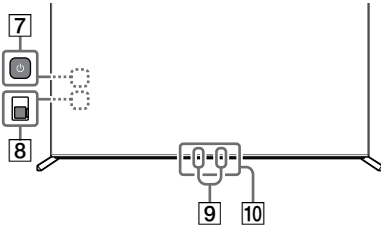
(اعتماداً على مصدر البرنامج).

(ضبط العناوين الفرعية للشاشة)

HELP: عرض قائمة المساعدة.

EXIT

● **REC**: تسجيل البرنامج الجاري عرضه على USB HDD*6/DVR*5.



7 (تشغيل): (يمكن العثور عليه عن طريق إزالة الغطاء الجانبي)

8 **BUILT-IN MIC SWITCH** (مفتاح الميكروفون المدمج): شغل/

أوقف تشغيل الميكروفون المدمج. (يمكن العثور عليه عن طريق إزالة

الغطاء الجانبي)

9 **MIC المدمج***3*4*5: لتمكين الميكروفون المدمج، اضغط على زر

الميكروفون على وحدة التحكم عن بعد واتبع التعليمات التي تظهر على

الشاشة.

10 **مستشعر التحكم عن بعد / مستشعر الضوء / LED**

1 **ميكروفون** / (مساعد Google): استخدم التطبيق مساعد

Google*4*5 أو البحث الصوتي*4. للحصول على تلميحات حول كيفية

التحكم بالتلفزيون، اضغط على زر الميكروفون بوحدة التحكم عن بعد

وانطق العبارة « تلميحات صوتية »*3.

للتنقل خلال القائمة الظاهرة على الشاشة

وتحديدها.

TV: عرض قائمة قنوات التلفزيون أو قم بالتبديل الى وضع الاداخل.

2 (تشغيل)

أزرار الأرقام

1+2 (تكشف المعلومات/النص): عرض المعلومات.

النص): عرض معلومات النص.

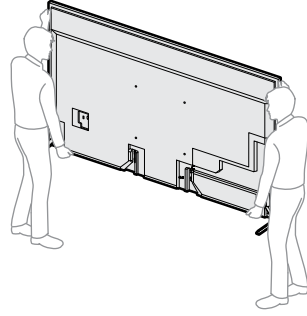
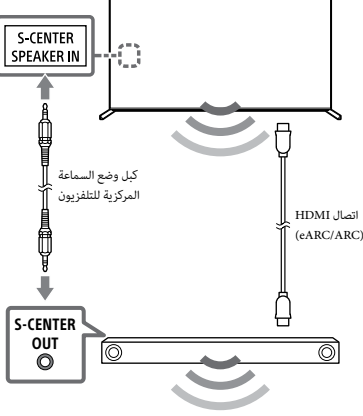
3 **YouTube™ / NETFLIX / Disney+ / Prime Video**

الأزرار الملونة

استخدام التلفزيون كجزء من نظام الصوت

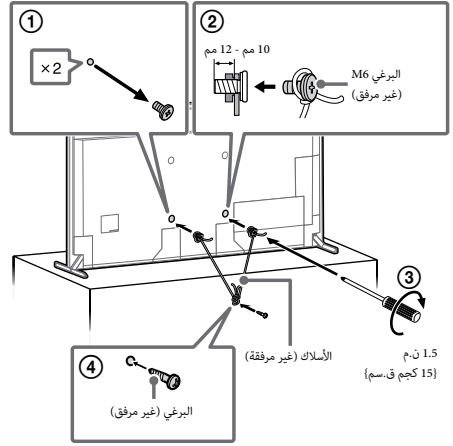
ملاحظة

- قبل توصيل الكبلات، افصل سلك التيار الكهربائي المتصل بكل من التلفزيون ومستقبل الصوت والفيديو.
- راجع دليل التعليمات الخاص بنظام الصوت المزود بطرف توصيل S-CENTER OUT للمزيد من التفاصيل.



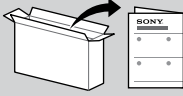
- عند نقل جهاز التلفزيون، لا تعرضه للرج أو اهتزازات عنيفة.
- وعند نقل جهاز التلفزيون لإصلاحه أو عند تحريكه، ضعه في علبته الكرتونية الأصلية مستخدمًا مواد التعبئة والتغليف.

منع الإسقاط



بخصوص كتيبات الدليل

يأتي هذا التلفزيون مرفقا مع كتيبات الدليل التالية. يرجى الاحتفاظ بكتيبات الدليل للرجوع إليها مستقبلاً.



دليل الإعداد

- تركيب التلفزيون والإعداد.



دليل مرجعي (هذا الدليل)/ وثائق السلامة

- معلومات السلامة، وحدة التحكم عن بعد، تحري الخلل وإصلاحه، التثبيت على الحائط، المواصفات الفنية، الخ.

- يمكنك الرجوع الى دليل المساعدة باستخدام الهاتف الذكي.

https://rd1.sony.net/help/tv/iaep1/h_aep/



دليل المساعدة (دليل على الشاشة)

- الإعدادات، الوظائف، اتصال الإنترنت، استكشاف الأخطاء وإصلاحها، وما إلى ذلك.
- لفتحه، اضغط على الزر HELP على وحدة التحكم عن بعد واختر دليل المساعدة.

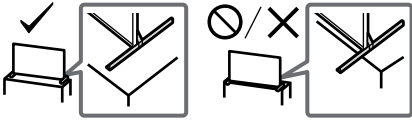
معلومات بشأن السلامة

التركيب/الضبط

قم بتركيب واستخدام جهاز التلفزيون وفقاً للتعليمات أدناه، لتجنب مخاطر الحريق أو الصدمة الكهربائية أو الأضرار و/أو الإصابات.

التركيب

- يجب تركيب جهاز التلفزيون بالقرب من مقبس التيار المتردد الذي يمكن الوصول إليه بسهولة.
- ضع التلفزيون على سطح ثابت مستو لمنع من السقوط من أعلى وإحداث إصابات بالأفراد أو إلحاق أضرار بالممتلكات.
- قم بتركيب التلفزيون بحيث لا يمكن سحبه أو دفعه أو الطرق عليه.
- قم بتثبيت التلفزيون بحيث لا يبرز الحامل أعلى الطاولة للتلفزيون من حامل التلفزيون (غير مرفق). في حالة بروز الحامل أعلى الطاولة من حامل التلفزيون، قد يتسبب ذلك في انقلاب مجموعة التلفزيون أو سقوطها مما يتسبب في إصابة جسدية أو تلف التلفزيون.



النقل

- قبل نقل جهاز التلفزيون، فصل جميع الكابلات.
- قبل نقل جهاز التلفزيون، أزل الأغشية الطرفية.
- يلزم توفر شخصين أو أكثر لنقل مجموعة تلفزيون كبيرة.
- عند نقل جهاز التلفزيون باليد، أمسكه على النحو الموضح أدناه، لا تضغط على شاشة LCD والإطار المحيط بالشاشة.
- عند رفع أو تحريك جهاز التلفزيون، امسكه بقوة من الأسفل.

تضع قوائم الإعدادات للتغيير دون إخطار.

هام - اقرأ اتفاقية ترخيص برنامج المستخدم النهائي قبل استخدام منتج Sony الخاص بك. يشير استخدام المنتج الخاص بك الى موافقتك على اتفاقية ترخيص برنامج المستخدم النهائي. تتوفر اتفاقية ترخيص البرنامج بينك وبين Sony عبر الإنترنت على موقع Sony على الويب (<https://www.sony.net/tv-software-licenses/>) او على شاشة منتجك. اضغط على (الإعدادات السريعة) يوحد التحكم عن بعد وحدد [الإعدادات] ← [النظام] ← [المحة] ← [المعلومات القانونية] ← [الإعلانات والتراخيص].

ملاحظة

- قبل تشغيل التلفزيون، يرجى قراءة « معلومات بشأن السلامة ».
- اقرأ وثائق السلامة المرفقة للحصول على معلومات السلامة الإضافية.
- الصور والرسوم التوضيحية المستخدمة في دليل الإعداد وهذا الدليل للتوضيح فقط وقد تختلف عن المنتج الفعلي.
- يتوافق "x" "xx" الذي يظهر في اسم الموديل مع العدد الرقمي، وذلك فيما يتعلق بالتصميم أو اللون أو نظام التلفزيون.

موقع بطاقة التعريف

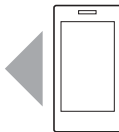
توجد البطاقات الخاصة برقم موديل التلفزيون وتاريخ الإنتاج (السنة/الشهر) وتصنيف مصدر الطاقة خلف جهاز التلفزيون أو العبوة. ويمكن العثور عليها عن طريق إزالة الغطاء الخارجي.

ملاحظة مهمة

ملاحظة عن الأجهزة اللاسلكية

بموجب هذه الوثيقة، تفر شركة Sony Corporation يتوافق أنواع الأجهزة اللاسلكية (XR-85X95J، XR-75X95J، XR-65X95J) مع التوجيه 2014/53/EU. يتوفر النص الكامل لبيان المطابقة مع الاتحاد الأوروبي على عنوان الإنترنت التالي: <https://compliance.sony.eu>

بالنسبة لهذا الجهاز اللاسلكي، تنطبق القيود التالية المفروضة على تشغيل الخدمة أو الخاصة بمتطلبات ترخيص الاستخدام في النمسا وبلجيكا، كرواتيا وقبرص والتشيك والدنمارك وإستونيا وفنلندا وفرنسا وألمانيا والسلفادور ومنغاريا، وأيرلندا وإيطاليا ولاتفيا وليتوانيا ولكسمبورج ومالطا وهولندا وبولندا والبرتغال وسلوفاكيا، وسلوفينيا، وإسبانيا والسويد والمملكة المتحدة والمملكة المتحدة (أيرلندا الشمالية) وأيسلندا، وليختنشتاين، النرويج وسويسرا وبلغاريا ورومانيا وتركيا واليابان والبوسنة والهرسك ومقدونيا ومدغشقر وصربيا والجبل الأسود وكوسوفو: يقتصر نطاق 5150 - 5350 ميجاهرتز على العمليات الداخلية فقط.



Support / Assistance / Soporte / Ondersteuning / Unterstützung /
 Suporte / Supporto / Support / Support / Tuki / Brukerstøtte /
 Wsparcie / Podpora / Podpora / Tāmogatās / Asistență /
 Поддръжа / Υποστήριξη / Destek / Поддержка / Підтримка / الدعم

<https://www.sony.eu/support>