

Instruction Manual

Cooker Hoods KSEC61X // KSEC61NE // KSEC61EB // KSEC91X

Manuel d'instructions

Hottes Aspirantes KSEC61X // KSEC61NE // KSEC61EB // KSEC91X

Manual de instrucciones

Campanas Extractoras KSEC61X // KSEC61NE // KSEC61EB // KSEC91X

Libretto istruzioni

Cappe Aspirante KSEC61X // KSEC61NE // KSEC61EB // KSEC91X

Gebruikshandleiding

Afzuigkappen KSEC61X // KSEC61NE // KSEC61EB // KSEC91X

Bedieningsanleitung

Dunstabzugshauben KSEC61X // KSEC61NE // KSEC61EB // KSEC91X

Руководство по эксплуатации

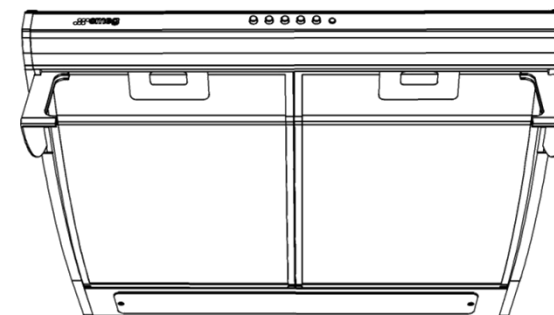
Вытяжка KSEC61X // KSEC61NE // KSEC61EB // KSEC91X

Manual de Instruções

Exaustores KSEC61X // KSEC61NE // KSEC61EB // KSEC91X

Bruksanvisning

Köksfläkt KSEC61X // KSEC61NE // KSEC61EB // KSEC91X



 **smeg**

 **smeg**

English

Dear customer,

We congratulate you on your choice. We are sure that this modern, functional and practical article, constructed from highest quality materials, will fully meet your requirements.

Please read all the sections of this INSTRUCTION MANUAL before using the extractor for the first time to be able to obtain its full performance and to avoid any breakdowns that could arise from its misuse, also allowing small problems to be overcome.

Keep and store this manual. It will always provide useful information on the extractor and will help other people to use it.

Safety Instructions

* Before using the extractor for the first time, you must observe the installation and connection instructions.

* This appliance is not intended for use by persons (including children) with reduced physical, sensory or mental capabilities, or lack of experience and knowledge, unless they have been given supervision or instruction concerning use of the appliance by a person responsible for their safety.

* Children should be supervised to ensure that they do not play with the appliance.

* Never pull the cable to unplug the extractor.

* Do not switch on the extractor if the electricity cable is worn or has cuts or if there are signs of deterioration around the control panel.

* If the extractor stops working or functions abnormally, unplug it from the mains and advise the technical service.

* Do not leave gas burning without a pan above it under the hood.

* Do not allow grease to accumulate in any part of the extractor, especially in the filter as this **COULD PRODUCE A FIRE RISK**

* Do not flambé food under the hood.

* Before installing the extractor consult local rules and regulations in force with respect to current standards on air and fumes.

* Before connecting the extractor to the mains, check that both the voltage and the frequency conform to that shown on the characteristics label of the extractor located inside it.

* The cooker hoods provided with plug must preserve it accessible. In the opposite way, it is necessary to install an omnipolar switch with at least a distance of 3 mm. between Line (L) and Neutral (N).

* The air must not be discharge into a flue that is used for exhausting fumes from appliances burning gas or other fuels. The room must be provided with appropriate ventilation if the extractor is going to be used at the same time as other food processing equipment not using electrical power.

* We recommend the use of gloves and caution when cleaning the inside of the extractor.

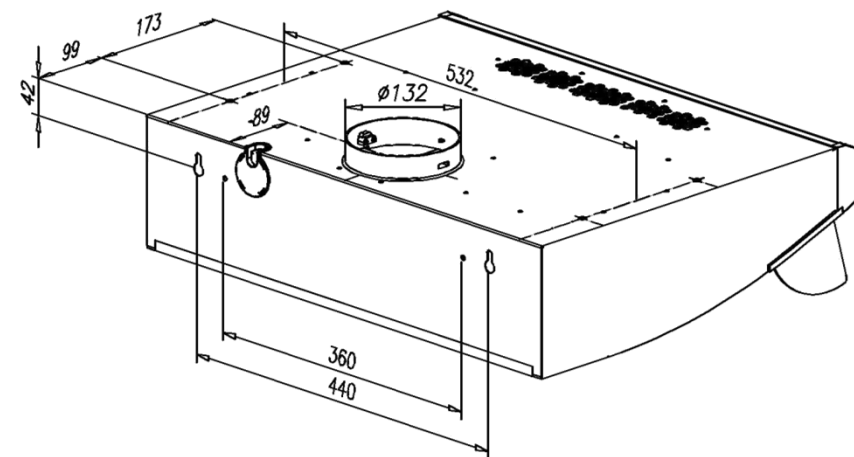
* Your extractor is designed for domestic use and only for expelling and purifying gases arising from food preparation. Its use for any other purpose must be at your own responsibility and may be dangerous.

* You should contact the nearest Qualified Technical Assistance Service for any repairs always using original spare parts. Repairs and modifications carried out by others could damage the apparatus or cause it to malfunction, and risking your safety. The manufacturer cannot be held liable for inappropriate use of the apparatus.

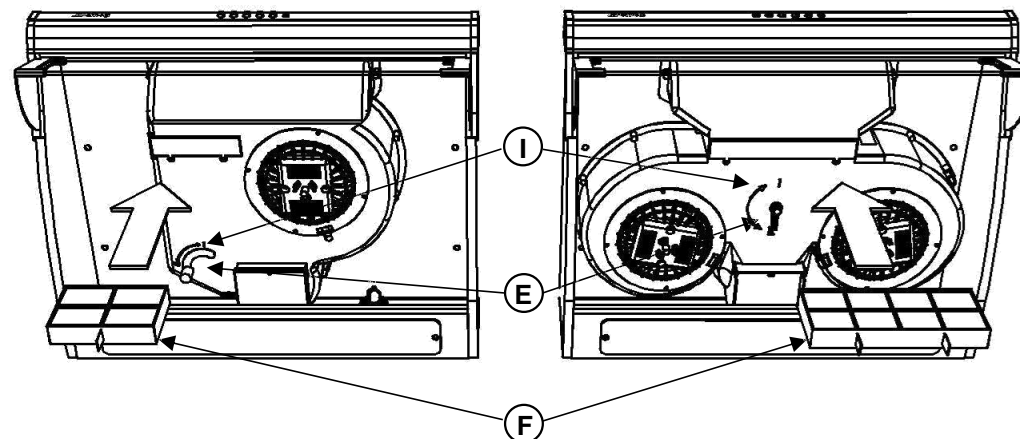
Description of the appliance (Fig.1)

- A** Motor controls, three speeds.
- B** Light switch independent from motor commands.
- C** Two lamps for hood lighting.
- D** Filters located over cooking area, easily removable for cleaning (2 or 3 according to model).
- E** Extractable group that allows a greater gas capture area.
- F** Possibility of incorporating active charcoal filters (Fig. 5)
- G** Motor functioning indicator light.
- H-I** Anti return tabs to be located in the outlet mouth, locating their ends in the holes provided.

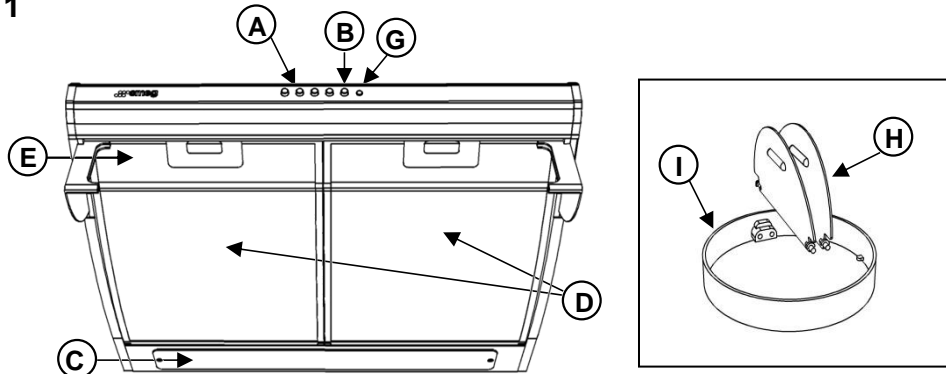
4



5



1

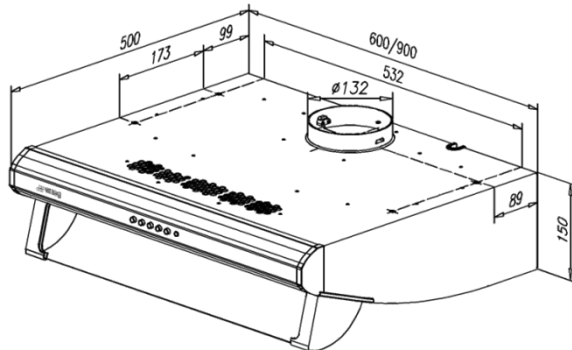


2



<u>Speed</u>	<u>Vitesse</u>	<u>Velocidad</u>	<u>Velocità</u>	<u>Snelheid</u>	<u>Absaugleistung</u>	<u>Скорость</u>	<u>Velocidade</u>	<u>Hastighet</u>
First	Première	Primera	Prima	Laag	Erste	Первая	Primeira	Första
Second	Deuxième	Segunda	Seconda	Hoog	Zweite	Вторая	Segunda	Andra
Third	Troisième	Tercera	Terza	Intensief	Dritte	Третья	Terceira	Tredje
<u>Light</u>	<u>Lumière</u>	<u>Luz</u>	<u>Luce</u>	<u>Licht</u>	<u>Beleuchtung</u>	<u>Свет</u>	<u>Luz</u>	<u>Lampa</u>
On	Allumé	Encendido	Accesa	Schakelaar aan	Ein	Включен	Acesa	På
Off	Eteint	Apagado	Spenta	Schakelaar uit	Aus	Выключен	Desligada	Av

3



Instructions for use

By pushing buttons shown in the figure 2, you will be able to control the functions of the extractor

Two achieve better extraction, we recommend switching on the extractor a few minutes before starting to cook (3 - 5 minutes) so that the air flow is continuous and stable when extracting the fumes.

Likewise, keep the extractor switched on for a few minutes when cooking is complete to allow all fumes and odours to be expelled.

Cleaning and maintenance

Before carrying out any cleaning or maintenance activities, ensure that the extractor is disconnected from the mains.

To carry out cleaning and maintenance, follow the Safety Instructions.

There is a fire risk if cleaning is not carried out in accordance with the instructions.

Filter cleaning

To remove the filters from their locations release the anchoring points. Clean the filter, either by putting it in the dishwasher (see notes) or leaving it standing in hot water to simplify the removal of grease or, if wished, by means of special sprays (protecting the non metallic parts). Once clean, leave it to dry.

Notes: cleaning in the dishwasher with aggressive detergents may darken the surface of metallic parts, without this affecting its gas retaining properties.

N.B. The filter must be cleaned at least once a month depending on how often the extractor is used. It must be remembered that grease accumulates in the extractor when cooking, whether it is switched on or not.

Cleaning of the extractor body

The use of warm (40°C approx.) soapy water is recommended. A cloth moistened in this water is used for cleaning the extractor, paying special attention to the grids. Afterwards, dry it using a lint-free cloth.

Note:

- * Never use metallic scouring pads or abrasive products that could damage the surface.
- * Do not use scrapers with metallic surfaces such as knives, scissors etc.

Active charcoal filter

- * To install the charcoal filter, disassemble the lid, introduce the filter in the position provided and reassemble the lid.
- * The carbon filter lasts from three to six months depending on the particular conditions of use.
- * The activated carbon filter can neither be washed nor regenerated. Once it is exhausted, it must be changed.
- * To replace the exhausted filter with a new one, we will make in the same way that in its assembly, previously extracting the spent filter.

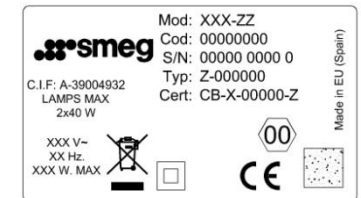
Changing Bulbs

- * It is important that the mains are disconnected, and ensure the bulbs that are to be replaced are not hot.
- * Remove the light lens to expose the extractable lamps.
- * The maximum bulbs power is 40W.

Technical Information (Fig.3)

Dimensions Width = 600 // 900 mm
 Depth = 500 mm
 Height = 150 mm

Electrical characteristics:
 REFER TO RATING PLATE



English

Installation

To fix the extractor to the kitchen use measures shown on fig. 4.

The lower part of the extractor must be located at a minimum height of 60cm above the hob for electric cookers and 65cm for gas cookers. If the instructions of a gas cooker indicate a greater distance these must be observed.

When the extractor is working at the same time as other non-electrical cooking equipment, the outlet air pressure must not exceed 4 Pa (4 x 10⁻⁵ bar).

To achieve optimum performance the length of the outlet hose should not exceed 4 meters, or include more than two 90° angles (elbows)

CAUTION: Accessible parts may become hot when it is used with cooking appliances.

Although venting to the outside is recommended, activated carbon filter may be used, which allow the gas to be returned to the kitchen through the outlet pipe.

To evacuate air via the upper part, it is needed an external evacuation conduit, and the evacuation lever must be located in the "E" position (Fig. 5).

The small (anti-return) outlet hose is located, ensuring that the remaining outlets are duly plugged.

To allow re-circulation through the active carbon filter the evacuation lever is located in the "I" position. Then the activated carbon filter is introduced in the corresponding groove.

If something does not work

Before seeking technical assistance carry out the following checks first:

Defect	Possible cause	Solution
The extractor does not work	The cable is not connected	Connect the mains cable
	No current is reaching the plug	Revise/repair the electricity circuit
The extractor does not blow enough or vibrates	Filter saturated with grease	Clean or substitute filter
	Outlet obstructed	Eliminate obstructions
	Inadequate air conduit	Contact the installer and follow instructions of this manual
The lamps do not light	Lamp broken	Exchange the bulb
	Lamp loose	Tighten bulb


Om någonting inte fungerar

Innan du kontaktar verkstad gå efter följande instruktioner:

FEL	MÖJLIG ORSAK	LÖSNING
Fläkten fungerar inte	Kontakten är inte isatt	Sätta i kontakten
	Det kommer inte ström i kontakten	Försäkra dig om att det finns el
Fläkten suger inte upp tillräckligt eller vibrerar	Filtret är fullt med fett	Rengör filtret eller byt ut det
	Tilltäppning i utgångsröret	Ta bort tilltäppningen
	Fel utgångsrör	Kontakta installatören och följ instruktionerna i denna bruksanvisning
Lamporna tänds inte	Lamporna är utbrända	Byt ut lamporna
	Lösa lampor	Skruva åt lamporna

Den här apparaten är CE märkt i enlighet med direktivet 2003/108/EC i Europa Parlamentet och RAEE av Europarådet angående avfall från elektriska och elektroniska apparater. Rätt avfallshantering av denna produkt undviker fara för miljön.



Symbolen  på produkten eller dokumenten som medföljer produkten, visar att man inte kan hantera det som hushållsopor. Det skall föras till återvinningstation för elektriska och elektroniska apparater. Hantera i enlighet med miljölagarna. För mer information kontakta din kommuns återvinningstation.

SMEG. förbehåller sig rätten att göra ändringar för att förbättra sina produkter om de anser det nödvändigt utan att detta försämrar produkten.

Svenska

Byta ut lampor

- * Ta bort filterna så att man ser lamporna.
- * Vidta försiktighetsåtgärder för att ta av fläkten och se till att lamporna inte är varma.
- * Den maximala strömstyrkan på lamporna är 40W.

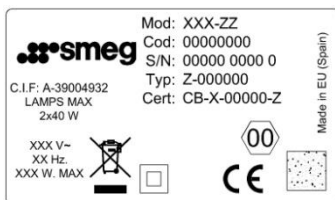
Teknisk information (Fig.3)

Dimensioner:

Breddstorlek = 600 // 900mm
Djup = 500 mm
Hög = 150 mm

Elkännetecken:

SE KÄNNETECKENSETIKETTEN



Montering

För att fixera fläkten i möbeln, använd modell på figur 4.

Nedre delen på fläkten ska placeras minst 65 cm ovanför spisen om det är gas och 60 cm om det är elspis. Om gasspisens instruktioner säger att det ska vara högre måste man ha det i åtanke.

När man sätter på köksfläkten samtidigt som av annan än elenergi försedda apparater så bör inte luftströmmen vara starkare än 4Pa (4 x 10⁻⁵ bar).

För att uppnå bästa prestation, ska uttömnings-röret inte vara längre än 4 meter och inte ha mer än två vinklar på 90°.

WARNING: Tillgängliga delar kan bli heta när den används med matlagning.

Även om vi rekommenderar att oset ska föras utomhus går det även att installera aktiva kolfilter som tillåter oset föras tillbaka till köket via utgångsröret.

För att oset ska föras ut via den övre delen måste man ha ett utlopp utomhus och placera tömningsspaken i läget "E" (Fig. 5).

Placera utgångsrörmuffen (ej återgång) och se till att resterande utgångar är täppta.

För återströmmen genom det aktiva kolfiltret placera tömningsspaken i läge "I". Därefter introducera det aktiva kolfiltret i motsvarande ränna.

Special U.K. Requirements

Height above gas hob: 65 cm minimum.

NEVER PLACE THE COOKER HOOD OVER AN EYE-LEVEL GRILL.

This appliance must be connected by a competent person, using fixed wiring via a DOUBLE POLE SWITCHED FUSED SPUR OUTLET.

Electrical connection

We recommend that the appliance is connected by a qualified electrician, who is a member of the N.I.C.E.I.C. and who will comply with the I.E.E. and local regulations. Should the colour of the wires in the mains lead for the appliance not correspond with the coloured markings identifying the terminal in your spur box proceed as follow:


* The wire which is coloured blue must be connected to the marked N (Neutral) or coloured Black.

* The wire which is coloured brown must be connected to the marked L (Live) or coloured Red

* Where available (see installation), the wire which is coloured yellow/green must be connected to the marked \perp or coloured Yellow/Green.

If the cooker hood is installed for use above a gas appliance then the provision of ventilation must be in accordance with the Gas Safety (Installation & Use) Regulations 1984 and the relevant Building Regulations. Detailed recommendations are contained in the following British Standard Codes of Practice BS6172, BS5440 and BS6891 Current Edition.

This apparatus has the marked CEE in conformity with Standard 2003/108/EC of the European Parliament and the Council about remainders of electrical and electronic apparatuses. The correct elimination of this product avoids negative consequences for the market and the health.

Symbol  (In the product or in the documents that are included with it), indicates that it's not possible to be treated like domestic remainder. It's necessary to give it in a collection point to recycle electrical and electronic apparatuses. Get rid of it in accordance with the environmental norms for remainders elimination.

In order to obtain detailed information about the treatment, recovery or recycling of this product, put yourself in contact with the city council, with the elimination service of urban remainder or with the store where you acquired the product.

SMEG reserves the right to make corrections in its appliances wherever it considers these necessary or useful, without harming their essential features.

Français

Cher Client,

Félicitations pour votre choix. Nous sommes sûrs que cet appareil, moderne, fonctionnel et pratique, qui a été construit avec des matériaux de première qualité, vous satisfera pleinement.

Avant d'utiliser la hotte pour la première fois, nous vous prions de lire toutes les sections de ce MANUEL D'INSTRUCTIONS afin d'obtenir le rendement maximum de l'appareil et d'éviter des pannes qui pourraient être causées par un usage incorrect ; il pourra aussi vous résoudre quelques petits problèmes.

Conservez ce manuel car il vous donnera des informations utiles à tout moment en ce qui concerne votre hotte, et facilitera son usage par d'autres personnes.

Instructions de sécurité

* Avant la première mise en service, veuillez observer attentivement les instructions d'installation et de branchement.

* Cet appareil ne peut pas être utilisé par des personnes (y compris des enfants) avec des capacités physiques, sensorielles ou mentales limitées ou manquant d'expérience et/ou de connaissances, à moins qu'elles soient surveillées par une personne responsable de leur sécurité où qu'elles aient reçu des instructions de la part de cette personne sur comment utiliser l'appareil.

* Les enfants doivent être surveillés afin d'éviter qu'ils ne jouent pas avec l'appareil.

* Ne tirez jamais sur le câble pour débrancher la hotte. Débranchez-la en tirant sur la fiche.

* Ne faites pas fonctionner la hotte si le câble du courant électrique est détérioré ou s'il présente des coupures ou si l'appareil présente des signes de détérioration visibles sur la zone des commandes.

* Si la hotte arrête de fonctionner ou si elle fonctionne de façon anormale, déconnectez-la du courant électrique (en la débranchant) et communiquez-le au Service d'Assistance Technique.

* Ne laissez pas les brûleurs à gaz allumés sous la hotte si aucun récipient n'est posé dessus.

* Ne laissez pas la graisse s'accumuler. Sur aucune partie de la hotte et tout spécialement sur le filtre. CELA POURRAIT PROVOQUER UN INCENDIE.

* Ne faites pas flamber d'aliments sous la hotte.

* Avant d'installer cette hotte, consultez les Réglementations et les dispositions locales en vigueur en ce qui concerne la normative en vigueur sur l'air et les fumées.

* Avant de connecter la hotte au courant électrique, vérifiez que la tension et la fréquence du réseau correspondent à celles qui sont indiquées sur l'étiquette de caractéristiques située à la partie inférieure de celle-ci.

* Dans les caissons à piquet esta ought créature faisable, ou installer une intervertirde encoche omnipolar, à une rupture plus petit dans – entre influences de 3 mm

* L'air ne doit pas être déchargé à l'aide d'un tuyau utilisé auparavant pour évacuer les fumées des brûleurs à gaz ou à d'autres combustibles. La pièce doit être pourvue d'une ventilation adéquate si on utilise en même temps la hotte et d'autres appareils alimentés par une énergie autre que l'énergie électrique.

* Nous vous recommandons d'utiliser des gants et de prendre toutes les précautions nécessaires au moment de nettoyer l'intérieur de la hotte.

* Votre hotte est destinée à l'usage domestique et doit servir uniquement à l'extraction et à la purification des gaz provenant de la préparation des aliments. Si vous l'employez pour d'autres usages, il faudra le faire sous votre responsabilité. Cela peut être dangereux.

* Pour toute réparation, adressez-vous au Service d'Assistance Technique qualifié le plus proche, et utilisez toujours des pièces de rechange d'origine. Les réparations ou les modifications réalisées par un autre personnel peuvent occasionner des dommages ou un mauvais fonctionnement à l'appareil, mettant en danger votre sécurité. Le fabricant n'est pas responsable des dommages causés par un mauvais usage de l'appareil.

Beskrivning av fläkten (Fig.1)

- A** Knappar till motorn som tillåter välja tre positioner.
- B** Ljusströmbrytaren är oberoende av motorns funktion.
- C** Belysning med lampor.
- D** Filter över spisen, låtta att ta ut för att göra rent (2 eller 3 enligt modell).
- E** Uttagbar kant som tillåter större osuppsugningsyta.
- F** Man kan installera aktiva kolfilter (Fig.5).
- G** Lampa som visar motorns funktioner.
- H-I** Fläktbladen ska placeras i luftgången, med dess ändar därtill avsedda hål.

Bruksanvisning

Genom att trycka på knappen som figur 2 visar kan du kontrollera fläktens funktioner.

För att fläkten skall ha bästa uppsugningen rekommenderar vi att sätta på fläkten några minuter innan du lagar maten (mellan 3-5 min.) så att luftströmmen är kontinuerlig och ständig vid ögonblicket.

På samma sätt, ha fläkten på några minuter efter matlagningen så att den drar ut all matos och lukt.

Rengöring och underhåll

Innan man gör rent eller underhåll, se till att fläkten är avstängd.

För att göra rent följ säkerhetsreglerna. Brandrisk föreligger om man inte gör rent fläkten enligt instruktionerna.

Brand kan uppstå om instruktionen för underhåll ej följs.

Rengöring av filter

För att ta ut filterna tryck på fastsättningsknapparna.

Man kan göra rent filterna antingen i diskmaskinen, (se anvisningar) eller i varmvatten. Också med speciell spray (skydda de ej metalldelarna). Torka ordentligt efteråt.

Observationer: rengöringen i diskmaskinen med aggresiva diskmedel kan svärta ner metalldelarna utan att det förhindrar fettupptagningen.

Observera: Man ska göra rent filterna åtminstone en gång i månaden, beroende hur mycket man använder fläkten. Man måste komma ihåg att fläktens filter smutsas ner oavsett om den är på eller inte.

Rengöring av fläkten

Vi rekommenderar att använda tvålvatten, Aprox. 40°C. Använd en fuktad trasa för att göra rent fläkten, var noga med rämnorna. Därefter torka med en trasa som inte trådar.

Uppmärksamma:

- * Använd aldrig stålull eller slipmedel som kan förstöra ytan.
- * Skrapa inte med hårda föremål som t.ex. knivar, saxar, etc.

Aktivt kolfilter

- * För att montera kolfiltret, ta bort locket, sätt i filtret på dess ställe och sätt på locket igen.
- * De aktiva kolfilterna håller tre till sex månader beroende på användning.
- * De aktiva kolfilterna är inte tvättbara eller återvinnsbara. När de går ut måste man byta ut dem.
- * För att byta ut de utslitna filterna mot nya gör tvärtemot monteringen.

Svenska

Ärade kund:

Vi gratulerar dig till ditt val. Vi är övertygade om att denna moderna, funktionella och praktiska, köksfläkt, gjord av förstklassigt material kommer att bli till full belåtenhet.

Läs alla delar i den här bruksanvisningen. Innan du använder fläkten för första gången, för att få bästa möjliga resultat och undvika de problem som kan uppstå vid felanvändande och på så sätt kunna lösa eventuella problem.

Spara den här bruksanvisningen som kan ge användbar information för användning av fläkten för andra personer.

Säkerhetsinstruktioner

* Före första användningen måste man ha i åtanke installeringanvisningarna och koppling.

* Denna apparat är inte avsedd att brukas utan nödvändig utbildning eller kunskap om apparatens funktioner. Apparaten skall ej användas av barn eller personer med förståndshandikapp utan tillsyn.

* För att säkerställa att barn ej leker med apparaten bör de ej lämnas utan uppsikt i apparatens närhet.

* Dra aldrig i sladden för att stänga av fläkten.

* Sätt inte igång fläkten om elsladden är utsliten eller skuren, heller ej om fläkten ser förstörd ut vid knapparna.

* Om fläkten slutar fungera på onormalt sätt så se till att stänga av den och meddela kundtjänsten.

* Lämna inte tända gasbrännare utan skydd under fläkten.

* Tillåt inte att det samlas fett någonstans på fläkten, särskilt inte på filtret. DET KAN ORSAKA BRAND.

* Flamma inte under fläkten.

* Innan du intallerar fläkten rådfråga aktuella anvisningar som gäller för luft och rök.

* Innan du kopplar in fläkten se till att det är rätt nätfrekvens för fläkten, se innerdelen.

* När det gäller fläktar med stickkontakt, måste den vara tillgänglig, eller intallera en omnipolar strömbrytare, med minst 3 mm avstånd mellan kontaktarna.

* Luften får ej tömmas ut i en rökgång (skorsten) som används som utsläpp för heta gaser eller som ventilation för andra bränslen. Rummet måste ha passande ventilation om man använder andra apparater än de elektriska.

* Vi rekommenderar att använda handskar när du gör rent fläkten inuti.

* Den här fläkten är endast till för hemmabruk och endast för extraktion och rengöring av matos. Annan användning sker på eget bevåg.

* Vid reparation kontakta närmaste kvalificerad kundtjänst, som alltid använder original reservdelar om någon annan lagar eller gör ändringar kan fläkten förstöras eller inte fungera och på så sätt orsaka fara. Tillverkaren gör sig inte ansvarig för de skador som kan uppstå vid felanvändning

Description de l'appareil (Fig.1)

- A** Commandes du moteur qui permettent de sélectionner 3 positions.
- B** Interrupteur de lumière indépendant du fonctionnement des moteurs.
- C** Eclairage au moyen de lampes.
- D** Filtres situés sur la zone de cuisson facilement extractibles pour être lavés (2 ou 3 selon le modèle).
- E** Ensemble extractible permettant une plus grande surface de captation des gaz.
- F** Possibilité d'incorporer filtre à charbon actif (Fig. 5).
- G** Voyant lumineux indicateur de fonctionnement des moteurs.
- H-I** Ailettes anti-retour qui seront placées sur la bouche de sortie, leurs extrêmes situées sur les orifices disposés à cet effet.

Instructions d'usage

En appuyant sur la commande indiquée sur la figure 2, vous pourrez contrôler les fonctions de la hotte.

Pour obtenir une meilleure aspiration, nous vous recommandons de mettre la hotte en marche quelques minutes avant de cuisiner (entre 3 et 5 minutes) pour que le flux d'air soit stable et continu au moment d'aspirer les fumées.

De la même façon, maintenez la hotte en fonctionnement quelques minutes après avoir fini de cuisiner afin que les fumées et les odeurs soient totalement entraînées vers l'extérieur.

Nettoyage et entretien

Avant d'effectuer toute opération de nettoyage et d'entretien, assurez-vous que l'appareil est déconnecté du courant électrique.

Pour réaliser des tâches de nettoyage et d'entretien, suivez les instructions de Sécurité. Il existe un risque d'incendie si le nettoyage n'est pas fait conformément aux instructions.

Nettoyage du filtre

Pour extraire les filtres de leurs logements, appuyez sur les dispositifs d'enclenchement. Procédez à leur nettoyage, ou bien en les mettant dans le lave-vaisselle (voir observations) ou en les submergeant dans de l'eau chaude le temps nécessaire pour faciliter l'élimination des graisses, ou, si vous le désirez, au moyen de sprays spécifiques (en protégeant les parties non métalliques). Une fois le nettoyage fini, sécher les filtres.

Observations: Le nettoyage dans un lave-vaisselle avec des détergents agressifs peut noircir la surface métallique sans pour cela affecter sa capacité de rétention des graisses.

Attention: Le nettoyage des filtres doit être fait au moins une fois par mois, selon l'utilisation de la hotte. On devra tenir compte du fait que, quand on cuisine, il se produit des dépôts de graisse sur la hotte et sur le filtre même si celle-ci n'a pas été mise en marche.

Nettoyage du corps de la hotte

Il est recommandé d'utiliser de l'eau savonneuse à 40°C environ. On utilisera un chiffon humide mouillé avec cette eau pour nettoyer la hotte, en insistant sur les fentes. Ensuite, on sèchera en utilisant un chiffon qui ne fera pas de peluches.

Attention:

- * Ne jamais utiliser de tampons métalliques ni de produits abrasifs qui pourraient endommager la surface.
- * Ne pas gratter avec des objets durs tels que des couteaux, des ciseaux, etc.

Filtre à charbon actif

- * Pour mettre en place le filtre à charbon actif, démonter le couvercle, présentez le filtre dans le logement prévu et remonter le couvercle.
- * La durée du filtre à charbon actif est de trois à six mois, selon les conditions particulières d'usage.
- * Le filtre à charbon actif ne peut être ni lavé, ni récupéré. Une fois usé, procéder à son remplacement.
- * Pour remplacer le filtre dépensé par autre nouveau, nous viendrons de manière égale que dans l'assemblage, en extrayant préalablement le filtre dépensé.

Français

Remplacement des Lampes

- * Enlevez les filtres pour découvrir les lampes.
- * Avant de commencer, prenez la précaution de déconnecter la hotte du courant électrique et vérifiez que les lampes à changer ne sont pas chaudes.
- * La puissance maximale des lampes est de 40W.

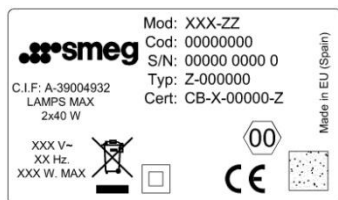
Information Technique (Fig.3)

Dimensions:

Largeur = 600 // 900mm
Profondeur = 500 mm
Hauteur = 150 mm

Caractéristiques électriques:

VOIR L'ÉTIQUETTE DES CARACTÉRISTIQUES



Installation

Pour fixer la hotte au meuble, on utilisera le dessin situé à la fig. 4.

La partie inférieure de la hotte devra être placée à une hauteur minimale de 60 cm du plan de travail pour une cuisinière électrique, et de 65 cm. pour une cuisinière à gaz. Si les instructions d'installation des cuisinières à gaz indiquent une distance supérieure, il faudra en tenir compte.

Quand on fera fonctionner la hotte de la cuisine en même temps que d'autres appareils alimentés par une énergie autre que l'énergie électrique, la pression de sortie de l'air ne devra pas être supérieure à 4 Pa (4×10^{-5} bar).

Pour obtenir un rendement optimum, la longueur de la tuyauterie d'évacuation extérieure ne devra pas être supérieure à QUATRE mètres et ne devra pas avoir plus de deux angles (coudes) de 90°.

ATTENTION: Les parties accessibles peuvent devenir chaudes quand il est utilisé avec les appareils de cuisson.

Bien qu'il soit recommandé que l'évacuation des gaz se fasse à l'extérieur, on peut installer un filtre à charbon actif qui permettent que les gaz puissent revenir à la cuisine à travers le tube de sortie.

Pour l'évacuation par la partie supérieure, il faudra installer un conduit d'évacuation vers l'extérieur et situer le levier d'évacuation en position "E" (Fig. 5).

On met en place le manchon de sortie (anti-retour) en vérifiant que les autres sorties ont bien été bouchées.

Pour la recirculation à travers du filtre de charbon actif, on mettra le levier d'évacuation en position "I". On placera inreosuit le filtre à charbon actif dans la correspondance cannelure.


Se algo não funciona

Antes de solicitar o serviço de reparações, faça as comprovações indicadas a seguir:

DEFEITO	POSSÍVEL CAUSA	SOLUÇÃO
O exaustor não funciona	O fio de rede não está ligado	Ligar o fio à rede
	Não chega tensão à tomada	Proceda a revisar / consertar a rede eléctrica
O exaustor não aspira suficiente ou vibra	Filtro saturado de gordura	Proceda à limpeza ou substituição do filtro
	Obstrução da conduta de saída de ar	Elimine as obstruções
	Conduta de ar inadequada	Contacte com o instalador e siga as instruções deste manual
As lâmpadas não iluminam	Lâmpadas queimadas	Proceda à substituição das lâmpadas
	Lâmpadas frouxas	Aperte as lâmpadas

Este aparelho está classificado de acordo com a Directiva Europeia 2003/108/EC sobre Resíduos e equipamento eléctrico e electrónico (REEE). Ao garantir a eliminação adequada deste produto, estará a ajudar a evitar potenciais consequências negativas para o ambiente e para a saúde pública, derivadas de um manuseamento inadequado dos desperdícios deste producto.



O símbolo  no producto, ou nos documentos que acompanham o producto, indica que este aparelho não pode receber um tratamento semelhante ao de um desperdício doméstico. Pelo contrário, deverá ser depositado no respectivo centro de recolha para a reciclagem de equipamento eléctrico e electrónico. A eliminação deverá ser efectuada em conformidade com as normas ambientais locais para a eliminação de desperdícios. Para obter informações mais detalhadas sobre o tratamento, a recuperação e a reciclagem deste producto, contacte o Departamento na sua localidade, o seu serviço de eliminação de desperdícios domésticos ou a loja onde adquiriu o producto.

SMEG Reserva-se o direito de introduzir nos seus aparelhos as correcções que considerar necessárias ou úteis sem prejudicar as suas características essenciais.

Português

Troca de lâmpadas

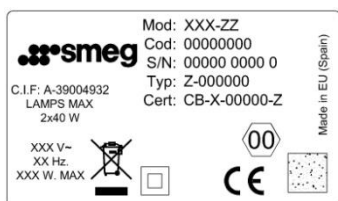
- * Retire os filtros e as lâmpadas ficarão à vista.
- * Observe as precauções de desligar previamente o exaustor da rede e que as lâmpadas a substituir não estejam quentes.
- * A potência máxima das lâmpadas é de 40W

Informação técnica (Fig.3)

Dimensões: Largura = 600/900mm
Profundidade = 500 mm
Altura = 150 mm

Características eléctricas:

VER ETIQUETA DE CARACTERÍSTICAS



Instalação

Para fixar o exaustor ao móvel, utilizar-se-á o plano (fig. 4).

A parte inferior do exaustor deverá ser colocada a uma altura mínima de 60 cm da bancada para fogões eléctricos e 65 cm. para fogões a gás. Se as instruções de instalação de fogões a gás indicam uma distância superior, deve ter-se em conta.

Quando o exaustor de cozinha estiver a funcionar ao mesmo tempo que outros aparelhos alimentados por uma energia distinta da eléctrica, a pressão de saída de ar não deve ser superior a 4 Pa (4×10^{-5} bar).

Para obter um rendimento óptimo, o comprimento da conduta de evacuação exterior não deverá ser superior a QUATRO metros, nem ter mais de dois ângulos (cotovelos) de 90°.

ATENÇÃO: As partes podem ficar quentes quando ele é usado com os aparelhos para cozinhar.

Embora seja recomendável a evacuação de gases para o exterior, pode ser instalado um filtro de carvão activado que permita que os gases sejam devolvidos à cozinha através do tubo de saída.

Para a evacuação pela parte superior é requerida uma conduta de evacuação para o exterior, e é preciso colocar a alavanca de evacuação em posição "E". (Fig. 5):

Coloca-se a manga de saída (anti-retorno), verificando se as restantes saídas estão devidamente tapadas.


Para a recirculação através do filtro do carvão activado, deve-se situar a alavanca de evacuação na posição "I". O filtro do carvão activado é introduzido em seguida em corresponder sulco.

En cas de panne

Avant de solliciter le service de réparations, veuillez effectuer les vérifications suivantes:

PANNE	CAUSE POSSIBLE	SOLUTION
La hotte ne fonctionne pas	Le câble n'est pas connecté au courant	Connecter le câble au courant
	La tension n'arrive pas à la prise	Réviser et réparer le courant électrique
La hotte n'aspire pas suffisamment ou vibre	Filtre saturé de graisse	Nettoyer ou substituer le filtre
	Obstruction du conduit de sortie de l'air	Éliminer les obstructions
	Conduit d'air inadéquat	Contacter l'installateur et suivre les instructions de ce manuel
Les lampes ne s'allument pas	Lampes fondues	Substituer les lampes
	Lampes dévissées	Resserrer les lampes

Cet appareil porte le symbole du recyclage conformément à la Directive Européenne 2003/108/EC concernant les Déchets d'Équipements Électriques et Electroniques (DEEE ou WEEE). En procédant correctement à la mise au rebut de cet appareil, vous contribuerez à empêcher toute conséquence nuisible pour l'environnement et la santé de l'homme.

Le symbole  présent sur l'appareil ou sur la documentation que l'accompagne indique que ce produit ne peut en aucun cas être traité comme déchet ménager. Il doit par conséquent être remis à un centre de collecte des déchets chargé du recyclage des équipements électriques et électroniques.

Pour obtenir de plus amples détails au sujet du traitement, de la récupération et du recyclage de cet appareil, veuillez vous adresser au bureau compétent de votre commune, à la société de collecte des déchets ou directement à votre revendeur.

SMEG se réserve le droit d'introduire sur le matériel les modifications qu'elle jugera nécessaires ou utiles, sans nuire à ses caractéristiques essentielles.

Español

Estimado cliente:

Le felicitamos por su elección. Estamos seguros que este aparato, moderno, funcional y práctico, construido con materiales de primera calidad, ha de satisfacer plenamente sus necesidades.

Lea todas las secciones de este MANUAL DE INSTRUCCIONES antes de utilizar la campana por primera vez, a fin de obtener el máximo rendimiento del aparato y evitar aquellas averías que pudieran derivarse de un uso incorrecto, permitiéndole además solucionar pequeños problemas.

Guarde este manual, le proporcionará información útil sobre su campana en todo momento y facilitará el uso de la misma por parte de otras personas.

Instrucciones de seguridad

* Antes de la primera puesta en Servicio se deben tener en cuenta las instrucciones de instalación y conexión.

* Este aparato no está destinado para ser usado por personas (incluidos niños) cuyas capacidades físicas, sensoriales o mentales estén reducidas, o carezcan de experiencia o conocimiento, salvo si han tenido supervisión o instrucciones relativas al uso del aparato por una persona responsable de su seguridad.

* Los niños deberían ser supervisados para asegurar que no juegan con el aparato.

* No tire nunca del cable para desenchufar la campana.

* No ponga la campana en funcionamiento si el cable de alimentación eléctrica está deteriorado o presenta cortes, o si el aparato muestra síntomas de deterioros visibles en la zona de los mandos.

* Si la campana deja de funcionar o lo hace de modo anormal, desconéctela de la red y comuníquelo al Servicio de Asistencia Técnica.

* No dejar quemadores de gas encendidos, sin recipiente que los cubra, debajo de la campana.

* No permitir la acumulación de grasa en ninguna parte de la campana, especialmente en el filtro. OCASIONA RIESGO DE INCENDIO.

* No flamear debajo de la campana.

* Antes de instalar esta campana consulte los Reglamentos y Disposiciones locales vigentes respecto a la normativa vigente de aire y humos.

* Antes de conectar la campana a la red eléctrica, compruebe que la tensión y la frecuencia de la red se corresponden con la indicada en la etiqueta de características de la campana, situada en la parte interior de la misma.

* En las campanas con clavija, esta debe ser accesible, o instalarse un interruptor de corte omnipolar, con una separación mínima entre contactos de 3 mm.

* El aire evacuado no debe ser enviado por conductos que se utilicen para evacuar humos de aparatos alimentados por gas u otro combustible. La habitación ha de estar provista de una ventilación adecuada si se va a utilizar la campana simultáneamente con otros aparatos alimentados por energía diferente de la eléctrica.

* Le recomendamos usar guantes y extremar la precaución cuando limpie el interior de la campana.

* Su campana está destinada para uso doméstico y únicamente para la extracción y purificación de los gases provenientes de la preparación de alimentos. El empleo para otros usos es bajo su responsabilidad y puede ser peligroso.

* Para cualquier reparación debe dirigirse al Servicio de Asistencia Técnica cualificado más cercano, usando siempre repuestos originales. Las reparaciones o modificaciones realizadas por otro personal pueden ocasionar daños al aparato o un mal funcionamiento, poniendo en peligro su seguridad. El fabricante no se responsabiliza de los daños originados por el uso indebido del aparato.

Descrição do aparelho (Fig.1)

- A** Comandos do motor que permitem seleccionar três posições.
- B** Interruptor de luz independente do funcionamento dos motores.
- C** Iluminação mediante lâmpadas.
- D** Filtros situados sobre a zona de cozedura, facilmente extraíveis para serem lavados (2 ou 3 de acordeo com o modelo).
- E** Conjunto extraível que permite uma maior superfície de captação de gorduras.
- F** Possibilidade de incorporar filtro de carvão activo (Fig. 5).
- G** Indicador de funcionamento de motores.
- H-I** Alhetas anti-retorno que serão colocadas na boca da saída, situando os seus extremos nos orifícios existentes para este fim.

Instruções de uso

Premindo o comando que indica a figura 2 poderá controlar as funções do exaustor.

Para conseguir uma aspiração mais eficaz, recomendamos-lhes pôr em funcionamento o exaustor alguns minutos antes de cozinhar (entre 3 e 5 minutos) para que o fluxo de ar seja contínuo e estável no momento de aspirar os fumos.

Do mesmo modo, mantenha o exaustor a funcionar uns minutos depois de cozinhar para o arrasto total de fumos e odores para o exterior.

Limpeza e manutenção

Antes de efectuar qualquer operação de limpeza e manutenção, certifique-se de que o aparelho está desligado da rede.

Para realizar trabalhos de limpeza e manutenção, cumpra com as Instruções de Segurança.

O risco de fogo existe caso que aquele a limpeza não ocorre de acordo com as instruções.

Limpeza do filtro

Para extrair os filtros dos seus alojamentos, aja sobre os dispositivos de fixação. Proceda à sua limpeza, quer introduzindo-os na máquina de lavar loiça, (ver observações) ou deixando-os mergulhados em água quente o tempo necessário para facilitar a eliminação de gorduras, ou se preferir mediante o uso de sprays específicos (protegendo as partes não metálicas). Finalizada a limpeza, proceda à sua secagem.

Observações: A limpeza na máquina de lavar loiça com detergentes agressivos pode escurecer a superfície metálica sem afectar a sua capacidade de retenção de gorduras.

Atenção: A limpeza de filtros deve ser realizada uma vez por mês, no mínimo, dependendo da utilização do exaustor. Deve levar-se em consideração que ao cozinhar há deposição de gorduras no exaustor e no filtro, mesmo quando aquele não estiver em funcionamento.

Limpeza do corpo do exaustor

Recomenda-se a utilização de água com sabão, aproximadamente a 40°C. Utilizar-se-á um pano humedecido nessa água para a limpeza do exaustor, incidindo especialmente nas fendas. Posteriormente, enxugar-se-á perfeitamente com um pano seco que não desprenda pêlos.

Atenção:

* Não usar nunca esfregões metálicos nem utilizar produtos abrasivos que possam estragar a superfície.

* Não raspe a superfície com objectos duros, tais como facas, tesouras, etc.

Filtro de carvão activo

* Para colocar o filtro de carvão desmontar a tampa, introduza o filtro no alojamento previsto e voltar a montar a tampa.

* A duração do filtro de carvão activado é de três a seis meses, dependendo das condições particulares de utilização.

* O filtro de carvão activo não pode ser lavado nem regenerado. Uma vez esgotado, deve ser substituído.

* A fim substituir o filtro gastado por um outro novo, nós viremos igualmente isso no conjunto, previamente extraindo o filtro gasto.

Português

Estimado cliente:

Parabéns pela sua escolha. Temos a certeza de que este aparelho, moderno, funcional e prático, construído com materiais de primeira qualidade, satisfará plenamente as suas necessidades.

Leia todas as secções deste MANUAL DE INSTRUÇÕES antes de utilizar o exaustor pela primeira vez, a fim de obter o máximo rendimento do aparelho e evitar avarias que possam decorrer de um uso incorrecto. A leitura permitir-lhe-á também resolver pequenos problemas.

Guarde este manual. Ele proporcionar-lhe-á informação útil sobre o seu exaustor a qualquer momento e facilitará igualmente o uso do mesmo a outras pessoas.

Instruções de Segurança

* Antes da primeira utilização, devem ser tidas em conta as instruções de instalação e ligação.

* Este aparelho não deve ser utilizado por pessoas (incluindo crianças) com capacidades físicas, sensoriais ou mentais reduzidas, ou falta de experiência ou conhecimento, a menos que tenham sido instruídas do funcionamento do aparelho por uma pessoa responsável pela sua segurança.

* As crianças devem ser supervisionadas de modo a assegurar que não brincam com o aparelho.

* Para desligar o exaustor, puxe a ficha. Não puxe nunca o cabo.

* Não ponha em funcionamento o exaustor se o cabo de alimentação eléctrica estiver deteriorado ou com cortes, ou se o aparelho mostrar indícios de deteriorações visíveis na zona dos comandos.

* Se o exaustor deixar de funcionar, ou o fizer de forma anormal, desligue-o da rede e entre em contacto com o Serviço de Assistência Técnica.

* Nunca deixe queimadores de gás acesos sem nenhum recipiente em cima deles.

* Não permita a acumulação de gordura em nenhuma parte do exaustor, especialmente no filtro, PROVOCA RISCO DE INCÊNDIO.

* Não fazer fogo debaixo do exaustor.

* Antes de instalar este exaustor, consulte os Regulamentos e disposições locais em vigor com respeito à norma em vigor de ar e fumos.

* Antes de ligar o exaustor à rede eléctrica, verifique se a tensão e a frequência da rede são as mesmas que as indicadas na etiqueta de características do exaustor, situada na parte interior do mesmo.

* Na caisson com cavilha esta dever criatura accesible, ou instalar um disjuntor de entalhe onnipotente, com um vários o menor em-tre influências de 3 mm.

* O ar não deve ser evacuado por um tubo de exaustão que esteja a ser utilizado por outros aparelhos de queima ou que utilizem outro tipo de combustível. A dependência deve contar com uma ventilação adequada, quando se utilizar o exaustor simultaneamente com outros aparelhos alimentados por energia diferente da eléctrica.

* Recomendamos a utilização de luvas e tomar todo o tipo de precauções ao limpar o interior do exaustor.

* O seu exaustor destina-se ao uso doméstico e somente para a extracção e purificação dos gases procedentes da preparação de alimentos. A utilização para outros usos é da sua responsabilidade e pode ser perigosa.

* Para qualquer conserto, dirija-se ao Serviço de Assistência Técnica qualificado mais próximo, usando sempre sobresselentes originais. Os consertos ou alterações realizados por outro pessoal podem provocar danos ao aparelho ou um mau funcionamento, pondo em perigo a sua segurança. O fabricante não é responsável pelos danos originados pelo uso inadequado do aparelho.

Descripción del aparato (Fig.1)

- A** Mandos del motor que permiten seleccionar tres posiciones.
- B** Interruptor de luz independiente del funcionamiento de los motores.
- C** Iluminación mediante lámparas.
- D** Filtros situados sobre la zona de cocción, fácilmente extraíbles para su lavado (2 ó 3 según modelo).
- E** Visera regulable que permite una mayor superficie de captación de gases.
- F** Posibilidad de incorporar filtro de carbón activo (Fig. 5)
- G** Piloto indicativo de funcionamiento de motores.
- H-I** Aletas anti-retorno que se colocarán en la boca de salida, situando sus extremos en los orificios dispuestos para ello.

Instrucciones de uso

Pulsando el mando que indica la figura 2 podrá controlar las funciones de la campana

Para conseguir una mejor aspiración le recomendamos poner en funcionamiento la campana unos minutos antes de cocinar (entre 3 y 5 minutos) para que el flujo de aire sea continuo y estable al momento de aspirar los humos.

De igual modo, mantenga la campana funcionando unos minutos después de cocinar para el total arrastre de humos y olores al exterior.

Limpieza y mantenimiento

Antes de efectuar cualquier operación de limpieza y mantenimiento, asegúrese que el aparato está desconectado de la red.

Para realizar labores de limpieza y mantenimiento, cumpla con las Instrucciones de Seguridad.

Existe riesgo de incendio en caso de que la limpieza no se efectúe conforme a las instrucciones.

Limpieza del filtro

Para extraer los filtros de sus alojamientos actúe sobre los dispositivos de enclavamiento. Proceda a su limpieza, bien introduciéndolo en el lavavajillas, (ver observaciones) o dejándolo sumergido en agua caliente el tiempo necesario para facilitar la eliminación de grasas, o si lo desea, mediante el uso de sprays específicos (protegiendo las partes no metálicas). Finalizada la limpieza proceda a su secado.

Observaciones: La limpieza en lavavajillas con detergentes agresivos, puede ennegrecer la superficie metálica sin que afecte a su capacidad de retención de grasas.

Atención: La limpieza de filtros debe efectuarse, como mínimo una vez al mes, dependiendo de la utilización de la campana. Se debe tener en cuenta que al cocinar hay deposición de grasas en la campana y en el filtro aunque aquella no se ponga en funcionamiento.

Limpieza del cuerpo de la campana

Se recomienda la utilización de agua jabonosa, a 40°C aproximadamente. Se utilizará un paño humedecido en dicha agua para la limpieza de la campana, incidiendo especialmente en las rendijas. Posteriormente se secará utilizando un paño que no desprenda pilosidades.

Atención:

- * No use nunca estropajos metálicos ni productos abrasivos que puedan dañar la superficie.
- * No realice raspaduras con objetos duros, como cuchillos, tijeras, etc.

Filtro de carbón activo

- * Para colocar el filtro de carbón, desmontar la tapa, introducir el filtro en el alojamiento previsto y volver a montar la tapa.
- * La duración del filtro de carbón activado es de tres a seis meses, dependiendo de uso.
- * El filtro de carbón activo no es lavable ni regenerable. Una vez agotado, proceda a la sustitución del mismo.
- * Para reemplazar el filtro gastado por otro nuevo, procederemos de igual modo que en el montaje, extrayendo previamente el filtro gastado.

Español

Recambio de Lámparas

- * Retire los filtros y las lámparas quedarán a la vista.
- * Observe las precauciones de desconectar previamente la campana de la red y que las lámparas a sustituir no estén calientes.
- * La potencia máxima de las lámparas es de 40W.

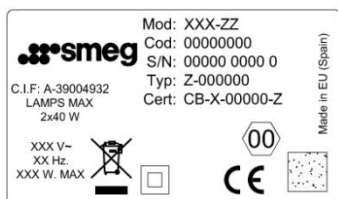
Información Técnica (Fig.3)

Dimensiones:

Ancho = 600 // 900mm
Fondo = 500 mm
Alto = 150 mm

Características eléctricas:

VER ETIQUETA DE CARACTERÍSTICAS



Instalación

Para fijar la campana al mueble, se utilizará la plantilla situada en la figura 4.

La parte inferior de la campana deberá colocarse a una altura mínima de 65 cm de la encimera de gas y 60 eléctrica. Si las instrucciones de instalación de cocinas de gas indican una distancia superior, debe tenerse en cuenta.

La campana debe ser conectada a una base de enchufe con toma de tierra efectiva.

Cuando la campana de cocina se ponga en funcionamiento al mismo tiempo que otros aparatos alimentados por una energía distinta de la eléctrica, la presión de salida de aire no debe ser superior a 4 Pa (4×10^{-5} bar).

Para obtener un rendimiento óptimo, la longitud de la tubería de evacuación exterior no deberá ser superior a CUATRO metros, ni tener más de dos ángulos (codos) de 90°.

ATENCIÓN: Las partes accesibles pueden calentarse cuando se utiliza con aparatos de cocción.

Aunque lo recomendable es la evacuación de gases al exterior, puede instalarse un filtro de carbón activado que permite que los gases puedan devolverse a la cocina a través del tubo de salida.

Para la evacuación por la parte superior se requiere un conducto de evacuación al exterior y situar la palanca de evacuación en posición "E" (Fig. 5).

Se coloca el manguito de salida (anti-retorno) comprobando que las restantes salidas están debidamente tapadas.

Para la recirculación a través del filtro de carbón activado se situará la palanca de evacuación en posición "I". A continuación se introduce el filtro de carbón activado en la ranura correspondiente.


В случае неполадки

Перед обращением в службу технического обслуживания проверьте следующее:

НЕИСПРАВНОСТЬ	ВОЗМОЖНАЯ ПРИЧИНА	РЕШЕНИЕ
Вытяжка не работает	Кабель электропитания не подключен к сети	Подключить кабель к сети
	Нет напряжения в розетке	Проверить/отремонтировать электрическую проводку.
Мощность всасывания воздуха уменьшилась или вытяжка вибрирует	Жиропоглощающий фильтр загрязнен	Очистить или заменить фильтр
	Засорен воздуховод	Очистить воздуховод
Не работает подсветка	Труба воздуховода не соответствует требованиям	Свяжитесь со специалистом, установившим прибор, и следуйте указаниям настоящего руководства
	Лампа перегорела	Заменить лампу
	Лампа плохо закреплена	Вкрутить лампу плотнее

На данном приборе стоит маркировка CE согласно директиве 2003/108/ЕС Европейского парламента и Европейского совета об отходах электрического и электронного оборудования (ОЭЭО) Правильная утилизация этого изделия предотвратит отрицательные последствия на здоровье и окружающую среду.



Маркировка  на приборе или в сопроводительной документации указывает, что данное изделие не может быть утилизировано как бытовые отходы. Необходимо сдать его в пункт утилизации электрического и электронного оборудования. Следует выбрасывать прибор в соответствии с нормами экологического законодательства относительно обращения с отходами.

Для получения более подробной информации об обработке и утилизации данного изделия обратитесь в местные административные органы, службу обращения с коммунальными отходами или магазин, в котором было приобретено изделие.

SMEG оставляет за собой право производить полезные или необходимые изменения данного изделия без ущерба его основным характеристикам.

Русский

Замена ламп

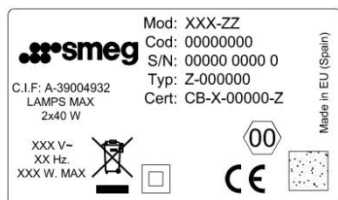
- * Снимите фильтр, таким образом вы получите доступ к лампам.
- * Следите, чтобы вытяжка была отключена от сети, а лампы не были горячими.
- * Максимальная мощность ламп — 40 Вт.

Техническая информация (рис. 3)

Размеры:

Ширина = 600 // 900mm
Глубина = 500 mm
Высота = 150 mm

Электрические характеристики:
СМ. ПАСПОРТНУЮ ТАБЛИЧКУ



Монтаж

Чтобы прикрепить вытяжку к мебели, используйте шаблон на рис. 4.

Нижняя часть вытяжки должна находиться на высоте не менее 65 см от газовой варочной панели и 60 см от электрической варочной панели. Если в инструкции по монтажу газовой варочной панели указано большее расстояние, то оно должно быть соблюдено.

Если вытяжка включена одновременно с другими приборами, работающими не от электрической энергии, давление на выходном отверстии воздуховода должно быть не более 4 Па (4×10^{-5} бар).

Для наибольшей производительности вытяжки длина трубы воздуховода должна иметь не более ЧЕТЫРЕХ метров, а также не более двух колен (изгибов) в 90°.

ВНИМАНИЕ: Доступны части могут стать горячей, когда она используется для приготовления пищи техника.

Рекомендуемый режим работы вытяжки — это отвод дыма и паров наружу, но может быть установлен угольный фильтр, с которым очищенный воздух возвращается на кухню через воздуховод.

Для работы в режиме отвода воздуха необходимо подсоединить вытяжку к трубе, выводящей воздух наружу, и установить переключатель режима работы в положение "E" (рис. 5).

Установить выходной патрубок (с обратным клапаном). Убедиться, что остальные выходные отверстия плотно закрыты.


Для работы в режиме рециркуляции через угольный фильтр переключатель режима работы необходимо установить в положение "I". Далее поместите угольный фильтр на свое место.

Si algo no funciona

Antes de solicitar el servicio de reparaciones, haga las comprobaciones indicadas a continuación:

DEFECTO	POSIBLE CAUSA	SOLUCIÓN
La campana no funciona	El cable de red no está conectado	Conectar el cable de red
	No llega tensión al enchufe	Proceder a revisar/ reparar la red eléctrica
La campana no aspira suficiente o vibra	Filtro saturado de grasa	Proceda a la limpieza o sustitución del filtro
	Obstrucción del conducto de salida de aire	Elimine las obstrucciones
	Conducto de aire inadecuado	Contacte con el instalador y siga las instrucciones de este manual
Las lámparas no iluminan	Lámparas fundidas	Proceda a la sustitución de las lámparas
	Lámparas flojas	Apriete las lámparas

Este aparato lleva el marcado CE en conformidad con la Directiva 2003/108/EC del Parlamento Europeo y del Consejo sobre residuos de aparatos eléctricos y electrónicos (RAEE). La correcta eliminación de este producto evita consecuencias negativas para el mercado y la salud.

El símbolo  en el producto o en los documentos que se incluyen con el producto, indica que no se puede tratar como residuo doméstico. Es necesario entregarlo en un punto de recogida para reciclar aparatos eléctricos y electrónicos. Deséchelo con arreglo a las normas medioambientales para eliminación de residuos. Para obtener información más detallada sobre el tratamiento, recuperación y reciclaje de este producto, póngase en contacto con el ayuntamiento, con el servicio de eliminación de residuos urbanos o la tienda donde adquirió el producto.

SMEG se reserva el derecho de introducir en sus aparatos las correcciones que considere necesarias o útiles sin perjudicar sus características esenciales.

Italiano

Gentile Cliente:

Ci congratuliamo con Lei per la Sua scelta. Siamo certi che questo dispositivo moderno, funzionale e pratico, fabbricato con materiali di qualità, saprà soddisfare le Sue esigenze.

Le consigliamo di leggere attentamente le sezioni di questo LIBRETTO ISTRUZIONI prima dell'uso della cappa di aspirazione per garantirne il massimo rendimento ed evitare eventuali guasti dovuti a un suo uso errato. La lettura di questo manuale Le consentirà altresì di risolvere problemi di piccola entità.

Conservi questo manuale in quanto Le fornirà informazioni utili sull'uso della cappa e ne agevolerà l'uso da parte di altri.

Istruzioni di sicurezza

* Precedentemente al primo avvio del dispositivo, tener conto delle istruzioni di installazione e connessione.

* Questa apparecchiatura non è pensata per l'uso da parte di persone (inclusi i bambini) con ridotte capacità fisiche, sensoriali o mentali o mancanza di esperienza e conoscenza, salvo il caso in cui vi sia una supervisione da parte di persone responsabili della loro sicurezza.

* I bambini dovrebbero essere supervisionati per essere sicuri che non giochino con l'apparecchiatura

* Non tirare mai il cavo per disinserire la cappa aspirante dalla rete di alimentazione.

* Non mettere in funzione la cappa aspirante se il cavo di alimentazione elettrica è danneggiato, presenta tagli oppure se il dispositivo presenta segni di degrado visibili nella zona dei comandi.

* Se la cappa aspirante non dovesse funzionare o funzionasse in modo anormale, disinserirla dalla rete e darne comunicazione al Servizio tecnico.

* Non lasciare i fornelli del gas accesi e scoperti (privi di recipienti) al di sotto della cappa aspirante.

* Non consentire l'accumulo di grassi in nessun punto della cappa aspirante, specialmente nel filtro, dato che i medesimi rappresentano un RISCHIO D'INCENDIO.

* Non fiammeggiare al di sotto della cappa aspirante.

* Prima di provvedere all'installazione di questa cappa aspirante, prendere visione dei regolamenti e delle disposizioni locali in vigore relativamente alla normativa sull'aria e sui fumi.

* Prima di collegare la cappa aspirante alla rete elettrica, verificare che la tensione e la frequenza di quest'ultima si equivalgano ai valori indicati sulla targa dei dati della cappa, posta in basso alla medesima.

* Nelle cappe aspiranti munite di spina, la medesima dev'essere accessibile oppure bisognerà predisporre un interruttore omnipolare avente una separazione minima tra i contatti pari a 3 mm.

* L'aria non deve essere scaricata in tubi per funi esausti utilizzati da apparecchiature che bruciano gas o altre sostanze. La stanza dev'essere provvista di apposita ventilazione qualora la cappa aspirante verrà usata assieme ad altri dispositivi alimentati da energia diversa da quella elettrica.

* Consigliamo l'uso di guanti nonché di prestare la massima precauzione nelle operazioni di pulizia interna della cappa.

* La cappa aspirante da Lei acquistata è destinata a uso domestico e soltanto per l'estrazione e purificazione dei gas prodotti dalla cottura di alimenti. L'acquirente si rende responsabile dell'impiego della cappa per altre finalità che potrebbero essere pericolose.

* Per eventuali riparazioni, rivolgersi al Servizio tecnico qualificato più vicino e far uso puntualmente di pezzi di ricambio originali. Le riparazioni o le modifiche effettuate da altro personale possono danneggiare l'apparato o provocare un cattivo funzionamento nonché incidere sulla sua sicurezza. Il produttore declina qualsivoglia responsabilità per danni provocati da uso indebito del dispositivo.

Descrizione dell'apparecchio (Fig. 1)

- A** Panello di controllo dei motori che consente di scegliere tre posizioni.
- B** Interruttore di illuminazione che non dipende dal funzionamento dei motori.
- C** Illuminazione a lampadine.
- D** Filtri situati sopra la zona di cottura, possono essere rimossi per la pulizia (2 o 3 filtri a seconda del modello).
- E** Regolabile parasole che consente di aumentare l'area di cattura di vapore e fumo.
- F** Funzione di installazione dei filtri a carbone attivo (fig. 5).
- G** Indicatore luminoso di funzionamento dei motori.
- H-H** Nella parte inferiore della cappa, viene installato un clapone di ritorno.

Istruzioni per l'uso

Per controllare la cappa si può utilizzare il pulsante mostrato in fig. 2.

Per un'efficace aspirazione dei vapori e del fumo si consiglia di attivare la cappa per qualche minuto prima di iniziare la cottura (da 3 a 5 minuti), ciò garantisce un flusso costante d'aria nel tempo di cottura.

Si consiglia di lasciare la cappa in funzione per qualche minuto dopo la cottura per un'efficace aspirazione dei vapori e del fumo.

Pulizia e manutenzione

Per la pulizia dei filtri, premere sui dispositivi di fissaggio. La pulizia dei filtri può essere effettuata in una lavastoviglie (cfr. avvertenze) o immergendo i filtri in acqua calda (durante il processo di cottura dei grassi). Per la pulizia dei filtri, premere sui dispositivi di fissaggio. La pulizia dei filtri può essere effettuata in una lavastoviglie (cfr. avvertenze) o immergendo i filtri in acqua calda (durante il processo di cottura dei grassi).

Pulizia del filtro

Per rimuovere il filtro, premere sulla linguetta del filtro. Per la pulizia del filtro, premere sulla linguetta del filtro e inserirlo in una lavastoviglie (cfr. avvertenze) o immergerlo in acqua calda.

durante il processo di cottura dei grassi. Si può anche utilizzare speciali aerosol (in questo caso si consiglia di proteggere le parti non metalliche del filtro). Dopo questo, asciugare il filtro.

Avvertenze: La pulizia del filtro in una lavastoviglie con prodotti aggressivi può causare scolorimento della superficie metallica, che non si manifesta mai sui filtri a carboni attivi.

Attenzione: La pulizia dei filtri deve essere effettuata almeno una volta al mese in dipendenza dell'uso. Si consiglia di avere in mente che, durante la cottura, anche sulla superficie della cappa e sul filtro si accumulano i grassi.

Pulizia della cappa

Si consiglia di utilizzare una soluzione di acqua calda e sapone per la pulizia della cappa. Pulire la cappa con un panno umido, specialmente nella parte superiore della cappa e nella parte inferiore della cappa. Dopo questo, asciugare la cappa.

Attenzione:

- * Non utilizzare prodotti abrasivi o prodotti per la pulizia che possono danneggiare la superficie della cappa.
- * Non pulire la cappa con prodotti per la pulizia a base di acido, come ad esempio i prodotti per la pulizia dei sanitari.

Filtro a carbone attivo

* Durante l'installazione del filtro, assicurarsi che il filtro sia correttamente inserito nel vano del filtro.

* La durata del filtro a carbone attivo dipende dall'uso e può variare da tre a sei mesi.

* Il filtro a carbone attivo non deve essere lavato o immerso in acqua.

* Durante la sostituzione del filtro, assicurarsi di rimuovere il vecchio filtro e di installare il nuovo filtro.

Русский

Уважаемый покупатель:

Поздравляем вас с правильным выбором. Мы уверены, что этот современный, функциональный и практичный прибор, изготовленный из высококачественных материалов, полностью отвечает вашим запросам.

Перед первым использованием вытяжки внимательно прочитайте настоящее РУКОВОДСТВО ПО ЭКСПЛУАТАЦИИ. Это поможет использовать прибор с наибольшей эффективностью, предотвратить неполадки, которые могут возникнуть в результате неправильного использования прибора, а также разрешить мелкие проблемы.

Сохраните настоящее руководство, т.к. в вы всегда найдете в нем полезную информацию по использованию вытяжки или другие лица смогут научиться пользоваться прибором.

Меры безопасности

- * Прежде чем включить прибор в первый раз, внимательно ознакомьтесь с правилами установки и подключения к сети.
- * Этот прибор не предназначен для использования людьми (включая детей) с ограниченными физическими, психическими или сенсорными способностями. Он также не должен использоваться людьми, которые не имеют опыта обращения с подобными приборами или которые не знакомы с прибором, за исключением тех случаев, когда они находятся под присмотром человека, который заботится об их безопасности.
- * Не разрешайте детям играть с аппаратом.
- * Никогда не тяните за шнур, чтобы выключить прибор из сети.
- * Не включайте прибор, если шнур поврежден или если имеются заметные повреждения на в зоне пульта управления прибором.
- * Если вытяжка перестанет работать или будет работать неправильно, сразу же отключите ее от сети и свяжитесь с Центром технического обслуживания.

* Не оставляйте зажженными газовые конфорки без посуды под вытяжкой.

* Не допускайте скопления жира на поверхности вытяжки, особенно на фильтре. ЭТО МОЖЕТ ПРИВЕСТИ К ПОЖАРУ.

* Не обжигайте блюда под вытяжкой.

* Перед установкой вытяжки ознакомьтесь с действующими нормативами и положениями, регулирующими вывод воздуха и дыма.

* Прежде чем подключить прибор к сети удостоверьтесь в том, что напряжение и частота электропитания в сети соответствует значениям, указанным на табличке с характеристиками прибора, расположенной на внутренней стороне вытяжки.

* Если вытяжка имеет штепсель, он должен оставаться доступным. В противном случае требуется установить многополюсный выключатель с минимальным расстоянием между контактами 3 мм.

* Воздух не должен скапливаться в дымоходе, а отработанный воздух попадать в виде дыма с аппараты, содержащие отработанный газ или другое топливо. Помещения, в которых наряду с вытяжкой работают приборы, использующие иной вид энергии, помимо электрической, должны оборудоваться адекватной вентиляцией.

* При очистке внутренних деталей вытяжки рекомендуется использовать перчатки и соблюдать предосторожности.

* Вытяжка, которую Вы приобрели, предназначена только для домашнего использования в целях очищения и удаления газов, образовавшихся в процессе приготовления пищи. Использовать вытяжку не по назначению опасно. Ответственность за такое использование возлагается на пользователя.

* Для какой-нибудь чинить, включая грамматический определенный член замена яние) от грамматический определенный член едок он быть должным идти к грамматический определенный член Служба яние) от квалифицировать Технический Уход закрытый, всегда using ставить или класть обратно на место первоначальный. Ремонт и модификации, произведенные другими лицами, могут привести к повреждению прибора или опасному нарушению его работы. Изготовитель снимает с себя ответственность за неправильное использование прибора.

Descrizione del dispositivo (Fig. 1)

- A** Pulsanti del motore che consentono di selezionare tre posizioni.
- B** Interruttore di luce indipendente dal funzionamento dei motori.
- C** Illuminazione mediante lampadine.
- D** Filtri predisposti al di sopra della zona di cottura, facilmente estraibili per relativo lavaggio (2 o 3 in funzione del modello).
- E** Visiera regolabile che consente una maggiore superficie di aspirazione dei gas.
- F** Possibilità di inserire filtri a carbone attivo (Fig. 5).
- G** Spia di funzionamento dei motori.
- H-I** Alette anti-ritorno da predisporre sullo sfciato, inserendone le estremità negli appositi orifizi.

Istruzioni per l'uso

Per controllare le funzioni della cappa, premere il pulsante di cui alla Fig. 2.

Per una migliore aspirazione, consigliamo di mettere in funzionamento la cappa qualche minuto prima di cucinare (3 – 5 minuti) per garantire così la continuità e la stabilità del flusso d'aria all'atto dell'aspirazione dei fumi.

Parimenti, mantenere in funzionamento la cappa ancora per qualche minuto dopo avere finito di cucinare per convogliare tutti i fumi e gli odori all'esterno.

Pulizia e manutenzione

Prima di effettuare qualsivoglia operazione di pulizia e di manutenzione, accertarsi di aver disinserito il dispositivo dalla rete di alimentazione. Per le operazioni di pulizia e di manutenzione, attenersi alle istruzioni di sicurezza.

La non conformità delle operazioni di pulizia alle istruzioni potrebbe presupporre un rischio d'incendio.

Pulizia del filtro

Per estrarre i filtri dal rispettivo vano, agire sui dispositivi di fissaggio. Lavarli nella lavastoviglie (vedi osservazioni) oppure lasciarli in ammollo in acqua calda per il tempo necessario ad agevolarne la rimozione dei grassi oppure utilizzare appositi spray (proteggere le parti non metalliche). Una volta puliti i filtri, asciugarli.

Osservazioni: La pulizia dei filtri nella lavastoviglie con detersivi aggressivi potrebbe annerirne la superficie metallica senza incidere, comunque, sulla loro capacità di assorbimento dei grassi.

Attenzione: Pulire i filtri almeno una volta al mese in funzione dell'utilizzo della cappa. Tener conto del fatto che quando si cucina, si verifica un accumulo di grassi sulla cappa e sul filtro anche se la prima non viene utilizzata.

Pulizia del corpo della cappa

Si consiglia di utilizzare acqua e sapone a circa 40° C di temperatura. Pulire la cappa con un panno umido facendo particolare attenzione alle fessure. Quindi, asciugarla, con un panno privo di peluria.

Attenzione:

- * Non usare pagliette metalliche né prodotti abrasivi perché potrebbero danneggiare la superficie.
- * Non graffiare con oggetti duri quali coltelli, forbici, ecc.

Filtri a carbone attivo

- * Per predisporre il filtro a carbone attivo, rimuovere il coperchio, inserire il filtro nell'apposito vano e riporre il coperchio.
- * I filtri a carbone attivo hanno una durata di 3–6 mesi in funzione delle particolari condizioni d'uso.
- * Tali filtri non sono né lavabili né rigenerabili. Provvedere alla loro sostituzione non appena la loro vita utile sarà giunta a termine.
- * Per sostituire i filtri utilizzati con altri nuovi, procedere come si è fatto nel montaggio rimuovendo dapprima il filtro usurato.

Italiano

Sostituzione lampadine

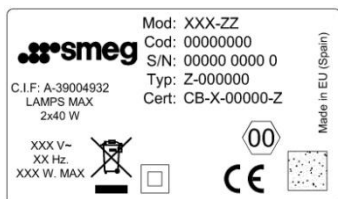
- * Rimuovere i filtri per poter accedere alle lampadine.
- * Disinserire in precedenza la cappa dalla rete di alimentazione e assicurarsi che la lampadina da sostituire non sia calda.
- * La potenza massima delle lampadine è di 40 W.

Dati tecnici (Fig. 3)

Dimensioni:

Larghezza: = 600 // 900mm
Profondità: = 500 mm
Altezza: = 150 mm

Dati elettrici: VEDI TARGHETTA DATI.



Installazione

Per fissare la cappa al mobile, utilizzare la sagoma di cui alla Fig. 4.

La parte inferiore della cappa dovrà essere situata a un'altezza minima di 65 cm dai fornelli a gas e a 60 cm dai fornelli elettrici. Se le istruzioni di installazione indicano una distanza superiore, bisognerà tenerne conto.

Se la cappa della cucina viene messa in funzionamento assieme ad altri dispositivi non elettrici, la pressione di uscita dell'aria non dovrà essere superiore a 4 Pa (4x10⁻⁵ bar).

Per un rendimento ottimale, la lunghezza del condotto di evacuazione all'esterno non dovrà essere superiore a 4 m né avere più di due gomiti a 90°.

ATTENZIONE: Le parti accessibili possono diventare molto calde quando viene utilizzata con apparecchi di cottura.

Pur se si consiglia di convogliare il gas all'esterno, si potranno installare filtri a carbone attivo che consentono il ricircolo dei gas attraverso un tubo di uscita.

Ai fini dello smaltimento dei fumi tramite la parte superiore, è richiesto un condotto di convogliamento all'esterno nonché posizionare la leva di smaltimento su "E" (Fig. 5).

Per il ricircolo tramite il filtro a carbone attivo, posizionare la leva su "I".


Quindi, inserire il filtro a carbone attivo nell'apposito fessura.

Wenn das Gerät nicht funktioniert

Bevor Sie den Reparaturdienst verständigen, führen Sie bitte die nachfolgenden Überprüfungen durch:

Fehler	Mögliche Ursache	Abhilfe
Die Dunstabzugshaube funktioniert nicht.	Das Netzkabel ist nicht angeschlossen.	Netzkabel anschließen.
	Die Steckdose führt keine Spannung.	Für Spannungszuführung zur Steckdose sorgen.
Die Absaugleistung der Dunstabzugshaube ist zu gering, oder es treten Vibrationen auf.	Der Filter ist mit Fett gesättigt.	Filter reinigen oder auswechseln.
	Das Abzugsrohr ist verstopft.	Die Verstopfungen beseitigen.
	Die Luftkanäle sind nicht richtig dimensioniert.	Setzen Sie sich mit dem Installateur in Verbindung und beachten Sie die Angaben in der Bedienungsanleitung.
Die Beleuchtung funktioniert nicht.	Die Lampen sind durchgebrannt.	Lampen auswechseln.
	Die Lampen sitzen locker.	Lampen ordnungsgemäß einschrauben bzw. eindrücken.

In übereinstimmung mit den Anforderungen der Europäischen Richtlinie 2003/108/EC über Elektro- und Elektronik-Altgeräte (WEEE) ist vorliegendes Gerät mit einer Markierung versehen. Sie leisten einen positiven Beitrag für den Schutz der Umwelt und die Gesundheit des Menschen, wenn Sie dieses Gerät einer gesonderten Abfallsammlung zuführen. Im unsortierten Siedlungsmüll könnte ein solches Gerät durch unsachgemäße Entsorgung negative Konsequenzen nach sich ziehen.

Auf dem Produkt oder der beiliegenden Produktdokumentation ist folgendes  Symbol einer durchgestrichenen Abfalltonne abgebildet. Es weist darauf hin, dass eine Entsorgung im normalen Haushaltsabfall nicht zulässig ist. Entsorgen Sie dieses Produkt im Recyclinghof mit einer getrennten Sammlung für Elektro- und Elektronikgeräte. Die Entsorgung muss gemäß den örtlichen Bestimmungen zur Abfallbeseitigung erfolgen. Bitte wenden Sie sich an die zuständigen Behörden Ihrer Gemeindeverwaltung, an den lokalen Recyclinghof für Haushaltsmüll oder an den Händler, bei dem Sie dieses Gerät erworben haben, um weitere Informationen über Behandlung, Verwertung und Wiederverwendung dieses Produkts zu erhalten.

SMEG Im gleichen Sinne bleibt das Recht vorbehalten, in den Geräten die für richtig oder zweckmäßig erachteten Verbesserungen bei Einhaltung der Hauptkennwerte einzuführen.

Deutsch

Aktivkohlefilter

- * Zum Einbau der Aktivkohlefilter werden nehmen Sie den Dekel ab, führen Sie den Filter in seine Aufnahmen ein und bringen Sie den Deckel wieder an.
- * Die Nutzungsdauer der Aktivkohlefilter beträgt in Abhängigkeit von der jeweiligen Intensität der Nutzung drei bis sechs Monate.
- * Die Aktivkohlefilter können weder gewaschen noch regeneriert werden. Sie sind daher auszutauschen, wenn deren Filterwirkung erschöpft ist.
- * Zwecks den Filter ersetzen ausgegeben durch ein anderes Neues, wir kommen gleichmäßig

Austausch der Glühlampen

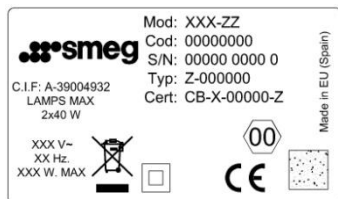
- * Die Glühlampen sind nach Aushängen die Filterhalterung zugänglich.
- * Achten Sie darauf, daß die Dunstabzugshaube vor dem Lampenwechsel vom Netz getrennt wird und die Glühlampen abgekühlt sind.
- * Die Leistung der Glühlampen darf maximal 40W betragen.

Technische Informationen (Abb. 3)

Abmessungen:

Breite = 600 // 900mm
Tiefe = 500 mm
Höhe = 150 mm

Elektrische Kennwerte: SIEHE TYPENSCHILD



Einbau

Zum Einbau der Dunstabzugshaube in das Küchenmöbel benutzen Sie bitte die Schablone auf abb. 4.

Die Unterseite der Dunstabzugshaube muß eine Mindesthöhe von 60 cm über elektrischen Kochstelle und 65 cm. Über Gaskochstellen aufweisen. Ist in den Einbauanweisungen für ein Gaskochfeld ein größerer Abstand angegeben, muß dieser entsprechend berücksichtigt werden.

Der Anschluß der Dunstabzugshaube muß an eine Steckdose mit Schutzleiter erfolgen. Bei Betrieb der Dunstabzugshaube zusammen mit anderen, nicht mit elektrischer Energie betriebenen Geräten darf der auftretende Unterdruck einen Wert von 4 Pa (4×10^{-6} bar) nicht überschreiten.

Um eine optimale Leistung der Dunstabzugshaube zu erreichen, darf die Länge des Abzugsrohrs VIER Meter nicht überschreiten und sollte nicht mehr als zwei 90°-Winkel enthalten.

ACHTUNG: Zugängliche Teile können heiß werden, wenn es mit Kochgeräte verwendet wird.

Obwohl eine Absaugung der beim Kochen entstehenden Dämpfe nach außen empfohlen wird, können Aktivkohlefilter eingebaut werden, die eine Rückführung der gereinigten Gase in die Küche über das Abzugsrohr ermöglichen.

Für den Dunstabzug auf der Oberseite ist ein Dunstabzugsrohr nach aussen erforderlich, der Hebel zur Steuerung des Dunstabzugs muss sich in Stellung "E" befinden. (Abb. 5):

Rückschlagklappe (Auslass) aufsetzen und darauf achten, dass die übrigen Ausgänge ordnungsgemäss verschlossen sind.

Zur Luftumwälzung über den Aktivkohlefilter den Hebel zur Steuerung des Dunstabzugs in Stellung "I" bringen und sicherstellen. Oberseite verschlossen ist. Anschliessend wird des Aktivkohlefilter im Entsprechen gelegt Nut.


In caso di guasto

Prima di richiedere l'intervento di un tecnico, effettuare le verifiche di cui sotto:

GUASTO	CAUSA EVENTUALE	SOLUZIONE
La cappa non funziona	Mancato inserimento del cavo nella rete di alimentazione.	Collegare il cavo alla rete.
	La spina non è in tensione.	Ispezionare/Riparare la rete elettrica.
Aspirazione insufficiente della cappa oppure vibrazioni della medesima	Filtro saturo di grasso	Pulire o sostituire il filtro
	Ostruzione del condotto di uscita dell'aria	Rimuovere le ostruzioni
Le lampadine non si accendono	Condotta dell'aria inadeguato	Rivolgersi all'installatore e attenersi alle istruzioni di cui a questo libretto.
	Lampadine fuse	Sostituirle
	Lampadine allentate	Avvitarle

Questo dispositivo è munito della marcatura CE ai sensi della Direttiva 2003/108/EC del Parlamento europeo e del Consiglio sui rifiuti di dispositivi elettrici ed elettronici (RAEE). Il corretto smaltimento di questo prodotto, evita ricadute negative sul mercato e sulla salute.



Il simbolo  apposto al prodotto oppure ai documenti di cui è corredato il prodotto, indica che il medesimo non può essere trattato come rifiuto domestico. Consegnarlo presso un punto di raccolta appositamente predisposto per dispositivi elettrici ed elettronici. Smaltirlo secondo le apposite norme ambientali.

Per informazioni più dettagliate sul trattamento, sul recupero e sul riciclaggio di questo prodotto, rivolgersi al Comune, al servizio di smaltimento di rifiuti urbani oppure al negozio dove il medesimo è stato acquistato.

SMEG si riserva il diritto di apportare ai propri dispositivi le correzioni ritenute opportune oppure utili senza pregiudicare le caratteristiche essenziali.

Nederlands

Beste klant,

Hartelijk gefeliciteerd met uw keuze. We zijn er zeker van dat dit moderne, functionele en praktische product, vervaardigd uit materialen van de beste kwaliteit, aan al uw eisen zal voldoen.

Gelieve alle hoofdstukken van deze GEBRUIKSHANDLEIDING te lezen alvorens de afzuigkap voor het eerst te gebruiken om een optimale werking te waarborgen, storingen ten gevolge van fout gebruik te voorkomen en kleine problemen te verhelpen.

Bewaar deze handleiding. Hierin vindt u steeds nuttige informatie over de afzuigkap die ook andere mensen van dienst kan zijn voor het gebruik ervan.

Veiligheidsvoorschriften

* Volg de installatie en aansluitings-aanwijzingen alvorens u de afzuigkap voor het eerst in gebruik neemt.

*Dit apparaat is niet bedoeld om te worden gebruikt door personen (inclusief kinderen) met beperkte fysieke, sensorische of geestelijke mogelijkheden of met gebrek aan ervaring en/of kennis, tenzij een voor hun veiligheid verantwoordelijke persoon erop toezicht houdt of hen aanwijzingen heeft gegeven hoe het apparaat moet worden gebruikt.

* Kinderen moeten onder toezicht worden gehouden om te verhinderen dat ze met het apparaat spelen.

* Trek nooit aan de kabel om de stekker van de afzuigkap uit te trekken. Trek steeds aan de stekker.

* Zet de afzuigkap niet aan als de elektriciteitskabel versleten of beschadigd is of indien het bedieningspaneel tekenen van slijtage vertoont.

* Indien de afzuigkap uitvalt of abnormaal werkt, trek dan de stekker uit het lichtnet en raadpleeg de technische dienst.

* Laat geen kookplaat aanstaan zonder pan erop onder de afzuigkap.

*Laat zich in geen enkel onderdeel van de afzuigkap vet ophopen, vooral in de filter

aangezien dit voor **BRANDGEVAAR KAN ZORGEN.**

* Flambeer nooit onder de afzuigkap.

* Raadpleeg alvorens de afzuigkap te installeren de plaatselijke regels en voorschriften die van kracht zijn met betrekking tot de huidige normen op gebied van lucht en dampen.

* Controleer alvorens de afzuigkap aan te sluiten op het lichtnet dat zowel de spanning als de frequentie overeenstemmen met de waarden op het identificatieplaatje aan de binnenkant van de afzuigkap.

* Het aan- en uitzetten moet gebeuren met een in de vaste opstelling ingebouwde omnipolaire schakelaar met een minimum afstand van 3 mm tussen de contacten.

* De luchtafvoer mag niet op een schoorsteen of een schouw voor verbrandingsgassen (of andere stookmiddelen) noch op een verluchtingsschouw voor stookruimtes worden aangesloten. Wanneer de lucht in een ongebruikte schoorsteen wordt geleid, is in elk geval de toestemming van de verantwoordelijke schoorsteenveger vereist.

De elektrische aansluiting moet worden gemaakt aan de hand van een flexibele kabel. Het is verboden de aansluiting te maken aan de hand van een onbuigzame leiding.

* Het vertrek moet voorzien zijn van voldoende ventilatie indien de afzuigkap wordt gebruikt samen met andere voedselverwerkingsapparaten die niet op elektrische stroom werken.

* We raden aan handschoenen te gebruiken en voorzichtig te zijn wanneer u de binnenkant van de afzuigkap reinigt.

* Uw afzuigkap is ontworpen voor thuisgebruik en enkel voor het uitstoten en zuiveren van dampen die voortkomen uit voedselbereiding. Ander gebruik van de afzuigkap is op uw eigen verantwoordelijkheid en kan gevaarlijk zijn.

* Neem contact op met uw plaatselijke Technische Dienst voor reparaties en gebruik steeds originele reserveonderdelen. Reparaties en wijzigingen die door anderen worden uitgevoerd, kunnen het apparaat beschadigen of voor een slechte werking zorgen, waardoor uw veiligheid in gevaar wordt gebracht. De fabrikant is niet aansprakelijk voor onrechtmatig gebruik van het apparaat.

Gerätebeschreibung (Abb. 1)

- A** Bedienelemente für den Motor mit drei Stellungen
- B** Von der Funktion der Motoren unabhängiger Lichtschalter
- C** Beleuchtung mit Glühlampen
- D** Zur Reinigung einfach abnehmbare Filter über dem Kochbereich (2 order 3 entsprechend Modell).
- E** Auszug zur Einstellung einer größeren Absaugfläche
- F** Einbaumöglichkeit für Aktivkohlefilter (Abb. 5).
- G** Kontrolleuchte Betrieb der Motoren
- H-I** Rückschlagklappen zum Aufsatz auf die hierfür am Abzug vorgesehenen Durchbrüche.

Bedienungsanweisung

Durch Betätigen der in der Abbildung 2 bezeichneten Bedienelemente werden die Funktionen der Dunstabzugshaube gesteuert.

Schalten Sie die Dunstabzugshaube einige Minuten vor Kochbeginn ein (zwischen 3 und 5 Minuten). Hierdurch wird eine kontinuierliche und stabile Luftströmung erreicht, wenn die Dämpfe abzusaugen sind.

Die Dunstabzugshaube nach dem Kochen noch einige Zeit (zwischen 3 und 5 Minuten) weiterlaufen lassen, damit Fetteichen aus der Abluftleitung vollständig nach außen transportiert werden. Auf diese Weise wird das Rückströmen von Fett, Dämpfen und Gerüchen verhindert.

Reinigung und Pflege

Überzeugen Sie sich vor Beginn aller Reinigungs- oder Pflegearbeiten davon, daß das Gerät vom Netz getrennt ist. Beachten Sie bei allen Reinigungs- und Pflegearbeiten die Sicherheitshinweise. Wenn die Reinigung nicht gemäß der Gebrauchsanleitung regelmäßig durchgeführt wird, besteht die Gefahr eines Brandes.

Reinigung der Filter

Hängen Sie die Filter durch Betätigung der Verschlüsse aus. Tauchen Sie die Filter zur Reinigung in heißes Wasser, bis sich die Fettreste aufgelöst haben, spülen Sie diese danach mit fließendem Wasser ab. Die Verwendung eines speziellen fettlösenden Sprays zur Reinigung der Filter ist ebenfalls möglich. Die Filter können auch in der Geschirrspülmaschine gereinigt werden (siehe Anmerkung). Stellen Sie die Filter darin senkrecht auf, damit sich keine Speisereste darauf absetzen können. Nach der Reinigung die Filter trocknen und anschließend wieder in die Dunstabzugshaube einsetzen.

Anmerkung: Durch Reinigung mit aggressiven Spülmitteln im Geschirrspüler kann die metallische Filteroberfläche schwarz anlaufen, ohne daß jedoch die Rückhaltefähigkeit für Fette beeinträchtigt wird.

Achtung: In Abhängigkeit vom Grad der Nutzung der Dunstabzugshaube ist eine Reinigung der Filter mindestens einmal monatlich erforderlich. Beachten Sie bitte, daß beim Kochen auch dann Fettablagerungen an der Dunstabzugshaube und im Filter auftreten, wenn diese nicht in Betrieb ist.

Reinigung der Filterhalterung und des Gehäuses der Abzugshaube

Zur Reinigung wird die Verwendung eines in warmer Seifenlauge mit einer Temperatur von etwa 40°C angefeuchteten Tuchs empfohlen. Reinigen Sie besonders sorgfältig alle Schlitze und trocknen Sie anschließend alle Flächen gründlich mit einem nicht fasernden Tuch.

Achtung

* Verwenden Sie zur Reinigung keine metallischen Scheuerschwämme oder kratzend wirkende Mittel, durch welche die Oberfläche beschädigt werden kann.
* Kratzen Sie nicht mit harten Gegenständen wie Messer, Scheren usw.

Deutch

Verehrte Kundin, verehrter Kunde,

wir beglückwünschen Sie zu Ihrer Wahl und sind sicher, daß der Erwerb dieses Geräts, das unter Verwendung von Materialien bester Qualität hergestellt und strengen Kontrollen während des gesamten Fertigungsprozesses unterzogen wurde, Ihren Anforderungen vollkommen gerecht wird.

Vor der erstmaligen Benutzung der Dunstabzugshaube bitten wir Sie, die Bedienungsanweisung aufmerksam zu lesen und die Hinweise genau zu befolgen, damit Sie viele Jahre lang mit diesem Gerät die bestmöglichen Ergebnisse erreichen sowie Fehler und Störungen vermeiden, die sich aus einer unsachgemäßen Benutzung des Geräts ergeben können. Außerdem ist Ihnen diese Bedienungsanleitung bei der Lösung kleiner Probleme behilflich.

Bewahren Sie die Bedienungsanleitung gut auf, sie gibt Ihnen jederzeit nützliche Informationen und erleichtert auch die Bedienung durch andere Personen.

Sicherheitshinweise

* Beachten Sie bitte vor der erstmaligen Inbetriebnahme die Anweisungen hinsichtlich Installation und Anschluß der Dunstabzugshaube.

* Dieses Gerät ist nicht für die Benutzung von Personen (einschließlich Kindern) mit eingeschränkter physischen, sensorischen oder mentalen Fähigkeiten, oder Mangel an Erfahrung und Kenntnissen geeignet, es sei denn sie werden von einer Person, die für ihre Sicherheit verantwortlich ist, überwacht oder angeleitet.

* Kinder sollten beaufsichtigt werden, damit sichergestellt wird, dass sie nicht mit dem Gerät spielen.

* Ziehen Sie niemals am Kabel, wenn Sie die Dunstabzugshaube vom Netz trennen wollen.

* Benutzen Sie die Dunstabzugshaube nicht mit defektem oder angeschnittenem Netzkabel, oder wenn das Gerät sichtbare Schäden im Bereich der Bedienelemente aufweist.

* Wenn die Dunstabzugshaube nicht mehr oder nicht mehr richtig funktioniert, trennen Sie diese

vom Netz und setzen Sie sich mit dem technischen Kundendienst in Verbindung.

* Achten Sie bitte stets darauf, daß die Kochstellen unter der Dunstabzugshaubenicht ohne ein daraufgestelltes Gefäß in Betrieb sind.

* Vermeiden Sie Fettablagerungen auf allen Teilen der Dunstabzugshaube und insbesondere im Filter, es besteht Brandgefahr.

* Flambieren Sie niemals unterhalb der Abzugshaube.

* Informieren Sie sich vor Einbau der Dunstabzugshaube über die jeweils geltenden örtlichen Vorschriften über Luft- und Rauchabzug.

* Prüfen Sie vor Anschluß der Dunstabzugshaube an das Netz, ob Frequenz und Spannung mit den Angaben auf dem an der Unterseite angebrachten Typenschild übereinstimmen.

* Bei Geräten mit Stecker muss dieser immer zugänglich sein, um das Gerät gegebenenfalls vom Netz trennen zu können. Alternativ ist bei Anschluss des Gerätes eine Einrichtung vorzusehen, die es ermöglicht, das Gerät mit einer Kontakt-Öffnungsweite von mindestens 3mm allpolig vom Netz zu trennen. Als geeignete Trennvorrichtung gelten LS-Schalter, Sicherungen und Schütze. Bei Anschluss und Reparatur Gerät mit einer dieser Einrichtungen stromlos machen.

* Die Luft darf nicht in einen Abzug abgegeben werden, der von Geräten, die Gas oder andere Brennstoffe verbrennen, benutzt wird. Der Raum muß mit einer ausreichenden Belüftung versehen sein, wenn in dem gleichen Raum auch andere nicht mit elektrischer Energie betriebene Geräte benutzt werden.

* Wir empfehlen Ihnen, bei der Reinigung Schutzhandschuhe zu tragen und bei der Reinigung des Inneren der Dunstabzugshaube mit größter Vorsicht vorzugehen.

* Ihre Dunstabzugshaube ist ausschließlich für einen Einsatz im Heimbereich zur Reinigung und Absaugung von Küchendünsten bestimmt, die bei der Speisezubereitung entstehen. Der Einsatz für andere Anwendungen erfolgt ausschließlich auf Ihr Risiko und kann gefährlich sein.

* Hinsichtlich aller Reparaturarbeiten wenden Sie sich bitte an die nächstgelegene Kundendienststelle, die eine Verwendung von Originalersatzteilen garantiert. Alle Reparaturen oder Eingriffe durch anderes Personal können Schäden und Funktionsstörungen am Gerät hervorrufen und Gefahren für Ihre Sicherheit zur Folge haben. Der Hersteller haftet nicht für Schäden aus einer unsachgemäßen Verwendung des Geräts.

Beschrijving van het toestel (Afb.1)

- A** Motorbediening voor de selectie van drie snelheden
- B** Lichtschakelaar onafhankelijk van de motorbediening.
- C** Verlichting aan de hand van lampen.
- D** Filters boven kookzone, gemakkelijk te verwijderen voor reiniging.
- E** Uittrekdeel voor een groter dampopvanggebied.
- F** Mogelijkheid tot het plaatsen van een actieve koolstoffilter (afbeelding 5)
- G** Controlelampje voor de werking van de motor.
- H-I** Anti-terugvoerklapjes te plaatsen in de voorziene holtes in de uitlaatopening.

Gebruiksaanwijzingen

Voor een betere afzuiging raden we aan de afzuigkap enkele minuten vóór het koken aan te zetten (3 – 5 minuten) zodat de luchtstroom ononderbroken en stabiel is bij het afzuigen van de dampen (afbeelding 2)

Laat de afzuigkap eveneens enkele minuten na het koken aanstaan zodat alle dampen en geuren worden uitgestoten. De afzuigkap heeft twee soorten schakelaars, naargelang het model: drukknoppen of schuifschakelaars.

Door zoals op de afbeelding op de knop te drukken, kunt u de functies van de afzuigkap bedienen.

Reiniging en onderhoud

Vóór het uitvoeren van onderhoud en schoonmaken, zorg ervoor dat het apparaat wordt losgekoppeld van het netwerk.

Alle veiligheidsvoorschriften moeten worden voldaan vóór het verrichten van schoonmaak en onderhoud activiteiten. Er is kans op brandgevaar als de schoonmaak niet is uitgevoerd in overeenstemming met de veiligheidsvoorschriften.

Indien de schoonmaak niet uitgevoerd wordt zoals in de instructies kan er brandgevaar optreden.

Filterreiniging

Maak de vergrendeling los om de filters te verwijderen. Reinig de filter ofwel door deze in de vaatwasmachine te plaatsen (zie opmerkingen) ofwel door deze in warm water te laten weken om het verwijderen van vet te vergemakkelijken. U kunt ook speciale sprays gebruiken (bescherm de niet metalen delen). Laat de filter na het reinigen volledig drogen.

Opmerkingen: reinigen in de vaatwasmachine met agressieve reinigingsmiddelen kan het oppervlak van metalen delen zwart maken, zonder dat dit de dampvasthoudende eigenschappen aantast.

N.B. De filter moet minstens één keer per maand worden gereinigd, afhankelijk van hoe vaak de afzuigkap wordt gebruikt. Denk eraan dat tijdens het koken vet wordt opgeslagen in de afzuigkap, of deze nu aanstaat of niet.

Reiniging van de afzuigkapbehuizing

Het is raadzaam warm (ongeveer 40°C) zeepwater te gebruiken. Drenk een doek in het zeepwater om de afzuigkap te reinigen en besteed vooral aandacht aan de roosters. Droog nadien af met een pluisvrije doek.

Opmerking:

- * Gebruik nooit metalen schuursponsjes of bijtende producten die het oppervlak kunnen beschadigen.
- * Schraap nooit met metalen voorwerpen zoals messen, scharen, enz.

Actieve koolstoffilter

- * Om de koolstoffilter te plaatsen, demonteer de klep, plaats de filter in de hiertoe voorziene positie en monteer de klep opnieuw.
- * De koolstoffilter heeft een levensduur van drie tot zes maanden, afhankelijk van de bijzondere gebruiksomstandigheden.
- * De actieve koolstoffilter kan noch gewassen noch bijgevoerd worden. Wanneer de koolstoffilter opgebruikt is, moet deze vervangen worden.
- * Om opgebruikte filters te vervangen door een nieuwe, verwijder de oude filter en ga vervolgens te werk als voor het plaatsen.

Nederlands

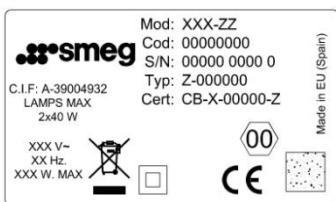
Lampen vervangen

- * Verwijder de filterhouder om bij de lampen te kunnen.
- * Koppel de afzuigkap eerst af van het lichtnet en ga na of de te vervangen lampen niet heet zijn.
- * Het maximum vermogen van de lamp bedraagt 40W.

Technische informatie (Afbeelding 3)

Afmetingen: Breedte = 600 // 900mm
Diepte = 500 mm
Hoogte = 150 mm

Elektrische eigenschappen:
ZIE TYPEPLAATJE



Installatie

Om de afzuigkap aan het keukenblok te bevestigen wordt het patroon op afbeelding 4 gebruikt.

Het onderste deel van de afzuigkap moet op een minimum hoogte van 60cm boven de kookplaat voor een elektrisch fornuis en 65cm voor een gasfornuis worden geplaatst. Indien de aanwijzingen van het gasfornuis een grotere afstand aangeven, moet deze nageleefd worden.

Wanneer de afzuigkap tezelfdertijd werkt met andere niet elektrische kooktoestellen, mag de uitlaatluchtdruk niet hoger zijn dan 4 Pa (4×10^5 bar).

Voor een optimale werking mag de uitlaatleiding niet langer zijn dan 4 meter of meer dan twee hoeken van 90° ('ellebogen') bevatten.

LET OP: Bereikbare delen kunnen heet worden wanneer deze wordt gebruikt in combinatie met koken.

Hoewel het raadzaam is naar buiten te ventileren, kunnen actieve koolstoffilters worden gebruikt waardoor de dampen terug naar de keuken gevoerd kunnen worden via de uitlaatpijp.

Om de dampen via het bovenste deel af te voeren is een externe afvoerleiding nodig en moet de afvoerhendel op de "E" positie staan (Afbeelding 5):

Bij het plaatsen van de kleine (anti-terugvoer) uitlaatleiding moet u er voor zorgen dat de overige uitlaten behoorlijk zijn afgesloten.


Om terugvoer via de actieve koolstoffilter mogelijk te maken, moet de afvoerhendel op de "I" positie worden geplaatst, waarbij de bovenste opening wordt afgesloten. Dan moet de actieve koolstoffilter in de voorziene gleuf worden geplaatst.

In geval van problemen

Ga het volgende na alvorens technische bijstand te zoeken:

Defect	Mogelijke oorzaak	Oplossing
De afzuigkap werkt niet	De kabel is niet aangesloten	Sluit de stroomkabel aan
	De stekker ontvangt geen stroom	Controleer/herstel het elektrische circuit
De afzuigkap zuigt niet voldoende af of trilt	Filter verzadigd met vet	Reinig of vervang filter
	Uitlaat verstopt	Verwijder verstopping
	Ongeschikte luchtleiding	Neem contact op met de installateur en volg de aanwijzingen van deze handleiding
De lamp werkt niet	Lamp stuk	Vervang de lamp
	Lamp los	Draai de lamp vast

Dit apparaat is voorzien van het CE-merkteken volgens de Richtlijn 2003/108/EC van het Europees Parlement en de Raad betreffende afgedankte elektrische en elektronische apparatuur (AEEA). De correcte verwijdering van dit product voorkomt negatieve gevolgen voor de markt en de gezondheid.

Het symbool  op het product of op de bijbehorende documentatie geeft aan dat dit product niet mag worden behandeld als huishoudelijk afval. Het moet worden afgegeven bij een verzamelpunt voor recycling van elektrische en elektronische apparaten. Volg de plaatselijke voorschriften voor afvalverwerking op wanneer u het apparaat afdankt. Voor meer informatie over de behandeling, terugwinning en recycling van dit product kunt u contact opnemen met het stadskantoor in uw woonplaats, uw afvalophaaldienst of de winkel waar u het product heeft aangeschaft.

SMEG behoudt zich het recht voor correcties uit te voeren aan de apparaten wanneer dit nodig of nuttig wordt geacht, zonder dat hierdoor de fundamentele eigenschappen ervan worden gewijzigd.