

SIEMENS

Fully automatic espresso machine

EQ.500 classic
TP5.....

en User manual
fr Notice d'utilisation
nl Gebruiksaanwijzing
pl Instrukcja obsługi
cs Návod k použití
ru Инструкция по эксплуата-
ции
de Gebrauchsanleitung



Register your product on My Siemens and discover exclusive services and offers.
siemens-home.bsh-group.com/welcome

The future moving in.



A



B



C



D



E

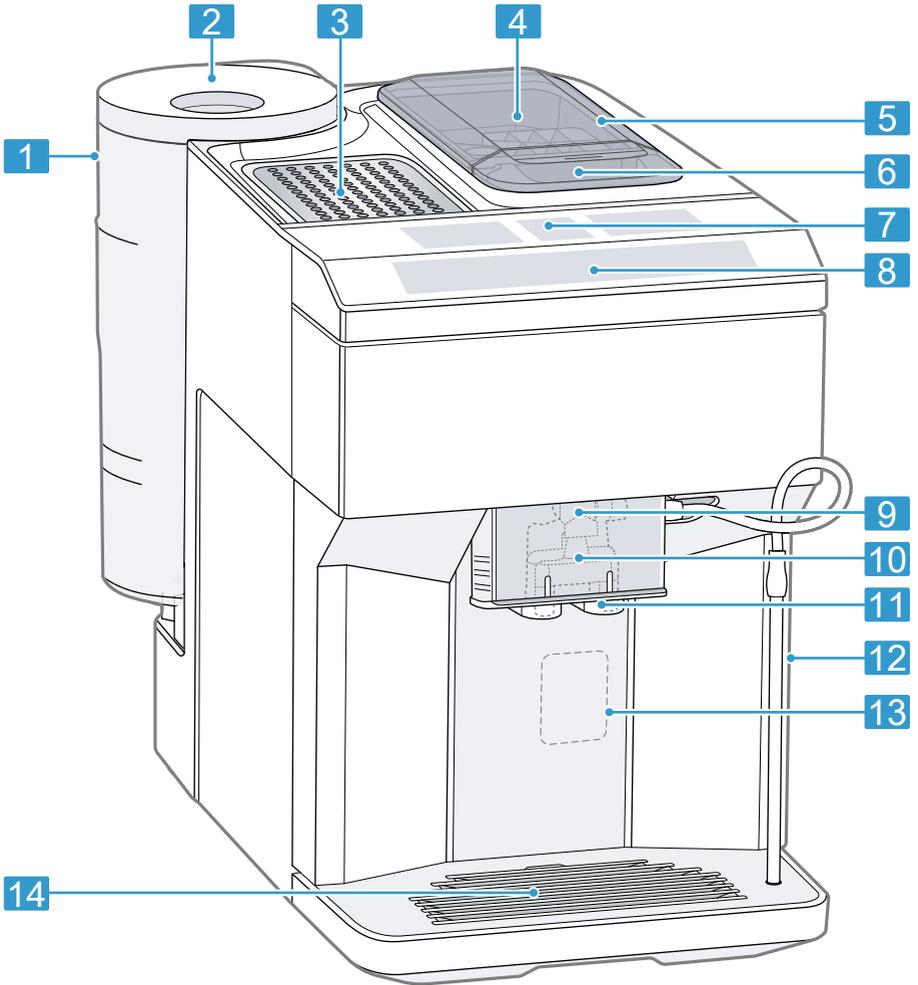


F

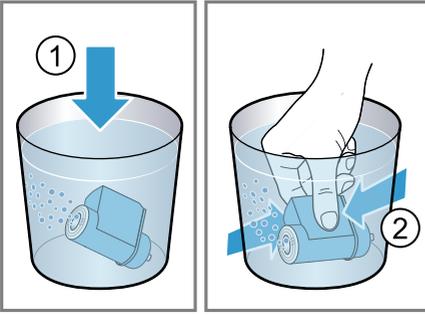


G

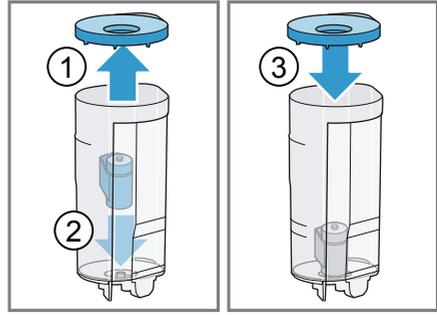
1



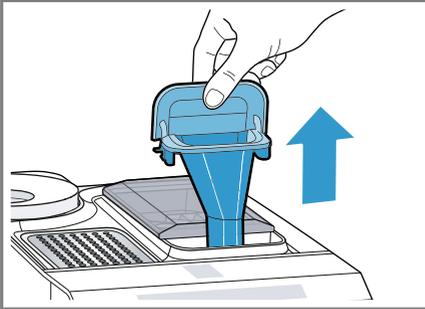
2



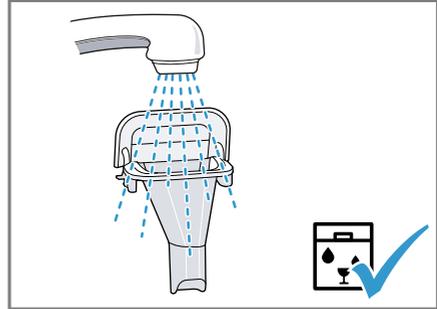
3



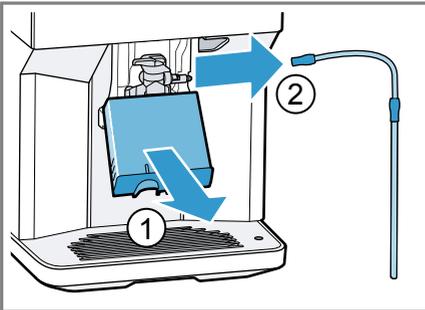
4



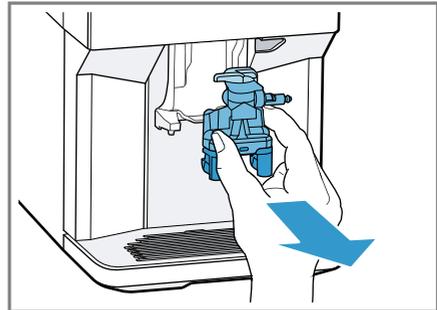
5



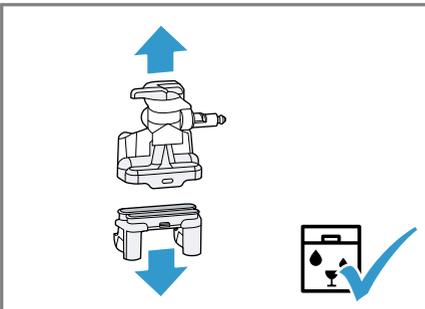
6



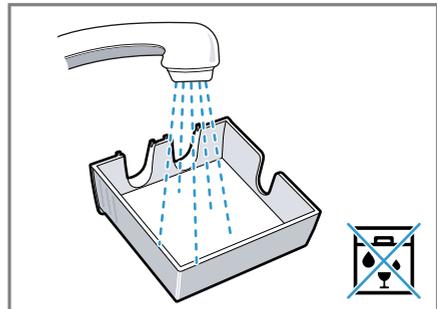
7



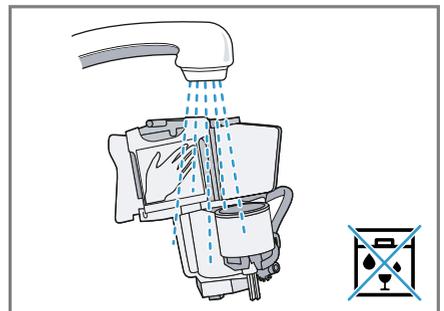
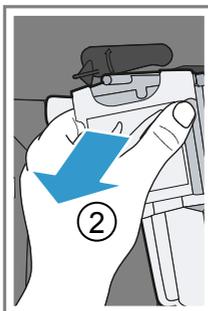
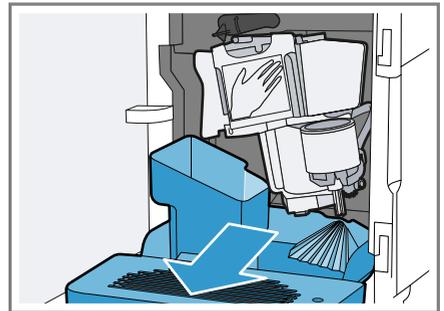
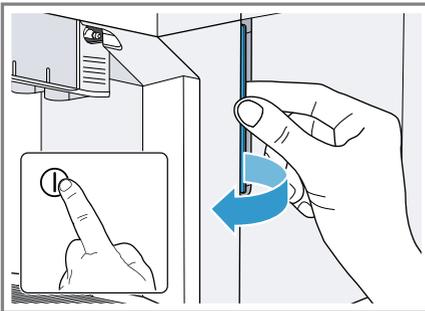
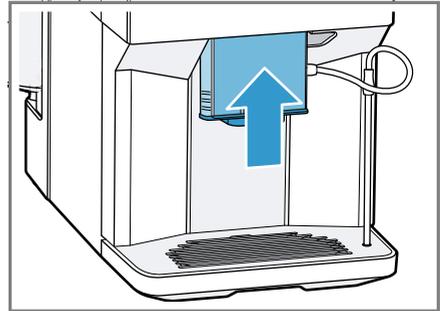
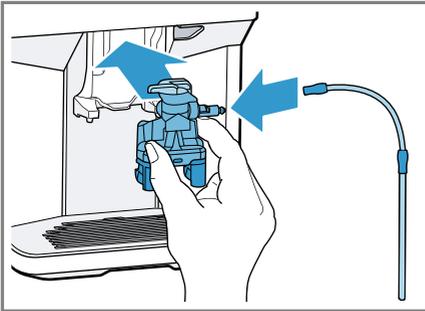
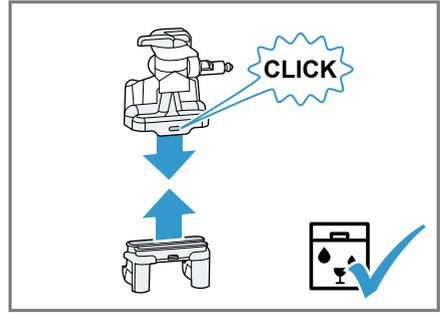
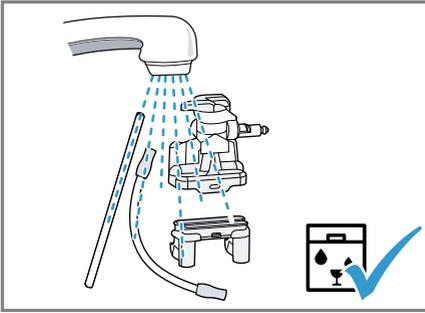
8



9



10



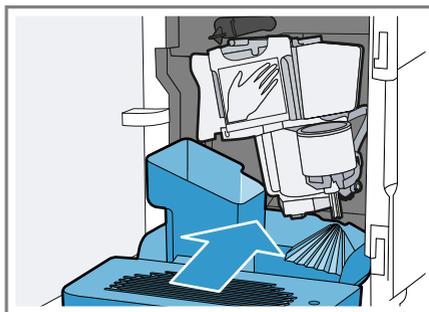


Table of contents

Safety	8	Dispensing drinks with milk froth ...	18
General information	8	Dispensing coffee drinks with	
Intended use	8	milk froth	19
Restriction on user group	8	Dispensing special drinks	19
Safety information	9	Dispensing milk froth	19
Environmental protection and		Dispensing hot water	19
saving energy	12	Drink settings	20
Disposing of packaging	12	Water filter	21
Tips for saving energy	12	Childproof lock	22
Installation and connection	12	Activating the childproof lock	22
Scope of delivery	12	Deactivating the childproof lock	22
Installing and connecting the ap-		Cup heater¹	22
pliance	12	Basic settings	23
Familiarising yourself with		Overview of the basic settings	23
your appliance	13	Changing the basic settings	24
Appliance	13	Cleaning and servicing	24
Controls	13	Dishwasher-safe components	24
Display	13	Cleaning agent	24
Drinks overview	14	Cleaning the appliance	25
Accessories	14	Cleaning the drip tray and cof-	
Before using for the first time	15	fee dregs container	25
Perform the initial start-up	15	Cleaning the ground coffee	
Fill the water tank	15	compartment	26
Fill coffee bean container	15	Cleaning the milk system	26
Setting the language	15	Cleaning brewing unit	27
Setting the water hardness	16	Service programmes	27
General information	16	Troubleshooting	31
Basic operation	17	Information on display panel	31
Switching the appliance on or		Malfunctions	33
off	17	Problem with results	34
Dispensing drinks	17	Transportation, storage and	
Dispensing a coffee drink made		disposal	37
from fresh beans	17	Activate frost protection	37
Dispensing a coffee drink made		Disposing of old appliance	37
from ground coffee	18		

¹ Depending on the appliance specifications

Customer Service..... 37
Product number (E-Nr.) and pro-
duction number (FD)..... 38
Warranty conditions..... 38

Technical specifications..... 38



Safety

Please read the safety information to ensure that you use the appliance safely.

General information

You can find general information about this instruction manual here.

- Read this instruction manual carefully. Only this will ensure you use the appliance safely and efficiently.
- This manual is intended for the user of the appliance.
- Follow the safety instructions and warnings.
- Keep the instruction manual and the product information safe for future reference or for the next owner.
- Check the appliance after unpacking it. Do not connect the appliance if it has been damaged in transit.

Intended use

Please read the information on intended use to ensure that you use the appliance correctly and safely.

Only use this appliance:

- As specified in this instruction manual.
- for preparing hot drinks.
- In private households and in enclosed spaces in a domestic environment.
- Up to an altitude of max. 2000 m above sea level.

Disconnect the appliance from the power supply when:

- cleaning the appliance.

Restriction on user group

Avoid risks to children and vulnerable persons.

This appliance may be used by children aged 8 or over and by people who have reduced physical, sensory or mental abilities or inadequate experience and/or knowledge, provided that they are supervised or have been instructed on how to use the appliance safely and have understood the resulting dangers.

Children must not play with the appliance.

Children must not perform cleaning or user maintenance unless they are at least 8 years old and are being supervised.

Keep children under the age of 8 years away from the appliance and power cable.

Safety information

Follow these safety instructions when using the appliance.

WARNING – Risk of suffocation!

- Children may put packaging material over their heads or wrap themselves up in it and suffocate.
 - ▶ Keep packaging material away from children.
 - ▶ Do not let children play with packaging material.
- Children may breathe in or swallow small parts, causing them to suffocate.
 - ▶ Keep small parts away from children.
 - ▶ Do not let children play with small parts.

WARNING – Risk of electric shock!

- Improper installation is dangerous.
 - ▶ Connect and operate the appliance only in accordance with the specifications on the rating plate.
 - ▶ Connect the appliance to a power supply with alternating current only via a properly installed socket with earthing.
 - ▶ The protective conductor system of the domestic electrical installation must be properly installed.
- If the appliance or the power cord is damaged, this is dangerous.
 - ▶ Never operate a damaged appliance.
 - ▶ Never operate an appliance with a cracked or fractured surface.

- ▶ Never pull on the power cord to unplug the appliance. Always unplug the appliance at the mains.
- ▶ If the appliance or the power cord is damaged, immediately unplug the power cord or switch off the fuse in the fuse box.
- ▶ "Call Customer Service." → *Page 37*
- ▶ Repairs to the appliance should only be carried out by trained specialist staff.
- Improper repairs are dangerous.
 - ▶ Repairs to the appliance should only be carried out by trained specialist staff.
 - ▶ Only use genuine spare parts when repairing the appliance.
 - ▶ If the power cord of this appliance is damaged, it must be replaced by the manufacturer, the manufacturer's Customer Service or a similarly qualified person in order to prevent any risk.
- An ingress of moisture can cause an electric shock.
 - ▶ Never immerse the appliance or the power cord in water.
 - ▶ Liquids must not be spilled on the appliance plug connection.
 - ▶ Only use the appliance in enclosed spaces.
 - ▶ Never expose the appliance to intense heat or humidity.
 - ▶ Do not use steam- or high-pressure cleaners to clean the appliance.

⚠ WARNING – Risk of fire!

- The appliance will become hot.
 - ▶ Ventilate the appliance adequately.
 - ▶ Never operate the appliance in a cupboard.
- It is dangerous to use an extended power cord and non-approved adapters.
 - ▶ Do not use extension cables or multiple socket strips.
 - ▶ If the power cord is too short, contact Customer Service.
 - ▶ Only use adapters approved by the manufacturer.

⚠ WARNING – Risk of burns!

Some parts of the appliance become very hot.

- ▶ Never touch hot appliance parts.

- ▶ Allow hot appliance parts to cool down before touching them.

⚠ WARNING – Risk of scalding!

Freshly prepared drinks are very hot.

- ▶ Leave drinks to cool down if necessary.
- ▶ Do not let escaping liquids or steam come into contact with your skin.

⚠ WARNING – Risk of injury!

- Improper use of the appliance may endanger the user.
 - ▶ Use the appliance only for its intended purpose.
- Trapped fingers when closing the appliance door.
 - ▶ Be careful of your fingers when closing the appliance door.
- The grinder rotates.
 - ▶ Never reach into the grinder.

⚠ WARNING – Danger: Magnetism!

The appliance contains permanent magnets. These may affect electronic implants, e.g. pacemakers or insulin pumps.

- ▶ People with electronic implants must stand at least 10 cm away from the appliance.
- ▶ This minimum distance of 10 cm must also be observed for the water tank when removed.

⚠ WARNING – Risk of harm to health!

Dirt on the appliance may be dangerous to health.

- ▶ Follow the cleaning instructions for the appliance.

Environmental protection and saving energy

Help protect the environment by using your appliance in a way that conserves resources and by disposing of reusable materials properly.

Disposing of packaging

The packaging materials are environmentally compatible and can be recycled.

- ▶ Sort the individual components by type and dispose of them separately.

Information about current disposal methods are available from your specialist dealer or local authority.

Tips for saving energy

If you follow these instructions, your appliance will use less power.

Set the interval for automatic switch-off to the smallest value.

- + If the appliance is not being used, it will switch itself off earlier.
→ "Basic settings", Page 23

Do not interrupt the dispensing process prematurely.

- + The amount of water or milk that is heated is used optimally.

Descale the appliance regularly.

- + Limescale deposits increase the appliance's energy consumption.

Installation and connection

You can find out where and how best to install your appliance here. You will also learn how to connect your appliance to the power supply.

Scope of delivery

After unpacking all parts, check for any damage in transit and completeness of the delivery.

→ Fig. 1

A	Fully automatic coffee machine
B	Milk tube and suction pipe
C	Instruction manual
D	Cleaning tablets ¹
E	Descaling tablets ¹
F	Water hardness testing strip
G	Water filter ¹

¹ Depending on the appliance specifications

Installing and connecting the appliance

ATTENTION!

Risk of damage to the appliance. If the appliance is not started up correctly, it may be damaged.

- ▶ Use the appliance in frost-free rooms only.
- ▶ If the appliance has been transported or stored below 0 °C, wait 3 hours at room temperature before starting it up.
- ▶ After plugging in, always wait approx. 5 seconds.

1. Remove the protective film.

2. Place the appliance on a level, water-resistant surface that is capable of bearing its weight.
3. Using the mains plug, connect the appliance to an earthed socket that has been correctly installed.

Familiarising yourself with your appliance

Familiarise yourself with the parts of your appliance.

Appliance

You can find an overview of the parts of your appliance here.

Note: Individual details and colours may differ, depending on the appliance model.

→ Fig. **2**

1	Water tank
2	Cover for water tank
3	Cup heater ¹
4	Aroma lid
5	Bean container
6	Ground coffee compartment
7	Display
8	Control panel
9	Cover
10	Milk system
11	Outlet system

¹ Depending on the appliance specifications

12	Brewing chamber door
13	Rating plate
14	Drip tray

¹ Depending on the appliance specifications

Controls

Here you can find an overview of the symbols on your appliance. Press the symbols to make a selection, start the dispensing process or make/adjust a setting.

Symbol	Explanation
	Switch the appliance on or off.
menu 	Open or exit the menu. Note: The menu buttons are only visible when the menu is open.
	Navigate up in the menu.
	Navigate down in the menu.
ok	Confirm in the menu or save.
	Go back in the menu.
	Dispense two cups.
	Select the coffee strength.
ml	Adjust the quantity.
	Start or stop the process.

Display

The display shows the selected drinks, settings and setting options, as well as messages about the appliance's operating status.

The display shows additional information and action steps. The information is hidden after a short period, or by pressing a button. The action steps are hidden when they have been completed.

Drinks overview

You can prepare a wide range of different drinks with your appliance.

Quick selection

Symbol	Designation	Explanation	Category
	Espresso	Concentrated coffee. Best served in small, thick-walled cups. Preheat cups with hot water.	→ "Dispensing a coffee drink made from fresh beans", Page 17 → "Dispensing a coffee drink made from ground coffee", Page 18
	Caffe crema	Coffee with a crema layer or large cup of coffee prepared using espresso method.	→ "Dispensing a coffee drink made from fresh beans", Page 17 → "Dispensing a coffee drink made from ground coffee", Page 18
	Cappuccino	Espresso with frothed milk. Best served in small cups.	→ "Dispensing coffee drinks with milk froth", Page 19
	LatteMacchiato	Coffee speciality with three layers: warm milk at the bottom, espresso in the middle, and milk froth on top. Best served in a glass.	→ "Dispensing coffee drinks with milk froth", Page 19
	Special drinks	Dispense other drinks.	→ "Dispensing special drinks", Page 19

Accessories

Only use original accessories. These have been made especially for your appliance. Here, you can find an overview of your appliance's accessories.

accessories	Retail	Customer service
Cleaning tablets	TZ80001A TZ80001B	00312097 00312098
Descaling tablets	TZ80002A TZ80002B	00312094 00312095
Water filter	TZ70003	00575491
Water filter pack of 3	TZ70033	-

accessories	Retail	Customer service
Microfibre cloth	-	00460770
Care set	TZ80004A TZ80004B	00312105 00312106

Before using for the first time

Configure the basic settings. Clean the appliance and individual parts.

Perform the initial start-up

- ▶ After connecting the appliance to the power supply, configure the settings for initial start-up.

Note: The automatic display for selection of the language and water hardness only appears when the appliance is switched on for the first time.

Tip: You can change the settings at any time.

→ "Basic settings", Page 23

Fill the water tank

Fill the water tank each day with fresh, cold, non-carbonated water.

1. Open the lid.
2. Remove the water tank using the recessed grip.
3. Rinse the water tank.
4. Fill the water tank up to the "max" mark.
5. Insert the water tank into the holder, keeping it straight.
6. Close the lid.

Fill coffee bean container

ATTENTION!

Unsuitable beans can block up the grinder.

- ▶ Only use pure, roasted bean mixes that are suitable for use in fully automatic coffee or espresso machines.
- ▶ Do not use glazed coffee beans.
- ▶ Do not use caramelised coffee beans.
- ▶ Do not use coffee beans that have been treated with additives containing sugar.
- ▶ Do not add ground coffee.

1. Open the lid.
2. Fill with the coffee beans.
The appliance will adjust to the coffee beans with the next dispensing process.
3. Close the lid.

Tip: To keep the coffee beans at their best, store them in a sealed container in a cool place. You can keep the coffee beans in the bean container for a number of days without them losing their aroma.

Setting the language

1. Press  to switch on the appliance.
 - ✓ The display will show the language that is preset.
2. Press  or  until the display shows the desired language.
3. Press **ok**.

en Before using for the first time

Tip: You can change the language at any time.

→ "Overview of the basic settings",
Page 23

Setting the water hardness

It is important to set the water hardness correctly, so that the appliance indicates in good time that it needs descaling. You can use the enclosed test strip to determine the water hardness, or ask your local water company.

1. Briefly dip the test strip in fresh tap water.
2. Allow the water to drip off the test strip.
✓ The test strip will indicate the water hardness after 1 minute.
3. If a water softening system is installed in your house, select "Softening system".
4. Press  or  until the display shows the desired water hardness. The table shows the allocation of the levels to the different degrees of water hardness:

Level	German degrees in °dH	Total hardness in mmol/l
1	1-7	0.18 - 1.25
2	8-14	1.42 - 2.49
3	15-21	2.67 - 3.74
4 ¹	22-30	3.92 - 5.34

¹ Factory setting (may vary according to model)

5. Press **ok**.
6. Check whether the bean container has been filled.
7. Check whether the water tank has been filled.
8. Press **ok**.
✓ The appliance rinses itself.

Tip: You can change the water hardness at any time.

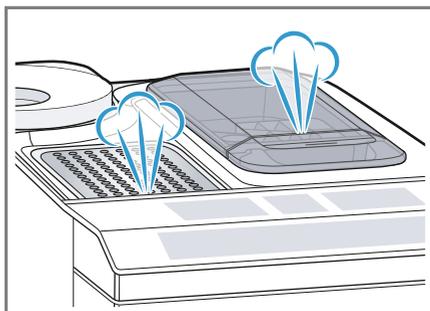
→ "Overview of the basic settings",
Page 23

General information

Please bear this information in mind so that you can get the best out of your appliance.

Notes

- The appliance has been programmed at the factory with standard settings for optimum operation.
- The grinder has been factory-set for optimum operation. If coffee is only dispensed drop by drop or is too thin and with too little crema, you can adjust the grinding level when the grinder is running.
→ "Adjusting the grinding level",
Page 21
- The appliance will switch off automatically if it has not been operated for a given period of time. "You can change the duration in the basic settings." → Page 23
- Water droplets may form on the ventilation slits and the lid of the ground coffee compartment while the appliance is in use.
- For technical reasons steam can escape from the appliance.



Tips

- "You can switch off the button tones in the basic settings."
→ *Page 23*
- When you use your appliance for the first time or run a service programme, or if your appliance has not been used for a long time, the first drink will not have its full aroma and should not be consumed.
- Once you have started up your appliance and made a few cups, you will then achieve a thick, fine-pored crema every time.

Basic operation

You can find out everything you need to know about operating your appliance here.

Switching the appliance on or off

- ▶ Switch the appliance on or off with .

When the appliance switches on, the display shows the Siemens logo. When the appliance is switched on or off, it will rinse itself automatically. When switched off, the appliance will emit steam into the tray for cleaning. During the rinsing process, the display shows a drop. If the appliance is still warm when switched on, or if no drink was dispensed before it was switched off, the appliance doesn't rinse itself.

Dispensing drinks

Find out how to prepare a drink of your choice.

** WARNING
Risk of scalding!**

Freshly prepared drinks are very hot.

- ▶ Leave drinks to cool down if necessary.
- ▶ Do not let escaping liquids or steam come into contact with your skin.

Tips

- You can directly select the drink you want using the quick-selection buttons. The display shows you the drink and the current settings.
- Your appliance has other drinks besides the ones that you can obtain via the quick-selection buttons.
→ *"Dispensing special drinks", Page 19*
- You can adapt your drink to your personal taste.
→ *"Drink settings", Page 20*

Notes

- If you do not change any settings for approx. 5 seconds, the appliance will exit settings mode. The settings will be automatically saved.
- With a number of settings your coffee is prepared in several steps. Wait until the process is fully completed.

Dispensing a coffee drink made from fresh beans

1. Place your pre-warmed cup under the outlet system.
2. Press the drinks symbol for a coffee drink without milk.
 - ✓ The display will show the drink and your current settings.
→ *"Drink settings", Page 20*
3. Change the settings where necessary:

en Basic operation

- Use **ml** to adjust the amount.
→ *"Adjusting the amount", Page 20*
 - Use **0** to adjust the coffee strength.
→ *"Adjusting the coffee strength", Page 20*
4. Press **start stop**.
- The coffee beans are freshly ground for each brewing process.
- ✓ The coffee is brewed and then dispensed into the cup.

Tips

- You can press **start stop** to stop the dispensing process prematurely.
- Find out how to make coffee drinks with milk.
→ *"Dispensing drinks with milk froth", Page 18*

Dispensing a coffee drink made from ground coffee

ATTENTION!

The ground coffee compartment can become blocked.

- ▶ Do not use coffee beans.
- ▶ Do not use instant coffee.
- ▶ Use a soft brush to gently direct the ground coffee residue into the shaft.

Note

When using ground coffee, the following selections are not available:

- Two cups at once
 - Coffee strength
 - "doubleshot"
1. Place your pre-warmed cup under the outlet system.
 2. Press the symbol for your desired drink.
 3. Press **0** repeatedly until the display shows "Gr. coffee".
 4. Open the ground coffee compartment.

5. Add a maximum of 2 level teaspoons of ground coffee, max. 12 g.
 6. Close the ground coffee compartment.
 7. Press **start stop**.
- ✓ The coffee is brewed and then dispensed into the cup.

Tips

- You can press **start stop** to stop the dispensing process prematurely.
- If you would like another drink with ground coffee, repeat the process.
- Always add the ground coffee just before making the drink.

Dispensing drinks with milk froth

You can use your appliance to dispense coffee drinks with milk froth.

WARNING Risk of burns!

The milk system can become extremely hot.

- ▶ Never touch the milk system when it is hot.
- ▶ Allow the hot milk system to cool down before touching it.

ATTENTION!

Milk residues can dry on surfaces and are difficult to remove.

- ▶ Clean the milk system after every use.
→ *"Cleaning the milk system", Page 26*

Tip: You can also use plant-based alternatives to milk, e.g. soya milk.

Note: The quality of the milk froth depends on the type of milk or plant-based alternative used.

Dispensing coffee drinks with milk froth

Requirements

- The milk tube is connected.
 - The suction pipe is connected.
1. Insert the suction pipe in the milk.
 2. Place your pre-warmed cup under the outlet system.
 3. Press the symbol for a coffee drink with milk.
- ✓ The display will show the drink and your current settings.
→ "Drink settings", Page 20
4. Change the settings where necessary:
 - Use **ml** to adjust the amount.
→ "Adjusting the amount", Page 20
 - Use \emptyset to adjust the coffee strength.
→ "Adjusting the coffee strength", Page 20
 - Use the ground coffee compartment.
→ "Dispensing a coffee drink made from ground coffee", Page 18
 5. Press  and wait until the process is complete.

After preparing the drink, the milk system will automatically clean itself with a short jet of steam.

Tip: If you want to stop the dispensing process early, press . If you want to stop the dispensing process altogether, press \emptyset .

Dispensing special drinks

Your appliance has other drinks besides the ones that you can obtain via the quick-selection buttons.

- ▶ Press  several times.
→ "Drinks overview", Page 14

Dispensing milk froth

WARNING **Risk of burns!**

The milk system can become extremely hot.

- ▶ Never touch the milk system when it is hot.
- ▶ Allow the hot milk system to cool down before touching it.

Requirements

- The milk tube is connected.
 - The suction pipe is connected.
1. Insert the suction pipe in the milk, e.g. Tetra Pak carton.
 2. Place your pre-warmed cup under the outlet system.
 3. Press  repeatedly until the display shows "Milk froth".
 4. Change the setting if necessary:
 - Use **ml** to adjust the amount.
→ "Adjusting the amount", Page 20
 5. Press .
- ✓ The milk froth will run out of the outlet system.
6. Press  to stop the dispensing process.

Dispensing hot water

WARNING **Risk of burns!**

The milk system can become extremely hot.

- ▶ Never touch the milk system when it is hot.
- ▶ Allow the hot milk system to cool down before touching it.

Note: If the milk system has not been cleaned, small amounts of milk may be dispensed with the water.

Requirements

- The milk system has been cleaned.
→ *"Cleaning the milk system", Page 26.*
 - The milk tube has been removed.
1. Place your pre-warmed cup under the outlet system.
 2. Press  repeatedly until the display shows "Hot water".
 3. Change the setting if necessary:
 - Use **ml** to adjust the amount.
→ *"Adjusting the amount", Page 20*
 4. Press .
If the following message appears: "Please remove suction hose.", remove the milk tube and press .
✓ Hot water will run out of the outlet system.
 5. Press  to stop the dispensing process.

Drink settings

Prepare a drink according to your taste.

Adjusting the coffee strength

1. Press the symbol for your desired drink.
2. To select the strength of the coffee, press .

You can select the following coffee strengths:

- "mild"
- "regular"
- "strong"
- "very strong"
- "doubleshot"

Note: The setting "doubleshot" is not available for every drink and drink volume.

Tip: For a strong taste of coffee, select a high coffee strength when setting a large capacity.

Selecting ground coffee

1. Press the symbol for your desired drink.
2. Press  repeatedly until the display shows "Gr. coffee".
→ *"Dispensing a coffee drink made from ground coffee", Page 18*

AromaDouble Shot

You can make your coffee extra strong by using the setting "doubleshot".

The longer coffee is brewed, the more bitter substances and undesirable aromas are released. These bitter substances and undesirable aromas affect the taste and digestibility of the coffee. To ensure that only pleasant-tasting and easily digestible aromatic substances are released, fresh coffee beans are ground and brewed when half the quantity has been prepared.

Note: The setting "doubleshot" is not available for every drink and drink volume.

Adjusting the amount

1. Press the symbol for your desired drink.
2. Press **ml** repeatedly until the desired volume is shown on the display.

Dispensing two cups at once

Depending on the appliance model, you can make two cups at the same time for certain drinks.

Note

The "Double cup" function is not available for the following selections:

- "Gr. coffee"
- "doubleshot"
- Volume smaller than 35 ml

1. Press the symbol for your desired drink.

2. Press .
 - ✓ The setting is shown on the display.
3. Place two cups on the left and right under the outlet system.
4. Press .

The drink is prepared in 2 steps. The beans are ground in 2 grinding operations.

 - ✓ The drink is brewed and then runs into the cup.
5. Wait until the process is completed.

Grinder

Your appliance has an adjustable grinder, which you can use to customise the grinding level of your coffee beans.

Adjusting the grinding level

Set the desired grinding level while the coffee beans are being ground.

WARNING **Risk of injury!**

The grinder rotates.

- ▶ Never reach into the grinder.

ATTENTION!

Risk of damage to the grinder. The grinder may be damaged if the grinding level is not set properly.

- ▶ Only set the grinding level when the grinder is running.
- ▶ Select the grinding level using the rotary selector step by step.

Grinding level	Setting
Fine grinding level for dark-roasted beans.	Turn rotary selector counter-clockwise.
	

Grinding level	Setting
Coarse grinding level for light-roasted beans.	Turn rotary selector clockwise.
	

The setting only has an effect after the second cup of coffee.

Tip: If the coffee is only dispensed drop by drop, set a coarser grinding level.

If the coffee is too thin with too little crema, set a finer grinding level.

Water filter

You can use a water filter to minimise limescale deposits and reduce impurities in the water.

Inserting and activating the water filter

ATTENTION!

Possible damage to the appliance due to limescale build-up.

- ▶ Change the water filter in good time.
- ▶ Change the water filter after 2 months at the latest.

Note: If "Replace water filter" is shown on the display, replace the water filter.

If you are not inserting a new filter, select "No filter" and follow the instructions on the display.

1. Immerse the water filter in a glass of water and press the sides together lightly until no more air bubbles rise to the surface.
→ Fig. 
2. Press .
3. Use  or  to select "Water filter" and press **ok**.

- Use  or  to select "New filter" or "Replace water filter" and press **ok**.
- Note:** If you are not inserting a new filter, select "No filter" in the menu settings.

Push the water filter firmly into the water tank and press **ok**.

→ Fig. 4

- Fill the water tank up to the "max" mark and press **ok**.
 - Connect the milk tube to the milk system and the suction pipe.
 - Insert the end of the suction pipe in the drip plate.
 - Place a container with a capacity of 1 litre under the outlet system and press **ok**.
- ✓ The filter will be rinsed and the following message displayed: "Rinsing complete".
 - ✓ The appliance is ready to use.

Tips

- You should also change your water filter for reasons of hygiene.
- With a water filter you need to descale your appliance less frequently.
- If your appliance has not been used for a long time, for example if you were on holiday, you should rinse the water filter before use by dispensing a cup of hot water.
- The water filter can be purchased from retailers or customer service.
→ "Accessories", Page 14
- Learn how to insert the water filter.
→ "Inserting and activating the water filter", Page 21

Childproof lock

You can lock the appliance, to protect children against scalding and burns.

Activating the childproof lock

- ▶ Press and hold **ml** for at least 3 seconds.
- ✓ The following message will be displayed: "Child lock active. To deactivate press "ml" for 3 sec".

Deactivating the childproof lock

- ▶ Press and hold **ml** for at least 3 seconds.
- ✓ The following message will be displayed: "Child lock deactivated".

Cup heater¹

You can use the cup heater to pre-heat your cups.

WARNING **Risk of burns!**

The cup heater can become very hot.

- ▶ Never touch the cup heater when it is hot.
- ▶ Allow the hot cup heater to cool down before touching it.

Tips

- You can activate and deactivate the cup heater in the basic settings.
→ "Overview of the basic settings", Page 23
- Place the cups with their base on the cup heater to heat the cups perfectly.

¹ Depending on the appliance specifications

Basic settings

You can configure your appliance to meet your needs and call up additional functions.

Overview of the basic settings

Setting	Selection	Description
Cleaning and care	Milk system Descale Clean calc'nClean	Start service programme. → "Service programmes", Page 27
Cup warmer ¹	Cup warmer off ² Cup warmer on	Switch cup heater on or off. → "Cup heater", Page 22
Water filter	New filter No filter	Set use of the water filter.
Coffee temp.	normal high max.	Set the temperature for coffee drinks. Note: The setting is effective for all preparation types.
Languages	See options on the appliance.	Set menu language. Changes are immediately displayed.
Autom. switch-off	See options on the appliance.	Set how long the appliance should wait after preparing the last drink before automatically switching itself off.
Water hardness	1 (soft) 2 (medium) 3 (hard) 4 (very hard) ² Water-softening system	Set the appliance to the local water hardness. → "Setting the water hardness", Page 16
Key tones	Key tones on ² Key tones off	Switch the button tones on or off.
Factory settings	Full reset? Continue: OK Cancel: ←	Restore settings to the factory settings. Note: All individual settings will be deleted and reset to the factory settings.

¹ Depending on the appliance specifications

² Factory setting (may vary according to model)

Changing the basic settings

1. Press **menu** .
2. Use  or  to select the desired basic setting and press **ok**.
 - ✓ The display will show the setting options and the navigation symbols will light up. The display indicates the current setting.
3. Use  or  to make the desired selection and press **ok**.
 - ✓ The setting is now saved.
4. Use  to go back.
5. Press **menu**  to exit the menu.

Cleaning and servicing

To keep your appliance working efficiently for a long time, it is important to clean and maintain it carefully.

Dishwasher-safe components

Find out which components can be cleaned in the dishwasher.

ATTENTION!

Some components are sensitive to heat and may be damaged if they are cleaned in a dishwasher.

- ▶ Follow the operating instructions of the dishwasher.
- ▶ Only put dishwasher-safe components in the dishwasher.
- ▶ Only use programmes that do not heat the water above 60 °C.

Dishwasher-safe components:

- Drip tray
 - Drip plate
 - Drip grate
 - Coffee dregs container
 - Mechanical fill level indicator
- Milk system with adapter
- Ground coffee compartment with hinged lid



Not dishwasher-safe:

- Water tank
 - Water tank lid
 - Aroma lid
 - Brewing unit
 - Beverage dispenser cover
-



Cleaning agent

Find out which cleaning agents are suitable for your appliance.

WARNING

Risk of serious harm to health!

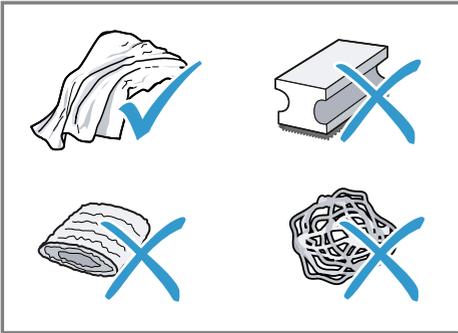
Cleaning liquids may lead to health impairments.

- ▶ Never drink the cleaning liquids.
- ▶ Use descaling and cleaning agents as described in the instructions and observe the relevant safety information.

ATTENTION!

Unsuitable cleaning products may damage the surfaces of the appliance.

- ▶ Do not use harsh or abrasive detergents.
- ▶ Do not use cleaning agents containing alcohol or spirits.
- ▶ Do not use hard scouring pads or cleaning sponges.
- ▶ Do not use citric acid, vinegar or any vinegar-based agents to descale the appliance.
- ▶ For cleaning and descaling, only use suitable tablets.
- ▶ Do not use descaling agent with phosphoric acid.



Tips

- Use descaling and cleaning tablets that have been specially developed for your appliance. You can buy tablets from our customer service.
→ "Accessories", Page 14
- Wash new sponge cloths thoroughly to remove any salt adhering to them. Salt can cause a rust film to develop on stainless steel surfaces.
- Always remove any residues of limescale, coffee, milk, cleaning and descaling solutions immediately, to prevent the formation of corrosion.

Cleaning the appliance

⚠ WARNING

Risk of electric shock!

An ingress of moisture can cause an electric shock.

- ▶ Never immerse the appliance or the power cord in water.
- ▶ Liquids must not be spilled on the appliance plug connection.
- ▶ Do not use steam- or high-pressure cleaners to clean the appliance.

⚠ WARNING

Risk of burns!

Some parts of the appliance become very hot.

- ▶ Never touch hot appliance parts.
 - ▶ Allow hot appliance parts to cool down before touching them.
1. Disconnect the appliance from the power supply.
 2. Clean the housing, the high-gloss surfaces and the control panel with a microfibre cloth.
→ "Accessories", Page 14
 3. Clean the outlet system with a soft, damp cloth after drinks have been dispensed.
 4. If the appliance has not been used for a long time, due to holiday for example, clean the entire appliance including the outlet system, milk system, trays and brewing unit.

Note: The appliance will rinse itself automatically if you switch it on when it is cold or switch it off after it has dispensed coffee. The system is therefore self-cleaning.

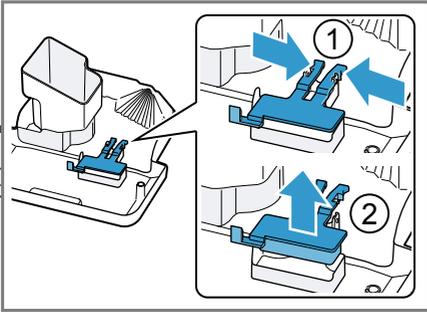
Cleaning the drip tray and coffee dregs container

Clean and empty the drip tray and coffee dregs container every day to prevent deposits.

1. Detach the milk tube from the outlet system.
2. Open the door.
3. Pull the drip tray and the coffee dregs container forwards and out.
4. Remove and clean the drip plate.
5. Empty and clean the drip tray and coffee dregs container.
6. Clean the appliance interior and the drip tray holder.

7. Tip

If you press both brackets in, you can then remove the mechanical fill level indicator more easily.



Remove the mechanical fill level indicator and clean with a damp cloth.

8. Assemble the drip tray, drip plate, coffee dregs container and mechanical fill level indicator and insert in the appliance.
9. Close the door.

Cleaning the ground coffee compartment

Tip: You can clean the ground coffee compartment in the dishwasher.

1. Pull out the ground coffee compartment by the open lid.
→ Fig. **5**
2. Clean the ground coffee compartment with washing-up liquid.
→ Fig. **6**
3. Dry the ground coffee compartment and insert it into the appliance.

Cleaning the milk system

Clean the milk system regularly.

⚠ WARNING **Risk of burns!**

The milk system can become extremely hot.

- ▶ Never touch the milk system when it is hot.
- ▶ Allow the hot milk system to cool down before touching it.

ATTENTION!

The appliance may be damaged by improper cleaning.

- ▶ Do not put the cover of the outlet system in the dishwasher.

Tips

- If you want to give the milk system a particularly thorough clean, you can use the "Clean milk system" service programme.
→ *"Using the milk system cleaning programme"*, Page 28
 - All of the milk system's components are dishwasher-safe.
1. Slide the outlet system right down.
 2. Pull the cover forwards and remove the milk tube.
→ Fig. **7**
 3. Remove the milk system by pulling straight forwards.
→ Fig. **8**
 4. Take the top and bottom section of the milk system apart.
→ Fig. **9**
 5. Detach the milk tube from the suction pipe.
 6. Clean the components with detergent solution and a soft cloth.
→ Fig. **10**
 7. Rinse all components with clean water and dry.
→ Fig. **11**
 8. Any detergent residues in the milk system must be completely removed following the rinsing process.

9. Assemble the top and bottom section of the milk system.
→ Fig. **12**
10. Fit the milk tube.
11. Slide the outlet system right down.
12. Place the milk system back in the appliance from the front, making sure it is straight.
→ Fig. **13**
13. Replace the cover.
14. Slide the outlet system all the way up.
→ Fig. **14**

Cleaning brewing unit

In addition to the automatic rinsing process, regularly remove and clean the brewing unit.

WARNING **Risk of burns!**

Some parts of the appliance become very hot.

- ▶ Never touch hot appliance parts.
- ▶ Allow hot appliance parts to cool down before touching them.

ATTENTION!

The appliance may be damaged by improper cleaning.

- ▶ Do not use washing-up liquid.
 - ▶ Do not use cleaning agents containing vinegar or acids.
 - ▶ Do not clean in the dishwasher.
1. Detach the milk tube from the outlet system.
→ Fig. **7**
 2. Press  to switch the appliance off.
 3. Open the door of the brewing chamber.
→ Fig. **15**
 4. Remove the drip tray with the coffee dregs container.
→ Fig. **16**

5. Push the red lever upwards.
6. Hold the brewing unit by the handle and carefully pull forwards and out.
→ Fig. **17**
7. Clean the brewing unit thoroughly under warm running water.
→ Fig. **18**
8. Clean the appliance interior with a damp cloth and remove any coffee residues.
9. Leave the brewing unit and the appliance interior to dry.
10. Hold the brewing unit by the handle.
11. Push the red lever upwards.
12. Position the brewing unit under the lever and slide it back as far as it will go.
→ Fig. **19**
- ✓ The lever will click into place.
13. Insert the drip tray with the coffee dregs container.
→ Fig. **20**
14. Close the door.
→ Fig. **21**
The door can only be closed if the brewing unit and drip tray are inserted correctly.

Service programmes

After certain time intervals, your appliance will recommend that you use the service programmes. Use the service programmes to clean your appliance thoroughly.

ATTENTION!

Improper cleaning and descaling or a delay in doing so may damage the appliance.

- ▶ Immediately perform the descaling process in accordance with the instructions.
- ▶ Do not put any descaling tablets or other products into the ground coffee compartment.

en Cleaning and servicing

Depending on the water hardness and use of the appliance, the display will show the following messages after prior notification:

- "Please rinse milk system."
- "Descaling necessary. Please press menu for 3 sec."
- "Cleaning necessary. Please press menu for 3 sec."
- "calc'nClean nec. Please press menu for 3 sec."

Notes

- The display indicates the progress of the descaling or cleaning process.
- If your appliance is not descaled in good time, the display will show the following message: "Descaling overdue. Appliance is locked. Please press menu for 3 sec."
- If your appliance has been locked, you can only operate it again once the descaling process has been carried out.
- If you accidentally interrupt the service programme, you must reset it. → *"Resetting service programmes", Page 28*

Tips

- If you use a water filter, this prolongs the time interval until a service programme needs to be performed.
- You can combine the cleaning and descaling programmes using the calc'nClean service programme. → *"Using calc'nClean", Page 29*
- Clean your appliance with a soft, damp cloth immediately after a service programme to remove any descaling solution residues and prevent corrosion.

Resetting service programmes

Perform the following steps if a service programme is interrupted, e.g. due to a power failure.

1. Empty the container and put the end of the suction pipe in the container.
2. Rinse out the water tank.
3. Fill the water tank with fresh, non-carbonated water up to the "max" marking.
4. Press **ok**.
 - ✓ The appliance will rinse itself for approx. 2 minutes.
5. Empty and clean the drip tray.
6. Insert the drip tray and close the door.
7. Restart the service programme.

Using the milk system cleaning programme

Rinse the milk system with water, if necessary. The rinsing process takes approx. 1 minute.

1. Press **menu** .
2. Use  and  to select "Cleaning and care" and press **ok**.
3. Use  and  to select "Milk system" and press **ok**.
4. To start the programme, press **ok**.
 - ✓ The display will guide you through the programme.
5. Place an empty glass under the outlet system and insert the end of the suction pipe in the glass.
6. Press **ok**.
 - ✓ The milk system will now clean itself automatically.
7. Empty the glass and clean the suction pipe.
 - ✓ The program has ended and the appliance is ready for operation.

Tip: If you want to clean the milk system particularly thoroughly, clean it regularly by hand.
→ *"Cleaning the milk system", Page 26*

Using the descaling programme

Run the descaling programme when your appliance prompts you. The process takes approx. 30 minutes.

Requirement: The brewing unit is cleaned.

→ "Cleaning brewing unit", Page 27

1. Press **menu** .
2. Use  and  to select "Cleaning and care" and press **ok**.
3. Use  and  to select "Descale" and press **ok**.
4. To start the programme, press **ok**.
 - ✓ The display will guide you through the programme.
5. Empty and insert the drip tray.
6. If there is a water filter, remove it.
7. Press **ok**.
8. Empty the water tank.
9. Fill a container with 0.5 l lukewarm water.
10. Add a Siemens descaling tablet to the water and stir until the tablet is fully dissolved.
11. Pour the descaling solution into the water tank up to the calc mark and press **ok**.
12. Place a container with a capacity of min. 0.5 l under the outlet system.
13. Place the end of the suction pipe in the container and press **ok**.
 - ✓ The descaling programme will run for approx. 20 minutes.
14. Rinse the water tank.
15. Press **ok**.
16. If there is a water filter, insert the water filter.
 - "Inserting and activating the water filter", Page 21
17. Press **ok**.
18. Fill the tank with fresh water up to the "max" mark.

19. Press **ok**.

- ✓ The descaling programme takes approx. 1 minute and rinses the appliance.
20. Empty and insert the drip tray.
 21. Thoroughly clean the suction pipe of the milk system.
 - ✓ The program has ended and the appliance is ready for operation.

Using the cleaning programme

Run the cleaning programme when your appliance prompts you. The process takes approx. 9 minutes.

Requirement: The brewing unit is cleaned.

→ "Cleaning brewing unit", Page 27

1. Press **menu** .
2. Use  and  to select "Cleaning and care" and press **ok**.
3. Use  and  to select "Clean" and press **ok**.
4. To start the programme, press **ok**.
 - ✓ The display will guide you through the programme.
5. Empty and insert the drip tray.
6. Open the ground coffee compartment.
7. Place one Siemens cleaning tablet into the ground coffee compartment.
8. Close the ground coffee compartment and press **ok**.
9. Place a container with a capacity of min. 0.5 l under the outlet system and press **ok**.
 - ✓ The cleaning programme takes approx. 7 minutes.
10. Empty and insert the drip tray.
 - ✓ The program has ended and the appliance is ready for operation.

Using calc'nClean

You can combine the cleaning and descaling programmes using the calc'nClean service programme. Run

en Cleaning and servicing

the calc'nClean programme when your appliance prompts you. The process takes approx. 43 minutes.

Requirement: The brewing unit is cleaned.

→ *"Cleaning brewing unit", Page 27*

1. Press **menu** .
2. Use  and  to select "Cleaning and care" and press **ok**.
3. Use  and  to select "calc'nClean" and press **ok**.
4. To start the programme, press **ok**.
 - ✓ The display will guide you through the programme.
5. Empty and insert the drip tray.
6. If there is a water filter, remove it.
7. Press **ok**.
8. Empty the water tank.
9. Fill a container with 0.5 l lukewarm water.
10. Add a Siemens descaling tablet to the water and stir until the tablet is fully dissolved.
11. Pour the descaling solution into the water tank up to the calc mark and press **ok**.
12. Place a container with a capacity of min. 0.5 l under the outlet system.
13. Place the end of the suction pipe in the container and press **ok**.
 - ✓ The descaling programme will run for approx. 20 minutes.
14. Rinse the water tank.
15. Press **ok**.
16. If there is a water filter, insert the water filter.
 - *"Inserting and activating the water filter", Page 21*
17. Press **ok**.
18. Fill the tank with fresh water up to the "max" mark.
19. Press **ok**.
 - ✓ The programme takes approx. 1 minute and rinses the appliance.
20. Empty and insert the drip tray.
21. Open the ground coffee compartment.
22. Place one Siemens cleaning tablet into the ground coffee compartment.
23. Close the ground coffee compartment and press **ok**.
24. Place a container with a capacity of min. 0.5 l under the outlet system and press **ok**.
 - ✓ The cleaning programme takes approx. 7 minutes.
25. Empty and insert the drip tray.
26. Thoroughly clean the suction pipe of the milk system.
 - ✓ The program has ended and the appliance is ready for operation.

Troubleshooting

You can rectify minor faults on your appliance yourself. Read the troubleshooting information before contacting after-sales service. This will avoid unnecessary costs.

⚠ WARNING

Risk of electric shock!

Improper repairs are dangerous.

- ▶ Repairs to the appliance should only be carried out by trained specialist staff.
- ▶ Only use genuine spare parts when repairing the appliance.
- ▶ If the power cord of this appliance is damaged, it must be replaced by the manufacturer, the manufacturer's Customer Service or a similarly qualified person in order to prevent any risk.

Information on display panel

Fault	Cause	troubleshooting
Display shows "Close" despite the fact that the door is closed.	Door is not properly closed.	▶ Press the door firmly shut.
	Appliance is too hot.	<ol style="list-style-type: none"> 1. Disconnect the appliance from the mains. 2. Wait 1 hour so the appliance can cool down.
Display shows "Please empty drip tray and reinsert." despite the fact that the drip tray is empty.	Appliance is switched off and does not detect emptying.	<ol style="list-style-type: none"> 1. Switch the appliance on, and remove the drip tray. 2. Re-insert the drip tray.
	Drip tray is soiled.	▶ Clean the drip tray thoroughly.
Display shows "Please refill water tank" despite the fact that the water tank is full.	Water tank is wrongly inserted.	▶ Insert the water tank correctly.
	Carbonated water is in the water tank.	▶ Fill the water tank with fresh tap water.
	Float is stuck in the water tank.	<ol style="list-style-type: none"> 1. Remove the water tank. 2. Clean the water tank thoroughly.
	New water filter was not rinsed as per instructions.	<ol style="list-style-type: none"> 1. Rinse the water filter according to the instructions. → <i>"Inserting and activating the water filter", Page 21</i> 2. Place the water filter into operation.
	Air is in the water filter.	<ol style="list-style-type: none"> 1. Immerse the water filter in water with the opening facing upwards until no more air bubbles escape.

Fault	Cause	troubleshooting
Display shows "Please refill water tank" despite the fact that the water tank is full.		<ol style="list-style-type: none"> 2 Reinsert the filter. → <i>"Inserting and activating the water filter"</i>, Page 21
	Water filter is old.	▶ Insert a new water filter.
	Limescale deposits in the water tank are blocking the system.	<ol style="list-style-type: none"> 1 Clean the water tank thoroughly. 2 Start the descaling programme. → <i>"Using the descaling programme"</i>, Page 29
	Display shows "Please clean brewing unit, replace and close door."	Brewing unit is soiled.
Mechanism of brewing unit is stiff.		▶ Clean the brewing unit. → <i>"Cleaning brewing unit"</i> , Page 27
Too much ground coffee in the brewing unit.		▶ Use no more than 2 level measuring spoons of ground coffee. → <i>"Cleaning brewing unit"</i> , Page 27
Display shows "Voltage (V) incorrect."	Voltage in the house system is incorrect.	▶ Only operate the appliance at 220 - 240 V.
Display shows "Please re-start appliance."	Brewing unit is heavily soiled or cannot be removed.	<ol style="list-style-type: none"> ▶ Restart the appliance. ▶ Clean the brewing unit. → <i>"Cleaning brewing unit"</i>, Page 27
	Appliance has a fault.	<ol style="list-style-type: none"> 1 Pull out the mains plug and wait 10 seconds. 2 Re-insert the mains plug.
Display very frequently shows "calc'nClean".	Decalcified water still contains small amounts of lime.	<ol style="list-style-type: none"> 1 Insert a new water filter. → <i>"Inserting and activating the water filter"</i>, Page 21 2 Set the corresponding water hardness. → <i>"Setting the water hardness"</i>, Page 16
	Incorrect or too little descaling agent used.	▶ When descaling, only use suitable tablets.
	Service programme has not been carried out in its entirety.	▶ Reset the service programme. → <i>"Resetting service programmes"</i> , Page 28

Malfunctions

Fault	Cause	troubleshooting
Appliance no longer re-ponds.	Appliance has a fault.	<ol style="list-style-type: none"> 1. Pull out the mains plug and wait 10 seconds. 2. Re-insert the mains plug.
Appliance only dispenses water, not coffee.	Empty bean container is not detected by the appliance.	▶ Pour in coffee beans.
	Coffee shaft on brewing unit is blocked.	▶ Clean the brewing unit. → <i>"Cleaning brewing unit", Page 27</i>
	Beans are too oily and are not falling into the grinder.	<ul style="list-style-type: none"> ▶ Gently tap the bean container. ▶ Change the coffee variety. Do not use oily beans. ▶ Clean the empty bean container with a damp cloth.
Appliance is not dispensing milk froth.	Brewing unit is not inserted properly.	▶ Slide the brewing unit right back.
	Milk system is soiled.	▶ Clean the milk system in the dishwasher. → <i>"Cleaning the milk system", Page 26</i>
	Milk tube not immersed in milk.	<ul style="list-style-type: none"> ▶ Use more milk. ▶ Check whether the milk tube is immersed in the milk.
No milk intake by the milk system.	Heavy build-up of limescale in the appliance.	▶ Descale the appliance. → <i>"Using the descaling programme", Page 29</i>
	The milk system is assembled incorrectly.	▶ Assemble the milk system correctly. → <i>"Cleaning the milk system", Page 26</i>
	Milk tube not immersed in milk.	<ul style="list-style-type: none"> ▶ Use more milk. ▶ Check whether the milk tube is immersed in the milk.
Milk froth is too cold.	Milk is too cold.	▶ Use lukewarm milk.
Appliance is not dispensing hot water.	Milk system is soiled.	▶ Clean the milk system in the dishwasher. → <i>"Cleaning the milk system", Page 26</i>

Fault	Cause	troubleshooting
Appliance is not dispensing drinks.	Air is in the water filter.	<ol style="list-style-type: none"> 1. Immerse the water filter in water with the opening facing upwards until no more air bubbles escape. 2. Reinsert the filter. → <i>"Inserting and activating the water filter", Page 21</i> <p>▶ Firmly press the water filter straight down into the tank connection.</p>
	Residues of limescale remover are blocking the water tank.	<ol style="list-style-type: none"> 1. Remove the water tank. 2. Clean the water tank thoroughly.
There is dripping water on the inner floor of the appliance.	Drip tray was removed too soon.	▶ Wait a few seconds after the last drink was dispensed before removing the drip tray.
Brewing unit cannot be removed.	Brewing unit is not in the removal position.	▶ Switch the appliance back on.
Appliance cannot be operated. Change displays.	Appliance is in demo mode.	<ol style="list-style-type: none"> 1. Remove the water tank and fill with fresh cold water. 2. Reinsert the water tank.
Grinder won't start.	Appliance is too hot.	<ol style="list-style-type: none"> 1. Disconnect the appliance from the mains. 2. Wait 1 hour so the appliance can cool down.
Grinder is not grinding any coffee beans despite full bean container.	Beans are too oily and are not falling into the grinder.	<p>▶ Gently tap the bean container.</p> <p>▶ Change the coffee variety. Do not use oily beans.</p> <p>▶ Clean the empty bean container with a damp cloth.</p>

Problem with results

Fault	Cause	troubleshooting
Coffee or milk froth quality varies widely.	Build-up of limescale in the appliance.	▶ Descale the appliance. → <i>"Using the descaling programme", Page 29</i>
Milk froth quality varies widely.	Milk froth quality depends on the type of milk or plant-based alternative used.	▶ Optimise the result through the selection of the milk or vegetable-based drink type.

Fault	Cause	troubleshooting
Coffee is not dispensed or has slowed to a trickle. Set quantity is not reached.	Grinding level is set too fine.	▶ Set a coarser grinding level. → <i>"Adjusting the grinding level"</i> , Page 21
	Heavy build-up of limescale in the appliance.	▶ Descale the appliance. → <i>"Using the descaling programme"</i> , Page 29
	Air is in the water filter.	1. Immerse the water filter in water with the opening facing upwards until no more air bubbles escape. 2. Reinsert the filter. → <i>"Inserting and activating the water filter"</i> , Page 21
	Appliance is soiled.	▶ Clean the brewing unit. → <i>"Cleaning brewing unit"</i> , Page 27 ▶ Descale and clean the appliance. → <i>"Using calc'nClean"</i> , Page 29
	Coffee strength is set too high.	▶ Reduce the strength of your coffee to e.g. "regular". → <i>"Adjusting the coffee strength"</i> , Page 20
Coffee has no crema.	Type of coffee is not optimal.	▶ Use a coffee variety with a higher proportion of Robusta beans. ▶ Use beans with a darker roast.
	Beans are no longer fresh.	▶ Use fresh beans.
	Grinding level is not appropriate for coffee beans.	▶ Adjust the grinder to a finer setting. → <i>"Adjusting the grinding level"</i> , Page 21
Coffee is too acidic.	Grinding level is set too coarse.	▶ Adjust the grinder to a finer setting. → <i>"Adjusting the grinding level"</i> , Page 21
	Type of coffee is not optimal.	▶ Use a coffee variety with a higher proportion of Robusta beans. ▶ Use beans with a darker roast.
Coffee is too bitter.	Grinding level is set too fine.	▶ Set a coarser grinding level. → <i>"Adjusting the grinding level"</i> , Page 21
	Type of coffee is not optimal.	▶ Change the coffee variety.

Fault	Cause	troubleshooting
Coffee tastes burnt.	Grinding level is set too fine.	▶ Set a coarser grinding level. → <i>"Adjusting the grinding level"</i> , Page 21
	Type of coffee is not optimal.	▶ Change the coffee variety.
	Coffee temperature setting is too high.	▶ Set the coffee temperature lower. → <i>"Overview of the basic settings"</i> , Page 23
Coffee grounds are not compact and are too wet.	The grinding level is not set optimally.	▶ Adjust the grinder to a coarser or finer setting. → <i>"Adjusting the grinding level"</i> , Page 21
	Too little ground coffee.	▶ Use 2 level measuring spoons of ground coffee.
	Beans are too oily.	▶ Use a different type of bean.

Transportation, storage and disposal

You can find out here how to prepare your appliance for transportation and storage. You will also find out how to dispose of old appliances.

Activate frost protection

Protect your appliance from frost during transport and storage.

ATTENTION!

Residues of liquid in the appliance may damage it during transport or storage.

- ▶ Empty the pipe system before transport or storage.

Requirements

- The appliance is ready to use.
 - The water tank has been filled.
1. Remove the milk container.
 2. Clean the brewing unit.
→ "Cleaning brewing unit",
Page 27
 3. Place a large container under the outlet system.
 4. Press  repeatedly until the display shows "Milk froth".
 5. Press **ml** repeatedly until the display shows 240 ml.
 6. Press .
 7. Wait until steam escapes from the appliance.
 8. Remove the water tank.
 - ✓ The appliance drains itself automatically.
 9. If the message "Please refill water tank" appears, ignore it.
 10. Empty and clean the water tank and drip tray.
 11. Insert the water tank and drip tray.
 12. Switch the appliance off and disconnect it from the power supply.

Disposing of old appliance

Valuable raw materials can be re-used by recycling.

1. Unplug the appliance from the mains.
2. Cut through the power cord.
3. Dispose of the appliance in an environmentally friendly manner.



This appliance is labelled in accordance with European Directive 2012/19/EU concerning used electrical and electronic appliances (waste electrical and electronic equipment - WEEE). The guideline determines the framework for the return and recycling of used appliances as applicable throughout the EU.

Customer Service

If you have any queries, are unable to rectify faults on the appliance yourself or if your appliance needs to be repaired, contact Customer Service. You can solve many problems yourself by consulting the information on troubleshooting in these instructions or on our website. If this is not the case, contact our after-sales service. We always find an appropriate solution.

With any warranty claims, we will make sure that your appliance is repaired by trained after-sales technicians using genuine spare parts, including after the manufacturer's warranty has expired. Function-relevant genuine spare parts according to the corresponding Eco-design Order can be obtained from Customer Service for a period of at least 7 years from the date on which

your appliance was placed on the market within the European Economic Area.

Note: Under the terms of the manufacturer's warranty the use of Customer Service is free of charge.

Detailed information on the warranty period and terms of warranty in your country is available from our after-sales service, your retailer or on our website.

If you contact Customer Service, you will require the product number (E-Nr.) and the production number (FD) of your appliance.

The contact details for Customer Service can be found in the Customer Service directory at the end of the manual or on our website.

Product number (E-Nr.) and production number (FD)

You can find the product number (E-Nr.) and the production number (FD) on the appliance's rating plate.

Make a note of your appliance's details and the Customer Service telephone number to find them again quickly.

Warranty conditions

You can make warranty claims for your appliance under the following conditions.

The guarantee conditions for this appliance are as defined by our representative in the country in which it is sold. Details regarding these conditions can be obtained from the dealer from whom the appliance was purchased. The bill of sale or receipt must be produced when making any claim under the terms of this guarantee.

Technical specifications

Facts and figures for your appliance can be found here.

Voltage	220–240 V ~
Frequency	50 Hz
Connection rating	1500 W
Maximum static pump pressure	15 bar
Maximum capacity of water tank (without filter)	1.7 l
Maximum capacity of bean container	270 g
Length of the power cable	100 cm
Appliance height	37.3 cm
Appliance width	24.9 cm
Appliance depth	42.8 cm
Weight, empty	8.9 kg
Type of grinder	Ceramic

Table des matières

Sécurité	41	Préparation de boisson avec mousse de lait.....	52
Indications générales	41	Préparer une boisson à base de café avec de la mousse de lait.....	53
Utilisation conforme.....	41	Préparer des boissons spéciales...	53
Limitation du groupe d'utilisateurs.....	41	Préparer de la mousse de lait.....	53
Consignes de sécurité	42	Préparer de l'eau chaude.....	54
Protection de l'environnement et économies	46	Réglages des boissons	54
Élimination de l'emballage	46	Filtre à eau	56
Économies d'énergie	46	Sécurité enfants	57
Installation et branchement	46	Activer la sécurité enfants.....	57
Contenu de la livraison	46	Désactiver la sécurité enfants.....	57
Installer et raccorder l'appareil	46	Chauffage pour tasses¹	57
Présentation de l'appareil	47	Réglages de base	57
Appareil	47	Aperçu des réglages de base	57
Éléments de commande	47	Modifier des réglages de base	58
Écran	47	Nettoyage et entretien	58
Aperçu des boissons	48	Lavage au lave-vaisselle	58
Accessoires	48	Produits de nettoyage	59
Avant la première utilisation	49	Nettoyer l'appareil	60
Première mise en service.....	49	Nettoyer la cuvette d'égouttage et le bac à marc de café.....	60
Remplir le réservoir d'eau.....	49	Nettoyer le puits de café moulu	61
Remplir le réservoir pour café en grains.....	49	Nettoyer le système de lait.....	61
Régler la langue	49	Nettoyer l'unité de percolation	62
Régler la dureté de l'eau.....	50	Programmes d'entretien	62
Indications générales	50	Dépannage	67
Utilisation de base	51	Remarques sur le bandeau d'af-fichage.....	67
Allumer ou éteindre l'appareil	51	Dysfonctionnements.....	69
Préparation de boisson.....	51	Problème de résultat.....	71
Préparer une boisson à base de café en grains frais.....	52	Transport, stockage et élimination	74
Préparer une boisson à base de café moulu.....	52	Activer la protection contre le gel.....	74
		Éliminer un appareil usagé	74

¹ Selon l'équipement de l'appareil

fr

Service après-vente 74

Numéro de produit (E-Nr) et numéro de fabrication (FD)..... 75

Conditions de garantie..... 75

Données techniques 75



Sécurité

Respectez les informations relatives à la sécurité afin d'utiliser votre appareil en toute sécurité.

Indications générales

Vous trouverez ici des informations générales sur la présente notice.

- Lisez attentivement cette notice. C'est en effet la seule manière d'utiliser l'appareil de manière sûre et efficace.
- Cette notice d'utilisation s'adresse à l'utilisateur de l'appareil.
- Respectez les consignes de sécurité et les avertissements.
- Conservez la notice ainsi que les informations produites en vue d'une réutilisation ultérieure ou pour un futur nouveau propriétaire.
- Contrôlez l'appareil après l'avoir déballé. Ne raccordez pas l'appareil si ce dernier a été endommagé durant le transport.

Utilisation conforme

Respectez les consignes d'utilisation conforme afin d'utiliser l'appareil correctement et en toute sécurité.

Utilisez l'appareil uniquement :

- en conformité avec la présente notice d'utilisation.
- pour préparer des boissons chaudes.
- pour un usage privé et dans les pièces fermées d'un domicile.
- à une hauteur maximale de 2000 m au-dessus du niveau de la mer.

Débranchez l'appareil du secteur lorsque :

- nettoyez l'appareil.

Limitation du groupe d'utilisateurs

Évitez les risques pour les enfants et les personnes à risque.

Les enfants de 8 ans et plus, les personnes souffrant d'un handicap physique, sensoriel ou mental ou ne détenant pas l'expérience et/ou les connaissances nécessaires pourront utiliser cet

appareil à condition de le faire sous surveillance, ou que son utilisation sûre leur ait été enseignée et qu'ils aient compris les dangers qui en émanent.

Les enfants ne sont pas autorisés à jouer avec l'appareil.

Les enfants ne doivent en aucun cas s'occuper du nettoyage et de la maintenance utilisateur, sauf s'ils sont âgés de 8 ans et plus et agissent sous surveillance.

Les enfants de moins de 8 ans doivent être tenus à distance de l'appareil et du cordon d'alimentation secteur.

Consignes de sécurité

Respectez les consignes de sécurité lorsque vous utilisez l'appareil.

AVERTISSEMENT – Risque d'étouffement !

- Les enfants risquent de s'envelopper dans les matériaux d'emballage ou de les mettre sur la tête et de s'étouffer.
 - ▶ Conserver les matériaux d'emballage hors de portée des enfants.
 - ▶ Ne jamais laisser les enfants jouer avec les emballages.
- Les enfants risquent d'aspirer de petites pièces ou de les avaler et de s'étouffer.
 - ▶ Conserver les petites pièces hors de portée des enfants.
 - ▶ Ne pas laisser les enfants jouer avec les petites pièces.

AVERTISSEMENT – Risque d'électrocution !

- Les installations non conformes sont dangereuses.
 - ▶ Pour le raccordement et l'utilisation de l'appareil, respectez impérativement les indications figurant sur la plaque signalétique.
 - ▶ L'appareil doit être branché uniquement à une source d'alimentation CA à l'aide d'une prise murale correctement installée et reliée à la terre.
 - ▶ Le système à conducteur de protection de l'installation électrique de la maison doit être conforme.

- Un appareil endommagé ou un cordon d'alimentation secteur endommagé est dangereux.
 - ▶ N'utilisez jamais un appareil endommagé.
 - ▶ Ne jamais faire fonctionner l'appareil avec une surface fissurée ou cassée.
 - ▶ Ne tirez jamais sur le cordon d'alimentation secteur pour débrancher l'appareil du secteur. Débranchez toujours la fiche du cordon d'alimentation secteur.
 - ▶ Si l'appareil ou le cordon d'alimentation secteur est endommagé, débranchez immédiatement le cordon d'alimentation secteur ou coupez le fusible dans le boîtier à fusibles.
 - ▶ "Appelez le service après-vente." → *Page 74*
 - ▶ Seul un personnel dûment qualifié peut entreprendre des réparations sur l'appareil.
- Les réparations non conformes sont dangereuses.
 - ▶ Seul un personnel dûment qualifié peut entreprendre des réparations sur l'appareil.
 - ▶ Seules des pièces de rechange d'origine peuvent être utilisées pour réparer l'appareil.
 - ▶ Afin d'écartier tout danger quand le cordon d'alimentation secteur de cet appareil est endommagé, seul le fabricant ou son service après-vente ou toute autre personne de qualification équivalente est habilité à le remplacer.
- L'infiltration d'humidité peut occasionner un choc électrique.
 - ▶ Ne jamais plonger l'appareil ou le cordon d'alimentation secteur dans l'eau.
 - ▶ Veiller à ce qu'aucun liquide ne coule sur le raccordement de l'appareil.
 - ▶ Utiliser l'appareil uniquement dans des pièces fermées.
 - ▶ Ne jamais exposer l'appareil à une forte chaleur ou humidité.
 - ▶ Ne pas utiliser de nettoyeur vapeur ou haute pression pour nettoyer l'appareil.

 AVERTISSEMENT – Risque d'incendie !

- L'appareil devient chaud.
 - ▶ Aérer suffisamment l'appareil.

- ▶ Ne jamais utiliser l'appareil dans une armoire.
- Un cordon d'alimentation secteur prolongé ainsi qu'un adaptateur non agréé sont dangereux.
 - ▶ Ne pas utiliser de rallonge ni de bloc multiprise.
 - ▶ Si le cordon d'alimentation secteur est trop court, contacter le service après-vente.
 - ▶ Utiliser uniquement des adaptateurs agréés par le fabricant.

⚠ AVERTISSEMENT – Risque de brûlure !

Certaines pièces de l'appareil deviennent très chaudes.

- ▶ Ne jamais toucher les pièces chaudes de l'appareil.
- ▶ Laisser refroidir les pièces chaudes de l'appareil avant de les toucher.

⚠ AVERTISSEMENT – Risque de brûlure !

Les boissons fraîchement préparées sont très chaudes.

- ▶ Si nécessaire, laisser refroidir les boissons.
- ▶ Éviter tout contact entre la peau et les liquides et vapeurs qui s'échappent.

⚠ AVERTISSEMENT – Risques de blessures !

- Une utilisation inappropriée de l'appareil peut être dangereuse pour l'utilisateur.
 - ▶ Utiliser l'appareil uniquement conformément à son emploi prévu.
- Pincement des doigts lors de la fermeture de la porte de l'appareil.
 - ▶ Attention à ne pas se coincer les doigts à la fermeture de la porte.
- Le moulin tourne.
 - ▶ Ne jamais mettre les mains dans le moulin.

⚠ AVERTISSEMENT – Risque dû au magnétisme !

L'appareil contient des aimants permanents. Ceux-ci peuvent influencer sur des implants électroniques, p. ex. les stimulateurs cardiaques ou les pompes à insuline.

- ▶ Les personnes portant un implant électronique doivent donc respecter une distance minimum de 10 cm par rapport à l'appareil.
- ▶ Une distance minimale de 10 cm doit également être respectée par rapport au réservoir d'eau retiré.

⚠ AVERTISSEMENT – Risque de préjudice pour la santé !

Les salissures sur l'appareil peuvent nuire à la santé.

- ▶ Respecter les consignes de nettoyage de l'appareil.

Protection de l'environnement et économies

Préservez l'environnement en exploitant les ressources avec parcimonie et en éliminant correctement les matériaux recyclables.

Élimination de l'emballage

Les matériaux d'emballage sont écologiques et recyclables.

- ▶ Éliminez les différents composants séparément en fonction de leur type.

Vous trouverez des informations sur les circuits actuels d'élimination auprès de votre revendeur spécialisé ou de l'administration de votre commune/ville.



Éliminez l'emballage en respectant l'environnement.

Économies d'énergie

Si vous respectez ces consignes, votre appareil consommera moins de courant.

Régler l'intervalle d'arrêt automatique sur la plus petite valeur.

- + Si l'appareil n'est pas utilisé, il s'éteint plus tôt.
→ "Réglages de base", Page 57

Ne pas interrompre prématurément la préparation de boisson.

- + La quantité d'eau ou de lait chauffée est utilisée de façon optimale.

Détartrer régulièrement l'appareil.

- + Les dépôts de tartre augmentent la consommation d'énergie.

Installation et branchement

Apprenez où et comment installer votre appareil. Apprenez également comment brancher votre appareil sur le secteur.

Contenu de la livraison

Après avoir déballé le produit, contrôlez toutes les pièces pour détecter d'éventuels dégâts dus au transport et vérifiez si la livraison est complète. → Fig. 1

A	Machine à café automatique
B	Tuyau à lait et tube d'aspiration
C	Notice d'utilisation
D	Pastilles de nettoyage ¹
E	Pastilles de détartrage ¹
F	Bandelette pour déterminer la dureté de l'eau
G	Filtre à eau ¹

¹ Selon l'équipement de l'appareil

Installer et raccorder l'appareil

ATTENTION !

Risque d'endommagement de l'appareil. L'appareil peut être endommagé en cas de mise en service non conforme.

- ▶ Utiliser l'appareil uniquement dans des locaux hors gel.
- ▶ Si l'appareil a été transporté ou entreposé à moins de 0 °C, attendre 3 heures à température ambiante avant de le mettre en service.
- ▶ Après chaque branchement, attendre env. 5 secondes.

1. Retirer les films de protection.
2. Poser l'appareil sur une surface plane solide et résistante à l'eau.
3. Brancher la fiche secteur de l'appareil sur une prise de courant à contact de protection installée dans les règles.

Présentation de l'appareil

Découvrez les composants de votre appareil.

Appareil

Vous trouverez ici un aperçu des composants de votre appareil.

Remarque : Des variations de détails et de couleurs sont possibles selon le type d'appareil.

→ Fig. **2**

1	Réservoir d'eau
2	Couvercle du réservoir d'eau
3	Chauffage pour tasses ¹
4	Couvercle préservateur d'arôme
5	Réservoir pour café en grains
6	Puits de café moulu
7	Écran
8	Bandeau de commande
9	Couvercle
10	Mousseur de lait
11	Système verseur
12	Porte du compartiment de percolation
13	Plaque signalétique

¹ Selon l'équipement de l'appareil

14 Cuvette d'égouttage

¹ Selon l'équipement de l'appareil

Éléments de commande

Vous trouverez ici un aperçu des symboles de votre appareil. Appuyez sur les symboles pour effectuer une sélection, démarrer une préparation ou procéder à un réglage.

Symbole	Explication
	Allumer ou éteindre l'appareil.
menu 	Ouvrir ou quitter le menu. Remarque : Les touches du menu sont visibles uniquement lorsque le menu est ouvert.
	Se déplacer vers le haut dans le menu.
	Se déplacer vers le bas dans le menu.
ok	Confirmer/mémoriser dans le menu.
	Revenir en arrière dans le menu.
	Préparer deux tasses.
	Sélectionner l'intensité du café.
ml	Ajuster la quantité.
start stop	Démarrer ou interrompre le processus.

Écran

L'écran affiche les boissons sélectionnées, les réglages effectués et les paramètres possibles, de même que des messages concernant l'état de fonctionnement.

L'écran affiche des informations supplémentaires et des étapes de manipulation. Les informations sont masquées au bout d'une courte durée ou par pression sur une touche. Les étapes de manipulation sont masquées lorsqu'elles ont été effectuées.

Aperçu des boissons

Votre appareil vous permet de préparer une grande variété de boissons.

Sélection rapide

Symbole	Désignation	Explication	Catégorie
	Espresso	Café très corsé. Servir de préférence dans des petites tasses, à paroi épaisse. Préchauffer les tasses avec de l'eau chaude.	→ "Préparer une boisson à base de café en grains frais", Page 52 → "Préparer une boisson à base de café moulu", Page 52
	Café crème	Café avec une couche de « crème » ou grande tasse de café préparée selon la méthode expresso.	→ "Préparer une boisson à base de café en grains frais", Page 52 → "Préparer une boisson à base de café moulu", Page 52
	Cappuccino	Espresso avec de la mousse de lait. Servir de préférence dans des petites tasses.	→ "Préparer une boisson à base de café avec de la mousse de lait", Page 53
	LatteMacchiato	Spécialité de café avec trois couches : du lait chaud au fond, de l'expresso au milieu et de la mousse de lait sur le dessus. Servir de préférence dans un verre.	→ "Préparer une boisson à base de café avec de la mousse de lait", Page 53
	Boissons spéciales	Préparer d'autres boissons.	→ "Préparer des boissons spéciales", Page 53

Accessoires

Utilisez les accessoires d'origine. Ils ont été spécialement élaborés pour votre appareil. Vous trouverez ici un aperçu des accessoires disponibles pour votre appareil.

Accessoires	Commerce	Service après-vente
Pastilles de nettoyage	TZ80001A TZ80001B	00312097 00312098
Pastilles de détartrage	TZ80002A TZ80002B	00312094 00312095
Filtre à eau	TZ70003	00575491
Pack de 3 filtres à eau	TZ70033	-
Chiffon microfibras	-	00460770
Kit d'entretien	TZ80004A	00312105

Accessoires	Commerce	Service après-vente
	TZ80004B	00312106

Avant la première utilisation

Effectuez les réglages de base. Nettoyez l'appareil et ses différents composants.

Première mise en service

- ▶ Après le raccordement électrique, effectuer les réglages pour la première mise en service de l'appareil.

Remarque : L'affichage automatique pour la sélection de la langue et de la dureté de l'eau apparaît uniquement lors de la première mise en marche.

Conseil : Vous pouvez modifier les réglages à tout moment.
→ "Réglages de base", Page 57

Remplir le réservoir d'eau

Remplissez quotidiennement le réservoir d'eau fraîche froide, non gazeuse.

1. Ouvrir le couvercle.
2. Retirer le réservoir d'eau par la poignée encastrée.
3. Rincer le réservoir d'eau.
4. Remplir le réservoir d'eau jusqu'au repère « max ».
5. Placer le réservoir d'eau droit dans son support.
6. Fermer le couvercle.

Remplir le réservoir pour café en grains

ATTENTION !

Les grains inadaptés peuvent boucher le moulin.

- ▶ Utiliser exclusivement un mélange de café en grains torréfiés pour espresso ou percolateur.
- ▶ Ne pas utiliser de grains de café enrobés d'un glaçage.
- ▶ Ne pas utiliser de grains de café caramélisés.
- ▶ Ne pas utiliser de grains de café traités avec un additif contenant du sucre.
- ▶ Ne pas utiliser de café en poudre.

1. Ouvrir le couvercle.
2. Verser les grains de café.

L'appareil se réglera sur le café en grains lors des prochaines préparations.

3. Fermer le couvercle.

Conseil : Stockez le café en grains dans un endroit frais, à l'abri de l'air, pour conserver toute sa qualité.

Vous pouvez laisser le café en grains dans le réservoir pour café en grains plusieurs jours sans que le café ne perde son arôme.

Régler la langue

1. Allumer l'appareil avec .
- ✓ La langue pré-réglée s'affiche à l'écran.
2. Appuyer sur  ou  jusqu'à ce que l'écran affiche la langue souhaitée.
3. Appuyer sur **ok**.

Conseil : Vous pouvez modifier la langue à tout moment.

→ "Aperçu des réglages de base",
Page 57

Régler la dureté de l'eau

Le réglage correct de la dureté de l'eau est important car il permet à la machine d'indiquer le moment où un détartrage est nécessaire. Vous pouvez déterminer la dureté de l'eau avec la bandelette de test jointe ou la demander à la compagnie locale de distribution d'eau.

1. Plonger brièvement la bandelette de test dans l'eau fraîche du robinet.
2. Laisser la bandelette de test s'égoutter.
 - ✓ La bandelette de test indique après 1 minute la dureté de l'eau.
3. Si la maison est équipée d'un adoucisseur d'eau, sélectionner "Adoucisseur".
4. Appuyer sur  ou  jusqu'à ce que l'écran indique la dureté de l'eau souhaitée.

Le tableau indique les équivalences entre les niveaux et les différents degrés de dureté de l'eau :

Niveau	Dureté allemande en °dH	Dureté totale en mmol/l
1	1-7	0.18 - 1.25
2	8-14	1.42 - 2.49
3	15-21	2.67 - 3.74
4 ¹	22-30	3.92 - 5.34

¹ Réglage usine (peut varier selon le type d'appareil)

5. Appuyer sur **ok**.
6. Vérifier si le réservoir pour grains de café est plein.

7. Vérifier si le réservoir à eau est rempli.

8. Appuyer sur **ok**.

- ✓ L'appareil effectue un rinçage.

Conseil : Vous pouvez modifier à tout moment la dureté de l'eau.

→ "Aperçu des réglages de base",
Page 57

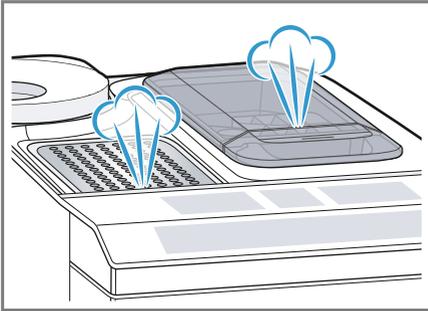
Indications générales

Respectez les indications pour utiliser votre appareil de manière optimale.

Remarques

- À la fabrication, l'appareil a été programmé sur des réglages standard lui permettant de fonctionner de façon optimale.
- Le moulin est réglé en usine en vue d'un fonctionnement optimal. Si le café est distribué uniquement goutte par goutte, s'il n'est pas assez corsé et s'il a trop peu de « crème », vous pouvez adapter le degré de mouture pendant que le moulin tourne.
→ "Régler le degré de mouture",
Page 55
- L'appareil s'éteint automatiquement si aucune manipulation n'a lieu pendant un certain temps. "Vous pouvez modifier la durée dans les réglages de base." → Page 57
- En cours d'utilisation, des gouttes d'eau peuvent se former aux fentes d'aération et sur le couvercle du puits de café moulu.

- Pour des raisons techniques, de la vapeur peut s'échapper de l'appareil.



Conseils

- "Vous pouvez désactiver les tonalités des touches dans les réglages de base." → *Page 57*
- Si vous utilisez votre appareil pour la première fois, si un programme d'entretien est exécuté ou si votre appareil n'a pas été utilisé pendant longtemps, la première boisson servie n'atteint pas encore son plein arôme et ne doit pas être bue.
- Une « crème » fine et consistante sera obtenue lorsque vous aurez préparé quelques tasses après la mise en service de votre appareil.

Utilisation de base

Cette section contient des renseignements essentiels sur la manipulation de votre appareil.

Allumer ou éteindre l'appareil

- ▶ Allumer ou éteindre l'appareil avec .

Lors de l'allumage, l'écran affiche le logo Siemens. Lors de l'allumage et de l'extinction, l'appareil effectue un rinçage automatique. Lors de sa mise hors tension, l'ap-

pareil éjecte de la vapeur dans la cuvette d'égouttage pour le nettoyer. Pendant le rinçage, l'écran affiche une goutte. Si l'appareil est encore chaud au moment de l'allumage ou si aucune boisson n'a été préparée avant l'extinction, l'appareil n'effectue pas de rinçage.

Préparation de boisson

Apprenez comment préparer la boisson de votre choix.

AVERTISSEMENT **Risque de brûlure!**

Les boissons fraîchement préparées sont très chaudes.

- ▶ Si nécessaire, laisser refroidir les boissons.
- ▶ Éviter tout contact entre la peau et les liquides et vapeurs qui s'échappent.

Conseils

- Vous pouvez sélectionner directement la boisson souhaitée avec les touches de sélection rapide. L'écran affiche la boisson et les réglages actuels de l'appareil.
- Votre appareil propose, en plus des boissons que vous pouvez préparer à l'aide des touches de sélection de rapide, d'autres boissons.
→ "*Préparer des boissons spéciales*", *Page 53*
- Vous pouvez adapter votre boisson à votre goût personnel.
→ "*Réglages des boissons*", *Page 54*

Remarques

- Si vous ne modifiez aucun réglage pendant env. 5 secondes, l'appareil quitte le mode réglage. Les réglages sont mémorisés automatiquement.

- Avec certains réglages, le café est préparé en plusieurs étapes. Attendez que l'opération soit entièrement terminée.

Préparer une boisson à base de café en grains frais

1. Placer la tasse préchauffée sous le système verseur.
2. Appuyer sur le symbole pour une boisson à base de café sans lait.
- ✓ L'écran affiche la boisson et les réglages actuels.
→ *"Réglages des boissons"*, Page 54
3. Modifier les réglages si nécessaire :
 - Adapter la quantité avec **ml**.
→ *"Adapter la quantité"*, Page 55
 - Adapter l'intensité du café avec \emptyset .
→ *"Adapter l'intensité du café"*, Page 54
4. Appuyer sur .
Les grains de café sont fraîchement moulus avant chaque percolation.
- ✓ La machine effectue la percolation et le café s'écoule ensuite dans la tasse.

Conseils

- Vous pouvez stopper prématurément la préparation avec .
- Apprenez comment préparer des boissons à base de café et de lait.
→ *"Préparation de boisson avec mousse de lait"*, Page 52

Préparer une boisson à base de café moulu

ATTENTION !

Le puits de café moulu peut se boucher.

- ▶ Ne pas utiliser de café en grains.

- ▶ Ne pas utiliser de café soluble.
- ▶ Avec un pinceau doux, pousser les restes de poudre dans le puits de café moulu.

Remarque

Lors de la préparation avec du café moulu, les choix suivants ne sont pas disponibles :

- Deux tasses à la fois
 - Intensité du café
 - "Double Shot"
1. Placer la tasse préchauffée sous le système verseur.
 2. Appuyer sur le symbole de la boisson souhaitée.
 3. Appuyer à plusieurs reprises sur \emptyset jusqu'à ce que l'écran affiche "Café moulu".
 4. Ouvrir le puits de café moulu.
 5. Mettre au maximum 2 cuillères à café rases de café moulu, max. 12 g.
 6. Fermer le puits de café moulu.
 7. Appuyer sur .
 - ✓ La machine effectue la percolation et le café s'écoule ensuite dans la tasse.

Conseils

- Vous pouvez stopper prématurément la préparation avec .
- Pour obtenir une autre boisson avec du café moulu, répétez l'opération.
- Remplissez toujours le café moulu juste avant la préparation de boissons.

Préparation de boisson avec mousse de lait

Avec votre appareil, vous pouvez préparer des boissons à base de café avec de la mousse de lait.

AVERTISSEMENT **Risque de brûlure!**

Le système de lait devient très chaud.

- ▶ Ne jamais toucher le système de lait chaud.
- ▶ Laisser le système de lait refroidir avant de le toucher.

ATTENTION !

Les résidus de lait peuvent sécher et sont difficiles à enlever.

- ▶ Nettoyer le système de lait après chaque utilisation.
→ "*Nettoyer le système de lait*",
Page 61

Conseil : Vous pouvez aussi utiliser des boissons végétales au lieu de lait, p. ex. du lait de soja.

Remarque : La qualité de la mousse de lait dépend du type de lait ou de boisson végétale.

Préparer une boisson à base de café avec de la mousse de lait

Conditions préalables

- Le tuyau à lait est raccordé.
 - Le tube d'aspiration est raccordé.
1. Plonger le tube d'aspiration dans le lait.
 2. Placer la tasse préchauffée sous le système verseur.
 3. Appuyer sur le symbole pour une boisson à base de café et de lait.
 - ✓ L'écran affiche la boisson et les réglages actuels.
→ "*Réglages des boissons*",
Page 54
 4. Modifier les réglages si nécessaire :
 - Adapter la quantité avec **ml**.
→ "*Adapter la quantité*",
Page 55

- Adapter l'intensité du café avec .
→ "*Adapter l'intensité du café*",
Page 54
- Utiliser le puits de café moulu.
→ "*Préparer une boisson à base de café moulu*", Page 52

5. Appuyer sur  et attendre la fin de l'opération.

Le système de lait se nettoie automatiquement après la préparation avec un bref jet de vapeur.

- Conseil :** Si vous voulez arrêter la préparation prématurément, appuyez sur . Si vous voulez arrêter complètement la préparation, appuyez sur .

Préparer des boissons spéciales

Votre appareil propose, en plus des boissons que vous pouvez préparer à l'aide des touches de sélection rapide, d'autres boissons.

- ▶ Appuyer plusieurs fois sur .
→ "*Aperçu des boissons*", Page 48

Préparer de la mousse de lait

AVERTISSEMENT **Risque de brûlure!**

Le système de lait devient très chaud.

- ▶ Ne jamais toucher le système de lait chaud.
- ▶ Laisser le système de lait refroidir avant de le toucher.

Conditions préalables

- Le tuyau à lait est raccordé.
 - Le tube d'aspiration est raccordé.
1. Plonger le tube d'aspiration dans le lait, p. ex. une brique de lait.
 2. Placer la tasse préchauffée sous le système verseur.

- Appuyer plusieurs fois sur  jusqu'à ce que l'écran affiche "Mousse de lait".
- Modifier si nécessaire le réglage :
 - Adapter la quantité avec **ml**.
→ "Adapter la quantité",
Page 55
- Appuyer sur .
- De la mousse de lait s'écoule du système verseur.
- Pour arrêter la préparation, appuyer sur .

Préparer de l'eau chaude

AVERTISSEMENT **Risque de brûlure!**

Le système de lait devient très chaud.

- ▶ Ne jamais toucher le système de lait chaud.
- ▶ Laisser le système de lait refroidir avant de le toucher.

Remarque : Si le système de lait n'est pas propre, des petits résidus de lait risquent de se mélanger à l'eau.

Conditions préalables

- Le système de lait est nettoyé.
→ "Nettoyer le système de lait",
Page 61.
 - Le tuyau à lait est retiré.
- Placer la tasse préchauffée sous le système verseur.
 - Appuyer à plusieurs reprises sur  jusqu'à ce que l'écran affiche "Eau chaude".
 - Modifier si nécessaire le réglage :
 - Adapter la quantité avec **ml**.
→ "Adapter la quantité",
Page 55
 - Appuyer sur .

- Si le message "Retirer le tuyau à lait." s'affiche, retirer le tuyau à lait et appuyer sur .
- ✓ L'eau chaude s'écoule du système verseur.
- Pour arrêter la préparation, appuyer sur .

Réglages des boissons

Vous pouvez préparer une boisson selon votre goût.

Adapter l'intensité du café

- Appuyer sur le symbole de la boisson souhaitée.
- Pour sélectionner l'intensité du café, appuyer sur .

Vous pouvez sélectionner les intensités suivantes :

- "doux"
- "normal"
- "fort"
- "très fort"
- "Double Shot"

Remarque : Le réglage "Double Shot" n'est pas disponible pour toutes les boissons et quantités de boisson.

Conseil : Pour obtenir un goût de café intense, sélectionnez pour une grande quantité une intensité élevée.

Sélectionner le café moulu

- Appuyer sur le symbole de la boisson souhaitée.
- Appuyer plusieurs fois sur  jusqu'à ce que l'écran affiche "Café moulu".
→ "Préparer une boisson à base de café moulu", Page 52

aromaDouble Shot

Vous pouvez préparer un café serré, en utilisant le réglage "Double Shot".

Plus la percolation du café dure longtemps, plus les substances amères et les arômes indésirables sont libérés. Les substances amères et les arômes indésirables altèrent le goût et la digestibilité du café. Afin de ne libérer que les arômes agréables et digestes, la machine prépare tout d'abord la moitié de la quantité souhaitée, puis moud de nouveau du café et effectue une nouvelle percolation.

Remarque : Le réglage "Double Shot" n'est pas disponible pour toutes les boissons et quantités de boisson.

Adapter la quantité

1. Appuyer sur le symbole de la boisson souhaitée.
2. Appuyer plusieurs fois sur **ml** jusqu'à ce que l'écran affiche la quantité voulue.

Préparer deux tasses à la fois

Selon le type d'appareil, vous pouvez préparer simultanément deux tasses de certaines boissons.

Remarque

La fonction « Deux tasses à la fois » n'est pas disponible dans les cas suivants :

- "Café moulu"
- "Double Shot"
- Quantité inférieure à 35 ml

1. Appuyer sur le symbole de la boisson souhaitée.
2. Appuyer sur .
 - ✓ L'écran indique le réglage.
3. Placer deux tasses à gauche et à droite sous le système verseur.
4. Appuyer sur .

La boisson est préparée en 2 étapes. Les grains de café sont moulus en 2 étapes.

- ✓ L'appareil effectue la percolation et la boisson s'écoule dans la tasse.
5. Attendre la fin de l'opération.

Moulin

Votre appareil possède un moulin réglable avec lequel vous pouvez adapter individuellement le degré de mouture des grains de café.

Régler le degré de mouture

Pendant la mouture des grains de café, réglez le degré de mouture souhaité.

AVERTISSEMENT Risques de blessures!

Le moulin tourne.

- ▶ Ne jamais mettre les mains dans le moulin.

ATTENTION !

Risque d'endommagement du moulin. Un mauvais réglage du degré de mouture peut endommager le moulin.

- ▶ Ne régler le degré de mouture que lorsque le moulin tourne.
- ▶ Régler le degré de mouture graduellement à l'aide du sélecteur rotatif.

Degré de mouture	Réglage
Degré de mouture fin pour du café en grains torréfié foncé.	Tourner le sélecteur dans le sens inverse des aiguilles d'une montre.
	
Degré de mouture grossier pour du café en grains torréfié clair.	Tourner le sélecteur dans le sens des aiguilles d'une montre.

Degré de mouture	Réglage
------------------	---------



Le réglage du degré de mouture est pris en compte seulement après la seconde tasse de café.

Conseil : Si le café est distribué uniquement goutte par goutte, réglez un degré de mouture plus grossier. Si le café n'est pas assez corsé et s'il présente trop peu de « crème », réglez un degré de mouture plus fin.

Filtre à eau

Avec un filtre à eau, vous réduisez les dépôts de tartre et les salissures dans l'eau.

Mettre le filtre à eau en place et l'activer

ATTENTION !

Endommagement possible de l'appareil par l'entartrage.

- ▶ Changer le filtre à eau à temps.
- ▶ Remplacer le filtre à eau au plus tard après 2 mois.

Remarque : Lorsque l'écran affiche "Remplacer le filtre", remplacez le filtre à eau.

Si vous ne mettez pas en place un filtre neuf, sélectionnez "Aucun filtre" et suivez les instructions affichées à l'écran.

1. Plonger le filtre à eau dans un verre d'eau puis le presser légèrement sur les côtés jusqu'à ce que des bulles cessent d'en sortir.
→ Fig. 3
2. Appuyer sur **menu** .
3. Avec  ou , appuyer sur "Filtre à eau" et **ok**.

4. Sélectionner avec  ou  "Nouveau filtre" ou "Remplacer le filtre" et appuyer sur **ok**.
5. **Remarque :** Si vous ne mettez pas en place un filtre neuf, sélectionnez "Aucun filtre" dans les réglages du menu.
Bien enfoncer le filtre à eau dans le réservoir à eau et appuyer sur **ok**.
→ Fig. 4
6. Remplir le réservoir à eau jusqu'au repère « max. » et appuyer sur **ok**.
7. Relier le tuyau à lait au système de lait et au tube d'aspiration.
8. Enfoncer l'extrémité du tube d'aspiration dans l'égouttoir.
9. Placer sous le système verseur un récipient d'une capacité de 1 l et appuyer sur **ok**.
 - ✓ Le filtre est rincé et l'écran affiche "Le rinçage est achevé."
 - ✓ L'appareil est opérationnel.

Conseils

- Changez le filtre à eau également pour des raisons d'hygiène.
- Avec un filtre à eau, le détartrage de l'appareil est moins souvent nécessaire.
- Rincez le filtre à eau avant utilisation en préparant une tasse d'eau chaude, lorsque votre appareil n'a pas été utilisé pendant longtemps, p. ex. pendant les vacances.
- Le filtre à eau est disponible dans le commerce ou auprès du Service après-vente.
→ "Accessoires", Page 48
- Apprenez comment mettre en place le filtre à eau.
→ "Mettre le filtre à eau en place et l'activer", Page 56

Sécurité enfants

Afin d'éviter que les enfants se brûlent ou s'ébouillantent, il est possible de verrouiller l'appareil.

Activer la sécurité enfants

- ▶ Appuyer sur **ml** pendant au moins 3 secondes.
- ✓ L'écran affiche "Sécurité enfants activée. Pour désactiver, appuyez sur "ml" pendant 3 sec."

Désactiver la sécurité enfants

- ▶ Appuyer sur **ml** pendant au moins 3 secondes.
- ✓ L'écran affiche "Sécurité enfants désactivée."

Chauffage pour tasses¹

Vous pouvez chauffer vos tasses avec le chauffage pour tasses.

AVERTISSEMENT Risque de brûlure!

Le chauffage pour tasses devient très chaud.

- ▶ Ne jamais toucher le chauffage pour tasses très chaud.
- ▶ Laisser le chauffage pour tasses refroidir avant de le toucher.

Conseils

- Vous pouvez activer et désactiver le chauffage pour tasses dans les réglages de base.
→ "Aperçu des réglages de base", Page 57
- Pour bien chauffer les tasses, placez-les avec le fond sur le chauffage.

Réglages de base

Vous pouvez régler votre appareil en fonction de vos besoins et sélectionner des fonctions additionnelles.

Aperçu des réglages de base

Réglage	Sélection	Description
Nettoyage	Système de lait Détartre Nettoyer calc'nClean	Démarrer les programmes d'entretien. → "Programmes d'entretien", Page 62
Chauf. tasses ¹	Chauf. tasses OFF ² Chauf. tasses ON	Activer ou désactiver le chauffage pour tasses. → "Chauffage pour tasses ¹ ", Page 57

¹ Selon l'équipement de l'appareil

² Réglage usine (peut varier selon le type d'appareil)

¹ Selon l'équipement de l'appareil

Réglage	Sélection	Description
Filtre à eau	Nouveau filtre Aucun filtre	Régler l'utilisation du filtre à eau.
Température café	normale haute max.	Régler la température pour les boissons à base de café. Remarque : Le réglage sélectionné vaut pour toutes les préparations.
Langues	Voir la sélection sur l'appareil.	Sélectionner la langue du menu. Les modifications sont immédiatement visibles à l'écran.
Arrêt automatique	Voir la sélection sur l'appareil.	Régler la durée au bout de laquelle l'appareil s'éteint automatiquement une fois la dernière préparation de boisson terminée.
Dureté de l'eau	1 (douce) 2 (moyenne) 3 (dure) 4 (très dure) ² Adoucisseur	Régler l'appareil sur la dureté de l'eau locale. → "Régler la dureté de l'eau", Page 50
Tonalité touches	Ton. touches ON ² Ton. touches OFF	Activer ou désactiver les tonalités des touches.
Réglage usine	Réinitialiser tout ? Poursuivre : OK Annuler : ←	Rétablir les réglages usine. Remarque : Tous les réglages personnels sont supprimés et les réglages usine sont rétablis.

¹ Selon l'équipement de l'appareil

² Réglage usine (peut varier selon le type d'appareil)

Modifier des réglages de base

- Appuyer sur **menu** .
- Sélectionner le réglage de base souhaité avec  ou  et appuyer sur **ok**.
- ✓ L'écran affiche les possibilités de réglage et les symboles de navigation sont allumés. L'écran indique le réglage actuel.
3. Effectuer la sélection souhaitée avec  ou  et appuyer sur **ok**.
- ✓ Le réglage est mémorisé.
4. Revenir en arrière avec .

- Appuyer sur **menu**  pour quitter le menu.

Nettoyage et entretien

Pour que votre appareil reste longtemps opérationnel, nettoyez-le et entretenez-le avec soin.

Lavage au lave-vaisselle

Apprenez quels composants peuvent être nettoyés au lave-vaisselle.

ATTENTION !

Certains composants ne sont pas résistants aux températures élevées et peuvent être endommagés lors du nettoyage en lave-vaisselle.

- ▶ Respectez la notice d'utilisation du lave-vaisselle.
- ▶ Nettoyer au lave-vaisselle uniquement les composants adaptés.
- ▶ Utiliser uniquement des programmes qui ne chauffent pas l'eau à plus de 60 °C.

Adaptés au lave-vaisselle

- Cuvette d'égouttage
 - Égouttoir
 - Grille de l'égouttoir
 - Bac à marc de café
 - Indicateur mécanique de niveau de remplissage
- Système de lait avec adaptateur
- Puits de café moulu avec clapet



Non adaptés au lave-vaisselle

- Réservoir d'eau
- Couvercle du réservoir d'eau
- Couvercle préservateur d'arôme
- Unité de percolation
- Couvercle de la buse d'écoulement

**Produits de nettoyage**

Apprenez quels produits de nettoyage sont adaptés à votre appareil.

⚠ AVERTISSEMENT**Risque de préjudice sérieux pour la santé!**

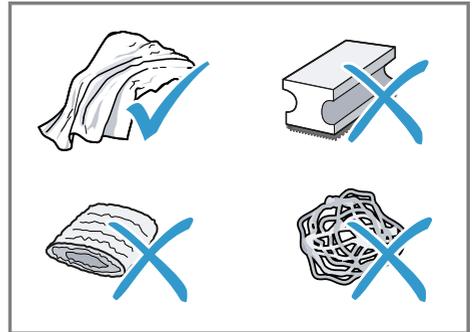
Les liquides de nettoyage peuvent être nocifs pour la santé.

- ▶ Ne jamais boire les liquides.
- ▶ Utiliser le produit détartrant et le produit nettoyant conformément aux instructions et respecter les consignes de sécurité correspondantes.

ATTENTION !

Des produits nettoyants inappropriés peuvent endommager les surfaces de l'appareil.

- ▶ Ne pas utiliser de produits de nettoyage agressifs ou récurants.
- ▶ Ne pas utiliser de produit nettoyant contenant de l'alcool ou de l'alcool à brûler.
- ▶ Ne pas utiliser de tampon en paille métallique ni d'éponge à dos récurant.
- ▶ Ne pas utiliser d'acide citrique, de vinaigre ou de produit à base de vinaigre pour le détartrage.
- ▶ Pour le détartrage et le nettoyage, utiliser exclusivement les pastilles appropriées.
- ▶ Ne pas utiliser de détartrant contenant de l'acide phosphorique.

**Conseils**

- Utilisez des pastilles de détartrage et de nettoyage spécialement conçues pour votre appareil. Les tablettes sont disponibles auprès du Service après-vente.
 - "Accessoires", Page 48
- Lavez soigneusement les chiffons éponges neufs, pour retirer les sels qui y adhèrent éventuellement. Les sels peuvent occasionner une rouille superficielle sur les surfaces en acier inox.

- Enlevez toujours immédiatement les résidus de tartre, de café, de lait, de produit de nettoyage et de produit de détartrage afin d'éviter la formation de corrosion.

Nettoyer l'appareil

AVERTISSEMENT **Risque d'électrocution!**

L'infiltration d'humidité peut occasionner un choc électrique.

- ▶ Ne jamais plonger l'appareil ou le cordon d'alimentation secteur dans l'eau.
- ▶ Veiller à ce qu'aucun liquide ne coule sur le raccordement de l'appareil.
- ▶ Ne pas utiliser de nettoyeur vapeur ou haute pression pour nettoyer l'appareil.

AVERTISSEMENT **Risque de brûlure!**

Certaines pièces de l'appareil deviennent très chaudes.

- ▶ Ne jamais toucher les pièces chaudes de l'appareil.
- ▶ Laisser refroidir les pièces chaudes de l'appareil avant de les toucher.

1. Débrancher l'appareil du réseau électrique.
2. Nettoyer le boîtier, les surfaces brillantes et le bandeau de commande avec un chiffon en micro-fibres.
→ "Accessoires", Page 48
3. Nettoyer le système verseur après la préparation de boisson avec un chiffon doux et humide.
4. Si l'appareil n'a pas été utilisé pendant une période prolongée, p. ex. pendant les vacances, nettoyez tout l'appareil, y compris le sys-

tème d'évacuation, le système de lait, les bols et le groupe de chauffage.

Remarque : L'appareil effectue un rinçage automatique lorsque vous l'allumez à froid ou lorsque vous l'éteignez après la préparation de café. L'appareil se nettoie donc de lui-même.

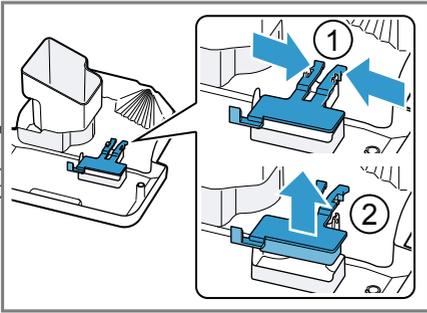
Nettoyer la cuvette d'égouttage et le bac à marc de café

Nettoyez et videz quotidiennement la cuvette d'égouttage et le bac à marc de café pour éviter les dépôts.

1. Séparer le tuyau à lait du système verseur.
2. Ouvrir le hublot.
3. Retirer la cuvette d'égouttage et le bac à marc de café vers l'avant.
4. Retirer et nettoyer l'égouttoir.
5. Vider et nettoyer la cuvette d'égouttage et le bac à marc de café.
6. Nettoyer l'intérieur de l'appareil et le logement de la cuvette d'égouttage.

7. **Conseil**

Lorsque vous poussez sur les deux fixations vers l'intérieur, vous pouvez retirer l'indicateur mécanique de niveau de remplissage plus facilement.



Démonter l'indicateur mécanique de niveau de remplissage et le nettoyer avec un chiffon humide.

8. Assembler la cuvette d'égouttage, l'égouttoir, le bac à marc de café et l'indicateur mécanique de niveau de remplissage et les placer dans l'appareil.
9. Fermer la porte.

Nettoyer le puits de café moulu

Conseil : Vous pouvez nettoyer le puits de café moulu au lave-vaisselle.

1. Retirer le puits de café moulu par le clapet ouvert.
→ Fig. **5**
2. Nettoyer le puits de café moulu avec du produit à vaisselle.
→ Fig. **6**
3. Sécher le puits de café moulu et le placer dans l'appareil.

Nettoyer le système de lait

Nettoyez régulièrement le système de lait.

⚠ AVERTISSEMENT **Risque de brûlure!**

Le système de lait devient très chaud.

- ▶ Ne jamais toucher le système de lait chaud.

- ▶ Laisser le système de lait refroidir avant de le toucher.

ATTENTION !

L'appareil peut être endommagé si le nettoyage n'est pas effectué correctement.

- ▶ Ne pas laver le couvercle du système verseur au lave-vaisselle.

Conseils

- Si vous souhaitez nettoyer le système de lait à fond, vous pouvez utiliser le programme « Nettoyer le système de lait ».
 - "Utiliser le programme de nettoyage du système de lait", Page 63
- Vous pouvez nettoyer tous les composants du système de lait au lave-vaisselle.
 1. Pousser le système verseur complètement vers le bas.
 2. Retirer le couvercle vers l'avant et ôter le tuyau à lait.
→ Fig. **7**
 3. Retirer le système de lait vers l'avant.
→ Fig. **8**
 4. Démonter la partie supérieure et la partie inférieure du système de lait.
→ Fig. **9**
 5. Séparer le tuyau à lait et le tube d'aspiration.
 6. Nettoyer les composants avec un produit de nettoyage et un chiffon doux.
→ Fig. **10**
 7. Rincer tous les composants à l'eau claire et les sécher.
→ Fig. **11**
 8. Éliminer soigneusement tous les résidus de produit dans le système de lait après le nettoyage.

9. Assembler la partie supérieure et la partie inférieure du système de lait.
→ Fig. **12**
10. Raccorder le tuyau à lait.
11. Pousser le système verseur complètement vers le bas.
12. Placer le système de lait droit dans l'appareil par l'avant.
→ Fig. **13**
13. Mettre le couvercle en place.
14. Pousser le système verseur complètement vers le haut.
→ Fig. **14**

Nettoyer l'unité de percolation

En plus du programme de rinçage automatique, retirez et nettoyez régulièrement l'unité de percolation.

AVERTISSEMENT **Risque de brûlure!**

Certaines pièces de l'appareil deviennent très chaudes.

- ▶ Ne jamais toucher les pièces chaudes de l'appareil.
- ▶ Laisser refroidir les pièces chaudes de l'appareil avant de les toucher.

ATTENTION !

Un nettoyage incorrect peut endommager l'appareil.

- ▶ Ne pas utiliser de produit à vaisselle.
 - ▶ Ne pas utiliser de produits de nettoyage contenant du vinaigre et de l'acide.
 - ▶ Ne pas la nettoyer au lave-vaisselle.
1. Séparer le tuyau à lait du système verseur.
→ Fig. **7**
 2. Éteindre l'appareil avec .

3. Ouvrir la porte du compartiment de percolation.
→ Fig. **15**
4. Retirer la cuvette d'égouttage avec le bac à marc de café.
→ Fig. **16**
5. Pousser vers le haut le levier rouge.
6. Saisir l'unité de percolation par la poignée et la retirer prudemment vers l'avant.
→ Fig. **17**
7. Nettoyer soigneusement l'unité de percolation sous l'eau chaude courante.
→ Fig. **18**
8. Nettoyer l'intérieur de l'appareil avec un chiffon humide et éliminer les résidus de café.
9. Laisser sécher l'unité de percolation et l'intérieur de l'appareil.
10. Saisir l'unité de percolation par la poignée.
11. Pousser vers le haut le levier rouge.
12. Placer l'unité de percolation sous le levier et la pousser vers l'arrière jusqu'à la butée.
→ Fig. **19**
- ✓ Le levier s'enclenche.
13. Mettre en place la cuvette d'égouttage avec le bac à marc de café.
→ Fig. **20**
14. Fermer la porte.
→ Fig. **21**
La porte peut uniquement être fermée lorsque l'unité de percolation et la cuvette d'égouttage sont correctement en place.

Programmes d'entretien

Votre appareil vous recommande à intervalles de temps définis d'utiliser les programmes d'entretien. Utilisez les programmes d'entretien pour nettoyer soigneusement votre appareil.

ATTENTION !

Un nettoyage ou détartrage effectués de manière correcte ou en retard peuvent endommager l'appareil.

- ▶ Effectuer le processus de détartrage immédiatement après l'apparition de la consigne.
- ▶ Ne jamais verser de pastilles de détartrage ou d'autres produits dans le puits de café moulu.

Selon la dureté de l'eau et l'utilisation de l'appareil, l'écran affiche les messages suivants, après un préavis :

- "Nettoyer le système de lait."
- "Détartrage nécessaire. Appuyer sur Menu pendant 3 sec."
- "Nettoyage nécessaire. Appuyer sur Menu pendant 3 sec."
- "calc'nClean nécessaire. Appuyer sur Menu pendant 3 sec."

Remarques

- L'écran indique où en est l'opération.
- Si votre appareil n'est pas détartré à temps, l'écran indique "Délai détartr. dépassé. Appareil verrouillé. Appuyer sur Menu pendant 3 s."
- Si l'appareil est verrouillé, il ne peut être réutilisé qu'une fois le détartrage effectué.
- Si vous interrompez le programme d'entretien par mégarde, vous devez le réinitialiser.

→ "Réinitialiser les programmes d'entretien", Page 63

Conseils

- Si vous utilisez un filtre à eau, la durée avant l'exécution des programmes d'entretien est allongée.
- Vous pouvez regrouper le détartrage et le nettoyage avec le programme d'entretien calc'nClean.
→ "Utiliser le programme calc'nClean", Page 65
- Après un programme d'entretien, nettoyez immédiatement votre appareil avec un chiffon doux et hu-

mide, afin d'éliminer les résidus de la solution de détartrage et prévenir la corrosion.

Réinitialiser les programmes d'entretien

Si un programme d'entretien a été interrompu, p. ex. par une coupure de courant, procédez de la manière suivante.

1. Vider le réservoir et placer l'extrémité du tube d'aspiration dans le récipient.
2. Rincer le réservoir d'eau.
3. Remplir le réservoir d'eau fraîche non gazeuse jusqu'au repère « max ».
4. Appuyer sur **ok**.
- ✓ L'appareil est rincé pendant env. 2 minutes.
5. Vider et nettoyer la cuvette d'égouttage.
6. Mettre la cuvette d'égouttage en place et fermer la porte.
7. Redémarrer le programme d'entretien.

Utiliser le programme de nettoyage du système de lait

Si nécessaire, rincez le système de lait avec de l'eau. Le rinçage dure env. 1 minute.

1. Appuyer sur **menu** .
2. Sélectionner "Nettoyage" avec  et  et appuyer sur **ok**.
3. Sélectionner "Système de lait" avec  et  et appuyer sur **ok**.
4. Appuyer sur **ok** pour démarrer le programme.
- ✓ L'écran vous guide à travers le programme.
5. Placer un verre vide sous le système verseur et introduire l'extrémité du tube d'aspiration dans le verre.

6. Appuyer sur **ok**.

- ✓ Le système de lait se nettoie automatiquement.
- 7.** Vider le verre et nettoyer le tube d'aspiration.
- ✓ Le programme est terminé et l'appareil est prêt à fonctionner.

Conseil : Si vous souhaitez nettoyer le système de lait à fond, nettoyez le régulièrement à la main.

→ "Nettoyer le système de lait",
Page 61

Utiliser le programme de détartrage

Exécutez le programme de détartrage lorsque votre appareil vous y invite. L'opération dure env. 30 minutes.

Condition préalable : L'unité de percolation est nettoyée.

→ "Nettoyer l'unité de percolation",
Page 62

1. Appuyer sur **menu** .
2. Sélectionner "Nettoyage" avec  et  et appuyer sur **ok**.
3. Sélectionner "Détartrer" avec  et  et appuyer sur **ok**.
4. Appuyer sur **ok** pour démarrer le programme.
- ✓ L'écran vous guide à travers le programme.
5. Vider la cuvette d'égouttage et la mettre en place.
6. Si un filtre à eau est présent, retirer le filtre à eau.
7. Appuyer sur **ok**.
8. Vider le réservoir à eau.
9. Remplir un récipient avec 0,5 l d'eau tiède.
10. Ajouter une pastille de détartrage Siemens dans l'eau et mélanger jusqu'à ce que la pastille soit entièrement dissoute.

11. Verser la solution détartrante dans le réservoir à eau jusqu'au repère calc et appuyer sur **ok**.

12. Placer un récipient d'une capacité d'au moins 0,5 l sous le système verseur.

13. Placer l'extrémité du tube d'aspiration dans le récipient et appuyer sur **ok**.

✓ Le programme de détartrage dure env. 20 minutes.

14. Rincer le réservoir d'eau.

15. Appuyer sur **ok**.

16. Si un filtre à eau est présent, mettre le filtre à eau en place.
→ "Mettre le filtre à eau en place et l'activer", Page 56

17. Appuyer sur **ok**.

18. Remplir d'eau fraîche jusqu'au repère « max ».

19. Appuyer sur **ok**.

✓ Le programme de détartrage dure environ 1 minute et rince l'appareil.

20. Vider la cuvette d'égouttage et la mettre en place.

21. Nettoyer soigneusement le tube d'aspiration du système de lait.

✓ Le programme est terminé et l'appareil est prêt à fonctionner.

Utiliser le programme de nettoyage

Exécutez le programme de nettoyage lorsque votre appareil vous y invite. L'opération dure env. 9 minutes.

Condition préalable : L'unité de percolation est nettoyée.

→ "Nettoyer l'unité de percolation",
Page 62

1. Appuyer sur **menu** .
2. Sélectionner "Nettoyage" avec  et  et appuyer sur **ok**.
3. Sélectionner "Nettoyer" avec  et  et appuyer sur **ok**.

4. Appuyer sur **ok** pour démarrer le programme.
- ✓ L'écran vous guide à travers le programme.
5. Vider la cuvette d'égouttage et la mettre en place.
6. Ouvrir le puits de café moulu.
7. Placer une pastille de nettoyage Siemens dans le puits de café moulu.
8. Fermer le puits de café moulu et appuyer sur **ok**.
9. Placer un récipient d'une capacité d'au moins 0,5 l sous le système verseur et appuyer sur **ok**.
- ✓ Le programme de nettoyage dure env. 7 minutes.
10. Vider la cuvette d'égouttage et la mettre en place.
- ✓ Le programme est terminé et l'appareil est prêt à fonctionner.
6. Si un filtre à eau est présent, retirer le filtre à eau.
7. Appuyer sur **ok**.
8. Vider le réservoir à eau.
9. Remplir un récipient avec 0,5 l d'eau tiède.
10. Ajouter une pastille de détartrage Siemens dans l'eau et mélanger jusqu'à ce que la pastille soit entièrement dissoute.
11. Verser la solution détartrante dans le réservoir à eau jusqu'au repère calc et appuyer sur **ok**.
12. Placer un récipient d'une capacité d'au moins 0,5 l sous le système verseur.
13. Placer l'extrémité du tube d'aspiration dans le récipient et appuyer sur **ok**.
- ✓ Le programme de détartrage dure env. 20 minutes.

Utiliser le programme calc'nClean

Vous pouvez combiner les programmes de nettoyage et de détartrage avec le programme d'entretien calc'nClean. Exécutez le programme calc'nClean lorsque l'appareil vous y invite. L'opération dure env. 43 minutes.

Condition préalable : L'unité de percolation est nettoyée.

→ "Nettoyer l'unité de percolation", Page 62

1. Appuyer sur **menu** .
2. Sélectionner "Nettoyage" avec  et  et appuyer sur **ok**.
3. Sélectionner "calc'nClean" avec  et  et appuyer sur **ok**.
4. Appuyer sur **ok** pour démarrer le programme.
- ✓ L'écran vous guide à travers le programme.
5. Vider la cuvette d'égouttage et la mettre en place.
14. Rincer le réservoir d'eau.
15. Appuyer sur **ok**.
16. Si un filtre à eau est présent, mettre le filtre à eau en place.
→ "Mettre le filtre à eau en place et l'activer", Page 56
17. Appuyer sur **ok**.
18. Remplir d'eau fraîche jusqu'au repère « max ».
19. Appuyer sur **ok**.
- ✓ Le programme dure env. 1 minute et rince l'appareil.
20. Vider la cuvette d'égouttage et la mettre en place.
21. Ouvrir le puits de café moulu.
22. Placer une pastille de nettoyage Siemens dans le puits de café moulu.
23. Fermer le puits de café moulu et appuyer sur **ok**.

fr Nettoyage et entretien

24. Placer un récipient d'une capacité d'au moins 0,5 l sous le système verseur et appuyer sur **ok**.

✓ Le programme de nettoyage dure env. 7 minutes.

25. Vider la cuvette d'égouttage et la mettre en place.

26. Nettoyer soigneusement le tube d'aspiration du système de lait.

✓ Le programme est terminé et l'appareil est prêt à fonctionner.

Dépannage

Vous pouvez corriger par vous-même les petits défauts sur votre appareil. Lisez les renseignements de dépannage avant de contacter le service après-vente. Vous évitez ainsi des coûts inutiles.

AVERTISSEMENT **Risque d'électrocution!**

Les réparations non conformes sont dangereuses.

- ▶ Seul un personnel dûment qualifié peut entreprendre des réparations sur l'appareil.
- ▶ Seules des pièces de rechange d'origine peuvent être utilisées pour réparer l'appareil.
- ▶ Afin d'écartier tout danger quand le cordon d'alimentation secteur de cet appareil est endommagé, seul le fabricant ou son service après-vente ou toute autre personne de qualification équivalente est habilité à le remplacer.

Remarques sur le bandeau d'affichage

Dérangement	Cause	Résolution de problème
Le message "Fermer" s'affiche alors que la porte est fermée.	La porte n'est pas bien fermée.	▶ Appuyez fermement sur la porte.
	L'appareil est trop chaud.	<ol style="list-style-type: none"> 1. Débranchez l'appareil du secteur. 2. Attendez 1 heure pour que l'appareil refroidisse.
Le message "Vider la cuvette d'égouttage et la remettre en place." s'affiche alors que la cuvette d'égouttage est vide.	L'appareil est éteint et ne détecte pas le vidage.	<ol style="list-style-type: none"> 1. Allumez l'appareil et retirez la cuvette d'égouttage. 2. Remettez en place la cuvette d'égouttage.
	La cuvette d'égouttage est sale.	▶ Nettoyez soigneusement la cuvette d'égouttage.
Le message "Remplir le réservoir d'eau." s'affiche alors que le réservoir d'eau est plein.	Le réservoir d'eau est mal mis en place.	▶ Mettez correctement en place le réservoir d'eau.
	Le réservoir d'eau contient de l'eau gazeuse.	▶ Remplissez le réservoir d'eau avec de l'eau fraîche du robinet.
	Le flotteur qui se trouve dans le réservoir d'eau est grippé.	<ol style="list-style-type: none"> 1. Retirez le réservoir d'eau. 2. Nettoyez soigneusement le réservoir d'eau.
	Le filtre à eau neuf n'a pas été rincé conformément aux instructions.	<ol style="list-style-type: none"> 1. Rincez le filtre à eau d'après les instructions. → "Mettre le filtre à eau en place et l'activer", Page 56 2. Mettez le filtre à eau en service.

Dérangement	Cause	Résolution de problème
Le message "Remplir le réservoir d'eau." s'affiche alors que le réservoir d'eau est plein.	Le filtre à eau contient de l'air.	<ol style="list-style-type: none"> 1. Plongez le filtre à eau dans de l'eau, ouverture vers le haut, jusqu'à ce que plus aucune bulle d'air ne s'échappe. 2. Remettez le filtre en place. → <i>"Mettre le filtre à eau en place et l'activer", Page 56</i>
	Le filtre à eau est trop vieux.	▶ Mettez en place un nouveau filtre à eau.
	Des dépôts de tartre dans le réservoir d'eau bouchent le système.	<ol style="list-style-type: none"> 1. Nettoyez soigneusement le réservoir d'eau. 2. Démarrez le programme de détartrage. → <i>"Utiliser le programme de détartrage", Page 64</i>
Le message "Nettoyer l'unité de percolation, la remettre en place et fermer la porte." s'affiche.	L'unité de percolation est sale.	▶ Nettoyez l'unité de percolation. → <i>"Nettoyer l'unité de percolation", Page 62</i>
	Le mécanisme de l'unité de percolation est grippé.	▶ Nettoyez l'unité de percolation. → <i>"Nettoyer l'unité de percolation", Page 62</i>
	Il y a trop de café en poudre dans l'unité de percolation.	▶ Utilisez au maximum 2 cuillères rases de café moulu. → <i>"Nettoyer l'unité de percolation", Page 62</i>
Le message "Tension (V) incorrecte." s'affiche.	La tension du réseau domestique est incorrecte.	▶ Ne faites fonctionner l'appareil que sur 220 - 240 V.
Le message "Redémarrer l'appareil." s'affiche.	L'unité de percolation est très sale ou ne peut pas être retirée.	<ul style="list-style-type: none"> ▶ Redémarrez l'appareil. ▶ Nettoyez l'unité de percolation. → <i>"Nettoyer l'unité de percolation", Page 62</i>
	L'appareil présente un dérangement.	<ol style="list-style-type: none"> 1. Débranchez la fiche secteur et attendez 10 secondes. 2. Branchez la fiche secteur.

Dérangement	Cause	Résolution de problème
Le message "calc'nClean" s'affiche très fréquemment.	L'eau déminéralisée contient encore de faibles quantités de calcaire.	<ol style="list-style-type: none"> 1. Mettez en place un nouveau filtre à eau. → "Mettre le filtre à eau en place et l'activer", Page 56 2. Réglez la dureté de l'eau en conséquence. → "Réglage la dureté de l'eau", Page 50
	Produit détartrant incorrect ou trop peu de produit utilisé.	▶ Pour le détartrage, utilisez exclusivement les pastilles appropriées.
	Programme d'entretien pas entièrement réalisé.	▶ Réinitialiser le programme d'entretien. → "Réinitialiser les programmes d'entretien", Page 63

Dysfonctionnements

Dérangement	Cause	Résolution de problème
L'appareil ne réagit plus.	L'appareil présente un dérangement.	<ol style="list-style-type: none"> 1. Débranchez la fiche secteur et attendez 10 secondes. 2. Branchez la fiche secteur.
L'appareil délivre uniquement de l'eau, mais pas de café.	L'appareil ne détecte pas que le réservoir pour café en grains est vide.	▶ Versez du café en grains.
	La cuve à café de l'unité de percolation est obstruée.	▶ Nettoyez l'unité de percolation. → "Nettoyer l'unité de percolation", Page 62
	Les grains sont huileux et ne tombent pas dans le moulin.	<ul style="list-style-type: none"> ▶ Tapotez légèrement sur le réservoir pour café en grains. ▶ Changez de variété de café. N'utilisez pas de grains huileux. ▶ Nettoyez le réservoir pour café en grains vide avec un chiffon humide.
	L'unité de percolation n'est pas insérée correctement.	▶ Insérez l'unité de percolation complètement vers l'arrière.
L'appareil ne fournit pas de mousse de lait.	Le système de lait est sale.	▶ Nettoyez le système de lait au lave-vaisselle. → "Nettoyer le système de lait", Page 61

Dérangement	Cause	Résolution de problème
L'appareil ne fournit pas de mousse de lait.	Le tube à lait ne plonge pas dans le lait.	<ul style="list-style-type: none"> ▶ Utilisez plus de lait. ▶ Vérifiez si le tube à lait plonge dans le lait.
	L'appareil est fortement entartré.	<ul style="list-style-type: none"> ▶ Détartrez l'appareil. → <i>"Utiliser le programme de détartrage"</i>, Page 64
Le système de lait n'aspire pas de lait.	Le système de lait n'est pas assemblé correctement.	<ul style="list-style-type: none"> ▶ Assemblez correctement le système de lait. → <i>"Nettoyer le système de lait"</i>, Page 61
	Le tube à lait ne plonge pas dans le lait.	<ul style="list-style-type: none"> ▶ Utilisez plus de lait. ▶ Vérifiez si le tube à lait plonge dans le lait.
La mousse de lait est trop froide.	Le lait est trop froid.	<ul style="list-style-type: none"> ▶ Utilisez du lait tiède.
L'appareil ne délivre pas d'eau chaude.	Le système de lait est sale.	<ul style="list-style-type: none"> ▶ Nettoyez le système de lait au lave-vaisselle. → <i>"Nettoyer le système de lait"</i>, Page 61
L'appareil ne délivre pas de boisson.	Le filtre à eau contient de l'air.	<ol style="list-style-type: none"> 1. Plongez le filtre à eau dans de l'eau, ouverture vers le haut, jusqu'à ce que plus aucune bulle d'air ne s'échappe. 2. Remettez le filtre en place. → <i>"Mettre le filtre à eau en place et l'activer"</i>, Page 56 <ul style="list-style-type: none"> ▶ Placez le filtre à eau bien droit et appuyez fortement pour l'enfoncer dans le raccordement au réservoir.
	Des résidus de détartrant obstruent le réservoir à eau.	<ol style="list-style-type: none"> 1. Retirez le réservoir d'eau. 2. Nettoyez soigneusement le réservoir d'eau.
Il y a des gouttes d'eau sur le fond de l'appareil.	La cuvette d'égouttage a été retirée trop tôt.	<ul style="list-style-type: none"> ▶ Attendez quelques secondes après la préparation de la dernière boisson avant de retirer la cuvette d'égouttage.
L'unité de percolation ne peut pas être retirée.	L'unité de percolation n'est pas en position de retrait.	<ul style="list-style-type: none"> ▶ Rallumez l'appareil.

Dérangement	Cause	Résolution de problème
Il est impossible de commander l'appareil. Changer les affichages de l'écran.	L'appareil est en mode Démo.	<ol style="list-style-type: none"> 1. Retirez le réservoir à eau et remplissez-le d'eau froide fraîche. 2. Remettre le réservoir à eau en place.
Le moulin ne démarre pas.	L'appareil est trop chaud.	<ol style="list-style-type: none"> 1. Débranchez l'appareil du secteur. 2. Attendez 1 heure pour que l'appareil refroidisse.
Le moulin ne moule pas de grains alors que le réservoir pour café en grains est plein.	Les grains sont huileux et ne tombent pas dans le moulin.	<ul style="list-style-type: none"> ▶ Tapotez légèrement sur le réservoir pour café en grains. ▶ Changez de variété de café. N'utilisez pas de grains huileux. ▶ Nettoyez le réservoir pour café en grains vide avec un chiffon humide.

Problème de résultat

Dérangement	Cause	Résolution de problème
Qualité très variable du café ou de la mousse de lait.	L'appareil est entartré.	<ul style="list-style-type: none"> ▶ Déterminez l'appareil. → "Utiliser le programme de démarrage", Page 64
Qualité variable de la mousse de lait.	La qualité de la mousse de lait est fonction de la nature de la boisson végétale ou du lait utilisé.	<ul style="list-style-type: none"> ▶ Optimisez le résultat par le choix du lait ou de la boisson végétale.
Le café n'est pas versé ou uniquement goutte à goutte. La quantité réglée n'est pas atteinte.	Le degré de mouture réglé est trop fin.	<ul style="list-style-type: none"> ▶ Réglez un degré de mouture plus grossier. → "Réglage du degré de mouture", Page 55
	L'appareil est fortement entartré.	<ul style="list-style-type: none"> ▶ Déterminez l'appareil. → "Utiliser le programme de démarrage", Page 64
	Le filtre à eau contient de l'air.	<ol style="list-style-type: none"> 1. Plongez le filtre à eau dans de l'eau, ouverture vers le haut, jusqu'à ce que plus aucune bulle d'air ne s'échappe. 2. Remettez le filtre en place. → "Mettre le filtre à eau en place et l'activer", Page 56
	L'appareil est encrassé.	<ul style="list-style-type: none"> ▶ Nettoyez l'unité de percolation. → "Nettoyer l'unité de percolation", Page 62

Dérangement	Cause	Résolution de problème
Le café n'est pas versé ou uniquement goutte à goutte. La quantité réglée n'est pas atteinte.		<ul style="list-style-type: none"> ▶ Détartrez et nettoyez l'appareil. → <i>"Utiliser le programme calc'nClean", Page 65</i>
	Le café est trop intense.	<ul style="list-style-type: none"> ▶ Réglez, p. ex., l'intensité du café sur "normal". → <i>"Adapter l'intensité du café", Page 54</i>
Le café ne présente pas de « crème ».	La variété de café n'est pas optimale.	<ul style="list-style-type: none"> ▶ Utilisez un café contenant une proportion plus importante de Robusta. ▶ Utilisez des grains de café présentant une torréfaction plus foncée.
	Les grains ne sont pas fraîchement torréfiés.	<ul style="list-style-type: none"> ▶ Utilisez des grains frais.
	Le degré de mouture est inadapté aux grains de café.	<ul style="list-style-type: none"> ▶ Réglez un degré de mouture plus fin. → <i>"Réglage le degré de mouture", Page 55</i>
Le café est trop acide.	Le degré de mouture réglé est trop grossier.	<ul style="list-style-type: none"> ▶ Réglez un degré de mouture plus fin. → <i>"Réglage le degré de mouture", Page 55</i>
	La variété de café n'est pas optimale.	<ul style="list-style-type: none"> ▶ Utilisez un café contenant une proportion plus importante de Robusta. ▶ Utilisez des grains de café présentant une torréfaction plus foncée.
Le café est trop amer.	Le degré de mouture réglé est trop fin.	<ul style="list-style-type: none"> ▶ Réglez un degré de mouture plus grossier. → <i>"Réglage le degré de mouture", Page 55</i>
	La variété de café n'est pas optimale.	<ul style="list-style-type: none"> ▶ Changez de variété de café.
Le café a un goût de brûlé.	Le degré de mouture réglé est trop fin.	<ul style="list-style-type: none"> ▶ Réglez un degré de mouture plus grossier. → <i>"Réglage le degré de mouture", Page 55</i>
	La variété de café n'est pas optimale.	<ul style="list-style-type: none"> ▶ Changez de variété de café.
	La température réglée du café est trop élevée.	<ul style="list-style-type: none"> ▶ Réduisez la température du café. → <i>"Aperçu des réglages de base", Page 57</i>

Dérangement	Cause	Résolution de problème
Le marc de café n'est pas compact et est trop humide.	Le degré de mouture réglé n'est pas optimal.	▶ Réglez un degré de mouture plus grossier ou plus fin. → <i>"Réglage du degré de mouture", Page 55</i>
	La quantité de café moulu est trop faible.	▶ Utilisez 2 cuillères-doses rases de café moulu.
	Les grains de café sont trop huileux.	▶ Utilisez une autre variété de grains.

Transport, stockage et élimination

Apprenez comment préparer votre appareil pour le transport et le stockage. Apprenez également comment éliminer les appareils usagés.

Activer la protection contre le gel

Protégez l'appareil contre le gel durant le transport et le stockage.

ATTENTION !

Les résidus de liquide risquent d'endommager l'appareil pendant le transport et le stockage.

- ▶ Avant le transport ou le stockage, vider le circuit.

Conditions préalables

- L'appareil est opérationnel.
 - Le réservoir à eau est rempli.
1. Retirer le réservoir de lait.
 2. Nettoyer l'unité de percolation.
→ "Nettoyer l'unité de percolation", Page 62
 3. Placer un grand récipient sous le système verseur.
 4. Appuyer à plusieurs reprises sur  jusqu'à ce que l'écran affiche "Mousse de lait".
 5. Appuyer à plusieurs reprises sur **ml**, jusqu'à ce que l'affichage indique 240 ml.
 6. Appuyer sur **start stop**.
 7. Attendre que la vapeur s'échappe de l'appareil.
 8. Enlever le réservoir à eau.
✓ L'appareil se vide automatiquement.
 9. Si le message "Remplir le réservoir d'eau." apparaît, l'ignorer.
 10. Vider et nettoyer le réservoir à eau et la cuvette d'égouttage.

11. Mettre le réservoir à eau et la cuvette d'égouttage en place.
12. Mettre l'appareil hors tension et le débrancher du secteur.

Éliminer un appareil usagé

L'élimination dans le respect de l'environnement permet de récupérer de précieuses matières premières.

1. Débrancher la fiche du cordon d'alimentation secteur.
2. Couper le cordon d'alimentation secteur.
3. Éliminer l'appareil dans le respect de l'environnement.



Cet appareil est marqué selon la directive européenne 2012/19/UE relative aux appareils électriques et électroniques usagés (waste electrical and electronic equipment - WEEE).

La directive définit le cadre pour une reprise et une récupération des appareils usagés applicables dans les pays de la CE.

Service après-vente

Si vous avez des questions, si vous n'avez pas réussi à remédier par vous-même à un dérangement qui affecte l'appareil ou si l'appareil doit être réparé, veuillez vous adresser à notre service après-vente.

De nombreux problèmes peuvent être corrigés grâce aux informations de dépannage du présent manuel ou sur notre site Web. Si vous ne parvenez pas à les corriger, veuillez vous adresser à notre service après-vente. Nous trouverons toujours une solution adaptée.

Nous nous assurons que votre appareil est réparé à l'aide de pièces de rechange d'origine et par un technicien dûment qualifié dans le cadre de la prestation de garantie ou après son échéance.

Les pièces de rechange relatives au fonctionnement de l'appareil et conformes à l'ordonnance d'écoconception correspondante sont disponibles auprès de notre service après-vente pour une durée d'au moins 7 ans à partir de la mise sur le marché de votre appareil dans l'Espace économique européen.

Remarque : L'intervention du service après-vente est gratuite dans le cadre de la garantie du fabricant.

Pour plus d'informations sur la durée et les conditions de la garantie dans votre pays, adressez-vous à notre service après-vente, à votre revendeur ou consultez notre site Web. Lorsque vous contactez le service après-vente, vous avez besoin du numéro de produit (E-Nr.) et du numéro de fabrication (FD) de votre appareil. Vous trouverez les coordonnées du service après-vente dans la liste figurant à la fin de cette notice d'utilisation ou sur notre site Web.

Numéro de produit (E-Nr) et numéro de fabrication (FD)

Le numéro de série (E-Nr.) et le numéro de fabrication (FD) sont indiqués sur la plaque signalétique de l'appareil.

Pour retrouver rapidement les données de votre appareil ainsi que le numéro de téléphone du service après-vente, notez ces données.

Conditions de garantie

Les conditions de garantie de votre appareil sont les suivantes.

Les conditions de garantie applicables sont celles publiées par notre distributeur dans le pays où a été effectué l'achat. Le revendeur chez qui vous vous êtes procuré l'appareil fournira les modalités de garantie sur simple demande de votre part. En cas de recours en garantie, veuillez toujours vous munir de la preuve d'achat.

Données techniques

Vous trouverez ici les chiffres et faits concernant votre appareil.

Tension	220-240 V ~
Fréquence	50 Hz
Tension/puissance raccordée	1500 W
Pression statique maximale de la pompe	15 bar
Contenance maximale du réservoir d'eau (sans filtre)	1,7 l
Contenance maximale du réservoir pour café en grains	270 g
Longueur du cordon d'alimentation	100 cm
Hauteur de l'appareil	37,3 cm
Largeur de l'appareil	27,6 cm
Profondeur de l'appareil	45,2 cm
Poids à vide	8-9 kg
Type de moulin	Céramique

Inhoudsopgave

Veiligheid	78	Koffiedrank met melkschuim afnemen	89
Algemene aanwijzingen	78	Speciale dranken afnemen	90
Bestemming van het apparaat	78	Melkschuim afnemen	90
Inperking van de gebruikers	78	Heet water tappen	90
Veiligheidsaanwijzingen	79	Drankinstellingen	91
Milieubescherming en besparing	83	Waterfilter	92
Afvoeren van de verpakking	83	Kinderslot	93
Energie besparen	83	Kinderslot inschakelen	93
Opstellen en aansluiten	83	Kinderslot uitschakelen	93
Inhoud van de verpakking	83	Kopjesverwarming ¹	93
Apparaat opstellen en aansluiten	83	Basisinstellingen	94
Uw apparaat leren kennen	84	Overzicht van de basisinstellingen	94
Apparaat	84	Basisinstellingen wijzigen	95
Bedieningselementen	84	Reiniging en onderhoud	95
Display	84	Vaatwasserbestendigheid	95
Drankenoverzicht	85	Reinigingsmiddelen	95
Accessoires	85	Apparaat reinigen	96
Voor het eerste gebruik	86	Lekschaal en koffiedikreservoir reinigen	96
Eerste keer in gebruik nemen	86	Poederschacht reinigen	97
Watertank vullen	86	Melksysteem spoelen	97
Bonenreservoir vullen	86	Zetgroep reinigen	98
Taal instellen	86	Serviceprogramma's	98
Waterhardheid instellen	86	Storingen verhelpen	103
Algemene aanwijzingen	87	Aanwijzingen op het display	103
De Bediening in essentie	88	Functiestoringen	105
Apparaat in- of uitschakelen	88	Probleem resultaat	106
Drankafname	88	Transporteren, opslaan en afvoeren	109
Koffiedrank uit verse bonen afnemen	88	Vorstbeveiliging	109
Koffiedrank uit gemalen koffie afnemen	89	Afvoeren van uw oude apparaat ..	109
Drankafname met melkschuim	89		

¹ Afhankelijk van de apparaatuitvoering

Servicedienst.....	109
Productnummer (E-nr.) en pro- ductienummer (FD)	110
Garantievoorwaarden	110
Technische gegevens	110



Veiligheid

Houd de informatie omtrent veiligheid aan, zodat u het apparaat veilig kunt gebruiken.

Algemene aanwijzingen

Hier vindt u algemene informatie over deze gebruiksaanwijzing.

- Lees deze gebruiksaanwijzing zorgvuldig door. Alleen dan kunt u het apparaat veilig en efficiënt gebruiken.
- Deze gebruiksaanwijzing is bestemd voor de gebruiker van het apparaat.
- Neem de veiligheidsvoorschriften en waarschuwingen in acht.
- Bewaar de gebruiksaanwijzing en de productinformatie voor later gebruik of voor volgende eigenaren.
- Controleer het apparaat na het uitpakken. Sluit het apparaat in geval van transportschade niet aan.

Bestemming van het apparaat

Om het apparaat veilig en op de juiste manier te gebruiken dient u de aanwijzingen over het correcte gebruik van het apparaat in acht te nemen.

Gebruik het apparaat uitsluitend:

- volgens deze gebruiksaanwijzing.
- om hete drank te bereiden.
- voor huishoudelijk gebruik en in gesloten ruimtes binnen de huiselijke omgeving.
- tot een hoogte van 2000 m boven zeeniveau.

Koppel het apparaat van de stroomvoorziening los als u:

- het apparaat reinigt.

Inperking van de gebruikers

Voorkom risico's voor kinderen en kwetsbare personen.

Dit apparaat kan worden bediend door kinderen vanaf 8 jaar en door personen met fysieke, sensorische of geestelijke beperkingen of met gebrekkige ervaring en/of kennis, indien zij onder toezicht staan of zijn geïnstrueerd in het veilige gebruik van het apparaat en de daaruit resulterende gevaren hebben begrepen.

Kinderen mogen niet met het apparaat spelen.

Reiniging en gebruikersonderhoud mogen niet worden uitgevoerd door kinderen, tenzij ze 8 jaar of ouder zijn en onder toezicht staan.

Zorg ervoor dat kinderen die jonger zijn dan 8 jaar niet bij het apparaat of de aansluitkabel kunnen komen.

Veiligheidsaanwijzingen

Neem bij gebruik van het apparaat de veiligheidsaanwijzingen in acht.

WAARSCHUWING – Verstikkingsgevaar!

- Kinderen kunnen verpakkingsmateriaal over het hoofd trekken en hierin verstrikt raken en stikken.
 - ▶ Verpakkingsmateriaal uit de buurt van kinderen houden.
 - ▶ Laat kinderen niet met verpakkingsmateriaal spelen.
- Kinderen kunnen kleine onderdelen inademen of inslikken en hierdoor stikken.
 - ▶ Kleine onderdelen uit de buurt van kinderen houden.
 - ▶ Kinderen niet met kleine onderdelen laten spelen.

WAARSCHUWING – Gevaar voor een elektrische schok!

- Ondeskundige installaties zijn gevaarlijk.
 - ▶ Het apparaat uitsluitend aansluiten en gebruiken volgens de gegevens op het typeplaatje.
 - ▶ Het apparaat uitsluitend via een volgens de voorschriften geïnstalleerd stopcontact met randaarde op een stroomnet met wisselstroom aansluiten.
 - ▶ Het randaardesysteem van de elektrische huisinstallatie moet conform de elektrotechnische voorschriften zijn geïnstalleerd.

- Een beschadigd apparaat of een beschadigd netsnoer is gevaarlijk.
 - ▶ Nooit een beschadigde apparaat gebruiken.
 - ▶ Nooit een apparaat met gescheurd of gebroken oppervlak gebruiken.
 - ▶ Nooit aan het netsnoer trekken, om het apparaat van het elektriciteitsnet te scheiden. Altijd aan de stekker van het netsnoer trekken.
 - ▶ Wanneer het apparaat of het netsnoer is beschadigd, dan direct de stekker van het netsnoer uit het stopcontact halen of de zekering in de meterkast uitschakelen.
 - ▶ "Neem contact op met de servicedienst." → *Pagina 109*
 - ▶ Alleen daarvoor geschoold vakpersoneel mag reparaties aan het apparaat uitvoeren.
- Ondeskundige reparaties zijn gevaarlijk.
 - ▶ Alleen daarvoor geschoold vakpersoneel mag reparaties aan het apparaat uitvoeren.
 - ▶ Er mogen uitsluitend originele reserveonderdelen worden gebruikt voor reparatie van het apparaat.
 - ▶ Als het netsnoer van dit apparaat beschadigd raakt, moet het ter vermindering van risico's worden vervangen door de fabrikant, de servicedienst of een andere gekwalificeerde persoon.
- Binnendringend vocht kan een elektrische schok veroorzaken.
 - ▶ Nooit het apparaat of het netsnoer in water dompelen.
 - ▶ Op de stekkerverbinding van het apparaat mag geen vloeistof overlopen.
 - ▶ Gebruik het apparaat alleen in gesloten ruimtes.
 - ▶ Stel het apparaat nooit bloot aan grote hitte en vochtigheid.
 - ▶ Geen stoomreiniger of hogedrukreiniger gebruiken om het apparaat te reinigen.

 WAARSCHUWING – Risico van brand!

- Het apparaat wordt heet.
 - ▶ Het apparaat goed ventileren.
 - ▶ Het apparaat nooit in een kast gebruiken.

- Het gebruik van een verlengd netsnoer en niet-toegestane adapters is gevaarlijk.
 - ▶ Geen verlengsnoeren of meervoudige stopcontacten gebruiken.
 - ▶ Als het netsnoer te kort is, contact opnemen met de servicedienst.
 - ▶ Alleen door de fabrikant goedgekeurde adapters gebruiken.

WAARSCHUWING – Gevaar voor verbranding!

Enkele apparaatonderdelen worden zeer heet.

- ▶ Nooit hete apparaatonderdelen aanraken.
- ▶ De hete apparaatonderdelen laten afkoelen voordat u deze aanraakt.

WAARSCHUWING – Risico van verbranding!

Vers bereide dranken zijn zeer heet.

- ▶ De dranken indien nodig laten afkoelen.
- ▶ Huidcontact met naar buiten tredende vloeistoffen en dampen vermijden.

WAARSCHUWING – Gevaar voor letsel!

- Onjuist gebruik van het apparaat kan de gebruiker in gevaar brengen.
 - ▶ Het apparaat uitsluitend conform de bestemming gebruiken.
- Gevaar voor beknelling van uw vingers bij het sluiten apparaatdeur.
 - ▶ Bij het sluiten van de apparaatdeur op uw vingers letten.
- Het maalwerk roteert.
 - ▶ Nooit in het maalwerk grijpen.

WAARSCHUWING – Gevaar door magnetisme!

Het apparaat bevat permanente magneten. Deze kunnen elektronische implantaten, zoals pacemakers, of insulinepompen beïnvloeden.

- ▶ Personen met elektronische implantaten dienen een afstand van minstens 10 cm tot het apparaat aan te houden.
- ▶ De minimale afstand van 10 cm ook ten opzichte van de verwijderde watertank aanhouden.



WAARSCHUWING – Gezondheidsrisico!

Verontreinigingen in het apparaat kunnen de gezondheid schaden.

- ▶ De reinigingsinstructies voor het apparaat in acht nemen.

Milieubescherming en besparing

Bescherm het milieu door het apparaat op een hulpbronnenbesparende manier te gebruiken en herbruikbare materialen op de juiste manier af te voeren.

Afvoeren van de verpakking

De verpakkingsmaterialen zijn milieuvriendelijk en kunnen worden hergebruikt.

- ▶ De afzonderlijke componenten op soort gescheiden afvoeren.
Bij uw dealer en uw gemeente- of deelraadskantoor kunt u informatie verkrijgen over de actuele afvoermethoden.

Energie besparen

Als u deze aanwijzingen opvolgt, verbruikt uw apparaat minder stroom.

Het interval voor de automatische uitschakeling op de kleinste waarde instellen.

- + Als het apparaat niet wordt gebruikt, wordt het eerder uitgeschakeld.
→ "Basisinstellingen", Pagina 94

De drankafname niet voortijdig onderbreken.

- + De verwarmde hoeveelheid water of melk wordt optimaal gebruikt.

Het apparaat regelmatig ontkalken.

- + Kalkafzettingen verhogen het energieverbruik.

Opstellen en aansluiten

Waar en hoe u het apparaat het beste opstelt, komt u hier te weten. Bovendien komt u te weten hoe u het apparaat op het elektriciteitsnet aansluit.

Inhoud van de verpakking

Controleer na het uitpakken alle onderdelen op transportschade en de volledigheid van de levering.

→ Afb. 1

A	Volautomatische espressomachine
B	Melkslangetje en aanzuigbuisje
C	Gebruiksaanwijzing
D	Reinigingstabs ¹
E	Ontkalkingstabs ¹
F	Teststrip voor de hardheid van het water
G	Waterfilter ¹

¹ Afhangelijk van de apparaatuitvoering

Apparaat opstellen en aansluiten

LET OP!

Gevaar voor schade aan het apparaat. Bij een ondeskundige ingebruikneming kan het apparaat worden beschadigd.

- ▶ Gebruik het apparaat alleen in vorstvrije ruimten.
- ▶ Als het apparaat bij temperaturen onder 0 °C is getransporteerd of opgeslagen, het apparaat vóór ingebruikneming 3 uur op kamertemperatuur laten komen.
- ▶ Na het aansluiten telkens ca. 5 seconden wachten.

nl Uw apparaat leren kennen

1. De aanwezige beschermende folie verwijderen.
2. Het apparaat op een waterbestendig horizontaal oppervlak met voldoende draagkracht plaatsen.
3. Het apparaat met de stekker op een reglementair geïnstalleerd geaard stopcontact aansluiten.

Uw apparaat leren kennen

Lees meer over de onderdelen van uw apparaat.

Apparaat

Hier vindt u een overzicht van de onderdelen van uw apparaat.

Aanwijzing Afhankelijk van het apparaattype zijn kleur- en detailafwijkingen mogelijk.

→ Afb. 

	Watertank
	Deksel watertank
	Kopjesverwarming ¹
	Aromadeksel
	Bonenreservoir
	Poederschacht
	Display
	Bedieningspaneel
	Deksel
	Melksysteem
	Uitloopsysteem
	Deur van zetkamer

¹ Afhankelijk van de apparaatuitvoering

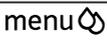
 Typeplaatje

 Lekschaal

¹ Afhankelijk van de apparaatuitvoering

Bedieningselementen

Hier vindt u een overzicht van de symbolen van het apparaat. Druk op de symbolen om een keuze te maken, een afname te starten of een instelling uit te voeren.

Symbool	Verklaring
	Apparaat in- of uitschakelen.
	Menu openen of verlaten. Aanwijzing De menu-toetsen zijn alleen bij geopend menu zichtbaar.
	In het menu naar boven navigeren.
	In het menu naar beneden navigeren.
	In het menu bevestigen of opslaan.
	In het menu teruggaan.
	Twee kopjes afnemen.
	Koffiesterkte selecteren.
	Inhoud aanpassen.
	Proces starten of stoppen.

Display

Op het display worden de geselecteerde dranken, instellingen en instelmogelijkheden, evenals meldingen over de bedrijfstoestand weergegeven.

Het display toont extra informatie en uit te voeren stappen. De informatie wordt na korte tijd of na het indrukken van een toets verborgen. De uit te voeren stappen worden verborgen nadat deze zijn uitgevoerd.

Drankenoverzicht

U kunt met het apparaat allerlei dranken bereiden.

Snelkeuze

Symbol	Aanduiding	Verklaring	Categorie
	Espresso	Geconcentreerde koffie. Wordt bij voorkeur in kleine, stevige kopjes geserveerd. Kopjes voorverwarmen met heet water.	→ "Koffiedrank uit verse bonen afnemen", Pagina 88 → "Koffiedrank uit gemalen koffie afnemen", Pagina 89
	Caffè crema	Koffie met een cremalaag of een grote kop koffie bereid volgens de espressomethode.	→ "Koffiedrank uit verse bonen afnemen", Pagina 88 → "Koffiedrank uit gemalen koffie afnemen", Pagina 89
	Cappuccino	Espresso met opgeschuimde melk. Wordt bij voorkeur in kleine, stevige kopjes geserveerd.	→ "Koffiedrank met melkschuim afnemen", Pagina 89
	LatteMacchiato	Koffiespecialiteit met drie lagen: onderin warme melk, in het midden espresso, bovenaan melkschuim. Wordt bij voorkeur in een glas geserveerd.	→ "Koffiedrank met melkschuim afnemen", Pagina 89
	Speciale dranken	Andere dranken afnemen.	→ "Speciale dranken afnemen", Pagina 90

Accessoires

Gebruik alleen originele accessoires. Deze zijn op het apparaat afgestemd. Hier krijgt u een overzicht van de accessoires van het apparaat.

Accessoires	Handel	Servicedienst
Reinigingstabs	TZ80001A TZ80001B	00312097 00312098
Ontkalkingstabs	TZ80002A TZ80002B	00312094 00312095
Waterfilter	TZ70003	00575491
Waterfilterpakket met 3 filters	TZ70033	-
Microvezeldoekje	-	00460770
Verzorgingsset	TZ80004A TZ80004B	00312105 00312106

Voor het eerste gebruik

Voer de basisinstellingen uit. Reinig het apparaat en de onderdelen.

Eerste keer in gebruik nemen

- ▶ Nadat aansluiting van het apparaat op het lichtnet de instellingen voor de eerste ingebruikneming opgeven.

Aanwijzing De opties voor keuze van de taal en waterhardheid verschijnen alleen automatisch bij de eerste inschakeling.

Tip: U kunt de instellingen op elk gewenst moment wijzigen.

→ "Basisinstellingen", Pagina 94

Watertank vullen

Vul de watertank dagelijks met vers, koud water zonder koolzuur.

1. Het deksel openen.
2. De watertank aan de geïntegreerde greep eruit nemen.
3. De watertank spoelen.
4. De watertank tot de markering "max" met water vullen.
5. De watertank recht in de houder plaatsen.
6. Het deksel sluiten.

Bonenreservoir vullen

LET OP!

Ongeschikte bonen kunnen het maalwerk verstoppem.

- ▶ Alleen zuivere, gebrande espresso bonen of bonenmengsels voor volautomaten gebruiken.
- ▶ Geen geglacéerde koffiebonen gebruiken.
- ▶ Geen gekarameliseerde koffiebonen gebruiken.

- ▶ Geen koffiebonen gebruiken die met suikerhoudende additieven zijn behandeld.
- ▶ Het reservoir niet met gemalen koffie vullen.

1. Het deksel openen.
2. De koffiebonen vullen.
Het apparaat stelt zich bij de volgende bereidingen in op de koffiebonen.
3. Het deksel sluiten.

Tip: Om de kwaliteit optimaal te houden bewaart u de koffiebonen koel en afgesloten.

U kunt de koffiebonen meerdere dagen in het bonenreservoir bewaren zonder dat het aroma verloren gaat.

Taal instellen

1. Het apparaat met  inschakelen.
- ✓ Op het display verschijnt de voorinstelde taal.
2. Op  of  drukken tot de gewenste taal op het display wordt weergegeven.
3. Op **ok** drukken.

Tip: U kunt de taal op elk moment wijzigen.

→ "Overzicht van de basisinstellingen", Pagina 94

Waterhardheid instellen

De juiste instelling van de waterhardheid is van belang, opdat het apparaat tijdig meldt, dat het moet worden ontkalkt. U kunt de waterhardheid bepalen met behulp van het bijgevoegde teststrookje of opvragen bij uw waterleidingbedrijf.

1. Het teststrookje kort in schoon leidingwater dopen.

2. Het teststrookje laten uitlekken.
- ✓ Het teststrookje geeft na 1 minuut de waterhardheid aan.
3. Als in het huis een wateronthardingsinrichting is geïnstalleerd, "Onthardingsyst." instellen.
4. Op  of  drukken tot de gewenste waterhardheid op het display wordt weergegeven.

De tabel toont de toekenning van de niveaus aan de graden van waterhardheid:

Stand	Duitse hardheid in °dH	Totale hardheid in mmol/l
1	1-7	0.18 - 1.25
2	8-14	1.42 - 2.49
3	15-21	2.67 - 3.74
4 ¹	22-30	3.92 - 5.34

¹ Fabrieksinstelling (kan afhankelijk van het apparaattype afwijken)

5. Op **ok** drukken.
6. Controleren of het bonenreservoir gevuld is.
7. Controleren of de watertank gevuld is.
8. Op **ok** drukken.
- ✓ Het apparaat spoelt.

Tip: U kunt de waterhardheid op elk moment wijzigen.

→ "Overzicht van de basisinstellingen", Pagina 94

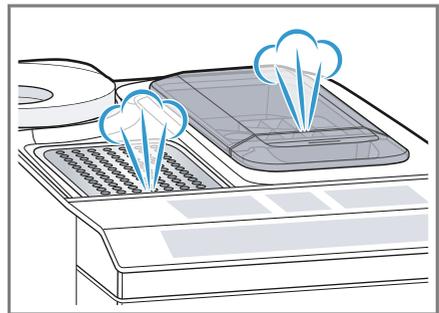
Algemene aanwijzingen

Neem de aanwijzingen in acht om het apparaat optimaal te kunnen gebruiken.

Aanwijzingen

- Het apparaat is in de fabriek ingesteld op de standaardinstellingen voor optimaal gebruik.

- Het maalwerk is in de fabriek ingesteld op een optimale werking. Wanneer de koffie er slechts druppelend uit komt of te dun is en te weinig crema heeft, kunt u de maalgraad aanpassen.
→ "Maalgraad instellen", Pagina 92
- Het apparaat wordt automatisch uitgeschakeld als er binnen een bepaalde tijd geen bediening heeft plaatsgevonden. "U kunt de duur in de basisinstellingen wijzigen."
→ Pagina 94
- Tijdens het gebruik kunnen zich bij de ventilatiesleuven en het deksel van de poederschacht waterdruppels voordoen.
- Om technische redenen kan er stoom uit het apparaat ontsnappen.



Tips

- "U kunt de toetssignalen in de basisinstellingen uitschakelen."
→ Pagina 94
- Als u het apparaat voor de eerste keer gebruikt, het serviceprogramma heeft uitgevoerd of het apparaat langere tijd niet heeft gebruikt, bereikt de eerste drank nog niet het volle aroma en dient u deze niet te drinken.

- Na de ingebruikneming van het apparaat bereikt u pas een langdurig fijnporige en stabiele cremalaag nadat u een paar kopjes heeft afgenomen.

De Bediening in essentie

Hier wordt de bediening van het apparaat in essentie beschreven.

Apparaat in- of uitschakelen

- ▶ Apparaat met  in- of uitschakelen.

Na het inschakelen toont het display het Siemens-logo. Bij het in- en uitschakelen wordt het apparaat automatisch gespoeld. Bij uitschakeling dampt het apparaat af in de lekschaal om deze te reinigen. Tijdens het spoelen wordt op het display een druppel weergegeven. Als het apparaat bij het inschakelen nog warm is of vóór het uitschakelen geen drank is afgenomen, wordt het apparaat niet gespoeld.

Drankafname

In het navolgende leert u hoe u de drank van uw keuze kunt bereiden.

WAARSCHUWING **Risico van verbranding!**

Vers bereide dranken zijn zeer heet.

- ▶ De dranken indien nodig laten afkoelen.
- ▶ Huidcontact met naar buiten tredende vloeistoffen en dampen vermijden.

Tips

- U kunt de gewenste drank rechtstreeks selecteren via de snelkeuzetoetsen. Op het display worden de drank en actuele instellingen weergegeven.
- Naast de dranken die u via de snelkeuzetoetsen kunt afnemen, biedt het apparaat nog een aantal andere dranken.
→ "*Speciale dranken afnemen*", Pagina 90
- Verder kunt u uw drank aan uw individuele smaak aanpassen.
→ "*Drankinstellingen*", Pagina 91

Aanwijzingen

- Als u ca. 5 seconden lang geen instelling wijzigt, verlaat het apparaat de instelmodus. De instellingen worden automatisch opgeslagen.
- Bij enkele instellingen wordt de koffie in meerdere stappen bereid. Wacht tot de bereiding helemaal voltooid is.

Koffiedrank uit verse bonen afnemen

1. Het voorverwarmde kopje onder het uitloopsysteem plaatsen.
2. Op het dranksymbool voor een koffiedrank zonder melk drukken.
- ✓ Op het display worden de drank en actuele instellingen weergegeven.
→ "*Drankinstellingen*", Pagina 91
3. De instellingen indien nodig wijzigen:
 - De inhoud met **ml** aanpassen.
→ "*Inhoud aanpassen*", Pagina 91
 - De koffiesterkte met  aanpassen.
→ "*Koffiesterkte aanpassen*", Pagina 91
4. Op  drukken.

De koffiebonen worden voor elk zetproces vers gemalen.

- ✓ De koffie wordt gezet en loopt vervolgens in het kopje.

Tips

- U kunt de afname met ^{start}/_{stop} voortijdig beëindigen.
- In het navolgende leert u hoe u koffiedranken met melk kunt afnemen.
→ "Drankafname met melkschuim", Pagina 89

Koffiedrank uit gemalen koffie afnemen

LET OP!

De poederschacht kan verstopt raken.

- ▶ Geen koffiebonen gebruiken.
- ▶ Geen oploskoffie gebruiken.
- ▶ De resten gemalen koffie in de poederschacht met een zacht kwastje in de schacht vegen.

Aanwijzing

Bij de bereiding met gemalen koffie zijn de volgende functies niet beschikbaar:

- Twee kopjes tegelijk
- Koffiesterkte
- "doubleshot"

1. Het voorverwarmde kopje onder het uitloopsysteem plaatsen.
 2. Op het symbool voor de gewenste drank drukken.
 3. Net zo vaak op  drukken tot "Gem. koffie" op het display verschijnt.
 4. De poederschacht openen.
 5. Maximaal 2 afgestreken maat-schepjes met gemalen koffie vullen, max. 12 g.
 6. De poederschacht sluiten.
 7. Op ^{start}/_{stop} drukken.
- ✓ De koffie wordt gezet en loopt vervolgens in het kopje.

Tips

- U kunt de afname met ^{start}/_{stop} voortijdig beëindigen.
- Als u nog een drank met gemalen koffie wilt afnemen, herhaalt u het proces.
- Breng de gemalen koffie altijd pas kort voor de drankbereiding aan.

Drankafname met melkschuim

U kunt met het apparaat koffiedranken met melkschuim afnemen.



WAARSCHUWING

Gevaar voor verbranding!

Het melksysteem wordt erg warm.

- ▶ Nooit het hete melksysteem aanraken.
- ▶ Het hete melksysteem laten afkoelen voordat u het aanraakt.

LET OP!

Melkresten kunnen vastkoeken en zijn dan moeilijk te verwijderen.

- ▶ Melksysteem na elk gebruik reinigen.
→ "Melksysteem spoelen", Pagina 97

Tip: In plaats van melk kunt u ook plantaardige dranken zoals sojamelk gebruiken.

Aanwijzing De kwaliteit van het melkschuim is afhankelijk van de gebruikte soort melk of plantaardige drank.

Koffiedrank met melkschuim afnemen

Voorwaarden

- Het melkslangetje is aangesloten.
 - Het aanzuigbuisje is aangesloten.
1. Het aanzuigslangetje in de melk steken.
 2. Het voorverwarmde kopje onder het uitloopsysteem plaatsen.

3. Op het dranksymbool voor een koffiedrank met melk drukken.
- ✓ Op het display worden de drank en actuele instellingen weergegeven.
→ "Drankinstellingen", Pagina 91
4. De instellingen indien nodig wijzigen:
 - De inhoud met **ml** aanpassen.
→ "Inhoud aanpassen", Pagina 91
 - De koffiesterkte met \emptyset aanpassen.
→ "Koffiesterkte aanpassen", Pagina 91
 - Poederschacht gebruiken.
→ "Koffiedrank uit gemalen koffie afnemen", Pagina 89
5. Op  drukken en wachten tot het proces beëindigd is.
Het melksysteem wordt na de bereiding automatisch gereinigd met een korte straal stoom.

Tip: Als u de afname voortijdig wilt stoppen, drukt u op . Als u de volledige afname wilt stoppen, drukt u op .

Speciale dranken afnemen

Naast de dranken die u via de snelkeuzetoetsen kunt afnemen, biedt het apparaat nog een aantal andere dranken.

- ▶ Meerdere malen op  drukken.
→ "Drankenoverzicht", Pagina 85

Melkschuim afnemen

WAARSCHUWING **Gevaar voor verbranding!**

- Het melksysteem wordt erg warm.
- ▶ Nooit het hete melksysteem aanraken.
 - ▶ Het hete melksysteem laten afkoelen voordat u het aanraakt.

Voorwaarden

- Het melkslangetje is aangesloten.
 - Het aanzuigbuisje is aangesloten.
1. Het aanzuigbuisje in de melk steken, bijv. in een melkpak.
 2. Het voorverwarmde kopje onder het uitloopsysteem plaatsen.
 3. Net zo vaak op  drukken tot "Melkschuim" op het display verschijnt.
 4. Indien nodig de instelling wijzigen:
 - De inhoud met **ml** aanpassen.
→ "Inhoud aanpassen", Pagina 91
 5. Op  drukken.
 - ✓ Het melkschuim loopt uit het uitloopsysteem.
 6. Om de afname te stoppen op  drukken.

Heet water tappen

WAARSCHUWING **Gevaar voor verbranding!**

- Het melksysteem wordt erg warm.
- ▶ Nooit het hete melksysteem aanraken.
 - ▶ Het hete melksysteem laten afkoelen voordat u het aanraakt.

Aanwijzing Als het melksysteem niet is gereinigd, kunnen samen met het water geringe hoeveelheden melk worden afgegeven.

Voorwaarden

- Het melksysteem is gereinigd.
→ "Melksysteem spoelen", Pagina 97.
 - Het melkslangetje is losgetrokken.
1. Het voorverwarmde kopje onder het uitloopsysteem plaatsen.
 2. Net zo vaak op  drukken tot "Heet water" op het display verschijnt.
 3. Indien nodig de instelling wijzigen:

- De inhoud met **ml** aanpassen.
→ "Inhoud aanpassen",
Pagina 91
- 4. Op  drukken.
Als de melding "Aub melkslang lostrekken." verschijnt, het melkslangetje lostrekken en op  drukken.
- ✓ Het hete water loopt uit het uitloopstelsysteem.
- 5. Om de afname te stoppen op  drukken.

Drankinstellingen

Bereid een drank geheel naar uw smaak.

Koffiesterkte aanpassen

1. Op het symbool voor de gewenste drank drukken.
2. Om de koffiesterkte te selecteren op  drukken.
U kunt uit de volgende koffiesterkten kiezen:
 - "mild"
 - "normaal"
 - "sterk"
 - "zeer sterk"
 - "doubleshot"

Aanwijzing De instelling "double-shot" is niet voor alle dranken en hoeveelheden beschikbaar.

Tip: Om een intensieve koffiemaak te verkrijgen kunt u bij een hoge inhoud een hoge koffiesterkte selecteren.

Gemalen koffie selecteren

1. Op het symbool voor de gewenste drank drukken.
2. Net zo vaak op  drukken tot het display "Gem. koffie" aangeeft.
→ "Koffiedrank uit gemalen koffie afnemen", Pagina 89

aromaDouble Shot

U kunt een extra sterke koffie afnemen door de instelling "doubleshot" te gebruiken.

Hoe langer het koffiezetten duurt, des te meer bittere stoffen en ongewenste aroma's vrijkomen. Bittere stoffen en ongewenste aroma's beïnvloeden de smaak en maagvriendelijkheid van de koffie. Om alleen lekkere en maagvriendelijke aroma's te verkrijgen worden na bereiding van de helft van de koffie opnieuw koffiebonen gemalen en bereid.

Aanwijzing De instelling "doubleshot" is niet voor alle dranken en hoeveelheden beschikbaar.

Inhoud aanpassen

1. Op het symbool voor de gewenste drank drukken.
2. Net zo vaak op **ml** drukken tot het display de gewenste inhoud aangeeft.

Twee kopjes tegelijk afnemen

Afhankelijk van het apparaattype kunt u bij bepaalde dranken twee kopjes tegelijk bereiden.

Aanwijzing

De functie "Twee kopjes afnemen" is niet beschikbaar voor de volgende dranken:

- "Gem. koffie"
 - "doubleshot"
 - Inhoud van minder dan 35 ml
1. Op het symbool voor de gewenste drank drukken.
 2. Op  drukken.
 - ✓ Het display geeft de instelling aan.
 3. Twee kopjes links en rechts onder het uitloopstelsysteem plaatsen.
 4. Op  drukken.

nl De Bediening in essentie

De drank wordt in 2 stappen bereid. De bonen worden in 2 maalgangen gemalen.

- ✓ De drank wordt bereid en loopt vervolgens in het kopje.
- 5. Wacht tot het proces volledig is beëindigd.

Maalwerk

Uw apparaat heeft een instelbaar maalwerk, waarmee u de maalgraad van de koffiebonen individueel kunt aanpassen.

Maalgraad instellen

Stel tijdens het malen van de koffiebonen de gewenste maalgraad in.

WAARSCHUWING Gevaar voor letsel!

Het maalwerk roteert.

- ▶ Nooit in het maalwerk grijpen.

LET OP!

Gevaar voor schade aan het maalwerk. Bij ondeskundige instelling van de maalgraad kan het maalwerk worden beschadigd.

- ▶ De maalgraad alleen bij een draaiend maalwerk instellen.
- ▶ De maalgraad met de draaiknop trapsgewijs instellen.

Maalgraad	Instelling
Fijne maalgraad voor donker gebrande bonen.	Draaiknop tegen de klok in draaien. 
Grove maalgraad voor licht gebrande bonen.	Draaiknop met de klok mee draaien. 

De instelling van de maalgraad is pas merkbaar vanaf het tweede kopje koffie.

Tip: Wanneer de koffie er slechts druppelend uit komt, stel de maalgraad dan grover in. Wanneer de koffie te dun is en te weinig crema heeft, stel de maalgraad dan fijner in.

Waterfilter

Met een waterfilter vermindert u de kalkafzettingen en vermindert u de verontreinigingen in het water.

Waterfilter plaatsen en activeren

LET OP!

Mogelijke apparaatschade door verkalking.

- ▶ Het waterfilter bijtijds vervangen.
- ▶ Het waterfilter uiterlijk na 2 maanden vervangen.

Aanwijzing Als op het display "Waterfilter verv." wordt weergegeven, vervang dan het waterfilter.

Als u geen nieuw filter plaatst, selecteer dan "Geen filter" en volg de aanwijzingen op het display op.

1. Het waterfilter onderdompelen in een glas water en aan de zijkanten licht indrukken tot er geen luchtbelletjes meer ontsnappen.
→ Afb. 
2. Op **menu**  drukken.
3. Met  of  "Waterfilter" selecteren en op **ok** drukken.
4. Met ,  "Nieuw filter" of "Waterfilter verv." selecteren en op **ok** drukken.
5. **Aanwijzing** Als u geen nieuw filter plaatst, selecteer dan "Geen filter" in de menu-instellingen.
Het waterfilter stevig in de watertank drukken en op **ok** drukken.
→ Afb. 

6. De watertank tot de markering "max" met water vullen en op **ok** drukken.
7. Het melkslangetje met het melksysteem en het aanzuigbuisje verbinden.
8. Het einde van het aanzuigbuisje in de lekplaat steken.
9. Een kan met een capaciteit van 1 l onder het uitloopsysteem plaatsen en op **ok** drukken.
 - ✓ Het filter wordt gespoeld en de indicatie "Het spoelen is voltooid." verschijnt.
 - ✓ Het apparaat is klaar voor gebruik.

Tips

- Verwissel het waterfilter ook om hygiënische redenen.
- Met een waterfilter hoeft u het apparaat minder vaak te ontkalken.
- Spoel het geplaatste waterfilter vóór gebruik door een kopje heet water af te nemen, wanneer u het apparaat bijvoorbeeld tijdens een vakantie langere tijd niet hebt gebruikt.
- Het waterfilter is verkrijgbaar in de handel of via de servicedienst.
→ "Accessoires", Pagina 85
- Lees hoe u het waterfilter plaatst.
→ "Waterfilter plaatsen en activeren", Pagina 92

Kinderslot

Om kinderen tegen verbrandingen te beschermen kunt u het apparaat blokkeren.

Kinderslot inschakelen

- ▶ **ml** ten minste 3 seconden indrukken.
- ✓ Op het display wordt "Kinderslot actief. Om uit te schakelen 3 sec op "ml" drukken" weergegeven.

Kinderslot uitschakelen

- ▶ **ml** ten minste 3 seconden indrukken.
- ✓ Op het display wordt "Kinderslot gedeactiveerd." weergegeven.

Kopjesverwarming¹

U kunt de kopjes met de kopjesverwarming voorverwarmen.



WAARSCHUWING

Gevaar voor verbranding!

De kopjesverwarming wordt heel heet.

- ▶ Nooit de hete kopjesverwarming aanraken.
- ▶ De hete kopjesverwarming laten afkoelen voordat u het aanraakt.

Tips

- U kunt de kopjesverwarming in de basisinstellingen activeren en deactiveren.
→ "Overzicht van de basisinstellingen", Pagina 94
- Om de kopjes optimaal te verwarmen plaatst u deze met de bodem op de kopjesverwarming .

¹ Afhankelijk van de apparaatuitvoering

Basisinstellingen

U kunt het apparaat aan uw behoeften aanpassen en extra functies opvragen.

Overzicht van de basisinstellingen

Instelling	Keuze	Beschrijving
Reiniging	Melksysteem Ontkalken Reinigen calc'nClean	Serviceprogramma's starten. → "Serviceprogramma's", Pagina 98
Kopjeswarmer ¹	Kopjeswarmer uit ² Kopjeswarmer aan	Kopjesverwarming in- of uitschakelen. → "Kopjesverwarming", Pagina 93
Waterfilter	Nieuw filter Geen filter	Gebruik van het waterfilter instellen.
Koffietemperatuur	normaal hoog max.	Temperatuur voor koffiedranken instellen. Aanwijzing De instelling geldt voor alle soorten bereiding.
Talen	Zie de keuze op het apparaat.	Menutaal instellen. Wijzigingen zijn direct op het display te zien.
Autom. uitschak.	Zie de keuze op het apparaat.	Tijdperiode instellen na afloop waarvan het apparaat na de laatste drankbereiding automatisch wordt uitgeschakeld.
Waterhardheid	1 (zacht) 2 (gemiddeld) 3 (hard) 4 (zeer hard) ² Waterontharding	Apparaat instellen op de plaatselijke waterhardheid. → "Waterhardheid instellen", Pagina 86
Toetssignalen	Toetssignalen aan ² Toetssignalen uit	Toetssignalen in- of uitschakelen.
Fabrieksinstelling	Alles resetten? Doorgaan: OK Annuleren: ←	Instellingen terugzetten naar de fabriekstoestand. Aanwijzing Alle individuele instellingen worden gewist en teruggezet naar de fabrieksinstellingen.

¹ Afhankelijk van de apparaatuitvoering

² Fabrieksinstelling (kan afhankelijk van het apparaattype afwijken)

Basisinstellingen wijzigen

1. Op **menu**  drukken.
2. Met  of  de gewenste basisinstelling selecteren en op **ok** drukken.
- ✓ Op het display verschijnen de instelmogelijkheden en lichten de navigatiesymbolen op. Op het display wordt de actuele instelling gemarkeerd.
3. Met  of  de gewenste keuze maken en op **ok** drukken.
- ✓ De instelling is opgeslagen.
4. Met  teruggaan.
5. Om het menu te verlaten op **menu**  drukken.

Reiniging en onderhoud

Reinig en onderhoud uw apparaat zorgvuldig om er voor te zorgen dat het lang goed blijft werken.

Vaatwasserbestendigheid

In het navolgende leert u welke componenten in de vaatwasser kunnen worden gereinigd.

LET OP!

Sommige componenten zijn temperatuurgevoelig en kunnen bij de reiniging in de vaatwasser worden beschadigd.

- ▶ De gebruiksaanwijzing van de vaatwasser in acht nemen.
- ▶ Alleen vaatwasserbestendige componenten in de vaatwasser reinigen.
- ▶ Alleen programma's gebruiken die het water niet tot boven 60 °C verhitten.

Geschikt voor de vaatwasser:

- Lekschaal
- Lekplaat



- Lekrooster
- Koffiedikreservoir
- Mechanische vulindicatie
- Melksysteem met adapter
- Poederschacht met klep

Niet geschikt voor de vaatwasser

- Watertank
- Deksel van watertank
- Aromadeksel
- Zetgroep
- Afdekking uitloop



Reinigingsmiddelen

In het navolgende leert u welke reinigingsmiddelen geschikt zijn voor het apparaat.

WAARSCHUWING **Ernstig gezondheidsrisico!**

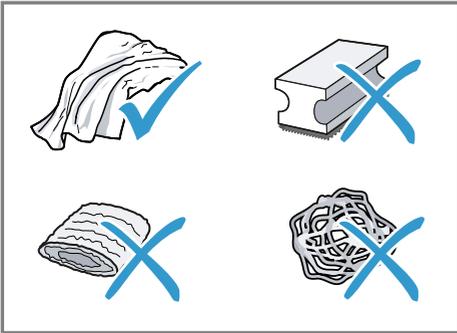
Reinigingsvloeistoffen kunnen de gezondheid schaden.

- ▶ Reinigingsvloeistoffen nooit innemen.
- ▶ Ontkalkings- en reinigingsmiddelen volgens de gebruiksaanwijzing gebruiken en de toepasselijke veiligheidsinstructies in acht nemen.

LET OP!

Ongeschikte reinigingsmiddelen kunnen de oppervlakken van het apparaat beschadigen.

- ▶ Geen scherpe of schurende reinigingsmiddelen gebruiken.
- ▶ Gebruik geen reinigingsmiddelen die alcohol of spiritus bevatten.
- ▶ Geen harde schuur- of afwaspontjes gebruiken.
- ▶ Voor het ontkalken geen citroenzuur, azijn of middelen op azijnbasis gebruiken.
- ▶ Voor het ontkalken en reinigen uitsluitend geschikte tabs gebruiken.
- ▶ Geen ontkalkingsmiddel met fosforzuur gebruiken.



Tips

- Gebruik ontkalkings- en reinigingstabs die speciaal voor het apparaat zijn ontwikkeld. U kunt deze tabs via de servicedienst aanschaffen.
→ "Accessoires", Pagina 85
- Was nieuwe sponsdoekjes grondig uit om eventuele zouten hieruit te verwijderen. Deze zouten kunnen een roestlaagje op roestvrijstalen oppervlakken veroorzaken.
- Verwijder resten van kalk, koffie, melk, reinigings- en ontkalkingsoplossingen altijd zo snel mogelijk om corrosievorming te voorkomen.

Apparaat reinigen

⚠ WAARSCHUWING

Gevaar voor een elektrische schok!

Binnendringend vocht kan een schok veroorzaken.

- ▶ Nooit het apparaat of het netsnoer in water dompelen.
- ▶ Op de stekerverbinding van het apparaat mag geen vloeistof overlopen.
- ▶ Geen stoomreiniger of hogedrukreiniger gebruiken om het apparaat te reinigen.

⚠ WAARSCHUWING

Gevaar voor verbranding!

Enkele apparaatonderdelen worden zeer heet.

- ▶ Nooit hete apparaatonderdelen aanraken.
 - ▶ De hete apparaatonderdelen laten afkoelen voordat u deze aanraakt.
1. Haal de stekker van het apparaat uit het stopcontact.
 2. De behuizing, de hoogglansoppervlakken en het bedieningspaneel met een microvezeldoekje reinigen.
→ "Accessoires", Pagina 85
 3. Het uitloopsysteem na de drankafname met een zachte, vochtige doek reinigen.
 4. Als het apparaat, bijvoorbeeld tijdens een vakantie, langere tijd niet is gebruikt, moet het volledige apparaat inclusief uitloopsysteem, melksysteem, schalen en zetgroep worden gereinigd.

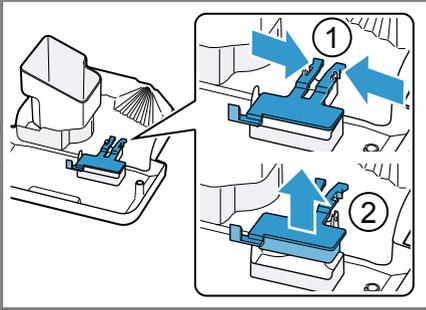
Aanwijzing Het apparaat wordt automatisch gespoeld als u het in koude toestand inschakelt of na afname van koffie uitschakelt. Zo reinigt het systeem zichzelf.

Lekschaal en koffiedikreservoir reinigen

Leeg en reinig de lekschaal en het koffiedikreservoir dagelijks om afzettingen te voorkomen.

1. Het melkslangetje loskoppelen van het uitloopsysteem.
2. De deur openen.
3. De lekschaal en het koffiedikreservoir er naar voren uit trekken.
4. De lekplaat eraf nemen en reinigen.
5. De lekschaal en het koffiedikreservoir legen en reinigen.

6. De binnenkant van het apparaat en de ruimte voor de lekschaal reinigen.
7. **Tip**
Als u beide houders naar binnen drukt, kunt u de mechanische vulindicatie gemakkelijker verwijderen.



De mechanische vulindicatie demonteren en met een vochtige doek reinigen.

8. De lekschaal, de lekplaat, het koffiedikreservoir en de mechanische vulindicatie in elkaar zetten en in het apparaat plaatsen.
9. De deur sluiten.

Poederschacht reinigen

Tip: U kunt de poederschacht in de vaatwasser reinigen.

1. De poederschacht aan de geopende klep eruit trekken.
→ Afb. **5**
2. De poederschacht met afwasmiddel reinigen.
→ Afb. **6**
3. De poederschacht afdrogen en in het apparaat aanbrengen.

Melksysteem spoelen

Maak het melksysteem regelmatig schoon.

⚠ WAARSCHUWING **Gevaar voor verbranding!**

Het melksysteem wordt erg warm.

- ▶ Nooit het hete melksysteem aanraken.
- ▶ Het hete melksysteem laten afkoelen voordat u het aanraakt.

LET OP!

Het apparaat kan door een ondeskundige reiniging worden beschadigd.

- ▶ De afdekking van het uitloopsysteem niet in de vaatwasser plaatsen.

Tips

- Als u het melksysteem bijzonder grondig wilt reinigen, kunt u het serviceprogramma "Melksysteem reinigen" gebruiken.
→ "Melksysteem reinigen gebruiken", Pagina 99
 - U kunt alle componenten van het melksysteem in de vaatwasser reinigen.
1. Het uitloopsysteem helemaal naar beneden schuiven.
 2. De afdekking er naar voren uit trekken en het melkslangetje verwijderen.
→ Afb. **7**
 3. Het melksysteem er naar voren uit trekken.
→ Afb. **8**
 4. Het bovenste en onderste gedeelte van het melksysteem uit elkaar nemen.
→ Afb. **9**
 5. Het melkslangetje en het aanzuigbuisje loskoppelen.
 6. De componenten met een sopje en een zachte doek reinigen.
→ Afb. **10**

nl Reiniging en onderhoud

7. Alle componenten met schoon water spoelen en vervolgens afdrogen.
→ Afb. **11**
 8. De sopresten in het melksysteem na het spoelen grondig verwijderen.
 9. Het bovenste en onderste gedeelte van het melksysteem in elkaar zetten.
→ Afb. **12**
 10. Het melkslangetje aansluiten.
 11. Het uitloopsysteem helemaal naar beneden schuiven.
 12. Het melksysteem van voren recht in het apparaat plaatsen.
→ Afb. **13**
 13. Breng het deksel opnieuw aan.
 14. Het uitloopsysteem helemaal naar boven schuiven.
→ Afb. **14**
1. Het melkslangetje loskoppelen van het uitloopsysteem.
→ Afb. **7**
 2. Het apparaat met  uitschakelen.
 3. De deur van de zetkamer openen.
→ Afb. **15**
 4. De lekschaal en het koffiedikreservoir eruit nemen.
→ Afb. **16**
 5. De rode hendel omhoog duwen.
 6. De zetgroep aan de greep beetpakken en er voorzichtig naar voren uit trekken.
→ Afb. **17**
 7. De zetgroep onder warm stromend water grondig reinigen.
→ Afb. **18**
 8. De binnenkant van het apparaat met een vochtige doek reinigen en van koffieresten ontdoen.
 9. De zetgroep en de binnenruimte van het apparaat laten drogen.
 10. De zetgroep aan de greep vastpakken.
 11. De rode hendel omhoog duwen.
 12. De zetgroep onder de hendel aanbrenge en tot de aanslag naar achteren schuiven.
→ Afb. **19**
 - ✓ De hendel klikt vast.
 13. De lekschaal en het koffiedikreservoir plaatsen.
→ Afb. **20**
 14. De deur sluiten.
→ Afb. **21**
De deur kan alleen worden gesloten wanneer de zetgroep en lekschaal correct zijn geplaatst.

Zetgroep reinigen

Verwijder en reinig in aanvulling op de automatische spoeling regelmatig de zetgroep.

WAARSCHUWING **Gevaar voor verbranding!**

Enkele apparaatonderdelen worden zeer heet.

- ▶ Nooit hete apparaatonderdelen aanraken.
- ▶ De hete apparaatonderdelen laten afkoelen voordat u deze aanraakt.

LET OP!

Door een ondeskundige reiniging kan het apparaat worden beschadigd.

- ▶ Geen afwasmiddel gebruiken.
- ▶ Geen azijn en zuurhoudende reinigingsmiddelen gebruiken.
- ▶ Niet in de vaatwasser reinigen.

Serviceprogramma's

Met bepaalde tussenpozen adviseert het apparaat u de serviceprogramma's te gebruiken. Gebruik de serviceprogramma's om het apparaat grondig te reinigen.

LET OP!

Een ondeskundige of niet bijtijds uitgevoerde reiniging en ontkalking kan het apparaat beschadigen.

- ▶ Voer het ontkalken onmiddellijk volgens de instructies uit.
- ▶ Geen ontkalkingsstabs of andere middelen in de poederschacht aanbrengen.

Afhankelijk van de waterhardheid en het gebruik van het apparaat worden op het display na een vooraankondiging de volgende meldingen weergegeven:

- "Aub melksysteem reinigen."
- "Ontkalken nodig. Aub 3 sec op menu drukken"
- "Reinigen nodig. Aub 3 sec op menu drukken"
- "calc'nClean nodig. Aub 3 sec op menu drukken"

Aanwijzingen

- Op het display wordt aangegeven hoe ver het proces is voortgeschreden.
- Als het apparaat niet bijtijds is ontkalkt, wordt op het display "Ontkalken over tijd. Apparaat is geblokkeerd. Aub 3 sec op menu drukken" weergegeven.
- Als het apparaat is geblokkeerd, kan dit pas weer na het ontkalken worden bediend.
- Als u het serviceprogramma per ongeluk heeft onderbroken, moet u het terugzetten.
→ *"Serviceprogramma's terugzetten", Pagina 99*

Tips

- Als u een waterfilter gebruikt, wordt het interval voor uitvoering van het serviceprogramma verlengd.

- In het serviceprogramma calc'nClean zijn het ontkalken en reinigen in één functie gecombineerd.
→ *"calc'nClean gebruiken", Pagina 101*
- Reinig het apparaat direct na een serviceprogramma met een zachte vochtige doek om resten ontkalkingsoplossing te verwijderen en corrosie te vermijden.

Serviceprogramma's terugzetten

Voer de volgende stappen uit als een serviceprogramma bijvoorbeeld door een stroomuitval is onderbroken.

1. Het reservoir legen en het uiteinde van het aanzuigbuisje in het reservoir hangen.
2. De watertank uitspoelen.
3. De watertank tot de markering "max" met vers water zonder koolzuur vullen.
4. Op **ok** drukken.
- ✓ Het apparaat wordt ca. 2 minuten gespoeld.
5. De lekschaal leegmaken en reinigen.
6. De lekschaal aanbrengen en de deur sluiten.
7. Het serviceprogramma opnieuw starten.

Melksysteem reinigen gebruiken

Spoel het melksysteem indien nodig met water. Het spoelen duurt ca. 1 minuut.

1. Op **menu**  drukken.
2. Met  en  "Reiniging" selecteren en op **ok** drukken.
3. Met  en  "Melksysteem" selecteren en op **ok** drukken.
4. Om het programma te starten op **ok** drukken.
- ✓ Op display ziet u de nodige aanwijzingen.

5. Een leeg glas onder het uitloopstelsysteem plaatsen en het uiteinde van het aanzuigbuisje in het glas steken.
6. Op **ok** drukken.
 - ✓ Het melksysteem wordt automatisch gereinigd.
7. Het glas leegmaken en het aanzuigbuisje reinigen.
 - ✓ Het programma is beëindigd en het apparaat is klaar voor gebruik.

Tip: Als u het melksysteem bijzonder grondig wilt reinigen, reinigt u het regelmatig handmatig.

→ "Melksysteem spoelen", Pagina 97

Ontkalken gebruiken

Voer het ontkalkingsprogramma uit zodra het apparaat dit vraagt. Het programma duurt ca. 30 minuten.

Voorwaarde: De zetgroep is gereinigd.

→ "Zetgroep reinigen", Pagina 98

1. Op **menu**  drukken.
2. Met  en  "Reiniging" selecteren en op **ok** drukken.
3. Met  en  "Ontkalken" selecteren en op **ok** drukken.
4. Om het programma te starten op **ok** drukken.
 - ✓ Op display ziet u de nodige aanwijzingen.
5. De lekschaal leegmaken en terugplaatsen.
6. Als er een waterfilter aanwezig is, dit filter verwijderen.
7. Op **ok** drukken.
8. De watertank leegmaken.
9. Een kan met 0,5 l lauw water vullen.
10. Een Siemens-ontkalkingstablet in het water doen en roeren tot de tablet volledig is opgelost.

11. De ontkalkingsoplossing tot de markering "calc" in de watertank gieten en op **ok** drukken.
12. Een kan met een capaciteit van minimaal 0,5 l onder het uitloopstelsysteem plaatsen.
13. Het uiteinde van het aanzuigbuisje in de kom hangen en op **ok** drukken.
 - ✓ Het ontkalkprogramma loopt ca. 20 minuten.
14. De watertank spoelen.
15. Op **ok** drukken.
16. Als er een waterfilter aanwezig is, dan het waterfilter aanbrengen.
 - "Waterfilter plaatsen en activeren", Pagina 92
17. Op **ok** drukken.
18. Vul de tank met schoon water tot aan de aanduiding "max".
19. Op **ok** drukken.
 - ✓ Het ontkalkingsprogramma loopt ca. 1 minuut en spoelt het apparaat.
20. De lekschaal leegmaken en terugplaatsen.
21. Het aanzuigbuisje van het melksysteem grondig reinigen.
 - ✓ Het programma is beëindigd en het apparaat is klaar voor gebruik.

Reinigen gebruiken

Voer het reinigingsprogramma uit zodra het apparaat dit vraagt. Het programma duurt ca. 9 minuten.

Voorwaarde: De zetgroep is gereinigd.

→ "Zetgroep reinigen", Pagina 98

1. Op **menu**  drukken.
2. Met  en  "Reiniging" selecteren en op **ok** drukken.
3. Met  en  "Reinigen" selecteren en op **ok** drukken.

4. Om het programma te starten op **ok** drukken.
- ✓ Op display ziet u de nodige aanwijzingen.
5. De lekschaal leegmaken en terugplaatsen.
6. De poederschacht openen.
7. Een Siemens-reinigingstab in de poederschacht doen.
8. De poederschacht sluiten en op **ok** drukken.
9. Een kan met een capaciteit van minimaal 0,5 l onder het uitloopsysteem plaatsen en op **ok** drukken.
- ✓ Het reinigingsprogramma loopt ca. 7 minuten.
10. De lekschaal leegmaken en terugplaatsen.
- ✓ Het programma is beëindigd en het apparaat is klaar voor gebruik.

calc'nClean gebruiken

U kunt de programma's Reinigen en Ontkalken combineren met het serviceprogramma calc'nClean. Voer het calc'nClean-programma uit zodra het apparaat dit vraagt. Het programma duurt ca. 43 minuten.

Voorwaarde: De zetgroep is gereinigd.

→ *"Zetgroep reinigen", Pagina 98*

1. Op **menu**  drukken.
2. Met  en  "Reiniging" selecteren en op **ok** drukken.
3. Met  en  "calc'nClean" selecteren en op **ok** drukken.
4. Om het programma te starten op **ok** drukken.
- ✓ Op display ziet u de nodige aanwijzingen.
5. De lekschaal leegmaken en terugplaatsen.
6. Als er een waterfilter aanwezig is, dit filter verwijderen.
7. Op **ok** drukken.

8. De watertank leegmaken.
9. Een kan met 0,5 l lauw water vullen.
10. Een Siemens-ontkalkingstablet in het water doen en roeren tot de tablet volledig is opgelost.
11. De ontkalkingsoplossing tot de markering "calc" in de watertank gieten en op **ok** drukken.
12. Een kan met een capaciteit van minimaal 0,5 l onder het uitloopsysteem plaatsen.
13. Het uiteinde van het aanzuigbuisje in de kom hangen en op **ok** drukken.
- ✓ Het ontkalkprogramma loopt ca. 20 minuten.
14. De watertank spoelen.
15. Op **ok** drukken.
16. Als er een waterfilter aanwezig is, dan het waterfilter aanbrengen.
→ *"Waterfilter plaatsen en activeren", Pagina 92*
17. Op **ok** drukken.
18. Vul de tank met schoon water tot aan de aanduiding "max".
19. Op **ok** drukken.
- ✓ Het programma loopt ca. 1 minuut en spoelt het apparaat.
20. De lekschaal leegmaken en terugplaatsen.
21. De poederschacht openen.
22. Een Siemens-reinigingstab in de poederschacht doen.
23. De poederschacht sluiten en op **ok** drukken.
24. Een kan met een capaciteit van minimaal 0,5 l onder het uitloopsysteem plaatsen en op **ok** drukken.
- ✓ Het reinigingsprogramma loopt ca. 7 minuten.
25. De lekschaal leegmaken en terugplaatsen.

nl Reiniging en onderhoud

- 26.** Het aanzuigbuisje van het melksysteem grondig reinigen.
- ✓ Het programma is beëindigd en het apparaat is klaar voor gebruik.

Storingen verhelpen

Kleinere storingen aan het apparaat kunt u zelf verhelpen. Raadpleeg voordat u contact opneemt met de klantenservice de informatie over het verhelpen van storingen. Zo voorkomt u onnodige kosten.

WAARSCHUWING

Gevaar voor een elektrische schok!

Ondeskundige reparaties zijn gevaarlijk.

- ▶ Alleen daarvoor geschoold vakpersoneel mag reparaties aan het apparaat uitvoeren.
- ▶ Er mogen uitsluitend originele reserveonderdelen worden gebruikt voor reparatie van het apparaat.
- ▶ Als het netsnoer van dit apparaat beschadigd raakt, moet het ter vermindering van risico's worden vervangen door de fabrikant, de servicedienst of een andere gekwalificeerde persoon.

Aanwijzingen op het display

Storing	Oorzaak	Verhelpen van storingen
Displaymelding "Sluiten" verschijnt ondanks dat de deur gesloten is.	Deur is niet juist gesloten.	▶ Druk de deur goed dicht.
	Apparaat is te heet.	<ol style="list-style-type: none"> 1. Koppel het apparaat los van het stroomnet. 2. Wacht 1 uur om het apparaat te laten afkoelen.
Displaymelding "Aub druppelschaal legen en terugplaatsen." verschijnt ondanks dat de lekschaal leeg is.	Apparaat is uitgeschakeld en herkent het legen niet.	<ol style="list-style-type: none"> 1. Schakel het apparaat in en verwijder de lekschaal. 2. Breng de lekschaal opnieuw aan.
	Lekschaal is verontreinigd.	▶ Reinig de lekschaal grondig.
Displaymelding "Aub waterreservoir vullen" verschijnt ondanks volle watertank.	Watertank is onjuist aangebracht.	▶ Breng de watertank juist aan.
	Er is koolzuurhoudend water in de watertank aanwezig.	▶ Vul de watertank met schoon leidingwater.
	Vlotter in de watertank zit vast.	<ol style="list-style-type: none"> 1. Verwijder de watertank. 2. Reinig de watertank grondig.
	Nieuw waterfilter is niet volgens de gebruiksaanwijzing gespoeld.	<ol style="list-style-type: none"> 1. Spoel het waterfilter volgens de gebruiksaanwijzing. → "Waterfilter plaatsen en activeren", Pagina 92 2. Neem het waterfilter in gebruik.

Storing	Oorzaak	Verhelpen van storingen
Displaymelding "Aub waterreservoir vullen" verschijnt ondanks volle watertank.	Er zit lucht in het waterfilter.	<ol style="list-style-type: none"> 1. Dompel het waterfilter met de opening naar boven zo lang in water tot er geen luchtbelllen meer ontsnappen. 2. Breng het filter hierna aan. → <i>"Waterfilter plaatsen en activeren"</i>, Pagina 92
	Waterfilter is oud.	▶ Breng een nieuw waterfilter aan.
	Door kalkafzettingen in de watertank raakt het systeem verstopt.	<ol style="list-style-type: none"> 1. Reinig de watertank grondig. 2. Start het ontkalkingsprogramma. → <i>"Ontkalken gebruiken"</i>, Pagina 100
Displaymelding "Aub zetgroep reinigen, terugplaatsen en deuren sluiten." verschijnt.	Zetgroep is verontreinigd.	▶ Reinig de zetgroep. → <i>"Zetgroep reinigen"</i> , Pagina 98
	Mechanisme van zetgroep beweegt stroef.	▶ Reinig de zetgroep. → <i>"Zetgroep reinigen"</i> , Pagina 98
	Te veel gemalen koffie in de zetgroep.	▶ Gebruik maximaal 2 afgestreken maatschepjes met gemalen koffie. → <i>"Zetgroep reinigen"</i> , Pagina 98
Displaymelding "Spanning (V) niet correct." verschijnt.	Spanning in de huisinstallatie is onjuist.	▶ Gebruik het apparaat alleen bij 220 - 240 V.
Displaymelding "Aub apparaat opnieuw starten." verschijnt.	Zetgroep is sterk verontreinigd of kan niet worden verwijderd.	<ul style="list-style-type: none"> ▶ Start het apparaat opnieuw op. ▶ Reinig de zetgroep. → <i>"Zetgroep reinigen"</i>, Pagina 98
	Apparaat heeft een storing.	<ol style="list-style-type: none"> 1. Trek de stekker uit het stopcontact en wacht 10 seconden. 2. Steek de stekker in het stopcontact.
Displaymelding "calc'nClean" verschijnt erg vaak.	Ontkalkt water bevat nog geringe hoeveelheden kalk.	<ol style="list-style-type: none"> 1. Breng een nieuw waterfilter aan. → <i>"Waterfilter plaatsen en activeren"</i>, Pagina 92 2. Stel de waterhardheid juist in. → <i>"Waterhardheid instellen"</i>, Pagina 86
	Onjuist of onvoldoende ontkalkingsmiddel gebruikt.	▶ Gebruik uitsluitend geschikte tabs voor het ontkalken.
	Serviceprogramma is niet volledig uitgevoerd.	▶ Zet het serviceprogramma terug. → <i>"Serviceprogramma's terugzetten"</i> , Pagina 99

Functiestoringen

Storing	Oorzaak	Verhelpen van storingen
Apparaat reageert niet meer.	Apparaat heeft een storing.	<ol style="list-style-type: none"> 1. Trek de stekker uit het stopcontact en wacht 10 seconden. 2. Steek de stekker in het stopcontact.
Apparaat geeft alleen water af, geen koffie.	Leeg bonenreservoir wordt niet door het apparaat herkend.	▶ Vu koffiebonen bij.
	Koffieschacht op de zetgroep is verstopt.	▶ Reinig de zetgroep. → <i>"Zetgroep reinigen"</i> , Pagina 98
	Bonen zijn te vettig en vallen niet in het maalwerk.	<ul style="list-style-type: none"> ▶ Tik licht tegen het bonenreservoir. ▶ Gebruik een andere koffiesoort. Gebruik geen vette bonen. ▶ Reinig het lege bonenreservoir met een vochtige doek.
	Zetgroep is niet correct aangebracht.	▶ Schuif de zetgroep helemaal naar achter.
Apparaat geeft geen melkschuim af.	Melksysteem is verontreinigd.	▶ Reinig het melksysteem in de vaatwasser. → <i>"Melksysteem spoelen"</i> , Pagina 97
	Melkbuisje bereikt de melk niet.	<ul style="list-style-type: none"> ▶ Gebruik meer melk. ▶ Controleer of het melkbuisje zich in de melk bevindt.
	Het apparaat is sterk verkalkt.	▶ Ontkalk het apparaat. → <i>"Ontkalken gebruiken"</i> , Pagina 100
Melksysteem zuigt geen melk aan.	Melksysteem is niet juist in elkaar gezet.	▶ Zet het melksysteem correct in elkaar. → <i>"Melksysteem spoelen"</i> , Pagina 97
	Melkbuisje bereikt de melk niet.	<ul style="list-style-type: none"> ▶ Gebruik meer melk. ▶ Controleer of het melkbuisje zich in de melk bevindt.
Melkschuim is te koud.	Melk is te koud.	▶ Gebruik lauwe melk.

nl Storingen verhelpen

Storing	Oorzaak	Verhelpen van storingen
Apparaat geeft geen heet water af.	Melksysteem is verontreinigd.	<ul style="list-style-type: none">▶ Reinig het melksysteem in de vaatwasser. → <i>"Melksysteem spoelen"</i>, Pagina 97
Apparaat geeft geen drank af.	Er zit lucht in het waterfilter.	<ol style="list-style-type: none">1. Dompel het waterfilter met de opening naar boven zo lang in water tot er geen luchtbelletjes meer ontsnappen.2. Breng het filter hierna aan. → <i>"Waterfilter plaatsen en activeren"</i>, Pagina 92 <ul style="list-style-type: none">▶ Druk het waterfilter stevig en recht in de tankaansluiting.
	Resten ontkalkingsmiddel verstoppen watertank.	<ol style="list-style-type: none">1. Verwijder de watertank.2. Reinig de watertank grondig.
Op binnenste apparaatbodem bevindt zich lekwater.	Lekschaal is te vroeg uitgenomen.	<ul style="list-style-type: none">▶ Verwijder de lekschaal pas enkele seconden na de laatste drankafname.
De zetgroep kan niet worden verwijderd.	Zetgroep bevindt zich niet in de uitneempositie.	<ul style="list-style-type: none">▶ Schakel het apparaat weer in.
Apparaat kan niet worden bediend. Displaymeldingen wisselen zich af.	Apparaat bevindt zich in de- momodus.	<ol style="list-style-type: none">1. Verwijder de watertank en vul deze met schoon koud water.2. Plaats de watertank terug.
Maalwerk start niet.	Apparaat is te heet.	<ol style="list-style-type: none">1. Koppel het apparaat los van het stroomnet.2. Wacht 1 uur om het apparaat te laten afkoelen.
Maalwerk maalt geen bonen ondanks gevuld bonenreservoir.	Bonen zijn te vettig en vallen niet in het maalwerk.	<ul style="list-style-type: none">▶ Tik licht tegen het bonenreservoir.▶ Gebruik een andere koffiesoort. Gebruik geen vettige bonen.▶ Reinig het lege bonenreservoir met een vochtige doek.

Probleem resultaat

Storing	Oorzaak	Verhelpen van storingen
Sterk wisselende koffie- of melkschuimkwaliteit.	Het apparaat is verkalkt.	<ul style="list-style-type: none">▶ Ontkalk het apparaat. → <i>"Ontkalken gebruiken"</i>, Pagina 100

Storing	Oorzaak	Verhelpen van storingen
Wisselende melkschuimkwaliteit.	Melkschuimkwaliteit is afhankelijk van gebruikte soort melk of plantaardige drank.	▶ Optimaliseer het resultaat via de keuze van de soort melk of plantaardige drank.
Koffie wordt niet of slechts druppelsgewijs afgegeven.	Maalgraad is te fijn ingesteld.	▶ Stel de maalgraad grover in. → " <i>Maalgraad instellen</i> ", Pagina 92
Ingestelde inhoud wordt niet bereikt.	Het apparaat is sterk verkalkt.	▶ Ontkalk het apparaat. → " <i>Ontkalken gebruiken</i> ", Pagina 100
	Er zit lucht in het waterfilter.	1. Dompel het waterfilter met de opening naar boven zo lang in water tot er geen luchtbelletjes meer ontsnappen. 2. Breng het filter hierna aan. → " <i>Waterfilter plaatsen en activeren</i> ", Pagina 92
	Apparaat is verontreinigd.	▶ Reinig de zetgroep. → " <i>Zetgroep reinigen</i> ", Pagina 98 ▶ Ontkalk en reinig het apparaat. → " <i>calc'nClean gebruiken</i> ", Pagina 101
	Koffiesterkte is te hoog ingesteld.	▶ Verlaag de koffiesterkte tot bijvoorbeeld "normaal". → " <i>Koffiesterkte aanpassen</i> ", Pagina 91
Koffie heeft geen cremalaag.	Koffiesoort is niet optimaal.	▶ Gebruik een koffiesoort met een hoger aandeel Robusta-bonen. ▶ Gebruik een donkerder gebrande soort bonen.
	De bonen zijn niet meer brandvers.	▶ Gebruik verse bonen.
	Maalgraad is niet op koffiebonen afgestemd.	▶ Stel de maalgraad fijner in. → " <i>Maalgraad instellen</i> ", Pagina 92
Koffie is te zuur.	Maalgraad is te grof ingesteld.	▶ Stel de maalgraad fijner in. → " <i>Maalgraad instellen</i> ", Pagina 92
	Koffiesoort is niet optimaal.	▶ Gebruik een koffiesoort met een hoger aandeel Robusta-bonen. ▶ Gebruik een donkerder gebrande soort bonen.

nl Storingen verhelpen

Storing	Oorzaak	Verhelpen van storingen
De koffie is te bitter.	Maalgraad is te fijn ingesteld.	▶ Stel de maalgraad grover in. → <i>"Maalgraad instellen", Pagina 92</i>
	Koffiesoort is niet optimaal.	▶ Gebruik een andere koffiesoort.
Koffie smaakt verbrand.	Maalgraad is te fijn ingesteld.	▶ Stel de maalgraad grover in. → <i>"Maalgraad instellen", Pagina 92</i>
	Koffiesoort is niet optimaal.	▶ Gebruik een andere koffiesoort.
	Koffietemperatuur is te hoog ingesteld.	▶ Stel de koffietemperatuur lager in. → <i>"Overzicht van de basisinstellingen", Pagina 94</i>
Het koffiedik is niet compact en te nat.	Maalgraad is niet optimaal ingesteld.	▶ Stel de maalgraad grover of fijner in. → <i>"Maalgraad instellen", Pagina 92</i>
	Te weinig gemalen koffie.	▶ Gebruik 2 afgestreken maatschepjes gemalen koffie.
	Bonen zijn te vetzig.	▶ Gebruik een andere bonensoort.

Transporteren, opslaan en afvoeren

Hier krijgt u uitleg over de manier waarop u het apparaat voorbereidt voor transport en opslag. Daarnaast leggen we u uit hoe u oude apparaten dient af te voeren.

Vorstbeveiliging

Bescherm het apparaat tijdens transport en opslag tegen de inwerking van vorst.

LET OP!

Vloeistofresten in het apparaat kunnen het apparaat tijdens transport of opslag beschadigen.

- ▶ Voorafgaand aan transport of opslag het leidingsysteem leegmaken.

Voorwaarden

- Het apparaat is klaar voor gebruik.
- De watertank is gevuld.

1. Het melkreservoir verwijderen.
2. De zetgroep reinigen.
→ "Zetgroep reinigen", Pagina 98
3. Een grote kan onder het uitloopstelsel plaatsen.
4. Net zo vaak op  drukken tot "Melkschuim" op het display verschijnt.
5. Net zo vaak op **ml** drukken tot het display 240 ml aangeeft.
6. Op  drukken.
7. Wachten tot er stoom uit het apparaat ontsnapt.
8. De watertank eruit nemen.
- ✓ Het apparaat wordt automatisch leeggemaakt.
9. Als de melding "Aub waterreservoir vullen" verschijnt, kunt u deze negeren.

10. De watertank en lekschaal leegmaken en reinigen.
11. De watertank en lekschaal aanbrengen.
12. Het apparaat uitschakelen en van het stroomnet loskoppelen.

Afvoeren van uw oude apparaat

Door een milieuvriendelijke afvoer kunnen waardevolle grondstoffen opnieuw worden gebruikt.

1. De stekker van het netsnoer uit het stopcontact trekken.
2. Het netsnoer doorknippen.
3. Het apparaat milieuvriendelijk afvoeren.



Dit apparaat is gekenmerkt in overeenstemming met de Europese richtlijn 2012/19/EU betreffende afgedankte elektrische en elektronische apparatuur (waste electrical and electronic equipment - WEEE). De richtlijn geeft het kader aan voor de in de EU geldige terugname en verwerking van oude apparaten.

Servicedienst

Als u vragen hebt, een storing aan het apparaat niet zelf kunt verhelpen of als het apparaat moet worden gerepareerd, neem dan contact op met onze servicedienst.

Veel problemen kunt u via de informatie voor het verhelpen van storingen in deze gebruiksaanwijzing of op onze website zelf verhelpen. Als dit niet het geval is, neem dan contact op met onze servicedienst.

Wij vinden altijd een passende oplossing.

nl Technische gegevens

We zorgen ervoor dat het apparaat zowel binnen de garantieperiode als na het verstrijken van de fabrieksgarantie met originele reserveonderdelen door geschoolde servicetechnici wordt gerepareerd.

Originele vervangende onderdelen die relevant zijn voor de werking in overeenstemming met de desbetreffende Ecodesign-verordening kunt u voor de duur van ten minste 7 jaar vanaf het moment van in de handel brengen van het apparaat binnen de Europese Economische Ruimte bij onze servicedienst verkrijgen.

Aanwijzing Het inschakelen van de servicedienst in het kader van de fabrieksgarantievoorwaarden is gratis.

Gedetailleerde informatie over de garantieperiode en garantievoorwaarden in uw land kunt u opvragen bij onze servicedienst, uw dealer of op onze website.

Als u contact opneemt met de servicedienst, hebt u het productnummer (E-Nr.) en het productnummer (FD) van het apparaat nodig.

De contactgegevens van de servicedienst vindt u in de servicedienstlijst aan het einde van de gebruiksaanwijzing of op onze website.

Productnummer (E-nr.) en productnummer (FD)

Het productnummer (E-Nr.) en het productnummer (FD) vindt u op het typeplaatje van het apparaat.

Om uw apparaatgegevens en de servicedienst-telefoonnummers snel terug te kunnen vinden, kunt u de gegevens noteren.

Garantievoorwaarden

U heeft voor het apparaat recht op garantie volgens de volgende voorwaarden.

Voor dit apparaat gelden de garantievoorwaarden die worden uitgegeven door de vertegenwoordiging van ons bedrijf in het land van aankoop. De leverancier, bij wie u het apparaat heeft gekocht, geeft u hierover graag meer informatie. Om aanspraak te maken op de garantie heeft u altijd uw aankoopbewijs nodig.

Technische gegevens

Cijfers en feiten over het apparaat vindt u hier.

Spanning	220-240 V ~
Frequentie	50 Hz
Aansluitwaarde	1500 W
Maximale pompdruk, statisch	15 bar
Maximale capaciteit, water-tank (zonder filter)	1,7 l
Maximale capaciteit, bonen-reservoir	270 g
Lengte netsnoer	100 cm
Apparaathoogte	37,3 cm
Apparaatbreedte	27,6 cm
Apparaatdiepte	45,2 cm
Gewicht, leeg	8-9 kg
Type maalwerk	Keramisch

Spis treści

Bezpieczeństwo	113	Zaparzanie napoju kawowego z kawy mielonej.....	124
Wskazówki ogólne	113	Przyrządzanie napojów z pianką mleczną	124
Użytkowanie zgodne z przeznaczeniem	113	Zaparzanie napoju kawowego z mlekiem	125
Ograniczenie grupy użytkowników	113	Przyrządzanie napojów specjalnych	125
Zasady bezpieczeństwa	114	Pobieranie pianki mlecznej	125
Ochrona środowiska i oszczędność	118	Pobieranie gorącej wody.....	126
Usuwanie opakowania	118	Ustawienia napoju	126
Oszczędzanie energii	118	Filtr wody	128
Ustawianie i podłączanie	118	Zabezpieczenie przed dziećmi ...	128
Zakres dostawy	118	Aktywacja zabezpieczenia przed dziećmi	129
Ustawianie i podłączanie urządzenia	118	Dezaktywacja zabezpieczenia przed dziećmi	129
Poznanie urządzenia	119	Podgrzewacz filiżanek¹	129
Urządzenie.....	119	Ustawienia podstawowe	129
Elementy obsługi.....	119	Przegląd ustawień podstawowych	129
Wyświetlacz	119	Zmiana ustawień podstawowych	130
Przegląd napojów.....	120	Czyszczenie i pielęgnacja.....	131
Akcesoria.....	120	Możliwość mycia w zmywarkach do naczyń	131
Przed pierwszym użyciem	121	Środki czyszczące	131
Pierwsze uruchomienie urządzenia.....	121	Czyszczenie urządzenia	132
Napełnić zbiornik na wodę.....	121	Czyszczenie pojemnika na skropliny i pojemnika na fusy.....	132
Napełnić pojemnik na kawę ziarnistą	121	Czyszczenie komory na kawę mieloną.....	133
Ustawianie języka	121	Czyszczenie spieniacza mleka.....	133
Ustawić twardość wody.....	122	Czyszczenie zaparzacza	134
Wskazówki ogólne	122	Programy serwisowe	134
Podstawowy sposób obsługi	123	Usuwanie usterek.....	138
Włączanie lub wyłączenie urządzenia	123	Wskazówki na wyświetlaczu.....	138
Przyrządzanie napojów.....	123		
Zaparzanie napoju kawowego ze świeżej kawy ziarnistej.....	124		

¹ Zależnie od wyposażenia urządzenia

pl

Zakłócenia działania.....	140
Problem z rezultatem	142

Transport, przechowywanie i utyliczacja..... 144

Aktywacja zabezpieczenia przed mrozem	144
Utylizacja zużytego urządzenia.....	144

Serwis 145

Numer produktu (E-Nr) i numer fabryczny (FD)	145
Warunki gwarancji	145

Dane techniczne..... 146



Bezpieczeństwo

Warunkiem bezpiecznego użytkowania urządzenia jest przestrzeganie informacji z zakresu bezpieczeństwa.

Wskazówki ogólne

W tym miejscu znajdują się ogólne informacje dotyczące tej instrukcji.

- Należy dokładnie przeczytać niniejszą instrukcję. Jest to konieczny warunek bezpiecznego i wydajnego użytkowania urządzenia.
- Ta instrukcja jest przeznaczona dla użytkownika urządzenia.
- Stosować się do zasad bezpieczeństwa i ostrzeżeń.
- Instrukcję należy zachować i starannie przechowywać jako źródło informacji, a także z myślą o innych użytkownikach.
- Po rozpakowaniu należy sprawdzić stan urządzenia. Jeżeli w trakcie transportu urządzenie zostało uszkodzone, nie wolno go podłączać.

Użytkowanie zgodne z przeznaczeniem

Przestrzeganie instrukcji zgodnego z przeznaczeniem użytkowania jest warunkiem bezpiecznego i prawidłowego korzystania z urządzenia.

Urządzenia należy używać wyłącznie:

- w sposób zgodny z niniejszą instrukcją użytkowania.
- do przygotowywania gorących napojów.
- w prywatnym gospodarstwie domowym i zamkniętych pomieszczeniach domowych.
- do wysokości 2000 metrów nad poziomem morza.

Urządzenie należy odłączać od źródła zasilania prądem, gdy:

- jest czyszczone.

Ograniczenie grupy użytkowników

Należy wykluczyć ryzyka dla dzieci i osób szczególnie zagrożonych.

To urządzenie może być obsługiwane przez dzieci powyżej lat 8 oraz przez osoby o ograniczonych zdolnościach fizycznych, sensorycznych lub umysłowych albo osoby nieposiadające wymaganego doświadczenia i/lub wiedzy tylko pod warunkiem, że znajdują się one pod nadzorem lub zostały dokładnie poinformowane o sposobie bezpiecznej obsługi urządzenia oraz zrozumiały wynikające stąd zagrożenia.

Dzieciom nie wolno bawić się urządzeniem.

Dzieciom nie wolno wykonywać żadnych przewidzianych dla użytkownika czynności z zakresu czyszczenia i konserwacji urządzenia, chyba że są wieku co najmniej 8 lat i wykonują te czynności pod nadzorem.

Urządzenie i jego przewód sieciowy należy trzymać poza zasięgiem dzieci poniżej 8 roku życia.

Zasady bezpieczeństwa

Podczas używania urządzenia należy przestrzegać zasad bezpieczeństwa.

OSTRZEŻENIE – Niebezpieczeństwo uduszenia!

- Dzieci mogą sobie naciągnąć materiały opakowania na głowę lub zawinąć się w nie i udusić się.
 - ▶ Materiały z opakowania należy trzymać poza zasięgiem dzieci.
 - ▶ Nie pozwalać dzieciom na zabawę opakowaniem, a szczególnie folią.
- Dzieci mogą połknąć drobne części lub zadławić się nimi, co może doprowadzić do uduszenia.
 - ▶ Drobne części należy trzymać poza zasięgiem dzieci.
 - ▶ Nie należy pozwalać dzieciom na zabawę drobnymi częściami.

OSTRZEŻENIE – Niebezpieczeństwo porażenia prądem!

- Nieprawidłowo przeprowadzony montaż stanowi poważne zagrożenie.
 - ▶ Urządzenie należy podłączyć i użytkować zgodnie z informacjami podanymi na tabliczce znamionowej.

- ▶ Urządzenie musi być podłączone do sieci elektrycznej prądu przemiennego przez prawidłowo zainstalowane gniazdo z elementem uziemiającym.
- ▶ Układ przewodów ochronnych domowej instalacji elektrycznej musi być wykonany zgodnie z przepisami.
- Uszkodzone urządzenie lub uszkodzony przewód przyłączeniowy stanowią zagrożenie.
 - ▶ Nigdy nie włączać uszkodzonego urządzenia.
 - ▶ Nigdy nie używać urządzenia, jeżeli jego powierzchnia jest pęknięta lub złamana.
 - ▶ Nigdy nie ciągnąć za przewód przyłączeniowy, aby odłączyć urządzenie od sieci. Zawsze ciągnąć za wtyczkę przewodu przyłączeniowego.
 - ▶ W przypadku uszkodzenia urządzenia lub przewodu przyłączeniowego należy natychmiast wyciągnąć wtyczkę przewodu przyłączeniowego lub wyłączyć bezpiecznik w skrzynce bezpiecznikowej.
 - ▶ "Wezwać serwis." → *Strona 145*
 - ▶ Naprawy urządzenia mogą być wykonywane wyłącznie przez wykwalifikowany personel.
- Nieprawidłowo przeprowadzane naprawy stanowią poważne zagrożenie.
 - ▶ Naprawy urządzenia mogą być wykonywane wyłącznie przez wykwalifikowany personel.
 - ▶ Do naprawy urządzenia należy używać wyłącznie oryginalnych części zamiennych.
 - ▶ W przypadku uszkodzenia przewodu sieciowego tego urządzenia należy zlecić jego wymianę wymienioną przez producenta, jego serwis lub przez odpowiednio wykwalifikowaną osobę, co jest koniecznym warunkiem wykluczenia zagrożeń.
- Wnikająca wilgoć może prowadzić do porażenia prądem.
 - ▶ Nigdy nie zanurzać urządzenia lub przewodu sieciowego w wodzie.
 - ▶ Na złącze wtykowe urządzenia nie mogą się dostawać ciecze.

- ▶ Używać urządzenia wyłącznie w zamkniętych pomieszczeniach.
- ▶ Nigdy nie narażać urządzenia na działanie wysokiej temperatury i wilgoci.
- ▶ Nie używać do czyszczenia urządzenia myjek parowych ani ciśnieniowych.

⚠ OSTRZEŻENIE – Niebezpieczeństwo pożaru!

- Urządzenie silnie się rozgrzewa.
 - ▶ Zapewnić dostateczną wentylację urządzenia.
 - ▶ Nigdy nie używać urządzenia w szafce.
- Używanie przedłużonego przewodu sieciowego i niezaaprobowanych adapterów stanowi poważne zagrożenie.
 - ▶ Nie używać przedłużaczy ani rozgałęźników wielogniazdowych.
 - ▶ Jeżeli przewód sieciowy jest za krótki, należy się skontaktować z serwisem.
 - ▶ Należy używać tylko zaaprobowanych przez producenta adapterów.

⚠ OSTRZEŻENIE – Niebezpieczeństwo oparzenia!

Niektóre napoje są bardzo gorące.

- ▶ Nigdy nie dotykać gorących części urządzenia.
- ▶ Przed dotknięciem poczekać, aż gorące części urządzenia wystygną.

⚠ OSTRZEŻENIE – Niebezpieczeństwo oparzenia!

Świeżo przygotowane napoje są bardzo gorące.

- ▶ W razie potrzeby ostudzić napoje.
- ▶ Unikać kontaktu wydobywających się z urządzenia cieczy i par ze skórą.

⚠ OSTRZEŻENIE – Niebezpieczeństwo zranienia!

- Nieprawidłowa obsługa urządzenia może stanowić zagrożenie dla użytkownika.
 - ▶ Urządzenia należy używać tylko w sposób zgodny z przeznaczeniem.

- Przytrzaśnięcie palców przy zamykaniu drzwiczek urządzenia.
 - ▶ Przy zamykaniu drzwiczek należy uważać na palce.
- Młynek szybko się obraca.
 - ▶ Nigdy nie wkładać palców ani rąk do młynka.

⚠ OSTRZEŻENIE – Niebezpieczeństwo spowodowane magnetyzmem!

Urządzenie zawiera magnesy trwałe. Mogą one mieć wpływ na działanie implantów elektronicznych, np. rozruszników serca lub pomp insulinowych.

- ▶ Osoby posiadające implanty elektroniczne muszą zachowywać odstęp co najmniej 10 cm od urządzenia.
- ▶ Należy też zachowywać minimalny odstęp 10 cm od wyjętego pojemnika na wodę.

⚠ OSTRZEŻENIE – Zagrożenie uszkodzeniem zdrowia!

Zanieczyszczenia urządzenia mogą zagrażać zdrowiu.

- ▶ Przestrzegać wskazówek dotyczących czyszczenia urządzenia.

Ochrona środowiska i oszczędność

Aby chronić środowisko, należy używać urządzenia oszczędnie i prawidłowo usuwać przystosowane do recyklingu materiały.

Usuwanie opakowania

Materiały opakowaniowe są przyjazne dla środowiska i nadają się do recyklingu.

- ▶ Poszczególne elementy utylizować zgodnie z rodzajem materiału.
Informacje o aktualnych możliwościach utylizacji można uzyskać od sprzedawcy lub w urzędzie miasta lub gminy.

Oszczędzanie energii

Urządzenie użytkowane zgodnie z tymi wskazówkami zużywa mniej prądu.

Ustawić interwał automatycznego wyłączenia na najmniejszą możliwą wartość.

- + Jeżeli urządzenie nie jest używane, wyłącza się wcześniej.
→ "Ustawienia podstawowe",
Strona 129

Nie przerywać przedwcześnie pobierania napoju.

- + Podgrzana ilość wody lub mleka jest optymalnie wykorzystywana.

Urządzenie należy regularnie odkamieniać.

- + Osad kamienia zwiększa zużycie energii.

Ustawianie i podłączanie

W tym miejscu można znaleźć informacje o optymalnym miejscu i sposobie ustawienia urządzenia. Można tu też znaleźć opis sposobu podłączenia urządzenia do sieci elektrycznej.

Zakres dostawy

Po rozpakowaniu należy sprawdzić wszystkie części pod kątem ewentualnych uszkodzeń podczas transportu.

→ Rys. 1

A	Automatyczny ekspres do kawy
B	Rurka do mleka i rurka ssąca
C	Instrukcja obsługi
D	Tabletki czyszczące ¹
E	Tabletki odkamieniające ¹
F	Pasek do mierzenia poziomu twardości wody
G	Filtr wody ¹

¹ Zależnie od wyposażenia urządzenia

Ustawianie i podłączanie urządzenia

UWAGA!

Niebezpieczeństwo uszkodzenia urządzenia. Nieprawidłowe uruchamianie może spowodować uszkodzenie urządzenia.

- ▶ Urządzenie użytkować wyłącznie w pomieszczeniach, w których nie występują temperatury ujemne.
- ▶ Jeżeli urządzenie było transportowane lub przechowywane poniżej 0°C, to przed jego uruchomieniem należy odczekać 3 godziny w temperaturze pokojowej.

- ▶ Po każdym podłączeniu odczekać ok. 5 sekund.
- 1. Zdjąć folie ochronne.
- 2. Ustawić urządzenie na równej, dostatecznie wytrzymałej i wodoodpornej powierzchni.
- 3. Połączyć urządzenie wtyczką sieciową z przepisowo zainstalowanym gniazdem sieciowym z zestykiem uziemiającym.

Poznanawanie urządzenia

Zapoznać się z częściami urządzenia.

Urządzenie

W tym miejscu można znaleźć przegląd części urządzenia.

Wskazówka W zależności od typu urządzenia możliwe są niewielkie odchylenia koloru i cech budowy.

→ Rys. 2

1	Zbiornik na wodę
2	Pokrywa zbiornika na wodę
3	Podgrzewacz filiżanek ¹
4	Pokrywa aromatyzująca
5	Pojemnik na kawę ziarnistą
6	Komora na kawę mieloną
7	Wyświetlacz
8	Panel obsługi
9	Oslona
10	System spieniania mleka
11	System wylotowy

¹ Zależnie od wyposażenia urządzenia

12 Drzwiczki komory zaparzacza

13 Tabliczka znamionowa

14 Pojemnik na skropliny

¹ Zależnie od wyposażenia urządzenia

Elementy obsługi

W tym miejscu można znaleźć przegląd symboli urządzenia. Naciśnięcie symboli, aby dokonać wyboru, rozpoczyna pobieranie napoju albo dokonanie ustawienia.

Symbol	Objaśnienie
	Włączanie lub wyłączenie urządzenia.
menu 	Otwieranie lub zamykanie menu. Wskazówka Przyciski menu są widoczne tylko przy otwartym menu.
	Nawigacja po menu do góry.
	Nawigacja po menu w dół.
ok	Potwierdzanie lub zapisywanie opcji w menu.
	Powrót do wcześniejszego punktu w menu.
	Pobieranie dwóch filiżanek jednocześnie.
	Wybieranie mocy kawy.
ml	Dopasowywanie ilości napoju.
start stop	Rozpoczynanie lub zatrzymywanie czynności.

Wyświetlacz

Wyświetlacz pokazuje wybrane napoje, ustawienia i opcje ustawień oraz komunikaty o stanie urządzenia. Wyświetlacz pokazuje dodatkowe informacje i czynności. Informacje te znikają po upływie krótkiego czasu lub po naciśnięciu przycisku. Czynności znikają po ich wykonaniu.

Przegląd napojów

Przy użyciu urządzenia można przygotowywać wiele różnych napojów.

Szybki wybór

Symbol	Oznaczenie	Objaśnienie	Kategoria
	Espresso	Skoncentrowana kawa. Zaleca się podawanie tego napoju w małych filiżankach o grubych ściankach. Ogrzać filiżanki gorącą wodą.	→ "Zaparzanie napoju kawowego ze świeżej kawy ziarnistej", Strona 124 → "Zaparzanie napoju kawowego z kawy mielonej", Strona 124
	Kawa	Kawa z warstwą pianki albo duża filiżanka kawy parzonej metodą espresso.	→ "Zaparzanie napoju kawowego ze świeżej kawy ziarnistej", Strona 124 → "Zaparzanie napoju kawowego z kawy mielonej", Strona 124
	Cappuccino	Espresso ze spienionym mlekiem. Zaleca się podawanie tego napoju w małych filiżankach.	→ "Zaparzanie napoju kawowego z mlekiem", Strona 125
	LatteMacchiato	Podawany w szklance napój trójwarstwowy: na dole ciepłe, mleko, pośrodku kawa espresso, na górze spienione mleko. Zaleca się podawanie tego napoju w szklankach.	→ "Zaparzanie napoju kawowego z mlekiem", Strona 125
	Napoje specjalne	Przyrządzanie dalszych napojów.	→ "Przyrządzanie napojów specjalnych", Strona 125

Akcesoria

Używać oryginalnych akcesoriów. Są one dokładnie dostosowane do urządzenia. W tym miejscu można znaleźć przegląd akcesoriów posiadanego urządzenia.

Akcesoria	Handel	Serwis
Tabletki czyszczące	TZ80001A TZ80001B	00312097 00312098
Tabletki odkamieniające	TZ80002A TZ80002B	00312094 00312095
Filtr wody	TZ70003	00575491
Filtr wody, opakowanie 3 szt.	TZ70033	-

Aksesoria	Handel	Serwis
Ściereczka z mikrofazy	-	00460770
Zestaw pielęgnacyjny	TZ80004A TZ80004B	00312105 00312106

Przed pierwszym użyciem

Dokonać ustawień podstawowych urządzenia. Wyczyścić urządzenie i jego części.

Pierwsze uruchomienie urządzenia

- ▶ Po podłączeniu urządzenia do sieci elektrycznej dokonać ustawień wymaganych przed pierwszym uruchomieniem.

Wskazówka Menu wyboru języka i twardości wody pojawia się automatycznie tylko po pierwszym włączeniu urządzenia.

Rada: Ustawienia można w każdej chwili zmienić.
→ "Ustawienia podstawowe",
Strona 129

Napełnić zbiornik na wodę

Zbiornik na wodę należy codziennie napełniać świeżą niegazowaną wodą.

1. Otworzyć pokrywę.
2. Wyjąć pojemnik na wodę za zintegrowany uchwyt.
3. Wypłukać zbiornik na wodę.
4. Napełnić zbiornik na wodę do poziomu znacznika "max".
5. Wstawić pojemnik na wodę prosto w uchwyt.
6. Zamknąć pokrywę.

Napełnić pojemnik na kawę ziarnistą

UWAGA!

Nieodpowiednia kawa ziarnista może zatkać młynek.

- ▶ Używać wyłącznie czystej, palonej kawy espresso lub mieszanek przeznaczonych do automatycznych ekspresów ciśnieniowych.
- ▶ Nie używać lukrowanej kawy ziarnistej.
- ▶ Nie używać karmelizowanej kawy ziarnistej.
- ▶ Nie używać kawy ziarnistej z dodatkami zawierającymi cukier.
- ▶ Nie wsypywać kawy zmielonej ani sproszkowanej.

1. Otworzyć pokrywę.
2. Wsypać kawę ziarnistą.
Przy następnych parzeniach urządzenie ustawi się na kawę ziarnistą.
3. Zamknąć pokrywę.

Rada: Aby zachować optymalną jakość kawy ziarnistej, należy ją przechowywać w chłodnym miejscu i zamkniętym pojemniku.

Kawę ziarnistą można przechowywać przez kilka dni w pojemniku na kawę ziarnistą bez utraty aromatu.

Ustawianie języka

1. Włączyć urządzenie przyciskiem .
- ✓ Wyświetlacz pokazuje ustawiony język.
2. Naciskać  albo , aż wyświetlacz pokaże żądany język.

pl Przed pierwszym użyciem

3. Nacisnąć **ok**.

Rada: Ustawiony język można w każdej chwili zmienić.

→ "Przegląd ustawień podstawowych", Strona 129

Ustawić twardość wody

Prawidłowe ustawienie twardości wody jest ważne, ponieważ gwarantuje, że urządzenie będzie we właściwym czasie sygnalizować konieczność odkamienienia. Twardość wody można ustalić przy użyciu dołączonych do urządzenia pasek testowych lub na podstawie informacji uzyskanych od miejscowego przedsiębiorstwa wodociągowego.

1. Krótco zanurzyć pasek pomiarowy w świeżej wodzie z kranu.
2. Odsączyć pasek pomiarowy.
✓ Po 1 minucie pasek pomiarowy wskazuje twardość wody.
3. Jeżeli w domu jest zainstalowany zmiękczacz wody, należy wybrać ustawienie "Zmiękczenie wody".
4. Naciskać  albo , aż wyświetlacz pokaże żądaną twardość wody.

Tabela przedstawia przyporządkowanie stopni do różnych poziomów twardości wody:

Stopień	Niemiecka skala twardości wody w °dH	Twardość całkowita w mmol/l
1	1-7	0.18 - 1.25
2	8-14	1.42 - 2.49
3	15-21	2.67 - 3.74
4 ¹	22-30	3.92 - 5.34

¹ Ustawienie fabryczne (może być różne zależnie od typu urządzenia)

5. Nacisnąć **ok**.

6. Sprawdzić, czy pojemnik na kawę ziarnistą jest napełniony.
7. Sprawdzić, czy jest napełniony pojemnik na wodę.
8. Nacisnąć **ok**.
✓ Następuje płukanie urządzenia.

Rada: Ustawioną twardość wody można w każdej chwili zmienić.
→ "Przegląd ustawień podstawowych", Strona 129

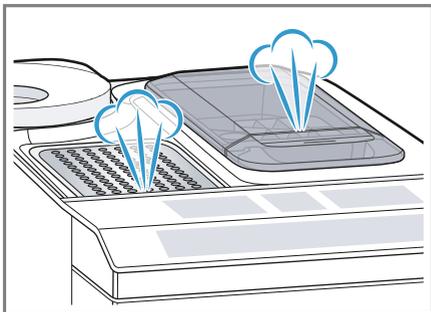
Wskazówki ogólne

Należy się stosować do wskazówek dotyczących optymalnego korzystania z urządzenia.

Wskazówki

- Urządzenie zaprogramowane jest fabrycznie na standardowe ustawienia, które zapewniają optymalny sposób jego użytkowania.
- Młynek jest ustawiony fabrycznie w sposób zapewniający optymalny rezultat mielenia. Jeżeli kawa wypływa kroplami albo jest za słaba i ma za małą ilość pianki, można dopasować stopień zmielenia kawy podczas pracy młynka.
→ "Ustawianie stopnia zmielenia", Strona 127
- Urządzenie wyłącza się automatycznie, jeżeli nie jest przez określony czas obsługiwane. "Czas ten można zmienić w menu ustawień podstawowych." → Strona 129
- W trakcie użytkowania na przewietrznikach i pokrywie komory na kawę mieloną mogą się tworzyć krople wody.

- Ze względów technicznych z urządzenia może się wydobywać para.



Rady

- "Dźwięki przycisków można wyłączyć w menu ustawień podstawowych." → *Strona 129*
- Przy pierwszym użyciu, po wykonaniu programu serwisowego lub po dłuższym okresie nieużywania urządzenia pierwszy napój nie ma jeszcze pełnego aromatu i nie należy go wypijać.
- Trwałą, porowatą i stabilną piankę uzyskuje się po pierwszym uruchomieniu urządzenia dopiero po zaparzeniu kilku filiżanek kawy.

Podstawowy sposób obsługi

W tym miejscu można znaleźć najważniejsze informacje na temat obsługi swojego urządzenia.

Włączanie lub wyłączanie urządzenia

- ▶ Włączyć lub wyłączyć urządzenie przy użyciu .
- Po włączeniu urządzenia wyświetlacz pokazuje logo Siemens. Przy włączaniu i wyłączaniu urządzenie przepłukuje się automatycznie. Przy wyłączaniu urządzenie czyści się przez spuszczenie pary do tac-

ki ociekowej. Podczas płukania na wyświetlaczu widać symbol kropli. Jeżeli w chwili włączenia urządzenia nie jest jeszcze ciepłe albo przed wyłączeniem nie był parzony żaden napój, urządzenie nie jest przepłukiwane.

Przyrządzanie napojów

W tym miejscu opisane są sposoby zaparzania różnych napojów.

OSTRZEŻENIE

Niebezpieczeństwo oparzenia!

Świeżo przygotowane napoje są bardzo gorące.

- ▶ W razie potrzeby ostudzić napoje.
- ▶ Unikać kontaktu wydobywających się z urządzenia cieczy i par ze skórą.

Rady

- Żądane napoje można wybierać przyciskami szybkiego wyboru. Wyświetlacz pokazuje napój i jego aktualne ustawienia.
- Oprócz napojów, które można pobierać przy użyciu przycisków szybkiego wyboru, urządzenie potrafi też zaparzać inne napoje. → *"Przyrządzanie napojów specjalnych", Strona 125*
- Napoje można dopasowywać do swoich upodobań. → *"Ustawienia napoju", Strona 126*

Wskazówki

- Jeżeli w ciągu ok. 5 sekund nie nastąpi zmiana żadnego ustawienia, urządzenie zamyka tryb ustawień. Dokonane ustawienia zostają automatycznie zapisane.
- W przypadku niektórych ustawień kawa jest przygotowywana w kilku etapach. Zaczekać na całkowite zakończenie procesu.

Zaparzanie napoju kawowego ze świeżej kawy ziarnistej

1. Postawić podgrzaną filiżankę pod wylotem napoju.
2. Nacisnąć symbol napoju kawowego niezawierającego mleka.
- ✓ Wyświetlacz pokazuje napój i jego aktualne ustawienia.
→ *"Ustawienia napoju", Strona 126*
3. W razie potrzeby zmienić ustawienia:
 - Dostosować ilość napoju przyciskiem **ml**.
→ *"Dopasowywanie ilości napoju", Strona 127*
 - Dostosować moc kawy przyciskiem \emptyset .
→ *"Dostosowywanie mocy kawy", Strona 126*

4. Nacisnąć ^{start}/_{stop}.

Ziarna kawy są świeżo mielone przed każdym parzeniem.

- ✓ Kawa jest parzona i nalewana do filiżanki.

Rady

- Zaparzanie napoju można zakończyć wcześniej przyciskiem ^{start}/_{stop}.
- W tym miejscu znajduje się opis przyrządzania napojów kawowych z mlekiem.
→ *"Przyrządzanie napojów z pianką mleczną", Strona 124*

Zaparzanie napoju kawowego z kawy mielonej

UWAGA!

Komora na kawę mieloną może się zatykać.

- ▶ Nie używać kawy ziarnistej.
- ▶ Nie używać kawy rozpuszczalnej.
- ▶ Resztki kawy mielonej zmieść miękkim pędzelkiem do komory na kawę mieloną.

Wskazówka

Przy parzeniu zmielonej kawy nie są dostępne następujące opcje:

- Dwie filiżanki jednocześnie
 - Moc kawy
 - "doubleshot"
1. Postawić podgrzaną filiżankę pod wylotem napoju.
 2. Nacisnąć symbol żądanego napoju.
 3. Nacisnąć \emptyset odpowiednią ilość razy, aż wyświetlacz pokaże "Kawa miel.".
 4. Otworzyć komorę na kawę mieloną.
 5. Wsypać maksymalnie 2 płaskie łyżeczki zmielonej kawy, maks. 12 g.
 6. Zamknąć komorę na kawę mieloną.
 7. Nacisnąć ^{start}/_{stop}.
- ✓ Kawa jest parzona i nalewana do filiżanki.

Rady

- Zaparzanie napoju można zakończyć wcześniej przyciskiem ^{start}/_{stop}.
- W celu zaparzenia kolejnego napoju z kawy mielonej powtórzyć procedurę.
- Kawę mieloną należy wsypywać na krótko przed przyrządzeniem napoju.

Przyrządzanie napojów z pianką mleczną

Urządzenie umożliwia przyrządzanie napojów kawowych z mlekiem i pianką mleczną.

OSTRZEŻENIE

Niebezpieczeństwo oparzenia!

- Spieniacz mleka silnie się nagrzewa.
- ▶ Nigdy nie dotykać gorącego spieniacza mleka.
 - ▶ Przed dotknięciem poczekać, aż gorący spieniacz mleka ostygnie.

UWAGA!

Resztki mleka mogą zasychać, w takim stanie są trudne do usunięcia.

- ▶ Spieniacz mleka należy czyścić po każdym użyciu.
→ *"Czyszczenie spieniacza mleka", Strona 133*

Rada: Zamiast mleka można używać napojów roślinnych, np. z soi.

Wskazówka Jakość pianki mlecznej zależy od rodzaju mleka lub napoju roślinnego.

Zaparzanie napoju kawowego z mlekiem**Warunki**

- Podłączona jest rurka do mleka.
 - Podłączona jest rurka ssąca.
1. Zanurzyć rurkę ssącą w mleku.
 2. Postawić podgrzaną filiżankę pod wylotem napoju.
 3. Nacisnąć symbol napoju kawowego zawierającego mleko.
 - ✓ Wyświetlacz pokazuje napój i jego aktualne ustawienia.
→ *"Ustawienia napoju", Strona 126*
 4. W razie potrzeby zmienić ustawienia:
 - Dostosować ilość napoju przyciskiem **ml**.
→ *"Dopasowywanie ilości napoju", Strona 127*
 - Dostosować moc kawy przyciskiem \emptyset .
→ *"Dostosowywanie mocy kawy", Strona 126*
 - Użyć komory na kawę mieloną.
→ *"Zaparzanie napoju kawowego z kawy mielonej", Strona 124*
 5. Nacisnąć  i zaczekać na zakończenie procesu.

Po przyrządzeniu napoju mlecznego spieniacz mleka jest automatycznie czyszczony krótkim uderzeniem pary.

Rada: Aby zatrzymać pobieranie napoju wcześniej, nacisnąć . Aby całkowicie zatrzymać pobieranie napoju, nacisnąć \emptyset .

Przyrządzanie napojów specjalnych

Oprócz napojów, które można pobierać przy użyciu przycisków szybkiego wyboru, urządzenie potrafi też zaparzać inne napoje.

- ▶ Kilkakrotnie nacisnąć .
→ *"Przeгляд napojów", Strona 120*

Pobieranie pianki mlecznej** OSTRZEŻENIE****Niebezpieczeństwo oparzenia!**

Spieniacz mleka silnie się nagrzewa.

- ▶ Nigdy nie dotykać gorącego spieniacza mleka.
- ▶ Przed dotknięciem poczekać, aż gorący spieniacz mleka ostygnie.

Warunki

- Podłączona jest rurka do mleka.
 - Podłączona jest rurka ssąca.
1. Zanurzyć rurkę ssącą w mleku, np. w kartonie typu Tetrapack.
 2. Postawić podgrzaną filiżankę pod wylotem napoju.
 3. Nacisnąć  odpowiednią ilość razy, aż wyświetlacz pokaże "Spienione mle".
 4. W razie potrzeby zmienić ustawienie:
 - Dostosować ilość napoju przyciskiem **ml**.
→ *"Dopasowywanie ilości napoju", Strona 127*

pl Podstawowy sposób obsługi

5. Nacisnąć .
 - ✓ Z wylotu urządzenia wypływa pianka mleczna.
6. Aby zatrzymać pobieranie, nacisnąć .

Pobieranie gorącej wody

OSTRZEŻENIE

Niebezpieczeństwo oparzenia!

Spieniacz mleka silnie się nagrzewa.

- ▶ Nigdy nie dotykać gorącego spieniacza mleka.
- ▶ Przed dotknięciem poczekać, aż gorący spieniacz mleka ostygnie.

Wskazówka Jeżeli spieniacz mleka nie zostanie wyczyszczony, do wody mogą zostać domieszane niewielkie ilości mleka.

Warunki

- Spieniacz mleka jest wyczyszczony.
 - "Czyszczenie spieniacza mleka", Strona 133.
 - Została odłączona rurka do mleka.
1. Postawić podgrzaną filiżankę pod wylotem napoju.
 2. Nacisnąć  odpowiednią ilość razy, aż wyświetlacz pokaże "Gorąca woda".
 3. W razie potrzeby zmienić ustawienie:
 - Dostosować ilość napoju przyciskiem **ml**.
 - "Dopasowywanie ilości napoju", Strona 127
 4. Nacisnąć .

Jeżeli pojawi się komunikat "Proszę zdjąć rurkę do mleka.", należy odłączyć rurkę do mleka i nacisnąć .

 - ✓ Z wylotu urządzenia wypływa gorąca woda.
 5. Aby zatrzymać pobieranie, nacisnąć .

Ustawienia napoju

Napoje można dostosowywać do swoich upodobań.

Dostosowywanie mocy kawy

1. Nacisnąć symbol żądanego napoju.
2. Nacisnąć , aby wybrać moc kawy.

Dostępne są następujące opcje wyboru mocy kawy:

 - "łagodna"
 - "normalna"
 - "mocna"
 - "b. mocna"
 - "doubleshot"

Wskazówka Ustawienie "doubleshot" nie jest dostępne dla wszystkich napojów i ilości napojów.

Rada: Aby uzyskać intensywny smak kawy przy jej dużej ilości, należy wybrać dużą moc kawy.

Wybieranie kawy mielonej

1. Nacisnąć symbol żądanego napoju.
2. Nacisnąć  odpowiednią ilość razy, aż wyświetlacz pokaże "Kawa miel.".
 - "Zaparzanie napoju kawowego z kawy mielonej", Strona 124

aromaDouble Shot

Przy użyciu ustawienia "doubleshot" można zaparzać bardzo mocną kawę.

Im dłużej trwa parzenie kawy, tym bardziej gorzki staje się napój, który uwalnia też niepożądane substancje zapachowe. Substancje gorzkie i niepożądane substancje zapachowe ujemnie wpływają na smak i strawność kawy. W celu uwolnienia tylko przyjemnych w smaku i dobrze straw-

nych substancji zapachowych po przygotowaniu połowy ilości kawa jest mielona i zaparzana ponownie.

Wskazówka Ustawienie "doubleshot" nie jest dostępne dla wszystkich napojów i ilości napojów.

Dopasowywanie ilości napoju

1. Nacisnąć symbol żadanego napoju.
2. Nacisnąć **ml** odpowiednią ilość razy, aż wyświetlacz pokaże żadaną ilość.

Pobieranie dwóch filiżanek jednocześnie

W zależności od typu posiadanego urządzenia możliwe jest pobieranie dwóch filiżanek niektórych napojów jednocześnie.

Wskazówka

Funkcja „Dwie filiżanki jednocześnie” nie jest dostępna dla następujących opcji:

- "Kawa miel."
 - "doubleshot"
 - ilości mniejsze niż 35 ml

1. Nacisnąć symbol żadanego napoju.
2. Nacisnąć .
- ✓ Wyświetlacz pokazuje ustawienie.
3. Podstawić dwie podgrzane filiżanki pod wylot napoju z lewej i prawej strony.
4. Nacisnąć .

Napój jest przygotowywany w 2 etapach. Ziarna są mielone w 2 etapach.

- ✓ Napój zostaje zaparzony i nalany do filiżanki.
5. Zaczekać na całkowite zakończenie procesu.

Młynek

To urządzenie posiada regulowany młynek umożliwiający indywidualne ustawianie stopnia zmielenia kawy.

Ustawianie stopnia zmielenia

Żądany stopień zmielenia kawy należy ustawić w czasie mielenia.



OSTRZEŻENIE

Niebezpieczeństwo zranienia!

Młynek szybko się obraca.

- ▶ Nigdy nie wkładać palców ani rąk do młynka.

UWAGA!

Niebezpieczeństwo uszkodzenia młynka. Nieprawidłowe ustawienie stopnia zmielenia może uszkodzić młynek.

- ▶ Stopień zmielenia można ustawiać tylko podczas pracy młynka.
- ▶ Ustawić żądany stopień zmielenia kawy selektorem obrotowym.

Stopień zmielenia	Ustawienie
Drobniejszy stopień zmielenia dla ciemno palonych ziaren.	Obracać selektor w kierunku przeciwnym do kierunku ruchu wskazówek zegara.
Grubszy stopień zmielenia dla jasno palonych ziaren.	Obracać selektor w kierunku ruchu wskazówek zegara.



Nowe ustawienie stopnia zmielenia będzie zauważalne dopiero po drugiej filiżance kawy.

Rada: Jeżeli kawa wypływa kroplami, ustawić grubszy stopień zmielenia. Jeżeli kawa jest za słaba i ma za mało pianki, ustawić drobniejszy stopień zmielenia.

Filtr wody

Filtr wody redukuje osady kamienia i ilość zawartych w wodzie zanieczyszczeń.

Instalacja i aktywacja filtra wody

UWAGA!

Możliwość uszkodzenia urządzenia przez osad kamienia.

- ▶ Filtr wody należy dostatecznie często wymieniać.
- ▶ Filtr wody należy wymieniać co najmniej raz na 2 miesiące.

Wskazówka Jeżeli wyświetlacz pokazuje "Wymień filtr wody", konieczna jest wymiana filtra wody.

Jeżeli użytkownik nie chce zamontować nowego filtra wody, musi wybrać "Brak filtra" i wykonać instrukcje wyświetlane na wyświetlaczu.

1. Zanurzyć filtr wody w szklance napełnioną wodą i ścisnąć jego boki, aż przestaną wypływać pęcherzyki powietrza.
→ Rys. 3
2. Nacisnąć menu .
3. Nacisnąć  albo  "Filtr wody" i **ok**.
4. Nacisnąć  albo  "Nowy filtr" lub wybrać "Wymień filtr wody" i nacisnąć **ok**.
5. **Wskazówka** Jeżeli użytkownik nie chce zamontować nowego filtra wody, musi wybrać "Brak filtra" w menu ustawień.
Mocno wcisnąć filtr wody do pojemnika na wodę i nacisnąć **ok**.
→ Rys. 4

6. Napełnić pojemnik wodą do wysokości znacznika "max" i nacisnąć **ok**.
7. Połączyć rurkę do mleka ze spieniaczem mleka i rurką ssącą.
8. Koniec rurki ssącej włożyć do pojemnika na skropliny.
9. Podstawić pod wylot naczynie o pojemności 1 l i nacisnąć **ok**.
✓ Filtr zostaje przepłukany i pojawia się wskaźnik "Płukanie jest zakończone."
✓ Urządzenie jest gotowe do pracy.

Rady

- Filtr wody warto też wymieniać ze względów higienicznych.
- Gdy jest używany filtr wody, odkamienianie urządzenia jest konieczne rzadziej.
- Jeżeli urządzenie nie było przed dłuższy czas używane np. w czasie urlopu, to przed użyciem należy przepłukać zainstalowany filtr wody przez pobranie filiżanki gorącej wody.
- Filtry wody można nabyć w handlu lub w serwisie.
→ "Akcesoria", Strona 120
- W tym miejscu został opisany sposób montażu filtra wody.
→ "Instalacja i aktywacja filtra wody", Strona 128

Zabezpieczenie przed dziećmi

Aby chronić dzieci przed oparzeniem, można zablokować urządzenie.

Aktywacja zabezpieczenia przed dziećmi

- ▶ Naciskać **ml** przez co najmniej 3 sekundy.
- ✓ Wyświetlacz pokazuje "Zabezpieczenie przed dziećmi aktywne. Aby wyłączyć, naciśnij "ml" przez 3 sekundy".

Dezaktywacja zabezpieczenia przed dziećmi

- ▶ Naciskać **ml** przez co najmniej 3 sekundy.
- ✓ Wyświetlacz pokazuje "Zabezpieczenie przed dziećmi wyłączone".

Podgrzewacz filiżanek¹

Filiżanki można podgrzewać przy użyciu podgrzewacza filiżanek.

Ustawienia podstawowe

Użytkownik może dopasować urządzenie do swoich potrzeb i używać funkcji dodatkowych.

Przegląd ustawień podstawowych

Ustawienie	Wybór	Opis
Czyszczenie	Spieniacz mleka Odkamienianie Czyszczenie calc'nClean	Uruchamianie programów serwisowych. → "Programy serwisowe", Strona 134
Podgrz. filiżanek ¹	Podgrz. filiż. wyt. ² Podgrz. filiż. wł.	Włączanie i wyłączanie podgrzewacza filiżanek. → "Podgrzewacz filiżanek", Strona 129

¹ Zależnie od wyposażenia urządzenia

² Ustawienie fabryczne (może być różne zależnie od typu urządzenia)

¹ Zależnie od wyposażenia urządzenia

OSTRZEŻENIE

Niebezpieczeństwo oparzenia!

Podgrzewacz filiżanek silnie się nagrzewa.

- ▶ Nigdy nie dotykać gorącego podgrzewacza filiżanek.
- ▶ Przed dotknięciem poczekać, aż gorący podgrzewacz do filiżanek mleka ostygnie.

Rady

- Podgrzewacz filiżanek można aktywować i dezaktywować w menu ustawień podstawowych.
→ "Przegląd ustawień podstawowych", Strona 129
- Aby zapewnić optymalne podgrzewanie filiżanek, należy je ustawiać na podgrzewaczu dnem.

Ustawienie	Wybór	Opis
Filtr wody	Nowy filtr Brak filtra	Ustawianie opcji filtra wody.
Temperatura kawy	normalna wysoka maks.	Ustawienie temperatury napojów kawowych. Wskazówka Ustawienie obowiązuje dla wszystkich sposobów zaparzania.
Języki	Patrz opcja wyboru na urządzeniu.	Ustawianie języka menu. Zmiany są od razu widoczne na wyświetlaczu.
Aut. wyłączenie	Patrz opcja wyboru na urządzeniu.	Ustawienie czasu, po którym urządzenie będzie się automatycznie wyłączać po zaparzeniu ostatniego napoju.
Twardość wody	1 (miękka) 2 (średnia) 3 (twarda) 4 (bardzo twarda) ² Zmiękczacze wody	Ustawianie urządzenia na lokalną twardość wody. → "Ustawić twardość wody", Strona 122
Dźwięki przycisków	Dźwięk przycis. wł. ² Dźwięk przyci. wył.	Włączanie i wyłączanie dźwięków przycisków.
Ustawienia fabr.	Zresetować całość? Kontynuuj: OK Anuluj: ←	Przywracanie ustawień fabrycznych. Wskazówka Wszystkie indywidualne ustawienia zostają usunięte i przywrócone do wartości fabrycznych.

¹ Zależnie od wyposażenia urządzenia

² Ustawienie fabryczne (może być różne zależnie od typu urządzenia)

Zmiana ustawień podstawowych

1. Nacisnąć **menu** .
2. Wybrać żądane ustawienie przyciskiem  lub  i nacisnąć **ok**.
- ✓ Na wyświetlaczu pojawiają się opcje ustawień, świecą symbole nawigacyjne. Wyświetlacz podkreśla aktualne ustawienie.
3. Wybrać żadaną opcję przyciskiem  lub  i nacisnąć **ok**.
- ✓ Ustawienie jest zapisane w pamięci.
4. Powrót do menu przyciskiem .
5. Nacisnąć **menu** , aby zamknąć menu.

Czyszczenie i pielęgnacja

Aby urządzenie długo zachowało sprawność, należy je starannie czyścić i pielęgnować.

Możliwość mycia w zmywarkach do naczyń

W tym miejscu opisane są elementy urządzenia przystosowane do mycia w zmywarkach do naczyń.

UWAGA!

Niektóre elementy są wrażliwe na temperaturę i mycie w zmywarce może je uszkodzić.

- ▶ Stosować się do instrukcji obsługi zmywarki.
- ▶ W zmywarce do naczyń należy myć tylko przystosowane do tego celu elementy.
- ▶ Używać tylko programów, które nie podgrzewają wody do temperatury przewyższającej 60°C.

Do mycia w zmywarkach do naczyń są przystosowane

- Pojemnik na skropliny
 - Blacha ociekowa
 - Kratka ociekowa
 - Pojemnik na fusy
 - Mechaniczny wskaźnik poziomu
- Spieniacz mleka z adapterem
- Komora na kawę mieloną z kłapką



Do mycia w zmywarkach do naczyń nie są przystosowane

- Zbiornik na wodę
- Pokrywa pojemnika na wodę
- Pokrywa aromatyzująca
- Zaparzac
- Pokrywa wylotu napojów



Środki czyszczące

W tym miejscu są podane środki czyszczące nadające się do czyszczenia urządzenia.

⚠ OSTRZEŻENIE

Zagrożenie poważnym uszkodzeniem zdrowia!

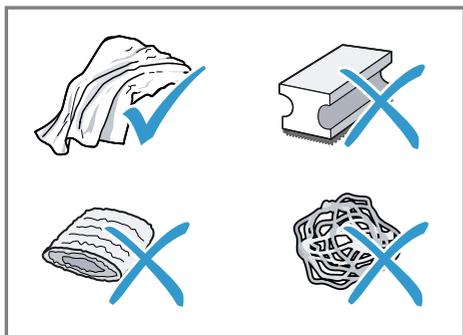
Roztwory czyszczące mogą zagrażać zdrowiu.

- ▶ Nigdy nie pić roztworów czyszczących.
- ▶ Stosować odkamieniacze i środki czyszczące zgodnie z instrukcją i przestrzegać odpowiednich zasad bezpieczeństwa.

UWAGA!

Nieodpowiednie środki czyszczące mogą uszkodzić powierzchnie urządzenia.

- ▶ Nie należy stosować ostrych ani ciernych środków czyszczących.
- ▶ Nie używać środków czyszczących zawierających alkohol lub spirytus.
- ▶ Nie używać poduszczek ciernych ani szorstkich gąbek.
- ▶ Do odkamieniania nigdy nie używać kwasu cytrynowego, octu ani środków na bazie octu.
- ▶ Do odkamieniania i czyszczenia stosować wyłącznie odpowiednie tabletki.
- ▶ Nie używać środków do usuwania kamienia zawierających kwas fosforowy.



Rady

- Używać tabletek odkamieniających i czyszczących, które są przeznaczone specjalnie do posiadanego urządzenia. Tabletki te można nabyć za pośrednictwem serwisu. → "Akcesoria", Strona 120
- Nowe ściereczki gąbkowe należy dokładnie płukać, aby usunąć znajdujące się na nich ewentualnie sole. Sole mogą powodować korozję nalotową powierzchni stali szlachetnej.
- Pozostałości kamienia, kawy, mleka oraz roztworu czyszczącego i odkamieniającego należy zawsze od razu usuwać, aby zapobiec korozji.

Czyszczenie urządzenia

⚠ OSTRZEŻENIE

Niebezpieczeństwo porażenia prądem!

Wnikająca wilgoć może prowadzić do porażenia prądem.

- ▶ Nigdy nie zanurzać urządzenia lub przewodu sieciowego w wodzie.
- ▶ Na złącze wtykowe urządzenia nie mogą się dostawać ciecze.
- ▶ Nie używać do czyszczenia urządzenia myjek parowych ani ciśnieniowych.

⚠ OSTRZEŻENIE

Niebezpieczeństwo oparzenia!

Niektóre napoje są bardzo gorące.

- ▶ Nigdy nie dotykać gorących części urządzenia.
- ▶ Przed dotknięciem zaczekać, aż gorące części urządzenia wystygną.

1. Odłączyć urządzenie od sieci elektrycznej.
2. Obudowę, powierzchnie wysoko-połytkowe i panel obsługi czyścić ściereczką z mikrofibry. → "Akcesoria", Strona 120
3. Po pobraniu napoju wyczyścić wylot miękką, wilgotną ściereczką.
4. Jeżeli urządzenie nie było używane przez dłuższy okres czasu, na przykład w czasie urlopu, należy wyczyścić całe urządzenie wraz z wylotem, spieniaczem mleka, podstawkami oraz zaparaczem.

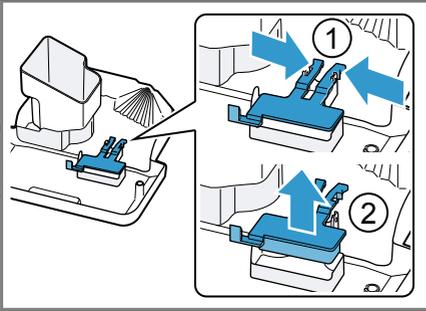
Wskazówka Przy włączaniu zimnego urządzenia lub jego wyłączeniu po pobraniu kawy urządzenie przepłukuje się automatycznie. System czyści się w ten sposób samoczynnie.

Czyszczenie pojemnika na skropliny i pojemnika na fusy

Pojemnik na skropliny oraz pojemnik na fusy należy codziennie opróżnić i czyścić, aby wykluczyć powstawanie osadów.

1. Odłączyć rurkę do mleka od wylotu napojów.
2. Otworzyć drzwi.
3. Wyciągnąć do przodu pojemnik na skropliny i pojemnik na fusy.
4. Wyjąć blachę ociekową i wyczyścić.
5. Opróżnić i wyczyścić pojemnik na skropliny i pojemnik na fusy.

6. Wyczyścić wnętrze urządzenia i pojemnik na skropliny.
7. **Rada**
Wciśnięcie obu uchwytów do wewnątrz ułatwia wyjęcie mechanicznego wskaźnika poziomu.



Wymontować mechaniczny wskaźnik poziomu i wyczyścić go wilgotną ściereczką.

8. Złożyć pojemnik na skropliny, blachę ociekową, pojemnik na fusy i mechaniczny wskaźnik poziomu i umieścić w urządzeniu.
9. Zamknąć drzwi.

Czyszczenie komory na kawę mieloną

Rada: Komorę na kawę mieloną można myć w zmywarce.

1. Wyciągnąć komorę na kawę mieloną za otwartą klapkę.
→ Rys. **5**
2. Umyć komorę na kawę mieloną płynem do mycia naczyń.
→ Rys. **6**
3. Wysuszyć komorę na kawę mieloną i włożyć do urządzenia.

Czyszczenie spieniacza mleka

System spieniania mleka należy regularnie czyścić.

⚠ OSTRZEŻENIE

Niebezpieczeństwo oparzenia!

Spieniacz mleka silnie się nagrzewa.

- ▶ Nigdy nie dotykać gorącego spieniacza mleka.
- ▶ Przed dotknięciem zaczekać, aż gorący spieniacz mleka ostygnie.

UWAGA!

Nieprawidłowe czyszczenie może spowodować uszkodzenie urządzenia.

- ▶ Nie myć pokrywy wylotu w zmywarce do naczyń.

Rady

- Jeżeli spieniacz mleka wymaga szczególnie dokładnego wyczyszczenia, można użyć programu serwisowego "Czyszczenie spieniacza mleka".
→ "Czyszczenie spieniacza mleka", Strona 135
- Wszystkie komponenty spieniacza mleka można myć w zmywarce do naczyń.

1. Przesunąć wylot do końca w dół.
2. Wyciągnąć pokrywę do przodu i zdjąć rurkę do mleka.
→ Rys. **7**
3. Wyciągnąć spieniacz mleka do przodu.
→ Rys. **8**
4. Rozebrać górną i dolną część spieniacza mleka.
→ Rys. **9**
5. Odłączyć rurkę do mleka i rurkę ssącą.
6. Umyć komponenty roztworem płynu do mycia naczyń i miękką ściereczką.
→ Rys. **10**
7. Wszystkie części wypłukać czystą wodą i wysuszyć.
→ Rys. **11**

8. Po umyciu dokładnie usunąć ze spieniacza mleka resztki środków czyszczących.
9. Złożyć górną i dolną część spieniacza mleka.
→ Rys. 12
10. Podłączyć rurkę do mleka.
11. Przesunąć wylot do końca w dół.
12. Włożyć spieniacz mleka prosto od przodu do urządzenia.
→ Rys. 13
13. Założyć pokrywę.
14. Przesunąć wylot do końca do góry.
→ Rys. 14

Czyszczenie zaparzacza

Oprócz automatycznego płukania należy regularnie wyjmować i czyścić zaparzacz.

OSTRZEŻENIE

Niebezpieczeństwo oparzenia!

Niektóre napoje są bardzo gorące.

- ▶ Nigdy nie dotykać gorących części urządzenia.
- ▶ Przed dotknięciem zaczekać, aż gorące części urządzenia wystygną.

UWAGA!

Nieprawidłowe czyszczenie może spowodować uszkodzenie urządzenia.

- ▶ Nie używać płynów do mycia naczyń.
 - ▶ Nie stosować środków czyszczących zawierających ocet i kwasy.
 - ▶ Nie myć w zmywarce do naczyń.
1. Odłączyć rurkę do mleka od wylotu napojów.
→ Rys. 7
 2. Wyłączyć urządzenie. przyciskiem .
 3. Otworzyć drzwiczki komory zaparzacza.
→ Rys. 15

4. Wyjąć pojemnik na skropliny z pojemnikiem na fusy.
→ Rys. 16
 5. Nacisnąć czerwoną dźwignię do góry.
 6. Chwycić zaparzacz za uchwyt i ostrożnie wyciągnąć do przodu.
→ Rys. 17
 7. Dokładnie umyć zaparzacz pod bieżącą ciepłą wodą.
→ Rys. 18
 8. Wyczyścić wnętrze urządzenia wilgotną ściereczką i usunąć resztki kawy.
 9. Zaczekać, aż zaparzacz i wnętrze urządzenia wyschną.
 10. Chwycić zaparzacz za uchwyt.
 11. Nacisnąć czerwoną dźwignię do góry.
 12. Włożyć zaparzacz pod dźwignię i dosunąć do oporu do tyłu.
→ Rys. 19
 - ✓ Dźwignia blokuje się samoczynnie.
 13. Włożyć pojemnik na skropliny z pojemnikiem na fusy.
→ Rys. 20
 14. Zamknąć drzwi.
→ Rys. 21
- Drzwiczki dają się zamknąć tylko, gdy zaparzacz i pojemnik na skropliny są prawidłowo założone.

Programy serwisowe

W określonych odstępach czasu urządzenie zaleca skorzystanie z dostępnych programów serwisowych. Programy serwisowe służą do gruntownego czyszczenia urządzenia.

UWAGA!

Nieprawidłowe lub spóźnione wy-czyszczenie i odkamienienie może spowodować uszkodzenia urządzenia.

- ▶ Natychmiast przeprowadzić proces odkamieniania zgodnie z instrukcją.

- ▶ Nie umieszczać tabletek odkamieniających i innych środków w komorze na kawę mieloną.

W zależności od twardości wody i sposobu korzystania z urządzenia po wstępnym powiadomieniu użytkownika wyświetlacz pokazuje następujące komunikaty:

- "Proszę oczyścić spieniacz mleka."
- "Konieczne odkamienianie. Proszę nacisnąć menu na 3 sekundy."
- "Konieczne czyszczenie. Proszę nacisnąć menu na 3 sekundy."
- "Konieczny calc'nClean. Proszę nacisnąć menu na 3 sekundy."

Wskazówki

- Wyświetlacz informuje o postępie programu.
- Jeżeli urządzenie nie zostało w odpowiednim czasie odkamienione, wyświetlacz pokazuje "Upłynął termin odkamieniania. Nastąpiła blokada. Naciśnij menu na 3 s".
- Jeżeli urządzenie jest zablokowane, jego obsługa będzie możliwa dopiero po wykonaniu programu odkamieniania.
- W razie przypadkowego przerwania programu serwisowego konieczne jest jego zresetowanie.
→ "Resetowanie programów serwisowych", Strona 135

Rady

- Jeżeli w urządzeniu używany jest filtr wody, interwały programów serwisowych ulegają wydłużeniu.
- Procesy odkamieniania i czyszczenia można wykonać jednocześnie w programie serwisowym calc'nClean.
→ "Program calc'nClean", Strona 137
- Po zakończeniu programu serwisowego wyczyścić urządzenie miękką, wilgotną ściereczką, aby od razu usunąć pozostałości odkamieniacza i zapobiec korozji.

Resetowanie programów serwisowych

Jeżeli wykonywanie programu serwisowego zostanie przerwane np. wskutek przerwy w zasilaniu prądem, należy wykonać opisane niżej czynności.

1. Opróżnić pojemnik i włożyć koniec rurki ssącej do pojemnika.
2. Przepłukać pojemnik na wodę.
3. Napełnić na wodę pojemnik świeżą wodą niegazowaną do wysokości znacznika "max".
4. Nacisnąć **ok**.
✓ Urządzenie jest płukane przez ok. 2 minuty.
5. Opróżnić i oczyścić pojemnik na skropliny.
6. Włożyć pojemnik na skropliny do urządzenia i zamknąć drzwiczki.
7. Ponownie uruchomić program serwisowy.

Czyszczenie spieniacza mleka

W razie potrzeby przepłukać spieniacz mleka wodą. Płukanie trwa ok. 1 minuta.

1. Nacisnąć menu .
2. Nacisnąć  i , wybrać "Czyszczenie" i nacisnąć **ok**.
3. Nacisnąć  i , wybrać "Spieniacz mleka" i nacisnąć **ok**.
4. Nacisnąć **ok**, aby uruchomić program.
✓ Wyświetlacz prowadzi użytkownika przez program.
5. Podstawić pustą szklankę pod wyłot i wprowadzić koniec rurki ssącej do szklanki.
6. Nacisnąć **ok**.
✓ Spieniacz mleka czyści się automatycznie.

7. Opróżnić szklankę i wyczyścić rurkę ssącą.
- ✓ Program jest zakończony, urządzenie jest gotowe do pracy.

Rada: Jeżeli spieniacz mleka wymaga szczególnie dokładnego wyczyszczenia, należy go regularnie czyścić ręcznie.

→ "Czyszczenie spieniacza mleka",
Strona 133

Odkamienianie

Program odkamieniania należy wykonywać po wyświetlaniu przez urządzenie odpowiedniej informacji. Program trwa ok. 30 minut.

Warunek: Zaparzacz jest wyczyszczony.

→ "Czyszczenie zaparzacza",
Strona 134

1. Nacisnąć menu .
2. Nacisnąć  i , wybrać "Czyszczenie" i nacisnąć **ok**.
3. Nacisnąć  i , wybrać "Odkamienianie" i nacisnąć **ok**.
4. Nacisnąć **ok**, aby uruchomić program.
- ✓ Wyświetlacz prowadzi użytkownika przez program.
5. Opróżnić i włożyć pojemnik na skropliny.
6. Jeżeli urządzenie posiada filtr wody, wyjąć go.
7. Nacisnąć **ok**.
8. Opróżnić zbiornik na wodę.
9. Napęłnić pojemnik 0,5 l ciepłej wody.
10. Dodać do wody tabletkę odkamieniającą Siemens i mieszać do chwili jej całkowitego rozpuszczenia.
11. Napęłnić pojemnik roztworem odkamieniającym do wysokości znacznika calc i nacisnąć **ok**.

12. Podstawić pod wylot naczynie o pojemności co najmniej 0,5 l.
13. Włożyć koniec rurki ssącej do pojemnika i nacisnąć **ok**.

✓ Program odkamieniania trwa ok. 20 minut.

14. Wyplukać zbiornik na wodę.

15. Nacisnąć **ok**.

16. Jeżeli urządzenie posiada filtr wody, założyć go.

→ "Instalacja i aktywacja filtra wody", Strona 128

17. Nacisnąć **ok**.

18. Włączyć świeżą wodę do wysokości oznaczenia "max".

19. Nacisnąć **ok**.

✓ Program odkamieniania trwa ok. 1 minuta i płucze urządzenie.

20. Opróżnić i włożyć pojemnik na skropliny.

21. Dokładnie wyczyścić rurkę ssącą spieniacza mleka.

✓ Program jest zakończony, urządzenie jest gotowe do pracy.

Czyszczenie

Program czyszczenia należy wykonywać po wyświetlaniu przez urządzenie odpowiedniej informacji. Program trwa ok. 9 minut.

Warunek: Zaparzacz jest wyczyszczony.

→ "Czyszczenie zaparzacza",
Strona 134

1. Nacisnąć menu .
2. Nacisnąć  i , wybrać "Czyszczenie" i nacisnąć **ok**.
3. Nacisnąć  i , wybrać "Czyszczenie" i nacisnąć **ok**.
4. Nacisnąć **ok**, aby uruchomić program.
- ✓ Wyświetlacz prowadzi użytkownika przez program.
5. Opróżnić i włożyć pojemnik na skropliny.

6. Otworzyć komorę na kawę mieloną.
 7. Umieścić w komorze na kawę mieloną cztery tabletki czyszczące marki Siemens.
 8. Zamknąć komorę na kawę mieloną i nacisnąć **ok**.
 9. Podstawić pod wylot naczynie o pojemności co najmniej 0,5 l i nacisnąć **ok**.
 - ✓ Program czyszczenia trwa ok. 7 minut.
 10. Opróżnić i włożyć pojemnik na skropliny.
 - ✓ Program jest zakończony, urządzenie jest gotowe do pracy.
- Program calc'nClean**
- Procesy odkamieniania i czyszczenia można wykonać jednocześnie w programie serwisowym calc'nClean. Program calc'nClean należy wykonywać po wyświetlaniu przez urządzenie odpowiedniej informacji. Program trwa ok. 43 minuty.
- Warunek:** Zaparzacz jest wyczyszczony.
→ "Czyszczenie zaparzacza", Strona 134
1. Nacisnąć menu .
 2. Nacisnąć  i , wybrać "Czyszczenie" i nacisnąć **ok**.
 3. Nacisnąć  i , wybrać "calc'nClean" i nacisnąć **ok**.
 4. Nacisnąć **ok**, aby uruchomić program.
 - ✓ Wyświetlacz prowadzi użytkownika przez program.
 5. Opróżnić i włożyć pojemnik na skropliny.
 6. Jeżeli urządzenie posiada filtr wody, wyjąć go.
 7. Nacisnąć **ok**.
 8. Opróżnić zbiornik na wodę.
 9. Napęłnić pojemnik 0,5 l ciepłej wody.
 10. Dodać do wody tabletkę odkamieniającą Siemens i mieszać do chwili jej całkowitego rozpuszczenia.
 11. Napęłnić pojemnik roztworem odkamieniającym do wysokości znacznika calc i nacisnąć **ok**.
 12. Podstawić pod wylot naczynie o pojemności co najmniej 0,5 l.
 13. Włożyć koniec rurki ssącej do pojemnika i nacisnąć **ok**.
 - ✓ Program odkamieniania trwa ok. 20 minut.
 14. Wyplukać zbiornik na wodę.
 15. Nacisnąć **ok**.
 16. Jeżeli urządzenie posiada filtr wody, założyć go.
→ "Instalacja i aktywacja filtra wody", Strona 128
 17. Nacisnąć **ok**.
 18. Włączyć świeżą wodę do wysokości oznaczenia "max".
 19. Nacisnąć **ok**.
 - ✓ Program trwa ok. 1 minuta i płucze urządzenie.
 20. Opróżnić i włożyć pojemnik na skropliny.
 21. Otworzyć komorę na kawę mieloną.
 22. Umieścić w komorze na kawę mieloną cztery tabletki czyszczące marki Siemens.
 23. Zamknąć komorę na kawę mieloną i nacisnąć **ok**.
 24. Podstawić pod wylot naczynie o pojemności co najmniej 0,5 l i nacisnąć **ok**.
 - ✓ Program czyszczenia trwa ok. 7 minut.
 25. Opróżnić i włożyć pojemnik na skropliny.
 26. Dokładnie wyczyścić rurkę ssącą spieniacza mleka.
 - ✓ Program jest zakończony, urządzenie jest gotowe do pracy.

Usuwanie usterek

Mniejsze usterek urządzenia można usuwać samodzielnie. Przed skontaktowaniem się z serwisem należy się zapoznać z informacjami na temat samodzielnego usuwania usterek. Pozwoli to uniknąć niepotrzebnych kosztów.

OSTRZEŻENIE

Niebezpieczeństwo porażenia prądem!

Nieprawidłowo przeprowadzane naprawy stanowią poważne zagrożenie.

- ▶ Naprawy urządzenia mogą być wykonywane wyłącznie przez wykwalifikowany personel.
- ▶ Do naprawy urządzenia należy używać wyłącznie oryginalnych części zamiennych.
- ▶ W przypadku uszkodzenia przewodu sieciowego tego urządzenia należy zlecić jego wymianę wymieniony przez producenta, jego serwis lub przez odpowiednio wykwalifikowaną osobę, co jest koniecznym warunkiem wykluczenia zagrożeń.

Wskazówki na wyświetlaczu

Usterka	Przyczyna	Usuwanie usterek
Na wyświetlaczu widać symbol "Zamknij", mimo że drzwiczki urządzenia są zamknięte.	Drzwiczki nie są domknięte.	▶ Domknąć drzwiczki.
	Zbyt gorące urządzenie.	<ol style="list-style-type: none"> 1. Odłączyć urządzenie od sieci elektrycznej. 2. Zaczekać 1 godzina, aż urządzenie ostygnie.
Na wyświetlaczu widać wskazówkę "Proszę opróżnić pojemnik na skropliny i włożyć z powrotem.", mimo że pojemnik na skropliny jest pusty.	Urządzenie jest wyłączone i nie rozpoznaje opróżnienia.	<ol style="list-style-type: none"> 1. Włączyć urządzenie i wyjąć pojemnik na skropliny. 2. Ponownie założyć pojemnik na skropliny.
	Pojemnik na skropliny jest zabrudzony.	▶ Dokładnie wyczyścić pojemnik na skropliny.
Na wyświetlaczu widać symbol "Proszę napełnić pojemnik na wodę", mimo że zbiornik na wodę jest pełny.	Nieprawidłowo założony zbiornik na wodę.	▶ Prawidłowo włożyć pojemnik na wodę.
	Gazowana woda w zbiorniku na wodę.	▶ Napełnić zbiornik na wodę świeżą wodą z kranu.
	Zakleszczony pływak w pojemniku na wodę.	<ol style="list-style-type: none"> 1. Wyjąć zbiornik na wodę. 2. Dokładnie wyczyścić zbiornik na wodę.
	Nowy filtr wody nie został przepłukany zgodnie z instrukcją.	<ol style="list-style-type: none"> 1. Przepłukać filtr wody zgodnie z instrukcją. → "Instalacja i aktywacja filtra wody", Strona 128

Usterka	Przyczyna	Usuwanie usterek
Na wyświetlaczu widać symbol "Proszę napełnić pojemnik na wodę", mimo że zbiornik na wodę jest pełny.	W filtrze wody znajduje się powietrze.	<p>2 Zainstalować filtr wody.</p> <p>1. Zanurzyć filtr wody z otworem skierowanym do góry w wodzie i zaczekać, aż przestaną się z niego wydobywać pęcherzyki powietrza.</p> <p>2 Ponownie założyć filtr. → "Instalacja i aktywacja filtra wody", Strona 128</p>
	Stary filtr wody.	▶ Założyć nowy filtr wody.
Na wyświetlaczu pojawia się wskaźnik "Wyczyść i ponownie włóż zaparacz, zamknij drzwiczki".	Osady kamienia znajdujące się w zbiorniku na wodę spowodowały zatkanie układu.	<p>1. Dokładnie wyczyścić zbiornik na wodę.</p> <p>2 Rozpocząć program odkamieniania. → "Odkamienianie", Strona 136</p>
	Zaparacz jest brudny.	▶ Wyczyścić zaparacz. → "Czyszczenie zaparacza", Strona 134
	Utrudniony ruch mechanizmu zaparacza.	▶ Wyczyścić zaparacz. → "Czyszczenie zaparacza", Strona 134
Na wyświetlaczu pojawia się wskaźnik "Napięcie (V) za wysokie lub za niskie".	Za dużo zmielonej kawy w zaparaczu.	▶ Używać maksymalnie 2 płaskich miarek kawy mielonej. → "Czyszczenie zaparacza", Strona 134
	Nieprawidłowe napięcie domowej instalacji elektrycznej.	▶ Używać urządzenia tylko przy 220 - 240 V.
Na wyświetlaczu pojawia się wskaźnik "Włącz ponownie urządzenie".	Zaparacz jest mocno zabrudzony lub nie można wyjąć zaparacza.	<p>▶ Ponownie uruchomić urządzenie.</p> <p>▶ Wyczyścić zaparacz. → "Czyszczenie zaparacza", Strona 134</p>
	Usterka urządzenia.	<p>1. Odłączyć wtyczkę od gniazda sieciowego i odczekać 10 sekund.</p> <p>2 Ponownie podłączyć wtyczkę do gniazda sieciowego.</p>
Wyświetlacz pokazuje bardzo często "calc'nClean".	Zmiękczona woda zawiera jeszcze niewielkie ilości kamienia.	<p>1. Założyć nowy filtr wody. → "Instalacja i aktywacja filtra wody", Strona 128</p> <p>2 Odpowiednio ustawić twardość wody. → "Ustawić twardość wody", Strona 122</p>

Usterka	Przyczyna	Usuwanie usterek
Wyświetlacz pokazuje bardzo często "calc'nClean".	Użyto nieprawidłowego odkamieniacza lub za małej ilości odkamieniacza.	▶ Do odkamieniania stosować wyłącznie odpowiednie tabletki.
	Program serwisowy nie został wykonany do końca.	▶ Zresetować program serwisowy. → "Resetowanie programów serwisowych", Strona 135

Zakłócenia działania

Usterka	Przyczyna	Usuwanie usterek
Urządzenie przestało reagować.	Usterka urządzenia.	<ol style="list-style-type: none"> 1. Odłączyć wtyczkę od gniazda sieciowego i odczekać 10 sekund. 2. Ponownie podłączyć wtyczkę do gniazda sieciowego.
Urządzenie wydaje tylko wodę, nie wydaje kawy.	Urządzenie nie rozpoznaje pustego pojemnika na kawę ziarnistą.	▶ Wsypać do pojemnika kawę ziarnistą.
	Zatkana komora na kawę w zaparzaczu.	▶ Wyczyścić zaparzacz. → "Czyszczenie zaparzacza", Strona 134
	Ziarna są zbyt oleiste i nie spadają do młynka.	<ul style="list-style-type: none"> ▶ Lekko postukać w pojemnik na kawę ziarnistą. ▶ Zmienić gatunek kawy. Nie używać oleistych ziaren kawy. ▶ Wyrzucić pusty pojemnik na kawę ziarnistą wilgotną ściereczką.
	Zaparzacz jest nieprawidłowo włożony.	▶ Przesunąć zaparzacz całkiem do tyłu.
Urządzenie nie wytwarza pianki mlecznej.	Zanieczyszczony spieniacz mleka.	▶ Nie myć spieniacza mleka w zmywarce. → "Czyszczenie spieniacza mleka", Strona 133
	Rurka do mleka nie zanurza się w mleku.	<ul style="list-style-type: none"> ▶ Użyć więcej mleka. ▶ Sprawdzić, czy rurka do mleka zanurza się w mleku.
	Urządzenie jest silnie zakamienione.	▶ Odkamienić urządzenie. → "Odkamienianie", Strona 136
Spieniacz mleka nie zasysa mleka.	Spieniacz mleka nie jest prawidłowo złożony.	▶ Prawidłowo złożyć spieniacz mleka. → "Czyszczenie spieniacza mleka", Strona 133

Usterka	Przyczyna	Usuwanie usterek
Spieniacz mleka nie zasysa mleka.	Rurka do mleka nie zanurza się w mleku.	<ul style="list-style-type: none"> ▶ Użyć więcej mleka. ▶ Sprawdzić, czy rurka do mleka zanurza się w mleku.
Pianka mleczna jest za zimna.	Mleko jest za zimne.	<ul style="list-style-type: none"> ▶ Użyć letniego mleka.
Urządzenie nie wydaje gorącej wody.	Zanieczyszczony spieniacz mleka.	<ul style="list-style-type: none"> ▶ Nie myć spieniacza mleka w zmywarce. → <i>"Czyszczenie spieniacza mleka", Strona 133</i>
Urządzenie nie wydaje napoju.	W filtrze wody znajduje się powietrze.	<ol style="list-style-type: none"> 1. Zanurzyć filtr wody z otworem skierowanym do góry w wodzie i zacząć, aż przestaną się z niego wydobywać pęcherzyki powietrza. 2. Ponownie założyć filtr. → <i>"Instalacja i aktywacja filtra wody", Strona 128</i> <ul style="list-style-type: none"> ▶ Prosto i mocno wcisnąć filtr wody do gniazda pojemnika.
	Resztki odkamieniacza zatkają zbiornik na wodę.	<ol style="list-style-type: none"> 1. Wyjąć zbiornik na wodę. 2. Dokładnie wyczyścić zbiornik na wodę.
Krople wody na wewnętrznym dnie urządzenia.	Pojemnik na skropliny został wyjęty za wcześnie.	<ul style="list-style-type: none"> ▶ Pojemnik na skropliny wyjmować dopiero kilka sekund po pobraniu ostatniego napoju.
Nie można wyjąć zaparzacza.	Zaparzacz nie znajduje się w pozycji umożliwiającej jego wyjęcie.	<ul style="list-style-type: none"> ▶ Ponownie wyłączyć urządzenie.
Urządzenie nie daje się obsługiwać. Zmieniają się wskaźniki na wyświetlaczu.	Aktywny jest tryb demonstracyjny urządzenia.	<ol style="list-style-type: none"> 1. Wyjąć zbiornik na wodę i napełnić go świeżą, zimną wodą. 2. Ponownie włożyć zbiornik na wodę.
Nie działa młynek.	Zbyt gorące urządzenie.	<ol style="list-style-type: none"> 1. Odłączyć urządzenie od sieci elektrycznej. 2. Zaczekać 1 godzina, aż urządzenie ostygnie.

Usterka	Przyczyna	Usuwanie usterek
Mimo pełnego pojemnika na kawę ziarnistą młynek nie miele kawy.	Ziarna są zbyt oleiste i nie spadają do młynka.	<ul style="list-style-type: none"> ▶ Lekko postukać w pojemnik na kawę ziarnistą. ▶ Zmienić gatunek kawy. Nie używać oleistych ziaren kawy. ▶ Wytrzeć pusty pojemnik na kawę ziarnistą wilgotną ściereczką.

Problem z rezultatem

Usterka	Przyczyna	Usuwanie usterek
Duże różnice jakości kawy lub pianki mlecznej.	Urządzenie jest zakamienione.	<ul style="list-style-type: none"> ▶ Odkamienić urządzenie. → <i>"Odkamienianie", Strona 136</i>
Różnice jakości pianki mlecznej.	Jakość pianki mlecznej zależy od rodzaju użytego mleka lub napoju roślinnego.	<ul style="list-style-type: none"> ▶ Jakość można zoptymalizować przez dobranie odpowiedniego rodzaju mleka lub napoju roślinnego.
Kawa nie jest wydawana lub wycieka kroplami. Nie zostaje osiągnięta ustawiona ilość napoju.	Został ustawiony zbyt drobny stopień zmielenia.	<ul style="list-style-type: none"> ▶ Ustawić grubszy stopień zmielenia. → <i>"Ustawianie stopnia zmielenia", Strona 127</i>
	Urządzenie jest silnie zakamienione.	<ul style="list-style-type: none"> ▶ Odkamienić urządzenie. → <i>"Odkamienianie", Strona 136</i>
	W filtrze wody znajduje się powietrze.	<ol style="list-style-type: none"> 1. Zanurzyć filtr wody z otworem skierowanym do góry w wodzie i zacząć, aż przestaną się z niego wydobywać pęcherzyki powietrza. 2. Ponownie założyć filtr. → <i>"Instalacja i aktywacja filtra wody", Strona 128</i>
	Urządzenie jest brudne.	<ul style="list-style-type: none"> ▶ Wyczyścić zaparzacze. → <i>"Czyszczenie zaparzacza", Strona 134</i> ▶ Odkamienić i wyczyścić urządzenie. → <i>"Program calc'nClean", Strona 137</i>
	Ustawiono za dużą moc kawy.	<ul style="list-style-type: none"> ▶ Zmniejszyć moc kawy np. na "normalna". → <i>"Dostosowywanie mocy kawy", Strona 126</i>
Kawa nie ma kremowej pianki.	Nie został użyty optymalny gatunek kawy.	<ul style="list-style-type: none"> ▶ Używać kawy o większej zawartości ziaren robusty. ▶ Użyć ciemniej palonej kawy.

Usterka	Przyczyna	Usuwanie usterek
Kawa nie ma kremowej pianki.	Kawa ziarnista nie jest już świeżo wypalona.	▶ Użyć świeżej kawy ziarnistej.
	Stopień zmielenia nie jest dostosowany do kawy ziarnistej.	▶ Ustawić drobniejszy stopień zmielenia. → "Ustawianie stopnia zmielenia", Strona 127
Kawa jest za kwaśna.	Został ustawiony zbyt gruby stopień zmielenia.	▶ Ustawić drobniejszy stopień zmielenia. → "Ustawianie stopnia zmielenia", Strona 127
	Nie został użyty optymalny gatunek kawy.	▶ Używać kawy o większej zawartości ziaren robusty. ▶ Użyć ciemniej palonej kawy.
Kawa jest za gorzka.	Został ustawiony zbyt drobny stopień zmielenia.	▶ Ustawić grubszy stopień zmielenia. → "Ustawianie stopnia zmielenia", Strona 127
	Nie został użyty optymalny gatunek kawy.	▶ Zmienić gatunek kawy.
Kawa ma przypalony smak.	Został ustawiony zbyt drobny stopień zmielenia.	▶ Ustawić grubszy stopień zmielenia. → "Ustawianie stopnia zmielenia", Strona 127
	Nie został użyty optymalny gatunek kawy.	▶ Zmienić gatunek kawy.
	Została ustawiona za wysoka temperatura kawy.	▶ Ustawić niższą temperaturę kawy. → "Przegląd ustawień podstawowych", Strona 129
Fusy nie mają zwartej konsystencji i są zbyt mokre.	Nie jest ustawiony optymalny stopień zmielenia.	▶ Ustawić grubszy lub drobniejszy stopień zmielenia. → "Ustawianie stopnia zmielenia", Strona 127
	Za mało zmielonej kawy.	▶ Użyć 2 płaskich miarek kawy mielonej.
	Ziarna są zbyt oleiste.	▶ Użyć innego rodzaju kawy.

Transport, przechowywanie i utylizacja

W tym miejscu został opisany sposób przygotowywania urządzenia do transportu i przechowywania. Można tu również znaleźć informacje o sposobie utylizacji zużytych urządzeń.

Aktywacja zabezpieczenia przed mrozem

Podczas transportu i przechowywania urządzenie należy chronić przed mrozem.

UWAGA!

Podczas transportu i przechowywania może dojść do uszkodzenia urządzenia przez resztki cieczy znajdujące się w urządzeniu.

- ▶ Przed transportem lub rozpoczęciem przechowywania urządzenia opróżnić układ wody.

Warunki

- Urządzenie jest gotowe do pracy.
- Pojemnik na wodę jest napełniony.

1. Wyjąć pojemnik na mleko.
 2. Wyczyścić zaparzacz.
→ "Czyszczenie zaparzacza",
Strona 134
 3. Podstawić pod wylot duże naczynie.
 4. Nacisnąć  odpowiednią ilość razy, aż wyświetlacz pokaże "Spienione mle".
 5. Nacisnąć **ml** odpowiednią ilość razy, aż wyświetlacz pokaże 240 ml.
 6. Nacisnąć **start**  **stop**.
 7. Zaczekać, aż z urządzenia zacznie uchodzić para.
 8. Wyjąć pojemnik na wodę.
- ✓ Urządzenie opróżnia się automatycznie.

9. Jeżeli pojawi się komunikat "Proszę napełnić pojemnik na wodę", zignorować go.
10. Opróżnić i wyczyścić zbiornik na wodę i pojemnik na skropliny.
11. Włożyć zbiornik na wodę i pojemnik na skropliny.
12. Wyłączyć urządzenie i odłączyć je od sieci elektrycznej.

Utylizacja zużytego urządzenia

Przyjazna dla środowiska utylizacja urządzenia pozwala odzyskać wartościowe surowce.

1. Odłączyć wtyczkę przewodu sieciowego od gniazda sieciowego.
2. Przeciąć przewód sieciowy.
3. Przekazać urządzenie do utylizacji zgodnej z wymogami ochrony środowiska.



To urządzenie jest oznaczone zgodnie z Dyrektywą Europejską 2012/09/UE oraz polską Ustawą z dnia 29 lipca 2005r. „O zużytych sprzęcie elektrycznym i elektronicznym” (Dz.U. z 2005 r. Nr 180, poz. 1495) symbolem przekreślonego kontenera na odpady. Takie oznakowanie informuje, że sprzęt ten, po okresie jego użytkowania nie może być umieszczany łącznie z innymi odpadami pochodzącymi z gospodarstwa domowego. Użytkownik jest zobowiązany do oddania go prowadzącym zbieranie zużytego sprzętu elektrycznego i elektronicznego. Prowadzący zbieranie, w tym lokalne punkty zbiórki, sklepy oraz gminne jednostka, tworzą odpowiedni system umożliwiający oddanie tego sprzętu. Właściwe postępowania

nie ze użytym sprzętem elektrycznym i elektronicznym przyczynia się do uniknięcia szkodliwych dla zdrowia ludzi i środowiska naturalnego konsekwencji, wynikających z obecności składników niebezpiecznych oraz niewłaściwego składowania i przetwarzania takiego sprzętu.

Serwis

Jeśli użytkownik ma pytania, nie po trafi samodzielnie usunąć zatknięcia albo urządzenie wymaga naprawy, powinien się zwrócić do naszego serwisu.

Wiele problemów można rozwiązać na podstawie dostępnych na naszej stronie internetowej informacji dotyczących usuwania usterek. Jeżeli jest to niemożliwe, należy się zwrócić się do naszego serwisu.

Zawsze znajdziemy odpowiednie rozwiązanie.

Zapewnimy naprawę urządzenia z użyciem oryginalnych części zamien nych przez wyszkolonych techników serwisowych zarówno w okresie gwarancyjnym, jak i po jego upływie. Istotne z punktu widzenia funkcjonalności oryginalne części zamienne zgodne z odpowiednim zarządzeniem w sprawie ekoprojektu dostępne są w naszym serwisie przez okres co najmniej 7 lat od daty wprowadzenia urządzenia na rynek na terenie Europejskiego Obszaru Gospodarczego.

Wskazówka W ramach warunków gwarancji producenckiej usługi serwisu są nieodpłatne.

Dokładne informacje na temat okresu i warunków gwarancji można uzyskać od naszego serwisu, od sprzedawcy urządzenia lub na naszej stronie internetowej.

Kontaktując się z serwisem należy podać numer produktu (E-Nr.) i numer fabryczny (FD) urządzenia. Dane kontaktowe serwisu można znaleźć tutaj lub w dołączonym wykazie punktów serwisowych na końcu tej instrukcji albo na naszej stronie internetowej.

Numer produktu (E-Nr) i numer fabryczny (FD)

Numer produktu (E-Nr) i numer fabryczny (FD) znajdują się na tabliczce znamionowej urządzenia.

Dane urządzenia i numer telefonu serwisu można zanotować oddzielnie, aby zapewnić sobie do nich szybki dostęp.

Warunki gwarancji

Posiadane urządzenie jest objęte gwarancją na podanych niżej warunkach.

Urządzenie objęte gwarancją. Dystrybutor/gwarant: BSH Sprzęt Gospodarstwa Domowego Sp. z o.o., Al. Jerozolimskie 183, 02-222 Warszawa. Czas trwania gwarancji: 24 miesiące od wydania rzeczy pierwszemu kupującemu. Terytorialny zasięg ochrony gwarancyjnej: Polska. Konieczny dowód zakupu. Uprawnienia przysługujące kupującemu: usunięcie wady fizycznej, a jeżeli to nie jest możliwe – dostarczenie rzeczy wolnej od wady. Gwarancja nie wyłącza, nie ogranicza ani nie zawiesza uprawnień kupującego wynikających z przepisów o rękojmi za wady rzeczy sprzedanej. Dalsza treść oświadczenia gwarancyjnego (wraz z wyłączeniami z napraw gwarancyjnych) dostępna na stronie

pl Dane techniczne

internetowej: <https://www.siemens-home.bsh-group.com/pl/serwis/gwarancja/gwarancja-producenta> Gwarant udostępni treść oświadczenia gwarancyjnego również na piśmie lub e-mailem – w tym celu oraz w celu skorzystania z uprawnień z gwarancji prosimy o kontakt z infolinią: 801 191 534 (opłata wg. stawek operatora).

Dane techniczne

W tym miejscu można znaleźć liczby i fakty dotyczące posiadanego urządzenia.

Napięcie	220–240 V ~
Częstotliwość	50 Hz
Moc przyłącza	1500 W
Maksymalne ciśnienie pompy, statyczne	15 bar
Maksymalna pojemność zbiornika na wodę (bez filtra)	1,7 l
Maksymalna pojemność pojemnika na kawę ziarnistą	270 g
Długość przewodu sieciowego	100 cm
Wysokość urządzenia	37,3 cm
Szerokość urządzenia	27,6 cm
Głębokość urządzenia	45,2 cm
Ciężar pustego urządzenia	8-9 kg
Rodzaj młynka	Ceramiczny

Obsah

Bezpečnost.....	149	Odběr kávového nápoje s mléčnou pěnou	159
Všeobecné pokyny	149	Odběr speciálních nápojů	160
Použití k určenému účelu.....	149	Odběr mléčné pěny	160
Omezení okruhu uživatelů.....	149	Odběr horké vody	160
Bezpečnostní pokyny	150	Nastavení nápojů.....	160
Ochrana životního prostředí a úspora.....	153	Vodní filtr	162
Likvidace obalu	153	Dětská pojistka.....	163
Úspora energie.....	153	Aktivace dětské pojistky.....	163
Instalace a připojení.....	153	Deaktivace dětské pojistky	163
Rozsah dodávky.....	153	Ohřev šálku¹	163
Instalace a připojení spotřebiče ...	153	Základní nastavení	163
Seznámení	154	Přehled základních nastavení	163
Spotřebič	154	Změna základních nastavení.....	164
Ovládací prvky.....	154	Čištění a ošetřování	164
Displej.....	154	Způsobilst mytí v myčce nádobí.....	164
Přehled nápojů	155	Čisticí prostředky.....	165
Příslušenství.....	155	Čištění spotřebiče	166
Před prvním použitím	156	Čištění odkapávací misky a zásobníku na kávovou sedlinu	166
Provedení prvního uvedení do provozu.....	156	Čištění šachty na prášek.....	167
Naplnění nádržky na vodu	156	Čištění mléčného systému	167
Naplnění zásobníku na kávová zrna.....	156	Čištění spařovací jednotky	167
Nastavení jazyka.....	156	Servisní programy	168
Nastavení tvrdosti vody	156	Odstranění poruch	172
Všeobecné pokyny	157	Pokyny v indikačním poli.....	172
Základní ovládání	157	Poruchy funkce	174
Zapnutí nebo vypnutí spotřebiče..	157	Problém s výsledkem.....	176
Odběr nápoje	158	Přeprava, uskladnění a likvidace.....	178
Odběr kávového nápoje z čerstvých kávových zrn	158	Aktivace ochrany před mrazem ...	178
Odběr kávového nápoje z mleté kávy	158	Likvidace starého spotřebiče	178
Odběr nápoje s mléčnou pěnou..	159		

¹ V závislosti na vybavení spotřebiče

Zákaznický servis.....	178
Označení produktu (E-č.) a výrobní číslo (FD).....	179
Záruční podmínky.....	179
Technické údaje	179



Bezpečnost

Pro bezpečné použití vašeho spotřebiče dodržujte informace týkající se bezpečnosti.

Všeobecné pokyny

Zde najdete obecné informace k tomuto návodu.

- Pečlivě si přečtěte tento návod. Pouze tehdy můžete svůj spotřebič bezpečně a efektivně používat.
- Tento návod je určen pro uživatele spotřebiče.
- Dodržujte bezpečnostní a výstražné pokyny.
- Uschovejte návod a také informace o výrobku pro pozdější použití nebo pro následujícího majitele.
- Po vybalení spotřebič zkontrolujte. V případě poškození při přepravě spotřebič nepřipojujte.

Použití k určenému účelu

Pro bezpečné a správné používání spotřebiče dodržujte pokyny týkající se použití v souladu s určením.

Spotřebič používejte pouze:

- podle tohoto návodu k použití.
- pro přípravu horkých nápojů.
- pro soukromé použití v domácnosti a v uzavřených místnostech domova.
- do maximální nadmořské výšky 2000 m nad mořem.

Spotřebič odpojte od napájení, pokud:

- spotřebič čistíte.

Omezení okruhu uživatelů

Zabraňte rizikům pro děti a ohrožené osoby.

Tento spotřebič mohou používat děti starší 8 let a osoby s omezenými fyzickými, senzorickými nebo duševními schopnostmi nebo s nedostatečnými zkušenostmi a/nebo znalostmi, pokud jsou pod dohledem nebo byly instruovány o bezpečném použití spotřebiče a pochopily z toho vyplývající nebezpečí.

Děti si nesmí se spotřebičem hrát.

Čištění a údržbu nesmí provádět děti. Výjimka: děti starší 8 let a pod dozorem dospělé osoby.

Dětem mladším 8 let zabraňte v přístupu ke spotřebiči a přívodnímu kabelu.

Bezpečnostní pokyny

Při použití spotřebiče dodržujte tyto bezpečnostní pokyny.

⚠ VAROVÁNÍ – Nebezpečí udušení!

- Děti si mohou obalový materiál přetáhnout přes hlavu nebo se do něj zamotat a udusit se.
 - ▶ Obalový materiál uchovávejte mimo dosah dětí.
 - ▶ Nedovolte dětem, aby si hrály s obalovým materiálem.
- Děti mohou vdechnout nebo spolknout malé části a udusit se.
 - ▶ Malé části uchovávejte mimo dosah dětí.
 - ▶ Nedovolte dětem, aby si hrály s malými částmi.

⚠ VAROVÁNÍ – Nebezpečí úrazu elektrickým proudem!

- Neodborné instalace jsou nebezpečné.
 - ▶ Spotřebič zapojujte a používejte pouze v souladu s údaji na typovém štítku.
 - ▶ Spotřebič zapojujte do sítě střídavého proudu jen pomocí předpisově instalované zásuvky s uzemněním.
 - ▶ Systém ochranných vodičů elektrické domovní instalace musí být instalován podle předpisů.
- Poškozený spotřebič nebo poškozený síťový kabel je nebezpečný.
 - ▶ V žádném případě nepoužívejte poškozený spotřebič.
 - ▶ Nikdy nepoužívejte spotřebič s natrženým nebo zlomeným povrchem.
 - ▶ Při odpojování spotřebiče z elektrické sítě nikdy netahejte za síťový kabel. Vždy tahejte za síťovou zástrčku síťového kabelu.
 - ▶ Pokud je spotřebič nebo síťový kabel poškozený, ihned odpojte síťovou zástrčku ze zásuvky nebo vypněte pojistku v pojistkové skříňce.

- ▶ "Kontaktujte zákaznický servis." → *Strana 178*
- ▶ Opravy spotřebiče smí provádět pouze odborný personál, který je k tomu vyškolený.
- Neodborné opravy jsou nebezpečné.
 - ▶ Opravy spotřebiče smí provádět pouze odborný personál, který je k tomu vyškolený.
 - ▶ K opravě spotřebiče se smí používat pouze originální náhradní díly.
 - ▶ Pokud je síťový kabel tohoto spotřebiče poškozený, musí ho vyměnit výrobce, jeho zákaznický servis nebo podobně kvalifikovaná osoba, aby se zabránilo ohrožení.
- Pronikající vlhkost může způsobit úraz elektrickým proudem.
 - ▶ Spotřebič nebo síťový kabel nikdy neponořujte do vody.
 - ▶ Na konektorové spojení spotřebiče nesmí přetéct žádná kapalina.
 - ▶ Spotřebič používejte pouze v uzavřených místnostech.
 - ▶ Spotřebič nikdy nevystavujte velkému teplotě a vlhkosti.
 - ▶ Při čištění spotřebiče nepoužívejte parní nebo vysokotlaké čističe.

⚠ VAROVÁNÍ – Nebezpečí požáru!

- Spotřebič se zahřívá.
 - ▶ Spotřebič dostatečně větrejte.
 - ▶ Spotřebič nikdy neprovozujte ve skříni.
- Použití prodlouženého síťového kabelu a neschválených adaptérů je nebezpečné.
 - ▶ Nepoužívejte prodlužovací kabely ani rozbočky.
 - ▶ Je-li síťový kabel příliš krátký, kontaktujte zákaznický servis.
 - ▶ Používejte pouze adaptéry schválené výrobcem.

⚠ VAROVÁNÍ – Nebezpečí popálení!

Některé díly spotřebiče se velmi zahřívají.

- ▶ Nikdy se nedotýkejte horkých dílů spotřebiče.
- ▶ Horké díly spotřebiče nechte před dotykem vychladnout.

⚠ VAROVÁNÍ – Nebezpečí opaření!

Čerstvě připravené nápoje jsou velmi horké.

- ▶ V případě potřeby nechte nápoje vychladnout.
- ▶ Zabraňte kontaktu pokožky s unikajícími tekutinami a parami.

⚠ VAROVÁNÍ – Nebezpečí poranění!

- Chybné použití spotřebiče může ohrozit uživatele.
 - ▶ Spotřebič používejte v souladu s určením.
- Pohmoždění prstů při zavírání dvířek spotřebiče.
 - ▶ Při zavírání dvířek spotřebiče dávejte pozor na prsty.
- Mlýnek se otáčí.
 - ▶ Nikdy nesahejte do mlýnku.

⚠ VAROVÁNÍ – Nebezpečí v důsledku magnetického pole!

Spotřebič obsahuje trvalé magnety. Tyto magnety mohou ovlivnit elektronické implantáty, např. kardiostimulátory nebo inzulinové dávkovače.

- ▶ Osoby používající elektronické implantáty musí od spotřebiče dodržovat minimální odstup 10 cm.
- ▶ Minimální odstup 10 cm dodržujte také od vyjmuté nádržky na vodu.

⚠ VAROVÁNÍ – Nebezpečí poškození zdraví!

Nečistoty na spotřebiči mohou ohrozit zdraví.

- ▶ Dodržujte pokyny pro čištění spotřebiče.

Ochrana životního prostředí a úspora

Chraňte životní prostředí: svůj spotřebič používejte s účinným využitím zdrojů a recyklovatelné materiály správně likvidujte.

Likvidace obalu

Obalový materiál je ekologický a lze ho recyklovat.

- ▶ Jednotlivé složky likvidujte rozdělené podle druhů.

Informace o aktuálních možnostech likvidace obdržíte u specializovaného prodejce nebo na obecním nebo městském úřadu.

Úspora energie

Při dodržování těchto upozornění spotřebuje Váš spotřebič méně proudu.

Interval pro automatické vypnutí nastavte na nejmenší hodnotu.

- + Pokud se spotřebič nepoužívá, vypne se dříve.
→ "Základní nastavení", Strana 163

Výdej nápoje nepřerušujte předčasně.

- + Ohřáté množství vody nebo mléka se optimálně využije.

Pravidelně provádějte odvápnění spotřebiče.

- + Vápené usazeniny zvyšují spotřebu energie.

Instalace a připojení

Zde se dozvíte, kde je nejlepší místo pro instalaci vašeho spotřebiče. Kromě toho se dozvíte, jak spotřebič zapojíte do elektrické sítě.

Rozsah dodávky

Po vybalení zkontrolujte všechny díly na poškození vzniklá při přepravě a jejich kompletnost.

→ Obr. 1

A	Plně automatický kávovar
B	Hadička na mléko a trubička nasávání
C	Návod k použití
D	Čisticí tablety ¹
E	Odvápňovací tablety ¹
F	Proužek pro testování tvrdosti vody
G	Vodní filtr ¹

¹ V závislosti na vybavení spotřebiče

Instalace a připojení spotřebiče

POZOR!

Nebezpečí poškození spotřebiče. Při neodborném uvedení spotřebiče do provozu může dojít k poškození spotřebiče.

- ▶ Spotřebič používejte pouze v prostorách bez mrazu.
- ▶ Pokud byl spotřebič přepravován nebo skladován pod 0 °C, vyčkejte před uvedením do provozu 3 hodiny při pokojové teplotě.
- ▶ Po každém připojení vyčkejte cca 5 sekund.

1. Odstraňte ochranné fólie.

cs Seznámení

- Spotřebič umístěte na rovnou a vodotěsnou plochu s dostatečnou nosností.
- Spotřebič připojte pomocí síťové zástrčky k předpisově instalované uzemněné zásuvce.

Seznámení

Seznamte se se součástmi vašeho přístroje.

Spotřebič

Zde naleznete přehled součástí vašeho spotřebiče.

Upozornění: V závislosti na typu spotřebiče jsou možné odchylky v barvách a jednotlivých detailech.

→ Obr. 2

1	Nádržka na vodu
2	Víko nádržky na vodu
3	Ohřev šálku ¹
4	Víko na uchování aroma
5	Zásobník na kávová zrna
6	Šachta na prášek
7	Displej
8	Ovládací panel
9	Kryt
10	Mléčný systém
11	Výpustný systém

¹ V závislosti na vybavení spotřebiče

12	Dvířka spařovacího prostoru
13	Typový štítek
14	Odkapávací miska

¹ V závislosti na vybavení spotřebiče

Ovládací prvky

Zde naleznete přehled symbolů vašeho spotřebiče. Pomocí stlačení symbolů provádíte výběr, spustíte odběr nebo provádíte nastavení.

Symbol	Vysvětlení
	Zapněte nebo vypněte spotřebič.
	Otevřete nebo opusťte menu. Upozornění: Tlačítka menu jsou zobrazena pouze při otevřeném menu.
	V menu navigujte směrem nahoru.
	V menu navigujte směrem dolů.
	V menu potvrďte nebo uložte.
	V menu jděte zpět.
	Odeberte dva šálky.
	Zvolte intenzitu kávy.
	Přizpůsobte množství náplně. Spustte nebo zastavte proces.

Displej

Na displeji se zobrazují zvolené nápoje, nastavení, možnosti nastavení a také hlášení o provozním stavu. Na displeji jsou zobrazeny dodatečné informace a kroky jednání. Informace zmizí po krátké době nebo po stisknutí tlačítka. Kroky jednání zmizí po jejich vykonání.

Přehled nápojů

Pomocí svého spotřebiče můžete připravovat mnoho různých nápojů.

Rychlá volba

Symbol	Označení	Vysvětlení	Kategorie
	Espresso	Koncentrovaná káva. Doporučuje se servírovat do malých šálek se silnými stěnami. Šálky předejhřejte horkou vodou.	→ "Odběr kávového nápoje z čerstvých kávových zrn", Strana 158 → "Odběr kávového nápoje z mleté kávy", Strana 158
	Caffe Crema	Káva s vrstvou pěny nebo velký šálek kávy připraveny metodou espresso.	→ "Odběr kávového nápoje z čerstvých kávových zrn", Strana 158 → "Odběr kávového nápoje z mleté kávy", Strana 158
	Cappuccino	Espresso s našlehaným mlékem. Doporučuje se servírovat do malých šálek.	→ "Odběr kávového nápoje s mléčnou pěnou", Strana 159
	LatteMacchiato	Kávové speciality se třemi vrstvami: dole teplé mléko, uprostřed espresso, nahoře mléčná pěna. Doporučuje se servírovat ve sklenici.	→ "Odběr kávového nápoje s mléčnou pěnou", Strana 159
	Speciální nápoje	Odběr dalších nápojů.	→ "Odběr speciálních nápojů", Strana 160

Příslušenství

Používejte originální příslušenství. Je přizpůsobené pro váš spotřebič. Zde získáte přehled o příslušenství vašeho spotřebiče.

Příslušenství	Obchod	Zákaznický servis
Čisticí tablety	TZ80001A	00312097
	TZ80001B	00312098
Odvápňovací tablety	TZ80002A	00312094
	TZ80002B	00312095
Vodní filtr	TZ70003	00575491
Vodní filtr, balení po 3 kusech	TZ70033	-
Hadřík z mikrovlákn	-	00460770
Sada údržby	TZ80004A	00312105
	TZ80004B	00312106

Před prvním použitím

Proveďte základní nastavení. Vyčistěte spotřebič a jednotlivé části.

Provedení prvního uvedení do provozu

- ▶ Po připojení k elektrickému proudu proveďte nastavení pro první uvedení do provozu.

Upozornění: Automatické zobrazení výběru jazyka a tvrdosti vody se zobrazí jen při prvním zapnutí.

Rada: Nastavení můžete kdykoli změnit.

→ "Základní nastavení", Strana 163

Naplnění nádržky na vodu

Nádržku na vodu plňte denně čerstvou, studenou a neperlivou vodou.

1. Otevřete víko.
2. Nádržku na vodu vyjměte pomocí zapuštěného madla.
3. Vypláchněte nádržku na vodu.
4. Nádržku na vodu naplňte až po značku "max".
5. Nádržku na vodu vložte rovně do uchycení.
6. Zavřete víko.

Naplnění zásobníku na kávová zrna

POZOR!

Nevhodná kávová zrna mohou způsobit ucpání mlýnku.

- ▶ Používejte pouze pražené směsi na espresso nebo jiné směsi vhodné pro automatické kávovary.
- ▶ Nepoužívejte leštěná kávová zrna.
- ▶ Nepoužívejte karamelizovaná kávová zrna.

- ▶ Nepoužívejte kávová zrna upravená dalšími cukernatými přísadami.
- ▶ Nenaplňujte mletou kávou.

1. Otevřete víko.
2. Naplňte kávová zrna.
Při dalších výdejích se spotřebič nastaví na kávová zrna.
3. Zavřete víko.

Rada: Pro zachování optimální kvality skladujte kávová zrna v chladu a uzavřená.

Kávová zrna můžete několik dní uchovávat v zásobníku na kávová zrna, aniž by ztratila své aroma.

Nastavení jazyka

1. Pomocí  zapněte spotřebič.
✓ Na displeji se zobrazí přednastavený jazyk.
2. Stiskněte  nebo , až se na displeji zobrazí požadovaný jazyk.
3. Stiskněte **ok**.

Rada: Jazyk můžete kdykoliv změnit.

→ "Přehled základních nastavení", Strana 163

Nastavení tvrdosti vody

Správné nastavení tvrdosti vody je důležité, aby spotřebič včas oznámil, kdy musí být odvápněn. Tvrdost vody můžete stanovit pomocí přiloženého testovacího proužku nebo u místního dodavatele vody.

1. Testovací proužek krátce ponořte do čerstvé vody z vodovodu.
2. Testovací proužek nechte okapat.
✓ Po 1 minutu testovací proužek zobrazí tvrdost vody.
3. Pokud je v domě instalováno zařízení na změkčování vody, nastavte "Změkčení vody".

4. Stiskněte \wedge nebo \vee , až se na displeji zobrazí požadovaná tvrdost vody.

V tabulce je zobrazeno přiřazení stupňů ke stupňům tvrdosti vody:

Stupeň	Německá tvrdost v °dH	Celková tvrdost v mmol/l
1	1-7	0.18 - 1.25
2	8-14	1.42 - 2.49
3	15-21	2.67 - 3.74
4 ¹	22-30	3.92 - 5.34

¹ Tovární nastavení (může se lišit podle typu spotřebiče)

5. Stiskněte **ok**.
6. Zkontrolujte, zda je zásobník na kávová zrna naplněn.
7. Zkontrolujte, zda je nádržka na vodu naplněná.
8. Stiskněte **ok**.
- ✓ Spotřebič se propláchne.

Rada: Tvrdost vody můžete kdykoliv změnit.
→ "Přehled základních nastavení", Strana 163

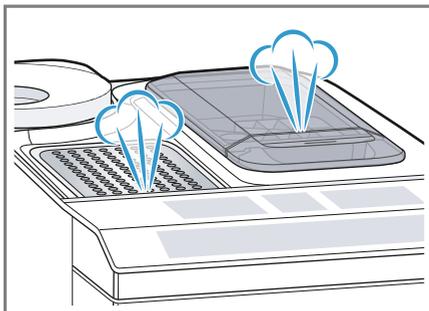
Všeobecné pokyny

Pro optimální využití vašeho přístroje dodržujte pokyny.

Pokyny

- Příklad je z výroby standardním nastavením naprogramován na optimální provoz.
- Mlýnek je z výroby nastaven na optimální provoz. Pokud káva jen kape, je příliš slabá nebo tvoří málo pěny, můžete během provozu mlýnku nastavit stupeň mletí.
→ "Nastavení stupně mletí", Strana 161

- Pokud po určitou dobu nedojte k obsluze, spotřebič se vypne automaticky. "Dobu trvání můžete změnit v základních nastaveních."
→ Strana 163
- Při používání se mohou u větracích výřezů a u víka šachty na prášek tvořit kapky vody.
- Ze spotřebiče může z technických důvodů unikát pára.



Rady

- "Zvuky tlačítek můžete vypnout v základních nastaveních."
→ Strana 163
- Při prvním použití vašeho spotřebiče, při provádění servisního programu nebo pokud byl přístroj po delší dobu mimo provoz, nemá první připravený nápoj plné aroma. Tento nápoj nepijte.
- Trvale jemnou a pevnou pěnu získáte po uvedení spotřebiče do provozu a odběru několika šálků.

Základní ovládání

Zde získáte důležité informace o ovládání vašeho přístroje.

Zapnutí nebo vypnutí spotřebiče

- ▶ Spotřebič zapněte nebo vypněte pomocí \odot .

Při zapnutí se na displeji zobrazí logo společnosti Siemens. Při zapnutí a vypnutí se spotřebič propláchne automaticky. Při vypnutí spotřebič při čištění vypouští páru do odkapávací misky. Během proplachu je na displeji zobrazena kapka. Pokud je spotřebič při zapnutí ještě teplý nebo nebyl před vypnutím odebrán žádný nápoj, spotřebič se nepropláchne.

Odběr nápoje

Dozvíte se, jak si připravíte nápoj podle své volby.

VAROVÁNÍ **Nebezpečí opaření!**

Čerstvě připravené nápoje jsou velmi horké.

- ▶ V případě potřeby nechte nápoje vychladnout.
- ▶ Zabraňte kontaktu pokožky s unikajícími tekutinami a parami.

Rady

- Svůj žádaný nápoj si můžete přímo zvolit pomocí tlačítek rychlé volby. Displej vám zobrazuje nápoj a aktuální nastavení.
- Kromě nápojů, které můžete odebírat pomocí tlačítek rychlé volby, spotřebič nabízí další nápoje.
→ *"Odběr speciálních nápojů", Strana 160*
- Svůj nápoj můžete přizpůsobit své osobní chuti.
→ *"Nastavení nápojů", Strana 160*

Pokyny

- Pokud po dobu cca 5 sekund nezměníte žádné nastavení, spotřebič opustí režim nastavení. Nastavení se automaticky uloží.
- U některých nastavení je káva připravována v několika krocích. Počkejte, dokud není celý proces ukončen.

Odběr kávového nápoje z čerstvých kávových zrn

1. Pod výpustný systém umístěte přehřátý šálek.
 2. Stiskněte symbol nápoje pro kávový nápoj bez mléka.
 - ✓ Na displeji se zobrazí nápoj a aktuální nastavení.
→ *"Nastavení nápojů", Strana 160*
 3. Změna nastavení v případě potřeby:
 - Množství náplně přizpůsobte pomocí **ml**.
→ *"Přizpůsobení množství náplně", Strana 161*
 - Intenzitu kávy přizpůsobte pomocí **∅**.
→ *"Přizpůsobení intenzity kávy", Strana 160*
 4. Stiskněte ^{start}_{stop}.
- Kávová zrna jsou pro každé spaření kávy čerstvě namleta.
- ✓ Káva se spaří a poté nateče do šálku.

Rady

- Odběr můžete předčasně ukončit pomocí ^{start}_{stop}.
- Dozvíte se, jak odebírat kávové nápoje s mlékem.
→ *"Odběr nápoje s mléčnou pěnou", Strana 159*

Odběr kávového nápoje z mleté kávy

POZOR!

Šachta na prášek se může ucpat.

- ▶ Nepoužívejte kávová zrna.
- ▶ Nepoužívejte rozpustnou kávu.
- ▶ Zbytky prášku v šachtě smetě měkkým štětcem do šachty na prášek.

Upozornění

Při přípravě s mletou kávou nejsou k dispozici tyto výběry:

- Dva šálky najednou
 - Intenzita kávy
 - "doubleshot"
1. Pod výpustný systém umístěte předehřátý šálek.
 2. Stiskněte symbol žádaného nápoje.
 3. \emptyset stiskněte tolikrát, až se na displeji zobrazí "Mletá káva".
 4. Otevřete šachtu na prášek.
 5. Naplňte maximálně 2 zarovnané kávové lžičky mleté kávy, max. 12 g.
 6. Zavřete šachtu na prášek.
 7. Stiskněte ^{start}stop.
- ✓ Káva se spaří a poté nateče do šálku.

Rady

- Odběr můžete předčasně ukončit pomocí ^{start}stop.
- Pokud chcete odebrat další nápoj s mletou kávou, postup opakujte.
- Mletou kávu plňte vždy krátce před přípravou nápoje.

Odběr nápoje s mléčnou pěnou

Pomocí svého spotřebiče můžete odebrat kávové nápoje s mléčnou pěnou.

** VAROVÁNÍ
Nebezpeční popálení!**

Mléčný systém je velmi horký.

- ▶ Nikdy se nedotýkejte horkého mléčného systému.
- ▶ Před dotykem nechte horký mléčný systém vychladnout.

POZOR!

Zbytky mléka mohou zaschnout a mohou být těžce odstranitelné.

- ▶ Mléčný systém čistěte po každém použití.
→ "Čištění mléčného systému", Strana 167

Rada: Místo mléka můžete používat také rostlinné nápoje, např. ze sóji.

Upozornění: Kvalita mléčné pěny závisí na druhu použitého mléka nebo rostlinného nápoje.

Odběr kávového nápoje s mléčnou pěnou**Předpoklady**

- Hadička na mléko je připojena.
 - Trubička nasávání je připojena.
1. Hadičku na mléko ponořte do mléka.
 2. Pod výpustný systém umístěte předehřátý šálek.
 3. Stiskněte symbol nápoje pro kávový nápoj s mlékem.
- ✓ Na displeji se zobrazí nápoj a aktuální nastavení.
→ "Nastavení nápojů", Strana 160
4. Změna nastavení v případě potřeby:
 - Množství náplně přizpůsobte pomocí **ml**.
→ "Přizpůsobení množství náplně", Strana 161
 - Intenzitu kávy přizpůsobte pomocí \emptyset .
→ "Přizpůsobení intenzity kávy", Strana 160
 - Použijte šachtu na prášek.
→ "Odběr kávového nápoje z mleté kávy", Strana 158
 5. Stiskněte ^{start}stop a počkejte, až se ukončí proces.

Mléčný systém se po přípravě vyčistí automaticky krátkým proudem páry.

Rada: Pokud chcete odběr zastavit předčasně, stiskněte ^{start}stop. Pokud chcete zastavit celý odběr, stiskněte \cup .

Odběr speciálních nápojů

Kromě nápojů, které můžete odebrat pomocí tlačítek rychlé volby, spotřebič nabízí další nápoje.

- ▶ Několikrát stiskněte .
→ "Přehled nápojů", Strana 155

Odběr mléčné pěny

VAROVÁNÍ **Nebezpeční popálení!**

Mléčný systém je velmi horký.

- ▶ Nikdy se nedotýkejte horkého mléčného systému.
- ▶ Před dotykem nechte horký mléčný systém vychladnout.

Předpoklady

- Hadička na mléko je připojena.
 - Trubička nasávání je připojena.
1. Hadičku na mléko ponořte do mléka, např. balení Tetrapack.
 2. Pod výpustný systém umístěte přehřátý šálek.
 3.  stiskněte tolikrát, až se na displeji zobrazí "Mléčná pěna".
 4. V případě potřeby změňte nastavení:
 - Množství náplně přizpůsobte pomocí **ml**.
→ "Přizpůsobení množství náplně", Strana 161
 5. Stiskněte ^{start}stop.
 - ✓ Z výpustného systému proudí mléčná pěna.
 6. Pro zastavení odběru stiskněte ^{start}stop.

Odběr horké vody

VAROVÁNÍ **Nebezpeční popálení!**

Mléčný systém je velmi horký.

- ▶ Nikdy se nedotýkejte horkého mléčného systému.
- ▶ Před dotykem nechte horký mléčný systém vychladnout.

Upozornění: Pokud není mléčný systém vyčištěn, mohou být společně s vodou odebrány také nepatrné zbytky mléka.

Předpoklady

- Mléčný systém je vyčištěn.
→ "Čištění mléčného systému", Strana 167.
 - Hadička na mléko je stažena.
1. Pod výpustný systém umístěte přehřátý šálek.
 2.  stiskněte tolikrát, až se na displeji zobrazí "Horká voda".
 3. V případě potřeby změňte nastavení:
 - Množství náplně přizpůsobte pomocí **ml**.
→ "Přizpůsobení množství náplně", Strana 161
 4. Stiskněte ^{start}stop.

Pokud se zobrazí hlášení "Vyjměte prosím hadičku na mléko.", stáhněte hadičku na mléko a stiskněte ^{start}stop.

 - ✓ Z výpustného systému teče horká voda.
 5. Pro zastavení odběru stiskněte ^{start}stop.

Nastavení nápojů

Připravte si nápoj podle své chuti.

Přizpůsobení intenzity kávy

1. Stiskněte symbol žádaného nápoje.

2. Pro zvolení intenzity kávy stiskněte .

Volit můžete tyto intenzity kávy:

- "jemná"
- "normální"
- "silná"
- "velmi silná"
- "doubleshot"

Upozornění: Nastavení "doubleshot" není k dispozici pro všechny nápoje a množství nápoje.

Rada: K získání intenzivní chuti kávy zvolte při velkém množství náplně vysokou intenzitu kávy.

Volba mleté kávy

1. Stiskněte symbol žádaného nápoje.
2.  stiskněte tolikrát, až se na displeji zobrazí "Mletá káva".
→ "Odběr kávového nápoje z mleté kávy", *Strana 158*

aromaDouble Shot

Při použití nastavení "doubleshot" získáte velmi silnou kávu.

Čím déle je káva spařována, tím větší množství trpkých látek a nechtěného aroma se uvolní. Trpké látky a nechtěné aroma ovlivňují chuť a stravitelnost kávy. Po první polovině připravovaného množství se opět namlou a spaří kávová zrna, takže dojde k uvolnění vždy jen těch nejchutnějších a dobře stravitelných aromatických látek.

Upozornění: Nastavení "doubleshot" není k dispozici pro všechny nápoje a množství nápoje.

Přízpusobení množství náplně

1. Stiskněte symbol žádaného nápoje.
2. **ml** stiskněte tolikrát, až se na displeji zobrazí požadované množství náplně.

Odběr dvou šálek najednou

V závislosti na typu vašeho spotřebiče můžete u určitých nápojů připravovat současně dva šálky najednou.

Upozornění

Funkce "Odběr dvou šálek" není k dispozici pro tyto volby:

- "Mletá káva"
- "doubleshot"
- množství náplně menší než 35 ml

1. Stiskněte symbol žádaného nápoje.
2. Stiskněte .

✓ Displej zobrazuje nastavení.

3. Pod výpustný systém napravo a nalevo umístěte dva šálky.

4. Stiskněte .

Nápoj se připraví ve 2 krocích. Zrna se namlou ve 2 procesech mletí.

✓ Nápoj se spaří a poté nateče do šálku.

5. Počkejte, dokud není proces ukončen.

Mlýnek

Váš spotřebič je vybaven nastavitelným mlýnkem, pomocí kterého můžete individuálně přizpůsobit stupeň namletí kávových zrn.

Nastavení stupně mletí

Během mletí kávových zrn nastavte žádaný stupeň mletí.

VAROVÁNÍ Nebezpečí poranění!

Mlýnek se otáčí.

► Nikdy nesahejte do mlýnku.

POZOR!

Nebezpečí poškození mlýnku. Při neodborném nastavení stupně mletí může dojít k poškození mlýnku.

► Stupeň mletí můžete nastavovat pouze u meloucího mlýnku.

- ▶ Stupeň mletí postupně nastavte otočným voličem.

Stupeň mletí	Nastavení
Jemné mletí pro tmavě pražená zrna.	Otočný volič otočte proti směru pohybu hodinových ručiček. 
Hrubé mletí pro světle pražená zrna.	Otočný volič otočte ve směru pohybu hodinových ručiček. 

Nastavení stupně mletí je patrné až po druhém šálku kávy.

Rada: Pokud káva jen kape, nastavte hrubší stupeň mletí. Pokud je káva příliš slabá a tvoří málo pěny, nastavte jemnější stupeň mletí.

Vodní filtr

Použitím vodního filtru snížíte tvorbu vápených usazenin a nečistot ve vodě.

Nasazení vodního filtru a aktivace

POZOR!

Možné poškození spotřebiče vápenatými usazeninami.

- ▶ Vodní filtr měňte včas.
- ▶ Vodní filtr vyměňte nejpozději po 2 měsíce.

Upozornění: Pokud displej zobrazuje "Vyměňte vodní filtr", vyměňte vodní filtr.

Pokud nebudete používat nový filtr, zvolte "Žádný filtr" a postupujte podle pokynů na displeji.

1. Ponořte vodní filtr do sklenice s vodou a po stranách mírně stlačte tak, aby již nevystupovaly žádné vodní bubliny.
→ Obr. 3
2. Stiskněte menu .
3. Pomocí  nebo  "Vodní filtr" a stiskněte **ok**.
4. Pomocí  nebo  zvolte "Nový filtr" nebo "Vyměňte vodní filtr" a stiskněte **ok**.
5. **Upozornění:** Pokud nebudete používat nový filtr, zvolte v nastaveních menu "Žádný filtr".

Vodní filtr pevně zatlačte do nádržky na vodu a stiskněte **ok**.

→ Obr. 4

6. Nádržku na vodu naplňte vodou až po značku "max" a stiskněte **ok**.
 7. Hadičku na mléko spojte s mléčným systémem a nasávací trubičkou.
 8. Konec nasávací trubičky vsuňte do odkapávacího plechu.
 9. Pod výpustný systém umístěte nádobu s kapacitou 1 l a stiskněte **ok**.
- ✓ Filtr se propláchně a zobrazí se ukazatel "Proplach je ukončen".
 - ✓ Spotřebič je připravený k provozu.

Rady

- Svůj vodní filtr měňte také z hygienických důvodů.
- Při použití vodního filtru musíte svůj spotřebič odvápnovat méně často.
- Pokud jste svůj spotřebič delší dobu nepoužívali, např. v době dovolené, vložený vodní filtr propláchněte před použitím odběrem šálku horké vody.
- Vodní filtr můžete zakoupit v prodejnách nebo u zákaznického servisu.
→ "Příslušenství", Strana 155

- Dozvíte se, jak se používá vodní filtr.
→ "Nasazení vodního filtru a aktivace", Strana 162

Dětská pojistka

Na ochranu dětí před opařením a popálením můžete spotřebič zablokovat.

Aktivace dětské pojistky

- ▶ Stiskněte **ml** nejméně 3 sekundy.
- ✓ Na displeji se zobrazuje "Aktivní dětská pojistka. Pro vypnutí stiskněte „ml“ na dobu 3 sekund".

Deaktivace dětské pojistky

- ▶ Stiskněte **ml** nejméně 3 sekundy.
- ✓ Na displeji se zobrazuje "Deaktivována dětská pojistka."

Ohřev šálku¹

Své šálky můžete předehřívát pomocí ohřevu šálků.

VAROVÁNÍ **Nebezpeční popálení!**

Ohřev šálku je velmi horký.

- ▶ Nikdy se nedotýkejte ohřevu šálků.
- ▶ Před dotykem nechte horký ohřev šálků vychladnout.

Rady

- Ohřev šálků můžete aktivovat a deaktivovat v základním nastavení.
→ "Přehled základních nastavení", Strana 163
- Aby se šálky optimálně ohřály, postavte je dnem šálku na ohřev.

Základní nastavení

Svůj spotřebič můžete nastavit podle svých potřeb a vyvolávat dodatečné funkce.

Přehled základních nastavení

Nastavení	Volba	Popis
Čištění	Mléčný systém Odvápnění Čištění calc'nClean	Spusťte servisní programy. → "Servisní programy", Strana 168
Nahřívání šálků ¹	Vyp. nahřív. šálků ² Zap. nahřív. šálků	Zapněte nebo vypněte ohřev šálků. → "Ohřev šálku", Strana 163

¹ V závislosti na vybavení spotřebiče

² Tovární nastavení (může se lišit podle typu spotřebiče)

¹ V závislosti na vybavení spotřebiče

Nastavení	Volba	Popis
Vodní filtr	Nový filtr Žádný filtr	Nastavte použití vodního filtru.
Teplota kávy	normální vysoká max.	Nastavte teplotu kávových nápojů. Upozornění: Nastavení je účinné u všech druhů přípravy.
Jazyky	Viz volba na spotřebiči.	Nastavte jazyk menu. Změny jsou ihned viditelné na displeji.
Autom. vypnutí	Viz volba na spotřebiči.	Nastavte časový interval, po kterém se spotřebič po poslední přípravě nápoje automaticky vypne.
Tvrdost vody	1 (měkká) 2 (středně tvrdá) 3 (tvrdá) 4 (velmi tvrdá) ² Změkčovací zařízení	Nastavte spotřebič podle místní tvrdosti vody. → "Nastavení tvrdosti vody", Strana 156
Tóny tlačítek	Zap. tóny tlačítek ² Vyp. tóny tlačítek	Zapněte nebo vypněte zvuky tlačítek.
Tovární nastavení	Vše resetovat? Pokračovat: OK Storno: ←	Resetujte nastavení na stav z výroby. Upozornění: Všechna individuální nastavení budou vymazána a resetována zpět na nastavení z výroby.

¹ V závislosti na vybavení spotřebiče

² Tovární nastavení (může se lišit podle typu spotřebiče)

Změna základních nastavení

1. Stiskněte **menu** .
2. Pomocí  nebo  zvolte požadované základní nastavení a stiskněte **ok**.
- ✓ Na displeji jsou zobrazeny možnosti nastavení a navigační symboly se rozsvítí. Displej označuje aktuální nastavení.
3. Pomocí  nebo  zvolte žádaný výběr a stiskněte **ok**.
- ✓ Nastavení je uloženo do paměti.
4. Pomocí  přejděte zpět.

5. Pro opuštění menu stiskněte **menu** .

Čištění a ošetřování

Aby váš spotřebič zůstal dlouho funkční, pečlivě ho čistěte a ošetřujte.

Způsobilst mytí v myčce nádobí

Dozvíte se, které součásti je možné čistit v myčce nádobí.

POZOR!

Některé součásti jsou citlivé na teplotu a při mytí v myčce nádobí mohou být poškozeny.

- ▶ Dodržujte návod k použití myčky nádobí.
- ▶ V myčce na nádobí umývejte jen vhodné součásti.
- ▶ Používejte pouze programy, které neohřívají vodu nad 60 °C.

Vhodné pro myčku nádobí



- Odkapávací miska
 - Odkapávací plech
 - Odkapávací mřížka
 - Nádobá na kávovou sedlinu
 - Mechanický ukazatel stavu naplnění
- Mléčný systém s adaptérem
- Šachta na prášek s víkem

Nevhodné do myčky nádobí



- Nádržka na vodu
- Víko nádržky na vodu
- Víko na uchování aroma
- Spařovací jednotka
- Kryt výpusti nápojů

Čistící prostředky

Dozvíte se, které čistící prostředky jsou vhodné pro váš spotřebič.

⚠ VAROVÁNÍ**Nebezpečí vážného poškození zdraví!**

Čistící tekutiny mohou mít vliv na zdraví.

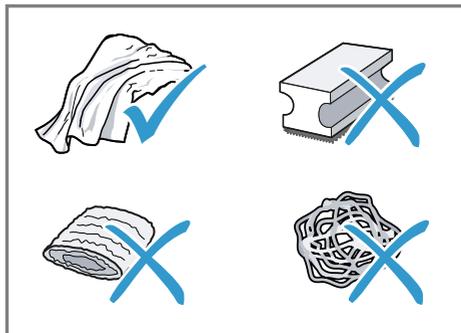
- ▶ Čistící tekutiny nikdy nepijte.
- ▶ Odvápňovací a čistící prostředky používejte podle návodu a dodržujte příslušné bezpečnostní pokyny.

POZOR!

Nevhodné čistící prostředky mohou poškodit povrchy spotřebiče.

- ▶ Nepoužívejte agresivní nebo abrazivní čistící prostředky.

- ▶ Nepoužívejte čistící prostředky obsahující alkohol nebo líh.
- ▶ Nepoužívejte tvrdé drátěnky nebo houbičky.
- ▶ K odvápňování nepoužívejte kyselinu citrónovou, ocet nebo prostředky na bázi octa.
- ▶ K odvápňování a čištění používejte výhradně vhodné tablety.
- ▶ Nepoužívejte odvápňovací prostředek obsahující kyselinu fosforečnou.

**Rady**

- Používejte odvápňovací a čistící tablety, které byly vyvinuty speciálně pro váš spotřebič. Tyto tablety můžete zakoupit u zákaznického servisu.
 - "Příslušenství", Strana 155
- Nové čistící hadříky důkladně vymyjte, aby byly odstraněny případné uchycené soli. Soli mohou způsobit na povrchu z ušlechtilé oceli náletovou rez.
- Zbytky vápenatých usazenin, kávy, mléka, čisticího a odvápňovacího roztoku vždy ihned odstraňte, aby se zabránilo vzniku koroze.

Čištění spotřebiče

⚠ VAROVÁNÍ

Nebezpečí úrazu elektrickým proudem!

Pronikající vlhkost může způsobit úraz elektrickým proudem.

- ▶ Spotřebič nebo síťový kabel nikdy neponořujte do vody.
- ▶ Na konektorové spojení spotřebiče nesmí přetéct žádná kapalina.
- ▶ Při čištění spotřebiče nepoužívejte parní nebo vysokotlaké čističe.

⚠ VAROVÁNÍ

Nebezpečí popálení!

Některé díly spotřebiče se velmi zahřívají.

- ▶ Nikdy se nedotýkejte horkých dílů spotřebiče.
- ▶ Horké díly spotřebiče nechte před dotykem vychladnout.

1. Odpojte spotřebič od elektrické sítě.
2. Pouzdro, povrchy s vysokým leskem a obslužné pole čistěte utěrkou z mikrovlákna.
→ "Příslušenství", Strana 155
3. Výpustný systém po odběru nápoje vyčistěte měkkým, vlhkým hadříkem.
4. Pokud nebyl spotřebič delší dobu používán, např. v době dovolené, vyčistěte kompletní přístroj včetně výpustného systému, mléčného systému, misek a spařovací jednotky.

Upozornění: Spotřebič se propláchně automaticky, pokud ho zapnete ve studeném stavu nebo ho vypnete po přípravě kávy. Systém je tedy samočistící.

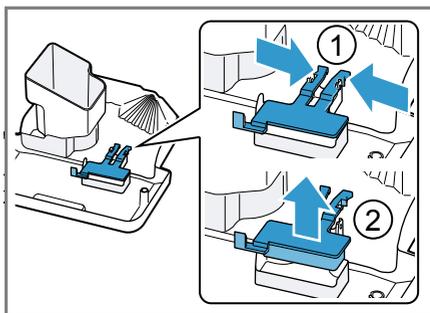
Čištění odkapávací misky a zásobníku na kávovou sedlinu

Odkapávací misku a zásobník na kávovou sedlinu čistěte a vyprazdňujte denně, aby se zabránilo tvorbě usazenin.

1. Odpojte hadičku na mléko od výpustného systému.
2. Otevřete dvířka.
3. Odkapávací misku a zásobník na kávovou sedlinu vyjměte směrem dopředu.
4. Sejměte odkapávací plech a vyčistěte ho.
5. Odkapávací misku a zásobník na kávovou sedlinu vyprázdněte a vyčistěte.
6. Vyčistěte vnitřní prostor přístroje a uchycení odkapávací misky.

7. Rada

Pokud vtisknete oba držáky směrem dovnitř, můžete mechanický ukazatel stavu naplnění snadněji vyjmout.



Demontujte mechanický ukazatel stavu naplnění a vyčistěte vlhkým hadříkem.

8. Odkapávací misku, odkapávací plech, zásobník na kávovou sedlinu a mechanický ukazatel stavu naplnění sestavte a vložte do spotřebiče.

9. Zavřete dvířka.

Čištění šachty na prášek

Rada: Šachtu na prášek můžete mýt v myčce nádobí.

1. Šachtu na prášek vytáhněte za otevřené víko.
→ Obr. **5**
2. Šachtu na prášek vyčistěte mycím prostředkem.
→ Obr. **6**
3. Šachtu na prášek osušte a vložte do spotřebiče.

Čištění mléčného systému

Mléčný systém čistěte pravidelně.

VAROVÁNÍ

Nebezpeční popálení!

Mléčný systém je velmi horký.

- ▶ Nikdy se nedotýkejte horkého mléčného systému.
- ▶ Před dotykem nechte horký mléčný systém vychladnout.

POZOR!

Neodborným čištěním může dojít k poškození spotřebiče.

- ▶ Kryt výpustného systému nekládejte do myčky nádobí.

Rady

- Pokud chcete mléčný systém vyčistit obzvláště důkladně, můžete použít servisní program "Čištění mléčného systému".
→ "Čištění mléčného systému, použití", *Strana 169*
 - Všechny součásti mléčného systému můžete mýt v myčce nádobí.
1. Výpustný systém posuňte zcela dolů.
 2. Kryt vysuňte směrem dopředu a odstraňte hadičku na mléko.
→ Obr. **7**

3. Mléčný systém vytáhněte směrem dopředu.
→ Obr. **8**
4. Rozložte horní a spodní část mléčného systému.
→ Obr. **9**
5. Odpojte hadičku na mléko a trubičku nasávání.
6. Součásti čistěte mycím roztokem a měkkým hadříkem.
→ Obr. **10**
7. Všechny součásti opláchněte čistou vodou a osušte.
→ Obr. **11**
8. Zbytky roztoku v mléčném systému po propláchnutí důkladně odstraňte.
9. Sestavte horní a spodní část mléčného systému.
→ Obr. **12**
10. Připojte hadičku na mléko.
11. Výpustný systém posuňte zcela dolů.
12. Mléčný systém vložte rovně zepředu do spotřebiče.
→ Obr. **13**
13. Nasadte kryt.
14. Výpustný systém posuňte zcela nahoru.
→ Obr. **14**

Čištění spařovací jednotky

Kromě provádění programu automatického proplachování pravidelně vyměňte a vyčistěte spařovací jednotku.

VAROVÁNÍ

Nebezpeční popálení!

Některé díly spotřebiče se velmi zahřívají.

- ▶ Nikdy se nedotýkejte horkých dílů spotřebiče.
- ▶ Horké díly spotřebiče nechte před dotykem vychladnout.

POZOR!

Neodborným čištěním může dojít k poškození spotřebiče.

- ▶ Nepoužívejte mycí prostředky.
- ▶ Nepoužívejte čisticí prostředky obsahující ocet a kyseliny.
- ▶ Nemyjte v myčce nádobí.

1. Odpojte hadičku na mléko od vypustného systému.
→ Obr. **7**
2. Spotřebič vypněte pomocí $\text{\textcircled{U}}$.
3. Otevřete dvířka spařovacího prostoru.
→ Obr. **15**
4. Sejměte odkapávací misku se zásobníkem na kávovou sedlinu.
→ Obr. **16**
5. Červenou páčku stiskněte nahoru.
6. Uchopte spařovací jednotku za madlo a opatrně ji vytáhněte směrem dopředu.
→ Obr. **17**
7. Propláchněte spařovací jednotku důkladně pod tekoucí teplou vodou.
→ Obr. **18**
8. Vnitřek spotřebiče vyčistěte vlhkým hadříkem a odstraňte zbytky kávy.
9. Spařovací jednotku a vnitřek spotřebiče nechte vyschnout.
10. Spařovací jednotku uchopte za madlo.
11. Červenou páčku stiskněte nahoru.
12. Spařovací jednotku umístěte pod páčku a až na doraz vsuňte směrem dozadu.
→ Obr. **19**
- ✓ Páčka zapadne.
13. Vložte odkapávací misku se zásobníkem na kávovou sedlinu.
→ Obr. **20**
14. Zavřete dvířka.
→ Obr. **21**

Dvířka je možné zavřít jen tehdy, pokud jsou spařovací jednotka a odkapávací miska správně vložené.

Servisní programy

V určitých časových intervalech vám spotřebič doporučí použití servisních programů. Použijte servisní programy pro důkladné vyčištění vašeho spotřebiče.

POZOR!

Neodborné nebo ne včas provedené čištění a odvápnění může spotřebič poškodit.

- ▶ Podle pokynů ihned proveďte odvápnění.
- ▶ Do přihrádky na mletou kávu neumisťujte odvápnovací tablety nebo jiné prostředky.

V závislosti na tvrdosti vody a použití spotřebiče zobrazuje displej po přechozím oznámení tato hlášení:

- "Vyčistěte prosím mléčný systém."
- "Nutné odvápnění. Stiskněte prosím Menu na dobu 3 sekund"
- "Nutné čištění. Stiskněte prosím Menu na dobu 3 sekund"
- "Nutné calc'nClean. Stiskněte prosím Menu na dobu 3 sekund"

Pokyny

- Displej zobrazuje, jak daleko proces postoupil.
- Pokud nebyl váš spotřebič včas odvápněn, zobrazuje displej "Byla překroč. doba pro odváp. Přístroj je zablokován. Stisk. Menu na dobu 3 s."
- Pokud je váš spotřebič zablokován, můžete ho opět obsluhovat až po provedení odvápnění.
- Pokud servisní program nechtěně přerušíte, musíte ho resetovat.
→ "Resetování servisních programů", Strana 169

Rady

- Pokud používáte vodní filtr, prodlouží se časový interval pro provedení servisních programů.
- Odvápňení a čištění můžete spojit do jednoho servisního programu calc'nClean.
→ "Použití calc'nClean",
Strana 170
- Ihned po servisním programu vyčistěte svůj spotřebič měkkým, vlhkým hadříkem, aby byly odstraněny zbytky odvápňovacího roztoku a zabráněno vzniku koroze.

Resetování servisních programů

Pokud byl servisní program přerušen, např. při výpadku proudu, proveďte níže uvedené kroky.

1. Vyprázdněte zásobník a konec trubičky nasávání vložte do zásobníku.
2. Vyláchněte nádržku na vodu.
3. Nádržku na vodu naplňte čerstvou neperlivou vodou až po značku "max".
4. Stiskněte **ok**.
✓ Spotřebič se proplachuje cca 2 minuty.
5. Vyprázdněte a vyčistěte odkapávací misku.
6. Vložte odkapávací misku a zavřete dvířka.
7. Znovu spusťte servisní program.

Čištění mléčného systému, použití

V případě potřeby propláchněte mléčný systém vodou. Propláchnutí trvá cca 1 minuta.

1. Stiskněte **menu** .
2. Pomocí  a  "Čištění" zvolte a stiskněte **ok**.
3. Pomocí  a  "Mléčný systém" zvolte a stiskněte **ok**.

4. Pro spuštění programu stiskněte **ok**.
✓ Displej Vás provede programem.
5. Pod výpustný systém umístěte prázdnou sklenici a konec trubičky nasávání vložte do sklenice.
6. Stiskněte **ok**.
✓ Mléčný systém se vyčistí automaticky.
7. Vyprázdněte sklenici a vyčistěte trubičku nasávání.
✓ Program je ukončen a spotřebič je připravený k provozu.

Rada: Pokud chcete mléčný systém vyčistit obzvláště důkladně, čistěte ho pravidelně manuálně.

→ "Čištění mléčného systému",
Strana 167

Použití odvápňení

Pokud vás váš spotřebič upozorní, proveďte program odvápňení. Proces trvá cca 30 minut.

Předpoklad: Spařovací jednotka je vyčištěná.

→ "Čištění spařovací jednotky",
Strana 167

1. Stiskněte **menu** .
2. Pomocí  a  "Čištění" zvolte a stiskněte **ok**.
3. Pomocí  a  "Odvápňení" zvolte a stiskněte **ok**.
4. Pro spuštění programu stiskněte **ok**.
✓ Displej Vás provede programem.
5. Vyprázdněte odkapávací misku a nasadte ji.
6. Pokud se používá vodní filtr, vyjměte ho.
7. Stiskněte **ok**.
8. Vyprázdněte nádržku na vodu.
9. Nádobu naplňte 0,5 l vlažné vody.

10. Do vody přidejte odvápnovací tabletu Siemens a míchejte tak dlouho, až se tableta zcela rozpustí.
11. Odvápnovací roztok naplňte do nádržky na vodu až po značku calc a stiskněte **ok**.
12. Pod výpustný systém umístěte nádobu s kapacitou min. 0,5 l.
13. Konec trubičky nasávání vložte do nádoby a stiskněte **ok**.
 - ✓ Odvápnovací program trvá cca 20 minut.
14. Vypláchněte nádržku na vodu.
15. Stiskněte **ok**.
16. Pokud se používá vodní filtr, vložte vodní filtr.
 - "Nasazení vodního filtru a aktivace", *Strana 162*
17. Stiskněte **ok**.
18. Naplňte čistou vodu až po značku „max“.
19. Stiskněte **ok**.
 - ✓ Program odvápnění běží cca 1 minuta a propláchne spotřebič.
20. Vyprázdněte odkapávací misku a nasadte ji.
21. Důkladně vyčistěte trubičku nasávání mléčného systému.
 - ✓ Program je ukončen a spotřebič je připravený k provozu.

Použití čištění

Pokud vás váš spotřebič upozorní, proveďte program čištění. Proces trvá cca 9 minut.

Předpoklad: Spařovací jednotka je vyčištěná.

→ "Čištění spařovací jednotky", *Strana 167*

1. Stiskněte menu .
2. Pomocí  a  "Čištění" zvolte a stiskněte **ok**.
3. Pomocí  a  "Čištění" zvolte a stiskněte **ok**.

4. Pro spuštění programu stiskněte **ok**.
 - ✓ Displej Vás provede programem.
5. Vyprázdněte odkapávací misku a nasadte ji.
6. Otevřete šachtu na prášek.
7. Do šachty na prášek vložte jednu čisticí tabletu Siemens.
8. Zavřete šachtu na prášek a stiskněte **ok**.
9. Pod výpustný systém umístěte nádobu s kapacitou min. 0,5 l a stiskněte **ok**.
 - ✓ Program čištění trvá cca 7 minut.
10. Vyprázdněte odkapávací misku a nasadte ji.
 - ✓ Program je ukončen a spotřebič je připravený k provozu.

Použití calc'nClean

Se servisním programem calc'nClean můžete kombinovat programy čištění a odvápnování. Pokud vás váš spotřebič upozorní, proveďte program calc'nClean. Proces trvá cca 43 minut.

Předpoklad: Spařovací jednotka je vyčištěná.

→ "Čištění spařovací jednotky", *Strana 167*

1. Stiskněte menu .
2. Pomocí  a  "Čištění" zvolte a stiskněte **ok**.
3. Pomocí  a  "calc'nClean" zvolte a stiskněte **ok**.
4. Pro spuštění programu stiskněte **ok**.
 - ✓ Displej Vás provede programem.
5. Vyprázdněte odkapávací misku a nasadte ji.
6. Pokud se používá vodní filtr, vyjměte ho.
7. Stiskněte **ok**.
8. Vyprázdněte nádržku na vodu.
9. Nádobu naplňte 0,5 l vlažné vody.

10. Do vody přidejte odvápnovací tabletu Siemens a míchejte tak dlouho, až se tableta zcela rozpustí.
11. Odvápnovací roztok naplňte do nádržky na vodu až po značku calc a stiskněte **ok**.
12. Pod výpustný systém umístěte nádobu s kapacitou min. 0,5 l.
13. Konec trubičky nasávání vložte do nádoby a stiskněte **ok**.
 - ✓ Odvápnovací program trvá cca 20 minut.
14. Vypláchněte nádržku na vodu.
15. Stiskněte **ok**.
16. Pokud se používá vodní filtr, vložte vodní filtr.
→ *"Nasazení vodního filtru a aktivace", Strana 162*
17. Stiskněte **ok**.
18. Naplňte čistou vodu až po značku „max“.
19. Stiskněte **ok**.
 - ✓ Program trvá cca 1 minuta a propláchne spotřebič.
20. Vyprázdněte odkapávací misku a nasad'te ji.
21. Otevřete šachtu na prášek.
22. Do šachty na prášek vložte jednu čisticí tabletu Siemens.
23. Zavřete šachtu na prášek a stiskněte **ok**.
24. Pod výpustný systém umístěte nádobu s kapacitou min. 0,5 l a stiskněte **ok**.
 - ✓ Program čištění trvá cca 7 minut.
25. Vyprázdněte odkapávací misku a nasad'te ji.
26. Důkladně vyčistěte trubičku nasávání mléčného systému.
 - ✓ Program je ukončen a spotřebič je připravený k provozu.

Odstranění poruch

Menší poruchy vašeho přístroje můžete odstranit vlastními silami. Před kontaktováním zákaznické služby využijte informací o odstraňování poruch. Vyvarujete se tak zbytečných nákladů.

VAROVÁNÍ

Nebezpečí úrazu elektrickým proudem!

Neodborné opravy jsou nebezpečné.

- ▶ Opravy spotřebiče smí provádět pouze odborný personál, který je k tomu vyškolený.
- ▶ K opravě spotřebiče se smí používat pouze originální náhradní díly.
- ▶ Pokud je síťový kabel tohoto spotřebiče poškozený, musí ho vyměnit výrobce, jeho zákaznický servis nebo podobně kvalifikovaná osoba, aby se zabránilo ohrožení.

Pokyny v indikačním poli

Porucha	Příčina	Odstranění závady
Zobrazení na displeji "Ukončit", i když jsou dvířka zavřená.	Dvířka nejsou správně zavřená.	▶ Dvířka pevně přitlačte.
	Spotřebič je příliš horký.	<ol style="list-style-type: none"> 1. Odpojte spotřebič od sítě. 2. Vyčkejte 1 hodina, aby se spotřebič ochladil.
Zobrazení na displeji "Vyprázdněte prosím odkapovací misku a opět ji nasadte.", i když je odkapovací miska prázdná.	Spotřebič je vypnutý a nerozpozná vyprázdnění.	<ol style="list-style-type: none"> 1. Zapněte spotřebič a vyjměte odkapovací misku. 2. Znovu nasadte odkapovací misku.
	Odkapovací miska je znečištěná.	▶ Odkapovací misku důkladně vyčistěte.
Zobrazení na displeji "Naplňte prosím nádobu s vodou", i když je nádržka na vodu plná.	Nádržka na vodu je chybně vložena.	▶ Nádržku na vodu správně nasadte.
	V nádržce na vodu se nachází voda nasycená oxidem uhličitým.	▶ Naplňte nádržku na vodu čerstvou vodou z vodovodu.
	V nádržce na vodu se vzpříčil plovák.	<ol style="list-style-type: none"> 1. Vyjměte nádržku na vodu. 2. Důkladně vyčistěte nádržku na vodu.
	Nový vodní filtr nebyl propláchnut podle návodu.	<ol style="list-style-type: none"> 1. Podle návodu propláchněte vodní filtr. → "Nasazení vodního filtru a aktivace", Strana 162 2. Uvedte vodní filtr do provozu.

Porucha	Příčina	Odstranění závady
Zobrazení na displeji "Naplněte prosím nádobu s vodou", i když je nádržka na vodu plná.	Ve vodním filtru se nachází vzduch.	<ol style="list-style-type: none"> 1. Ponořte vodní filtr otvorem nahoru do vody tak dlouho, až neunikají žádné bublinky vzduchu. 2. Filtr znovu nasadte. → "Nasazení vodního filtru a aktivace", Strana 162
	Vodní filtr je starý.	▶ Vložte nový vodní filtr.
	Usazeniny vodního kamene v nádržce na vodu ucpávají systém.	<ol style="list-style-type: none"> 1. Důkladně vyčistěte nádržku na vodu. 2. Spusťte odvápnovací program. → "Použití odvápnění", Strana 169
Na displeji se zobrazí "Vyčistěte prosím spař. jednotku, opět ji nasadte a zavřete dvířka."	Spařovací jednotka je znečištěná.	▶ Vyčistěte spařovací jednotku. → "Čištění spařovací jednotky", Strana 167
	Mechanismus spařovací jednotky je zatuhlý.	▶ Vyčistěte spařovací jednotku. → "Čištění spařovací jednotky", Strana 167
	Spařovací jednotka obsahuje příliš mnoho mleté kávy.	▶ Použijte max. 2 zarovnané odměrky mleté kávy. → "Čištění spařovací jednotky", Strana 167
Na displeji se zobrazí "Napětí (V) není správné."	Chybné napětí v domovním rozvodu.	▶ Spotřebič provozujte pouze s 220 - 240 V.
Na displeji se zobrazí "Restartujte přístroj."	Spařovací jednotka je silně znečištěná a není možné ji vyjmout.	<ol style="list-style-type: none"> ▶ Spotřebič znovu spusťte. ▶ Vyčistěte spařovací jednotku. → "Čištění spařovací jednotky", Strana 167
	Závada na spotřebiči.	<ol style="list-style-type: none"> 1. Vytáhněte síťovou zástrčku ze zásuvky a počkejte 10 sekund. 2. Síťovou zástrčku opět zapojte do zásuvky.
Ukazatel na displeji "calc'nClean" se zobrazuje příliš často.	Odvápněná voda obsahuje ještě malé množství rozpustěného vodního kamene.	<ol style="list-style-type: none"> 1. Vložte nový vodní filtr. → "Nasazení vodního filtru a aktivace", Strana 162 2. Příslušným způsobem nastavte tvrdost vody. → "Nastavení tvrdosti vody", Strana 156
	Byl použit chybný nebo malé množství odvápnovacího prostředku.	▶ K odvápnění používejte výhradně vhodné tablety.

Porucha	Příčina	Odstranění závady
Ukazatel na displeji "calc'nClean" se zobrazuje příliš často.	Servisní program není zcela proveden.	▶ Resetujte servisní program. → "Resetování servisních programů", Strana 169

Poruchy funkce

Porucha	Příčina	Odstranění závady
Spotřebič již dále nereaguje.	Závada na spotřebiči.	<ol style="list-style-type: none"> 1. Vytáhněte síťovou zástrčku ze zásuvky a počkejte 10 sekund. 2. Síťovou zástrčku opět zapojte do zásuvky.
Spotřebič vydává pouze vodu, ale žádnou kávu.	Spotřebič nerozezná prázdný zásobník na kávová zrna.	▶ Naplňte kávová zrna.
	Ucpaná šachta kávy u spařovací jednotky.	▶ Vyčistěte spařovací jednotku. → "Čištění spařovací jednotky", Strana 167
	Zrna jsou příliš olejnatá a nepadají do mlýnku.	<ul style="list-style-type: none"> ▶ Mírně poklepejte na zásobník na kávová zrna. ▶ Změňte druh kávy. Nepoužívejte olejnatá kávová zrna. ▶ Vyčistěte prázdný zásobník na kávová zrna vlhkým hadříkem.
	Spařovací jednotka není správně nasazena.	▶ Vsuňte spařovací jednotku zcela dozadu.
Spotřebič nevydává mléčnou pěnu.	Mléčný systém je znečištěný.	▶ Vyčistěte mléčný systém v myčce nádobí. → "Čištění mléčného systému", Strana 167
	Trubička na mléko se neponoří do mléka.	<ul style="list-style-type: none"> ▶ Použijte více mléka. ▶ Zkontrolujte, zda se trubička na mléko ponoří do mléka.
	Spotřebič je velmi zanesen vodním kamenem.	▶ Odvápňte spotřebič. → "Použití odvápnění", Strana 169
Mléčný systém nenasává mléko.	Mléčný systém není správně sestaven.	▶ Správně sestavte mléčný systém. → "Čištění mléčného systému", Strana 167
	Trubička na mléko se neponoří do mléka.	▶ Použijte více mléka.

Porucha	Příčina	Odstranění závady
Mléčný systém nenasává mléko.		<ul style="list-style-type: none"> ▶ Zkontrolujte, zda se trubička na mléko ponoří do mléka.
Mléčná pěna je příliš studená.	Mléko je příliš studené.	<ul style="list-style-type: none"> ▶ Použijte vlažné mléko.
Spotřebič nevydává horkou vodu.	Mléčný systém je znečištěný.	<ul style="list-style-type: none"> ▶ Vyčistěte mléčný systém v myčce nádobí. → <i>"Čištění mléčného systému", Strana 167</i>
Spotřebič nevydává žádný nápoj.	Ve vodním filtru se nachází vzduch.	<ol style="list-style-type: none"> 1. Ponořte vodní filtr otvorem nahoru do vody tak dlouho, až neunikají žádné bublinky vzduchu. 2. Filtr znovu nasadte. → <i>"Nasazení vodního filtru a aktivace", Strana 162</i> <ul style="list-style-type: none"> ▶ Zatlačte vodní filtr přímo a pevně do přípojky nádržky.
	Zbytky odvápnovacího prostředku ucpávají nádržku na vodu.	<ol style="list-style-type: none"> 1. Vyjměte nádržku na vodu. 2. Důkladně vyčistěte nádržku na vodu.
Na vnitřním dnu spotřebiče se nachází kapky vody.	Odkapávací miska byla vyjmuta příliš brzy.	<ul style="list-style-type: none"> ▶ Odkapávací misku vyjměte teprve několik vteřin po výdeji posledního nápoje.
Není možné vyjmout spařovací jednotku.	Spařovací jednotka se nenachází v poloze pro vyjmutí.	<ul style="list-style-type: none"> ▶ Spotřebič opět zapněte.
Spotřebič nelze obsluhovat. Změňte ukazatele na displeji.	Spotřebič je v režimu demo.	<ol style="list-style-type: none"> 1. Vyjměte nádržku na vodu s naplňte ji čerstvou, studenou vodou. 2. Nádržku na vodu znovu nasadte.
Mlýnek se nespustí.	Spotřebič je příliš horký.	<ol style="list-style-type: none"> 1. Odpojte spotřebič od sítě. 2. Vyčkejte 1 hodina, aby se spotřebič ochladil.
Mlýnek nemele zrna, i když je zásobník na kávová zrna naplněn.	Zrna jsou příliš olejnatá a neпадají do mlýnku.	<ul style="list-style-type: none"> ▶ Mírně poklepejte na zásobník na kávová zrna. ▶ Změňte druh kávy. Nepoužívejte olejnatá kávová zrna. ▶ Vyčistěte prázdný zásobník na kávová zrna vlhkým hadříkem.

Problém s výsledkem

Porucha	Příčina	Odstranění závady
Kvalita kávy nebo mléčné pěny se značně liší.	Spotřebič je zanesen vodním kamenem.	▶ Odvápňte spotřebič. → "Použití odvápnění", Strana 169
Kvalita mléčné pěny kolísá.	Kvalita mléčné pěny závisí na druhu použitého mléka nebo rostlinného nápoje.	▶ Volbou mléčného nebo rostlinného druhu nápoje optimalizujete výsledek.
Káva se nevydává nebo pouze po kapkách. Není dosaženo nastaveného plnicího množství.	Je nastaven příliš jemný stupeň mletí.	▶ Nastavte hrubší stupeň mletí. → "Nastavení stupně mletí", Strana 161
	Spotřebič je velmi zanesen vodním kamenem.	▶ Odvápňte spotřebič. → "Použití odvápnění", Strana 169
	Ve vodním filtru se nachází vzduch.	1. Ponořte vodní filtr otvorem nahoru do vody tak dlouho, až neunikají žádné bublinky vzduchu. 2. Filtr znovu nasadte. → "Nasazení vodního filtru a aktivace", Strana 162
	Spotřebič je znečištěný.	▶ Vyčistěte spařovací jednotku. → "Čištění spařovací jednotky", Strana 167 ▶ Spotřebič odvápňte a vyčistěte. → "Použití calc'nClean", Strana 170
	Je nastavená příliš vysoká intenzita kávy.	▶ Snižte intenzitu kávy na např. "normální". → "Přizpůsobení intenzity kávy", Strana 160
Káva nemá vrstvu pěny.	Není použit optimální druh kávy.	▶ Používejte kávu s vyšším obsahem zrn robusta. ▶ Používejte zrna s tmavším pražením.
	Zrna již nejsou čerstvě pražená.	▶ Použijte čerstvá zrna.
	Stupeň mletí není přizpůsobený kávovým zrnům.	▶ Nastavte jemnější stupeň mletí. → "Nastavení stupně mletí", Strana 161
Káva je příliš kyselá.	Je nastaven příliš hrubý stupeň mletí.	▶ Nastavte jemnější stupeň mletí. → "Nastavení stupně mletí", Strana 161

Porucha	Příčina	Odstranění závady
Káva je příliš kyselá.	Není použit optimální druh kávy.	<ul style="list-style-type: none"> ▶ Používejte kávu s vyšším obsahem zrn robusta. ▶ Používejte zrna s tmavším pražením.
Káva je příliš hořká.	Je nastaven příliš jemný stupeň mletí.	▶ Nastavte hrubší stupeň mletí. → <i>"Nastavení stupně mletí", Strana 161</i>
	Není použit optimální druh kávy.	▶ Změňte druh kávy.
Káva chutná spáleně.	Je nastaven příliš jemný stupeň mletí.	▶ Nastavte hrubší stupeň mletí. → <i>"Nastavení stupně mletí", Strana 161</i>
	Není použit optimální druh kávy.	▶ Změňte druh kávy.
	Teplota kávy je nastavena příliš vysoká.	▶ Nastavte nižší teplotu kávy. → <i>"Přehled základních nastavení", Strana 163</i>
Kávová sedlina není kompaktní a je příliš vlhká.	Stupeň mletí není optimálně nastaven.	▶ Nastavte hrubší nebo jemnější stupeň mletí. → <i>"Nastavení stupně mletí", Strana 161</i>
	Příliš malé množství mleté kávy.	▶ Použijte 2 zarovnané odměrky mleté kávy.
	Zrna jsou příliš olejnatá.	▶ Použijte jiný druh zrn.

Přeprava, uskladnění a likvidace

Zde se dozvíte, jak svůj spotřebič připravíte pro přepravu a uskladnění. Kromě toho se dozvíte, jak zlikvidujete staré spotřebiče.

Aktivace ochrany před mrazem

Při přepravě a skladování chraňte svůj spotřebič před působením mrazu.

POZOR!

Zbytky tekutin ve spotřebiči mohou při přepravě nebo skladování poškodit spotřebič.

- ▶ Před přepravou nebo skladováním vyprázdněte systém vedení.

Předpoklady

- Spotřebič je připravený k provozu.
- Nádržka na vodu je naplněná.

1. Vyjměte nádobu na mléko.
2. Vyčistěte spařovací jednotku.
→ "Čištění spařovací jednotky",
Strana 167
3. Pod výpustný systém umístěte velkou nádobu.
4.  stiskněte tolikrát, až se na displeji zobrazí "Mléčná pěna".
5. **ml** stiskněte tolikrát, až se na displeji zobrazí 240 ml.
6. Stiskněte .
7. Vyčkejte, až ze spotřebiče uniká pára.
8. Vyjměte nádržku na vodu.
✓ Spotřebič se vyprázdní automaticky.
9. Pokud se zobrazí hlášení "Naplněte prosím nádobu s vodou", hlášení ignorujte.
10. Vyprázdněte a vyčistěte nádržku na vodu a odkapávací misku.

11. Vložte nádržku na vodu a odkapávací misku.
12. Vypněte spotřebič a odpojte ho od elektrické sítě.

Likvidace starého spotřebiče

Díky ekologické likvidaci je možné opětovné použití cenných surovin.

1. Vytáhněte síťovou zástrčku síťového kabelu ze zásuvky.
2. Odpojte síťový kabel.
3. Spotřebič ekologicky zlikvidujte.



Tento spotřebič je označen v souladu s evropskou směrnicí 2012/19/EU o nakládání s použitými elektrickými a elektronickými zařízeními (waste electrical and electronic equipment - WEEE).

Tato směrnice stanoví jednotný evropský (EU) rámec pro zpětný odběr a recyklování použitých zařízení.

Zákaznický servis

Pokud máte dotazy, nemůžete-li poruchu odstranit sami nebo musí být spotřebič opraven, kontaktujte náš zákaznický servis.

Velké množství problémů můžete sami odstranit díky informacím o odstraňování poruch uvedených v tomto návodu nebo na naší webové stránce. Pokud tomu tak není, kontaktujte náš zákaznický servis.

Vždy najdeme vhodná řešení.

V případě závady v záruce a po uplynutí záruky výrobce zajistíme opravu vašeho spotřebiče zaškolenými technikami zákaznického servisu za použití originálních náhradních dílů.

Originální náhradní díly relevantní pro funkčnost podle příslušného nařízení ekodesign obdržíte u našeho zákaz-

nického servisu po dobu min. 7 let od uvedení vašeho spotřebiče na trh v Evropském hospodářském prostoru.

Upozornění: Využití zákaznického servisu je v rámci záručních podmínek výrobce bezplatné.

Podrobné informace o záruční době a záručních podmínkách ve vaší zemi obdržíte u svého zákaznického servisu, svého prodejce nebo na našich internetových stránkách.

Při kontaktování zákaznického servisu potřebujete označení produktu (E-č.) a výrobní číslo (FD) vašeho spotřebiče.

Kontaktní údaje zákaznického servisu viz seznam servisních služeb na konci návodu nebo naše webová stránka.

Označení produktu (E-č.) a výrobní číslo (FD)

Označení produktu (E-č.) a výrobní číslo (FD) je uvedeno na typovém štítku spotřebiče.

Pro rychlé nalezení údajů vašeho spotřebiče a telefonního čísla zákaznického servisu si můžete údaje poznačit.

Záruční podmínky

Na váš spotřebič máte nárok na záruku podle níže uvedených podmínek. Pro tento přístroj platí záruční podmínky, které byly vydány naší kompetentní pobočkou v zemi, ve které byl přístroj zakoupen. Záruční podmínky si můžete kdykoliv vyžádat prostřednictvím svého odborného prodejce, u kterého jste zakoupili přístroj, nebo přímo v naší pobočce v příslušné zemi.

Technické údaje

Zde naleznete čísla a fakta o vašem spotřebiči.

Napětí	220–240 V ~
Frekvence	50 Hz
Příkon	1500 W
Maximální tlak čerpadla, statický	15 bar
Maximální kapacita zásobníku na vodu (bez filtru)	1,7 l
Maximální kapacita zásobníku na kávová zrna	270 g
Délka kabelu	100 cm
Výška spotřebiče	37,3 cm
Šířka spotřebiče	27,6 cm
Hloubka spotřebiče	45,2 cm
Hmotnost, bez náplně	8-9 kg
Druh mlýnku	Keramika

Оглавление

Безопасность	182	Приготовление напитков с молочной пеной.....	193
Общие указания	182	Приготовление кофейного напитка с молочной пеной.....	194
Использование по назначению.....	182	Приготовление особых напитков	194
Ограничение круга пользователей....	182	Приготовление молочной пены.....	194
Указания по технике безопасности ...	183	Приготовление горячей воды	195
Охрана окружающей среды и экономия	187	Настройки для напитков.....	195
Утилизация упаковки.....	187	Фильтр для воды	197
Энергосбережение.....	187	Блокировка для безопасности детей	197
Установка и подключение	187	Включение блокировки для безопасности детей	197
Комплект поставки	187	Выключение блокировки для безопасности детей	198
Установка и подключение бытового прибора	187	Подогреватель чашек ¹	198
Ознакомление с прибором	188	Базовые установки	198
Прибор	188	Обзор базовых установок	198
Элементы управления	188	Изменение базовых установок	199
Дисплей	188	Очистка и уход	199
Перечень напитков	189	Пригодность для мытья в посудомоечной машине	200
Принадлежность	189	Чистящее средство	200
Перед первым использованием	190	Очистка прибора	201
Первый ввод в эксплуатацию.....	190	Очистка поддона и емкости для кофейной гущи.....	201
Наполнение резервуара для воды....	190	Очистка отсека для молотого кофе ...	202
Наполнение емкости для кофейных зерен	190	Очистка системы подачи молока.....	202
Установка языка.....	191	Очистка заварочного блока.....	203
Настройка жесткости воды	191	Сервисные программы.....	203
Общие указания	191	Устранение неисправностей	207
Стандартное управление	192	Указания на дисплее	207
Включение или выключение прибора.....	192	Сбои в работе	209
Приготовление напитков	192	Проблема с результатом работы прибора	211
Приготовление кофейного напитка из свежих кофейных зерен.....	193		
Приготовление кофейного напитка из молотого кофе.....	193		

¹ В зависимости от оборудования прибора

Транспортировка, хранение и утилизация.....	214
Активация защиты от замерзания	214
Утилизация старого бытового прибора	214
Сервисная служба.....	214
Номер изделия (E-Nr.) и заводской номер (FD).....	215
Гарантийные условия.....	215
Технические характеристики	215



Безопасность

Для безопасной эксплуатации прибора следуйте указаниям по теме «Безопасность».

Общие указания

Здесь приведена общая информация о данной инструкции.

- Внимательно прочтите эту инструкцию. Она поможет вам научиться безопасно и эффективно пользоваться прибором.
- Эта инструкция предназначена для пользователя прибора.
- Следуйте указаниям по технике безопасности и предупреждениям.
- Сохраните инструкцию и информацию об изделии для дальнейшего использования или для передачи следующему владельцу.
- Распакуйте и осмотрите прибор. В случае обнаружения повреждений, связанных с транспортировкой, не подключайте прибор.

Использование по назначению

Для безопасного и надлежащего пользования прибором соблюдайте правила использования по назначению.

Используйте прибор только:

- в соответствии с данной инструкцией по эксплуатации;
- для приготовления горячих напитков.
- в бытовых условиях и в закрытых помещениях домашних хозяйств;
- на высоте 2000 м над уровнем моря.

Отсоедините прибор от подачи электроэнергии, если вы:

- очищаете прибор;

Ограничение круга пользователей

Не допускайте рисков для детей и подверженных опасности лиц.

Данный прибор может использоваться детьми в возрасте от 8 лет и старше, а также лицами с ограниченными физическими, сенсорными или умственными способностями или с недостатком опыта и/или знаний, если они находятся под присмотром или после получе-

ния указаний по безопасному использованию прибора и после того, как они осознали опасности, связанные с неправильным использованием.

Детям запрещено играть с прибором.

Очистку и обслуживание прибора запрещается выполнять детям; это разрешается только детям старше 8 лет под надзором взрослых.

Не допускайте детей младше 8 лет к прибору и его сетевому проводу.

Указания по технике безопасности

При пользовании прибором соблюдайте данные указания по технике безопасности.

ПРЕДУПРЕЖДЕНИЕ – Опасность удушья!

- Дети могут завернуться в упаковочный материал или надеть его себе на голову и задохнуться.
 - ▶ Не подпускайте детей к упаковочному материалу.
 - ▶ Не позволяйте детям играть с упаковочным материалом.
- Дети могут вдохнуть или проглотить мелкие детали, в результате чего задохнуться.
 - ▶ Не подпускайте детей к мелким деталям.
 - ▶ Не позволяйте детям играть с мелкими деталями.

ПРЕДУПРЕЖДЕНИЕ – Опасность поражения электрическим током!

- При неквалифицированном монтаже прибор может стать источником опасности.
 - ▶ При подключении прибора и его эксплуатации соблюдайте данные, приведенные на фирменной табличке.
 - ▶ Прибор можно подключать только к электросети переменного тока через установленную согласно предписаниям розетку с заземлением.
 - ▶ Система заземления в домашней электропроводке должна быть установлена согласно предписаниям.

- Поврежденный прибор или поврежденный сетевой кабель являются источником опасности.
 - ▶ Категорически запрещается эксплуатировать поврежденный прибор.
 - ▶ Категорически запрещается эксплуатация прибора, поверхность которого имеет трещины или повреждена.
 - ▶ Запрещается тянуть за сетевой кабель, чтобы отсоединить прибор от сети электропитания. Вынимайте из розетки вилку сетевого кабеля.
 - ▶ В случае повреждения прибора или сетевого кабеля немедленно выньте вилку сетевого кабеля из розетки или отключите предохранитель в блоке предохранителей.
 - ▶ "Обратитесь в сервисную службу." → Стр.214
 - ▶ Ремонтировать прибор разрешается только квалифицированным специалистам.
- При неквалифицированном ремонте прибор может стать источником опасности.
 - ▶ Ремонтировать прибор разрешается только квалифицированным специалистам.
 - ▶ Для ремонта прибора можно использовать только оригинальные запчасти.
 - ▶ Во избежание опасностей замена поврежденного сетевого кабеля данного прибора может быть выполнена только производителем или авторизованной им сервисной службой либо лицом, имеющим аналогичную квалификацию.
- Проникшая в прибор влага может стать причиной поражения электротоком.
 - ▶ Категорически запрещается погружать прибор или сетевой кабель в воду.
 - ▶ Запрещается попадание жидкостей на штекерное соединение прибора.
 - ▶ Используйте прибор только в закрытом помещении.
 - ▶ Не пользуйтесь прибором при слишком высокой температуре или влажности.
 - ▶ Не используйте для очистки прибора пароочистители или очистители высокого давления.

⚠ ПРЕДУПРЕЖДЕНИЕ – Опасность возгорания!

- Прибор нагревается.
 - ▶ Обеспечьте достаточную вентиляцию прибора.
 - ▶ Категорически запрещена эксплуатация прибора в шкафу.
- Использование удлиненного сетевого кабеля и не имеющих допуска адаптеров опасно.
 - ▶ Не используйте удлинительные кабели или многоконтактные розетки.
 - ▶ Если длины сетевого кабеля не хватает, обратитесь в сервисную службу.
 - ▶ Используйте только допущенные производителем адаптеры.

⚠ ПРЕДУПРЕЖДЕНИЕ – Опасность ожогов!

Некоторые части прибора сильно нагреваются.

- ▶ Не прикасайтесь к горячим частям прибора.
- ▶ Перед контактом с горячими частями прибора дайте им остыть.

⚠ ПРЕДУПРЕЖДЕНИЕ – Опасность ошпаривания!

Свежеприготовленные напитки очень горячие.

- ▶ Если потребуется, дайте остыть напиткам.
- ▶ Избегайте контакта выделяющихся жидкостей и паров с кожей.

⚠ ПРЕДУПРЕЖДЕНИЕ – Опасность травмирования!

- При неправильном использовании прибора пользователь может получить травмы.
 - ▶ Используйте прибор только по назначению.
- Закрывая дверцу прибора, можно прищемить пальцы.
 - ▶ Закрывая дверцу прибора, не прищемите пальцы.
- Кофемолка вращается.
 - ▶ Не прикасайтесь к внутренним частям кофемолки.

⚠ ПРЕДУПРЕЖДЕНИЕ – Опасность, связанная с магнитным полем!

Прибор содержит постоянные магниты. Они могут воздействовать на электронные имплантаты, например, на кардиостимуляторы или инъекторы инсулина.

- ▶ Лицам с электронными имплантатами запрещается приближаться к прибору ближе, чем на 10 см.
- ▶ Соблюдайте также минимальное расстояние 10 см до вынутаго резервуара для воды.

⚠ ПРЕДУПРЕЖДЕНИЕ – Опасность для здоровья!

Загрязнения прибора могут представлять опасность для здоровья.

- ▶ Соблюдайте указания по очистке прибора.

Охрана окружающей среды и экономия

Бережно расходуя ресурсы при эксплуатации прибора и утилизируя надлежащим образом пригодные к повторному использованию материалы, вы проявляете заботу об окружающей среде.

Утилизация упаковки

Упаковочные материалы экологически безопасны и могут использоваться повторно.

- ▶ Утилизируйте отдельные части, предварительно рассортировав их.

Сведения о возможных способах утилизации можно получить в специализированном торговом предприятии, а также в районных или городских органах управления.

Энергосбережение

При соблюдении этих указаний прибор будет расходовать меньше электроэнергии.

Установите интервал для автоматического отключения на минимальное значение.

- + Если прибор не используется, он отключается раньше.

→ "Базовые установки", Стр. 198

Не прерывайте преждевременно приготовление напитка.

- + Нагретое количество воды или молока используется оптимально.

Регулярно очищайте прибор от накипи.

- + Накипь приводит к повышенному энергопотреблению.

Установка и подключение

Здесь вы узнаете, где и как лучше всего установить прибор. Кроме того, описано подключение прибора к электросети.

Комплект поставки

После распаковки проверьте все детали на отсутствие транспортных повреждений и комплектность поставки.

→ Рис. 1

A	Полностью автоматическая кофемашина
B	Шланг для молока и всасывающая трубка
C	Инструкция по эксплуатации
D	Таблетки для очистки ¹
E	Таблетки для удаления накипи ¹
F	Индикаторная полоска для определения жесткости воды
G	Фильтр для воды ¹

¹ В зависимости от оборудования прибора

Установка и подключение бытового прибора

ВНИМАНИЕ!

Опасность повреждения прибора. При неправильном вводе в эксплуатацию возможны повреждения прибора.

- ▶ Используйте прибор только в помещениях, защищенных от мороза.
- ▶ При транспортировке или хранении прибора ниже 0 °C, до его ввода в эксплуатацию выждите 3 часа при температуре помещения.
- ▶ После каждого подключения выждите прилб. 5 секунд.

1. Снимите имеющиеся защитные пленки.

ru Ознакомление с прибором

- Установите прибор на ровную и водостойкую поверхность достаточной прочности.
- Подсоедините штепсельную вилку прибора к установленной в соответствии с предписаниями розетке с защитным контактом.

Ознакомление с прибором

Ознакомьтесь с компонентами вашего прибора.

Прибор

Здесь приведен обзор составных частей прибора.

Указание: В зависимости от типа прибора возможны расхождения в цвете и некоторые незначительные отклонения от данного описания.

→ Рис. 2

1	Резервуар для воды
2	Крышка резервуара для воды
3	Подогреватель чашек ¹
4	Крышка, сохраняющая аромат
5	Емкость для кофейных зерен
6	Отсек для молотого кофе
7	Дисплей
8	Панель управления
9	Кожух
10	Система подачи молока
11	Диспенсер
12	Дверца кипятильника

¹ В зависимости от оборудования прибора

13	Фирменная табличка
14	Поддон

¹ В зависимости от оборудования прибора

Элементы управления

Здесь перечислены символы, появляющиеся на дисплее прибора. Нажав на символы, можно сделать выбор, запустить приготовление напитка или выполнить настройки.

Символ	Пояснение
	Включение или выключение прибора.
menu 	Открытие меню или выход из него. Указание: Кнопки меню отображаются только при открытом меню.
	Навигация в меню вверх.
	Навигация в меню вниз.
ok	Подтверждение в меню или сохранение в памяти.
	Возврат в меню.
	Приготовление двух чашек.
	Выбор крепости кофе.
ml	Изменение количества напитка.
start stop	Запуск или остановка процесса.

Дисплей

На дисплее отображаются выбранные напитки, настройки и их возможности, а также сообщения о режиме работы прибора.

Дисплей отображает дополнительную информацию и шаги при выполнении действий. Информация скрывается спустя короткое время или после нажатия

кнопки. Шаги при выполнении действий скрываются после того, как они выполнены.

Перечень напитков

Прибор позволяет приготовить много разнообразных напитков.

Быстрый выбор

Символ	Обозначение	Пояснение	Категория
	Эспрессо	Концентрированный кофе. Предпочтительно подавать в маленьких чашках с толстыми стенками. Чашки предварительно следует разогреть горячей водой.	→ "Приготовление кофейного напитка из свежих кофейных зерен", Стр.193 → "Приготовление кофейного напитка из молотого кофе", Стр.193
	Кофе	Кофе с пенкой или большая чашка кофе, приготовленного по методу эспрессо.	→ "Приготовление кофейного напитка из свежих кофейных зерен", Стр.193 → "Приготовление кофейного напитка из молотого кофе", Стр.193
	Капучино	Эспрессо с вспененным молоком. Предпочтительно подавать в маленьких чашках.	→ "Приготовление кофейного напитка с молочной пеной", Стр.194
	ЛаттеМакиато	Особый кофе в три слоя: снизу теплое молоко, посередине – эспрессо, сверху – молочная пена. Предпочтительно подавать в стакане.	→ "Приготовление кофейного напитка с молочной пеной", Стр.194
	Особые напитки	Приготовление других напитков.	→ "Приготовление особых напитков", Стр.194

Принадлежность

Используйте оригинальные принадлежности. Они адаптированы к данному прибору. Ниже представлен обзор принадлежностей к данному прибору.

Принадлежности	Торговая сеть	Сервисная служба
Таблетки для очистки	TZ80001A TZ80001B	00312097 00312098
Таблетки для удаления накипи	TZ80002A TZ80002B	00312094 00312095
Фильтр для воды	TZ70003	00575491
Фильтр для воды, 3 шт. в упаковке	TZ70033	-
Салфетка из микроволокна	-	00460770
Набор для ухода	TZ80004A TZ80004B	00312105 00312106

Перед первым использованием

Выполните базовые установки. Очистите прибор и отдельные части.

Первый ввод в эксплуатацию

- ▶ Подключив электропитание, выполните настройки для первого ввода прибора в эксплуатацию.

Указание: Индикация для выбора языка и жесткости воды автоматически появляется только при первом включении.

Совет: Вы можете изменить установки в любое время.

→ "Базовые установки", Стр. 198

Наполнение резервуара для воды

Ежедневно наполняйте резервуар для воды свежей холодной водой без углекислоты.

1. Откройте крышку.
2. Взяв за утопленную ручку, выньте резервуар для воды.
3. Промойте резервуар для воды.
4. Наполните резервуар для воды до отметки «max».

5. Вставьте резервуар для воды без перекоса в держатель.
6. Закройте крышку.

Наполнение емкости для кофейных зерен

ВНИМАНИЕ!

Возможна забивка кофемолки неподходящими кофейными зернами.

- ▶ Используйте только чистые смеси прожаренных кофейных зерен для приготовления эспрессо или для автоматических кофемашин.
- ▶ Не используйте кофейные зерна, покрытые глазурью.
- ▶ Не используйте карамелизированные кофейные зерна.
- ▶ Не используйте кофейные зерна, обработанные сахаросодержащими добавками.
- ▶ Не засыпайте молотый кофе.

1. Откройте крышку.
2. Загрузите кофейные зерна.

Прибор при следующих приготовлениях будет настроен на кофейные зерна.

3. Закройте крышку.

Совет: Чтобы сохранить оптимальное качество, храните кофейные зерна в прохладном месте и в закрытых емкостях.

В емкости для кофейных зерен можно хранить кофейные зерна в течение нескольких дней без потери аромата.

Установка языка

1. Включите прибор кнопкой .
- ✓ На дисплее появится предварительно установленный язык.
2. Нажимайте кнопку  или  до тех пор, пока на дисплее не появится нужный язык.
3. Нажмите кнопку **ok**.

Совет: Язык можно изменить в любое время.

→ "Обзор базовых установок", Стр.198

Настройка жесткости воды

Правильная настройка жесткости воды важна для обеспечения своевременного напоминания о необходимости удаления накипи. Жесткость воды можно определить при помощи прилагаемой индикаторной полоски или узнать ее в местной водоснабжающей организации.

1. На короткое время погрузите индикаторную полоску в свежую водопроводную воду.
2. Дайте стечь каплям с индикаторной полоски.
- ✓ Спустя 1 минуту индикаторная полоска покажет степень жесткости воды.
3. Если в доме имеется установка для умягчения воды, выполните настройку "Уст. для умягч."
4. Нажимайте кнопку  или  до тех пор, пока на дисплее не появится нужная жесткость воды.

В таблице представлено соответствие режимов различным степеням жесткости воды.

Уровень	Немецкий градус жёсткости в °dH	Общая жесткость в ммоль/л
1	1-7	0.18 - 1.25
2	8-14	1.42 - 2.49
3	15-21	2.67 - 3.74
4 ¹	22-30	3.92 - 5.34

¹ Заводская настройка (может отличаться в зависимости от типа прибора)

5. Нажмите кнопку **ok**.
6. Проверьте, наполнена ли емкость для кофейных зерен.
7. Проверьте, наполнен ли резервуар для воды.
8. Нажмите кнопку **ok**.
- ✓ Прибор промывается.

Совет: Жесткость воды можно изменить в любое время.

→ "Обзор базовых установок", Стр.198

Общие указания

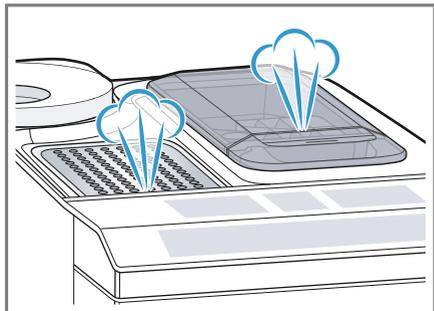
Соблюдайте указания для оптимального использования прибора.

Указания

- На заводе-изготовителе запрограммированы стандартные настройки для оптимального режима работы прибора.
- На заводе установлен оптимальный режим работы кофемолки. Если кофе выходит лишь отдельными каплями или слишком жидкий и слишком мало пенки, можно при работающей кофемолке изменить степень помола.
→ "Установка степени помола", Стр.196
- Если в течение определенного времени операции управления прибором не выполняются, прибор автоматически выключается. "Длительность можно изменить в базовых установках."
→ Стр.198

ru Стандартное управление

- При использовании прибора на вентиляционных отверстиях и на крышке отсека для молотого кофе образуются капельки воды.
- По техническим причинам из прибора может выходить пар.



Советы

- "Сигналы при нажатии кнопок можно изменить в базовых установках."
→ Стр. 198
- При первом использовании прибора, после выполнения сервисной программы или после длительного перерыва в работе аромат кофе в первой чашке не раскрывается в полной мере; этот кофе пить не рекомендуется.
- Мелкопористая, кремообразная консистенция пены постоянно обеспечивается после ввода прибора в эксплуатацию прибора и приготовления нескольких чашек.

Стандартное управление

Здесь вы узнаете основную информацию об управлении вашим прибором.

Включение или выключение прибора

- ▶ Включите или выключите прибор при помощи .
- При включении на дисплее появляется логотип Siemens. При включении и выключении выполняется автоматическая промывка прибора. При выключении прибор выпускает пар в поддон с целью очистки. В процессе промывки на дисплее отображается символ капли. Если прибор при включении еще нагрет или перед выключением кофе не готовился, промывка прибора не выполняется.

Приготовление напитков

Здесь описано, как приготовить напиток по вашему выбору.

ПРЕДУПРЕЖДЕНИЕ

Опасность ошпаривания!

Свежеприготовленные напитки очень горячие.

- ▶ Если потребуется, дайте остыть напиткам.
- ▶ Избегайте контакта выделяющихся жидкостей и паров с кожей.

Советы

- Напиток можно выбрать напрямую кнопками быстрого выбора. На дисплее отображается напиток и текущие настройки.
- Кроме напитков, выбираемых нажатием кнопок быстрого выбора, прибор может приготовить также другие напитки.
→ "Приготовление особых напитков", Стр. 194
- Вы можете настроить прибор в соответствии с вашим индивидуальным вкусом.
→ "Настройки для напитков", Стр. 195

Указания

- Если в течение прибл. 5 секунд ни одна из настроек не будет изменена, прибор выходит из режима настроек. Выполненные настройки сохраняются автоматически.
- Некоторые настройки предполагают приготовление кофе в несколько шагов. Дождитесь окончательного завершения процесса.

Приготовление кофейного напитка из свежих кофейных зерен

1. Поставьте подогретую чашку под диспенсер.
2. Нажмите на символ кофейного напитка без молока.
 - ✓ На дисплее отображаются напиток и текущие настройки.
 - "Настройки для напитков", Стр. 195
3. Изменить настройки можно следующим образом.
 - Измените количество напитка кнопкой **ml**.
 - "Изменение количества напитка", Стр. 196
 - Измените крепость кофе кнопкой **☉**.
 - "Настройка крепости кофе", Стр. 195
4. Нажмите **start stop**.

При использовании кофейных зерен выполняется их свежий помол для каждой варки.

- ✓ Кофеварка сварит кофе и затем нальет его в чашку.

Советы

- Приготовление напитка можно преждевременно закончить кнопкой **start stop**.
- Здесь описано приготовление кофейных напитков с молоком.
- "Приготовление напитков с молочной пенной", Стр. 193

Приготовление кофейного напитка из молотого кофе

ВНИМАНИЕ!

Возможна забивка отсека для молотого кофе.

- ▶ Не используйте кофейные зерна.
- ▶ Не используйте растворимый кофе.
- ▶ Мягкой щеточкой удалите остатки молотого кофе в отсек для молотого кофе.

Указание

При приготовлении напитков из молотого кофе выбор следующих настроек невозможен.

- Две чашки сразу
 - Крепость кофе
 - "дабл шот"
1. Поставьте подогретую чашку под диспенсер.
 2. Нажмите на символ нужного напитка.
 3. Нажимайте **☉**, пока на дисплее не появится "Мол. кофе".
 4. Откройте отсек для молотого кофе.
 5. Засыпьте не более 2 мерных ложек молотого кофе без горки, макс. 12 г.
 6. Закройте отсек для молотого кофе.
 7. Нажмите **start stop**.
- ✓ Кофеварка сварит кофе и затем нальет его в чашку.

Советы

- Приготовление напитка можно преждевременно закончить кнопкой **start stop**.
- Для приготовления еще одного напитка из молотого кофе повторите процесс.
- Загружайте молотый кофе всегда непосредственно перед приготовлением напитка.

Приготовление напитков с молочной пеной

В приборе можно приготавливать кофейные напитки с молочной пеной.

ПРЕДУПРЕЖДЕНИЕ Опасность ожогов!

Система подачи молока сильно нагревается.

- ▶ Ни в коем случае не прикасайтесь к системе подачи молока.
- ▶ Перед контактом с горячей системой подачи молока дайте ее остыть.

ВНИМАНИЕ!

Остатки молока могут засохнуть, и их будет трудно удалить.

- ▶ После каждого использования необходимо очищать систему подачи молока.

→ "Очистка системы подачи молока", Стр.202

Совет: Вы можете вместо молока также использовать напитки из растительного сырья, например, из сои.

Указание: Качество молочной пены зависит от вида используемого молока или напитка из растительного сырья.

Приготовление кофейного напитка с молочной пеной

Необходимые условия

- Шланг для молока подсоединен.
- Всасывающая трубка подсоединена.

1. Погрузите конец всасывающей трубки в молоко.

2. Поставьте подогретую чашку под диспенсер.

3. Нажмите на символ кофейного напитка с молоком.

✓ На дисплее отображаются напиток и текущие настройки.

→ "Настройки для напитков", Стр.195

4. Изменить настройки можно следующим образом.

– Измените количество напитка кнопкой **mI**.

→ "Изменение количества напитка", Стр.196

– Измените крепость кофе кнопкой **0**.

→ "Настройка крепости кофе", Стр.195

– Используйте отсек для молотого кофе.

→ "Приготовление кофейного напитка из молотого кофе", Стр.193

5. Нажмите кнопку **start stop** и дождитесь окончательного завершения процесса.

Система подачи молока после приготовления напитка автоматически очищается кратковременной подачей пара.

Совет: Чтобы преждевременно закончить приготовление, нажмите **start stop**. Чтобы преждевременно полностью закончить приготовление, нажмите **0**.

Приготовление особых напитков

Кроме напитков, выбираемых нажатием кнопок быстрого выбора, прибор может приготовить также другие напитки.

- ▶ Нажмите кнопку **☰** несколько раз.
→ "Перечень напитков", Стр.189

Приготовление молочной пены

⚠ ПРЕДУПРЕЖДЕНИЕ

Опасность ожогов!

Система подачи молока сильно нагревается.

▶ Ни в коем случае не прикасайтесь к системе подачи молока.

▶ Перед контактом с горячей системой подачи молока дайте ее остыть.

Необходимые условия

- Шланг для молока подсоединен.
- Всасывающая трубка подсоединена.

1. Погрузите конец всасывающей трубки в молоко, например, в упаковку Tetrapack.

2. Поставьте подогретую чашку под диспенсер.

3. Нажимайте кнопку **☰**, пока на дисплее не появится "Моло. Пена".

4. При необходимости измените настройку.

- Измените количество напитка кнопкой **ml**.
→ *"Изменение количества напитка", Стр.196*
- 5. Нажмите кнопку .
- ✓ Молочная пена выходит из диспенсера.
- 6. Чтобы прекратить приготовление, нажмите кнопку .

Приготовление горячей воды

ПРЕДУПРЕЖДЕНИЕ

Опасность ожогов!

Система подачи молока сильно нагревается.

- ▶ Ни в коем случае не прикасайтесь к системе подачи молока.
- ▶ Перед контактом с горячей системой подачи молока дайте ее остыть.

Указание: Если система подачи молока не очищена, то небольшое количество молока может быть разлито вместе с водой.

Необходимые условия

- Система подачи молока очищена.
→ *"Очистка системы подачи молока", Стр.202.*
- Шланг для молока отсоединен.
- 1. Поставьте подогретую чашку под диспенсер.
- 2. Нажимайте , пока на дисплее не появится "Горячая вода".
- 3. При необходимости измените настройку.
 - Измените количество напитка кнопкой **ml**.
→ *"Изменение количества напитка", Стр.196*
- 4. Нажмите кнопку .

Если появляется сообщение "Отсоедините трубку для молока.", отсоедините шланг для молока и нажмите кнопку .
- ✓ Горячая вода выходит из диспенсера.

- 5. Чтобы прекратить приготовление, нажмите кнопку .

Настройки для напитков

Приготовьте напиток по вашему вкусу.

Настройка крепости кофе

1. Нажмите на символ нужного напитка.
2. Чтобы выбрать крепость кофе, нажмите кнопку .

Вы можете выбрать следующие настройки крепости кофе:

- "слабый"
- "нормаль."
- "крепкий"
- "оч.крепкий"
- "дабл шот"

Указание: Настройка "дабл шот" возможна не для всех напитков и их количества.

Совет: Чтобы сохранить интенсивный вкус кофе, при большом количестве напитка выберите настройку большей крепости.

Выбор молотого кофе

1. Нажмите на символ нужного напитка.
2. Нажимайте кнопку , пока на дисплее не появится "Мол. кофе".
→ *"Приготовление кофейного напитка из молотого кофе", Стр.193*

aromaDouble Shot

Вы можете приготовить очень крепкий кофе, используя настройку "дабл шот".

Чем дольше заваривается кофе, тем больше горьких веществ и нежелательных ароматов попадает в напиток. Горькие вещества и нежелательные ароматы отрицательно влияют на вкус и делают кофе менее приятным для употребления. После приготовления половины количества напитка снова выполняется помол кофейных зерен и заваривание, в

ru Стандартное управление

результате чего получается легкоусвояемый вкусный кофе с приятным ароматом.

Указание: Настройка "дабл шот" возможна не для всех напитков и их количеств.

Изменение количества напитка

1. Нажмите на символ нужного напитка.
2. Нажимайте кнопку **ml**, пока на дисплее не появится нужное количество напитка.

Приготовление двух чашек сразу

В зависимости от типа прибора для определенных напитков можно приготовить две чашки одновременно.

Указание

Функцией «Приготовление двух чашек» нельзя пользоваться при выборе следующих режимов:

- "Мол. кофе"
- "дабл шот"
- Количество напитка менее 35 мл

1. Нажмите на символ нужного напитка.
2. Нажмите .
- ✓ На дисплее отображается настройка.
3. Поставьте две чашки слева и справа под диспенсер.
4. Нажмите кнопку **start stop**.

Напиток приготавливается в 2 этапа. Зерна измельчаются 2 раза.

- ✓ Напиток заваривается и разливается в чашку.
5. Дождитесь окончательного завершения процесса.

Кофемолка

Прибор оборудован регулируемой кофемолкой, которая позволяет индивидуально устанавливать степень помола кофейных зерен.

Установка степени помола

В процессе помола кофейных зерен установите нужную степень помола.

ПРЕДУПРЕЖДЕНИЕ

Опасность травмирования!

Кофемолка вращается.

- ▶ Не прикасайтесь к внутренним частям кофемолки.

ВНИМАНИЕ!

Опасность повреждения кофемолки. При неправильной установке степени помола возможно повреждение кофемолки.

- ▶ Устанавливайте степень помола только при работающей кофемолке.
- ▶ Поэтапно установите степень помола поворотным переключателем.

Степень помола	Настройка
Мелкий помол для зерен темной обжарки.	Поверните переключатель против часовой стрелки.
Крупный помол для зерен светлой обжарки.	Поверните переключатель по часовой стрелке.



Установка степени помола действует только после второй чашки кофе.

Совет: Если кофе выходит лишь отдельными каплями, установите более крупный помол.

Если кофе слишком жидкий и слишком мало пенки, установите более мелкий помол.

Фильтр для воды

Фильтр для воды снижает образование накипи, а также в значительной мере очищает воду от загрязнений.

Установка и ввод в действие фильтра для воды

ВНИМАНИЕ!

Возможно повреждение прибора в результате образования накипи.

- ▶ Своевременно заменяйте фильтр для воды.
- ▶ Заменяйте фильтр для воды самое позднее через 2 месяца.

Указание: Если дисплей показывает "Зам. ф. для воды.", замените фильтр для воды.

Если не используется новый фильтр, выберите "Нет фильтра" и следуйте указаниям на дисплее.

1. Погрузите фильтр для воды в стакан воды и слегка нажмите на боковые поверхности фильтра, пока не перестанут выходить пузырьки воздуха.
→ Рис. 3
2. Нажмите кнопку **menu** .
3. Посредством  или  нажмите "Фильтр для воды" и **ok**.
4. Посредством  или  выберите "Новый фильтр" или "Зам. ф. для воды." и нажмите **ok**.
5. **Указание:** Если не используется новый фильтр, выберите "Нет фильтра" в настройках меню.
Вставьте, прочно прижав, фильтр для воды в резервуар для воды и нажмите **ok**.
→ Рис. 4
6. Залейте воду в резервуар для воды до отметки «max» и нажмите **ok**.
7. Соедините шланг для молока с системой подачи молока и всасывающей трубкой.

8. Вставьте конец всасывающей трубки в поддон.
9. Установите емкость объемом 1 л под диспенсер и нажмите **ok**.
 - ✓ Идет промывка фильтра и появляется индикация "Промывка закончена."
 - ✓ Прибор готов к работе.

Советы

- Фильтр для воды необходимо заменять также по гигиеническим соображениям.
- При использовании фильтра для воды требуется реже очищать прибор от накипи.
- Если прибор не использовался длительное время, например, если вы были в отпуске, то перед приготовлением напитка промойте установленный фильтр для воды, приготовив в приборе чашку горячей воды.
- Фильтр для воды можно приобрести в магазинах или через сервисную службу.
→ "Принадлежность", Стр. 189
- Ниже описано, как пользоваться фильтром для воды.
→ "Установка и ввод в действие фильтра для воды", Стр. 197

Блокировка для безопасности детей

Чтобы предотвратить ошпаривание и ожоги у детей, прибор можно заблокировать.

Включение блокировки для безопасности детей

- ▶ Нажмите кнопку **ml** минимум 3 секунды.
- ✓ На дисплее отображается "Защ. от детей вкл. Для выключения нажать 3 сек. "ml"". "

Выключение блокировки для безопасности детей

- ▶ Нажмите кнопку **ml** минимум 3 секунды.
- ✓ На дисплее отображается "Защита от детей выключена."

Подогреватель чашек¹

Чашки можно подогреть, пользуясь подогревателем чашек.

ПРЕДУПРЕЖДЕНИЕ

Опасность ожогов!

Подогреватель чашек сильно нагревается.

- ▶ Ни в коем случае не прикасайтесь к горячему подогревателю чашек.
- ▶ Перед контактом с горячим подогревателем чашек дайте ему остыть.

Советы

- Подогреватель чашек можно включить и выключить в базовых установках.
→ "Обзор базовых установок", Стр.198
- Для оптимального подогрева установите чашки дном на подогреватель.

Базовые установки

Вы можете выполнить настройку прибора согласно вашим потребностям и вызвать дополнительные функции.

Обзор базовых установок

Настройка	Выбор	Описание
Очистка	Сист.под. молока Удалить накипь Очистить calc'nClean	Запустите сервисные программы. → "Сервисные программы", Стр.203
Подогрев чашки ¹	Под.чашки выкл. ² Подог.чашки вкл.	Включить или выключить подогреватель чашек. → "Подогреватель чашек ¹ ", Стр.198
Фильтр для воды	Новый фильтр Нет фильтра	Установите использование фильтра для воды.

¹ В зависимости от оборудования прибора

² Заводская настройка (может отличаться в зависимости от типа прибора)

¹ В зависимости от оборудования прибора

Настройка	Выбор	Описание
Темпер. кофе	норм. высокая макс.	Установите температуру кофейных напитков. Указание: Настройка действительна для всех способов приготовления.
Язык	См. выбор на приборе.	Установите язык меню. Изменения отображаются непосредственно на дисплее.
Автом. выкл.	См. выбор на приборе.	Установите период времени, по истечении которого прибор автоматически отключается после приготовления последнего напитка.
Жесткость воды	1 (мягкая) 2 (средняя) 3 (жесткая) 4 (очень жесткая) ² Система умягчения воды	Выполните настройку степени жесткости воды для данной местности. → "Настройка жесткости воды", Стр.191
Звук кнопок	Звук кнопок вкл. ² Звук кнопок выкл.	Включите или выключите звук при нажатии кнопок.
Завод.настройка	Сбросить все? Продолжить: ОК Отмена: ←	Восстановите заводские настройки. Указание: Все индивидуальные настройки удаляются и восстанавливаются заводские настройки.

¹ В зависимости от оборудования прибора

² Заводская настройка (может отличаться в зависимости от типа прибора)

Изменение базовых установок

1. Нажмите кнопку меню .
2. Выберите посредством  или  нужную базовую установку и нажмите **OK**.
 - ✓ На дисплее отображаются возможности настроек и загорают символы для навигации. На дисплее отображается текущая настройка.
3. Выполните посредством  или  нужный выбор и нажмите **OK**.
 - ✓ Настройка сохранена в памяти.
4. Для возврата нажмите .

5. Для выхода из меню нажмите меню .

Очистка и уход

Для долговременной исправной работы прибора требуется его тщательная очистка и уход.

Пригодность для мытья в посудомоечной машине

Ниже описано, какие части прибора решается мыть в посудомоечной машине.

ВНИМАНИЕ!

Некоторые части прибора чувствительны к высоким температурам и при мытье в посудомоечной машине могут быть повреждены.

- ▶ Соблюдайте инструкцию по эксплуатации к посудомоечной машине.
- ▶ В посудомоечной машине можно мыть только пригодные для этого части.
- ▶ Используйте только программы, не нагревающие воду выше 60 °C.

Пригодны для мытья в посудомоечной машине



- Поддон
 - Поддонник
 - Решетка
 - Контейнер для кофейной гущи
 - Механический указатель уровня наполнения
- Система подачи молока с адаптером
- Отсек для молотого кофе с откидной крышкой

Не пригодны для мытья в посудомоечной машине



- Резервуар для воды
- Крышка емкости для воды
- Крышка, сохраняющая аромат
- Заварочный блок
- Кожух диспенсера

Чистящее средство

Ниже указаны чистящие средства, пригодные для вашего прибора.

⚠ ПРЕДУПРЕЖДЕНИЕ

Высокая опасность для здоровья!

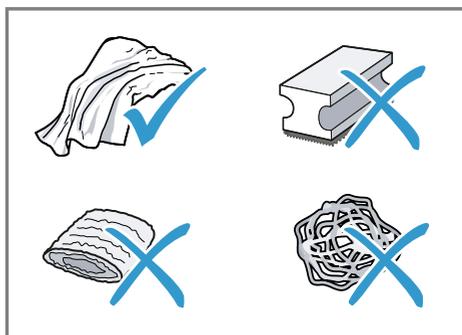
Моющие жидкости могут стать причиной ущерба здоровью.

- ▶ Категорически запрещается пить моющие жидкости.
- ▶ Используйте средства для удаления накипи и очистки в соответствии с инструкцией, соблюдая при этом соответствующие указания по технике безопасности.

ВНИМАНИЕ!

Неподходящие чистящие средства могут повредить поверхности прибора.

- ▶ Не используйте агрессивные или абразивные чистящие средства.
- ▶ Не используйте моющие средства, содержащие алкоголь или спирт.
- ▶ Не используйте жесткие мочалки или губки.
- ▶ Для удаления накипи не используйте лимонную кислоту, уксус или средства на основе уксуса.
- ▶ Для удаления накипи и очистки используйте только подходящие таблетки.
- ▶ Не используйте средство для удаления накипи, содержащее фосфорную кислоту.



Советы

- Используйте таблетки для удаления накипи и очистки, специально предназначенные для вашего прибора. Вы

можете приобрести таблетки через сервисную службу.

→ "Принадлежность", Стр.189

- Тщательно промойте новые губчатые салфетки, чтобы удалить соли, которые могут иметься на них. Соли могут привести к образованию налета ржавчины на поверхностях из стали.
- Всегда сразу удаляйте остатки накипи, кофе, молока, моющих средств и средств для удаления накипи удаляйте немедленно, чтобы предотвратить образование коррозии.

Очистка прибора

ПРЕДУПРЕЖДЕНИЕ

Опасность поражения электрическим током!

Проникшая в прибор влага может стать причиной удара током.

- ▶ Категорически запрещается погружать прибор или сетевой кабель в воду.
- ▶ Запрещается попадание жидкостей на штекерное соединение прибора.
- ▶ Не используйте для очистки прибора пароочистители или очистители высокого давления.

ПРЕДУПРЕЖДЕНИЕ

Опасность ожогов!

Некоторые части прибора сильно нагреваются.

- ▶ Не прикасайтесь к горячим частям прибора.
- ▶ Перед контактом с горячими частями прибора дайте им остыть.

1. Отсоедините прибор от электросети.
2. Очистите корпус, полированные поверхности и панель управления микрофибровой салфеткой.
→ "Принадлежность", Стр.189
3. После приготовления напитка очистите диспенсер мягкой влажной тканью.

4. Если прибор длительное время не использовался, например, в период отпуска, полностью очистите прибор, включая диспенсер, систему подачи молока, поддоны и заварочный блок.

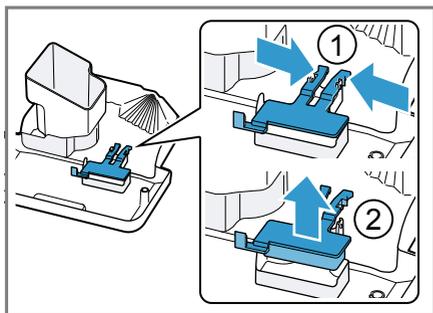
Указание: Если прибор включается в холодном состоянии или выключается после приготовления кофе, промывка прибора выполняется автоматически. Таким образом, система очищается самостоятельно.

Очистка поддона и емкости для кофейной гущи

Ежедневно очищайте и опорожняйте поддон и емкость для кофейной гущи во избежание слоев отложений.

1. Отсоедините шланг для молока от диспенсера.
2. Откройте дверцу.
3. Выньте, потянув вперед, поддон и емкость для кофейной гущи.
4. Снимите и очистите поддоник.
5. Опорожните и очистите поддон и емкость для кофейной гущи.
6. Очистите внутреннее пространство прибора и гнездо поддона.
7. **Совет**

Если вы нажмете оба фиксатора вовнутрь, вам будет проще снять механический указатель уровня наполнения.



Демонтируйте механический указатель уровня наполнения и очистите его влажной тканью.

8. Выполнив сборку поддона, поддонника, емкости для кофейной гущи и механического указателя уровня наполнения, вставьте их в прибор.
9. Закройте дверцу.

Очистка отсека для молотого кофе

Совет: Отсек для молотого кофе можно мыть в посудомоечной машине.

1. Выньте отсек для молотого кофе за открытую откидную крышку.
→ Рис. **5**
2. Очистите отсек для молотого кофе, пользуясь мощным средством.
→ Рис. **6**
3. Высушите отсек для молотого кофе и вставьте в прибор.

Очистка системы подачи молока

Очищайте систему подачи молока регулярно.

⚠ ПРЕДУПРЕЖДЕНИЕ

Опасность ожогов!

Система подачи молока сильно нагревается.

- ▶ Ни в коем случае не прикасайтесь к системе подачи молока.

- ▶ Перед контактом с горячей системой подачи молока дайте ее остыть.

ВНИМАНИЕ!

При неправильной очистке возможны повреждения прибора.

- ▶ Не помещайте кожух диспенсера в посудомоечную машину.

Советы

- Для особо тщательной очистки системы подачи молока можно использовать сервисную программу «Очистка системы подачи молока».
→ "Программа для очистки системы подачи молока", Стр.204
 - Все компоненты системы подачи молока можно мыть в посудомоечной машине.
1. Опустите диспенсер до упора вниз.
 2. Снимите кожух, подав вперед, после чего отсоедините шланг для молока.
→ Рис. **7**
 3. Извлеките систему подачи молока, потянув вперед.
→ Рис. **8**
 4. Разберите верхнюю и нижнюю часть системы подачи молока.
→ Рис. **9**
 5. Отсоедините шланг для молока и всасывающую трубку.
 6. Очистите компоненты мыльным раствором и мягкой тканью.
→ Рис. **10**
 7. Промойте все компоненты чистой водой и высушите их.
→ Рис. **11**
 8. После промывки тщательно удалите остатки мыльного раствора из системы подачи молока.
 9. Соберите верхнюю и нижнюю часть системы подачи молока.
→ Рис. **12**
 10. Подсоедините шланг для молока.
 11. Опустите диспенсер до упора вниз.

12. Вставьте систему подачи молока в прибор спереди без перекоса.
→ Рис. **13**
13. Установите на место кожух.
14. Подайте диспенсер до отказа вверх.
→ Рис. **14**

Очистка заварочного блока

Дополнительно к автоматической промывке необходимо регулярно вынимать и очищать заварочный блок.

⚠ ПРЕДУПРЕЖДЕНИЕ

Опасность ожогов!

Некоторые части прибора сильно нагреваются.

- ▶ Не прикасайтесь к горячим частям прибора.
- ▶ Перед контактом с горячими частями прибора дайте им остыть.

ВНИМАНИЕ!

При неправильной очистке возможно повреждение прибора.

- ▶ Не используйте моющие средства.
- ▶ Не используйте чистящие средства, содержащие уксус и кислоту.
- ▶ Запрещается мыть в посудомоечной машине.

1. Отсоедините шланг для молока от диспенсера.
→ Рис. **7**
2. Кнопкой  выключите прибор.
3. Откройте дверцу кипятыльника.
→ Рис. **15**
4. Выньте поддон с емкостью для кофейной гущи.
→ Рис. **16**
5. Поднимите вверх красный рычаг.
6. Возьмите заварочный блок на ручку и осторожно выньте его, потянув вперед.
→ Рис. **17**

7. Тщательно вымойте заварочный блок теплой проточной водой.
→ Рис. **18**
 8. Тщательно очистите внутреннее пространство прибора влажной тканью и удалите остатки кофе.
 9. Подождите, пока заварочный блок и внутреннее пространство прибора высохнут.
 10. Возьмите заварочный блок за ручку.
 11. Поднимите вверх красный рычаг.
 12. Установите заварочный блок под рычаг и задвиньте его назад до упора.
→ Рис. **19**
 - ✓ Рычаг фиксируется.
 13. Вставьте поддон с емкостью для кофейной гущи.
→ Рис. **20**
 14. Закройте дверцу.
→ Рис. **21**
- Дверцу можно закрыть только при условии, что заварочный блок и поддон правильно установлены.

Сервисные программы

Через определенные промежутки времени рекомендуется запускать в приборе сервисные программы. Используйте сервисные программы для тщательной очистки прибора.

ВНИМАНИЕ!

Неправильное или несвоевременное выполнение очистки и удаления накипи может нанести ущерб прибору.

- ▶ После сообщения немедленно выполните процесс удаления накипи.
- ▶ Не загружайте таблетки для удаления накипи и прочие средства в отсек для молотого кофе.

В зависимости от степени жесткости воды и использования прибора на дисплее после предупреждения появляются следующие сообщения.

- "Очистите систему подачи молока."

- "Требуется удаление накипи. Нажать меню 3 сек."
- "Требуется очистка. Нажать меню 3 сек."
- "Требуется calc'nClean. Нажать меню 3 сек."

Указания

- Дисплей показывает длительность процесса.
- Если в приборе своевременно не удалена накипь, дисплей показывает "Удаление накипи просрочено. Прибор заблокирован. Нажать меню 3 сек."
- Если прибор заблокирован, им можно будет снова пользоваться только после выполненного удаления накипи.
- Если вы случайно прервали сервисную программу, необходимо запустить ее заново.
→ *"Сброс сервисных программ", Стр.204*

Советы

- Если используется фильтр для воды, период до выполнения сервисной программы увеличивается.
- Удаление накипи и очистку можно выполнить совместно в сервисной программе calc'nClean.
→ *"Программа calc'nClean", Стр.205*
- По окончании сервисной программы сразу протрите прибор мягкой влажной тканью, чтобы удалить остатки раствора для удаления накипи и избежать коррозии.

Сброс сервисных программ

Если, например, вследствие сбоя в энергоснабжении сервисная программа была прервана, выполните следующие действия.

1. Опорожните емкость и опустите конец всасывающей трубки в емкость.
2. Промойте резервуар для воды.
3. Наполните резервуар для воды свежей водой без углекислоты до отметки «тах».

4. Нажмите кнопку **ok**.
- ✓ Прибор промывается припл. 2 минуты.
5. Опорожните и очистите поддон.
6. Установите поддон и закройте дверцу.
7. Снова запустите сервисную программу.

Программа для очистки системы подачи молока

Если потребуется, промойте систему подачи молока водой. Процесс промывки длится припл. 1 минута.

1. Нажмите кнопку **menu** .
2. Кнопкой  и  выберите "Очистка" и нажмите **ok**.
3. Кнопкой  и  выберите "Сист.под. молока" и нажмите **ok**.
4. Для запуска программы нажмите кнопку **ok**.
- ✓ Индикация на дисплее ведет по пунктам программы.
5. Поставьте пустой стакан под диспенсер и опустите конец всасывающей трубки в стакан.
6. Нажмите кнопку **ok**.
- ✓ Очистка системы подачи молока выполняется автоматически.
7. Опорожните стакан и очистите всасывающую трубку.
- ✓ Программа закончена и прибор готов к работе.

Совет: Для особо тщательной очистки системы подачи молока регулярно очищайте ее вручную.

→ *"Очистка системы подачи молока", Стр.202*

Программа удаления накипи

При появлении соответствующей индикации на приборе выполните программу удаления накипи. Процесс длится припл. 30 минут.

Необходимое условие: Заварочный блок очищен.

→ "Очистка заварочного блока", Стр.203

1. Нажмите кнопку меню
2. Кнопкой и выберите "Очистка" и нажмите **OK**.
3. Кнопкой и выберите "Удалить накипь" и нажмите **OK**.
4. Для запуска программы нажмите кнопку **OK**.
- ✓ Индикация на дисплее ведет по пунктам программы.
5. Опорожните и вставьте поддон.
6. При наличии извлеките фильтр для воды.
7. Нажмите кнопку **OK**.
8. Опорожните резервуар для воды.
9. Заполните емкость 0,5 л теплой водой.
10. Положите в воду таблетку Siemens для удаления накипи и размешивайте, пока таблетка не растворится полностью.
11. Залейте готовый раствор для удаления накипи в емкость для воды до отметки calc и нажмите **OK**.
12. Установите емкость объемом не менее 0,5 л под диспенсер.
13. Опустите конец всасывающей трубки в емкость и нажмите **OK**.
- ✓ Программа удаления накипи длится прибл. 20 минут.
14. Промойте резервуар для воды.
15. Нажмите кнопку **OK**.
16. При наличии вставьте фильтр для воды.
→ "Установка и ввод в действие фильтра для воды", Стр.197
17. Нажмите кнопку **OK**.
18. Залейте свежую воду до отметки «max».
19. Нажмите кнопку **OK**.
- ✓ Программа удаления накипи длится прибл. 1 минута и промывает прибор.
20. Опорожните и вставьте поддон.

21. Тщательно очистите всасывающую трубку системы подачи молока.

✓ Программа закончена и прибор готов к работе.

Программа очистки

При появлении соответствующей индикации на приборе выполните программу очистки. Процесс длится прибл. 9 минут.

Необходимое условие: Заварочный блок очищен.

→ "Очистка заварочного блока", Стр.203

1. Нажмите кнопку меню
2. Кнопкой и выберите "Очистка" и нажмите **OK**.
3. Кнопкой и выберите "Очистить" и нажмите **OK**.
4. Для запуска программы нажмите кнопку **OK**.
- ✓ Индикация на дисплее ведет по пунктам программы.
5. Опорожните и вставьте поддон.
6. Откройте отсек для молотого кофе.
7. Поместите одну чистящую таблетку Siemens в отсек для молотого кофе.
8. Закройте отсек для молотого кофе и нажмите кнопку **OK**.
9. Установите емкость объемом не менее 0,5 л под диспенсер и нажмите **OK**.
- ✓ Программа очистки длится прибл. 7 минут.
10. Опорожните и вставьте поддон.
- ✓ Программа закончена и прибор готов к работе.

Программа calc'nClean

Удаление накипи и очистку можно выполнить одновременно, пользуясь сервисной программой calc'nClean. При появлении соответствующей индикации на приборе выполните программу calc'nClean. Процесс длится прибл. 43 минуты.

Необходимое условие: Заварочный блок очищен.

→ "Очистка заварочного блока", Стр.203

1. Нажмите кнопку **меню**
2. Кнопкой и выберите "Очистка" и нажмите **OK**.
3. Кнопкой и выберите "calc'nClean" и нажмите **OK**.
4. Для запуска программы нажмите кнопку **OK**.
- ✓ Индикация на дисплее ведет по пунктам программы.
5. Опорожните и вставьте поддон.
6. При наличии извлеките фильтр для воды.
7. Нажмите кнопку **OK**.
8. Опорожните резервуар для воды.
9. Заполните емкость 0,5 л теплой водой.
10. Положите в воду таблетку Siemens для удаления накипи и размешивайте, пока таблетка не растворится полностью.
11. Залейте готовый раствор для удаления накипи в емкость для воды до отметки calc и нажмите **OK**.
12. Установите емкость объемом не менее 0,5 л под диспенсер.
13. Опустите конец всасывающей трубки в емкость и нажмите **OK**.
- ✓ Программа удаления накипи длится **прибл. 20 минут**.
14. Промойте резервуар для воды.
15. Нажмите кнопку **OK**.
16. При наличии вставьте фильтр для воды.
→ "Установка и ввод в действие фильтра для воды", Стр.197
17. Нажмите кнопку **OK**.
18. Залейте свежую воду до отметки «max».
19. Нажмите кнопку **OK**.
- ✓ Программа длится **прибл. 1 минута** и выполняет промывку прибора.
20. Опорожните и вставьте поддон.
21. Откройте отсек для молотого кофе.
22. Поместите одну чистящую таблетку Siemens в отсек для молотого кофе.
23. Закройте отсек для молотого кофе и нажмите кнопку **OK**.
24. Установите емкость объемом не менее 0,5 л под диспенсер и нажмите **OK**.
- ✓ Программа очистки длится **прибл. 7 минут**.
25. Опорожните и вставьте поддон.
26. Тщательно очистите всасывающую трубку системы подачи молока.
- ✓ Программа закончена и прибор готов к работе.

Устранение неисправностей

Вы можете самостоятельно устранить незначительные неисправности вашего прибора. Воспользуйтесь информацией из главы «Устранение неисправностей» перед обращением в сервисную службу. Это позволит избежать дополнительных расходов.

ПРЕДУПРЕЖДЕНИЕ

Опасность поражения электрическим током!

При неквалифицированном ремонте прибор может стать источником опасности.

- ▶ Ремонтировать прибор разрешается только квалифицированным специалистам.
- ▶ Для ремонта прибора можно использовать только оригинальные запчасти.
- ▶ Во избежание опасностей замена поврежденного сетевого кабеля данного прибора может быть выполнена только производителем или авторизованной им сервисной службой либо лицом, имеющим аналогичную квалификацию.

Указания на дисплее

Неисправность	Причина	Устранение неисправности
На дисплее появляется индикация "Закрыть", хотя дверца закрыта.	Дверца плохо закрыта.	▶ Плотно прижмите дверцу.
	Прибор перегрелся.	1. Отсоедините прибор от электросети. 2. Выждите 1 час, чтобы прибор остыл.
Индикация на дисплее "Опорожните и снова вставьте поддон для капель.", хотя поддон пустой.	Прибор выключен и не определяет опорожнение.	1. Включите прибор и выньте поддон. 2. Вставьте обратно поддон.
	Поддон загрязнен.	▶ Тщательно очистите поддон.
Индикация на дисплее "Наполнить конт. для воды." несмотря на то, что резервуар для воды полон.	Неправильно установлен резервуар для воды.	▶ Правильно установите резервуар для воды.
	Вода, содержащая углекислый газ, в резервуаре для воды.	▶ Наполните резервуар для воды свежей проточной водой.
	В резервуаре для воды застрял поплавок.	1. Выньте резервуар для воды. 2. Тщательно очистите резервуар для воды.
	Новый фильтр для воды не промыт в соответствии с инструкцией.	1. Промойте фильтр для воды в соответствии с инструкцией. → "Установка и ввод в действие фильтра для воды", Стр. 197 2. Введите в действие фильтр для воды.

Неисправность	Причина	Устранение неисправности
Индикация на дисплее "Наполнить конт. для воды." несмотря на то, что резервуар для воды полон.	В фильтре для воды находится воздух.	<ol style="list-style-type: none"> 1. Погрузите фильтр для воды в воду отверстием вверх до тех пор, пока не перестанут выходить пузырьки воздуха. 2. Вставьте обратно фильтр. → <i>"Установка и ввод в действие фильтра для воды", Стр.197</i>
	Старый фильтр для воды.	▶ Вставьте новый фильтр для воды.
	Образования накипи в резервуаре для воды засоряют систему.	<ol style="list-style-type: none"> 1. Тщательно очистите резервуар для воды. 2. Запустите программу удаления накипи. → <i>"Программа удаления накипи", Стр.204</i>
На дисплее появляется индикация "Очистите заварочный блок, вставьте обратно и закройте дверцу.".	Заварочный блок загрязнен.	▶ Очистите заварочный блок. → <i>"Очистка заварочного блока", Стр.203</i>
	Тугой ход механизма заварочного блока.	▶ Очистите заварочный блок. → <i>"Очистка заварочного блока", Стр.203</i>
	Слишком много молотого кофе в заварочном блоке.	▶ Засыпайте не более 2 мерных ложек молотого кофе без горки. → <i>"Очистка заварочного блока", Стр.203</i>
На дисплее появляется индикация "Ошибочное напряжение (В).".	Ошибочное напряжение в домашней электросети.	▶ Эксплуатируйте прибор только при напряжении 220 - 240 В.
На дисплее появляется индикация "Заново вкл. прибор.".	Заварочный блок сильно загрязнен или не вынимается.	<ol style="list-style-type: none"> ▶ Заново запустите прибор в работу. ▶ Очистите заварочный блок. → <i>"Очистка заварочного блока", Стр.203</i>
	Прибор неисправен.	<ol style="list-style-type: none"> 1. Извлеките штепсельную вилку из розетки и выждите 10 секунд. 2. Снова вставьте штепсельную вилку в розетку.

Неисправность	Причина	Устранение неисправности
Индикация "calc'nClean" появляется на дисплее очень часто.	Даже фильтрованная вода содержит определенное количество извести.	<ol style="list-style-type: none"> 1. Вставьте новый фильтр для воды. → <i>"Установка и ввод в действие фильтра для воды", Стр.197</i> 2. Установите соответствующую степень жесткости воды. → <i>"Настройка жесткости воды", Стр.191</i>
	Использовано неправильное средство для удаления накипи или его слишком мало.	▶ Для удаления накипи используйте только подходящие таблетки.
	Сервисная программа выполнена не полностью.	▶ Выполните сброс сервисной программы. → <i>"Сброс сервисных программ", Стр.204</i>

Сбои в работе

Неисправность	Причина	Устранение неисправности
Прибор больше не реагирует.	Прибор неисправен.	<ol style="list-style-type: none"> 1. Извлеките штепсельную вилку из розетки и выждите 10 секунд. 2. Снова вставьте штепсельную вилку в розетку.
Прибор выдает только воду, кофе не готовится.	Пустая емкость для кофейных зерен не идентифицируется прибором.	▶ Заполните кофейными зернами емкость для кофейных зерен.
	Отсек для кофе на заварочном блоке засорен.	▶ Очистите заварочный блок. → <i>"Очистка заварочного блока", Стр.203</i>
	Зерна слишком маслянистые и не поступают в кофемолку.	<ul style="list-style-type: none"> ▶ Слегка постучите по емкости для кофейных зерен. ▶ Используйте другой сорт кофе. Не используйте маслянистые кофейные зерна. ▶ Очистите пустую емкость для кофейных зерен влажной тканью.

Неисправность	Причина	Устранение неисправности
Прибор выдает только воду, кофе не приготавливается.	Блок заваривания вставлен неправильно.	▶ Продвиньте заварочный блок до упора назад.
Прибор не выдает молочную пену.	Система подачи молока загрязнена.	▶ Очистите систему подачи молока в посудомоечной машине. → <i>"Очистка системы подачи молока", Стр.202</i>
	Трубка подачи молока не погружена в молоко.	▶ Используйте больше молока. ▶ Проверьте, погружена ли трубка подачи молока в молоко.
	Сильные отложения накипи в приборе.	▶ Очистите прибор от накипи. → <i>"Программа удаления накипи", Стр.204</i>
Система подачи молока не всасывает молоко.	Система подачи молока неправильно собрана.	▶ Правильно выполните сборку системы подачи молока. → <i>"Очистка системы подачи молока", Стр.202</i>
	Трубка подачи молока не погружена в молоко.	▶ Используйте больше молока. ▶ Проверьте, погружена ли трубка подачи молока в молоко.
Молочная пена слишком холодная.	Молоко слишком холодное.	▶ Используйте теплое молоко.
Прибор не выдает горячую воду	Система подачи молока загрязнена.	▶ Очистите систему подачи молока в посудомоечной машине. → <i>"Очистка системы подачи молока", Стр.202</i>
Прибор не разливает напиток.	В фильтре для воды находится воздух.	1. Погрузите фильтр для воды в воду отверстием вверх до тех пор, пока не перестанут выходить пузырьки воздуха. 2. Вставьте обратно фильтр. → <i>"Установка и ввод в действие фильтра для воды", Стр.197</i>
		▶ Вставьте, прочно прижав, фильтр для воды без перекоса в гнездо резервуара.

Неисправность	Причина	Устранение неисправности
Прибор не разливает напиток.	Остатки средства для удаления накипи засоряют резервуар для воды.	<ol style="list-style-type: none"> 1. Выньте резервуар для воды. 2. Тщательно очистите резервуар для воды.
Вода на внутреннем дне прибора.	Поддон был извлечен слишком рано.	▶ Извлекайте поддон только через несколько секунд после приготовления последнего напитка.
Заварочный блок не вынимается.	Заварочный блок не находится в позиции извлечения.	▶ Снова включите прибор.
Управление прибором невозможно. Переменные индикации на дисплее.	Прибор в демонстрационном режиме.	<ol style="list-style-type: none"> 1. Выньте резервуар для воды и наполните его свежей, холодной водой. 2. Снова установите резервуар для воды.
Кофемолка не запускается.	Прибор перегрелся.	<ol style="list-style-type: none"> 1. Отсоедините прибор от электросети. 2. Выждите 1 час, чтобы прибор остыл.
Кофемолка не перемалывает кофейные зерна, хотя емкость для кофейных зерен полна.	Зерна слишком маслянистые и не поступают в кофемолку.	<ul style="list-style-type: none"> ▶ Слегка постучите по емкости для кофейных зерен. ▶ Используйте другой сорт кофе. Не используйте маслянистые кофейные зерна. ▶ Очистите пустую емкость для кофейных зерен влажной тканью.

Проблема с результатом работы прибора

Неисправность	Причина	Устранение неисправности
Очень неравномерное качество кофе или молочной пены.	В приборе образовалась накипь.	▶ Очистите прибор от накипи. → <i>"Программа удаления накипи", Стр.204</i>
Неравномерное качество молочной пены.	Качество молочной пены зависит от вида используемого молока или напитка из растительного сырья.	▶ Оптимизируйте результат, выбрав соответствующий сорт молока или напитка из растительного сырья.

Неисправность	Причина	Устранение неисправности
Кофе не выдается или только отдельными каплями.	Установлен слишком мелкий помол.	<ul style="list-style-type: none"> ▶ Установите более крупный помол. → <i>"Установка степени помола", Стр.196</i>
Установленное количество напитка не достигается.	Сильные отложения накипи в приборе.	<ul style="list-style-type: none"> ▶ Очистите прибор от накипи. → <i>"Программа удаления накипи", Стр.204</i>
	В фильтре для воды находится воздух.	<ol style="list-style-type: none"> 1. Погрузите фильтр для воды в воду отверстием вверх до тех пор, пока не перестанут выходить пузырьки воздуха. 2. Вставьте обратно фильтр. → <i>"Установка и ввод в действие фильтра для воды", Стр.197</i>
	Прибор загрязнен.	<ul style="list-style-type: none"> ▶ Очистите заварочный блок. → <i>"Очистка заварочного блока", Стр.203</i> ▶ Очистите прибор и удалите накипь. → <i>"Программа calc'nClean", Стр.205</i>
	Установлена слишком высокая крепость кофе.	<ul style="list-style-type: none"> ▶ Уменьшите крепость кофе, например, до "нормаль". → <i>"Настройка крепости кофе", Стр.195</i>
Кофе без пенки.	Неоптимальный сорт кофе.	<ul style="list-style-type: none"> ▶ Используйте сорт кофе с повышенным содержанием зерен Robusta. ▶ Используйте кофейные зерна с более сильной степенью обжарки.
	Используются не свежееобжаренные зерна.	<ul style="list-style-type: none"> ▶ Используйте свежие кофейные зерна.
	Степень помола не соответствует кофейным зернам.	<ul style="list-style-type: none"> ▶ Установите более мелкий помол. → <i>"Установка степени помола", Стр.196</i>

Неисправность	Причина	Устранение неисправности
Кофе слишком «кислый».	Слишком грубый помол.	<ul style="list-style-type: none"> ▶ Установите более мелкий помол. → <i>"Установка степени помола", Стр.196</i>
	Неоптимальный сорт кофе.	<ul style="list-style-type: none"> ▶ Используйте сорт кофе с повышенным содержанием зерен Robusta. ▶ Используйте кофейные зерна с более сильной степенью обжарки.
Кофе слишком «горький».	Установлен слишком мелкий помол.	<ul style="list-style-type: none"> ▶ Установите более крупный помол. → <i>"Установка степени помола", Стр.196</i>
	Неоптимальный сорт кофе.	▶ Используйте другой сорт кофе.
Кофе имеет «подгорелый» привкус.	Установлен слишком мелкий помол.	<ul style="list-style-type: none"> ▶ Установите более крупный помол. → <i>"Установка степени помола", Стр.196</i>
	Неоптимальный сорт кофе.	▶ Используйте другой сорт кофе.
	Установлена слишком высокая температура кофе.	<ul style="list-style-type: none"> ▶ Установите более низкую температуру кофе. → <i>"Обзор базовых установок", Стр.198</i>
Кофейная гуща не компактна и слишком мокрая.	Не оптимальная степень помола.	<ul style="list-style-type: none"> ▶ Установите более крупный или более мелкий помол. → <i>"Установка степени помола", Стр.196</i>
	Слишком мало молотого кофе.	▶ Используйте 2 мерные ложки молотого кофе без горки.
	Зерна слишком маслянистые.	▶ Используйте другой сорт кофейных зерен.

Транспортировка, хранение и утилизация

В данном разделе описана подготовка бытового прибора к транспортировке и хранению. Приведены также указания по утилизации старых бытовых приборов.

Активация защиты от замерзания

При транспортировке и хранении предохраните ваш прибор от воздействия низких температур.

ВНИМАНИЕ!

Остатки жидкости в приборе могут привести к повреждению прибора при транспортировке или хранении.

- ▶ Перед транспортировкой или помещением на хранение опорожните систему подачи жидкости.

Необходимые условия

- Прибор готов к работе.
 - Резервуар наполнен.
1. Снимите емкость для молока.
 2. Очистите заварочный блок.
→ "Очистка заварочного блока", Стр.203
 3. Установите под диспенсер емкость большого объема.
 4. Нажимайте , пока на дисплее не появится "Молоко. Пена".
 5. Нажимайте **ml**, пока на дисплее не появится 240 мл.
 6. Нажмите кнопку **start stop**.
 7. Подождите, пока из прибора не выйдет пар.
 8. Выньте резервуар для воды.
✓ Прибор опорожняется автоматически.
 9. Если появляется сообщение "Наполнить конт. для воды.", игнорируйте его.

10. Опорожните и очистите емкость для воды и поддон.

11. Установите резервуар для воды и поддон.

12. Выключите прибор и отсоедините его от электросети.

Утилизация старого бытового прибора

Утилизация в соответствии с экологическими нормами обеспечивает возможность вторичного использования ценных сырьевых материалов.

1. Выньте из розетки вилку сетевого кабеля.
2. Обрежьте сетевую кабель прибора.
3. Утилизируйте прибор в соответствии с экологическими нормами.



Данный прибор имеет отметку о соответствии европейским нормам 2012/19/EU утилизации электрических и электронных приборов (waste electrical and electronic equipment - WEEE).

Данные нормы определяют действующие на территории Евросоюза правила возврата и утилизации старых приборов.

Сервисная служба

Если у вас имеются вопросы, вам не удастся самостоятельно устранить неисправность прибора или требуется отремонтировать прибор, обратитесь в нашу сервисную службу.

Многие неполадки вы сможете устранить самостоятельно, воспользовавшись информацией в данной инструкции или

на нашем сайте. Если это вам не удастся, обратитесь в нашу сервисную службу.

Мы всегда найдем подходящее решение.

При гарантийном обслуживании и по истечении гарантии производителя мы обеспечим ремонт вашего прибора обученными специалистами сервисной службы с использованием оригинальных запасных деталей.

Важные для безопасности оригинальные запчасти, соответствующие Директиве ЕС по экологическому проектированию электропотребляющей продукции вы можете заказать в нашей сервисной службе, как минимум, в течение 7 лет с момента продажи вашего прибора в пределах Европейского экономического пространства.

Указание: При выполнении гарантийных условий производителя работы выполняются сервисной службой бесплатно.

Подробную информацию о гарантийном сроке и условиях гарантии в вашей стране вы можете запросить в нашей сервисной службе, у вашего продавца или найти на нашем сайте.

При обращении в сервисную службу укажите номер изделия (E-Nr.) и заводской номер (FD) прибора.

Адрес и телефон сервисной службы можно найти в прилагаемом перечне сервисных служб в конце инструкции или на нашем веб-сайте.

Номер изделия (E-Nr.) и заводской номер (FD)

Номер изделия (E-Nr.) и заводской номер (FD) вы найдете на фирменной табличке своего прибора.

Чтобы быстро найти данные прибора и номер телефона сервисной службы, вы можете записать эти данные.

Гарантийные условия

Вы имеете право на гарантийное обслуживание вашего прибора в соответствии со следующими условиями.

Получить исчерпывающую информацию об условиях гарантийного обслуживания Вы можете в Вашем ближайшем авторизованном сервисном центре, или в сервисном центре от производителя ООО «БСХ Бытовая техника», или в сопроводительной документации.

Технические характеристики

Здесь вы найдете цифры и факты, относящиеся к вашему прибору.

Напряжение	220–240 В ~
Частота	50 Гц
Потребляемая мощность	1500 Вт
Максимальное давление насоса, статичное	15 бар
Максимальная вместимость резервуара для воды (без фильтра)	1,7 л
Максимальная вместимость емкости для кофейных зерен	270 г
Длина сетевого кабеля	100 см
Высота прибора	37,3 см
Ширина прибора	24,9 см
Глубина прибора	42,8 см
Вес, порожний	8-9 кг
Тип кофемолки	Керамика

Inhaltsverzeichnis

Sicherheit	218	Getränkebezug mit Milchschaum.....	229
Allgemeine Hinweise	218	Kaffeegetränk mit Milchschaum beziehen.....	229
Bestimmungsgemäßer Gebrauch	218	Spezielle Getränke beziehen.....	230
Einschränkung des Nutzerkreises.....	218	Milchschaum beziehen.....	230
Sicherheitshinweise	219	Heißwasser beziehen	230
Umweltschutz und Sparen	223	Getränkeeinstellungen.....	231
Verpackung entsorgen	223	Wasserfilter	232
Energie sparen	223	Kindersicherung	233
Aufstellen und Anschließen	223	Kindersicherung aktivieren.....	233
Lieferumfang.....	223	Kindersicherung deaktivieren.....	233
Gerät aufstellen und anschließen.....	223	Tassenheizung¹	233
Kennenlernen	224	Grundeinstellungen	234
Gerät.....	224	Übersicht Grundeinstellungen.....	234
Bedienelemente	224	Grundeinstellungen ändern.....	235
Display.....	224	Reinigen und Pflegen	235
Getränkeübersicht	225	Geschirrspülertauglichkeit.....	235
Zubehör	225	Reinigungsmittel.....	235
Vor dem ersten Gebrauch	226	Gerät reinigen.....	236
Erste Inbetriebnahme vornehmen.....	226	Tropfschale und Kaffeesatzbehälter reinigen.....	236
Wassertank füllen	226	Pulverschacht reinigen	237
Bohnenbehälter füllen	226	Milchsystem reinigen.....	237
Sprache einstellen.....	226	Brüheinheit reinigen	238
Wasserhärte einstellen	226	Service-Programme	238
Allgemeine Hinweise	227	Störungen beheben	242
Grundlegende Bedienung	228	Hinweise im Anzeigefeld	242
Gerät einschalten oder ausschalten	228	Funktionsstörungen.....	244
Getränkebezug.....	228	Ergebnisproblem	246
Kaffeegetränk aus frischen Bohnen beziehen	228	Transportieren, Lagern und Entsorgen	248
Kaffeegetränk aus gemahlenem Kaffee beziehen.....	229	Frostschutz aktivieren.....	248
		Altgerät entsorgen.....	248

¹ Je nach Geräteausstattung

Kundendienst 248
Erzeugnisnummer (E-Nr.) und
Fertigungsnummer (FD) 249
Garantiebedingungen..... 249

Technische Daten 251



Sicherheit

Beachten Sie die Informationen zum Thema Sicherheit, um Ihr Gerät sicher gebrauchen zu können.

Allgemeine Hinweise

Hier finden Sie allgemeine Informationen zu dieser Anleitung.

- Lesen Sie diese Anleitung sorgfältig. Nur dann können Sie das Gerät sicher und effizient verwenden.
- Diese Anleitung richtet sich an den Benutzer des Geräts.
- Beachten Sie die Sicherheitshinweise und die Warnhinweise.
- Bewahren Sie die Anleitung sowie die Produktinformationen für einen späteren Gebrauch oder Nachbesitzer auf.
- Prüfen Sie das Gerät nach dem Auspacken. Schließen Sie das Gerät bei einem Transportschaden nicht an.

Bestimmungsgemäßer Gebrauch

Um das Gerät sicher und richtig zu benutzen, beachten Sie die Hinweise zum bestimmungsgemäßen Gebrauch.

Verwenden Sie das Gerät nur:

- gemäß dieser Gebrauchsanleitung.
- um Heißgetränke zuzubereiten.
- im privaten Haushalt und in geschlossenen Räumen des häuslichen Umfelds.
- bis zu einer Höhe von 2000 m über dem Meeresspiegel.

Trennen Sie das Gerät von der Stromversorgung, wenn Sie:

- das Gerät reinigen.

Einschränkung des Nutzerkreises

Vermeiden Sie Risiken für Kinder und gefährdete Personen.

Dieses Gerät kann von Kindern ab 8 Jahren und darüber und von Personen mit reduzierten physischen, sensorischen oder mentalen Fähigkeiten oder Mangel an Erfahrung und/oder Wissen be-

nutzt werden, wenn sie beaufsichtigt oder bezüglich des sicheren Gebrauchs des Geräts unterwiesen wurden und die daraus resultierenden Gefahren verstanden haben.

Kinder dürfen nicht mit dem Gerät spielen.

Reinigung und Benutzerwartung dürfen nicht durch Kinder durchgeführt werden, es sei denn, sie sind 8 Jahre oder älter und werden beaufsichtigt.

Kinder jünger als 8 Jahre vom Gerät und der Anschlussleitung fernhalten.

Sicherheitshinweise

Beachten Sie diese Sicherheitshinweise, wenn Sie das Gerät verwenden.

⚠️ WARNUNG – Erstickungsgefahr!

- Kinder können sich Verpackungsmaterial über den Kopf ziehen oder sich darin einwickeln und ersticken.
 - ▶ Verpackungsmaterial von Kindern fernhalten.
 - ▶ Kinder nicht mit Verpackungsmaterial spielen lassen.
- Kinder können Kleinteile einatmen oder verschlucken und dadurch ersticken.
 - ▶ Kleinteile von Kindern fernhalten.
 - ▶ Kinder nicht mit Kleinteilen spielen lassen.

⚠️ WARNUNG – Stromschlaggefahr!

- Unsachgemäße Installationen sind gefährlich.
 - ▶ Das Gerät nur gemäß den Angaben auf dem Typenschild anschließen und betreiben.
 - ▶ Das Gerät nur über eine vorschriftsmäßig installierte Steckdose mit Erdung an ein Stromnetz mit Wechselstrom anschließen.
 - ▶ Das Schutzleitersystem der elektrischen Hausinstallation muss vorschriftsmäßig installiert sein.
- Ein beschädigtes Gerät oder eine beschädigte Netzanschlussleitung ist gefährlich.
 - ▶ Nie ein beschädigtes Gerät betreiben.

- ▶ Nie ein Gerät mit gerissener oder gebrochener Oberfläche betreiben.
- ▶ Nie an der Netzanschlussleitung ziehen, um das Gerät vom Stromnetz zu trennen. Immer am Netzstecker der Netzanschlussleitung ziehen.
- ▶ Wenn das Gerät oder die Netzanschlussleitung beschädigt ist, sofort den Netzstecker der Netzanschlussleitung ziehen oder die Sicherung im Sicherungskasten ausschalten.
- ▶ "Den Kundendienst rufen." → Seite 248
- ▶ Nur dafür geschultes Fachpersonal darf Reparaturen am Gerät durchführen.
- Unsachgemäße Reparaturen sind gefährlich.
 - ▶ Nur dafür geschultes Fachpersonal darf Reparaturen am Gerät durchführen.
 - ▶ Nur Original-Ersatzteile dürfen zur Reparatur des Geräts verwendet werden.
 - ▶ Wenn die Netzanschlussleitung dieses Geräts beschädigt wird, muss sie durch den Hersteller oder seinen Kundendienst oder eine ähnlich qualifizierte Person ersetzt werden, um Gefährdungen zu vermeiden.
- Eindringende Feuchtigkeit kann einen Stromschlag verursachen.
 - ▶ Nie das Gerät oder die Netzanschlussleitung in Wasser tauchen.
 - ▶ Auf die Gerätesteckverbindung darf keine Flüssigkeit überlaufen.
 - ▶ Das Gerät nur in geschlossenen Räumen verwenden.
 - ▶ Nie das Gerät großer Hitze und Nässe aussetzen.
 - ▶ Keinen Dampfreiniger oder Hochdruckreiniger verwenden, um das Gerät zu reinigen.

 WARNUNG – Brandgefahr!

- Das Gerät wird heiß.
 - ▶ Das Gerät ausreichend belüften.
 - ▶ Nie das Gerät in einem Schrank betreiben.

- Eine verlängerte Netzanschlussleitung und nicht zugelassene Adapter zu verwenden, ist gefährlich.
 - ▶ Keine Verlängerungskabel oder Mehrfachsteckdosenleisten verwenden.
 - ▶ Wenn die Netzanschlussleitung zu kurz ist, den Kundendienst kontaktieren.
 - ▶ Nur vom Hersteller zugelassene Adapter verwenden.

⚠ WARNUNG – Verbrennungsgefahr!

Einige Geräteteile werden sehr heiß.

- ▶ Nie die heißen Geräteteile berühren.
- ▶ Die heißen Geräteteile vor dem Berühren abkühlen lassen.

⚠ WARNUNG – Verbrühungsgefahr!

Frisch zubereitete Getränke sind sehr heiß.

- ▶ Die Getränke bei Bedarf abkühlen lassen.
- ▶ Den Hautkontakt mit austretenden Flüssigkeiten und Dämpfen vermeiden.

⚠ WARNUNG – Verletzungsgefahr!

- Eine Fehlanwendung des Geräts kann den Benutzer gefährden.
 - ▶ Das Gerät nur bestimmungsgemäß verwenden.
- Einklemmen der Finger beim Schließen der Gerätetür.
 - ▶ Beim Schließen der Gerätetür auf die Finger achten.
- Das Mahlwerk rotiert.
 - ▶ Nie in das Mahlwerk fassen.

⚠ WARNUNG – Gefahr durch Magnetismus!

Das Gerät enthält Permanentmagnete. Diese können elektronische Implantate, z. B. Herzschrittmacher oder Insulinpumpen beeinflussen.

- ▶ Personen mit elektronischen Implantaten müssen 10 cm Mindestabstand zum Gerät einhalten.
- ▶ Den Mindestabstand von 10 cm auch zum entnommenen Wassertank einhalten.



WARNUNG – Gefahr von Gesundheitsschäden!

Verschmutzungen am Gerät können die Gesundheit gefährden.

- ▶ Die Reinigungshinweise zum Gerät beachten.

Umweltschutz und Sparen

Schonen Sie die Umwelt, indem Sie Ihr Gerät ressourcenschonend gebrauchen und wiederverwendbare Materialien richtig entsorgen.

Verpackung entsorgen

Die Verpackungsmaterialien sind umweltverträglich und wiederverwertbar.

- ▶ Die einzelnen Bestandteile getrennt nach Sorten entsorgen.
Informationen über aktuelle Entsorgungswege erhalten Sie bei Ihrem Fachhändler sowie Ihrer Gemeinde- oder Stadtverwaltung.

Energie sparen

Wenn Sie diese Hinweise beachten, verbraucht Ihr Gerät weniger Strom.

Das Intervall zur automatischen Abschaltung auf den kleinsten Wert einstellen.

- + Wenn das Gerät nicht benutzt wird, schaltet es sich früher aus.
→ "Grundeinstellungen", Seite 234

Den Getränkebezug nicht vorzeitig unterbrechen.

- + Die aufgeheizte Menge Wasser oder Milch wird optimal genutzt.

Das Gerät regelmäßig entkalken.

- + Kalkablagerungen erhöhen den Energieverbrauch.

Aufstellen und Anschließen

Wo und wie Sie Ihr Gerät am besten aufstellen, erfahren Sie hier. Außerdem erfahren Sie, wie Sie das Gerät an das Stromnetz anschließen.

Lieferumfang

Prüfen Sie nach dem Auspacken alle Teile auf Transportschäden und die Vollständigkeit der Lieferung.

→ Abb. **1**

A	Kaffeevollautomat
B	Milchschlauch und Ansaugrohr
C	Gebrauchsanleitung
D	Reinigungstabletten ¹
E	Entkalkungstabletten ¹
F	Wasserhärtestreifen
G	Wasserfilter ¹

¹ Je nach Geräteausstattung

Gerät aufstellen und anschließen

ACHTUNG!

Gefahr eines Schadens am Gerät. Durch unsachgemäße Inbetriebnahme kann das Gerät Schaden nehmen.

- ▶ Gerät nur in frostfreien Räumen verwenden.
- ▶ Wenn das Gerät unter 0 °C transportiert oder gelagert wurde, 3 Stunden bei Raumtemperatur warten vor Inbetriebnahme.
- ▶ Nach jedem Anschließen ca. 5 Sekunden warten.

1. Die vorhandenen Schutzfolien entfernen.

de Kennenlernen

- Das Gerät auf eine ebene, ausreichend tragfähige und wasserfeste Fläche stellen.
- Das Gerät mit dem Netzstecker an eine vorschriftsmäßig installierte Schutzkontaktsteckdose anschließen.

Kennenlernen

Lernen Sie die Bestandteile Ihres Geräts kennen.

Gerät

Hier finden Sie eine Übersicht über die Bestandteile Ihres Geräts.

Hinweis: Je nach Gerätetyp sind Abweichungen in den Farben und Einzelheiten möglich.

→ Abb. 2

1	Wassertank
2	Deckel Wassertank
3	Tassenheizung ¹
4	Aromadeckel
5	Bohnenbehälter
6	Pulverschacht
7	Display
8	Bedienfeld
9	Abdeckung
10	Milchsystem
11	Auslaufsystem
12	Brühraumtür

¹ Je nach Geräteausstattung

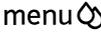
13 Typenschild

14 Tropfschale

¹ Je nach Geräteausstattung

Bedienelemente

Hier finden Sie eine Übersicht der Symbole Ihres Geräts. Drücken Sie die Symbole, um eine Auswahl zu treffen, einen Bezug zu starten oder eine Einstellung vorzunehmen.

Symbol	Erklärung
	Gerät einschalten oder ausschalten.
	Menü öffnen oder verlassen. Hinweis: Die Menü-Tasten sind nur bei geöffnetem Menü sichtbar.
	Im Menü nach oben navigieren.
	Im Menü nach unten navigieren.
	Im Menü bestätigen oder speichern.
	Im Menü zurückgehen.
	Zwei Tassen beziehen.
	Kaffeestärke wählen.
	Füllmenge anpassen.
	Vorgang starten oder stoppen.

Display

Das Display zeigt die gewählten Getränke, Einstellungen und Einstellungsmöglichkeiten sowie Meldungen zum Betriebszustand an.

Das Display zeigt zusätzliche Informationen und Handlungsschritte an. Die Informationen werden nach kurzer Zeit oder durch Tastendruck ausgeblendet. Die Handlungsschritte werden ausgeblendet, wenn sie erledigt wurden.

Getränkeübersicht

Mit Ihrem Gerät können Sie eine Vielzahl unterschiedlicher Getränke zubereiten.

Schnellwahl

Symbol	Bezeichnung	Erklärung	Kategorie
	Espresso	Konzentrierter Kaffee. Wird bevorzugt in kleinen, dickwandigen Tassen serviert. Tassen mit Heißwasser vorwärmen.	→ "Kaffeegetränk aus frischen Bohnen beziehen", Seite 228 → "Kaffeegetränk aus gemahltem Kaffee beziehen", Seite 229
	Caffe Crema	Kaffee mit einer Cremaschicht oder große Tasse Kaffee nach Espressomethode zubereitet.	→ "Kaffeegetränk aus frischen Bohnen beziehen", Seite 228 → "Kaffeegetränk aus gemahltem Kaffee beziehen", Seite 229
	Cappuccino	Espresso mit aufgeschäumter Milch. Wird bevorzugt in kleinen Tassen serviert.	→ "Kaffeegetränk mit Milchschaum beziehen", Seite 229
	LatteMacchiato	Kaffeespezialität mit drei Schichten: unten warme Milch, in der Mitte Espresso, oben Milchschaum. Wird bevorzugt in einem Glas serviert.	→ "Kaffeegetränk mit Milchschaum beziehen", Seite 229
	Spezielle Getränke	Weitere Getränke beziehen.	→ "Spezielle Getränke beziehen", Seite 230

Zubehör

Verwenden Sie Originalzubehör. Es ist auf Ihr Gerät abgestimmt. Hier erhalten Sie einen Überblick über das Zubehör Ihres Geräts.

Zubehör	Handel	Kundendienst
Reinigungstabletten	TZ80001A TZ80001B	00312097 00312098
Entkalkungstabletten	TZ80002A TZ80002B	00312094 00312095
Wasserfilter	TZ70003	00575491
Wasserfilter 3er-Pack	TZ70033	-
Mikrofasertuch	-	00460770
Pflegeset	TZ80004A TZ80004B	00312105 00312106

Vor dem ersten Gebrauch

Nehmen Sie die Grundeinstellungen vor. Reinigen Sie das Gerät und die Einzelteile.

Erste Inbetriebnahme vornehmen

- ▶ Nach dem Stromanschluss die Einstellungen für die erste Inbetriebnahme vornehmen.

Hinweis: Die automatische Anzeige für die Sprachauswahl und Wasserhärtewahl erscheint nur beim ersten Einschalten.

Tipp: Sie können die Einstellungen jederzeit ändern.

→ "Grundeinstellungen", Seite 234

Wassertank füllen

Füllen Sie den Wassertank täglich mit frischem, kaltem Wasser ohne Kohlensäure.

1. Den Deckel öffnen.
2. Den Wassertank an der Griffmulde herausnehmen.
3. Den Wassertank spülen.
4. Den Wassertank bis zu der Markierung "max" füllen.
5. Den Wassertank gerade in die Halterung einsetzen.
6. Den Deckel schließen.

Bohnenbehälter füllen

ACHTUNG!

Ungeeignete Bohnen können das Mahlwerk verstopfen.

- ▶ Ausschließlich reine, geröstete Espresso- oder Vollautomaten-Bohnenmischungen verwenden.
- ▶ Keine glasierten Kaffeebohnen verwenden.

- ▶ Keine karamellisierten Kaffeebohnen verwenden.
- ▶ Keine mit zuckerhaltigen Zusätzen behandelten Kaffeebohnen verwenden.
- ▶ Keinen Pulverkaffee einfüllen.

1. Den Deckel öffnen.
2. Die Kaffeebohnen einfüllen.
Das Gerät stellt sich bei den nächsten Bezügen auf die Kaffeebohnen ein.
3. Den Deckel schließen.

Tipp: Um die Qualität optimal zu erhalten, lagern Sie die Kaffeebohnen kühl und verschlossen. Sie können die Kaffeebohnen mehrere Tage im Bohnenbehälter lagern, ohne dass das Aroma verloren geht.

Sprache einstellen

1. Das Gerät mit ⏻ einschalten.
- ✓ Das Display zeigt die voreingestellte Sprache.
2. \wedge oder \vee drücken, bis das Display die gewünschte Sprache anzeigt.
3. **ok** drücken.

Tipp: Sie können die Sprache jederzeit ändern.

→ "Übersicht Grundeinstellungen", Seite 234

Wasserhärte einstellen

Die richtige Einstellung der Wasserhärte ist wichtig, damit das Gerät rechtzeitig anzeigt, dass es entkalkt werden muss. Sie können die Wasserhärte mit dem beiliegendem Teststreifen ermitteln oder bei der örtlichen Wasserversorgung erfragen.

1. Den Teststreifen kurz in frisches Leitungswasser tauchen.

2. Den Teststreifen abtropfen lassen.
- ✓ Der Teststreifen zeigt nach 1 Minute die Wasserhärte an.
3. Wenn im Haus eine Wasserenthärtungsanlage installiert ist, "Enthärtungsanlage" einstellen.
4.  oder  drücken, bis das Display die gewünschte Wasserhärte anzeigt.

Die Tabelle zeigt die Zuordnung der Stufen zu den Wasserhärtegraden:

Stufe	deutsche Härte in °dH	Gesamthärte in mmol/l
1	1-7	0.18 - 1.25
2	8-14	1.42 - 2.49
3	15-21	2.67 - 3.74
4 ¹	22-30	3.92 - 5.34

¹ Werkseinstellung (kann je nach Gerätetyp abweichen)

5. **ok** drücken.
6. Prüfen, ob der Bohnenbehälter gefüllt ist.
7. Prüfen, ob der Wassertank gefüllt ist.
8. **ok** drücken.
- ✓ Das Gerät spült.

Tipp: Sie können die Wasserhärte jederzeit ändern.

→ "Übersicht Grundeinstellungen", Seite 234

Allgemeine Hinweise

Beachten Sie die Hinweise, um Ihr Gerät optimal nutzen zu können.

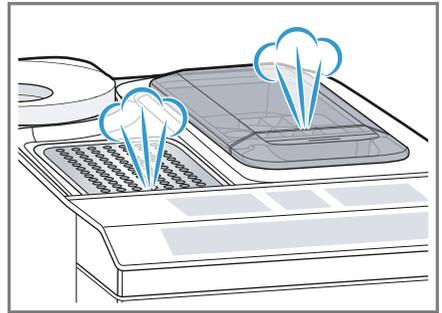
Hinweise

- Das Gerät ist ab Werk mit den Standardeinstellungen für den optimalen Betrieb programmiert.
- Das Mahlwerk ist werkseitig auf einen optimalen Betrieb eingestellt. Wenn der Kaffee nur tröpfchenweise ausgegeben wird oder zu dünn

ist und zu wenig Crema hat, können Sie den Mahlgrad bei laufendem Mahlwerk anpassen.

→ "Mahlgrad einstellen", Seite 232

- Das Gerät schaltet sich automatisch aus, wenn in einer bestimmten Zeit keine Bedienung erfolgt. "Sie können die Dauer in den Grundeinstellungen ändern." → Seite 234
- Bei Gebrauch können sich an den Lüftungsschlitzen und dem Pulverschachtdeckel Wassertropfen bilden.
- Aus dem Gerät kann technisch bedingt Dampf austreten.



Tipps

- "Sie können die Tastentöne in den Grundeinstellungen ausschalten." → Seite 234
- Wenn Sie Ihr Gerät zum ersten Mal benutzen, ein Service-Programm durchgeführt oder Ihr Gerät längere Zeit nicht benutzt haben, erreicht das erste Getränk noch nicht das volle Aroma und sollte nicht getrunken werden.
- Eine dauerhaft feinporige und standfeste Crema erreichen Sie, nachdem Sie Ihr Gerät in Betrieb genommen und einige Tassen bezogen haben.

Grundlegende Bedienung

Hier erfahren Sie das Wesentliche zur Bedienung Ihres Geräts.

Gerät einschalten oder ausschalten

- ▶ Das Gerät mit \odot einschalten oder ausschalten.

Beim Einschalten zeigt das Display das Siemens-Logo. Beim Einschalten und Ausschalten spült das Gerät automatisch. Beim Ausschalten dampft das Gerät zur Reinigung in die Tropfschale ab. Beim Spülvorgang zeigt das Display einen Tropfen. Wenn das Gerät beim Einschalten noch warm ist oder vor dem Ausschalten kein Getränk bezogen wurde, spült das Gerät nicht.

Getränkebezug

Erfahren Sie, wie Sie sich ein Getränk Ihrer Wahl zubereiten.

WARNUNG **Verbrühungsgefahr!**

Frisch zubereitete Getränke sind sehr heiß.

- ▶ Die Getränke bei Bedarf abkühlen lassen.
- ▶ Den Hautkontakt mit austretenden Flüssigkeiten und Dämpfen vermeiden.

Tipps

- Sie können Ihr gewünschtes Getränk über die Schnellwahltasten direkt auswählen. Das Display zeigt Ihnen das Getränk und die aktuellen Einstellungen an.
- Ihr Gerät verfügt neben den Getränken, die Sie über die Schnellwahltasten beziehen können, über

weitere Getränke.

→ *"Spezielle Getränke beziehen", Seite 230*

- Sie können Ihr Getränk an Ihren individuellen Geschmack anpassen. → *"Getränkeeinstellungen", Seite 231*

Hinweise

- Wenn Sie ca. 5 Sekunden lang keine Einstellung ändern, verlässt das Gerät den Einstellmodus. Die Einstellungen werden automatisch gespeichert.
- Bei einigen Einstellungen wird der Kaffee in mehreren Schritten zubereitet. Warten Sie, bis der Vorgang komplett abgeschlossen ist.

Kaffeegetränk aus frischen Bohnen beziehen

1. Die vorgewärmte Tasse unter das Auslaufsystem stellen.
2. Das Getränkesymbol für ein Kaffeegetränk ohne Milch drücken.
✓ Das Display zeigt das Getränk und die aktuellen Einstellungen an.
→ *"Getränkeeinstellungen", Seite 231*
3. Bei Bedarf die Einstellungen ändern:
 - Die Füllmenge mit **ml** anpassen.
→ *"Füllmenge anpassen", Seite 231*
 - Die Kaffeestärke mit \emptyset anpassen.
→ *"Kaffeestärke anpassen", Seite 231*
4. ^{start}_{stop} drücken.
Die Kaffeebohnen werden für jeden Brühvorgang frisch gemahlen.
✓ Der Kaffee wird gebrüht und läuft anschließend in die Tasse.

Tipps

- Sie können den Bezug vorzeitig mit ^{start}_{stop} beenden.

- Erfahren Sie, wie Sie Kaffeegetränke mit Milch beziehen.
→ "Getränkebezug mit Milchschaum", Seite 229

Kaffeegetränk aus gemahlenem Kaffee beziehen

ACHTUNG!

Der Pulverschacht kann verstopfen.

- ▶ Keine Kaffeebohnen verwenden.
- ▶ Keinen löslichen Kaffee verwenden.
- ▶ Die Pulverreste im Pulverschacht mit einem weichen Pinsel in den Pulverschacht streichen.

Hinweis

Bei der Zubereitung mit gemahlenem Kaffee sind folgende Auswahlen nicht verfügbar:

- Zwei Tassen auf einmal
 - Kaffeestärke
 - "doubleshot"
1. Die vorgewärmte Tasse unter das Auslaufsystem stellen.
 2. Das Symbol für das gewünschte Getränk drücken.
 3. \emptyset so oft drücken, bis das Display "Pulverkaffee" anzeigt.
 4. Den Pulverschacht öffnen.
 5. Maximal 2 gestrichene Kaffeelöffel mit Kaffeepulver einfüllen, max. 12 g.
 6. Den Pulverschacht schließen.
 7. start
 stop drücken.
- ✓ Der Kaffee wird gebrüht und läuft anschließend in die Tasse.

Tipps

- Sie können den Bezug vorzeitig mit start
 stop beenden.
- Wenn Sie ein weiteres Getränk mit gemahlenem Kaffee beziehen möchten, wiederholen Sie den Vorgang.

- Füllen Sie das Kaffeepulver immer kurz vor der Getränkezubereitung ein.

Getränkbezug mit Milchschaum

Sie können mit Ihrem Gerät Kaffeegetränke mit Milchschaum beziehen.

⚠️ WARNUNG

Verbrennungsgefahr!

Das Milchsystem wird sehr heiß.

- ▶ Nie das heiße Milchsystem berühren.
- ▶ Das heiße Milchsystem vor dem Berühren abkühlen lassen.

ACHTUNG!

Milchreste können antrocknen und sind schwer zu entfernen.

- ▶ Milchsystem nach jeder Verwendung reinigen.
→ "Milchsystem reinigen", Seite 237

Tipp: Sie können auch pflanzliche Getränke anstatt Milch verwenden, z. B. aus Soja.

Hinweis: Die Qualität des Milchschaums ist abhängig von der Art der verwendeten Milch oder dem pflanzlichen Getränk.

Kaffeegetränk mit Milchschaum beziehen

Voraussetzungen

- Der Milchschauch ist angeschlossen.
 - Das Ansaugrohr ist angeschlossen.
1. Das Ansaugrohr in die Milch eintauchen.
 2. Die vorgewärmte Tasse unter das Auslaufsystem stellen.

de Grundlegende Bedienung

3. Das Getränkesymbol für ein Kaffeegetränk mit Milch drücken.
 - ✓ Das Display zeigt das Getränk und die aktuellen Einstellungen an.
→ *"Getränkeeinstellungen"*, Seite 231
4. Bei Bedarf die Einstellungen ändern:
 - Die Füllmenge mit **ml** anpassen.
→ *"Füllmenge anpassen"*, Seite 231
 - Die Kaffeestärke mit \emptyset anpassen.
→ *"Kaffeestärke anpassen"*, Seite 231
 - Pulverschacht verwenden.
→ *"Kaffeegetränk aus gemahltem Kaffee beziehen"*, Seite 229
5. ^{start}_{stop} drücken und warten bis der Vorgang abgeschlossen ist.
Das Milchsystem reinigt sich automatisch nach der Zubereitung mit einem kurzen Dampfstoß.

Tipp: Wenn Sie den Bezug vorzeitig stoppen möchten, drücken Sie ^{start}_{stop}. Wenn Sie den kompletten Bezug stoppen möchten, drücken Sie \odot .

Spezielle Getränke beziehen

Ihr Gerät verfügt neben den Getränken, die Sie über die Schnellwahltasten beziehen können, über weitere Getränke.

- ▶ Mehrmals \odot drücken.
→ *"Getränkeübersicht"*, Seite 225

Milchschaum beziehen

WARNUNG **Verbrennungsgefahr!**

Das Milchsystem wird sehr heiß.

- ▶ Nie das heiße Milchsystem berühren.

- ▶ Das heiße Milchsystem vor dem Berühren abkühlen lassen.

Voraussetzungen

- Der Milchschauch ist angeschlossen.
 - Das Ansaugrohr ist angeschlossen.
1. Das Ansaugrohr in die Milch eintauchen, z. B. Tetrapack.
 2. Die vorgewärmte Tasse unter das Auslaufsystem stellen.
 3. \odot so oft drücken, bis das Display "Milchschaum" anzeigt.
 4. Bei Bedarf die Einstellung ändern:
 - Die Füllmenge mit **ml** anpassen.
→ *"Füllmenge anpassen"*, Seite 231
 5. ^{start}_{stop} drücken.
- ✓ Der Milchschaum läuft aus dem Auslaufsystem.
 - 6. Um den Bezug zu stoppen, ^{start}_{stop} drücken.

Heißwasser beziehen

WARNUNG

Verbrennungsgefahr!

Das Milchsystem wird sehr heiß.

- ▶ Nie das heiße Milchsystem berühren.
- ▶ Das heiße Milchsystem vor dem Berühren abkühlen lassen.

Hinweis: Wenn das Milchsystem nicht gereinigt ist, können geringe Mengen Milch mit dem Wasser ausgegeben werden.

Voraussetzungen

- Das Milchsystem ist gereinigt.
→ *"Milchsystem reinigen"*, Seite 237.
 - Der Milchschauch ist abgezogen.
1. Die vorgewärmte Tasse unter das Auslaufsystem stellen.

2.  so oft drücken, bis das Display "Heißwasser" anzeigt.
3. Bei Bedarf die Einstellung ändern:
 - Die Füllmenge mit **ml** anpassen.
→ "Füllmenge anpassen",
Seite 231
4.  drücken.
Wenn die Meldung "Bitte Milchschauch abziehen." erscheint, den Milchschauch abziehen und  drücken.
- ✓ Heißes Wasser läuft aus dem Auslaufsystem.
5. Um den Bezug zu stoppen,  drücken.

Getränkeinstellungen

Bereiten Sie sich ein Getränk nach Ihrem Geschmack zu.

Kaffeestärke anpassen

1. Das Symbol für das gewünschte Getränk drücken.
2. Um die Kaffeestärke zu wählen,  drücken.
Sie können folgende Kaffeestärken auswählen:
 - "mild"
 - "normal"
 - "stark"
 - "sehr stark"
 - "doubleshot"

Hinweis: Die Einstellung "doubleshot" ist nicht für alle Getränke und Getränkemengen verfügbar.

Tipp: Um einen intensiven Kaffeegeschmack zu erhalten, wählen Sie bei einer hohen Füllmenge eine hohe Kaffeestärke aus.

Pulverkaffee auswählen

1. Das Symbol für das gewünschte Getränk drücken.

2.  so oft drücken, bis das Display "Pulverkaffee" anzeigt.
→ "Kaffeegetränk aus gemahlenem Kaffee beziehen", Seite 229

aromaDouble Shot

Sie können einen extra starken Kaffee beziehen, indem Sie die Einstellung "doubleshot" nutzen. Je länger der Kaffee gebrüht wird, desto mehr Bitterstoffe und unerwünschte Aromen werden gelöst. Bitterstoffe und unerwünschte Aromen beeinträchtigen den Geschmack und die Bekömmlichkeit des Kaffees. Um nur die wohlschmeckenden und gut bekömmlichen Aromastoffe zu lösen, werden nach der Hälfte der zubereiteten Menge erneut Kaffeebohnen gemahlen und gebrüht.

Hinweis: Die Einstellung "doubleshot" ist nicht für alle Getränke und Getränkemengen verfügbar.

Füllmenge anpassen

1. Das Symbol für das gewünschte Getränk drücken.
2. **ml** so oft drücken, bis das Display die gewünschte Füllmenge anzeigt.

Zwei Tassen auf einmal beziehen

Abhängig von Ihrem Gerätetyp können Sie bei bestimmten Getränken zwei Tassen gleichzeitig zubereiten.

Hinweis

Die Funktion "Zwei Tassen beziehen" ist für folgende Auswahlen nicht verfügbar:

- "Pulverkaffee"
- "doubleshot"
- Füllmenge kleiner als 35 ml

1. Das Symbol für das gewünschte Getränk drücken.
2.  drücken.
- ✓ Das Display zeigt die Einstellung an.

de Grundlegende Bedienung

3. Zwei Tassen links und rechts unter das Auslaufsystem stellen.
4. ^{start}_{stop} drücken.
Das Getränk wird in 2 Schritten zubereitet. Die Bohnen werden in 2 Mahlvorgängen gemahlen.
✓ Das Getränk wird gebrüht und läuft anschließend in die Tasse.
5. Warten bis der Vorgang abgeschlossen ist.

Mahlwerk

Ihr Gerät besitzt ein einstellbares Mahlwerk, mit dem Sie den Mahlgrad der Kaffeebohnen individuell anpassen können.

Mahlgrad einstellen

Stellen Sie während die Kaffeebohnen gemahlen werden den gewünschten Mahlgrad ein.

⚠ WARNUNG
Verletzungsgefahr!
Das Mahlwerk rotiert.

- ▶ Nie in das Mahlwerk fassen.

ACHTUNG!

Gefahr eines Schadens am Mahlwerk. Durch unsachgemäßes Einstellen des Mahlgrads kann das Mahlwerk beschädigt werden.

- ▶ Den Mahlgrad nur bei laufendem Mahlwerk einstellen.
- ▶ Den Mahlgrad mit dem Drehwähler stufenweise einstellen.

Mahlgrad	Einstellung
Feiner Mahlgrad für dunkel geröstete Bohnen.	Drehwähler gegen den Uhrzeigersinn drehen. 
Grober Mahlgrad für hell geröstete Bohnen.	Drehwähler im Uhrzeigersinn drehen.

Mahlgrad

Einstellung



Die Einstellung des Mahlgrads wirkt erst nach der zweiten Tasse Kaffee.

Tip: Wenn der Kaffee nur tröpfchenweise ausgegeben wird, stellen Sie den Mahlgrad gröber ein.
Wenn der Kaffee zu dünn ist und zu wenig Crema hat, stellen Sie den Mahlgrad feiner ein.

Wasserfilter

Mit einem Wasserfilter vermindern Sie Kalkablagerungen und reduzieren Verunreinigungen im Wasser.

Wasserfilter einsetzen und aktivieren

ACHTUNG!

- Möglicher Geräteschaden durch Verkalkung.
- ▶ Den Wasserfilter rechtzeitig austauschen.
 - ▶ Den Wasserfilter spätestens nach 2 Monaten ersetzen.

Hinweis: Wenn das Display "Wasserfilter ers." anzeigt, ersetzen Sie den Wasserfilter.

Wenn Sie keinen neuen Filter einsetzen, wählen Sie "Kein Filter" und folgen Sie den Anweisungen im Display.

1. Den Wasserfilter in ein Glas Wasser tauchen und an den Seiten leicht zusammendrücken, bis keine Luftblasen mehr aufsteigen.
→ Abb. 3
2. **menu**  drücken.
3. Mit  oder  "Wasserfilter" und **ok** drücken.

4. Mit  oder  "Neuer Filter" oder "Wasserfilter ers." auswählen und **ok** drücken.
5. **Hinweis:** Wenn Sie keinen neuen Filter einsetzen, wählen Sie "Kein Filter" in den Menü-Einstellungen. Den Wasserfilter fest in den Wassertank drücken und **ok** drücken.
→ Abb. **4**
6. Den Wassertank bis zur Markierung "max" mit Wasser füllen und **ok** drücken.
7. Den Milchschauch mit dem Milchschaumsystem und dem Ansaugrohr verbinden.
8. Das Ende des Ansaugrohrs in das Tropfblech stecken.
9. Einen Behälter mit 1 l Fassungsvermögen unter das Auslaufsystem stellen und **ok** drücken.
 - ✓ Der Filter wird gespült und die Anzeige "Das Spülen ist abgeschlossen." erscheint.
 - ✓ Das Gerät ist betriebsbereit.

Tipps

- Wechseln Sie Ihren Wasserfilter auch aus hygienischen Gründen.
- Mit einem Wasserfilter müssen Sie Ihr Gerät seltener entkalken.
- Spülen Sie den eingesetzten Wasserfilter vor Gebrauch, indem Sie eine Tasse Heißwasser beziehen, wenn Sie Ihr Gerät längere Zeit nicht benutzt haben, z. B. wenn Sie im Urlaub waren.
- Den Wasserfilter erhalten Sie über den Handel oder den Kundendienst.
→ "Zubehör", Seite 225
- Erfahren Sie, wie Sie den Wasserfilter einsetzen.
→ "Wasserfilter einsetzen und aktivieren", Seite 232

Kindersicherung

Um Kinder vor Verbrühungen und Verbrennungen zu schützen, können Sie das Gerät sperren.

Kindersicherung aktivieren

- ▶ **ml** mindestens 3 Sekunden drücken.
- ✓ Das Display zeigt "Kindersicherung aktiv Zum Ausschalten 3 Sek. "ml" drücken" an.

Kindersicherung deaktivieren

- ▶ **ml** mindestens 3 Sekunden drücken.
- ✓ Das Display zeigt "Kindersicherung deaktiviert." an.

Tassenheizung¹

Sie können Ihre Tassen mit der Tassenheizung vorwärmen.

WARNUNG **Verbrennungsgefahr!**

Die Tassenheizung wird sehr heiß.

- ▶ Nie die heiße Tassenheizung berühren.
- ▶ Die heiße Tassenheizung vor dem Berühren abkühlen lassen.

Tipps

- Sie können die Tassenheizung in den Grundeinstellungen aktivieren und deaktivieren.
→ "Übersicht Grundeinstellungen", Seite 234
- Um die Tassen optimal zu erwärmen, stellen Sie die Tassen mit dem Tassenboden auf die Tassenheizung.

¹ Je nach Geräteausstattung

Grundeinstellungen

Sie können Ihr Gerät auf Ihre Bedürfnisse einstellen und Zusatzfunktionen aufrufen.

Übersicht Grundeinstellungen

Einstellung	Auswahl	Beschreibung
Reinigung	Milchsystem Entkalken Reinigen calc'nClean	Service-Programme starten. → "Service-Programme", Seite 238
Tassenheizung ¹	Tassenheizung aus ² Tassenheizung an	Tassenheizung einschalten oder ausschalten. → "Tassenheizung", Seite 233
Wasserfilter	Neuer Filter Kein Filter	Verwendung des Wasserfilters einstellen.
Kaffeetemperatur	normal hoch max.	Temperatur für Kaffegetränke einstellen. Hinweis: Die Einstellung ist für alle Zubereitungsarten wirksam.
Sprachen	Siehe Auswahl am Gerät.	Menüsprache einstellen. Änderungen sind unmittelbar im Display sichtbar.
Selbstabschaltung	Siehe Auswahl am Gerät.	Zeitspanne einstellen, nach der das Gerät nach der letzten Ge- tränkezubereitung automatisch ausschaltet.
Wasserhärte	1 (weich) 2 (mittel) 3 (hart) 4 (sehr hart) ² Enthärtungsanlage	Gerät auf die örtliche Wasser- härte einstellen. → "Wasserhärte einstellen", Seite 226
Tastentöne	Tastentöne ein ² Tastentöne aus	Tastentöne einschalten oder ausschalten.
Werkseinstellung	Alles zurücksetzen? Fortsetzen: OK Abbruch: ←	Einstellungen auf Werkszustand zurücksetzen. Hinweis: Alle individuellen Ein- stellungen werden gelöscht und auf Werkseinstellungen zurück- gesetzt.

¹ Je nach Geräteausstattung

² Werkseinstellung (kann je nach Gerätetyp abweichen)

Grundeinstellungen ändern

1. **menu**  drücken.
2. Mit  oder  die gewünschte Grundeinstellung wählen und **ok** drücken.
 - ✓ Das Display zeigt die Einstellmöglichkeiten an und die Navigationssymbole leuchten auf. Das Display kennzeichnet die aktuelle Einstellung.
3. Mit  oder  die gewünschte Auswahl treffen und **ok** drücken.
 - ✓ Die Einstellung ist gespeichert.
4. Mit  zurückgehen.
5. Um das Menü zu verlassen, **menu**  drücken.

Reinigen und Pflegen

Damit Ihr Gerät lange funktionsfähig bleibt, reinigen und pflegen Sie es sorgfältig.

Geschirrspülertauglichkeit

Erfahren Sie, welche Bauteile im Geschirrspüler gereinigt werden können.

ACHTUNG!

Einige Bauteile sind temperaturempfindlich und können bei der Reinigung im Geschirrspüler beschädigt werden.

- ▶ Die Gebrauchsanleitung des Geschirrspülers beachten.
- ▶ Nur geeignete Bauteile im Geschirrspüler reinigen.
- ▶ Nur Programme verwenden, die das Wasser nicht über 60 °C erhitzen.

Für den Geschirrspüler geeignet

- Tropfschale
 - Tropfblech
 - Tropfgitter
 - Kaffeesatzbehälter



- Mechanische Füllstandanzei-
ge
- Milchsystem mit Adapter
- Pulverschacht mit Klappe

Nicht für den Geschirrspüler geeignet



- Wassertank
- Wassertankdeckel
- Aromadeckel
- Brüheinheit
- Abdeckung Getränkeauslauf

Reinigungsmittel

Erfahren Sie, welche Reinigungsmittel für Ihr Gerät geeignet sind.



WARNUNG

Gefahr schwerer Gesundheitsschäden!

Reinigungsflüssigkeiten können zu gesundheitlichen Beeinträchtigungen führen.

- ▶ Nie die Reinigungsflüssigkeiten trinken.
- ▶ Die Entkalkungs- und Reinigungsmittel nach Anleitung benutzen und die jeweiligen Sicherheitshinweise beachten.

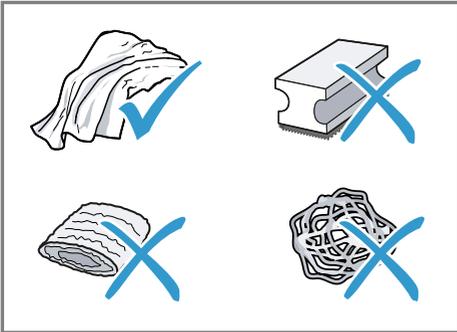
ACHTUNG!

Ungeeignete Reinigungsmittel können die Oberflächen des Geräts beschädigen.

- ▶ Keine scharfen oder scheuernden Reinigungsmittel verwenden.
- ▶ Keine alkohol- oder spiritushaltigen Reinigungsmittel verwenden.
- ▶ Keine harten Scheuerkissen oder Putzschwämme verwenden.
- ▶ Zum Entkalken keine Zitronensäure, Essig oder Mittel auf Essigbasis verwenden.
- ▶ Zum Entkalken und Reinigen ausschließlich geeignete Tabletten verwenden.

de Reinigen und Pflegen

- ▶ Kein Entkalkungsmittel mit Phosphorsäure verwenden.



Tipps

- Verwenden Sie Entkalkungs- und Reinigungstabletten, die speziell für Ihr Gerät entwickelt wurden. Sie können die Tabletten über den Kundendienst kaufen.
→ "Zubehör", Seite 225
- Waschen Sie neue Schwammputztücher gründlich, um eventuell anhaftende Salze zu entfernen. Salze können Flugrost an Edelstahloberflächen verursachen.
- Entfernen Sie Rückstände von Kalk, Kaffee, Milch, Reinigungs- und Entkalkungslösungen immer sofort, um die Bildung von Korrosion zu verhindern.

Gerät reinigen

⚠ WARNUNG Stromschlaggefahr!

Eindringende Feuchtigkeit kann einen Stromschlag verursachen.

- ▶ Nie das Gerät oder die Netzanschlussleitung in Wasser tauchen.
- ▶ Auf die Gerätesteckverbindung darf keine Flüssigkeit überlaufen.
- ▶ Keinen Dampfreiniger oder Hochdruckreiniger verwenden, um das Gerät zu reinigen.

⚠ WARNUNG Verbrennungsgefahr!

Einige Geräteteile werden sehr heiß.

- ▶ Nie die heißen Geräteteile berühren.
- ▶ Die heißen Geräteteile vor dem Berühren abkühlen lassen.

1. Das Gerät vom Stromnetz trennen.
2. Das Gehäuse, die Hochglanzoberflächen und das Bedienfeld mit einem Mikrofaser Tuch reinigen.
→ "Zubehör", Seite 225
3. Das Auslaufsystem nach dem Getränkebezug mit einem weichen, feuchten Tuch reinigen.
4. Wenn das Gerät längere Zeit nicht benutzt wurde, wie zum Beispiel im Urlaubsfall, das komplette Gerät reinigen, einschließlich Auslaufsystem, Milchsystem, Schalen und Brüheinheit.

Hinweis: Das Gerät spült automatisch, wenn Sie das Gerät im kalten Zustand einschalten oder nach dem Bezug von Kaffee ausschalten. Das System reinigt sich somit selbst.

Tropfschale und Kaffeesatzbehälter reinigen

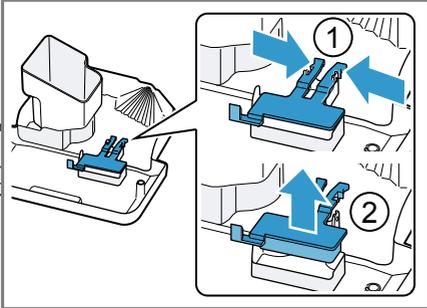
Reinigen und leeren Sie die Tropfschale und den Kaffeesatzbehälter täglich, um Ablagerungen zu vermeiden.

1. Den Milchschauch vom Auslaufsystem trennen.
2. Die Tür öffnen.
3. Die Tropfschale und den Kaffeesatzbehälter nach vorn herausziehen.
4. Das Tropfblech abnehmen und reinigen.
5. Die Tropfschale und den Kaffeesatzbehälter leeren und reinigen.

6. Den Geräteinnenraum und die Tropfschalenaufnahme reinigen.

7. Tipp

Wenn Sie beide Halterungen nach innen drücken, können Sie die mechanische Füllstandsanzeige leichter entnehmen.



Die mechanische Füllstandsanzeige ausbauen und mit einem feuchten Tuch reinigen.

8. Die Tropfschale, das Tropfblech, den Kaffeesatzbehälter und die mechanische Füllstandsanzeige zusammensetzen und in das Gerät einsetzen.
9. Die Tür schließen.

Pulverschacht reinigen

Tipp: Sie können den Pulverschacht im Geschirrspüler reinigen.

1. Den Pulverschacht an der geöffneten Klappe herausziehen.
→ Abb. **5**
2. Den Pulverschacht mit Spülmittel reinigen.
→ Abb. **6**
3. Den Pulverschacht trocknen und in das Gerät einsetzen.

Milchsystem reinigen

Reinigen Sie das Milchsystem regelmäßig.

⚠️ WARNUNG

Verbrennungsgefahr!

Das Milchsystem wird sehr heiß.

- ▶ Nie das heiße Milchsystem berühren.
- ▶ Das heiße Milchsystem vor dem Berühren abkühlen lassen.

ACHTUNG!

Das Gerät kann durch unsachgemäße Reinigung beschädigt werden.

- ▶ Die Abdeckung des Auslaufsystems nicht in den Geschirrspüler geben.

Tipps

- Wenn Sie das Milchsystem besonders gründlich reinigen wollen, können Sie das Service-Programm "Milchsystem reinigen" verwenden.
→ "Milchsystem reinigen verwenden", Seite 239

- Sie können alle Komponenten des Milchsystems in der Geschirrspülmaschine reinigen.

1. Das Auslaufsystem ganz nach unten schieben.
2. Die Abdeckung nach vorn herausziehen und den Milchschlauch entfernen.
→ Abb. **7**
3. Das Milchsystem nach vorn herausziehen.
→ Abb. **8**
4. Das Oberteil und das Unterteil des Milchsystems zerlegen.
→ Abb. **9**
5. Den Milchschlauch und das Ansaugrohr trennen.
6. Die Komponenten mit Spüllauge und einem weichen Tuch reinigen.
→ Abb. **10**
7. Alle Komponenten mit klarem Wasser spülen und abtrocknen.
→ Abb. **11**

de Reinigen und Pflegen

8. Die Laugenrückstände im Milchsystem nach dem Spülvorgang gründlich entfernen.
9. Das Oberteil und das Unterteil des Milchsystems zusammensetzen.
→ Abb. **12**
10. Den Milchschauch anstecken.
11. Das Auslaufsystem ganz nach unten schieben.
12. Das Milchsystem gerade von vorn in das Gerät einsetzen.
→ Abb. **13**
13. Die Abdeckung aufsetzen.
14. Das Auslaufsystem ganz nach oben schieben.
→ Abb. **14**

Brüheinheit reinigen

Entnehmen und reinigen Sie zusätzlich zum automatischen Spülvorgang regelmäßig die Brüheinheit.

WARNUNG **Verbrennungsgefahr!**

Einige Geräteteile werden sehr heiß.

- ▶ Nie die heißen Geräteteile berühren.
- ▶ Die heißen Geräteteile vor dem Berühren abkühlen lassen.

ACHTUNG!

Durch unsachgemäße Reinigung kann das Gerät beschädigt werden.

- ▶ Kein Spülmittel verwenden.
- ▶ Keine essighaltigen und säurehaltigen Reinigungsmittel verwenden.
- ▶ Nicht in der Geschirrspülmaschine reinigen.

1. Den Milchschauch vom Auslaufsystem trennen.
→ Abb. **7**
2. Mit \odot das Gerät ausschalten.
3. Die Brühraumtür öffnen.
→ Abb. **15**

4. Die Tropfschale mit dem Kaffeesatzbehälter entnehmen.
→ Abb. **16**
5. Den roten Hebel nach oben drücken.
6. Die Brüheinheit am Griff anfassen und vorsichtig nach vorn herausziehen.
→ Abb. **17**
7. Die Brüheinheit unter fließendem, warmen Wasser gründlich reinigen.
→ Abb. **18**
8. Den Geräteinnenraum mit einem feuchten Tuch reinigen und die Kaffeesterne entfernen.
9. Die Brüheinheit und den Geräteinnenraum trocknen lassen.
10. Die Brüheinheit am Griff anfassen.
11. Den roten Hebel nach oben drücken.
12. Die Brüheinheit unter dem Hebel ansetzen und bis zum Anschlag nach hinten schieben.
→ Abb. **19**
- ✓ Der Hebel rastet ein.
13. Die Tropfschale mit dem Kaffeesatzbehälter einsetzen.
→ Abb. **20**
14. Die Tür schließen.
→ Abb. **21**
Die Tür kann nur geschlossen werden, wenn die Brüheinheit und die Tropfschale richtig eingesetzt sind.

Service-Programme

Nach bestimmten Zeitabständen empfiehlt Ihnen Ihr Gerät die Service-Programme zu nutzen. Verwenden Sie die Service-Programme, um Ihr Gerät gründlich zu reinigen.

ACHTUNG!

Unsachgemäße oder nicht rechtzeitig erfolgte Reinigung und Entkalkung kann das Gerät beschädigen.

- ▶ Den Entkalkungsvorgang nach Anweisung sofort durchführen.

- ▶ Keine Entkalkungstabletten oder andere Mittel in den Pulverschacht einfüllen.

Je nach Wasserhärte und Gerätenutzung zeigt das Display nach Vorankündigung folgende Meldungen an:

- "Bitte Milchsystem reinigen."
- "Entkalken notwendig Bitte 3 Sek. menu drücken."
- "Reinigen notwendig Bitte 3 Sek. menu drücken."
- "calc'nClean notw. Bitte 3 Sek. menu drücken."

Hinweise

- Das Display zeigt an, wie weit der Ablauf fortgeschritten ist.
- Wurde Ihr Gerät nicht rechtzeitig entkalkt, zeigt das Display "Entkalken überfällig. Gerät ist gesperrt. Bitte 3 Sek. menu drücken" an.
- Ist Ihr Gerät gesperrt, können Sie es erst wieder nach erfolgtem Entkalkungsvorgang bedienen.
- Wenn Sie das Service-Programm versehentlich unterbrechen, müssen Sie es zurücksetzen.
→ "Service-Programme zurücksetzen", Seite 239

Tipps

- Wenn Sie einen Wasserfilter verwenden, verlängert sich der Zeitabstand bis ein Service-Programme durchgeführt werden muss.
- Sie können Entkalken und Reinigen durch das Service-Programm calc'nClean zusammenfassen.
→ "calc'nClean verwenden", Seite 241
- Reinigen Sie gleich nach einem Service-Programm Ihr Gerät mit einem weichen, feuchten Tuch, um Rückstände der Entkalkungslösung zu entfernen und Korrosion vorzubeugen.

Service-Programme zurücksetzen

Nehmen Sie folgende Schritte vor, wenn ein Service-Programm unterbrochen wurde, z. B. durch einen Stromausfall.

1. Den Behälter entleeren und das Ende des Ansaugrohrs in den Behälter geben.
2. Den Wassertank ausspülen.
3. Den Wassertank mit frischem Wasser ohne Kohlensäure bis zur Markierung "max" füllen.
4. **ok** drücken.
✓ Das Gerät wird ca. 2 Minuten gespült.
5. Die Tropfschale leeren und reinigen.
6. Die Tropfschale einsetzen und die Tür schließen.
7. Das Service-Programm erneut starten.

Milchsystem reinigen verwenden

Spülen Sie das Milchsystem bei Bedarf mit Wasser. Der Spülvorgang dauert ca. 1 Minute.

1. **menu**  drücken.
2. Mit  und  "Reinigung" wählen und **ok** drücken.
3. Mit  und  "Milchsystem" wählen und **ok** drücken.
4. Um das Programm zu starten, **ok** drücken.
✓ Das Display führt durch das Programm.
5. Ein leeres Glas unter das Auslaufsystem stellen und das Ende des Ansaugrohrs in das Glas stecken.
6. **ok** drücken.
✓ Das Milchsystem reinigt sich automatisch.
7. Das Glas leeren und das Ansaugrohr reinigen.
✓ Das Programm ist beendet und das Gerät ist betriebsbereit.

Tipp: Wenn Sie das Milchsystem besonders gründlich reinigen wollen, reinigen Sie es regelmäßig manuell.
→ *"Milchsystem reinigen"*, Seite 237

Entkalken verwenden

Führen Sie das Entkalkungsprogramm aus, wenn Sie Ihr Gerät darauf hinweist. Der Vorgang dauert ca. 30 Minuten.

Voraussetzung: Die Brüheinheit ist gereinigt.

→ *"Brüheinheit reinigen"*, Seite 238

1. **menu**  drücken.
2. Mit  und  "Reinigung" wählen und **ok** drücken.
3. Mit  und  "Entkalken" wählen und **ok** drücken.
4. Um das Programm zu starten, **ok** drücken.
✓ Das Display führt durch das Programm.
5. Die Tropfschale leeren und einsetzen.
6. Wenn ein Wasserfilter vorhanden ist, den Wasserfilter entfernen.
7. **ok** drücken.
8. Den Wassertank leeren.
9. Einen Behälter mit 0,5 l lauwarmem Wasser füllen.
10. Eine Siemens-Entkalkungstablette in das Wasser geben und rühren, bis die Tablette vollständig aufgelöst ist.
11. Die Entkalkungslösung in den Wassertank bis zur Markierung calc einfüllen und **ok** drücken.
12. Einen Behälter mit mindestens 0,5 l Fassungsvermögen unter das Auslaufsystem stellen.
13. Das Ende des Ansaugrohrs in den Behälter geben und **ok** drücken.
✓ Das Entkalkungsprogramm läuft ca. 20 Minuten.
14. Den Wassertank spülen.

15. **ok** drücken.

16. Wenn ein Wasserfilter vorhanden ist, den Wasserfilter einsetzen.
→ *"Wasserfilter einsetzen und aktivieren"*, Seite 232

17. **ok** drücken.

18. Frisches Wasser bis zur Markierung "max" einfüllen.

19. **ok** drücken.

✓ Das Entkalkungsprogramm läuft ca. 1 Minute und spült das Gerät.

20. Die Tropfschale leeren und einsetzen.

21. Das Ansaugrohr des Milchsystems gründlich reinigen.

✓ Das Programm ist beendet und das Gerät ist betriebsbereit.

Reinigen verwenden

Führen Sie das Reinigungsprogramm aus, wenn Sie Ihr Gerät darauf hinweist. Der Vorgang dauert ca. 9 Minuten.

Voraussetzung: Die Brüheinheit ist gereinigt.

→ *"Brüheinheit reinigen"*, Seite 238

1. **menu**  drücken.

2. Mit  und  "Reinigung" wählen und **ok** drücken.

3. Mit  und  "Reinigen" wählen und **ok** drücken.

4. Um das Programm zu starten, **ok** drücken.

✓ Das Display führt durch das Programm.

5. Die Tropfschale leeren und einsetzen.

6. Den Pulverschacht öffnen.

7. Eine Siemens-Reinigungstablette in den Pulverschacht geben.

8. Den Pulverschacht schließen und **ok** drücken.

9. Einen Behälter mit mindestens 0,5 l Fassungsvermögen unter das Auslaufsystem stellen und **ok** drücken.
- ✓ Das Reinigungsprogramm läuft ca. 7 Minuten.
10. Die Tropfschale leeren und einsetzen.
- ✓ Das Programm ist beendet und das Gerät ist betriebsbereit.

calc'nClean verwenden

Sie können mit dem Service-Programm calc'nClean die Programme Reinigen und Entkalken kombinieren. Führen Sie das calc'nClean-Programm aus, wenn Sie Ihr Gerät darauf hinweist. Der Vorgang dauert ca. 43 Minuten.

Voraussetzung: Die Brüheinheit ist gereinigt.

→ *"Brüheinheit reinigen", Seite 238*

1. **menu**  drücken.
2. Mit  und  "Reinigung" wählen und **ok** drücken.
3. Mit  und  "calc'nClean" wählen und **ok** drücken.
4. Um das Programm zu starten, **ok** drücken.
- ✓ Das Display führt durch das Programm.
5. Die Tropfschale leeren und einsetzen.
6. Wenn ein Wasserfilter vorhanden ist, den Wasserfilter entfernen.
7. **ok** drücken.
8. Den Wassertank leeren.
9. Einen Behälter mit 0,5 l lauwarmem Wasser füllen.
10. Eine Siemens-Entkalkungstablette in das Wasser geben und rühren, bis die Tablette vollständig aufgelöst ist.
11. Die Entkalkungslösung in den Wassertank bis zur Markierung calc einfüllen und **ok** drücken.

12. Einen Behälter mit mindestens 0,5 l Fassungsvermögen unter das Auslaufsystem stellen.
13. Das Ende des Ansaugrohrs in den Behälter geben und **ok** drücken.
- ✓ Das Entkalkungsprogramm läuft ca. 20 Minuten.
14. Den Wassertank spülen.
15. **ok** drücken.
16. Wenn ein Wasserfilter vorhanden ist, den Wasserfilter einsetzen.
→ *"Wasserfilter einsetzen und aktivieren", Seite 232*
17. **ok** drücken.
18. Frisches Wasser bis zur Markierung "max" einfüllen.
19. **ok** drücken.
- ✓ Das Programm läuft ca. 1 Minute und spült das Gerät.
20. Die Tropfschale leeren und einsetzen.
21. Den Pulverschacht öffnen.
22. Eine Siemens-Reinigungstablette in den Pulverschacht geben.
23. Den Pulverschacht schließen und **ok** drücken.
24. Einen Behälter mit mindestens 0,5 l Fassungsvermögen unter das Auslaufsystem stellen und **ok** drücken.
- ✓ Das Reinigungsprogramm läuft ca. 7 Minuten.
25. Die Tropfschale leeren und einsetzen.
26. Das Ansaugrohr des Milchsystems gründlich reinigen.
- ✓ Das Programm ist beendet und das Gerät ist betriebsbereit.

Störungen beheben

Kleinere Störungen an Ihrem Gerät können Sie selbst beheben. Nutzen Sie die Informationen zur Störungsbehebung, bevor Sie den Kundendienst kontaktieren. So vermeiden Sie unnötige Kosten.

WARNUNG **Stromschlaggefahr!**

Unsachgemäße Reparaturen sind gefährlich.

- ▶ Nur dafür geschultes Fachpersonal darf Reparaturen am Gerät durchführen.
- ▶ Nur Original-Ersatzteile dürfen zur Reparatur des Geräts verwendet werden.
- ▶ Wenn die Netzanschlussleitung dieses Geräts beschädigt wird, muss sie durch den Hersteller oder seinen Kundendienst oder eine ähnlich qualifizierte Person ersetzt werden, um Gefährdungen zu vermeiden.

Hinweise im Anzeigefeld

Störung	Ursache	Störungsbehebung
Displayanzeige "Schließen" erscheint trotz geschlossener Tür.	Tür ist nicht korrekt geschlossen.	▶ Drücken Sie die Tür fest zu.
	Gerät ist zu heiß.	<ol style="list-style-type: none"> 1. Trennen Sie das Gerät vom Netz. 2. Warten Sie 1 Stunde, um das Gerät abkühlen zu lassen.
Displayanzeige "Bitte Tropfschale leeren und wieder einsetzen." erscheint trotz leerer Tropfschale.	Gerät ist ausgeschaltet und erkennt Entleeren nicht.	<ol style="list-style-type: none"> 1. Schalten Sie das Gerät ein und entnehmen Sie die Tropfschale. 2. Setzen Sie die Tropfschale wieder ein.
	Tropfschale ist verschmutzt.	▶ Reinigen Sie die Tropfschale gründlich.
Displayanzeige "Bitte Wassertank füllen" erscheint trotz vollem Wassertank.	Wassertank ist falsch eingesetzt.	▶ Setzen Sie den Wassertank richtig ein.
	Kohlensäurehaltiges Wasser ist im Wassertank.	▶ Füllen Sie den Wassertank mit frischem Leitungswasser.
	Schwimmer im Wassertank hängt fest.	<ol style="list-style-type: none"> 1. Entnehmen Sie den Wassertank. 2. Reinigen Sie den Wassertank gründlich.
	Neuer Wasserfilter wurde nicht nach Anleitung gespült.	<ol style="list-style-type: none"> 1. Spülen Sie den Wasserfilter nach der Anleitung. → "Wasserfilter einsetzen und aktivieren", Seite 232 2. Nehmen Sie den Wasserfilter in Betrieb.

Störung	Ursache	Störungsbehebung
Displayanzeige "Bitte Wassertank füllen" erscheint trotz vollem Wassertank.	Im Wasserfilter ist Luft.	<ol style="list-style-type: none"> 1. Tauchen Sie den Wasserfilter mit der Öffnung nach oben so lange in Wasser, bis keine Luftblasen mehr entweichen. 2. Setzen Sie den Filter wieder ein. → "Wasserfilter einsetzen und aktivieren", Seite 232
	Wasserfilter ist alt.	<ul style="list-style-type: none"> ▶ Setzen Sie einen neuen Wasserfilter ein.
	Kalkablagerungen im Wassertank verstopfen das System.	<ol style="list-style-type: none"> 1. Reinigen Sie den Wassertank gründlich. 2. Starten Sie das Entkalkungsprogramm. → "Entkalken verwenden", Seite 240
Displayanzeige "Bitte Brüheinheit reinigen, wieder einsetzen und Tür schließen." erscheint.	Brüheinheit ist verschmutzt.	<ul style="list-style-type: none"> ▶ Reinigen Sie die Brüheinheit. → "Brüheinheit reinigen", Seite 238
	Mechanismus von Brüheinheit ist schwergängig.	<ul style="list-style-type: none"> ▶ Reinigen Sie die Brüheinheit. → "Brüheinheit reinigen", Seite 238
	Kaffeepulver in der Brüheinheit ist zu viel.	<ul style="list-style-type: none"> ▶ Verwenden Sie maximal 2 gestrichene Pulverlöffel mit Kaffeepulver. → "Brüheinheit reinigen", Seite 238
Displayanzeige "Spannung (V) nicht korrekt." erscheint.	Spannung in der Hausanlage ist falsch.	<ul style="list-style-type: none"> ▶ Betreiben Sie das Gerät nur bei 220 - 240 V.
Displayanzeige "Bitte Gerät neu starten." erscheint.	Brüheinheit ist stark verschmutzt oder kann nicht entnommen werden.	<ul style="list-style-type: none"> ▶ Starten Sie das Gerät neu. ▶ Reinigen Sie die Brüheinheit. → "Brüheinheit reinigen", Seite 238
	Gerät hat eine Störung.	<ol style="list-style-type: none"> 1. Ziehen Sie den Netzstecker und warten Sie 10 Sekunden. 2. Stecken Sie den Netzstecker ein.
Displayanzeige "calc'nClean" erscheint sehr häufig.	Entkalktes Wasser enthält noch geringe Mengen an Kalk.	<ol style="list-style-type: none"> 1. Setzen Sie einen neuen Wasserfilter ein. → "Wasserfilter einsetzen und aktivieren", Seite 232 2. Stellen Sie die Wasserhärte entsprechend ein. → "Wasserhärte einstellen", Seite 226
	Falsches oder zu wenig Entkalkungsmittel verwendet.	<ul style="list-style-type: none"> ▶ Verwenden Sie zum Entkalken ausschließlich geeignete Tabletten.

de Störungen beheben

Störung	Ursache	Störungsbehebung
Displayanzeige "calc'nClean" erscheint sehr häufig.	Service-Programm ist nicht vollständig ausgeführt.	▶ Setzen Sie das Service-Programm zurück. → "Service-Programme zurücksetzen", Seite 239

Funktionsstörungen

Störung	Ursache	Störungsbehebung
Gerät reagiert nicht mehr.	Gerät hat eine Störung.	<ol style="list-style-type: none">1. Ziehen Sie den Netzstecker und warten Sie 10 Sekunden.2. Stecken Sie den Netzstecker ein.
Gerät gibt nur Wasser aus, keinen Kaffee.	Leerer Bohnenbehälter wird vom Gerät nicht erkannt.	▶ Füllen Sie Kaffeebohnen ein.
	Kaffeeschacht an Brüheinheit ist verstopft.	▶ Reinigen Sie die Brüheinheit. → "Brüheinheit reinigen", Seite 238
	Bohnen sind zu ölig und fallen nicht ins Mahlwerk.	▶ Klopfen Sie leicht an den Bohnenbehälter. ▶ Wechseln Sie die Kaffeesorste. Verwenden Sie keine öligen Bohnen. ▶ Reinigen Sie den leeren Bohnenbehälter mit einem feuchten Tuch.
	Brüheinheit ist nicht richtig eingesetzt.	▶ Schieben Sie die Brüheinheit ganz nach hinten.
Gerät gibt keinen Milchschaum aus.	Milchsystem ist verschmutzt.	▶ Reinigen Sie das Milchsystem im Geschirrspüler. → "Milchsystem reinigen", Seite 237
	Milchrohr taucht nicht in Milch ein.	▶ Verwenden Sie mehr Milch. ▶ Prüfen Sie, ob das Milchrohr in die Milch eintaucht.
	Gerät ist stark verkalkt.	▶ Entkalken Sie das Gerät. → "Entkalken verwenden", Seite 240
Milchsystem saugt keine Milch an.	Milchsystem ist nicht richtig zusammengesetzt.	▶ Setzen Sie das Milchsystem richtig zusammen. → "Milchsystem reinigen", Seite 237
	Milchrohr taucht nicht in Milch ein.	▶ Verwenden Sie mehr Milch.

Störung	Ursache	Störungsbehebung
Milchsystem saugt keine Milch an.		▶ Prüfen Sie, ob das Milchrohr in die Milch eintaucht.
Milchschaum ist zu kalt.	Milch ist zu kalt.	▶ Verwenden Sie lauwarmer Milch.
Gerät gibt kein Heißwasser aus.	Milchsystem ist verschmutzt.	▶ Reinigen Sie das Milchsystem im Geschirrspüler. → <i>"Milchsystem reinigen", Seite 237</i>
Gerät gibt kein Getränk aus.	Im Wasserfilter ist Luft.	<ol style="list-style-type: none"> 1. Tauchen Sie den Wasserfilter mit der Öffnung nach oben so lange in Wasser, bis keine Luftblasen mehr entweichen. 2. Setzen Sie den Filter wieder ein. → <i>"Wasserfilter einsetzen und aktivieren", Seite 232</i> ▶ Drücken Sie den Wasserfilter gerade und fest in den Tankanschluss.
	Entkalkungsmittelreste verstopfen Wassertank.	<ol style="list-style-type: none"> 1. Entnehmen Sie den Wassertank. 2. Reinigen Sie den Wassertank gründlich.
Auf innerem Geräteboden befindet sich Tropfwasser.	Tropfschale wurde zu früh entnommen.	▶ Entnehmen Sie die Tropfschale erst einige Sekunden nach dem letzten Getränkebezug.
Brüheinheit kann nicht entnommen werden.	Brüheinheit ist nicht in Entnahmeposition.	▶ Schalten Sie das Gerät wieder ein.
Gerät lässt sich nicht bedienen. Displayanzeigen wechseln.	Gerät ist im Demomodus.	<ol style="list-style-type: none"> 1. Entnehmen Sie den Wassertank und füllen Sie ihn mit frischem, kaltem Wasser. 2. Setzen Sie den Wassertank wieder ein.
Mahlwerk läuft nicht an.	Gerät ist zu heiß.	<ol style="list-style-type: none"> 1. Trennen Sie das Gerät vom Netz. 2. Warten Sie 1 Stunde, um das Gerät abkühlen zu lassen.
Mahlwerk mahlt keine Bohnen trotz gefülltem Bohnenbehälter.	Bohnen sind zu ölig und fallen nicht ins Mahlwerk.	▶ Klopfen Sie leicht an den Bohnenbehälter. ▶ Wechseln Sie die Kaffeesorte. Verwenden Sie keine öligen Bohnen. ▶ Reinigen Sie den leeren Bohnenbehälter mit einem feuchten Tuch.

Ergebnisproblem

Störung	Ursache	Störungsbehebung
Stark schwankende Kaffee-, bzw. Milchschaumqualität.	Gerät ist verkalkt.	<ul style="list-style-type: none"> ▶ Entkalken Sie das Gerät. → <i>"Entkalken verwenden"</i>, Seite 240
Schwankende Milchschaumqualität.	Milchschaumqualität ist abhängig von Art der verwendeten Milch oder pflanzlichem Getränk.	<ul style="list-style-type: none"> ▶ Optimieren Sie das Ergebnis durch die Auswahl der Milch- oder der pflanzlichen Getränkesorte.
Kaffee wird nicht oder nur tropfenweise ausgegeben. Eingestellte Füllmenge wird nicht erreicht.	Mahlgrad ist zu fein eingestellt.	<ul style="list-style-type: none"> ▶ Stellen Sie den Mahlgrad gröber ein. → <i>"Mahlgrad einstellen"</i>, Seite 232
	Gerät ist stark verkalkt.	<ul style="list-style-type: none"> ▶ Entkalken Sie das Gerät. → <i>"Entkalken verwenden"</i>, Seite 240
	Im Wasserfilter ist Luft.	<ol style="list-style-type: none"> 1. Tauchen Sie den Wasserfilter mit der Öffnung nach oben so lange in Wasser, bis keine Luftblasen mehr entweichen. 2. Setzen Sie den Filter wieder ein. → <i>"Wasserfilter einsetzen und aktivieren"</i>, Seite 232
	Gerät ist verschmutzt.	<ul style="list-style-type: none"> ▶ Reinigen Sie die Brüheinheit. → <i>"Brüheinheit reinigen"</i>, Seite 238 ▶ Entkalken und reinigen Sie das Gerät. → <i>"calc'nClean verwenden"</i>, Seite 241
	Kaffeestärke ist zu hoch eingestellt.	<ul style="list-style-type: none"> ▶ Verringern Sie die Kaffeestärke auf z. B. "normal". → <i>"Kaffeestärke anpassen"</i>, Seite 231
Kaffee hat keine Crema.	Kaffeesorste ist nicht optimal.	<ul style="list-style-type: none"> ▶ Verwenden Sie eine Kaffeesorste mit einem höheren Anteil an Robusta-Bohnen. ▶ Verwenden Sie Bohnen mit einer dunkleren Röstung.
	Bohnen sind nicht mehr röstfrisch.	<ul style="list-style-type: none"> ▶ Verwenden Sie frische Bohnen.
	Mahlgrad ist nicht auf Kaffeebohnen abgestimmt.	<ul style="list-style-type: none"> ▶ Stellen Sie den Mahlgrad feiner ein. → <i>"Mahlgrad einstellen"</i>, Seite 232

Störung	Ursache	Störungsbehebung
Kaffee ist zu sauer.	Mahlgrad ist zu grob eingestellt.	▶ Stellen Sie den Mahlgrad feiner ein. → <i>"Mahlgrad einstellen", Seite 232</i>
	Kaffeessorte ist nicht optimal.	▶ Verwenden Sie eine Kaffeessorte mit einem höheren Anteil an Robusta-Bohnen. ▶ Verwenden Sie Bohnen mit einer dunkleren Röstung.
Kaffee ist zu bitter.	Mahlgrad ist zu fein eingestellt.	▶ Stellen Sie den Mahlgrad gröber ein. → <i>"Mahlgrad einstellen", Seite 232</i>
	Kaffeessorte ist nicht optimal.	▶ Wechseln Sie die Kaffeessorte.
Kaffee schmeckt verbrannt.	Mahlgrad ist zu fein eingestellt.	▶ Stellen Sie den Mahlgrad gröber ein. → <i>"Mahlgrad einstellen", Seite 232</i>
	Kaffeessorte ist nicht optimal.	▶ Wechseln Sie die Kaffeessorte.
	Kaffeetemperatur-einstellung ist zu hoch.	▶ Stellen Sie die Kaffeetemperatur niedriger ein. → <i>"Übersicht Grundeinstellungen", Seite 234</i>
Kaffeersatz ist nicht kompakt und zu nass.	Mahlgrad ist nicht optimal eingestellt.	▶ Stellen Sie den Mahlgrad gröber oder feiner ein. → <i>"Mahlgrad einstellen", Seite 232</i>
	Kaffeepulver ist zu wenig.	▶ Verwenden Sie 2 gestrichene Messlöffel Kaffeepulver.
	Bohnen sind zu ölig.	▶ Verwenden Sie eine andere Boh-nensorte.

Transportieren, Lagern und Entsorgen

Erfahren Sie hier, wie Sie Ihr Gerät für den Transport und die Lagerung vorbereiten. Außerdem erfahren Sie, wie sie Altgeräte entsorgen.

Frostschutz aktivieren

Schützen Sie Ihr Gerät vor Frosteinwirkung bei dem Transport und der Lagerung.

ACHTUNG!

Flüssigkeitsrückstände im Gerät können beim Transport oder der Lagerung das Gerät beschädigen.

- ▶ Vor dem Transport oder der Lagerung das Leitungssystem leeren.

Voraussetzungen

- Das Gerät ist betriebsbereit.
 - Der Wassertank ist gefüllt.
1. Den Milchbehälter entfernen.
 2. Die Brüheinheit reinigen.
→ "Brüheinheit reinigen", Seite 238
 3. Einen großen Behälter unter das Auslaufsystem stellen.
 4.  so oft drücken, bis das Display "Milchschaum" anzeigt.
 5. **ml** so oft drücken, bis das Display 240 ml anzeigt.
 6. **start stop** drücken.
 7. Warten bis aus dem Gerät Dampf entweicht.
 8. Den Wassertank entnehmen.
✓ Das Gerät entleert sich automatisch.
 9. Wenn die Meldung "Bitte Wassertank füllen" erscheint, die Meldung ignorieren.
 10. Den Wassertank und die Tropfschale entleeren und reinigen.
 11. Den Wassertank und die Tropfschale einsetzen.

12. Das Gerät ausschalten und vom Stromnetz trennen.

Altgerät entsorgen

Durch umweltgerechte Entsorgung können wertvolle Rohstoffe wiederverwendet werden.

1. Den Netzstecker der Netzanschlussleitung ziehen.
2. Die Netzanschlussleitung durchtrennen.
3. Das Gerät umweltgerecht entsorgen.



Dieses Gerät ist entsprechend der europäischen Richtlinie 2012/19/EU über Elektro- und Elektronikaltgeräte (waste electrical and electronic equipment – WEEE) gekennzeichnet. Die Richtlinie gibt den Rahmen für eine EU-weit gültige Rücknahme und Verwertung der Altgeräte vor.

Kundendienst

Wenn Sie Fragen haben, eine Störung am Gerät nicht selbst beheben können oder das Gerät repariert werden muss, wenden Sie sich an unseren Kundendienst.

Viele Probleme können Sie durch die Information zur Störungsbehebung in dieser Anleitung oder auf unserer Webseite selbst beheben. Falls dies nicht der Fall ist, wenden Sie sich an unseren Kundendienst.

Wir finden immer eine passende Lösung.

Wir stellen sicher, dass Ihr Gerät mit Original-Ersatzteilen von geschultem Kundendienstpersonal im Garantiefall und nach Ablauf der Herstellergarantie repariert wird.

Funktionsrelevante Original-Ersatzteile gemäß der entsprechenden Öko-design-Verordnung erhalten Sie bei unserem Kundendienst für die Dauer von mindestens 7 Jahren ab dem Inverkehrbringen Ihres Geräts innerhalb des Europäischen Wirtschaftsraums.

Hinweis: Der Einsatz des Kundendienstes ist im Rahmen der Herstellergarantiebedingungen kostenfrei.

Detaillierte Informationen über die Garanzzeit und die Garantiebedingungen in Ihrem Land erhalten Sie bei unserem Kundendienst, Ihrem Händler oder auf unserer Webseite.

Garantiebedingungen

Sie haben für Ihr Gerät Anspruch auf Garantie gemäß nachfolgender Bedingungen.

Für dieses Gerät gelten die von unserer jeweils zuständigen Landesvertretung herausgegebenen Garantiebedingungen des Landes, in dem das Gerät gekauft wurde. Sie können die Garantiebedingungen jederzeit über Ihren Fachhändler, bei dem Sie das Gerät gekauft haben oder direkt bei unserer Landesvertretung anfordern. Die Garantiebedingungen für Deutschland finden Sie am Ende des deutschen Sprachteils. Die Adressen finden Sie auf den letzten Seiten dieses Hefts. Darüber hinaus sind die Garantiebedingungen auch im Internet unter der genannten Web-Adresse hinterlegt. Für die Inanspruchnahme von Garantieleistungen ist in jedem Fall die Vorlage des Kaufbeleges erforderlich.

Wenn Sie den Kundendienst kontaktieren, benötigen Sie die Erzeugnisnummer (E-Nr.) und die Fertigungsnummer (FD) Ihres Geräts.

Die Kontaktdaten des Kundendienstes finden Sie im Kundendienstverzeichnis am Ende der Anleitung oder auf unserer Webseite.

Erzeugnisnummer (E-Nr.) und Fertigungsnummer (FD)

Die Erzeugnisnummer (E-Nr.) und die Fertigungsnummer (FD) finden Sie auf dem Typenschild des Geräts. Um Ihre Gerätedaten und die Kundendienst-Telefonnummer schnell wiederzufinden, können Sie die Daten notieren.

DE Garantiebedingungen BSH Hausgeräte GmbH, Deutschland

Stand: Januar 2020

Die nachstehenden Bedingungen, die Voraussetzungen und Umfang unserer Garantieleistung beschreiben, lassen die Gewährleistungsverpflichtungen des Verkäufers aus dem Kaufvertrag mit dem Endabnehmer unberührt.

Für dieses Gerät leisten wir Garantie gemäß den nachstehenden Bedingungen:

1. Wir beheben unentgeltlich nach Maßgabe der folgenden Bedingungen (Nr.2 – 6) Mängel am Gerät, die nachweislich auf einem Material- und/oder Herstellungsfehler beruhen, wenn sie uns unverzüglich nach Feststellung und innerhalb von 24 Monaten nach Lieferung an den Erstendabnehmer gemeldet werden. Zeigt sich der Mangel innerhalb von 6 Monaten ab Lieferung, wird vermutet, dass es sich um einen Material- oder Herstellungsfehler handelt.
2. Die Garantie erstreckt sich nicht auf zerbrechliche Teile wie z.B. Glas oder Kunststoff bzw. Glühlampen.

Eine Garantiepflicht wird nicht ausgelöst durch geringfügige Abweichungen von der Soll-Beschaffenheit, die für Wert und Gebrauchstauglichkeit des Gerätes unerheblich sind, oder durch Schäden aus chemischen und elektrochemischen Einwirkungen von Wasser, Fehlgebrauch, eine nicht haushaltsübliche Nutzung, mangelnde Pflege oder Nichtbeachtung von Bedienungs- oder Montagehinweisen zurückzuführen sind.

Ebenso kann keine Garantie übernommen werden, wenn die Mängel am Gerät auf Transportschäden, die nicht von uns zu vertreten sind, nicht fachgerechte Installation und Montage, Fehlgebrauch, eine nicht haushaltsübliche Nutzung, mangelnde Pflege oder Nichtbeachtung von Bedienungs- oder Montagehinweisen zurückzuführen sind.

Der Garantieanspruch erlischt, wenn Reparaturen oder Eingriffe von Personen vorgenommen werden, die hierzu von uns nicht ermächtigt sind, oder wenn unsere Geräte mit Ersatzteilen, Ergänzungs- oder Zubehörteilen versehen werden, die keine Originalteile sind und dadurch ein Defekt verursacht wird.

3. Die Garantieleistung erfolgt in der Weise, dass mangelhafte Teile nach unserer Wahl unentgeltlich instandgesetzt oder durch einwandfreie Teile ersetzt werden.

Geräte, die zumutbar (z.B. im PKW) transportiert werden können, und für die unter Bezugnahme auf diese Garantie eine Garantieleistung beansprucht wird, sind unserer nächstgelegenen Kundendienststelle oder unserem Vertragskundendienst zu übergeben oder zuzusenden. Instandsetzungen am Aufstellungsort können nur für stationär betriebene (feststehende) Geräte verlangt werden.

Es ist jeweils der Kaufbegl. mit Lieferdatum oder wenigstens mit dem Kaufdatum vorzulegen. Ersetzte Teile gehen in unser Eigentum über.

4. Sofern die Nachbesserung von uns abgelehnt wird oder fehlschlägt, wird innerhalb der oben genannten Garantiezeit auf Wunsch des Endabnehmers kostenfrei gleichwertiger Ersatz aus dem lokalen Geräteportfolio geliefert.
5. Garantieleistungen bewirken weder eine Verlängerung der Garantiefrist, noch setzen sie eine neue Garantiefrist in Lauf. Die Garantiefrist für eingebaute Ersatzteile endet mit der Garantiefrist für das ganze Gerät.
6. Weitergehende oder andere Ansprüche, insbesondere solche auf Ersatz außerhalb des Gerätes entstandener Schäden sind – soweit eine Haftung nicht zwingend gesetzlich angeordnet ist – ausgeschlossen.

Diese Garantiebedingungen gelten für Geräte, die in Deutschland gekauft und betrieben werden.

Werden Geräte in ein anderes Land der EU/der EFTA verbracht („Zielland“) und dort betrieben, die die technischen Voraussetzungen (z.B. Spannung, Frequenz, Gasarten, etc.) für das Zielland aufweisen und die für die jeweiligen Umweltbedingungen geeignet sind, gelten die Garantiebedingungen des Ziellandes, soweit wir in diesem Land ein Kundendienstnetz haben.

Diese können Sie bei der Landesvertretung des Ziellandes anfordern. Bei Verbringung in Länder außerhalb der EU/der EFTA erlischt die Garantie.

Beachten Sie unser weiteres Kundendienstangebot:

Auch nach Ablauf der Garantie stehen Ihnen unser Werkskundendienst und unsere Servicepartner zur Verfügung.

BSH Hausgeräte GmbH

Die BSH Gruppe ist ein Markenlizenznehmer der Siemens AG
Carl-Wery-Straße 34
81739 München, GERMANY

03/20

Siemens Info Line

(Mo-Fr: 8.00-18.00 Uhr erreichbar)

Für Produktinformationen sowie Anwendungs- und Bedienungsfragen zu **kleinen Hausgeräten**:

Tel.: 0911 70 440 044 oder unter
siemens-info-line@bshg.com

Nur für Deutschland gültig!

Technische Daten

Zahlen und Fakten zu Ihrem Gerät finden Sie hier.

Spannung	220-240 V ~
Frequenz	50 Hz
Anschlusswert	1500 W
Maximaler Pumpendruck, statisch	15 bar
Maximales Fassungsvermögen, Wassertank (ohne Filter)	1,7 l
Maximales Fassungsvermögen, Bohnenbehälter	270 g
Länge der Zuleitung	100 cm
Gerätehöhe	37,3 cm
Gerätebreite	27,6 cm
Gerätetiefe	45,2 cm
Gewicht, ungefüllt	8-9 kg
Art des Mahlwerks	Keramik

Service world-wide

Central Service Contacts

AE United Arab Emirates, الإمارات العربية المتحدة
BSH Home Appliances FZE
Round About 13, Plot Nr MO-0532A
Jebel Ali Free Zone - Dubai
Tel.: 04 881 4401*
mailto:service.uae@bshg.com
www.siemens-home.bsh-group.com/me
*Sun-Thu 8am to 5 pm (exclude public holidays)

AM Armenia, Հայաստան
ZIG ZAG LLC
Charenci str. 25
Yerevan 375025
Tel.: 010 55 60 10
mailto:service@zigzag.am
www.zigzag.am

AT Österreich, Austria
BSH Hausgeräte Gesellschaft mbH
Werkskundendienst für Hausgeräte
Quellenstrasse 2a
1100 Wien
Online Reparaturannahme, Ersatzteile und Zubehör und viele weitere Infos unter:
www.siemens-home.bsh-group.at
Reparaturservice, Ersatzteile & Zubehör, Produktinformationen Tel.: 0810 550 522*
mailto:vie-stoerungsannahme@bshg.com
*Wir sind an 365 Tagen von 07:00 bis 22:00 Uhr für Sie erreichbar.

AU Australia
BSH Home Appliances Pty. Ltd.
Gate 1, 1555 Centre Road
Clayton, Victoria 3168
Tel.: 1300 167 425*
mailto:aftersales.au@bshg.com
www.siemens-home.bsh-group.com/au
*Mo-Fr: 24 hours

AZ AZ Azərbaycan Respublikası, Azerbaijan
Baku Service Company MMC
Azadliq Pr. 116
Baku
Tel.: 12 530 90 35
mailto:info@ser-cen.az
www.ser-cen.az

AZ Azərbaycan Respublikası, Azerbaijan
Yurd Service MMC
50, Bakikhanov Str.
Baku, AZ1007
Tel.: 12 480 33 01
mailto:info-service@yurd.az
www.yurd.az

BE Belgique, België, Belgium
BSH Home Appliances S.A. - N.V.
Avenue du Laerbeek 74 Laarbeeklaan 74
1090 Bruxelles - Brussel
Tel.: 02 475 70 02
mailto:bru-repairs@bshg.com
www.siemens-home.bsh-group.com/be

BH Bahrain, البحرين
Bahrain Gas WLL
Bldg 725/ Road 117/ Block 701., Sheikh
Salman Highway, Tubli-701; Bahrain
Manama
Tel.: 01 753 11 11*
mailto:info@bahraingas.bh
*Sun-Thu 8am to 6pm (exclude public holidays)

BY Belarus, Беларусь
ООО "БСХ Бытовая техника"
тел.: 495 737 2962
mailto:mok-kdh@bshg.com

CH Schweiz, Suisse, Svizzera, Switzerland
BSH Hausgeräte AG
Siemens Hausgeräte Service
Fahrweidstrasse 80
8954 Geroldswil
Reparaturservice, Ersatzteile & Zubehör,
Produktinformationen Tel.: 0848 888 500
mailto:ch-service@bshg.com
mailto:ch-spareparts@bshg.com
www.siemens-home.bsh-group.com/ch

CN China, 中国
BSH Home Appliances Service Jiangsu
Co. Ltd.
19F, Jinling Asia Pacific Tower, No.2 Han-
zhong Road, Gulou District
210005 Nanjing, Jiangsu Province
Service Tel.: 400 8899 999*
mailto:careline.china@bshg.com
www.siemens-home.bsh-group.cn
*phone rate depends on the network used

CY Cyprus, Күпрөç
BSH İkiakes Syskeves-Service
39, Arh. Makaanı III Str.
2407 Egomi/Nikosia (Lefkosia)
Tel.: 777 78 007
mailto:EGO-CYCustomerService@bshg.com
CYN
Turkish Rep. Of North Cyprus
Argas Limited Company
37 Osman Paşa Cad. K. Çitlik
Lefkoşa
Tel.: 0228 40 70
mailto:argas.teknik@yar-group.com

Turkish Rep. Of North Cyprus
Semson Ticaret Sti. Ltd.
Bedrettin Demirel Cad. no 17
Girne
Tel.: 0816 04 94
mailto:m.defterali@ercantangroup.com

CZ Česká republika, Czech Republic
Více informací (např. záruční podmínky,
prodloužená záruka aj.) naleznete na
webových stránkách www.siemens-
home.bsh-group.com/cz/ nebo nás kon-
taktujte na +420 251 095 511
BSH domácí spotřebiče s.r.o.
Radlická 350/107c
158 00 Praha 5
Příjem oprav Tel: +420 251 095 042
mailto:opravy@bshg.com

DE Deutschland, Germany
BSH Hausgeräte Service GmbH
Zentralwerkstatt für kleine Hausgeräte
Trautskirchener Strasse 6-8
90431 Nürnberg
Online Auftragsstatus, Pickup Service für
Kaffeefüllautomaten und viele weitere In-
fos unter: www.siemens-home.bsh-
group.de
Reparaturservice, Ersatzteile & Zubehör,
Produkt-Informationen: Tel.: 0911 70
440 044
mailto:cp-servicecenter@bshg.com

DK Danmark, Denmark
BSH Hvidevarer A/S
Telegrafvej 4
2750 Ballerup
Tel.: 44 89 80 28
mailto:BSH-Service.dk@bshg.com
www.siemens-home.bsh-group.com/dk

- ES** España, Spain
En caso de avería puede ponerse en contacto con nosotros, su aparato será trasladado a nuestro taller especializado de cafeteras.
BSH Electrodomésticos España S.A.
Servicio Oficial del Fabricante
Parque Empresarial PLAZA, C/ Manfredonia, 6
50197 Zaragoza
Tel.: 976 305 714
mailto:CAU-Siemens@bshg.com
www.siemens-home.bsh-group.es
- FI** Suomi, Finland
BSH Kodinkoneet Oy
Itälähdenkatu 18 A, PL 123
00201 Helsinki
Tel.: 0207 510 715*
mailto:Siemens-Service-FI@bshg.com
www.siemens-home.bsh-group.com/fi
*Soittajahinta on kiinteästä verkosta ja matkapuhelimesta 8,35 snt/puh + 16,69 snt/min.
- FR** France
BSH Electroménager S.A.S.
26 ave Michelet - CS 90045
93582 SAINT-OUEN cedex
Service interventions à domicile: 0 140 101 200
Service Consommateurs: 0 892 698 110*
Service Pièces Détachées et Accessoires: 0 892 698 009*
mailto:serviceconsommateur.fr@siemens-home.bsh-group.com
www.siemens-home.bsh-group.fr
*(Service 0,40 €/ min + prix appel)
- GB** Great Britain
BSH Home Appliances Ltd.
Grand Union House, Old Wolverton Road, Wolverton
Milton Keynes MK12 5PT
To arrange an engineer visit, to order spare parts and accessories or for product advice please visit
www.siemens-home.bsh-group.com/uk
Or call Tel.: 0344 892 8999*
*Calls are charged at the basic rate, please check with your telephone service provider for exact charges
- GE** Georgia, საქართველო
Elit Service Ltd.
Vake-Saburtalo district, Intersection of Al. Kazbegi ave. and Kavtaradze Str. 0186, Kavtaradze str. 1
Tbilisi
Tel.: 32 300 020
mailto:info@es.ge
- GR** Greece, Ελλάδα
BSH Ikiakos Siskeves A.B.E.
Central Branch Service
17 km E.O. Athinon-Lamias & Potamou 20
14564 Kifisia
Τηλέφωνο: 210 4277 600
Τηλέφωνο: 210 4277 701
mailto:nkf-CustomerService@bshg.com
www.siemens-home.bsh-group.com/gr
- HK** Hong Kong, 香港
BSH Home Appliances Limited
香港新界荃灣青山公路388號中染大廈23樓07室 Unit 07, 23/F, CDW Building, 388 Castle Peak Road, Tsuen Wan, New Territories, Hong Kong
Tel.: 2565 6151 (HK)
Toll free 0800 030 (Macao)
mailto:siemens.hk.service@bshg.com
www.siemens-home.bsh-group.com/hk
- IE** Republic of Ireland
BSH Home Appliances Ltd.
M50 Business Park, Ballymount Road Upper, Walkinstown
Dublin 12
To arrange an engineer visit, to order spare parts and accessories or for product advice please call Tel.: 01450 2655*
www.siemens-home.bsh-group.com/ie
*Calls are charged at the basic rate, please check with your telephone service provider for exact charges
- IL** Israel
C/S/B/ Home Appliance Ltd.
1, Hamasger St., North Industrial Park
Lod, 7129801
Tel.: 08 9777 222
mailto:csb-serv@csb-ltd.co.il
www.siemens-home.bsh-group.com/il
- IN** India, Bhārat, भारत
BSH Household Appliances Mfg. Pvt. Ltd.
Arena House, Main Bldg, 2nd Floor, Plot No. 103, Road No. 12, MIDC, Andheri East
Mumbai 400093
Toll Free 1800 209 1850*
www.siemens-home.bsh-group.com/in
*Mo-Sa 8am to 8pm (exclude public holidays)
- IS** Iceland
Smith & Norland hf.
Noatuni 4
105 Reykjavik
Tel.: 0520 3000
www.sminor.is
- IT** Italia, Italy
BSH Elettrodomestici S.p.A.
Via. M. Nizzoli 1
20147 Milano (MI)
Tel. 02 412 678 200
mailto:info.it@siemens-home.bsh-group.com
www.siemens-home.bsh-group.com/it
- KG** Kyrgyzstan, Кыргыз Республикасы
Oco0 Alfa Systems
Jibek Jolu str. 40
Bishkek
Tel.: 0702 98 53 53
mailto:alfas-service@mail.ru
- LU** Luxembourg
BSH électroménagers S.A.
13-15, ZI Bredeweues
1259 Senningerberg
Tel.: 26349 821
Reparaturen: lux-repair@bshg.com
Ersatzteile: lux-spare@bshg.com
www.siemens-home.bsh-group.com/lu
- MT** Malta
Aplan Limited The Atrium
The Atrium
Mriehel by Pass
BKR3000 Birkirkara
Tel.: 025 495 122
mailto:services@theatrium.com.mt
- NL** Nederland, Netherlands
BSH Huishoudapparaten B.V.
Taurusavenue 36
2132 LS Hoofddorp
Storingsmelding: Tel.: 088 424 4020
Onderdelenverkoop: Tel.: 088 424 4020
mailto:siemens-contactcenter@bshg.com
mailto:siemens-onderdelen@bshg.com
www.siemens-home.bsh-group.nl
- NO** Norge, Norway
BSH Husholdningsapparater A/S
Grensesvingen 9
0661 Oslo
Tel.: 22 66 05 73
Tel.: 22 66 06 00
mailto:Siemens-Service-NO@bshg.com
www.siemens-home.bsh-group.com/no
- PL** Polska, Poland
BSH Sprzęt Gospodarstwa Domowego Sp. z o.o.
Al. Jerozolimskie 183
02-222 Warszawa
Tel.: +48 42 271 5555
mailto:Servis.Fabryczny@bshg.com
www.siemens-home.bsh-group.pl

Service world-wide

-
- PT** Portugal
BSPH Electrodomésticos, Sociedade Unipessoal Lda.
Rua Alto do Montijo, nº 15
2790-012 Carnaxide
Tel.: 214 250 720
mailto:siemens.electrodomesticos.pt@bshg.com
www.siemens-home.bsh-group.com/pt
-
- RU** Russia, Россия
ООО «БСХ Бытовые Приборы»
Сервис от производителя
Малая Калужская, 15
119071 Москва
Тел.: 8 (800) 200 29 62
mailto:hotlineru@bshg.com
www.siemens-home.bsh-group.ru
-
- SE** Sverige, Sweden
BSH Home Appliances AB
Landsvägen 32
169 29 Solna
Tel.: 0771 195 500
Tel.: 0771 112 277
mailto:Siemens-Service-SE@bshg.com
www.siemens-home.bsh-group.com/se
-
- SK** Slovensko, Slovakia
Viac informácií (napr. záručné podmienky, predĺžená záruka a i.) nájdete na webových stránkach www.siemens-home.bsh-group.com/sk/ alebo nás kontaktujte na +420 251 095 511
BSH domácí spotřebiče s.r.o.
organizačná zložka Bratislava
Trnavská cesta 50
821 02 Bratislava
Prijem opráv Tel: +421 238 111 139
mailto:opravy@bshg.com
-
- TJ** Tadschikistan, Ҷумҳурии Тоҷикистон
Vostok Co. Ltd.
Yakkacinarskaya street No: 144/4
Dushanbe
Tel.: 44 600 78 72
mailto:Lola.Mirzoeva@vostok.tj
www.volna.tj
-
- TM** Türkmenistan, Turkmenistan
Bayram Anna Yuryewna
Stariya marka, Atabeyeva str., Spectrum mağaza
Ashgabat
Tel.: 012 26 94 16
mailto:steptm@mail.ru
-
- TR** Türkiye, Turkey
BSH Ev Aletleri Sanayi ve Ticaret A.S.
Fatih Sultan Mehmet Mahallesi, Balkan Caddesi No: 51
34771 Ümraniye, Istanbul
Tel.: 0 216 444 6688*
mailto:careline.turkey@bshg.com
www.siemens-home.bsh-group.com/tr
*Çağrı merkezini sabit hatlardan aramanın bedeli şehir içi ücretlendirme, Cep telefonlarından ise kullanılan tarifeye göre değişiklik göstermektedir
-
- UA** Ukraine, Україна
ТОВ "БСХ Побутова Техніка"
Тел.: 0 800 300 153*
mailto:BSH-serviceua@bshg.com
www.siemens-home.bsh-group.com/ua
*Безкоштовна Інфо-Лінія Пн-Пт з 9.00 до 18.00
-
- UZ** O'zbekiston Respublikasi, Republic of Uzbekistan
Elektronik Magnat
Beruni street No: 5/6
Tashkent
Tel.: 712 156 333
mailto:magnat.service.uzb@gmail.com
-
- ZA** South Africa
BSH Home Appliances (Pty) Ltd.
96 Fifteenth Road, Randjespark
1685 Midrand - Johannesburg
Tel.: 086 002 6724
mailto:bsh@iopen.co.za
mailto:applianceserviceza@bshg.com
www.siemens-home.bsh-group.com/za
-

BSH group is a Trademark Licensee of Siemens AG. Manufacturer's Service for Siemens Home Appliances.

BSH Hausgeräte GmbH

Carl-Wery-Straße 34

81739 München

GERMANY

www.siemens-home.bsh-group.com

Manufactured by BSH Hausgeräte GmbH under Trademark License of Siemens AG

Fabriqu  par BSH Hausger te GmbH titulaire des droits d'utilisation de la marque Siemens AG

Gefabriceerd door BSH Hausger te GmbH onder handelsmerkllicentie van Siemens AG

Wyprodukowano przez BSH Hausger te GmbH na warunkach licencji na korzystanie ze znaku towarowego Siemens AG

Vyrobeno BSH Hausger te GmbH v licenci k ochrann  zn mce Siemens AG.

Изготовлено ООО «БСХ Бытовые Приборы» под товарным знаком компании Сименс АГ

Hergestellt von BSH Hausger te GmbH unter Markenlizenz der Siemens AG



8001186425 (000325)

en, fr, nl, pl, cs, ru, de