

REBEL C60

ATX PC Case

Manual

Specifications

General:

| | |
|----------------------------|-----------------------|
| ■ Form Factor: | ATX |
| ■ Expansion Slots: | 7 |
| ■ Interior Painting: | ✓ |
| ■ Graphics Card Holder: | ✓ |
| ■ Cable Management System: | ✓ |
| ■ Side Panel: | Tempered Glass |
| ■ Color Versions: | Black, White |
| ■ Dimensions (L x W x H): | 45.7 x 23.0 x 49.5 cm |

RGB Compatibility:

| | |
|----------------------------|---|
| ■ Type: | Addressable |
| ■ Ports: | 8 |
| ■ Manual Control: | 20 Modes |
| ■ Mainboard Compatibility: | MSI Mystic Light Sync, ASUS Aura Sync, Gigabyte RGB Fusion Ready, ASRock Polychrome Sync |
| ■ RGB Pinout: | 5V-D-coded-G |

Max. Drive Bays:

| | |
|--------|---|
| ■ 3.5" | 3 |
| ■ 2.5" | 3 |

I/O:

| | |
|---------------------------|----------|
| ■ Type-C (USB 3.2 Gen 2): | 1 |
| ■ USB 3.0 (Top): | 2 |
| ■ Audio (Top): | ✓ (TRRS) |

Fan Configuration:

| | |
|-----------------|--|
| ■ Side Panel: | 2x 120 mm Addressable RGB LED PWM Fan (Pre-installed) or Radiator (Optional) + 1x 120 mm Fan (Optional)* |
| ■ Rear Panel: | 1x 120 mm Addressable RGB LED PWM Fan (Pre-installed) |
| ■ Top Panel: | 3x 120 mm or 2x 140 mm Fan or Radiator (Optional) |
| ■ Bottom Panel: | 1x 120 mm Addressable RGB LED PWM Fan (Pre-installed) |

Compatibility:

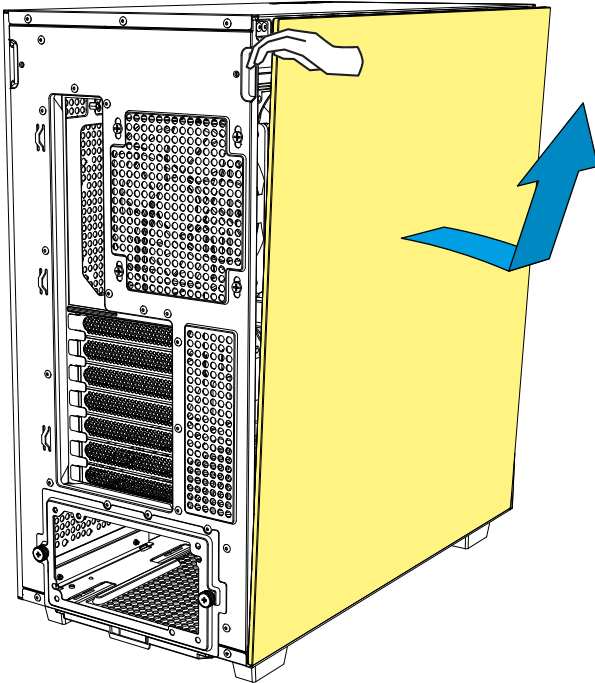
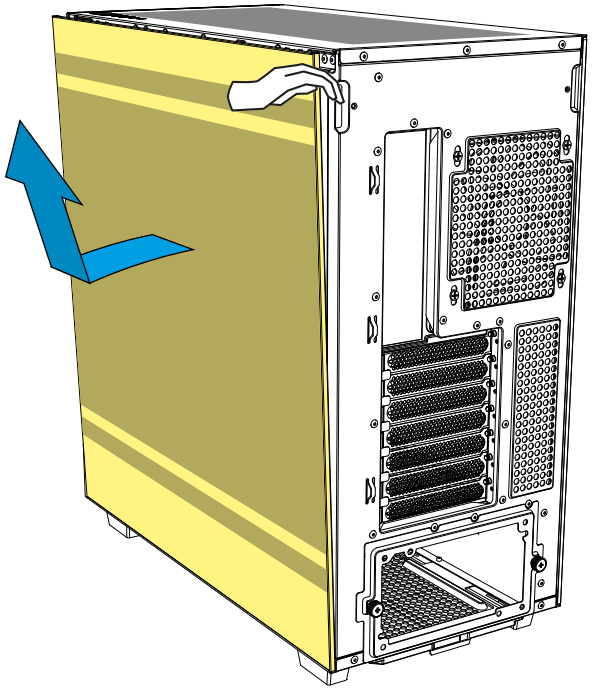
| | |
|---|--------------------------|
| ■ Mainboard: | Mini-ITX, Micro-ATX, ATX |
| ■ Max. Length Graphics Card: | 40.0 cm |
| ■ Max. Height CPU Cooler: | 16.5 cm |
| ■ Max. Length PSU: | 27.0 cm |
| ■ Max. Height Radiator incl. Fan (Top): | 6.0 cm |

Package Contents:

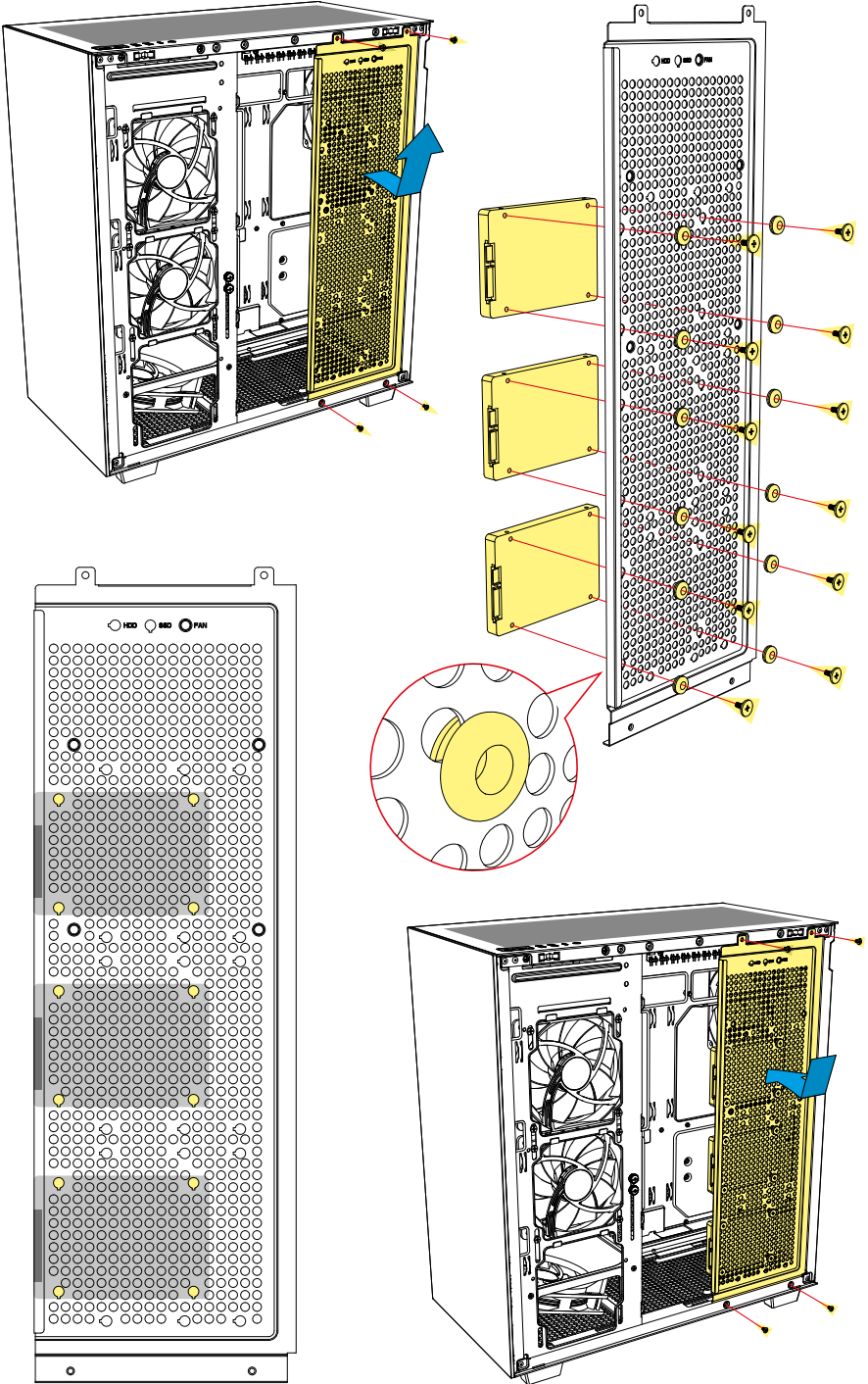
| |
|--------------------------------|
| ■ Rebel C60 RGB, Accessory Set |
|--------------------------------|

*1x 120 mm fan has same installation space for 1x HDD

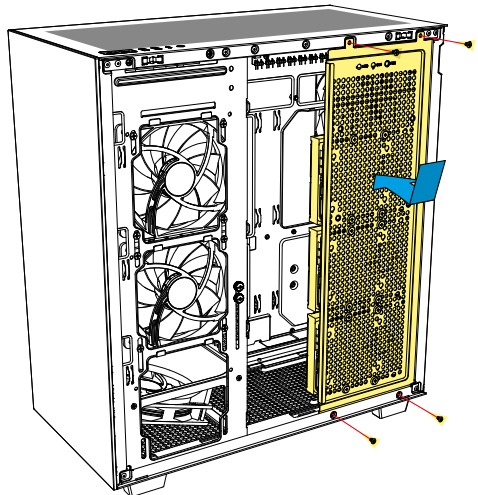
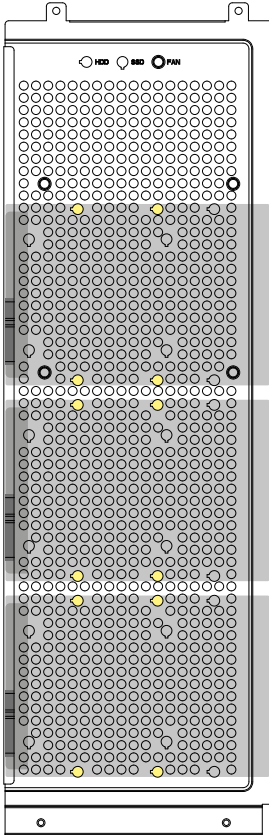
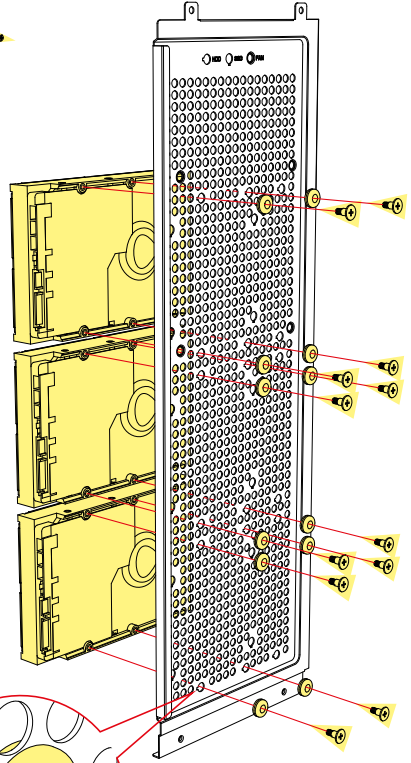
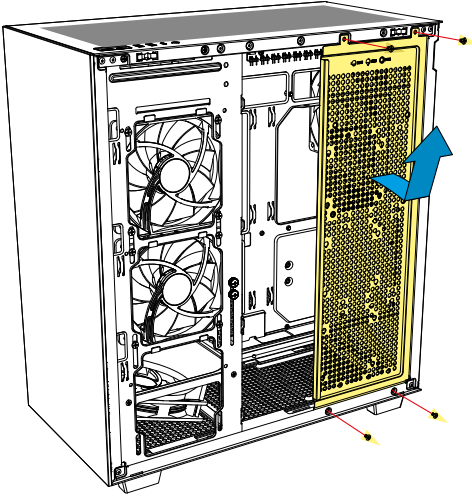
Side Panel Assembly



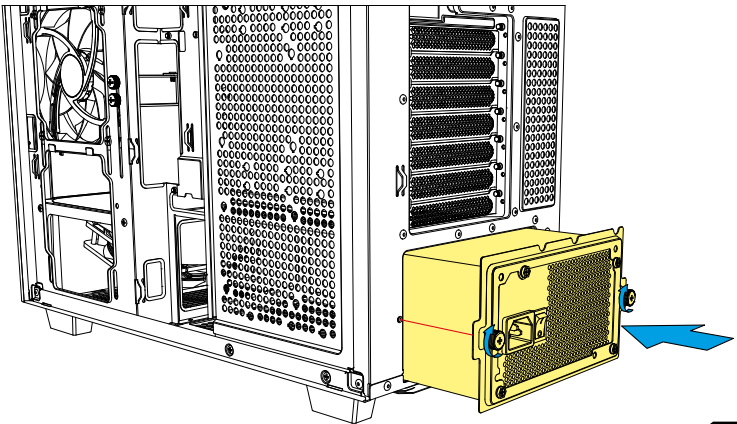
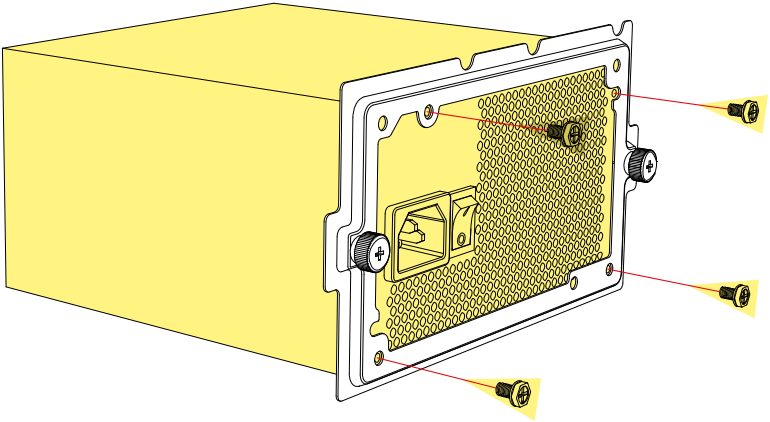
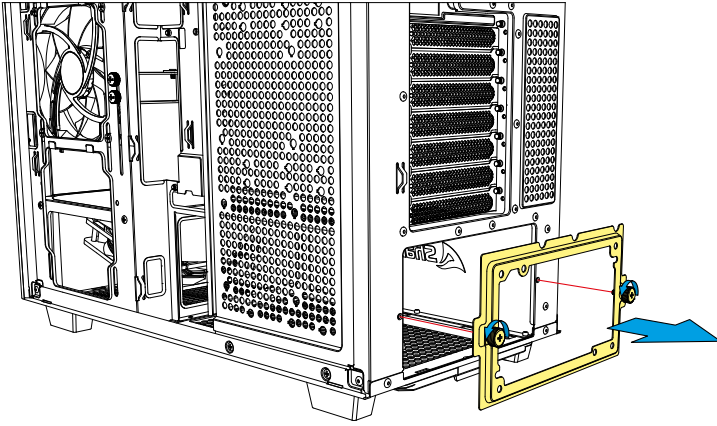
Install 2.5" HDDs/SSDs



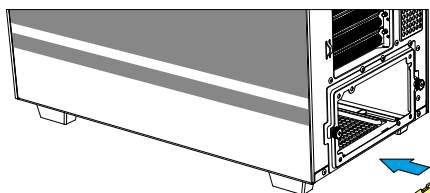
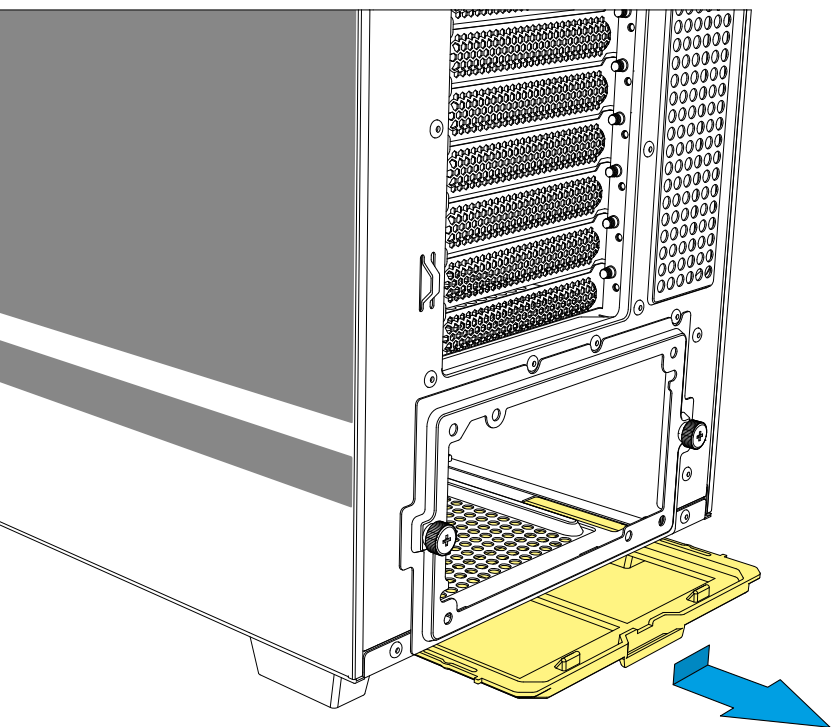
Install 3.5" HDDs



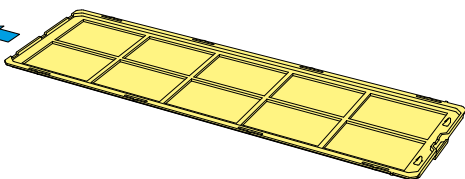
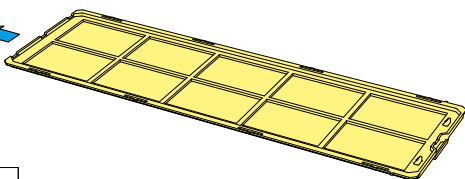
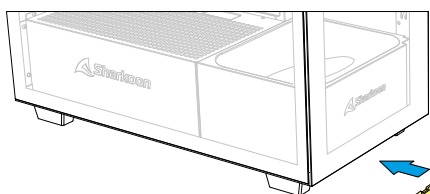
Install PSU



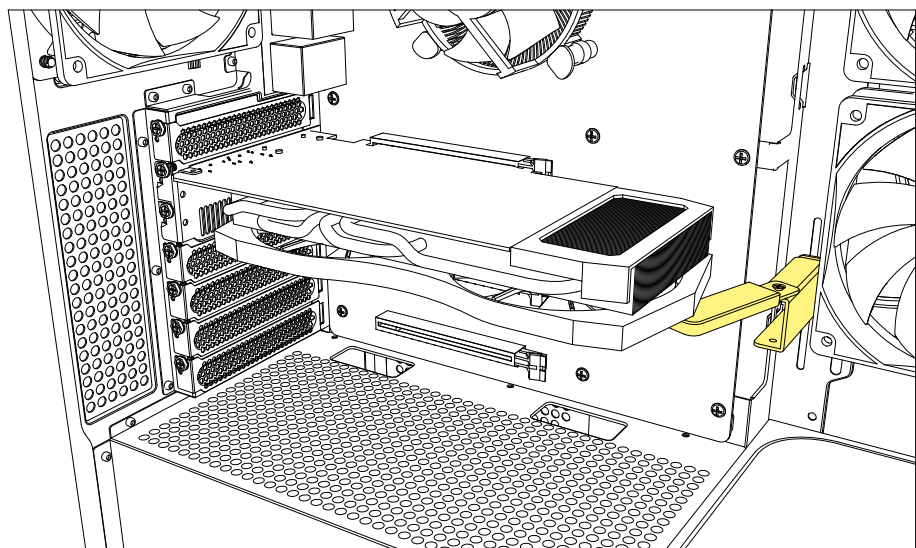
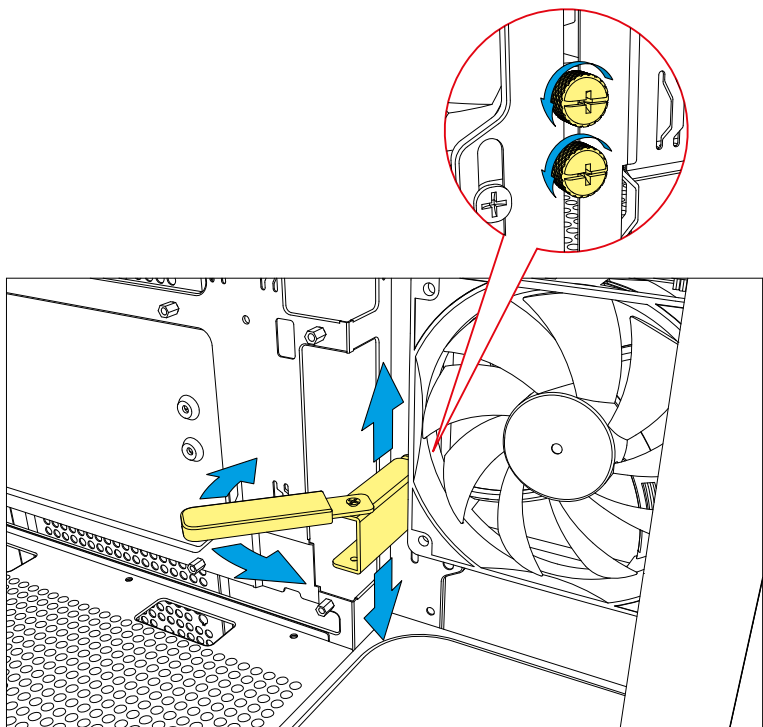
Detachable Dust Filter



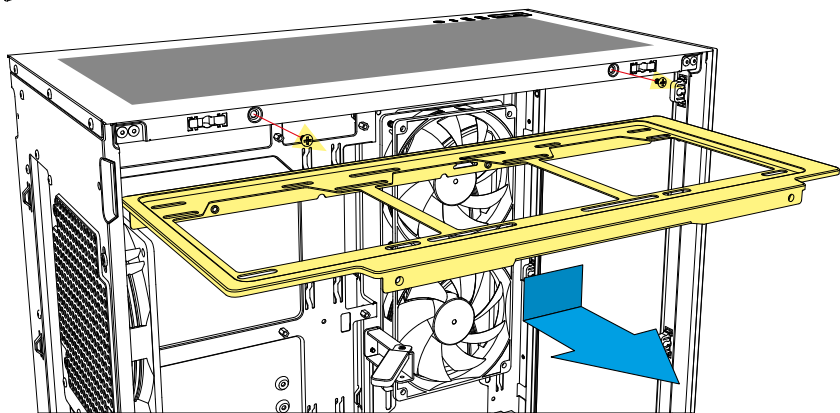
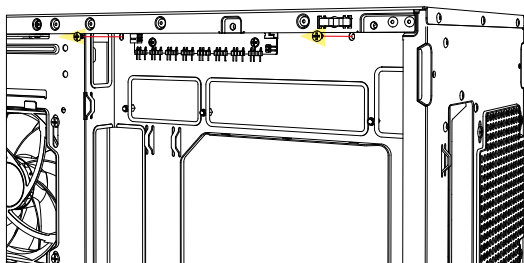
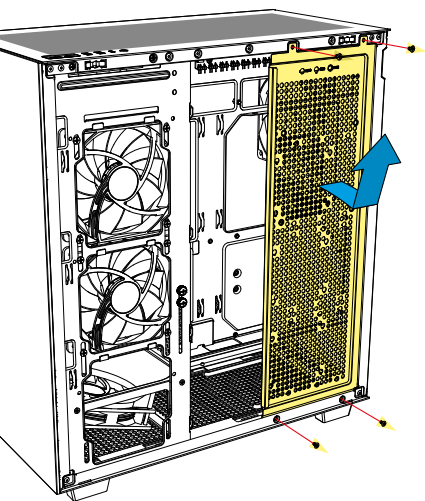
Or



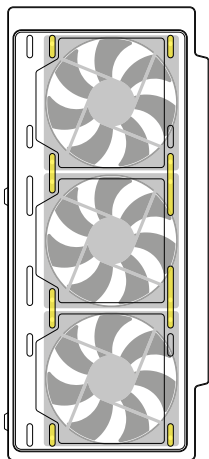
Adjustable Graphics Card Holder



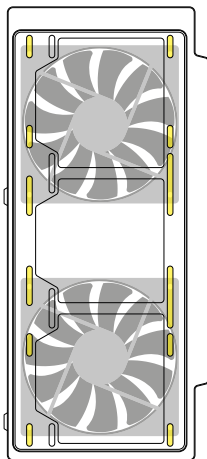
Install Fans



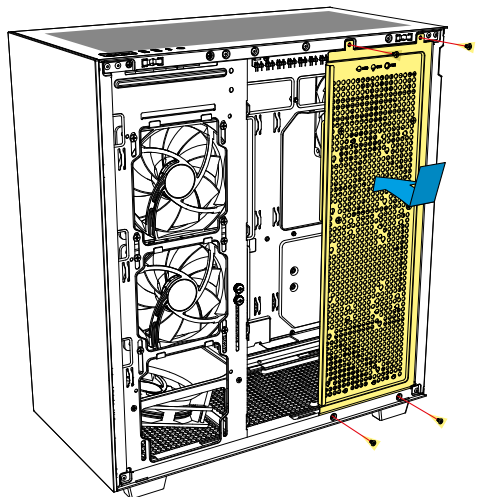
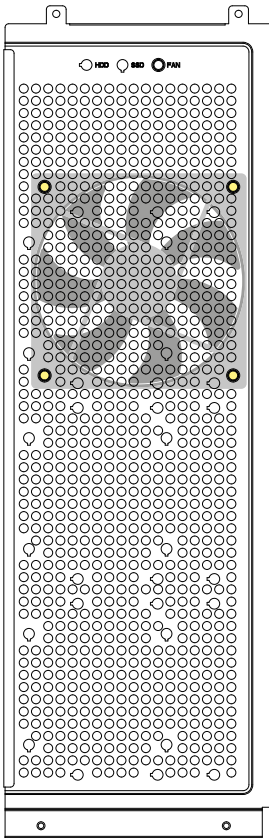
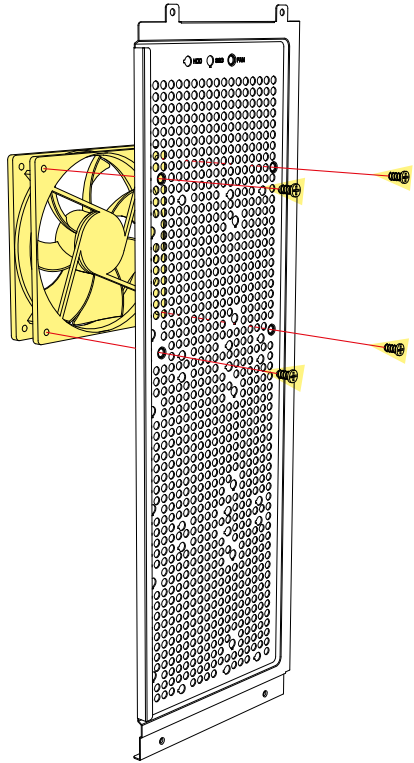
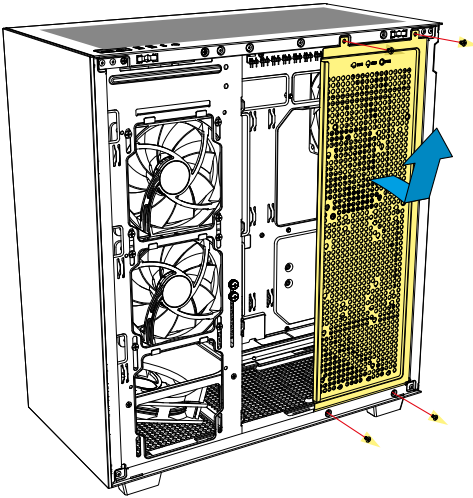
**120 mm
Fans**



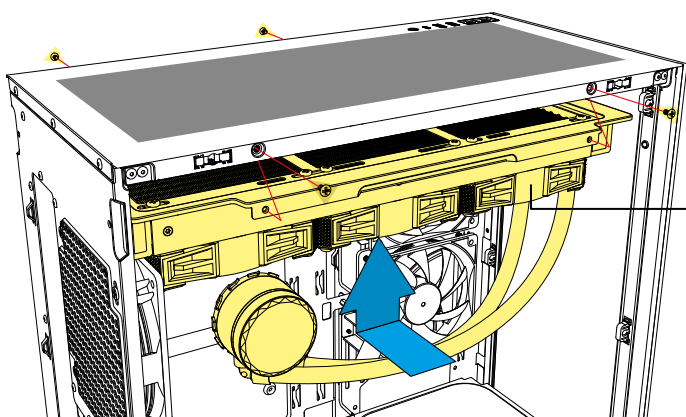
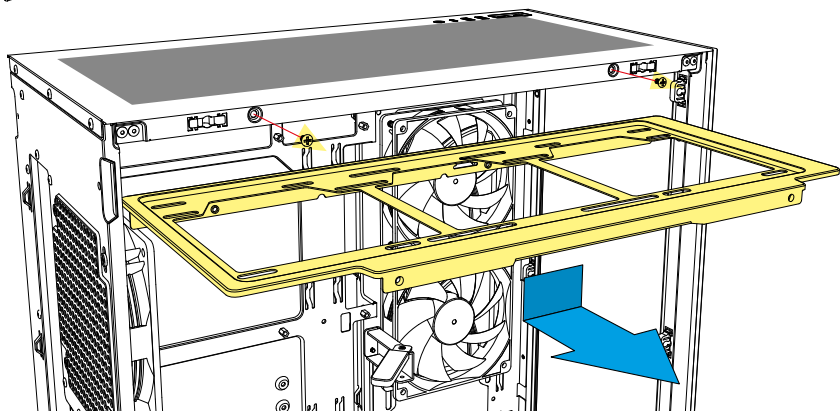
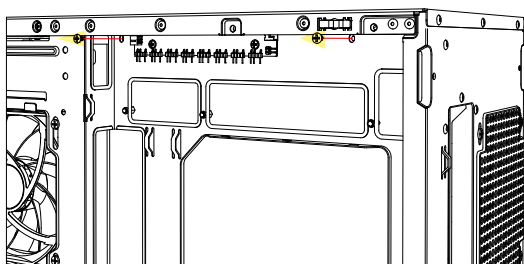
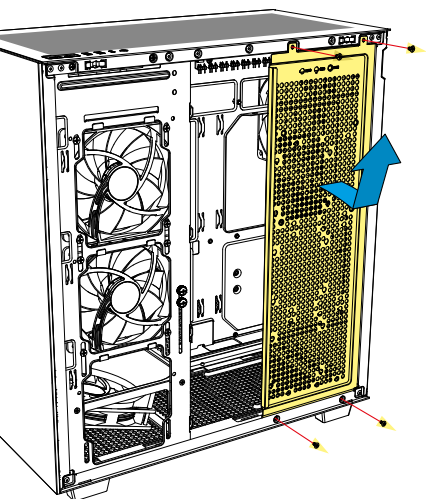
**140 mm
Fans**



Install Fans

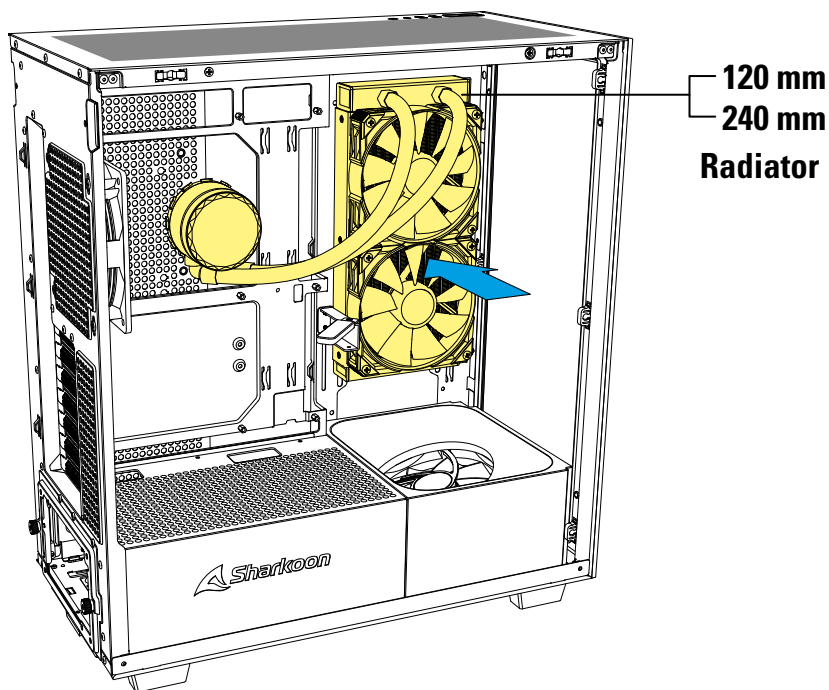
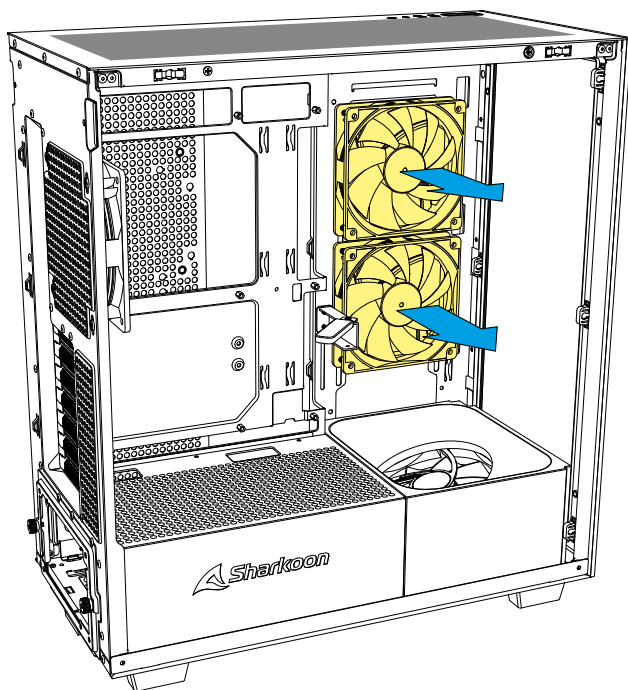


Install Radiator under Top Panel

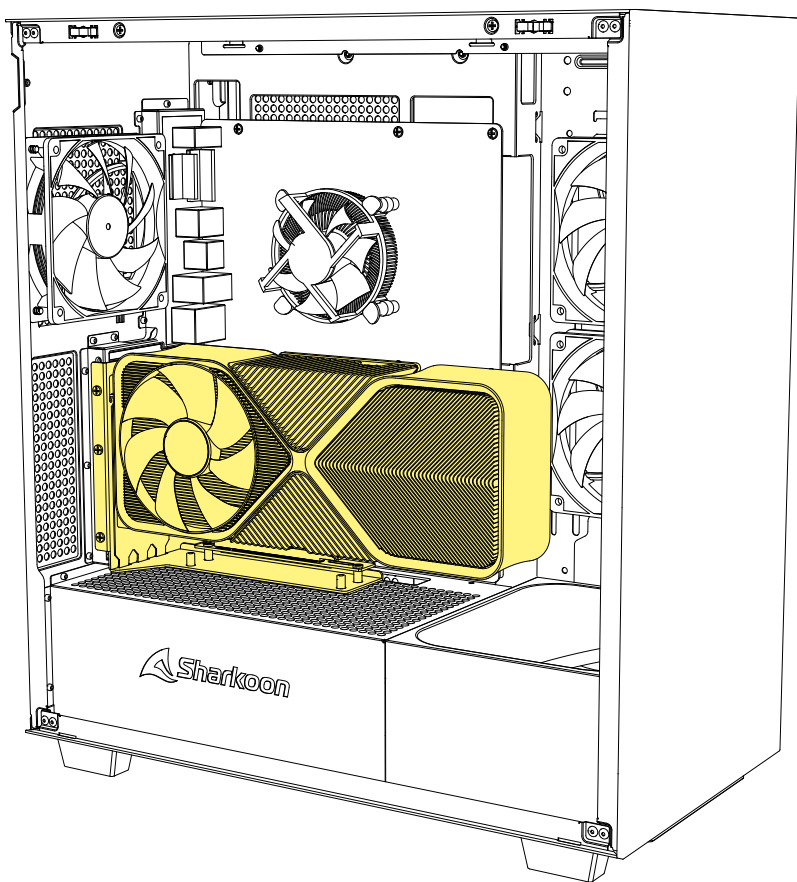


- 120 mm
 - 140 mm
 - 240 mm
 - 280 mm
 - 360 mm
- Radiator**

Install Radiator on Side Panel



Optional Vertical Graphics Card Kit



Please check with your local dealer to purchase this kit, if needed.

REBEL C Series
Vertical Graphics Card Kit 4.0 Black



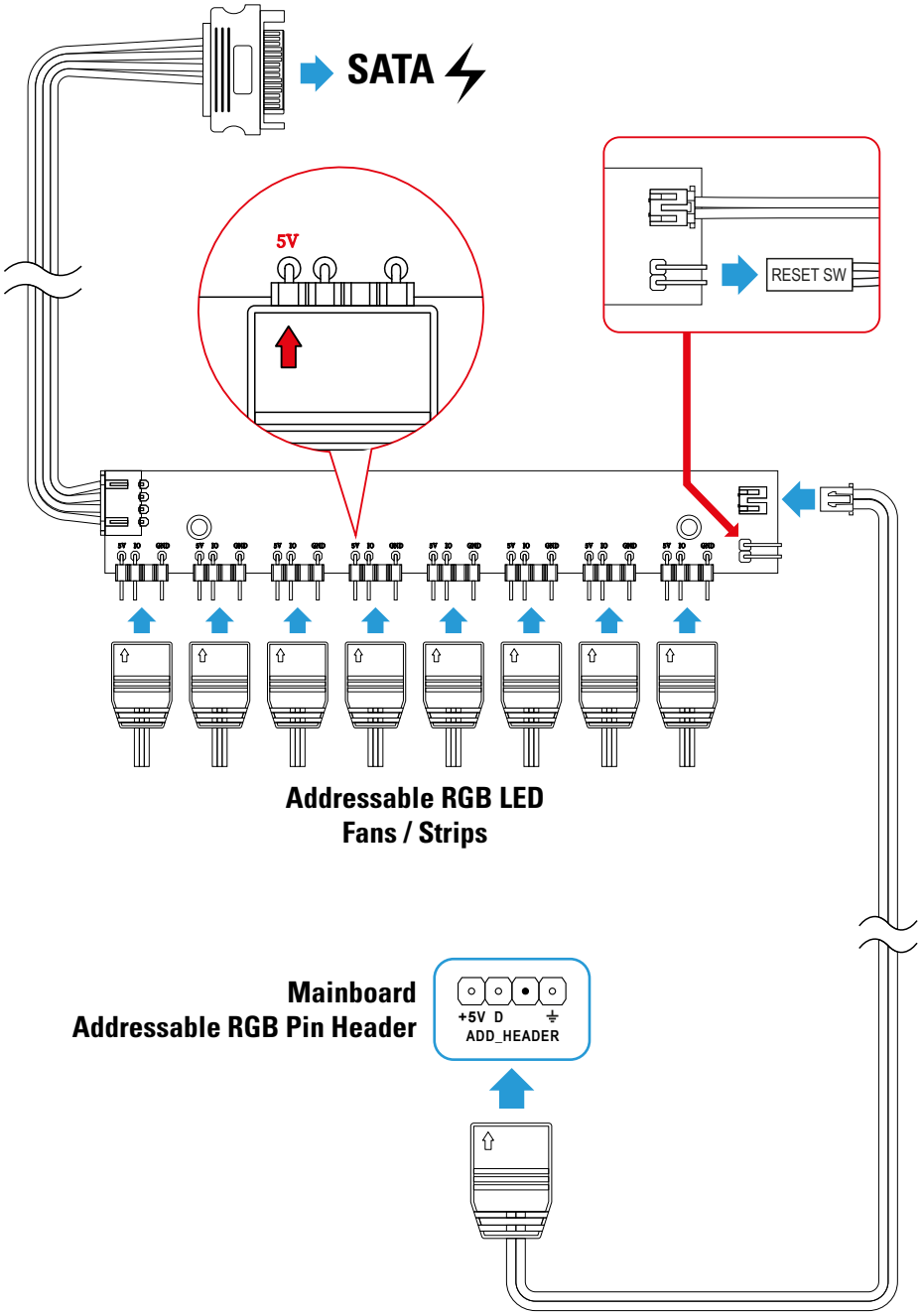
4 044951 038381

REBEL C Series
Vertical Graphics Card Kit 4.0 White

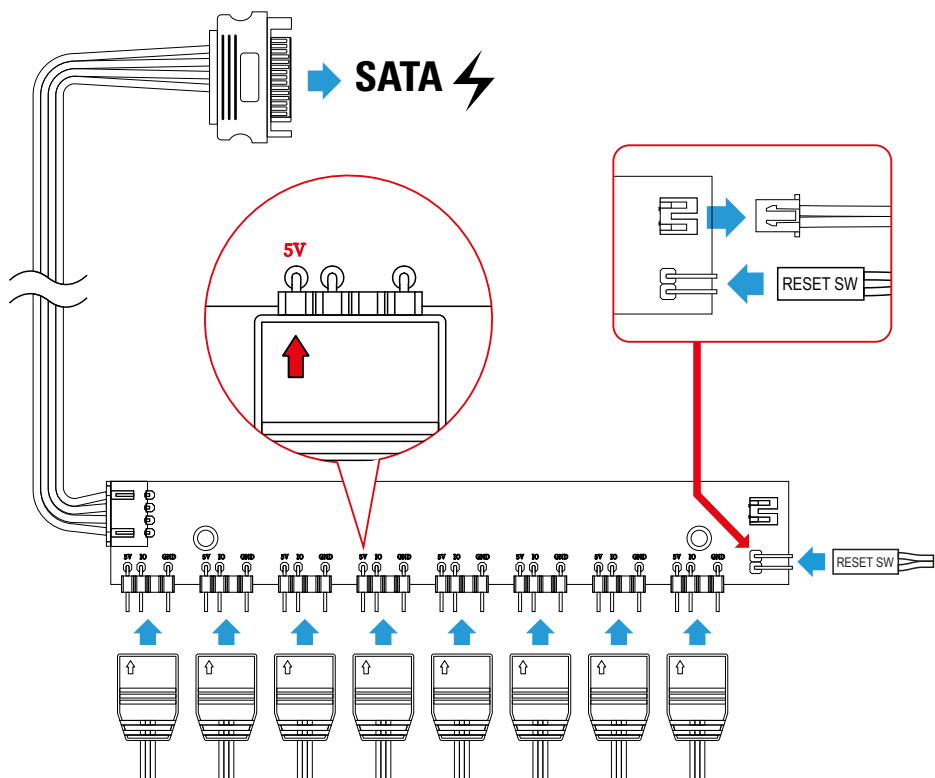


4 044951 039975

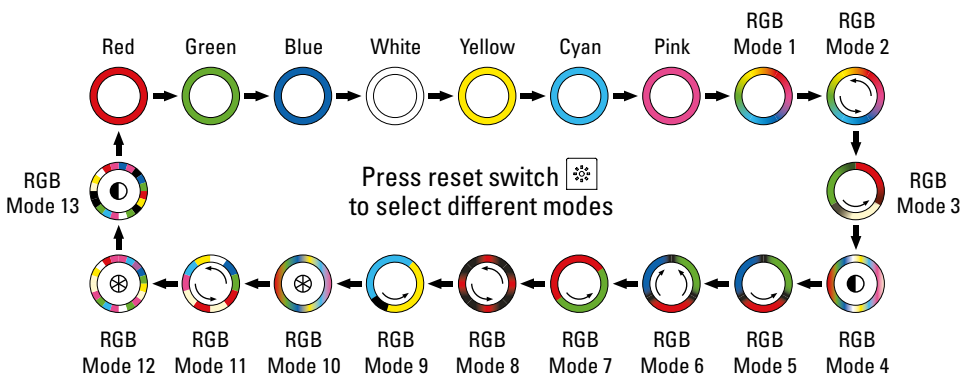
Control Addressable RGB through Mainboard



Manually Control Addressable RGB



Addressable RGB LED Fans / Strips



Press reset switch [snowflake icon] for 2 seconds to turn off the LED lights.
 When the LED lights are off, press reset switch [snowflake icon] to turn on the LED lights.

Legal Disclaimer

For potential loss of data, especially due to inappropriate handling, Sharkoon assumes no liability.

All named products and descriptions are trademarks and/or registered trademarks of the respective manufacturers and are accepted as protected. As a continuing policy of product improvement at Sharkoon, the design and specifications are subject to change without prior notice. National product specifications may vary.

All rights reserved especially (also in extracts) for translation, reprinting, reproduction by copying or other technical means. Infringements will lead to compensation. All rights reserved especially in case of assignation of patent or utility patent. Means of delivery and technical modifications reserved.

Disposal of your old products

Your product is designed and manufactured with high quality materials and components, which can be recycled and reused.



When this crossed-out wheeled bin symbol is attached to a product, it means the product is covered by the European Directive 2012/19/EU.

Please be informed about the local separate collection system for electrical and electronic products. Please act according to your local rules and do not dispose of your old products with your normal household waste. The correct disposal of your old product will help prevent potential negative consequences to the environment and human health.

Follow us on



Facebook



Instagram



YouTube



TikTok



X

Sharkoon Technologies GmbH

Grüniger Weg 48

35415 Pohlheim

Germany

© **Sharkoon Technologies 2023**

