

# Refrigerator

## User manual

Free Standing Appliance



**SAMSUNG**

# Contents

---

<b>Safety information</b>	<b>4</b>
What you need to know about the safety instructions	4
Important safety symbols and precautions:	6
Important safety precautions	7
Severe warning signs for transportation and site	10
Critical installation warnings	11
Installation cautions	14
Critical usage warnings	14
Usage cautions	19
Cleaning cautions	21
Critical disposal warnings	23
Additional tips for proper usage	24
Instructions about the WEEE	25
<b>Installation</b>	<b>26</b>
Refrigerator at a glance	27
Step-by-step installation	31
<b>Operations</b>	<b>49</b>
Control panel	49
SmartThings	53
Special features	56
<b>Maintenance</b>	<b>63</b>
Handling and care	63
Cleaning	67
Replacement	68
<b>Troubleshooting</b>	<b>71</b>
General	71
Do you hear abnormal sounds from the refrigerator?	75
SmartThings	77
<b>Open Source Announcement</b>	<b>78</b>

---

<b>Appendix</b>	<b>79</b>
Safety Instruction	79
Install Instruction	79
Temperature Instruction	80
Information for model and ordering spare parts	83

# Safety information

---

Before using your new Samsung Refrigerator, please read this manual thoroughly to ensure that you know how to operate the features and functions that your new appliance offers safely and efficiently.

## What you need to know about the safety instructions

---

- Warnings and Important Safety Instructions in this manual do not cover all possible conditions and situations that may occur. It is your responsibility to use common sense, caution, and care when installing, maintaining, and operating your appliance.
- Because these following operating instructions cover various models, the characteristics of your refrigerator may differ slightly from those described in this manual and not all warning signs may be applicable. If you have any questions or concerns, contact your nearest service center or find help and information online at [www.samsung.com](http://www.samsung.com).
- R-600a or R-134a is used as a refrigerant. Check the compressor label on the rear of the appliance or the rating label inside the fridge to see which refrigerant is used for your appliance. When this product contains flammable gas (Refrigerant R-600a), contact your local authority in regard to safe disposal of this product.
- In order to avoid the creation of a flammable gas-air mixture if a leak in the refrigerating circuit occurs, the size of the room in which the appliance may be sited depends on the amount of refrigerant used.
- Never start up an appliance showing any signs of damage. If in doubt, consult your dealer. The room must be 1 m<sup>3</sup> in size for every 8 g of R-600a refrigerant inside the appliance. The amount of refrigerant in your particular appliance is shown on the identification plate inside the appliance.

- 
- Refrigerant squirting out of the pipes could ignite or cause an eye injury. When refrigerant leaks from the pipe, avoid any naked flames and move anything flammable away from the product and ventilate the room immediately.
    - Failing to do so may result in fire or explosion.
  - To avoid contamination of food, please respect the following instructions:
    - Opening the door for long periods can cause a significant increase of the temperature in the compartments of the appliance.
    - Clean regularly surfaces that can come in contact with food and accessible drainage systems.
    - Clean water tanks if they have not been used for 48 h; flush the water system connected to a water supply if water has not been drawn for 5 days.
    - Store raw meat and fish in suitable containers in the refrigerator, so that it is not in contact with or drip onto other food.
    - Two-star frozen-food compartments are suitable for storing pre-frozen food, storing or making icecream and making ice cubes.
    - One-, two- and three-star compartments are not suitable for the freezing of fresh food.
    - If the refrigerating appliance is left empty for long periods, switch off, defrost, clean, dry, and leave the door open to prevent mould developing within the appliance.

# Safety information

---

## Important safety symbols and precautions:

---

Please follow all safety instructions in this manual. This manual uses the following safety symbols.

### **WARNING**

Hazards or unsafe practices that may result in **severe personal injury, property damage, and/or death.**

### **CAUTION**

Hazards or unsafe practices that may result in **severe personal injury and/or property damage.**

### **NOTE**

Useful information that helps users understand or benefit from the refrigerator.

These warning signs are here to prevent injury to you and others.

Please follow them carefully.

After reading this section, keep it in a safe place for future reference.

---

## Important safety precautions

---



Warning; Risk of fire / flammable materials

### **WARNING**

- When positioning the appliance, ensure the supply cord is not trapped or damaged.
- Do not locate multiple portable socket-outlets or portable power supplies at the rear of the appliance.
- Fill with potable water only.
- Connect to potable water supply only.
- Keep ventilation openings, in the appliance enclosure or in the built-in structure, clear of obstruction.
- Do not use mechanical devices or any other means to accelerate the defrosting process, other than those recommended by the manufacturer.
- Do not damage the refrigerant circuit.
- Do not use electrical appliances inside the food storage compartments of the appliance, unless they are of the type recommended by the manufacturer.
  
- This appliance is not intended for use by persons (including children) with reduced physical, sensory, or mental capabilities, or those who lack experience and knowledge, unless they have been given supervision or instruction concerning the use of the appliance by a person responsible for their safety.

# Safety information

---

- This appliance can be used by children aged from 8 years and above and persons with reduced physical, sensory or mental capabilities or lack of experience and knowledge if they have been given supervision or instruction concerning use of the appliance in a safe way and understand the hazards involved. Children shall not play with the appliance. Cleaning and user maintenance shall not be made by children without supervision. Children aged from 3 to 8 years are allowed to load and unload refrigerating appliances.
- If the supply cord is damaged, it must be replaced by the manufacturer, its service agent or similarly qualified persons in order to avoid a hazard.
- The socket must be easily accessible so that the appliance can be quickly disconnected from the supply in an emergency.
  - It must be outside the area of the rear of the appliance.
- Do not store explosive substances such as aerosol cans with a flammable propellant in this appliance.
- If the product is equipped with LED lamps, do not disassemble the Lamp Covers and LED lamps yourself.
  - Contact a Samsung service center.
  - Use only the LED Lamps provided by the manufacturer or its service agents.
- New hose-sets supplied with the appliance are to be used and old hose-sets should not be reused.
- Have the refrigerator's water supply connected only to a potable water supply. To operate the ice maker properly, water pressure of 206-861 kPa (30-125 psi) is required.
- For the most efficient use of energy, please keep the all inner fittings such as baskets, drawers, shelves on the position supplied by manufacturer.



- 
- To get the best energy efficiency of this product, please leave all shelves, drawers and baskets on their original position.

### How to minimize the energy consumption

- Install the appliance in a cool, dry room with adequate ventilation.
- Ensure that it is not exposed to direct sunlight and never put it near a direct source of heat (radiator, for example).
  - Not to block any vents or grilles is recommended for energy efficiency.
  - Allow warm food to cool down before placing it in the appliance.
  - Put frozen food in the refrigerator to thaw. You can then use the low temperatures of the frozen products to cool food in the refrigerator.
  - Do not keep the door of the appliance open for too long when putting food in or taking food out.
  - The shorter time for which the door is open, the less ice will form in the freezer.
  - Clean the rear of the refrigerator regularly. Dust increases energy consumption.
  - Do not set temperature colder than necessary.
  - Ensure sufficient air exhaust at the refrigerator base and at the back wall of the refrigerator. Do not cover air vent openings.
  - Allow clearance to the right, left, back and top when installing. This will help reduce power consumption and keep your energy bills lower.



# Safety information

---

This appliance is intended to be used in household and similar applications such as

- staff kitchen areas in shops, offices and other working environments;
- farm houses and by clients in hotels, motels and other residential type environments;
- bed and breakfast type environments;
- catering and similar non-retail applications.

## Severe warning signs for transportation and site

---

### **WARNING**

- When transporting and installing the appliance, care should be taken to ensure that no parts of the refrigerating circuit are damaged.
  - Refrigerant leaking from the pipe work could ignite or cause an eye injury. If a leak is detected, avoid any naked flames or potential sources of ignition and air the room in which the appliance is standing for several minutes.
  - This appliance contains a small amount of isobutane refrigerant (R-600a), a natural gas with high environmental compatibility that is, however, also combustible. When transporting and installing the appliance, care should be taken to ensure that no parts of the refrigerating circuit are damaged.
- When transporting and installing the refrigerator, do not touch the water hose on the back side of the refrigerator.
  - This may damage the refrigerator and as a result the water dispenser can not be used.



---

## Critical installation warnings

---

### **WARNING**

- Do not install the refrigerator in a damp location or place where it may come in contact with water.
  - Deteriorated insulation on electrical parts may cause an electric shock or fire.
- Do not place this refrigerator in direct sunlight or expose it to the heat from stoves, room heaters, or other appliances.
- Do not plug several appliances into the same multiple power strip. The refrigerator should always be plugged into its own individual electrical outlet which has a voltage rating that matches the voltage listed on the refrigerator's rating plate.
  - This provides the best performance and also prevents overloading of house wiring circuits, which could cause a fire hazard from overheated wires.
- If the wall socket is loose, do not insert the power plug.
  - There is a risk of electric shock or fire.
- Do not use a power cord that has cracks or abrasion damage along its length or at either end.
- Do not bend the power cord excessively or place heavy objects on it.
- Do not pull or excessively bend the power cord.
- Do not twist or tie the power cord.
- Do not hook the power cord over a metal object, place a heavy object on the power cord, insert the power cord between objects, or push the power cord into the space behind the appliance.
- When moving the refrigerator, be careful not to roll over or damage the power cord.
  - This may result in an electric shock or fire.

## Safety information

---

- Never unplug your refrigerator by pulling on the power cord. Always grip the plug firmly and pull straight out from the outlet.
  - Damage to the cord may cause a short-circuit, fire, and/or electric shock.
- Do not use aerosols near the refrigerator.
  - Using aerosols near the refrigerator may cause an explosion or fire.
- Do not install this appliance near a heater or inflammable material.
- Do not install this appliance in a location where gas may leak.
  - This may result in an electric shock or fire.
- This refrigerator must be properly located and installed in accordance with the instructions in this manual before you use it.
- Connect the power plug in the proper position with the cord hanging down.
  - If you connect the power plug upside down, the wire can get cut off and cause a fire or electric shock.
- Make sure that the power plug is not crushed or damaged by the back of the refrigerator.
- Keep the packing materials out of reach of children.
  - There is a risk of death from suffocation if a child puts the packing materials on his or her head.
- Do not install this appliance in a humid, oily or dusty location, in a location exposed to direct sunlight and water (rain drops).
  - Deteriorated insulation of electrical parts may cause an electric shock or fire.
- If any dust or water is in the refrigerator, pull out power plug and contact your Samsung Electronics service center.
  - Otherwise there is a risk of fire.

- 
- Do not stand on top of the appliance or place objects (such as laundry, lighted candles, lighted cigarettes, dishes, chemicals, metal objects, etc.) on the appliance.
    - This may result in an electric shock, fire, problems with the product, or injury.
  - You need to remove all the protective plastic film before you initially plug the product in.
  - Children should be supervised to ensure that they do not play with the snap rings used for door adjustment or the water tube clips.
    - There is risk of death by suffocation if a child swallows a snap ring or water tube clip. Keep the snap rings and water tube clips out of children's reach.
  - The refrigerator must be safely grounded.
    - Always make sure that you have grounded the refrigerator before attempting to investigate or repair any part of the appliance. Power leakages can cause severe electric shock.
  - Never use gas pipes, telephone lines, or other potential lightning attractors as an electrical ground.
    - You must ground the refrigerator to prevent any power leakages or electric shocks caused by current leakage from the refrigerator.
    - This may result in an electric shock, fire, explosion, or problems with the product.
  - Plug the power plug into the wall socket firmly. Do not use a damaged power plug, damaged power cord, or loose wall socket.
    - This may result in an electric shock or fire.
  - The fuse on the refrigerator must be changed by a qualified technician or service company.
    - Failing to do so may result in an electric shock or personal injury.



# Safety information

---

## Installation cautions

---

### CAUTION

- Allow sufficient space around the refrigerator and install it on a flat surface.
  - If your refrigerator is not level, cooling efficiency and durability can be declined.
- Allow the appliance to stand for 2-3 hours before loading foods after installation and turning on.
- We strongly recommend you have a qualified technician or service company install the refrigerator.
  - Failing to do so may result in an electric shock, fire, explosion, problems with the product, or injury.

## Critical usage warnings

---

### WARNING

- Do not insert the power plug into a wall socket with wet hands.
  - This may result in an electric shock.
- Do not store articles on the top of the appliance.
  - When you open or close the door, the articles may fall and cause personal injury and/or material damage.
- Do not insert hands, feet or metal objects (such as chopsticks, etc.) into the bottom or the back of the refrigerator.
  - This may result in an electric shock or injury.
  - Any sharp edges may cause a personal injury.
- Do not touch the inside walls of the freezer or products stored in the freezer with wet hands.
  - This may cause frostbite.
- Do not put a container filled with water on the refrigerator.
  - If spilled, there is a risk of fire or electric shock.



- 
- Do not keep volatile or flammable objects or substances (benzene, thinner, propane gas, alcohol, ether, LP gas, and other such products) in the refrigerator.
    - This refrigerator is for storing food only.
    - This may result in fire or explosion.
  - Children should be supervised to ensure that they do not play with the appliance.
    - Keep fingers out of “pinch point” areas. Clearances between the doors and cabinet are necessarily small. Be careful when you open the doors if children are in the area.
  - Do not put your fingers or children's fingers between the doors.
    - Keep fingers out of the left and right door gaps. Be careful when you open the doors if your fingers are in between the doors.
  - Do not let children hang on the door or door bins. A serious injury may occur.
  - Do not let children go inside the refrigerator. They could become trapped.
  - Do not insert your hands into the bottom area under the appliance.
    - Any sharp edges may cause personal injury.
  - Do not store pharmaceutical products, scientific materials, or temperature sensitive products in the refrigerator.
    - Products that require strict temperature controls must not be stored in the refrigerator.
  - If you smell pharmaceutical or smoke, pull out power plug immediately and contact your Samsung Electronics service center.
  - If any dust or water is in Refrigerator, pull out power plug and contact your Samsung Electronics service center.
    - Otherwise there is a risk of fire.

# Safety information

---

- Do not let children step on a drawer.
  - The drawer may break and cause them to slip.
- Do not leave the doors of the refrigerator open while the refrigerator is unattended and do not let children enter inside the refrigerator.
- Do not allow babies or children go inside the drawer.
  - It can cause death from suffocation by entrapment or personal injury.
- Do not overfill the refrigerator with food.
  - When you open the door, an item may fall out and cause personal injury or material damage.
- Do not spray volatile material such as insecticide onto the surface of the appliance.
  - As well as being harmful to humans, it may also result in an electric shock, fire, or problems with the product.
- Never put fingers or other objects into the water dispenser hole, ice chute and ice maker bucket.
  - It may cause a personal injury or material damage.
- Do not use or place any substances sensitive to temperature such as flammable sprays, flammable objects, dry ice, medicine, or chemicals near or inside of the refrigerator.
- Do not use a hair dryer to dry the inside of the refrigerator. Do not place a lighted candle in the refrigerator for removing bad odours.
  - This may result in an electric shock or fire.
- Fill the water tank, ice tray and water cubes only with potable water (mineral water or purified water).
  - Do not fill the tank with tea, juice or sports drink, this may damage the refrigerator.



- 
- Do not stand on top of the appliance or place objects (such as laundry, lighted candles, lighted cigarettes, dishes, chemicals, metal objects, etc.) on the appliance. This may result in an electric shock, fire, problems with the product, or injury. Do not put a container filled with water on the appliance.
    - If spilled, there is a risk of fire or electric shock.
  - Never stare directly at the UV LED lamp for long periods of time.
    - This may result in eye strain due to the ultraviolet rays.
  - Do not put shelf in upside down. Shelf stopper could not work.
    - It may cause a personal injury because of glass shelf drop.
  - Keep fingers out of “pinch point” areas. Clearances between the doors and cabinet are necessarily small. Be careful when you open the doors if children are in the area.
  - If a gas leak is detected, avoid any naked flames or potential sources of ignition, and air the room in which the appliance is standing for several minutes.
    - Do not touch the appliance or power cord.
    - Do not use a ventilating fan.
    - A spark may result in explosion or fire.
  - Bottles should be stored tightly together so that they do not fall out.
  - This product is intended only for the storage of food in a domestic environment.
  - Never put fingers or other objects into the water dispenser hole, ice chute and ice maker bucket.
    - It may cause a personal injury or material damage.
  - Do not attempt to repair, disassemble, or modify the refrigerator yourself.
  - Do not use any fuse (such as cooper, steel wire, etc.) other than a standard fuse.

## Safety information

---

- If your refrigerator needs to be repaired or reinstalled, contact your nearest service center.
  - Failing to do so may result in an electric shock, fire, problems with the product, or injury.
- If the refrigerator emits a burning smell or smoke, unplug the refrigerator immediately and contact your Samsung Electronics service center.
  - Failing to do so may result in an electric or fire hazards.
- Pull the power plug out of the socket before changing the interior lamps of the refrigerator.
  - Otherwise, there is a risk of electric shock.
- If you experience difficulty changing a non-LED light, contact a Samsung service center.
- Plug the power plug into the wall socket firmly.
- Do not use a damaged power plug, damaged power cord or loose wall socket.
  - This may result in an electric shock or fire.

---

## Usage cautions

---

### CAUTION

- Do not refreeze thawed food.
  - Frozen and thawed food will develop harmful bacteria faster than fresh.
  - The second thaw will break down even more cells, leaching out moisture and changing the integrity of the product.
- Do not thaw meat at room temperature.
  - Safety will depend on whether the raw product was handled properly.
- Do not place glass bottles or carbonated beverages into the freezer.
  - The container may freeze and break, and this may result in injury.
- Use only the ice maker provided with the refrigerator.
- If you will be away from home for a long period of time (on vacation, for example) and won't be using the water or ice dispensers, close the water valve.
  - Otherwise, water leakage may occur.
- If you won't be using the refrigerator for a very long period of time, (3 weeks or more) empty the refrigerator including the ice bucket, unplug it, close the water valve, wipe excess moisture from the inside walls, and leave the doors open to prevent odors and mold.
- To get the best performance from the product:
  - Do not place food too close to the vents at the rear of the refrigerator as this can obstruct free air circulation in the refrigerator compartment.
  - Wrap food up properly or place it in airtight containers before putting it into the refrigerator.

# Safety information

---

- Please observe maximum storage times and expiration dates of frozen goods.
- There is no need to disconnect the refrigerator from the power supply if you will be away for less than three weeks. However, if you will be away for more than three weeks, remove all the food and ice in the ice bucket, unplug the refrigerator, close the water valve, wipe excess moisture from the inside walls, and leave the doors open to prevent odors and mold.
- Service Warranty and Modification.
  - Any changes or modifications performed by a 3rd party on this finished appliance are not covered under Samsung warranty service, nor is Samsung responsible for safety issues that result from 3rd party modifications.
- Do not block the air vents inside the refrigerator.
  - If the air vents are blocked, especially with a plastic bag, the refrigerator can be over cooled. If a cooling period lasts too long, the water filter may break and cause water leakage.
- Use only the ice-maker provided with the refrigerator.
- Wipe excess moisture from the inside and leave the doors open.
  - Otherwise, odor and mold may develop.
- If the refrigerator is disconnected from the power supply, you should wait for at least five minutes before plugging it back in.
- When the refrigerator got wet by water, pull out the power plug and contact your Samsung Electronics service center.
- Do not strike or apply excessive force to any glass surface.
  - Broken glass may result in a personal injury and/or property damage.

- 
- Fill the water tank and ice cube trays with potable water only (tap water, mineral water, or purified water).
    - Do not fill the tank with tea or a sports drink. This may damage the refrigerator.
  - Be careful that your fingers are not caught in.
  - If the refrigerator is flooded, make sure to contact your nearest service center.
    - There is a risk of electric shock or fire.
  - Do not keep vegetable oil in your refrigerator's door bins. The oil can solidify, making it foul-tasting and difficult to use. In addition, the open container can leak and the leaked oil can cause the door bin to crack. After opening an oil container, it is best to keep the container in a cool and shaded place such as a cupboard or pantry.
    - Examples of vegetable oil: olive oil, corn oil, grape-seed oil, etc.

## Cleaning cautions

---

### CAUTION

- Do not spray water directly on the inside or outside the refrigerator.
  - There is a risk of fire or electric shock.
- Do not use a hair dryer to dry the inside of the refrigerator.
- Do not place a lighted candle in the refrigerator to remove bad odors.
  - This may result in an electric shock or fire.
- Do not spray cleaning products directly on the display.
  - Printed letters on the display may come off.
- If any foreign substance such as water has entered the appliance, unplug the power plug and contact your nearest service center.
  - Failing to do so may result in an electric shock or fire.

## Safety information

---

- Use a clean, dry cloth to remove any foreign matter or dust from the power plug blades. Do not use a wet or damp cloth when cleaning the plug.
  - Otherwise, there is a risk of fire or electric shock.
- Do not clean the appliance by spraying water directly onto it.
- Do not use benzene, thinner, or Clorox, Chloride for cleaning.
  - They may damage the surface of the appliance and may cause a fire.
- Never put fingers or other objects into the dispenser hole.
  - It may cause a personal injury or material damage.
- Before cleaning or performing maintenance, unplug the appliance from the wall socket.
  - Failing to do so may result in an electric shock or fire.
- Use a clean sponge or soft cloth and a mild detergent in warm water to clean the refrigerator.
- Do not use abrasive or harsh cleansers such as window sprays, scouring cleansers, flammable fluids, muriatic acid, cleaning waxes, concentrated detergents, bleaches, or cleansers containing petroleum products on exterior surfaces (doors and cabinet), plastic parts, door and interior liners, and gaskets.
  - These can scratch or damage the material.
- Do not clean glass shelves or covers with warm water when they are cold. Glass shelves and covers may break if exposed to sudden temperature changes or impacts such as bumping or dropping.

---

## Critical disposal warnings

---

### **WARNING**

- Please dispose of the packaging material from this product in an environmentally friendly manner.
- Ensure that none of the pipes on the back of the refrigerator are damaged prior to disposal.
- R-600a or R-134a is used as a refrigerant. Check the compressor label on the rear of the appliance or the rating label inside the fridge to see which refrigerant is used for your refrigerator. If this refrigerator contains flammable gas (Refrigerant R-600a), contact your local authority in regard to safe disposal of this product.
- When disposing of this refrigerator, remove the door/door seals and door latch so that small children or animals cannot become trapped inside. Children should be supervised to ensure that they do not play with the appliance. If trapped inside, a child may get hurt or suffocate to death.
  - If trapped inside, the child may become injury and suffocate to death.
- Cyclopentane is used in the insulation. The gases in the insulation material require a special disposal procedure. Please contact your local authorities in regard to the environmentally safe disposal of this product.
- Keep all packaging materials well out of the reach of children, as packaging materials can be dangerous to children.
  - If a child places a bag over his or her head, the child could suffocate.



# Safety information

---

## Additional tips for proper usage

---

- In the event of a power failure, call the local office of your electric company and ask how long the failure is going to last.
  - Most power failures that are corrected in an hour or two will not affect your refrigerator temperatures. However, you should minimize the number of door openings while the power is off.
  - Should the power failure last more than 24 hours, remove and discard all frozen food.
- The refrigerator might not operate consistently (frozen contents can thaw or temperatures can become too warm in the frozen food compartment) if sited for an extended period of time in a location where ambient air temperatures are constantly below the temperatures for which the appliance is designed.
- In case of particular foods, keeping it under refrigeration can have a bad effect on preservation due to its properties.
- Your appliance is frost free, which means there is no need to manually defrost your appliance. This will be carried out automatically.
- Temperature rise during defrosting complies with ISO requirements. If you want to prevent an undue rise in the temperature of frozen food while the appliance defrosts, wrap the frozen food in several layers of newspaper.
- Do not re-freeze frozen foods that have thawed completely.
- The temperature of two star section (sections) or compartment (compartments) which have two star symbol (\*\*) is slightly higher than other freezer compartment (compartments).  
The two star section (sections) or compartment (compartments) is (are) based on the instruction and/or the condition as delivered.

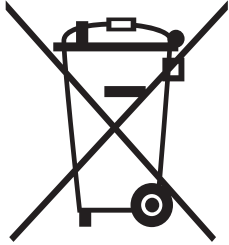




---

## Instructions about the WEEE

---



### Correct Disposal of This Product (Waste Electrical & Electronic Equipment)

(Applicable in countries with separate collection systems)

This marking on the product, accessories or literature indicates that the product and its electronic accessories (e.g. charger, headset, USB cable) should not be disposed of with other household waste at the end of their working life. To prevent possible harm to the environment or human health from uncontrolled waste disposal, please separate these items from other types of waste and recycle them responsibly to promote the sustainable reuse of material resources.

Household users should contact either the retailer where they purchased this product, or their local government office, for details of where and how they can take these items for environmentally safe recycling.

Business users should contact their supplier and check the terms and conditions of the purchase contract. This product and its electronic accessories should not be mixed with other commercial wastes for disposal.

For information on Samsung's environmental commitments and product regulatory obligations, e.g. REACH, WEEE or Batteries, visit our sustainability page available via [www.samsung.com](http://www.samsung.com)

(For products sold in European countries and in the UK only)

# Installation

---

Follow these instructions carefully to ensure a proper installation of this refrigerator and to prevent accidents before using it.

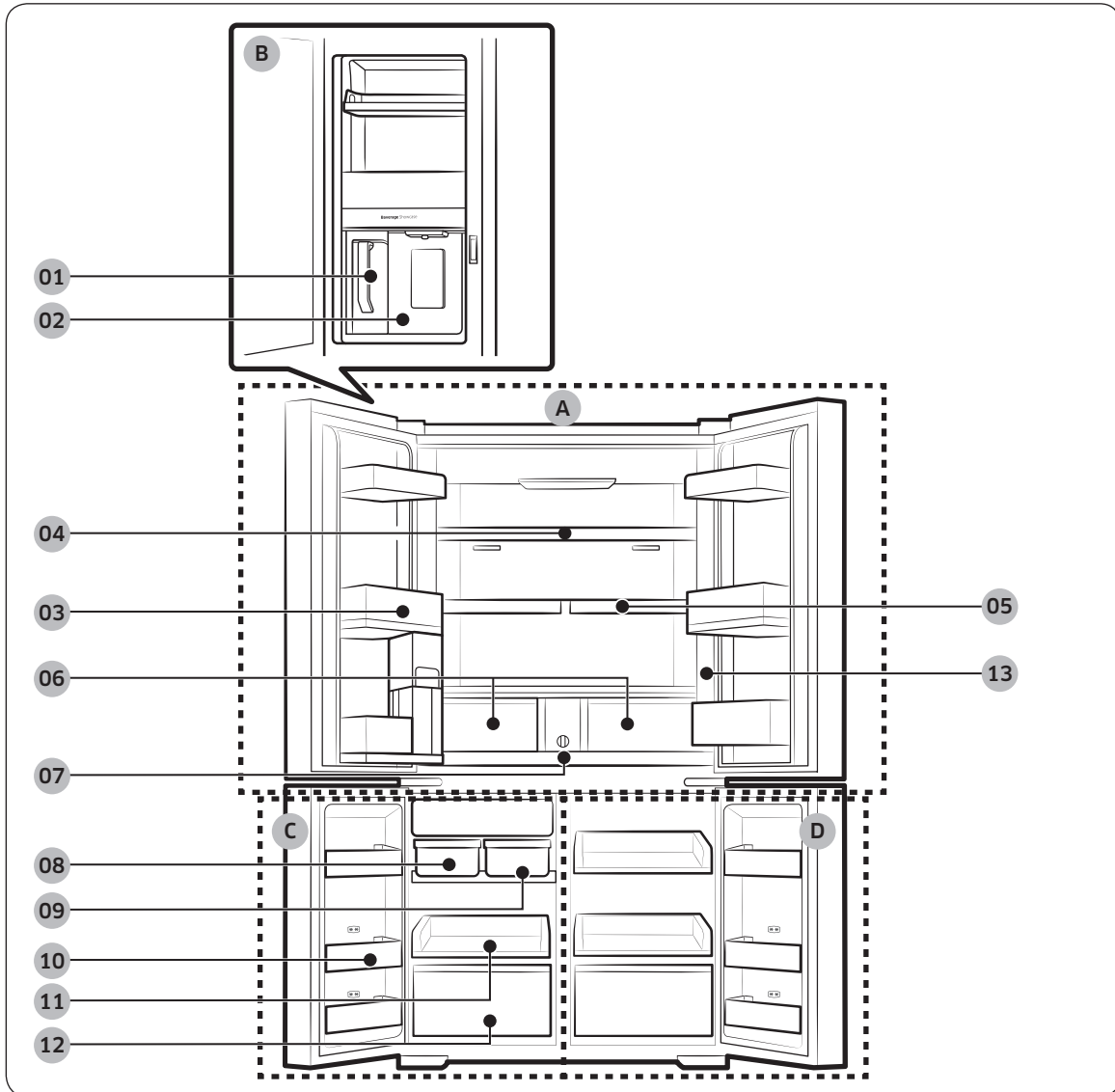
 **WARNING**

- Use the refrigerator only for its intended purpose as described in this manual.
- Any servicing must be performed by a qualified technician.
- Dispose of the product packaging material in compliance with the local regulations.
- To prevent electric shock, unplug the power plug before servicing or replacing parts.

## Refrigerator at a glance

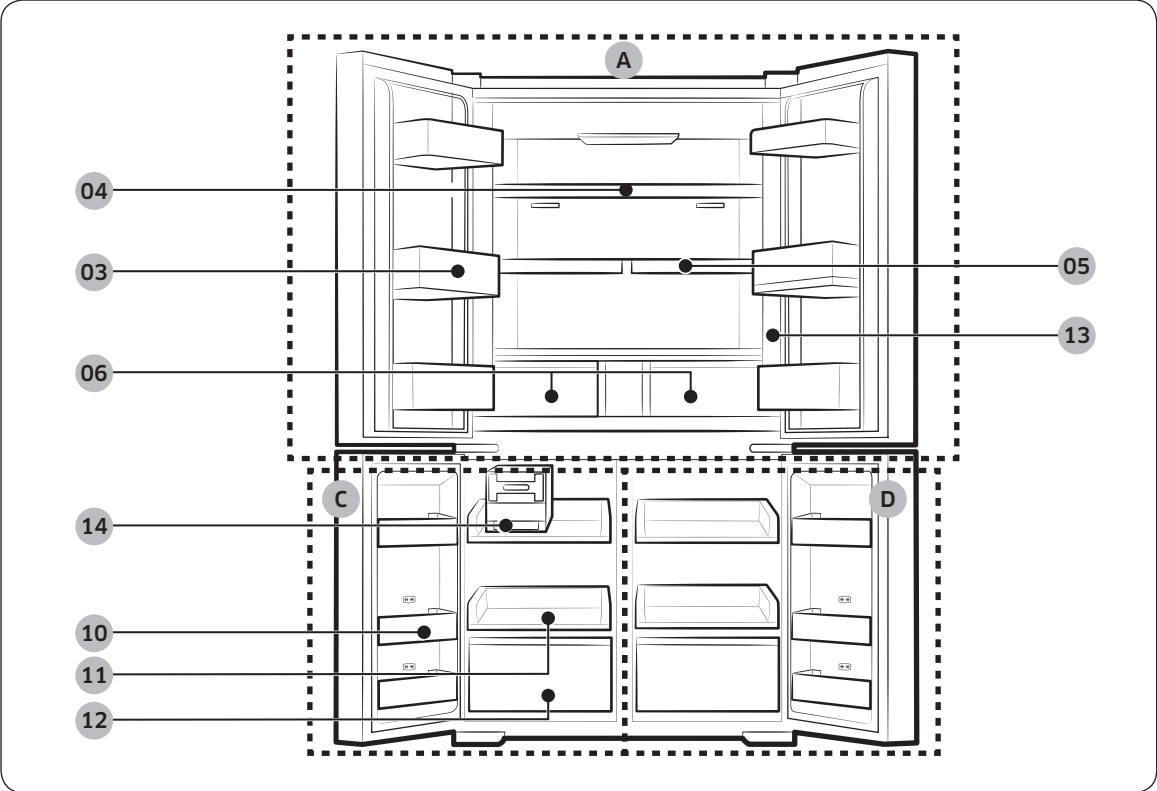
The actual refrigerator and provided component parts of your refrigerator may differ from the illustrations in this manual, depending on the model and the country.

### Type A



# Installation

## Type B



Installation

- 
- |   |                       |
|---|-----------------------|
| 01 AutoFill pitcher *                         | A. Fridge             |
| 02 Water dispenser **                         | B. Beverage Center ** |
| 03 Fridge door bin                            | C. Freezer            |
| 04 Fridge shelf                               | D. Cool Select+       |
| 05 Quick Space shelf *                        |                       |
| 06 Crisper / Flex Crisper Drawers *           |                       |
| 07 Water filter *                             |                       |
| 08 Auto ice maker - Cubed Ice * (Ice Maker *) |                       |
| 09 Auto ice maker - Ice Bites *               |                       |
| 10 Freezer door bin                           |                       |
| 11 Freezer shelf                              |                       |
| 12 Freezer drawer                             |                       |
| 13 Control panel                              |                       |
| 14 Twist ice maker *                          |                       |

\* Applicable models only

\*\* Dispenser models only

#### **NOTE**

- For energy efficiency, keep all shelves, drawers, and baskets in their original positions.
- When closing the door, make sure the vertical hinged section is in the correct position to avoid scratching the other door.
- If the vertical hinged section is reversed, put it back into the correct position, and then close the door.
- Moisture may form at times on the vertical hinged section.
- If you close a door forcefully, the other door may open.
- If the internal or external LED lamp is out of order, contact a local Samsung service center.

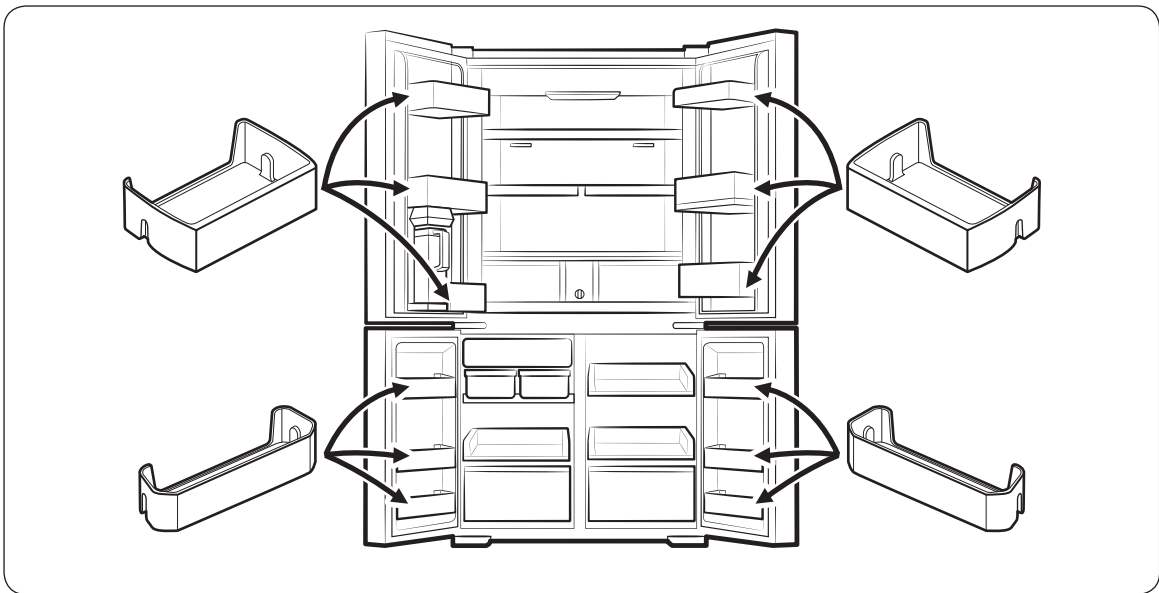
# Installation

## Door bins

Your refrigerator ships with door bins of different types and sizes. If the door bins for your refrigerator were packaged separately, use the figure below to help you position the bins properly.

### NOTE

The actual refrigerator and provided component parts of your refrigerator may differ from the illustrations in this manual, depending on the model and the country.



---

## Step-by-step installation

---

### STEP 1 Select a site

---

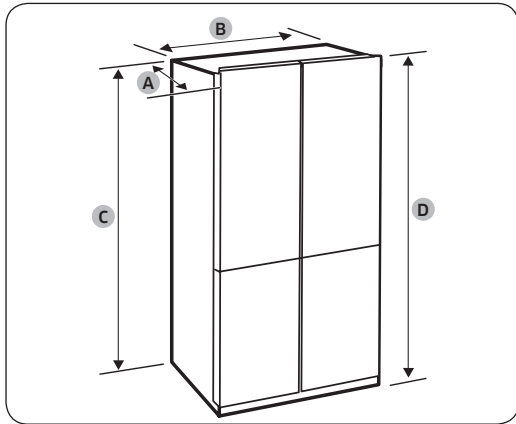
The site must:

- Have a solid level surface without carpeting or flooring that may obstruct ventilation
- Be out of direct sunlight
- Have adequate room for opening and closing the door
- Be away from any heat source
- Provide room for maintenance and servicing
- Have a temperature range between 10 °C and 43 °C

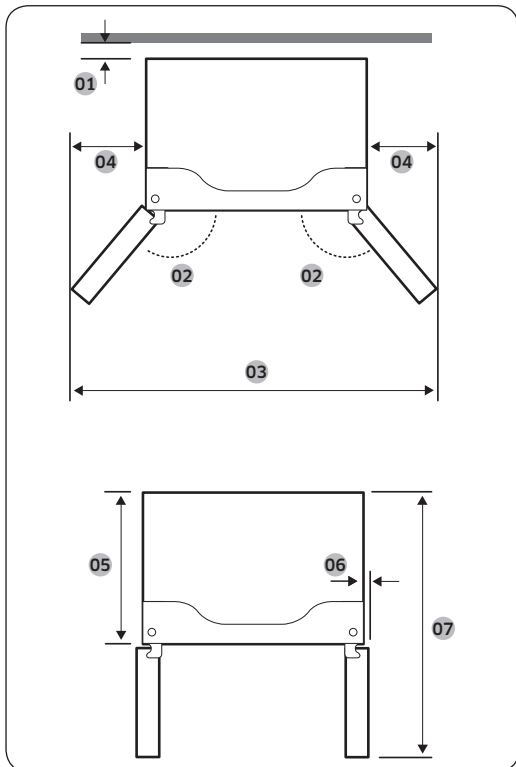
# Installation

## Clearance

See the following figures and tables for installation space requirements.



Depth "A"	723 mm
Width "B"	912 mm
Height "C"	1797 mm
Overall Height "D"	1825 mm



01	more than 50 mm recommended
02	125°
03	1472 mm
04	282 mm
05	610 mm
06	47 mm
07	1093 mm

### NOTE

The measurements in the tables may differ slightly from the actual measurements, depending on the measuring and rounding method.

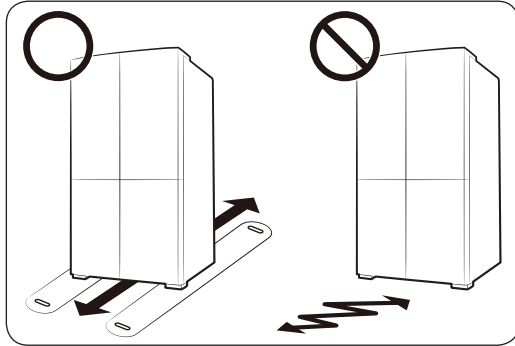


---

## STEP 2 Flooring

---

If the refrigerator cannot pass through the entrance due to its size, see **Door removal for entrance**.



### NOTE

To prevent floor damage, make sure the front leveling legs are in the upright position.

- The surface you install the refrigerator on must support a fully loaded refrigerator.
- To protect the floor, put a large piece of cardboard along the path to the refrigerator's final installation location.
- Once the refrigerator is in its final position, do not move it unless necessary to protect the floor. If you have to move the refrigerator, place thick paper or cloth such as old carpets along the path of movement.

# Installation

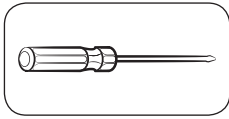
## STEP 3 Door removal for entrance

If the refrigerator cannot pass through the entrance to your home or kitchen due to its size, follow these instructions to remove and then re-install the refrigerator's doors. If you do not need to remove the doors, go to page 42 to continue the installation procedure.

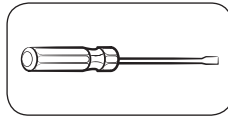
### **WARNING**

Unplug the power cord of the refrigerator before removing the doors.

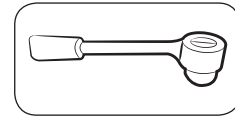
Tools required (not provided)



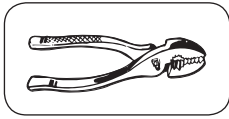
Phillips screwdriver



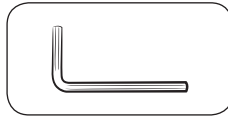
Flat-head screwdriver



Socket wrench  $\frac{3}{8}$ " (10 mm)

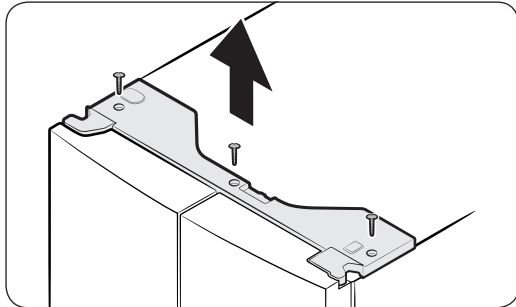


Pliers

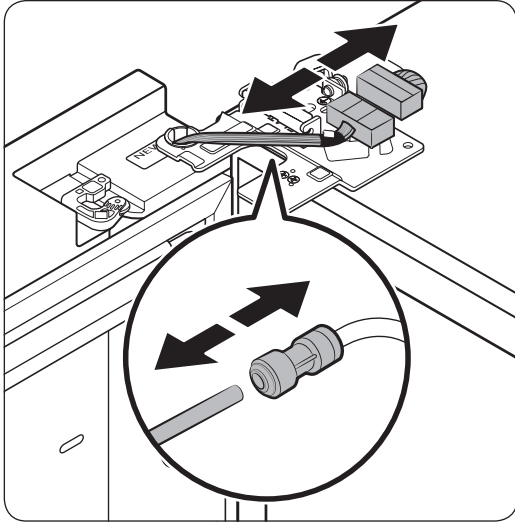


Allen wrench  $\frac{1}{4}$ " (5 mm)

### Detach the fridge doors



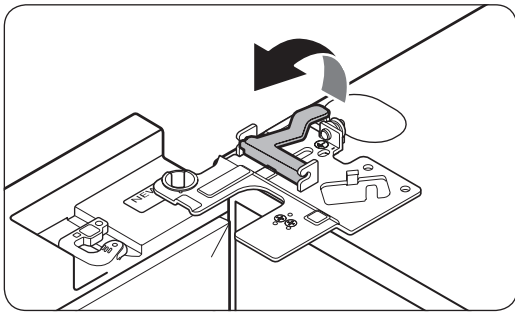
1. With the doors closed, use a Phillips screwdriver to remove the screws (x3) from the top cover. Pull up and remove the top cover with the connectors.



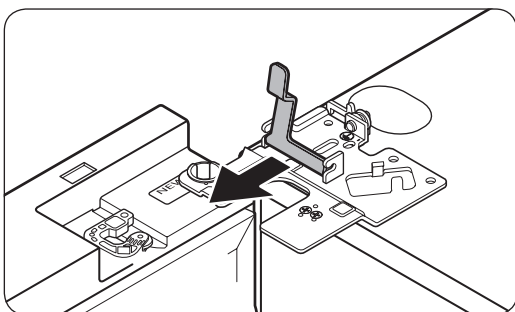
2. Disconnect the two wire connectors on the left door. The position of the connectors differs with the model.

**⚠ CAUTION**

- Do not remove both doors simultaneously. Make sure to remove one door at a time. Otherwise, any of the doors may fall and cause physical injury.
  - Make sure the refrigerator is off before disconnecting the connectors.
3. Disconnect the water tube from the coupler on the left door as shown.
    - This step does not apply to the models without the AutoFill pitcher and the water dispenser.

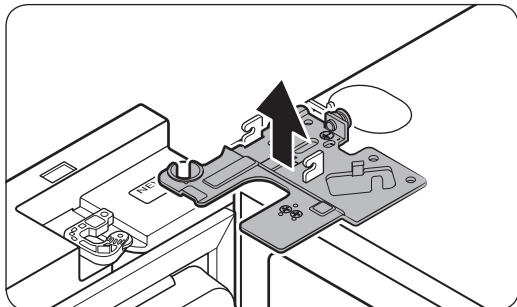


4. Gently draw up the clamp in several steps. To prevent finger injuries, do not apply a sudden force to the clamp.

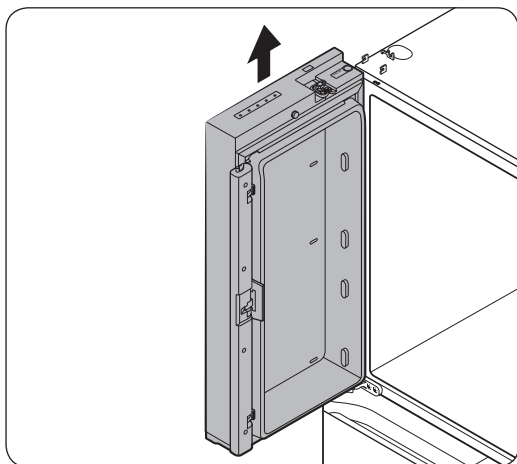


5. Pull up the clamp to remove.

# Installation



6. Open the door 90 degrees. While holding the door, pull up and remove the top hinge. Be careful not to damage the connector wires when you remove the hinge.

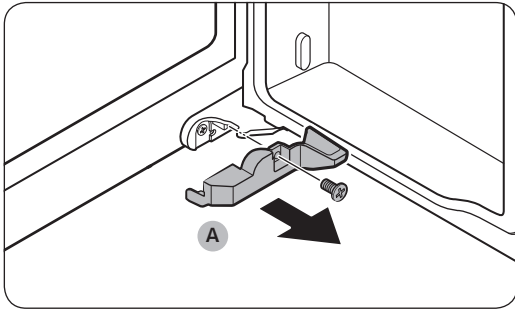


7. Gently pull up the door vertically to remove. Do not apply excessive force to the door. The door may fall, causing physical injury.
8. Lay the door down on a flat surface.
9. Repeat steps 1-8 for the other door, except for step 3. There is no water tube on the right side door.
  - Step 2 does not apply to the models without the Showcase door.

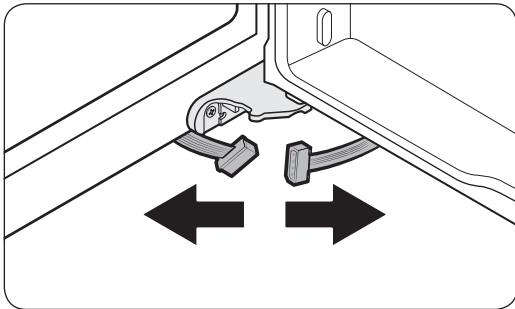
## Detach the freezer doors

### ⚠ CAUTION

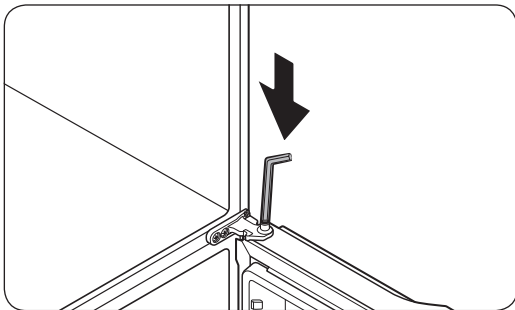
- Be sure to remove the fridge doors before removing the freezer doors.
- Use caution when disconnecting the bottom connectors.



1. Open the freezer door.
2. Use a Phillips screwdriver to remove the screw holding the cover (A).
  - This step only applies to the right side freezer door (Cool Select+ door).

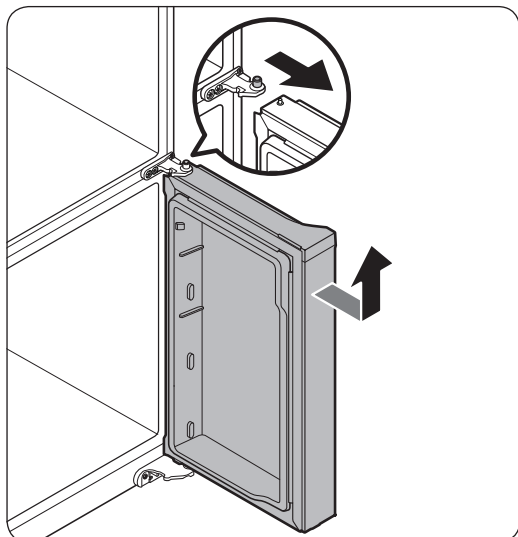


3. Disconnect the wire connectors.
  - This step only applies to the right side freezer door (Cool Select+ door).



4. Locate the hinge shaft. While holding the door with one hand, use a flat-head screwdriver or Allen wrench to press the shaft down. Make sure to hold the door to prevent the door from falling.

# Installation

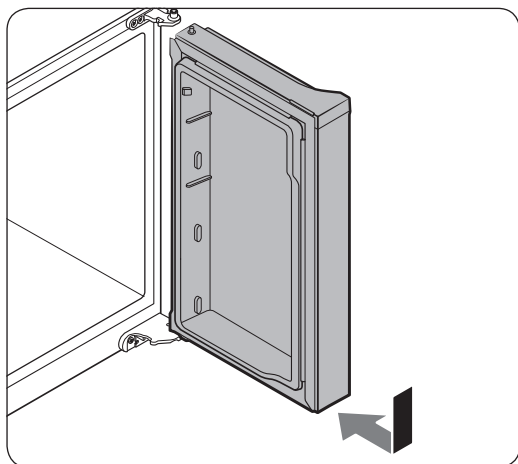


5. To prevent contact with the middle hinge, slightly tilt the door to the front, and then lift it up to remove.
6. Repeat steps 1-5 for the other door, except for steps 2 and 3.

To reattach the freezer doors

**⚠ CAUTION**

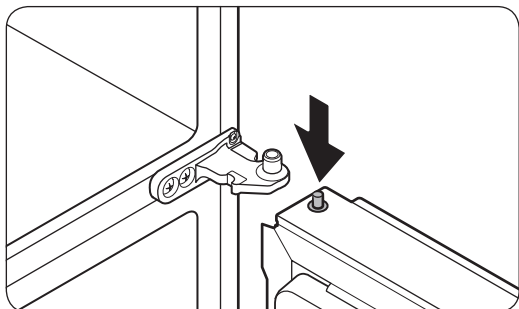
- After re-attaching the doors, make sure all the electrical connectors are properly connected.
- The freezer doors must be re-attached before the fridge doors.
- Be careful not to damage or step on the wires during this process.



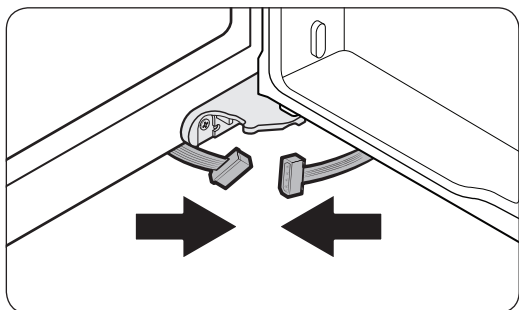
1. Insert the freezer door into the bottom hinge while pushing the freezer door in the direction of the arrow.

**⚠ CAUTION**

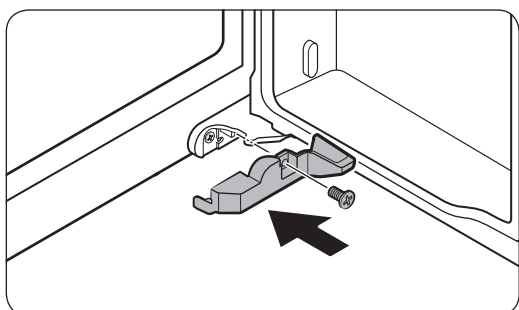
- Be careful not to damage or step on the wires during this process.



2. While pressing the hinge shaft down, position the door so that the hinge shaft is below the shaft hole in the middle hinge. Release the hinge shaft so that it enters the shaft hole.



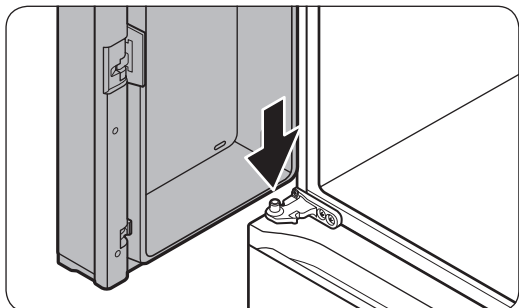
3. With the door open, connect the bottom connectors in the direction of the arrows.
  - This step only applies to the right side freezer door (Cool Select+ door).



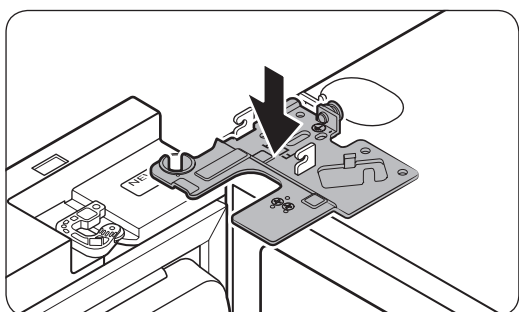
4. Attach the cover using a Phillips screwdriver. Be careful not to damage or step on the connectors.
  - This step only applies to the right side freezer door (Cool Select+ door).
5. Repeat steps 1-5 for the other door, except for steps 3 and 4.

# Installation

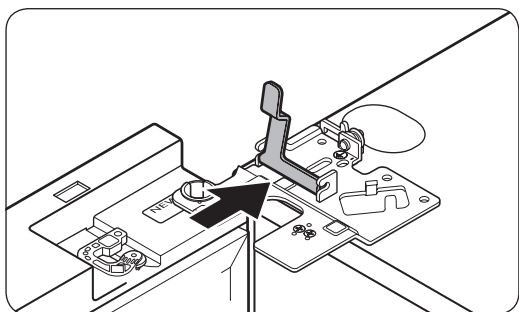
To reattach the fridge doors



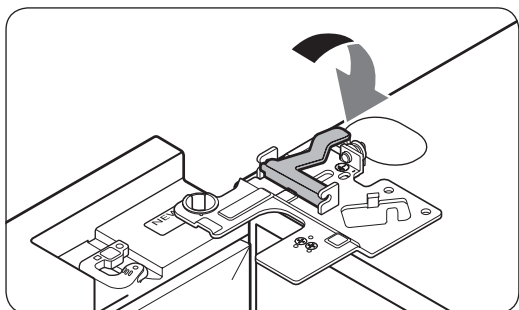
1. While holding the door open by more than 90 degrees, insert the shaft on the middle hinge into the hole on the bottom of the door.



2. Put the top hinge into position on the top of the refrigerator, and then insert the hinge shaft into the top hole of the door. Make sure the wires from the door pass through the hole in the hinge shaft.

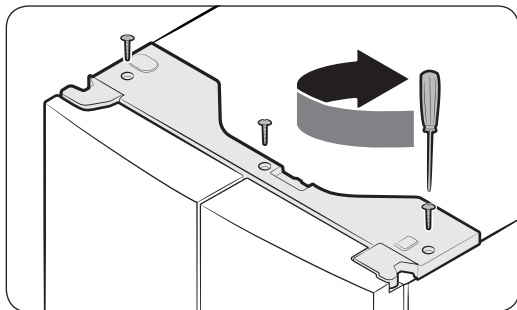
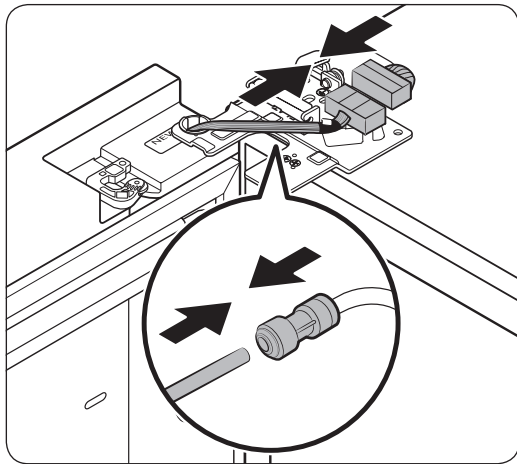


3. Insert the clamp in the direction of the arrow.



4. Push back the clamp as shown.





5. Connect the wire connectors.

**⚠ CAUTION**

- Make sure the wire connectors are connected properly. Otherwise, the display will not operate.

6. Connect the water tube.

- This step does not apply to the models without the AutoFill pitcher and the water dispenser.

**⚠ CAUTION**

- To prevent water leaks, make sure the red clips tighten the coupler properly.
- Keep the clips out of children's reach.

7. Repeat steps 1-5 for the other door.

- Step 5 does not apply to the models without the Showcase door.

8. Attach the top cover with the front side first, and then press down on its back to get it into position. Then, tighten the screws (x3).

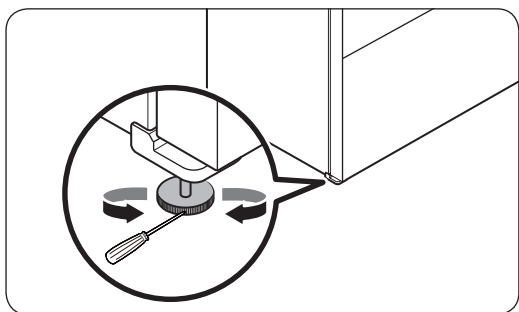
# Installation

## STEP 4 Leveling the refrigerator

### CAUTION

- When installed, the refrigerator must be leveled on a flat, solid floor. Not leveling the refrigerator can cause damage to the refrigerator or physical injury.
- Leveling must be performed with the refrigerator empty. Make sure no food items are inside the refrigerator.
- For safety reasons, adjust the front a little higher than the rear.

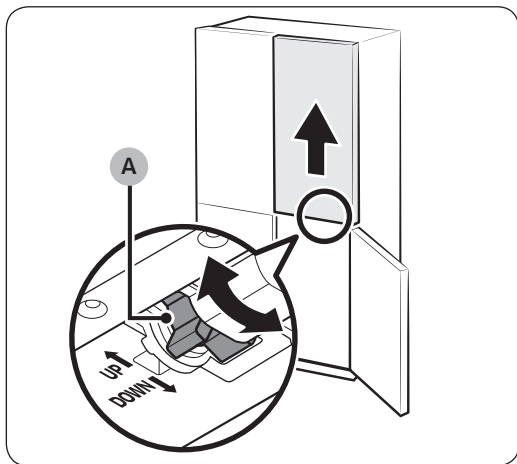
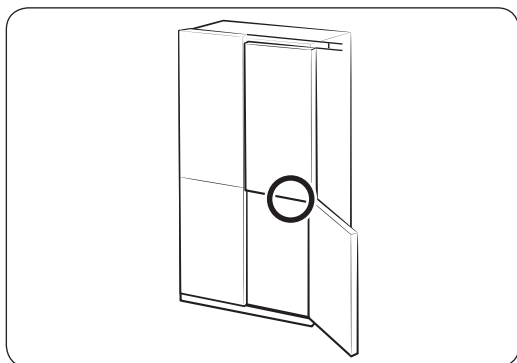
Level the refrigerator using the special screws (levelers) on the front legs. Use a flat-head screwdriver to turn the levelers.



- To adjust the height of the left side: Insert a flat-head screwdriver into the leveler of the left side front leg. Turn the leveler clockwise to raise the left side or turn it counterclockwise to lower.
- To adjust the height of the right side: Insert a flat-head screwdriver into the leveler of the right side front leg. Turn the leveler clockwise to raise the right side or turn it counterclockwise to lower.

## STEP 5 Adjust the door height

Adjusting the height with the height lever (applicable models only)

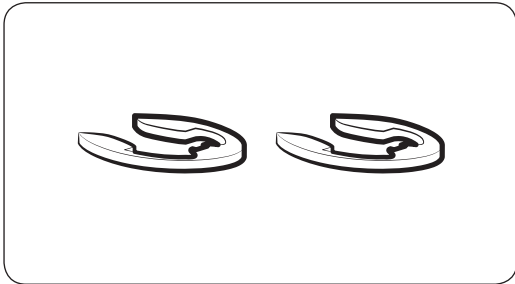


- Before aligning the door height, make sure the refrigerator is level. Use the leveling legs for this purpose.
- You can use the height lever at the bottom of the right-side door of the fridge. Open the right-side door of the freezer with both fridge doors closed and use the lever to adjust the door height.
- Turn the **height lever (A)** until the two doors are aligned at the top. Turn the lever toward **UP** (as marked) to raise the right-side door and turn it toward **DOWN** (as marked) to lower the door.
- Lift the fridge door slightly to make alignment easier. The maximum adjustable height is 3 mm.
  - The lever will not turn past the maximum limit. It may make a noise if it is turned too far.
  - Excessive height may interfere with the upper hinge cover of the fridge door.
- If you align the door height with the door bins empty and then store items in the bins, the heights may differ again. If this happens, follow the steps above to realign the doors.

# Installation

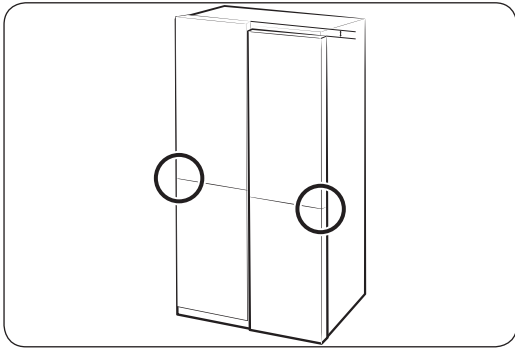
## Adjusting the height with the snap rings

For the models with the height lever on the right-side door of the fridge, use the snap rings only if you cannot align the doors with the height lever.

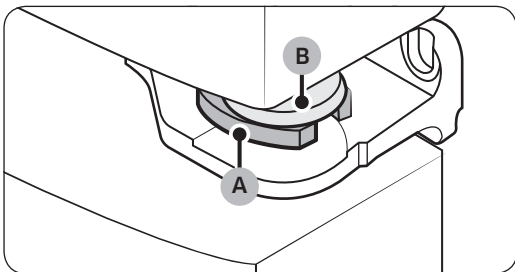


### NOTE

The height of a door can be adjusted using the provided snap rings, which come in 4 different sizes (1 mm, 1.5 mm, 2 mm, and 2.5 mm).



1. Check the height difference between the doors, and then lift up and hold the door with the lower height.



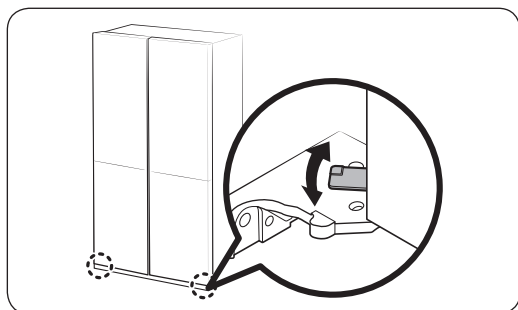
2. Insert a suitable-sized snap ring (A) between the door grommet (B) and the hinge as shown.

### CAUTION

- Insert only one snap ring. If you insert two or more snap rings, the rings may slip out or make a rubbing noise.
- Keep the snap rings out of children's reach and keep them for future use.
- Do not raise the door too much. The door can contact and damage the top cover.

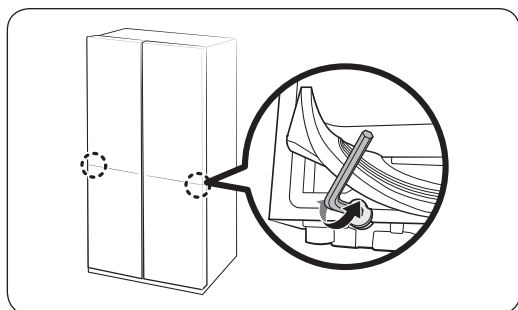


### Adjusting the freezer door height (applicable models only)



- Before aligning the door height, make sure the refrigerator is level. Use the leveling legs for this purpose.
- You can adjust the height of both freezer doors using the lever located at the bottom hinge.
- Open the door, lift it a little, and then turn the lever left or right to adjust the height.

### Adjusting the gap between the fridge doors and the main body of the refrigerator (applicable models only)



- You can adjust the gap between both fridge doors and the main body of the refrigerator using the adjustment bolt located at the bottom of the fridge compartment.
- Lift the door gasket and located the adjustment bolt underneath the gasket. Use the 4 mm Allen wrench to adjust the gap.

#### **CAUTION**

Make sure you firmly attach the gasket. Otherwise, cold air from the refrigerator may leak.



# Installation

## STEP 6 Connect to a water source (applicable models only)

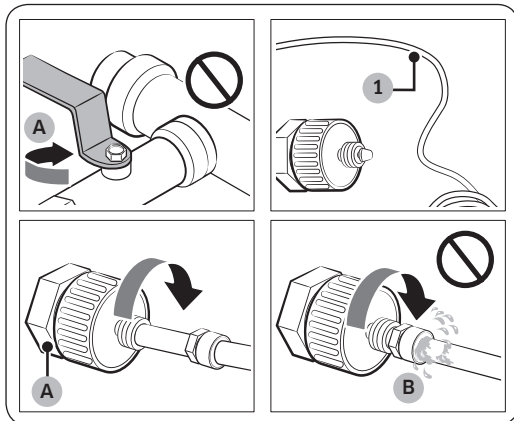
### ⚠ CAUTION

- The new hose-sets supplied with the appliance are to be used and that old hose-sets should not be reused.
- The water line must be connected by a qualified technician.
- The warranty for your refrigerator does not cover the water line installation. The water line installation will be performed at your own costs unless the installation fee is included in the retailer's price.
- Samsung takes no responsibility for the water line installation. If water leaks occur, contact the installer of the water line.

To connect the cold water pipe to the water filtering hose

### ⚠ CAUTION

- Make sure the water filtering hose is connected to a cold, potable water source pipe. Connecting to the hot water pipe may cause the purifier to malfunction.

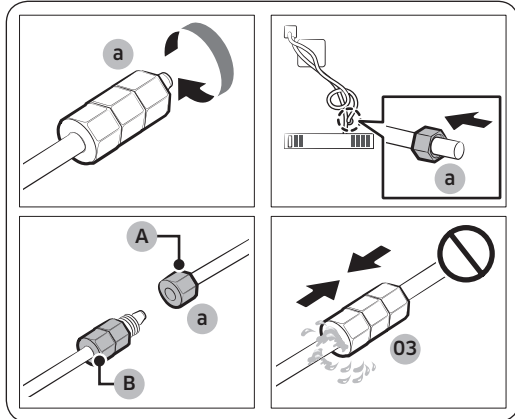


**A.** Close Main Water pipe

**B.** No gap

1. Shut off the water supply by closing the main water valve.
2. Locate the cold, potable **water pipe (1)**.
3. Follow the Water Line Installation to connect to the water pipe.
4. When connection is complete, open the main water valve and dispense about 3 liters of water. This is to remove impurities inside the pipe.

### To connect the water filtering hose to the water line



- A. Water Line from unit  
B. Water Line from Kit

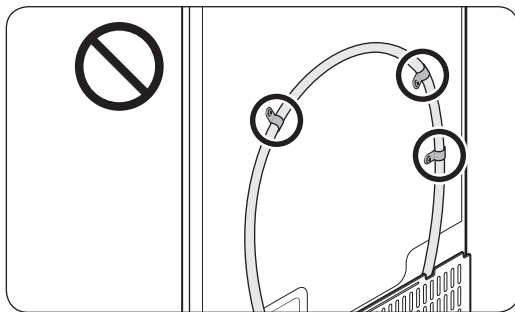
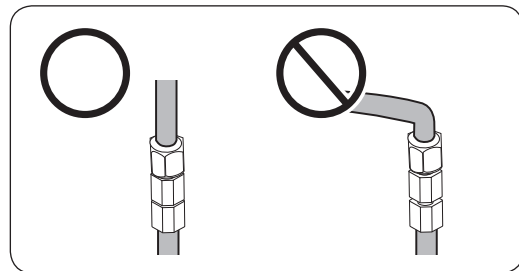
1. Loosen and remove the **compression nut (a)** from the water line of the refrigerator, and insert it to the water filtering hose.
2. Tighten up the **compression nut (a)** to connect the water filtering hose and the water line.
3. Open the main water valve and check for any leaks.
4. If there are no leaks, dispense about a 3 liters of water before actually using the refrigerator to remove impurities inside the water filtering system.

#### **NOTE**

If you have to relocate the refrigerator after connecting the **water line**, make sure the joined section of the water line must be straight.

#### **CAUTION**

Do not mount the water filter on any part of the refrigerator. This may damage the refrigerator.



### To repair the water line

#### **CAUTION**

The waterline must be repaired by a qualified professional. If you encounter a water leak, contact a local Samsung service centre or the installer of the waterline.

# Installation

---

## STEP 7 Initial settings

---

By completing the following steps, the refrigerator should be fully functioning.

1. Plug the power cord into the wall socket to turn the refrigerator on.
2. Open the door, and check if the interior light lights up.
3. Set the temperature to the coldest setting, and wait for about an hour. Then, the freezer will be slightly chilled, and the motor should be running smoothly.
4. Wait until the refrigerator reaches the set temperature. Now the refrigerator is ready for use.

## STEP 8 Final check

---

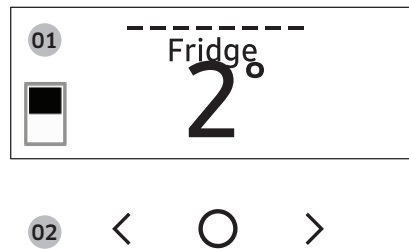
When installation is complete, confirm that:

- The refrigerator is plugged into an electrical outlet and grounded properly.
- The refrigerator is installed on a flat, level surface with a reasonable clearance from walls and cabinets.
- The refrigerator is level and is sitting firmly on the floor.
- The door opens and closes freely, and the interior light turns on automatically when you open the door.



# Operations

## Control panel



<b>01 Display</b>	Displays the menu, settings, and other information.
<b>02 Buttons</b>	<ul style="list-style-type: none"><li>• When the display is off, tap any button to wake up the display.</li><li>• Tap &lt; or &gt; to navigate left and right.</li><li>• Tap ○ to confirm your selection.</li><li>• Tap and hold ○ to enter the AP mode. (For more information, see the “SmartThings &gt; Getting started” section on page 54.)</li></ul>

### NOTE

- The control panel is designed to stay off when the refrigerator is not in use. It only becomes active and lights up when you open the door or tap the buttons.
- If the door is left open for 5 minutes, the internal light will blink for 5 minutes and turn off. It is to alert deaf and hard of hearing users that a door is open. Note that this function is normal.
- When you change the temperature on the panel, the panel displays the actual temperature inside the refrigerator until the temperature matches the temperature you set. Then, the panel displays the new set temperature. Note that it will take time for the refrigerator to reach the new temperature. It is normal. During this time, you need not set the temperature again.



### Using the control panel

1. Tap any button (<, ○, or >) to wake up the display.
2. Tap < or > to select the desired menu, and then tap ○ to confirm.
3. Tap < or > to select the desired setting, and then tap ○ to confirm.
  - For more information on available settings, see the **Menu descriptions** section.

# Operations

## Menu descriptions

Fridge	<ul style="list-style-type: none"> <li>You can set the fridge temperature from 1~7 °C or set the Power Cool function.</li> <li>Power Cool speeds up the cooling process at maximum fan speed. The fridge keeps running at full speed for two and a half hours and then returns to the previous temperature.</li> </ul>
Freezer	<ul style="list-style-type: none"> <li>You can set the freezer temperature from -23 ~ -15 °C or set the Power Freeze function.</li> <li>Power Freeze speeds up the freezing process at maximum fan speed. The freezer keeps running at full speed for 50 hours and then returns to the previous temperature. To freeze large amounts of food, activate Power Freeze for at least 20 hours before putting food in the freezer.</li> </ul>
Cool Select+	<ul style="list-style-type: none"> <li>You can set the Cool Select+ mode from one of the following modes.             <ul style="list-style-type: none"> <li>- <b>Freeze:</b> The temperature sets to the same temperature as the freezer.</li> <li>- <b>Soft Freeze:</b> The temperature sets to -5 °C.</li> <li>- <b>Meat/Fish:</b> The temperature sets to -1 °C.</li> <li>- <b>Fruit/Veggies:</b> The temperature sets to 2 °C.</li> <li>- <b>Beverage:</b> The temperature sets to 4 °C.</li> </ul> </li> </ul> <p><b>⚠ CAUTION</b></p> <ul style="list-style-type: none"> <li>Select the Cool Select+ mode accordingly to the type of food you store in there.</li> <li>Do not store meat or food in the Cool Select+ with the Fruit/Veggies or Wine mode. Meat or food may spoil.</li> <li>Do not store glass bottles in the Cool Select+ in Freeze or Soft Freeze mode. They may break and cause physical injury.</li> </ul>

Flex Crisper *	<ul style="list-style-type: none"> <li>You can set the Flex Crisper mode from one of the following modes. <ul style="list-style-type: none"> <li><b>Fridge:</b> The temperature sets to the same temperature as the fridge.</li> <li><b>Meat/Fish:</b> Select this mode to store meat and fish fresh. (We recommend setting the fridge temperature below 3 °C to store meat and fish fresher in the Flex Crisper)</li> </ul> </li> </ul> <p> <b>NOTE</b> Meat and fish can be store in the meat drawer for 3 to 5 days (with some exceptions like ground meat, which should only be kept for one or two days). Store them in the freezer if you want to keep it longer than 5 days.</p>
AutoFill Pitcher *	<ul style="list-style-type: none"> <li>You can set the AutoFill Pitcher mode from one of the following modes. <ul style="list-style-type: none"> <li><b>On:</b> Set to fill your water pitcher automatically.</li> <li><b>Off:</b> Set to turn off the function.</li> </ul> </li> </ul> <p> <b>NOTE</b> You can put tea or fruit into the infuser to make infused tea or water. If you want to keep the infused water in its initial concentration, turn the AutoFill Pitcher function off. (For more information, see the <b>Water pitcher (Autofill Pitcher) (applicable models only)</b> section on page 56.)</p>
Cubed Ice * (Ice Maker *)	You can start or stop making cubed ice.
Ice Bites *	You can start or stop making ice bites.

# Operations

---

<p>More Options</p>	<p>You can change the settings for the following functions. Tap &lt; or &gt; to select the menu, and then tap ○ to confirm.</p> <p><b>Filter Reset</b> *: When you get the filter replacement message on the display, select this menu, and replace the filter according to onscreen instructions.</p> <p><b>Temp. Unit</b>: You can set the temperature scale to Celsius or Fahrenheit.</p> <p><b>Door Alarm</b>: You can turn on or off the Door Alarm.</p> <p><b>Wi-Fi Connect</b>: You can turn on or off the Wi-Fi Connect. Turn it on to control and monitor your refrigerator on the SmartThings app. (For more information on SmartThings, see the <b>SmartThings</b> section on page 53.)</p>
---------------------	--

\* applicable models only

 **NOTE**

Using Power Cool or Power Freeze increases power consumption.



---

## SmartThings

---

### Installation

Visit the Google Play Store, Galaxy Apps, or Apple App Store and search for “SmartThings”. Download and install the SmartThings app provided by Samsung Electronics to your smart device.

#### NOTE

- The SmartThings app is not available for some tablet and iPad and some smartphone.
  - Support that [Android] OS 8.0 or higher. (minimum 2 GB RAM Size)
  - Support that [iOS] 12.0 or higher/iPhone 6 or higher.
- For improved performance, the SmartThings app is subject to change without notice or discontinued support according to the manufacturer’s policy. In addition, further updates on the app or the function in the app may stop due to usability and security reasons, even if updates are currently supported on your OS.
- Recommended encryption systems include WPA/TKIP and WPA2/AES. Any newer or non-standard Wi-Fi authentication protocols are not supported.
- Wireless networks may be affected by the surrounding wireless communication environment.
- If your Internet service provider has registered the MAC address of your PC or modem for identification, your Samsung Smart Refrigerator may fail to connect to the Internet. If this happens, contact your Internet service provider for technical assistance.
- The firewall settings of your network system may prevent your Samsung Smart Refrigerator from accessing the Internet. Contact your Internet service provider for technical assistance. If this symptom continues, contact a local Samsung service center or retailer.
- To configure the wireless access point (AP) settings, see the user manual of the AP (router).
- Samsung Smart Refrigerators support both Wi-Fi 2.4 GHz with IEEE 802.11 b/g/n and Soft-AP protocols. (IEEE 802.11 n is recommended.)
- Unauthorized Wi-Fi wireless routers may fail to connect to applicable Samsung Smart Refrigerators.



# Operations

---

## Samsung account

You are required to register your Samsung account to use the app. If you don't have a Samsung account, follow the app's onscreen instructions to create a free Samsung account.

## Getting started

Turn on the device you want to connect, open the SmartThings app on your phone, and then follow the instructions below.

If a pop-up appears saying that a new device has been found, tap **ADD NOW**.

If a pop-up doesn't appear, tap the **+** button, and then select the device you want to connect from the list of available devices.

If your device isn't in the list of available devices, tap **Supported Devices**, select the device type (Refrigerator), and then select the specific device model.

Follow the instructions in the app to set up your device. Once setup is complete, your refrigerator will appear as a "card" on your **Devices** screen.

## Refrigerator app

### Integrated control

You can monitor and control your refrigerator at home and on the go.

- Tap the refrigerator icon on the SmartThings Dashboard or tap the Devices icon at the bottom of the Dashboard, and then tap the refrigerator "card" to open the Refrigerator page.
- Check the operation status or notifications related to your refrigerator, and then change options or settings if necessary.

### **NOTE**

Some options or settings of the refrigerator may not be available for remote control.

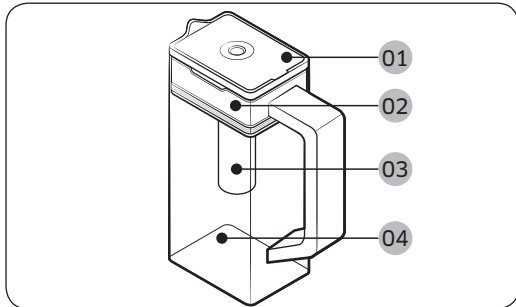
Category	Item	Description
Monitoring	Fridge temperature	Displays the desired temperature setting of the fridge.
	Freezer temperature	Displays the desired temperature of the freezer.
	Cool Select+ settings	Displays the settings of the Cool Select+.
	Diagnosis	Detects abnormal operations of the refrigerator.
	Energy monitoring	Checks the accumulated power consumption of the refrigerator for the last 180 days.
Functions	Ice making	You can turn the ice making function on or off, and check the current settings of the function.
		You can also check the status and progress of ice making.
	Power Cool	You can turn Power Cool on or off, and check the current settings.
	Power Freeze	You can turn Power Freeze on or off, and check the current settings.
	Fridge temperature	You can set the desired temperature of the fridge.
	Freezer temperature	You can set the desired temperature of the freezer.
	Cool Select+ settings	You can set the desired Cool Select+ mode.
Alarms	Abnormally high temperature	This alarm is triggered when the fridge, the freezer, or the Cool Select+ has abnormally high temperatures.
	Door opening	This alarm is triggered if the fridge door, the freezer drawer, or the Cool Select+ drawer is open for a specific time.
	Autofill Pitcher overflowing	If the Autofill Pitcher function senses an overflow, it triggers this alarm to let you know the status of the overflow.
	Water filter replacement	This alarm reminds you that the water filter must be replaced.

# Operations

## Special features

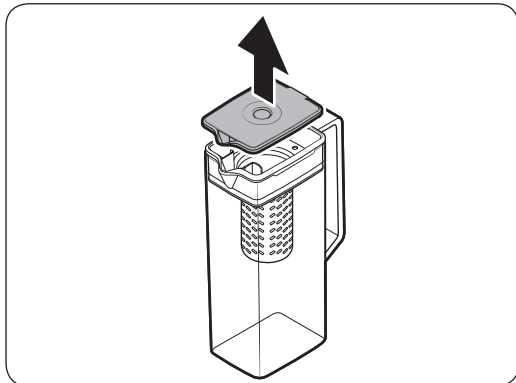
### Water pitcher (Autofill Pitcher) (applicable models only)

Cold, purified water is always ready in the AutoFill Pitcher. You can put tea or fruits in the infuser to enjoy the various infused water you like.



- 01 Lid
- 02 Infuser holder
- 03 Infuser
- 04 Body

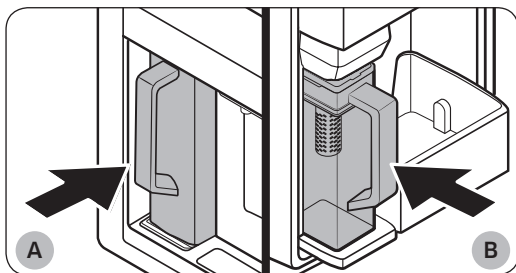
To fill the Water pitcher



1. Grasp a handle groove of the lid, and then pull up to open the lid.
2. Put tea leaves or fruit to your taste into the infuser.

#### NOTE

If you want to keep the infused water in its initial concentration, turn the Autofill Pitcher function off.



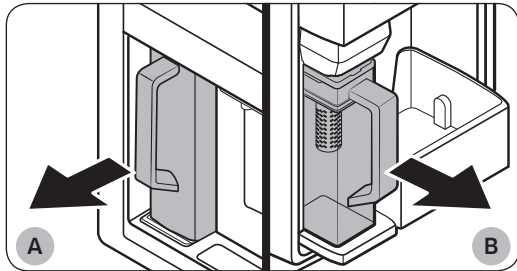
- A. Type A models
- B. Type B models

3. Enable the Autofill Pitcher function on the control panel. Open the Beverage Center door (Type A) or the left door of the fridge (Type B), and then mount the water pitcher onto the holder. Push it straight in as shown in the figure.
4. Close the door. The water pitcher will start to fill with chilled water a short time later.



**⚠ CAUTION**

Make sure the water pitcher fits in the water pitcher holder.



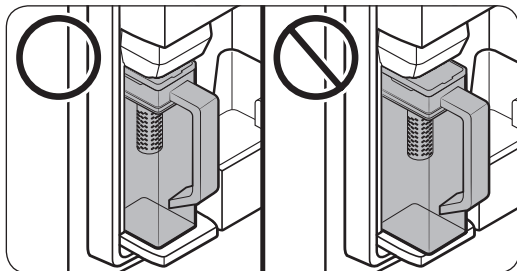
**A.** Type A models

**B.** Type B models

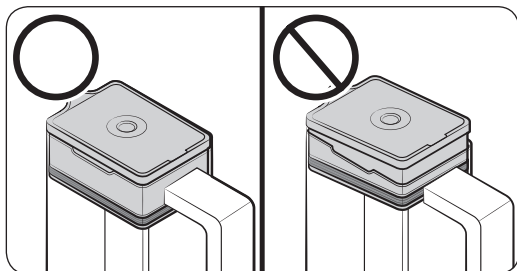
5. To drink tea, open the Beverage Center door (Type A) or the left door of the fridge (Type B), and then detach the water pitcher. Pull it straight out.

**⚠ CAUTION**

- We recommend consuming fruit infused water within 24 hours. After that, the infused water can spoil over time.
- You must clean the water pitcher after you have consumed the infused water. Also clean the water pitcher if you haven't used it for a long time.

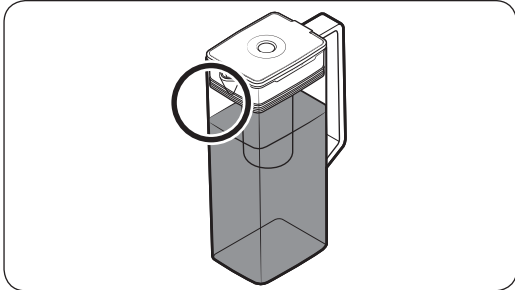


- To prevent the water pitcher from tipping over or leaking, make sure the water pitcher fits in the water pitcher holder.



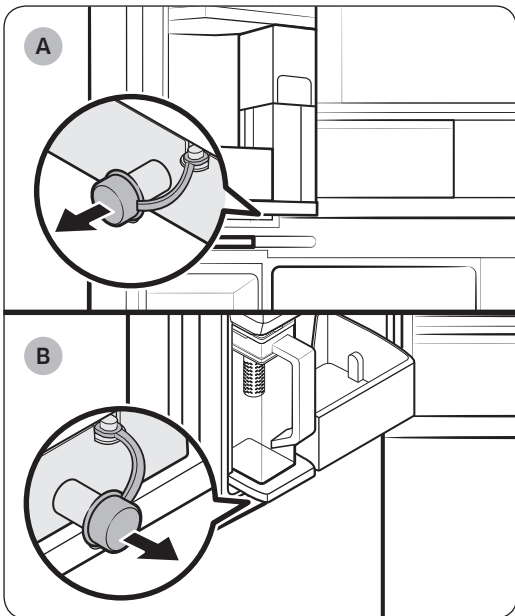
- To prevent the water pitcher from spilling over or leaking, make sure the infuser holder is properly inserted.

# Operations



## NOTE

- If the front side (specifically marked area) of the water pitcher has too much moisture, the water pitcher may not fully fill. Remove the moisture, and then try again.
- Autofill Pitcher function will stop supplying water to the water pitcher if the water pitcher does not fill after a certain amount of time. If this happens, check if the water line is properly connected. Remove and reinsert the water pitcher, and then try again.



A. Type A models

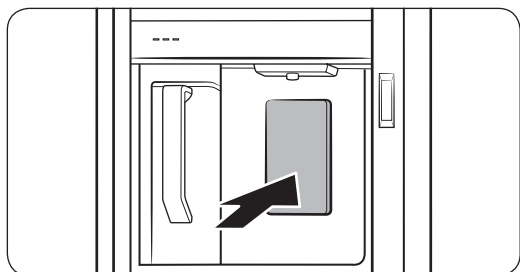
B. Type B models

## NOTE

- Wipe around the water pitcher holder if the water pitcher overflows or leaks.
- Water drops off if the rubber cap is opened.
- An alert message appears on the control panel if there is a leak. In case of a leak, open the rubber cap so that the leaked water drains. If the alert message does not disappear after draining, there might be a system failure. Contact your local Samsung service center.

---

## Water dispenser (applicable models only)



To dispense chilled water, open the Beverage Center and press the dispenser lever.

### NOTE

- The dispenser will stop dispensing if you keep pushing the dispenser lever for about 1 minute. To dispense more water, release and push the lever again.
- Make sure the glass is in line with the dispenser to prevent the dispensed water from spilling out.
- If you do not use the water dispenser for 2-3 days, the dispensed water may have an abnormal smell or taste. This is not a system failure. Discard the first 1-2 glasses of water.

### Water clouding

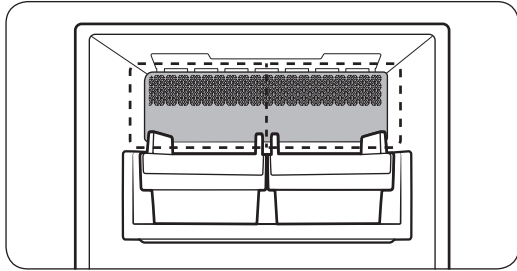
Water supplied to the refrigerator flows through a core alkaline filter. During this filtering process, the water pressure of the water increases and the water becomes saturated with oxygen and nitrogen. This causes the water to look misty or cloudy temporarily when dispensed. This is normal and the water will look clear after a few seconds.

# Operations

## Auto Ice maker (applicable models only)

The refrigerator has a built-in ice maker that automatically dispenses ice.

- The overall design and/or accessories may differ with the model.



- This product has two types of ice makers.

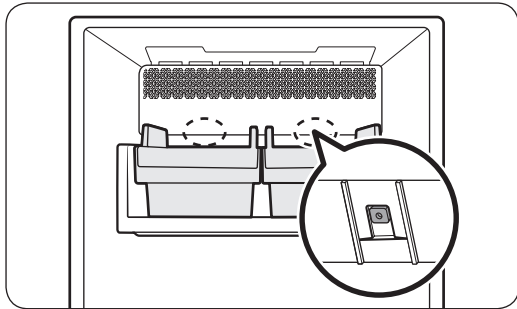
## Ice making

After you have installed your refrigerator and plugged it in, follow these instructions to ensure proper ice making and to keep the ice bucket full of ice.

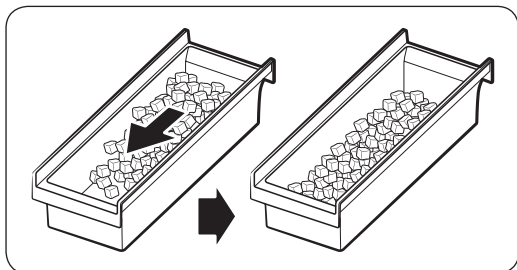
### For first-time use

- Let the ice maker make ice for 1-2 days.
- Discard the first 1-2 buckets of ice to remove impurities in the water supply system.

### Diagnosis



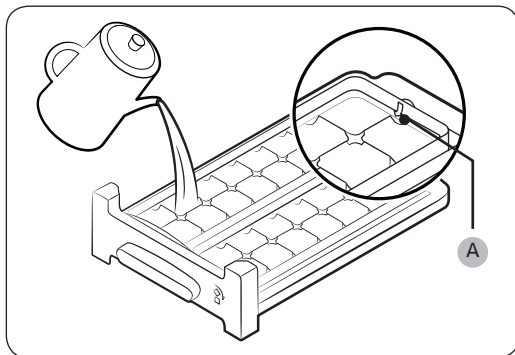
- The overall design and/or accessories may differ with the model.
- If ice does not dispense, first check the status of ice maker using the **Test** button on the bottom of the ice maker.
- Press the **Test** button on the back of the ice maker. You will hear a chime (ding-dong) when you press the button. You will hear another chime if the ice maker is operating properly.
- Ice accumulating on one side of the tray is normal. Arrange the ice evenly in the tray to store more ice.



### CAUTION

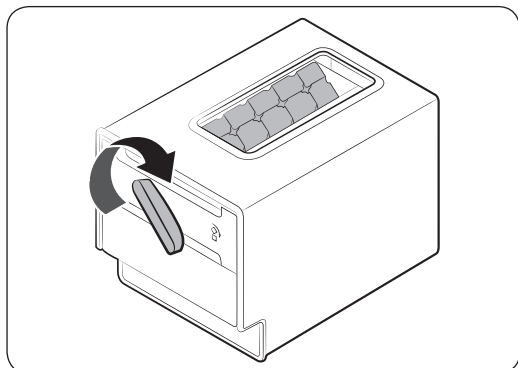
- Leaving the water line disconnected may cause the water valve to produce a buzzing sound over time. If this is the case, make sure to turn the ice making function (Cubed Ice / Ice Bites ) off.
- If the ice making chime rings repeatedly, contact the waterline installer or a local Samsung service center.
- Do not put food in the ice bucket. The frozen food may damage the ice maker, especially when you open or close the door.
- When the refrigerator recovers power after a power failure, the ice bucket may contain a mix of melted and jammed ice cubes, which can prevent the ice maker from working properly. To prevent this, make sure to empty the ice bucket before using the refrigerator.
- Do not put fingers or any objects into the ice maker. This can cause physical injury or property damage.
- Due to sublimation, ice stored in the freezer for a long time gets smaller and then forms large ice chunks. Therefore, if it will be a long time before you use ice, turn the ice maker off as follows.
- Use the new hose-sets supplied with the appliance only. Do not re-use an old hose set.

### Twist ice maker (applicable models only)

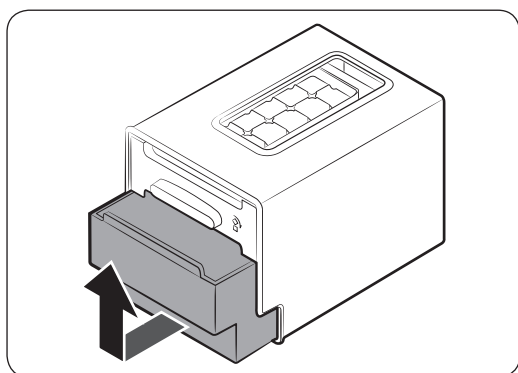


1. Open the freezer door, and slide open the ice tray.
2. Fill the tray with water up to the **maximum level (A)** marked on the inner rear of the tray.
3. Slide the tray back into position.

# Operations



4. When the water freezes into ice cubes, turn the ice tray handle clockwise to empty the ice cubes into the ice box. Repeat this until all the ice cubes are emptied into the ice box.



5. To remove the ice box, gently lift up and pull out.

## CAUTION

- Do not use the ice box specifically for making ice. The box may break.
- Make sure the ice box is in place under the ice tray.
- The ice box has a drain hole at the bottom.
  - Do not store ice in the box in ambient temperatures. The ice melts and runs out.
  - In case of a power failure, the ice melts into water and runs out. After the power recovery, the water may freeze back and cause the box to break. To prevent damage to the box, remove and empty the box after the power failure.
  - Use only potable water.

## NOTE

- The ice making time depends on your temperature settings.

# Maintenance

## Handling and care

### Ice bucket (applicable models only)

If you do not dispense ice for an extended period, ice may form clumps inside the bucket. If this happens, remove and empty the ice bucket.

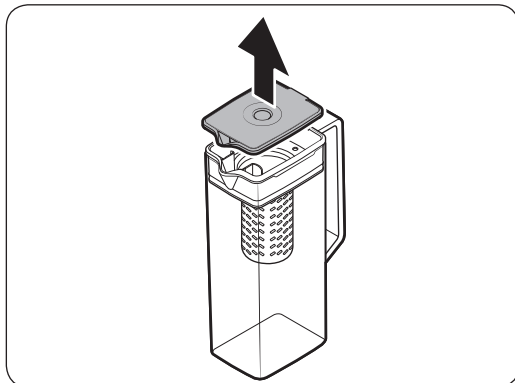
#### ⚠ CAUTION

- To prevent injury, make sure to clean up any ice or water that has fallen on the floor.
- To prevent accidents or injury, do not let children play with the water dispenser or the ice maker.
- Use only the provided ice bucket. Third-party ice buckets may cause a system failure.

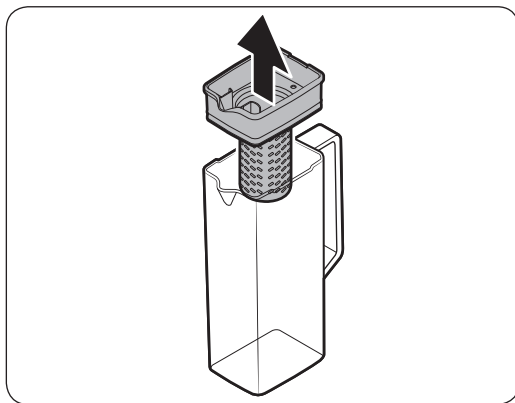
#### 📄 NOTE

- The water pressure required for ice making is between 206-861 kPa.
- Noise from the ice maker as it produces ice during the ice making process is normal.

### Autofill pitcher (applicable models only)



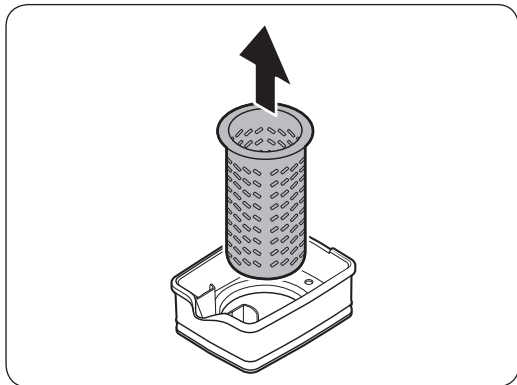
1. Grasp a handle groove of the lid, and then pull up to remove.



2. Grasp both sides of the infuser holder, and then lift to remove.

# Maintenance

---



3. While slightly twisting the **infuser**, pull it out of the sealed mouth.
4. Clean the **infuser** with neutral agents and running water. Rinse and dry well.
5. Reassemble the Autofill pitcher in the reverse order of disassembly.

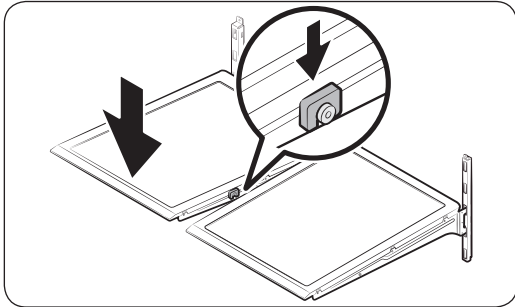
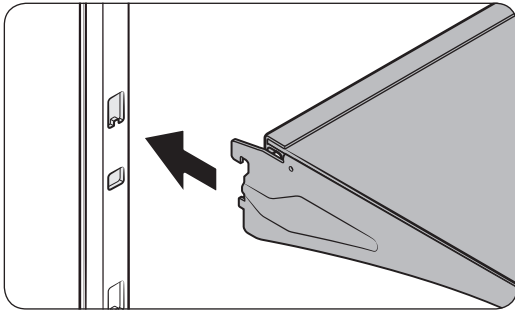
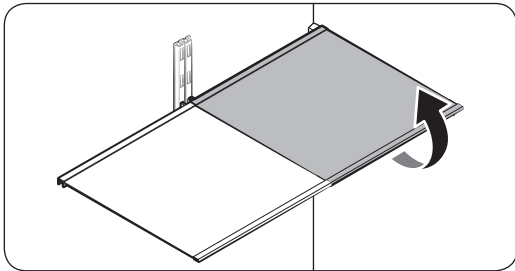
**⚠ CAUTION**

The water pitcher and lid are not microwave safe and can melt or deform if exposed to heat (including hot water). Please hand wash in cool or warm water as needed.



## Fridge shelves

The appearance of the shelves differs by model.



- To remove a shelf, fully open the corresponding door. Hold the front of the shelf, and then gently lift up and pull out.

### **NOTE**

Do not lift up the shelf fully when removing or reinserting the shelf. The rear wall of the fridge room can be dented.

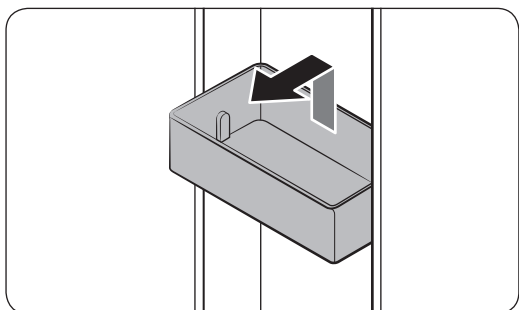
- To reinsert, hold the shelf at an angle so the front is higher than the back, and then insert the top hook into the top shelf notch. Then, lower the shelf and insert the bottom shelf hook into the bottom shelf notch.

### **CAUTION**

- The tempered glass shelves are heavy. Use caution when removing them.
- The shelf must be inserted correctly. Do not insert upside down.
- Glass containers may scratch the surface of glass shelves.

# Maintenance

## Door bins



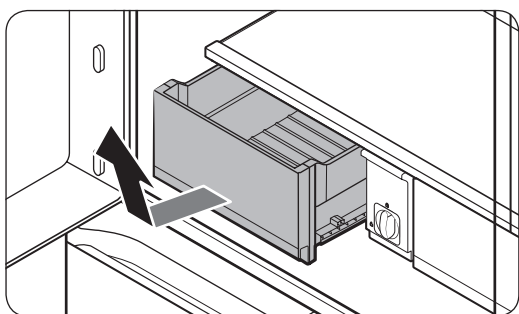
- To remove the **door bin**, hold the front sides of the bin, and then gently lift up to remove.
- To reinsert, insert the **door bin** slightly above its final location making sure that the back of the bin is against the door. Hold the rear of the **door bin** with both hands, and then press down so that it fits snugly.

### ⚠ CAUTION

- Do not remove a bin that is filled with food. Empty the bin beforehand.
- Use caution when opening the door if the bottom bin contains larger bottles, which may fall over.
- Do not allow children to play with the bins. Sharp corners of the bin may cause injury.

## Fridge drawers

### Crisper / Flex Crisper Drawers



Gently lift up the front of the drawer and slide out.

- We recommend that you remove the door bins before removing the drawer. This is to prevent damage to the door bins.
- To reinsert, insert the drawer into the frame rails and then slide inward.

---

## Cleaning

---

### Interior and exterior

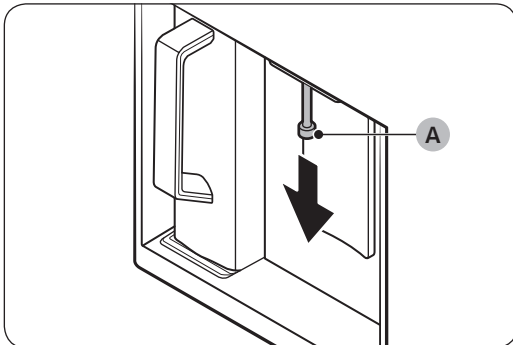
#### **WARNING**

- Do not use benzene, thinner, home/car detergent, or Clorox™ to clean the refrigerator. They may damage the surface of the refrigerator and cause a fire.
- Do not spray water onto the refrigerator. This may cause electric shock.

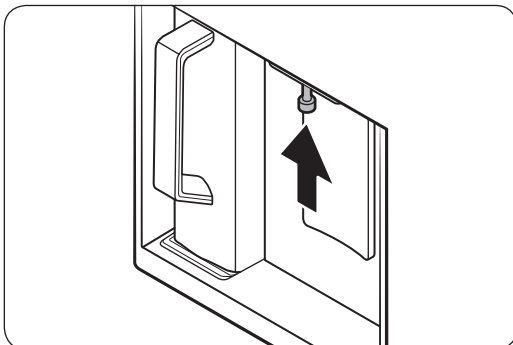
Regularly use a dry cloth to remove all foreign substances such as dust or water from the power plug terminals and contact points.

1. Unplug the power cord.
2. Use a moistened, soft, lint-free cloth or paper towel to clean the refrigerator's interior and exterior.
3. When done, use a dry cloth or paper towel to dry well.
4. Plug in the power cord.

### Dispenser nozzle (applicable models only)



1. Hold the end of the dispenser nozzle (A).
2. While turning the dispenser nozzle (A) left, pull it down to remove it from the dispenser.



3. Clean the dispenser nozzle thoroughly, and then assemble it back.

#### **CAUTION**

- Fully insert the dispenser nozzle, so it is back to its original position.
- Do not use a sponge with rough textures for cleaning the dispenser nozzle.

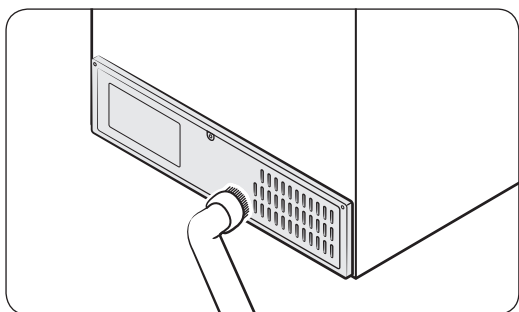
# Maintenance

---

## Rubber seals

If the rubber seals of a door become dirty, the door may not close properly and reducing refrigerator performance and efficiency. Use a mild detergent and damp cloth to clean the rubber seals. Then, dry well with a cloth.

## Rear panel



To keep cords and exposed parts of the rear panel free of dirt, vacuum the panel once or twice a year.

### CAUTION

Do not remove the rear panel cover. Electric shock may occur.

## Replacement

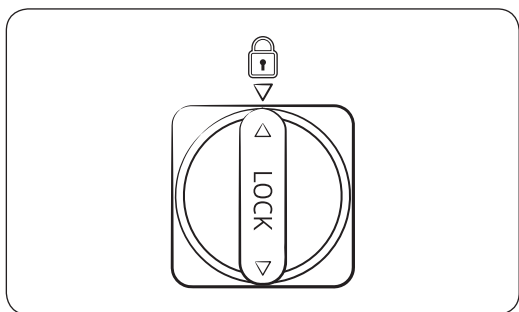
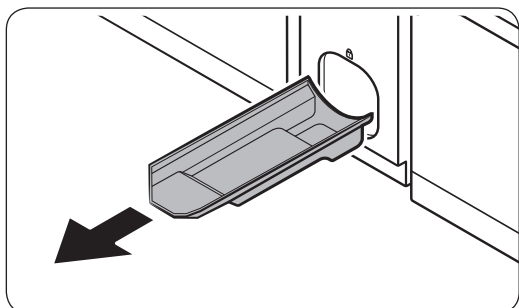
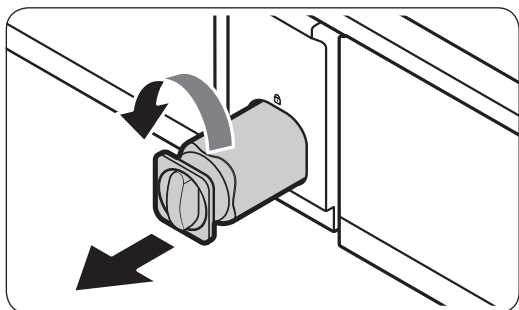
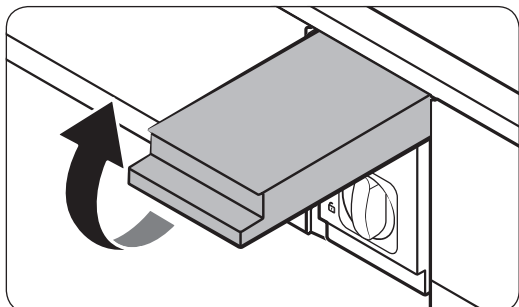
---

### Water filter (applicable models only)

#### WARNING

- Do not use third-party water filters. Use only Samsung-provided or -approved filters.
- Unapproved filters may leak and damage the refrigerator, causing electric shock. Samsung is not responsible for any damage that may occur from use of third-party water filters.

The “**Replace water filter**” message appears on the control panel to let you know it is time to replace the water filter. Before replacing the filter, make sure the water supply line is shut off.



1. Shut off the water supply line.
2. Open the filter cartridge cover.
3. Turn the knob of the filter cartridge counter clockwise 90 degrees ( $\frac{1}{4}$  turn). The filter cartridge unlocks.
4. Pull out to remove the cartridge.
  - If the water filter is severely contaminated, the cartridge may not be easy to remove. If that is the case, use force to remove the cartridge.
  - To prevent water leaks from the filter opening, pull the cartridge straight out while removing it.
5. Insert a new filter cartridge. Use only Samsung-provided or approved filters.
6. Turn the cartridge knob clockwise to lock into place.
7. Close the filter cartridge cover.
8. On the control panel, go to **More Options**, and then run **Filter Reset**.

# Maintenance

---

## NOTE

- A newly installed filter may cause the water dispenser to spurt water briefly. This is because air has entered the waterline.
- The replacement process may cause the water dispenser to drip for a short period of time. If it drips, simply wipe up any water on the floor with a dry towel.

## Reverse osmosis water filtration system

The water pressure of the water supply system to a reverse osmosis water filtration system must be between 206-861 kPa.

The water pressure of the reverse osmosis water filtration system to the refrigerator's cold water line must be at least 206 kPa. If the water pressure is below these specifications:

- Check if the sediment filter in the reverse osmosis system is blocked. Replace the filter if necessary.
- Refill the water tank in the reverse osmosis system with water.
- If your refrigerator has a water filter, it may further reduce the water pressure when used in conjunction with a reverse osmosis system. Remove the water filter.

For more information or servicing, contact a licensed plumbing professional.

## Ordering a new filter

To purchase a new water filter, contact a local Samsung service center.

## LED Lamps

To replace the lamps of the refrigerator, contact a local Samsung service center.

## WARNING

- The lamps are not user-serviceable. Do not attempt to replace a lamp yourself. This can cause electric shock.

## Lamp (Light Source)

This product contains a light source of energy efficiency class <G>.

The lamp(s) and/or control gear(s) are not user-serviceable. To replace the lamp(s) and/or control gear(s) in the product, contact a local Samsung service centre.

For detailed instructions on replacing lamp(s) or control gear(s) in your product, visit the Samsung website (<http://www.samsung.com>), go to Support > Support home, and then enter the model name.

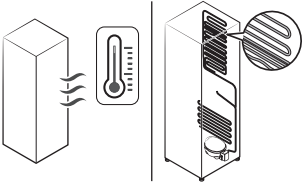
For detailed instructions on dismantling lamp(s) and/or control gear(s), simply follow the replacement instruction reached as described above.

# Troubleshooting

Before calling for service, review the checkpoints below. Any service calls regarding normal situations (No Defect Cases) will be charged to users.

## General

### Temperature

Symptom	Possible causes	Solution
Fridge/freezer does not operate. Fridge/freezer temperature is warm.	<ul style="list-style-type: none"> <li>Power cord is not plugged in properly.</li> </ul>	<ul style="list-style-type: none"> <li>Properly plug in the power cord.</li> </ul>
	<ul style="list-style-type: none"> <li>Temperature control is not set correctly.</li> </ul>	<ul style="list-style-type: none"> <li>Set the temperature lower.</li> </ul>
	<ul style="list-style-type: none"> <li>Refrigerator is located near a heat source or direct sunlight.</li> </ul>	<ul style="list-style-type: none"> <li>Keep the refrigerator away from direct sunlight or a heat source.</li> </ul>
	<ul style="list-style-type: none"> <li>Not enough clearance between refrigerator and nearby walls or cabinets.</li> </ul>	<ul style="list-style-type: none"> <li>Make sure there is a gap of at least 5 cm between the refrigerator back and sides and any nearby walls or cabinets.</li> </ul>
	<ul style="list-style-type: none"> <li>The refrigerator is overloaded. Food is blocking the refrigerator vents.</li> </ul>	<ul style="list-style-type: none"> <li>Do not overload the refrigerator. Do not allow food to block vents.</li> </ul>
Fridge/freezer is over-cooling.	<ul style="list-style-type: none"> <li>Temperature control is not set correctly.</li> </ul>	<ul style="list-style-type: none"> <li>Set the temperature higher.</li> </ul>
Interior wall is hot.	<ul style="list-style-type: none"> <li>Refrigerator has heat-proof piping in the interior wall.</li> </ul>	<ul style="list-style-type: none"> <li>To prevent condensation from forming, the refrigerator has heat-proof piping in the front corners. If the ambient temperature rises, this equipment may not work effectively. This is not a system failure.</li> </ul> 

# Troubleshooting

## Odors

Symptom	Possible causes	Solution
Refrigerator has odors.	• Spoiled food.	• Clean the refrigerator and remove any spoiled food.
	• Food with strong odors.	• Make sure strong smelling food is wrapped airtight.

## Frost

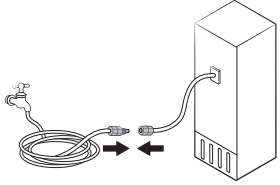
Symptom	Possible causes	Solution
Frost around the vents.	• Food is blocking the vents.	• Make sure no food blocks the refrigerator vents.
Frost on interior walls.	• Door is not closed properly.	• Make sure food does not block the door. Clean the door gasket.
Fruits or vegetables are frozen.	• Fruits or vegetables are stored in the Cool Select+.	• Do not store most kinds of fruit or vegetables in the Cool Select+.

## Condensation

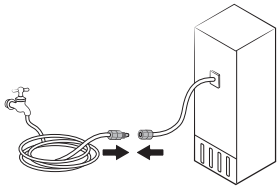
Symptom	Possible causes	Solution
Condensation forms on the interior walls.	• If door is left open, moisture enters the refrigerator.	• Remove the moisture and do not leave a door open for extended periods of time.
	• Food with high moisture content.	• Make sure food is wrapped airtight.



## Water/ice (dispenser models only)

Symptom	Possible causes	Solution
Water flow is weaker than normal.	<ul style="list-style-type: none"> <li>Water pressure is too low.</li> </ul>	<ul style="list-style-type: none"> <li>Make sure the water pressure is between 206-861 kPa.</li> </ul>
Ice maker makes a buzzing sound.	<ul style="list-style-type: none"> <li>The ice maker function is activated, but the water supply to the refrigerator has not been connected.</li> </ul>	<ul style="list-style-type: none"> <li>Turn off the Ice Maker.</li> </ul>
Ice maker does not make ice.	<ul style="list-style-type: none"> <li>Ice maker has just been installed.</li> </ul>	<ul style="list-style-type: none"> <li>You must wait for 12 hours for the refrigerator to make ice.</li> </ul>
	<ul style="list-style-type: none"> <li>Freezer temperature is too high.</li> </ul>	<ul style="list-style-type: none"> <li>Set the freezer temperature below -18 °C or -20 °C in warm ambient air.</li> </ul>
	<ul style="list-style-type: none"> <li>Ice maker is off.</li> </ul>	<ul style="list-style-type: none"> <li>Turn on the ice maker.</li> </ul>
Ice does not dispense.	<ul style="list-style-type: none"> <li>Ice may jam if the ice dispenser is not used for a long time (approx. 3 weeks).</li> </ul>	<ul style="list-style-type: none"> <li>If you won't be using the refrigerator for a long time, empty the ice bucket and turn off the ice maker.</li> </ul>
	<ul style="list-style-type: none"> <li>Ice bucket is not properly inserted.</li> </ul>	<ul style="list-style-type: none"> <li>Make sure the ice bucket is properly inserted.</li> </ul>
	<ul style="list-style-type: none"> <li>Water line is not connected properly or water supply is not on.</li> </ul>	<ul style="list-style-type: none"> <li>Check if the water line is installed correctly. Check if the water line stop valve is closed.</li> </ul> 

# Troubleshooting

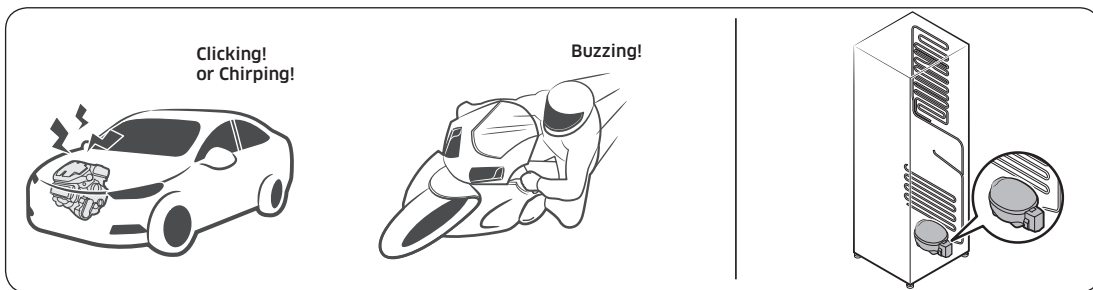
Symptom	Possible causes	Solution
Water does not dispense.	<ul style="list-style-type: none"> <li>Water line is not connected properly or water supply is not on.</li> </ul>	<ul style="list-style-type: none"> <li>Check if the water line is installed correctly. Check if the water line stop valve is closed.</li> </ul> 
	<ul style="list-style-type: none"> <li>A third-party water filter was installed.</li> </ul>	<ul style="list-style-type: none"> <li>Use only Samsung-provided or approved filters.</li> <li>Unapproved filters may leak and damage the refrigerator.</li> </ul>
	<ul style="list-style-type: none"> <li>The "<b>Replace water filter</b>" message appears on the control panel.</li> </ul>	<ul style="list-style-type: none"> <li>Replace the water filter. Then, on the control panel, go to <b>More Options</b>, and then run <b>Filter Reset</b>.</li> </ul>

## Do you hear abnormal sounds from the refrigerator?

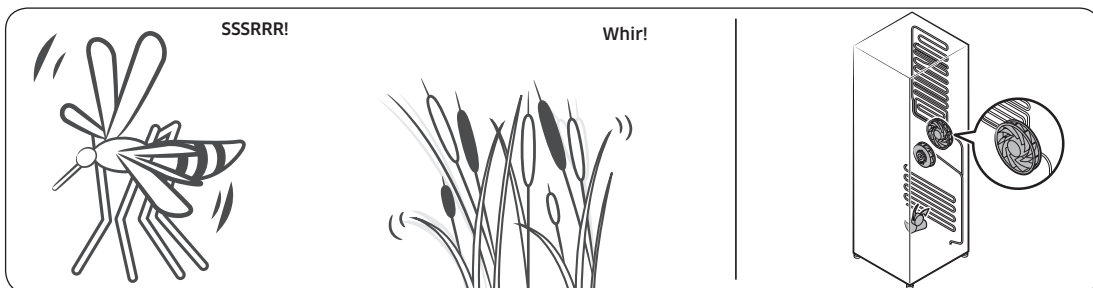
Before calling for service, review the checkpoints below. Any service calls related to normal sounds will be charged to the user.

### These sounds are normal.

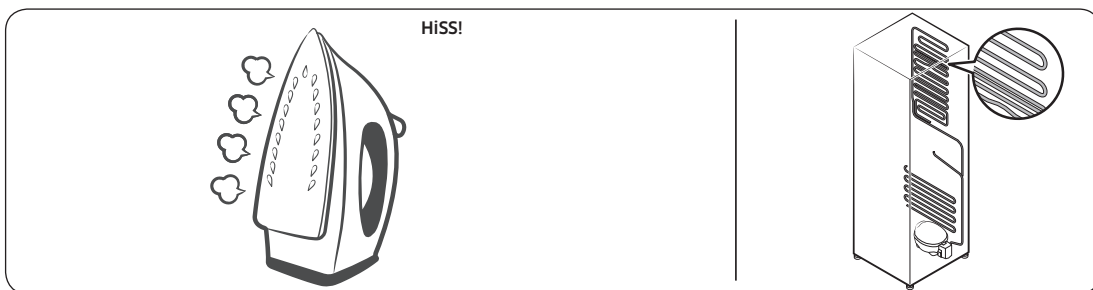
- When starting or ending an operation, the refrigerator may make sounds similar to a car engine igniting. As the operation stabilizes, the sounds will decrease.



- While the fan is operating, these sounds may occur. When the refrigerator reaches the set temperature, no fan sound will occur.

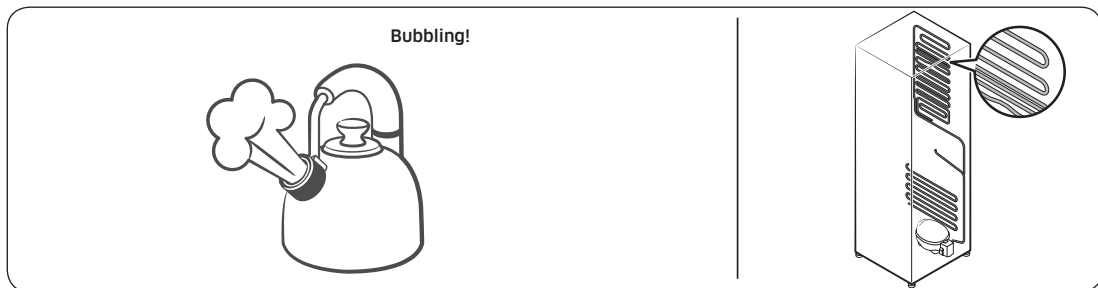


- During a defrost cycle, water may drip on the defrost heater, causing sizzling sounds.

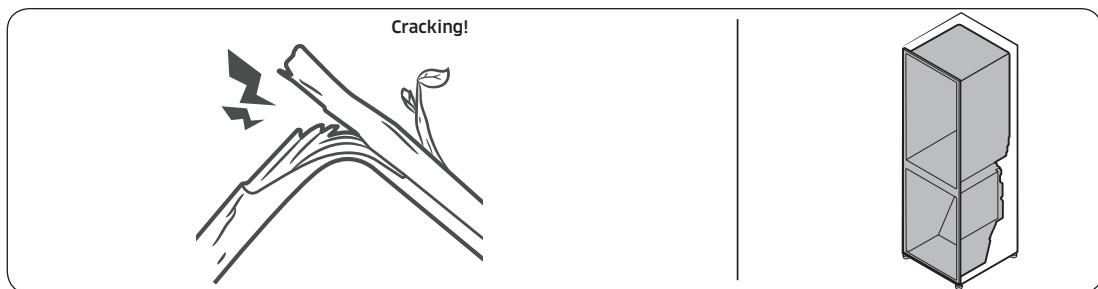


# Troubleshooting

- As the refrigerator cools or freezes, refrigerant gas moves through sealed pipes, causing bubbling sounds.



- As the refrigerator temperature increases or decreases, plastic parts contract and expand, creating knocking noises. These noises occur during the defrosting cycle or when electronic parts are working.



- For ice maker models: When the water valve opens to fill the ice maker, buzzing sounds may occur.
- Due to pressure equalizing when opening and closing the refrigerator door, whooshing sounds may occur.

## SmartThings

Symptom	Action
Could not find "SmartThings" in the app market.	<ul style="list-style-type: none"><li>• The SmartThings app is not available for some tablet and iPad and some smartphone.<ul style="list-style-type: none"><li>- support that [Android] OS 8.0 or higher(minimum 2GB RAM Size)</li><li>- support that [iOS] 12.0 or higher/iPhone6 or higher.</li></ul></li></ul>
The SmartThings app fails to operate.	<ul style="list-style-type: none"><li>• The SmartThings app is available for applicable models only.</li><li>• The old Samsung Smart Refrigerator app cannot connect with Samsung Smart Home models.</li></ul>
The SmartThings app is installed but is not connected to my refrigerator.	<ul style="list-style-type: none"><li>• You must log into your Samsung account to use the app.</li><li>• Make sure that your router is operating normally.</li><li>• If the Wi-Fi icon on the refrigerator's display is off, this indicates that no network connection has been established yet. In this case, use the SmartThings app to connect and register your refrigerator to the access point (AP) of your house.</li></ul>
Could not log into the app.	<ul style="list-style-type: none"><li>• You must log into your Samsung account to use the app.</li><li>• If you don't have a Samsung account, follow the app's onscreen instructions to create one.</li></ul>
An error message appears when I try to register my refrigerator.	<ul style="list-style-type: none"><li>• Easy Connection may fail due to the distance from your access point (AP) or electrical interference from the surrounding environment. Wait a moment and try again.</li></ul>
The SmartThings app is successfully connected to my refrigerator but does not run.	<ul style="list-style-type: none"><li>• Exit and restart the SmartThings app, or disconnect and reconnect the router.</li><li>• Power off the refrigerator, and then power it on again after 1 minute.</li></ul>

# Open Source Announcement

---

The software included in this product contains open source software.

The following URL [http://opensource.samsung.com/opensource/SMART\\_TP2\\_0/seq/0](http://opensource.samsung.com/opensource/SMART_TP2_0/seq/0) leads to open source license information as related to this product.



# Appendix

---

## Safety Instruction

---

- For the most efficient use of energy, please keep the all inner fittings such as baskets, drawers, shelves and ice cube tray on the position supplied by manufacturer.
- This refrigerating appliance is not intended to be used as a built-in appliance.

## Install Instruction

---

### For refrigerating appliances with climate class

Depending on the climate class, This refrigerating appliance is intended to be used at ambient temperatures range as specified following table.

The climate class can be found on the rating plate. The product may not operate properly at temperatures outside of the specific range.

You can find climate class on label inside of your refrigerator

### Effective temperature range

The refrigerator is designed to operate normally in the temperature range specified by its class rating.

Class	Symbol	Ambient Temperature range (°C)	
		IEC 62552 (ISO 15502)	ISO 8561
Extended Temperate	SN	+10 to +32	+10 to +32
Temperate	N	+16 to +32	+16 to +32
Subtropical	ST	+16 to +38	+18 to +38
Tropical	T	+16 to +43	+18 to +43

### NOTE

The cooling performance and power consumption of the refrigerator may be affected by the ambient temperature, the door-opening frequency, and the location of the refrigerator. We recommend adjusting the temperature settings as appropriate.

# Appendix

---

## Temperature Instruction

---

### Recommended Temperature

The optimal temperature setting for food storage:

- Fridge: 3 °C
- Freezer: -19 °C

#### NOTE

The optimal temperature setting of each compartment depends on the ambient temperature. Above optimal temperature is based on the ambient temperature of 25 °C.

### Power Cool

Power Cool speeds up the cooling process at maximum fan speed. The fridge keeps running at full speed for two and a half hours and then returns to the previous temperature.

### Power Freeze

Power Freeze speeds up the freezing process at maximum fan speed. The freezer keeps running at full speed for 50 hours and then returns to the previous temperature. To freeze large amounts of food, activate Power Freeze for at least 20 hours before putting food in the freezer.

#### NOTE

When you use this function the energy consumption of the refrigerator will increase. Remember to turn it off when you don't need it and return the freezer to your original temperature setting.

### How to store for best preservation (applicable models only)

Cover foods to retain moisture and prevent them from picking up odors from other foods. A large pot of food like soup or stew should be divided into small portions and put in shallow containers before being refrigerated. A large cut of meat or whole poultry should be divided into smaller pieces or placed in shallow containers before refrigerating.



## Placement of Foods

Shelves	Shelves should be adjustable to accommodate a variety of packages.
Specialized compartment (applicable models only)	Sealed crisper drawers provide an optimal storage environment for fruits and vegetables. Vegetables require higher humidity conditions while fruits require lower humidity conditions. Crispers are equipped with controls devices to control the humidity level. (*Depending on model and options) An adjustable temperature meat drawer maximizes the storage time of meats and cheeses.
Stored on the door	Don't store perishable foods in the door. Eggs should be stored in the carton on a shelf. The temperature of the storage bins in the door fluctuate more than the temperature in the cabinet. Keep the door closed as much as possible.
Freezer Compartment	You can store frozen food, make ice cubes and freeze fresh food in the freezer compartment.

### NOTE

Freeze fresh, undamaged food only. Keep food which is to be frozen away from food which is already frozen. To prevent food from losing its flavour or drying out, place in airtight containers.

### Refrigerator & Freezer Storage Chart

The freshness longevity depends on temperature and exposure to moisture. Since product dates aren't a guide for safe use of a product, consult this chart and follow these tips.

Milk products

Product	Refrigerator	Freezer
Milk	1 week	1 month
Butter	2 weeks	12 months
Ice cream	-	2-3 weeks
Natural cheese	1 month	4-6 months
Cream cheese	2 weeks	Not recommended
Yogurt	1 month	-

# Appendix

---

## Meat

Product	Refrigerator	Freezer
Fresh roasts, steaks, chops	3-4 days	2-3 months
Fresh ground meat, stew meat	1-2 days	3-4 months
Bacon	7 days	1 month
Sausage, Raw from pork, beef, turkey	1-2 days	1-2 months

## Poultry / Eggs

Product	Refrigerator	Freezer
Fresh poultry	2 days	6-8 months
Poultry salad	1 day	-
Eggs, Fresh in shell	2-4 weeks	Not recommended

## Fish / Seafood

Product	Refrigerator	Freezer
Fresh fish	1-2 days	3-6 months
Cooked fish	3-4 days	1 month
Fish salad	1 day	Not recommended
Dried or pickled fish	3-4 weeks	-

## Fruits

Product	Refrigerator	Freezer
Apples	1 month	-
Peaches	2-3 weeks	-
Pineapple	1 week	-
Other fresh fruit	3-5 days	9-12 months

## Vegetables

Product	Refrigerator	Freezer
Asparagus	2-3 days	-
Broccoli, Brussels sprouts, green peas, mushrooms	3-5 days	-

---

Product	Refrigerator	Freezer
Cabbage, cauliflower, celery, cucumbers, lettuce	1 week	-
Carrots, beets, radishes	2 weeks	-

## Information for model and ordering spare parts

---

### Model information

To access the EPREL registration of the model :

1. Go to <https://eprel.ec.europa.eu>
2. Get the model identifier from the energy label of the product and type it in the search box
3. Energy Labelling information of the model is shown

### Part information

- The minimum period during which spare parts, necessary for the repair of the appliance, are available
  - 7 Years thermostats, temperature sensors, printed circuit boards and light sources, door handles, door hinges, trays, baskets (boxes or drawers)
  - 10 Years door gaskets
- The minimum duration of the guarantee of the refrigerating appliance offered by the manufacturer 24 Months.
- Relevant information for ordering spare parts, directly or through other channels provided by the manufacturer, importer or authorized representative
- You can find professional repair information on <http://samsung.com/support>  
You can find user servicing manual on <http://samsung.com/support>.

 **NOTE**

Hereby, Samsung declares that this radio equipment is in compliance with Directive 2014/53/EU and with the relevant statutory requirements in the UK.

The full text of the EU declaration of conformity and the UK declaration of conformity is available at the following internet address: The official Declaration of conformity may be found at <http://www.samsung.com>, go to Support > Search Product Support and enter the model name.

	Frequency range	Transmitter power (Max)
Wi-Fi	2412 - 2472 MHz	20 dBm
Bluetooth	2402 - 2480 MHz	20 dBm

### Contact SAMSUNG WORLD WIDE

If you have any questions or comments relating to Samsung products, please contact the SAMSUNG customer care center.

Country	Contact Center	Web Site
CYPRUS	8009 4000 only from landline, toll free	www.samsung.com/gr/support
GREECE	80111-SAMSUNG (80111 726 7864) only from land line (+30) 210 6897691 from mobile and land line	
ITALIA	800-SAMSUNG (800.7267864)	www.samsung.com/it/support
PORTUGAL	808 207 267	www.samsung.com/pt/support
SPAIN	91 175 00 15	www.samsung.com/es/support



DA68-04023P-01



# Frigorifero

## Manuale dell'utente

Apparecchio a libera installazione

**SAMSUNG**

# Indice

---

<b>Informazioni di sicurezza</b>	<b>4</b>
Cosa è necessario sapere sulle istruzioni di sicurezza	4
Simboli di sicurezza e precauzioni importanti:	6
Importanti istruzioni di sicurezza	7
Simboli relativi a importanti avvertenze per il trasporto e il luogo di installazione	10
Avvertenze per installazioni critiche	11
Precauzioni per l'installazione	14
Importanti avvertenze per l'uso	14
Precauzioni per l'uso	19
Avvertenze per la pulizia	22
Importanti avvertenze per la pulizia	24
Ulteriori suggerimenti per un uso corretto	25
Istruzioni su WEEE	26
<b>Installazione</b>	<b>27</b>
Il frigorifero in breve	28
Passaggi di installazione	32
<b>Funzionamento</b>	<b>50</b>
Pannello di controllo	50
SmartThings	54
Funzioni speciali	57
<b>Manutenzione</b>	<b>64</b>
Pulizia e manutenzione	64
Pulizia	68
Sostituzione	69
<b>Risoluzione dei problemi</b>	<b>72</b>
Generale	72
Si avvertono rumori anomali provenire dal frigorifero?	77
SmartThings	79
<b>Open Source Announcement</b>	<b>80</b>

---

<b>Appendice</b>	<b>81</b>
Istruzioni di sicurezza	81
Istruzioni di installazione	81
Istruzioni sulla temperatura	82
Informazioni sul modello e l'ordinazione di parti di ricambio	85



# Informazioni di sicurezza

---

Prima di utilizzare il nuovo frigorifero Samsung, leggere completamente questo manuale in modo da conoscerne le caratteristiche e le funzioni così da utilizzare l'apparecchio in modo sicuro ed efficiente.

## Cosa è necessario sapere sulle istruzioni di sicurezza

---

- Le avvertenze e le importanti istruzioni di sicurezza riportate in questo manuale non coprono tutte le possibili condizioni e situazioni che possono verificarsi.  
E' responsabilità dell'utente utilizzare l'apparecchio con buon senso, prestando la massima attenzione e cura in fase di installazione, manutenzione e funzionamento.
- Poiché le seguenti istruzioni operative coprono i vari modelli disponibili, le caratteristiche del frigorifero possono differire da quelle descritte in questo manuale e non tutti i simboli di avvertenza possono essere applicabili. In caso di dubbi o domande rivolgersi al centro assistenza di zona o visitare il sito [www.samsung.com](http://www.samsung.com) per reperire le informazioni necessarie.
- Come refrigerante vengono utilizzati i gas R-600a o R-134a. Controllare l'etichetta del compressore sul retro dell'apparecchio e l'etichetta della potenza nominale all'interno del frigorifero per individuare il tipo di refrigerante utilizzato. Se il prodotto contiene gas infiammabile (refrigerante R-600a), contattare l'ente locale preposto per lo smaltimento sicuro di questo prodotto.
- Per evitare la possibile formazione di una miscela di aria e gas infiammabile, in caso di una perdita nel circuito di raffreddamento, la dimensione del locale in cui viene installato il prodotto deve essere adeguata alla quantità di refrigerante utilizzato.
- Non attivare mai un apparecchio che mostri chiari segni di danni. In caso di dubbi, consultare il rivenditore. La dimensione del locale dovrebbe essere calcolata considerando 1 m<sup>3</sup> di spazio per ogni 8 g di refrigerante R600a contenuto nell'apparecchio.





La quantità di refrigerante utilizzata nell'apparecchio è indicata nella targhetta identificativa all'interno dell'unità.

- Eventuali schizzi di refrigerante fuoriuscito dalle tubazioni possono provocare incendio o lesioni oculari. In caso di perdita di refrigerante dalle tubazioni, evitare il contatto del prodotto con fiamme libere o qualsiasi altra fonte infiammabile e ventilare immediatamente il locale.
  - La mancata osservanza di questa precauzione può causare un incendio o una esplosione.
- Al fine di evitare una contaminazione dei cibi, rispettare le seguenti istruzioni:
  - L'apertura per lunghi periodi di tempo della porta può provocare un significativo innalzamento della temperatura interna.
  - Pulire regolarmente la superficie interna che entra a contatto con i cibi ed i sistemi di scolo accessibili.
  - Pulire i serbatoi dell'acqua qualora non vengano utilizzati per 48 ore; azionare i sistemi di erogazione dell'acqua collegati alle tubazioni di mandata qualora non vengano utilizzati per 5 giorni.
  - Conservare la carne ed il pesce in idonei contenitori all'interno del frigorifero, così che non possano colare liquidi o possano entrare in contatto con altri cibi.
  - Gli scomparti a due stelle per il congelamento dei cibi sono idonei alla conservazione di cibi pre-congelati, la conservazione o produzione di gelati e la formazione o conservazione di cubetti di ghiaccio.
  - Gli scomparti a una, due o tre stelle non sono idonei per il congelamento di cibi freschi.
  - Se il frigorifero viene lasciato vuoto per lunghi periodi di tempo, spegnerlo, scongelarlo, pulirlo ed asciugarlo lasciando la porta aperta al fine di prevenire la formazione di muffa al suo interno.

# Informazioni di sicurezza

---

## Simboli di sicurezza e precauzioni importanti:

---

Seguire le istruzioni per la sicurezza riportate in questo manuale. Questo manuale utilizza la seguente simbologia di sicurezza.

### **AVVERTENZA**

Pericoli o pratiche non sicure che possono causare **lesioni personali gravi e/o danni alla proprietà, o causare la morte.**

### **ATTENZIONE**

Pericoli o pratiche non sicure che possono causare **lesioni personali gravi e/o danni alla proprietà.**

### **NOTA**

Informazioni utili che aiutano l'utente a comprendere o beneficiare dell'uso del frigorifero.

Questi simboli di avvertenza hanno lo scopo di prevenire lesioni personali.

Seguire attentamente le istruzioni ad essi associate.

Una volta letto, si raccomanda di conservare il manuale in un luogo sicuro per future consultazioni.

---

## Importanti istruzioni di sicurezza

---



Avvertenza; Rischio di incendio / materiali infiammabili

### **AVVERTENZA**

- Nel posizionare l'apparecchio, assicurarsi che il cavo di alimentazione non sia impigliato o danneggiato.
- Non posizionare multiprese o alimentatori portatili sul retro dell'apparecchio.
- Riempire solo con acqua potabile.
- Collegare solo alla tubazione dell'acqua potabile.
- Mantenere libere le aperture predisposte nella struttura di montaggio o nel mobile a incasso per la ventilazione dell'apparecchio.
- Per accelerare il processo di sbrinamento, non utilizzare dispositivi meccanici o altri mezzi diversi da quelli consigliati dal costruttore.
- Non danneggiare il circuito refrigerante.
- Non usare apparecchi elettrici all'interno dei compartimenti di conservazione del cibo, a meno che non siano consigliati dal costruttore.
  
- Questo apparecchio non è inteso per l'uso da parte di persone (bambini inclusi) che abbiano ridotte capacità fisiche, sensoriali o mentali, o siano prive di esperienza o conoscenza, a meno che siano state fornite loro istruzioni per l'uso da parte di una persona responsabile della loro sicurezza o che sovrintenda all'uso dell'apparecchio.



# Informazioni di sicurezza

---

- Questo apparecchio può essere utilizzato da bambini di età superiore agli 8 anni e da persone con ridotte capacità fisiche, sensoriali o mentali o senza esperienza o conoscenza del prodotto solo sotto la supervisione di una persona responsabile o nel caso in cui abbiano ricevuto informazioni specifiche sull'uso sicuro dell'apparecchio e ne abbiano compreso i rischi ad esso associati. Non consentire ai bambini di giocare con l'apparecchio. La pulizia e la manutenzione dell'apparecchio non devono essere eseguite da bambini senza la supervisione di un adulto. L'inserimento e l'estrazione del cibo nel frigorifero è consentito ai bambini tra i 3 e gli 8 anni.
- Se il cavo di alimentazione è danneggiato, richiederne la sostituzione al produttore, a un tecnico dell'assistenza o un tecnico specializzato al fine di evitare potenziali pericoli
- La presa deve essere sempre facilmente accessibile in modo da poter rapidamente scollegare l'apparecchio dalla corrente elettrica in caso di una emergenza.
  - Deve essere situata al di fuori dell'area posteriore del frigorifero.
- Non conservare sostanze potenzialmente esplosive, come bombolette spray contenenti gas infiammabili, all'interno di questo apparecchio.
- Se il prodotto è dotato di lampadine LED, non disassemblare l'insieme coprilampada/lampada LED autonomamente.
  - Contattare un Centro di assistenza Samsung.
  - Utilizzare solo lampade LED fornite dal costruttore o dal centro assistenza.
- Utilizzare il nuovo set di tubi fornito in dotazione eliminando il precedente set senza riutilizzarlo.
- Collegare la mandata dell'acqua solo ad una sorgente di acqua potabile. Perché la macchina del ghiaccio funzioni correttamente la pressione dell'acqua deve essere compresa tra 206 e 861 kPa (30-125 psi).
- Per i migliori risultati in termini di efficienza energetica, tenere tutti gli accessori interni quali cestelli, cassette e ripiani nella posizione indicata dal costruttore.



- 
- Perché questo prodotto mantenga la migliore efficienza energetica, lasciare tutti i ripiani, i cassetti e i cestelli nella loro posizione originaria.

### Come ridurre al minimo il consumo energetico

- Installare l'apparecchio in un luogo fresco, asciutto e dotato di adeguata ventilazione.
- Accertarsi che non sia esposto a luce solare diretta e non sia installato vicino a una fonte diretta di calore (un calorifero, ad esempio).
  - Si raccomanda di non ostruire le ventole e le griglie di ventilazione per garantire l'efficienza energetica.
  - Lasciare che il cibo caldo si raffreddi prima di riporlo nell'apparecchio.
  - Per scongelare i surgelati, collocarli in frigorifero. Le basse temperature dei surgelati consentono inoltre di rinfrescare ulteriormente gli alimenti presenti in frigorifero.
  - Nel riporre o estrarre gli alimenti, non tenere per molto tempo la porta aperta.
  - Minore è il tempo di apertura, minore è il ghiaccio che si forma nel freezer.
  - Pulire il retro del frigorifero regolarmente. La polvere che si accumula aumenta il consumo di corrente.
  - Non impostare una temperatura più bassa del necessario.
  - Garantire una ventilazione sufficiente alla base e sul retro del frigorifero. Non coprire le aperture di ventilazione.
  - Durante l'installazione, lasciare sufficiente spazio sui lati, sul retro e in alto per consentire la circolazione dell'aria. Ciò consentirà di ridurre sia il consumo energetico sia il costo della bolletta elettrica.



# Informazioni di sicurezza

---

Questo apparecchio è progettato per un uso domestico o applicazioni simili quali

- angoli cottura per il personale di punti vendita, uffici e altri ambienti lavorativi;
- fattorie/aziende agricole e per l'uso dei clienti in hotel, motel e altri ambiti residenziali;
- ambienti di tipo bed and breakfast;
- catering e applicazioni simili non-retail.

## Simboli relativi a importanti avvertenze per il trasporto e il luogo di installazione

---

### **AVVERTENZA**

- Durante il trasporto e l'installazione dell'apparecchio, prestare attenzione a non danneggiare alcuna parte del circuito refrigerante.
  - Una perdita di refrigerante dalla tubazione può infiammarsi o causare lesioni oculari. Se si rileva una perdita, evitare l'uso di fiamme libere o potenziali fonti di accensione nei pressi e aerare il locale per alcuni minuti.
  - Questo apparecchio contiene come refrigerante una minima quantità di isobutano (R-600a), il quale, nonostante sia un gas naturale a basso impatto ambientale, è comunque combustibile. Durante il trasporto e l'installazione dell'apparecchio, prestare attenzione a non danneggiare alcuna parte del circuito refrigerante.
- Durante il trasporto e l'installazione del frigorifero, non toccare il tubo dell'acqua posizionato sul retro.
  - Ciò potrebbe danneggiare il frigorifero e impedire l'uso del dispenser dell'acqua.



---

## Avvertenze per installazioni critiche

---

### **AVVERTENZA**

- Non installare il frigorifero in un luogo umido o dove possa entrare a contatto con acqua.
  - L'usura del rivestimento isolante delle parti elettriche può causare scariche elettriche o un incendio.
- Non collocare il frigorifero in una posizione esposta alla luce solare diretta o al calore di stufe, radiatori o altri apparecchi di riscaldamento.
- Non collegare più apparecchi a una presa multipla. Il frigorifero deve essere sempre collegato a una presa elettrica separata in grado di sostenere una tensione corrispondente a quanto riportato sull'etichetta apposto sul frigorifero.
  - Ciò consente di ottenere le migliori prestazioni e prevenire il sovraccarico dell'impianto domestico che potrebbe causare un incendio a causa del surriscaldamento dei cavi.
- Se la presa elettrica è allentata, non inserire la spina.
  - Rischio di incendio o scariche elettriche.
- Non utilizzare un cavo con evidenti segni di usura o abrasione lungo il rivestimento o alle estremità.
- Non piegare eccessivamente il cavo di alimentazione né posizzionarvi sopra oggetti pesanti.
- Non piegare o tirare eccessivamente il cavo di alimentazione.
- Non torcere o annodare il cavo di alimentazione.
- Non agganciare il cavo elettrico a oggetti metallici, non collocarvi sopra oggetti pesanti, non far correre il cavo tra oggetti, né spingere il cavo dietro l'apparecchio.
- Durante lo spostamento del frigorifero, prestare attenzione a non schiacciare o danneggiare il cavo di alimentazione.
  - Ciò può portare a scariche elettriche o un incendio.



# Informazioni di sicurezza

---

- Non scollegare mai l'alimentazione dal frigorifero tirando il cavo di alimentazione. Afferrare sempre la spina e tirarla verso di sé per estrarla dalla presa.
  - Un cavo danneggiato può causare un cortocircuito, un incendio o una scarica elettrica.
- Non utilizzare spray nei pressi del frigorifero.
  - L'uso di spray vicino al frigorifero può causare una esplosione o un incendio.
- Non installare l'apparecchio vicino ad una fonte di calore o materiale infiammabile
- Non installare l'apparecchio in un locale in cui possa verificarsi una perdita di gas.
  - Ciò può portare a scariche elettriche o un incendio.
- Questo frigorifero deve essere posizionato correttamente ed installato seguendo le istruzioni fornite in questo manuale prima dell'uso.
- Collegare la spina inserendola nella posizione corretta con il cavo rivolto verso il basso.
  - Collegando la spina elettrica al contrario, il cavo potrebbe danneggiarsi e causare scariche elettriche o un incendio.
- Accertarsi che la spina non sia schiacciata o danneggiata dal retro del frigorifero.
- Tenere i materiali di imballaggio lontano dalla portata dei bambini.
  - Sussiste il rischio di morte a causa di soffocamento qualora un bambino inserisca la testa nei materiali da imballaggio.
- Non installare l'apparecchio in un locale soggetto a umidità, fumi d'olio o polvere, luce solare diretta o acqua (pioggia).
  - L'usura del rivestimento isolante delle parti elettriche può causare scariche elettriche o un incendio.





- Qualora si riscontri la presenza all'interno del frigorifero di polvere o acqua, estrarre la spina dalla presa di corrente e contattare un Centro di assistenza autorizzato Samsung.
  - In caso contrario, potrebbe verificarsi un incendio.
- Non salire sul prodotto né appoggiarvi sopra oggetti (biancheria, candele e sigarette accese, piatti, sostanze chimiche, oggetti metallici, ecc.).
  - Ciò può provocare scariche elettriche, un incendio o problemi al prodotto o lesioni personali.
- Prima di collegare alla presa di corrente per la prima volta il frigorifero è necessario rimuovere tutte le pellicole protettive.
- Sorvegliare i bambini per accertarsi che non giochino con le cerniere a scatto usate per regolare lo sportello o i fermi del tubo dell'acqua.
  - Qualora un anello di ritenuta o un fermo del tubo dell'acqua venga ingerito da un bambino, potrebbe soffocarlo. Tenere gli anelli di ritenuta ed i fermi del tubo dell'acqua fuori dalla portata dei bambini.
- Il frigorifero deve essere collegato alla terra.
  - Accertarsi sempre che il frigorifero sia correttamente collegato alla terra prima di tentare di riparare eventuali malfunzionamenti. Eventuali dispersioni di corrente possono provocare serie scariche elettriche.
- Per il collegamento a terra non utilizzare condotte del gas, linee telefoniche o altri tubi e barre che potenzialmente potrebbero fungere da parafulmini.
  - Per evitare dispersioni di corrente o scariche elettriche causate dalle dispersioni del frigorifero, collegare l'apparecchio alla terra.
  - La mancata osservanza di questa precauzione può causare scariche elettriche, incendio, esplosione o malfunzionamenti del prodotto.
- Inserire saldamente la spina nella presa di corrente. Non usare prese di corrente o cavi di alimentazione danneggiati o prese di corrente allentate.
  - Ciò può portare a scariche elettriche o un incendio.

# Informazioni di sicurezza

---

- Il fusibile del frigorifero deve essere sostituito da un tecnico qualificato o da un centro assistenza autorizzato.
  - Il mancato rispetto di questa precauzione può causare scariche elettriche o lesioni personali.

## Precauzioni per l'installazione

---

### **ATTENZIONE**

- Lasciare sufficiente spazio intorno al frigorifero ed installarlo su una superficie piana e stabile.
  - Se il frigorifero non è livellato, non è possibile garantire una durata ed una efficienza nel raffreddamento.
- Lasciare riposare l'apparecchio per 2-3 ore dopo l'installazione prima di inserire il cibo al suo interno ed accenderlo.
- Si consiglia caldamente di far eseguire l'installazione del frigorifero ad un tecnico qualificato.
  - Il mancato rispetto di questa precauzione può causare scariche elettriche, incendio, esplosione, malfunzionamenti o lesioni.

## Importanti avvertenze per l'uso

---

### **AVVERTENZA**

- Non toccare la spina elettrica con le mani bagnate.
  - La mancata osservanza di questa precauzione può causare una scarica elettrica.
- Non collocare alcun oggetto sopra il frigorifero.
  - Durante l'apertura o la chiusura della porta, un articolo potrebbe cadere provocando lesioni o danni.

- Non inserire mani, piedi, oggetti metallici (per esempio spiedini, ecc.) sul fondo o sul retro del frigorifero.
  - La mancata osservanza di questa precauzione può causare scariche elettriche o lesioni.
  - I bordi taglienti possono causare lesioni.
- Non toccare le pareti interne del freezer o i prodotti surgelati con le mani bagnate.
  - Ciò potrebbe causare il congelamento delle dita.
- Non conservare sul frigorifero contenitori pieni d'acqua.
  - In caso di fuoriuscita, l'acqua potrebbe causare scariche elettriche o un incendio.
- Non conservare all'interno del frigorifero oggetti infiammabili o sostanze volatili (benzene, diluenti, gas propano, alcol, etere, GPL e sostanze simili).
  - Il frigorifero è idoneo solo alla conservazione di alimenti.
  - La mancata osservanza di questa precauzione può causare un incendio o una esplosione.
- Sorvegliare i bambini affinché non giochino con l'apparecchio.
  - Tenere le dita lontano dalle aree di "possibile schiacciamento". Lo spazio tra le porte e la struttura è necessariamente ristretto. Prestare attenzione all'apertura delle porte in presenza di bambini.
- Non inserire le dita o lasciare che i bambini inseriscano le dita tra le porte.
  - Tenere le dita lontane dalle aperture delle porte sinistra e destra. Prestare attenzione all'apertura delle porte avendo inserito le dita tra le porte.
- Non permettere ai bambini di appendersi alle porte o ai cassetti. In caso contrario, potrebbero riportare gravi lesioni.
- Non permettere ai bambini di accedere al frigorifero. Potrebbero restare intrappolati all'interno.
- Non inserire le mani nell'area inferiore sotto l'apparecchio.
  - I bordi taglienti possono causare lesioni.

## Informazioni di sicurezza

---

- Non conservare in frigorifero prodotti medicinali, materiale scientifico o prodotti sensibili alla temperatura.
  - I prodotti che necessitano di severi controlli della temperatura non devono essere conservati in frigorifero.
- Se si avverte un odore di medicinale o si nota del fumo uscire dall'apparecchio, staccare la spina dalla presa e chiamare il Centro assistenza Samsung Electronics.
- Se all'interno del frigorifero è penetrata polvere o acqua, scollegare la spina dalla presa di corrente e rivolgersi al centro assistenza Samsung Electronics.
  - In caso contrario, potrebbe verificarsi un incendio.
- Non lasciare che i bambini salgano sui cassetti.
  - Il cassetto potrebbe rompersi e farli cadere.
- Non lasciare le porte del frigorifero aperte senza sorveglianza e non permettere ai bambini di entrare all'interno dell'apparecchio.
- Non lasciare che neonati o bambini penetrino all'interno del vano frigo o dei cassetti.
  - In caso contrario, potrebbero riportare lesioni o morire per soffocamento.
- Non riempire eccessivamente il frigorifero.
  - L'apertura dello sportello potrebbe provocare la caduta di un prodotto causando lesioni personali o danni materiali.
- Non spruzzare sostanze volatili come per esempio insetticidi sulla superficie dell'apparecchio.
  - Oltre ad essere dannosi per l'uomo, possono causare scariche elettriche, incendio o malfunzionamenti.
- Non inserire mai le dita o altri oggetti nel foro del dispenser dell'acqua, nel comparto e nel foro di uscita del ghiaccio.
  - Ciò potrebbe causare lesioni personali o danni materiali.

- Non utilizzare né collocare sostanze sensibili alla temperatura, come ad esempio spray e oggetti infiammabili, ghiaccio secco, farmaci o sostanze chimiche vicino o dentro il frigorifero.
- Non utilizzare un asciugacapelli per asciugare l'interno del frigorifero. Non inserirvi candele accese per eliminare i cattivi odori.
  - Ciò può portare a scariche elettriche o un incendio.
- Riempire il serbatoio dell'acqua, il vassoio del ghiaccio ed i cubetti di ghiaccio solo con acqua potabile (acqua minerale o purificata).
  - Non riempire il serbatoio con tè, succhi di frutta o bevande energetiche, in caso contrario il frigorifero potrebbe subire danni.
- Non salire sul prodotto né appoggiarvi sopra oggetti (biancheria, candele e sigarette accese, piatti, sostanze chimiche, oggetti metallici, ecc.). Ciò può provocare scariche elettriche, un incendio o problemi al prodotto o lesioni personali. Non appoggiare sull'apparecchio contenitori pieni di acqua.
  - In caso di fuoriuscita, l'acqua potrebbe causare scariche elettriche o un incendio.
- Non guardare direttamente la lampadina LED per un lungo periodo di tempo.
  - In caso contrario i raggi ultravioletti potrebbero causare un affaticamento della vista.
- Non inserire i ripiani capovolti. I fine corsa dei ripiani non funzionerebbero.
  - Ciò potrebbe causare lesioni personali causate dalla caduta dei ripiani in vetro.
- Tenere le dita lontano dalle aree di "possibile schiacciamento". Lo spazio tra le porte e la struttura è necessariamente ristretto. Prestare attenzione all'apertura delle porte in presenza di bambini.

## Informazioni di sicurezza

---

- Se si rileva una perdita di gas, evitare l'uso di fiamme libere o potenziali fonti di accensione nei pressi e aerare il locale per alcuni minuti.
  - Non toccare né l'apparecchio né il cavo di alimentazione.
  - Non utilizzare ventilatori o aspiratori elettrici.
  - Una scintilla può causare una esplosione o un incendio.
- Riporre le bottiglie una vicina all'altra nel medesimo scomparto in modo che non possano cadere all'apertura della porta.
- Questo prodotto è inteso solo per la conservazione di alimenti in ambito domestico.
- Non inserire mai le dita o altri oggetti nel foro del dispenser dell'acqua, nel comparto e nel foro di uscita del ghiaccio.
  - Ciò potrebbe causare lesioni personali o danni materiali.
- Non tentare di riparare, disassemblare o modificare l'apparecchio autonomamente.
- Non utilizzare fusibili diversi (quali cavi di rame, acciaio, ecc) diversi dai fusibili standard.
- Se l'apparecchio deve essere riparato o reinstallato, rivolgersi al più vicino centro di assistenza.
  - Il mancato rispetto di questa precauzione può causare scariche elettriche, incendio, malfunzionamenti del prodotto o lesioni.
- Qualora si avverta un odore di medicinale o si noti del fumo uscire dall'apparecchio, staccare la spina dalla presa e chiamare un Centro di assistenza Samsung Electronics.
  - Il mancato rispetto di questa precauzione può causare scariche elettriche o un incendio.
- Prima di sostituire le lampadine interne del frigorifero, scollegare l'apparecchio dalla presa elettrica.
  - In caso contrario, vi è il rischio di scariche elettriche.
- In caso di difficoltà nella sostituzione di una lampadina non a LED, rivolgersi ad un Centro di assistenza Samsung.

- 
- Inserire saldamente la spina nella presa di corrente.
  - Non utilizzare spine, prese di corrente o cavi di alimentazione danneggiati.
    - Ciò può portare a scariche elettriche o un incendio.

## Precauzioni per l'uso

---

### **ATTENZIONE**

- Non congelare di nuovo il cibo già scongelato.
  - I cibi congelati e poi scongelati sviluppano batteri nocivi più velocemente dei cibi freschi.
  - Il secondo congelamento romperebbe una maggiore quantità di cellule, lasciando fuoriuscire liquidi ed alterando l'integrità dei prodotti.
- Non scongelare la carne a temperatura ambiente.
  - La sicurezza dipenderà da quanto il prodotto all'origine sia stato trattato correttamente.
- Non collocare bicchieri, bottiglie o bevande gassate nel freezer.
  - Questi contenitori potrebbero congelarsi e rompersi, provocando lesioni.
- Usare solo l'ice maker fornito insieme al frigorifero.
- In caso di una prolungata assenza da casa (ad esempio in vacanza) e qualora non si desideri usare il dispenser dell'acqua o del ghiaccio, chiudere la valvola di mandata dell'acqua.
  - In caso contrario potrebbero verificarsi perdite d'acqua.
- In caso di un prolungato inutilizzo del frigorifero (3 o più settimane) vuotarlo, compreso la vaschetta di raccolta del ghiaccio, scollegarlo dalla presa di corrente, chiudere la valvola di mandata dell'acqua, asciugare l'umidità residua dalle pareti interne del frigorifero e lasciare le porte aperte al fine di prevenire eventuali odori e muffa.

## Informazioni di sicurezza

---

- Per ottenere le migliori prestazioni dal prodotto:
  - Non collocare alimenti davanti alle aperture di ventilazione sul retro del frigorifero per evitare di ostruire la circolazione dell'aria all'interno del frigorifero.
  - Avvolgere i cibi adeguatamente o riporli in contenitori sottovuoto prima di conservarli nel frigorifero.
  - Rispettare i tempi di conservazione massimi e le date di scadenza degli alimenti congelati.
  - Non è necessario scollegare il frigorifero dalla presa di corrente se si prevede di non utilizzare l'apparecchio per meno di tre settimane. Qualora l'assenza sia maggiore di tre settimane, rimuovere tutto il cibo ed il ghiaccio dalla vaschetta di raccolta, scollegarlo dalla presa di corrente, chiudere la valvola di mandata dell'acqua, asciugare l'umidità residua dalle pareti interne del frigorifero e lasciare le porte aperte al fine di prevenire eventuali odori e muffa.
- Garanzia di assistenza e modifiche.
  - Eventuali modifiche eseguite da terzi su questo apparecchio non saranno coperte dalla garanzia Samsung, inoltre Samsung non potrà essere ritenuta responsabile per problemi di sicurezza e danni risultanti da modifiche eseguite da terzi.
- Non ostruire le aperture di ventilazione situate all'interno del frigorifero.
  - Se le aperture di ventilazione sono ostruite, per esempio da un sacchetto di plastica, il frigorifero potrebbe raffreddarsi eccessivamente. Se il periodo di raffreddamento è troppo lungo, il filtro dell'acqua potrebbe rompersi e causare una perdita d'acqua.
- Usare solo l'ice maker fornito insieme al frigorifero.
- Asciugare all'interno l'umidità in eccesso e lasciare le porte aperte.
  - In caso contrario, all'interno possono svilupparsi cattivi odori e muffe.
- Se il frigorifero viene scollegato dalla presa elettrica, attendere almeno cinque minuti prima di collegarlo nuovamente.



- 
- Se il frigorifero entra a contatto con l'acqua, scollegare la spina di alimentazione dalla presa di corrente e contattare il centro assistenza Samsung Electronics.
  - Non urtare o applicare una forza eccessiva sulle superfici in vetro.
    - La rottura del vetro può provocare lesioni personali e/o danni alla proprietà.
  - Riempire il serbatoio dell'acqua e le vaschette dei cubetti di ghiaccio con acqua potabile (acqua dall'acquedotto, acqua minerale o purificata).
    - Non riempire il serbatoio con tè o bevande sportive. Ciò potrebbe danneggiare il frigorifero.
  - Prestare attenzione a non schiacciarsi le dita.
  - Se sull'apparecchio è stata versata dell'acqua, contattare il più vicino centro di assistenza.
    - Sussiste il rischio di incendio o di scariche elettriche.
  - Non conservare olii vegetali nei balconcini della porta del frigorifero. L'olio potrebbe solidificarsi ed il suo sapore ne risulterebbe alterato, rendendo l'olio difficile da utilizzare. Inoltre, il contenitore aperto potrebbe perdere, nel qual caso l'olio fuoriuscito potrebbe, solidificandosi, provocare la rottura del balconcino. Una volta aperto il contenitore dell'olio, si consiglia di conservarlo in un luogo fresco e al riparo dalla luce, quale ad esempio una credenza o un ripostiglio.
    - Esempi di olii vegetali: olio di oliva, di semi, vinacciolo, ecc.



# Informazioni di sicurezza

---

## Avvertenze per la pulizia

---

### **ATTENZIONE**

- Non spruzzare acqua direttamente sull'interno o l'esterno del frigorifero.
  - Pericolo di scariche elettriche o incendi.
- Non utilizzare un asciugacapelli per asciugare l'interno del frigorifero.
- Non collocarvi candele accese per eliminare i cattivi odori.
  - Ciò può portare a scariche elettriche o un incendio.
- Non spruzzare prodotti per la pulizia direttamente sul display.
  - Le lettere stampate sul display potrebbero non essere più visibili.
- Se sostanze estranee, per esempio acqua, penetrano all'interno dell'apparecchio, scollegare la spina di alimentazione e rivolgersi al più vicino centro di assistenza.
  - Il mancato rispetto di questa precauzione può causare scariche elettriche o un incendio.
- Usare un panno morbido e pulito per rimuovere eventuali sostanze estranee o polvere dai contatti della spina del cavo di alimentazione. Non utilizzare un panno bagnato o umido durante la pulizia della presa.
  - In caso contrario, sussiste il pericolo di scariche elettriche o incendi.
- Non pulire l'apparecchio spruzzandovi direttamente sopra acqua.
- Non usare benzene, diluenti o prodotti per la pulizia quali Clorox o a base di cloruro.
  - L'uso di questi prodotti potrebbe danneggiare la superficie dell'apparecchio e causare un incendio.
- Non inserire mai le dita o altri oggetti nel foro del dispenser.
  - Ciò potrebbe causare lesioni personali o danni materiali.
- Prima di eseguire la pulizia o la manutenzione dell'apparecchio, scollegare la spina dalla presa di corrente.
  - Il mancato rispetto di questa precauzione può causare scariche elettriche o un incendio.



- 
- Per pulire il frigorifero usare una spugna pulita o un panno morbido ed un detergente non aggressivo in acqua calda.
  - Non usare detergenti abrasivi o aggressivi quali detergenti per vetri, pagliette abrasive, liquidi infiammabili, acido muriatico, pasta abrasiva, detersivi concentrati, candeggina o detergenti contenenti petrolio sulla superficie esterna (porte e carrozzeria), parti in plastica, porte e rivestimenti interni, e cestelli.
    - Tali prodotti possono infatti graffiare o danneggiare i materiali.
  - Non pulire i ripiani di vetro o coperchi con acqua calda quando sono freddi. I coperchi ed i ripiani di vetro possono rompersi se esposti ad un repentino cambiamento di temperatura, urtati o lasciati cadere.



# Informazioni di sicurezza

---

## Importanti avvertenze per la pulizia

---

### **AVVERTENZA**

- Si raccomanda di smaltire e riciclare i materiali di imballaggio di questo prodotto secondo quanto previsto dalle norme vigenti.
- Verificare l'integrità delle tubazioni sul retro dell'apparecchio prima di smaltirlo.
- Come refrigerante vengono utilizzati i gas R-600a o R-134a. Controllare l'etichetta del compressore sul retro dell'apparecchio e l'etichetta della potenza nominale all'interno del frigorifero per individuare il tipo di refrigerante utilizzato. Se il prodotto contiene gas infiammabile (refrigerante R-600a), contattare l'ente locale preposto per lo smaltimento sicuro di questo prodotto.
- Per lo smaltimento di questo prodotto o di altri frigoriferi, rimuovere le porte, le guarnizioni e le chiusure delle porte in modo che bambini o animali non possano rimanere intrappolati all'interno. Sorvegliare i bambini affinché non giochino con l'apparecchio. Se i bambini rimangono intrappolati all'interno dell'apparecchio, possono morire per soffocamento.
  - Se un bambino, giocando, rimane intrappolato all'interno dell'apparecchio potrebbe ferirsi e morire per soffocamento.
- L'isolante utilizzato è il ciclopentano. I gas contenuti nel materiale isolante richiedono speciali procedure di smaltimento. Contattare l'autorità locale competente per informazioni sul corretto smaltimento di questo prodotto.
- Tenere tutti i materiali di imballaggio lontano dalla portata dei bambini, poiché possono essere pericolosi.
  - Qualora un bambino inserisca la testa in uno di essi, potrebbe soffocare.



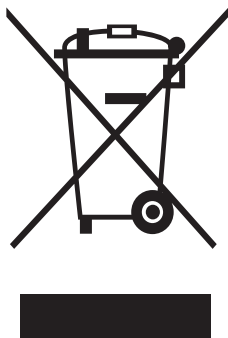
## Ulteriori suggerimenti per un uso corretto

- In caso di interruzione di corrente, chiamare la compagnia elettrica locale e chiedere il tempo previsto per il ripristino dell'elettricità.
  - La maggior parte delle interruzioni elettriche ripristinate in una o due ore non hanno alcuna influenza sulla temperatura interna del frigorifero. Tuttavia, durante l'interruzione di corrente limitare al minimo l'apertura del frigorifero.
  - Se l'interruzione di corrente si protrae per oltre 24 ore, rimuovere tutti i surgelati dal freezer.
- Il frigorifero potrebbe funzionare in modo costante (i cibi surgelati possono sciogliersi o le temperature del reparto dei surgelati possono innalzarsi troppo) se posizionato a lungo in un luogo dove la temperatura dell'aria è costantemente inferiore alle temperature operative per le quali il frigorifero è stato progettato.
- La conservazione in frigorifero di alcuni alimenti particolari può comportarne un deterioramento a causa delle loro proprietà intrinseche.
- L'apparecchio è di tipo "frost free"; ciò significa che non è necessario sbrinarlo manualmente poiché tale operazione è automatica. Tale operazione verrà effettuata automaticamente.
- L'aumento di temperatura per lo sbrinamento è conforme ai requisiti ISO. Per prevenire un inopportuno aumento della temperatura dei cibi surgelati durante lo sbrinamento dell'apparecchio, conservare i cibi congelati in appositi involucri.
- Non congelare nuovamente cibi già scongelati.
- La temperatura di comparti o sezioni a due stelle, contrassegnati dal simbolo (☆☆), è lievemente superiore rispetto a quella di altri comparti freezer.

La posizione delle sezioni e dei comparti a due stelle può variare pertanto fare riferimento alle istruzioni e/o alle condizioni di vendita.

# Informazioni di sicurezza

## Istruzioni su WEEE



### Corretto smaltimento del prodotto (rifiuti elettrici ed elettronici) (Applicabile nei Paesi con sistemi di raccolta differenziata)

Il simbolo riportato sul prodotto, sugli accessori o sulla documentazione (un contenitore della spazzatura con ruote barrato da una croce con una banda nera sotto) indica che il prodotto e i relativi accessori elettronici (quali cariche batterie, cuffia e cavo USB) non devono essere smaltiti come rifiuti urbani misti al termine del ciclo di vita ma devono essere raccolti separatamente in modo da permetterne il riutilizzo, il riciclaggio e altre forme di recupero in conformità alla normativa vigente. I rifiuti derivanti da apparecchiature elettriche ed elettroniche possono, infatti, contenere sostanze dannose e pericolose che, se non correttamente gestite, costituiscono un pericolo per l'ambiente e la salute umana.

L'utente ha, quindi, un ruolo attivo nel ciclo di recupero e riciclaggio dei rifiuti di apparecchiature elettriche ed elettroniche.

Al fine di evitare eventuali danni all'ambiente o alla salute causati da uno smaltimento non corretto, si invita pertanto l'utente a separare il prodotto e i suddetti accessori da altri tipi di rifiuti, conferendoli ai sistemi di ritiro e di raccolta autorizzati secondo le normative locali.

Gli utenti domestici possono consegnare gratuitamente l'apparecchiatura che desiderano smaltire al rivenditore, al momento dell'acquisto di una nuova apparecchiatura di tipo equivalente. Presso i rivenditori di prodotti elettronici con superficie di vendita di almeno 400 m<sup>2</sup> è inoltre possibile consegnare gratuitamente, senza obbligo di acquisto, i prodotti elettronici da smaltire con dimensioni inferiori a 25 cm.

Gli utenti professionali (imprese e professionisti) sono invitati a contattare il proprio fornitore e verificare i termini e le condizioni del contratto di acquisto. Questo prodotto e i relativi accessori elettronici non devono essere smaltiti unitamente ad altri rifiuti commerciali.

Per ulteriori informazioni sull'impegno ambientale di Samsung e sugli obblighi normativi specifici dei singoli prodotti es. REACH, WEEE, Batterie, visitare la pagina relativa alla sostenibilità nel sito [www.samsung.com](http://www.samsung.com) (solo per prodotti venduti nei paesi dell'Unione Europea e nel Regno Unito).

# Installazione

---

Seguire queste istruzioni con cura per garantire una corretta installazione del frigorifero ed in modo da evitare incidenti prima dell'uso.

## **AVVERTENZA**

- Utilizzare l'apparecchio solo per lo scopo per il quale è stato prodotto, come descritto in questo manuale.
- Una eventuale assistenza deve essere eseguita da un tecnico qualificato.
- Disporre i materiali da imballaggio secondo quanto prescritto dalle vigenti normative sullo smaltimento.
- Al fine di evitare scariche elettriche, prima di effettuare una assistenza o una sostituzione, scollegare la spina dalla presa di corrente.

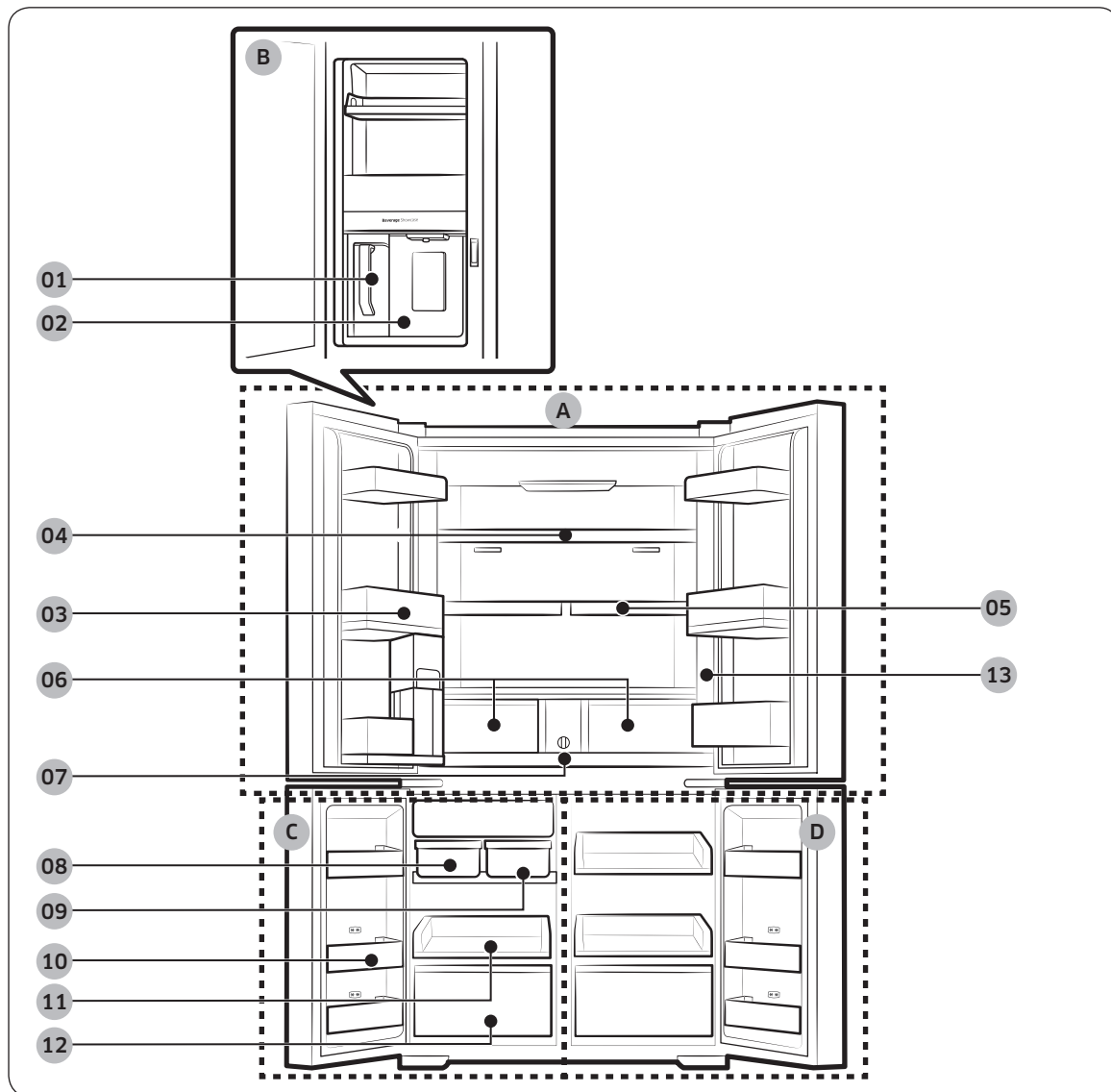
# Installazione

## Il frigorifero in breve

Le immagini effettive del frigorifero e dei componenti forniti del frigorifero possono variare dalle immagini riportate in questo manuale, in base al modello ed al paese di acquisto.

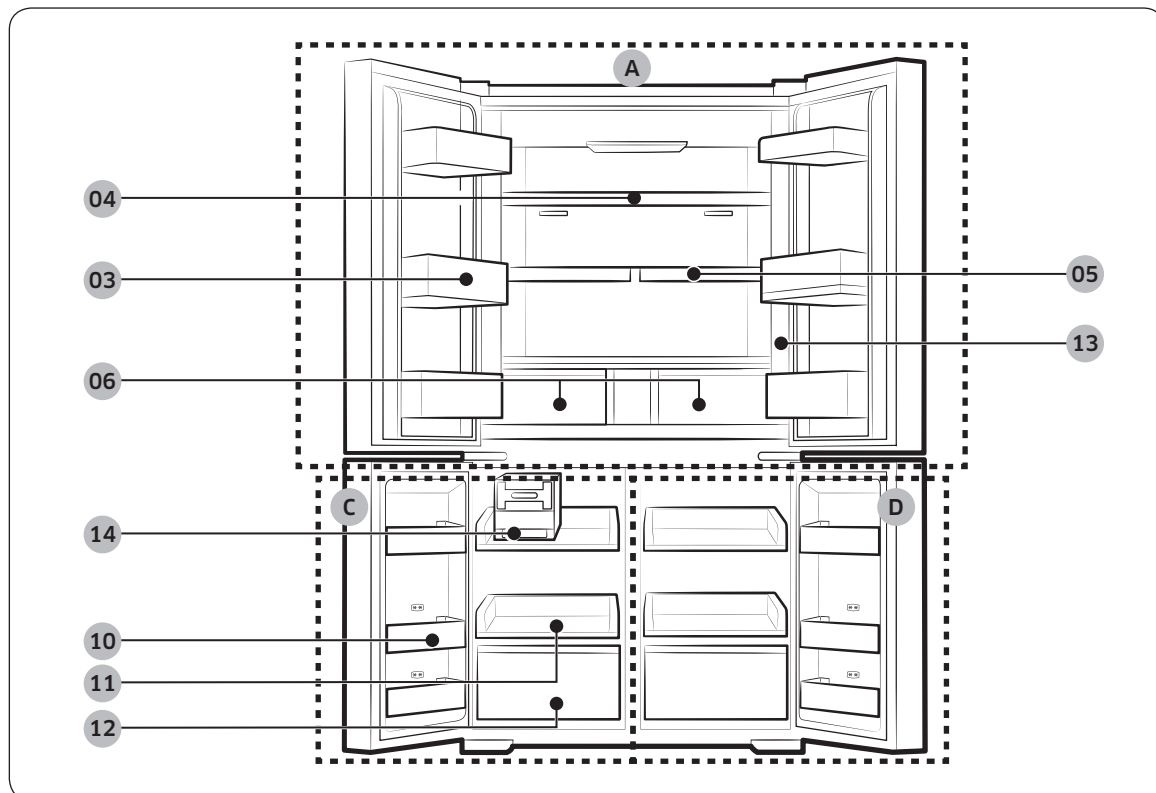
### Tipo A

Installazione





## Tipo B



Installazione

# Installazione

---

- |   |                    |
|---|--------------------|
| 01 Brocca a riempimento automatico *                            | A. Frigo           |
| 02 Dispenser dell'acqua **                                      | B. Zona bevande ** |
| 03 Balconcino frigo multifunzione                               | C. Freezer         |
| 04 Ripiano frigorifero  | D. FlexZone        |
| 05 Ripiano multiuso *   |                    |
| 06 Cassetti Fresco / Flex *                                     |                    |
| 07 Filtro dell'acqua *  |                    |
| 08 Ice maker automatico - Ghiaccio a cubetti *<br>(Ice Maker *) |                    |
| 09 Ice maker automatico - Ghiaccio tritato *                    |                    |
| 10 Balconcino freezer   |                    |
| 11 Ripiano del freezer  |                    |
| 12 Cassetto freezer   |                    |
| 13 Pannello di controllo  |                    |
| 14 Twist Ice maker *  |                    |

\* solo modelli che lo prevedono

\*\* solo modelli con dispenser

## **NOTA**

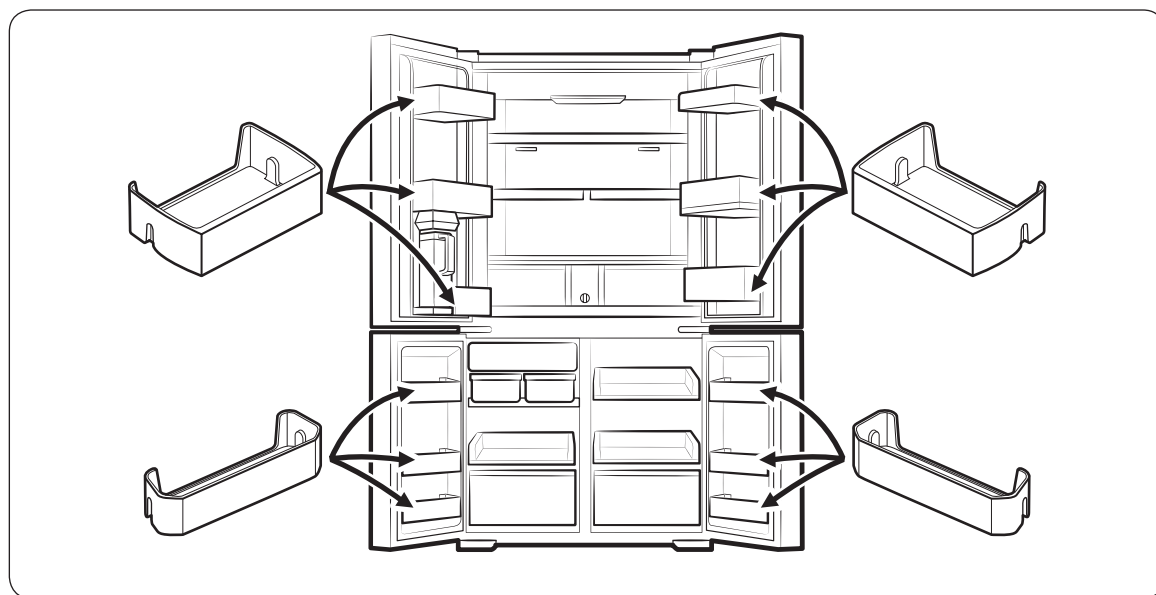
- Per una maggiore efficienza energetica, assicurarsi che tutti i ripiani, i cassetti ed i cestelli siano nella loro posizione originale.
- Nel chiudere una porta, assicurarsi che la sezione verticale con cerniera sia nella posizione corretta per evitare di graffiare l'altra porta.
- Se la sezione verticale con cerniera è invertita, riposizionarla correttamente e chiudere la porta.
- A volte sulla sezione verticale con cerniera può comparire della condensa.
- Se si chiude una porta con forza eccessiva, può aprirsi l'altra porta.
- Qualora la lampadina a LED esterna non funzioni, contattare un Centro di assistenza Samsung.

## Balconcini delle porte

Il frigorifero è dotato di balconcini per le porte di diverse forme e dimensioni. Se i balconcini del frigorifero sono imballati separatamente, usare la figura sotto per comprenderne il corretto posizionamento.

### **NOTA**

Le immagini effettive del frigorifero e dei componenti forniti del frigorifero possono variare dalle immagini riportate in questo manuale, in base al modello ed al paese di acquisto.



# Installazione

---

## Passaggi di installazione

---

### **PASSAGGIO 1** Selezionare una posizione

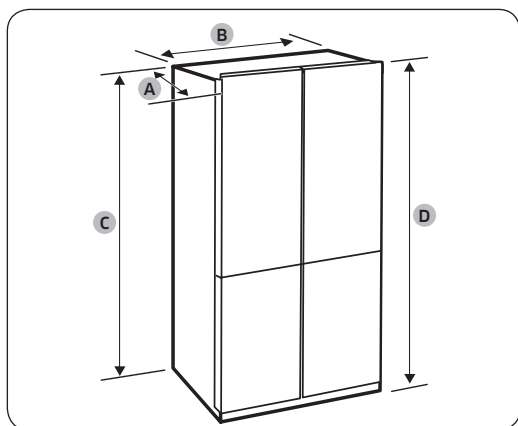
---

Il luogo deve:

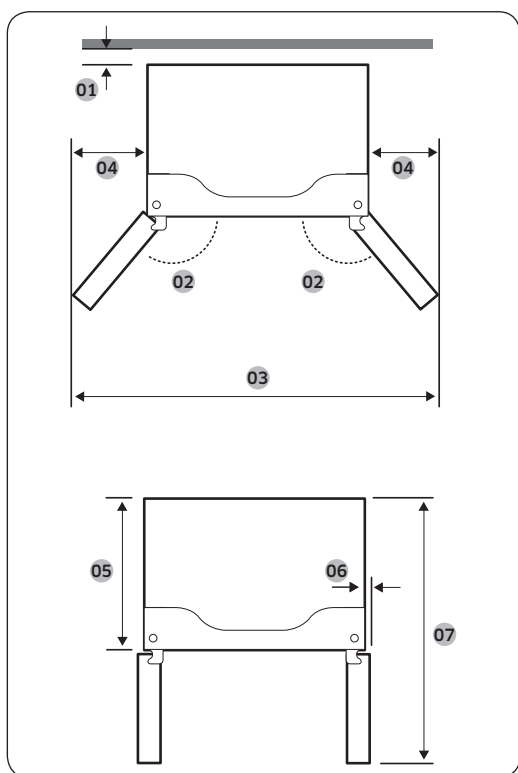
- Avere una superficie di appoggio solida, piana e priva di moquette o tappeti in grado di ostruire la ventilazione
- Essere lontano dalla luce solare diretta
- Avere uno spazio adeguato per l'apertura e la chiusura della porta
- Essere lontano da qualsiasi fonte di calore
- Avere sufficiente spazio per la manutenzione e l'assistenza
- Avere un intervallo di temperature compreso tra 10 °C e 43 °C

## Spazio

Per i requisiti di spazio per l'installazione vedere le figure e le tabelle sotto.



Profondità "A"	723 mm
Larghezza "B"	912 mm
Altezza "C"	1797 mm
Altezza complessiva "D"	1825 mm



01	consigliati più di 50 mm
02	125°
03	1472 mm
04	282 mm
05	610 mm
06	47 mm
07	1093 mm

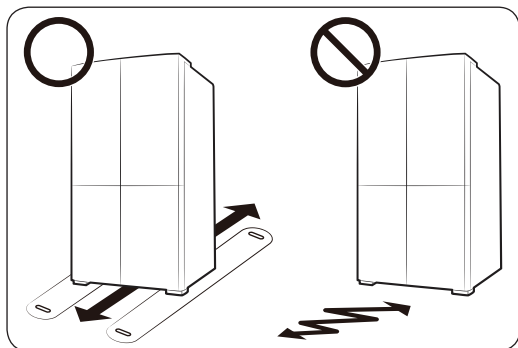
### NOTA

Le misure riportate nelle tabelle sopra possono differire leggermente dalle misure effettive, in base ai metodi di misurazione e gli arrotondamenti effettuati.

# Installazione

## PASSAGGIO 2 Superficie di appoggio

Qualora non si riesca a far passare il frigorifero attraverso una soglia a causa delle sue dimensioni, vedere **Rimozione della porta per facilitare il passaggio**.



### NOTA

Al fine di prevenire danni al pavimento, accertarsi che i piedini anteriori di livellamento sono in posizione retratta.

- La superficie di appoggio del frigorifero deve essere in grado di sostenere il peso del frigorifero a pieno carico.
- Al fine di proteggere il pavimento, posizionare un largo pezzo di cartone lungo il percorso verso la posizione finale di installazione del frigorifero.
- Una volta posizionato il frigorifero nella sua posizione definitiva, non spostarlo, a meno che non sia necessario, in modo da salvaguardare il pavimento. Qualora si renda necessario spostare il frigorifero, posizionare un foglio di carta spesso o del tessuto come un vecchio tappeto per facilitare lo spostamento.

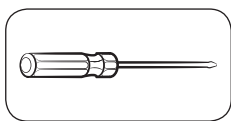
### PASSAGGIO 3 Rimozione della porta per facilitare il passaggio

Qualora non si riesca a far passare il frigorifero attraverso una soglia a causa delle sue dimensioni, seguire le istruzioni riportate per smontare e rimontare le porte del frigorifero. Se non è necessario rimuovere le porte, vedere a pagina 43 per continuare la procedura di installazione.

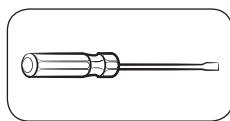
#### ⚠ AVVERTENZA

Prima di rimuovere le porte scollegare il cavo di alimentazione dalla presa elettrica.

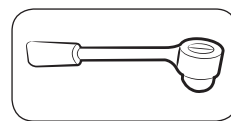
Strumenti necessari (non forniti)



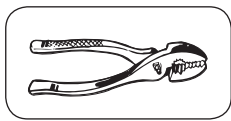
Cacciavite a croce



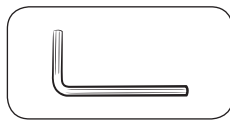
Cacciavite piatto (-)



Chiave a bussola  $\frac{3}{8}$ " (10 mm)

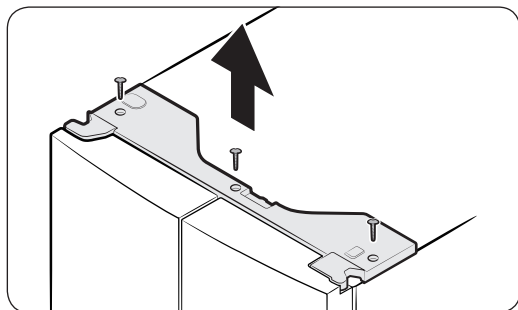


Pinze



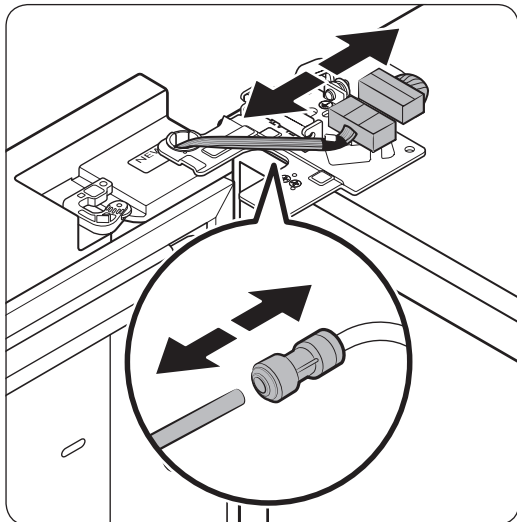
Brugola  $\frac{1}{4}$ " (5 mm)

Staccare le porte del frigo



1. A porte chiuse, usare un cacciavite a croce per rimuovere le viti (x3) dal coperchio superiore. Sollevare e rimuovere il coperchio superiore con i connettori.

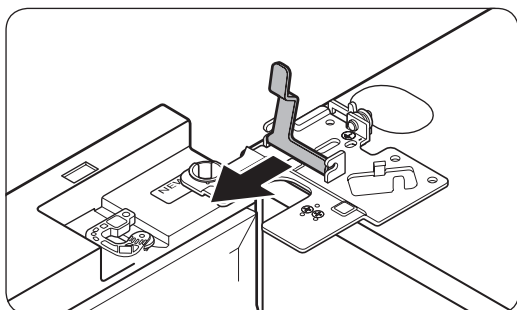
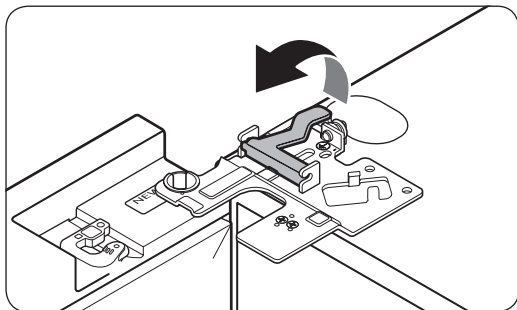
# Installazione



2. Scollegare i due connettori presenti sulla porta di sinistra. La posizione effettiva dei connettori dipende dal modello di frigorifero.

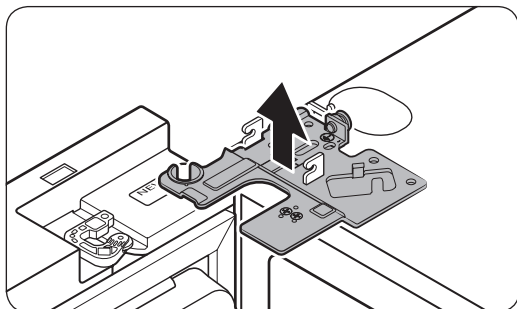
## ⚠ ATTENZIONE

- Non rimuovere entrambe le porte contemporaneamente. Assicurarsi di rimuovere una porta alla volta. In caso contrario, una o entrambe le porte potrebbero cadere provocando lesioni fisiche alle persone.
  - Assicurarsi che il frigorifero sia spento prima di scollegare i connettori.
3. Scollegare il tubo dell'acqua dall'accoppiatore posto sulla porta di sinistra come mostrato in figura.
    - Questo passaggio non è applicabile ai modelli non dotati di brocca a riempimento automatico e dispenser dell'acqua.
  4. Sollevare delicatamente il fermo in diversi passaggi. Al fine di evitare lesioni alle dita, non tentare di rimuovere il fermo in un'unica volta.

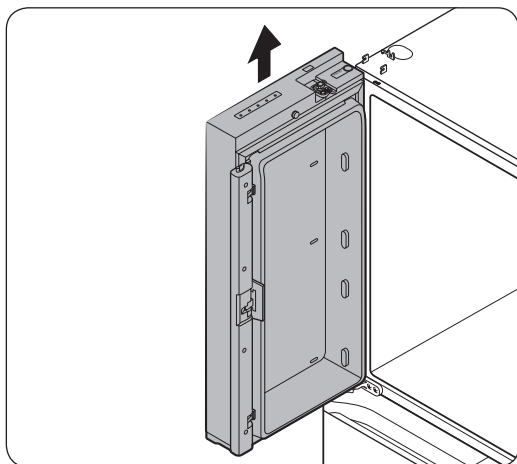


5. Tirare il fermo per rimuoverlo.





**6.** Aprire la porta di 90 gradi. Trattenendo la porta, sollevarla e rimuovere la cerniera superiore. Prestare attenzione a non danneggiare i fili del connettore nel rimuovere la cerniera.



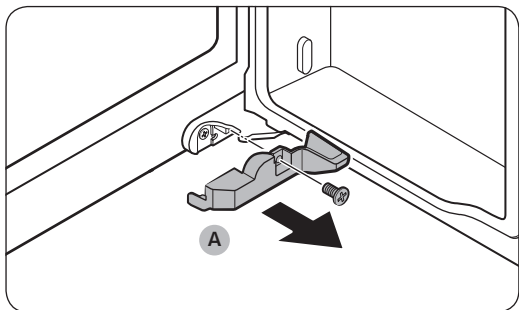
- 7.** Sollevare delicatamente la porta per rimuoverla. Non applicare una forza eccessiva alla porta. La porta potrebbe cadere provocando lesioni fisiche.
- 8.** Appoggiare la porta su una superficie piana.
- 9.** Ripetere i passaggi 1-8 per l'altra porta, tranne il passaggio 3. Non esistono tubazioni nella porta destra.
- Il passaggio 2 non è applicabile ai modelli non dotati di sportello a vista.

# Installazione

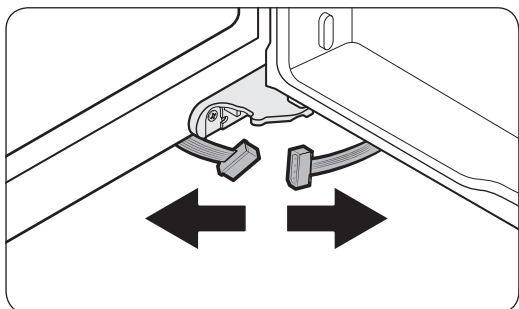
Staccare le porte del freezer

**ATTENZIONE**

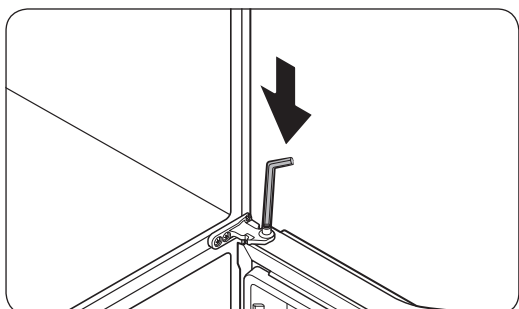
- Accertarsi di rimuovere le porte del frigorifero prima di rimuovere le porte del freezer.
- Prestare attenzione nello scollegare i connettori inferiori.



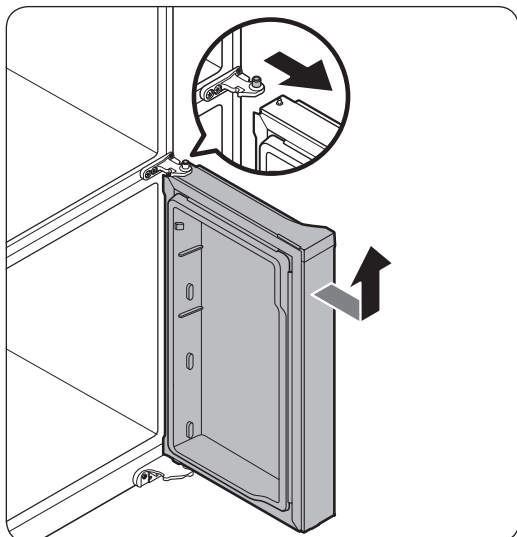
1. Aprire la porta del freezer.
2. Usando un cacciavite a croce rimuovere la vite che fissa il coperchio (A).
  - Questo passaggio è applicabile solo alla porta del freezer destra (porta FlexZone).



3. Scollegare i connettori dei cavi.
  - Questo passaggio è applicabile solo alla porta del freezer destra (porta FlexZone).



4. Individuare il perno della cerniera. Tenendo ferma la porta con una mano, usando un cacciavite piatto o una chiave inglese premere il perno verso il basso. Accertarsi di trattenere la porta ad evitare che cada.

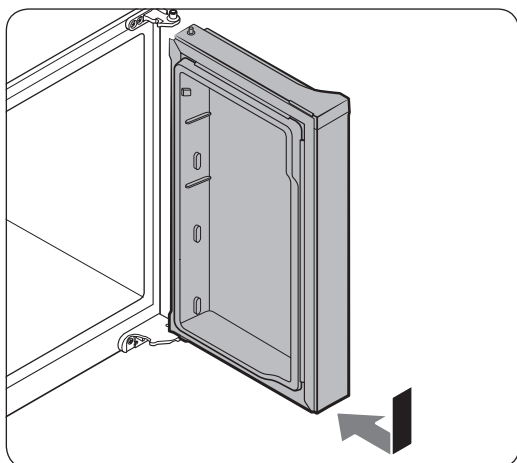


5. Al fine di prevenire di toccare la cerniera centrale, inclinare leggermente la porta verso avanti, quindi sollevarla e rimuoverla.
6. Ripetere i passaggi 1-5 per l'altra porta, tranne i passaggi 2 e 3.

Per ricollegare le porte del freezer

**⚠ ATTENZIONE**

- Dopo aver riattaccato le porta, accertarsi che i connettori elettrici siano correttamente collegati.
- Le porte del freezer devono essere rimontate prima di quelle del frigorifero.
- Prestare attenzione a non danneggiare o schiacciare con i piedi i cavi durante questa procedura.

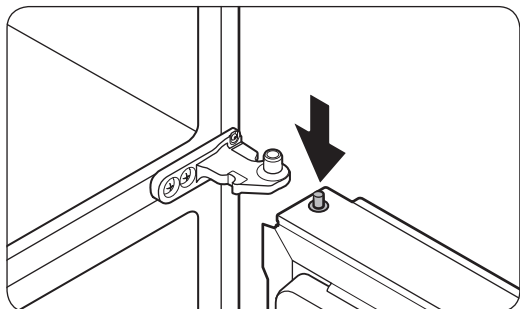


1. Inserire la porta del freezer nella cerniera inferiore spingendola contemporaneamente nella direzione indicata dalla freccia.

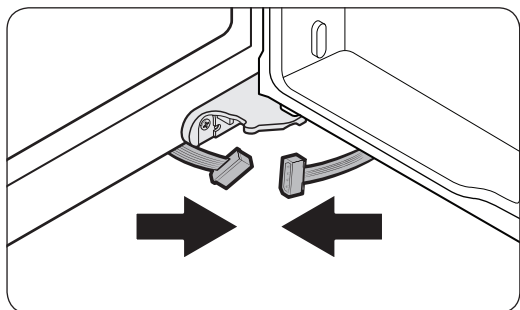
**⚠ ATTENZIONE**

- Prestare attenzione a non danneggiare o schiacciare con i piedi i cavi durante questa procedura.

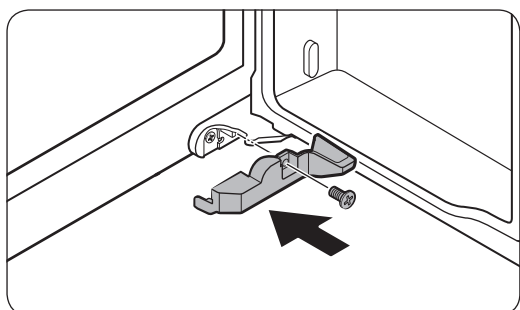
# Installazione



2. Premendo il perno della cerniera verso il basso, posizionare la porta in modo che il perno della cerniera sia posizionato al di sotto del foro della cerniera centrale. Rilasciare il perno della cerniera in modo che possa entrare nel foro previsto.

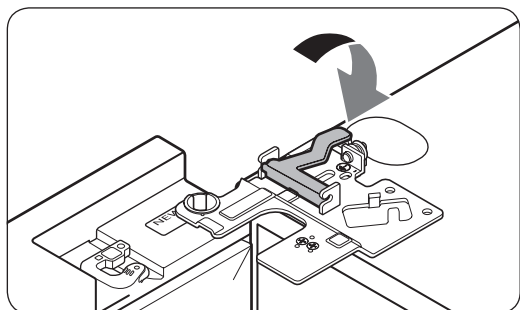
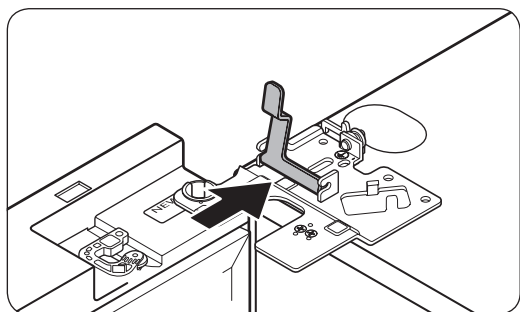
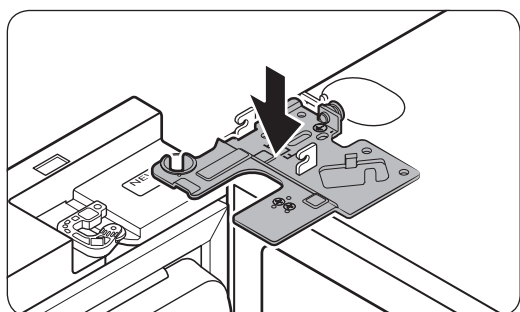
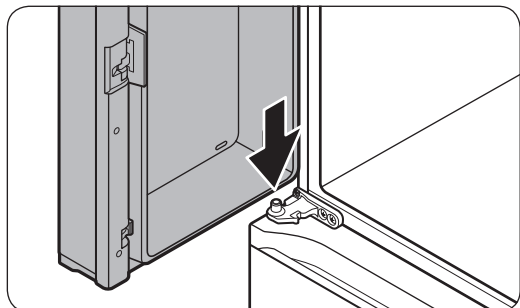


3. Tenendo la porta aperta, collegare i connettori inferiori nella direzione indicata dalla freccia.
  - Questo passaggio è applicabile solo alla porta del freezer destra (porta FlexZone).



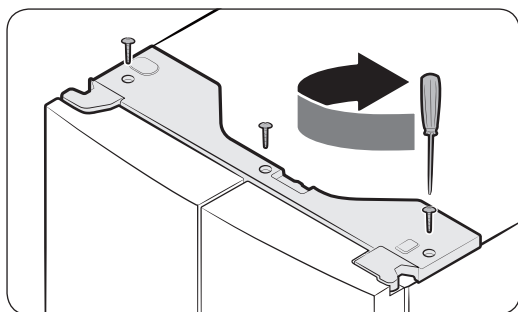
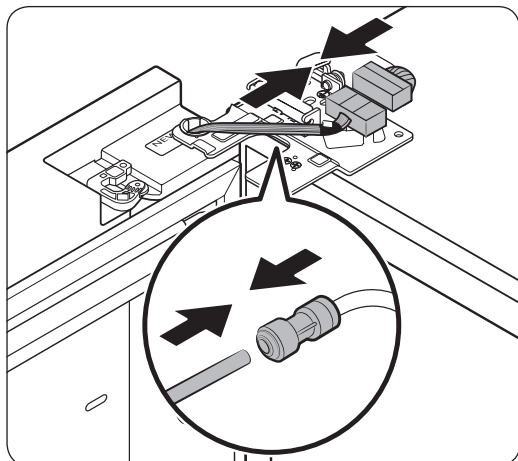
4. Rimontare il coperchio usando un cacciavite a croce. Prestare attenzione a non danneggiare o schiacciare con i piedi i connettori.
  - Questo passaggio è applicabile solo alla porta del freezer destra (porta FlexZone).
5. Ripetere i passaggi 1-5 per l'altra porta, tranne i passaggi 3 e 4.

## Per rimontare le porte del frigorifero



1. Tenendo ferma la porta aperta ad un angolo superiore a 90 gradi, inserire il perno nella cerniera centrale nel foro posto sul fondo della porta.
2. Inserire la cerniera superiore in posizione sopra al frigorifero, quindi inserire il perno della cerniera nel foro superiore della porta. Accertarsi che i cavi della porta passino nel foro del perno della cerniera.
3. Inserire il fermo nella direzione indicata dalla freccia.
4. Spingere indietro il fermo come mostrato in figura.

# Installazione



5. Collegare i connettori.

**⚠ ATTENZIONE**

- Assicurarsi che i connettori siano collegati correttamente. In caso contrario, il display non funzionerà.

6. Collegare il tubo dell'acqua.

- Questo passaggio non è applicabile ai modelli non dotati di brocca a riempimento automatico e dispenser dell'acqua.

**⚠ ATTENZIONE**

- Al fine di prevenire eventuali perdite, accertarsi che i fermi rossi fissino l'accoppiatore correttamente.
- Tenere i fermi fuori dalla portata dei bambini.

7. Ripetere i passaggi 1-5 per l'altra porta.

- Il passaggio 5 non è applicabile ai modelli non dotati di sportello a vista.

8. Montare il coperchio superiore partendo dal lato anteriore, quindi premere verso il basso il retro fino a portarlo in posizione. Quindi serrare le viti (x3).

---

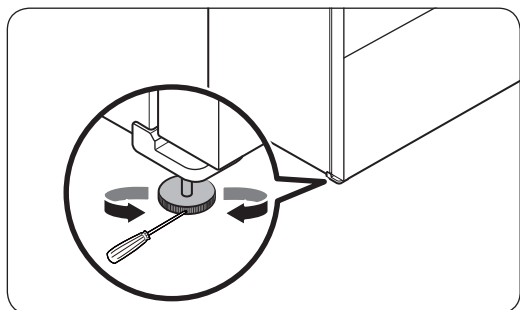
## PASSAGGIO 4 Livellamento del frigorifero

---

### ATTENZIONE

- Una volta installato il frigorifero deve essere livellato su una superficie piana e solida. La mancata osservanza di tale indicazione può danneggiare il frigorifero o provocare lesioni personali.
- È necessario eseguire il livellamento a frigorifero vuoto. Assicurarsi che non vi sia del cibo all'interno del frigorifero.
- Per motivi di sicurezza, regolare i piedini anteriori leggermente più alti rispetto al retro.

Livellare il frigorifero usando le apposite viti (livellatori) posti sui piedini anteriori. Per ruotare le viti dei piedini di regolazione usare un cacciavite a lama piatta.

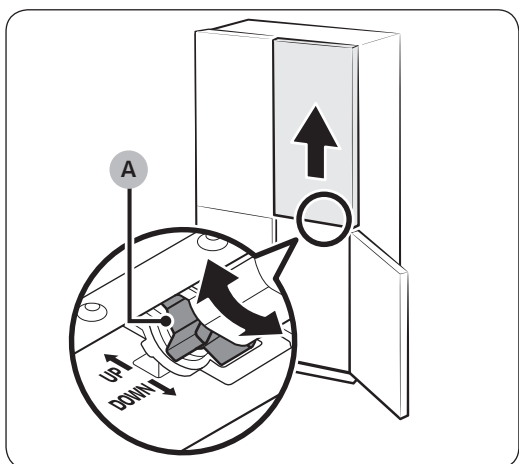
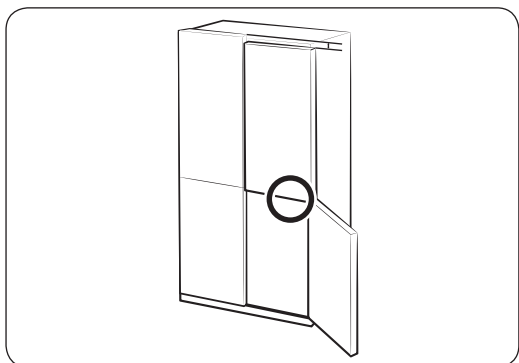


- Per regolare l'altezza del lato sinistro: Inserire un cacciavite a lama piatta nel piedino di regolazione anteriore sinistro. Ruotare il piedino in senso orario per sollevare il lato sinistro, in senso antiorario per abbassarlo.
- Per regolare l'altezza del lato destro: Inserire un cacciavite a lama piatta nel piedino di regolazione anteriore destro. Ruotare il piedino in senso orario per sollevare il lato destro, in senso antiorario per abbassarlo.

# Installazione

## PASSAGGIO 5 Regolare l'altezza della porta

Regolazione dell'altezza con il livellatore (solo modelli che ne sono dotati)

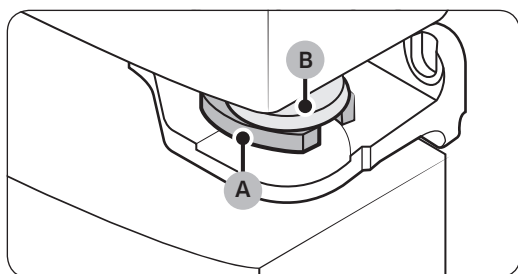
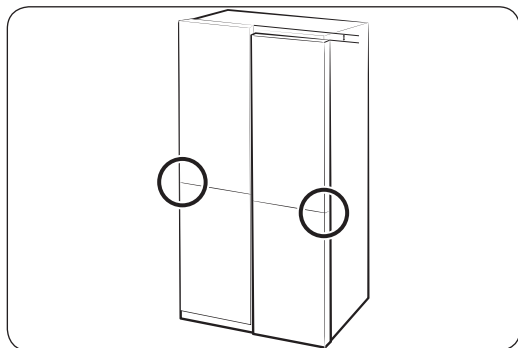
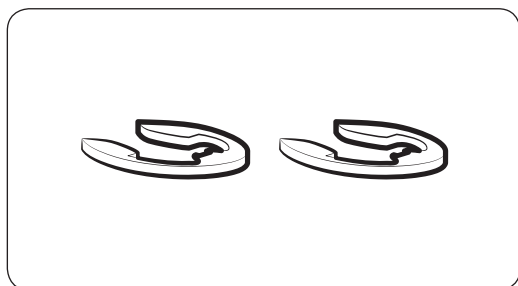


- Prima di allineare le porte del frigorifero, accertarsi che il frigorifero sia livellato. Per tale scopo, regolare i piedini di livellamento.
- È possibile usare la leva di regolazione dell'altezza posta sul fondo della porta destra del frigorifero. Aprire la porta destra del freezer tenendo entrambe le porte del frigorifero chiuse ed usare la leva per regolare l'altezza della porta destra.
- Ruotare la **leva di regolazione dell'altezza (A)** fino a quando le due porte sono allineate in alto. Ruotare la leva verso UP (come indicato) per sollevare la porta destra e ruotarla verso DOWN (come indicato) per abbassare la porta.
- Sollevare leggermente la porta per facilitare l'allineamento. La massima altezza di regolazione è 3 mm.
  - La leva non ruoterà più una volta raggiunta tale misura. Ruotandola maggiormente si potrà avvertire della rumorosità.
  - Una eccessiva altezza può interferire con il coperchio della cerniera superiore della porta del frigorifero.
- Qualora si effettui la regolazione in altezza della porta con i balconcini della porta vuoti, riempiendo successivamente i balconcini le porte potrebbero risultare nuovamente disallineate. Se ciò accadesse, seguire i passaggi sopra per riallineare le porte.



## Regolazione dell'altezza con rondelle distanziali

Per i modelli dotati di leve di regolazione della porta destra del frigorifero, usare delle rondelle distanziali solo qualora non si sia in grado di usare la leva di regolazione.



### NOTA

L'altezza della porta può essere regolata usando le rondelle distanziali in dotazione, 4 di diverse spessori (1 mm, 1,5 mm, 2 mm e 2,5 mm).

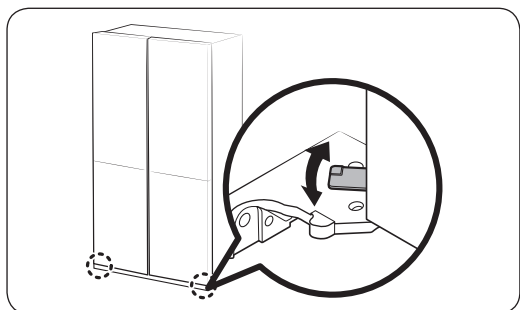
1. Controllare la differenza di altezza tra le porte, quindi sollevare e trattenere la porta con altezza minore.
2. Inserire un anello distanziale (A) dello spessore opportuno tra la Gomma della porta (B) e la cerniera come mostrato in figura.

### ATTENZIONE

- Inserire solo una rondella per volta. Inserendo infatti due o più anelli distanziali potrebbero fuoriuscire o emettere rumore di sfregamento.
- Tenere gli anelli distanziali lontano dalla portata dei bambini e conservarli per future esigenze.
- Non sollevare eccessivamente la porta. La porta potrebbe urtare e danneggiare il coperchio superiore.

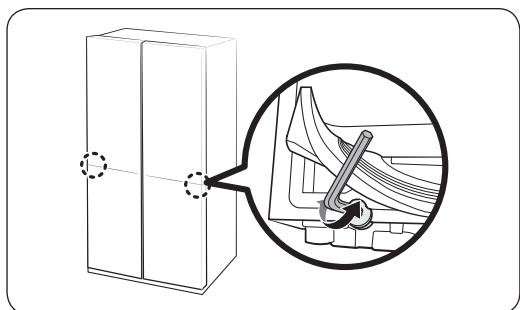
# Installazione

## Regolazione dell'altezza della porta del freezer (solo modelli che ne sono dotati)



- Prima di allineare le porte del frigorifero, accertarsi che il frigorifero sia livellato. Per tale scopo, regolare i piedini di livellamento.
- È possibile regolare l'altezza di entrambe le porte del freezer usando la leva situata nella cerniera inferiore.
- Aprire la porta, sollevarla leggermente, quindi ruotare la leva verso sinistra o verso destra per regolare l'altezza.

## Regolazione dello spazio tra le porte del frigorifero ed il corpo principale del frigorifero (solo modelli che ne sono dotati)



- È possibile regolare l'altezza di entrambe le porte del frigorifero usando il dado situato sul fondo dello scomparto frigo.
- Sollevare la guarnizione della porta ed individuare il dado di regolazione posto al di sotto della guarnizione. Usare la chiave a brugola da 4 mm per regolare lo spazio.

### ⚠ **ATTENZIONE**

Accertarsi di fissare saldamente la guarnizione. In caso contrario, dal frigorifero potrebbe fuoriuscire aria fredda.

## PASSAGGIO 6 Collegare un tubo dell'acqua (solo modelli che ne sono provvisti)

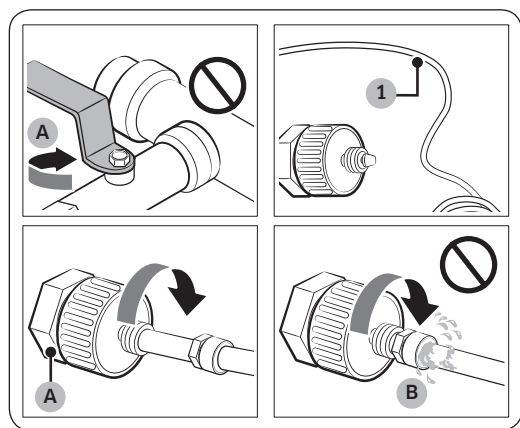
### ⚠ ATTENZIONE

- Usare solo il nuovo set di tubi fornito in dotazione con l'apparecchio e non riutilizzare il vecchio set.
- La tubazione dell'acqua deve essere collegata da un tecnico qualificato.
- La garanzia del frigorifero non copre l'installazione della tubazione dell'acqua. L'installazione della tubazione dell'acqua è considerata a carico dell'utente a meno che il costo non sia compreso nel prezzo di acquisto.
- Samsung non si assume alcuna responsabilità per l'installazione della tubazione dell'acqua. In caso di perdite di acqua, contattare l'installatore della tubazione dell'acqua.

Per collegare la mandata dell'acqua fredda alla tubazione del filtro dell'acqua

### ⚠ ATTENZIONE

- Assicurarsi che il tubo di filtraggio dell'acqua sia collegato ad un rubinetto di mandata dell'acqua potabile fredda. Il collegamento alla mandata dell'acqua calda può causare il malfunzionamento del sistema di depurazione.



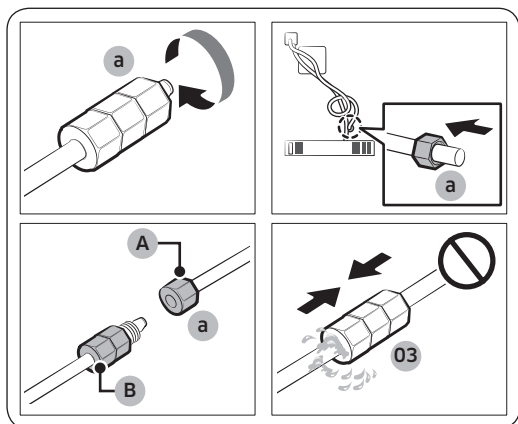
A. Chiudere la mandata dell'acqua principale

B. Nessuno spazio

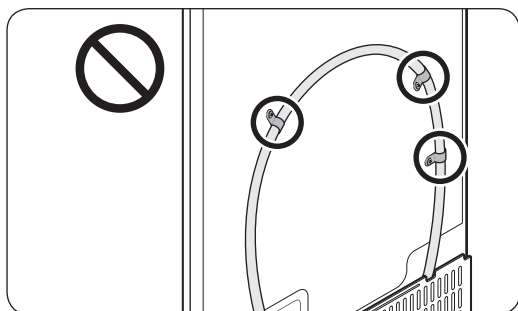
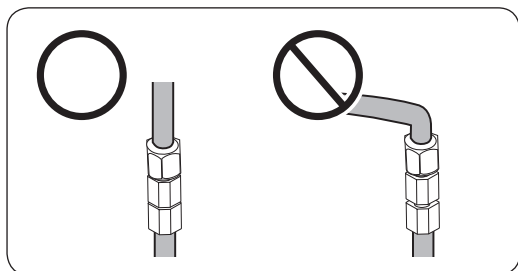
1. Chiudere la mandata dell'acqua agendo sulla valvola di chiusura principale.
2. Individuare la **mandata dell'acqua (1)** fredda potabile.
3. Seguire le indicazioni riportate in Installazione delle tubazioni per collegare i tubi dell'acqua.
4. Al termine, aprire la valvola di chiusura della mandata principale e flussare circa 3 litri di acqua. Ciò permetterà di rimuovere eventuali impurità dalla tubazione.

# Installazione

Per collegare il filtro alla tubazione



- A. Tubo dell'acqua dall'unità
- B. Tubo dell'acqua dal kit



Per riparare la tubazione dell'acqua

## ⚠ ATTENZIONE

Le tubazioni eventualmente difettose devono essere riparate da personale qualificato. Qualora si riscontrino perdite di acqua, contattare un centro di assistenza autorizzato Samsung o l'installatore della tubazione dell'acqua.

1. Svitare e rimuovere il **controdado (a)** dal tubo dell'acqua del frigorifero ed inserirlo nel tubo di filtraggio dell'acqua.
2. Serrare il **controdado (a)** per collegare il tubo di filtraggio ed il tubo dell'acqua.
3. Aprire la valvola di mandata principale e verificare eventuali perdite.
4. In caso non si riscontrino perdite, flussare circa 3 litri d'acqua prima di utilizzare il frigorifero in modo da rimuovere eventuali impurità dal sistema di filtraggio dell'acqua.

## 📖 NOTA

Qualora si decida di riposizionare il frigorifero dopo aver collegato il **tubo dell'acqua**, accertarsi che la giunzione della tubazione sia dritta.

## ⚠ ATTENZIONE

Non montare il filtro dell'acqua in alcuna parte del frigorifero. Ciò potrebbe danneggiare il frigorifero.

---

## **PASSAGGIO 7** Impostazioni iniziali

---

Completando i seguenti passaggi, il frigorifero sarà pienamente operativo.

1. Inserire il cavo di alimentazione in una presa elettrica a muro per accenderlo.
2. Aprire la porta e controllare che la luce interna si sia accesa.
3. Impostare la temperatura sul valore più freddo e attendere un'ora. Il freezer si raffredderà moderatamente e il motore girerà regolarmente.
4. Attendere fino a quando il frigorifero abbia raggiunto la temperatura impostata. Il frigorifero è ora pronto per l'uso.

## **PASSAGGIO 8** Controllo finale

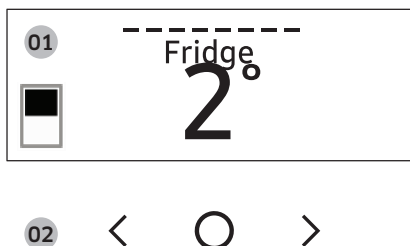
---

Al termine dell'installazione, accertarsi che:

- Il frigorifero sia collegato ad una presa elettrica e sia dotato di una opportuna messa a terra.
- Il frigorifero sia installato su una superficie piana e livellata con sufficiente spazio dalla parete o dal mobile.
- Il frigorifero sia livellato e stabilmente posizionato sul pavimento.
- La porta si apra e si chiuda liberamente e la luce interna si accenda automaticamente all'apertura della porta.

# Funzionamento

## Pannello di controllo



01 Display	Visualizza il menu, le impostazioni ed altre informazioni.
02 Tasti	<ul style="list-style-type: none"><li>• Quando il display è spento, premere un tasto qualsiasi per risvegliarlo.</li><li>• Premere &lt; o &gt; per scorrere verso sinistra o verso destra.</li><li>• Premere O per confermare la selezione.</li><li>• Tenere premuto O per accedere alla modalità AP (per maggiori informazioni, vedere la sezione “SmartThings &gt; Introduzione” a pagina 55).</li></ul>

### NOTA

- Il pannello di controllo è progettato per rimanere spento quando il frigorifero non è in uso. Si attiva e si illumina aprendo la porta o premendo i tasti.
- Se la porta rimane aperta per 5 minuti, la luce interna inizia a lampeggiare per 5 minuti per poi spegnersi. Serve ad avvisare le persone con deficit uditivi che la porta è rimasta aperta. Notare che tale funzione è normale.
- Variando la temperatura sul pannello, esso visualizza la temperatura corrente all'interno del frigorifero fino a quando essa raggiunge la temperatura impostata. Quindi, il pannello visualizza la nuova temperatura impostata. Da notare che ci vorrà del tempo perché il frigorifero raggiunga la nuova temperatura impostata. Ciò è una condizione normale. Durante tale tempo, non è necessario impostare nuovamente la temperatura.



### Uso del pannello di controllo

1. Premere un tasto qualsiasi (<, O o >) per risvegliare il display.
2. Premere < o > per selezionare il menu desiderato, quindi premere O per confermare.
3. Premere < o > per selezionare le impostazioni desiderate, quindi premere O per confermare.
  - Per maggiori informazioni sulle impostazioni disponibili, vedere la sezione **Descrizioni dei menu**.

## Descrizioni dei menu

Fridge (Frigorifero)	<ul style="list-style-type: none"><li>• È possibile impostare una temperatura del frigorifero di 1~7 °C o una funzione Raffreddamento rapido.</li><li>• Raffreddamento rapido accelera il processo di raffreddamento attivando la massima velocità di ventilazione. Il frigorifero continua a funzionare al massimo per due ore e mezza per poi tornare alla temperatura precedente.</li></ul>
Freezer	<ul style="list-style-type: none"><li>• È possibile impostare una temperatura del freezer di -23~-15 °C o una funzione Congelamento rapido.</li><li>• La funzione Congelamento rapido accelera il processo di congelamento attivando la massima velocità di ventilazione. Il freezer continua a funzionare al massimo per 50 ore quindi torna alla temperatura precedente. Per congelare grandi quantità di cibo, attivare la funzione Congelamento rapido per almeno 20 ore prima di inserire il cibo nel freezer.</li></ul>
Cool Select+ (FlexZone)	<ul style="list-style-type: none"><li>• È possibile impostare la modalità FlexZone da una delle seguenti modalità.<ul style="list-style-type: none"><li>- <b>Freeze (Congelamento):</b> Imposta la temperatura alla temperatura del freezer.</li><li>- <b>Soft Freeze (Congelamento leggero):</b> Imposta la temperatura a -5 °C.</li><li>- <b>Meat/Fish (Carne/Pesce):</b> Imposta la temperatura a -1 °C.</li><li>- <b>Fruit/Veggies (Frutta/Verdura):</b> Imposta la temperatura a 2 °C.</li><li>- <b>Beverage (Bevande):</b> Imposta la temperatura a 4 °C.</li></ul></li></ul> <p><b>⚠ ATTENZIONE</b></p> <ul style="list-style-type: none"><li>• Impostare la modalità FlexZone in base al tipo di cibo in essa conservato.</li><li>• Non conservare carne o cibo nella FlexZone in modalità Frutta/Verdura o Vino. Le carni o il cibo potrebbero guastarsi.</li><li>• Non conservare bottiglie di vino nella FlexZone in modalità Congelamento o Congelamento leggero. Esse potrebbero rompersi e provocare lesioni.</li></ul>

# Funzionamento

Flex Crisper (Fresco flex) *	<ul style="list-style-type: none"><li>• È possibile impostare la modalità Fresco flex da una delle seguenti modalità.<ul style="list-style-type: none"><li>- <b>Fridge (Frigorifero):</b> Imposta la temperatura alla temperatura del frigorifero.</li><li>- <b>Meat/Fish (Carne/Pesce):</b> Selezionare questa modalità per conservare carne e pesce fresco. (si consiglia di impostare la temperatura del frigorifero al di sotto dei 3 °C per conservare in modo ottimale carne e pesce nello scomparto Fresco flex)</li></ul></li></ul> <p> <b>NOTA</b></p> <p>La carne ed il pesce possono essere conservati nel cassetto della carne dai 3 ai 5 giorni (con eccezione per la carne macinata, che può essere conservata solo per uno o due giorni). Conservarli nel freezer se si desidera conservarli più a lungo di 5 giorni.</p>
AutoFill Pitcher (Brocca a riempimento automatico) *	<ul style="list-style-type: none"><li>• È possibile impostare la modalità Brocca a riempimento automatico da una delle seguenti modalità.<ul style="list-style-type: none"><li>- <b>On:</b> Impostare per riempire la brocca automaticamente.</li><li>- <b>Off:</b> Impostare per disattivare la funzione.</li></ul></li></ul> <p> <b>NOTA</b></p> <p>È possibile inserire nell'infusore tè o frutta per produrre la relativa bevanda. Per mantenere l'acqua infusa alla sua concentrazione iniziale, disattivare la funzione Brocca a riempimento automatico. (per maggiori informazioni, vedere la sezione <b>Brocca di acqua (Brocca a riempimento automatico) (solo modelli che ne sono dotati)</b> a pagina 57).</p>
Cubed Ice (Ghiaccio a cubetti) * (Ice Maker *)	Per iniziare o interrompere la produzione di ghiaccio a cubetti.
Ice Bites (Ghiaccio a pezzi) *	Per iniziare o interrompere la produzione di ghiaccio a pezzi.



---

<b>More Options (Altre opzioni)</b>	<p>Per modificare le impostazioni delle seguenti funzioni. Premere &lt; o &gt; per selezionare il menu, quindi premere ○ per confermare.</p> <p><b>Filter Reset (Ripristino filtro) *</b>: Alla comparsa del messaggio di sostituzione del filtro, selezionare questo menu e sostituire il filtro seguendo le istruzioni visualizzate sul display.</p> <p><b>Temp. Unit (Unità temp.)</b>: È possibile impostare la scala della temperatura scegliendo tra Centigradi o Fahrenheit.</p> <p><b>Door Alarm (Allarme porta)</b>: Per attivare o disattivare la funzione Allarme porta.</p> <p><b>Wi-Fi Connect (Connessione Wi-Fi)</b>: Per attivare o disattivare la funzione Connessione Wi-Fi. Attivare la funzione per controllare e monitorare il frigorifero mediante la app SmartThings (per maggiori istruzioni sulla app SmartThings, vedere la sezione <b>SmartThings</b> a pagina 54).</p>
-------------------------------------	--

\* solo modelli che lo prevedono

 **NOTA**

L'uso delle funzioni Raffreddamento rapido o Congelamento rapido aumenta il consumo energetico.

# Funzionamento

---

## SmartThings

---

### Installazione

Visitare il Google Play Store, il Galaxy Apps o il Apple App Store e cercare “SmartThings”. Scaricare e installare la app SmartThings fornita da Samsung Electronics sul proprio dispositivo smart.

#### **NOTA**

- La app SmartThings non è disponibile per alcuni tablet e per iPad ed alcuni smartphone.
  - Supporta [Android] OS 8.0 o successivo. (Minimo RAM 2 GB)
  - Supporta [iOS] 12.0 o successivo/iPhone6 o successivo.
- Ai fini di un costante miglioramento delle prestazioni, la app SmartThings è soggetta a modifica senza preavviso, o interruzione della assistenza in base alle politiche del produttore. Ulteriori aggiornamenti inoltre della app o delle sue funzioni potranno essere interrotti per mancato uso o motivi di sicurezza, anche se supportati dal SO in uso.
- Tra i sistemi di crittografia consigliati vi sono WPA/TKIP e WPA2/AES. Eventuali protocolli di autenticazione Wi-Fi nuovi o non standard non sono supportati.
- Le reti wireless possono essere influenzate dagli ambienti di comunicazione wireless circostanti.
- Se il vostro provider di servizi internet registra l'indirizzo MAC dei PC o dei modem ai fini di una identificazione, il vostro frigorifero Smart Samsung potrebbe non riuscire a collegarsi ad Internet. In tale caso, contattare il proprio provider di servizi internet per richiedere assistenza.
- Le impostazioni del firewall del vostro sistema di rete possono impedire al vostro frigorifero Samsung Smart di accedere ad Internet. Contattare il proprio provider di servizi internet per richiedere assistenza. Qualora tale sintomo persista, contattare un Centro di assistenza autorizzato o un rivenditore Samsung.
- Per configurare le impostazioni del router wireless (AP), vedere il manuale dell'utente del router.
- I frigoriferi Smart Samsung supportano sia le reti Wi-Fi 2.4 GHz con IEEE 802.11 b/g/n e i protocolli Soft-AP (IEEE 802.11 n è sconsigliata).
- I router Wi-Fi non approvati possono non riuscire a collegarsi ai frigoriferi Samsung Smart dotati di questa funzione.



---

## Account Samsung

Per utilizzare la app è necessario registrare un proprio account Samsung. Qualora non si disponga di un account Samsung, seguire le istruzioni visualizzate sullo schermo per crearne uno gratuito.

## Introduzione

Accendere il dispositivo da collegare, eseguire la app SmartThings sul proprio telefono e seguire le istruzioni riportate sotto.

Alla comparsa di un messaggio che indica l'individuazione di un nuovo dispositivo, premere **ADD NOW (AGGIUNGI ORA)**.

Qualora non compaia alcun messaggio, premere il tasto **+** e selezionare il dispositivo da connettere tra quelli riportati nell'elenco dei dispositivi disponibili.

Se il proprio dispositivo non compare nell'elenco **Supported Devices (Dispositivi supportati)**, aggiungere il dispositivo manualmente selezionando il tipo di dispositivo (Frigorifero) ed in seguito il modello specifico.

Seguire le istruzioni visualizzate nella app per impostare il dispositivo. Una volta terminata l'impostazione, il frigorifero comparirà come "scheda" nella schermata **Devices (Dispositivi)**.

## App Frigorifero

### Controllo integrato

È possibile monitorare e controllare il proprio frigorifero in casa così come a distanza.

- Selezionare l'icona del frigorifero nella Dashboard SmartThings o l'icona Dispositivi in basso nella Dashboard, quindi selezionare la "scheda" del frigorifero per accedere alla pagina del proprio Frigorifero.
- Verificare lo stato operativo o le notifiche dal proprio frigorifero e cambiare le opzioni o impostazioni se necessario.

### **NOTA**

Alcune opzioni o impostazioni del frigorifero potrebbero non essere disponibili per il controllo da remoto.



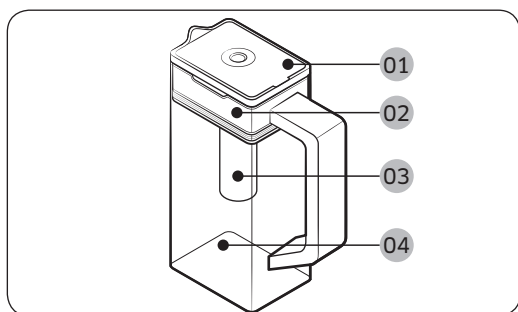
# Funzionamento

Categoria	Elemento	Descrizione
Monitoraggio	Temperatura frigorifero	Visualizza le impostazioni correnti della temperatura del frigorifero.
	Sensore temperatura freezer	Visualizza la temperatura desiderata del freezer.
	Impostazioni FlexZone	Visualizza le impostazioni della funzione FlexZone.
	Diagnosi	Rileva funzionamenti anomali del frigorifero.
	Monitoraggio energetico	Verifica il consumo energetico accumulato del frigo negli ultimi 180 giorni.
Funzioni	Produzione di ghiaccio	È possibile attivare e disattivare la produzione di ghiaccio e verificare le impostazioni correnti della funzione.
		È anche possibile verificare lo stato e l'andamento della produzione di ghiaccio.
	Raffreddamento rapido	È possibile attivare e disattivare la modalità Raffreddamento rapido, e controllare le impostazioni correnti.
	Congelamento rapido	È possibile attivare e disattivare la modalità Congelamento rapido, e controllare le impostazioni correnti.
	Temperatura frigorifero	È possibile regolare la temperatura del frigorifero.
	Sensore temperatura freezer	È possibile regolare la temperatura del freezer.
	Impostazioni FlexZone	È possibile impostare la modalità FlexZone.
Allarmi	Temperatura insolitamente elevata	Questo allarme viene innescato quando nel frigo, nel freezer o nella zona FlexZone si riscontrano temperature insolitamente elevate.
	Porta aperta	Questo allarme viene innescato quando la porta del frigo o il cassetto del freezer o FlexZone rimangono aperti per uno specifico lasso di tempo.
	Trabocco brocca ad autoriempimento	Se la funzione Brocca a riempimento automatico rileva una fuoriuscita, attiva un allarme per avvisare l'utente sullo stato della fuoriuscita.
	Sostituzione del filtro dell'acqua	Questo allarme ricorda all'utente che il filtro dell'acqua deve essere sostituito.

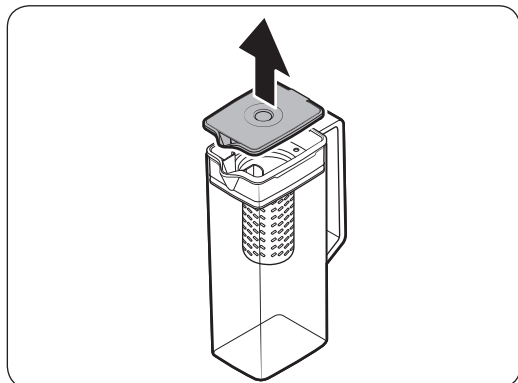
## Funzioni speciali

### Brocca di acqua (Brocca a riempimento automatico) (solo modelli che ne sono dotati)

Nella Brocca a riempimento automatico è sempre disponibile dell'acqua purificata. Per godere di bevande diverse è possibile inserire nell'infusore del tè o della frutta.



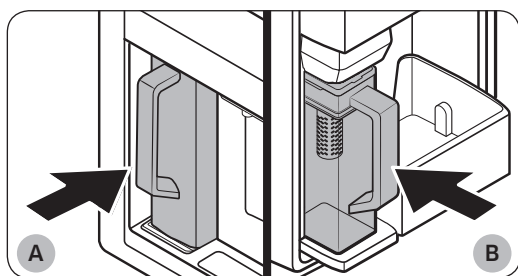
### Riempimento della brocca dell'acqua



1. Afferrare una parte scanalata della maniglia del **coperchio**, e tirarla per aprire il coperchio.
2. Inserire le foglie di tè o frutta di proprio gradimento nell'infusore.

#### **NOTA**

Per mantenere l'acqua infusa alla sua concentrazione iniziale, disattivare la funzione Brocca a riempimento automatico.



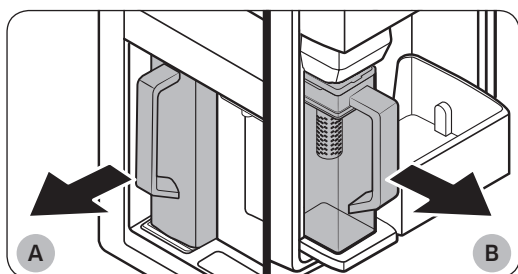
- A. Modelli Tipo A
- B. Modelli Tipo B

3. Attivare la funzione Brocca a riempimento automatico nel pannello di controllo. Apri lo sportello Bevande (Tipo A) o la porta di sinistra del frigorifero (Tipo B), e inserire la brocca a riempimento automatico nell'alloggiamento. Inserirla dritta come mostrato in figura.
4. Chiudere lo sportello. La brocca inizierà a riempirsi con acqua fredda poco dopo.

# Funzionamento

## ⚠ ATTENZIONE

Accertarsi che la brocca sia correttamente alloggiata nell'apposito alloggiamento.



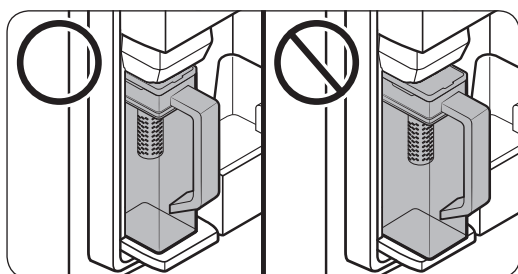
A. Modelli Tipo A

B. Modelli Tipo B

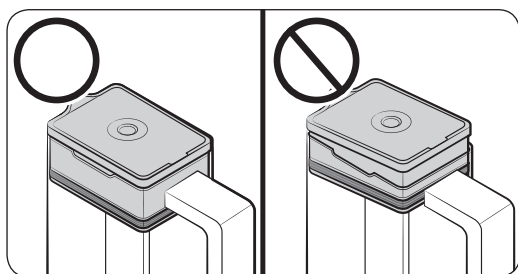
5. Per bere del tea, aprire il vano Bevande (Tipo A) o la porta di sinistra del frigorifero (Tipo B), quindi estrarre la brocca. Tirarla dritto verso l'esterno.

## ⚠ ATTENZIONE

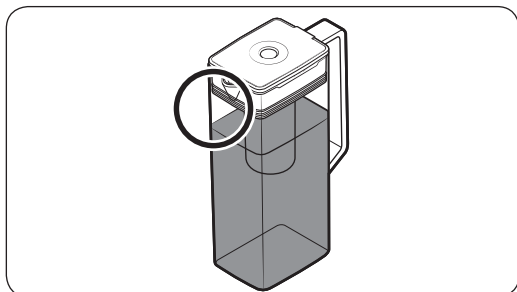
- Si consiglia di consumare le bevande a base di frutta entro 24 ore. Dopo tale periodo, l'acqua infusa potrà col tempo guastarsi.
- Dopo aver consumato l'infuso, pulire la brocca. Anche in caso di prolungato inutilizzo della brocca, pulirla.



- Al fine di prevenire il trabocco o la fuoriuscita di liquido dalla brocca, accertarsi che la brocca sia correttamente inserita nell'apposito alloggiamento.

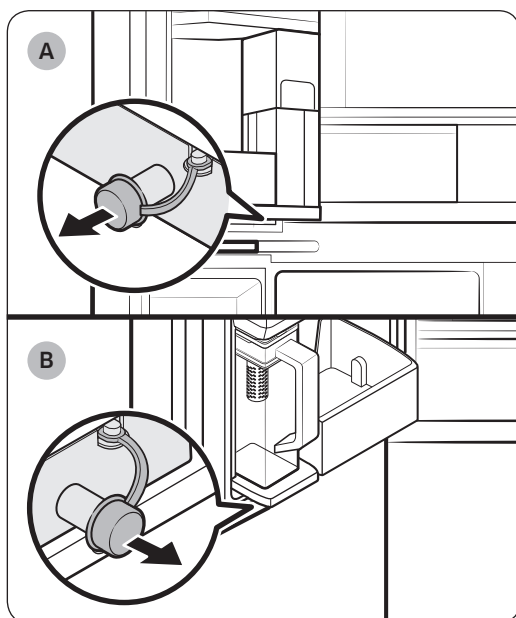


- Al fine di prevenire il trabocco o la fuoriuscita di liquido dalla brocca, accertarsi che il fermo della brocca sia montato correttamente.



#### NOTA

- Qualora il lato anteriore (la zona contrassegnata) della brocca sia troppo appannata, la brocca potrebbe non riempirsi del tutto. Rimuovere l'umidità e riprovare.
- La funzione Brocca a riempimento automatico terminerà di erogare acqua qualora la brocca non si sia riempita entro un determinato lasso di tempo. In tale caso, verificare che i tubi siano stati correttamente collegati. Estrarre e reinserire la brocca e riprovare.



A. Modelli Tipo A

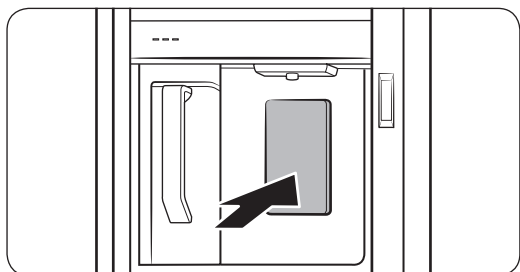
B. Modelli Tipo B

#### NOTA

- In caso di trabocchi o fuoriuscite, asciugare l'esterno della brocca.
- Se il coperchio di gomma è aperto l'acqua può fuoriuscire.
- In caso di perdite, sul pannello di controllo viene visualizzato un messaggio di avviso. In caso di perdite, aprire il coperchio in gomma in modo da drenare l'acqua fuoriuscita. Se il messaggio di avviso non scompare una volta drenata l'acqua, può essersi verificato un malfunzionamento di sistema. Rivolgersi ad un Centro di assistenza autorizzato Samsung.

# Funzionamento

## Dispenser di acqua (solo modelli che lo prevedono)



Per erogare acqua fredda, aprire la Zona Bevande e premere il dispenser di acqua.

### **NOTA**

- Premendo la leva di erogazione per circa un minuto il dispenser non si ferma e continua a erogare acqua. Per erogare una quantità maggiore di acqua, rilasciare la leva e spingerla nuovamente.
- Assicurarsi che il bicchiere sia allineato al dispenser in modo da prevenire una fuoriuscita dell'acqua.
- Qualora non si utilizzi il dispenser dell'acqua per 2-3 giorni, la prima acqua erogata potrebbe avere un odore o un sapore insoliti. Ciò non indica un guasto al sistema. Buttare i primi 1-2 bicchieri di acqua.

### **Intorbidamento dell'acqua**

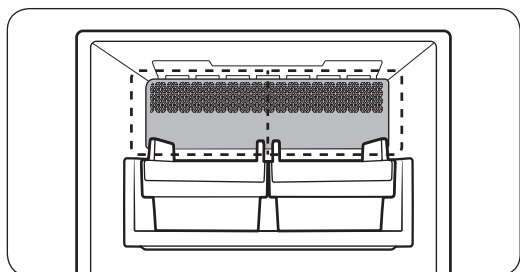
L'acqua in ingresso al frigorifero scorre attraverso un filtro anticalcare. Durante il processo di filtraggio, l'acqua flussata attraverso il filtro aumenta di pressione saturandosi con ossigeno ed azoto. Ciò causa temporaneamente l'aspetto nebuloso dell'acqua durante l'erogazione. Ciò è normale e l'aspetto tornerà normale dopo pochi secondi.



## Ice maker automatico (solo modelli applicabili)

Il frigorifero è dotato di un ice maker in grado di erogare ghiaccio automaticamente.

- La sua forma e/o gli accessori in dotazione possono variare in base al modello di frigorifero.



- Questo prodotto prevede due tipologie di ice maker.

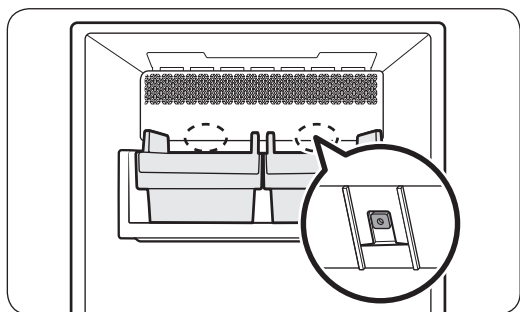
## Produzione di ghiaccio

Una volta installato il frigorifero e collegato alla presa elettrica, seguire queste istruzioni per assicurarsi che venga prodotto correttamente il ghiaccio e che la vaschetta del ghiaccio sia sempre piena.

## Al primo utilizzo

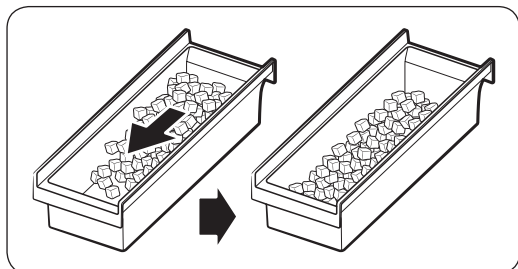
- Lasciare che la macchina per il ghiaccio produca ghiaccio per 1-2 giorni.
- Buttare i primi 1-2 contenitori di ghiaccio in modo da eliminare eventuali impurità contenute all'interno del sistema di erogazione dell'acqua.

## Diagnosi



- La sua forma e/o gli accessori in dotazione possono variare in base al modello di frigorifero.
- Qualora il ghiaccio non venga erogato, controllare lo stato dell'ice maker usando il tasto **Test** in basso.
- Premere il tasto **Test** sul retro dell'ice maker. Premendo il tasto si udirà un suono (ding-dong). Se l'ice maker funziona correttamente si udirà un altro suono.

# Funzionamento

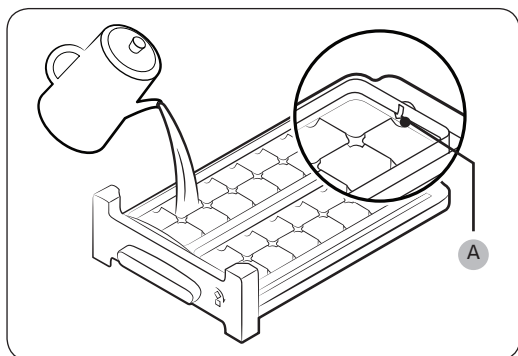


- L'accumulo di ghiaccio su un lato della vaschetta è normale. Disporre il ghiaccio in modo uniforme nella vaschetta per conservarne una quantità maggiore.

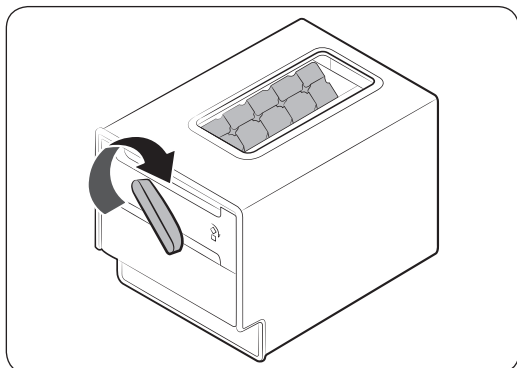
## ⚠ ATTENZIONE

- Lasciando il tubo dell'acqua scollegato si potrà causare la produzione nel tempo di gorgoglii nella valvola dell'acqua. In questo caso, accertarsi di aver disattivato la funzione di produzione del ghiaccio (Cubetti / Pezzi).
- Se il suono della macchina del ghiaccio viene prodotto continuamente, contattare l'installatore delle tubazioni o un Centro di assistenza autorizzata Samsung.
- Non inserire alimenti nella vaschetta portaghiaccio. Il cibo congelato potrebbe danneggiare l'Ice maker, particolarmente durante l'apertura o chiusura della porta.
- Quando il frigorifero riprende il normale funzionamento dopo un blackout elettrico, la vaschetta portaghiaccio potrebbe contenere un ammasso informe di cubetti di ghiaccio sciolti, portando quindi ad un malfunzionamento del sistema. Al fine di prevenire tale situazione, assicurarsi di vuotare la vaschetta portaghiaccio prima di usare il frigorifero.
- Non inserire mai le dita o altri oggetti nel foro del dispenser. Ciò può causare lesioni personali o danni materiali.
- A causa della sublimazione, il ghiaccio conservato nel freezer a lungo può restringersi a formare pezzi più piccoli, per poi formare pezzi informi di ghiaccio. Pertanto, se non si usa spesso il ghiaccio, disattivarlo come segue.
- Usare solo i tubi nuovi forniti in dotazione con l'apparecchio al momento dell'acquisto. Non riutilizzare tubi precedentemente usati.

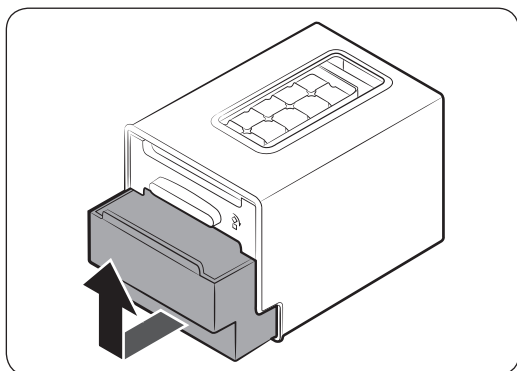
## Ice maker twist (solo modelli applicabili)



1. Aprire lo sportello del freezer e aprire il contenitore del ghiaccio.
2. Riempire il contenitore con acqua fino a raggiungere il **livello massimo (A)** indicato sul retro del contenitore.
3. Reinscrivere il contenitore nel suo alloggiamento.



4. Una volta che l'acqua si è ghiacciata a formare cubetti di ghiaccio, ruotare la leva del vassoio per vuotare i cubetti nella vaschetta di raccolta. Ripetere l'operazione fino a vuotare tutti i cubetti residui nella vaschetta.



5. Per rimuovere la vaschetta di raccolta, sollevarla delicatamente ed estrarla.

#### **ATTENZIONE**

- Non usare la vaschetta di raccolta del ghiaccio per creare del ghiaccio. La vaschetta potrebbe rompersi.
- Verificare che la vaschetta di raccolta sia posizionata sotto il vassoio.
- La vaschetta di raccolta ha sul fondo un foro di scolo.
  - Non conservare del ghiaccio nella vaschetta a temperatura ambiente. Il ghiaccio si scioglierà e si esaurirà.
  - In caso di un blackout elettrico, il ghiaccio si scioglierà ed esaurirà. Una volta ripristinata la corrente elettrica, l'acqua ghiaccerà di nuovo provocando la rottura della vaschetta di raccolta. Al fine di prevenire la rottura della vaschetta, rimuoverla e vuotarla dopo il blackout.
  - Usare solo acqua potabile.

#### **NOTA**

- Il tempo necessario per la produzione di ghiaccio dipende dalle impostazioni della temperatura interna.

# Manutenzione

## Pulizia e manutenzione

### Vaschetta porta ghiaccio (solo modelli che la prevedono)

Se per un periodo prolungato di tempo non si estrae del ghiaccio, è possibile che nella vaschetta si formino blocchi di ghiaccio. In tale caso, estrarre la vaschetta e vuotarla.

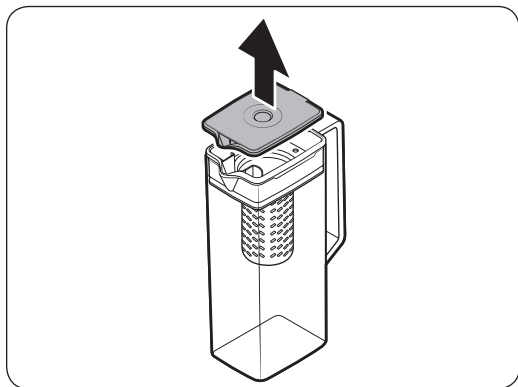
#### ⚠ ATTENZIONE

- Asciugare subito eventuale ghiaccio o acqua caduti accidentalmente sul pavimento per evitare lesioni.
- Per evitare incidenti o lesioni, non lasciare che i bambini giochino con il dispenser dell'acqua o l'ice maker.
- Usare solo la vaschetta di raccolta del ghiaccio in dotazione. Le vaschette di raccolta del ghiaccio di terze parti possono causare un malfunzionamento.

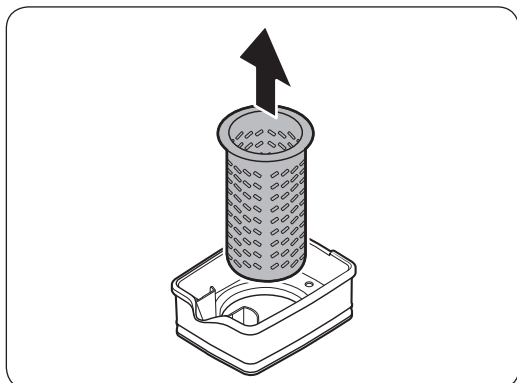
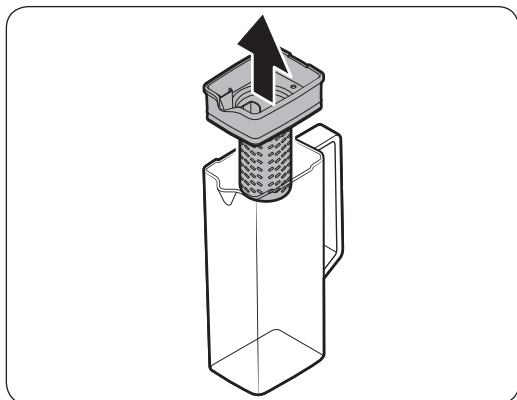
#### 📖 NOTA

- La pressione dell'acqua necessaria per la produzione del ghiaccio è tra i 206 ed i 861 kPa.
- Durante la produzione di ghiaccio è normale udire della rumorosità proveniente dall'ice maker.

### Brocca a riempimento automatico (solo modelli che la prevedono)



1. Afferrare una parte scanalata della maniglia del coperchio, e tirarla verso l'alto per estrarla.



2. Afferrare entrambi i lati del **fermo dell'infusore**, quindi sollevarlo per rimuoverlo.

3. Ruotando leggermente l'**infusore**, estrarlo verso la bocca sigillata.

4. Pulire l'**infusore** con detersivi neutri e acqua corrente. Sciacquare ed asciugare bene.

5. Rimontare la nuova brocca seguendo la procedura di smontaggio in ordine inverso.

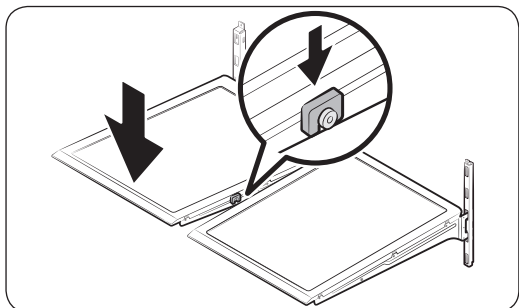
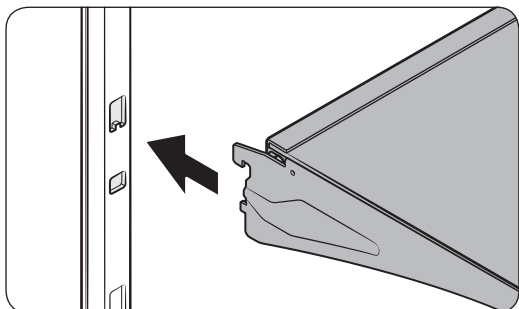
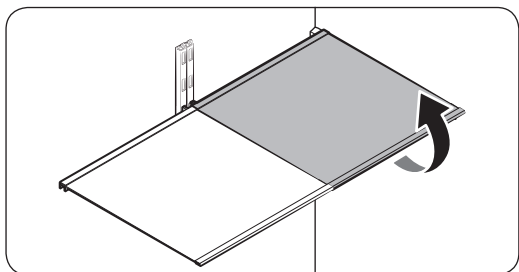
**⚠ ATTENZIONE**

La brocca ed il suo coperchio non sono adatti al microonde e possono sciogliersi o deformarsi se esposti al calore (compresa acqua bollente). Lavare a mano in acqua calda o fredda secondo necessità.

# Manutenzione

## Ripiani del frigorifero

La forma dei ripiani varia in base al modello.



- Per estrarre un ripiano, prima aprire la porta corrispondente completamente. Tenendo la parte anteriore del ripiano, sollevarlo delicatamente ed estrarlo.

### NOTA

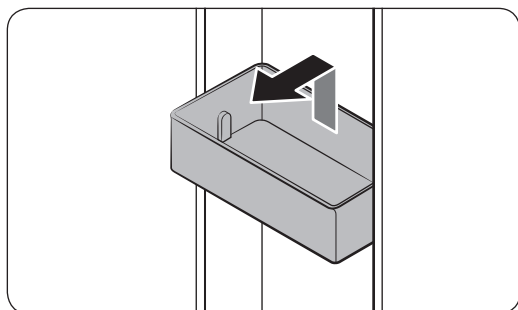
Non sollevare completamente il ripiano durante la rimozione o l'inserimento. La parte posteriore del vano del frigo potrebbe essere scanalata.

- Per reinserire il ripiano, afferrare la parte anteriore in modo che risulti più alta della parte posteriore, quindi inserire il gancio superiore nella scanalatura superiore del ripiano. Quindi abbassare il ripiano ed inserire il gancio inferiore sul fondo della scanalatura del ripiano.

### ATTENZIONE

- I ripiani in vetro temperato sono pesanti. Prestare la massima attenzione nell'estrarli.
- Il ripiano deve essere inserito correttamente. Non inserirlo capovolto.
- I contenitori in vetro possono graffiare la superficie dei ripiani in vetro.

## Balconcini delle porte



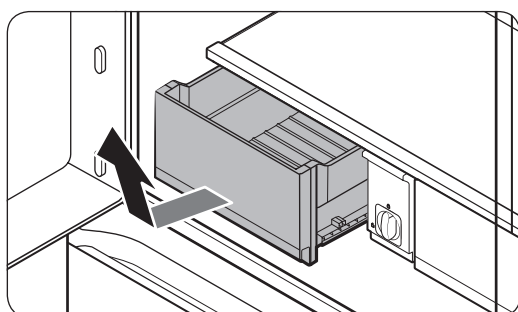
- Per estrarre il **balconcino della porta**, afferrare entrambi i lati anteriori del balconcino e sollevarlo delicatamente per rimuoverlo.
- Per reinserirlo, inserire il **balconcino della porta** leggermente al di sopra della sua posizione definitiva accertandosi che il retro del balconcino aderisca alla porta. Afferrare il retro del **balconcino** con entrambe le mani e premerlo verso il basso per reinserirlo nella linea contrassegnata.

### **ATTENZIONE**

- Non tentare di estrarre il balconcino quando contiene cibi. Prima di effettuare l'operazione vuotarlo.
- Prestare attenzione durante l'apertura della porta se il balconcino inferiore contiene bottiglie larghe che potrebbero cadere.
- Non lasciare giocare i bambini con contenitori e balconcini. Gli angoli taglienti del balconcino potrebbero provocare lesioni.

## Cassetti del frigo

Cassetti Fresco / Flex



Sollevarne delicatamente la parte anteriore del cassetto e farla scorrere verso fuori.

- Si raccomanda di rimuovere i balconcini delle porte prima di rimuovere il cassetto. Questo serve a prevenire il danneggiamento dei balconcini.
- Per reinserirlo, inserire il cassetto nelle guide quindi farlo scorrere all'interno.

# Manutenzione

## Pulizia

### Interno ed esterno

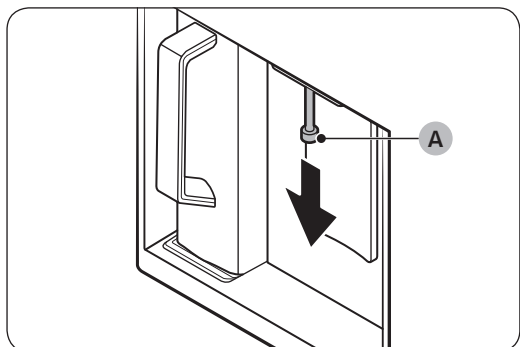
#### ⚠ AVVERTENZA

- Per pulire il frigorifero non usare benzina, diluenti, Clorox™ o detersivi per auto. L'uso di questi prodotti potrebbe danneggiare la superficie dell'apparecchio e causare un incendio.
- Non spruzzare acqua sul frigorifero. In caso contrario, esiste il pericolo di scariche elettriche.

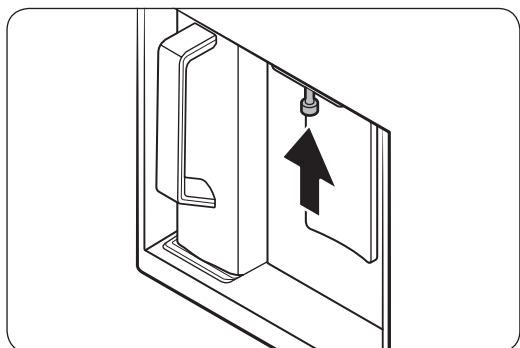
Usare regolarmente un panno morbido per rimuovere eventuale polvere o sporcizia dai terminali della spina elettrica e dai contatti.

1. Scollegare la spina di alimentazione.
2. Usare un panno inumidito e liscio o un tovagliolo di carta per pulire l'interno e l'esterno del frigorifero.
3. Al termine, usare un panno o della carta per asciugarlo con cura.
4. Ricollegare la spina di alimentazione.

### Beccuccio del dispenser (solo modelli che lo prevedono)



1. Afferrare la parte terminale del beccuccio del dispenser (A).
2. Ruotando il beccuccio del dispenser (A) verso sinistra, tirarlo verso il basso per estrarlo.



3. Pulire completamente il beccuccio e rimontarlo in posizione.

#### ⚠ ATTENZIONE

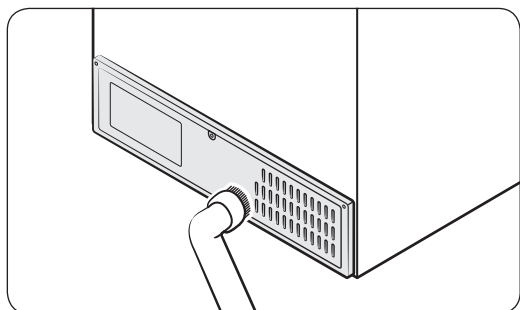
- Inserire completamente il beccuccio in modo da riposizionarlo correttamente.
- Non usare una spugna abrasiva per pulire il beccuccio.



## Guarnizioni di gomma

Se le guarnizioni di gomma di una porta sono sporche, la porta potrebbe non chiudersi correttamente riducendo le prestazioni termiche ed efficienza del frigorifero. Usare un detersivo delicato ed un panno umido per pulire le guarnizioni in gomma. Quindi asciugarle con un panno asciutto.

## Pannello posteriore



Per mantenere cavi e parti esposte del retro del pannello puliti, aspirare il pannello una o due volte l'anno.

### **⚠ ATTENZIONE**

Non rimuovere il coperchio del pannello posteriore. Sussistono pericoli di scariche elettriche.

## Sostituzione

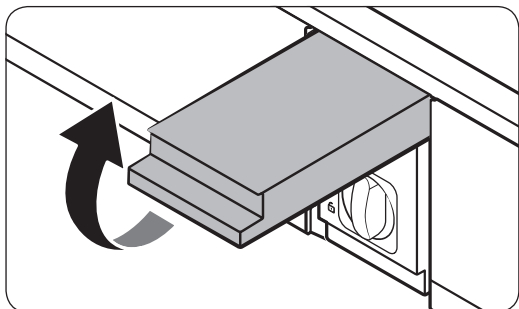
### Filtro acqua (solo modelli che lo prevedono)

#### **⚠ AVVERTENZA**

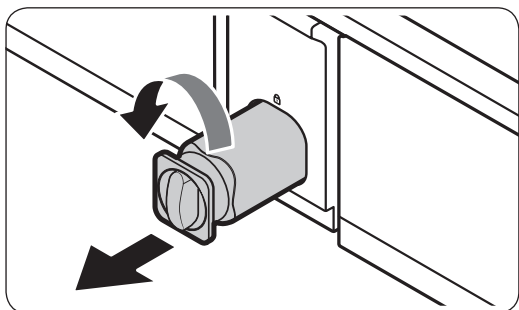
- Non utilizzare filtri dell'acqua di terze parti. Usare solo filtri approvati da Samsung.
- L'uso di altri filtri compatibili potrebbe provocare perdite e danneggiare il frigorifero, provocando scariche elettriche. Samsung non potrà essere ritenuta responsabile per eventuali danni derivanti dall'uso di filtri non originali.

Il messaggio **"Replace water filter (Sostituire filtro acqua)"** viene visualizzato sul pannello di controllo per far sapere all'utente che è arrivato il momento di sostituire il filtro dell'acqua. Prima di effettuare la sostituzione del filtro, accertarsi che la mandata dell'acqua sia chiusa.

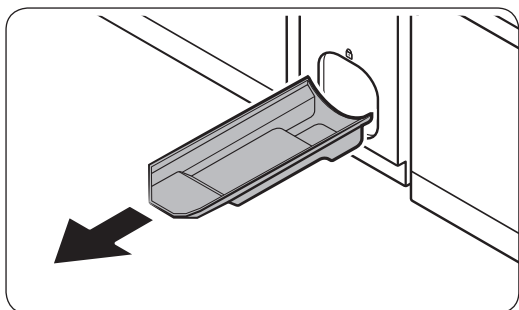
# Manutenzione



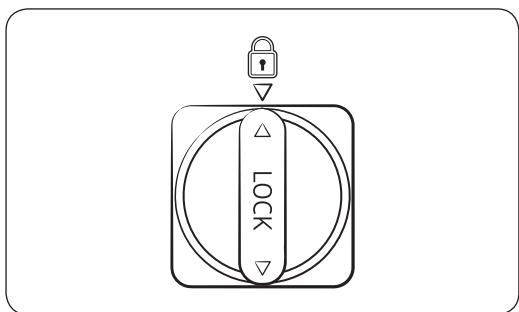
1. Chiudere il rubinetto di carico dell'acqua.
2. Aprire il coperchio della cartuccia del filtro.



3. Ruotare la manopola della cartuccia del filtro in senso antiorario di 90 gradi (1/4 di giro). La cartuccia del filtro si sblocca.



4. Tirlarla per estrarla.
  - Se il filtro dell'acqua è molto sporco, la cartuccia potrebbe non essere facilmente estraibile. In tale caso, rimuoverla usando un po' di forza.
  - Al fine di prevenire eventuali perdite dall'apertura, tirare la cartuccia in linea retta durante la rimozione.



5. Inserire una nuova cartuccia filtro. Usare solo filtri approvati e forniti da Samsung.
6. Ruotare la manopola della cartuccia in senso orario per bloccarla.
7. Chiudere il coperchio della cartuccia del filtro.
8. Sul pannello di controllo, accedere a **More Options (Altre opzioni)** ed eseguire **Filter Reset (Ripristino filtro)**.

## **NOTA**

- Un filtro appena installato potrà provocare una breve fuoriuscita di acqua. Ciò è dovuto alla presenza di aria nella tubazione.
- Il processo di sostituzione del filtro può provocare per un certo periodo di tempo una leggera perdita d'acqua dal dispenser. In tale caso semplicemente asciugare l'acqua fuoriuscita con un panno asciutto.

### **Sistema di filtraggio ad osmosi inversa**

La pressione dell'acqua del sistema di erogazione verso un sistema di filtraggio ad osmosi inversa deve essere compresa tra 206 kPa e 861 kPa.

La pressione dell'acqua del sistema di filtraggio ad osmosi inversa verso la tubazione dell'acqua fredda deve essere di almeno 206 kPa. Se la pressione dell'acqua è inferiore a quanto previsto:

- Controllare se il filtro sedimenti nel sistema a osmosi inversa è bloccato. Sostituire il filtro se necessario.
- Riempire il serbatoio dell'acqua del sistema ad osmosi inversa con acqua.
- Se il frigorifero ha un filtro dell'acqua, questo può ridurre la pressione dell'acqua se usato insieme a un sistema a osmosi inversa. Rimuovere il filtro dell'acqua.

Per maggiori informazioni sull'assistenza, contattare un servizio di assistenza idraulica qualificato.

### **Ordinare un nuovo filtro**

Per acquistare un nuovo filtro dell'acqua, contattare un Centro di assistenza autorizzato Samsung.

### **Lampadine a LED**

Per effettuare la sostituzione delle lampadine, rivolgersi al Centro assistenza autorizzato Samsung di zona.

## **AVVERTENZA**

- Le lampadine non possono essere sostituite autonomamente. Non tentare di effettuare autonomamente la loro sostituzione. In caso contrario, esiste il pericolo di scariche elettriche.

### **Lampadina (sorgente luminosa)**

Questo prodotto contiene una sorgente luminosa di classe di efficienza energetica <G>.

La lampadina ed i comandi non possono essere sostituibile dall'utente in autonomia. Per effettuare la sostituzione delle lampadine o dei comandi, rivolgersi al Centro assistenza autorizzato Samsung di zona.

Per maggiori informazioni sulla sostituzione di lampadine o comandi del vostro prodotto, visitare il sito web Samsung (<http://www.samsung.com>), accedere a Support > Support home, e digitare il nome del modello.

Per maggiori informazioni sullo smontaggio delle lampadine o dei comandi seguire le istruzioni come descritto sopra.

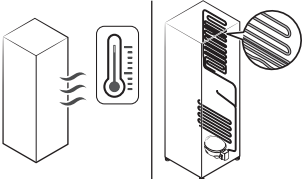
# Risoluzione dei problemi

Prima di chiamare l'assistenza rivedere i punti di controllo sotto. Eventuali interventi di assistenza riguardanti situazioni normali (nessun difetto riscontrato) comporteranno un addebito per il cliente.

## Generale

### Temperatura

Sintomo	Possibili cause	Soluzione
Il frigorifero/freezer non funziona. La temperatura del frigorifero/freezer è elevata.	<ul style="list-style-type: none"><li>La spina del cavo di alimentazione non è inserita correttamente in una presa elettrica.</li></ul>	<ul style="list-style-type: none"><li>Ricollegare correttamente la spina di alimentazione.</li></ul>
	<ul style="list-style-type: none"><li>Il controllo della temperatura non è impostato correttamente.</li></ul>	<ul style="list-style-type: none"><li>Impostare una temperatura inferiore.</li></ul>
	<ul style="list-style-type: none"><li>Il frigorifero è posizionato vicino ad una fonte di calore o è esposto alla luce solare diretta.</li></ul>	<ul style="list-style-type: none"><li>Assicurarsi che il frigorifero sia posizionato lontano dalla luce solare diretta o eventuali fonti di calore.</li></ul>
	<ul style="list-style-type: none"><li>Non c'è abbastanza spazio tra il frigorifero e le pareti o lati della armadiatura.</li></ul>	<ul style="list-style-type: none"><li>Assicurarsi che vi sia uno spazio di almeno 5 cm tra il retro del frigorifero ed i lati o le pareti circostanti o i lati della armadiatura.</li></ul>
	<ul style="list-style-type: none"><li>Il frigorifero è troppo pieno. Il cibo blocca le aperture per la ventilazione.</li></ul>	<ul style="list-style-type: none"><li>Non sovraccaricare il frigorifero. Accertarsi che il cibo non ostruisca le aperture di ventilazione.</li></ul>
Il frigorifero/freezer raffreddano eccessivamente.	<ul style="list-style-type: none"><li>Il controllo della temperatura non è impostato correttamente.</li></ul>	<ul style="list-style-type: none"><li>Impostare la temperatura ad un valore superiore.</li></ul>

Sintomo	Possibili cause	Soluzione
La parete interna è bollente.	<ul style="list-style-type: none"> <li>Il frigorifero è dotato di tubazioni isolate termicamente nella parete interna.</li> </ul>	<ul style="list-style-type: none"> <li>Al fine di prevenire la formazione di condensa, il frigorifero è dotato di tubazioni isolate sugli angoli anteriori. Qualora la temperatura ambientale aumenti, questo apparecchio potrebbe non funzionare in modo ottimale. Ciò non indica un guasto al sistema.</li> </ul> 

## Odori

Sintomo	Possibili cause	Soluzione
Nel frigorifero si avvertono alcuni cattivi odori.	<ul style="list-style-type: none"> <li>Cibo guasto.</li> </ul>	<ul style="list-style-type: none"> <li>Pulire il frigorifero e rimuovere eventuale cibo guasto.</li> </ul>
	<ul style="list-style-type: none"> <li>Cibo dal forte odore.</li> </ul>	<ul style="list-style-type: none"> <li>Avvolgere con pellicola i cibi con un forte odore.</li> </ul>

## Brina

Sintomo	Possibili cause	Soluzione
Brina intorno alle aperture di ventilazione.	<ul style="list-style-type: none"> <li>Il cibo blocca le aperture per la ventilazione.</li> </ul>	<ul style="list-style-type: none"> <li>Accertarsi che il cibo non ostruisca le aperture di ventilazione.</li> </ul>
Sulla pareti interne si forma della brina.	<ul style="list-style-type: none"> <li>Lo sportello non è chiuso bene.</li> </ul>	<ul style="list-style-type: none"> <li>Assicurarsi che il cibo non impedisca la chiusura della porta. Pulire la guarnizione della porta.</li> </ul>
La frutta e la verdura sono congelate.	<ul style="list-style-type: none"> <li>La frutta e la verdura sono conservate nel cassetto FlexZone.</li> </ul>	<ul style="list-style-type: none"> <li>Non conservare la frutta la maggior parte della varietà di frutta nella zona FlexZone.</li> </ul>

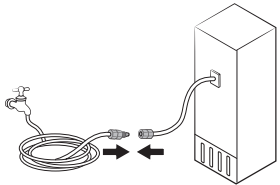
# Risoluzione dei problemi

## Condensa

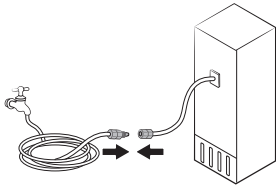
Sintomo	Possibili cause	Soluzione
Sulle pareti interne si forma della condensa.	<ul style="list-style-type: none"><li>Se la porta viene lasciata aperta, l'umidità penetra nel frigorifero.</li></ul>	<ul style="list-style-type: none"><li>Rimuovere l'umidità e non lasciare la porta aperta per lunghi periodi di tempo.</li></ul>
	<ul style="list-style-type: none"><li>Cibo con elevato contenuto di umidità.</li></ul>	<ul style="list-style-type: none"><li>Avvolgere con pellicola il cibo.</li></ul>

## Acqua/Ghiaccio (solo modelli che lo prevedono)

Sintomo	Possibili cause	Soluzione
Il fusso dell'acqua è più debole del normale.	<ul style="list-style-type: none"><li>La pressione dell'acqua è troppo bassa.</li></ul>	<ul style="list-style-type: none"><li>Assicurarsi che la pressione dell'acqua sia compresa tra i 206 ed i 861 kPa.</li></ul>
L'Ice maker emette gorgoglii.	<ul style="list-style-type: none"><li>L'Ice maker è attivo ma la mandata dell'acqua non è stata collegata.</li></ul>	<ul style="list-style-type: none"><li>Disattivare l'ice maker.</li></ul>
L'Ice maker non produce ghiaccio.	<ul style="list-style-type: none"><li>L'Ice maker è stato installato da poco.</li></ul>	<ul style="list-style-type: none"><li>Attendere 12 ore prima che il frigorifero possa produrre ghiaccio.</li></ul>
	<ul style="list-style-type: none"><li>La temperatura del freezer è troppo alta.</li></ul>	<ul style="list-style-type: none"><li>Assicurarsi che la temperatura del freezer sia impostata al di sotto di -18 °C o -20 °C in un ambiente caldo.</li></ul>
	<ul style="list-style-type: none"><li>L'Ice maker è disattivato.</li></ul>	<ul style="list-style-type: none"><li>Attivare l'ice maker.</li></ul>

Sintomo	Possibili cause	Soluzione
Non viene erogato ghiaccio.	<ul style="list-style-type: none"> <li>Se l'ice maker non viene utilizzato a lungo (circa 3 settimane) è possibile che il ghiaccio si sciogla e si fonda restando incastrato.</li> </ul>	<ul style="list-style-type: none"> <li>Se non si utilizza il frigorifero per molto tempo, vuotare la vaschetta del ghiaccio e disattivare l'ice maker.</li> </ul>
	<ul style="list-style-type: none"> <li>La vaschetta del ghiaccio non è inserita correttamente.</li> </ul>	<ul style="list-style-type: none"> <li>Accertarsi che la vaschetta sia montata correttamente.</li> </ul>
	<ul style="list-style-type: none"> <li>La mandata dell'acqua non è collegata correttamente o la mandata non è aperta.</li> </ul>	<ul style="list-style-type: none"> <li>Controllare il corretto collegamento della mandata dell'acqua. Verificare se la valvola di chiusura della mandata dell'acqua è chiusa.</li> </ul> 

# Risoluzione dei problemi

Sintomo	Possibili cause	Soluzione
Non viene erogata acqua.	<ul style="list-style-type: none"> <li>La mandata dell'acqua non è collegata correttamente o la mandata non è aperta.</li> </ul>	<ul style="list-style-type: none"> <li>Controllare il corretto collegamento della mandata dell'acqua. Verificare se la valvola di chiusura della mandata dell'acqua è chiusa.</li> </ul> 
	<ul style="list-style-type: none"> <li>È stato montato un filtro non originale.</li> </ul>	<ul style="list-style-type: none"> <li>Usare solo filtri approvati e forniti da Samsung.</li> <li>L'uso di altri filtri compatibili potrebbe provocare perdite e danneggiare il frigorifero.</li> </ul>
	<ul style="list-style-type: none"> <li>Il messaggio "Replace water filter (Sostituire filtro acqua)" viene visualizzato sul pannello di controllo.</li> </ul>	<ul style="list-style-type: none"> <li>Sostituire il filtro dell'acqua. Sul pannello di controllo, accedere a <b>More Options (Altre opzioni)</b> ed eseguire <b>Filter Reset (Ripristino filtro)</b>.</li> </ul>

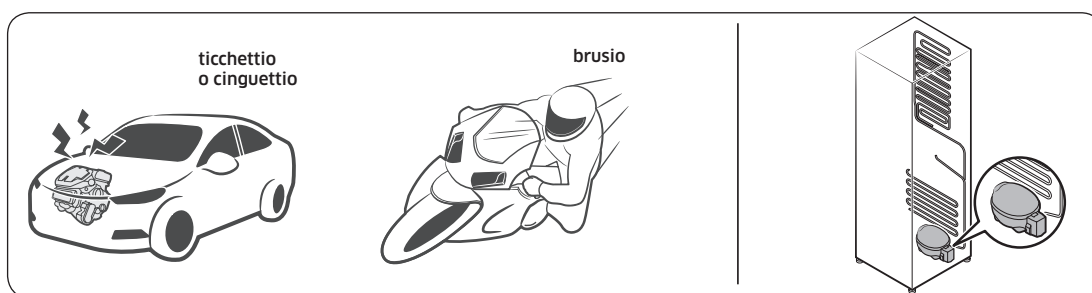


## Si avvertono rumori anomali provenire dal frigorifero?

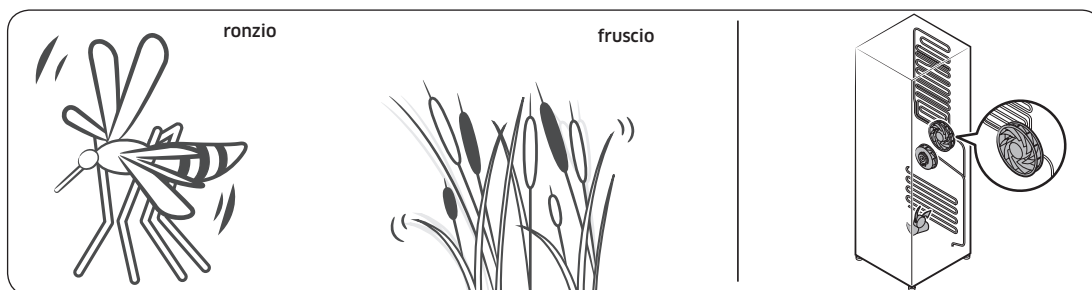
Prima di chiamare l'assistenza rivedere i punti di controllo sotto. Eventuali richieste di assistenza relative a rumori normali saranno a carico dell'utente.

### Questi rumori sono normali.

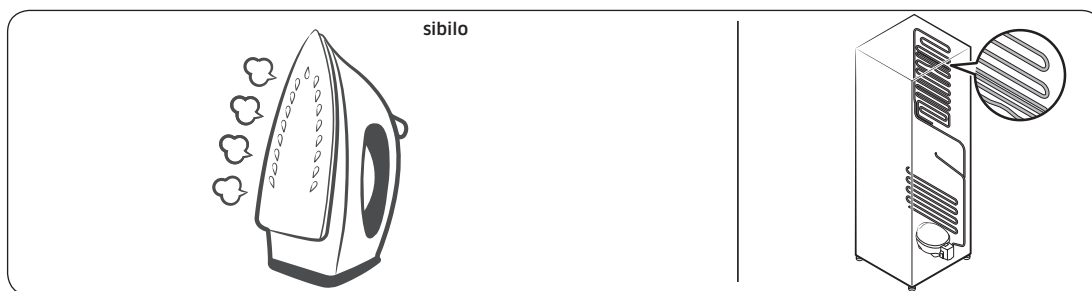
- Durante l'inizio o il termine di una operazione il frigorifero può emettere un rumore simile all'accensione di una autovettura. Con lo stabilizzarsi del funzionamento, il rumore diminuirà.



- Durante il funzionamento della ventola, possono verificarsi tali rumori. Quando il frigorifero raggiunge la temperatura impostata, la ventilazione si disattiva.

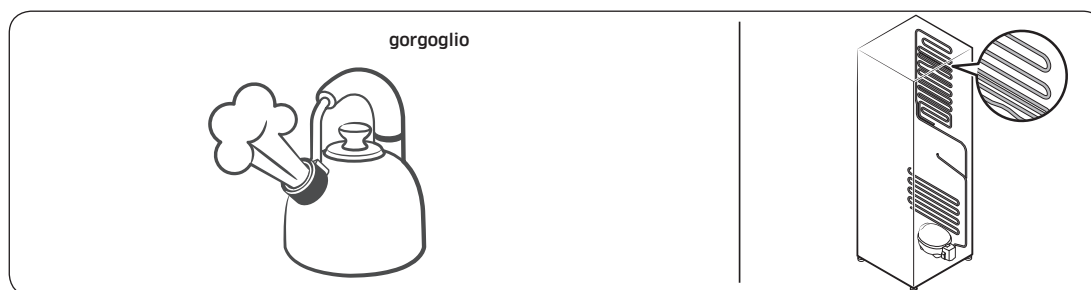


- Durante un ciclo di sbrinamento, l'acqua potrebbe gocciolare sull'elemento riscaldante per lo sbrinamento provocando un rumore simile allo sfrigolio.

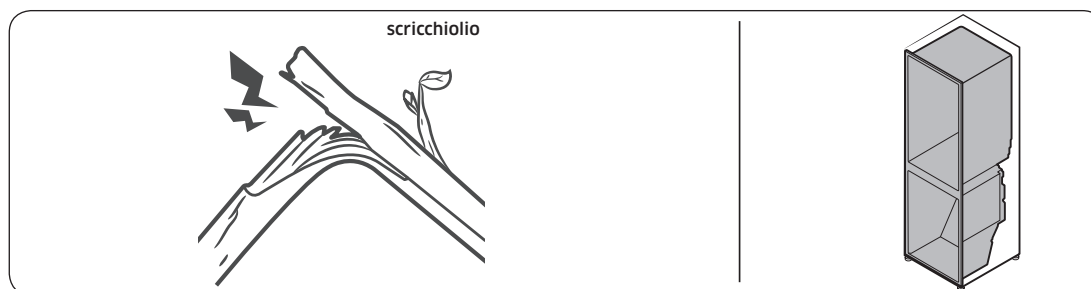


# Risoluzione dei problemi

- Con il raffreddamento o il congelamento, il gas refrigerante si sposta all'interno delle tubazioni sigillate provocando dei gorgoglii.



- Con l'aumento o la riduzione della temperatura, le parti in plastica si contraggono o si espandono generando dei rumori. Tali rumori si verificano durante il ciclo di sbrinamento o durante il funzionamento delle parti elettroniche.



- Per i modelli dotati di macchina per il ghiaccio: Quando la valvola dell'acqua si apre per riempire la macchina del ghiaccio, si avvertono dei ronzii.
- A causa dell'equalizzazione della pressione, durante l'apertura e la chiusura della porta si avvertono dei fruscii.

## SmartThings

Sintomo	Azione
Impossibile trovare "SmartThings" nell'app market.	<ul style="list-style-type: none"><li>• La app SmartThings non è disponibile per alcuni tablet e per iPad ed alcuni smartphone.<ul style="list-style-type: none"><li>- supporta [Android] OS 8.0 o successivo (minimo 2GB RAM)</li><li>- supporta [iOS] 12.0 o successivo/iPhone6 o successivo.</li></ul></li></ul>
La app SmartThings non si avvia.	<ul style="list-style-type: none"><li>• La app SmartThings è disponibile solo per i modelli che la supportano.</li><li>• La precedente app Samsung Smart Refrigerator non è in grado di collegarsi con i modelli Samsung Smart Home.</li></ul>
La app SmartThings è installata ma non si collega al frigorifero.	<ul style="list-style-type: none"><li>• Per utilizzare la app è necessario accedere al proprio account Samsung.</li><li>• Assicurarsi che il router funzioni regolarmente.</li><li>• Se l'icona Wi-Fi sul display del frigorifero sia spenta, ciò indica che non sia stata ancora stabilita alcuna connessione di rete. In questo caso, usare la app SmartThings per collegare e registrare il proprio frigorifero all'access point (AP) della propria abitazione.</li></ul>
Impossibile collegarsi alla app.	<ul style="list-style-type: none"><li>• Per utilizzare la app è necessario accedere al proprio account Samsung.</li><li>• Qualora non si disponga di un account Samsung, seguire le istruzioni visualizzate sullo schermo per crearne uno.</li></ul>
Quando provo a registrare il mio frigorifero compare un messaggio di errore.	<ul style="list-style-type: none"><li>• Easy Connection potrebbe non riuscire a collegarsi a causa della distanza dal router o alle interferenze elettriche derivanti dall'ambiente circostante. Attendere qualche minuto e riprovare.</li></ul>
La app SmartThings si collega con successo al frigorifero ma non viene eseguita.	<ul style="list-style-type: none"><li>• Uscire e riavviare la app SmartThings o scollegare e ricollegare il router.</li><li>• Spegnerne il frigorifero, quindi riaccenderlo Dopo 1 minuto.</li></ul>

# Open Source Announcement

---

The software included in this product contains open source software.

The following URL [http://opensource.samsung.com/opensource/SMART\\_TP2\\_0/seq/0](http://opensource.samsung.com/opensource/SMART_TP2_0/seq/0) leads to open source license information as related to this product.



# Appendice

## Istruzioni di sicurezza

- Per i migliori risultati in termini di efficienza energetica, tenere tutti gli accessori interni quali cestelli, cassette, ripiani e vaschette per il ghiaccio nella posizione indicata dal costruttore.
- Questo frigorifero non è stato progettato per essere montato ad incasso.

## Istruzioni di installazione

### Per gli apparecchi di refrigerazione con classi climatiche

In base alla sua classe climatica, questo apparecchio di refrigerazione è progettato per essere utilizzato a temperature ambiente come indicato nella tabella che segue.

La classe climatica può essere individuata sull'etichetta dei valori nominali. Il prodotto potrebbe non operare correttamente a temperature al di fuori dell'intervallo di valori indicato.

La classe climatica può essere individuata sull'etichetta dei valori nominali all'interno del prodotto.

### Temperatura di funzionamento effettivo

Il frigorifero è stato progettato per funzionare normalmente all'interno dell'intervallo di temperature indicato per la sua classe energetica.

Classe	Simbolo	Intervallo temperatura ambiente (°C)	
		IEC 62552 (ISO 15502)	ISO 8561
Temperata estesa	SN	da +10 a +32	da +10 a +32
Temperata	N	da +16 a +32	da +16 a +32
Subtropicale	ST	da +16 a +38	da +18 a +38
Tropicale	T	da +16 a +43	da +18 a +43

### NOTA

Le prestazioni di raffreddamento ed il consumo energetico del frigorifero potrebbero essere influenzati dalla temperatura ambientale, la frequenza di apertura della porta e la posizione del frigorifero. Regolare la temperatura in base alle proprie necessità.

# Appendice

---

## Istruzioni sulla temperatura

---

### Temperatura consigliata

La temperatura ottimale consigliata per la conservazione dei cibi:

- Frigorifero: 3 °C
- Freezer: -19 °C

#### **NOTA**

L'impostazione ottimale della temperatura di ogni scomparto dipende dalla temperatura ambientale. La temperatura ottimale sopra si basa sulla temperatura ambientale di 25 °C.

### Raffreddamento rapido

Raffreddamento rapido accelera il processo di raffreddamento con la massima velocità di ventilazione. Il frigorifero continua a funzionare al massimo per due ore e mezza per poi tornare alla temperatura precedente.

### Congelamento rapido

La funzione Congelamento rapido accelera il processo di congelamento con la massima velocità di ventilazione. Il freezer continua a funzionare al massimo per 50 ore quindi torna alla temperatura precedente. Per congelare grandi quantità di cibo, attivare la funzione Congelamento rapido per almeno 20 ore prima di inserire il cibo nel freezer.

#### **NOTA**

L'uso di questa funzione comporta un aumento del consumo energetico del frigorifero. Disattivarla qualora non sia necessaria, riportando il freezer alla temperatura originaria.

### Come avere una conservazione ottimale (solo alcuni modelli)

Coprire i cibi al fine di conservarne l'umidità e impedire che assumano altri odori. Una grande porzione di cibo come una minestra o uno stufato deve essere suddiviso in porzioni più piccole e conservato in recipienti poco profondi prima di essere inserito nel freezer. Un taglio di carne di grosse dimensioni o un pollo intero deve essere suddiviso in più parti prima di essere conservato in frigorifero.

## Disposizione dei cibi

Ripiani	I ripiani devono essere regolati in base alle dimensioni delle confezioni dei cibi da conservare.
Comparti dedicati (solo modelli applicabili)	I cassetti dotati di chiusura sono ideali per conservare frutta e verdura. Le verdure richiedono una maggiore presenza di umidità mentre la frutta ne richiede di meno. Tali cassetti sono dotati di dispositivi di controllo per il mantenimento dei livelli di umidità (*in base al modello ed alle opzioni). Un cassetto per la carne con la temperatura regolabile ottimizza il tempo di conservazione di carni e formaggi.
Conservati nella porta	Non conservare cibi deperibili nella porta. Le uova devono essere conservate in un cartone su un ripiano. La temperatura dei balconcini nella porta può variare più della temperatura all'interno. Mantenere la porta chiusa il più possibile.
Comparto freezer	Nel comparto freezer è possibile conservare i cibi congelati, formare cubetti di ghiaccio e congelare cibi freschi.

### **NOTA**

Congelare solo cibi freschi e non guasti. Conservare il cibo da congelare lontano dai cibi già congelati. Al fine di impedire che i cibi perdano il sapore o si disidratino, conservarli in contenitore a tenuta d'aria.

### **Diagramma Frigorifero & Freezer**

La durata della freschezza dei cibi dipende dalla temperatura e dall'umidità. Dal momento che le date di scadenza dei prodotti non sono un riferimento sicuro per una consumazione sicura dei cibi, consultare questo diagramma e seguire questi suggerimenti.

#### Prodotti del latte

Prodotto	Frigorifero	Freezer
Latte	1 settimana	1 mese
Burro	2 settimane	12 Mesi
Gelato	-	2-3 settimane
Formaggio fresco	1 mese	4-6 Mesi
Formaggio cremoso	2 settimane	Non consigliato
Yogurt	1 mese	-

# Appendice

---

## Carne

Prodotto	Frigorifero	Freezer
Arrosti freschi, bistecche, spiedini	3-4 Giorni	2-3 Mesi
Carne fresca, stufati	1-2 Giorni	3-4 Mesi
Pancetta	7 giorni	1 mese
Salsiccia, maiale crudo, manzo, tacchino	1-2 Giorni	1-2 Mesi

## Pollame / Uova

Prodotto	Frigorifero	Freezer
Pollame fresco	2 giorni	6-8 Mesi
Insalata di pollo	1 giorno	-
Uova, fresche in guscio	2-4 settimane	Non consigliato

## Pesce / Frutti di mare

Prodotto	Frigorifero	Freezer
Pesce fresco	1-2 Giorni	3-6 Mesi
Pesce cotto	3-4 Giorni	1 mese
Insalata di pesce	1 giorno	Non consigliato
Pesce essiccato o in salamoia	3-4 settimane	-

## Frutta

Prodotto	Frigorifero	Freezer
Mele	1 mese	-
Pesche	2-3 settimane	-
Ananas	1 settimana	-
Altra frutta fresca	3-5 Giorni	9-12 Mesi



---

## Verdure

Prodotto	Frigorifero	Freezer
Asparagi	2-3 Giorni	-
Broccoli, cavoletti di Bruxelles, piselli, funghi	3-5 Giorni	-
Cavolo, cavolfiore, cetrioli, lattuga	1 settimana	-
Carote, barbabietole, ravanelli	2 settimane	-

---

## Informazioni sul modello e l'ordinazione di parti di ricambio

### Informazioni sul modello

Per accedere alla registrazione EPREL del modello:

1. Accedere a <https://eprel.ec.europa.eu>
2. Ricavare l'identificatore del modello dall'etichetta energetica apposta sul prodotto e digitarlo nel riquadro di ricerca
3. Vengono visualizzate le informazioni sull'etichettatura energetica del modello

### Informazione sulla parte di ricambio

- Il periodo minimo nel quale i ricambi necessari continueranno ad essere disponibili
  - 7 anni termostati, sensori di temperatura, circuiti stampati e luci, maniglie di porte, cerniere, vassoi, guarnizioni (scatole o cassette)
  - 10 anni guarnizioni delle porte
- La durata minima della garanzia dei dispositivi di refrigerazione offerta dal costruttore è di 24 mesi.
- Informazioni importanti per l'ordinazione dei ricambi, direttamente o tramite altri canali sono fornite dal costruttore, importatore o rappresentanti autorizzati
- È possibile ottenere informazioni sulle riparazioni professionali alla pagina <http://www.samsung.com/it/support>.  
È possibile trovare il manuale di assistenza dell'utente alla pagina <http://www.samsung.com/it/support>.

# Memo

---

# Memo

---

## **NOTA**

Samsung dichiara che questo apparecchio radio è conforme alla Direttiva 2014/53/UE e con le relative disposizioni di legge nel Regno Unito.

Il testo completo della Dichiarazione di conformità UE e la Dichiarazione di conformità del Regno Unito sono disponibili all'indirizzo internet: La Dichiarazione di conformità ufficiale è reperibile all'indirizzo <http://www.samsung.com>, accedendo alla pagina Support > Search Product Support e digitando il nome del modello.

	Gamma frequenze	Potenza trasmettitore (Max)
Wi-Fi	2412 - 2472 MHz	20 dBm
Bluetooth	2402 - 2480 MHz	20 dBm

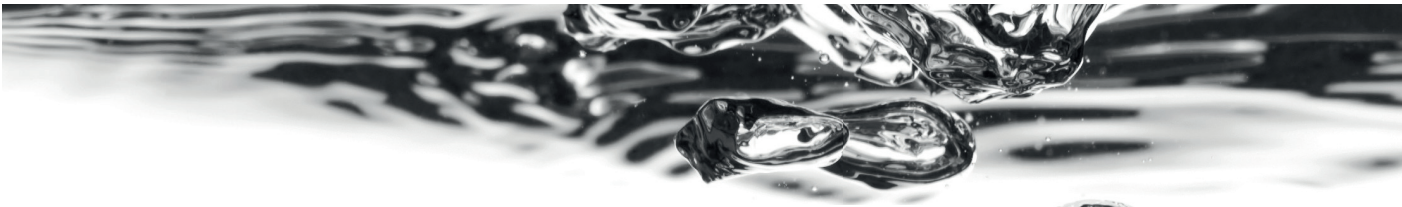
## Contatta SAMSUNG WORLD WIDE

Se hai commenti o domande sui prodotti Samsung, contatta il Servizio Clienti Samsung.

Nazione	Contact Center	Sito web
CYPRUS	8009 4000 only from landline, toll free	www.samsung.com/gr/support
GREECE	80111-SAMSUNG (80111 726 7864) only from land line (+30) 210 6897691 from mobile and land line	
ITALIA	800-SAMSUNG (800.7267864)	www.samsung.com/it/support
PORTUGAL	808 207 267	www.samsung.com/pt/support
SPAIN	91 175 00 15	www.samsung.com/es/support



DA68-04023P-01



# Frigorífico

## Manual del usuario

Electrodoméstico independiente



**SAMSUNG**

# Índice

---

<b>Información de seguridad</b>	<b>4</b>
Lo que debe saber sobre las instrucciones de seguridad	4
Símbolos y precauciones de seguridad importantes:	6
Precauciones de seguridad importantes	7
Señales de advertencia importantes sobre el transporte y la ubicación	10
Advertencias de instalación muy importantes	11
Precauciones de instalación	14
Advertencias de uso muy importantes	14
Precauciones de uso	19
Precauciones de limpieza	21
Advertencias de eliminación muy importantes	23
Consejos adicionales para un uso correcto	24
Instrucciones sobre los RAEE	25
<b>Instalación</b>	<b>26</b>
Descripción general del frigorífico	27
Instalación paso a paso	31
<b>Funcionamiento</b>	<b>49</b>
Panel de control	49
SmartThings	53
Características especiales	56
<b>Mantenimiento</b>	<b>63</b>
Manipulación y cuidado	63
Limpieza	67
Recambio	68
<b>Solución de problemas</b>	<b>71</b>
General	71
¿Se oyen ruidos anómalos procedentes del frigorífico?	75
SmartThings	77
<b>Open Source Announcement</b>	<b>78</b>

---

<b>Apéndice</b>	<b>79</b>
Instrucciones de seguridad	79
Instrucciones de instalación	79
Instrucciones sobre la temperatura	80
Información para el modelo y el pedido de piezas de repuesto	83



# Información de seguridad

Antes de utilizar su nuevo frigorífico Samsung, lea detenidamente este manual a fin de aprender a usar de manera segura y eficiente las funciones que ofrece su nuevo aparato.

## Lo que debe saber sobre las instrucciones de seguridad

- Las advertencias y las instrucciones de seguridad importantes de este manual no abarcan todas las situaciones posibles que puedan surgir. Es su responsabilidad usar el sentido común y actuar con precaución y cuidado durante la instalación, el mantenimiento y el uso del electrodoméstico.
- Ya que las siguientes instrucciones de funcionamiento se aplican a varios modelos, las características de su frigorífico pueden variar ligeramente de las descritas en este manual y es posible que no sean relevantes todos los símbolos de advertencia. Si tiene consultas o dudas, puede ponerse en contacto con el centro de servicio técnico más cercano o solicitar ayuda e información en línea en [www.samsung.com](http://www.samsung.com).
- Se utilizan los refrigerantes R-600a o R-134a. Compruebe la etiqueta del compresor situada en la parte posterior del electrodoméstico o la etiqueta de especificaciones del interior del frigorífico para ver cuál es el refrigerante utilizado. Cuando este producto contenga gases inflamables (refrigerante R-600a), póngase en contacto con las autoridades locales para eliminar este electrodoméstico de forma segura.
- Para evitar que se mezclen el gas inflamable y el aire en caso de una fuga en el circuito de refrigeración, el tamaño de la habitación donde se pueda instalar el electrodoméstico dependerá de la cantidad de refrigerante utilizado.
- Nunca ponga en marcha un electrodoméstico que presente indicios de daños. En caso de duda, póngase en contacto con el distribuidor. El tamaño de la habitación debe ser de 1 m<sup>3</sup> por cada 8 g de refrigerante R-600a del electrodoméstico.  
La cantidad de refrigerante de cada electrodoméstico se indica en la placa de identificación que se encuentra en el interior.





- 
- Una fuga de refrigerante de los tubos se puede inflamar o causar lesiones oculares. Si hay fugas de refrigerante en los tubos, evite la presencia de llamas, aleje cualquier material inflamable del producto y ventile la habitación inmediatamente.
    - De no hacerlo se podría producir un incendio o una explosión.
  - Para evitar la contaminación de alimentos, cumpla las siguientes instrucciones:
    - Abrir la puerta durante períodos prolongados puede generar un aumento significativo de la temperatura en los compartimentos del electrodoméstico.
    - Limpie regularmente las superficies que pueden entrar en contacto con alimentos y los sistemas de drenaje accesibles.
    - Limpie los depósitos de agua si no se han utilizado durante 48 horas; enjuague el sistema de agua conectado a un suministro de agua si no se ha extraído agua durante 5 días.
    - Almacene la carne y el pescado crudos en recipientes apropiados en el frigorífico, de forma que no estén en contacto con otros alimentos ni goteen sobre otros alimentos.
    - Los compartimentos de alimentos congelados de dos estrellas son apropiados para almacenar alimentos precongelados, almacenar o fabricar helado y fabricar cubitos de hielo.
    - Los compartimentos de una, dos y tres estrellas no son apropiados para congelar alimentos frescos.
    - Si el aparato de refrigeración se deja vacío durante períodos prolongados, apáguelo, descongélelo, límpielo, séquelo y deje la puerta abierta para evitar la formación de moho dentro del electrodoméstico.



# Información de seguridad

---

## Símbolos y precauciones de seguridad importantes:

---

Siga todas las instrucciones de seguridad de este manual. En este manual se usan los siguientes símbolos de seguridad.

### **ADVERTENCIA**

Prácticas peligrosas o inseguras que pueden provocar lesiones físicas graves, daños a la propiedad o la muerte.

### **PRECAUCIÓN**

Prácticas peligrosas o inseguras que pueden provocar lesiones físicas graves o daños a la propiedad.

### **NOTA**

Información útil que ayuda a los usuarios a comprender o a sacar partido del frigorífico.

Estos símbolos de advertencia tienen la función de prevenir lesiones personales a usted y a otras personas.

Debe seguirlos cuidadosamente.

Después de leer esta sección, guárdela para consultas futuras.



---

## Precauciones de seguridad importantes

---



Advertencia: riesgo de incendio / materiales inflamables

### **ADVERTENCIA**

- Cuando instale el electrodoméstico, asegúrese de que el cable de alimentación no está atrapado ni dañado.
- No coloque regletas de enchufes portátiles o unidades de alimentación móviles en la parte posterior del electrodoméstico.
- Llénelo solo con agua potable.
- Se debe conectar únicamente a un suministro de agua potable.
- Mantenga libres de obstrucciones las aberturas de ventilación de la caja o de la estructura empotrable.
- No utilice dispositivos mecánicos ni otros métodos para acelerar el proceso de descongelación que no sean los recomendados por el fabricante.
- No dañe el circuito de refrigeración.
- No utilice dispositivos eléctricos dentro de los compartimentos de almacenamiento de alimentos del electrodoméstico, a menos que sean de un tipo recomendado por el fabricante.
  
- Este electrodoméstico no está diseñado para que lo usen personas (incluidos los niños) con discapacidad física, mental o sensorial, o faltas de conocimiento y experiencia, sin la supervisión o las indicaciones de una persona responsable que garanticen un uso seguro del aparato.



# Información de seguridad

---

- Este electrodoméstico lo pueden utilizar niños a partir de los 8 años y personas con discapacidad física, mental o sensorial, siempre y cuando tengan una supervisión o instrucciones sobre el uso de estos electrodomésticos de una forma segura y siendo consecuentes de los posibles peligros que este pueda ocasionar. Los niños no deben jugar con el electrodoméstico. Los niños no deben efectuar tareas de limpieza ni de mantenimiento sin vigilancia. Los niños con edades comprendidas entre los 3 y los 8 años pueden cargar y descargar aparatos de refrigeración.
- Si el cable de alimentación está dañado, lo debe reemplazar el fabricante, su técnico de servicio o personal con una cualificación análoga para evitar riesgos de accidentes.
- La toma de corriente debe ser fácilmente accesible para que se pueda desenchufar el aparato rápidamente en caso de emergencia.
  - Debe estar fuera de la zona posterior del aparato.
- No almacene en este aparato sustancias explosivas como envases de aerosoles con propulsores inflamables.
- Si el producto está equipado con lámparas LED, no desmonte la tapa de la lámpara ni la lámpara LED usted mismo.
  - Póngase en contacto con un centro de servicio técnico de Samsung.
  - Utilice solo las lámparas LED suministradas por el fabricante o su personal de servicio técnico.
- No reutilice los tubos viejos, utilice los tubos nuevos suministrados con el aparato.
- El frigorífico solo debe conectarse a un suministro de agua potable. Para que la máquina de hielo funcione correctamente, la presión del agua debe ser de 206 - 861 kPa (30 - 125 psi).
- Para un uso más eficiente de la energía, mantenga todos los accesorios internos, como cestas, cajones o estantes, en la posición en la que los entrega el fabricante.
- Para obtener el mejor rendimiento energético del producto, deje todos los estantes, cajones y cestos en su posición original.



## Cómo minimizar el consumo de energía

- Instale el aparato en un lugar fresco y seco con la ventilación adecuada.
- No exponga el electrodoméstico a la luz directa del sol ni lo ponga cerca de fuentes de calor directo (un radiador, por ejemplo).
  - Para mejorar la eficiencia energética, se recomienda no bloquear las aberturas ni las rejillas de ventilación.
  - Deje enfriar los alimentos antes de introducirlos en el aparato.
  - Deje descongelar los alimentos en el frigorífico. De este modo se utilizan las bajas temperaturas de los alimentos congelados para enfriar los alimentos del frigorífico.
  - No deje abierta la puerta del frigorífico demasiado tiempo cuando introduzca o saque alimentos.
  - Cuanto menos tiempo esté abierta la puerta, menos hielo se formará en el congelador.
  - Limpie la parte posterior del electrodoméstico regularmente. El polvo aumenta el consumo de energía.
  - No configure una temperatura más baja de lo necesario.
  - Asegúrese de que hay una salida de aire suficientemente amplia en la base y en la parte posterior del frigorífico. No tape las aberturas de ventilación.
  - Cuando instale el frigorífico deje espacio suficiente a la derecha, a la izquierda, detrás y arriba. Esto ayudará a reducir tanto el consumo de energía como los recibos de la luz.



# Información de seguridad

---

Este aparato está diseñado para utilizarse en entornos domésticos o similares como

- cocinas para el personal de tiendas, oficinas u otros lugares de trabajo
- albergues rurales y habitaciones de hoteles, moteles y otros entornos residenciales
- pensiones y casas de huéspedes
- catering y aplicaciones no minoristas similares.

## Señales de advertencia importantes sobre el transporte y la ubicación

---

### **ADVERTENCIA**

- Cuando transporte e instale el electrodoméstico, tenga cuidado de no dañar ninguna pieza del circuito de refrigeración.
  - Una fuga de refrigerante se puede inflamar o causar lesiones oculares. Si detecta una fuga, evite la presencia de llamas o fuentes capaces de provocar una ignición y ventile durante varios minutos la habitación donde está instalado el frigorífico.
  - Este electrodoméstico contiene una pequeña cantidad de refrigerante isobutano (R-600a), un gas natural de alta compatibilidad medioambiental que, sin embargo, también es combustible. Cuando transporte e instale el electrodoméstico, tenga cuidado de no dañar ninguna pieza del circuito de refrigeración.
- Cuando transporte e instale el frigorífico, no toque la manguera de agua de la parte posterior del frigorífico.
  - Podría dañar el frigorífico y, en consecuencia, no se podría utilizar el dispensador de agua.



---

## Advertencias de instalación muy importantes

---

### **ADVERTENCIA**

- No instale el frigorífico en un lugar húmedo o donde pueda entrar en contacto con el agua.
  - Un aislamiento defectuoso de las partes eléctricas puede causar una descarga eléctrica o un incendio.
- No exponga el frigorífico a la luz directa del sol ni a fuentes de calor, como por ejemplo estufas, calentadores y otros aparatos.
- No enchufe más de un aparato en la misma placa de potencia. El frigorífico siempre se debe enchufar en su propia toma de corriente, que tenga una tensión nominal que coincida con la de la placa de especificaciones eléctricas del frigorífico.
  - Así se conseguirá el mejor rendimiento y se impedirá el sobrecalentamiento del cableado, que podría causar un incendio.
- Si la toma mural está floja, no enchufe el cable de alimentación.
  - Hay peligro de descarga eléctrica o incendio.
- No utilice un cable de alimentación que presente grietas o signos de abrasión en toda su longitud o en sus extremos.
- No doble excesivamente el cable de alimentación ni coloque sobre él objetos pesados.
- No tire con excesiva fuerza del cable de alimentación ni lo doble demasiado.
- No retuerza el cable de alimentación.
- No cuelgue el cable de alimentación de un objeto metálico, no ponga sobre él objetos pesados, no lo coloque entre objetos ni lo introduzca en el espacio que hay detrás del electrodoméstico.
- Cuando mueva el frigorífico, tenga cuidado de no enroscar ni dañar el cable de alimentación.
  - Se podría producir una descarga eléctrica o un incendio.

## Información de seguridad

---

- No tire del cable para desenchufar el frigorífico. Sujete siempre firmemente el enchufe y tire de él en línea recta.
  - Si se daña el cable de alimentación se puede provocar un cortocircuito, un incendio o una descarga eléctrica.
- No utilice aerosoles cerca del frigorífico.
  - El uso de aerosoles cerca del frigorífico podría causar una explosión o un incendio.
- No instale este aparato cerca de un calentador o de materiales inflamables.
- No instale este aparato en un lugar donde pueda haber fugas de gas.
  - Se podría producir una descarga eléctrica o un incendio.
- Antes de su utilización, este frigorífico debe instalarse correctamente en el lugar adecuado siguiendo las instrucciones de este manual.
- Conecte el cable de alimentación en la posición adecuada y deje que cuelgue.
  - Si conecta el cable de alimentación invertido, los hilos se pueden cortar y provocar un incendio o una descarga eléctrica.
- Asegúrese de que el cable no quede aplastado ni lo dañe la parte posterior del frigorífico.
- Guarde los materiales del embalaje fuera del alcance de los niños.
  - Existe el riesgo de muerte por asfixia si un niño introduce la cabeza en los materiales de embalaje.
- No instale este aparato en un lugar donde haya humedad, grasas o polvo, o que esté expuesto a la luz directa del sol o al agua de la lluvia.
  - Un aislamiento defectuoso de las partes eléctricas puede causar una descarga eléctrica o un incendio.
- Si hay polvo o agua dentro del frigorífico, desenchúfelo y póngase en contacto con el centro de servicio técnico de Samsung.
  - Hay peligro de incendio.



- No se suba al electrodoméstico ni coloque encima de él objetos (como ropa para lavar, velas o cigarrillos encendidos, platos, productos químicos, objetos metálicos, etc.).
  - Se podría provocar una descarga eléctrica, un incendio, problemas con el producto o lesiones personales.
- Antes de conectar el producto por primera vez debe quitar todas las películas de plástico de protección.
- No deje que los niños jueguen con los anillos elásticos del ajuste de las puertas ni con las grapas del tubo de agua.
  - Existe el riesgo de muerte por asfixia si un niño se traga un anillo elástico o una grapa del tubo de agua. Mantenga los anillos elásticos y las grapas del tubo de agua fuera del alcance de los niños.
- El frigorífico debe estar conectado a tierra.
  - Asegúrese siempre de conectar el frigorífico a una toma de tierra antes de intentar examinar o reparar alguna pieza. Las fugas de electricidad pueden provocar una descarga eléctrica.
- Para la conexión a tierra nunca utilice cañerías de gas, líneas de teléfono ni otros elementos que puedan atraer los rayos.
  - La puesta a tierra del frigorífico evita fugas de electricidad o descargas eléctricas originadas por una fuga de corriente del frigorífico.
  - Se podría producir una descarga eléctrica, un incendio, una explosión o causar problemas con el funcionamiento del producto.
- Conecte el enchufe firmemente en la toma mural. No utilice enchufes o cables dañados, ni tomas de pared sueltas.
  - Se podría producir una descarga eléctrica o un incendio.
- El fusible del frigorífico debe reemplazarlo un técnico o una empresa de servicios acreditados.
  - De no hacerlo así, se podría provocar una descarga eléctrica o lesiones personales.



# Información de seguridad

---

## Precauciones de instalación

---

### PRECAUCIÓN

- Deje espacio suficiente alrededor del frigorífico e instálelo sobre una superficie plana.
  - Si el frigorífico no está equilibrado, se puede reducir tanto el rendimiento de la refrigeración como la durabilidad del aparato.
- Antes de introducir alimentos, el electrodoméstico debe permanecer en posición vertical durante 2-3 horas después de la instalación y de su encendido.
- Es muy recomendable encargar la instalación de este frigorífico a un técnico cualificado o una empresa de servicios.
  - De no hacerlo así, se podría provocar una descarga eléctrica, un incendio, una explosión, problemas con el producto o lesiones personales.

## Advertencias de uso muy importantes

---

### ADVERTENCIA

- No enchufe el cable de alimentación en la toma de pared con las manos mojadas.
  - Se puede producir una descarga eléctrica.
- No deposite objetos encima del aparato.
  - Al abrir o cerrar la puerta, los objetos se podrían caer y causar lesiones personales o daños materiales.
- No introduzca las manos ni los pies, ni objetos de metal (como varillas, etc.), en la parte inferior o posterior del frigorífico.
  - Se podría producir una descarga eléctrica o lesiones personales.
  - Los bordes afilados pueden causar lesiones personales.
- No toque las paredes interiores del congelador ni los productos guardados en su interior con las manos mojadas.
  - Se podría causar lesiones por congelación.



- No ponga recipientes que contengan agua encima del frigorífico.
  - Si se derrama agua, hay peligro de incendio o descarga eléctrica.
- No deje objetos ni sustancias volátiles o inflamables (benceno, disolventes, gas propano, alcohol, éter, gas LP y otros productos similares) en el frigorífico.
  - En este frigorífico solo se deben guardar alimentos.
  - Se puede producir un incendio o una explosión.
- No deje que los niños jueguen con el electrodoméstico.
  - Tenga cuidado de no pillarse los dedos en los puntos donde existe este riesgo. La holgura entre las puertas y el armario es necesariamente pequeña. Tenga cuidado cuando abra la puerta si hay niños cerca.
- Evite que sus dedos y los de los niños se introduzcan entre las puertas.
  - Mantenga los dedos alejados de las holguras izquierda y derecha de las puertas. Tenga cuidado cuando abra las puertas de no atraparse los dedos.
- No deje que los niños se cuelguen de la puerta ni de los compartimentos. Hay riesgo de lesiones graves.
- No permita que los niños se introduzcan en el frigorífico. Podrían quedar atrapados.
- No introduzca las manos debajo del aparato.
  - Los bordes afilados pueden causar lesiones personales.
- No almacene en el frigorífico productos farmacéuticos, materiales científicos ni otros productos sensibles a las temperaturas.
  - No almacene en el frigorífico productos que requieran un control estricto de la temperatura.
- Si advierte olor a fármaco o humo, desconéctelo inmediatamente y llame a su centro de servicio técnico de Samsung Electronics.
- Si hay polvo o agua dentro del frigorífico, desenchúfelo y póngase en contacto con su centro de servicio técnico de Samsung Electronics.
  - Hay peligro de incendio.
- No permita que los niños se suban encima de un cajón.
  - El cajón se puede romper y provocar su caída.



# Información de seguridad

---

- No deje las puertas del frigorífico abiertas sin supervisión ni permita que los niños se introduzcan en el frigorífico.
- No deje que los niños se metan en el cajón.
  - Si quedan atrapados se podrían asfixiar o sufrir lesiones.
- No llene en exceso el frigorífico.
  - Al abrir o cerrar la puerta, los artículos se podrían caer y causar lesiones personales o daños materiales.
- No rocíe materiales volátiles, como insecticidas, sobre la superficie del aparato.
  - Además de ser perjudiciales para las personas, se podría provocar una descarga eléctrica, un incendio o problemas con el producto.
- No introduzca los dedos ni otros objetos en el orificio del dispensador de agua, en el conducto del hielo ni en el depósito de la máquina de hielo.
  - Hay riesgo de lesiones personales o daños materiales.
- No utilice ni deposite sustancias sensibles a la temperatura, como pulverizadores u objetos inflamables, hielo seco, medicinas ni productos químicos cerca o dentro del frigorífico.
- No utilice un secador de pelo para secar el interior del frigorífico. No ponga una vela encendida en el interior del frigorífico para eliminar los malos olores.
  - Se podría producir una descarga eléctrica o un incendio.
- Llene el depósito de agua, la bandeja de hielo y las cubiteras solo con agua potable (agua mineral o depurada).
  - No llene el depósito con té, zumos ni bebidas isotónicas; podría dañar el frigorífico.
- No se suba al electrodoméstico ni coloque encima de él objetos (como ropa para lavar, velas o cigarrillos encendidos, platos, productos químicos, objetos metálicos, etc.). Se podría provocar una descarga eléctrica, un incendio, problemas con el producto o lesiones personales. No ponga recipientes que contengan agua encima del electrodoméstico.
  - Si se derrama agua, hay peligro de incendio o descarga eléctrica.



- No mire directamente la lámpara LED UV durante mucho tiempo.
  - Los rayos ultravioletas pueden causar fatiga ocular.
- No ponga el estante boca abajo. El tope del estante podría no funcionar.
  - La caída del estante de vidrio podría provocar lesiones personales.
- Tenga cuidado de no pillarse los dedos en los puntos donde existe este riesgo. La holgura entre las puertas y el armario es necesariamente pequeña. Tenga cuidado cuando abra la puerta si hay niños cerca.
- Si detecta una fuga de gas, evite la presencia de llamas o posibles fuentes de ignición y ventile durante varios minutos la habitación donde está instalado el electrodoméstico.
  - No toque el aparato ni el cable de alimentación.
  - No utilice un ventilador.
  - Una chispa podría provocar una explosión o un incendio.
- Las botellas se deben guardar juntas y sin dejar espacio entre ellas para evitar que se caigan.
- Este producto está diseñado únicamente para almacenar alimentos en un entorno doméstico.
- No introduzca los dedos ni otros objetos en el orificio del dispensador de agua, en el conducto del hielo ni en el depósito de la máquina de hielo.
  - Hay riesgo de lesiones personales o daños materiales.
- No intente arreglar, desmontar ni modificar el frigorífico usted mismo.
- No utilice un fusible (como cable de cobre o acero, etc.) que no sea el estándar.
- Si es necesario reparar o volver a instalar el frigorífico, póngase en contacto con su centro de servicio técnico más cercano.
  - De no hacerlo así, se podría provocar una descarga eléctrica, un incendio, problemas con el producto o lesiones personales.
- Si advierte olor a quemado o a humo en el frigorífico, desenchúfelo de inmediato y póngase en contacto con el centro de servicio técnico de Samsung Electronics.
  - De no hacerlo así, se podría provocar una descarga eléctrica o un incendio.

## Información de seguridad

---

- Desenchufe el electrodoméstico de la toma de corriente antes de cambiar las lámparas interiores del frigorífico.
  - De lo contrario, hay peligro de descarga eléctrica.
- Si tiene dificultades para cambiar una lámpara que no sea LED, póngase en contacto con un centro de servicio técnico de Samsung.
- Conecte el enchufe firmemente en la toma mural.
- No utilice enchufes o cables dañados, ni tomas de pared sueltas.
  - Se podría producir una descarga eléctrica o un incendio.

---

## Precauciones de uso

---

### PRECAUCIÓN

- No vuelva a congelar alimentos que han sido descongelados.
  - Los alimentos que han sido congelados y después descongelados desarrollan bacterias nocivas más rápido que los alimentos frescos.
  - Una segunda descongelación romperá las paredes de más células, lo que supondrá una pérdida de humedad y un cambio en la integridad del producto.
- No descongele la carne a temperatura ambiente.
  - La seguridad dependerá de si el producto crudo se trató de una manera idónea.
- No guarde botellas de vidrio ni bebidas carbónicas en el congelador.
  - El envase se puede congelar y romper y provocar lesiones personales.
- Utilice solo la máquina de hielo proporcionada con el frigorífico.
- Si tiene la intención de ausentarse de su casa mucho tiempo (de vacaciones, por ejemplo) y no va a utilizar los dispensadores de agua o de hielo, cierre la válvula de agua.
  - De lo contrario, pueden producirse fugas de agua.
- Si no va a utilizar el frigorífico durante un período de tiempo prolongado (3 semanas o más), vacíelo (incluido el depósito del hielo), desenchúfelo, cierre la válvula de agua, seque el exceso de humedad de las paredes interiores y deje las puertas abiertas para evitar la aparición de olores y moho.
- Para conseguir el mejor rendimiento del producto:
  - No ponga alimentos demasiado cerca de las salidas de ventilación de la parte posterior del frigorífico ya que podrían obstruir la circulación del aire del compartimento del frigorífico.
  - Envuelva los alimentos adecuadamente o póngalos en un recipiente hermético antes de guardarlos en el frigorífico.
  - Sea estricto con los tiempos de almacenamiento máximo y las fechas de caducidad de los alimentos congelados.



# Información de seguridad

---

- No es necesario que desenchufe el frigorífico de la fuente de alimentación si va a ausentarse menos de tres semanas. Sin embargo, si va a estar ausente más de tres semanas, retire todos los alimentos y el hielo del depósito del hielo, desenchufe el frigorífico, cierre la válvula de agua, seque el exceso de humedad de las paredes interiores y deje las puertas abiertas para evitar la aparición de olores y moho.
- Garantía de servicio y modificaciones.
  - El servicio de garantía de Samsung no cubre los cambios o modificaciones realizados por un tercero a este frigorífico y Samsung no se hace responsable de los problemas relacionados con la seguridad que se deriven de las modificaciones realizadas por terceros.
- No obstruya las rejillas de ventilación internas del frigorífico.
  - Si bloquea las salidas, en especial con bolsas de plástico, el frigorífico se puede enfriar en exceso. Si un periodo de enfriamiento es demasiado largo, el filtro del agua se puede romper y provocar fugas de agua.
- Utilice solo la máquina de hielo proporcionada con el frigorífico.
- Elimine el exceso de humedad del interior y deje las puertas abiertas.
  - De lo contrario, pueden generarse malos olores y mohos.
- Si ha desconectado el frigorífico de la fuente de alimentación, deberá esperar al menos cinco minutos antes de volver a conectarlo.
- Si el frigorífico se moja, desenchúfelo y póngase en contacto con el centro de servicio técnico de Samsung Electronics.
- No golpee ni aplique una fuerza excesiva sobre las superficies de vidrio.
  - La rotura del vidrio puede causar lesiones personales o daños materiales.
- Llene el depósito de agua y las cubiteras solo con agua potable (agua del grifo, mineral o depurada).
  - No llene el depósito con té ni bebidas isotónicas. Podría dañar el frigorífico.
- Tenga cuidado de no atraparse los dedos.





- Si el frigorífico se llena de agua, póngase en contacto con el servicio técnico más cercano.
  - Hay peligro de descarga eléctrica o incendio.
- No guarde aceite vegetal en los compartimentos de la puerta del frigorífico. El aceite puede solidificarse, lo que alterará su sabor y la facilidad de uso. Además, el envase abierto puede gotear y el aceite vertido puede agrietar el compartimento de la puerta. Una vez abierto el envase de aceite, es mejor guardarlo en un lugar fresco y a la sombra, como un armario o despensa.
  - Ejemplos de aceite vegetal: aceite de oliva, de maíz, de pepitas de uva, etc.

## Precauciones de limpieza

### PRECAUCIÓN

- No rocíe agua directamente en el interior ni en el exterior del frigorífico.
  - Hay riesgo de descarga eléctrica o incendio.
- No utilice un secador de pelo para secar el interior del frigorífico.
- No ponga una vela encendida en el interior del frigorífico para eliminar los malos olores.
  - Se podría producir una descarga eléctrica o un incendio.
- No rocíe el panel directamente con limpiadores en aerosol.
  - Los caracteres impresos del panel se pueden borrar.
- Si ha penetrado en el aparato cualquier sustancia extraña como agua, desenchufe el cable y póngase en contacto con el centro de servicio técnico más cercano.
  - De no hacerlo así, se podría provocar una descarga eléctrica o un incendio.
- Utilice un paño limpio y seco para eliminar cualquier resto de polvo o suciedad de las clavijas del enchufe. No utilice un paño húmedo o mojado para limpiar el enchufe.
  - Hay peligro de incendio o descarga eléctrica.
- No rocíe agua directamente sobre el aparato para limpiarlo.

## Información de seguridad

---

- No limpie con benceno, disolventes, lejía ni cloruro.
  - Podría dañar la superficie y provocar un incendio.
- No introduzca los dedos ni objetos en el orificio del dispensador.
  - Hay riesgo de lesiones personales o daños materiales.
- Antes de realizar tareas de limpieza o de mantenimiento, desenchufe el aparato de la toma mural.
  - De no hacerlo así, se podría provocar una descarga eléctrica o un incendio.
- Utilice una esponja limpia o un paño suave y un detergente neutro disuelto en agua tibia para limpiar el frigorífico.
- No utilice limpiadores abrasivos ni muy fuertes, como limpiacristales, limpiadores corrosivos, líquidos inflamables, ácido clorhídrico, ceras limpiadoras, detergentes concentrados, lejías ni limpiadores que contengan derivados del petróleo en las superficies exteriores (puertas y paneles), piezas de plástico, revestimientos de puertas e interiores y juntas.
  - Pueden rayar o dañar el material.
- Cuando los estantes o las tapas de vidrio están fríos, no los limpie con agua tibia. Los estantes y las tapas de vidrio pueden romperse si se exponen a cambios bruscos de temperatura o a impactos como golpes o caídas.

---

## Advertencias de eliminación muy importantes

---

### **ADVERTENCIA**

- Deshágase del embalaje de este aparato de forma respetuosa con el medio ambiente.
- Antes de deshacerse de un aparato compruebe que no estén deteriorados los tubos de la parte posterior.
- Se utilizan los refrigerantes R-600a o R-134a. Compruebe la etiqueta del compresor situada en la parte posterior del electrodoméstico o la etiqueta de especificaciones del interior del frigorífico para ver cuál es el refrigerante utilizado. Si este frigorífico contiene gases inflamables (refrigerante R-600a), póngase en contacto con las autoridades locales para eliminar este aparato de forma segura.
- Cuando se deshaga de este frigorífico, quite la puerta y los cierres y pestillos de la puerta para que no pueda quedar atrapado en su interior un niño pequeño o un animal. No deje que los niños jueguen con el electrodoméstico. Si un niño queda atrapado dentro se puede lesionar o morir asfixiado.
  - Si un niño queda atrapado dentro se puede lesionar y morir asfixiado.
- Se usa ciclopentano en el aislante. Los gases de los materiales aislantes requieren un procedimiento especial de eliminación. Póngase en contacto con las autoridades locales para deshacerse de este aparato de forma segura para el medio ambiente.
- Guarde los materiales del embalaje fuera del alcance de los niños, ya que pueden ser peligrosos para ellos.
  - Si un niño mete la cabeza en una bolsa, se podría asfixiar.



# Información de seguridad

---

## Consejos adicionales para un uso correcto

---

- En el caso de un fallo de corriente, llame a la oficina local de su compañía eléctrica y solicite información sobre la duración de la interrupción del suministro.
  - La mayoría de los cortes de electricidad que se solucionan en una o dos horas no afectan a la temperatura del frigorífico. Sin embargo, mientras el aparato esté sin corriente abra la puerta lo menos posible.
  - Si el fallo de corriente supera las 24 horas, saque todos los alimentos congelados y deséchelos.
- Es posible que el frigorífico no funcione correctamente (descongelación del contenido o temperatura del compartimento de los congelados demasiado alta) si se ha mantenido durante un tiempo excesivo en un lugar donde la temperatura ambiente esté constantemente por debajo de las temperaturas para las que se ha diseñado este frigorífico.
- En el caso de determinados alimentos, mantenerlos refrigerados puede tener un efecto negativo sobre la conservación debido a sus propiedades.
- Este aparato no genera escarcha y no es necesario descongelarlo manualmente. Esta función se realiza automáticamente.
- El aumento de la temperatura durante la descongelación cumple con los requisitos ISO. Si desea evitar un aumento indebido de la temperatura de los alimentos congelados durante la descongelación del aparato, envuélvalos con varias capas de papel de periódico.
- No vuelva a congelar alimentos que se hayan descongelado completamente.
- La temperatura en las secciones o compartimentos con el símbolo de dos estrellas (❄️❄️) es ligeramente más alta que en los otros compartimentos del congelador.

La ubicación de las secciones o los compartimentos de dos estrellas puede variar según el producto y deberá referirse a las instrucciones o al estado en el momento de la entrega.

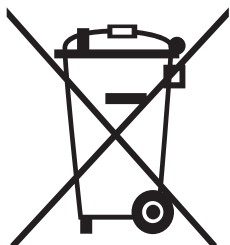




---

## Instrucciones sobre los RAEE

---



Eliminación correcta de este producto (Residuos de aparatos eléctricos y electrónicos)

(Se aplica en países con sistemas de recolección por separado)

La presencia de este símbolo en el producto, accesorios o material informativo que lo acompañan, indica que al finalizar su vida útil ni el producto ni sus accesorios electrónicos (como el cargador, cascos, cable USB) deberán eliminarse junto con otros residuos domésticos. Para evitar los posibles daños al medio ambiente o a la salud humana que representa la eliminación incontrolada de residuos, separe estos productos de otros tipos de residuos y recíclelos correctamente. De esta forma se promueve la reutilización sostenible de recursos materiales.

Los usuarios particulares pueden contactar con el establecimiento donde adquirieron el producto o con las autoridades locales pertinentes para informarse sobre cómo y dónde pueden llevarlo para que sea sometido a un reciclaje ecológico y seguro.

Los usuarios comerciales pueden contactar con su proveedor y consultar las condiciones del contrato de compra. Este producto y sus accesorios electrónicos no deben eliminarse junto a otros residuos comerciales.

Para obtener información sobre los compromisos medioambientales y las obligaciones normativas del producto de Samsung, por ejemplo, las Directivas REACH, WEEE y de pilas, visite nuestra página de sostenibilidad disponible a través de [www.samsung.com](http://www.samsung.com)

(Solo para productos que se venden en países europeos y Reino Unido)



# Instalación

---

Antes de instalar el frigorífico, siga detenidamente estas instrucciones para asegurar una instalación correcta y evitar accidentes.

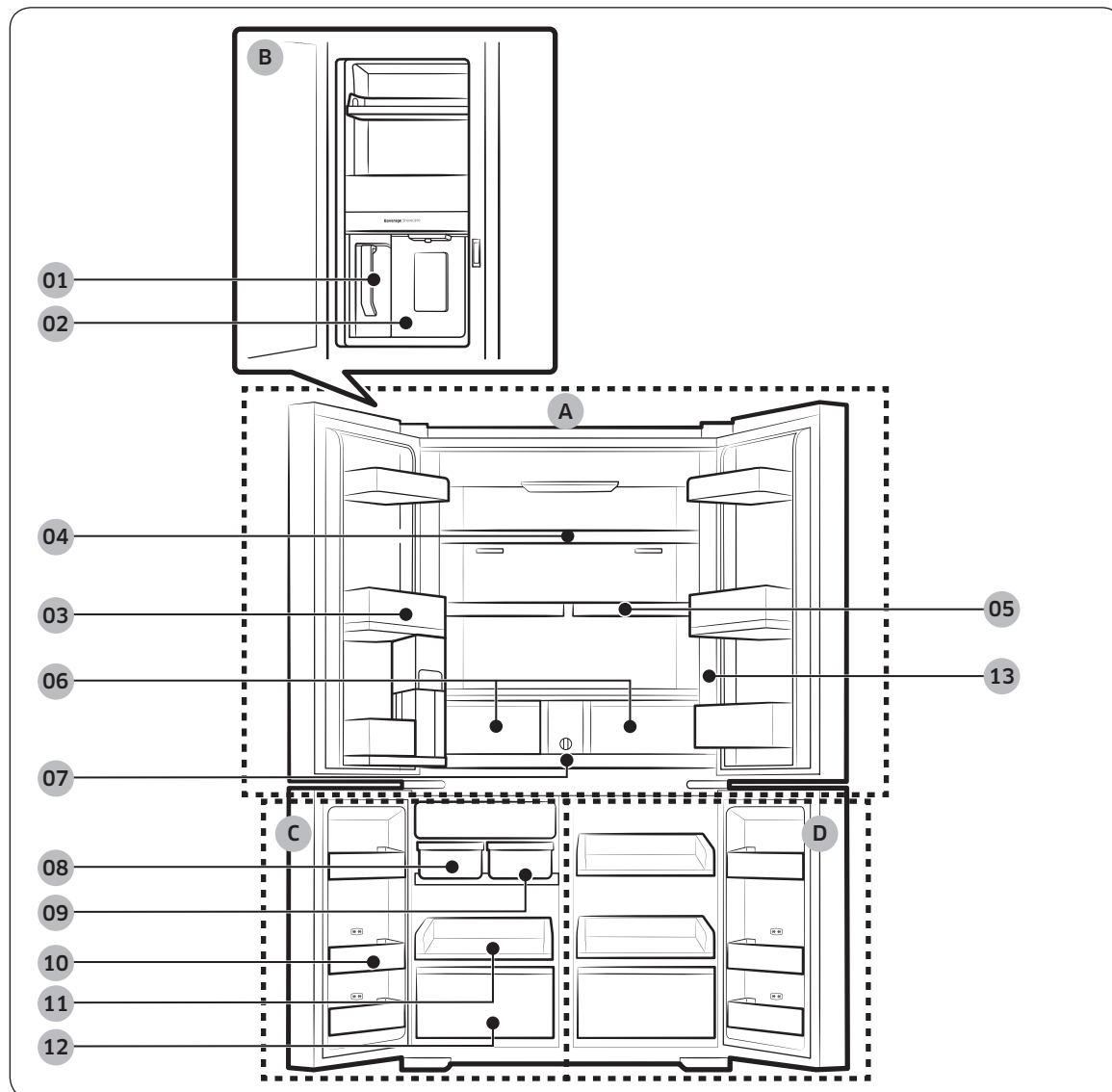
## **ADVERTENCIA**

- Utilice este frigorífico solo para las funciones propias que se describen en este manual.
- Los servicios de reparación debe efectuarlos un técnico cualificado.
- Deshágase del embalaje de este aparato en conformidad con la normativa local.
- Para prevenir descargas eléctricas, desenchufe el cable de alimentación antes de realizar un mantenimiento o una sustitución de piezas.

## Descripción general del frigorífico

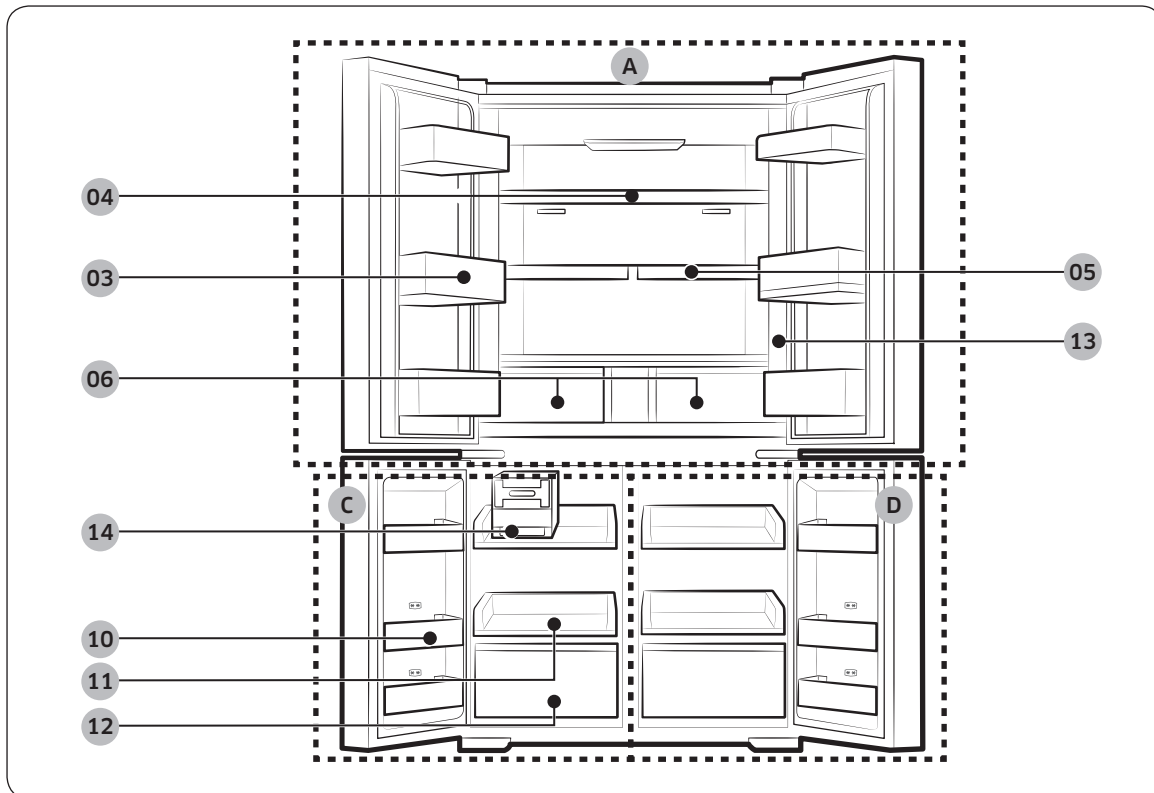
El refrigerador real y los componentes proporcionados con él pueden diferir de las ilustraciones de este manual, según el modelo y el país.

### Tipo A



# Instalación

## Tipo B





- 
- |  |                               |
|--|-------------------------------|
| 01 Jarra de autorrelleno *   | A. Frigorífico                |
| 02 Dispensador de agua **  | B. Centro de bebidas **       |
| 03 Compartimento de la puerta del frigorífico                              | C. Congelador                 |
| 04 Estante del frigorífico   | D. Selección de enfriamiento+ |
| 05 Estante espacio rápido *  |                               |
| 06 Cajón de verduras / Cajón de verduras Flex *                            |                               |
| 07 Filtro de agua *  |                               |
| 08 Máquina automática de hielo - Cubitos de hielo *<br>(Máquina de hielo*) |                               |
| 09 Máquina de hielo automática - Trocitos de hielo *                       |                               |
| 10 Compartimento de la puerta del congelador                               |                               |
| 11 Estante del congelador  |                               |
| 12 Cajón del congelador  |                               |
| 13 Panel de control  |                               |
| 14 Máquina de hielo de palanca *   |                               |

\* Solo modelos aplicables

\*\* Solo modelos con dispensador

#### **NOTA**

- Para mayor eficiencia energética, mantenga todos los estantes, cajones y cestas en su posición original.
- Cuando cierre la puerta asegúrese de que la sección articulada vertical se encuentra en la posición correcta para evitar rayar la otra puerta.
- Si la sección articulada vertical está invertida, vuelva a ponerla en la posición correcta y cierre la puerta.
- A veces puede generarse humedad en la sección articulada vertical.
- Si cierra una puerta con fuerza, se puede abrir la otra puerta.
- Si la lámpara LED interna o externa no funciona, póngase en contacto con un centro de servicio local de Samsung.

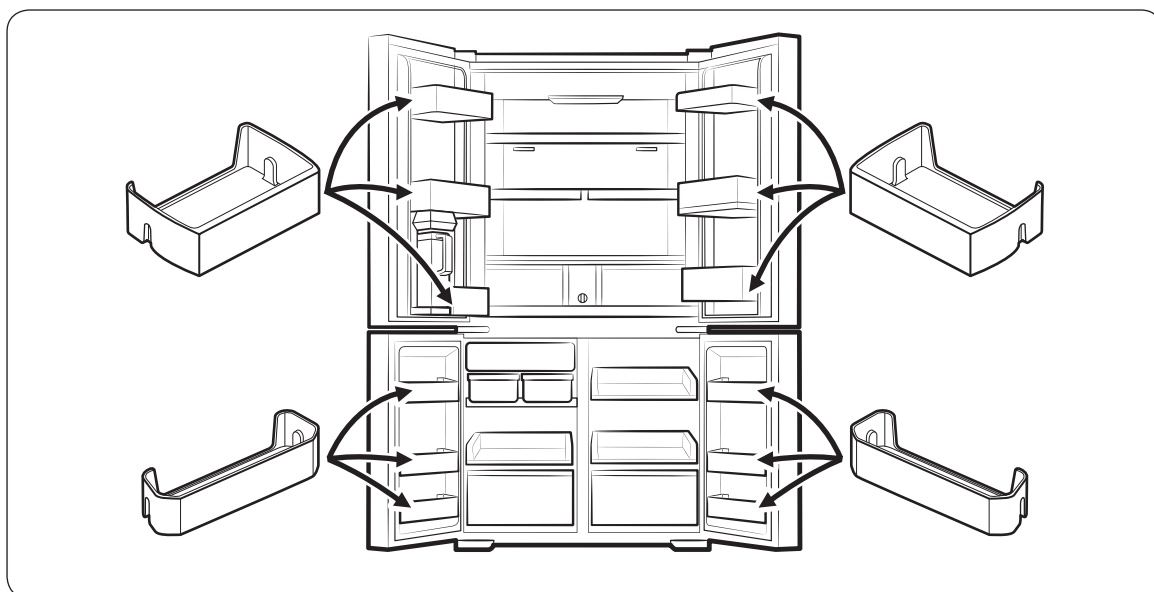
# Instalación

## Compartimentos de la puerta

Este frigorífico se envía con compartimentos de la puerta de distintos tipos y tamaños. Si los compartimentos de la puerta vienen embalados por separado, consulte la siguiente figura para montarlos correctamente.

### **NOTA**

El refrigerador real y los componentes proporcionados con él pueden diferir de las ilustraciones de este manual, según el modelo y el país.



---

## Instalación paso a paso

---

### PASO 1 Selección de la ubicación

---

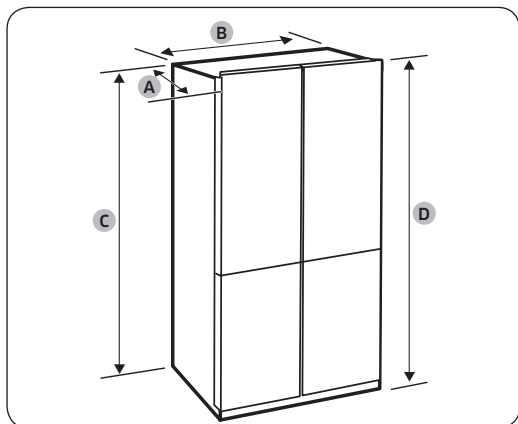
La ubicación debe:

- Tener una superficie sólida y nivelada sin alfombras ni suelos que puedan obstruir la ventilación
- No estar expuesta a la luz solar de manera directa
- Tener espacio suficiente para abrir y cerrar la puerta
- Estar alejada de cualquier fuente de calor
- Proporcionar espacio suficiente para las tareas de mantenimiento y reparación
- Encontrarse en un rango de temperatura entre 10 °C y 43 °C

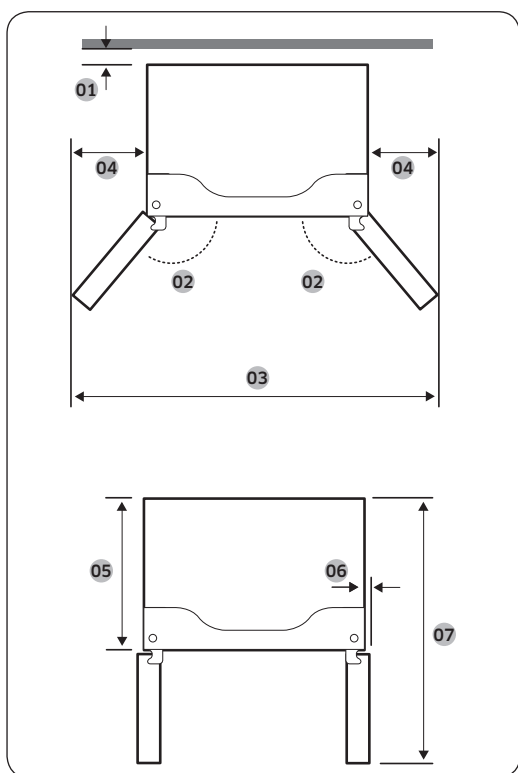
# Instalación

## Espacio requerido

Consulte las imágenes y las tablas siguientes para las necesidades en cuanto a espacio de la instalación.



Profundidad "A"	723 mm
Anchura "B"	912 mm
Altura "C"	1797 mm
Altura total "D"	1825 mm



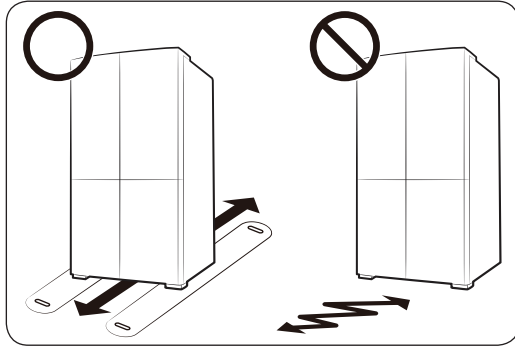
01	se recomienda más de 50 mm
02	125°
03	1472 mm
04	282 mm
05	610 mm
06	47 mm
07	1093 mm

### NOTA

Las mediciones de las tablas pueden diferir ligeramente de las mediciones reales, dependiendo del método de medición y de redondeo.

## PASO 2 Pavimento

Si el frigorífico no pasa por la entrada debido a su tamaño, consulte **Desmontaje de la puerta para la entrada**.



### NOTA

Para evitar daños al suelo, asegúrese de que las patas de ajuste delanteras estén en posición vertical.

- La superficie en la que instale el frigorífico debe poder sostener un frigorífico a plena carga.
- Para proteger el suelo, ponga un gran trozo de cartón a lo largo del camino hasta el lugar de instalación final del frigorífico.
- Una vez el frigorífico se encuentre en la ubicación definitiva, no lo desplace a menos que sea necesario a fin de proteger el suelo. Si debe mover el frigorífico, coloque un cartón o un trozo de tela gruesa, como una alfombra vieja, a lo largo del camino de desplazamiento.

# Instalación

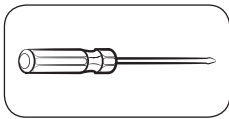
## PASO 3 Desmontaje de la puerta para la entrada

Si el frigorífico no puede pasar por la entrada de su casa o cocina debido a su tamaño, siga estas instrucciones para desmontar y retirar y luego volver a instalar las puertas del frigorífico. Si no necesita retirar las puertas, vaya a la página 42 para continuar con el proceso de instalación.

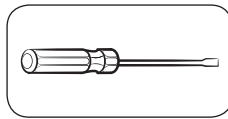
### ⚠ ADVERTENCIA

Desenchufe el cable de alimentación del frigorífico antes de retirar las puertas.

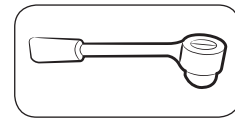
Herramientas necesarias (no suministradas)



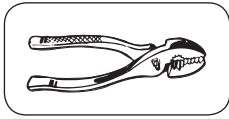
Destornillador Phillips



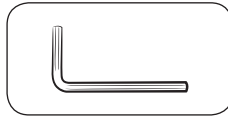
Destornillador de punta plana



Llave de tubo  $\frac{3}{8}$ " (10 mm)

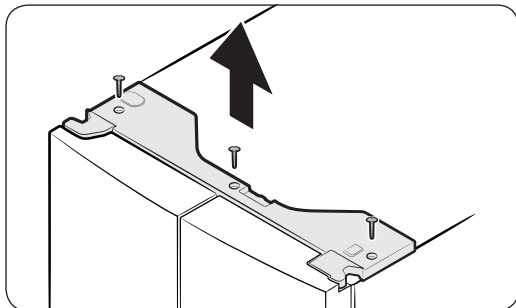


Alicates

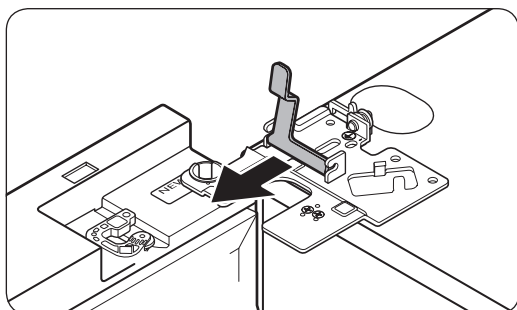
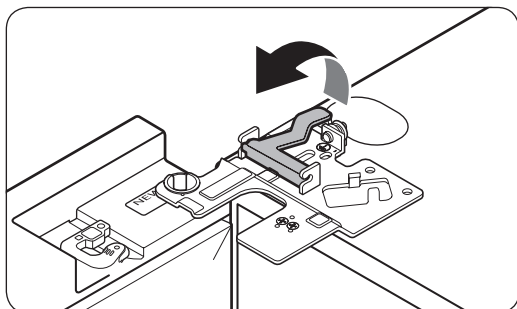
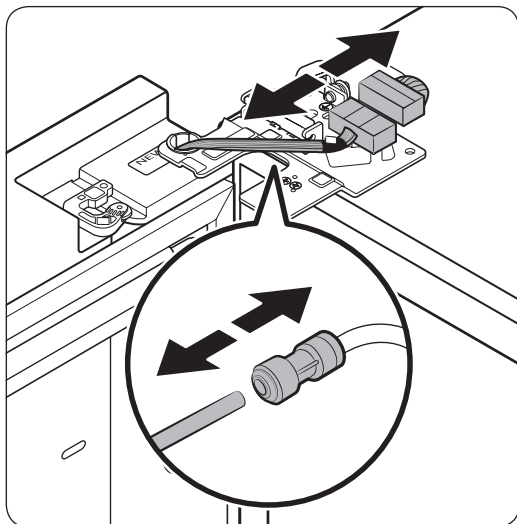


Llave Allen  $\frac{1}{4}$ " (5 mm)

### Desmontaje de las puertas del frigorífico



1. Con las puertas cerradas, retire los tornillos (3) de la cubierta superior con un destornillador Phillips. Levante y retire la cubierta superior con los conectores.

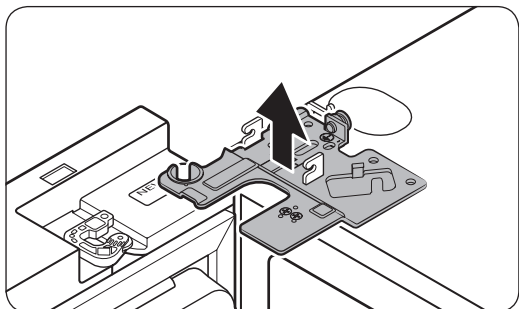


2. Desconecte los dos conectores de cables de la puerta izquierda. La posición de los conectores cambia según el modelo.

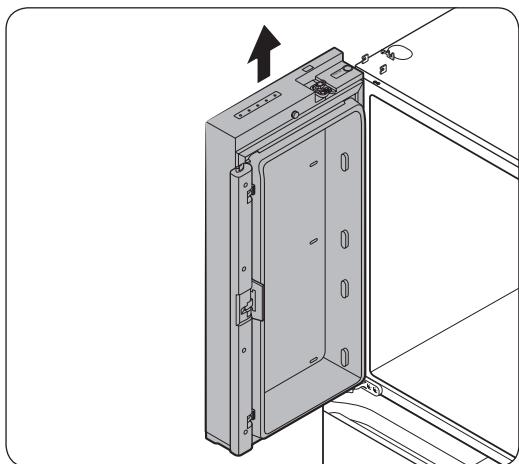
**⚠ PRECAUCIÓN**

- No retire las dos puertas al mismo tiempo. Retire una sola puerta de cada vez. De lo contrario, una de las puertas podría caer y causar lesiones físicas.
  - Asegúrese de que el frigorífico está apagado antes de desconectar los conectores.
3. Desconecte el tubo de agua del acoplador de la puerta izquierda como se muestra.
    - Este paso no se aplica a los modelos sin la jarra de autorrelleno y el dispensador de agua.
  4. Levante con cuidado la abrazadera en varios pasos. A fin de evitar lesiones en los dedos, no aplique una fuerza repentina sobre la abrazadera.
  5. Tire de la abrazadera hacia arriba para retirarla.

# Instalación



6. Abra la puerta 90 grados. Sujetando la puerta, tire y quite la bisagra superior. Cuando retire la bisagra, tenga cuidado de no dañar los cables del conector.



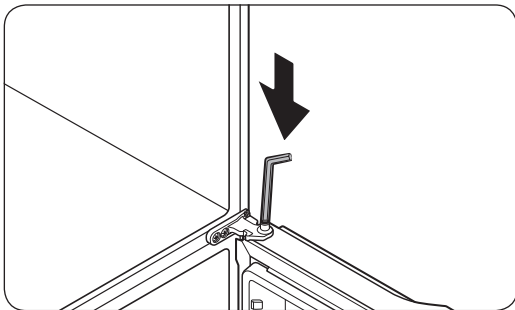
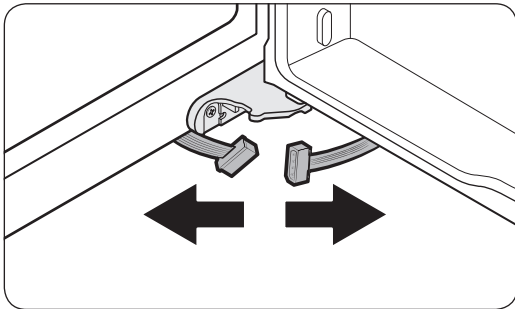
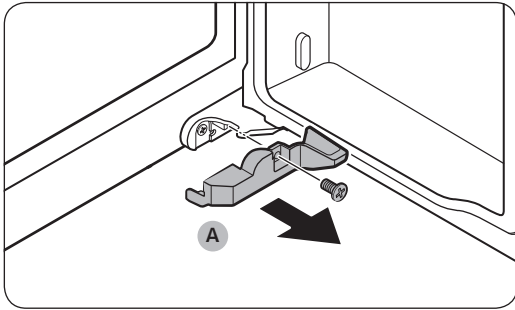
7. Levante con cuidado la puerta en sentido vertical para retirarla. No aplique una fuerza excesiva sobre la puerta. La puerta podría caer y causar lesiones físicas.
8. Deje la puerta sobre una superficie plana.
9. Repita los pasos del 1 al 8 para la otra puerta, excepto el paso 3. No hay ningún tubo del agua en la puerta lateral derecha.
  - El paso 2 no se aplica a los modelos sin la puerta con vitrina.



## Desmontaje de las puertas del congelador

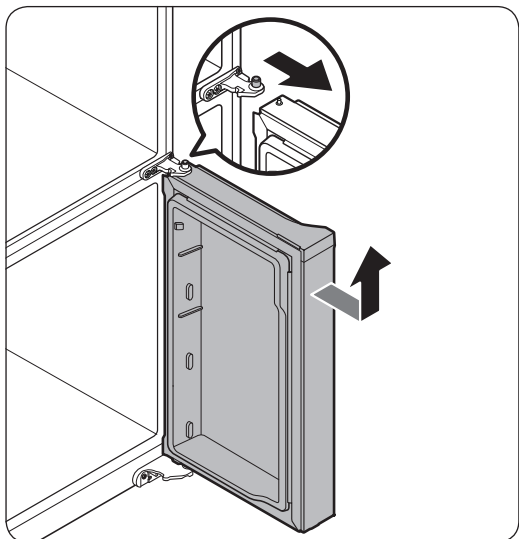
### ⚠ PRECAUCIÓN

- Debe desmontar las puertas del frigorífico antes de desmontar las puertas del congelador.
- Tenga cuidado cuando desmonte los conectores inferiores.



1. Abra la puerta del congelador.
2. Utilice un destornillador Phillips para retirar los tornillos que sujetan la **cubierta (A)**.
  - Este paso solo se aplica a la puerta derecha del congelador (puerta Selección de enfriamiento+).
3. Desconecte los conectores de cables.
  - Este paso solo se aplica a la puerta derecha del congelador (puerta Selección de enfriamiento+).
4. Localice el eje de la bisagra. Mientras sujeta la puerta con una mano, presione el eje hacia abajo con un destornillador de punta plana o una llave Allen. Sujete bien la puerta para evitar que se caiga.

# Instalación

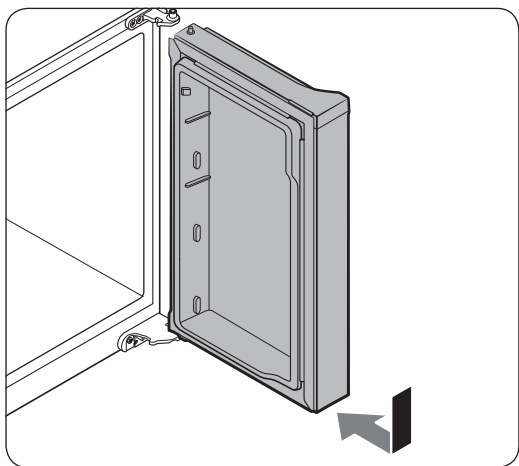


5. Para evitar el contacto con la bisagra central, incline ligeramente la puerta hacia el frente, levántela y retírela.
6. Repita los pasos del 1 al 5 para la otra puerta, excepto los pasos 2 y 3.

Volver a montar las puertas del congelador

## ⚠ PRECAUCIÓN

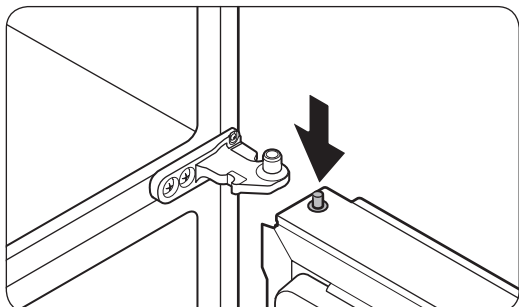
- Después de volver a montar las puertas, asegúrese de que los conectores eléctricos están bien conectados.
- Las puertas del congelador deben volver a montarse antes que las puertas del frigorífico.
- Tenga cuidado de no pisar ni dañar los cables durante el proceso.



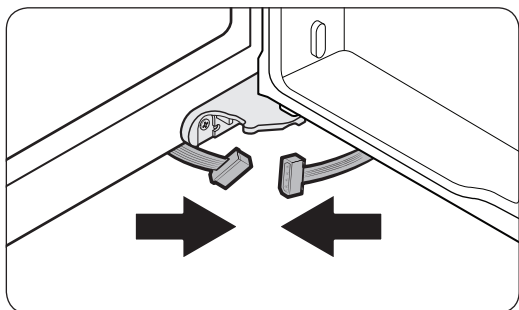
1. Inserte la puerta del congelador en la bisagra inferior mientras empuja la puerta del congelador en la dirección de la flecha.

## ⚠ PRECAUCIÓN

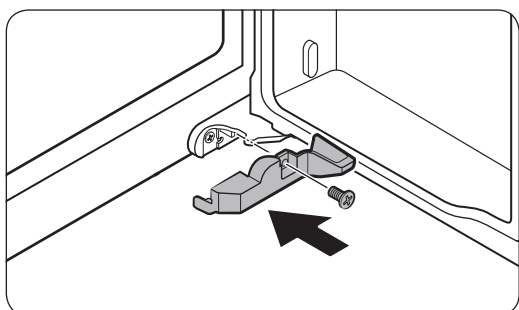
- Tenga cuidado de no pisar ni dañar los cables durante el proceso.



2. Mientras presiona el eje de la bisagra hacia abajo, coloque la puerta de manera que el eje de la bisagra se encuentre por debajo del orificio del eje en la bisagra central. Suelte el eje de la bisagra para que entre en el orificio del eje.



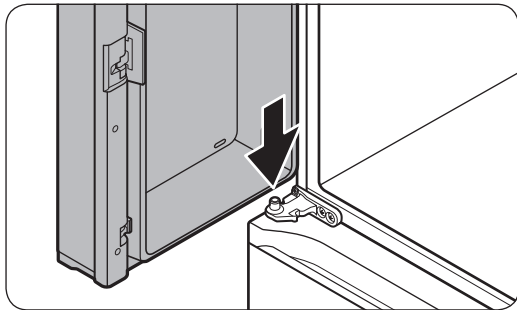
3. Con la puerta abierta, conecte los conectores inferiores en la dirección de las flechas.
  - Este paso solo se aplica a la puerta derecha del congelador (puerta Selección de enfriamiento+).



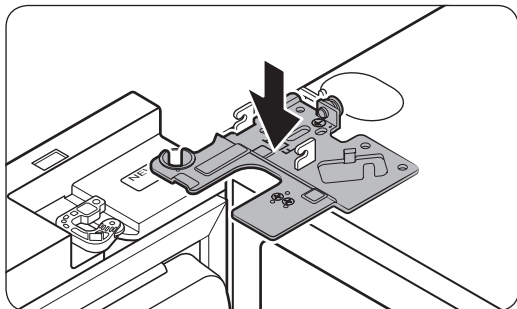
4. Monte la cubierta con un destornillador Phillips. Tenga cuidado de no dañar ni pisar los conectores.
  - Este paso solo se aplica a la puerta derecha del congelador (puerta Selección de enfriamiento+).
5. Repita los pasos del 1 al 5 para la otra puerta, excepto los pasos 3 y 4.

# Instalación

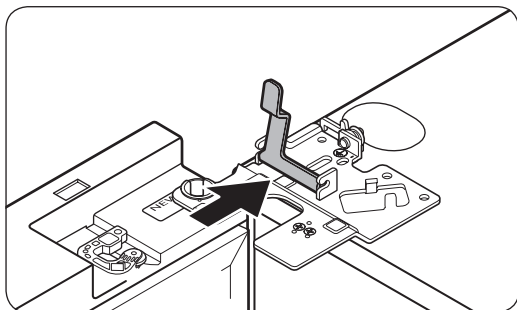
## Nuevo montaje de las puertas del frigorífico



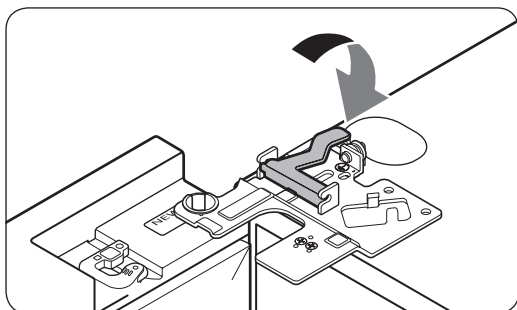
1. Mientras mantiene la puerta abierta más de 90 grados, inserte el eje de la bisagra central en el orificio de la parte inferior de la puerta.



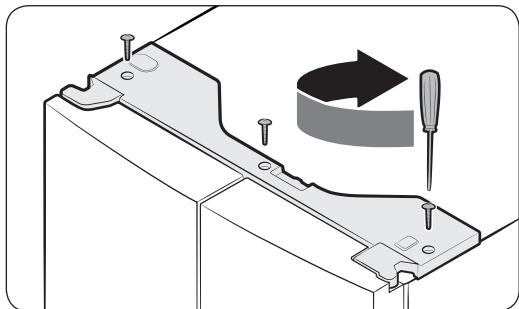
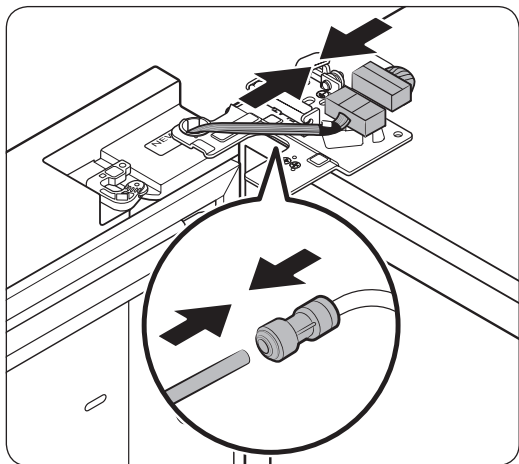
2. Coloque la bisagra superior en su lugar en la parte superior del refrigerador y luego inserte el eje de la bisagra en el orificio superior de la puerta. Asegúrese de que los cables de la puerta pasen por el orificio del eje de la bisagra.



3. Introduzca la abrazadera en la dirección de la flecha.



4. Empuje hacia atrás la abrazadera tal y como se muestra.



5. Conecte los conectores del cable.

**⚠ PRECAUCIÓN**

- Asegúrese de que los conectores del cable están conectados correctamente. De lo contrario, la pantalla no funcionará correctamente.

6. Conecte el tubo del agua.

- Este paso no se aplica a los modelos sin la jarra de autorrelleno y el dispensador de agua.

**⚠ PRECAUCIÓN**

- Para evitar fugas de agua, asegúrese de que las grapas rojas aprietan bien el acoplador.
- Mantenga las grapas lejos del alcance de los niños.

7. Repita los pasos del 1 al 5 para la otra puerta.

- El paso 5 no se aplica a los modelos sin la puerta en vitrina.

8. Monte la cubierta superior con el lado frontal primero y después presione la parte posterior hasta colocarla en su posición. A continuación, apriete los tornillos (3).

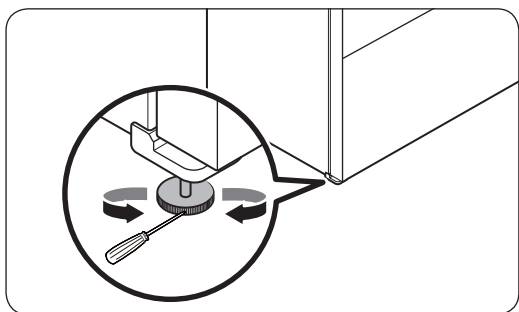
# Instalación

## PASO 4 Nivelación del frigorífico

### PRECAUCIÓN

- Cuando se instale, el frigorífico debe estar nivelado sobre un suelo plano y sólido. El hecho de no nivelar el frigorífico puede causar daños en el mismo o provocar lesiones físicas.
- La nivelación debe hacerse con el frigorífico vacío. Asegúrese de que no quedan alimentos dentro del frigorífico.
- Por razones de seguridad, debe ajustar la parte delantera un poco más alta que la trasera.

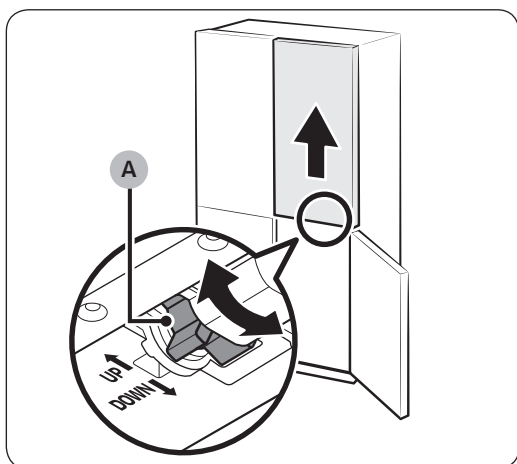
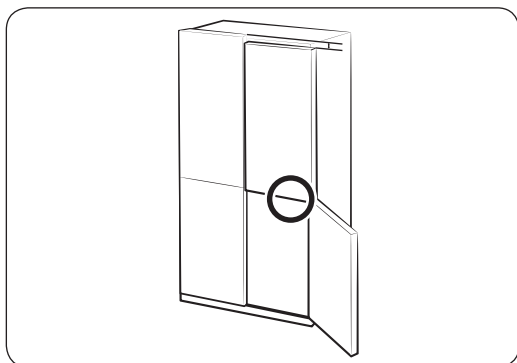
Nivele el frigorífico utilizando los tornillos especiales (niveladores) en las patas delanteras. Utilice un destornillador de punta plana para girar los niveladores.



- Para ajustar la altura del lado izquierdo: Introduzca un destornillador de punta plana en el nivelador de la pata delantera del lado izquierdo. Gire el nivelador en el sentido de las agujas del reloj para subir el lado izquierdo y en el sentido contrario al de las agujas del reloj para bajar.
- Para ajustar la altura del lado derecho: Introduzca un destornillador de punta plana en el nivelador de la pata delantera del lado derecho. Gire el nivelador en el sentido de las agujas del reloj para subir el lado derecho y en el sentido contrario al de las agujas del reloj para bajar.

## PASO 5 Ajustar la altura de las puertas

Ajuste de la altura con el nivelador de altura (solo en los modelos aplicables)

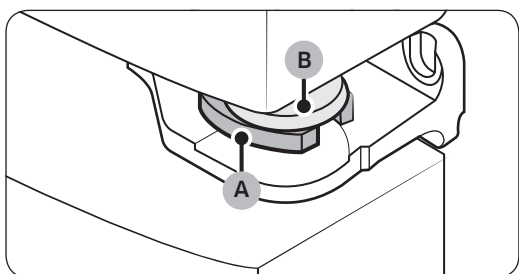
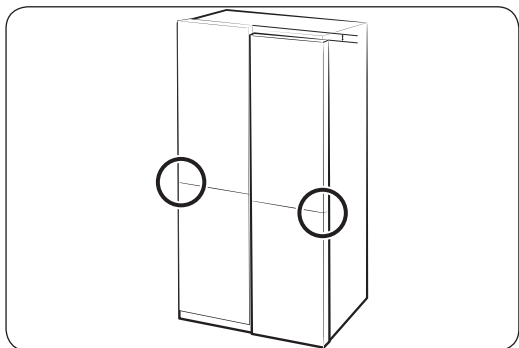
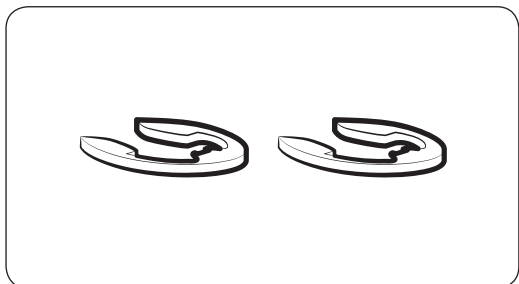


- Antes de alinear la altura de las puertas, asegúrese de que el refrigerador esté nivelado. Use las patas niveladoras para este propósito.
- Puede usar el nivelador de altura en la parte inferior de la puerta derecha del refrigerador. Abra la puerta derecha del congelador con ambas las puertas del refrigerador cerradas y usa el nivelador para ajustar la altura de la puerta.
- Gire el **nivelador de altura (A)** hasta que las dos puertas estén alineadas en la parte superior. Gire el nivelador hacia ARRIBA (como está marcado) para elevar la puerta derecha y gírelo hacia ABAJO (como está marcado) para bajar la puerta.
- Levante ligeramente la puerta del refrigerador para facilitar la alineación. La altura máxima ajustable es de 3 mm.
  - El nivelador no girará más allá del límite máximo. Puede hacer un ruido si se gira demasiado.
  - Una altura excesiva puede interferir con la cubierta de la bisagra superior de la puerta del refrigerador.
- Si se alinea la altura de la puerta con los compartimentos de la puerta vacíos y luego se guardan artículos en ellos, las alturas pueden diferir de nuevo. Si esto sucede, siga los pasos anteriores para volver a alinear las puertas.

# Instalación

## Ajuste de la altura con los anillos elásticos

Para los modelos con el nivelador de altura en la puerta derecha del frigorífico, use los anillos elásticos solo si no puede alinear las puertas con el nivelador de altura.



### NOTA

La altura de la puerta se puede ajustar con los anillos elásticos proporcionados, que vienen en 4 tamaños diferentes (1 mm, 1,5 mm, 2 mm y 2,5 mm).

1. Compruebe la diferencia de altura entre las puertas, y luego levante y sostenga la puerta a la altura más baja.
2. Introduzca un anillo elástico (A) del tamaño adecuado entre el ojal de la puerta (B) y la bisagra, como se muestra.

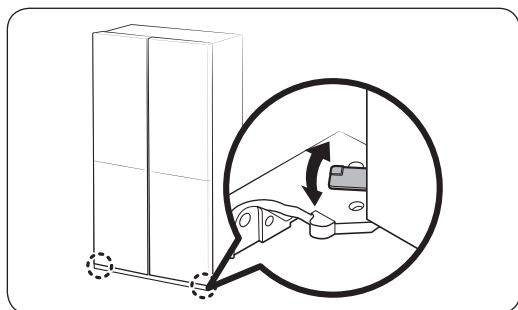
### PRECAUCIÓN

- Introduzca solamente un anillo elástico. Si introduce dos o más anillos elásticos, pueden deslizarse hacia afuera o provocar ruido de roce.
- Mantenga los anillos elásticos fuera del alcance de los niños y guárdelos para un posible uso en el futuro.
- No levante demasiado la puerta. La puerta puede tocar la cubierta superior y dañarla.



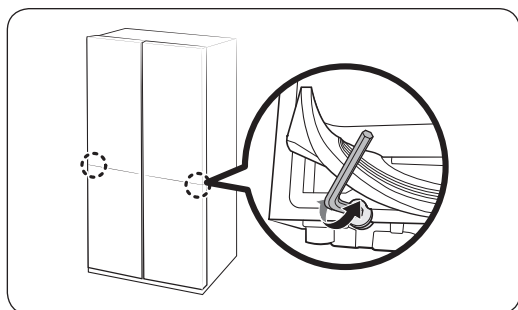


### Ajuste de la altura de las puertas del congelador (solo modelos aplicables)



- Antes de alinear la altura de las puertas, asegúrese de que el frigorífico esté nivelado. Use las patas niveladoras para este propósito.
- Puede ajustar la altura de ambas puertas del congelador con ayuda de la palanca situada en la bisagra inferior.
- Abra la puerta, levántela un poco, y gire la palanca hacia la izquierda o hacia la derecha para ajustar la altura.

### Ajuste del espacio entre las puertas del frigorífico y el volumen principal de la nevera (solo modelos aplicables)



- Puede ajustar el espacio entre las puertas del frigorífico y el volumen principal de la nevera con ayuda del tornillo de regulación situado en la parte inferior del compartimento del frigorífico.
- Levante la junta de la puerta y coloque el tornillo de regulación debajo de ella. Use una llave Allen de 4 mm para ajustar el espacio.

#### **⚠ PRECAUCIÓN**

Asegúrese de que la junta queda firmemente colocada. De lo contrario, el aire frío del frigorífico puede filtrarse.



# Instalación

## PASO 6 Conexión a un suministro de agua (solo modelos aplicables)

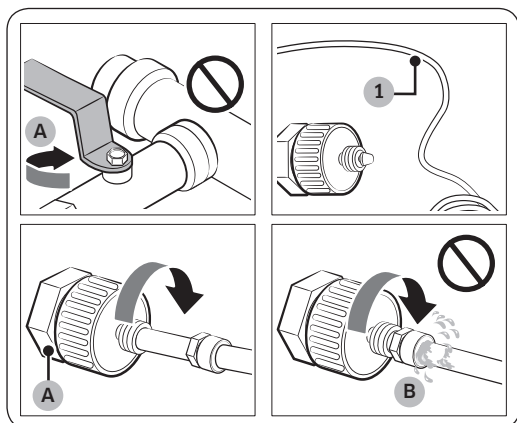
### ⚠ PRECAUCIÓN

- No reutilice los tubos viejos, utilice los tubos nuevos suministrados con el aparato.
- La conexión de la tubería de agua debe efectuarla un técnico cualificado.
- La garantía del frigorífico no cubre la instalación de la tubería de agua. La instalación de la tubería de agua deberá realizarse a su cargo a menos que la tarifa de instalación esté incluida en el precio del vendedor.
- Samsung no se hace responsable de la instalación de la tubería de agua. Si se produce una fuga de agua, póngase en contacto con el instalador de la tubería de agua.

### Conectar la tubería de agua fría a la manguera de filtración del agua

### ⚠ PRECAUCIÓN

- Asegúrese de que la manguera de filtración del agua está conectada a un tubo de suministro de agua potable fría. Si se conecta al tubo de agua caliente, el purificador puede que no funcione correctamente.

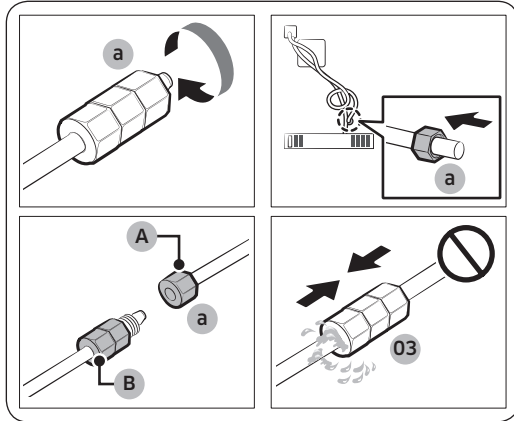


A. Cierre el tubo del agua principal

B. Sin holgura

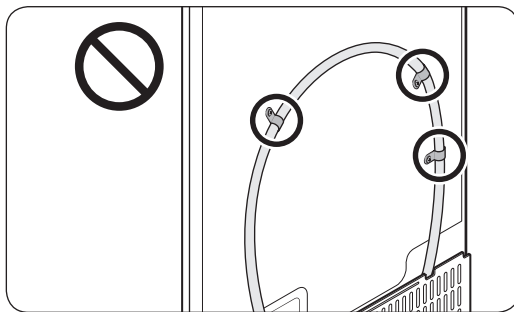
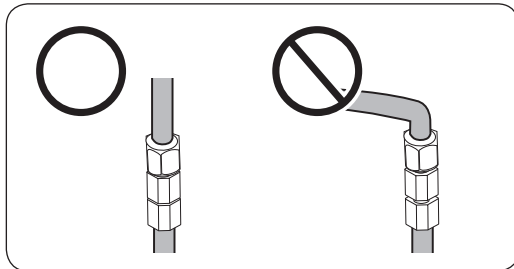
1. Cierre el suministro de agua con la válvula principal.
2. Localice el **tubo de agua (1)** potable fría.
3. Siga las instrucciones de instalación de la tubería de agua para conectar el tubo.
4. Una vez finalizada la conexión, abra la válvula de agua principal y dispense unos 3 litros de agua. Esta acción permite eliminar las impurezas de la tubería.

## Conectar la manguera de filtración de agua a la tubería de agua



A. Tubería de agua desde la unidad

B. Tubería de agua desde el kit



## Reparar la tubería de agua

### ⚠ PRECAUCIÓN

Las reparaciones de la tubería de agua debe efectuarlas un profesional cualificado. Si detecta una fuga de agua, póngase en contacto con un centro local de servicio técnico de Samsung.

1. Afloje y retire la **tuerca de compresión (a)** de la tubería de agua del frigorífico e introdúzcala en la manguera de filtración del agua.
2. Apriete la **tuerca de compresión (a)** para conectar la manguera de filtración y la tubería de agua.
3. Abra la válvula de agua principal y revise si hay fugas.
4. Si no hay fugas, dispense unos 3 litros de agua antes de usar el frigorífico para eliminar las impurezas del interior del sistema de filtración del agua.

### 📖 NOTA

Si tiene que volver a colocar el frigorífico una vez instalada la **tubería de agua**, asegúrese de que la parte unida de la tubería está recta.

### ⚠ PRECAUCIÓN

No monte el filtro de agua en ninguna otra parte del frigorífico. Podría dañar el frigorífico.

# Instalación

---

## PASO 7 Configuración inicial

---

Siga estos pasos para que su frigorífico esté totalmente operativo.

1. Enchufe el cable de alimentación en la toma mural para encender el frigorífico.
2. Abra la puerta y compruebe si se enciende la luz interior.
3. Ajuste la temperatura al ajuste más bajo disponible y espere alrededor de una hora. Luego, el congelador se enfriará ligeramente y el motor empezará a funcionar con suavidad.
4. Espere hasta que el frigorífico alcance la temperatura ajustada. Ahora el frigorífico está a punto para funcionar.

## PASO 8 Comprobación final

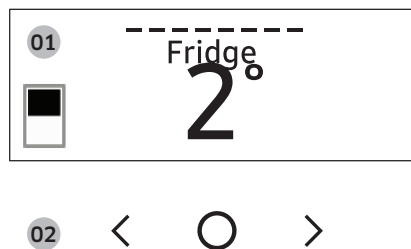
---

Una vez finalizada la instalación, compruebe que:

- El frigorífico está enchufado en una toma eléctrica y conectado correctamente a tierra.
- El frigorífico está instalado sobre una superficie plana y nivelada y separado razonablemente de las paredes y de armarios.
- El frigorífico está nivelado y se apoya firmemente sobre el suelo.
- La puerta se abre y cierra libremente, y la luz interior se enciende automáticamente al abrir la puerta.

# Funcionamiento

## Panel de control



01 Pantalla	Muestra el menú, los ajustes y otra información.
02 Botones	<ul style="list-style-type: none"><li>• Cuando la pantalla está apagada, pulse cualquier botón para encenderla.</li><li>• Pulse &lt; o &gt; para navegar a la izquierda y a la derecha.</li><li>• Pulse O para confirmar su selección.</li><li>• Mantenga pulsado O para entrar en el modo PA. (Para obtener más información, consulte la sección «SmartThings &gt; Introducción» en la página 54.)</li></ul>

### NOTA

- El panel de control está diseñado para permanecer apagado cuando el frigorífico no se usa. Solo se activa y se enciende cuando se abre la puerta o se pulsan los botones.
- Si la puerta se deja abierta durante 5 minutos, la luz interna parpadeará durante 5 minutos y se apagará. Es para alertar a los usuarios portadores de deficiencia auditiva que una puerta está abierta. Tenga en cuenta que esta función es normal.
- Cuando se cambia la temperatura en el panel, este muestra la temperatura real del interior del frigorífico hasta que se alcanza la temperatura que ha establecido. A continuación, el panel muestra la nueva temperatura. Tenga en cuenta que el frigorífico tarda un tiempo en alcanzar la nueva temperatura. Es normal. Durante este tiempo, no es necesario que vuelva a establecer la temperatura.



### Uso del panel de control

1. Pulse cualquier botón (<, O o >) para activar la pantalla.
2. Pulse < o > para seleccionar el menú deseado, y luego pulse O para confirmar.
3. Pulse < o > para seleccionar el ajuste deseado, y luego pulse O para confirmar.
  - Para obtener más información sobre los ajustes disponibles, vea la sección **Descripciones del menú**.

# Funcionamiento

## Descripciones del menú

Fridge (Frigorífico)	<ul style="list-style-type: none"><li>• Puede ajustar la temperatura del frigorífico de 1 a 7 °C o configurar la función Enfriamiento rápido.</li><li>• Enfriamiento rápido acelera el proceso de enfriamiento con la velocidad máxima del ventilador. El frigorífico funciona a la máxima velocidad durante dos horas y media, y luego vuelve a la temperatura anterior.</li></ul>
Freezer (Congelador)	<ul style="list-style-type: none"><li>• Puede ajustar la temperatura del congelador de -23 a -15 °C o configurar la función Congelación rápida.</li><li>• La Congelación rápida acelera el proceso de congelación a su máxima velocidad. El congelador funciona a la máxima velocidad durante 50 horas y luego vuelve a la temperatura anterior. Para congelar grandes cantidades de alimentos, active Congelación rápida al menos 20 horas antes de guardar alimentos en el congelador.</li></ul>
Cool Select+ (Selección de enfriamiento+)	<ul style="list-style-type: none"><li>• Puede configurar el modo Selección de enfriamiento+ desde uno de los siguientes modos.<ul style="list-style-type: none"><li>- <b>Freeze (Congelación):</b> La temperatura se establece a la misma temperatura que el congelador.</li><li>- <b>Soft Freeze (Congelación suave):</b> La temperatura se ajusta a -5 °C.</li><li>- <b>Meat/Fish (Carne/pescado):</b> La temperatura se ajusta a -1 °C.</li><li>- <b>Fruit/Veggies (Frutas/verduras):</b> La temperatura se ajusta a 2 °C.</li><li>- <b>Beverage (Bebidas):</b> La temperatura se ajusta a 4 °C.</li></ul></li></ul> <p><b>⚠ PRECAUCIÓN</b></p> <ul style="list-style-type: none"><li>• Seleccione el modo Selección de enfriamiento+ de acuerdo con el tipo de alimento que almacena.</li><li>• No almacene carne ni alimentos en Selección de enfriamiento+ con el modo Frutas / verduras o Vino. La carne y otros alimentos pueden echarse a perder.</li><li>• No almacene botellas de cristal en Selección de enfriamiento+ en el modo Congelación o Congelación suave. Pueden romperse y causar lesiones físicas.</li></ul>

<p>Cajón de verduras Flex *</p>	<ul style="list-style-type: none"> <li>• Puede configurar el modo Cajón de verduras Flex desde uno de los siguientes modos. <ul style="list-style-type: none"> <li>- <b>Fridge (Frigorífico):</b> La temperatura se ajusta a la misma temperatura que el frigorífico.</li> <li>- <b>Meat/Fish (Carne/pescado):</b> Seleccione este modo para almacenar la carne y el pescado frescos. (Recomendamos ajustar la temperatura del frigorífico por debajo de 3 °C para almacenar carne y pescado aún más frescos en el Cajón de verduras Flex)</li> </ul> </li> </ul> <p> <b>NOTA</b></p> <p>La carne y el pescado se pueden guardar en el cajón de la carne durante de 3 a 5 días (con algunas excepciones como la carne triturada, que solo se debe guardar durante uno o dos días). Almacénelos en el congelador si desea mantenerlos más de 5 días.</p>
<p>AutoFill Pitcher (Jarra de autorrelleno) *</p>	<ul style="list-style-type: none"> <li>• Puede configurar el modo Jarra de autorrelleno desde uno de los siguientes modos. <ul style="list-style-type: none"> <li>- <b>Encendido:</b> Se ajusta para que su jarra de agua se llene automáticamente.</li> <li>- <b>Apagado:</b> Se ajusta para apagar la función.</li> </ul> </li> </ul> <p> <b>NOTA</b></p> <p>Puede colocar té o fruta en el infusor para hacer té o agua aromatizados. Si quiere mantener el agua aromatizada en su concentración inicial, apague la función Jarra de autorrelleno. (Para obtener más información, consulte la sección «Jarra de agua (Jarra de autorelleno) (solo modelos aplicables)» en la página 56).</p>
<p>Cubed Ice (Cubitos de hielo) * (Máquina de hielo *)</p>	<p>Puede empezar o parar de hacer cubitos de hielo.</p>
<p>Ice Bites (Trocitos de hielo) *</p>	<p>Puede empezar o parar de hacer trocitos de hielo.</p>

# Funcionamiento

<b>More Options (Más opciones)</b>	<p>Puede cambiar los ajustes de las siguientes funciones. Pulse &lt; o &gt; para seleccionar el menú, y luego pulse ○ para confirmar.</p> <p><b>Filter Reset (Restablecer filtro) *</b>: Cuando aparezca el mensaje de reemplazo del filtro en la pantalla, seleccione este menú y reemplace el filtro según las instrucciones en pantalla.</p> <p><b>Temp. Unit (Temp. Unidad)</b>: Puede ajustar la escala de la temperatura a Celsius o Fahrenheit.</p> <p><b>Door Alarm (Alarma de la puerta)</b>: Puede activar o desactivar la alarma de la puerta.</p> <p><b>Wi-Fi Connect (Conexión de la wifi)</b>: Puede encender o apagar una conexión de wifi. Enciéndala para controlar y monitorear su frigorífico en la aplicación SmartThings. (Para obtener más información sobre SmartThings, consulte la sección <b>SmartThings</b> de la página 53).</p>
------------------------------------	--

\* solo modelos aplicables

## **NOTA**

El uso de Enfriamiento rápido o Congelación rápida aumenta el consumo de energía.



---

## SmartThings

---

### Instalación

Visite Google Play Store, Galaxy Apps o Apple App Store y busque «SmartThings». Descargue e instale en su dispositivo inteligente la aplicación SmartThings proporcionada por Samsung Electronics.

#### NOTA

- La aplicación SmartThings no se encuentra disponible para algunas tabletas e iPad, y para algunos teléfonos.
  - Admite [Android] OS 8.0 o superior. (mínimo 2 GB de RAM)
  - Admite [iOS] 12.0 o superior/iPhone 6 o superior.
- Para un mejor rendimiento, la aplicación SmartThings está sujeta a cambios sin previo aviso o a suspensión de asistencia según la política del fabricante. Además, es posible que se interrumpan las actualizaciones de la aplicación o de la función de la aplicación por motivos de usabilidad y de seguridad, incluso si se admiten actualmente las actualizaciones en su sistema operativo.
- Entre los sistemas de cifrado recomendados se incluyen WPA/TKIP y WPA2/AES. El resto de protocolos de autenticación wifi no estándares o más recientes no son compatibles.
- Las redes inalámbricas pueden resultar afectadas por los entornos de comunicación inalámbrica que las rodean.
- Si su proveedor de servicios de Internet ha registrado la dirección MAC de su PC o módem para identificación, su Samsung Smart Refrigerator puede fallar al conectarse a Internet. En este caso, póngase en contacto con su proveedor de servicios de Internet para recibir asistencia técnica.
- La configuración de firewall de su sistema de red puede impedir que su Samsung Smart Refrigerator acceda a Internet. Póngase en contacto con su proveedor de servicios de Internet para recibir asistencia técnica. Si el síntoma continúa, póngase en contacto con un centro de servicio local de Samsung o con el establecimiento de compra.
- Para configurar los ajustes del punto de acceso (PA) inalámbrico, consulte el manual de usuario del PA (enrutador).
- Los Samsung Smart Refrigerators admiten tanto los protocolos de wifi 2.4 GHz con IEEE 802.11 b/g/n como Soft-AP. (Se recomienda IEEE 802.11 n).
- Es posible que los enrutadores inalámbricos wifi no autorizados no logren conectarse a los frigoríficos inteligentes Samsung correspondientes.

# Funcionamiento

---

## Cuenta Samsung

Para usar la aplicación se le requerirá que registre su cuenta de Samsung. Si no tiene una cuenta de Samsung, siga las instrucciones en pantalla de la aplicación para crear una cuenta de Samsung gratuita.

## Introducción

Encienda el dispositivo que desea conectar, abra la aplicación SmartThings en su teléfono y siga las instrucciones que se indican a continuación.

Si aparece un mensaje de nuevo dispositivo encontrado, toque **AÑADIR AHORA**.

Si no aparece ningún mensaje, pulse el botón **+** y seleccione el dispositivo que desea conectar de la lista de dispositivos disponibles.

Si su dispositivo no aparece en la lista de dispositivos disponibles, toque **Dispositivos admitidos**, seleccione el tipo de dispositivo (Frigorífico) y seleccione el modelo de dispositivo específico.

Siga las instrucciones de la aplicación para configurar su dispositivo. Una vez finalizada la configuración, su frigorífico aparecerá como una «tarjeta» en su pantalla de **Dispositivos**.

## Aplicación del frigorífico

### Control integrado

Puede controlar y supervisar su frigorífico desde su casa y desde fuera de ella.

- Toque el icono de frigorífico en el Panel de SmartThings o toque el icono de Dispositivos en la parte inferior del Panel y luego toque la «tarjeta» del frigorífico para abrir la página del Frigorífico.
- Revise el estado de funcionamiento o las notificaciones relativas a su frigorífico y luego cambie las opciones o los ajustes si es necesario.

### **NOTA**

Es posible que algunas opciones o ajustes del frigorífico no estén disponibles para el control remoto.

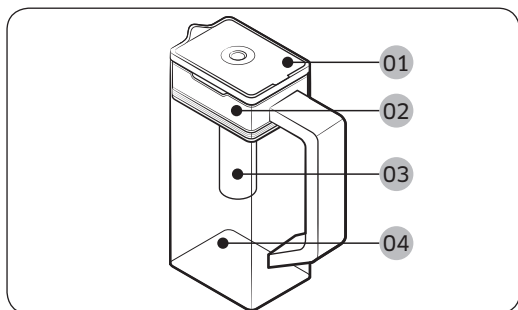
Categoría	Elemento	Descripción
Supervisión	Temperatura del frigorífico	Muestra el ajuste de temperatura deseada del frigorífico.
	Temperatura del congelador	Muestra la temperatura deseada del congelador.
	Ajustes de Selección de enfriamiento+	Muestra los ajustes de Selección de enfriamiento+.
	Diagnóstico	Detecta funcionamientos anormales del frigorífico.
	Supervisión de energía	Comprueba el consumo energético acumulado del frigorífico durante los últimos 180 días.
Funciones	Fabricación de hielo	Puede activar o desactivar la función de fabricación de hielo y comprobar los ajustes actuales de la función.
		También puede comprobar el estado y el progreso de la fabricación de hielo.
	Enfriamiento rápido	Puede activar o desactivar el enfriamiento rápido y comprobar los ajustes actuales.
	Congelación rápida	Puede activar o desactivar la congelación rápida y comprobar los ajustes actuales.
	Temperatura del frigorífico	Puede ajustar la temperatura deseada del frigorífico.
	Temperatura del congelador	Puede ajusta la temperatura deseada del congelador.
	Ajustes de Selección de enfriamiento+	Puede ajustar el modo deseado de Selección de enfriamiento+.
Alarmas	Temperatura excepcionalmente alta	Esta alarma se activa cuando la temperatura del frigorífico, del congelador o de Selección de enfriamiento+ es excepcionalmente elevada.
	Puerta abierta	Esta alarma se activa si la puerta del frigorífico, el cajón del congelador o el de Selección de enfriamiento+ están abiertos durante un tiempo determinado.
	Desbordamiento de la Jarra de autorelleno	Si la función de la Jarra de autorelleno detecta un desbordamiento, activa esta alarma para que conozca el estado del desbordamiento.
	Sustitución del filtro de agua	Esta alarma le recuerda que debe reemplazar el filtro de agua.

# Funcionamiento

## Características especiales

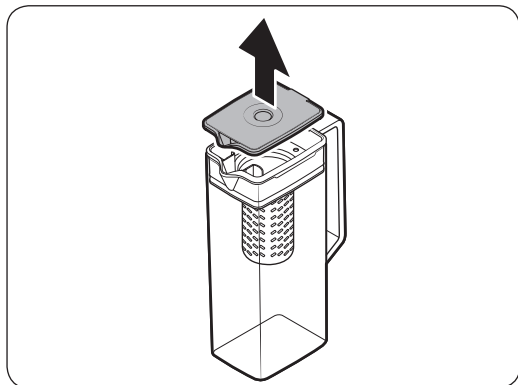
### Jarra de agua (Jarra de autorrelleno) (solo modelos aplicables)

Siempre hay lista agua fría y filtrada en la Jarra de autorrelleno. Puede colocar té o fruta en el infusor para disfrutar de varias bebidas a su gusto.



- 01 Tapa
- 02 Soporte del infusor
- 03 Infusor
- 04 Cuerpo

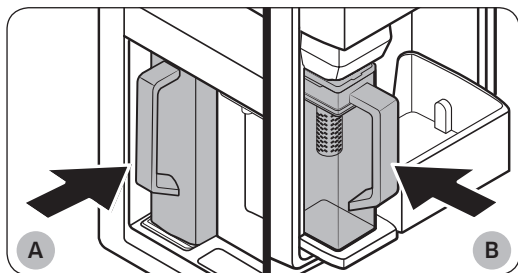
### Llenar la jarra de agua



1. Sujete una ranura del asa de la **tapa**, y luego tire hacia arriba para abrir la **tapa**.
2. Ponga hojas de té o fruta a su gusto en el infusor.

### NOTA

Si quiere mantener el agua infusionada en su concentración inicial, apague la función Jarra de autorrelleno.

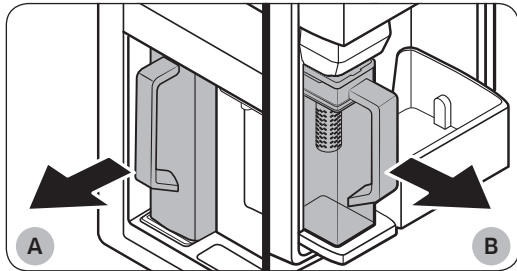


- A. Modelos tipo A
- B. Modelos tipo B

3. Habilite la función Jarra de autorrelleno en el panel de control. Abra la puerta del Centro de Bebidas (Tipo A) o la puerta izquierda del frigorífico (Tipo B), y luego monte la jarra de agua en el soporte. Empújela hacia adentro como se muestra en la figura.
4. Cierre la puerta. La jarra de agua comenzará a llenarse con agua fría poco tiempo después.

**⚠ PRECAUCIÓN**

Asegúrese de que la jarra de agua encaje bien en el soporte de la jarra de agua.

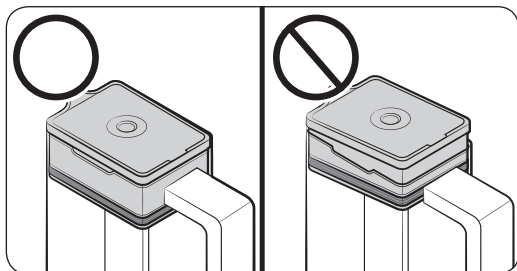
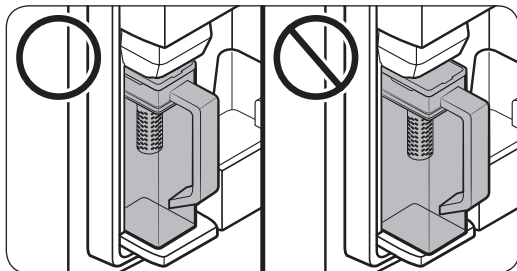


A. Modelos tipo A

B. Modelos tipo B

**⚠ PRECAUCIÓN**

- Recomendamos consumir el agua infundada de frutas dentro de las 24 horas posteriores a su realización. Después de eso, el agua infundada puede estropearse con el tiempo.
- Debe limpiar la jarra de agua después de consumir el agua infundada. Limpie también la jarra de agua si no la ha usado durante mucho tiempo.

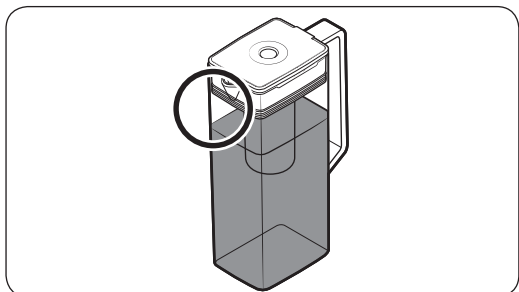


5. Para beber un té, abra la puerta del Centro de Bebidas (Tipo A) o la puerta izquierda del frigorífico (Tipo B), y luego saque la jarra de agua. Tire de ella directamente hacia fuera.

- Para evitar que la jarra de agua se vuelque o gotee, asegúrese de esta quede encajada en su soporte.

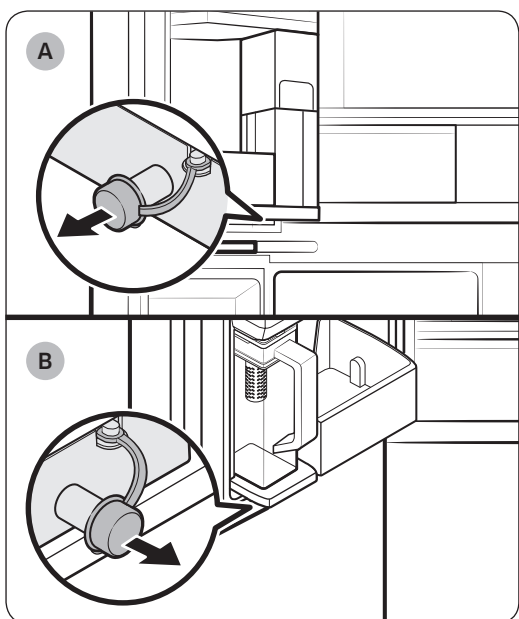
- Para evitar que la jarra de agua se derrame o gotee, asegúrese de que el soporte del infusor esté bien colocado.

# Funcionamiento



## NOTA

- Si la parte delantera (área específicamente marcada) de la jarra de agua tiene demasiada humedad, es posible que esta no se llene completamente. Limpie la humedad y vuelva a intentarlo.
- La función Jarra de autorrelleno dejará de suministrar agua a la jarra de agua si esta no se llena después de un cierto tiempo. Si esto sucede, compruebe que la tubería de agua está correctamente conectada. Retire y vuelva a colocar la jarra de agua, y luego vuelva a intentarlo.



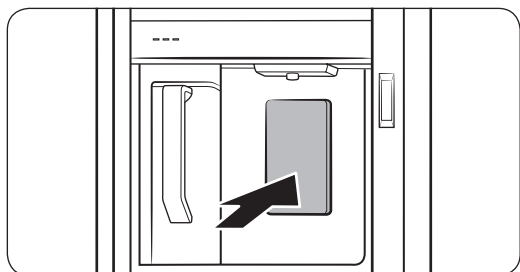
A. Modelos tipo A

B. Modelos tipo B

## NOTA

- Limpie alrededor del soporte de la jarra de agua si esta se desborda o tiene una fuga.
- El agua cae si la tapa de goma se abre.
- Aparece un mensaje de alerta en el panel de control si hay una fuga. En caso de fuga, abra la tapa de goma para que el agua que se ha filtrado se drene. Si el mensaje de alerta no desaparece después del drenaje, puede haber un fallo en el sistema. Póngase en contacto con su centro de servicio local de Samsung.

## Dispensador de agua (solo modelos aplicables)



Para dispensar agua fría, abra el Centro de Bebidas y presione la palanca del dispensador.

### NOTA

- El dispensador dejará de dispensar si mantiene pulsada la palanca durante más de 1 minuto. Para dispensar más agua, suelte y vuelva a empujar la palanca.
- Para impedir que el agua se derrame ponga el vaso directamente debajo del dispensador.
- Si durante 2 o 3 días no usa el dispensador, el agua puede tener un olor o sabor extraño. No se trata de un fallo del sistema. Deseche los 1 o 2 primeros vasos de agua.

### Turbiedad del agua

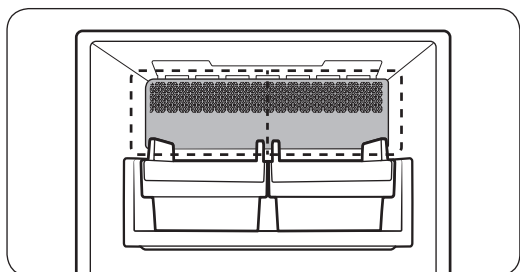
El agua que se suministra al frigorífico pasa por un filtro alcalino. Durante este proceso de filtración, la presión del agua aumenta y el agua se satura de oxígeno y nitrógeno. Esto hace que el agua parezca turbia temporalmente al dispensarse. Esto es normal y el agua se verá clara después de unos segundos.

# Funcionamiento

## Fabrica de hielo automática (solo modelos aplicables)

El frigorífico tiene una máquina de hielo incorporada que dispensa hielo automáticamente.

- El diseño general o los accesorios pueden variar según el modelo.



- Este producto tiene dos tipos de máquinas de hielo.

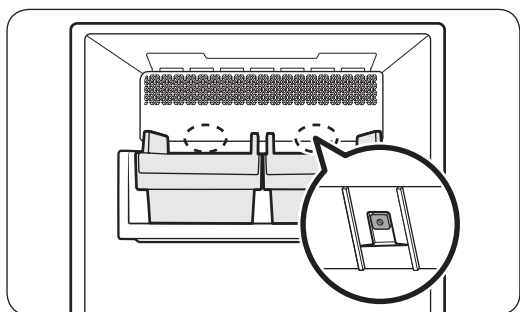
### Fabricación de hielo

Una vez instalado y enchufado el frigorífico, siga las instrucciones para garantizar una correcta fabricación de hielo y mantener el depósito de hielo.

#### Antes de usar por primera vez

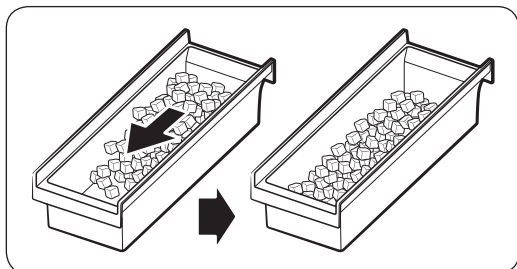
- Deje que la máquina fabrique hielo durante 1 o 2 días.
- Deseche los 1 o 2 primeros depósitos de hielo para eliminar las impurezas del sistema de suministro de agua.

#### Diagnóstico



- El diseño general o los accesorios pueden variar según el modelo.
- Si no se dispensa el hielo, primero compruebe el estado de la máquina de hielo usando el botón **Prueba** en la parte inferior de la máquina de hielo.
- Pulse el botón **Prueba** en la parte inferior de la máquina de hielo. Al pulsar el botón, oirá una señal acústica (campanilla). Oirá otra señal acústica si la máquina de hielo funciona correctamente.



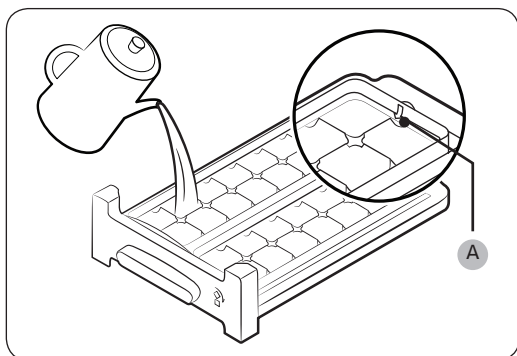


- Es normal que el hielo se acumule en un lado de la bandeja. Disponga el hielo de manera uniforme en la bandeja para almacenar más hielo.

### ⚠ PRECAUCIÓN

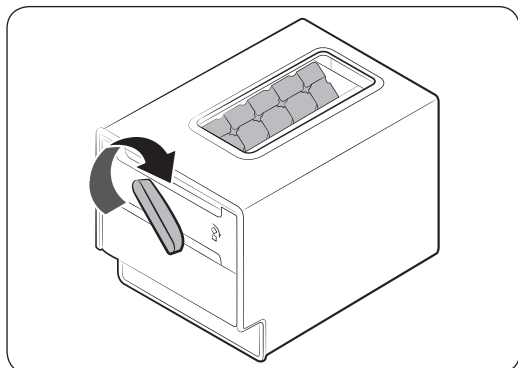
- Si se deja la tubería de agua desconectada, la válvula de agua puede producir un zumbido con el tiempo. Si este es el caso, asegúrese de apagar la función de fabricación de hielo (cubitos de hielo / trocitos de hielo).
- Si la señal acústica de la máquina de hielo suena repetidamente, póngase en contacto con el instalador de la tubería o con un centro de servicio local de Samsung.
- No ponga alimentos en el depósito de hielo. Los alimentos congelados pueden dañar la máquina de hielo, en especial al abrir o cerrar la puerta.
- Cuando el frigorífico recupera el suministro eléctrico después de un corte, el depósito de hielo puede contener una mezcla de cubitos de hielo derretidos y pegados, lo que puede impedir que la máquina de hielo funcione correctamente. Para evitarlo, asegúrese de vaciar el depósito de hielo antes de usar el frigorífico.
- No introduzca los dedos ni otros objetos en la máquina de hielo. Hay riesgo de lesiones físicas o daños materiales.
- Debido a la sublimación, el hielo almacenado en el congelador durante mucho tiempo se hace más pequeño y luego forma grandes trozos de hielo. Por lo tanto, si va a pasar mucho tiempo antes de usar el hielo, apague la máquina de hielo de la siguiente manera.
- Utilice únicamente los nuevos tubos suministrados con el aparato. No vuelva a utilizar el juego de tubos viejos.

### Fabrica de hielo de palanca (solo modelos aplicables)

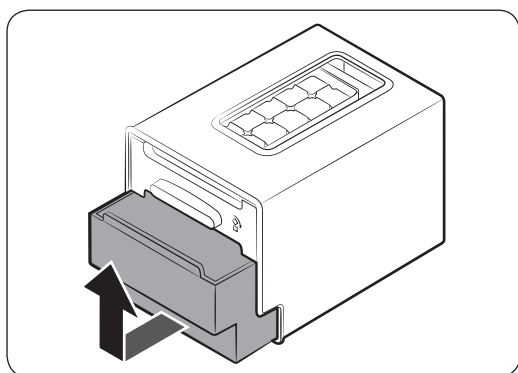


1. Abra la puerta del congelador y deslice la bandeja de hielo hacia afuera.
2. Llene de agua la bandeja hasta el nivel máximo (A) marcado en la parte interna posterior de la bandeja.
3. Vuelva a colocar la bandeja en su lugar.

# Funcionamiento



4. Cuando el agua se congele en cubitos de hielo, gire el tirador de la bandeja de hielo en el sentido de las agujas del reloj para vaciar los cubitos de hielo en el cajón de hielo. Repita esta operación hasta vaciar todos los cubitos en el cajón de hielo.



5. Para retirar el cajón de hielo, levántelo y tire de él suavemente.

## PRECAUCIÓN

- No use el cajón de hielo exclusivamente para hacer hielo. Se podría romper.
- Asegúrese de que el cajón de hielo está colocado debajo de la bandeja de hielo.
- El cajón de hielo tiene un orificio de drenaje en la parte inferior.
  - No almacene hielo en el cajón a temperatura ambiente. El hielo se derrite y el agua se derrama.
  - En caso de fallo eléctrico, el hielo se derretirá y el agua se derramará. Cuando se recupera la energía, el agua derramada se puede volver a congelar y hacer que el cajón se rompa. Para prevenir los daños al cajón, retire y vacíe la caja después de un fallo eléctrico.
  - Utilice solo agua potable.

## NOTA

- El tiempo de fabricación del hielo depende de la temperatura ajustada.

# Mantenimiento

## Manipulación y cuidado

### Depósito de hielo (solo modelos aplicables)

Si no se dispensa hielo durante un período prolongado, el hielo puede amontonarse en el depósito. Si ocurre esto, retire el depósito y vacíelo.

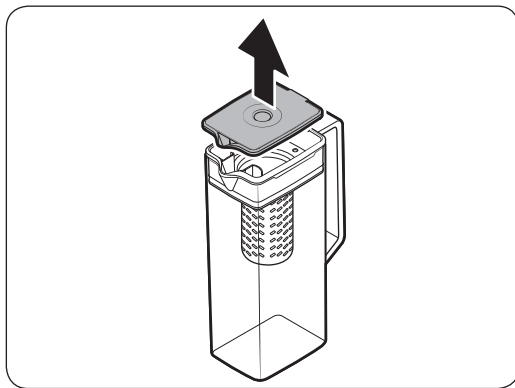
#### PRECAUCIÓN

- Para evitar lesiones, limpie el hielo o el agua que haya caído al suelo.
- Para evitar accidentes o lesiones, no deje que los niños jueguen con el dispensador de agua o con la máquina de hielo.
- Utilice solo el depósito de hielo suministrado. Los depósitos de hielo de terceros pueden originar un fallo del sistema.

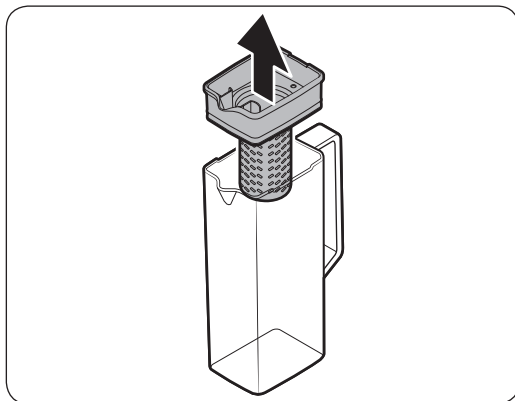
#### NOTA

- La presión del agua necesaria para la fabricación de hielo es de entre 206 y 861 kPa.
- El ruido que hace la máquina de hielo durante el proceso de fabricación de hielo es normal.

### Jarra de autorelleno (solo modelos aplicables)



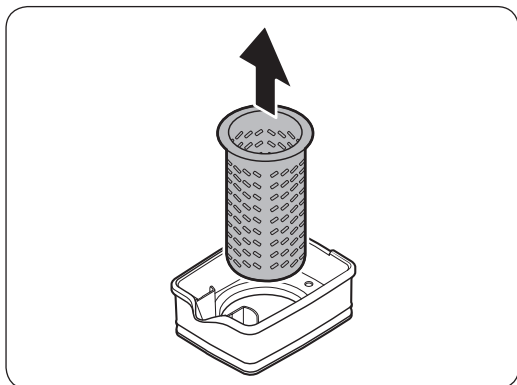
1. Sujete una ranura del asa de la **tapa**, y luego tire hacia arriba para retirarla.



2. Sujete ambos lados del **soporte del infusor**, y luego levántelo para sacarlo.

# Mantenimiento

---



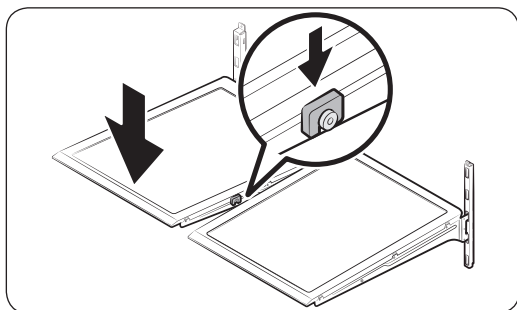
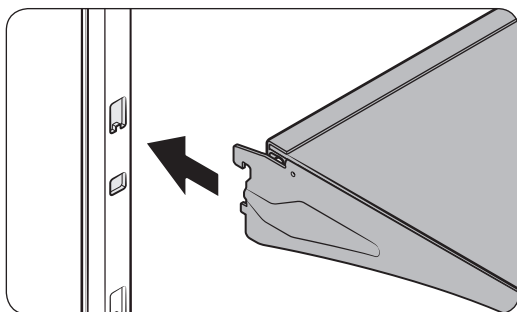
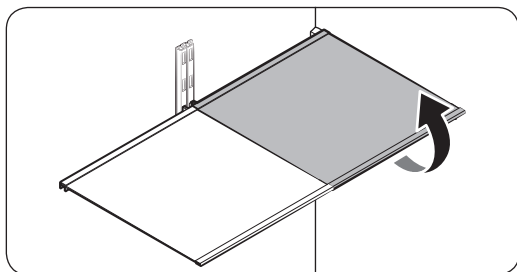
3. Mientras gira ligeramente el **infusor**, sáquelo de la boca sellada.
4. Limpie el **infusor** con jabón neutro y agua corriente. Enjuáguelo y séquelo bien.
5. Vuelva a montar la jarra de autorrelleno en el orden inverso al del desmontaje.

**⚠ PRECAUCIÓN**

La jarra del agua y la tapa no son aptas para el microondas, y pueden derretirse o deformarse si se exponen al calor (incluida el agua caliente). Por favor, lávelas a mano con agua fría o tibia según sea necesario.

## Estantes del frigorífico

La apariencia de los estantes cambia según el modelo.



- Para retirar un estante, abra del todo la puerta correspondiente. Sujete la parte frontal del estante y después levántelo y extráigalo con cuidado.

### **NOTA**

No levante por completo el estante cuando lo retire o lo vuelva a colocar. La pared trasera del espacio interior del frigorífico puede estar abollada.

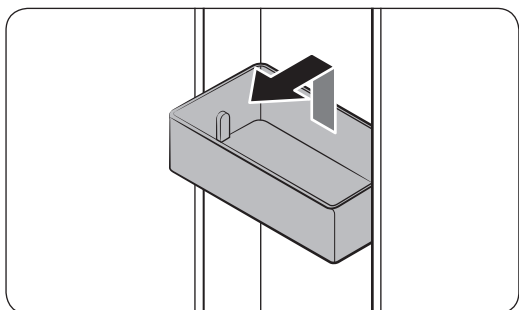
- Para reintroducirla, sostenga el estante en un ángulo de manera que la parte delantera esté más alta que la trasera, y luego introduzca el gancho superior en la hendidura del estante superior. Luego, baje el estante e introduzca el gancho del estante inferior en la hendidura del estante inferior.

### **PRECAUCIÓN**

- Los estantes de vidrio templado son pesados. Tenga cuidado al extraerlos.
- El estante debe insertarse correctamente. No lo instale boca abajo.
- Los contenedores de vidrio pueden rayar la superficie de los estantes de vidrio.

# Mantenimiento

## Compartimentos de la puerta



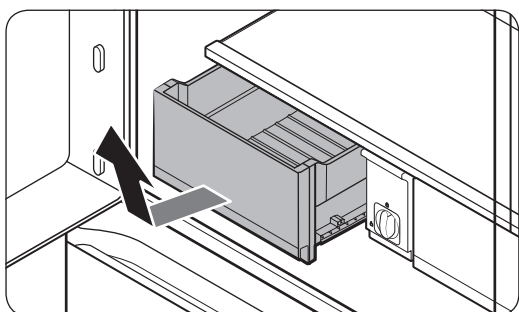
- Para extraer el **compartimento de la puerta**, sujételo por los lados delanteros y levántelo con cuidado para retirarlo.
- Para volver a colocarlo, introduzca el **compartimento de la puerta** ligeramente por encima de su posición final asegurándose de que la parte posterior del compartimento esté contra la puerta. Sujete la parte posterior del **compartimento de la puerta** con las dos manos y, a continuación, empuje hacia abajo hasta que se ajuste bien.

### ⚠ PRECAUCIÓN

- No saque un compartimento que esté lleno de comida. Vacíelo de antemano.
- Tenga cuidado al abrir la puerta si el compartimento del fondo contiene botellas más grandes, ya que pueden caerse.
- No deje que los niños jueguen con los compartimentos. Las esquinas puntiagudas del compartimento pueden causarles lesiones.

## Cajones del frigorífico

### Cajón de verduras / Cajón de verduras Flex



Levante con cuidado la parte frontal del cajón y deslícelo hacia afuera.

- Le aconsejamos extraer los compartimentos de la puerta antes que el cajón. De esta manera se evita que se produzcan daños en los compartimentos de la puerta.
- Para volver a introducirlo, inserte el cajón en los rieles del marco y luego deslícelo hacia adentro.

## Limpieza

### Interior y exterior

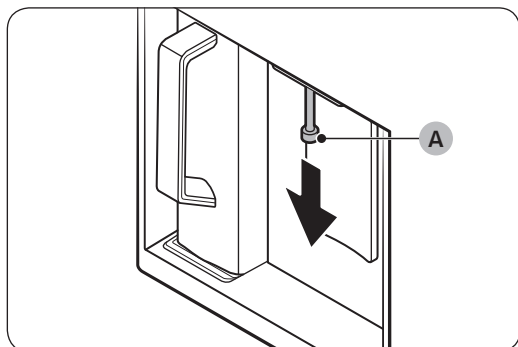
#### **ADVERTENCIA**

- No utilice benceno, disolventes, detergente para el hogar o el automóvil, ni Clorox™ para limpiar el frigorífico. Podría dañar la superficie del frigorífico y provocar un incendio.
- No rocíe agua sobre el frigorífico. Se podría producir una descarga eléctrica.

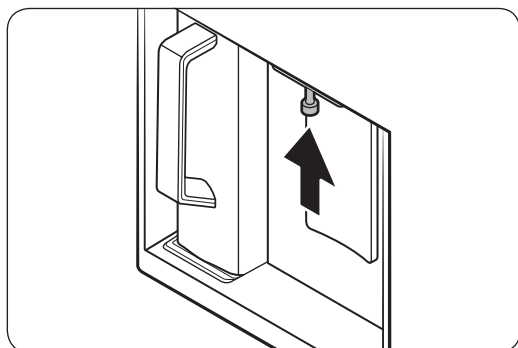
Utilice regularmente un paño seco para limpiar cualquier sustancia extraña, como polvo o agua, de los terminales del enchufe y los puntos de contacto.

1. Desenchufe el cable de alimentación.
2. Utilice un paño suave y sin pelusa o una toalla de papel humedecidos para limpiar el interior y el exterior del frigorífico.
3. A continuación, seque bien con un paño o una toalla de papel secos.
4. Enchufe el cable de alimentación.

### Boquilla dispensadora (solo modelos aplicables)



1. Sujete el extremo de la boquilla dispensadora (A).
2. Mientras gira la boquilla dispensadora (A) hacia la izquierda, tire de ella hacia abajo para sacarla del dispensador.



3. Limpie bien la boquilla dispensadora y luego vuelva a montarla.

#### **PRECAUCIÓN**

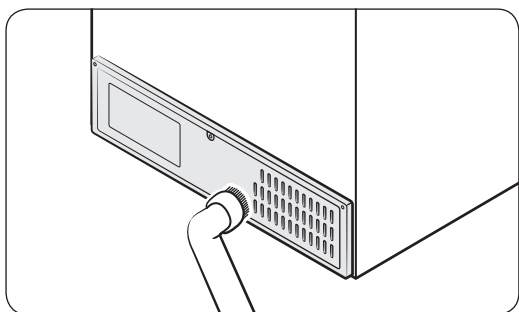
- Introduzca completamente la boquilla dispensadora, para que vuelva a su posición original.
- No utilice una esponja con textura rugosa para limpiar la boquilla dispensadora.

# Mantenimiento

## Cierres de goma

Si los cierres de goma de una puerta están sucios, es posible que la puerta no cierre bien y el rendimiento y la eficiencia del frigorífico se reduzcan. Use un detergente suave y un paño húmedo para limpiar los cierres de goma. Después séquelos bien con un paño.

## Panel posterior



Para mantener limpios los cables y las partes expuestas del panel posterior, aspire el panel una o dos veces al año.

### PRECAUCIÓN

No retire la tapa del panel posterior. Puede producirse una descarga eléctrica.

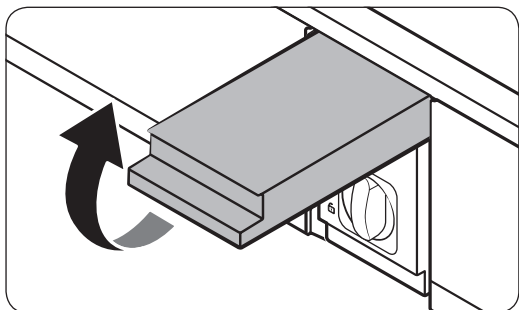
## Recambio

### Filtro de agua (solo modelos aplicables)

#### ADVERTENCIA

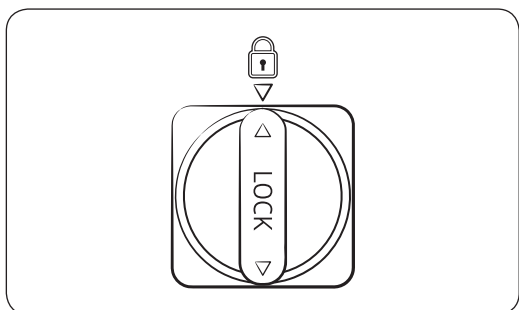
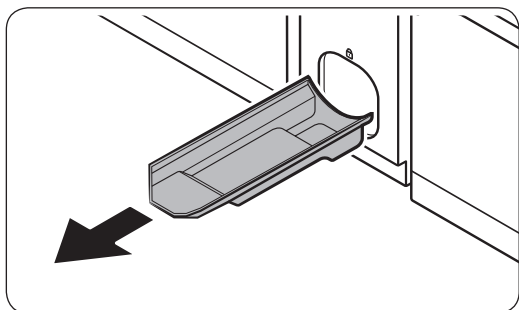
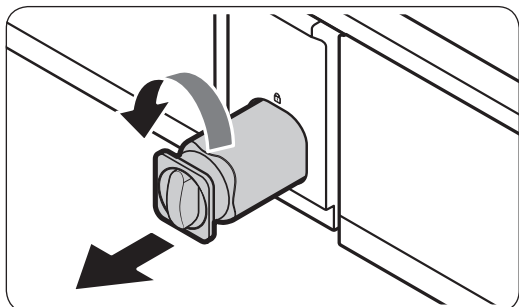
- No use filtros de agua de terceros. Utilice únicamente filtros proporcionados o aprobados por Samsung.
- Los filtros no aprobados pueden causar fugas y daños al refrigerador, que pueden provocar descargas eléctricas. Samsung no es responsable de ningún daño derivado del uso de filtros de agua de terceros.

El mensaje «Reemplazar el filtro de agua» aparece en el panel de control para avisarle que es hora de reemplazar el filtro de agua. Antes de reemplazar el filtro, asegúrese de que la llave del suministro de agua está cerrada.



1. Cierre la tubería de suministro de agua.
2. Abra la tapa del cartucho del filtro.





3. Gire la palanca del cartucho del filtro en el sentido contrario al de las agujas del reloj 90 grados (giro de  $\frac{1}{4}$ ). El cartucho del filtro se desbloquea.

4. Tire hacia fuera para extraer el cartucho.

- Si el filtro de agua está muy sucio, es posible que el cartucho no pueda retirarse fácilmente. Si es el caso, utilice la fuerza para retirar el cartucho.
- Al retirar el cartucho, tire de él directamente hacia fuera para evitar pérdidas de agua por la abertura del filtro.

5. Inserte un cartucho de filtro nuevo. Utilice únicamente filtros proporcionados o aprobados por Samsung.

6. Gire la palanca del cartucho en el sentido de las agujas del reloj para colocarlo en su lugar.

7. Cierre la tapa del cartucho del filtro.

8. En el panel de control, vaya a **More Options (Más opciones)**, y luego ejecute **Filter Reset (Restablecer filtro)**.

**NOTA**

- Un filtro recién instalado puede hacer que brevemente el agua brote con fuerza del dispensador de agua. Esto es debido a que ha entrado aire en la tubería.
- El proceso de reemplazo puede hacer que el dispensador de agua gotee durante un período corto de tiempo. Si gotea, simplemente limpie el agua del suelo con una toalla seca.

# Mantenimiento

## Sistema de filtración de agua por ósmosis inversa

La presión del agua del sistema de suministro a un sistema de filtración de agua por ósmosis inversa debe estar entre 206 y 861 kPa.

La presión del agua del sistema de filtración de agua por ósmosis inversa a la tubería de agua fría del frigorífico debe ser como mínimo de 206 kPa. Si la presión del agua es inferior a estas especificaciones:

- Compruebe si el filtro de sedimentos del sistema por ósmosis inversa está bloqueado. Reemplace el filtro si es necesario.
- Vuelva a llenar de agua el depósito de agua del sistema por ósmosis inversa.
- Si el frigorífico tiene filtro de agua, puede reducir la presión del agua cuando se utiliza conjuntamente con un sistema por ósmosis inversa. Retire el filtro de agua.

Para obtener más información o servicio técnico, póngase en contacto con un fontanero cualificado.

## Solicitud de un nuevo filtro

Para adquirir un nuevo filtro de agua, póngase en contacto con un centro de servicio local de Samsung.

## Lámparas LED

Para reemplazar las lámparas del frigorífico, póngase en contacto con un centro local de servicio técnico de Samsung.

### ADVERTENCIA

- El usuario no debe reemplazar las lámparas. No intente sustituir una lámpara usted mismo. Se puede producir una descarga eléctrica.

## Lámpara (fuente de luz)

Este producto contiene una fuente luminosa de la clase de eficiencia energética <G>.

La(s) lámpara(s) o los auxiliares eléctricos no son reparables por parte del usuario. Para sustituir la(s) lámpara(s) o los auxiliares eléctricos del producto, póngase en contacto con un centro local de servicio técnico de Samsung.

Para obtener instrucciones detalladas sobre la sustitución de la(s) lámpara(s) o los auxiliares eléctricos de su producto, visite el sitio web de Samsung (<http://www.samsung.com>), vaya a Support > Support home (Soporte > Página de inicio de soporte), y luego introduzca el nombre del modelo.

Para obtener instrucciones detalladas sobre el desmantelamiento de la(s) lámpara(s) o los auxiliares eléctricos, simplemente siga las instrucciones de sustitución, tal y como se ha descrito anteriormente.

# Solución de problemas

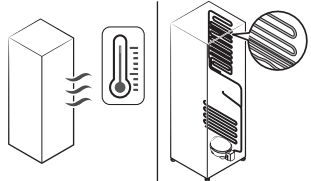
Antes de llamar al servicio técnico revise los siguientes puntos de comprobación. Las llamadas de servicio para situaciones normales (cuando no existe ningún defecto) se cobrarán a los usuarios.

## General

### Temperatura

Síntoma	Posibles causas	Solución
El frigorífico/congelador no funciona. La temperatura del frigorífico/congelador es elevada.	<ul style="list-style-type: none"><li>El cable de alimentación no está bien enchufado.</li></ul>	<ul style="list-style-type: none"><li>Enchufe correctamente el cable de alimentación.</li></ul>
	<ul style="list-style-type: none"><li>El control de temperatura no está configurado correctamente.</li></ul>	<ul style="list-style-type: none"><li>Configure una temperatura más baja.</li></ul>
	<ul style="list-style-type: none"><li>El frigorífico está instalado cerca de una fuente de calor o expuesto a la luz solar directa.</li></ul>	<ul style="list-style-type: none"><li>Mantenga el frigorífico alejado de la luz directa del sol y de las fuentes de calor.</li></ul>
	<ul style="list-style-type: none"><li>No hay suficiente espacio entre el frigorífico y las paredes o los muebles cercanos.</li></ul>	<ul style="list-style-type: none"><li>Asegúrese de dejar una holgura de al menos 5 cm entre la parte posterior y los lados del frigorífico y las paredes o los muebles cercanos.</li></ul>
El frigorífico/congelador enfría demasiado.	<ul style="list-style-type: none"><li>El frigorífico está demasiado lleno. Los alimentos bloquean las salidas de ventilación del frigorífico.</li></ul>	<ul style="list-style-type: none"><li>No sobrecargue el frigorífico. Evite que los alimentos bloqueen las salidas de ventilación.</li></ul>
	<ul style="list-style-type: none"><li>El control de temperatura no está configurado correctamente.</li></ul>	<ul style="list-style-type: none"><li>Configure una temperatura más alta.</li></ul>

# Solución de problemas

Síntoma	Posibles causas	Solución
La pared interior está caliente.	<ul style="list-style-type: none"> <li>El frigorífico cuenta con tuberías a prueba de calor en la pared interior.</li> </ul>	<ul style="list-style-type: none"> <li>Para evitar que se genere condensación, el frigorífico cuenta con tuberías a prueba de calor en las esquinas frontales. Si la temperatura ambiental aumenta, es posible que este sistema no funcione correctamente. No se trata de un fallo del sistema.</li> </ul> 

## Olores

Síntoma	Posibles causas	Solución
El frigorífico desprende olores.	<ul style="list-style-type: none"> <li>Alimentos en mal estado.</li> </ul>	<ul style="list-style-type: none"> <li>Limpe el frigorífico y elimine los alimentos en mal estado.</li> </ul>
	<ul style="list-style-type: none"> <li>Alimentos con olores fuertes.</li> </ul>	<ul style="list-style-type: none"> <li>Asegúrese de que los alimentos que despiden un olor fuerte están envueltos herméticamente.</li> </ul>

## Escarcha

Síntoma	Posibles causas	Solución
Escarcha alrededor de las salidas de ventilación.	<ul style="list-style-type: none"> <li>Los alimentos bloquean las salidas de ventilación.</li> </ul>	<ul style="list-style-type: none"> <li>Asegúrese de que no hay alimentos bloqueando las salidas de ventilación.</li> </ul>
Escarcha en las paredes interiores.	<ul style="list-style-type: none"> <li>La puerta no está bien cerrada.</li> </ul>	<ul style="list-style-type: none"> <li>Asegúrese de que no hay alimentos bloqueando la puerta. Limpie la junta de la puerta.</li> </ul>
Las frutas o las verduras se congelan.	<ul style="list-style-type: none"> <li>Ha almacenado frutas o verduras en Selección de enfriamiento+.</li> </ul>	<ul style="list-style-type: none"> <li>No almacene la mayoría de las frutas o verduras en Selección de enfriamiento+.</li> </ul>

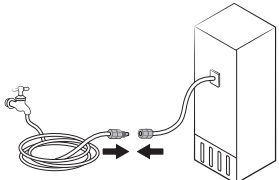
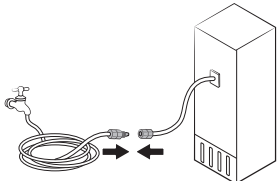
## Condensación

Síntoma	Posibles causas	Solución
Se forma condensación en las paredes interiores.	<ul style="list-style-type: none"><li>• Si se deja la puerta abierta, entra humedad en el frigorífico.</li></ul>	<ul style="list-style-type: none"><li>• Retire la humedad y no deje la puerta abierta durante un tiempo.</li></ul>
	<ul style="list-style-type: none"><li>• Alimentos con elevado contenido de humedad.</li></ul>	<ul style="list-style-type: none"><li>• Asegúrese de que los alimentos están envueltos herméticamente.</li></ul>

## Agua/hielo (solo modelos con dispensador)

Síntoma	Posibles causas	Solución
Sale menos agua de lo normal.	<ul style="list-style-type: none"><li>• La presión del agua es demasiado baja.</li></ul>	<ul style="list-style-type: none"><li>• Asegúrese de que la presión del agua está entre 206 y 861 kPa.</li></ul>
La máquina de hielo emite un zumbido.	<ul style="list-style-type: none"><li>• La función de fabricación de hielo está activada, pero el suministro de agua al frigorífico no está conectado.</li></ul>	<ul style="list-style-type: none"><li>• Apague la máquina de hielo.</li></ul>
La máquina de hielo no produce hielo.	<ul style="list-style-type: none"><li>• La máquina de hielo está recién instalada.</li></ul>	<ul style="list-style-type: none"><li>• Debe esperar 12 horas hasta que el frigorífico produzca hielo.</li></ul>
	<ul style="list-style-type: none"><li>• La temperatura del congelador es demasiado elevada.</li></ul>	<ul style="list-style-type: none"><li>• Ajuste la temperatura del congelador por debajo de <math>-18\text{ °C}</math> o <math>-20\text{ °C}</math> en ambientes cálidos.</li></ul>
	<ul style="list-style-type: none"><li>• La máquina de hielo está apagada.</li></ul>	<ul style="list-style-type: none"><li>• Encienda la máquina de hielo.</li></ul>

# Solución de problemas

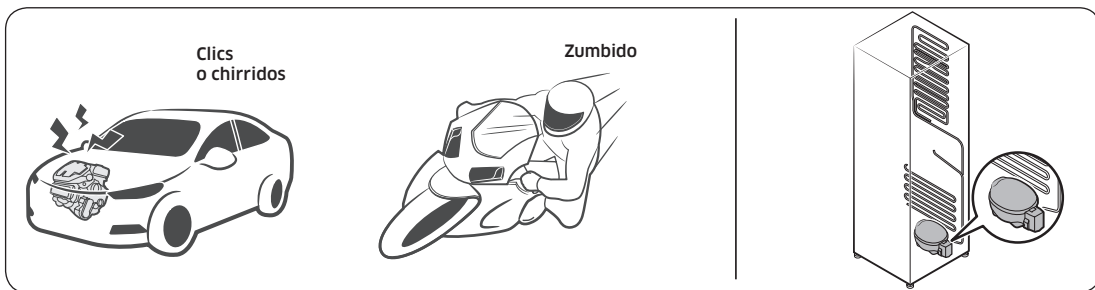
Síntoma	Posibles causas	Solución
No se dispensa hielo.	<ul style="list-style-type: none"> <li>El hielo puede atascarse si el dispensador de hielo no se utiliza durante un periodo de tiempo largo (unas 3 semanas).</li> </ul>	<ul style="list-style-type: none"> <li>Si no va a utilizar el frigorífico durante un período de tiempo prolongado, vacíe el depósito del hielo y apague la máquina de hielo.</li> </ul>
	<ul style="list-style-type: none"> <li>El depósito del hielo no está bien instalado.</li> <li>La tubería de agua no está bien conectada o el suministro de agua está cerrado.</li> </ul>	<ul style="list-style-type: none"> <li>Asegúrese de que el depósito del hielo está bien insertado.</li> <li>Revise si la tubería de agua está instalada correctamente. Revise si la válvula de cierre de la tubería de agua está cerrada.</li> </ul> 
No se dispensa agua.	<ul style="list-style-type: none"> <li>La tubería de agua no está bien conectada o el suministro de agua está cerrado.</li> </ul>	<ul style="list-style-type: none"> <li>Revise si la tubería de agua está instalada correctamente. Revise si la válvula de cierre de la tubería de agua está cerrada.</li> </ul> 
	<ul style="list-style-type: none"> <li>Se ha instalado un filtro de agua de otro fabricante.</li> </ul>	<ul style="list-style-type: none"> <li>Utilice únicamente filtros proporcionados o aprobados por Samsung.</li> <li>Los filtros no aprobados pueden causar fugas y daños al frigorífico.</li> </ul>
	<ul style="list-style-type: none"> <li>El mensaje «Reemplazar el filtro de agua» aparece en el panel de control.</li> </ul>	<ul style="list-style-type: none"> <li>Reemplace el filtro de agua. Luego, en el panel de control, vaya a <b>More Options (Más opciones)</b>, y luego ejecute <b>Filter Reset (Restablecer filtro)</b>.</li> </ul>

## ¿Se oyen ruidos anómalos procedentes del frigorífico?

Antes de llamar al servicio técnico revise los siguientes puntos de comprobación. Las llamadas de servicio relacionadas con ruidos anómalos se cobrarán a los usuarios.

### Estos ruidos son normales.

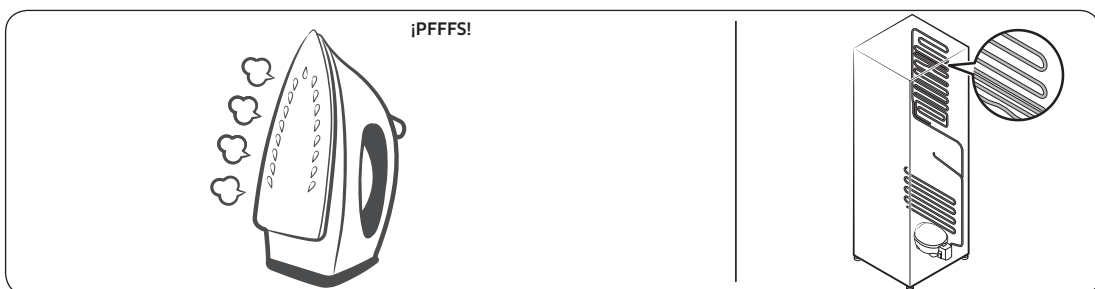
- Al principio o al final de una operación, el frigorífico puede hacer unos ruidos similares al encendido del motor de un coche. Cuando la operación se estabiliza, el ruido disminuye.



- Quando el ventilador está en funcionamiento puede producir algunos ruidos. Cuando el frigorífico alcanza la temperatura establecida, el ventilador deja de hacer ruido.

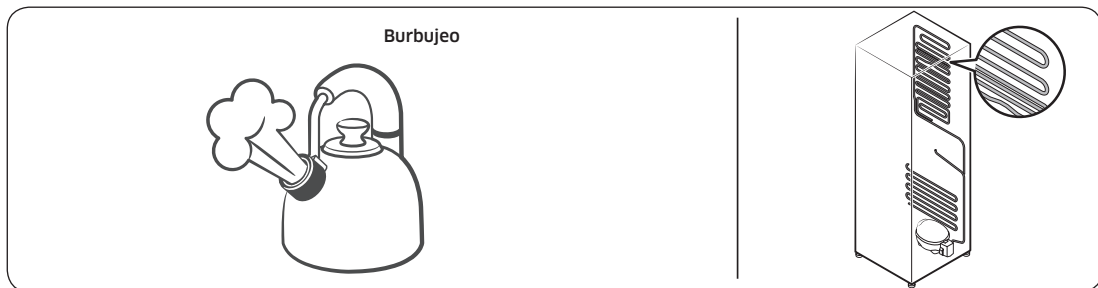


- Durante un ciclo de descongelación, pueden caer gotas de agua sobre el calefactor y producir como un burbujeo.

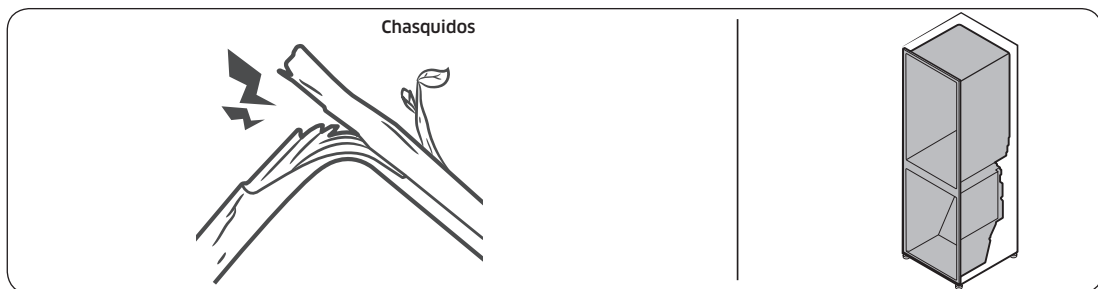


# Solución de problemas

- Cuando el refrigerador enfría o congela, el gas refrigerante circula por las tuberías selladas y produce un ruido de borboteo.



- Cuando la temperatura del refrigerador aumenta o disminuye, las partes de plástico se contraen y se expanden y producen ruidos de golpeteo. Dichos ruidos se producen durante el ciclo de descongelación o cuando funcionan las piezas electrónicas.



- Para modelos con máquina de hielo: Cuando la válvula de agua se abre para llenar la máquina de hielo, pueden emitirse unos zumbidos.
- Debido a la equalización de la presión cuando se abre y cierra la puerta del refrigerador, pueden producirse sonidos silbantes.



## SmartThings

Síntoma	Acción
No se encuentra «SmartThings» en el mercado de aplicaciones.	<ul style="list-style-type: none"><li>La aplicación SmartThings no se encuentra disponible para algunas tabletas e iPad, y para algunos teléfonos.<ul style="list-style-type: none"><li>admiten [Android] OS 8.0 o superior (mínimo 2GB RAM)</li><li>admiten [iOS] 12.0 o superior / iPhone6 o superior.</li></ul></li></ul>
La aplicación SmartThings no funciona.	<ul style="list-style-type: none"><li>La aplicación SmartThings solo está disponible para los modelos aplicables.</li><li>La antigua aplicación Samsung Smart Refrigerator no se puede conectar con los modelos Samsung Smart Home.</li></ul>
La aplicación SmartThings está instalada pero no está conectada a mi frigorífico.	<ul style="list-style-type: none"><li>Para usar la aplicación debe iniciar sesión en su cuenta de Samsung.</li><li>Asegúrese de que el enrutador funciona adecuadamente.</li><li>Si el icono de la wifi en la pantalla del frigorífico está apagado, esto indica que todavía no se ha establecido ninguna conexión de red. En este caso, utilice la aplicación SmartThings para conectar y registrar su frigorífico al punto de acceso (PA) de su hogar.</li></ul>
No puedo iniciar sesión en la aplicación.	<ul style="list-style-type: none"><li>Para usar la aplicación debe iniciar sesión en su cuenta de Samsung.</li><li>Si no tiene una cuenta de Samsung, siga las instrucciones en pantalla de la aplicación para crear una.</li></ul>
Se muestra un mensaje de error cuando intento registrar el frigorífico.	<ul style="list-style-type: none"><li>La Easy Connection puede fallar debido a la distancia con el punto de acceso (PA) o por interferencias eléctricas del entorno. Espere un momento y vuelva a intentarlo.</li></ul>
La aplicación SmartThings se ha conectado correctamente al refrigerador, pero no funciona.	<ul style="list-style-type: none"><li>Salga y reinicie la aplicación SmartThings, o desconecte y vuelva a conectar el enrutador.</li><li>Desenchufe el frigorífico y vuelva a enchufarlo al cabo de 1 minuto.</li></ul>

# Open Source Announcement

---

The software included in this product contains open source software.

The following URL [http://opensource.samsung.com/opensource/SMART\\_TP2\\_0/seq/0](http://opensource.samsung.com/opensource/SMART_TP2_0/seq/0) leads to open source license information as related to this product.



# Apéndice

## Instrucciones de seguridad

- Para un uso más eficiente de la energía, mantenga todos los accesorios internos, como cestas, cajones, estantes y bandejas de cubitos de hielo, en la posición en la que los entrega el fabricante.
- Este aparato frigorífico no está diseñado para utilizarse como aparato empotrado.

## Instrucciones de instalación

### Para los aparatos frigoríficos con clase climática

Según la clase climática, este aparato frigorífico está diseñado para utilizarse en el rango de temperaturas ambiente como se especifica en la tabla siguiente.

La clase climática se encuentra en la placa de características. Es posible que el producto no funcione correctamente a temperaturas fuera del rango específico.

Puede encontrar la clase climática en la etiqueta del interior de su frigorífico

### Rango de temperatura efectiva

Este frigorífico está diseñado para funcionar normalmente en el rango de temperatura especificado por su categoría de calificación.

Clase	Símbolo	Rango de temperatura ambiente (°C)	
		IEC 62552 (ISO 15502)	ISO 8561
Templado prolongado	SN	+10 a +32	+10 a +32
Templado	N	+16 a +32	+16 a +32
Subtropical	ST	+16 a +38	+18 a +38
Tropical	T	+16 a +43	+18 a +43

### NOTA

La capacidad de enfriamiento y el consumo de energía del frigorífico pueden verse afectados por la temperatura ambiente, la frecuencia con que se abre la puerta y la ubicación del electrodoméstico. Se recomienda ajustar las configuraciones de la temperatura según sea apropiado.

# Apéndice

---

## Instrucciones sobre la temperatura

---

### Temperatura recomendada

Ajuste perfecto de temperatura para el almacenamiento de alimentos:

- Frigorífico: 3 °C
- Congelador: -19 °C



#### NOTA

El ajuste de temperatura óptimo de cada compartimento depende de la temperatura ambiente. Por encima de la temperatura ambiente se basa en la temperatura ambiente de 25 °C.

### Enfriamiento rápido

Enfriamiento rápido acelera el proceso de enfriamiento con la velocidad máxima del ventilador. El frigorífico funciona a la máxima velocidad durante dos horas y media, y luego vuelve a la temperatura anterior.

### Congelación rápida

Congelación rápida acelera el proceso de congelación a su máxima velocidad. El congelador funciona a la máxima velocidad durante 50 horas y luego vuelve a la temperatura anterior. Para congelar grandes cantidades de alimentos, active Congelación rápida al menos 20 horas antes de guardar alimentos en el congelador.



#### NOTA

El uso de esta función aumenta el consumo energético del frigorífico. No se olvide de desactivarla cuando no la utilice y restablezca el ajuste de temperatura original del congelador.

### Cómo almacenar para una mejor conservación (solo modelos aplicables)

Tape los alimentos para que retengan la humedad y para evitar que adquieran olores de otros alimentos. Los grandes recipientes de comida como sopas o guisos deben dividirse en porciones menores y colocarse en recipientes menos profundos antes de refrigerarse. Los cortes grandes de carne o las aves enteras deben dividirse en trozos más pequeños y colocarse en recipientes menos profundos antes de refrigerarse.

## Colocación de los alimentos

Estantes	Los estantes deben poder ajustarse para almacenar diferentes envases.
Compartimento especializado (solo modelos aplicables)	Los cajones sellados son el ambiente perfecto para almacenar frutas y verduras. Las verduras necesitan condiciones de mayor humedad, mientras que las frutas necesitan condiciones de menor humedad. Los cajones de verduras están equipados con dispositivos de control que controlan el nivel de humedad. (*En función del modelo y opciones) Un cajón para carne con temperatura regulable maximiza el tiempo de almacenamiento de carnes y quesos.
Almacenamiento en la puerta	No almacene alimentos perecederos en la puerta. Los huevos deben almacenarse en el cartón o en una estante. La temperatura en los compartimentos de almacenamiento de la puerta fluctúa más que la temperatura del armario. Mantenga la puerta cerrada el mayor tiempo posible.
Compartimento del congelador	En el compartimento del congelador puede almacenar comida congelada, hacer cubos de hielo y congelar comida fresca.

### **NOTA**

Congele únicamente alimentos frescos y en buen estado. Mantenga separados los alimentos que vaya a congelar y los ya congelados. Para que los alimentos no pierdan su aroma ni se sequen, colóquelos en recipientes herméticos.

### **Cuadro de almacenamiento del frigorífico y el congelador**

La duración en que los alimentos permanecen frescos depende de la temperatura y de la exposición a la humedad. Puesto que las fechas en los productos no son una guía para su consumo seguro, consulte este cuadro y siga estos consejos.

#### Productos lácteos

Producto	Frigorífico	Congelador
Leche	1 semana	1 mes
Mantequilla	2 semanas	12 meses
Helado	-	2-3 semanas
Queso natural	1 mes	4-6 meses
Queso para untar	2 semanas	No recomendado
Yogur	1 mes	-

# Apéndice

---

## Carne

Producto	Frigorífico	Congelador
Chuletas, filetes y asados frescos	3-4 días	2-3 meses
Carne picada fresca y carne para guisar	1-2 días	3-4 meses
Panceta	7 días	1 mes
Salchichas, carne cruda de cerdo, ternera, pavo	1-2 días	1-2 meses

## Aves / Huevos

Producto	Frigorífico	Congelador
Aves frescas	2 días	6-8 meses
Ensalada de pollo	1 día	-
Huevos, frescos en estante	2-4 semanas	No recomendado

## Pescado / Marisco

Producto	Frigorífico	Congelador
Pescado fresco	1-2 días	3-6 meses
Pescado cocinado	3-4 días	1 mes
Ensalada de pescado	1 día	No recomendado
Pescado seco o en escabeche	3-4 semanas	-

## Fruta

Producto	Frigorífico	Congelador
Manzanas	1 mes	-
Melocotones	2-3 semanas	-
Piña	1 semana	-
Otra fruta fresca	3-5 días	9-12 meses

## Verduras

Producto	Frigorífico	Congelador
Espárragos	2-3 días	-
Brócoli, coles de Bruselas, guisantes, setas	3-5 días	-
Repollo, coliflor, apio, pepino, lechuga	1 semana	-
Zanahoria, remolacha, rábano	2 semanas	-

## Información para el modelo y el pedido de piezas de repuesto

### Información del modelo

Para acceder al registro EPREL del modelo:

1. Vaya a <https://eprel.ec.europa.eu>
2. Obtenga el identificador del modelo de la etiqueta energética del producto y escríbalo en el cuadro de búsqueda
3. Se muestra la información de la etiqueta energética del modelo

### Información sobre las piezas

- El período mínimo durante el cual se dispone de las piezas de repuesto necesarias para la reparación del aparato es
  - 7 años para termostatos, sensores de temperatura, placas de circuitos impresos y fuentes de luz, tiradores de puertas, bisagras de puertas, bandejas, cestas (cajas o cajones)
  - 10 años para juntas de puertas
- La duración mínima de la garantía del aparato frigorífico ofrecida por el fabricante es de 24 meses.
- Información pertinente para solicitar piezas de repuesto, directamente o a través de otros canales proporcionados por el fabricante, el importador o el representante autorizado.
- Puede encontrar información sobre reparación profesional en <http://samsung.com/support>  
Puede encontrar el manual de mantenimiento del usuario en <http://samsung.com/support>.

## **NOTA**

Por la presente, Samsung declara que este equipo de radio cumple con la Directiva 2014/53/UE y con los requisitos legales pertinentes en el Reino Unido.

El texto completo de la declaración de conformidad de la Unión Europea y de la declaración de conformidad del Reino Unido está disponible en la siguiente dirección de Internet: La declaración de conformidad oficial puede encontrarse en <http://www.samsung.com>; vaya a Soporte > Buscar soporte del producto, e introduzca el nombre del modelo.

	Rango de frecuencia	Potencia del transmisor (máx.)
Wifi	2412 - 2472 MHz	20 dBm
Bluetooth	2402 - 2480 MHz	20 dBm

## Contacto con SAMSUNG WORLD WIDE

Si tiene preguntas o comentarios relacionados con los productos Samsung, póngase en contacto con el centro de atención al cliente de SAMSUNG.

País	Centro de contacto	Sitio web
CYPRUS	8009 4000 only from landline, toll free	www.samsung.com/gr/support
GREECE	80111-SAMSUNG (80111 726 7864) only from land line (+30) 210 6897691 from mobile and land line	
ITALIA	800-SAMSUNG (800.7267864)	www.samsung.com/it/support
PORTUGAL	808 207 267	www.samsung.com/pt/support
SPAIN	91 175 00 15	www.samsung.com/es/support



DA68-04023P-01





# Frigorífico

## Manual do utilizador

Aparelho não encastrável

**SAMSUNG**

# Índice

---

<b>Informações de segurança</b>	<b>4</b>
Informações a ter em conta sobre as instruções de segurança	4
Símbolos e precauções de segurança importantes:	6
Precauções de segurança importantes	7
Sinais de aviso importantes relativamente ao transporte e localização	10
Avisos muito importantes relativamente à instalação	11
Chamadas de atenção relativamente à instalação	14
Avisos muito importantes relativamente à utilização	14
Chamadas de atenção relativamente à utilização	19
Chamadas de atenção relativamente à limpeza	21
Avisos muito importantes relativamente à eliminação	23
Sugestões adicionais para uma utilização adequada	24
Instruções sobre REEE	25
<b>Instalação</b>	<b>26</b>
Visão geral do frigorífico	27
Instalação passo a passo	31
<b>Operações</b>	<b>49</b>
Painel de controlo	49
SmartThings	53
Funções especiais	57
<b>Manutenção</b>	<b>64</b>
Manuseamento e cuidado	64
Limpeza	68
Substituição	69
<b>Resolução de problemas</b>	<b>72</b>
Geral	72
Ouve sons estranhos vindos do frigorífico?	76
SmartThings	78
<b>Open Source Announcement</b>	<b>79</b>

---

<b>Apêndice</b>	<b>80</b>
Instrução de segurança	80
Instrução de instalação	80
Instrução de temperatura	81
Informações sobre o modelo e a encomenda de peças de substituição	84



# Informações de segurança

---

Antes de utilizar o seu novo frigorífico Samsung, leia atentamente este manual para saber como utilizar de forma segura e eficaz as funcionalidades e funções deste novo aparelho.

## Informações a ter em conta sobre as instruções de segurança

---

- Os avisos e instruções de segurança importantes deste manual não abordam todas as condições e situações que poderão ocorrer. É da sua responsabilidade ter bom senso, atenção e cuidado durante a instalação, manutenção e utilização do aparelho.
- Uma vez que as instruções de funcionamento que se seguem abrangem vários modelos, as características do seu frigorífico podem diferir ligeiramente das descritas neste manual, não sendo eventualmente aplicáveis todos os sinais de aviso. Caso tenha alguma dúvida ou problema, contacte o centro de assistência mais perto de si ou procure informações e peça ajuda online acedendo a [www.samsung.com](http://www.samsung.com).
- O gás R-600a ou R-134a é utilizado como refrigerante. Verifique a etiqueta do compressor na parte posterior do aparelho ou a etiqueta de classificação no interior do frigorífico para saber qual o refrigerante utilizado no seu aparelho. Se este produto contiver gás inflamável (refrigerante R-600a), contacte as autoridades locais para saber como eliminar este produto em segurança.
- Para evitar a formação de uma mistura inflamável de gás e ar, na eventualidade de uma fuga no circuito de refrigeração, o tamanho da divisão onde o aparelho poderá ser instalado depende da quantidade de refrigerante utilizado.
- Nunca ligue um aparelho que aparente estar danificado. Em caso de dúvida, consulte o seu distribuidor. A divisão tem de ter 1 m<sup>3</sup> de dimensão para cada 8 g de refrigerante R-600a no interior do aparelho. A quantidade de refrigerante neste aparelho está indicada na placa de identificação que se encontra no interior do mesmo.



- 
- Uma fuga do gás refrigerante dos tubos pode fazer com que se inflame ou provocar uma lesão ocular. Se o refrigerante verter do tubo, evite todo o tipo de chamas, afaste todo o tipo de objetos inflamáveis do produto e ventile imediatamente a divisão.
    - Se não o fizer, poderá provocar um incêndio ou uma explosão.
  - Para evitar a contaminação de alimentos, respeite as seguintes instruções:
    - Deixar a porta aberta durante muito tempo pode originar um aumento de temperatura significativo nos compartimentos do aparelho.
    - Limpe regularmente as superfícies que estejam em contacto com alimentos e sistemas de drenagem acessíveis.
    - Se os depósitos de água não tiverem sido utilizados durante 48 horas, limpe-os; se a água for a mesma durante 5 dias, lave o sistema de abastecimento de água ligado a uma fonte de abastecimento de água.
    - Armazene carne e peixe crus em recipientes adequados no frigorífico, de modo a não entrarem em contacto com outros alimentos e para que não pinguem sobre estes.
    - Os compartimentos de alimentos congelados de duas estrelas são adequados para armazenar alimentos pré-congelados e para armazenar ou fazer gelados; também são adequados para fazer cubos de gelo.
    - Os compartimentos de uma, duas e três estrelas não são adequados para congelar alimentos frescos.
    - Se o aparelho de refrigeração ficar vazio durante muito tempo, desligue-o, descongele-o, limpe-o, seque-o e deixe a sua porta aberta para evitar a formação de bolor no seu interior.



# Informações de segurança

---

## Símbolos e precauções de segurança importantes:

---

Siga todas as instruções de segurança neste manual. Este manual utiliza os seguintes símbolos de segurança.

### **AVISO**

Perigos ou práticas pouco seguras que podem resultar em **ferimentos graves, danos materiais e/ou morte**.

### **ATENÇÃO**

Perigos ou práticas pouco seguras que podem resultar em **ferimentos graves e/ou danos materiais**.

### **NOTA**

Informação útil que ajuda o utilizador a familiarizar-se e a tirar o máximo partido do frigorífico.

Estes sinais de aviso destinam-se a evitar ferimentos em qualquer pessoa.

Respeite-os.

Depois de ler esta secção, guarde-a num local seguro para referência futura.



---

## Precauções de segurança importantes

---



Aviso; risco de incêndio/materiais inflamáveis

### **AVISO**

- Ao instalar o aparelho, assegure-se de que o cabo de alimentação não está preso nem danificado.
- Não coloque extensões de tomadas múltiplas nem fontes de alimentação portáteis atrás do aparelho.
- Encha apenas com água potável.
- Ligue o frigorífico apenas a uma fonte de abastecimento de água potável.
- Mantenha as aberturas de ventilação do aparelho e da estrutura incorporada desobstruídas.
- Não utilize dispositivos mecânicos ou quaisquer outros meios para acelerar o processo de descongelação, que não sejam os recomendados pelo fabricante.
- Não danifique o circuito de refrigeração.
- Não utilize aparelhos elétricos dentro dos compartimentos do frigorífico destinados à conservação de alimentos, a menos que sejam do tipo recomendado pelo fabricante.
  
- Este aparelho não se destina a ser utilizado por pessoas (incluindo crianças) com capacidades físicas, sensoriais ou mentais reduzidas, nem por pessoas com falta de experiência e conhecimentos, exceto se forem supervisionadas ou lhes tiverem sido dadas instruções sobre a utilização do aparelho por uma pessoa responsável pela sua segurança.

## Informações de segurança

---

- Este aparelho pode ser utilizado por crianças com idade igual ou superior a oito anos, por pessoas com capacidades mentais, sensoriais ou físicas reduzidas ou por pessoas com falta de experiência e conhecimentos de utilização desde que sejam supervisionadas ou tenham recebido instruções relativas à utilização segura do aparelho e que percebam os eventuais riscos envolvidos. As crianças não devem brincar com o aparelho. A limpeza e manutenção necessárias não devem ser feitas por crianças sem supervisão de um adulto responsável. As crianças dos 3 aos 8 anos podem carregar e descarregar aparelhos de refrigeração.
- Se o cabo de alimentação estiver danificado, tem de ser substituído pelo fabricante, pelo respetivo representante da assistência ou por agentes qualificados, para evitar qualquer tipo de risco.
- A tomada tem de ter acesso fácil, para que o aparelho possa ser desligado rapidamente da corrente, em caso de emergência.
  - Tem de estar fora da área da parte de trás do aparelho.
- Não armazene substâncias explosivas, tais como latas de aerossóis com um propulsor inflamável, neste aparelho.
- Se o produto estiver equipado com lâmpadas LED, não desmonte as proteções das lâmpadas nem substitua as lâmpadas LED sem assistência.
  - Contacte um centro de assistência técnica da Samsung.
  - Utilize apenas lâmpadas LED fornecidas pelo fabricante ou pelo representante da assistência.
- Devem ser utilizados novos conjuntos de mangueiras fornecidos com o aparelho e os conjuntos de mangueiras antigos não devem ser reutilizados.
- Ligue o sistema de abastecimento de água do frigorífico apenas a uma fonte de abastecimento de água potável. Para que o módulo de produção de gelo funcione corretamente, é necessária uma pressão de água de 206 a 861 kPa (30 a 125 psi).
- Para uma utilização mais eficiente da energia, mantenha todos os acessórios internos, tais como cestos, gavetas e prateleiras, na posição definida pelo fabricante.



- 
- Para obter a melhor eficiência energética deste produto, deixe todas as prateleiras, gavetas e cestos na sua posição original.

### Como minimizar o consumo de energia

- Instale o aparelho num local fresco e seco com ventilação adequada.
- Certifique-se de que não fica exposto à incidência direta de raios solares e nunca o coloque perto de uma fonte direta de calor (radiador, por exemplo).
  - Com vista à eficiência energética, recomenda-se que não bloqueie as aberturas de ventilação ou as grelhas.
  - Deixe arrefecer os alimentos quentes antes de os guardar no aparelho.
  - Coloque os alimentos congelados no frigorífico para descongelarem. Deste modo, pode utilizar as baixas temperaturas dos produtos congelados para arrefecer outros alimentos no frigorífico.
  - Não mantenha a porta do aparelho aberta durante muito tempo para colocar ou retirar alimentos.
  - Quanto menos tempo a porta estiver aberta, menos gelo se acumulará no congelador.
  - Limpe a parte posterior do frigorífico com regularidade. O pó aumenta o consumo de energia.
  - Não regule a temperatura para um nível mais baixo do que o necessário.
  - Certifique-se de que a saída de ar do frigorífico é suficiente na base e na parte posterior do mesmo. Não tape as aberturas de ventilação de ar.
  - Durante a instalação, deixe espaço de ambos os lados, bem como na parte posterior e superior. Estas medidas irão ajudá-lo a reduzir o consumo de energia e a manter as suas contas de eletricidade mais baixas.



# Informações de segurança

---

Este aparelho de uso doméstico destina-se também a ser utilizado em aplicações semelhantes como:

- em zonas de cozinha de funcionários em lojas, escritórios e em outros ambientes de trabalho;
- em casas de campo/quintas, hotéis, motéis e outros tipos de ambientes residenciais;
- em ambientes tipo pousada;
- em serviços de catering e em outras aplicações semelhantes que não se destinem a retalho.

## Sinais de aviso importantes relativamente ao transporte e localização

---

### AVISO

- Quando transportar e instalar o aparelho, deverá ter cuidado para garantir que nenhuma peça do circuito de refrigeração fica danificada.
  - Se houver fugas de refrigerante na tubagem, este poderá entrar em combustão ou provocar danos nos olhos. Se for detetada uma fuga, evite o contacto com chamas ou potenciais fontes de ignição e ventile a divisão na qual se encontra o aparelho durante vários minutos.
  - Este aparelho contém uma pequena quantidade de refrigerante isobutano (R-600a), um gás natural com elevada compatibilidade ambiental, embora seja também combustível. Quando transportar e instalar o aparelho, deverá ter cuidado para garantir que nenhuma peça do circuito de refrigeração fica danificada.
- Aquando do transporte e instalação do frigorífico, não toque no tubo de água na parte de trás do mesmo.
  - Isto poderá danificar o frigorífico e, conseqüentemente, o dispensador de água não poderá ser utilizado.



## Avisos muito importantes relativamente à instalação

### AVISO

- Não instale o frigorífico num local húmido ou num local onde possa ficar em contacto com água.
  - A deterioração do isolamento em componentes elétricos pode provocar choques elétricos ou incêndios.
- Não coloque este frigorífico num local com exposição solar direta ou próximo de fogões, aquecedores ou outros aparelhos que emanem calor.
- Não ligue vários aparelhos à mesma extensão elétrica. O frigorífico deve ser sempre ligado à sua própria tomada elétrica, devendo esta ter uma tensão nominal igual à indicada na placa sinalética do frigorífico.
  - Deste modo, obtém-se o melhor desempenho possível e também se evita a sobrecarga dos circuitos elétricos domésticos, o que pode provocar um incêndio resultante de cabos sobreaquecidos.
- Se a tomada estiver solta, não introduza a ficha.
  - Existe o risco de choque elétrico ou incêndio.
- Não utilize um cabo de alimentação que apresente fissuras ou desgaste na sua extensão ou em qualquer uma das extremidades.
- Não dobre excessivamente o cabo de alimentação nem coloque objetos pesados sobre o mesmo.
- Não puxe nem dobre excessivamente o cabo de alimentação.
- Não torça nem dê nós no cabo de alimentação.
- Não pendure o cabo de alimentação num objeto metálico, não coloque qualquer objeto pesado em cima do cabo de alimentação, não introduza o cabo entre objetos, nem o empurre para o espaço na parte de trás do aparelho.
- Se deslocar o frigorífico, tenha cuidado para não passar por cima do cabo de alimentação nem o danificar.
  - Tal pode resultar num choque elétrico ou num incêndio.

## Informações de segurança

---

- Nunca puxe o cabo de alimentação para desligar o frigorífico. Segure sempre bem a ficha e puxe a direito para a retirar da tomada.
  - Se o cabo estiver danificado, pode provocar um curto-circuito, um incêndio e/ou um choque elétrico.
- Não utilize aerossóis perto do frigorífico.
  - A utilização de aerossóis perto do frigorífico pode causar uma explosão ou um incêndio.
- Não instale este aparelho perto de um aquecedor ou de materiais inflamáveis.
- Não instale este aparelho num local onde possam ocorrer fugas de gás.
  - Tal pode resultar num choque elétrico ou num incêndio.
- Antes de utilizar o frigorífico, este tem de ser localizado e instalado corretamente de acordo com as instruções do manual.
- Ligue a ficha na posição correta com o cabo pendurado.
  - Se ligar a ficha ao contrário, o cabo pode ficar cortado e provocar um incêndio ou choque elétrico.
- Certifique-se de que a ficha não é esmagada nem danificada pela parte de trás do frigorífico.
- Mantenha os materiais de embalagem fora do alcance das crianças.
  - Existe o risco de morte por asfixia se uma criança colocar os materiais de embalagem na cabeça.
- Não instale este aparelho num local húmido, gorduroso ou sujo, num local com exposição solar direta, nem em contacto com água (chuva).
  - A deterioração do isolamento dos componentes elétricos pode provocar choques elétricos ou incêndios.
- Se existir algum pó ou água no frigorífico, desligue a ficha e contacte o seu centro de assistência Samsung Electronics.
  - Caso contrário, existe o risco de incêndio.

- Não se coloque em cima do aparelho, nem coloque objetos (tais como roupa, velas acesas, cigarros acesos, pratos, químicos, objetos de metal, etc.) sobre o mesmo.
  - Se o fizer, pode provocar um choque elétrico, um incêndio, outras falhas no produto ou ferimentos.
- Tem de retirar toda a película protetora de plástico antes de ligar o produto.
- As crianças devem ser vigiadas para impedir que brinquem com os anéis de retenção utilizados para o ajuste da porta ou com os grampos do tubo de água.
  - Existe o risco de morte por asfixia se uma criança engolir um anel de retenção ou um grampo do tubo de água. Mantenha os anéis de retenção e os grampos do tubo de água fora do alcance das crianças.
- O frigorífico tem de estar ligado à terra em segurança.
  - Antes de tentar investigar ou reparar qualquer componente do aparelho, certifique-se sempre de que o frigorífico está ligado à terra. As fugas de corrente podem provocar choques elétricos.
- Nunca utilize canos de gás, fios de telefone nem outros potenciais para-raios para a ligação à terra.
  - Tem de efetuar a ligação à terra do frigorífico de modo a evitar fugas de corrente ou choques elétricos provocados pela fuga de corrente do frigorífico.
  - Tal pode resultar em choque elétrico, incêndio, explosão ou danos no produto.
- Ligue a ficha de alimentação firmemente na tomada. Não utilize uma ficha ou um cabo de alimentação danificados ou uma tomada solta.
  - Tal pode resultar num choque elétrico ou num incêndio.
- O fusível existente no frigorífico tem de ser substituído por um técnico qualificado ou pela empresa de assistência.
  - Caso contrário, pode provocar um choque elétrico ou ferimentos.



# Informações de segurança

---

## Chamadas de atenção relativamente à instalação

---

### **ATENÇÃO**

- Instale o frigorífico num local com espaço suficiente à volta e sobre uma superfície plana.
  - Se o frigorífico não estiver nivelado, pode haver uma redução na eficiência de arrefecimento e na durabilidade do mesmo.
- Não coloque alimentos no aparelho no espaço de 2 a 3 horas após a instalação e a ligação.
- Recomendamos vivamente que solicite a instalação do frigorífico a um técnico qualificado ou a uma empresa de assistência.
  - Caso contrário, pode provocar um choque elétrico, incêndio, explosão, danos no produto ou ferimentos.

## Avisos muito importantes relativamente à utilização

---

### **AVISO**

- Não introduza a ficha numa tomada com as mãos molhadas.
  - Tal pode provocar um choque elétrico.
- Não coloque objetos sobre o aparelho.
  - Ao abrir ou fechar a porta, os objetos podem cair e provocar ferimentos e/ou danos materiais.
- Não introduza mãos, pés ou objetos metálicos (tais como pauzinhos chineses, etc.) debaixo ou na parte de trás do frigorífico.
  - Tal pode provocar um choque elétrico ou ferimento.
  - As pontas afiadas podem provocar ferimentos.
- Não toque nas paredes interiores do congelador nem nos produtos guardados no mesmo com as mãos molhadas.
  - Pode ficar com queimaduras de frio.
- Não coloque recipientes com água sobre o frigorífico.
  - Se se entornarem, podem provocar um incêndio ou um choque elétrico.



- Não coloque objetos ou substâncias voláteis ou inflamáveis (benzeno, diluente, gás propano, álcool, éter, gás de petróleo liquefeito e outros produtos semelhantes) no frigorífico.
  - Este frigorífico destina-se exclusivamente a armazenar alimentos.
  - Tal pode resultar em incêndio ou explosão.
- As crianças devem ser vigiadas para impedir que brinquem com o aparelho.
  - Mantenha os dedos afastados de zonas onde possa entalá-los. Os espaços entre as portas e o armário são muito pequenos. Tenha cuidado ao abrir as portas na presença de crianças.
- Não coloque os dedos e não permita que crianças coloquem os dedos entre as portas.
  - Mantenha os dedos afastados das folgas das portas à esquerda e à direita. Tenha cuidado ao abrir as portas se os seus dedos se encontrarem entre as mesmas.
- Não deixe que as crianças se pendurem na porta nem nos compartimentos da porta. Se o fizerem, podem ferir-se gravemente.
- Não deixe que as crianças entrem no frigorífico. Podem ficar presas no interior.
- Não coloque as mãos debaixo do aparelho.
  - Extremidades afiadas podem provocar ferimentos.
- Não guarde produtos farmacêuticos, materiais científicos ou produtos com requisitos especiais de temperatura no frigorífico.
  - Os produtos que requerem controlos de temperatura rigorosos não devem ser guardados dentro do frigorífico.
- Se lhe cheirar a produtos farmacêuticos ou a fumo, desligue imediatamente a ficha e contacte o centro de assistência da Samsung Electronics.
- Se entrar água ou pó para o frigorífico, desligue a ficha de alimentação e contacte o centro de assistência da Samsung Electronics.
  - Caso contrário, existe o risco de incêndio.

## Informações de segurança

---

- Não deixe que as crianças subam para as gavetas.
  - As gavetas podem partir-se e fazer com que as crianças escorreguem.
- Não deixe as portas do frigorífico abertas se estiver longe do mesmo e não permita que as crianças entrem no frigorífico.
- Não permita que bebês ou crianças entrem na gaveta do frigorífico.
  - Tal poderá provocar ferimentos ou a morte por asfixia, se ficarem presas no interior.
- Não encha demasiado o frigorífico com alimentos.
  - Ao abrir a porta, pode cair um produto e causar ferimentos ou danos materiais.
- Não vaporize materiais voláteis, tais como inseticidas, sobre a superfície do aparelho.
  - Além de serem prejudiciais para os seres humanos, também podem provocar choques elétricos, incêndios ou outras falhas no produto.
- Nunca coloque os dedos ou outros objetos no orifício do dispensador de água, na calha para gelo ou no depósito do módulo de produção de gelo.
  - Tal pode provocar ferimentos ou danos materiais.
- Não utilize nem coloque substâncias sensíveis às temperaturas, tais como sprays ou objetos inflamáveis, gelo seco, medicamentos ou produtos químicos perto ou dentro do frigorífico.
- Não utilize um secador de cabelo para secar o interior do frigorífico. Não coloque uma vela acesa no frigorífico para remover maus odores.
  - Tal pode resultar num choque elétrico ou num incêndio.
- Encha o depósito de água e as cuvetes de gelo apenas com água potável (água mineral ou purificada).
  - Não encha o depósito com chá, sumo ou refrigerantes, pois tal poderá danificar o frigorífico.



- Não se coloque em cima do aparelho, nem coloque objetos (tais como roupa, velas acesas, cigarros acesos, pratos, químicos, objetos de metal, etc.) sobre o mesmo. Se o fizer, pode provocar um choque elétrico, um incêndio, outras falhas no produto ou ferimentos. Não coloque um recipiente cheio de água sobre o aparelho.
  - Se se entornarem, podem provocar um incêndio ou um choque elétrico.
- Nunca olhe diretamente para a lâmpada LED UV por períodos prolongados.
  - Se o fizer, tal poderá resultar em astenopia devido aos raios ultravioletas.
- Não coloque a prateleira ao contrário. O batente da prateleira poderá não funcionar.
  - Tal poderá causar ferimentos decorrentes da queda de uma prateleira de vidro.
- Mantenha os dedos afastados de zonas onde possa entalá-los. Os espaços entre as portas e o armário são muito pequenos. Tenha cuidado ao abrir as portas na presença de crianças.
- Se detetar uma fuga de gás, evite as chamas abertas ou potenciais fontes de ignição e areje a divisão em que o aparelho se encontra, durante vários minutos.
  - Não toque no aparelho nem no cabo de alimentação.
  - Não utilize um ventilador.
  - Uma faísca pode provocar uma explosão ou um incêndio.
- As garrafas devem ser guardadas compactamente de modo a não caírem.
- Este produto destina-se apenas ao armazenamento de alimentos num ambiente doméstico.
- Nunca coloque os dedos ou outros objetos no orifício do dispensador de água, na calha para gelo ou no depósito do módulo de produção de gelo.
  - Tal pode provocar ferimentos ou danos materiais.
- Não tente reparar, desmontar ou modificar o frigorífico sozinho.
- Não utilize qualquer fusível (tal como cobre, cabo de aço, etc.) para além de um fusível padrão.

## Informações de segurança

---

- Se o frigorífico tiver de ser reparado ou reinstalado, contacte o centro de assistência mais próximo.
  - Caso contrário, pode provocar um choque elétrico, incêndio, danos no produto ou ferimentos.
- Se o frigorífico começar a deitar fumo ou se sentir um cheiro a queimado, desligue o frigorífico imediatamente e contacte o centro de assistência da Samsung Electronics.
  - Caso contrário, pode provocar um choque elétrico ou um incêndio.
- Desligue a ficha da tomada antes de substituir as lâmpadas interiores do frigorífico.
  - Caso contrário, existe o risco de choque elétrico.
- Se se deparar com alguma dificuldade no processo de substituição de uma lâmpada não LED, contacte um centro de assistência da Samsung Electronics.
- Ligue a ficha de alimentação firmemente na tomada.
- Não utilize uma ficha ou um cabo de alimentação danificados ou uma tomada solta.
  - Tal pode resultar num choque elétrico ou num incêndio.

---

## Chamadas de atenção relativamente à utilização

---

### ATENÇÃO

- Não volte a congelar alimentos descongelados.
  - O desenvolvimento de bactérias nocivas em alimentos congelados e descongelados será mais rápido do que em alimentos frescos.
  - O segundo descongelamento irá destruir ainda mais células, retirando humidade e alterando a integridade do produto.
- Não descongele carne à temperatura ambiente.
  - A segurança dependerá da forma como o produto cru foi tratado.
- Não coloque garrafas de vidro nem bebidas com gás no congelador.
  - O recipiente pode congelar e partir, o que pode provocar ferimentos.
- Utilize apenas o módulo de produção de gelo fornecido com o frigorífico.
- Se pretender ausentar-se de casa durante muito tempo (por exemplo, nas férias) e não utilizar os dispensadores de água ou gelo, feche a válvula de água.
  - Caso contrário, pode ocorrer uma fuga de água.
- Se não pretender utilizar o frigorífico durante muito tempo (3 ou mais semanas), esvazie-o, incluindo o depósito de gelo, desligue-o da tomada, feche a válvula de água, limpe o excesso de humidade acumulada nas paredes interiores e deixe as portas abertas para prevenir o aparecimento de bolor e de odores.
- Para obter o melhor desempenho possível do aparelho:
  - Não coloque os alimentos muito perto das aberturas de ventilação na parte de trás do frigorífico, dado que podem obstruir a circulação de ar no compartimento do frigorífico.
  - Acondicione muito bem os alimentos, embrulhando-os ou colocando-os em recipientes hermeticamente fechados, antes de os colocar no frigorífico.
  - Respeite os tempos máximos de conservação e os prazos de validade dos alimentos congelados.

## Informações de segurança

---

- Não é necessário desligar o frigorífico da fonte de alimentação, se apenas se ausentar durante um período inferior a três semanas. Mas se o período de ausência for superior a três semanas, retire todos os alimentos e o gelo do depósito de gelo, desligue o frigorífico da tomada, feche a válvula de água, limpe o excesso de humidade acumulada nas paredes interiores e deixe as portas abertas para prevenir o aparecimento de bolor e de odores.
- Garantia de assistência e alterações.
  - Quaisquer alterações efetuadas por terceiros a este produto final não serão cobertas pelo serviço de garantia da Samsung. Da mesma forma, a Samsung não será responsável por problemas de segurança resultantes de alterações feitas por terceiros.
- Não bloqueie as aberturas de ventilação no interior do frigorífico.
  - Se as aberturas de ventilação estiverem bloqueadas (especialmente se for com um saco de plástico), o frigorífico pode refrigerar em excesso. Se o período de refrigeração for prolongado, o filtro de água pode romper e provocar uma fuga de água.
- Utilize apenas o módulo de produção de gelo fornecido com o frigorífico.
- Limpe o excesso de humidade do interior e deixe as portas abertas.
  - Caso contrário, podem gerar-se odores e bolor.
- Se o frigorífico estiver desligado da fonte de alimentação, deve aguardar, no mínimo, cinco minutos antes de ligá-lo novamente.
- Se o frigorífico ficar molhado com água, desligue o cabo de alimentação da tomada e contacte o centro de assistência da Samsung Electronics.
- Não aplique pressão ou força excessiva nas superfícies de vidro.
  - Vidros partidos poderão resultar em ferimentos e/ou danos materiais.
- Encha o depósito de água e as cuvetes de gelo apenas com água potável (água da torneira, mineral ou purificada).
  - Não encha o depósito com chá ou bebidas desportivas. Tal poderá danificar o frigorífico.
- Tenha cuidado para não entalar os dedos.

- Se o frigorífico ficar cheio de água, contacte o centro de assistência mais próximo.
  - Existe o risco de choque elétrico ou de incêndio.
- Não guarde óleo vegetal nos compartimentos da porta do frigorífico. O óleo pode solidificar, tornando-o desagradável ao paladar e difícil de usar. Além disso, um recipiente aberto pode derramar e o óleo derramado pode fazer com que o compartimento da porta rache. Depois de abrir um recipiente de óleo, o ideal será guardar o recipiente num local fresco e ao abrigo da luz, como um armário ou despensa.
  - Exemplos de óleo vegetal: azeite, óleo de milho, óleo de semente de uva, etc.

## Chamadas de atenção relativamente à limpeza

### ATENÇÃO

- Não pulverize água diretamente sobre o interior ou exterior do frigorífico.
  - Existe o risco de incêndio ou choque elétrico.
- Não utilize um secador de cabelo para secar o interior do frigorífico.
- Não coloque velas acesas no interior do frigorífico para remover maus cheiros.
  - Tal pode resultar num choque elétrico ou num incêndio.
- Não pulverize produtos de limpeza diretamente sobre o visor.
  - As letras impressas no visor podem desaparecer.
- Se uma substância estranha, tal como água, entrar para o aparelho, desligue a ficha e contacte o centro de assistência mais próximo.
  - Se não o fizer, pode provocar um incêndio ou um choque elétrico.
- Utilize um pano limpo e seco para remover quaisquer substâncias estranhas ou pó dos pinos da ficha. Não utilize um pano molhado ou húmido para limpar a ficha.
  - Se o fizer, existe o risco de incêndio ou choque elétrico.
- Não limpe o aparelho pulverizando-o diretamente com água.

## Informações de segurança

---

- Não utilize benzeno, diluente, Clorox™ nem cloreto para a limpeza.
  - Podem danificar a superfície do aparelho e provocar um incêndio.
- Nunca coloque os dedos nem outros objetos no orifício do dispensador.
  - Tal pode provocar ferimentos ou danos materiais.
- Antes de limpar ou efetuar a manutenção, desligue o aparelho da tomada.
  - Se não o fizer, pode provocar um incêndio ou um choque elétrico.
- Utilize uma esponja ou um pano macio limpo e um detergente suave e água morna para limpar o frigorífico.
- Não utilize produtos de limpeza abrasivos ou agressivos, tais como limpavidros, produtos de limpeza abrasivos, fluidos inflamáveis, ácido muriático, ceras de limpeza, detergentes concentrados, lixívia ou produtos de limpeza que contenham produtos petrolíferos nas superfícies exteriores (portas e armário), peças de plástico, portas e revestimentos interiores e juntas.
  - Estes produtos podem riscar ou danificar o material.
- Não limpe prateleiras ou tampas de vidro com água morna quando estas estão frias. As prateleiras e tampas de vidro podem partir-se se forem expostas a mudanças súbitas de temperatura ou impactos, como choques ou quedas.

## Avisos muito importantes relativamente à eliminação

### AVISO

- Elimine o material de embalagem deste produto de uma forma não prejudicial para o ambiente.
- Certifique-se de que nenhum dos tubos existentes na parte de trás do frigorífico está danificado antes da eliminação.
- O gás R-600a ou R-134a é utilizado como refrigerante. Verifique a etiqueta do compressor na parte posterior do aparelho ou a etiqueta de classificação no interior do frigorífico para saber qual o refrigerante utilizado no seu frigorífico. Se este frigorífico contiver gás inflamável (refrigerante R-600a), contacte as autoridades locais para saber como eliminar este produto em segurança.
- Ao eliminar este frigorífico, retire a porta/as vedações da porta e o fecho de segurança, para que crianças pequenas ou animais não corram o risco de ficar presos no interior. As crianças devem ser vigiadas para impedir que brinquem com o aparelho. Caso fique presa no interior, uma criança pode magoar-se ou sufocar até à morte.
  - Caso fique presa no interior, uma criança pode magoar-se e sufocar até à morte.
- O ciclopentano é utilizado no isolamento. Os gases existentes no material de isolamento requerem um procedimento de eliminação especial. Contacte as autoridades locais relativamente à eliminação não prejudicial para o ambiente deste produto.
- Mantenha todos os materiais de embalagem fora do alcance das crianças, uma vez que estes podem representar um perigo para as crianças.
  - Se uma criança colocar um saco na cabeça, pode sufocar.

# Informações de segurança

---

## Sugestões adicionais para uma utilização adequada

---

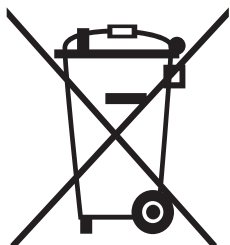
- Em caso de falha de energia, contacte a repartição local da sua companhia de eletricidade e pergunte quanto tempo irá durar.
  - Por norma, as falhas de energia que são resolvidas no espaço de uma a duas horas não afetam as temperaturas do frigorífico. No entanto, deve abrir a porta do frigorífico o menos possível enquanto a energia não for reposta.
  - Caso a falha de energia se prolongue por mais de 24 horas, retire todos os alimentos congelados e deite-os fora.
- O frigorífico pode não funcionar de forma consistente (os produtos congelados podem descongelar ou a temperatura pode subir demasiado no congelador) se, durante um longo período de tempo, ficar instalado num local em que a temperatura ambiente está constantemente abaixo das temperaturas para as quais o aparelho foi concebido.
- No caso de determinados alimentos, a refrigeração pode não ser adequada para a conservação dos mesmos devido às suas propriedades.
- Este aparelho é “frost free”, o que significa que não há necessidade de o descongelar manualmente. Esta operação é realizada de forma automática.
- O aumento de temperatura durante a descongelação está em conformidade com os requisitos da norma ISO. Se quiser impedir um aumento excessivo da temperatura dos alimentos congelados durante a descongelação do aparelho, embrulhe-os em várias camadas de papel de jornal.
- Não volte a congelar alimentos que tenham descongelado completamente.
- A temperatura da secção (secções) de duas estrelas ou do compartimento (compartimentos) que tem o símbolo de duas estrelas (\*\*\*) é ligeiramente mais elevada do que noutros compartimentos do congelador.  
A localização da secção (secções) de duas estrelas ou do compartimento (compartimentos) pode (podem) variar consoante os produtos; por isso, consulte as instruções e/ou as condições em que são entregues.



---

## Instruções sobre REEE

---



Eliminação Correcta Deste Produto (Resíduos de Equipamentos Eléctricos e Electrónicos)

(Aplicável a países cujos sistemas de recolha sejam separados)

Esta marca apresentada no produto, nos acessórios ou na literatura - indica que o produto e os seus acessórios electrónicos (por exemplo, o carregador, o auricular, o cabo USB) não deverão ser eliminados juntamente com os resíduos domésticos no final do seu período de vida útil. Para impedir danos ao ambiente ou à saúde humana causados pela eliminação incontrolada de resíduos, deverá separar estes equipamentos de outros tipos de resíduos e reciclá-los de forma responsável, para promover uma reutilização sustentável dos recursos materiais.

Os utilizadores domésticos deverão contactar o estabelecimento onde adquiriram este produto ou as entidades oficiais locais para obterem informações sobre onde e de que forma podem entregar estes equipamentos para permitir efectuar uma reciclagem segura em termos ambientais.

Os utilizadores profissionais deverão contactar o seu fornecedor e consultar os termos e condições do contrato de compra. Este produto e os seus acessórios electrónicos não deverão ser misturados com outros resíduos comerciais para eliminação.

Para obter informações sobre os compromissos ambientais da Samsung e as obrigações regulamentares do produto, por exemplo, as Diretivas REACH, REEE e de Baterias, visite a nossa página sobre sustentabilidade, disponível através do site [www.samsung.com](http://www.samsung.com)

(Apenas para produtos vendidos em países europeus)

# Instalação

---

Antes de utilizar este frigorífico, siga estas instruções cuidadosamente para garantir uma correta instalação do mesmo e evitar acidentes.

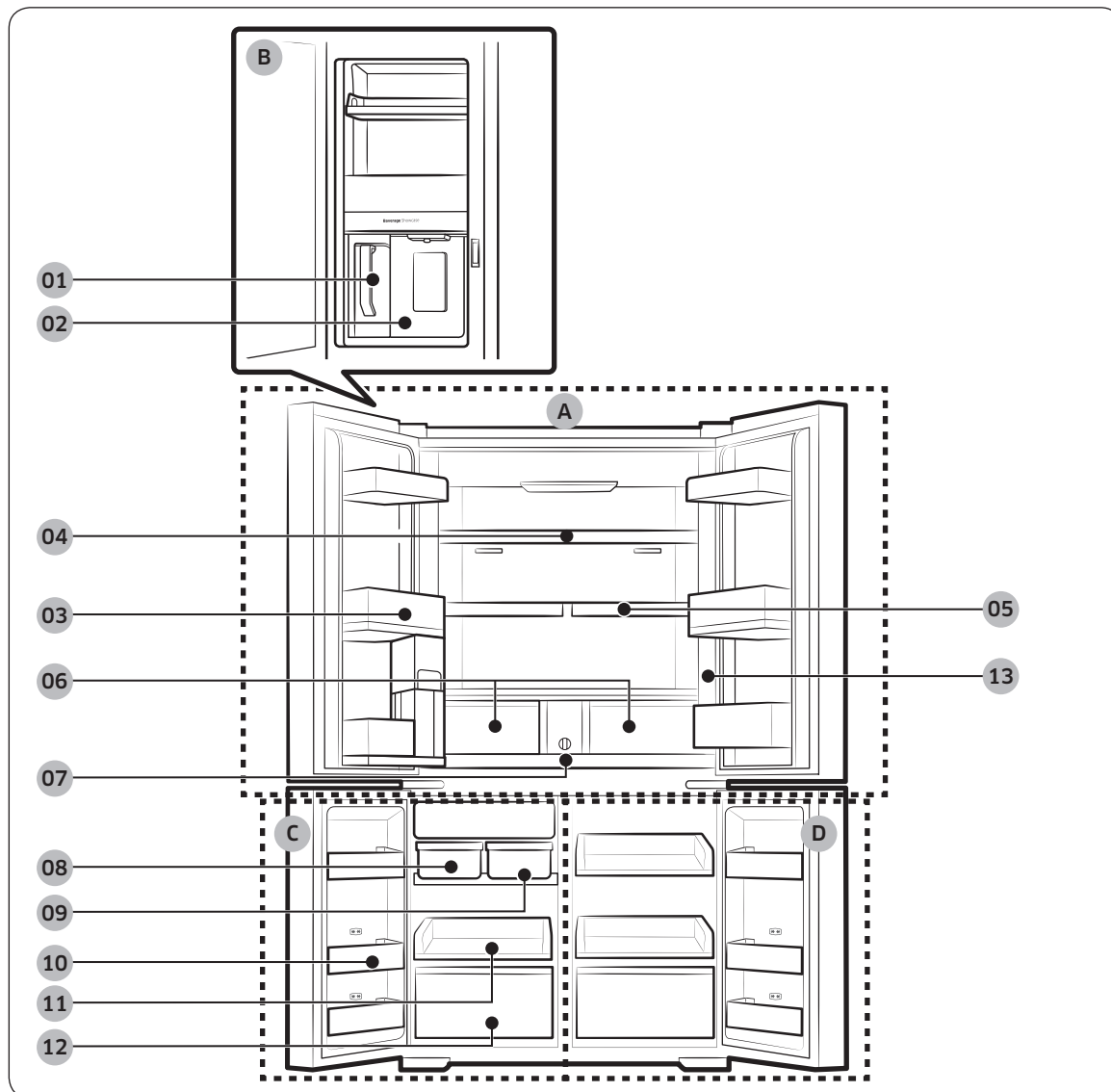
## **AVISO**

- Utilize o frigorífico apenas para o fim a que se destina e de acordo com este manual.
- Qualquer reparação tem de ser efetuada por um técnico qualificado.
- Elimine o material de embalagem do produto em conformidade com os regulamentos locais.
- Para evitar choques elétricos, retire o cabo de alimentação da tomada antes de qualquer reparação ou substituição.

## Visão geral do frigorífico

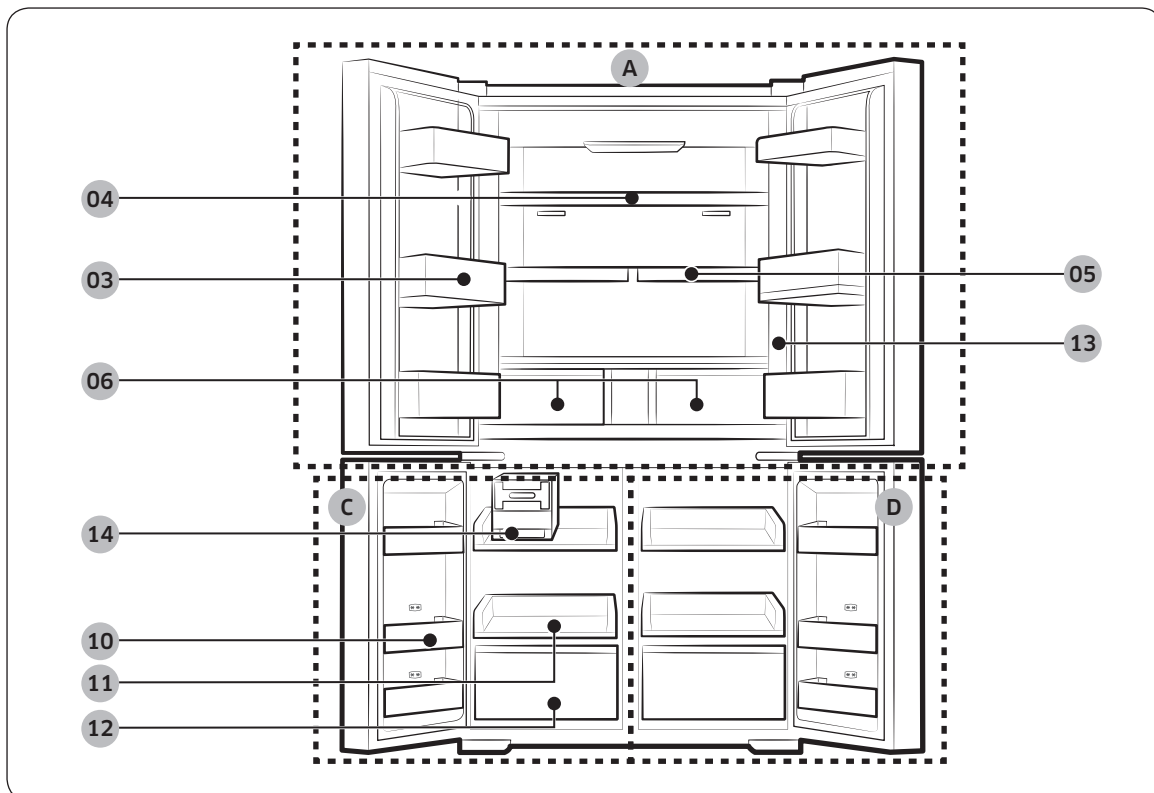
O frigorífico e os componentes do frigorífico fornecidos podem variar das imagens neste manual, consoante o modelo e o país.

### Tipo A



# Instalação

## Tipo B



Instalação

- 
- |   |                               |
|---|-------------------------------|
| 01 Depósito de água de enchimento automático *  | A. Frigorífico                |
| 02 Dispensador de água **   | B. Centro de bebidas **       |
| 03 Compartimento da porta do frigorífico  | C. Congelador                 |
| 04 Prateleira do frigorífico  | D. Refrigeração selecionável+ |
| 05 Prateleira regulável *   |                               |
| 06 Compartimento dos vegetais / Compartimento dos vegetais flexível *                     |                               |
| 07 Filtro de água *   |                               |
| 08 Módulo de produção de gelo automático - Cubos de gelo * (módulo de produção de gelo *) |                               |
| 09 Módulo de produção de gelo automático - Gelo picado *                                  |                               |
| 10 Compartimento da porta do congelador   |                               |
| 11 Prateleira do congelador   |                               |
| 12 Gaveta do congelador   |                               |
| 13 Painel de controlo   |                               |
| 14 Módulo rotativo de produção de gelo *  |                               |

\* Apenas nos modelos aplicáveis

\*\* Apenas nos modelos com dispensador

#### **NOTA**

- Para obter eficiência energética, mantenha todos os cestos, prateleiras e gavetas na posição original.
- Ao fechar a porta, certifique-se de que a secção das dobradiças verticais está na posição correta para evitar riscos na outra porta.
- Caso a secção das dobradiças verticais esteja invertida, coloque-a novamente na posição correta e, depois, feche a porta.
- Ocasionalmente, poderá formar-se humidade na secção das dobradiças verticais.
- Se fechar uma porta com demasiada força, a outra porta poderá abrir-se.
- Se a lâmpada LED interna ou externa não estiver a funcionar, contacte um centro de assistência Samsung local.

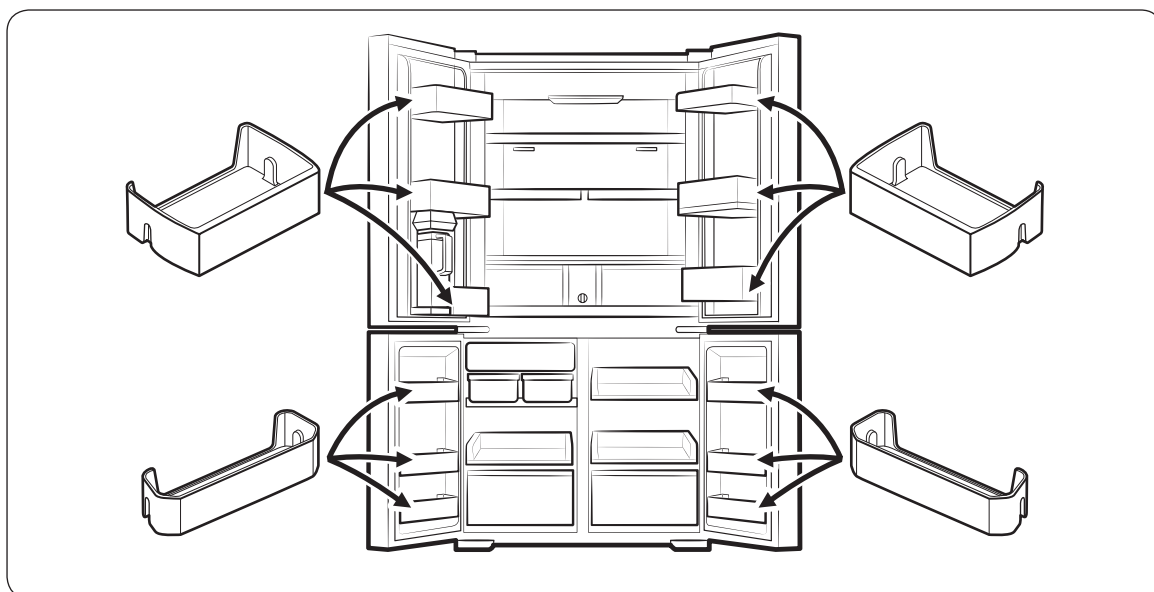
# Instalação

## Compartimentos da porta

O frigorífico é fornecido com compartimentos da porta de diferentes tipos e tamanhos. Se os compartimentos da porta do frigorífico tiverem sido embalados separadamente, utilize a figura abaixo para o ajudar a posicioná-los corretamente.

### NOTA

O frigorífico e os componentes do frigorífico fornecidos podem variar das imagens neste manual, consoante o modelo e o país.



---

## Instalação passo a passo

---

### **PASSO 1** Selecionar um local

---

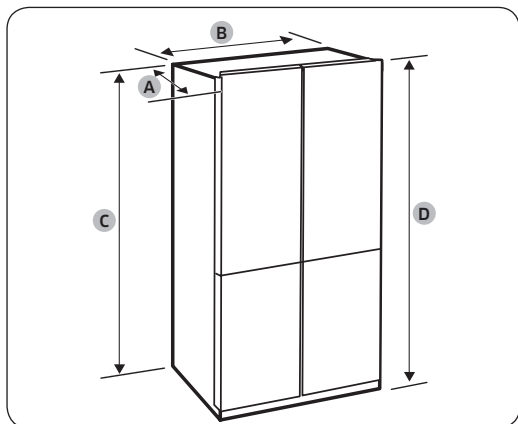
O local tem de:

- Ter uma superfície sólida e nivelada sem carpete ou pavimento que possa obstruir a ventilação
- Estar protegido da exposição à luz solar direta
- Ter espaço adequado para abrir e fechar a porta
- Estar afastado de qualquer fonte de calor
- Fornecer espaço para a manutenção e assistência
- Ter uma amplitude de temperatura entre 10 °C e 43 °C

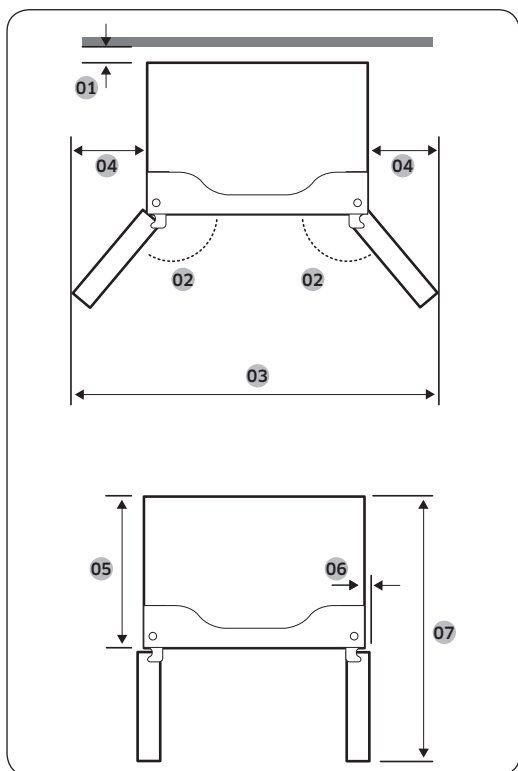
# Instalação

## Folga

Consulte as imagens e as tabelas a seguir para saber os requisitos de espaço de instalação.



Profundidade "A"	723 mm
Largura "B"	912 mm
Altura "C"	1797 mm
Altura total "D"	1825 mm



01	mais de 50 mm recomendável
02	125°
03	1472 mm
04	282 mm
05	610 mm
06	47 mm
07	1093 mm

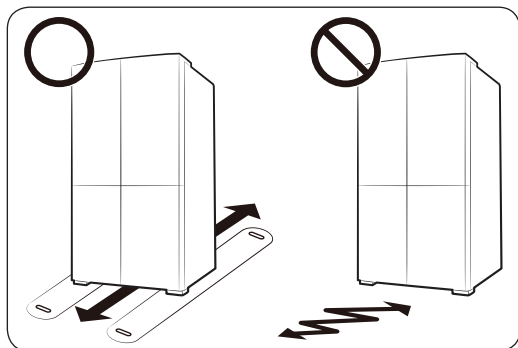
### NOTA

As medidas nas tabelas acima podem variar ligeiramente das medidas reais, consoante o método de medição e arredondamento.



## PASSO 2 Pavimento

Se não conseguir passar o frigorífico pela porta de entrada devido ao seu tamanho, consulte **Remoção de portas** para facilitar a passagem.



### NOTA

Para evitar danos no piso, certifique-se de que os pés ajustáveis da frente estão na posição vertical.

- A superfície de instalação do frigorífico tem de suportar um frigorífico totalmente carregado.
- Para proteger o pavimento, coloque um grande pedaço de cartão ao longo da trajetória até à localização de instalação final do frigorífico.
- Assim que o frigorífico estiver na sua posição final, desloque-o apenas se for necessário, de modo a proteger o pavimento. Se tiver de o mover, utilize papel ou tecido grosso como, por exemplo, carpetes usadas, ao longo da trajetória de movimento.

# Instalação

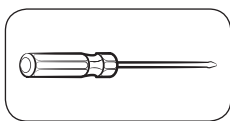
## PASSO 3 Remoção de portas para facilitar a passagem

Se não conseguir passar o frigorífico pela porta de entrada da casa ou cozinha devido ao seu tamanho, siga estas instruções para remover e voltar a instalar as portas do frigorífico. Se não precisar de remover as portas, aceda à página 42 para continuar o procedimento de instalação.

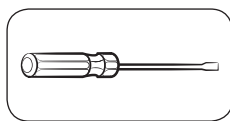
### ⚠ AVISO

Retire o cabo de alimentação da tomada antes de remover as portas.

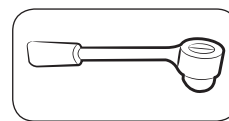
Ferramentas necessárias (não fornecidas)



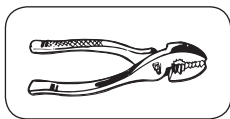
Chave Phillips



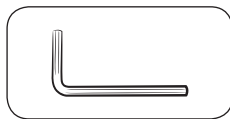
Chave de fendas



Chave de caixa 3/8" (10 mm)

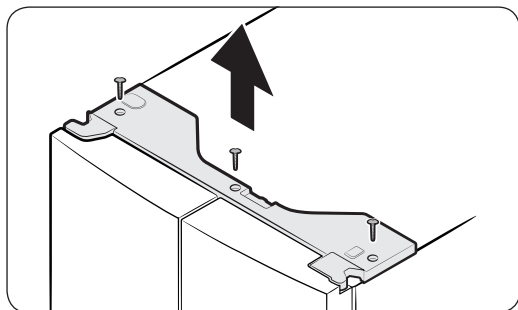


Alicate

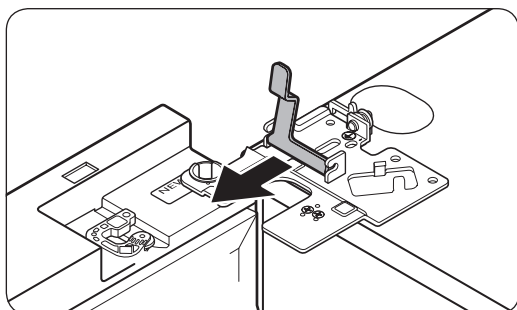
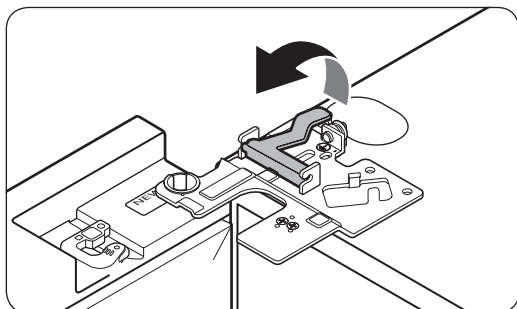
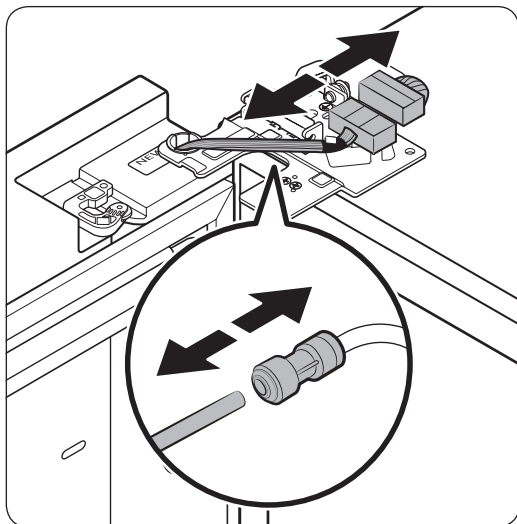


Chave Allen 1/4" (5 mm)

### Desmontagem das portas do frigorífico



1. Com as portas fechadas, utilize uma chave Phillips para retirar os parafusos (x3) da tampa superior. Puxe e retire a tampa superior com os conectores.



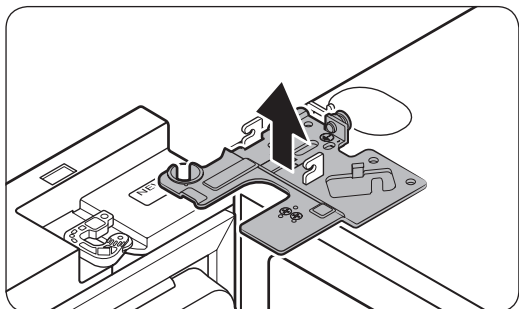
2. Desmonte os dois conectores dos fios na porta do lado esquerdo. A posição dos conectores é diferente consoante o modelo.

**⚠ ATENÇÃO**

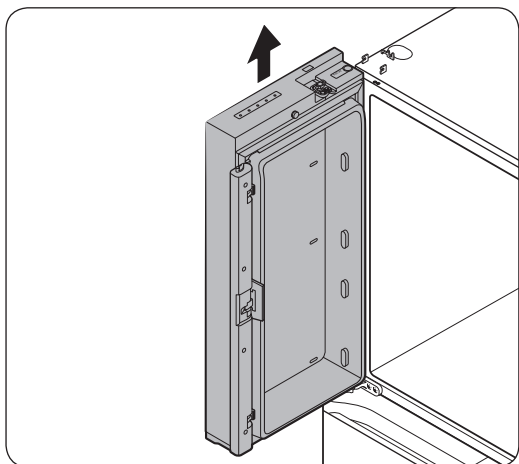
- Não retire ambas as portas ao mesmo tempo. Certifique-se de que só retira uma porta de cada vez. Caso contrário, uma delas poderá cair e provocar ferimentos.
  - Certifique-se de que o frigorífico está desligado antes de desmontar os conectores.
3. Desligue o tubo de água do acoplador da porta do lado esquerdo, conforme mostrado.
    - Este passo não se aplica a modelos sem Depósito de água de enchimento automático e dispensador de água.
  4. Levante cuidadosamente o grampo, em vários passos. Para evitar ferimentos nos dedos, não exerça força repentinamente no grampo.

5. Puxe o grampo para o retirar.

# Instalação



6. Abra a porta a 90 graus. Enquanto segura a porta, puxe para cima e retire a dobradiça superior. Tenha cuidado para não danificar os fios do conector ao remover a dobradiça.

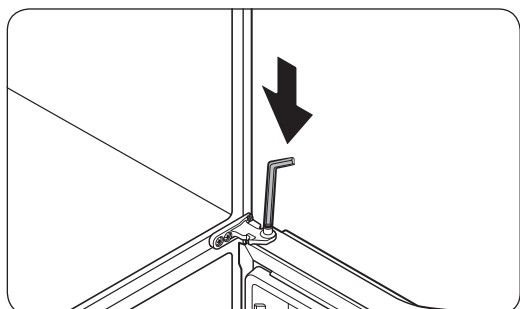
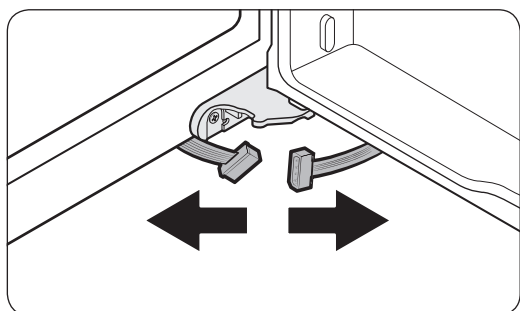
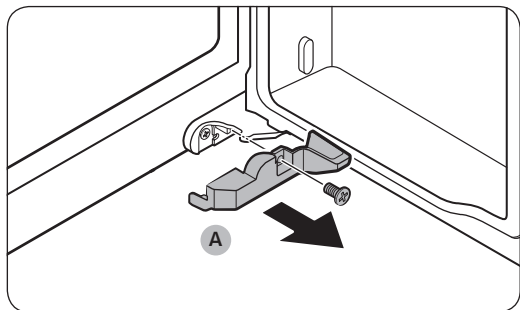


7. Levante a porta na vertical cuidadosamente para a retirar. Não exerça demasiada força sobre a porta. A porta poderá cair, provocando ferimentos.
8. Deite a porta numa superfície plana.
9. Repita os passos 1 a 8 para a outra porta, exceto o passo 3. Não existe qualquer tubo de água na porta do lado direito.
  - O passo 2 não se aplica a modelos sem porta com vitrine.

## Desmontagem das portas do congelador

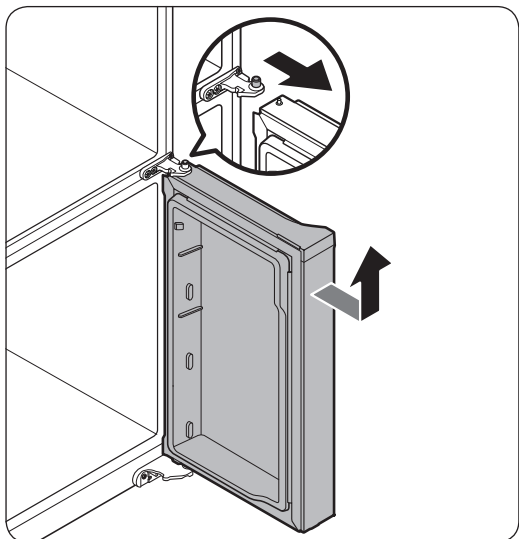
### ⚠ ATENÇÃO

- Certifique-se de que remove as portas do frigorífico antes de remover as portas do congelador.
- Tenha cuidado ao despertar os conectores de baixo.



1. Abra a porta do congelador.
2. Utilize uma chave Phillips para remover o parafuso que fixa a **tampa (A)**.
  - Este passo aplica-se apenas à porta do congelador da porta direita (porta Refrigeração selecionável+).
3. Desligue os conectores dos fios.
  - Este passo aplica-se apenas à porta do congelador da porta direita (porta Refrigeração selecionável+).
4. Localize o veio da dobradiça. Enquanto segura a porta com uma mão, utilize uma chave de fendas ou uma chave Allen para pressionar o veio para baixo. Certifique-se de que segura a porta para evitar a queda da mesma.

# Instalação

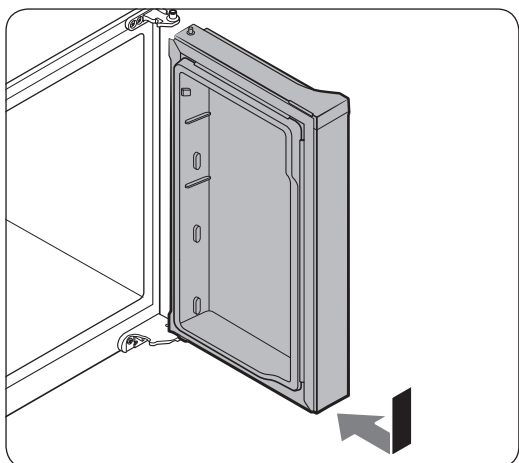


5. Para evitar o contacto com a dobradiça central, incline ligeiramente a porta para a frente e levante para a remover.
6. Repita os passos 1 a 5 para a outra porta, exceto os passos 2 e 3.

## Reinstalação das portas do congelador

### ⚠ ATENÇÃO

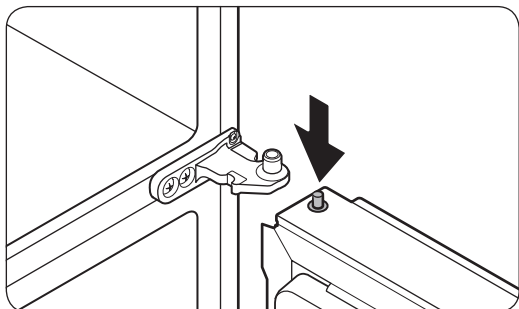
- Após recolocar as portas, assegure-se de que todos os conectores elétricos foram devidamente ligados.
- As portas do congelador têm de ser recolocadas antes das portas do frigorífico.
- Tenha cuidado para não danificar nem pisar os cabos durante este processo.



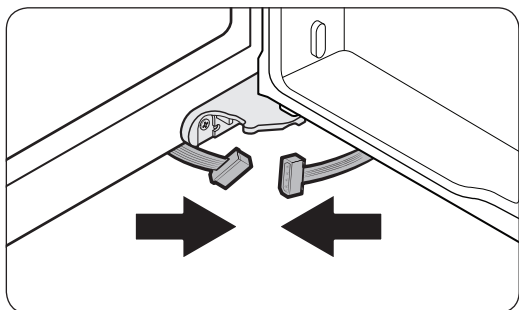
1. Introduza a porta do congelador na dobradiça inferior enquanto a empurra no sentido da seta.

### ⚠ ATENÇÃO

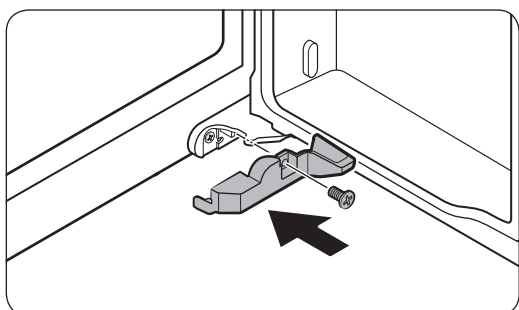
- Tenha cuidado para não danificar nem pisar os cabos durante este processo.



2. Enquanto carrega no veio da dobradiça para baixo, posicione a porta de modo a que o veio da dobradiça esteja abaixo do orifício do veio na dobradiça central. Solte o veio da dobradiça para que entre no orifício do veio.



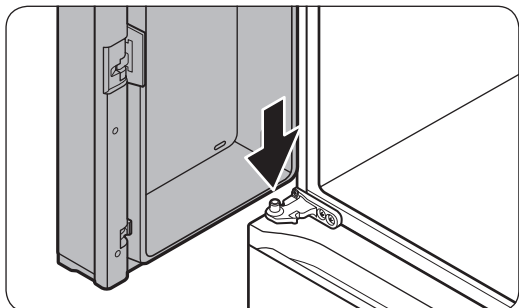
3. Com a porta aberta, ligue os conectores inferiores no sentido das setas.
  - Este passo aplica-se apenas à porta do congelador da porta direita (porta Refrigeração selecionável+).



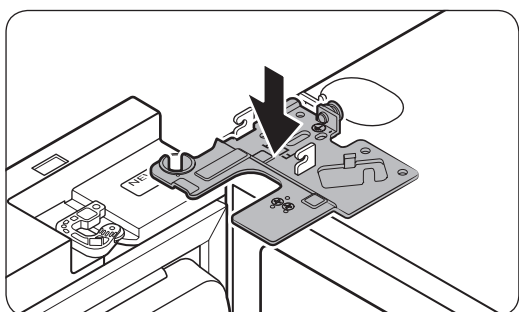
4. Prenda a tampa com uma chave Philips. Tenha cuidado para não danificar ou pisar os conectores.
  - Este passo aplica-se apenas à porta do congelador da porta direita (porta Refrigeração selecionável+).
5. Repita os passos 1 a 5 para a outra porta, exceto os passos 3 e 4.

# Instalação

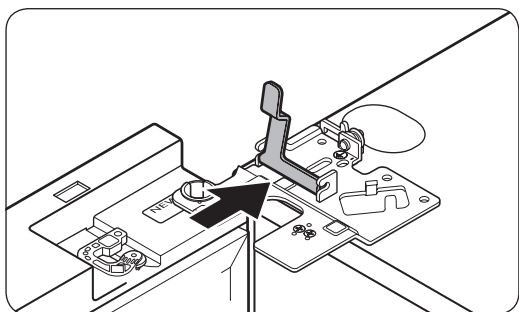
Para reinstalar as portas do frigorífico



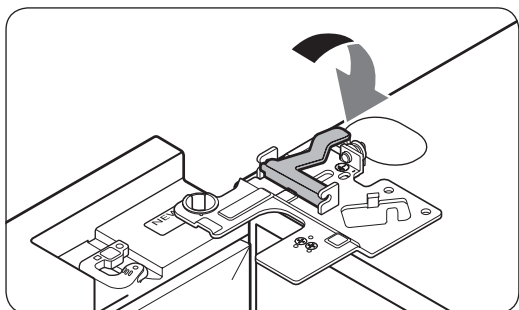
1. Enquanto mantém a porta aberta mais de 90 graus, introduza o veio na dobradiça central no orifício na parte inferior da porta.



2. Coloque a dobradiça superior na posição na parte superior do frigorífico e introduza o veio da dobradiça no orifício superior da porta. Certifique-se de que os fios da porta passam pelo orifício no veio da dobradiça.

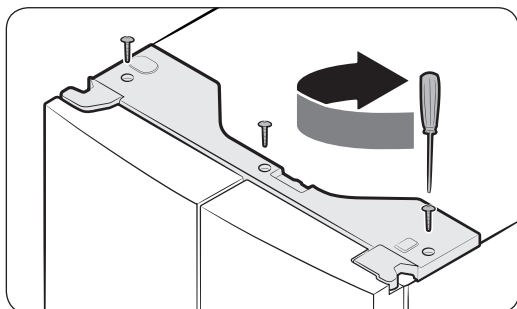
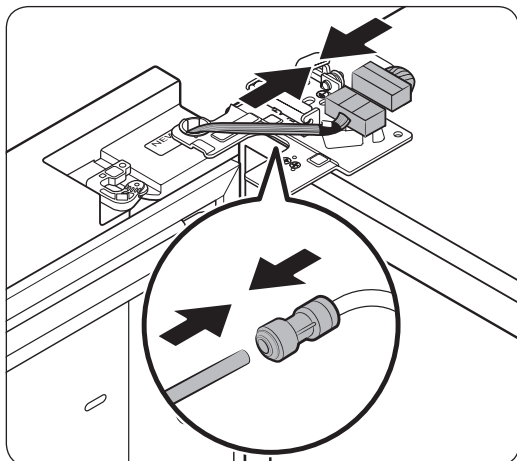


3. Introduza o grampo no sentido da seta.



4. Empurre o grampo, conforme mostrado.





5. Ligue as junções do cabo.

**⚠ ATENÇÃO**

- Certifique-se de que os conectores dos fios estão devidamente ligados. Caso contrário, o ecrã não irá funcionar.

6. Ligue o tubo de água.

- Este passo não se aplica a modelos sem Depósito de água de enchimento automático e dispensador de água.

**⚠ ATENÇÃO**

- Para evitar perdas de água, confirme que os grampos vermelhos estão a apertar o acoplador devidamente.
- Mantenha os grampos fora do alcance das crianças.

7. Repita os passos 1 a 5 para a outra porta.

- O passo 5 não se aplica a modelos sem porta com vitrine.

8. Prenda a tampa superior com o lado da frente primeiro e, em seguida, pressione a parte de trás para encaixar. Em seguida, aperte os parafusos (x3).

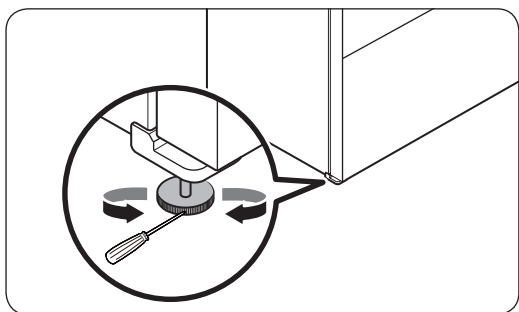
# Instalação

## PASSO 4 Nivelamento do frigorífico

### ⚠ ATENÇÃO

- Depois de instalado, é necessário nivelar o frigorífico sobre uma superfície plana e resistente. Se não o fizer, pode danificar o frigorífico ou causar ferimentos.
- O nivelamento tem de ser efetuado com o frigorífico vazio. Não pode haver alimentos dentro do frigorífico.
- Por motivos de segurança, coloque a parte da frente um pouco mais acima do que a parte de trás.

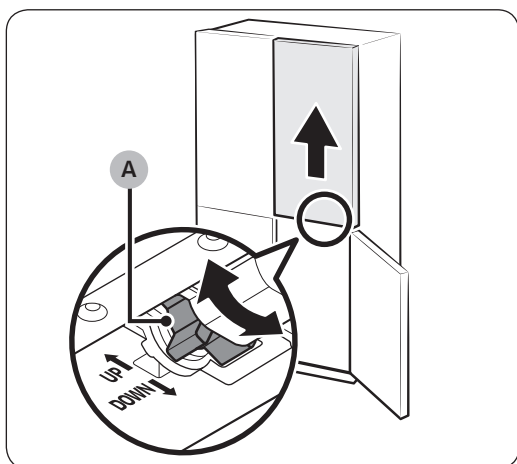
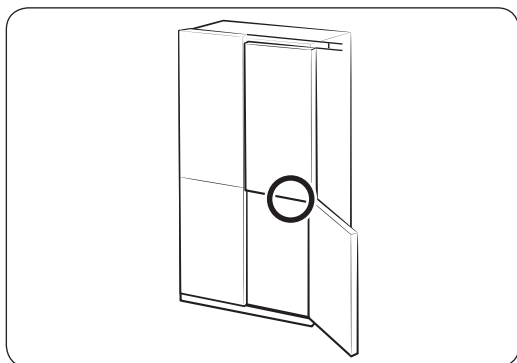
Nivele o frigorífico através dos parafusos especiais (niveladores) nos pés da frente. Utilize uma chave de fendas para rodar os niveladores.



- Para ajustar a altura do lado esquerdo: Introduza uma chave de fendas no nivelador do pé dianteiro, do lado esquerdo. Rode o nivelador para a direita para levantar o lado esquerdo ou para a esquerda para baixar.
- Para ajustar a altura do lado direito: Introduza uma chave de fendas no nivelador do pé dianteiro, do lado direito. Rode o nivelador para a direita para levantar o lado direito ou para a esquerda para baixar.

## PASSO 5 Ajuste da altura das portas

Ajustar a altura com a patilha de altura (apenas nos modelos aplicáveis)

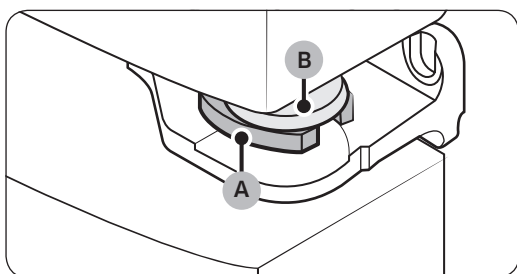
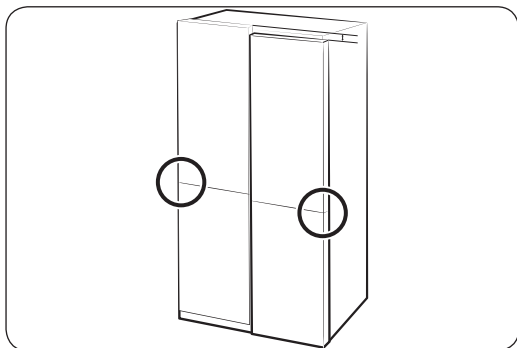
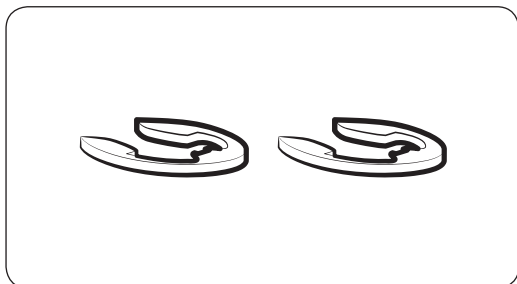


- Antes de alinhar a altura da porta, certifique-se de que o refrigerador está nivelado. Para isso, utilize os pés ajustáveis.
- Pode utilizar a patilha de altura na parte inferior da porta do lado direito do refrigerador. Abra a porta do lado direito do congelador com ambas as portas do refrigerador fechadas e utilize a patilha para ajustar a altura da porta.
- Rode a **patilha de altura (A)** até que as duas portas estejam alinhadas na parte superior. Rode a patilha para CIMA (como marcado) para levantar a porta do lado direito e rode para BAIXO (como marcado) para baixar a porta.
- Levante ligeiramente a porta do refrigerador para tornar o alinhamento mais fácil. A altura máxima ajustável é de 3 mm.
  - A patilha não irá ultrapassar o limite máximo. Poderá fazer um barulho se for demasiado rodada.
  - Altura em excesso pode interferir com a tampa da dobradiça superior da porta do refrigerador.
- Se alinhar a altura da porta com os compartimentos da porta vazios e guardar alimentos nos compartimentos, as alturas podem diferir novamente. Nesse caso, siga os passos acima para realinhar as portas.

# Instalação

## Ajuste da altura dos anéis de retenção

Para os modelos com a patilha de altura na porta do lado direito do frigorífico, apenas utilize os anéis de retenção se não conseguir alinhar as portas com a patilha de altura.



### NOTA

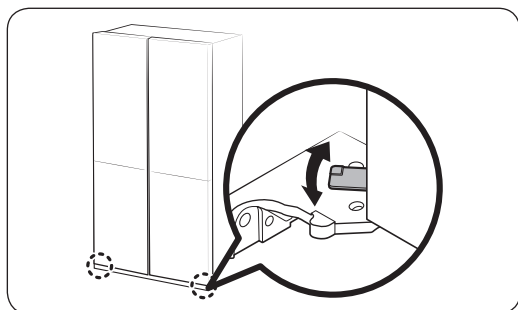
A altura de uma porta pode ser ajustada com os anéis de retenção fornecidos, fornecidos em 4 tamanhos diferentes (1 mm, 1,5 mm, 2 mm e 2,5 mm).

1. Verifique a diferença de altura entre as portas e, em seguida, levante e segure a porta mais baixa.
2. Introduza um anel de retenção (A) com um tamanho adequado entre o ilhó da porta (B) e a dobradiça, conforme indicado.

### ATENÇÃO

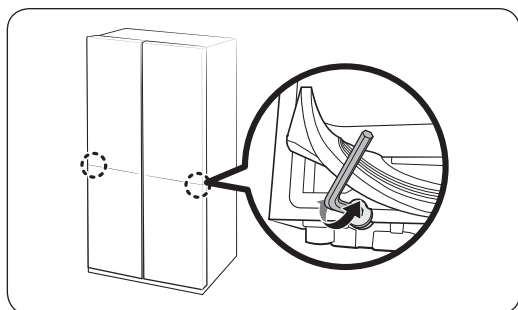
- Insira apenas um anel de retenção. Se inserir dois ou mais anéis de retenção, poderá fazer com que os mesmos escorreguem para fora ou que façam barulho ao roçarem uns nos outros.
- Mantenha os anéis de retenção fora do alcance das crianças e guarde-os para utilização futura.
- Não levante demasiado a porta. A porta pode entrar em contacto e danificar a tampa superior.

### Ajuste da altura da porta do congelador (apenas modelos aplicáveis)



- Antes de alinhar a altura da porta, certifique-se de que o frigorífico está nivelado. Para isso, utilize os pés ajustáveis.
- Pode ajustar a altura de ambas as portas do congelador com a patilha localizada na dobradiça inferior.
- Abra a porta, levante-a um pouco e rode a patilha para a esquerda ou para a direita para ajustar a altura.

### Ajuste da folga entre as portas do frigorífico e o corpo principal do mesmo (apenas modelos aplicáveis)



- Pode ajustar a folga entre ambas as portas do frigorífico e o corpo principal do mesmo com o parafuso de ajuste localizado na parte inferior do compartimento do frigorífico.
- Levante o vedante da porta para ver o parafuso de ajuste que se encontra por baixo do vedante. Utilize a chave Allen de 4 mm para ajustar a folga.

#### **⚠ ATENÇÃO**

Fixe o vedante firmemente. Se não o fizer, poderá haver uma fuga de ar frio do frigorífico.

# Instalação

## PASSO 6 Ligação a uma fonte de abastecimento de água (apenas nos modelos aplicáveis)

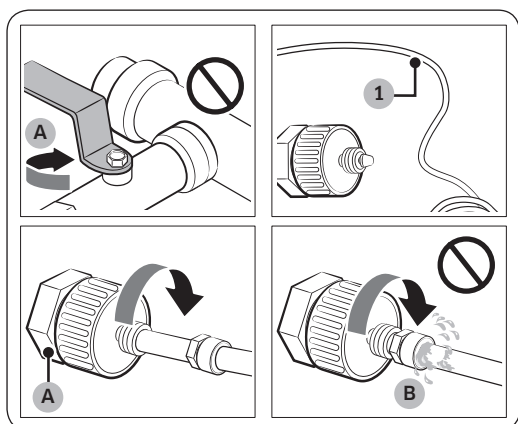
### ⚠ ATENÇÃO

- Devem ser utilizados os novos conjuntos de mangueiras fornecidos com o aparelho; os conjuntos de mangueiras antigos não devem ser reutilizados.
- A ligação do tubo de água tem de ser efetuada por um técnico qualificado.
- A garantia do frigorífico não cobre a instalação do tubo de água. Os custos de instalação do tubo de água serão pagos pelo utilizador, a menos que estejam incluídos no preço de venda ao público.
- A Samsung não se responsabiliza pela instalação do tubo de água. Se houver alguma fuga de água, contacte o instalador do tubo de água.

Para ligar o tubo de água fria à mangueira para filtração de água

### ⚠ ATENÇÃO

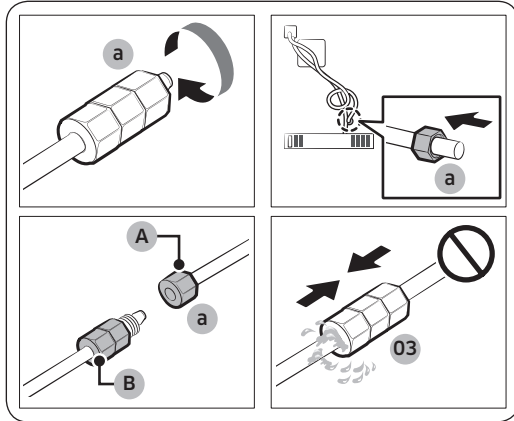
- Assegure-se de que a mangueira para filtração de água é ligada a um tubo de abastecimento de água fria potável. Se for ligada ao tubo de água quente, pode avariar o purificador.



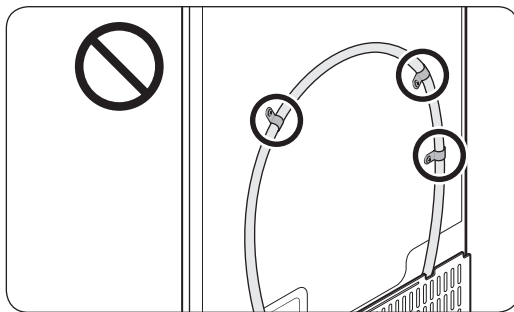
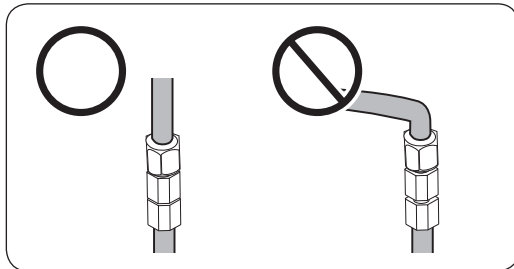
- A. Fechar o tubo principal de abastecimento de água
- B. Sem folga

1. Feche a válvula de água principal para fechar a fonte de abastecimento de água.
2. Encontre o **tubo de água (1)** fria potável.
3. Siga as instruções de instalação do tubo de água para efetuar a ligação do mesmo.
4. Concluída a ligação, abra a válvula de água principal e deite cerca de três litros de água para dentro da mesma. Isto serve para remover as impurezas do interior do tubo.

### Para ligar a mangueira para filtração de água ao tubo de água



- A. Tubo de água da unidade
- B. Tubo de água do conjunto



### Para reparar o tubo de água

#### ⚠ ATENÇÃO

O tubo de água tem de ser reparado por um técnico qualificado. Se detetar uma fuga de água, contacte um centro de assistência técnica local da Samsung ou o instalador do tubo de água.

1. Desaperte e retire a **porca de compressão (a)** do tubo de água do frigorífico e depois introduza-a na mangueira para filtração de água.
2. Aperte a **porca de compressão (a)** para ligar a mangueira para filtração de água e o tubo de água.
3. Abra a válvula de água principal e verifique se há alguma fuga.
4. Se não houver fugas, deite cerca de três litros de água para dentro da mesma antes de utilizar o frigorífico para remover as impurezas do interior do sistema de filtração de água.

#### 📖 NOTA

Se tiver de deslocar o frigorífico depois de ligar o **tubo de água**, certifique-se de que a secção unida do tubo de água está em linha reta.

#### ⚠ ATENÇÃO

Não monte o filtro de água em qualquer parte do frigorífico. Tal poderá danificar o frigorífico.

# Instalação

---

## **PASSO 7** Definições iniciais

---

Depois de concluídos os seguintes passos, o frigorífico deverá estar totalmente operacional.

1. Introduza a ficha do cabo de alimentação na tomada para ligar o frigorífico.
2. Abra a porta e verifique se a luz interior se acende.
3. Defina a temperatura para a opção mais fria e aguarde cerca de uma hora. Em seguida, o congelador estará ligeiramente fresco e o motor deverá estar a funcionar de maneira uniforme.
4. Aguarde até que o frigorífico atinja a temperatura definida. Agora o frigorífico está pronto a utilizar.

## **PASSO 8** Verificação final

---

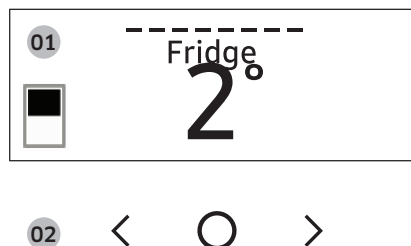
Quando a instalação estiver concluída, confirme se:

- O frigorífico está devidamente ligado a uma tomada elétrica e à terra.
- O frigorífico está instalado sobre uma superfície plana e nivelada com uma folga razoável em relação a paredes e armários.
- O frigorífico está nivelado e bem assente no chão.
- A porta abre e fecha livremente e a luz interior se acende automaticamente ao abrir a porta.



# Operações

## Painel de controlo



01 Visor	Apresenta o menu, as definições e outras informações.
02 Botões	<ul style="list-style-type: none"><li>• Quando o visor estiver desligado, toque em qualquer botão para ativar o visor.</li><li>• Toque em &lt; ou em &gt; para navegar para a esquerda e direita.</li><li>• Toque em ○ para confirmar a sua seleção.</li><li>• Toque sem soltar em ○ para entrar no modo AP. (Para obter mais informações, consulte a secção “SmartThings &gt; Introdução” na página 54.)</li></ul>

### NOTA

- O painel de controlo foi concebido para permanecer desligado quando o frigorífico não estiver a ser utilizado. Só fica ativo e acende quando abrir a porta ou tocar nos botões.
- Se a porta for deixada aberta durante 5 minutos, a luz interior pisca durante 5 minutos e apaga-se. Destina-se a alertar os utilizadores surdos e com deficiências auditivas de que a porta está aberta. Tenha em conta que esta função é normal.
- Quando o utilizador altera a temperatura no painel, o painel apresentará a temperatura que está no interior do frigorífico até a temperatura corresponder à temperatura definida pelo utilizador. A seguir, o painel apresenta a nova temperatura definida. Tenha em atenção que levará algum tempo até o frigorífico atingir a nova temperatura. Está normal. Durante este período não é necessário voltar a definir a temperatura.



### Utilização do painel de controlo

1. Toque em qualquer botão (<, ○ ou >) para ativar o visor.
2. Toque em < ou em > para selecionar o menu pretendido e toque em ○ para confirmar.
3. Toque em < ou em > para selecionar a definição pretendida e toque em ○ para confirmar.
  - Para obter mais informações sobre as definições disponíveis, consulte a secção **Descrições do menu**.

# Operações

## Descrições do menu

Fridge (Frigorífico)	<ul style="list-style-type: none"><li>• Pode definir a temperatura do frigorífico como 1~7 °C ou definir a função Refrigeração rápida.</li><li>• O botão Refrigeração rápida permite acelerar o processo de refrigeração com a ventoinha na velocidade máxima. O frigorífico funciona à velocidade máxima durante duas horas e meia e depois regressa à temperatura anterior.</li></ul>
Freezer (Congelador)	<ul style="list-style-type: none"><li>• Pode definir a temperatura do congelador como -23~-15 °C ou a função Congelação rápida.</li><li>• Congelação rápida permite acelerar o processo de congelação com a ventoinha na velocidade máxima. O congelador funciona na velocidade máxima durante 50 horas e depois regressa à temperatura anterior. Para congelar uma grande quantidade de alimentos, ative a funcionalidade Congelação rápida durante, pelo menos, 20 horas antes de colocar os alimentos no congelador.</li></ul>
Cool Select+ (Refrigeração selecionável+)	<ul style="list-style-type: none"><li>• Pode definir o modo Refrigeração selecionável+ de um dos seguintes modos.<ul style="list-style-type: none"><li>- <b>Freeze (Congelação):</b> A temperatura é definida para a mesma temperatura do congelador.</li><li>- <b>Soft Freeze (Congelação suave):</b> A temperatura é definida como -5 °C.</li><li>- <b>Meat/Fish (Carne/peixe):</b> A temperatura é definida como -1 °C.</li><li>- <b>Fruit/Veggies (Frutas/vegetais):</b> A temperatura é definida como 2 °C.</li><li>- <b>Beverage (Bebidas):</b> A temperatura é definida como 4 °C.</li></ul></li></ul> <p><b>⚠ ATENÇÃO</b></p> <ul style="list-style-type: none"><li>• Selecione o modo Refrigeração selecionável+ de acordo com o tipo de alimentos que guardar.</li><li>• Não guarde carne ou alimentos em Refrigeração selecionável+ com o modo Frutas/vegetais ou Vinho. A carne ou os alimentos podem estragar-se.</li><li>• Não guarde garrafas de vidro em Refrigeração selecionável+ no modo Congelação ou Congelação suave. Podem partir e provocar ferimentos.</li></ul>

<p>Flex Crisper (Compartimento dos vegetais flexível) *</p>	<ul style="list-style-type: none"> <li>• Pode definir o modo Compartimento dos vegetais flexível de um dos seguintes modos. <ul style="list-style-type: none"> <li>- <b>Fridge (Frigorífico):</b> A temperatura é definida para a mesma temperatura do frigorífico.</li> <li>- <b>Meat/Fish (Carne/peixe):</b> Seleccione este modo para manter a carne e o peixe frescos. (É recomendado definir a temperatura do frigorífico abaixo de 3 °C para manter a carne e o peixe mais frescos no Compartimento dos vegetais flexível)</li> </ul> </li> </ul> <p> <b>NOTA</b></p> <p>Carne e peixe podem ser guardados na gaveta de carne durante 3 a 5 dias (com algumas exceções, como carne moída, que apenas deve ser guardada durante um ou dois dias). Coloque no congelador se pretender guardar durante mais de 5 dias.</p>
<p>AutoFill Pitcher (Depósito de água de enchimento automático) *</p>	<ul style="list-style-type: none"> <li>• Pode definir o modo Depósito de água de enchimento automático de um dos seguintes modos. <ul style="list-style-type: none"> <li>- <b>On (Ligar):</b> Defina para encher o depósito de água automaticamente.</li> <li>- <b>Off (Desligar):</b> Defina para desativar a função.</li> </ul> </li> </ul> <p> <b>NOTA</b></p> <p>Pode colocar chá ou fruta no infusor para fazer chá ou água de infusão. Se pretender manter a água de infusão na concentração inicial, desative a função Depósito de água de enchimento automático. (Para obter mais informações, consulte a secção <b>Depósito de água (Depósito de água de enchimento automático)</b> (apenas nos modelos aplicáveis) na página 57.)</p>
<p>Cubed Ice (Cubos de gelo) * (módulo de produção de gelo *)</p>	<p>Pode começar ou parar de fazer cubos de gelo.</p>
<p>Ice Bites (Gelo picado) *</p>	<p>Pode começar ou parar de fazer gelo picado.</p>

# Operações

More Options (Mais opções)	<p>Pode alterar as definições das seguintes funções. Toque em &lt; ou em &gt; para seleccionar o menu e toque em ○ para confirmar.</p> <p><b>Filter Reset (Reposição do filtro) *</b>: Quando a mensagem de substituição do filtro for apresentada no visor, seleccione este menu e substitua o filtro de acordo com as instruções no ecrã.</p> <p><b>Temp. Unit (Unidade de temperatura)</b>: Pode definir a escala de temperatura para Celsius ou Fahrenheit.</p> <p><b>Door Alarm (Alarme da porta)</b>: Pode ligar ou desligar o alarme da porta.</p> <p><b>Wi-Fi Connect (Ligação Wi-Fi)</b>: Pode ligar ou desligar a ligação Wi-Fi. Ligue para controlar e monitorizar o frigorífico na aplicação SmartThings. (Para obter mais informações sobre a SmartThings, consulte a secção <b>SmartThings</b> na página 53.)</p>
----------------------------	---

\* apenas nos modelos aplicáveis

## **NOTA**

A utilização das funções Refrigeração rápida ou Congelação rápida aumenta o consumo de energia.

---

## SmartThings

---

### Instalação

Visite a Google Play Store, a Galaxy Apps ou a Apple App Store e pesquise por “SmartThings”. Transfira e instale a aplicação SmartThings fornecida pela Samsung Electronics no seu dispositivo inteligente.

#### NOTA

- A aplicação SmartThings não está disponível para alguns tablets e iPads e alguns smartphones.
  - Suporta [Android] OS 8.0 ou posterior. (Mínimo de 2 GB de RAM)
  - Suporta [iOS] 12.0 ou posterior/iPhone 6 ou posterior.
- Para efeitos de melhoramento do desempenho, a aplicação SmartThings está sujeita a alterações sem aviso prévio ou à interrupção do suporte, de acordo com a política do fabricante. Além disso, poderão parar atualizações adicionais ou o funcionamento da aplicação por motivos de capacidade de utilização e segurança, mesmo que as atualizações sejam suportadas pelo SO.
- Os sistemas de encriptação recomendados incluem WPA/TKIP e WPA2/AES. Não são suportados protocolos de autenticação de Wi-Fi mais recentes ou não padronizados.
- As redes sem fios podem ser afetadas pelo ambiente de comunicação sem fios circundante.
- Se o seu fornecedor de serviço de Internet registou o endereço MAC do seu PC ou modem para efeitos de identificação, poderá não conseguir ligar o seu frigorífico Samsung Smart à Internet. Se isso acontecer, contacte o seu fornecedor de serviço de Internet para obter assistência técnica.
- As definições do firewall do seu sistema de rede podem estar a impedir o acesso do frigorífico Samsung Smart à Internet. Contacte o seu fornecedor de serviço de Internet para obter assistência técnica. Se este sintoma continuar, contacte um centro de assistência ou revendedor Samsung local.
- Para configurar o ponto de acesso (AP) sem fios, consulte o manual do utilizador do AP (router).
- Os frigoríficos Samsung Smart suportam os protocolos Wi-Fi 2,4 GHz com IEEE 802.11 b/g/n e Soft-AP. (É recomendado IEEE 802.11 n.)
- Os routers sem fios Wi-Fi não autorizados poderão não ligar aos frigoríficos Samsung Smart aplicáveis.

# Operações

---

## Conta Samsung

Tem de registar a sua conta Samsung para poder utilizar a aplicação. Se não tem uma conta Samsung, siga as instruções no ecrã da aplicação para criar uma conta Samsung gratuita.

## Introdução

Ligue o dispositivo que pretende ligar, abra a aplicação SmartThings no telefone e siga as instruções abaixo.

Se for apresentada uma mensagem pop-up a informar que foi encontrado um novo dispositivo, toque em **ADD NOW (ADICIONAR AGORA)**.

Se não for apresentada uma mensagem pop-up, toque no botão + e selecione o dispositivo que pretende ligar a partir da lista de dispositivos disponíveis.

Se o seu dispositivo não estiver na lista de dispositivos disponíveis, toque em **Supported Devices (Dispositivos suportados)**, selecione o tipo de dispositivo (frigorífico) e, em seguida, selecione o modelo de dispositivo específico.

Siga as instruções na aplicação para configurar o dispositivo. Depois de concluída a configuração, o frigorífico irá aparecer como um "cartão" no ecrã **Devices (Dispositivos)**.

## Aplicação do frigorífico

### Controlo integrado

Pode monitorizar e controlar o seu frigorífico em casa e remotamente, onde quer que esteja.

- Toque no ícone do frigorífico no painel do SmartThings ou toque no ícone de dispositivos na parte inferior do painel e, em seguida, toque no "cartão" do frigorífico para abrir a página Refrigerator (Frigorífico).
- Verifique o estado de funcionamento ou as notificações relacionadas com o frigorífico e altere opções ou definições, se necessário.

### **NOTA**

Algumas opções ou definições do frigorífico podem não estar disponíveis para controlo remoto.

Categoria	Item	Descrição
Monitorização	Temperatura do frigorífico	Apresenta a definição pretendida da temperatura do frigorífico.
	Temperatura do congelador	Apresenta a temperatura pretendida do congelador.
	Definições de Refrigeração selecionável+	Apresenta as definições de Refrigeração selecionável+.
	Diagnóstico	Deteta funcionamentos anormais do frigorífico.
	Monitorização de energia	Verifica o consumo de energia acumulado do frigorífico nos últimos 180 dias.
Funções	Produção de gelo	Pode ativar ou desativar a função de produção de gelo e verificar as definições atuais da função.
		Também pode verificar o estado e o progresso da produção de gelo.
	Refrigeração rápida	Pode ligar ou desligar a função Refrigeração rápida e verificar as definições atuais.
	Congelação rápida	Pode ligar ou desligar a função Congelação rápida e verificar as definições atuais.
	Temperatura do frigorífico	Pode definir a temperatura pretendida do frigorífico.
	Temperatura do congelador	Pode definir a temperatura pretendida do congelador.
	Definições de Refrigeração selecionável+	Pode definir o modo Refrigeração selecionável+ que pretender.

# Operações

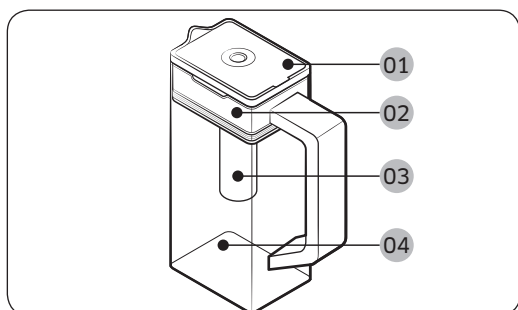
Categoria	Item	Descrição
Alarmes	Temperatura anormalmente elevada	Este alarme é acionado quando o frigorífico, o congelador ou o Refrigeração selecionável+ apresentam temperaturas atipicamente elevadas.
	Abertura da porta	Este alarme dispara se a porta do frigorífico, a gaveta do congelador ou a gaveta do Refrigeração selecionável+ permanecer aberta durante um período de tempo específico.
	Depósito de água de enchimento automático a transbordar	Se a função Depósito de água de enchimento automático detetar que está a transbordar, aciona este alarme para indicar o estado do transbordo.
	Substituição do filtro de água	Este alarme lembra-o de que o filtro de água tem de ser substituído.



## Funções especiais

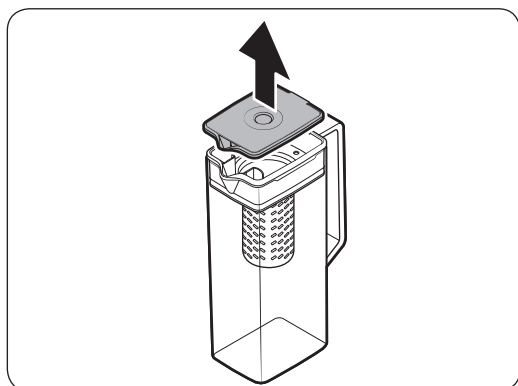
### Depósito de água (Depósito de água de enchimento automático) (apenas nos modelos aplicáveis)

Terá água fria purificada sempre pronta no Depósito de água de enchimento automático. Pode colocar chá ou frutas no infusor para beber as suas águas de infusão preferidas.



- 01 Tampa
- 02 Suporte do infusor
- 03 Infusor
- 04 Corpo do aparelho

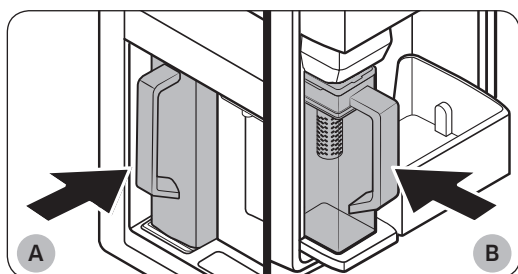
Para encher o depósito de água



1. Segure numa ranhura da pega da **tampa** e puxe para abrir a **tampa**.
2. Coloque folhas de chá ou a fruta que gostar no infusor.

#### **NOTA**

Se pretender manter a água da infusão na concentração inicial, desligue a função Depósito de água de enchimento automático.



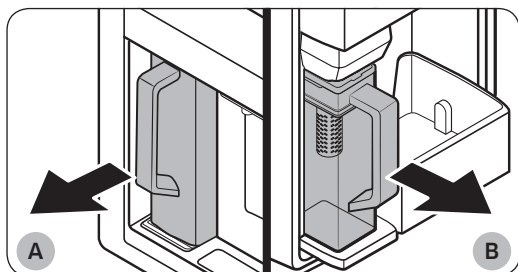
- A. Modelos do Tipo A
- B. Modelos do Tipo B

3. Ative a função Depósito de água de enchimento automático no painel de controlo. Abra a porta do Centro de bebidas (Tipo A) ou a porta do lado esquerdo do frigorífico (Tipo B) e monte o depósito de água no suporte. Empurre em linha reta, como mostrado na imagem.
4. Feche a porta. O depósito de água começará a encher com água fresca pouco tempo depois.

# Operações

## ⚠ ATENÇÃO

Certifique-se de que o depósito de água fica encaixado no suporte.



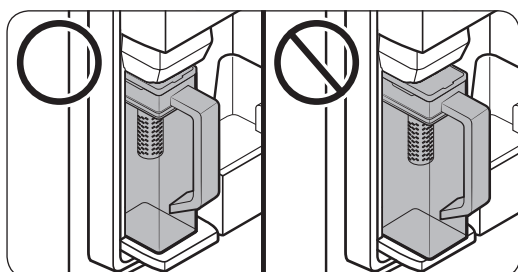
A. Modelos do Tipo A

B. Modelos do Tipo B

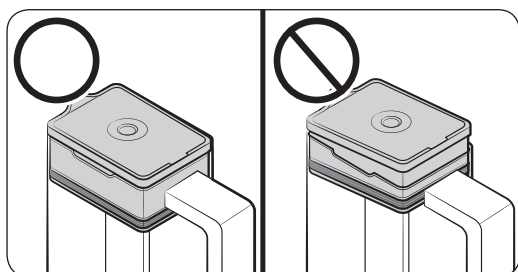
5. Para beber chá, abra a porta do Centro de bebidas (Tipo A) ou a porta do lado esquerdo do frigorífico (Tipo B) e desmonte o depósito de água. Puxe para fora.

## ⚠ ATENÇÃO

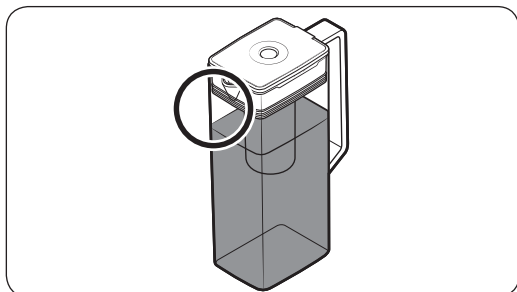
- É recomendado consumir água com infusão de frutas num período de 24 horas. Após esse período de tempo, a água com infusão pode estragar-se.
- Tem de limpar o depósito de água após ter consumido a água com infusão. Além disso, deverá limpar o depósito de água se não o tiver utilizado durante um longo período de tempo.



- Para impedir que o depósito de água fique inclinado ou varta, certifique-se de que o depósito de água fica encaixado no suporte.

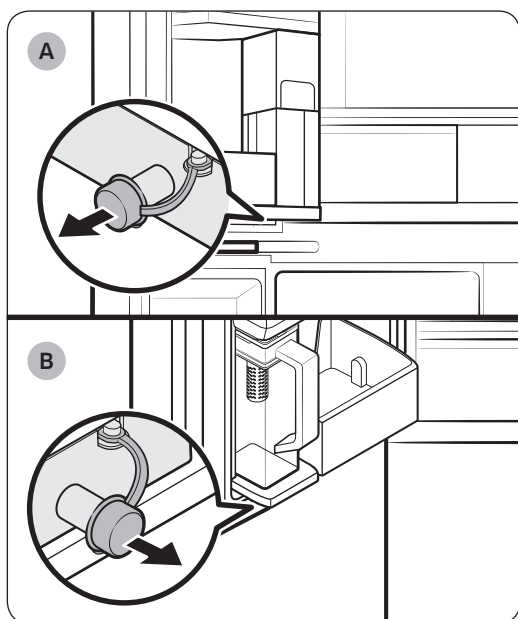


- Para impedir que o depósito de água transborde ou varta, certifique-se de que o suporte do infusor está corretamente inserido.



**NOTA**

- Se o lado da frente (especialmente na área marcada) do depósito de água tiver demasiada humidade, o depósito de água poderá não encher totalmente. Remova a humidade e tente novamente.
- A função Depósito de água de enchimento automático irá parar de fornecer água para o depósito de água, se este não encher após um determinado período de tempo. Nesse caso, verifique se o tubo de água está corretamente ligado. Retire e volte a inserir o depósito de água e tente novamente.



A. Modelos do Tipo A

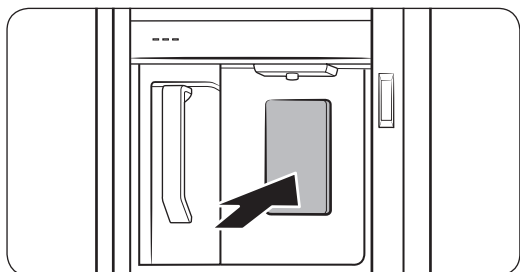
B. Modelos do Tipo B

**NOTA**

- Limpe à volta do suporte do depósito de água, se este estiver a transbordar ou com fugas.
- Irá sair água se a tampa de borracha estiver aberta.
- É apresentada uma mensagem de alerta no painel de controlo, se existir uma fuga. Em caso de fuga, abra a tampa de borracha para drenar a água. Se a mensagem de alerta for apresentada após a drenagem, poderá existir uma falha do sistema. Contacte o centro de assistência Samsung local.

# Operações

## Dispensador de água (apenas nos modelos aplicáveis)



Para dispensar água fresca, abra o Centro de bebidas e pressione a patilha do dispensador.

### NOTA

- Se continuar a pressionar a patilha do dispensador durante cerca de um minuto, o dispensador para de funcionar. Para obter mais água, solte e volte a pressionar a patilha.
- Certifique-se de que o copo fica alinhado com o dispensador para evitar que a água dispensada se entorne.
- Se não utilizar o dispensador de água durante 2-3 dias, a água dispensada pode ter um cheiro ou sabor anormal. Não se trata de uma avaria do sistema. Deite fora os primeiros 1-2 copos de água.

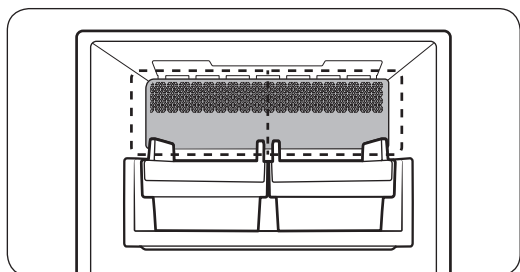
### Turvação da água

A água fornecida ao frigorífico flui através de um filtro de núcleo alcalino. Durante este processo de filtragem, a pressão da água aumenta e a água fica saturada com oxigénio e nitrogénio. Isto faz com que a água pareça temporariamente turva ou opaca quando é dispensada. Este comportamento é normal e a água ficará clara ao fim de alguns segundos.

## Módulo de produção de gelo automático (apenas nos modelos aplicáveis)

O frigorífico tem um módulo de produção de gelo integrado que dispensa gelo automaticamente.

- O design global e/ou acessórios podem diferir consoante o modelo.



- Este produto tem dois tipos de módulos de produção de gelo.

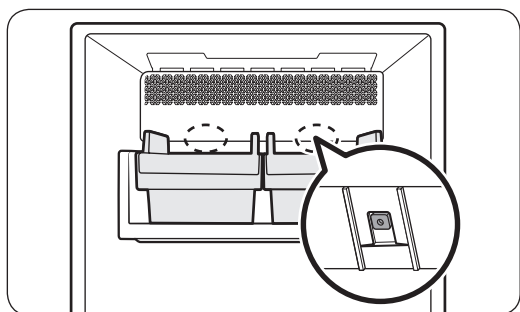
### Produção de gelo

Depois de ter instalado e ligado o frigorífico, siga estas instruções para garantir uma correta produção de gelo e manter o depósito de gelo cheio de gelo.

### Primeira utilização

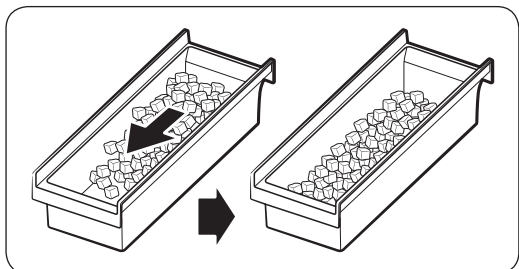
- Deixe o módulo de produção de gelo fazer gelo durante 1-2 dias.
- Deite fora os primeiros 1-2 depósitos de gelo para remover impurezas do sistema de abastecimento de água.

### Diagnóstico



- O design global e/ou acessórios podem diferir consoante o modelo.
- Se o gelo não for dispensado, verifique primeiro o estado do módulo de produção de gelo utilizando o botão **Testar** na parte inferior do módulo de produção de gelo.
- Carregue no botão **Testar** na parte de trás do módulo de produção de gelo. Ouvirá um som (dingue-dongue) quando carregar no botão. Ouvirá outro som se o módulo de produção de gelo funcionar corretamente.

# Operações

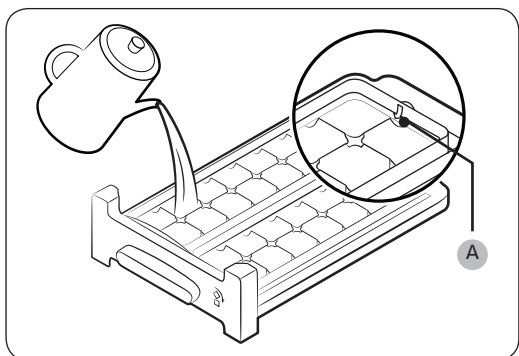


- A acumulação de gelo num dos lados do tabuleiro é normal. Disponha o gelo de modo uniforme no tabuleiro para poder guardar mais gelo.

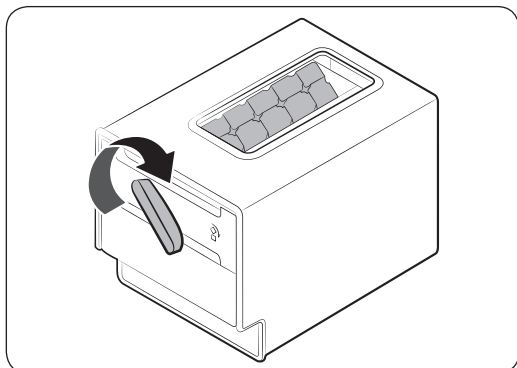
## ⚠ ATENÇÃO

- Deixar o tubo de água desligado pode fazer com que a válvula de água produza um zumbido ao longo do tempo. Nesse caso, certifique-se de que desliga a função de produção de gelo (Cubed Ice/Ice Bites (Cubos de gelo/Gelo picado))
- Se o som da produção de gelo tocar repetidamente, contacte a empresa responsável pela instalação do tubo de água ou um centro de assistência da Samsung.
- Não coloque alimentos no depósito de gelo. Os alimentos congelados podem danificar o módulo de produção de gelo, especialmente ao abrir ou fechar a porta.
- Quando o frigorífico volta a ligar a seguir a um corte de energia, o depósito de gelo pode conter uma mistura de cubos de gelo derretidos e encravados, o que pode impedir o correto funcionamento do módulo de produção de gelo. Para evitar que isto aconteça, esvazie o depósito de gelo antes de utilizar o frigorífico.
- Não coloque os dedos nem outros objetos no módulo de produção de gelo. Isso pode causar risco de ferimentos ou danos no material.
- Devido à sublimação, o gelo guardado no congelador durante um longo período de tempo fica mais pequeno e forma grandes pedaços de gelo. Assim, se souber que vai estar um longo período de tempo sem usar gelo, desligue o módulo de produção de gelo do seguinte modo.
- Utilize apenas os novos conjuntos de mangueiras fornecidos com o aparelho. Não reutilize um conjunto de mangueiras antigo.

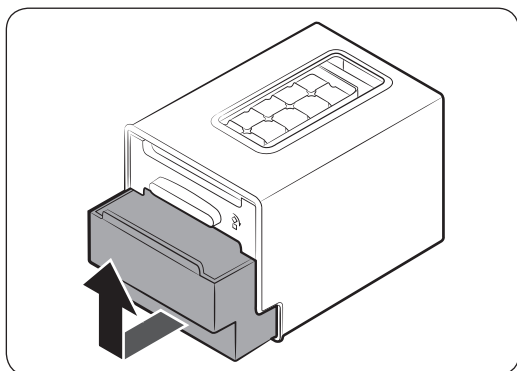
## Módulo rotativo de produção de gelo (apenas nos modelos aplicáveis)



1. Abra a porta do congelador e faça deslizar a cuvete para fora.
2. Encha a cuvete com água até ao nível máximo (A) indicado no interior da parte traseira da mesma.
3. Faça deslizar a cuvete para a posição original.



4. Quando a água congelar e formar cubos de gelo, rode a pega da cuvete para a direita para transferir os cubos de gelo para a caixa de gelo. Repita este processo até que todos os cubos de gelo estejam na caixa de gelo.



5. Para remover a caixa de gelo, levante e puxe cuidadosamente.

#### ATENÇÃO

- Não utilize a caixa de gelo especificamente para fazer gelo. A caixa pode partir-se.
- Certifique-se de que a caixa de gelo está devidamente colocada sob a cuvete.
- A caixa de gelo tem um orifício de escoamento na parte inferior.
  - Não guarde gelo na caixa à temperatura ambiente. O gelo irá derreter e escorrer.
  - Em caso de corte de energia, o gelo derrete e escorre para fora da caixa. Quando a energia elétrica voltar, a água pode congelar novamente e partir a caixa. Para impedir danos na caixa, remova e esvazie a caixa após o corte de energia.
  - Utilize apenas água potável.

#### NOTA

- O tempo de produção de gelo depende das definições de temperatura.

# Manutenção

## Manuseamento e cuidado

### Depósito de gelo (apenas nos modelos aplicáveis)

Se não usar o dispensador de gelo durante um longo período de tempo, o gelo poderá ficar colado dentro do depósito. Se isso acontecer, retire e esvazie o depósito de gelo.

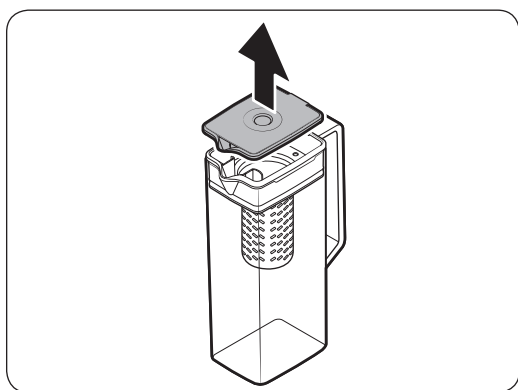
#### ⚠ ATENÇÃO

- Para evitar ferimentos, apanhe os pedaços de gelo ou limpe a água que tiverem caído no chão.
- Para evitar acidentes ou ferimentos, não deixe as crianças brincarem com o dispensador de água ou com o módulo de produção de gelo.
- Utilize apenas o depósito de gelo fornecido. Os depósitos de gelo de outros fabricantes podem provocar uma falha no sistema.

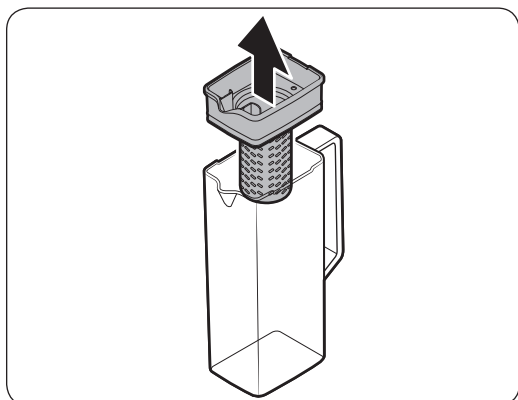
#### 📖 NOTA

- A pressão de água requerida para fazer gelo situa-se entre 206 e 861 kPa.
- O ruído do módulo de produção de gelo enquanto faz gelo é normal.

### Depósito de água de enchimento automático (apenas nos modelos aplicáveis)

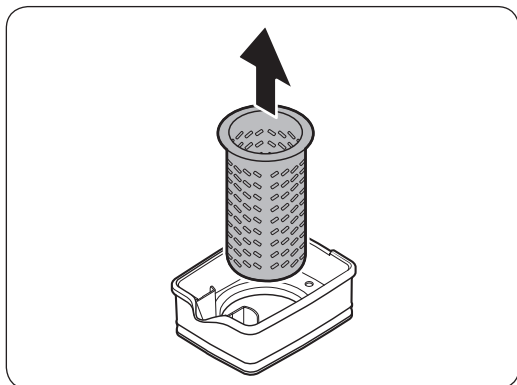


1. Segure numa ranhura da pega da tampa e puxe para remover.



2. Segure ambos os lados do suporte do infusor e levante para remover.





3. Enquanto roda ligeiramente o **infusor**, retire-o da abertura selada.
4. Limpe o **infusor** com agentes neutros e água corrente. Lave e seque bem.
5. Monte novamente o Depósito de água de enchimento automático pela ordem inversa da desmontagem.

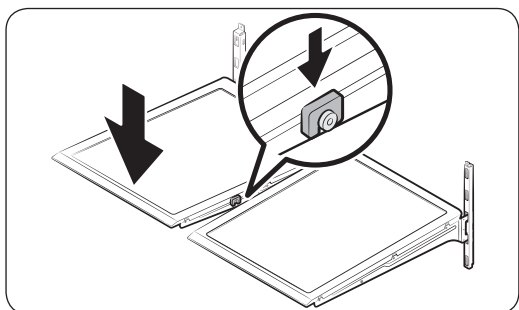
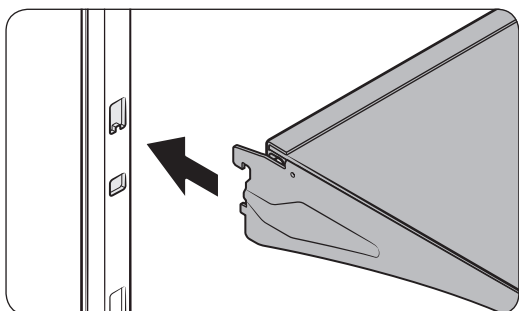
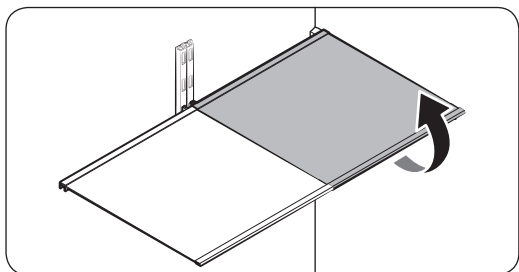
**⚠ ATENÇÃO**

O depósito de água e a tampa não podem ser colocados no micro-ondas e podem derreter ou deformar-se se expostos ao calor (incluindo água quente). Lave à mão com água fria ou morna, conforme necessário.

# Manutenção

## Prateleiras do frigorífico

O aspeto das prateleiras difere consoante o modelo.



- Para retirar uma prateleira, primeiro abra completamente a respetiva porta. Segure na parte da frente da prateleira, levante-a com cuidado e deslize-a para fora.

### NOTA

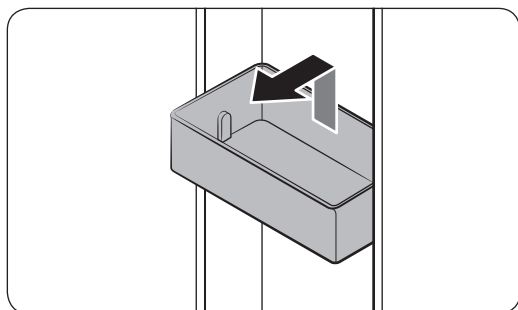
Não levante totalmente a prateleira ao remover ou colocar novamente. A parede traseira do compartimento do frigorífico pode ficar amolgada.

- Para colocar novamente, segure a prateleira inclinada de modo a que a parte da frente seja mais alta do que a de trás e insira o gancho superior no entalhe da prateleira superior. Em seguida, baixe a prateleira e insira o gancho inferior no entalhe da prateleira inferior.

### ATENÇÃO

- As prateleiras de vidro temperado são pesadas. Tenha atenção ao retirá-las.
- A prateleira tem de ser introduzida corretamente. Não a introduza ao contrário.
- Os recipientes de vidro podem riscar a superfície das prateleiras de vidro.

## Compartimentos da porta



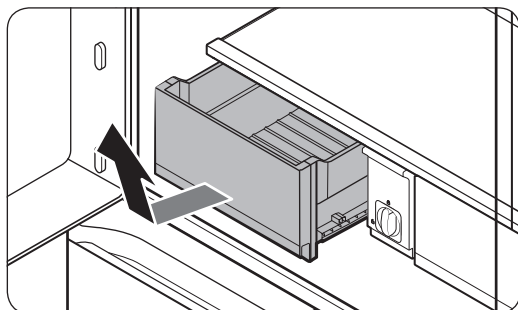
- Para retirar o **compartimento da porta**, segure nas partes dianteiras do compartimento e levante cuidadosamente para retirar.
- Para voltar a inserir, insira o **compartimento da porta** ligeiramente acima da sua localização final, certificando-se de que a parte traseira do compartimento está encostada à porta. Segure na parte de trás do **compartimento da porta** com as duas mãos e, em seguida, pressione para baixo para encaixá-lo.

### ⚠ ATENÇÃO

- Não remova um compartimento que contenha alimentos. Esvazie o compartimento primeiro.
- Tenha cuidado ao abrir a porta, se o compartimento inferior contiver garrafas altas, que podem cair.
- Não deixe que as crianças brinquem com os compartimentos. Os cantos afiados do compartimento podem causar ferimentos.

## Gavetas do frigorífico

### Compartimento dos vegetais/Compartimento dos vegetais flexível



Levante cuidadosamente a parte da frente da gaveta e faça-a deslizar para fora.

- Recomenda-se que, antes de retirar a gaveta, retire os compartimentos da porta, de modo a evitar danos a estes.
- Para voltar a inseri-la, insira a gaveta nas calhas e deslize-a para dentro.

# Manutenção

## Limpeza

### Interior e exterior

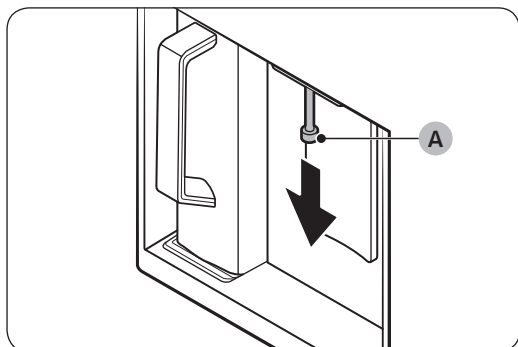
#### ⚠ AVISO

- Não utilize benzeno, diluente, detergente doméstico/para automóveis nem Clorox™ para limpar o frigorífico. Podem danificar a superfície do frigorífico e provocar um incêndio.
- Não pulverize água sobre o frigorífico. Pode provocar choques elétricos.

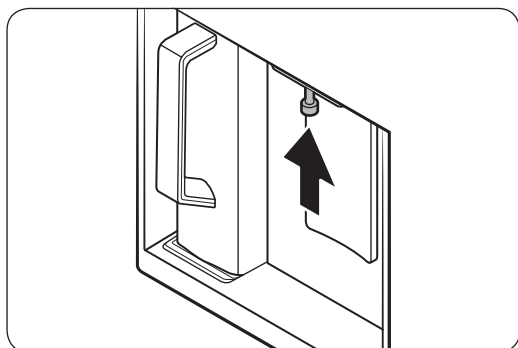
Utilize regularmente um pano seco para remover todas as substâncias estranhas, como pó ou água, dos pontos de contacto e dos terminais da ficha de alimentação.

1. Retire o cabo de alimentação da tomada.
2. Utilize um pano macio sem fibras ou um toalhete de papel humedecido para limpar o interior e o exterior do frigorífico.
3. Quando terminar, utilize um pano ou toalhete de papel seco para secar bem.
4. Introduza o cabo de alimentação na tomada.

### Bocal do dispensador (apenas nos modelos aplicáveis)



1. Segure a extremidade do **bocal do dispensador (A)**.
2. Enquanto roda o **bocal do dispensador (A)** para a esquerda, puxe para baixo para remover do dispensador.



3. Limpe bem o bocal do dispensador e volte a colocá-lo no lugar.

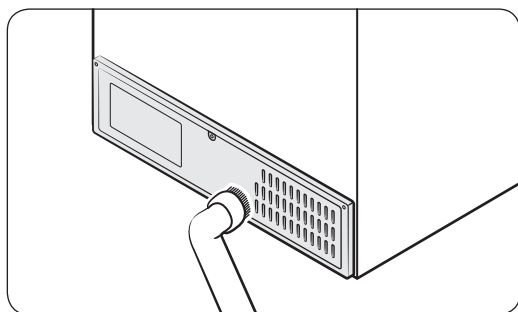
#### ⚠ ATENÇÃO

- Insira totalmente o bocal do dispensador para que fique na sua posição original.
- Não utilize uma esponja com textura áspera para limpar o bocal do dispensador.

## Vedações de borracha

Se as vedações de borracha de uma porta ficarem sujas, a porta pode não fechar corretamente e reduzir o desempenho e a eficiência do frigorífico. Utilize um detergente suave e um pano húmido para limpar as vedações de borracha. Em seguida, limpe bem com um pano.

## Painel posterior



Para manter os cabos e as partes expostas do painel posterior livres de sujidade, aspire o painel uma ou duas vezes por ano.

### ⚠ ATENÇÃO

Não retire a tampa do painel posterior. Pode ocorrer um choque elétrico.

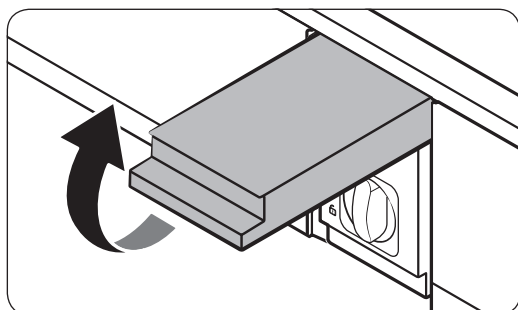
## Substituição

### Filtro de água (apenas nos modelos aplicáveis)

#### ⚠ AVISO

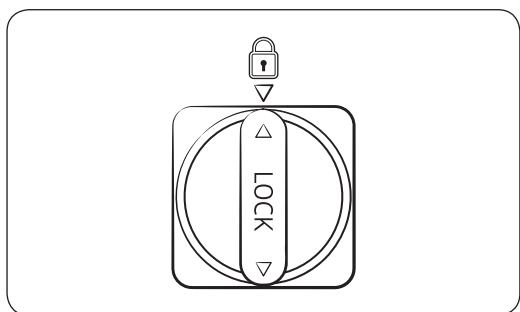
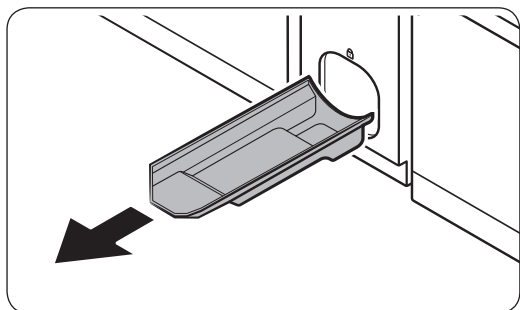
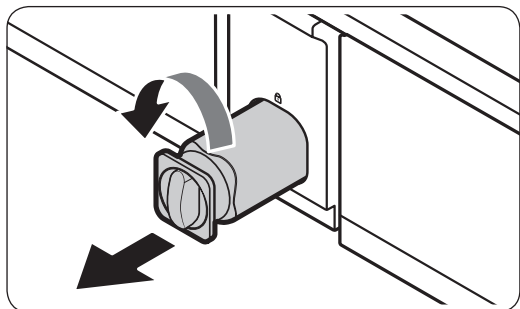
- Não utilize filtros de água de terceiros. Utilize apenas filtros fornecidos ou aprovados pela Samsung.
- Os filtros não aprovados podem verter e danificar o frigorífico, causando choques elétricos. A Samsung não se responsabiliza por quaisquer danos decorrentes da utilização de filtros de água de terceiros.

A mensagem “Replace water filter (Substituir filtro de água)” é apresentada no painel de controlo para informar que está na altura de substituir o filtro de água. Antes de substituir o filtro, confirme que o tubo de abastecimento de água está desligado.



1. Desligue o tubo de abastecimento de água.
2. Abra a tampa do filtro.

# Manutenção



3. Rode o botão do filtro para a esquerda 90 graus ( $\frac{1}{4}$  de volta). O filtro é desbloqueado.

4. Puxe para fora para retirar o filtro.

- Se o filtro de água estiver significativamente contaminado, poderá não sair facilmente. Nesse caso, remova o filtro exercendo alguma força.
- Para evitar derrames de água na abertura do filtro, puxe o filtro alinhado enquanto o retira.

5. Insira um novo filtro. Utilize apenas filtros fornecidos ou aprovados pela Samsung.

6. Rode o botão do filtro para a direita para bloqueá-lo no devido lugar.

7. Feche a tampa do filtro.

8. No painel de controlo, aceda a **More Options (Mais opções)** e execute a **Filter Reset (Reposição do filtro)**.

## NOTA

- Após a instalação de um novo filtro, é possível que o dispensador de água deite um ligeiro esguicho de água. Isto acontece porque entrou água para o tubo de água.
- O processo de substituição pode fazer com que o dispensador de água verta durante um curto período de tempo. Se verter, basta limpar qualquer água que esteja no chão com uma toalha seca.



## Sistema de filtração de água por osmose inversa

A pressão da água do sistema de abastecimento de água para um sistema de filtração de água por osmose inversa tem de estar entre 206 e 861 kPa.

A pressão da água do sistema de filtração por osmose inversa para o tubo de água fria do frigorífico tem de ser estar, pelo menos, a 206 kPa. Se a pressão de água for inferior a estas especificações:

- Verifique se o filtro de sedimentos no sistema de osmose inversa está obstruído. Substitua o filtro, se necessário.
- Encha o depósito de água no sistema de osmose inversa.
- Se o frigorífico estiver equipado com um filtro de água, pode reduzir ainda mais a pressão da água, quando utilizado em simultâneo com um sistema de osmose inversa. Retire o filtro de água.

Para obter mais informações ou para solicitar assistência técnica, contacte um canalizador licenciado.

### Encomenda de um novo filtro

Para comprar um filtro de água novo, contacte um centro de assistência local da Samsung.

## Lâmpadas LED

Para substituir as lâmpadas do frigorífico, contacte um centro de assistência local da Samsung.

### AVISO

- As lâmpadas não podem ser substituídas pelo utilizador. Não tente substituí-las sozinho. Pode causar choques elétricos.

## Lâmpada (fonte de luz)

Este produto contém uma fonte de luz da classe de eficiência energética <G>.

As lâmpadas e/ou os dispositivos de controlo não podem ser substituídos(as) pelo utilizador. Para a substituição de lâmpadas e/ou dispositivos de controlo do produto, contacte um centro de assistência técnica local da Samsung.

Para obter instruções detalhadas sobre a substituição de lâmpadas ou dispositivos de controlo do produto, visite o site da Samsung (<http://www.samsung.com>), vá para Support > Support home (Suporte > Página inicial de suporte) e introduza o nome do modelo.

Para obter instruções detalhadas sobre a remoção de lâmpadas e/ou dispositivos de controlo, basta seguir as instruções de substituição conforme descrito acima.



# Resolução de problemas

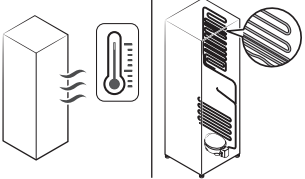
Antes de telefonar para a assistência técnica, reveja os pontos de verificação abaixo. Quaisquer chamadas de assistência relacionadas com situações normais (sem ser casos de avaria) serão cobradas aos utilizadores.

## Geral

### Temperatura

Sintoma	Causas possíveis	Solução
O frigorífico/congelador não funciona. A temperatura do frigorífico/congelador está quente.	<ul style="list-style-type: none"><li>O cabo de alimentação não está bem ligado na tomada.</li></ul>	<ul style="list-style-type: none"><li>Ligue o cabo de alimentação corretamente à tomada.</li></ul>
	<ul style="list-style-type: none"><li>O controlo de temperatura não está definido corretamente.</li></ul>	<ul style="list-style-type: none"><li>Defina a temperatura para um nível mais baixo.</li></ul>
	<ul style="list-style-type: none"><li>O frigorífico está posicionado junto de uma fonte de calor ou exposto à luz solar direta.</li></ul>	<ul style="list-style-type: none"><li>Mantenha o frigorífico afastado da luz solar direta ou de uma fonte de calor.</li></ul>
	<ul style="list-style-type: none"><li>Não há espaço suficiente entre o frigorífico e as paredes ou armários próximos.</li></ul>	<ul style="list-style-type: none"><li>Certifique-se de que existe uma folga de pelo menos 5 cm entre as partes posterior e laterais do frigorífico e quaisquer paredes ou armários próximos.</li></ul>
	<ul style="list-style-type: none"><li>O frigorífico está sobrecarregado. Os alimentos estão a bloquear as aberturas de ventilação do frigorífico.</li></ul>	<ul style="list-style-type: none"><li>Não sobrecarregue o frigorífico. Não deixe os alimentos bloquearem as ventilações.</li></ul>
O frigorífico/congelador está a refrigerar em excesso.	<ul style="list-style-type: none"><li>O controlo de temperatura não está definido corretamente.</li></ul>	<ul style="list-style-type: none"><li>Defina a temperatura para um nível mais alto.</li></ul>



Sintoma	Causas possíveis	Solução
A parede interior está quente.	<ul style="list-style-type: none"> <li>O frigorífico tem tubagem à prova de calor na parede interior.</li> </ul>	<ul style="list-style-type: none"> <li>Para evitar a formação de condensação, os cantos frontais do frigorífico estão equipados com tubos resistentes ao calor. Se a temperatura ambiente subir, este equipamento pode não funcionar eficazmente. Não se trata de uma avaria do sistema.</li> </ul> 

## Cheiros

Sintoma	Causas possíveis	Solução
O frigorífico tem cheiros.	<ul style="list-style-type: none"> <li>Comida estragada.</li> </ul>	<ul style="list-style-type: none"> <li>Limpe o frigorífico e retire os alimentos estragados.</li> </ul>
	<ul style="list-style-type: none"> <li>Alimentos com cheiros fortes.</li> </ul>	<ul style="list-style-type: none"> <li>Certifique-se de que os alimentos de cheiro forte estão embrulhados e hermeticamente fechados.</li> </ul>

## Gelo

Sintoma	Causas possíveis	Solução
Gelo à volta das aberturas de ventilação.	<ul style="list-style-type: none"> <li>Os alimentos estão a bloquear as aberturas de ventilação.</li> </ul>	<ul style="list-style-type: none"> <li>Certifique-se de que não há alimentos a bloquear as aberturas de ventilação do frigorífico.</li> </ul>
Gelo nas paredes interiores.	<ul style="list-style-type: none"> <li>A porta não fica bem fechada.</li> </ul>	<ul style="list-style-type: none"> <li>Atenção para não haver alimentos a impedir o fecho da porta. Limpe a borracha da porta.</li> </ul>
Frutas ou legumes congelam.	<ul style="list-style-type: none"> <li>As frutas ou os legumes estão guardados em Refrigeração selecionável+.</li> </ul>	<ul style="list-style-type: none"> <li>Não guarde a maioria das frutas ou vegetais em Refrigeração selecionável+.</li> </ul>

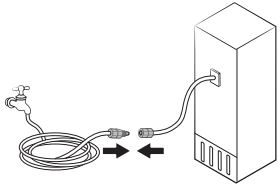
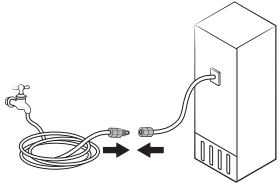
# Resolução de problemas

## Condensação

Sintoma	Causas possíveis	Solução
Forma-se condensação nas paredes interiores.	<ul style="list-style-type: none"><li>Se deixar a porta do frigorífico aberta, a humidade entra.</li></ul>	<ul style="list-style-type: none"><li>Retire a humidade e não deixe uma porta aberta por períodos de tempo prolongados.</li></ul>
	<ul style="list-style-type: none"><li>Alimentos com elevado teor de humidade.</li></ul>	<ul style="list-style-type: none"><li>Certifique-se de que os alimentos estão embrulhados e hermeticamente fechados.</li></ul>

## Água/gelo (apenas modelos com dispensador)

Sintoma	Causas possíveis	Solução
O fluxo de água é mais fraco do que o normal.	<ul style="list-style-type: none"><li>A pressão da água é demasiado baixa.</li></ul>	<ul style="list-style-type: none"><li>Certifique-se de que a pressão da água está entre 206 e 861 kPa.</li></ul>
O módulo de produção de gelo emite um zumbido.	<ul style="list-style-type: none"><li>A função do módulo de produção de gelo é ativada, mas o abastecimento de água para o frigorífico não foi ligado.</li></ul>	<ul style="list-style-type: none"><li>Desligue o módulo de produção de gelo.</li></ul>
O módulo de produção de gelo não faz gelo.	<ul style="list-style-type: none"><li>O módulo de produção de gelo acabou de ser instalado.</li></ul>	<ul style="list-style-type: none"><li>Terá de aguardar 12 horas para que o frigorífico produza gelo.</li></ul>
	<ul style="list-style-type: none"><li>A temperatura do congelador é demasiado elevada.</li></ul>	<ul style="list-style-type: none"><li>Defina a temperatura do congelador para menos de -18 °C ou -20 °C com ar ambiente quente.</li></ul>
	<ul style="list-style-type: none"><li>O módulo de produção de gelo está desligado.</li></ul>	<ul style="list-style-type: none"><li>Ligue o módulo de produção de gelo.</li></ul>

Sintoma	Causas possíveis	Solução
Não sai gelo.	<ul style="list-style-type: none"> <li>O gelo pode entupir se o dispensador de gelo não for utilizado durante muito tempo (aprox. 3 semanas).</li> </ul>	<ul style="list-style-type: none"> <li>Se sabe que não vai utilizar o frigorífico durante muito tempo, esvazie o depósito de gelo e desligue o módulo de produção de gelo.</li> </ul>
	<ul style="list-style-type: none"> <li>O depósito de gelo não foi inserido corretamente.</li> </ul>	<ul style="list-style-type: none"> <li>Certifique-se de que o depósito de gelo está inserido corretamente.</li> </ul>
	<ul style="list-style-type: none"> <li>O tubo de água não está ligado corretamente ou o abastecimento de água não está ligado.</li> </ul>	<ul style="list-style-type: none"> <li>Verifique se o tubo de água está corretamente instalado. Verifique se a válvula de retenção do tubo de água está fechada.</li> </ul> 
Não sai água.	<ul style="list-style-type: none"> <li>O tubo de água não está ligado corretamente ou o abastecimento de água não está ligado.</li> </ul>	<ul style="list-style-type: none"> <li>Verifique se o tubo de água está corretamente instalado. Verifique se a válvula de retenção do tubo de água está fechada.</li> </ul> 
	<ul style="list-style-type: none"> <li>Foi instalado um filtro de água de terceiros.</li> </ul>	<ul style="list-style-type: none"> <li>Utilize apenas filtros fornecidos ou aprovados pela Samsung.</li> <li>Os filtros não aprovados podem verter e danificar o frigorífico.</li> </ul>
	<ul style="list-style-type: none"> <li>A mensagem "<b>Replace water filter (Substituir filtro de água)</b>" é apresentada no painel de controlo.</li> </ul>	<ul style="list-style-type: none"> <li>Substitua o filtro de água. Em seguida, no painel de controlo, aceda a <b>More Options (Mais opções)</b> e execute a <b>Filter Reset (Reposição do filtro)</b>.</li> </ul>

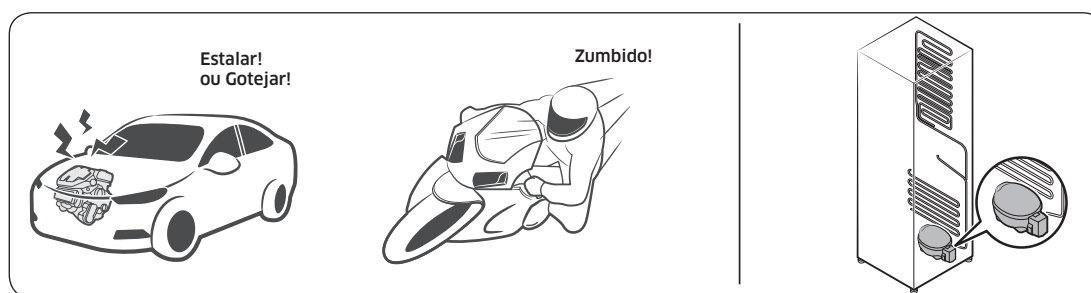
# Resolução de problemas

## Ouve sons estranhos vindos do frigorífico?

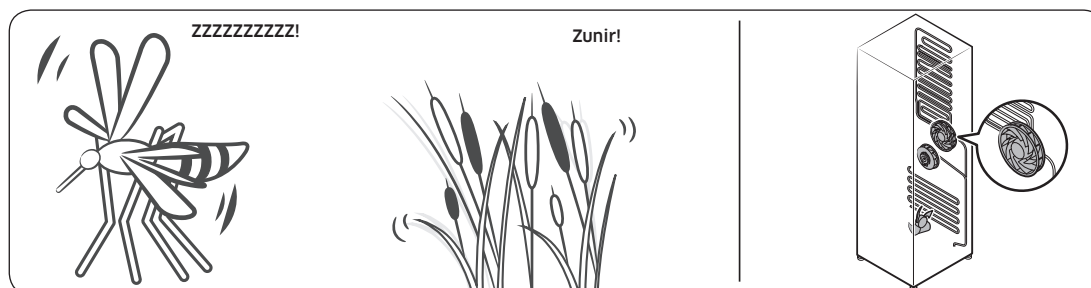
Antes de telefonar para a assistência técnica, reveja os pontos de verificação abaixo. Quaisquer chamadas de assistência relacionadas com sons normais serão cobradas ao utilizador.

### Estes sons são normais.

- Quando o frigorífico inicia ou termina uma operação, pode fazer sons semelhantes ao motor de um carro a arrancar. À medida que o funcionamento estabiliza, os sons diminuem.



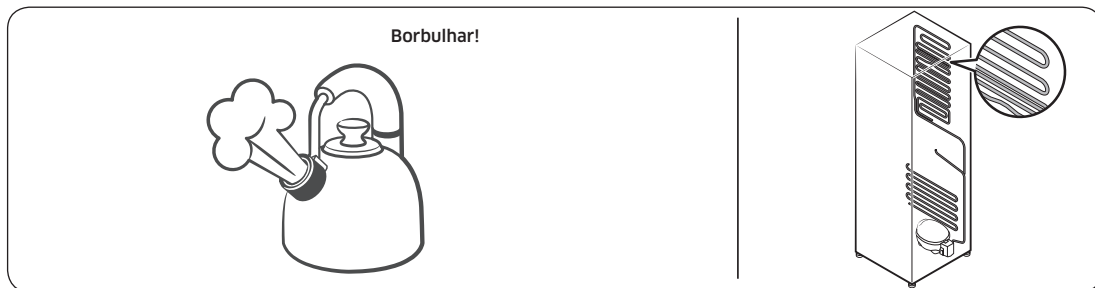
- Estes sons podem ocorrer durante o funcionamento da ventoinha. Quando o frigorífico atinge a temperatura definida, a ventoinha deixa de produzir sons.



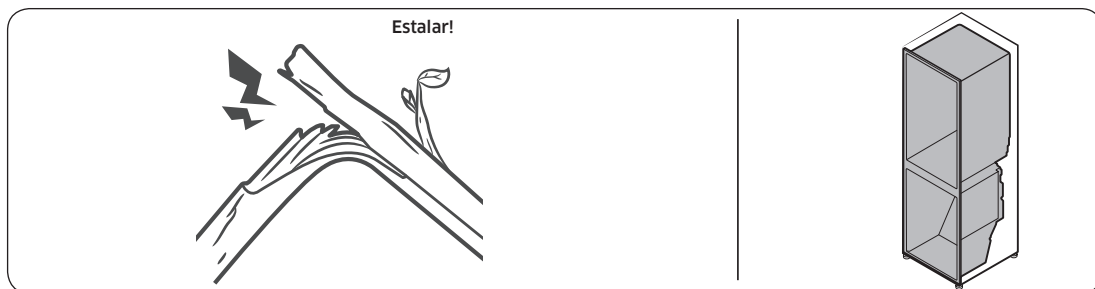
- Durante um ciclo de descongelação, a água pode pingar em cima do aquecedor de descongelação originando sons de água a ferver.



- À medida que o frigorífico refrigera ou congela, o gás refrigerante move-se através de tubos selados, causando um som de borbulhar.



- À medida que a temperatura do frigorífico aumenta ou diminui, as peças de plástico contraem ou expandem, criando sons semelhantes a batidas. Estes ruídos ocorrem durante o ciclo de descongelação ou quando as peças electrónicas estão a funcionar.



- Para modelos com módulo de produção de gelo: Quando a válvula de água abre para encher o módulo de produção de gelo, poderão ouvir-se zumbidos.
- Devido à equalização de pressão quando se abre e fecha a porta do frigorífico, poderá ouvir-se um ruído semelhante a um sopro forte.

# Resolução de problemas

## SmartThings

Sintoma	Ação
Não foi possível encontrar a "SmartThings" no mercado das aplicações.	<ul style="list-style-type: none"><li>• A aplicação SmartThings não está disponível para alguns tablets e iPads e alguns smartphones.<ul style="list-style-type: none"><li>- Suporta [Android] OS 8.0 ou posterior (mínimo de 2 GB de RAM)</li><li>- Suporta [iOS] 12.0 ou posterior/iPhone6 ou posterior.</li></ul></li></ul>
A aplicação SmartThings não funciona.	<ul style="list-style-type: none"><li>• A aplicação SmartThings está disponível apenas para os modelos aplicáveis.</li><li>• A antiga aplicação Samsung Smart Refrigerator não se liga aos modelos Samsung Smart Home.</li></ul>
A aplicação SmartThings está instalada mas não está ligada ao meu frigorífico.	<ul style="list-style-type: none"><li>• Tem de iniciar sessão na sua conta Samsung para utilizar a aplicação.</li><li>• Confirme se o seu router está a funcionar normalmente.</li><li>• Se o ícone de Wi-Fi no visor do frigorífico estiver desligado, significa que ainda não foi estabelecida ligação à rede. Neste caso, utilize a aplicação SmartThings para ligar e registar o seu frigorífico ao ponto de acesso (AP) em sua casa.</li></ul>
Não consegui iniciar sessão na aplicação.	<ul style="list-style-type: none"><li>• Tem de iniciar sessão na sua conta Samsung para utilizar a aplicação.</li><li>• Se não tem uma conta Samsung, siga as instruções no ecrã da aplicação para criar uma.</li></ul>
É apresentada uma mensagem de erro quando tento registar o meu frigorífico.	<ul style="list-style-type: none"><li>• A funcionalidade Easy Connection (Ligação simples) pode falhar devido à distância a que se encontra do seu ponto de acesso (AP) ou à interferência elétrica do ambiente circundante. Espere um momento e tente novamente.</li></ul>
A aplicação SmartThings foi ligada com sucesso ao meu frigorífico mas não funciona.	<ul style="list-style-type: none"><li>• Saia e reinicie a aplicação SmartThings ou desligue e volte a ligar o router.</li><li>• Desligue o frigorífico e volte a ligá-lo após 1 minuto.</li></ul>

# Open Source Announcement

---

The software included in this product contains open source software.

The following URL [http://opensource.samsung.com/opensource/SMART\\_TP2\\_0/seq/0](http://opensource.samsung.com/opensource/SMART_TP2_0/seq/0) leads to open source license information as related to this product.



# Apêndice

## Instrução de segurança

- Para uma utilização mais eficiente da energia, mantenha todos os acessórios internos, tais como cestos, gavetas, prateleiras e cuvetes, na posição definida pelo fabricante.
- Este aparelho de refrigeração não se destina a ser utilizado como aparelho encastrado.

## Instrução de instalação

### Para aparelhos de refrigeração com classe climática

Dependendo da classe climática, este aparelho de refrigeração destina-se a ser utilizado no intervalo de temperaturas ambiente, como especificado na seguinte tabela.

A classe climática pode ser encontrada na placa sinalética. O produto poderá não funcionar corretamente a temperaturas fora do intervalo específico.

Pode encontrar a classe climática na etiqueta no interior do frigorífico

### Intervalo de temperaturas efectivo

O frigorífico foi concebido para funcionar normalmente no intervalo de temperaturas especificado na respectiva placa de características.

Classe	Símbolo	Intervalo de temperaturas ambiente (°C)	
		IEC 62552 (ISO 15502)	ISO 8561
Temperada alargada	SN	+10 a +32	+10 a +32
Temperada	N	+16 a +32	+16 a +32
Subtropical	ST	+16 a +38	+18 a +38
Tropical	T	+16 a +43	+18 a +43

### NOTA

O desempenho de refrigeração e o consumo de energia do frigorífico podem ser afectados pela temperatura ambiente, pela frequência de abertura da porta e pela localização do aparelho. Recomendamos o ajuste das definições de temperatura conforme adequado.



---

## Instrução de temperatura

---

### Temperatura recomendada

Definição de temperatura ótima para armazenamento de alimentos:

- Frigorífico: 3 °C
- Congelador: -19 °C

#### **NOTA**

A definição de temperatura ideal para cada compartimento depende da temperatura ambiente. Esta temperatura ideal baseia-se numa temperatura ambiente de 25 °C.

### Refrigeração rápida

O botão Refrigeração rápida permite acelerar o processo de refrigeração com a ventoinha na velocidade máxima. O frigorífico funciona à velocidade máxima durante duas horas e meia e depois regressa à temperatura anterior.

### Congelação rápida

O botão Congelação rápida permite acelerar o processo de congelação com a ventoinha na velocidade máxima. O congelador funciona na velocidade máxima durante 50 horas e depois regressa à temperatura anterior. Para congelar uma grande quantidade de alimentos, ative a funcionalidade Congelação rápida durante, pelo menos, 20 horas antes de colocar os alimentos no congelador.

#### **NOTA**

Se utilizar esta função, o consumo de energia do frigorífico aumentará. Depois de utilizar esta função, certifique-se de que desliga o modo e repõe a definição de temperatura original do congelador.

### Como guardar para melhor conservação (apenas nos modelos aplicáveis)

Tape os alimentos para reter a humidade e impedir que adquiram odores de outros alimentos. O conteúdo de uma panela grande de alimentos, tais como sopa ou guisado, deve ser dividido em pequenas porções e colocado em recipientes rasos antes de ser refrigerado. Uma peça grande de carne ou uma ave inteira deve ser dividida em pequenas porções ou colocada em recipientes rasos antes de ser refrigerada.

# Apêndice

## Colocação de alimentos

Prateleiras	As prateleiras devem ser ajustáveis para guardar uma grande variedade de embalagens.
Compartimento especializado (apenas nos modelos aplicáveis)	As gavetas dos vegetais herméticas proporcionam um ambiente de armazenamento otimizado para frutas e vegetais. Os vegetais requerem mais humidade, enquanto as frutas requerem menos humidade. Os compartimentos dos vegetais estão equipados com dispositivos para controlar o nível de humidade. (*Dependendo do modelo e das opções) Uma gaveta de carne com temperatura ajustável maximiza o tempo de armazenamento de carnes e queijos.
Armazenamento na porta	Não guarde os alimentos perecíveis na porta. Os ovos devem ser guardados na embalagem numa prateleira. A temperatura dos compartimentos de armazenamento na porta varia mais do que a temperatura no armário. Mantenha a porta fechada o máximo possível.
Compartimento do congelador	Pode guardar alimentos congelados, fazer cubos de gelo e congelar alimentos frescos no compartimento do congelador.

### **NOTA**

Congele apenas alimentos frescos e em bom estado. Separe os alimentos a congelar dos alimentos que já estão congelados. Para evitar que os alimentos percam o seu sabor ou sequem, coloque-os em recipientes hermeticamente fechados.

### Tabela de armazenamento do frigorífico e do congelador

A longevidade da frescura depende da temperatura e exposição à humidade. Uma vez que as datas dos produtos não são guias de utilização segura dos produtos, consulte esta tabela e siga estas sugestões.

#### Laticínios

Produto	Frigorífico	Congelador
Leite	1 semana	1 mês
Manteiga	2 semanas	12 meses
Gelado	-	2-3 semanas
Queijo natural	1 mês	4-6 meses
Queijo para barrar	2 semanas	Não recomendado
Iogurte	1 mês	-

## Carne

Produto	Frigorífico	Congelador
Carne para assar, bifês e costeletas frescos	3-4 dias	2-3 meses
Carne picada fresca, guisado de carne	1-2 dias	3-4 meses
Bacon	7 dias	1 mês
Salsichas, carne crua de porco, vaca, peru	1-2 dias	1-2 meses

## Aves / Ovos

Produto	Frigorífico	Congelador
Aves frescas	2 dias	6-8 meses
Salada de aves	1 dia	-
Ovos frescos, com casca	2-4 semanas	Não recomendado

## Peixe / Marisco

Produto	Frigorífico	Congelador
Peixe fresco	1-2 dias	3-6 meses
Peixe cozinhado	3-4 dias	1 mês
Salada de peixe	1 dia	Não recomendado
Peixe seco ou marinado	3-4 semanas	-

## Frutas

Produto	Frigorífico	Congelador
Maçãs	1 mês	-
Pêssegos	2-3 semanas	-
Ananás	1 semana	-
Outra fruta fresca	3-5 dias	9-12 meses

# Apêndice

---

## Vegetais

Produto	Frigorífico	Congelador
Espargos	2-3 dias	-
Brócolos, couves de Bruxelas, ervilhas, cogumelos	3-5 dias	-
Couve, couve-flor, aipo, pepinos, alface	1 semana	-
Cenouras, beterrabas, rabanetes	2 semanas	-

## Informações sobre o modelo e a encomenda de peças de substituição

---

### Informações sobre o modelo

Para aceder ao registo EPREL do modelo:

1. Aceda a <https://eprel.ec.europa.eu>
2. Obtenha o identificador do modelo no rótulo energético do produto e escreva-o na caixa de pesquisa
3. As informações de rotulagem energética do modelo são apresentadas

### Informações sobre as peças

- O período mínimo durante o qual as peças de substituição, necessárias para a reparação do aparelho, estão disponíveis
  - 7 anos: termóstatos, sensores de temperatura, placas de circuitos impressos e fontes de luz, pegas das portas, dobradiças das portas, tabuleiros, cestos (caixas ou gavetas)
  - 10 anos: vedantes das portas
- A duração mínima da garantia do aparelho de refrigeração oferecida pelo fabricante é de 24 meses.
- Informações relevantes para a encomenda de peças de substituição, diretamente ou através de outros canais fornecidos pelo fabricante, importador ou representante autorizado
- Pode encontrar informações sobre reparação profissional em <http://samsung.com/support>  
Pode encontrar o manual de serviço do utilizador em <http://samsung.com/support>.

# Memo

---

# Memo

---

# Memo

---

## NOTA

A Samsung declara, desta forma, que este equipamento de rádio está em conformidade com a Diretiva 2014/53/UE e com os requisitos estatutários relevantes no Reino Unido.

O texto integral da declaração de conformidade da UE e da declaração de conformidade do Reino Unido está disponível no seguinte endereço de Internet: A declaração de conformidade oficial encontra-se disponível em <http://www.samsung.com>. Aceda a Suporte > Procurar suporte do produto e introduza o nome do modelo.

	Intervalo de frequência	Potência do transmissor (máx.)
Wi-Fi	2412 - 2472 MHz	20 dBm
Bluetooth	2402 - 2480 MHz	20 dBm

## Contacte a Samsung Internacional

Se tem algumas dúvidas ou comentários sobre os nossos produtos, por favor contacte a linha de apoio a Clientes Samsung.

País	Centro de assistência	Website
CYPRUS	8009 4000 only from landline, toll free	www.samsung.com/gr/support
GREECE	80111-SAMSUNG (80111 726 7864) only from land line (+30) 210 6897691 from mobile and land line	
ITALIA	800-SAMSUNG (800.7267864)	www.samsung.com/it/support
PORTUGAL	808 207 267	www.samsung.com/pt/support
SPAIN	91 175 00 15	www.samsung.com/es/support



DA68-04023P-01





# Ψυγείο

## Εγχειρίδιο χρήσης

Αυτόνομη συσκευή

**SAMSUNG**



# Περιεχόμενα

---

Πληροφορίες για την ασφάλεια	4
Όσα χρειάζεται να γνωρίζετε σχετικά με τις οδηγίες για την ασφάλεια	4
Σημαντικά σύμβολα ασφάλειας και προφυλάξεις:	6
Σημαντικές προφυλάξεις για την ασφάλεια	7
Σήματα σοβαρής προειδοποίησης για τη μεταφορά και την τοποθέτηση	10
Σοβαρές προειδοποιήσεις για την εγκατάσταση	11
Προφυλάξεις για την εγκατάσταση	14
Σοβαρές προειδοποιήσεις για τη χρήση	14
Προφυλάξεις για τη χρήση	19
Προφυλάξεις για τον καθαρισμό	21
Σοβαρές προειδοποιήσεις για την απόρριψη	23
Πρόσθετες συμβουλές για σωστή χρήση	24
Οδηγίες σχετικά με την ένδειξη WEEE	25
<b>Εγκατάσταση</b>	<b>26</b>
Επισκόπηση του ψυγείου	27
Εγκατάσταση βήμα προς βήμα	31
<b>Λειτουργίες</b>	<b>49</b>
Πίνακας ελέγχου	49
SmartThings	53
Ειδικές δυνατότητες	56
<b>Συντήρηση</b>	<b>63</b>
Χειρισμός και φροντίδα	63
Καθαρισμός	67
Αντικατάσταση	68
<b>Αντιμέτωπιση προβλημάτων</b>	<b>71</b>
Γενικά	71
Ακούτε μη φυσιολογικούς ήχους από το ψυγείο;	75
SmartThings	77
<b>Open Source Announcement</b>	<b>78</b>



---

Παράρτημα	79
Οδηγίες για την ασφάλεια	79
Οδηγίες εγκατάστασης	79
Οδηγίες για τη θερμοκρασία	80
Πληροφορίες για το μοντέλο και την παραγγελία ανταλλακτικών	83



# Πληροφορίες για την ασφάλεια

Προτού χρησιμοποιήσετε το νέο σας ψυγείο Samsung, διαβάστε προσεκτικά αυτό το εγχειρίδιο για να διασφαλίσετε ότι γνωρίζετε πώς να αξιοποιήσετε τις δυνατότητες και τις λειτουργίες που προσφέρει η νέα σας συσκευή, με ασφάλεια και αποτελεσματικά.

## Όσα χρειάζεται να γνωρίζετε σχετικά με τις οδηγίες για την ασφάλεια

- Οι προειδοποιήσεις και οι σημαντικές οδηγίες για την ασφάλεια που περιλαμβάνονται σε αυτό το εγχειρίδιο δεν καλύπτουν όλες τις πιθανές συνθήκες και καταστάσεις που ενδέχεται να προκύψουν.  
Αποτελεί δική σας ευθύνη να ακολουθείτε την κοινή λογική και να είστε προσεκτικοί κατά την εγκατάσταση, τη συντήρηση και τη χρήση της συσκευής.
- Επειδή οι παρακάτω οδηγίες λειτουργίας αφορούν διάφορα μοντέλα, τα χαρακτηριστικά του ψυγείου σας ενδέχεται να διαφέρουν ελαφρώς από εκείνα που περιγράφονται σε αυτό το εγχειρίδιο, ενώ ενδέχεται να μην ισχύουν όλα τα σήματα προειδοποίησης. Αν έχετε ερωτήσεις ή προβληματισμούς, επικοινωνήστε με το πλησιέστερο επισκευαστικό κέντρο ή αναζητήστε βοήθεια και πληροφορίες στο Διαδίκτυο, στη διεύθυνση [www.samsung.com](http://www.samsung.com).
- Ως ψυκτικό μέσο χρησιμοποιείται το R-600a ή το R-134a. Ελέγξτε την ετικέτα του συμπιεστή στο πίσω μέρος της συσκευής ή την ετικέτα τεχνικών στοιχείων στο εσωτερικό του ψυγείου για να δείτε ποιο ψυκτικό μέσο χρησιμοποιείται για τη δική σας συσκευή. Σε περίπτωση που αυτό το προϊόν περιέχει εύφλεκτο αέριο (ψυκτικό μέσο R-600a), επικοινωνήστε με την αρμόδια τοπική αρχή για να ενημερωθείτε σχετικά με τον ασφαλή τρόπο απόρριψης αυτού του προϊόντος.
- Προκειμένου να αποτραπεί η δημιουργία ενός εύφλεκτου μείγματος αερίου-αέρα αν προκύψει διαρροή στο κύκλωμα ψύξης, το μέγεθος του χώρου στον οποίο μπορεί να τοποθετηθεί η συσκευή εξαρτάται από τη χρησιμοποιούμενη ποσότητα ψυκτικού μέσου.
- Μη θέτετε ποτέ σε λειτουργία μια συσκευή που παρουσιάζει οποιαδήποτε ένδειξη ζημιάς. Αν έχετε αμφιβολίες, συμβουλευτείτε τον τοπικό αντιπρόσωπο. Ο χώρος πρέπει να έχει μέγεθος 1 m<sup>3</sup> για κάθε 8 g ψυκτικού μέσου R-600a που υπάρχουν στο εσωτερικό της συσκευής.  
Η ποσότητα ψυκτικού μέσου που υπάρχει στη δική σας συσκευή αναγράφεται στην πινακίδα αναγνώρισης στο εσωτερικό της συσκευής.



- Το πιτσίλισμα ψυκτικού μέσου από τους σωλήνες μπορεί να προκαλέσει ανάφλεξη ή τραυματισμό στα μάτια. Αν διαρρεύσει ψυκτικό μέσο από τον σωλήνα, αποφύγετε τυχόν γυμνές φλόγες, απομακρύνετε από το προϊόν οτιδήποτε εύφλεκτο και αερίστε αμέσως τον χώρο.
  - Διαφορετικά, ενδέχεται να προκληθεί πυρκαγιά ή έκρηξη.
- Για την αποτροπή της μόλυνσης των τροφίμων, να εφαρμόζετε τις παρακάτω οδηγίες:
  - Το άνοιγμα της πόρτας για μεγάλα χρονικά διαστήματα μπορεί να προκαλέσει σημαντική αύξηση της θερμοκρασίας στους θαλάμους της συσκευής.
  - Καθαρίζετε τακτικά τις επιφάνειες που μπορούν να έρθουν σε επαφή με τρόφιμα, καθώς και τα προσβάσιμα συστήματα αποστράγγισης.
  - Καθαρίζετε τα δοχεία νερού, αν δεν έχουν χρησιμοποιηθεί επί 48 ώρες. Αν δεν έχει γίνει άντληση νερού επί 5 ημέρες, εκπλύνετε το σύστημα νερού συνδεδεμένο με μια παροχή νερού.
  - Φυλάσσετε το ωμό κρέας και ψάρι σε κατάλληλα δοχεία στο ψυγείο, έτσι ώστε να μην έρχονται σε επαφή και να μη στάζουν επάνω σε άλλα τρόφιμα.
  - Οι θάλαμοι κατεψυγμένων τροφίμων δύο αστέρων είναι κατάλληλοι για τη φύλαξη προκατεψυγμένων τροφίμων, για τη φύλαξη ή την παρασκευή παγωτού, καθώς και για την παρασκευή παγακιών.
  - Οι θάλαμοι ενός, δύο και τριών αστέρων δεν είναι κατάλληλοι για την κατάψυξη φρέσκων τροφίμων.
  - Αν η συσκευή ψυγείου θα παραμείνει άδεια για μεγάλο χρονικό διάστημα, απενεργοποιήστε την, κάντε απόψυξη, καθαρίστε την, στεγνώστε την και αφήστε την πόρτα ανοιχτή, έτσι ώστε να αποτραπεί η δημιουργία μούχλας μέσα στη συσκευή.



# Πληροφορίες για την ασφάλεια

---

## Σημαντικά σύμβολα ασφαλείας και προφυλάξεις:

---

Εφαρμόστε όλες τις οδηγίες για την ασφάλεια που παρέχονται σε αυτό το εγχειρίδιο. Σε αυτό το εγχειρίδιο χρησιμοποιούνται τα παρακάτω σύμβολα ασφαλείας.

### ΠΡΟΕΙΔΟΠΟΙΗΣΗ

Κίνδυνοι ή μη ασφαλείς πρακτικές που ενδέχεται να προκαλέσουν **σοβαρό τραυματισμό, υλικές ζημιές ή/και θάνατο.**

### ΠΡΟΣΟΧΗ

Κίνδυνοι ή μη ασφαλείς πρακτικές που ενδέχεται να προκαλέσουν **σοβαρό τραυματισμό ή/και υλικές ζημιές.**

### ΣΗΜΕΙΩΣΗ

Χρήσιμες πληροφορίες που βοηθούν στους χρήστες να κατανοούν τη λειτουργία ή να αξιοποιούν το ψυγείο.

Σκοπός αυτών των σημάτων προειδοποίησης είναι να μην τραυματιστείτε εσείς ή άλλοι άνθρωποι.

Ακολουθήστε τα σχολαστικά.

Αφού διαβάσετε αυτή την ενότητα, φυλάξτε την σε ασφαλές μέρος για μελλοντική αναφορά.



## Σημαντικές προφυλάξεις για την ασφάλεια



Προειδοποίηση: Κίνδυνος πυρκαγιάς / εύφλεκτα υλικά

### ⚠ ΠΡΟΕΙΔΟΠΟΙΗΣΗ

- Όταν τοποθετείτε τη συσκευή, βεβαιωθείτε ότι το καλώδιο ρεύματος δεν έχει παγιδευτεί και δεν έχει υποστεί ζημιά.
- Μην τοποθετείτε πολλαπλά φορητά πολύπριζα ή τροφοδοτικά στο πίσω μέρος της συσκευής.
- Γεμίζετε μόνο με πόσιμο νερό.
- Συνδέετε μόνο με παροχή πόσιμου νερού.
- Διατηρείτε τα ανοίγματα εξαερισμού που βρίσκονται στο περίβλημα της συσκευής ή στην ενσωματωμένη βάση της ελεύθερα από εμπόδια.
- Μη χρησιμοποιείτε μηχανικές συσκευές ή οποιοδήποτε άλλο μέσο, εκτός από εκείνα που συνιστά ο κατασκευαστής, για να επιταχύνετε τη διαδικασία απόψυξης.
- Μην προκαλείτε ζημιές στο κύκλωμα του ψυκτικού μέσου.
- Μη χρησιμοποιείτε ηλεκτρικές συσκευές μέσα στους θαλάμους φύλαξης τροφίμων της συσκευής, εκτός αν πρόκειται για τύπος συσκευής που συνιστάται από τον κατασκευαστή.
  
- Αυτή η συσκευή δεν προορίζεται για χρήση από άτομα (συμπεριλαμβανομένων των παιδιών) με περιορισμένες σωματικές, αισθητηριακές ή νοητικές ικανότητες ή από άτομα με έλλειψη εμπειρίας και γνώσεων, εκτός αν βρίσκονται υπό την επίβλεψη ή ακολουθούν τις οδηγίες σχετικά με τη χρήση της συσκευής που δίνονται από ένα άτομο που είναι υπεύθυνο για την ασφάλειά τους.



## Πληροφορίες για την ασφάλεια

---

- Αυτή η συσκευή μπορεί να χρησιμοποιηθεί από παιδιά ηλικίας 8 ετών και άνω και από άτομα με περιορισμένες σωματικές, αισθητηριακές ή νοητικές ικανότητες ή με έλλειψη εμπειρίας και γνώσεων, εφόσον βρίσκονται υπό επίβλεψη ή ακολουθούν οδηγίες σχετικά με τη χρήση της συσκευής με ασφαλή τρόπο και κατανοούν τους κινδύνους που ενέχονται. Τα παιδιά απαγορεύεται να παίζουν με τη συσκευή. Ο καθαρισμός και η συντήρηση από τον χρήστη δεν πρέπει να πραγματοποιούνται από παιδιά χωρίς επίβλεψη. Στα παιδιά ηλικίας από 3 έως 8 ετών επιτρέπεται η τοποθέτηση και η αφαίρεση τροφίμων από τις συσκευές ψυγείου.
- Αν το καλώδιο ρεύματος υποστεί ζημιά, πρέπει να αντικατασταθεί από τον κατασκευαστή, τον αντιπρόσωπο σέρβις του ή έναν εξειδικευμένο τεχνικό, προκειμένου να αποφευχθεί τυχόν κίνδυνος.
- Η πρίζα πρέπει να είναι εύκολα προσβάσιμη, έτσι ώστε η συσκευή να μπορεί να αποσυνδεθεί γρήγορα από την παροχή ρεύματος σε περίπτωση έκτακτης ανάγκης.
  - Πρέπει να βρίσκεται εκτός της περιοχής του πίσω μέρους της συσκευής.
- Μην αποθηκεύετε εκρηκτικά υλικά, όπως δοχεία αεροζόλ με εύφλεκτες προωθητικές ουσίες, σε αυτή τη συσκευή.
- Αν το προϊόν διαθέτει λυχνίες LED, μην αποσυναρμολογείτε μόνοι σας τα καλύμματα λυχνιών και τις λυχνίες LED.
  - Επικοινωνήστε με ένα επισκευαστικό κέντρο της Samsung.
  - Χρησιμοποιείτε μόνο τις λυχνίες LED που παρέχονται από τον κατασκευαστή ή το τμήμα επισκευών της αντιπροσωπείας του.
- Χρησιμοποιήστε τα νέα σετ εύκαμπτων σωλήνων που παρέχονται με τη συσκευή και μην επαναχρησιμοποιήσετε τα παλιά σετ εύκαμπτων σωλήνων.
- Φροντίστε ώστε η παροχή νερού του ψυγείου να συνδεθεί αποκλειστικά σε πηγή πόσιμου νερού. Για να λειτουργεί σωστά ο παρασκευαστής πάγου, η απαιτούμενη πίεση νερού είναι 206-861 kPa (30-125 psi).
- Για πιο αποδοτική χρήση ενέργειας, να αφήνετε όλα τα εσωτερικά εξαρτήματα όπως καλάθια, συρτάρια και ράφια στη θέση που προβλέπεται από τον κατασκευαστή.
- Για τη βέλτιστη ενεργειακή απόδοση αυτού του προϊόντος, αφήνετε όλα τα ράφια, τα συρτάρια και τα καλάθια στην αρχική τους θέση.





## Ελαχιστοποίηση της κατανάλωσης ενέργειας

- Εγκαταστήστε τη συσκευή σε δροσερό και ξηρό χώρο με επαρκή εξαερισμό.
- Βεβαιωθείτε ότι η συσκευή δεν εκτίθεται σε άμεσο ηλιακό φως και μην την τοποθετείτε ποτέ κοντά σε άμεση πηγή θερμότητας (για παράδειγμα, καλοριφέρ).
  - Για υψηλότερη ενεργειακή απόδοση, συνιστάται να μη φράζετε τα ανοίγματα εξαερισμού ή τις γρίλιες.
  - Αφήνετε τα ζεστά τρόφιμα να κρυώσουν προτού τα τοποθετήσετε μέσα στη συσκευή.
  - Τοποθετείτε τα κατεψυγμένα τρόφιμα στο ψυγείο για να ξεπαγώσουν. Στη συνέχεια, μπορείτε να χρησιμοποιήσετε τις χαμηλές θερμοκρασίες των κατεψυγμένων προϊόντων για να ψύξετε τα τρόφιμα που βρίσκονται στο ψυγείο.
  - Μην αφήνετε την πόρτα της συσκευής ανοιχτή για πολλή ώρα όταν βάζετε ή βγάζετε τρόφιμα από το ψυγείο.
  - Όσο λιγότερη ώρα μένει ανοιχτή η πόρτα, τόσο λιγότερος πάγος θα σχηματιστεί στον καταψύκτη.
  - Να καθαρίζετε τακτικά το πίσω μέρος του ψυγείου. Η σκόνη αυξάνει την κατανάλωση ενέργειας.
  - Μην επιλέγετε χαμηλότερη ρύθμιση θερμοκρασίας από όσο είναι απαραίτητο.
  - Εξασφαλίστε επαρκή απαγωγή του αέρα στη βάση και στο πίσω τοίχωμα του ψυγείου. Μην καλύπτετε τα ανοίγματα εξαερισμού.
  - Κατά την εγκατάσταση, να αφήνετε χώρο στα δεξιά, στα αριστερά, στο πίσω και στο επάνω μέρος. Με αυτόν τον τρόπο, θα μειωθεί η κατανάλωση ενέργειας και ο λογαριασμός του ηλεκτρικού ρεύματος θα διατηρείται σε χαμηλά επίπεδα.



# Πληροφορίες για την ασφάλεια

---

Αυτή η συσκευή προορίζεται για οικιακή χρήση και για άλλες παρόμοιες χρήσεις όπως:

- χρήση σε χώρους κουζίνας προσωπικού καταστημάτων, γραφείων και σε άλλα εργασιακά περιβάλλοντα,
- χρήση σε αγροτικές και από πελάτες σε ξενοδοχεία, μοτέλ και σε άλλα οικιστικά περιβάλλοντα,
- χρήση σε περιβάλλοντα τύπου πανσιόν,
- χρήση για επισιτισμό και άλλες παρόμοιες χρήσεις που δεν σχετίζονται με τη λιανική πώληση.

## Σήματα σοβαρής προειδοποίησης για τη μεταφορά και την τοποθέτηση

---

### ΠΡΟΕΙΔΟΠΟΙΗΣΗ

- Κατά τη μεταφορά και την εγκατάσταση της συσκευής, θα πρέπει να είστε προσεκτικοί προκειμένου να μην υποστεί ζημιά κανένα μέρος του κυκλώματος ψύξης.
  - Η διαρροή ψυκτικού μέσου από τους σωλήνες μπορεί να προκαλέσει ανάφλεξη ή τραυματισμό στα μάτια. Αν εντοπίσετε διαρροή, αποφύγετε τυχόν γυμνές φλόγες ή πιθανές πηγές ανάφλεξης και αερίστε για αρκετά λεπτά τον χώρο στον οποίο βρίσκεται η συσκευή.
  - Αυτή η συσκευή περιέχει ως ψυκτικό μέσο μια μικρή ποσότητα ισοβουτανίου (R-600a). Πρόκειται για ένα φυσικό αέριο με υψηλή περιβαλλοντική συμβατότητα, το οποίο ωστόσο είναι εύφλεκτο. Κατά τη μεταφορά και την εγκατάσταση της συσκευής, θα πρέπει να είστε προσεκτικοί προκειμένου να μην υποστεί ζημιά κανένα μέρος του κυκλώματος ψύξης.
- Κατά τη μεταφορά και την εγκατάσταση του ψυγείου, μην αγγίζετε τον εύκαμπτο σωλήνα νερού που βρίσκεται στο πίσω μέρος του ψυγείου.
  - Ενδέχεται να προκληθεί ζημιά στο ψυγείο και, επομένως, να μην μπορεί να χρησιμοποιηθεί ο διανεμητής νερού.





---

## Σοβαρές προειδοποιήσεις για την εγκατάσταση

---

### ΠΡΟΕΙΔΟΠΟΙΗΣΗ

- Μην εγκαθιστάτε το ψυγείο σε χώρους με υγρασία ή σε μέρη όπου ενδέχεται να έρθει σε επαφή με νερό.
  - Η φθαρμένη μόνωση των ηλεκτρικών εξαρτημάτων ενδέχεται να προκαλέσει ηλεκτροπληξία ή πυρκαγιά.
- Μην τοποθετείτε αυτό το ψυγείο σε μέρος όπου εκτίθεται σε άμεσο ηλιακό φως ή στη θερμότητα που εκπέμπεται από σόμπες, καλοριφέρ ή άλλες συσκευές.
- Μην συνδέετε πολλές συσκευές στο ίδιο πολύπριζο. Το ψυγείο θα πρέπει πάντα να είναι συνδεδεμένο σε δική του πρίζα, με ονομαστική τιμή τάσης ίδια με την τάση που αναγράφεται στην πινακίδα τεχνικών στοιχείων του ψυγείου.
  - Με αυτόν τον τρόπο, εξασφαλίζεται η καλύτερη δυνατή απόδοση της συσκευής και αποτρέπεται η υπερφόρτωση των κυκλωμάτων καλωδίωσης της κατοικίας σας, γεγονός που θα μπορούσε να προκαλέσει κίνδυνο πυρκαγιάς λόγω υπερθέρμανσης των καλωδίων.
- Αν η πρίζα είναι χαλαρή, μη συνδέετε το φις τροφοδοσίας.
  - Υπάρχει κίνδυνος ηλεκτροπληξίας ή πυρκαγιάς.
- Μην χρησιμοποιείτε καλώδιο ρεύματος που παρουσιάζει ρωγμές ή ζημιά λόγω τριβής σε όλο το μήκος του ή σε οποιοδήποτε από τα άκρα του.
- Μην κάμπτετε υπερβολικά το καλώδιο ρεύματος και μην τοποθετείτε βαριά αντικείμενα επάνω του.
- Μην τραβάτε και μην κάμπτετε υπερβολικά το καλώδιο ρεύματος.
- Μην συστρέφετε και μη δένετε κόμπο το καλώδιο ρεύματος.
- Μην κρεμάτε το καλώδιο ρεύματος επάνω σε μεταλλικά αντικείμενα, μην τοποθετείτε βαριά αντικείμενα επάνω στο καλώδιο ρεύματος, μην τοποθετείτε το καλώδιο ρεύματος ανάμεσα σε αντικείμενα και μη σπρώχνετε το καλώδιο ρεύματος στον χώρο πίσω από τη συσκευή.
- Όταν μετακινείτε το ψυγείο, προσέχετε να μην αναποδογυρίσει και να μην υποστεί ζημιά το καλώδιο ρεύματος.
  - Ενδέχεται να προκληθεί ηλεκτροπληξία ή πυρκαγιά.





## Πληροφορίες για την ασφάλεια

---

- Μην αποσυνδέετε ποτέ το ψυγείο από την πρίζα τραβώντας το καλώδιο ρεύματος. Να πιάνετε πάντα σταθερά το φις και να το τραβάτε κατευθείαν προς τα έξω από την πρίζα.
  - Τυχόν ζημιά στο καλώδιο ενδέχεται να προκαλέσει βραχυκύκλωμα, πυρκαγιά ή/και ηλεκτροπληξία.
- Μη χρησιμοποιείτε αερολύματα (αεροζόλ) κοντά στο ψυγείο.
  - Η χρήση αεροζόλ κοντά στο ψυγείο, ενδέχεται να προκαλέσει έκρηξη ή πυρκαγιά.
- Μην εγκαθιστάτε αυτή τη συσκευή κοντά σε καλοριφέρ ή σε εύφλεκτα υλικά.
- Μην εγκαθιστάτε αυτή τη συσκευή σε μέρη όπου ενδέχεται να διαρρέυσει αέριο.
  - Ενδέχεται να προκληθεί ηλεκτροπληξία ή πυρκαγιά.
- Πριν από τη χρήση, αυτό το ψυγείο πρέπει να τοποθετηθεί σε κατάλληλο σημείο και να εγκατασταθεί σύμφωνα με τις οδηγίες του παρόντος εγχειριδίου.
- Συνδέστε το φις τροφοδοσίας σωστά, με το καλώδιο να κρέμεται προς τα κάτω.
  - Αν συνδέσετε το φις τροφοδοσίας ανάποδα, μπορεί να κοπεί το καλώδιο και να προκληθεί πυρκαγιά ή ηλεκτροπληξία.
- Βεβαιωθείτε ότι το πίσω μέρος του ψυγείου δεν συνθλίβει ούτε προκαλεί ζημιά στο φις τροφοδοσίας.
- Φυλάτε τα υλικά συσκευασίας μακριά από παιδιά.
  - Αν ένα παιδί καλύψει το κεφάλι του με τα υλικά συσκευασίας, υπάρχει κίνδυνος θανάτου λόγω ασφυξίας.
- Μην εγκαθιστάτε αυτή τη συσκευή σε χώρους με υγρασία, λάδια ή σκόνη ή σε μέρη που είναι εκτεθειμένα σε άμεσο ηλιακό φως ή σε νερό (σταγόνες βροχής).
  - Η φθαρμένη μόνωση των ηλεκτρικών εξαρτημάτων ενδέχεται να προκαλέσει ηλεκτροπληξία ή πυρκαγιά.
- Αν υπάρχει σκόνη ή νερό μέσα στο ψυγείο, αποσυνδέστε το φις τροφοδοσίας και επικοινωνήστε με το τοπικό επισκευαστικό κέντρο της Samsung Electronics.
  - Διαφορετικά, υπάρχει κίνδυνος πυρκαγιάς.



- Μην πατάτε επάνω στη συσκευή και μην τοποθετείτε αντικείμενα (όπως ρούχα, αναμμένα κεριά, αναμμένα τσιγάρα, πιάτα, χημικά, μεταλλικά αντικείμενα κ.λπ.) επάνω στη συσκευή.
  - Ενδέχεται να προκληθεί ηλεκτροπληξία, πυρκαγιά, προβλήματα με το προϊόν ή τραυματισμός.
- Προτού συνδέσετε για πρώτη φορά το προϊόν στην πρίζα, πρέπει να αφαιρέσετε όλη την προστατευτική πλαστική μεμβράνη.
- Τα παιδιά θα πρέπει να επιβλέπονται, ώστε να διασφαλίζεται ότι δεν παίζουν με τους δακτυλίους συγκράτησης που χρησιμοποιούνται για τη ρύθμιση της πόρτας ή τα κλιπ του σωλήνα νερού.
  - Αν ένα παιδί καταπιεί έναν δακτύλιο συγκράτησης ή ένα κλιπ του σωλήνα νερού, υπάρχει κίνδυνος θανάτου λόγω ασφυξίας. Φυλάτε τους δακτυλίους συγκράτησης και τα κλιπ του σωλήνα νερού μακριά από παιδιά.
- Το ψυγείο πρέπει να γειώνεται με ασφάλεια.
  - Προτού επιχειρήσετε να επιθεωρήσετε ή να επισκευάσετε οποιοδήποτε μέρος της συσκευής, να βεβαιώνετε πάντα ότι έχετε γειώσει το ψυγείο. Οι διαρροές ρεύματος μπορούν να προκαλέσουν ισχυρή ηλεκτροπληξία.
- Μη χρησιμοποιείτε ποτέ σωλήνες αερίου, τηλεφωνικές γραμμές ή άλλα αντικείμενα που μπορούν να λειτουργήσουν ως αλεξικέραυνα ως ηλεκτρική γείωση.
  - Πρέπει να γειώνετε το ψυγείο, προκειμένου να αποτρέψετε τυχόν διαρροή ηλεκτρικής ενέργειας ή ηλεκτροπληξία λόγω διαρροής ρεύματος από το ψυγείο.
  - Ενδέχεται να προκληθεί ηλεκτροπληξία, πυρκαγιά, έκρηξη ή προβλήματα με το προϊόν.
- Συνδέστε σταθερά το φις τροφοδοσίας στην πρίζα. Μη χρησιμοποιείτε φις τροφοδοσίας ή καλώδιο ρεύματος που έχει υποστεί ζημιά ούτε χαλαρή πρίζα.
  - Ενδέχεται να προκληθεί ηλεκτροπληξία ή πυρκαγιά.
- Η ασφάλεια του ψυγείου πρέπει να αντικαθίσταται από εξειδικευμένο τεχνικό ή εταιρεία επισκευών.
  - Διαφορετικά, ενδέχεται να προκληθεί ηλεκτροπληξία ή τραυματισμός.



# Πληροφορίες για την ασφάλεια

---

## Προφυλάξεις για την εγκατάσταση

---

### ΠΡΟΣΟΧΗ

- Φροντίστε να υπάρχει αρκετός χώρος γύρω από το ψυγείο και εγκαταστήστε το σε επίπεδη επιφάνεια.
  - Αν το ψυγείο δεν είναι τοποθετημένο σε επίπεδη επιφάνεια, μπορεί να μειωθεί η απόδοση ψύξης και η διάρκεια ζωής του.
- Μετά την εγκατάσταση και την ενεργοποίηση, αφήστε τη συσκευή να λειτουργήσει για 2-3 ώρες προτού τη γεμίσετε με τρόφιμα.
- Συνιστούμε ιδιαίτερα το ψυγείο να εγκαθίσταται από εξειδικευμένο τεχνικό ή εταιρεία επισκευών.
  - Διαφορετικά, ενδέχεται να προκληθεί ηλεκτροπληξία, πυρκαγιά, έκρηξη, προβλήματα με το προϊόν ή τραυματισμός.

## Σοβαρές προειδοποιήσεις για τη χρήση

---

### ΠΡΟΕΙΔΟΠΟΙΗΣΗ

- Μη συνδέετε το φως τροφοδοσίας στην πρίζα με υγρά χέρια.
  - Ενδέχεται να προκληθεί ηλεκτροπληξία.
- Μην αποθηκεύετε αντικείμενα στο επάνω μέρος της συσκευής.
  - Όταν ανοιγοκλείνετε την πόρτα, τα αντικείμενα ενδέχεται να πέσουν και να προκαλέσουν τραυματισμό ή/και υλικές ζημιές.
- Μην τοποθετείτε τα χέρια σας, τα πόδια σας ή μεταλλικά αντικείμενα (όπως μεταλλικές ράβδους κ.λπ.) στο κάτω ή στο πίσω μέρος του ψυγείου.
  - Ενδέχεται να προκληθεί ηλεκτροπληξία ή τραυματισμός.
  - Τυχόν αιχμηρές άκρες ενδέχεται να προκαλέσουν τραυματισμό.
- Μην αγγίζετε τα εσωτερικά τοιχώματα του καταψύκτη ή τα προϊόντα που φυλάσσονται στον καταψύκτη με υγρά χέρια.
  - Ενδέχεται να προκληθεί κρουσπάγημα.
- Μην τοποθετείτε δοχεία με νερό επάνω στο ψυγείο.
  - Αν χυθεί το νερό, υπάρχει κίνδυνος πυρκαγιάς ή ηλεκτροπληξίας.



- Μη διατηρείτε πηητικά ή εύφλεκτα αντικείμενα ή ουσίες (βενζόλιο, διαλυτικά, αέριο προπάνιο, οινόπνευμα, αιθέρα, υγραέριο και άλλα παρόμοια προϊόντα) μέσα στο ψυγείο.
  - Αυτό το ψυγείο προορίζεται αποκλειστικά για τη φύλαξη τροφίμων.
  - Ενδέχεται να προκληθεί πυρκαγιά ή έκρηξη.
- Τα παιδιά θα πρέπει να επιβλέπονται, ώστε να διασφαλίζεται ότι δεν παίζουν με τη συσκευή.
  - Κρατήστε τα δάχτυλά σας μακριά από σημεία όπου θα μπορούσαν να πιαστούν. Τα κενά ανάμεσα στις πόρτες και τον θάλαμο είναι αναγκαστικά μικρά. Αν υπάρχουν παιδιά στον χώρο, να είστε προσεκτικοί όταν ανοίγετε τις πόρτες.
- Μη βάζετε τα δάχτυλά σας ή τα δάχτυλα των παιδιών ανάμεσα στις πόρτες.
  - Κρατήστε τα δάχτυλά σας μακριά από το κενό της αριστερής και της δεξιάς πόρτας. Αν τα δάχτυλά σας είναι ανάμεσα στις πόρτες, να είστε προσεκτικοί όταν ανοίγετε τις πόρτες.
- Μην αφήνετε τα παιδιά να κρέμονται από την πόρτα ή τα ράφια πόρτας. Ενδέχεται να προκληθεί σοβαρός τραυματισμός.
- Μην αφήνετε τα παιδιά να μπαίνουν μέσα στο ψυγείο. Μπορεί να παγιδευτούν.
- Μη βάζετε τα χέρια σας κάτω από τη συσκευή.
  - Τυχόν αιχμηρές άκρες ενδέχεται να προκαλέσουν τραυματισμό.
- Μη φυλάσσετε φαρμακευτικά προϊόντα, επιστημονικά υλικά ή θερμοευαίσθητα προϊόντα μέσα στο ψυγείο.
  - Τα προϊόντα που απαιτούν αυστηρό έλεγχο της θερμοκρασίας δεν πρέπει να φυλάσσονται στο ψυγείο.
- Αν μυρίσετε οσμή φαρμάκου ή καπνό, αποσυνδέστε αμέσως το φιντς τροφοδοσίας και επικοινωνήστε με το τοπικό επισκευαστικό κέντρο της Samsung Electronics.
- Αν υπάρχει σκόνη ή νερό μέσα στο ψυγείο, αποσυνδέστε το φιντς τροφοδοσίας και επικοινωνήστε με το τοπικό επισκευαστικό κέντρο της Samsung Electronics.
  - Διαφορετικά, υπάρχει κίνδυνος πυρκαγιάς.
- Μην αφήνετε τα παιδιά να πατούν επάνω σε συρτάρια.
  - Το συρτάρι ενδέχεται να σπάσει και μπορεί να σκοντάψουν.



## Πληροφορίες για την ασφάλεια

---

- Μην αφήνετε ανοικτές τις πόρτες του ψυγείου ενόσω δεν το επιτηρείτε και μην αφήνετε τα παιδιά να μπαίνουν μέσα στο ψυγείο.
- Μην αφήνετε μωρά ή παιδιά να μπαίνουν μέσα στο συρτάρι.
  - Μπορεί να προκληθεί θάνατος λόγω ασφυξίας εξαιτίας παγίδευσης ή τραυματισμός.
- Μην παραγεμίζετε το ψυγείο με τρόφιμα.
  - Όταν ανοίγετε την πόρτα, κάποιο αντικείμενο ενδέχεται να πέσει και να προκαλέσει τραυματισμό ή υλικές ζημιές.
- Μην ψεκάζετε πτητικά υγρά όπως εντομοκτόνα στην επιφάνεια της συσκευής.
  - Είναι επιβλαβή για τους ανθρώπους και, επιπλέον, ενδέχεται να προκαλέσουν ηλεκτροπληξία, πυρκαγιά ή προβλήματα με το προϊόν.
- Μην βάζετε ποτέ τα δάχτυλά σας ή άλλα αντικείμενα στην οπή του διανεμητή νερού, στη χοάνη πάγου ή στο δοχείο του παρασκευαστή πάγου.
  - Ενδέχεται να προκληθεί τραυματισμός ή υλικές ζημιές.
- Μην χρησιμοποιείτε και μην τοποθετείτε ουσίες ευαίσθητες στη θερμοκρασία, όπως εύφλεκτα σπρέι, εύφλεκτα αντικείμενα, ξηρό πάγο, φάρμακα ή χημικά, κοντά ή μέσα στο ψυγείο.
- Μην χρησιμοποιείτε σεσουάρ για να στεγνώσετε το εσωτερικό του ψυγείου. Μην τοποθετείτε αναμμένα κεριά μέσα στο ψυγείο για την απομάκρυνση των δυσάρεστων οσμών.
  - Ενδέχεται να προκληθεί ηλεκτροπληξία ή πυρκαγιά.
- Γεμίζετε το δοχείο νερού, τον δίσκο πάγου και τις παγοθήκες μόνο με πόσιμο νερό (μεταλλικό ή απιονισμένο νερό).
  - Μην γεμίζετε το δοχείο με τσάι, χυμό ή ενεργειακό ποτό, καθώς ενδέχεται να προκληθεί ζημιά στο ψυγείο.
- Μην πατάτε επάνω στη συσκευή και μην τοποθετείτε αντικείμενα (όπως ρούχα, αναμμένα κεριά, αναμμένα τσιγάρα, πιάτα, χημικά, μεταλλικά αντικείμενα κ.λπ.) επάνω στη συσκευή. Ενδέχεται να προκληθεί ηλεκτροπληξία, πυρκαγιά, προβλήματα με το προϊόν ή τραυματισμός. Μην τοποθετείτε δοχεία με νερό επάνω στη συσκευή.
  - Αν χυθεί το νερό, υπάρχει κίνδυνος πυρκαγιάς ή ηλεκτροπληξίας.





- Μην κοιτάζετε ποτέ κατευθείαν τη λυχνία LED τύπου UV για μεγάλα χρονικά διαστήματα.
  - Ενδέχεται να προκληθεί ασθενοπία, εξαιτίας των υπεριωδών ακτίνων.
- Μην τοποθετείτε το ράφι ανάποδα. Δεν θα λειτουργεί η ασφάλεια των ραφιών.
  - Αν πέσει ένα γυάλινο ράφι, ενδέχεται να προκληθεί τραυματισμός.
- Κρατήστε τα δάχτυλά σας μακριά από σημεία όπου θα μπορούσαν να πιαστούν. Τα κενά ανάμεσα στις πόρτες και τον θάλαμο είναι αναγκαστικά μικρά. Αν υπάρχουν παιδιά στον χώρο, να είστε προσεκτικοί όταν ανοίγετε τις πόρτες.
- Αν εντοπίσετε διαρροή αερίου, αποφύγετε τυχόν γυμνές φλόγες ή πιθανές πηγές ανάφλεξης και αερίστε για αρκετά λεπτά τον χώρο στον οποίο βρίσκεται η συσκευή.
  - Μην αγγίζετε τη συσκευή ή το καλώδιο ρεύματος.
  - Μην χρησιμοποιείτε ανεμιστήρα εξαερισμού.
  - Μια σπίθα ενδέχεται να προκαλέσει έκρηξη ή πυρκαγιά.
- Τα μπουκάλια θα πρέπει να τοποθετούνται το ένα πολύ κοντά στο άλλο, ώστε να μην πέσουν έξω από το ψυγείο.
- Αυτό το προϊόν προορίζεται αποκλειστικά για τη φύλαξη τροφίμων σε οικιακό περιβάλλον.
- Μην βάζετε ποτέ τα δάχτυλά σας ή άλλα αντικείμενα στην οπή του διανεμητή νερού, στη χοάνη πάγου ή στο δοχείο του παρασκευαστή πάγου.
  - Ενδέχεται να προκληθεί τραυματισμός ή υλικές ζημιές.
- Μην επιχειρήσετε να επισκευάσετε, να αποσυναρμολογήσετε ή να τροποποιήσετε μόνοι σας το ψυγείο.
- Μην χρησιμοποιείτε κανέναν άλλο τύπο ασφάλειας (όπως χαλκού, χαλύβδινου σύρματος κ.λπ.) εκτός από την τυπική ασφάλεια.
- Αν το ψυγείο χρειάζεται να επισκευαστεί ή να μετεγκατασταθεί, επικοινωνήστε με το πλησιέστερο επισκευαστικό κέντρο.
  - Διαφορετικά, ενδέχεται να προκληθεί ηλεκτροπληξία, πυρκαγιά, προβλήματα με το προϊόν ή τραυματισμός.
- Αν βγαίνει μυρωδιά καμένου ή καπνός από το ψυγείο, αποσυνδέστε το από την πρίζα και επικοινωνήστε με το τοπικό επισκευαστικό κέντρο της Samsung Electronics.
  - Διαφορετικά, ενδέχεται να προκληθεί ηλεκτροπληξία ή πυρκαγιά.



## Πληροφορίες για την ασφάλεια

---

- Πρωτού αντικαταστήσετε τις εσωτερικές λυχνίες του ψυγείου, αποσυνδέστε το φως τροφοδοσίας από την πρίζα.
  - Διαφορετικά, υπάρχει κίνδυνος ηλεκτροπληξίας.
- Αν αντιμετωπίσετε δυσκολίες με την αντικατάσταση μιας λυχνίας που δεν είναι τύπου LED, επικοινωνήστε με ένα επισκευαστικό κέντρο της Samsung.
- Συνδέστε σταθερά το φως τροφοδοσίας στην πρίζα.
- Μη χρησιμοποιείτε φως τροφοδοσίας ή καλώδιο ρεύματος που έχει υποστεί ζημιά ούτε χαλαρή πρίζα.
  - Ενδέχεται να προκληθεί ηλεκτροπληξία ή πυρκαγιά.





---

## Προφυλάξεις για τη χρήση

---

### ΠΡΟΣΟΧΗ

- Μην καταψύχετε ξανά αποψυγμένα τρόφιμα.
  - Στα κατεψυγμένα και αποψυγμένα τρόφιμα αναπτύσσονται βλαβερά βακτήρια ταχύτερα από τα φρέσκα.
  - Η δεύτερη απόψυξη προκαλεί τη διάσπαση ακόμα περισσότερων κυττάρων και την απώλεια υγρασίας, μεταβάλλοντας την ακεραιότητα του προϊόντος.
- Μην αποψύχετε κρέας σε θερμοκρασία δωματίου.
  - Η ασφάλεια εξαρτάται από τον σωστό ή μη χειρισμό του ωμού προϊόντος.
- Μην τοποθετείτε γυάλινα μπουκάλια ή ανθρακούχα ποτά μέσα στον καταψύκτη.
  - Το δοχείο ενδέχεται να παγώσει και να σπάσει, καθώς και να προκαλέσει τραυματισμό.
- Χρησιμοποιείτε μόνο τον παρασκευαστή πάγου που παρέχεται με το ψυγείο.
- Αν θα λείψετε από το σπίτι για μεγάλο χρονικό διάστημα (για παράδειγμα, σε διακοπές) και δεν πρόκειται να χρησιμοποιήσετε τους διανεμητές νερού ή πάγου, κλείστε τη βαλβίδα νερού.
  - Διαφορετικά, ενδέχεται να παρουσιαστεί διαρροή νερού.
- Αν δεν πρόκειται να χρησιμοποιήσετε το ψυγείο για πολύ μεγάλο χρονικό διάστημα (3 εβδομάδες ή περισσότερο), αδειάστε το ψυγείο και το δοχείο πάγου, αποσυνδέστε το από την πρίζα, κλείστε τη βαλβίδα νερού, σκουπίστε την περίσσεια υγρασίας από τα εσωτερικά τοιχώματα και αφήστε τις πόρτες ανοιχτές για να αποτρέψετε τη δημιουργία οσμών και μούχλας.
- Για την καλύτερη δυνατή απόδοση του προϊόντος:
  - Μην τοποθετείτε τρόφιμα πολύ κοντά στα ανοίγματα εξαερισμού που βρίσκονται στο πίσω μέρος του ψυγείου, καθώς μπορεί να εμποδίσουν την ελεύθερη κυκλοφορία του αέρα στον θάλαμο του ψυγείου.
  - Τυλίγετε σωστά τα τρόφιμα ή τοποθετείτε τα σε αεροστεγή δοχεία, προτού τα βάλετε στο ψυγείο.
  - Τηρείτε τους μέγιστους χρόνους φύλαξης και τις ημερομηνίες λήξης των κατεψυγμένων προϊόντων.





## Πληροφορίες για την ασφάλεια

---

- Δεν χρειάζεται να αποσυνδέσετε το ψυγείο από την παροχή ρεύματος, αν σκοπεύετε να λείψετε για διάστημα μικρότερο των τριών εβδομάδων. Ωστόσο, αν θα λείψετε για περισσότερο από τρεις εβδομάδες, αφαιρέστε όλα τα τρόφιμα και τον πάγο από το δοχείο πάγου, αποσυνδέστε το ψυγείο από την πρίζα, κλείστε τη βαλβίδα νερού, σκουπίστε την περίσσεια υγρασίας από τα εσωτερικά τοιχώματα και αφήστε τις πόρτες ανοιχτές για να αποτρέψετε τη δημιουργία οσμών και μούχλας.
- Εγγύηση επισκευής και τροποποιήσεις
  - Οποιοσδήποτε αλλαγές ή τροποποιήσεις εκτελούνται από τρίτους σε αυτή την ολοκληρωμένη συσκευή δεν καλύπτονται από την εγγύηση επισκευής της Samsung και η Samsung δεν ευθύνεται για προβλήματα ασφαλείας που προκύπτουν εξαιτίας τροποποιήσεων από τρίτους.
- Μη φράζετε τα ανοίγματα εξαερισμού στο εσωτερικό του ψυγείου.
  - Αν τα ανοίγματα εξαερισμού είναι φραγμένα, ειδικά με πλαστική σακούλα, το ψυγείο μπορεί να ψυχθεί υπερβολικά. Αν μια περίοδος ψύξης έχει πολύ μεγάλη διάρκεια, το φίλτρο νερού ενδέχεται να σπάσει και να προκληθεί διαρροή νερού.
- Χρησιμοποιείτε μόνο τον παρασκευαστή πάγου που παρέχεται με το ψυγείο.
- Σκουπίστε την περίσσεια υγρασίας από το εσωτερικό του ψυγείου και αφήστε τις πόρτες ανοιχτές.
  - Διαφορετικά, ενδέχεται να δημιουργηθούν οσμές και μούχλα.
- Αν το ψυγείο αποσυνδεθεί από την παροχή ρεύματος, θα πρέπει να περιμένετε για τουλάχιστον πέντε λεπτά προτού το συνδέσετε ξανά στην πρίζα.
- Αν το ψυγείο βραχεί με νερό, αποσυνδέστε το φιντς τροφοδοσίας και επικοινωνήστε με το τοπικό επισκευαστικό κέντρο της Samsung Electronics.
- Μη χτυπάτε και μην ασκείτε υπερβολική δύναμη σε καμία γυάλινη επιφάνεια.
  - Το σπασμένο γυαλί ενδέχεται να προκαλέσει τραυματισμό ή/και υλικές ζημιές.
- Γεμίζετε το δοχείο νερού και τον δίσκο πάγου μόνο με πόσιμο νερό (νερό βρύσης, μεταλλικό νερό ή απιονισμένο νερό).
  - Μη γεμίζετε το δοχείο με τσάι ή ενεργειακό ποτό. Ενδέχεται να προκληθεί ζημιά στο ψυγείο.
- Προσέχετε να μην πιαστούν τα δάχτυλά σας στην πόρτα του ψυγείου.



- Αν το ψυγείο πλημμυρίσει με νερό, φροντίστε να επικοινωνήσετε με το πλησιέστερο επισκευαστικό κέντρο.
  - Υπάρχει κίνδυνος ηλεκτροπληξίας ή πυρκαγιάς.
- Μην αποθηκεύετε φυτικό λάδι στα ράφια της πόρτας του ψυγείου σας. Το λάδι μπορεί να στερεοποιηθεί, να αποκτήσει κακή γεύση και να είναι δύσκολο να χρησιμοποιηθεί. Επιπλέον, το ανοιχτό δοχείο μπορεί να έχει διαρροή και το λάδι που θα διαρρεύσει να προκαλέσει ρωγμή στο ράφι της πόρτας. Αφού ανοίξετε ένα δοχείο λαδιού, καλύτερα να διατηρείτε το δοχείο σε δροσερό και σκιερό χώρο, όπως ένα ντουλάπι ή μια τροφοθήκη.
  - Παραδείγματα φυτικού λαδιού: ελαιόλαδο, καλαμποκέλαιο, σταφυλέλαιο κ.λπ.

## Προφυλάξεις για τον καθαρισμό

### ΠΡΟΣΟΧΗ

- Μην ψεκάζετε νερό κατευθείαν επάνω στην εσωτερική ή στην εξωτερική επιφάνεια του ψυγείου.
  - Υπάρχει κίνδυνος πυρκαγιάς ή ηλεκτροπληξίας.
- Μη χρησιμοποιείτε σεσουάρ για να στεγνώσετε το εσωτερικό του ψυγείου.
- Μην τοποθετείτε αναμμένα κεριά μέσα στο ψυγείο για να απομακρύνετε τις δυσάρεστες οσμές.
  - Ενδέχεται να προκληθεί ηλεκτροπληξία ή πυρκαγιά.
- Μην ψεκάζετε καθαριστικά προϊόντα κατευθείαν επάνω στην οθόνη.
  - Τα γράμματα που είναι τυπωμένα στην οθόνη ενδέχεται να σβηστούν.
- Αν εισχωρήσει στη συσκευή οποιαδήποτε ξένη ουσία όπως το νερό, αποσυνδέστε το φινιρ τροφοδοσίας από την πρίζα και επικοινωνήστε με το πλησιέστερο επισκευαστικό κέντρο.
  - Διαφορετικά, ενδέχεται να προκληθεί ηλεκτροπληξία ή πυρκαγιά.
- Χρησιμοποιήστε ένα καθαρό και στεγνό πανί για να απομακρύνετε τυχόν ξένα σώματα ή σκόνη από τους ακροδέκτες του φινιρ τροφοδοσίας. Μη χρησιμοποιείτε υγρό ή νοτισμένο πανί κατά τον καθαρισμό του φινιρ.
  - Διαφορετικά, υπάρχει κίνδυνος πυρκαγιάς ή ηλεκτροπληξίας.



## Πληροφορίες για την ασφάλεια

---

- Μην ψεκάζετε νερό κατευθείαν επάνω στη συσκευή για να την καθαρίσετε.
- Μη χρησιμοποιείτε βενζόλιο, διαλυτικό, λευκαντικό ή χλώριο για τον καθαρισμό.
  - Ενδέχεται να προκαλέσουν ζημιά στην επιφάνεια της συσκευής, καθώς και πυρκαγιά.
- Μη βάζετε ποτέ τα δάχτυλά σας ή άλλα αντικείμενα στην οπή του διανεμητή.
  - Ενδέχεται να προκληθεί τραυματισμός ή υλικές ζημιές.
- Πριν από τον καθαρισμό ή τις εργασίες συντήρησης, να αποσυνδέετε τη συσκευή από την πρίζα.
  - Διαφορετικά, ενδέχεται να προκληθεί ηλεκτροπληξία ή πυρκαγιά.
- Χρησιμοποιήστε ένα καθαρό σφουγγάρι ή μαλακό πανί και ήπιο απορρυπαντικό σε ζεστό νερό για να καθαρίσετε το ψυγείο.
- Μη χρησιμοποιείτε λειαντικά ή σκληρά καθαριστικά, όπως σπρέι καθαρισμού υαλοπινάκων, καθαριστικά αποτριβής, εύφλεκτα υγρά, υδροχλωρικό οξύ, κεριά καθαρισμού, συμπυκνωμένα καθαριστικά, χλωρίνες ή καθαριστικά που περιέχουν προϊόντα του πετρελαίου στις εξωτερικές επιφάνειες (πόρτες και θάλαμο), τα πλαστικά μέρη, τις επενδύσεις της πόρτας και τις εσωτερικές επενδύσεις και τα παρεμβύσματα.
  - Αυτά ενδέχεται να προκαλέσουν γρατσουνιές ή ζημιές στο υλικό.
- Μην καθαρίζετε τα γυάλινα ράφια ή τα καλύμματα με ζεστό νερό όταν είναι κρύα. Τα γυάλινα ράφια και τα καλύμματα ενδέχεται να σπάσουν αν εκτεθούν σε απότομες αλλαγές θερμοκρασίας ή κρούσεις, όπως χτυπήματα ή πτώσεις.





---

## Σοβαρές προειδοποιήσεις για την απόρριψη

---

### ΠΡΟΕΙΔΟΠΟΙΗΣΗ


- Απορρίψτε τα υλικά συσκευασίας αυτού του προϊόντος με τρόπο φιλικό προς το περιβάλλον.
- Πριν από την απόρριψη, βεβαιωθείτε ότι δεν έχει υποστεί ζημιά κανένας από τους σωλήνες που βρίσκονται στο πίσω μέρος του ψυγείου.
- Ως ψυκτικό μέσο χρησιμοποιείται το R-600a ή το R-134a. Ελέγξτε την ετικέτα του συμπιεστή στο πίσω μέρος της συσκευής ή την ετικέτα τεχνικών στοιχείων στο εσωτερικό του ψυγείου για να δείτε ποιο ψυκτικό μέσο χρησιμοποιείται για το δικό σας ψυγείο. Σε περίπτωση που αυτό το ψυγείο περιέχει εύφλεκτο αέριο (ψυκτικό μέσο R-600a), επικοινωνήστε με την αρμόδια τοπική αρχή για να ενημερωθείτε σχετικά με τον ασφαλή τρόπο απόρριψης αυτού του προϊόντος.
- Κατά την απόρριψη αυτού του ψυγείου, αφαιρέστε την πόρτα/στεγανοποιητικά πόρτας και το σύστημα μανδάλωσης της πόρτας, έτσι ώστε να μην μπορεί να παγιδευτεί κάποιο μικρό παιδί ή ζώο στο εσωτερικό του. Τα παιδιά θα πρέπει να επιβλέπονται, ώστε να διασφαλίζεται ότι δεν παίζουν με τη συσκευή. Αν παγιδευτεί μέσα κάποιο παιδί, ενδέχεται να τραυματιστεί και να πεθάνει από ασφυξία.
  - Αν παγιδευτεί μέσα κάποιο παιδί, ενδέχεται να τραυματιστεί και να πεθάνει από ασφυξία.
- Στη μόνωση χρησιμοποιείται κυκλοπεντάνιο. Για τα αέρια που περιέχονται στο μονωτικό υλικό απαιτείται ειδική διαδικασία απόρριψης. Επικοινωνήστε με τις αρμόδιες τοπικές αρχές για να ενημερωθείτε σχετικά με τον περιβαλλοντικά ασφαλή τρόπο απόρριψης αυτού του προϊόντος.
- Φυλάξτε όλα τα υλικά συσκευασίας μακριά από παιδιά, καθώς μπορούν να είναι επικίνδυνα για τα παιδιά.
  - Αν ένα παιδί καλύψει το κεφάλι του με μια σακούλα, μπορεί να πάθει ασφυξία.





# Πληροφορίες για την ασφάλεια

## Πρόσθετες συμβουλές για σωστή χρήση

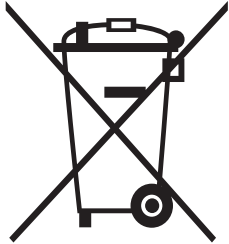
- Σε περίπτωση διακοπής ρεύματος, καλέστε το τοπικό γραφείο της εταιρείας παροχής ηλεκτρικού ρεύματος με την οποία συνεργάζεστε και ρωτήστε πόσο θα διαρκέσει η διακοπή.
  - Οι περισσότερες διακοπές ρεύματος που αποκαθίστανται σε μία ή δύο ώρες δεν θα επηρεάσουν τη θερμοκρασία του ψυγείου σας. Ωστόσο, θα πρέπει να ανοίγετε την πόρτα όσο το δυνατόν λιγότερο κατά τη διάρκεια της διακοπής ρεύματος.
  - Αν τυχόν η διακοπή ρεύματος διαρκέσει περισσότερο από 24 ώρες, απομακρύνετε και απορρίψτε όλα τα κατεψυγμένα τρόφιμα.
- Αν τοποθετηθεί για παρατεταμένο χρονικό διάστημα σε μέρος στο οποίο η θερμοκρασία περιβάλλοντος είναι συνεχώς χαμηλότερη από τις θερμοκρασίες για τις οποίες έχει σχεδιαστεί η συσκευή, το ψυγείο ενδέχεται να μη λειτουργεί αξιόπιστα (μπορεί να ξεπαγώσουν τα κατεψυγμένα προϊόντα που περιέχει ή μπορεί να είναι πολύ υψηλή η θερμοκρασία στον θάλαμο κατεψυγμένων τροφίμων).
- Σε περίπτωση ευαίσθητων τροφίμων, το να διατηρούνται υπό ψύξη μπορεί να επηρεάσει αρνητικά τη συντήρησή τους, λόγω των ιδιοτήτων τους.
- Η συσκευή σας είναι «frost free», γεγονός που σημαίνει ότι δεν χρειάζεται να την αποψύξετε. Αυτή η διαδικασία εκτελείται αυτόματα.
- Η αύξηση της θερμοκρασίας κατά την απόψυξη συμμορφώνεται με τις απαιτήσεις ISO. Αν θέλετε να αποτρέψετε υπερβολική αύξηση της θερμοκρασίας των κατεψυγμένων τροφίμων κατά την απόψυξη της συσκευής, τυλίξτε τα κατεψυγμένα τρόφιμα σε αρκετά φύλλα εφημερίδας.
- Μην καταψύχετε ξανά κατεψυγμένα τρόφιμα που έχουν ξεπαγώσει εντελώς.
- Η θερμοκρασία στους χώρους με τα δύο αστέρια ή στους θαλάμους με το σύμβολο των δύο αστεριών () είναι ελαφρώς υψηλότερη από εκείνη στους άλλους θαλάμους του καταψύκτη.

Η θέση των χώρων ή των θαλάμων με τα δύο αστέρια βασίζεται στις οδηγίες ή/και στην κατάσταση κατά την παράδοση.





## Οδηγίες σχετικά με την ένδειξη WEEE



Σωστή Απόρριψη αυτού του Προϊόντος (Απόβλητα Ηλεκτρικού & Ηλεκτρονικού Εξοπλισμού)

(Ισχύει σε χώρες με ξεχωριστά συστήματα συλλογής)

Αυτό το σήμα που εμφανίζεται επάνω στο προϊόν, στα εξαρτήματά του ή στα εγχειρίδια που το συνοδεύουν, υποδεικνύει ότι το προϊόν και τα ηλεκτρονικά του εξαρτήματα (π.χ. φορτιστής, ακουστικά, καλώδιο USB) δεν θα πρέπει να ρίπτονται μαζί με τα υπόλοιπα οικιακά απορρίμματα μετά το τέλος του κύκλου ζωής τους. Προκειμένου να αποφευχθούν ενδεχόμενες βλαβερές συνέπειες στο περιβάλλον ή την υγεία εξαιτίας της ανεξέλεγκτης διάθεσης απορριμμάτων, σας παρακαλούμε να διαχωρίσετε αυτά τα προϊόντα από άλλους τύπους απορριμμάτων και να τα ανακυκλώσετε, ώστε να βοηθήσετε στην βιώσιμη επαναχρησιμοποίηση των υλικών πόρων.

Οι οικιακοί χρήστες θα πρέπει να έλθουν σε επικοινωνία είτε με το κατάστημα απ' όπου αγόρασαν αυτό το προϊόν, είτε με τις κατά τόπους υπηρεσίες, προκειμένου να πληροφορηθούν τις λεπτομέρειες σχετικά με τον τόπο και τον τρόπο με τον οποίο μπορούν να δώσουν αυτά τα προϊόντα για ασφαλή προς το περιβάλλον ανακύκλωση.

Οι επιχειρήσεις-χρήστες θα πρέπει να έλθουν σε επαφή με τον προμηθευτή τους και να ελέγξουν τους όρους και τις προϋποθέσεις του συμβολαίου αγοράς. Αυτό το προϊόν και τα ηλεκτρονικά του εξαρτήματα δεν θα πρέπει να αναμιγνύονται με άλλα συνηθισμένα απορρίμματα προς διάθεση.

Για πληροφορίες σχετικά με τις δεσμεύσεις της Samsung αναφορικά με την προστασία του περιβάλλοντος και τις κανονιστικές υποχρεώσεις για τα προϊόντα, π.χ. τις οδηγίες REACH, WEEE και τις οδηγίες σχετικά με τις μπαταρίες, επισκεφτείτε τη σελίδα μας σχετικά με την αειφορία στη διαδικτυακή τοποθεσία [www.samsung.com](http://www.samsung.com)

(Μόνο για προϊόντα που πωλούνται σε ευρωπαϊκές χώρες και στο Ηνωμένο Βασίλειο)

# Εγκατάσταση

---

Ακολουθήστε προσεκτικά αυτές τις οδηγίες, για να διασφαλίσετε τη σωστή εγκατάσταση αυτού του ψυγείου και να αποφύγετε τα ατυχήματα πριν από τη χρήση του.

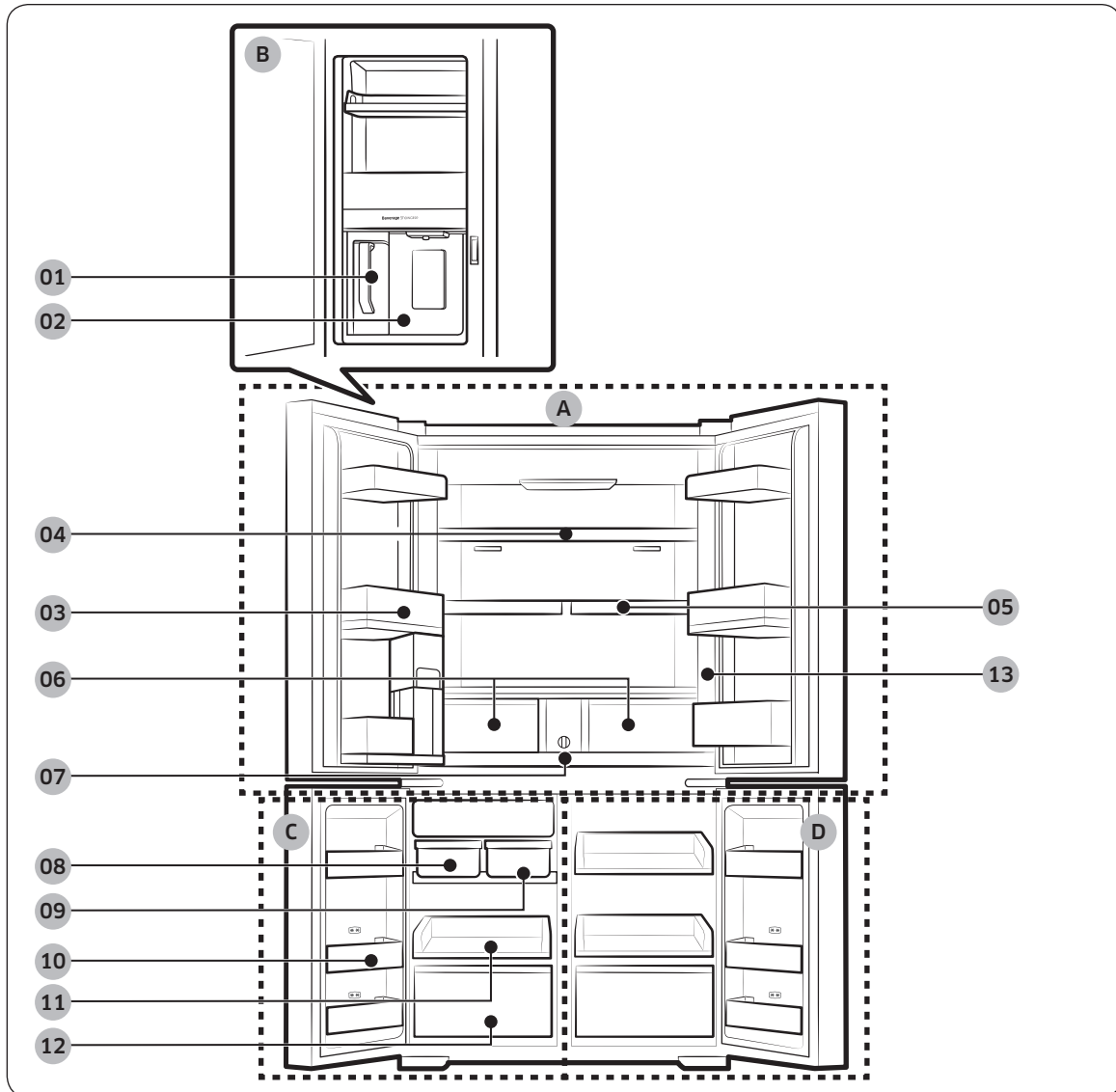
## ΠΡΟΕΙΔΟΠΟΙΗΣΗ

- Χρησιμοποιείτε το ψυγείο μόνο για τον σκοπό για τον οποίο προορίζεται, όπως περιγράφεται σε αυτό το εγχειρίδιο.
- Οποιοσδήποτε εργασίες επισκευής πρέπει να εκτελούνται από εξειδικευμένο τεχνικό.
- Απορρίψτε τα υλικά συσκευασίας του προϊόντος σύμφωνα με τους τοπικούς κανονισμούς.
- Για να αποτρέψετε την πρόκληση ηλεκτροπληξίας, αποσυνδέστε το φως ρεύματος πριν από την επισκευή ή την αντικατάσταση εξαρτημάτων.

## Επισκόπηση του ψυγείου

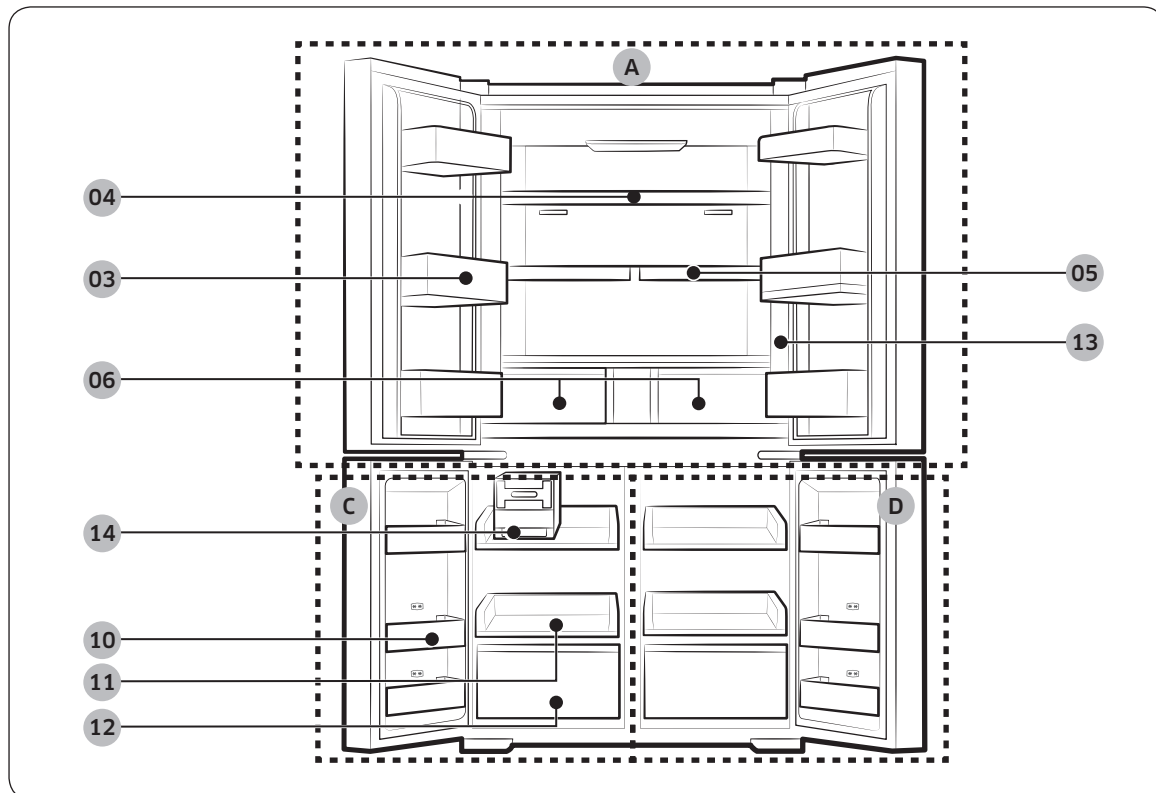
Η πραγματική εμφάνιση και τα παρεχόμενα εξαρτήματα του ψυγείου ενδέχεται να διαφέρουν από τις εικόνες σε αυτό το εγχειρίδιο, ανάλογα με το μοντέλο και τη χώρα.

### Τύπος Α



# Εγκατάσταση

Τύπος Β



Εγκατάσταση

- 
- |   |                    |
|---|--------------------|
| 01 Κανάτα αυτόματου γεμίσματος *  | A. Ψυγείο          |
| 02 Διανεμητής νερού **  | B. Κέντρο ποτών ** |
| 03 Ράφι πόρτας ψυγείου  | C. Καταψύκτης      |
| 04 Ράφι ψυγείου   | D. Επιλογή ψύξης+  |
| 05 Ράφι ταχείας αποθήκευσης *   |                    |
| 06 Συρτάρι φρούτων και λαχανικών / Προσαρμοζόμενο<br>συρτάρι λαχανικών *        |                    |
| 07 Φίλτρο νερού *   |                    |
| 08 Αυτόματος παρασκευαστής πάγου - Πάγος σε κύβους *<br>(Παρασκευαστής πάγου *) |                    |
| 09 Αυτόματος παρασκευαστής πάγου - Κομμάτια πάγου *                             |                    |
| 10 Ράφι πόρτας καταψύκτη  |                    |
| 11 Ράφι καταψύκτη   |                    |
| 12 Συρτάρι καταψύκτη  |                    |
| 13 Πίνακας ελέγχου  |                    |
| 14 Περιστρεφόμενος παρασκευαστής πάγου *  |                    |

\* Μόνο για τα κατάλληλα μοντέλα

\*\* Μόνο για τα μοντέλα με διανεμητή

#### ΣΗΜΕΙΩΣΗ

- Για υψηλή ενεργειακή απόδοση, βεβαιωθείτε ότι όλα τα ράφια, τα συρτάρια και τα καλάθια βρίσκονται στην αρχική τους θέση.
- Όταν κλείνετε την πόρτα, βεβαιωθείτε ότι το κάθετο τμήμα με μεντεσέδες είναι στη σωστή θέση, ώστε να μην προκληθούν γρατσουνιές στην άλλη πόρτα.
- Αν το κάθετο τμήμα με μεντεσέδες έχει αντιστραφεί, επαναφέρετέ το στη σωστή θέση και κατόπιν κλείστε την πόρτα.
- Κατά καιρούς, ενδέχεται να εμφανίζεται υγρασία στο κάθετο τμήμα με μεντεσέδες.
- Αν κλείσετε τη μία πόρτα με δύναμη, ενδέχεται να ανοίξει η άλλη πόρτα.
- Αν η εσωτερική ή εξωτερική λυχνία LED δεν λειτουργεί, επικοινωνήστε με το τοπικό επισκευαστικό κέντρο της Samsung.

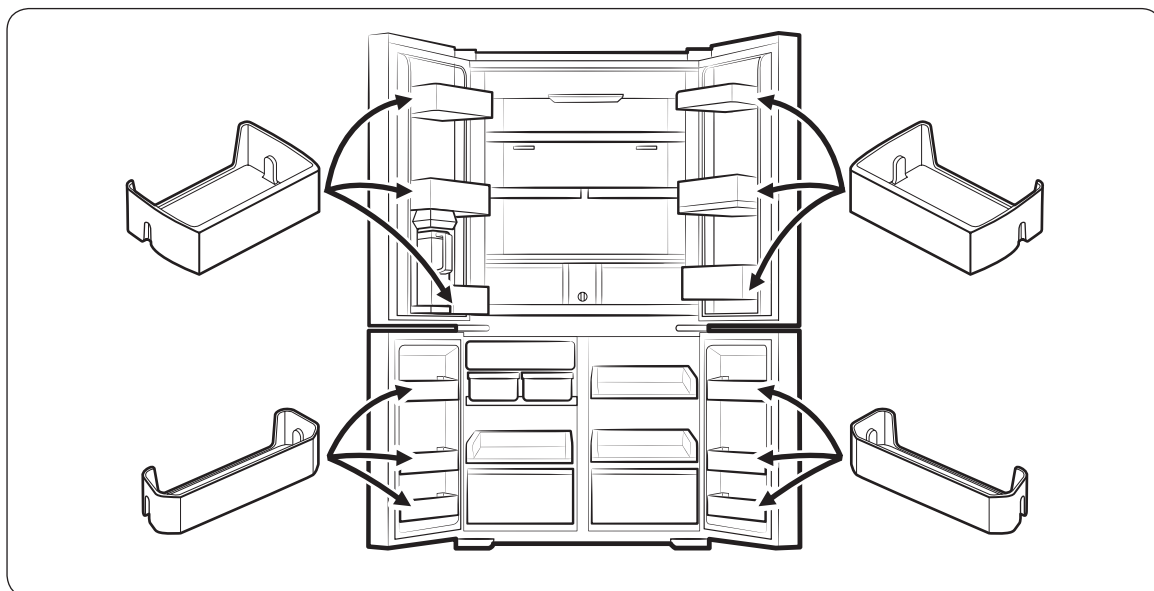
# Εγκατάσταση

## Ράφια πόρτας

Το ψυγείο αποστέλλεται με ράφια πόρτας διαφορετικών τύπων και μεγεθών. Αν τα ράφια πόρτας του ψυγείου σας είναι συσκευασμένα ξεχωριστά, χρησιμοποιήστε την παρακάτω εικόνα για να τοποθετήσετε σωστά τα ράφια.

### ΣΗΜΕΙΩΣΗ

Η πραγματική εμφάνιση και τα παρεχόμενα εξαρτήματα του ψυγείου ενδέχεται να διαφέρουν από τις εικόνες σε αυτό το εγχειρίδιο, ανάλογα με το μοντέλο και τη χώρα.



---

## Εγκατάσταση βήμα προς βήμα

---

### ΒΗΜΑ 1 Επιλέξτε μια θέση

---

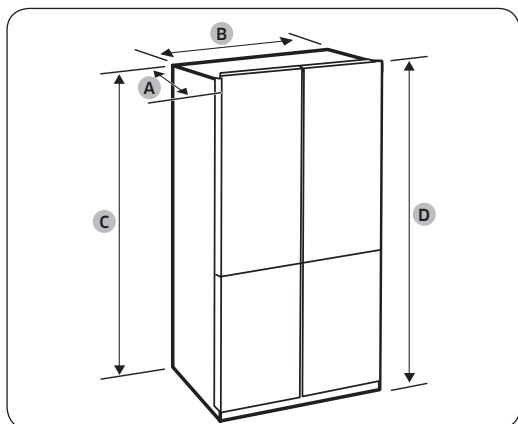
Η θέση πρέπει να:

- Βρίσκεται σε γερή και επίπεδη επιφάνεια χωρίς χαλί ή υλικό δαπέδου που ενδέχεται να εμποδίσει τον εξαερισμό
- Μην εκτίθεται σε άμεσο ηλιακό φως
- Διαθέτει επαρκή χώρο για άνοιγμα και κλείσιμο της πόρτας
- Βρίσκεται μακριά από οποιαδήποτε πηγή θερμότητας
- Αφήνει χώρο για συντήρηση και επισκευή
- Διαθέτει εύρος θερμοκρασίας μεταξύ 10 °C και 43 °C

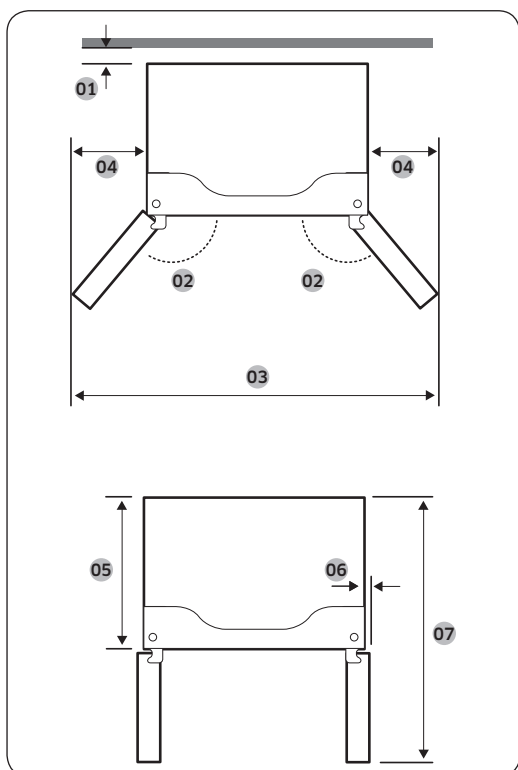
# Εγκατάσταση

## Διάκενο

Για τις απαιτήσεις χώρου εγκατάστασης, ανατρέξτε στις εικόνες και τους πίνακες παρακάτω.



Βάθος «Α»	723 mm
Πλάτος «Β»	912 mm
Ύψος «C»	1797 mm
Συνολικό ύψος «D»	1825 mm



01	συνιστάται πάνω από 50 mm
02	125°
03	1472 mm
04	282 mm
05	610 mm
06	47 mm
07	1093 mm

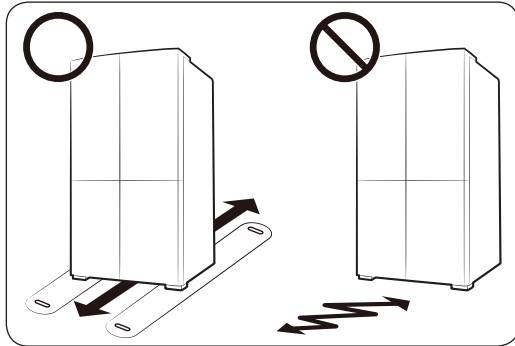
## ΣΗΜΕΙΩΣΗ

Οι μετρήσεις στους πίνακες ενδέχεται να διαφέρουν ελαφρώς από τις πραγματικές μετρήσεις, ανάλογα με τη μέθοδο μέτρησης και στρογγυλοποίησης.



## ΒΗΜΑ 2 Δάπεδο

Αν το ψυγείο δεν μπορεί να περάσει από την είσοδο λόγω του μεγέθους του, ανατρέξτε στην ενότητα **Αφαίρεση της πόρτας για είσοδο**.



### ΣΗΜΕΙΩΣΗ

Για να μην προκληθεί ζημιά στο δάπεδο, βεβαιωθείτε ότι τα εμπρός πόδια οριζοντίωσης είναι σηκωμένα.

- Η επιφάνεια στην οποία θα εγκαταστήσετε το ψυγείο πρέπει να αντέχει το βάρος ενός γεμάτου ψυγείου.
- Για να προστατεύσετε το δάπεδο, τοποθετήστε ένα μεγάλο κομμάτι χαρτόνι κατά μήκος της διαδρομής έως την τελική θέση εγκατάστασης του ψυγείου.
- Αφού τοποθετήσετε το ψυγείο στην τελική του θέση, μην το μετακινείτε εκτός αν είναι απαραίτητο, ώστε να προστατεύσετε το δάπεδο. Αν πρέπει να μετακινήσετε το ψυγείο, τοποθετήστε παχύ χαρτί ή ύφασμα, όπως παλιά χαλιά, κατά μήκος της διαδρομής μετακίνησης.

# Εγκατάσταση

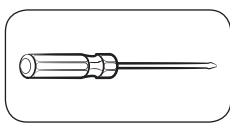
## ΒΗΜΑ 3 Αφαίρεση της πόρτας για είσοδο

Αν το ψυγείο δεν μπορεί να περάσει από την είσοδο του σπιτιού ή της κουζίνας λόγω του μεγέθους του, ακολουθήστε αυτές τις οδηγίες για να αφαιρέσετε και κατόπιν να επανατοποθετήσετε τις πόρτες του ψυγείου. Αν δεν χρειάζεται να αφαιρέσετε τις πόρτες, μεταβείτε στη σελίδα 42 για να συνεχίσετε τη διαδικασία εγκατάστασης.

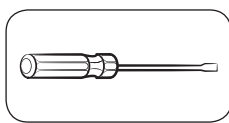
### ⚠ ΠΡΟΕΙΔΟΠΟΙΗΣΗ

Αποσυνδέστε το καλώδιο ρεύματος του ψυγείου από την πρίζα προτού αφαιρέσετε τις πόρτες.

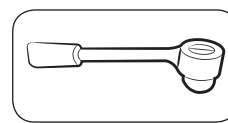
Απαιτούμενα εργαλεία (δεν παρέχονται)



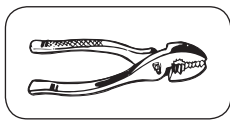
Κατσαβίδι Phillips



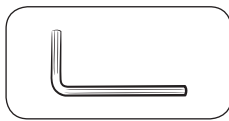
Κατσαβίδι με επίπεδη κεφαλή



Καστάνια  $\frac{3}{8}$ " (10 mm)

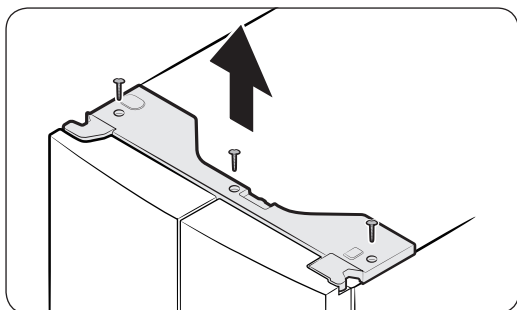


Πένσα

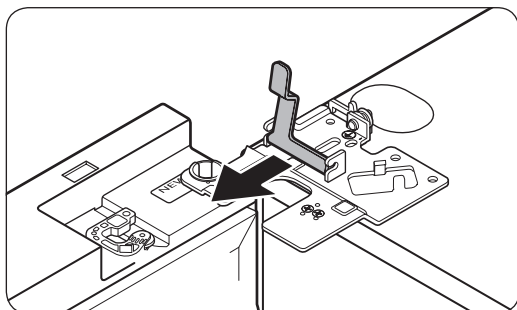
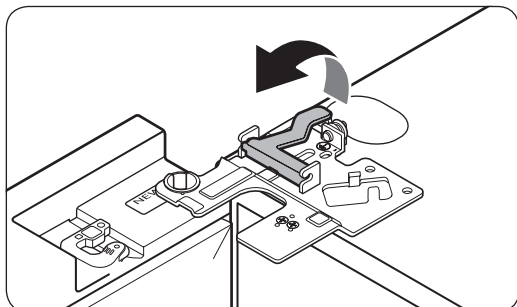
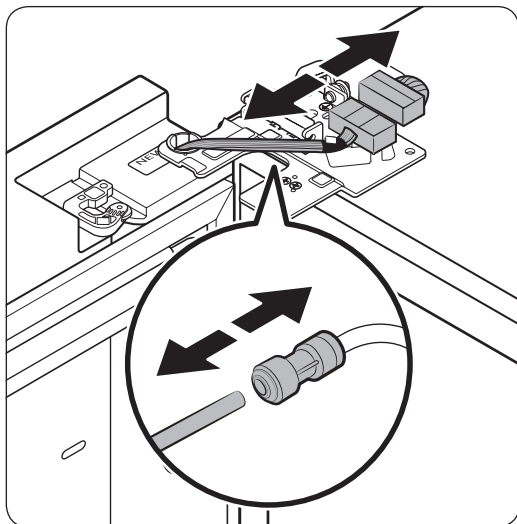


Κλειδί Allen  $\frac{1}{4}$ " (5 mm)

### Αφαίρεση των πορτών του ψυγείου



1. Με τις πόρτες κλειστές, χρησιμοποιήστε ένα κατσαβίδι Phillips για να αφαιρέσετε τις βίδες (x3) από το επάνω κάλυμμα. Τραβήξτε προς τα επάνω και αφαιρέστε το επάνω κάλυμμα με τους συνδέσμους.

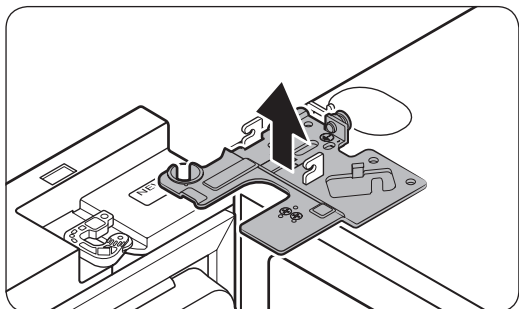


2. Αποσυνδέστε τους δύο συνδέσμους καλωδίων στην αριστερή πόρτα. Η θέση των συνδέσμων διαφέρει, ανάλογα με το μοντέλο.

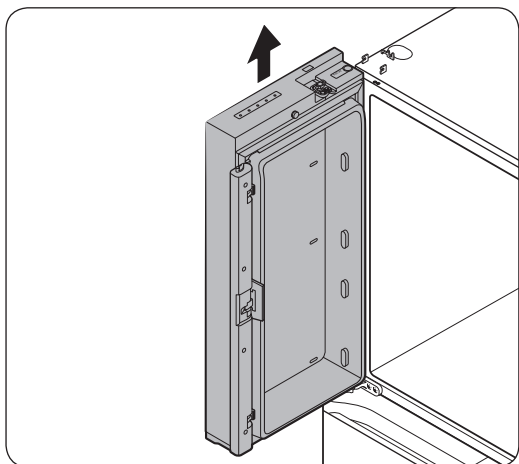
**⚠ ΠΡΟΣΟΧΗ**

- Μην αφαιρείτε και τις δύο πόρτες συγχρόνως. Φροντίστε να αφαιρείτε μία πόρτα κάθε φορά. Διαφορετικά, οποιαδήποτε από τις πόρτες ενδέχεται να πέσει και να προκαλέσει τραυματισμό.
  - Βεβαιωθείτε ότι το ψυγείο είναι απενεργοποιημένο προτού αποσυνδέσετε τους συνδέσμους.
3. Αποσυνδέστε τον σωλήνα νερού από τον σύνδεσμο στην αριστερή πόρτα, όπως φαίνεται στην εικόνα.
    - Αυτό το βήμα δεν ισχύει για τα μοντέλα χωρίς κανάτα αυτόματου γεμίσματος και διανεμητή νερού.
  4. Σύρετε προσεκτικά τον σφιγκτήρα προς τα επάνω, σε πολλαπλά βήματα. Για να αποτραπούν τραυματισμοί των δακτύλων, μην ασκείτε απότομα δύναμη στον σφιγκτήρα.
  5. Τραβήξτε προς τα επάνω τον σφιγκτήρα για να τον αφαιρέσετε.

# Εγκατάσταση



6. Ανοίξτε την πόρτα υπό γωνία 90 μοιρών. Ενώ κρατάτε την πόρτα, τραβήξτε προς τα επάνω και αφαιρέστε τον επάνω μεντεσέ. Προσέχετε να μην προκαλέσετε ζημιά στα καλώδια του συνδέσμων όταν αφαιρείτε τον μεντεσέ.

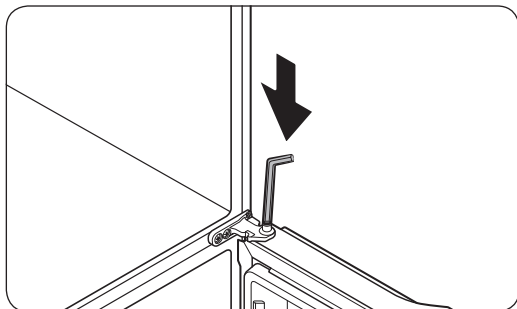
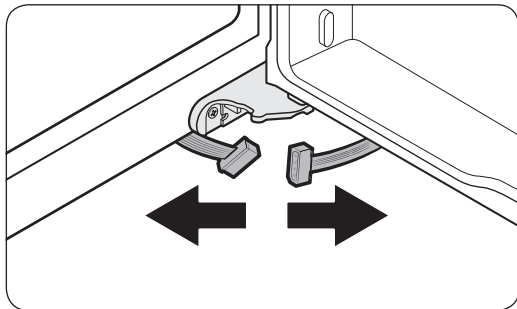
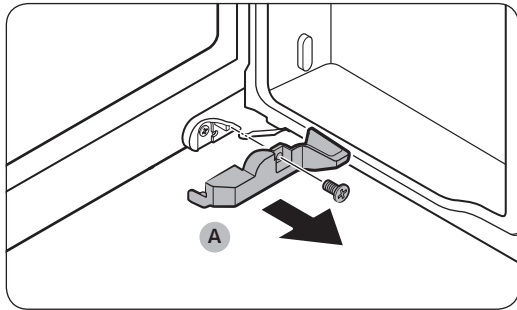


7. Τραβήξτε προσεκτικά την πόρτα κατακόρυφα προς τα επάνω για να την αφαιρέσετε. Μην ασκείτε υπερβολική δύναμη στην πόρτα. Η πόρτα μπορεί να πέσει, προκαλώντας τραυματισμό.
8. Ακουμπήστε την πόρτα κάτω, σε επίπεδη επιφάνεια.
9. Επαναλάβετε τα βήματα 1-8 για την άλλη πόρτα, εκτός από το βήμα 3. Δεν υπάρχει σωλήνας νερού στη δεξιά πόρτα.
  - Το βήμα 2 δεν ισχύει για τα μοντέλα χωρίς πόρτα με βιτρίνα.

## Αφαίρεση των πορτών του καταψύκτη

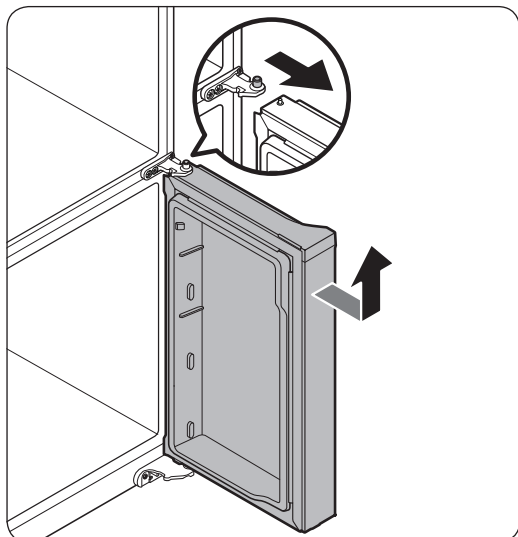
### ⚠ ΠΡΟΣΟΧΗ

- Φροντίστε να αφαιρέσετε τις πόρτες του ψυγείου προτού αφαιρέσετε τις πόρτες του καταψύκτη.
- Προσέχετε όταν αποσυνδέετε τους κάτω συνδέσμους.



1. Ανοίξτε την πόρτα του καταψύκτη.
2. Χρησιμοποιήστε ένα κατσαβίδι Phillips για να αφαιρέσετε τη βίδα που συγκρατεί το **κάλυμμα (A)**.
  - Αυτό το βήμα ισχύει μόνο για τη δεξιά πόρτα του καταψύκτη (πόρτα θαλάμου Επιλογή ψύξης+).
3. Αποσυνδέστε τους συνδέσμους καλωδίων.
  - Αυτό το βήμα ισχύει μόνο για τη δεξιά πόρτα του καταψύκτη (πόρτα θαλάμου Επιλογή ψύξης+).
4. Εντοπίστε τον άξονα του μεντεσέ. Ενώ κρατάτε την πόρτα με το ένα χέρι, χρησιμοποιήστε ένα κατσαβίδι με επίπεδη κεφαλή ή κλειδί Allen για να πιέσετε τον άξονα προς τα κάτω. Φροντίστε να κρατάτε την πόρτα, για να αποτρέψετε την πτώση της.

# Εγκατάσταση

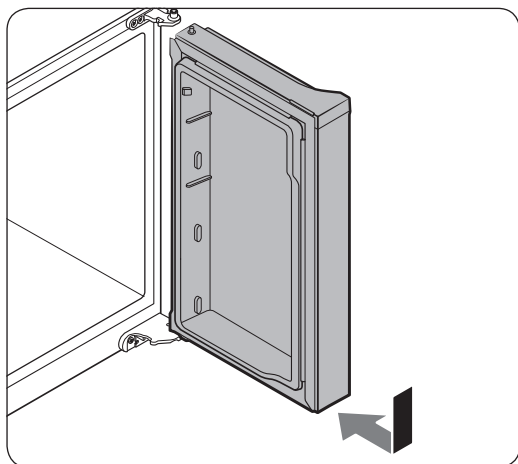


5. Για να αποτρέψετε την επαφή με τον μεσαίο μεντεσέ, γείρετε την πόρτα ελαφρώς προς τα εμπρός και, στη συνέχεια, ανασηκώστε την για να την αφαιρέσετε.
6. Επαναλάβετε τα βήματα 1-5 για την άλλη πόρτα, εκτός από τα βήματα 2 και 3.

Για να επανατοποθετήσετε τις πόρτες του καταψύκτη

## ⚠ ΠΡΟΣΟΧΗ

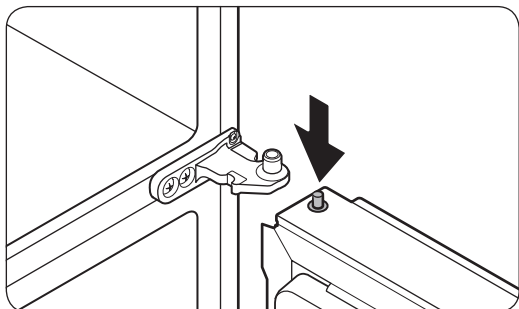
- Αφού επανατοποθετήσετε τις πόρτες, βεβαιωθείτε ότι έχουν συνδεθεί σωστά όλοι οι ηλεκτρικοί σύνδεσμοι.
- Οι πόρτες του καταψύκτη πρέπει να επανατοποθετηθούν πριν από τις πόρτες του ψυγείου.
- Προσέχετε να μην προκαλέσετε ζημιά και να μην πατήσετε επάνω στα καλώδια κατά τη διάρκεια αυτής της διαδικασίας.



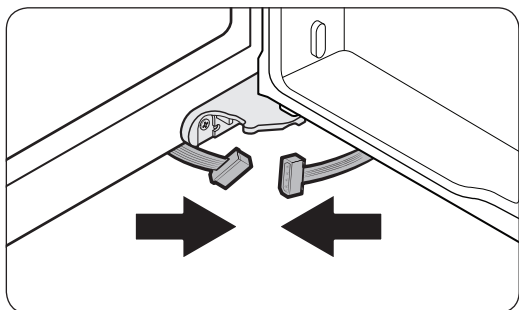
1. Εισαγάγετε την πόρτα του καταψύκτη στον κάτω μεντεσέ, ενώ ωθείτε την πόρτα του καταψύκτη προς την κατεύθυνση του βέλους.

## ⚠ ΠΡΟΣΟΧΗ

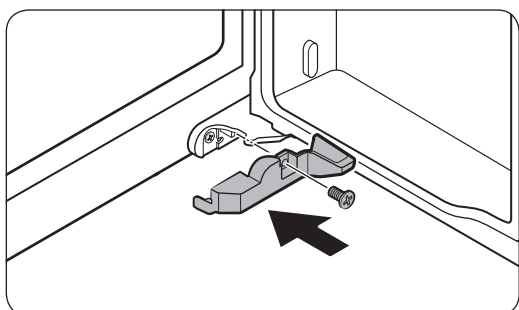
- Προσέχετε να μην προκαλέσετε ζημιά και να μην πατήσετε επάνω στα καλώδια κατά τη διάρκεια αυτής της διαδικασίας.



2. Ενώ πιέζετε τον άξονα του μεντεσέ προς τα κάτω, τοποθετήστε την πόρτα έτσι ώστε ο άξονας του μεντεσέ να βρίσκεται κάτω από την οπή άξονα στον μεσαίο μεντεσέ. Ελευθερώστε τον άξονα του μεντεσέ, για να εισέλθει στην οπή άξονα.



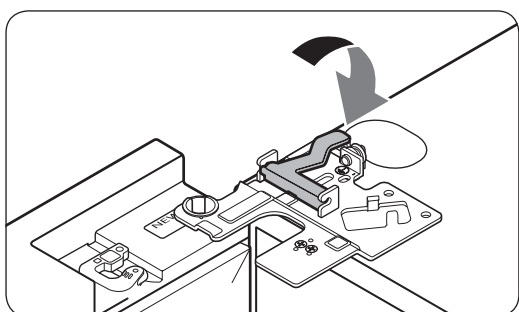
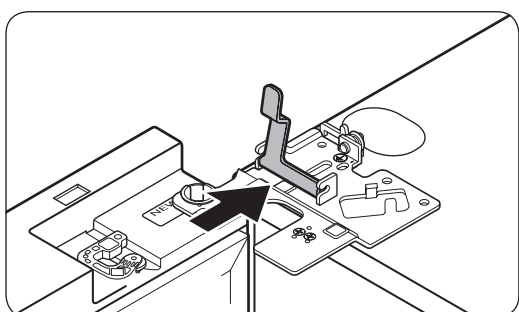
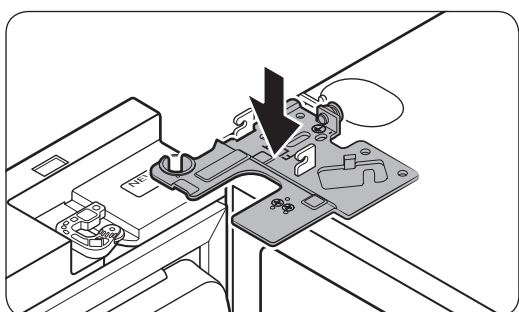
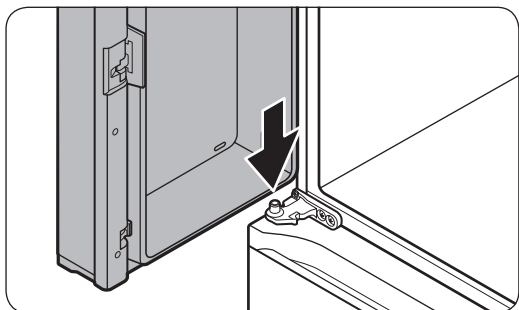
3. Με την πόρτα ανοιχτή, συνδέστε τους κάτω συνδέσμους προς την κατεύθυνση των βελών.
  - Αυτό το βήμα ισχύει μόνο για τη δεξιά πόρτα του καταψύκτη (πόρτα θαλάμου Επιλογή ψύξης+).



4. Προσαρτήστε το κάλυμμα χρησιμοποιώντας ένα κατασβίδι Phillips. Προσέχετε να μην προκαλέσετε ζημιά και να μην πατήσετε επάνω στους συνδέσμους.
  - Αυτό το βήμα ισχύει μόνο για τη δεξιά πόρτα του καταψύκτη (πόρτα θαλάμου Επιλογή ψύξης+).
5. Επαναλάβετε τα βήματα 1-5 για την άλλη πόρτα, εκτός από τα βήματα 3 και 4.

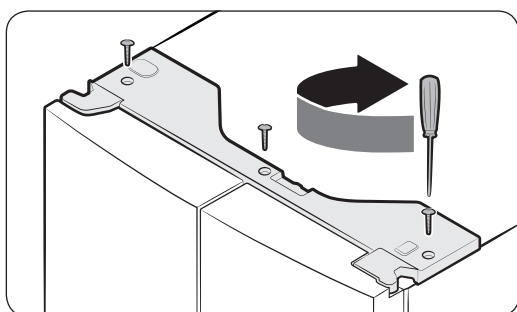
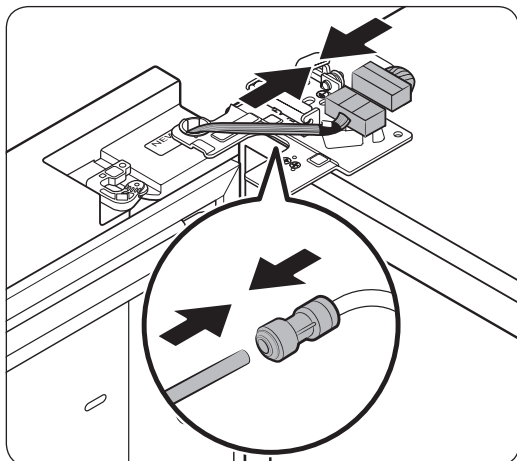
# Εγκατάσταση

Για να επανατοποθετήσετε τις πόρτες του ψυγείου



1. Ενώ κρατάτε την πόρτα ανοιχτή υπό γωνία μεγαλύτερη από 90 μοίρες, εισαγάγετε τον άξονα του μεσαίου μεντεσέ στην οπή στο κάτω μέρος της πόρτας.
2. Τοποθετήστε τον επάνω μεντεσέ στη θέση του στο επάνω μέρος του ψυγείου και, στη συνέχεια, εισαγάγετε τον άξονα του μεντεσέ στην επάνω οπή της πόρτας. Βεβαιωθείτε ότι τα καλώδια από την πόρτα περνούν μέσα από την οπή στον άξονα του μεντεσέ.
3. Εισαγάγετε τον σφιγκτήρα προς την κατεύθυνση του βέλους.
4. Σπρώξτε πίσω τον σφιγκτήρα, όπως φαίνεται στην εικόνα.





5. Συνδέστε τους συνδέσμους καλωδίων.

**⚠ ΠΡΟΣΟΧΗ**

- Βεβαιωθείτε ότι οι σύνδεσμοι καλωδίων είναι συνδεδεμένοι σωστά. Διαφορετικά, η οθόνη δεν θα λειτουργεί.
6. Συνδέστε τον σωλήνα νερού.
- Αυτό το βήμα δεν ισχύει για τα μοντέλα χωρίς κανάτα αυτόματου γεμίσματος και διανεμητή νερού.

**⚠ ΠΡΟΣΟΧΗ**

- Για να αποτραπούν οι διαρροές νερού, βεβαιωθείτε ότι τα κόκκινα κλιπ σφίγγουν σωστά τον σύνδεσμο.
  - Κρατήστε τα κλιπ μακριά από παιδιά.
7. Επαναλάβετε τα βήματα 1-5 για την άλλη πόρτα.
- Το βήμα 5 δεν ισχύει για τα μοντέλα χωρίς πόρτα με βιτρίνα.
8. Προσαρτήστε το επάνω κάλυμμα με την εμπρός πλευρά πρώτη και, στη συνέχεια, πιέστε προς τα κάτω το πίσω μέρος του για να το τοποθετήσετε στη θέση του. Στη συνέχεια, σφίξτε τις βίδες (x3).

# Εγκατάσταση

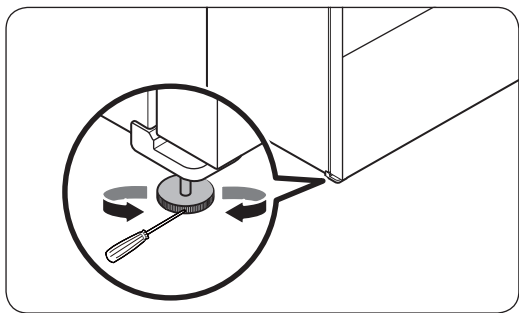
## ΒΗΜΑ 4 Οριζοντίωση του ψυγείου

### ΠΡΟΣΟΧΗ

- Όταν έχει εγκατασταθεί, το ψυγείο πρέπει να είναι οριζοντιωμένο σε ένα επίπεδο και γερό δάπεδο. Αν το ψυγείο δεν οριζοντιωθεί, μπορεί να προκληθεί ζημιά στο ψυγείο ή τραυματισμός.
- Η οριζοντίωση πρέπει να γίνεται με το ψυγείο άδειο. Βεβαιωθείτε ότι δεν υπάρχουν τρόφιμα μέσα στο ψυγείο.
- Για λόγους ασφαλείας, προσαρμόστε το εμπρός μέρος λίγο πιο ψηλά από το πίσω μέρος.

Οριζοντιώστε το ψυγείο χρησιμοποιώντας τις ειδικές βίδες (εξαρτήματα οριζοντίωσης) στα εμπρός πόδια.

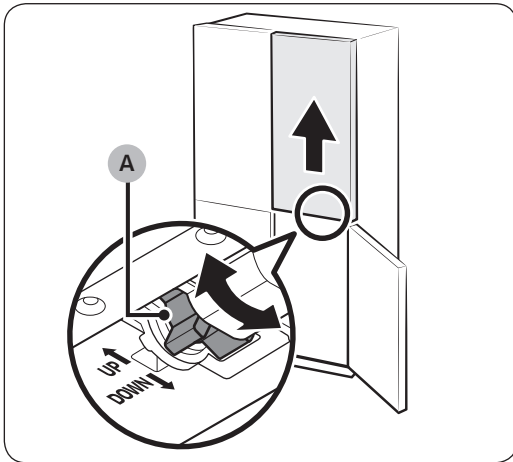
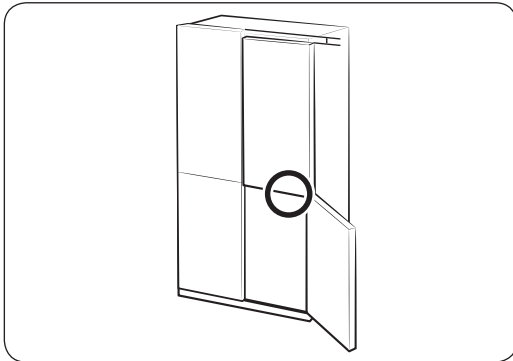
Χρησιμοποιήστε ένα καταβίδι με επίπεδη κεφαλή για να περιστρέψετε τα εξαρτήματα οριζοντίωσης.



- Για να προσαρμόσετε το ύψος της αριστερής πλευράς: Τοποθετήστε ένα καταβίδι με επίπεδη κεφαλή στο εξάρτημα οριζοντίωσης του εμπρός ποδιού της αριστερής πλευράς. Περιστρέψτε το εξάρτημα οριζοντίωσης δεξιόστροφα για να ανυψώσετε την αριστερή πλευρά ή αριστερόστροφα για να τη χαμηλώσετε.
- Για να προσαρμόσετε το ύψος της δεξιάς πλευράς: Τοποθετήστε ένα καταβίδι με επίπεδη κεφαλή στο εξάρτημα οριζοντίωσης του εμπρός ποδιού της δεξιάς πλευράς. Περιστρέψτε το εξάρτημα οριζοντίωσης δεξιόστροφα για να ανυψώσετε τη δεξιά πλευρά ή αριστερόστροφα για να τη χαμηλώσετε.

## ΒΗΜΑ 5 Ρύθμιση του ύψους της πόρτας

Ρύθμιση του ύψους με τον μοχλό ύψους (μόνο για τα κατάλληλα μοντέλα)

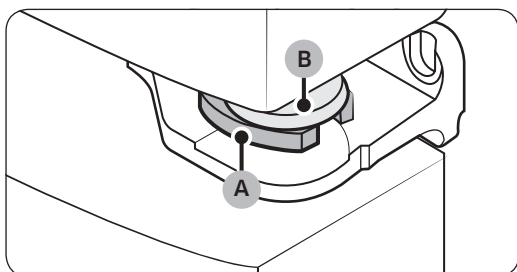
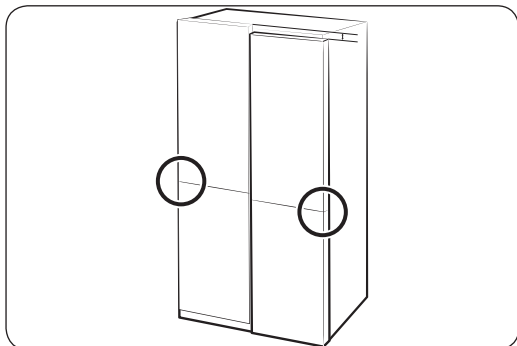
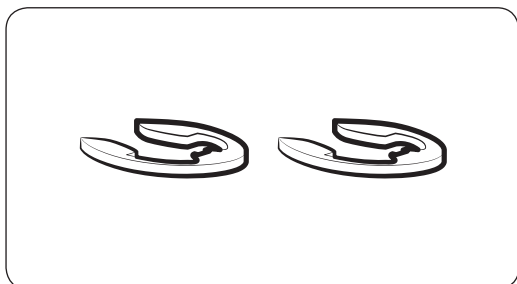


- Προτού ρυθμίσετε το ύψος της πόρτας, βεβαιωθείτε ότι το ψυγείο είναι οριζόντιο. Χρησιμοποιήστε τα πόδια οριζοντίωσης για αυτόν τον σκοπό.
- Μπορείτε να χρησιμοποιήσετε τον μοχλό ύψους στο κάτω μέρος της δεξιάς πόρτας του ψυγείου. Ανοίξτε τη δεξιά πόρτα του καταψύκτη με τις δύο πόρτες του ψυγείου κλειστές και χρησιμοποιήστε τον μοχλό για να ρυθμίσετε το ύψος της πόρτας.
- Στρέψτε τον **μοχλό ύψους (A)** μέχρι οι δύο πόρτες να είναι ευθυγραμμισμένες στο επάνω μέρος. Στρέψτε τον μοχλό προς τα επάνω (επισημαίνεται με το UP) για να ανυψώσετε τη δεξιά πόρτα και στρέψτε τον προς τα κάτω (επισημαίνεται με το DOWN) για να χαμηλώσετε την πόρτα.
- Ανασηκώστε ελαφρώς την πόρτα του ψυγείου για να διευκολύνετε την ευθυγράμμιση. Το μέγιστο ύψος ρύθμισης είναι 3 mm.
  - Ο μοχλός δεν στρέφεται πέρα από το μέγιστο όριο. Ενδέχεται να κάνει θόρυβο αν τον στρέψετε υπερβολικά.
  - Το υπερβολικό ύψος ενδέχεται να εμποδίζει το επάνω κάλυμμα μεντεσέ της πόρτας του ψυγείου.
- Αν ρυθμίσετε το ύψος της πόρτας με τα ράφια της πόρτας άδεια και κατόπιν αποθηκεύσετε τρόφιμα στα ράφια, τα ύψη των πορτών ενδέχεται να διαφέρουν ξανά. Αν συμβεί αυτό, ακολουθήστε τα παραπάνω βήματα για να ευθυγραμμίσετε ξανά τις πόρτες.

# Εγκατάσταση

## Ρύθμιση του ύψους με τους δακτυλίους συγκράτησης

Για τα μοντέλα με μοχλό ύψους στη δεξιά πόρτα του ψυγείου, χρησιμοποιήστε τους δακτυλίους συγκράτησης μόνο αν δεν μπορείτε να ευθυγραμμίσετε τις πόρτες με τον μοχλό ύψους.



### ΣΗΜΕΙΩΣΗ

Το ύψος μιας πόρτας μπορεί να ρυθμιστεί χρησιμοποιώντας τους παρεχόμενους δακτυλίους συγκράτησης, οι οποίοι διατίθενται σε 4 διαφορετικά μεγέθη (1 mm, 1,5 mm, 2 mm και 2,5 mm).

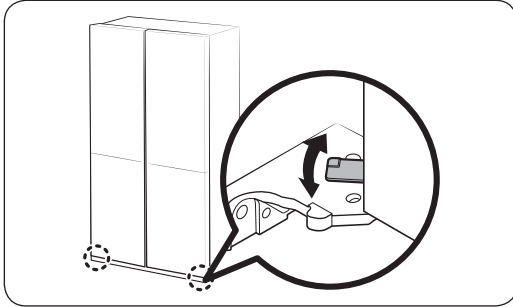
1. Ελέγξτε τη διαφορά ύψους μεταξύ των πορτών και, στη συνέχεια, ανασηκώστε και κρατήστε την πόρτα με το χαμηλότερο ύψος.
2. Εισαγάγετε έναν δακτύλιο συγκράτησης (A) κατάλληλου μεγέθους ανάμεσα στη ροδέλα πόρτας (B) και τον μεντεσέ, όπως φαίνεται στην εικόνα.

### ΠΡΟΣΟΧΗ

- Εισαγάγετε μόνο έναν δακτύλιο συγκράτησης. Αν εισάγετε δύο ή περισσότερους δακτυλίους συγκράτησης, οι δακτύλιοι ενδέχεται να φύγουν από τη θέση τους ή να προκαλούν έναν ήχο τριψίματος.
- Κρατήστε τους δακτυλίους συγκράτησης μακριά από παιδιά και φυλάξτε τους για μελλοντική χρήση.
- Μην ανυψώνετε υπερβολικά την πόρτα. Η πόρτα μπορεί να ακουμπήσει και να προκαλέσει ζημιά στο επάνω κάλυμμα.

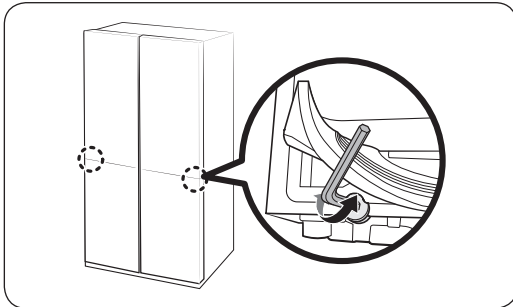


### Ρύθμιση του ύψους της πόρτας καταψύκτη (μόνο για τα κατάλληλα μοντέλα)



- Προτού ρυθμίσετε το ύψος της πόρτας, βεβαιωθείτε ότι το ψυγείο είναι οριζόντιο. Χρησιμοποιήστε τα πόδια οριζοντίωσης για αυτόν τον σκοπό.
- Μπορείτε να ρυθμίσετε το ύψος και των δύο πορτών του καταψύκτη, χρησιμοποιώντας τον μοχλό που βρίσκεται στον κάτω μεντεσέ.
- Ανοίξτε την πόρτα, ανασηκώστε την λίγο και, στη συνέχεια, στρέψτε τον μοχλό προς τα αριστερά ή προς τα δεξιά για να ρυθμίσετε το ύψος.

### Ρύθμιση του κενού ανάμεσα στις πόρτες του ψυγείου και το κυρίως σώμα του ψυγείου (μόνο για τα κατάλληλα μοντέλα)



- Μπορείτε να ρυθμίσετε το κενό ανάμεσα στις δύο πόρτες του ψυγείου και το κυρίως σώμα του ψυγείου, χρησιμοποιώντας το μπουλόνι ρύθμισης που βρίσκεται στο κάτω μέρος του θαλάμου ψυγείου.
- Ανασηκώστε το παρέμβυσμα της πόρτας και εντοπίστε το μπουλόνι ρύθμισης κάτω από το παρέμβυσμα. Χρησιμοποιήστε το κλειδί Allen 4 mm για να ρυθμίσετε το κενό.

#### ΠΡΟΣΟΧΗ

Φροντίστε να προσαρτήσετε σταθερά το παρέμβυσμα. Διαφορετικά, ενδέχεται να διαρρεύσει κρύος αέρας από το ψυγείο.



# Εγκατάσταση

## ΒΗΜΑ 6 Σύνδεση σε πηγή νερού (μόνο για τα κατάλληλα μοντέλα)

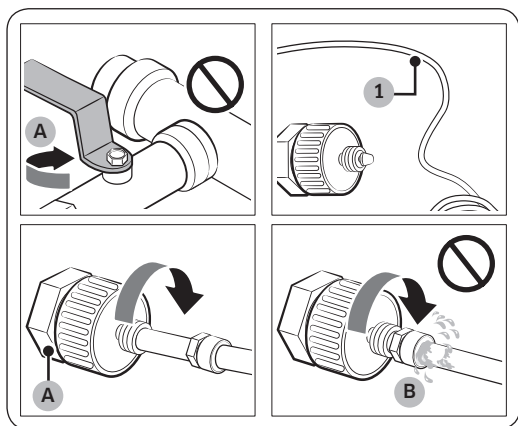
### ⚠ ΠΡΟΣΟΧΗ

- Χρησιμοποιήστε τα νέα σετ εύκαμπτων σωλήνων που παρέχονται με τη συσκευή. Τα παλιά σετ εύκαμπτων σωλήνων δεν πρέπει να επαναχρησιμοποιούνται.
- Ο σωλήνας νερού πρέπει να συνδεθεί από εξειδικευμένο τεχνικό.
- Η εγγύηση του ψυγείου σας δεν καλύπτει την εγκατάσταση του σωλήνα νερού. Η εγκατάσταση του σωλήνα νερού θα γίνει με δικά σας έξοδα, εκτός αν η αμοιβή για την εγκατάσταση περιλαμβάνεται στην τιμή πώλησης από τον έμπορο λιανικής.
- Η Samsung δεν αναλαμβάνει καμία ευθύνη για την εγκατάσταση του σωλήνα νερού. Αν παρουσιαστούν διαρροές νερού, επικοινωνήστε με τον τεχνικό εγκατάστασης του σωλήνα νερού.

Για να συνδέσετε τον σωλήνα κρύου νερού στον εύκαμπο σωλήνα φιλτραρίσματος νερού

### ⚠ ΠΡΟΣΟΧΗ

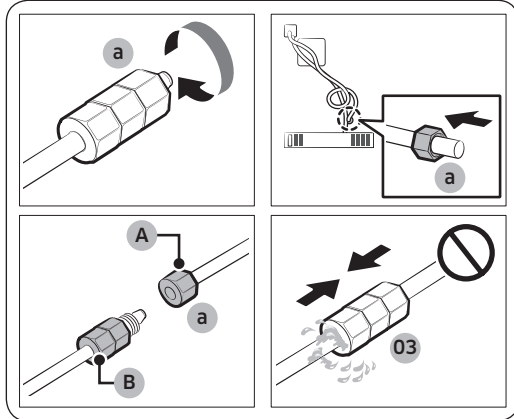
- Βεβαιωθείτε ότι ο εύκαμπος σωλήνας φιλτραρίσματος νερού είναι συνδεδεμένος σε έναν σωλήνα που παρέχει κρύο και πόσιμο νερό. Η σύνδεση στον σωλήνα ζεστού νερού ενδέχεται να προκαλέσει δυσλειτουργία του συστήματος καθαρισμού.



- A. Κλείστε την κεντρική παροχή νερού  
B. Χωρίς κενά

1. Κλείστε την παροχή νερού, κλείνοντας την κεντρική βαλβίδα νερού.
2. Εντοπίστε τον **σωλήνα νερού (1)** που παρέχει κρύο και πόσιμο νερό.
3. Ακολουθήστε τις οδηγίες στην ενότητα «Εγκατάσταση του σωλήνα νερού» για να συνδέσετε τον σωλήνα νερού.
4. Αφού ολοκληρωθεί η σύνδεση, ανοίξτε την κεντρική βαλβίδα νερού και διανείμετε περίπου 3 λίτρα νερού. Με αυτόν τον τρόπο απομακρύνετε τους ρύπους από το εσωτερικό του σωλήνα.

### Για να συνδέσετε τον εύκαμπτο σωλήνα φιλτραρίσματος νερού στον σωλήνα νερού



- A. Σωλήνας νερού της συσκευής  
B. Σωλήνας νερού του κιτ

1. Χαλαρώστε και αφαιρέστε το παξιμάδι συμπίεσης (a) από τον σωλήνα νερού του ψυγείου και τοποθετήστε το στον εύκαμπτο σωλήνα φιλτραρίσματος νερού.
2. Σφίξτε το παξιμάδι συμπίεσης (a) για να συνδέσετε τον εύκαμπτο σωλήνα φιλτραρίσματος νερού και τον σωλήνα νερού.
3. Ανοίξτε την κεντρική βαλβίδα νερού και ελέγξτε για τυχόν διαρροές.
4. Αν δεν υπάρχουν διαρροές, διανείμετε περίπου 3 λίτρα νερού προτού χρησιμοποιήσετε το ψυγείο, για να απομακρύνετε τους ρύπους από το εσωτερικό του συστήματος φιλτραρίσματος νερού.

#### ΣΗΜΕΙΩΣΗ

Αν χρειαστεί να αλλάξετε θέση στο ψυγείο αφού συνδέσετε τον σωλήνα νερού, φροντίστε το τμήμα ένωσης του σωλήνα νερού να είναι ίσιο.

#### ΠΡΟΣΟΧΗ

Μην τοποθετείτε το φίλτρο νερού σε κανένα εξάρτημα του ψυγείου. Ενδέχεται να προκληθεί ζημιά στο ψυγείο.

### Για να επισκευάσετε τον σωλήνα νερού

#### ΠΡΟΣΟΧΗ

Ο σωλήνας νερού πρέπει να επισκευαστεί από εξειδικευμένο επαγγελματία. Αν παρουσιαστεί διαρροή νερού, επικοινωνήστε με το τοπικό επισκευαστικό κέντρο της Samsung ή με τον τεχνικό εγκατάστασης του σωλήνα νερού.

# Εγκατάσταση

---

## ΒΗΜΑ 7 Αρχικές ρυθμίσεις

---

Μετά την ολοκλήρωση των παρακάτω βημάτων, το ψυγείο θα πρέπει να είναι πλήρως λειτουργικό.

1. Συνδέστε το καλώδιο ρεύματος στην πρίζα για να ενεργοποιήσετε το ψυγείο.
2. Ανοίξτε την πόρτα και βεβαιωθείτε ότι ανάβει η εσωτερική λυχνία.
3. Ρυθμίστε τη θερμοκρασία στη χαμηλότερη ρύθμιση και περιμένετε για περίπου μία ώρα. Στη συνέχεια, ο καταψύκτης θα είναι ελαφρώς κρύος και το μοτέρ θα πρέπει να λειτουργεί ομαλά.
4. Περιμένετε μέχρι το ψυγείο να φτάσει στη ρυθμισμένη θερμοκρασία. Πλέον το ψυγείο είναι έτοιμο για χρήση.

## ΒΗΜΑ 8 Τελικός έλεγχος

---

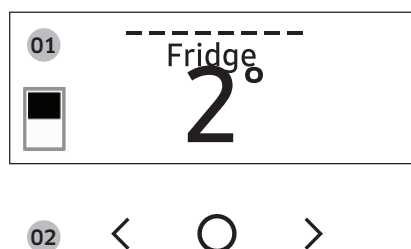
Όταν ολοκληρωθεί η εγκατάσταση, επιβεβαιώστε τα εξής:

- Το ψυγείο είναι συνδεδεμένο σε μια πρίζα και είναι γειωμένο σωστά.
- Το ψυγείο είναι εγκατεστημένο σε μια επίπεδη και ομαλή επιφάνεια, σε εύλογη απόσταση από τους τοίχους και τα ντουλάπια.
- Το ψυγείο είναι οριζόντιο και στηρίζεται σταθερά στο δάπεδο.
- Η πόρτα ανοίγει και κλείνει εύκολα, ενώ η εσωτερική λυχνία ανάβει αυτόματα όταν ανοίξετε την πόρτα.



# Λειτουργίες

## Πίνακας ελέγχου



01 Οθόνη	Εμφανίζει το μενού, τις ρυθμίσεις και άλλες πληροφορίες.
02 Κουμπιά	<ul style="list-style-type: none"><li>• Όταν η οθόνη είναι απενεργοποιημένη, πατήστε οποιοδήποτε κουμπί για να επανεργοποιήσετε την οθόνη.</li><li>• Πατήστε &lt; ή &gt; για να περιηγηθείτε προς τα αριστερά και προς τα δεξιά.</li><li>• Πατήστε O για να επιβεβαιώσετε την επιλογή σας.</li><li>• Κρατήστε πατημένο το κουμπί O για να εισέλθετε στη λειτουργία σημείου πρόσβασης (AP). (Για περισσότερες πληροφορίες, ανατρέξτε στην ενότητα «SmartThings &gt; Έναρξη χρήσης» στη σελίδα 54.)</li></ul>

### ΣΗΜΕΙΩΣΗ

- Ο πίνακας ελέγχου έχει σχεδιαστεί ώστε να παραμένει απενεργοποιημένος όταν το ψυγείο δεν χρησιμοποιείται. Ενεργοποιείται και το φως του ανάβει μόνο όταν ανοίγετε την πόρτα ή πατάτε τα κουμπιά.
- Αν η πόρτα παραμένει ανοιχτή για 5 λεπτά, το εσωτερικό φως αναβοσβήνει για 5 λεπτά και κατόπιν σβήνει. Αυτό γίνεται για να ενημερώνονται οι χρήστες με κώφωση και προβλήματα ακοής ότι κάποια πόρτα είναι ανοιχτή. Έχετε υπόψη ότι αυτή η λειτουργία είναι φυσιολογική.
- Όταν αλλάζετε την θερμοκρασία στην οθόνη ενδείξεων, η οθόνη εμφανίζει την πραγματική θερμοκρασία στο εσωτερικό του ψυγείου, μέχρι η θερμοκρασία να αντιστοιχεί στη θερμοκρασία που ρυθμίσατε. Στη συνέχεια, η οθόνη ενδείξεων εμφανίζει τη νέα θερμοκρασία που ρυθμίσατε. Σημειώστε ότι θα χρειαστεί κάποιος χρόνος μέχρι το ψυγείο να φθάσει στη νέα θερμοκρασία. Αυτό είναι φυσιολογικό. Κατά τη διάρκεια αυτού του χρονικού διαστήματος, δεν χρειάζεται να ρυθμίσετε ξανά τη θερμοκρασία.



### Χρήση του πίνακα ελέγχου

1. Πατήστε οποιοδήποτε κουμπί (<, O ή >) για να επανεργοποιήσετε την οθόνη.
2. Πατήστε < ή > για να επιλέξετε το επιθυμητό μενού και, στη συνέχεια, πατήστε O για επιβεβαίωση.
3. Πατήστε < ή > για να επιλέξετε την επιθυμητή ρύθμιση και, στη συνέχεια, πατήστε O για επιβεβαίωση.
  - Για περισσότερες πληροφορίες σχετικά με τις διαθέσιμες ρυθμίσεις, ανατρέξτε στην ενότητα **Περιγραφές μενού**.

# Λειτουργίες

## Περιγραφές μενού

<b>Fridge (Ψυγείο)</b>	<ul style="list-style-type: none"><li>Μπορείτε να ρυθμίσετε τη θερμοκρασία του ψυγείου στο εύρος 1 ~ 7 °C ή να ρυθμίσετε τη λειτουργία Γρήγορη ψύξη.</li><li>Η λειτουργία Γρήγορη ψύξη επιταχύνει τη διαδικασία ψύξης στη μέγιστη ταχύτητα ανεμιστήρα. Το ψυγείο λειτουργεί συνεχώς σε πλήρη ισχύ για δυόμισι ώρες και, στη συνέχεια, επανέρχεται στην προηγούμενη θερμοκρασία.</li></ul>
<b>Freezer (Καταψύκτης)</b>	<ul style="list-style-type: none"><li>Μπορείτε να ρυθμίσετε τη θερμοκρασία του καταψύκτη στο εύρος -23 ~ -15 °C ή να ρυθμίσετε τη λειτουργία Γρήγορη κατάψυξη.</li><li>Η λειτουργία Γρήγορη κατάψυξη επιταχύνει τη διαδικασία κατάψυξης στη μέγιστη ταχύτητα ανεμιστήρα. Ο καταψύκτης λειτουργεί συνεχώς σε πλήρη ισχύ για 50 ώρες και, στη συνέχεια, επανέρχεται στην προηγούμενη θερμοκρασία. Για να καταψύξετε μεγάλες ποσότητες τροφίμων, ενεργοποιήστε τη λειτουργία Γρήγορη κατάψυξη επί τουλάχιστον 20 ώρες προτού τοποθετήσετε τα τρόφιμα στον καταψύκτη.</li></ul>
<b>Cool Select+ (Επιλογή ψύξης+)</b>	<ul style="list-style-type: none"><li>Μπορείτε να ρυθμίσετε τη λειτουργία Επιλογή ψύξης+ σε μία από τις παρακάτω επιλογές.<ul style="list-style-type: none"><li><b>Freeze (Κατάψυξη):</b> Η θερμοκρασία ρυθμίζεται στην ίδια θερμοκρασία με τον καταψύκτη.</li><li><b>Soft Freeze (Απαλή κατάψυξη):</b> Η θερμοκρασία ρυθμίζεται στους -5 °C.</li><li><b>Meat/Fish (Κρέας/ψάρι):</b> Η θερμοκρασία ρυθμίζεται στους -1 °C.</li><li><b>Fruit/Veggies (Φρούτα/λαχανικά):</b> Η θερμοκρασία ρυθμίζεται στους 2 °C.</li><li><b>Beverage (Ποτά):</b> Η θερμοκρασία ρυθμίζεται στους 4 °C.</li></ul></li></ul> <p><b>⚠ ΠΡΟΣΟΧΗ</b></p> <ul style="list-style-type: none"><li>Επιλέξτε τη λειτουργία Επιλογή ψύξης+ σύμφωνα με τον τύπο τροφίμων που φυλάσσετε σε αυτόν τον θάλαμο.</li><li>Μη φυλάσσετε κρέας ή άλλα τρόφιμα στον θάλαμο Επιλογή ψύξης+ με τη λειτουργία Φρούτα/λαχανικά ή Κρασί. Το κρέας ή τα τρόφιμα ενδέχεται να αλλοιωθούν.</li><li>Μην αποθηκεύετε γυάλινα μπουκάλια στον θάλαμο Επιλογή ψύξης+ με τη λειτουργία Κατάψυξη ή Απαλή κατάψυξη. Ενδέχεται να σπάσουν και να προκαλέσουν τραυματισμό.</li></ul>

<p><b>Flex Crisper</b> (Προσαρμοζόμενο συρτάρι λαχανικών) *</p>	<ul style="list-style-type: none"> <li>Μπορείτε να ρυθμίσετε τη λειτουργία Προσαρμοζόμενο συρτάρι λαχανικών σε μία από τις παρακάτω επιλογές. <ul style="list-style-type: none"> <li><b>Fridge (Ψυγείο):</b> Η θερμοκρασία ρυθμίζεται στην ίδια θερμοκρασία με το ψυγείο.</li> <li><b>Meat/Fish (Κρέας/ψάρι):</b> Επιλέξτε αυτή τη λειτουργία για να φυλάξετε φρέσκο κρέας και ψάρι. [Συνιστούμε να ρυθμίσετε τη θερμοκρασία του ψυγείου χαμηλότερα από τους 3 °C για να διατηρείται πιο φρέσκο το κρέας και το ψάρι που φυλάσσεται στο Προσαρμοζόμενο συρτάρι λαχανικών]</li> </ul> </li> </ul> <p> <b>ΣΗΜΕΙΩΣΗ</b></p> <p>Το κρέας και το ψάρι μπορούν να φυλάσσονται στο συρτάρι κρέατος για 3 έως 5 ημέρες (με ορισμένες εξαιρέσεις όπως ο κιμάς, ο οποίος θα πρέπει να διατηρείται για μόνο μία ή δύο ημέρες). Φυλάξτε τα στον καταψύκτη αν θέλετε να τα διατηρήσετε για περισσότερο από 5 ημέρες.</p>
<p><b>AutoFill Pitcher (Κανάτα αυτόματου γεμίσματος) *</b></p>	<ul style="list-style-type: none"> <li>Μπορείτε να ρυθμίσετε τη λειτουργία Κανάτα αυτόματου γεμίσματος σε μία από τις παρακάτω επιλογές. <ul style="list-style-type: none"> <li><b>On (Ενεργοποίηση):</b> Επιλέξτε για να γεμίζει αυτόματα η κανάτα νερού.</li> <li><b>Off (Απενεργοποίηση):</b> Επιλέξτε για να απενεργοποιήσετε τη λειτουργία.</li> </ul> </li> </ul> <p> <b>ΣΗΜΕΙΩΣΗ</b></p> <p>Μπορείτε να τοποθετήσετε τσάι ή φρούτα μέσα στο φίλτρο εκχύλισης, για να παρασκευάσετε τσάι ή νερό με εκχύλισμα. Αν θέλετε να διατηρήσετε το νερό με εκχύλισμα στην αρχική του συγκέντρωση, απενεργοποιήστε τη λειτουργία Κανάτα αυτόματου γεμίσματος. (Για περισσότερες πληροφορίες, ανατρέξτε στην ενότητα «Κανάτα νερού (Κανάτα αυτόματου γεμίσματος) (μόνο για τα κατάλληλα μοντέλα)» στη σελίδα 56.)</p>
<p><b>Cubed Ice (Πάγος σε κύβους) *</b> (Παρασκευαστής πάγου *)</p>	<p>Μπορείτε να επιλέξετε έναρξη ή διακοπή της παρασκευής πάγου σε κύβους.</p>
<p><b>Ice Bites (Κομμάτια πάγου) *</b></p>	<p>Μπορείτε να επιλέξετε έναρξη ή διακοπή της παρασκευής κομματιών πάγου.</p>

# Λειτουργίες

<b>More Options</b> (Περισσότερες επιλογές)	<p>Μπορείτε να αλλάξετε τις ρυθμίσεις για τις παρακάτω λειτουργίες. Πατήστε &lt; ή &gt; για να επιλέξετε το μενού και, στη συνέχεια, πατήστε ○ για επιβεβαίωση.</p> <p><b>Filter Reset (Επαναφορά ρυθμίσεων φίλτρου) *</b>: Όταν εμφανίζεται στην οθόνη το μήνυμα αντικατάστασης φίλτρου, επιλέξτε αυτό το μενού και αντικαταστήστε το φίλτρο σύμφωνα με τις οδηγίες στην οθόνη.</p> <p><b>Temp. Unit (Μονάδες θερμοκρασίας)</b>: Μπορείτε να ρυθμίσετε την κλίμακα θερμοκρασίας σε βαθμούς Κελσίου ή Φαρενάιτ.</p> <p><b>Door Alarm (Ειδοποίηση πόρτας)</b>: Μπορείτε να ενεργοποιήσετε ή να απενεργοποιήσετε την ειδοποίηση πόρτας.</p> <p><b>Wi-Fi Connect (Σύνδεση Wi-Fi)</b>: Μπορείτε να ενεργοποιήσετε ή να απενεργοποιήσετε τη σύνδεση Wi-Fi. Ενεργοποιήστε την για να ελέγχετε και να παρακολουθείτε το ψυγείο σας από την εφαρμογή SmartThings. (Για περισσότερες πληροφορίες σχετικά με την εφαρμογή SmartThings, ανατρέξτε στην ενότητα <b>SmartThings</b> στη σελίδα 53.)</p>
--	--

\* μόνο για τα κατάλληλα μοντέλα

## ΣΗΜΕΙΩΣΗ

Η χρήση της λειτουργίας Γρήγορη ψύξη ή Γρήγορη κατάψυξη αυξάνει την κατανάλωση ενέργειας.



---

## SmartThings

---

### Εγκατάσταση

Επισκεφτείτε το Google Play Store, το Galaxy Apps ή το Apple App Store και αναζητήστε την εφαρμογή «SmartThings». Λάβετε και εγκαταστήστε την εφαρμογή SmartThings που παρέχεται από τη Samsung Electronics στην έξυπνη συσκευή σας.



### ΣΗΜΕΙΩΣΗ

- Η εφαρμογή SmartThings δεν είναι διαθέσιμη για ορισμένα tablet και iPad και για ορισμένα smartphone.
  - Υποστήριξη για [Android] OS 8.0 ή νεότερη έκδοση (μέγεθος RAM τουλάχιστον 2 GB).
  - Υποστήριξη για [iOS] 12.0 ή νεότερη έκδοση/iPhone 6 ή νεότερη έκδοση.
- Για βελτιωμένη απόδοση, η εφαρμογή SmartThings υπόκειται σε αλλαγές χωρίς προειδοποίηση ή διακοπή υποστήριξης, σύμφωνα με την πολιτική του κατασκευαστή. Επιπλέον, ενδέχεται να διακοπούν οι περαιτέρω ενημερώσεις στην εφαρμογή ή στις λειτουργίες της εφαρμογής για λόγους χρηστικότητας και ασφαλείας, ακόμα και αν οι ενημερώσεις εξακολουθούν να υποστηρίζονται στο λειτουργικό σας σύστημα.
- Τα συνιστώμενα συστήματα κρυπτογράφησης περιλαμβάνουν τα WPA/TKIP και WPA2/AES. Δεν υποστηρίζονται τυχόν νεότερα ή μη τυπικά πρωτόκολλα ελέγχου ταυτότητας Wi-Fi.
- Τα ασύρματα δίκτυα ενδέχεται να επηρεαστούν από το περιβάλλον ασύρματης επικοινωνίας.
- Αν ο πάροχος υπηρεσιών Διαδικτύου έχει καταχωρίσει τη διεύθυνση MAC του υπολογιστή ή του μόντεμ σας ώστε να το αναγνωρίζει, το έξυπνο ψυγείο Samsung ενδέχεται να μη συνδέεται στο Διαδίκτυο. Αν συμβεί αυτό, επικοινωνήστε με τον πάροχο υπηρεσιών Διαδικτύου για τεχνική υποστήριξη.
- Οι ρυθμίσεις τείχους προστασίας του συστήματος δικτύου σας ενδέχεται να αποτρέπουν την πρόσβαση του έξυπνου ψυγείου Samsung στο Διαδίκτυο. Επικοινωνήστε με τον πάροχο υπηρεσιών Διαδικτύου για τεχνική υποστήριξη. Αν αυτό το σύμπτωμα συνεχίζει να παρουσιάζεται, επικοινωνήστε με το τοπικό επισκευαστικό κέντρο ή έμπορο λιανικής της Samsung.
- Για να διαμορφώσετε τις ρυθμίσεις του ασύρματου σημείου πρόσβασης (AP), ανατρέξτε στο εγχειρίδιο χρήσης του σημείου πρόσβασης (δρομολογητή).
- Τα έξυπνα ψυγεία Samsung υποστηρίζουν τα πρωτόκολλα Wi-Fi 2,4 GHz με IEEE 802.11 b/g/n και Soft-AP (συνιστάται IEEE 802.11 n).
- Οι μη εγκεκριμένοι δρομολογητές ασύρματου δικτύου Wi-Fi ενδέχεται να μη συνδέονται με τα κατάλληλα έξυπνα ψυγεία Samsung.



# Λειτουργίες

## Λογαριασμός Samsung

Για να χρησιμοποιήσετε την εφαρμογή, απαιτείται να καταχωρίσετε τον δικό σας λογαριασμό Samsung. Αν δεν διαθέτετε λογαριασμό Samsung, ακολουθήστε τις οδηγίες της εφαρμογής στην οθόνη για να δημιουργήσετε δωρεάν έναν λογαριασμό Samsung.

### Έναρξη χρήσης

Ενεργοποιήστε τη συσκευή που θέλετε να συνδέσετε, ανοίξτε την εφαρμογή SmartThings στο κινητό σας και, στη συνέχεια, ακολουθήστε τις παρακάτω οδηγίες.

Αν εμφανιστεί ένα αναδυόμενο μήνυμα που δηλώνει ότι βρέθηκε μια νέα συσκευή, πατήστε **ADD NOW (Προσθήκη τώρα)**.

Αν δεν εμφανιστεί κανένα αναδυόμενο μήνυμα, πατήστε το κουμπί + και, στη συνέχεια, επιλέξτε τη συσκευή που θέλετε να συνδέσετε από τη λίστα των διαθέσιμων συσκευών.

Αν η συσκευή σας δεν βρίσκεται στη λίστα των διαθέσιμων συσκευών, πατήστε **Supported Devices (Υποστηριζόμενες συσκευές)**, επιλέξτε τον τύπο της συσκευής (ψυγείο) και, στη συνέχεια, επιλέξτε το μοντέλο της συγκεκριμένης συσκευής.

Ακολουθήστε τις οδηγίες στην εφαρμογή για να ρυθμίσετε τη συσκευή σας. Αφού ολοκληρωθεί η ρύθμιση, το ψυγείο σας θα εμφανίζεται ως «κάρτα» στην οθόνη **Devices (Συσκευές)**.

## Εφαρμογή ψυγείου

### Ολοκληρωμένος έλεγχος

Μπορείτε να παρακολουθείτε και να ελέγχετε το ψυγείο σας στο σπίτι και εν κινήσει.

- Πατήστε το εικονίδιο ψυγείου στον πίνακα εργαλείων SmartThings ή πατήστε το εικονίδιο συσκευών στο κάτω μέρος του πίνακα εργαλείων και, στη συνέχεια, πατήστε στην «κάρτα» ψυγείου για να ανοίξετε τη σελίδα του ψυγείου.
- Ελέγξτε την κατάσταση λειτουργίας ή τις ειδοποιήσεις που σχετίζονται με το ψυγείο σας και κατόπιν αλλάξτε τις επιλογές ή τις ρυθμίσεις, αν είναι απαραίτητο.



### ΣΗΜΕΙΩΣΗ

Ορισμένες επιλογές ή ρυθμίσεις του ψυγείου ενδέχεται να μην είναι διαθέσιμες για απομακρυσμένο έλεγχο.



Κατηγορία	Χαρακτηριστικό	Περιγραφή
Παρακολούθηση	Θερμοκρασία ψυγείου	Εμφανίζει τη ρύθμιση επιθυμητής θερμοκρασίας του ψυγείου.
	Θερμοκρασία καταψύκτη	Εμφανίζει την επιθυμητή θερμοκρασία του καταψύκτη.
	Ρυθμίσεις Επιλογή ψύξης+	Εμφανίζει τις ρυθμίσεις της λειτουργίας Επιλογή ψύξης+.
	Διαγνωστικός έλεγχος	Ανιχνεύει μη φυσιολογική λειτουργία του ψυγείου.
	Παρακολούθηση κατανάλωσης ενέργειας	Ελέγχει τη συνολική κατανάλωση ενέργειας του ψυγείου για τις τελευταίες 180 ημέρες.
Λειτουργίες	Παρασκευή πάγου	Μπορείτε να ενεργοποιήσετε ή να απενεργοποιήσετε τη λειτουργία παρασκευής πάγου και να ελέγξετε τις τρέχουσες ρυθμίσεις της λειτουργίας.
		Μπορείτε επίσης να ελέγξετε την κατάσταση και την πρόοδο της παρασκευής πάγου.
	Γρήγορη ψύξη	Μπορείτε να ενεργοποιήσετε ή να απενεργοποιήσετε τη λειτουργία γρήγορης ψύξης και να ελέγξετε τις τρέχουσες ρυθμίσεις.
	Γρήγορη κατάψυξη	Μπορείτε να ενεργοποιήσετε ή να απενεργοποιήσετε τη λειτουργία γρήγορης κατάψυξης και να ελέγξετε τις τρέχουσες ρυθμίσεις.
	Θερμοκρασία ψυγείου	Μπορείτε να ρυθμίσετε την επιθυμητή θερμοκρασία του ψυγείου.
	Θερμοκρασία καταψύκτη	Μπορείτε να ρυθμίσετε την επιθυμητή θερμοκρασία του καταψύκτη.
	Ρυθμίσεις Επιλογή ψύξης+	Μπορείτε να ρυθμίσετε την επιθυμητή λειτουργία Επιλογή ψύξης+.
	Ειδοποιήσεις	Αφύσικα υψηλή θερμοκρασία
Άνοιγμα πόρτας		Αυτή η ειδοποίηση ενεργοποιείται αν η πόρτα του ψυγείου, το συρτάρι του καταψύκτη ή το συρτάρι Επιλογή ψύξης+ είναι ανοιχτό για ένα συγκεκριμένο χρονικό διάστημα.
Υπερχείλιση κανάτας αυτόματου γεμίσματος		Αν η λειτουργία κανάτας αυτόματου γεμίσματος ανιχνεύσει υπερχειλίση, ενεργοποιεί αυτήν την ειδοποίηση για να σας ενημερώσει σχετικά με την κατάσταση υπερχειλίσης.
Αντικατάσταση φίλτρου νερού		Αυτή η ειδοποίηση σας υπενθυμίζει ότι πρέπει να αντικατασταθεί το φίλτρο νερού.

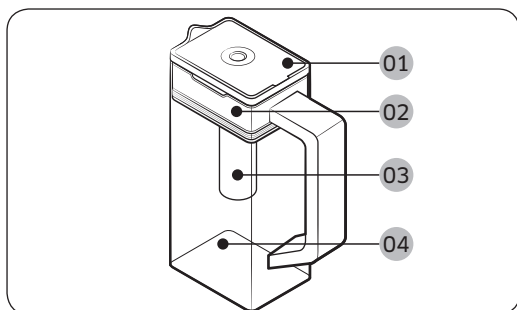


# Λειτουργίες

## Ειδικές δυνατότητες

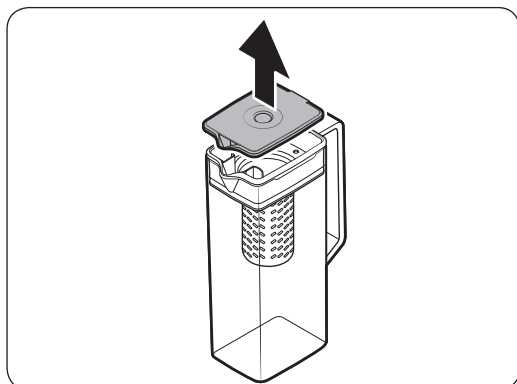
### Κανάτα νερού (Κανάτα αυτόματου γεμίσματος) (μόνο για τα κατάλληλα μοντέλα)

Υπάρχει πάντα κρύο κεκαθαρμένο νερό στην κανάτα Κανάτα αυτόματου γεμίσματος. Μπορείτε να τοποθετήσετε τσάι ή φρούτα στο φίλτρο εκχύλισης, για να απολαύσετε το αγαπημένο σας νερό με εκχύλισμα.



- 01 Καπάκι
- 02 Βάση φίλτρου εκχύλισης
- 03 Φίλτρο εκχύλισης
- 04 Κυρίως σώμα

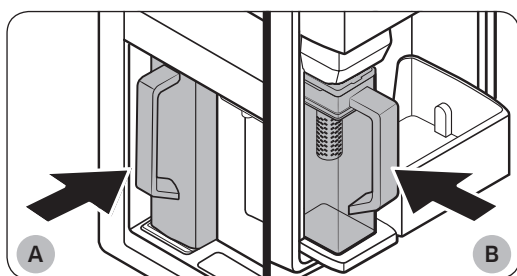
### Για να γεμίσετε την κανάτα νερού



1. Πιάστε την εγκοπή λαβής του **καπακιού** και, στη συνέχεια, τραβήξτε προς τα επάνω για να ανοίξετε το **καπάκι**.
2. Τοποθετήστε φύλλα τσαγιού ή φρούτα μέσα στο φίλτρο εκχύλισης, ανάλογα με τις προτιμήσεις σας.

#### ΣΗΜΕΙΩΣΗ

Αν θέλετε να διατηρήσετε το νερό με εκχύλισμα στην αρχική του συγκέντρωση, απενεργοποιήστε τη λειτουργία Κανάτα αυτόματου γεμίσματος.



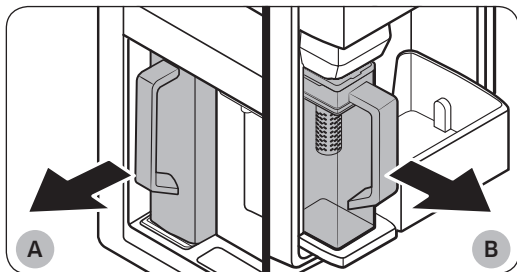
- A. Μοντέλα τύπου A
- B. Μοντέλα τύπου B

3. Ενεργοποιήστε τη λειτουργία Κανάτα αυτόματου γεμίσματος στον πίνακα ελέγχου. Ανοίξτε την πόρτα του Κέντρου ποτών (Τύπος A) ή την αριστερή πόρτα του ψυγείου (Τύπος B) και, στη συνέχεια, τοποθετήστε την κανάτα νερού στη βάση. Σπρώξτε την ευθεία προς τα μέσα, όπως φαίνεται στην εικόνα.
4. Κλείστε την πόρτα. Η κανάτα νερού θα αρχίσει να γεμίζει με παγωμένο νερό μετά από λίγο.



**⚠ ΠΡΟΣΟΧΗ**

Βεβαιωθείτε ότι η κανάτα νερού έχει εφαρμόσει στη βάση της.

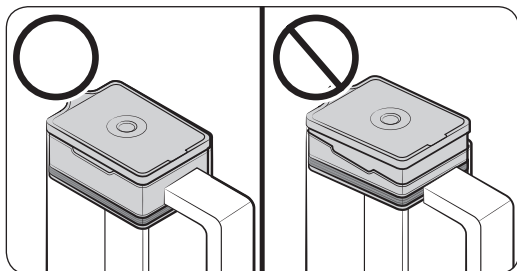
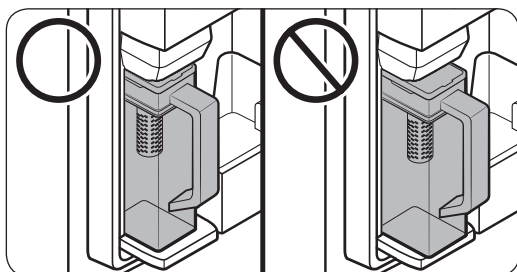


A. Μοντέλα τύπου A

B. Μοντέλα τύπου B

**⚠ ΠΡΟΣΟΧΗ**

- Συνιστούμε να καταναλώνετε το νερό με εκχύλιμα φρούτων εντός 24 ωρών. Μετά από αυτό το χρονικό διάστημα, το νερό με εκχύλιμα μπορεί να αλλιωθεί με την πάροδο του χρόνου.
- Πρέπει να καθαρίσετε την κανάτα νερού αφού καταναλώσετε το νερό με εκχύλιμα. Καθαρίστε επίσης την κανάτα νερού αν δεν την έχετε χρησιμοποιήσει για μεγάλο χρονικό διάστημα.

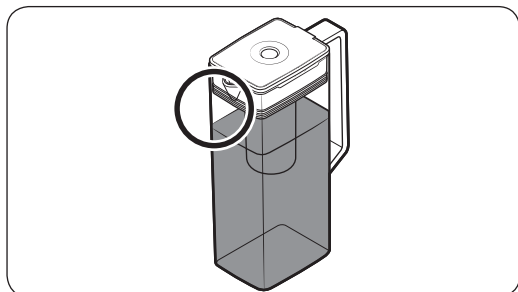


5. Για να πιείτε τσάι, ανοίξτε την πόρτα του Κέντρου ποτών (Τύπος A) ή την αριστερή πόρτα του ψυγείου (Τύπος B) και, στη συνέχεια, αφαιρέστε την κανάτα νερού. Τραβήξτε την ευθεία προς τα έξω.

- Για να αποτρέψετε την πρόκληση κλίσης ή διαρροής στην κανάτα νερού, βεβαιωθείτε ότι η κανάτα νερού έχει εφαρμόσει στη βάση της.

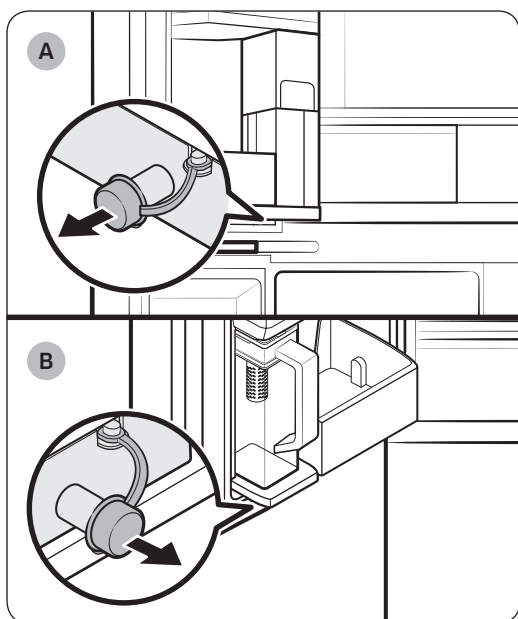
- Για να αποτρέψετε την πρόκληση έκχυσης ή διαρροής από την κανάτα νερού, βεβαιωθείτε ότι η βάση φίλτρου εκχύλισης είναι τοποθετημένη σωστά.

# Λειτουργίες



## ΣΗΜΕΙΩΣΗ

- Αν υπάρχει υπερβολική υγρασία στην εμπρός πλευρά (ειδικά επισημασμένη περιοχή) της κανάτας νερού, η κανάτα νερού ενδέχεται να μη γεμίσει εντελώς. Απομακρύνετε την υγρασία και, στη συνέχεια, προσπαθήστε ξανά.
- Η λειτουργία Κανάτα αυτόματου γεμίσματος θα σταματήσει να παρέχει νερό στην κανάτα νερού, αν η κανάτα νερού δεν γεμίσει μετά από συγκεκριμένο χρονικό διάστημα. Αν συμβεί αυτό, ελέγξτε αν ο σωλήνας νερού είναι συνδεδεμένος σωστά. Αφαιρέστε και επανατοποθετήστε την κανάτα νερού και, στη συνέχεια, προσπαθήστε ξανά.



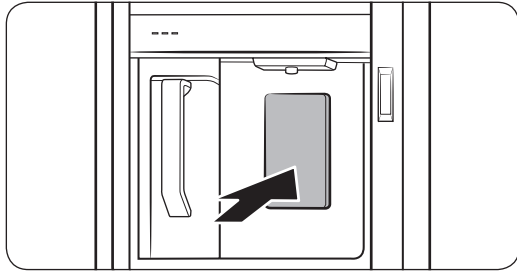
A. Μοντέλα τύπου A

B. Μοντέλα τύπου B

## ΣΗΜΕΙΩΣΗ

- Σκουπίστε το νερό γύρω από τη βάση της κανάτας νερού αν προκληθεί υπερχειλίση ή διαρροή στην κανάτα νερού.
- Το νερό εκρέει αν ανοιχτεί το ελαστικό πώμα.
- Αν προκληθεί διαρροή, εμφανίζεται ένα μήνυμα ειδοποίησης στον πίνακα ελέγχου. Σε περίπτωση διαρροής, ανοίξτε το ελαστικό πώμα για να αποστραγγιστεί το νερό που έχει διαρρεύσει. Αν το μήνυμα ειδοποίησης δεν εξαφανιστεί μετά την αποστράγγιση, ενδέχεται να υπάρχει βλάβη στο σύστημα. Επικοινωνήστε με το τοπικό επισκευαστικό κέντρο της Samsung.

## Διανεμητής νερού (μόνο για τα κατάλληλα μοντέλα)



Για να διανεμίσετε παγωμένο νερό, ανοίξτε το Κέντρο ποτών και πιέστε τον μοχλό του διανεμητή.

### ΣΗΜΕΙΩΣΗ

- Ο διανεμητής θα σταματήσει να διανέμει, αν συνεχίσετε να πιέζετε τον μοχλό διανεμητή για περίπου 1 λεπτό. Για να διανεμίσετε περισσότερο νερό, ελευθερώστε και πιέστε ξανά τον μοχλό.
- Βεβαιωθείτε ότι το ποτήρι είναι ευθυγραμμισμένο με τον διανεμητή, ώστε να μη χυθεί το νερό.
- Αν δεν χρησιμοποιήσετε τον διανεμητή νερού για 2-3 ημέρες, το νερό που διανέμει ενδέχεται να έχει αφύσικη οσμή ή γεύση. Αυτό δεν αποτελεί βλάβη στο σύστημα. Απορρίψτε τα πρώτα 1-2 ποτήρια νερού.

### Θόλωση του νερού

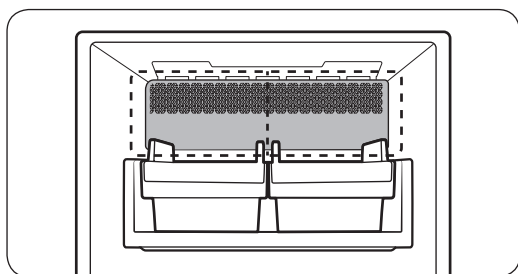
Το νερό που παρέχεται στο ψυγείο ρέει μέσα από ένα βασικό αλκαλικό φίλτρο. Κατά τη διάρκεια αυτής της διαδικασίας φιλτραρίσματος, η πίεση του νερού αυξάνεται με αποτέλεσμα το νερό να είναι κορεσμένο σε οξυγόνο και άζωτο. Αυτό προκαλεί προσωρινή θόλωση του νερού όταν διανέμεται. Κάτι τέτοιο είναι φυσιολογικό και το νερό θα φαίνεται διαυγές μετά από λίγα δευτερόλεπτα.

# Λειτουργίες

## Αυτόματος παρασκευαστής πάγου (μόνο για τα κατάλληλα μοντέλα)

Το ψυγείο διαθέτει έναν ενσωματωμένο παρασκευαστή πάγου που διανέμει αυτόματα πάγο.

- Η γενική σχεδίαση ή/και τα εξαρτήματα ενδέχεται να διαφέρουν, ανάλογα με το μοντέλο.



- Αυτό το προϊόν διαθέτει δύο τύπους παρασκευαστή πάγου.

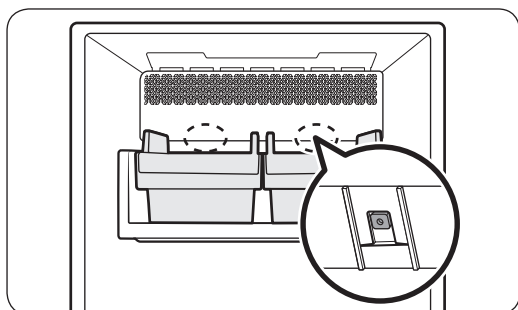
## Παρασκευή πάγου

Αφού εγκαταστήσετε το ψυγείο και το συνδέσετε στην πρίζα, ακολουθήστε αυτές τις οδηγίες για να διασφαλίσετε τη σωστή παρασκευή πάγου και να διατηρήσετε το δοχείο πάγου γεμάτο με πάγο.

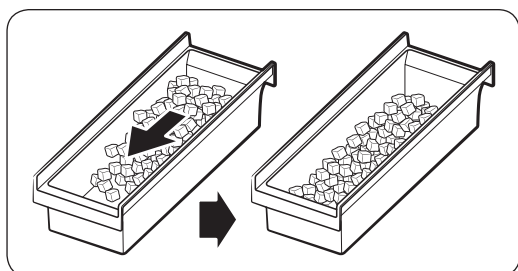
## Για την πρώτη χρήση

- Αφήστε τον παρασκευαστή πάγου να παρασκευάζει πάγο για 1-2 ημέρες.
- Απορρίψτε τα πρώτα 1-2 δοχεία πάγου, για να απομακρύνετε τους ρύπους από το σύστημα παροχής νερού.

## Διαγνωστικός έλεγχος



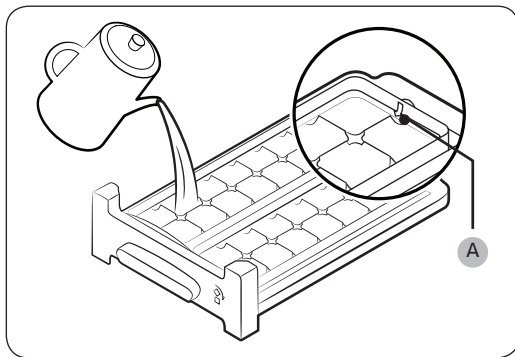
- Η γενική σχεδίαση ή/και τα εξαρτήματα ενδέχεται να διαφέρουν, ανάλογα με το μοντέλο.
- Αν δεν διανέμεται πάγος, ελέγξτε πρώτα την κατάσταση του παρασκευαστή πάγου χρησιμοποιώντας το κουμπί **Δοκιμή** στο κάτω μέρος του παρασκευαστή πάγου.
- Πατήστε το κουμπί **Δοκιμή** στο πίσω μέρος του παρασκευαστή πάγου. Θα ακούσετε έναν χαρακτηριστικό ήχο (ντινγκ-ντογκ) όταν πατήσετε το κουμπί. Θα ακούσετε ακόμα έναν ήχο αν ο παρασκευαστής πάγου λειτουργεί σωστά.
- Η συσσώρευση πάγου στη μία πλευρά του δίσκου είναι κάτι φυσιολογικό. Καταναίμετε τον πάγο ομοίμορφα στον δίσκο για να αποθηκεύσετε περισσότερο πάγο.



### ΠΡΟΣΟΧΗ

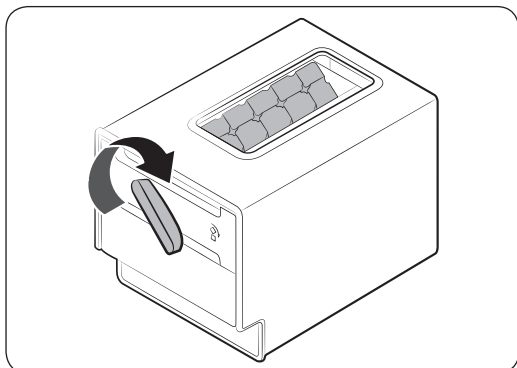
- Αν αφήσετε τον σωλήνα νερού αποσυνδεδεμένο, ενδέχεται να αρχίσει να ακούγεται ένας βόμβος από τη βαλβίδα νερού με την πάροδο του χρόνου. Σε αυτήν την περίπτωση, φροντίστε να απενεργοποιήσετε τη λειτουργία παρασκευής πάγου (Πάγος σε κύβους/Κομμάτια πάγου).
- Αν ο ήχος παρασκευής πάγου ακούγεται επανειλημμένα, επικοινωνήστε με τον τεχνικό εγκατάστασης του σωλήνα νερού ή με το τοπικό επισκευαστικό κέντρο της Samsung.
- Μην τοποθετείτε τρόφιμα στο δοχείο πάγου. Τα παγωμένα τρόφιμα ενδέχεται να προκαλέσουν ζημιά στον παρασκευαστή πάγου, ειδικά όταν ανοίγετε ή κλείνετε την πόρτα.
- Όταν το ψυγείο ανακτά την τροφοδοσία μετά από διακοπή ρεύματος, το δοχείο πάγου ενδέχεται να περιέχει ένα μείγμα από λιωμένα και σφηνωμένα παγάκια που μπορεί να εμποδίζουν τον παρασκευαστή πάγου να λειτουργεί σωστά. Για να το αποτρέψετε αυτό, φροντίστε να αδειάσετε το δοχείο πάγου προτού χρησιμοποιήσετε το ψυγείο.
- Μη βάζετε τα δάχτυλά σας ή οποιαδήποτε αντικείμενα μέσα στον παρασκευαστή πάγου. Μπορεί να προκληθεί τραυματισμός ή υλικές ζημιές.
- Λόγω της εξάχνωσης, ο πάγος που αποθηκεύεται στον καταψύκτη για μεγάλο χρονικό διάστημα συρρικνώνεται και κατόπιν σχηματίζει μεγάλα κομμάτια πάγου. Κατά συνέπεια, αν δεν πρόκειται να χρησιμοποιήσετε πάγο για μεγάλο χρονικό διάστημα, απενεργοποιήστε τον παρασκευαστή πάγου όπως περιγράφεται παρακάτω.
- Χρησιμοποιήστε μόνο τα νέα σετ εύκαμπτων σωλήνων που παρέχονται με τη συσκευή. Μην επαναχρησιμοποιήσετε ένα παλιό σετ εύκαμπτων σωλήνων.

### Περιστρεφόμενος παρασκευαστής πάγου (μόνο για τα κατάλληλα μοντέλα)

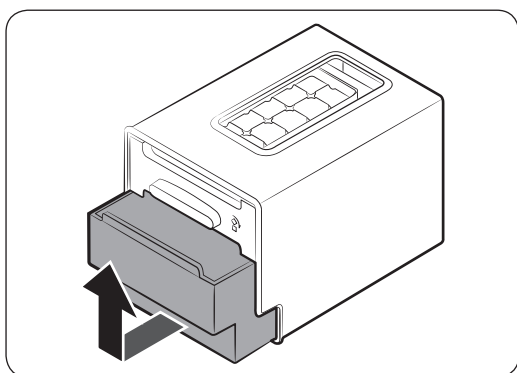


1. Ανοίξτε την πόρτα του καταψύκτη και σύρετε έξω τον δίσκο πάγου για να τον ανοίξετε.
2. Γεμίστε τον δίσκο με νερό έως την **ένδειξη μέγιστης στάθμης (A)** που σημειώνεται στο πίσω εσωτερικό μέρος του δίσκου.
3. Σύρετε ξανά τον δίσκο στη θέση του.

# Λειτουργίες



4. Όταν το νερό παγώσει και γίνει παγάκια, περιστρέψτε δεξιόστροφα τη λαβή του δίσκου πάγου για να αδειάσετε τα παγάκια στο δοχείο πάγου. Επαναλάβετε αυτή τη διαδικασία μέχρι να αδειάσετε όλα τα παγάκια μέσα στο δοχείο πάγου.



5. Για να αφαιρέσετε το δοχείο πάγου, ανασηκώστε το προσεκτικά και τραβήξτε το έξω.

## ΠΡΟΣΟΧΗ

- Μη χρησιμοποιείτε μόνο το δοχείο πάγου για την παρασκευή πάγου. Το δοχείο ενδέχεται να σπάσει.
- Βεβαιωθείτε ότι το δοχείο πάγου βρίσκεται στη θέση του, κάτω από τον δίσκο πάγου.
- Το δοχείο πάγου έχει μια οπή αποστράγγισης στο κάτω μέρος του.
  - Μην αποθηκεύετε πάγο μέσα στο δοχείο σε θερμοκρασία περιβάλλοντος. Ο πάγος θα λιώσει και θα εκρεύσει νερό.
  - Σε περίπτωση διακοπής ρεύματος, ο πάγος θα λιώσει και θα εκρεύσει νερό. Αφού αποκατασταθεί η τροφοδοσία ρεύματος, το νερό ενδέχεται να παγώσει ξανά και να σπάσει το δοχείο. Για να αποτρέψετε την πρόκληση ζημιάς στο δοχείο, αφαιρέστε και αδειάστε το δοχείο αν προκύψει διακοπή ρεύματος.
  - Χρησιμοποιείτε μόνο πόσιμο νερό.

## ΣΗΜΕΙΩΣΗ

- Ο χρόνος παρασκευής πάγου εξαρτάται από τις ρυθμίσεις θερμοκρασίας.

# Συντήρηση

## Χειρισμός και φροντίδα

### Δοχείο πάγου (μόνο για τα κατάλληλα μοντέλα)

Αν δεν διανείμετε πάγο για παρατεταμένο χρονικό διάστημα, ο πάγος μπορεί να δημιουργήσει μάζες μέσα στο δοχείο. Αν συμβεί αυτό, αφαιρέστε και αδειάστε το δοχείο πάγου.

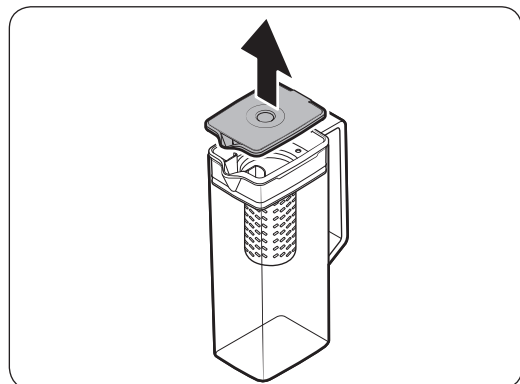
#### ΠΡΟΣΟΧΗ

- Για να αποφευχθεί το ενδεχόμενο τραυματισμού, φροντίζετε να καθαρίζετε τυχόν πάγο ή νερό που έχει πέσει στο δάπεδο.
- Για να αποφευχθούν ατυχήματα ή τραυματισμός, μην αφήνετε τα παιδιά να παίζουν με τον διανεμητή νερού ή τον παρασκευαστή πάγου.
- Χρησιμοποιείτε μόνο το παρεχόμενο δοχείο πάγου. Τα δοχεία πάγου τρίτων κατασκευαστών ενδέχεται να προκαλέσουν βλάβη στο σύστημα.

#### ΣΗΜΕΙΩΣΗ

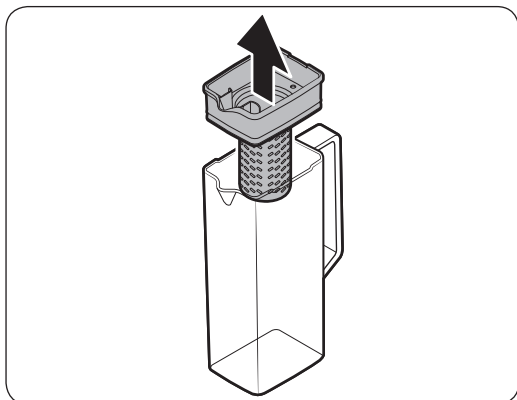
- Η πίεση νερού που απαιτείται για την παρασκευή πάγου είναι 206-861 kPa.
- Ο θόρυβος που ακούγεται από τον παρασκευαστή πάγου κατά τη διάρκεια της διαδικασίας παρασκευής πάγου είναι κάτι φυσιολογικό.

### Κανάτα αυτόματου γεμίσματος (μόνο για τα κατάλληλα μοντέλα)

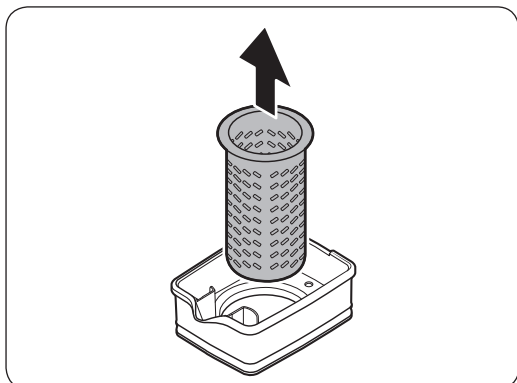


1. Πιάστε την εγχοπή λαβής του **καπακιού** και, στη συνέχεια, τραβήξτε προς τα επάνω για να το αφαιρέσετε.

# Συντήρηση



2. Πιάστε και τις δύο πλευρές της **βάσης φίλτρου εκχύλισης** και, στη συνέχεια, ανασηκώστε την για να την αφαιρέσετε.



3. Ενώ συστρέφετε ελαφρώς το **φίλτρο εκχύλισης**, τραβήξτε το έξω από το στεγανοποιημένο στόμιο.
4. Καθαρίστε το **φίλτρο εκχύλισης** με ουδέτερο απορρυπαντικό και τρεχούμενο νερό. Ξεπλύνετε και στεγνώστε το καλά.
5. Συναρμολογήστε την Κανάτα αυτόματου γεμίσματος εφαρμόζοντας την αντίστροφη διαδικασία σε σχέση με την αποσυναρμολόγηση.

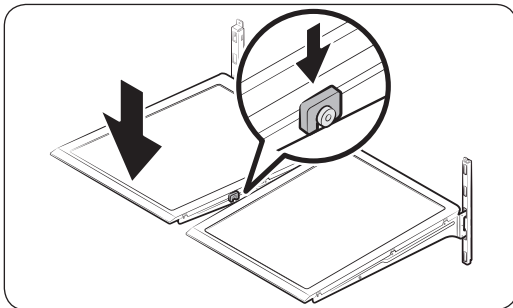
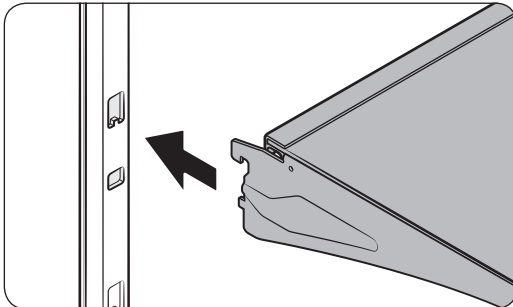
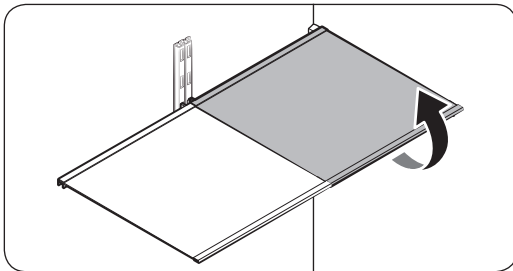
## ⚠ ΠΡΟΣΟΧΗ

Η κανάτα νερού και το καπάκι δεν είναι ασφαλή για χρήση σε φούρνο μικροκυμάτων, καθώς μπορεί να λιώσουν ή να παραμορφωθούν αν εκτεθούν σε θερμότητα (συμπεριλαμβανομένου του καυτού νερού). Πλύνετε στο χέρι με κρύο ή ζεστό νερό, όπως απαιτείται.



## Ράφια ψυγείου

Η εμφάνιση των ραφιών διαφέρει, ανάλογα με το μοντέλο.



- Για να αφαιρέσετε ένα ράφι, ανοίξτε εντελώς την αντίστοιχη πόρτα. Συγκρατήστε το εμπρός μέρος του ραφιού και, στη συνέχεια, ανασηκώστε το προσεκτικά και τραβήξτε το έξω.

### ΣΗΜΕΙΩΣΗ

Μην ανασηκώνετε εντελώς το ράφι όταν το αφαιρείτε ή το επανατοποθετείτε. Μπορεί να χτυπήσετε το πίσω τείχος του θαλάμου ψυγείου.

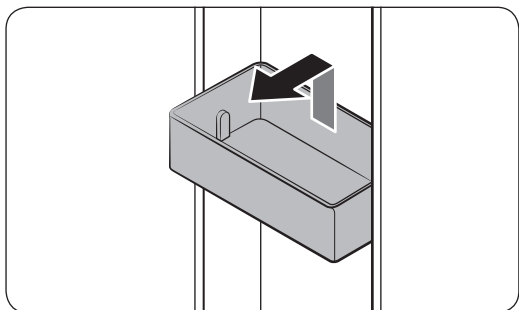
- Για να το επανατοποθετήσετε, κρατήστε το ράφι υπό γωνία ώστε το εμπρός μέρος να είναι πιο ψηλά από το πίσω μέρος και, στη συνέχεια, εισαγάγετε το επάνω άγκιστρο στην επάνω εγκοπή ραφιού. Στη συνέχεια, χαμηλώστε το ράφι και εισαγάγετε το κάτω άγκιστρο του ραφιού στην κάτω εγκοπή ραφιού.

### ΠΡΟΣΟΧΗ

- Τα ράφια από γυαλί ασφαλείας είναι βαριά. Προσέχετε όταν τα αφαιρείτε.
- Το ράφι πρέπει να τοποθετηθεί σωστά. Μην το τοποθετείτε ανάποδα.
- Τα γυάλινα δοχεία ενδέχεται να γρατζουνίσουν την επιφάνεια των γυάλινων ραφιών.

# Συντήρηση

## Ράφια πόρτας



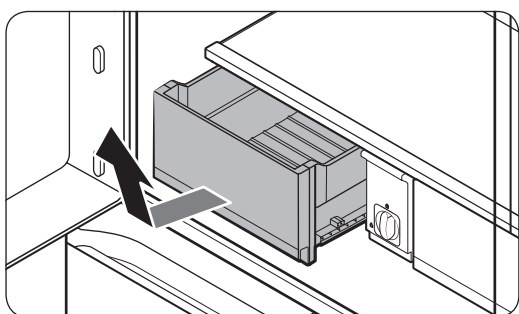
- Για να αφαιρέσετε το **ράφι πόρτας**, συγκρατήστε τις μπροστινές πλευρές του ραφιού και, στη συνέχεια, ανασηκώστε προσεκτικά για να το αφαιρέσετε.
- Για να το επαναποθετήσετε, τοποθετήστε το **ράφι πόρτας** λίγο πιο πάνω από την τελική του θέση, φροντίζοντας το πίσω μέρος του ραφιού να αγγίζει την πόρτα. Συγκρατήστε το πίσω μέρος του **ραφιού πόρτας** με τα δύο χέρια και, στη συνέχεια, πιέστε προς τα κάτω μέχρι να εφαρμόσει καλά.

### ⚠ ΠΡΟΣΟΧΗ

- Μην αφαιρείτε ένα ράφι που είναι γεμάτο με τρόφιμα. Αδειάστε πρώτα το ράφι.
- Προσέχετε όταν ανοίγετε την πόρτα αν το κάτω ράφι περιέχει μεγαλύτερα μπουκάλια, τα οποία ενδέχεται να πέσουν.
- Μην επιτρέπετε στα παιδιά να παίζουν με τα ράφια. Οι αιχμηρές γωνίες των ραφιών ενδέχεται να προκαλέσουν τραυματισμό.

## Συρτάρι ψυγείου

### Συρτάρι φρούτων και λαχανικών / Προσαρμοζόμενο συρτάρι λαχανικών



Ανασηκώστε προσεκτικά το εμπρός μέρος του συρταριού και σύρετέ το έξω.

- Συνιστούμε να αφαιρείτε τα ράφια των πορτών προτού αφαιρέσετε το συρτάρι. Αυτό γίνεται για να αποτραπεί η πρόκληση ζημιάς στα ράφια των πορτών.
- Για να το επαναποθετήσετε, εισαγάγετε το συρτάρι στις ράγες του πλαισίου και κατόπιν σύρετέ το προς τα μέσα.

## Καθαρισμός

### Εσωτερικό και εξωτερικό μέρος

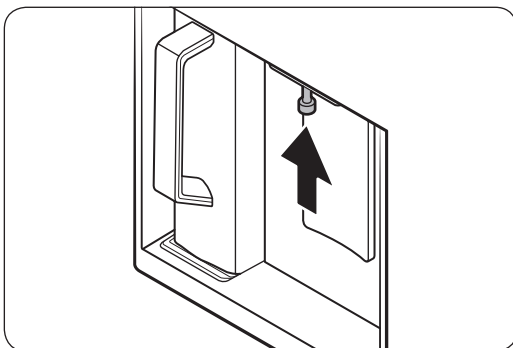
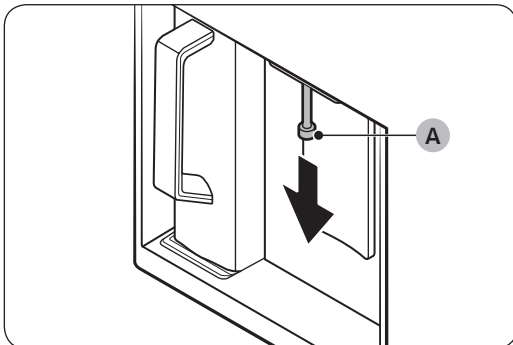
#### ΠΡΟΕΙΔΟΠΟΙΗΣΗ

- Μη χρησιμοποιείτε βενζόλιο, διαλυτικό, οικιακό απορρυπαντικό/απορρυπαντικό αυτοκινήτου ή Clorox™ για τον καθαρισμό του ψυγείου. Ενδέχεται να προκαλέσουν ζημιά στην επιφάνεια του ψυγείου, καθώς και πυρκαγιά.
- Μην ψεκάζετε νερό επάνω στο ψυγείο. Ενδέχεται να προκληθεί ηλεκτροπληξία.

Χρησιμοποιείτε τακτικά ένα στεγνό πανί για να απομακρύνετε όλα τα ξένα σώματα, όπως σκόνη ή νερό, από τους ακροδέκτες και τα σημεία επαφής του φινιρ τροφοδοσίας.

1. Αποσυνδέστε το καλώδιο ρεύματος.
2. Χρησιμοποιήστε ένα βρεγμένο μαλακό πανί που δεν αφήνει χνούδι ή μια χαρτοπετσέτα για να καθαρίσετε το εσωτερικό και το εξωτερικό μέρος του ψυγείου.
3. Όταν τελειώσετε, χρησιμοποιήστε ένα στεγνό πανί ή μια χαρτοπετσέτα για να το στεγνώσετε καλά.
4. Συνδέστε το καλώδιο ρεύματος.

### Ακροφύσιο διανεμητή (μόνο για τα κατάλληλα μοντέλα)



1. Συγκρατήστε το άκρο του ακροφυσίου διανεμητή (A).
2. Ενώ στρέφετε το ακροφύσιο διανεμητή (A) προς τα αριστερά, τραβήξτε το προς τα κάτω για να το αφαιρέσετε από τον διανεμητή.

3. Καθαρίστε καλά το ακροφύσιο διανεμητή και, στη συνέχεια, επανατοποθετήστε το.

#### ΠΡΟΣΟΧΗ

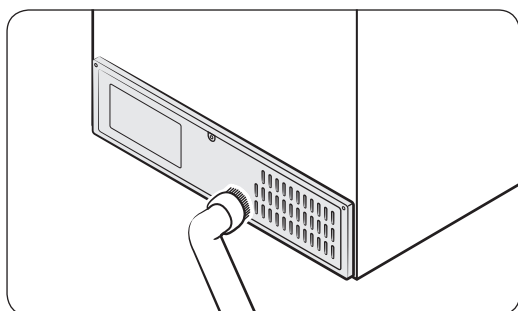
- Εισαγάγετε πλήρως το ακροφύσιο διανεμητή, έτσι ώστε να βρίσκεται ξανά στην αρχική του θέση.
- Μη χρησιμοποιείτε σφουγγάρι με τραχιά υφή για να καθαρίσετε το ακροφύσιο διανεμητή.

# Συντήρηση

## Ελαστικά στεγανοποιητικά

Αν τα ελαστικά στεγανοποιητικά της πόρτας είναι βρώμικα, η πόρτα ενδέχεται να μην κλείνει σωστά με αποτέλεσμα να περιοριστούν οι επιδόσεις και η απόδοση του ψυγείου. Χρησιμοποιήστε ήπιο απορρυπαντικό και ένα υγρό πανί για να καθαρίσετε τα ελαστικά στεγανοποιητικά. Στη συνέχεια, στεγνώστε τα καλά με ένα πανί.

## Πίσω πίνακας



Για να διατηρείτε τα καλώδια και τα εκτεθειμένα μέρη του πίσω πίνακα ελεύθερα από βρομιά, να καθαρίζετε τον πίνακα με ηλεκτρική σκούπα μία ή δύο φορές το χρόνο.

### ⚠ ΠΡΟΣΟΧΗ

Μην αφαιρείτε το κάλυμμα πίσω πίνακα. Ενδέχεται να προκληθεί ηλεκτροπληξία.

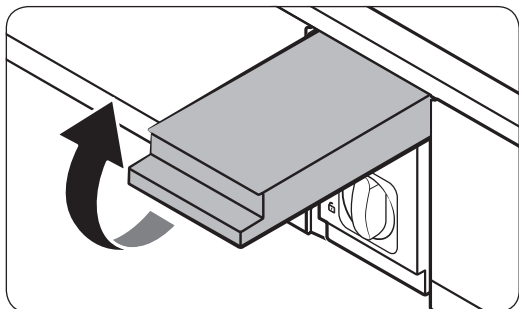
## Αντικατάσταση

### Φίλτρο νερού (μόνο για τα κατάλληλα μοντέλα)

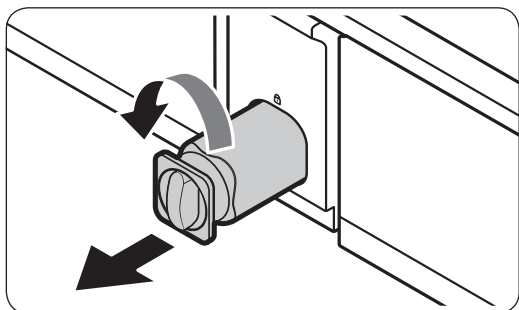
#### ⚠ ΠΡΟΕΙΔΟΠΟΙΗΣΗ

- Μη χρησιμοποιείτε φίλτρα νερού τρίτων κατασκευαστών. Χρησιμοποιείτε μόνο φίλτρα που παρέχονται ή είναι εγκεκριμένα από τη Samsung.
- Τα μη εγκεκριμένα φίλτρα ενδέχεται να παρουσιάσουν διαρροές και να προκαλέσουν ζημιά στο ψυγείο, καθώς και ηλεκτροπληξία. Η Samsung δεν φέρει ευθύνη για οποιαδήποτε ζημιά που ενδέχεται να προκληθεί από τη χρήση φίλτρων νερού τρίτων κατασκευαστών.

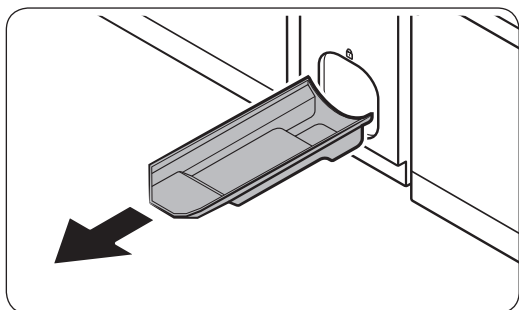
Το μήνυμα «**Replace water filter (Αντικαταστήστε το φίλτρο νερού)**» εμφανίζεται στον πίνακα ελέγχου, για να σας ενημερώσει ότι είναι καιρός να αντικαταστήσετε το φίλτρο νερού. Προτού αντικαταστήσετε το φίλτρο, βεβαιωθείτε ότι η κεντρική παροχή νερού είναι κλειστή.



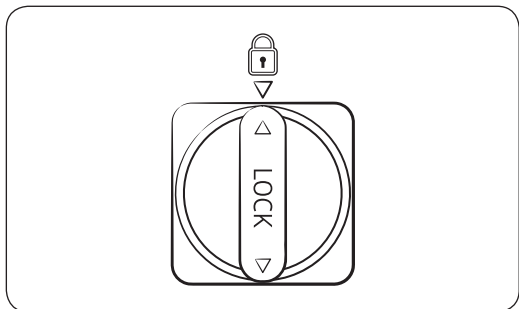
1. Κλείστε την κεντρική παροχή νερού.
2. Ανοίξτε το κάλυμμα της κασέτας φίλτρου.



3. Περιστρέψτε το περιστροφικό κουμπί της κασέτας φίλτρου αριστερόστροφα κατά 90 μοίρες (1/4 της στροφής). Η κασέτα του φίλτρου απασφαλίζει.



4. Τραβήξτε προς τα έξω για να αφαιρέσετε την κασέτα.
  - Αν το φίλτρο νερού είναι πολύ βρόμικο, η κασέτα ενδέχεται να μην αφαιρείται εύκολα. Σε αυτήν την περίπτωση, ασκήστε δύναμη για να αφαιρέσετε την κασέτα.
  - Για να αποτρέψετε τις διαρροές νερού από το άνοιγμα του φίλτρου, τραβήξτε την κασέτα ευθεία προς τα έξω ενώ την αφαιρείτε.



5. Τοποθετήστε μια νέα κασέτα φίλτρου. Χρησιμοποιείτε μόνο φίλτρα που παρέχονται ή είναι εγκεκριμένα από τη Samsung.
6. Περιστρέψτε το περιστροφικό κουμπί της κασέτας δεξιόστροφα, για να την ασφαλίσετε στη θέση της.
7. Κλείστε το κάλυμμα της κασέτας φίλτρου.
8. Στον πίνακα ελέγχου, μεταβείτε στο μενού **More Options (Περισσότερες επιλογές)** και, στη συνέχεια, επιλέξτε **Filter Reset (Επαναφορά ρυθμίσεων φίλτρου)**

# Συντήρηση

## ΣΗΜΕΙΩΣΗ

- Όταν τοποθετηθεί ένα νέο φίλτρο, ενδέχεται να προκληθεί απότομη εκτόξευση νερού από τον διανεμητή νερού. Αυτό γίνεται επειδή έχει εισέλθει αέρας στον σωλήνα νερού.
- Η διαδικασία αντικατάστασης ενδέχεται να προκαλέσει στάξιμο νερού από τον διανεμητή για μικρό χρονικό διάστημα. Αν ο διανεμητής στάζει, απλώς σκουπίστε το νερό από το δάπεδο με μια στεγνή πετσέτα.

## Σύστημα φιλτραρίσματος νερού αντίστροφης ώσμωσης

Η πίεση του νερού που διοχετεύεται από το σύστημα παροχής νερού σε ένα σύστημα φιλτραρίσματος νερού αντίστροφης ώσμωσης πρέπει να είναι 206-861 kPa.

Η πίεση του νερού που διοχετεύεται από το σύστημα φιλτραρίσματος νερού αντίστροφης ώσμωσης στον σωλήνα κρύου νερού του ψυγείου πρέπει να είναι τουλάχιστον 206 kPa. Αν η πίεση του νερού είναι χαμηλότερη από αυτές τις προδιαγραφές:

- Ελέγξτε αν το φίλτρο ιζήματος του συστήματος αντίστροφης ώσμωσης είναι φραγμένο. Αντικαταστήστε το φίλτρο, αν είναι απαραίτητο.
- Ξαναγεμίστε με νερό το δοχείο νερού στο σύστημα αντίστροφης ώσμωσης.
- Αν το ψυγείο σας διαθέτει φίλτρο νερού, ενδέχεται να μειώσει περαιτέρω την πίεση του νερού όταν χρησιμοποιείται σε συνδυασμό με ένα σύστημα αντίστροφης ώσμωσης. Αφαιρέστε το φίλτρο νερού.

Για περισσότερες πληροφορίες ή για επισκευή, επικοινωνήστε με έναν αδειούχο επαγγελματία υδραυλικό.

## Παραγγελία νέου φίλτρου

Για να αγοράσετε ένα νέο φίλτρο νερού, επικοινωνήστε με το τοπικό επισκευαστικό κέντρο της Samsung.

## Λυχνίες LED

Για να αντικαταστήσετε τις λυχνίες του ψυγείου, επικοινωνήστε με το τοπικό επισκευαστικό κέντρο της Samsung.

## ΠΡΟΕΙΔΟΠΟΙΗΣΗ

- Οι λυχνίες δεν μπορούν να επισκευαστούν από τον χρήστη. Μην επιχειρήσετε να αντικαταστήσετε μόνοι σας κάποια λυχνία. Μπορεί να προκληθεί ηλεκτροπληξία.

## Λυχνία (πηγή φωτός)

Το προϊόν αυτό περιέχει φωτεινή πηγή της τάξης ενεργειακής απόδοσης <G>.

Οι λυχνίες ή/και οι διατάξεις ελέγχου δεν μπορούν να επισκευαστούν από τον χρήστη. Για να αντικαταστήσετε τις λυχνίες ή/και τις διατάξεις ελέγχου του προϊόντος, επικοινωνήστε με το τοπικό επισκευαστικό κέντρο της Samsung.

Για λεπτομερείς οδηγίες σχετικά με την αντικατάσταση των λυχνιών ή των διατάξεων ελέγχου του προϊόντος σας, επισκεφτείτε τη διαδικτυακή τοποθεσία της Samsung (<http://www.samsung.com>), μεταβείτε στο μενού Υποστήριξη > Αρχική σελίδα υποστήριξης και εισαγάγετε το όνομα του μοντέλου.

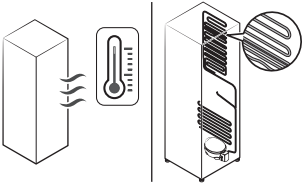
Για λεπτομερείς οδηγίες σχετικά με την αποσυναρμολόγηση των λυχνιών ή/και των διατάξεων ελέγχου, απλά ακολουθήστε τις οδηγίες αντικατάστασης που μπορείτε να βρείτε όπως περιγράφεται παραπάνω.

# Αντιμετώπιση προβλημάτων

Προτού καλέσετε το επισκευαστικό κέντρο, εξετάστε τα παρακάτω σημεία ελέγχου. Κάθε κλήση στο επισκευαστικό κέντρο σχετικά με φυσιολογικές καταστάσεις (περιπτώσεις που δεν υπάρχει κανένα ελάττωμα) θα χρεωθεί στον χρήστη.

## Γενικά

### Θερμοκρασία

Σύμπτωμα	Πιθανές αιτίες	Λύση
Το ψυγείο/καταψύκτης δεν λειτουργεί. Η θερμοκρασία του ψυγείου/καταψύκτη είναι υψηλή.	<ul style="list-style-type: none"><li>• Το καλώδιο ρεύματος δεν είναι συνδεδεμένο σωστά.</li></ul>	<ul style="list-style-type: none"><li>• Συνδέστε σωστά το καλώδιο ρεύματος.</li></ul>
	<ul style="list-style-type: none"><li>• Ο διακόπτης ελέγχου θερμοκρασίας δεν έχει ρυθμιστεί σωστά.</li></ul>	<ul style="list-style-type: none"><li>• Ρυθμίστε τη θερμοκρασία σε χαμηλότερο επίπεδο.</li></ul>
	<ul style="list-style-type: none"><li>• Το ψυγείο βρίσκεται κοντά σε πηγή θερμότητας ή εκτίθεται σε άμεσο ηλιακό φως.</li></ul>	<ul style="list-style-type: none"><li>• Κρατήστε το ψυγείο μακριά από άμεσο ηλιακό φως και πηγές θερμότητας.</li></ul>
	<ul style="list-style-type: none"><li>• Δεν υπάρχει αρκετός χώρος ανάμεσα στο ψυγείο και τους κοντινούς τοίχους ή ντουλάπια.</li></ul>	<ul style="list-style-type: none"><li>• Βεβαιωθείτε ότι υπάρχει κενό τουλάχιστον 5 cm ανάμεσα στο πίσω μέρος και τις πλευρές του ψυγείου και οποιουδήποτε κοντινούς τοίχους ή ντουλάπια.</li></ul>
	<ul style="list-style-type: none"><li>• Το ψυγείο είναι υπερφορτωμένο. Τα ανοίγματα εξαερισμού του ψυγείου είναι φραγμένα από τρόφιμα.</li></ul>	<ul style="list-style-type: none"><li>• Μην υπερφορτώνετε το ψυγείο. Μην αφήνετε τα τρόφιμα να φράζουν τα ανοίγματα εξαερισμού.</li></ul>
Το ψυγείο/καταψύκτης ψύχεται υπερβολικά.	<ul style="list-style-type: none"><li>• Ο διακόπτης ελέγχου θερμοκρασίας δεν έχει ρυθμιστεί σωστά.</li></ul>	<ul style="list-style-type: none"><li>• Ρυθμίστε τη θερμοκρασία σε υψηλότερο επίπεδο.</li></ul>
Τα εσωτερικά τοιχώματα είναι ζεστά.	<ul style="list-style-type: none"><li>• Το ψυγείο διαθέτει ανθεκτική στη θερμότητα σωλήνωση στα εσωτερικά τοιχώματα.</li></ul>	<ul style="list-style-type: none"><li>• Για να αποτραπεί η δημιουργία υγρασίας, το ψυγείο έχει ανθεκτική στη θερμότητα σωλήνωση στις μπροστινές γωνίες. Αν αυξηθεί η θερμοκρασία περιβάλλοντος, ο εξοπλισμός ενδέχεται να μη λειτουργεί αποτελεσματικά. Αυτό δεν αποτελεί βλάβη στο σύστημα.</li></ul> 

# Αντιμετώπιση προβλημάτων

## Οσμές

Σύμπτωμα	Πιθανές αιτίες	Λύση
Αναδίδονται οσμές από το ψυγείο.	• Αλλοιωμένα τρόφιμα.	• Καθαρίστε το ψυγείο και αφαιρέστε τυχόν αλλοιωμένα τρόφιμα.
	• Τρόφιμα με έντονες οσμές.	• Βεβαιωθείτε ότι τα τρόφιμα με έντονες οσμές είναι τυλιγμένα αεροστεγώς.

## Πάγος

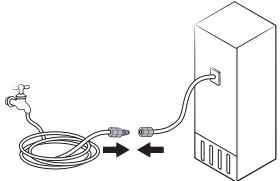
Σύμπτωμα	Πιθανές αιτίες	Λύση
Πάγος γύρω από τα ανοίγματα εξαερισμού.	• Τα ανοίγματα εξαερισμού είναι φραγμένα από τρόφιμα.	• Βεβαιωθείτε ότι τα ανοίγματα εξαερισμού του ψυγείου δεν είναι φραγμένα από τρόφιμα.
Πάγος στα εσωτερικά τοιχώματα.	• Η πόρτα δεν έχει κλείσει σωστά.	• Βεβαιωθείτε ότι τα τρόφιμα δεν φράζουν την πόρτα. Καθαρίστε το παρέμβυσμα της πόρτας.
Τα φρούτα ή τα λαχανικά έχουν παγώσει.	• Τα φρούτα ή τα λαχανικά φυλάσσονται στον θάλαμο Επιλογή ψύξης+.	• Μη φυλάσσετε τα περισσότερα είδη φρούτων ή λαχανικών στον θάλαμο Επιλογή ψύξης+.

## Υγρασία

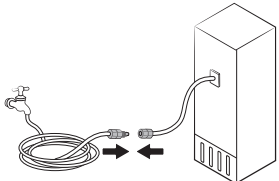
Σύμπτωμα	Πιθανές αιτίες	Λύση
Δημιουργείται υγρασία στα εσωτερικά τοιχώματα.	• Αν η πόρτα παραμένει ανοιχτή, εισχωρεί υγρασία στο ψυγείο.	• Απομακρύνετε την υγρασία και μην αφήνετε την πόρτα ανοιχτή για παρατεταμένο χρονικό διάστημα.
	• Τρόφιμα με υψηλή περιεκτικότητα σε υγρασία.	• Βεβαιωθείτε ότι τα τρόφιμα είναι τυλιγμένα αεροστεγώς.



## Νερό/πάγος (μόνο στα μοντέλα με διανεμητή)

Σύμπτωμα	Πιθανές αιτίες	Λύση
Η ροή του νερού είναι ασθενέστερη από την κανονική.	<ul style="list-style-type: none"> <li>Η πίεση του νερού είναι πολύ χαμηλή.</li> </ul>	<ul style="list-style-type: none"> <li>Βεβαιωθείτε ότι η πίεση του νερού βρίσκεται στο εύρος 206-861 kPa.</li> </ul>
Ακούγεται ένας βόμβος από τον παρασκευαστή πάγου.	<ul style="list-style-type: none"> <li>Η λειτουργία παρασκευαστή πάγου είναι ενεργοποιημένη, αλλά η παροχή νερού δεν έχει συνδεθεί στο ψυγείο.</li> </ul>	<ul style="list-style-type: none"> <li>Απενεργοποιήστε τον παρασκευαστή πάγου.</li> </ul>
Ο παρασκευαστής πάγου δεν παρασκευάζει πάγο.	<ul style="list-style-type: none"> <li>Ο παρασκευαστής πάγου μόλις τοποθετήθηκε.</li> </ul>	<ul style="list-style-type: none"> <li>Πρέπει να περιμένετε 12 ώρες για να παρασκευάσει πάγο το ψυγείο.</li> </ul>
	<ul style="list-style-type: none"> <li>Η θερμοκρασία του καταψύκτη είναι πολύ υψηλή.</li> </ul>	<ul style="list-style-type: none"> <li>Ρυθμίστε τη θερμοκρασία του καταψύκτη χαμηλότερα από τους <math>-18^{\circ}\text{C}</math> ή τους <math>-20^{\circ}\text{C}</math> με ζεστό αέρα περιβάλλοντος.</li> </ul>
	<ul style="list-style-type: none"> <li>Ο παρασκευαστής πάγου είναι απενεργοποιημένος.</li> </ul>	<ul style="list-style-type: none"> <li>Ενεργοποιήστε τον παρασκευαστή πάγου.</li> </ul>
Δεν διανέμεται πάγος.	<ul style="list-style-type: none"> <li>Ο πάγος ενδέχεται να σφηνώσει αν ο διανεμητής πάγου δεν χρησιμοποιηθεί για μεγάλο χρονικό διάστημα (περίπου 3 εβδομάδες).</li> </ul>	<ul style="list-style-type: none"> <li>Αν δεν πρόκειται να χρησιμοποιήσετε το ψυγείο για μεγάλο χρονικό διάστημα, αδειάστε το δοχείο πάγου και απενεργοποιήστε τον παρασκευαστή πάγου.</li> </ul>
	<ul style="list-style-type: none"> <li>Το δοχείο πάγου δεν έχει τοποθετηθεί σωστά.</li> </ul>	<ul style="list-style-type: none"> <li>Βεβαιωθείτε ότι το δοχείο πάγου έχει τοποθετηθεί σωστά.</li> </ul>
	<ul style="list-style-type: none"> <li>Δεν είναι συνδεδεμένος σωστά ο σωλήνας νερού ή δεν είναι ανοιχτή η παροχή νερού.</li> </ul>	<ul style="list-style-type: none"> <li>Βεβαιωθείτε ότι έχει εγκατασταθεί σωστά ο σωλήνας νερού. Ελέγξτε αν είναι κλειστή η στρόφιγγα του σωλήνα νερού.</li> </ul> 

## Αντιμετώπιση προβλημάτων

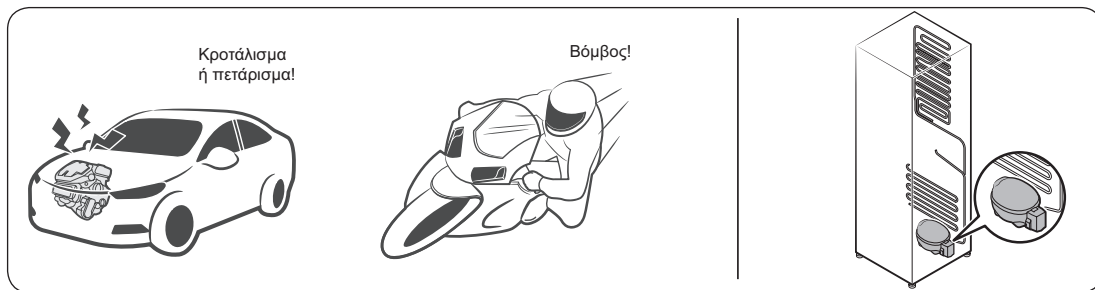
Σύμπτωμα	Πιθανές αιτίες	Λύση
Δεν διανέμεται νερό.	<ul style="list-style-type: none"> <li>Δεν είναι συνδεδεμένος σωστά ο σωλήνας νερού ή δεν είναι ανοιχτή η παροχή νερού.</li> </ul>	<ul style="list-style-type: none"> <li>Βεβαιωθείτε ότι έχει εγκατασταθεί σωστά ο σωλήνας νερού. Ελέγξτε αν είναι κλειστή η στρόφιγγα του σωλήνα νερού.</li> </ul> 
	<ul style="list-style-type: none"> <li>Τοποθετήθηκε φίλτρο νερού τρίτου κατασκευαστή.</li> </ul>	<ul style="list-style-type: none"> <li>Χρησιμοποιείτε μόνο φίλτρα που παρέχονται ή είναι εγκεκριμένα από τη Samsung.</li> <li>Τα μη εγκεκριμένα φίλτρα ενδέχεται να παρουσιάσουν διαρροές και να προκαλέσουν ζημιά στο ψυγείο.</li> </ul>
	<ul style="list-style-type: none"> <li>Το μήνυμα «Replace water filter (Αντικαταστήστε το φίλτρο νερού)» εμφανίζεται στον πίνακα ελέγχου.</li> </ul>	<ul style="list-style-type: none"> <li>Αντικαταστήστε το φίλτρο νερού. Στη συνέχεια, στον πίνακα ελέγχου, μεταβείτε στο μενού <b>More Options (Περισσότερες επιλογές)</b> και επιλέξτε <b>Filter Reset (Επαναφορά ρυθμίσεων φίλτρου)</b></li> </ul>

## Ακούτε μη φυσιολογικούς ήχους από το ψυγείο;

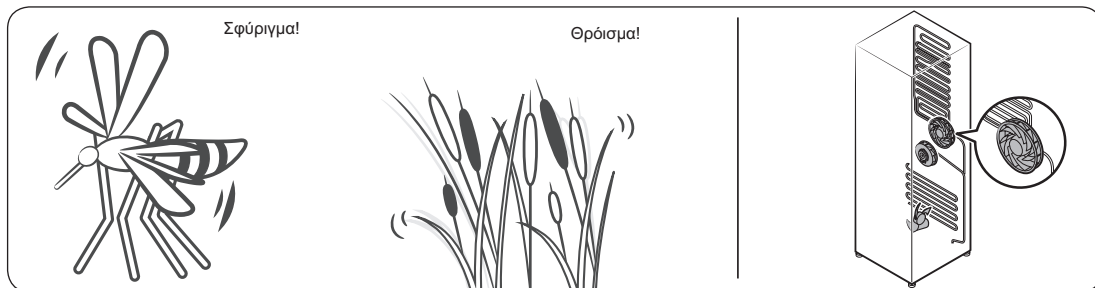
Προτού καλέσετε το επισκευαστικό κέντρο, εξετάστε τα παρακάτω σημεία ελέγχου. Κάθε κλήση στο επισκευαστικό κέντρο σχετικά με φυσιολογικούς ήχους θα χρεωθεί στο χρήστη.

### Αυτοί οι ήχοι είναι φυσιολογικοί.

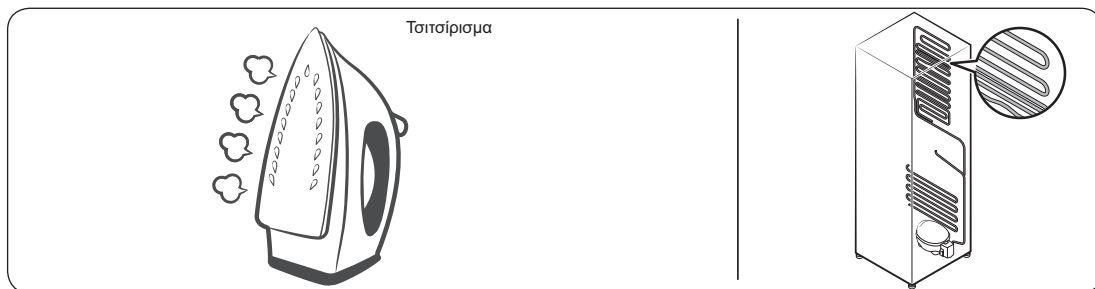
- Όταν αρχίζει ή τελειώνει μια λειτουργία, το ψυγείο ενδέχεται να εκπέμπει ήχους παρόμοιους με την εκκίνηση ενός κινητήρα αυτοκινήτου. Καθώς σταθεροποιείται η λειτουργία, οι ήχοι λιγοστεύουν.



- Αυτοί οι ήχοι ενδέχεται να ακουστούν ενώ λειτουργεί ο ανεμιστήρας. Όταν το ψυγείο φτάσει στη ρυθμισμένη θερμοκρασία, δεν ακούγεται κανένας ήχος ανεμιστήρα.

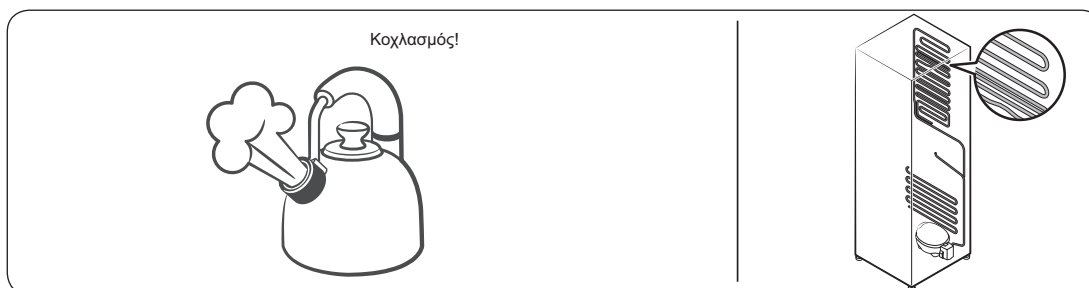


- Κατά τη διάρκεια ενός κύκλου απόψυξης, ενδέχεται να στάξει νερό επάνω στον θερμοαντήρα απόψυξης, προκαλώντας συριστικούς ήχους.

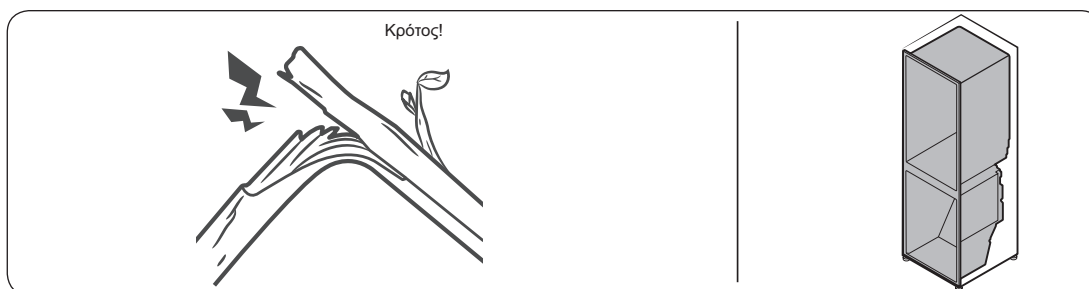


## Αντιμετώπιση προβλημάτων

- Καθώς το ψυγείο πραγματοποιεί ψύξη ή κατάψυξη, μετακινείται ψυκτικό αέριο μέσα από στεγανοποιημένους σωλήνες, προκαλώντας ήχους φυσαλίδων.



- Καθώς αυξάνεται ή μειώνεται η θερμοκρασία του ψυγείου, τα πλαστικά μέρη συστέλλονται και διαστέλλονται, δημιουργώντας θορύβους κρούσης. Αυτοί οι θόρυβοι ακούγονται κατά τη διάρκεια του κύκλου απόψυξης ή όταν λειτουργούν ηλεκτρονικά εξαρτήματα.



- Για μοντέλα με παρασκευαστή πάγου: Όταν ανοίγει η βαλβίδα νερού για να γεμίσει ο παρασκευαστής πάγου, ενδέχεται να ακουστεί βόμβος.
- Λόγω της εξισορρόπησης πίεσης κατά το άνοιγμα και το κλείσιμο της πόρτας του ψυγείου, ενδέχεται να ακουστούν σφυριχτοί ήχοι.

## SmartThings

Σύμπτωμα	Ενέργεια
Δεν μπόρεσα να βρω την εφαρμογή «SmartThings» στο κατάστημα εφαρμογών.	<ul style="list-style-type: none"><li>• Η εφαρμογή SmartThings δεν είναι διαθέσιμη για ορισμένα tablet και iPad και για ορισμένα smartphone.<ul style="list-style-type: none"><li>- Υποστήριξη για [Android] OS 8.0 ή νεότερη έκδοση (μέγεθος RAM τουλάχιστον 2 GB).</li><li>- Υποστήριξη για [iOS] 12.0 ή νεότερη έκδοση/iPhone6 ή νεότερη έκδοση.</li></ul></li></ul>
Η εφαρμογή SmartThings δεν λειτουργεί.	<ul style="list-style-type: none"><li>• Η εφαρμογή SmartThings είναι διαθέσιμη μόνο για τα κατάλληλα μοντέλα.</li><li>• Η παλαιότερη εφαρμογή Samsung Smart Refrigerator δεν μπορεί να συνδεθεί με τα μοντέλα Samsung Smart Home.</li></ul>
Η εφαρμογή SmartThings είναι εγκατεστημένη, αλλά δεν συνδέεται με το ψυγείο μου.	<ul style="list-style-type: none"><li>• Για να χρησιμοποιήσετε την εφαρμογή, θα πρέπει να συνδεθείτε στον δικό σας λογαριασμό Samsung.</li><li>• Βεβαιωθείτε ότι ο δρομολογητής σας λειτουργεί κανονικά.</li><li>• Αν το εικονίδιο Wi-Fi στην οθόνη του ψυγείου είναι σβηστό, αυτό υποδεικνύει ότι δεν έχει πραγματοποιηθεί ακόμα σύνδεση στο δίκτυο. Σε αυτήν την περίπτωση, χρησιμοποιήστε την εφαρμογή SmartThings για να συνδέσετε και να καταχωρίσετε το ψυγείο στο σημείο πρόσβασης (AP) του σπιτιού σας.</li></ul>
Δεν μπόρεσα να συνδεθώ στην εφαρμογή.	<ul style="list-style-type: none"><li>• Για να χρησιμοποιήσετε την εφαρμογή, θα πρέπει να συνδεθείτε στον δικό σας λογαριασμό Samsung.</li><li>• Αν δεν διαθέτετε λογαριασμό Samsung, ακολουθήστε τις οδηγίες της εφαρμογής στην οθόνη για να δημιουργήσετε έναν.</li></ul>
Εμφανίζεται ένα μήνυμα σφάλματος όταν προσπαθώ να καταχωρίσω το ψυγείο μου.	<ul style="list-style-type: none"><li>• Η εύκολη σύνδεση ενδέχεται να αποτύχει, λόγω της απόστασης του σημείου πρόσβασης (AP) ή ηλεκτρικών παρεμβολών από το περιβάλλον. Περιμένετε λίγο και προσπαθήστε ξανά.</li></ul>
Η εφαρμογή SmartThings έχει συνδεθεί επιτυχώς με το ψυγείο μου, αλλά δεν λειτουργεί.	<ul style="list-style-type: none"><li>• Κλείστε και επανεκκινήστε την εφαρμογή SmartThings, ή αποσυνδέστε και επανασυνδέστε τον δρομολογητή.</li><li>• Απενεργοποιήστε το ψυγείο και, στη συνέχεια, ενεργοποιήστε το ξανά μετά από 1 λεπτό.</li></ul>

# Open Source Announcement

---

The software included in this product contains open source software.

The following URL [http://opensource.samsung.com/opensource/SMART\\_TP2\\_0/seq/0](http://opensource.samsung.com/opensource/SMART_TP2_0/seq/0) leads to open source license information as related to this product.



# Παράρτημα

## Οδηγίες για την ασφάλεια

- Για πιο αποδοτική χρήση ενέργειας, να αφήνετε όλα τα εσωτερικά εξαρτήματα όπως καλάθια, συρτάρια, ράφια και δίσκο για παγάκια στη θέση που προβλέπεται από τον κατασκευαστή.
- Αυτή η συσκευή ψυγείου δεν προορίζεται για χρήση ως εντοιχισμένη συσκευή.

## Οδηγίες εγκατάστασης

### Για συσκευές ψυγείου με κλιματική κλάση

Ανάλογα με την κλιματική κλάση, αυτή η συσκευή ψυγείου προορίζεται για χρήση στο εύρος θερμοκρασίας περιβάλλοντος που καθορίζεται στον παρακάτω πίνακα.

Μπορείτε να βρείτε την κλιματική κλάση στην πινακίδα τεχνικών στοιχείων. Το προϊόν ενδέχεται να μη λειτουργεί σωστά σε θερμοκρασίες εκτός του συγκεκριμένου εύρους.

Μπορείτε να βρείτε την κλιματική κλάση στην ετικέτα στο εσωτερικό του ψυγείου.

### Ενεργό εύρος θερμοκρασίας

Το ψυγείο έχει σχεδιαστεί ώστε να λειτουργεί κανονικά στο εύρος θερμοκρασίας που καθορίζεται από την ονομαστική τιμή της κατηγορίας του.

Κατηγορία	Σύμβολο	Εύρος θερμοκρασίας περιβάλλοντος (°C)	
		IEC 62552 (ISO 15502)	ISO 8561
Εκτεταμένη εύκρατη	SN	+10 έως +32	+10 έως +32
Εύκρατη	N	+16 έως +32	+16 έως +32
Υποτροπική	ST	+16 έως +38	+18 έως +38
Τροπική	T	+16 έως +43	+18 έως +43

### ΣΗΜΕΙΩΣΗ

Η απόδοση ψύξης και η κατανάλωση ενέργειας του ψυγείου ενδέχεται να επηρεαστούν από τη θερμοκρασία περιβάλλοντος, τη συχνότητα ανοίγματος της πόρτας και τη θέση του ψυγείου. Συνιστούμε να προσαρμόσετε τις ρυθμίσεις θερμοκρασίας όπως απαιτείται.

# Παράρτημα

## Οδηγίες για τη θερμοκρασία

### Συνιστώμενη θερμοκρασία

Βέλτιστη ρύθμιση θερμοκρασίας για τη φύλαξη τροφίμων:

- Ψυγείο: 3 °C
- Καταψύκτης: -19 °C

#### ΣΗΜΕΙΩΣΗ

Η βέλτιστη ρύθμιση θερμοκρασίας για κάθε θάλαμο εξαρτάται από τη θερμοκρασία περιβάλλοντος. Η παραπάνω βέλτιστη θερμοκρασία βασίζεται σε θερμοκρασία περιβάλλοντος 25 °C.

### Γρήγορη ψύξη

Η λειτουργία Γρήγορη ψύξη επιταχύνει τη διαδικασία ψύξης στη μέγιστη ταχύτητα ανεμιστήρα. Το ψυγείο λειτουργεί συνεχώς σε πλήρη ισχύ για δύομισι ώρες και, στη συνέχεια, επανέρχεται στην προηγούμενη θερμοκρασία.

### Γρήγορη κατάψυξη

Η λειτουργία Γρήγορη κατάψυξη επιταχύνει τη διαδικασία κατάψυξης στη μέγιστη ταχύτητα ανεμιστήρα. Ο καταψύκτης λειτουργεί συνεχώς σε πλήρη ισχύ για 50 ώρες και, στη συνέχεια, επανέρχεται στην προηγούμενη θερμοκρασία. Για να καταψύξετε μεγάλες ποσότητες τροφίμων, ενεργοποιήστε τη λειτουργία Γρήγορη κατάψυξη επί τουλάχιστον 20 ώρες προτού τοποθετήσετε τα τρόφιμα στον καταψύκτη.

#### ΣΗΜΕΙΩΣΗ

Όταν χρησιμοποιείτε αυτή τη λειτουργία, η κατανάλωση ενέργειας του ψυγείου αυξάνεται. Θυμηθείτε να την απενεργοποιήσετε όταν δεν την χρειάζεστε πλέον και να επαναφέρετε τον καταψύκτη στην αρχική ρύθμιση θερμοκρασίας.

### Τρόπος φύλαξης για την καλύτερη δυνατή συντήρηση (μόνο για τα κατάλληλα μοντέλα)

Σκεπάστε τα τρόφιμα για να διατηρούν την υγρασία τους και να αποτρέψετε τη μεταφορά οσμών από άλλα τρόφιμα. Μια μεγάλη κατσαρόλα με φαγητό όπως σούπα ή ραγού θα πρέπει να χωρίζεται σε μικρές μερίδες και να τοποθετείται σε ρηχά δοχεία προτού ψυχθεί. Ένα μεγάλο κομμάτι κρέατος ή ολόκληρο κοτόπουλο θα πρέπει να χωρίζεται σε μικρότερα κομμάτια ή να τοποθετείται σε ρηχά δοχεία προτού ψυχθεί.



## Τοποθέτηση τροφίμων

Ράφια	Τα ράφια είναι ρυθμιζόμενα για να χωρούν διάφορες συσκευασίες.
Ειδικός θάλαμος (μόνο για τα κατάλληλα μοντέλα)	Τα στεγανοποιημένα συρτάρια φρούτων και λαχανικών παρέχουν βέλτιστο περιβάλλον φύλαξης για τα φρούτα και τα λαχανικά. Τα λαχανικά απαιτούν συνθήκες υψηλότερης υγρασίας, ενώ τα φρούτα απαιτούν συνθήκες χαμηλότερης υγρασίας. Τα συρτάρια φρούτων και λαχανικών διαθέτουν συσκευές ελέγχου, για τον έλεγχο του επιπέδου υγρασίας. (*Ανάλογα με το μοντέλο και τα προαιρετικά εξαρτήματα) Το συρτάρι κρεάτων ρυθμιζόμενης θερμοκρασίας μεγιστοποιεί τον χρόνο φύλαξης των κρεάτων και των τυριών.
Φύλαξη στην πόρτα	Μη φυλάσσετε ευπαθή τρόφιμα στην πόρτα. Τα αβγά θα πρέπει να φυλάσσονται μέσα στη θήκη τους σε ένα ράφι. Η θερμοκρασία των δοχείων φύλαξης στην πόρτα παρουσιάζει μεγαλύτερες διακυμάνσεις από τη θερμοκρασία στο εσωτερικό του θαλάμου. Διατηρείτε την πόρτα κλειστή για όσο το δυνατόν περισσότερο.
Θάλαμος καταψύκτη	Μπορείτε να φυλάξετε κατεψυγμένα τρόφιμα, να παρασκευάσετε παγάκια και να καταψύξετε φρέσκα τρόφιμα στον θάλαμο του καταψύκτη.

## ΣΗΜΕΙΩΣΗ

Καταψύχετε μόνο φρέσκα τρόφιμα που δεν έχουν αλλιωθεί. Να διατηρείτε τα τρόφιμα που πρόκειται να καταψύξετε μακριά από τρόφιμα που έχουν ήδη καταψυχθεί. Για να μη χάσουν τα τρόφιμα τη γεύση τους και για να μην ξεραθούν, να τα τοποθετείτε σε αεροστεγή δοχεία.

### Πίνακας χρόνου φύλαξης ψυγείου και καταψύκτη

Ο χρόνος για τον οποίο διατηρούνται φρέσκα τα τρόφιμα εξαρτάται από τη θερμοκρασία και την έκθεση σε υγρασία. Επειδή οι ημερομηνίες που αναγράφονται στα προϊόντα δεν αποτελούν οδηγό ασφαλούς χρήσης ενός προϊόντος, συμβουλευτείτε αυτόν τον πίνακα και ακολουθήστε αυτές τις συμβουλές.

Γαλακτοκομικά προϊόντα

Προϊόν	Ψυγείο	Καταψύκτης
Γάλα	1 εβδομάδα	1 μήνας
Βούτυρο	2 εβδομάδες	12 μήνες
Παγωτό	-	2-3 εβδομάδες
Φυσικό τυρί	1 μήνας	4-6 μήνες
Τυρί κρέμα	2 εβδομάδες	Δεν συνιστάται
Γιαούρτι	1 μήνας	-

# Παράρτημα

## Κρέας

Προϊόν	Ψυγείο	Καταψύκτης
Φρέσκο ψητό κρέας, μπριζόλες, παϊδάκια	3-4 ημέρες	2-3 μήνες
Φρέσκος κιμάς, κρέας ραγού	1-2 ημέρες	3-4 μήνες
Μπέικον	7 ημέρες	1 μήνας
Λουκάνικο, ωμό από χοιρινό, μοσχάρι, γαλοπούλα	1-2 ημέρες	1-2 μήνες

## Πουλερικά / Αβγά

Προϊόν	Ψυγείο	Καταψύκτης
Φρέσκα πουλερικά	2 ημέρες	6-8 μήνες
Σαλάτα με πουλερικά	1 ημέρα	-
Αβγά, φρέσκα στο τσόφλι	2-4 εβδομάδες	Δεν συιστάται

## Ψάρια / Θαλασσινά

Προϊόν	Ψυγείο	Καταψύκτης
Φρέσκο ψάρι	1-2 ημέρες	3-6 μήνες
Μαγειρεμένο ψάρι	3-4 ημέρες	1 μήνας
Σαλάτα με ψάρι	1 ημέρα	Δεν συιστάται
Αποξηραμένο ή παστό ψάρι	3-4 εβδομάδες	-

## Φρούτα

Προϊόν	Ψυγείο	Καταψύκτης
Μήλα	1 μήνας	-
Ροδάκινα	2-3 εβδομάδες	-
Ανανάς	1 εβδομάδα	-
Άλλα φρέσκα φρούτα	3-5 ημέρες	9-12 μήνες

## Λαχανικά

Προϊόν	Ψυγείο	Καταψύκτης
Σπαράγγι	2-3 ημέρες	-
Μπρόκολο, λαχανάκια Βρυξελλών, αρακάς, μανιτάρια	3-5 ημέρες	-
Λάχανο, κουνουπίδι, σέλινο, αγγούρι, μαρούλι	1 εβδομάδα	-
Καρότα, παντζάρια, ραπανάκια	2 εβδομάδες	-

## Πληροφορίες για το μοντέλο και την παραγγελία ανταλλακτικών

### Πληροφορίες μοντέλου

Για να αποκτήσετε πρόσβαση στην καταχώριση EPREL του μοντέλου:

1. Μεταβείτε στη διαδικτυακή τοποθεσία <https://eprel.ec.europa.eu>
2. Λάβετε το αναγνωριστικό μοντέλου από την ετικέτα ενεργειακής απόδοσης του προϊόντος και πληκτρολογήστε το στο πλαίσιο αναζήτησης
3. Εμφανίζονται οι πληροφορίες ενεργειακής επισήμανσης του μοντέλου

### Πληροφορίες ανταλλακτικών

- Ελάχιστο χρονικό διάστημα για το οποίο θα είναι διαθέσιμα τα ανταλλακτικά που είναι απαραίτητα για την επισκευή της συσκευής
  - 7 έτη για θερμοστάτες, αισθητήρες θερμοκρασίας, πλακέτες τυπωμένων κυκλωμάτων και πηγές φωτός, λαβές πόρτας, μεντεσέδες πόρτας, δίσκους, καλάθια (μεγάλα ή κανονικά συρτάρια)
  - 10 έτη για παρεμβύσματα πόρτας
- Η ελάχιστη διάρκεια της εγγύησης που προσφέρεται από τον κατασκευαστή για τη συσκευή ψυγείου είναι 24 μήνες.
- Σχετικές πληροφορίες για την παραγγελία ανταλλακτικών, απευθείας ή μέσω άλλων καναλιών, παρέχονται από τον κατασκευαστή, τον εισαγωγέα ή τον εξουσιοδοτημένο αντιπρόσωπο.
- Μπορείτε να βρείτε πληροφορίες για επαγγελματική επισκευή στη διαδικτυακή τοποθεσία <http://samsung.com/support>.  
Μπορείτε να βρείτε το εγχειρίδιο σέρβις χρήστη στη διαδικτυακή τοποθεσία <http://samsung.com/support>.

 ΣΗΜΕΙΩΣΗ

Δια της παρούσης, η Samsung δηλώνει ότι αυτός ο ραδιοεξοπλισμός συμμορφώνεται με την Οδηγία 2014/53/ΕΕ και με τις σχετικές νομικές απαιτήσεις στο Ηνωμένο Βασίλειο.

Το πλήρες κείμενο της δήλωσης συμμόρφωσης ΕΕ και της δήλωσης συμμόρφωσης Ηνωμένου Βασιλείου είναι διαθέσιμο στην ακόλουθη διαδικτυακή διεύθυνση: Μπορείτε να βρείτε την επίσημη Δήλωση συμμόρφωσης στη διαδικτυακή τοποθεσία <http://www.samsung.com>. Μεταβείτε στο μενού Υποστήριξη > αναζητήστε υποστήριξη για το προϊόν σας και εισαγάγετε το όνομα του μοντέλου.

	Εύρος συχνοτήτων	Ισχύς πομπού (μέγιστη)
Wi-Fi	2412 - 2472 MHz	20 dBm
Bluetooth	2402 - 2480 MHz	20 dBm

Επικοινωνήστε με τη SAMSUNG σε όλο τον κόσμο

Εάν έχετε σχόλια ή ερωτήσεις σχετικά με προϊόντα της Samsung, επικοινωνήστε με το κέντρο εξυπηρέτησης πελατών της SAMSUNG.

Χώρα	Κέντρο επικοινωνίας	Διαδικτυακή τοποθεσία
CYPRUS	8009 4000 only from landline, toll free	www.samsung.com/gr/support
GREECE	80111-SAMSUNG (80111 726 7864) only from land line (+30) 210 6897691 from mobile and land line	
ITALIA	800-SAMSUNG (800.7267864)	www.samsung.com/it/support
PORTUGAL	808 207 267	www.samsung.com/pt/support
SPAIN	91 175 00 15	www.samsung.com/es/support



DA68-04023P-01