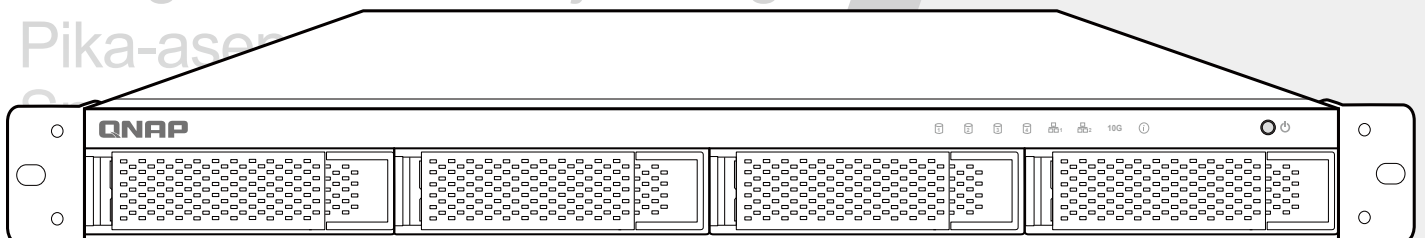
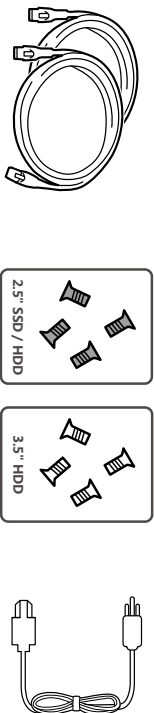
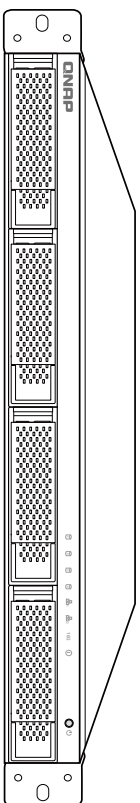
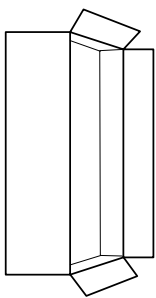


QNAP

TS-431XeU Quick Installation Guide

快速安裝手冊 빠른 설치 설명서 Guía de Instalación
クイックインストールガイド Hızlı Kurulum Kılavuzu
คู่มือการติดตั้งแบบเร็ว Gyors telepítési útmutató
Instrukcja szybkiej instalacji Průvodce instalací
Kurzininstallationsanleitung 快速安裝指南
Guida di installazione rapida Pika-asmenný návod
Краткое руководство по установке Snabbinstallationsguide
Guia de Instalação Rápida Hurtiginstallasjonsveiledning
Hurtig installationsvejledning Pika-asmenný návod





SSD / HDD

<http://www.qnap.com/compatibility>

en All the drive data will be cleaned upon SSD / HDD initialization

de Alle Laufwerksdaten werden bei SSD / HDD - Initialisierung gelöscht

fr Toutes les données présentes sur les disques seront effacées lors de l'initialisation des SSD / HDD

it Tutti i dati presenti verranno cancellati durante l'inizializzazione degli SSD / HDD

es Todos los datos del disco serán borrados con la inicialización del SSD / HDD

nl Alle gegevens worden gewist tijdens de initialisatie van de SSD / HDD's

sv Alla data kommer att raderas när SSD / HDD initieras

fi SSD / HDD alustamien poistaa kaikki tiedot

da Alle data på drevet vil blive ryddet efter initialisering af SSD / HDD

no All data vil bli slettet når SSD / HDD er initialisert

pt Todos os dados do SSD / HDD serão apagados com a inicialização do SSD / HDD

ru После инициализации SSD / HDD все данные на нем будут удалены

zh 硬碟初始化時，所有資料皆會被清除

cn 所有 SSD / HDD 上的数据都将会被清除

ja SSD / HDD を初期化すると、すべてのデータが消去されます

ko SSD / HDD 를 초기화 시키면 드라이브의 모든 데이터가 손실됩니다

th ข้อมูลทั้งหมดบนไดรฟ์จะถูกลบทิ้ง

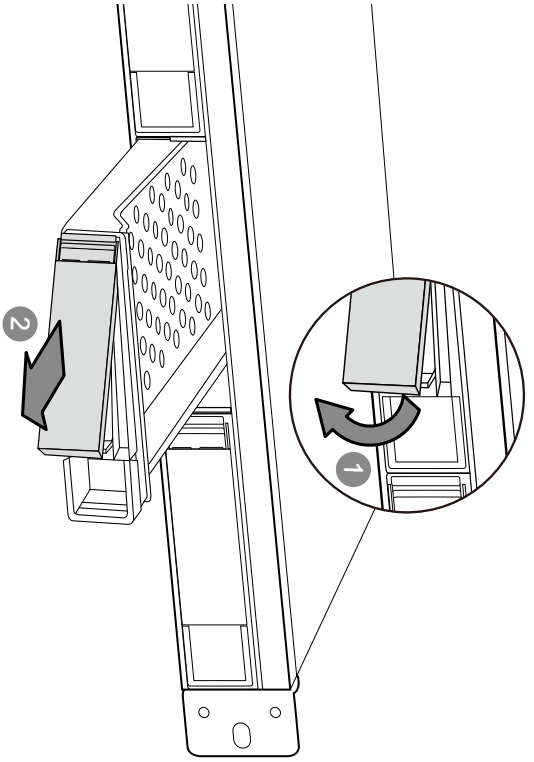
tr Kurulum başlangıcında SSD / HDD disk üzerinde ki tüm veri silinecektir

hu Minden korábbi adat törlődik az SSD / HDD -ről az első rendszerezéskorán

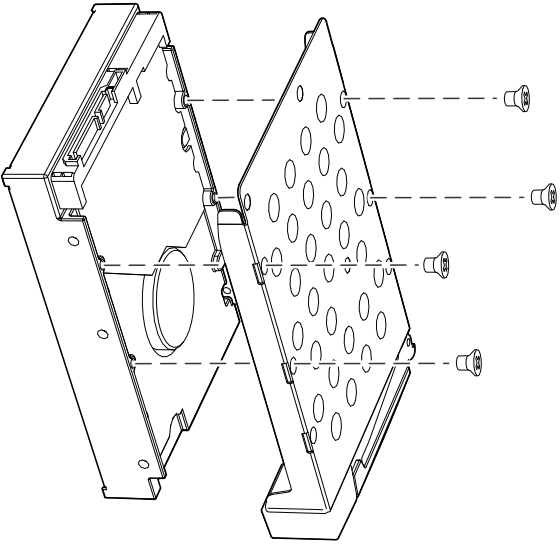
cs Všechna data na SSD / HDD budou smazána v důsledku inicializace

pl Podczas instalacji wszystkie dane na dyskach SSD / HDD zostaną usunięte

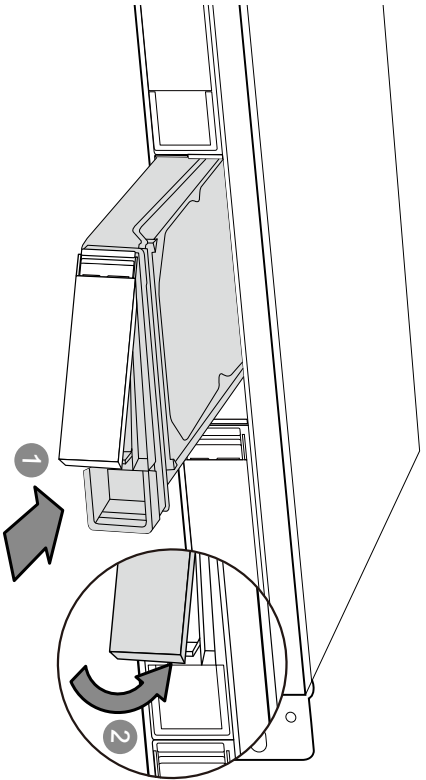
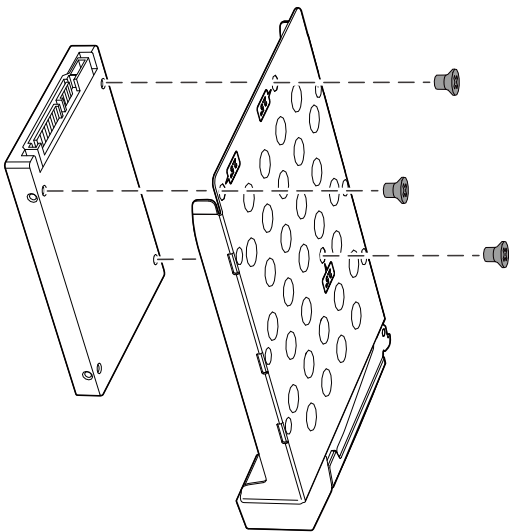
ar يتيح مسح كل بيانات محرك عند تهيئة HDD (فرص الحالة الصلبة) SSD (محرك الأقراص الصلبة)



3.5" HDD



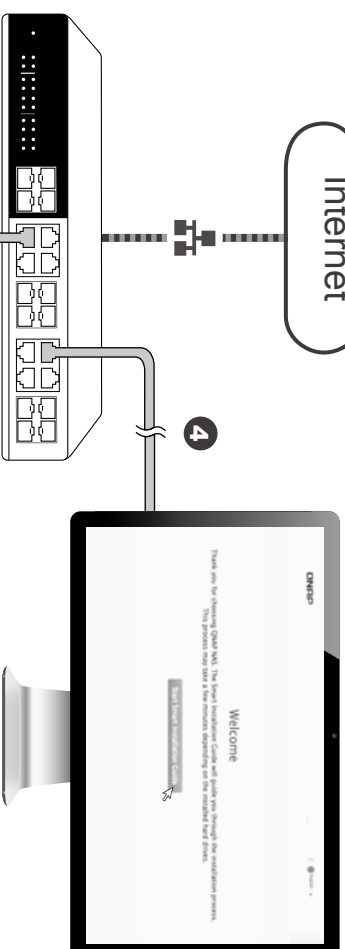
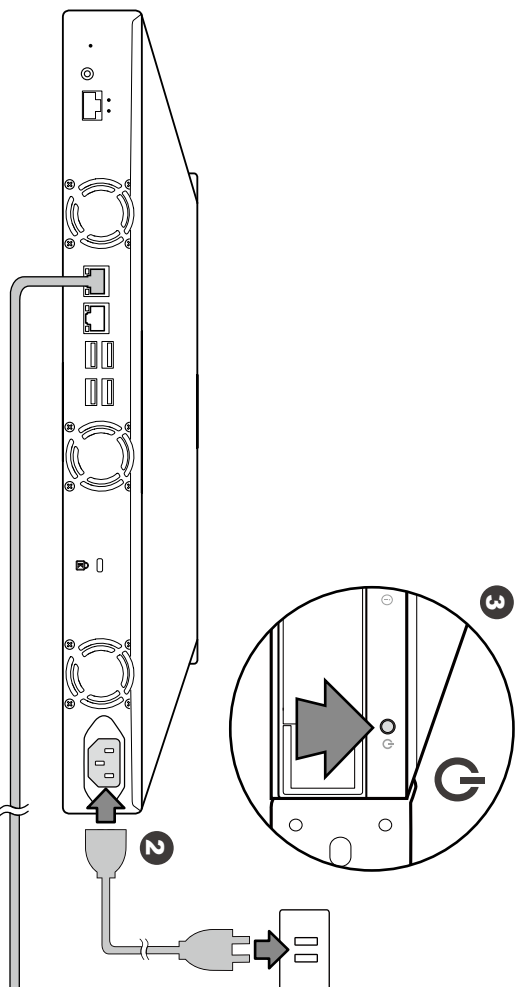
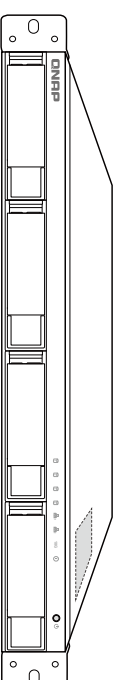
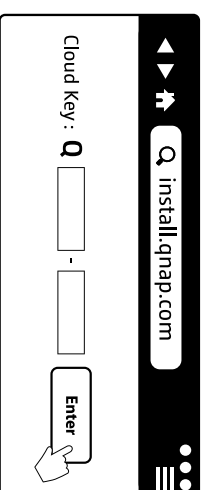
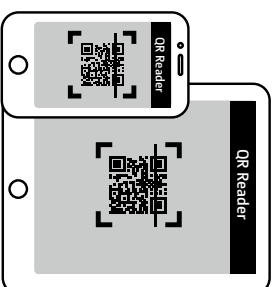
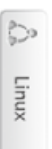
2.5" SSD / HDD

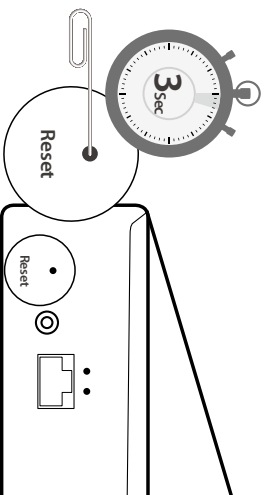




Qfinder Pro

<http://www.qnap.com/qfinderpro>





- en** To revert to the default password, use a pin to press the Reset button for three seconds or until you hear a short beep
- de** Zum Rücksetzen auf das Standardkennwort müssen Sie die Reset-Taste drei Sekunden lang oder bis zur Ausgabe eines kurzen Signals mit einem schmalen spitzen Gegenstand drücken
- fr** Pour revenir au mot de passe par défaut, utilisez une pointe pour appuyer sur le bouton Réinitialiser pendant trois secondes ou jusqu'à ce que vous entendiez un bip court
- it** Per tornare alla password predefinita, usare uno spillo per premere il tasto Reset per tre secondi o fino a che non si sente il segnale acustico
- es** Para restaurar la contraseña predeterminada, utilice un objeto puntiagudo para pulsar el botón Restablecer durante tres segundos o hasta que escuche un pitido corto
- nl** Om terug te keren naar het oude wachtwoord, gebruik u een penneetje om de Reset-knop drie seconden in te drukken of tot u een korte piepton hoort
- sv** För att återställa standardlösenordet, använd en nål för att trycka in återställningsknappen i tre sekunder eller tills du hör ett kort pip
- fi** Palataksesi oletussalasanaan, paina neulialla nollauspainiketta kolme sekuntia, kunnes kuuluu lyhyen merkkäänen
- da** For at gendanne til standardadgangskoden, skal du bruge en clips til at trykke på nulstillingsknappen i tre sekunder eller indtil du hører et kort bip
- no** For å gå tilbake til standardpassordet kan du bruke en nål til å trykke inne Reset-knappen i tre sekunder eller til du hører et kort pip
- pt** Para reverter para a senha padrão, utilize um pino para pressionar o botão de Reset por três segundos ou até que você ouça um bipe curto
- ru** Чтобы восстановить пароль по умолчанию, булавкой держите нажатой кнопку сброса три секунды или до подачи короткого звукового сигнала
- zh** 恢復預設密碼的方法：用迴紋針尖壓著「重設」鈕三秒鐘，直到聽到短促蜂聲為止
- cn** 欲恢复到默认密码，请用针状物按压 Reset 键 3 秒或直至听见短促“哔”声
- ja** 既定のパスワードに戻すには、ピンを利用してリセットボタンを 3 秒間（あるいは、ビー音が短く鳴るまで）押します
- ko** 기본 비밀번호로 되돌리려면 Reset(리셋) 버튼을 핀으로 3 초간 또는 짧은 경고음이 울릴 때까지 누르고 있으면 됩니다
- th** វិធានសម្រេចវិញនូវពាក្យសម្ងាត់ដើមរបស់លោកអ្នក គឺប្រើវត្ថុច្របាច់ដើម្បីចុចលើប៊ូតុងកែសម្រួលពាក្យសម្ងាត់។
- tr** Varsayılan şifreye dönmek amacıyla, Sifre düğmesine üç saniye boyunca veya kısa bir sesli uyarı duyduna kadar basnak için bir iğne kullanın
- hu** Az alapértelmezett jelszó visszaállításához nyomja meg a Reset gombot a tüvel három másodpercre vagy amíg egy rövid hangjelzés nem hall
- cs** Chcete-li obnovit původní heslo, pomocí tenkého a špičatého předmětu stiskněte a podržte resetovací tlačítko tři sekundy nebo do zaznění krátkého pípnutí
- pl** Aby przywrócić hasło domyślne, należy za pomocą szpilki wcisnąć przycisk Reset i przyczumać go przez trzy sekundy, aż do usłyszenia krótkiego sygnału
- ar** لاستعادة كلمة المرور الافتراضية، استخدم دبوسًا للضغط على زر Reset (إعادة الضغط) لمدة ثلاث ثوانٍ أو حتى تسمع صوت صفير قصير

Compliance

For more information about safety, regulatory, and environmental compliance, visit www.qnap.com/regulatory/.



FCC Class A Notice
This device complies with Part 15 of the FCC Rules. Operation is subject to the following two conditions:

1. This device may not cause harmful interference.
2. This device must accept any interference received, including interference that may cause undesired operation.

Note: This equipment has been tested and found to comply with the limits for a Class A digital device, pursuant to Part 15 of the FCC Rules. These limits are designed to provide reasonable protection against harmful interference when the equipment is operated in a commercial environment. This equipment generates, uses, and can radiate radio frequency energy, and if not installed and used in accordance with the instruction manual, may cause harmful interference to radio communications. Operation of this equipment in a residential area is likely to cause harmful interference, in which case the user will be required to correct the interference at his own expense.

Modifications: Any modifications made to this device that are not approved by QNAP Systems, Inc. may void the authority granted to the user by the FCC to operate this equipment.



This QNAP NAS comply with CE compliance class A

According to the requirement of the WEEE legislation the following user information is provided to customers for all branded QNAP products subject to the WEEE directive.



This symbol on the product or on its packaging indicates that this product must not be disposed of with your other household waste. Instead, it is your responsibility to dispose of your waste equipment by handing it over to a designated collection point for the recycling of waste electrical and electronic equipment. The separate collection and recycling of your waste equipment at the time of disposal will help to conserve natural resources and ensure that it is recycled in a manner that protects human health and the environment. For more information about where you can drop off your waste equipment for recycling, please contact your local city office, your household waste disposal service or the shop where you purchased the product.



更多關於安全、法規、與環境法令遵循相關的資訊，請參閱以下網址 www.qnap.com/regulatory/。



start.qnap.com



helpdesk.qnap.com



docs.qnap.com



download.qnap.com

QNAP

Printed in Taiwan
P/N: 51000-024379-RS