

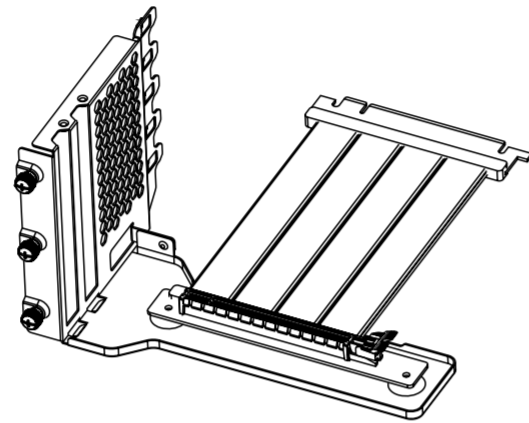
ECLIPSE G360A

OPTIONAL UPGRADE

VERTICAL GPU BRACKET (PH-VGPUKT4.0_03)

The **G360A** chassis supports the **Phanteks Vertical GPU Bracket**. The Vertical GPU Bracket supports 3 and 4 slot GPU's with access to the GPU connectors on slot 1 and 2.

It can be easily installed in the PCI slot area. Follow the instructions that are included with the Vertical GPU bracket.

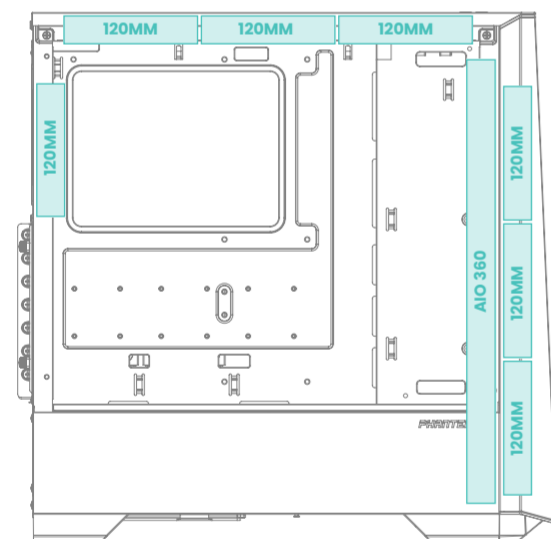


RECOMMENDED COOLING CONFIGURATION

The Eclipse G360A chassis allows for multiple different cooling configuration. These are four examples to maximize the G360A's cooling potential.

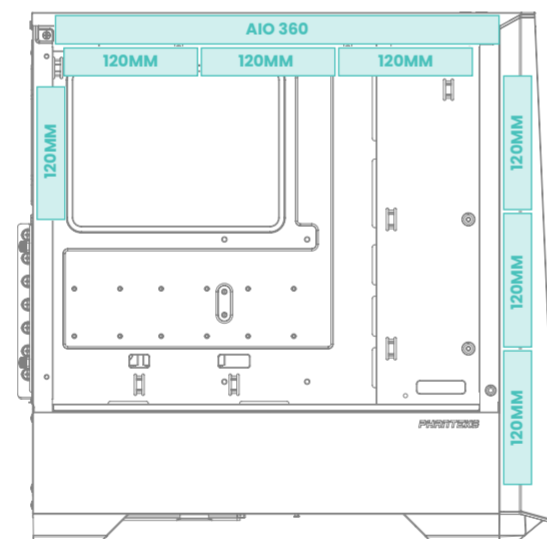
360 FRONT AIO COOLER

Fans can be placed on the front of the chassis behind the front panel.



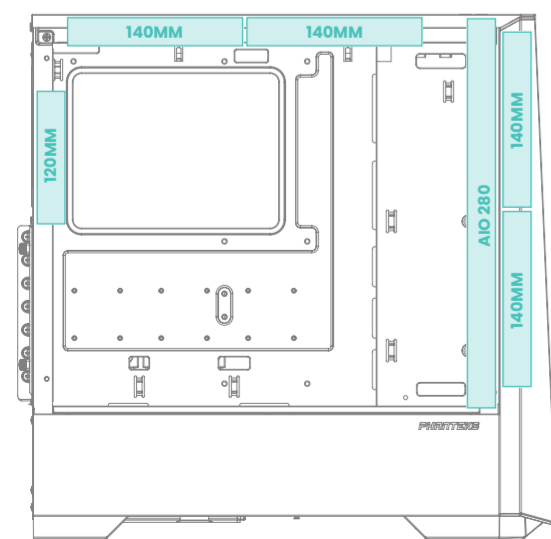
360 TOP AIO COOLER

RAM Height Clearance | 42 mm



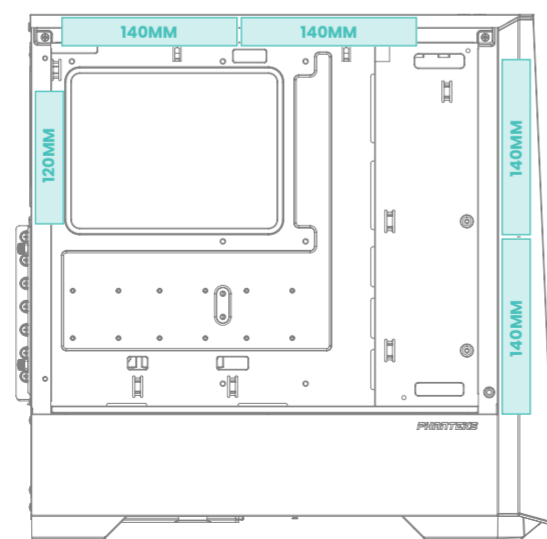
280 FRONT AIO COOLER

Fans can be placed on the front of the chassis behind the front panel.



4X 140 MM FANS TOP & FRONT

Maximum number of 140 mm fans



ECLIPSE G360A

INSTALLATION GUIDE

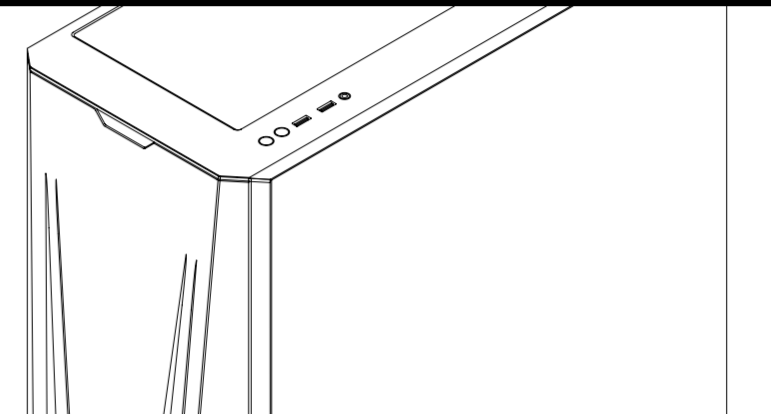
VERSION 1.1

INSTRUCTIONS

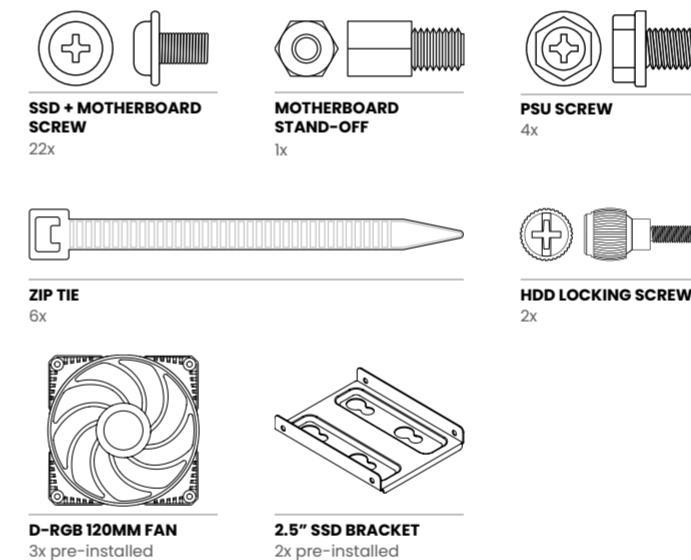
Thank you for choosing Phanteks. Please take a moment to carefully go through the manual. This manual will walk you through all of the features the Eclipse G360A has to offer and installation steps to build a full system.

This manual is intended for:
Eclipse G360A

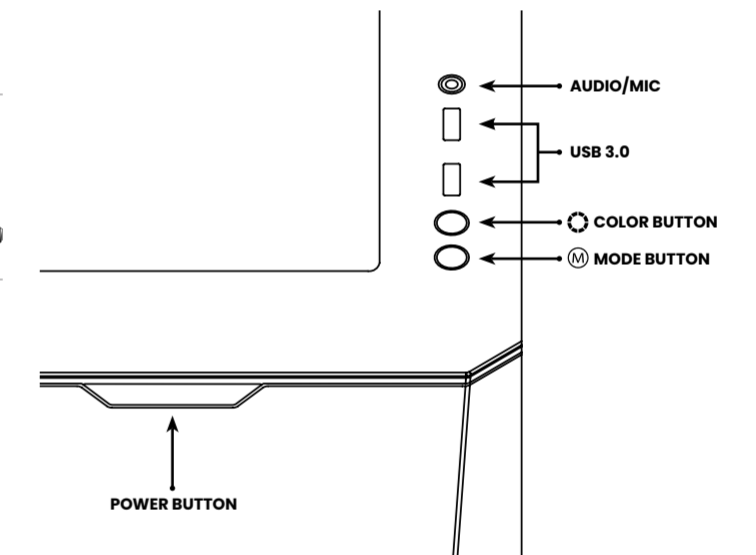
Phanteks will not take responsibility for any damages incurred due to incorrect installation or usage of this product.



INCLUDED ACCESSORIES



FRONT I/O



FAN & RADIATOR SUPPORT

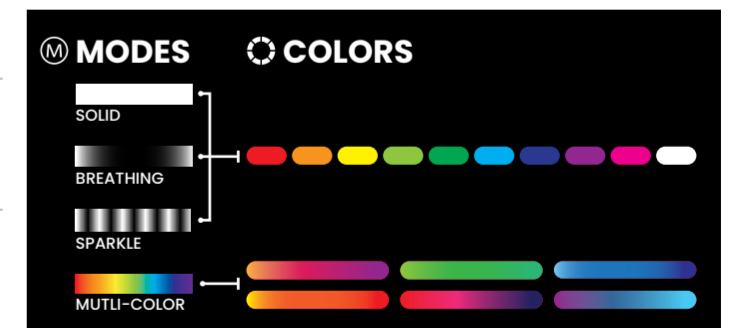
FANS	FRONT	TOP	REAR
120mm	3x	3x	1x
140mm	2x	2x	-
RADIATOR			
120mm	up to 360*	up to 360*	up to 120
140mm	up to 280	-	-

* It is not possible to install a 360 radiator in the front and top simultaneously

CLEARANCE

CPU cooler height	162 mm
RAM height	42 mm when using top radiator
GPU length	400 mm
Power Supply	220 / 280 mm
E-ATX	280 mm width
Front 360 radiator	122x398x65 mm
Front 280 radiator	142x330 mm
Top 360 Radiator	122x398 mm

D-RGB CONTROLS



TURN OFF LEDs Press and hold the MODE button for two seconds to turn off LEDs, press again to turn it ON

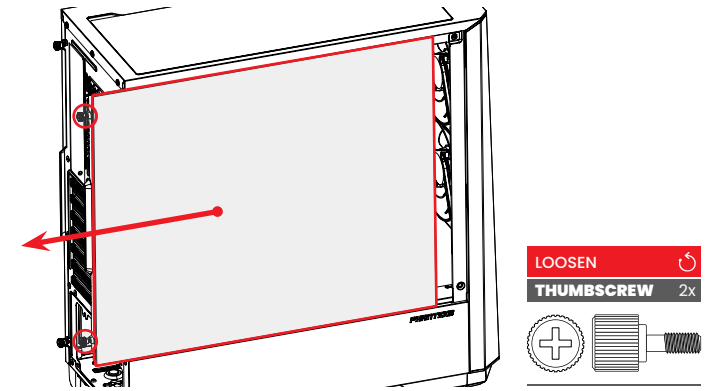
NOTE | D-RGB control buttons are deactivated if connected to a motherboard.

PRO TIP
For a more vibrant D-RGB light effect, place the fans directly under the front panel

PANEL REMOVAL

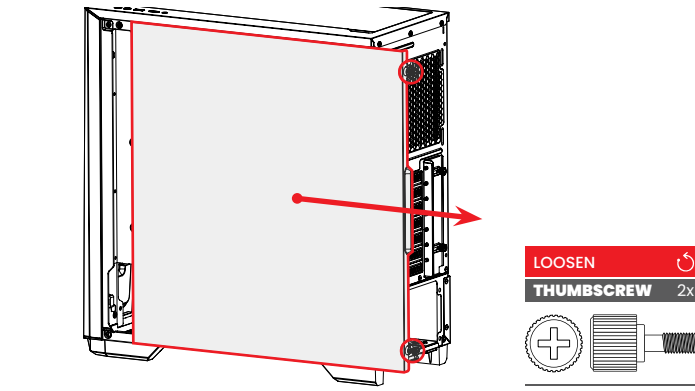
Before starting the installation process, we recommend to remove all external panels. Follow these steps below.

LEFT SIDE PANEL



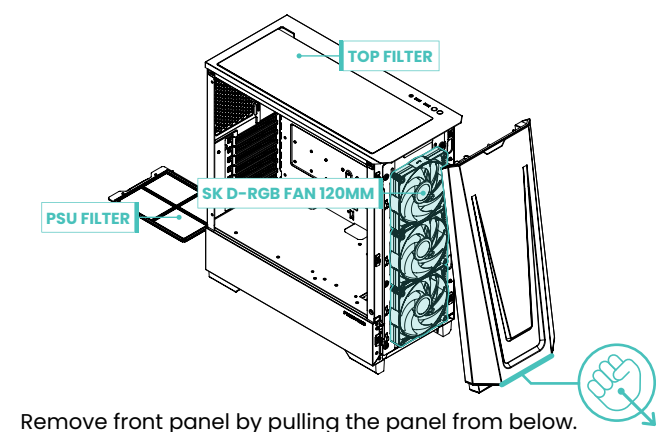
Loosen the 2 captive thumb screws and slide to remove the tempered glass side panel.

RIGHT SIDE PANEL



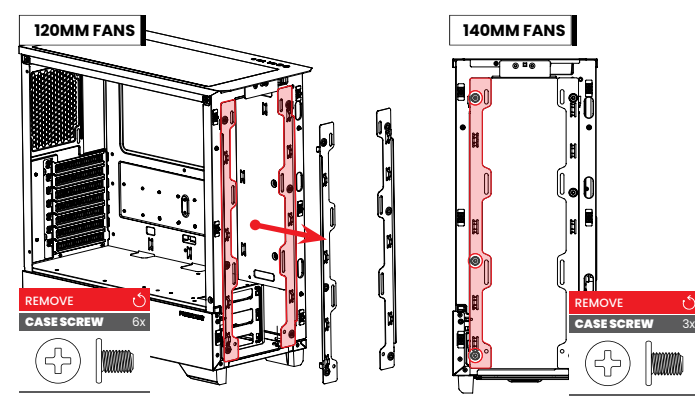
Loosen the 2 captive thumb screws and slide to remove the right side panel.

FRONT PANEL & DUST FILTERS



Remove front panel by pulling the panel from below.

FRONT FAN BRACKETS

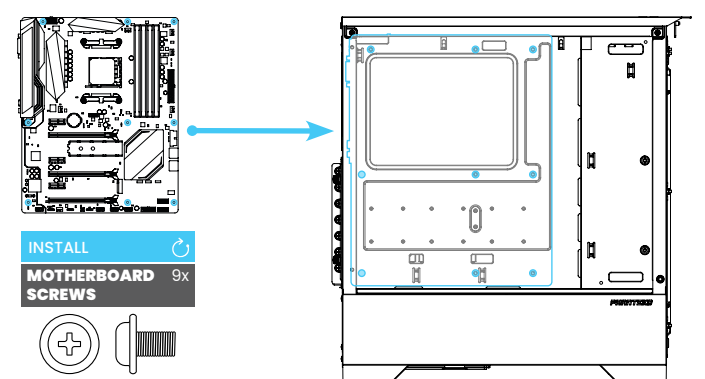


Remove the front brackets for easier installation of the front fans or radiator.

For 140 mm fans remove only the left bracket.

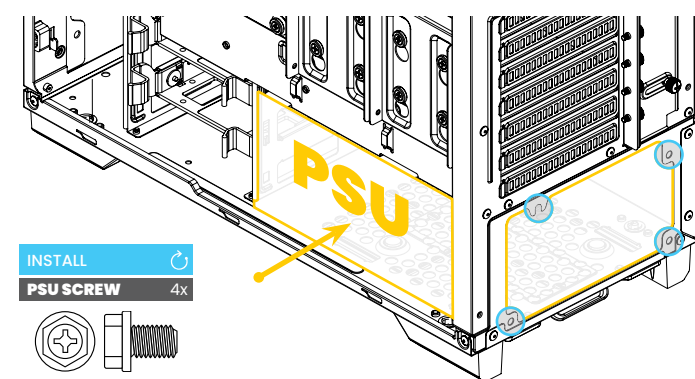
HARDWARE INSTALLATION

MOTHERBOARD



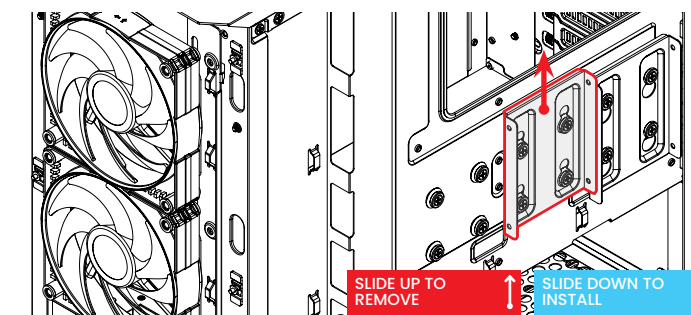
Install the ATX motherboard using 9x motherboard screws. For M-ATX Motherboards follow the motherboard instructions to move the stand-offs to the correct position.

POWERSUPPLY

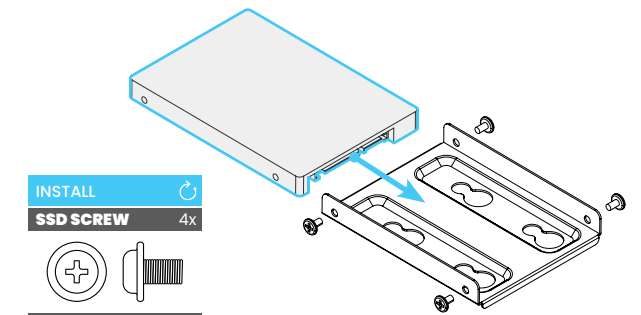


Install the power supply with 4x PSU screws.

STORAGE | 2.5" SSD

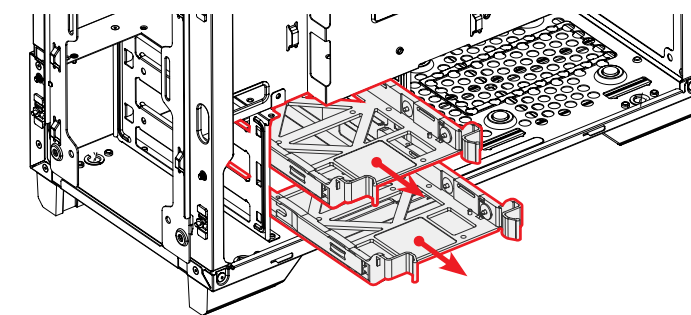


Slide the SSD Bracket up to remove it from the chassis.

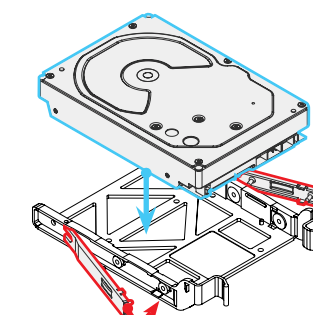


Secure the SSD with 4x SSD screws to the SSD Bracket.

STORAGE | 3.5" HDD

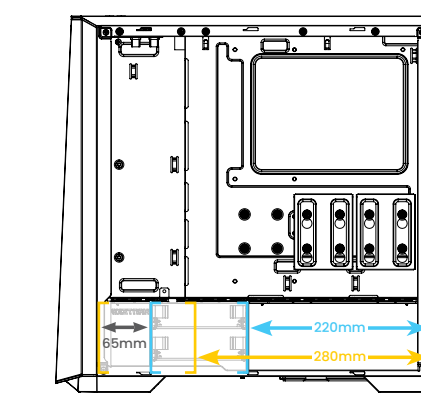


Slide the 3.5" HDD trays out of the HDD cage.

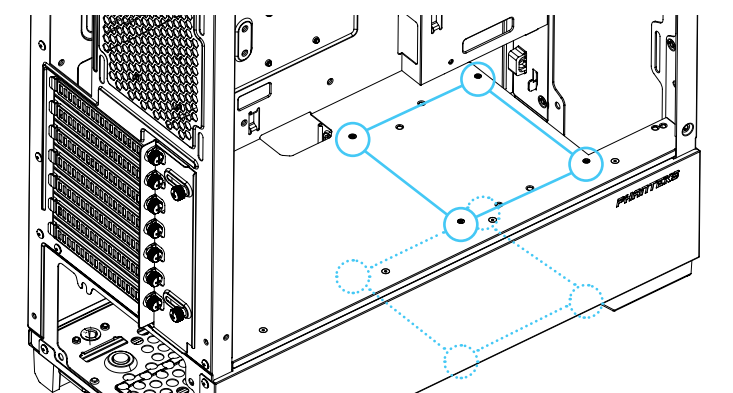


Open the side clips, place the HDD and close the clips to secure the HDD in place.

PRO TIP
The HDD tray can also hold a 2.5" SSD



The HDD cage has 2 possible positions to allow for a front 360 radiator or for additional PSU clearance.

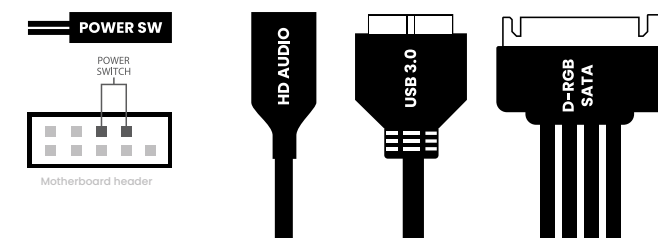


To move (or remove) the HDD Bracket to a different position, remove 8x screws located at the bottom and the PSU cover.

CABLES

Connect the front I/O cables to the motherboard and power supply.

MOTHERBOARD FRONT I/O



More D-RGB lighting products can be connected to the integrated D-RGB controller. Optionally, lighting can be connected and controlled via motherboard software.

EXPAND WITH MORE D-RGB PRODUCTS

SYNC LIGHTING TO THE MOTHERBOARD

