

# ECLIPSE G300A

## INSTALLATION GUIDE VERSION 1.0

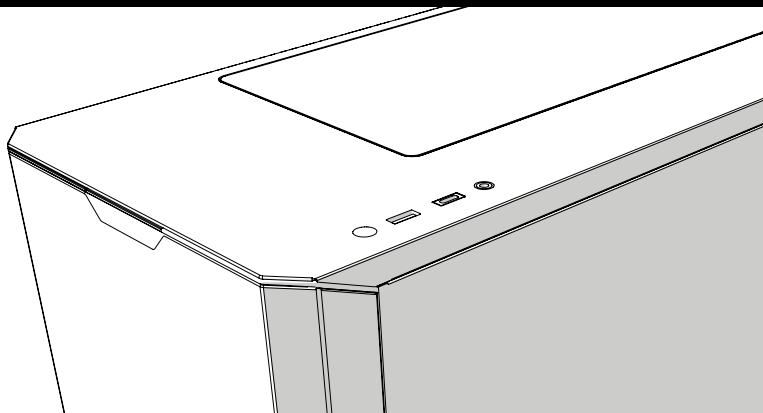
### INSTRUCTIONS

Thank you for choosing Phanteks. Please take a moment to carefully go through the manual. This manual will walk you through all of the features the Eclipse G300A has to offer and installation steps to build a full system.

This manual is for the following models:

- PH-EC300GA\_DBK01** Satin Black | 1x D-RGB Fan Back
- PH-EC300GA\_DBK02** Satin Black | 3x D-RGB Fans Front

*Phanteks will not take responsibility for any damages incurred due to incorrect installation or usage of this product.*



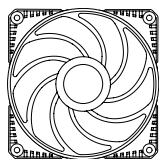
### INCLUDED ACCESSORIES



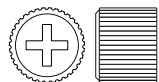
**ZIP TIE**  
6x



**D-RGB MOTHERBOARD ADAPTER**  
1x



**D-RGB 120MM FAN**  
1x pre-installed DBK01  
3x pre-installed DBK02



**STAND-OFF TOOL**  
1x



**PSU SCREW**  
4x



**HDD SCREW**  
4x

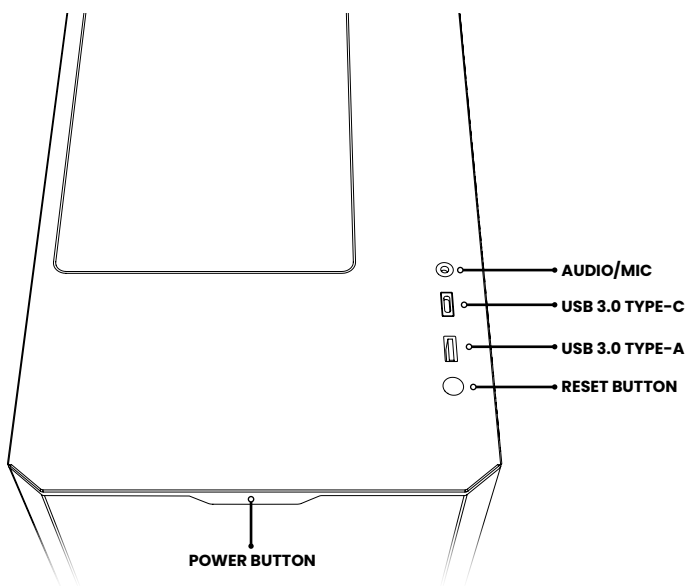


**SSD + MOTHERBOARD SCREW**  
18x



**MB STAND-OFF**  
1x

### FRONT I/O

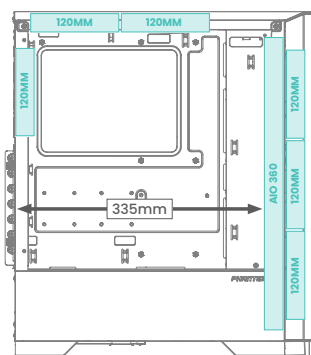


### FAN & RADIATOR SUPPORT

FANS	FRONT	TOP	REAR
120mm	3x	2x	1x
140mm	-	-	-
RADIATOR			
120mm	up to 360	up to 240	up to 120
140mm	-	-	-

#### 360 FRONT AIO COOLER

Because of the special front bracket, the front supports a radiator up to 360. When using this option, the maximum GPU length is 335mm.

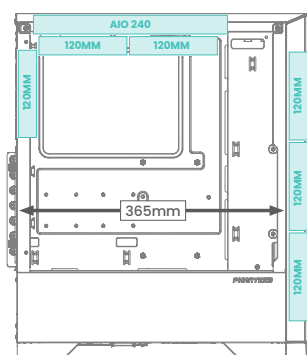


#### CLEARANCE

- CPU cooler height — 160 mm
- GPU length — 365 mm with front fans
- Powersupply — 210 mm
- E-ATX — up to 260 mm width

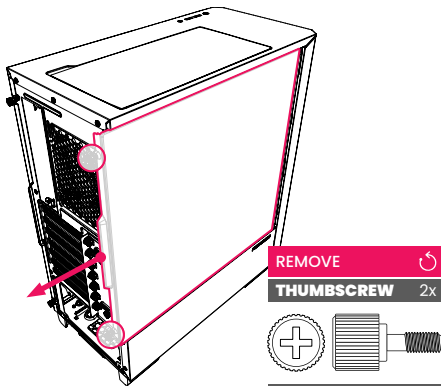
#### 240 TOP AIO COOLER

The top supports a radiator up to 240. When using this option, the maximum GPU length is 365mm with 3 front 120mm fans.

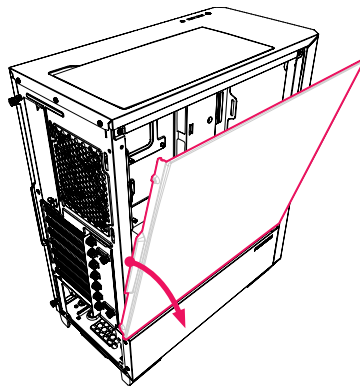


## REMOVE EXTERNAL PANELS

### LEFT SIDE PANEL



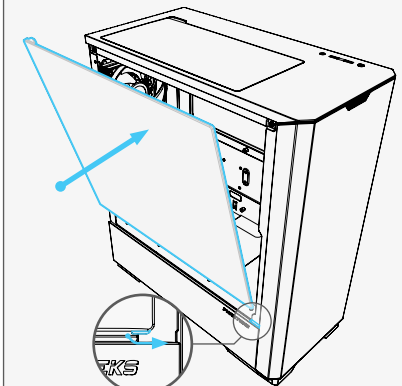
Loosen the 2 thumb screws and slide to remove the tempered glass side panel.



Remove the glass panel, set it aside in a safe location to prevent damage.

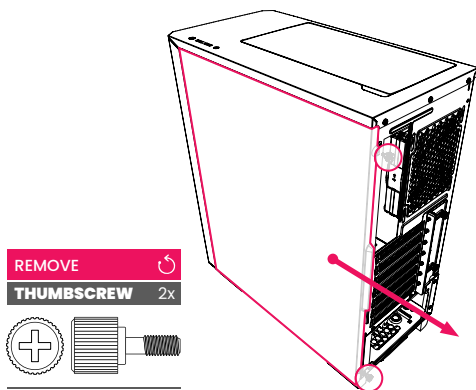
**CAUTION**  
Make sure to hold the side panel while sliding it outwards to prevent any damage when removing.

### REINSTALL SIDE PANEL



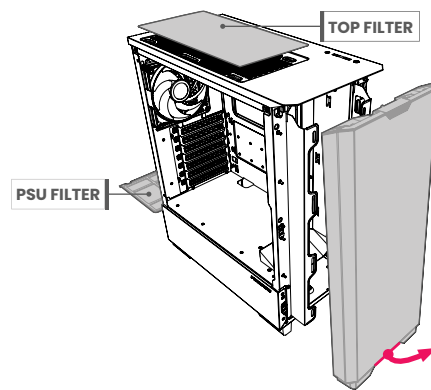
When returning the left side panel, align the bottom right with the slit in the chassis. Slide the panel forward and secure with 2 thumb screws at the back.

### RIGHT SIDE PANEL



Loosen the 2 captive thumb screws and slide to remove the right side panel.

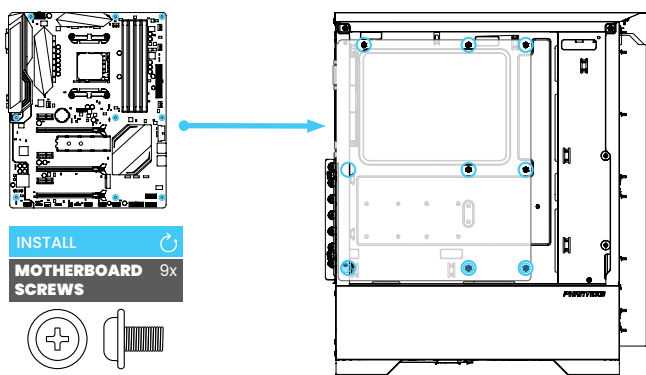
### FRONT PANEL & DUST FILTERS



Remove front panel by pulling the panel from below.

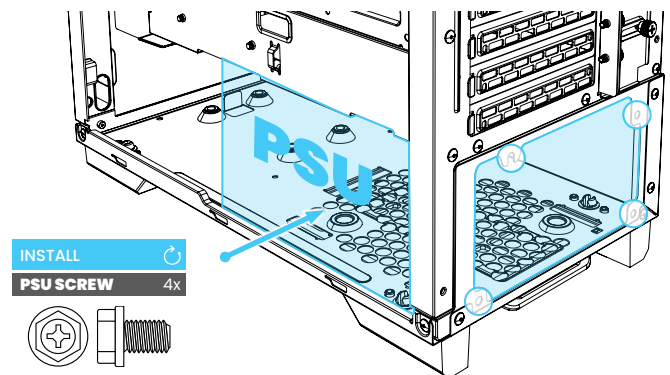
## HARDWARE INSTALLATION

### MOTHERBOARD



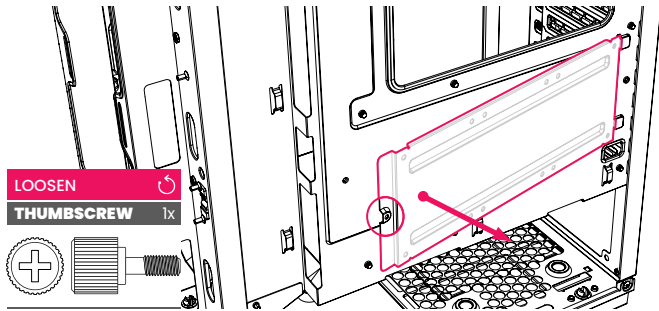
Install the ATX motherboard using 9x motherboard screws. For M-ATX Motherboards follow the motherboard instructions to move the stand-offs to the correct position.

### POWERSUPPLY

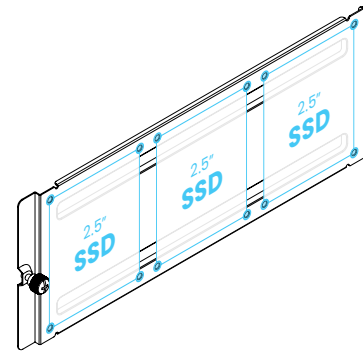


Slide in the power supply from the side and secure it with the 4x PSU screws. It is recommended to connect all needed cables beforehand.

## STORAGE | 2.5" SSD

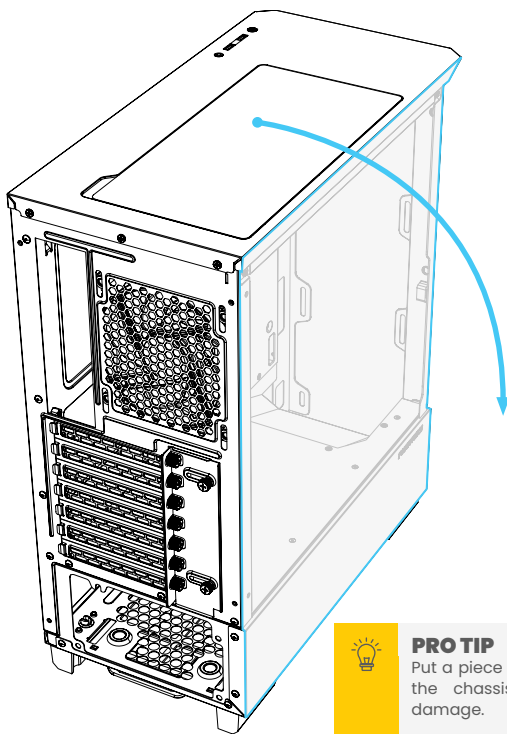


Loosen the thumb screw on the SSD backplate to remove it, for easy installation of the 2.5" SSD's.



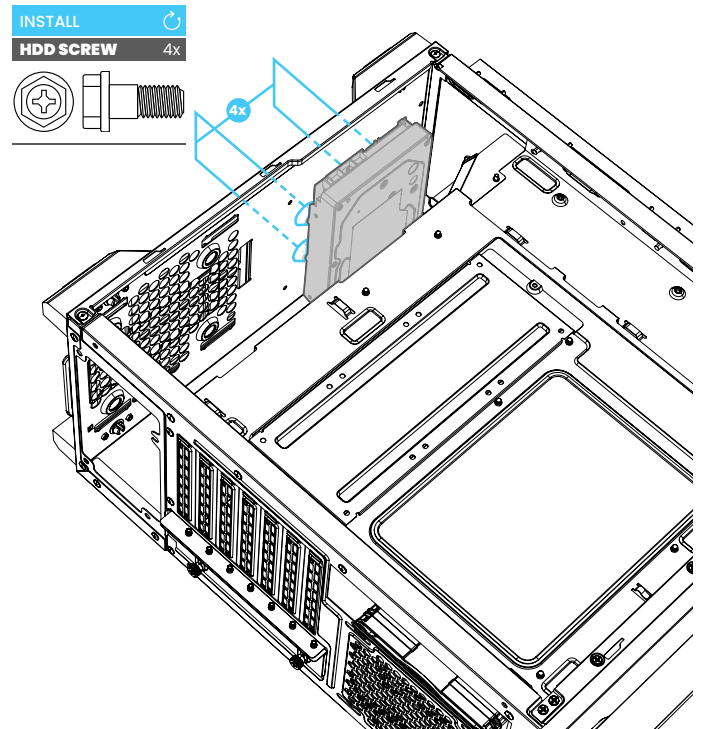
The backplate can hold up to 3x 2.5" SSD's. Use 4x SSD screws per SSD to secure it in location.

## STORAGE | 3.5" HDD



**PRO TIP** Put a piece of cloth underneath the chassis to prevent any damage.

Lay the chassis on it's side for easy access.

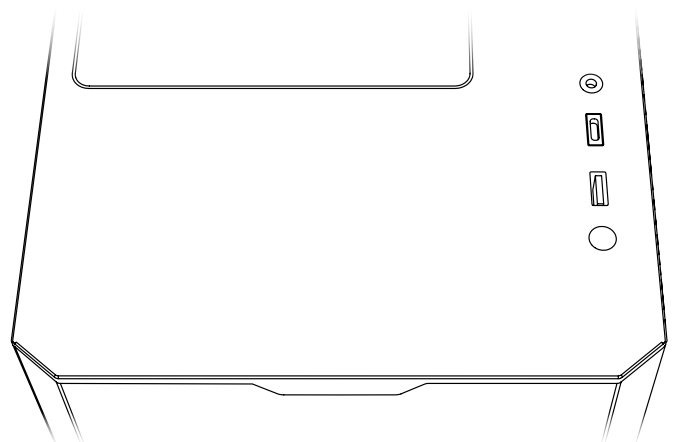
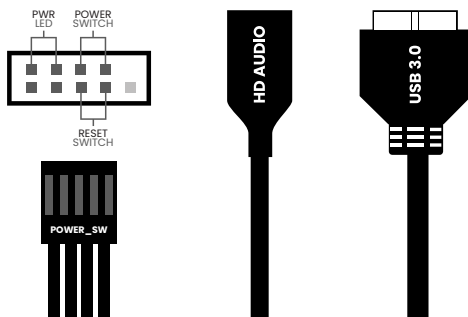


Hold the 3.5" HDD into place and secure it with 4x HDD screws from the bottom.

## FRONT I/O

Connect the front I/O cables to the allocated connectors on the motherboard to use all front I/O buttons and inputs.

### MOTHERBOARD FRONT I/O

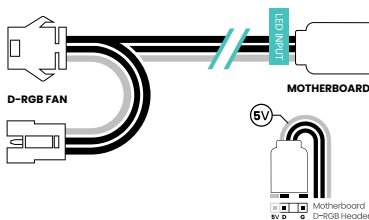


## D-RGB CABLES

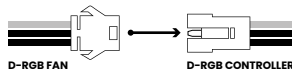
### D-RGB CONTROL

The D-RGB fan needs a controller to function. Connect to an ARGB-equipped motherboard with the included D-RGB Motherboard adapter or use a Phanteks D-RGB Controller. The Phanteks D-RGB Controller is sold separately (PH-CTHUB\_DRGB\_01).

#### OPTION 1. MOTHERBOARD CONTROL



#### OPTION 2. PHANTEKS D-RGB CONTROLLER



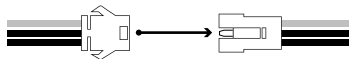
CONNECT TO THE D-RGB CONTROLLER WITH JST CONNECTOR.

PHANTEKS D-RGB CONTROLLER SOLD SEPARATELY (PH-CTHUB\_DRGB\_01)

### D-RGB EXPANSION

More Phanteks D-RGB lighting products can be daisy-chained easily with the JST-connector.

#### EXPAND WITH MORE D-RGB PRODUCTS



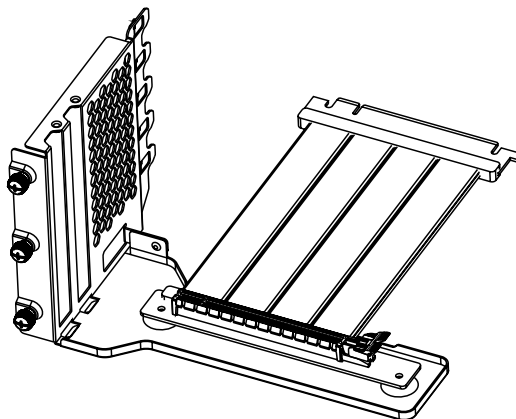
DAISY-CHAIN PHANTEKS D-RGB PRODUCTS TOGETHER WITH THE JST-CONNECTOR.

### OPTIONAL UPGRADE

## VERTICAL GPU BRACKET (PH-VGPUKT4.0\_03R)

The G300A chassis supports the Phanteks Vertical GPU Bracket. The Vertical GPU Bracket supports 3 and 4 slot GPU's with access to the GPU connectors on slot 1 and 2.

It can be easily installed in the PCI slot area. Follow the instructions that are included with the Vertical GPU bracket.



## SUPPORT & WARRANTY

As a Phanteks customer, you are priority number one. We have a dedicated team across the globe to deliver the experience you deserve.

#### CUSTOMER CARE

#### RMA and Technical Support Americas

Hours: Monday-Friday 9:00-5:00 PST

Phone number: +1(909)598-2115

Email: support@phanteksusa.com

Facebook: @Phanteks

#### RMA and Technical Support International

Email: support@phanteks.com

Facebook: @Phanteks

For spare parts and optional upgrades please visit:  
www.axpertec.com (EU) | www.phanteksusa.com (US)