



***msi***

**MAG  
VAMPIRIC 100R**


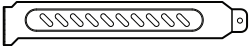







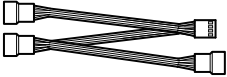
**MAG  
VAMPIRIC 100L**

User Guide  
使用手冊

## Contents / 目錄

Accessories / 配件 .....	3
Specification / 產品規格.....	4
Case Features / 機殼特色.....	5
Side & Front View/ 側面和前面.....	6
IO Panel / IO 面板.....	7
SSD , HDD Installation/ SSD 和硬碟安裝方式.....	8
2.5" SSD , HDD Installation/ 2.5" SSD 和硬碟安裝方式 .....	9
Opening the Left & Right Side Cover/ 開啟左右側板 .....	10
Motherboard Installation / 安裝主機板 .....	11
ARGB Fan Connection / 連接 ARGB 風扇 .....	12
Graphics Card Installation / 安裝顯示卡 .....	13
PSU Installation / 安裝電源供應器 .....	14

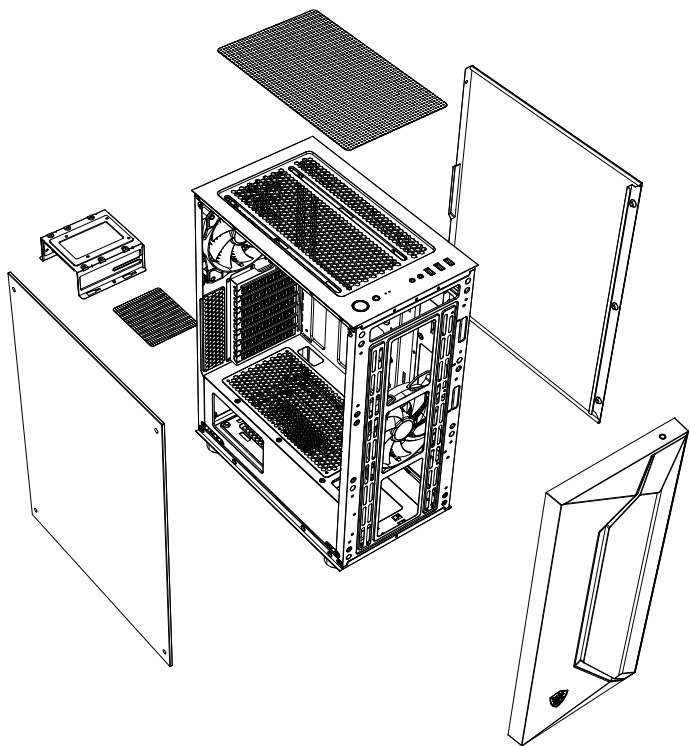
## Accessories / 配件

Item 項目	Name 名稱 / Q'ty 數量	Used for 用途
	Cable ties 束綫帶 x5	Cable management 整線
	PCI slot cover PCI 插槽擋片 x2	PCI slot protection 保護 PCI 插槽
	Fan screws 風扇長螺絲 x2	Front 120/140mm fan 前置 120/140mm 風扇
	Screw #6-32 10mm 手轉螺絲 x2	Securing drive tray 固定硬碟托架
	Screw #6-32 6.5mm x4	Motherboard Stud 主機板螺柱
	Screw M3 5mm x17	Motherboard / SSD 主機板 / SSD
	Screw #6-32 6mm 六角螺絲 x6	PSU / PCIe Card 電源供應器 / PCIe 卡
	Screw #6-32 5mm 圓頭螺絲 x4	3.5" HDD 3.5" 硬碟
	Screw #6-32 4mm 硬碟導軌螺絲 x3	3.5" HDD 3.5" 硬碟
	1 to 3 fan splitter cable 1 對 3 風扇分接線 x1 (MAG VAMPIRIC 100R only)	Connect 3 fans 連接 3 個風扇

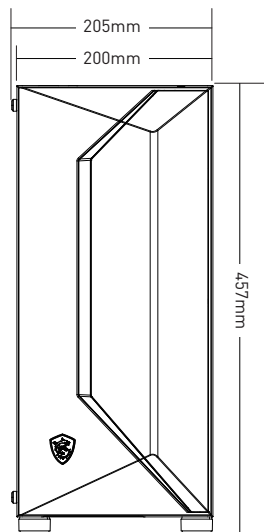
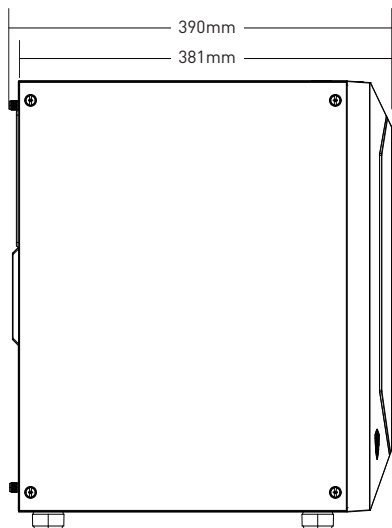
## Specification / 產品規格

	MAG VAMPIRIC 100R	MAG VAMPIRIC 100L
Pre-installed	Front: 1x 120 mm Black fan Rear: 1x 120 mm ARGB fan	No pre-installed fan
Case Dimensions (mm)	390(D) x 205(W) x 457(H)	
Motherboard Support	ATX / Micro-ATX / Mini-ITX	
Drive Bays	2x 3.5" Included (1x compatible with 2.5") 2x 2.5" Included	
IO Panel	1x LED switch button 2x USB 2.0 Type-A ports 1x USB 3.2 Gen 1 Type-A port 1x Mic in jack 1x Audio out jack 1x Reset button 1x Power button	
Clearance	CPU Cooler Height: Max 160 mm Graphics Card Length: Max 300 mm PSU Length: Standard ATX 160 mm	
Fan Support	Front: Up to 3x 120 mm or 2x 140 mm Top: Up to 2x 120 mm Rear: Up to 1x 120 mm	
Radiator Support	Front: Up to 240 mm Rear: Up to 120mm	
Material	Left Side: Tempered Glass Right Side: Metal Front: Mesh Top: Metal	

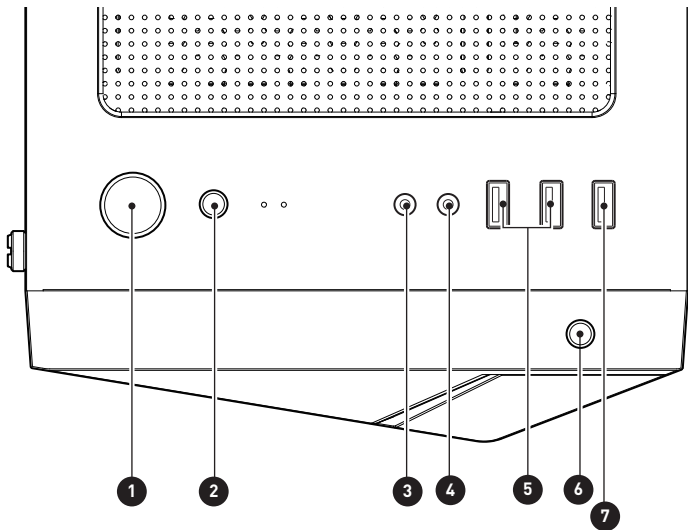
## Case Features / 機殼特色



## Side & Front View/ 側面和前面



## IO Panel / IO 面板



1. Power button / 電源按鈕
2. Reset button / 重新開機按鈕
3. Mic in / 音訊輸入
4. Audio out / 音訊輸出
5. USB 2.0 Type-A
6. LED switch button / LED 切換按鈕

Short press the LED switch button to change mode.

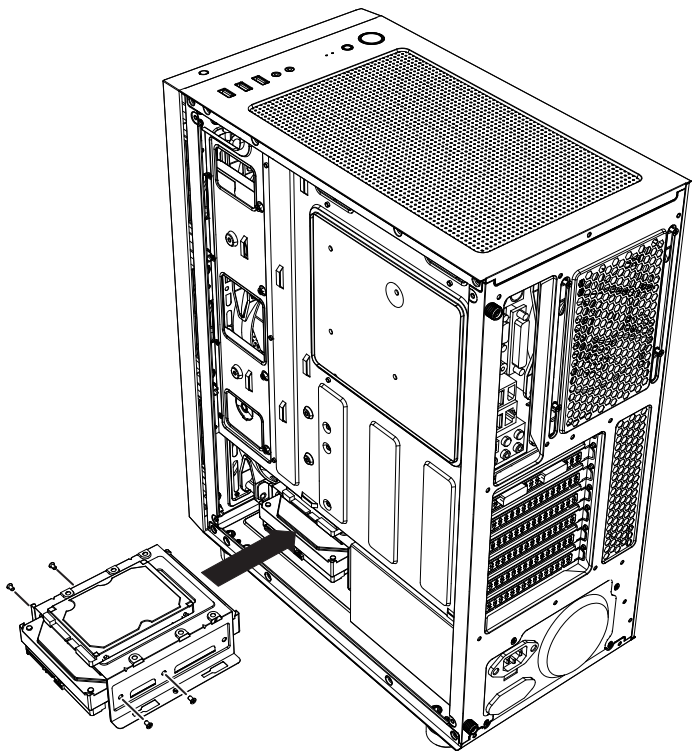
短按 LED 切換按鈕改變模式。

Long press the LED switch button for 3 seconds to turn LED off.

長按 LED 切換按鈕 3 秒鐘以關閉 LED。

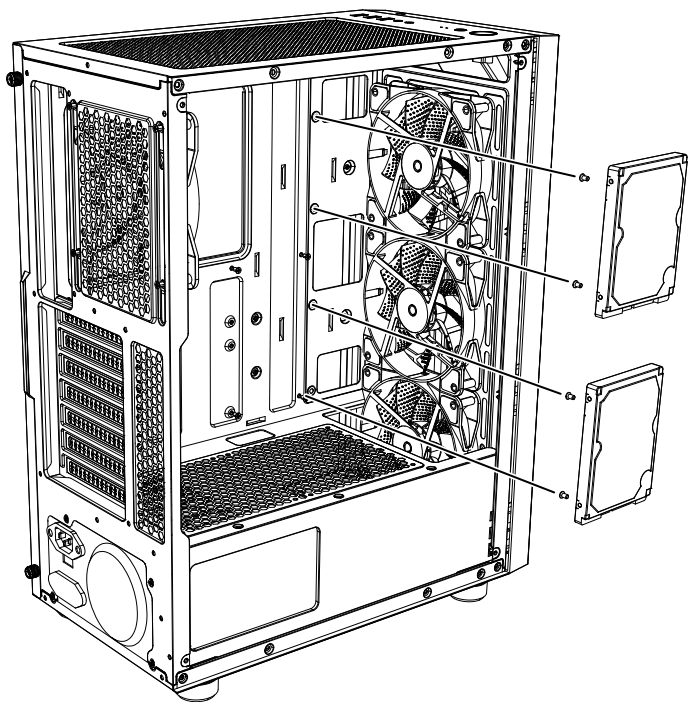
7. USB 3.2 Gen 1 Type-A

## SSD , HDD Installation/ SSD 和硬碟安裝方式

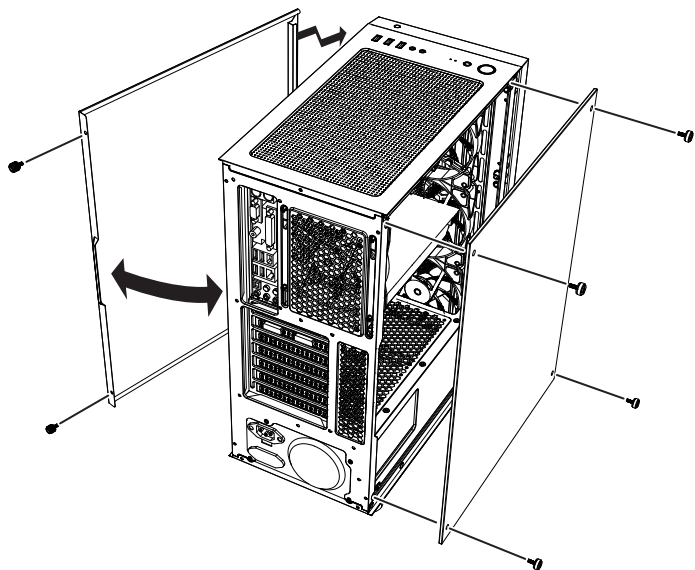


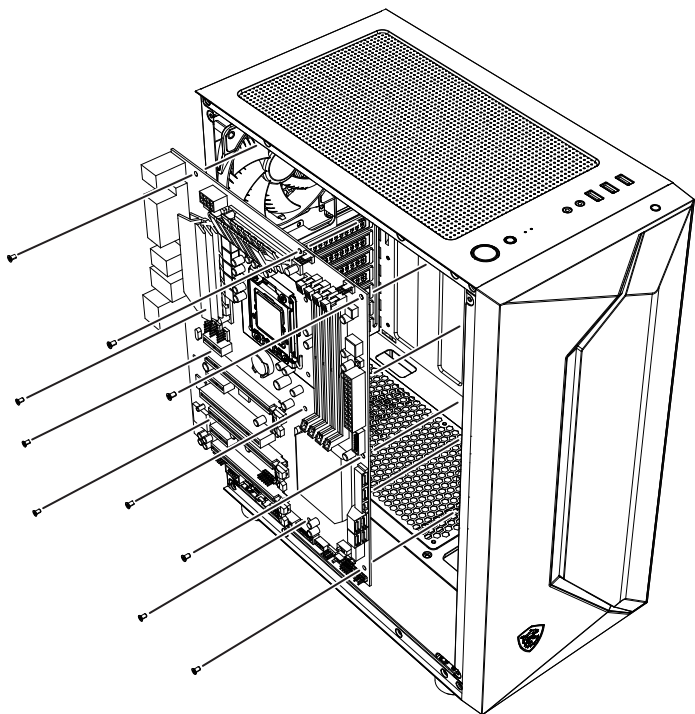


## 2.5" SSD , HDD Installation/ 2.5" SSD 和硬碟安裝方式



## Opening the Left & Right Side Cover/ 開啟左右側板





## ARGB Fan Connection / 連接 ARGB 風扇

The following setup allows to connect ARGB fan only, please do not connect ARGB fan to the motherboard.

以下配置僅供 ARGB 風扇串聯，請勿將 ARGB 風扇連接至主機板。

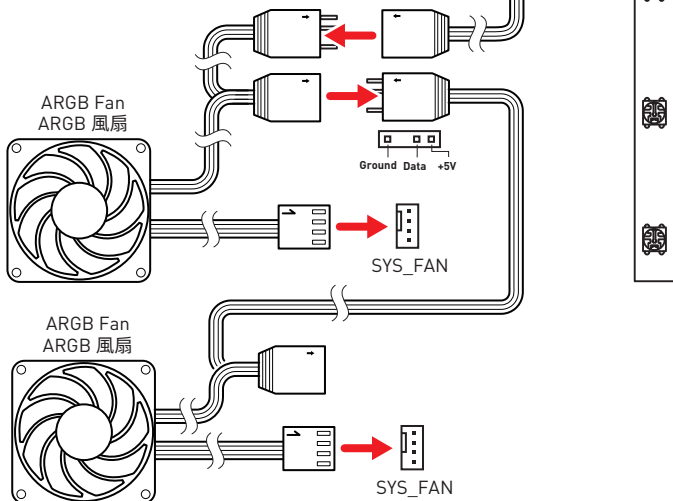
LED Switch  
LED 按鈕

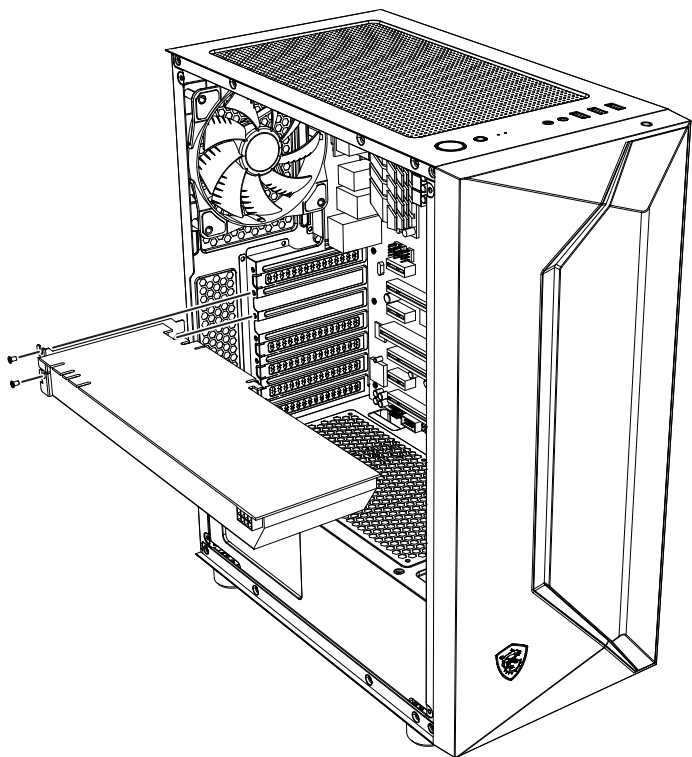
SATA Power  
SATA 電源



The ARGB controller allows to connect up to 5 ARGB fans.

ARGB 控制器最多可串聯 5 個 ARGB 風扇。





## PSU Installation / 安裝電源供應器

