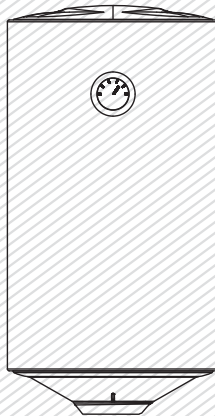


Storage Electric Water Heater



# Instruction Manual

Model: D30-15FA3  
D50-15FA3  
D80-15FA3  
D100-15FA3



The diagram above is just for reference. Please take the appearance of the actual product as the standard.

Thank you very much for purchasing our water heater.  
Before installing and operating your water heater, please read this manual carefully and keep it for future reference.



### General Remark

- The installation and maintenance has to be carried out by qualified professionals or Midea authorized technicians.
- The manufacturer shall not be held responsible for any damage or malfunction caused by wrong installation or failing to comply with following instructions included in this pamphlet.
- For more detailed installation and maintenance guidelines, please refer to below chapters.

## TABLE OF CONTENTS

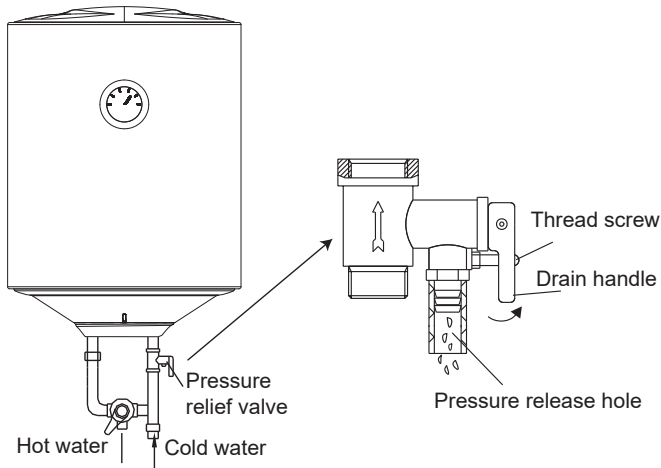
<u>TITLE</u>	<u>PAGE</u>
1.CAUTIONS .....	(2)
2.PRODUCT INTRODUCTION .....	(3)
3.UNIT INSTALLATION .....	(5)
4.METHODS OF USING .....	(7)
5.MAINTENANCE .....	(7)
6.TROUBLESHOOTING .....	(8)
7.PRODUCE INFORMATION WITH EU REGULATION .....	(9)

## 1. CAUTIONS

Before installing this water heater, check and confirm that the earthing on the supply socket is reliably grounded. Otherwise, the electrical water heater can not be installed and used. Do not use extension boards. Incorrect installation and use of this electrical water heater may result in serious injuries and loss of property.

### Special Cautions

- The supply socket must be earthed reliably. The rated current of the socket shall not be lower than 10A. The socket and plug shall be kept dry to prevent electrical leakage. Inspect frequently whether the plugs contact well with the socket. Inspect method is as follows: insert the power supply plug into socket, after using for half an hour, shut down the unit and pull the plug out, and inspect the plug whether it scalds hand. If it scalds (over 50 °C), please change another well-contacted socket to avoid the plug being damaged, fire or other personnel accidents result from bad-contacting.
- The installation height of the supply socket shall not be lower than 1.8m.
- The wall in which the electrical water heater is installed shall be able to bear the load more than two times of the heater filled fully with water without distortion and cracks. Otherwise, other strengthening measures shall be adopted.
- The pressure relief valve attached with the heater must be installed at the cold water inlet of this heater (see Fig.1), and make sure it is not exposed in the foggy. The water may be outflowed from pressure relief valve, so the outflow pipe must open wide in the air; The pressure relief valve need to be checked and cleaned regularly, so as to make sure it will not be blocked.



(Fig.1)

- When using the heater for the first time (or the first use after maintenance), the heater can not be switched on until it has been filled fully with water. When filling the water, at least one of the outlet valves at the outlet of the heater must be opened to exhaust the air. This valve can be closed after the heater has been filled fully with water.
- The water heater is not intended for use by persons (including children) with reduced physical, sensory or mental capabilities, or lack of experience and knowledge, unless they have been given supervision or instructions concerning use of the appliance by a person responsible for their safety. Children should be supervised to ensure that they do not play with the heater.

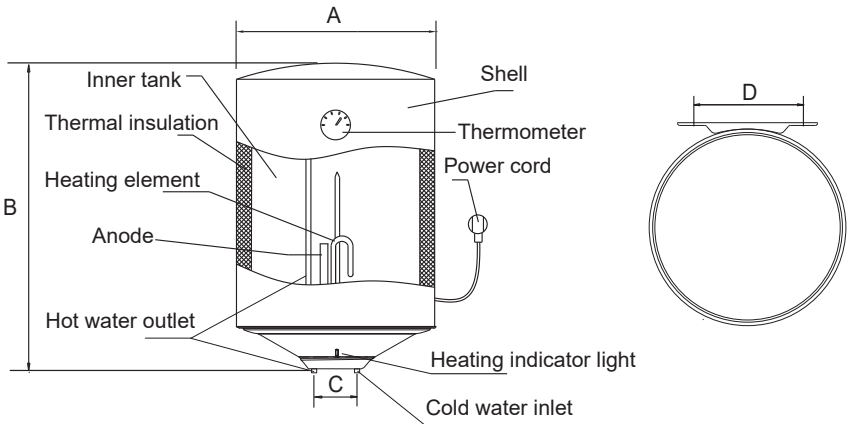
- During heating, there may be drops of water dripping from the pressure release hole of the multifunction valves. This is a normal phenomenon. If there is a large amount of water leak, please contact customer care center for repair. This pressure release hole shall, under no circumstances, be blocked; otherwise, the heater may be damaged, even resulting in accidents.
- The drainage pipe connected to the pressure release hole must be kept sloping downwards.
- Since the water temperature inside the heater can reach up to 75°C, the hot water must not be exposed to human bodies when it is initially used. Adjust the water temperature to a suitable temperature to avoid scalding.
- Unscrew the thread screw on the multifunction safety valve, and lift the drain handle upwards. (See Fig.1) to drain the water from the inner tank.
- If the flexible power supply cord is damaged, the special supply cord provided by the manufacturer must be selected, and replaced by the professional maintenance personnel.
- If any parts and components of this electrical water heater are damaged please contact customer care center for repair.
- This appliance is not intended for use by persons (including children) with reduced physical, sensory or mental capabilities, or lack of experience and knowledge, unless they have been given supervision or instruction concerning use of the appliance by a person responsible for their safety.
- Children should be supervised to ensure that they do not play with the appliance.

## 2. PRODUCT INTRODUCTION

### 2.1 Technical Performance Parameters

Model	Volume (L)	Rated Power (W)	Rated Voltage (ACV)	Rated Pressure (MPa)	Max Of Water Temperature (°C)	Protection Class	Water Proof Class
D30-15FA3	30	1500	220-240	0.8	75	I	IPX4
D50-15FA3	50	1500	220-240	0.8	75	I	IPX4
D80-15FA3	80	1500	220-240	0.8	75	I	IPX4
D100-15FA3	100	1500	220-240	0.8	75	I	IPX4

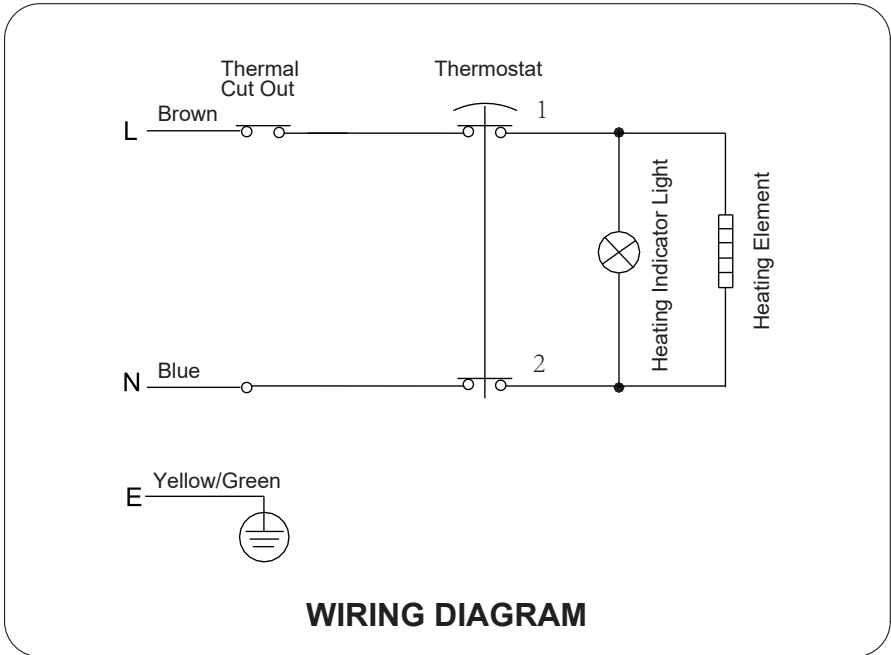
### 2.2 Brief introduction of product structure



	D30-15FA3	D50-15FA3	D80-15FA3	D100-15FA3
A	340	450	450	450
B	594	600	809	974
C	100	100	100	100
D	200	200	200	200

(Note:All dimensions are in mm)

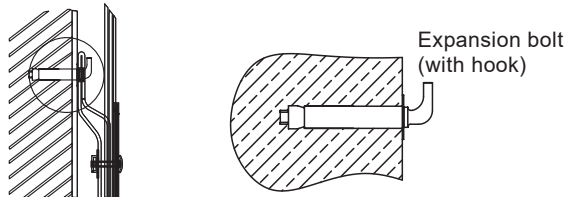
### 2.3 Internal Wire Diagram



### 3. UNIT INSTALLATION

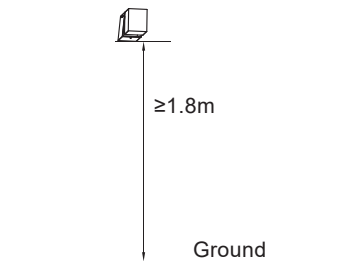
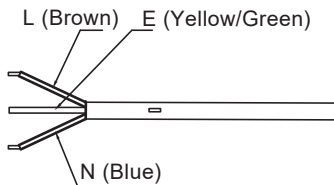
#### 3.1 Installation Instruction

- ① This electrical water heater shall be installed on a solid wall. If the strength of the wall cannot bear the load equal to two times of the total weight of the heater filled fully with water, it is then necessary to install a special support.  
In case of hollow bricks wall, ensure to fill it with cement concrete completely.
- ② After selecting a proper location, determine the positions of the two install holes used for expansion bolts with hook (determined according to the specification of the product you select). Make two holes in the wall with the corresponding depth by using a chopping bit with the size matching the expansion bolts attached with the machine, insert the screws, make the hook upwards, tighten the nuts to fix firmly, and then hang the electric water heater on it (see Fig.2).



(Fig.2)

- ③ Install the supply socket in the wall. The requirements for the socket are as follows: 250V/10A, single phase, three electrodes. It is recommended to place the socket on the right above the heater. The height of the socket to the ground shall not be less than 1.8m (see Fig.3). If there is a fault on the power cable, it should be replaced by the manufacturers, agencies or qualified person who is able to do this so as to ensure the safety.

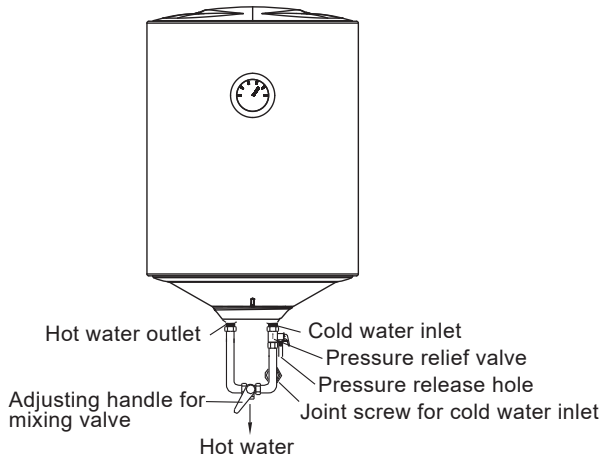


(Fig.3)

- ④ If the bathroom is too small, the heater can be installed at another place without sun-scorched and rain-drenched. However, in order to reduce the pipeline heat losses, the installation position of the heater shall be closed to the location shall be as near as possible to the heater.

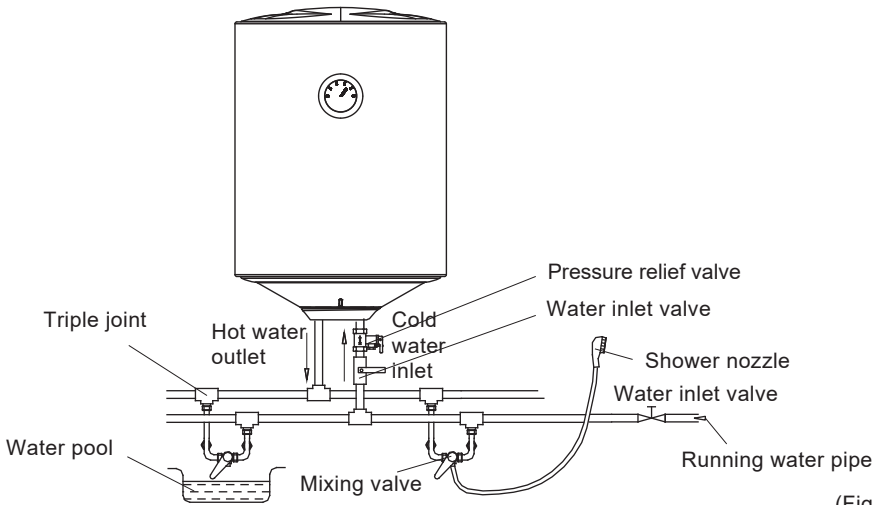
#### 3.2 Pipelines Connection

- ① The dimension of each pipe part is G1/2" ; The massive pressure of inlet should use Pa as the unit; The minimum pressure of inlet should use Pa as the unit.
- ② Connection of pressure relief valve with the heater on the inlet of the water heater.
- ③ In order to avoid leakage when connecting the pipelines, the rubber seal gaskets provided with the heater must be added at the end of the threads to ensure leak proof joints (see Fig.4).



(Fig.4)

- ④ If the users want to realize a multi-way supply system, refer to the method shown in fig.5 for connection of the pipelines.



(Fig.5)



## NOTE

Please be sure to use the accessories provided by our company to install this electric water heater. This electric water heater can not be hung on the support until it has been confirmed to be firm and reliable. Otherwise, the electric water heater may drop off from the wall, resulting in damage of the heater, even serious accidents of injury. When determining the locations of the bolt holes, it shall be ensured that there is a clearance not less than 0.2m on the right side of the electric heater, to convenient the maintenance of the heater, if necessary.

## 4. METHODS OF USING

- First, open any one of the outlet valves at the outlet of the water heater, then, open the inlet valve. The water heater gets filled with water. When water flows out of the outlet pipe it implies that the heater has been filled fully with water, and the outlet valve can be closed.



### NOTE

During normal operation, the inlet valve shall be always kept open.

- Insert the supply plug into the supply socket, the two indicator lights will light up this time.
- The thermostat will automatically control the temperature. When the water temperature inside the heater has reached the set temperature, it will switch off automatically, when the water temperature falls below the set point the heater will be turned on automatically to restore the heating.

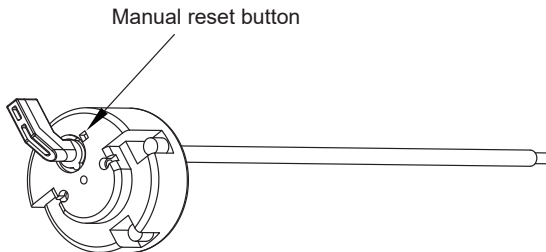
## 5. MAINTENANCE



### WARNING

Do cut off power supply before maintenance, to avoid danger like electric shock.

- Temperature limiter cut off electricity if water heater is overheated or thermostat damages. Manual resetting is needed. Resetting knob is as follows (see Fig.6). Non-professionals are not allowed to disassemble temperature limiter to reset. Please contact professionals to maintain. Otherwise our company will not take responsibility if any quality accident happens because of this.



(Fig.6)

- Check the power plug and outlet as often as possible. Secure electrical contact and also proper grounding must be provided. The plug and outlet must not heat excessively.
- If the heater is not used for a long time, especially in regions with low air temperature (below 0°C), it is necessary to drain water from the heater to prevent damage of the water heater, due to water freezing in the internal tank. (Refer Cautions in this manual for the method to drain away the water from the inner container).
- To ensure long reliable water heater operation, it is recommended to regularly clean the internal tank and remove deposits on the electric heating element of the water heater, as well as check condition (fully decomposed or not) of the magnesium anode and, if necessary, replace it with a new one in case of full decomposition. Tank cleaning frequency depends on hardness of water located in this territory. Cleaning must be performed by special maintenance services. You can ask the seller for address of the nearest service center.



## 6. TROUBLESHOOTING

Failures	Reasons	Treatment
The heating indicator light is off.	Failures of the temperature controller.	Contact with the professional personnel for repair.
No water coming out of the hot water outlet.	<ol style="list-style-type: none"><li>1. The running water supply is cut off.</li><li>2. The hydraulic pressure is too low.</li><li>3. The inlet valve of running water is not open.</li></ol>	<ol style="list-style-type: none"><li>1. Wait for restoration of running water supply.</li><li>2. Use the heater again when the hydraulic pressure is increased.</li><li>3. Open the inlet valve of running water.</li></ol>
The water temperature is too high.	Failures of the temperature control system.	Contact with the professional personnel for repair.
Water leak.	Seal problem of the joint of each pipe.	Seal up the joints.



### NOTE

Parts illustrated in this use and care manual are indicative only, parts provided with the product may differ with illustrations. This product is intended for household use only. Specifications are subject to change without notice.

## 7. Produce information with EU regulation

The electrical storage water heater **D30-15FA3** of the company **MIDEA** Ltd. was tested with a declared load profile of the size “**S**”

The product fulfills and corresponds to the requirements of the commission regulation standards (No 814/2013) for electrical storage water heater and achieved a water heating energy efficiency of  $\eta_{wh}=32\%$  that correspond to the water heating efficiency class “**C**”

In accordance with Annex II Energy Efficiency Classes article 1 of the commission regulation (No 812/2013)

The evaluation of the result of this report with respect of conformity with the related commission regulation (No 812/2013 and 814/2019) is only a part of the conformity assessment to achieve the ErP-Label.

Electricity consumption  $Q_{elec}$ , water heating energy efficiency  $\eta_{wh}$  and mixed water at 40 °C ( $V_{40}$ )

Description	Parameter	Value	Unit
k-Value	k	0.23	
Smart control compliance	smart	0	
Smart control factor	SCF	0	
Conversion coefficient	CC	2.5	
Ambient correction term	$Q_{cor}$	-0.414	kWh
Referent energy	$Q_{ref}$	2.1	kWh
Useful energy content	$Q_{H2O}$	2.5	kWh
Correction ratio of reference and useful energy	$Q_{ref}/Q_{H2O}$	0.84	kWh
Daily electricity consumption (measured)	$Q_{test\_elec}$	3.520	kWh
Water temperature at the beginning of the 24h measurement cycle	T3	66.4	°C
Water temperature at the end of the 24h measurement cycle	T5	71	°C
Storage volume	$M_{act}$	30.3	kg
Storage volume	$C_{act}$	30.3	L
Daily electricity consumption (corrected)	$Q_{elec}$	2.820	kWh
Water heating energy efficiency	$\eta_{wh}$	31.6	
Annual Electricity Consumption	AEC	583	kWh
Water heating energy efficiency class		C	
Description	Parameter	Value	Unit
Water temperature without tapping	$T_{set}$	66	°C
Average water temperature of outlet warm water	$\theta'_p$	62.2	°C
Average water temperature of inlet cold water	$\theta_c$	10.5	°C
Normalised value of the average temperature	$\theta_p$	62.2	°C
Volume that delivered water of at least 40 °C	$V_{40exp}$	25	L
Calculated volume that delivered hot water of at least 40 °C	$V_{40}$	44	L

The electrical storage water heater **D50-15FA3** of the company **MIDEA** Ltd. was tested with a declared load profile of the size “**M**”

The product fulfills and corresponds to the requirements of the commission regulation standards (No 814/2013) for electrical storage water heater and achieved a water heating energy efficiency of  $\eta_{wh}=37\%$  that correspond to the water heating efficiency class “**C**”

In accordance with Annex II Energy Efficiency Classes article 1 of the commission regulation (No 812/2013)

The evaluation of the result of this report with respect of conformity with the related commission regulation (No 812/2013 and 814/2019) is only a part of the conformity assessment to achieve the ErP-Label.

Electricity consumption  $Q_{elec}$ , water heating energy efficiency  $\eta_{wh}$  and mixed water at 40 °C ( $V_{40}$ )

Description	Parameter	Value	Unit
k-Value	k	0.23	
Smart control compliance	smart	0	
Smart control factor	SCF	0	
Conversion coefficient	CC	2.5	
Ambient correction term	$Q_{cor}$	-0.395	kWh
Referent energy	$Q_{ref}$	5.845	kWh
Useful energy content	$Q_{H_2O}$	5.730	kWh
Correction ratio of reference and useful energy	$Q_{ref}/Q_{H_2O}$	1.038	kWh
Daily electricity consumption (measured)	$Q_{test\_elec}$	6.527	kWh
Water temperature at the beginning of the 24h measurement cycle	T3	58.6	°C
Water temperature at the end of the 24h measurement cycle	T5	62.7	°C
Storage volume	$M_{act}$	49	kg
Storage volume	$C_{act}$	49	L
Daily electricity consumption (corrected)	$Q_{elec}$	6.532	kWh
Water heating energy efficiency	$\eta_{wh}$	36.68	
Annual Electricity Consumption	AEC	1400	kWh
Water heating energy efficiency class		C	
Description	Parameter	Value	Unit
Water temperature without tapping	$T_{set}$	60	°C
Average water temperature of outlet warm water	$\theta'_p$	59.8	°C
Average water temperature of inlet cold water	$\theta_c$	8.8	°C
Normalised value of the average temperature	$\theta_p$	59.9	°C
Volume that delivered water of at least 40 °C	$V_{40exp}$	38	L
Calculated volume that delivered hot water of at least 40 °C	$V_{40}$	63	L

The electrical storage water heater **D80-15FA3** of the company **MIDEA** Ltd. was tested with a declared load profile of the size “**M**”

The product fulfills and corresponds to the requirements of the commission regulation standards (No 814/2013) for electrical storage water heater and achieved a water heating energy efficiency of  $\eta_{wh}=36\%$  that correspond to the water heating efficiency class “**C**”

In accordance with Annex II Energy Efficiency Classes article 1 of the commission regulation (No 812/2013)

The evaluation of the result of this report with respect of conformity with the related commission regulation (No 812/2013 and 814/2019) is only a part of the conformity assessment to achieve the ErP-Label.

Electricity consumption  $Q_{elec}$ , water heating energy efficiency  $\eta_{wh}$  and mixed water at 40 °C ( $V_{40}$ )

Description	Parameter	Value	Unit
k-Value	k	0.23	
Smart control compliance	smart	0	
Smart control factor	SCF	0	
Conversion coefficient	CC	2.5	
Ambient correction term	$Q_{cor}$	-0.335	kWh
Referent energy	$Q_{ref}$	5.845	kWh
Useful energy content	$Q_{H_2O}$	6.135	kWh
Correction ratio of reference and useful energy	$Q_{ref}/Q_{H_2O}$	0.953	kWh
Daily electricity consumption (measured)	$Q_{test\_elec}$	8.537	kWh
Water temperature at the beginning of the 24h measurement cycle	T3	51.8	°C
Water temperature at the end of the 24h measurement cycle	T5	70.9	°C
Storage volume	$M_{act}$	80.6	kg
Storage volume	$C_{act}$	80.6	L
Daily electricity consumption (corrected)	$Q_{elec}$	6.428	kWh
Water heating energy efficiency	$\eta_{wh}$	36.4	
Annual Electricity Consumption	AEC	1382	kWh
Water heating energy efficiency class		C	
Description	Parameter	Value	Unit
Water temperature without tapping	$T_{set}$	52	°C
Average water temperature of outlet warm water	$\theta'_p$	50	°C
Average water temperature of inlet cold water	$\theta_c$	10.5	°C
Normalised value of the average temperature	$\theta_p$	49.9	°C
Volume that delivered water of at least 40 °C	$V_{40exp}$	56	L
Calculated volume that delivered hot water of at least 40 °C	$V_{40}$	75	L

The electrical storage water heater **D100-15FA3** of the company **MIDEA** Ltd. was tested with a declared load profile of the size “**M**”

The product fulfills and corresponds to the requirements of the commission regulation standards (No 814/2013) for electrical storage water heater and achieved a water heating energy efficiency of  $\eta_{wh}=36\%$  that correspond to the water heating efficiency class “**C**”

In accordance with Annex II Energy Efficiency Classes article 1 of the commission regulation (No 812/2013)

The evaluation of the result of this report with respect of conformity with the related commission regulation (No 812/2013 and 814/2019) is only a part of the conformity assessment to achieve the ErP-Label.

Electricity consumption  $Q_{elec}$ , water heating energy efficiency  $\eta_{wh}$  and mixed water at 40 °C ( $V_{40}$ )

Description	Parameter	Value	Unit
k-Value	k	0.23	
Smart control compliance	smart	0	
Smart control factor	SCF	0	
Conversion coefficient	CC	2.5	
Ambient correction term	$Q_{cor}$	-0.464	kWh
Referent energy	$Q_{ref}$	5.845	kWh
Useful energy content	$Q_{H2O}$	6.243	kWh
Correction ratio of reference and useful energy	$Q_{ref}/Q_{H2O}$	0.936	kWh
Daily electricity consumption (measured)	$Q_{test\_elec}$	9.394	kWh
Water temperature at the beginning of the 24h measurement cycle	T3	51.3	°C
Water temperature at the end of the 24h measurement cycle	T5	70.8	°C
Storage volume	$M_{act}$	100.9	kg
Storage volume	$C_{act}$	100.9	L
Daily electricity consumption (corrected)	$Q_{elec}$	6.653	kWh
Water heating energy efficiency	$\eta_{wh}$	36.2	
Annual Electricity Consumption	AEC	1420	kWh
Water heating energy efficiency class		C	
Description	Parameter	Value	Unit
Water temperature without tapping	$T_{set}$	51	°C
Average water temperature of outlet warm water	$\theta'_p$	50.7	°C
Average water temperature of inlet cold water	$\theta_c$	10.3	°C
Normalised value of the average temperature	$\theta_p$	50.7	°C
Volume that delivered water of at least 40 °C	$V_{40exp}$	76.3	L
Calculated volume that delivered hot water of at least 40 °C	$V_{40}$	103	L

The product is subject to change without notice.  
Please keep this manual properly.

Wuhu Midea Kitchen & Bath Appliances Mfg. Co., Ltd.

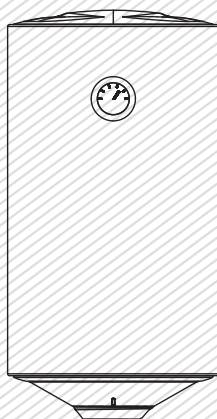
Address: East Road Wanchun, East Area Economic & Technological  
Development Area, Wuhu City, Anhui Province, P.R.China  
Web site: [www.midea.com/global](http://www.midea.com/global) Postal code: 241000

**Midea Italia S.r.l.**

A Socio Unico Viale  
Bodio 29 20158 Milano  
(MI) [www.midea.com/it](http://www.midea.com/it)

# Manuale Utente e di installazione

Modello D30-15FA3  
D50-15FA3  
D80-15FA3  
D100-15FA3



Il diagramma sopra è solo per riferimento. Si prega di considerare come standard l'apparenza del prodotto concreto.

I disegni e le informazioni grafiche contenute in questo volume sono solo indicative. L'aspetto effettivo di prodotti e accessori può differire da quanto indicato



## Indicazioni generali

- L'installazione e manutenzione deve essere effettuata da professionisti qualificati o tecnici Midea autorizzati.
- Il produttore non deve essere ritenuto responsabile per qualsiasi danno o malfunzionamento causato da installazione errata o dal mancato rispetto delle istruzioni incluse in questo libretto.
- Per delle linee guida su installazione e manutenzione più dettagliate, fare riferimento ai capitoli sotto.

## TABELLA DEI CONTENUTI

TITOLO	Pagina
1. Precauzioni.....	(2)
2. Introduzione prodotto.....	(3)
3. Installazione unità .....	(5)
4. Metodi di utilizzo .....	(7)
5. Manutenzione .....	(7)
6. Risoluzione problemi .....	(8)
7. INFORMAZIONI PRODOTTO CON NORMATIVA UE .....	(9)

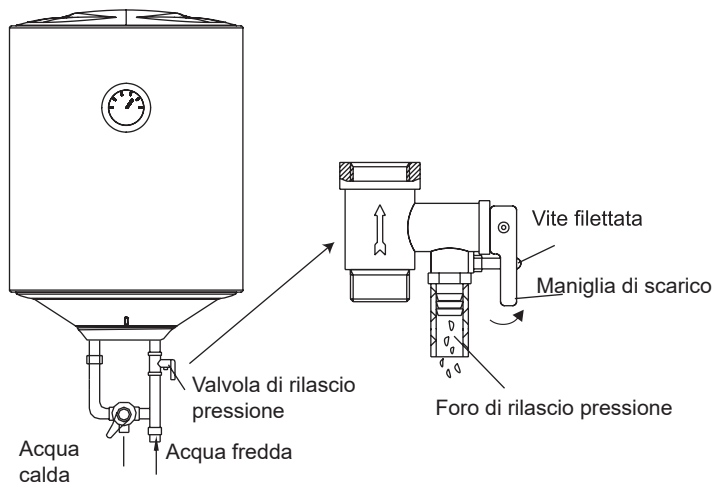


## 1. PRECAUZIONI

Prima di installare questo scaldabagno, verificare che l'alimentazione elettrica sia correttamente connessa e che la connessione di messa a terra sia adeguata. In caso contrario, lo scaldabagno non può essere installato e utilizzato. Non utilizzare prolunghe. l'installazione e utilizzo non corretto di questo scaldabagno può causare lesioni serie e perdita della proprietà.

### Avvertenze speciali

- La presa deve disporre di messa a terra sicura. La corrente nominale della presa non deve essere inferiore a 10A. La presa e la spina devono essere tenute asciutte per evitare cortocircuiti. Ispezionare frequentemente che la spina sia in ben in contatto con la presa. Ispezionare come segue: inserire la spina nella presa, dopo mezz'ora di utilizzo, spegnere l'unità, staccare la spina, e verificare se è calda. Se è troppo calda (oltre 50°C), cambiare la presa per evitare di danneggiare la spina, causare incendi o altri incidenti personali causati da contatti malfunzionanti.
- La presa di corrente non deve essere installata ad un'altezza inferiore a 1,8m.
- La parete in cui deve essere installato lo scaldabagno elettrico deve poter sorreggere più di due volte del peso dell'elettrodomestico completamente pieno d'acqua senza piegarsi o formare crepe. In caso contrario, è necessario adottare delle misure di rafforzamento.
- La valvola di rilascio pressione collegata allo scaldabagno deve essere installata nell'entrata dell'acqua fredda, ed è necessario assicurarsi che non sia esposta a vapore. Potrebbe fuoriuscire dell'acqua dalla valvola di rilascio pressione, per cui il tubo di uscita deve essere aperto all'aria; la valvola di rilascio pressione deve essere controllata e pulita regolarmente, assicurandosi che non sia ostruita.



(Fig.1)

- Al primo utilizzo dello scaldabagno (o al primo utilizzo dopo la manutenzione), questo non può essere acceso fino a quando non è pieno d'acqua. Durante il riempimento dell'acqua, almeno una delle valvole di uscita dello scaldabagno deve essere aperta per favorire l'uscita di aria. Questa valvola può essere chiusa dopo che lo scaldabagno è stato completamente riempito d'acqua.
- Lo scaldabagno non è destinato a utilizzo da parte di persone (inclusi bambini) con capacità motorie, sensoriali o mentali ridotte, o mancanza di competenza o esperienza, a meno che supervisionati o guidati all'uso dell'elettrodomestico da una persona responsabile per la loro sicurezza. Tenere sotto controllo i bambini per assicurarsi che non giochino con lo scaldabagno.

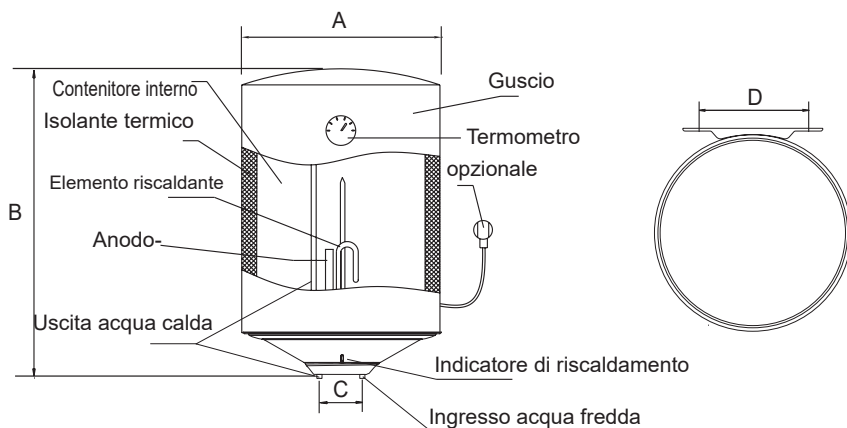
- Durante il riscaldamento, potrebbero cadere delle gocce d'acqua dal foro di rilascio pressione della valvola. Questo è un fenomeno normale. Nel caso in cui si verifichi una perdita consistente di acqua, contattare il centro di supporto clienti per richiedere la riparazione. Il foro di rilascio pressione non deve essere mai ostruito, altrimenti, lo scaldabagno potrebbe danneggiarsi, provocando eventualmente degli incidenti.
- Il tubo di scarico connesso al foro di rilascio pressione deve essere tenuto in pendenza verso il basso.
- Dato che la temperatura dell'acqua all'interno dello scaldabagno può raggiungere fino a 75°C, fare entrare l'acqua in contatto con il corpo umano senza predisporre un miscelatore o una valvola termostatica. Regolare la temperatura dell'acqua fino a un valore adatto per evitare scottature.
- Ruotare la vite filettata della valvola di rilascio pressione e sollevare il manico di scarico verso l'alto. (Vedere fig.1) per scaricare l'acqua dal contenitore interno
- Se il cavo elettrico è danneggiato, questo deve essere sostituito da personale di manutenzione certificato dal produttore
- Se altre parti o componenti di questo scaldabagno sono danneggiate, contattare il centro di supporto clienti per richiedere la riparazione.
- Questo apparecchio non è destinato all'uso da parte di persone (compresi i bambini) con ridotte capacità fisiche, sensoriali o mentali o mancanza di esperienza e conoscenza, a meno che non siano state sottoposte a supervisione o istruzioni relative all'uso dell'elettrodomestico da parte di una persona responsabile della loro sicurezza.
- I bambini devono essere costantemente sorvegliati per assicurarsi che non giochino con l'apparecchio.

## 2. INTRODUZIONE PRODOTTO

### 2.1 Parametri prestazioni tecniche

Modello	Volume (L)	Potenza nominale (W)	Tensione nominale (ACV)	Pressione nominale (MPa)	Temperatura acqua massima (°C)	Classe di protezione	Classe di impermeabilità
D30-15FA3	30	1500	220-240	0,8	75	I	IPX4
D50-15FA3	50	1500	220-240	0,8	75	I	IPX4
D80-15FA3	80	1500	220-240	0,8	75	I	IPX4
D100-15FA3	100	1500	220-240	0,8	75	I	IPX4

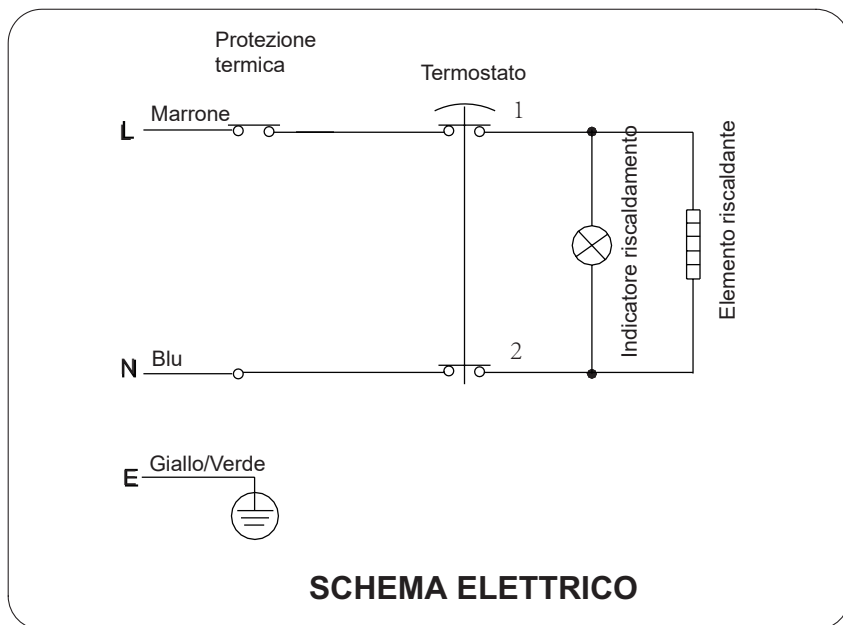
### 2.2 Breve introduzione della struttura del prodotto



	D30-15FA3	D50-15FA3	D80-15FA3	D100-15FA
A	340	450	450	450
B	570	600	758	908
C	100	100	100	100
D	200	200	200	200

(Nota: tutte le dimensioni sono in mm)

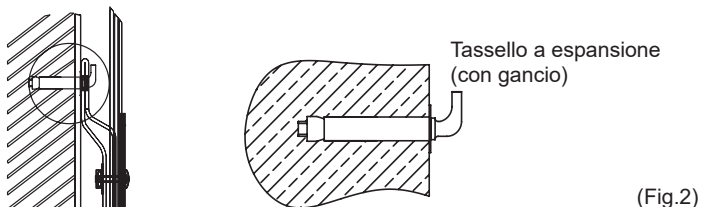
### 2.3 Diagramma cavi interni



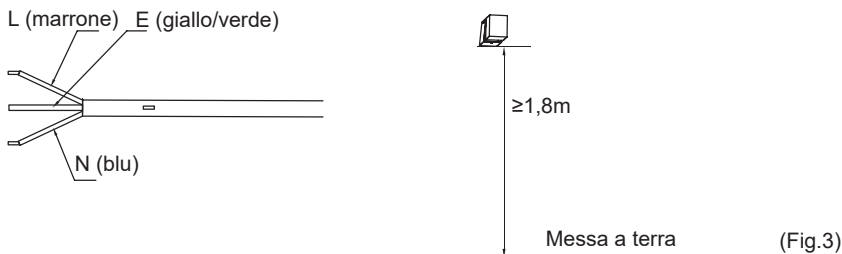
### 3. INSTALLAZIONE UNITÀ

#### 3.1 Istruzioni installazione

- ① Questo scaldabagno deve essere installato su una parete solida. Se la parete non è in grado di sorreggere più di due volte del peso dell'elettrodomestico completamente pieno d'acqua, è necessario installare un supporto speciale.  
Nel caso in cui la parete sia in mattoni forati, assicurarsi di riempirli di cemento completamente.
- ② Dopo aver selezionato la posizione adeguata, determinare i punti dei due fori di installazione utilizzati per i tasselli a espansione con gancio (determinato a seconda delle specifiche del prodotto selezionato). Realizzare due fori sulla parete delle profondità corrispondente utilizzando un trapano delle stesse dimensioni dei tasselli a espansione collegati al dispositivo, inserire le vite, ruotare i ganci verso l'alto, stringere i bulloni fermamane e successivamente appendere lo scaldabagno elettrico (vedere fig.2).



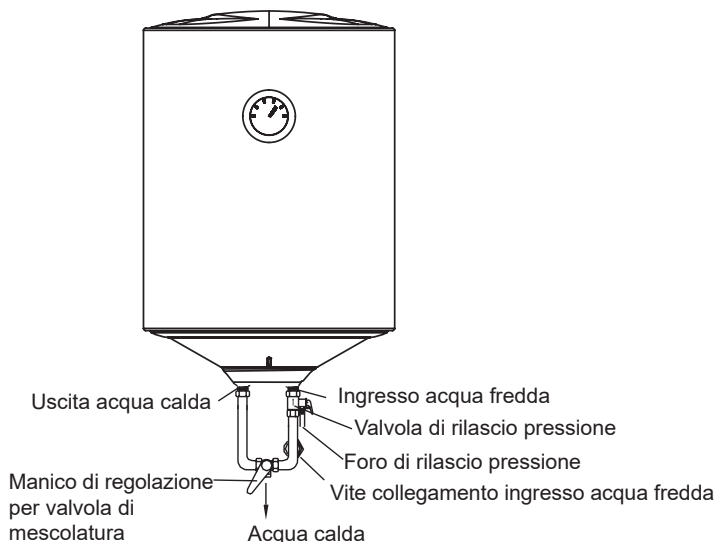
- ③ Installare la presa di corrente sulla parete. I requisiti della presa sono i seguenti: 250V/10A, fase singola, tre POLI. Si consiglia di posizionare la presa sul lato destro sopra lo scaldabagno. La presa di corrente non deve essere installata ad un'altezza inferiore a 1,8m (vedere fig.3). Se il cavo è difettoso, deve essere sostituito dal produttore, agenzia o personale qualificato in grado di effettuare l'operazione in sicurezza.



- ④ Se il bagno è troppo piccolo, lo scaldabagno può essere installato in un'altra stanza al riparo da sole e pioggia. Nonostante ciò, al fine di ridurre le perdite di calore lungo il tubo, lo scaldabagno deve essere il più vicino possibile al bagno.

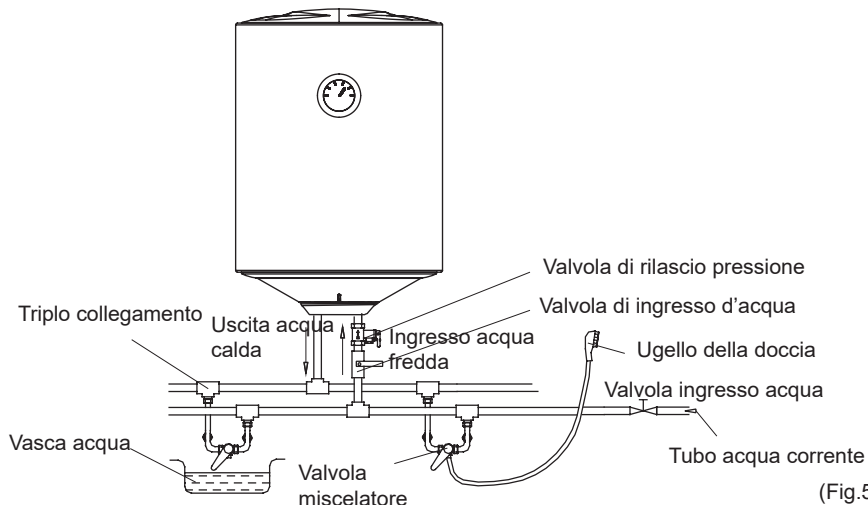
#### 3.2 Collegamento tubi

- ① Ogni parte di tubo ha dimensione G1/2"; la pressione massima di entrata deve essere regolata in Pa; la pressione minima di entrata deve essere regolata in Pa.
- ② Collegare la valvola di rilascio pressione con l'entrata dello scaldabagno.
- ③ Per evitare perdite, durante il collegamento dei tubi è necessario aggiungere le guarnizioni in gomma ermetiche fornite con lo scaldabagno in ogni parte terminale, in modo da realizzare dei collegamenti sicuri (vedere fig.4).



(Fig.4)

- ④ Nel caso in cui l'utente volesse realizzare un sistema di fornitura multiplo, fare riferimento al metodo mostrato in fig.5 per il collegamento dei tubi.



(Fig.5)



## NOTA:

Assicurarsi di utilizzare gli accessori forniti dalla nostra società durante l'installazione di questo scaldabagno. Questo scaldabagno non può essere appeso sul supporto fino a quando non è stata verificata solidità e affidabilità. In caso contrario, lo scaldabagno elettrico potrebbe cader dalla parete danneggiandosi o causando incidenti seri. Durante la selezione dei punti dei fori per i tasselli, assicurarsi di lasciare non meno di 0,2m di spazio sul lato destro dello scaldabagno, per semplificare le operazioni di manutenzione, se necessario.

## 4. METODI DI UTILIZZO

- Aprire una delle valvole di uscita dello scaldabagno, successivamente aprire la valvola di entrata. Lo scaldabagno si riempie d'acqua. Se esce dell'acqua dalla tubo di uscita vuol dire che lo scaldabagno è pieno e la valvola di uscita può essere chiusa.



### NOTA:

Durante l'utilizzo normale, la valvola di ingresso deve essere tenuta aperta.

- Inserire la spina nella presa, si accenderanno i due indicatori.
- Il termostato controlla automaticamente la temperatura. Quando la temperatura dell'acqua interna raggiunge la temperatura impostata, questo si spegne automaticamente, quando la temperatura scende sotto il valore impostato, lo scaldabagno si accende automaticamente per ripristinare la temperatura.

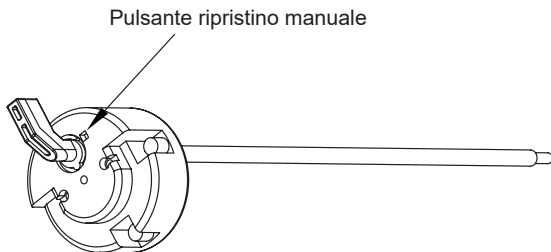
## 5. MANUTENZIONE



### AVVERTENZE

Staccare l'alimentazione prima di effettuare la manutenzione per evitare rischi di folgorazione.

- In caso di surriscaldamenti o danni al termostato, il limitatore rimuove l'alimentazione dallo scaldabagno. Necessaria reimpostazione manuale. Reimpostare come segue (vedere fig.6) Il limitatore deve essere smontato solo da professionisti del settore. Contattare un professionista per la manutenzione. In caso contrario, la nostra società non si assume la responsabilità per eventuali incidenti che potrebbero verificarsi.



(Fig.6)

- Verificare lo stato di presa e spina il più spesso possibile. Deve essere presente contatto elettrico e messa a terra sicura. La spina e la presa non devono riscaldarsi eccessivamente.
- Se lo scaldabagno non viene utilizzato per tanto tempo, soprattutto in luoghi particolarmente freddi (sotto 0°C), è necessario rimuovere l'acqua per prevenire dei danni causati dal congelamento dell'acqua stessa all'interno. (Fare riferimento alle avvertenze di questo manuale per i metodi di scarico dell'acqua dal contenitore interno)
- Per garantire un funzionamento a lungo adeguato, si consiglia di pulire regolarmente il contenitore interno e rimuovere depositi sugli elementi di riscaldamento elettrici dello scaldabagno, oltre che verificare le condizioni (completamente decomposto o meno) dell'anodo di magnesio. Se necessario, sostituirlo con uno nuovo in caso di completa decomposizione. La frequenza di pulizia del contenitore dipende dalla durezza dell'acqua locale. La pulizia deve essere effettuata da personale di manutenzione qualificato. È possibile richiedere al venditore l'indirizzo del centro di manutenzione più vicino.

## 6. RISOLUZIONE PROBLEMI

Guasti	Cause	Soluzione
L'indicatore di riscaldamento è spento	Guasto del sistema di controllo temperatura	Contattare un professionista qualificato per la riparazione.
Non esce acqua dall'uscita dell'acqua calda.	<ol style="list-style-type: none"><li>1. La fornitura d'acqua è interrotta.</li><li>2. La pressione idraulica è troppo bassa.</li><li>3. La valvola di ingresso dell'acqua non è aperta.</li></ol>	<ol style="list-style-type: none"><li>1. Attendere la riattivazione della fornitura d'acqua.</li><li>2. Utilizzare lo scaldabagno di nuovo dopo aver aumentato la pressione idraulica.</li><li>3. Aprire la valvola di ingresso dell'acqua.</li></ol>
La temperatura dell'acqua è troppo elevata.	Guasti del sistema di controllo temperatura.	Contattare un professionista qualificato per la riparazione.
Perdite d'acqua.	Problema relativo alla chiusura di ogni tubo.	Chiudere bene i collegamenti.



### NOTA:

Alcune parti illustrate in questo manuale di utilizzo e manutenzione sono solo indicative, le parti del prodotto potrebbero differire dalle illustrazioni. Questo prodotto è destinato solo a un uso domestico. Le specifiche sono soggette a modifiche senza preavvis

## 7. Informazioni prodotto con normativa UE

Lo scaldabagno elettrico **D30-15FA3** della società **MIDEA** Ltd. è stato testato con un carico di profilodichiarato di dimensioni "S".

Il prodotto soddisfa e corrisponde ai requisiti degli standard normativi (No 814/2013) per gli scaldabagno elettrici e possiede un'efficienza energetica di  $\eta_{wh}=32\%$  che corrisponde alla classe "C".

In accordo con l'articolo 1 dell'Annex II Energy Efficiency Classes della normativa (No 812/2013)

La valutazione dei risultati di questo report nel rispetto della conformità alla relativa normativa (no 812/2013 e 814/2019) è solo una parte delle procedura di conformità per ottenere l'ErP-Label.

Consumo elettrico  $Q_{elec}$ , efficienza di riscaldamento  $\eta_{wh}$  e acqua mista a 40°C (V40).

Descrizione	Parametro	Valore	Unità
k-Valore	k	0.23	
Conformità controllo smart	smart	0	
Fattore controllo smart	SCF	0	
Coefficiente di conversion	CC	2.5	
Termine di correzione ambientale	$Q_{cor}$	-0.414	kWh
Energia di riferimento	$Q_{ref}$	2.1	kWh
Valore energetico utile	$Q_{H2O}$	2.5	kWh
Tasso di correzione energia utile e di riferimento	$Q_{ref}/Q_{H2O}$	0.84	kWh
Consumo elettrico giornaliero (misurato)	$Q_{test\_elec}$	3.520	kWh
Temperatura acqua all'inizio del ciclo di misurazione di 24h	T3	66.4	°C
Temperatura acqua alla fine del ciclo di misurazione di 24	T5	71	°C
Volume	$M_{act}$	30.3	kg
Volume	$C_{act}$	30.3	L
Consumo elettrico giornaliero (corretto)	$Q_{elec}$	2.820	kWh
Efficienza energetica di riscaldamento acqua	$\eta_{wh}$	31.6	
Consumo elettrico annuale	AEC	583	kWh
Classe di Efficienza energetica di riscaldamento d'acqua		C	
Descrizione	Parametro	Valore	Unità
Temperatura acqua senza tapping	$T_{set}$	66	°C
Temperatura acqua media uscita acqua tiepida	$\theta'_p$	62.2	°C
Temperatura acqua media ingresso acqua fredda	$\theta_c$	10.5	°C
Valore normalizzato della temperatura media	$\theta_p$	62.2	°C
Volume d'acqua fornita ad almeno 40°C	$V_{40exp}$	25	L
Volume calcolato d'acqua calda fornita ad almeno 40°C	$V_{40}$	44	L



Lo scaldabagno elettrico **D50-15FA3** della società **MIDEA** Ltd. è stato testato con un carico di profilodichiarato di dimensioni "**M**".

Il prodotto soddisfa e corrisponde ai requisiti degli standard normativi (No 814/2013) per gli scaldabagno elettrici e possiede un'efficienza energetica di  $\eta_{wh}=37\%$  che corrisponde alla classe "**C**".

In accordo con l'articolo 1 dell'Annex II Energy Efficiency Classes della normativa (No 812/2013)

La valutazione dei risultati di questo report nel rispetto della conformità alla relativa normativa (no 812/2013 e 814/2019) è solo una parte delle procedura di conformità per ottenere l'ErP-Label.

Consumo elettrico  $Q_{elec}$ , efficienza di riscaldamento  $\eta_{wh}$  e acqua mista a 40°C (V40).

Descrizione	Parametro	Valore	Unità
k-Valore	k	0.23	
Conformità controllo smart	smart	0	
Fattore controllo smart	SCF	0	
Coefficiente di conversion	CC	2.5	
Termine di correzione ambientale	$Q_{cor}$	-0.395	kWh
Energia di riferimento	$Q_{ref}$	5.845	kWh
Valore energetico utile	$Q_{H2O}$	5.730	kWh
Tasso di correzione energia utile e di riferimento	$Q_{ref}/Q_{H2O}$	1.038	kWh
Consumo elettrico giornaliero (misurato)	$Q_{test\_elec}$	6.527	kWh
Temperatura acqua all'inizio del ciclo di misurazione di 24h	T3	58.6	°C
Temperatura acqua alla fine del ciclo di misurazione di 24	T5	62.7	°C
Volume	$M_{act}$	49	kg
Volume	$C_{act}$	49	L
Consumo elettrico giornaliero (corretto)	$Q_{elec}$	6.532	kWh
Efficienza energetica di riscaldamento acqua	$\eta_{wh}$	36.68	
Consumo elettrico annuale	AEC	1400	kWh
Classe di Efficienza energetica di riscaldamento d'acqua		C	
Descrizione	Parametro	Valore	Unità
Temperatura acqua senza tapping	$T_{set}$	60	°C
Temperatura acqua media uscita acqua tiepida	$\theta'_p$	59.8	°C
Temperatura acqua media ingresso acqua fredda	$\theta_c$	8.8	°C
Valore normalizzato della temperatura media	$\theta_p$	59.9	°C
Volume d'acqua fornita ad almeno 40°C	$V_{40exp}$	38	L
Volume calcolato d'acqua calda fornita ad almeno 40°C	$V_{40}$	63	L

Lo scaldabagno elettrico **D80-15FA3** della società **MIDEA** Ltd. è stato testato con un carico di profilodichiarato di dimensioni "**M**".

Il prodotto soddisfa e corrisponde ai requisiti degli standard normativi (No 814/2013) per gli scaldabagno elettrici e possiede un'efficienza energetica di  $\eta_{wh}=36\%$  che corrisponde alla classe "**C**".

In accordo con l'articolo 1 dell'Annex II Energy Efficiency Classes della normativa (No 812/2013)

La valutazione dei risultati di questo report nel rispetto della conformità alla relativa normativa (no 812/2013 e 814/2019) è solo una parte delle procedura di conformità per ottenere l'ErP-Label.

Consumo elettrico  $Q_{elec}$ , efficienza di riscaldamento  $\eta_{wh}$  e acqua mista a 40°C (V40).

Descrizione	Parametro	Valore	Unità
k-Valore	k	0.23	
Conformità controllo smart	smart	0	
Fattore controllo smart	SCF	0	
Coefficiente di conversion	CC	2.5	
Termine di correzione ambientale	$Q_{cor}$	-0.335	kWh
Energia di riferimento	$Q_{ref}$	5.845	kWh
Valore energetico utile	$Q_{H2O}$	6.135	kWh
Tasso di correzione energia utile e di riferimento	$Q_{ref}/Q_{H2O}$	0.953	kWh
Consumo elettrico giornaliero (misurato)	$Q_{test\_elec}$	8.537	kWh
Temperatura acqua all'inizio del ciclo di misurazione di 24h	T3	51.8	°C
Temperatura acqua alla fine del ciclo di misurazione di 24	T5	70.9	°C
Volume	$M_{act}$	80.6	kg
Volume	$C_{act}$	80.6	L
Consumo elettrico giornaliero (corretto)	$Q_{elec}$	6.428	kWh
Efficienza energetica di riscaldamento acqua	$\eta_{wh}$	36.4	
Consumo elettrico annuale	AEC	1382	kWh
Classe di Efficienza energetica di riscaldamento d'acqua		C	
Descrizione	Parametro	Valore	Unità
Temperatura acqua senza tapping	$T_{set}$	52	°C
Temperatura acqua media uscita acqua tiepida	$\theta'_p$	50	°C
Temperatura acqua media ingresso acqua fredda	$\theta_c$	10.5	°C
Valore normalizzato della temperatura media	$\theta_p$	49.9	°C
Volume d'acqua fornita ad almeno 40°C	$V_{40exp}$	56	L
Volume calcolato d'acqua calda fornita ad almeno 40°C	$V_{40}$	75	L

Lo scaldabagno elettrico **D100-15FA3** della società **MIDEA** Ltd. è stato testato con un carico di profilodichiarato di dimensioni "**M**".

Il prodotto soddisfa e corrisponde ai requisiti degli standard normativi (No 814/2013) per gli scaldabagno elettrici e possiede un'efficienza energetica di  $\eta_{wh}=36\%$  che corrisponde alla classe "**C**".

In accordo con l'articolo 1 dell'Annex II Energy Efficiency Classes della normativa (No 812/2013)

La valutazione dei risultati di questo report nel rispetto della conformità alla relativa normativa (no 812/2013 e 814/2019) è solo una parte delle procedura di conformità per ottenere l'ErP-Label.

Consumo elettrico  $Q_{elec}$ , efficienza di riscaldamento  $\eta_{wh}$  e acqua mista a 40°C (V40).

Descrizione	Parametro	Valore	Unità
k-Valore	k	0.23	
Conformità controllo smart	smart	0	
Fattore controllo smart	SCF	0	
Coefficiente di conversion	CC	2.5	
Termine di correzione ambientale	$Q_{cor}$	-0.464	kWh
Energia di riferimento	$Q_{ref}$	5.845	kWh
Valore energetico utile	$Q_{H2O}$	6.243	kWh
Tasso di correzione energia utile e di riferimento	$Q_{ref}/Q_{H2O}$	0.936	kWh
Consumo elettrico giornaliero (misurato)	$Q_{test\_elec}$	9.394	kWh
Temperatura acqua all'inizio del ciclo di misurazione di 24h	T3	51.3	°C
Temperatura acqua alla fine del ciclo di misurazione di 24	T5	70.8	°C
Volume	$M_{act}$	100.9	kg
Volume	$C_{act}$	100.9	L
Consumo elettrico giornaliero (corretto)	$Q_{elec}$	6.653	kWh
Efficienza energetica di riscaldamento acqua	$\eta_{wh}$	36.2	
Consumo elettrico annuale	AEC	1420	kWh
Classe di Efficienza energetica di riscaldamento d'acqua		C	
Descrizione	Parametro	Valore	Unità
Temperatura acqua senza tapping	$T_{set}$	51	°C
Temperatura acqua media uscita acqua tiepida	$\theta'_p$	50.7	°C
Temperatura acqua media ingresso acqua fredda	$\theta_c$	10.3	°C
Valore normalizzato della temperatura media	$\theta_p$	50.7	°C
Volume d'acqua fornita ad almeno 40°C	$V_{40exp}$	76.3	L
Volume calcolato d'acqua calda fornita ad almeno 40°C	$V_{40}$	103	L

Questo prodotto sarà soggetto a cambiamenti senza preavvisi Conservare correttamente questo manuale

**Wuhu Midea Kitchen & Bath Appliances Mfg. Co., Ltd.**

Address: East Road Wanchun, East Area Economic & Technological  
Development Area, Wuhu City, Anhui Province, P.R.China  
Web site: [www.midea.com/global](http://www.midea.com/global) Postal code: 241000

**Midea Italia S.r.l.**

A Socio Unico Viale  
Bodio 29 20158 Milano  
(MI) [www.midea.com/it](http://www.midea.com/it)