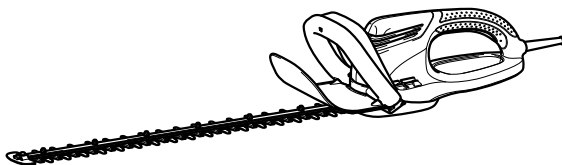




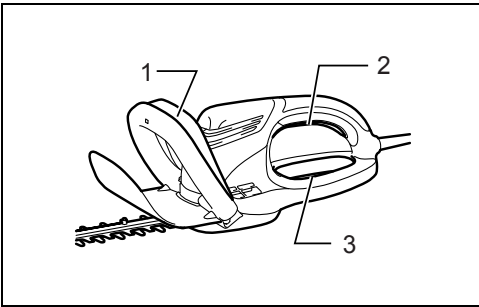
<b>GB</b>	<b>Hedge Trimmer</b>	<b>Instruction manual</b>
<b>F</b>	<b>Taille-haie</b>	<b>Manuel d'instructions</b>
<b>D</b>	<b>Heckenschere</b>	<b>Betriebsanleitung</b>
<b>I</b>	<b>Tagliasiepi</b>	<b>Istruzioni per l'uso</b>
<b>NL</b>	<b>Heggenschaar</b>	<b>Gebruiksaanwijzing</b>
<b>E</b>	<b>Desmalezadora eléctrica</b>	<b>Manual de instrucciones</b>
<b>P</b>	<b>Aparador de cercas eléctrico</b>	<b>Manual de instruções</b>
<b>DK</b>	<b>Hækkeklipper</b>	<b>Brugsanvisning</b>
<b>GR</b>	<b>Ψαλίδι Μπορντούρας</b>	<b>Οδηγίες χρήσης</b>
<b>TR</b>	<b>Çit Budama</b>	<b>Kullanım kılavuzu</b>

**UH4570**  
**UH5570**  
**UH6570**



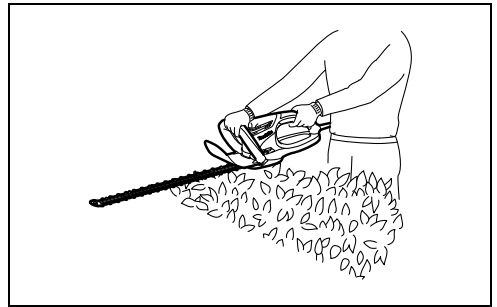
009277





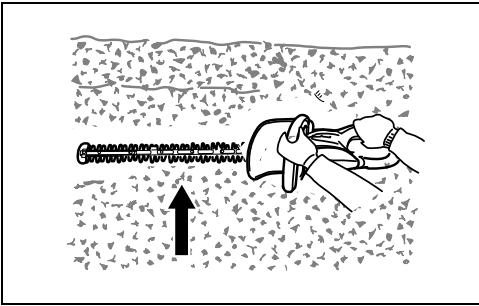
1

009279



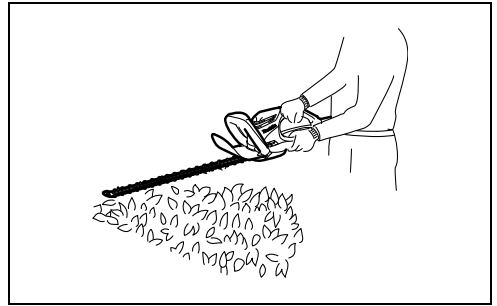
2

009280



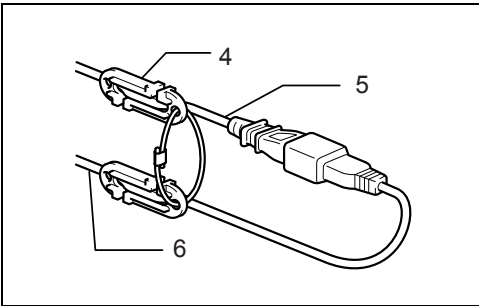
3

009281



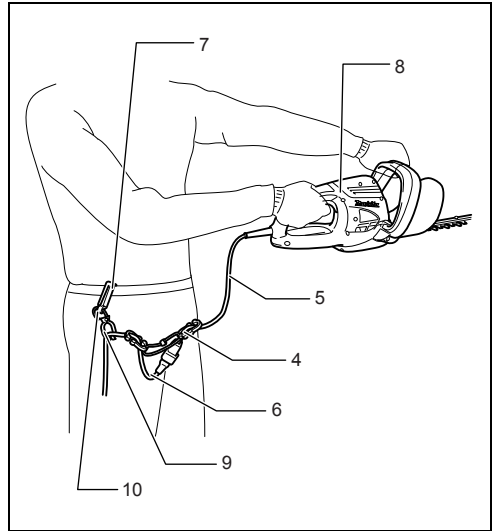
4

009282



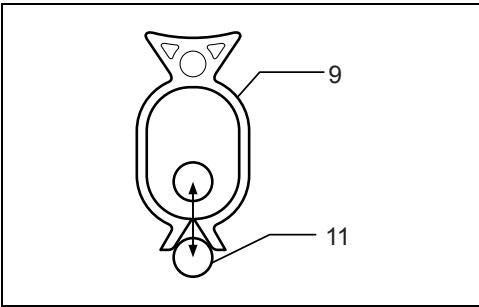
5

007542



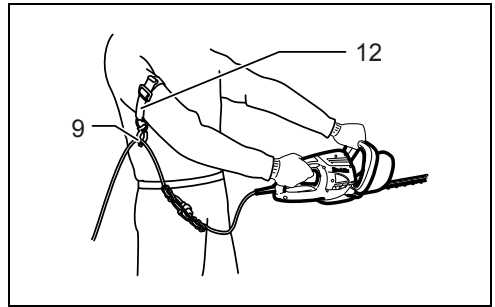
6

009278



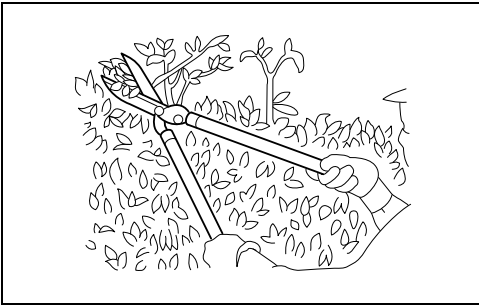
**7**

007545



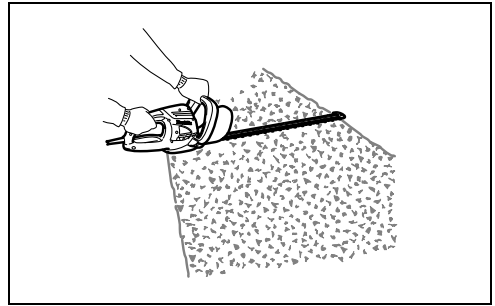
**8**

009294



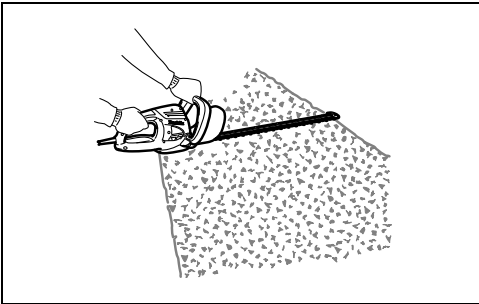
**9**

007559



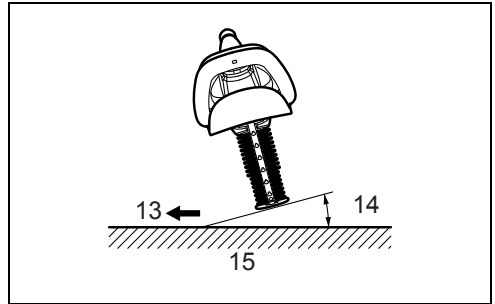
**10**

009283



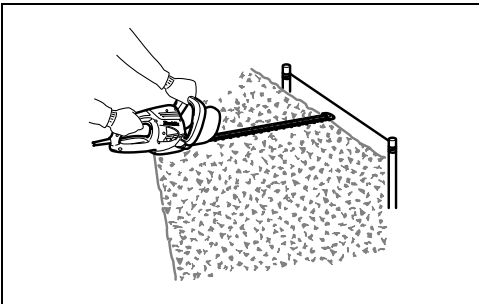
**11**

009284



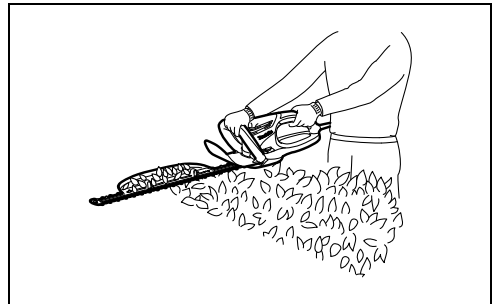
**12**

009285



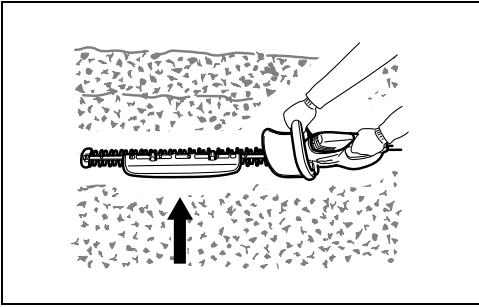
**13**

009286



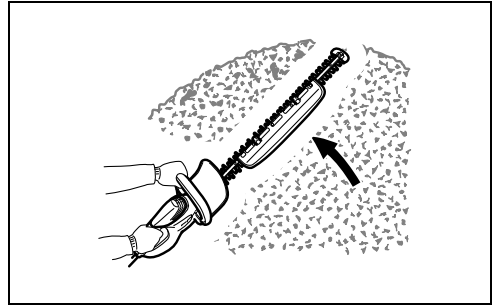
**14**

009287



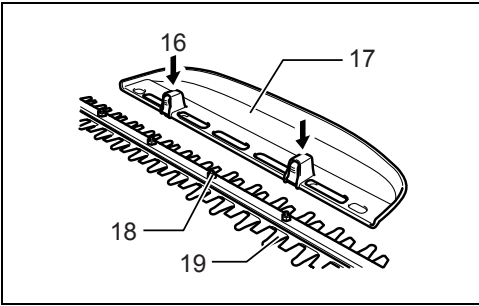
15

009288



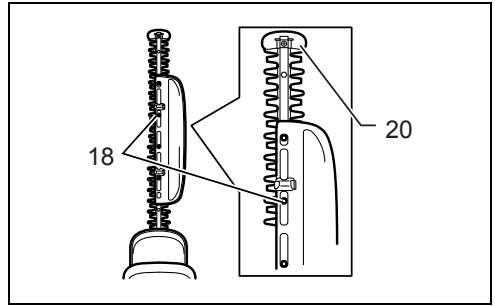
16

009289



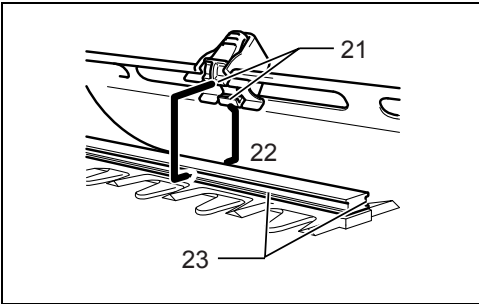
17

009290



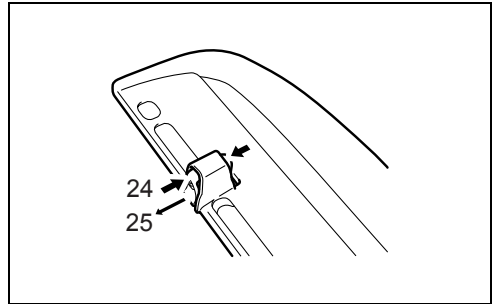
18

009291



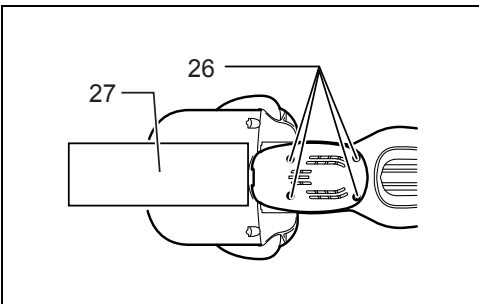
19

009292



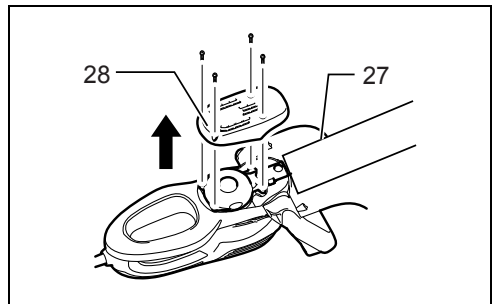
20

009293



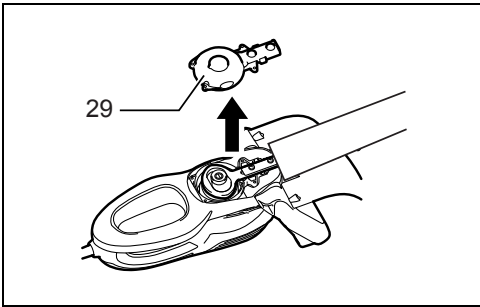
21

009295



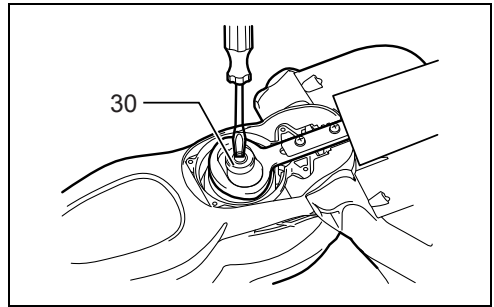
22

009296



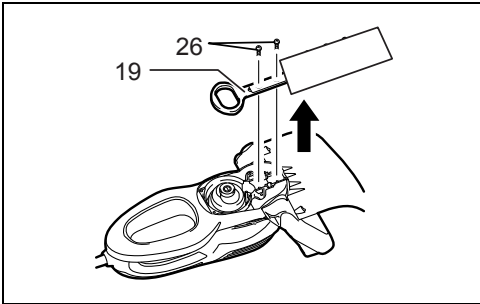
23

009297



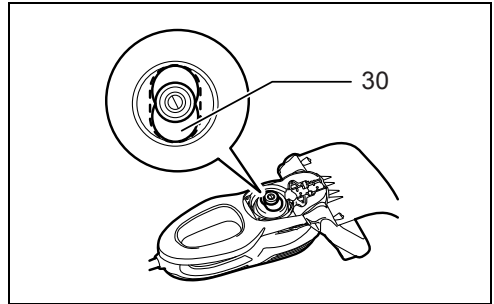
24

009298



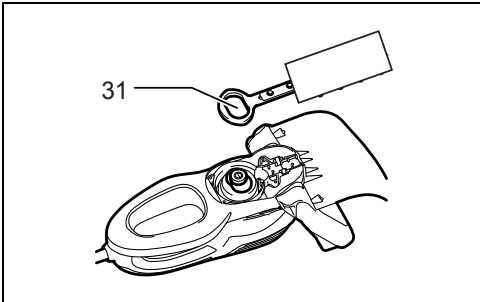
25

009299



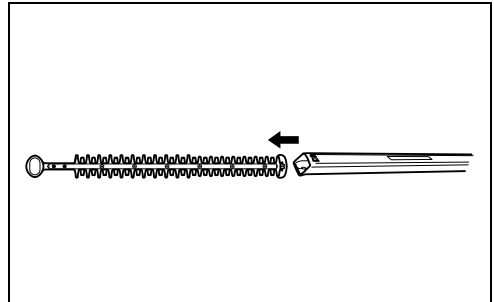
26

009300



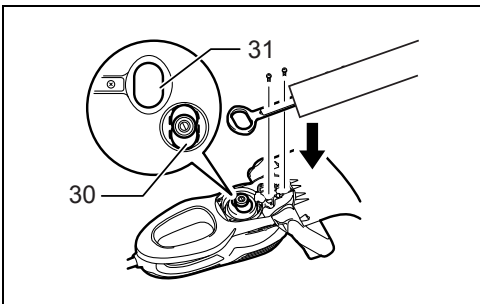
27

009301



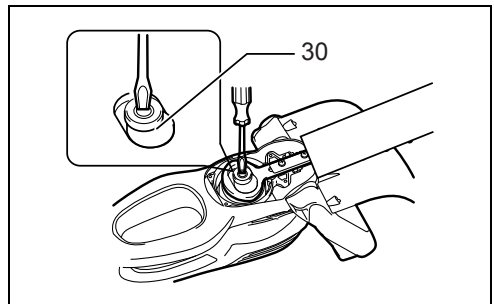
28

009302



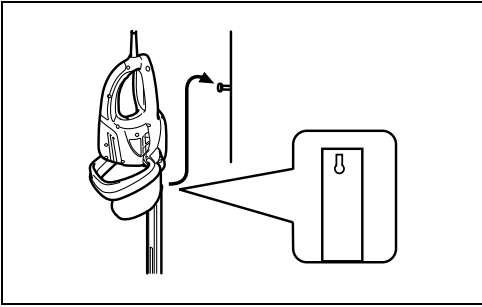
29

009303



30

009304



31

009305

## ENGLISH (Original instructions)

### Explanation of general view

- |                     |                                 |                                    |
|---------------------|---------------------------------|------------------------------------|
| 1. Switch trigger B | 12. Arm cord hook               | 23. Grooves                        |
| 2. Switch trigger A | 13. Trimming direction          | 24. Press the levers on both sides |
| 3. Switch trigger C | 14. Tilt the blades             | 25. Unlock the hooks               |
| 4. Hook complete    | 15. Hedge surface to be trimmed | 26. Screws                         |
| 5. Tool's cord      | 16. Press                       | 27. Blade cover                    |
| 6. Extension cord   | 17. Chip receiver               | 28. Under cover                    |
| 7. Hook             | 18. Nut                         | 29. Gear housing cover             |
| 8. Tool             | 19. Shear blade                 | 30. Crank                          |
| 9. Holder           | 20. Branch catcher              | 31. Ellipse of shear blade         |
| 10. Waist cord hook | 21. Hooks                       |                                    |
| 11. Cord            | 22. Fit the hooks into groove   |                                    |

## SPECIFICATIONS

Model	UH4570	UH5570	UH6570
Blade length	450 mm	550 mm	650 mm
Strokes per minute (min <sup>-1</sup> )	1,600	1,600	1,600
Overall length	862 mm	970 mm	1,042 mm
Net weight	3.6 kg	3.7 kg	3.8 kg
Safety class	□/II		

- Due to our continuing program of research and development, the specifications herein are subject to change without notice.
- Specifications may differ from country to country.
- Weight according to EPTA-Procedure 01/2003

### Symbol END220-5

The following show the symbols used for the equipment. Be sure that you understand their meaning before use.



..... Read instruction manual.



..... DOUBLE INSULATION



..... Do not expose to rain.



..... Remove plug from the mains immediately if the cable is damaged or cut.



..... Only for EU countries  
Do not dispose of electric equipment together with household waste material!  
In observance of European Directive 2012/19/EU on waste electric and electronic equipment and its implementation in accordance with national law, electric equipment that have reached the end of their life must be collected separately and returned to an environmentally compatible recycling facility.

### Intended use ENE014-1

The tool is intended for trimming hedges.

### Power supply ENF002-2

The tool should be connected only to a power supply of the same voltage as indicated on the nameplate, and can only be operated on single-phase AC supply. They are double-insulated and can, therefore, also be used from sockets without earth wire.

## General Power Tool Safety Warnings

GEA010-1

**⚠ WARNING Read all safety warnings and all instructions.** Failure to follow the warnings and instructions may result in electric shock, fire and/or serious injury.

## Save all warnings and instructions for future reference.

## HEDGE TRIMMER SAFETY WARNINGS

GEB041-9

1. **Keep all parts of the body away from the cutter blade. Do not remove cut material or hold material to be cut when blades are moving. Make sure the switch is off when clearing jammed material.** A moment of inattention while operating the hedge trimmer may result in serious personal injury.
2. **Carry the hedge trimmer by the handle with the cutter blade stopped. When transporting or storing the hedge trimmer always fit the cutting device cover.** Proper handling of the hedge trimmer

- will reduce possible personal injury from the cutter blades.
3. **Hold the power tool by insulated gripping surfaces only, because the cutter blade may contact hidden wiring or its own cord.** Cutter blades contacting a "live" wire may make exposed metal parts of the power tool "live" and could give the operator an electric shock.
  4. **Keep cable away from cutting area.** During operation the cable may be hidden in shrubs and can be accidentally cut by the blade.
  5. Do not use the hedge trimmer in the rain or in wet or very damp conditions. The electric motor is not waterproof.
  6. First-time users should have an experienced hedge trimmer user show them how to use the trimmer.
  7. The hedge trimmer must not be used by children or young persons under 18 years of age. Young persons over 16 years of age may be exempted from this restriction if they are undergoing training under the supervision of an expert.
  8. Use the hedge trimmer only if you are in good physical condition. If you are tired, your attention will be reduced. Be especially careful at the end of a working day. Perform all work calmly and carefully. The user is responsible for all damages to third parties.
  9. Never use the trimmer when under the influence of alcohol, drugs or medication.
  10. Check to make sure that the voltage and frequency of the power supply correspond to the specifications given on the identification plate. We recommend the use of a residual-current-operated circuit breaker (ground-fault circuit interrupter) with a tripping current of 30 mA or less, or an earth leakage current protector.
  11. Work gloves of stout leather are part of the basic equipment of the hedge trimmer and must always be worn when working with it. Also wear sturdy shoes with anti-skid soles.
  12. Before starting work check to make sure that the trimmer is in good and safe working order. Ensure guards are fitted properly. Check cable for damage before starting work and replace if necessary. The hedge trimmer must not be used unless fully assembled.
  13. Keep cable away from the cutting area. Always work in such a way that the extension power cord is behind you.
  14. Remove plug from the mains immediately if cable is damaged or cut.
  15. Make sure you have a secure footing before starting operation.
  16. Hold the tool firmly when using the tool.
  17. Do not operate the tool at no-load unnecessarily.
  18. Immediately switch off the motor and unplug the mains plug if the cutter should come into contact with a fence or other hard object. Check the cutter for damage, and if damaged repair immediately.
  19. Before checking the cutter, taking care of faults, or removing material caught in the cutter, always switch off the trimmer and unplug the mains plug.
  20. Switch off the trimmer and disconnect and secure the mains plug before doing any maintenance work.

21. When moving the hedge trimmer to another location, including during work, always unplug the mains plug and put the blade cover on the cutter blades. Never carry or transport the trimmer with the cutter running. Never grasp the cutter with your hands.
22. Clean the hedge trimmer and especially the cutter after use, and before putting the trimmer into storage for extended periods. Lightly oil the cutter and put on the cover. The cover supplied with the unit can be hung on the wall, providing a safe and practical way to store the hedge trimmer.
23. Store the hedge trimmer with the cover on, in a dry room. Keep it out of reach of children. Never store the trimmer outdoors.
24. **Do not operate the tool at no-load unnecessarily.**

## SAVE THESE INSTRUCTIONS.

### ⚠ WARNING:

**DO NOT let comfort or familiarity with product (gained from repeated use) replace strict adherence to safety rules for the subject product. MISUSE or failure to follow the safety rules stated in this instruction manual may cause serious personal injury.**

## FUNCTIONAL DESCRIPTION

### CAUTION:

- Always be sure that the tool is switched off and unplugged before adjusting or checking function on the tool.

### Switch action (Fig. 1)

For your safety, this tool is equipped with a triple switching system. To turn on the tool, press two out of three triggers A, B and C. Release either one of the two pressed triggers to turn off. The sequence of switching is unimportant as the tool only starts when both switches are activated.

### Straight cut (Fig. 2)

To trim the hedge straight, pull triggers A and B.

### Vertical cut (Fig. 3)

Cut upwards with both hands pull the switch triggers B and C and move it in front of your body.

### Far area cut (Fig. 4)

To trim the hedge in far area with both hands pull the switch triggers A and C.

## ASSEMBLY

### CAUTION:

- Always be sure that the tool is switched off and unplugged before carrying out any work on the tool.

### Engage the extension cord

### CAUTION:

- Make sure that the extension cord is unplugged to the mains outlet. (Fig. 5)

When engaging the extension cord, secure it to the tool's cord with the hook complete. Attach the hook about 100 -



200 mm from the extension cord connector. This will help prevent unintentional disconnection.

## Waist cord hook

### CAUTION:

- Do not attach the holder of waist cord hook to other than the extension cord. Do not attach it in a position closer to the tool beyond the hook complete. Failure to do so may cause an accident or personal injury.
- Attach firmly one hook of the hook complete to the tool's cord and the other hook of hook complete to the extension cord. Working with the tool with a sole hook only attached may cause an accident and injury.

Using the waist cord hook helps to minimizing a risk of cutting off the extension cord unexpectedly caused by the loose extension cord. (Fig. 6)

Press in or pull out the cord through the opening of the holder. (Fig. 7)

### CAUTION:

- Do not force the opening of the holder. Failure to do so may cause deflection and damage to it.

## Arm cord hook (Accessory)

### CAUTION:

- Do not attach the holder of arm cord hook to other than the extension cord. Do not attach it in a position closer to the tool beyond the hook complete hooks. Failure to do so may cause an accident or personal injury.
- Attach firmly one hook of the hook complete to the tool's cord and the other hook of hook complete to the extension cord. Working with the tool with a sole hook only attached may cause an accident and injury.

Using the arm cord hook helps to minimize a risk of cutting off the extension cord unexpectedly caused by the loose extension cord. (Fig. 8)

Attach firmly the arm cord hook placing around your arm and pass the extension cord through the holder. The length of the arm cord hook band is adjustable.

### NOTE:

- Do not pass the extension cord through the band.
- Do not force the opening of the holder. Failure to do so may cause deflection and damage to it.
- Using the arm cord hook together with the waist cord hook is more helpful.

## OPERATION

### CAUTION:

- Be careful not to accidentally contact a metal fence or other hard objects while trimming. The blade will break and may cause serious injury.
- Overreaching with a hedge trimmer, particularly from a ladder, is extremely dangerous. Do not work from anything wobbly or infirm.

Do not attempt to cut branches thicker than 10 mm diameter with this trimmer. These should first be cut with shears down to the hedge trimming level. (Fig. 9)

### CAUTION:

- Do not cut off dead trees or similar hard objects. Failure to do so may damage the tool.

Hold the trimmer with both hands pull the switch trigger A or B and move it in front of your body. (Fig. 10)

As a basic operation, tilt the blades towards the trimming direction and move it calmly and slowly at the speed rate of 3 - 4 seconds per meter. (Fig. 11 & 12)

To cut a hedge top evenly, it helps to tie a string at the desired hedge height and to trim along it, using it as a reference line. (Fig. 13)

Attaching the chip receiver (accessory) on the tool when trimming the hedge straight can avoid cut off leaves' being thrown away. (Fig. 14)

To cut a hedge side evenly, it helps to cut from the bottom upwards. (Fig. 15)

Trim boxwood or rhododendron from the base toward the top for a nice appearance and good job. (Fig. 16)

## Installing or removing chip receiver (accessory)

### CAUTION:

- Always be sure that the tool is switched off and unplugged before installing or removing chip receiver.

### NOTE:

- When replacing the chip receiver, always wear gloves so that hands and face does not directly contact the blade. Failure to do so may cause personal injury.
- Always be sure to remove the blade cover before installing the chip receiver.
- The chip receiver receives cut-off leaves and alleviates collecting thrown-away leaves. This can be installed on either side of the tool. (Fig. 17)

Press the chip receiver on the shear blades so that its slits overlap with the nuts on the shear blades. At this time, make sure that the chip receiver does not contact branch catcher at the top of the shear blades. (Fig. 18)

At this time, the chip receiver needs to be installed so that its hooks fit into grooves in the shear blade unit. (Fig. 19)

To remove the chip receiver, press its lever on both sides so that the hooks are unlocked. (Fig. 20)

### CAUTION:

- The blade cover (standard equipment) cannot be installed on the tool with the chip receiver being installed. Before carrying or storing, uninstall the chip receiver and then install the blade cover to avoid blade exposure.

### NOTE:

- Check the chip receiver for secure installment before use.
- Never try to uninstall the chip receiver by an excessive force with its hooks locked in the blade unit grooves. Using the excessive force may damage it.

## MAINTENANCE

### CAUTION:

- Always be sure that the tool is switched off and unplugged before attempting to perform inspection or maintenance.

## Cleaning the tool

Clean out the tool by wiping off dust with a dry or soap-dipped rag.

**CAUTION:**

- Never use gasoline, benzene, thinner, alcohol or the like. Discoloration, deformation or cracks may result.

**Blade maintenance**

Smear the blade before and once per hour during operation using machine oil or similars.

After operation, remove dust from both sides of the blade with wired brush, wipe off it with a rag and then apply enough low-viscosity oil, such as machine oil etc. and spray-type lubricating oil.

**CAUTION:**

- Do not wash the blades in water. Failure to do so may cause rust or damage on the tool.

**Removing or installing shear blade****CAUTION:**

- Before removing or installing shear blade, always be sure that the tool is switched off and unplugged.
- When replacing the shear blade, always wear gloves without removing blade cover so that hands and face does not directly contact the blade. Failure to do so may cause personal injury.

**NOTE:**

- Do not wipe off grease from the gear and crank. Failure to do so may cause damage to the tool.
- For specific way of removing and installing shear blades refer to the reverse of a package for accessory shear blades.

**Removing the shear blades**

Reverse the tool and loosen four screws. (Fig. 21)

**NOTE:**

- Be careful not to get your hands dirty as grease is applied in the shear blade driving area.

Remove the under cover. (Fig. 22)

Remove the gear housing cover. (Fig. 23)

Set the crank at the angle as shown in the figure with a slotted bit screwdriver. (Fig. 24)

Remove two screws from the shear blades and the shear blade unit will be taken out. (Fig. 25)

**CAUTION:**

- Return the gear to the original position in such a manner as it was installed if it should be taken away by mistake.

**Installing the shear blade**

Prepare 4 removed screws (For under cover), 2 screws (For shear blade), gear housing cover, under cover, and new shear blades.

Adjust the crank position as shown in the figure. At this time, apply some grease provided with new shear blades to the periphery of the crank. (Fig. 26)

Overlap the oval hole in the upper blade with that in the lower one. (Fig. 27)

Take out the blade cover from the old shear blades and fit it onto the new ones for easy handling during the replacement of blades. (Fig. 28)

Place the new shear blades on the tool so that the oval holes in the shear blades fit onto the crank. Overlap the holes in the shear blades with the screw holes in the tool and then secure them with two screws. (Fig. 29)

Check the crank for smooth turn with a slotted bit screwdriver. (Fig. 30)

Install the gear housing, under cover on the tool. Tighten the screw firmly.

Remove the blade cover and then turn on the tool to check it for proper movement.

**NOTE:**

- When the shear blades does not operate properly, there is a poor fit between the blades and crank. Redo from the beginning.

**Storage**

The hook hole in the bottom of the blade cover is convenient for hanging the tool from a nail or screw on the wall. (Fig. 31)

Put the blade cover on the shear blades so that the blades are not exposed. Store the tool out of the reach of children carefully.

Store the tool in the place not exposed to water and rain. To maintain product SAFETY and RELIABILITY, repairs, carbon brush inspection and replacement, any other maintenance or adjustment should be performed by Makita Authorized Service Centers, always using Makita replacement parts.

**OPTIONAL ACCESSORIES****⚠ CAUTION:**

- These accessories or attachments are recommended for use with your Makita tool specified in this manual. The use of any other accessories or attachments might present a risk of injury to persons. Only use accessory or attachment for its stated purpose.

If you need any assistance for more details regarding these accessories, ask your local Makita Service Center.

- Blade cover
- Hook complete
- Shear blade assembly
- Waist cord hook
- Arm cord hook

**NOTE:**

- Some items in the list may be included in the tool package as standard accessories. They may differ from country to country.

**Noise**

ENG905-1

The typical A-weighted noise level determined according to EN60745:

Sound pressure level ( $L_{pA}$ ): 89.9 dB (A)

Sound power level ( $L_{WA}$ ): 97.9 dB (A)

Uncertainty (K): 1.5 dB (A)

**Wear ear protection.**

**Vibration**

ENG900-1

The vibration total value (tri-axial vector sum) determined according to EN60745:

Work mode: hedge trimming

Vibration emission ( $a_{h1}$ ): 6.7 m/s<sup>2</sup>

Uncertainty (K): 1.5 m/s<sup>2</sup>

ENG901-1

- The declared vibration emission value has been measured in accordance with the standard test method and may be used for comparing one tool with another.

- The declared vibration emission value may also be used in a preliminary assessment of exposure.

**⚠ WARNING:**

- The vibration emission during actual use of the power tool can differ from the declared emission value depending on the ways in which the tool is used.
- Be sure to identify safety measures to protect the operator that are based on an estimation of exposure in the actual conditions of use (taking account of all parts of the operating cycle such as the times when the tool is switched off and when it is running idle in addition to the trigger time).

**For European countries only** ENH021-7

**EC Declaration of Conformity**

**We Makita Corporation as the responsible manufacturer declare that the following Makita machine(s):**

Designation of Machine:

Hedge Trimmer

Model No./ Type: UH4570, UH5570, UH6570

Specifications: see "SPECIFICATIONS" table.

are of series production and

**Conforms to the following European Directives:**

2000/14/EC, 2006/42/EC

And are manufactured in accordance with the following standards or standardised documents:

EN60745

The technical documentation is kept by:

Makita International Europe Ltd.

Technical Department,

Michigan Drive, Tongwell,

Milton Keynes, Bucks MK15 8JD, England

The conformity assessment procedure required by Directive 2000/14/EC was in Accordance with annex V.

Measured Sound Power Level: 98 dB (A)

Guaranteed Sound Power Level: 100 dB (A)

30. 1. 2009



Tomoyasu Kato  
Director

Makita Corporation  
3-11-8, Sumiyoshi-cho,  
Anjo, Aichi, 446-8502, JAPAN

# FRANÇAIS (Instructions d'origine)

## Descriptif

- |                                     |  |  |
|-------------------------------------|--|--|
| 1. Gâchette B                       | 13. Sens de la taille                      | 24. Appuyez des deux côtés des leviers |
| 2. Gâchette A                       | 14. Inclinez les lames                     | 25. Déverrouiller les fermoirs         |
| 3. Gâchette C                       | 15. Surface de la haie à tailler           | 26. Vis                                |
| 4. Crochet                          | 16. Appuyez                                | 27. Couvercle de protection de la lame |
| 5. Cordon d'alimentation de l'outil | 17. Récepteur de copeaux                   | 28. Couvercle secondaire               |
| 6. Rallonge électrique              | 18. Écrou                                  | 29. Couvercle du carter d'engrenage    |
| 7. Fermeoir                         | 19. Lame de cisailles                      | 30. Bielle                             |
| 8. Outil                            | 20. Récepteur de branches                  | 31. Ellipse de la lame de cisailles    |
| 9. Porte-outil                      | 21. Fermoirs                               |  |
| 10. Crochet de cordon ventral       | 22. Installez les fermoirs dans la rainure |  |
| 11. Cordon                          | 23. Rainures                               |  |
| 12. Crochet de cordon de bras       |  |  |

## SPÉCIFICATIONS

Modèle	UH4570	UH5570	UH6570
Longueur de la lame	450 mm	550 mm	650 mm
Passes par minute (min <sup>-1</sup> )	1 600	1 600	1 600
Longueur totale	862 mm	970 mm	1 042 mm
Poids net	3,6 kg	3,7 kg	3,8 kg
Niveau de sécurité	☐/II		

- Étant donné l'évolution constante de notre programme de recherche et de développement, les spécifications contenues dans ce manuel sont sujettes à des modifications sans préavis.
- Les spécifications peuvent varier suivant les pays.
- Poids conforme à la procédure EPTA 01/2003

### Symbole

END220-5

Les symboles utilisés pour l'outil sont indiqués ci-dessous.

Assurez-vous d'avoir bien compris leur signification avant d'utiliser l'outil.



..... Reportez-vous au manuel

d'instructions.



..... DOUBLE ISOLATION



..... Gardez à l'abri de la pluie.



..... Débranchez immédiatement la fiche du secteur si le câble est endommagé ou coupé.



..... Pour les pays européens uniquement  
Ne pas jeter les appareils électriques dans les ordures ménagères !  
Conformément à la directive européenne 2012/19/UE relative aux déchets d'équipements électriques et électroniques (DEEE), et à sa transposition dans la législation nationale, les appareils électriques doivent être collectés à part et être soumis à un recyclage respectueux de l'environnement.

### Utilisations

ENE014-1

Cet outil est conçu pour le taillage des haies.

### Alimentation

ENF002-2

L'outil ne doit être raccordé qu'à une alimentation de la même tension que celle qui figure sur la plaque signalétique, et il ne peut fonctionner que sur un courant secteur monophasé. Réalisé avec une double isolation, il peut de ce fait être alimenté sans mise à la terre.

## Consignes de sécurité générales des outils électriques

GEA010-1

**⚠ AVERTISSEMENT** Veuillez lire toutes les consignes de sécurité et les instructions. Il y a un risque de choc électrique, d'incendie et/ou de blessure grave si les consignes et les instructions ne sont pas toutes respectées.

## Conservez toutes les consignes et instructions pour référence ultérieure.

## CONSIGNES DE SÉCURITÉ DU TAILLE-HAIE

GEB041-9

1. **Maintenez toutes les parties du corps éloignées de la lame de coupe. Ne retirez pas et ne retenez pas le matériau à couper lorsque les lames sont en mouvement. Assurez-vous que l'outil est éteint lors du dégagement des matériaux enchevêtrés.**

- Tout moment d'inattention pendant l'utilisation du taille-haie comporte un risque de blessure corporelle grave.
2. **Portez le taille-haie par la poignée après avoir arrêté la lame de coupe. Lors du transport ou du stockage du taille-haie, fermez toujours le couvercle du dispositif de coupe.** Une utilisation correcte du taille-haie permettra de réduire les risques éventuels de blessures corporelles par la lame de coupe.
  3. **Tenez l'outil par ses surfaces de prise isolées uniquement car la lame de coupe risque d'entrer en contact avec des fils cachés ou son propre cordon d'alimentation.** Il est possible que le contact avec un fil sous tension mette les parties métalliques exposées de l'outil sous tension, risquant ainsi de provoquer un choc électrique chez l'utilisateur.
  4. **Éloignez le câble de la zone de coupe.** Pendant le fonctionnement, il est possible que le câble soit masqué par les arbustes et coupé accidentellement par la lame.
  5. N'utilisez pas le taille-haie sous la pluie ou dans des conditions d'humidité importante. Le moteur électrique n'est pas étanche.
  6. Les personnes utilisant le taille-haie pour la première fois doivent demander à un utilisateur expérimenté de leur indiquer comment utiliser le taille-haie.
  7. Le taille-haie ne doit pas être utilisé par les enfants ni les jeunes âgés de moins de 18 ans. Cette restriction ne s'applique pas aux jeunes de 16 ans ou plus ayant reçu une formation sous la supervision d'un spécialiste.
  8. Utilisez le taille-haie uniquement si vous êtes en bonne condition physique. Si vous êtes fatigué(e), votre attention sera réduite. Soyez particulièrement prudent(e) à la fin d'une journée de travail. Effectuez tout le travail avec calme et prudence. L'utilisateur est responsable de tous les dommages causés aux tiers.
  9. N'utilisez jamais le taille-haie après avoir consommé de l'alcool, de la drogue ou des médicaments.
  10. Assurez-vous que la tension et la fréquence de l'alimentation correspondent aux spécifications indiquées sur la plaque d'identification. Nous vous recommandons d'utiliser un disjoncteur de courant résiduel (interrupteur différentiel) avec un courant de déclenchement de 30 mA au maximum, ou un protecteur de courant de fuite à la terre.
  11. Les gants de travail en cuir épais font partie de l'équipement de base du taille-haie et vous devez toujours les porter lorsque vous travaillez avec l'outil. Portez également des chaussures solides munies de semelles anti-dérapantes.
  12. Avant de commencer à travailler, assurez-vous que le taille-haie est en état de fonctionnement correct et sûr. Assurez-vous que les garde-corps sont correctement installés. Vérifiez que le câble n'est pas endommagé avant de commencer le travail et remplacez-le au besoin. Vous pouvez utiliser le taille-haie uniquement s'il est entièrement monté.
  13. Éloignez le câble de la zone de coupe. Travaillez toujours de manière à vous trouver devant la rallonge électrique.
  14. Débranchez immédiatement la fiche du secteur si le câble est endommagé ou coupé.
  15. Assurez-vous d'avoir une bonne prise au sol avant de commencer à travailler.
  16. Maintenez l'outil fermement lors de son utilisation.
  17. Ne faites pas fonctionner inutilement l'outil à vide.
  18. Coupez immédiatement le moteur et débranchez la fiche du secteur si la lame entre en contact avec une clôture ou un autre objet dur. Vérifiez que la lame n'est pas endommagée ; dans le cas contraire, réparez-la immédiatement.
  19. Avant de vérifier la lame, de corriger les problèmes ou de retirer les matériaux happés par la lame, éteignez toujours le taille-haie et débranchez la fiche du secteur.
  20. Éteignez le taille-haie, puis débranchez et sécurisez la fiche secteur avant de procéder aux travaux de maintenance.
  21. Lors du déplacement du taille-haie dans un autre lieu, notamment pendant son fonctionnement, débranchez toujours la fiche du secteur et placez le couvercle de protection de la lame sur les lames de coupe. Ne déplacez et ne transportez jamais le taille-haie alors que la lame est en mouvement. Ne saisissez jamais la lame dans les mains.
  22. Nettoyez le taille-haie et en particulier la lame après utilisation et avant de ranger le taille-haie pendant une période prolongée. Lubrifiez légèrement la lame et mettez l'étui de protection. Vous pouvez suspendre l'étui fourni avec l'appareil au mur, ce qui vous permet de ranger le taille-haie de manière sûre et pratique.
  23. Placez le taille-haie dans son étui avant de le ranger et mettez-le dans une pièce sèche. Conservez-le hors de portée des enfants. Ne rangez jamais le taille-haie à l'extérieur.
  24. **Ne faites pas fonctionner inutilement l'outil à vide.**

## CONSERVEZ CES INSTRUCTIONS.

**⚠ AVERTISSEMENT :**  
**NE vous laissez PAS tromper (au fil d'une utilisation répétée) par un sentiment d'aisance et de familiarité avec le produit, en négligeant le respect rigoureux des consignes de sécurité qui accompagnent l'outil. Une UTILISATION INCORRECTE de l'outil ou le non-respect des consignes de sécurité indiquées dans ce manuel d'instructions peuvent causer des blessures graves.**

## DESCRIPTION DU FONCTIONNEMENT

### ATTENTION :

- Assurez-vous toujours que l'outil est éteint et débranché avant de le régler ou de vérifier son fonctionnement.

### Interrupteur (Fig. 1)

Pour votre sécurité, cet outil est équipé d'un triple système d'allumage. Pour mettre l'outil sous tension, appuyez sur deux des trois gâchettes A, B et C. Pour mettre l'outil hors tension, relâchez une ou les deux gâchettes enfoncées. La séquence d'allumage importe peu car l'outil démarre uniquement lorsque les deux interrupteurs sont activés.

## Coupe droite (Fig. 2)

Pour tailler la haie de manière droite, appuyez sur les gâchettes A et B.

## Coupe verticale (Fig. 3)

Pour couper vers le haut avec les deux mains, appuyez sur les gâchettes B et C et déplacez l'outil devant votre corps.

## Coupe éloignée (Fig. 4)

Pour tailler la haie dans une zone éloignée à l'aide des deux mains, appuyez sur les gâchettes A et C.

# ASSEMBLAGE

### ATTENTION :

- Avant d'effectuer toute intervention sur l'outil, assurez-vous toujours qu'il est éteint et débranché.

## Installez la rallonge électrique

### ATTENTION :

- Assurez-vous que la rallonge est débranchée de la prise secteur. (Fig. 5)

Lors de l'installation de la rallonge électrique, fixez-la au cordon de l'outil à l'aide du crochet. Fixez le fermoir à une distance de 100 - 200 mm environ du connecteur de la rallonge électrique. Vous éviterez ainsi tout débranchement accidentel.

## Crochet de cordon ventral

### ATTENTION :

- Fixez le porte-outil du crochet de cordon ventral uniquement à la rallonge électrique. Ne le fixez pas à un emplacement plus proche de l'outil, au-delà du crochet. Le non-respect de cette instruction risque de provoquer un accident ou des blessures corporelles.
- Attachez fermement un fermoir du crochet au cordon de l'outil et l'autre fermoir du crochet à la rallonge électrique. Si vous faites fonctionner l'outil en utilisant un seul fermoir, vous risquez de provoquer un accident et des blessures.

L'utilisation du crochet du cordon ventral permet de réduire les risques de coupure accidentelle de la rallonge électrique lorsque celle-ci est lâche. (Fig. 6)

Appuyez ou tirez sur le cordon à travers l'ouverture du porte-outil. (Fig. 7)

### ATTENTION :

- Ne forcez pas l'ouverture du porte-outil. Le non-respect de cette instruction risque d'entraîner la déviation du porte-outil et de l'endommager.

## Crochet de cordon de bras (accessoire)

### ATTENTION :

- Fixez le porte-outil du crochet de cordon de bras uniquement à la rallonge électrique. Ne le fixez pas à un emplacement plus proche de l'outil, au-delà des fermoirs du crochet. Le non-respect de cette instruction risque de provoquer un accident ou des blessures corporelles.
- Attachez fermement un fermoir du crochet au cordon de l'outil et l'autre fermoir du crochet à la rallonge

électrique. Si vous faites fonctionner l'outil en utilisant un seul fermoir, vous risquez de provoquer un accident et des blessures.

L'utilisation du crochet du cordon de bras permet de réduire les risques de coupure accidentelle de la rallonge électrique lorsque celle-ci est lâche. (Fig. 8)

Attachez fermement le crochet du cordon de bras autour de votre bras et passez la rallonge électrique à travers le porte-outil. La longueur de la bande du crochet du cordon de bras est réglable.

### REMARQUE :

- Ne passez pas la rallonge électrique à travers la bande.
- Ne forcez pas l'ouverture du porte-outil. Le non-respect de cette instruction risque d'entraîner la déviation du porte-outil et de l'endommager.
- L'utilisation conjointe du crochet du cordon de bras et du crochet du cordon ventral facilite l'opération.

# UTILISATION

### ATTENTION :

- Veillez à ne pas entrer en contact accidentellement avec une clôture métallique ou d'autres objets durs lors de la taille. La lame pourrait se briser et provoquer de graves blessures.
- Il est extrêmement dangereux de tendre le bras trop loin avec une taille-haie, en particulier depuis une échelle. Ne travaillez pas sur une surface bancale ou instable.

N'essayez pas de couper des branches dont l'épaisseur est supérieure à 10 mm de diamètre avec ce taille-haie. Vous devez d'abord les couper avec des cisailles jusqu'au niveau du taillage de haie. (Fig. 9)

### ATTENTION :

- Ne coupez pas les arbres morts ou objets durs similaires. Vous risqueriez d'endommager l'outil.
- Tenez la taille-haie avec les deux mains, appuyez sur la gâchette A ou B et déplacez l'outil devant votre corps. (Fig. 10)

Le fonctionnement de base consiste à incliner les lames dans le sens du taillage et à les déplacer calmement et lentement à une vitesse nominale de 3 à 4 secondes par mètre. (Fig. 11 et 12)

Pour couper le haut d'une haie de manière régulière, vous pouvez attacher une corde au niveau de la hauteur souhaitée de la haie et tailler le long de celle-ci, en l'utilisant comme une ligne de référence. (Fig. 13)

La fixation du récepteur de copeaux (accessoire) sur l'outil lors du taillage de la haie de manière droite peut éviter que les feuilles coupées soient éparpillées. (Fig. 14)

Pour couper le côté d'une haie de manière régulière, coupez-la de bas en haut. (Fig. 15)

Taillez le buis ou les rhododendrons de la base vers le haut afin d'obtenir une jolie haie et un travail bien fait. (Fig. 16)

## Installation ou dépose du récepteur de copeaux (accessoire)

### ATTENTION :

- Assurez-vous toujours que l'outil est hors tension et débranché avant d'installer ou de retirer le récepteur de copeaux.

### REMARQUE :

- Lorsque vous remplacez le récepteur de copeaux, portez toujours des gants, de sorte que vos mains et votre visage ne soient pas en contact direct avec la lame. Le non-respect de cette instruction peut provoquer des blessures corporelles.
- Veillez toujours à retirer le couvercle de protection de la lame avant d'installer le récepteur de copeaux.
- Le récepteur de copeaux reçoit les feuilles coupées et facilite le recueil des feuilles éparpillées. Il s'installe d'un côté comme de l'autre de l'outil. (Fig. 17)

Appuyez sur le récepteur de copeaux situé sur les lames de cisailles de sorte que ses fentes chevauchent les écrous situés sur les lames de cisailles. À ce stade, assurez-vous que le récepteur de copeaux n'entre pas en contact avec le récepteur de branches dans la partie supérieure des lames de cisailles. (Fig. 18)

À ce stade, vous devez installer le récepteur de copeaux, de sorte que ses crochets s'insèrent dans les rainures de l'unité des lames de cisailles. (Fig. 19)

Pour déposer le récepteur de copeaux, appuyez de chaque côté de son levier de manière à déverrouiller les crochets. (Fig. 20)

### ATTENTION :

- Le couvercle de protection de la lame (équipement standard) ne peut pas être installé sur l'outil lorsque le récepteur de copeaux s'y trouve déjà. Avant de transporter ou de ranger l'outil, désinstallez le récepteur de copeaux, puis installez le couvercle de protection de la lame afin d'éviter que celle-ci soit exposée.

### REMARQUE :

- Vérifiez que le récepteur de copeaux est installé de manière sécurisée avant de l'utiliser.
- N'essayez jamais de désinstaller le récepteur de copeaux en forçant de manière démesurée lorsque ses crochets sont verrouillés dans les rainures de l'unité de la lame. L'application d'une force excessive risque de l'endommager.

## MAINTENANCE

### ATTENTION :

- Assurez-vous toujours que l'outil est éteint et débranché avant d'effectuer tout travail d'inspection ou de maintenance.

### Nettoyage de l'outil

Pour nettoyer l'outil, essuyez la poussière à l'aide d'un chiffon sec ou imbibé d'eau savonneuse.

### ATTENTION :

- N'utilisez jamais d'essence, de benzine, de diluant, d'alcool ou de produit similaire. Ces produits risquent de provoquer des décolorations, des déformations ou des fissures.

## Maintenance de la lame

Lubrifiez la lame à l'aide d'huile pour machines ou de produits similaires avant d'utiliser l'outil et toutes les heures pendant son fonctionnement.

Après le fonctionnement de l'outil, retirez la poussière des deux côtés de la lame à l'aide d'une brosse métallique, essuyez-la à l'aide d'un chiffon, puis appliquez suffisamment d'huile à basse viscosité, telle que de l'huile pour machines, de l'huile de graissage à pulvérisation, etc.

### ATTENTION :

- Ne lavez pas les lames dans l'eau. Vous risqueriez de provoquer l'apparition de rouille ou d'endommager l'outil.

## Retrait ou installation de la lame de cisailles

### ATTENTION :

- Avant de déposer ou d'installer la lame de cisailles, assurez-vous toujours que l'outil est éteint et débranché.
- Lorsque vous remplacez la lame de cisailles, portez toujours des gants sans retirer le couvercle de protection de la lame, de sorte que vos mains et votre visage ne soient pas en contact direct avec la lame. Le non-respect de cette instruction peut provoquer des blessures corporelles.

### REMARQUE :

- N'essayez pas la graisse de l'engrenage et de la bielle. Vous risqueriez d'endommager l'outil.
- Pour connaître les procédures spécifiques de dépose et d'installation des lames de cisailles, reportez-vous au dos de l'emballage des lames de cisailles fournies en accessoires.

## Dépose des lames de cisailles

Mettez l'outil à l'envers et dévissez quatre vis. (Fig. 21)

### REMARQUE :

- Veillez à ne pas vous salir les mains car la graisse se diffuse sur la zone de déplacement de la lame de cisailles.

Retirez le couvercle secondaire. (Fig. 22)

Déposez le couvercle du carter d'engrenage. (Fig. 23)

Réglez la bielle dans l'angle à l'aide d'un tournevis à extrémité fendue, comme illustré sur la figure. (Fig. 24)

Déposez deux vis des lames de cisailles afin d'extraire l'unité des lames de cisailles. (Fig. 25)

### ATTENTION :

- Remettez l'engrenage en position d'origine, comme il était installé, afin qu'il ne soit pas retiré par erreur.

### Installation de la lame de cisailles

Préparez les 4 vis que vous avez retirées (pour le couvercle secondaire), les 2 vis (pour la lame de cisailles), le couvercle du carter d'engrenage, le couvercle secondaire et des lames de cisailles neuves.

Réglez la position de l'engrenage, comme illustré sur la figure. À ce stade, appliquez de la graisse fournie avec les lames de cisailles neuves à la périphérie de l'engrenage. (Fig. 26)

Faites en sorte que l'orifice ovale de la lame supérieure chevauche celui de la lame inférieure. (Fig. 27)  
Retirez le couvercle de protection des anciennes lames de cisailles et installez-le sur les lames neuves afin de faciliter la manipulation lors du remplacement des lames. (Fig. 28)

Placez les lames de cisailles neuves sur l'outil, de sorte que les orifices ovales situés sur les lames de cisailles s'adaptent sur l'engrenage. Faites en sorte que les orifices des lames de cisailles chevauchent ceux des vis dans l'outil, puis fixez-les à l'aide de deux vis. (Fig. 29)  
Vérifiez que l'engrenage aisément à l'aide d'un tournevis à extrémité fendue. (Fig. 30)

Installez le carter d'engrenage et le couvercle secondaire sur l'outil. Serrez fermement la vis.

Déposez le couvercle de protection de la lame, puis mettez l'outil sous tension pour vérifier que le mouvement est correct.

#### REMARQUE :

- Si les lames de cisailles ne fonctionnent pas correctement, le contact entre les lames et l'engrenage est mauvais. Recommencez l'opération depuis le début.

## Stockage

L'orifice du crochet situé dans la partie inférieure du couvercle de protection de la lame est pratique pour suspendre l'outil à un clou ou une vis au mur. (Fig. 31)

Placez le couvercle de protection de la lame sur les lames de cisailles afin qu'elles ne soient pas exposées. Veillez à ranger l'outil hors de portée des enfants.

Rangez l'outil à l'abri de la pluie et de l'eau.

Pour assurer la SÉCURITÉ et la FIABILITÉ du produit, toute réparation, inspection et remplacement des charbons, ainsi que toute autre tâche de maintenance ou de réglage, doivent être effectués par un Centre de service agréé Makita, toujours avec des pièces de rechange Makita.

## ACCESSOIRES FOURNIS EN OPTION

#### ⚠ ATTENTION :

- Ces accessoires ou pièces complémentaires sont recommandés pour être utilisés avec l'outil Makita spécifié dans ce mode d'emploi. L'utilisation de tout autre accessoire ou pièce complémentaire peut comporter un risque de blessure. N'utilisez les accessoires ou pièces qu'aux fins auxquelles ils ont été conçus.

Pour obtenir plus de détails sur ces accessoires, contactez votre Centre de service local Makita.

- Couvercle de protection de la lame
- Crochet
- Lame de cisailles
- Crochet de cordon ventral
- Crochet de cordon de bras

#### REMARQUE :

- Certains éléments de la liste peuvent être inclus en tant qu'accessoires standard dans le coffret de l'outil envoyé. Ils peuvent varier suivant les pays.

## Bruit

ENG905-1

Les niveaux de bruit pondéré A typiques ont été mesurés selon la norme EN60745 :

Niveau de pression sonore ( $L_{pA}$ ) : 89,9 dB (A)

Niveau de puissance sonore ( $L_{WA}$ ) : 97,9 dB (A)

Incertitude (K) : 1,5 dB (A)

**Portez des protections auditives.**

## Vibration

ENG900-1

La valeur totale de vibration (somme du vecteur triaxial) a été déterminée selon la norme EN60745 :

Mode de fonctionnement : taillage de haie

Emission des vibrations ( $a_h$ ) : 6,7 m/s<sup>2</sup>

Incertitude (K) : 1,5 m/s<sup>2</sup>

ENG901-1

- La valeur de l'émission des vibrations déclarée a été mesurée conformément à la méthode de test standard et peut être utilisée afin de comparer des outils entre eux.
- La valeur de l'émission des vibrations déclarée peut également être utilisée lors d'une évaluation préliminaire de l'exposition.

#### ⚠ AVERTISSEMENT :

- Selon la manière dont l'outil est utilisé, il est possible que l'émission des vibrations pendant l'utilisation réelle de l'outil électrique diffère de la valeur de l'émission déclarée.
- Veillez à identifier les mesures de sécurité destinées à protéger l'opérateur et établies en fonction de l'estimation de l'exposition dans les conditions réelles d'utilisation (en prenant en compte toutes les étapes du cycle de fonctionnement, telles que les périodes de mise hors tension de l'outil, les périodes de fonctionnement au ralenti et les périodes de mise en route).

**Pour les pays d'Europe uniquement**

ENH021-7

**Déclaration de conformité CE**

**Nous, Makita Corporation, en tant que fabricant responsable, déclarons que les machines Makita suivantes :**

Nom de la machine :

Taille-haie

N° de modèle/Type : UH4570, UH5570, UH6570

Spécifications : voir le tableau « SPÉCIFICATIONS ».

sont fabriquées en série et

**sont conformes aux directives européennes suivantes :**

2000/14/CE, 2006/42/CE

et sont produites conformément aux normes ou documents de normalisation suivants :

EN60745

La documentation technique est disponible auprès de :

Makita International Europe Ltd.

Technical Department,

Michigan Drive, Tongwell,

Milton Keynes, Bucks MK15 8JD, Angleterre



La procédure d'évaluation de la conformité requise par la directive 2000/14/CE est conforme à l'annexe V.

Niveau de puissance sonore mesurée : 98 dB (A)

Niveau de puissance sonore garantie : 100 dB (A)

30. 1. 2009



Tomoyasu Kato  
Directeur

Makita Corporation  
3-11-8, Sumiyoshi-cho,  
Anjo, Aichi, 446-8502, JAPAN

# DEUTSCH (Originalanweisungen)

## Erklärung der Gesamtdarstellung

- |                            |                                      |  |
|----------------------------|--------------------------------------|--|
| 1. Ein/Aus-Schalter B      | 13. Schneidrichtung                  | 24. Drücken der Hebel an beiden Seiten |
| 2. Ein/Aus-Schalter A      | 14. Neigung der Blätter              |  |
| 3. Ein/Aus-Schalter C      | 15. zu schneidende Heckenfläche      | 25. Lösen der Haken                    |
| 4. Kompletthaken           | 16. Drücken                          | 26. Schrauben                          |
| 5. Werkzeugkabel           | 17. Spanaufnehmer                    | 27. Schneidblattabdeckung              |
| 6. Verlängerungskabel      | 18. Mutter                           | 28. Untere Abdeckung                   |
| 7. Einhängclip             | 19. Schneidblatt                     | 29. Getriebegehäuseabdeckung           |
| 8. Werkzeug                | 20. Astfänger                        | 30. Kurbelwelle                        |
| 9. Halter                  | 21. Haken                            | 31. Ellipse des Scherblattes           |
| 10. Kabelhalter für Gürtel | 22. Einpassen der Haken in die Kerbe |  |
| 11. Kabel                  | 23. Kerben                           |  |
| 12. Kabelhalter für Arm    |                                      |  |

## TECHNISCHE DATEN

Modell	UH4570	UH5570	UH6570
Schneidblattlänge	450 mm	550 mm	650 mm
Schläge pro Minute (min <sup>-1</sup> )	1.600	1.600	1.600
Gesamtlänge	862 mm	970 mm	1.042 mm
Nettogewicht	3,6 kg	3,7 kg	3,8 kg
Sicherheitsklasse	□/II		

- Aufgrund unserer beständigen Forschungen und Weiterentwicklungen sind Änderungen an den hier angegebenen Technischen Daten ohne Vorankündigung vorbehalten.
- Die Technischen Daten können in den einzelnen Ländern voneinander abweichen.
- Gewicht entsprechend EPTA-Verfahren 01/2003

### Symbol END220-5

Im Folgenden sind die im Zusammenhang mit diesem Werkzeug verwendeten Symbole dargestellt. Machen Sie sich vor der Benutzung des Werkzeugs unbedingt mit diesen Symbolen vertraut!



..... Lesen Sie die vorliegende Betriebsanleitung.



..... DOPPELT SCHUTZISOLIERT



..... Setzen Sie das Werkzeug nicht dem Regen aus.



..... Ziehen Sie bei einem beschädigten oder angeschnittenen Kabel sofort den Netzstecker!



..... Nur für EU-Länder  
Werfen Sie Elektrowerkzeuge nicht in den Hausmüll!  
Gemäß Europäischer Richtlinie 2012/19/EU über Elektro- und Elektronik-Altgeräte und Umsetzung in nationales Recht müssen verbrauchte Elektrowerkzeuge getrennt gesammelt und einer umweltgerechten Wiederverwertung zugeführt werden.

### Verwendungszweck ENE014-1

Das Werkzeug wurde für das Schneiden von Hecken entwickelt.

### Stromversorgung ENF002-2

Das Werkzeug darf nur an eine Stromversorgung mit Einphasen-Wechselstrom mit der auf dem Typenschild angegebenen Spannung angeschlossen werden. Das Werkzeug verfügt über ein doppelt isoliertes Gehäuse und kann daher auch an einer Stromversorgung ohne Schutzkontakt betrieben werden.

## Allgemeine Sicherheitshinweise für Elektrowerkzeuge

GEA010-1

**⚠️ WARNUNG Lesen Sie alle Sicherheitshinweise und Anweisungen sorgfältig durch.** Wenn die Hinweise und Anweisungen nicht beachtet werden, besteht die Gefahr eines Stromschlags, Brands und/oder das Risiko von ernsthaften Verletzungen.

## Bewahren Sie alle Hinweise und Anweisungen zur späteren Referenz gut auf.

## SICHERHEITSHINWEISE ZUR HECKENSCHERE

GEB041-9

1. Halten Sie mit allen Körperteilen Abstand zum Schneidmesser. Entfernen Sie kein geschnittenes Material oder halten Sie kein zu schneidendes Material, wenn sich die Messer bewegen. Überprüfen Sie, dass der Schalter aus ist, wenn Sie verklemmtes Material entfernen. Ein Moment der Unachtsamkeit kann beim Umgang mit der Heckenschere zu schweren Verletzungen führen.

2. **Tragen Sie die Heckenschere mit angehaltenem Schneidmesser am Griff. Transportieren und lagern Sie die Heckenschere immer mit aufgesetztem Schutz über dem Schneidblatt.**  
Durch einen sachgemäßen Umgang mit der Heckenschere können Sie mögliche Personenschäden durch die Schneidmesser vermindern.
3. **Halten Sie das Elektrowerkzeug ausschließlich an den isolierten Griffflächen, da das Schneidmesser verborgene Verkabelung oder das eigene Kabel berühren kann.** Bei Kontakt des Schneidmessers mit einem stromführenden Kabel wird der Strom an die Metallteile des Elektrowerkzeugs und dadurch an den Bediener weitergeleitet, und der Bediener erleidet einen Stromschlag.
4. **Halten Sie das Kabel in einem Abstand zum Schneidbereich.** Während des Betriebs kann sich das Kabel im Gestrüpp verbergen und versehentlich durch das Blatt zerschnitten werden.
5. Verwenden Sie die Heckenschere nicht, während es regnet oder bei nassen oder sehr feuchten Bedingungen. Der Elektromotor ist nicht wasserdicht.
6. Unerfahrene Anwender sollten sich von erfahrenen Anwendern die Verwendung der Heckenschere zeigen lassen.
7. Kinder und Jugendliche unter 18 Jahren dürfen die Heckenschere nicht bedienen. Jugendliche über 16 Jahren sind von diesem Verbot ausgenommen, wenn Sie zum Zwecke der Ausbildung unter Aufsicht eines Fachkundigen stehen.
8. Betreiben Sie die Heckenschere nur, wenn Sie in guter physischer Verfassung sind. Falls Sie müde sind, lässt Ihre Aufmerksamkeit nach. Seien Sie am Ende eines Arbeitstages besonders aufmerksam. Führen Sie alle Arbeiten ruhig und mit Vorsicht aus. Der Anwender ist für alle Schäden an Dritten verantwortlich.
9. Verwenden Sie die Heckenschere niemals unter Einfluss von Alkohol, Drogen oder Medikamenten.
10. Prüfen Sie, dass die Spannung und Frequenz der Stromversorgung den auf dem Typenschild angegebenen Technischen Daten entspricht. Wir empfehlen die Verwendung eines Fehlerstrom-Schutzschalters (FI-Schutzschalter) mit einem Auslösestrom von max. 30 mA oder eines Erdschlussstrom-Schutzes.
11. Arbeitshandschuhe aus festem Leder sind Teil der Grundausstattung der Heckenschere und müssen stets bei Arbeiten mit der Heckenschere getragen werden. Tragen Sie außerdem feste Schuhe mit rutschfesten Sohlen.
12. Überprüfen Sie vor Beginn der Arbeiten, dass die Heckenschere ordnungsgemäß und sicher arbeitet. Stellen Sie sicher, dass die Sicherheitsabdeckungen ordnungsgemäß angebracht sind. Überprüfen Sie das Kabel vor Beginn der Arbeiten auf Beschädigungen und ersetzen Sie es bei Bedarf. Die Heckenschere darf nur vollständig montiert verwendet werden.
13. Halten Sie das Kabel in einem Abstand zum Schneidbereich. Arbeiten Sie immer so, dass sich das Verlängerungskabel hinter Ihnen befindet.
14. Ziehen Sie sofort den Netzstecker, wenn Sie bemerken, dass das Kabel beschädigt ist oder angeschnitten wurde.
15. Überprüfen Sie vor Beginn der Arbeiten, dass Sie einen sicheren Stand haben.
16. Halten Sie das Werkzeug bei Verwendung sicher fest.
17. Lassen Sie das Gerät nicht unnötig ohne Last laufen.
18. Schalten Sie den Motor sofort aus und ziehen Sie den Netzstecker, wenn die Schere mit einem Anschlag oder einem anderen harten Gegenstand in Kontakt kam. Überprüfen Sie die Schere auf Beschädigungen, und reparieren Sie sie bei Bedarf.
19. Schalten Sie die Heckenschere stets aus und ziehen Sie den Hauptstecker, bevor Sie die Schere überprüfen, Fehler beheben oder in der Schere verklebtes Material entfernen.
20. Schalten Sie die Heckenschere aus, ziehen und sichern Sie den Hauptstecker, bevor Sie Wartungsarbeiten durchführen.
21. Ziehen Sie stets den Netzstecker und bringen Sie stets die Schneidmesserabdeckung auf dem Schneidmesser an, wenn Sie die Heckenschere an einen anderen Ort umsetzen, auch im Verlauf der Arbeiten. Tragen oder transportieren Sie die Heckenschere niemals mit laufendem Schneidmesser. Fassen Sie die Schneidmesser niemals mit den Händen an.
22. Reinigen Sie die Heckenschere und besonders das Schneidblatt nach der Verwendung und vor der Lagerung der Heckenschere über einen längeren Zeitraum. Ölen Sie das Schneidblatt leicht und bringen Sie die Abdeckung an. Die mit dem Gerät gelieferte Abdeckung kann an die Wand gehängt werden und bietet so eine sichere und praktische Möglichkeit zur Lagerung der Heckenschere.
23. Lagern Sie die Heckenschere mit angebrachter Abdeckung in einem trockenem Raum. Lagern Sie die Heckenschere außerhalb der Reichweite von Kindern. Lagern Sie die Heckenschere niemals im Freien.
24. **Lassen Sie das Gerät nicht unnötig ohne Last laufen.**

## BEWAHREN SIE DIESE ANLEITUNG SORGFÄLTIG AUF.

**⚠️ WARNUNG:**  
Lassen Sie sich **NIE** durch Bequemlichkeit oder (aus fortwährendem Gebrauch gewonnener) Vertrautheit mit dem Werkzeug dazu verleiten, die Sicherheitsregeln für das Werkzeug zu missachten. Bei **MISSBRÄUCLICHER** Verwendung des Werkzeugs oder bei **Missachtung** der in diesem Handbuch enthaltenen Sicherheitshinweise kann es zu **schweren Verletzungen** kommen.

## FUNKTIONSBESCHREIBUNG

### ACHTUNG:

- Schalten Sie das Werkzeug stets aus und ziehen Sie den Stecker, bevor Sie Einstellungen oder eine Funktionsprüfung des Werkzeugs vornehmen.

## Bedienung des Schalters (Abb. 1)

Zu Ihrer Sicherheit ist das Werkzeug mit einem Dreifach-Schaltersystem ausgestattet. Zum Einschalten des Werkzeugs drücken Sie zwei der drei Schalter A, B und C. Lassen Sie zum Ausschalten einen der zwei gedrückten Schalter los. Die Reihenfolge der Schalterbetätigung ist unwichtig, da das Werkzeug nur startet, wenn beide Schalter betätigt werden.

## Gerader Schnitt (Abb. 2)

Zum geraden Schneiden der Hecke betätigen Sie die Schalter A und B.

## Vertikaler Schnitt (Abb. 3)

Betätigen Sie zum Schneiden nach oben mit beiden Händen die Schalter B und C und bewegen Sie die Heckenschere vor Ihrem Körper.

## Schnitt eines entfernten Bereichs (Abb. 4)

Zum Schneiden der Hecke in einem entfernten Bereich betätigen Sie mit beiden Händen die Schalter A und C.

## MONTAGE

### ACHTUNG:

- Schalten Sie das Werkzeug stets aus und ziehen Sie den Stecker, bevor Sie irgendwelche Arbeiten am Werkzeug durchführen.

## Anbringen des Verlängerungskabels

### ACHTUNG:

- Vergewissern Sie sich, dass das Verlängerungskabel nicht an die Hauptsteckdose angeschlossen ist. (Abb. 5)

Sichern Sie beim Anschließen des Verlängerungskabels dieses am Werkzeugkabel mit dem Kompletthaken.

Bringen Sie den Haken im Abstand von 100 bis 200 mm vom Stecker des Verlängerungskabels an. Dadurch wird ein versehentliches Abtrennen verhindert.

## Kabelhalter für Gürtel

### ACHTUNG:

- Bringen Sie den Kabelhalter für den Gürtel nur am Verlängerungskabel an. Befestigen Sie diesen nicht in einer Position zu nahe am Werkzeug, hinter dem Kompletthaken. Anderenfalls kann es zu einem Unfall oder Verletzungen kommen.
- Befestigen Sie einen Haken des Kompletthakens am Werkzeugkabel und den anderen Haken am Verlängerungskabel. Das Arbeiten mit dem Werkzeug mit nur einem befestigten Haken kann zu einem Unfall oder Verletzungen führen.

Die Verwendung des Kabelhalters für den Gürtel unterstützt die Risikominimierung des versehentlichen Abschneidens des losen Verlängerungskabels. (Abb. 6) Drücken oder ziehen Sie das Kabel durch die Öffnung in der Halterung. (Abb. 7)

### ACHTUNG:

- Überlasten Sie die Öffnung der Halterung nicht. Anderenfalls kann es zu einer Durchbiegung oder Beschädigung kommen.

## Kabelhalter für Arm (Zubehör)

### ACHTUNG:

- Bringen Sie den Kabelhalter für den Arm nur am Verlängerungskabel an. Befestigen Sie diesen nicht in einer Position zu nahe am Werkzeug, hinter dem Kompletthaken. Anderenfalls kann es zu einem Unfall oder Verletzungen kommen.
- Befestigen Sie einen Haken des Kompletthakens am Werkzeugkabel und den anderen Haken am Verlängerungskabel. Das Arbeiten mit dem Werkzeug mit nur einem befestigten Haken kann zu einem Unfall oder Verletzungen führen.

Die Verwendung des Kabelhalters für den Arm unterstützt die Risikominimierung des versehentlichen Abschneidens des losen Verlängerungskabels. (Abb. 8)

Befestigen Sie den Kabelhalter für den Arm fest an Ihrem Arm und führen Sie das Verlängerungskabel durch die Halterung. Die Länge des Bandes für die Armhalterung kann angepasst werden.

### HINWEIS:

- Führen Sie das Verlängerungskabel nicht durch das Band.
- Überlasten Sie die Öffnung der Halterung nicht. Anderenfalls kann es zu einer Durchbiegung oder Beschädigung kommen.
- Die Verwendung des Kabelhalters für den Arm zusammen mit dem Kabelhalter für den Gürtel ist nützlicher.

## BETRIEB

### ACHTUNG:

- Achten Sie darauf, dass Sie während des Schneidens nicht versehentlich mit einem metallischen Anschlag oder anderen harten Gegenständen in Berührung kommen. Das Schneidblatt kann brechen und schwere Verletzungen verursachen.
- Das weite Hinauslehnen mit einer Heckenschere, vor allem von einer Leiter aus, ist äußerst gefährlich. Arbeiten Sie niemals von einem wackligen oder unsichern Standort aus.

Schneiden Sie mit dieser Heckenschere keine Äste mit einer Dicke von mehr als 10 mm Durchmesser. Solche Äste sollten zuerst mit einer Schere auf das Niveau der Heckenschere geschnitten werden. (Abb. 9)

### ACHTUNG:

- Schneiden Sie keine toten Äste oder ähnliche harte Gegenstände ab. Zuwiderhandlungen können das Werkzeug beschädigen.

Halten Sie die Heckenschere mit beiden Händen, betätigen Sie die Schalter A und B und bewegen Sie die Heckenschere vor Ihrem Körper. (Abb. 10)

Neigen Sie im Grundbetrieb die Schneidblätter in Richtung der Trimmrichtung und bewegen Sie die Heckenschere ruhig und langsam mit einer Geschwindigkeit von 3 bis 4 Sekunden pro Meter. (Abb. 11 und 12)

Zum geraden Schneiden einer Heckenoberkante können Sie eine Schnur in der gewünschten Heckenhöhe spannen und diese beim Schneiden als Referenzlinie verwenden. (Abb. 13)

Befestigen Sie beim Schneiden der Heckengerade die Spanaufnahme (Zubehör) am Werkzeug, um ein Umherfliegen der Blätter zu vermeiden. (Abb. 14)

Zum gleichmäßigen Schneiden der Heckenseite schneiden Sie diese von unten nach oben. **(Abb. 15)** Schneiden Sie Buchsbaum oder Rhododendron für ein hübsches Aussehen und einen guten Schnitt von der Basis zur Spitze. **(Abb. 16)**

## Montage und Demontage der Spanaufnahme (Zubehör)

### ACHTUNG:

- Schalten Sie das Werkzeug aus und ziehen Sie den Stecker, bevor Sie die Spanaufnahme einsetzen oder entfernen.

### HINWEIS:

- Tragen Sie beim Austauschen der Spanaufnahme immer Arbeitshandschuhe, sodass Sie das Schneidblatt nicht direkt mit den Händen berühren. Andernfalls kann es zu Verletzungen kommen.
- Achten Sie vor dem Einsetzen der Spanaufnahme darauf, dass Sie die Schneidblattabdeckung entfernt haben.
- Die Spanaufnahme fängt die abgeschnittenen Blätter auf und erleichtert das Aufsammeln der abgefallenen Blätter. Die Spanaufnahme kann an jeder Seite des Werkzeugs befestigt werden. **(Abb. 17)**

Drücken Sie die Spanaufnahme auf die Schneidblätter, sodass die Schlitze die Muttern auf den Schneidblättern überdecken. Überprüfen Sie in diesem Moment, dass die Spanaufnahme den Astfänger am oberen Ende der Schneidblätter nicht berührt. **(Abb. 18)**

Zu diesem Zeitpunkt muss die Spanaufnahme angebracht werden, damit die Haken in die Kerben im Schneidblatt passen. **(Abb. 19)**

Zum Entfernen der Spanaufnahme drücken Sie den Hebel an beiden Seiten, sodass die Haken freigegeben werden. **(Abb. 20)**

### ACHTUNG:

- Die Schneidblattabdeckung (Standardausrüstung) kann bei angebrachter Spanaufnahme nicht montiert werden. Entfernen Sie vor dem Transport oder der Lagerung die Spanaufnahme und bringen Sie die Schneidblattabdeckung an, um ein Freiliegen des Blattes zu vermeiden.

### HINWEIS:

- Prüfen Sie vor der Verwendung die sichere Installation der Spanaufnahme.
- Wenden Sie beim Entfernen der Spanaufnahme keine übermäßigen Kräfte an, wenn die Haken in den Blattkerben eingerastet sind. Die Anwendung übermäßiger Kräfte kann zu Beschädigungen führen.

## WARTUNG

### ACHTUNG:

- Schalten Sie das Werkzeug stets aus und ziehen Sie den Stecker, bevor Sie Prüfungen oder Wartungsarbeiten am Werkzeug durchführen.

## Reinigen des Werkzeugs

Reinigen Sie das Werkzeug, indem Sie den Staub mit einem trockenen oder in Seifenlösung getunkten Lappen abwischen.

### ACHTUNG:

- Verwenden Sie zum Reinigen niemals Kraftstoffe, Benzin, Verdünner, Alkohol oder ähnliches. Dies kann zu Verfärbungen, Verformungen oder Rissen führen.

## Wartung des Sägeblatts

Schmieren Sie das Blatt vor dem Betrieb und nach jeder Betriebsstunde mit Maschinenöl oder ähnlichem. Entfernen Sie nach dem Betrieb den Staub von beiden Seiten des Blattes mit einer Drahtbürste, wischen Sie den Staub mit einem Lappen ab und tragen Sie anschließend dünnflüssiges Öl, z.B. Maschinenöl usw., oder Sprühschmieröl auf.

### ACHTUNG:

- Waschen Sie die Blätter nicht mit Wasser ab. Zuwendungen können zum Rosten führen oder das Werkzeug beschädigen.

## Montage und Demontage des Schneidblatts

### ACHTUNG:

- Schalten Sie das Werkzeug stets aus und ziehen Sie den Stecker, bevor Sie das Schneidblatt einsetzen oder entfernen.
- Tragen Sie beim Austauschen des Schneidblattes immer Arbeitshandschuhe und entfernen Sie die Blattabdeckung nicht, sodass Sie das Schneidblatt nicht direkt mit den Händen berühren. Andernfalls kann es zu Verletzungen kommen.

### HINWEIS:

- Wischen Sie aus dem Getriebe und von der Kurbelwelle keine Schmiere ab. Zuwendungen können das Werkzeug beschädigen.
- Besondere Vorgehensweisen zum Entfernen und Anbringen der Schneidblätter finden Sie auf der Rückseite der Verpackung der Zubehörschneidblätter.

## Ausbauen der Schneidblätter

Drehen Sie das Werkzeug um und lösen Sie die vier Schrauben. **(Abb. 21)**

### HINWEIS:

- Achten Sie darauf, dass Sie sich Ihre Hände nicht beschmieren, denn im Antriebsbereich des Schneidblattes wurde Schmiermittel aufgetragen.

Entfernen Sie die untere Abdeckung. **(Abb. 22)**

Entfernen Sie die Abdeckung des Getriebegehäuses. **(Abb. 23)**

Stellen Sie die Kurbelwelle mit einem Schlitzschraubendreher auf den in der Abbildung dargestellten Winkel ein. **(Abb. 24)**

Entfernen Sie die zwei Schrauben von den Schneidblättern und Sie können das Schneidblatt herausnehmen. **(Abb. 25)**

### ACHTUNG:

- Setzen Sie das Getriebe wieder in der Ursprungsposition ein, falls Sie es versehentlich herausgenommen haben.

## Einbauen des Schneidblattes

Bereiten Sie die 4 entfernten Schrauben (für die untere Abdeckung), die 2 Schrauben (für das Schneidblatt), die Abdeckung des Getriebegehäuses, die untere Abdeckung und die neuen Schneidblätter vor.

Passen Sie die Kurbelwellenposition wie in der Abbildung dargestellt an. Tragen Sie jetzt etwas Schmiermittel mit den neuen Schneidblättern am Rand der Kurbelwelle auf. **(Abb. 26)**

Bringen Sie das ovale Loch im oberen Blatt mit dem im unteren Blatt in Übereinstimmung. **(Abb. 27)**

Nehmen Sie die Blattabdeckung von den alten Schneidblättern ab und passen Sie diese auf die neuen an, um eine einfachere Handhabung während des Austauschs der Blätter zu ermöglichen. **(Abb. 28)**  
Platzieren Sie die neuen Schneidblätter so auf dem Werkzeug, dass die ovalen Löcher in den Schneidblättern auf die Kurbelwelle passen. Bringen Sie die Löcher in den Schneidblättern mit den Schraubenlöchern im Werkzeug in Übereinstimmung und sichern Sie diese mit zwei Schrauben. **(Abb. 29)**

Prüfen Sie die Kurbelwelle mit einem Schlitzschraubendreher auf eine weiche Drehung. **(Abb. 30)**

Bringen Sie die untere Abdeckung und die des Getriebegehäuses wieder an. Ziehen Sie die Schrauben fest an.

Entfernen Sie die Blattabdeckung und schalten Sie das Werkzeug an, um die ordnungsgemäße Bewegung zu überprüfen.

#### HINWEIS:

- Wenn sich die Schneidblätter nicht ordnungsgemäß bewegen, liegt zwischen Blättern und Kurbelwelle eine schlechte Passform vor. Führen Sie den Vorgang erneut von Beginn an durch.

## Aufbewahren

Zum Aufhängen des Werkzeugs an einem Nagel oder einer Schraube in der Wand ist der Hakendurchbruch im unteren Bereich der Blattabdeckung praktisch. **(Abb. 31)**

Bringen Sie die Blattabdeckung auf den Schneidblättern an, damit die Blätter nicht frei liegen. Bewahren Sie das Werkzeug außerhalb der Reichweite von Kindern auf.

Bewahren Sie das Werkzeug an einem Platz auf, wo es weder Wasser noch Regen ausgesetzt ist.

Um die SICHERHEIT und ZUVERLÄSSIGKEIT des Produkts zu gewährleisten, dürfen Reparaturen, Kohlebürsteninspektion und -ersatz sowie alle anderen Wartungsarbeiten und Einstellungen nur durch von Makita autorisierte Servicecenter durchgeführt und ausschließlich Makita-Ersatzteile verwendet werden.

## SONDERZUBEHÖR

### ACHTUNG:

- Für das in diesem Handbuch beschriebene Makita-Gerät werden die folgenden Zubehör- und Zusatzteile empfohlen. Bei Verwendung anderer Zubehör- und Zusatzteile kann es zu Verletzungen kommen. Verwenden Sie Zubehör- und Zusatzteile nur für den vorgesehenen Zweck.

Informationen zu diesem Zubehör erhalten Sie von Ihrem Makita-Servicecenter.

- Schneidblattabdeckung
- Kompletthaken
- Schneidblatt-Baugruppe
- Kabelhalter für Gürtel
- Kabelhalter für Arm

#### HINWEIS:

- Einige der in der Liste aufgeführten Elemente sind dem Werkzeugpaket als Standardzubehör beigelegt. Diese können in den einzelnen Ländern voneinander abweichen.

#### Schallpegel

ENG905-1

Typischer A-bewerteter Schallpegel nach EN60745:

Schalldruckpegel ( $L_{pA}$ ): 89,9 dB (A)

Schallleistungspegel ( $L_{WA}$ ): 97,9 dB (A)

Abweichung (K): 1,5 dB (A)

#### Tragen Sie Gehörschutz.

#### Schwingung

ENG900-1

Schwingungsgesamtwerte (Vektorsumme dreier Achsen) nach EN60745:

Arbeitsmodus: Hecke schneiden

Schwingungsbelastung ( $a_{hv}$ ): 6,7 m/s<sup>2</sup>

Abweichung (K): 1,5 m/s<sup>2</sup>

ENG901-1

- Der hier angegebene Wert für die erzeugten Schwingungen wurde gemäß dem genormten Testverfahren ermittelt und kann als Vergleich zu anderen Werkzeugen herangezogen werden.
- Der angegebene Wert für die erzeugten Schwingungen ist außerdem für eine vorbeugende Bewertung der Belastung zu verwenden.

### WARNUNG:

- Die Schwingungsbelastung kann bei tatsächlichem Gebrauch des Elektrowerkzeugs in Abhängigkeit von der Handhabung des Elektrowerkzeugs von dem hier aufgeführten Wert abweichen.
- Stellen Sie sicher, dass Schutzmaßnahmen für den Bediener getroffen werden, die auf den unter den tatsächlichen Arbeitsbedingungen zu erwartenden Belastungen beruhen (beziehen Sie alle Bestandteile des Arbeitsablaufs ein, also zusätzlich zu den Arbeitszeiten auch Zeiten, in denen das Werkzeug ausgeschaltet ist oder ohne Last läuft).

#### Nur für europäische Länder

ENH021-7

#### EG-Konformitätserklärung

**Wir, Makita Corporation als verantwortlicher Hersteller, erklären, dass die folgenden Geräte der Marke Makita:**

Bezeichnung des Geräts:

Heckenschere

Nummer / Typ des Modells: UH4570, UH5570, UH6570

Technische Daten: siehe Tabelle „TECHNISCHE DATEN“.

in Serienfertigung hergestellt werden und

**den folgenden Richtlinien der Europäischen Union genügen:**

2000/14/EG, 2006/42/EG

Außerdem werden die Geräte gemäß den folgenden Standards oder Normen gefertigt:

EN60745

Die technische Dokumentation erfolgt durch:

Makita International Europe Ltd.

Technical Department,

Michigan Drive, Tongwell,

Milton Keynes, Bucks MK15 8JD, England

Das Verfahren zur Konformitätsbewertung, vorgesehen in  
2000/14/EG, erfolgte in Übereinstimmung mit Anhang V.  
Gemessener Schalleistungspegel: 98 dB (A)  
Garantierter Schalleistungspegel: 100 dB (A)

30. 1. 2009



Tomoyasu Kato  
Direktor  
Makita Corporation  
3-11-8, Sumiyoshi-cho,  
Anjo, Aichi, 446-8502, JAPAN

## ITALIANO (Istruzioni originali)

### Spiegazione della vista generale

- |                              |  |  |
|------------------------------|--|--|
| 1. Interruttore B            | 12. Gancio da braccio                  | 23. Fessure                            |
| 2. Interruttore A            | 13. Direzione di taglio                | 24. Premere le leve su entrambi i lati |
| 3. Interruttore C            | 14. Inclinare le lame                  | 25. Sbloccare i ganci                  |
| 4. Set di ganci di sicurezza | 15. Superficie della siepe da tagliare | 26. Viti                               |
| 5. Cavo di alimentazione     | 16. Premere                            | 27. Coprilama                          |
| 6. Prolunga                  | 17. Raccogliitore di residui           | 28. Coperchio inferiore                |
| 7. Gancio                    | 18. Dado                               | 29. Coperchio ingranaggi               |
| 8. Utensile                  | 19. Lama                               | 30. Eccentrico                         |
| 9. Supporto                  | 20. Aggancio ramo                      | 31. Ellisse della lama                 |
| 10. Gancio per cintura       | 21. Ganci                              |  |
| 11. Cavo                     | 22. Inserire i ganci nelle fessure     |  |

## CARATTERISTICHE TECNICHE

Modello	UH4570	UH5570	UH6570
Lunghezza lama	450 mm	550 mm	650 mm
Colpi al minuto (min <sup>-1</sup> )	1.600	1.600	1.600
Lunghezza totale	862 mm	970 mm	1.042 mm
Peso netto	3,6 kg	3,7 kg	3,8 kg
Classe di sicurezza	II/II		

- Le caratteristiche tecniche riportate di seguito sono soggette a modifiche senza preavviso in virtù del nostro programma continuo di ricerca e sviluppo.
- Le caratteristiche tecniche possono differire da paese a paese.
- Peso determinato in conformità con la EPTA-Procedure 01/2003

### Simbolo

END220-5

Il seguente elenco riporta i simboli utilizzati per questo utensile.

È importante comprenderne il significato prima di utilizzare l'utensile.



..... Leggere il manuale di istruzioni.



..... ISOLAMENTO DOPPIO



..... Evitare l'esposizione alla pioggia.



..... Staccare immediatamente la spina dalla presa se il cavo risulta danneggiato o tagliato.



..... Solo per Paesi UE  
Non gettare le apparecchiature elettriche tra i rifiuti domestici. Secondo la Direttiva Europea 2012/19/UE sui rifiuti di apparecchiature elettriche ed elettroniche e la sua attuazione in conformità alle norme nazionali, le apparecchiature elettriche esauste devono essere raccolte separatamente, al fine di essere riciclate in modo eco-compatibile.

### Uso previsto

ENE014-1

L'utensile è progettato per il taglio delle siepi.

### Alimentazione

ENF002-2

L'utensile deve essere collegato a una presa di corrente con la stessa tensione di quella indicata sulla targhetta e può funzionare soltanto con corrente alternata monofase. L'utensile è dotato di doppio isolamento, pertanto può essere usato anche con prese di corrente sprovviste della messa a terra.

## Avvertenze generali di sicurezza per l'uso dell'utensile

GEA010-1

**⚠ AVVERTENZA Leggere attentamente tutte le avvertenze di sicurezza e le istruzioni.** La mancata osservanza delle istruzioni e delle avvertenze riportate di seguito potrebbe provocare scosse elettriche, incendi e/o lesioni gravi.

## Conservare le avvertenze e le istruzioni per riferimenti futuri.

## AVVERTENZE DI SICUREZZA PER IL TAGLIESIEPI

GEB041-9

- Mantenere tutte le parti del corpo lontane dalla lama. Non rimuovere il materiale tagliato e non sorreggere il materiale da tagliare mentre le lame sono in movimento. Assicurarsi che l'interruttore sia spento prima di liberare il materiale incastrato.** Un momento di disattenzione durante l'uso del tagliasiepi può provocare gravi lesioni personali.
- Trasportare il tagliasiepi afferrandolo per l'impugnatura e con la lama da taglio ferma.**



- Quando si trasporta o si ripone il tagliasiepi, inserire sempre il coprilama.** Il corretto uso del tagliasiepi riduce la possibilità di gravi infortuni provocati dalle lame di taglio.
3. **Impugnare l'utensile esclusivamente per le superfici di presa isolate, poiché la lama potrebbe venire a contatto con conduttori nascosti o con il proprio cavo di alimentazione.** Se le lame di taglio entrano in contatto con un filo percorso da corrente, le parti metalliche esposte dell'utensile si troveranno anch'esse sotto tensione e potrebbero provocare scariche elettriche sull'operatore.
  4. **Tenere il cavo lontano dall'area di taglio.** Durante l'uso, il cavo potrebbe essere nascosto dalla siepe e potrebbe essere accidentalmente tagliato dalla lama.
  5. Non usare il tagliasiepi sotto la pioggia o in condizioni di forte umidità. Il motore elettrico non è impermeabile.
  6. Gli utenti alle prime armi dovrebbero fare affidamento su una persona esperta per imparare a utilizzare il tagliasiepi.
  7. L'uso del tagliasiepi non è consentito ai minori di 18 anni. Tale restrizione non si estende agli operatori con un'età superiore ai 16 anni opportunamente istruiti da un utente esperto.
  8. Il tagliasiepi deve essere utilizzato solo da persone in buone condizioni fisiche. La stanchezza può ridurre il livello di attenzione. Prestare particolare attenzione al termine di una giornata di lavoro. Eseguire il lavoro con calma e attenzione. L'utente è responsabile per qualsiasi danno a terzi.
  9. Non utilizzare l'utensile da taglio se si è sotto l'influenza di alcol, droghe o farmaci.
  10. Assicurarsi che la tensione e la frequenza dell'alimentazione corrispondano alle specifiche riportate sulla targhetta di identificazione. Si consiglia l'uso di un interruttore differenziale (salvavita) con una corrente di intervento di 30 mA o inferiore o di un dispositivo di protezione per corrente con dispersione a terra.
  11. Guanti di lavoro in cuoio robusto fanno parte dell'equipaggiamento di base del tagliasiepi e devono essere sempre indossati durante il lavoro. Indossare anche scarpe robuste con suola antiscivolo.
  12. Prima di cominciare il lavoro, assicurarsi che l'utensile da taglio sia in condizioni sicure e ottimali. Verificare che le protezioni siano installate correttamente. Prima di iniziare il lavoro controllare l'integrità del cavo, sostituendolo se necessario. Il tagliasiepi deve essere utilizzato solo se completamente montato.
  13. Tenere il cavo lontano dall'area di taglio. Lavorare sempre in modo che la prolunga del cavo sia dietro di sé.
  14. Staccare immediatamente la spina dalla presa se il cavo risulta danneggiato o tagliato.
  15. Assumere una posizione stabile e sicura prima di iniziare il lavoro.
  16. Sorreggere saldamente l'utensile durante l'uso.
  17. Non azionare inutilmente l'utensile a vuoto.
  18. Spegnerne immediatamente il motore e staccare la spina dalla presa se la lama dovesse entrare in contatto con una palizzata o un altro oggetto duro. Ispezionare la lama e, in caso di danni, ripararla immediatamente.
  19. Spegnerne sempre l'utensile da taglio e staccare la spina dalla presa prima di controllare la lama, riparare i guasti o rimuovere materiale rimasto incastrato nella lama.
  20. Spegnerne l'utensile da taglio e staccare la spina dalla presa prima di effettuare qualunque intervento di manutenzione.
  21. Se si deve trasferire il tagliasiepi, anche durante l'esecuzione di un lavoro, staccare sempre la spina dalla presa e applicare il coprilama alle lame di taglio. Non trasportare o spostare l'utensile da taglio mentre la lama è in funzione. Non afferrare la lama da taglio con le mani.
  22. Pulire il tagliasiepi, specialmente la lama, dopo l'uso e prima di riporre l'utensile da taglio per periodi prolungati. Oliare leggermente la lama da taglio e applicare la copertura. La copertura in dotazione con l'unità può essere appesa al muro, garantendo un metodo sicuro e pratico per riporre il tagliasiepi.
  23. Riporre il tagliasiepi in un luogo asciutto e con la copertura installata. Tenere fuori dalla portata dei bambini. Non riporre mai l'utensile da taglio all'aperto.
  24. **Non azionare inutilmente l'utensile a vuoto.**

## CONSERVARE QUESTE ISTRUZIONI.



### AVVERTENZA:

**NON lasciare che la familiarità acquisita con il prodotto (dovuta all'uso ripetuto) provochi l'inosservanza delle norme di sicurezza. L'USO IMPROPRIO o la mancata osservanza delle norme di sicurezza indicate in questo manuale di istruzioni possono provocare gravi danni alla persona.**

## DESCRIZIONE FUNZIONALE

### ATTENZIONE:

- Prima di regolare o controllare le funzioni dell'utensile, verificare sempre di averlo spento e scollegato dall'alimentazione.

### Azionamento dell'interruttore (Fig. 1)

Per maggiore sicurezza, questo utensile è dotato di un triplo sistema di interruttori. Per accendere l'utensile, premere due degli interruttori A, B e C. Per spegnere, rilasciare uno dei due interruttori. La sequenza con cui si premono gli interruttori non è significativa, in quanto l'utensile si accende solo quando due interruttori sono attivati.

### Taglio orizzontale (Fig. 2)

Per tagliare la siepe orizzontalmente, tirare gli interruttori A e B.

### Taglio verticale (Fig. 3)

Tagliare verso l'alto, tirando con entrambe le mani gli interruttori B e C, muovendo l'utensile di fronte al proprio corpo.

### Taglio lontano (Fig. 4)

Per tagliare la siepe da lontano, tirare con entrambe le mani gli interruttori A e C.

# MONTAGGIO

## ATTENZIONE:

- Accertarsi sempre che l'utensile sia spento e scollegato dall'alimentazione prima di svolgere qualsiasi operazione su di esso.

## Uso della prolunga

### ATTENZIONE:

- Verificare che la prolunga non sia collegata alla presa elettrica. (Fig. 5)

Utilizzando la prolunga, collegarla al cavo di alimentazione dell'utensile mediante il set di ganci di sicurezza. Collegare il gancio a circa 100-200 mm dalla spina della prolunga. Questo impedirà che la prolunga si scolleghi accidentalmente.

## Gancio per cintura

### ATTENZIONE:

- Collegare il supporto del gancio per cintura solo alla prolunga. Collegarlo in posizione più lontana dall'utensile rispetto al gancio di sicurezza. In caso contrario può sussistere il rischio di incidenti o lesioni personali.
- Collegare saldamente uno dei ganci del set al cavo dell'utensile e l'altro alla prolunga. Usare l'utensile con un solo gancio collegato può essere causa di incidenti o lesioni personali.

L'uso del gancio per cintura riduce il rischio di tagliare inavvertitamente la prolunga quando questa non sia ben fissata. (Fig. 6)

Inserire o estrarre in cavo attraverso l'apertura del supporto. (Fig. 7)

### ATTENZIONE:

- Non forzare l'apertura del supporto. Il supporto si potrebbe piegare e danneggiare.

## Gancio da braccio (accessorio)

### ATTENZIONE:

- Collegare il supporto del gancio da braccio solo alla prolunga. Collegarlo in posizione più lontana dall'utensile rispetto ai ganci di sicurezza. In caso contrario può sussistere il rischio di incidenti o lesioni personali.
- Collegare saldamente uno dei ganci del set al cavo dell'utensile e l'altro alla prolunga. Usare l'utensile con un solo gancio collegato può essere causa di incidenti o lesioni personali.

L'uso del gancio da braccio riduce il rischio di tagliare inavvertitamente la prolunga quando questa non sia ben fissata. (Fig. 8)

Fissare il gancio attorno al braccio e passare la prolunga attraverso il supporto. La lunghezza della fascia del gancio è regolabile.

### NOTA:

- Non passare la prolunga attraverso la fascia.
- Non forzare l'apertura del supporto. Il supporto si potrebbe piegare e danneggiare.
- Usare insieme il gancio da braccio e quello per la cintura risulta maggiormente utile.

# USO

## ATTENZIONE:

- Fare attenzione a non entrare in contatto con una palizzata metallica o altri oggetti duri durante il taglio. La lama si romperebbe e potrebbero verificarsi gravi lesioni personali.
- Sporgersi con il tagliasiepi, soprattutto da una scala, è estremamente pericoloso. Non lavorare in posizioni barcollanti o instabili.

Non tentare di tagliare rami con diametro superiore ai 10 mm. Questi dovrebbero essere tagliati prima con delle cesoie e portati al livello del taglio della siepe. (Fig. 9)

### ATTENZIONE:

- Non tagliare alberi secchi o altri simili oggetti duri. In questo modo si potrebbe danneggiare l'utensile.

Sorreggere il tagliasiepi con entrambe le mani e tirare gli interruttori A e B, muovendo l'utensile di fronte al proprio corpo. (Fig. 10)

Per l'uso più semplice, inclinare la lama in direzione del taglio e spostarla lentamente, con calma, ad una velocità di circa 3-4 secondi per metro. (Fig. 11 e 12)

Per tagliare in modo uniforme la sommità di una siepe può essere d'aiuto tirare uno spago all'altezza desiderata e usarlo come linea di riferimento. (Fig. 13)

L'uso di un raccoglitore i residui (accessorio) durante il taglio può evitare che le foglie tagliate possano essere scagliate in giro. (Fig. 14)

Per tagliare in modo uniforme il lato di una siepe può essere d'aiuto tagliare dal basso verso l'alto. (Fig. 15)  
Per ottenere buoni risultati, il bosso e il rododendro vanno tagliati dalla base verso l'alto. (Fig. 16)

## Installazione e rimozione del raccoglitore di residui (accessorio)

### ATTENZIONE:

- Prima di installare o rimuovere il raccoglitore di residui accertarsi sempre che l'utensile sia spento e scollegato dall'alimentazione.

### NOTA:

- Sostituendo il raccoglitore di residui indossare sempre i guanti, in modo che la mani non tocchino direttamente la lama. In caso contrario si potrebbero rischiare lesioni personali.
- Accertarsi sempre di rimuovere il coprilama prima di installare il raccoglitore di residui.
- Il raccoglitore di residui raccoglie le foglie tagliate, impedendo che vengano disperse. Può essere installato su entrambi i lati dell'utensile. (Fig. 17)  
Premere il raccoglitore di residui sulla lama, in modo che le sue feritoie si sovrappongano ai dadi sulla lama. A questo punto assicurarsi che il raccoglitore non tocchi l'aggancio rami sulla sommità della lama. (Fig. 18)  
Installare il raccoglitore di residui in modo che i suoi ganci entrino nelle fessure nell'unità della lama. (Fig. 19)  
Per rimuovere il raccoglitore di residui, premere la leva su entrambi i lati, in modo da sbloccare i ganci. (Fig. 20)

### ATTENZIONE:

- Il coprilama (dispositivo standard) non può più essere installato se è stato installato il raccoglitore. Prima di trasportare o riporre l'utensile, smontare il raccoglitore

e rimontare il coprilama, per evitare che la lama sia esposta.

#### **NOTA:**

- Prima dell'uso, verificare che il raccoglitore di residui sia installato correttamente.
- Non tentare di smontare il raccoglitore esercitando una forza eccessiva sui ganci bloccati nelle fessure. Questo potrebbe danneggiare l'accessorio.

## **MANUTENZIONE**

#### **ATTENZIONE:**

- Prima di effettuare controlli e operazioni di manutenzione, verificare sempre che l'utensile sia spento e scollegato dall'alimentazione.

#### **Pulizia dell'utensile**

Pulire l'utensile eliminando la polvere mediante un panno asciutto o saponato.

#### **ATTENZIONE:**

- Evitare assolutamente di usare benzina, diluenti, solventi, alcol o sostanze simili. In caso contrario, potrebbero verificarsi scoloriture, deformazioni o incrinature.

#### **Manutenzione della lama**

Oliare la lama prima dell'uso e dopo ogni ora di utilizzo con olio per macchine, o simili.

Dopo l'uso eliminare la polvere da entrambi i lati della lama con una spazzola, eliminarla con un panno e quindi applicare olio a bassa viscosità, come olio per macchine oppure olio lubrificante spray.

#### **ATTENZIONE:**

- Non lavare la lama con acqua. Questo potrebbe causare ruggine o danneggiare l'utensile.

#### **Installazione o rimozione della lama**

##### **ATTENZIONE:**

- Prima di rimuovere o installare la lama, verificare che l'utensile sia spento e scollegato dall'alimentazione.
- Sostituendo la lama indossare sempre i guanti e non rimuovere il coprilama, in modo che la mani non tocchino direttamente la lama. In caso contrario si potrebbero rischiare lesioni personali.

##### **NOTA:**

- Non eliminare il grasso da albero e ingranaggi. In questo modo si potrebbe danneggiare l'utensile.
- Per il modo esatto di rimuovere e installare la lama, fare riferimento al retro della confezione di una lama sostitutiva.

#### **Rimozione della lama**

Capovolgere l'utensile e allentare le quattro viti. (Fig. 21)

##### **NOTA:**

- Fare attenzione a non sporcarsi le mani con il grasso applicato nella zona di guida della lama.

Rimuovere il coperchio inferiore. (Fig. 22)

Rimuovere il coperchio degli ingranaggi. (Fig. 23)

Con un cacciavite a taglio impostare l'eccentrico all'angolo illustrato in figura. (Fig. 24)

Rimuovere due viti dalla lama: ora sarà possibile estrarre la lama. (Fig. 25)

##### **ATTENZIONE:**

- Riportate l'ingranaggio nella posizione originale come se fosse installato per poi essere tolto per errore.

##### **Installazione della lama**

Preparare le 4 viti rimosse (per il coperchio inferiore), le 2 viti (per la lama), il coperchio degli ingranaggi, il coperchio inferiore e la nuova lama.

Regolare la posizione dell'eccentrico come mostrato in figura. A questo punto applicare un po' del grasso in dotazione con la nuova lama sulla periferia dell'eccentrico. (Fig. 26)

Sovrapporre il foro ovale della lama superiore con quello della lama inferiore. (Fig. 27)

Estrarre il coprilama dalla vecchia lama e collegarlo a quella nuova, in modo da facilitare la manipolazione durante la sostituzione. (Fig. 28)

Inserire la nuova lama nell'utensile, in modo che i fori ovali della lama vengano a corrispondere all'eccentrico.

Sovrapporre i fori della lama con i fori per le viti sull'utensile e fissarli con due viti. (Fig. 29)

Con un cacciavite a taglio, assicurarsi che l'eccentrico ruoti in modo liscio. (Fig. 30)

Montare il coperchio degli ingranaggi e il coperchio inferiore sull'utensile. Serrare saldamente la vite.

Rimuovere il coprilama e accendere l'utensile per controllare che funzioni correttamente.

##### **NOTA:**

- Se la lama non funziona correttamente, questo significa che il collegamento della lama con l'eccentrico non è corretto. Rifare tutta la procedura dall'inizio.

#### **Conservazione**

Il foro sul fondo del coprilama è utile per appendere l'utensile a un chiodo o a una vite sul muro. (Fig. 31)

Inserire il coprilama, in modo che la lama non sia accessibile. Riporre l'utensile lontano dalla portata dei bambini.

Riporre l'utensile in un luogo non esposto ad acqua e pioggia.

Per mantenere la SICUREZZA e l'AFFIDABILITÀ del prodotto, le riparazioni, il controllo della spazzola di carbone, le sostituzioni e qualsiasi altra operazione di manutenzione o regolazione devono essere eseguite da un centro di assistenza Makita autorizzato usando sempre ricambi Makita.

## **ACCESSORI OPZIONALI**

##### **⚠ ATTENZIONE:**

- Si consiglia l'uso dei seguenti accessori per l'utensile Makita descritto in questo manuale. L'uso di qualsiasi altro accessorio potrebbe provocare lesioni personali. Utilizzare gli accessori esclusivamente per l'uso dichiarato.

Per l'assistenza e per ulteriori informazioni su tali accessori, rivolgersi al centro assistenza Makita di zona.

- Coprilama
- Set ganci di sicurezza
- Unità lama
- Gancio per cintura
- Gancio da braccio

**NOTA:**

- Alcuni degli accessori elencati potrebbero essere inclusi nella confezione dell'utensile come accessori standard. Gli accessori standard possono differire da paese a paese.

**Rumore**

ENG905-1

Il tipico livello di rumore ponderato "A" è determinato in conformità con la norma EN60745:

Livello di pressione sonora ( $L_{pA}$ ): 89,9 dB (A)

Livello di potenza sonora ( $L_{WA}$ ): 97,9 dB (A)

Variazione (K): 1,5 dB (A)

**Indossare una protezione acustica.****Vibrazioni**

ENG900-1

Il valore totale delle vibrazioni (somma vettoriale triassiale) è determinato in conformità con la norma EN60745:

Modalità di lavoro: taglio delle siepi

Emissione delle vibrazioni ( $a_{h1}$ ): 6,7 m/s<sup>2</sup>

Variazione (K): 1,5 m/s<sup>2</sup>

ENG901-1

- Il valore di emissione delle vibrazioni dichiarato è stato misurato in conformità con il metodo di test standard e può essere utilizzato per confrontare tra loro diversi utensili.
- Il valore dell'emissione delle vibrazioni dichiarato può anche essere usato per stime preliminari dell'esposizione.

**⚠ AVVERTENZA:**

- L'emissione delle vibrazioni durante l'uso effettivo dell'utensile elettrico può risultare diversa rispetto al valore dichiarato, in base alla modalità d'uso dell'utensile.
- Assicurarsi di individuare le necessarie misure di sicurezza per proteggere l'operatore in base a una stima dell'esposizione nelle condizioni reali di utilizzo (prendendo in considerazione tutte le fasi del ciclo operativo, come quante volte l'utensile viene spento e i periodi in cui rimane inattivo, oltre al tempo di avviamento).

**Solo per i paesi europei**

ENH021-7

**Dichiarazione di conformità CE**

**Makita Corporation, in qualità di produttore responsabile, dichiara che gli utensili Makita indicati di seguito:**

Denominazione dell'utensile:

Tagliasiepi

N. modello/Tipo: UH4570, UH5570, UH6570

Caratteristiche tecniche: vedere la tabella

"CARATTERISTICHE TECNICHE".

appartengono a una produzione in serie e

**sono conformi alle seguenti direttive europee:**

2000/14/EC, 2006/42/EC

Sono inoltre prodotti in conformità con gli standard o i documenti standardizzati riportati di seguito:  
EN60745

La documentazione tecnica viene conservata da:

Makita International Europe Ltd.

Technical Department,

Michigan Drive, Tongwell,

Milton Keynes, Bucks MK15 8JD, Inghilterra

La procedura di valutazione della conformità richiesta dalla Direttiva 2000/14/EC è stata effettuata secondo quanto specificato nell'allegato V.

Livello di potenza sonora misurata: 98 dB (A)

Livello di potenza sonora garantita: 100 dB (A)

30. 1. 2009



Tomoyasu Kato

Direttore

Makita Corporation

3-11-8, Sumiyoshi-cho,

Anjo, Aichi, 446-8502, JAPAN

## NEDERLANDS (Originele instructies)

### Verklaring van algemene gegevens

1. Aan/uit-schakelaar B	12. Armbandhaak	23. Groeven
2. Aan/uit-schakelaar A	13. Snoeirichting	24. Duw de vergrendelingen aan beide zijden in
3. Aan/uit-schakelaar C	14. Kantel het zwaard	25. Trek de haken uit de groeven
4. Hakenset	15. Hegoppervlak dat u wilt snoeien	26. Schroeven
5. Netsnoer van gereedschap	16. Drukken	27. Schede
6. Verlengsnoer	17. Snoeiafvalgeleider	28. Deksel op onderkant
7. Haak	18. Moer	29. Afdekking tandwielhuis
8. Gereedschap	19. Messenblad	30. Kruk
9. Snoerring	20. Takkenvanger	31. Ovale gat van messenblad
10. Heupgordelhaak	21. Haken	
11. Netsnoer	22. Plaats de haken in de groeven	

## TECHNISCHE GEGEVENS

Model	UH4570	UH5570	UH6570
Lengte messenblad	450 mm	550 mm	650 mm
Aantal snoeibewegingen per minuut (min <sup>-1</sup> )	1.600	1.600	1.600
Totale lengte	862 mm	970 mm	1.042 mm
Netto gewicht	3,6 kg	3,7 kg	3,8 kg
Veiligheidsklasse	II/III		

- Als gevolg van ons doorlopende onderzoeks- en ontwikkelingsprogramma, zijn de technische gegevens van dit gereedschap onderhevig aan veranderingen zonder voorafgaande kennisgeving.
- De technische gegevens kunnen van land tot land verschillen.
- Gewicht volgens EPTA-procedure 01/2003

### Symbool END220-5

Hieronder staan de symbolen die voor dit gereedschap worden gebruikt.

Zorg ervoor dat u weet wat ze betekenen alvorens het gereedschap te gebruiken.



..... Lees de gebruiksaanwijzing.



..... DUBBEL GEÏSOLEERD



..... Stel het gereedschap niet bloot aan regen.



..... Trek onmiddellijk de stekker uit het stopcontact als het netsnoer beschadigd of doorgesneden is.



..... Alleen voor EU-landen  
Geef elektrisch gereedschap niet met het huisvuil mee!  
Volgens de Europese richtlijn 2012/19/EU inzake oude elektrische en elektronische apparaten en de toepassing daarvan binnen de nationale wetgeving, dient gebruikt elektrisch gereedschap gescheiden te worden ingezameld en te worden afgevoerd naar een recycle bedrijf dat voldoet aan de geldende milieu-eisen.

### Gebruiksdoel ENE014-1

Het gereedschap is bedoeld om hekken te snoeien.

### Voeding ENF002-2

Het gereedschap mag uitsluitend worden aangesloten op een voeding met dezelfde spanning als aangegeven op het typeplaatje en werkt alleen op enkele-fase wisselstroom. Het gereedschap is dubbel geïsoleerd en mag derhalve ook op een niet-geaard stopcontact worden aangesloten.

## Algemene veiligheidswaarschuwingen voor elektrisch gereedschap GEA010-1

**⚠ WAARSCHUWING** Lees alle veiligheidswaarschuwingen en alle instructies. Het niet volgen van de waarschuwingen en instructies kan leiden tot elektrische schokken, brand en/of ernstig letsel.

## Bewaar alle waarschuwingen en instructies om in de toekomst te kunnen raadplegen.

## VEILIGHEIDSWAARSCHUWINGEN SPECIFIEK VOOR EEN HEGGENSCHAAR GEB041-9

1. **Houd alle lichaamsdelen uit de buurt van de messenbladen. Verwijder geen snoeiafval en houd geen materiaal om te snoeien vast terwijl de**

- messenbladen bewegen. Zorg ervoor dat de aan/uit-schakelaar in de uit-stand staat voordat u vastgeklemd materiaal vanaf de messenbladen verwijdt.** Een ogenblik van onoplettendheid kan tijdens het gebruik van de heggenschaar leiden tot ernstig persoonlijk letsel.
2. **Draag de heggenschaar aan het handvat met stilstaande messenbladen. Bij het transporteren of overbergen van de heggenschaar moet altijd de schede om de messenbladen worden gedaan.** Door op de juiste manier met de heggenschaar om te gaan, verkleint u de kans op mogelijk letsel door de messenbladen.
  3. **Houd het elektrisch gereedschap alleen vast bij het geïsoleerde oppervlak omdat het snijblad met verborgen bedrading of zijn eigen snoer in aanraking kan komen.** Wanneer de messenbladen in aanraking komen met onder spanning staande draden, zullen de niet-geïsoleerde metalen delen van het gereedschap onder spanning komen te staan zodat de gebruiker een elektrische schok kan krijgen.
  4. **Houd het netsnoer uit de buurt van het snoeigebied.** Tijdens het gebruik kan het netsnoer uit het zicht raken door de begroeiing en kan het per ongeluk worden doorgesneden door de messenbladen.
  5. Gebruik de heggenschaar niet in de regen of onder natte of zeer vochtige omstandigheden. De elektromotor is niet waterdicht.
  6. Onervaren gebruikers dienen door een ervaren gebruiker van heggenscharen te worden voorgedaan hoe de heggenschaar moet worden gebruikt.
  7. De heggenschaar mag niet worden gebruikt door kinderen of jeugd jonger dan 18 jaar. Jongeren ouder dan 16 jaar kunnen uitgezonderd worden van deze regel mits zijn les krijgen onder toezicht van een expert.
  8. Gebruik de heggenschaar alleen als u in goede lichamelijke conditie bent. Als u vermoeid bent, kunt u zich minder goed concentreren. Wees met name voorzichtig aan het einde van de werkdag. Werk altijd rustig en voorzichtig. De gebruiker is aansprakelijk voor alle schade toegebracht aan derden.
  9. Gebruik de heggenschaar nooit onder invloed van alcohol, drugs of medicijnen.
  10. Controleer of de spanning en frequentie van de voeding overeenkomen met de specificaties vermeld op het typeplaatje. Wij adviseren u een aardlekschakelaar met een lekstroom van 30 mA of minder, of een aardlekstroombeveiliging te gebruiken.
  11. Werkhandschoenen van stevig leer maken deel uit van de standaardwerkuitrusting van de heggenschaar en moeten tijdens het werken ermee altijd worden gedragen. Draag tevens stevige schoenen met slipvaste zolen.
  12. Alvorens met de werkzaamheden te beginnen, moet u controleren of de heggenschaar in goede en veilige staat verkeert. Controleer dat de beschermkappen stevig gemonteerd zijn. Controleer alvorens met de werkzaamheden te beginnen het netsnoer op beschadigingen en vervang het indien nodig. De heggenschaar mag niet worden gebruikt voordat deze geheel compleet en afgemonteerd is.
  13. Houd het netsnoer uit de buurt van het snoeigebied. Werk altijd zodanig dat het verlengsnoer zich achter u bevindt.
  14. Trek onmiddellijk de stekker uit het stopcontact als het netsnoer beschadigd of doorgesneden is.
  15. Zorg alvorens met de werkzaamheden te beginnen ervoor dat u stevig staat.
  16. Houd tijdens het gebruik het gereedschap stevig vast.
  17. Laat het gereedschap niet onnodig onbelast draaien.
  18. Schakel het gereedschap onmiddellijk uit en trek de stekker uit het stopcontact als de messenbladen van de heggenschaar in aanraking komen met een afrastering of ander hard voorwerp. Controleer de messenbladen op beschadigingen en repareer deze onmiddellijk.
  19. Alvorens de messenbladen te controleren, storingen te verhelpen of vastgelopen materiaal te verwijderen, schakelt u de heggenschaar altijd uit en trekt u de stekker uit het stopcontact.
  20. Schakel de heggenschaar altijd uit en trek de stekker uit het stopcontact alvorens enige onderhoudswerkzaamheden uit te voeren.
  21. Wanneer u de heggenschaar naar een andere plaats overbrengt, ook tijdens het werk, trekt u altijd eerst de stekker uit het stopcontact en schuift u de schede over de messenbladen. Draag of vervoer de heggenschaar nooit met ingeschakelde messenbladen. Pak de messenbladen nooit met uw handen beet.
  22. Reinig de heggenschaar, en met name de messenbladen, na ieder gebruik en voordat de heggenschaar langdurig wordt opgeborgen. Smeer de messenbladen met een beetje olie en breng de schede aan. De schede die bij het gereedschap is geleverd kan aan een een muur worden gehangen zodat de heggenschaar praktisch en veilig opgeborgen kan worden.
  23. Berg de heggenschaar op met aangebrachte schede in een droog vertrek. Houd het gereedschap buiten bereik van kinderen. Laat de heggenschaar nooit buiten liggen.
  24. **Laat het gereedschap niet onnodig onbelast draaien.**

## BEWAAR DEZE INSTRUCTIES.

### WAARSCHUWING:

**Laat u NIET misleiden door een vals gevoel van comfort en bekendheid met het gereedschap (na veelvuldig gebruik) en neem alle veiligheidsvoorschriften van het betreffende product altijd strikt in acht. VERKEERD GEBRUIK of het niet volgen van de veiligheidsinstructies in deze gebruiksaanwijzing kan leiden tot ernstig persoonlijk letsel.**

## BESCHRIJVING VAN DE FUNCTIES

### LET OP:

- Controleer altijd of het gereedschap is uitgeschakeld en de stekker uit het stopcontact is getrokken alvorens de functies van het gereedschap te controleren of af te stellen.

## Aan/uit-schakelaar (zie afb. 1)

Voor uw veiligheid is dit gereedschap uitgerust met een driefvoudig in-/uitschakelsysteem. Om het gereedschap in te schakelen, moet u twee van de drie aan/uit-schakelaars indrukken. Laat één van de twee ingedrukte aan/uit-schakelaars los om het gereedschap uit te schakelen. De volgorde waarin de aan/uit-schakelaars worden ingedrukt is niet van belang omdat het gereedschap pas start nadat de tweede schakelaar is ingedrukt.

## Horizontaal snoeien (zie afb. 2)

Om de bovenkant van de heg horizontaal te snoeien, drukt u de aan/uit-schakelaars A en B in.

## Verticaal snoeien (zie afb. 3)

Druk met beide handen de aan/uit-schakelaars B en C in, houdt de heggenschaar vóór uw lichaam en snoei van beneden naar boven.

## Op afstand snoeien (zie afb. 4)

Om een ver weg gelegen plaats van de heg te snoeien, drukt u met beide handen de aan/uit-schakelaars A en C in.

## ONDERDELEN AANBRENGEN/ VERWIJDEREN

### LET OP:

- Controleer altijd of het gereedschap is uitgeschakeld en de stekker uit het stopcontact is getrokken alvorens enige werk aan het gereedschap uit te voeren.

## Een verlengsnoer aansluiten

### LET OP:

- Zorg ervoor dat de stekker van het verlengsnoer niet in het stopcontact is gestoken. **(Zie afb. 5)**

Om het verlengsnoer aan te sluiten, maakt u het met behulp van de hakenset vast aan het netsnoer van het gereedschap. Maak de haak vast aan het verlengsnoer op ongeveer 100 - 200 mm vanaf de contrastekker. Hierdoor wordt per ongeluk loskoppelen voorkomen.

## Heupgordelhaak

### LET OP:

- Bevestig de snoerring van de de heupgordelhaak niet aan iets anders dan het verlengsnoer. Maak hem niet vast op een plaats dichterbij het gereedschap voorbij de hakenset. Als u dat toch doet, kan dit leiden tot een ongeluk of persoonlijk letsel.
- Bevestig één haak van de hakenset aan het netsnoer van het gereedschap en de andere haak van de hakenset aan het verlengsnoer. Het gebruik van het gereedschap met slechts één haak van de hakenset bevestigd, kan leiden tot een ongeluk of persoonlijk letsel.

Het gebruik van de heupgordelhaak draagt bij aan het verkleinen van de kans op het per ongeluk doorsnijden van het verlengsnoer als gevolg van een loshangend verlengsnoer **(zie afb. 6)**.

Duw het verlengsnoer door de opening in de snoerring of trek deze eruit **(zie afb. 7)**.

### LET OP:

- Forceer de opening van de snoerring niet. Als u dit toch doet, kan deze worden vervormd en beschadigd.

## Armbandhaak (los verkrijgbaar)

### LET OP:

- Bevestig de snoerring van de de armbandhaak niet aan iets anders dan het verlengsnoer. Maak hem niet vast op een plaats dichterbij het gereedschap voorbij de hakenset. Als u dat toch doet, kan dit leiden tot een ongeluk of persoonlijk letsel.
- Bevestig één haak van de hakenset aan het netsnoer van het gereedschap en de andere haak van de hakenset aan het verlengsnoer. Het gebruik van het gereedschap met slechts één haak van de hakenset bevestigd, kan leiden tot een ongeluk of persoonlijk letsel.

Het gebruik van de armbandhaak draagt bij aan het verkleinen van de kans op het per ongeluk doorsnijden van het verlengsnoer als gevolg van een loshangend verlengsnoer **(zie afb. 8)**.

Bevestig de armbandhaak stevig aan uw arm en duw het verlengsnoer in de snoerring. De lengte van de armbandhaak kan worden afgesteld.

### OPMERKING:

- Het verlengsnoer mag niet onder de armband zitten.
- Forceer de opening van de snoerring niet. Als u dit toch doet, kan deze worden vervormd en beschadigd.
- De armbandhaak kan tegelijk met de heupgordelhaak worden gebruikt.

## BEDIENING

### LET OP:

- Wees voorzichtig niet per ongeluk een metalen afrastering of andere harde voorwerpen te raken tijdens het snoeien. De messenbladen zullen breken en kunnen ernstig letsel veroorzaken.
- Het is bijzonder gevaarlijk met de heggenschaar te ver te reiken, met name op een ladder. Werk niet vanuit een wankel of instabiele positie.

Probeer geen takken dikker dan 10 mm diameter te snoeien met deze heggenschaar. Deze dienen eerst met een snoeischaar te worden teruggesnoeid tot de juiste snoeihoogte **(zie afb. 9)**.

### LET OP:

- Snoei niet in dode bomen of andere harde voorwerpen. Als u zich hier niet aan houdt, kan het gereedschap worden beschadigd.

Druk met beide handen de aan/uit-schakelaars A en B in, houdt de heggenschaar vóór uw lichaam en snoei van beneden naar boven **(zie afb. 10)**.

Als standaardmethode houdt u de messenbladen gekanteld in de snoeirichting en beweegt u ze rustig en langzaam met een snelheid van 3 of 4 seconden per meter **(zie afb. 11 en 12)**.

Om de bovenkant van een heg gelijkmatig te snoeien, is het handig een touwtje op de gewenste hoogte te spannen en er langs te snoeien **(zie afb. 13)**.

Door een snoeiafvalgeleider (los verkrijgbaar) op het gereedschap aan te brengen bij het recht snoeien van een heg, wordt voorkomen dat het snoeiafval wordt weggegooid **(zie afb. 14)**.

Om de zijkant van een heg gelijkmatig te snoeien, is het handig van onder naar boven te snoeien (zie afb. 15). Snoei buxus en rododendron van onder naar boven voor een mooie, gladde afwerking (zie afb. 16).

## De snoeiafvalgeleider (los verkrijgbaar) aanbrengen en verwijderen

### LET OP:

- Controleer altijd of het gereedschap is uitgeschakeld en de stekker uit het stopcontact is getrokken alvorens de snoeiafvalgeleider aan te brengen of te verwijderen.

### OPMERKING:

- Draag bij het aanbrengen of verwijderen van de snoeiafvalgeleider altijd handschoenen zodat uw handen en gezicht niet rechtstreeks in aanraking komen met de messenbladen. Als u dat niet doet, kan dit leiden tot persoonlijk letsel.
- Haal altijd eerst de schede van de messenbladen af voordat u de snoeiafvalgeleider aanbrengt.
- De snoeiafvalgeleider vangt de gesnoeide blaadjes af en vergemakkelijkt het verzamelen van de vallende blaadjes. Deze kan aan beide kanten van het gereedschap worden bevestigd (zie afb. 17).

Duw de snoeiafvalgeleider op de messenbladen zodat de sleuven over de moeren op de messenbladen vallen. Let erop dat de snoeiafvalgeleider de takkenvanger aan de voorkant van de messenbladen niet raakt (zie afb. 18). De snoeiafvalgeleider moet zodanig worden aangebracht dat de haken ervan aangrijpen in de groeven in de messenbladen (zie afb. 19).

Om de snoeiafvalgeleider te verwijderen, drukt u aan beide zijden op de vergrendeling zodat de haken loskomen uit de groeven (zie afb. 20).

### LET OP:

- De schede (standaarduitrusting) kan niet om de messenbladen worden geschoven terwijl de snoeiafvalgeleider is aangebracht. Alvorens de heggenschaar mee te nemen of op te bergen, verwijdert u de snoeiafvalgeleider en schuift u de schede om de messenbladen om te voorkomen dat deze bloot liggen.

### OPMERKING:

- Controleer de snoeiafvalgeleider op correcte montage alvorens deze te gebruiken.
- Probeer de snoeiafvalgeleider nooit met grote kracht te verwijderen terwijl de haken aangrijpen in de gleuven van de messenbladen. Bij gebruik van grote kracht kan de snoeiafvalgeleider worden beschadigd.

## ONDERHOUD

### LET OP:

- Zorg er altijd voor dat het gereedschap is uitgeschakeld en de stekker uit het stopcontact is getrokken, voordat u een inspectie of onderhoud uitvoert.

## Het gereedschap schoonmaken

Maak het gereedschap schoon door het stof eraf te vegen met een droge of met zeepwater bevochtigde doek.

### LET OP:

- Gebruik nooit benzine, wasbenzine, thinner, alcohol, enz. Dit kan leiden tot verkleuren, vervormen of barsten.

## Onderhoud van messenbladen

Smeer de messenbladen voor aanvang van de werkzaamheden en na ieder werkuur met machineolie of gelijkwaardig.

Verwijder na de werkzaamheden het vuil van beide zijden van de messenbladen met behulp van een staalborstel, veeg de messenbladen schoon met een doek, en breng voldoende olie met een lage viscositeit aan, zoals bijvoorbeeld machineolie, smeeroilie uit een spuitbus, enz.

### LET OP:

- Was de messenbladen niet met water. Als u dit toch doet, kunnen de messenbladen gaan roesten of het gereedschap worden beschadigd.

## De messenbladen aanbrengen en verwijderen

### LET OP:

- Controleer altijd of het gereedschap is uitgeschakeld en de stekker uit het stopcontact is getrokken voordat u de messenbladen verwijdert of aanbrengt.
- Draag bij het aanbrengen of verwijderen van de messenbladen altijd handschoenen zonder de schede eraf te halen zodat uw handen en gezicht niet rechtstreeks in aanraking komen met de messenbladen. Als u dat niet doet, kan dit leiden tot persoonlijk letsel.

### OPMERKING:

- Veeg het vet op het tandwiel en de kruk niet af. Als u dit toch doet, kan het gereedschap worden beschadigd.
- Voor de specifieke methode van het verwijderen en aanbrengen van messenbladen, leest u de achterkant van de verpakking van de los verkrijgbare messenbladen.

## De messenbladen verwijderen

Draai het gereedschap ondersteboven en draai de vier schroeven los (zie afb. 21).

### OPMERKING:

- Wees voorzichtig uw handen niet vuil te maken aan het vet in het tandwielhuis van de messenbladen.

Verwijder het deksel op de onderkant (zie afb. 22).

Verwijder de afdekking van het tandwielhuis (zie afb. 23). Draai de kruk met behulp van een platkopschroevendraaier naar de hoek aangegeven in de afbeelding (zie afb. 24).

Verwijder de twee schroeven uit de messenbladen zodat de messenbladen uit het gereedschap verwijderd kunnen worden (zie afb. 25).

### LET OP:

- Draai het tandwiel terug naar de oorspronkelijke stand waarin het werd aangebracht voor het geval het per ongeluk wordt afgenomen.

## De messenbladen aanbrengen

Bereid de 4 schroeven (voor het deksel op de onderkant), de 2 schroeven (voor de messenbladen), het deksel van



het tandwielhuis, het deksel op de onderkant en de nieuwe messenbladen voor.

Draai de kruk naar de stand zoals aangegeven in de afbeelding. Breng vet aan, dat bij de nieuwe messenbladen werd geleverd, rondom de kruk (**zie afb. 26**).

Leg het ovale gat in het bovenste messenblad over het gat in het onderste messenblad (**zie afb. 27**).

Haal de schede van de oude messenbladen af en schuif het op de nieuwe messenbladen om veiliger te werken tijdens het vervangen van de messenbladen (**zie afb. 28**). Plaats de nieuwe messenbladen in het gereedschap zodat de ovale gaten in de messenbladen over de kruk passen. Laat de gaten in de messenbladen samenvallen met de schroefgaten in het gereedschap en zet ze daarna vast met de twee schroeven (**zie afb. 29**).

Controleer met een platkopschroevendraaier of de kruk soepel draait (**zie afb. 30**).

Monteer de afdekking van het tandwielhuis en het deksel op de onderkant van het gereedschap. Draai de schroeven stevig aan.

Haal de schede van de messenbladen af en schakel daarna het gereedschap in om te controleren of het goed werkt.

#### OPMERKING:

- Als de messenbladen niet goed werken, zijn ze niet goed op de kruk bevestigd. Voer de procedure vanaf het begin opnieuw uit.

#### Bewaren

Het gaatje in het deksel op de onderkant is handig om het gereedschap aan een spijker in de muur op te hangen (**zie afb. 31**).

Schuif de schede over de messenbladen zodat deze niet bloot liggen. Bewaar het gereedschap buiten bereik van kinderen.

Bewaar het gereedschap op een plaats die niet is blootgesteld aan water of regen.

Om de VEILIGHEID en BETROUWBAARHEID van het gereedschap te handhaven, dienen alle reparaties, controle en vervanging van de koolborstels, onderhoud en afstellingen te worden uitgevoerd door een erkend Makita-servicecentrum, en altijd met gebruikmaking van originele Makita-vervangingsonderdelen.

## VERKRIJGBARE ACCESSOIRES

#### LET OP:

- Deze accessoires of hulpstukken worden aanbevolen voor gebruik met het Makita-gereedschap dat in deze gebruiksaanwijzing wordt beschreven. Het gebruik van andere accessoires of hulpstukken kan gevaar voor persoonlijk letsel opleveren. Gebruik de accessoires of hulpstukken uitsluitend voor de aangegeven gebruiksdoeleinden.

Mocht u meer informatie willen hebben over deze accessoires, dan kunt u contact opnemen met uw plaatselijke Makita-servicecentrum.

- Schede
- Hakenset
- Messenbladen
- Heupgordelhaak
- Armbandhaak

#### OPMERKING:

- Sommige items op de lijst kunnen zijn inbegrepen in de doos van het gereedschap als standaard toebehoren. Zij kunnen van land tot land verschillen.

#### Geluid

ENG905-1

De typische, A-gewogen geluidsniveaus zijn gemeten volgens EN60745:

Geluidsdrukniveau ( $L_{pA}$ ): 89,9 dB (A)

Geluidsvermogeniveau ( $L_{WA}$ ): 97,9 dB (A)

Onzekerheid (K): 1,5 dB (A)

#### **Draag gehoorbescherming.**

#### Trilling

ENG900-1

De totale trillingswaarde (triaxiale vectorsom) zoals vastgesteld volgens EN60745:

Gebruikstoepassing: snoeien van heggen

Trillingsemisatie ( $a_h$ ): 6,7 m/s<sup>2</sup>

Onzekerheid (K): 1,5 m/s<sup>2</sup>

ENG901-1

- De opgegeven trillingsemisatie waarde is gemeten volgens de standaardtestmethode en kan worden gebruikt om dit gereedschap te vergelijken met andere gereedschappen.
- De opgegeven trillingsemisatie waarde kan ook worden gebruikt voor een beoordeling vooraf van de blootstelling.

#### WAARSCHUWING:

- De trillingsemisatie tijdens het gebruik van het elektrisch gereedschap in de praktijk kan verschillen van de opgegeven trillingsemisatie waarde afhankelijk van de manier waarop het gereedschap wordt gebruikt.
- Zorg ervoor dat veiligheidsmaatregelen worden getroffen ter bescherming van de operator die zijn gebaseerd op een schatting van de blootstelling onder praktijkomstandigheden (rekening houdend met alle fasen van de bedrijfscyclus, zoals de tijdsduur gedurende welke het gereedschap is uitgeschakeld en stationair draait, naast de ingeschakelde tijdsduur).

#### Alleen voor Europese landen

ENH021-7

#### EU-verklaring van conformiteit

**Wij, Makita Corporation, als de verantwoordelijke fabrikant, verklaren dat de volgende Makita-machine(s):**

Aanduiding van de machine:

Heggenschaar

Modelnr./Type: UH4570, UH5570, UH6570

Technische gegevens: zie de tabel "TECHNISCHE GEGEVENS".

in serie zijn geproduceerd en

#### **Voldoen aan de volgende Europese richtlijnen:**

2000/14/EC en 2006/42/EC

En zijn gefabriceerd in overeenstemming met de volgende normen of genormaliseerde documenten: EN60745

De technische documentatie wordt bewaard door:

Makita International Europe Ltd.

Technical Department,

Michigan Drive, Tongwell,

Milton Keynes, Bucks MK15 8JD, Engeland

De conformiteitsbeoordelingsprocedure vereist door  
Richtlijn 2000/14/EC was is Overeenstemming met annex  
V.

Gemeten geluidsvermogeniveau: 98 dB (A)

Gegarandeerd geluidsvermogeniveau: 100 dB (A)

30. 1. 2009



Tomoyasu Kato

Directeur

Makita Corporation

3-11-8, Sumiyoshi-cho,  
Anjo, Aichi, 446-8502, JAPAN

# ESPAÑOL (Instrucciones originales)

## Descripción y visión general

- |                                     |   |  |
|-------------------------------------|---|--|
| 1. Interruptor disparador B         | 13. Dirección de corte                      | 24. Ejerza presión sobre las palancas en ambos lados |
| 2. Interruptor disparador A         | 14. Incline las cuchillas                   | 25. Desbloquee los ganchos                           |
| 3. Interruptor disparador C         | 15. Superficie del seto que se desea cortar | 26. Tornillos  |
| 4. Gancho completo                  | 16. Presione                                | 27. Cubierta de la cuchilla                          |
| 5. Cable de la herramienta          | 17. Receptor de virutas                     | 28. Cubierta inferior                                |
| 6. Cable de extensión               | 18. Tuerca                                  | 29. Cubierta del alojamiento del engranaje           |
| 7. Gancho                           | 19. Cuchilla                                | 30. Cigüeñal   |
| 8. Herramienta                      | 20. Recogedor de ramas                      | 31. Elipse de la cuchilla                            |
| 9. Soporte                          | 21. Ganchos                                 |  |
| 10. Gancho de cintura para el cable | 22. Encaje los ganchos en la ranura         |  |
| 11. Cable                           | 23. Ranuras                                 |  |
| 12. Gancho de brazo para el cable   |   |  |

## ESPECIFICACIONES

Modelo	UH4570	UH5570	UH6570
Longitud de la cuchilla	450 mm	550 mm	650 mm
Carreras por minuto (mín <sup>-1</sup> )	1.600	1.600	1.600
Longitud total	862 mm	970 mm	1.042 mm
Peso neto	3,6 kg	3,7 kg	3,8 kg
Clase de seguridad	□/II		

- Debido a nuestro programa continuo de investigación y desarrollo, las especificaciones aquí descritas están sujetas a cambios sin previo aviso.
- Las especificaciones pueden ser diferentes de un país a otro.
- Peso de acuerdo con el procedimiento EPTA 01/2003

### Símbolo

END220-5

Se utilizan los siguientes símbolos para el equipo. Asegúrese de que comprende su significado antes del uso.



..... Lea el manual de instrucciones.



..... DOBLE AISLAMIENTO



..... No la exponga a la lluvia.



..... Desconecte el enchufe de la toma eléctrica si el cable está dañado o cortado.



..... Sólo para países de la Unión Europea  
¡No deseche los aparatos eléctricos junto con los residuos domésticos!  
De conformidad con la Directiva Europea 2012/19/UE sobre residuos de aparatos eléctricos y electrónicos y su aplicación de acuerdo con la legislación nacional, las herramientas eléctricas cuya vida útil haya llegado a su fin se deberán recoger por separado y trasladar a una planta de reciclaje que cumpla con las exigencias ecológicas.

### Uso previsto

ENE014-1

La herramienta está diseñada para cortar setos.

### Alimentación

ENF002-2

La herramienta debe conectarse solamente a una fuente de alimentación de la misma tensión que la indicada en la placa de características, y sólo puede funcionar con corriente alterna monofásica. La herramienta cuenta con un doble aislamiento y puede, por lo tanto, usarse también en tomacorrientes sin conductor de tierra.

## Advertencias de seguridad generales para herramientas eléctricas

GEA010-1

**⚠ ADVERTENCIA** Lea todas las advertencias de seguridad y todas las instrucciones. La no observancia de las advertencias y las instrucciones puede provocar descargas eléctricas, incendios y/o lesiones graves.

## Guarde todas las advertencias e instrucciones para futuras consultas.

## ADVERTENCIAS DE SEGURIDAD DE LA DESMALEZADORA ELÉCTRICA

GEB041-9

1. Mantenga todas las partes del cuerpo alejadas de la cuchilla. No retire material cortado ni sujete el

- material que desea cortar cuando las cuchillas estén en movimiento. Asegúrese de que el interruptor esté apagado cuando despeje material atascado.** Un momento de distracción mientras maneja la desmalezadora eléctrica puede dar como resultado daños corporales graves.
2. **Transporte la desmalezadora eléctrica por el asa con la cuchilla detenida. Cuando transporte o almacene la desmalezadora eléctrica, siempre debe colocar la cubierta del dispositivo de corte.** Un manejo correcto de la desmalezadora eléctrica reducirá la posibilidad de lesiones personales causadas por las cuchillas.
  3. **Sujete la herramienta eléctrica solamente por las superficies de agarre aisladas, ya que la hoja de corte puede entrar en contacto con cables ocultos o su propio cable.** Si entra en contacto con un cable con corriente, puede que las piezas metálicas expuestas de la herramienta eléctrica se carguen también de corriente y que el operario reciba una descarga.
  4. **Mantenga el cable alejado del área de corte.** Durante el uso el cable puede quedar oculto en los arbustos y la cuchilla lo puede cortar accidentalmente.
  5. No utilice la desmalezadora eléctrica bajo la lluvia, donde haya agua o en condiciones de mucha humedad. El motor eléctrico no es a prueba de agua.
  6. Un usuario con experiencia en el uso de la desmalezadora eléctrica debe mostrar a los usuarios noveles cómo utilizarla.
  7. La desmalezadora eléctrica no debe ser utilizada por niños ni jóvenes menores de 18 años. Los jóvenes mayores de 16 años pueden quedar excluidos de esta restricción si reciben formación bajo la supervisión de un experto.
  8. Utilice la desmalezadora eléctrica solamente si se encuentra en buen estado físico. Si está cansado, su atención se verá reducida. Tenga especial cuidado al final de un día de trabajo. Realice todo el trabajo con calma y con cuidado. El usuario es responsable de todos los daños a terceros.
  9. No utilice nunca la desmalezadora eléctrica bajo la influencia de alcohol, drogas o medicamentos.
  10. Asegúrese de que el voltaje y la frecuencia de la fuente de alimentación coincidan con las especificaciones proporcionadas en la placa de identificación. Recomendamos el uso de un disyuntor de corriente residual (interruptor de circuito con pérdida a tierra) con una corriente de desconexión de 30 mA o menos, o un protector de corriente de pérdida a tierra.
  11. Los guantes de trabajo de piel gruesa son parte del equipo básico de la desmalezadora eléctrica y siempre deben utilizarse cuando se trabaje con el mismo. Utilice también calzado robusto con suelas antideslizamiento.
  12. Antes de empezar a trabajar, asegúrese de que la desmalezadora eléctrica esté en un estado de trabajo correcto y seguro. Asegúrese de que las protecciones se monten correctamente. Compruebe si el cable está dañado antes de iniciar el trabajo y reemplácelo si es necesario. No debe utilizarse la desmalezadora eléctrica si no está completamente ensamblada.
  13. Mantenga el cable alejado del área de corte. Trabaje siempre de forma que el cable de extensión de alimentación esté detrás de usted.
  14. Desconecte el enchufe de la toma eléctrica si el cable está dañado o cortado.
  15. Asegúrese de que mantiene una posición bien equilibrada antes de iniciar la operación.
  16. Sujete la herramienta firmemente cuando la utilice.
  17. No utilice la herramienta en vacío innecesariamente.
  18. Apague inmediatamente el motor y desenchufe la herramienta de la toma de corriente si la cuchilla entra en contacto con una valla u otro objeto duro. Compruebe si hay daños en la cuchilla y, si está dañada, repárela inmediatamente.
  19. Antes de comprobar la cuchilla, arreglar desperfectos o retirar material atrapado en la cuchilla, siempre debe apagar la desmalezadora eléctrica y desenchufarla de la toma de corriente.
  20. Apague la desmalezadora eléctrica, desconecte y asegure el enchufe de alimentación eléctrica antes de realizar cualquier trabajo de mantenimiento.
  21. Cuando transporte la desmalezadora eléctrica a otra ubicación, incluso durante el trabajo, desenchufe siempre el enchufe de alimentación eléctrica y coloque la cubierta de la cuchilla sobre las cuchillas de corte. Nunca transporte la desmalezadora eléctrica con la cuchilla en funcionamiento. Nunca sujete la cuchilla con sus manos.
  22. Limpie la desmalezadora eléctrica y especialmente la cuchilla tras su uso y antes de almacenar la desmalezadora eléctrica durante largos periodos de tiempo. Engrase ligeramente la cuchilla y coloque la cubierta. La cubierta proporcionada con la unidad se puede colgar en la pared, lo que resulta una forma práctica y segura de almacenar la desmalezadora eléctrica.
  23. Guarde la desmalezadora eléctrica con la cubierta puesta, en una habitación seca. Manténgala fuera del alcance de los niños. Nunca guarde desmalezadora eléctrica a la intemperie.
  24. **No utilice la herramienta en vacío innecesariamente.**

## GUARDE ESTAS INSTRUCCIONES.

### ⚠ ADVERTENCIA:

**No deje que la comodidad o la familiaridad con el producto (a base de utilizarlo repetidamente) sustituya la estricta observancia de las normas de seguridad del producto en cuestión. El MAL USO o la no observancia de las normas de seguridad expuestas en este manual de instrucciones pueden ocasionar graves daños corporales.**

## DESCRIPCIÓN DEL FUNCIONAMIENTO

### PRECAUCIÓN:

- Asegúrese siempre de que la herramienta esté apagada y desenchufada antes de intentar realizar cualquier tipo de ajuste o comprobación en ella.

## Funcionamiento del interruptor (Fig. 1)

Por su seguridad, esta herramienta está equipada con un sistema triple de interruptores. Para poner en marcha la herramienta, pulse dos de los tres disparadores A, B y C. Suelte cualquiera de los dos disparadores pulsados para apagarla. La secuencia de pulsación de los interruptores no es importante, ya que la herramienta solamente se pone en marcha cuando se activan dos interruptores.

## Corte recto (Fig. 2)

Para cortar el seto de forma recta, tire de los disparadores A y B.

## Corte vertical (Fig. 3)

Corte hacia arriba, con ambas manos tire de los disparadores B y C y muévelo por delante de su cuerpo.

## Corte de áreas alejadas (Fig. 4)

Para cortar las áreas alejadas del seto, con ambas manos tire de los disparadores A y C.

## MONTAJE

### PRECAUCIÓN:

- Asegúrese siempre de que la herramienta esté apagada y desenchufada antes de intentar realizar cualquier trabajo en ella.

## Conexión del cable de extensión

### PRECAUCIÓN:

- Asegúrese de que el cable de extensión esté desenchufado del enchufe de pared. (Fig. 5)

Cuando conecte el cable de extensión, fíjelo al cable de la herramienta con el gancho completo. Acople el gancho a unos 100 - 200 mm del conector del cable de extensión. Esto ayudará a evitar la desconexión accidental.

## Gancho de cintura para el cable

### PRECAUCIÓN:

- El soporte del gancho de cintura para el cable solamente se debe acoplar al cable de extensión. No lo conecte en una posición cercana a la herramienta más allá del gancho completo. De lo contrario, pueden producirse heridas o un accidente.
- Acople firmemente un gancho del gancho completo al cable de la herramienta y el otro gancho del gancho completo al cable de extensión. Trabajar con la herramienta con un solo gancho acoplado puede provocar un accidente y lesiones.

El uso de un gancho de cintura para el cable ayuda a minimizar el riesgo de cortar el cable de extensión accidentalmente porque el cable de extensión esté flojo. (Fig. 6)

Empuje o tire del cable a través de la abertura del soporte. (Fig. 7)

### PRECAUCIÓN:

- No fuerce la abertura del soporte. En caso contrario puede provocar desviaciones y daños.

## Gancho de brazo para el cable (accesorio)

### PRECAUCIÓN:

- El soporte del gancho de brazo para el cable solamente se debe acoplar al cable de extensión. No lo conecte en una posición cercana a la herramienta más allá de los ganchos del gancho completo. De lo contrario, pueden producirse heridas o un accidente.
- Acople firmemente un gancho del gancho completo al cable de la herramienta y el otro gancho del gancho completo al cable de extensión. Trabajar con la herramienta con un solo gancho acoplado puede provocar un accidente y lesiones.

El uso de un gancho de brazo para el cable ayuda a minimizar el riesgo de cortar el cable de extensión accidentalmente porque el cable de extensión esté flojo. (Fig. 8)

Acople firmemente el gancho de brazo para el cable alrededor de su brazo y pase el cable de extensión alrededor del soporte. La longitud de la banda del gancho de brazo para el cable es ajustable.

### NOTA:

- No pase el cable de extensión a través de la banda.
- No fuerce la abertura del soporte. En caso contrario puede provocar desviaciones y daños.
- Resulta más útil usar el gancho de brazo para el cable con el gancho de cintura para el cable.

## MANEJO

### PRECAUCIÓN:

- Tenga cuidado de no entrar en contacto accidentalmente con una valla metálica u otros objetos duros mientras corta. La cuchilla puede romperse y causar lesiones graves.
- Intentar llegar demasiado lejos con un cortasetos, especialmente desde una escalera, es extremadamente peligroso. No trabaje desde ninguna superficie que se tambalee o no sea firme.

No intente cortar ramas de un grosor superior a 10 mm de diámetro con este cortasetos. Primero deben cortarse con cizallas hasta el nivel de corte de setos. (Fig. 9)

### PRECAUCIÓN:

- No corte árboles muertos u objetos duros similares. De lo contrario, podría dañar la herramienta.

Sujete el cortasetos con ambas manos, tire de los disparadores A y B y muévelo por delante de su cuerpo. (Fig. 10)

Como operación de manejo básica, incline las cuchillas en la dirección de corte y mueva el cortasetos tranquilamente y suavemente a una velocidad de 3 - 4 segundos por metro. (Fig. 11 y 12)

Para cortar de forma uniforme la parte superior de un seto, resulta de ayuda atar un cordón a la altura deseada del seto y cortar a lo largo de él, usándolo como referencia. (Fig. 13)

Si se acopla el receptor de virutas (accesorio) en la herramienta cuando se corta el seto de forma recta, se puede evitar que las cuchillas salgan despedidas. (Fig. 14)

Para cortar el lateral de un seto de forma uniforme, resulta útil cortar desde la parte inferior hacia arriba.

(Fig. 15)

Corte madera de boj o rododendro desde la base hacia la parte superior para lograr un aspecto atractivo y un buen trabajo. (Fig. 16)

## Instalación o extracción del receptor de virutas (accesorio)

### PRECAUCIÓN:

- Asegúrese siempre de que la herramienta esté apagada y desenchufada antes de instalar o extraer el receptor de virutas

### NOTA:

- Siempre que reemplace el receptor de virutas, utilice guantes para que las manos y la cara no entren en contacto con la cuchilla. De lo contrario, puede sufrir lesiones personales.
- Asegúrese siempre de que se haya retirado la cubierta de la cuchilla antes de instalar el receptor de virutas.
- El receptor de virutas recibe hojas cortadas y ayuda a recoger las hojas que salen despedidas. Puede instalarse en cualquier lado de la herramienta.

(Fig. 17)

Ejerza presión sobre el receptor de virutas en las cuchillas de forma que sus hendiduras se solapen con las tuercas de las cuchillas. A continuación, asegúrese de que el receptor de virutas no entre en contacto con el recogedor de ramas en la parte superior de las cuchillas.

(Fig. 18)

A continuación, el receptor de virutas debe instalarse de forma que sus ganchos encajen en las ranuras de la unidad de la cuchilla. (Fig. 19)

Para extraer el receptor de virutas, pulse su palanca en ambos lados de forma que los ganchos estén desbloqueados. (Fig. 20)

### PRECAUCIÓN:

- La cuchilla (equipo estándar) no se puede instalar en la herramienta con el receptor de virutas instalado. Antes de transportar o almacenar la herramienta, desinstale el receptor de virutas e instale la cubierta de la cuchilla para evitar la exposición de la cuchilla.

### NOTA:

- Compruebe si el receptor de virutas está correctamente instalado antes de su uso.
- Nunca intente desinstalar el receptor de virutas aplicando una fuerza excesiva sobre sus ganchos bloqueados en las ranuras de la unidad de la cuchilla. El uso de una fuerza excesiva puede dañarlo.

## MANTENIMIENTO

### PRECAUCIÓN:

- Asegúrese siempre de que la herramienta esté apagada y desenchufada antes de intentar realizar cualquier trabajo de inspección o mantenimiento en ella.

## Limpeza de la herramienta

Limpe la herramienta eliminando la suciedad con un trapo húmedo o empapado en jabón.

### PRECAUCIÓN:

- Nunca utilice gasolina, benceno, disolvente, alcohol o un producto similar. Se puede provocar una decoloración, una deformación o grietas.

## Mantenimiento de la cuchilla

Engrase la cuchilla antes de su uso, y una vez por hora durante su uso, con aceite para máquina o un producto similar.

Tras su uso, elimine la suciedad de ambos lados de la cuchilla con un cepillo de alambre, límpiela con un trapo y después aplique suficiente aceite de baja viscosidad, como aceite para máquina, etc. y aceite lubricante en aerosol.

### PRECAUCIÓN:

- No limpie las cuchillas con agua. En caso contrario se pueden provocar daños o herrumbre en la herramienta.

## Extracción o instalación de la cuchilla

### PRECAUCIÓN:

- Antes de extraer o instalar la cuchilla, asegúrese siempre de que la herramienta esté apagada y desenchufada.
- Siempre que reemplace la cuchilla, póngase guantes antes de extraer la cubierta de la cuchilla para que las manos y la cara no entren en contacto con la cuchilla. De lo contrario, puede sufrir lesiones personales.

### NOTA:

- No limpie la grasa de los engranajes o del cigüeñal. De lo contrario, podría dañar la herramienta.
- Para obtener instrucciones para extraer e instalar las cuchillas consulte la parte posterior de un paquete de accesorios de cuchillas.

## Extracción de las cuchillas

Dé la vuelta a la herramienta y afloje cuatro tornillos.

(Fig. 21)

### NOTA:

- Tenga cuidado de no ensuciarse las manos cuando aplique grasa en el área de empuje de la cuchilla.

Extraiga la cubierta inferior. (Fig. 22)

Extraiga la cubierta del alojamiento del engranaje.

(Fig. 23)

Ajuste el cigüeñal en el ángulo que se muestra en la figura con un destornillador de punta ranurada. (Fig. 24)

Extraiga dos tornillos de las cuchillas y podrá extraer la unidad de la cuchilla. (Fig. 25)

### PRECAUCIÓN:

- Devuelva el engranaje a la posición original, de la misma forma en que estaba instalado, si se ha extraído por error.

### Instalación de la cuchilla

Prepare los 4 tornillos extraídos (para la cubierta inferior), 2 tornillos (para la cuchilla), la cubierta del alojamiento de engranajes, la cubierta inferior y nuevas cuchillas.

Ajuste la posición del engranaje como se muestra en la figura. A continuación, aplique parte de la grasa proporcionada con las nuevas cuchillas a la periferia del cigüeñal. (Fig. 26)

Solape el orificio oval de la cuchilla superior con el de la inferior. (Fig. 27)

Retire la cubierta de la cuchilla de las cuchillas antiguas y encájela en las nuevas para facilitar la sustitución de las cuchillas. (Fig. 28)

Coloque las nuevas cuchillas en la herramienta de forma que los orificios ovales de las cuchillas encajen en el cigüeñal. Solape los orificios de las cuchillas con los orificios para tornillos de la herramienta y, a continuación, fíjelos con dos tornillos. (Fig. 29)

Compruebe si el cigüeñal gira suavemente con un destornillador ranurado. (Fig. 30)

Instale el alojamiento de los engranajes y la cubierta inferior en la herramienta. Apriete firmemente el tornillo.

Extraiga la cubierta de la cuchilla y, a continuación, encienda la herramienta para comprobar si se mueve correctamente.

#### NOTA:

- Si las cuchillas no funcionan correctamente, el contacto entre las cuchillas y el cigüeñal es incorrecto. Vuelva a empezar desde el principio.

## Almacenamiento

El orificio para el gancho de la parte inferior de la cubierta de la cuchilla es útil para colgar la herramienta de un clavo o un tornillo en la pared. (Fig. 31)

Coloque la cubierta de la cuchilla en las cuchillas para que no queden expuestas. Guarde la herramienta con cuidado fuera del alcance de los niños.

Guarde la herramienta en un lugar que no esté expuesto al agua y la lluvia.

Para conservar la SEGURIDAD y la FIABILIDAD del producto, los trabajos de reparación, la inspección y la sustitución de las escobillas de carbón, así como otros trabajos de mantenimiento y ajuste, deberán ser realizados en centros de servicio autorizados de Makita, utilizando siempre piezas de repuesto de Makita.

## ACCESORIOS OPCIONALES

### ⚠ PRECAUCIÓN:

- Se recomienda el uso de estos accesorios o complementos con la herramienta Makita especificada en este manual. El uso de otros accesorios o complementos puede conllevar el riesgo de ocasionar daños corporales. Utilice los accesorios o complementos solamente para su fin establecido.

Si necesita cualquier ayuda para obtener más información relativa a estos accesorios, pregunte a su centro de servicio Makita local.

- Cubierta de la cuchilla
- Gancho completo
- Ensamblado de cuchilla
- Gancho de cintura para el cable
- Gancho de brazo para el cable

#### NOTA:

- Algunos elementos de la lista se pueden incluir en el paquete de la herramienta como accesorios estándar. Pueden ser diferentes de un país a otro.

## Ruido

ENG905-1

Niveles típicos de ruido ponderado A determinados conforme a EN60745:

Nivel de presión de sonido ( $L_{pA}$ ): 89,9 dB (A)

Nivel de potencia de sonido ( $L_{WA}$ ): 97,9 dB (A)

Incertidumbre (K): 1,5 dB (A)

**Utilice protección para los oídos.**

## Vibración

ENG900-1

Valor total de la vibración (suma de vectores triaxiales) determinado según el estándar EN60745:

Modo de trabajo: Corte de setos

Emisión de vibraciones ( $a_h$ ): 6,7 m/s<sup>2</sup>

Incertidumbre (K): 1,5 m/s<sup>2</sup>

ENG901-1

- El valor de emisión de vibraciones se ha medido de acuerdo con el método de prueba estándar y se puede utilizar para comparar herramientas.
- El valor de emisión de vibraciones declarado también se puede usar en una evaluación preliminar de la exposición.

### ⚠ ADVERTENCIA:

- La emisión de vibraciones durante el uso de la herramienta eléctrica puede diferir del valor de emisiones declarado, dependiendo de las formas en que se utiliza la herramienta.
- Asegúrese de identificar las mediciones correctas para proteger al operario, que se basan en una estimación de la exposición en condiciones de uso reales (teniendo en cuenta todas las partes del ciclo de operaciones, como los momentos en los que la herramienta está apagada y cuando funciona al ralentí además del tiempo en que está activado el interruptor).

## Sólo para países europeos

ENH021-7

### Declaración de conformidad de la CE

**Nosotros, Makita Corporation, en calidad de fabricante responsable, declaramos que las siguientes máquinas Makita:**

Designación de la máquina:

Desmalezadora eléctrica

Nº de modelo/ Tipo: UH4570, UH5570, UH6570

Especificaciones: consulte la tabla

“ESPECIFICACIONES”.

son de producción serie y

### Cumplen con las siguientes Directivas europeas:

2000/14/CE, 2006/42/CE

Y se han fabricado de acuerdo con los siguientes estándares o documentos estandarizados:

EN60745

La documentación técnica la conserva:

Makita International Europe Ltd.

Technical Department,

Michigan Drive, Tongwell,

Milton Keynes, Bucks MK15 8JD, Inglaterra

El procedimiento de evaluación de conformidad requerido por la Directiva 2000/14/CE se realizó de acuerdo con el anexo V.

Nivel de potencia sonora medido: 98 dB (A)

Nivel de potencia sonora garantizado: 100 dB (A)

30. 1. 2009



Tomoyasu Kato

Director

Makita Corporation

3-11-8, Sumiyoshi-cho,  
Anjo, Aichi, 446-8502, JAPAN



# PORTUGUÊS (Instruções de origem)

## Descrição geral

1. Gatilho B
2. Gatilho A
3. Gatilho C
4. Gancho completo
5. Cabo da ferramenta
6. Cabo de extensão
7. Gancho
8. Ferramenta
9. Suporte
10. Gancho do cabo da cintura
11. Cabo
12. Gancho do cabo do braço
13. Direcção da aparagem
14. Incline as lâminas
15. Superfície da sebe a aparar
16. Prensa
17. Receptor do chip
18. Porca
19. Lâmina da tesoura
20. Dispositivo receptor de ramos
21. Ganchos
22. Instale os ganchos na ranhura
23. Ranhuras
24. Pressione as alavancas em ambos os lados
25. Desbloqueie os ganchos
26. Parafusos
27. Cobertura da lâmina
28. Sob a cobertura
29. Tampa da caixa de engrenagens
30. Manivela
31. Elipse da lâmina de corte

## ESPECIFICAÇÕES

Modelo	UH4570	UH5570	UH6570
Comprimento da lâmina	450 mm	550 mm	650 mm
Cortes por minuto (min <sup>-1</sup> )	1.600	1.600	1.600
Comprimento total	862 mm	970 mm	1.042 mm
Peso líquido	3,6 kg	3,7 kg	3,8 kg
Classe de segurança	II/III		

- Devido à pesquisa e desenvolvimento constantes, estas especificações estão sujeitas a alteração sem aviso prévio.
- Estas especificações podem diferir de país para país.
- Peso de acordo com procedimento EPTA de 01/2003

### Símbolo

END220-5

Descrição dos símbolos utilizados no equipamento.  
Certifique-se de que compreende o seu significado, antes da utilização.



..... Leia o manual de instruções.



..... BLINDAGEM DUPLA



..... Não exponha a extensão à chuva.



..... Retire a ficha da corrente imediatamente se o cabo estiver danificado ou cortado.



..... Apenas para países da UE  
Não deite equipamentos eléctricos no lixo doméstico!  
De acordo com a directiva europeia 2012/19/UE sobre ferramentas eléctricas e electrónicas usadas e a sua aplicação para as leis nacionais, as ferramentas eléctricas usadas devem ser recolhidas em separado e encaminhadas a uma instalação de reciclagem dos materiais ecológicos.

### Utilização prevista

ENE014-1

A ferramenta destina-se a aparar sebes.

### Fonte de alimentação

ENF002-2

A ferramenta apenas deve ser ligada a uma fonte de alimentação da mesma tensão que a indicada na chapa de especificações, e apenas pode funcionar com uma alimentação CA monofásica. Estão blindadas duplamente e podem, assim, ser igualmente ligadas a tomadas sem fio terra.

## Avisos gerais de segurança para ferramentas eléctricas

GEA010-1

**⚠ AVISO Leia todos os avisos de segurança e todas as instruções.** O não cumprimento dos avisos e instruções pode resultar na ocorrência de choques eléctricos, incêndios e/ou ferimentos graves.

## Guarde todos os avisos e instruções para referência futura.

## AVISOS DE SEGURANÇA DO APARADOR DE CERCAS ELÉTRICO

GEB041-9

1. **Mantenha todas as partes do corpo longe da lâmina cortante. Não retire material de corte nem pegue no material a cortar quando as lâminas estiverem em funcionamento. Certifique-se de que o interruptor está desligado quando retirar o material encravado.** Um momento de desatenção enquanto utilizar o aparador de cercas eléctrico poderá resultar em ferimentos pessoais graves.

2. **Transporte o aparador de cercas elétrico pela pega com a lâmina cortante parada. Ao transportar ou armazenar o aparador de cercas elétrico, instale sempre a tampa do dispositivo de corte.** Um manuseamento adequado do aparador de cercas elétrico reduzirá possíveis ferimentos pessoais provocados pelas lâminas cortantes.
3. **Apenas segure na ferramenta eléctrica pelas superfícies de pega isoladas, uma vez que a lâmina de corte pode tocar em cabos eléctricos escondidos ou com o seu próprio cabo.** As lâminas de corte em contacto com um fio eléctrico ligado à corrente podem electrificar as peças de metal da ferramenta e provocar um choque.
4. **Mantenha o cabo afastado da área de corte.** Durante a operação, o cabo pode estar escondido em arbustos e pode ser acidentalmente cortado pela lâmina.
5. Não utilize o aparador de cercas elétrico na chuva ou em condições molhadas ou muito húmidas. O motor eléctrico não é à prova de água.
6. As pessoas que estejam a utilizar este aparelho pela primeira vez devem pedir a um aparador de cercas elétrico com experiência para lhes mostrar como usar o aparador.
7. O aparador de cercas elétrico não deve ser utilizado por crianças ou jovens com menos de 18 anos. Os jovens com mais de 16 anos podem estar isentos desta restrição se estiverem a receber formação sob a supervisão de um perito.
8. Use o aparador de cercas elétrico apenas se estiver em boas condições físicas. Se estiver cansado, a sua atenção será reduzida. Tenha especial atenção no fim de um dia de trabalho. Efectue todos os trabalhos com calma e cuidado. O utilizador é responsável por todos os danos a terceiros.
9. Nunca use o aparador sob a influência do álcool, drogas ou medicamentos.
10. Certifique-se de que a tensão e frequência da alimentação correspondem às especificações fornecidas na placa de identificação. Recomendamos que utilize um disjuntor alimentado a corrente residual (corta-circuito em caso de falha na terra ) com uma corrente de desligar de 30 mA ou menos, ou um protector de corrente de fuga à terra.
11. Luvas de trabalho de pele fazem parte do equipamento básico do aparador de cercas elétrico e devem ser sempre usadas quando o operar. Use também sapatos resistentes com solas anti-derrapantes.
12. Antes de começar a trabalhar, certifique-se de que o aparador está em condições de funcionamento boas e seguras. Certifique-se de que as guardas estão devidamente instaladas. Verifique se o cabo está danificado antes de começar a trabalhar e substitua-o se necessário. O aparador de cercas elétrico não deve ser usado a menos que esteja devidamente montado.
13. Mantenha o cabo afastado da área de corte. Trabalhe sempre numa área em que o cabo eléctrico de extensão esteja atrás de si.
14. Retire a ficha da corrente imediatamente se o cabo estiver danificado ou cortado.
15. Certifique-se de que está bem equilibrado antes de iniciar a operação.
16. Mantenha a ferramenta segura quando usar a ferramenta.
17. Não utilize a ferramenta sem carga, sem ser necessário.
18. Desligue imediatamente o motor e desligue a ficha da corrente se o cortador entrar em contacto com uma vedação ou outros objectos duros. Verifique a lâmina cortante e, se estiver danificada, repare-a imediatamente.
19. Antes de verificar a lâmina cortante, reparar avarias ou retirar material preso na lâmina, desligue sempre o aparador e desligue a ficha da corrente.
20. Desligue o aparador e desligue e segure a ficha antes de proceder a algum trabalho de manutenção.
21. Quando mover o aparador de cercas elétrico para outro local, incluindo durante o trabalho, desligue sempre a ficha da alimentação e coloque a tampa da lâmina nas lâminas de corte. Nunca transporte o aparador com a lâmina de corte em funcionamento. Nunca agarre a lâmina cortante com as suas mãos.
22. Limpe o aparador de cercas elétrico e especialmente a lâmina cortante após a utilização, e antes de colocar o aparador em armazenamento durante períodos alargados. Lubrifique ligeiramente a lâmina de corte e coloque a cobertura. A cobertura fornecida com a unidade pode ser pendurada na parede, fornecendo uma forma prática de guardar o aparador de cercas elétrico.
23. Guarde o aparador de cercas elétrico com a cobertura colocada, num local seco. Mantenha-o fora do alcance de crianças. Nunca guarde o aparador no exterior.
24. **Não utilize a ferramenta sem carga, sem ser necessário.**

## GUARDE ESTAS INSTRUÇÕES.

### AVISO:

**NÃO deixe que o conforto ou familiaridade com o produto (obtida de uma utilização regular) substituam um cumprimento severo das regras de segurança do produto em causa. Uma UTILIZAÇÃO INCORRECTA ou não cumprimento das regras de segurança indicadas neste manual de instruções podem provocar ferimentos pessoais sérios.**

## DESCRIÇÃO DO FUNCIONAMENTO

### PRECAUÇÃO:

- Certifique-se sempre de que a ferramenta está desligada no interruptor e da tomada antes de proceder a ajustes ou testes à mesma.

### O gatilho/interruptor (Fig. 1)

Para sua segurança, esta ferramenta está equipada com um sistema de ligação tripla. Para ligar a ferramenta, pressione dois de três gatilhos A, B e C. Solte um dos dois gatilhos pressionados para desligar. A sequência da ligação não é importante porque a ferramenta arranca apenas quando ambos os interruptores estiverem activados.

## Corte a direito (Fig. 2)

Para aparar a sebe a direito, pressione os gatilhos A e B.

## Corte vertical (Fig. 3)

Corte para cima com ambas as mãos, pressione os gatilhos B e C e mova-a para a frente do seu corpo.

## Corte área longínqua (Fig. 4)

Para aparar a sebe numa área longínqua com ambas as mãos pressione os gatilhos A e C.

# MONTAGEM

### PRECAUÇÃO:

- Certifique-se sempre de que a ferramenta está desligada no interruptor e da tomada antes de efectuar qualquer trabalho na mesma.

## Engate o cabo de extensão

### PRECAUÇÃO:

- Certifique-se de que o cabo da extensão está desligado da corrente. (Fig. 5)

Ao engatar o cabo de extensão, prenda-o ao cabo da ferramenta com o gancho completo. Prenda o gancho a cerca de 100 - 200 mm do conector do cabo de extensão. Isto ajudará a evitar a desconexão não intencional.

## Gancho do cabo da cintura

### PRECAUÇÃO:

- Não fixe o suporte do gancho do cabo da cintura a mais nada que não o cabo de extensão. Não o fixe numa posição mais perto da ferramenta para além do gancho completo. Caso contrário, poderá causar um acidente e ferimentos.
- Prenda com força um gancho do gancho completo ao cabo da ferramenta e o outro gancho do gancho completo ao cabo de extensão. Trabalhar com a ferramenta com um único gancho preso poderá causar um acidente e ferimentos.

Usar o gancho do cabo de cintura ajuda a minimizar o risco de corte do cabo de extensão inesperadamente provocado pelo cabo de extensão solto. (Fig. 6) Introduza ou retire o cabo através da abertura do suporte. (Fig. 7)

### PRECAUÇÃO:

- Não force a abertura do suporte. Caso contrário, poderá provocar uma deflexão e danos.

## Gancho do cabo do braço (Acessório)

### PRECAUÇÃO:

- Não fixe o suporte do gancho do cabo do braço a mais nada que não o cabo de extensão. Não o fixe numa posição mais perto da ferramenta para além do gancho completo. Caso contrário, poderá causar um acidente e ferimentos.
- Prenda com força um gancho do gancho completo ao cabo da ferramenta e o outro gancho do gancho completo ao cabo de extensão. Trabalhar com a ferramenta com um único gancho preso poderá causar um acidente e ferimentos.

Usar o gancho do cabo de braço ajuda a minimizar o risco de corte do cabo de extensão inesperadamente provocado pelo cabo de extensão solto. (Fig. 8)

Fixe com força o gancho do cabo de braço colocando à volta do seu braço e passe o cabo de extensão pelo suporte. O comprimento da banda gancho do cabo do braço é ajustável.

### NOTA:

- Não passe o cabo de extensão pela banda.
- Não force a abertura do suporte. Caso contrário, poderá provocar uma deflexão e danos.
- Usar o gancho do cabo do braço juntamente com o gancho do cabo da cintura é mais útil.

# FUNCIONAMENTO

### PRECAUÇÃO:

- Tenha cuidado para não entrar em contacto, acidentalmente, com uma vedação de metal ou outros objectos duros ao aparar. A lâmina quebrará e poderá causar ferimentos graves.
- Estender-se com um aparador de sebes, especialmente de uma escada, é muito perigoso. Não trabalhe em cima de superfícies instáveis ou desequilibradas.

Não tente cortar ramos com um diâmetro superior a 10 mm com este aparador. Estas devem ser cortadas primeiro com tesouras para o nível de aparagem da sebe. (Fig. 9)

### PRECAUÇÃO:

- Não corte árvores mortas ou objectos duros semelhantes. Caso contrário poderá danificar a ferramenta.

Segure o aparador com ambas as mãos, pressione o gatilho A ou B e mova-o para a frente do seu corpo. (Fig. 10)

Como operação básica, incline as lâminas para a direcção da aparagem e mova-as calma e lentamente a uma velocidade de 3 - 4 segundos por metro. (Fig. 11 e 12)

Para cortar o topo de uma sebe de igual forma, ajuda se atar um fio à altura da sebe desejada e se aparar ao longo dele, usando-o como linha de referência. (Fig. 13)

Prender o receptor do chip (acessório) na ferramenta quando aparar a sebe a direito pode evitar que folhas cortadas sejam deitadas fora. (Fig. 14)

Para cortar um lado da sebe de forma igual, ajuda cortar do fundo para o topo. (Fig. 15)

Apare o buxo e rododendro da base para o topo para um aspecto agradável e um bom trabalho. (Fig. 16)

## Instalar ou remover o receptor de chip (acessório)

### PRECAUÇÃO:

- Certifique-se sempre de que a ferramenta está desligada no interruptor e da tomada antes de instalar ou remover o receptor de chip.

### NOTA:

- Ao substituir o receptor do chip, use sempre luvas para que as mãos e face não entrem em contacto directo com a lâmina. Caso contrário, poderá causar ferimentos.

- Certifique-se de que retira a cobertura da lâmina antes de instalar o coletor de aparas.
- O receptor do chip recebe as folhas cortadas e alivia a recolha das folhas deitadas fora. Pode ser instalado de qualquer dos lados. (Fig. 17)

Pressione o receptor do chip para as lâminas da tesoura para que as suas fendas se sobreponham às porcas nas lâminas da tesoura. A esta altura, certifique-se de que o receptor do chip não entra em contacto com o dispositivo receptor de ramos no topo das lâminas da tesoura. (Fig. 18)

A esta altura, o receptor do chip precisa de ser instalado para que os seus ganchos encaixem nas ranhuras na unidade da lâmina da tesoura. (Fig. 19)

Para remover o receptor do chip, pressione a sua alavanca em ambos os lados para que os ganchos sejam desbloqueados. (Fig. 20)

#### **PRECAUÇÃO:**

- A cobertura da lâmina (equipamento standard) não pode ser instalada na ferramenta com o receptor do chip a ser instalado. Antes de transportar ou armazenar, desinstale o receptor do chip e instale a cobertura da lâmina para evitar a exposição da lâmina.

#### **NOTA:**

- Verifique o receptor do chip para uma instalação segura antes da utilização.
- Nunca tente desinstalar o receptor do chip através de força excessiva com os seus ganchos bloqueados nas ranhuras da unidade da lâmina. Se usar força excessiva poderá danificá-lo.

## **MANUTENÇÃO**

#### **PRECAUÇÃO:**

- Certifique-se sempre de que a ferramenta está desligada no interruptor e da tomada antes de inspeccionar ou fazer a manutenção da ferramenta.

### **Limpar a ferramenta**

Limpe a ferramenta retirando o pó com um pano seco ou embebido em sabão.

#### **PRECAUÇÃO:**

- Nunca utilize gasolina, benzina, diluente, álcool ou semelhante. Podem formar-se descolorações, deformações ou fissuras.

### **Manutenção da lâmina**

Unte a lâmina antes e uma vez por hora durante a operação usando óleo da máquina ou semelhantes. Depois do funcionamento, retire o pó de ambos os lados com uma escova de arame, limpe-a com um pano e depois aplique óleo de viscosidade baixa como óleo da máquina etc e óleo lubrificante do tipo spray.

#### **PRECAUÇÃO:**

- Não lave as lâminas com água. Se o fizer, a ferramenta poderá ficar enferrujada ou danificada.

## **Remover ou instalar a lâmina da tesoura**

#### **PRECAUÇÃO:**

- Antes de remover ou instalar a lâmina da tesoura, certifique-se sempre de que a ferramenta está desligada no interruptor e da tomada.
- Ao substituir a lâmina da tesoura, use sempre luvas sem remover a tampa da lâmina para que as mãos e face não entrem em contacto directo com a lâmina. Caso contrário, poderá causar ferimentos.

#### **NOTA:**

- Não limpe a gordura da engrenagem e da manivela. Caso contrário poderá danificar a ferramenta.
- Para uma forma específica de remover e instalar lâminas da tesoura, consulte o inverso de uma embalagem para lâminas da tesoura de acessório.

### **Remover as lâminas da tesoura**

Inverta a ferramenta e desaperte quatro parafusos.

#### **(Fig. 21)**

#### **NOTA:**

- Tenha cuidado para não sujar as suas mãos porque é aplicada gordura na área de condução da lâmina da tesoura.

Retire a cobertura de baixo. (Fig. 22)

Retire a tampa da caixa de engrenagens. (Fig. 23)

Defina a manivela no ângulo conforme ilustrado na figura com uma chave de fendas com ponta ranhurada.

#### **(Fig. 24)**

Retire dois parafusos das lâminas da tesoura e a unidade da lâmina da tesoura será retirada. (Fig. 25)

#### **PRECAUÇÃO:**

- Reponha a engrenagem na posição inicial, tal como estava instalada, caso seja retirada por engano.

### **Instalar a lâmina da tesoura**

Prepare 4 parafusos removidos (Para a tampa de baio), 2 parafusos (Para a lâmina da tesoura), tampa da caixa de engrenagens, cobertura de baixo e novas lâminas da tesoura.

Ajuste a posição da manivela conforme ilustrado na figura. Neste ponto, aplique alguma gordura fornecida com novas lâminas da tesoura para a periferia da manivela. (Fig. 26)

Sobreponha o orifício oval na lâmina superior ao da inferior. (Fig. 27)

Retire a cobertura da lâmina das lâminas da tesoura antigas e instale-a nas novas para um fácil manuseamento durante a substituição das lâminas. (Fig. 28)

Coloque as novas lâminas da tesoura na ferramenta para que os orifícios ovais nas lâminas da tesoura se instalem na manivela. Sobreponha os orifícios nas lâminas da tesoura com as roscas interiores na ferramenta e depois fixe-os com dois parafusos. (Fig. 29)

Verifique se a manivela roda bem com uma chave de fendas com ponta ranhurada. (Fig. 30)

Instale a caixa da engrenagem, por baixo da cobertura na ferramenta. Aperte o parafuso com força.

Retire a tampa da lâmina e depois ligue a ferramenta para verificar se funciona devidamente.

#### NOTA:

- Quando as lâminas da tesoura não funcionam devidamente, a instalação entre as lâminas e a manivela é fraca. Volte a fazer do início.

### Armazenamento

O orifício do gancho no fundo da cobertura da lâmina é conveniente para pendurar a ferramenta num prego ou parafuso na parede. (Fig. 31)  
Coloque a cobertura da lâmina nas lâminas de corte para que as lâminas não fiquem expostas. Mantenha a ferramenta fora do alcance das crianças, com cuidado. Guarde a ferramenta num local que não esteja exposto a água e chuva.  
Para manter os níveis de SEGURANÇA e FIABILIDADE, as reparações, inspeção e substituição das escovas de carvão e outras operações de manutenção ou ajuste devem ser executadas por centros de assistência Makita autorizados e, no caso de substituição de peças, estas devem ser igualmente peças originais Makita.

### ACESSÓRIOS OPCIONAIS

#### ⚠ PRECAUÇÃO:

- Os seguintes acessórios ou extensões são os recomendados para utilizar com a ferramenta Makita especificada neste manual. A utilização de quaisquer outros acessórios poderá representar um risco de ferimento para as pessoas. Apenas utilize o acessório para o fim indicado.
- Se precisar de informações adicionais relativas aos acessórios, contacte o centro local de assistência Makita.
- Cobertura da lâmina
  - Gancho completo
  - Montagem da lâmina da tesoura
  - Gancho do cabo da cintura
  - Gancho do cabo do braço

#### NOTA:

- Alguns itens na lista podem estar incluídos no pacote de ferramentas como acessórios de série. Podem diferir de país para país.

#### Ruído

ENG905-1

Os níveis acústicos ponderados A típicos foram determinados segundo a EN60745:

- Nível de pressão sonora ( $L_{pA}$ ): 89,9 dB (A)
- Nível de potência sonora ( $L_{WA}$ ): 97,9 dB (A)
- Incerteza (K): 1,5 dB (A)

#### Use protecção para os ouvidos.

#### Vibração

ENG900-1

O valor total da vibração (soma triaxial de vectores) foi determinado segundo a EN60745:

- Modo de trabalho: aparador de sebes
- Emissão de vibração ( $a_h$ ): 6,7 m/s<sup>2</sup>
- Incerteza (K): 1,5 m/s<sup>2</sup>

ENG901-1

- O valor da emissão de vibração declarado foi medido de acordo com o método de teste padrão e pode ser utilizado para comparar uma ferramenta com outra.
- O valor da emissão de vibração declarado pode também ser utilizado numa avaliação preliminar de exposição.

#### ⚠ AVISO:

- A emissão de vibração durante a utilização real da ferramenta eléctrica pode ser diferente do valor de emissão declarado, dependendo da forma como a ferramenta é utilizada.
- Certifique-se de que identifica medidas de segurança, para proteger o operador, que são baseadas numa estimativa de exposição nas condições reais de utilização (tendo em conta todas as partes do ciclo de funcionamento, como as vezes que a ferramenta é desligada e quando está a trabalhar ao ralenti, além do tempo de utilização).

#### Apenas para os países europeus

ENH021-7

#### Declaração de conformidade CE

**A Makita Corporation, na qualidade do fabricante responsável, declara que a(s) máquina(s) Makita seguinte(s):**

Designação da máquina:

Aparador de cercas eléctrico

N.º de modelo/Tipo: UH4570, UH5570, UH6570

Especificações: consulte a tabela "ESPECIFICAÇÕES". São produzidas em série e

**estão em conformidade com as Directivas Europeias seguintes:**

2000/14/EC, 2006/42/EC

E são fabricadas de acordo com as normas ou os documentos padronizados seguintes:

EN60745

A documentação técnica é mantida por:

Makita International Europe Ltd.

Technical Department,

Michigan Drive, Tongwell,

Milton Keynes, Bucks MK15 8JD, Inglaterra

O procedimento de avaliação da conformidade requisitado pela Directiva 2000/14/EC estava em conformidade com o anexo V.

Nível de potência sonora medida: 98 dB (A)

Nível de potência sonora garantida: 100 dB (A)

30. 1. 2009



Tomoyasu Kato

Director

Makita Corporation

3-11-8, Sumiyoshi-cho,  
Anjo, Aichi, 446-8502, JAPAN

## DANSK (Originalvejledning)

### Forklaring til generel oversigt

- |                            |   |   |
|----------------------------|---|---|
| 1. Kontaktgreb B           | 12. Ledningskrog til arm                | 22. Placer krogene i rillerne                     |
| 2. Kontaktgreb A           | 13. Klipperetning                       | 23. Riller  |
| 3. Kontaktgreb C           | 14. Hold knivene på skrå                | 24. Tryk på udløsningsmekanismerne på begge sider |
| 4. Krogssamling            | 15. Den hækkeoverflade der skal klippes | 25. Frigør krogene                                |
| 5. Værktøjets ledning      | 16. Tryk                                | 26. Skruer  |
| 6. Forlængerledning        | 17. Bladafskærmning                     | 27. Knivhylster                                   |
| 7. Krog                    | 18. Møtrik                              | 28. Underdæksel                                   |
| 8. Værktøj                 | 19. Kniv                                | 29. Gearhusedæksel                                |
| 9. Holder                  | 20. Grenfanger                          | 30. Krumtap                                       |
| 10. Ledningskrog til bælte | 21. Kroge                               | 31. Ellipse på kniven                             |
| 11. Ledning                |   |   |

## SPECIFIKATIONER

Model	UH4570	UH5570	UH6570
Knivlængde	450 mm	550 mm	650 mm
Klip pr. minut (min <sup>-1</sup> )	1.600	1.600	1.600
Længde i alt	862 mm	970 mm	1.042 mm
Nettovægt	3,6 kg	3,7 kg	3,8 kg
Sikkerhedsklasse	II/II		

- På grund af vores løbende forsknings- og udviklingsprogram kan specifikationerne heri ændres uden forudgående varsel.
- Specifikationerne kan variere fra land til land.
- Vægt i henhold til EPTA-Procedure 01/2003

### Symbol

END220-5

Følgende viser de symboler, der benyttes til udstyret. Vær sikker på, at du forstår deres betydning, før du bruger værktøjet.



..... Læs brugsanvisningen.



..... DOBBELT ISOLERET



..... Udsæt den ikke for regn.



..... Tag straks stikket ud af stikkontakten, hvis kablet er beskadiget eller skåret over.



..... Kun for EU-lande  
Elværktøj må ikke bortskaffes som almindeligt affald!  
I henhold til det europæiske direktiv 2012/19/EU om bortskaffelse af elektriske og elektroniske produkter og gældende national lovgivning skal brugt elværktøj indsamles separat og returneres til miljøgodkendt genindvinding.

### Tilsløget anvendelse

ENE014-1

Værktøjet er beregnet til klipning af hække.

### Strømforsyning

ENF002-2

Værktøjet bør kun sluttes til en strømforsyning med den spænding, der er angivet på mærkepladen, og det kan kun benyttes med enkeltfasen vekselstrøm. Det er dobbelt isoleret og kan derfor også sluttes til stikkontakter uden jordforbindelse.

## Generelle sikkerhedsadvarsler for maskiner

GEA010-1

**⚠ ADVARSEL Læs alle sikkerhedsadvarsler og alle instruktioner.** Hvis De ikke følger alle advarsler og instruktioner, kan det medføre elektrisk stød, brand og/eller alvorlig personskade.

## Gem alle advarsler og instruktioner til senere reference.

## SIKKERHEDSADVARSLER FOR HÆKKEKLIPPER

GEB041-9

1. **Hold alle kroksdele på afstand af knivene. Fjern ikke afskåret materiale og hold ikke på materiale, der skal skæres af, mens knivene arbejder. Sørg for, at kontakten er slukket, når du fjerner materiale, der har sat sig fast.** Ved brug af en hækkeklipper kan et enkelt øjeblik uopmærksomhed medføre alvorlige personskader.
2. **Bær hækkeklipperen i håndtaget med stoppede knive. Sæt altid sværdhylsteret på, når du transporterer eller opbevarer hækkeklipperen.**

- Korrekt håndtering af hækkeklipperen reducerer risikoen for personskader pga. kontakt med knivene.
- Hold kun maskinen i de isolerede gribeflader, da knivene kan komme i kontakt med skjulte ledninger eller maskinens egen ledning.** Hvis knivene kommer i kontakt med en strømførende ledning, kan udsatte metaldele på maskinen blive strømførende, hvorved operatøren kan få elektrisk stød.
  - Hold kablet væk fra klippeområdet.** Under arbejdet kan kablet muligvis skjules af buskene og skæres over ved et uheld af knivene.
  - Benyt ikke hækkeklipperen i regnvej eller under våde eller meget fugtige forhold. Den elektriske motor er ikke vandtæt.
  - Førstegangsbrugere bør få vist hvordan hækkeklipperen skal bruges af en erfaren person.
  - Hækkeklipperen må ikke anvendes af børn eller unge under 18 år. Unge på mindst 16 år er muligvis undtaget fra denne regel, hvis de er under oplæring under opsyn af en ekspert.
  - Brug kun hækkeklipperen hvis du er i god fysik form. Hvis du er træt, reduceres din koncentrationsevne. Pas især på sidst på arbejdsdagen. Udfør alt arbejde roligt og forsigtigt. Brugeren er ansvarlig for alle skader på tredjeperter.
  - Du må aldrig anvende hækkeklipperen under påvirkning af alkohol, narkotika eller medicin.
  - Kontroller, at spændingen og frekvensen på strømforsyningen svarer til de specifikationer, der er angivet på identifikationspladen. Vi anbefaler brug af en fejlstrømsafbryder (RCCB) (fejlstrømsafbryder (GFCI)) med en udløsningsstrøm på 30 mA eller mindre, eller en fejlstrømsafbryder (ELCB).
  - Arbejdshandsker af stærkt læder er en del af basisudstyret til hækkeklipperen og skal altid anvendes, når du arbejder med den. Brug også solide sko med skridsikre såler.
  - Inden du starter, skal du kontrollere, at hækkeklipperen er i god stand og sikker at arbejde med. Sikr dig, at afskærmningerne er ordentligt monterede. Kontroller kablet for skader inden du starter arbejdet, og udskift det om nødvendigt. Hækkeklipperen må ikke anvendes med mindre den er helt samlet.
  - Hold kablet væk fra klippeområdet. Udfør altid arbejdet sådan at forlængerledningen befinder sig bag ved dig.
  - Tag straks stikket ud fra stikkontakten, hvis kablet er beskadiget eller skåret over.
  - Sørg for, at du har et sikkert fodfæste, inden du starter på arbejdet.
  - Hold ordentligt fast på maskinen under brug.
  - Kør ikke maskinen mere end nødvendigt uden belastning.
  - Sluk straks for motoren og træk stikket ud fra stikkontakten, hvis hækkeklipperen skulle komme i kontakt med et hegn eller en anden hård genstand. Efterse hækkeklipperen for skader og få den straks repareret, hvis den er beskadiget.
  - Inden du kontrollerer knivene, udbedrer problemer eller fjerner materiale der sidder fast i knivene, skal du altid først slukke for hækkeklipperen og tage stikket ud af stikkontakten.

- Sluk for hækkeklipperen og sikr dig, at stikket er taget ud af stikkontakten, inden du udfører vedligeholdelsesarbejde.
- Du skal altid tage stikket ud af stikkontakten og placere knivhylsteret over knivene, når du flytter hækkeklipperen et andet sted hen, inklusive under arbejdet. Du må aldrig bære eller transportere hækkeklipperen med knivene kørende. Grib aldrig om knivene med hænderne.
- Rengør hækkeklipperen og især knivene efter brug, samt inden hækkeklipperen lægges væk for en længere periode. Put lidt olie på knivene og sæt hylsteret på. Det hylster, der følger med enheden, kan hænges op på væggen og giver derfor mulighed for på sikker og praktisk vis at opbevare hækkeklipperen.
- Opbevar hækkeklipperen med hylsteret på i et tørt rum. Sørg for, at den er uden for børns rækkevidde. Opbevar aldrig hækkeklipperen udendørs.
- Kør ikke maskinen mere end nødvendigt uden belastning.**

## GEM DISSE INSTRUKTIONER.

### ⚠ ADVARSEL:

**LAD IKKE tryghed eller kendskab til produktet (fra gentagen brug) føre til, at du ikke strengt overholder sikkerhedsreglerne for det gældende produkt. MISBRUG eller manglende overholdelse af sikkerhedsreglerne i denne brugsanvisning kan medføre alvorlig personskade.**

## FUNKTIONSBESKRIVELSE

### FORSIGTIG:

- Sørg altid for, at værktøjet er slukket, og at stikket er taget ud af stikkontakten, før du justerer værktøjet eller kontrollerer dets funktion.

### Betjening af kontakt (Fig. 1)

Dette værktøj er af sikkerhedsårsager udstyret med et tredobbelt kontaktsystem. Du tænder for værktøjet ved at trykke på to ud af de tre kontaktgreb A, B eller C. Slip et af de to aktiverede kontaktgreb for at slukke for værktøjet. Rækkefølgen for aktivering af kontaktgrebene er uden betydning, eftersom værktøjet kun starter, når begge kontaktgreb er trykket ind.

### Vandret klipning (Fig. 2)

Tryk ind på kontaktgreb A og B for at klippe hækken på vandret led.

### Lodret klipning (Fig. 3)

Klip opad, mens du bruger begge hænder til at trykke ind på kontaktgreb B og C og flytter hækkeklipperen foran kroppen.

### Klipning af yderområder (Fig. 4)

Brug begge hænder til at trykke ind på kontaktgreb A og C for at klippe yderområdet af hækken.

# MONTERING

## FORSIGTIG:

- Sørg altid for, at værktøjet er slukket og taget ud af stikkontakten, før du udfører nogen form for arbejde på værktøjet.

## Tilslut forlængerledningen

### FORSIGTIG:

- Sikr dig, at forlængerledningens stik ikke sidder i stikkontakten. (Fig. 5)

Når du tilslutter forlængerledningen skal du fastgøre den til værktøjets ledning med krogssamlingen. Fastgør krogen cirka 100 - 200 mm fra forlængerledningens stik. Dette forhindrer utilsigtet ledningsfrakobling.

## Ledningskrog til bælte

### FORSIGTIG:

- Fastgør ikke holderen på bælteledningens krogen til andet end forlængerledningen. Fastgør den ikke tættere på værktøjet end krogssamlingen. Hvis du gør det, kan det medføre en ulykke eller personskade.
- Fastgør den ene af krogssamlingens kroge til værktøjets ledning og den anden af krogssamlingens kroge til forlængerledningen. Det kan medføre en ulykke eller personskade, hvis du arbejder med værktøjet med kun én fastgjort krog.

Brug af bælteledningens krogen er med til at minimere risikoen for uventet afskæring af forlængerledningen pga. den løse forlængerledning. (Fig. 6)

Tryk ledningen ind eller træk den ud gennem åbningen i holderen. (Fig. 7)

### FORSIGTIG:

- Anvend ikke kraft til åbning af holderen. Det kan eventuelt medføre at holderen bøjes og beskadiges.

## Ledningskrog til armen (tilbehør)

### FORSIGTIG:

- Fastgør ikke holderen på ledningskrogen til armen til andet end forlængerledningen. Fastgør den ikke tættere på værktøjet end krogssamlingens kroge. Hvis du gør det, kan det medføre en ulykke eller personskade.
- Fastgør den ene af krogssamlingens kroge til værktøjets ledning og den anden af krogssamlingens kroge til forlængerledningen. Det kan medføre en ulykke eller personskade, hvis du arbejder med værktøjet med kun én fastgjort krog.

Brug af ledningskrogen til armen er med til at minimere risikoen for uventet afskæring af forlængerledningen pga. den løse forlængerledning. (Fig. 8)

Fastgør ledningskrogen til armen ved at placere den omkring din arm og føre forlængerledningen igennem holderen. Længden på ledningskrogen til armen kan justeres.

### BEMÆRK:

- Du skal ikke føre forlængerledningen gennem båndet.
- Anvend ikke kraft til åbning af holderen. Det kan eventuelt medføre at holderen bøjes og beskadiges.
- Det er mere praktisk at anvende ledningskrogen til armen sammen med bælteledningens krogen.

# BETJENING

## FORSIGTIG:

- Sørg for, at du ikke utilsigtet kommer i kontakt med metalhøjen eller andre hårde genstande under klipning. Kniven kan muligvis brække og forårsage alvorlig personskade.
- Det er meget farligt at strække sig meget langt frem med en hækkeklipper, især fra en stige. Udfør ikke arbejde stående på noget der rækker eller ikke står ordentligt fast.

Forsøg ikke at klippe grene der er tykkere end 10 mm i diameter med denne hækkeklipper. Disse bør først klippes ned til hækkeklipningsniveau med en grensaks. (Fig. 9)

### FORSIGTIG:

- Klip ikke i døde træer eller lignende hårde genstande. Hvis du gør det, kan det muligvis beskadige værktøjet. Hold hækkeklipperen med begge hænder, tryk ind på kontakttreb A eller B og før hækkeklipperen foran kroppen. (Fig. 10)

Grundlæggende bør du holde knivene på skrå, vendt mod klipperetningen og stille og roligt føre hækkeklipperen frem med en hastighed på 3 - 4 sekunder pr. meter.

(Fig. 11 og 12)

Når du skal klippe toppen på hækken lige, hjælper det at spænde en snor ud i den ønskede højde og klippe langs med den, ved at bruge den som en referencelinje.

(Fig. 13)

Hvis du monterer bladafskærmningen (tilbehør) på værktøjet, når du klipper hækken lige, kan du undgå, at afskårne blade bliver kastet væk. (Fig. 14)

For at klippe hækens side lige hjælper det at klippe fra bunden af og op. (Fig. 15)

Når buksbom eller rhododendron klippes nedefra og op mod toppen, får du det bedste resultat. (Fig. 16)

## Montering og afmontering af bladafskærmningen (tilbehør)

### FORSIGTIG:

- Sørg altid for, at værktøjet er slukket, og at stikket er taget ud af stikkontakten, før du monterer eller afmonterer bladafskærmningen.

### BEMÆRK:

- Når du monterer/afmonterer bladafskærmningen, skal du altid bære handsker, sådan at hænder og ansigt ikke kommer i direkte kontakt med knivene. Ellers kan det medføre personskader.
- Sørg altid for at fjerne knivhysteret inden monteringen af bladafskærmningen.
- Bladafskærmningen modtager de afskårne blade, og gør det lettere at opsamle bortkastede blade. Den kan monteres på begge sider af værktøjet. (Fig. 17)

Tryk bladafskærmningen ned på knivene sådan at dens sprækker overlapper med møtrikkerne på knivene. Du skal her kontrollere, at bladafskærmningen ikke rører ved grenfangeren, der er placeret yderst på knivene. (Fig. 18) Bladafskærmningen skal herefter monteres sådan, at dens kroge passer ind i rillerne på knivenheden. (Fig. 19) For at afmontere bladafskærmningen skal du trykke på udløsningsmekanismen på begge sider, sådan at krogenes låses op. (Fig. 20)



### **FORSIGTIG:**

- Knivhylsteret (standardudstyr) kan ikke monteres på værktøjet, mens bladafskærmningen er monteret. Inden du bærer på eller opbevarer hækkeklipperen, skal du afmontere bladafskærmningen og sætte knivhylsteret på for at beskytte knivene.

### **BEMÆRK:**

- Efterse bladafskærmningen inden brug for at sikre ordentlig fastgørelse.
- Forsøg aldrig at afmontere bladafskærmningen ved brug af kraft, mens krogene er låst ind i knivenhedens riller. Brug af overdreven kraft kan beskadige værktøjet.

## **VEDLIGEHODELSE**

### **FORSIGTIG:**

- Sørg altid for, at værktøjet er slukket, og at stikket er taget ud, før du udfører inspektion eller vedligeholdelse.

### **Rengøring af værktøjet**

Rengør værktøjet ved at tørre det af med en tør klud, eller en der er dyppet i sæbevand.

### **FORSIGTIG:**

- Brug aldrig benzin, benzen, fortynder, alkohol eller lignende. Det kan muligvis medføre misfarvning, deformation eller revner.

### **Vedligeholdelse af kniven**

Smør kniven inden brug, samt én gang i timen under brug med maskinolie eller lignende.

Efter udført arbejde skal du fjerne støv fra begge sider af kniven med en stålborste, tørre det af med en klud og derefter påføre rigeligt olie med lav viskositet, som fx maskinolie osv., eller smøreolie på spraydåse.

### **FORSIGTIG:**

- Vask ikke kniven i vand. Det muligvis forårsage rust eller beskadige værktøjet.

### **Afmontering eller montering af kniv**

### **FORSIGTIG:**

- Inden du afmonterer eller monterer kniven, skal du altid sørge for, at værktøjet er slukket, og at stikket er taget ud af stikkontakten.
- Når du udskifter kniven, skal du altid bære handsker og undgå at fjerne knivhylsteret, sådan at hænder og ansigt ikke kommer i direkte kontakt med knivene. Ellers kan det medføre personskader.

### **BEMÆRK:**

- Tør ikke fedtet af gearet eller krumtappen. Hvis du gør det, kan det muligvis beskadige værktøjet.
- Se bagsiden på indpakningen af ekstraknive angående en særlig metode til afmontering og montering af knivene.

### **Afmontering af knivene**

Vend værktøjet på hovedet og løsn de fire skruer. (Fig. 21)

### **BEMÆRK:**

- Pas på dine hænder ikke snaves til eftersom der er smurt med fedt i knivenes bevægelsesområde.

Fjern underdækslet. (Fig. 22)

Fjern gearhusdækslet. (Fig. 23)

Indstil krumtappen på den vinkel som er vist på figuren med en skruetrækker med lige kærv. (Fig. 24)

Fjern to skruer fra knivene hvorefter knivenheden kan tages ud. (Fig. 25)

### **FORSIGTIG:**

- Sæt gearet tilbage på dets oprindelige position, på samme måde som det var monteret, hvis det ved en fejltagelse skulle tages af.

### **Montering af kniven**

Hav de 4 aftagne skruer (til underdækslet), 2 skruer (til kniven), gearhusdækslet, underdækslet og de nye knive parat.

Juster positionen af krumtappen som vist på figuren. Put herefter noget af det fedtstof, der følger med de nye knive, rundt i kanten på krumtappen. (Fig. 26)

Overlap det ovale hul i den øverste kniv med det i den nederste kniv. (Fig. 27)

Tag knivhylsteret fra de gamle knive frem og placer det på de nye, så du nemt kan håndtere knivene under udskiftningen. (Fig. 28)

Placer de nye knive på værktøjet sådan at de ovale huller i knivene passer på krumtappen. Overlap huller i knivene med skruerhullerne i værktøjet og fastgør dem derefter med to skruer. (Fig. 29)

Kontroller, at krumtappen nemt kan dreje med en skruetrækker med lige kærv. (Fig. 30)

Monter gearhuset og underdækslet på værktøjet. Stram skruen ordentligt til.

Tag knivhylsteret af og tænd derefter for værktøjet for at kontrollere om knivene bevæger sig korrekt.

### **BEMÆRK:**

- Hvis knivene ikke kører ordentligt, er det fordi, at knivene og krumtappen ikke er tilpasset ordentligt. Gør monteringen om igen.

### **Opbevaring**

Hullet i bunden af knivhylsteret er praktisk, når værktøjet hænges på på et søm eller en skrue på væggen. (Fig. 31) Placer knivhylsteret over knivene sådan at knivene ikke er udkækkede. Sørg for at opbevare værktøjet uden for børns rækkevidde.

Opbevar værktøjet på et sted hvor det ikke udsættes for vand og regn.

For at holde produktet SIKKERT og PÅLIDELIGT skal reparationer, kontrol og udskiftning af kulbørsterne samt al anden vedligeholdelse eller justering udføres af autoriserede Makita-servicecentre, der altid benytter Makita-reservedele.

## **EKSTRAUDSTYR**

### **⚠ FORSIGTIG:**

- Dette tilbehør eller ekstraudstyr anbefales til brug med det Makita-værktøj, som er beskrevet i denne brugsanvisning. Brug af andet tilbehør eller ekstraudstyr kan forårsage personskade. Brug kun tilbehør eller ekstraudstyr til det formål, det er beregnet til.

Henvend dig til dit lokale Makita-servicecenter, hvis du har brug for hjælp eller yderligere oplysninger vedrørende tilbehøret.

- Knivhylster
- Krogssamling
- Knivmontering
- Ledningskrog til bælte
- Ledningskrog til arm

#### **BEMÆRK:**

- Visse dele på listen er muligvis indeholdt maskinindpakningen som standardtilbehør. De kan variere fra land til land.

#### **Støj**

ENG905-1

Det typiske A-vægtede støjniveau bestemt i overensstemmelse med EN60745:

Lydtrykniveau ( $L_{pA}$ ): 89,9 dB (A)

Lydeffektniveau ( $L_{WA}$ ): 97,9 dB (A)

Usikkerhed (K): 1,5 dB (A)

#### **Bær høreværn.**

#### **Vibration**

ENG900-1

Den samlede vibrationsværdi (treaksiel vektorsum) bestemt i overensstemmelse med EN60745:

Arbejdstilstand: hækkeklipping

Vibrationsemission ( $a_{hv}$ ): 6,7 m/s<sup>2</sup>

Usikkerhed (K): 1,5 m/s<sup>2</sup>

ENG901-1

- Den opgivne vibrationsemissionsværdi er målt i overensstemmelse med standardtestmetoden og kan bruges til at sammenligne et værktøj med et andet.
- Den opgivne vibrationsemissionsværdi kan muligvis også bruges til en indledende eksponeringsvurdering.

#### **⚠ ADVARSEL:**

- Vibrationsemissionen under den faktiske brug af maskinen kan afvige fra den opgivne emissionsværdi afhængigt af den måde, maskinen anvendes på.
- Sørg for at bestemme sikkerhedsforanstaltninger for beskyttelse af operatøren, som er baseret på en eksponeringsvurdering for brug under faktiske forhold (hvor alle anvendelsescyklussens dele inddrages, som f.eks. antal gange maskinen slukkes, og når den kører i tomgang ud over trigger tiden).

#### **Kun for lande i Europa**

ENH021-7

#### **EF-overensstemmelseserklæring**

**Vi, Makita Corporation, erklærer som ansvarlig producent at følgende Makita-maskine(r):**

Maskinens betegnelse:

Hækkeklipper

Modelnummer/ type: UH4570, UH5570, UH6570

Specifikationer: se tabellen "SPECIFIKATIONER".

er en produktionsserie og

**Overholder følgende europæiske direktiver:**

2000/14/EF, 2006/42/EF

Og er produceret i overensstemmelse med følgende standarder eller standardiserede dokumenter:

EN60745

Den tekniske dokumentation findes hos:

Makita International Europe Ltd.

Technical Department,

Michigan Drive, Tongwell,

Milton Keynes, Bucks MK15 8JD, England

Den konformitetsvurderingsprocedure, der kræves af Direktiv 2000/14/EF, blev udført i henhold til appendiks V.

Målt lydeffektniveau: 98 dB (A)

Garanteret lydeffektniveau: 100 dB (A)

30. 1. 2009



Tomoyasu Kato

Direktør

Makita Corporation

3-11-8, Sumiyoshi-cho,

Anjo, Aichi, 446-8502, JAPAN

# ΕΛΛΗΝΙΚΑ (Πρωτογενείς οδηγίες)

## Γενική περιγραφή

1. Σκανδάλη-διακόπτης Β
2. Σκανδάλη-διακόπτης Α
3. Σκανδάλη-διακόπτης C
4. Πλήρης γάντζος
5. Καλώδιο εργαλείου
6. Καλώδιο προέκτασης
7. Γάντζος
8. Εργαλείο
9. Στήριγμα
10. Γάντζος καλωδίου μέσης
11. Καλώδιο
12. Γάντζος καλωδίου μπράτσου
13. Διεύθυνση κλαδέματος
14. Δώστε κλίση στις λάμες
15. Επιφάνεια του φράκτη που πρόκειται να κλαδευτεί
16. Πιάστε
17. Συλλέκτης θραυσμάτων
18. Παξιμάδι
19. Λεπίδα κοπής
20. Συλλέκτης κλαδιών
21. Άγκιστρα
22. Προσαρμόστε τα άγκιστρα στην αυλάκωση
23. Αυλακώσεις
24. Πιάστε τους μοχλούς και στις δυο πλευρές
25. Απασφαλίστε τα άγκιστρα
26. Βίδες
27. Κάλυμμα λεπίδων
28. Κάτω κάλυμμα
29. Κάλυμμα κελύφους γραναζιών
30. Στρόφαλος
31. Έλλειψη της λεπίδας κοπής

## ΠΡΟΔΙΑΓΡΑΦΕΣ

Μοντέλο	UH4570	UH5570	UH6570
Μήκος λεπίδας	450 χιλ	550 χιλ	650 χιλ
Διαδρομές το λεπτό (min <sup>-1</sup> )	1.600	1.600	1.600
Ολικό μήκος	862 χιλ	970 χιλ	1.042 χιλ
Καθαρό βάρος	3,6 κιλά	3,7 κιλά	3,8 κιλά
Τάξη ασφάλειας	□/II		

- Λόγω του συνεχόμενου προγράμματος που εφαρμόζουμε για έρευνα και ανάπτυξη, τα τεχνικά χαρακτηριστικά στο παρόν έντυπο υπόκεινται σε αλλαγή χωρίς προειδοποίηση.
- Τα τεχνικά χαρακτηριστικά ενδέχεται να διαφέρουν ανάλογα με τη χώρα.
- Βάρος σύμφωνα με τη διαδικασία EPTA 01/2003

### Σύμβολο

END220-5

Παρακάτω παρουσιάζονται τα σύμβολα που χρησιμοποιούνται για τον εξοπλισμό. Βεβαιωθείτε ότι κατανοείτε τη σημασία τους πριν από τη χρήση.



..... Διαβάστε το εγχειρίδιο οδηγιών.



..... ΔΙΠΛΗ ΜΟΝΩΣΗ



..... Μην το εκθέσετε στη βροχή.



..... Αφαιρέστε το φως από την παροχή ρεύματος αμέσως εάν το καλώδιο έχει υποστεί φθορά ή κοπεί.



..... Μόνο για τις χώρες της ΕΕ  
Μην απορρίπτετε ηλεκτρικές συσκευές στον κάδο οικιακών απορριμμάτων!  
Σύμφωνα με την ευρωπαϊκή οδηγία 2012/19/ΕΕ περί ηλεκτρικών και ηλεκτρονικών συσκευών και την ενσωμάτωση της στο εθνικό δίκαιο, οι ηλεκτρικές συσκευές πρέπει να συλλέγονται ξεχωριστά και να επιστρέφονται για ανακύκλωση με τρόπο φιλικό προς το περιβάλλον.

### Προοριζόμενη χρήση

ENE014-1

Το εργαλείο προορίζεται για το κλάδεμα φρακτών από θάμνους.

### Ηλεκτρική παροχή

ENF002-2

Το εργαλείο πρέπει να συνδέεται μόνο σε ηλεκτρική παροχή της ίδιας τάσης με αυτήν που αναγράφεται στην πινακίδα ονομαστικών τιμών και μπορεί να λειτουργήσει μόνο με εναλλασσόμενο μονοφασικό ρεύμα. Τα εργαλεία αυτά διαθέτουν διπλή μόνωση και συνεπώς μπορούν να συνδεθούν με πρίζες χωρίς γείωση.

## Γενικές Προειδοποιήσεις Ασφαλείας Του Ηλεκτρικού Εργαλείου

GEA010-1

**⚠️ ΠΡΟΕΙΔΟΠΟΙΗΣΗ** Διαβάστε όλες τις προειδοποιήσεις ασφαλείας και όλες τις οδηγίες. Αν δεν ακολουθήσετε όλες τις προειδοποιήσεις και τις οδηγίες, υπάρχει κίνδυνος ηλεκτροπληξίας, πυρκαγιάς ή/και σοβαρού τραυματισμού.

## Φυλάξτε όλες τις προειδοποιήσεις και τις οδηγίες για μελλοντική αναφορά.

## ΠΡΟΕΙΔΟΠΟΙΗΣΕΙΣ ΑΣΦΑΛΕΙΑΣ ΦΑΛΙΔΙΟΥ ΜΠΟΡΝΤΟΥΡΑΣ

GEB041-9

1. Κρατήστε όλα τα μέρη του σώματός σας μακριά από τη λεπίδα φαλιδιού. Μην αφαιρείτε το υλικό

- κοπής ή κρατήσετε το υλικό που πρόκειται να κοπεί όταν κινούνται οι λεπίδες. Σιγουρευτείτε ότι ο διακόπτης είναι κλειστός κατά τον καθαρισμό του υλικού που έχει μπλοκάρει.** Μια στιγμή προσεξίας κατά τη διάρκεια χειρισμού του ψαλιδιού μπορντούρας μπορεί να προκαλέσει σοβαρό προσωπικό τραυματισμό.
2. **Να μεταφέρετε το ψαλίδι μπορντούρας από τη λαβή με σταματημένη τη λεπίδα ψαλιδιού. Κατά τη μεταφορά ή την αποθήκευση του ψαλιδιού μπορντούρας πάντοτε να τοποθετείτε το κάλυμμα του μηχανισμού κοπής.** Ο κατάλληλος χειρισμός του ψαλιδιού μπορντούρας θα ελαττώσει την πιθανότητα προσωπικού τραυματισμού από τις λεπίδες ψαλιδιού.
  3. **Κρατήστε το ηλεκτρικό εργαλείο μόνο από τις μονωμένες επιφάνειες, επειδή η λεπίδα ψαλιδιού μπορεί να έρθει σε επαφή με κρυμμένη καλωδίωση ή με το δικό της καλώδιο.** Αν οι λεπίδες ψαλιδιού έρθουν σε επαφή με κάποιο ηλεκτροφόρο καλώδιο, τα εκτεθειμένα μεταλλικά μέρη του ηλεκτρικού εργαλείου θα γίνουν κι αυτά ηλεκτροφόρα και μπορεί να προκληθεί ηλεκτροπληξία στο χειριστή.
  4. **Κρατήστε το καλώδιο μακριά από την περιοχή κοπής.** Κατά την χρήση το καλώδιο μπορεί να κρυφτεί μέσα στους θάμνους και να κοπεί κατά λάθος από τη λεπίδα.
  5. Να μην χρησιμοποιήσετε το ψαλίδι μπορντούρας μέσα στην βροχή ή κάτω από υγρές ή πολύ υστερές συνθήκες. Το ηλεκτρικό μοτέρ δεν είναι αδιάβροχο.
  6. Οι χρήστες που χρησιμοποιούν το ψαλίδι μπορντούρας για πρώτη φορά θα πρέπει να λάβουν οδηγίες για τη χρήση του από ένα έμπειρο χρήστη.
  7. Το ψαλίδι μπορντούρας δεν πρέπει να χρησιμοποιείται από παιδιά και νέους κάτω των 18 ετών. Εξαιρούνται από αυτήν την απαγόρευση οι νέοι άνω των 16 ετών που εκπαιδεύονται υπό την επίβλεψη ειδικού.
  8. Να χρησιμοποιείτε το ψαλίδι μπορντούρας μόνο όταν βρίσκεστε σε καλή φυσική κατάσταση. Εάν είστε κουρασμένοι, η προσοχή σας θα μειωθεί. Να είστε ιδιαίτερα προσεκτικοί κατά το τέλος μιας εργάσιμης ημέρας. Εκτελέστε όλες τις εργασίες με ηρεμία και προσοχή. Ο χρήστης είναι υπεύθυνος για όλες τις ζημιές σε τρίτους.
  9. Μην χρησιμοποιείτε ποτέ το ψαλίδι υπό την επήρεια αλκοόλ, ναρκωτικών ουσιών ή φαρμάκων.
  10. Ελέγξτε για να βεβαιωθείτε ότι η τάση και η συχνότητα του παρεχόμενου ρεύματος αντιστοιχούν στις προδιαγραφές που δίνονται στην πινακίδα αναγνώρισης. Σας συνιστάμε να χρησιμοποιήσετε ένα διακόπτη προστασίας ρεύματος διαροής (διακόπτης κυκλώματος βλάβης γείωσης) με ρεύμα διαροής ίσο ή μικρότερο από 30 mA, ή μια προστατευτική διάταξη διαροής γείωσης.
  11. Τα γάντια εργασίας από ανθεκτικό δέρμα αποτελούν μέρος του βασικού εξοπλισμού του ψαλιδιού μπορντούρας και θα πρέπει πάντοτε να φοριούνται κατά την εργασία με αυτό. Επίσης να φοράτε ανθεκτικά παπούτσια με αντιολισθητικές σόλες.
  12. Πριν από την έναρξη της εργασίας βεβαιωθείτε ότι το ψαλίδι βρίσκεται σε καλή και ασφαλή κατάσταση λειτουργίας. Διασφαλίστε ότι τα προστατευτικά έχουν τοποθετηθεί σωστά. Ελέγξτε το καλώδιο για την περίπτωση ζημιάς πριν την έναρξη της εργασίας και

- αντικαταστήστε το εάν είναι απαραίτητο. Εάν δεν είναι πλήρως συναρμολογημένο το ψαλίδι μπορντούρας δεν θα πρέπει να χρησιμοποιείται.
13. Κρατήστε το καλώδιο μακριά από την περιοχή κοπής. Πάντοτε να εργάζεστε με τέτοιο τρόπο έτσι ώστε το καλώδιο προέκτασης να βρίσκεται πίσω σας.
  14. Αφαιρέστε το φως από την παροχή ρεύματος αμέσως εάν το καλώδιο έχει υποστεί φθορά ή κοπεί.
  15. Πριν ξεκινήσετε την εργασία διασφαλίστε ότι έχετε ένα σταθερό πάτημα.
  16. Να κρατάτε το εργαλείο γερά όταν το χρησιμοποιείτε.
  17. Μη θέτετε το εργαλείο σε λειτουργία χωρίς φόρτο, αν αυτό δεν είναι απαραίτητο.
  18. Σταματήστε αμέσως το μοτέρ και αποσυνδέστε το φως από την πρίζα εάν ο κόφτης έρθει σε επαφή με το κρόκον ή με κάποιο άλλο σκληρό αντικείμενο. Ελέγξτε τον κόφτη προσεκτικά για φθορά, και αν έχει πάθει ζημιά επισκευάστε τον αμέσως.
  19. Πριν από τον έλεγχο του κόφτη, την επιδιόρθωση σφαλμάτων ή την αφαίρεση του υλικού που πιάστηκε μέσα στον κόφτη πάντοτε να διακόπτετε τη λειτουργία του ψαλιδιού και να βγάζετε το φως από την πρίζα.
  20. Διακόψτε τη λειτουργία του ψαλιδιού και αποσυνδέστε και ασφαλίστε το φως παροχής ρεύματος πριν εκτελέσετε την οποιαδήποτε εργασία συντήρησης.
  21. Κατά την μετακίνηση του ψαλιδιού μπορντούρας σε μια άλλη θέση, ακόμη και κατά την διάρκεια της εργασίας, πάντοτε να βγάζετε το φως από την πρίζα και να τοποθετείτε το κάλυμμα των λεπίδων πάνω στις λεπίδες ψαλιδιού. Ποτέ μη μεταφέρετε ή μετακινήτε το ψαλίδι με το κόφτη σε λειτουργία. Ποτέ να μην πιάνετε τον κόφτη με τα χέρια σας.
  22. Καθαρίστε το ψαλίδι μπορντούρας και ιδιαίτερα τον κόφτη μετά από την χρήση και πριν αποθηκεύσετε το ψαλίδι για παρατεταμένες περιόδους. Λαδώστε ελαφρά τον κόφτη και τοποθετήστε το κάλυμμα. Το κάλυμμα που παρέχετε με τη συσκευή μπορεί να κρεμαστεί στον τοίχο, παρέχοντας ένα ασφαλή και πρακτικό τρόπο για την αποθήκευση του ψαλιδιού μπορντούρας.
  23. Αποθηκεύστε το ψαλίδι μπορντούρας με το κάλυμμα πάνω του σε ένα ξηρό δωμάτιο. Κρατήστε το μακριά από την πρόσβαση των παιδιών. Ποτέ να μην αποθηκεύσετε το ψαλίδι σε εξωτερικό χώρο.
  24. **Μη θέτετε το εργαλείο σε λειτουργία χωρίς φόρτο, αν αυτό δεν είναι απαραίτητο.**

## ΦΥΛΑΞΤΕ ΑΥΤΕΣ ΤΙΣ ΟΔΗΓΙΕΣ.



### ΠΡΟΕΙΔΟΠΟΙΗΣΗ:

**ΜΗΝ επιτρέψετε στη βολικότητα ή στην εξοικειώσή σας με το προϊόν (που αποκτήθηκε από επανειλημμένη χρήση) να αντικαταστήσει την αυστηρή προσήλωση στους κανόνες ασφάλειας του εν λόγω προϊόντος. Η ΑΝΑΘΑΣΜΕΝΗ ΧΡΗΣΗ ή η μη τήρηση των κανόνων ασφαλείας που διατυπώνονται στο παρόν εγχειρίδιο οδηγιών μπορεί να προκαλέσει σοβαρό τραυματισμό.**

# ΠΕΡΙΓΡΑΦΗ ΛΕΙΤΟΥΡΓΙΑΣ

## ΠΡΟΣΟΧΗ:

- Να βεβαιώνετε πάντοτε ότι το εργαλείο είναι σβηστό και αποσυνδεδεμένο από το ηλεκτρικό ρεύμα πριν ρυθμίσετε ή ελέγχετε κάποια λειτουργία του.

## Δράση διακόπτη (Εικ. 1)

Για την ασφάλειά σας αυτό το εργαλείο είναι εφοδιασμένο με ένα σύστημα με τρεις διακόπτες. Για να ενεργοποιήσετε το εργαλείο, πατήστε τις δυο από τις τρεις σκανδάλες Α, Β και C. Ελευθερώστε την μια από τις δυο σκανδάλες για την απενεργοποίηση του εργαλείου. Δεν έχει σημασία η σειρά με την οποία θα ενεργοποιηθούν οι σκανδάλες επειδή το εργαλείο ξεκινά μόνο όταν ενεργοποιηθούν και οι δυο σκανδάλες.

## Ευθύ κόψιμο (Εικ. 2)

Για το ευθύ κλάδεμα του φράκты, τραβήξτε τις σκανδάλες Α και Β.

## Κάθετο κόψιμο (Εικ. 3)

Κόψτε προς τα πάνω με τα δυο χέρια, τραβήξτε τις σκανδάλες Β και C και μετακινήστε το μπροστά από το σώμα σας.

## Κόψιμο μακράς περιοχής (Εικ. 4)

Για το κλάδεμα του φράκты σε μια μακρά περιοχή με τα δυο σας χέρια τραβήξτε τις σκανδάλες διακόπτες Α και C.

# ΣΥΝΑΡΜΟΛΟΓΗΣΗ

## ΠΡΟΣΟΧΗ:

- Να βεβαιώνετε πάντοτε ότι το εργαλείο είναι σβηστό και αποσυνδεδεμένο από το ηλεκτρικό ρεύμα πριν εκτελέσετε οποιαδήποτε εργασία σε αυτό.

## Σύνδεση του καλωδίου προέκτασης

### ΠΡΟΣΟΧΗ:

- Να βεβαιώνετε ότι το καλώδιο προέκτασης είναι αποσυνδεδεμένο από την ηλεκτρική παροχή. (Εικ. 5)  
Κατά την σύνδεση του καλωδίου προέκτασης, στερεώστε το στο καλώδιο του εργαλείου με τον πλήρη γάντζο. Στερεώστε το γάντζο περίπου 100 - 200 χιλ από το σύνδεσμο του καλωδίου προέκτασης. Έτσι, θα προληφθεί η τυχαία αποσύνδεση.

## Γάντζος καλωδίου μέσης

### ΠΡΟΣΟΧΗ:

- Μην συνδέσετε αλλού το στήριγμα του γάντζου του καλωδίου μέσης εκτός από το καλώδιο προέκτασης. Μην το συνδέσετε σε μια θέση κοντύτερα στο εργαλείο πέρα από τον πλήρη γάντζο. Αν δεν το τηρείτε αυτό μπορεί να προκληθεί ατύχημα ή προσωπικός τραυματισμός.
- Συνδέστε καλά το ένα άγκιστρο του πλήρη γάντζου στο καλώδιο του εργαλείου και το άλλο άγκιστρο του πλήρη γάντζου στο καλώδιο προέκτασης. Η εργασία με μόνο το ένα άγκιστρο συνδεδεμένο μπορεί να προκαλέσει ατύχημα και τραυματισμό.

Η χρήση του γάντζου του καλωδίου της μέσης βοηθά στην ελαχιστοποίηση του κινδύνου της απρόσμενης αποκοπής του καλωδίου προέκτασης λόγω της χαλαρότητας του καλωδίου προέκτασης. (Εικ. 6)

Πιάστε προς τα μέσα ή τραβήξτε προς τα έξω το καλώδιο διαμέσου του ανοίγματος του στήριγματος. (Εικ. 7)

## ΠΡΟΣΟΧΗ:

- Μην πιέζετε το άνοιγμα του στήριγματος. Αν δεν το τηρήσετε αυτό μπορεί να προκαλέσετε την παραμόρφωση και την φθορά του.

## Γάντζος καλωδίου μπράτσου (Αξεσουάρ)

### ΠΡΟΣΟΧΗ:

- Μην συνδέσετε αλλού το στήριγμα του γάντζου του καλωδίου του μπράτσου εκτός από το καλώδιο προέκτασης. Μην το συνδέσετε σε μια θέση κοντύτερα στο εργαλείο πέρα από τα άγκιστρα του πλήρους γάντζου. Αν δεν το τηρείτε αυτό μπορεί να προκληθεί ατύχημα ή προσωπικός τραυματισμός.
- Συνδέστε καλά το ένα άγκιστρο του πλήρους γάντζου στο καλώδιο του εργαλείου και το άλλο άγκιστρο του πλήρους γάντζου στο καλώδιο προέκτασης. Η εργασία με μόνο το ένα άγκιστρο συνδεδεμένο μπορεί να προκαλέσει ατύχημα και τραυματισμό.

Η χρήση του γάντζου του καλωδίου του μπράτσου βοηθά στην ελαχιστοποίηση του κινδύνου της απρόσμενης αποκοπής του καλωδίου προέκτασης λόγω της χαλαρότητας του καλωδίου προέκτασης. (Εικ. 8)  
Στερεώστε καλά τον γάντζο του καλωδίου του μπράτσου τοποθετώντας τον γύρω από το μπράτσο σας και περάστε το καλώδιο προέκτασης μέσω από το στήριγμα. Το μήκος της ζώνης του γάντζου του καλωδίου του μπράτσου μπορεί να προσαρμοστεί.

### ΣΗΜΕΙΩΣΗ:

- Μην περάσετε το καλώδιο προέκτασης μέσα από την ζώνη.
- Μην πιέζετε το άνοιγμα του στήριγματος. Αν δεν το τηρήσετε αυτό μπορεί να προκαλέσετε την παραμόρφωση και την φθορά του.
- Είναι πιο εξοπληθητική η ταυτόχρονη χρήση του γάντζου του καλωδίου του μπράτσου μαζί με τον γάντζο του καλωδίου της μέσης.

# ΛΕΙΤΟΥΡΓΙΑ

## ΠΡΟΣΟΧΗ:

- Να προσέξετε να μην έρθετε σε επαφή κατά τύχη με ένα μεταλλικό φράκты ή με άλλα σκληρά αντικείμενα κατά το κλάδεμα. Η λεπίδα θα σκάσει και μπορεί να προκαλέσει σοβαρό τραυματισμό.
- Το υπερβολικό τέντωμα με το ψαλίδι μπορντούρας, ιδιαίτερα από μια σκάλα είναι υπερβολικά επικίνδυνο. Να μην εργάζεστε από μια κινούμενη ή ασταθή θέση. Να μην προσπαθήσετε να κόψετε κλαδιά με διάμετρο πάχους μεγαλύτερη από 10 mm με αυτό το ψαλίδι. Αυτά θα πρέπει να κοπούν πρώτα με ψαλίδα μέχρι το επίπεδο του κλαδέματος του φράκты. (Εικ. 9)

## ΠΡΟΣΟΧΗ:

- Μην κόβετε ξερά δένδρα ή παρόμοια σκληρά αντικείμενα. Αν δεν τηρήσετε αυτή την οδηγία, μπορεί να προκληθεί ζημιά στο εργαλείο.

Κρατήστε το ψαλίδι με τα δυο σας χέρια, τραβήξτε το διακόπτη Α ή Β και μετακινήστε το μπροστά από το σώμα σας. (Εικ. 10)

Για τη βασική λειτουργία, στρέψτε τις λεπίδες προς την διεύθυνση κλάδεματος και κινήστε το ήρεμα και αργά με μια ταχύτητα 3 - 4 δευτερολέπτων το μέτρο. (Εικ. 11 και 12)

Η ομοιόμορφη κοπή της κορυφής ενός φράκты, γίνεται ευκολότερη με το δέσιμο μιας κλωστής στο επιθυμητό

ύψος και το κλάδεμα κατά μήκος της, χρησιμοποιώντας την ως γραμμή αναφοράς. **(Εικ. 13)**

Η τοποθέτηση του συλλέκτη θραυσμάτων (αξεσουάρ) στο εργαλείο κατά το κλάδεμα του φράχτη σε ευθεία μπορεί να βοηθήσει στην αποφυγή του πετάγματος των κομμένων φύλλων. **(Εικ. 14)**

Για την ίσια κοπή των πλαινών του φράχτη, θα βοηθηθείτε εάν κόβετε από κάτω προς τα πάνω. **(Εικ. 15)**

Να κλαδεύετε ένα πυξό ή ένα ροδόδεντρο από τη βάση προς τα επάνω ώστε να γίνει μια καλή δουλειά και να δημιουργηθεί μια ωραία εμφάνιση. **(Εικ. 16)**

## Τοποθέτηση ή αφαίρεση του συλλέκτη θραυσμάτων (αξεσουάρ)

### ΠΡΟΣΟΧΗ:

- Να βεβαιώνετε πάντοτε ότι το εργαλείο είναι σβηστό και αποσυνδεδεμένο από το ηλεκτρικό ρεύμα πριν τοποθετήσετε ή αφαιρέσετε το συλλέκτη θραυσμάτων.

### ΣΗΜΕΙΩΣΗ:

- Κατά την αντικατάσταση του συλλέκτη θραυσμάτων, πάντοτε να φοράτε γάντια έτσι ώστε τα χέρια σας και το πρόσωπό σας να μην έρχονται σε άμεση επαφή με τη λεπίδα. Αν δεν τηρήσετε αυτή την οδηγία, μπορεί να προκληθεί προσωπικός τραυματισμός.
- Πάντοτε να φροντίζετε να αφαιρέτε το κάλυμμα των λεπίδων πριν την εγκατάσταση του συλλέκτη θραυσμάτων.
- Ο συλλέκτης θραυσμάτων δέχεται κομμένα φύλλα και μετριάζει το πέταγμα των φύλλων. Μπορείτε να τον τοποθετήσετε σε οποιοδήποτε πλευρά του εργαλείου. **(Εικ. 17)**

Πιέστε τον συλλέκτη θραυσμάτων στις λεπίδες κοπής έτσι ώστε οι σχισμές του να επικαλύπτουν τα παξιμάδια των λεπίδων κοπής. Τη στιγμή αυτή, φροντίστε ώστε ο συλλέκτης θραυσμάτων να μην έρχεται σε επαφή με το συλλέκτη κλαδιών στην κορυφή των λεπίδων κοπής. **(Εικ. 18)**

Τη στιγμή αυτή, ο συλλέκτης θραυσμάτων χρειάζεται να τοποθετηθεί με τέτοιο τρόπο ώστε τα άγκιστρά του να ταιριάζουν μέσα στις αυλακώσεις της μονάδας των λεπίδων κοπής. **(Εικ. 19)**

Για να βγάλετε τον συλλέκτη θραυσμάτων, πιέστε το μοχλό και στις δύο πλευρές έτσι ώστε να απασφαλίσουν τα άγκιστρα. **(Εικ. 20)**

### ΠΡΟΣΟΧΗ:

- Το κάλυμμα των λεπίδων (βασικός εξοπλισμός) δεν μπορεί να τοποθετηθεί πάνω στο εργαλείο με εγκαταστημένο το συλλέκτη θραυσμάτων. Πριν από την μεταφορά ή την αποθήκευση, αφαιρέστε τον συλλέκτη θραυσμάτων και μετά τοποθετήστε το κάλυμμα των λεπίδων για να αποφύγετε την έκθεση των λεπίδων.

### ΣΗΜΕΙΩΣΗ:

- Ελέγξτε ότι ο συλλέκτης θραυσμάτων έχει τοποθετηθεί σταθερά πριν από την χρήση.
- Ποτέ να μην προσπαθήσετε να αφαιρέσετε τον συλλέκτη θραυσμάτων με τη χρήση υπερβολικής βίας καθώς τα άγκιστρά του είναι ασφαλισμένα στις αυλακώσεις στη μονάδα των λεπίδων. Η χρήση υπερβολικής δύναμης μπορεί να τον καταστρέψει.

## ΣΥΝΤΗΡΗΣΗ

### ΠΡΟΣΟΧΗ:

- Να βεβαιώνετε πάντοτε ότι το εργαλείο είναι σβηστό και αποσυνδεδεμένο από το ηλεκτρικό ρεύμα πριν εκτελέσετε οποιαδήποτε εργασία ελέγχου ή συντήρησης σε αυτό.

## Καθαρισμός του εργαλείου

Καθαρίστε το εργαλείο σκουπίζοντας την σκόνη με ένα στεγνό πανί ή με ένα πανί βουτηγμένο σε σαπουνόνερο.

### ΠΡΟΣΟΧΗ:

- Μην χρησιμοποιήσετε βενζίνη, βενζόλη, διαλυτικό, αλκοόλη ή κάτι παρόμοιο. Μπορεί να προκληθεί αποχρωματισμός, παραμόρφωση ή ρωγμές.

## Συντήρησης λεπίδας

Επαλείψτε την λεπίδα πριν και μια φορά κάθε μια ώρα κατά τη διάρκεια της λειτουργίας, χρησιμοποιώντας μηχανικό λάδι ή κάτι παρόμοιο.

Μετά τη λειτουργία, αφαιρέστε την σκόνη από τις δυο πλευρές της λεπίδας με μια συμπαγέβουρτσα, σκουπίστε με ένα πανί και μετά βάλτε αρκετό λάδι χαμηλού ιξώδους, όπως μηχανικό λάδι, κτλ. και λιπαντικό ψεκασιού.

### ΠΡΟΣΟΧΗ:

- Μην πλύνετε τις λάμες με νερό. Αν δεν τηρήσετε αυτή την οδηγία, μπορεί να προκληθεί σκουριά ή φθορά στο εργαλείο.

## Αφαίρεση ή τοποθέτηση της λεπίδας κοπής

### ΠΡΟΣΟΧΗ:

- Πριν την αφαίρεση ή την εγκατάσταση της λεπίδας κοπής, πάντοτε να βεβαιώνετε ότι το εργαλείο είναι σβηστό και βγαλμένο από την πρίζα.
- Κατά την αντικατάσταση της λεπίδας κοπής, πάντοτε να φοράτε γάντια χωρίς να αφαιρέσετε το κάλυμμα των λεπίδων έτσι ώστε τα χέρια σας και το πρόσωπό σας να μην έρχονται σε άμεση επαφή με τη λεπίδα. Αν δεν τηρήσετε αυτή την οδηγία, μπορεί να προκληθεί προσωπικός τραυματισμός.

### ΣΗΜΕΙΩΣΗ:

- Μην σκουπίστε το γράσο από το γρανάζι και το στρόφαλο. Αν δεν τηρήσετε αυτή την οδηγία, μπορεί να προκληθεί ζημιά στο εργαλείο.
- Για τον ειδικό τρόπο αφαίρεσης και τοποθέτησης των λεπίδων κοπής ανατρέξτε στο πίσω μέρος της συσκευασίας για τις βοηθητικές λεπίδες κοπής.

## Αφαίρεση των λεπίδων κοπής

Αναστρέψτε το εργαλείο και ξεσφίξτε τις τέσσερις βίδες. **(Εικ. 21)**

### ΣΗΜΕΙΩΣΗ:

- Προσέξτε να μην λερώσετε τα χέρια σας επειδή υπάρχει γράσο στην επιφάνεια κίνησης της λεπίδας κοπής.

Αφαιρέστε το κάτω κάλυμμα. **(Εικ. 22)**

Αφαιρέστε το κάλυμμα του κελύφους των γρανάζιων. **(Εικ. 23)**

Τοποθετήστε τον στρόφαλο υπό γωνία όπως δείχνεται στην εικόνα με ένα σταυροκατσάβιδο. **(Εικ. 24)**

Αφαιρέστε τις δυο βίδες από τις λεπίδες κοπής και θα βγει έξω το συγκρότημα των λεπίδων κοπής. **(Εικ. 25)**

## ΠΡΟΣΟΧΗ:

- Επιστρέψετε το γρανάζι στην αρχική του θέση όπως ήταν τοποθετημένο, εάν βγει έξω κατά λάθος.

## Τοποθέτηση της λεπίδας κοπής

Ετοιμάστε τις 4 βίδες που έχουν αφαιρεθεί (Για το κάτω κάλυμμα), 2 βίδες (Για τη λεπίδα κοπής), κάλυμμα του κελύφους των γραναζιών, κάτω κάλυμμα, και νέες λεπίδες κοπής.

Προσαρμόστε τη θέση του στροφάλου όπως απεικονίζεται στην εικόνα. Τη στιγμή αυτή, βάλτε λίγο γράσο που παρέχεται με τις νέες λεπίδες κοπής στην περιφέρεια του στροφάλου. **(Εικ. 26)**

Αλληλεπικαλύψτε την ωοειδή τρύπα στην πάνω λεπίδα με αυτή στην κάτω. **(Εικ. 27)**

Αφαιρέστε το κάλυμμα των λεπίδων από τις παλιές λεπίδες κοπής και ταιριάστε το πάνω στις νέες για τον εύκολο χειρισμό κατά την αντικατάσταση των λεπίδων. **(Εικ. 28)**

Τοποθετήστε τις καινούργιες λεπίδες κοπής πάνω στο εργαλείο έτσι ώστε οι ωοειδείς τρύπες των λεπίδων κοπής να ταιριάζουν πάνω στο στρόφαλο. Αλληλεπικαλύψτε τις τρύπες των λεπίδων κοπής με τις τρύπες των βιδών του εργαλείου και μετά στερεώστε τις με τις δυο βίδες. **(Εικ. 29)**

Ελέγξτε εάν ο στρόφαλος περιστρέφεται ομαλά με ένα σταυροκατσάβιδο. **(Εικ. 30)**

Τοποθετήστε το κέλυφος των γραναζιών και το κάτω κάλυμμα στο εργαλείο. Σφίξτε την βίδα γερά.

Αφαιρέστε το κάλυμμα των λεπίδων και περιστρέψτε το εργαλείο για να ελέγξετε εάν κινείται κατάλληλα.

## ΣΗΜΕΙΩΣΗ:

- Εάν οι λεπίδες κοπής δεν λειτουργούν ομαλά τότε δεν είναι κατάλληλο το ταιρίασμα μεταξύ των λεπίδων και του στροφάλου. Εκτελέστε ξανά από την αρχή.

## Αποθήκευση

Η τρύπα του γάντζου στη βάση του καλύμματος των λεπίδων είναι βολική για το κρέμασμα του εργαλείου από ένα καρφί ή μια βίδα στον τοίχο. **(Εικ. 31)**

Τοποθετήστε το κάλυμμα των λεπίδων πάνω στις λεπίδες κοπής έτσι ώστε οι λεπίδες να μην είναι εκτεθειμένες. Αποθηκεύστε προσεκτικά το εργαλείο σε χώρο όπου βρίσκεται μακριά από την πρόσβαση των παιδιών. Αποθηκεύστε το εργαλείο σε ένα χώρο που δεν είναι εκτεθειμένο στο νερό ή στη βροχή.

Για να διατηρείται η ΑΣΦΑΛΕΙΑ και η ΑΞΙΟΠΙΣΤΙΑ του προϊόντος, οι εργασίες επισκευής, ο έλεγχος και η αλλαγή των καρβουνακίων, καθώς και οποιαδήποτε άλλη εργασία συντήρησης και ρύθμισης, θα πρέπει να εκτελούνται σε εξουσιοδοτημένα κέντρα εξυπηρέτησης της Makita, και πάντοτε με τη χρήση ανταλλακτικών της Makita.

## ΠΡΟΑΙΡΕΤΙΚΑ ΑΞΕΣΟΥΑΡ

### ⚠️ ΠΡΟΣΟΧΗ:

- Συνιστάται η χρήση αυτών των αξεσουάρ ή εξαρτημάτων με το εργαλείο της Makita, όπως περιγράφεται στο παρόν εγχειρίδιο. Αν χρησιμοποιήσετε άλλα αξεσουάρ ή εξαρτήματα μπορεί να παρουσιαστεί κίνδυνος για πρόκληση τραυματισμού προσώπων. Να χρησιμοποιείτε τα αξεσουάρ και τα εξαρτήματα μόνο για το σκοπό για τον οποίο προορίζονται.

Αν χρειάζεστε κάποια βοήθεια ή περισσότερες πληροφορίες σχετικά με τα αξεσουάρ αυτά, απευθυνθείτε στο πλησιέστερο κέντρο εξυπηρέτησης της Makita.

- Κάλυμμα λεπίδων
- Πλήρης γάντζος
- Συγκρότημα λεπίδων κοπής
- Γάντζος καλωδίου μέσης
- Γάντζος καλωδίου μπράτσου

## ΣΗΜΕΙΩΣΗ:

- Ορισμένα από τα στοιχεία της λίστα μπορεί να περιέχονται στην συσκευασία του εργαλείου ως κανονικά αξεσουάρ. Αυτά ενδέχεται να διαφέρουν από χώρα σε χώρα.

## Θόρυβος

ENG905-1

Το σύνθετος σταθμισμένο επίπεδο θορύβου που έχει καθοριστεί σύμφωνα με την EN60745:

Επίπεδο ηχητικής πίεσης ( $L_{pA}$ ): 89,9 dB (A)

Επίπεδο ηχητικής ισχύος ( $L_{WA}$ ): 97,9 dB (A)

Αβεβαιότητα (K): 1,5 dB (A)

## Να φοράτε ωτοασπίδες.

## Δόνηση

ENG900-1

Η συνολική τιμή δόνησης (διανυσματικό άθροισμα τριών αξόνων) που έχει καθοριστεί σύμφωνα με την EN60745:

Κατάσταση λειτουργίας: κλάδεμα φρακτών

Εκπομπή δόνησης ( $a_{h1}$ ): 6,7 m/s<sup>2</sup>

Αβεβαιότητα (K): 1,5 m/s<sup>2</sup>

ENG901-1

- Η δηλωθείσα τιμή των παραγομένων κραδασμών έχει καταμετρηθεί σύμφωνα με την τυποποιημένη μέθοδο δοκιμίας και μπορεί να χρησιμοποιηθεί για την σύγκριση ενός εργαλείου με ένα άλλο.
- Η δηλωθείσα τιμή των παραγομένων κραδασμών μπορεί επίσης να χρησιμοποιηθεί για μια προκαταρκτική αξιολόγηση της έκθεσης στους κραδασμούς.

## ⚠️ ΠΡΟΕΙΔΟΠΟΙΗΣΗ:

- Η εκπομπή κραδασμών κατά τη διάρκεια της πραγματικής χρήσης του ηλεκτρικού εργαλείου μπορεί να διαφέρει από τη δηλωθείσα τιμή των εκπομπών, ανάλογα με τον τρόπο με τον οποίο χρησιμοποιείται το εργαλείο.
- Φροντίστε να λάβετε τα μέτρα ασφαλείας που απαιτούνται για την προστασία του χρήστη που βασίζονται σε μια εκτίμηση της έκθεσης σε πραγματικές συνθήκες χρήσης (λαμβάνοντας υπόψη όλα τα μέρη του κύκλου λειτουργίας, όπως είναι οι περιπτώσεις κατά τις οποίες το εργαλείο είναι απενεργοποιημένο και όταν λειτουργεί στο ρελατί επιπρόσθετως του χρόνου κατά τον οποίο το εργαλείο βρισκόταν σε χρήση).

Για Ευρωπαϊκές χώρες μόνο

ENH021-7

## ΕΚ – Δήλωση συμμόρφωσης

Η Εταιρία Makita ως υπεύθυνος κατασκευαστής, δηλώνει ότι το παρακάτω μηχανήμα ή μηχανήματα της Makita:

Ονομασία Μηχανήματος:

Ψαλίδι Μπροντούρας

Αρ. Μοντέλου/ Τύπου: UH4570, UH5570, UH6570

Προδιαγραφές: δείτε τον πίνακα "ΠΡΟΔΙΑΓΡΑΦΕΣ".

αποτελούν παραγωγή σε σειρά και

**Συμμορφώνονται με τις ακόλουθες Ευρωπαϊκές  
Οδηγίες:**

2000/14/ΕΚ, 2006/42/ΕΚ

Και κατασκευάζονται σύμφωνα με τα παρακάτω πρότυπα  
ή τυποποιημένα έγγραφα:

EN60745

Τα τεχνικά έγγραφα διατηρούνται από το:

Makita International Europe Ltd.

Technical Department,

Michigan Drive, Tongwell,

Milton Keynes, Bucks MK15 8JD, England

Η διαδικασία εκτίμησης συμμόρφωσης που απαιτείται  
από την Οδηγία 2000/14/ΕΚ εκτελέστηκε σύμφωνα με το  
Παράρτημα V.

Μετρημένο Επίπεδο Ηχητικής Ισχύος: 98 dB (A)

Εγγυημένο Επίπεδο Ηχητικής Ισχύος: 100 dB (A)

30. 1. 2009



Tomoyasu Kato

Διευθυντής

Makita Corporation

3-11-8, Sumiyoshi-cho,

Anjo, Aichi, 446-8502, JAPAN



# TÜRKÇE (Orijinal talimatlar)

## Genel görünüm

1. Açma/kapama düğmesi B
2. Açma/kapama düğmesi A
3. Açma/kapama düğmesi C
4. Kelepçe
5. Makine kablosu
6. Uzatma kablosu
7. Kanca
8. Makine
9. Yuva
10. Kemer askı kancası
11. Kablo
12. Kol askı kancası
13. Budama yönü
14. Bıçakları yatırın
15. Budanacak çit yüzeyi
16. Bastırın
17. Atık toplayıcı
18. Somun
19. Budama bıçağı
20. Dal tutucu
21. Kancalar
22. Kancaları yuvaya oturtun
23. Yuvalar
24. Tırnakları her iki tarafından bastırın
25. Çekerek kancaları serbest bırakın
26. Vidalar
27. Bıçak kapağı
28. Alt kapak
29. Dişli muhafazası kapağı
30. Kranck
31. Budama bıçağı ağızı

## TEKNİK ÖZELLİKLER

Model	UH4570	UH5570	UH6570
Bıçak uzunluğu	450 mm	550 mm	650 mm
Darbe/dakika (dak <sup>-1</sup> )	1.600	1.600	1.600
Toplam uzunluk	862 mm	970 mm	1.042 mm
Net ağırlık	3,6 kg	3,7 kg	3,8 kg
Güvenlik sınıfı	II/II		

- Sürekli yapılan araştırma ve geliştirmelerden dolayı, burada belirtilen özellikler önceden bildirilmeksizin değiştirilebilir.
- Özellikler ülkeden ülkeye farklılıklar gösterebilir.
- EPTA Prosedürü 01/2003 uyarınca ağırlık

### Simge

END220-5

Makine için kullanılan simgeler aşağıda gösterilmiştir. Makineyi kullanmaya başlamadan önce bu simgelerin ne anlama geldiğini öğrenin.



..... Kullanım kılavuzunu okuyun.



..... ÇİFT YALITIMLI



..... Yağmura maruz bırakmayın.



..... Kablo hasar görürse veya kesilirse makinenin fişini derhal prizden çekin.



..... Sadece AB ülkeleri için Elektrikli cihazları evdeki çöp kutusuna atmayınız! Kullanılmış elektrikli cihazları, elektrik ve elektronik eski cihazlar hakkındaki 2012/19/EU Avrupa yönergelerine göre ve bu yönergeler ulusal hukuk kurallarına göre uyarlanarak, ayrı olarak toplanmalı ve çevre şartlarına uygun bir şekilde tekrar değerlendirilmeye gönderilmelidir.

### Amaçlanan kullanım

ENE014-1

Bu makine çitlerin budanması için tasarlanmıştır.

### Güç kaynağı

ENF002-2

Makine yalnızca üzerindeki etikette belirtilen voltaj değerlerine sahip, tek fazlı AC güç kaynaklarına bağlanmalıdır. Çift yalıtımlıdır ve bu nedenle topraksız prizlerle de kullanılabilir.

## Genel Elektrikli Aletler Güvenlik Uyarıları

GEA010-1

**⚠ UYARI** Tüm güvenlik uyarılarını ve tüm talimatları okuyun. Verilen uyarılara ve talimatlara uyulmaması elektrik çarpmasına, yangına ve/veya ciddi yaralanmalara yol açabilir.

## Tüm uyarıları ve talimatları ilerde başvurmak üzere saklayın.

## ÇİT BUDAMA İLGİLİ GÜVENLİK UYARILARI

GEB041-9

1. **Ellerinizi, yüzünüzü vb. kesinlikle kesici bıçağa yaklaştırmayın. Bıçaklar hareket halindeyken kesilen veya kesilecek parçaları almaya veya tutmaya çalışmayın. Tıkanıklıkları temizlemeden önce açma/kapama düğmesinin kapalı konuma getirildiğinden emin olun. Çit budama kullanılırken bir anlık dikkatsizlik ciddi yaralanmalara yol açabilir.**
2. **Çit budamayı, kesici bıçağı durduktan sonra tutma yerinden tutarak taşıyın. Çit budamayı taşıırken veya saklarken mutlaka kesici alet kapağını kapalı tutun. Çit budamanın doğru şekilde taşınması, kesici bıçaklardan kaynaklanabilecek yaralanmaları azaltır.**

3. **Kesici bıçak, gömülü kablolar veya kendi kablosuna temas edebileceğinden, makineyi yalnızca yalıtımlı kavrama yüzeylerinden tutun.** Kesici bıçakların, elektrik akımı bulunan kablolarla temas etmesi halinde akım, iletken metal parçalar üzerinden operatöre iletilerek, elektrik çarpmasına yol açabilir.
4. **Kabloyu kesim alanından uzak tutun.** Çalışma sırasında, kablo çalılar arasında gizlenebilir ve bıçak tarafından yanlışlıkla kesilebilir.
5. Çit budamayı yağmurlu havalarda veya ıslak veya çok nemli ortamlarda kullanmayın. Elektrik motoru su geçirmez özellikte değildir.
6. Makineyi ilk defa kullanacaklar, deneyimli bir çit budama kullanıcısından makinenin nasıl kullanılacağını kendisine göstermesini istemelidir.
7. Çit budama kesinlikle çocuklar veya 18 yaşın altındaki gençler tarafından kullanılmalıdır. Bir uzman gözetimi altında eğitim alan 16 yaşın üstündeki gençler bu kısıtlamanın dışında tutulabilir.
8. Çit budamayı yalnızca fiziksel açıdan iyi durumdayken kullanın. Yorgunsanız, dikkatiniz dağılacaktır. Çalışma gününün sonuna yaklaşırken daha dikkatli olun. Tüm işlerinizi sakın ve dikkatli bir şekilde yürütün. Üçüncü taraflarda doğacak tüm hasarlardan kullanıcı sorumlu olacaktır.
9. Çit budamayı kesinlikle alkol, uyuşturucu madde veya ilaçların etkisi altındayken çalıştırmayın.
10. Kullandığınız güç kaynağının gerilim ve frekans değerlerinin, cihaz etiketinde belirtilen değerlere uygun olduğundan emin olun. Devreye girme akımı 30 mA ve üzeri olan bir artık akımla çalışan devre kesici (topraklama kaçağı devre kesicisi) veya topraklama kaçağı devre koruyucusu kullanmanızı öneririz.
11. Sert deriden imal edilen iş eldivenleri, çit budamanın temel parçalarından biridir ve mutlaka çalışma süresi boyunca takılmalıdır. Ayrıca, çalışırken altı kaymayan sağlam ayakkabılar giyin.
12. Çalışmaya başlamadan önce, çit budamanın iyi durumda olduğunu ve güvenli çalıştığını kontrol edin. Muhafazaların doğru takıldığından emin olun. Çalışmaya başlamadan önce, kabloda herhangi bir hasar olup olmadığını kontrol edin ve gerekirse, kabloyu değiştirin. Çit budama tam olarak kurulu değilse kesinlikle kullanılmamalıdır.
13. Kabloyu kesim alanından uzak tutun. Her zaman uzatma kablosu arkanızda kalacak şekilde çalışın.
14. Kablo hasar görürse veya kesilirse makinenin fişini derhal prizden çekin.
15. Çalışmaya başlamadan önce yere sağlam ve dengeli bastığınızdan emin olun.
16. Çalıştırırken makineyi sağlam şekilde kavrayın.
17. Makineyi gereksiz yere yüksüz çalıştırmayın.
18. Kesici bıçak bir çit demirine veya benzeri sert bir objeye temas ederse, motoru derhal kapatın ve fişini prizden çekin. Kesici bıçakta hasar olup olmadığını kontrol edin ve gerekirse, derhal onarın.
19. Kesici bıçağı kontrol etmeye başlamadan önce, kaçak kontrolü yapın ve varsa kesici parçaya takılmış yabancı maddeleri temizleyin ve mutlaka çit budamayı kapalı konuma getirin ve fişini prizden çekin.

20. Herhangi bir bakım çalışmasına geçmeden önce, çit budamayı kapalı konuma getirin ve fişini prizden çekin.
21. Çit budamayı çalışma esnasında veya diğer zamanlarda başka bir yere taşırken, mutlaka fişini prizden çekin ve kesici bıçaklar üzerindeki kapağı kapalı tutun. Çit budamayı kesinlikle kesici bıçağı hareket halindeyken taşımayın. Kesici bıçağı kesinlikle çiplak elle tutmayın.
22. Her kullanımdan sonra ve uzun süreliğine depoya kaldırmadan önce çit budamayı ve özellikle de kesici bıçağı temizleyin. Kesici bıçağı hafifçe yağlayın ve kapağını kapatın. Ürünle birlikte verilen kapak duvara asılabilir ve böylece çit budama güvenli ve pratik bir şekilde saklanmış olur.
23. Çit budamayı kapağını taktıktan sonra kuru bir yerde saklayın. Çocukların ulaşamayacağı bir yerde saklayın. Çit budamayı kesinlikle açık bir yerde bırakmayın.
24. **Makineyi gereksiz yere yüksüz çalıştırmayın.**

## BU TALİMATLARI SAKLAYIN.

**⚠ UYARI:**  
**Ürünü kullanırken defalarca kullanmanızı getirdiği rahatlık ve tanıdıklık duygusunun, güvenli kurallarına sıkı sıkıya bağlı kalmanızı önlemesine İZİN VERMEYİN. YANLIŞ KULLANIM veya bu kullanım kılavuzunda belirtilen güvenlik kurallarına uyulmaması ciddi yaralanmalara neden olabilir.**

## KULLANIMA İLİŞKİN TANIMLAR

### DİKKAT:

- Makine üzerinde herhangi bir ayar veya çalışma kontrolü yapmadan önce mutlaka makinenin kapalı ve fişinin çekili olduğundan emin olun.

### Açma/kapatma (Şekil 1)

Güvenliğiniz için makinede bir üçlü açma/kapama sistemi bulunmaktadır. Makineyi açık konuma getirmek için, A, B ve C açma/kapama düğmelerinin herhangi ikisine aynı anda basın. Kapatmak için ise basılan iki düğmeden birini serbest bırakın. Makine yalnızca iki düğmesine birden basılınca çalıştığı için basma sırası önemli değildir.

### Düz kesim (Şekil 2)

Düz çit budama için, açma/kapama düğmesi A ve B'ye basın.

### Düşey kesim (Şekil 3)

Yukarı doğru kesim yapmak için, açma/kapama düğmesi B ve C'ye basın ve makineyi her iki elinizle vücudunuzun önünde tutun.

### Uzaktan kesim (Şekil 4)

Her iki elinizle uzaktan çit budama için, açma/kapama düğmesi A ve C'ye basın.

# KURULUM

## DİKKAT:

- Makine üzerinde herhangi bir işlem yapmadan önce mutlaka makinenin kapalı ve fişinin çekili olduğundan emin olun.

## Uzatma kablosunun takılması

### DİKKAT:

- Uzatma kablosunun elektrik prizine takılı olmadığından emin olun. **(Şekil 5)**

Uzatma kablosunu takarken, kelepçeyi kullanarak makine kablosuna sabitleyin. Kelepçeyi uzatma kablosu bağlantı noktasının 100 ila 200 mm uzağına takın. Böylece kablosun kazara çıkartılması önlenmiş olur.

## Kemer askı kancası

### DİKKAT:

- Kemer askı kancası yuvasını kesinlikle uzatma kablosu dışında bir şeye takmayın. Makineye kelepçeden daha yakın bir konuma takmayın. Aksi takdirde, kazalar veya yaralanmalar meydana gelebilir.
- Kelepçenin bir kancasını makine kablosuna ve diğer kancasını uzatma kablosuna sağlam bir şekilde takın. Kelepçenin yalnızca bir kancasını takarak çalışmanız halinde, kazalar ve yaralanmalar meydana gelebilir.

Kemer askı kancasının kullanımı, gevşek olması nedeniyle uzatma kablosunun kazara kesilmesi riskini en aza indirir. **(Şekil 6)**

Kabloyu takmak yuva açıklığına bastırın, çıkarmak için ise yuva açıklığından çekin. **(Şekil 7)**

### DİKKAT:

- Yuva açıklığını zorlamayın. Zorlarsanız, eğilebilir veya hasar görebilir.

## Kol askı kancası (Aksesuar)

### DİKKAT:

- Kol askı kancası yuvasını kesinlikle uzatma kablosu dışında bir şeye takmayın. Makineye kelepçeden daha yakın bir konuma takmayın. Aksi takdirde, kazalar veya yaralanmalar meydana gelebilir.
- Kelepçenin bir kancasını makine kablosuna ve diğer kancasını uzatma kablosuna sağlam bir şekilde takın. Kelepçenin yalnızca bir kancasını takarak çalışmanız halinde, kazalar ve yaralanmalar meydana gelebilir.

Kol askı kancasının kullanımı, gevşek olması nedeniyle uzatma kablosunun kazara kesilmesi riskini en aza indirir. **(Şekil 8)**

Kol askı kancasını kolunuza sıkıca takın ve uzatma kablosunu yuvadan geçirin. Kol askı kancası bandının uzunluğu ayarlanabilir.

### NOT:

- Uzatma kablosunu banttan geçirmeyin.
- Yuva açıklığını zorlamayın. Zorlarsanız, eğilebilir veya hasar görebilir.
- Kol askı kancasının, bel askı kancasıyla birlikte kullanılması daha yararlıdır.

# KULLANIM

## DİKKAT:

- Budama sırasında makinenin, çit demirine veya benzeri sert bir objeye temas etmemesine dikkat edin. Aksi takdirde, bıçak kırılarak ciddi yaralanmalara yol açabilir.
- Özellikle de merdiven üzerindeyken çit budamayla ileri uzanmaya çalışmak çok tehlikelidir. Kesinlikle sallanan veya sabit olmayan platformlar üzerinde çalışmayın.

Bu çit budamayla çapı 10 mm'den büyük dal parçalarını kesmeye çalışmayın. Bu tür dal parçaları öncelikle makas kullanılarak çit budama seviyesine indirilmelidir. **(Şekil 9)**

### DİKKAT:

- Ölü ağaç parçaları veya benzeri sert objeleri kesmeye çalışmayın. Aksi takdirde, makine hasar görebilir. Çit budamayı her iki elinizle kavradıktan sonra açma/kapama düğmesi A ve B'ye aynı anda basın ve makineyi vücudunuzun önünde tutun. **(Şekil 10)**

Temel bir çalışma ilkesi olarak, bıçaklı budama yönüne eğimli tutun ve makineyi, 3 ila 4 saniyede bir metre budayacak bir hızda sakın ve yavaş bir şekilde hareket ettirin. **(Şekil 11 ve 12)**

İstene çit yükseklğine bir ip bağlanması ve budama işleminin bu ip referans alınarak gerçekleştirilmesi çitin üst kısmının eşit uzunlukta kesilmesine yardımcı olur.

### (Şekil 13)

Çitler düz budanırken makineye bir artık toplayıcının (aksesuar) takılması, kesilen yaprakların etrafa dağılmasını önleyebilir. **(Şekil 14)**

Çitin yan kısmının eşit uzunlukta kesilmesi için, aşağıdan yukarıya doğru çalışılması yararlı olabilir. **(Şekil 15)**

Çalı veya orman güllerini alttan yukarı doğru budayarak hoş bir görünüm elde edebilirsiniz. **(Şekil 16)**

## Atık toplayıcının (aksesuar) takılması ve sökülmesi

### DİKKAT:

- Atık toplayıcıyı takmadan veya sökmeden önce, mutlaka makinenin kapalı ve fişinin çekili olduğundan emin olun.

### NOT:

- Atık toplayıcıyı değiştirirken daima eldiven takın, böylece elleriniz ve yüzünüz bıçakla doğrudan temas etmeyecektir. Aksi takdirde yaralanmalar meydana gelebilir.
- Atık toplayıcıyı takmadan önce, bıçak kapağını çıkartıldığından emin olun.
- Atık toplayıcı, kesilen yaprakları toplar ve böylece yaprakların etrafı saçılmasını azaltır. Kanca makinenin her iki tarafına da takılabilir. **(Şekil 17)**

Atık toplayıcıyı, boşluk kısımları budama bıçakları üzerindeki somunlara karşılık gelecek şekilde kesici bıçaklara bastırın. Bu sırada atık toplayıcının budama bıçakları üzerindeki dal tutucuyla temas etmediğinden emin olun. **(Şekil 18)**

Atık toplayıcı, kancaları budama bıçağı tertibatı üzerindeki yuvalara oturacak şekilde takılmalıdır. **(Şekil 19)**

Atık toplayıcıyı çıkarmak için, her iki tarafındaki tirnağına bastırarak kancaların serbest kalmasını sağlayın.

### (Şekil 20)

## DİKKAT:

- Bıçak kapağı (standart parça) ile atık toplayıcıyı aynı anda takılamaz. Makineyi taşımadan veya depoya kaldırmadan önce, atık toplayıcıyı çıkartın ve ardından, bıçağın açıkta kalmaması için bıçak kapağını takın.

## NOT:

- Kullanmaya başlamadan önce, atık toplayıcının sağlam şekilde takıldığını kontrol edin.
- Kancaları bıçak tertibatı yuvalarına takılıken kesinlikle aşırı kuvvet kullanarak atık toplayıcıyı çıkarmaya çalışmayın. Aşırı kuvvet uygulanması, hasar verebilir.

## BAKIM

### DİKKAT:

- Makine üzerinde kontrol veya bakım işlemlerine başlamadan önce mutlaka makinenin kapalı ve fişinin çekili olduğundan emin olun.

### Makinenin temizlenmesi

Makine üzerindeki tozları kuru veya sabunlu bezle temizleyin.

### DİKKAT:

- Kesinlikle gazolin, benzin, tiner, alkol veya benzeri bir madde kullanmayın. Aksi takdirde renk bozulması, deformasyon veya çatlaklar meydana gelebilir.

### Bıçak bakımı

Bıçağı kullanmadan önce ve her saat başı makine yağı veya muadili bir yağla tamamen yağlayın. Çalışma sonunda, bıçağın her iki tarafındaki tozları bir tel fırça yardımıyla temizleyin, bıçağı bir bezle silin ve ardından makine yağı vs. veya sprey tipi yağlama yağı gibi düşük viskoziteli bir yağla iyice yağlayın.

### DİKKAT:

- Bıçakları suda yıkamayın. Aksi takdirde, makine paslanabilir veya hasar görebilir.

### Budama bıçağının sökülmesi ve takılması

#### DİKKAT:

- Budama bıçağını takmadan veya sökmeden önce, mutlaka makinenin kapalı ve fişinin çekili olduğundan emin olun.
- Atık bıçağını değiştirirken, bıçak kapağını açmadan önce mutlaka koruyucu eldiven takın, böylece ellerinizin ve yüzünüzün doğrudan bıçağa temas etmesini önlemiş olursunuz. Aksi takdirde yaralanmalar meydana gelebilir.

#### NOT:

- Dişli ve kranktaki gresi silmeyin. Aksi takdirde, makine hasar görebilir.
- Budama bıçaklarının farklı şekilde çıkartılması ve takılmasıyla ilgili bilgi için, kesici bıçak aksesuarının paketinin arkasına bakın.

### Budama bıçaklarının çıkartılması

Makineyi ters çevirin ve dört vidayı gevşetin. (Şekil 21)

#### NOT:

- Budama bıçağı hareket alanına gres uygulandığından, ellerinizin kirlenmemesine dikkat edin.

Alt kapağı çıkartın. (Şekil 22)

Dişli muhafazası kapağını çıkartın. (Şekil 23)

Krankı düz uçlu bir tornavida kullanarak şekilde gösterildiği şekilde ayarlayın. (Şekil 24)

Dişli bıçaklarını tutan iki vidayı sökün; ardından dişli bıçağı ünitesi çıkaracaktır. (Şekil 25)

#### DİKKAT:

- Dişliyi, daha önce takıldığı gibi yanlışlıkla çıkmayacak şekilde başlangıçtaki konumuna geri getirin.

#### Budama bıçaklarının takılması

Çıkartılan 4 vidayı (Alt kapağ için), 2 vidayı (Budama bıçağı için), dişli muhafazası kapağını, alt kapağı ve yeni kesici bıçakları hazırlayın.

Krank konumunu şekilde gösterildiği gibi ayarlayın. Bu sırada krank çevresine yeni budama bıçaklarıyla birlikte verilen gresten bir miktar uygulayın. (Şekil 26)

Üst bıçaktaki oval deliği alt bıçaktaki delikle aynı hizaya getirin. (Şekil 27)

Eski budama bıçaklarındaki bıçak kapağını çıkartın ve bıçakların değiştirilmesi sırasında rahat hareket etmek için yeni budama bıçaklarını takın. (Şekil 28)

Yeni budama bıçakları üzerindeki oval delikler kranka tam olarak oturacak şekilde makineye yerleştirin. Budama bıçakları üzerindeki delikleri makine üzerindeki vida delikleriyle aynı hizaya getirin ve ardından kesici bıçakları iki vidayla sabitleyin. (Şekil 29)

Düz uçlu bir tornavidayla krankın sorunsuz çalışıp çalışmadığını kontrol edin. (Şekil 30)

Dişli muhafazasını ve alt kapağı makineye takın. Vidayı sağlam şekilde sıkın.

Bıçak kapağını çıkartın ve ardından doğru hareket ettiğinden emin olmak için makineyi çalıştırın.

#### NOT:

- Budama bıçakları doğru şekilde çalışmıyorsa, bıçaklar ile krank birbirine tam olarak oturmamış olabilir. Bu durumda işlemleri baştan tekrarlayın.

### Saklama

Bıçak kapağının altındaki askı deliği makinenin duvardaki bir çiviye veya vidaya asılması için uygundur. (Şekil 31) Bıçakların açıkta kalmaması için budama bıçaklarının kapağını kapatın. Makineyi çocukların ulaşmayacağı bir yere dikkatlice kaldırın.

Makineyi suya veya yağmura maruz kalmayacağı bir yerde saklayın.

Ürünün EMNİYETLİ ve GÜVENİLİR durumda tutulması için tüm onarımlar, karbon fırça kontrolü, parça değiştirme, bakım veya ayarlamalar mutlaka Makita yedek parçaları kullanılarak, Makita yetkili servisleri veya fabrika servis merkezleri tarafından yapılmalıdır.

## OPSİYONEL AKSESUARLAR

### ⚠ DİKKAT:

- Bu kullanım kılavuzunda tanıtılan Makita marka makineyle aşağıdaki aksesuarların ve parçaların kullanılması önerilir. Bunların dışında başka aksesuarların veya parçaların kullanılması yaralanmalara yol açabilir. Aksesuarlar ve parçalar doğru şekilde ve öngörüldükleri işlevler için kullanılmalıdır.

Aksesuarlara ilişkin daha ayrıntılı bilgi almak için size en yakın yetkili Makita servisine başvurabilirsiniz.

- Bıçak kapağı
- Kelepçe
- Budama bıçağı tertibatı
- Kemer askı kancası
- Kol askı kancası

2000/14/EC sayılı Direktif tarafından istenen uygunluk değerlendirme prosedürü, Ek V'e uygundur.  
Ölçülen Ses Gücü Düzeyi: 98 dB (A)  
Garanti Edilen Ses Gücü Düzeyi: 100 dB (A)

**NOT:**

- Listedeki bazı parçalar makineyle birlikte standart aksesuar olarak verilebilir. Ürünle verilen aksesuarlar ülkeden ülkeye farklılıklar gösterebilir.

30. 1. 2009



Tomoyasu Kato  
Müdür

Makita Corporation  
3-11-8, Sumiyoshi-cho,  
Anjo, Aichi, 446-8502, JAPAN

**Gürültü**

ENG905-1

EN60745 uyarınca belirlenen tipik A ağırlıklı gürültü seviyesi:

Ses basıncı seviyesi ( $L_{pA}$ ): 89,9 dB (A)

Ses gücü seviyesi ( $L_{WA}$ ): 97,9 dB (A)

Belirsizlik (K): 1,5 dB (A)

**Koruyucu kulaklık takın.**

**Titreşim**

ENG900-1

EN60745'e göre belirlenen toplam titreşim değeri (üç eksenli vektörel toplam):

Çalışma modu: çit budama

Titreşim emisyonu ( $a_h$ ): 6,7 m/s<sup>2</sup>

Belirsizlik (K): 1,5 m/s<sup>2</sup>

ENG901-1

- Belirtilen titreşim emisyonu değeri, standart test yöntemine göre ölçülmüştür ve makinenin diğer makinelerle karşılaştırılması için kullanılabilir.
- Belirtilen titreşim emisyonu değeri ayrıca maruziyetin ön değerlendirilmesinde de kullanılabilir.

**⚠ UYARI:**

- Elektrikli aletin gerçek kullanımı sırasında ortaya çıkacak titreşim emisyonu, aletin kullanılma şekline bağlı olarak belirtilen emisyon değerinden farklı olabilir.
- Gerçek kullanım koşullarındaki maruziyeti tahmin ederek (örneğin, aletin açılma süresine ek olarak kapalı konuma getirildiği ve rölantide çalıştığı süreler gibi çalışma döngüsünün tüm bileşenlerini dikkate alın), kullanıcıyı korumak için gerekli güvenlik önlemlerinin alındığından emin olun.

**Yalnızca Avrupa ülkeleri için**

ENH021-7

**AT Uygunluk Beyanı**

**Makita Corporation, sorumlu üretici firma olarak, Makita marka makine/makineler ile ilgili şu hususları beyan eder:**

Makinenin Adı:

Çit Budama

Model Numarası / Tipi: UH4570, UH5570, UH6570

Teknik Özellikler: bkz. "TEKNİK ÖZELLİKLER" tablosu.

seri üretimdir ve

**Şu Avrupa Yönergelerine uygundur:**

2000/14/EC ve 2006/42/EC

Ve şu standartlara veya standartlaştırılmış belgelere uygun olarak üretilmiştir:

EN60745

Teknik dokümanlar şu firma tarafından saklanmaktadır:

Makita International Europe Ltd.

Technical Department,

Michigan Drive, Tongwell,

Milton Keynes, Bucks MK15 8JD, İngiltere





**Makita Corporation**  
Anjo, Aichi, Japan

[www.makita.com](http://www.makita.com)

884840H999

ALA