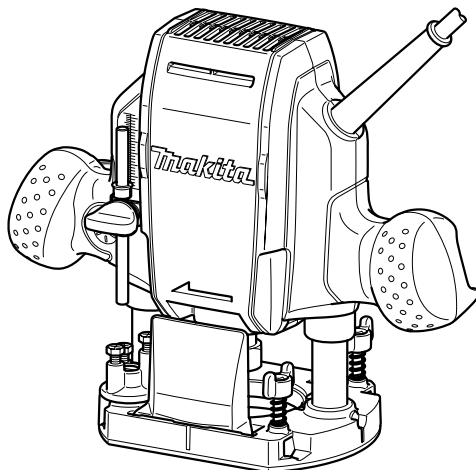
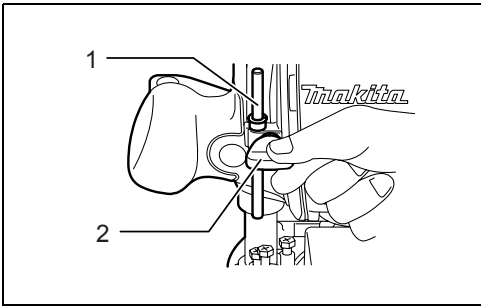




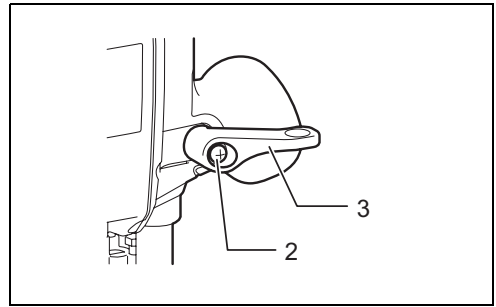
GB Router	Instruction manual
F Défonceuse	Manuel d'instructions
D Oberfräse	Betriebsanleitung
I Fresatrice verticale	Istruzioni per l'uso
NL Bovenrees	Gebruiksaanwijzing
E Fresadora	Manual de instrucciones
P Fresadora	Manual de instruções
DK Overfræser	Brugsanvisning
GR Ρούτερ	Οδηγίες χρήσης

RP0900

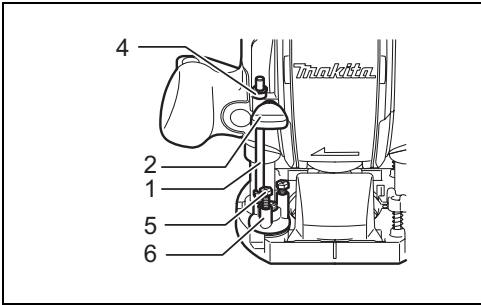




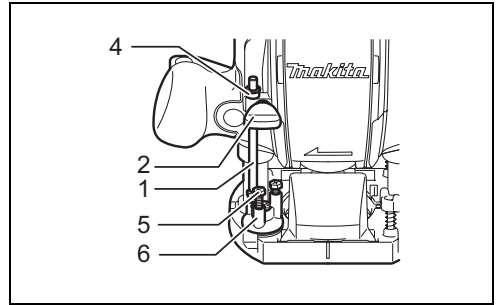
1



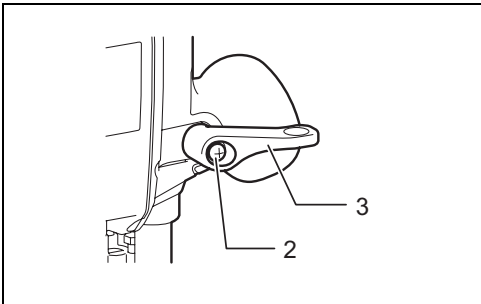
2



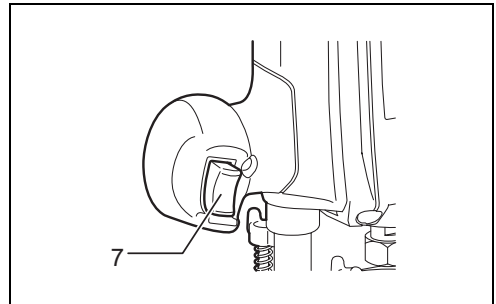
3



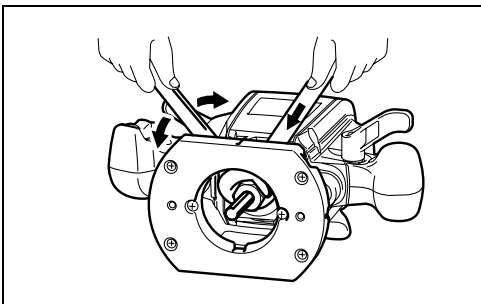
4



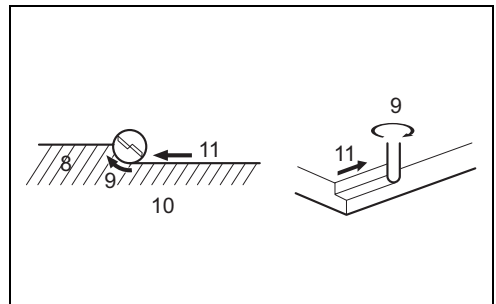
5



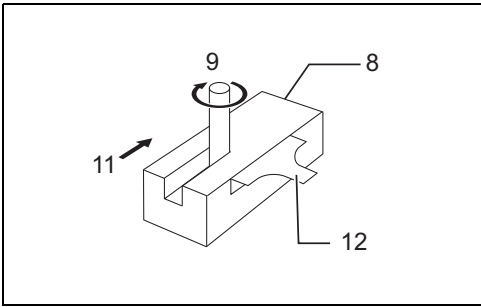
6



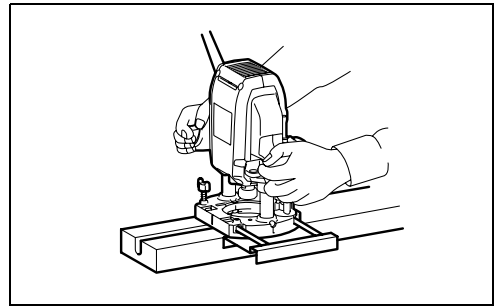
7



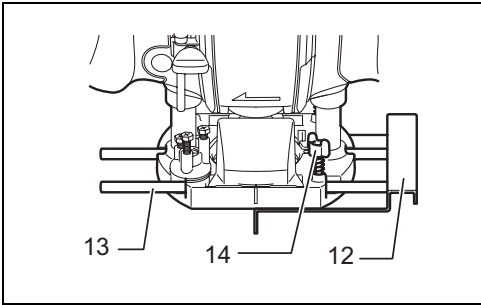
8



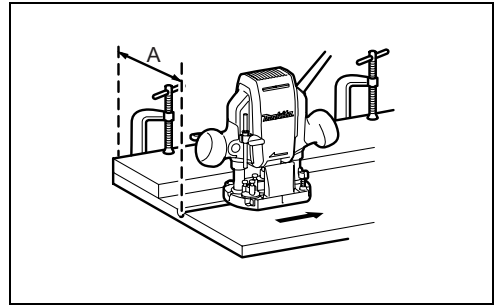
9



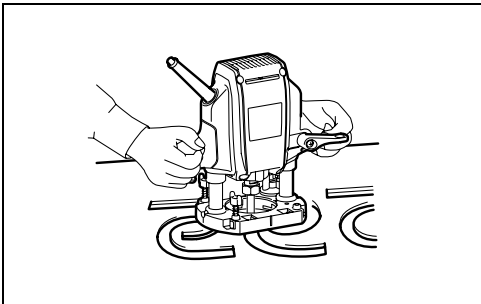
10



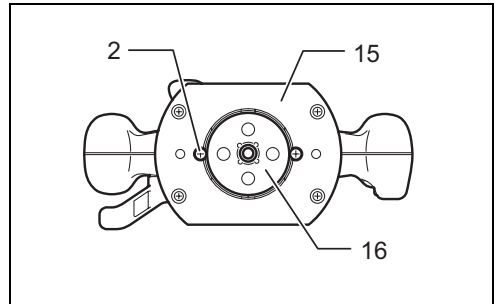
11



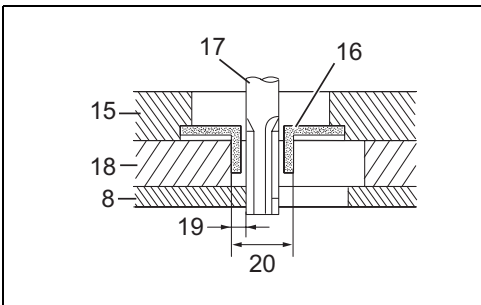
12



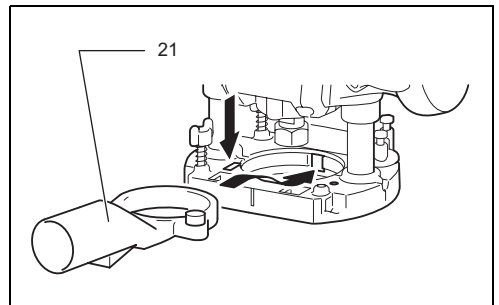
13



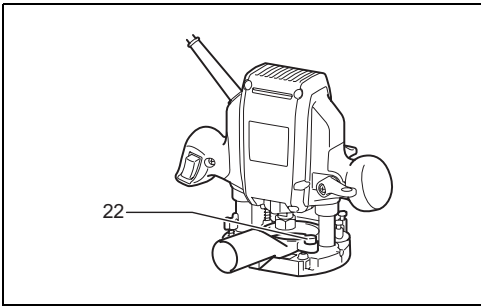
14



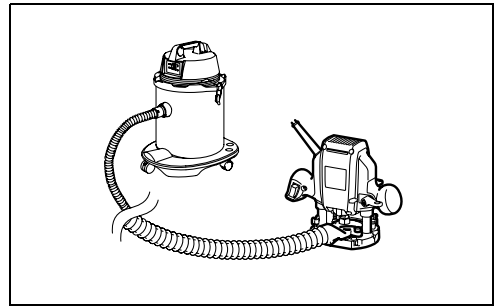
15



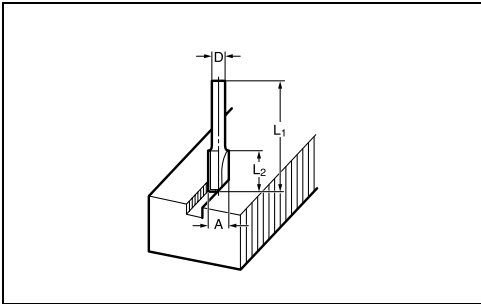
16



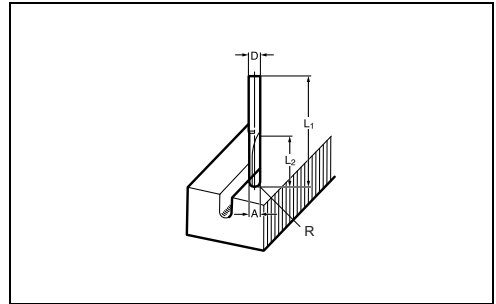
17



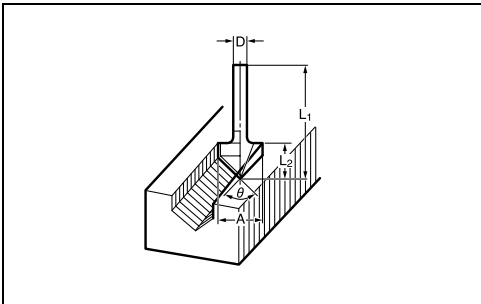
18



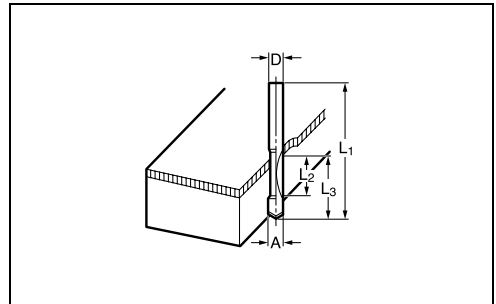
19



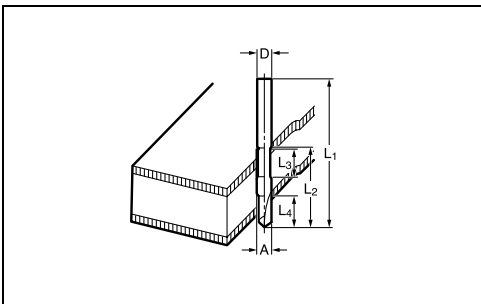
20



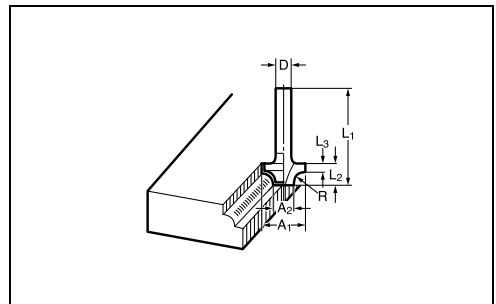
21



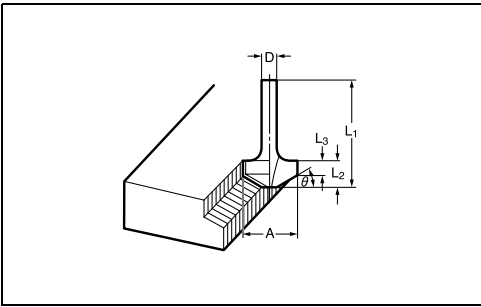
22



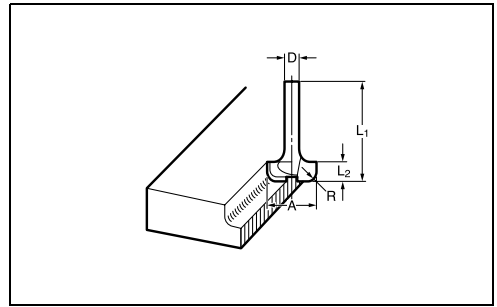
23



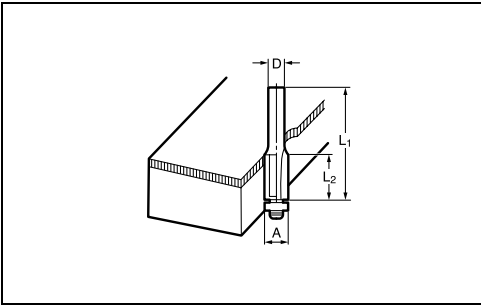
24



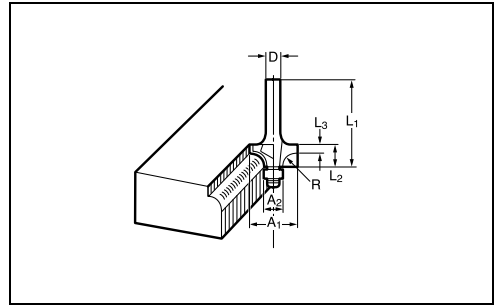
25



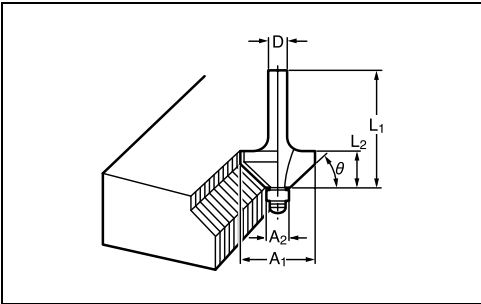
26



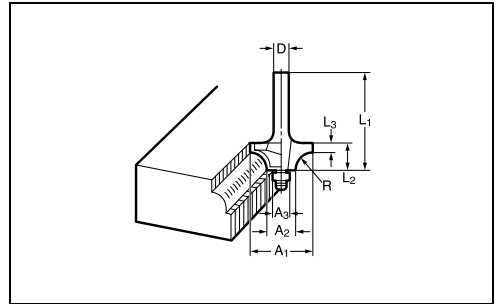
27



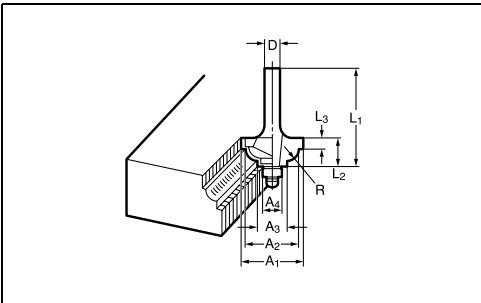
28



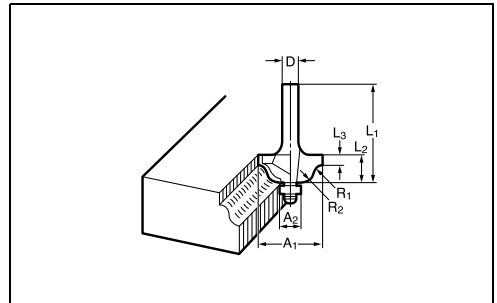
29



30



31



32

ENGLISH (Original instructions)

Explanation of general view

- | | | |
|-----------------------|-----------------------------------|---|
| 1. Stopper pole | 9. Bit revolving direction | 17. Bit |
| 2. Screw | 10. View from the top of the tool | 18. Templet |
| 3. Lock lever | 11. Feed direction | 19. Distance (X) |
| 4. Depth pointer | 12. Straight guide | 20. Outside diameter of the templet guide |
| 5. Adjusting hex bolt | 13. Guide bar | 21. Dust nozzle |
| 6. Stopper block | 14. Clamp screw | 22. Thumb screw |
| 7. Switch trigger | 15. Base | |
| 8. Workpiece | 16. Templet guide | |

SPECIFICATIONS

Model	RP0900
Collet chuck capacity	6mm, 1/4", 8 mm and/or 3/8"
Plunge capacity	0 - 35 mm
No load speed (min ⁻¹)	27,000
Overall height	217 mm
Net weight	2.7 kg
Safety class	□/II

- Due to our continuing programme of research and development, the specifications herein are subject to change without notice.
- Specifications may differ from country to country.
- Weight according to EPTA-Procedure 01/2003

Intended use

ENE010-1

The tool is intended for flush trimming and profiling of wood, plastic and similar materials.


Power supply

ENF002-1

The tool should be connected only to a power supply of the same voltage as indicated on the nameplate, and can only be operated on single-phase AC supply. They are double-insulated in accordance with European Standard and can, therefore, also be used from sockets without earth wire.

General Power Tool Safety Warnings

GEA010-1

 **WARNING** Read all safety warnings and all instructions. Failure to follow the warnings and instructions may result in electric shock, fire and/or serious injury.

Save all warnings and instructions for future reference.

ROUTER SAFETY WARNINGS

GEB018-2

1. **Hold power tools by insulated gripping surfaces when performing an operation where the cutting tool may contact hidden wiring or its own cord.** Contact with a "live" wire will make exposed metal parts of the tool "live" and shock the operator.
2. **Use clamps or another practical way to secure and support the workpiece to a stable platform.** Holding the work by hand or against your body leaves it unstable and may lead to loss of control.
3. **Wear hearing protection during extended period of operation.**
4. **Handle the bits very carefully.**
5. **Check the bit carefully for cracks or damage before operation. Replace cracked or damaged bit immediately.**
6. **Avoid cutting nails. Inspect for and remove all nails from the workpiece before operation.**
7. **Hold the tool firmly with both hands.**
8. **Keep hands away from rotating parts.**
9. **Make sure the bit is not contacting the workpiece before the switch is turned on.**
10. **Before using the tool on an actual workpiece, let it run for a while. Watch for vibration or wobbling that could indicate improperly installed bit.**
11. **Be careful of the bit rotating direction and the feed direction.**
12. **Do not leave the tool running. Operate the tool only when hand-held.**
13. **Always switch off and wait for the bit to come to a complete stop before removing the tool from workpiece.**
14. **Do not touch the bit immediately after operation; it may be extremely hot and could burn your skin.**
15. **Do not smear the tool base carelessly with thinner, gasoline, oil or the like. They may cause cracks in the tool base.**
16. **Draw attention to the need to use cutters of the correct shank diameter and which are suitable for the speed of the tool.**
17. **Some material contains chemicals which may be toxic. Take caution to prevent dust inhalation and skin contact. Follow material supplier safety data.**
18. **Always use the correct dust mask/respirator for the material and application you are working with.**

SAVE THESE INSTRUCTIONS.

WARNING:

DO NOT let comfort or familiarity with product (gained from repeated use) replace strict adherence to safety rules for the subject product. MISUSE or failure to follow the safety rules stated in this instruction manual may cause serious personal injury.

FUNCTIONAL DESCRIPTION

CAUTION:

- Always be sure that the tool is switched off and unplugged before adjusting or checking function on the tool.

Adjusting the depth of cut (Fig. 1)

Place the tool on a flat surface. Loosen the screw securing the stopper pole.

Loosen the lock lever and lower the tool body until the bit just touches the flat surface. Tighten the lock lever to lock the tool body. (Fig. 2)

Next, lower the stopper pole until it makes contact with the adjusting hex bolt. Align the depth pointer with the "0" graduation.

Raise the stopper pole until the desired depth of cut is obtained. The depth of cut is indicated on the scale (1 mm per graduation) by the depth pointer. Then tighten the screw to secure the stopper pole.

Now, your predetermined depth of cut can be obtained by loosening the lock lever and then lowering the tool body until the stopper pole makes contact with the adjusting hex bolt. (Fig. 3)

CAUTION:

- Since excessive cutting may cause overload of the motor or difficulty in controlling the tool, the depth of cut should not be more than 15 mm at a pass when cutting grooves with an 8 mm diameter bit.
- When cutting grooves with a 20 mm diameter bit, the depth of cut should not be more than 5 mm at a pass. When you wish to cut grooves more than 15 mm deep with an 8 mm diameter bit or more than 5 mm deep with a 20 mm diameter bit, make several passes with progressively deeper bit settings.

Stopper block (Fig. 4)

The stopper block has three adjusting hex bolts which raise or lower 0.8 mm per turn. You can easily obtain three different depths of cut using these adjusting hex bolts without readjusting the stopper pole.

Adjust the lowest hex bolt to obtain the deepest depth of cut, following the method of "Adjusting depth of cut".

Adjust the two remaining hex bolts to obtain shallower depths of cut. The differences in height of these hex bolts are equal to the differences in depths of cut.

To adjust the hex bolts, turn the hex bolts. The stopper block is also convenient for making three passes with progressively deeper bit settings when cutting deep grooves.

CAUTION:

When using a bit having total length of 60 mm or more, or edge length of 35 mm or more, the depth of cut cannot be adjusted as previously mentioned. To adjust, proceed as follows:

Loosen the lock lever and carefully adjust bit protrusion below the tool base to the desired depth of cut by moving the tool body up or down. Then retighten the lock lever to lock the tool body at that depth of cut. Keep the tool body locked at this position during use. Since the bit always protrudes from the tool base, be careful when handling the tool.

Adjusting the lock lever (Fig. 5)

The locked position of the lock lever is adjustable. To adjust it, remove the screw securing the lock lever. The lock lever will come off. Set the lock lever at the desired angle. After adjustment, tighten the lock lever clockwise.

Switch action (Fig. 6)

CAUTION:

- Before plugging in the tool, always check to see that the switch trigger actuates properly and returns to the "OFF" position when released.

To start the tool, simply pull the switch trigger. Release the switch trigger to stop.

ASSEMBLY

CAUTION:

- Always be sure that the tool is switched off and unplugged before carrying out any work on the tool.

Installing or removing the bit (Fig. 7)

CAUTION:

- Install the bit securely. Always use only the wrenches provided with the tool. A loose or overtightened bit can be dangerous.
- Do not tighten the collet nut without inserting a bit. It can lead to breakage of the collet cone.

Insert the bit all the way into the collet cone and tighten the collet nut securely with the two wrenches.

A 6 mm or 1/4" collet cone is also provided as standard equipment besides the 8 mm or 3/8" collet cone that is factory installed on the tool. Use the correct size collet cone for the bit which you intend to use.

To remove the bit, follow the installation procedure in reverse.

OPERATION

Set the tool base on the workpiece to be cut without the bit making any contact. Then turn the tool on and wait until the bit attains full speed. Lower the tool body and move the tool forward over the workpiece surface, keeping the tool base flush and advancing smoothly until the cutting is complete.

When doing edge cutting, the workpiece surface should be on the left side of the bit in the feed direction. (Fig. 8)

NOTE:

- Moving the tool forward too fast may cause a poor quality of cut, or damage to the bit or motor. Moving the tool forward too slowly may burn and mar the cut. The proper feed rate will depend on the bit size, the kind of workpiece and depth of cut. Before beginning the cut on the actual workpiece, it is advisable to make a sample cut on a piece of scrap

lumber. This will show exactly how the cut will look as well as enable you to check dimensions.

- When using the straight guide, be sure to install it on the right side in the feed direction. This will help to keep it flush with the side of the workpiece. (Fig. 9)

Straight guide (Fig. 10)

The straight guide is effectively used for straight cuts when chamfering or grooving.

To install the straight guide, insert the guide bars into the holes in the tool base. Adjust the distance between the bit and the straight guide. At the desired distance, tighten the wing bolts to secure the straight guide in place. (Fig. 11) When cutting, move the tool with the straight guide flush with the side of the workpiece.

If the distance (A) between the side of the workpiece and the cutting position is too wide for the straight guide, or if the side of the workpiece is not straight, the straight guide cannot be used. In this case, firmly clamp a straight board to the workpiece and use it as a guide against the router base. Feed the tool in the direction of the arrow. (Fig. 12)

Templet guide (Accessory) (Fig. 13)

The templet guide provides a sleeve through which the bit passes, allowing use of the tool with templet patterns.

To install the templet guide, loosen the screws on the tool base, insert the templet guide and then tighten the screws. (Fig. 14)

Secure the templet to the workpiece. Place the tool on the templet and move the tool with the templet guide sliding along the side of the templet. (Fig. 15)

NOTE:

- The workpiece will be cut a slightly different size from the templet. Allow for the distance (X) between the bit and the outside of the templet guide. The distance (X) can be calculated by using the following equation:
Distance (X) = (outside diameter of the templet guide - bit diameter) / 2

Dust nozzle set (Accessory) (Fig. 16 & 17)

Use the dust nozzle for dust extraction. Install the dust nozzle on the tool base using the thumb screw so that protrusion on the dust nozzle fit to the notch in the tool base.

Then connect a vacuum cleaner to the dust nozzle. (Fig. 18)

MAINTENANCE

CAUTION:

- Always be sure that the tool is switched off and unplugged before attempting to perform inspection or maintenance.
- Never use gasoline, benzine, thinner, alcohol or the like. Discoloration, deformation or cracks may result. To maintain product SAFETY and RELIABILITY, repairs, any other maintenance or adjustment should be performed by Makita Authorized Service Centers, always using Makita replacement parts.

ACCESSORIES

CAUTION:

- These accessories or attachments are recommended for use with your Makita tool specified in this manual. The use of any other accessories or attachments might present a risk of injury to persons. Only use accessory or attachment for its stated purpose.

If you need any assistance for more details regarding these accessories, ask your local Makita Service Center.

- Straight & groove forming bits
- Edge forming bits
- Laminate trimming bits
- Straight guide
- Templet guide 25
- Templet guides
- Templet guide adapter
- Lock nut
- Collet cone 3/8", 1/4"
- Collet cone 6 mm, 8 mm
- Wrench 13
- Wrench 22
- Dust nozzle set

Router bits

Straight bit (Fig. 19)

D	A	L 1	L 2	mm
6	20	50	15	
1/4"				
8	8	60	25	
6	8	50	18	
1/4"				
6	6	50	18	
1/4"				

"U" Grooving bit (Fig. 20)

D	A	L 1	L 2	R	mm
6	6	50	18	3	

"V" Grooving bit (Fig. 21)

D	A	L 1	L 2	θ	mm
1/4"	20	50	15	90°	

Drill point flush trimming bit (Fig. 22)

D	A	L 1	L 2	L 3	mm
8	8	60	20	35	
6	6	60	18	28	

Drill point double flush trimming bit (Fig. 23)

mm

D	A	L 1	L 2	L 3	L 4
8	8	80	55	20	25
6	6	70	40	12	14

Corner rounding bit (Fig. 24)

mm

D	A 1	A 2	L 1	L 2	L 3	R
6	25	9	48	13	5	8
6	20	8	45	10	4	4

Chamfering bit (Fig. 25)

mm

D	A	L 1	L 2	L 3	θ
6	23	46	11	6	30°
6	20	50	13	5	45°
6	20	49	14	2	60°

Cove beading bit (Fig. 26)

mm

D	A	L 1	L 2	R
6	20	43	8	4
6	25	48	13	8

Ball bearing flush trimming bit (Fig. 27)

mm

D	A	L 1	L 2
6	10	50	20
1/4"			

Ball bearing corner rounding bit (Fig. 28)

mm

D	A 1	A 2	L 1	L 2	L 3	R
6	15	8	37	7	3.5	3
6	21	8	40	10	3.5	6
1/4"						

Ball bearing chamfering bit (Fig. 29)

mm

D	A 1	A 2	L 1	L 2	θ
6	26	8	42	12	45°
1/4"					
6	20	8	41	11	60°

Ball bearing beading bit (Fig. 30)

mm

D	A 1	A 2	A 3	L 1	L 2	L 3	R
6	20	12	8	40	10	5.5	4
6	26	12	8	42	12	4.5	7

Ball bearing cove beading bit (Fig. 31)

mm

D	A 1	A 2	A 3	A 4	L 1	L 2	L 3	R
6	20	18	12	8	40	10	5.5	3
6	26	22	12	8	42	12	5	5

Ball bearing roman ogee bit (Fig. 32)

mm

D	A 1	A 2	L 1	L 2	L 3	R1	R2
6	20	8	40	10	4.5	2.5	4.5
6	26	8	42	12	4.5	3	6

Noise

ENG102-3

The typical A-weighted noise level determined according to EN60745:

Sound pressure level (L_{pA}): 89 dB (A)

Sound power level (L_{WA}): 100 dB (A)

Uncertainty (K): 3 dB (A)

Wear ear protection.

Vibration

ENG223-2

The vibration total value (tri-axial vector sum) determined according to EN60745:

Work mode: cutting grooves in MDF

Vibration emission (a_n): 4.0 m/s²

Uncertainty (K): 1.5 m/s²

ENG901-1

- The declared vibration emission value has been measured in accordance with the standard test method and may be used for comparing one tool with another.
- The declared vibration emission value may also be used in a preliminary assessment of exposure.

⚠ WARNING:

- The vibration emission during actual use of the power tool can differ from the declared emission value depending on the ways in which the tool is used.
- Be sure to identify safety measures to protect the operator that are based on an estimation of exposure in the actual conditions of use (taking account of all parts of the operating cycle such as the times when the tool is switched off and when it is running idle in addition to the trigger time).

**For European countries only
EC Declaration of Conformity**

ENH101-13

We Makita Corporation as the responsible manufacturer declare that the following Makita machine(s):

Designation of Machine:

Router

Model No./ Type: RP0900

are of series production and

Conforms to the following European Directives:

98/37/EC until 28th December 2009 and then with

2006/42/EC from 29th December 2009

And are manufactured in accordance with the following standards or standardised documents:

EN60745

The technical documentation is kept by our authorised representative in Europe who is:

Makita International Europe Ltd.,
Michigan, Drive, Tongwell,
Milton Keynes, MK15 8JD, England

30th January 2009



Tomoyasu Kato
Director
Makita Corporation
3-11-8, Sumiyoshi-cho
Anjo, Aichi, JAPAN

FRANÇAIS (Instructions d'origine)

Descriptif

- | | | |
|--------------------------------|----------------------------------|--|
| 1. Tige du butoir | 9. Sens de rotation de la fraise | 17. Fraise |
| 2. Vis | 10. Outil vu d'en haut | 18. Modèle |
| 3. Bouton de sécurité | 11. Sens de déplacement | 19. Distance (X) |
| 4. Aiguille de profondeur | 12. Guide droit | 20. Diamètre extérieur du guide modèle |
| 5. Boulon hexagonal de réglage | 13. Guide-chaîne | 21. Raccord à poussières |
| 6. Bloc butoir | 14. Vis de serrage | 22. Vis à oreilles |
| 7. Gâchette | 15. Socle | |
| 8. Pièce à travailler | 16. Guide modèle | |

SPÉCIFICATIONS

Modèle	RP0900
Capacité du mandrin à bague	6 mm, 1/4", 8 mm et/ou 3/8"
2Capacité de plongée	0 à 35 mm
Vitesse à vide (min ⁻¹)	27 000
Hauteur globale	217 mm
Poids net	2,7 kg
Niveau de sécurité	II/II

- Étant donné l'évolution constante de notre programme de recherche et de développement, les spécifications contenues dans ce manuel sont sujettes à des modifications sans préavis.
- Les spécifications peuvent varier suivant les pays.
- Poids selon la procédure EPTA 01/2003

Utilisations

ENE010-1

Cet outil est conçu pour le rognage à vif et le profilage du bois, du plastique et de matériaux similaires.

Alimentation

ENF002-1

L'outil ne doit être raccordé qu'à une alimentation de la même tension que celle qui figure sur la plaque signalétique, et il ne peut fonctionner que sur un courant secteur monophasé. Réalisé avec une double isolation, il est conforme à la réglementation européenne et peut de ce fait être alimenté sans mise à la terre.

Consignes de sécurité générales des outils électriques

GEA010-1

⚠ AVERTISSEMENT Veuillez lire toutes les consignes de sécurité et les instructions. Il y a un risque de choc électrique, d'incendie et/ou de blessure grave si les consignes et les instructions ne sont pas toutes respectées.

Conservez toutes les consignes et instructions pour référence ultérieure.

AVERTISSEMENTS DE SÉCURITÉ RELATIFS À LA DÉFONCEUSE

GEB018-2

1. Saisissez les outils électriques par leurs surfaces de poigne isolées lorsque vous effectuez une opération au cours de laquelle l'outil tranchant peut entrer en contact avec des fils cachés ou avec son propre cordon d'alimentation. Le contact avec un fil sous tension mettra les parties métalliques exposées de l'outil sous tension, causant ainsi un choc électrique à l'utilisateur.
2. **Utilisez des dispositifs de serrage ou un autre moyen pratique pour immobiliser et soutenir la pièce sur une surface stable.** La pièce sera instable et vous risquerez d'en perdre la maîtrise si vous la tenez avec une main ou l'appuyez simplement contre une partie du corps.
3. **Portez une protection d'oreilles lorsque vous utilisez l'outil sur une période prolongée.**
4. **Manipulez les fraises avec une grande prudence.**
5. **Avant de commencer votre travail, vérifiez soigneusement l'absence de fissures ou dommages sur la fraise. Remplacez immédiatement toute fraise fissurée ou endommagée.**
6. **Prenez garde aux clous pendant la coupe. Avant de travailler votre pièce, inspectez-la et retirez-en tous les clous.**
7. **Tenez l'outil fermement à deux mains.**
8. **Gardez les mains éloignées des pièces en rotation.**
9. **Assurez-vous que la fraise n'entre pas en contact avec la pièce avant de mettre l'outil en marche.**
10. **Avant d'utiliser l'outil sur la pièce elle-même, laissez-le tourner un instant. Vérifiez l'absence de toute vibration ou vacillement, ceci pouvant indiquer que la fraise est mal posée.**
11. **Tenez compte du sens de rotation de la fraise et du sens de déplacement de l'outil.**
12. **N'abandonnez pas l'outil alors qu'il tourne. Ne faites fonctionner l'outil qu'une fois que vous l'avez bien en main.**
13. **Avant de retirer l'outil de la pièce, coupez toujours le contact et attendez l'arrêt complet de la fraise.**

14. **Ne touchez pas la fraise immédiatement après l'opération ; elle risque d'être extrêmement chaude et de vous brûler la peau.**
15. **Prenez garde de ne pas tacher le socle de l'outil avec du diluant, de l'essence, de l'huile ou toute substance similaire. Elles peuvent causer des fissures sur le socle de l'outil.**
16. **Demeurez conscient de la nécessité d'utiliser des outils tranchants dont la queue a le diamètre approprié et qui sont conçus pour la vitesse de l'outil.**
17. **Certains matériaux contiennent des produits chimiques qui peuvent être toxiques. Prenez les précautions nécessaires pour ne pas inhaler les poussières qu'ils dégagent et pour éviter tout contact avec la peau. Conformez-vous aux consignes de sécurité du fabricant du matériau.**
18. **Utilisez toujours un masque anti-poussière ou un masque filtrant approprié au matériau à travailler et à l'outil utilisé.**

CONSERVEZ CES INSTRUCTIONS.

AVERTISSEMENT :

NE vous laissez PAS tromper (au fil d'une utilisation répétée) par un sentiment d'aisance et de familiarité avec le produit, en négligeant le respect rigoureux des consignes de sécurité qui accompagnent l'outil. Une UTILISATION INCORRECTE de l'outil ou un non-respect des consignes de sécurité indiquées dans ce manuel d'instructions peuvent causer des blessures graves.

DESCRIPTION DU FONCTIONNEMENT

ATTENTION :

- Assurez-vous toujours que l'outil est éteint et débranché avant de le régler ou de vérifier son fonctionnement.

Réglage de la profondeur de coupe (Fig. 1)

Placez l'outil sur une surface plane. Desserrez la vis de fixation de la tige du butoir.

Desserrez le bouton de sécurité et abaissez la monture d'outil jusqu'à ce que la fraise entre en contact avec la surface plane. Serrez le bouton de sécurité pour verrouiller la monture d'outil. (Fig. 2)

Ensuite, abaissez la tige du butoir jusqu'à ce qu'elle entre en contact avec le boulon hexagonal de réglage. Alignez l'aiguille de profondeur à la graduation « 0 ».

Levez la tige du butoir jusqu'à obtention de la profondeur de coupe souhaitée. La profondeur de coupe est indiquée sur l'échelle (1 mm par graduation) par l'aiguille de profondeur. Serrez ensuite la vis pour sécuriser la tige du butoir.

La profondeur de coupe que vous avez déterminée peut désormais être obtenue en desserrant le bouton de sécurité et en abaissant la monture d'outil jusqu'à ce que la tige du butoir entre en contact avec le boulon hexagonal de réglage. (Fig. 3)

ATTENTION :

- Comme une coupe excessive peut provoquer une surcharge du moteur ou une difficulté à contrôler l'outil, la profondeur de coupe ne doit pas être supérieure à 15 mm en un seul passage lors de la coupe de rainures avec une fraise de 8 mm de diamètre.
- Lors de la coupe de rainures avec une fraise de 20 mm de diamètre, la profondeur de la coupe ne doit pas dépasser 5 mm en un seul passage. Quand vous souhaitez couper des rainures de plus de 15 mm de profondeur avec une fraise de 8 mm de diamètre ou de plus de 5 mm de profondeur avec une fraise de 20 mm de diamètre, effectuez plusieurs passages avec des réglages de fraise de plus en plus profonds.

Bloc butoir (Fig. 4)

Le bloc butoir est équipé de trois boulons hexagonaux de réglage qui peuvent être montés ou descendus de 0,8 mm par tour. Vous pouvez facilement obtenir trois profondeurs de coupe différentes à l'aide de ces boulons hexagonaux de réglage, sans devoir réajuster la tige du butoir.

Réglez le boulon hexagonal inférieur de façon à obtenir la profondeur de coupe la plus profonde possible, en suivant la méthode « Réglage de la profondeur de coupe ».

Réglez les deux boulons hexagonaux restants afin d'obtenir des profondeurs de coupe superficielles. Les différences de hauteur de ces boulons hexagonaux sont égales aux différences de profondeurs de coupe. Pour régler les boulons hexagonaux, tournez-les. Le bloc butoir est aussi pratique pour faire trois passages avec des réglages de fraise de plus en plus profonds lors de la coupe de rainures profondes.

ATTENTION :

Lorsque vous utilisez une fraise d'une longueur totale de 60 mm ou plus, ou avec une arête de 35 mm ou plus, la profondeur de coupe ne peut pas être réglée comme mentionné ci-dessus. Pour effectuer les réglages, procédez comme suit :

Desserrez le bouton de sécurité et réglez soigneusement la protubérance de la fraise, située en dessous du socle de l'outil, à la profondeur de coupe souhaitée en déplaçant la monture d'outil vers le haut ou vers le bas. Ensuite, resserrez le bouton de sécurité pour verrouiller la monture d'outil à la profondeur de coupe. Gardez la monture d'outil verrouillée dans cette position lors de l'utilisation. Comme la fraise dépasse toujours de la monture d'outil, faites attention lorsque vous manipulez l'outil.

Réglage du bouton de sécurité (Fig. 5)

La position de verrouillage du bouton de sécurité est réglable. Pour la régler, retirez la vis de fixation du bouton de sécurité. Le bouton de sécurité se détachera. Réglez-le à l'angle souhaité. Après le réglage, serrez-le dans le sens des aiguilles d'une montre.

Interrupteur (Fig. 6)

ATTENTION :

- Avant de brancher l'outil, vérifiez toujours que la gâchette fonctionne correctement et revient en position d'arrêt (« OFF ») lorsqu'elle est relâchée.

Pour mettre l'outil en marche, appuyez simplement sur la gâchette. Pour l'arrêter, relâchez la gâchette.

ASSEMBLAGE

ATTENTION :

- Avant d'effectuer toute intervention sur l'outil, assurez-vous toujours qu'il est éteint et débranché.

Installation ou retrait de la fraise (Fig. 7)

ATTENTION :

- Installez la fraise fermement. Utilisez exclusivement les clés fournies avec l'outil. Une fraise lâche ou trop serrée peut être dangereuse.

- Ne serrez pas l'écrou du mandrin sans avoir d'abord inséré une fraise.

Cela peut provoquer une rupture du cône de mandrin. Insérez la fraise à fond dans le cône de mandrin et serrez l'écrou du mandrin fermement à l'aide des deux clés.

Un cône de mandrin de 6 mm ou 1/4 po est aussi fourni avec l'équipement standard en plus du cône de mandrin de 8 mm ou 3/8 po installé sur l'outil en usine. Utilisez un cône de mandrin dont la taille correspond à la fraise que vous utiliserez.

Pour retirer la fraise, suivez la procédure d'installation en sens inverse.

UTILISATION

Placez le socle de l'outil sur la pièce de sorte que la fraise n'entre pas en contact avec quoi que ce soit. Mettez ensuite l'outil sous tension et attendez que la fraise ait atteint sa pleine vitesse. Abaissez la monture d'outil et avancez l'outil vers la surface de la pièce, en gardant le socle de l'outil parfaitement appuyé et en avançant régulièrement jusqu'à ce que la coupe soit finie. Lorsque vous coupez les arêtes, la surface de la pièce doit se trouver à gauche de la fraise dans le sens de déplacement de la fraise. (Fig. 8)

REMARQUE :

- si vous avancez l'outil trop vite, la qualité de la coupe peut en pâtir, ou la fraise ou le moteur peuvent être endommagés.

Si vous avancez l'outil trop lentement, la coupe peut brûler ou porter des marques. La bonne vitesse d'avance dépendra de la taille de la fraise, du type de pièce et de la profondeur de coupe.

Avant de commencer à couper la pièce, il est conseillé d'effectuer un essai sur un petit morceau de bois. Cela vous permettra de voir exactement à quoi ressemblera la coupe, ainsi que de vérifier les dimensions.

- Lorsque vous utilisez le guide droit, assurez-vous de l'installer à droite du sens de déplacement. Cela vous aidera à le garder parfaitement appuyé au côté de la pièce. (Fig. 9)

Guide droit (Fig.10)

Le guide droit est très efficace lorsqu'il est utilisé pour les coupes droites lors du chanfreinage ou du rainurage.

Pour installer le guide droit, insérez les guides-chaînes dans les trous du socle de l'outil. Réglez la distance entre la fraise et le guide droit. Une fois la distance souhaitée atteinte, serrez les boulons à oreilles pour maintenir le guide droit en place. (Fig. 11)

Lorsque vous coupez, déplacez l'outil en gardant le guide droit parfaitement appuyé contre le côté de la pièce.

Si la distance (A) entre le côté de la pièce et la position de coupe est trop importante pour le guide droit, ou si le côté de la pièce n'est pas droit, vous ne devez pas utiliser le guide droit. Dans ce cas, serrez fermement une planche droite contre la pièce et utilisez-la en tant que guide contre la base de la défonceuse. Déplacez l'outil dans le sens de la flèche. (Fig. 12)

Guide modèle (accessoire) (Fig. 13)

Le guide modèle fournit une chemise dans laquelle passe la fraise, ce qui permet l'utilisation de l'outil avec des patrons.

Pour installer le guide modèle, desserrez les vis du socle de l'outil, insérez le guide modèle puis serrez les vis.

(Fig. 14)

Fixez le modèle à la pièce. Placez l'outil sur le modèle et déplacez l'outil avec le guide modèle en le faisant glisser le long du côté du modèle. (Fig. 15)

REMARQUE :

- La pièce sera coupée à une taille légèrement différente de celle du modèle. Laissez la distance (X) entre la fraise et l'extérieur du guide modèle. Cette distance (X) peut être calculée à l'aide de l'équation suivante :
Distance (X) = (diamètre extérieur du guide modèle - diamètre de la fraise) / 2

Ensemble du raccord à poussière (accessoire) (Fig. 16 et 17)

Utilisez le raccord à poussière pour retirer la poussière. Installez le raccord à poussière sur le socle de l'outil, à l'aide de la vis à oreille de sorte que la protubérance du raccord à poussière s'insère dans l'encoche du socle de l'outil.

Ensuite, raccordez un aspirateur au raccord à poussière. (Fig. 18)

MAINTENANCE

ATTENTION :

- Assurez-vous toujours que l'outil est éteint et débranché avant d'effectuer tout travail d'inspection ou de maintenance.
- N'utilisez jamais d'essence, de benzine, de diluant, d'alcool ou de produit similaire. Ces produits risquent de provoquer des décolorations, des déformations ou des fissures.

Pour assurer la SÉCURITÉ et la FIABILITÉ du produit, toute réparation et tout travail d'entretien ou de réglage doivent être effectués par un Centre de service après-vente agréé Makita, avec des pièces de rechange Makita.

ACCESSOIRES

ATTENTION :

- Ces accessoires ou pièces complémentaires sont recommandés pour l'utilisation avec l'outil Makita spécifié dans ce manuel. L'utilisation de tout autre accessoire ou pièce complémentaire comporte un risque de blessures. Utilisez uniquement l'accessoire ou la pièce complémentaire dans le but spécifié.

Pour obtenir plus de détails sur ces accessoires, contactez votre Centre de service après-vente Makita le plus proche.

- Fraises à rainurer et à rainurer
- Fraises à chanfreiner les bords
- Fraises à affleurer et à laminier
- Guide droit
- Guide modèle 25
- Guides modèles
- Adaptateur de guides modèles
- Contre-écrou
- Cône de mandrin 3/8 po, 1/4 po
- Cône de mandrin 6 mm, 8 mm
- Clé 13
- Clé 22
- Ensemble du raccord à poussière

Fraises de la défonceuse

Fraise à rainurer (Fig. 19)

mm

D	A	L 1	L 2
6	20	50	15
1/4"			
8	8	60	25
6	8	50	18
1/4"			
6	6	50	18
1/4"			

Fraise à rainurer en « U » (Fig. 20)

mm

D	A	L 1	L 2	R
6	6	50	18	3

Fraise à rainurer en « V » (Fig. 21)

mm

D	A	L 1	L 2	θ
1/4"	20	50	15	90°

Fraise à affleurer (Fig. 22)

mm

D	A	L 1	L 2	L 3
8	8	60	20	35
6	6	60	18	28

Fraise à affleurer combinaison double (Fig. 23)

mm

D	A	L 1	L 2	L 3	L 4
8	8	80	55	20	25
6	6	70	40	12	14

Fraise 1/4 de rond (Fig. 24)

mm

D	A 1	A 2	L 1	L 2	L 3	R
6	25	9	48	13	5	8
6	20	8	45	10	4	4

Fraise à chanfreiner (Fig. 25)

mm

D	A	L 1	L 2	L 3	θ
6	23	46	11	6	30°
6	20	50	13	5	45°
6	20	49	14	2	60°

Fraise à profiler (Fig. 26)

mm

D	A	L 1	L 2	R
6	20	43	8	4
6	25	48	13	8

Fraise à affleurer avec roulement (Fig. 27)

mm

D	A	L 1	L 2
6	10	50	20
1/4"			

Fraise à arrondir avec roulement (Fig. 28)

mm

D	A 1	A 2	L 1	L 2	L 3	R
6	15	8	37	7	3,5	3
6	21	8	40	10	3,5	6
1/4"						

Fraise à chanfreiner avec roulement (Fig. 29)

mm

D	A 1	A 2	L 1	L 2	θ
6	26	8	42	12	45°
1/4"					
6	20	8	41	11	60°

Fraise à profiler avec roulement (Fig. 30)

mm

D	A 1	A 2	A 3	L 1	L 2	L 3	R
6	20	12	8	40	10	5,5	4
6	26	12	8	42	12	4,5	7

Fraise à profiler pour cavet avec roulement (Fig. 31)

mm

D	A 1	A 2	A 3	A 4	L 1	L 2	L 3	R
6	20	18	12	8	40	10	5,5	3
6	26	22	12	8	42	12	5	5

Fraise à profiler pour doucine avec roulement
(Fig. 32)

mm

D	A 1	A 2	L 1	L 2	L 3	R1	R2
6	20	8	40	10	4,5	2,5	4,5
6	26	8	42	12	4,5	3	6

Bruit ENG102-3

Les niveaux de bruit pondéré A typiques ont été mesurés selon la norme EN60745 :

Niveau de pression sonore (L_{pA}) : 89 dB (A)

Niveau de puissance sonore (L_{WA}) : 100 dB (A)

Incertitude (K) : 3 dB (A)

Portez des protections auditives.

Vibrations ENG223-2

La valeur totale de vibration (somme du vecteur triaxial) a été déterminée selon la norme EN60745 :

Mode de fonctionnement : coupe de rainures sur un panneau de fibres à densité moyenne

Émission des vibrations (a_{ri}) : 4,0 m/s²

Incertitude (K) : 1,5 m/s²

ENG901-1

- La valeur de l'émission des vibrations déclarée a été mesurée conformément à la méthode de test standard et peut être utilisée afin de comparer des outils entre eux.
- La valeur de l'émission des vibrations déclarée peut également être utilisée lors d'une évaluation préliminaire de l'exposition.

⚠ AVERTISSEMENT :

- Selon la manière dont l'outil est utilisé, il est possible que l'émission des vibrations pendant l'utilisation réelle de l'outil électrique diffère de la valeur de l'émission déclarée.
- Veillez à identifier les mesures de sécurité destinées à protéger l'opérateur et établies en fonction de l'estimation de l'exposition dans les conditions réelles d'utilisation (en prenant en compte toutes les étapes du cycle de fonctionnement, telles que les périodes de mise hors tension de l'outil, les périodes de fonctionnement au ralenti et les périodes de mise en route).

Pour les pays d'Europe uniquement ENH101-13

Déclaration de conformité CE

Nous, Makita Corporation, en tant que fabricant responsable, déclarons que les machines Makita suivantes :

Nom de la machine :

Défonceuse

N° de modèle/Type : RP0900

sont fabriquées en série et

sont conformes aux directives européennes

suites :

98/37/CE jusqu'au 28 décembre 2009 puis, à partir

du 29 décembre 2009, à la directive 2006/42/CE

et sont produites conformément aux normes ou

documents de normalisation suivants :

EN60745

La documentation technique est disponible auprès de notre représentant en Europe qui est :

Makita International Europe Ltd.,
Michigan, Drive, Tongwell,
Milton Keynes, MK15 8JD, Angleterre

Le 30 janvier 2009



Tomoyasu Kato
Directeur

Makita Corporation
3-11-8, Sumiyoshi-cho
Anjo, Aichi, JAPAN

DEUTSCH (Originalanweisungen)

Erklärung der Gesamtdarstellung

- | | | |
|-------------------------------|--|--|
| 1. Anschlagstange | 9. Einsatz-Drehrichtung | 16. Schablonenführung |
| 2. Schraube | 10. Ansicht von oben auf das Werkzeug. | 17. Einsatz |
| 3. Arretierung | | 18. Platte |
| 4. Tiefenzeiger | 11. Vorschubrichtung | 19. Abstand (X) |
| 5. Einstell-Sechskantschraube | 12. Führungsschiene | 20. Außendurchmesser der Schablonenführung |
| 6. Anschlagblock | 13. Führungsschiene | 21. Absaugstutzen |
| 7. Ein/Aus-Schalter | 14. Klemmschraube | 22. Schraubzwinde |
| 8. Werkstück | 15. Grundplatte | |

TECHNISCHE DATEN

Modell	RP0900
Spannzangenfutterweite	6 mm, 1/4", 8 mm und/oder 3/8"
Tauchkapazität	0 bis 35 mm
Leerlaufdrehzahl (U/min ⁻¹)	27 000
Gesamthöhe	217 mm
Nettogewicht	2,7 kg
Sicherheitsklasse	II

- Aufgrund unserer beständigen Forschungen und Weiterentwicklungen sind Änderungen an den hier angegebenen Technischen Daten ohne Vorankündigung vorbehalten.
- Die Technischen Daten können in den einzelnen Ländern voneinander abweichen.
- Gewicht entsprechend der EPTA-Vorgehensweise 01/2003

Verwendungszweck

ENE010-1

Das Werkzeug wurde für das Abkanten und Profilieren von Holz, Kunststoff und ähnlichen Materialien entwickelt.

Stromversorgung

ENF002-1

Das Werkzeug darf nur an eine Stromversorgung mit der auf dem Typenschild angegebenen Spannung und einphasigem Wechselstrom angeschlossen werden. Aufgrund der Doppelisolierung nach europäischem Standard kann das Werkzeug auch an Steckdosen ohne Erdungsleiter betrieben werden.

Allgemeine Sicherheitshinweise für Elektrowerkzeuge

GEA010-1

⚠️ WARNUNG Lesen Sie alle Sicherheitshinweise und Anweisungen sorgfältig durch. Wenn die Hinweise und Anweisungen nicht beachtet werden, besteht die Gefahr eines Stromschlags, Brands und/oder das Risiko von ernsthaften Verletzungen.

Bewahren Sie alle Hinweise und Anweisungen zur späteren Referenz gut auf.

SICHERHEITSHINWEISE FÜR OBERFRÄSE

GEB018-2

1. Halten Sie das Elektrowerkzeug an den isolierten Griffflächen, wenn Sie unter Bedingungen arbeiten, bei denen das Schneidwerkzeug verborgene Verkabelung oder das eigene Kabel berühren kann. Bei Kontakt mit einem stromführenden Kabel wird der Strom an die

metallinen Teile des Werkzeugs weitergeleitet und führt zu einem Stromschlag beim Bediener.

2. **Verwenden Sie Klammern oder andere geeignete Geräte, um das Werkstück an einer stabilen Unterlage zu sichern.** Wenn Sie das Werkstück von Hand halten oder gegen Ihren Körper pressen, kann dies zu Unstabilität und Kontrollverlust führen.
3. **Tragen Sie bei längerem Arbeiten mit der Fräse einen Gehörschutz.**
4. **Behandeln Sie den Fräser sorgfältig.**
5. **Überprüfen Sie den Fräser vor Gebrauch sorgfältig auf Risse oder Beschädigung. Wechseln Sie einen gerissenen oder beschädigten Fräser unverzüglich aus.**
6. **Vermeiden Sie es, in Nägel zu zertrennen. Untersuchen Sie das Werkstück auf Nägel, und entfernen Sie diese ggf. vor Arbeitsbeginn.**
7. **Halten Sie das Werkzeug mit beiden Händen fest.**
8. **Halten Sie Ihre Hände von beweglichen Teilen fern.**
9. **Achten Sie darauf, dass der Fräser das Werkstück nicht berührt, bevor das Werkzeug eingeschaltet wurde.**
10. **Bevor Sie das Werkzeug auf das zu bearbeitende Werkstück ansetzen, lassen Sie es einige Zeit ohne Last laufen. Wenn Sie ein Vibrieren oder einen unruhigen Lauf feststellen, prüfen Sie, ob der Fräser sachgemäß eingesetzt wurde.**
11. **Achten Sie auf die Fräserdrehrichtung und die Vorschubrichtung.**
12. **Lassen Sie das Werkzeug nicht unbeaufsichtigt eingeschaltet. Das Werkzeug darf nur dann eingeschaltet sein, wenn es festgehalten wird.**

13. Schalten Sie das Werkzeug immer aus und warten Sie auf den völligen Stillstand des Fräasers, bevor Sie diesen aus dem Werkstück herausziehen.
14. Berühren Sie kurz nach dem Betrieb den Einsatz nicht, dieser könnte extrem heiß sein und zu Verbrennungen führen.
15. Der Gleitschuh darf nicht mit Verdünner, Benzin, Öl oder ähnlichem in Berührung kommen. Sie können zu Bruchstellen im Gleitschuh führen.
16. Achten Sie darauf, Fräser zu verwenden, die den passenden Schaftdurchmesser besitzen und für die Drehzahl des Werkzeugs geeignet sind.
17. In einigen Materialien sind möglicherweise giftige Chemikalien enthalten. Vermeiden Sie das Einatmen von Staub und den Hautkontakt mit diesen Materialien. Befolgen Sie die Sicherheitshinweise des Materialherstellers.
18. Verwenden Sie bei der Arbeit stets eine für das Material geeignete Staubmaske bzw. ein Atemgerät.

BEWAHREN SIE DIESE ANWEISUNGEN SORGFÄLTIG AUF.

WARNUNG:

Lassen Sie sich NIE durch Bequemlichkeit oder (aus fortwährendem Gebrauch gewonnener) Vertrautheit mit dem Werkzeug dazu verleiten, die Sicherheitsregeln für das Werkzeug zu missachten. Bei MISSBRÄUHLICHER Verwendung des Werkzeugs oder Missachtung der in diesem Handbuch enthaltenen Sicherheitshinweise kann es zu schweren Verletzungen kommen.

FUNKTIONSBESCHREIBUNG

ACHTUNG:

- Schalten Sie das Werkzeug stets aus und ziehen Sie den Stecker, bevor Sie Einstellungen oder eine Funktionsprüfung am Werkzeug vornehmen.

Einstellen der Schnitttiefe (Abb. 1)

Legen Sie das Werkzeug auf eine flache Oberfläche. Lösen Sie die Schraube, mit denen die Anschlagstange befestigt ist.

Lösen Sie die Arretierung und senken Sie den Werkzeugkörper, bis der Einsatz die Oberfläche berührt. Ziehen Sie die Arretierung an, um den Werkzeugkörper zu sperren. (Abb. 2)

Senken Sie dann die Anschlagstange, bis sie die Einstell-Sechskantschraube berührt. Richten Sie den Tiefenzeiger auf die Einteilung "0" aus.

Heben Sie die Anschlagstange, bis die gewünschte Schnitttiefe erreicht wird. Die Schnitttiefe wird durch den Tiefenzeiger auf der Skala angezeigt (1 mm pro Einteilung). Ziehen Sie dann die Schraube zur Sicherung des Anschlagstange an.

Die vorbestimmte Schnitttiefe kann nun durch Lösen der Arretierung und Absenken des Werkzeugkörpers, bis die Anschlagstange die Einstell-Sechskantschraube berührt, erreicht werden. (Abb. 3)

ACHTUNG:

- Da ausgiebiges Schneiden den Motor überlasten und zu Schwierigkeiten bei der Werkzeugsteuerung führen kann, sollte die Schnitttiefe für Nute mit einem Einsatz mit 8 mm Durchmesser bei jedem Durchgang nicht mehr als 15 mm betragen.
- Beim Schneiden von Nuten mit einem 20 mm breiten Einsatz sollte die Schnitttiefe bei jedem Durchgang nicht mehr als 5 mm betragen. Wenn Sie mit einem Einsatz mit 8 mm Durchmesser Kerben von mehr als 15 mm Tiefe schneiden möchten oder mit einem Einsatz von 20 mm Durchmesser Kerben von mehr als 5 mm Tiefe, fräsen Sie in mehreren Durchgängen mit zunehmenden tieferen Einsatzeinstellungen.

Anschlagblock (Abb. 4)

Der Anschlagblock hat drei Einstell-Sechskantschrauben, die pro Umdrehung um 0,8 mm gehoben oder gesenkt werden. Durch Einstellung dieser Einstell-Sechskantschrauben erhalten Sie ganz einfach drei verschiedene Schnitttiefen, ohne die Anschlagstange zu verstellen.

Stellen Sie die untere Einstell-Sechskantschraube auf die tiefste Schnitttiefe ein, wie in "Einstellen der Schnitttiefe" beschrieben.

Stellen Sie die anderen Einstell-Sechskantschrauben auf flachere Schnitttiefen ein. Die Höhendifferenzen dieser Sechskantschrauben entsprechen den Differenzen in den Schnitttiefen.

Zum Einstellen der Sechskantschrauben drehen Sie diese. Der Anschlagblock ist auch praktisch, wenn Sie beim Schneiden von tiefen Nuten drei Durchgänge mit immer tieferer Einsatzeinstellung vornehmen.

ACHTUNG:

Bei Verwendung eines Einsatzes von 60 mm Länge oder mehr oder einer Kantenlänge von 35 mm oder mehr lässt sich die Schnitttiefe nicht mehr wie beschrieben einstellen. Gehen Sie zum Einstellen wie folgt vor: Lösen Sie die Arretierung und stellen Sie den Einsatzvorsprung unter dem Gleitschuh auf die gewünschte Schnitttiefe ein, indem Sie das Werkzeug nach oben bzw. unten bewegen. Ziehen Sie die Arretierung dann wieder an, um den Werkzeugkörper auf dieser Schnitttiefe zu verriegeln. Halten Sie den Werkzeugkörper während des Gebrauchs in dieser Position verriegelt. Da der Einsatz immer aus dem Werkzeuggleitschuh hervorsteht, seien Sie vorsichtig bei der Verwendung des Werkzeugs.

Einstellen der Arretierung (Abb. 5)

Die Verriegelungsposition der Arretierung ist einstellbar. Zum Einstellen entfernen Sie die Schraube, die die Arretierung sichert. Die Arretierung löst sich. Stellen Sie die Arretierung im gewünschten Winkel ein. Ziehen Sie nach dem Einstellen die Arretierung im Uhrzeigersinn fest.

Bedienung des Schalters (Abb. 6)

ACHTUNG:

- Achten Sie vor dem Einstecken des Netzsteckers des Werkzeugs in die Steckdose darauf, dass sich der Ein/Aus-Schalter korrekt bedienen lässt und beim Loslassen in die Position „OFF“ (AUS) zurückkehrt.

Betätigen Sie zum Starten des Werkzeugs einfach den Ein/Aus-Schalter. Lassen Sie zum Ausschalten des Werkzeugs den Ein/Aus-Schalter los.

MONTAGE

ACHTUNG:

- Schalten Sie das Werkzeug stets aus und ziehen Sie den Netzstecker, bevor Sie irgendwelche Arbeiten am Werkzeug durchführen.

Montage und Demontage des Einsatzes (Abb. 7)

ACHTUNG:

- Bringen Sie den Einsatz sicher an. Verwenden Sie ausschließlich die mit dem Werkzeug gelieferten Schraubenschlüssel. Ein locker sitzender oder überdrehter Einsatz kann gefährlich sein.
- Ziehen Sie die Spannzangenmutter nicht ohne eingesetzten Einsatz an.

Der Spanncegel kann beschädigt werden. Schieben Sie den Einsatz bis zum Anschlag in den Spanncegel und ziehen Sie die Spannzangenmutter mit den zwei Gabelschlüsseln fest an.

Neben den werkseitig als Standardausstattung mit dem Werkzeug gelieferten Spanncegel 8 mm oder 3/8" wird auch ein Spanncegel 6 mm oder 1/4" angeboten. Verwenden Sie einen passenden Spannzangenkonus für den zu benutzenden Einsatz.

Zum Entnehmen des Einsatzes befolgen Sie die Vorgehensweise zum Einbauen in umgekehrter Reihenfolge.

BETRIEB

Setzen Sie den Gleitschuh auf das zu schneidende Werkstück auf, ohne dass der Einsatz mit ihm in Berührung kommt. Schalten Sie anschließend das Werkzeug ein und warten Sie, bis der Einsatz die volle Drehzahl erreicht hat. Senken Sie den Werkzeugkörper, und schieben Sie das Werkzeug flach und gleichmäßig über die Oberfläche des Werkstücks vor, bis der Schnitt vollendet ist.

Beim Schneiden von Kanten sollte die Werkstoffoberfläche sich in Vorschubrichtung links vom Einsatz befinden. (Abb. 8)

HINWEIS:

- Wenn Sie das Werkzeug zu schnell vorschieben, wird der Schnitt mangelhaft, oder Einsatz und Motor werden beschädigt.

Wenn Sie das Werkzeug zu langsam vorschieben, kann der Schnitt verbrennen oder beschädigt werden. Die richtige Vorschubgeschwindigkeit hängt von der Größe des Einsatzes, der Art des Werkstücks und der Schnitttiefe ab.

Bevor Sie den Schnitt am Werkstück ausführen, ist es ratsam, einen Probeschnitt an einem Abfallstück zu machen. So erkennen Sie genau, wie der Schnitt aussehen wird, und Sie können die Abmessungen überprüfen.

- Wenn Sie die Führungsschiene verwenden, bringen Sie sie in Vorschubrichtung auf der rechten Seite an.

Dies hält sie eng an der Seite des Werkstücks. (Abb. 9)

Führungsschiene (Abb. 10)

Die Führungsschiene wird effektiv beim Anfasen oder Nuten für Geradschnitte verwendet.

Führen Sie zum Anbringen der Führungsschiene den Führungshalter in die Löcher im Werkzeuggleitschuh ein. Stellen Sie den Abstand zwischen Einsatz und Führungsschiene ein. Ziehen Sie am gewünschten Abstand die Flügelschrauben zur Sicherung der Führungsschiene an. (Abb. 11)

Achten Sie beim Schneiden darauf, dass die Führungsschiene eng an der Seitenkante des Werkstücks anliegt.

Wenn der Abstand (A) zwischen der Seite des Werkstücks und der Schneidposition zu breit für die Führungsschiene ist, oder wenn die Seite des Werkstücks nicht gerade ist, kann die Führungsschiene nicht verwendet werden. In diesem Fall bringen Sie ein gerades Stück Pappe am Werkstück an und verwenden dieses als Führung für den Gleitschuh der Oberfräse. Schieben Sie das Werkzeug in Pfeilrichtung vor. (Abb. 12)

Schablonenführung (Zubehör) (Abb. 13)

Die Schablonenführung bietet einen Kranz, durch welchen der Einsatz passt, was die Verwendung des Werkzeugs mit Schablonenmustern ermöglicht.

Lösen Sie zum Anbringen der Schablonenführung die Schrauben im Werkzeuggleitschuh, bringen Sie die Schablonenführung an, und ziehen Sie die Schrauben wieder an. (Abb. 14)

Sichern Sie die Schablone am Werkstück. Legen Sie das Werkzeug auf die Schablone und bewegen Sie das Werkzeug, wobei die Schablonenführung an der Seite der Schablone entlang gleitet. (Abb. 15)

HINWEIS:

- Das Werkstück wird auf eine leicht von der Schablone abweichende Größe geschnitten. Berücksichtigen Sie den Abstand (X) zwischen Einsatz und dem Äußeren der Schablonenführung. Der Abstand (X) lässt sich wie folgt berechnen:

$$\text{Abstand (X)} = (\text{Außendurchmesser der Schablonenführung} - \text{Einsatzdurchmesser}) / 2$$

Absaugstutzen (Zubehör) (Abb. 16 und 17)

Saugen Sie mit dem Absaugstutzen den Staub ab. Befestigen Sie den Absaugstutzen mit der Flügelschraube auf der Werkzeugbasis, sodass der Vorsprung am Absaugstutzen in die Nase in der Werkzeugbasis passt.

Schließen Sie dann einen Staubsauger an den Absaugstutzen an. (Abb. 18)

WARTUNG

ACHTUNG:

- Schalten Sie das Werkzeug stets aus und ziehen Sie den Stecker aus der Steckdose, bevor Sie Prüfungen oder Wartungsarbeiten am Werkzeug durchführen.

- Verwenden Sie zum Reinigen niemals Kraftstoffe, Benzin, Verdünner, Alkohol oder ähnliches. Dies kann zu Verfärbungen, Verformungen oder Rissen führen. Um die SICHERHEIT und ZUVERLÄSSIGKEIT des Produkts zu gewährleisten, sollten Reparaturen, Wartungsarbeiten und Einstellungen nur durch von Makita autorisierte Servicecenter durchgeführt und immer Makita-Ersatzteile verwendet werden.

ZUBEHÖR

ACHTUNG:

- Für das in diesem Handbuch beschriebene Makita-Werkzeug werden die folgenden Zubehör- und Zusatzteile empfohlen. Die Verwendung anderer Zubehör- und Zusatzteile kann zu Personenschäden führen. Verwenden Sie Zubehör- und Zusatzteile nur für den vorgesehenen Zweck.

Informationen zu diesem Zubehör erhalten Sie bei jedem Makita-Servicecenter.

- Gerade und Nuten formende Einsätze
- Kanten formende Einsätze
- Einsätze für Laminatzuschnitt
- Führungsschiene
- Schablonenführung 25
- Schablonenführungen
- Schablonenführungsadapter
- Sicherungsmutter
- Spannkegel 3/8", 1/4"
- Spannkegel 6 mm, 8 mm
- Schlüssel 13
- Schlüssel 22
- Absaugstutzen

Oberfräseneinsätze

Gerader Einsatz (Abb. 19)

mm

D	A	L 1	L 2
6	20	50	15
1/4"			
8	8	60	25
6	8	50	18
1/4"			
6	6	50	18
1/4"			

U-Nut-Einsatz (Abb. 20)

mm

D	A	L 1	L 2	R
6	6	50	18	3

V-Nut-Einsatz (Abb. 21)

mm

D	A	L 1	L 2	θ
1/4"	20	50	15	90°

Flachbohrfräsereinsatz (Abb. 22)

mm

D	A	L 1	L 2	L 3
8	8	60	20	35
6	6	60	18	28

Doppelflachbohrfräser-Einsatz (Abb. 23)

mm

D	A	L 1	L 2	L 3	L 4
8	8	80	55	20	25
6	6	70	40	12	14

Viertelkreisfräser (Abb. 24)

mm

D	A 1	A 2	L 1	L 2	L 3	R
6	25	9	48	13	5	8
6	20	8	45	10	4	4

Anfaseinsatz (Abb. 25)

mm

D	A	L 1	L 2	L 3	θ
6	23	46	11	6	30°
6	20	50	13	5	45°
6	20	49	14	2	60°

Wölbungsbördeleneinsatz (Abb. 26)

mm

D	A	L 1	L 2	R
6	20	43	8	4
6	25	48	13	8

Kugellager-Flachzuschnneider (Abb. 27)

mm

D	A	L 1	L 2
6	10	50	20
1/4"			

Kugellager-Viertelkreisfräser (Abb. 28)

mm

D	A 1	A 2	L 1	L 2	L 3	R
6	15	8	37	7	3,5	3
6	21	8	40	10	3,5	6
1/4"						

Kugellager-Anfaseinsatz (Abb. 29)

mm

D	A 1	A 2	L 1	L 2	θ
6	26	8	42	12	45°
1/4"					
6	20	8	41	11	60°

Kugellager-Bördeleinsatz (Abb. 30)

mm

D	A 1	A 2	A 3	L 1	L 2	L 3	R
6	20	12	8	40	10	5,5	4
6	26	12	8	42	12	4,5	7

Kugellager-Wölbungsördeleinsatz (Abb. 31)

mm

D	A 1	A 2	A 3	A 4	L 1	L 2	L 3	R
6	20	18	12	8	40	10	5,5	3
6	26	22	12	8	42	12	5	5

Kugellager-Hohlkehleleinsatz (Abb. 32)

mm

D	A 1	A 2	L 1	L 2	L 3	R1	R2
6	20	8	40	10	4,5	2,5	4,5
6	26	8	42	12	4,5	3	6

Schallpegel

ENG102-3

Typischer A-bewerteter Schallpegel nach EN60745:

Schalldruckpegel (L_{pA}): 89 dB (A)Schalleistungspegel (L_{WA}): 100 dB (A)

Abweichung (K): 3 dB (A)

Tragen Sie Gehörschutz.**Schwingung**

ENG223-2

Schwingungsgesamtwerte (Vektorsumme dreier Achsen) nach EN60745:

Arbeitsmodus: Schneiden von Kerben in mitteldichte Faserplatten (MDF)

Schwingungsbelastung (a_h): 4,0 m/s²Abweichung (K): 1,5 m/s²

ENG901-1

- Der hier angegebene Wert für die erzeugten Schwingungen wurde gemäß dem genormten Testverfahren ermittelt und kann als Vergleich zu anderen Werkzeugen herangezogen werden.
- Der angegebene Wert für die erzeugten Schwingungen ist außerdem für eine vorbeugende Bewertung der Belastung zu verwenden.

⚠️ WARNUNG:

- Die Schwingungsbelastung kann bei tatsächlichem Gebrauch des Elektrowerkzeugs in Abhängigkeit von der Handhabung des Elektrowerkzeugs von dem hier aufgeführten Wert abweichen.
- Stellen Sie sicher, dass Schutzmaßnahmen für den Bediener getroffen werden, die auf den unter den tatsächlichen Arbeitsbedingungen zu erwartenden Belastungen beruhen (beziehen Sie alle Bestandteile des Arbeitsablaufs ein, also zusätzlich zu den Arbeitszeiten auch Zeiten, in denen das Werkzeug ausgeschaltet ist oder ohne Last läuft).

Nur für europäische Länder

ENH101-13

EG-Konformitätserklärung**Wir, Makita Corporation als verantwortlicher****Hersteller, erklären, dass die folgenden Geräte der****Marke Makita:**

Bezeichnung des Geräts:

Oberfräse

Nummer / Typ des Modells: RP0900

in Serienfertigung hergestellt werden und

den folgenden Richtlinien der Europäischen Union genügen:

98/37/EC bis 28. Dezember 2009 und 2006/42/EC ab dem 29. Dezember 2009

Außerdem werden die Geräte gemäß den folgenden Standards oder Normen gefertigt:

EN60745

Die technische Dokumentation erfolgt durch unseren Bevollmächtigten in Europa:

Makita International Europe Ltd.,

Michigan, Drive, Tongwell,

Milton Keynes, MK15 8JD, England

30. Januar 2009



Tomoyasu Kato

Direktor

Makita Corporation

3-11-8, Sumiyoshi-cho

Anjo, Aichi, JAPAN

ITALIANO (Istruzioni originali)

Spiegazione della vista generale

- | | | |
|-------------------------------------|---------------------------------------|---|
| 1. Asta del fermo | 9. Direzione di rotazione della punta | 17. Punta |
| 2. Vite | 10. Vista dell'utensile dall'alto | 18. Sagome |
| 3. Levetta di blocco | 11. Direzione di avanzamento | 19. Distanza (X) |
| 4. Indicatore di profondità | 12. Guida di allineamento | 20. Diametro esterno della guida per sagome |
| 5. Bullone esagonale di regolazione | 13. Barra di guida | 21. Ugello antipolvere |
| 6. Blocco del fermo | 14. Vite di serraggio | 22. Vite ad alette |
| 7. Interruttore | 15. Base | |
| 8. Pezzo in lavorazione | 16. Guida per sagome | |

CARATTERISTICHE TECNICHE

Modello	RP0900
Capacità mandrino a pinza	6 mm, 1/4", 8 mm e/o 3/8"
Capacità di immersione	0 - 35 mm
Velocità a vuoto (min ⁻¹)	27.000
Altezza totale	217 mm
Peso netto	2,7 kg
Classe di sicurezza	II/III

- Le caratteristiche tecniche riportate di seguito sono soggette a modifiche senza preavviso in virtù del nostro programma continuo di ricerca e di sviluppo.
- Le caratteristiche tecniche possono differire da paese a paese.
- Peso calcolato in base alla Procedura EPTA 01/2003

Uso previsto

ENE010-1

Questo utensile è progettato per rifilare a filo e creare profili di legno, plastica e materiali simili.

Alimentazione

ENF002-1

L'utensile deve essere collegato a una presa di corrente con la stessa tensione di quella indicata sulla targhetta e può funzionare soltanto con corrente alternata monofase. L'utensile è dotato di doppio isolamento in osservanza alle norme europee, pertanto può essere usato anche con prese di corrente sprovviste della messa a terra.

Avvertenze generali di sicurezza per l'uso dell'utensile

GEA010-1

⚠ AVVERTENZA Leggere attentamente tutte le avvertenze di sicurezza e le istruzioni. La mancata osservanza delle istruzioni e delle avvertenze riportate di seguito potrebbe provocare scosse elettriche, incendi e/o lesioni gravi.

Conservare le avvertenze e le istruzioni per riferimenti futuri.

AVVERTENZE DI SICUREZZA PER LA FRESATRICE VERTICALE

GE018-2

1. **Se vengono eseguite operazioni in cui l'utensile di taglio può toccare fili nascosti o il cavo di alimentazione, impugnare l'utensile utilizzando i punti di presa isolati.** Il contatto con un filo percorso da corrente farà sì che le parti metalliche esposte dell'utensile si trovino anch'esse sotto tensione provocando scosse elettriche all'operatore.
2. **Fissare il pezzo in lavorazione a un piano stabile utilizzando morsetti o metodi analoghi.** Sorreggere il pezzo con le mani o contro il proprio corpo lo rende instabile e può causare la perdita di controllo.
3. **Indossare protezioni acustiche quando si utilizza l'utensile per lunghi periodi.**
4. **Maneggiare le punte con estrema cautela.**
5. **Prima dell'uso, verificare lo stato delle punte alla ricerca di eventuali incrinature o danni. Sostituire immediatamente punte incrinature o danneggiate.**
6. **Evitare di tagliare chiodi. Prima della sessione di lavoro, controllare e rimuovere tutti i chiodi dal pezzo in lavorazione.**
7. **Tenere saldamente l'utensile con entrambe le mani.**
8. **Tenere le mani lontano dalle parti rotanti.**
9. **Verificare che la punta non tocchi il pezzo in lavorazione prima di accendere l'interruttore.**
10. **Prima di usare l'utensile, lasciarlo funzionare a vuoto per qualche minuto. Verificare l'eventuale presenza di vibrazioni o oscillazioni che possono essere indice di una punta montata in modo errato.**
11. **Prestare attenzione al senso di rotazione e di alimentazione della punta.**
12. **Non lasciare l'utensile acceso. Azionare l'utensile solo dopo averlo impugnato.**
13. **Spegnere sempre ed aspettare che la punta si fermi completamente prima di rimuoverla dal pezzo in lavorazione.**
14. **Non toccare la punta subito dopo aver utilizzato l'utensile poiché può raggiungere temperature elevate e provocare ustioni.**
15. **Non macchiare il piano dell'utensile con diluenti, benzina, petrolio o prodotti simili. Tali sostanze**

possono provocare incrinature nel piano dell'utensile.

16. Prestare attenzione alla scelta di frese aventi il corretto diametro del gambo e che siano adeguate alla velocità dell'utensile.
17. Alcuni materiali contengono prodotti chimici potenzialmente tossici. Evitare l'inalazione della polvere e il contatto con la pelle. Attenersi alle istruzioni di sicurezza del fornitore dei materiali.
18. Usare sempre una maschera antipolvere e/o il respiratore appropriati al materiale e all'applicazione.

CONSERVARE QUESTE ISTRUZIONI.

AVVERTENZA:

NON lasciare che la familiarità acquisita con il prodotto (dovuta all'uso ripetuto) provochi l'insosservanza delle regole di sicurezza per il presente utensile. L'USO IMPROPRIO o la mancata osservanza delle norme di sicurezza contenute in questo manuale può provocare lesioni personali gravi.

DESCRIZIONE FUNZIONALE

ATTENZIONE:

- Prima di regolare o controllare le funzioni dell'utensile, verificare sempre di averlo spento e scollegato dall'alimentazione.

Regolazione della profondità di taglio (Fig. 1)

Posizionare l'utensile su una superficie piana. Allentare la vite fissando l'asta del fermo.

Allentare la levetta di blocco e abbassare il corpo dell'utensile fino a quando la punta giunge a sfiorare la superficie piana. Serrare la levetta di blocco per bloccare il corpo dell'utensile. (Fig. 2)

In seguito, abbassare l'asta del fermo fino a fare contatto con il bullone esagonale di regolazione. Allineare l'indicatore di profondità con la graduazione "0".

Sollevarsi l'asta del fermo fino a raggiungere la profondità di taglio desiderata. La profondità del taglio è indicata sulla scala (1 mm per graduazione) dall'indicatore di profondità. Quindi, stringere la vite per fissare l'asta del fermo.

È possibile ottenere la profondità predeterminata del taglio allentando la levetta di blocco, quindi abbassando il corpo dell'utensile finché l'asta del fermo non fa contatto con il bullone esagonale di regolazione. (Fig. 3)

ATTENZIONE:

- Un taglio eccessivo provoca il sovraccarico del motore o difficoltà nel controllo dell'utensile. Quando si tagliano delle scanalature con una punta dal diametro di 8 mm, la profondità di taglio non deve superare i 15 mm in un solo passaggio.
- Quando si tagliano delle scanalature con una punta dal diametro di 20 mm, la profondità di taglio non deve superare i 5 mm in un solo passaggio. Quando si desidera tagliare delle scanalature con profondità superiore ai 15 mm con una punta dal

diametro di 8 mm, o con profondità superiore ai 5 mm con una punta dal diametro di 20 mm, effettuare vari passaggi con impostazioni della punta progressivamente più profonde.

Blocco del fermo (Fig. 4)

Il fermo ha tre bulloni esagonali di regolazione che sollevano o abbassano di 0,8 mm per ogni giro. È possibile ottenere facilmente tre profondità differenti di taglio utilizzando questi bulloni esagonali di regolazione senza dover regolare di nuovo l'asta del fermo. Regolare il bullone esagonale più basso per ottenere la profondità maggiore di taglio, seguendo il metodo indicato in "Regolazione della profondità di taglio". Regolare i due restanti bulloni esagonali di regolazione per ottenere profondità di taglio più in superficie. La differenza in altezza di questi bulloni esagonali di regolazione è uguale alla differenza nelle profondità di taglio.

Per regolare i bulloni esagonali, ruotarli. Il blocco del fermo è anche utile per effettuare tre passaggi con impostazioni della punta progressivamente più profonde quando si tagliano scanalature profonde.

ATTENZIONE:

Quando si utilizza una punta che presenta una lunghezza totale pari o superiore a 60 mm, o una lunghezza del lato pari o superiore a 35 mm, la profondità di taglio non può essere regolata secondo le indicazioni precedenti. Per effettuare la regolazione, procedere come indicato di seguito:

Allentare la levetta di blocco e regolare con attenzione l'altezza della punta sotto la base dell'utensile fino alla profondità desiderata di taglio spostando il corpo dell'utensile verso l'alto o verso il basso. Quindi, stringere di nuovo la levetta di blocco per bloccare il corpo dell'utensile alla profondità di taglio. Durante l'utilizzo, mantenere bloccato il corpo dell'utensile in questa posizione. Dato che la punta fuoriesce sempre dalla base dell'utensile, prestare attenzione quando si maneggia lo strumento.

Regolazione della levetta di blocco (Fig. 5)

È possibile regolare la posizione di blocco della levetta. Per regolarla, rimuovere la vite che fissa la levetta di blocco. Sarà possibile estrarre la levetta di blocco. Impostare la levetta di blocco all'angolo desiderato. Dopo la regolazione, avvitare in senso orario la levetta di blocco.

Azionamento dell'interruttore (Fig. 6)

ATTENZIONE:

- Prima di collegare l'utensile, controllare se l'interruttore funziona correttamente e ritorna alla posizione "OFF" una volta rilasciato. Per avviare l'utensile è sufficiente premere l'interruttore. Per spegnere l'utensile, rilasciare l'interruttore.

MONTAGGIO

ATTENZIONE:

- Accertarsi sempre che l'utensile sia spento e scollegato dall'alimentazione prima di svolgere qualsiasi operazione su di esso.

Installazione o rimozione della punta (Fig. 7)

ATTENZIONE:

- Montare la punta in modo sicuro. Utilizzare solo le chiavi esagonali fornite in dotazione con l'utensile. Una punta allentata o avvitata eccessivamente può essere pericolosa.
- Non serrare il dado prima di aver inserito la punta. Potrebbe causare la rottura dell'anello conico.

Inserire la punta fino in fondo all'anello conico e serrare completamente il dado utilizzando le due chiavi.

Viene anche fornito un anello conico da 6 mm o 1/4" come attrezzatura standard insieme all'anello conico da 8 mm o 3/8" preinstallato sull'utensile. Usare un anello conico delle dimensioni corrette per la punta che si intende utilizzare.

Per rimuovere la punta, attenersi alla procedura di installazione procedendo in senso inverso.

USO

Collocare la base dell'utensile sul pezzo in lavorazione senza che la punta entri in contatto con il materiale da tagliare. Accendere l'utensile e attendere che la punta raggiunga la massima velocità. Abbassare il corpo dell'utensile e farlo avanzare sulla superficie del pezzo in lavorazione tenendo il supporto della base a filo e procedendo senza interruzioni fino al completamento del taglio.

Quando si tagliano i bordi, la superficie del pezzo in lavorazione deve rimanere alla sinistra della punta nella direzione di avanzamento. (Fig. 8)

NOTA:

- Se l'utensile viene fatto avanzare troppo velocemente, la qualità del taglio risulta scadente oppure si possono danneggiare la punta o il motore. Allo stesso modo, un avanzamento troppo lento brucia e rovina il taglio. La velocità di avanzamento corretta sarà in funzione delle dimensioni della punta, del tipo di pezzo in lavorazione e della profondità di taglio. Prima di iniziare a tagliare il pezzo in lavorazione, si consiglia di eseguire un taglio di prova su un pezzo di legno di scarto. In questo modo si potrà verificare l'aspetto del taglio e controllare le dimensioni.
- Se utilizzata, la guida di allineamento deve trovarsi sul lato destro nella direzione di avanzamento. In questo modo sarà a filo con il lato del pezzo in lavorazione. (Fig. 9)

Guida di allineamento (Fig.10)

La guida di allineamento serve a ottenere tagli dritti durante la smussatura o la scanalatura.

Per installare la guida di allineamento, inserire le barre della guida nei fori della base dell'utensile. Regolare la distanza tra la punta e la guida di allineamento. Alla

distanza desiderata, serrare i bulloni ad alette per fissare la guida di allineamento. (Fig. 11)

Durante il taglio spostare l'utensile con la guida di allineamento in modo che sia a filo con il lato del pezzo in lavorazione.

Se la distanza (A) tra il lato del pezzo in lavorazione e la posizione di taglio è troppo ampia per la guida di allineamento o se il lato del pezzo in lavorazione non è allineato, non è possibile utilizzare la guida di allineamento. In questo caso, stringere saldamente un pannello dritto al pezzo in lavorazione e utilizzarlo come guida contro la base della fresatrice. Spingere l'utensile nella direzione della freccia. (Fig. 12)

Guida per sagome (Accessorio) (Fig. 13)

La guida per sagome dispone di una bussola nella quale inserire la punta e utilizzare lo strumento con le sagome. Per fissare la guida per sagome, allentare le viti alla base dell'utensile, inserire la guida e serrare le viti. (Fig. 14) Fissare la sagoma al pezzo in lavorazione. Posizionare l'utensile sulla sagoma e spostarlo con la guida facendolo scorrere lungo il lato della sagoma. (Fig. 15)

NOTA:

- Il pezzo in lavorazione sarà tagliato con una dimensione leggermente diversa dalla sagoma. Mantenere la distanza (X) tra la punta e l'esterno della guida per sagome. La distanza (X) può essere calcolata utilizzando la seguente equazione:
$$\text{Distanza (X)} = (\text{diametro esterno della guida per sagome} - \text{diametro punta}) / 2$$

Kit ugello antipolvere (Accessorio) (Fig. 16 e 17)

Utilizzare l'ugello antipolvere per estrarre la polvere. Installare l'ugello antipolvere sulla base dell'utensile mediante la vite a mano in modo che la sporgenza sull'ugello antipolvere si inserisca nella tacca presente sulla base dello strumento.

Collegare quindi un aspirapolvere all'ugello antipolvere. (Fig. 18)

MANUTENZIONE

ATTENZIONE:

- Prima di effettuare controlli e operazioni di manutenzione, verificare sempre che l'utensile sia spento e scollegato dall'alimentazione.
- Evitare assolutamente di usare benzina, diluenti, solventi, alcol o sostanze simili. In caso contrario, potrebbero verificarsi scoloriture, deformazioni o incrinature.

Al fine di garantire la SICUREZZA e l'AFFIDABILITÀ del prodotto, le riparazioni e qualsivoglia ulteriore operazione di manutenzione o regolazione devono essere eseguite dai centri di assistenza autorizzati Makita utilizzando sempre parti di ricambio Makita.

ACCESSORI

ATTENZIONE:

- Si raccomanda di usare questi accessori con l'utensile Makita descritto in questo manuale. L'uso di qualsiasi altro accessorio potrebbe provocare lesioni personali.

Utilizzare gli accessori esclusivamente per l'uso dichiarato.

Per l'assistenza e ulteriori informazioni su tali accessori, rivolgersi al centro di assistenza Makita più vicino.

- Punte per scanalature e tagli dritti
- Punta per bordi
- Punta rifilatrici laminate
- Guida di allineamento
- Guida per sagome 25
- Guide per sagome
- Adattatore di guide per sagome
- Controdado
- Anello conico 3/8", 1/4"
- Anello conico da 6 mm, 8 mm
- Chiave da 13
- Chiave da 22
- Kit per ugello antipolvere

Punte per fresatrice verticale

Punta dritta (Fig. 19)

mm

D	A	L 1	L 2
6	20	50	15
1/4"			
8	8	60	25
6	8	50	18
1/4"			
6	6	50	18
1/4"			

Punta per scanalatura a "U" (Fig. 20)

mm

D	A	L 1	L 2	R
6	6	50	18	3

Punta per scanalatura a "V" (Fig. 21)

mm

D	A	L 1	L 2	θ
1/4"	20	50	15	90°

Punta rifilatrice a filo con punta da trapano (Fig. 22)

mm

D	A	L 1	L 2	L 3
8	8	60	20	35
6	6	60	18	28

Punta rifilatrice a filo doppio con punta da trapano (Fig. 23)

mm

D	A	L 1	L 2	L 3	L 4
8	8	80	55	20	25
6	6	70	40	12	14

Punta per arrotondare gli angoli (Fig. 24)

mm

D	A 1	A 2	L 1	L 2	L 3	R
6	25	9	48	13	5	8
6	20	8	45	10	4	4

Punta per smussatura (Fig. 25)

mm

D	A	L 1	L 2	L 3	θ
6	23	46	11	6	30°
6	20	50	13	5	45°
6	20	49	14	2	60°

Punta per modanature (Fig. 26)

mm

D	A	L 1	L 2	R
6	20	43	8	4
6	25	48	13	8

Punta rifilatrice a filo con cuscinetto (Fig. 27)

mm

D	A	L 1	L 2
6	10	50	20
1/4"			

Punta per arrotondare gli angoli con cuscinetto (Fig. 28)

mm

D	A 1	A 2	L 1	L 2	L 3	R
6	15	8	37	7	3,5	3
6	21	8	40	10	3,5	6
1/4"						

Punta per smussatura con cuscinetto (Fig. 29)

mm

D	A 1	A 2	L 1	L 2	θ
6	26	8	42	12	45°
1/4"					
6	20	8	41	11	60°

Punta per modanature con cuscinetto (Fig. 30)

mm

D	A 1	A 2	A 3	L 1	L 2	L 3	R
6	20	12	8	40	10	5,5	4
6	26	12	8	42	12	4,5	7

Punta per modanature con cuscinetto (Fig. 31)

mm

D	A 1	A 2	A 3	A 4	L 1	L 2	L 3	R
6	20	18	12	8	40	10	5,5	3
6	26	22	12	8	42	12	5	5

Punta per modanatura a S con cuscinetto (Fig. 32)

mm

D	A 1	A 2	L 1	L 2	L 3	R1	R2
6	20	8	40	10	4,5	2,5	4,5
6	26	8	42	12	4,5	3	6

Rumore

ENG102-3

Il tipico livello di rumore ponderato "A" è determinato in conformità con la norma EN60745:

Livello di pressione sonora (L_{pA}): 89 dB (A)

Livello di potenza sonora (L_{WA}): 100 dB (A)

Variazione (K): 3 dB (A)

Indossare una protezione acustica.

Vibrazioni

ENG223-2

Il valore totale delle vibrazioni (somma vettoriale triassiale) è determinato in conformità con la norma EN60745:

Modalità di lavoro: taglio di scanalature in MDF

Emissione delle vibrazioni (a_n): 4,0 m/s²

Variazione (K): 1,5 m/s²

ENG901-1

- Il valore di emissione delle vibrazioni dichiarato è stato misurato in conformità con il metodo di test standard e può essere utilizzato per confrontare tra loro diversi utensili.
- Il valore dell'emissione delle vibrazioni dichiarato può anche essere usato per stime preliminari dell'esposizione.

AVVERTENZA:

- L'emissione delle vibrazioni durante l'uso effettivo dell'utensile elettrico può risultare diversa rispetto al valore dichiarato, in base alla modalità d'uso dell'utensile.
- Assicurarsi di individuare le necessarie misure di sicurezza per proteggere l'operatore in base a una stima dell'esposizione nelle condizioni reali di utilizzo (prendendo in considerazione tutte le fasi del ciclo operativo, come quante volte l'utensile viene spento e i periodi in cui rimane inattivo, oltre al tempo di avviamento).

Solo per i paesi europei

ENH101-13

Dichiarazione di conformità CE

Makita Corporation, in qualità di produttore responsabile, dichiara che gli utensili Makita indicati di seguito:

Denominazione dell'utensile:

Fresatrice verticale

N. modello /Tipo: RP0900

appartengono a una produzione in serie e

sono conformi alle seguenti direttive europee:

98/37/CE fino al 28 dicembre 2009 e

successivamente alla direttiva 2006/42/CE a partire dal 29 dicembre 2009

Sono inoltre prodotti in conformità con gli standard o i documenti standardizzati riportati di seguito:

EN60745

La documentazione tecnica viene conservata dal rappresentante autorizzato Makita in Europa, ovvero:

Makita International Europe Ltd.,
Michigan, Drive, Tongwell,
Milton Keynes, MK15 8JD, Inghilterra

30 gennaio 2009



Tomoyasu Kato
Direttore

Makita Corporation
3-11-8, Sumiyoshi-cho
Anjo, Aichi, JAPAN

NEDERLANDS (Originele instructies)

Verklaring van onderdelenoverzicht

1. Aanslagstang	9. Draairichting van het bit	16. Malgeleider
2. Duimschroef	10. Aanzicht vanaf de bovenkant van het gereedschap	17. Bit
3. Vergrendelknop		18. Mal
4. Diepteaanwijzer	11. Voortgangsrichting	19. Afstand (X)
5. Zeskantstelbout	12. Langsgeleider	20. Buitendiameter van de malgeleider
6. Aanslagblok	13. Geleiderstang	21. Stofafzuigaansluitmond
7. Aan/uit-schakelaar	14. Klemschroef	22. Vingerschroef
8. Werkstuk	15. Zool	

TECHNISCHE GEGEVENS

Model	RP0900
Capaciteit van spankop	6mm, 1/4", 8 mm en/of 3/8"
Capaciteit blindfrezen	0 - 35 mm
Nullasttoerental (min ⁻¹)	27.000
Totale hoogte	217 mm
Netto gewicht	2,7 kg
Veiligheidsklasse	II/III

- Als gevolg van ons doorlopende onderzoeks- en ontwikkelingsprogramma, zijn de technische gegevens van dit gereedschap onderhevig aan veranderingen zonder voorafgaande kennisgeving.
- De technische gegevens kunnen van land tot land verschillen.
- Gewicht volgens de EPTA-procedure 01/2003

Gebruiksdoelinden ENE010-1

Het gereedschap is bedoeld voor het afkanttrimmen en profileren van hout, kunststof en soortgelijke materialen.

Voeding ENF002-1

Het gereedschap mag uitsluitend worden aangesloten op een voeding met dezelfde spanning als aangegeven op het identificatieplaatje en werkt alleen op enkele-fase wisselstroom. Het gereedschap is dubbel geïsoleerd volgens de Europese norm en mag derhalve ook op een niet-geaard stopcontact worden aangesloten.

Algemene veiligheidswaarschuwingen voor elektrisch gereedschap GEA010-1

⚠ WAARSCHUWING Lees alle veiligheidswaarschuwingen en alle instructies. Het niet volgen van de waarschuwingen en instructies kan leiden tot elektrische schokken, brand en/of ernstig letsel.

Bewaar alle waarschuwingen en instructies om in de toekomst te kunnen raadplegen.

VEILIGHEIDSWAARSCHUWINGEN SPECIFIEK VOOR EEN BOVENFREES GEB018-2

1. Houd elektrisch gereedschap vast aan het geïsoleerde oppervlak van de handgrepen wanneer u werkt op plaatsen waar het zaaggereedschap met verborgen bedrading of zijn eigen snoer in aanraking kan komen. Door contact

met onder spanning staande draden, zullen de niet-geïsoleerde metalen delen van het gereedschap onder spanning komen te staan zodat de gebruiker een elektrische schok kan krijgen.

2. **Gebruik klemmen of een andere praktische methode om het werkstuk op een stabiele ondergrond te bevestigen en ondersteunen.** Als u het werkstuk in w hand of tegen uw lichaam geklemd houdt, is het onvoldoende stabiel en kunt u de controle erover verliezen.
3. **Draag gehoorbescherming tijdens langdurig gebruik.**
4. **Behandel de bits voorzichtig.**
5. **Controleer vóór het gebruik het bit zorgvuldig op barsten of beschadiging.** Vervang een gebarsten of beschadigd bit meteen.
6. **Voorkom dat u in spijkers schaaft.** Inspecteer het werkstuk op spijkers en verwijder deze zonodig voordat u ermee begint te werken.
7. **Houd het gereedschap met beide handen stevig vast.**
8. **Houd uw handen uit de buurt van draaiende delen.**
9. **Zorg ervoor dat het bit het werkstuk niet raakt voordat u het gereedschap hebt ingeschakeld.**
10. **Laat het gereedschap een tijdje draaien voordat u het werkstuk gaat zagen.** Let goed op trillingen en schommelen die kunnen duiden op een onjuist aangebrachte bit.
11. **Let goed op de draairichting van het bit en de doorvoerrichting van het werkstuk.**
12. **Laat het gereedschap niet ingeschakeld liggen.** Bedien het gereedschap alleen wanneer u het vasthoudt.

13. **Schakel het gereedschap uit en wacht altijd tot het bit volledig tot stilstand is gekomen voordat u het gereedschap uit het werkstuk verwijdert.**
14. **Raak het bit niet onmiddellijk na gebruik aan. Het kan bijzonder heet zijn en brandwonden op uw huid veroorzaken.**
15. **Smeer niet achteloos thinner, benzine, olie en dergelijke op de voet van het gereedschap. Deze middelen kunnen scheuren in de voet van het gereedschap veroorzaken.**
16. **Let er goed op dat u bits met de juiste asdiameter gebruikt en die geschikt zijn voor het toerental van het gereedschap.**
17. **Sommige materialen bevatten chemische stoffen die giftig kunnen zijn. Neem voorzorgsmaatregelen tegen het inademen van stof en contact met de huid. Volg de veiligheidsinstructies van de leverancier van het materiaal op.**
18. **Gebruik altijd het juiste stofmasker/ademhalingsapparaat voor het materiaal en de toepassing waarmee u werkt.**

BEWAAR DEZE INSTRUCTIES

WAARSCHUWING:

Laat u NIET misleiden door een vals gevoel van comfort en bekendheid met het gereedschap (na veelvuldig gebruik) en neem alle veiligheidsvoorschriften van het betreffende product altijd strikt in acht. **VERKEERD GEBRUIK** of het niet volgen van de veiligheidsinstructies in deze gebruiksaanwijzing kan leiden tot ernstig persoonlijk letsel.

BESCHRIJVING VAN DE FUNCTIES

LET OP:

- Controleer altijd of het gereedschap is uitgeschakeld en de stekker uit het stopcontact is getrokken alvorens de functies van het gereedschap te controleren of af te stellen.

Instellen van de zaagdiepte (zie afb. 1)

Leg het gereedschap op een vlakke ondergrond. Draai de duimschroef los waarmee de aanslagstang is vastgezet. Draai de vergrendelknop los en beweeg het gereedschap omlaag totdat het bit net de ondergrond raakt. Zet de vergrendelhendel vast om het gereedschap te vergrendelen (zie afb. 2).

Breng vervolgens de aanslagstang omlaag tot deze de zeskantstelbout raakt. Lijn de diepteaanwijzer uit met de 0 op de schaalverdeling.

Breng de aanslagstang omhoog totdat de gewenste diepte is bereikt. De freesdiepte wordt door de diepteaanwijzer aangegeven op de schaalverdeling (1 mm per streepje). Draai vervolgens de duimschroef weer vast om de aanslagstang vast te zetten.

Nu kan uw vooraf bepaalde freesdiepte worden verkregen door de vergrendelhendel los te zetten en daarna het gereedschap omlaag te brengen totdat de aanslagstang de zeskantstelbout raakt (zie afb. 3).

LET OP:

- Aangezien door buitensporig frezen de motor overbelast kan worden of het gereedschap moeilijk te besturen kan zijn, mag bij het frezen van groeven de freesdiepte niet meer dan 15 mm per werkgang bedragen bij het frezen van groeven met een bit van 8 mm diameter.
- Bij het frezen van groeven met een bit van 20 mm diameter mag de freesdiepte niet meer bedragen dan 5 mm per werkgang. Als u groeven wilt frezen van meer dan 15 mm diep met een bit van 8 mm diameter, of meer dan 5 mm diep met een bit van 20 mm diameter, maakt u meerdere werkgangen met een steeds toenemende freesdiepte-instelling.

Aanslagblok (zie afb. 4)

Het aanslagblok heeft drie verstelbare zeskantbouten die per slag 0,8 mm hoger of lager worden. U kunt met behulp van deze verstelbare zeskantbouten eenvoudig drie verschillende freesdiepten instellen zonder de aanslagstang te hoeven verstellen.

Stel de laagste zeskantbout in op de grootste freesdiepte volgens de procedure beschreven onder "De freesdiepte instellen".

Stel de twee resterende zeskantbouten in op minder grote freesdiepten. De verschillen in de hoogte van deze zeskantbouten zijn gelijk aan de verschillen in freesdiepte-instelling.

Draai de zeskantbouten om deze te verstellen. Het aanslagblok is tevens handig voor het uitvoeren van drie werkgangen met een steeds grotere freesdiepte-instelling voor het frezen van diepe groeven.

LET OP:

Wanneer u een bit gebruikt met een totale lengte van 60 mm of meer, of een randlengte van 35 mm of meer, kan de freesdiepte niet worden ingesteld zoals hiervoor is beschreven. Ga in dat geval voor het instellen als volgt te werk:

Zet de vergrendelknop los en stel voorzichtig de freesdiepte in waarbij het bit onder de zool van het gereedschap uitsteekt door het gereedschap omhoog of omlaag te bewegen. Zet daarna de vergrendelhendel weer stevig vast om het gereedschap te vergrendelen op de ingestelde freesdiepte. Houd het gereedschap tijdens gebruik in deze stand vergrendeld. Aangezien het bit altijd onder de zool van het gereedschap uitsteekt, bent u voorzichtig tijdens het hanteren van het gereedschap.

De vergrendelhendel verstellen (zie afb. 5)

De vergrendelde stand van de vergrendelhendel is verstelbaar. Om deze te verstellen, verwijdert u de schroef waarmee de vergrendelhendel is vastgezet. De vergrendelhendel kan eraf worden gehaald. Breng de vergrendelhendel aan onder de gewenste hoek. Na het verstellen, draait u de schroef van de vergrendelhendel rechtsom vast.

In- en uitschakelen (zie afb. 6)

LET OP:

- Controleer altijd, voordat u de stekker in het stopcontact steekt, of de aan/uit-schakelaar op de

juiste manier schakelt en weer terugkeert naar de uitstand nadat deze is losgelaten.

Om het gereedschap in te schakelen, knijpt u gewoon de aan/uit-schakelaar in. Laat de aan/uit-schakelaar los om het gereedschap te stoppen

ONDERDELEN AANBRENGEN/ VERWIJDEREN

LET OP:

- Controleer altijd of het gereedschap is uitgeschakeld en de stekker uit het stopcontact is getrokken alvorens enige werk aan het gereedschap uit te voeren.

Het bit aanbrengen en verwijderen (zie afb. 7)

LET OP:

- Breng het bit stevig aan. Gebruik altijd de sleutels die bij het gereedschap werden geleverd. Een loszittend of te strak vastgezet bit kan gevaarlijk zijn.
- Draai de spankopmoer niet vast zonder dat een bit in de spankop is aangebracht.

Dit kan leiden tot het afbreken van de spankegel.

Steek de bit helemaal in de spankegel en draai de spankopmoer stevig vast met behulp van de twee sleutels.

Een spankegel van 6 mm of 1/4" wordt los bijgeleverd als standaarduitrusting naast de spankegel van 8 mm of 3/8" die in de fabriek op het gereedschap is gemonteerd.

Gebruik de juiste maat spankegel voor het bit dat u wilt gebruiken.

Om het bit te verwijderen volgt u de procedure voor het aanbrengen in de omgekeerde volgorde.

BEDIENING

Plaats eerst de zool van het gereedschap op het werkstuk dat u wilt frezen, zonder dat het bit het werkstuk raakt.

Schakel vervolgens het gereedschap in en wacht totdat het bit op volle snelheid draait. Breng het gereedschap omlaag en beweeg het gereedschap voorwaarts over het oppervlak van het werkstuk. Houd daarbij de zool van het gereedschap vlak op het oppervlak van het werkstuk en beweegt het gereedschap gelijkmatig totdat het frezen klaar is.

Bij het frezen van de rand van het werkstuk moet het oppervlak van het werkstuk zich aan de linkerkant van het bit bevinden, gezien in de voortgangsrichting (zie afb. 8).

OPMERKING:

- Als u het gereedschap te snel voorwaarts beweegt, kan de snede van slechte kwaliteit zijn, of het bit of de motor worden beschadigd.
Als u het gereedschap te langzaam voorwaarts beweegt, kan hierdoor de snede verbranden en lelijk worden. De juiste voortgangssnelheid is afhankelijk van de bitgrootte, het soort werkstuk en de freesdiepte. Alvorens in het eigenlijke werkstuk te werken, is het raadzaam eerst een proefsnede te maken in een stuk afvalhout. Zodoende kunt u precies zien hoe de snede eruit komt te zien en kunt u tevens de afmetingen controleren.
- Als u de langsgeleider gebruikt, zorgt u ervoor dat u deze langs de rechterkant aanbrengt, gezien in de

voortgangsrichting. Hierdoor blijft deze gelijklopen met de zijkant van het werkstuk (zie afb. 9).

Langsgeleider (zie afb. 10)

De langsgeleider wordt gebruikt bij het rechthoekig frezen van een schuine kant of groef.

Om de langsgeleider aan te brengen, steekt u de geleiderstangen ervan in de gaten in de zool van het gereedschap. Stel de afstand in tussen het bit en de langsgeleider. Op de gewenste afstand, draai de vleugelbouten vast om de langsgeleider op zijn plaats vast te zetten (zie afb. 11).

Beweeg tijdens het frezen het gereedschap met de langsgeleider strak langs de zijkant van het werkstuk. Als de afstand (A) tussen de zijkant van het werkstuk en de freespositie te groot is voor de langsgeleider, of als de zijkant van het werkstuk niet recht is, kan de langsgeleider niet worden gebruikt. In dat geval klemt u een rechte lat op het werkstuk en gebruikt u deze als een geleider om de zool van de bovenfrees langs te bewegen. Beweeg het gereedschap in de richting van de pijl (zie afb. 12).

Malgeleider (accessoire) (zie afb. 13)

In de malgeleider zit een gat waar het bit doorheen steekt, waardoor het mogelijk wordt de bovenfrees met een mal te gebruiken.

Om de malgeleider te monteren, draait u de bouten in de zool van het gereedschap los, steekt u de malgeleider erdoor, en draait u tenslotte de bouten weer aan (zie afb. 14).

Bevestig de mal op het werkstuk. Plaats het gereedschap op de mal en beweeg het gereedschap terwijl de malgeleider langs de zijkant van de mal glijdt (zie afb. 15).

OPMERKING:

- Het werkstuk wordt gefreesd op een iets andere grootte dan de mal. Zorg voor de afstand (X) tussen het bit en de buitenrand van de malgeleider. De afstand (X) kan worden berekend met behulp van de volgende vergelijking:
Afstand (X) = (buitendiameter van de malgeleider - diameter van het bit) / 2

Stofafzuigaansluitmond (accessoire) (zie afb. 16 en 17)

Om stof af te zuigen gebruikt u de stofafzuigaansluitmond. Breng de stofafzuigaansluitmond aan op de zool van het gereedschap door het uitsteeksel op de stofafzuigaansluitmond te passen in de inkeping in de zool van het gereedschap, en draai de vingerschroeven vast.

Sluit vervolgens de slang van een stofzuiger aan op de stofafzuigaansluitmond (zie afb. 18).

ONDERHOUD

LET OP:

- Zorg er altijd voor dat het gereedschap is uitgeschakeld en de stekker uit het stopcontact is getrokken, voordat u een inspectie of onderhoud uitvoert.
- Gebruik nooit benzine, wasbenzine, thinner, alcohol, enz. Dit kan leiden tot verkleuren, vervormen of barsten.

Om de VEILIGHEID en BETROUWBAARHEID van het gereedschap te handhaven, dienen alle reparaties, onderhoud en afstellingen te worden uitgevoerd door een erkend Makita-servicecentrum, en altijd met gebruikmaking van originele Makita- vervangingsonderdelen.

ACCESSOIRES

LET OP:

- Deze accessoires of hulpstukken worden aanbevolen voor gebruik met het Makita-gereedschap dat in deze gebruiksaanwijzing wordt beschreven. Het gebruik van andere accessoires of hulpstukken kan gevaar voor persoonlijk letsel opleveren. Gebruik de accessoires of hulpstukken uitsluitend voor de aangegeven gebruiksdoeleinden.

Mocht u meer informatie willen hebben over deze accessoires, dan kunt u contact opnemen met uw plaatselijke Makita-servicecentrum.

- Diverse groefbits
- Diverse afkantbits
- Diverse laminaattrimbits
- Langsgeleider
- Malgeleider 25
- Malgeleiders
- Malgeleideradapter
- Borgmoer
- Spankegel 3/8", 1/4"
- Spankegel, 6 mm, 8 mm
- Steeksleutel 13
- Steeksleutel 22
- Stofafzuigaansluitmond

Bovenfreesbits

Vlakgroefbit (zie afb. 19)

mm

D	A	L 1	L 2
6	20	50	15
1/4"			
8	8	60	25
6	8	50	18
1/4"			
6	6	50	18
1/4"			

U-groefbit (zie afb. 20)

mm

D	A	L 1	L 2	R
6	6	50	18	3

V-groefbit (zie afb. 21)

mm

D	A	L 1	L 2	θ
1/4"	20	50	15	90°

Afkanttrimbit met boorpunt (zie afb. 22)

mm

D	A	L 1	L 2	L 3
8	8	60	20	35
6	6	60	18	28

Dubbele afkanttrimbit met boorpunt (zie afb. 23)

mm

D	A	L 1	L 2	L 3	L 4
8	8	80	55	20	25
6	6	70	40	12	14

Papegaaienbekbit (zie afb. 24)

mm

D	A 1	A 2	L 1	L 2	L 3	R
6	25	9	48	13	5	8
6	20	8	45	10	4	4

Afschuinbit (zie afb. 25)

mm

D	A	L 1	L 2	L 3	θ
6	23	46	11	6	30°
6	20	50	13	5	45°
6	20	49	14	2	60°

Kwartholprofielbit (zie afb. 26)

mm

D	A	L 1	L 2	R
6	20	43	8	4
6	25	48	13	8

Afkanttrimbit met kogellager (zie afb. 27)

mm

D	A	L 1	L 2
6	10	50	20
1/4"			

Papegaaienbekbit met kogellager (zie afb. 28)

mm

D	A 1	A 2	L 1	L 2	L 3	R
6	15	8	37	7	3,5	3
6	21	8	40	10	3,5	6
1/4"						

Afschuinbit met kogellager (zie afb. 29)

mm

D	A 1	A 2	L 1	L 2	θ
6	26	8	42	12	45°
1/4"					
6	20	8	41	11	60°

Kwartrondbit met kogellager (zie afb. 30)

mm

D	A 1	A 2	A 3	L 1	L 2	L 3	R
6	20	12	8	40	10	5,5	4
6	26	12	8	42	12	4,5	7

Kwartholprofielbit met kogellager (zie afb. 31)

mm

D	A 1	A 2	A 3	A 4	L 1	L 2	L 3	R
6	20	18	12	8	40	10	5,5	3
6	26	22	12	8	42	12	5	5

Ojiefbit met kogellager (zie afb. 32)

mm

D	A 1	A 2	L 1	L 2	L 3	R1	R2
6	20	8	40	10	4,5	2,5	4,5
6	26	8	42	12	4,5	3	6

Geluid

ENG102-3

De typische, A-gewogen geluidsniveaus zijn gemeten volgens EN60745:

Geluidsdrukniveau (L_{pA}): 89 dB (A)

Geluidsvermogeniveau (L_{wA}): 100 dB (A)

Onzekerheid (K): 3 dB (A)

Draag gehoorbescherming.**Trilling**

ENG223-2

De totale trillingswaarde (triaxiale vectorsom) zoals vastgesteld volgens EN60745:

Gebruikstoepassing: groeven frezen in MDF

Trillingsemisatie (a_h): 4,0 m/s²

Onzekerheid (K): 1,5 m/s²

ENG901-1

- De opgegeven trillingsemisatie waarde is gemeten volgens de standaardtestmethode en kan worden gebruikt om dit gereedschap te vergelijken met andere gereedschappen.
- De opgegeven trillingsemisatie waarde kan ook worden gebruikt voor een beoordeling vooraf van de blootstelling.

⚠ WAARSCHUWING:

- De trillingsemisatie tijdens het gebruik van het elektrisch gereedschap in de praktijk kan verschillen van de opgegeven trillingsemisatie waarde afhankelijk van de manier waarop het gereedschap wordt gebruikt.
- Zorg ervoor dat veiligheidsmaatregelen worden getroffen ter bescherming van de operator die zijn gebaseerd op een schatting van de blootstelling onder praktijkomstandigheden (rekening houdend met alle fasen van de bedrijfscyclus, zoals de tijdsduur gedurende welke het gereedschap is uitgeschakeld en stationair draait, naast de ingeschakelde tijdsduur).

Alleen voor Europese landen

ENH101-13

EU-verklaring van conformiteit

Wij, Makita Corporation, als de verantwoordelijke fabrikant, verklaren dat de volgende Makita-machine(s):

Aanduiding van de machine:

Bovenfrees

Modelnr./Type: RP0900

in serie is geproduceerd en

Voldoet aan de volgende Europese richtlijnen:

98/37/EC tot en met 28 december 2009 en daarna aan 2006/42/EC vanaf 29 december 2009

En zijn gefabriceerd in overeenstemming met de volgende normen of genormaliseerde documenten: EN60745

De technische documentatie wordt bewaard door onze erkende vertegenwoordiger in Europa, te weten:

Makita International Europe Ltd.,
Michigan Drive, Tongwell,
Milton Keynes, MK15 8JD, Engeland

30 januari 2009



Tomoyasu Kato

Directeur

Makita Corporation

3-11-8, Sumiyoshi-cho

Anjo, Aichi, JAPAN

ESPAÑOL (Instrucciones originales)

Descripción y visión general

- | | | |
|------------------------------|---|---|
| 1. Varilla de tope | 9. Dirección de giro de la fresa | 16. Guía para plantilla |
| 2. Tornillo | 10. Vista desde la parte superior de la herramienta | 17. Fresa |
| 3. Palanca de bloqueo | 11. Dirección de avance | 18. Plantilla |
| 4. Indicador de profundidad | 12. Guía recta | 19. Distancia (X) |
| 5. Perno hexagonal de ajuste | 13. Barra de guía | 20. Diámetro exterior de la guía para plantilla |
| 6. Bloque de tope | 14. Tornillo de apriete | 21. Boquilla de polvo |
| 7. Interruptor disparador | 15. Base | 22. Tornillo de mano |
| 8. Pieza de trabajo | | |

ESPECIFICACIONES

Modelo	RP0900
Capacidad de boquilla	6 mm, 1/4", 8 mm y/o 3/8"
Capacidad de penetración	0 - 35 mm
Velocidad en vacío (mín ⁻¹)	27.000
Altura total	217 mm
Peso neto	2,7 kg
Clase de seguridad	II/II

- Debido a nuestro programa continuo de investigación y desarrollo, las especificaciones aquí descritas están sujetas a cambios sin previo aviso.
- Las especificaciones pueden ser diferentes de un país a otro.
- Peso de acuerdo con el procedimiento EPTA 01/2003

Uso previsto

ENE010-1

Esta herramienta está diseñada para recortes y perfilados planos en madera, plástico y materiales similares.

Alimentación

ENF002-1

La herramienta debe conectarse solamente a una fuente de alimentación de la misma tensión que la indicada en la placa de características, y sólo puede funcionar con corriente alterna monofásica. El sistema de doble aislamiento de la herramienta cumple con las normas europeas y puede, por lo tanto, usarse también en tomacorrientes sin conductor de tierra.

Advertencias de seguridad generales para herramientas eléctricas

GEA010-1

⚠ ADVERTENCIA Lea todas las advertencias de seguridad y todas las instrucciones. La no observancia de las advertencias y las instrucciones puede provocar descargas eléctricas, incendios y/o lesiones graves.

Guarde todas las advertencias e instrucciones para futuras consultas.

ADVERTENCIAS DE SEGURIDAD DE LA FRESADORA

GEB018-2

1. Sujete las herramientas eléctricas por las superficies de agarre aisladas al realizar una operación en que la herramienta de corte pueda entrar en contacto con cables ocultos o con su propio cable. Si entra en contacto con un cable con corriente, las piezas metálicas expuestas se cargarán también de corriente y el operario puede recibir una descarga.
2. Utilice mordazas u otros medios de sujeción prácticos para sujetar y apoyar la pieza de trabajo en una plataforma estable. Si sujeta la pieza de trabajo con la mano o contra el cuerpo, estará inestable y podrá ocasionar la pérdida de control.
3. Utilice protectores para los oídos cuando use la herramienta de forma prolongada.
4. Manipule las fresas con mucho cuidado.
5. Antes de su uso, compruebe que la fresa no esté agrietada ni dañada. Las fresas agrietadas o dañadas deben sustituirse de inmediato.
6. Evite cortar clavos. Antes de trabajar, inspeccione la pieza de trabajo y extraiga todos los clavos.
7. Sujete firmemente la herramienta con ambas manos.
8. Mantenga las manos alejadas de las partes giratorias.
9. Asegúrese de que la fresa no esté tocando la pieza de trabajo antes de activar el interruptor.
10. Antes de utilizar la herramienta en una pieza de trabajo, déjela en marcha durante unos instantes. Observe si se producen vibraciones u oscilaciones, puesto que son síntomas de que la fresa no se ha instalado correctamente.
11. Tenga presente en todo momento la dirección de giro de la fresa y la dirección de avance.
12. No deje la herramienta encendida. Póngala en marcha solamente cuando la tenga en las manos.
13. Apague la herramienta y espere siempre a que la fresa se haya parado completamente antes de retirar la herramienta de la pieza de trabajo.

14. **No toque la fresa inmediatamente después de la tarea, ya que puede estar extremadamente caliente y producir quemaduras en la piel.**
15. **Procure no ensuciar la base de la herramienta con disolventes, gasolina, aceite o productos similares, ya que podrían producirse grietas en la base de la herramienta.**
16. **Utilice herramientas de corte del diámetro de vástago correcto y que se ajusten a la velocidad de la herramienta.**
17. **Algunos materiales contienen sustancias químicas que pueden ser tóxicas. Procure evitar la inhalación de polvo y el contacto con la piel. Siga los datos de seguridad del proveedor del material.**
18. **Utilice siempre la mascarilla antipolvo o la mascarilla de respiración adecuada para el material y la aplicación con que esté trabajando.**

GUARDE ESTAS INSTRUCCIONES.

ADVERTENCIA:

No deje que la comodidad o la familiaridad con el producto (a base de utilizarlo repetidamente) sustituya la estricta observancia de las normas de seguridad del producto en cuestión. El MAL USO o la no observancia de las normas de seguridad expuestas en este manual de instrucciones pueden ocasionar graves daños corporales.

DESCRIPCIÓN DEL FUNCIONAMIENTO

PRECAUCIÓN:

- Asegúrese siempre de que la herramienta esté apagada y desenchufada antes de intentar realizar cualquier tipo de ajuste o comprobación en ella.

Ajuste de la profundidad de corte (Fig. 1)

Coloque la herramienta sobre una superficie plana. Afloje el tornillo que fija la varilla de tope.

Afloje la palanca de bloqueo y baje el cuerpo de la herramienta hasta que la fresa entre en contacto con la superficie plana. Apriete la palanca de bloqueo para bloquear el cuerpo de la herramienta. (Fig. 2)

A continuación, baje la varilla de tope hasta que entre en contacto con el perno hexagonal de ajuste. Alinee el indicador de profundidad con la graduación "0".

Levante la varilla de tope hasta que obtenga la profundidad de corte deseada. La profundidad de corte se indica en la escala (1 mm por graduación) mediante el indicador de profundidad. A continuación, apriete el tornillo para fijar la varilla de tope.

Ahora se puede obtener la profundidad de corte predeterminada aflojando la palanca de bloqueo y bajando el cuerpo de la herramienta hasta que la varilla de tope entra en contacto con el perno hexagonal de ajuste. (Fig. 3)

PRECAUCIÓN:

- Dado que un corte excesivo podrá causar sobrecarga al motor o dificultad en el control de la herramienta, la profundidad de corte no deberá exceder los 15 mm por

pasada cuando abra ranuras con una fresa de 8 mm de diámetro.

- Cuando abra ranuras con una fresa de 20 mm de diámetro, la profundidad de corte no debe ser superior a los 5 mm por pasada.

Si desea abrir ranuras de más de 15 mm de profundidad con una fresa de un diámetro de 8 mm o una profundidad superior a 5 mm con una fresa de 20 mm de diámetro, realice varias pasadas con ajustes de profundidad progresivamente mayores.

Bloque de tope (Fig. 4)

El bloque de tope tiene tres pernos de ajuste que se elevan o se bajan 0,8 mm por giro. Puede obtener fácilmente tres profundidades de corte diferentes mediante estos pernos hexagonales de ajuste sin reajustar la varilla de tope.

Ajuste el perno hexagonal inferior para obtener la mayor profundidad de corte siguiendo el método de "Ajuste de profundidad de corte".

Ajuste los dos pernos hexagonales restantes para obtener profundidades de corte inferiores. Las diferencias de altura de esos pernos hexagonales son iguales a las diferencias de profundidad de corte.

Para ajustar los pernos hexagonales, gírelos. El bloque de tope también es útil para realizar tres pasadas con ajustes de fresa progresivamente más profundos al abrir ranuras profundas.

PRECAUCIÓN:

Cuando utilice una fresa con una longitud total de 60 mm o más, o una longitud de canto de 35 mm o más, la profundidad de corte no se podrá ajustar como se mencionó anteriormente. Para ajustarla, siga este procedimiento:

Afloje la palanca de bloqueo y ajuste con cuidado el saliente de la fresa debajo de la base de la herramienta en la profundidad de corte deseada moviendo el cuerpo de la herramienta hacia arriba o hacia abajo. A continuación, vuelva a apretar la palanca de bloqueo para bloquear el cuerpo de la herramienta en esa profundidad de corte. Mantenga el cuerpo de la herramienta bloqueado en esta posición durante su uso. Como la fresa siempre sobresale de la base de la herramienta, tenga cuidado cuando la maneje.

Ajuste de la palanca de bloqueo (Fig. 5)

La posición de bloqueo de la palanca de bloqueo se puede ajustar. Para ajustarla, retire el tornillo que fija la palanca de bloqueo. La palanca de bloqueo se desprenderá. Ajuste la palanca de bloqueo en el ángulo que desee. Tras el ajuste, apriete la palanca de bloqueo en el sentido de las agujas del reloj.

Funcionamiento del interruptor (Fig. 6)

PRECAUCIÓN:

- Antes de enchufar la herramienta, asegúrese siempre de que el interruptor disparador funcione como es debido y de que vuelva a la posición "OFF" (apagado) al saltarlo.

Para poner en marcha la herramienta, simplemente accione el interruptor disparador. Suelte el interruptor disparador para detener la herramienta.

MONTAJE

PRECAUCIÓN:

- Asegúrese siempre de que la herramienta esté apagada y desenchufada antes de intentar realizar cualquier trabajo en ella.

Instalación o extracción de la fresa (Fig. 7)

PRECAUCIÓN:

- Instale la fresa firmemente. Utilice únicamente las llaves de ajuste suministradas con la herramienta. Una fresa poco apretada o demasiado apretada puede ser peligrosa.
- No apriete la tuerca del collar de apriete sin haber insertado la fresa.
Puede provocar la rotura del collar de apriete.

Inserte la fresa completamente en el interior del cono de collar de apriete y fije la tuerca de apriete firmemente con las dos llaves de ajuste.

También se proporciona como equipamiento estándar un cono de collar de 6 mm o 1/4" además del cono de collar de 8 mm o 3/8" que se instala de fábrica en la herramienta. Utilice el tamaño correcto del cono del collar para la fresa que va a usar.

Para extraer la fresa, siga el procedimiento de instalación en orden inverso.

MANEJO

Coloque la base sobre la pieza de trabajo que debe cortarse sin que la fresa realice ningún contacto. A continuación, encienda la herramienta y espere hasta que la fresa alcance la velocidad máxima. Baje el cuerpo de la herramienta y mueva la herramienta hacia delante sobre la superficie de la pieza de trabajo, manteniendo la base de la herramienta a ras y avanzando suavemente hasta que se complete el corte.

Cuando corte molduras de canto, la superficie de la pieza de trabajo deberá quedar a la izquierda de la fresa con respecto a la dirección de corte. (Fig. 8)

NOTA:

- Si avanza la herramienta demasiado rápidamente el corte no será preciso y podrá dañar la fresa o el motor. Si avanza muy lentamente puede quemar la madera y echar a perder el corte. La velocidad de corte apropiada dependerá del tamaño de la fresa, tipo de pieza de trabajo y profundidad de corte. Antes de iniciar el corte en la pieza de trabajo real, se recomienda realizar un corte de muestra en una pieza de madera de desecho. De esta forma podrá comprobar el resultado exacto del corte y también las dimensiones.
- Cuando utilice la guía recta, asegúrese de instalarla en el lado derecho de la dirección de avance. Esto ayudará a mantener la guía contra el canto de la pieza de trabajo. (Fig. 9)

Guía recta (Fig. 10)

La guía recta se utiliza de forma efectiva para cortes rectos para el biselado o el ranurado.

Para instalar la guía recta, inserte las barras de guía en los orificios de la base de la herramienta. Ajuste la

distancia entre la fresa y la guía recta. En la distancia deseada, apriete los tornillos de mariposa para fijar la guía recta en su lugar. (Fig. 11)

Cuando realice un corte, mueva la herramienta con la guía recta bien asentada en el lateral de la pieza de trabajo.

Si la distancia (A) entre el lateral de la pieza de trabajo y la posición de corte es demasiado ancha para la guía recta o si el lateral de la pieza de trabajo no está recto, no se puede utilizar la guía recta. En ese caso, fije firmemente una tabla recta a la pieza de trabajo y utilícela como guía sobre la base de la fresadora. Deslice la herramienta en la dirección de la flecha. (Fig. 12)

Guía para plantillas (Accesorio) (Fig. 13)

La guía para plantilla tiene una acanaladura por la cual pasa la fresa, permitiendo usar la herramienta con diversos patrones de plantilla.

Para instalar la guía para plantillas, afloje los tornillos de la base de la herramienta, inserte la guía de la plantilla y, a continuación, apriete los tornillos. (Fig. 14)

Asegure la plantilla en la pieza de trabajo. Ponga la herramienta sobre la plantilla y mueva la herramienta con la guía para plantilla deslizándose a lo largo del canto de la plantilla. (Fig. 15)

NOTA:

- El tamaño del corte realizado en la pieza de trabajo variará ligeramente con respecto a la plantilla. Cuenten con una tolerancia para la distancia (X) entre la fresa y la parte exterior de la guía para plantilla. La distancia (X) se puede calcular mediante la siguiente ecuación:
Distancia (X) = (diámetro exterior de la guía para plantilla - diámetro exterior de la fresa) / 2

Conjunto de boquilla de polvo (Accesorio) (Fig. 16 y 17)

Utilice la boquilla de polvo para extraer el polvo. Instale la boquilla de polvo en la base de la herramienta usando el tornillo de mariposa de forma que el saliente de la boquilla de polvo encaje en la muesca de la base de la herramienta.

A continuación, conecte una aspiradora a la boquilla de polvo. (Fig. 18)

MANTENIMIENTO

PRECAUCIÓN:

- Asegúrese siempre de que la herramienta esté apagada y desenchufada antes de intentar realizar cualquier trabajo de inspección o mantenimiento en ella.
- Nunca utilice gasolina, benceno, disolvente, alcohol o un producto similar. Se puede provocar una decoloración, una deformación o grietas.

Para conservar la SEGURIDAD y la FIABILIDAD del producto, los trabajos de reparación y otros trabajos de mantenimiento y ajuste deberán ser realizados en centros de servicio autorizados de Makita, utilizando siempre repuestos Makita.

ACCESORIOS

PRECAUCIÓN:

- Se recomienda el uso de estos accesorios o complementos con la herramienta Makita especificada en este manual. El uso de otros accesorios o complementos puede conllevar el riesgo de ocasionar daños corporales. Utilice los accesorios o complementos solamente para su fin establecido.

Si necesita cualquier ayuda para obtener más información relativa a estos accesorios, pregunte al centro de servicio Makita local.

- Fresas rectas y de formación de ranuras
- Fresas de formación de bordes
- Fresas de recorte de laminados
- Guía recta
- Guía para plantilla 25
- Guías para plantilla
- Adaptador de las guías para plantilla
- Contratuerca
- Cono de collar 3/8", 1/4"
- Cono de collar 6 mm, 8 mm
- Llave 13
- Llave 22
- Conjunto de boquilla de polvo

Brocas fresadoras

Fresa recta (Fig. 19)

mm

D	A	L 1	L 2
6	20	50	15
1/4"			
8	8	60	25
6	8	50	18
1/4"			
6	6	50	18
1/4"			

Fresa ranuradora en "U" (Fig. 20)

mm

D	A	L 1	L 2	R
6	6	50	18	3

Fresa ranuradora en "V" (Fig. 21)

mm

D	A	L 1	L 2	θ
1/4"	20	50	15	90°

Fresa simple para paneles (Fig. 22)

mm

D	A	L 1	L 2	L 3
8	8	60	20	35
6	6	60	18	28

Fresa doble para paneles (Fig. 23)

mm

D	A	L 1	L 2	L 3	L 4
8	8	80	55	20	25
6	6	70	40	12	14

Fresa para redondeado de cantos (Fig. 24)

mm

D	A 1	A 2	L 1	L 2	L 3	R
6	25	9	48	13	5	8
6	20	8	45	10	4	4

Fresa biseladora (Fig. 25)

mm

D	A	L 1	L 2	L 3	θ
6	23	46	11	6	30°
6	20	50	13	5	45°
6	20	49	14	2	60°

Fresa para moldurar (Fig. 26)

mm

D	A	L 1	L 2	R
6	20	43	8	4
6	25	48	13	8

Fresa simple para paneles con rodamiento (Fig. 27)

mm

D	A	L 1	L 2
6	10	50	20
1/4"			

Fresa para redondeado de cantos con rodamiento (Fig. 28)

mm

D	A 1	A 2	L 1	L 2	L 3	R
6	15	8	37	7	3,5	3
6	21	8	40	10	3,5	6
1/4"						

Fresa biseladora con rodamiento (Fig. 29)

mm

D	A 1	A 2	L 1	L 2	θ
6	26	8	42	12	45°
1/4"					
6	20	8	41	11	60°

Fresa para moldurar con rodamiento (Fig. 30)

mm

D	A 1	A 2	A 3	L 1	L 2	L 3	R
6	20	12	8	40	10	5,5	4
6	26	12	8	42	12	4,5	7

Fresa para moldurar con rodamiento (Cóncavo)
(Fig. 31)

mm

D	A 1	A 2	A 3	A 4	L 1	L 2	L 3	R
6	20	18	12	8	40	10	5,5	3
6	26	22	12	8	42	12	5	5

Fresa para moldurar con rodamiento (Convexo)
(Fig. 32)

mm

D	A 1	A 2	L 1	L 2	L 3	R1	R2
6	20	8	40	10	4,5	2,5	4,5
6	26	8	42	12	4,5	3	6

Ruido ENG102-3

Niveles típicos de ruido ponderado A determinados conforme a EN60745:

Nivel de presión de sonido (L_{pA}): 89 dB (A)

Nivel de potencia de sonido (L_{WA}): 100 dB (A)

Incertidumbre (K): 3 dB (A)

Utilice protección para los oídos.

Vibración ENG223-2

Valor total de la vibración (suma de vectores triaxiales) determinada según el estándar EN60745:

Modo de trabajo: corte de ranuras en tablero de fibras de densidad media

Emisión de vibraciones (a_h): 4,0 m/s²

Incertidumbre (K): 1,5 m/s²

ENG901-1

- El valor de emisión de vibraciones se ha medido de acuerdo con el método de prueba estándar y se puede utilizar para comparar herramientas.
- El valor de emisión de vibraciones declarado también se puede usar en una evaluación preliminar de la exposición.

⚠ ADVERTENCIA:

- La emisión de vibraciones durante el uso de la herramienta eléctrica puede diferir del valor de emisiones declarado, dependiendo de las formas en que se utiliza la herramienta.
- Asegúrese de identificar las mediciones correctas para proteger al operario, que se basan en una estimación de la exposición en condiciones de uso reales (teniendo en cuenta todas las partes del ciclo de operaciones, como los momentos en los que la herramienta está apagada y cuando funciona al ralentí además del tiempo en que está activado el interruptor).

Sólo para países europeos ENH101-13

Declaración de conformidad de la CE

Nosotros, Makita Corporation, en calidad de fabricante responsable, declaramos que las siguientes máquinas Makita:

Designación de la máquina:

Fresadora

Nº de modelo/ Tipo: RP0900

son de producción serie y

Cumplen con las siguientes Directivas europeas:

98/37/EC hasta el 28 de diciembre de 2009 y después con 2006/42/EC a partir del 29 de diciembre de 2009

Y se han fabricado de acuerdo con las siguientes estándares o documentos estandarizados:

EN60745

La documentación técnica la conserva nuestro representante autorizado en Europa, que es:

Makita International Europe Ltd.,
Michigan, Drive, Tongwell,
Milton Keynes, MK15 8JD, Inglaterra

30 de enero de 2009

Tomoyasu Kato
Director

Makita Corporation
3-11-8, Sumiyoshi-cho,
Anjo, Aichi, JAPAN

PORTUGUÊS (Instruções de origem)

Descrição geral

- | | | |
|---------------------------------|---------------------------------|---|
| 1. Batente | 9. Direcção rotativa da broca | 17. Broca |
| 2. Parafuso | 10. Vista de cima da ferramenta | 18. Modelo |
| 3. Alavanca de bloqueio | 11. Direcção de alimentação | 19. Distância (X) |
| 4. Indicador de profundidade | 12. Guia a direito | 20. Diâmetro exterior da guia de modelo |
| 5. Parafuso sextavado de ajuste | 13. Barra de guia | 21. Bico de pó |
| 6. Bloco do batente | 14. Parafuso de fixação | 22. Parafuso de polegar |
| 7. Gatilho | 15. Base | |
| 8. Peça de trabalho | 16. Guia de modelo | |

ESPECIFICAÇÕES

Modelo	RP0900
Capacidade da pinça de aperto	6 mm, 1/4", 8 mm e/ou 3/8"
Capacidade de fresagem	0 - 35 mm
Velocidade de rotação sem carga (mín. ⁻¹)	27.000
Altura geral	217 mm
Peso líquido	2,7 kg
Classe de segurança	II/II

- Devido à pesquisa e desenvolvimento constantes, estas especificações estão sujeitas a alteração sem aviso prévio.
- Estas especificações podem diferir de país para país.
- Peso de acordo com o procedimento EPTA de 01/2003

Utilização prevista ENE010-1

A ferramenta destina-se a cortes rasos e recortes de madeira, plástico e materiais semelhantes.

Fonte de alimentação ENF002-1

A ferramenta apenas deve ser ligada a uma fonte de alimentação da mesma tensão que a indicada na chapa de especificações, e apenas pode funcionar com uma alimentação CA monofásica. Estão blindadas duplamente, de acordo com a Norma Europeia e podem, assim, ser igualmente ligadas a tomadas sem fio terra.

Avisos gerais de segurança para ferramentas eléctricas GEA010-1

⚠ AVISO Leia todos os avisos de segurança e todas as instruções. O não cumprimento dos avisos e instruções pode resultar na ocorrência de choques eléctricos, incêndios e/ou ferimentos graves.

Guarde todos os avisos e instruções para referência futura.

AVISOS DE SEGURANÇA DA FRESADORA GEB018-2

1. Quando executar operações em que acessórios de corte possam entrar em contacto com fios eléctricos ocultos ou com próprio cabo eléctrico da ferramenta, tenha o cuidado de tocar apenas nas superfícies isoladas desses acessórios. O contacto com um fio eléctrico ligado à corrente pode electrificar as peças de metal da ferramenta e causar um choque.
2. Utilize grampos ou outra forma prática de fixar e suportar a peça de trabalho a uma plataforma estável. Segurar a peça com a mão ou contra o corpo deixa-a instável e poderá provocar a perda de controlo.
3. Use protecção para os ouvidos se utilizar a ferramenta durante um longo período.
4. Manuseie as brocas com muito cuidado.
5. Verifique cuidadosamente se a broca apresenta fissuras ou danos, antes de utilizar. Substitua imediatamente uma broca rachada ou danificada.
6. Evite cortar pregos. Verifique a existência e retire todos os pregos da peça de trabalho, antes de utilizar a ferramenta.
7. Segure a ferramenta com firmeza, com as duas mãos.
8. Afaste as mãos das peças em movimento.
9. Certifique-se de que a broca não está em contacto com a peça de trabalho antes de ligar o interruptor.
10. Antes de utilizar a ferramenta numa peça de trabalho, deixe-a a trabalhar durante algum tempo. Verifique a existência de vibrações ou abanões que possam indicar uma broca incorrectamente instalada.
11. Tome atenção à direcção de rotação da broca e direcção de alimentação.
12. Não abandone a ferramenta a funcionar. Ponha-a a funcionar apenas quando estiver a segurá-la.
13. Desligue sempre e aguarde que a broca pare completamente antes de remover a ferramenta da peça de trabalho.
14. Não toque na broca logo após a operação uma vez que pode estar demasiado quente e provocar queimaduras.
15. Não espalhe diluente, gasolina, óleo ou líquidos semelhantes na base da ferramenta. Isto poderá provocar fissuras na base da ferramenta.

16. Deve utilizar cortadores com o diâmetro correcto da haste e que sejam adequados para a velocidade da ferramenta.
17. Alguns materiais contêm químicos que podem ser tóxicos. Tenha cuidado para evitar a inalação e o contacto da pele com o pó produzido. Obedeça às instruções de segurança do fornecedor do material.
18. Use sempre a máscara contra o pó/respirador correctos para o material e aplicação em que está a trabalhar.

GUARDE ESTAS INSTRUÇÕES.

AVISO:

NÃO deixe que o progressivo à vontade com o produto (resultante de uma utilização frequente) o faça esquecer o estrito cumprimento das regras de segurança de utilização do produto. A UTILIZAÇÃO INCORRECTA ou o não cumprimento das regras de segurança fornecidas neste manual de instruções podem provocar ferimentos graves.

DESCRIÇÃO DO FUNCIONAMENTO

PRECAUÇÃO:

- Certifique-se sempre de que a ferramenta está desligada no interruptor e da tomada antes de proceder a ajustes ou testes à mesma.

Regular a profundidade de corte (Fig. 1)

Coloque a ferramenta numa superfície plana. Desaperte o parafuso que fixa o batente.

Desaperte a alavanca de bloqueio e baixe o corpo da ferramenta até a broca tocar na superfície plana. Aperte a alavanca de bloqueio para bloquear o corpo da ferramenta. (Fig. 2)

De seguida, baixe o batente até entrar em contacto com o parafuso sextavado de ajuste. Alinhe o indicador de profundidade com a graduação "0".

Levante o batente até obter a profundidade de corte pretendida. A profundidade de corte é indicada na escala (1 mm por graduação) pelo indicador de profundidade. De seguida, aperte o parafuso para fixar o batente.

Agora, a profundidade pré-determinada de corte pode ser obtida desapertando a alavanca de bloqueio e depois baixando o corpo da ferramenta até o batente entrar em contacto com o parafuso sextavado de ajuste. (Fig. 3)

PRECAUÇÃO:

- Uma vez que o corte excessivo pode causar sobrecarga do motor ou dificuldade no controlo da ferramenta, a profundidade de corte não deve ser superior a 15 mm durante a passagem quando cortar ranhuras com uma broca com 8 mm de diâmetro.
- Quando cortar ranhuras com uma broca com 20 mm de diâmetro, a profundidade de corte não deve ser superior a 5 mm durante a passagem. Quando pretender cortar ranhuras com mais de 15 mm de profundidade com uma broca com 8 mm de diâmetro ou mais de 5 mm de profundidade com uma broca com mais de 20 mm de diâmetro, execute várias passagens com definições de broca cada vez mais profundas.

Bloco do batente (Fig. 4)

O bloco do batente tem três parafusos sextavados de ajuste que sobem ou descem 0,8 mm por volta. Pode obter facilmente três profundidades diferentes de corte através destes parafusos sextavados de ajuste sem reajustar o batente.

Ajuste o parafuso sextavado mais baixo para obter a maior profundidade de corte, seguindo o método de "Ajustar a profundidade de corte".

Ajuste os dois parafusos sextavados restantes para obter profundidades de corte mais superficiais. As diferenças em altura destes parafusos sextavados são iguais às diferenças nas profundidades de corte.

Para ajustar os parafusos sextavados, rode os parafusos sextavados. O bloco do batente também é útil para fazer três passagens definições de broca cada vez mais profundas quando cortar ranhuras fundas.

PRECAUÇÃO:

Quando utilizar uma broca com um comprimento total de 60 mm ou mais ou comprimento de extremidade de 35 mm ou mais, a profundidade de corte não pode ser ajustada como mencionado previamente. Para ajustar, proceda da seguinte forma:

Desaperte a alavanca de bloqueio e ajuste cuidadosamente a protusão da broca abaixo da base da ferramenta para a profundidade pretendida de corte deslocando o corpo da ferramenta para cima e para baixo. De seguida, aperte a alavanca de bloqueio para bloquear o corpo da ferramenta na profundidade de corte. Mantenha o corpo da ferramenta bloqueado nesta posição durante a utilização. Uma vez que a broca sobressai da base da ferramenta, tenha cuidado quando manusear a ferramenta.

Ajustar a alavanca de bloqueio (Fig. 5)

A posição bloqueada da alavanca de bloqueio é ajustável. Para a ajustar, retire o parafuso que fixa a alavanca de bloqueio. A alavanca de bloqueio irá sair. Regule a alavanca de bloqueio para o ângulo pretendido. Após o ajuste, aperte a alavanca de bloqueio para a direita.

Ação do interruptor (Fig. 6)

PRECAUÇÃO:

- Antes de inserir a ficha da ferramenta na tomada, verifique se o gatilho está a funcionar correctamente e se volta à posição "OFF" quando o solta.

Para pôr a ferramenta a funcionar, prima o gatilho. Para parar a ferramenta, solte o gatilho.

MONTAGEM

PRECAUÇÃO:

- Certifique-se sempre de que a ferramenta está desligada no interruptor e da tomada antes de efectuar qualquer trabalho na mesma.

Instalar ou retirar a broca (Fig. 7)

PRECAUÇÃO:

- Instale bem a broca. Utilize sempre as chaves fornecidas com a ferramenta. Uma broca desapertada ou apertada em demasia pode ser perigosa.

- Não aperte a porca da pinça sem introduzir uma broca. Pode originar a quebra do cone da pinça. Introduza a porca ao máximo no cone da pinça e aperte bem a porca da pinça com as duas chaves. Um cone da pinça de 6 mm ou 1/4" também é fornecida como equipamento de série além do cone da pinça de 8 mm ou 3/8" que vem instalado de fábrica na ferramenta. Utilize o tamanho correcto de cone da pinça para a broca que pretende utilizar. Para remover a brica, siga o procedimento inverso de instalação.

FUNCIONAMENTO

Defina a base da ferramenta na peça de trabalho a cortar, sem que a broca faça qualquer contacto. De seguida, ligue a ferramenta e aguarde até que a broca atinja a velocidade máxima. Baixe o corpo da ferramenta e desloque a ferramenta para a frente para a superfície da peça de trabalho, mantendo a base da ferramenta encostada e avançando suavemente até o corte estar concluído.

Quando efectuar corte de extremidades, a superfície da peça de trabalho deve estar no lado esquerdo da broca na direcção de alimentação. (Fig. 8)

NOTA:

- Deslocar a ferramenta para a frente muito rápido pode causar uma qualidade fraca de corte ou danos na broca ou motor. Deslocar a ferramenta para a frente muito lentamente pode queimar e danificar o corte. A velocidade de avanço adequada irá depender do tamanho da broca, tipo de peça de trabalho e profundidade de corte. Antes de iniciar o corte na peça de trabalho real, é recomendável efectuar um corte de amostra num pedaço de madeira. Isto irá mostrar exactamente como o corte irá ficar e permite também verificar as dimensões.
- Quando utilizar a guia a direita, certifique-se de que a instala no lado direito na direcção de alimentação. Isto irá ajudar a mantê-la encostada à parte lateral da peça de trabalho. (Fig. 9)

Guia a direito (Fig. 10)

A guia a direito é utilizada eficazmente para cortes a direito na chanfragem ou abertura de ranhuras. Para instalar a guia a direito, introduza as barras de guia nos orifícios na base da ferramenta. Ajuste a distância entre a broca e a guia a direito. Na distância pretendida, aperte os parafusos de orelhas para fixar a guia a direito na posição. (Fig. 11) Quando cortar, mova a ferramenta com a guia a direito encostada ao lado da peça de trabalho. Se a distância (A) entre a parte lateral da peça de trabalho e a posição de corte for demasiado larga para a guia a direito ou se a parte lateral da peça de trabalho não for a direito, a guia a direito não pode ser utilizada. Neste caso, fixe bem uma placa a direito para a peça de trabalho e utilize-a como uma guia contra a base da fresadora. Avance a ferramenta na direcção da seta. (Fig. 12)

Guia de modelo (Acessório) (Fig. 13)

A guia de modelo fornece uma manga pela qual passa a broca, permitindo a utilização da ferramenta com os padrões de modelo. Para instalar a guia de modelo, desaperte os parafusos na base da ferramenta, introduza a guia e depois aperte o parafuso. (Fig. 14) Fixe o modelo à peça de trabalho. Coloque a ferramenta no modelo e desloque a ferramenta com a guia de modelo deslizando ao longo da parte lateral do modelo. (Fig. 15)

NOTA:

- A peça de trabalho será cortada num tamanho ligeiramente diferente do modelo. Permita que a distância (X) entre a broca e o exterior da guia de modelo. A distância (X) pode ser calculada utilizando a equação seguinte:
Distância (X) = (diâmetro exterior da guia de modelo - diâmetro da broca) / 2

Conjunto do bico de pó (Acessório) (Fig. 16 & 17)

Utilize o bico de pó para a extracção de pó. Instale o bico de pó na base da ferramenta utilizando o parafuso de poleyar de modo a que a protusão no bico de pó encaixe no entalhe na base da ferramenta. De seguida, ligue um aspirador ao bico de pó. (Fig. 18)

MANUTENÇÃO

PRECAUÇÃO:

- Certifique-se sempre de que a ferramenta está desligada no interruptor e da tomada antes de inspecionar ou fazer a manutenção da ferramenta.
- Nunca utilize gasolina, benzina, diluente, álcool ou semelhante. Podem formar-se descoloreções, deformações ou fissuras.

Para manter os níveis de SEGURANÇA e FIABILIDADE definidos para este produto, as reparações e os procedimentos de manutenção ou ajustes devem ser executados por centros de assistência Makita autorizados, utilizando sempre peças de substituição Makita.

ACESSÓRIOS

PRECAUÇÃO:

- Os seguintes acessórios ou extensões são os recomendados para utilizar com a ferramenta Makita especificada neste manual. A utilização de outros acessórios ou extensões pode provocar ferimentos. Utilize cada acessório ou extensão apenas para o fim indicado.
- Se precisar de informações adicionais relativas aos acessórios, contacte o centro local de assistência Makita.
- Brocas a direito e de formação de ranhuras
- Brocas de formação de extremidades
- Brocas de corte raso laminadas
- Guia a direito
- Guia de modelo 25
- Guias de modelo
- Adaptador de guia de modelo
- Porca de bloqueio

- Cone da pinça 3/8", 1/4"
- Cone da pinça 6 mm, 8 mm
- Chave 13
- Chave 22
- Conjunto do bico de pó

Brocas da fresadora

Broca a direito (Fig. 19)

mm

D	A	L 1	L 2
6	20	50	15
1/4"			
8	8	60	25
6	8	50	18
1/4"			
6	6	50	18
1/4"			

Broca de abertura de ranhuras em "U" (Fig. 20)

mm

D	A	L 1	L 2	R
6	6	50	18	3

Broca de abertura de ranhuras em "V" (Fig. 21)

mm

D	A	L 1	L 2	θ
1/4"	20	50	15	90°

Broca com ponto de perfuração raso (Fig. 22)

mm

D	A	L 1	L 2	L 3
8	8	60	20	35
6	6	60	18	28

Broca com ponto de perfuração raso duplo (Fig. 23)

mm

D	A	L 1	L 2	L 3	L 4
8	8	80	55	20	25
6	6	70	40	12	14

Broca de arredondamento de cantos (Fig. 24)

mm

D	A 1	A 2	L 1	L 2	L 3	R
6	25	9	48	13	5	8
6	20	8	45	10	4	4

Broca de chanfragem (Fig. 25)

mm

D	A	L 1	L 2	L 3	θ
6	23	46	11	6	30°
6	20	50	13	5	45°
6	20	49	14	2	60°

Broca para rebordos (Fig. 26)

mm

D	A	L 1	L 2	R
6	20	43	8	4
6	25	48	13	8

Broca de esfera para cortes rasos (Fig. 27)

mm

D	A	L 1	L 2
6	10	50	20
1/4"			

Broca de esfera para arredondamento de cantos (Fig. 28)

mm

D	A 1	A 2	L 1	L 2	L 3	R
6	15	8	37	7	3,5	3
6	21	8	40	10	3,5	6
1/4"						

Broca de esfera de chanfragem (Fig. 29)

mm

D	A 1	A 2	L 1	L 2	θ
6	26	8	42	12	45°
1/4"					
6	20	8	41	11	60°

Broca de esfera de rebordos (Fig. 30)

mm

D	A 1	A 2	A 3	L 1	L 2	L 3	R
6	20	12	8	40	10	5,5	4
6	26	12	8	42	12	4,5	7

Broca de esfera para rebordos (Fig. 31)

mm

D	A 1	A 2	A 3	A 4	L 1	L 2	L 3	R
6	20	18	12	8	40	10	5,5	3
6	26	22	12	8	42	12	5	5

Broca de esfera roman ogee (Fig. 32)

mm

D	A 1	A 2	L 1	L 2	L 3	R1	R2
6	20	8	40	10	4,5	2,5	4,5
6	26	8	42	12	4,5	3	6

Ruído

ENG102-3

Os níveis acústicos ponderados A típicos foram determinados segundo a EN60745:

Nível de pressão sonora (L_{pA}): 89 dB (A)

Nível de potência sonora (L_{WA}): 100 dB (A)

Imprecisão (K): 3 dB (A)

Use protecção para os ouvidos.

Vibração

ENG223-2

O valor total da vibração (soma triaxial de vectores) foi determinado segundo a EN60745:

Modo de trabalho: corte de ranhuras em MDF

Emissão de vibração (a_h): 4,0 m/s²

Imprecisão (K): 1,5 m/s²

ENG901-1

- O valor da emissão de vibração declarado foi medido de acordo com o método de teste padrão e pode ser utilizado para comparar uma ferramenta com outra.
- O valor da emissão de vibração declarado pode também ser utilizado numa avaliação preliminar de exposição.

AVISO:

- A emissão de vibração durante a utilização real da ferramenta eléctrica pode ser diferente do valor de emissão declarado, dependendo da forma como a ferramenta é utilizada.
- Certifique-se de que identifica medidas de segurança, para proteger o operador, que são baseadas numa estimativa de exposição nas condições reais de utilização (tendo em conta todas as partes do ciclo de funcionamento, como as vezes que a ferramenta é desligada e quando está a trabalhar ao ralenti, além do tempo de utilização).

Apenas para os países europeus

ENH101-13

Declaração de conformidade CE

A Makita Corporation, na qualidade do fabricante responsável, declara que a(s) máquina(s) Makita seguinte(s):

Designação da máquina:

Fresadora

N.º de modelo/Tipo: RP0900

são produzidas em série e

estão em conformidade com as Directivas Europeias seguintes:

98/37/EC até 28 de Dezembro de 2009 e, de seguida, com a 2006/42/EC a partir de 29 de Dezembro de 2009

E são fabricadas de acordo com as normas ou os documentos padronizados seguintes:

EN60745

A documentação técnica é mantida pelo nosso representante autorizado na Europa, que é:

Makita International Europe Ltd.,

Michigan, Drive, Tongwell,

Milton Keynes, MK15 8JD, Inglaterra

30 de Janeiro de 2009



Tomoyasu Kato

Director

Makita Corporation

3-11-8, Sumiyoshi-cho

Anjo, Aichi, JAPAN

DANSK (Originalvejledning)

Forklaring til generel oversigt

- | | | |
|----------------------------|-----------------------------|-------------------------------------|
| 1. Stopperstang | 9. Fræsereens omløbsretning | 17. Fræser |
| 2. Skrue | 10. Set ovenfra værktøjet | 18. Kopiring |
| 3. Låsearm | 11. Fremføringsretning | 19. Afstand (X) |
| 4. Dybdeangiver | 12. Parallelenslag | 20. Udvendig diameter på kopiringen |
| 5. Justeringssekskantsbolt | 13. Anslagsholder | 21. Støvdyse |
| 6. Anslagsblok | 14. Tilspændingsskrue | 22. Vingeskrue |
| 7. Afbryderkontakt | 15. Basis | |
| 8. Arbejdsemne | 16. Kopiring | |

SPECIFIKATIONER

Model	RP0900
Spændepatronkapacitet	6 mm, 1/4", 8 mm og/eller 3/8"
Dybdeindstilling	0 - 35 mm
Hastighed uden belastning (min ⁻¹)	27.000
Samlet højde	217 mm
Nettovægt	2,7 kg
Sikkerhedsklasse	II/II

- På grund af vores løbende forsknings- og udviklingsprogram kan specifikationerne heri ændres uden forudgående varsel.
- Specifikationerne kan variere fra land til land.
- Vægt i henhold til EPTA-Procedure 01/2003

Tilsigtet anvendelse ENE010-1
Dette værktøj er beregnet til kantfræsning og profilering af træ, plastic og lignende materialer.

Strømforsyning ENF002-1
Værktøjet bør kun slutes til en strømforsyning med den spænding, der er angivet på navnepladen, og det kan kun benyttes med enkeltfasets vekselstrøm. Det er dobbelt isoleret i overensstemmelse med europæisk standard og kan derfor også slutes til stikkontakter uden jordforbindelse.

Generelle sikkerhedsadvarsler for maskiner

GEA010-1

⚠ ADVARSEL Læs alle sikkerhedsadvarsler og alle instruktioner. Hvis De ikke følger alle advarsler og instruktioner, kan det medføre elektrisk stød, brand og/eller alvorlig personskade.

Gem alle advarsler og instruktioner til senere reference.

SIKKERHEDSADVARSLER FOR OVERFRÆSER

GEB018-2

1. Hold maskiner i de isolerede gribeplader, når du udfører arbejde, hvor skæreværktøjet kan komme i kontakt med skjulte ledninger eller værktøjets egen ledning. Ved kontakt med strømførende ledninger bliver udsatte metaldele på værktøjet strømførende, hvorved operatøren kan få elektrisk stød.
2. Anvend skruetvinger eller en anden praktisk metode til at fastgøre og understøtte

- arbejdsemnet på et solidt underlag. Hvis du holder emnet i hånden eller mod kroppen, bliver det ustabil, og du risikerer at miste kontrollen over det.
3. Bær høreværn ved længerevarende brug.
4. Håndter fræseværktøj yderst forsigtigt.
5. Efterse fræseværktøjet omhyggeligt for revner eller beskadigelse før brugen. Udskift øjeblikkeligt revnet eller beskadiget fræseværktøj.
6. Undgå at skære i søm. Se efter, og fjern alle søm fra arbejdsemnet før arbejdet.
7. Hold godt fast i værktøjet med begge hænder.
8. Hold hænderne på afstand af roterende dele.
9. Sørg for, at fræseværktøjet ikke har kontakt med arbejdsemnet, før der tændes på afbryderkontakten.
10. Lad værktøjet køre et stykke tid, før det benyttes på et arbejdsemne. Se efter vibration eller slinger, der kan tyde på, at fræseværktøjet er monteret forkert.
11. Vær opmærksom på fræseværktøjets rotationsretning og fremføringsretningen.
12. Gå ikke fra værktøjet, mens det kører. Lad kun værktøjet køre, mens du holder det i hænderne.
13. Sluk altid for værktøjet, og vent, til bittene er helt i ro, før du løfter værktøjet fra arbejdsemnet.
14. Rør ikke fræseværktøjet umiddelbart efter brugen. Det kan være meget varmt og eventuelt forårsage forbrændinger af huden.
15. Tilsmuds ikke værktøjets basis uforsigtigt med fortynder, benzin, olie eller lignende. Det kan forårsage revner i værktøjets basis.
16. Vær opmærksom på, at der skal anvendes skær med den rigtige skaftdiameter, som passer til værktøjets hastighed.

17. **Nogle materialer indeholder kemikalier, som kan være giftige. Undgå at indånde støv eller at få det på huden. Følg sikkerhedsinstruktionerne fra leverandøren af materialerne.**
18. **Anvend altid korrekt støvmaske/ åndedrætsbeskyttelse til det materiale og formål, du arbejder med.**

GEM DISSE INSTRUKTIONER.

ADVARSEL:

LAD IKKE tryghed eller kendskab til produktet (fra gentagen brug) føre til, at du ikke strengt overholder sikkerhedsreglerne for det gældende produkt.

MISBRUG eller manglende overholdelse af sikkerhedsreglerne i denne brugsanvisning kan medføre alvorlig personskade.

FUNKTIONSBESKRIVELSE

FORSIGTIG:

- Sørg altid for, at værktøjet er slukket, og stikket er taget ud af stikkontakten, før du justerer værktøjet eller kontrollerer dets funktion.

Indstilling af fræsedybden (Fig. 1)

Placer værktøjet på en jævn flade. Løsn den skrue der fastgør stopperstangen.

Løsn låsearmen og sænk værktøjshuset indtil fræseværktøjet lige akkurat rører ved det jævne underlag. Spænd låsearmen til for at låse værktøjshuset fast. (Fig. 2)

Sænk derefter stopperstangen indtil den rører ved den justeringssekskantbolten. Placer dybdeangiveren ud for "0" gradangivelsen.

Hæv stopperstangen indtil den ønskede fræsedybde er opnået. Fræsedybden angives på skalaen (1 mm pr. gradangivelse) med dybdeangiveren. Spænd derefter skruen for at fastgøre stopperstangen.

Den forudbestemte fræsedybde kan opnås ved at løsne låsearmen og derefter sænke værktøjshuset, indtil stopperstangen rører ved justeringssekskantbolten. (Fig. 3)

FORSIGTIG:

- Eftersom overdreven fræsedybde kan forårsage overbelastning af motoren, eller besvær med at kontrollere værktøjet, bør fræsedybden ikke være mere end 15 mm ved en bearbejdning, når der fræses noter med et 8 mm diameter fræseværktøj.
- Fræsedybden ved notfræsning med et 20 mm diameter fræseværktøj bør ikke være mere end 5 mm ved en bearbejdning.

Når du ønsker at fræse noter, der er dybere end 15 mm med et 8 mm diameter fræseværktøj, eller mere end 5 mm dybe med et 20 mm diameter fræseværktøj, skal du foretage flere bearbejdnings med stadig dybere dybdeindstillinger af fræseværktøjet.

Anslagsblok (Fig. 4)

Anslagsblokken har tre justeringssekskantbolte, der hæves eller sænkes med 0,8 mm pr. omgang. Du kan nemt opnå tre forskellige fræsedybder vha. disse justeringssekskantbolte uden at omjustere stopperstangen.

Juster den laveste sekskantskrue for at opnå den største fræsedybde ved at følge metoden for "Justering af fræsedybde".

Juster de to resterende sekskantskruer for at opnå mindre fræsedybder. Forskellene i højden på disse sekskantskrue svarer til forskellene i fræsedybderne. Drej sekskantskrue for at justere anslagsskrue. Anslagsblokken er også praktisk ved udførsel af tre bearbejdnings med stadig dybere dybdeindstillinger af fræseværktøjet ved fræsning af dybe noter.

FORSIGTIG:

Når der anvendes et fræseværktøj med en samlet længde på 60 mm eller mere, eller en kantlængde på 35 mm eller mere, kan fræsedybden ikke indstilles som tidligere beskrevet. For at indstille fræsedybden skal du gøre følgende:

Løsn låsearmen og indstil forsigtigt fræseværktøjets fremspring under værktøjets basis på den ønskede fræsedybde ved at bevæge værktøjshuset op eller ned. Stram låsearmen til igen for at låse værktøjshuset på den ønskede fræsedybde. Sørg for at værktøjshuset er låst fast på denne position under brug. Eftersom fræseværktøjet altid stikker ud fra værktøjets basis, skal du være forsigtig ved håndteringen af værktøjet.

Justering af låsearmen (Fig. 5)

Låsearmens låste position er justerbar. For at justere den skal du fjerne den skrue der fastgør låsearmen. Låsearmen frigøres. Indstil låsearmen på den ønskede vinkel. Efter justering strammes låsearmen til i urets retning.

Betjening af afbryderkontakt (Fig. 6)

FORSIGTIG:

- Før værktøjet tilsluttes, skal du altid kontrollere, at afbryderkontakten fungerer korrekt og vender tilbage til "OFF"-stillingen, når du slipper den.

For at starte værktøjet skal du blot trykke på afbryderkontakten. Slip afbryderkontakten for at stoppe.

MONTERING

FORSIGTIG:

- Sørg altid for, at værktøjet er slukket og taget ud af stikkontakten, før du udfører nogen form for arbejde på værktøjet.

Montering og afmontering af fræseværktøjet (Fig. 7)

FORSIGTIG:

- Monter fræseværktøjet ordentligt. Brug altid kun de skruenøgler, der blev leveret med værktøjet. Løst eller overspændt fræseværktøj kan være farligt.
- Stram ikke spændemøtrikken uden at indsætte et fræseværktøj.

Det kan medføre at spændekernen brækker.

Sæt fræseværktøjet helt ind i spændekernen, og stram spændemøtrikken godt med de to skruenøgler.

En 6 mm eller 1/4" spændekerne følger også med som standardudstyr udover den 8 mm eller 3/8" spændekerne, der er fabriksmonteret på værktøjet. Benyt den rigtige størrelse spændekegle til det fræseværktøj, du vil anvende.

Følg fremgangsmåden til montering i omvendt rækkefølge for at afmontere fræseværktøjet.

BETJENING

Placer værktøjets basis på det arbejdsemne, der skal skæres i, uden at fræseværktøjet berører arbejdsemnet. Tænd derefter for værktøjet, og vent, indtil fræseværktøjet når fuld hastighed. Sænk værktøjshuset og før værktøjet jævnt fremad henover arbejdsemnets overflade, mens værktøjets basis holdes så det flugter, indtil arbejdet er fuldført.

Når der skæres kanter, skal arbejdsemnets overflade være på venstre side af fræseværktøjet i fremføringsretningen. (Fig. 8)

BEMÆRK:

- Hvis værktøjet føres for hurtigt frem giver det en fræsning af ringe kvalitet, eller der kan ske skade på fræseværktøjet eller motoren. For langsom fremføring af værktøjet kan brænde eller skæmme fræsningen. Den passende fremføringshastighed afhænger af fræseværktøjets størrelse, arbejdsemnets art og fræsedybden. Før der begyndes fræsning på det rigtige arbejdsemne, tilrådes det at lave en prøvefræsning på et stykke affaldstræ. Dette vil vise præcist, hvordan fræsningen vil se ud, samt gøre det muligt at tjekke dimensionerne.
- Når parallelanslaget anvendes, skal du sørge for at montere det på højre side i fremføringsretningen. Dette vil hjælpe med til, at det flugter med den anden side af arbejdsemnet. (Fig. 9)

Parallelanslag (Fig. 10)

Parallelanslaget er effektivt til brug ved lige fræsninger, når der affases eller laves riller.

For at montere parallelanslaget sættes anslagholderne ind i hullerne på værktøjets basis. Justér afstanden mellem fræseværktøjet og parallelanslaget. Når den ønskede afstand er fundet, spændes vingemøtrikkerne for at holde parallelanslaget på plads. (Fig. 11)

Når der fræses, skal værktøjet bevæges, sådan at parallelanslaget flugter med siden på arbejdsemnet. Hvis afstanden (A) mellem siden på arbejdsemnet og fræsepositionen er for bred til parallelanslaget, eller hvis siden på arbejdsemnet ikke er lige, kan parallelanslaget ikke anvendes. I dette tilfælde spændes et lige bræt godt fast til arbejdsemnet, hvorefter dette anvendes som anslag mod overfræsere's basis. Fremfør værktøjet i pilens retning. (Fig. 12)

Kopiring (tilbehør) (Fig. 13)

Kopiringen fungerer som en muffe, hvorigennem fræseværktøjet passerer, hvorved overfræsere'n kan benyttes til skabelonfræsning.

For at montere kopiringen løsnes skruerne på værktøjets basis, hvorefter kopiringen sættes ind og skruerne strammes igen. (Fig. 14)

Monter skabelonen på arbejdsemnet. Placer værktøjet på skabelonen, og bevæg værktøjet således, at kopiringen glider langs med skabelonens kant. (Fig. 15)

BEMÆRK:

- Arbejdsemnet fræses i en lidt anden størrelse end skabelonen. Giv plads til afstanden (X) mellem

fræseværktøjet og ydersiden af kopiringen. Afstanden (X) kan udregnes ved hjælp af følgende ligning: Afstand (X) = (udvendig diameter på kopiringen - fræseværktøjets diameter) / 2

Støvdysse-sæt (tilbehør) (Fig. 16 og 17)

Brug støvdysen til udsugning af støv. Monter støvdysen på værktøjets basis vha. vingeskruen sådan at fremspringet på støvdysen passer i indhakked på værktøjets base.

Tilslut derefter en støvsuger til støvdysen. (Fig. 18)

VEDLIGEHOLDELSE

FORSIGTIG:

- Sørg altid for, at værktøjet er slukket, og stikket er taget ud, før du udfører inspektion eller vedligeholdelse.
- Brug aldrig benzin, benzen, fortynder, alkohol eller lignende. Det kan muligvis medføre misfarvning, deformation eller revner.

For at holde produktet SIKKERT og PÅLIDELIGT skal reparationer samt al anden vedligeholdelse eller justering udføres af autoriserede Makita-servicecentre, og der skal altid benyttes Makita-reservedele.

TILBEHØR

FORSIGTIG:

- Dette tilbehør eller ekstraudstyr anbefales til brug med det Makita-værktøj, som er beskrevet i denne brugsanvisning. Brug af andet tilbehør eller ekstraudstyr kan forårsage personskade. Brug kun tilbehør eller ekstraudstyr til det formål, det er beregnet til.

Henvend dig til dit lokale Makita-servicecenter, hvis du har brug for hjælp eller yderligere oplysninger vedrørende tilbehøret.

- Lige og rilleformende fræseværktøjer
- Kantformende fræseværktøjer
- Laminatfræseværktøjer
- Parallelanslag
- Kopiring 25
- Kopiringe
- Kopiringsadapter
- Låsemøtrik
- Spændekegle 3/8", 1/4"
- Spændekegle 6 mm, 8 mm
- Skruenøgle 13
- Skruenøgle 22
- Støvdysse-sæt

Fræseværktøj

Notfræseværktøj (Fig. 19)

D	A	L 1	L 2
6	20	50	15
1/4"			
8	8	60	25
6	8	50	18
1/4"			
6	6	50	18
1/4"			

"U" notfræseværktøj (Fig. 20)

D	A	L 1	L 2	R
6	6	50	18	3

"V" notfræseværktøj (Fig. 21)

D	A	L 1	L 2	θ
1/4"	20	50	15	90°

Kantfræseværktøj (Fig. 22)

D	A	L 1	L 2	L 3
8	8	60	20	35
6	6	60	18	28

Dobbelt kantfræseværktøj (Fig. 23)

D	A	L 1	L 2	L 3	L 4
8	8	80	55	20	25
6	6	70	40	12	14

Fræseværktøj til afrunding af hjørner (Fig. 24)

D	A 1	A 2	L 1	L 2	L 3	R
6	25	9	48	13	5	8
6	20	8	45	10	4	4

Fasefræseværktøj (Fig. 25)

D	A	L 1	L 2	L 3	θ
6	23	46	11	6	30°
6	20	50	13	5	45°
6	20	49	14	2	60°

Profilfræseværktøj (Fig. 26)

D	A	L 1	L 2	R
6	20	43	8	4
6	25	48	13	8

Kantfræseværktøj med kugleleje (Fig. 27)

D	A	L 1	L 2
6	10	50	20
1/4"			

Fræseværktøj til afrunding af hjørner med kugleleje (Fig. 28)

D	A 1	A 2	L 1	L 2	L 3	R
6	15	8	37	7	3,5	3
6	21	8	40	10	3,5	6
1/4"						

Fasefræseværktøj med kugleleje (Fig. 29)

D	A 1	A 2	L 1	L 2	θ
6	26	8	42	12	45°
1/4"					
6	20	8	41	11	60°

Radiusfræseværktøj med kugleleje (Fig. 30)

D	A 1	A 2	A 3	L 1	L 2	L 3	R
6	20	12	8	40	10	5,5	4
6	26	12	8	42	12	4,5	7

Profilfræseværktøj med kugleleje (Fig. 31)

D	A 1	A 2	A 3	A 4	L 1	L 2	L 3	R
6	20	18	12	8	40	10	5,5	3
6	26	22	12	8	42	12	5	5

Profilfræseværktøj med kugleleje (Fig. 32)

D	A 1	A 2	L 1	L 2	L 3	R1	R2
6	20	8	40	10	4,5	2,5	4,5
6	26	8	42	12	4,5	3	6

Støj

Det typiske A-vægtede støjniveau bestemt i overensstemmelse med EN60745:

- Lydtryksniveau (L_{pA}): 89 dB (A)
- Lydeffektniveau (L_{WA}): 100 dB (A)
- Usikkerhed (K): 3 dB (A)

Bær høreværn.

Vibration

Den samlede vibrationsværdi (treaksiel vektorsum) bestemt i overensstemmelse med EN60745:

- Arbejdstilstand: rilleskæring i MDF-plader
- Vibrationsemission (a_{rv}): 4,0 m/s²
- Usikkerhed (K): 1,5 m/s²

- Den opgivne vibrationsemissionsværdi er målt i overensstemmelse med standardtestmetoden og kan bruges til at sammenligne et værktøj med et andet.

- Den opgivne vibrationsemissionsværdi kan muligvis også bruges til en indledende eksponeringsvurdering.

⚠ ADVARSEL:

- Vibrationsemissionen under den faktiske brug af maskinen kan afvige fra den opgivne emissionsværdi afhængigt af den måde, maskinen anvendes på.
- Sørg for at bestemme sikkerhedsforanstaltninger for beskyttelse af operatøren, som er baseret på en eksponeringsvurdering for brug under faktiske forhold (hvor alle anvendelsescyklussens dele inddrages, som f.eks. antal gange maskinen slukkes, og når den kører i tomgang ud over triggertiden).

Kun for lande i Europa

ENH101-13

EF-overensstemmelseserklæring

Vi, Makita Corporation, erklærer som ansvarlig producent at følgende Makita-maskine(r):

Maskinens betegnelse:

Overfræser

Modelnummer/ type: RP0900

er en produktionsserie og

Overholder følgende europæiske direktiver:

98/37/EC indtil den 28. december 2009 og derefter

2006/42/EC fra den 29. december 2009

Og er produceret i overensstemmelse med følgende

standarder eller standardiserede dokumenter:

EN60745

Den tekniske dokumentation findes hos vores

autoriserede repræsentant i Europa:

Makita International Europe Ltd.,

Michigan, Drive, Tongwell,

Milton Keynes, MK15 8JD, England

30. januar 2009



Tomoyasu Kato

Direktør

Makita Corporation

3-11-8, Sumiyoshi-cho

Anjo, Aichi, JAPAN

ΕΛΛΗΝΙΚΑ (Πρωτογενείς οδηγίες)

Γενική περιγραφή

- | | | |
|------------------------------|--|------------------------------------|
| 1. Ανασταλτική ράβδος | 9. Διεύθυνση περιστροφής φρέζας | 16. Οδηγός προτύπου |
| 2. Βίδα | 10. Αποψη από την κορυφή του εργαλείου | 17. Φρέζα |
| 3. Μοχλός κλειδώματος | | 18. Πρότυπο |
| 4. Δείκτης βάθους | 11. Διεύθυνση τροφοδοσίας | 19. Απόσταση (X) |
| 5. Ρυθμιστικό εξάν. μπουλόνι | 12. Ευθύγραμμος οδηγός | 20. Εξωτερική διάμετρος του οδηγού |
| 6. Ανασταλτικός τάκος | 13. Οδηγητική ράβδος | 21. Στόμιο σκόνης |
| 7. Σκανδάλη-διακόπτης | 14. Βίδα σύσφιξης | 22. Βίδα χειρός |
| 8. Τεμάχιο εργασίας | 15. Βάση | |

ΠΡΟΔΙΑΓΡΑΦΕΣ

Μοντέλο	RP0900
Ικανότητα μηχανισμού σύσφιξης	6mm, 1/4", 8 mm και/ή 3/8"
Ικανότητα βύθισης:	0 - 35 mm
Ταχύτητα χωρίς φορτίο (min ⁻¹)	27.000
Ολικό ύψος	217 mm
Καθαρό βάρος	2,7 kg
Τάξη ασφάλειας	II/III

- Λόγω του συνεχόμενου προγράμματος που εφαρμόζουμε για έρευνα και ανάπτυξη, τα τεχνικά χαρακτηριστικά στο παρόν έντυπο υπόκεινται σε αλλαγή χωρίς προειδοποίηση.
- Τα τεχνικά χαρακτηριστικά ενδέχεται να διαφέρουν ανάλογα με τη χώρα.
- Βάρος σύμφωνα με τη μέθοδο της EPTA 01/2003

Προοριζόμενη χρήση

ENE010-1

Το εργαλείο προορίζεται για επίπεδη κοπή και μορφοποίηση ξύλου, πλαστικού και παρόμοιων υλικών.

Ηλεκτρική παροχή

ENF002-1

Το εργαλείο πρέπει να συνδέεται μόνο σε ηλεκτρική παροχή της ίδιας τάσης με αυτή που αναγράφεται στην πινακίδα ονομαστικών τιμών και μπορεί να λειτουργήσει μόνο με εναλλασσόμενο μονοφασικό ρεύμα. Τα εργαλεία αυτά διαθέτουν διπλή μόνωση που συμμορφώνεται με τα ευρωπαϊκά πρότυπα και συνεπώς μπορούν να συνδεθούν με πρίζες χωρίς γείωση.

Γενικές Προειδοποιήσεις Ασφαλείας Του Ηλεκτρικού Εργαλείου

GEA010-1

⚠️ ΠΡΟΕΙΔΟΠΟΙΗΣΗ Διαβάστε όλες τις προειδοποιήσεις ασφαλείας και όλες τις οδηγίες. Αν δεν ακολουθήσετε όλες τις προειδοποιήσεις και τις οδηγίες, υπάρχει κίνδυνος ηλεκτροπληξίας, πυρκαγιάς ή/και σοβαρού τραυματισμού.

Φυλάξτε όλες τις προειδοποιήσεις και τις οδηγίες για μελλοντική αναφορά.

ΠΡΟΕΙΔΟΠΟΙΗΣΕΙΣ ΑΣΦΑΛΕΙΑΣ ΤΟΥ ΡΟΥΤΕΡ

GEB018-2

1. Να κρατάτε τα ηλεκτρικά εργαλεία από τις λαβές με μόνωση όταν εκτελείτε εργασίες κατά τις οποίες το κοπτικό εργαλείο μπορεί να έρθει σε επαφή με κρυμμένα καλώδια ή με το ίδιο του το
2. **καλώδιο.** Αν το εργαλείο έρθει σε επαφή με κάποιο ηλεκτροφόρο καλώδιο, μπορεί τα εκτεθειμένα μεταλλικά μέρη του εργαλείου να γίνουν κι αυτά ηλεκτροφόρα και να προκληθεί ηλεκτροπληξία στο χειριστή.
3. **Να χρησιμοποιείτε σφιγκτήρες ή κάποιο άλλο πρακτικό μέσο για να ασφαλίσετε και να στηρίξετε το τεμάχιο εργασίας σε μια σταθερή πλατφόρμα.** Αν κρατάτε το τεμάχιο εργασίας με το χέρι σας ή επάνω στο σώμα σας, θα είναι ασταθές και μπορεί να χάσετε τον έλεγχο.
4. **Να φοράτε ωτοασπίδες κατά τη λειτουργία για μεγάλο χρονικό διάστημα.**
5. **Να χειρίζεστε τις φρέζες πολύ προσεκτικά.**
6. **Πριν από τη λειτουργία, να ελέγχετε προσεκτικά τη φρέζα για ραγίσματα ή ζημιά. Να αντικαθιστάτε αμέσως μια ραγισμένη ή κατεστραμμένη φρέζα.**
7. **Να αποφεύγετε την κοπή καρφιών. Πριν από τη λειτουργία, να ελέγχετε αν υπάρχουν καρφιά στο τεμάχιο εργασίας και να τα αφαιρείτε όλα αν υπάρχουν.**
8. **Να κρατάτε το εργαλείο γερά και με τα δύο χέρια.**
9. **Μην πλησιάζετε τα χέρια σας στα περιστρεφόμενα μέρη.**
10. **Να βεβαιώνετε ότι η φρέζα δεν ακουμπά το τεμάχιο εργασίας πριν ενεργοποιείτε το διακόπτη λειτουργίας.**
11. **Πριν χρησιμοποιήσετε το εργαλείο σε ένα πραγματικό τεμάχιο εργασίας, να το αφήνετε να λειτουργεί για λίγη ώρα. Να προσέχετε για δονήσεις ή κινήσεις που θα μπορούσαν να υποδείξουν τη λανθασμένη εγκατάσταση της φρέζας.**
12. **Να προσέχετε την κατεύθυνση περιστροφής και τροφοδοσίας της φρέζας.**

12. Μην αφήνετε το εργαλείο σε λειτουργία. Το εργαλείο πρέπει να βρίσκεται σε λειτουργία μόνο όταν το κρατάτε.
13. Όταν σβήνετε το εργαλείο, πάντοτε να περιμένετε να σταματήσει να κινείται εντελώς η φρέζα πριν βγάλετε το εργαλείο από το τεμάχιο εργασίας.
14. Μην αγγίζετε τη φρέζα αμέσως μετά τη λειτουργία του εργαλείου. Μπορεί να είναι εξαιρετικά θερμή και να προκληθεί έγκαυμα στο δέρμα σας.
15. Μην αλείφετε απρόσεχτα τη βάση του εργαλείου με νέφτι, βενζίνη, λάδι ή κάτι παρόμοιο. Μπορεί να ραγίσει η βάση του εργαλείου.
16. Να προσέχετε ώστε να χρησιμοποιείτε κόπτες που διαθέτουν σωστή διάμετρο άξονα και είναι κατάλληλοι για την ταχύτητα του εργαλείου.
17. Μερικά υλικά περιέχουν χημικές ουσίες που μπορεί να είναι τοξικές. Να προσέχετε ώστε να αποφεύγετε την εισπνοή της σκόνης και την επαφή με το δέρμα. Ακολουθείται τα δεδομένα ασφάλειας υλικού που παρέχονται από τον προμηθευτή.
18. Να χρησιμοποιείτε πάντοτε προσωπίδα κατά της σκόνης ή αναπνευστήρα που είναι κατάλληλα για το υλικό και την εφαρμογή σας.

ΦΥΛΑΞΤΕ ΑΥΤΕΣ ΤΙΣ ΟΔΗΓΙΕΣ.

ΠΡΟΕΙΔΟΠΟΙΗΣΗ:

ΜΗΝ επιτρέψετε στη βολικότητα ή στην εξοικειωσή σας με το προϊόν (που αποκτήθηκε από επανειλημμένη χρήση) να αντικαταστήσει την αυστηρή προσήλωση στους κανόνες ασφάλειας του εν λόγω προϊόντος. Η ΛΑΝΘΑΣΜΕΝΗ ΧΡΗΣΗ ή η μη τήρηση των κανόνων ασφαλείας που διατυπώνονται στο παρόν εγχειρίδιο οδηγιών μπορεί να προκαλέσει σοβαρό τραυματισμό.

ΠΕΡΙΓΡΑΦΗ ΛΕΙΤΟΥΡΓΙΑΣ

ΠΡΟΣΟΧΗ:

- Να βεβαιώνετε πάντοτε ότι το εργαλείο είναι σβηστό και αποσυνδεδεμένο από το ηλεκτρικό ρεύμα πριν ρυθμίσετε ή ελέγξετε κάποια λειτουργία του.

Ρύθμιση του βάθους κοπής (Εικ. 1)

Τοποθετήστε το εργαλείο σε μια επίπεδη επιφάνεια. Ξεσφίξτε τη βίδα που στερεώνει την ανασταλτική ράβδο. Ξεσφίξτε το μοχλό κλειδώματος και χαμηλώστε τον κορμό του εργαλείου έως ότου η φρέζα να ακουμπά την επίπεδη επιφάνεια. Σφίξτε το μοχλό κλειδώματος για να ασφαλίσετε τον κορμό του εργαλείου. (Εικ. 2)

Στη συνέχεια χαμηλώστε την ανασταλτική ράβδο έως ότου έρθει σε επαφή με το ρυθμιστικό εξάγ. μπουλόνι. Ευθυγραμμίστε το δείκτη βάθος με τη διαβάθμιση «0». Ανυψώστε την ανασταλτική ράβδο έως ότου επιτευχθεί το επιθυμητό βάθος. Το βάθος της κοπής δείχνεται στην κλίμακα (1 mm ανά διαβάθμιση) από το δείκτη του βάθους. Στη συνέχεια σφίξτε τη βίδα για να ασφαλίσετε την ανασταλτική ράβδο.

Τώρα, το προκαθορισμένο βάθος της κοπής μπορεί να επιτευχθεί ξεσφίγγοντας το μοχλό κλειδώματος και στη συνέχεια χαμηλώνοντας τον κορμό του εργαλείου έως ότου η ανασταλτική ράβδος να έρθει σε επαφή με το ρυθμιστικό εξάγ. μπουλόνι. (Εικ. 3)

ΠΡΟΣΟΧΗ:

- Επειδή η υπερβολική κοπή μπορεί να προκαλέσει την υπερφόρτωση του μοτέρ ή την δυσκολία στο χειρισμό του εργαλείου, το βάθος της κοπής δεν θα πρέπει να είναι περισσότερο από 15 mm ανά πέρασμα κατά την κοπή αυλακώσεων με μια διάμετρο φρέζας 8 mm.
- Κατά την κοπή αυλακώσεων με μια διάμετρο φρέζας 20 mm, το βάθος της κοπής δεν θα πρέπει να είναι περισσότερο από 5 mm ανά πέρασμα. Όταν επιθυμείτε την κοπή αυλακώσεων με περισσότερο από 15 mm βάθος με μια φρέζα διαμέτρου 8 mm ή περισσότερο από 5 mm βάθος με μια φρέζα διαμέτρου 20 mm, πραγματοποιήστε αρκετά πέρασματα με προοδευτικά βαθύτερες ρυθμίσεις της φρέζας.

Ανασταλτικός τάκος (Εικ. 4)

Ο ανασταλτικός τάκος διαθέτει τρία ρυθμιστικά εξάγ. μπουλόνια τα οποία ανυψώνονται ή χαμηλώνονται κατά 0,8 mm ανά περιστροφή. Μπορείτε εύκολα να επιτύχετε τρία διαφορετικά βάθη τομών χρησιμοποιώντας αυτά τα ρυθμιστικά εξάγ. μπουλόνια χωρίς την επαρρύθμιση του ανασταλτικού τάκου.

Ρυθμίστε το χαμηλότερο εξάγ. μπουλόνι για να αποκτήσετε τη βαθύτερη τομή, σύμφωνα με την μέθοδο της ενότητας «Ρύθμιση του βάθους κοπής».

Ανυψώστε τα δυο εναπομείνοντα εξάγ. μπουλόνια για να αποκτήσετε τα μικρότερα βάθη κοπής. Οι διαφορές στα ύψη αυτών των εξάγ. μπουλονιών είναι ίσες με τις διαφορές στα βάθη κοπής.

Για να ρυθμίσετε τα εξάγ. μπουλόνια, περιστρέψτε τα. Ο ανασταλτικός τάκος είναι επίσης βολικός για να κάνετε τρία πέρασματα με προοδευτικά βαθύτερες ρυθμίσεις της φρέζας όταν κόβετε βαθιές αυλακώσεις.

ΠΡΟΣΟΧΗ:

Όταν χρησιμοποιείτε μια φρέζα με συνολικό μήκος 60 mm ή περισσότερο, ή μήκος χείλους 35 mm ή περισσότερο, το βάθος της κοπής δεν μπορεί να ρυθμιστεί όπως επιώθηκε προηγουμένως. Για να τη ρύθμιση προχωρήστε όπως περιγράφεται στη συνέχεια:

Ξεσφίξτε το μοχλό κλειδώματος και ρυθμίστε προσεκτικά την προεξοχή της φρέζας κάτω από τη βάση του εργαλείου έως το επιθυμητό βάθος της κοπής, μετακινώντας τον κορμό του εργαλείου πάνω ή κάτω. Μετά ξανασφίξτε το μοχλό κλειδώματος για να ασφαλίσετε τον κορμό του εργαλείου σε αυτό το βάθος της κοπής. Διατηρήστε τον κορμό του εργαλείου ασφαλισμένο σε αυτή τη θέση κατά την χρήση. Επειδή η φρέζα πάντοτε προεξέχει από την βάση του εργαλείου, να είστε προσεκτικοί κατά τον χειρισμό του εργαλείου.

Ρύθμιση του μοχλού κλειδώματος (Εικ. 5)

Η θέση ασφάλισης του μοχλού κλειδώματος είναι ρυθμιζόμενη. Για να τη ρυθμίσετε, αφαιρέστε την βίδα που στερεώνει το μοχλό κλειδώματος. Ο μοχλός κλειδώματος θα βγει έξω. Ρυθμίστε το μοχλό κλειδώματος στην επιθυμητή γωνία. Μετά την ρύθμιση, σφίξτε προς τα δεξιά το μοχλό κλειδώματος.

Δράση διακόπτη (Εικ. 6)

ΠΡΟΣΟΧΗ:

- Πριν συνδέετε το εργαλείο στην πρίζα, πάντοτε να ελέγχετε ότι η σκανδάλη-διακόπτης ενεργοποιείται

κανονικά και επιστρέφει στη θέση «OFF» όταν την αφήνετε.

Για να ξεκινήσετε το εργαλείο, απλά πατήστε τη σκανδάλη-διακόπτη. Για να σταματήσετε το εργαλείο, αφήστε τη σκανδάλη-διακόπτη.

ΣΥΝΑΡΜΟΛΟΓΗΣΗ

ΠΡΟΣΟΧΗ:

- Να βεβαιώνετε πάντοτε ότι το εργαλείο είναι σβηστό και αποσυνδεδεμένο από το ηλεκτρικό ρεύμα πριν εκτελέσετε οποιαδήποτε εργασία σε αυτό.

Τοποθέτηση ή αφαίρεση της φρέζας (Εικ. 7)

ΠΡΟΣΟΧΗ:

- Τοποθετήστε με ασφάλεια τη φρέζα. Να χρησιμοποιείτε πάντοτε μόνο τα κλειδιά που παρέχονται με το εργαλείο. Μια χαλαρή ή υπερβολικά σφιγμένη φρέζα μπορεί να είναι επικίνδυνη.
- Μη σφίγγετε το παξιμάδι σύσφιξης χωρίς να έχετε τοποθετήσει τη φρέζα. Μπορεί να οδηγήσει στο σπάσιμο του κώνου σύσφιξης.

Τοποθετήστε τη φρέζα μέχρι το τέρμα του κώνου σύσφιξης και σφίξτε το παξιμάδι με ασφάλεια με τη βοήθεια των δύο κλειδιών.

Παρέχεται επίσης ένας κώνος σύσφιξης 6 mm ή 1/4" ως κανονικό εξάρτημα εκτός του κώνου σύσφιξης των 8 mm ή 3/8" που είναι τοποθετημένος στο εργαλείο από το εργοστάσιο. Χρησιμοποιήστε το σωστό μέγεθος του κώνου σύσφιξης για τη φρέζα που σκοπεύετε να χρησιμοποιήσετε.

Για να βγάλετε τη φρέζα, ακολουθήστε τη διαδικασία τοποθέτησης με αντίστροφη σειρά.

ΛΕΙΤΟΥΡΓΙΑ

Τοποθετήστε τη βάση του εργαλείου στο τεμάχιο εργασίας που πρόκειται να κοπεί, χωρίς η φρέζα να το ακουμπά. Κατόπιν, θέστε σε λειτουργία το εργαλείο και περιμένετε έως ότου η φρέζα να αποκτήσει την πλήρη της ταχύτητα. Χαμηλώστε τον κορμό του εργαλείου και μετακινήστε το εργαλείο προς τα εμπρός επάνω στην επιφάνεια του τεμαχίου εργασίας, κρατώντας τη βάση του εργαλείου επίπεδη και προωθώντας το ομαλά μέχρι να ολοκληρωθεί η κοπή.

Όταν κόβετε άκρες, η επιφάνεια του τεμαχίου εργασίας πρέπει να βρίσκεται στην αριστερή πλευρά της φρέζας προς την κατεύθυνση τροφοδοσίας. (Εικ. 8)

ΣΗΜΕΙΩΣΗ:

- Η μετακίνηση του εργαλείου προς τα εμπρός πολύ γρήγορα μπορεί να προκαλέσει την κακή ποιότητα κοπής, ή την ζημιά στην φρέζα ή στο μόντερ. Η πολύ αργή μετακίνηση του εργαλείου προς τα εμπρός μπορεί να κάψει ή να καταστρέψει την κοπή. Ο κατάλληλος ρυθμός τροφοδοσίας θα εξαρτηθεί από μέγεθος της φρέζας, το είδος του τεμαχίου εργασίας και το βάθος της κοπής. Πριν ξεκινήσετε την κοπή σε ένα πραγματικό τεμάχιο εργασίας, συνιστάται να κάνετε μια δοκιμαστική τομή πάνω σε ένα τεμάχιο άχρηστης ζυλίας. Αυτό θα σας

δείξει ακριβώς πώς θα είναι η κοπή αλλά και θα μπορέσετε να ελέγξετε τις διαστάσεις.

- Όταν χρησιμοποιείτε τον ευθύγραμμο οδηγό, φροντίστε να τον τοποθετήσετε στη δεξιά πλευρά προς την κατεύθυνση τροφοδοσίας. Αυτό βοηθήσει στο να κρατηθεί επίπεδος με την πλευρά του τεμαχίου εργασίας. (Εικ. 9)

Ευθύγραμμος οδηγός (Εικ. 10)

Ο ευθύγραμμος οδηγός χρησιμοποιείται αποτελεσματικά για ευθείες τομές κατά την λοξότμηση ή την αυλάκωση. Για την τοποθέτηση του ευθύγραμμου οδηγού, εισάγετε τις οδηγητικές μπάρες μέσα στις τρύπες στη βάση του εργαλείου. Ρυθμίστε την απόσταση μεταξύ της φρέζας και του ευθύγραμμου οδηγού. Στην επιθυμητή απόσταση, σφίξτε τα μπουλόνια-πεταλούδες για να ασφαλίσετε τον ευθύγραμμο οδηγό στη θέση του. (Εικ. 11)

Κατά την κοπή, μετακινήστε το εργαλείο με τον ευθύγραμμο οδηγό επίπεδο ως προς την πλευρά του τεμαχίου εργασίας.

Εάν η απόσταση (Α) μεταξύ της πλευράς του αντικειμένου εργασίας και της θέσης κοπής είναι πολύ φαρδιά για τον ευθύγραμμο οδηγό, ή εάν η πλευρά του αντικειμένου εργασίας δεν είναι ευθεία, ο ευθύγραμμος οδηγός δεν μπορεί να χρησιμοποιηθεί. Σε αυτή την περίπτωση, στερεώστε καλά μια ευθύγραμμη σανίδα στο τεμάχιο εργασίας και χρησιμοποιήστε ως οδηγό ενάντια στη βάση του ρούτερ. Τροφοδοτήστε το εργαλείο προς την κατεύθυνση του βέλους. (Εικ. 12)

Οδηγός προτύπου (Αξεσουάρ) (Εικ. 13)

Ο οδηγός προτύπου παρέχει ένα περίβλημα μέσα από το οποίο περνά η φρέζα, επιτρέποντας την χρήση του εργαλείου με προσχεδία προτύπων.

Για την τοποθέτηση του οδηγού προτύπου, ξεσφίξτε τις βίδες στη βάση του εργαλείου, εισάγετε τον οδηγό προτύπου και σφίξτε τις βίδες. (Εικ. 14)

Στερεώστε το πρότυπο στο τεμάχιο εργασίας.

Τοποθετήστε το εργαλείο στο πρότυπο και μετακινήστε το εργαλείο με τον οδηγό του προτύπου να ολισθαίνει κατά μήκος της πλευράς του προτύπου. (Εικ. 15)

ΣΗΜΕΙΩΣΗ:

- Το αντικείμενο εργασίας θα κοπεί με ένα ελαφρώς διαφορετικό μέγεθος από το πρότυπο. Λάβετε υπόψη την απόσταση (X) μεταξύ της φρέζας και του εξωτερικού τμήματος του οδηγού προτύπου. Η απόσταση (X) μπορεί να υπολογιστεί χρησιμοποιώντας την παρακάτω εξίσωση. Απόσταση (X) = (εξωτερική διάμετρος του οδηγού του προτύπου - διάμετρος φρέζας) / 2

Σετ στομίου σκόνης (Αξεσουάρ) (Εικ. 16 και 17)

Χρησιμοποιήστε το στόμιο σκόνης για την εξαγωγή της σκόνης. Τοποθετήστε το στόμιο της σκόνης στην βάση του εργαλείου χρησιμοποιώντας την βίδα χειρός έτσι ώστε η προεξοχή του στομίου της σκόνης να εισαχθεί στην εγκοπή της βάσης του εργαλείου.

Μετά συνδέστε την αναρροφητική σκούπα στο στόμιο σκόνης. (Εικ. 18)

ΣΥΝΤΗΡΗΣΗ

ΠΡΟΣΟΧΗ:

- Να βεβαιώνετε πάντοτε ότι το εργαλείο είναι σβηστό και αποσυνδεδεμένο από το ηλεκτρικό ρεύμα πριν εκτελέσετε οποιαδήποτε εργασία ελέγχου ή συντήρησης σε αυτό.
- Μην χρησιμοποιήσετε βενζίνη, βενζόλη, διαλυτικό, αλκοόλη ή κάτι παρόμοιο. Μπορεί να προκληθεί αποχρωματισμός, παραμόρφωση ή ρωγμές.

Για να διατηρείται η ΑΣΦΑΛΕΙΑ και η ΑΞΙΟΠΙΣΤΙΑ του προϊόντος, οι εργασίες επισκευής, καθώς και οποιαδήποτε άλλη εργασία συντήρησης ή ρύθμισης, θα πρέπει να εκτελούνται σε εξουσιοδοτημένα κέντρα εξυπηρέτησης της Makita, και πάντοτε με τη χρήση ανταλλακτικών της Makita.

ΑΞΕΣΟΥΑΡ

ΠΡΟΣΟΧΗ:

- Συνιστάται η χρήση αυτών των αξεσουάρ ή εξαρτημάτων με το εργαλείο της Makita, όπως περιγράφεται στο παρόν εγχειρίδιο. Αν χρησιμοποιήσετε άλλα αξεσουάρ ή εξαρτήματα μπορεί να παρουσιαστεί κίνδυνος πρόκλησης τραυματισμού. Να χρησιμοποιείτε τα αξεσουάρ ή τα εξαρτήματα μόνο για το σκοπό για τον οποίο προορίζονται.

Αν χρειάζεστε κάποια βοήθεια ή περισσότερες πληροφορίες σχετικά με τα αξεσουάρ αυτά, απευθυνθείτε στο πλησιέστερο κέντρο τεχνικής υποστήριξης της Makita.

- Φρέζες ευθείες & για διαμόρφωση αυλακώσεων
- Φρέζες διαμόρφωσης άκρων
- Λαμιναρισμένες φρέζες κοπής
- Ευθύγραμμος οδηγός
- Οδηγός προτύπου 25
- Οδηγοί προτύπου
- Προσαρμογέας οδηγού προτύπου
- Παξιμάδι κλειδώματος
- Κώνος σύσφιξης 3/8", 1/4"
- Κώνος σύσφιξης 6 mm, 8 mm
- Κλειδί 13
- Κλειδί 22
- Σετ στομίου σκόνης

Φρέζες ρούτερ

Ευθεία φρέζα (Εικ. 19)

mm

D	A	L 1	L 2
6	20	50	15
1/4"			
8	8	60	25
6	8	50	18
1/4"			
6	6	50	18
1/4"			

Φρέζα αυλάκωσης σε σχήμα «U» (Εικ. 20)

mm

D	A	L 1	L 2	R
6	6	50	18	3

Φρέζα αυλάκωσης σε σχήμα «V» (Εικ. 21)

mm

D	A	L 1	L 2	q
1/4"	20	50	15	90°

Φρέζα επίπεδης κοπής στο σημείο διάνοιξης (Εικ. 22)

mm

D	A	L 1	L 2	L 3
8	8	60	20	35
6	6	60	18	28

Φρέζα διπλής επίπεδης κοπής στο σημείο διάνοιξης (Εικ. 23)

mm

D	A	L 1	L 2	L 3	L 4
8	8	80	55	20	25
6	6	70	40	12	14

Φρέζα στρογγύλευσης γωνίας (Εικ. 24)

mm

D	A 1	A 2	L 1	L 2	L 3	R
6	25	9	48	13	5	8
6	20	8	45	10	4	4

Φρέζα λοξότμησης (Εικ. 25)

mm

D	A	L 1	L 2	L 3	q
6	23	46	11	6	30°
6	20	50	13	5	45°
6	20	49	14	2	60°

Φρέζα για κοίλωμα (Εικ. 26)

mm

D	A	L 1	L 2	R
6	20	43	8	4
6	25	48	13	8

Φρέζα επίπεδης κοπής με σφαιρικό έδρανο (Εικ. 27)

mm

D	A	L 1	L 2
6	10	50	20
1/4"			

Φρέζα στρογγύλευσης γωνίας με σφαιρικό έδρανο (Εικ. 28)

mm

D	A 1	A 2	L 1	L 2	L 3	R
6	15	8	37	7	3,5	3
6	21	8	40	10	3,5	6
1/4"						

Φρέζα λοξότμησης με σφαιρικό έδρανο (Εικ. 29)

mm

D	A 1	A 2	L 1	L 2	q
6	26	8	42	12	45°
1/4"					
6	20	8	41	11	60°

Φρέζα για καμπύλη με σφαιρικό έδρανο (Εικ. 30)

mm

D	A 1	A 2	A 3	L 1	L 2	L 3	R
6	20	12	8	40	10	5,5	4
6	26	12	8	42	12	4,5	7

Φρέζα για κοίλωμα με σφαιρικό έδρανο (Εικ. 31)

mm

D	A 1	A 2	A 3	A 4	L 1	L 2	L 3	R
6	20	18	12	8	40	10	5,5	3
6	26	22	12	8	42	12	5	5

Φρέζα για ρωμαϊκό οξυκόρυφο τόξο με σφαιρικό έδρανο (Εικ. 32)

mm

D	A 1	A 2	L 1	L 2	L 3	R1	R2
6	20	8	40	10	4,5	2,5	4,5
6	26	8	42	12	4,5	3	6

Θόρυβος

ENG102-3

Το σύνθετες σταθμισμένο επίπεδο θορύβου που έχει καθοριστεί σύμφωνα με την EN60745:

Επίπεδο ηχητικής πίεσης (L_{pA}): 89 dB (A)

Επίπεδο ηχητικής ισχύος (L_{WA}): 100 dB (A)

Αβεβαιότητα (K): 3 dB (A)

Να φοράτε ωτοασπίδες.

Δόνηση

ENG223-2

Η συνολική τιμή δόνησης (διανυσματικό άθροισμα τριών αξόνων) που έχει καθοριστεί σύμφωνα με την EN60745:

Κατάσταση λειτουργίας: διάνοιξη αυλακώσεων σε MDF

Εκπομπή δόνησης (a_h): 4,0 m/s²

Αβεβαιότητα (K): 1,5 m/s²

ENG901-1

- Η δηλωθείσα τιμή των παραγομένων κραδασμών έχει καταμετρηθεί σύμφωνα με την τυποποιημένη μέθοδο δοκιμασίας και μπορεί να χρησιμοποιηθεί για την σύγκριση ενός εργαλείου με ένα άλλο.
- Η δηλωθείσα τιμή των παραγομένων κραδασμών μπορεί επίσης να χρησιμοποιηθεί για μια προκαταρκτική αξιολόγηση της έκθεσης στους κραδασμούς.

⚠️ ΠΡΟΕΙΔΟΠΟΙΗΣΗ:

- Η εκπομπή κραδασμών κατά τη διάρκεια της πραγματικής χρήσης του ηλεκτρικού εργαλείου μπορεί να διαφέρει από τη δηλωθείσα τιμή των εκπομπών, ανάλογα με τον τρόπο με τον οποίο χρησιμοποιείται το εργαλείο.
- Φροντίστε να λάβετε τα μέτρα ασφαλείας που απαιτούνται για την προστασία του χρήστη που βασίζονται σε μια εκτίμηση της έκθεσης σε πραγματικές συνθήκες χρήσης (λαμβάνοντας υπόψη όλα τα μέρη του κύκλου λειτουργίας, όπως είναι οι περιπτώσεις κατά τις οποίες το εργαλείο είναι απενεργοποιημένο και όταν λειτουργεί στο ρελαντί επιπρόσθετως του χρόνου κατά τον οποίο το εργαλείο βρίσκεται σε χρήση).

Για Ευρωπαϊκές χώρες μόνο

ENH101-13

EK – Δήλωση συμμόρφωσης

Η Εταιρία Makita ως υπεύθυνος κατασκευαστής,

δηλώνει ότι το παρακάτω μηχάνημα ή μηχανήματα

της Makita:

Ονομασία Μηχανήματος:

Ρούτερ

Αρ. Μοντέλου/ Τύπος: RP0900

αποτελούν παραγωγή σε σειρά και

Συμμορφώνονται με τις ακόλουθες Ευρωπαϊκές

Οδηγίες:

98/37/ΕΚ έως την 28η Δεκεμβρίου 2009 και επακόλουθα με την 2006/42/ΕΚ από την 29η Δεκεμβρίου 2009

Και κατασκευάζονται σύμφωνα με τα παρακάτω πρότυπα ή τυποποιημένα έγγραφα:

EN60745

Ο εξουσιοδοτημένος μας αντιπρόσωπος στην Ευρώπη διατηρεί τα τεχνικά έγγραφα, ο οποίος είναι:

Makita International Europe Ltd.,

Michigan, Drive, Tongwell,

Milton Keynes, MK15 8JD, England

30η Ιανουαρίου 2009

Tomoyasu Kato

Διευθυντής

Makita Corporation

3-11-8, Sumiyoshi-cho,

Anjo, Aichi, JAPAN

Makita Corporation
Anjo, Aichi, Japan

www.makita.com

884875C990

ALA