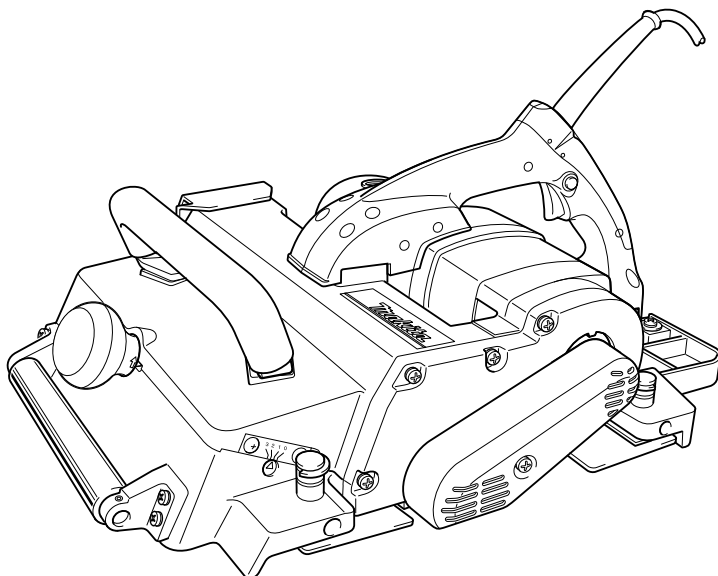
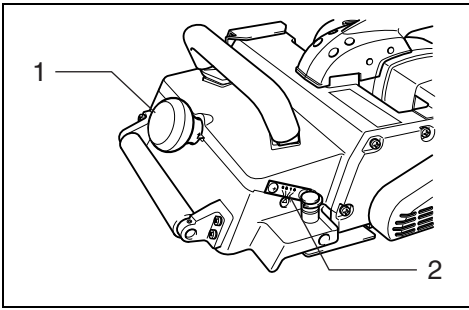




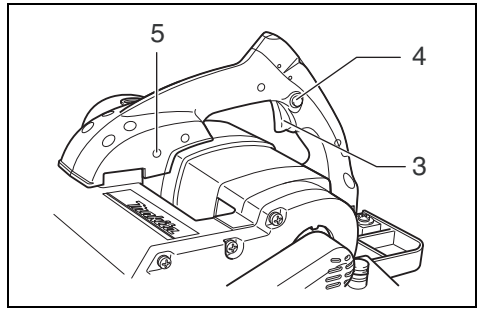
GB	Planer	Instruction Manual
F	Rabot	Manuel d'instructions
D	Balkenhobel	Betriebsanleitung
I	Pialla	Istruzioni per l'uso
NL	Schaafmachine	Gebruiksaanwijzing
E	Cepillo	Manual de instrucciones
P	Plaina	Manual de instruções
DK	Falshøv	Brugsanvisning
GR	Ηλεκτρική πλάνη	Οδηγίες χρήσεως

KP312 **KP312S**

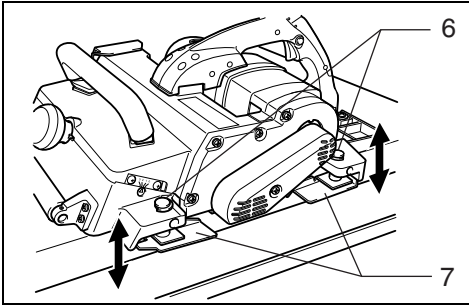




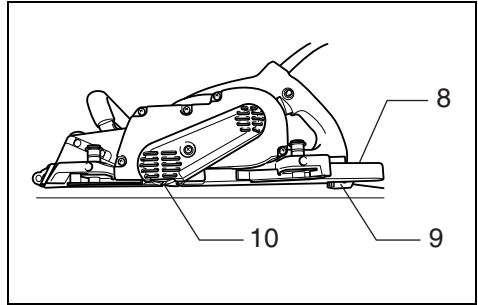
1



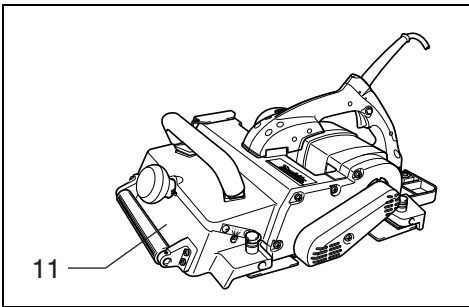
2



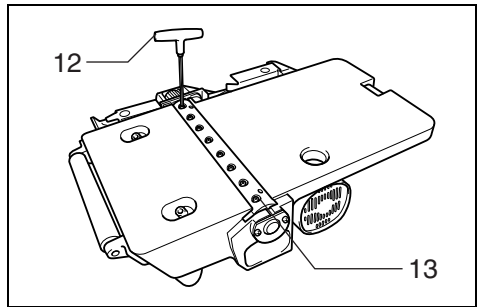
3



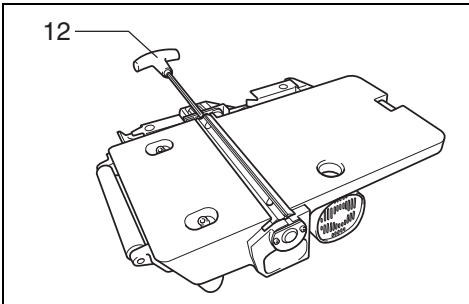
4



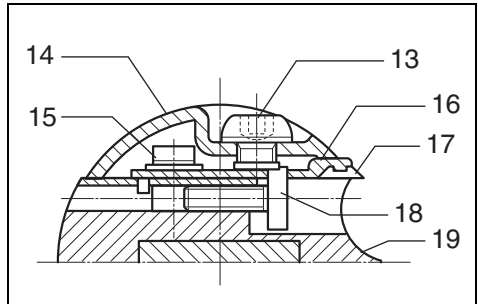
5



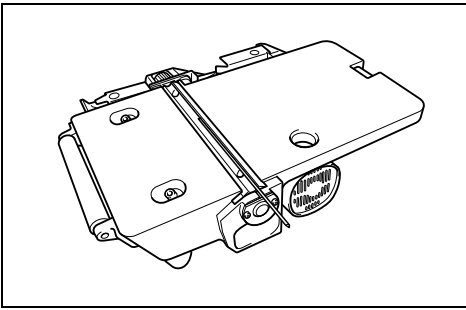
6



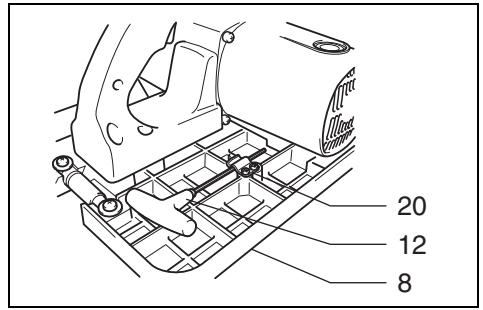
7



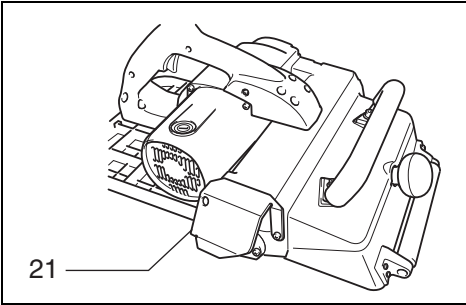
8



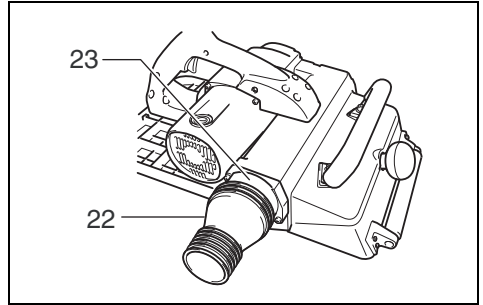
9



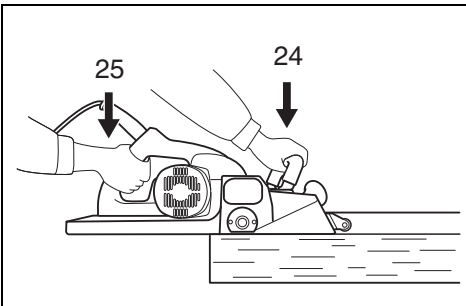
10



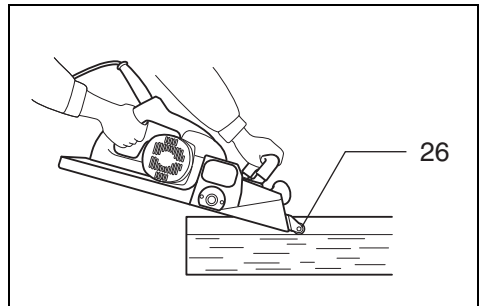
11



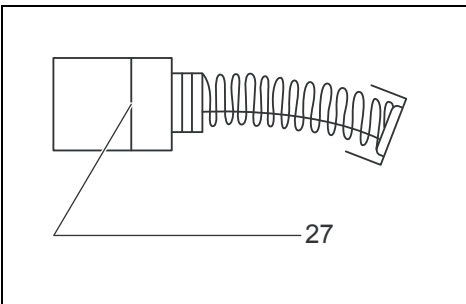
12



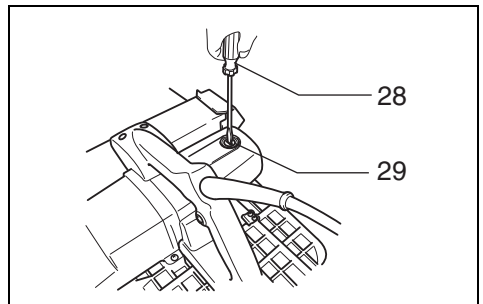
13



14



15



16

Explanation of general view

1 Knob	10 Planer blade	20 Wrench holder
2 Scale plate	11 Front base	21 Chip guide
3 Switch trigger	12 Hex wrench	22 Nozzle assembly
4 Lock button/Lock-off button	13 Installation bolt	23 Joint
5 Restart button (for KP312S only)	14 Drum plate	24 At the start of planing
6 Pins	15 Set plate screw	25 At the end of planing
7 Edge fence (Guide rule)	16 Set plate	26 Front roller
8 Rear base	17 Planer blade	27 Limit mark
9 Foot	18 Adjusting screw	28 Screwdriver
	19 Drum	29 Brush holder cap

SPECIFICATIONS

Model	KP312	KP312S
Planing width	312 mm	
Planing depth	0 – 3.5 mm	
No load speed (min ⁻¹)	12,000	
Overall length	551 mm	
Net weight	18.4 kg	
Safety class	□/II	

- Due to our continuing program of research and development, the specifications herein are subject to change without notice.
- Specifications may differ from country to country.
- Weighing according to EPTA-Procedure 01/2014

ENE001-1

Intended use

The tool is intended for planing wood.

ENF002-2

Power supply

The tool should be connected only to a power supply of the same voltage as indicated on the nameplate, and can only be operated on single-phase AC supply. They are double-insulated and can, therefore, also be used from sockets without earth wire.

GEA010-2

General Power Tool Safety Warnings

⚠ WARNING Read all safety warnings, instructions, illustrations and specifications provided with this power tool. Failure to follow all instructions listed below may result in electric shock, fire and/or serious injury.

Save all warnings and instructions for future reference.

The term "power tool" in the warnings refers to your mains-operated (corded) power tool or battery-operated (cordless) power tool.

GEB167-1

PLANER SAFETY WARNINGS

1. **Wait for the cutter to stop before setting the tool down.** An exposed rotating cutter may engage the surface leading to possible loss of control and serious injury.

2. **Hold the power tool by insulated gripping surfaces, because the cutter may contact its own cord.** Cutting a "live" wire may make exposed metal parts of the power tool "live" and could give the operator an electric shock.
3. **Use clamps or another practical way to secure and support the workpiece to a stable platform.** Holding the workpiece by your hand or against the body leaves it unstable and may lead to loss of control.
4. **Rags, cloth, cord, string and the like should never be left around the work area.**
5. **Avoid cutting nails.** Inspect for and remove all nails from the workpiece before operation.
6. **Use only sharp blades.** Handle the blades very carefully.
7. **Be sure the blade installation bolts are securely tightened before operation.**
8. **Hold the tool firmly with both hands.**
9. **Keep hands away from rotating parts.**
10. **Before using the tool on an actual workpiece, let it run for a while.** Watch for vibration or wobbling that could indicate poor installation or a poorly balanced blade.
11. **Make sure the blade is not contacting the workpiece before the switch is turned on.**
12. **Wait until the blade attains full speed before cutting.**
13. **Always switch off and wait for the blades to come to a complete stop before any adjusting.**
14. **Never stick your finger into the chip chute.** Chute may jam when cutting damp wood. Clean out chips with a stick.
15. **Do not leave the tool running.** Operate the tool only when hand-held.
16. **Always change both blades or covers on the drum, otherwise the resulting imbalance will cause vibration and shorten tool life.**
17. **Use only Makita blades specified in this manual.**
18. **Always use the correct dust mask/respirator for the material and application you are working with.**

SAVE THESE INSTRUCTIONS.

⚠ WARNING:
DO NOT let comfort or familiarity with product (gained from repeated use) replace strict adherence to safety rules for the subject product.
MISUSE or failure to follow the safety rules stated in this instruction manual may cause serious personal injury.

FUNCTIONAL DESCRIPTION

⚠ CAUTION:

- Always be sure that the tool is switched off and unplugged before adjusting or checking function on the tool.

Adjusting depth of cut (Fig. 1)

The depth of cut can be adjusted within a range of 0 – 3.5 mm. Turn the knob on the front of the tool until the pointer is aligned with the desired cutting depth on the scale. Set the depth of a cut observing the maximum depth which is limited by width according to the following table.

Correlation of width of cut and maximum depth of cut

Width of cut	Maximum depth of cut
0 – 150 mm	3.5 mm
150 – 240 mm	2 mm
240 – 312 mm	1.5 mm

Switch action (Fig. 2)

⚠ CAUTION:

- Before plugging in the tool, always check to see that the switch trigger actuates properly and returns to the “OFF” position when released.

For tool with lock button

To start the tool, simply pull the trigger. Release the trigger to stop. For continuous operation, pull the trigger and then push in the lock button. To stop the tool from the locked position, pull the trigger fully, then release it.

For tool with lock-off button

To prevent the trigger from being accidentally pulled, a lock-off button is provided. To start the tool, press the lock-off button and pull the trigger. Release the trigger to stop.

Overload protector (Option)

This tool is equipped with an overload protector which automatically cuts out to break the circuit whenever heavy work is prolonged. When it cuts out, inspect the blade for damage or something wrong. After making sure that there is nothing wrong with the tool, push the restart button to resume operation.

Edge fence (Guide rule) (Fig. 3)

Edge fence is useful for minimizing a short run of cut by cutting in a uniform width. The edge fence (guide rule) is provided on the side of the tool. Press two pins for the edge fence (guide rule) so that the edge fence appears. Move the tool forward while keeping the flat surface of the edge fence in contact with the side of the workpiece. To return the edge fence to an original position, push it upwards from its underside.

Foot (Fig. 4)

After a cutting operation, raise the back side of the tool and a foot comes under the level of the rear base. This prevents the tool blades to be damaged.

Guideline of cutting blade passage (Fig. 5)

Both ends of the front base are a guideline to show the ends of cutting blades passage.

ASSEMBLY

⚠ CAUTION:

- Always be sure that the tool is switched off and unplugged before carrying out any work on the tool.

Removing or installing planer blades (Fig. 6)

⚠ CAUTION:

- Tighten the blade installation bolts carefully when attaching the blades to the tool. A loose installation bolt can be dangerous. Always check to see they are tightened securely.
- Handle the blades very carefully. Use gloves or rags to protect your fingers or hands when removing or installing the blades.
- Use only the Makita wrench provided to remove or install the blades. Failure to do so may result in over-tightening or insufficient tightening of the installation bolts. This could cause an injury.

To remove planer blades on the drum, loosen the eight installation bolts by only one full turn with the hex wrench.

Then push and slide a planer blade sideways from the belt side using the helm of the hex wrench.

To remove another planer blade, follow the same procedure as above. (Fig. 7 & 8)

To install the blades, first clean out all chips or foreign matter adhering to the drum or blades.

Insert the blade between the drum and the set plate from the nozzle extraction side so that the blade will be centered from both ends of the drum or set plate.

First tighten the eight installation bolts lightly and evenly shifting from the center bolts to the outward bolts with the hex wrench.

And then, tighten all of the installation bolts securely. Install another blade in the same manner as above. (Fig. 9)

For the correct planer blade setting

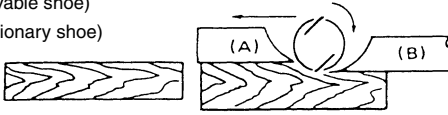
Your planing surface will end up rough and uneven, unless the blade is set properly and securely. The blade must be mounted so that the cutting edge is absolutely level, that is, parallel to the surface of the rear base.

Below are some examples of proper and improper settings.

(A) Front base (Movable shoe)

(B) Rear base (Stationary shoe)

Correct setting



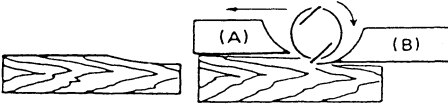
Although this side view cannot show it, the edges of the blades run perfectly parallel to the rear base surface.

Nicks in surface



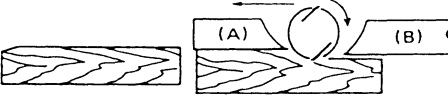
Cause: One or both blades fails to have edge parallel to rear base line.

Gouging at start



Cause: One or both blade edges fails to protrude enough in relation to rear base line.

Gouging at end



Cause: One or both blade edges protrudes too far in relation to rear base line.

Blade height adjustment (Fig. 8)

Blade height adjustment is usually not necessary. However, if you notice that the blade edge is below the level of the rear base or protrudes too far from the rear base, proceed as follows.

Loosen the eight installation bolts and the set plate screws. Turn the adjusting screws clockwise to retract the blade or counterclockwise to protrude it. After adjusting the blade height, tighten the set plate screws and the eight installation bolts securely.

Hex wrench storage (Fig. 10)

When not in use, store the hex wrench as shown in the figure to keep it from being lost.

Nozzle assembly and joint (Accessory)

(Fig. 11 & 12)

Nozzle assembly and joint are used when connecting the tool to vacuum cleaner.

When you wish to perform cleaner operation, connect a vacuum cleaner to your tool.

To connect vacuum cleaner, remove the chip guide from the tool. Place nozzle assembly and joint in its place and then tighten screws to secure them.

Connect a hose of vacuum cleaner to the joint.

Nozzle cleaning

Clean the nozzle regularly.

Use a compressed air to clean the clogged nozzle.

OPERATION

⚠ WARNING:

- To reduce the risk of injury to persons, do not operate without nozzle assembly and joint or chip guide in place.

Planing operation (Fig. 13)

First, rest the tool front base flat upon the workpiece surface without the blades making any contact. Switch on and wait until the blades attain full speed. Then move the tool gently forward. Apply pressure on the front of tool at the start of planing, and at the back at the end of planing. The speed and depth of cut determine the kind of finish. The power planer keeps cutting at a speed that will not result in jamming by chips. For rough cutting, the depth of cut can be increased, while for a good finish you should reduce the depth of cut and advance the tool more slowly.

Front roller (Fig. 14)

When performing repeated cuts, the use of the front roller enables quick and effortless return of the tool toward an operator by raising the back end of the tool so that the tool blades do not contact a workpiece and then sliding tool on the front roller.

MAINTENANCE

⚠ CAUTION:

- Always be sure that the tool is switched off and unplugged before attempting to perform inspection or maintenance.
- Never use gasoline, benzine, thinner, alcohol or the like. Discoloration, deformation or cracks may result.

Replacing carbon brushes

Remove and check the carbon brushes regularly. Replace when they wear down to the limit mark. Keep the carbon brushes clean and free to slip in the holders. Both carbon brushes should be replaced at the same time. Use only identical carbon brushes. **(Fig. 15)**
Use a screwdriver to remove the brush holder caps. Take out the worn carbon brushes, insert the new ones and secure the brush holder caps. **(Fig. 16)**

To maintain product SAFETY and RELIABILITY, repairs, any other maintenance or adjustment should be performed by Makita Authorized Service Centers, always using Makita replacement parts.

OPTIONAL ACCESSORIES

CAUTION:

- These accessories or attachments are recommended for use with your Makita tool specified in this manual. The use of any other accessories or attachments might present a risk of injury to persons. Only use accessory or attachment for its stated purpose.

If you need any assistance for more details regarding these accessories, ask your local Makita Service Center.

- Planer blade
- Triangular rule
- Nozzle assembly
- Joint
- Hex wrench

NOTE:

- Some items in the list may be included in the tool package as standard accessories. They may differ from country to country.

ENG102-2

For European countries only

Noise

The typical A-weighted noise level determined according to EN62841-2-14:

Sound pressure level (L_{pA}): 88 dB (A)

Sound power level (L_{wA}): 99 dB (A)

Uncertainty (K): 3 dB (A)

ENG907-1

NOTE:

- The declared noise emission value(s) has been measured in accordance with a standard test method and may be used for comparing one tool with another.
- The declared noise emission value(s) may also be used in a preliminary assessment of exposure.

WARNING:

- **Wear ear protection.**
- **The noise emission during actual use of the power tool can differ from the declared value(s) depending on the ways in which the tool is used especially what kind of workpiece is processed.**
- **Be sure to identify safety measures to protect the operator that are based on an estimation of exposure in the actual conditions of use (taking account of all parts of the operating cycle such as the times when the tool is switched off and when it is running idle in addition to the trigger time).**

Vibration

The vibration total value (tri-axial vector sum) determined according to EN62841-2-14:

Work mode: planing softwood

Vibration emission (a_{r1}): 2.5 m/s²

Uncertainty (K): 1.5 m/s²

ENG901-2

NOTE:

- The declared vibration total value(s) has been measured in accordance with a standard test method and may be used for comparing one tool with another.
- The declared vibration total value(s) may also be used in a preliminary assessment of exposure.

WARNING:

- **The vibration emission during actual use of the power tool can differ from the declared value(s) depending on the ways in which the tool is used especially what kind of workpiece is processed.**
- **Be sure to identify safety measures to protect the operator that are based on an estimation of exposure in the actual conditions of use (taking account of all parts of the operating cycle such as the times when the tool is switched off and when it is running idle in addition to the trigger time).**

EC DECLARATION OF CONFORMITY

For European countries only

The EC declaration of conformity is included as Annex A to this instruction manual.

Descriptif

1 Bouton	10 Fer du rabot	21 Pare-copeaux
2 Secteur angulaire	11 Socle avant	22 Ensemble de raccord
3 Gâchette	12 Clé hexagonale	23 Joint
4 Bouton de verrouillage/ Bouton de sécurité	13 Boulon de montage	24 Au début du rabotage
5 Bouton de redémarrage (Pour le KP312S uniquement)	14 Plaque de tambour	25 A la fin du rabotage
6 Broches	15 Vis de plaque de fixation	26 Rouleau avant
7 Garde latéral (règle de guidage)	16 Plaque de fixation	27 Trait de limite d'usure
8 Socle arrière	17 Fer de rabot	28 Tournevis
9 Pied	18 Vis de réglage	29 Bouchon de porte-charbon
	19 Tambour	
	20 Logement à clé	

SPÉCIFICATIONS

GEB167-1

Modèle	KP312	KP312S
Largeur de coupe	312 mm	
Profondeur de coupe	0 – 3,5 mm	
Vitesse à vide (min ⁻¹)	12 000	
Longueur totale	551 mm	
Poids net	18,4 kg	
Catégorie de sécurité	□/II	

- Étant donné l'évolution constante de notre programme de recherche et de développement, les spécifications contenues dans ce manuel sont sujettes à modification sans préavis.
- Les spécifications peuvent varier suivant les pays.
- Poids selon la procédure EPTA 01/2014

ENE001-1

Utilisations

L'outil est conçu pour le rabotage du bois.

ENF002-2

Alimentation

L'outil ne devra être raccordé qu'à une alimentation de la même tension que celle qui figure sur la plaque signalétique, et il ne pourra fonctionner que sur un courant secteur monophasé. Réalisé avec une double isolation, il peut de ce fait être branché sur une prise sans mise à la terre.

GEA010-2

Consignes de sécurité générales pour outils électriques

⚠ AVERTISSEMENT Veuillez lire les consignes de sécurité, instructions, illustrations et spécifications qui accompagnent cet outil électrique. Le non-respect de toutes les instructions indiquées ci-dessous peut entraîner une électrocution, un incendie et/ou de graves blessures.

Conservez toutes les mises en garde et instructions pour référence ultérieure.

Le terme "outil électrique" dans les avertissements fait référence à l'outil électrique alimenté par le secteur (avec cordon d'alimentation) ou à l'outil électrique fonctionnant sur batterie (sans cordon d'alimentation).

CONSIGNES DE SÉCURITÉ POUR RABOT

1. **Attendez que l'outil de coupe s'arrête avant de poser l'outil.** Un outil de coupe en rotation exposé peut pénétrer dans la surface, ce qui peut provoquer une perte de maîtrise et de graves blessures.
2. **Tenez l'outil électrique par une surface de prise isolée, étant donné que l'outil de coupe peut entrer en contact avec son cordon.** Couper un câble sous tension risque de mettre à découvert les pièces métalliques de l'outil électrique sous tension et d'électrocuter l'utilisateur.
3. **Utilisez des dispositifs de serrage ou un autre moyen pratique pour fixer et soutenir la pièce sur une plateforme stable.** La pièce sera instable et vous risquerez d'en perdre la maîtrise si vous la tenez avec une main ou l'appuyez contre votre corps.
4. **Ne laissez jamais de chiffons, linges, cordons, cordes et objets similaires sur la zone de travail.**
5. **Évitez les clous.** Avant de travailler la pièce, inspectez-la et retirez tous les clous.
6. **N'utilisez que des lames affûtées.** Manipulez les lames avec beaucoup de précaution.
7. **Assurez-vous que les boulons de fixation des lames sont bien serrés avant utilisation.**
8. **Tenez l'outil fermement à deux mains.**
9. **Gardez les mains à l'écart des pièces en rotation.**
10. **Avant d'utiliser l'outil sur la pièce, laissez-le tourner à vide un instant.** Soyez attentif aux vibrations ou sautilllements pouvant indiquer que la lame n'est pas bien installée ou est mal équilibrée.
11. **Assurez-vous que la lame n'entre pas en contact avec la pièce avant de mettre l'outil sous tension.**
12. **Attendez que la lame atteigne sa pleine vitesse avant de procéder à la coupe.**
13. **Avant tout réglage, mettez toujours l'outil hors tension et attendez l'arrêt complet des lames.**
14. **Ne mettez jamais le doigt dans la goulotte à copeaux.** Il se peut qu'elle se bouche lorsque vous coupez du bois humide. Retirez les copeaux avec un bout de bâton.
15. **N'abandonnez pas l'outil alors qu'il tourne.** Ne faites fonctionner l'outil qu'une fois que vous l'avez bien en main.

16. Changez toujours les deux lames ou couvercles sur le tambour, en même temps, sinon cela entraînera un déséquilibre qui provoquera des vibrations et réduira la durée de service de l'outil.
17. N'utilisez que les lames Makita spécifiées dans ce manuel.
18. Utilisez toujours un masque anti-poussière ou un masque filtrant approprié au matériau et à l'application.

CONSERVEZ CES INSTRUCTIONS.

⚠ AVERTISSEMENT :

NE vous laissez PAS tromper (au fil d'une utilisation répétée) par un sentiment d'aisance et de familiarité avec le produit, en négligeant le respect rigoureux des consignes de sécurité qui accompagnent le produit en question.

La MAUVAISE UTILISATION de l'outil ou l'ignorance des consignes de sécurité indiquées dans ce mode d'emploi peut entraîner de graves blessures.

DESCRIPTION DU FONCTIONNEMENT

⚠ ATTENTION :

- Assurez-vous toujours que l'outil est hors tension et débranché avant de l'ajuster ou de vérifier son fonctionnement.

Réglage de la profondeur de coupe (Fig. 1)

Le réglage de la profondeur de coupe est possible sur une plage de 0 à 3,5 mm. Tournez le bouton à l'avant de l'outil jusqu'à ce que le pointeur soit aligné sur la profondeur de coupe désirée sur le secteur. Réglez la profondeur de coupe en tenant compte de la profondeur maximale permise suivant la largeur de la pièce, tel qu'indiqué dans le tableau suivant.

Corrélation entre la largeur de la coupe et la profondeur de coupe maximale

Largeur de coupe	Profondeur de coupe maximale
0 – 150 mm	3,5 mm
150 – 240 mm	2 mm
240 – 312 mm	1,5 mm

Interrupteur (Fig. 2)

⚠ ATTENTION :

- Avant de brancher l'outil, vérifiez toujours que la gâchette fonctionne correctement et revient en position "OFF" lorsque relâchée.

Pour les outils équipés d'un bouton de verrouillage

Pour mettre l'outil en marche, appuyez simplement sur la gâchette. Pour l'arrêter, relâchez la gâchette. Pour une utilisation continue, appuyez sur la gâchette puis sur le bouton de verrouillage. Pour arrêter l'outil alors qu'il est en position verrouillée, appuyez à fond sur la gâchette puis relâchez-la.

Pour les outils équipés d'un bouton de sécurité

Un bouton de sécurité est fourni pour prévenir la pression accidentelle sur la gâchette. Pour mettre l'outil en marche, enfoncez le bouton de sécurité puis appuyez sur la gâchette. Pour l'arrêter, relâchez la gâchette.

Disjoncteur de surcharge (option)

Cet outil est équipé d'un disjoncteur de surcharge qui coupe automatiquement le circuit lorsque l'outil est trop longtemps soumis à une lourde charge de travail. Lorsque le disjoncteur de surcharge s'engage, vérifiez l'absence de toute anomalie, telle qu'un fer endommagé, etc. Après vous être assuré qu'il n'y a aucune anomalie sur l'outil, appuyez sur le bouton de redémarrage pour poursuivre votre travail.

Garde latéral (règle de guidage) (Fig. 3)

Un garde latéral pratique permet de minimiser les risques de coupe insuffisante et permet ainsi d'obtenir des coupes de largeur uniforme. Le garde latéral (règle de guidage) se trouve sur le côté de l'outil. Appuyez sur les deux broches du garde latéral (règle de guidage) pour le faire apparaître. Déplacez l'outil vers l'avant tout en maintenant la surface plane du garde latéral en contact avec le côté de la pièce.

Pour remettre le garde latéral en position initiale, poussez-le vers le haut par sa face inférieure.

Pied (Fig. 4)

Une fois la coupe terminée, soulevez la partie arrière de l'outil pour que l'un des pieds se trouve sous le niveau du socle arrière. Cela prévient l'endommagement des fers de l'outil.

Guide indicateur du passage du fer (Fig. 5)

Les deux extrémités du socle avant servent de guide pour indiquer les points limites du passage des fers.

ASSEMBLAGE

⚠ ATTENTION :

- Avant d'effectuer toute intervention sur l'outil, assurez-vous toujours qu'il est hors tension et débranché.

Retrait ou pose des fers du rabot (Fig. 6)

⚠ ATTENTION :

- Serrez fermement les boulons de montage des fers lorsque vous fixez ces derniers à l'outil. Un boulon de montage mal serré représente un danger. Assurez-vous toujours qu'ils sont serrés à fond.
- Maniez les fers de façon très prudente. Portez des gants ou utilisez des chiffons pour protéger vos doigts ou vos mains lorsque vous retirez ou installez les fers.
- Utilisez exclusivement la clé Makita fournie pour installer ou retirer les fers. Sinon, les boulons de montage risquent d'être trop ou pas assez serrés. Cela peut entraîner une blessure.

Pour retirer les fers du tambour, desserrez partiellement d'un seul tour les huit boulons de montage au moyen de la clé hexagonale.

Ensuite, poussez et glissez un des fers latéralement du côté de la courroie au moyen du manche de la clé hexagonale.

Pour retirer l'autre fer, suivez la même procédure.

(Fig. 7 et 8)

Pour installer les fers, retirez d'abord tout copeau ou corps étranger adhérent au tambour ou aux fers.

Insérez le fer entre le tambour et la plaque de fixation du côté d'extraction du raccord, de sorte que le fer soit centré par rapport aux deux extrémités du tambour ou de la plaque de fixation.

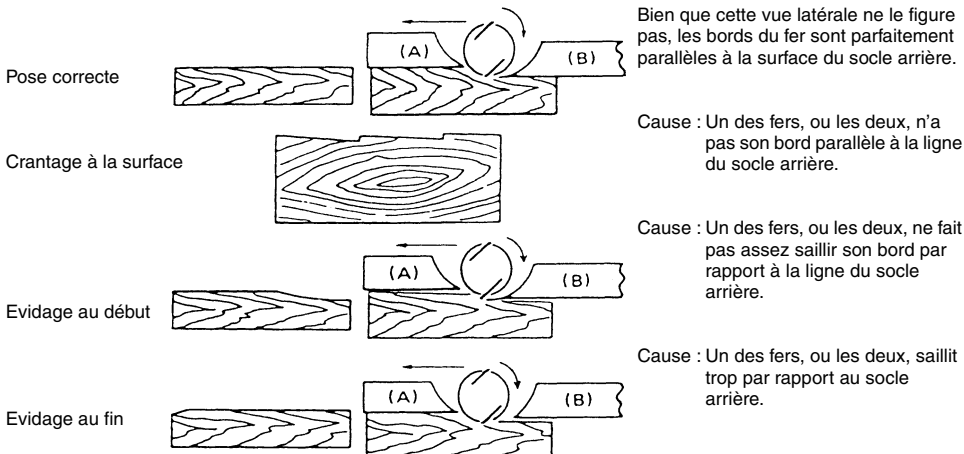
Serrez d'abord légèrement et de manière égale les huit boulons de montage au moyen de la clé hexagonale, en procédant des boulons du centre à ceux de l'extérieur.

Ensuite, serrez à fond tous les boulons de montage. Installez l'autre fer en suivant la même procédure. (Fig. 9)

Pour placer correctement le fer

Si le fer n'est pas monté de façon adéquate et sûre, la surface rabotée sera rugueuse et inégale. Le fer doit être monté de sorte que la face de coupe soit parfaitement de niveau, c'est-à-dire parallèle à la surface du socle arrière. Des exemples de réglage correct et de réglage incorrect sont présentés ci-dessous.

- (A) Socle avant (sabot mobile)
- (B) Socle arrière (sabot fixe)



Bien que cette vue latérale ne le figure pas, les bords du fer sont parfaitement parallèles à la surface du socle arrière.

Cause : Un des fers, ou les deux, n'a pas son bord parallèle à la ligne du socle arrière.

Cause : Un des fers, ou les deux, ne fait pas assez saillir son bord par rapport à la ligne du socle arrière.

Cause : Un des fers, ou les deux, saillit trop par rapport au socle arrière.

Réglage de la hauteur du fer (Fig. 8)

En général il n'est pas nécessaire de régler la hauteur du fer. Toutefois, si vous notez que le bord du fer se trouve sous le niveau du socle arrière ou dépasse trop par rapport à ce dernier, procédez comme suit.

Desserrez les huit boulons de montage et les vis de la plaque de fixation. Tournez les vis de réglage dans le sens des aiguilles d'une montre pour rétracter le fer ou en sens inverse pour le faire sortir. Une fois la hauteur du fer réglée, serrez à fond les vis de la plaque de fixation et les huit boulons de montage.

Rangement de la clé hexagonale (Fig. 10)

Lorsque vous n'utilisez pas la clé hexagonale, rangez-la de la façon indiquée sur l'illustration pour éviter de l'égarer.

Ensemble de raccord et joint (accessoire) (Fig. 11 et 12)

L'ensemble de raccord et le joint permettent de raccorder l'outil à un aspirateur.

Si vous désirez effectuer un travail plus propre, raccordez un aspirateur à votre outil.

Pour raccorder l'aspirateur, retirez le pare-copeaux de l'outil. Mettez en place l'ensemble de raccord et le joint puis serrez les vis pour les immobiliser.

Raccordez le tuyau de l'aspirateur au joint.

Nettoyage du raccord

Nettoyez régulièrement le raccord.

Utilisez de l'air comprimé pour nettoyer le raccord s'il est bouché.

UTILISATION

⚠ AVERTISSEMENT :

- Afin de diminuer le risque de blessures corporelles, n'utilisez pas l'outil sans l'ensemble du raccord et le joint ou le pare-copeaux en place.

Rabotage (Fig. 13)

Faites d'abord reposer le socle avant de l'outil à plat sur la surface de la pièce, les fers n'entrant pas en contact avec quoi que ce soit. Mettez l'outil sous tension et attendez que les fers aient atteint leur pleine vitesse. Faites ensuite avancer l'outil doucement. Appliquez une pression sur l'avant de l'outil au début du rabotage, et sur l'arrière de l'outil à la fin du rabotage.

Le type de finition obtenu varie suivant la vitesse et la profondeur de la coupe. Le rabot électrique maintient une vitesse de coupe adéquate pour éviter d'être coincé par les copeaux. Vous pouvez augmenter la profondeur de coupe si vous désirez effectuer une coupe grossière, tandis que pour obtenir une bonne finition il est préférable de réduire la profondeur de coupe et de faire avancer l'outil plus lentement.

Rouleau avant (Fig. 14)

Lors des coupes répétées, l'utilisation du rouleau avant permet de ramener l'outil vers l'utilisateur rapidement et sans effort, en soulevant l'extrémité arrière de l'outil de sorte que les fers n'entrent pas en contact avec la pièce, puis en faisant glisser l'outil sur le rouleau avant.

ENTRETIEN

⚠ ATTENTION :

- Assurez-vous toujours que l'outil est hors tension et débranché avant d'y effectuer tout travail d'inspection ou d'entretien.
- N'utilisez jamais d'essence, benzine, diluant, alcool ou autre produit similaire. Cela risquerait de provoquer la décoloration, la déformation ou la fissuration de l'outil.

Remplacement des charbons

Retirez et vérifiez régulièrement les charbons. Remplacez-les lorsqu'ils sont usés jusqu'au trait de limite d'usure. Maintenez les charbons propres et en état de glisser aisément dans les porte-charbon. Les deux charbons doivent être remplacés en même temps. N'utilisez que des charbons identiques. (Fig. 15)

Retirez les bouchons de porte-charbon à l'aide d'un tournevis. Enlevez les charbons usés, insérez-en de nouveaux et revissez solidement les bouchons de porte-charbon. (Fig. 16)

Pour maintenir la SÉCURITÉ et la FIABILITÉ du produit, les réparations, l'inspection et le remplacement des charbons, et tout autre travail d'entretien ou de réglage doivent être effectués dans un centre de service Makita agréé, exclusivement avec des pièces de rechange Makita.

ACCESSOIRES EN OPTION

⚠ ATTENTION :

- Les accessoires ou pièces supplémentaires qui suivent sont recommandés pour l'utilisation avec l'outil Makita spécifié dans ce manuel. L'utilisation de tout autre accessoire ou pièce supplémentaire peut comporter un risque de blessure. Utilisez uniquement l'accessoire ou la pièce supplémentaire dans le but spécifié.

Pour obtenir plus de détails sur ces accessoires, contactez votre Centre d'Entretien local Makita.

- Fer de rabot
- Règle triangulaire
- Ensemble de raccord
- Joint
- Clé hexagonale

NOTE :

- Il se peut que certains éléments de la liste soient compris dans l'emballage de l'outil en tant qu'accessoires standard. Ils peuvent varier d'un pays à l'autre.

ENG102-2

Pour les pays d'Europe uniquement

Bruit

Niveau de bruit pondéré A typique, déterminé selon EN62841-2-14 :

- Niveau de pression sonore (L_{pA}) : 88 dB (A)
- Niveau de puissance sonore (L_{wA}) : 99 dB (A)
- Incertitude (K) : 3 dB (A)

ENG907-1

NOTE :

- La ou les valeurs d'émission de bruit déclarées ont été mesurées conformément à la méthode de test standard et peuvent être utilisées pour comparer les outils entre eux.
- La ou les valeurs d'émission de bruit déclarées peuvent aussi être utilisées pour l'évaluation préliminaire de l'exposition.

⚠ AVERTISSEMENT :

- Portez un serre-tête antibruit.
- L'émission de bruit lors de l'usage réel de l'outil électrique peut être différente de la ou des valeurs déclarées, suivant la façon dont l'outil est utilisé, particulièrement selon le type de pièce usinée.
- Les mesures de sécurité à prendre pour protéger l'utilisateur doivent être basées sur une estimation de l'exposition dans des conditions réelles d'utilisation (en tenant compte de toutes les composantes du cycle d'utilisation, comme par exemple le moment de sa mise hors tension, lorsqu'il tourne à vide et le moment de son déclenchement).

ENG222-2

Vibrations

Valeur totale de vibrations (somme de vecteur triaxial) déterminée selon EN62841-2-14 :

- Mode de travail : rabotage du bois mou
- Émission de vibrations (a_h) : 2,5 m/s²
- Incertitude (K) : 1,5 m/s²

ENG901-2

NOTE :

- La ou les valeurs de vibration totales déclarées ont été mesurées conformément à la méthode de test standard et peuvent être utilisées pour comparer les outils entre eux.
- La ou les valeurs de vibration totales déclarées peuvent aussi être utilisées pour l'évaluation préliminaire de l'exposition.

⚠ AVERTISSEMENT :

- L'émission de vibrations lors de l'usage réel de l'outil électrique peut être différente de la ou des valeurs déclarées, suivant la façon dont l'outil est utilisé, particulièrement selon le type de pièce usinée.
- Les mesures de sécurité à prendre pour protéger l'utilisateur doivent être basées sur une estimation de l'exposition dans des conditions réelles d'utilisation (en tenant compte de toutes les composantes du cycle d'utilisation, comme par exemple le moment de sa mise hors tension, lorsqu'il tourne à vide et le moment de son déclenchement).

DÉCLARATION DE CONFORMITÉ CE

Pour les pays d'Europe uniquement

La déclaration de conformité CE est fournie en Annexe A à ce mode d'emploi.

Übersicht

1 Knopf	10 Hobelmesser	21 Späneführung
2 Skalenplatte	11 Vordere Hobelsohle	22 Absaugstutzen
3 Ein-Aus-Schalter	12 Inbusschlüssel	23 Verbindung
4 Arretierknopf/	13 Montageschraube	24 Am Anfang des Hobelvorgangs
Einschaltsperrknopf	14 Hobelwellenplatte	25 Am Ende des Hobelvorgangs
5 Neustartknopf (Nur für KP312S)	15 Halteplattenschraube	26 Frontrolle
6 Stifte	16 Halteplatte	27 Verschleißgrenze
7 Parallelanschlag	17 Hobelmesser	28 Schraubendreher
(Führungslinial)	18 Einstellschraube	29 Bürstenhalterkappe
8 Hintere Hobelsohle	19 Hobelwelle	
9 Fuß	20 Schlüsselhalter	

TECHNISCHE DATEN

GEB167-1

Modell	KP312	KP312S
Hobelbreite	312 mm	
Spanabnahme stufenlos	0 – 3,5 mm	
Leerlaufdrehzahl (min ⁻¹)	12 000	
Gesamtläng	551 mm	
Nettogewicht	18,4 kg	
Sicherheitsklasse	□/II	

- Wir behalten uns vor, Änderungen im Zuge der Entwicklung und des technischen Fortschritts ohne vorherige Ankündigung vorzunehmen.
- Die technischen Daten können von Land zu Land abweichen.
- Gewicht nach EPTA-Verfahren 01/2014

ENE001-1

Vorgesehene Verwendung

Diese Maschine ist für das Hobeln von Holz vorgesehen.

ENF002-2

Netzanschluss

Die Maschine sollte nur an eine Stromquelle angeschlossen werden, deren Spannung mit der Angabe auf dem Typenschild übereinstimmt, und kann nur mit Einphasen-Wechselstrom betrieben werden. Diese sind doppelt schutzisoliert und können daher auch an Steckdosen ohne Erdleiter verwendet werden.

GEA010-2

Allgemeine Sicherheitswarnungen für Elektrowerkzeuge

⚠️ WARNUNG Lesen Sie alle mit diesem Elektrowerkzeug gelieferten Sicherheitswarnungen, Anweisungen, Abbildungen und technischen Daten durch. Eine Missachtung der unten aufgeführten Anweisungen kann zu einem elektrischen Schlag, Brand und/oder schweren Verletzungen führen.

Bewahren Sie alle Warnungen und Anweisungen für spätere Bezugnahme auf.

Der Ausdruck "Elektrowerkzeug" in den Warnhinweisen bezieht sich auf Ihr mit Netzstrom (mit Kabel) oder Akku (ohne Kabel) betriebenes Elektrowerkzeug.

SICHERHEITSWARNUNGEN FÜR BALKENHOBEL

1. **Warten Sie, bis das Messer zum Stillstand kommt, bevor Sie das Werkzeug ablegen.** Das freiliegende Rotationsmesser könnte sonst in die Oberfläche eingreifen, was zu einem möglichen Verlust der Kontrolle und ernsthaften Verletzungen führen kann.
2. **Halten Sie das Elektrowerkzeug an den isolierten Griffflächen, weil das Messer das eigene Kabel berühren kann.** Bei Kontakt mit einem Strom führenden Kabel können die freiliegenden Metallteile des Elektrowerkzeugs ebenfalls Strom führend werden, so dass der Benutzer einen elektrischen Schlag erleiden kann.
3. **Verwenden Sie Klemmen oder eine andere praktische Methode, um das Werkstück auf einer stabilen Unterlage zu sichern und abzustützen.** Wenn Sie das Werkstück nur mit der Hand oder gegen Ihren Körper halten, befindet es sich in einer instabilen Lage, die zum Verlust der Kontrolle führen kann.
4. **Lassen Sie niemals Lappen, Tücher, Kabel, Schnüre und dergleichen im Arbeitsbereich herumliegen.**
5. **Vermeiden Sie das Schneiden von Nägeln. Untersuchen Sie das Werkstück sorgfältig auf Nägel, und entfernen Sie diese vor der Bearbeitung.**
6. **Verwenden Sie nur scharfe Messer. Behandeln Sie die Messer mit größter Sorgfalt.**
7. **Vergewissern Sie sich vor der Arbeit, dass die Messerbefestigungsschrauben sicher festgezogen sind.**
8. **Halten Sie das Werkzeug mit beiden Händen fest.**
9. **Halten Sie Ihre Hände von rotierenden Teilen fern.**
10. **Lassen Sie das Werkzeug vor der eigentlichen Bearbeitung eines Werkstücks eine Weile laufen. Achten Sie auf Vibrationen oder Taumelbewegungen, die Anzeichen für schlechte Montage oder ein schlecht ausgewuchtetes Messer sein können.**
11. **Vergewissern Sie sich vor dem Einschalten des Werkzeugs, dass das Messer nicht das Werkstück berührt.**

12. Warten Sie, bis das Messer die volle Drehzahl erreicht hat, bevor Sie mit dem Schneiden beginnen.
13. Schalten Sie das Werkzeug stets aus, und warten Sie, bis die Messer zum vollständigen Stillstand kommen, bevor Sie Einstellungen vornehmen.
14. Stecken Sie niemals Ihren Finger in den Spanauswurf. Der Spanauswurf kann blockiert werden, wenn feuchtes Holz gehobelt wird. Entfernen Sie Späne mit einem Stock.
15. Lassen Sie das Werkzeug nicht unbeaufsichtigt laufen. Benutzen Sie das Werkzeug nur im handgeführten Einsatz.
16. Wechseln Sie immer beide Messer oder Abdeckungen an der Trommel aus, weil sonst die resultierende Unwucht Vibrationen verursacht und die Lebensdauer des Werkzeugs verkürzen kann.
17. Verwenden Sie nur die in dieser Anleitung angegebenen Makita-Messer.
18. Verwenden Sie stets die korrekte Staubschutz-/Atemmaske für das jeweilige Material und die Anwendung.

DIESE ANWEISUNGEN AUFBEWAHREN.

WARNUNG:

Lassen Sie sich NICHT durch Bequemlichkeit oder Vertrautheit mit dem Produkt (durch wiederholten Gebrauch erworben) von der strikten Einhaltung der Sicherheitsregeln für das vorliegende Produkt abhalten.

MISSBRAUCH oder Missachtung der Sicherheitsvorschriften in dieser Anleitung können schwere Verletzungen verursachen.

FUNKTIONSBESCHREIBUNG

VORSICHT:

- Vergewissern Sie sich vor jeder Einstellung oder Funktionsprüfung der Maschine stets, dass sie ausgeschaltet und vom Stromnetz getrennt ist.

Einstellen der Spantiefe (Abb. 1)

Die Spantiefe kann innerhalb eines Bereichs von 0 – 3,5 mm eingestellt werden. Drehen Sie den Knopf an der Stirn der Maschine, bis der Zeiger auf den gewünschten Spantiefenwert der Skala ausgerichtet ist. Nehmen Sie die folgende Tabelle zu Hilfe, um die maximale Spantiefe für die jeweilige Hobelbreite zu ermitteln.

Beziehung zwischen Hobelbreite und maximaler Spantiefe

Hobelbreite	Maximale Spantiefe
0 – 150 mm	3,5 mm
150 – 240 mm	2 mm
240 – 312 mm	1,5 mm

Schalterfunktion (Abb. 2)

VORSICHT:

- Vergewissern Sie sich vor dem Anschließen der Maschine an das Stromnetz stets, dass der Ein-Aus-Schalter ordnungsgemäß funktioniert und beim Loslassen in die AUS-Stellung zurückkehrt.

Für Maschine mit Arretierknopf

Zum Einschalten der Maschine drücken Sie einfach den Ein-Aus-Schalter. Zum Ausschalten lassen Sie den Ein-Aus-Schalter los. Für Dauerbetrieb betätigen Sie den Ein-Aus-Schalter und drücken dann den Arretierknopf hinein. Zum Austrasten des Arretierknopfes drücken Sie den Ein-Aus-Schalter bis zum Anschlag hinein und lassen ihn dann los.

Für Maschine mit Einschaltsperrknopf

Um versehentliche Betätigung des Ein-Aus-Schalters zu verhüten, ist die Maschine mit einem Einschaltsperrknopf ausgestattet. Zum Starten der Maschine betätigen Sie den Ein-Aus-Schalter bei gedrücktem Einschaltsperrknopf. Zum Ausschalten lassen Sie den Ein-Aus-Schalter los.

Überlastschalter (Option)

Diese Maschine ist mit einem Überlastschalter ausgestattet, der die Stromzufuhr automatisch abschaltet, wenn die Maschine andauernd schwerer Belastung ausgesetzt wird. Überprüfen Sie nach einer Aktivierung des Überlastschalters das Hobelmesser auf Beschädigung oder Fehler. Nachdem Sie sich vergewissert haben, dass die Maschine in Ordnung ist, drücken Sie den Neustartknopf, um den Betrieb fortzusetzen.

Parallelanslag (Führungslinieal) (Abb. 3)

Benutzen Sie den Parallelanslag, um Hobelabweichungen durch Einhalten einer gleichmäßigen Breite auf ein Minimum zu reduzieren. Der Parallelanslag (Führungslinieal) befindet sich an der Seite der Maschine. Drücken Sie auf die beiden Stifte, so dass der Parallelanslag (Führungslinieal) austrastet. Schieben Sie die Maschine vor, während Sie die flache Kante des Parallelanslags an der Seite des Werkstücks entlang führen. Um den Parallelanslag wieder auf seine Ausgangsstellung einzurasten, drücken Sie ihn von der Unterseite nach oben.

Fuß (Abb. 4)

Heben Sie nach einem Hobelvorgang die Rückseite der Maschine an, so dass ein Fuß unter der hinteren Hobelsohle zum Vorschein kommt. Dadurch wird eine Beschädigung der Hobelmesser verhütet.

Führungslinie der Hobelmesserpassage (Abb. 5)

Die beiden Seitenkanten der vorderen Hobelsohle stellen Führungslinien dar, welche die Breite der Hobelmesserpassage kennzeichnen.

MONTAGE

VORSICHT:

- Vergewissern Sie sich vor der Ausführung von Arbeiten an der Maschine stets, dass sie ausgeschaltet und vom Stromnetz getrennt ist.

Montage und Demontage von Hobelmessern (Abb. 6)

VORSICHT:

- Ziehen Sie die Messermontageschrauben sorgfältig an, wenn Sie die Messer an der Maschine anbringen. Eine lose Montageschraube kann gefährlich sein. Vergewissern Sie sich stets, dass sie einwandfrei angezogen sind.
- Behandeln Sie die Messer mit größter Sorgfalt. Schützen Sie Ihre Finger oder Hände beim Demontieren oder Montieren der Messer mit Handschuhen oder Lappen.

- Verwenden Sie nur den mitgelieferten Makita-Inbusschlüssel zum Demontieren oder Montieren der Messer. Anderenfalls besteht die Gefahr, dass die Montageschrauben zu stark oder zu schwach angezogen werden, was zu einer Verletzung führen kann.

Um die Hobelmesser von der Hobelwelle zu entfernen, lösen Sie die acht Montageschrauben nur um eine volle Umdrehung mit dem Inbusschlüssel.

Schieben Sie dann das Hobelmesser mit dem Griff des Inbusschlüssels von der Treibriemensseite aus seitlich heraus.

Um ein weiteres Hobelmesser zu entfernen, wiederholen Sie das obige Verfahren. **(Abb. 7 u. 8)**

Säubern Sie Hobelwelle und Messer vor dem Montieren der Messer von anhaftenden Spänen oder Fremdkörpern. Führen Sie das Messer von der Absaugstutzenseite aus zwischen Hobelwelle und Halteplatte ein, so dass es zwischen beiden Enden der Hobelwelle oder Halteplatte zentriert ist.

Ziehen Sie die acht Montageschrauben zunächst nur leicht und gleichmäßig mit dem Inbusschlüssel von innen nach außen an.

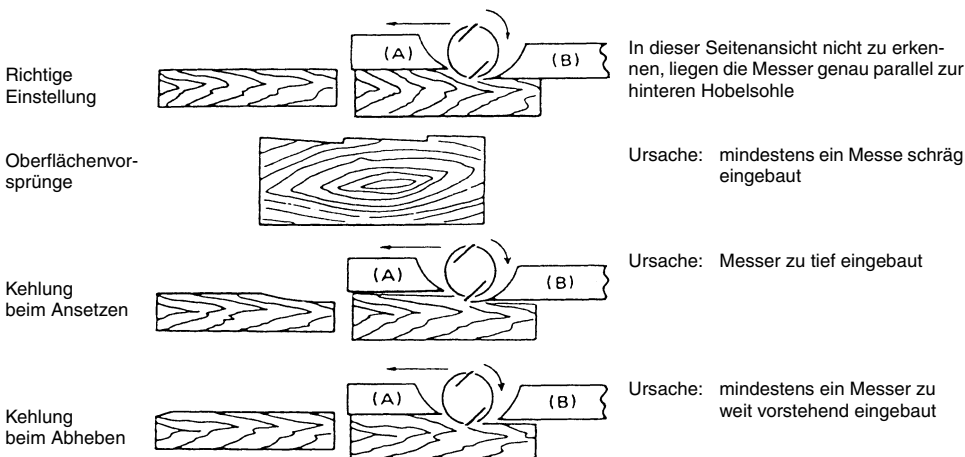
Ziehen Sie dann alle Montageschrauben fest an. Montieren Sie ein weiteres Hobelmesser ebenfalls auf die obige Weise. **(Abb. 9)**

Korrekte Hobelmesser-Einstellung

Wenn das Hobelmesser nicht richtig und fest montiert wird, erhalten Sie eine raue und unebene Hobelfläche. Das Messer muss so montiert werden, dass die Schneide absolut waagrecht, d.h. parallel zur Auflagefläche der hinteren Hobelsohle, liegt.

Im Folgenden sind einige Beispiele für richtige und falsche Einstellungen abgebildet.

- (A) vordere Hobelsohle
- (B) hintere Hobelsohle



Einstellung der Messerhöhe (Abb. 8)

Normalerweise ist eine Einstellung der Messerhöhe nicht notwendig. Falls Sie jedoch feststellen, dass die Messerkante unterhalb der hinteren Hobelsohle liegt oder zu weit von der hinteren Hobelsohle übersteht, gehen Sie folgendermaßen vor.

Lösen Sie die acht Montageschrauben und die Halteplattenschrauben. Drehen Sie die Einstellschrauben im Uhrzeigersinn, um das Messer weiter einzufahren, oder entgegen dem Uhrzeigersinn, um es weiter auszufahren. Ziehen Sie die Halteplattenschrauben und die acht Montageschrauben nach der Einstellung der Messerhöhe wieder fest an.

Aufbewahrung des Inbusschlüssels (Abb. 10)

Der Inbusschlüssel kann an der in der Abbildung gezeigten Stelle aufbewahrt werden, damit er nicht verloren geht.

Absaugstutzen und Verbindung (Zubehör) (Abb. 11 u. 12)

Absaugstutzen und Verbindung werden für den Anschluss der Maschine an einen Staubsauger verwendet.

Um größere Sauberkeit bei der Arbeit zu erzielen, kann ein Staubsauger an die Maschine angeschlossen werden.

Zum Anschließen des Staubsaugers muss die Späneführung von der Maschine abgenommen werden. Bringen Sie den Absaugstutzen und die Verbindung an, und ziehen Sie zur Befestigung die Schrauben an.

Schließen Sie den Schlauch des Staubsaugers an die Verbindung an.

Reinigen des Absaugstutzens

Reinigen Sie den Absaugstutzen regelmäßig. Verwenden Sie Druckluft zum Reinigen des verstopften Absaugstutzens.

BETRIEB

⚠️ WARNUNG:

- Um die Verletzungsgefahr von Personen zu verringern, betreiben Sie das Werkzeug niemals, wenn Absaugstutzen und Verbindung oder Späneführung nicht angebracht sind.

Hobelbetrieb (Abb. 13)

Setzen Sie zuerst die vordere Hobelsohle flach auf das Werkstück, ohne dass die Hobelmesser irgendwelchen Kontakt haben. Schalten Sie die Maschine ein und warten Sie, bis die Messerwelle ihre volle Drehzahl erreicht. Schieben Sie dann die Maschine langsam vorwärts. Üben Sie am Anfang des Hobelvorgangs Druck auf die vordere Hobelsohle, und am Ende des Hobelvorgangs auf die hintere Hobelsohle aus.

Vorschubgeschwindigkeit und Spantiefe bestimmen die Oberflächengüte. Der Elektrohobel hält eine Messerdrehzahl aufrecht, die eine Blockierung durch Hobelspäne verhindert. Für Grobschnitt kann die Spantiefe vergrößert werden, während für eine hohe Oberflächengüte die Spantiefe reduziert und die Maschine langsamer vorgeschoben werden sollte.

Frontrolle (Abb. 14)

Wenn Sie wiederholte Schnitte durchführen, ermöglicht der Einsatz der Frontrolle eine schnelle und mühelose Rückführung der Maschine, indem Sie das hintere Ende der Maschine anheben, so dass die Messer das Werkstück nicht berühren, und dann die Maschine auf der Frontrolle verschieben.

WARTUNG

⚠️ VORSICHT:

- Denken Sie vor der Durchführung von Überprüfungen oder Wartungsarbeiten stets daran, die Maschine auszuschalten und vom Stromnetz zu trennen.
- Verwenden Sie auf keinen Fall Benzin, Benzol, Verdünnern, Alkohol oder dergleichen. Solche Mittel können Verfärbung, Verformung oder Rissbildung verursachen.

Kohlebürsten wechseln

Die Kohlebürsten müssen regelmäßig entfernt und überprüft werden. Wenn sie bis zur Verschleißgrenze abgenutzt sind, müssen sie erneuert werden. Halten Sie die Kohlebürsten stets sauber, damit sie ungehindert in den Haltern gleiten können. Beide Kohlebürsten sollten gleichzeitig erneuert werden. Verwenden Sie nur identische Kohlebürsten. (Abb. 15)

Drehen Sie die Bürstenhalterkappen mit einem Schraubendreher heraus. Die abgenutzten Kohlebürsten herausnehmen, die neuen einsetzen, und dann die Bürstenhalterkappen wieder eindrehen. (Abb. 16)

Um die SICHERHEIT und ZUVERLÄSSIGKEIT dieses Produkts zu gewährleisten, sollten Reparaturen und andere Wartungs- oder Einstellarbeiten nur von Makita-Kundendienstzentren unter ausschließlicher Verwendung von Makita-Original-ersatzteilen ausgeführt werden.

SONDERZUBEHÖR

⚠️ VORSICHT:

- Die folgenden Zubehörteile oder Vorrichtungen werden für den Einsatz mit der in dieser Anleitung beschriebenen Makita-Maschine empfohlen. Die Verwendung anderer Zubehörteile oder Vorrichtungen kann eine Verletzungsgefahr darstellen. Verwenden Sie Zubehörteile oder Vorrichtungen nur für ihren vorgesehenen Zweck.

Wenn Sie weitere Einzelheiten bezüglich dieser Zubehörteile benötigen, wenden Sie sich bitte an Ihre Makita-Kundendienststelle.

- Hobelmesser
- Einstelldreieck
- Absaugstutzen
- Verbindung
- Inbusschlüssel

HINWEIS:

- Manche Teile in der Liste können als Standardzubehör im Werkzeugsatz enthalten sein. Sie können von Land zu Land unterschiedlich sein.

ENG102-2

Nur für europäische Länder

Geräusch

Typischer A-bewerteter Geräuschpegel ermittelt gemäß EN62841-2-14:

Schalldruckpegel (L_{pA}): 88 dB (A)

Schalleistungspegel (L_{wA}): 99 dB (A)

Ungewissheit (K): 3 dB (A)

ENG907-1

HINWEIS:

- Der (Die) angegebene(n) Schallemissionswert(e) wurde(n) im Einklang mit der Standardprüfmethode gemessen und kann (können) für den Vergleich zwischen Werkzeugen herangezogen werden.
- Der (Die) angegebene(n) Schallemissionswert(e) kann (können) auch für eine Vorbewertung des Gefährdungsgrads verwendet werden.

⚠️ WARNUNG:

- **Einen Gehörschutz tragen.**
- **Die Schallemission während der tatsächlichen Benutzung des Elektrowerkzeugs kann je nach der Benutzungsweise des Werkzeugs, und speziell je nach der Art des bearbeiteten Werkstücks, von dem (den) angegebenen Wert(en) abweichen.**
- **Identifizieren Sie Sicherheitsmaßnahmen zum Schutz des Benutzers anhand einer Schätzung des Gefährdungsgrads unter den tatsächlichen Benutzungsbedingungen (unter Berücksichtigung aller Phasen des Arbeitszyklus, wie z. B. Ausschalt- und Leerlaufzeiten des Werkzeugs zusätzlich zur Betriebszeit).**

ENG222-2

Vibration

Vibrationsgesamtwert (Drei-Achsen-Vektorsumme) ermittelt gemäß EN62841-2-14:

Arbeitsmodus: Hobeln von Weichholz

Vibrationsemission (a_h): 2,5 m/s²

Ungewissheit (K): 1,5 m/s²

HINWEIS:

- Der (Die) angegebene(n) Vibrationsgesamtwert(e) wurde(n) im Einklang mit der Standardprüfmethode gemessen und kann (können) für den Vergleich zwischen Werkzeugen herangezogen werden.
- Der (Die) angegebene(n) Vibrationsgesamtwert(e) kann (können) auch für eine Vorbewertung des Gefährdungsgrads verwendet werden.

 WARNUNG:

- **Die Vibrationsemission während der tatsächlichen Benutzung des Elektrowerkzeugs kann je nach der Benutzungsweise des Werkzeugs, und speziell je nach der Art des bearbeiteten Werkstücks, von dem (den) angegebenen Emissionswert(en) abweichen.**
- **Identifizieren Sie Sicherheitsmaßnahmen zum Schutz des Benutzers anhand einer Schätzung des Gefährdungsgrads unter den tatsächlichen Benutzungsbedingungen (unter Berücksichtigung aller Phasen des Arbeitszyklus, wie z. B. Ausschalt- und Leerlaufzeiten des Werkzeugs zusätzlich zur Betriebszeit).**

EG-KONFORMITÄTSERKLÄRUNG**Nur für europäische Länder**

Die EG-Konformitätserklärung ist als Anhang A in dieser Bedienungsanleitung enthalten.

Visione Generale

- | | | |
|--|------------------------------|--------------------------------|
| 1 Manopola | 10 Lama piallatrice | 21 Guida trucioli |
| 2 Piastrina scala | 11 Base anteriore | 22 Gruppo bocchettone |
| 3 Interruttore | 12 Chiave esagonale | 23 Giunto |
| 4 Bottone di blocco/
Bottone di sblocco | 13 Bullone di installazione | 24 All'inizio della piallatura |
| 5 Bottone di riavvio
(Solo per il modello KP312S) | 14 Piastra tamburo | 25 Alla fine della piallatura |
| 6 Perni | 15 Vite di fissaggio piastra | 26 Rullo anteriore |
| 7 Guida bordo (Righello guida) | 16 Piastra di fissaggio | 27 Segno limite |
| 8 Base posteriore | 17 Lama piallatrice | 28 Cacciavite |
| 9 Piedino | 18 Vite di regolazione | 29 Tappo portaspazzole |
| | 19 Tamburo | |
| | 20 Supporto chiave esagonale | |

DATI TECNICI

GEB167-1

Modello	KP312	KP312S
Larghezza di piallatura	312 mm	
Spessore di piallatura	0 – 3,5 mm	
Velocità a vuoto (min ⁻¹)	12.000	
Lunghezza totale	551 mm	
Peso netto	18,4 kg	
Classe di sicurezza	□/II	

- Per il nostro programma di ricerca e sviluppo continui, i dati tecnici sono soggetti a modifiche senza preavviso.
- I dati tecnici potrebbero differire a seconda del paese di destinazione del modello.
- Peso in base alla procedura EPTA 01/2014

ENE001-1

Utilizzo prefissato

L'utensile serve a piallare il legno.

ENF002-2

Alimentazione

L'utensile deve essere collegato soltanto a una fonte di alimentazione con la stessa tensione di quella indicata sulla targhetta del nome, e può funzionare soltanto con la corrente alternata monofase. Esse hanno un doppio isolamento, per cui possono essere usate con le prese senza messa a terra.

GEA010-2

Avvertenze generali relative alla sicurezza dell'utensile elettrico

⚠ AVVERTIMENTO Leggere tutte le avvertenze di sicurezza, le istruzioni, le illustrazioni e i dati tecnici forniti con il presente utensile elettrico. La mancata osservanza di tutte le istruzioni elencate di seguito potrebbe risultare in scosse elettriche, incendi e/o gravi lesioni personali.

Conservare tutte le avvertenze e le istruzioni come riferimento futuro.

Il termine "utensile elettrico" nelle avvertenze si riferisce sia all'utensile elettrico (cablato) nel funzionamento alimentato da rete elettrica che all'utensile elettrico (a batteria) nel funzionamento alimentato a batteria.

AVVERTENZE DI SICUREZZA RELATIVE ALLA PIALLA

1. **Prima di appoggiare l'utensile, attendere che la lama si arresti.** Una lama rotante esposta potrebbe fare presa sulla superficie, portando alla possibile perdita di controllo e a gravi lesioni personali.
2. **Mantenere l'utensile elettrico per le sue superfici di impugnatura isolate, poiché la lama potrebbe entrare in contatto con il proprio cavo di alimentazione.** L'eventuale taglio di un filo elettrico sotto tensione potrebbe mettere sotto tensione le parti metalliche esposte dell'utensile elettrico, e potrebbe causare una scossa elettrica all'operatore.
3. **Utilizzare delle morse o altri sistemi pratici per fissare e sostenere un pezzo in lavorazione su una piano stabile.** Un pezzo in lavorazione mantenuto in mano o contro il proprio corpo resta instabile, e potrebbe portare a una perdita di controllo.
4. **Non lasciare mai stracci, tessuti, cavi, nastri e oggetti simili in prossimità dell'area di lavoro.**
5. **Evitare di tagliare chiodi.** Prima dell'uso, ispezionare il pezzo in lavorazione e rimuovere da quest'ultimo tutti i chiodi.
6. **Utilizzare solo lame affilate.** Maneggiare le lame con estrema cautela.
7. **Prima dell'uso, accertarsi che i bulloni di installazione della lama siano serrati saldamente.**
8. **Mantenere saldamente l'utensile con entrambe le mani.**
9. **Tenere le mani lontane dalle parti rotanti.**
10. **Prima di utilizzare l'utensile sul pezzo in lavorazione effettivo, lasciarlo funzionare a vuoto per un po' di tempo.** Osservare l'eventuale presenza di vibrazioni od oscillazioni che potrebbero indicare un'installazione errata o un bilanciamento inappropriato della lama.
11. **Prima di attivare l'interruttore, accertarsi che la lama non sia in contatto con il pezzo in lavorazione.**
12. **Prima di effettuare il taglio, attendere che la lama abbia raggiunto la piena velocità.**
13. **Prima di effettuare qualsiasi regolazione, spegnere sempre l'utensile e attendere che le lame si siano arrestate completamente.**

14. **Non infilare mai le dita nello scarico dei trucioli. Lo scarico potrebbe incepparsi quando si taglia del legno umido. Eliminare i trucioli con un bastoncino.**
15. **Non lasciare l'utensile mentre è in funzione. Far funzionare l'utensile solo mentre viene tenuto in mano.**
16. **Sostituire sempre entrambe le lame o le coperture del tamburo; in caso contrario, si verificherebbero sbilanciamenti che causerebbero vibrazioni e ridurrebbero la vita utile dell'utensile.**
17. **Utilizzare esclusivamente le lame Makita specificate nel presente manuale.**
18. **Utilizzare sempre la mascherina antipolvere o il respiratore appropriati per il materiale e l'applicazione con cui si intende lavorare.**

CONSERVARE LE PRESENTI ISTRUZIONI.

⚠ AVVERTIMENTO:

NON lasciare che la comodità o la familiarità d'uso con il prodotto (acquisita con l'uso ripetuto) sostituiscano la stretta osservanza delle norme di sicurezza. L'USO IMPROPRIO o la mancata osservanza delle norme di sicurezza riportate nel presente manuale di istruzioni potrebbero causare lesioni personali gravi.

DESCRIZIONE DELL'UTILIZZO

⚠ ATTENZIONE:

- Accertarsi sempre che l'utensile sia spento e staccato dalla presa di corrente prima di regolarlo o di controllare le funzioni.

Regolazione della profondità di taglio (Fig. 1)

La profondità di taglio può essere regolata entro la gamma di 0 – 3,5 mm. Girare la manopola sulla parte anteriore dell'utensile finché l'indice è allineato con la profondità di taglio desiderata sulla scala. Regolare la profondità di taglio osservando la profondità massima limitata dalla larghezza secondo la tabella seguente.

Rapporto tra la larghezza di taglio e la profondità massima di taglio

Larghezza di taglio	Profondità massima di taglio
0 – 150 mm	3,5 mm
150 – 240 mm	2 mm
240 – 312 mm	1,5 mm

Funzionamento dell'interruttore (Fig. 2)

⚠ ATTENZIONE:

- Prima di collegare l'utensile alla presa di corrente, accertatevi sempre che il grilletto dell'interruttore funzioni correttamente e che ritorni sulla posizione "OFF" quando viene rilasciato.

Utensile con bottone di blocco

Per avviare l'utensile, schiacciare semplicemente l'interruttore. Rilasciare l'interruttore per fermarlo. Per il funzionamento continuo, schiacciare l'interruttore e spingere poi dentro il bottone di blocco. Per fermare l'utensile dalla posizione bloccata, schiacciare completamente l'interruttore e poi rilasciarlo.

Utensile con bottone di sblocco

L'utensile è dotato di un bottone di sblocco per evitare che l'interruttore venga schiacciato accidentalmente. Per avviare l'utensile, premere il bottone di sblocco e schiacciare l'interruttore. Per fermarlo, rilasciare l'interruttore.

Protettore dal sovraccarico (opzionale)

Questo utensile è dotato di un protettore dal sovraccarico, che interviene automaticamente interrompendo il circuito con i lavori pesanti prolungati. Dopo che è intervenuto, controllare se la lama è danneggiata o se c'è qualcosa che non va. Dopo aver appurato che tutto è normale, spingere il bottone di riavvio per continuare con il lavoro.

Guida bordo (Righello guida) (Fig. 3)

La guida bordo è utile per minimizzare i brevi cicli di taglio di larghezza uniforme. La guida bordo (righello guida) si trova sul fianco dell'utensile. Premere i due perni della guida bordo (righello guida) per far apparire la guida bordo. Spostare l'utensile in avanti mantenendo la superficie piatta della guida bordo a contatto con la superficie del pezzo.

Per rimettere la guida bordo sulla sua posizione originale, spingerla su da sotto.

Piedino (Fig. 4)

Dopo una operazione di taglio, sollevare il lato posteriore dell'utensile in modo che un piedino venga a trovarsi sotto il livello della base posteriore. Ciò evita di danneggiare la lama.

Linea guida di passaggio lama (Fig. 5)

Entrambe le estremità della base anteriore sono una guida linea che mostra le estremità del passaggio delle lame.

MONTAGGIO

⚠ ATTENZIONE:

- Accertarsi sempre che l'utensile sia spento e staccato dalla presa di corrente prima di qualsiasi intervento su di esso.

Rimozione o installazione lame piallatrice (Fig. 6)

⚠ ATTENZIONE:

- Stringere con cura i bulloni di installazione quando si attaccano le lame all'utensile. Un bullone di installazione allentato può essere pericoloso. Accertarsi sempre che siano stretti saldamente.
- Maneggiare le lame con molta attenzione. Usare guanti o stracci per proteggere le dita o le mani quando si installano o rimuovono le lame.
- Per rimuovere o installare le lame, usare soltanto la chiave Makita in dotazione. In caso contrario, i bulloni di installazione potrebbero essere stretti eccessivamente o insufficientemente. Ciò potrebbe causare lesioni.

Per rimuovere le lame della piallatrice dal tamburo, allentare gli otto bulloni di un giro intero con la chiave esagonale.

Spingere poi una lama lateralmente dal lato della cinghia usando la barra della chiave.

Per rimuovere un'altra lama, usare lo stesso procedimento come sopra. (Fig. 7 e 8)

Per installare le lame, togliere prima tutti i trucioli e le sostanze estranee attaccate al tamburo o alle lame.

Inserire la lama tra il tamburo e la piastra di fissaggio dal lato di estrazione bocchettoni, in modo che la lama sia centrata da entrambe le estremità del tamburo o della piastra di fissaggio.

Stringere prima leggermente e uniformemente gli otto bulloni di installazione passando da quelli centrali a quelli esterni usando la chiave esagonale.

Stringere poi saldamente tutti i bulloni. Installare un'altra lama allo stesso modo come sopra. **(Fig. 9)**

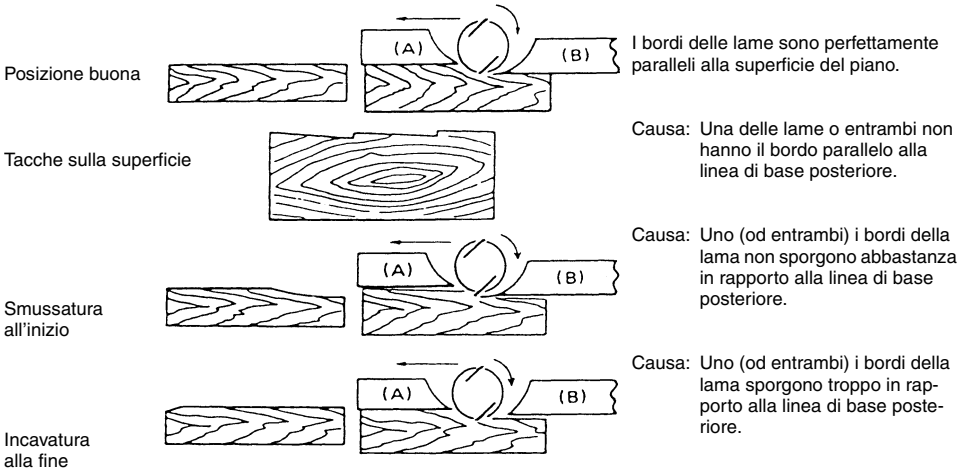
Per l'installazione corretta della lama

La superficie piallata risulta ruvida e irregolare se la lama non è installata correttamente e saldamente. La lama deve essere montata con il bordo di taglio assolutamente diritto, e cioè parallelo alla superficie della base posteriore.

Sotto si vedono alcuni esempi di installazione corretta e sbagliata.

(A) Base anteriore (Piano mobile)

(B) Base posteriore (Piano fisso)



Regolazione dell'altezza della lama (Fig. 8)

La regolazione dell'altezza della lama non è normalmente necessaria. Se però si nota che il bordo della lama è sotto il livello della base posteriore, o che sporge troppo dalla base posteriore, procedere come segue.

Allentare gli otto bulloni di installazione e le viti di fissaggio piastra. Girare le viti di regolazione in senso orario per far rientrare la lama, o in senso antiorario per farla sporgere. Dopo la regolazione dell'altezza della lama, stringere saldamente le viti di fissaggio lama e gli otto bulloni di installazione.

Conservazione della chiave esagonale (Fig. 10)

Quando non viene usata, riporre la chiave esagonale come mostrato nella illustrazione per evitare di perderla.

Gruppo bocchettoni e giunto (Accessorio) (Fig. 11 e 12)

Il gruppo bocchettoni e giunto vanno usati quando si collega l'utensile a un aspiratore.

Quando si desidera eseguire l'operazione di pulizia, collegare un aspiratore all'utensile. Per collegare l'aspiratore, rimuovere la guida trucioli dall'utensile. Mettere il gruppo bocchettoni e giunto in posizione e stringere le viti per fissarli.

Collegare il manicotto dell'aspiratore al giunto.

Pulizia del bocchettoni

Pulire il bocchettoni a intervalli regolari.

Utilizzare aria compressa per pulire il bocchettoni intasato.

FUNZIONAMENTO

⚠ AVVERTIMENTO:

- Per ridurre il rischio di lesioni alle persone, non utilizzare senza il gruppo bocchettoni e il giunto o la guida trucioli applicati.

Operazione di piallatura (Fig. 13)

Appoggiare per prima cosa la base anteriore dell'utensile alla superficie del pezzo senza che le lame facciano contatto. Accendere l'utensile e aspettare che le lame raggiungano la velocità massima. Spostare poi delicatamente l'utensile in avanti. Esercitare una pressione sulla parte anteriore dell'utensile all'inizio della piallatura.

La velocità e la profondità di taglio determinano il tipo di finitura. La piallatrice elettrica mantiene il taglio a una velocità in cui i trucioli non causano inceppamenti. Per i tagli grossolani, si può aumentare la profondità di taglio, mentre per una buona finitura si deve ridurla e far avanzare l'utensile più lentamente.

Rullo anteriore (Fig. 14)

Quando si eseguono tagli ripetuti, l'uso del rullo anteriore permette di far tornare l'utensile velocemente e senza sforzo verso l'operatore sollevandone la parte posteriore in modo che le lame non facciano contatto con il pezzo, e di far scorrere l'utensile sul rullo anteriore.

MANUTENZIONE

⚠ ATTENZIONE:

- Accertarsi sempre che l'utensile sia spento e staccato dalla presa di corrente prima di qualsiasi intervento di ispezione e manutenzione.
- Mai usare benzina, benzene, solventi, alcol e altre sostanze simili. Potrebbero causare scolorimenti, deformazioni o crepe.

Sostituzione delle spazzole di carbone

Rimuovere e controllare regolarmente le spazzole di carbone. Sostituirle se sono usurate fino al segno limite. Mantenere sempre le spazzole di carbone pulite e facili da inserire nei portaspazzole. Le spazzole di carbone devono essere sostituite entrambe allo stesso tempo. Usare soltanto spazzole di carbone identiche. (Fig. 15)

Usare un cacciavite per rimuovere i tappi dei portaspazzole. Estrarre le spazzole di carbone usurate, inserire quelle nuove e fissare i tappi dei portaspazzole. (Fig. 16)

Per mantenere la SICUREZZA e l'AFFIDABILITÀ del prodotto, le riparazioni e qualsiasi altro intervento di manutenzione o regolazione dovrebbero essere eseguiti da un Centro Autorizzato di Assistenza Makita, sempre utilizzando ricambi Makita.

ACCESSORI OPZIONALI

⚠ ATTENZIONE:

- In questo manuale si consiglia di usare questi accessori o ricambi Makita. L'impiego di altri accessori o ricambi potrebbe costituire un pericolo di lesioni. Usare esclusivamente gli accessori o ricambi per il loro scopo specificato.

Per maggiori dettagli riguardo a questi accessori, rivolgersi a un centro di assistenza Makita.

- Lama piallatrice
- Righello triangolare
- Gruppo bocchettone
- Giunto
- Chiave esagonale

NOTA:

- Alcuni articoli nella lista potrebbero essere inclusi nell'imballo dell'utensile come accessori standard. Essi potrebbero differire da Paese a Paese.

ENG102-2

Modello per l'Europa soltanto

Rumore

Il tipico livello di rumore pesato A determinato secondo EN62841-2-14:

Livello pressione sonora (L_{pA}): 88 dB (A)

Livello potenza sonora (L_{wA}): 99 dB (A)

Incertezza (K): 3 dB (A)

NOTA:

- Il valore o i valori dichiarati delle emissioni di rumori sono stati misurati in conformità a un metodo standard di verifica, e possono essere utilizzati per confrontare un utensile con un altro.
- Il valore o i valori dichiarati delle emissioni di rumori possono venire utilizzati anche per una valutazione preliminare dell'esposizione.

⚠ AVVERTIMENTO:

- **Indossare protezioni per le orecchie.**
- **L'emissione di rumori durante l'utilizzo effettivo dell'utensile elettrico può variare rispetto al valore o ai valori dichiarati, a seconda dei modi in cui viene utilizzato l'utensile e specialmente a seconda di che tipo di pezzo venga lavorato.**
- **Accertarsi di identificare misure di sicurezza per la protezione dell'operatore che siano basate su una stima dell'esposizione nelle condizioni effettive di utilizzo (tenendo conto di tutte le parti del ciclo operativo, ad esempio del numero di spegnimenti dell'utensile e di quando giri a vuoto, oltre al tempo di attivazione).**

ENG222-2

Vibrazione

Il valore totale di vibrazione (somma vettore triassiale) determinato secondo EN62841-2-14:

Modalità operativa: Piallatura legno morbido

Emissione di vibrazione (a_{v1}): 2,5 m/s²

Incertezza (K): 1,5 m/s²

ENG901-2

NOTA:

- Il valore o i valori complessivi delle vibrazioni dichiarati sono stati misurati in conformità a un metodo standard di verifica, e possono essere utilizzati per confrontare un utensile con un altro.
- Il valore o i valori complessivi delle vibrazioni dichiarati possono venire utilizzati anche per una valutazione preliminare dell'esposizione.

⚠ AVVERTIMENTO:

- **L'emissione delle vibrazioni durante l'utilizzo effettivo dell'utensile elettrico può variare rispetto al valore o ai valori dichiarati, a seconda dei modi in cui viene utilizzato l'utensile, specialmente a seconda di che tipo di pezzo venga lavorato.**
- **Accertarsi di identificare misure di sicurezza per la protezione dell'operatore che siano basate su una stima dell'esposizione nelle condizioni effettive di utilizzo (tenendo conto di tutte le parti del ciclo operativo, ad esempio del numero di spegnimenti dell'utensile e di quando giri a vuoto, oltre al tempo di attivazione).**

DICHIARAZIONE DI CONFORMITÀ CE

Solo per i paesi europei

La dichiarazione di conformità CE è inclusa come Allegato A al presente manuale di istruzioni.

Verklaring van algemene gegevens

1 Knop	10 Schaafbeitel	20 Sleutelhouder
2 Schaalplaat	11 Voorzool	21 Spaanafvoer
3 Trekschakelaar	12 Inbussleutel	22 Mondstuk
4 Vastzetknop/Vergrendelknop	13 Bevestigingsbout	23 Verbindingsstuk
5 Herstartknop (Alleen voor KP312S)	14 Beitelwalsplaat	24 In het begin van het schaven
6 Pennen	15 Kleemplaatschroef	25 Op het einde van het schaven
7 Randgeleider (Breedtegeleider)	16 Klemplaat	26 Voorrol
8 Achterzool	17 Schaafbeitel	27 Limietstreep
9 Voet	18 Stelschroef	28 Schroevendraaier
	19 Beitelwals	29 Borstelhouderdop

TECHNISCHE GEGEVENS

GEB167-1

Model	KP312	KP312S
Schaafbreedte	312 mm	
Max. schaaftdiepte	0 – 3,5 mm	
Toerental onbelast (min ⁻¹)	12 000	
Totale lengte	551 mm	
Netto gewicht	18,4 kg	
Veiligheidsklasse	□/II	

- In verband met ononderbroken research en ontwikkeling behouden wij ons het recht voor bovenstaande technische gegevens te wijzigen zonder voorafgaande kennisgeving.
- De technische gegevens kunnen van land tot land verschillen.
- Gewicht volgens de EPTA-procedure 01/2014

ENE001-1

Doeleinden van gebruik

Het gereedschap is bedoeld voor het schaven van hout.

ENF002-2

Stroomvoorziening

Het gereedschap mag alleen worden aangesloten op een stroombron van hetzelfde voltage als aangegeven op de naamplaat, en kan alleen op enkel-fase wisselstroom worden gebruikt. Het gereedschap is dubbel-geïsoleerd en kan derhalve ook op een niet-geaard stopcontact worden aangesloten.

GEA010-2

Algemene veiligheidswaarschuwingen voor elektrisch gereedschap

⚠ WAARSCHUWING Lees alle veiligheidswaarschuwingen, aanwijzingen, afbeeldingen en technische gegevens behorend bij dit elektrische gereedschap aandachtig door. Als u niet alle onderstaande aanwijzingen naleeft, kan dat resulteren in brand, elektrische schokken en/of ernstig letsel.

Bewaar alle waarschuwingen en instructies om in de toekomst te kunnen raadplegen.

De term “elektrisch gereedschap” in de veiligheidsvoorschriften duidt op gereedschappen die op stroom van het lichtnet werken (met snoer) of gereedschappen met een accu (snoerloos).

VEILIGHEIDSWAARSCHUWINGEN SPECIFIEK VOOR EEN ELEKTRISCHE SCHAAF

- 1. Wacht totdat de schaafmessen stilstaan alvorens het gereedschap neer te leggen.** De blootliggende, ronddraaiende schaafmessen kunnen de ondergrond raken waardoor u de controle over het gereedschap kunt verliezen en ernstig letsel het gevolg kan zijn.
- 2. Houd het elektrisch gereedschap vast bij het geïsoleerde oppervlak omdat de schaafmessen met hun eigen snoer in aanraking kunnen komen.** Wanneer onder spanning staande draden worden geraakt, zullen de niet-geïsoleerde metalen delen van het gereedschap onder spanning komen te staan zodat de gebruiker een elektrische schok kan krijgen.
- 3. Gebruik klemmen of andere bevestigingsmiddelen om het werkstuk op een stabiel platform te bevestigen en te ondersteunen.** Als u het werkstuk in uw hand of tegen uw lichaam geklemd houdt, is het onvoldoende stabiel en kunt u de controle erover verliezen.
- 4. Poetsdoeken, lappen, snoeren, touwen en dergelijke mogen nooit rondslingeren op de werkplek.**
- 5. Voorkom dat u spijkers raakt. Inspecteer het werkstuk op spijkers en verwijder deze zo nodig voordat u ermee begint te werken.**
- 6. Gebruik uitsluitend scherpe schaafmessen. Behandel de schaafmessen voorzichtig.**
- 7. Controleer of de bevestigingsbouten van de schaafmessen stevig vastgedraaid zijn voordat u het gereedschap bedient.**
- 8. Houd het gereedschap met beide handen stevig vast.**
- 9. Houd uw handen uit de buurt van draaiende delen.**
- 10. Laat het gereedschap een tijdje draaien voordat u het op het werkstuk gebruikt. Controleer op trillingen of schommelingen die op onjuiste montage of slecht uitgebalanceerde schaafmessen kunnen wijzen.**
- 11. Zorg dat de schaafmessen het werkstuk niet raken voordat u de schakelaar inkniipt.**
- 12. Wacht totdat de schaafmessen op volle snelheid draaien voordat u begint te schaven.**
- 13. Wacht na het uitschakelen altijd totdat de schaafmessen volledig stilstaan voordat u iets afstelt.**

14. Steek nooit uw vinger in de houtsnippers-uitwerpopening. De houtsnippers-uitwerpopening kan verstopt raken bij het schaven van vochtig hout. Verwijder de houtsnippers met een stokje.
15. Laat het gereedschap niet onnodig ingeschakeld. Bedien het gereedschap alleen terwijl u het vasthoudt.
16. Vervang altijd beide schaafmesses of cilinderdeklatten tegelijk omdat anders de resulterende onbalans tot trillingen zal leiden en de levensduur van het gereedschap zal verkorten.
17. Gebruik uitsluitend schaafmesses van Makita die in deze gebruiksaanwijzing worden aangegeven.
18. Draag altijd het stofmasker/ademhalingsapparaat dat geschikt is voor het materiaal en de toepassing waarmee u werkt.

BEWAAR DEZE VOORSCHRIFTEN.

⚠ WAARSCHUWING:

Laat u NIET misleiden door een vals gevoel van comfort en bekendheid met het gereedschap (na veelvuldig gebruik) en neem alle veiligheidsvoorschriften van het betreffende gereedschap altijd strikt in acht. VERKEERD GEBRUIK of het niet naleven van de veiligheidsvoorschriften in deze gebruiksaanwijzing kan leiden tot ernstige verwondingen.

GEBRUIK VAN HET GEREEDSCHAP

⚠ LET OP:

- Zorg altijd dat het gereedschap is uitgeschakeld en zijn netsnoer uit het stopcontact is verwijderd voordat u functies op het gereedschap gaat afstellen of controleren.

Instellen van de schaaftdiepte (Fig. 1)

De schaaftdiepte kan binnen een bereik van 0 – 3,5 mm worden ingesteld. Draai de knop op de voorkant van het gereedschap totdat de wijzer overeenkomt met de gewenste schaaftdiepte op de schaal. Houd bij het instellen rekening met de maximaal toelaatbare diepte die beperkt is door de schaafbreedte, zoals aangegeven in de tabel.

Verband tussen schaafbreedte en maximale schaaftdiepte

Schaafbreedte	Max. schaaftdiepte
0 – 150 mm	3,5 mm
150 – 240 mm	2 mm
240 – 312 mm	1,5 mm

Werking van de schakelaar (Fig. 2)

⚠ LET OP:

- Alvorens het gereedschap in te schakelen, moet u altijd controleren of de trekschakelaar behoorlijk werkt en bij het loslaten naar de "OFF" positie terugkeert.

Voor gereedschap met een vergrendelknop

Om het gereedschap te starten, drukt u gewoon de trekschakelaar in. Laat de trekschakelaar los om het gereedschap te stoppen. Voor doorlopend gebruik drukt u eerst de trekschakelaar en daarna de vergrendelknop in. Om het gereedschap vanuit de vergrendelde stand te stoppen, drukt u de trekschakelaar helemaal in en daarna laat u hem los.

Voor gereedschap met een ontgrendelknop

Een ontgrendelknop is voorzien om te voorkomen dat de trekschakelaar per ongeluk wordt ingedrukt. Om het gereedschap te starten, drukt u eerst de ontgrendelknop en daarna de trekschakelaar in. Laat de trekschakelaar los om het gereedschap te stoppen.

Beveiliging tegen overbelasting (optie)

Dit gereedschap is voorzien van een beveiliging tegen overbelasting die de stroomtoevoer automatisch verbreekt telkens wanneer zwaar werk ononderbroken wordt voortgezet. Wanneer de stroomtoevoer wordt verbroken, moet u het blad inspecteren op beschadiging of andere defecten. Indien alles in orde is, kunt u het gebruik voortzetten door de herstartknop in te drukken.

Randgeleider (Breedtegeleider) (Fig. 3)

De randgeleider is nuttig om met gelijke breedte te schaven en ongelijkmatig schaven te beperken. De randgeleider (breedtegeleider) is op de zijkant van het gereedschap aangebracht. Druk op de twee pennen voor de randgeleider (breedtegeleider) zodat de randgeleider verschijnt. Beweeg het gereedschap naar voren, ervoor zorgend dat het platte vlak van de randgeleider in contact blijft met de zijkant van het werkstuk.

Druk de randgeleider vanaf zijn onderzijde omhoog om hem in zijn oorspronkelijke positie terug te zetten.

Voet (Fig. 4)

Breng na het schaven de achterzijde van het gereedschap omhoog, zodat een voet onder de achterzool komt te zitten. Dit voorkomt beschadiging van de schaaftbeitels.

Leidraad voor schaaftbeitelloop (Fig. 5)

De uiteinden van de voorzool komen overeen met de uiterste randen van de schaaftbeitelloop.

INEENZETTEN

⚠ LET OP:

- Zorg altijd dat het gereedschap is uitgeschakeld en zijn netsnoer uit het stopcontact is verwijderd voordat u enig werk aan het gereedschap uitvoert.

Verwijderen of installeren van schaaftbeitels (Fig. 6)

⚠ LET OP:

- Trek de bevestigingsbouten van de schaaftbeitel goed aan wanneer u beitels op het gereedschap monteert. Een losse bevestigingsbout kan gevaar opleveren. Controleer altijd of de bouten goed zijn vastgezet.
- Behandel de beitels uiterst voorzichtig. Gebruik handschoenen of doeken om uw vingers of handen te beschermen wanneer u de beitels verwijderd of installeert.

- Gebruik voor het verwijderen of installeren van de beitels uitsluitend de meegeleverde Makita sleutel. Bij gebruik van andere sleutels, kunnen de bevestigingsbouten te veel of te weinig worden aangedraaid. Dit kan verwonding veroorzaken.

Om schaaftbeitels van de beitelwals te verwijderen, draait u eerst met de inbussleutel de acht bevestigingsbouten niet verder dan één volle slag los.

Druk en schuif daarna de beitel zijwaarts vanaf de riemzijde door de steel van de inbussleutel te gebruiken.

Ga op dezelfde wijze te werk om andere beitels te verwijderen. (Fig. 7 en 8)

Verwijder eerst alle spanen en vuil van de wals of de beitels alvorens de beitels te installeren.

Schuif de beitel vanaf de uitlaatzijde van het mondstuk tussen de wals en de klemplaat, zodat de beitel gecentreerd is tussen beide uiteinden van de wals of klemplaat. Draai de acht bevestigingsbouten eerst gelijkmatig halfvast met de inbussleutel, gaande vanaf de middelste bouten naar de buitenste bouten.

Draai daarna alle bevestigingsbouten stevig vast. Installeer andere beitels op dezelfde manier. (Fig. 9)

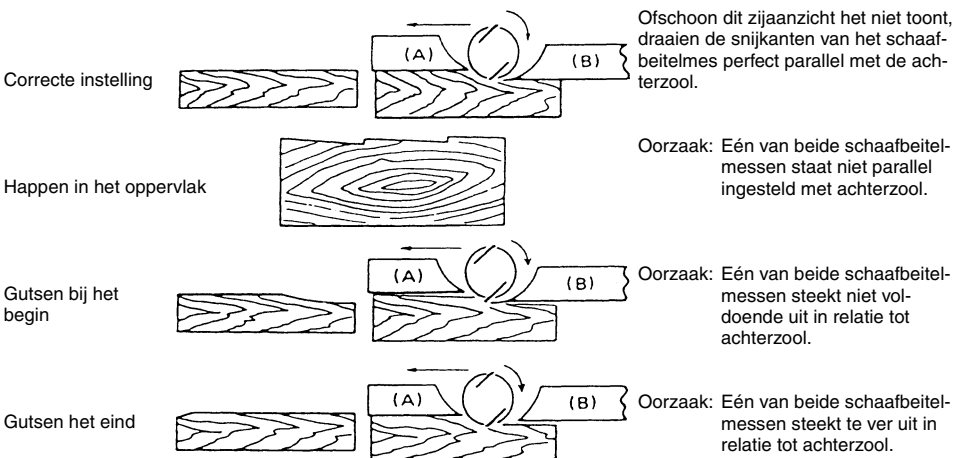
Correct instellen van de schaafbeitel

Als de schaafbeitel niet juist en niet stevig gemonteerd is, zal het geschaafde oppervlak ruw en oneffen zijn. De beitel moet zodanig gemonteerd zijn dat het beitelmes volledig horizontaal is, d.w.z. evenwijdig met het oppervlak van de achterzool.

Hieronder vindt u enkele voorbeelden van juiste en onjuiste instellingen.

(A) Voorzool (beweegbaar)

(B) Achterzool (vast)



Instelling van de schaafbeitelhoogte (Fig. 8)

Normaal is het niet nodig om de beitelhoogte in te stellen. Indien u echter vaststelt dat de beitel snede lager zit dan de achterzool of te ver eruit steekt, moet u als volgt te werk gaan.

Draai de acht bevestigingsbouten en de schroeven van de klemplaat los. Draai de stelschroeven naar rechts om de beitel terug te trekken, of naar links om hem meer uit te steken. Nadat de beitelhoogte is ingesteld, draait u de klemplaatsschroeven en de acht bevestigingsbouten weer stevig aan.

Opbergen van de inbussleutel (Fig. 10)

Berg de inbussleutel op zoals afgebeeld wanneer u hem niet gebruikt, om te voorkomen dat u hem kwijtraakt.

Mondstuk/verbindingsstuk montage (Accessoire) (Fig. 11 en 12)

Gebruik de mondstuk/verbindingsstuk montage om het gereedschap op een stofzuiger aan te sluiten.

Door een stofzuiger op het gereedschap aan te sluiten kunt u schoner werken.

Verwijder eerst de spaanafvoer van het gereedschap. Monteer daarna het mondstuk en het verbingsstuk op hun plaats en trek de schroeven goed aan om deze onderdelen vast te zetten.

Sluit de slang van de stofzuiger aan op het verbingsstuk.

Het mondstuk reinigen

Reinig het mondstuk regelmatig.

Gebruik perslucht om een verstopt mondstuk te reinigen.

BEDIENING

⚠ WAARSCHUWING:

- Om de kans op letsel voor personen te verkleinen, mag u het gereedschap niet bedienen zonder dat het complete mondstuk en verbingsstuk of de spaanafvoer is aangebracht.

Schaven (Fig. 13)

Zet eerst de voorzool van het gereedschap vlak op het werkstukoppervlak zonder dat de beitels ermee in contact komen. Schakel het gereedschap in en wacht totdat de beitels met volle snelheid draaien. Beweeg daarna het gereedschap langzaam naar voren. Oefen druk uit op de voorkant van het gereedschap in het begin van het schaven, en op de achterkant op het einde van het schaven. De afwerking hangt af van de schaafsnelheid en schaaftdiepte. De elektrische schaaft houdt een snelheid die blokkering door spanen voorkomt. Voor ruw schaven kunt u een grotere schaaftdiepte gebruiken. Voor een fijne afwerking moet u de schaaftdiepte verminderen en het gereedschap langzamer bewegen.

Voorrol (Fig. 14)

Wanneer u de voorrol gebruikt, kan het gereedschap tijdens opeenvolgend schaven snel en gemakkelijk terug in de richting van de gebruiker worden gebracht. Breng het achtereind van het gereedschap omhoog zodat de beitels het werkstuk niet meer raken en schuif daarna het gereedschap op de voorrol.

ONDERHOUD

⚠ LET OP:

- Zorg altijd dat het gereedschap is uitgeschakeld en de stekker ervan uit het stopcontact is verwijderd voordat u met inspectie of onderhoud van het gereedschap begint.
- Gebruik nooit benzine, wasbenzine, thinner, alcohol en dergelijke. Hierdoor het verkleuring, vervormingen en barsten worden veroorzaakt.

Vervangen van koolborstels

Verwijder en controleer regelmatig de koolborstels. Vervang de koolborstels wanneer ze tot aan de limietmarkering versleten zijn. Houd de koolborstels schoon, zodat ze gemakkelijk in de houders glijden. Beide koolborstels dienen gelijktijdig te worden vervangen. Gebruik uitsluitend gelijkssoortige koolborstels. (Fig. 15)

Gebruik een schroevendraaier om de kappen van de koolborstelhouders te verwijderen. Haal de versleten koolborstels eruit, schuif de nieuwe erin, en zet daarna de kappen weer goed vast. (Fig. 16)

Om de VEILIGHEID en BETROUWBAARHEID van het gereedschap te verzekeren, dienen alle reparaties, onderhoudsbeurten of afstellingen te worden uitgevoerd bij een erkend Makita Servicecentrum, en dit uitsluitend met gebruik van Makita vervangingsonderdelen.

OPTIONELE ACCESSOIRES

⚠ LET OP:

- Deze accessoires of hulpstukken worden aanbevolen voor gebruik met het Makita gereedschap dat in deze gebruiksaanwijzing is beschreven. Bij gebruik van andere accessoires of hulpstukken bestaat er gevaar voor persoonlijke verwonding. Gebruik de accessoires of hulpstukken uitsluitend voor hun bestemd doel.

Wenst u meer bijzonderheden over deze accessoires, neem dan contact op met het plaatselijke Makita servicecentrum.

- Schaafbeitel
- Driehoekslijnaal
- Mondstuk
- Verbindingsstuk
- Inbussleutel

OPMERKING:

- Sommige onderdelen in deze lijst kunnen bij het gereedschap zijn meegeleverd als standaard-accessoires. Deze kunnen van land tot land verschillen.

ENG102-2

Aleen voor Europese landen

Geluidsniveau

De typisch, A-gewogen geluidsniveaus vastgesteld volgens EN62841-2-14:

- Geluidsdrukniveau (L_{pA}): 88 dB (A)
- Geluidsenergie-niveau (L_{WA}): 99 dB (A)
- Onnauwkeurigheid (K): 3 dB (A)

ENG907-1

OPMERKING:

- De opgegeven geluidsemisiewaarde(n) is/zijn gemeten volgens een standaardtestmethode en kan/kunnen worden gebruikt om dit gereedschap te vergelijken met andere gereedschappen.
- De opgegeven geluidsemisiewaarde(n) kan/kunnen ook worden gebruikt voor een beoordeling vooraf van de blootstelling.

⚠ WAARSCHUWING:

- **Draag gehoorbescherming.**
- **De geluidsemisie tijdens het gebruik van het elektrisch gereedschap in de praktijk kan verschillen van de opgegeven waarde(n) afhankelijk van de manier waarop het gereedschap wordt gebruikt, met name van het soort werkstuk waarmee wordt gewerkt.**
- **Zorg ervoor dat veiligheidsmaatregelen worden getroffen ter bescherming van de gebruiker die zijn gebaseerd op een schatting van de blootstelling onder praktijkomstandigheden (rekening houdend met alle fasen van de bedrijfscyclus, zoals de tijdsduur gedurende welke het gereedschap is uitgeschakeld en stationair draait, naast de ingeschakelde tijdsduur).**

ENG222-2

Trilling

De totaalwaarde van de trillingen (triaxiale vectorsom) vastgesteld volgens EN62841-2-14:

- Toepassing: schaven van zachthout
- Trillingsemisie (a_{h1}): 2,5 m/s²
- Onnauwkeurigheid (K): 1,5 m/s²

ENG901-2

OPMERKING:

- De totale trillingswaarde(n) is/zijn gemeten volgens een standaardtestmethode en kan/kunnen worden gebruikt om dit gereedschap te vergelijken met andere gereedschappen.
- De opgegeven totale trillingswaarde(n) kan/kunnen ook worden gebruikt voor een beoordeling vooraf van de blootstelling.

 **WAARSCHUWING:**

- De trillingsemisatie tijdens het gebruik van het elektrisch gereedschap in de praktijk kan verschillen van de opgegeven waarde(n) afhankelijk van de manier waarop het gereedschap wordt gebruikt, met name van het soort werkstuk waarmee wordt gewerkt.
- Zorg ervoor dat veiligheidsmaatregelen worden getroffen ter bescherming van de gebruiker die zijn gebaseerd op een schatting van de blootstelling onder praktijkomstandigheden (rekening houdend met alle fasen van de bedrijfscyclus, zoals de tijdsduur gedurende welke het gereedschap is uitgeschakeld en stationair draait, naast de ingeschakelde tijdsduur).

EG-VERKLARING VAN CONFORMITEIT

Alleen voor Europese landen

De EG-verklaring van conformiteit is bijgesloten als Aanhangsel A bij deze gebruiksaanwijzing.

Explicación de los dibujos

- | | | |
|--|-------------------------------------|----------------------------|
| 1 Pomo | 10 Cuchilla del cepillo | 21 Desviador de virutas |
| 2 Placa de escala | 11 Base delantera | 22 Conjunto de boquilla |
| 3 Gatillo interruptor | 12 Llave hexagonal | 23 Adaptador |
| 4 Botón de bloqueo/
Botón de desbloqueo | 13 Perno de instalación | 24 Al inicio del cepillado |
| 5 Botón de reinicio
(Para KP312S solamente) | 14 Placa del tambor | 25 Al final del cepillado |
| 6 Pasadores | 15 Tornillo de la placa de sujeción | 26 Rodillo delantero |
| 7 Guía lateral (Regla guía) | 16 Placa de sujeción | 27 Marca de límite |
| 8 Base trasera | 17 Cuchilla del cepillo | 28 Destornillador |
| 9 Pata | 18 Tornillo de ajuste | 29 Tapón portaescobillas |
| | 19 Tambor | |
| | 20 Soporte de la llave | |

ESPECIFICACIONES

GEB167-1

Modelo	KP312	KP312S
Anchura cepillado	312 mm	
Profundidad de cepillado	0 – 3,5 mm	
Velocidad en vacío (min ⁻¹)	12.000	
Longitud total	551 mm	
Peso neto	18,4 kg	
Clase de seguridad	II	

- Debido a un programa continuo de investigación y desarrollo, las especificaciones aquí dadas están sujetas a cambios sin previo aviso.
- Las especificaciones pueden ser diferentes de país a país.
- Peso de acuerdo con el procedimiento EPTA 01/2014

ENE001-1

Uso previsto

La herramienta ha sido prevista para cepillar madera.

ENF002-2

Alimentación

La herramienta solamente debe ser conectada a una fuente de alimentación de la misma tensión que la indicada en la placa de características, y solamente puede ser utilizada con alimentación de CA monofásica. La herramienta está doblemente aislada y, por consiguiente, también puede utilizarse con tomas de corriente sin conductor de puesta a tierra.

GEA010-2

Advertencias de seguridad para herramientas eléctricas en general

⚠ ADVERTENCIA Lea todas las advertencias de seguridad, instrucciones, ilustraciones y especificaciones provistas con esta herramienta eléctrica. Si no sigue todas las instrucciones indicadas abajo podrá resultar en una descarga eléctrica, un incendio y/o heridas graves.

Guarde todas las advertencias e instrucciones para futuras referencias.

El término "herramienta eléctrica" en las advertencias se refiere a su herramienta eléctrica de funcionamiento con conexión a la red eléctrica (con cable) o herramienta eléctrica de funcionamiento a batería (sin cable).

ADVERTENCIAS DE SEGURIDAD PARA EL CEPILLO

1. **Espere hasta que el cortador se detenga antes de dejar la herramienta.** Un cortador expuesto girando puede entrar en contacto con la superficie dando lugar a la pérdida de control y heridas graves.
2. **Sujete la herramienta eléctrica por las superficies de asiento aisladas, porque el cortador puede entrar en contacto con su propio cable.** Cortar un cable con corriente puede hacer que la corriente circule por las partes metálicas expuestas de la herramienta eléctrica y puede soltar una descarga eléctrica al operario.
3. **Utilice mordazas u otros medios de sujeción prácticos para sujetar y apoyar la pieza de trabajo en una plataforma estable.** Sujetada con su mano o contra el cuerpo, la pieza de trabajo estará inestable y podrá dar lugar a la pérdida del control.
4. **Los trapos, ropa, cables, cuerdas y por el estilo no deberán ser dejados nunca alrededor del área de trabajo.**
5. **Evite cortar clavos.** Inspeccione la pieza de trabajo por si tiene clavos y retírelos todos antes de la operación.
6. **Utilice solamente cuchillas afiladas.** Maneje las cuchillas con mucho cuidado.
7. **Asegúrese de que los pernos de instalación de la cuchilla están apretados firmemente antes de la operación.**
8. **Sujete la herramienta firmemente con ambas manos.**
9. **Mantenga las manos alejadas de las partes giratorias.**
10. **Antes de utilizar la herramienta en un pieza de trabajo definitiva, déjala funcionar durante un rato.** Observe por si hay vibración o bamboleo que pueda indicar una mala instalación o un mal equilibrio de la cuchilla.
11. **Asegúrese de que la cuchilla no está tocando la pieza de trabajo antes de activar el interruptor.**
12. **Espere hasta que la cuchilla alcance plena velocidad antes de cortar.**
13. **Apague siempre la herramienta y espere hasta que las cuchillas se hayan parado completamente antes de hacer cualquier ajuste.**

14. No meta nunca su dedo dentro del conducto de viruta. El conducto puede atascarse cuando se corta madera húmeda. Limpie las virutas con un palo.
15. No deje la herramienta en marcha. Opere la herramienta solamente cuando la tenga en las manos.
16. Cambie siempre ambas cuchillas o cubiertas del tambor, de lo contrario el desequilibrio resultante ocasionará vibración y acortará la vida útil de la herramienta.
17. Utilice solamente cuchillas Makita especificadas en este manual.
18. Utilice siempre la mascarilla contra el polvo/respirador correcto para el material y la aplicación con que esté trabajando.

GUARDE ESTAS INSTRUCCIONES.

⚠ ADVERTENCIA:

NO deje que la comodidad o familiaridad con el producto (a base de utilizarlo repetidamente) sustituya la estricta observancia de las normas de seguridad para el producto en cuestión.

El MAL USO o el no seguir las normas de seguridad establecidas en este manual de instrucciones podrá ocasionar graves heridas personales.

DESCRIPCIÓN DEL FUNCIONAMIENTO

⚠ PRECAUCIÓN:

- Asegúrese siempre de que la herramienta esté apagada y desenchufada antes de ajustar o comprobar cualquier función en la herramienta.

Ajuste de la profundidad de corte (Fig. 1)

La profundidad de corte puede ajustarse dentro de un margen de 0 – 3,5 mm. Gire el pomo de la parte delantera de la herramienta hasta que el puntero esté alineado con la profundidad de corte deseada en la escala. Ajuste la profundidad de corte observando la profundidad máxima que está limitada por la anchura de acuerdo con la siguiente tabla.

Correlación de anchura de cepillado y profundidad máxima de corte

Anchura de cepillado	Profundidad máxima de corte
0 – 150 mm	3,5 mm
150 – 240 mm	2 mm
240 – 312 mm	1,5 mm

Accionamiento del interruptor (Fig. 2)

⚠ PRECAUCIÓN:

- Antes de enchufar la herramienta, compruebe siempre para cerciorarse de que el gatillo interruptor se acciona debidamente y que vuelve a la posición "OFF" cuando lo suelta.

Para herramienta con botón de bloqueo

Para poner en marcha la herramienta, simplemente apriete el gatillo. Suelte el gatillo para parar. Para una operación continua, apriete el gatillo y después presione hacia dentro el botón de bloqueo. Para parar la herramienta desde la posición bloqueada, apriete el gatillo completamente, y después suéltelo.

Para herramienta con botón de desbloqueo

Para evitar que el gatillo pueda accionarse accidentalmente, se ha provisto un botón de desbloqueo. Para poner en marcha la herramienta, presione hacia dentro el botón de desbloqueo y apriete el gatillo. Suelte el gatillo para parar.

Protector de sobrecarga (opción)

Esta herramienta está equipada con un protector de sobrecarga que salta automáticamente para cortar el circuito siempre que se prolonga un trabajo pesado. Cuando salte, inspeccione el disco para ver si está dañado o hay algo mal. Después de asegurarse de que no hay nada mal en la herramienta, presione el botón de reinicio para reanudar la operación.

Guía lateral (Regla guía) (Fig. 3)

La guía lateral resulta útil para reducir al mínimo una zona de cepillado corta cepillando en una anchura uniforme. La guía lateral (regla guía), está provista en el costado de la herramienta. Presione los dos pasadores de la guía lateral (regla guía) para que aparezca al guía lateral. Mueva al herramienta hacia delante a la vez que mantiene la superficie plana de la guía lateral en contacto con el costado de la pieza de trabajo. Para retornar la guía lateral a una posición original, empujela hacia arriba por su parte inferior.

Pata (Fig. 4)

Después de una operación de corte, alce el lado trasero de la herramienta y aparecerá una pata por debajo del nivel de la base trasera. Así evitará que se dañen las cuchillas de la herramienta.

Línea guía del paso de la cuchilla de corte (Fig. 5)

Ambos extremos de la base delantera forman una línea guía para mostrar los extremos del paso de las cuchillas de corte.

MONTAJE

⚠ PRECAUCIÓN:

- Asegúrese siempre de que la herramienta esté apagada y desenchufada antes de realizar cualquier trabajo en la herramienta.

Desmontaje o instalación de las cuchillas del cepillo (Fig. 6)

⚠ PRECAUCIÓN:

- Apriete los pernos de instalación de la cuchilla con cuidado cuando coloque las cuchillas en la herramienta. Un perno de instalación flojo puede ser peligroso. Compruebe siempre para cerciorarse de que están apretados firmemente.
- Maneje las cuchillas con mucho cuidado. Póngase guantes o utilice trapos para proteger sus dedos o manos cuando desmonte o instale las cuchillas.

- Utilice solamente la llave Makita provista para desmontar o instalar las cuchillas. De lo contrario, podrá producirse recalentamiento o un apretado insuficiente de los pernos de instalación. Esto podría ocasionar una herida.

Para desmontar las cuchillas del cepillo del tambor, afloje los ocho pernos de instalación una vuelta completa con la llave hexagonal.

Después empuje y deslice una cuchilla del cepillo lateralmente desde el lado de la correa utilizando la cabeza de la llave hexagonal.

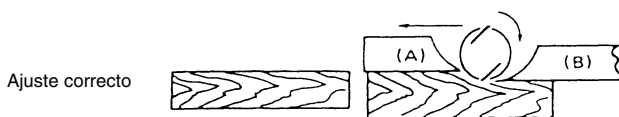
Para desmontar otra cuchilla del cepillo, siga el mismo procedimiento de arriba. **(Fig. 7 y 8)**

Para ajustar correctamente las cuchillas del cepillo

La superficie de su cepillado quedará basta e irregular a menos que las cuchillas estén ajustadas debida y firmemente. Las cuchillas deberán ser montadas de manera que el filo de corte esté absolutamente nivelado, es decir, paralelo a la superficie de la base trasera.

Abajo se muestran algunos ejemplos de ajustes correctos e incorrectos.

- (A) Base frontal (zapata móvil)
- (B) Base trasera (zapata estacionaria)



Ajuste correcto

Aun cuando esta vista lateral no deje verlo, los bordes de las cuchillas corren perfectamente paralelos a la superficie de la base trasera.



Superficie con muescas

Causa: Una o ambas cuchillas no tiene el borde paralelo a la línea de la base trasera.



Escopleado al principio

Causa: Uno o ambos bordes de la cuchilla no sobresale suficientemente en relación a la línea de la base trasera.



Escopleado al fin

Causa: Uno o ambos bordes de la cuchilla sobresale demasiado en relación a la base trasera.

Ajuste de la altura de la cuchilla (Fig. 8)

El ajuste de la altura de las cuchillas generalmente no es necesario. Sin embargo, si nota que el filo de la cuchilla está por debajo del nivel de la base trasera o que sobresale demasiado de la base trasera, proceda de la forma siguiente.

Afloje los ocho pernos de instalación y los tornillos de la placa de sujeción. Gire los pernos de ajuste hacia la derecha para meter más la cuchilla o hacia la izquierda para sacarla más. Después de ajustar la altura de la cuchilla, apriete los tornillos de la placa de sujeción y los ocho pernos de instalación firmemente.

Almacenamiento de la llave hexagonal (Fig. 10)

Cuando no la esté utilizando, almacene la llave hexagonal como se muestra en la figura para evitar perderla.

Conjunto de boquilla y adaptador (Accesorio)

(Fig. 11 y 12)

El conjunto de boquilla y el adaptador se utilizan cuando se conecta la herramienta a un aspirador.

Para instalar las cuchillas, primero limpie todas las virutas o materias extrañas adheridas al tambor o las cuchillas.

Inserte la cuchilla entre el tambor y la placa de sujeción desde el lado de extracción del conjunto de boquilla de forma que la cuchilla quede centrada entre ambos extremos del tambor o placa de sujeción.

Primero apriete los ocho pernos de instalación ligera y uniformemente cambiando de los pernos del centro a los pernos exteriores con la llave hexagonal.

Y después, apriete todos los pernos de instalación firmemente. Instale otra cuchilla de la misma manera que la explicada arriba. **(Fig. 9)**

Cuando desee realizar operaciones más limpias, conecte un aspirador a su herramienta.

Para conectar un aspirador, quite el desviador de virutas de la herramienta. Ponga el conjunto de boquilla y el adaptador en su sitio y después apriete los tornillos para sujetarlos.

Conecte el tubo de aspiración de un aspirador al adaptador.

Limpieza de la boquilla

Limpie la boquilla regularmente.

Utilice aire comprimido para limpiar la boquilla obstruida.

OPERACIÓN

⚠️ ADVERTENCIA:

- Para reducir el riesgo de causar heridas a personas, no utilice sin haber instalado el conjunto de boquilla y el adaptador o el desviador de virutas.

Operación de cepillado (Fig. 13)

Primero, apoye la base delantera de la herramienta de forma que quede nivelada sobre la superficie de la pieza de trabajo sin que las cuchillas hagan contacto con la pieza de trabajo. Encienda la herramienta y espere hasta que las cuchillas alcancen plena velocidad. Después mueva la herramienta con cuidado hacia delante. Aplique presión en la parte delantera de la herramienta al inicio del cepillado, y en la parte trasera al final del cepillado.

La velocidad y profundidad de corte determinarán el tipo de acabado. El cepillo eléctrico seguirá cepillando a una velocidad en la que las virutas no producirán atascamiento. Para cepillado basto, se puede aumentar la profundidad de corte, mientras que para un buen acabado usted deberá reducir la profundidad de corte y avanzar la herramienta despacio.

Rodillo delantero (Fig. 14)

Cuando se realicen cepillados repetidos, la utilización del rodillo delantero permitirá retroceder la herramienta de forma rápida y sin esfuerzo hacia el operario alzando el extremo trasero de la herramienta de forma que las cuchillas de la herramienta no entren en contacto con la pieza de trabajo y deslizando después la herramienta sobre el rodillo delantero.

MANTENIMIENTO

⚠ PRECAUCIÓN:

- Asegúrese siempre que la herramienta esté apagada y desenchufada antes de intentar realizar una inspección o mantenimiento.
- No utilice nunca gasolina, bencina, disolvente, alcohol o similares. Podría producir descoloración, deformación o grietas.

Substitución de las escobillas de carbón

Extraiga e inspeccione regularmente las escobillas de carbón. Sustitúyalas cuando se hayan gastado hasta la marca límite. Mantenga las escobillas de carbón limpias de forma que entren libremente en los portaescobillas. Ambas escobillas de carbón deberán ser sustituidas al mismo tiempo. Utilice únicamente escobillas de carbón idénticas. (Fig. 15)

Utilice un destornillador para quitar los tapones portaescobillas. Extraiga las escobillas desgastadas, inserte las nuevas y fije los tapones portaescobillas. (Fig. 16)

Para mantener la SEGURIDAD y FIABILIDAD del producto, las reparaciones, y otras tareas de mantenimiento o ajuste deberán ser realizadas en Centros Autorizados por Makita, empleando siempre repuestos Makita.

ACCESORIOS OPCIONALES

⚠ PRECAUCIÓN:

- Estos accesorios o acoplamientos están recomendados para utilizar con su herramienta Makita especificada en este manual. El empleo de cualesquiera otros accesorios o acoplamientos conllevará un riesgo de sufrir heridas personales. Utilice los accesorios o acoplamientos solamente para su fin establecido.

Si necesita cualquier ayuda para más detalles en relación con estos accesorios, pregunte a su centro de servicio Makita local.

- Cuchilla del cepillo
- Escuadra
- Conjunto de boquilla
- Adaptador
- Llave hexagonal

NOTA:

- Algunos elementos de la lista podrán estar incluidos en el paquete de la herramienta como accesorios estándar. Pueden variar de un país a otro.

ENG102-2

Para países europeos solamente

Ruido

El nivel de ruido A-ponderado típico determinado de acuerdo con la norma EN62841-2-14:

Nivel de presión sonora (L_{pA}): 88 dB (A)

Nivel de potencia sonora (L_{WA}): 99 dB (A)

Incerteza (K): 3 dB (A)

ENG907-1

NOTA:

- El valor (o los valores) de emisión de ruido declarado ha sido medido de acuerdo con un método de prueba estándar y se puede utilizar para comparar una herramienta con otra.
- El valor (o valores) de emisión de ruido declarado también se puede utilizar en una valoración preliminar de exposición.

⚠ ADVERTENCIA:

- **Póngase protectores para oídos.**
- **La emisión de ruido durante la utilización real de la herramienta eléctrica puede variar del valor (o los valores) de emisión declarado dependiendo de las formas en las que la herramienta sea utilizada, especialmente qué tipo de pieza de trabajo se procesa.**
- **Asegúrese de identificar medidas de seguridad para proteger al operario que estén basadas en una estimación de la exposición en las condiciones reales de utilización (teniendo en cuenta todas las partes del ciclo operativo como las veces cuando la herramienta está apagada y cuando está funcionando en vacío además del tiempo de gatillo).**

ENG222-2

Vibración

El valor total de la vibración (suma de vectores triaxiales) determinado de acuerdo con la norma EN62841-2-14:

Modo tarea: cepillado de madera blanda

Emisión de vibración (a_{h1}): 2,5 m/s²

Incerteza (K): 1,5 m/s²

ENG901-2

NOTA:

- El valor (o los valores) total de emisión de vibración declarado ha sido medido de acuerdo con un método de prueba estándar y se puede utilizar para comparar una herramienta con otra.
- El valor (o los valores) total de emisión de vibración declarado también se puede utilizar en una valoración preliminar de exposición.

⚠️ ADVERTENCIA:

- La emisión de vibración durante la utilización real de la herramienta eléctrica puede variar del valor (o los valores) de emisión declarado dependiendo de las formas en las que la herramienta sea utilizada, especialmente qué tipo de pieza de trabajo se procesa.
- Asegúrese de identificar medidas de seguridad para proteger al operario que estén basadas en una estimación de la exposición en las condiciones reales de utilización (teniendo en cuenta todas las partes del ciclo operativo como las veces cuando la herramienta está apagada y cuando está funcionando en vacío además del tiempo de gatillo).

DECLARACIÓN CE DE CONFORMIDAD

Sólo para países europeos

La declaración CE de conformidad está incluida como Anexo A de este manual de instrucciones.

Explicação geral

1 Botão	9 Pé	20 Suporte da chave
2 Placa de escala	10 Lâmina da plaina	21 Guia da apara
3 Gatilho interruptor	11 Base frontal	22 Conjunto do bocal
4 Botão de bloqueio/ Botão de destravarem	12 Chave hexagonal	23 Junta
5 Botão de rearranque (Apenas para KP312S)	13 Perno de instalação	24 No início do resvalamento
6 Pinos	14 Placa do tambor	25 No fim do resvalamento
7 Limitador de extremidade (Régua guia)	15 Parafuso da placa de ajuste	26 Rolo da frente
8 Base traseira	16 Placa de ajuste	27 Marca limite
	17 Lâmina da plaina	28 Chave de parafusos
	18 Parafuso de regulação	29 Tampa do porta-escovas
	19 Tambor	

ESPECIFICAÇÕES

GEB167-1

Modelo	KP312	KP312S
Largura da lâmina	312 mm	
Profundidade de corte	0 – 3,5 mm	
Velocidade em vazio (min ⁻¹)	12.000	
Comprimento total	551 mm	
Peso líquido	18,4 kg	
Classe de segurança	□/II	

- Devido ao nosso programa contínuo de pesquisa e desenvolvimento, as características indicadas neste documento estão sujeitas a alterações sem aviso prévio.
- As especificações podem diferir de país para país.
- Peso de acordo com o Procedimento 01/2014 da EPTA (European Power Tool Association)

ENE001-1

Utilização a que se destina

A ferramenta foi concebida para plainar madeira.

ENF002-2

Alimentação

A ferramenta só deve ser ligada a uma fonte de alimentação com a mesma voltagem da indicada na placa de características e só funciona com alimentação CA monofásica. Tem um sistema de isolamento duplo e pode, por isso, utilizar tomadas sem ligação à terra.

GEA010-2

Avisos gerais de segurança para ferramentas eléctricas

⚠ AVISO Leia todos os avisos de segurança, instruções, ilustrações e especificações fornecidos com esta ferramenta eléctrica. O não cumprimento de todas as instruções indicadas em baixo pode resultar em choque eléctrico, incêndio e/ou ferimentos graves.

Guarde todos os avisos e instruções para futuras referências.

O termo “ferramenta eléctrica” nos avisos refere-se às ferramentas eléctricas ligadas à corrente eléctrica (com cabo) ou às ferramentas eléctricas operadas por meio de bateria (sem cabo).

AVISOS DE SEGURANÇA DA PLAINA

- 1. Aguarde que o cortador pare antes de colocar a ferramenta em baixo.** Um cortador rotativo exposto pode prender na superfície levando a possível perda de controlo e a ferimentos graves.
- 2. Segure a ferramenta eléctrica pelas superfícies de agarramento isoladas, porque o cortador pode entrar em contacto com o seu próprio cabo.** Cortar um fio sob tensão poderá colocar peças metálicas expostas da ferramenta eléctrica sob tensão e pode causar um choque eléctrico no operador.
- 3. Utilize braçadeiras ou outra forma prática de fixar e suportar a peça de trabalho numa plataforma estável.** Segurar a peça de trabalho com a mão ou contra o corpo deixa-a instável e pode levar a perda de controlo.
- 4. Os trapos, panos, cabos, cordas e outros semelhantes não devem ser deixados junto da área de trabalho.**
- 5. Evite cortar pregos.** Inspeccione e remova todos os pregos da peça de trabalho antes da operação.
- 6. Utilize apenas lâminas afiadas.** Manuseie as lâminas com extremo cuidado.
- 7. Certifique-se de que os pernos de instalação da lâmina estão bem apertados antes da operação.**
- 8. Segure a ferramenta firmemente com as duas mãos.**
- 9. Mantenha as mãos afastadas das peças rotativas.**
- 10. Antes de utilizar a ferramenta numa peça de trabalho real, deixe-a a funcionar durante algum tempo.** Verifique se existem vibrações ou movimentos irregulares que possam indicar má instalação ou uma lâmina mal equilibrada.
- 11. Certifique-se de que a lâmina não está em contacto com a peça de trabalho antes de o interruptor ser ligado.**
- 12. Aguarde até a lâmina atingir a velocidade máxima antes de cortar.**
- 13. Desligue sempre e espere que as lâminas parem completamente antes de ajustar.**
- 14. Nunca leve o seu dedo até ao separador de aparas.** O separador pode encravar quando cortar madeira húmida. Limpe as aparas com um pau.
- 15. Não deixe a ferramenta a funcionar.** Opere a ferramenta apenas quando a tiver nas mãos.

16. Mude sempre as duas lâminas ou tampas no tambor, caso contrário o desequilíbrio resultante provocará vibrações e uma menor vida útil da ferramenta.
17. Utilize apenas lâminas Makita especificadas neste manual.
18. Utilize sempre a máscara contra o pó/respirador correto relativamente ao material e à aplicação em que está a trabalhar.

GUARDE ESTAS INSTRUÇÕES.

⚠️ AVISO:

NÃO permita que o conforto ou a familiaridade com o produto (adquirido com o uso repetido) substitua a adesão estrita às regras de segurança da ferramenta. A MÁ INTERPRETAÇÃO ou o não seguimento das regras de segurança estabelecidas neste manual de instruções pode causar danos pessoais graves.

INSTRUÇÕES DE FUNCIONAMENTO

⚠️ PRECAUÇÃO:

- Certifique-se sempre de que a ferramenta está desligada e a ficha retirada da tomada antes de regular ou verificar as funções da ferramenta.

Regulação da profundidade de corte (Fig. 1)

A profundidade de corte pode ser regulada de 0 – 3,5 mm. Rode o botão na frente da ferramenta até que o ponteiro fique alinhado com a profundidade de corte desejado na escala. Regule a profundidade de corte observando a profundidade máxima que é limitada pela largura de acordo com a seguinte tabela.

Correlação entre a largura do corte e a profundidade máxima do corte

Largura do corte	Profundidade máxima do corte
0 – 150 mm	3,5 mm
150 – 240 mm	2 mm
240 – 312 mm	1,5 mm

Acção do interruptor (Fig. 2)

⚠️ PRECAUÇÃO:

- Antes de ligar a ferramenta à corrente, certifique-se de que o gatilho funciona correctamente e volta para a posição “OFF” quando libertado.

Para ferramentas com botão de bloqueio

Para ligar a ferramenta, basta carregar no gatilho. Para parar, solte o gatilho. Para um funcionamento contínuo, puxe o gatilho e depois carregue no botão de bloqueio. Para parar a ferramenta a partir da posição de bloqueio, puxe completamente o gatilho e depois solte-o.

Para ferramentas com botão de destravarem

Para evitar que o gatilho seja puxado acidentalmente existe um botão de destravarem. Para ligar a ferramenta, solte o botão de destravarem e puxe o gatilho. Para parar, solte o gatilho.

Protecção contra sobrecarga (opção)

Esta ferramenta está equipada com um protector contra sobrecarga que corta automaticamente o circuito sempre que um trabalho pesado se prolonga. Quando o circuito for cortado, verifique se a lâmina está danificada ou tem qualquer anomalia. Depois certifique-se de que não há nenhum problema com a ferramenta e carregue no botão de re arranque para recomeçar a trabalhar.

Limitador de extremidades (Régua guia) (Fig. 3)

O limitador de extremidade é muito útil para fazer um corte pequeno cortando com largura uniforme. O limitador de extremidade (régua guia) está colocado no lado da ferramenta. Pressione os dois pinos do limitador de extremidade (régua guia) de modo a que o limitador de extremidade apareça. Desloque a ferramenta para a frente enquanto mantém a superfície plana do limitador de extremidade em contacto com o lado da peça de trabalho. Para voltar a colocar o limitador de extremidade na posição original, empurre-o por baixo para cima.

Pé (Fig. 4)

Depois da operação de corte, levante a parte traseira da ferramenta e um pé sai da superfície da base traseira. Isto evita que as lâminas da ferramenta se estraguem.

Guia da passagem de corte da lâmina (Fig. 5)

Ambos os lados da base frontal são uma guia para indicar os fins da passagem das lâminas de corte.

CONJUNTO

⚠️ PRECAUÇÃO:

- Certifique-se sempre de que a ferramenta está desligada e a ficha retirada da tomada antes de executar qualquer trabalho na ferramenta.

Retirar ou instalar as lâminas da plaina (Fig. 6)

⚠️ PRECAUÇÃO:

- Aperte cuidadosamente os pernos de instalação da lâmina quando prende a lâmina à ferramenta. Um perno de instalação solto pode ser perigoso. Verifique sempre que estão instalados seguramente.
- Pegue nas lâminas com cuidado. Use luvas ou um bocado de pano para proteger os seus dedos e mãos quando retira ou instala as lâminas.
- Só utilize a chave da Makita fornecida para retirar ou instalar as lâminas. Se assim não for pode resultar em aperto excessivo ou insuficiente dos pernos de instalação. Pode causar danos.

Para retirar as lâminas da plaina no tambor, solte os oito pernos de instalação só com uma volta completa com a chave hexagonal.

Em seguida, empurre e deslize a lâmina da plaina para o lado, no lado da cinta utilizando a chave hexagonal.

Para retirar outra lâmina da plaina, siga o mesmo procedimento acima. (Fig. 7 e 8)

Para instalar as lâminas, primeiro retire todas as aparas ou materiais estranhos aderentes ao tambor ou lâminas. Coloque a lâmina entre o tambor e a placa de ajuste no lado do bocal de extracção de modo a que a lâmina esteja centrada com as duas extremidades do tambor ou a placa de apoio.

Primeiro aperte os oito pernos de instalação ligeira e uniformemente mudando dos pernos centrais para os exteriores com a chave hexagonal.

Em seguida, aperte todos os pernos de instalação seguramente. Instale a outra lâmina da mesma maneira acima. **(Fig. 9)**

Para o ajuste correcto da lâmina da plaina

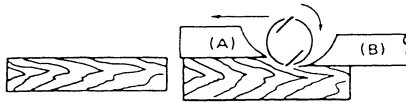
A sua superfície de aplainamento será rugosa e desnivelada a menos que a lâmina esteja colocada correcta e seguramente. A lâmina deve ser montada de modo a que a extremidade de corte esteja completamente nivelada, isto é, paralela à superfície da base posterior.

Abaixo encontram-se alguns exemplos de ajuste correcto e incorrecto.

(A) Base frontal (sapata móvel)

(B) Base traseira (sapata estática)

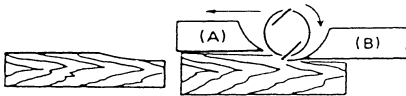
Regulação correcta



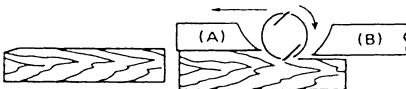
Superfície com desníveis



Inclinação no princípio da peça



Inclinação na saída



Embora esta perspectiva lateral não mostre, as extremidades das lâminas deslizam perfeitamente paralelas à superfície da base traseira.

Causa: Uma ou ambas as lâminas não têm as extremidades paralelas à linha da base traseira.

Causa: Uma ou ambas as extremidades da lâmina não sobressaem suficientemente em relação à linha da base traseira.

Causa: Uma ou ambas as extremidades da lâmina sobressaem demasiado em relação à base traseira.

Ajuste de regulação de altura (Fig. 8)

Normalmente não é necessário ajuste de altura da lâmina. No entanto, se notar que a extremidade da lâmina está abaixo do nível da base posterior ou fica muito acima, faça o seguinte.

Solte os oito pernos de instalação e os parafusos de regulação da placa. Rode os parafusos de ajuste para a direita para retrain a lâmina ou para a esquerda para a avançar. Depois de regular a altura da lâmina, aperte os parafusos da placa de ajuste e os oito pernos de instalação seguramente.

Armazenamento da chave hexagonal (Fig. 10)

Quando não estiver em utilização, armazene a chave hexagonal como indicado na figura para não a perder.

Conjunto do bocal e junta (Acessório) (Fig. 11 e 12)

O conjunto do bocal e a junta são utilizados quando se liga a ferramenta a um aspirador.

Se quiser aspirar ligue um aspirador à ferramenta.

Para ligar o aspirador retire a guia da apara da ferramenta. Coloque o conjunto do bocal e a junta e aperte os parafusos respectivos para os prender.

Ligue a mangueira do aspirador à junta.

Limpeza do bocal

Limpe o bocal regularmente.

Utilize ar comprimido para limpar o bocal entupido.

OPERAÇÃO

⚠ AVISO:

- Para reduzir o risco de ferimentos em pessoas, não trabalhe se o conjunto do bocal e a junta ou guia da apara não estiverem instalados.

Operação de resvalamento (Fig. 13)

Primeiro coloque a base frontal da ferramenta direita sobre a superfície da peça de trabalho sem que as lâminas façam qualquer contacto. Ligue a ferramenta e espere até que as lâminas atinjam a velocidade máxima. Em seguida, desloque a ferramenta suavemente para a frente. Aplique pressão na frente da ferramenta no início do resvalamento e na parte detrás no fim.

A velocidade e a profundidade do corte determina o tipo de acabamento. A plaina mantém o corte a uma velocidade que não ficará bloqueada por aparas. Para um corte menos perfeito pode aumentar a velocidade de corte enquanto que para um bom acabamento deve reduzir a profundidade do corte e avançar a ferramenta mais devagar.

Rolo da frente (Fig. 14)

Quando executa cortes repetidos a utilização do rolo da frente permite um rápido e fácil retorno da ferramenta para o operador, levantando a extremidade traseira da ferramenta de modo a que as lâminas da ferramenta não contactem a peça de trabalho e em seguida deslizando a ferramenta no rolo da frente.

MANUTENÇÃO

⚠️ PRECAUÇÃO:

- Verifique sempre se a ferramenta está desligada e se retirou a ficha da tomada de corrente antes de fazer uma inspeção ou a manutenção.
- Nunca utilize gasolina, benzina, diluente, álcool ou produtos semelhantes. Pode ocorrer a descoloração, deformação ou rachaduras.

Substituição das escovas de carvão

Retire e verifique regularmente as escovas de carvão. Substitua-as quando estiverem gastas até à marca limite. Mantenha as escovas de carvão limpas e a deslizar nos suportes. As duas escovas de carvão devem ser substituídas ao mesmo tempo. Só utilize escovas de carvão idênticas. (Fig. 15)

Utilize uma chave de parafusos para retirar as tampas do porta-escovas. Retire as escovas de carvão usadas, coloque as novas e prenda as tampas dos porta-escovas. (Fig. 16)

Para manter a SEGURANÇA e FIABILIDADE do produto, reparações, qualquer manutenção ou regulação deve ser executada por Serviços de Assistência Autorizados da Makita, utilizando sempre peças de substituição Makita.

ACESSÓRIOS OPCIONAIS

⚠️ PRECAUÇÃO:

- Estes acessórios ou peças extra são recomendadas para utilização com a sua ferramenta Makita especificada neste manual. A utilização de qualquer outros acessórios ou peças extra podem apresentar o risco de ferimentos. Só utilize os acessórios ou peças extras para o fim a que são destinados.

Se necessitar de informações adicionais relativas a estes acessórios, solicite-as ao seu centro de assistência Makita.

- Lâmina da plaina
- Régua triangular
- Conjunto do bocal
- Junta
- Chave hexagonal

NOTA:

- Alguns itens da lista podem estar incluídos na embalagem da ferramenta como acessórios padrão. Eles podem variar de país para país.

ENG102-2

Só para países Europeus

Ruído

A característica do nível de ruído A determinado de acordo com EN62841-2-14:

Nível de pressão de som (L_{pA}): 88 dB (A)

Nível do som (L_{wA}): 99 dB (A)

Variabilidade (K): 3 dB (A)

ENG907-1

NOTA:

- O(s) valor(es) da emissão de ruído indicado(s) foi medido de acordo com um método de teste padrão e pode ser utilizado para comparar duas ferramentas.
- O(s) valor(es) da emissão de ruído indicado(s) pode também ser utilizado na avaliação preliminar da exposição.

⚠️ AVISO:

- Utilize protectores auriculares.
- A emissão de ruído durante a utilização real da ferramenta eléctrica pode diferir do(s) valor(es) indicado(s), dependendo das formas como a ferramenta é utilizada, especialmente o tipo de peça de trabalho que é processada.
- Certifique-se de identificar as medidas de segurança para protecção do operador que sejam baseadas em uma estimativa de exposição em condições reais de utilização (considerando todas as partes do ciclo de operação, tal como quando a ferramenta está desligada e quando está a funcionar em marcha lenta além do tempo de accionamento).

ENG222-2

Vibração

Valor total da vibração (soma vectorial tri-axial) determinado conforme EN62841-2-14:

Modo de funcionamento: aplinar madeira macia

Emissão de vibração (a_h): 2,5 m/s²

Variabilidade (K): 1,5 m/s²

ENG901-2

NOTA:

- O(s) valor(es) total(ais) de vibração indicado(s) foi medido de acordo com um método de teste padrão e pode ser utilizado para comparar duas ferramentas.
- O(s) valor(es) total(ais) de vibração indicado(s) pode também ser utilizado na avaliação preliminar da exposição.

⚠️ AVISO:

- A emissão de vibração durante a utilização real da ferramenta eléctrica pode diferir do(s) valor(es) indicado(s), dependendo das formas como a ferramenta é utilizada, especialmente o tipo de peça de trabalho que é processada.
- Certifique-se de identificar as medidas de segurança para protecção do operador que sejam baseadas em uma estimativa de exposição em condições reais de utilização (considerando todas as partes do ciclo de operação, tal como quando a ferramenta está desligada e quando está a funcionar em marcha lenta além do tempo de accionamento).

DECLARAÇÃO DE CONFORMIDADE CE

Apenas para países europeus

A declaração de conformidade da CE está incluída no Anexo A deste manual de instruções.

Illustrationsoversigt

1 Dybdeindstillingsgreb	10 Høvljern	20 Nøgleholder
2 Skalaplade	11 Forreste høvlsål	21 Spånafskærmning
3 Afbryder	12 Unbrakonøgle	22 Spånstuds
4 Låseknop/Aflåseknop	13 Installationsbolt	23 Sugelangeadapter
5 Genstarterknop (Kun for KP312S)	14 Klemplade	24 Ved start af høvling
6 Stifter	15 Trykpladeskrue	25 Ved afslutning af høvling
7 Parallelanslag (Styrelineal)	16 Trykplade	26 Frontrulle
8 Bagerste høvlsål	17 Høvljern	27 Slidgrænse
9 Fod	18 Stilleskrue	28 Skruetrækker
	19 Kutter	29 Kulholderdæksel

SPECIFIKATIONER

GEB167-1

Model	KP312	KP312S
Høvlbredde	312 mm	
Høvl dybde	0 – 3,5 mm	
Omdrejninger (min ⁻¹)	12 000	
Længde	551 mm	
Vægt	18,4 kg	
Sikkerhedsklasse	□/II	

- På grund af vores kontinuerlige forskningsprogrammer og udvikling, kan hosstående specifikationer blive ændret uden varsel.
- Tekniske data kan variere fra land til land.
- Vægt i henhold til EPTA-Procedure 01/2014

Tilsluttet anvendelse

Denne maskine er beregnet til høvling af træ.

ENE001-1

Strømforsyning

Maskinen må kun tilsluttes en strømforsyning med den samme spænding, som den der er angivet på typeskiltet, og kan kun anvendes med enkeltfasets vekselstrømforsyning. Den er dobbeltisoleret og kan derfor også anvendes fra kontakter uden jordledning.

ENF002-2

GEA010-2

Almindelige sikkerhedsregler for el-værktøj

⚠ ADVARSEL Læs alle de sikkerhedsadvarsler, instruktioner, illustrationer og specifikationer, der følger med denne maskine. Forsømmelse af at overholde alle nedenstående instruktioner kan medføre elektrisk stød, brand og/eller alvorlig personskade.

Gem alle advarsler og instruktioner til fremtidig reference.

Ordet "el-værktøj" i advarselerne henviser til det netfornærede (netledning) el-værktøj eller batteriforsynede (akku) el-værktøj.

SIKKERHEDSADVARSLER FOR HØVLEMASKINE

1. **Vent, til skærehovedet er stoppet, før du sætter maskinen fra dig.** Et blottet roterende skærehoved kan gribe fat i overfladen og forårsage risiko for tab af kontrollen og alvorlig personskade.
2. **Hold maskinen i de isolerede gribeblade, da skærehovedet kan komme i kontakt med sin egen ledning.** Hvis der skæres i en strømførende ledning, kan udsatte metaldele på maskinen også blive strømførende, hvorved operatøren kan få elektrisk stød.
3. **Brug skruetvinger eller en anden praktisk måde til at fastgøre og understøtte arbejdsemnet til en stabil platform.** Hvis arbejdsemnet holdes i hånden eller mod kroppen, bliver det ustabil, hvilket kan medføre, at du mister kontrollen.
4. **Klude, tøj, ledninger, snore og lignende må aldrig ligge og flyde i arbejdsområdet.**
5. **Undgå at skære i søm. Se efter og fjern alle søm fra arbejdsemnet, før arbejdet påbegyndes.**
6. **Brug kun skarpe blade. Håndter bladene yderst forsigtigt.**
7. **Sørg for, at boltene til montering af bladet er strammet forsvarligt før brug.**
8. **Hold godt fast i maskinen med begge hænder.**
9. **Lad hænderne på afstand af roterende dele.**
10. **Lad maskinen køre et stykke tid, før den anvendes på et egentligt arbejdsemne. Se efter vibration eller rysten, der kan tyde på forkert montering eller et dårligt afbalanceret blad.**
11. **Kontroller, at bladet ikke er i kontakt med arbejdsemnet, før der tændes ved afbryderen.**
12. **Vent, til bladet når fuld hastighed, før der skæres.**
13. **Sluk altid, og vent, til bladene er helt stoppet, før der udføres nogen form for justering.**
14. **Stik aldrig fingeren ind i spånrenden. Renden kan blive tilstoppet, når der skæres i fugtigt træ. Fjern spånerne med en pind.**
15. **Lad ikke maskinen ligge og køre. Brug kun maskinen, når den holdes i hænderne.**
16. **Skift altid begge blade eller dæksler på tromlen, da den deraf følgende ubalance ellers kan forårsage vibration og forkorte maskinens levetid.**
17. **Brug kun de Makita blade, der er angivet i denne manual.**

18. Anvend altid korrekt støvmaske/åndedrætsværn til det materiale og den anvendelse, du arbejder med.

GEM DENNE BRUGSANVISNING.

⚠ ADVARSEL:

LAD IKKE bekvemmelighed eller kendskab til produktet (opnået gennem gentagen brug) forhindre, at sikkerhedsforskrifterne for produktet nøje overholdes.

MISBRUG eller forsømmelse af at følge de i denne brugsvejledning givne sikkerhedsforskrifter kan føre til, at De kommer alvorligt til skade.

FUNKTIONSBESKRIVELSER

⚠ FORSIGTIG:

- Kontrollér altid, at maskinen er slået fra, og netstikket er taget ud af stikkontakten, før De justerer eller kontrollerer denne maskines funktioner.

Spåndybdeindstilling (Fig. 1)

Spåndybden kan indstilles indenfor et område fra 0 til 3,5 mm. Drej dybdeindstillingsgrebet forrest på høvlén, indtil viseren er rettet ind efter den ønskede spåndybde på skalaen. Indstil spåndybden, idet den maksimale dybde, der er begrænset i forhold til bredden som vist i følgende tabel, overholdes.

Forhold mellem høvlebredde og maksimal høvle-
dybde

Høvlebredde	Maksimal høvle- dybde
0 – 150 mm	3,5 mm
150 – 240 mm	2 mm
240 – 312 mm	1,5 mm

Afbryderbetjening (Fig. 2)

⚠ FORSIGTIG:

- Før maskinen slutes til lysnettet, skal De altid kontrollere, at afbryderen fungerer korrekt og vender tilbage til "OFF" position, når den slippes.

For maskine med låseknop

Tryk afbryderen ind for at starte maskinen. Slip afbryderen for at stoppe maskinen. Ved vedvarende arbejde trykkes afbryderen ind, hvorefter låseknappen trykkes ind. For at stoppe maskinen fra denne låste position, trykkes afbryderen helt ind, hvorefter den slippes igen.

For maskine med kontaktpærreknop

For at forhindre at afbryderen bliver trykket ind ved en fejltagelse, er maskinen forsynet med en kontaktpærreknop. Tryk på kontaktpærreknappen og derefter på afbryderen for at starte maskinen. Slip afbryderen for at stoppe maskinen.

Overbelastningsbeskytter (ekstraudstyr)

Denne maskine er forsynet med en overbelastningsbeskytter, der automatisk kobler ud og afbryder kredsløbet, når for belastende arbejde bliver ved for længe. Hvis anordningen kobler ud, skal maskinen efterses for uregelmæssigheder, herunder beskadigelse af høvljærn. Efter at det er konstateret, at der ikke er noget i vejen med maskinen, trykkes på genstarterknappen for at genoptage arbejdet.

Parallellanslag (Styrelineal) (Fig. 3)

Parallellanslaget er nyttigt ved udførelse af flere høvljær med samme bredde. Parallellanslaget (styrelinealen) findes på siden af maskinen. Tryk på de to stifter på parallellanslaget (styrelinealen), således at parallellanslaget kommer frem. Før maskinen fremad, mens den flade overflade på parallellanslaget holdes i kontakt med siden af emnet.

For at sætte parallellanslaget på plads igen skal det skubes opad fra undersiden.

Fod (Fig. 4)

Efter udførelse af en høvling løftes den bagerste del af maskinen op, hvorved der kommer en fod frem under bagerste høvlsål. Dette forhindrer beskadigelse af høvljærnene.

Styrelinje for det skærende høvljærn (Fig. 5)

Begge sider af forreste høvlsål er forsynet med en styrelinje, der angiver kanterne på det skærende høvljærn.

SAMLING

⚠ FORSIGTIG:

- Kontrollér altid, at maskinen er slået fra og netstikket er taget ud af stikkontakten, før De udfører noget arbejde på maskinen.

Montering og afmontering af høvljærn (Fig. 6)

⚠ FORSIGTIG:

- Stram klæmskruerne omhyggeligt til, når der sættes høvljærn i maskinen. En løs klæmskrue kan være farlig. Kontrollér altid, at skruerne er forsvarligt strammet til.
- Omgå høvljærn med stor forsigtighed. Benyt handsker eller klude til at beskytte Deres fingre og hænder, når De monterer eller afmonterer høvljærn.
- Anvend kun den unbrakonøgle, der leveres af Makita, til montering eller afmontering af høvljærn. Overholdes dette ikke, kan det resultere i for kraftig tilspænding eller utilstrækkelig tilspænding af klæmskruerne. Det kan medføre tilskadekomst.

For at afmontere høvljærnene fra kutteren løsnes de otte klæmskrue med en enkelt fuld omdrejning ved anvendelse af unbrakonøglen.

Skub og skyd derefter høvljærnene sidelæns fra bæltese, idet De anvender unbrakonøglen.

For at aftage det andet høvljærn gentages ovenstående fremgangsmåde. (Fig. 7 og 8)

Inden montering af høvljærn skal alle spåner og uvedkommende materialer, der måtte klæbe til kutteren eller høvljærn, først fjernes.

Sæt høvljærnet ind mellem kutteren og trykpladen fra siden med støvstudsén, således at høvljærnet er centreret i forhold til begge kanter på kutteren eller trykpladen.

Spænd først de otte klæmskrue let og jævnt til, startende fra midterskruerne og udefter. Anvend unbrakonøglen.

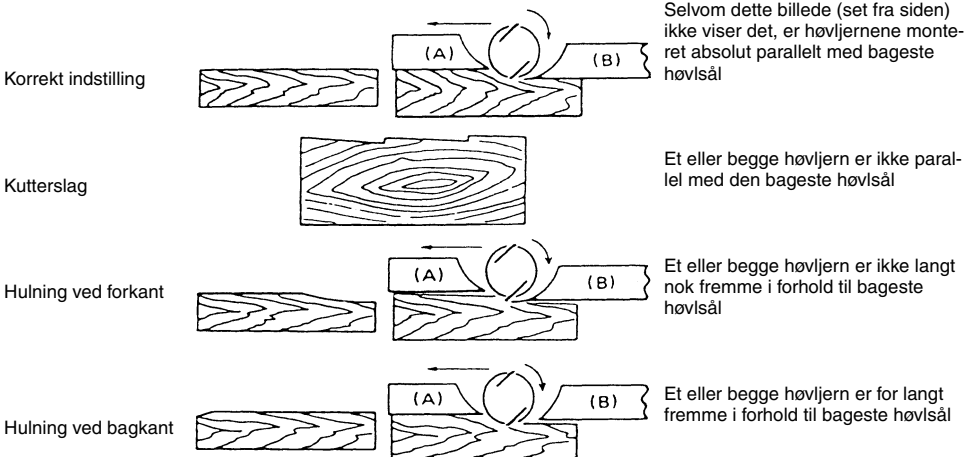
Stram derefter alle klæmskruerne stramt til. Montér det andet høvljærn på samme måde. (Fig. 9)

Korrekt indstilling af høvljern

Fejlmonterede og utilstrækkeligt fastgjorte høvljern medfører oprifter og kutterslag. Ved korrekt monterede høvljern skal klingeæggen være absolut parallel med den bageste høvlsål.

Følgende eksempler viser nogle resultater af korrekt og forkert monterede høvljern.

- (A) Forreste høvlsål
- (B) Bageste høvlsål



Justering af høvljernshøjde (Fig. 8)

Justering af høvljernshøjde er normalt ikke nødvendigt. Hvis De imidlertid bemærker, at klingeæggen er under niveauet på den bageste høvlsål, eller stikker for langt frem i forhold til den bageste høvlsål, gås frem som følger.

Løs de otte klæmskruer og trykpladens skruer. Drej stilleskruerne med uret for at trække høvljernet tilbage, eller mod uret for føre høvljernet længere ud. Efter justering af høvljernshøjde strammes trykpladens skruer og de otte klæmskruer stramt til.

Opbevaring af unbrakonøglen (Fig. 10)

Når unbrakonøglen ikke er i brug, kan den bekvemt opbevares som illustreret, så den ikke bliver væk.

Spånstuds og sugeslangeadapter (tilbehør) (Fig. 11 og 12)

Spånstuds og sugeslangeadapter anvendes, når maskinen tilsluttes til en støvsuger.

Når De ønsker at udføre arbejdet på renere vis, kan De tilslutte en støvsuger til maskinen.

For at tilslutte en støvsuger fjernes spånafskærmningen fra maskinen. Anbring spånstuds og sugeslangeadapteren, hvor spånafskærmningen ellers er fastgjort, og stram derefter skruerne til for at holde delene på plads. Tilslut slangen fra støvsugeren til sugeslangeadapteren.

Rengøring af spånstuds

Rengør spånstuds regelmæssigt.

Brug komprimeret luft til at rengøre den tilstoppede spånstuds.

BETJENING

⚠ ADVARSEL:

- Udstyret må ikke betjenes uden at spånstuds og sugeslangeadapteren eller spånafskærmningen er på plads for at reducere risikoen for personskaade.

Høvling (Fig. 13)

Sæt først den forreste høvlsål fladt ned på emnets overflade, uden at høvljernerne berører emnet. Start maskinen og vent til den er nået op på fulde omdrejninger. Skub derefter høvlen langsomt fremad, mens der lægges tryk på den forreste høvlsål i starten af høvlingen. Ved afslutning af høvlingen lægges der tryk på den bageste høvlsål.

Overfladekvaliteten afhænger af fremføringshastigheden og spåndybden. Falshøvlen høvler med en konstant hastighed, der ikke vil medføre tilstopning med spåner. Ved en grov høvling kan spåndybden øges, mens De bør reducere spåndybden og fremføre maskinen langsommere, når De ønsker en jævn overflade.

Frontrulle (Fig. 14)

Når der skal udføres gentagne fremføringer, gør anvendelse af frontrullen det hurtigt og enkelt at trække høvlen tilbage mod Dem selv, ved at De hæver den bageste del af høvlen, således at høvljernerne ikke er i kontakt med emnet, hvorefter høvlen trækkes tilbage, mens den ruller på frontrullen.

VEDLIGHOLDELSE

⚠️ FORSIGTIG:

- Kontrollér altid, at maskinen er slået fra, og netledningen taget ud af stikkontakten, inden De udfører inspektion eller vedligeholdelse.
- Anvend aldrig benzin, rensebenzin, fortynder, alkohol og lignende. Resultatet kan blive misfarvning, deformation eller revner.

Udskiftning af kul

Udtag og efterse kullene med regelmæssige mellemrum. Udskift kullene, når de er slidt ned til slidmarkeringen. Hold kullene rene og i stand til frit at glide ind i holderne. Begge kul skal udskiftes parvist samtidigt. Anvend kun identiske kulbørster. (Fig. 15)

Benyt en skruetrækker til at afmontere kulholderdækslerne. Tag de slidte kul ud, isæt de nye og fastgør derefter kulholderdækslerne. (Fig. 16)

For at opretholde produktets SIKKERHED og PÅLIDELIGHED bør reparationer, anden vedligeholdelse eller justeringer altid udføres af et Makita Service Center, idet der altid bør anvendes Makita reservedele.

EKSTRAUDSTYR

⚠️ FORSIGTIG:

- Dette udstyr og tilbehør bør anvendes sammen med Deres Makita maskine, sådan som det er beskrevet i denne brugsanvisning. Anvendelse af andet udstyr eller tilbehør kan udgøre en risiko for personskade. Tilbehøret bør kun anvendes til det, det er beregnet til.

Hvis De behøver hjælp ved valg af tilbehør eller ønsker yderligere informationer, bedes De kontakte Deres lokale Makita service center.

- Høvljern
- Indstillingstrekant
- Spånstuds
- Sugelangeadapter
- Unbrakonøgle

BEMÆRK:

- Nogle ting på denne liste kan være inkluderet i værktøjspakken som standardtilbehør. Det kan være forskellige fra land til land.

ENG102-2

Kun for lande i Europa

Lyd

Det typiske A-vægtede støjniveau bestemt i overensstemmelse med EN62841-2-14:

Lydtryksniveau (L_{pA}): 88 dB (A)

Lydeffektniveau (L_{wA}): 99 dB (A)

Usikkerhed (K): 3 dB (A)

ENG907-1

BEMÆRK:

- De(n) angivne støjemissionsværdi(er) er målt i overensstemmelse med en standardtestmetode og kan anvendes til at sammenligne en maskine med en anden.
- De(n) angivne støjemissionsværdi(er) kan også anvendes i en præliminær eksponeringsvurdering.

⚠️ ADVARSEL:

- Bær høreværn.
- Støjemissionen under den faktiske anvendelse af maskinen kan være forskellig fra de(n) angivne værdi(er), afhængigt af den måde hvorpå maskinen anvendes, især den type arbejdsemne der behandles.
- Sørg for at identificere de sikkerhedsforskrifter til beskyttelse af operatøren, som er baseret på en vurdering af eksponering under de faktiske brugsforhold (med hensyntagen til alle dele i brugscyklussen, f.eks. de gange, hvor maskinen er slukket, og når den kører i tomgang i tilgift til afbrydertiden).

ENG222-2

Vibration

Vibrations totalværdi (tre-aksial vektorsum) bestemt i overensstemmelse med EN62841-2-14:

Arbejdsindstilling: høvlning af blødt træ

Vibrationsafgivelse (a_{h1}): 2,5 m/s²

Usikkerhed (K): 1,5 m/s²

ENG901-2

BEMÆRK:

- De(n) angivne totalværdi(er) for vibration er målt i overensstemmelse med en standardtestmetode og kan anvendes til at sammenligne en maskine med en anden.
- De(n) angivne totalværdi(er) for vibration kan også anvendes i en præliminær eksponeringsvurdering.

⚠️ ADVARSEL:

- Vibrationsemissionen under den faktiske anvendelse af maskinen kan være forskellig fra de(n) angivne værdi(er), afhængigt af den måde hvorpå maskinen anvendes, især den type arbejdsemne der behandles.
- Sørg for at identificere de sikkerhedsforskrifter til beskyttelse af operatøren, som er baseret på en vurdering af eksponering under de faktiske brugsforhold (med hensyntagen til alle dele i brugscyklussen, f.eks. de gange, hvor maskinen er slukket, og når den kører i tomgang i tilgift til afbrydertiden).

EF-KONFORMITETSERKLÆRING

Kun for lande i Europa

EF-konformitetserklæringen er inkluderet som Tillæg A til denne instruktionsvejledning.

Περιγραφή γενικής άποψης

1 Κουμπί	9 Πόδι	20 Θήκη κλειδιού
2 Πλάκα κλίμακας	10 Λάμα πλανίσματος	21 Οδηγός πριονιδιών
3 Σκανδάλη διακόπτης	11 Εμπρόσθια βάση	22 Σύνολο στομίου
4 Κουμπί κλειδώματος/ Κουμπί απασφάλισης	12 Εξαγωνικό κλειδί	23 Σύνδεσμος
5 Κουμπί επανεκκίνησης (Για KP312S μόνο)	13 Μπουλόνι εγκατάστασης	24 Στην αρχή του πλανίσματος
6 Πείροι	14 Πλάκα τυμπάνου	25 Στο τέλος του πλανίσματος
7 Φράχτης άκρης (Οδηγός κανόνας)	15 Βίδα πλάκας ρύθμισης	26 Εμπρόσθιος κύλινδρος
8 Πίσω βάση	16 Πλάκα ρύθμισης	27 Σημάδι ορίου
	17 Λάμα πλανίσματος	28 Κατσαβίδι
	18 Βίδα ρύθμισης	29 Καπάκι θήκης ψήκτρας
	19 Τύμπανο	

ΤΕΧΝΙΚΑ ΧΑΡΑΚΤΗΡΙΣΤΙΚΑ

Μοντέλο	KP312	KP312S
Πλάτος πλάνισης	312 χιλ.	
Βάθος πλάνισης	0 – 3,5 χιλ.	
Ταχύτητα χωρίς φορτίο (min ⁻¹)	12.000	
Ολικό μήκος	551 χιλ.	
Καθαρό βάρος	18,4 Χγρ	
Κατηγορία ασφάλειας	II	

- Λόγω του συνεχιζόμενου προγράμματος έρευνας και ανάπτυξης, οι παρούσες προδιαγραφές υπόκεινται σε αλλαγή χωρίς προειδοποίηση.
- Τα τεχνικά χαρακτηριστικά μπορεί να διαφέρουν από χώρα σε χώρα.
- Βάρος σύμφωνα με διαδικασία EPTA 01/2014

ENE001-1

Προοριζόμενη χρήση

Αυτό το εργαλείο προορίζεται για πλάνισμα ξύλου.

ENF002-2

Ρευματοδότηση

Το εργαλείο πρέπει να συνδέεται μόνο σε ηλεκτρική παροχή της ίδιας τάσης με αυτήν που αναγράφεται στην πινακίδα ονομαστικών τιμών και μπορεί να λειτουργήσει μόνο με εναλλασσόμενο μονοφασικό ρεύμα. Τα εργαλεία αυτά έχουν διπλή μόνωση και κατά συνέπεια, μπορούν να συνδεθούν σε ακροδέκτες χωρίς σύρμα γείωσης.

GEA010-2

Γενικές προειδοποιήσεις ασφαλείας για το ηλεκτρικό εργαλείο

⚠ ΠΡΟΕΙΔΟΠΟΙΗΣΗ Διαβάστε όλες τις προειδοποιήσεις ασφαλείας, οδηγίες, εικονογραφίες και προδιαγραφές που παρέχονται με αυτό το ηλεκτρικό εργαλείο. Η μη τήρηση όλων των οδηγιών που αναγράφονται κατωτέρω μπορεί να καταλήξει σε ηλεκτροπληξία, πυρκαγιά ή/και σοβαρό τραυματισμό.

Φυλάξτε όλες τις προειδοποιήσεις και τις οδηγίες για μελλοντική παραπομπή.

Στις προειδοποιήσεις, ο όρος “ηλεκτρικό εργαλείο” αναφέρεται σε ηλεκτρικό εργαλείο που τροφοδοτείται από την κύρια παροχή ηλεκτρικού ρεύματος (με ηλεκτρικό καλώδιο) ή σε ηλεκτρικό εργαλείο που τροφοδοτείται από μπαταρία (χωρίς ηλεκτρικό καλώδιο).

GEB167-1

ΠΡΟΕΙΔΟΠΟΙΗΣΕΙΣ ΑΣΦΑΛΕΙΑΣ ΓΙΑ ΤΗΝ ΠΛΑΝΗ

1. **Περιμένετε να σταματήσει ο κόπτης πριν αφήσετε κάτω το εργαλείο.** Αν ο κόπτης είναι εκτεθειμένος μπορεί να πιαστεί στην επιφάνεια με αποτέλεσμα πιθανή απώλεια του ελέγχου και σοβαρό τραυματισμό.
2. **Κρατάτε το ηλεκτρικό εργαλείο από τις μονωμένες επιφάνειες λαβής επειδή ο κόπτης μπορεί να έρθει σε επαφή με το δικό του καλώδιο.** Σε περίπτωση που κοπεί ένα ηλεκτροφόρο καλώδιο, ενδέχεται τα εκτεθειμένα μεταλλικά εξαρτήματα του ηλεκτρικού εργαλείου να καταστούν τα ίδια ηλεκτροφόρα και να προκαλέσουν ηλεκτροπληξία στον χειριστή.
3. **Να χρησιμοποιείτε σφιγκτήρες ή κάποιο άλλο πρακτικό μέσο για να ασφαλίσετε και να στηρίξετε το τεμάχιο εργασίας σε μια σταθερή πλατφόρμα.** Αν κρατάτε το τεμάχιο εργασίας με το χέρι σας ή επάνω στο σώμα σας, αυτό θα είναι ασταθές και μπορεί να χάσετε τον έλεγχο.
4. **Δεν πρέπει να αφήνετε ποτέ κουρέλια, πανιά, νήματα, σκονιά και παρόμοια αντικείμενα γύρω από την περιοχή εργασίας.**
5. **Να αποφεύγετε την κοπή καρφιών.** Πριν από τη λειτουργία, να ελέγχετε αν υπάρχουν καρφιά στο τεμάχιο εργασίας και να τα αφαιρείτε όλα αν υπάρχουν.
6. **Να χρησιμοποιείτε μόνο αιχμηρές λάμες.** Να χειρίζετε τις λάμες πολύ προσεκτικά.
7. **Βεβαιωθείτε ότι τα μπουλόνια τοποθέτησης λάμας είναι καλά σφιγμένα πριν από τη λειτουργία.**
8. **Κρατήστε το εργαλείο σταθερά με τα δύο χέρια.**
9. **Μην πλησιάζετε τα χέρια σας σε περιστρεφόμενα μέρη.**

10. Πριν από τη χρήση του εργαλείου πάνω σε πραγματικό τεμάχιο εργασίας, αφήστε το σε λειτουργία για λίγο. Να προσέχετε για δονήσεις ή κινήσεις που θα μπορούσαν να υποδειξουν κακή τοποθέτηση ή κακή ισορρόπηση της λάμας.
11. Να βεβαιώνετε ότι η λάμα δεν ακουμπάει το τεμάχιο εργασίας πριν ενεργοποιείτε το διακόπτη λειτουργίας.
12. Περιμένετε έως ότου η λάμα φτάσει στην πλήρη ταχύτητά της πριν κόψετε.
13. Πριν από οποιαδήποτε ρύθμιση, πάντοτε να σβήνετε το εργαλείο και να περιμένετε να σταματήσουν να κινούνται εντελώς οι λάμες.
14. Μην βάζετε ποτέ το δάκτυλό σας κοντά στο στόμιο θραυσμάτων. Το στόμιο μπορεί να φράξει όταν κόβετε νωπό ξύλο. Καθαρίστε τα θραύσματα με μια ξυλίνη ράβδο.
15. Μην αφήνετε το εργαλείο σε λειτουργία. Να χειρίζεστε το εργαλείο μόνο όταν το κρατάτε με τα χέρια σας.
16. Να αλλάζετε πάντα και τις δύο λάμες ή καλύμματα στο τύμπανο, διαφορετικά η προκύπτουσα αστάθεια θα προκαλέσει δόνηση και συντόμευση της ζωής του εργαλείου.
17. Να χρησιμοποιείτε μόνο λάμες της Makita που υποδεικνύονται σε αυτό το εγχειρίδιο.
18. Να χρησιμοποιείτε πάντοτε προσωπίδα κατά της σκόνης ή αναπνευστήρα που είναι κατάλληλος για το υλικό και την εφαρμογή σας.

ΦΥΛΑΞΤΕ ΤΙΣ ΟΔΗΓΙΕΣ ΑΥΤΕΣ.

⚠️ ΠΡΟΕΙΔΟΠΟΙΗΣΗ:

ΜΗΝ επιτρέψετε στην άνεση ή στην εξοικειώσή σας με το προϊόν (που αποκτήθηκε από επανειλημμένη χρήση) να αντικαταστήσει την αυστηρή τήρηση των κανόνων ασφαλείας του παρόντος εργαλείου.

Η ΛΑΝΘΑΣΜΕΝΗ ΧΡΗΣΗ ή η αμέλεια να ακολουθήσετε τους κανόνες ασφαλείας που διατυπώνονται στο παρόν εγχειρίδιο οδηγιών μπορεί να προκαλέσει σοβαρό προσωπικό τραυματισμό.

ΠΕΡΙΓΡΑΦΗ ΛΕΙΤΟΥΡΓΙΑΣ

⚠️ ΠΡΟΣΟΧΗ:

• Πάντοτε βεβαιώνετε ότι το εργαλείο είναι σβηστό και αποσυνδεδεμένο από το ρεύμα πριν από ρύθμιση ή έλεγχο κάποιας λειτουργίας στο εργαλείο.

Ρύθμιση βάθους κοπής (Εικ. 1)

Το βάθος κοπής μπορεί να ρυθμιστεί σ'ε μιά ακτίνα από 0 – 35 χιλ. Γυρίστε το κουμπί στο εμπρόσθιο μέρος του εργαλείου μέχρι ο δείκτης να ευθυγραμμιστεί με το επιθυμητό βάθος κοπής στην κλίμακα. Ρυθμίστε το βάθος κοπής σε σχέση με το μέγιστο βάθος το οποίο περιορίζεται από το πλάτος σύμφωνα με τον ακόλουθο πίνακα.

Συσχέτιση πλάτους κοπής και μέγιστου βάθους κοπής

Πλάτος κοπής	Μέγιστο βάθος κοπής
0 – 150 χιλ.	3,5 χιλ.
150 – 240 χιλ.	2 χιλ.
240 – 312 χιλ.	1,5 χιλ.

Λειτουργία διακόπτη (Εικ. 2)

⚠️ ΠΡΟΣΟΧΗ:

• Πριν συνδέσετε το εργαλείο στο ρεύμα, πάντοτε ελέγχετε να δείτε ότι η σκανδάλη διακόπτης ενεργοποιείται κανονικά και επιστρέφει στην θέση "OFF" όταν ελευθερώνεται.

Για εργαλείο με κουμπί ασφάλισης

Για να ξεκινήσει το εργαλείο, απλώς τραβήχτε την σκανδάλη διακόπτη. Ελευθερώστε την σκανδάλη διακόπτη για να σταματήσει. Για συνεχή λειτουργία, τραβήχτε την σκανδάλη διακόπτη και μετά σπρώχτε μέσα το κουμπί ασφάλισης. Για να βγάλετε το εργαλείο από την θέση ασφάλισης, τραβήχτε πλήρως την σκανδάλη διακόπτη και μετά ελευθερώστε την.

Για εργαλείο με κουμπί απασφάλισης

Για να εμποδίσει η σκανδάλη διακόπτης να τραβηχτεί τυχαίως, ένα κουμπί απασφάλισης έχει προβλεφθεί. Για να ξεκινήσετε το εργαλείο, πατήστε το κουμπί απασφάλισης και τραβήχτε την σκανδάλη διακόπτη. Ελευθερώστε την σκανδάλη διακόπτη για να σταματήσει.

Προστατευτικό υπερφόρτωσης (προαιρετικό)

Αυτό το εργαλείο είναι εφωδιασμένο με ένα προστατευτικό υπερφόρτωσης το οποίο αυτόματα εξέρχεται για να διακόψει το κύκλωμα όταν βαρεία εργασία παρατείνεται. Όταν εξέρχεται, εξετάστε την λεπίδα για ζημιά ή κάποιο πρόβλημα. Αφού βεβαιωθείτε ότι δεν υπάρχει κανένα πρόβλημα με το εργαλείο, πατήστε το κουμπί επανεκκίνησης για να ξαναρχίσει η λειτουργία.

Φράχτης άκρης (Οδηγός κανόνας) (Εικ. 3)

Ο Φράχτης άκρης είναι χρήσιμος για την ελαχιστοποίηση μιάς βραχείας διαδρομής κοπής κόβωντας ένα μοιόμορφο πλάτος. Πατήστε τους δύο πείρους για τον φράχτη άκρης (οδηγό κανόνα) έτσι ώστε να εμφανιστεί ο φράχτης άκρης. Μετακινήστε το εργαλείο προς τα εμπρός ενώ κρατάτε την επίπεδη επιφάνεια του φράχτη άκρης σε επαφή με την πλευρά του αντικειμένου εργασίας. Για να επαναφέρετε του φράκτη άκρης στην αρχική του θέση, σπρώχτε τον προς τα επάνω από την κάτω πλευρά του.

Πόδι (Εικ. 4)

Μετά την λειτουργία κοπής, σηκώστε το πίσω μέρος του εργαλείου και ένα πόδι εμφανίζεται κάτω από το επίπεδο της πίσω βάσης. Αυτό εμποδίζει τις λάμες του εργαλείου να πάθουν ζημιά.

Γραμμή - οδηγός της διαδρομής της λάμας κοπής (Εικ. 5)

Και τα δύο άκρα της εμπρόσθιας βάσης είναι μιά γραμμή - οδηγός για να δείχνουν τις άκρες της διαδρομής της λάμας κοπής.

ΣΥΝΑΡΜΟΛΟΓΗΣΗ

⚠️ ΠΡΟΣΟΧΗ:

• Πάντοτε βεβαιώνετε ότι το εργαλείο είναι σβηστό και αποσυνδεδεμένο πριν εκτελέσετε οποιαδήποτε εργασία στο εργαλείο.

Αφαίρεση η τοποθέτηση λαμών πλανίσματος (Εικ. 6)

⚠ ΠΡΟΣΟΧΗ:

- Σφίχτε τα μπουλόνια εγκατάστασης λαμών προσεκτικά όταν προσαρμόζετε τις λάμες στο εργαλείο. Ένα χαλαρό μπουλόνι εγκατάστασης μπορεί να είναι επικίνδυνο. Πάντοτε ελέγχετε να δείτε ότι είναι σφιγμένα με ασφάλεια.
- Χειρίζεστε τις λάμες πολύ προσεκτικά. Χρησιμοποιείτε γάντια ή κουρέλια για να προστατεύετε τα δάχτυλά σας ή τα χέρια σας όταν αφαιρείτε ή τοποθετείτε τις λάμες.
- Χρησιμοποιείτε μόνο το παρεχόμενο κλειδί της Μάκιτα για να αφαιρέσετε ή τοποθετήσετε τις λάμες. Αμέλεια να το κάνετε μπορεί να έχει ως αποτέλεσμα υπερβολικό ή ανεπαρκές σφίξιμο των μπουλονιών εγκατάστασης. Αυτό θα μπορούσε να προκαλέσει τραυματισμό.

Για να αφαιρέσετε λάμες πλανισμού από το τύμπανο, χαλαρώστε τα οκτώ μπουλόνια εγκατάστασης μόνο κατά μία πλήρη στροφή με το εξαγωνικό κλειδί.

Για να αφαιρέσετε μία άλλη λάμα πλανίσματος ακολουθήστε την ίδια διαδικασία όπως παραπάνω.

Για να αφαιρέσετε άλλη λάμα πλανίσματος, ακολουθείστε την ίδια διαδικασία όπως παραπάνω. (Εικ. 7 και 8)

Για να εγκαταστήσετε τις λάμες, πρώτα καθαρίστε καλά όλα τα τεμαχίδια ξένης ύλης που είναι προσκολλημένα στο τύμπανο ή στις λεπίδες.

Εισάγετε τη λάμα μεταξύ του τυμπάνου και της πλάκας ρύθμισης από την πλευρά εξαγωγής του στομίου έτσι ώστε η λάμα θα είναι στο κέντρο των δύο άκρων του τυμπάνου ή της πλάκας ρύθμισης. Κατόπιν, σφίχτε όλα τα μπουλόνια εγκατάστασης με ασφάλεια.

Πρώτα σφίχτε τα οκτώ μπουλόνια εγκατάστασης ελαφρά και ομοιόμορφα πηγαίνοντας από τα μπουλόνια του κέντρου προς τα εξωτερικά μπουλόνια με το εξαγωνικό κλειδί. Με τον ίδιο τρόπο όπως παραπάνω, μπορείτε να εγκαταστήσετε και άλλες λάμες. (Εικ. 9)

Για την σωστή ρύθμιση λάμας πλανίσματος

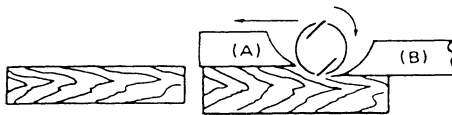
Η επιφάνεια πλανίσματος σας θα γίνει άγρια και ανισόπεδη, εκτός εάν η λάμα ρυθμιστεί κατάλληλα και με ασφάλεια. Η λάμα πρέπει να τοποθετηθεί έτσι ώστε κόψη να είναι απόλυτα επίπεδη, δηλαδή, παράλληλη προς την επιφάνεια της πίσω βάσης.

Παρακάτω είναι μερικά παραδείγματα καταλλήλων και μη καταλλήλων ρυθμίσεων.

(Α) Εμπρόσθια βάση (Κινητό πέγμα)

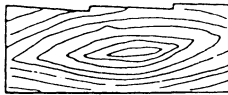
(Β) Πίσω βάση (Στατικό πέγμα)

Σωστή ρύθμιση



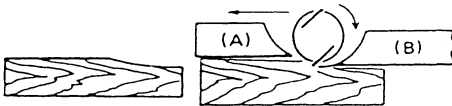
Αν και αυτή η πλευρική άποψη δεν μπορεί να το δείξει, οι κόψεις των λαμών είναι απόλυτα παράλληλες προς την επιφάνεια της πίσω βάσης.

Χαραγές στην επιφάνεια



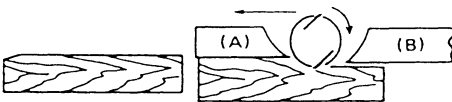
Αιτία: Μια ή και οι δύο λάμες δεν έχουν κόψη παράλληλη προς τη γραμμή της πίσω βάσης.

Κοίλωμα στην αρχή



Αιτία: Μια ή και οι δύο κόψεις λαμών δεν προεξέχουν αρκετά σε σχέση με τη γραμμή της πίσω βάσης.

Κοίλωμα στο τέλος



Αιτία: Μια ή και οι δύο κόψεις λαμών προεξέχουν πάρα πολύ σε σχέση με τη γραμμή της πίσω βάσης.

Ρύθμιση ύψους λάμας (Εικ. 8)

Η ρύθμιση του ύψους λάμας δεν είναι συνήθως απαραίτητη. Ομως, Εάν παρατηρήσετε ότι η άκρη της λάμας είναι κάτω από το επίπεδο της πίσω βάσης ή προεξέχει πάρα πολύ από την πίσω βάση, προχωρήστε ως εξής.

Χαλαρώστε τα οκτώ μπουλόνια εγκατάστασης και τις βίδες της πλάκας ρύθμισης. Γυρίστε τις βίδες ρύθμισης δεξιόστροφα για να αποσύρετε τη λάμα ή αριστερόστροφα για να την προεκτείνετε. Αφού ρυθμίσετε το ύψος της λάμας, σφίχτε τις βίδες της πλάκας ρύθμισης και τα οκτώ μπουλόνια εγκατάστασης με ασφάλεια.

Αποθήκευση εξαγωνικού κλειδιού (Εικ. 10)

Όταν δεν χρησιμοποιείται, αποθηκεύστε το εξαγωνικό κλειδί όπως φαίνεται στην εικόνα για να μη χαθεί.

Σύνολο στομίου και σύνδεσμος (Εξάρτημα)

(Εικ. 11 και 12)

Το σύνολο στομίου και ο σύνδεσμος χρησιμοποιούνται όταν συνδέετε το εργαλείο σε μία ηλεκτρική σκούπα.

Όταν επιθυμείτε να εκτελέσετε μία πιο καθαρή εργασία, συνδέστε μια ηλεκτρική σκούπα στο εργαλείο σας.

Για να συνδέσετε μία ηλεκτρική σκούπα, αφαιρέστε τον οδηγό πριονιδίων από το εργαλείο. Βάλτε το σύνολο στομίου και τον σύνδεσμο στη θέση του και μετά σφίχτε τις βίδες για να τα ασφαλίσετε.

Συνδέστε μία σωλήνα ηλεκτρικής σκούπας στον σύνδεσμο.

Καθαρισμός στομίου

Να καθαρίζετε το στόμιο τακτικά.

Χρησιμοποιήστε πεπιεσμένο αέρα για να καθαρίσετε το φραγμένο στόμιο.

ΛΕΙΤΟΥΡΓΙΑ

⚠️ ΠΡΟΕΙΔΟΠΟΙΗΣΗ:

- Για να μειώσετε τον κίνδυνο πρόκλησης τραυματισμού σε άτομα, μη θέτετε σε λειτουργία χωρίς το σύνολο στομίου και ο σύνδεσμος ή ο οδηγός πριονιδίων να βρίσκονται στη θέση τους.

Λειτουργία πλανίσματος (Εικ. 13)

Πρώτα, τοποθετήστε επίπεδα την εμπρόσθια βάση του εργαλείου επάνω στην επιφάνεια του αντικειμένου εργασίας χωρίς οι λεπίδες να κάνουν επαφή. Ανάψτε το εργαλείο και περιμένετε μέχρι οι λάμες να αποκτήσουν πλήρη ταχύτητα. Μετά μετακινείστε το εργαλείο απαλά προς τα εμπρός. Εφαρμόστε πίεση στο εμπρόσθιο μέρος του εργαλείου στην αρχή του πλανίσματος και στο πίσω μέρος στο τέλος του πλανίσματος.

Η ταχύτητα και το βάθος κοπής προσδιορίζουν το είδος φινιρίσματος.

Η ηλεκτρική πλάνη συνεχίζει να κόβει με τέτοια ταχύτητα ώστε να μην παρουσιαστεί εμπλοκή από τα πριονίδια. Για άγριο κόψιμο, το βάθος κοπής μπορεί να αυξηθεί, ενώ για καλό φινιρίσμα πρέπει να μειώσετε το βάθος κοπής και να προχωρείτε το εργαλείο με αργότερο ρυθμό.

Εμπρόσθιος κύλινδρος (Εικ. 14)

Όταν εκτελείτε επαναλαμβανόμενες κοπές, η χρήση του εμπροσθίου κύλινδρου επιτρέπει γρήγορη και άκοπη επιστροφή του εργαλείου στον χρήστη σηκώνοντας το πίσω μέρος του εργαλείου έτσι ώστε οι λάμες του εργαλείου να μην κάνουν επαφή με το αντικείμενο εργασίας και το εργαλείο να γλιστράει στον εμπρόσθιο κύλινδρο.

ΣΥΝΤΗΡΗΣΗ

⚠️ ΠΡΟΣΟΧΗ:

- Πάντοτε βεβαιώνετε ότι το εργαλείο είναι σβηστό και αποσυνδεδεμένο από το ρεύμα πριν επιχειρήσετε να κάνετε έλεγχο ή συντήρηση του εργαλείου.

- Μην χρησιμοποιείτε ποτέ βενζίνη, πετρελαϊκό αιθέρα, διαλυτικό, αλκοόλη ή παρόμοιες ουσίες. Ενδέχεται να προκαληθεί αποχρωματισμός παραμόρφωση ή ρωγμές.

Αντικατάσταση καρβουνάκια

Αφαιρείτε και ελέγχετε τις ψήκτρες άνθρακος τακτικά. Αντικαταστήστε όταν φθαρούν μέχρι το σημάδι ορίου. Κρατάτε τις ψήκτρες καθαρές και ελεύθερες να γλιστρούν στις θήκες. Και οι δύο ψήκτρες άνθρακα πρέπει να αντικαθίστανται ταυτόχρονα. Χρησιμοποιείτε μόνο ταυτόσημες ψήκτρες. (Εικ. 15)

Χρησιμοποιείτε ένα κατσαβίδι για να αφαιρέτε τα καπακία της θήκης ψήκτρας. Αφαιρέστε τις φθαρμένες ψήκτρες, βάλτε τις καινούργιες και ασφαλίστε τα καπάκια της θήκης ψήκτρας. (Εικ. 16)

Για την διατήρηση της ΑΣΦΑΛΕΙΑΣ και ΑΞΙΟΠΙΣΤΙΑΣ του προϊόντος, επισκευές, έλεγχος, οποιαδήποτε άλλη συντήρηση ή ρύθμιση, πρέπει να εκτελούνται από Κέντρα Εξυπηρέτησης Εξουσιοδοτημένα από την Μάκιτα, πάντοτε με την χρησιμοποίηση ανταλλακτικών Μάκιτα.

ΠΡΟΑΙΡΕΤΙΚΑ ΕΞΑΡΤΗΜΑΤΑ

⚠️ ΠΡΟΣΟΧΗ:

- Αυτά τα εξαρτήματα ή προσαρτήματα συνιστώνται για χρήση με το εργαλείο Μάκιτα που περιγράφηκε στις οδηγίες αυτές. Η χρήση οτιδήποτε άλλων εξαρτημάτων ή προσαρτημάτων μπορεί να προκαλέσει κίνδυνο τραυματισμού σε άτομα. Χρησιμοποιείτε τα εξαρτήματα ή προσαρτήματα μόνο για την χρήση που προορίζονται.

Εάν χρειάζεστε οποιαδήποτε βοήθεια για περισσότερες πληροφορίες σε σχέση με αυτά τα εξαρτήματα, απαντηθείτε στο τοπικό σας κέντρο εξυπηρέτησης Μάκιτα.

- Λάμα πλανίσματος
- Τριγωνικός κανόνας
- Σύνολο στομίου
- Σύνδεσμος
- Εξαγωνικό κλειδί

ΠΑΡΑΤΗΡΗΣΗ:

- Μερικά στοιχεία στη λίστα μπορεί να συμπεριλαμβάνονται στη συσκευασία εργαλείου ως στάνταρ εξαρτήματα. Μπορεί να διαφέρουν ανάλογα με τη χώρα.

ENG102-2

Μόνο για χώρες της Ευρώπης

Θόρυβος

Το τυπικό A επίπεδο μετρημένου θορύβου καθορίζεται σύμφωνα με το EN62841-2-14:

Στάθμη πίεσης ήχου (L_{pA}): 88 dB(A)

Στάθμη δύναμης ήχου (L_{WA}): 99 dB(A)

Αβεβαιότητα (K): 3 dB (A)

ENG907-1

ΠΑΡΑΤΗΡΗΣΗ:

- Η δηλωμένη τιμή(ές) εκπομπής θορύβου έχει μετρηθεί σύμφωνα με την πρότυπη μέθοδο δοκιμής και μπορεί να χρησιμοποιηθεί για τη σύγκριση ενός εργαλείου με κάποιο άλλο.

- Η δηλωμένη τιμή(ές) εκπομπής θορύβου μπορεί να χρησιμοποιηθεί και στην προκαταρκτική αξιολόγηση της έκθεσης.

⚠ ΠΡΟΕΙΔΟΠΟΙΗΣΗ:

- **Να φοράτε ωτοασπίδες.**
- Η εκπομπή θορύβου κατά τη χρήση του ηλεκτρικού εργαλείου σε πραγματικές συνθήκες μπορεί να διαφέρει από τη δηλωμένη τιμή(ές) ανάλογα με τους τρόπους χρήσης του εργαλείου, ιδιαίτερα το είδος του τεμαχίου εργασίας που υπόκειται επεξεργασία.
- Φροντίστε να λάβετε τα κατάλληλα μέτρα προστασίας του χειριστή βάσει ενός υπολογισμού της έκθεσης σε πραγματικές συνθήκες χρήσης (λαμβάνοντας υπόψη όλες τις συνιστώσες του κύκλου λειτουργίας όπως τους χρόνους που το εργαλείο είναι εκτός λειτουργίας και όταν βρίσκεται σε αδρανή λειτουργία πέραν του χρόνου ενεργοποίησης).

ENG222-2

Κραδασμός

Η ολική τιμή δόνησης (άθροισμα τρι-αξονικού διανύσματος) καθορίζεται σύμφωνα με το EN62841-2-14:

Είδος εργασίας: Πλάνισμα μαλακού ξύλου

Εκπομπή δόνησης (a_h): $2,5 \text{ m/s}^2$

Αβεβαιότητα (K): $1,5 \text{ m/s}^2$

ENG901-2

ΠΑΡΑΤΗΡΗΣΗ:

- Η δηλωμένη τιμή(ές) συνολικών κραδασμών έχει μετρηθεί σύμφωνα με την πρότυπη μέθοδο δοκιμής και μπορεί να χρησιμοποιηθεί για τη σύγκριση ενός εργαλείου με κάποιο άλλο.
- Η δηλωμένη τιμή(ές) συνολικών κραδασμών μπορεί να χρησιμοποιηθεί και στην προκαταρκτική αξιολόγηση της έκθεσης.

⚠ ΠΡΟΕΙΔΟΠΟΙΗΣΗ:

- Η εκπομπή κραδασμών κατά τη χρήση του ηλεκτρικού εργαλείου σε πραγματικές συνθήκες μπορεί να διαφέρει από τη δηλωμένη τιμή(ές) εκπομπής ανάλογα με τους τρόπους χρήσης του εργαλείου, ιδιαίτερα το είδος του τεμαχίου εργασίας που υπόκειται επεξεργασία.
- Φροντίστε να λάβετε τα κατάλληλα μέτρα προστασίας του χειριστή βάσει ενός υπολογισμού της έκθεσης σε πραγματικές συνθήκες χρήσης (λαμβάνοντας υπόψη όλες τις συνιστώσες του κύκλου λειτουργίας όπως τους χρόνους που το εργαλείο είναι εκτός λειτουργίας και όταν βρίσκεται σε αδρανή λειτουργία πέραν του χρόνου ενεργοποίησης).

ΔΗΛΩΣΗ ΣΥΜΜΟΡΦΩΣΗΣ ΕΚ

Για τις ευρωπαϊκές χώρες μόνο

Η δήλωση συμμόρφωσης ΕΚ περιλαμβάνεται ως Παράρτημα Α σε αυτό το εγχειρίδιο οδηγιών.

Makita Europe N.V. Jan-Baptist Vinkstraat 2,
3070 Kortenberg, Belgium

Makita Corporation 3-11-8, Sumiyoshi-cho,
Anjo, Aichi 446-8502 Japan