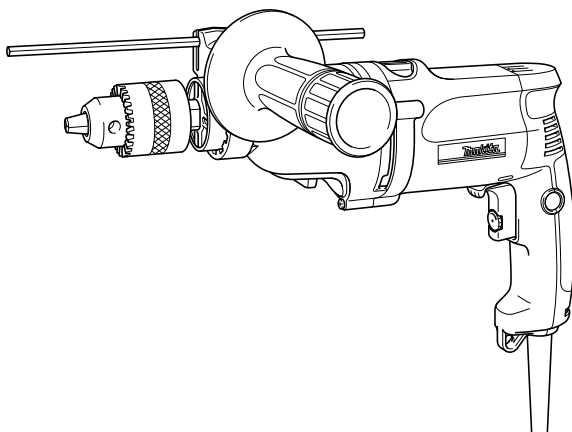
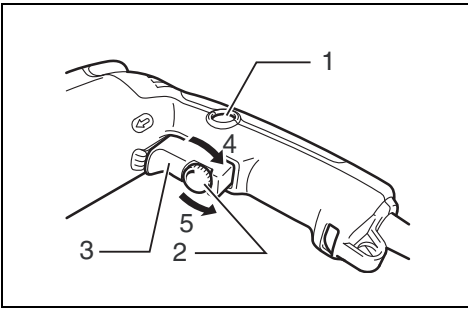




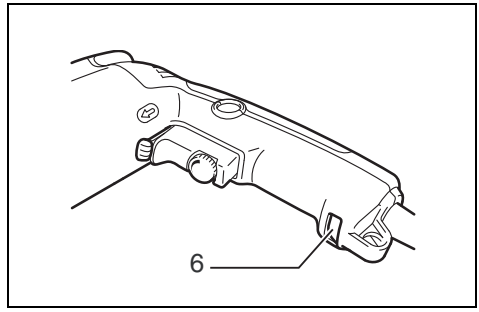
GB	2-Speed Hammer Drill	Instruction Manual
F	Perceuse à percussion à 2 vitesses	Manuel d'instructions
D	2-Gang Schlagbohrmaschine	Betriebsanleitung
I	2 velocità trapano a percussione	Istruzioni per l'uso
NL	2 snelheden slagboormachine	Gebruiksaanwijzing
E	2 velocidad taladro percutor	Manual de instrucciones
P	Berbequim percutor com 2 velocidades	Manual de instruções
DK	2-gears slagboremaskine	Brugsanvisning
GR	Σφυροτρύπανο 2 ταχυτήτων	Οδηγίες χρήσεως

HP2050
HP2050F
HP2051
HP2051F

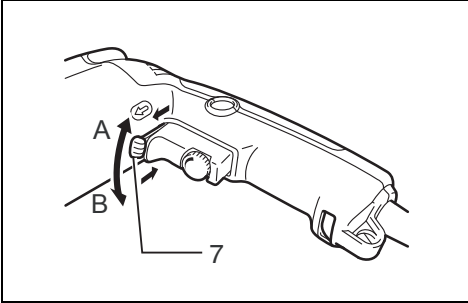




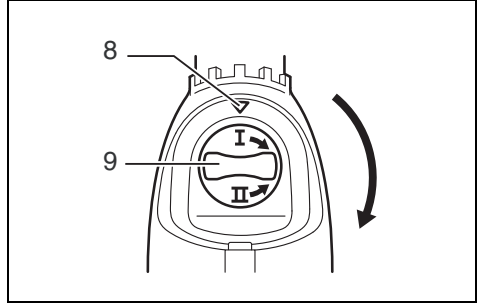
1 002990



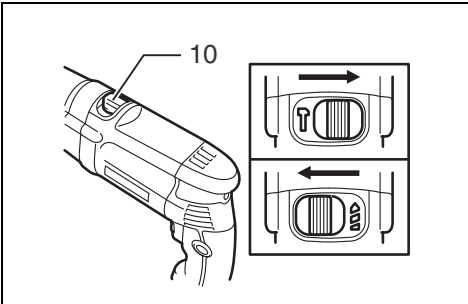
2 002689



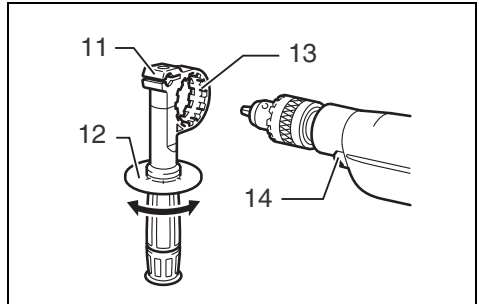
3 002991



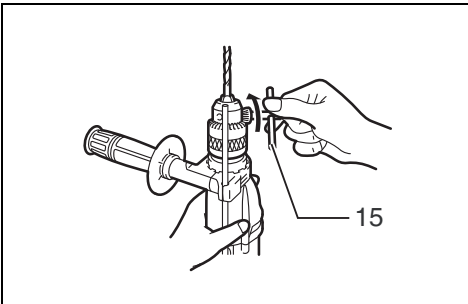
4 002691



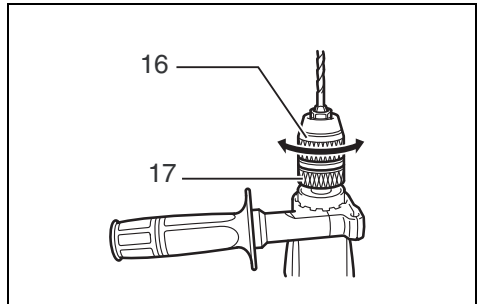
5 002692



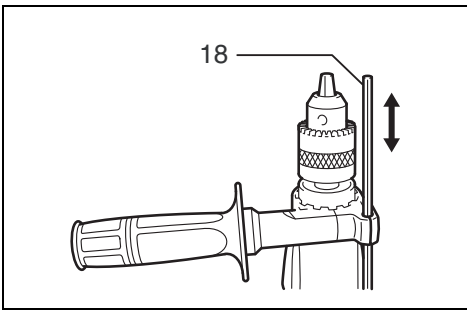
6 002693



7 002694

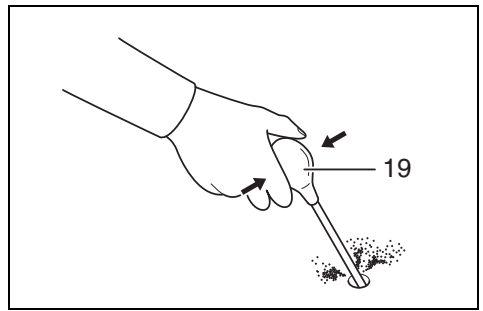


8 002695



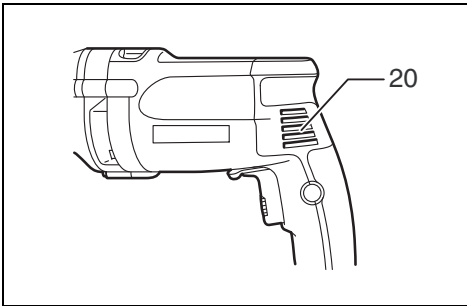
9

002696



10

001302



11

002697

Explanation of general view

- | | | |
|--------------------------|---------------------------------|------------------|
| 1 Lock button | 8 Arrow | 15 Chuck key |
| 2 Speed control screw | 9 Speed change knob | 16 Sleeve |
| 3 Switch trigger | 10 Action mode changing lever | 17 Ring |
| 4 Higher | 11 Grip base | 18 Depth gauge |
| 5 Lower | 12 Side grip (auxiliary handle) | 19 Blow-out bulb |
| 6 Lamp | 13 Teeth | 20 Vent holes |
| 7 Reversing switch lever | 14 Protrusions | |

SPECIFICATIONS

Model		HP2050/HP2050F		HP2051/HP2051F	
Speed		High	Low	High	Low
Capacities	Concrete	20 mm	----	20 mm	----
	Steel	8 mm	13 mm	8 mm	13 mm
	Wood	25 mm	40 mm	25 mm	40 mm
No load speed (min ⁻¹)		0 – 2,900	0 – 1,200	0 – 2,900	0 – 1,200
Blows per minute		0 – 58,000	0 – 24,000	0 – 58,000	0 – 24,000
Overall length		362 mm		360 mm	
Net weight		2.5 kg		2.5 kg	
Safety class		□/II			

- Due to our continuing program of research and development, the specifications herein are subject to change without notice.
- Specifications may differ from country to country.
- Weight according to EPTA-Procedure 01/2003

ENE039-1

Intended use

The tool is intended for impact drilling in brick, concrete and stone as well as for drilling without impact in wood, metal, ceramic and plastic.

ENF002-2

Power supply

The tool should be connected only to a power supply of the same voltage as indicated on the nameplate, and can only be operated on single-phase AC supply. They are double-insulated and can, therefore, also be used from sockets without earth wire.

GEA010-1

General Power Tool Safety Warnings

⚠ WARNING Read all safety warnings and all instructions. Failure to follow the warnings and instructions may result in electric shock, fire and/or serious injury.

Save all warnings and instructions for future reference.

GEB003-5

HAMMER DRILL SAFETY WARNINGS

- 1. Wear ear protectors when impact drilling.** Exposure to noise can cause hearing loss.
- 2. Use auxiliary handle(s), if supplied with the tool.** Loss of control can cause personal injury.
- 3. Hold power tool by insulated gripping surfaces, when performing an operation where the cutting accessory may contact hidden wiring or its own cord.** Cutting accessory contacting a “live” wire may make exposed metal parts of the power tool “live” and could give the operator an electric shock.

- 4. Always be sure you have a firm footing. Be sure no one is below when using the tool in high locations.**
- 5. Hold the tool firmly with both hands.**
- 6. Keep hands away from rotating parts.**
- 7. Do not leave the tool running. Operate the tool only when hand-held.**
- 8. Do not touch the bit or the workpiece immediately after operation; they may be extremely hot and could burn your skin.**
- 9. Some material contains chemicals which may be toxic. Take caution to prevent dust inhalation and skin contact. Follow material supplier safety data.**

SAVE THESE INSTRUCTIONS.

WARNING:

DO NOT let comfort or familiarity with product (gained from repeated use) replace strict adherence to safety rules for the subject product. MISUSE or failure to follow the safety rules stated in this instruction manual may cause serious personal injury.

FUNCTIONAL DESCRIPTION

CAUTION:

- Always be sure that the tool is switched off and unplugged before adjusting or checking function on the tool.

Switch action (Fig. 1)

CAUTION:

- Before plugging in the tool, always check to see that the switch trigger actuates properly and returns to the "OFF" position when released.

To start the tool, simply pull the switch trigger. Tool speed is increased by increasing pressure on the switch trigger. Release the switch trigger to stop.

For continuous operation, pull the switch trigger and then push in the lock button.

To stop the tool from the locked position, pull the switch trigger fully, then release it.

A speed control screw is provided so that maximum tool speed can be limited (variable). Turn the speed control screw clockwise for higher speed, and counterclockwise for lower speed.

Lighting up the lamps

For Model HP2050F, HP2051F (Fig. 2)

CAUTION:



- Do not look in the light or see the source of light directly.

To turn on the lamp, pull the trigger. Release the trigger to turn it off.

NOTE:

- Use a dry cloth to wipe the dirt off the lens of lamp. Be careful not to scratch the lens of lamp, or it may lower the illumination.

Reversing switch action (Fig. 3)

This tool has a reversing switch to change the direction of rotation. Move the reversing switch lever to the  position (A side) for clockwise rotation or the  position (B side) for counterclockwise rotation.

CAUTION:

- Always check the direction of rotation before operation.
- Use the reversing switch only after the tool comes to a complete stop. Changing the direction of rotation before the tool stops may damage the tool.

Speed change (Fig. 4)

Two speed ranges can be preselected with the speed change knob.



To change the speed, turn the speed change knob so that the arrow on the tool body points toward the "I" position on the knob for low speed or "II" position for high speed.

If it is hard to turn the knob, first turn the chuck slightly in either direction and then turn the knob again.

CAUTION:

- Use the speed change knob only after the tool comes to a complete stop. Changing the tool speed before the tool stops may damage the tool.
- Always set the speed change knob to the correct position. If you operate the tool with the speed change knob positioned halfway between the "I" and "II" position, the tool may be damaged.

Selecting the action mode (Fig. 5)

This tool has an action mode change lever. For rotation with hammering, slide the action mode change lever to the right ( symbol). For rotation only, slide the action mode change lever to the left ( symbol).

CAUTION:

- Always slide the action mode change lever all the way to your desired mode position. If you operate the tool with the lever positioned halfway between the mode symbols, the tool may be damaged.

ASSEMBLY

CAUTION:

- Always be sure that the tool is switched off and unplugged before carrying out any work on the tool.

Installing side grip (auxiliary handle) (Fig. 6)

Always use the side grip to ensure operating safety. Install the side grip so that the teeth on the grip fit in between the protrusions on the tool barrel.

Then tighten the grip by turning clockwise at the desired position. It may be swung 360° so as to be secured at any position.

Installing or removing drill bit

For Model HP2050, HP2050F (Fig. 7)

To install the bit, place it in the chuck as far as it will go. Tighten the chuck by hand. Place the chuck key in each of the three holes and tighten clockwise. Be sure to tighten all three chuck holes evenly.

To remove the bit, turn the chuck key counterclockwise in just one hole, then loosen the chuck by hand.

After using the chuck key, be sure to return it to the original position.

For Model HP2051, HP2051F (Fig. 8)

Hold the ring and turn the sleeve counterclockwise to open the chuck jaws. Place the bit in the chuck as far as it will go. Hold the ring firmly and turn the sleeve clockwise to tighten the chuck.

To remove the bit, hold the ring and turn the sleeve counterclockwise.

Depth gauge (Fig. 9)

The depth gauge is convenient for drilling holes of uniform depth. Loosen the side grip and insert the depth gauge into the hole in the side grip. Adjust the depth gauge to the desired depth and tighten the side grip.

NOTE:

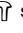
- The depth gauge cannot be used at the position where the depth gauge strikes against the tool body.

OPERATION

Hammer drilling operation

CAUTION:

- There is a tremendous and sudden twisting force exerted on the tool/bit at the time of hole break-through, when the hole becomes clogged with chips and particles, or when striking reinforcing rods embedded in the concrete. Always use the side grip (auxiliary handle) and firmly hold the tool by both side grip and switch handle during operations. Failure to do so may result in the loss of control of the tool and potentially severe injury.

When drilling in concrete, granite, tile, etc., move the action mode changing lever to the position of  symbol to use "rotation with hammering" action.

Be sure to use a tungsten-carbide tipped bit.

Position the bit at the desired location for the hole, then pull the switch trigger. Do not force the tool. Light pressure gives best results. Keep the tool in position and prevent it from slipping away from the hole.

Do not apply more pressure when the hole becomes clogged with chips or particles. Instead, run the tool at an idle, then remove the bit partially from the hole. By repeating this several times, the hole will be cleaned out and normal drilling may be resumed.


Blow-out bulb (optional accessory) (Fig. 10)

After drilling the hole, use the blow-out bulb to clean the dust out of the hole.

Drilling operation

CAUTION:

- Pressing excessively on the tool will not speed up the drilling. In fact, this excessive pressure will only serve to damage the tip of your bit, decrease the tool performance and shorten the service life of the tool.
- There is a tremendous force exerted on the tool/bit at the time of hole break through. Hold the tool firmly and exert care when the bit begins to break through the workpiece.
- A stuck bit can be removed simply by setting the reversing switch to reverse rotation in order to back out. However, the tool may back out abruptly if you do not hold it firmly.
- Always secure small workpieces in a vise or similar hold-down device.

When drilling in wood, metal or plastic materials, turn the action mode changing lever to the position of  symbol to use "rotation only" action.

Drilling in wood

When drilling in wood, the best results are obtained with wood drills equipped with a guide screw. The guide screw makes drilling easier by pulling the bit into the workpiece.

Drilling in metal

To prevent the bit from slipping when starting a hole, make an indentation with a center-punch and hammer at the point to be drilled. Place the point of the bit in the indentation and start drilling.

Use a cutting lubricant when drilling metals. The exceptions are iron and brass which should be drilled dry.

MAINTENANCE

CAUTION:

- Always be sure that the tool is switched off and unplugged before attempting to perform inspection or maintenance.
- Never use gasoline, benzine, thinner, alcohol or the like. Discoloration, deformation or cracks may result.

Cleaning vent holes (Fig. 11)

The tool and its air vents have to be kept clean. Regularly clean the tool's air vents or whenever the vents start to become obstructed.

To maintain product SAFETY and RELIABILITY, repairs, carbon brush inspection and replacement, any other maintenance or adjustment should be performed by Makita Authorized Service Centers, always using Makita replacement parts.

OPTIONAL ACCESSORIES

CAUTION:

- These accessories or attachments are recommended for use with your Makita tool specified in this manual. The use of any other accessories or attachments might present a risk of injury to persons. Only use accessory or attachment for its stated purpose.

If you need any assistance for more details regarding these accessories, ask your local Makita Service Center.

- Tungsten-carbide tipped hammer bit
- Phillips bits
- Slotted bits
- Hole saw
- Blow-out bulb
- Safety goggles
- Keyless drill chuck 13
- Chuck key
- Grip assembly
- Depth gauge
- Plastic carrying case

NOTE:

- Some items in the list may be included in the tool package as standard accessories. They may differ from country to country.

ENG905-1

Noise

The typical A-weighted noise level determined according to EN60745:

Sound pressure level (L_{pA}): 97 dB(A)

Sound power level (L_{wA}): 108 dB(A)

Uncertainty (K): 3 dB(A)

Wear ear protection

ENG900-1

Vibration

The vibration total value (tri-axial vector sum) determined according to EN60745:

Work mode: impact drilling into concrete

Vibration emission ($a_{h,D}$): 13 m/s²

Uncertainty (K): 3 m/s²

Work mode: drilling into metal

Vibration emission ($a_{h,D}$): 2.5 m/s² or less

Uncertainty (K): 1.5 m/s²

- The declared vibration emission value has been measured in accordance with the standard test method and may be used for comparing one tool with another.
- The declared vibration emission value may also be used in a preliminary assessment of exposure.

WARNING:

- The vibration emission during actual use of the power tool can differ from the declared emission value depending on the ways in which the tool is used.
- Be sure to identify safety measures to protect the operator that are based on an estimation of exposure in the actual conditions of use (taking account of all parts of the operating cycle such as the times when the tool is switched off and when it is running idle in addition to the trigger time).

ENH101-17

For European countries only

EC Declaration of Conformity

Makita declares that the following Machine(s):

Designation of Machine:

2-Speed Hammer Drill

Model No./ Type: HP2050, HP2050F, HP2051, HP2051F

Conforms to the following European Directives:

2006/42/EC

They are manufactured in accordance with the following Standard or standardized documents:

EN60745

The Technical file in accordance with 2006/42/EC is available from:

Makita, Jan-Baptist Vinkstraat 2, 3070, Belgium

31.12.2013



Yasushi Fukaya
Director

Makita, Jan-Baptist Vinkstraat 2, 3070, Belgium

Descriptif

1 Bouton de blocage	8 Flèche	14 Saillies
2 Vis de limitation de la vitesse	9 Bouton de changement de vitesse	15 Clé de mandrin
3 Gâchette de l'interrupteur	10 Levier de changement de mode	16 Manchon
4 Plus haut	11 Embase de la poignée	17 Bague
5 Plus bas	12 Poignée latérale (poignée auxiliaire)	18 Tige de profondeur
6 Lampe	13 Crans	19 Poire soufflante
7 Levier inverseur		20 Orifices de ventilation

SPÉCIFICATIONS

Modèle		HP2050/HP2050F		HP2051/HP2051F	
Vitesse		Vitesse rapide	Vitesse lente	Vitesse rapide	Vitesse lente
Capacités	Béton	20 mm	----	20 mm	----
	Acier	8 mm	13 mm	8 mm	13 mm
	Bois	25 mm	40 mm	25 mm	40 mm
Vitesse à vide (min ⁻¹)		0 – 2 900	0 – 1 200	0 – 2 900	0 – 1 200
Cadence de frappe/min		0 – 58 000	0 – 24 000	0 – 58 000	0 – 24 000
Longueur totale		362 mm		360 mm	
Poids net		2,5 kg		2,5 kg	
Catégorie de sécurité		II/III			

- Étant donné l'évolution constante de notre programme de recherche et de développement, les spécifications contenues dans ce manuel sont sujettes à modification sans préavis.
- Les spécifications peuvent varier suivant les pays.
- Poids selon la procédure EPTA 01/2003

ENE039-1

Utilisations

L'outil est conçu pour le perçage avec frappe dans la brique, le béton et la pierre, ainsi que pour le perçage sans frappe dans le bois, le métal, la céramique et le plastique.

ENF002-2

Alimentation

L'outil ne devra être raccordé qu'à une alimentation de la même tension que celle qui figure sur la plaque signalétique, et il ne pourra fonctionner que sur un courant secteur monophasé. Réalisé avec une double isolation, il peut de ce fait être alimenté sans mise à la terre.

GEA010-1

Consignes de sécurité générales pour outils électriques

⚠ AVERTISSEMENT Veuillez lire toutes les mises en garde et toutes les instructions. Il y a risque de choc électrique, d'incendie et/ou de blessure grave si les mises en garde et les instructions ne sont pas respectées.

Conservez toutes les mises en garde et instructions pour référence ultérieure.

GEB003-5

CONSIGNES DE SÉCURITÉ POUR LA PERCEUSE À PERCUSSION

- Portez des protections d'oreilles lorsque vous utilisez une perceuse à percussion.** L'exposition au bruit peut entraîner la surdité.
- Utilisez la ou les poignée(s) auxiliaire(s), si l'outil en possède.**
La perte de contrôle comporte un risque de blessure.
- Saisissez l'outil électrique par ses surfaces de poigne isolées lorsque vous effectuez une opération au cours de laquelle l'outil tranchant peut entrer en contact avec un câble caché ou avec son propre cordon d'alimentation.** Le contact de l'outil tranchant avec un fil sous tension peut mettre les parties métalliques de l'outil électrique sous tension et causer un choc électrique chez l'utilisateur.
- Assurez-vous toujours de travailler en position stable.**
Lorsque vous utilisez l'outil dans un endroit élevé, assurez-vous qu'il n'y a personne en bas.
- Tenez l'outil fermement à deux mains.**
- Gardez les mains éloignées des pièces en mouvement.**
- Ne laissez pas l'outil tourner. Ne le faites fonctionner que lorsque vous le tenez.**
- Ne touchez pas le foret ou le matériau immédiatement après l'utilisation ; ils peuvent être extrêmement chauds et brûler votre peau.**
- Certains matériaux contiennent des produits chimiques qui peuvent être toxiques. Prenez les précautions nécessaires pour éviter que la poussière ne soit inhalée ou n'entre en contact avec la peau. Suivez les consignes de sécurité du fournisseur du matériau.**

CONSERVEZ CE MODE D'EMPLOI.

AVERTISSEMENT :

NE vous laissez PAS tromper (au fil d'une utilisation répétée) par un sentiment d'aisance et de familiarité avec le produit, en négligeant le respect rigoureux des consignes de sécurité qui accompagnent le produit en question. La MAUVAISE UTILISATION de l'outil ou l'ignorance des consignes de sécurité indiquées dans ce manuel d'instructions peut entraîner une blessure grave.

DESCRIPTION DU FONCTIONNEMENT

ATTENTION :

- Assurez-vous toujours que l'outil est hors tension et débranché avant de l'ajuster ou de vérifier son fonctionnement.

Interrupteur (Fig. 1)

ATTENTION :

- Avant de brancher l'outil, vérifiez toujours que la gâchette de l'interrupteur fonctionne et qu'elle revient sur la position "OFF" une fois relâchée.

Pour mettre l'outil en route, il suffit de tirer sur la gâchette de l'interrupteur. Plus vous appuyez sur la gâchette de l'interrupteur, plus la vitesse de l'outil augmente. Pour arrêter l'outil, relâchez la gâchette de l'interrupteur.

Pour obtenir un fonctionnement continu, tirez sur la gâchette de l'interrupteur et appuyez sur le bouton de blocage.

Pour arrêter l'outil lorsqu'il fonctionne en continu, tirez à fond sur la gâchette de l'interrupteur et relâchez-la.

Une vis de limitation de la vitesse est fournie pour limiter (faire varier) la vitesse maximale de l'outil. Tournez la vis de limitation de la vitesse vers la droite pour augmenter la vitesse ou en sens inverse pour la réduire.

Allumage de la lampe

Pour les modèles HP2050F et HP2051F (Fig. 2)

ATTENTION :

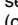

- Évitez de regarder directement le faisceau lumineux ou sa source.

Pour allumer la lampe, appuyez sur la gâchette. Pour l'éteindre, relâchez la gâchette.

NOTE :

- Utilisez un chiffon sec pour essuyer la saleté qui recouvre la lentille de la lampe. Prenez garde de rayer la lentille de la lampe, pour éviter une diminution de l'éclairage.

Inverseur (Fig. 3)

Cet outil est muni d'un inverseur pour modifier le sens de rotation. Déplacez l'inverseur sur la position  (côté A) pour une rotation vers la droite, et sur la position  (côté B) pour une rotation en sens inverse.

ATTENTION :

- Vérifiez toujours le sens de la rotation avant d'utiliser l'outil.
- N'utilisez l'inverseur qu'une fois l'outil parfaitement arrêté. Sinon, vous risquez d'endommager l'outil.

Changement de vitesse (Fig. 4)

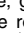

Deux plages de vitesse peuvent être sélectionnées à l'avance au moyen du bouton de changement de vitesse. Pour changer la vitesse, tournez le bouton de changement de vitesse de sorte que la flèche qui se trouve sur le bâti de l'outil pointe vers la position "I" sur le bouton, qui correspond à la vitesse basse, ou sur la position "II", qui correspond à la vitesse élevée.

Si le bouton est difficile à tourner, tournez d'abord le mandrin légèrement dans un sens ou dans l'autre, puis tournez le bouton.

ATTENTION :

- N'utilisez le bouton de changement de vitesse qu'une fois l'outil parfaitement arrêté. Sinon, vous risquez d'endommager l'outil.
- Placez toujours le bouton de changement de vitesse en position correcte. Si vous faites fonctionner l'outil en plaçant le bouton de changement de vitesse entre les positions "I" et "II", vous risquez d'endommager l'outil.

Sélection du mode de fonctionnement (Fig. 5)

Cet outil est muni d'un levier de changement de mode. Pour une rotation avec frappe, glissez ce levier vers la droite (symbole ). Pour une rotation seulement, glissez-le vers la gauche (symbole ).

ATTENTION :

- Glissez toujours le levier de changement de mode complètement sur la position du mode désiré. Si vous faites fonctionner l'outil en plaçant le levier entre les symboles de mode, vous risquez d'endommager l'outil.

ASSEMBLAGE

ATTENTION :

- Assurez-vous toujours que l'outil est hors tension et débranché avant d'effectuer tout travail dessus.

Pose de la poignée latérale (poignée auxiliaire) (Fig. 6)

Pour garantir un travail en toute sécurité, utilisez toujours la poignée latérale. Installez la poignée latérale de façon que les crans de la poignée s'insèrent entre les saillies du collet de l'outil.

Puis, serrez la poignée en la tournant vers la droite sur la position voulue. Elle pivote sur 360°, ce qui permet de la fixer à n'importe quelle position.

Installation et retrait du foret

Pour les modèles HP2050, HP2050F (Fig. 7)

Pour installer le foret, introduisez-le à fond dans le mandrin. Serrez le mandrin à la main. Puis introduisez la clé de mandrin dans chacun des trois trous et serrez en tournant vers la droite. Veillez à bien serrer les trois trous de façon uniforme.

Pour retirer le foret, tournez la clé de mandrin vers la gauche dans l'un des trois trous seulement, puis desserrez à la main.

Après avoir utilisé la clé de mandrin, remplacez-la dans le porte-clé.

Pour les modèles HP2051, HP2051F (Fig. 8)

Saisissez la bague et tournez le manchon vers la gauche pour ouvrir les mâchoires du mandrin. Placez la mèche dans le mandrin en l'enfonçant le plus loin possible. Saisissez fermement la bague et tournez le manchon vers la droite pour serrer le mandrin.

Pour retirer la mèche, saisissez la bague et tournez le manchon vers la gauche.

Tige de profondeur (Fig. 9)

La tige de profondeur vous permet de percer des trous de longueur uniforme. Desserrez la poignée latérale et insérez la tige de profondeur dans l'orifice de la poignée latérale. Réglez la tige à la profondeur voulue puis serrez la poignée latérale.

NOTE :


- La tige de profondeur ne pourra pas être utilisée à l'endroit où elle bute sur le corps de l'outil.

UTILISATION

Perçage avec frappe

ATTENTION :

- Une force énorme s'exerce sur le foret et l'outil lorsque le foret émerge sur la face opposée, lorsque le trou est encombré de copeaux ou de particules, ou lors de la frappe sur des barres d'armature encastrées dans le béton. Utilisez toujours la poignée latérale (poignée auxiliaire) et tenez fermement l'outil par la poignée latérale et par la poignée revolver lors des travaux. Sinon, vous risquez de perdre le contrôle de l'outil et de subir une blessure grave.

Lorsque vous percez du béton, granite, carrelage, etc., déplacez le levier de changement de mode sur la position du symbole  pour obtenir un mouvement de "rotation avec frappe".

Assurez-vous d'utiliser une mèche à pointe en carbure de tungstène.

Placez le foret à l'endroit prévu pour le trou, puis appuyez sur la gâchette. N'appliquez pas une force excessive sur l'outil. Vous obtiendrez de meilleurs résultats en exerçant une légère pression. Maintenez l'outil en position et évitez qu'il ne glisse à l'extérieur du trou.

N'appliquez pas davantage de pression lorsque le trou est bouché par les copeaux et particules. Faites plutôt tourner l'outil au ralenti, puis retirez partiellement le foret du trou. En répétant cette opération quelques fois, le trou se débouchera et vous pourrez poursuivre le perçage normalement.

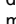
Poire soufflante (accessoire en option) (Fig. 10)

Une fois le trou percé, utilisez la poire soufflante pour retirer la poussière du trou.

Perçage

ATTENTION :

- Une pression excessive sur l'outil n'accélère pas le perçage. Au contraire, elle risque d'endommager la pointe du foret, de réduire le rendement de l'outil et donc sa durée de service.
- Une force énorme s'exerce sur le foret et l'outil quand le premier émerge sur la face postérieure. Tenez votre outil fermement et faites bien attention dès que le foret commence à approcher de la face opposée du matériau que vous percez.
- Un foret coincé peut se retirer en plaçant l'inverseur sur la direction opposée. Il faut alors faire très attention car l'outil risque de reculer brusquement si vous ne le tenez pas fermement.
- Assurez toujours les petites pièces à percer à l'aide d'un étau ou d'un mode de fixation analogue.

Lorsque vous percez dans les matériaux de bois, de métal ou de plastique, déplacez le levier de changement de mode sur la position du symbole  pour obtenir un mouvement de "rotation seulement".

Perçage du bois

Quand vous percez dans du bois, vous obtiendrez de meilleurs résultats avec des mèches munies d'une vis-guide. Celle-ci rend le perçage plus aisé en tirant la mèche à l'intérieur de la pièce.

Perçage du métal

Pour empêcher le foret de glisser en début de perçage, faites une indentation au point de perçage à l'aide d'un poinçon et d'un marteau. Placez ensuite la pointe du foret dans l'indentation et commencez à percer.

Quand vous forez dans du métal, utilisez un lubrifiant. Seuls le fer et le laiton peuvent se percer à sec.

ENTRETIEN

ATTENTION :

- Assurez-vous toujours que l'outil est hors tension et débranché avant d'y effectuer tout travail d'inspection ou d'entretien.
- N'utilisez jamais d'essence, benzine, diluant, alcool ou autre produit similaire. Cela risquerait de provoquer la décoloration, la déformation ou la fissuration de l'outil.

Nettoyage des orifices de ventilation (Fig. 11)

L'outil et ses orifices d'aération doivent être maintenus propres. Nettoyez régulièrement les orifices d'aération de l'outil, ou chaque fois qu'ils commencent à se boucher.

Pour maintenir la SÉCURITÉ et la FIABILITÉ du produit, les réparations, l'inspection et le remplacement des charbons, tout autre travail d'entretien ou de réglage doivent être effectués dans un centre de service Makita agréé, exclusivement avec des pièces de rechange Makita.

ACCESSOIRES EN OPTION

ATTENTION :

- Ces accessoires ou pièces complémentaires sont recommandés pour l'utilisation avec l'outil Makita spécifié dans ce mode d'emploi. L'utilisation de tout autre accessoire ou pièce peut comporter un risque de blessure. N'utilisez les accessoires ou pièces qu'aux fins mentionnées dans le présent mode d'emploi.

Si vous désirez obtenir plus de détails concernant ces accessoires, veuillez contacter le centre de service après-vente Makita le plus près.

- Foret à pointe en carbure de tungstène
- Forets Phillips
- Forets à fente
- Scie trépan
- Poire soufflante
- Lunettes de sécurité
- Mandrin auto-serrant 13
- Clé de mandrin
- Ensemble de poignée
- Gabarit de profondeur
- Mallette de transport en plastique

NOTE :

- Il se peut que certains éléments de la liste soient compris dans l'emballage de l'outil en tant qu'accessoires standard. Ils peuvent varier d'un pays à l'autre.

Bruit

Niveau de bruit pondéré A typique, déterminé selon EN60745 :

Niveau de pression sonore (L_{pA}) : 97 dB(A)
 Niveau de puissance sonore (L_{WA}) : 108 dB(A)
 Incertitude (K) : 3 dB(A)

Porter des protecteurs anti-bruit

ENG900-1

Vibrations

Valeur totale de vibrations (somme de vecteur triaxial) déterminée selon EN60745 :

Mode de travail : Perçage avec chocs dans le béton
 Émission de vibrations ($a_{h,D}$) : 13 m/s²
 Incertitude (K) : 3 m/s²

Mode de travail : Perçage dans le métal
 Émission de vibrations ($a_{h,D}$) : 2,5 m/s² ou moins
 Incertitude (K) : 1,5 m/s²

ENG901-1

- La valeur d'émission de vibrations déclarée a été mesurée conformément à la méthode de test standard et peut être utilisée pour comparer les outils entre eux.
- La valeur d'émission de vibrations déclarée peut aussi être utilisée pour l'évaluation préliminaire de l'exposition.

AVERTISSEMENT :

- L'émission de vibrations lors de l'usage réel de l'outil électrique peut être différente de la valeur d'émission déclarée, suivant la façon dont l'outil est utilisé.
- Les mesures de sécurité à prendre pour protéger l'utilisateur doivent être basées sur une estimation de l'exposition dans des conditions réelles d'utilisation (en tenant compte de toutes les composantes du cycle d'utilisation, comme par exemple le moment de sa mise hors tension, lorsqu'il tourne à vide et le moment de son déclenchement).

Pour les pays d'Europe uniquement**Déclaration de conformité CE****Makita déclare que la (les) machine(s) suivante(s) :**

Désignation de la machine :
 Perceuse à percussion à 2 vitesses
 N° de modèle / Type : HP2050, HP2050F, HP2051, HP2051F

sont conformes aux directives européennes suivantes :

2006/42/CE

et sont fabriquées conformément aux normes ou aux documents normalisés suivants :

EN60745

La documentation technique conforme à la norme 2006/42/CE est disponible auprès de :

Makita, Jan-Baptist Vinkstraat 2, 3070, Belgique

31.12.2013



Yasushi Fukaya
 Directeur

Makita, Jan-Baptist Vinkstraat 2, 3070, Belgique

Übersicht

- | | | |
|---------------------------|----------------------------------|--------------------------|
| 1 Schalterarretierung | 8 Pfeil | 15 Bohrfutterschlüssel |
| 2 Drehzahl-Einstellrad | 9 Drehzahl-Umschaltknopf | 16 Werkzeugverriegelung |
| 3 Elektronikschalter | 10 Betriebsart-Umschalthebel | 17 Klemmring |
| 4 Höher | 11 Griffbasis | 18 Tiefenanschlag |
| 5 Niedriger | 12 Zusatzhandgriff (Seitengriff) | 19 Ausbläser |
| 6 Lampe | 13 Innenverzahnung | 20 Ventilationsöffnungen |
| 7 Drehrichtungsumschalter | 14 Außenverzahnung | |

TECHNISCHE DATEN

Modell		HP2050/HP2050F		HP2051/HP2051F	
Drehzahl		Hoch	Niedrig	Hoch	Niedrig
Bohrleistungen	Beton	20 mm	----	20 mm	----
	Stahl	8 mm	13 mm	8 mm	13 mm
	Holz	25 mm	40 mm	25 mm	40 mm
Leerlaufdrehzahl (min ⁻¹)		0 – 2 900	0 – 1 200	0 – 2 900	0 – 1 200
Schlagzahl		0 – 58 000	0 – 24 000	0 – 58 000	0 – 24 000
Gesamtlänge		362 mm		360 mm	
Nettogewicht		2,5 kg		2,5 kg	
Sicherheitsklasse		II/III			

- Wir behalten uns vor, Änderungen im Zuge der Entwicklung und des technischen Fortschritts ohne vorherige Ankündigung vorzunehmen.
- Die technischen Daten können von Land zu Land abweichen.
- Gewicht nach EPTA-Verfahren 01/2003

GEB003-5

Vorgesehene Verwendung

Die Maschine ist für Schlagbohren in Ziegel, Beton und Stein sowie für Bohren in Holz, Metall, Keramik und Kunststoff vorgesehen.

ENE039-1

Stromversorgung

Die Maschine darf nur an die auf dem Typenschild angegebene Spannung angeschlossen werden und arbeitet nur mit Einphasen-Wechselspannung. Sie ist doppelt schutzisoliert und kann daher auch an Steckdosen ohne Erdanschluss betrieben werden.

ENF002-2

Allgemeine Sicherheitswarnungen für Elektrowerkzeuge

⚠️ WARNUNG Lesen Sie alle Sicherheitswarnungen und Anweisungen durch. Eine Missachtung der unten aufgeführten Warnungen und Anweisungen kann zu einem elektrischen Schlag, Brand und/oder schweren Verletzungen führen.

GEA010-1

Bewahren Sie alle Warnungen und Anweisungen für spätere Bezugnahme auf.

FÜR SCHLAGBOHRMASCHINE-SICHERHEITSWARNUNGEN

- 1. Tragen Sie Gehörschützer beim Arbeiten mit Schlagbohrmaschinen.** Lärmeinwirkung kann zu Gehörverlust führen.
- 2. Benutzen Sie (einen) Zusatzgriff(e), sofern er (sie) mit dem Werkzeug geliefert wurde(n).** Verlust der Kontrolle kann Verletzungen verursachen.
- 3. Halten Sie Elektrowerkzeuge nur an den isolierten Griffflächen, wenn Sie Arbeiten ausführen, bei denen die Gefahr besteht, dass verborgene Kabel oder das eigene Kabel kontaktiert werden.** Bei Kontakt mit einem Strom führenden Kabel können die freiliegenden Metallteile des Elektrowerkzeugs ebenfalls Strom führend werden, so dass der Benutzer einen elektrischen Schlag erleiden kann.
- 4. Achten Sie stets auf sicheren Stand. Vergewissern Sie sich bei Einsatz der Maschine an hochgelegenen Arbeitsplätzen, dass sich keine Personen darunter aufhalten.**
- 5. Die Maschine sicher mit beiden Händen festhalten.**
- 6. Halten Sie die Hände von rotierenden Teilen fern.**
- 7. Lassen Sie die Maschine nicht unbeaufsichtigt laufen. Benutzen Sie die Maschine nur mit Handhaltung.**
- 8. Vermeiden Sie eine Berührung des Bohrereinsatzes oder des Werkstücks unmittelbar nach der Bearbeitung, weil sie dann noch sehr heiß sind und Hautverbrennungen verursachen können.**

9. Manche Materialien können giftige Chemikalien enthalten. Treffen Sie Vorsichtsmaßnahmen, um das Einatmen von Arbeitsstaub und Hautkontakt zu verhüten. Befolgen Sie die Sicherheitsdaten des Materialherstellers.

BEWAHREN SIE DIESE HINWEISE SORGFÄLTIG AUF.

WARNUNG:

Lassen Sie sich NICHT durch Bequemlichkeit oder Vertrautheit mit dem Produkt (durch wiederholten Gebrauch erworben) von der strikten Einhaltung der Sicherheitsregeln für das vorliegende Produkt abhalten. MISSBRAUCH oder Missachtung der Sicherheitsvorschriften in dieser Anleitung können schwere Verletzungen verursachen.

FUNKTIONSBESCHREIBUNG

VORSICHT:

- Vergewissern Sie sich vor jeder Einstellung oder Funktionsprüfung der Maschine stets, dass sie ausgeschaltet und vom Stromnetz getrennt ist.

Schalterfunktion (Abb. 1)

VORSICHT:

- Vor dem Anschließen der Maschine an das Stromnetz stets überprüfen, ob der Elektronikschalter ordnungsgemäß funktioniert und beim Loslassen in die AUS-Stellung zurückkehrt.

Die Drehzahl erhöht sich durch verstärkte Druckausübung auf den Elektronikschalter. Zum Einschalten drücken Sie den Elektronikschalter. Zum Ausschalten lassen Sie den Schalter los.

Für Dauerbetrieb drücken Sie den Elektronikschalter und gleichzeitig die Schalterarretierung.

Zum Ausschalten des Dauerbetriebs den Elektronikschalter drücken und wieder loslassen.

Die Maschine ist mit einem Drehzahl-Einstellrad zur Begrenzung der maximalen Maschinengeschwindigkeit (variabel) ausgestattet. Drehen Sie das Drehzahl-Einstellrad zum Erhöhen der Drehzahl nach rechts und zum Verringern der Drehzahl nach links.

Einschalten der Lampen

Für Modell HP2050F, HP2051F (Abb. 2)



VORSICHT:

- Blicken Sie nicht direkt in das Licht oder die Lichtquelle.
- Betätigen Sie den Ein-Aus-Schalter zum Einschalten der Lampe. Lassen Sie den Ein-Aus-Schalter zum Ausschalten der Lampe los.

HINWEIS:

- Wischen Sie Schmutz auf der Linse der Lampe mit einem trockenen Tuch ab. Achten Sie sorgfältig darauf, dass Sie die Linse der Lampe nicht verkratzen, weil sich sonst die Lichtstärke verringert.

Drehrichtungsumschalter (Abb. 3)

Diese Maschine besitzt einen Drehrichtungsumschalter. Stellen Sie den Drehrichtungsumschaltthebel für Rechtsdrehung auf die Stellung  (Seite A) oder für Linksdrehung auf die Stellung  (Seite B).

VORSICHT:

- Prüfen Sie stets die Drehrichtung, bevor Sie mit der Arbeit beginnen.
- Betätigen Sie den Drehrichtungsumschalter erst, nachdem die Maschine völlig zum Stillstand gekommen ist. Durch Umschalten der Drehrichtung bei noch laufender Maschine kann die Maschine beschädigt werden.

Drehzahl-Umschaltung (Abb. 4)

Zwei Drehzahlbereiche können mit dem Drehzahl-Umschaltknopf vorgewählt werden.


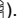
Drehen Sie den Drehzahlumschaltknopf so, dass der Pfeil auf dem Maschinengehäuse für niedrige Drehzahl auf die Position "I", und für hohe Drehzahl auf die Position "II" zeigt.

Falls sich der Knopf nur schwer drehen lässt, drehen Sie das Bohrfutter erst in beide Richtungen, bevor Sie den Knopf erneut drehen.

VORSICHT:

- Betätigen Sie den Drehzahl-Umschaltknopf erst, nachdem die Maschine völlig zum Stillstand gekommen ist. Durch Umschalten der Drehzahl bei noch laufender Maschine kann die Maschine beschädigt werden.
- Rasten Sie den Drehzahl-Umschaltknopf stets korrekt in die jeweilige Position ein. Wird die Maschine bei einer Zwischenstellung des Drehzahl-Umschaltknopfes zwischen den Positionen "I" und "II" betrieben, kann sie beschädigt werden.

Wahl der Betriebsart (Abb. 5)

Diese Maschine besitzt einen Betriebsart-Umschalthebel. Schieben Sie den Betriebsart-Umschalthebel für Schlagbohren nach rechts (Symbol ). Schieben Sie den Betriebsart-Umschalthebel für Bohren nach links (Symbol .

VORSICHT:

- Schieben Sie den Betriebsart-Umschalthebel immer bis zum Anschlag auf die gewünschte Position. Wird die Maschine bei einer Zwischenstellung des Hebels zwischen den Betriebsartpositionen betrieben, kann sie beschädigt werden.

MONTAGE

VORSICHT:

- Vergewissern Sie sich vor der Ausführung von Arbeiten an der Maschine stets, dass sie ausgeschaltet und vom Stromnetz getrennt ist.

Installieren des Seitengriffs (Zusatzgriffs) (Abb. 6)

Verwenden Sie stets den Seitengriff, um Betriebssicherheit zu gewährleisten. Montieren Sie den Seitengriff so, dass die Innenverzahnungen von Griff und Maschinengehäuse ineinander eingreifen.

Den Griff in der gewünschten Arbeitsposition mit der Innenverzahnung auf die Außenverzahnung des Maschinengehäuses stecken und durch Rechtsdrehung des Griffstücks festziehen. Der Zusatzhandgriff kann um 360° geschwenkt und in jeder beliebigen Stellung arretiert werden.

Montage und Demontage von Einsatzwerkzeugen

Für Modell HP2050, HP2050F (Abb. 7)

Das Einsatzwerkzeug so weit wie möglich in das Bohrfutter einsetzen. Das Bohrfutter von Hand festziehen. Den Bohrfutterschlüssel in jede der drei Bohrfutter-Bohrungen einsetzen und im Uhrzeigersinn festziehen. An allen drei Bohrfutter-Bohrungen gleichmäßig spannen.

Zum Entfernen eines Einsatzwerkzeuges den Bohrfutterschlüssel in einer Bohrfutter-Bohrung gegen den Uhrzeigersinn drehen. Danach kann das Bohrfutter von Hand gelöst werden.

Den Bohrfutterschlüssel nach Verwendung wieder in die dafür vorgesehene Halterung an der Schlagbohrmaschine einsetzen.

Für Modell HP2051, HP2051F (Abb. 8)

Halten Sie den Klemmring fest und drehen Sie die Werkzeugverriegelung entgegen dem Uhrzeigersinn, um die Bohrfutterbacken zu öffnen. Führen Sie das Einsatzwerkzeug bis zum Anschlag in das Spannfutter ein. Halten Sie den Klemmring fest und drehen Sie die Werkzeugverriegelung im Uhrzeigersinn, um das Bohrfutter festzuziehen.

Zum Entfernen des Einsatzwerkzeugs halten Sie den Klemmring und drehen die Werkzeugverriegelung entgegen dem Uhrzeigersinn.

Tiefenbegrenzung (Abb. 9)

Die Bohrtiefe kann über den Tiefenanschlag eingestellt werden. Dazu lösen Sie den Zusatzhandgriff und führen den Tiefenanschlag in die Bohrung am Seitengriff ein. Stellen Sie den Tiefenanschlag auf die gewünschte Bohrtiefe und ziehen anschließend den Zusatzhandgriff wieder fest.

HINWEIS:

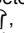
- Der Tiefenanschlag kann nicht in einer Position verwendet werden, in der er gegen das Maschinengehäuse stößt.

BETRIEB

Schlagbohrbetrieb

VORSICHT:

- Beim Durchbruch der Bohrung, bei Verstopfung der Bohrung mit Spänen und Partikeln, oder beim Auftreffen auf Betonstahl wirkt eine starke, plötzliche Drehkraft auf Maschine und Bohrer. Montieren Sie stets den Seitengriff (Zusatzgriff), und halten Sie die Maschine während der Arbeit mit beiden Händen an Seitengriff und Schaltergriff fest. Eine Missachtung dieser Vorsichtsmaßnahme kann den Verlust der Kontrolle über die Maschine und mögliche schwere Verletzungen zur Folge haben.

Schieben Sie den Betriebsart-Umschalthebel zum Bohren in Beton, Granit, Fliesen usw. zur Position des Symbols , um die Betriebsart "Schlagbohren" zu verwenden.

Verwenden Sie unbedingt einen Bohrer mit Hartmetallspitze.

Setzen Sie den Bohrer auf die gewünschte Bohrstelle, und drücken Sie dann den Ein-Aus-Schalter. Üben Sie keinen übermäßigen Druck auf das Werkzeug aus. Leichter Druck liefert die besten Ergebnisse. Halten Sie die Maschine in Position, und vermeiden Sie Abrutschen vom Loch.

Üben Sie keinen stärkeren Druck aus, wenn das Bohrloch mit Spänen oder Bohrmehl zugesetzt wird. Lassen Sie statt dessen die Maschine leer laufen, und ziehen Sie dann den Bohrer teilweise aus dem Bohrloch heraus. Durch mehrmaliges Wiederholen dieses Vorgangs wird das Bohrloch ausgeräumt, so dass der normale Bohrbetrieb fortgesetzt werden kann.

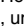
Ausblaspipette (Sonderzubehör) (Abb. 10)

Blasen Sie den Staub nach dem Bohren des Lochs mit einer Ausblaspipette aus dem Loch.

Bohrbetrieb

VORSICHT:

- Ein zu starker Druck auf die Maschine bewirkt keine Beschleunigung der Bohrleistung. Ein zu hoher Schnittdruck führt zu einer Beschädigung der Bohrer Spitze und damit zu Verringerung der Leistungsfähigkeit und der Bohrerstandzeit der Maschine.
- Beim Austritt des Bohrers aus dem Werkstück wirkt ein hohes Rückdrehmoment auf die Maschine. Deshalb die Maschine gut festhalten und den Vorschub verringern, wenn der Bohrer durch das Werkstück dringt.
- Ein feststehender Bohrer lässt sich durch Umschalten der Drehrichtung auf Linkslauf wieder herausdrehen. Die Maschine ist gut festzuhalten, da im Linkslauf ein hohes Rückdrehmoment auf die Maschine auftritt.
- Kleine Werkstücke stets in einem Schraubstock einspannen oder mit einer Schraubzwinde sichern.

Schieben Sie den Betriebsart-Umschalthebel zum Bohren in Holz, Metall oder Kunststoff zur Position des Symbols , um die Betriebsart "Bohren" zu verwenden.

Bohren in Holz

Beim Bohren in Holz lassen sich die besten Ergebnisse mit Holzbohrern, die mit einer Gewindespitze ausgestattet sind, erzielen. Die Gewindespitze erleichtert das Bohren, da sie den Bohrer in das Werkstück hineinzieht.

Bohren in Metall

Damit der Bohrer beim Anbohren nicht verläuft, ist die zu bohrende Stelle mit einem Körner anzukörnen. Dann den Bohrer in die Vertiefung setzen und die Maschine einschalten.

Beim Bohren von Metall ein Schneidöl verwenden. NE-Metalle werden allerdings ohne Zugabe von Schneidemulsionen bearbeitet.

WARTUNG

VORSICHT:

- Denken Sie vor der Durchführung von Überprüfungen oder Wartungsarbeiten stets daran, die Maschine auszuschnallen und vom Stromnetz zu trennen.
- Verwenden Sie auf keinen Fall Benzin, Benzol, Verdünnern, Alkohol oder dergleichen. Solche Mittel können Verfärbung, Verformung oder Rissbildung verursachen.

Reinigen der Ventilationsöffnungen (Abb. 11)

Halten Sie die Maschine und ihre Ventilationsöffnungen stets sauber. Reinigen Sie die Ventilationsöffnungen der Maschine regelmäßig oder im Anfangsstadium einer Verstopfung.

Um die SICHERHEIT und ZUVERLÄSSIGKEIT dieses Produkts aufrechtzuerhalten, sollten Reparaturen, Überprüfung und Austausch der Kohlebürsten und andere Wartungs- oder Einstellarbeiten nur von Makita-Vertrags-Kundendienstzentren unter ausschließlicher Verwendung von Makita-Originalersatzteilen ausgeführt werden.

SONDERZUBEHÖR

VORSICHT:

- Die folgenden Zubehörteile oder Vorrichtungen werden für den Einsatz mit der in dieser Anleitung beschriebenen Makita-Maschine empfohlen. Die Verwendung anderer Zubehörteile oder Vorrichtungen kann eine Verletzungsgefahr darstellen. Verwenden Sie Zubehörteile oder Vorrichtungen nur für ihren vorgesehenen Zweck.

Wenn Sie weitere Einzelheiten bezüglich dieser Zubehörteile benötigen, wenden Sie sich bitte an Ihre Makita-Kundendienststelle.

- Bohrer mit Hartmetallspitze
- Phillips Doppelkreuzschlitzeinsätze
- Langschlitzeinsätze
- Lochsäge
- Ausblaspipette
- Schutzbrille
- Schlüsselloser Bohrfutter 13
- Bohrfutterschlüssel
- Zusatzhandgriff
- Tiefenanschlag
- Plastikkoffer

HINWEIS:

- Manche Teile in der Liste können als Standardzubehör im Werkzeugsatz enthalten sein. Sie können von Land zu Land unterschiedlich sein.

ENG905-1

Geräusch

Typischer A-bewerteter Geräuschpegel ermittelt gemäß EN60745:

Schalldruckpegel (L_{pA}): 97 dB(A)
Schalleistungspegel (L_{WA}): 108 dB(A)
Ungewissheit (K): 3 dB(A)

Gehörschutz tragen

ENG900-1

Vibration

Vibrationsgesamtwert (Drei-Achsen-Vektorsumme) ermittelt gemäß EN60745:

Arbeitsmodus: Schlagbohren in Beton
Vibrationsemission ($a_{h,D}$): 13 m/s²
Ungewissheit (K): 3 m/s²

Arbeitsmodus: Bohren in Metall
Vibrationsemission ($a_{h,D}$): 2,5 m/s² oder weniger
Ungewissheit (K): 1,5 m/s²

- Der angegebene Vibrationsemissionswert wurde im Einklang mit der Standardprüfmethode gemessen und kann für den Vergleich zwischen Maschinen herangezogen werden.
- Der angegebene Vibrationsemissionswert kann auch für eine Vorbewertung des Gefährdungsgrads verwendet werden.

WARNUNG:

- Die Vibrationsemission während der tatsächlichen Benutzung des Elektrowerkzeugs kann je nach der Benutzungsweise der Maschine vom angegebenen Emissionswert abweichen.
- Identifizieren Sie Sicherheitsmaßnahmen zum Schutz des Benutzers anhand einer Schätzung des Gefährdungsgrads unter den tatsächlichen Benutzungsbedingungen (unter Berücksichtigung aller Phasen des Arbeitszyklus, wie z. B. Ausschalt- und Leerlaufzeiten der Maschine zusätzlich zur Betriebszeit).

ENH101-17

Nur für europäische Länder

EG-Übereinstimmungserklärung

Makita erklärt, dass die folgende(n) Maschine(n):

Bezeichnung der Maschine:

2-Gang Schlagbohrmaschine

Modell-Nr./ Typ: HP2050, HP2050F, HP2051, HP2051F

den folgenden europäischen Richtlinien entsprechen:

2006/42/EG

gemäß den folgenden Standards oder standardisierten Dokumenten hergestellt werden:

EN60745

Die technische Akte in Übereinstimmung mit 2006/42/EG ist erhältlich von:

Makita, Jan-Baptist Vinkstraat 2, 3070, Belgien

31.12.2013



Yasushi Fukaya
Direktor

Makita, Jan-Baptist Vinkstraat 2, 3070, Belgien

Visione generale

- | | | |
|------------------------------|---|-------------------------|
| 1 Bottone di bloccaggio | 9 Ghiera di cambio velocità | 15 Chiave mandrino |
| 2 Vite di controllo velocità | 10 Leva di cambio modo di funzionamento | 16 Manicotto |
| 3 Interruttore a grilletto | 11 Base manico | 17 Anello |
| 4 Più alta | 12 Manico laterale (manico ausiliario) | 18 Spessimetro |
| 5 Più bassa | 13 Dente | 19 Soffietto |
| 6 Lampadina | 14 Sporgenze | 20 Fori di ventilazione |
| 7 Levetta d'inserzione | | |
| 8 Freccia | | |

DATI TECNICI

Modello		HP2050/HP2050F		HP2051/HP2051F	
Velocità		Alta	Bassa	Alta	Bassa
Capacità	Cemento	20 mm	-----	20 mm	-----
	Acciaio	8 mm	13 mm	8 mm	13 mm
	Legno	25 mm	40 mm	25 mm	40 mm
Velocità a vuoto (min ⁻¹)		0 – 2.900	0 – 1.200	0 – 2.900	0 – 1.200
Colpi al minuto		0 – 58.000	0 – 24.000	0 – 58.000	0 – 24.000
Lunghezza totale		362 mm		360 mm	
Peso netto		2,5 kg		2,5 kg	
Classe di sicurezza		II/II			

- Per il nostro programma di ricerca e sviluppo continui, i dati tecnici sono soggetti a modifiche senza preavviso.
- I dati tecnici potrebbero differire a seconda del paese di destinazione del modello.
- Peso in base alla procedura EPTA 01/2003

ENE039-1

Utilizzo previsto

Questo utensile è progettato per la foratura con impatto dei mattoni, cemento e pietre, come pure per la foratura senza impatto del legno, metallo, ceramica e plastica.

ENF002-2

Alimentazione

L'utensile deve essere collegato ad una presa di corrente con la stessa tensione indicata sulla targhetta del nome, e può funzionare soltanto con la corrente alternata monofase. Esso ha un doppio isolamento, per cui può essere usato con le prese di corrente sprovviste della messa a terra.

GEA010-1

Avvertimenti generali per la sicurezza dell'utensile elettrico

⚠ AVVERTIMENTO Leggere tutti gli avvertimenti per la sicurezza e le istruzioni. La mancata osservanza degli avvertimenti e delle istruzioni può causare scosse elettriche, incendio e/o gravi incidenti.

Conservare tutti gli avvertimenti e le istruzioni per riferimenti futuri.

GE003-5

AVVERTIMENTI PER LA SICUREZZA TRAPANO A PERCUSSIONE

1. Usando i trapani a percussione, indossare le protezioni per le orecchie. L'esposizione al rumore può causare la perdita dell'udito.

2. Usare il manico ausiliario, se è in dotazione all'utensile.

La perdita di controllo può causare lesioni personali.

3. Tenere gli utensili elettrici per le superfici di presa isolate quando si eseguono operazioni in cui l'utensile da taglio potrebbe fare contatto con fili elettrici nascosti o con il suo stesso cavo di alimentazione. Se l'utensile da taglio entra in contatto con un filo elettrico "sotto tensione" mette "sotto tensione" le parti metalliche esposte dell'utensile, dando una scossa all'operatore.

4. Accertarsi sempre di avere i piedi appoggiati saldamente.

Accertarsi che non ci sia nessuno sotto quando si usa l'utensile in un posto alto.

5. Tenere saldamente l'utensile con entrambe le mani.

6. Tenere le mani lontane dalle parti mobili.

7. Non far funzionare l'utensile senza usarlo. Farlo funzionare soltanto tenendolo in mano.

8. Non toccare la punta o il pezzo lavorato subito dopo l'uso, perché potrebbero essere molto calde e causare bruciate.

9. Alcuni materiali contengono sostanze chimiche che potrebbero essere tossiche. Fare attenzione per evitare l'inalazione o il contatto con la pelle. Osservare le precauzioni del produttore del materiale.

CONSERVATE QUESTE ISTRUZIONI.

AVVERTIMENTO:

NON lasciare che comodità o la familiarità d'utilizzo con il prodotto (acquisita con l'uso ripetuto) sostituisca la stretta osservanza delle norme di sicurezza. L'utilizzo SBAGLIATO o la mancata osservanza delle norme di sicurezza di questo manuale di istruzioni potrebbero causare lesioni serie.

DESCRIZIONE DEL FUNZIONAMENTO

ATTENZIONE:

- Accertarsi sempre che l'utensile sia spento e staccato dalla presa di corrente prima di regolare o di controllare il suo funzionamento.

Funzionamento dell'interruttore a grilletto (Fig. 1)

ATTENZIONE:

- Prima di collegare l'utensile alla presa di corrente, accertarsi sempre che l'interruttore a grilletto funzioni correttamente e torni sulla posizione "OFF" quando viene rilasciato.

Per avviare l'utensile, schiacciare semplicemente l'interruttore a grilletto. La velocità dell'utensile aumenta con l'aumentare della pressione sull'interruttore a grilletto. Rilasciare l'interruttore a grilletto per arrestare l'utensile. Per il funzionamento continuo, schiacciare l'interruttore a grilletto e spingere dentro il bottone di bloccaggio. Per arrestare l'utensile dalla posizione di bloccaggio, schiacciare completamente l'interruttore a grilletto e rilasciarlo.

L'utensile ha una vite di controllo velocità che può limitare la sua velocità massima (variabile). Girare la vite di controllo velocità in senso orario per le velocità più alte, e in senso antiorario per le velocità più basse.

Accensione delle lampadine

Modelli HP2050F, HP2051F (Fig. 2)

ATTENZIONE:

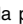
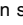
- Non guardare la luce o guardare direttamente la fonte di luce.

Per accendere la lampadina, schiacciare il grilletto. Rilasciare il grilletto per spegnerla.

NOTA:

- Usare un panno asciutto per togliere lo sporco dalla lente della lampadina. Fare attenzione a non graffiare la lente della lampadina, perché ciò potrebbe ridurre l'illuminazione.

Funzionamento dell'interruttore di inversione (Fig. 3)

Questo utensile è dotato di un interruttore di inversione, per il cambiamento della direzione di rotazione. Spostare la leva dell'interruttore di inversione sulla posizione  (lato A) per la rotazione in senso orario, oppure sulla posizione  (lato B) per la rotazione in senso antiorario.

ATTENZIONE:

- Controllare sempre la direzione di rotazione prima di far funzionare l'utensile.
- Usare l'interruttore di inversione soltanto dopo che l'utensile si è fermato completamente. Cambiando la direzione di rotazione prima che l'utensile si sia fermato, lo si potrebbe danneggiare.

Cambiamento di velocità (Fig. 4)

Con la ghiera di cambio velocità si possono selezionare due gamme di velocità.

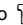

Per cambiare la velocità, girare la ghiera di cambio velocità in modo che la freccia sul corpo dell'utensile sia puntata sulla posizione "I" della ghiera per la velocità bassa, o sulla posizione "II" per la velocità alta.

Se la ghiera è dura da girare, girare prima leggermente il mandrino in una o l'altra direzione, e girare poi di nuovo la ghiera.

ATTENZIONE:

- Usare la ghiera di cambio velocità soltanto dopo che l'utensile si è fermato completamente. Cambiando la velocità prima che l'utensile si sia fermato, lo si potrebbe danneggiare.
- Regolare sempre la ghiera di cambio velocità sulla posizione corretta. Se si fa funzionare l'utensile con la ghiera posizionata a metà tra le posizioni "I" e "II", lo si potrebbe danneggiare.

Selezione del modo di funzionamento (Fig. 5)

Questo utensile è dotato di una leva di cambio del modo di funzionamento. Per la rotazione con martellamento, spingere la leva a destra (simbolo ). Per la rotazione soltanto, spingere la leva a sinistra (simbolo ).

ATTENZIONE:

- Spingere sempre la leva di cambio modo di funzionamento completamente sulla posizione desiderata. Se si fa funzionare l'utensile con la leva posizionata a metà tra i simboli del modo di funzionamento, lo si potrebbe danneggiare.

MONTAGGIO

ATTENZIONE:

- Accertarsi sempre che l'utensile sia spento e staccato dalla presa di corrente prima di un qualsiasi intervento su di esso.

Installazione dell'impugnatura laterale (manico ausiliario) (Fig. 6)

Usare sempre il manico laterale per garantire la sicurezza operativa. Installare il manico laterale in modo che il dente del manico entri tra le sporgenze sul tamburo dell'utensile.

Stringere poi il manico girandolo in senso orario sul punto desiderato. Esso può essere spostato di 360°, in modo da poter essere fissato in qualsiasi posizione.

Installazione o rimozione della punta

Modelli HP2050, HP2050F (Fig. 7)

Per installare la punta, metterla nel mandrino finché non può andare più oltre. Stringere poi il mandrino a mano. Mettere la chiave del mandrino in ciascuno dei tre fori, e stringere in senso orario. Stringere uniformemente tutti e tre i fori.

Per togliere la punta, girare la chiave del mandrino in senso antiorario in un solo foro, e allentare poi il mandrino a mano.

Dopo aver usato la chiave del mandrino, rimetterla sempre nella sua posizione originale.

Modelli HP2051, HP2051F (Fig. 8)

Tenere fermo l'anello e girare il manicotto in senso antiorario per aprire le ganasce del mandrino. Inserire la punta nel mandrino finché non può andare più oltre. Tenere saldamente l'anello e girare il manicotto in senso orario per stringere il mandrino.

Per rimuovere la punta, tenere fermo l'anello e girare il manicotto in senso antiorario.

Spessimetro (Fig. 9)

Lo spessimetro è comodo per la foratura a profondità uniformi. Allentare l'impugnatura laterale e inserire lo spessimetro nel foro sulla base dell'impugnatura laterale. Regolare lo spessimetro alla profondità desiderata e stringere l'impugnatura laterale.

NOTA:


- Lo spessimetro non può essere usato sulla posizione in cui urta contro il corpo dell'utensile.

FUNZIONAMENTO

Operazione di foratura con martellamento

ATTENZIONE:

Sull'interruttore/punta viene esercitata una grandissima e improvvisa forza torcente quando la punta fuoriesce dal foro, quando il foro diventa intasato di trucioli o di scorie o quando la punta incontra le barre di rinforzo dentro il cemento. Usare sempre l'impugnatura laterale (manico ausiliario) e mantenere fermo l'utensile con entrambi l'impugnatura laterale e il manico dell'interruttore durante il lavoro. In caso contrario, si potrebbe perdere il controllo dell'utensile con pericolo di lesioni gravi.

Per forare cemento, granito, tegole, ecc., spostare la leva di cambio modo di funzionamento sulla posizione del simbolo  per usare il modo di "rotazione con martellamento".

Accertarsi di usare una punta al carburo di tungsteno. Posizionare la punta sul punto da forare desiderato e schiacciare poi l'interruttore. Non forzare l'utensile. Una pressione leggera produce i risultati migliori. Mantenere l'utensile in posizione per evitare che scivoli via dal foro. Non applicare una pressione maggiore se la punta rimane intasata con trucioli o scorie. Fare invece girare l'utensile a vuoto e rimuovere poi parzialmente la punta dal foro. Ripetendo questa operazione diverse volte si pulisce il foro e si può continuare con la normale foratura.

Soffietto (accessorio opzionale) (Fig. 10)


Dopo la foratura, usare il soffietto per togliere la polvere dal foro.

Operazione di foratura

ATTENZIONE:

- Una pressione eccessiva sull'utensile non permette una lavorazione più veloce. Infatti questa eccessiva pressione servirà solo a danneggiare la punta, a diminuire le possibilità di lavorazione e aiuterà a danneggiare l'utensile più in fretta.
- Al momento dell'uscita dal foro sulla punta viene esercitata una forza tremenda. Tenere l'utensile ben fermo e fare attenzione al momento in cui la punta comincia ad uscire dall'altra parte del foro.
- Una punta che si è bloccata può essere liberata inserendo il moto inverso dell'utensile. Anche in questo caso, l'utensile torna indietro di colpo se non lo si tiene ben fermo.

- Sempre fissare pezzi piccoli su morse oppure altri strumenti di fissaggio.

Per forare il legno, metallo o materiali di plastica, spostare la leva di cambio modo di funzionamento sulla posizione del simbolo  per usare il modo di "rotazione soltanto".

Foratura sul legno

Quando si lavora sul legno i migliori risultati si ottengono con punte dotate di viti guida. La vite guida rende più facile la foratura perché aiuta la punta ad entrare nel pezzo da lavorare.

Foratura su metalli

Per evitare che la punta scivoli all'inizio della foratura si suggerisce di fare un punto guida con un punzone sul punto dove si vuole fare il foro. Piazzare la punta sul punto punzonato e iniziare la foratura.

Usare un olio lubrificatore quando si lavora su metalli. Le uniche eccezioni sono ferro e ottone che richiedono di lavorare all'asciutto.

MANUTENZIONE

ATTENZIONE:

- Accertarsi sempre che l'utensile sia spento e staccato dalla presa di corrente prima di eseguire l'ispezione o la manutenzione.
- Mai usare benzina, benzene, solventi, alcol e altre sostanze simili. Potrebbero causare scolorimenti, deformazioni o crepe.

Pulizia dei fori di ventilazione (Fig. 11)

L'utensile e i suoi fori di ventilazione devono essere mantenuti puliti. Pulire regolarmente i fori di ventilazione dell'utensile, oppure quando diventano intasati.

Per la sicurezza, l'affidabilità e le riparazioni del prodotto, l'ispezione o la riparazione delle spazzole di carbone deve essere eseguita da un Centro Assistenza Makita autorizzato con ricambi Makita originali.

ACCESSORI OPZIONALI

ATTENZIONE:

- Per l'utensile Makita specificato in questo manuale, si consigliano questi accessori o ricambi. L'utilizzo di altri accessori o ricambi può costituire un pericolo. Usare soltanto gli accessori o ricambi specificati per il loro utilizzo.

Per maggiori dettagli e l'assistenza, rivolgersi al Centro Assistenza Makita locale.

- Punta al carburo di tungsteno
- Punta a croce
- Punta scanalata
- Seghetto per fori
- Soffietto
- Occhiali di protezione
- Mandrino trapano senza chiave 13
- Chiave portapunta
- Gruppo impugnatura
- Spessimetro
- Valigetta di plastica

NOTA:

- Alcuni articoli nella lista potrebbero essere inclusi nell'imballo dell'utensile come accessori standard. Essi potrebbero differire da Paese a Paese.

Rumore

Il tipico livello di rumore pesato A determinato secondo EN60745:

Livello pressione sonora (L_{pA}): 97 dB(A)

Livello potenza sonora (L_{WA}): 108 dB(A)

Incertezza (K): 3 dB(A)

Indossare i paraorecchi

ENG900-1

Vibrazione

Il valore totale di vibrazione (somma vettore triassiale) determinato secondo EN60745:

Modalità operativa: Foratura a impulsi del cemento

Emissione di vibrazione ($a_{n,D}$): 13 m/s²

Incertezza (K): 3 m/s²

Modalità operativa: Foratura del metallo

Emissione di vibrazione ($a_{n,D}$): 2,5 m/s² o meno

Incertezza (K): 1,5 m/s²

ENG901-1

- Il valore di emissione delle vibrazioni dichiarato è stato misurato conformemente al metodo di test standard, e può essere usato per paragonare un utensile con un altro.
- Il valore di emissione delle vibrazioni dichiarato può anche essere usato per una valutazione preliminare dell'esposizione.

AVVERTIMENTO:

- L'emissione delle vibrazioni durante l'uso reale dell'utensile elettrico può differire dal valore di emissione dichiarato a seconda dei modi in cui viene usato l'utensile.
- Identificare le misure di sicurezza per la protezione dell'operatore basate sulla stima dell'esposizione nelle condizioni reali d'utilizzo (tenendo presente tutte le parti del ciclo operativo, come le volte in cui l'utensile viene spento e quando gira a vuoto, oltre al tempo di funzionamento).

Modello per l'Europa soltanto**Dichiarazione CE di conformità****Makita dichiara che la macchina seguente:**

Designazione della macchina:

2 velocità trapano a percussione

Modello No./ Tipo: HP2050, HP2050F, HP2051, HP2051F

Conforme alle Direttive Europee:

2006/42/CE

È stata fabbricata in conformità allo standard e ai documenti standardizzati seguenti:

EN60745

La documentazione tecnica conforme 2006/42/CE è disponibile da:

Makita, Jan-Baptist Vinkstraat 2, 3070, Belgio

31.12.2013



Yasushi Fukaya

Amministratore

Makita, Jan-Baptist Vinkstraat 2, 3070, Belgio

Verklaring van algemene gegevens

1 Vastzetknop	8 Pijltje	15 Boorkopsleutel
2 Snelheidsregelschroef	9 Snelheidswisselknop	16 Bus
3 Trekschakelaar	10 Werking-keuzehendel	17 Ring
4 Hoger	11 Handgreepvoet	18 Dieptemaat
5 Lager	12 Zijhandgreep (hulphandgreep)	19 Blaasbalgje
6 Lamp	13 Tandem	20 Ventilatieopeningen
7 Omkeerschakelaarknop	14 Nokken	

TECHNISCHE GEGEVENS

Model		HP2050/HP2050F		HP2051/HP2051F	
Snelheid		Hoog	Laag	Hoog	Laag
Capaciteiten	Beton	20 mm	-----	20 mm	-----
	Staal	8 mm	13 mm	8 mm	13 mm
	Hout	25 mm	40 mm	25 mm	40 mm
Nullaasttoerental (min ⁻¹)		0 – 2 900	0 – 1 200	0 – 2 900	0 – 1 200
Aantal slagen/minuut		0 – 58 000	0 – 24 000	0 – 58 000	0 – 24 000
Totale lengte		362 mm		360 mm	
Netto gewicht		2,5 kg		2,5 kg	
Veiligheidsklasse		II/III			

GEB003-5

- In verband met ononderbroken research en ontwikkeling behouden wij ons het recht voor bovenstaande technische gegevens te wijzigen zonder voorafgaande kennisgeving.
- De technische gegevens kunnen van land tot land verschillen.
- Gewicht volgens de EPTA-procedure 01/2003

ENE039-1

Doeleinden van gebruik

Dit gereedschap is bedoeld voor slagboren in baksteen, beton en steen, en ook voor boren zonder slag in hout, metaal, keramisch materiaal en kunststof.

ENF002-2

Stroomvoorziening

Het gereedschap mag alleen worden aangesloten op een stroombron van hetzelfde voltage als aangegeven op de naamplaat, en kan alleen op enkel-fase wisselstroom worden gebruikt. Het gereedschap is dubbel-geïsoleerd en kan derhalve ook op een niet-geaard stopcontact worden aangesloten.

GEA010-1

Algemene veiligheidswaarschuwingen voor elektrisch gereedschap

⚠ WAARSCHUWING Lees alle veiligheidsaanschuwingen en alle instructies. Het niet volgen van de waarschuwingen en instructies kan leiden tot elektrische schokken, brand en/of ernstig letsel.

Bewaar alle waarschuwingen en instructies om in de toekomst te kunnen raadplegen.

VEILIGHEIDSWAARSCHUWINGEN VOOR HAMERBOOR

- 1. Draag gehoorbescherming tijdens het gebruik van een boorhamer.** Blootstelling aan harde geluiden kan leiden tot gehoorbeschadiging.
- 2. Gebruik de hulphandgreep/hulphandgrepen, als deze bij het gereedschap werden geleverd.** Verlies van controle over het gereedschap kan persoonlijke verwonding tot gevolg hebben.
- 3. Houd elektrisch gereedschap vast aan het geïsoleerde oppervlak van de handgrepen wanneer u werkt op plaatsen waar het slijpaccessoire met verborgen bedrading of zijn eigen snoer in aanraking kan komen.** Wanneer het booraccessoire in aanraking komt met onder spanning staande draden, zullen de niet-geïsoleerde metalen delen van het gereedschap onder spanning komen te staan zodat de gebruiker een elektrische schok kan krijgen.
- 4. Zorg ervoor dat u altijd stevige steun voor de voeten hebt.** Controleer of er zich niemand beneden u bevindt wanneer u het gereedschap op een hoge plaats gaat gebruiken.
- 5. Houd het gereedschap stevig vast met beide handen.**
- 6. Houd uw handen uit de buurt van draaiende onderdelen.**
- 7. Laat het gereedschap niet achter terwijl het nog in bedrijf is.** Bedien het gereedschap alleen wanneer u het met beide handen vasthoudt.
- 8. Raak de boor of het werkstuk niet aan onmiddellijk na het gebruik.** Deze kunnen erg heet zijn en brandwonden veroorzaken.

9. Sommige materialen bevatten chemische stoffen die vergiftig kunnen zijn. Vermijd inademing van stof en contact met de huid. Volg de veiligheidsinstructies van de leverancier van het materiaal.

BEWAAR DEZE VOORSCHRIFTEN.

WAARSCHUWING:

Laat u NIET misleiden door een vals gevoel van comfort en bekendheid met het gereedschap (na veelvuldig gebruik) en neem alle veiligheidsvoorschriften van het betreffende gereedschap altijd strikt in acht. VERKEERD GEBRUIK of het niet naleven van de veiligheidsvoorschriften in deze gebruiksaanwijzing kan leiden tot ernstige verwondingen.

BESCHRIJVING VAN DE FUNCTIES

LET OP:

- Zorg altijd dat het gereedschap is uitgeschakeld en de stekker uit het stopcontact is verwijderd alvorens de functies op het gereedschap af te stellen of te controleren.

Werking van de trekschakelaar (Fig. 1)

LET OP:

- Alvorens de machine op een stopcontact aan te sluiten, moet u altijd controleren of de trekschakelaar juist werkt en bij het loslaten naar de "OFF" positie terugkeert.

Om de machine te starten, drukt u gewoon de trekschakelaar in. Hoe dieper de trekschakelaar wordt ingedrukt, hoe sneller de machine draait. Om de machine uit te schakelen, de trekschakelaar loslaten.

Voor continue werking, drukt u de trekschakelaar in en dan drukt u de vastzetknop in.

Om de machine vanuit deze vergrendelde stand te stoppen, de trekschakelaar volledig indrukken en deze dan loslaten.

Een snelheidsregelschroef is voorzien zodat de maximale draaisnelheid (variabel) kan worden beperkt. Draai deze schroef naar rechts voor een hogere snelheid, of naar links voor een lagere snelheid.

Aanzetten van de lampen

Voor Model HP2050F, HP2051F (Fig. 2)

LET OP:



- Kijk niet direct in het licht of de lichtbron.

Druk de trekker in om de lamp aan te zetten. Laat de trekker los om de lamp uit te doen.

OPMERKING:

- Gebruik een droge doek om vuil op de lamp lens eraf te vegen. Let op dat u geen krassen maakt op de lamp lens, aangezien de verlichtingssterkte daardoor zal verminderen.

Werking van de omkeerschakelaar (Fig. 3)

Dit gereedschap heeft een omkeerschakelaar voor het veranderen van de draairichting. Schuif de omkeerschakelaar naar de positie  (zijde A) voor rechtse draairichting, of naar de positie  (zijde B) voor linkse draairichting.

LET OP:

- Controleer altijd de draairichting alvorens het gereedschap te gebruiken.
- Gebruik de omkeerschakelaar alleen nadat het gereedschap volledig tot stilstand is gekomen. Als u de draairichting verandert voordat het gereedschap is gestopt, kan het gereedschap beschadigd raken.

Kiezen van het toerental (Fig. 4)

Met de snelheidswisselknop kunt u een van de twee beschikbare snelheidsbereiken vooraf kiezen.

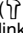

Draai de instelknop zodanig dat het pijltje op de knop tegenover "I" op het lichaam van het gereedschap komt te staan voor laag toerental, of tegenover "II" voor hoog toerental.

Als de knop moeilijk te draaien is, moet u de boorkop een beetje naar links of rechts draaien en daarna de knop opnieuw draaien.

LET OP:

- Gebruik de snelheidswisselknop alleen nadat het gereedschap volledig tot stilstand is gekomen. Als u de draaisnelheid verandert voordat het gereedschap is gestopt, kan het gereedschap beschadigd raken.
- Zet de snelheidswisselknop altijd juist in een van beide posities. Als u het gereedschap gebruikt met de knop halverwege tussen de posities "I" en "II", kan het gereedschap beschadigd raken.

Kiezen van de gewenste werking (Fig. 5)

Dit gereedschap heeft een werking-keuzehendel. Voor boren plus hameren, schuift u de hendel naar rechts ( symbool). Voor alleen boren, schuift u de hendel naar links ( symbool).

LET OP:

- Schuif de werking-keuzehendel altijd volledig naar de gewenste positie. Als u het gereedschap gebruikt met de hendel halverwege tussen de twee symbolen, kan het gereedschap beschadigd raken.

INEENZETTEN

LET OP:

- Controleer altijd of het gereedschap is uitgeschakeld en de stekker uit het stopcontact is verwijderd voordat u enig werk aan het gereedschap uitvoert.

Installeren van de zijhandgreep (hulphandgreep) (Fig. 6)

Gebruik altijd de zijhandgreep om een veilige bediening te verzekeren. Installeer de zijhandgreep zodanig dat de tanden op de greep tussen de nokken op het huis van de machine komen te zitten.

Zet dan de handgreep vast door deze in de gewenste positie naar rechts te draaien. De handgreep kan 360° worden verdraaid zodat u deze in elke gewenste positie kunt vastzetten.

Installeren of verwijderen van de boor

Voor model HP2050, HP2050F (Fig. 7)

Om de boor te installeren, steekt u deze zo ver mogelijk in de boorkop. Draai de boorkop met de hand vast. Steek dan de boorkopsleutel in elk van de drie gaten en draai naar rechts vast. Zorg ervoor dat u de drie boorkopgaten gelijkmatig aandraait.

Om de boor te verwijderen, draait u de boorkopsleutel in één van de gaten naar links en dan draait u de boorkop verder los met de hand.

Breng de boorkopsleutel na gebruik weer in zijn oorspronkelijke positie aan.

Voor model HP2051, HP2051F (Fig. 8)

Houd de ring op zijn plaats en draai de bus naar links om de boorkopklauwen te openen. Steek de boor zo ver mogelijk in de boorkop. Houd daarna de ring stevig op zijn plaats en draai de bus naar rechts om de boorkop vast te zetten.

Om de boor te verwijderen, houdt u de ring op zijn plaats en draait u de bus naar links.

Dieptemaat (Fig. 9)

De dieptemaat is nuttig voor het boren van gaten van gelijke diepte. Maak de zijhandgreep los en steek de dieptemaat in het gat in de zijhandgreep. Stel de dieptemaat in op de gewenste diepte en zet de zijhandgreep vast.

OPMERKING:


- De dieptemaat kan niet worden gebruikt in de positie waarbij deze tegen het lichaam van het gereedschap zit.

BEDIENING

Hameren plus boren

LET OP:

- Op het moment dat de boor door het gat heen dringt, of wanneer het boorgat verstopt raakt met spanen en metaaldeeltjes, of wanneer het gereedschap op versterkingsstaven in gewapend beton stoot, wordt er plotseling een enorme wringingskracht op het gereedschap/boor uitgeoefend. Gebruik daarom altijd de zijhandgreep (hulphandgreep) en houd het gereedschap tijdens het gebruik stevig vast bij zowel de zijhandgreep als de hoofdhandgreep. Als u dit niet doet, kunt u de controle over het gereedschap verliezen en mogelijk zware verwondingen oplopen.

Voor het boren in beton, graniet, tegels e.d., moet u de werking-keuzehendel naar de positie van het  symbool schuiven voor "hameren plus boren".

Gebruik een boor met wolframcarbidepunt.

Plaats de boorpunt op de plaats waar u wilt boren en druk de trekschakelaar in. Forceer het gereedschap niet. Een lichte druk geeft de beste resultaten. Houd het gereedschap stevig vast en zorg dat de boor niet uit het gat wegslipt.

Oefen geen grotere druk uit wanneer het boorgat verstopt raakt met spanen of schilfertjes. Laat in plaats daarvan het gereedschap onbelast draaien en verwijder de boor gedeeltelijk uit het boorgat. Wanneer u dit een paar keer herhaalt, zal het boorgat schoon worden en kunt u normaal verder boren.


Blaasbalgje (optioneel accessoire) (Fig. 10)

Gebruik het blaasbalgje nadat het gat is geboord, om stof uit het gat weg te blazen.

Boren

LET OP:

- Door teveel druk op het gereedschap uit te oefenen verloopt het boren niet sneller. Integendeel, teveel druk op het gereedschap zal alleen maar de boor beschadigen, de prestatie van het gereedschap verminderen en de gebruiksduur verkorten.
- Op het ogenblik dat de boor uit het gat tevoorschijn komt, wordt een enorme kracht uitgeoefend op het gereedschap en de boor. Houd daarom het gereedschap stevig vast en wees op uw hoede wanneer de boor doorheen het werkstuk begint te komen.
- Wanneer de boor klemraakt, keert u met de omkeerschakelaar de draairichting om, om de boor uit het gat te krijgen. Pas echter op en houd het gereedschap stevig vast, aangezien het anders uit het gat weg kan schieten.
- Kleine werkstukken dient u altijd eerst vast te zetten met een klemschroef of iets dergelijks.

Voor het boren in hout, metaal of kunststof, moet u de werking-keuzehendel naar de positie van het  symbool schuiven voor "alleen boren".

Boren in hout

Voor boren in hout worden de beste resultaten verkregen met houtboren die voorzien zijn van een geleideschroef. Het boren wordt dan vergemakkelijkt aangezien de geleideschroef de boor in het hout trekt.

Boren in metaal

Wanneer u begint te boren, gebeurt het dikwijls dat de boor slipt. Om dit te voorkomen slaat u tevoren met een drevel een deukje in het metaal op de plaats waar u wilt boren. Plaats vervolgens de boor in het deukje en start het boren.

Gebruik altijd boorolie wanneer u in metaal boort. De enige uitzonderingen zijn ijzer en koper die "droog" geboord dienen te worden.

ONDERHOUD

LET OP:

- Zorg altijd dat het gereedschap is uitgeschakeld en de stekker uit het stopcontact is verwijderd alvorens inspectie of onderhoud aan het gereedschap uit te voeren.
- Gebruik nooit benzine, wasbenzine, thinner, alcohol en dergelijke. Hierdoor het verkleuring, vervormingen en barsten worden veroorzaakt.

Reinigen van de ventilatieopeningen (Fig. 11)

Houd het gereedschap en zijn ventilatiegaten altijd schoon. Reinig regelmatig de ventilatiegaten om te voorkomen dat deze verstopt raken.

Om de VEILIGHEID en BETROUWBAARHEID van het gereedschap te handhaven, dienen alle reparaties, inspectie en vervanging van de koolborstels, en alle andere onderhoudswerkzaamheden of afstellingen te worden uitgevoerd bij een erkend Makita servicecentrum of fabriekscentrum, en altijd met gebruik van originele Makita vervangingsonderdelen.

OPTIONELE ACCESSOIRES

LET OP:

- Deze accessoires of hulpstukken worden aanbevolen voor gebruik met het Makita gereedschap dat in deze gebruiksaanwijzing wordt beschreven. Het gebruik van andere accessoires of hulpstukken kan gevaar voor persoonlijke verwonding opleveren. Gebruik de accessoires of hulpstukken uitsluitend voor het gespecificeerde doel.

Went u meer informatie over deze accessoires, neem dan contact op met het dichtstbijzijnde Makita servicecentrum.

- Boor met wolframcarbide boorpunt
- Phillips schroefbits
- Gesleufde bits
- Gatzaag
- Blaasbalgje
- Veiligheidsbril
- Sleutellose boorkop 13
- Boorkop
- Handgreepmontage
- Dieptemaat
- Plastic draagkoffer

OPMERKING:

- Sommige van de onderdelen in deze lijst kunnen bijgeleverd zijn als standaard-accessoires. Deze accessoires kunnen per land verschillend zijn.

ENG905-1

Geluidsniveau

De typisch, A-gewogen geluidsniveaus vastgesteld volgens EN60745:

- Geluidsdrukniveau (L_{pA}): 97 dB(A)
- Geluidsenergie-niveau (L_{WA}): 108 dB(A)
- Onnauwkeurigheid (K): 3 dB(A)

Draag oorbeschermers

ENG900-1

Trilling

De totaalwaarde van de trillingen (triaxiale vectorsom) vastgesteld volgens EN60745:

- Toepassing: hamerboren in beton
- Trillingsemisatie ($a_{h,1D}$): 13 m/s²
- Onnauwkeurigheid (K): 3 m/s²
- Toepassing: boren in metaal
- Trillingsemisatie ($a_{h,1D}$): 2,5 m/s² of lager
- Onnauwkeurigheid (K): 1,5 m/s²

ENG901-1

- De opgegeven trillingsemisatiewaarde is gemeten volgens de standaardtestmethode en kan worden gebruikt om dit gereedschap te vergelijken met andere gereedschappen.
- De opgegeven trillingsemisatiewaarde kan ook worden gebruikt voor een beoordeling vooraf van de blootstelling.

WAARSCHUWING:

- De trillingsemisatie tijdens het gebruik van het elektrisch gereedschap in de praktijk kan verschillen van de opgegeven trillingsemisatiewaarde afhankelijk van de manier waarop het gereedschap wordt gebruikt.
- Zorg ervoor dat veiligheidsmaatregelen worden getroffen ter bescherming van de operator die zijn gebaseerd op een schatting van de blootstelling onder praktijkomstandigheden (rekening houdend met alle fasen van de bedrijfscyclus, zoals de tijdsduur gedurende welke het gereedschap is uitgeschakeld en stationair draait, naast de ingeschakelde tijdsduur).

Alleen voor Europese landen

EU-Verklaring van Conformiteit

Makita verklaart hierbij dat de volgende machine(s):

Aanduiding van de machine:

2 snelheden slagboormachine

Modelnr./ Type: HP2050, HP2050F, HP2051, HP2051F

Voldoet aan de volgende Europese Richtlijnen:

2006/42/EU

Ze zijn gefabriceerd in overeenstemming met de volgende norm of genormaliseerde documenten:

EN60745

Het technisch documentatiebestand volgens 2006/42/EU is verkrijgbaar in:

Makita, Jan-Baptist Vinkstraat 2, 3070, België

31.12.2013



Yasushi Fukaya
Directeur

Makita, Jan-Baptist Vinkstraat 2, 3070, België

Explicación de los dibujos

- | | | |
|--|--|-----------------------------|
| 1 Botón de bloqueo | 8 Flecha | 14 Salientes |
| 2 Tornillo de control de velocidad | 9 Pomo de cambio de velocidad | 15 Llave de mandril |
| 3 Interruptor de gatillo | 10 Palanca de cambio del modo de accionamiento | 16 Manguito |
| 4 Más alta | 11 Base de la empuñadura | 17 Anillo |
| 5 Más baja | 12 Empuñadura lateral (empuñadura auxiliar) | 18 Tope de profundidad |
| 6 Lámpara | 13 Dientes | 19 Soplador |
| 7 Palanca del interruptor de inversión | | 20 Orificios de ventilación |

ESPECIFICACIONES

Modelo		HP2050/HP2050F		HP2051/HP2051F	
Velocidad		Alta	Baja	Alta	Baja
Capacidades	Hormigón	20 mm	-----	20 mm	-----
	Acero	8 mm	13 mm	8 mm	13 mm
	Madera	25 mm	40 mm	25 mm	40 mm
Velocidad en vacío (min ⁻¹)		0 – 2.900	0 – 1.200	0 – 2.900	0 – 1.200
Golpes por minuto		0 – 58.000	0 – 24.000	0 – 58.000	0 – 24.000
Longitud total		362 mm		360 mm	
Peso neto		2,5 kg		2,5 kg	
Clase de seguridad		□/II			

GEB003-5

- Debido a un programa continuo de investigación y desarrollo, las especificaciones aquí dadas están sujetas a cambios sin previo aviso.
- Las especificaciones pueden ser diferentes de país a país.
- Peso de acuerdo con el procedimiento EPTA 01/2003 ENE039-1

Uso previsto

La herramienta ha sido prevista para taladrar con percusión en ladrillo, cemento y piedra así como también para taladrar sin percusión en madera, metal, cerámica y plástico.

ENF002-2

Alimentación

La herramienta ha de conectarse solamente a una fuente de alimentación de la misma tensión que la indicada en la placa de características, y sólo puede funcionar con corriente alterna monofásica. El sistema de doble aislamiento de la herramienta puede, por lo tanto, usarse también en enchufes hembra sin conductor de tierra.

GEA010-1

Advertencias de seguridad generales para herramientas eléctricas

⚠ ADVERTENCIA Lea todas las advertencias de seguridad y todas las instrucciones. Si no sigue todas las advertencias e instrucciones podrá ocasionar una descarga eléctrica, un incendio y/o heridas graves.

Guarde todas las advertencias e instrucciones para futuras referencias.

ADVERTENCIAS DE SEGURIDAD PARA EL TALADRO DE PERCUSIÓN

1. **Utilice protectores de oídos con los taladros percutores.** La exposición al ruido puede producir pérdida auditiva.
2. **Utilice el mango(s) auxiliar, si se suministra con la herramienta.** La pérdida del control puede ocasionar heridas personales.
3. **Cuando realice una operación en la que el accesorio de corte pueda entrar en contacto con cableado oculto o con su propio cable, sujete las herramientas eléctricas por las superficies de aislamiento aisladas.** El contacto del accesorio de corte con un cable con corriente hará que la corriente circule por las partes metálicas expuestas de la herramienta eléctrica y podrá soltar una descarga eléctrica al operario.
4. **Asegúrese siempre de pisar sobre suelo firme. Asegúrese de que no haya nadie debajo cuando utilice la herramienta en lugares altos.**
5. **Sujete la herramienta firmemente con ambas manos.**
6. **Mantenga las manos alejadas de las piezas giratorias.**
7. **No deje la herramienta funcionando. Téngala en marcha solamente cuando esté en sus manos.**
8. **No toque la broca o la pieza de trabajo inmediatamente después de utilizarla; podrían estar muy calientes y producirle quemaduras de piel.**

9. Algunos materiales contienen sustancias químicas que podrán ser tóxicas. Tenga precaución para evitar la inhalación de polvo y el contacto con la piel. Siga los datos de seguridad del abastecedor del material.

GUARDE ESTAS INSTRUCCIONES.

ADVERTENCIA:

NO deje que la comodidad o familiaridad con el producto (a base de utilizarlo repetidamente) sustituya la estricta observancia de las normas de seguridad para el producto en cuestión. El MAL USO o el no seguir las normas de seguridad establecidas en este manual de instrucciones podrá ocasionar graves heridas personales.

DESCRIPCIÓN FUNCIONAL

PRECAUCIÓN:

- Asegúrese siempre de que la herramienta esté apagada y desenchufada antes de ajustar o comprobar cualquier función de la herramienta.

Accionamiento del interruptor (Fig. 1)

PRECAUCIÓN:

- Antes de enchufar la herramienta, compruebe siempre para ver si el interruptor de gatillo se acciona correctamente y regresa a la posición "OFF" cuando se libera.

Para encender la herramienta, simplemente presione el interruptor de gatillo. La velocidad de la herramienta aumenta incrementando la presión ejercida en el interruptor de gatillo. Suelte el interruptor de gatillo para apagar la herramienta.

Para una operación continua, presione el interruptor de gatillo y luego empuje el botón de bloqueo.

Para parar la herramienta cuando funciona en la posición de bloqueo, presione el interruptor de gatillo completamente y suéltelo.

Se ha provisto un tornillo de control de velocidad para limitar la velocidad máxima (variable) de la herramienta. Gire el tornillo de control de velocidad hacia la derecha para mayor velocidad, y hacia la izquierda para menor velocidad.

Encendido de las lámparas

Para el modelo HP2050F, HP2051F (Fig. 2)

PRECAUCIÓN:



- No mire a la luz ni vea la fuente de luz directamente.

Para encender la lámpara, apriete el gatillo. Suelte el gatillo para apagarla.

NOTA:

- Utilice un paño seco para quitar la suciedad de la lente de la lámpara. Tenga cuidado de no rayar la lente de la lámpara, porque podrá disminuir la iluminación.

Accionamiento del interruptor de inversión (Fig. 3)

Esta herramienta tiene un interruptor de inversión para cambiar la dirección de giro. Mueva la palanca del interruptor de inversión a la posición  (lado A) para giro hacia la derecha o a la posición  (lado B) para giro hacia la izquierda.

PRECAUCIÓN:

- Confirme siempre la dirección de giro antes de la operación.
- Utilice el interruptor de inversión solamente después de que la herramienta se haya parado completamente. Si cambia la dirección de giro antes de que la herramienta se haya parado podrá dañarla.

Cambio de velocidad (Fig. 4)

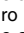
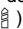
Con el pomo de cambio de velocidad se pueden seleccionar dos gamas de velocidades.

Para cambiar la velocidad, gire el pomo de cambio de velocidad de forma que la flecha de la carcasa de la herramienta apunte hacia la posición "I" del pomo para baja velocidad o hacia la posición "II" para alta velocidad. Si resulta difícil girar el pomo, gire primero el mandril ligeramente en cualquier dirección y después vuelva a girar el pomo.

PRECAUCIÓN:

- Utilice el pomo de cambio de velocidad solamente después de que la herramienta se haya parado completamente. Si cambia la velocidad de giro antes de que la herramienta se haya parado podrá dañarla.
- Ponga siempre el pomo de cambio de velocidad en la posición correcta. Si utiliza la herramienta con el pomo de cambio de velocidad puesto a medias entre las posiciones "I" y "II", la herramienta podrá dañarse.

Selección del modo de accionamiento (Fig. 5)

Esta herramienta tiene una palanca de cambio del modo de accionamiento. Para giro con percusión, deslice la palanca de cambio del modo de accionamiento hacia la derecha (símbolo ). Para giro solamente, deslice la palanca de cambio del modo de accionamiento hacia la izquierda (símbolo ).

PRECAUCIÓN:

- Deslice siempre la palanca de cambio del modo de accionamiento a tope hasta la posición del modo deseado. Si utiliza la herramienta con la palanca de cambio del modo de accionamiento puesta a medias entre los símbolos de modo, la herramienta podrá dañarse.

MONTAJE

PRECAUCIÓN:

- Asegúrese siempre de que la herramienta esté apagada y desenchufada antes de realizar cualquier trabajo en la herramienta.

Instalación de la empuñadura lateral (empuñadura auxiliar) (Fig. 6)

Utilice siempre la empuñadura lateral para asegurar la seguridad de operación. Instale la empuñadura lateral de forma que los dientes de la empuñadura encajen entre los salientes del cuerpo de la máquina.

Luego apriete la empuñadura girando hacia la derecha en la posición deseada. Puede girarse 360° y fijarse en cualquier posición.

Instalación o extracción de la broca

Para el modelo HP2050, HP2050F (Fig. 7)

Para instalar la broca, introdúzcala en el mandril hasta que haga tope. Apriete el mandril con la mano. Coloque la llave del mandril en cada uno de los agujeros y apriete hacia la derecha. Cerciórese de apretar los tres agujeros del mandril uniformemente.

Para extraer la broca, gire la llave del mandril hacia la izquierda en un de los agujeros solamente, luego afloje el mandril con la mano.

Recuerde volver a colocar la llave del mandril en su lugar original después de utilizarla.

Para el modelo HP2051, HP2051F (Fig. 8)

Sujete el anillo y gire el manguito hacia la izquierda para abrir las mordazas del mandril. Introduzca la broca en el mandril a tope. Sujete firmemente el anillo y gire el manguito hacia la derecha para apretar el mandril.

Para desmontar la broca, sujete el anillo y gire el manguito hacia la izquierda.

Tope de profundidad (Fig. 9)

El tope de profundidad es útil para taladrar agujeros de profundidad uniforme. Afloje la empuñadura lateral e inserte el tope de profundidad en el agujero de la empuñadura lateral. Ajuste el tope de profundidad a fin de obtener la profundidad deseada y apriete la empuñadura lateral.

NOTA:


- El tope de profundidad no puede utilizarse en la posición donde golpea contra el alojamiento del cojinete.

OPERACIÓN

Operación de taladrado con percusión

PRECAUCIÓN:

- En el momento de comenzar a penetrar, cuando se atasca el agujero con virutas y partículas, o cuando se topa contra varillas de refuerzo de hormigón armado, se ejerce una tremenda y repentina fuerza de torsión sobre la herramienta/broca. Utilice siempre la empuñadura lateral (empuñadura auxiliar) y sujete la herramienta firmemente por la empuñadura lateral y empuñadura del interruptor durante las operaciones. En caso contrario podrá resultar en la pérdida del control de la herramienta y posiblemente graves heridas.

Cuando taladre en hormigón, granito, azulejos, etc., mueva la palanca de cambio del modo de accionamiento a la posición del símbolo  para utilizar el accionamiento de "giro con percusión".

Asegúrese de utilizar una broca de punta de carburo de tungsteno.

Posicione la broca donde desee hacer el agujero, después apriete el gatillo interruptor. No fuerce la herramienta. Los mejores resultados se obtienen con una ligera presión. Mantenga la herramienta en posición y evite que se deslice y se salga agujero.

No aplique más presión cuando el agujero se atasque con virutas y partículas. En su lugar, haga funcionar la herramienta sin presión, después saque parcialmente la broca del agujero. Repitiendo esto varias veces, se limpiará el agujero y se podrá reanudar el taladrado normal.


Soplador (accesorio opcional) (Fig. 10)

Después de taladrar el agujero, utilice el soplador para limpiar el polvo del agujero.

Operación de taladrado

PRECAUCIÓN:

- El presionar excesivamente la herramienta no acelerará la perforación. De hecho, si se ejerce una presión excesiva sólo servirá para dañar la punta de la broca, disminuir el rendimiento de la herramienta y acortar la vida de servicio de la herramienta.
- En el momento de atravesar el orificio se ejerce una tremenda fuerza en la herramienta/broca. Sostenga la herramienta firmemente y tenga cuidado cuando la broca empiece a atravesar la pieza de trabajo.
- Una broca que haya quedado agarrotada se puede extraer ajustando el interruptor de inversión en la posición de giro en el sentido inverso. Sin embargo, la herramienta puede efectuar esta operación bruscamente en el caso de que no se sostenga la herramienta firmemente.
- Sostenga siempre las piezas de trabajo que sean pequeñas en un torno o en un dispositivo de sujeción similar.

Cuando taladre en madera, metal o materiales de plástico, mueva la palanca de cambio del modo de accionamiento a la posición del símbolo  para utilizar el accionamiento de "giro solamente".

Perforación en madera

Cuando efectúe una perforación en madera, los mejores resultados se obtendrán cuando se utilicen brocas de madera que estén ocupados con un tornillo de guía. El tornillo de guía facilita la perforación tirando de la broca hacia la pieza de trabajo.

Perforación en metal

Para evitar que la broca resbale cuando se está empezando en orificio, haga una marca con un punzón y un martillo en el punto en el que se desea hacer la perforación. Coloque la punta de la broca en la marca y empiece la perforación.

Cuando se perforen metales utilice un lubricante para cortes. Las excepciones son el hierro y el latón los cuales deben perforarse en seco.

MANTENIMIENTO

PRECAUCIÓN:

- Asegúrese siempre de que la herramienta esté apagada y desenchufada antes de intentar realizar una inspección o mantenimiento.
- No utilice nunca gasolina, bencina, disolvente, alcohol o similares. Podría producir descolocación, deformación o grietas.

Limpieza de los orificios de ventilación (Fig. 11)

La herramienta y sus aberturas de ventilación han de mantenerse limpias. Limpie las aberturas de ventilación regularmente o siempre que los orificios empiecen a estar obstruidos.

Para mantener la SEGURIDAD y FIABILIDAD del producto, las reparaciones, la inspección y sustitución de la escobilla de carbón, y cualquier otro mantenimiento o ajuste deberán ser realizados en centros o servicios de fábrica Autorizados por Makita, empleando siempre piezas de repuesto de Makita.

ACCESORIOS OPCIONALES

PRECAUCIÓN:

- Estos accesorios o acoplamientos están recomendados para utilizar con la herramienta Makita especificada en este manual. El empleo de otros accesorios o acoplamientos conllevará un riesgo de sufrir heridas personales. Utilice los accesorios o acoplamientos solamente para su fin establecido.

Si necesita cualquier ayuda para más detalles en relación con estos accesorios, pregunte al centro de servicio Makita local.

- Broca de punta de carburo de tungsteno
- Puntas Phillips
- Puntas planas
- Broca de corona
- Soplador
- Gafas de seguridad
- Mandril automático 13
- Llave de portabroca
- Conjunto de mordaza
- Tope de profundidad
- Maletín de transporte de plástico

NOTA:

- Algunos elementos de la lista podrán estar incluidos en el paquete de la herramienta como accesorios estándar. Pueden variar de un país a otro.

ENG905-1

Ruido

El nivel de ruido A-ponderado típico determinado de acuerdo con la norma EN60745:

Nivel de presión sonora (L_{pA}): 97 dB(A)

Nivel de potencia sonora (L_{wA}): 108 dB(A)

Error (K): 3 dB(A)

Póngase protectores en los oídos

ENG900-1

Vibración

El valor total de la vibración (suma de vectores triaxiales) determinado de acuerdo con la norma EN60745:

Modo tarea: taladrado con impacto en cemento

Emisión de vibración ($a_{h,D}$): 13 m/s²

Error (K): 3 m/s²

Modo tarea: taladrado en metal

Emisión de vibración ($a_{h,D}$): 2,5 m/s² o menos

Error (K): 1,5 m/s²

ENG901-1

- El valor de emisión de vibración declarado ha sido medido de acuerdo con el método de prueba estándar y se puede utilizar para comparar una herramienta con otra.
- El valor de emisión de vibración declarado también se puede utilizar en una valoración preliminar de exposición.

ADVERTENCIA:

- La emisión de vibración durante la utilización real de la herramienta eléctrica puede variar del valor de emisión declarado dependiendo de las formas en las que la herramienta sea utilizada.
- Asegúrese de identificar medidas de seguridad para proteger al operario que estén basadas en una estimación de la exposición en las condiciones reales de utilización (teniendo en cuenta todas las partes del ciclo operativo tal como las veces cuando la herramienta está apagada y cuando está funcionando en vacío además del tiempo de gatillo).

Para países europeos solamente

Declaración de conformidad CE

Makita declara que la(s) máquina(s) siguiente(s):

Designación de máquina:

2 velocidad taladro percutor

Modelo N°/Tipo: HP2050, HP2050F, HP2051, HP2051F

Cumplen con las directivas europeas siguientes:

2006/42/CE

Están fabricadas de acuerdo con las normas o documentos normalizados siguientes:

EN60745

El archivo técnico de acuerdo con la norma 2006/42/CE está disponible en:

Makita, Jan-Baptist Vinkstraat 2, 3070, Bélgica

31.12.2013



Yasushi Fukaya
Director

Makita, Jan-Baptist Vinkstraat 2, 3070, Bélgica

Explicação geral

1 Botão de bloqueio	8 Seta	14 Saliências
2 Parafuso de controlo da velocidade	9 Botão de mudança de velocidade	15 Chave do porta-brocas
3 Gatilho do interruptor	10 Alavanca de mudança do modo de acção	16 Aro
4 Maior	11 Base do punho	17 Anel
5 Mais baixa	12 Punho lateral (pega auxiliar)	18 Guia de profundidade
6 Lâmpada	13 Dentes	19 Soprador
7 Comutador de inversão		20 Orifícios de ventilação

ESPECIFICAÇÕES

Modelo		HP2050/HP2050F		HP2051/HP2051F	
Velocidade		Alta	Baixa	Alta	Baixa
Capacidades	Cimento	20 mm	----	20 mm	----
	Aço	8 mm	13 mm	8 mm	13 mm
	Madeira	25 mm	40 mm	25 mm	40 mm
RPM em vazio (min ⁻¹)		0 – 2.900	0 – 1.200	0 – 2.900	0 – 1.200
Impactos por minuto		0 – 58.000	0 – 24.000	0 – 58.000	0 – 24.000
Comprimento total		362 mm		360 mm	
Peso líquido		2,5 kg		2,5 kg	
Classe de segurança		II/II			

- Devido a um programa contínuo de pesquisa e desenvolvimento, estas especificações podem ser alteradas sem aviso prévio.
- As especificações podem variar de país para país.
- Peso de acordo com o Procedimento 01/2003 da EPTA (European Power Tool Association)

ENE039-1

Utilização pretendida

A ferramenta foi concebida para perfuração com impacto em tijolo, cimento e pedra, assim como para perfuração sem impacto em madeira, metal, cerâmica e plástico.

ENF002-2

Alimentação

A ferramenta só deve ser ligada a uma fonte de alimentação com a mesma voltagem da indicada na placa de características, e só funciona com alimentação CA monofásica. Tem um sistema de isolamento duplo e pode, por isso, utilizar tomadas sem ligação à terra.

GEA010-1

Avisos gerais de segurança para ferramentas eléctricas

⚠ AVISO Leia todos os avisos de segurança e todas as instruções. O não cumprimento de todos os avisos e instruções pode originar choque eléctrico, incêndio e/ou ferimentos graves.

Guarde todos os avisos e instruções para futuras referências.

GEB003-5

AVISOS DE SEGURANÇA PARA O BERBEQUIM DE PERCUSSÃO

1. Use protectores para os ouvidos com berbequins de impacto. Exposição ao ruído pode causar perda de audição.

2. Utilize a(s) pega(s) auxiliar(es), se fornecida(s) com a ferramenta.

A perda de controlo pode causar danos pessoais.

3. **Agarre na ferramenta eléctrica pelos punhos isolados ao realizar uma operação onde o acessório de corte possa tocar em fios eléctricos escondidos ou no seu próprio fio.** O contacto do acessório de corte com um fio "ligado" poderá carregar as partes metálicas da ferramenta e causar choque eléctrico no operador.

4. **Certifique-se sempre de que se mantém equilibrado.**

Certifique-se de que ninguém está por baixo quando trabalhar em locais altos.

5. **Agarre na ferramenta firmemente com as duas mãos.**

6. **Mantenha as mãos afastadas das partes rotativas.**

7. **Não deixe a ferramenta a funcionar. Funcione com a ferramenta só quando estiver a agarrá-la.**

8. **Não toque na broca ou na superfície de trabalho imediatamente depois da operação; podem estar extremamente quentes e queimar-se.**

9. **Alguns materiais contêm químicos que podem ser tóxicos. Tenha cuidado para evitar inalação de pó e contacto com a pele. Siga o dados de segurança do fornecedor do material.**

GUARDE ESTAS INSTRUÇÕES.

AVISO:

NÃO permita que conforto ou familiaridade com o produto (adquirido com o uso repetido) substitua a aderência estrita às regras de segurança da ferramenta. **MÁ INTERPRETAÇÃO** ou não seguimento das regras de segurança estabelecidas neste manual de instruções pode causar danos pessoais sérios.

DESCRIÇÃO FUNCIONAL

PRECAUÇÃO:

- Certifique-se sempre de a ferramenta está desligada e a ficha retirada da tomada antes de regular ou verificar qualquer função na ferramenta.

Interruptor (Fig. 1)

PRECAUÇÃO:

- Antes de ligar a ferramenta à corrente verifique sempre se o gatilho do interruptor funciona adequadamente e volta para a posição "OFF" (desligado) quando libertado.

Para ligar a ferramenta carregue simplesmente no gatilho do interruptor. A velocidade da ferramenta aumenta consoante a pressão exercida no gatilho do interruptor. Liberte o gatilho do interruptor para parar.

Para operação contínua, carregue no gatilho do interruptor e em seguida empurre o botão de bloqueio.

Para parar a ferramenta a partir da posição de bloqueio, carregue completamente no gatilho do interruptor e liberte-o em seguida.

Existe um parafuso de controlo de velocidade para que a velocidade máxima da ferramenta possa ser limitada (variável). Rode o parafuso de controlo de velocidade para a direita para maior velocidade e para a esquerda para velocidade mais baixa.

Acender as lâmpadas

Para modelo HP2050F, HP2051F (Fig. 2)

PRECAUÇÃO:

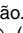
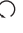
- Não olhe para a luz ou veja a fonte de luz directamente.

Para ligar a lâmpada, carregue no gatilho. Liberte o gatilho para desligar.

NOTA:

- Utilize um pano seco para retirar a sujidade das lentes da lâmpada. Tenha cuidado para não riscar as lentes da lâmpada ou pode diminuir a iluminação.

Ação do comutador de inversão (Fig. 3)

Esta ferramenta tem um comutador de inversão para mudar a direcção de rotação. Desloque o comutador de inversão para a posição  (lado A) para rotação para a direita ou para a posição  (lado B) para rotação para a esquerda.

PRECAUÇÃO:

- Verifique sempre a direcção de rotação antes da operação.
- Só utilize o comutador de inversão depois da ferramenta estar completamente parada. Mudar a direcção de rotação antes da ferramenta parar pode estragá-la.

Mudança de velocidade (Fig. 4)

Pode pré-seleccionar duas gamas de velocidade com o botão de mudança de velocidade.

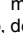

Para mudar a velocidade, rode o botão de mudança de velocidade de modo a que a seta no corpo da ferramenta aponte para a posição "I" no botão para baixa velocidade ou para a posição "II" para alta velocidade.

Se for difícil rodar o botão, rode primeiro ligeiramente o mandril em qualquer das direcções e em seguida rode o botão outra vez.

PRECAUÇÃO:

- Só utilize o botão de mudança de velocidade depois da ferramenta estar completamente parada. Mudar a velocidade antes da ferramenta parar pode estragá-la.
- Coloque sempre o botão de mudança de velocidade na posição correcta. Se funcionar com a ferramenta com o botão de mudança de velocidade entre a posição "I" e "II" pode estragar a ferramenta.

Seleção do modo de acção (Fig. 5)

Esta ferramenta tem uma alavanca de mudança do modo de acção. Para rotação com martelo, deslize a alavanca de mudança do modo de acção para a direita (símbolo ). Para só rotação, deslize a alavanca do modo de acção para a esquerda (símbolo .

PRECAUÇÃO:

- Deslize sempre a alavanca de mudança do modo de acção completamente para a posição de modo desejada. Se funcionar com a ferramenta com a alavanca posicionada entre os símbolos de modo pode estragar a ferramenta.

ASSEMBLAGEM

PRECAUÇÃO:

- Certifique-se sempre de que a ferramenta está desligada e a ficha retirada da tomada antes de executar qualquer manutenção na ferramenta.

Instalação do punho lateral (pega auxiliar) (Fig. 6)

Para uma operação segura utilize sempre o punho lateral. Coloque o punho lateral de modo a que os dentes no punho encaixem entre as saliências no corpo da ferramenta.

Em seguida aperte o punho rodando-o para a direita, na posição desejada. O punho pode rodar 360° e fixar-se em qualquer posição.

Colocação ou extracção da broca

Para modelo HP2050, HP2050F (Fig. 7)

Para instalar a broca, introduza-a o mais fundo possível no porta-brocas. Aperte o porta-brocas manualmente. Coloque a chave do porta-brocas em cada um dos três orifícios e aperte-os para a direita. Certifique-se de que apertou os três orifícios uniformemente.

Para retirar a broca, introduza a chave num único orifício e rode-a para a esquerda. Em seguida desaperte o porta-brocas manualmente.

Depois de utilizar a chave do porta-brocas, certifique-se de que a volta a colocar na respectiva cavidade existente na ferramenta.

Para modelo HP2051, HP2051F (Fig. 8)

Agarre no anel e rode a manga para a esquerda para abrir as garras do mandril. Coloque a broca no mandril o mais fundo possível. Agarre no anel firmemente e rode a manga para a direita para apertar o mandril.

Para retirar a broca, agarre no anel e rode a manga para a esquerda.

Guia de profundidade (Fig. 9)

A guia de profundidade facilita a perfuração de orifícios com profundidade uniforme. Desaperte o punho lateral e introduza a guia de profundidade no orifício no punho lateral. Regule a guia para a profundidade desejada e aperte o punho lateral.

NOTA:


- A guia de profundidade pode ser utilizada na posição onde a guia de profundidade toca no corpo da ferramenta.

OPERAÇÃO

Operação de perfuração com martelo

PRECAUÇÃO:

- É exercida uma força tremenda e repentina de torção na ferramenta/broca quando parte o buraco, quando o buraco fica bloqueado com aparas e partículas ou quando bate em varões reforçados embebidos no cimento. Utilize sempre a pega lateral (pega auxiliar) e agarre na ferramenta firmemente tanto pela pega lateral como pela pega interruptora durante as operações. Se assim não for, pode perder o controlo da ferramenta e aleijar-se seriamente.

Quando perfura em cimento, granito, azulejos, etc., deslize a alavanca de mudança do modo de acção para a posição do símbolo  para utilizar a acção de “rotação com martelo”.

Certifique-se de que utiliza uma broca de carboneto de tungsténio.

Posicione a broca na posição desejada para o orifício e em seguida carregue no gatilho. Não force a ferramenta. Pressão ligeira oferece melhores resultados. Mantenha a ferramenta na posição e evite que deslize para fora do orifício.

Não aplique mais pressão quando o orifício fica bloqueado com aparas ou partículas. Em vez disso, funcione com a ferramenta de lado e em seguida retire a broca parcialmente do orifício. Repetindo isto várias vezes, o orifício ficará limpo e pode retomar a operação normal.


Soprador (acessório opcional) (Fig. 10)

Depois de perfurar o orifício, utilize o soprador para retirar a poeira do orifício.

Operação de perfuração

PRECAUÇÃO:

- Não acelerará a perfuração se exercer demasiada pressão na ferramenta. Se o fizer poderá danificar a ponta da broca, diminuir o seu rendimento e encurtar o tempo de vida útil da ferramenta.
- No momento de atravessar o orifício exercer-se-à uma enorme força na ferramenta/broca. Segure a ferramenta com firmeza e tenha cuidado quando a broca começar a atravessar a superfície de trabalho.
- Para extrair uma broca que tenha ficado presa, coloque o comutador de inversão na posição de rotação em sentido inverso. Segure a ferramenta com firmeza, pois poderá haver uma reacção brusca durante esta operação.
- Se perfurar superfícies pequenas, segure-as sempre com um torno ou dispositivo similar.

Quando perfura em madeira, metal ou materiais plásticos, desloque a alavanca de mudança do modo de acção para a posição do símbolo  para utilizar a acção de “só rotação”.

Em madeira

Quando perfurar madeira obterá melhores resultados se utilizar uma broca equipada com uma guia de profundidade. A guia facilita a perfuração dirigindo a broca na superfície de trabalho.

Em metal

Para evitar que a broca resvale quando iniciar a perfuração, faça uma marca com um punção e um martelo no ponto onde desejar perfurar. Coloque a ponta da broca na marca e inicie a perfuração.

Quando perfurar metais utilize um lubrificante, excepto para ferro e latão que devem ser perfurados a seco.

MANUTENÇÃO

PRECAUÇÃO:

- Certifique-se sempre de que a ferramenta está desligada e a ficha retirada da tomada antes de executar qualquer inspecção ou manutenção.
- Nunca utilize gasolina, benzina, diluente, álcool ou produtos semelhantes. Pode ocorrer a descoloração, deformação ou rachaduras.

Limpeza dos orifícios de ventilação (Fig. 11)

Esta ferramenta e as suas ventilações devem ser mantidas limpas. Limpe regularmente as ventilações da ferramenta ou quando começarem a ficar obstruídas.

Para manter a SEGURANÇA e FIABILIDADE do produto, as reparações, a inspecção e substituição da escova de carvão, qualquer outra operação de manutenção ou ajuste, deve ser efectuada pelos serviços de assistência técnica ou o departamento de assistência da fábrica da Makita, utilizando sempre peças de substituição Makita.

ACESSÓRIOS OPCIONAIS

PRECAUÇÃO:

- Estes acessórios ou acoplamentos são os recomendados para uso na ferramenta Makita especificada neste manual. A utilização de qualquer outro acessório ou acoplamento poderá ser perigosa para o operador. Os acessórios ou acoplamentos devem ser utilizados de maneira adequada e apenas para os fins a que se destinam.

No caso de necessitar ajuda para mais detalhes sobre estes acessórios, consulte ao departamento de assistência local da Makita.

- Broca de carboneto de tungsténio
- Brocas Phillips
- Brocas de ranhura
- Serra de orifício
- Soprador
- Óculos de segurança
- Mandril de berbequim sem chave 13
- Chave do mandril
- Conjunto do punho
- Guia de profundidade
- Caixa plástica para transporte

NOTA:

- Alguns itens da lista podem estar incluídos na embalagem da ferramenta como acessórios padrão. Eles podem variar de país para país.

Ruído

A característica do nível de ruído A determinado de acordo com EN60745:

Nível de pressão de som (L_{pA}): 97 dB(A)

Nível do som (L_{WA}): 108 dB(A)

Variabilidade (K): 3 dB(A)

Utilize protectores para os ouvidos**Vibração**

O valor total da vibração (soma vectorial tri-axial) determinado de acordo com EN60745:

Modo de funcionamento: perfuração com impacto em betão

Emissão de vibração ($a_{h,10}$): 13 m/s^2

Variabilidade (K): 3 m/s^2

Modo de funcionamento: perfuração em metal

Emissão de vibração ($a_{h,10}$): 2,5 m/s^2 ou inferior

Variabilidade (K): 1,5 m/s^2

ENG901-1

- O valor da emissão de vibração indicado foi medido de acordo com o método de teste padrão e pode ser utilizado para comparar duas ferramentas.
- O valor da emissão de vibração indicado pode também ser utilizado na avaliação preliminar da exposição.

AVISO:

- A emissão de vibração durante a utilização real da ferramenta eléctrica pode diferir do valor de emissão indicado, dependendo das formas como a ferramenta é utilizada.
- Certifique-se de identificar as medidas de segurança para protecção do operador que sejam baseadas em uma estimativa de exposição em condições reais de utilização (considerando todas as partes do ciclo de operação, tal como quando a ferramenta está desligada e quando está a funcionar em marcha lenta além do tempo de accionamento).

Só para países Europeus**Declaração de conformidade CE****A Makita declara que a(s) seguinte(s) máquina(s):**

Designação da ferramenta:

Berbequim percutor com 2 velocidades

Modelos n.º/Tipo: HP2050, HP2050F, HP2051, HP2051F

Em conformidade com as seguintes directivas europeias:

2006/42/CE

São fabricadas de acordo com as seguintes normas ou documentos normalizados:

EN60745

O ficheiro técnico de acordo com a 2006/42/CE está disponível em:

Makita, Jan-Baptist Vinkstraat 2, 3070, Bélgica

31.12.2013



Yasushi Fukaya

Director

Makita, Jan-Baptist Vinkstraat 2, 3070, Bélgica

Illustrationsoversigt

1 Låseknop	8 Pil	15 Borepatronnøgle
2 Hastighedskontrollrue	9 Hastighedsvælgerknop	16 Muffe
3 Afbryderkontakten	10 Funktionsvælgerknop	17 Ring
4 Lavere	11 Grebbase	18 Dybdeanslag
5 Højere	12 Sidegreb (hjælpegreb)	19 Udblæsningskugle
6 Lampe	13 Tænder	20 Ventilationshuller
7 Omdrejningsvælger	14 Fremspring	

SPECIFIKATIONER

Model		HP2050/HP2050F		HP2051/HP2051F	
Hastighed		Høj	Lav	Høj	Lav
Kapacitet	Beton	20 mm	-----	20 mm	-----
	Stål	8 mm	13 mm	8 mm	13 mm
	Træ	25 mm	40 mm	25 mm	40 mm
Omdrejninger (min ⁻¹)		0 – 2 900	0 – 1 200	0 – 2 900	0 – 1 200
Slagantal		0 – 58 000	0 – 24 000	0 – 58 000	0 – 24 000
Længde		362 mm		360 mm	
Netto vægt		2,5 kg		2,5 kg	
Sikkerhedsklasse		□/II			

- På grund af vores kontinuerlige forskningsprogrammer og udvikling, kan hosstående specifikationer blive ændret uden varsel.
- Specifikationer kan variere fra land til land.
- Vægt i henhold til EPTA-Procedure 01/2003

ENE039-1

Tilsigtet anvendelse

Denne maskine er beregnet til hammerboring i mursten, beton og sten, samt til boring uden slag i træ, metal, keramik og plastmaterialer.

ENF002-2

Strømforsyning

Maskinen må kun tilsluttes en strømforsyning med samme spænding som angivet på typeskiltet, og kan kun anvendes på enfaset vekselstrømforsyning. Den er dobbeltisoleret og kan derfor også tilsluttes netstik uden jordforbindelse.

GEA010-1

Almindelige sikkerhedsregler for el-værktøj

⚠ ADVARSEL Læs alle sikkerhedsadvarsler og alle sikkerhedsinstruktioner. Hvis nedenstående advarsler og instruktioner ikke overholdes, kan resultatet blive elektrisk stød, brand og/eller alvorlig personskade.

Gem alle advarsler og instruktioner til fremtidig reference.

GEB003-5

SIKERHEDSFORSKRIFTER FOR BOREHAMMER

- Anvend høreværn, når der anvendes slagbor.**
Udsættelse for støj kan føre til høretab.
- Anvend hjælpehåndtag, hvis det (de) følger med maskinen.**
Hvis kontrollen mistes, kan resultatet blive personskade.

- Hold altid et el-værktøj i dets isolerede håndtagsflader, når du udfører et arbejde, hvor skæreværktøjet kan komme i berøring med dets egen ledning.** Hvis skæreværktøjet kommer i berøring med en strømførende ("live") ledning, kan el-værktøjets udsatte metaldele blive strømførende og give operatøren stød.
- Sørg for, at De altid har sikkert fodfæste.**
Ved brug af maskinen i større højde bør De sikre Dem, at der ikke står personer nedenunder arbejdsområdet.
- Hold godt fast på maskinen med begge hænder.**
- Rør aldrig roterende dele med hænderne.**
- Læg ikke maskinen fra Dem, mens den stadig kører.** Maskinen må kun køre, når den holdes med begge hænder.
- Rør ikke ved værktøjet eller værktøjet umiddelbart efter brug.** Disse dele kan være ekstremt varme og medføre forbrændinger.
- Visse materialer indeholder kemikalier, som kan være giftige.** Vær påpasselig med ikke at indånde støv eller få disse materialer på huden. Følg sikkerhedsforskrifterne fra fabrikanten af materialet.

GEM DISSE FORSKRIFTER.

ADVARSEL:

LAD IKKE bekvemmelighed eller kendskab til produktet (opnået gennem gentagen brug) forhindre, at sikkerhedsforskrifterne for produktet nøje overholdes. MISBRUG eller forsømmelse af at følge de i denne brugsvejledning givne sikkerhedsforskrifter kan føre til, at De kommer alvorligt til skade.

FUNKTIONSBESKRIVELSE

FORSIGTIG:

- Kontrollér altid at maskinen er slukket, og at netledningen er taget ud af stikkontakten, før funktioner på maskinen justeres eller kontrolleres.

Betjening (Fig. 1)

FORSIGTIG:

- Før maskinen startes bør det altid kontrolleres at afbryderkontakten fungerer korrekt og returnerer til "OFF" indstillingen når den slippes.

Maskinen startes ved blot at trykke på afbryderkontakten. Maskinhastigheden øges ved at øge trykket på afbryderkontakten. Slip afbryderkontakten for at stoppe. Ved vedvarende arbejde trykkes afbryderkontakten ind og låseknapen skubbes ind.

For at frigøre maskinen fra denne låste position trykkes afbryderkontakten helt ind hvorefter den slippes.

Maskinen er forsynet med en hastighedskontrolskruer, så maksimal maskinhastighed kan begrænses (variabel). Drej hastighedskontrolskruen med uret for højere hastighed og mod uret for lavere hastighed.

Belysningslamper

For Model HP2050F, HP2051F (Fig. 2)

FORSIGTIG:



- Se ikke direkte på lyskilden.

Lampen tændes ved at man trykker på afbryderen. Slip afbryderen for at slukke.

BEMÆRK:

- Anvend en tør klud til at tørre smuds af lampens linse. Undgå at ride lampens linse, da det vil gøre belysningen svagere.

Omdrejningsvælgerbetjening (Fig. 3)

Denne maskine er forsynet med en omdrejningsvælger til at ændre omdrejningsretningen. Flyt omdrejningsvælgeren til  positionen (A side) for rotation med uret, eller til  positionen (B side) for rotation mod uret.

FORSIGTIG:

- Kontrollér altid omdrejningsretningen før brug.
- Brug kun omdrejningsvælgeren, når maskinen er helt standset. Hvis omdrejningsretningen ændres, før maskinen er helt standset, kan det beskadige maskinen.

Ændring af hastighed (Fig. 4)

Der kan forvælges to hastighedsområder med hastighedsvælgerknappen.

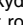
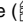
For at ændre hastigheden drejes hastighedsvælgerknappen, så pilen på maskinhuset peger på "I" positionen på knappen for lav hastighed, eller på "II" position for høj hastighed.

Hvis det er vanskeligt at dreje knappen, drejer man først borepatronen en smule i en af retningerne og drejer derefter knappen igen.

FORSIGTIG:

- Brug kun hastighedsvælgerknappen, når maskinen er helt standset. Hvis maskinens hastighed ændres, før maskinen er helt standset, kan det beskadige maskinen.
- Sæt altid hastighedsvælgerknappen til den korrekte position. Hvis man anvender maskinen med hastighedsvælgerknappen placeret halvvejs mellem "I" og "II" positionen, kan det beskadige maskinen.

Valg af funktion (Fig. 5)

Denne maskine er forsynet med en funktionsvælgerknop. For rotation med hammerboring skydes funktionsvælgerknappen til højre ( symbol). For rotation alene skydes funktionsvælgerknappen til venstre ( symbol).

FORSIGTIG:

- Skyd altid funktionsvælgerknappen hele vejen til den ønskede position. Hvis man anvender maskinen med funktionsvælgerknappen placeret halvvejs mellem funktionsymbolerne, kan det beskadige maskinen.

SAMLING

FORSIGTIG:

- Kontrollér altid, at maskinen er slået fra, og at netstikket er trukket ud af stikkontakten, før der udføres noget arbejde på maskinen.

Montering af sidegreb (hjelpegreb) (Fig. 6)

Brug altid sidegrebet af hensyn til betjeningssikkerheden. Monter sidegrebet således at tænderne passer ind i fremspringene på spindelhalsen.

Fastspænd det i den ønskede position ved at dreje selve sidegrebet med uret. Sidegrebet kan monteres i enhver position 360° om spindelhalsen.

Montering eller afmontering af boret

For Model HP2050, HP2051F (Fig. 7)

Monter boret ved at sætte det så langt ind i patronen som det kan. Stram patronen til med hånden. Sæt borepatronnøglen skiftevis i hver af de tre huller og stram til med uret. Sørg for at stramme alle tre huller lige meget.

Boret fjernes ved at dreje borepatronnøglen mod uret i et hul, og derefter løsne patronen med hånden.

Nøglen til borepatronen bør altid opbevares i holderen efter endt brug.

For Model HP2051, HP2051F (Fig. 8)

Hold fast på ringen og drej muffen mod uret for at åbne borepatronens kæber. Sæt værktøjet så langt ind i borepatronen som muligt. Hold fast på ringen og drej muffen med uret for at spænde borepatronens kæber.

For at afmontere værktøjet holdes ringen fast og muffen drejes mod uret.

Dybdeanslag (Fig. 9)

Dybdeanslaget er nyttigt ved boring af huller med samme dybde. Løs sidegrebet og sæt dybdeanslaget ind i hullet på grebbasen. Indstil dybdeanslaget til den ønskede dybde og stram derefter sidegrebet til.

BEMÆRK:


- Dybdeanslaget kan ikke anvendes i en position hvor dybdeanslaget slår imod gearhuset.

ANVENDELSE

Hammerboring

FORSIGTIG:

- Maskinen/boret udsættes for en voldsom og pludselig vridningspåvirkning, når der brydes gennem hullet, når hullet bliver tilstoppet med spåner eller partikler, eller når det slår mod armeringsjern i beton. Anvend altid sidegrebet (hjelpegreb), og hold maskinen godt fast både med sidegrebet og afbrydergrebet under anvendelsen. Hvis dette ikke gøres, kan det medføre, at De mister kontrollen over maskinen, hvilket udgør en stor risiko for alvorlig tilskadecomst.

Når der bores i beton, granit, fliser og lignende, flyttes funktionsvælgerknappen til positionen med  symbolet for "rotation med hammerboring".

Husk at anvende et bor med hårdmetalspids.

Anbring spidsen af boret på det sted, hvor hullet skal bores, og tryk derefter afbryderen ind. Tving ikke maskinen. Et let tryk giver det bedste resultat. Hold godt fast på maskinen for at forhindre, at den skrider væk fra hullet.

Øg ikke trykket på maskinen, når hullet bliver tilstoppet med spåner og partikler. Lad i stedet maskinen køre i tomgang, og træk dernæst boret delvist ud af hullet. Ved at gentage dette flere gange bliver borehullet rent, og normal boring kan genoptages.


Udblæsningskugle (ekstraudstyr) (Fig. 10)

Efter boring af hullet anvendes udblæsningskuglen til at blæse hullet rent for støv.

Boring

FORSIGTIG:

- Overdrevent tryk på maskinen vil ikke gøre boringen hurtigere. I virkeligheden vil det kun medvirke til at beskadige spidsen på boret, forringe maskinens ydeevne og forkorte maskinens levetid.
- Maskinen/boret udsættes for en voldsom vridningspåvirkning, når der brydes igennem hullet. Hold maskinen godt fast og udvis forsigtighed, når boret begynder at bryde gennem emnet.
- Et bor, der har sat sig fast, kan nemt fjernes ved at sætte den omstyrbare afbryderkontakt til modsat omdrejningsretning for at bakke ud. Maskinen kan dog bakke ukontrollabelt ud, hvis der ikke holdes godt fast på maskinen, før den startes.
- Mindre emner skal fastgøres forsvarligt i en skruestik eller lignende.

Når der bores i træ, metal eller plastmaterialer, flyttes funktionsvælgerknappen til positionen med  symbolet for "rotation alene".

Boring i træ

Ved boring i træ opnås det bedste resultat med træborudstyret med en centerspids. Centerspidsen gør boringen lettere, idet den trækker boret ind i emnet.

Boring i metal

For at forhindre at boret skrider, når der startes på et hul, bør der laves en fordybning med en kørne og en hammer på det sted, hvor hullet skal bores. Placér spidsen af boret i fordybningen og start boringen.

Anvend en skæresmørelse, når der bores i metal. Undtaget er jern og messing, som skal bores tørre.

VEDLIGEHOLDELSE

FORSIGTIG:

- Kontrollér altid, at maskinen er slået fra, og netledningen taget ud af stikkontakten, inden De udfører inspektion eller vedligeholdelse.
- Anvend aldrig benzin, rensebenzin, fortynder, alkohol og lignende. Resultatet kan blive misfarvning, deformation eller revner.

Rengøring af ventilationshuller (Fig. 11)

Maskinen og dens ventilationshuller skal holdes rene. Rengør maskinens ventilationshuller med mellemrum, eller når de begynder at blive tilstoppede.

For at opretholde produktets SIKKERHED og PÅLIDELIGHED bør reparation, inspektion og udskiftning af kul, samt anden vedligeholdelse og justering kun udføres af et autoriseret Makita service-center eller værksted med anvendelse af originale Makita udskiftningsdele.

EKSTRAUDSTYR

FORSIGTIG:

- Det i denne manual specificerede tilbehør og anordninger anbefales til brug sammen med Deres Makita maskine. Brug af andet tilbehør og andre anordninger kan udgøre en risiko for personskaade. Anvend kun tilbehør og anordninger til de beskrevne formål.

Hvis De behøver assistance eller yderligere detaljer om dette tilbehør, bedes De kontakte Deres lokale Makita servicecenter.

- Bor med hårdmetalspids
- Skruebits
- Kærvbits
- Hulsav
- Udblæsningskugle
- Sikkerhedsbriller
- Nøgleløs borepatron 13
- Borepatron
- Grebenhed
- Dybdeanslag
- Transportkuffert i plast

BEMÆRK:

- Nogle ting på denne liste kan være inkluderet i værktøjspakken som standardtilbehør. Det kan være forskelligt fra land til land.

Lyd

Det typiske A-vægtede støjniveau bestemt i overensstemmelse med EN60745:

Lydtryksniveau ($L_{p(A)}$): 97 dB(A)

Lydeffektniveau ($L_{w(A)}$): 108 dB(A)

Usikkerhed (K): 3 dB(A)

Bær høreværn

ENG900-1

Vibration

Vibrations totalværdi (tre-aksial vektorsum) bestemt i overensstemmelse med EN60745:

Arbejdsindstilling: slagboring i beton

Vibrationsafgivelse ($a_{h,D}$): 13 m/s²

Usikkerhed (K): 3 m/s²

Arbejdsindstilling: boring i metal

Vibrationsafgivelse ($a_{h,D}$): 2,5 m/s² eller mindre

Usikkerhed (K): 1,5 m/s²

ENG901-1

- Den angivne vibrationsemissionsværdi er blevet målt i overensstemmelse med standardtestmetoden og kan anvendes til at sammenligne en maskine med en anden.
- Den angivne vibrationsemissionsværdi kan også anvendes i en præliminær eksponeringsvurdering.

ADVARSEL:

- Vibrationsemissionen under den faktiske anvendelse af maskinen kan være forskellig fra den erklærede emissionsværdi, afhængigt af den måde, hvorpå maskinen anvendes.
- Sørg for at identificere de sikkerhedsforskrifter til beskyttelse af operatøren, som er baseret på en vurdering af eksponering under de faktiske brugsforhold (med hensyntagen til alle dele i brugscyklen, som f.eks. de gange, hvor maskinen er slukket og når den kører i tomgang i tilgift til afbrydertiden).

Kun for lande i Europa**EU-konformitetserklæring****Makita erklærer, at den følgende maskine (maskiner):**

Maskinens betegnelse:

2-gears slagboremaskine

Model nr./Type: HP2050, HP2050F, HP2051, HP2051F

Er i overensstemmelse med de europæiske direktiver:

2006/42/EU

De er fremstillet i overensstemmelse med den følgende standard eller standardiserede dokumenter:

EN60745

Den tekniske fil, som er i overensstemmelse med 2006/42/EU, er tilgængelig fra:

Makita, Jan-Baptist Vinkstraat 2, 3070, Belgien

31.12.2013



Yasushi Fukaya

Direktør

Makita, Jan-Baptist Vinkstraat 2, 3070, Belgien

Περιγραφή γενικής άποψης

1 Κπουμπί ασφάλισης	8 Βέλος	14 Προεξοχές
2 Βίδα ελέγχου ταχύτητας	9 Κουμπί αλλαγής ταχύτητας	15 Σταυρόκλειδο
3 Σκανδάλη διακόπτης	10 Κουμπί αλλαγής τρόπου λειτουργίας	16 Μανίκι
4 Υψηλότερη	11 Βάση λαβής	17 Δακτυλίδι
5 Χαμηλότερη	12 Πλευρική λαβή (βοηθητική λαβή)	18 Μετρητής βάθους
6 Λάμπα	13 Δόντια	19 Φούσκα φυσήτριας
7 Μοχλός διακόπτη αντιστροφής		20 Οπές εξαερισμού

ΤΕΧΝΙΚΑ ΧΑΡΑΚΤΗΡΙΣΤΙΚΑ

Μοντέλο		HP2050/HP2050F		HP2051/HP2051F	
Ταχύτητων		Υψηλή	Χαμηλή	Υψηλή	Χαμηλή
Αποδόσεις	Τσιμέντο	20 χιλ.	-----	20 χιλ.	-----
	Ατσάλι	8 χιλ.	13 χιλ.	8 χιλ.	13 χιλ.
	Ξύλο	25 χιλ.	40 χιλ.	25 χιλ.	40 χιλ.
Ταχύτητα χωρίς φορτίο (λεπ ⁻¹)		0 – 2.900	0 – 1.200	0 – 2.900	0 – 1.200
Χτυπήματα ανά λεπτό		0 – 58.000	0 – 24.000	0 – 58.000	0 – 24.000
Συνολικό μήκος		362 χιλ.		360 χιλ.	
Καθαρό βάρος		2,5 Χγρ.		2,5 Χγρ.	
Κατηγορία ασφάλειας		☐/II			

- Λόγω του συνεχιζόμενου προγράμματος έρευνας και ανάπτυξης, οι παρούσες προδιαγραφές υπόκεινται σε αλλαγή χωρίς προειδοποίηση.
- Τα τεχνικά χαρακτηριστικά μπορεί να διαφέρουν από χώρα σε χώρα.
- Βάρος σύμφωνα με διαδικασία ΕΡΤΑ 01/2003

GEB003-5

ΚΡΟΥΣΤΙΚΟ ΤΡΥΠΑΝΙ — ΠΡΟΕΙΔΟΠΟΙΗΣΕΙΣ ΑΣΦΑΛΕΙΑΣ

1. **Να φοράτε ωασιπίδες όταν κάνετε κρουστικό τρυπάνισμα.** Εκθεση σε θόρυβο μπορεί να προκαλέσει απώλεια ακοής.
2. **Να χρησιμοποιείτε τη/τις βοηθητική(ές) λαβή(ές), εάν παρέχεται(ονται) με το εργαλείο.** Απώλεια ελέγχου μπορεί να προκαλέσει προσωπικό τραυματισμό.
3. **Να κρατάτε τα ηλεκτρικά εργαλεία μόνον από τις μονωμένες επιφάνειες συγκράτησης, κατά την εκτέλεση εργασιών όπου το παρελκόμενο κοπής ενδέχεται να έλθει σε επαφή με κρυφές καλωδιώσεις ή το δικό του καλώδιο τροφοδοσίας.** Σε περίπτωση επαφής του παρελκόμενου κοπής με “ηλεκτροφόρο” καλώδιο, ενδέχεται να εκτεθειμένα μεταλλικά εξαρτήματα του ηλεκτρικού εργαλείου να καταστούν τα ίδια “ηλεκτροφόρα” και να προκαλέσουν ηλεκτροπληξία στο χειριστή.
4. **Πάντοτε να είστε σίγουρος ότι πατάτε σταθερά.** Σιγουρευτείτε ότι δεν βρίσκεται κανείς από κάτω όταν χρησιμοποιείτε το μηχάνημα σε υψηλές θέσεις.
5. **Κρατάτε το μηχάνημα σταθερά και με τα δύο χέρια.**
6. **Μη φέρνετε τα χέρια σας κοντά σε κινούμενα κομμάτια.**
7. **Μην αφήνετε το μηχάνημα να λειτουργεί.** Χρησιμοποιείτε το μηχάνημα μόνο όταν το κρατάτε.
8. **Μην αγγίζετε την αιχμή ή κομμάτια κοντά στην αιχμή αμέσως μετά τη λειτουργία, ίσως είναι πάρα πολύ ζεστά και μπορεί να κάψουν το δέρμα σας.**

Προοριζόμενη χρήση

Το εργαλείο προορίζεται για κρουστικό τρυπάνισμα σε τούβλο, σκυρόδεμα και πέτρα καθώς επίσης και για τρυπάνισμα χωρίς κρούση σε ξύλο, μέταλλο, κεραμικά και πλαστικά.

ENE039-1

ENF002-2

Ρευματοδότηση

Το μηχάνημα πρέπει να συνδέεται μόνο με παροχή ρεύματος της ίδιας τάσης με αυτή που αναγράφεται στην πινακίδα ονομαστικών τιμών και μπορεί να λειτουργήσει μόνο με εναλλασσόμενο μονοφασικό ρεύμα. Τα μηχανήματα αυτά έχουν διπλή μόνωση και, κατά συνέπεια, μπορούν να συνδεθούν σε ακροδέκτες χωρίς σύρμα γείωσης.

GEA010-1

Γενικές προειδοποιήσεις ασφαλείας για το ηλεκτρικό εργαλείο

⚠ ΠΡΟΕΙΔΟΠΟΙΗΣΗ Διαβάστε όλες τις προειδοποιήσεις ασφαλείας και όλες τις οδηγίες. Η μη τήρηση των προειδοποιήσεων και οδηγιών ενδέχεται να καταλήξει σε ηλεκτροπληξία, πυρκαγιά ή/και σοβαρό τραυματισμό.

Φυλάξτε όλες τις προειδοποιήσεις και τις οδηγίες για μελλοντική παραπομπή.

9. Μερικά υλικά περιέχουν χημικά που μπορεί να είναι τοξικά. Προσέχετε να αποφύγετε εισπνοή σκόνης και δερματική επαφή. Ακολουθείτε τα δεξομένα ασφάλειας του προμηθευτή υλικών.

ΦΥΛΑΞΤΕ ΑΥΤΕΣ ΤΙΣ ΟΔΗΓΙΕΣ.

ΠΡΟΕΙΔΟΠΟΙΗΣΗ:

ΜΗΝ επιτρέψετε το βαθμό άνεσης ή εξοικείωσης με το προϊόν (λόγω επανειλημμένης χρήσης) να αντικαταστήσει την αυστηρή τήρηση των κανόνων ασφαλείας του παρόντος εργαλείου. **ΚΑΚΗ ΧΡΗΣΗ** ή αμέλεια να ακολουθήσετε τους κανόνες ασφάλειας που διατυπώνονται σ' αυτό το εγχειρίδιο οδηγιών μπορεί να προκαλέσει σοβαρό προσωπικό τραυματισμό.

ΠΕΡΙΓΡΑΦΗ ΛΕΙΤΟΥΡΓΙΑΣ

ΠΡΟΣΟΧΗ:

- Πάντοτε βεβαιώνετε ότι το εργαλείο είναι σβηστό και αποσυνδεδεμένο από το ρεύμα πριν ρυθμίσετε ή ελέγξετε κάποια λειτουργία στο εργαλείο.

Δειτουργία διακόπτη (Εικ. 1)

ΠΡΟΣΟΧΗ:

- Πριν συνδέσετε το μηχάνημα στο ρεύμα, πάντοτε ελέγχετε να δείτε ότι η σκανδάλη διακόπτης ενεργοποιείται κανονικά και επιστρέφει στη θέση "OFF" όταν ελευθερώνεται.

Για να ξεκινήσει το μηχάνημα τραβήχτε τη σκανδάλη διακόπτης. Η ταχύτητα του μηχανήματος αυξάνεται με αύξηση της πίεσης στη σκανδάλη διακόπτης. Για να σταματήσει ελευθερώστε τη σκανδάλη διακόπτης.

Για συνεχή λειτουργία, τραβήχτε τη σκανδάλη διακόπτης και μετά σπρώχτε μέσα το κουμπί ασφάλισης.

Για να σταματήσετε το μηχανήμα από τη θέση ασφάλισης, τραβήχτε τη σκανδάλη διακόπτης πλήρως και μετά αφήστε τη.

Μιά βίδα ελέγχου ταχύτητας έχει προβλεφθεί έτσι ώστε η μέγιστη ταχύτητα του εργαλείου να μπορεί να περιοριστεί (μεταβλητή). Γυρίστε τη βίδα ελέγχου ταχύτητας δεξιόστροφα για υψηλότερη ταχύτητα και αριστερόστροφα για χαμηλότερη ταχύτητα.

Αναμνα των λαμπών

Για Μοντέλα HP2050F, HP2051F (Εικ. 2)

ΠΡΟΣΟΧΗ:

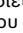
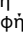
- Μη κυττάτε το φως ούτε να βλέπετε την πηγή φωτός απευθείας.

Για να ανάψετε τη λάμπα, τραβήχτε τη σκανδάλη. Ελευθερώστε τη σκανδάλη για να τη σβήσετε.

ΠΑΡΑΤΗΡΗΣΗ:

- Χρησιμοποιείτε ένα στεγνό ύφασμα για να σκουπίζετε τους ρύπους από το φακό της λάμπας. Προσέχετε να μη γρατσουνίσετε το φακό της λάμπας, διαφορετικά θα μειωθεί ο φωτισμός.

Λειτουργία διακόπτη αντιστροφής (Εικ. 3)

Αυτό το εργαλείο έχει ένα διακόπτη αντιστροφής για να αλλάζει την διεύθυνση περιστροφής. Μετακινείστε το κουμπί του διακόπτη περιστροφής στη θέση  (Α πλευρά) για δεξιόστροφη περιστροφή ή στη θέση  (Β πλευρά) για αριστερόστροφη περιστροφή.

ΠΡΟΣΟΧΗ:

- Πάντοτε ελέγχετε την διεύθυνση περιστροφής πριν από την λειτουργία.
- Χρησιμοποιείτε τον διακόπτη αντιστροφής μόνο αφού το εργαλείο έχει σταματήσει εντελώς. Η αλλαγή της διεύθυνσης περιστροφής πριν το εργαλείο σταματήσει θα προκαλέσει ζημιά στο εργαλείο.

Αλλαγή ταχύτητας (Εικ. 4)

Δύο τιμές ταχυτήτων μπορούν να προεπιλεγούν με το κουμπί αλλαγής ταχύτητας.



Για αλλαγή ταχύτητας, γυρίστε το κουμπί αλλαγής ταχύτητας έτσι ώστε το βέλος στο σώμα του εργαλείου να δείχνει προς τη θέση "I" στο κουμπί χαμηλής ταχύτητας ή στην θέση "II" για υψηλή ταχύτητα.

Εάν είναι δύσκολο να γυρίσετε το κουμπί, πρώτα γυρίστε τον σφικκτήρα ελαφρά προς τη μία ή την άλλη διεύθυνση και μετά γυρίστε το κουμπί πάλι.

ΠΡΟΣΟΧΗ:

- Χρησιμοποιείτε τον διακόπτη αντιστροφής μόνο αφού το εργαλείο έχει σταματήσει εντελώς. Η αλλαγή της διεύθυνσης περιστροφής πριν το εργαλείο σταματήσει θα προκαλέσει ζημιά στο εργαλείο.
- Πάντοτε τοποθετείτε το κουμπί αλλαγής ταχύτητας στη σωστή θέση. Εάν λειτουργείτε το εργαλείο με το κουμπί αλλαγής ταχύτητας τοποθετημένο στο μέσον των θέσεων "I" και "II" το εργαλείο θα υποστεί ζημιά.

Επιλογή τρόπου λειτουργίας (Εικ. 5)

Αυτό το εργαλείο έχει ένα κουμπί αλλαγής τρόπου λειτουργίας. Για περιστροφή με κρούση, σύρτε το κουμπί αλλαγής τρόπου λειτουργίας στα δεξιά (σύμβολο ) . Μόνο για περιστροφή, σύρτε το κουμπί αλλαγής τρόπου λειτουργίας στα αριστερά (σύμβολο ) .

ΠΡΟΣΟΧΗ:

- Πάντοτε να σύρτε το κουμπί αλλαγής τρόπου λειτουργίας ακριβώς στην θέση λειτουργίας που επιθυμείτε. Εάν λειτουργείτε το εργαλείο με το κουμπί τοποθετημένο στο ενδιάμεσο των θέσεων των συμβόλων λειτουργίας, το εργαλείο θα υποστεί ζημιά.

ΣΥΝΑΡΜΟΛΟΓΗΣΗ

ΠΡΟΣΟΧΗ:

- Πάντοτε βεβαιώνετε ότι το εργαλείο είναι σβηστό και αποσυνδεδεμένο από το ρεύμα πριν εκτελέσετε οποιαδήποτε εργασία με το εργαλείο.

Τοποθέτηση πλάγιας λαβής (βοηθητική λαβή) (Εικ. 6)

Πάντοτε χρησιμοποιείτε τη πλάγια λαβή για να εξασφαλίσετε ασφάλεια λειτουργίας. Τοποθετήστε τη πλάγια λαβή έτσι ώστε τα δόντια στη λαβή να εφαρμόζονται μεταξύ των προεξοχών στη κάνη του μηχανήματος.

Μετά σφίχτε τη λαβή στριβοντάς τη στην επιθυμητή θέση. Μπορεί να περιστραφεί κατά 360° έτσι ώστε να στερεώνεται σε οποιαδήποτε θέση.

Τοποθέτηση ή αφαίρεση της αιχμής τρυπανιού

Για Μοντέλα HP2050, HP2050F (Εικ. 7)

Για να τοποθετήσετε την αιχμή, βάλτε τη μέσα στο σφιγκτήρα όσο βαθειά μπορεί να πάει. Σφίξτε το σφιγκτήρα με το χέρι. Βάλτε το σταυρόκλειδο σε κάθε μία από τις τρεις τρύπες και σφίξτε κατά τη διεύθυνση των δεικτών του ρολογιού. Προσέξτε να σφίξετε τις τρεις τρύπες ισοδύναμα.

Για να αφαιρέσετε την αιχμή, στρίψτε το σταυρόκλειδο αριστερόστροφα μόνο σε μία τρύπα, και μετά χαλαρώστε το σφιγκτήρα με το χέρι.

Αφού χρησιμοποιήσετε το σταυρόκλειδο, βεβαιωθείτε ότι το επαναφέρετε στην αρχική του θέση.

Για Μοντέλα HP2051, HP2051F (Εικ. 8)

Κρατείστε τον δακτύλιο και γυρίστε το μανίκι αριστερόστροφα για να ανοίξετε τις σιαγόνες του σφιγκτήρα. Βάλτε την αιχμή μέσα στο σφιγκτήρα όσο βαθειά μπορεί να πάει. Κρατείστε τον δακτύλιο σταθερά και γυρίστε το μανίκι δεξιόστροφα για να σφίξετε τον σφιγκτήρα.

Για να αφαιρέσετε την αιχμή, κρατείστε τον δακτύλιο και γυρίστε το μανίκι αριστερόστροφα.

Μετρητής βάθους (Εικ. 9)

Ο μετρητής βάθους είναι βολικός για άνοιγμα τρυπών ομοιόμορφου βάθους. Χαλαρώστε την πλάγια λαβή και βάλτε τον μετρητή βάθους στην τρύπα στην πλάγια λαβή. Ρυθμίστε τον μετρητή βάθους στο επιθυμητό βάθος και σφίχτε την πλάγια λαβή.

ΠΑΡΑΤΗΡΗΣΗ:


- Ο μετρητής βάθους δεν μπορεί να χρησιμοποιηθεί στην θέση όπου ο μετρητής βάθους χτυπάει στο περίβλημα τροχών μηχανισμού.

ΛΕΙΤΟΥΡΓΙΑ

Λειτουργία κρουστικού τρυπανίσματος

ΠΡΟΣΟΧΗ:

- Μία τρομερή και ξαφνική στροφική δύναμη εξασκείται στο εργαλείο/αιχμή την στιγμή διαπέρασης του υλικού, όταν η τρύπα βουλώνει με τεμαχίδια και σωματίδια, ή όταν χτυπάει σε ενισχυτικές ράβδους ενσωματωμένες στο τοιμέντο. Πάντοτε χρησιμοποιείτε την πλάγια λαβή (βοηθητική λαβή) και κρατάτε το εργαλείο σταθερά και από τις δύο λαβές, πλάγια και λαβή διακόπτη κατά την λειτουργία. Αμέλεια να το κάνετε μπορεί να έχει ως αποτέλεσμα απώλεια ελέγχου του εργαλείου και πιθανώς σοβαρό τραυματισμό.

Όταν τρυπανίζετε σε σκυρόδεμα, γρανίτη, κεραμικά, κλπ., μετακινείτε το κουμπί αλλαγής τρόπου λειτουργίας στη θέση  σύμβολο χρήσης λειτουργίας “περιστροφή με κρούση”.

Βεβαιώνετε ότι χρησιμοποιείτε αιχμή με άκρο βολφραμίου ανθρακασβεστίου.

Τοποθετήστε την αιχμή στην επιθυμητή θέση για την τρύπα, μετά τραβήχτε τηνσκανδάλη διακόπτη. Μην εξαναγκάζετε το εργαλείο. Η ελαφρά πίεση αποδίδει τα καλύτερα αποτελέσματα. Κρατάτε το εργαλείο στην θέση του και εμποδίστε το να γλιστρήσει έξω από την τρύπα.

Μην εφαρμόζετε μεγαλύτερη πίεση όταν η τρύπα βουλώνει από αποκοπεία ή τεμαχίδια. Αντίθετα, λειτουργείτε το εργαλείο στο ραλαντί, και μετά τραβήχτε την αιχμή ελαφρά από την τρύπα. Επαναλαμβάνοντας αυτό αρκετές φορές θα καθαρίσει την τρύπα και το κανονικό τρυπάνισμα μπορεί να ξαναρχίσει.

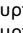
Κεφαλή φυσητήρα (προαιρετικό εξάρτημα) (Εικ. 10)

Αφού κάνετε την τρύπα, χρησιμοποιήστε την κεφαλή φυσητήρα για να καθαρίσετε την σκόνη από την τρύπα.

Λειτουργία τρυπανίσματος

ΠΡΟΣΟΧΗ:

- Πιέζοντας υπερβολικά το μηχανήμα δεν θα επιταχύνει το τρυπάνισμα. Στην πραγματικότητα, η υπερβολική αυτή πίεση θα κάνει μόνο ζημιά στο άκρο της αιχμής, μειώνοντας την απόδοση και τη διάρκεια ζωής του μηχανήματος.
- Κατά τη στιγμή του ανοίγματος μιας τρύπας μια εξαιρετικά μεγάλη δύναμη εξασκείται στην αιχμή του μηχανήματος. Κρατάτε το μηχανήμα σταθερά και προσέχετε όταν η αιχμή αρχίζει να διαπερνά την επιφάνεια του αντικειμένου εργασίας.
- Μια μαγκωμένη αιχμή μπορεί να αφαιρεθεί βάζοντας το μηχανήμα να γυρίσει προς την αντίστροφη διεύθυνση. Όμως το μηχανήμα αποσπάται εύκολα εκτός αν το κρατάτε γερά πριν το ξεκινήσετε.
- Πάντοτε υποστηρίζετε ένα μικρό αντικείμενο εργασίας με μια μέγγενη ή άλλο παρόμοιο εργαλείο ακινητοποίησης.

Όταν τρυπανίζετε σε ξύλο, μέταλλο ή πλαστικά υλικά, μετακινείτε το κουμπί αλλαγής τρόπου λειτουργίας στη θέση  σύμβολο χρήσης λειτουργίας “μόνο περιστροφή”.

Τρυπάνισμα σε ξύλο

Όταν τρυπανίζετε σε ξύλο, τα καλύτερα αποτελέσματα επιτυγχάνονται με τρυπάνια ξύλου εφοδιασμένα με βίδα οδηγό. Η βίδα οδηγός κάνει το τρυπάνισμα ευκολότερο τραβώντας την αιχμή μέσα στο αντικείμενο εργασίας.

Τρυπάνισμα σε μέταλλο

Για να εμποδίσετε την αιχμή να γλιστρήσει όταν αρχίζετε μια τρύπα, κάνετε ένα βαθούλωμα με ένα σφυρί και ένα καλέμι στο σημείο που θα τρυπανίσετε. Βάλτε την αιχμή στο βαθούλωμα και αρχίστε το τρυπάνισμα.

Χρησιμοποιείτε ένα λιπαντικό κοπής όταν τρυπανίζετε σε μέταλλα. Οι εξαιρέσεις είναι ο σιδήρχυτο και ο μπρούτζος τα οποία πρέπει να τρυπανίζονται ξηρά.

ΣΥΝΤΗΡΗΣΗ

ΠΡΟΣΟΧΗ:

- Πάντοτε βεβαιώνετε ότι το εργαλείο είναι σβηστό και απουσιάζει από το ρεύμα πριν επιχειρήσετε να εκτελέσετε επιθεώρηση ή συντήρηση.
- Μην χρησιμοποιείτε ποτέ βενζίνη, πετρελαϊκό αιθέρα, διαλυτικό, αλκοόλη ή παρόμοιες ουσίες. Ενδέχεται να προκληθεί αποχρωματισμός, παραμόρφωση ή ρωγμές.

Καθάρισμα σπών εξαερισμού (Εικ. 11)

Το εργαλείο και οι τρύπες κεξαερισμού πρέπει να διατηρούνται καθαρές. Καθαρίζετε τακτικά τις τρύπες εξαερισμού του εργαλείου ή όποτε αρχίζουν να βουλώνουν.

Για την διατήρηση της ΑΣΦΑΛΕΙΑΣ και ΑΞΙΟΠΙΣΤΙΑΣ του προϊόντος, επισκευές, έλεγχοι και αντικατάσταση των ψηκτρών άνθρακα, οποιαδήποτε άλλη συντήρηση ή ρύθμιση, πρέπει να εκτελούνται από Κέντρα Εξυπηρέτησης Εργοστασίου ή Κέντρα Εξουσιοδοτημένα από την Makita, πάντοτε με την χρησιμοποίηση ανταλλακτικών Makita.

ΠΡΟΑΙΡΕΤΙΚΑ ΕΞΑΡΤΗΜΑΤΑ

ΠΡΟΣΟΧΗ:

- Αυτά τα εξαρτήματα ή προσαρτήματα συνιστώνται για χρήση με το εργαλείο Makita που περιγράφηκε στις οδηγίες αυτές. Η χρήση οτιδήποτε άλλων εξαρτημάτων ή προσαρτημάτων μπορεί να προκαλέσει κίνδυνο τραυματισμού σε άτομα. Χρησιμοποιείτε τα εξαρτήματα ή προσαρτήματα μόνο για την χρήση που προορίζονται.

Εάν χρειάζεστε οποιαδήποτε βοήθεια για περισσότερες πληροφορίες σε σχέση με αυτά τα εξαρτήματα, αποτανθείτε στο τοπικό σας κέντρο εξυπηρέτησης Makita.

- Αιχμή με άκρο βολφραμίου-καρβιδίου
- Αιχμές Φίλιπς
- Αιχμές πλην
- Πριόνι τρυπών
- Κεφαλή φυσήτρια
- Ματογυάλια ασφάλειας
- Σφικτήρας τρυπανιού χωρίς κλειδί 13
- Σταυρόκλειδο
- Σύνολο λαβής
- Μετρητής βάθους
- Πλαστική θήκη μεταφοράς

ΠΑΡΑΤΗΡΗΣΗ:

- Μερικά στοιχεία στη λίστα μπορεί να συμπεριλαμβάνονται στη συσκευασία εργαλείου ως στάνταρ εξαρτήματα. Μπορεί να διαφέρουν ανάλογα με τη χώρα.

ENG905-1

Θόρυβος

Το τυπικό Α επίπεδο μετρημένου θορύβου καθορίζεται σύμφωνα με το EN60745:

Στάθμη πίεσης ήχου (L_{pA}): 97 dB(A)
 Στάθμη δύναμης ήχου (L_{WA}): 108 dB(A)
 Αβεβαιότητα (K): 3 dB(A)

Φοράτε ωτοασπίδες

Κραδασμός

Η ολική τιμή δόνησης (άθροισμα τρι-αξονικού διανύσματος) καθορίζεται σύμφωνα με το EN60745:

Είδος εργασίας: Κρουστικό τρυπάνισμα σε σκυρόδεμα
 Εκπομπή δόνησης ($a_{h,D}$): 13 m/s²
 Αβεβαιότητα (K): 3 m/s²

Είδος εργασίας: Τρυπάνισμα σε μέταλλο
 Εκπομπή δόνησης ($a_{h,D}$): 2,5 m/s² ή λιγότερο
 Αβεβαιότητα (K): 1,5 m/s²

ENG901-1

- Η δηλωμένη τιμή εκπομπής κραδασμών έχει μετρηθεί σύμφωνα με την πρότυπη μέθοδο δοκιμής και μπορεί να χρησιμοποιηθεί για τη σύγκριση ενός εργαλείου με άλλο.
- Η δηλωμένη τιμή εκπομπής κραδασμών μπορεί να χρησιμοποιηθεί και στην προκαταρκτική αξιολόγηση έκθεσης.

ΠΡΟΕΙΔΟΠΟΙΗΣΗ:

- Η εκπομπή κραδασμών κατά τη χρήση του ηλεκτρικού εργαλείου σε πραγματικές συνθήκες μπορεί να διαφέρει από τη δηλωμένη τιμή εκπομπής ανάλογα με τον τρόπο χρήσης του εργαλείου.
- Φροντίστε να λάβετε τα κατάλληλα μέτρα προστασίας του χειριστή βάσει υπολογισμού της έκθεσης σε πραγματικές συνθήκες χρήσης (λαμβάνοντας υπόψη όλες τις συνιστώσες του κύκλου λειτουργίας όπως τους χρόνους που το εργαλείο είναι εκτός λειτουργίας και όταν βρίσκεται σε αδρανή λειτουργία πέραν του χρόνου ενεργοποίησης).

ENH101-17

Μόνο για χώρες της Ευρώπης

Δήλωση Συμμόρφωσης ΕΚ

Η Makita δηλώνει ότι τα ακόλουθα μηχανήματα:

Χαρακτηρισμός μηχανήματος:
 Σφυροτρυπάνο 2 ταχυτήτων
 Αρ. μοντέλου/ Τύπος: HP2050, HP2050F, HP2051, HP2051F

Συμμορφώνονται με τις ακόλουθες Ευρωπαϊκές Οδηγίες:

2006/42/EK

Κατασκευάζονται σύμφωνα με τα ακόλουθα πρότυπα ή έγγραφα τυποποίησης:

EN60745

Το αρχείο τεχνικών στοιχείων, σύμφωνα με την Οδηγία 2006/42/EK, διατίθεται από:

Makita, Jan-Baptist Vinkstraat 2, 3070, Βέλγιο

31.12.2013



Yasushi Fukaya
 Διευθυντής

Makita, Jan-Baptist Vinkstraat 2, 3070, Βέλγιο

Makita Jan-Baptist Vinkstraat 2, 3070, Belgium
Makita Corporation Anjo, Aichi, Japan

884428G995

www.makita.com

IDE