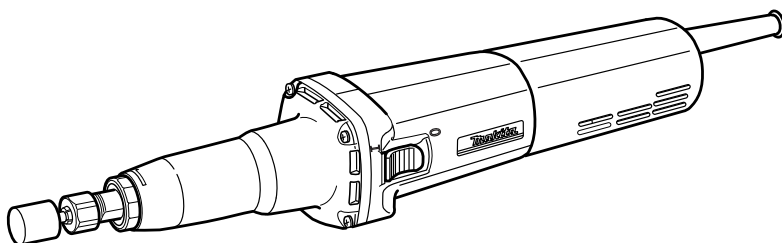
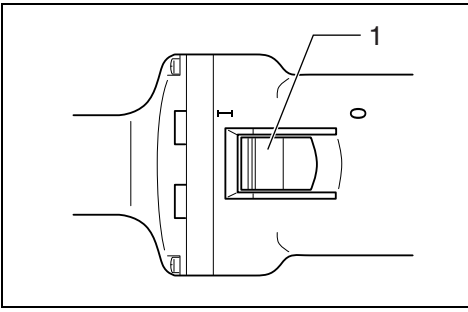




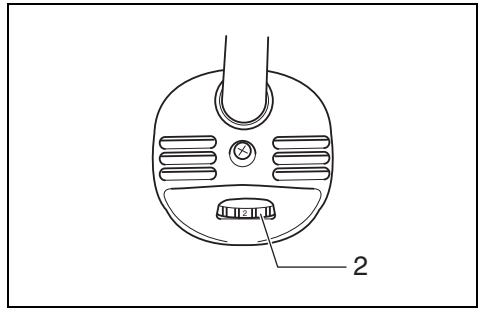
GB	Die Grinder	Instruction Manual
F	Meuleuse droite	Manuel d'instructions
D	Geradschleifer	Betriebsanleitung
I	Smerigliatrice diritta	Istruzioni per l'uso
NL	Stempelslijpmachine	Gebbruiksaanwijzing
E	Amoladora recta	Manual de instrucciones
P	Rectificadora recta	Manual de instruções
DK	Ligesliber	Brugsanvisning
GR	Λειαντής	Οδηγίες χρήσεως

GD0800C
GD0810C

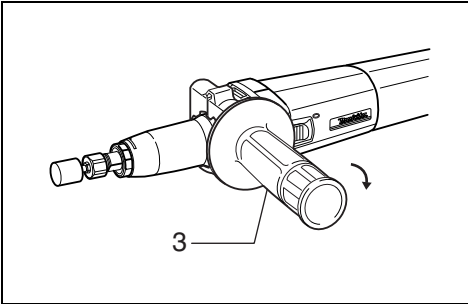




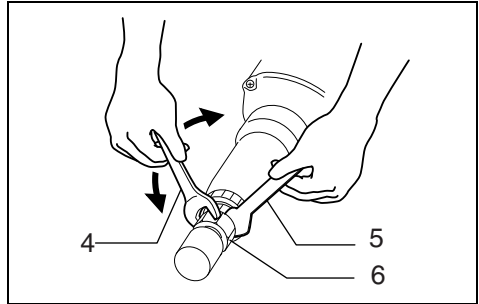
003488



001046

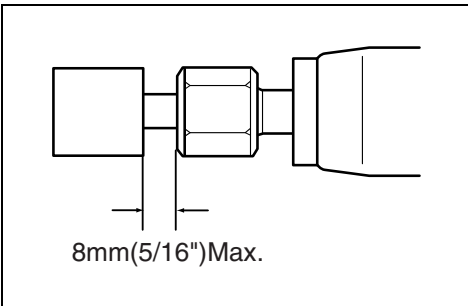


003491

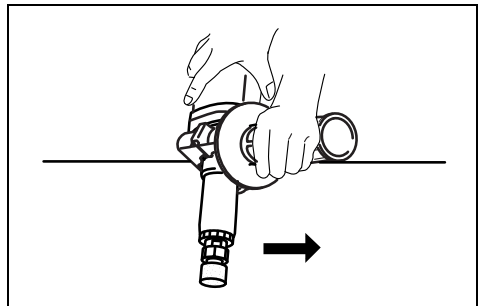


4

003493



003495



6

003497

Explanation of general view

1 Slide switch	3 Side handle	5 Wrench 13
2 Speed adjusting dial	4 Wrench 19	6 Collet nut

SPECIFICATIONS

Model	GD0800C	GD0810C
Collet size	8 mm max.	8 mm max.
Max. wheel point diameter	25 mm	50 mm
Rated speed (n) / No load speed (n ₀).....	28,000 (min ⁻¹)	7,000 (min ⁻¹)
Overall length	371 mm	371 mm
Net weight	1.7 kg	1.7 kg
Safety class	□/II	□/II

- Due to our continuing program of research and development, the specifications herein are subject to change without notice.
- Specifications may differ from country to country.
- Weight according to EPTA-Procedure 01/2003

ENE050-1

Intended use

The tool is intended for grinding ferrous materials or deburring castings.

ENF002-2

Power supply

The tool should be connected only to a power supply of the same voltage as indicated on the nameplate, and can only be operated on single-phase AC supply. They are double-insulated and can, therefore, also be used from sockets without earth wire.

GEA010-1

General Power Tool Safety Warnings

⚠ WARNING Read all safety warnings and all instructions. Failure to follow the warnings and instructions may result in electric shock, fire and/or serious injury.

Save all warnings and instructions for future reference.

GEB034-8

DIE GRINDER SAFETY WARNINGS

Safety Warnings Common for Grinding Operation:

1. **This power tool is intended to function as a grinder. Read all safety warnings, instructions, illustrations and specifications provided with this power tool.** Failure to follow all instructions listed below may result in electric shock, fire and/or serious injury.
2. **Operations such as sanding, wire brushing, polishing or cutting-off are not recommended to be performed with this power tool.** Operations for which the power tool was not designed may create a hazard and cause personal injury.
3. **Do not use accessories which are not specifically designed and recommended by the tool manufacturer.** Just because the accessory can be attached to your power tool, it does not assure safe operation.
4. **The rated speed of the accessory must be at least equal to the maximum speed marked on the power tool.** Accessories running faster than their rated speed can break and fly apart.

5. **The outside diameter and the thickness of your accessory must be within the capacity rating of your power tool.** Incorrectly sized accessories cannot be adequately guarded or controlled.
6. **Do not use a damaged accessory. Before each use inspect the accessory such as abrasive wheels for chips and cracks. If power tool or accessory is dropped, inspect for damage or install an undamaged accessory. After inspecting and installing an accessory, position yourself and bystanders away from the plane of the rotating accessory and run the power tool at maximum no-load speed for one minute.** Damaged accessories will normally break apart during this test time.
7. **Wear personal protective equipment. Depending on application, use face shield, safety goggles or safety glasses. As appropriate, wear dust mask, hearing protectors, gloves and workshop apron capable of stopping small abrasive or workpiece fragments.** The eye protection must be capable of stopping flying debris generated by various operations. The dust mask or respirator must be capable of filtering particles generated by your operation. Prolonged exposure to high intensity noise may cause hearing loss.
8. **Keep bystanders a safe distance away from work area. Anyone entering the work area must wear personal protective equipment.** Fragments of workpiece or of a broken accessory may fly away and cause injury beyond immediate area of operation.
9. **Hold the power tool by insulated gripping surfaces only, when performing an operation where the cutting accessory may contact hidden wiring or its own cord.** Cutting accessory contacting a "live" wire may make exposed metal parts of the power tool "live" and could give the operator an electric shock.
10. **Position the cord clear of the spinning accessory.** If you lose control, the cord may be cut or snagged and your hand or arm may be pulled into the spinning accessory.
11. **Never lay the power tool down until the accessory has come to a complete stop.** The spinning accessory may grab the surface and pull the power tool out of your control.
12. **Do not run the power tool while carrying it at your side.** Accidental contact with the spinning accessory could snag your clothing, pulling the accessory into your body.

13. **Regularly clean the power tool's air vents.** The motor's fan will draw the dust inside the housing and excessive accumulation of powdered metal may cause electrical hazards.
14. **Do not operate the power tool near flammable materials.** Sparks could ignite these materials.
15. **Do not use accessories that require liquid coolants.** Using water or other liquid coolants may result in electrocution or shock.

Kickback and Related Warnings

Kickback is a sudden reaction to a pinched or snagged rotating wheel, backing pad, brush or any other accessory. Pinching or snagging causes rapid stalling of the rotating accessory which in turn causes the uncontrolled power tool to be forced in the direction opposite of the accessory's rotation at the point of the binding.

For example, if an abrasive wheel is snagged or pinched by the workpiece, the edge of the wheel that is entering into the pinch point can dig into the surface of the material causing the wheel to climb out or kick out. The wheel may either jump toward or away from the operator, depending on direction of the wheel's movement at the point of pinching. Abrasive wheels may also break under these conditions.

Kickback is the result of power tool misuse and/or incorrect operating procedures or conditions and can be avoided by taking proper precautions as given below.

- a) **Maintain a firm grip on the power tool and position your body and arm to allow you to resist kickback forces. Always use auxiliary handle, if provided, for maximum control over kickback or torque reaction during start-up.** The operator can control torque reactions or kickback forces, if proper precautions are taken.
- b) **Never place your hand near the rotating accessory.** Accessory may kickback over your hand.
- c) **Do not position your body in the area where power tool will move if kickback occurs.** Kickback will propel the tool in direction opposite to the wheel's movement at the point of snagging.
- d) **Use special care when working corners, sharp edges etc. Avoid bouncing and snagging the accessory.** Corners, sharp edges or bouncing have a tendency to snag the rotating accessory and cause loss of control or kickback.
- e) **Do not attach a saw chain woodcarving blade or toothed saw blade.** Such blades create frequent kickback and loss of control.

Safety Warnings Specific for Grinding:

- a) **Use only wheel types that are recommended for your power tool.**
- b) **Wheels must be used only for recommended applications. For example: do not grind with the side of cut-off wheel.** Abrasive cut-off wheels are intended for peripheral grinding, side forces applied to these wheels may cause them to shatter.
- c) **Do not use worn down wheels from larger power tools.** Wheel intended for larger power tool is not suitable for the higher speed of a smaller tool and may burst.

Additional Safety Warnings:

16. **Make sure the wheel is not contacting the workpiece before the switch is turned on.**
17. **Before using the tool on an actual workpiece, let it run for a while. Watch for vibration or wobbling that could indicate poor installation or a poorly balanced wheel.**
18. **Use the specified surface of the wheel to perform the grinding.**
19. **Watch out for flying sparks. Hold the tool so that sparks fly away from you and other persons or flammable materials.**
20. **Do not leave the tool running. Operate the tool only when hand-held.**
21. **Do not touch the workpiece immediately after operation; it may be extremely hot and could burn your skin.**
22. **Observe the instructions of the manufacturer for correct mounting and use of wheels. Handle and store wheels with care.**
23. **Check that the workpiece is properly supported.**
24. **If working place is extremely hot and humid, or badly polluted by conductive dust, use a short-circuit breaker (30 mA) to assure operator safety.**
25. **Do not use the tool on any materials containing asbestos.**
26. **Always be sure you have a firm footing. Be sure no one is below when using the tool in high locations.**

SAVE THESE INSTRUCTIONS.

WARNING:

DO NOT let comfort or familiarity with product (gained from repeated use) replace strict adherence to safety rules for the subject product. MISUSE or failure to follow the safety rules stated in this instruction manual may cause serious personal injury.

FUNCTIONAL DESCRIPTION

CAUTION:

- Always be sure that the tool is switched off and unplugged before adjusting or checking function on the tool.

Switch action (Fig. 1)

CAUTION:

- Before plugging in the tool, always check to see that the slide switch actuates properly and returns to the "OFF" position when the rear of the slide switch is depressed.

To start the tool, slide the slide switch toward the "I (ON)" position. For continuous operation, press the front of the slide switch to lock it.

To stop the tool, press the rear of the slide switch, then slide it toward the "O (OFF)" position.

Speed adjusting dial (Fig. 2)

The tool speed can be changed by turning the speed adjusting dial to a given number setting from 1 to 5.

Higher speed is obtained when the dial is turned in the direction of number 5. And lower speed is obtained when it is turned in the direction of number 1.

Refer to the table for the relationship between the number settings on the dial and the approximate tool speed.

	GD0800C	GD0810C
Number	min ⁻¹ (RPM)	min ⁻¹ (RPM)
1 – 2	7,000 – 10,000	1,800 – 2,400
2 – 3	10,000 – 17,000	2,400 – 4,100
3 – 4	17,000 – 24,000	4,100 – 5,800
4 – 5	24,000 – 28,000	5,800 – 7,000

006478

CAUTION:

- If the tool is operated continuously at low speeds for a long time, the motor will get overloaded, resulting in tool malfunction.
- The speed adjusting dial can be turned only as far as 5 and back to 1. Do not force it past 5 or 1, or the speed adjusting function may no longer work.

ASSEMBLY

CAUTION:

- Always be sure that the tool is switched off and unplugged before carrying out any work on the tool.

Installing the side handle (optional accessory) (Fig. 3)

Install the side handle on the tool barrel, then tighten the handle by turning clockwise at the desired position.

Installing or removing wheel point (Fig. 4 & 5)

Loosen the collet nut and insert the wheel point into the collet nut. Use the smaller wrench to hold the spindle and the larger one to tighten the collet nut securely.

The wheel point should not be mounted more than 8mm from the collet nut. Exceeding this distance could cause vibration or a broken shaft.

To remove the wheel point, follow the installation procedure in reverse.

CAUTION:

- Use the correct size collet cone for the wheel point which you intend to use.

OPERATION (Fig. 6)

Turn the tool on without the wheel point making any contact with the workpiece and wait until the wheel point attains full speed. Then apply the wheel point to the workpiece gently. To obtain a good finish, move the tool in the leftward direction slowly.

CAUTION:

- Apply light pressure on the tool. Excessive pressure on the tool will only cause a poor finish and overloading of the motor.

MAINTENANCE

CAUTION:

- Always be sure that the tool is switched off and unplugged before attempting to perform inspection or maintenance.
- Never use gasoline, benzene, thinner, alcohol or the like. Discoloration, deformation or cracks may result.

To maintain product SAFETY and RELIABILITY, repairs, carbon brush inspection and replacement, any other maintenance or adjustment should be performed by Makita Authorized Service Centers, always using Makita replacement parts.

OPTIONAL ACCESSORIES

CAUTION:

- These accessories or attachments are recommended for use with your Makita tool specified in this manual. The use of any other accessories or attachments might present a risk of injury to persons. Only use accessory or attachment for its stated purpose.

If you need any assistance for more details regarding these accessories, ask your local Makita service center.

- Wheel points
- Collet cone set (3 mm, 6 mm, 1/4", 1/8")
- Vise holder
- Wrench 13
- Wrench 19
- Side handle set

NOTE:

- Some items in the list may be included in the tool package as standard accessories. They may differ from country to country.

ENG905-1

Noise

The typical A-weighted noise level determined according to EN60745:

Model GD0800C

Sound pressure level (L_{pA}): 78 dB (A)

Uncertainty (K): 3 dB (A)

The noise level under working may exceed 80 dB (A).

Model GD0810C

Sound pressure level (L_{pA}): 79 dB (A)

Uncertainty (K): 3 dB (A)

The noise level under working may exceed 80 dB (A).

Wear ear protection

ENG900-1

Vibration

The vibration total value (tri-axial vector sum) determined according to EN60745:

Model GD0800C

Work mode: surface grinding

Vibration emission ($a_{h,AG}$): 2.5 m/s²

Uncertainty (K): 1.5 m/s²

If the tool is used for other applications, the vibration values may be different.

Model GD0810C

Work mode: surface grinding

Vibration emission ($a_{h,SG}$): 2.5 m/s² or less

Uncertainty (K): 1.5 m/s²

- The declared vibration emission value has been measured in accordance with the standard test method and may be used for comparing one tool with another.
- The declared vibration emission value may also be used in a preliminary assessment of exposure.
- The declared vibration emission value is used for main applications of the power tool. However if the power tool is used for other applications, the vibration emission value may be different.

⚠ WARNING:

- The vibration emission during actual use of the power tool can differ from the declared emission value depending on the ways in which the tool is used.
- Be sure to identify safety measures to protect the operator that are based on an estimation of exposure in the actual conditions of use (taking account of all parts of the operating cycle such as the times when the tool is switched off and when it is running idle in addition to the trigger time).

ENH101-16

For European countries only

EC Declaration of Conformity

We Makita Corporation as the responsible manufacturer declare that the following Makita machine(s):

Designation of Machine:

Die Grinder

Model No./ Type: GD0800C, GD0810C

are of series production and

Conforms to the following European Directives:

2006/42/EC

And are manufactured in accordance with the following standards or standardised documents:

EN60745

The technical documentation is kept by:

Makita International Europe Ltd.

Technical Department,

Michigan Drive, Tongwell,

Milton Keynes, Bucks MK15 8JD, England

30.1.2009



Tomoyasu Kato
Director

Makita Corporation
3-11-8, Sumiyoshi-cho,
Anjo, Aichi, 446-8502, JAPAN

Descriptif

1 Interrupteur à glissière	3 Poignée latérale	6 Écrou de mandrin
2 Cadran de réglage de la vitesse	4 Clé 19	
	5 Clé 13	

SPÉCIFICATIONS

Modèle	GD0800C	GD0810C
Dimension du mandrin	8 mm max.	8 mm max.
Diamètre max. de meule sur tige	25 mm	50 mm
Vitesse nominale (n) / Vitesse à vide (n ₀)	28 000 (min ⁻¹)	7 000 (min ⁻¹)
Longueur totale	371 mm	371 mm
Poids net	1,7 kg	1,7 kg
Catégorie de sécurité	□/II	□/II

- Étant donné l'évolution constante de notre programme de recherche et de développement, les spécifications contenues dans ce manuel sont sujettes à modification sans préavis.
- Les spécifications peuvent varier suivant les pays.
- Poids selon la procédure EPTA 01/2003

ENE050-1

Utilisations

Cet outil est conçu pour le meulage des matériaux de fer ou pour l'ébavurage des pièces moulées.

ENF002-2

Alimentation

L'outil ne devra être raccordé qu'à une alimentation de la même tension que celle qui figure sur la plaque signalétique, et il ne pourra fonctionner que sur un courant secteur monophasé. Réalisé avec une double isolation, il peut de ce fait être alimenté sans mise à la terre.

GEA010-1

Consignes de sécurité générales pour outils électriques

⚠ MISE EN GARDE Veuillez lire toutes les mises en garde et toutes les instructions. Il y a risque de choc électrique, d'incendie et/ou de blessure grave si les mises en garde et les instructions ne sont pas respectées.

Conservez toutes les mises en garde et instructions pour référence ultérieure.

GEB034-8

CONSIGNES DE SÉCURITÉ POUR MEULEUSE DROITE

Mises en garde de sécurité communes aux opérations de meulage :

1. Cet outil électrique est conçu pour l'utilisation en tant que meuleuse. Veuillez consulter les mises en garde de sécurité, les instructions, les illustrations et les spécifications fournies avec cet outil électrique. Il y a risque de choc électrique, d'incendie et/ou de blessure grave si les instructions ci-dessous ne sont pas toutes respectées.
2. Il n'est pas recommandé d'effectuer des opérations telles que le ponçage, le brossage métallique, le polissage et le tronçonnage à l'aide de cet outil électrique. L'exécution d'opérations pour lesquelles l'outil électrique n'a pas été conçu est dangereuse et peut entraîner une blessure.

3. **N'utilisez pas d'accessoires qui n'ont pas été conçus spécifiquement et recommandés par le fabricant de l'outil.** Même si un accessoire peut être fixé sur l'outil électrique, cela ne garantit pas qu'il fonctionnera de manière sûre.
4. **La vitesse nominale de l'accessoire doit être au moins égale à la vitesse maximale indiquée sur l'outil électrique.** Les accessoires peuvent se casser et voler en éclats s'ils tournent plus vite que leur vitesse nominale.
5. **Le diamètre externe et l'épaisseur de l'accessoire ne doivent pas dépasser la capacité nominale de l'outil électrique.** Les protecteurs ne peuvent pas fonctionner adéquatement ou la maîtrise de l'outil n'est pas possible avec des accessoires de taille incorrecte.
6. **N'utilisez pas d'accessoire endommagé. Avant chaque utilisation assurez-vous qu'il n'y a pas de copeaux, de fissures ou autres anomalies sur les accessoires tels que les meules abrasives. Si vous échappez l'outil électrique ou un accessoire, vérifiez qu'il n'est pas endommagé ou posez un accessoire en bon état. Après avoir vérifié et posé un accessoire, assurez-vous que personne, y compris vous-même, ne se trouve dans la trajectoire de l'accessoire en rotation, et faites tourner l'outil électrique à vitesse maximale sans charge pendant une minute.** Si l'accessoire est endommagé, il devrait se rompre lors de ce test.
7. **Portez des dispositifs de protection personnelle.** Suivant le type de travail à effectuer, portez une visière, des lunettes à coques ou des lunettes de sécurité. Au besoin, portez un masque antipoussières, des protections d'oreilles, des gants de travail et un tablier capable de protéger contre les petits fragments de pièce abrasifs. La protection pour les yeux doit pouvoir bloquer les éclats projetés lors des divers types de travaux. Le masque antipoussières ou le masque filtrant doit pouvoir filtrer les particules générées lors du travail. L'exposition prolongée à un bruit d'intensité élevée peut entraîner la surdité.
8. **Les personnes présentes doivent se trouver à une distance sûre de la zone de travail. Toute personne pénétrant dans la zone de travail doit porter des dispositifs de protection personnelle.** Des fragments de pièce ou un accessoire cassé peuvent être projetés et blesser quelqu'un dans la zone de travail.

9. **Saisissez l'outil électrique uniquement par ses surfaces de poigne isolées lorsque vous effectuez une opération au cours de laquelle l'accessoire tranchant peut entrer en contact avec des fils cachés ou avec le cordon d'alimentation de l'outil.** Le contact de l'accessoire tranchant avec un fil sous tension peut également mettre sous tension les parties métalliques exposées de l'outil électrique, causant ainsi un choc électrique chez l'utilisateur.
10. **Placez le cordon d'alimentation à l'écart de l'accessoire en rotation.** En cas de perte de maîtrise, vous risquez, en coupant ou en accrochant le cordon, d'avoir la main ou le bras attiré vers l'accessoire en rotation.
11. **Ne déposez jamais l'outil électrique avant que l'accessoire ne se soit parfaitement arrêté.** L'accessoire en rotation peut accrocher la surface et projeter l'outil électrique de telle sorte que vous en perdiez la maîtrise.
12. **Ne laissez pas l'outil électrique tourner en le transportant d'une main le long de votre corps.** En cas de contact accidentel avec l'accessoire en rotation, ce dernier risque d'accrocher votre vêtement et d'être entraîné vers votre corps.
13. **Nettoyez régulièrement les orifices de ventilation de l'outil électrique.** Le ventilateur du moteur aspire les poussières dans le carter ; une accumulation excessive de poussière métallique peut entraîner un risque de danger électrique.
14. **N'utilisez pas l'outil électrique près de matériaux inflammables.** Les étincelles risqueraient d'enflammer ces matériaux.
15. **N'utilisez pas d'accessoires qui requièrent un liquide de refroidissement.** L'utilisation d'eau ou de tout autre liquide de refroidissement peut entraîner l'électrocution ou un choc électrique.

Mises en garde concernant le choc en retour et autres dangers

Le choc en retour est une réaction soudaine qui survient lorsqu'un accessoire tel qu'une meule en rotation, un plateau de support ou une brosse se coince ou accroche. Lorsque l'accessoire en rotation se coince ou accroche, il s'immobilise et entraîne l'outil électrique dans le sens opposé, hors de contrôle.

Par exemple, si une meule abrasive accroche ou se coince dans la pièce, la partie du tranchant qui creuse la surface de la pièce peut faire remonter la meule et la projeter ou l'éjecter. La meule peut alors bondir vers l'utilisateur ou en sens opposé, suivant son sens de rotation là où elle s'est coincée. Il y a aussi risque de rupture de la meule abrasive dans ces conditions.

Le choc en retour est le résultat d'une mauvaise utilisation de l'outil électrique et/ou de procédures ou conditions inadéquates de travail. Il peut être évité en prenant les précautions appropriées, tel qu'indiqué ci-dessous.

- a) **Maintenez une poigne ferme sur l'outil électrique, et placez votre corps et bras de façon à pouvoir résister à la force exercée par le choc en retour. Utilisez toujours la poignée auxiliaire lorsqu'il y en a une, pour assurer une maîtrise optimale du choc en retour ou de la réaction de couple au démarrage.** L'utilisateur peut maîtriser la réaction de couple et la force exercée par le choc en retour s'il prend les précautions nécessaires.

- b) **Ne posez jamais la main près d'un accessoire en rotation.** En cas de choc en retour l'accessoire peut reculer sur votre main.
- c) **Ne placez pas votre corps dans la zone où l'outil électrique risque de se déplacer en cas de choc en retour.** Le choc en retour projetera l'outil dans le sens opposé au mouvement de la meule au point d'accrochage.
- d) **Soyez tout particulièrement prudent lorsque vous travaillez dans les coins, sur des arêtes vives, etc. Évitez de laisser l'appareil sautiller ou accrocher.** L'accessoire en rotation a tendance à accrocher dans les coins, sur les arêtes vives et lorsqu'il sautille, ce qui comporte un risque de perte de maîtrise ou de choc en retour.
- e) **Ne fixez pas une lame de sculpeur à chaîne coupante ou une lame de scie dentée.** De telles lames peuvent créer de fréquents rebonds et pertes de contrôle.

Mises en garde de sécurité spécifiques au meulage :

- a) **Utilisez uniquement les types de meule recommandés pour votre outil électrique.**
- b) **Les meules ne doivent être utilisées que pour les applications recommandées. Par exemple : ne pas meuler avec le côté de la meule à tronçonner.** Les meules à tronçonner abrasives sont conçues pour le meulage périphérique ; si une force latérale est appliquée à la meule, elle risquera de voler en éclats.
- c) **N'utilisez pas les meules usées d'outils électriques plus gros.** Une meule conçue pour un outil électrique plus gros ne convient pas pour l'utilisation à la vitesse supérieure d'un outil plus petit, et elle risque d'éclater.

Consignes de sécurité additionnelles

16. **Assurez-vous que la meule n'entre pas en contact avec la pièce avant de mettre l'outil sous tension.**
17. **Avant d'utiliser l'outil sur la pièce à travailler, faites-le tourner un instant à vide. Surveillez les vibrations ou le sautellement, qui peuvent indiquer que la meule n'est pas bien installée ou qu'elle est mal équilibrée.**
18. **Utilisez la face spécifiée de la meule pour meuler.**
19. **Prenez garde aux étincelles qui jaillissent. Tenez l'outil de sorte que les étincelles ne jaillissent pas vers vous, vers une autre personne présente ou vers un matériau inflammable.**
20. **N'abandonnez pas l'outil alors qu'il tourne. Ne faites fonctionner l'outil qu'une fois que vous l'avez bien en main.**
21. **Ne touchez jamais la pièce juste après l'exécution du travail ; elle peut être extrêmement chaude et risque de vous brûler.**
22. **Pour installer et utiliser correctement les meules, veuillez suivre les instructions du fabricant. Manipulez les meules avec soin et rangez-les en lieu sûr.**
23. **Assurez-vous que la pièce à travailler est correctement soutenue.**

24. Si le site de travail est extrêmement chaud et humide ou s'il y a beaucoup de poussières conductrices dans l'air, utilisez un coupe-circuit (30 mA) pour assurer votre sécurité.
25. N'utilisez l'outil sur aucun matériau contenant de l'amiante.
26. Assurez-vous toujours d'une bonne position d'équilibre. Assurez-vous que personne ne se trouve dessous lorsque vous utilisez l'outil en position élevée.

CONSERVEZ CES INSTRUCTIONS.

⚠ AVERTISSEMENT :

NE vous laissez PAS tromper (au fil d'une utilisation répétée) par un sentiment d'aisance et de familiarité avec le produit, en négligeant le respect rigoureux des consignes de sécurité qui accompagnent le produit en question. La MAUVAISE UTILISATION de l'outil ou l'ignorance des consignes de sécurité indiquées dans ce manuel d'instructions peut entraîner une blessure grave.

DESCRIPTION DU FONCTIONNEMENT

ATTENTION :

- Assurez-vous toujours que l'outil est hors tension et débranché avant de l'ajuster ou de vérifier son fonctionnement.

Interrupteur (Fig. 1)

ATTENTION :

- Avant de brancher l'outil, assurez-vous toujours que l'interrupteur à glissière fonctionne correctement et revient en position "OFF" (arrêt) lorsque la partie arrière de l'interrupteur à glissière est enfoncée.

Pour mettre l'outil en marche, faites glisser l'interrupteur à glissière vers la position "I" (marche). Pour une utilisation continue, appuyez sur la partie avant de l'interrupteur à glissière pour le verrouiller.

Pour arrêter l'outil, appuyez sur la partie arrière de l'interrupteur à glissière, puis faites-le glisser vers la position "O" (arrêt).

Cadran de réglage de la vitesse (Fig. 2)

La vitesse de l'outil peut être modifiée en tournant le cadran de réglage de la vitesse sur un numéro de réglage donné, de 1 à 5.

Une vitesse plus élevée est obtenue lorsque le cadran est tourné dans le sens du numéro 5.

Une vitesse plus basse est obtenue lorsqu'il est tourné dans le sens du numéro 1.

Reportez-vous au tableau qui indique la relation entre les numéros de réglage, sur le cadran, et la vitesse approximative de l'outil.

	GD0800C	GD0810C
Numéro	min ⁻¹ (t/min.)	min ⁻¹ (t/min.)
1 – 2	7 000 – 10 000	1 800 – 2 400
2 – 3	10 000 – 17 000	2 400 – 4 100
3 – 4	17 000 – 24 000	4 100 – 5 800
4 – 5	24 000 – 28 000	5 800 – 7 000

006478

ATTENTION :

- Si l'outil est utilisé de manière continue à vitesse basse sur une période prolongée, le moteur surchauffera et cela entraînera un dysfonctionnement de l'outil.
- Le cadran de réglage ne peut être tourné que jusqu'à 5 et de 1. Ne le forcez pas au-delà de 5 et de 1, au risque de briser le mécanisme de réglage de la vitesse.

ASSEMBLAGE

ATTENTION :

- Avant d'effectuer toute intervention sur l'outil, assurez-vous toujours qu'il est hors tension et débranché.

Pose de la poignée latérale (accessoire en option) (Fig. 3)

Posez la poignée latérale sur le barillet de l'outil, puis serrez-la à la position désirée en tournant dans le sens des aiguilles d'une montre.

Installation ou retrait de la meule sur tige (Fig. 4 et 5)

Desserrez l'écrou de mandrin et insérez-y la meule sur tige. Utilisez la plus petite clé pour immobiliser l'arbre, et serrez fermement le mandrin à l'aide de la plus grande.

La meule sur tige ne doit pas être montée à plus de 8 mm du mandrin. Une trop grande distance peut entraîner des vibrations ou la cassure de l'arbre.

Pour retirer la meule sur tige, suivez la procédure d'installation en sens inverse.

ATTENTION :

- Utilisez un cône de mandrin dont la dimension correspond à celle de la meule sur tige que vous désirez utiliser.

UTILISATION (Fig. 6)

Mettez l'appareil en marche sans mettre la meule sur tige en contact avec la pièce à travailler, et attendez que la meule sur tige atteigne sa pleine vitesse. Puis appuyez légèrement la meule sur tige sur la pièce à travailler. Pour obtenir une bonne finition, déplacez lentement l'outil vers la gauche.

ATTENTION :

- N'appliquez qu'une légère pression sur l'outil. Une pression trop grande sur l'outil résulterait en une piètre finition et entraînerait une surcharge du moteur.

ENTRETIEN

ATTENTION :

- Assurez-vous toujours que l'outil est hors tension et débranché avant d'y effectuer tout travail d'inspection ou d'entretien.
- N'utilisez jamais d'essence, benzine, diluant, alcool ou autre produit similaire. Cela risquerait de provoquer la décoloration, la déformation ou la fissuration de l'outil.

Pour maintenir la SÉCURITÉ et la FIABILITÉ du produit, les réparations, l'inspection et le remplacement des charbons, et tout autre travail d'entretien ou de réglage doivent être effectués dans un centre de service Makita agréé, exclusivement avec des pièces de rechange Makita.

ACCESSOIRES EN OPTION

ATTENTION :

- Ces accessoires ou pièces complémentaires sont recommandés pour l'utilisation avec l'outil Makita spécifié dans ce mode d'emploi. L'utilisation de tout autre accessoire ou pièce peut comporter un risque de blessure. N'utilisez les accessoires ou pièces qu'aux fins mentionnées dans le présent mode d'emploi.

Si vous désirez obtenir plus de détails concernant ces accessoires, veuillez contacter le centre de service après-vente Makita le plus près.

- Meules sur tige
- Jeu de collets de mandrin (3 mm, 6 mm, 1/4", 1/8")
- Support à vis
- Clé 13
- Clé 19
- Jeu de poignée latérale

NOTE :

- Il se peut que certains éléments de la liste soient compris dans l'emballage de l'outil en tant qu'accessoires standard. Ils peuvent varier d'un pays à l'autre.

ENG905-1

Bruit

Niveau de bruit pondéré A typique, déterminé selon EN60745 :

Modèle GD0800C

Niveau de pression sonore (L_{pA}) : 78 dB (A)
Incertitude (K) : 3 dB (A)

Le niveau de bruit en cours d'opération peut dépasser 80 dB (A)

Modèle GD0810C

Niveau de pression sonore (L_{pA}) : 79 dB (A)
Incertitude (K) : 3 dB (A)

Le niveau de bruit en cours d'opération peut dépasser 80 dB (A)

Porter des protecteurs anti-bruit

ENG900-1

Vibrations

Valeur totale de vibrations (somme de vecteur triaxial) déterminée selon EN60745 :

Modèle GD0800C

Mode de travail : meulage de surface
Émission de vibrations ($a_{h, AG}$) : 2,5 m/s²
Incertitude (K) : 1,5 m/s²

Si l'outil est utilisé pour d'autres applications, il se peut que les valeurs de vibration soient différentes.

Modèle GD0810C

Mode de travail : meulage de surface
Émission de vibrations ($a_{h, SG}$) : 2,5 m/s² ou moins
Incertitude (K) : 1,5 m/s²

ENG902-1

- La valeur d'émission de vibrations déclarée a été mesurée conformément à la méthode de test standard et peut être utilisée pour comparer les outils entre eux.
- La valeur d'émission de vibrations déclarée peut aussi être utilisée pour l'évaluation préliminaire de l'exposition.
- La valeur d'émission de vibrations déclarée est utilisée pour les applications principales de l'outil électrique. Elle peut toutefois être différente si l'outil électrique est utilisé pour d'autres applications.

⚠ AVERTISSEMENT :

- L'émission de vibrations lors de l'usage réel de l'outil électrique peut être différente de la valeur d'émission déclarée, suivant la façon dont l'outil est utilisé.
- Les mesures de sécurité à prendre pour protéger l'utilisateur doivent être basées sur une estimation de l'exposition dans des conditions réelles d'utilisation (en tenant compte de toutes les composantes du cycle d'utilisation, comme par exemple le moment de sa mise hors tension, lorsqu'il tourne à vide et le moment de son déclenchement).

ENH101-16

Pour les pays d'Europe uniquement

Déclaration de conformité CE

Makita Corporation, en tant que fabricant responsable, déclare que la ou les machines suivantes :

Désignation de la machine :

Meuleuse droite

N° de modèle / Type : GD0800C, GD0810C

sont produites en série et

sont conformes aux Directives européennes suivantes :
2006/42/CE

et qu'elles sont fabriquées conformément aux normes ou documents normalisés suivants :

EN60745

La documentation technique est conservée par :

Makita International Europe Ltd.

Service technique,

Michigan Drive, Tongwell,

Milton Keynes, Bucks MK15 8JD, Angleterre

30.1.2009



Tomoyasu Kato

Directeur

Makita Corporation

3-11-8, Sumiyoshi-cho,

Anjo, Aichi, 446-8502, JAPAN

Übersicht

1 Schiebeschalter	3 Seitengriff	5 Gabelschlüssel 13
2 Drehzahl-Stellrad	4 Gabelschlüssel 19	6 Spannzangenmutter

TECHNISCHE DATEN

Modell	GD0800C	GD0810C
Spannzangengröße	8 mm max.	8 mm max.
Max. Schleifstiftdurchmesser	25 mm	50 mm
Nennndrehzahl (n) / Leerlaufdrehzahl (n ₀)	28 000 (min ⁻¹)	7 000 (min ⁻¹)
Gesamtlänge	371 mm	371 mm
Nettogewicht	1,7 kg	1,7 kg
Sicherheitsklasse.....	□/II	□/II

- Wir behalten uns vor, Änderungen im Zuge der Entwicklung und des technischen Fortschritts ohne vorherige Ankündigung vorzunehmen.
- Die technischen Daten können von Land zu Land abweichen.
- Gewicht nach EPTA-Verfahren 01/2003

ENE050-1

Vorgesehene Verwendung

Die Maschine ist für das Schleifen von Eisenmaterial oder das Entgraten von Gussmaterial vorgesehen.

ENF002-2

Stromversorgung

Die Maschine darf nur an die auf dem Typenschild angegebene Spannung angeschlossen werden und arbeitet nur mit Einphasen-Wechselspannung. Sie ist doppelt schutzisoliert und kann daher auch an Steckdosen ohne Erdanschluss betrieben werden.

GEA010-1

Allgemeine Sicherheitswarnungen für Elektrowerkzeuge

⚠️ WARNUNG Lesen Sie alle Sicherheitswarnungen und Anweisungen durch. Eine Missachtung der unten aufgeführten Warnungen und Anweisungen kann zu einem elektrischen Schlag, Brand und/oder schweren Verletzungen führen.

Bewahren Sie alle Warnungen und Anweisungen für spätere Bezugnahme auf.

GEB034-8

SICHERHEITSWARNUNGEN FÜR GERADSCHLEIFER

Allgemeine Sicherheitswarnungen für Schleifbetrieb:

- Dieses Elektrowerkzeug ist für den Einsatz als Schleifer vorgesehen. Lesen Sie alle mit diesem Elektrowerkzeug gelieferten Sicherheitswarnungen, Anweisungen, Abbildungen und technischen Daten durch. Eine Missachtung der unten aufgeführten Anweisungen kann zu einem elektrischen Schlag, Brand und/oder schweren Verletzungen führen.
- Arbeiten, wie Schleifen, Drahtbürsten, Polieren oder Abschneiden mit diesem Elektrowerkzeug, sind nicht zu empfehlen. Benutzungsweisen, für die das Elektrowerkzeug nicht ausgelegt ist, können Gefahren erzeugen und Verletzungen verursachen.

- Verwenden Sie kein Zubehör, das nicht speziell vom Werkzeughersteller vorgesehen ist und empfohlen wird. Die bloße Tatsache, dass ein Zubehörteil an Ihrem Elektrowerkzeug angebracht werden kann, gewährleistet noch keinen sicheren Betrieb.
- Die Nennndrehzahl des Zubehörteils muss mindestens der am Elektrowerkzeug angegebenen Maximaldrehzahl entsprechen. Zubehörteile, die schneller als ihre Nennndrehzahl rotieren, können bersten und auseinander fliegen.
- Außendurchmesser und Dicke des Zubehörteils müssen innerhalb der Kapazitätsgrenzen Ihres Elektrowerkzeugs liegen. Zubehörteile der falschen Größe können nicht angemessen geschützt oder kontrolliert werden.
- Verwenden Sie keine beschädigten Zubehörteile. Untersuchen Sie das Zubehörteil, wie z. B. eine Schleifscheibe, vor jedem Gebrauch auf Absplitterungen und Risse. Falls das Elektrowerkzeug oder das Zubehörteil herunterfällt, überprüfen Sie es auf Beschädigung, oder montieren Sie ein unbeschädigtes Zubehörteil. Achten Sie nach der Überprüfung und Installation eines Zubehörteils darauf, dass Sie selbst und Umstehende nicht in der Rotationsebene des Zubehörteils stehen, und lassen Sie das Elektrowerkzeug eine Minute lang mit maximaler Leerlaufdrehzahl laufen. Ein beschädigtes Zubehörteil bricht normalerweise während dieses Probelaufs auseinander.
- Tragen Sie Schutzausrüstung. Benutzen Sie je nach der Arbeit einen Gesichtsschutz bzw. eine Sicherheits- oder Schutzbrille. Tragen Sie bei Bedarf eine Staubmaske, Ohrschützer, Handschuhe und eine Arbeitsschürze, die in der Lage ist, kleine Schleifpartikel oder Werkstücksplitter abzuwehren. Der Augenschutz muss in der Lage sein, den bei verschiedenen Arbeiten anfallenden Flugstaub abzuwehren. Die Staubmaske oder Atemschutzmaske muss in der Lage sein, durch die Arbeit erzeugte Partikel herauszufiltern. Lang anhaltende Lärmbelastung kann zu Gehörschäden führen.
- Halten Sie Umstehende in sicherem Abstand vom Arbeitsbereich. Jeder, der den Arbeitsbereich betritt, muss Schutzausrüstung tragen. Bruchstücke des Werkstücks oder eines beschädigten Zubehörteils können weggeschleudert werden und Verletzungen über den unmittelbaren Arbeitsbereich hinaus verursachen.

9. **Halten Sie das Elektrowerkzeug nur an den isolierten Griffflächen, wenn Sie Arbeiten ausführen, bei denen die Gefahr besteht, dass verborgene Kabel oder das eigene Kabel kontaktiert werden.** Bei Kontakt mit einem Strom führenden Kabel können die freiliegenden Metallteile des Elektrowerkzeugs ebenfalls Strom führend werden, so dass der Benutzer einen elektrischen Schlag erleiden kann.
10. **Halten Sie das Kabel vom rotierenden Zubehörtteil fern.** Falls Sie die Kontrolle verlieren, kann das Kabel durchgetrennt oder erfasst werden, so dass Ihre Hand oder Ihr Arm in das rotierende Zubehörtteil hineingezogen wird.
11. **Legen Sie das Elektrowerkzeug erst ab, nachdem das Zubehörtteil zum vollständigen Stillstand gekommen ist.** Anderenfalls kann das rotierende Zubehörtteil die Oberfläche erfassen und das Elektrowerkzeug aus Ihren Händen reißen.
12. **Lassen Sie das Elektrowerkzeug nicht laufen, während Sie es an Ihrer Seite tragen.** Das rotierende Zubehörtteil könnte sonst bei versehentlichem Kontakt Ihre Kleidung erfassen und auf Ihren Körper zu gezogen werden.
13. **Reinigen Sie die Ventilationsöffnungen des Elektrowerkzeugs regelmäßig.** Der Lüfter des Motors saugt Staub in das Gehäuse an, und starke Ablagerungen von Metallstaub können elektrische Gefahren verursachen.
14. **Betreiben Sie das Elektrowerkzeug nicht in der Nähe von brennbaren Materialien.** Funken könnten diese Materialien entzünden.
15. **Verwenden Sie keine Zubehörtteile, die Kühlfüssigkeiten erfordern.** Die Verwendung von Wasser oder anderen Kühlfüssigkeiten kann zu einem Stromschlag führen.

Warnungen vor Rückschlag und damit zusammenhängenden Gefahren

Ein Rückschlag ist eine plötzliche Reaktion auf Klemmen oder Hängenbleiben der Schleifscheibe, des Schleiftellers, der Drahtbürste oder eines anderen Zubehörtteils. Klemmen oder Hängenbleiben verursacht sofortiges Stocken des rotierenden Zubehörtteils, was wiederum dazu führt, dass das außer Kontrolle geratene Elektrowerkzeug am Stockpunkt in die entgegengesetzte Drehrichtung des Zubehörtteils geschleudert wird.

Wenn beispielsweise eine Schleifscheibe vom Werkstück erfasst oder eingeklemmt wird, kann sich die in den Klemmpunkt eindringende Schleifscheibenkante in die Materialoberfläche bohren, so dass sie herausspringt oder zurückschlägt. Je nach der Drehrichtung der Schleifscheibe am Klemmpunkt kann die Schleifscheibe auf die Bedienungsperson zu oder von ihr weg springen. Schleifscheiben können unter solchen Bedingungen auch brechen.

Rückschlag ist das Resultat falscher Handhabung des Elektrowerkzeugs und/oder falscher Arbeitsverfahren oder -bedingungen und kann durch Anwendung der nachstehenden Vorsichtsmaßnahmen vermieden werden.

- a) **Halten Sie das Elektrowerkzeug mit festem Griff, und positionieren Sie Ihren Körper und Arm so, dass Sie die Rückschlagkräfte auffangen können.** Benutzen Sie stets den Zusatzgriff, wenn vorhanden, um maximale Kontrolle über Rückschlag oder Drehbewegungen während des Anlaufs zu haben. Drehbewegungen oder Rückschlagkräfte können kontrolliert werden, wenn entsprechende Vorkehrungen getroffen werden.
- b) **Halten Sie Ihre Hand niemals in die Nähe des rotierenden Zubehörtteils.** Bei einem Rückschlag könnte das Zubehörtteil Ihre Hand verletzen.
- c) **Stellen Sie sich nicht in den Bereich, in den das Elektrowerkzeug bei Auftreten eines Rückschlags geschleudert wird.** Der Rückschlag schleudert die Maschine am Stockpunkt in die entgegengesetzte Drehrichtung der Schleifscheibe.
- d) **Lassen Sie beim Bearbeiten von Ecken und scharfen Kanten usw. besondere Vorsicht walten.** Vermeiden Sie Anstoßen und Verhaken des Zubehörtteils. Ecken, scharfe Kanten oder Anstoßen führen leicht zu Hängenbleiben des rotierenden Zubehörtteils und verursachen Verlust der Kontrolle oder Rückschlag.
- e) **Montieren Sie keine Sägeketten, Holzfräsen oder gezahnte Sägeblätter.** Solche Zubehörtteile verursachen häufige Rückschläge und Verlust der Kontrolle.

Spezielle Sicherheitswarnungen für Schleifarbeiten:

- a) **Verwenden Sie nur für Ihr Elektrowerkzeug empfohlene Schleifscheiben.**
- b) **Schleifscheiben dürfen nur für empfohlene Anwendungen eingesetzt werden.** Zum Beispiel: Nicht mit der Seite einer Trennscheibe schleifen. Da Trennscheiben für Peripherieschleifen vorgesehen sind, können sie durch seitlich einwirkende Kräfte zerschmettert werden.
- c) **Verwenden Sie keine abgenutzten Schleifscheiben von größeren Elektrowerkzeugen.** Schleifscheiben für größere Elektrowerkzeuge eignen sich nicht für die höhere Drehzahl eines kleineren Werkzeugs und können bersten.

Zusätzliche Sicherheitshinweise:

16. **Vergewissern Sie sich vor dem Einschalten der Maschine, dass die Schleifscheibe nicht das Werkstück berührt.**
17. **Lassen Sie das Werkzeug vor der eigentlichen Bearbeitung eines Werkstücks eine Weile laufen.** Achten Sie auf Vibrationen oder Taumelbewegungen, die Anzeichen für schlechte Montage oder eine schlecht ausgewuchtete Schleifscheibe sein können.
18. **Verwenden Sie nur die vorgeschriebene Fläche der Schleifscheibe für Schleifarbeiten.**
19. **Nehmen Sie sich vor Funkenflug in Acht.** Halten Sie die Maschine so, dass Sie und andere Personen oder leicht entzündliche Materialien nicht von den Funken getroffen werden.
20. **Lassen Sie die Maschine nicht unbeaufsichtigt laufen.** Benutzen Sie die Maschine nur mit Handhaltung.

21. Vermeiden Sie eine Berührung des Werkstücks unmittelbar nach der Bearbeitung, weil es dann noch sehr heiß ist und Hautverbrennungen verursachen kann.
22. Befolgen Sie die Anweisungen des Herstellers für korrekte Montage und Verwendung von Schleifscheiben. Behandeln und lagern Sie Schleifscheiben mit Sorgfalt.
23. Vergewissern Sie sich, dass das Werkstück sicher abgestützt ist.
24. Falls der Arbeitsplatz sehr heiß, feucht oder durch leitfähigen Staub stark verschmutzt ist, verwenden Sie einen Kurzschlusschalter (30 mA) zum Schutz des Bedieners.
25. Verwenden Sie diese Maschine nicht zur Bearbeitung von asbesthaltigen Materialien.
26. Achten Sie stets auf sicheren Stand. Vergewissern Sie sich bei Einsatz der Maschine an hochgelegenen Arbeitsplätzen, dass sich keine Personen darunter aufhalten.

BEWAHREN SIE DIESE HINWEISE SORGFÄLTIG AUF.

⚠ WARNUNG:

Lassen Sie sich NICHT durch Bequemlichkeit oder Vertrautheit mit dem Produkt (durch wiederholten Gebrauch erworben) von der strikten Einhaltung der Sicherheitsregeln für das vorliegende Produkt abhalten. MISSBRAUCH oder Missachtung der Sicherheitsvorschriften in dieser Anleitung können schwere Verletzungen verursachen.

FUNKTIONSBESCHREIBUNG

VORSICHT:

- Schalten Sie das Werkzeug stets aus und entfernen Sie den Akkublock, bevor Sie Einstellungen oder eine Funktionsprüfung des Werkzeugs vornehmen.

Schalterbedienung (Abb. 1)

VORSICHT:

- Vergewissern Sie sich vor dem Anschließen der Maschine stets, dass der Schiebeschalter ordnungsgemäß funktioniert und beim Drücken der Rückseite in die Stellung "O (AUS)" zurückkehrt.

Zum Einschalten der Maschine den Schalter auf die Position "I (EIN)" schieben. Für Dauerbetrieb den Schalter durch Drücken seiner Vorderseite einrasten.

Zum Ausschalten der Maschine die Rückseite des Schiebeschalters drücken, und dann den Schalter auf die Stellung "O (AUS)" schieben.

Drehzahl-Stellrad (Abb. 2)

Die Drehzahl kann durch Drehen des Drehzahl-Stellrads auf eine der Stufen von 1 bis 5 verstellt werden.

Durch Drehen des Stellrads in Richtung der Stufe 5 wird die Drehzahl erhöht. Durch Drehen des Stellrads in Richtung der Stufe 1 wird die Drehzahl verringert.

Die ungefähren Drehzahlen für die einzelnen Stellrad-Positionen sind aus der Tabelle ersichtlich.

	GD0800C	GD0810C
Stufe	min ⁻¹ (U/min)	min ⁻¹ (U/min)
1 – 2	7 000 – 10 000	1 800 – 2 400
2 – 3	10 000 – 17 000	2 400 – 4 100
3 – 4	17 000 – 24 000	4 100 – 5 800
4 – 5	24 000 – 28 000	5 800 – 7 000

006478

VORSICHT:

- Wird das Werkzeug über längere Zeitspannen im Dauerbetrieb mit niedriger Drehzahl betrieben, führt das zu einer Überlastung des Motors, die eine Funktionsstörung zur Folge haben kann.
- Das Drehzahl-Stellrad lässt sich nur bis 5 und zurück auf 1 drehen. Wird es gewaltsam über 5 oder 1 hinaus gedreht, lässt sich die Drehzahl möglicherweise nicht mehr einstellen.

MONTAGE

VORSICHT:

- Vergewissern Sie sich vor der Ausführung von Arbeiten an der Maschine stets, dass sie ausgeschaltet und vom Stromnetz getrennt ist.

Montieren des Seitengriffs (Sonderzubehör) (Abb. 3)

Den Seitengriff am Maschinengehäuse anbringen, und dann durch Drehen im Uhrzeigersinn an der gewünschten Position festziehen.

Montage und Demontage des Schleifstifts (Abb. 4 u. 5)

Die Spannzangenmutter lösen, und den Schleifstift in die Spannzangenmutter einführen. Die Spindel mit dem kleineren Schraubenschlüssel arretieren, und die Spannzangenmutter mit dem größeren Schraubenschlüssel sicher anziehen.

Der Schleifstift sollte nicht mehr als 8 mm von der Spannzangenmutter überstehen. Eine Überschreitung dieses Abstands kann zu Vibrationen oder Schaftbruch führen.

Zum Demontieren des Schleifstifts ist das Montageverfahren umgekehrt anzuwenden.

VORSICHT:

- Verwenden Sie einen passenden Spannzangenkonus für den zu benutzenden Schleifstift.

BETRIEB (Abb. 6)

Das Werkzeug einschalten, ohne dass der Schleifstift das Werkstück berührt, und warten, bis er die volle Drehzahl erreicht. Dann den Schleifstift sachte an das Werkstück ansetzen. Um einen sauberen Schliff zu erhalten, das Werkzeug langsam nach links bewegen.

VORSICHT:

- Üben Sie nur leichten Druck auf das Werkzeug aus. Übermäßiger Druck auf das Werkzeug führt nur zu schlechtem Schliff und Überlastung des Motors.

WARTUNG

VORSICHT:

- Denken Sie vor der Durchführung von Überprüfungen oder Wartungsarbeiten stets daran, die Maschine auszuschalten und vom Stromnetz zu trennen.
- Verwenden Sie auf keinen Fall Benzin, Benzol, Verdünnern, Alkohol oder dergleichen. Solche Mittel können Verfärbung, Verformung oder Rissbildung verursachen.

Um die SICHERHEIT und ZUVERLÄSSIGKEIT dieses Produkts aufrechtzuerhalten, sollten Reparaturen, Überprüfung und Austausch der Kohlebürsten und andere Wartungs- oder Einstellarbeiten nur von Makita-Kundendienstzentren unter ausschließlicher Verwendung von Makita-Originalersatzteilen ausgeführt werden.

SONDERZUBEHÖR

VORSICHT:

- Die folgenden Zubehörteile oder Vorrichtungen werden für den Einsatz mit der in dieser Anleitung beschriebenen Makita-Maschine empfohlen. Die Verwendung anderer Zubehörteile oder Vorrichtungen kann eine Verletzungsgefahr darstellen. Verwenden Sie Zubehörteile oder Vorrichtungen nur für ihren vorgesehenen Zweck.

Wenn Sie weitere Einzelheiten bezüglich dieser Zubehörteile benötigen, wenden Sie sich bitte an Ihre Makita-Kundendienststelle.

- Schleifstifte
- Spannzangenkonussatz (3 mm, 6 mm, 1/4", 1/8")
- Schraubstockhalter
- Gabelschlüssel 13
- Gabelschlüssel 19
- Seitengriffsatz

HINWEIS:

- Manche Teile in der Liste können als Standardzubehör im Werkzeugsatz enthalten sein. Sie können von Land zu Land unterschiedlich sein.

ENG905-1

Geräusch

Typischer A-bewerteter Geräuschpegel ermittelt gemäß EN60745:

Modell GD0800C

Schalldruckpegel (L_{pA}): 78 dB (A)

Ungewissheit (K): 3 dB (A)

Der Geräuschpegel während des Betriebs kann 80 dB (A) überschreiten.

Modell GD0810C

Schalldruckpegel (L_{pA}): 79 dB (A)

Ungewissheit (K): 3 dB (A)

Der Geräuschpegel während des Betriebs kann 80 dB (A) überschreiten.

Gehörschutz tragen

ENG900-1

Vibration

Vibrationsgesamtwert (Drei-Achsen-Vektorsumme) ermittelt gemäß EN60745:

Modell GD0800C

Arbeitsmodus: Oberflächenschleifen

Vibrationsemission ($a_{h, AG}$): 2,5 m/s²

Ungewissheit (K): 1,5 m/s²

Wenn die Maschine für andere Anwendungen verwendet wird, können die Vibrationswerte abweichen.

Modell GD0810C

Arbeitsmodus: Oberflächenschleifen

Vibrationsemission ($a_{h, SG}$): 2,5 m/s² oder weniger

Ungewissheit (K): 1,5 m/s²

ENG902-1

- Der angegebene Vibrationsemissionswert wurde im Einklang mit der Standardprüfmethode gemessen und kann für den Vergleich zwischen Maschinen herangezogen werden.
- Der angegebene Vibrationsemissionswert kann auch für eine Vorbewertung des Gefährdungsgrads verwendet werden.
- Der angegebene Vibrationsemissionswert wird für Hauptanwendungen des Elektrowerkzeugs verwendet. Wird das Elektrowerkzeug jedoch für andere Anwendungen verwendet, kann der Vibrationsemissionswert abweichen.

⚠️ WARNUNG:

- Die Vibrationsemission während der tatsächlichen Benutzung des Elektrowerkzeugs kann je nach der Benutzungsweise der Maschine vom angegebenen Emissionswert abweichen.
- Identifizieren Sie Sicherheitsmaßnahmen zum Schutz des Benutzers anhand einer Schätzung des Gefährdungsgrads unter den tatsächlichen Benutzungsbedingungen (unter Berücksichtigung aller Phasen des Arbeitszyklus, wie z. B. Ausschalt- und Leerlaufzeiten der Maschine zusätzlich zur Betriebszeit).

ENH101-16

Nur für europäische Länder

EG-Übereinstimmungserklärung

Wir, die Firma Makita als verantwortlicher Hersteller, erklären, dass die folgende(n) Makita-Maschine(n):

Bezeichnung der Maschine:

Geradschleifer

Modell-Nr./ Typ: GD0800C, GD0810C

der Serienproduktion entstammen und

den folgenden europäischen Richtlinien entsprechen:

2006/42/EG

und gemäß den folgenden Standards oder standardisierten Dokumenten hergestellt werden:

EN60745

Die technische Dokumentation befindet sich im Bestand von:

Makita International Europe Ltd.

Technische Abteilung,

Michigan Drive, Tongwell,

Milton Keynes, Bucks MK15 8JD, England

30.1.2009



Tomoyasu Kato

Direktor

Makita Corporation

3-11-8, Sumiyoshi-cho,

Anjo, Aichi, 446-8502, JAPAN

Visione generale

1 Interruttore scorrevole	3 Manico laterale	5 Chiave 13
2 Ghiera di regolazione velocità	4 Chiave 19	6 Dado bussola di chiusura

DATI TECNICI

Modello	GD0800C	GD0810C
Dimensioni coltello	8 mm max.	8 mm max.
Diametro punta disco	25 mm	50 mm
Velocità nominale (n) / Velocità a vuoto (n ₀)	28.000 (min ⁻¹)	7.000 (min ⁻¹)
Lunghezza totale	371 mm	371 mm
Peso netto	1,7 kg	1,7 kg
Classe di sicurezza.....	□/II	□/II

- Per il nostro programma di ricerca e sviluppo continui, i dati tecnici sono soggetti a modifiche senza preavviso.
- I dati tecnici potrebbero differire a seconda del paese di destinazione del modello.
- Peso in base alla procedura EPTA 01/2003

ENE050-1

Utilizzo previsto

Questo utensile è progettato per la smerigliatura dei materiali ferrosi o la sbavatura degli stampi.

ENF002-2

Alimentazione

L'utensile deve essere collegato ad una presa di corrente con la stessa tensione indicata sulla targhetta del nome, e può funzionare soltanto con la corrente alternata monofase. Esso ha un doppio isolamento, per cui può essere usato con le prese di corrente sprovviste della messa a terra.

GEA010-1

Avvertimenti generali per la sicurezza dell'utensile elettrico

⚠ AVVERTIMENTO Leggere tutti gli avvertimenti per la sicurezza e le istruzioni. La mancata osservanza degli avvertimenti e delle istruzioni può causare scosse elettriche, incendio e/o gravi incidenti.

Conservare tutti gli avvertimenti e le istruzioni per riferimenti futuri.

GEB034-8

AVVERTIMENTI PER LA SICUREZZA PER LA SMERIGLIATRICE DIRITTA

Avvertimenti comuni per la sicurezza dell'operazione di smerigliatura:

1. Questo utensile elettrico è progettato per il funzionamento come smerigliatrice. Leggere tutti gli avvertimenti per la sicurezza, le istruzioni, le illustrazioni e le specifiche forniti con questo utensile elettrico. Se non si osservano tutte le istruzioni elencate di seguito, c'è pericolo di scosse elettriche, incendio e/o incidenti gravi.
2. Con questo utensile si sconsigliano le operazioni quali la sabbatura, spazzolatura metallica, lucidatura o troncatura. Le operazioni per le quali l'utensile non è stato progettato possono creare pericoli e incidenti.

3. Non si devono usare accessori che non sono stati specificatamente progettati e consigliati dal produttore dell'utensile. Anche se l'accessorio può essere montato sull'utensile, non garantisce il funzionamento sicuro.
4. La velocità nominale dell'accessorio deve essere almeno uguale alla velocità massima indicata sull'utensile. Gli accessori che girano più velocemente della loro velocità nominale possono rompersi e schizzare via.
5. Il diametro esterno e lo spessore dell'accessorio devono essere compresi entro la capacità nominale dell'utensile. Gli accessori con dimensioni scorrette non possono essere protetti o controllati adeguatamente.
6. Non si devono usare accessori danneggiati. Prima di ogni uso, controllare che gli accessori, come i dischi abrasivi, non presentino scheggiature o crepe. Se l'utensile o l'accessorio è caduto, controllare se ci sono danni o installare un accessorio non danneggiato. Dopo aver ispezionato e installato un accessorio, posizionare se stessi e gli astanti fuori dal piano di rotazione dell'accessorio, e far girare l'utensile senza carico alla velocità massima per un minuto. Gli accessori danneggiati normalmente si rompono durante questo tempo di test.
7. Indossare l'equipaggiamento di protezione personale. A seconda dell'applicazione, usare una visiera, occhialoni o occhiali di protezione. Come appropriato, indossare una mascherina antipolvere, protezioni per l'udito, guanti e un grembiule in grado di arrestare piccoli frammenti abrasivi o del pezzo. La protezione degli occhi deve essere in grado di riparare dai frammenti sprigionati dalle varie operazioni. La mascherina antipolvere o il respiratore deve essere in grado di filtrare le particelle generate dall'operazione in corso. L'esposizione prolungata al rumore ad alta intensità potrebbe causare la perdita dell'udito.
8. Tenere gli astanti a una distanza di sicurezza dall'area di lavoro. Chiusure entri nell'area di lavoro deve indossare l'equipaggiamento di protezione. I frammenti del pezzo o di un accessorio rotto potrebbero schizzare via oltre l'area immediata dell'operazione causando lesioni.

9. **L'utensile deve essere tenuto soltanto per le superfici di presa isolate quando si esegue una operazione in cui l'accessorio di taglio potrebbe fare contatto con fili elettrici nascosti o con il suo stesso cavo di alimentazione.** L'accessorio di taglio che fa contatto con un filo elettrico "sotto tensione" potrebbe mettere "sotto tensione" le parti metalliche esposte dell'utensile elettrico, e dare una scossa all'operatore.
10. **Posizionare il cavo di alimentazione discosto dall'accessorio rotante.** Se si perde il controllo dell'utensile, il cavo potrebbe venire tagliato o rimanere impigliato, e la mano o il braccio potrebbe essere attirato nell'accessorio rotante.
11. **L'utensile non deve mai essere posato finché non si è arrestato completamente.** L'accessorio rotante potrebbe far presa sulla superficie e far perdere il controllo dell'utensile.
12. **L'utensile non deve essere avviato mentre è trasportato sul fianco dell'operatore.** L'accessorio che ruota, per il contatto accidentale, potrebbe rimanere impigliato sul vestito ed essere attirato nel corpo dell'operatore.
13. **Pulire regolarmente le aperture di ventilazione dell'utensile.** La ventola del motore attira la polvere all'interno dell'alloggiamento, e l'accumulazione eccessiva di polvere metallica potrebbe causare pericoli di scosse elettriche.
14. **L'utensile non deve essere fatto funzionare vicino a materiali infiammabili.** Le scintille sprigionate potrebbero dare fuoco a tali materiali.
15. **Non si devono usare accessori che richiedono refrigeranti liquidi.** L'impiego di acqua o di altri refrigeranti liquidi potrebbe causare elettrocuzione o scosse elettriche.

Contraccolpo e avvertimenti relativi

Il contraccolpo è una improvvisa reazione a un disco rotante, tampone di rinforzo, spazzola o qualsiasi altro accessorio incastrato o impigliato. L'accessorio rotante incastrato o impigliato subisce un improvviso stallo, che a sua volta causa la spinta dell'utensile elettrico fuori controllo nella direzione opposta della rotazione dell'accessorio sul punto dell'inceppamento.

Per esempio, se un disco abrasivo rimane impigliato o incastrato nel pezzo, il filo del disco che entra nel punto di inceppamento può penetrare nella superficie del materiale causando la fuoriuscita o il contraccolpo del disco. Il disco potrebbe rimbalzare verso l'operatore o lontano da esso, a seconda della direzione del movimento del disco sul punto di inceppamento. In queste condizioni, i dischi abrasivi potrebbero anche rompersi.

Il contraccolpo è il risultato dell'utilizzo scorretto dell'utensile elettrico e/o di procedure o condizioni operative scorrette, e può essere evitato prendendo le precauzioni appropriate come indicato di seguito.

- a) **Tenere saldamente l'utensile elettrico e posizionare il corpo e il braccio in modo da poter resistere alla forza del contraccolpo.** Per il massimo controllo del contraccolpo o della reazione di coppia durante l'avviamento dell'utensile, usare sempre il manico ausiliario, se presente. Prendendo le precauzioni appropriate, l'operatore può controllare la reazione di coppia o la forza del contraccolpo.
- b) **Non si deve mai mettere la mano vicino all'accessorio rotante.** L'accessorio potrebbe rimbalzare sulla mano.

- c) **Il corpo non deve essere posizionato nell'area dove l'utensile elettrico si muove se si verifica il contraccolpo.** Il contraccolpo spinge l'utensile nella direzione opposta del movimento del disco sul punto di impigliamento.
- d) **Fare particolarmente attenzione lavorando gli angoli, i bordi aguzzi, ecc. Evitare di far rimbalzare o di impigliare l'accessorio.** Gli angoli, i bordi aguzzi o i rimbalzi tendono a impigliare l'accessorio rotante e causare la perdita di controllo o il contraccolpo.
- e) **Non attaccare una lama di intaglio del legno di catena sega o una lama di sega dentata.** Tali lame causano frequenti contraccolpi e perdita di controllo dell'utensile.

Avvertimenti specifici per la sicurezza della smerigliatura:

- a) **Usare soltanto tipi di dischi raccomandati per l'utensile elettrico.**
- b) **I dischi devono essere usati soltanto per le applicazioni raccomandate. Per esempio: non si deve smerigliare con il lato del disco di taglio.** I dischi di taglio abrasivi sono progettati per la smerigliatura periferica, e le forze laterali applicate a questi dischi potrebbero causarne la rottura.
- c) **Non usare dischi usurati di utensili elettrici più grandi.** I dischi progettati per gli utensili elettrici più grandi non sono adatti alla velocità più alta di un utensile più piccolo, e potrebbero scoppiare.

Avvertimenti addizionali per la sicurezza:

16. **Accertarsi che il disco non faccia contatto con il pezzo prima di avviare l'utensile.**
17. **Prima di usare l'utensile sul pezzo, lasciarlo girare per qualche momento. Controllare se ci sono vibrazioni od ondeggiamenti, che potrebbero indicare l'installazione scarsa del disco o un disco bilanciato male.**
18. **Usare la superficie specificata del disco per eseguire la smerigliatura.**
19. **Fare attenzione alle scintille. Tenere l'utensile in modo che le scintille non siano dirette verso di sé e altre persone, o materiali infiammabili.**
20. **L'utensile non deve essere posato mentre gira. Far funzionare l'utensile soltanto tenendolo in mano.**
21. **Il pezzo non deve essere toccato immediatamente dopo l'operazione. Esso potrebbe essere estremamente caldo e causare bruciate.**
22. **Osservare le istruzioni del produttore per il corretto montaggio e utilizzo dei dischi. Maneggiare e conservare i dischi con cura.**
23. **Controllare che il pezzo sia supportato correttamente.**
24. **Se il luogo di lavoro è estremamente caldo e umido o molto inquinato da polvere conduttiva, usare un interruttore di corrente (30 mA) per garantire la sicurezza dell'operatore.**
25. **L'utensile non deve essere usato su materiali contenenti amianto.**
26. **Accertarsi sempre che i piedi siano appoggiati saldamente. Controllare sempre che non ci sia nessuno sotto quando si usa l'utensile in un posto alto.**

CONSERVATE QUESTE ISTRUZIONI.

AVVERTIMENTO:

NON lasciare che comodità o la familiarità d'utilizzo con il prodotto (acquisita con l'uso ripetuto) sostituisca la stretta osservanza delle norme di sicurezza. L'utilizzo SBAGLIATO o la mancata osservanza delle norme di sicurezza di questo manuale di istruzioni potrebbero causare lesioni serie.

DESCRIZIONE FUNZIONALE

ATTENZIONE:

- Accertarsi sempre che l'utensile sia spento e staccato dalla presa di corrente prima di regolarlo o di controllare il suo funzionamento.

Funzionamento dell'interruttore (Fig. 1)

ATTENZIONE:

- Prima di collegare l'utensile alla presa di corrente, controllare sempre che l'interruttore cursore scorra correttamente e che torni sulla posizione "OFF" quando si preme la sua parte posteriore.

Per avviare l'utensile, spingere l'interruttore cursore verso la posizione "I (ON)". Per il funzionamento continuo, premere la parte anteriore dell'interruttore cursore per bloccarlo.

Per fermare l'utensile, premere la parte posteriore dell'interruttore cursore e spingerlo poi verso la posizione "O (OFF)".

Ghiera di regolazione velocità (Fig. 2)

La velocità dell'utensile può essere cambiata girando la ghiera di regolazione della velocità su un dato numero di regolazione da 1 a 5.

Le velocità più alte si ottengono girando la leva nella direzione del numero 5. Le velocità più basse si ottengono girando la leva nella direzione del numero 1.

Vedere la tabella per il rapporto tra le regolazioni dei numeri della ghiera e la velocità approssimativa dell'utensile.

	GD0800C	GD0810C
Numero	min ⁻¹ (GIRI)	min ⁻¹ (GIRI)
1 - 2	7.000 - 10.000	1.800 - 2.400
2 - 3	10.000 - 17.000	2.400 - 4.100
3 - 4	17.000 - 24.000	4.100 - 5.800
4 - 5	24.000 - 28.000	5.800 - 7.000

006478

ATTENZIONE:

- Se si fa funzionare continuamente l'utensile alle basse velocità per un lungo periodo di tempo, il motore si surriscalda e potrebbe causare un malfunzionamento.
- La ghiera di regolazione della velocità può essere girata soltanto fino a 5 e indietro fino a 1. Non forzarla oltre il 5 o l'1, perché altrimenti la regolazione della velocità potrebbe diventare impossibile.

MONTAGGIO

ATTENZIONE:

- Accertarsi sempre che l'utensile sia spento e staccato dalla presa di corrente prima di qualsiasi intervento su di esso.

Installazione del manico laterale (accessorio opzionale) (Fig. 3)

Installare il manico laterale sul tamburo dell'utensile, e fissare poi il manico girandolo in senso orario sulla posizione desiderata.

Installazione e rimozione della punta disco (Fig. 4 e 5)

Allentare il dado della bussola di chiusura e inserire la punta disco nel dado. Usare la chiave più piccola per tenere fermo il mandrino, e quella più grande per stringere saldamente il dado.

La punta disco non deve essere montata a più di 8 mm dal dado della bussola di chiusura. Il superamento di questa distanza potrebbe causare vibrazioni o la rottura dell'albero.

Per rimuovere la punta disco, usare la procedura opposta di installazione.

ATTENZIONE:

- Usare un cono della bussola di chiusura delle dimensioni corrette per la punta disco che si intende usare.

FUNZIONAMENTO (Fig. 6)

Accendere l'utensile senza che la punta disco faccia contatto con il pezzo, e aspettare finché non ha raggiunto la velocità massima. Far contattare poi delicatamente la punta disco con il pezzo. Per ottenere una buona rifinitura, spostare lentamente l'utensile verso sinistra.

ATTENZIONE:

- Esercitare una leggera pressione sull'utensile. Una pressione eccessiva produce soltanto una rifinitura scarsa e sovraccarica il motore.

MANUTENZIONE

ATTENZIONE:

- Accertarsi sempre che l'utensile sia spento e staccato dalla presa di corrente prima di qualsiasi intervento di ispezione o di manutenzione.
- Mai usare benzina, benzene, solventi, alcol e altre sostanze simili. Potrebbero causare scolorimenti, deformazioni o crepe.

Per preservare la SICUREZZA e l'AFFIDABILITÀ del prodotto, le riparazioni, l'ispezione e la sostituzione della spazzola di carbone o qualsiasi altra manutenzione e regolazione devono essere eseguite da un Centro Assistenza Makita autorizzato usando sempre ricambi Makita.

ACCESSORI OPZIONALI

ATTENZIONE:

- In questo manuale si consiglia di usare questi accessori o ricambi Makita. L'impiego di altri accessori o ricambi potrebbe costituire un pericolo di lesioni. Usare esclusivamente gli accessori o ricambi per il loro scopo specificato.

Per maggiori dettagli riguardo a questi accessori, rivolgersi a un centro di assistenza Makita.

- Punta disco
- Gruppo cono bussola di chiusura (3 mm, 6 mm, 1/4", 1/8")
- Supporto morsa
- Chiave 13
- Chiave 19
- Gruppo manico laterale

NOTA:

- Alcuni articoli nella lista potrebbero essere inclusi nell'imballo dell'utensile come accessori standard. Essi potrebbero differire da Paese a Paese.

ENG905-1

Rumore

Il tipico livello di rumore pesato A determinato secondo EN60745:

Modello GD0800C

Livello pressione sonora (L_{pA}): 78 dB (A)

Incertezza (K): 3 dB (A)

Il livello del rumore durante il lavoro potrebbe superare gli 80 dB (A).

Modello GD0810C

Livello pressione sonora (L_{pA}): 79 dB (A)

Incertezza (K): 3 dB (A)

Il livello del rumore durante il lavoro potrebbe superare gli 80 dB (A).

Indossare i paraorecchi

ENG900-1

Vibrazione

Il valore totale di vibrazione (somma vettore triassiale) determinato secondo EN60745:

Modello GD0800C

Modalità operativa: smerigliatura superficie

Emissione di vibrazione ($a_{h, AG}$): 2,5 m/s²

Incertezza (K): 1,5 m/s²

Se l'utensile viene usato per altre applicazioni, i valori di vibrazione potrebbero essere diversi.

Modello GD0810C

Modalità operativa: smerigliatura superficie

Emissione di vibrazione ($a_{h, SG}$): 2,5 m/s² o meno

Incertezza (K): 1,5 m/s²

ENG902-1

- Il valore di emissione delle vibrazioni dichiarato è stato misurato conformemente al metodo di test standard, e può essere usato per paragonare un utensile con un altro.
- Il valore di emissione delle vibrazioni dichiarato può anche essere usato per una valutazione preliminare dell'esposizione.
- Il valore di emissione delle vibrazioni dichiarato viene usato per le applicazioni principali dell'utensile elettrico. Se però l'utensile elettrico viene usato per altre applicazioni, il valore di emissione delle vibrazioni potrebbe essere diverso.

⚠ AVVERTIMENTO:

- L'emissione delle vibrazioni durante l'uso reale dell'utensile elettrico può differire dal valore di emissione dichiarato a seconda dei modi in cui viene usato l'utensile.
- Identificare le misure di sicurezza per la protezione dell'operatore basate sulla stima dell'esposizione nelle condizioni reali d'utilizzo (tenendo presente tutte le parti del ciclo operativo, come le volte in cui l'utensile viene spento e quando gira a vuoto, oltre al tempo di funzionamento).

ENH101-16

Modello per l'Europa soltanto

Dichiarazione CE di conformità

Noi della Makita Corporation, come produttori responsabili, dichiariamo che le macchine Makita seguenti:

Designazione della macchina:

Smerigliatrice dritta

Modello No./Tipo: GD0800C, GD0810C

sono una produzione di serie e

conformi alle direttive europee seguenti:

2006/42/CE

E sono fabbricate conformemente ai seguenti standard o documenti standardizzati:

EN60745

La documentazione tecnica è tenuta da:

Makita International Europe Ltd.

Assistenza tecnica,

Michigan Drive, Tongwell,

Milton Keynes, Bucks MK15 8JD, England

30.1.2009



Tomoyasu Kato

Amministratore

Makita Corporation

3-11-8, Sumiyoshi-cho,

Anjo, Aichi, 446-8502, JAPAN

Verklaring van algemene gegevens

1 Schuifknop	3 Zijhandgreep	5 Sleutel 13
2 Toerentalregelknop	4 Sleutel 19	6 Spantangbout

TECHNISCHE GEGEVENS

Model	GD0800C	GD0810C
Diameter spantang	max. 8 mm	max. 8 mm
Max. diameter slijpsteen	25 mm	50 mm
Nominaal toerental (n) / Toerental onbelast (n ₀)	28 000 (min ⁻¹)	7 000 (min ⁻¹)
Totale lengte	371 mm	371 mm
Netto gewicht	1,7 kg	1,7 kg
Veiligheidsklasse	□/II	□/II

- In verband met ononderbroken research en ontwikkeling behouden wij ons het recht voor bovenstaande technische gegevens te wijzigen zonder voorafgaande kennisgeving.
- De technische gegevens kunnen van land tot land verschillen.
- Gewicht volgens de EPTA-procedure 01/2003

ENE050-1

Doelinden van gebruik

Het gereedschap is bedoeld voor het schuren van ferrometalen en het afbramen van gegoten metaaldelen.

ENF002-2

Stroomvoorziening

Het gereedschap mag alleen worden aangesloten op een stroombron van hetzelfde voltage als aangegeven op de naamplaat, en kan alleen op enkel-fase wisselstroom worden gebruikt. Het gereedschap is dubbel-geïsoleerd en kan derhalve ook op een niet-geaard stopcontact worden aangesloten.

GEA010-1

Algemene veiligheidswaarschuwingen voor elektrisch gereedschap

⚠ WAARSCHUWING! Lees alle veiligheidswaarschuwingen en alle instructies. Het niet volgen van de waarschuwingen en instructies kan leiden tot elektrische schokken, brand en/of ernstig letsel.

Bewaar alle waarschuwingen en instructies om in de toekomst te kunnen raadplegen.

GEB034-8

VEILIGHEIDSWAARSCHUWINGEN SPECIFIEK VOOR EEN STEMPELSLIJPMACHINE

Gemeenschappelijke veiligheidswaarschuwingen voor slijpwerkzaamheden:

1. Dit elektrisch gereedschap is bedoeld voor gebruik als slijpgereedschap. Lees alle veiligheidswaarschuwingen, instructies, afbeeldingen en technische gegevens die bij dit elektrisch gereedschap worden geleverd. Als u nalaat alle onderstaande instructies te volgen, kan dit leiden tot een elektrische schok, brand en/of ernstig letsel.
2. Wij adviseren u werkzaamheden zoals schuren, draadborstelen, polijsten of doorslijpen niet uit te voeren met dit elektrisch gereedschap. Werkzaamheden waarvoor dit elektrisch gereedschap niet is bedoeld kunnen gevaarlijke situaties opleveren en tot persoonlijk letsel leiden.

3. **Gebruik geen accessoires die niet specifiek zijn ontworpen en aanbevolen door de fabrikant van het gereedschap.** Ook wanneer het accessoire kan worden bevestigd op uw elektrisch gereedschap, is een veilige werking niet gegarandeerd.
4. **Het nominaal toerental van het accessoire moet minstens gelijk zijn aan het maximumtoerental vermeld op het elektrisch gereedschap.** Accessoires die met een hoger toerental draaien dan hun nominaal toerental kunnen stuk breken en in het rond vliegen.
5. **De buitendiameter en de dikte van het accessoire moet binnen het capaciteitsbereik van het elektrisch gereedschap vallen.** Accessoires met verkeerde afmetingen kunnen niet afdoende worden afgeschermd of beheerst.
6. **Gebruik nooit een beschadigd accessoire. Inspecteer het accessoire vóór ieder gebruik, bijvoorbeeld een slijpschijf op ontbrekende schijfers en barsten. Nadat het elektrisch gereedschap of het accessoire is gevallen, inspecteer u het op schade of monteert u een onbeschadigd accessoire. Na inspectie en montage van een accessoire, zorgt u ervoor dat u en omstanders niet in het rotatievlak van het accessoire staan, en laat u het elektrisch gereedschap draaien op het maximaal, onbelast toerental gedurende één minuut.** Beschadigde accessoires breken normaal gesproken in stukken gedurende deze testduur.
7. **Gebruik persoonlijke-veiligheidsmiddelen. Afhankelijk van de toepassing gebruikt u een gezichtsscherm, een beschermende bril of een veiligheidsbril. Al naar gelang van toepassing draagt u een stofmasker, gehoorbeschermers, handschoenen en een werkschort die in staat zijn kleine stukjes slijpsel of werkstukfragmenten te weerstaan.** De oogbescherming moet in staat zijn rondvliedend afval te stoppen dat ontstaat bij de diverse werkzaamheden. Het stofmasker of ademhalingsapparaat moet in staat zijn deeltjes te filteren die ontstaat bij de werkzaamheden. Langdurige blootstelling aan zeer intens geluid kan leiden tot gehoorbeschadiging.
8. **Houd omstanders op veilige afstand van het werkgebied. Iedereen die zich binnen het werkgebied begeeft, moet persoonlijke-veiligheidsmiddelen gebruiken.** Fragmenten van het werkstuk of van een uiteengevallen accessoire kunnen rondvliegen en letsel veroorzaken buiten de onmiddellijke werkomgeving.

9. **Houd elektrisch gereedschap uitsluitend vast aan het geïsoleerde oppervlak van de handgrepen wanneer u werkt op plaatsen waar het slijp-accessoire met verborgen bedrading of zijn eigen snoer in aanraking kan komen.** Als snijdende accessoires een draad raken die onder stroom staat, kunnen de metalen delen van dit gereedschap ook onder spanning raken en u een elektrische schok geven.
10. **Houd het snoer goed uit de buurt van het ronddraaiende accessoire.** Als u de controle verliest over het gereedschap, kan het snoer worden doorgesneden of bekneld raken, en kan uw hand of arm tegen het ronddraaiende accessoire worden aange-trokken.
11. **Leg het elektrisch gereedschap nooit neer voordat het accessoire volledig tot stilstand is gekomen.** Het ronddraaiende accessoire kan de ondergrond pakken zodat u de controle over het elektrisch gereedschap verliest.
12. **Laat het elektrisch gereedschap niet draaien terwijl u het naast u draagt.** Als het ronddraaiende accessoire u per ongeluk raakt, kan het verstrikt raken in uw kleding waardoor het accessoire in uw lichaam wordt getrokken.
13. **Maak de ventilatieopeningen van het gereedschap regelmatig schoon.** De ventilator van de motor zal het stof de behuizing in trekken, en een grote opeenhoping van metaalslijpsel kan leiden tot elektrisch gevaarlijke situaties.
14. **Gebruik het elektrisch gereedschap niet in de buurt van brandbare materialen.** Vonken kunnen deze materialen doen ontvlammen.
15. **Gebruik geen accessoires die met vloeistof moeten worden gekoeld.** Het gebruik van water of andere vloeibare koelmiddelen kan leiden tot elektrocutie of elektrische schokken.

Terugslag en aanverwante waarschuwingen

Terugslag is een plotselinge reactie op een beknelde of vastgelopen draaiende schijf, rugschijf, borstel of enig ander accessoire. Beknellen of vastlopen veroorzaakt een snelle stilstand van het draaiende accessoire dat op zijn beurt ertoe leidt dat het elektrisch gereedschap zich ongecontroleerd beweegt in de tegenovergestelde richting van de draairichting van het accessoire op het moment van vastlopen.

Bijvoorbeeld, als een slijpschijf bekneld raakt of vastloopt in het werkstuk, kan de rand van de schijf die het beknellingspunt ingaat, zich invreten in het oppervlak van het materiaal waardoor de schijf eruit klimt of eruit slaat. De schijf kan daarbij naar de gebruiker toe of weg springen, afhankelijk van de draairichting van de schijf op het beknellingspunt. Slijpschijven kunnen in dergelijke situaties ook breken.

Terugslag is het gevolg van misbruik van het elektrisch gereedschap en/of onjuiste gebruiksprocedures of -omstandigheden, en kan worden voorkomen door goede voorzorgsmaatregelen te treffen, zoals hieronder vermeld:

- a) **Houd het gereedschap stevig vast en houd uw armen en lichaam zodanig dat u in staat bent een terugslag op te vangen.** Gebruik altijd de extra handgreep (indien aanwezig) voor een maximale controle over het gereedschap in geval van terugslag en de koppelreactiekrachten bij het starten. De gebruiker kan een terugslag of de koppelreactiekrachten opvangen indien de juiste voorzorgsmaatregelen worden getroffen.
- b) **Plaats uw hand nooit in de buurt van het draaiende accessoire.** Het accessoire kan terugslaan over uw hand.
- c) **Plaats uw lichaam niet in het gebied waar het elektrisch gereedschap naar toe gaat wanneer een terugslag optreedt.** Een terugslag zal het gereedschap bewegen in de tegenovergestelde richting van de draairichting van de schijf op het moment van beknellen.
- d) **Wees bijzonder voorzichtig bij het werken met hoeken, scherpe randen, enz. Voorkom dat het accessoire springt of bekneld raakt.** Hoeken, scherpe randen of springen veroorzaken vaak beknellen van het draaiende accessoire wat leidt tot terugslag of verlies van controle over het gereedschap.
- e) **Bevestig geen houtbewerkingsblad van een zaagketting of getand zaagblad.** Dergelijke bladen leiden vaak tot terugslag of verlies van controle over het gereedschap.

Veiligheids waarschuwingen specifiek voor slijpwerkzaamheden:

- a) **Gebruik uitsluitend schijven van het type aanbevolen voor uw elektrisch gereedschap.**
- b) **De schijven mogen uitsluitend worden gebruikt voor de aanbevolen toepassingen. Bijvoorbeeld: u mag niet slijpen met de zijkant van een doorslijpschijf.** Doorslijpschijven zijn bedoeld voor slijpen met de rand. Krachten op het zijoppervlak kunnen deze schijven doen breken.
- c) **Gebruik geen afgesleten schijven van grotere elektrische gereedschappen.** Schijven die zijn bedoeld voor grotere elektrische gereedschappen zijn niet geschikt voor de hogere snelheid van een kleiner elektrisch gereedschap en kunnen in stukken breken.

Aanvullende veiligheids waarschuwingen:

16. **Zorg ervoor dat de schijf niet in aanraking is met het werkstuk voordat u het gereedschap hebt ingeschakeld.**
17. **Laat het gereedschap een tijdje draaien voordat u het op een werkstuk gaat gebruiken. Controleer op trillingen of schommelingen die op onjuiste montage of een slecht uitgebalanceerd schijf kunnen wijzen.**
18. **Gebruik de aangegeven kant van de schijf om mee te slijpen.**
19. **Wees alert op rondvliegende vonken.** Houd het gereedschap zodanig vast dat de vonken wegvliegen van u en andere personen of brandbare materialen.
20. **Laat het gereedschap niet ingeschakeld liggen. Bedien het gereedschap alleen wanneer u het vasthoudt.**

21. Raak de schijf niet onmiddellijk na gebruik aan. Deze kan bijzonder heet zijn en brandwonden op uw huid veroorzaken.
22. Houd u aan de instructies van de fabrikant voor juiste montage en gebruik van de schijven. Behandel en bewaar de schijven zorgvuldig.
23. Controleer dat het werkstuk goed wordt ondersteund.
24. Als de werkruimte bijzonder heet en vochtig is, of sterk vervuild is met geleidend stof, gebruik dan een kortsluitonderbreker (30 mA) om de veiligheid van de gebruiker te garanderen.
25. Gebruik het gereedschap niet op materiaal dat asbest bevat.
26. Zorg er altijd voor dat u stevig staat. Zorg ervoor dat er niemand zich onder u bevindt wanneer u het gereedschap op een hoge plaats gebruikt.

BEWAAR DEZE VOORSCHRIFTEN.

WAARSCHUWING:

Laat u NIET misleiden door een vals gevoel van comfort en bekendheid met het gereedschap (na veelvuldig gebruik) en neem alle veiligheidsvoorschriften van het betreffende gereedschap altijd strikt in acht. **VERKEERD GEBRUIK** of het niet naleven van de veiligheidsvoorschriften in deze gebruiksaanwijzing kan leiden tot ernstige verwondingen.

BESCHRIJVING VAN DE FUNCTIES

LET OP:

- Zorg altijd dat het gereedschap is uitgeschakeld en zijn stekker uit het stopcontact is verwijderd voordat u functies op het gereedschap afstelt of controleert.

Werking van de schakelaar (Fig. 1)

LET OP:

- Voordat u het gereedschap op een stopcontact aansluit, moet u altijd controleren of de schuifschakelaar goed werkt en naar de "OFF" positie terugkeert wanneer het achterste gedeelte ervan wordt ingedrukt.

Schuif de schuifschakelaar naar de "I (AAN)" positie om het gereedschap te starten. Voor continu gebruik drukt u het voorste gedeelte van de schuifschakelaar in om hem te vergrendelen.

Om het gereedschap te stoppen, druk het achterste gedeelte van de schuifschakelaar in en schuif hem vervolgens naar de "O (UIT)" positie.

Toerentalregelknop (Fig. 2)

U kunt de draaisnelheid veranderen door de toerentalregelknop te draaien en in te stellen op een cijfer van 1 tot 5.

De snelheid verhoogt wanneer u de draaiknop in de richting van het cijfer 5 draait. De snelheid verlaagt wanneer u deze in de richting van het cijfer 1 draait.

Raadpleeg de tabel voor de snelheid van het gereedschap in iedere stand van de snelheidsregelaar.

	GD0800C	GD0810C
Cijfer	min ⁻¹ (rpm)	min ⁻¹ (rpm)
1 – 2	7 000 – 10 000	1 800 – 2 400
2 – 3	10 000 – 17 000	2 400 – 4 100
3 – 4	17 000 – 24 000	4 100 – 5 800
4 – 5	24 000 – 28 000	5 800 – 7 000

006478

LET OP:

- Als het gereedschap continu gedurende een lange tijd op lage snelheid wordt gebruikt, zal de motor overbelast raken, waardoor een storing kan optreden.
- De toerentalregelknop kan niet verder dan 5 en niet verder terug dan 1 worden gedraaid. Probeer niet om hem met geweld verder dan 5 of 1 te draaien, aangezien de toerentalregel functie daardoor ontgeld kan raken.

INEENZETTEN

LET OP:

- Zorg altijd dat het gereedschap is uitgeschakeld en zijn stekker uit het stopcontact is verwijderd alvorens enig werk aan het gereedschap uit te voeren.

De zijhandgreep aanbrengen (los verkrijgbaar) (Fig. 3)

Plaats de zijhandgreep op het gereedschap, verdraai hem naar de gewenste bedieningshoek, en draai hem daarna rechtsom vast.

Installeren of verwijderen van de slijpsteen (Fig. 4 en 5)

Draai de spantangbout los en steek de slijpsteen in de spantangbout. Gebruik de kleinste sleutel om de as op zijn plaats te houden en de grootste sleutel om de spantangbout stevig vast te draaien.

De slijpsteen mag niet verder dan 8 mm van de spantangbout worden gemonteerd. Als u deze afstand overschrijdt, kan de slijpsteen trillen of de as breken.

Om de slijpsteen te verwijderen, voert u de procedure voor het installeren in de omgekeerde volgorde uit.

LET OP:

- Gebruik een spantangkegel van de maat die geschikt is voor de slijpsteen die u wilt gebruiken.

BEDIENING (Fig. 6)

Schakel het gereedschap in zonder dat de slijpsteen het werkstuk raakt, en wacht totdat de slijpsteen op volle toeren draait. Zet dan de slijpsteen voorzichtig op het werkstuk. Om een goede afwerking te krijgen, moet u het gereedschap langzaam naar links bewegen.

LET OP:

- Oefen alleen lichte druk uit op het gereedschap. Overmatige druk op het gereedschap zal een slechte afwerking en overbelasting van de motor veroorzaken.

ONDERHOUD

LET OP:

- Zorg altijd dat het gereedschap is uitgeschakeld en zijn stekker uit het stopcontact is verwijderd alvorens te beginnen met inspectie of onderhoud.
- Gebruik nooit benzine, wasbenzine, thinner, alcohol en dergelijke. Hierdoor het verkleuring, vervormingen en barsten worden veroorzaakt.

Om de VEILIGHEID en BETROUWBAARHEID van het gereedschap te verzekeren, dienen alle reparaties, inspectie en vervanging van koolborstels, en alle andere onderhoudswerkzaamheden of afstellingen te worden uitgevoerd door een erkend Makita servicecentrum, en dit uitsluitend met gebruik van originele Makita vervangingsonderdelen.

OPTIONELE ACCESSOIRES

LET OP:

- Deze accessoires of hulpstukken worden aanbevolen voor gebruik met het Makita gereedschap dat in deze gebruiksaanwijzing is beschreven. Bij gebruik van andere accessoires of hulpstukken bestaat er gevaar voor persoonlijke verwonding. Gebruik de accessoires of hulpstukken uitsluitend voor hun bestemd doel.

Neem u meer bijzonderheden over deze accessoires, wenst dan contact op met het plaatselijke Makita servicecentrum.

- Slijpsteen
- Spantangkegel (3 mm, 6 mm, 1/4", 1/8")
- Spanschroefhouder
- Sleutel 13
- Sleutel 19
- Zijhandgreepset

OPMERKING:

- Sommige van de onderdelen in deze lijst kunnen bijgeleverd zijn als standaard-accessoires. Deze accessoires kunnen per land verschillend zijn.

ENG905-1

Geluidsniveau

De typisch, A-gewogen geluidsniveaus vastgesteld volgens EN60745:

Model GD0800C

Geluidsdrukniveau (L_{pA}): 78 dB (A)

Onnauwkeurigheid (K): 3 dB (A)

Het geluidsniveau kan tijdens gebruik hoger worden dan 80 dB (A).

Model GD0810C

Geluidsdrukniveau (L_{pA}): 79 dB (A)

Onnauwkeurigheid (K): 3 dB (A)

Het geluidsniveau kan tijdens gebruik hoger worden dan 80 dB (A).

Draag oorbeschermers

ENG900-1

Trilling

De totaalwaarde van de trillingen (triaxiale vectorsom) vastgesteld volgens EN60745:

Model GD0800C

Toepassing: slijpen van oppervlakken

Trillingsemmissie ($a_{h, AG}$): 2,5 m/s²

Onnauwkeurigheid (K): 1,5 m/s²

Als het gereedschap voor andere toepassingen wordt gebruikt, kunnen de trillingswaarden anders zijn.

Model GD0810C

Toepassing: slijpen van oppervlakken

Trillingsemmissie ($a_{h, SG}$): 2,5 m/s² of minder.

Onnauwkeurigheid (K): 1,5 m/s²

ENG902-1

- De opgegeven trillingsemmissiewaarde is gemeten volgens de standaardtestmethode en kan worden gebruikt om dit gereedschap te vergelijken met andere gereedschappen.
- De opgegeven trillingsemmissiewaarde kan ook worden gebruikt voor een beoordeling vooraf van de blootstelling.
- De opgegeven trillingsemmissiewaarde wordt gebruikt bij veel toepassingen van het elektrisch gereedschap. Echter, indien het elektrisch gereedschap wordt gebruikt bij andere toepassingen, dan kan de trillingsemmissiewaarde anders zijn.

⚠ WAARSCHUWING:

- De trillingsemmissie tijdens het gebruik van het elektrisch gereedschap in de praktijk kan verschillen van de opgegeven trillingsemmissiewaarde afhankelijk van de manier waarop het gereedschap wordt gebruikt.
- Zorg ervoor dat veiligheidsmaatregelen worden getroffen ter bescherming van de operator die zijn gebaseerd op een schatting van de blootstelling onder praktijkomstandigheden (rekening houdend met alle fasen van de bedrijfscyclus, zoals de tijdsduur gedurende welke het gereedschap is uitgeschakeld en stationair draait, naast de ingeschakelde tijdsduur).

ENH101-16

Aleen voor Europese landen

EU-Verklaring van Conformiteit

Wij, Makita Corporation, als de verantwoordelijke fabrikant, verklaren dat de volgende Makita-machine(s):

Aanduiding van de machine:

Stempelslijpmachine

Modelnr./Type: GD0800C, GD0810C

in serie zijn geproduceerd en

Voldoen aan de volgende Europese richtlijnen:

2006/42/EC

En zijn gefabriceerd in overeenstemming met de volgende normen of genormaliseerde documenten:

EN60745

De technische documentatie wordt bewaard door:

Makita International Europe Ltd.

Technische afdeling,

Michigan Drive, Tongwell,

Milton Keynes, Bucks MK15 8JD, Engeland

30.1.2009



Tomoyasu Kato

Directeur

Makita Corporation

3-11-8, Sumiyoshi-cho,

Anjo, Aichi, 446-8502, JAPAN

Explicación de los dibujos

1	Interruptor deslizante	3	Mango lateral	5	Llave 13
2	Anillo de ajuste de velocidad	4	Llave 19	6	Tuerca de pinza

ESPECIFICACIONES

Modelo	GD0800C	GD0810C
Tamaño de la pinza	8 mm max.	8 mm max.
Diámetro máximo de la muela	25 mm	50 mm
Velocidad especificada (n) / Velocidad en vacío (n ₀)	28.000 (min ⁻¹)	7.000 (min ⁻¹)
Longitud total	371 mm	371 mm
Peso neto	1,7 kg	1,7 kg
Clase de seguridad	□/II	□/II

- Debido a un programa continuo de investigación y desarrollo, las especificaciones aquí dadas están sujetas a cambios sin previo aviso.
- Las especificaciones pueden ser diferentes de país a país.
- Peso de acuerdo con el procedimiento EPTA 01/2003

ENE050-1

Uso previsto

La herramienta ha sido prevista para amolar materiales ferrosos o desbarbar piezas fundidas.

ENF002-2

Alimentación

La herramienta ha de conectarse solamente a una fuente de alimentación de la misma tensión que la indicada en la placa de características, y sólo puede funcionar con corriente alterna monofásica. El sistema de doble aislamiento de la herramienta puede, por lo tanto, usarse también en enchufes hembra sin conductor de tierra.

GEA010-1

Advertencias de seguridad generales para herramientas eléctricas

⚠ ¡ADVERTENCIA! Lea todas las advertencias de seguridad y todas las instrucciones. Si no sigue todas las advertencias e instrucciones podrá ocasionar una descarga eléctrica, un incendio y/o heridas graves.

Guarde todas las advertencias e instrucciones para futuras referencias.

GEB034-8

ADVERTENCIAS DE SEGURIDAD PARA LA AMOLADORA RECTA

Advertencias de seguridad comunes para la operación de amolar:

1. **Esta herramienta eléctrica ha sido prevista para funcionar como amoladora. Lea todas las advertencias de seguridad, instrucciones, ilustraciones y especificaciones provistas con esta herramienta eléctrica.** Si no sigue todas las instrucciones indicadas a continuación, podrá ocasionar una descarga eléctrica, un incendio y/o heridas graves.
2. **Operaciones tales como lijado, cepillado con alambres, pulido o corte no se recomienda realizarlas con esta herramienta eléctrica.** Las operaciones para las que la herramienta eléctrica no ha sido diseñada podrán crear una situación de riesgo y ocasionar heridas personales.

3. **No utilice accesorios que no estén específicamente diseñados y recomendados por el fabricante de la herramienta.** Solamente porque el accesorio pueda ser instalado en su herramienta eléctrica, no quiere decir que su operación sea segura.
4. **La velocidad especificada del accesorio deberá ser al menos igual que la velocidad máxima marcada en la herramienta eléctrica.** Si los accesorios se usan a la velocidad más alta de la velocidad especificada pueden romperse y salir despedidos.
5. **El diámetro exterior y el espesor de su accesorio deberán estar dentro de la capacidad nominal de su herramienta eléctrica.** Los accesorios de tamaño incorrecto no se pueden proteger ni controlar adecuadamente.
6. **No utilice un accesorio que esté dañado. Antes de cada uso, inspeccione los accesorios tales como las muelas abrasivas para ver si están astillados o agrietados. Si deja caer la herramienta eléctrica o el accesorio, inspecciónelo para ver si está dañado o instale un accesorio que no esté dañado. Después de inspeccionar e instalar un accesorio, póngase usted y los curiosos alejados del plano del accesorio giratorio y haga funcionar la herramienta a velocidad sin carga máxima durante un minuto.** Normalmente, los accesorios dañados se romperán durante este tiempo de prueba.
7. **Póngase equipo de protección personal. En función de la aplicación, utilice pantalla facial, gafas de protección o gafas de seguridad. Según corresponda, póngase mascarilla contra el polvo, protectores auditivos, guantes y delantal de taller que pueda detener los pequeños fragmentos abrasivos o de pieza de trabajo que salgan despedidos.** La protección de los ojos deberá ser capaz de detener los restos que salen volando generados en las diferentes operaciones. La mascarilla contra el polvo o respirador deberá ser capaz de filtrar las partículas generadas en su operación. La exposición prolongada a ruido de alta intensidad podrá ocasionar pérdida auditiva.
8. **Mantenga a los curiosos a una distancia segura alejados del área de trabajo. Cualquier persona que entre en el área de trabajo deberá usar equipo de protección personal.** Los fragmentos de la pieza de trabajo o de un accesorio roto pueden salir volando y ocasionar heridas más allá del área de operación inmediata.

9. Cuando realice una operación en la que el accesorio de corte pueda entrar en contacto con cableado oculto o con su propio cable, sujete la herramienta eléctrica por las superficies de aislamiento aisladas solamente. El contacto del accesorio de corte con un cable con corriente hará que la corriente circule por las partes metálicas expuestas de la herramienta eléctrica y podrá soltar una descarga eléctrica al operario.
10. Posicione el cable de alimentación alejado del accesorio giratorio. Si pierde el control, el cable podrá ser cortado o enredarse y tirar de su mano o brazo hacia el accesorio giratorio.
11. No deje nunca la herramienta eléctrica hasta que el accesorio se haya detenido completamente. El accesorio giratorio puede agarrarse en la superficie y tirar de la herramienta eléctrica dejándola fuera de control.
12. No tenga la herramienta eléctrica encendida mientras la lleva en su costado. Un contacto accidental con el accesorio giratorio podría enganchar sus ropas, y arrastrar el accesorio hacia su cuerpo.
13. Limpie regularmente los orificios de ventilación de la herramienta eléctrica. El ventilador del motor atraerá el polvo al interior de la carcasa y una acumulación excesiva del polvo metálico puede ocasionar riesgos eléctricos.
14. No utilice la herramienta eléctrica cerca de materiales inflamables. Las chispas pueden prender estos materiales.
15. No utilice accesorios que requieran líquidos refrigerantes. La utilización de agua u otros líquidos refrigerantes puede resultar en electrocución o descarga eléctrica.

Retrocesos bruscos y advertencias relacionadas

El retroceso brusco es una reacción repentina debida a un aprisionamiento o estancamiento de la muela giratoria, plato de caucho, cepillo o cualquier otro accesorio. El aprisionamiento o estancamiento ocasiona un detenimiento rápido del accesorio giratorio que a su vez hace que la herramienta eléctrica descontrolada sea forzada en dirección opuesta a la rotación del accesorio en el punto de bloqueo.

Por ejemplo, si la muela abrasiva queda aprisionada o estancada por la pieza de trabajo, el borde de la muela que está entrando en el punto de estancamiento puede hincarse en la superficie del material haciendo que la muela se salga de la hendidura o salte. La muela podrá saltar hacia el operario o en dirección contraria a él, dependiendo de la dirección del movimiento de la muela en el punto de estancamiento. Las muelas abrasivas también podrán romperse en estas condiciones.

Los retrocesos bruscos se deben a un mal uso de la herramienta eléctrica y/o a procedimientos o condiciones de trabajo incorrectos y pueden evitarse tomando las precauciones indicadas a continuación.

- a) Mantenga la herramienta eléctrica sujeta firmemente y posicione su cuerpo y brazo de forma que pueda resistir las fuerzas del retroceso brusco. Utilice siempre el mango auxiliar, si está provisto, para tener el máximo control sobre el retroceso brusco o reacción de torsión durante la puesta en marcha. El operario puede controlar las reacciones de torsión o fuerzas de retroceso brusco, si toma las precauciones apropiadas.
- b) No ponga nunca su mano cerca del accesorio giratorio. El accesorio puede retroceder bruscamente sobre su mano.
- c) No ponga su cuerpo en el área donde la herramienta eléctrica vaya a desplazarse si se produce un retroceso brusco. El retroceso brusco propulsará la herramienta en dirección opuesta al movimiento de la muela en el punto de enganche.
- d) Utilice especial cuidado cuando trabaje en esquinas, bordes cortantes, etc. Evite que el accesorio rebote o se enganche. Las esquinas, bordes cortantes o los rebotes tienen la tendencia a enganchar el accesorio giratorio y ocasionar la pérdida de control o retroceso brusco.
- e) No coloque un disco de tallar madera de cadena de sierra ni un disco de sierra dentado. Tales discos crean retrocesos bruscos y pérdida de control frecuentes.

Advertencias de seguridad específicas para amolar:

- a) Utilice solamente tipos de muela que estén recomendadas para su herramienta eléctrica.
- b) Las muelas deberán ser utilizadas solamente para aplicaciones recomendadas. Por ejemplo: no amole con el costado de una muela de corte. Las muelas de corte abrasivo están previstas para amolado periférico, estas muelas podrán desintegrarse si se les aplican fuerzas laterales.
- c) No utilice muelas gastadas de otras herramientas eléctricas más grandes. Las muelas previstas para herramientas eléctricas más grandes no son apropiadas para la máxima velocidad de una herramienta más pequeña y puede reventarla.

Advertencias de seguridad adicionales:

16. Asegúrese de que la muela no esté haciendo contacto con la pieza de trabajo antes de activar el interruptor.
17. Antes de utilizar la herramienta en una pieza de trabajo definitiva, déjala funcionar durante un rato. Observe para ver si hay vibración o bamboleo que pueda indicar una incorrecta instalación o muela mal equilibrada.
18. Utilice la superficie especificada del disco para realizar el amolado.
19. Tenga cuidado con las chispas que salen volando. Sujete la herramienta de forma que las chispas salgan volando en dirección contraria a usted y otras personas o materiales inflamables.
20. No deje la herramienta en marcha. Tenga en marcha la herramienta solamente cuando la tenga en la mano.
21. No toque la pieza de trabajo inmediatamente después de la operación; podría estar muy caliente y quemarle la piel.
22. Observe las instrucciones del fabricante para montar y utilizar de forma correcta las muelas. Maneje y almacene las muelas con cuidado.
23. Compruebe que la pieza de trabajo esté debidamente apoyada.
24. Si el lugar de trabajo es muy caluroso y húmedo, o si está muy contaminado con polvo conductor, utilice un ruptor de cortocircuito (30 mA) para garantizar la seguridad del operario.

25. No utilice la herramienta con ningún material que contenga asbestos.
26. Asegúrese siempre de que tiene suelo firme. Asegúrese de que no haya nadie debajo cuando utilice la herramienta en lugares altos.

GUARDE ESTAS INSTRUCCIONES.

⚠️ ADVERTENCIA:

NO deje que la comodidad o familiaridad con el producto (a base de utilizarlo repetidamente) sustituya la estricta observancia de las normas de seguridad para el producto en cuestión. El MAL USO o el no seguir las normas de seguridad establecidas en este manual de instrucciones podrá ocasionar graves heridas personales.

DESCRIPCIÓN DEL FUNCIONAMIENTO

PRECAUCIÓN:

- Asegúrese siempre de que la herramienta esté apagada y desenchufada antes de ajustar o comprobar cualquier función de la herramienta.

Accionamiento del interruptor (Fig. 1)

PRECAUCIÓN:

- Antes de enchufar la herramienta, compruebe siempre para confirmar que el interruptor deslizable se acciona debidamente y que vuelve a la posición "OFF" cuando se presione la parte trasera del interruptor deslizable.

Para poner en marcha la herramienta, deslice el interruptor deslizable hacia la posición "I (ON)". Para una operación continua, presione la parte delantera del interruptor deslizable para bloquearlo.

Para parar la herramienta, presione la parte trasera del interruptor deslizable, después deslícelo hacia la posición "O (OFF)".

Anillo de ajuste de velocidad (Fig. 2)

La velocidad de herramienta puede cambiarse girando el dial de ajuste de velocidad hasta un número de ajuste dado de 1 a 5.

Girando el dial en dirección del número 5 se obtiene una velocidad más alta. Y girándolo hacia el número 1 se obtiene una velocidad más baja.

Consulte la tabla para ver la relación existente entre el número de ajuste del dial y la velocidad aproximada de la herramienta.

	GD0800C	GD0810C
Número	min ⁻¹ (RPM)	min ⁻¹ (RPM)
1 – 2	7.000 – 10.000	1.800 – 2.400
2 – 3	10.000 – 17.000	2.400 – 4.100
3 – 4	17.000 – 24.000	4.100 – 5.800
4 – 5	24.000 – 28.000	5.800 – 7.000

006478

PRECAUCIÓN:

- Si la herramienta es utilizada continuamente a velocidades bajas durante largo tiempo, el motor se sobrecargará resultando en un mal funcionamiento de la herramienta.
- El anillo de ajuste de velocidad puede girarse sólo hasta el número 5 y retroceder hasta el 1. No lo fuerce más allá del 5 o del 1, ya que de lo contrario podrá estropear la función de ajuste de velocidad.

MONTAJE

PRECAUCIÓN:

- Asegúrese siempre de que la herramienta esté apagada y desenchufada antes de realizar cualquier trabajo en ella.

Instalación del mango lateral (accesorio opcional) (Fig. 3)

Instale el mango lateral en el barril de la herramienta, después apriete el mango girándolo hacia la derecha en la posición deseada.

Instalación o desmontaje de la muela (Fig. 4 y 5)

Afloje la tuerca de pinza e inserte la muela en la tuerca de pinza. Utilice la llave pequeña para sujetar el mandril y la grande para apretar firmemente la tuerca de pinza. La muela no deberá ser montada a más de 8 mm de la tuerca de pinza. Si excede esta distancia podrá producirse vibración y romperse el eje.

Para desmontar la muela, siga el procedimiento de instalación a la inversa.

PRECAUCIÓN:

- Utilice la pinza cónica de tamaño correcto para la muela que vaya a emplear.

OPERACIÓN (Fig. 6)

Encienda la herramienta sin que la muela esté haciendo contacto alguno con la pieza de trabajo y espere hasta que la muela alcance la velocidad completa. Luego aplique suavemente la muela a la pieza de trabajo. Para lograr un buen acabado, mueva la herramienta lentamente en dirección hacia la izquierda.

PRECAUCIÓN:

- Aplique poca presión a la herramienta. Una presión excesiva en la herramienta dará lugar a un acabado deficiente y a una sobrecarga al motor.

MANTENIMIENTO

PRECAUCIÓN:

- Asegúrese siempre de que la herramienta esté apagada y desenchufada antes de intentar realizar una inspección o mantenimiento.
- No utilice nunca gasolina, bencina, disolvente, alcohol o similares. Podría producir decoloración, deformación o grietas.

Para mantener la SEGURIDAD y FIABILIDAD del producto, las reparaciones, la inspección y sustitución de las escobillas de carbón, y cualquier otro mantenimiento o ajuste deberán ser realizados en Centros de Servicios Autorizados por Makita, empleando siempre piezas de repuesto de Makita.

ACCESORIOS OPCIONALES

ENG902-1

PRECAUCIÓN:

- Estos accesorios o acoplamientos están recomendados para utilizar con su herramienta Makita especificada en este manual. El empleo de cualesquiera otros accesorios o acoplamientos conllevará un riesgo de sufrir heridas personales. Utilice los accesorios o acoplamientos solamente para su fin establecido.

Si necesita cualquier ayuda para más detalles en relación con estos accesorios, pregunte a su centro de servicio Makita local.

- Muela
- Conjunto de pinza cónica (3 mm, 6 mm, 1/4", 1/8")
- Soporte de tornillo
- Llave 13
- Llave 19
- Conjunto de mango lateral

NOTA:

- Algunos elementos de la lista podrán estar incluidos en el paquete de la herramienta como accesorios estándar. Pueden variar de un país a otro.

ENG905-1

Ruido

El nivel de ruido A-ponderado típico determinado de acuerdo con la norma EN60745:

Modelo GD0800C

Nivel de presión sonora (L_{pA}): 78 dB (A)

Incerteza (K): 3 dB (A)

El nivel de ruido durante el trabajo puede exceder los 80 dB (A).

Modelo GD0810C

Nivel de presión sonora (L_{pA}): 79 dB (A)

Incerteza (K): 3 dB (A)

El nivel de ruido durante el trabajo puede exceder los 80 dB (A).

Póngase protectores en los oídos

ENG900-1

Vibración

El valor total de la vibración (suma de vectores triaxiales) determinado de acuerdo con la norma EN60745:

Modelo GD0800C

Modo tarea: amolado superficial

Emisión de vibración ($a_{h, AG}$): 2,5 m/s²

Incerteza (K): 1,5 m/s²

Si la herramienta se utiliza para otras aplicaciones, es posible que los valores de vibración sean diferentes.

Modelo GD0810C

Modo tarea: amolado superficial

Emisión de vibración ($a_{h, SG}$): 2,5 m/s² ó menos

Incerteza (K): 1,5 m/s²

- El valor de emisión de vibración declarado ha sido medido de acuerdo con el método de prueba estándar y se puede utilizar para comparar una herramienta con otra.
- El valor de emisión de vibración declarado también se puede utilizar en una valoración preliminar de exposición.
- El valor de emisión de vibración declarado se utiliza para las principales aplicaciones de la herramienta eléctrica. Sin embargo, si la herramienta se utiliza para otras aplicaciones, los valores de emisión de vibración pueden ser diferentes.

⚠ ADVERTENCIA:

- La emisión de vibración durante la utilización real de la herramienta eléctrica puede variar del valor de emisión declarado dependiendo de las formas en las que la herramienta sea utilizada.
- Asegúrese de identificar medidas de seguridad para proteger al operario que estén basadas en una estimación de la exposición en las condiciones reales de utilización (teniendo en cuenta todas las partes del ciclo operativo tal como las veces cuando la herramienta está apagada y cuando está funcionando en vacío además del tiempo de gatillo).

ENH101-16

Para países europeos solamente

Declaración de conformidad CE

Makita Corporation como fabricante responsable

declara que la(s) siguiente(s) máquina(s) de Makita:

Designación de máquina:

Amoladora recta

Modelo N°/Tipo: GD0800C, GD0810C

son producidas en serie y

Cumplen con las directivas europeas siguientes:

2006/42/EC

Y que están fabricadas de acuerdo con las normas o documentos normalizados siguientes.

EN60745

Los documentos técnicos los guarda:

Makita International Europe Ltd.

Departamento técnico,

Michigan Drive, Tongwell,

Milton Keynes, Bucks MK15 8JD, Inglaterra

30.1.2009



Tomoyasu Kato

Director

Makita Corporation

3-11-8, Sumiyoshi-cho,

Anjo, Aichi, 446-8502, JAPAN

Explicação geral

1 Interruptor deslizante	3 Pega lateral	6 Forca do mandril
2 Marcador de regulação de velocidade	4 Chave 19	
	5 Chave 13	

ESPECIFICAÇÕES

Modelo	GD0800C	GD0810C
Tamanho do mandril	8 mm max.	8 mm max.
Diâmetro max. do ponteiro rotativo	25 mm	50 mm
Velocidade nominal (n) \ Velocidade em vazio (n ₀)	28.000 (min ⁻¹)	7.000 (min ⁻¹)
Comprimento total	371 mm	371 mm
Peso líquido	1,7 kg	1,7 kg
Classe de segurança	□/II	□/II

- Devido a um programa contínuo de pesquisa e desenvolvimento, estas especificações podem ser alteradas sem aviso prévio.
- As especificações podem variar de país para país.
- Peso de acordo com o Procedimento 01/2003 da EPTA (European Power Tool Association)

ENE050-1

Utilização pretendida

Esta ferramenta serve para desbastar materiais ferrosos ou para rebarbar moldes.

ENF002-2

Alimentação

A ferramenta só deve ser ligada a uma fonte de alimentação com a mesma voltagem da indicada na placa de características, e só funciona com alimentação de corrente alterna monofásica. Tem um sistema de isolamento duplo e pode, por isso, utilizar tomadas sem ligação à terra.

GEA010-1

Avisos gerais de segurança para ferramentas eléctricas

⚠AVISO! Leia todos os avisos de segurança e todas as instruções. O não cumprimento de todos os avisos e instruções pode originar choque eléctrico, incêndio e/ou ferimentos graves.

Guarde todos os avisos e instruções para futuras referências.

GEB034-8

AVISOS DE SEGURANÇA PARA A RECTIFICADORA RECTA

Advertências de segurança comuns para esmerilar:

1. **Esta ferramenta tem por finalidade funcionar como uma rectificadora. Leia todas as advertências de segurança, instruções ilustrações e especificações fornecidas com esta ferramenta.** Falha em seguir todas as instruções descritas abaixo pode resultar em choque eléctrico, incêndio e/ou ferimentos graves.
2. **Operações como lixamento, limpeza com escova metálica, polimento ou serragem não são recomendadas com esta ferramenta eléctrica.** A utilização da ferramenta para finalidades diferentes pode ser perigosa e provocar ferimentos pessoais.
3. **Não utilize acessórios que não sejam especificamente designados e recomendados pelo fabricante da ferramenta.** O facto do acessório poder ser instalado na ferramenta não garante um funcionamento com segurança.

4. **A velocidade nominal do acessório deve ser pelo menos igual à velocidade máxima marcada na ferramenta.** Os acessórios que funcionam mais rápido do que a velocidade nominal podem partir-se e serem arremessados.
5. **O diâmetro externo e a espessura do acessório devem estar dentro da taxa de utilização da capacidade da ferramenta.** Não é possível proteger ou controlar acessórios de tamanho incorrecto.
6. **Não utilize acessórios danificados. Antes de cada utilização, inspecione os acessórios, tal como o disco abrasivo para ver se está lascado ou trincado. Se a ferramenta ou acessório cair, inspecione para ver se está danificado ou instale um acessório não danificado. Depois de inspecionar e instalar um acessório, funcione com a ferramenta na velocidade máxima em vazio por um minuto, assegurando-se de que o acessório rotativo fique afastado de si mesmo e de espectadores.** Em geral, os acessórios danificados quebram-se durante este período de teste.
7. **Utilize equipamento de protecção pessoal. Utilize um protector facial, óculos de segurança ou protectores oculares, conforme a aplicação. Utilize uma máscara contra pó, protectores auriculares, luvas e avental capazes de resguardar contra estilhaços ou abrasivos pequenos da peça de trabalho.** O protector ocular deve ter capacidade de resguardar contra detritos arremessados durante as várias operações. A máscara de pó ou de respiração deve ter capacidade de filtrar as partículas geradas durante a operação. A exposição prolongada a ruídos de alta intensidade pode causar a perda de audição.
8. **Mantenha os espectadores afastados da área de trabalho, a uma distância segura. Todas as pessoas que entram na área de trabalho devem utilizar equipamentos de protecção.** Estilhaços da peça de trabalho ou de um acessório partido podem ser arremessados e causar ferimentos em pessoas além da área imediata de operação.
9. **Agarre na ferramenta eléctrica somente pelas pegadas isoladas quando executa uma operação em que o acessório de corte possa entrar em contacto com fios ocultos ou com o seu próprio fio.** O contacto do acessório de corte com um fio "ligado" carregará as partes metálicas expostas da ferramenta e poderá causar choque eléctrico no operador.

10. **Posicione o fio longe do acessório rotativo.** Se perder o controlo, o fio pode enganchar ou ser cortado e sua mão ou braço pode ser puxado no acessório em rotação.
11. **Nunca pouse a ferramenta antes do acessório parar completamente.** O acessório em rotação pode prender na superfície e descontrolar a ferramenta.
12. **Não funcione com a ferramenta enquanto a carga ao seu lado.** O contacto acidental com o acessório em rotação pode prender a sua roupa e puxar o acessório na direcção do seu corpo.
13. **Limpe os orifícios de ventilação da ferramenta regularmente.** A ventoinha do motor atrai o pó dentro da caixa e a acumulação excessiva de metal pulverizado pode causar choque eléctrico.
14. **Não funcione com a ferramenta perto de materiais inflamáveis.** As faíscas podem incendiar esses materiais.
15. **Não utilize acessórios que necessitem de refrigerante líquido.** A utilização de água ou outros refrigerantes líquidos pode provocar choque ou electrocussão.

Advertências sobre recuos

O recuo é uma reacção repentina a um disco rotativo, base protectora, escova ou qualquer outro acessório preso ou emperrado. O emperramento ou bloqueio causa a parada imediata do acessório rotativo que, por sua vez, causa o impulso da ferramenta descontrolada na direcção oposta à da rotação do acessório, no momento que é preso.

Se o disco abrasivo ficar preso ou emperrado na peça de trabalho, por exemplo, a extremidade que está a entrar no ponto onde prendeu, pode penetrar na superfície do material fazendo com que o disco salte ou cause um recuo. O disco pode pular na direcção do operador ou na direcção oposta, dependendo do sentido do movimento do disco no ponto onde foi preso. Os discos abrasivos também podem quebrar nessas circunstâncias.

O recuo é o resultado de uso impróprio da ferramenta e/ou condições ou procedimentos incorrectos para o funcionamento e pode ser evitado tomando-se as medidas de precaução relacionadas abaixo.

- a) **Agarre a ferramenta com firmeza e posicione-se de forma que o seu corpo e braço possam resistir ao impulso do recuo. Utilize sempre a pega auxiliar, se fornecida, para controlo máximo sobre o recuo ou reacção do binário durante o arranque.** O operador poderá controlar as reacções do binário ou as forças do recuo se tomar as medidas de precaução necessárias.
- b) **Nunca coloque a sua mão próxima do acessório rotativo.** O acessório pode recuar sobre a sua mão.
- c) **Não posicione o seu corpo na zona para onde a ferramenta se movimentará no caso de recuo.** O recuo impulsional a ferramenta na direcção oposta à do movimento do disco no ponto onde prender.
- d) **Tenha cuidado especialmente ao trabalhar em cantos, extremidades afiadas, etc.** Evite ressaltar ou prender o acessório. Cantos, extremidades afiadas ou ressalto tendem a prender o acessório rotativo e causam perda de controlo ou recuo.

- e) **Não instale uma lâmina de esculpir de motosserra nem uma lâmina de serra dentada.** Essas lâminas criam recuos frequentes e perda de controlo.

Advertências de segurança específicas para esmerilar:

- a) **Utilize somente os tipos de discos recomendados para a sua ferramenta.**
- b) **Os discos devem ser utilizados somente para as aplicações recomendadas. Por exemplo: não esmerilar com a lateral do disco de corte.** Como os discos abrasivos de corte são projectados para esmerilamento periférico, a pressão lateral pode provocar a quebra desses discos.
- c) **Não utilize discos desgastados de ferramentas maiores.** Os discos projectados para ferramentas maiores não são apropriados para a alta velocidade de uma ferramenta menor e podem quebrar.

Avisos de segurança adicionais:

16. **Antes de ligar a ferramenta, certifique-se de que o disco não faz contacto com a peça de trabalho.**
17. **Antes de utilizar a ferramenta na peça de trabalho, deixe-a funcionar por alguns instantes. Observe se há vibrações ou movimentos irregulares que possam indicar má instalação ou desbalanceamento do disco.**
18. **Utilize a superfície especificada da roda para afiar.**
19. **Tenha cuidado com as faíscas que saltam. Agarre a ferramenta de modo a que as faíscas não saltem na sua direcção, na de outras pessoas e nem na direcção de materiais inflamáveis.**
20. **Não deixe a ferramenta a funcionar. Utilize a ferramenta só quando a estiver a agarrar.**
21. **Não toque na peça de trabalho imediatamente após a operação; ela pode estar muito quente e causar queimaduras.**
22. **Observe as instruções do fabricante para montagem e utilização correctas dos discos. Manuseie e guarde os discos com cuidado.**
23. **Verifique se a peça de trabalho está suportada adequadamente.**
24. **Se o local de trabalho for extremamente quente e húmido, ou muito poluído por pó condutor, utilize um disjuntor de 30 mA para assegurar uma operação segura.**
25. **Não utilize a ferramenta em qualquer material que contenha asbesto.**
26. **Mantenha-se sempre numa posição firme e equilibrada. Certifique-se de que ninguém está embaixo quando utiliza a ferramenta em locais altos.**

GUARDE ESTAS INSTRUÇÕES.

⚠️ AVISO:

NÃO permita que conforto ou familiaridade com o produto (adquirido com o uso repetido) substitua a aderência estrita às regras de segurança da ferramenta. **MÁ INTERPRETAÇÃO** ou não seguimento das regras de segurança estabelecidas neste manual de instruções pode causar danos pessoais sérios.

DESCRIÇÃO FUNCIONAL

PRECAUÇÃO:

- Certifique-se sempre de que a ferramenta está desligada e a ficha retirada da tomada antes de regular ou verificar qualquer função da ferramenta.

Ação do interruptor (Fig. 1)

PRECAUÇÃO:

- Antes de ligar a ferramenta à corrente, certifique-se de que o interruptor deslizante funciona correctamente e volta para a posição "OFF" quando pressiona a parte traseira do interruptor deslizante.

Para iniciar a ferramenta, deslize o interruptor deslizante para a posição "I (ON)". Para operação contínua, pressione a parte da frente do interruptor deslizante para o travar.

Para parar a ferramenta, pressione a parte traseira do interruptor deslizante e em seguida deslize-o para a posição "O (OFF)".

Marcador de regulação de velocidade (Fig. 2)

A velocidade de ferramenta pode ser alterada rodando o marcador de regulação da velocidade para dado número de ajuste de 1 a 5.

Obtém maior velocidade quando o marcador está voltado para a direcção do número 5. Obtém velocidade inferior quando está voltado para a direcção do número 1.

Refira-se à tabela para a relação entre os números de ajuste no selector e a velocidade aproximada da ferramenta.

	GD0800C	GD0810C
Número	min ⁻¹ (RPM)	min ⁻¹ (RPM)
1 – 2	7.000 – 10.000	1.800 – 2.400
2 – 3	10.000 – 17.000	2.400 – 4.100
3 – 4	17.000 – 24.000	4.100 – 5.800
4 – 5	24.000 – 28.000	5.800 – 7.000

006478

PRECAUÇÃO:

- Se funcionar continuamente com a ferramenta a baixa velocidade durante muito tempo, haverá sobrecarga do motor, causando o mau funcionamento.
- O marcador de regulação de velocidade só pode ser rodado até ao 5 e a partir do 1. Não o force para passar o 5 ou 1, ou a função de regulação de velocidade pode deixar de funcionar.

MONTAGEM

PRECAUÇÃO:

- Certifique-se sempre de que a ferramenta está desligada e a ficha retirada da tomada antes de executar qualquer trabalho na ferramenta.

Instalação da pega lateral (acessório opcional)

(Fig. 3)

Instale a pega lateral no encabadouro e aperte rodando-a para a direita até a posição desejada.

Instalar ou retirar o ponteiro rotativo

(Fig. 4 e 5)

Solte a porca do mandril e coloque o ponteiro rotativo na porca do mandril. Utilize a chave mais pequena para agarrar no veio e a maior para apertar seguramente a porca do mandril.

O ponteiro rotativo não deve ser montado a mais do que 8 mm da porca do mandril. Se exceder esta distância pode causar vibração ou partir o veio.

Para retirar o ponteiro do veio, execute inversamente o procedimento de instalação.

PRECAUÇÃO:

- Utilize o cone do mandril com o tamanho correcto para o ponteiro rotativo que pretende utilizar.

OPERAÇÃO (Fig. 6)

Ligue a ferramenta sem que o ponteiro rotativo faça qualquer contacto com a peça de trabalho e espere até que o ponteiro rotativo atinja a velocidade máxima. Em seguida aplique gentilmente o ponteiro rotativo na peça de trabalho. Para obter um bom acabamento, desloque a ferramenta lentamente para a esquerda.

PRECAUÇÃO:

- Aplique ligeira pressão na ferramenta. Pressão excessiva na ferramenta causará um mau acabamento e sobrecarga do motor.

MANUTENÇÃO

PRECAUÇÃO:

- Certifique-se sempre de que a ferramenta está desligada e a ficha retirada da tomada antes de tentar executar qualquer inspecção ou manutenção.
- Nunca utilize gasolina, benzina, diluente, álcool ou produtos semelhantes. Pode ocorrer a descoloração, deformação ou rachaduras.

Para manter a SEGURANÇA e FIABILIDADE do produto, a reparação, inspecção e substituição da escova de carvão, bem como qualquer afinação ou manutenção devem sempre ser efectuadas num centro de assistência oficial Makita, utilizando sempre peças de substituição Makita.

ACESSÓRIOS OPCIONAIS

PRECAUÇÃO:

- Estes acessórios ou peças extra são recomendadas para utilização com a sua ferramenta Makita especificada neste manual. A utilização de qualquer outros acessórios ou peças extra podem apresentar o risco de ferimentos. Só utilize os acessórios ou peças extras para o fim a que são destinados.

Se necessitar de informações adicionais relativas a estes acessórios, solicite-as ao seu centro de assistência Makita.

- Ponteiro rotativo
- Conjunto de cone de mandril (3 mm, 6 mm, 1/4", 1/8")
- Suporte do torno
- Chave 13
- Chave 19
- Conjunto da pega lateral

NOTA:

- Alguns itens da lista podem estar incluídos na embalagem da ferramenta como acessórios padrão. Eles podem variar de país para país.

ENG905-1

Ruído

A característica do nível de ruído A determinado de acordo com EN60745:

Modelo GD0800C

Nível de pressão de som (L_{pA}): 78 dB (A)

Variabilidade (K): 3 dB (A)

O nível de ruído durante o funcionamento pode exceder 80 dB (A).

Modelo GD0810C

Nível de pressão de som (L_{pA}): 79 dB (A)

Variabilidade (K): 3 dB (A)

O nível de ruído durante o funcionamento pode exceder 80 dB (A).

Utilize protectores para os ouvidos

ENG900-1

Vibração

Valor total da vibração (soma vectorial tri-axial) determinado de acordo com EN60745:

Modelo GD0800C

Modo de funcionamento: afiar à superfície

Emissão de vibração ($a_{h,AG}$): 2,5 m/s²

Variabilidade (K): 1,5 m/s²

Se a ferramenta for utilizada para outros fins, os valores do nível de vibração podem ser diferentes.

Modelo GD0810C

Modo de funcionamento: afiar à superfície

Emissão de vibração ($a_{h,SG}$): 2,5 m/s² ou menos

Variabilidade (K): 1,5 m/s²

ENG902-1

- O valor da emissão de vibração indicado foi medido de acordo com o método de teste padrão e pode ser utilizado para comparar duas ferramentas.
- O valor da emissão de vibração indicado pode também ser utilizado na avaliação preliminar da exposição.
- O valor da emissão de vibração indicado é utilizado para as aplicações principais da ferramenta eléctrica. Entretanto, se a ferramenta for utilizada para outros fins, o valor da emissão de vibração pode ser diferente.

⚠ AVISO:

- A emissão de vibração durante a utilização real da ferramenta eléctrica pode diferir do valor de emissão indicado, dependendo das formas como a ferramenta é utilizada.
- Certifique-se de identificar as medidas de segurança para protecção do operador que sejam baseadas em uma estimativa de exposição em condições reais de utilização (considerando todas as partes do ciclo de operação, tal como quando a ferramenta está desligada e quando está a funcionar em marcha lenta além do tempo de accionamento).

Só para países Europeus**Declaração de conformidade CE**

Nós, a Makita Corporation, fabricante responsável, declaramos que a(s) seguinte(s) ferramenta(s)

Makita:

Designação da ferramenta:

Rectificadora recta

Modelos n°/Tipo: GD0800C, GD0810C

são de produção de série e

Em conformidade com as seguintes directivas europeias:

2006/42/EC

E estão fabricados de acordo com as seguintes normas ou documentos normativos:

EN60745

A documentação técnica é mantida pela:

Makita International Europe Ltd.

Departamento técnico,

Michigan Drive, Tongwell,

Milton Keynes, Bucks MK15 8JD, Inglaterra

30.1.2009



Tomoyasu Kato

Director

Makita Corporation

3-11-8, Sumiyoshi-cho,

Anjo, Aichi, 446-8502, JAPAN

Illustrationsoversigt

1	Glidekontakt	3	Sidehåndtag	5	Nøgle 13
2	Hastighedsvælger	4	Nøgle 19	6	Spændepatronmøtrik

SPECIFIKATIONER

Model	GD0800C	GD0810C
Spændepatronstørrelse	8 mm max.	8 mm max.
Maks. diameter på slibestift	25 mm	50 mm
Nominelle hastighed (n) / Omdrejninger (n ₀)	28 000 (min ⁻¹)	7 000 (min ⁻¹)
Længde	371 mm	371 mm
Vægt	1,7 kg	1,7 kg
Sikkerhedsklasse	□/II	□/II

- På grund af vores kontinuerlige forskningsprogrammer og udvikling, kan hosstående specifikationer blive ændret uden varsel.
- Specifikationer kan variere fra land til land.
- Vægt i henhold til EPTA-Procedure 01/2003

ENE050-1

Tilsligtet anvendelse

Denne maskine er beregnet til slibning af jernholdige materialer eller til afgratning af jernstøbegods.

ENF002-2

Strømforsyning

Maskinen må kun tilsluttes en strømforsyning med samme spænding som angivet på typeskiltet, og kan kun anvendes på enfaset vekselstrømsforsyning. Den er dobbeltisoleret og kan derfor også tilsluttes netstik uden jordforbindelse.

GEA010-1

Almindelige sikkerhedsregler for el-værktøj

⚠ ADVARSEL! Læs alle sikkerhedsadvarsler og alle sikkerhedsinstruktioner. Hvis nedenstående advarsler og instruktioner ikke overholdes, kan resultatet blive elektrisk stød, brand og/eller alvorlig personskade.

Gem alle advarsler og instruktioner til fremtidig reference.

GEB034-8

SIKKERHEDSADVARSLER FOR LIGESLIBER

Almindelige sikkerhedsadvarsler for slibning:

1. **Denne maskine er beregnet til at fungere som en slibemaskine. Læs alle de sikkerhedsadvarsler, instruktioner, illustrationer og specifikationer, som følger med denne maskine.** Hvis alle de herunder anførte instruktioner ikke overholdes, kan resultatet blive elektrisk stød, brand og/eller alvorlig tilskadekomst.
2. **Udførelse af arbejde såsom pudsnings, trådbørstning, polering og afskæring anbefales ikke med denne maskine.** Arbejde, som maskinen ikke er beregnet til, kan være farligt og resultere i tilskadekomst.

3. **Benyt ikke tilbehør, som ikke er specielt designet og anbefalet af fabrikanten af maskinen.** Bare fordi tilbehøret kan monteres på maskinen, betyder det ikke, at en forsvarlig anvendelse er garanteret.
4. **Tilbehørets mærkehastighed skal være mindst den samme som den maksimale hastighed, som er angivet på maskinen.** Tilbehør, som kører hurtigere end deres mærkehastighed, kan brække og slynges af maskinen.
5. **Tilbehørets ydre diameter og tykkelse skal være inden for maskinens kapacitetsmærkedata.** Tilbehør af forkert størrelse kan ikke afdækkes og kontrolleres tilstrækkeligt.
6. **Benyt ikke tilbehør, som er beskadiget. Inspicér tilbehøret før hver brug, som for eksempel slibeskiver, for skår og revner.** Hvis maskinen eller dens tilbehør er blevet tabt, skal de inspiceres for beskadigelse eller ubeskadiget tilbehør skal monteres. Efter inspektion og montering af tilbehør, skal eventuelle omkringstående og De selv holde en god afstand til det roterende tilbehør og køre maskinen ved maksimal, ubelastet hastighed i et minut. Beskadiget tilbehør vil normalt gå i stykker i løbet af denne testtid.
7. **Anvend altid personligt beskyttelsesudstyr. Afhængigt af arbejdet anvendes ansigtsmaske, beskyttelsesbriller eller sikkerhedsbriller.** Alt efter situationen anvendes støvmaske, høreværn, handsker og arbejdsforklæde, som er i stand til at stoppe små skarpe dele fra arbejdsemnet. Øjenbeskyttelsen skal kunne stoppe flyvende affald, som frembringes af diverse arbejder. Støvmasken eller respiratoren skal kunne filtrere partikler, som frembringes under arbejdet. Længere tids udsættelse for støj med høj intensitet kan medføre høresvækkelse.
8. **Hold omkringstående personer på sikker afstand af arbejdsområdet.** Enhver person, som befinder sig i arbejdsområdet, skal anvende beskyttelsesudstyr. Fragmenter fra arbejdsemnet eller ødelagt tilbehør kan slynges af og resultere i tilskadekomst uden for det umiddelbare arbejdsområde.
9. **Hold i maskinen i de isolerede greb, når De udfører arbejde, hvor det skærende værktøj kan komme i kontakt med skjulte ledninger eller maskinens egen netledning.** Skærende tilbehør, som kommer i berøring med en strømførende ("live") ledning, kan bevirke, at udsatte metaldele på maskinen bliver ledende, hvorved operatøren kan få stød.

10. **Anbring ledningen således, at den ikke kommer i karambolage med roterende tilbehør.** Hvis De mister herredømmet, kan ledningen blive skåret over eller hænge fast, og Deres hænder eller arme kan blive trukket ind i det roterende tilbehør.
11. **Læg aldrig maskinen fra Dem, inden tilbehøret er stoppet helt.** Det roterende tilbehør kan gribe fat i overfladen og bevirke, at De mister herredømmet over maskinen.
12. **Kør ikke maskinen, mens De bærer den ved siden.** Utilsigtet kontakt med det roterende tilbehør kan bevirke, at Deres tøj sætter sig fast, hvorved tilbehøret kommer til at skære ind i kroppen.
13. **Rengør maskinens ventilationsåbninger med jævne mellemrum.** Motorens ventilator trækker støv ind i huset, og ekstrem dannelse af metalstøv kan medføre en farlig elektrisk tilstand.
14. **Benyt ikke maskinen i nærheden af brændbare materialer.** Disse materialer kan antændes af gnister.
15. **Benyt ikke tilbehør, som kræver flydende kølemidler.** Anvendelse af vand eller andre flydende kølemidler kan resultere i dødbringende elektriske stød eller stød.

Tilbageslag og relaterede advarsler

Tilbageslag er en pludselig reaktion på et fastklemt eller fasthængende drejende skive, bagpude, børste eller andet tilbehør. Fastklemning eller hindring medfører hurtig standsning af det roterende tilbehør, hvilket igen medfører, at den ukontrollerede maskine tvinges i den modsatte retning af tilbehørets rotation på det tidspunkt, hvor bindingen finder sted.

Hvis for eksempel en slibeskive hindres eller fastklemmes af et arbejdslemne, kan den kant på skiven, som går ind i fastklemningspunktet, grave sig ind i materialets overflade, så skiven går ud eller slynges ud ved tilbageslag. Skiven kan enten springe mod eller bort fra operatøren, alt afhængigt af skivens bevægelse på fastklemningspunktet. Slibeskiver kan også brække under disse forhold.

Tilbageslag er et resultat af misbrug af og/eller forkert betjening af maskinen eller forkerte brugsforhold. Dette kan undgås ved at man tager de rigtige forholdsregler som anvist herunder.

- a) **Hold godt fast i maskinen og indtag en stilling med krop og armene, så tilbageslag modvirkes.** Benyt altid et hjælpehåndtag, hvis et sådant følger med, så De opnår størst muligt herredømme over tilbageslags- og drejningsmomentreaktion under start. Operatøren kan kontrollere drejningsmomentreaktioner og tilbageslagskraft, hvis de rigtige forholdsregler tages.
- b) **Lad ikke hænderne komme i nærheden af det roterende tilbehør.** Tilbehøret kan slå tilbage mod hænderne.
- c) **Stå ikke inde et område, hvor maskinen stadig vil køre, hvis der opstår tilbageslag.** Tilbageslag vil slynge maskinen i den modsatte retning af skivens rotationsretning på hindringspunktet.

- d) **Vær særlig forsigtig, når De arbejder på hjørner, skarpe kanter etc. Undgå at tilbehøres hopper eller hindres.** Hjørner, skarpe kanter eller hoppen har en tendens til at hindre det roterende tilbehør og medføre, at De mister herredømmet over maskinen og at der opstår tilbageslag.
- e) **Undlad at montere en savkæde-træskærelinge eller savklinge til tænder.** Sådanne klinger er hyppigt årsag til tilbageslag og tab af herredømmet over maskinen.

Særlige sikkerhedsadvarsler for slibning:

- a) **Benyt udelukkende anbefalede skivetyper til Deres maskine.**
- b) **Slibeskiverne må kun benyttes til den anbefalede brug. Slib for eksempel ikke med siden af skæreskiven.** Slibende skæreskiver er beregnet til periferisk slibning. Sidekræfter, som disse skiver udsættes for, kan bevirke, at de går i stykker.
- c) **Benyt ikke udslidte skiver fra store maskiner.** Skiver, som er beregnet til brug med større maskiner, er ikke egnede til en mindre maskines højere hastighed og kan derfor nemt gå i stykker.

Supplerende sikkerhedsforskrifter:

16. **Sørg for, at skiven ikke er i berøring med arbejdslemnet, inden De tænder med afbryderen.**
17. **Inden maskinen anvendes på et arbejdslemne, skal De lade den køre i et stykke tid. Se efter, om der er vibrationer eller slinger, som kan indikere dårlig montering eller en dårligt balanceret skive.**
18. **Benyt den specificerede overflade på skiven til at udføre slibarbejdet.**
19. **Vær på vagt over for flyvende gnister. Hold maskinen således, at gnisterne vil flyve bort fra Dem og andre personer og brændbare materialer.**
20. **Lad ikke maskinen køre, når den ikke anvendes. Anvend kun maskinen, når den holdes i hånden.**
21. **Undgå at berøre arbejdslemnet umiddelbart efter arbejdets ophør. Det kan være meget varmt og resultatet kan blive hudforbrændinger.**
22. **Overhold altid fabrikantens instruktioner for korrekt montering og anvendelse af skiver. Håndtér og opbevar skiver omhyggeligt.**
23. **Kontroller, at arbejdslemnet er ordentligt understøttet.**
24. **Hvis arbejdsstedet er meget varmt og fugtigt eller stærkt forurenat af ledende støv, skal man anvende en kortslutningsafbryder (30 mA) til at garantere operatørens sikkerhed.**
25. **Benyt ikke maskinen på materialer, som indeholder asbest.**
26. **Sørg altid for at have et sikkert fodfæste. Sørg for, at der ikke befinder sig personer nedenunder, når maskinen anvendes på et højtbeliggende sted.**

GEM DISSE FORSKRIFTER.

ADVARSEL:

LAD IKKE bekvemmelighed eller kendskab til produktet (opnået gennem gentagen brug) forhindre, at sikkerhedsforskrifterne for produktet nøje overholdes. MISBRUG eller forsømmelse af at følge de i denne brugsvejledning givne sikkerhedsforskrifter kan føre til, at De kommer alvorligt til skade.

BESKRIVELSE AF FUNKTIONERNE

FORSIGTIG:

- Vær altid sikker på, at maskinen er afbrudt, inden dens funktion indstilles eller kontrolleres.

Afbryderbetjening (Fig. 1)

FORSIGTIG:

- For maskinen sættes i forbindelse, skal De altid kontrollere, at afbryderen fungerer korrekt og vender tilbage til "OFF" positionen, når den bageste del af afbryderen trykkes ned.

Start maskinen ved at skyde afbryderen i retning af "I (ON)" positionen. For at opnå kontinuerlig operation, trykkes på den forreste del af afbryderen for at låse den.

For at slukke for maskinen, trykkes den bageste del af afbryderen ned, hvorefter den trykkes i retning af "O (OFF)" positionen.

Hastighedsvælger (Fig. 2)

Maskinhastigheden kan ændres ved at dreje hastighedsvælgerknappen til en given talindstilling fra 1 til 5.

Højere hastighed opnås, når vælgeren drejes i retning af 5. Langsommere hastighed opnås, når vælgeren drejes i retning af 1.

Se skemaet angående forholdet mellem talindstillingerne på drejeskiven og den omtrentlige maskinhastighed.

	GD0800C	GD0810C
Tal	min ⁻¹ (rpm)	min ⁻¹ (rpm)
1 – 2	7 000 – 10 000	1 800 – 2 400
2 – 3	10 000 – 17 000	2 400 – 4 100
3 – 4	17 000 – 24 000	4 100 – 5 800
4 – 5	24 000 – 28 000	5 800 – 7 000

006478

FORSIGTIG:

- Hvis maskinen anvendes uafbrudt ved lave hastigheder i længere tid, vil motoren blive overophedet, hvilket vil resultere i funktionsfejl af maskinen.
- Hastighedsvælgeren kan kun drejes til 5 og tilbage til 1. Forsøg ikke at tvinge den forbi 5 eller 1, da anordningen til regulering af hastigheden kan blive ødelagt.

SAMLING

FORSIGTIG:

- Sørg altid for, at maskinen er afbrudt og taget ud af forbindelse, inden der udføres noget arbejde på maskinen.

Montering af sidehåndtaget (ekstratilbehør) (Fig. 3)

Monter sidehåndtaget på maskintromlen og stram derefter håndtaget ved at dreje det med uret ved den ønskede stilling.

Montering og afmontering af slibestift (Fig. 4 og 5)

Løsn spændepatronmøtrikken og sæt slibestiften ind i spændepatronen. Benyt den lille nøgle til at holde spindlen fast, og den store nøgle til at stramme spændepatronmøtrikken helt til.

Slibestiften må ikke være monteret i afstand af mere end 8 mm fra spændepatronmøtrikken. Overskrides denne afstand kan det medføre vibrationer og skadet på stiften kan knække.

Følg monteringsfremgangsmåden i omvendt rækkefølge for at afmontere slibestiften.

FORSIGTIG:

- Anvend korrekt størrelse spændepatron i forhold til den anvendte slibestift.

BETJENING (Fig. 6)

Tænd for maskinen, uden at slibestiften er i kontakt med emnet, og vent, indtil slibestiften opnår fuld rotationshastighed. Bring derefter forsigtigt slibestiften i kontakt med emnet. For at opnå en god finish bevæges maskinen langsomt i retning mod venstre.

FORSIGTIG:

- Læg kun et let tryk på maskinen. For kraftigt tryk vil medføre et dårligt resultat og overbelastning af motoren.

VEDLIGEHOLDELSE

FORSIGTIG:

- Sørg altid for, at maskinen er slukket og taget ud af forbindelse, før der foretages inspektion eller vedligeholdelse.
- Anvend aldrig benzol, rensebenzin, fortynder, alkohol og lignende. Resultatet kan blive misfarvning, deformation eller revner.

For at opretholde produktets SIKKERHED og PÅLIDELIGHED, må istandsættelse, eftersyn af kulborster og udskiftning af dele samt alle andre vedligeholdelsesarbejder og justeringer kun udføres af et autoriseret Makita-servicecenter, og der må kun anvendes udskiftningsdele fra Makita.

EKSTRAUDSTYR

FORSIGTIG:

- Dette udstyr og tilbehør bør anvendes sammen med Deres Makita maskine, sådan som det er beskrevet i denne brugsanvisning. Anvendelse af andet udstyr eller tilbehør kan udgøre en risiko for personskade. Tilbehøret bør kun anvendes til det, det er beregnet til.

Hvis De behøver hjælp ved valg af tilbehør eller ønsker yderligere informationer, bedes De kontakte Deres lokale Makita servicecenter.

- Slibestift
- Spændepatron (3 mm, 6 mm, 1/4", 1/8")
- Skruetvingeadapter
- Nøgle 13
- Nøgle 19
- Sidegrebsæt

BEMÆRK:

- Nogle ting på denne liste kan være inkluderet i værktøjss pakken som standardtilbehør. Det kan være forskellige fra land til land.

Lyd

Det typiske A-vægtede støjniveau bestemt i overensstemmelse med EN60745:

Model GD0800C

Lydtryksniveau (L_{pA}): 78 dB (A)

Usikkerhed (K): 3 dB (A)

Støjniveauet under slibearbejdet kan overstige 80 dB (A).

Model GD0810C

Lydtryksniveau (L_{pA}): 79 dB (A)

Usikkerhed (K): 3 dB (A)

Støjniveauet under slibearbejdet kan overstige 80 dB (A).

Bær høreværn

ENG900-1

Vibration

Vibrations totalværdi (tre-aksial vektorsum) bestemt i overensstemmelse med EN60745:

Model GD0800C

Arbejdsindstilling: overfladeslibning

Vibrationsafgivelse ($a_{h, sG}$): 2,5 m/s²

Usikkerhed (K): 1,5 m/s²

Hvis maskinen anvendes til andre formål, kan værdierne for vibration være anderledes.

Model GD0810C

Arbejdsindstilling: overfladeslibning

Vibrationsafgivelse ($a_{h, sG}$): 2,5 m/s² eller mindre

Usikkerhed (K): 1,5 m/s²

ENG902-1

- Den angivne vibrationsemissionsværdi er blevet målt i overensstemmelse med standardtestmetoden og kan anvendes til at sammenligne en maskine med en anden.
- Den angivne vibrationsemissionsværdi kan også anvendes i en preliminær eksponeringsvurdering.
- Den angivne vibrationsemissionsværdi anvendes til maskinens hovedanvendelser. Hvis maskinen imidlertid anvendes til andre formål, kan vibrationsemissionsværdien være en anden.

ADVARSEL:

- Vibrationsemissionen under den faktiske anvendelse af maskinen kan være forskellig fra den erklærede emissionsværdi, afhængigt af den måde, hvorpå maskinen anvendes.
- Sørg for at identificere de sikkerhedsforskrifter til beskyttelse af operatøren, som er baseret på en vurdering af eksponering under de faktiske brugsforhold (med hensyntagen til alle dele i brugscyklens, som f.eks. de gange, hvor maskinen er slukket og når den kører i tomgang i tilgift til afbrydertiden).

Kun for lande i Europa

EU-konformitetserklæring

Vi, Makita Corporation, erklærer, som den ansvarlige fabrikant, at den (de) følgende Makita maskine(r):

Maskinens betegnelse:

Ligesliber

Model nr./Type: GD0800C, GD0810C

er af serieproduktion og

opfylder betingelserne i de følgende EU-direktiver:

2006/42/EC

og er fremstillet i overensstemmelse med de følgende standarder eller standardiserede dokumenter:

EN60745

Den tekniske dokumentation opbevares af:

Makita International Europe Ltd.

Teknisk afdeling,

Michigan Drive, Tongwell,

Milton Keynes, Bucks MK15 8JD, England

30.1.2009



Tomoyasu Kato
Direktør

Makita Corporation
3-11-8, Sumiyoshi-cho,
Anjo, Aichi, 446-8502, JAPAN

Περιγραφή γενικής άποψης

1	Κυλιόμενος διακόπτης	3	Πλευρική λαβή	5	Κλειδί 13
2	Καντράν ρύθμισης ταχύτητας	4	Κλειδί 19	6	Παξιμάδι συγκράτησης

ΤΕΧΝΙΚΑ ΧΑΡΑΚΤΗΡΙΣΤΙΚΑ

Μοντέλο	GD0800C	GD0810C
Μέγεθος συγκρατητή	8 χιλ. μεγ.	8 χιλ. μεγ.
Μεγ. διάμετρος τροχού σημείου	25 χιλ.	50 χιλ.
Ονομαστική ταχύτητα (n) / Ταχύτητα χωρίς φορτίο (n ₀)	28.000 (λεπτά ⁻¹)	7.000 (λεπτά ⁻¹)
Συνολικό μήκος	371 χιλ.	371 χιλ.
Καθαρό βάρος	1,7 Χγρ.	1,7 Χγρ.
Κατηγορία ασφάλειας	□/II	□/II

- Λόγω του συνεχιζόμενου προγράμματος έρευνας και ανάπτυξης, οι παρούσες προδιαγραφές υπόκεινται σε αλλαγή χωρίς προειδοποίηση.
- Τα τεχνικά χαρακτηριστικά μπορεί να διαφέρουν από χώρα σε χώρα.
- Βάρος σύμφωνα με διαδικασία ΕΡΤΑ 01/2003

ENE050-1

Προοριζόμενη χρήση

Το εργαλείο προορίζεται για εργασίες λείανσης σιδηρούχων υλικών ή την απομάκρυνση γρεζιών από χυτά τεμάχια.

ENF002-2

Ρευματοδότηση

Το μηχάνημα πρέπει να συνδέεται μόνο σε παροχή ρεύματος της ίδιας τάσης με αυτή που αναφέρεται στην πινακίδα κατασκευαστού και μπορεί να λειτουργήσει μόνο με εναλλασσόμενο μονοφασικό ρεύμα. Τα μηχανήματα αυτά έχουν διπλή μόνωση και κατά συνέπεια, μπορούν να συνδεθούν σε ακροδέκτες χωρίς σύρμα γείωσης.

GEA010-1

Γενικές προειδοποιήσεις ασφαλείας για το ηλεκτρικό εργαλείο

⚠ ΠΡΟΕΙΔΟΠΟΙΗΣΗ Διαβάστε όλες τις προειδοποιήσεις ασφαλείας και όλες τις οδηγίες. Η μη τήρηση των προειδοποιήσεων και οδηγιών ενδέχεται να καταλήξει σε ηλεκτροπληξία, πυρκαγιά ή/και σοβαρό τραυματισμό.

Φυλάξτε όλες τις προειδοποιήσεις και τις οδηγίες για μελλοντική παραπομπή.

GEB034-8

ΕΡΓΑΛΕΙΟ ΛΕΙΑΝΣΗΣ ΠΡΟΕΙΔΟΠΟΙΗΣΕΙΣ ΑΣΦΑΛΕΙΑΣ

Προειδοποιήσεις ασφαλείας κοινές για εργασίες λείανσης:

1. Το παρόν ηλεκτρικό εργαλείο προορίζεται για λειτουργία ως εργαλείο λείανσης. Διαβάστε όλες τις προειδοποιήσεις ασφαλείας, οδηγίες, εικονογραφήσεις και προδιαγραφές που συνοδεύουν το παρόν ηλεκτρικό εργαλείο. Η μη τήρηση όλων των οδηγιών που αναγράφονται κατωτέρω ενδέχεται να καταλήξει σε ηλεκτροπληξία, πυρκαγιά ή/και σοβαρό τραυματισμό.

2. **Δεν συνιστάται η εκτέλεση εργασιών γυαλοχαρτίσματος, καθαρισμού με συρματόβουρτσα, στίλβωσης ή κοπής με το παρόν ηλεκτρικό εργαλείο.** Η εκτέλεση εργασιών για τις οποίες δεν έχει σχεδιαστεί το παρόν ηλεκτρικό εργαλείο ενδέχεται να εγκυμονεί κινδύνους και να προκαλέσει προσωπικό τραυματισμό.
3. **Μη χρησιμοποιείτε παρελκόμενα που δεν έχουν σχεδιαστεί ειδικά για το συγκεκριμένο εργαλείο και δεν συνιστώνται από τον κατασκευαστή του.** Η χρήση ενός παρελκόμενου απλά και μόνον επειδή μπορεί να προσαρμοστεί στο ηλεκτρικό εργαλείο, δεν διασφαλίζει την ασφαλή λειτουργία του.
4. **Η διαβαθμισμένη ταχύτητα του παρελκόμενου πρέπει να είναι τουλάχιστον ίση με τη μέγιστη ταχύτητα που αναγράφεται στο ηλεκτρικό εργαλείο.** Παρελκόμενα τα οποία περιστρέφονται ταχύτερα από τη διαβαθμισμένη ταχύτητά τους ενδέχεται να υποστούν θραύση και τα θραύσματα να εκτιναχθούν στον περιβάλλοντα χώρο.
5. **Η εξωτερική διάμετρος και το πάχος του παρελκόμενου πρέπει να είναι μέσα στα όρια της ονομαστικής ικανότητας του ηλεκτρικού εργαλείου.** Δεν είναι εφικτή η παροχή επαρκούς προστασίας ή ο έλεγχος παρελκόμενων εσφαλμένου μεγέθους.
6. **Μη χρησιμοποιείτε εξάρτημα που έχει υποστεί βλάβη.** Πριν από κάθε χρήση, ελέγξτε τα παρελκόμενα, όπως λειαντικούς τροχούς, για ριγίσματα και ρωγμές. Σε περίπτωση πτώσης του ηλεκτρικού εργαλείου ή του παρελκόμενου, ελέγξτε για τυχόν καταστροφή ή τοποθετήστε ένα παρελκόμενο που δεν έχει υποστεί καταστροφή. Μετά από τον έλεγχο και την τοποθέτηση ενός παρελκόμενου, κρατηθείτε εσείς και οι παρευρισκόμενοι σε θέση μακριά από το επίπεδο περιστροφής του παρελκόμενου και λειτουργήστε το ηλεκτρικό εργαλείο στη μέγιστη ταχύτητα περιστροφής χωρίς φορτίο, για ένα λεπτό. Συνήθως, τα κατεστραμμένα διαλύονται, εντός του συγκεκριμένου χρόνου δοκιμής.

7. **Να φοράτε ατομικό εξοπλισμό προστασίας Ανάλογα με την εφαρμογή, να χρησιμοποιείτε προσωπικά προστασίας, προστατευτικά γυαλιά-προσωπίδες ή γυαλιά προστασίας. Όταν απαιτείται, να φοράτε μάσκα σκόνης, προστατευτικά ακοής, γάντια και ποδιά συνεργείου ικανά να παρέχουν προστασία από εκτινασσόμενα μικρά θραύσματα από την λείανση ή του τεμαχίου εργασίας.** Τα προστατευτικά ματιών πρέπει να είναι ικανά να σταματήσουν τυχόν εκτινασσόμενα θραύσματα που δημιουργούνται κατά την εκτέλεση διαφόρων εργασιών. Η μάσκα σκόνης ή η αναπνευστική συσκευή πρέπει να είναι ικανά να φιλτράρουν τα σωματίδια που δημιουργούνται κατά την εκτέλεση των εργασιών σας. Η παρατεταμένη έκθεση σε θόρυβο υψηλής έντασης ενδέχεται να προκαλέσει απώλεια ακοής.
14. **Μη χειρίζεστε το ηλεκτρικό εργαλείο κοντά σε εύφλεκτα υλικά.** Οι σπινθήρες ενδέχεται να προκαλέσουν ανάφλεξη των συγκεκριμένων υλικών.
15. **Μη χρησιμοποιείτε παρελκόμενα που απαιτούν υγρά ψυκτικά.** Η χρήση νερού ή άλλων υγρών ψυκτικών ενδέχεται να καταλήξει σε ηλεκτροπληξία ή σοκ.

Ανάκρουση (οπισθολάκτισμα) και σχετικές προειδοποιήσεις

Η ανάκρουση είναι μία ξαφνική αντίδραση του εργαλείου λόγω σύσφιξης ή σκαλώματος του περιστρεφόμενου τροχού, της βάσης υποστήριξης, της βούρτσας ή τυχόν άλλου εξαρτήματος. Η σύσφιξη ή το σκάλωμα προκαλεί ταχεία απώλεια ελέγχου του περιστρεφόμενου εξαρτήματος το οποίο στη συνέχεια υποχρεώνει το ανεξέλεγκτο ηλεκτρικό εργαλείο σε περιστροφή αντίθετη από εκείνη του εξαρτήματος στο σημείο εμπλοκής.

Για παράδειγμα, εάν ένας λειαντικός τροχός αντιμετωπίσει σύσφιξη ή εμπλοκή στο τεμάχιο εργασίας, η ακμή του τροχού που εισέρχεται στο σημείο σύσφιξης ενδέχεται να σκάψει την επιφάνεια του υλικού προκαλώντας την αναπήδηση ή την ανάκρουση του τροχού. Ο τροχός ενδέχεται να αναπηδήσει προς το μέρος του χειριστή ή αντίθετα να απομακρυνθεί από αυτόν, ανάλογα με τη φορά περιστροφής του τροχού στο σημείο σύσφιξης. Υπό αυτές τις συνθήκες, οι τροχοί λείανσης ενδέχεται επίσης να υποστούν θραύση.

Η ανάκρουση είναι αποτέλεσμα κακής χρήσης ή/και ασφαλών διαδικασιών ή συνθηκών χειρισμού και είναι δυνατόν να αποφευχθεί εάν λάβουμε τις κατάλληλες προφυλάξεις, όπως περιγράφονται κατωτέρω:

8. **Φροντίστε ώστε οι παρευρισκόμενοι να βρίσκονται σε ασφαλής απόσταση από το χώρο εργασίας. Οποιοσδήποτε εισέρχεται στο χώρο εργασίας πρέπει να φορά εξοπλισμό ατομικής προστασίας.** Θραύσματα του τεμαχίου εργασίας ή ενός παρελκόμενου που έχει υποστεί θραύση ενδέχεται να εκτιναχθούν και να προκαλέσουν τραυματισμό πέραν του άμεσου χώρου εκτέλεσης εργασιών.
9. **Να κρατάτε το ηλεκτρικό εργαλείο μόνον από τις μονωμένες επιφάνειες συγκράτησης, κατά την εκτέλεση εργασίας όπου το παρελκόμενο κοπή ενδέχεται να έλθει σε επαφή με κρυφές καλωδιώσεις ή το δικό του καλώδιο τροφοδοσίας.** Σε περίπτωση επαφής του εξαρτήματος κοπής με ηλεκτροφόρο καλώδιο, μπορεί τα εκτεθειμένα μεταλλικά εξαρτήματα του ηλεκτρικού εργαλείου να καταστούν τα ίδια ηλεκτροφόρα και να προκαλέσουν ηλεκτροπληξία στο χειριστή.
10. **Κρατήστε το καλώδιο τροφοδοσίας μακριά από το περιστρεφόμενο παρελκόμενο.** Εάν χάσετε τον έλεγχο, το καλώδιο τροφοδοσίας ενδέχεται να κοπεί ή να εμπλακεί και το χέρι ή ο βραχιόνάς σας ενδέχεται να τραβηχτεί προς το περιστρεφόμενο παρελκόμενο.
11. **Μην αφήνετε ποτέ το ηλεκτρικό εργαλείο κάτω, πριν σταματήσει πλήρως η περιστροφή του παρελκόμενου.** Το περιστρεφόμενο παρελκόμενο ενδέχεται να εμπλακεί στην επιφάνεια εργασίας και να θέσει το ηλεκτρικό εργαλείο εκτός ελέγχου.
12. **Μην θέσετε το ηλεκτρικό εργαλείο σε λειτουργία, κατά τη μεταφορά του στο πλάι σας.** Τυχαία επαφή με το περιστρεφόμενο παρελκόμενο θα μπορούσε να προκαλέσει την εμπλοκή του στο ρουχισμό και επαφή με το σώμα σας.
13. **Να καθαρίζετε συχνά τις όψεις αερισμού του ηλεκτρικού εργαλείου.** Ο ανεμιστήρας του ηλεκτροκινητήρα προκαλεί αναρρόφηση της σκόνης στο εσωτερικό του περιβλήματος και η υπερβολική συσσώρευση κοινορτοποιημένου μετάλλου εγκυμονεί ηλεκτρικούς κινδύνους.
- α) **Κρατήστε με μεγάλη σταθερότητα το ηλεκτρικό εργαλείο και τοποθετήστε το σώμα και το βραχιόνά σας σε θέση ώστε να είναι δυνατόν να προβάλλετε αντίσταση στις δυνάμεις ανάκρουσης. Να χρησιμοποιείτε πάντα βοηθητική λαβή, εάν παρέχεται, για μέγιστο βαθμό ελέγχου της ανάκρουσης ή της ροπής αντίδρασης κατά την εκκίνηση.** Ο χειριστής δύναται να ελέγξει τις ροπές αντίδρασης ή τις δυνάμεις ανάκρουσης, εάν λαμβάνονται οι κατάλληλες προφυλάξεις.
- β) **Μην πλησιάζετε ποτέ το χέρι σας κοντά στο περιστρεφόμενο παρελκόμενο.** Το παρελκόμενο ενδέχεται να αναπηδήσει πάνω στο χέρι σας.
- ψ) **Μην τοποθετήσετε το σώμα σας στο χώρο, όπου θα κινηθεί το ηλεκτρικό εργαλείο σε περίπτωση ανάκρουσης.** Η ανάκρουση προκαλεί αναπήδηση του εργαλείου σε κατεύθυνση αντίθετη από τη φορά περιστροφής του τροχού στο σημείο εμπλοκής.
- δ) **Δώστε ιδιαίτερη προσοχή κατά την εργασία σε γωνίες, κοφτερές ακμές, κ.λ.π. Αποφύγετε την αναπήδηση και την εμπλοκή παρελκόμενου.** Οι γωνίες, οι κοφτερές ακμές ή η αναπήδηση έχουν την τάση να προκαλούν εμπλοκή του περιστρεφόμενου παρελκόμενου και απώλεια ελέγχου ή ανάκρουση.

- ε) Μην προσαρμόζετε λεπίδα κοπής ξύλων αλυσοπριονίου ή οδοντωτή λεπίδα πριονιού. Οι λεπίδες αυτού του τύπου προκαλούν συχνά ανάκρουση και απώλεια ελέγχου.

Προειδοποιήσεις ασφαλείας ειδικά για λείανση:

- α) Να χρησιμοποιείτε μόνον τύπους τροχών που συνιστώνται για χρήση με το ηλεκτρικό εργαλείο.
- β) Οι τροχοί πρέπει να χρησιμοποιούνται μόνο στις συνιστώμενες εφαρμογές. Για παράδειγμα: μη λειάνετε με την πλευρική επιφάνεια του τροχού κοπής. Οι τροχοί κοπής προορίζονται για περιφερειακή κοπή, η εφαρμογή πλευρικών δυνάμεων σε αυτούς τους τροχούς ενδέχεται να προκαλέσει τη θραύση τους.
- ψ) Μη χρησιμοποιείτε φθαρμένους τροχούς από μεγαλύτερα ηλεκτρικά εργαλεία. Ένας τροχός που προορίζεται για χρήση με ένα μεγαλύτερο ηλεκτρικό εργαλείο δεν είναι κατάλληλος για την υψηλότερη ταχύτητα ενός μικρότερου εργαλείου και ενδέχεται να υποστεί θραύση.

Επιπλέον προειδοποιήσεις ασφαλείας:

16. Φροντίστε ο τροχός να μην έρχεται σε επαφή με το τεμάχιο εργασίας πριν από την ενεργοποίηση του διακόπτη.
17. Πριν από τη χρήση του τροχού πάνω σε πραγματικό τεμάχιο εργασίας, αφήστε τον σε λειτουργία για μικρό χρονικό διάστημα. Παρατηρήστε εάν υπάρχουν δονήσεις ή ταλάντευση που υποδηλώνουν κακή τοποθέτηση ή τροχό με κακή ζυγοστάθμιση.
18. Χρησιμοποιήστε την προκαθορισμένη επιφάνεια του τροχού για να εκτελέσετε την εργασία λείανσης.
19. Να είστε προσεκτικοί με τις εκτινασσόμενες σπίθες. Κρατήστε το εργαλείο με τρόπο ώστε οι σπίθες να εκτινάσσονται μακριά από το σώμα σας και άλλα άτομα ή εύφλεκτα υλικά.
20. Μην αφήνετε το εργαλείο σε λειτουργία. Να χειρίζεστε το εργαλείο μόνον όταν το κρατάτε.
21. Μην αγγίζετε το τεμάχιο εργασίας άμεσα μετά την ολοκλήρωση της εργασίας, ενδέχεται να είναι εξαιρετικά θερμό και να προκαλέσει έγκαιρα στο δέρμα σας.
22. Να τηρείτε τις οδηγίες του κατασκευαστή, όσον αφορά την κατάλληλη τοποθέτηση και χρήση των τροχών. Φροντίστε για το χειρισμό και τη φύλαξη των τροχών με προσοχή.
23. Ελέγξτε, εάν το τεμάχιο εργασίας υποστηρίζεται κατάλληλα.
24. Εάν η θερμοκρασία του χώρου εργασίας είναι εξαιρετικά υψηλή και η υγρασία αυξημένη, ή υπάρχει εκτεταμένος βαθμός ρύπανσης λόγω αγωγίμης σκόνης, απαιτείται η χρήση αυτόματου διακόπτη κυκλώματος (30 mA), ώστε να διασφαλιστεί η ασφάλεια του χειριστή σε περίπτωση βραχυκυκλώματος.
25. Μη χρησιμοποιείτε το εργαλείο σε οποιοδήποτε υλικό περιέχει αμίαντο.

26. Να φροντίζετε πάντα για τη διατήρηση σταθερής ισορροπίας. Βεβαιωθείτε ότι δεν υπάρχει άτομο ακριβώς από κάτω, όταν χρησιμοποιείτε το ηλεκτρικό εργαλείο σε υψηλά σημεία.

ΦΥΛΑΞΕΤΕ ΑΥΤΕΣ ΤΙΣ ΟΔΗΓΙΕΣ.

⚠️ ΠΡΟΕΙΔΟΠΟΙΗΣΗ:

ΜΗΝ επιτρέψετε το βαθμό άνεσης ή εξοικείωσης με το προϊόν (λόγω επανειλημμένης χρήσης) να αντικαταστήσει την αυστηρή τήρηση των κανόνων ασφαλείας του παρόντος εργαλείου. ΚΑΚΗ ΧΡΗΣΗ ή αμέλεια να ακολουθήσετε τους κανόνες ασφαλείας που διατυπώνονται σ'αυτό το εγχειρίδιο οδηγιών μπορεί να προκαλέσει σοβαρό προσωπικό τραυματισμό.

ΠΕΡΙΓΡΑΦΗ ΛΕΙΤΟΥΡΓΙΑΣ

ΠΡΟΣΟΧΗ:

- Πάντοτε βεβαιώνετε ότι το εργαλείο είναι σβηστό και αποσυνδεδεμένο πριν ρυθμίσετε ή ελέγξετε κάποια λειτουργία στο εργαλείο.

Λειτουργία εκκίνησης (Εικ. 1)

ΠΡΟΣΟΧΗ:

- Πριν συνδέσετε το εργαλείο, πάντοτε ελέγχετε να δείτε ότι ο διακόπτης ολίσθησης ενεργοποιείται κανονικά και επιστρέφει στην θέση "OFF" όταν πιέζεται το πίσω μέρος του διακόπτη ολίσθησης.

Για να ξεκινήσετε το εργαλείο, σύρτε τον διακόπτη ολίσθησης στην θέση "I (ON)". Για συνεχή λειτουργία, πατήστε το εμπρόσθιο μέρος του διακόπτη ολίσθησης για να τον κλειδώσετε.

Για να σταματήσετε το εργαλείο, πατήστε το πίσω μέρος του διακόπτη ολίσθησης, μετά σύρτε το στην θέση "O (OFF)".

Καντράν ρύθμισης ταχύτητας (Εικ. 2)

Η ταχύτητα του εργαλείου μπορεί να αλλάξει γυρίζοντας το κουμπί ρύθμισης ταχύτητας σε ένα δεδομένο αριθμό ρύθμισης από το 1 έως το 5.

Υψηλότερη ταχύτητα επιτυγχάνεται όταν το κουμπί γυρίσει προς την κατεύθυνση του νούμερου 5, και χαμηλότερη ταχύτητα επιτυγχάνεται όταν το κουμπί γυρίσει προς την κατεύθυνση του νούμερου 1.

Αναφερθείτε στον παρακάτω πίνακα για την σχέση μεταξύ της ρύθμισης στο κουμπί και της κατά προσέγγιση ταχύτητας του μηχανήματος.

	GD0800C	GD0810C
Αριθμός	λεπτά ⁻¹ (ΣΑΛ)	λεπτά ⁻¹ (ΣΑΛ)
1 – 2	7.000 – 10.000	1.800 – 2.400
2 – 3	10.000 – 17.000	2.400 – 4.100
3 – 4	17.000 – 24.000	4.100 – 5.800
4 – 5	24.000 – 28.000	5.800 – 7.000

006478

ΠΡΟΣΟΧΗ:

- Εάν το εργαλείο λειτουργεί συνεχώς σε χαμηλές ταχύτητες για μεγάλο χρονικό διάστημα, ο κινητήρας υπερφορτώνεται, με αποτέλεσμα τη δυσλειτουργία του εργαλείου.
- Το καντράν ρύθμισης ταχύτητας μπορείτε να το γυρίσετε μόνο μεταξύ των αριθμών 5 και 1. Μην το ζορίζετε να ξεπεράσει το 5 ή το 1, μπορεί να καταστρέψετε το καντράν ρύθμισης ταχύτητας.

ΣΥΝΟΛΟ

ΠΡΟΣΟΧΗ:

- Πάντοτε βεβαιώνετε ότι το εργαλείο είναι σβηστό και αποσυνδεδεμένο πριν εκτελέσετε οποιαδήποτε εργασία στο εργαλείο.

Τοποθέτηση πλευρικής λαβής (προαιρετικό εξάρτημα) (Εικ. 3)

Τοποθετήστε την πλευρική λαβή στον κύλινδρο του εργαλείου, στη συνέχεια σφίξτε τη λαβή γυρίζοντας δεξιόστροφα στην επιθυμητή θέση.

Τοποθέτηση ή απομάκρυνση του τροχού σημείου (Εικ. 4 και 5)

Χαλαρώστε το παξιμάδι συγκράτησης και βάλτε τον τροχό σημείου στο παξιμάδι συγκράτησης. Χρησιμοποιήστε το μικρό κλειδί για να συγκρατήσετε την άτρακτο και το μεγαλύτερο για να σφίξετε το παξιμάδι συγκράτησης καλά.

Ο τροχός σημείου δεν θα πρέπει να τοποθετείται σε απόσταση μεγαλύτερη από 8 χιλ. από το παξιμάδι συγκράτησης.

Εάν υπερβείτε αυτή την απόσταση θα μπορούσε να προκληθεί ταλάντωση ή και σπάσιμο του άξονα. Για να απομακρύνετε τον τροχό σημείου, ακολουθείστε την αντίστροφη διαδικασία.

ΠΡΟΣΟΧΗ:

- Χρησιμοποιήστε το σωστό μέγεθος συγκρατητή κώνου για τον τροχό σημείου που σκοπεύετε να χρησιμοποιήσετε.

ΛΕΙΤΟΥΡΓΙΑ (Εικ. 6)

Ανάψτε το μηχάνημα χωρίς ο τροχός σημείου να έχετε σε επαφή με το κομμάτι εργασίας και περιμένετε μέχρι ο τροχός σημείου να πιάσει την πλήρη ταχύτητα. Επειτα ακουμπήστε τον τροχό σημείου στο κομμάτι εργασίας μαλακά. Για να πετύχετε καλό τελείωμα, μετακινήστε το μηχάνημα προς την αριστερή διεύθυνση αργά.

ΠΡΟΣΟΧΗ:

- Εφαρμόστε ελαφρά πίεση στο μηχάνημα. Υπερβολική πίεση στο μηχάνημα θα προκαλέσει φτωχό τελείωμα και υπερφόρτωση του κινητήρα.

ΣΥΝΤΗΡΗΣΗ

ΠΡΟΣΟΧΗ:

- Πάντοτε βεβαιώνετε ότι το εργαλείο είναι σβηστό και αποσυνδεδεμένο πριν επιχειρήσετε να εκτελέσετε επιθεώρηση ή συντήρηση.
- Μην χρησιμοποιείτε ποτέ βενζίνη, πετρελαϊκό αιθέρα, διαλυτικό, αλκοόλη ή παρόμοιες ουσίες. Ενδέχεται να προκληθεί αποχρωματισμός, παραμόρφωση ή ρωγμές.

Για να διατηρήσετε την ΑΣΦΑΛΕΙΑ και ΑΞΙΟΠΙΣΤΙΑ του προϊόντος, επισκευές, έλεγχος και αντικατάσταση των ψηκτρών άνθρακα, καθώς και οποιαδήποτε άλλη συντήρηση ή ρύθμιση πρέπει να εκτελούνται από Κέντρα Εξυπηρέτησης Εργοστάσιου ή από Εξουσιοδοτημένα από την Makita Κέντρα, πάντοτε χρησιμοποιώντας ανταλλακτικά της Makita.

ΠΡΟΑΙΡΕΤΙΚΑ ΕΞΑΡΤΗΜΑΤΑ

ΠΡΟΣΟΧΗ:

- Αυτά τα εξαρτήματα ή προσαρτήματα συνιστώνται για χρήση με το εργαλείο Μάκιτα που περιγράφτηκε στις οδηγίες αυτές. Η χρήση οτιδήποτε άλλων εξαρτημάτων ή προσαρτημάτων μπορεί να προκαλέσει κίνδυνο τραυματισμού σε άτομα. Χρησιμοποιήστε τα εξαρτήματα ή προσαρτήματα μόνο για την χρήση που προορίζονται.

Εάν χρειάζεστε οποιαδήποτε βοήθεια για περισσότερες πληροφορίες σε σχέση με αυτά τα εξαρτήματα, αποτανθείτε στο τοπικό σας κέντρο εξυπηρέτησης Μάκιτα.

- Τροχός σημείου
- Σετ κώνου συγκράτησης (3 χιλ., 6 χιλ., 1/4", 1/8")
- Σφιχτήρας συγκρατητής
- Κλειδί 13
- Κλειδί 19
- Πλευρική λαβή ρυθμισμένη

ΠΑΡΑΤΗΡΗΣΗ:

- Μερικά στοιχεία στη λίστα μπορεί να συμπεριλαμβάνονται στη συσκευασία εργαλείου ως στάνταρ εξαρτήματα. Μπορεί να διαφέρουν ανάλογα με τη χώρα.

Θορύβος

Το τυπικό A επίπεδο μετρημένου θορύβου καθορίζεται σύμφωνα με το EN60745:

Μοντέλο GD0800C

Στάθμη πίεσης ήχου (L_{pA}): 78 dB (A)

Αβεβαιότητα (K): 3 dB (A)

Η στάθμη θορύβου κατά την εργασία ενδέχεται να υπερβαίνει τα 80 dB (A).

Μοντέλο GD0810C

Στάθμη πίεσης ήχου (L_{pA}): 79 dB (A)

Αβεβαιότητα (K): 3 dB (A)

Η στάθμη θορύβου κατά την εργασία ενδέχεται να υπερβαίνει τα 80 dB (A).

Φοράτε ωτοασπίδες

ENG900-1

Κραδασμός

Η ολική τιμή δόνησης (άθροισμα τρι-αξονικού διανύσματος) καθορίζεται σύμφωνα με το EN60745:

Μοντέλο GD0800C

Είδος εργασίας: λείανση επιφανείας

Εκπομπή δόνησης ($a_{h, AG}$): 2,5 m/s²

Αβεβαιότητα (K): 1,5 m/s²

Εάν το εργαλείο χρησιμοποιείται για άλλες εφαρμογές, το εύρος τιμών των κραδασμών ενδέχεται να είναι διαφορετικό.

Μοντέλο GD0810C

Είδος εργασίας: λείανση επιφανείας

Εκπομπή δόνησης ($a_{h, SG}$): 2,5 m/s² ή λιγότερο

Αβεβαιότητα (K): 1,5 m/s²

ENG902-1

- Η δηλωμένη τιμή εκπομπής κραδασμών έχει μετρηθεί σύμφωνα με την πρότυπη μέθοδο δοκιμής και μπορεί να χρησιμοποιηθεί για τη σύγκριση ενός εργαλείου με άλλο.
- Η δηλωμένη τιμή εκπομπής κραδασμών μπορεί να χρησιμοποιηθεί και στην προκαταρκτική αξιολόγηση έκθεσης.
- Η δηλωμένη τιμή εκπομπής κραδασμών χρησιμοποιείται για κύριες εφαρμογές του ηλεκτρικού εργαλείου. Πάντως, εάν το ηλεκτρικό εργαλείο χρησιμοποιείται για άλλες εφαρμογές, η τιμή εκπομπής κραδασμών ενδέχεται να είναι διαφορετική.

⚠ ΠΡΟΕΙΔΟΠΟΙΗΣΗ:

- Η εκπομπή κραδασμών κατά τη χρήση του ηλεκτρικού εργαλείου σε πραγματικές συνθήκες μπορεί να διαφέρει από τη δηλωμένη τιμή εκπομπής ανάλογα με τον τρόπο χρήσης του εργαλείου.
- Φροντίστε να λάβετε τα κατάλληλα μέτρα προστασίας του χειριστή βάσει υπολογισμού της έκθεσης σε πραγματικές συνθήκες χρήσης (λαμβάνοντας υπόψη όλες τις συστασώσες του κύκλου λειτουργίας όπως τους χρόνους που το εργαλείο είναι εκτός λειτουργίας και όταν βρίσκεται σε αδρανή λειτουργία πέραν του χρόνου ενεργοποίησης).

Μόνο για χώρες της Ευρώπης**Δήλωση Συμμόρφωσης ΕΚ**

H Makita Corporation, ως ο υπεύθυνος κατασκευαστής, δηλώνει ότι το/τα ακόλουθο(α) μηχάνημα(τα) της Makita:

Χαρακτηρισμός μηχανήματος:

Λειαντής

Αρ. μοντέλου/ Τύπος: GD0800C, GD0810C

είναι εν σειρά παραγωγή και

συμμορφώνονται με τις ακόλουθες Ευρωπαϊκές Οδηγίες:

2006/42/ΕΚ

και κατασκευάζονται σύμφωνα με τα ακόλουθα πρότυπα ή έγγραφα τυποποίησης:

EN60745

Το τεχνικό πληροφοριακό υλικό διατηρείται από:

Makita International Europe Ltd.

Technical Department (Τεχνικό Τμήμα),

Michigan Drive, Tongwell,

Milton Keynes, Bucks MK15 8JD, England

(Αγγλία)

30.1.2009



Tomoyasu Kato

Διευθυντής

Makita Corporation

3-11-8, Sumiyoshi-cho,

Anjo, Aichi, 446-8502, JAPAN

Makita Corporation
Anjo, Aichi, Japan

884314G990

www.makita.com

IDE