



OWNER'S MANUAL

LG UltraGear™

Gaming Monitor

(LED Monitor*)

* LG LED Monitor applies LCD screen with LED backlights.

Please read this manual carefully before operating your set and retain it for future reference.

27GN880

www.lg.com

Copyright © 2020 LG Electronics Inc. All Rights Reserved.

TABLE OF CONTENTS

LICENSE.....3

OPEN SOURCE SOFTWARE NOTICE INFORMATION4

ASSEMBLING AND PREPARING 4

- Supported Drivers and Software5
- Product and Button Description.....5
 - How to Use the Joystick Button
- Moving and Lifting the Monitor.....6
 - Installing on a Table
 - How to fix a clamp
 - Swivel stand
 - Pivot Feature
 - Adjusting the Stand Height
 - Adjusting the Angle
 - Using the Kensington Lock
 - Installing on the Wall

USING THE MONITOR..... 16

- Connecting to a PC..... 17
 - HDMI Connection
 - DisplayPort Connection
- Connecting AV Devices..... 18
 - HDMI Connection
- Connecting Peripherals..... 18
 - Connecting Headphones

USER SETTINGS 19

- Activating the Main Menu 19
 - Main Menu Features
- User Settings21
 - Menu Settings

TROUBLESHOOTING..... 30

PRODUCT SPECIFICATION 33

- Factory Support Mode.....35
- HDMI Timing (Video).....36
- Power LED37

LICENSE

Each model has different licenses. Visit www.lg.com for more information on the license.



The terms HDMI and HDMI High-Definition Multimedia Interface, and the HDMI Logo are trademarks or registered trademarks of HDMI Licensing Administrator, Inc.

OPEN SOURCE SOFTWARE NOTICE INFORMATION

To obtain the source code under GPL, LGPL, MPL, and other open source licenses, that is contained in this product, please visit <http://opensource.lge.com>.

In addition to the source code, all referred license terms, warranty disclaimers and copyright notices are available for download.

LG Electronics will also provide open source code to you on CD-ROM for a charge covering the cost of performing such distribution (such as the cost of media, shipping, and handling) upon email request to opensource@lge.com.

This offer is valid for a period of three years after our last shipment of this product.

This offer is valid to anyone in receipt of this information.

ASSEMBLING AND PREPARING

CAUTION

- Always use genuine LG components to ensure safety and product performance.
- The product warranty will not cover damage or injury caused by the use of unauthorized components.
- It is recommended that use the supplied components.
- If you use generic cables not certified by LG, the screen may not display or there may be image noises.
- Illustrations in this document represent typical procedures, so they may look different from the actual product.
- Do not apply foreign substances (oils, lubricants, etc.) to the screw parts when assembling the product. (Doing so may damage the product.)

- Applying excessive force when tightening screws may cause damage to the monitor. Damage caused in this way will not be covered by the product warranty.
- Do not carry the monitor upside down by just holding the base. This may cause the monitor to fall off the stand and could result in personal injury.
- When lifting or moving the monitor, do not touch the monitor screen. The force applied to the monitor screen may cause damage to it.
- For wave pattern on appearance, unlike the general method of coating, it's applied to added glittering material in raw material. With no peeled-off appearance, it has good durability. Please use it with confidence because there is no problem in using the product at all.

NOTE

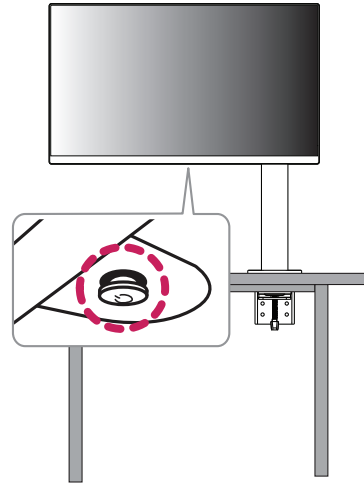
- The components may look different from those illustrated here.
- Without prior notice, all product information and specifications contained in this manual are subject to change to improve the performance of the product.
- To purchase optional accessories, visit an electronics store or an online shopping site, or contact the retailer from which you purchased the product.
- The power cord provided may differ depending upon the region.

Supported Drivers and Software

You can download and install the latest version from the LGE website (www.lg.com).

| Drivers and Software | Installation Priority |
|----------------------|-----------------------|
| Monitor Driver | Recommended |
| OnScreen Control | Recommended |


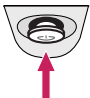





Product and Button Description



How to Use the Joystick Button

You can easily control the functions of the monitor by pressing the joystick button or moving it left/right with your finger.

Basic Functions

| | | | |
|---|---|-----------------------------------|---|
|  | | Power on | Press the joystick button once with your finger to turn on the monitor. |
|  |  | Power off | Press and hold the joystick button once with your finger to turn off the monitor. |
|  |  | Volume control | You can control the volume by moving the joystick button left/right. |
|  |  | Controls screen brightness | You can control the screen's brightness by moving the joystick button up/down. |

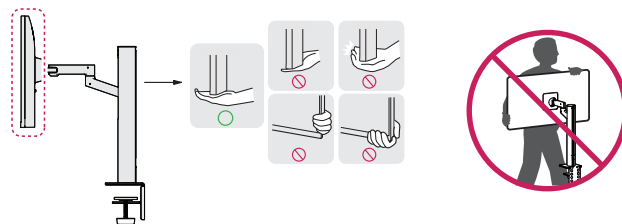
! NOTE

- The joystick button is located at the bottom of the monitor.

Moving and Lifting the Monitor

When moving or lifting the monitor, follow these instructions to prevent the monitor from being scratched or damaged and to ensure safe transportation, regardless of its shape or size.

- Place the monitor in the original box or packing material before attempting to move it.
- Before moving or lifting the monitor, disconnect the power cord and all other cables.
- Hold the bottom and side of the monitor frame firmly. Do not hold the panel itself.
- When holding the monitor, the screen should face away from you to prevent it from being scratched.
- When transporting the monitor, do not expose the monitor to shock or excessive vibration.
- When moving the monitor, keep it upright and never turn the monitor on its side or tilt it sideways.
- Disassemble and reposition the head and stand separately when moving the monitor.

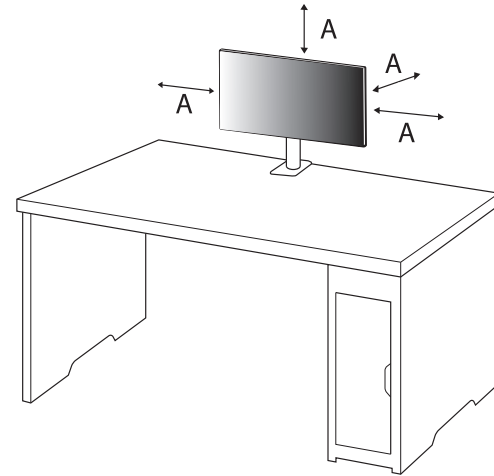


CAUTION

- Avoid touching the monitor screen as much as possible.
 - This may result in damage to the screen or some of the pixels used to create images.
- Standing the monitor panel up vertically may cause the monitor to fall due to the joystick and cause damage or injury. In addition, this may cause the joystick button to malfunction.

Installing on a Table

- Lift the monitor and place it on the table in an upright position. Place the monitor at least 100 mm away from the wall to ensure sufficient ventilation.



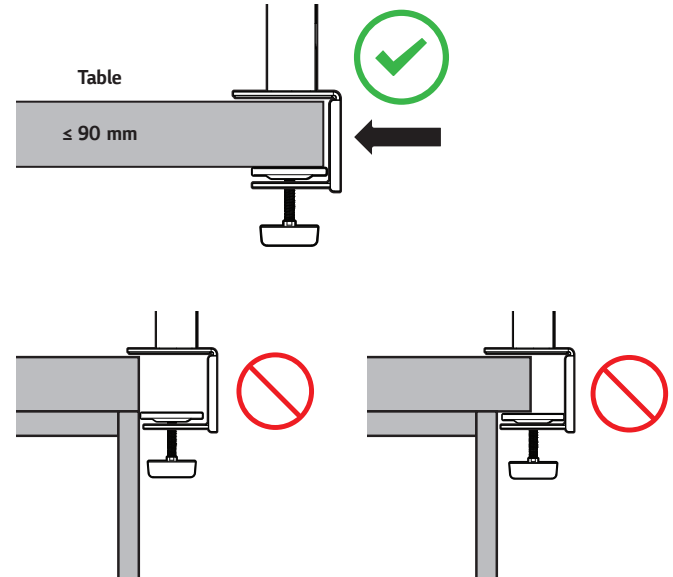
A: 100 mm

⚠ CAUTION

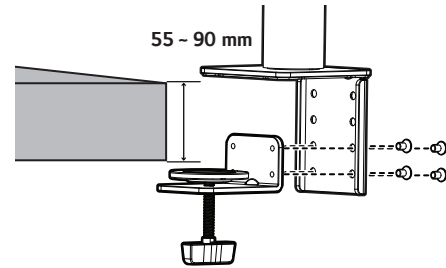
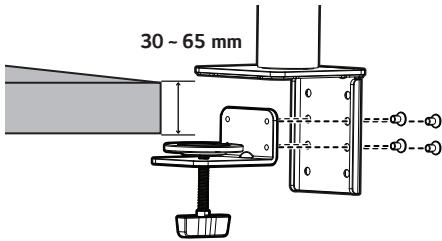
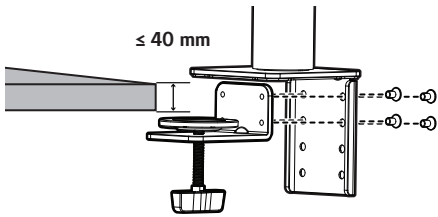
- Unplug the power cord before moving or installing the monitor. There is risk of electric shock.
- Make sure to use the power cord that is provided in the product package and connect it to a grounded power outlet.
- If you need another power cord, please contact your local dealer or the nearest retail store.
- Make sure the table on which the product is installed is stable and solid. A table made of fragile materials such as glass may be damaged.
- The monitor may tilt on uneven or slanted tables.
- Installation of the stand may leave a mark on the table.
- Do not hang heavy items such as bags or clothes on the stand.
- Avoid falls by verifying that the table is large enough to support the monitor.
- Make sure to fix the stand firmly on the table.
- When installing the stand on the table, make sure the stand is fully engaged to the table so that you would not hit your head when you get up.
- Do not use excessive force when rotating the monitor. Allowing the monitor to contact a wall may injure persons nearby or damage the monitor.

How to fix a clamp

- 1 After positioning the stand on the table, secure it by turning the handle.
- For tables without a protrusion
 - The table should be less than 90 mm thick.

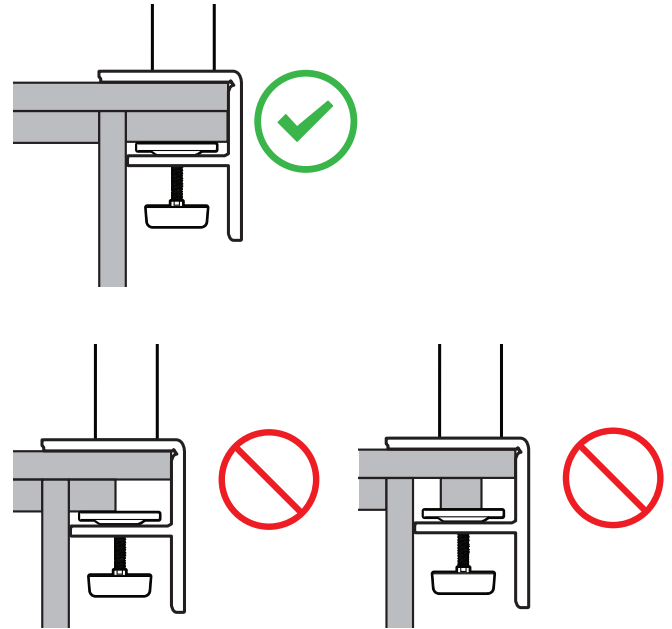
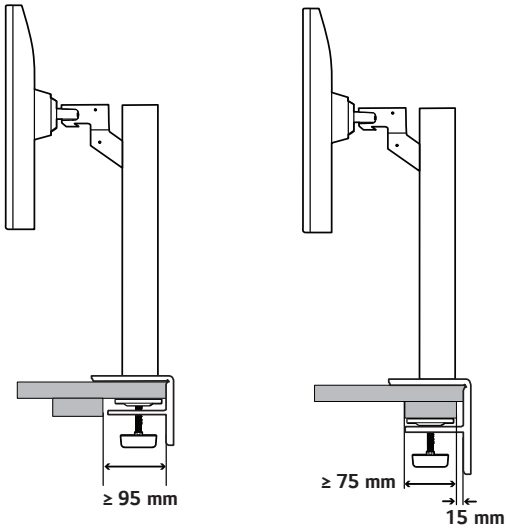


How to install on tables with different thickness levels



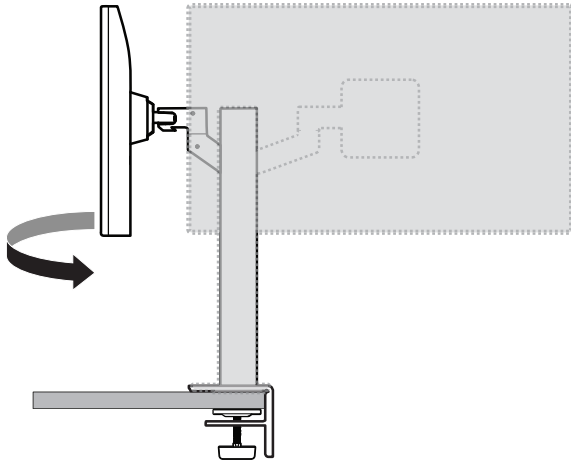
 **CAUTION**

- Stands that are not fully engaged to the table may allow the monitor to wobble or fall over.
- Make sure the table is solid and stable enough to fully support installation of the monitor. Tables made of fragile materials such as glass may break.
- For tables with a protrusion
 - If the protrusion is located more than 95 mm away from the edge of the table, install the monitor only when a flat protrusion is located between 15 mm to 90 mm from the edge of the table.



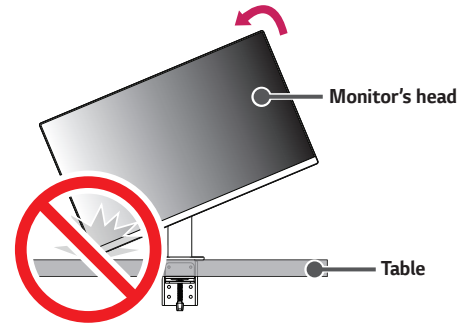
Swivel stand

Swivel 280 ° and adjust the angle of the Monitor set to suit your view.



Pivot Feature

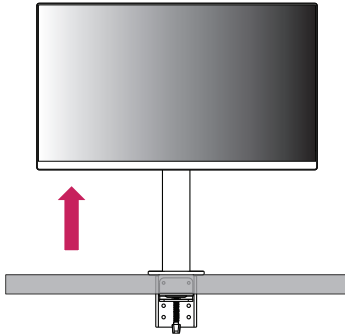
The pivot feature allows the monitor to rotate 90 ° counter-clockwise.



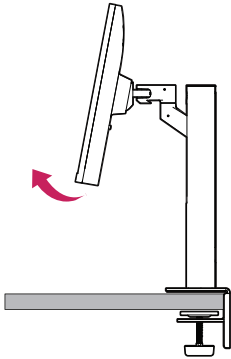
⚠ WARNING

- When using the Pivot function, do not rotate the monitor too fast or with excessive force. The table may be scratched by contact with the monitor's head.

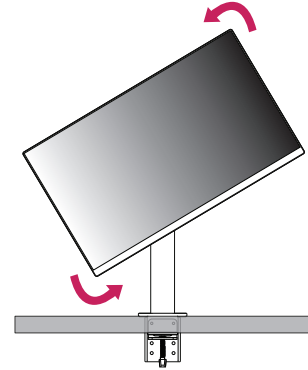
- 1 Raise the monitor up to the maximum height.



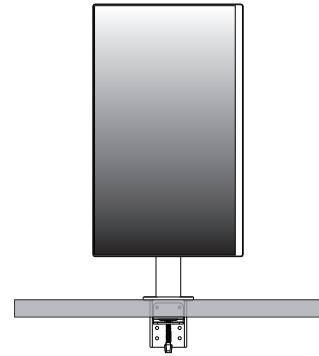
- 2 Adjust the angle of the monitor in the direction of the arrow as shown in the figure.



- 3 Rotate the monitor counter-clockwise as shown in the figure.

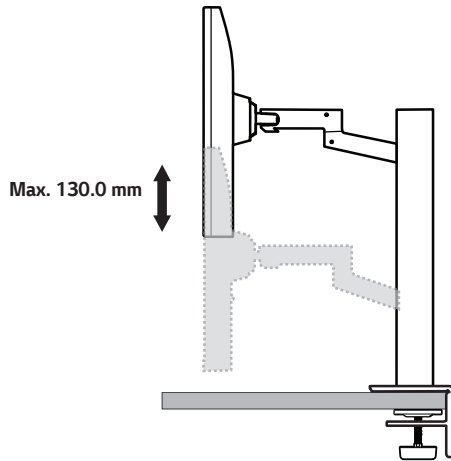


- 4 Complete the installation by rotating the monitor 90° as shown in the figure.



Adjusting the Stand Height

- 1 Make sure to hold and move the monitor with both hands.



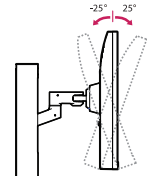
⚠ WARNING

- To avoid injury when adjusting the height, do not put your hands on the stand.

Adjusting the Angle

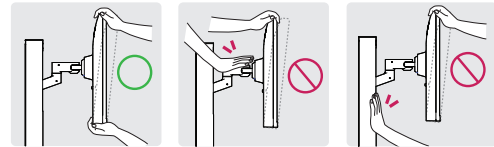
Adjust the angle of the screen.

The angle of the screen can be adjusted forward or backward from -25° to 25° for a comfortable viewing experience.



⚠ WARNING

- To avoid injury to the fingers when adjusting the screen, do not hold the lower part of the monitor's frame as illustrated below.
- Be careful not to touch or press the screen area when adjusting the angle of the monitor.

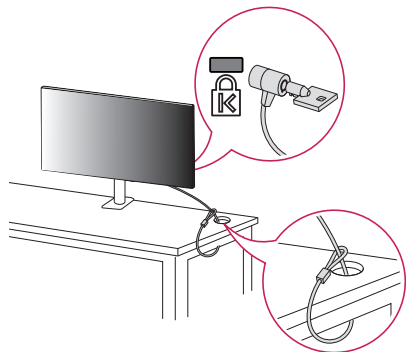


- Beware of cables attached to the monitor when rotating it.

Using the Kensington Lock

For more information on installation and usage, refer to the Kensington lock owner's manual or visit the website at <http://www.kensington.com>.

Connect the monitor to a table using the Kensington security system cable.



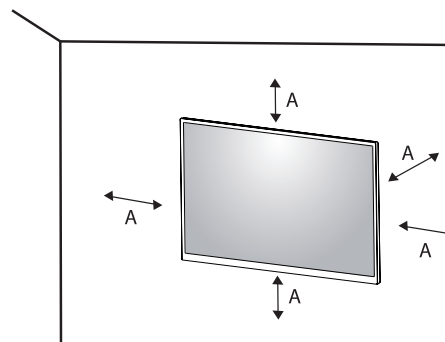
! NOTE

- The Kensington security system is optional. You can obtain optional accessories from most electronics stores.

Installing on the Wall

This monitor meets the specifications for the wall mount plate or other compatible devices.

Install the monitor at least 100 mm away from the wall and leave about 100 mm of space at each side of the monitor to ensure sufficient ventilation. Detailed installation instructions can be obtained from your local retail store. Alternatively, please refer to the manual for how to install and set up a tilting wall mounting bracket.



A: 100 mm

Installing the Wall Mount Plate

To install the monitor to a wall, attach a wall mounting bracket (optional) to the back of the monitor.

Make sure that the wall mounting bracket is securely fixed to the monitor and to the wall.

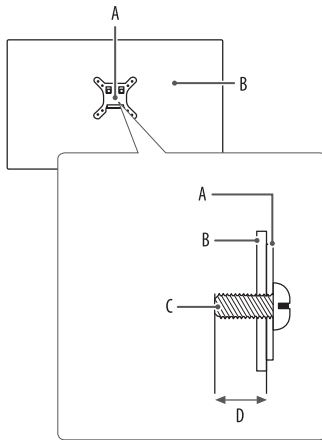
- Wall Mount (mm): 100 x 100
- Standard screw: M4 x L10
- Number of screws: 4
- Wall Mount Plate (Optional): LSW149

! NOTE

- A non-VESA standard screw may damage the product and cause the monitor to fall. LG Electronics is not liable for any accidents relating to the use of non-standard screws.
- The wall mount kit includes the installation guide and all necessary parts.
- The wall mounting bracket is optional. You can obtain optional accessories from your local dealer.
- The length of the screw may differ for each wall mounting bracket. If you use screws longer than the standard length, it may damage the inside of the product.
- For more information, please refer to the user manual for the wall mounting bracket.
- Be careful not to apply too much force while mounting the wall mount plate as it may cause damage to the screen.
- Remove the stand before installing the monitor on a wall mount by performing the stand attachment in reverse.

! CAUTION

- Unplug the power cord before moving or installing the monitor to avoid electric shock.
- Installing the monitor on the ceiling or on a slanted wall may result in the monitor falling off, which could lead to injury. Use an authorized LG wall mount and contact the local dealer or qualified personnel.
- To prevent injury, this apparatus must be securely attached to the wall in accordance with the installation instructions.
- Applying excessive force when tightening screws may cause damage to the monitor. Damage caused in this way will not be covered by the product warranty.
- Use the wall mounting bracket and screws that conform to VESA standards. Damage caused by the use or misuse of inappropriate components will not be covered by the product warranty.
- When measured from the back of the monitor, the length of each installed screw must be 8 mm or less.



- A: Wall Mount Plate
- B: Back of the Monitor
- C: Standard screw
- D: Max. 8 mm

USING THE MONITOR

Press the joystick button, go to **Menu** → **Input**, and then select the input option.



CAUTION

- Do not press the screen for a prolonged time. This may cause image distortion.
- Do not display a still image on the screen for a prolonged time. This may cause image retention. Use a screensaver if possible.



NOTE

- When connecting the power cord to the outlet, use a grounded (3-hole) power strip or a grounded power outlet.
- The monitor may flicker when turned on in an area where the temperature is low. This is normal.
- Sometimes red, green, or blue spots may appear on the screen. This is normal.

Connecting to a PC

- This monitor supports the *Plug and Play feature.

* Plug and Play: A feature that allows you to add a device to your computer without having to reconfigure anything or install any manual drivers.

HDMI Connection

Transmits digital video and audio signals from your PC to the monitor.



CAUTION

- Using a DVI to HDMI / DP (DisplayPort) to HDMI cable may cause compatibility issues.
- Use a certified cable with the HDMI logo attached. If you do not use a certified HDMI cable, the screen may not display or a connection error may occur.
- Recommended HDMI cable types
 - High-Speed HDMI®/™ cable
 - High-Speed HDMI®/™ cable with Ethernet

DisplayPort Connection

Transmits digital video and audio signals from your PC to the monitor.



NOTE

- There may be no video or audio output depending on the DP (DisplayPort) version of the PC.
- If you are using a Mini DisplayPort output graphics card, use a Mini DP to DP (Mini DisplayPort to DisplayPort) cable or gender that supports DisplayPort1.4. (sold separately)

Connecting AV Devices

HDMI Connection

HDMI transmits digital video and audio signals from your AV device to the monitor.

! NOTE

- Using a DVI to HDMI / DP (DisplayPort) to HDMI cable may cause compatibility issues.
- Use a certified cable with the HDMI logo attached. If you do not use a certified HDMI cable, the screen may not display or a connection error may occur.
- Recommended HDMI cable types
 - High-Speed HDMI[®]/TM cable
 - High-Speed HDMI[®]/TM cable with Ethernet

Connecting Peripherals

Connecting Headphones

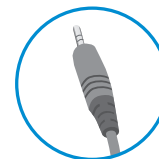
Connect peripherals to the monitor via the headphones port.

! NOTE

- Peripheral devices are sold separately.
- If you use angled earphones, it may cause a problem with connecting another external device to the monitor. Therefore, it is recommended to use straight earphones.



Angled



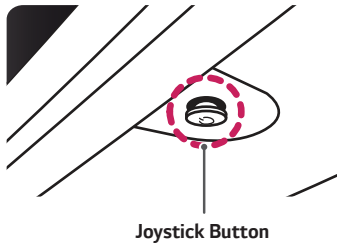
Straight
(Recommend)


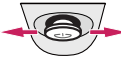

- Depending on the audio settings of the PC and external device, headphones and speaker functions may be limited.

USER SETTINGS

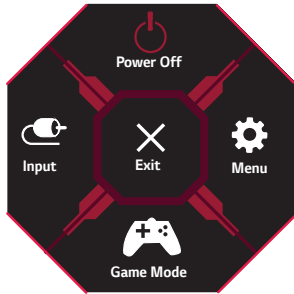
Activating the Main Menu

- 1 Press the joystick button on the bottom of the monitor.
- 2 Move the joystick up/down (▲/▼) and left/right (◀/▶) to set the options.
- 3 Press the joystick button once more to exit the main menu.



| Button | Menu Status | Description |
|---|-----------------------------|---|
|  | Main menu disabled | Enables the main menu. |
| | Main menu enabled | Exits the main menu. (Holding down the button to turn off the monitor. You can turn off the monitor this way at any time, including when the OSD is on.) |
|  | ◀ Main menu disabled | Adjusts the monitor volume level. |
| | ◀ Main menu enabled | Enters the Input features. |
| | ▶ Main menu disabled | Adjusts the monitor volume level. |
| | ▶ Main menu enabled | Enters the Menu feature. |
|  | ▲ Main menu disabled | Adjusts the monitor brightness level. |
| | ▲ Main menu enabled | Turns off the monitor. |
| | ▼ Main menu disabled | Adjusts the monitor brightness level. |
| | ▼ Main menu enabled | Enters the Game Mode feature. |

Main Menu Features



| Main Menu | Description |
|------------------|---------------------------------|
| Input | Sets input mode. |
| Power Off | Turns off the monitor. |
| Menu | Configures the screen settings. |
| Game Mode | Sets the game mode for gaming. |
| Exit | Exits the main menu. |

User Settings

Menu Settings

- 1 To view the OSD menu, press the joystick button at the bottom of the monitor and then enter the **Menu**.
- 2 Configure the options by moving the joystick up/down/left/right.
- 3 To return to the upper menu or set other menu items, move the joystick to ◀ or pressing (⏻) it.
- 4 If you want to exit the OSD menu, move the joystick to ◀ until you exit.



Game Mode



Game Adjust



Picture Adjust



Input





General

Game Mode on SDR(Non-HDR)signal.

| Menu > Game Mode | | Description |
|------------------|-------------------|--|
| Game Mode | Gamer 1 | In this mode, users can customize elements including game-related options. |
| | Gamer 2 | Gamer 1 and Gamer 2 picture modes allow you to save two sets of customized display settings, including game-related setup options. |
| | FPS | This mode is optimized for FPS games. |
| | RTS | This mode is optimized for RTS Game. |
| | Vivid | Heightens contrast, brightness and sharpness to display vivid images. |
| | Reader | Optimizes the screen for viewing documents. You can brighten the screen in the OSD menu. |
| | HDR Effect | Optimizes the screen for high dynamic range. |
| | sRGB | A standard RGB color space for the monitor and printer. |


Game Mode on HDR signal.


| Menu > Game Mode | | Description |
|------------------|--|--|
| Game Mode | Gamer 1 | In this mode, users can customize elements including game-related options. |
| | Gamer 2 | Gamer 1 and Gamer 2 picture modes allow you to save two sets of customized display settings, including game-related setup options. |
| | FPS | This mode is optimized for FPS games. It is suitable for very dark FPS games. |
| | RTS | This mode is optimized for RTS Game. |
| | Vivid | Optimized the screen for vivid colors. |
| |  NOTE <ul style="list-style-type: none"> • HDR content may not be operated properly depending on the Windows 10 OS setting. Please check the HDR On / Off setting of Windows. • When the HDR function is turned on, the characters or picture quality may be poor according to Graphic card performance. • While the HDR function is on, screen flickering or cracking may occur when changing the monitor input or power on/off according to Graphic card performance. | |


| Menu > Game Adjust | | Description | | | | |
|--------------------|--|--|----------------------------|----------------------------|------------|-----------------------------|
| Game Adjust | Adaptive-Sync | <p>Provides seamless and natural images by synchronizing the vertical frequency of the input signal with that of the output signal.</p> <p> CAUTION</p> <ul style="list-style-type: none"> • In HDMI input, the menu name is displayed as certified AMD FreeSync Tier name instead of Adaptive-Sync. (FreeSync / FreeSync Premium / FreeSync Premium Pro) • Supported Interface: DisplayPort (G-SYNC, FreeSync), HDMI (FreeSync Premium). • Supported Graphic Card : A graphic card that supports NVIDIA's G-SYNC or AMD's FreeSync is necessary. • Supported Version : Make sure to update the graphic card to the latest driver. • For more information and requirement, refer to NVIDIA website (www.nvidia.com) and AMD website (www.amd.com). | | | | |
| | | <table border="1"> <tr> <td>On</td> <td>Adaptive-Sync function on.</td> </tr> <tr> <td>Off</td> <td>Adaptive-Sync function off.</td> </tr> </table> | On | Adaptive-Sync function on. | Off | Adaptive-Sync function off. |
| | | On | Adaptive-Sync function on. | | | |
| Off | Adaptive-Sync function off. | | | | | |
| Black Stabilizer | <p>You can control the black contrast to have better visibility in dark scenes. You can easily distinguish objects on dark game screens.</p> | | | | | |

| | | | |
|-------------|---------------------------------------|---|-----------------------------------|
| Game Adjust | Response Time | Sets a response time for displayed pictures based on the speed of the screen. For a normal environment, it is recommended that you use Fast . For a fast-moving picture, it is recommended that you use Faster . Once Faster Mode is selected, Motion Blur may occur depending on the content. | |
| | | Faster | Sets the response time to faster. |
| | | Fast | Sets the response time to fast. |
| | | Normal | Sets the response time to normal. |
| | Off | Does not use the response time improvement feature. | |
| | Cross Hair | Cross hair provides a mark on the center of the screen for First Person Shooter (FPS) games. Users can select the cross hair that fits their gaming environment among four different cross hairs. • When the monitor is off or enters energy saving mode, the cross hair feature is automatically turned off. | |
| Game Reset | Returns game to the default settings. | | |

| Menu > Picture Adjust | | Description | |
|-----------------------|--|---|---|
| Picture Adjust | Brightness | Adjusts the brightness of the screen. | |
| | Contrast | Adjusts the contrast of the screen. | |
| | Sharpness | Adjusts the sharpness of the screen. | |
| | Gamma | Mode 1, Mode 2, Mode 3 | The higher the gamma value, the darker the image becomes. Likewise, the lower the gamma value, the lighter the image becomes. |
| | | Mode 4 | If you do not need to adjust the gamma settings, select Mode 4. |
| | Color Temp | Custom | The user can adjust it to red, green, or blue by customization. |
| | | Warm | Sets the screen color to a reddish tone. |
| | | Medium | Sets the screen color to between a red and blue tone. |
| | | Cool | Sets the screen color to a bluish tone. |
| | Manual | The user can fine-tune the color temperature. | |
| | R/G/B | You can customize the picture color using Red , Green , and Blue colors. | |
| | Six Color | Meets the user requirements for colors by adjusting the hue and saturation of the six colors (Red, Green, Blue, Cyan, Magenta and Yellow) and then saving the settings. | |
| | | Hue | Adjusts the tone of the screen colors. |
| | | Saturation | Adjusts the saturation of the screen colors. The lower the value, the less saturated and brighter the colors become. The higher the value, the more saturated and darker the colors become. |
| | Black Level | Sets the offset level (for HDMI only). • Offset: as a reference for a video signal, this is the darkest color the monitor can display. | |
| | | High | Keeps the current contrast ratio of the screen. |
| | | Low | Lowers the black levels and raises the white levels from the current contrast ratio of the screen. |
| DFC | On | Adjusts the brightness automatically according to the screen. | |
| | Off | Disables the DFC feature. | |
| Picture Reset | Returns picture and color to the default settings. | | |

| Menu > Input | | Description | | |
|--------------|--|--|---|--|
| Input | Input List | Selects the input mode. | | |
| | Aspect Ratio | Adjusts the aspect ratio of the screen. | | |
| | | Full Wide | Displays the video in widescreen, regardless of the video signal input. | |
| | | Original | Displays video according to the aspect ratio of the video signal input. | |
| |  NOTE • The display may look the same for Full Wide and Original options at the recommended resolution. (2560 x 1440) | | | |
| | Auto Input Switch | When automatic input switch is set to On , display will automatically switch to new input when connected. | | |
| | | On | Enables Auto Input Switch . | |
| | | Off | Disables Auto Input Switch . | |

| Menu > General | | Description | |
|---|--|--|---|
| General | Language | Sets the menu screen to the desired language. | |
| | SMART ENERGY SAVING | High | Saves energy using the high-efficiency SMART ENERGY SAVING feature. |
| | | Low | Saves energy using the low-efficiency SMART ENERGY SAVING feature. |
| | | Off | Disables the SMART ENERGY SAVING feature. |
| | Power LED | On | The power LED turns on automatically. |
| | | Off | The power LED turns off. |
| | Automatic Standby | Feature that automatically turns off the monitor when there is no movement on the screen for a period of time. You can set a timer for the auto-off function. (8H , 6H , 4H and Off) | |
| | HDMI Compatibility Mode | HDMI Compatibility Mode feature can recognize the legacy equipment that does not support HDMI 2.0. | |
| | | On | Enables HDMI Compatibility Mode . |
| | | Off | Disables HDMI Compatibility Mode . |
|  NOTE <ul style="list-style-type: none"> • If the connected device does not support HDMI Compatibility Mode, the screen or sound may not work properly. • Some older graphics cards do not support HDMI 2.0, but you can select HDMI 2.0 resolution in the control panel of window. • This may cause the screen to appear abnormally. | | | |
| DisplayPort Version | Please set the DisplayPort version to match the version of the connected external device(1.4,1.2 and 1.1) . If you want to use the HDR, select the DP version to 1.4 . | | |

| | | | | |
|---------|---------------------------|---|----------------------------------|--|
| General | OSD Lock | This feature disables the configuration and adjustment of menus. | | |
| | | On | Enables OSD Lock . | |
| | | Off | Disables OSD Lock . | |
| | |  NOTE <ul style="list-style-type: none"> All features are disabled except Brightness, Contrast in Picture Adjust, Input, OSD Lock and Information in General. | | |
| | Information | The display information will be shown the Serial Number, Total Power On Time, Resolution. | | |
| | Reset to Initial Settings | No | Cancel the select. | |
| | | Yes | Returns to the default settings. | |

TROUBLESHOOTING

| Nothing is displayed on the screen. | |
|---|--|
| Is the monitor's power cord plugged in? | <ul style="list-style-type: none"> • Check if the power cord is correctly plugged into the power outlet. |
| Is the power LED on? | <ul style="list-style-type: none"> • Check the power cable connection and press the power button. |
| Is the power on and the power LED displaying white? | <ul style="list-style-type: none"> • Check that the connected input is enabled (Menu > Input). |
| Is the power LED blinking? | <ul style="list-style-type: none"> • If the monitor is in sleep mode, move the mouse, or press any key on the keyboard, to switch the display on. • Check if the computer is turned on. |
| Is the The screen is not currently set to the recommended resolution. If you have no video or the screen flickers, see the troubleshooting guide in the product owner's manual. message being displayed? | <ul style="list-style-type: none"> • This occurs when signals transferred from the PC (graphics card) are out of the recommended horizontal or vertical frequency range of the monitor. Please see the Product Specification section of this manual to set the appropriate frequency. |
| Is the No Signal message being displayed? | <ul style="list-style-type: none"> • This is displayed when the signal cable between the PC and the monitor is missing or disconnected. Check the cable and reconnect it. |
| Have you installed the display driver? | <ul style="list-style-type: none"> • Be sure to install the display driver from our web site: http://www.lg.com. • Make sure to check if the graphics card supports Plug and Play function. |

| Some features are disabled. | |
|--|--|
| Are some functions not available when you press the Menu button? | <ul style="list-style-type: none"> • The OSD is locked. Go to Menu > General and set OSD Lock to Off. |

| The screen retains an image. | |
|--|---|
| Does image sticking occur even when the monitor is turned off? | <ul style="list-style-type: none"> • Displaying a still image for a prolonged time may cause damage to the screen, resulting in the retention of the image. • To extend the lifetime of the monitor, use a screensaver. |

| Screen display is unstable and shaky. / Images displayed on the monitor leave shadow trails. | |
|--|---|
| Did you select the appropriate resolution? | <ul style="list-style-type: none"> • If the selected resolution is HDMI 1080i 60/50 Hz (interlaced), the screen may be flickering. Change the resolution to 1080p or the recommended resolution. |

NOTE

- Vertical Frequency: In order to display an image, the screen must be refreshed dozens of times per second, like a fluorescent lamp. The number of times the screen is refreshed per second is called vertical frequency, or refresh rate, and is represented by Hz.
- Horizontal Frequency: The time it takes to display one horizontal line is called the horizontal cycle. If 1 is divided by the horizontal interval, the result is the number of horizontal lines displayed per second. This is called horizontal frequency and is represented by kHz.
- Check if the graphics card's resolution or frequency is within the range allowed by the monitor and set it to the recommended (optimal) resolution **Control Panel > Display > Menu** in Windows. (The settings may differ depending on the operating system (OS) you use.)
- Not setting the graphics card to the recommended (optimal) resolution may result in blurred text, a dimmed screen, a truncated display area or misalignment of the display.
- The setting methods may be different depending on the computer or operating system, and some resolutions may not be available depending on the performance of the graphics card. If this is the case, contact the manufacturer of the computer or graphics card for assistance.
- Some graphics cards may not support 2560 x 1440 resolution. If the resolution cannot be displayed, contact the manufacturer of your graphics card.

| The display color is abnormal. | |
|---|---|
| Does the display appear discolored (16 colors)? | <ul style="list-style-type: none"> • Set the color to 24 bit (true color) or higher. In Windows, go to Control Panel > Display > Menu > Color Quality. (The settings may differ depending on the operating system (OS) you use.) |
| Does the display color appear unstable or monochrome? | <ul style="list-style-type: none"> • Check if the signal cable is connected properly. Reconnect the cable or reinsert the PC's graphics card. |
| Are there spots on the screen? | <ul style="list-style-type: none"> • When using the monitor, pixilated spots (red, green, blue, white, or black) may appear on the screen. This is normal for an LCD screen. It is not an error, nor is it related to the monitor's performance. |

| No sound from the headphone port. | |
|--|--|
| Are images displayed using DP (DisplayPort) or HDMI input without sound? | <ul style="list-style-type: none"> • Make sure that the headphone port connections are made properly. • Try increasing the volume with the joystick. • Set the audio output of the PC to the monitor you are using. On Microsoft Windows, go to Control Panel > Hardware and Sound > Sound > set the Monitor as default device. (The settings may differ depending on the operating system (OS) you use.) |

PRODUCT SPECIFICATION

| | | | |
|---------------|--|---|----------------------------|
| LCD Screen | Color Depth | HDMI | 10-bit color is supported. |
| | | DP (DisplayPort) | 10-bit color is supported. |
| Resolution | Max Resolution | 2560 x 1440 @ 144 Hz (HDMI) 2560 x 1440 @ 144 Hz (DP) | |
| | Recommended Resolution | 2560 x 1440 @ 100 Hz (HDMI) 2560 x 1440 @ 144 Hz (DP) | |
| Power Sources | Power Rating | 19 V --- 2.4 A | |
| | Power Consumption (Typical) | Operating Mode: 51 W (Typical)* Sleep Mode: ≤ 0.5 W Off Mode: ≤ 0.3 W | |
| AC/DC Adapter | DA-48F19, manufactured by Asian Power Devices Inc. ADS-48FSK-19 19048EPCU-1, manufactured by SHENZHEN HONOR ELECTRONIC ADS-48FSK-19 19048EPK-1, manufactured by SHENZHEN HONOR ELECTRONIC ADS-48FSK-19 19048EPG-1, manufactured by SHENZHEN HONOR ELECTRONIC Output: 19 V --- 2.53 A | | |

| | | | |
|----------------------------|---------------------------------------|----------------------------|-----------------|
| Environmental Conditions | Operating Conditions | Temperature | 0 °C to 40 °C |
| | | Humidity | Less than 80 % |
| | Storing Conditions | Temperature | -20 °C to 60 °C |
| | | Humidity | Less than 85 % |
| Dimensions | Monitor Size (Width x Height x Depth) | | |
| | With Stand | 614.2 x 619.2 x 412.4 (mm) | |
| | Without Stand | 614.2 x 364.8 x 56.3 (mm) | |
| Weight (Without Packaging) | With Stand | 8.1 kg | |
| | Without Stand | 4.2 kg | |

The specifications are subject to change without notice.

The power consumption level can be different by operating condition and monitor setting.

* The On mode power consumption is measured with LGE test standard (Full White pattern , Maximum resolution).

** The monitor goes to the Sleep Mode in a couple of minutes(Max 5 minutes).

Factory Support Mode

(Preset Mode, HDMI/ DisplayPort PC)

| Preset Mode | Horizontal Frequency (kHz) | Vertical Frequency (Hz) | Polarity (H/V) | Remarks |
|-------------|----------------------------|-------------------------|----------------|---------------------------|
| 640 x 480 | 31.469 | 59.94 | +/- | HDMI/DisplayPort |
| 640 x 480 | 37.5 | 75 | -/- | HDMI/DisplayPort |
| 800 x 600 | 46.875 | 75 | +/+ | HDMI/DisplayPort |
| 800 x 600 | 37.879 | 60.317 | +/+ | HDMI/DisplayPort |
| 1024 x 768 | 48.363 | 60 | -/- | HDMI/DisplayPort |
| 1024 x 768 | 60.023 | 75.029 | +/+ | HDMI/DisplayPort |
| 1152 x 864 | 54.347 | 60.05 | +/+ | HDMI/DisplayPort |
| 1280 x 800 | 49.702 | 59.81 | -/+ | HDMI/DisplayPort |
| 1280 x 1024 | 63.194 | 59.96 | +/- | HDMI/DisplayPort |
| 1280 x 1024 | 79.976 | 75.025 | +/+ | HDMI/DisplayPort |
| 1280 x 720 | 45 | 60 | +/+ | HDMI/DisplayPort |
| 1600 x 900 | 60 | 60 | +/+ | HDMI/DisplayPort |
| 1680 x 1050 | 64.674 | 59.883 | +/- | HDMI/DisplayPort |
| 1920 x 1080 | 67.5 | 60 | +/+ | HDMI/DisplayPort |
| 1920 x 1080 | 84.36 | 74.99 | +/+ | HDMI/DisplayPort |
| 2560 x 1440 | 88.79 | 59.95 | +/- | HDMI/DisplayPort |
| 2560 x 1440 | 111.86 | 74.97 | +/- | HDMI(Freesync Premium on) |
| 2560 x 1440 | 150.92 | 99.95 | +/- | HDMI/DisplayPort |

| | | | | |
|-------------|--------|--------|-----|--|
| 2560 x 1440 | 183 | 120 | +/- | HDMI(Freesync Premium Off)/ DisplayPort |
| 2560 x 1440 | 222.15 | 143.97 | +/- | DisplayPort |
| 2560 x 1440 | 214.56 | 144 | +/- | HDMI(Freesync Premium Off) |

If you use an input timing that is outside the supported frequency, you may experience poor response speed or image quality.

HDMI Timing (Video)

| Preset Mode | Horizontal Frequency (kHz) | Vertical Frequency (Hz) | Remarks |
|-------------|----------------------------|-------------------------|------------------------------|
| 480P | 31.5 | 60 | |
| 576P | 31.25 | 50 | |
| 720P | 37.5 | 50 | |
| 720P | 45 | 60 | |
| 1080P | 33.75 | 30 | HDMI Compatibility Mode: On |
| 1080P | 56.25 | 50 | |
| 1080P | 67.5 | 60 | |
| 1080P | 135 | 120 | HDMI Compatibility Mode: Off |
| 2160P | 54 | 24 | HDMI Compatibility Mode: Off |
| 2160P | 56.25 | 25 | HDMI Compatibility Mode: Off |
| 2160P | 67.5 | 30 | HDMI Compatibility Mode: Off |
| 2160P | 112.5 | 50 | HDMI Compatibility Mode: Off |
| 2160P | 135 | 60 | HDMI Compatibility Mode: Off |

Power LED

| Mode | LED Color |
|------------|-------------------------|
| On Mode | Red (For a few seconds) |
| Sleep Mode | Off |
| Off Mode | Off |



The model and serial number of the product are located on the back and on one side of the product.

Record them below in case you ever need service.

Model _____

Serial No. _____