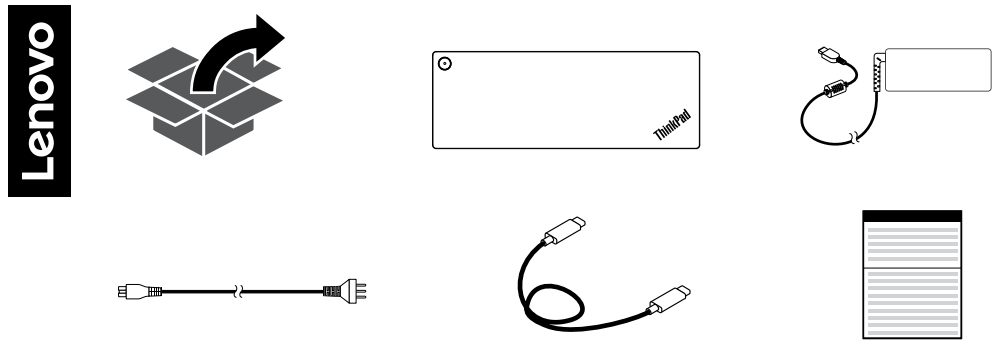


ThinkPad.

Universal Thunderbolt 4 Dock



<https://www.lenovo.com/support/docks>

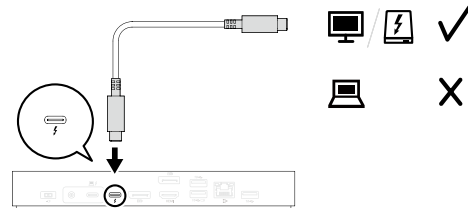


<https://www.lenovo.com/safety>



(1P) PN: SP40M56902
Printed in China

Important information



English
Connect a monitor, a hard disk drive, or other USB-C® device to the USB-C connector (Thunderbolt™ 4 compatible) as shown. However, you cannot connect your computer to this connector.
Use the dock only with Lenovo or ThinkPad notebook computers with a fireproofing level higher than V-0.

Brazilian Portuguese
Conecte um monitor, uma unidade de disco rígido ou outro dispositivo USB-C ao conector USB-C (compatível com Thunderbolt 4) conforme mostrado. No entanto, não é possível conectar o computador a esse conector. Use o dock somente com computadores notebook Lenovo ou ThinkPad com um nível de proteção contra incêndios superior a V-0.

Czech
Připojte monitor, jednotku pevného disku nebo jiné zařízení USB-C ke konektoru USB-C (kompatibilnímu se standardem Thunderbolt 4) podle obrázku. K tomuto konektoru však nemůžete připojit počítač. Dokovací stanici používejte pouze s notebooky Lenovo nebo ThinkPad s úrovní ohnivzdornosti vyšší než V-0.

Danish
Tilslut en skærm, en harddisk eller en anden USB-C-enhed til USB-C-stikket (Thunderbolt 4-kompatibel) som vist. Du kan dog ikke slutte computeren til dette stik. Brug kun docken med bærbare Lenovo- eller ThinkPad-computere med et brandsikket niveau, der er højere end V-0.

Dutch
Sluit een beeldscherm, een vaste-schijfstation of een ander USB-C-apparaat aan op de USB-C-aansluiting (Thunderbolt 4-compatibel) zoals aangegeven. U kunt uw computer echter niet op deze aansluiting aansluiten. Gebruik het dock alleen met Lenovo- of ThinkPad-notebookcomputers met een brandverendheid van meer dan V-0.

French
Connectez un moniteur, une unité de disque dur ou tout autre périphérique USB-C au connecteur USB-C (compatible avec Thunderbolt 4), comme indiqué. Toutefois, vous ne pouvez pas connecter votre ordinateur à ce connecteur. Utilisez la station d'accueil uniquement avec les ordinateurs portables Lenovo ou ThinkPad dont le niveau d'ignifugation est supérieur à V-0.

German
Schließen Sie einen Bildschirm, ein Festplattenlaufwerk oder eine andere USB-C-Einheit wie dargestellt an den USB-C-Anschluss (kompatibel mit Thunderbolt 4) an. Sie können jedoch nicht den Computer mit diesem Anschluss verbinden.

Verwenden Sie die Andockstation nur mit Lenovo oder ThinkPad Notebook-Computern mit einer Flammschutzstufe von mehr als V-0.

Italian
Collegare un monitor, un'unità disco fisso o un altro dispositivo USB-C al connettore USB-C (compatibile con Thunderbolt 4) come mostrato. Tuttavia, non è possibile collegare il computer a questo connettore. Utilizzare il dock solo con i notebook Lenovo o ThinkPad con un livello di ignifugazione superiore a V-0.

Japanese
図に示すように、モニター、ハードディスク・ドライブ、またはその他のUSB-C デバイスを USB-C コネクタ (Thunderbolt 4 対応) に接続します。ただし、コンピューターはこのコネクタに接続できません。ドックは、V-0 を超える耐火レベルの Lenovo または ThinkPad ノートブック・コンピューターでのみ使用します。

Korean
그림과 같이 모니터, 하드 디스크 드라이브 또는 기타 USB-C 장치를 USB-C 커넥터(Thunderbolt 4 호환)에 연결하십시오. 그러나 컴퓨터를 이 커넥터에 연결할 수는 없습니다. 도크는 V-0 이상인 Lenovo 또는 ThinkPad 노트북 컴퓨터에서만 Dock 를 사용하십시오.

Polish
Podłącz monitor, dysk twardy lub inne urządzenie USB-C do złącza USB-C (zgodnego ze standardem Thunderbolt 4), jak pokazano na ilustracji. Pamiętaj, że do tego złącza nie można podłączyć komputera. Stacji dokującej należy używać wyłącznie z notebookami Lenovo lub ThinkPad o klasie odporności ogniowej powyżej V-0.

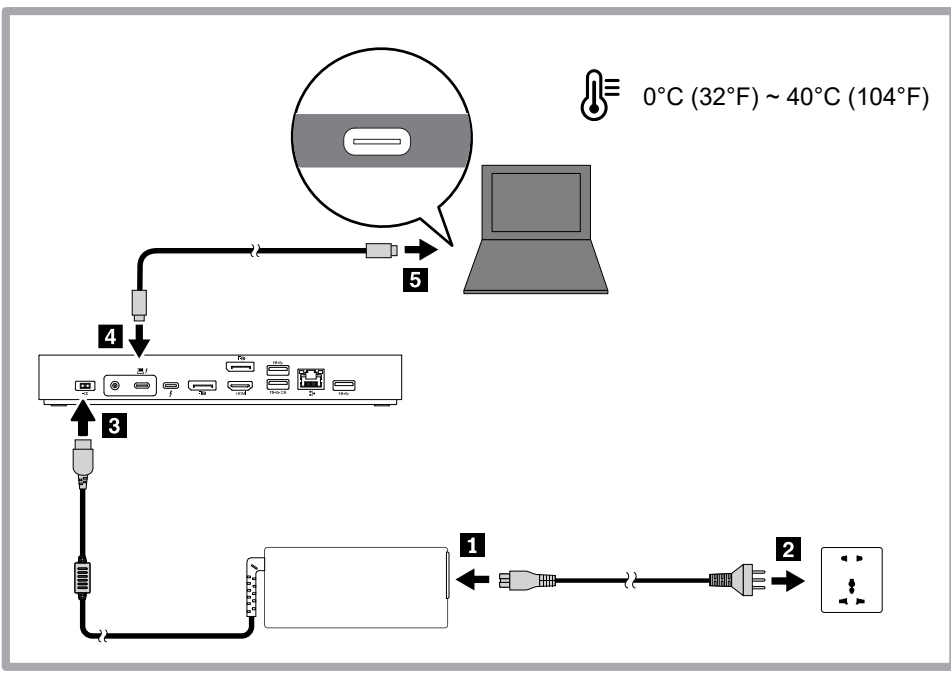
Russian
Подключите монитор, жесткий диск или другое устройство USB-C к разъему USB-C (совместимому со стандартом Thunderbolt 4), как показано на рисунке. Однако подключить компьютер к этому разъему невозможно. Используйте док-станцию только с ноутбуками Lenovo и ThinkPad со степенью огнестойкости выше V-0.

Simplified Chinese
如图所示，将显示器、硬盘驱动器或其他 USB-C 设备连接到 USB-C 接口（与 Thunderbolt 4 兼容）。但是，您不能将计算机连接到此接口。只能将扩展坞用于防火等级高于 V-0 的 Lenovo 或 ThinkPad 笔记本电脑。

Slovak
Pripojte monitor, pevný disk alebo iné USB-C zariadenie ku konektoru USB-C (kompatibilný so Thunderbolt 4) podľa obrázka. K tomuto konektoru však nemôžete pripojiť svoj počítač. Dokovací stanici používajte len s prenosným počítačom Lenovo alebo ThinkPad s odolnosťou voči požiaru vyššou než V-0.

Spanish
Conecte un monitor, una unidad de disco duro u otro dispositivo USB-C al conector USB-C (compatible con Thunderbolt 4), como se muestra. Sin embargo, no puede conectar el sistema a este conector. Use la estación de acoplamiento solo con equipos portátiles Lenovo o ThinkPad con un nivel de protección contra incendios superior a V-0.

Traditional Chinese
如圖所示，將顯示器、硬碟或其他 USB-C 裝置連接到 USB-C 接口（與 Thunderbolt 4 相容）。但是，不能將電腦連接到此接口。此擴充基座僅限搭配使用防火等級高於 V-0 的 Lenovo 或 ThinkPad 筆記型電腦。




0°C (32°F) ~ 40°C (104°F)

Turkish
Bir monitör, sabit disk sürücüsü ya da başka bir USB-C cihazını USB-C bağılacına (Thunderbolt 4 uyumlu) gösterildiği gibi bağlayın. Ancak, bilgisayarınızı bu bağılaca bağlayamazsınız. Bağlantı birimini yalnızca yangına dayanıklılık düzeyi V-0'dan yüksek olan Lenovo veya ThinkPad dizüstü bilgisayarlarla kullanın.

Ukrainian
Підключіть монітор, жорсткий диск або інший пристрій USB-C до роз'єму USB-C (сумісного з Thunderbolt 4), як показано на рисунку. Утім ви не можете підключити комп'ютер до цього роз'єму. Використовуйте Dock лише з ноутбуками Lenovo або ThinkPad із рівнем вогнезахисту, вищим за V-0.

Statement on USB transfer rate

 <https://www.lenovo.com/support/docks>
Read the statement on USB transfer rate in the *User Guide*.
Lire la déclaration sur le taux de transfert USB dans le *Guide d'utilisation*.
Lea la declaración sobre la velocidad de transferencia USB en la *Guía del usuario*.

Compliance information

The latest compliance information is available at: <https://www.lenovo.com/compliance>

Electromagnetic emissions notices

Federal Communications Commission (FCC) Supplier's Declaration of Conformity

The following information refers to ThinkPad Universal Thunderbolt 4 Dock, model: DK2131.

This equipment has been tested and found to comply with the limits for a Class B digital device, pursuant to Part 15 of the FCC Rules. These limits are designed to provide reasonable protection against harmful interference in a residential installation. This equipment generates, uses, and can radiate radio frequency energy and, if not installed and used in accordance with the instructions, may cause harmful interference to radio communications. However, there is no guarantee that interference will not occur in a particular installation. If this equipment does cause harmful interference to radio or television reception, which can be determined by turning the equipment off and on, the user is encouraged to try to correct the interference by one or more of the following measures:

- Reorient or relocate the receiving antenna.
- Increase the separation between the equipment and receiver.
- Connect the equipment into an outlet on a circuit different from that to which the receiver is connected.
- Consult an authorized dealer or service representative for help.

Lenovo is not responsible for any radio or television interference caused by using other than recommended cables and connectors or by unauthorized changes or modifications to this equipment. Unauthorized changes or modifications could void the user's authority to operate the equipment.

This device complies with Part 15 of the FCC Rules. Operation is subject to the following two conditions: (1) this device may not cause harmful interference, and (2) this device must accept any interference received, including interference that may cause undesired operation.

Responsible Party:
Lenovo (United States) Incorporated
7001 Development Drive
Morrisville, NC 27560

Email: FCC@lenovo.com


Industry Canada Compliance Statement
CAN ICES-003(B) / NMB-003(B)

Japan notice for ac power cord
The ac power cord shipped with your product can be used only for this specific product. Do not use the ac power cord for other devices.
本製品およびオプションに電源コード・セットが付属する場合は、それぞれ専用のものになっていますので他の電気機器には使用しないでください。

Export Classification Notice
This product is subject to the United States Export Administration regulations (EAR) and has an Export Classification Control Number (ECCN) of EAR99. It can be re-exported except to any of the embargoed countries in the EAR E1 country list.

Product information for mainland China
产品名称: ThinkPad 通用型雷电 4 桌面扩展坞
产品型号: DK2131
制造商信息, 产品执行标准请参见产品外包装。
中国制造

EU ErP (EcoDesign) Directive (2009/125/EC) - external power adapters (Regulation (EU) 2019/1782)

For the detailed power adapter specification, go to <https://support.lenovo.com>.

Arabic
التوجيه الأوروبي ErP (EcoDesign) (2009/125/EC) - محولات الطاقة الخارجية (اللاحة) (الأوروبية) (2019/1782)
<https://support.lenovo.com> إلى اذهب إلى مواصفات محول الطاقة، اذهب إلى

Bahasa Indonesia
EU ErP (EcoDesign) Directive (2009/125/EC) - adaptor daya eksternal (Peraturan (UE) 2019/1782)
Untuk spesifikasi adaptor daya terperinci, buka <https://support.lenovo.com>.

Brazilian Portuguese
Diretiva EU ErP (EcoDesign) (2009/125/EC) – Adaptadores de energia externos (Regulamentação (EU) 2019/1782)
Para obter a especificação detalhada do adaptador de energia, acesse <https://support.lenovo.com>.

Bulgarian
Директива на ЕС за ErP (екодизайн) (2009/125/EC) – външни адаптери за захранване (Регламент (ЕС) 2019/1782)
За подробности спецификации за захранващия адаптер, отидете на <https://support.lenovo.com>.

Croatian
EU ErP (EcoDesign) Direktiva (2009/125/EZ) – vanjski ispravljač za napajanje (Uredba (EU) 2019/1782)
Pogledajte detaljne specifikacije ispravljača za vaše računalo na <https://support.lenovo.com>.

Czech
Evropská směrnice ErP (ekodesign) (2009/125/ES) – externí napájecí adaptéry (nařízení EU č. 2019/1782)
Podrobné technické údaje napájecího adaptéru najdete na adrese <https://support.lenovo.com>.

Danish
EU ErP-direktiv (miljøvenligt design) (2009/125/EU) – eksterne strømadaptere (forordning (EU) 2019/1782)
Gå til https://support.lenovo.com for at få oplysninger om strømadderspecifikationer.
Dutch
EU ErP (EcoDesign)-richtlijn (2009/125/EC) - Externe voedingsadapters (Verordening (EU) 2019/1782)
Ga voor gedetailleerde specificaties van de voedingsadapters naar https://support.lenovo.com .
Finnish
EU ErP (EcoDesign) -direktiivi (2009/125/EY) - ulkoiset verkkolaitteet (asetus (EU) 2019/1782)
Lisätietoja verkkolaitteista saat osoitteesta https://support.lenovo.com .
French
Directive UE ErP (EcoDesign) (2009/125/CE) - adaptateurs électriques externes (Règlementation (UE) 2019/1782)
Pour obtenir les spécifications détaillées de l'adaptateur électrique de votre ordinateur, rendez-vous sur : https://support.lenovo.com .
German
ErP/Ökodesign-Richtlinie der EU (2009/125/EG) – externe Netzteile (Verordnung (EU) 2019/1782)
Ausführliche technische Daten zum Netzteil finden Sie unter https://support.lenovo.com .
Greek
Οδηγία περί ErP (EcoDesign) της ΕΕ (2009/125/ΕΚ) - Εξωτερικοί μετασχηματιστές ρεύματος (Κανονισμός (ΕΕ) 2019/1782)
Για τις αναλυτικές προδιαγραφές του μετασχηματιστή ρεύματος, επισκεφθείτε τον δικτυακό τόπο https://support.lenovo.com .
Hungarian
A EU környezetbarát tervezésre vonatkozó (ErP) (2009/125/EK)

irányelve – külső hálózati adapterek (2019/1782/EU) rendelet

A hálózati adapterre vonatkozó részletes specifikációról lásd: <https://support.lenovo.com>.

Italian

Direttiva UE ErP (Ecodesign) (2009/125/CE) - Adattatori di alimentazione esterni (regolamento (UE) 2019/1782)

Per informazioni dettagliate sulle specifiche dell'adattatore di alimentazione, visitare <https://support.lenovo.com>.

Norwegian

EU ErP (EcoDesign)-direktiv (2009/125/EC) – eksterne strømadaptere ((EU-forordning) 2019/1782)

For detaljerte spesifikasjoner for strømadaptere, gå til <https://support.lenovo.com>.

Polish

Dyrektywa UE ErP (ekologiczna konstrukcja) (2009/125/WE) — zasilacze zewnętrzne (rozporządzenie (UE) 2019/1782)

Szczegółową specyfikację zasilaczy dla komputera znajdziesz pod adresem <https://support.lenovo.com>.

Portuguese

Diretiva ErP (EcoDesign) da EU (2009/125/CE) - transformadores externos (Regulamento (UE) 2019/1782)

Para consultar as especificações detalhadas do transformador, acesse a <https://support.lenovo.com>.

Romanian

Directiva UE ErP (proiectare ecologică) (2009/125/EC) – adaptoare externe de alimentare (Reglementările (UE) 2019/1782)

Pentru specificații detaliate ale adaptoarelor de alimentare, accesați <https://support.lenovo.com>.

Russian

Директива ErP EC (экологизация) (2009/125/EC): внешние адаптеры питания (регламент (EC) 2019/1782)

Подробные спецификации адаптера питания см. на сайте <https://support.lenovo.com>.

Serbian-Latin

Direktiva EU ErP (eko dizajn) (2009/125/EC) – spoljni adapteri za napajanje računara (Propis (EU) 2019/1782)

Detaljne specifikacije za adapter za napajanje vašeg računara potražite na stranici <https://support.lenovo.com>.

Slovak

Smerica Európskej únie o ErP (ekodizajn) (2009/125/ES) – externé napájacie adaptéry (nariadenie (EU) 2019/1782)

Podrobné informácie o špecifikáciách adaptéra nájdete na adrese <https://support.lenovo.com>.

Slovenian

Direktiva EU o okoljsko primerni zasnovi izdelkov (EcoDesign – ErP) (2009/125/ES) – zunanji napajalniki (Uredba (EU) 2019/1782)

Za ogled podrobnejših tehničnih podatkov o napajalniku obiščite <https://support.lenovo.com>.

Spanish

Directiva EU ErP (EcoDesign) (2009/125/EC): adaptadores de alimentación externos (Regulación (UE) 2019/1782)

Para conocer la especificación detallada del adaptador de alimentación, vaya a <https://support.lenovo.com>.

Swedish

EU ErP-direktiv (EcoDesign) (2009 /125/EG) – externa nätadapter (förordning (EU) 2019/1782)

Detaljerade specifikationer av nätadapterar finns på <https://support.lenovo.com>.

Turkish

AB ErP (EcoDesign) Yönergesi (2009/125/EC) - dış güç bağdaştırıcıları (Yönetmelik (EU) 2019/1782)

Ayrıntılı güç bağdaştırıcısı teknik özellikleri için <https://support.lenovo.com> adresine gidin.

Ukrainian

Директива EU ErP (Екодизайн) (2009/125/EC) – зовнішні адаптери живлення (Постанова (ЄС) 2019/1782)

Докладні характеристики адаптера живлення див. на сторінці <https://support.lenovo.com>.

Vietnamese

Welsh

Yiddish

Zulu

Arabic

Chinese

Czech

Danish

Dutch

English

French

German

Greek

Hebrew

Hindi

Hungarian

Indonesian

Italian

Japanese

Korean

Latvian

Lithuanian

Malay

Malayalam

Marathi

Norwegian

Polish

Portuguese

Romanian

Russian

Serbian

Slovenian

Spanish

Swedish

Tagalog

Thai

Turkish

Vietnamese

Welsh

Yiddish

Zulu

Arabic

Chinese

Czech

Danish

Dutch

English

French

German

Greek

Hebrew

Hindi

Hungarian

Indonesian

Italian

Japanese

Korean

Latvian

Lithuanian

Malay

Malayalam

Marathi

Norwegian

Polish

Portuguese

Romanian

Russian

Serbian

Slovenian

Spanish

Swedish

Tagalog

Thai

Turkish

Vietnamese

Welsh

Yiddish

Zulu

Arabic

Chinese

Czech

Danish

Dutch

English

French

German

Greek

Hebrew

Hindi

Hungarian

Indonesian

Italian

Japanese

Korean

Latvian

Lithuanian

Malay

Malayalam

Marathi

Norwegian

Polish

Portuguese

Romanian

Russian

Serbian

Slovenian

Spanish

Swedish

Tagalog

Thai

Turkish

Vietnamese

Welsh

Yiddish

Reduce | Reuse | Recycle

First Edition (February 2021)
© Copyright Lenovo 2021.
LENOVO, the LENOVO logo, THINKPAD, and the THINKPAD logo are trademarks of Intel Corporation or its subsidiaries in the U.S. and/or other countries. USB-C is a trademark of USB Implementers Forum. All other trademarks are the property of their respective owners. © 2021 Lenovo.
LIMITED AND RESTRICTED RIGHTS NOTICE: If data or software is delivered pursuant to a General Services Administration "GSA" contract, use, reproduction, or disclosure is subject to restrictions set forth in Contract No. GS-35F-05925.

Reduce | Reuse | Recycle

