

# Lenco

## Model PMX-250



**User manual-High power DJ mixer system with Bluetooth USB FM and party lights**  
**Gebbruikershandleiding-Krchtig DJ-mixer systeem met Bluetooth USB, FM en discolichten**  
**Bedienungsanleitung Hochleistungs-DJ-Mixersystem mit Bluetooth, USB, FM-radio und Partylichtern**  
**Mode d'emploi - Système Audio grande puissance avec Mixage, Bluetooth, USB, Radio FM et lumieres**  
**Manual de usuario - Sistema de mezcladora DJ de alta potencia con Bluetooth USB FM y luces de fiesta**

Index	
English.....	3
Nederlands.....	14
Deutsch.....	26
Français .....	36
Español.....	46

**CAUTION:**

Usage of controls or adjustments or performance of procedures other than those specified herein may result in hazardous radiation exposure.

**PRECAUTIONS BEFORE USE****KEEP THESE INSTRUCTIONS IN MIND:**

1. Do not cover or block any ventilation openings. When placing the device on a shelf, leave 5 cm (2") free space around the whole device.
2. Install in accordance with the supplied user manual.
3. Keep the device away from heat sources such as radiators, heaters, stoves, candles and other heat-generating products or naked flame. The apparatus can only be used in moderate climates. Extremely cold or warm environments should be avoided. Working temperature between 0° and 35° C.
4. Avoid using the device near strong magnetic fields.
5. Electrostatic discharge can disturb normal usage of this device. If so, simply reset and restart the device following the instruction manual. During file transmission, please handle with care and operate in a static-free environment.
6. Warning! Never insert an object into the product through the vents or openings. High voltage flows through the product and inserting an object can cause electric shock and/or short circuit internal parts. For the same reason, do not spill water or liquid on the product.
7. Do not use in wet or moist areas such as bathrooms, steamy kitchens or near swimming pools.
8. The apparatus shall not be exposed to dripping or splashing and make sure that no objects filled with liquids, such as vases, are placed on or near the apparatus.
9. Do not use this device when condensation may occur. When the unit is used in a warm wet room with damp, water droplets or condensation may occur inside the unit and the unit could maybe not work properly; let the unit stand in power OFF for 1 or 2 hours before turning on the power: the unit should be dry before getting any power.
10. Although this device is manufactured with the utmost care and checked several times before leaving the factory, it is still possible that problems may occur, as with all electrical appliances. If you notice smoke, an excessive build-up of heat or any other unexpected phenomena, you should disconnect the plug from the main power socket immediately.
11. This device must operate on a power source as specified on the specification label. If you are not sure of the type of power supply used in your home, consult your dealer or local power company.
12. Keep away from rodents. Rodents enjoy biting on power cords.
13. To clean the device, use a soft dry cloth. Do not use solvents or petrol based fluids. To remove severe stains, you may use a damp cloth with dilute detergent.
14. The supplier is not responsible for damage or lost data caused by malfunction, misuse, modification of the device or battery replacement.
15. Do not interrupt the connection when the device is formatting or transferring files. Otherwise, data may be corrupted or lost.
16. If the unit has USB playback function, the usb memory stick should be plugged into the unit directly. Don't use an usb extension cable because it can cause interference resulting in failing of data.
17. The rating label has been marked on the bottom or back panel of the apparatus.
18. This device is not intended for use by people (including children) with physical, sensory or mental disabilities, or a lack of experience and knowledge, unless they're under supervision or have received instructions about the correct use of the device by the person who is responsible for their safety.
19. This product is intended for non professional use only and not for commercial or industrial use.
20. Make sure the unit is adjusted to a stable position. Damage caused by using this product in an unstable position vibrations or shocks or by failure to follow any other warning or precaution contained within this user manual will not be covered by warranty.
21. Never remove the casing of this apparatus.
22. Never place this apparatus on other electrical equipment.
23. Do not allow children access to plastic bags.
24. Only use attachments/accessories specified by the manufacturer.
25. Refer all servicing to qualified service personnel. Servicing is required when the apparatus has been damaged in any way, such as the power supply cord or the plug, when liquid has been spilled or objects have fallen into the apparatus, when the apparatus has been exposed to rain or moisture, does not operate normally, or has been dropped.
26. Prolonged exposure to loud sounds from personal music players may lead to temporary or permanent hearing loss.

27. If the product is delivered with power cable or AC power adaptor :
- If any trouble occur, disconnect the AC power card and refer servicing to qualified personnel.
  - To completely disconnect the power input, the mains plug of the apparatus shall be disconnected from the mains, as the disconnect device is the mains plug of apparatus.
  - Don't step on or pinch the power adaptor. Be very careful, particularly near the plugs and the cable's exit point. Do not place heavy items on the power adaptor, which may damage it. Keep the entire device out of children's reach! When playing with the power cable, they can seriously injure themselves.
  - Unplug this device during lightning storms or when unused for a long period.
  - The socket outlet must be installed near the equipment and must be easily accessible.
  - Do not overload ac outlets or extension cords. Overloading can cause fire or electric shock.
  - Devices with class 1 construction should be connected to a main socket outlet with a protective earthed connection.
  - Devices with class 2 construction do not require a earthed connection.
  - Always hold the plug when pulling it out of the main supply socket. Do not pull the power cord. This can cause a short circuit.
  - Do not use a damaged power cord or plug or a loose outlet. Doing so may result in fire or electric shock.
28. If the product contains or is delivered with a remote control containing coin / cell batteries:

**Warning:**

- "Do not ingest battery, Chemical Burn Hazard" or equivalent working.
  - [The remote control supplied with] This product contains a coin / button cell battery is swallowed, it can cause severe internal burns in just 2 hours and can lead to death.
  - Keep new and used batteries away from children.
  - If the battery compartment does not close securely, stop using the product and keep it away from children.
  - If you think batteries might have been swallowed or placed inside any part of the body, seek immediate medical attention.
29. Caution about the use of Batteries:
- Danger of explosion if battery is incorrectly replaced. Replace only with the same or equivalent type.
  - Battery cannot be subjected to high or low extreme temperatures, low air pressure at high altitude during use, storage or transportation.
  - Replacement of a battery with an incorrect type that can result in an explosion or the leakage of flammable liquid or gas.
  - Disposal of a battery into fire or a hot oven, or mechanically crushing or cutting of a battery, that can result in an explosion.
  - Leaving a battery in an extremely high temperature surrounding environment that can result in an explosion or that leakage of flammable liquid or gas.
  - A battery subjected to extremely low air pressure that may result in an explosion or the leakage of flammable liquid or gas.
  - Attention should be drawn to the environmental aspects of battery disposal.

**INSTALLATION**

- Unpack all parts and remove protective material.
- Do not connect the unit to the mains before checking the mains voltage and before all other connections have been made.

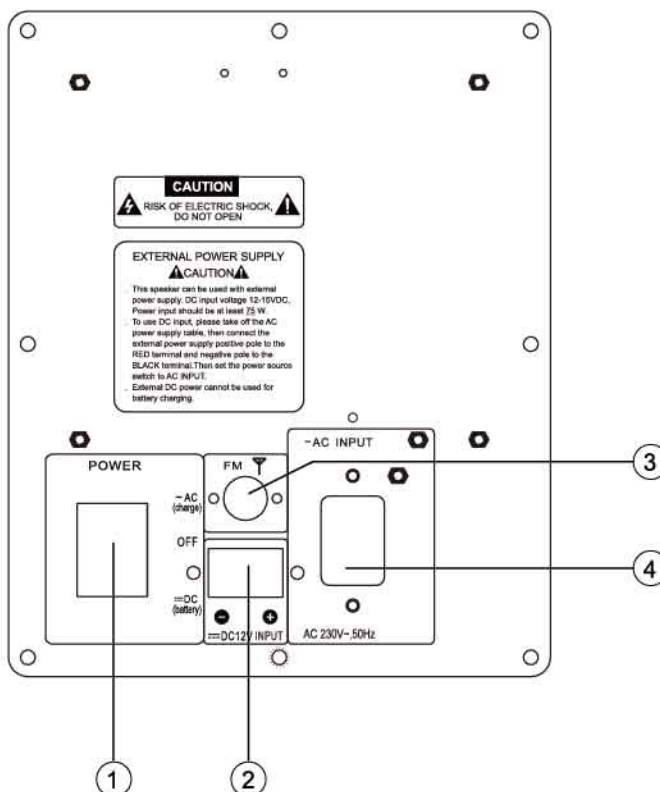


**WARNING:** When participating in the traffic listening to a personal music player can make the listener less aware of potential dangers such as approaching cars.



**WARNING:** To prevent possible hearing damage, do not listen at high volume levels for long periods.





#### 1. Power Switch

Switch modes DC INPUT, AC INPUT or off.

When switched to AC status, the speaker is working on 230V and Battery will be charged.

When switched to OFF, power is off with no battery charging.

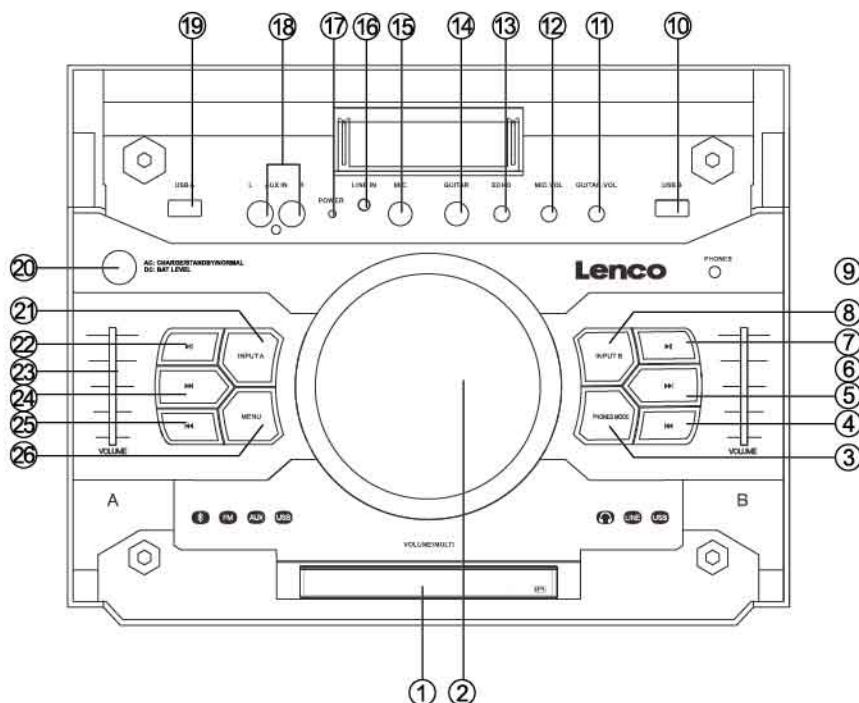
When switched to DC, speaker is battery powered.

#### 2. DC 12V INPUT

The speaker can be connected to the 12V DC battery of a car.

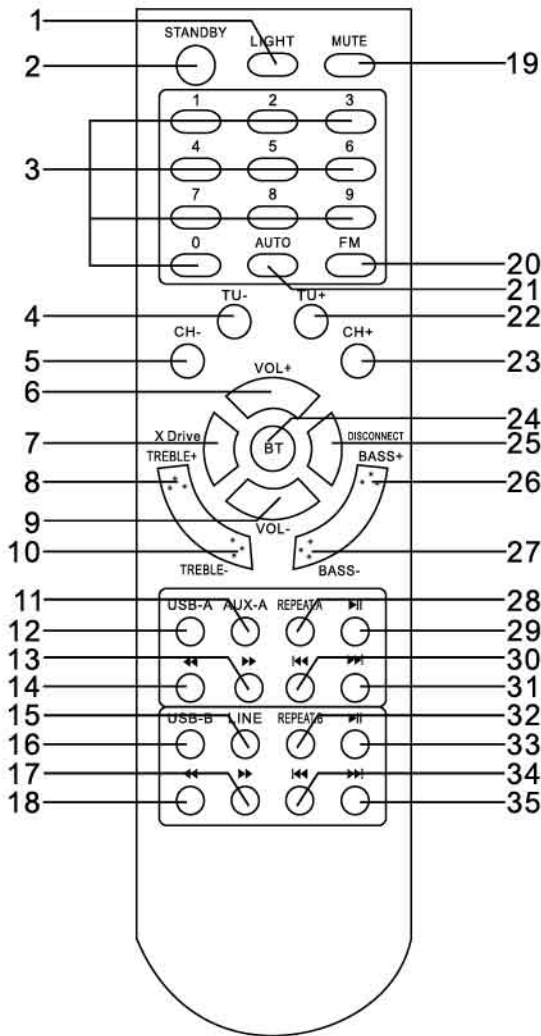
#### 3. FM ANTENNA

#### 4. AC INPUT AC 230V~, 50Hz

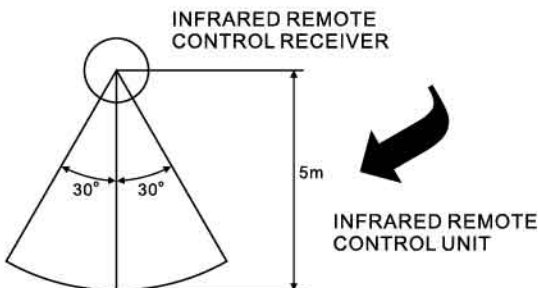


1. **LED DISPLAY**  
Display System parameter information, the left side of the display shows the INPUT A status, the right side of the display shows the INPUT B status
2. **VOLUME/MULTI/DJ EFFECT**  
Rotate the knob to adjust the main volume, phones volume, treble, bass. Short press this key to choose different music effect SCRATCH, REVERB, BEAT BOX, YEAH, BRING IT, GEYA, COME ON Long press plays DRUMS effect.
3. **PHONES MODE**  
Press this key to choose different EARPHONES mode, INPUT A, INPUT B, INPUT AB
4. **INPUT B PREV**  
Press this key to choose previous music with USB B
5. **INPUT B NEXT**  
Press this key to choose next music with USB B
6. **INPUT B VOLUME**  
This is used to adjust the volume with INPUT B
7. **INPUT B PLAY/PAUSE**  
Press this key to choose play/pause music with INPUT B  
When playing usb, long press this key to change playtime count down or count up.
8. **INPUT B MODE**  
Press this key to choose different INPUT B mode, LINE, USB B
9. **EARPHONES INPUT JACK**
10. **USB B input jack**
11. **GUITAR VOLUME**  
Adjust the volume of the GUITAR
12. **MIC VOLUME**  
Adjust the volume of the MICROPHONE

13. ECHO  
Adjust the ECHO of the MIC input
14. GUITAR jack
15. MIC jack
16. LINE IN AUDIO INPUT JACK  
Connect to LINE IN signal input jack.
17. DC POWER light
18. AUX AUDIO INPUT JACK  
Connect to AUX signal input jack.
19. USB A input jack
20. On AC: CHARGE/STANDBY/NORMAL  
A long Press on this key turns on or standby the unit. A short Press on this key turns on the unit to CHARGE, STANDBY or NORMAL mode  
On DC: BAT LEVEL  
A Press on this key shows the current battery level.
21. INPUT A MODE  
Press this key to choose different INPUT A mode, AUX A, BT A, FM, USB A
22. INPUT A PLAY/PAUSE  
Press this key to choose play/pause music with INPUT A  
When playing usb, long press this key change play time count down or count up.
23. INPUT A VOLUME  
This is used to adjust the volume of INPUT A
24. INPUT A NEXT  
Press this key to choose next music with USB A
25. INPUT A PREV  
Press this key to choose previous music with INPUT USB A
26. MENU  
This switch selects the main volume, bass, treble, x driver, light mode



1. LIGHT
2. STANDBY
3. NUMBER BUTTON
4. TUNING-
5. CHANNEL-
6. VOLUME+
7. X DRIVE
8. TREBLE+
9. VOLUME-
10. TREBLE-
11. AUX-A
12. USB-A
13. USB-A F.WARD ►►
14. USB-A B.WARD ◄◄
15. LINE
16. USB-B
17. USB-B F.WARD ►►
18. USB-B B.WARD ◄◄
19. MUTE
20. FM
21. AUTO
22. TUNING+
23. CHANNEL+
24. BT
25. DISCONNECT
26. BASS+
27. BASS-
28. INPUT-A REPEAT
29. INPUT-A PAUSE ►|
30. INPUT-A PREVIOUS ◄◄
31. INPUT-A NEXT ►►|
32. INPUT-B REPEAT
33. INPUT-B PAUSE ►|
34. INPUT-B PREVIOUS ◄◄
35. INPUT-B NEXT ►►



**REMOTE CONTROL OPERATION:**

- If the remote control conflicts with other devices, the operation will be affected.
- Do not simultaneously press buttons on the unit and the remote control.
- Avoid using two remote controls at the same time as this will cause a malfunction.
- Use only UM-4 'AAA' size batteries. Do not mix old batteries with new ones.
- If the batteries leak, clean the remote control thoroughly before replacing batteries
- Do not short two terminals of the batteries. Dispose old batteries in a suitable place.

**NORMAL FUNCTION**

1. Select power switch on the backside of the speaker to AC or DC mode.
2. Select an audio source by pressing the INPUT A key on the front panel to display AUX A, BT A, FM, USB A. Press the INPUT B key on the front panel to display LINE, USB B.

**When unit is AC mode:**

- Pressing standby button once, will activate charging mode, showing the battery charging status on the blue led-display.
- Pressing standby button second time will activate the speaker and showing green charging light.
- You can also select the standby mode, without charging the battery

**When unit is DC mode:**

- Pressing standby button shows the battery level on the blue led display
3. Rotate the VOLUME/MULTI/DJ EFFECT wheel on the control panel or the VOL+/- key on the remote control to adjust the main volume. Then adjust the volume slider of INPUT A and use the right volume slider to change the volume of INPUT B.
  4. To adjust the bass, treble, X-drive, speaker lights and main volume, press the menu key to select bass, treble, X-drive, speaker lights, then rotate the big VOLUME/MULTI/DJ EFFECT wheel.
  5. PHONES OUTPUT selection. Press the PHONES MODE button on the control panel to display INPUT A, INPUT B, or INPUT AB and adjust the volume of A,B or AB by rotating the multi DJ effect wheel.
  6. Press the LIGHT button on the remote control or press the MENU button on the front panel until speaker light mode is displayed, then rotate the VOLUME/MULTI/DJ EFFECT wheel to select to OFF, R, G, B, RG, RB, GB, RGB, AUTO, DEMO light mode.
  7. Press the MUTE key on the remote to mute, press it again to reset.
  8. Press X DRIVE on the remote to turn on/off X-Bass effect.

**SPEAKER LIGHT COLOR CONTROL OPTIONS**

- R = red lights flash
- G = green lights flash
- B = blue lights flash
- RG = red and green lights flash RB = red and blue lights flash GB = green and blue lights flash
- RGB = red, green, and blue lights flash
- Auto = the various color combinations cycle through and flash.
- Demo = lights flash and change color as if they were responding to the beat of the music.



## TUNER APPLICATIONS

1. Before using the radio functions, you must adjust the antenna to obtain optimum reception. Press the INPUT A key on the front panel or the FM key on the remote control, to select "FM" function.
2. Press the AUTO key on the remote control or the play button of the INPUT A control panel. The machine will scan radio channels from low- frequency to high-frequency by itself and stores the channels found one by one.
3. Press the CH+/CH- key on the remote control to change radio presets that have been stored previously.
4. Press or hold the TU+/TU- key on the remote control to adjust the radio frequency manually.
5. To select radio stations from the control panel, press and hold the next/prev buttons.

## KARAOKE & GUITAR FUNCTION

1. The machine can auto detect whether a MICROPHONE or GUITAR is connected. Please turn off the microphone volume with the MIC.VOL knob on the front panel and adjust the volume gradually after inserting the microphone. Remark : The PMX-250 is delivered with a wireless microphone using 2AA batteries (not included). When you switch the button to " ON ", you can speak in it and adjust volume and echo on the control panel.
2. Adjust the ECHO knob on the front panel to change the microphone ECHO.
3. Adjust the GUITAR VOL knob on the front panel to change the guitar VOLUME.

**Note:** Do not touch the top of the microphone when singing in order to avoid howling effect. Adjust the microphone volume gradually to avoid howling effect.

## BLUETOOTH PAIRING AND CONNECT

- Turn off any Bluetooth devices previously paired (linked) with this unit.
- Turn on the Bluetooth feature on your phone or music player.
- Turn on and set this unit to Bluetooth mode. The flashing blue light "BT" on LED display indicates it is in pairing mode.
- Set your phone or music player to search for Bluetooth devices.
- Select 'PMX-250' from search results on your phone or music player.
- Select OK or YES to pair this unit with your phone or music player.
- If protected, enter 0000 for passkey steady blue light indicates successful connection.
- Press the DISCONNECT key on the remote control to disconnect the Bluetooth.

"This product has a bluetooth reception function, you can not transmit any bluetooth sound with it: this means that you can receive wirelessly a bluetooth sound signal from an external source like a smartphone."

## FUNCTION OF USB READER

### USB interface

This unit has two USB jacks. Press the INPUT A key to select USB A, then you can insert a USB stick to play music. Press the INPUT B key to select USB B, then you can insert another USB stick to play music.

**Important:** The USB port is intended for data transfer only, other devices cannot be used with this USB connection. The use of USB extension cords is not recommended.

### TIME DISPLAY

In USB mode, the display can show either the elapsed or the remaining time.

With long press of the play/pause key, you can select negative or positive display of the time.

### CHARGING THE BATTERY

1. When in battery powered mode, the standby operation cannot be used.
2. The control panel has a charging light. When the battery is charged enough, the light is green. When the battery is low, the system display prompts 'LOW POWER' and the light turns red.

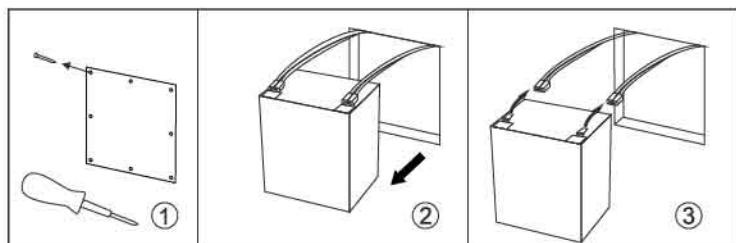
To protect the internal battery lifetime:

when the internal battery is discharged, immediately push the power switch (1) to the off position, to protect the battery. To recharge the battery, push the power switch (1) to the AC position and push the ON ac button (20) until the display shows "charging".

**IMPORTANT:** The supplier is not responsible for damage caused by misuse of the device and the battery will not be covered by warranty.

### BATTERY DISASSEMBLY

1. Remove the screws on the rear panel.
2. Take out the battery.
3. Disconnect the battery



### ACCESSORIES

Remote control	.....	1 pc
Instruction Manual	.....	1 pc
Wireless Microphone	.....	1 pc
AC power cable	.....	1 pc

	SPECIFICATION
Frequency Response	20Hz-20KHz
Power Source	230V ~ 50Hz/12VDC
Power Consumption	75W
Battery	Lead/Acid 12VDC, 4.5 Ah
DC Playback time	~10hrs on 50% volume
Output power	200W (RMS)
Microphone	Wireless 864 MHz
Bluetooth	V4.2
FM radio	87.5-108 MHz
Unit Size (W x D x H)	38 x 31.5 x 60.2 cm
Tweeter size	1 x 1 inch
Woofer size	1 x 3 inch
Subwoofer size	1 x 10 inch
Unit weight	14.8 kg
Working Temperature	10-40 °C

- The specification presents only as a reference. The value of weight and size are approximation.
- Our product is improved ceaselessly and the specification and function may be changed without prior notice.
- This is a class 1 unit, and has to be connected to an earthed mains socket.

#### **Please note (For use of wireless microphone)**

This product operates at a frequency of **864** MHz and is designated only to be used inside a normal household environment. This product is suited for this purpose within most EU countries.

The user should check the allowed frequencies of the country where the unit will be used in.

(More information can be found at: <https://www.apwpt.org>)

The user is responsible for the use of this unit. Lenco cannot be held responsible if this unit is used for other purposes than which are described in this manual.

#### **1. Guarantee**

Lenco offers service and warranty in accordance to European law, which means that in case of repairs (both during and after the warranty period) you should contact your local dealer.

Important note: It is not possible to send products that need repairs to Lenco directly.

Important note: If this unit is opened or accessed by a non-official service center in any way, the warranty expires.

This device is not suitable for professional use. In case of professional use, all warranty obligations of the manufacturer will be voided.

#### **2. Disclaimer**

Updates to Firmware and/or hardware components are made regularly. Therefore some of the instruction, specifications and pictures in this documentation may differ slightly from your

particular situation. All items described in this guide for illustration purposes only and may not apply to particular situation. No legal right or entitlements may be obtained from the description made in this manual.

### 3. Disposal of the Old Device



This symbol indicates that the relevant electrical product or battery should not be disposed of as general household waste in Europe. To ensure the correct waste treatment of the product and battery, please dispose them in accordance to any applicable local laws of requirement for disposal of electrical equipment or batteries. In so doing, you will help to conserve natural resources and improve standards of environmental protection in treatment and disposal of electrical waste (Waste Electrical and Electronic Equipment Directive).

### 4. CE Marking

Hereby, Lenco Benelux B.V., Thermiekstraat 1a, 6361 HB Nuth, The Netherlands, declares that this product is in compliance with the essential EU directive requirements.

The declaration of conformity may be consulted via [techdoc@commaxxgroup.com](mailto:techdoc@commaxxgroup.com)



### 5. Service

For more information and helpdesk support, please visit [www.lenco.com](http://www.lenco.com)

Lenco Benelux BV, Thermiekstraat 1a, 6361 HB, The Netherlands.

**LET OP:**

Gebruik van bedieningen of afstellingen of uitvoer van procedures anders dan gespecificeerd in deze documentatie kan leiden tot blootstelling aan schadelijke straling.

**VOORZORGSMAATREGELEN VOOR GEBRUIK****ONTHOUD DE VOLGENDE INSTRUCTIES:**

1. Bedek of blokkeer de ventilatieopeningen niet. Wanneer u het apparaat op een schap plaatst, dient u 5 cm (2") vrije ruimte rondom het gehele apparaat te behouden.
2. Installeer het product volgens de meegeleverde gebruikershandleiding.
3. Houd het apparaat uit de buurt van hittebronnen, zoals radiatoren, verwarmingen, kachels, kaarsen en andere hittegenererende producten of open vuur. Het apparaat kan alleen worden gebruikt in gematigde klimaten. Extreem koude of warme omgevingen dienen te worden vermeden. Bedrijfstemperatuur tussen 0° en 35° C.
4. Gebruik dit apparaat niet in de buurt van krachtige magnetische velden.
5. Elektrostatische ontlading kan normaal gebruik van dit apparaat verstoren. U hoeft het apparaat in dit geval slechts te resetten en opnieuw op te starten volgens de gebruikershandleiding. Wees voorzichtig tijdens bestandsoverdracht en gebruik het product in een omgeving zonder statische interferentie.
6. Waarschuwing! Steek nooit een voorwerp via de ventilatie- of andere openingen in het product. Er is hoogspanning in het product aanwezig en als u er een object insteekt, kan dat een elektrische schok veroorzaken en/of kortsluiting in de interne onderdelen. Mors om dezelfde reden geen water of vloeistof op het product.
7. Gebruik het toestel niet in vochtige ruimtes, zoals badkamers, stomende keukens of in de buurt van zwembaden.
8. Het apparaat mag niet worden blootgesteld aan druppels of spatten en zorg ervoor dat er geen met vloeistof gevulde voorwerpen, zoals vazen, op of nabij het apparaat zijn geplaatst.
9. Gebruik dit apparaat niet wanneer condensatie kan optreden. Wanneer het apparaat in een warme en vochtige kamer wordt gebruikt, dan kunnen er waterdruppeltjes of condensatie binnenin het apparaat worden gevormd waardoor het apparaat mogelijk niet meer goed werkt; houd het apparaat 1 of 2 uur op UIT staan voordat u de voeding weer inschakelt: het apparaat dient droog te zijn voordat deze stroom ontvangt.
10. Alhoewel dit apparaat met grote zorg gefabriceerd en verschillende keren geïnspecteerd is voordat het de fabriek verlaat, is het nog steeds mogelijk dat er problemen optreden, zoals met alle elektrische apparaten. Als u rook, een overmatige hitteontwikkeling of enig ander onverwacht verschijnsel opmerkt, moet u onmiddellijk de stekker van het netsnoer uit het stopcontact halen.
11. Dit apparaat moet werken op een voedingsbron, zoals aangegeven op het specificatieplaatje. Als u twijfelt over het type voeding dat gebruikt wordt in uw huis, raadpleeg dan uw dealer of plaatselijk energiebedrijf.
12. Houd het uit de buurt van knaagdieren. Knaagdieren knauwen graag aan voedingskabels.
13. Gebruik een zacht, droog doekje om het apparaat te reinigen. Gebruik geen oplosmiddelen of op benzine gebaseerde vloeistoffen. U kunt een vochtig doekje met verdund schoonmaakmiddel gebruiken om hardnekkige vlekken te verwijderen.
14. De leverancier is niet verantwoordelijk voor schade of verloren gegevens veroorzaakt door storing, misbruik, modificatie van het apparaat of batterijvervanging.
15. Onderbreek nooit de verbinding wanneer het apparaat formateert of bestanden overdraagt. De gegevens kunnen anders corrupt of verloren raken.
16. Indien het apparaat een USB-afspeelfunctie heeft, moet de USB-geheugenstick rechtstreeks op het apparaat worden aangesloten. Gebruik geen USB-verlengkabel, omdat die kan leiden tot storingen met foutieve gegevens als gevolg.
17. Het nominale specificatielabel is te vinden op het paneel aan de onder- of achterkant van het apparaat.
18. Dit apparaat is niet bestemd voor gebruik door mensen (inclusief kinderen) met fysieke, zintuiglijke of geestelijke gebreken of gebrek aan kennis en ervaring, tenzij zij onder toezicht staan of instructies hebben over het juiste gebruik van het apparaat hebben gekregen van de persoon die verantwoordelijk is voor hun veiligheid.
19. Dit product is alleen voor niet-professioneel gebruik bedoeld en niet voor commercieel of industrieel gebruik.
20. Verzeker u ervan dat het apparaat in een stabiele positie staat opgesteld. Beschadigingen veroorzaakt door het gebruik van dit apparaat in een onstabiele positie, trillingen of schokken of door het niet opvolgen van andere waarschuwingen of voorzorgsmaatregelen beschreven in deze gebruikshandleiding worden niet gedekt door de garantie.
21. Verwijder nooit de behuizing van dit apparaat.
22. Plaats dit apparaat nooit op andere elektrische apparatuur.
23. Geef kinderen geen gelegenheid in aanraking met plastic zakken te komen.
24. Gebruik uitsluitend uitbreidingen/accessoires gespecificeerd door de fabrikant.



25. Laat alle reparaties over aan gekwalificeerd onderhoudspersoneel. Onderhoud is vereist als het toestel hoe dan ook is beschadigd, zoals bijvoorbeeld het netsnoer of de stekker, wanneer er vloeistof of een voorwerp in het apparaat is terechtgekomen, wanneer het apparaat is blootgesteld aan regen of vocht, als het niet normaal werkt of is gevallen.
26. Langdurige blootstelling aan luid geluid van persoonlijke muzikspelers kan leiden tot tijdelijke of permanente gehoorbeschadiging.
27. Als het product wordt geleverd met voedingskabel of AC-stroomadapter:
  - Als er problemen optreden, koppel de AC-voedingskaart dan los en laat reparaties over aan bevoegd personeel.
  - Om de verbinding met de stroomaansluiting volledig te verbreken, moet de stekker van het apparaat uit het stopcontact worden gehaald, omdat de stekker van het apparaat de hoofdschakelaar is.
  - Nooit op de stroomadapter stappen of deze indrukken. Wees voornamelijk voorzichtig in de buurt van de stekkers en het punt waar de kabel uit het apparaat komt. Plaats geen zware voorwerpen op de stroomadapter, om beschadiging ervan te voorkomen. Houd het gehele apparaat buiten bereik van kinderen! Wanneer kinderen met de voedingskabel spelen, kunnen zij ernstig letsel oplopen.
  - Haal de stekker uit het stopcontact tijdens onweer of wanneer u deze langere tijd niet gebruikt.
  - Het stopcontact moet in de buurt van de apparatuur zijn geïnstalleerd en eenvoudig te bereiken zijn.
  - Overbelast stopcontacten of verlengsnoeren niet. Overbelasting kan brand of een elektrische schok veroorzaken.
  - Apparaten met een Klasse 1 structuur dienen te worden aangesloten op een stopcontact met een beschermende aardverbinding.
  - Apparaten met een Klasse 2 structuur vereisen geen aardverbinding.
  - Houd altijd de stekker vast wanneer u deze uit het stopcontact trekt. Trek nooit aan de voedingskabel. Dit kan tot een kortsluiting leiden.
  - Gebruik nooit een beschadigde voedingskabel of stekker of een los stopcontact. Dit vormt namelijk een risico op brand of elektrische schokken.
28. Indien het product knoopcelbatterijen bevat of wordt geleverd met een afstandsbediening die knoopcelbatterijen bevat:

**Waarschuwing:**

- "Batterij niet inslikken, chemisch brandgevaar" of gelijkwaardige werking.
  - [De meegeleverd afstandsbediening] Dit product bevat een knoopcelbatterij. Bij inslikking van de batterij kan dit in minder dan 2 uur tijd tot ernstige interne brandwonden en de dood leiden.
  - Houd nieuwe en gebruikte batterijen buiten bereik van kinderen.
  - Als de batterijhouder niet goed kan worden gesloten, dient u het product niet meer te gebruiken en buiten bereik van kinderen te houden.
  - Als u denkt dat batterijen zijn ingeslikt of binnenin een willekeurig lichaamsdeel terecht zijn gekomen, dient u onmiddellijk medische hulp te zoeken.
29. Waarschuwing m.b.t. het gebruik van batterijen:
    - Als de batterij onjuist wordt geplaatst, bestaat er explosiegevaar. Vervang de batterij alleen door een zelfde of vergelijkbare soort batterij.
    - Stel de batterij niet bloot aan extreem hoge of lage temperaturen of een lage luchtdruk op grote hoogte tijdens gebruik, opslag of transport.
    - Vervanging van een batterij door een incorrect type kan leiden tot een ontploffing of de lekkage van ontvlambare vloeistoffen of gas.
    - Verwijdering van een batterij in vuur of een hete oven of het mechanisch verpletteren of snijden van een batterij kan leiden tot een ontploffing.
    - Laat een batterij nooit achter in omgevingen met extreem hoge temperaturen, anders kan dit leiden tot een ontploffing of de lekkage van ontvlambare vloeistoffen of gas.
    - Stel een batterij nooit bloot aan een extreem lage luchtdruk, anders kan dit leiden tot een ontploffing of de lekkage van ontvlambare vloeistoffen of gas.
    - Aandacht voor het milieu is nodig bij het verwijderen van de batterijen.

**INSTALLATIE**

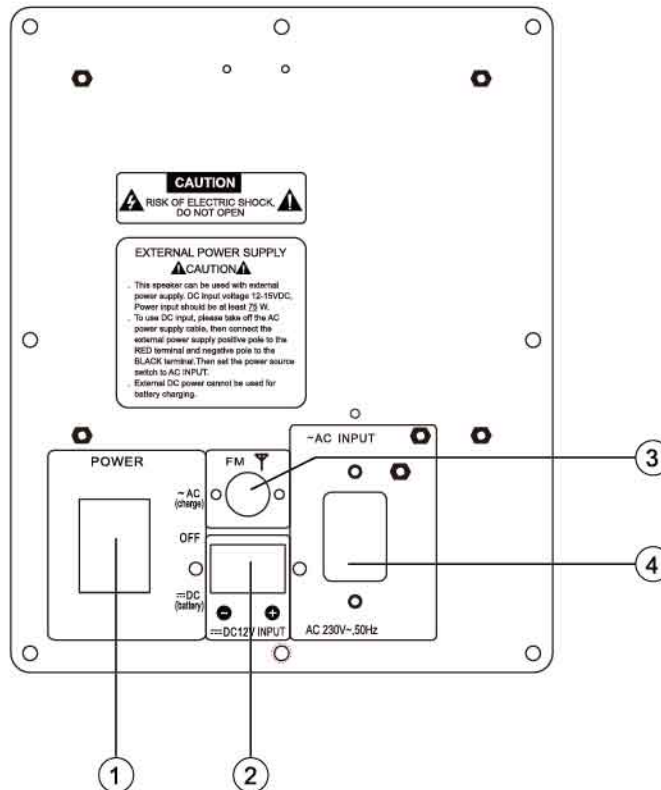
- Pak alle onderdelen uit en verwijder de beschermende materialen.
- Sluit het apparaat niet aan op het stopcontact, voordat u de netspanning hebt gecontroleerd en voordat alle andere aansluitingen zijn gemaakt.



**WAARSCHUWING:** Wanneer u zich op de straat bevindt, kan het gebruik van een persoonlijke muzikspeler de luisteraar afleiden van de potentiële gevaren, zoals naderende auto's.



**WAARSCHUWING:** Luister nooit voor lange tijd op hoge volumenniveaus, om mogelijke gehoorbeschadiging te voorkomen.



1. Aan/uit-schakelaar

Schakelmodi DC INGANG, AC INGANG of uit.

Wanneer u de schakelaar op AC zet, werkt de speaker op 230V en zal de accu opgeladen worden.

Wanneer u de schakelaar op OFF zet, is er geen stroom en zal de accu niet opgeladen worden.

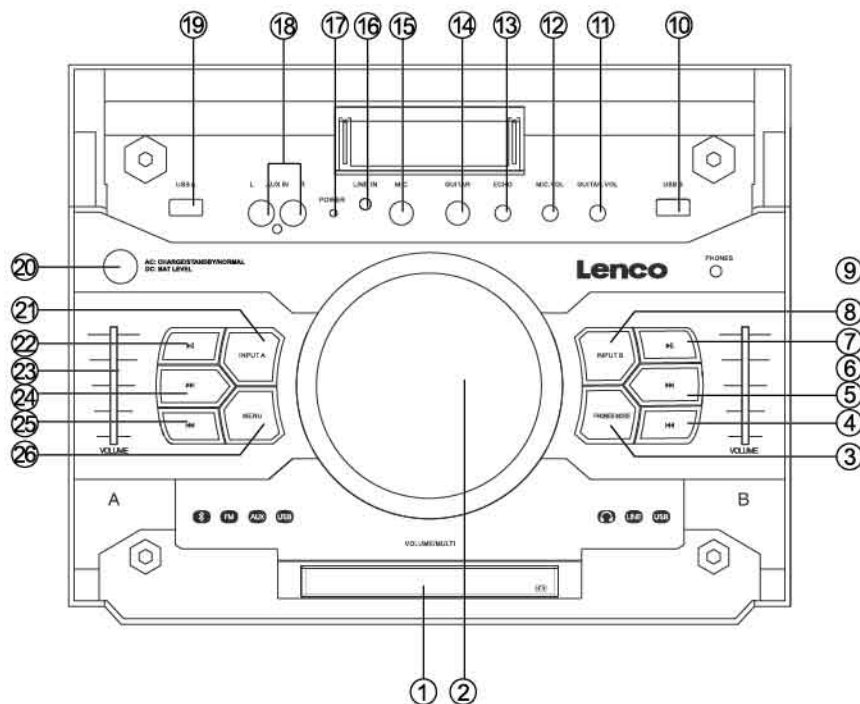
Wanneer u de schakelaar op DC zet, wordt de speaker aangedreven door de accu.

2. DC 12V INGANG

De speaker kan verbonden worden met de 12V DC accu van een auto.

3. FM-ANTENNE

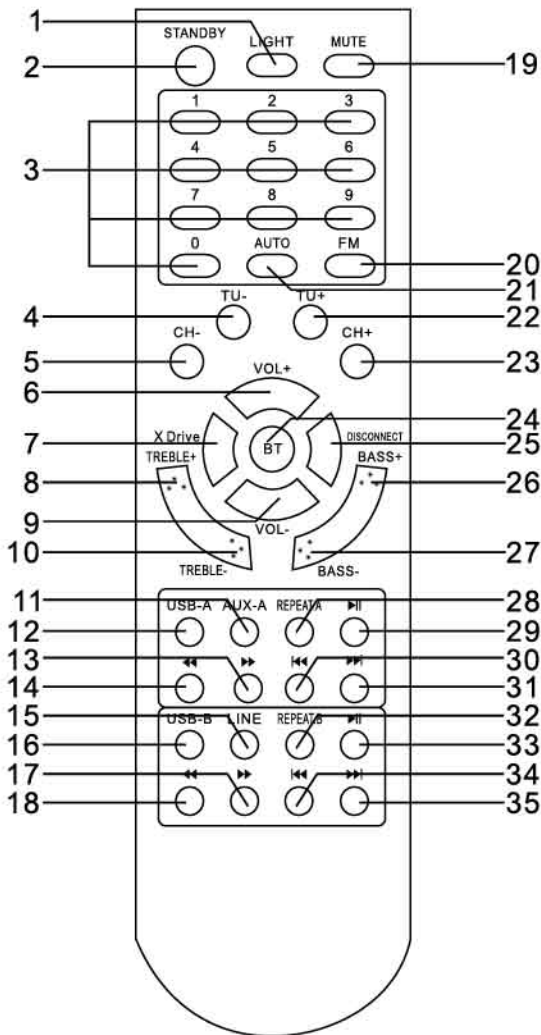
4. AC INGANG AC 230V~,50Hz



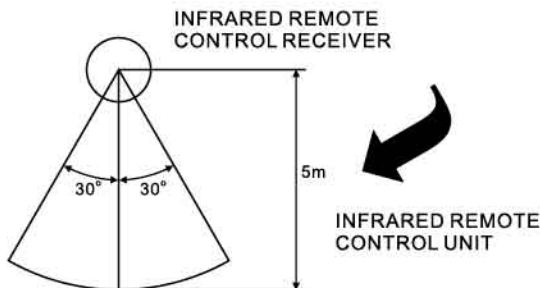
1. **LED-SCHERM**  
Geeft systeem parameterinformatie weer, de linkerkant laat de INVOER A status zien en de rechterkant van het scherm laat de INVOER B status zien
2. **VOLUME/MULTI/DJ EFFECT**  
Draai aan de knop om het primaire volume, hoofdtelefoon volume, de treble en bas aan te passen. Druk deze knop kort in om een ander muziek effect uit te kiezen, zoals SCRATCH, REVERB, BEAT BOX, YEAH, BRING IT, GEYA of COME ON. Lang indrukken speelt een DRUMS effect af.
3. **HOOFDTELEFOON MODUS**  
Druk op deze knop om verschillende HOOFDTELEFOON modi uit te kiezen, zoals INVOER A, INVOER B, INVOER AB
4. **INVOER B VORIGE**  
Druk op deze knop om het vorige nummer met USB B te kiezen
5. **INVOER B VOLGENDE**  
Druk op deze knop om het volgende nummer met USB B te kiezen
6. **INVOER B VOLUME**  
Dit wordt gebruikt om het volume van INVOER B aan te passen
7. **INVOER B AFSPELEN/PAUZEREN**  
Druk op deze knop om muziek met INVOER B af te spelen/pauzeren  
Wanneer een USB afspeelt, kunt u door deze knop lang ingedrukt te houden de speeltijd af of op laten tellen.
8. **INVOER B MODUS**  
Druk op deze knop om een andere INVOER B modus te selecteren, zoals LINE of USB B
9. **HOOFDTELEFOON AANSLUITING**
10. **USB B invoer aansluiting**
11. **VOLUME GITAAR**  
Pas het volume van de GITAAR aan
12. **VOLUME MICROFOON**

- Pas het volume van de MICROFOON aan
13. ECHO  
Pas de ECHO van de MIC invoer aan
  14. GITAAR aansluiting
  15. MICROFOON aansluiting
  16. LINE IN AUDIO INVOER AANSLUITING  
Verbind met de LINE IN-signaal invoer aansluiting.
  17. DC-voedingslampje
  18. AUX AUDIO INVOER AANSLUITING  
Verbind met de AUX-signaal invoer aansluiting.
  19. USB A invoer aansluiting
  20. Op AC: OPLADEN/STAND-BY/NORMAAL  
Door deze knop lang in te drukken zet u het apparaat aan of in stand-by. Door deze knop kort in te drukken zet u het apparaat in de OPLAAD, STAND-BY of NORMAAL modus  
Op DC: ACCUNIVEAU  
Als u deze knop indrukt wordt het huidige accuniveau weergegeven.
  21. INVOER A MODUS  
Druk deze knop in om een andere INVOER A modus te kiezen, zoals AUX A, BT A, FM, USB A
  22. INVOER A AFSPELEN/PAUZEREN  
Druk op deze knop om muziek met INVOER A af te spelen/pauzeren  
Wanneer een USB afspeelt, kunt u door deze knop lang ingedrukt te houden de speeltijd af of op laten tellen.
  23. INVOER A VOLUME  
Dit wordt gebruikt om het volume van INVOER A aan te passen
  24. INVOER A VOLGENDE  
Druk op deze knop om het volgende nummer met USB A te kiezen
  25. INVOER A VORIGE  
Druk op deze knop om het vorige nummer met USB A te kiezen
  26. MENU  
Deze schakelaar selecteert het primaire volume, de bas, treble, x driver en licht modus





1. LICHT
2. STAND-BY
3. NUMERIEKE TOETSEN
4. AFSTEMMEN-
5. KANAAL-
6. VOLUME+
7. X DRIVE
8. TREBLE+
9. VOLUME-
10. TREBLE-
11. AUX-A
12. USB-A
13. USB-A DOORSPOELEN ►►
14. USB-A TERUGSPOELEN ◄◄
15. LINE
16. USB-B
17. USB-B DOORSPOELEN ►►
18. USB-B TERUGSPOELEN ◄◄
19. DEMP
20. FM
21. AUTO
22. AFSTEMMEN+
23. KANAAL+
24. BT
25. VERBINDING VERBREKEN
26. BAS+
27. BAS-
28. INVOER-A HERHALEN
29. INVOER-A PAUZEREN ►|
30. INVOER-A VORIGE ◄◄
31. INVOER-A VOLGENDE ►|
32. INVOER-B HERHALEN
33. INVOER-B PAUZEREN ►|
34. INVOER-B VORIGE ◄◄
35. INVOER-B VOLGENDE ►►



**AFSTANDBEDIENING:**

- Als de afstandsbediening verstoord wordt door andere apparaten, zal het gebruik hierdoor beïnvloedt worden.
- Druk niet gelijktijdig knoppen op het apparaat en de afstandsbediening in.
- Vermijd het gelijktijdig gebruiken van twee afstandsbedieningen, aangezien dit een storing zal veroorzaken.
- Gebruik alleen UM-4 'AAA' batterijen. Gebruik geen oude en nieuwe batterijen naast elkaar.
- Als de batterijen lekken, maak de afstandsbediening dan grondig schoon voordat u de batterijen vervangt
- Verbind twee kanten van de batterijen niet met elkaar. Gooi oude batterijen weg op de daarvoor bestemde plek.

**NORMALE FUNCTIE**

1. Zet de aan/uit-schakelaar op de achterkant van de speaker op de AC of DC modus.
2. Selecteer een geluidsbron door op de INVOER A knop te drukken op het voorpaneel om AUX A, BT A, FM en USB A weer te geven. Druk op de INVOER B knop op het voorpaneel om LINE en USB B weer te geven.

**Wanneer het apparaat in de AC modus staat:**

- Wanneer u een keer op de stand-by knop drukt, zal u de oplaadmodus activeren en de oplaadstatus van de accu wordt weergegeven op het blauwe led-scherm.
- Een tweede keer op de stand-by knop drukken zal de speaker activeren en een groen oplaadlichtje laten zien.
- U kunt ook de stand-by modus selecteren zonder de accu op de laden

**Wanneer het apparaat in de DC modus staat:**

- Als u op de stand-by knop drukt, ziet u het accuniveau op het blauwe led-scherm
3. Draai aan de VOLUME/MULTI/DJ EFFECT knop op het besturingspaneel of druk op de VOL+/- knoppen op de afstandsbediening om het primaire volume aan te passen. Pas vervolgens de volumeschuifregelaar van INVOER A aan en gebruik de rechter volumeschuifregelaar om het volume van INVOER B aan te passen.
  4. Om de bas, treble, X-drive, speakerlichten en het primaire volume aan te passen, drukt u op de menu-knop om bas, treble, X-drive of speakerlichten te selecteren en vervolgens draait u aan de grote VOLUME/MULTI/DJ EFFECT knop.
  5. HOOFDTELEFOON UITVOER selectie. Druk op de PHONES MODE knop op het besturingspaneel om INPUT A (INVOER A), INPUT B (INVOER B) of INPUT AB (INVOER AB) weer te geven en pas het volume van A, B of AB aan door aan de multi DJ effect knop te draaien.
  6. Druk op de LIGHT knop op de afstandsbediening of druk op de MENU knop op het voorpaneel totdat de speaker licht modus weergegeven is. Draai vervolgens aan de VOLUME/MULTI/DJ EFFECT knop om de OFF (UIT), R,G,B, RG, RB, GB, RGB, AUTO, DEMO licht modus te selecteren.
  7. Druk op de MUTE knop op de afstandsbediening om het geluid te dempen en nog een keer om dit ongedaan te maken.
  8. Druk op de X DRIVE knop op de afstandsbediening om het X-Bas effect in/uit te schakelen.

**SPEAKER LICHTKLEUR BESTURINGSOPTIES**

- R = rode lichten knipperen
- G = groene lichten knipperen
- B = blauwe lichten knipperen
- RG = rode en groene lichten knipperen RB = rode en blauwe lichten knipperen GB = groene en blauwe lichten knipperen
- RGB = rode, groene en blauwe lichten knipperen
- Auto = de verschillende kleurcombinaties worden willekeurig geselecteerd en knipperen.
- Demo = lichten knipperen en veranderen van kleur, net alsof ze reageren op de beat van de muziek.

## AFSTEM APPLICATIES

1. Voordat u de radiofuncties gebruikt, moet u eerst de antenne aanpassen om een optimaal ontvangst te krijgen.  
Druk op de INVOER A knop op het voorpaneel of de FM knop op de afstandsbediening om de "FM" functie te selecteren.
2. Druk op de AUTO knop op de afstandsbediening of de afspeelknop van het INVOER A besturingspaneel.  
Het apparaat zal automatisch lage tot hoge radiofrequenties scannen en de gevonden kanalen een voor een opslaan.
3. Druk op de CH+/CH- knop op de afstandsbediening om te schakelen tussen de radiokanalen die opgeslagen zijn.
4. Druk op of houdt de TU+/TU- knop op de afstandsbediening ingedrukt om de radiofrequentie handmatig aan te passen.
5. Om radiostations vanaf het besturingspaneel te selecteren, houdt u de volgende/vorige knoppen ingedrukt.

## KARAOKE EN GITAAR FUNCTIE

1. Het apparaat kan automatisch detecteren of een MICROFOON of GITAAR verbonden is.  
Zet het geluid van het microfoon volume uit met de MIC.VOL knop op het voorpaneel en pas het volume geleidelijk aan nadat u de microfoon verbonden heeft. Opmerking: De PMX-250 wordt geleverd met een draadloze microfoon die op 2 type AA batterijen werkt (niet inbegrepen). Wanneer u de knop op "AAN" schakelt, kunt u in de microfoon spreken en het volume en echoniveau aanpassen op het bedieningspaneel.
2. Draai aan de ECHO knop op het voorpaneel om de ECHO van de microfoon aan te passen.
3. Draai aan de GUITAR VOL knop op het voorpaneel om het VOLUME van de gitaar aan te passen.

**Opmerking:** Raak de bovenkant van de microfoon niet aan tijdens het zingen om het jankende effect te voorkomen.

Pas het volume van de microfoon geleidelijk aan om het jankende effect te voorkomen.

## BLUETOOTH KOPPELEN EN VERBINDEN

- Schakel alle Bluetooth apparaten uit die u voorheen gekoppeld (verbonden) heeft met dit apparaat.
- Activeer de Bluetooth functie op uw telefoon of muzikspeler.
- Zet dit apparaat aan en stel deze in op de Bluetooth modus. Het knipperende blauwe "BT" licht op het LED-scherm geeft aan dat de koppelmodus geactiveerd is.
- Zoek met uw telefoon of muzikspeler naar Bluetooth apparaten.
- Selecteer 'PMX-250' in de zoekresultaten van uw telefoon of muzikspeler.
- Selecteer OK (OKÉ) of YES (JA) om dit apparaat met uw telefoon of muzikspeler te verbinden.
- Voer 0000 in als er om een wachtwoord gevraagd wordt en een vast blauw licht geeft aan dat de verbinding gelukt is.
- Druk op de DISCONNECT knop op de afstandsbediening om de Bluetooth verbinding te verbreken.

"Dit product is voorzien van een Bluetooth-ontvangstfunctie, u kunt er geen Bluetooth-audio mee sturen: dit betekent dat u van een externe bron zoals een smartphone draadloos een Bluetooth-audiosignaal kunt ontvangen."

## FUNCTIE VAN DE USB-LEZER

### USB-interface

Dit apparaat heeft twee USB aansluitingen. Druk op de INVOER A knop om USB A te selecteren en vervolgens kunt u een USB-stick verbinden om muziek af te spelen. Druk op de INVOER B knop om USB B te selecteren en vervolgens kunt u nog een USB-stick verbinden om muziek af te spelen.

**Belangrijk:** De USB-poort is alleen bedoeld voor het versturen van data, andere apparaten kunnen niet gebruikt worden met de USB-verbinding. Het gebruik van USB-verlengkabels raden we af.

### TIJDWEERGAVE

In de USB modus kan het scherm zowel de verstreken als resterende tijd weergeven.

Door de afspelen/pauzeren knop lang ingedrukt te houden, kunt u schakelen tussen een negatieve of positieve tijdweergave.

### DE ACCU OPLADEN

1. De stand-by kan niet gebruikt worden wanneer het apparaat aangedreven wordt door de accu.
2. Het besturingspaneel heeft een oplaadlichtje. Wanneer de accu voldoende opgeladen is, is het lichtje groen.  
Wanneer de accu bijna leeg is, zal er 'LOW POWER' (ACCU BIJNA LEEG) op het scherm verschijnen en het lichtje wordt rood.

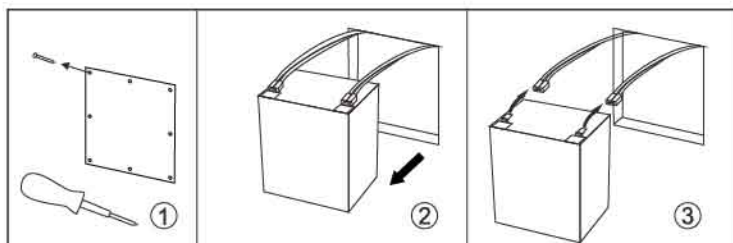
### OM DE INTERNE LEVENSDUUR VAN DE BATTERIJ TE BESCHERMEN:

Als de interne batterij leeg is, druk dan onmiddellijk de aan-/uitschakelaar (1) in de uit-stand om de batterij te beschermen. Voor het opladen van de batterij drukt u de aan-/uitschakelaar (1) in de stand AC en drukt u op de knop AAN ac (20) totdat het display "charging (opladen)" toont.

**BELANGRIJK:** De leverancier is niet verantwoordelijk voor schade veroorzaakt door verkeerd gebruik van het apparaat en de batterij valt niet onder de garantie.

### ACCU VERWIJDEREN

1. Verwijder de schroeven op het achterpaneel.
2. Haal de accu eruit.
3. Ontkoppel de accu



### ACCESSOIRES

Afstandsbediening	.....	1 st
Handleiding	.....	1 st
Draadloze microfoon	.....	1 st
AC stroomkabel	.....	1 st

	SPECIFICATIE
Frequentiebereik	20Hz-20KHz
Voedingsbron	230V ~ 50Hz/12VDC
Stroomverbruik	75 W
Accu	Lood/zuur 12VDC, 4,5 Ah
DC Gebruikstijd	~10u bij 50% volume
Totaal vermogen	200W (RMS)
Microfoon	Draadloos 864 MHz
Bluetooth	V4.2
FM-radio	87,5-108 MHz
Afmetingen (B x D x H)	38 x 31,5 x 60,2 cm
Tweeter afmeting	2,54 x 2,54 cm
Woofer afmeting	2,54 x 7,62 cm
Subwoofer afmeting	2,54 x 25,4 cm
Gewicht van het apparaat	14,8 kg
Gebruikstemperatuur	10-40 °C

- De specificatie fungeert alleen als een referentie. Het gewicht en de afmetingen zijn gemiddelden.
- Ons product wordt continu verbeterd en de specificaties en functies kunnen zonder voorafgaande kennisgeving aangepast worden.
- Dit is een klasse 1-apparaat en moet worden aangesloten op een geaard stopcontact.

#### **Opmerking** (Voor gebruik van de draadloze microfoon.)

Dit product werkt met een frequentie van **864** MHz en is alleen bedoeld voor gebruik binnen een normale huishoudelijke omgeving. Dit product is geschikt voor dit doel in de meeste EU-landen.

De gebruiker zou de toegestane frequenties van het land waar het apparaat gebruikt zal worden moeten controleren.

(Meer informatie kan gevonden worden op: <https://www.apwpt.org>)

De gebruiker is verantwoordelijk voor het gebruik van dit apparaat. Lenco kan niet aansprakelijk gesteld worden als dit apparaat gebruikt wordt voor andere doeleinden dan degene die in deze handleiding zijn beschreven.

#### **1.Garantie**

Lenco biedt service en garantie aan overeenkomstig met de Europese wetgeving. Dit houdt in dat u, in het geval van reparaties (zowel tijdens als na de garantieperiode), uw lokale handelaar moet contacteren.

**Belangrijke opmerking:** Het is niet mogelijk om producten die gerepareerd moeten worden direct naar Lenco te sturen.

**Belangrijke opmerking:** De garantie verloopt als een onofficieel servicecenter het apparaat op wat voor manier dan ook heeft geopend, of er toegang toe heeft gekregen.

Het apparaat is niet geschikt voor professioneel gebruik. In het geval van professioneel gebruik worden alle garantieverplichtingen van de fabrikant nietig verklaard.



## 2.Disclaimer

Er worden regelmatig updates in de firmware en/of hardwarecomponenten gemaakt. Daardoor kunnen gedeelten van de instructie, de specificaties en afbeeldingen in deze documentatie enigszins verschillen van uw eigen situatie. Alle onderwerpen die staan beschreven in deze handleiding zijn bedoeld als illustratie en zijn niet van toepassing op specifieke situaties. Aan de beschrijving in dit document kunnen geen rechten worden ontleend.

## 3.Afvoer van het oude apparaat



Dit symbool geeft aan dat het betreffende elektrische product of de batterij niet moet worden verwijderd als algemeen huishoudelijk afval in Europa. Zorg voor een juiste afvalverwerking door het product en de batterij in overeenstemming met alle van toepassing zijnde lokale wetten voor het verwijderen van elektrische apparatuur of batterijen te verwijderen. Als u dit doet, helpt u de natuurlijke hulpbronnen te behouden en de standaard van milieubescherming te verbeteren bij de behandeling en verwijdering van elektrisch afval (Afgedankte Elektrische en Elektronische Apparatuur).

## 4.CE-markering

Lenco Benelux B.V., Thermiekstraat 1a, 6361 HB Nuth, Nederland, verklaart hierbij dat dit product voldoet aan de vereisten van de essentiële EU-richtlijnen. De conformiteitsverklaring kan worden opgevraagd via [techdoc@commaxxgroup.com](mailto:techdoc@commaxxgroup.com)



## 5.Service

Bezoek voor meer informatie en helpdeskondersteuning [www.lenco.com](http://www.lenco.com)  
Lenco Benelux BV, Thermiekstraat 1a, 6361 HB, Nederland.

**ACHTUNG:**

Eine andere als die hier beschriebene Bedienung, Einstellung oder Verwendung der Funktionen kann zu gefährlicher Strahlenbelastung führen.

**VORSICHTSMASSNAHMEN VOR DER BENUTZUNG****BEFOLGEN SIE IMMER FOLGENDE ANWEISUNGEN:**

1. Blockieren oder bedecken Sie keine Lüftungsöffnungen. Wenn Sie das Gerät auf ein Regal stellen, lassen Sie um das gesamte Gerät 5 cm (2") freien Platz.
2. Stellen Sie das Gerät entsprechend den Anweisungen der mitgelieferten Bedienungsanleitung auf.
3. Halten Sie das Gerät von Hitzequellen wie Radiatoren, Heizern, Öfen, Kerzen oder anderen hitzeerzeugenden Produkten oder offenen Flammen fern. Das Gerät darf nur bei gemäßigttem Klima verwendet werden. Sehr kalte oder heiße Umgebungen sind zu vermeiden. Die Betriebstemperatur liegt zwischen 0 °C und 35 °C.
4. Meiden Sie bei der Nutzung des Produkts die Nähe starker Magnetfelder.
5. Elektrostatische Entladungen können die normale Verwendung von diesem Gerät stören. Sollte dies geschehen, führen Sie einfach einen Reset aus und starten Sie dann das Gerät entsprechend den Anweisungen dieser Bedienungsanleitung neu. Gehen Sie besonders bei Datenübertragungen mit dem Gerät vorsichtig um und führen Sie diese nur in einer antielektrischen Umgebung aus.
6. **Warnung!** Niemals Gegenstände durch die Lüftungsschlitze oder Öffnungen in das Gerät stecken. In diesem Gerät fließt Hochspannung und das Hineinstecken von Gegenständen kann zu elektrischem Schock und/oder Kurzschluss interner elektrischer Bauteile führen. Aus dem gleichen Grund kein Wasser oder Flüssigkeiten in das Gerät geben.
7. Benutzen Sie das Gerät nicht in nasser oder feuchter Umgebung wie Bad, Dampfküche oder in der Nähe von Schwimmbecken.
8. Das Gerät darf weder Tropf- noch Spritzwasser ausgesetzt werden und es dürfen keine mit Flüssigkeit gefüllten Behälter wie z.B. Vasen auf das Gerät oder in der Nähe des Gerätes gestellt werden.
9. Benutzen Sie das Gerät nicht bei Kondensationsgefahr. Wenn Sie das Gerät in einem warmen feuchten Raum mit Dampf benutzen, dann können Wassertropfen oder Kondensation in das Gerät eindringen und u. U. zu Fehlfunktionen des Geräts führen. Schalten Sie in diesem Fall das Gerät für 1 – 2 Stunden aus, bevor Sie es erneut einschalten: Das Gerät sollte vollständig getrocknet sein, wenn Sie es wieder einschalten.
10. Obwohl dieses Gerät unter größter Sorgfalt und vor Auslieferung mehrmals überprüft wurde, können trotzdem wie bei jedem anderen elektrischen Gerät auch Probleme auftauchen. Trennen Sie das Gerät im Falle einer Rauchentwicklung, starker Hitzeentwicklung oder jeden anderen unnatürlichen Erscheinung sofort vom Netz.
11. Dieses Gerät ist durch eine Stromquelle wie auf dem Typenschild angegeben zu betreiben. Halten Sie bei Unsicherheiten über die Art Ihrer Stromversorgung in Ihrer Wohnung Rücksprache mit Ihrem Händler oder Ihrer Stromzuliefererfirma.
12. Halten Sie Nagetiere vom Gerät fern. Nagetiere lieben es, am Netzkabel zu nagen.
13. Benutzen Sie für die Reinigung ein weiches und trockenes Tuch. Benutzen Sie niemals Lösungsmittel oder Flüssigkeiten auf Ölbasis. Benutzen Sie zum Entfernen hartnäckiger Flecken ein feuchtes Tuch mit mildem Reinigungsmittel.
14. Der Hersteller haftet nicht für Schäden oder Verluste durch Fehlfunktion, Zweckentfremdung oder Modifikation des Geräts oder durch Wechseln der Batterien.
15. Unterbrechen Sie die Verbindung nicht während einer Formatierung oder einer Datenübertragung. Bei Unterbrechung drohen Datenverlust und Datenbeschädigung.
16. Wenn das Gerät eine USB-Wiedergabefunktion besitzt, dann stecken Sie den USB-Stick direkt in das Gerät. Verwenden Sie kein USB-Verlängerungskabel, weil die erhöhte Störanfälligkeit zu Datenverlust führen könnte.
17. Das Typenschild befindet sich an der Unter- oder Rückseite des Gerätes.
18. Dieses Gerät ist nicht zur Benutzung durch Personen (auch Kinder) mit physischen, sensorischen oder mentalen Beeinträchtigungen oder ohne ausreichender Erfahrung vorgesehen, es sei denn, sie werden durch eine verantwortliche Person beaufsichtigt oder wurden in die ordnungsgemäße Bedienung des Gerätes durch eine für ihre Sicherheit verantwortliche Person eingewiesen.
19. Dieses Produkt ist nur für den nicht-professionellen Gebrauch und nicht für gewerbliche oder industrielle Zwecke bestimmt.
20. Stellen Sie sicher, dass das Gerät in einer stabilen Position aufgestellt ist. Schäden, die durch Verwendung dieses Produkts in einer instabilen Position, durch Vibrationen, Stöße oder Nichtbeachtung der anderen in diesem Handbuch enthaltener Warnungen und Vorwarnung entstehen, werden nicht durch die Garantie abgedeckt.
21. Entfernen Sie niemals das Gehäuse dieses Geräts.
22. Stellen Sie dieses Gerät niemals auf andere elektrische Geräte.
23. Halten Sie Kinder von den Plastiktüten fern.
24. Benutzen Sie nur vom Hersteller spezifizierte Erweiterungen/Zubehöreile.
25. Lassen Sie alle Eingriffe von qualifiziertem Servicepersonal ausführen. Eingriffe werden notwendig, wenn das Gerät in irgendeiner Weise beschädigt wurde, beispielsweise am Netzkabel oder am Netzstecker oder wenn Flüssigkeit in das Gerät gelangt ist bzw. Gegenstände in das Gerät gefallen sind, das Gerät Regen oder Feuchtigkeit ausgesetzt war, es heruntergefallen ist oder nicht ordnungsgemäß funktioniert.

26. Längeres Hören lauter Töne aus einem Musikgerät kann zum zeitweiligen oder permanenten Hörverlust führen.
27. Wenn zum Lieferumfang des Produkts eine Netzkabel oder ein Netzadapter gehört:
- Wenn irgendwelche Probleme auftreten, dann trennen Sie das Gerät vom Stromnetz und setzen Sie sich anschließend mit qualifiziertem Personal in Verbindung.
  - Um das Gerät vollständig vom Netz zu trennen, muss der Netzstecker des Gerätes vom Stromnetz getrennt werden, wobei die zu trennende Einheit den Netzstecker des Gerätes bezeichnet.
  - Treten Sie nicht auf das Netzteil und klemmen Sie es auch nicht ein. Seien Sie im näheren Bereich des Steckers und der Herausführungen des Kabels besonders vorsichtig. Stellen Sie keine schweren Gegenstände auf das Netzteil, weil es dadurch beschädigt werden könnte. Halten Sie das gesamte Gerät außerhalb der Reichweite von Kindern! Durch Spielen mit dem Netzkabel können sie sich ernsthafte Verletzungen zuziehen.
  - Trennen Sie das Gerät während eines Gewitters oder bei längerer Nichtbenutzung vom Netz.
  - Die Wandsteckdose muss sich in der Nähe des Geräts befinden und einfach zu erreichen sein.
  - Steckdosen und Verlängerungsleitungen nicht überlasten. Eine Überlastung kann zu Brandgefahr bzw. Stromschlag führen.
  - Geräte der Schutzklasse 1 sind an eine Netzsteckdose mit Schutzleiter anzuschließen.
  - Geräte der Schutzklasse 2 benötigen keinen Schutzleiteranschluss.
  - Halten Sie den Netzstecker in der Hand, wenn Sie ihn aus der Netzsteckdose ziehen. Ziehen Sie ihn nicht durch Zerren am Kabel heraus. Das kann zu einem Kurzschluss führen.
  - Verwenden Sie weder ein beschädigtes Netzkabel noch einen beschädigten Stecker oder eine lockere Steckdose. Es besteht Brand- und Stromschlaggefahr.
28. Wenn das Produkt mit einer Fernbedienung mit Batterien/Knopfzellen geliefert wird oder das Produkt eine derartige Fernbedienung umfasst:

**Warnung:**

- „Die Batterie nicht einnehmen, er besteht Verätzungsgefahr“.
  - [Bei mitgelieferter Fernbedienung] Wenn die Batterie/Knopfzelle verschluckt wird, dann kann dies in nur 2 Stunden zu schweren inneren Verätzungen führen, die zum Tod führen können.
  - Halten Sie neue und gebrauchte Batterien von Kindern fern.
  - Verwenden Sie dieses Produkt nicht weiter und halten Sie es von Kindern fern, wenn das Batteriefach nicht sicher schließt.
  - Suchen Sie umgehend ärztliche Hilfe auf, wenn Sie vermuten, dass Batterien verschluckt oder in Körperöffnungen eingeführt wurden.
29. Warnhinweise bzgl. der Verwendung von Batterien:
- Es besteht Explosionsgefahr, wenn die Batterien nicht korrekt eingelegt werden. Nur mit Batterien des gleichen oder entsprechenden Typs ersetzen.
  - Die Batterie darf während der Benutzung, Aufbewahrung oder des Transports weder sehr hohen oder sehr niedrigen Temperaturen noch niedrigem Luftdruck in großen Höhenlagen ausgesetzt werden.
  - Die Ersetzung der Batterie mit einem falschen Batterietyp kann zum Explodieren der Batterie oder dem Auslaufen von entflammbarem Gas oder entflammbarer Flüssigkeit aus der Batterie führen.
  - Die Entsorgung der Batterie in Feuer oder einem heißen Ofen oder das mechanische Zerkleinern oder Zerteilen der Batterie kann zu Explosionen führen.
  - Das Verbleiben der Batterie in einer Umgebung mit sehr hohen Temperaturen kann zum Explodieren der Batterie oder dem Auslaufen von entflammbarem Gas oder entflammbarer Flüssigkeit führen.
  - Eine einem sehr niedrigen Luftdruck ausgesetzte Batterie kann explodieren oder es kann aus einer einem sehr niedrigen Luftdruck ausgesetzten Batterie entflammbares Gas oder entflammbare Flüssigkeit auslaufen.
  - Augenmerk ist auf den ökologischen Aspekt der Batterieentsorgung zu legen.

**ANSCHLUSS**

- Packen Sie alle Teile aus und entfernen Sie danach die Schutzmaterialien.
- Schließen Sie das Gerät nicht eher an das Netz an, bevor Sie die Netzspannung überprüft haben und alle anderen notwendigen Verbindungen hergestellt sind.

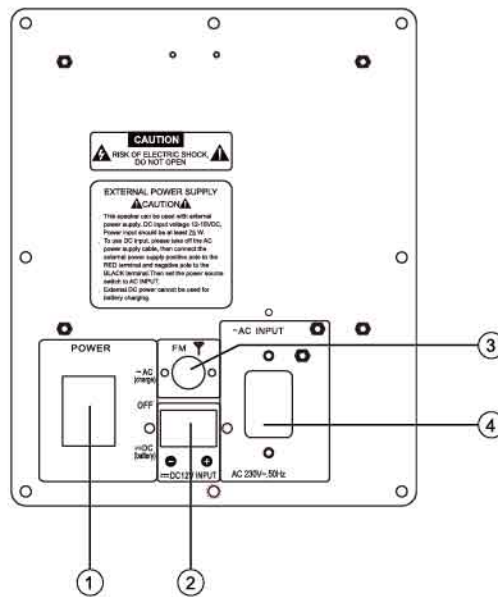


**WARNUNG:** Bei der Teilnahme am Straßenverkehr kann das Hören von Musik über ein Musikgerät von möglichen Gefahren, wie sich annähernden Fahrzeugen, ablenken.

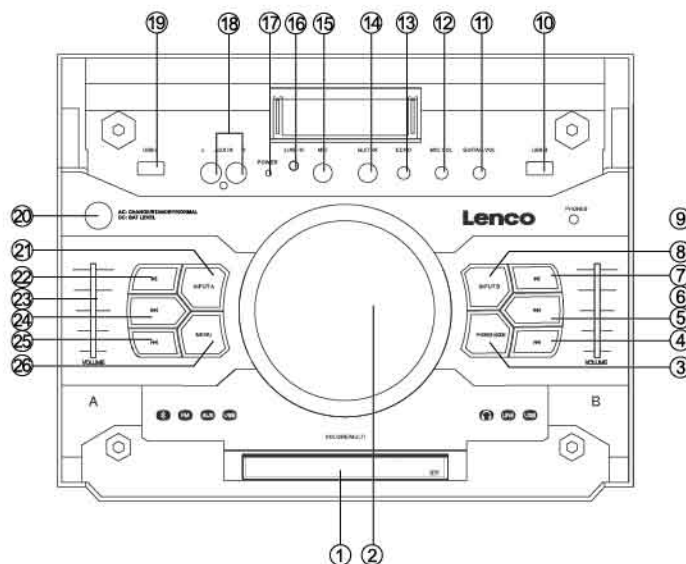


**WARNUNG:** Hören Sie nicht für längere Zeit mit einem hohen Lautstärkepegel, um dauerhaften Hörschäden vorzubeugen.

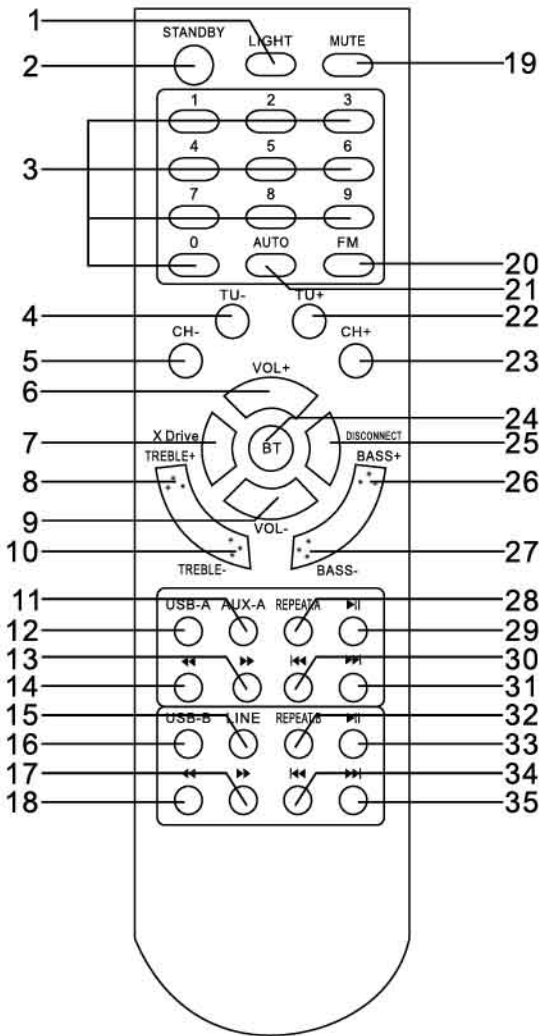




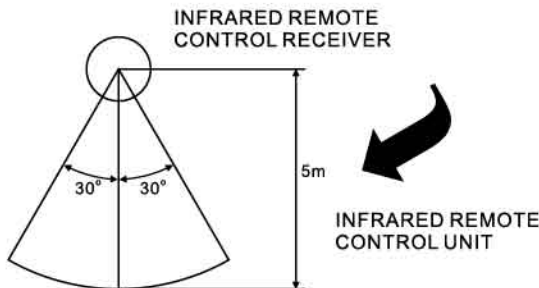
1. Ein/Aus-Schalter  
Schaltermodi: BATTERIEBETRIEB, NETZBETRIEB oder aus.  
Wenn Sie den Schalter auf AC stellen, dann wird der Lautsprecher mit 230 V Netzspannung betrieben und die Batterie aufgeladen.  
Wenn Sie den Schalter auf OFF stellen, dann ist der Lautsprecher ausgeschaltet und die Batterie wird nicht aufgeladen.  
Wenn Sie den Schalter auf DC stellen, dann wird der Lautsprecher über Batterie betrieben.
2. GLEICHSPANNUNGSEINGANG 12 V  
Der Lautsprecher kann an das 12-V-Bordnetz von Autos angeschlossen werden.
3. UKW-ANTENNE
4. WECHSELSPANNUNGSEINGANG 230 V/50 Hz



1. **LED-Display**  
Das Display zeigt Ihnen Informationen über Systemparameter an – auf der linken Seite des Displays wird der Status von EINGANG A, auf der rechten der von EINGANG B angezeigt.
2. **LAUTSTÄRKE/MULTI/DJ-EFFEKT**  
Drehen Sie den Drehregler, um Gesamtlautstärke, Kopfhörerlautstärke, Höhen und Bässe einzustellen. Drücken Sie diese Taste kurz, um die verschiedenen Musikeffekte SCRATCH, REVERB, BEAT BOX, YEAH, BRING IT, GEYA, COME ON auszuwählen. Drücken Sie diese zur Auswahl der SCHLAGZEUGEFFEKTE lang.
3. **KOPFHÖRERMODUS**  
Drücken Sie diese Taste, um zwischen den Kopfhörermodi EINGANG A, EINGANG B und EINGANG AB auszuwählen.
4. **EINGANG B VORHERIGER**  
Drücken Sie diese Taste, um den vorherigen Titel für USB B zu wählen.
5. **EINGANG B NÄCHTER**  
Drücken Sie diese Taste, um den nächsten Titel für USB B zu wählen.
6. **LAUTSTÄRKE EINGANG B**  
Stellen Sie hiermit die Lautstärke für EINGANG B ein.
7. **WIEDERGABE/PAUSE EINGANG B**  
Drücken Sie diese Taste, um die Musikwiedergabe von EINGANG B zu starten oder zu pausieren. Drücken Sie während der USB-Wiedergabe diese Taste lang, um die Anzeige der Wiedergabezeit aufwärts oder abwärts zählend einzustellen.
8. **MODUS EINGANG B**  
Drücken Sie diese Taste, um entweder LINE oder USB B als Eingangsmodi für EINGANG B auszuwählen.
9. **BUCHSE KOPFHÖREREINGANG**
10. **USB-PORT für EINGANG USB B**
11. **GITARRENLAUTSTÄRKE**  
Stellen Sie hier die Lautstärke Ihrer GITARRE ein.
12. **MIKROFONLAUTSTÄRKE**  
Stellen Sie hier die Lautstärke des MIKROFONS ein.
13. **ECHO**  
Stellen Sie hier das ECHO für den MIKROFONEINGANG ein.
14. **GITARRENBUCHSE**
15. **MIKROFONBUCHSE**
16. **AUDIOEINGANGSBUCHSE LINE-IN**  
Schließen Sie hier das LINE-IN-Signal einer Audioquelle an.
17. **DC-Betriebsanzeige-LED**
18. **AUDIOEINGANGSBUCHSE AUX**  
Schließen Sie hier das AUX-OUT-Signal einer Audioquelle an.
19. **USB-PORT für EINGANG USB A**
20. **Bei Wechsellspannung: AUFLADEN/STANDBY/NORMAL**  
Drücken Sie diese Taste lang, um in den Standby-Modus zu wechseln oder das Gerät einzuschalten. Durch kurzes Drücken der Taste können Sie in den AUFLADE-, STANDBY- oder NORMALBETRIEB wechseln.  
Bei BATTERIEBETRIEB: BATTERIELADUNG  
Wenn Sie diese Taste kurz drücken, wird die aktuelle Batterieladung angezeigt.
21. **MODUS EINGANG A**  
Drücken Sie diese Taste, um zwischen den Modi für EINGANG A auszuwählen – AUX A, BLUETOOTH A, UKW, USB A.
22. **WIEDERGABE/PAUSE EINGANG A**  
Drücken Sie diese Taste, um die Musikwiedergabe von EINGANG A zu starten oder zu pausieren. Drücken Sie während der USB-Wiedergabe diese Taste lang, um die Anzeige der Wiedergabezeit aufwärts oder abwärts zählend einzustellen.
23. **LAUTSTÄRKE EINGANG A**  
Stellen Sie hiermit die Lautstärke für EINGANG A ein.
24. **EINGANG A NÄCHTER**  
Drücken Sie diese Taste, um den nächsten Titel für USB A zu wählen.
25. **EINGANG A VORHERIGER**  
Drücken Sie diese Taste, um den vorherigen Titel für EINGANG USB A zu wählen.
26. **MENÜ**  
Mit dieser Taste wählen Sie die Gesamtlautstärke, Bässe, Höhen, X-Drive und Lichtmodus aus.



1. LICHT
2. STANDBY
3. ZIFFERNTASTEN
4. ABSTIMMEN -
5. KANAL -
6. LAUTSTÄRKE +
7. X-DRIVE
8. HÖHEN +
9. LAUTSTÄRKE -
10. HÖHEN -
11. AUX-A
12. USB-A
13. USB-A VORSPULEN ►►
14. USB-A ZURÜCKSPULEN ◄◄
15. LINE
16. USB-B
17. USB-B VORSPULEN ►►
18. USB-B ZURÜCKSPULEN ◄◄
19. STUMM
20. UKW
21. AUTOMATISCH
22. ABSTIMMEN +
23. KANAL +
24. BLUETOOTH
25. TRENNEN
26. BASS +
27. BASS -
28. INPUT-A WIEDERHOLUNG
29. INPUT-A PAUSE ►|
30. INPUT-A VORHERIGER ◄◄
31. INPUT-A NÄCHSTER ►|
32. INPUT-B WIEDERHOLUNG
33. INPUT-B PAUSE ►|
34. INPUT-B VORHERIGER ◄◄
35. INPUT-B NÄCHSTER ►|



**BEDIENUNG FERNBEDIENUNG:**

- Wenn die Fernbedienung in Konflikt mit anderen Geräten steht, wirkt sich dies negativ auf die Bedienung auf.
- Drücken Sie nicht gleichzeitig Tasten am Gerät und auf der Fernbedienung.
- Benutzen Sie 2 Fernbedienungen nicht zur selben Zeit, weil dies zu Fehlfunktionen führt.
- Verwenden Sie nur UM-4 Batterien (Typ AAA). Verwenden Sie gebrauchte und neue Batterien nicht zusammen.
- Wenn eine Batterie ausgelaufen ist, dann reinigen Sie die Fernbedienung gründlich, bevor Sie neue Batterien einsetzen.
- Schalten Sie die beiden Batteriepole nicht kurz. Entsorgen Sie verbrauchte Batterien vorschriftsmäßig.



**NORMALBETRIEB**

1. Wählen Sie über den Ein/Aus-Schalter auf der Rückseite des Lautsprechers entweder den AC- (Netzbetrieb) oder den DC-Modus (Batteriebetrieb) aus.
2. Wählen Sie durch Drücken der Taste EINGANG A auf der Vorderseite des Lautsprechers eine Audioquelle aus. Auf der Anzeige erscheint AUX A, BT A (Bluetooth A), FM (UKW) oder USB A. Drücken Sie für die Auswahl und Anzeige von LINE oder USB B die Taste EINGANG B auf der Vorderseite des Lautsprechers.

**Lautsprecher im Netzbetrieb:**

- Drücken Sie die Taste Standby einmal, um den Lademodus zu aktivieren. Auf dem blauen LED-Display wird das Statussymbol für das Batterieladen angezeigt.
- Wenn Sie die Taste ein zweites Mal drücken, dann schaltet sich der Lautsprecher ein und die grüne Lade-LED leuchtet auf.
- Sie können ebenfalls den Standby-Modus auswählen, ohne die Batterie aufladen zu lassen.

**Lautsprecher im Batteriebetrieb:**

- Wenn Sie die Taste Standby drücken, dann wird auf dem blauen LED-Display der Zustand der Batterieladung angezeigt.

3. Drehen Sie den Drehregler VOLUME/MULTI/DJ EFFECT der Bedieneinheit oder drücken Sie die Taste VOL+/- auf der Fernbedienung, um die Gesamtlautstärke einzustellen. Stellen Sie dann mit dem Lautstärke-Schieberegler die Lautstärke für EINGANG A ein und verwenden Sie den rechten Lautstärke-Schieberegler, um die Lautstärke von EINGANG B zu ändern.
4. Drücken Sie die Taste MENU, um Bass, Höhen, X-Drive, Lautsprecherlicht und Gesamtlautstärke auszuwählen und mit dem Drehregler VOLUME/MULTI/DJ EFFECT einzustellen.
5. Auswahl KOPFHÖRERANGANG. Drücken Sie die Taste PHONES MODE der Bedieneinheit, bis INPUT A, INPUT B oder INPUT AB angezeigt wird und stellen Sie anschließend mit dem Drehregler VOLUME/MULTI/DJ EFFECT die Lautstärke ein.
6. Drücken Sie die Taste LIGHT auf der Fernbedienung oder die Taste MENU der Bedieneinheit, bis der Modus speaker light (Lautsprecherlicht) angezeigt wird und wählen Sie anschließend mit dem Drehregler VOLUME/MULTI/DJ EFFECT einen der Lichtmodi OFF (aus), R, G, B, RG, RB, GB, RGB, AUTO oder DEMO aus.
7. Drücken Sie für eine Stummschaltung die Taste MUTE auf der Fernbedienung. Drücken Sie diese Taste noch einmal, um die Stummschaltung wieder aufzuheben.
8. Drücken Sie X DRIVE auf der Fernbedienung, um den X-Bass ein- oder auszuschalten.

**OPTIONEN FÜR DIE LAUTSPRECHER-LICHTFARBENSTEUERUNG**

- R = rot blinkendes Licht
- G = grün blinkendes Licht
- B = blau blinkendes Licht
- RG = rot und grün blinkendes Licht RB = rot und blau blinkendes Licht GB = grün und blau blinkendes Licht
- RGB = rot, grün und blau blinkendes Licht
- Auto = zyklisches Durchlaufen verschiedener blinkender Farbkombinationen
- Demo = das Licht blinkt und ändert die Farbe, als ob es auf den Rhythmus der Musik reagieren würde.

## TUNERBEDIENUNG

1. Bevor Sie die Radiofunktionen benutzen können, müssen Sie für einen optimalen Empfang die Antenne einstellen.  
Drücken Sie die Taste EINGANG A der Bedieneinheit oder die Taste FM auf der Fernbedienung, um die Funktion „FM“ (UKW) auszuwählen.
2. Drücken Sie die Taste AUTO auf der Fernbedienung oder die Wiedergabetaste für EINGANG A der Bedieneinheit.  
Der Lautsprecher scannt nun automatisch aufwärts nach Radiosendern und speichert nacheinander alle gefundenen Radiosender ab.
3. Drücken Sie die Taste CH+/CH– auf der Fernbedienung, um zwischen den eben abgespeicherten Radiosender zu wechseln.
4. Halten Sie die Taste TU+/TU– auf der Fernbedienung gedrückt, um die Radiofrequenz manuell einzustellen.
5. Halten Sie die Taste NEXT/PREV gedrückt, um Radiosender über die Bedieneinheit auszuwählen.

## KARAOKE- UND GITARRENFUNKTION

1. Der Lautsprecher erkennt automatisch, ob eine GITARRE oder ein MIKROFON angeschlossen wurde. Drehen Sie bitte die Mikrofonlautstärke mit dem Drehregler MIC.VOL der Bedieneinheit herunter und stellen Sie diese nach Anstecken des Mikrofons schrittweise wieder lauter. Hinweis: Im Lieferumfang des PMX-250 ist ein schnurloses Mikrofon enthalten, das mit 2 AA-Batterien (nicht enthalten) betrieben wird. Wenn Sie die Taste auf die Position „EIN“ stellen, können Sie in das Mikrofon sprechen und Lautstärke sowie Echo über das Bedienfeld einstellen.
2. Stellen Sie das Mikrofonecho mit dem Drehregler ECHO der Bedieneinheit ein.
3. Stellen Sie die Gitarrenlautstärke mit dem Drehregler GUITAR.VOL der Bedieneinheit ein.

**Hinweis:** Berühren Sie beim Singen nicht die Mikrofonkapsel, um Rückkopplungen vorzubeugen. Erhöhen Sie die Mikrofonlautstärke schrittweise, um Rückkopplungseffekte zu vermeiden.

## BLUETOOTH KOPPELN UND VERBINDEN

- Schalten Sie alle bereits vorher mit dem Lautsprecher gekoppelten (verbundenen) Bluetooth-Geräte aus.
- Aktivieren Sie das Bluetooth Ihres Mobilgeräts oder ihres Musikplayers.
- Schalten Sie den Lautsprecher ein und wechseln Sie dann in den Bluetooth-Modus. Die blau blinkende „BT“-LED zeigt an, dass sich der Lautsprecher im Kopplungsmodus befindet.
- Suchen Sie mit Ihrem Mobilgerät oder Musikplayer nach Bluetooth-Geräten.
- Wählen Sie aus den Suchergebnissen Ihres Mobilgeräts oder Musikplayers „PMX-250“ aus.
- Wählen Sie OK oder YES (Ja) aus, um den Lautsprecher mit Ihrem Mobilgerät oder Musikplayer zu koppeln.
- Geben Sie wenn nötig als Passwort „0000“ ein. Die permanent blau leuchtende LED zeigt das erfolgreiche Verbinden an.
- Drücken Sie die Taste DISCONNECT auf der Fernbedienung, um die Bluetooth-Verbindung wieder zu trennen.

„Dieses Produkt besitzt eine Bluetooth-Empfangsfunktion, mit der Sie jedoch keine Klänge über Bluetooth übertragen können, d. h. Sie können nur Bluetooth-Audiosignale von externen Quellen wie beispielsweise einem Smartphone kabellos empfangen.“

## FUNKTION DER USB-SCHNITTSTELLE

### USB-Schnittstelle

Der Lautsprecher besitzt 2 USB-Ports. Drücken Sie die Taste EINGANG A, um USB A auszuwählen. Danach können Sie für das Wiedergeben von Musik einen USB-Stick einstecken. Drücken Sie die Taste EINGANG B, um USB B auszuwählen. Danach können Sie für das Wiedergeben von Musik einen USB-Stick einstecken.

**Wichtig:** Die USB-Ports sind nur für eine Datenübertragung ausgelegt. Andere Geräte können mit diesen USB-Ports nicht verwendet werden. Die Verwendung von USB-Verlängerungskabeln ist nicht empfehlenswert.

### ZEITANZEIGE

Im USB-Modus kann entweder die bereits verstrichene oder die noch übrige Zeit angezeigt werden. Durch langes Drücken der Wiedergabe-/Pausetaste können Sie das Aufwärts- bzw. Abwärtszählen der Zeit auswählen.

### AUFLADEN DER BATTERIE

1. Im Batteriemodus steht die Funktion Standby nicht zur Verfügung.
2. Auf der Bedieneinheit leuchtet die Lade-LED. Bei genügend hoher Batterieladung leuchtet diese LED grün.  
Bei geringer Batterieladung wird auf der Anzeige „LOW POWER“ (Batterie schwach) angezeigt und die Lade-LED leuchtet rot.

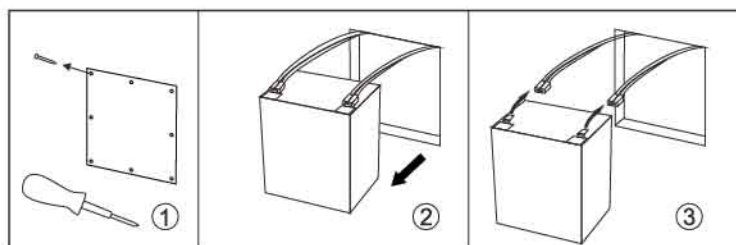
### UM DIE LEBENSDAUER DER INTERNEN BATTERIE ZU SCHÜTZEN:

Schalten Sie den Netzschalter (1) umgehend auf Aus, um die Batterie zu schützen, wenn die interne Batterie entladen ist. Schalten Sie den Netzschalter (1) auf AC und drücken Sie dann die Taste AC (20) solange, bis auf dem Display „charging“ (laden) angezeigt wird, um die Batterie wieder zu laden.

**WICHTIG:** Der Lieferant übernimmt keine Verantwortung für Schäden, die durch unsachgemäße Nutzung des Geräts entstehen. Weiterhin wird die Batterie nicht von der Garantie abgedeckt.

### HERAUSNAHME DER BATTERIE

1. Drehen Sie die Schrauben in der Rückenabdeckung heraus.
2. Nehmen Sie die Batterie heraus.
3. Klemmen Sie die Batterie ab.



### ZUBEHÖR

Fernbedienung	.....	1 x
Bedienungsanleitung	.....	1 x
Funkmikrofon	.....	1 x
Netzkabel	.....	1 x

		TECHNISCHE DATEN
Frequenzbereich	.....	20 Hz – 20 kHz
Stromquelle	.....	230 V~/50 Hz/12 V DC
Leistungsaufnahme	.....	75 W
Batterie	.....	Bleiakku 12 V DC/4,5 Ah
Wiedergabezeit im Batteriebetrieb	.....	Bis zu 10 Stunden bei 50 % Lautstärke
Ausgangsleistung	.....	200 W (RMS)
Mikrofon	.....	Funk 864 MHz
Bluetooth	.....	V4.2
UKW-Radio	.....	87,5 – 108 MHz
Geräteabmessung (B x T x H)	.....	38 x 31,5 x 60,2 mm
Abmessung Hochtonlautsprecher	.....	1 x 1"
Abmessung Tieftonlautsprecher	.....	1 x 3"
Abmessung Tiefbasslautsprecher	.....	1 x 10"
Gerätgewicht	.....	14,8 kg
Betriebstemperatur	.....	10 – 40 °C

- Diese Angaben dienen lediglich als Richtwerte. Die Gewichts- und Größenangaben sind Näherungswerte.
- Unser Produkt wird permanent weiterentwickelt und unterliegt bezüglich Spezifikationen und Funktionen stillschweigenden Änderungen.
- Das Gerät ist ein Gerät der Klasse 1 und muss demzufolge an einer geerdeten Netzsteckdose angeschlossen werden.

#### **Bitte beachten Sie** (Für den Gebrauch des schnurlosen Mikrofons)

Dieses Produkt arbeitet im Frequenzbereich von **864 MHz** und darf nur in einer normalen häuslichen Umgebung verwendet werden. Dieses Produkt ist mit seinem Verwendungszweck für eine Verwendung innerhalb der meisten EU-Länder geeignet.

Der Benutzer hat die Frequenzen für den Ort auf Zulässigkeit zu überprüfen, in dem er das Gerät verwenden möchte.

(Weiter Informationen finden Sie auf: <https://www.apwpt.org>)

Der Benutzer ist für die Verwendung des Produkts eigenverantwortlich. Lenco kann im Falle einer anderen als die in dieser Bedienungsanleitung beschriebene Nutzung des Geräts nicht haftbar gemacht werden.

#### **1. Garantie**

Lenco bietet Leistungen und Garantien im Einklang mit Europäischem Recht. Im Falle von Reparaturen (sowohl während als auch nach Ablauf der Garantiezeit) sollten Sie deshalb Ihren Einzelhändler kontaktieren.

Wichtiger Hinweis: Es ist nicht möglich, Geräte für Reparaturen direkt an Lenco zu schicken.

Wichtiger Hinweis: Falls dieses Gerät von einem nicht autorisierten Kundendienst geöffnet oder darauf zugegriffen wird, erlischt die Garantie.

Dieses Gerät ist nicht für professionelle Zwecke geeignet. Falls das Gerät für professionelle Zwecke eingesetzt wird, erlöschen alle Garantieverpflichtungen seitens des Herstellers.

#### **2. Haftungsausschluss**

Aktualisierungen der Firmware und/oder Hardware-Komponenten werden regelmäßig



durchgeführt. Daher können einige der Anweisungen, Spezifikationen und Abbildungen in dieser Dokumentation von Ihrer individuellen Situation abweichen. Alle in diesem Handbuch beschriebenen Elemente dienen nur zur Illustration und treffen auf Ihre individuelle Situation möglicherweise nicht zu. Aus der in diesem Handbuch getätigten Beschreibung können keine Rechtsansprüche oder Ansprüche geltend gemacht werden.

### 3. Entsorgung des Altgeräts



Dieses Symbol zeigt an, dass das entsprechende Produkt oder dessen Batterie in Europa nicht mit dem normalen Hausmüll entsorgt werden darf. Um die ordnungsgemäße Abfallbehandlung des Produkts und dessen Batterie zu gewährleisten, müssen diese im Einklang mit allen anwendbaren örtlichen Vorschriften zur Entsorgung von Elektrogeräten und Batterien entsorgt werden. Dabei helfen Sie, natürliche Ressourcen zu schonen und Umweltschutzstandards zur Verwertung und Entsorgung von Altgeräten aufrecht zu halten (Waste Electrical and Electronic Equipment Directive).

### 4. CE-Kennzeichen

Hiermit erklärt Lenco Benelux B.V., Thermiekstraat 1a, 6361 HB Nuth, The Netherlands, dass dieses Produkt den grundsätzlichen Anforderungen der EU-Richtlinie entspricht. Die Konformitätserklärung ist erhältlich unter [techdoc@commaxxgroup.com](mailto:techdoc@commaxxgroup.com)



### 5. Service

Weitere Informationen und Unterstützung erhalten Sie unter [www.lenco.com](http://www.lenco.com)  
Lenco Benelux BV, Thermiekstraat 1a, 6361 HB, Die Niederlande.

**ATTENTION :**

L'utilisation de commandes ou de réglages ou l'exécution de procédures autres que celles spécifiées dans ce manuel peut entraîner une exposition à des rayonnements dangereux.

**PRÉCAUTIONS AVANT UTILISATION****GARDEZ CES INSTRUCTIONS À L'ESPRIT :**

1. Ne couvrez pas et n'obturez pas les ouvertures de ventilation. Lorsque vous placez l'appareil sur une étagère, laissez 5 cm (2") d'espace libre tout autour de l'appareil.
2. Installez-le conformément au mode d'emploi fourni.
3. Gardez l'appareil à l'écart des sources de chaleur telles que des radiateurs, appareils de chauffage, fours, bougies et autres produits générant de la chaleur ou une flamme nue. L'appareil ne peut être utilisé que dans des climats tempérés. Il faut éviter les environnements extrêmement froids ou chauds. Température de fonctionnement entre 0 et 35 °C.
4. Évitez d'utiliser l'appareil à proximité de champs magnétiques puissants.
5. Des décharges électrostatiques peuvent perturber le fonctionnement de cet appareil. Dans ce cas, il suffit de réinitialiser et de redémarrer l'appareil en suivant le mode d'emploi. Pendant le transfert de fichiers, manipulez l'appareil avec précaution et faites-le fonctionner dans un environnement sans électricité statique.
6. Mise en garde ! N'introduisez jamais un objet dans l'appareil par les ouvertures et les fentes de ventilation. Étant donné que des tensions élevées sont présentes à l'intérieur du produit, l'insertion d'un objet peut entraîner une électrocution et/ou court-circuiter les composants internes. Pour les mêmes raisons, ne versez pas de l'eau ou un liquide sur le produit.
7. Ne l'utilisez pas dans des endroits humides tels qu'une salle de bain, une cuisine pleine de vapeur ou à proximité d'une piscine.
8. L'appareil ne doit pas être exposé à des écoulements ou des éclaboussures et aucun objet contenant un liquide, tel qu'un vase, ne doit être posé sur ou près de l'appareil.
9. N'utilisez pas cet appareil lorsque de la condensation est possible. Lorsque l'appareil est utilisé dans une pièce chaude et humide, des gouttelettes d'eau ou de la condensation peuvent se produire à l'intérieur de l'appareil et celui-ci pourrait ne pas fonctionner correctement ; laissez-le l'appareil éteint pendant 1 ou 2 heures avant de le rallumer : l'appareil doit être sec avant d'être mis sous tension.
10. Bien que ce dispositif soit fabriqué avec le plus grand soin et contrôlé à plusieurs reprises avant de quitter l'usine, des problèmes peuvent néanmoins survenir, comme avec tous les appareils électriques. Si l'appareil émet de la fumée ou en cas d'accumulation excessive de la chaleur ou d'un phénomène inattendu, débranchez immédiatement la fiche d'alimentation du secteur.
11. Cet appareil doit fonctionner avec la source d'alimentation indiquée sur la plaque signalétique. Si vous n'êtes pas sûr du type d'alimentation utilisé chez vous, contactez votre revendeur ou le fournisseur local d'électricité.
12. Tenez l'appareil à l'abri des rongeurs. Les rongeurs aiment mordre les cordons d'alimentation.
13. Pour nettoyer l'appareil, servez-vous d'un chiffon doux et sec. N'utilisez pas de solvant ni d'autre liquide à base de pétrole. Pour enlever les taches importantes, vous pouvez vous servir d'un chiffon humide imbibé d'une solution de détergent diluée.
14. Le fournisseur n'est pas responsable des dommages ou pertes de données causés par un dysfonctionnement, une utilisation abusive, une modification de l'appareil ou un remplacement de la batterie.
15. N'interrompez pas la connexion lorsque l'appareil transfère des fichiers. Dans le cas contraire, les données pourraient être endommagées ou perdues.
16. Si l'appareil a une fonction de lecture USB, il convient de brancher la clé USB directement sur l'appareil. N'utilisez pas de rallonge USB, car cela peut causer des interférences provoquant une perte de données.
17. La plaque signalétique se situe en dessous ou à l'arrière de l'appareil.
18. Cet appareil ne doit pas être utilisé par des personnes (enfants compris) souffrant de handicaps physiques, sensoriels ou mentaux, ou manquant d'expérience et de connaissances, sauf si elles sont sous surveillance ou ont reçu des instructions sur l'utilisation correcte de l'appareil par la personne qui est responsable de leur sécurité.
19. Ce produit est conçu pour un usage non professionnel, et non commercial ou industriel.
20. Vérifiez que l'appareil est en position stable. La garantie ne couvre pas les dégâts occasionnés par des vibrations, par des chocs, par l'utilisation de cet appareil en position instable ou par la non-observation de tout autre avertissement ou précaution contenus dans ce mode d'emploi.
21. Ne retirez jamais le boîtier de l'appareil.
22. Ne placez jamais cet appareil sur un autre appareil électrique.
23. Ne laissez pas les sacs en plastique à la portée des enfants.
24. Utilisez uniquement les accessoires recommandés par le fabricant.
25. Confiez l'entretien et les réparations à un personnel qualifié. Une réparation est nécessaire lorsque l'appareil a été endommagé de quelque façon que ce soit, par exemple lorsque le cordon d'alimentation ou la prise sont endommagés, lorsqu'un liquide s'est déversé ou des objets ont été introduits dans l'appareil, lorsque l'appareil a été exposé à la pluie ou à l'humidité, lorsqu'il ne fonctionne pas correctement ou est tombé.



26. Une exposition prolongée à la musique avec un volume élevé peut entraîner une perte auditive temporaire ou permanente.
27. Si le produit est livré avec un câble d'alimentation ou un adaptateur secteur :
- Au moindre problème, débranchez le cordon d'alimentation et adressez-vous à un technicien qualifié.
  - Pour que l'alimentation soit parfaitement déconnectée, la fiche d'alimentation de l'appareil doit être débranchée de la prise secteur.
  - Ne marchez pas sur l'adaptateur secteur ou ne le coincez pas. Faites très attention, en particulier à proximité des fiches et du point de sortie du câble. Ne placez pas d'objets lourds sur l'adaptateur secteur, car ils pourraient l'endommager. Gardez l'appareil hors de portée des enfants ! Ils pourraient se blesser gravement s'ils jouent avec le câble d'alimentation.
  - Débranchez cet appareil pendant les orages ou lorsqu'il n'est pas utilisé pendant une longue durée.
  - La prise secteur doit être installée près de l'appareil et doit être facilement accessible.
  - Ne surchargez pas les prises de courant ou les rallonges. Une surcharge peut entraîner un incendie ou une électrocution.
  - Les appareils de classe 1 doivent être branchés à une prise de courant disposant d'une connexion protectrice à la terre.
  - Les appareils de classe 2 ne nécessitent pas de connexion à la terre.
  - Tirez toujours sur la fiche pour débrancher le cordon de la prise secteur. Ne tirez pas sur le cordon d'alimentation. Cela pourrait provoquer un court-circuit.
  - N'utilisez pas un cordon ou une fiche d'alimentation endommagé ni une prise desserrée. Vous courez un risque d'incendie ou de décharge électrique.
28. Si le produit contient ou est livré avec une télécommande contenant des piles boutons :
- Avertissement :
- « N'ingérez pas la pile, car vous risquez une brûlure chimique » ou une formule équivalente.
  - Quand la télécommande est fournie]L'ingestion d'une pile bouton peut causer de graves brûlures internes en seulement 2 heures et causer la mort.
  - Tenez les piles neuves et usagées hors de portée des enfants.
  - Si le compartiment à piles ne se ferme pas correctement, cessez d'utiliser l'appareil et tenez-le hors de portée des enfants.
  - Si vous pensez que les piles ont été avalées ou placées à l'intérieur d'une partie du corps, consultez un médecin immédiatement.
29. Mise en garde concernant l'utilisation des batteries :
- Risque d'explosion si la pile est mal remplacée. Remplacez les piles par des piles d'un type identique ou équivalent.
  - La batterie ne peut pas être soumise à des températures extrêmes élevées ou basses, à une faible pression d'air à haute altitude pendant l'utilisation, le stockage ou le transport.
  - Remplacement d'une batterie d'un type incorrect qui peut entraîner une explosion ou une fuite de liquide ou de gaz inflammable.
  - Élimination d'une batterie dans un feu ou un four chaud, ou broyage ou découpe mécanique d'une batterie, qui peut entraîner une explosion.
  - Le fait de laisser une batterie dans un environnement extrêmement chaud qui peut entraîner une explosion ou une fuite de liquide ou de gaz inflammable.
  - Batterie soumise à une pression d'air extrêmement basse qui peut entraîner une explosion ou une fuite de liquide ou de gaz inflammable.
  - Veuillez considérer les questions environnementales lors de la mise au rebut des piles.

#### INSTALLATION

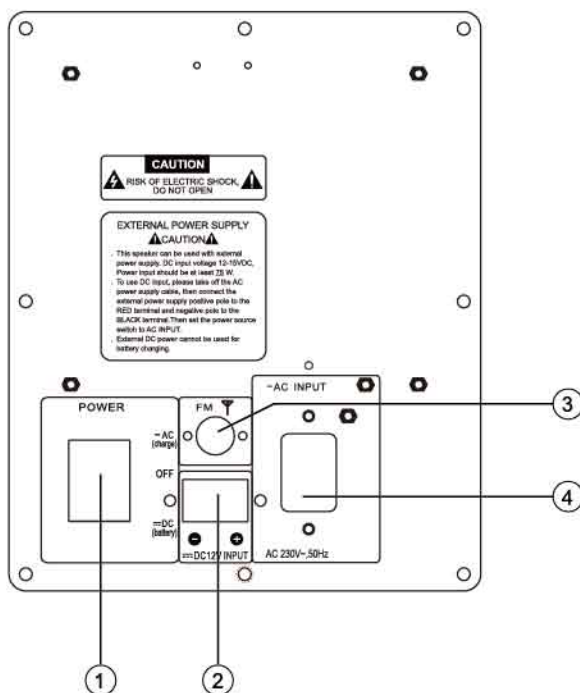
- Déballez toutes les pièces et enlevez le matériau de protection.
- Ne connectez pas l'unité au secteur avant d'avoir vérifié la tension du secteur et avant que toutes les autres connexions n'aient été effectuées.



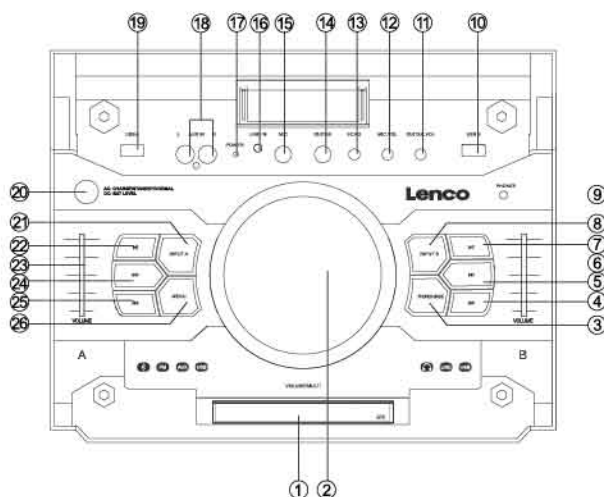
**AVERTISSEMENT** : L'utilisation d'un lecteur de musique personnel dans la circulation peut détourner l'attention de l'auditeur de dangers potentiels tels que l'approche des voitures.



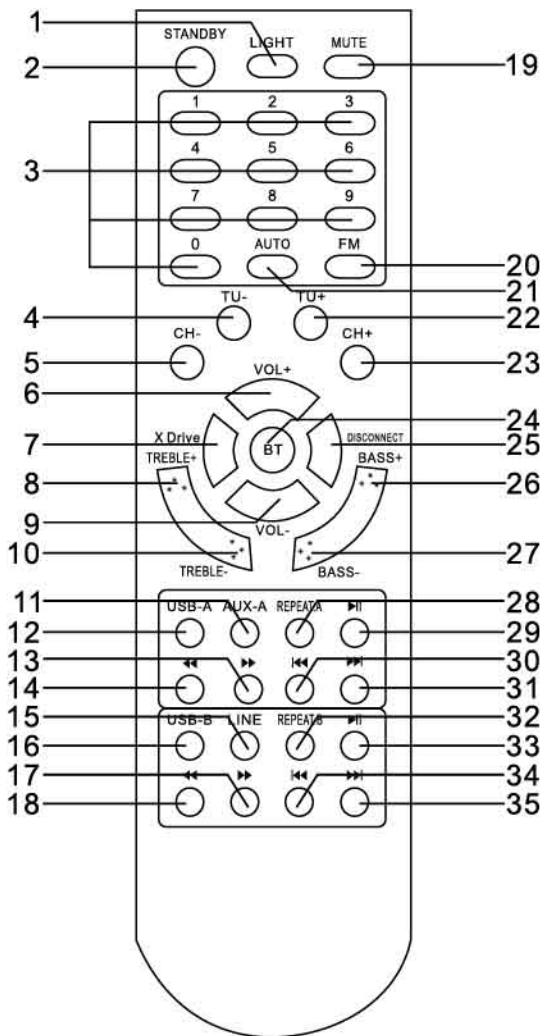
**AVERTISSEMENT** : Pour éviter une éventuelle détérioration de l'ouïe, n'écoutez pas la musique à un niveau de volume élevé pendant des périodes prolongées.



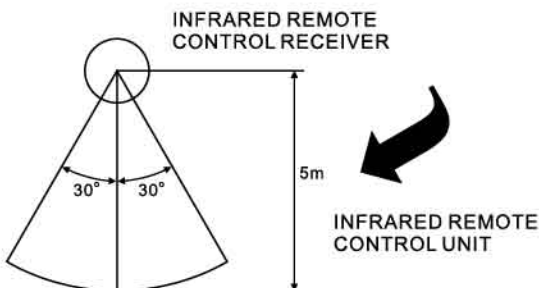
1. Interrupteur marche/arrêt  
Pour basculer entre les modes ENTRÉE CC, ENTRÉE CA ou DÉSACTIVÉ.  
Quand l'enceinte est réglée sur CA, elle fonctionne sur 230 V et la batterie se chargera.  
Quand l'appareil est réglé sur OFF, il est hors tension et la batterie ne se charge pas.  
Quand il est réglé sur CC, l'enceinte est alimentée par batterie.
2. ENTRÉE CC 12 V  
L'enceinte peut être raccordée à la batterie de 12 V CC d'une voiture.
3. ANTENNE FM
4. ENTRÉE CA : CA 230 V~, 50 Hz



1. **ÉCRAN LED**  
Pour afficher les informations de paramètres du système, le côté gauche de l'écran indique l'état de ENTRÉE A, tandis que le côté droit de l'écran indique l'état de ENTRÉE B.
2. **VOLUME/MULTI/EFFET DJ**  
Pivotez la molette pour régler le volume principal, le volume des écouteurs, les aiguës et les basses. Appuyez brièvement sur cette touche pour choisir différents effets de musique : SCRATCH, REVERB, BEAT BOX, YEAH, BRING IT, GEYA, COME ON. Appuyez longuement pour lire l'effet DRUMS (batterie).
3. **MODE ÉCOUTEURS**  
Appuyez sur cette touche pour choisir parmi les différents modes ÉCOUTEURS, ENTRÉE A, ENTRÉE B et ENTRÉE AB.
4. **PRÉC ENTRÉE B**  
Appuyez sur cette touche pour choisir la piste musicale précédente avec USB B.
5. **SUIV ENTRÉE B**  
Appuyez sur cette touche pour choisir la piste musicale suivante avec USB B.
6. **ENTRÉE B**  
Cela sert à régler le volume avec ENTRÉE B.
7. **LECTURE/PAUSE ENTRÉE B**  
Appuyez sur cette touche pour choisir la lecture/mise en pause de la piste musicale suivante avec ENTRÉE B.  
En lisant une clé USB, appuyez longuement sur cette touche pour basculer entre compte à rebours et compte positif et de durée de lecture.
8. **MODE ENTRÉE B**  
Appuyez sur cette touche pour choisir un autre mode ENTRÉE B, LINE et USB B.
9. **PRISE D'ENTRÉE D'ÉCOUTEURS**
10. **Prise d'entrée USB B**
11. **VOLUME DE LA GUITARE**  
Pour régler le volume de la GUITARE.
12. **VOLUME DU MICROPHONE**  
Pour régler le volume du MICROPHONE.
13. **ÉCHO**  
Pour régler l'ÉCHO de l'entrée MIC (micro).
14. **Prise GUITARE**
15. **Prise MICRO**
16. **PRISE D'ENTRÉE AUDIO D'ENTRÉE DE LIGNE**  
Pour connecter une prise d'entrée de signal LINE IN (entrée de ligne).
17. **Lumière à alimentation CC**
18. **PRISE D'ENTRÉE AUDIO AUX**  
Pour connecter une prise d'entrée de signal AUX.
19. **Prise d'entrée USB A**
20. **Sur CA : CHARGE/VEILLE/NORMAL**  
Appuyez longuement sur cette touche pour mettre l'appareil en marche ou en veille. Appuyez brièvement sur cette touche pour mettre l'appareil en mode CHARGE, VEILLE ou NORMAL.  
**Sur CC : NIVEAU DE BATTERIE**  
Appuyez sur cette touche pour afficher le niveau de batterie actuel.
21. **MODE D'ENTRÉE A**  
Appuyez sur cette touche pour choisir parmi les différents modes ENTRÉE A : AUX A, BT A, FM et USB A.
22. **LECTURE/PAUSE ENTRÉE A**  
Appuyez sur cette touche pour choisir la lecture/mise en pause avec ENTRÉE A.  
En lisant une clé USB, appuyez longuement sur cette touche pour basculer entre compte à rebours et compte positif et de durée de lecture.
23. **VOLUME D'ENTRÉE A**  
Cela sert à régler le volume de ENTRÉE A.
24. **SUIV ENTRÉE A**  
Appuyez sur cette touche pour choisir la piste musicale suivante avec USB A.
25. **PRÉC ENTRÉE A**  
Appuyez sur cette touche pour choisir la piste musicale précédente avec ENTRÉE USB A.
26. **MENU**  
Cet interrupteur permet de sélectionner les modes volume principal, basses, aiguës, X Drive et lumière.



1. LUMIÈRE
2. MISE EN VEILLE
3. PAVÉ NUMÉRIQUE
4. RÉGLAGE-
5. CHAÎNE-
6. VOLUME+
7. X DRIVE
8. AIGUËS+
9. VOLUME-
10. AIGUËS-
11. AUX-A
12. USB-A
13. USB-A AVANCER ►►
14. USB-A RECULER ◄◄
15. LIGNE
16. USB-B
17. USB-B AVANCER ►►
18. USB-B RECULER ◄◄
19. MUET
20. FM
21. AUTO
22. RÉGLAGE+
23. CHAÎNE+
24. BT
25. DÉCONNECTER
26. BASSES+
27. BASSES-
28. ENTRÉE-A RÉPÉTER
29. ENTRÉE-A PAUSE ►|
30. ENTRÉE-A PRÉCÉDENT ◄◄
31. ENTRÉE-A SUIVANT ►►
32. ENTRÉE-B RÉPÉTER
33. ENTRÉE-B PAUSE ►|
34. ENTRÉE-B PRÉCÉDENT ◄◄
35. ENTRÉE-B SUIVANT ►►



**FONCTIONNEMENT DE LA TÉLÉCOMMANDE :**

- Si la télécommande entre en conflit avec d'autres appareils, cela altèrera son fonctionnement.
- N'appuyez pas simultanément sur des boutons sur l'appareil et la télécommande.
- Évitez d'utiliser deux télécommandes en même temps, car cela causerait un dysfonctionnement.
- Utilisez uniquement des piles UM-4 de taille « AAA ». Ne mélangez pas les batteries anciennes et neuves.
- Si les batteries fuient, nettoyez soigneusement la télécommande avant de changer les piles.
- Ne court-circuitez pas deux bornes des piles. Mettez au rebut les piles usagées dans un endroit approprié.

**FONCTIONNEMENT NORMAL**

1. Avec l'interrupteur marche/arrêt à l'arrière de l'enceinte, sélectionnez le mode CA ou DC CC.
2. Sélectionnez une source audio en appuyant sur la touche ENTRÉE A en façade pour afficher AUX A, BT A, FM, USB A. Appuyez sur la touche INPUT B en façade pour afficher LINE (ligne), USB B.

**Quand l'appareil est en mode CA :**

- Un premier appui sur le bouton veille active le mode de charge, en affichant l'état de charge de la batterie sur l'écran LED bleu.
- Une deuxième appui sur le bouton veille active l'enceinte et allume le voyant de charge vert.
- Vous pouvez également sélectionner le mode veille sans charger la batterie.

**Quand l'appareil est en mode CC :**

- un appui sur le bouton veille affiche le niveau de la batterie sur l'écran LED bleu.
3. Tournez la molette VOLUME/MULTI/DJ EFFECT en façade ou appuyez sur la touche VOL+/- de la télécommande pour régler le volume principal. Ensuite, réglez le curseur du volume de ENTRÉE A et utilisez le curseur du volume droit pour changer le volume de ENTRÉE B.
  4. Pour régler les basses, les aiguës, X-Drive, les lumières de l'enceinte et le volume principal, appuyez sur la touche menu pour sélectionner basses, aiguës, X-Drive et lumières de l'enceinte, puis pivotez la grande molette VOLUME/MULTI/DJ EFFECT.
  5. Sélection de la SORTIE ÉCOUTEURS. Appuyez sur le bouton PHONES MODE en façade pour afficher ENTRÉE A, ENTRÉE B ou ENTRÉE AB et réglez le volume de A, B ou AB en pivotant la molette MULTI DJ EFFECT.
  6. Appuyez sur la touche LIGHT de la télécommande ou appuyez sur le bouton MENU en façade jusqu'à ce que mode lumière de l'enceinte s'affiche, puis pivotez la molette VOLUME/MULTI/DJ EFFECT pour sélectionner les modes de lumière OFF (désactivé), R, G, B, RG, RB, GB, RGB, AUTO ou DEMO.
  7. Appuyez sur la touche MUTE de la télécommande pour mettre le son en sourdine, appuyez dessus pour réinitialiser.
  8. Appuyez sur la touche X DRIVE de la télécommande pour activer/désactiver l'effet X-Bass.

**OPTIONS DE COMMANDE DE COULEUR DE LUMIÈRE DE L'ENCEINTE**

- R = lumières rouges clignotantes
- G = lumières vertes clignotantes
- B = lumières bleues clignotantes
- RG = lumières rouges et vertes clignotantes  
RB = lumières rouges et bleues clignotantes  
GB = lumières vertes et bleues clignotantes
- RGB = lumières rouges, vertes et bleues clignotantes
- Auto = les diverses combinaisons lumineuses alternent et clignent.
- Demo = les lumières clignent et changent de couleur comme si elles répondaient au rythme de la musique.



## APPLICATIONS DU SYTONISEUR

1. Avant d'utiliser les fonctions de la radio, vous devez régler l'antenne pour optimiser la réception. Appuyez sur la touche ENTRÉE A en façade ou sur la touche FM de la télécommande pour sélectionner la fonction « FM ».
2. Appuyez sur la touche AUTO de la télécommande ou le bouton Lecture du panneau de commande de ENTRÉE A.  
La machine recherchera les stations de radio par fréquence croissante automatiquement et mémorisera les stations trouvées une par une.
3. Appuyez sur la touche CH+/CH- de la télécommande pour modifier les présélections de radio mémorisées au préalable.
4. Maintenez enfoncée la touche TU+/TU- de la télécommande pour régler manuellement la fréquence radio.
5. Pour sélectionner les stations de radio à partir du panneau de commande, maintenez enfoncés les boutons suiv/préc.

## FONCTIONS KARAOKÉ ET GUITARE

1. L'appareil peut détecter automatiquement si un MICROPHONE ou une GUITARE sont raccordés. Désactivez le volume du microphone avec la molette MIC.VOL en façade et réglez le volume progressivement après avoir branché le microphone. Remarque : le PMX-250 est livré avec un microphone sans fil utilisant des piles 2AA (non fournies). Lorsque vous mettez le bouton sur « ON (Marche) », vous pouvez parler dans celui-ci et régler le volume et l'écho sur le panneau de commande.
2. Réglez la molette ECHO en façade pour modifier l'ÉCHO du microphone.
3. Réglez la molette GUITAR VOL en façade pour modifier le VOLUME de la guitare.

**Remarque :** Ne touchez pas le dessus du microphone en chantant afin d'éviter un effet d'hurllement. Réglez progressivement le volume du microphone afin d'éviter un effet d'hurllement.

## APPARIEMENT ET CONNEXION PAR BLUETOOTH

- Éteignez tous les appareils Bluetooth précédemment appariés (associés) à cet appareil.
- Activez la fonction Bluetooth sur votre téléphone ou votre lecteur audio.
- Mettez en marche cet appareil et réglez-le en mode Bluetooth. Le voyant bleu clignotant « BT » sur l'écran LED indique que l'appareil est en mode d'appariement.
- Recherchez les appareils Bluetooth avec votre téléphone ou lecteur audio.
- Sélectionnez « PMX-250 » dans les résultats de recherche sur votre téléphone ou lecteur audio.
- Sélectionnez OK ou YES (oui) pour appairer cet appareil avec votre téléphone ou lecteur audio.
- Si un mot de passe est demandé, saisissez 0000, puis la connexion sera établie si le voyant bleu reste allumé.
- Appuyez sur la touche « DISCONNECT » sur la télécommande pour désactiver la fonction Bluetooth.

« Ce produit est doté d'une fonction de réception bluetooth, vous ne pouvez pas l'utiliser pour transmettre un son bluetooth : cela signifie que vous pouvez recevoir sans fil un signal sonore bluetooth d'une source externe comme un smartphone. »



## UTILISATION D'UNE CLÉ USB

### Interface USB

Cet appareil a deux prises USB. Appuyez sur la touche ENTRÉE A pour sélectionner USB A, puis vous pouvez insérer une clé USB pour lire de la musique. Appuyez sur la touche ENTRÉE B pour sélectionner USB B, puis vous pouvez insérer une autre clé USB pour lire de la musique.

**Important** : Le port USB est conçu uniquement pour transférer des données, d'autres appareils ne peuvent pas être utilisés avec cette connexion USB. Il est déconseillé d'utiliser des rallonges USB.

## AFFICHAGE DE L'HEURE

En mode USB, l'écran peut afficher la durée écoulée ou restante.

En appuyant longuement sur la touche lecture/pause, vous pouvez sélectionner l'affichage négatif ou positif de la durée.

## CHARGE DE LA BATTERIE

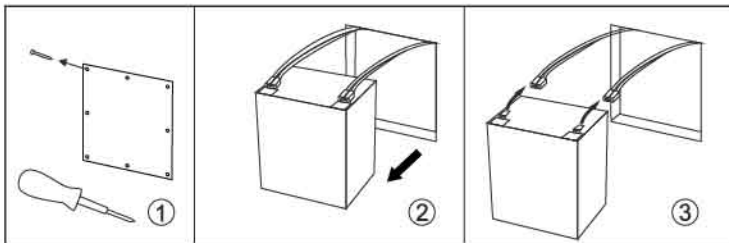
1. Quand l'appareil est en alimenté par batterie, la commande de veille est indisponible.
2. Le panneau de commande a un voyant de charge. Quand la batterie est suffisamment chargée, le voyant vert est allumé.  
Quand la batterie est faible, le système affiche le message « LOW POWER » (batterie faible) et le voyant rouge est allumé.

Pour préserver la durée de vie de la batterie interne : lorsque la batterie interne est déchargée, réglez immédiatement l'interrupteur marche/arrêt (1) en position désactivée, afin de protéger la batterie. Pour recharger la batterie, réglez l'interrupteur marche/arrêt (1) en position CA et appuyez sur le bouton CA activé (20) jusqu'à ce que l'écran affiche « charging » (charge en cours).

**IMPORTANT** : Le fournisseur n'est pas responsable quant à des dommages dus à une mauvaise utilisation de l'appareil et la batterie ne serait pas couverte par la garantie.

## DÉMONTAGE DE LA BATTERIE

1. Enlevez les vis sur le panneau arrière.
2. Sortez la batterie.
3. Déconnectez la batterie.



## ACCESSOIRES

Télécommande	_____	1 pc
Mode d'emploi	_____	1 pc
Microphone sans fil	_____	1 pc
Câbles d'alimentation CA	_____	1 pc

	CARACTÉRISTIQUES
Réponse en fréquence	20 Hz à 20 kHz
Source d'alimentation	230V ~ 50Hz/12VCC
Puissance consommée	75 W
Batterie	Plomb/acide 12 VCC, 4,5 Ah
Autonomie en lecture CC	~10 h à 50 % du volume
Sortie d'alimentation	200 W (RMS)
Microphone	Sans fil 864 MHz
Bluetooth	V4.2
Radio FM	87,5 à 108 MHz
Dimensions de l'appareil (L X P X H)	38 x 31,5 x 60,2 mm
Taille du haut-parleur d'aiguës	1 x 1 pouce
Taille du haut-parleur	1 x 3 pouces
Taille du caisson de basses	1 x 10 pouces
Poids de l'appareil	14,8 kg
Température de fonctionnement	10 à 40 °C

- Les caractéristiques sont indiquées uniquement à titre indicatif. Les valeurs de poids et de taille sont des approximations.
- Étant donné que nous améliorons constamment nos produits, leurs caractéristiques et fonctions peuvent changer sans préavis.
- Il s'agit d'un appareil de classe 1, il doit être branché à une prise secteur mise à la terre.

**Remarque** (Pour l'utilisation du microphone sans fil)

Ce produit fonctionne à une fréquence de **864 MHz** et il est conçu pour être utilisé uniquement au sein d'un environnement privé normal. Ce produit convient à cette fin dans la plupart des pays de l'UE.

L'utilisateur doit vérifier les fréquences permises du pays où l'appareil sera utilisé.

(Pour en savoir plus, visitez : <https://www.apwpt.org>)

L'utilisateur est responsable de l'utilisation de cet appareil. La société Lenco ne peut être pas tenue pour responsable si cet appareil est utilisé à d'autres fins que celles décrites dans ce mode d'emploi.

**1.Garantie**

Lenco propose un entretien et une garantie conformément à la législation européenne, ce qui signifie qu'en cas de besoin de réparation (aussi bien pendant et après la période de garantie), vous pouvez contacter votre revendeur le plus proche.

Remarque importante : Il n'est pas possible de renvoyer l'appareil pour réparation directement à Lenco.

Remarque importante : Si l'unité est ouverte ou modifiée de quelque manière que ce soit par un réparateur non agréé, la garantie serait caduque.

Cet appareil ne convient pas à une utilisation professionnelle. En cas d'utilisation professionnelle, les obligations de garantie du fabricant seront annulées.

**2.Clause de non responsabilité**

Des mises à jour du logiciel et/ou des composants informatiques sont régulièrement effectuées. Il se peut donc que certaines instructions, caractéristiques et images présentes dans ce document

diffèrent légèrement de votre configuration spécifique. Tous les articles décrits dans ce guide le sont fournis uniquement à des fins d'illustration et peuvent ne pas s'appliquer à une configuration spécifique. Aucun droit légal ne peut être obtenu depuis les informations contenues dans ce manuel.

### 3. Mise au rebut de l'appareil usagé



Ce symbole indique que l'équipement électrique concerné ou la batterie ne doivent pas être jetés parmi les autres déchets ménagers en Europe. Afin de garantir un traitement approprié de la batterie ou de l'appareil usagés, veuillez les mettre au rebut conformément à la réglementation locale en vigueur relative aux équipements électriques et autres batteries. En agissant de la sorte, vous contribuerez à la préservation des ressources naturelles et à l'amélioration des niveaux de protection environnementale concernant le traitement et la destruction des déchets électriques (Directive sur les déchets des équipements électriques et électroniques).

### 4. Marquage CE

Par la présente, Lenco Benelux B.V., Thermiekstraat 1a, 6361 HB Nuth, Pays-Bas, déclare que ce produit est conforme aux exigences principales des directives européennes. La déclaration de conformité peut être consultée au lien : [techdoc@commaxxgroup.com](mailto:techdoc@commaxxgroup.com)



### 5. Service

Pour en savoir plus et obtenir de l'assistance, visitez [www.lenco.com](http://www.lenco.com)  
Lenco Benelux BV, Thermiekstraat 1a, 6361 HB, The Netherlands.

**PRECAUCIÓN:**

El uso de los controles o ajustes o el funcionamiento de los procedimientos excepto a aquellos especificados aquí pueden provocar una exposición peligrosa a la radiación.

**PRECAUCIONES PREVIAS AL USO****TENGA ESTAS INSTRUCCIONES EN MENTE:**

1. No cubra o bloquee ninguna apertura de ventilación. Cuando coloque el dispositivo en una estantería, deje 5 cm (2") de espacio libre alrededor de todo el dispositivo.
2. Instálelo conforme al manual de usuario que se adjunta.
3. Mantenga el aparato alejado de fuentes de calor, como radiadores, calentadores, estufas, velas u otros productos que generen calor o llama viva. El aparato solo puede usarse en climas moderados. Se deben evitar los entornos extremadamente fríos o cálidos. La temperatura de funcionamiento debe estar entre 0° y 35° C.
4. Evite usar el dispositivo cerca de campos magnéticos fuertes.
5. Una descarga electrostática puede entorpecer el uso normal de este dispositivo. En tal caso, simplemente reinicielo siguiendo el manual de instrucciones. Durante la transmisión de archivos, por favor manéjelo con cuidado opérela en un entorno libre de electricidad estática.
6. ¡Advertencia! Nunca inserte un objeto en el producto a través de las ventilaciones o aperturas. Alto voltaje fluye a través del producto e insertar un objeto puede provocar una descarga eléctrica y/o un cortocircuito de sus componentes internos. Por el mismo motivo, no derrame agua o líquidos en el producto.
7. No lo utilice en zonas húmedas, como cuartos de baño, cocinas en las que se forme vapor ni cerca de piscinas.
8. El aparato no debe exponerse a goteos o salpicaduras y asegúrese de que ningún objeto lleno de líquido, como jarrones, se colocan sobre o cerca del aparato.
9. No use este dispositivo cuando se pueda producir condensación. Cuando la unidad se use en una habitación húmeda y cálida con humedad, se pueden producir gotitas de agua o condensación dentro de la unidad y puede que esta no funcione adecuadamente; deje la unidad apagada durante 1 o 2 horas antes de volver a encender la unidad: la unidad debe secarse antes de conectarla potencia alguna.
10. Aunque este dispositivo está fabricado con el máximo cuidado y comprobado varias veces antes de salir de fábrica, todavía es posible que se puedan producir problemas, al igual que con todos los aparatos eléctricos. Si observa la aparición de humo, una acumulación excesiva de calor o cualquier otro fenómeno inesperado, deberá desconectar inmediatamente el enchufe de la toma de corriente.
11. Este dispositivo debe funcionar con una fuente de alimentación que se especifica en la etiqueta de especificaciones. Si no está seguro del tipo de alimentación que se usa en su hogar, consulte con el distribuidor o una compañía eléctrica local.
12. Manténgalo alejado de los roedores. Los roedores disfrutan mordiendo cables de alimentación.
13. Para limpiar el dispositivo use un paño seco y suave. No utilice líquidos disolventes ni con base de petróleo. Para eliminar manchas difíciles, puede usar un paño húmedo con detergente diluido.
14. El proveedor no asume ninguna responsabilidad por daños o datos perdidos provocados por un funcionamiento incorrecto, uso incorrecto, modificación del dispositivo o sustitución de la batería.
15. No interrumpa la conexión cuando el dispositivo esté formateando o transfiriendo archivos. En caso contrario, los datos se pueden estropear o perder.
16. Si la unidad dispone de función de reproducción USB, se debe conectar la memoria USB directamente en la unidad. No utilice cables de extensión USB ya que pueden crear interferencias que causen una pérdida de datos.
17. La etiqueta identificativa aparece marcada en la parte inferior o en el trasero del aparato.
18. Este aparato no está diseñado para su uso por personas (incluyendo niños) con discapacidades físicas, sensoriales o mentales o con falta de experiencia o conocimientos, salvo que estén bajo la supervisión o hayan recibido formación sobre el uso correcto del dispositivo por parte de una persona responsable de su seguridad.
19. Este producto está diseñado para un uso no profesional únicamente y no para un uso comercial o industrial.
20. Asegúrese de que la unidad esté fijada en una posición estable. La garantía no cubrirá aquellos daños causados por el uso de este producto en una posición inestable, por vibraciones o impactos o por no seguir las advertencias o precauciones que contiene este manual de usuario.
21. No retire nunca la carcasa de este aparato.
22. Nunca coloque el aparato sobre otro equipo eléctrico.
23. Mantenga las bolsas de plástico fuera del alcance de los niños.
24. Use únicamente los dispositivos/accesorios especificados por el fabricante.
25. Remita todas las reparaciones al personal cualificado. La reparación es necesaria cuando el aparato presente cualquier tipo de daño, como el cable de alimentación o el enchufe, cuando se haya derramado líquido o hayan caído objetos sobre el aparato, o cuando el aparato se haya visto expuesto a la lluvia o humedad, o no funcione normalmente o se haya caído.
26. La exposición prolongada a sonidos fuertes de reproductores personales de música puede provocar pérdida de audición temporal o permanente.
27. Si el producto se entrega con cable de alimentación o adaptador de alimentación CA:
  - Si se produce cualquier problema, desconecte el cable de alimentación CA y remita el mantenimiento a personal de servicio cualificado.



- Para desconectar completamente la entrada de alimentación, el enchufe del aparato deberá desconectarse de la alimentación, ya que el dispositivo de desconexión es el enchufe del aparato.
- No pise o pince el adaptador de alimentación. Tenga mucho cuidado, en especial cerca de las tomas y el punto de salida del cable. No coloque objetos pesados en el adaptador de alimentación, ya que pueden dañarlo. ¡Mantenga el dispositivo fuera del alcance de los niños! Si juegan con el cable de alimentación, puede sufrir lesiones graves.
- Desconecte el dispositivo durante tormentas eléctricas o cuando no vaya a usarse durante periodos prolongados de tiempo.
- La salida de la toma debe instalarse cerca del equipo y debe ser fácilmente accesible.
- No sobrecargue las tomas CA o los cables de extensión. La sobrecarga puede provocar un incendio o una descarga eléctrica.
- Los dispositivos con construcción de Clase 1 deben estar conectados a una toma de corriente con una conexión a tierra protegida.
- Los dispositivos con construcción Clase 2 no requieren una conexión a tierra.
- Sujete siempre el enchufe cuando los extraiga de la toma de corriente. No tire del cable de alimentación. Esto puede provocar un cortocircuito.
- No utilice un cable de alimentación o enchufe deteriorado o una toma suelta. Si lo hace, podría provocar un incendio o una descarga eléctrica.

28. Si el producto contiene o se entrega con un mando a distancia que contiene pilas de botón / celdas:

Advertencia:

- “Ni ingiera la pila, riesgo de quemadura química” o frase equivalente.
- [El mando a distancia que se suministra con] Este producto contiene una pila de botón / celdas que si se ingiere puede causar graves quemaduras internas en solo 2 horas y puede provocar la muerte.
- Mantenga las pilas nuevas o usadas fuera del alcance de los niños.
- Si el compartimiento de la pila no se cierra correctamente, deje de usar el producto y no lo deje al alcance los niños.
- Si tiene la sospecha de que una pila ha sido ingerida o se encuentra en algún lugar del cuerpo, busque inmediatamente atención médica.

29. Precaución con el uso de las pilas:

- Existe riesgo de explosión si la pila no se sustituye correctamente. Sustitúyala únicamente con otra del mismo tipo u otro equivalente.
- La pila no debe estar sometida a temperatura extremadamente altas o bajas, una presión baja del aire a gran altitud durante su uso, almacenamiento o transporte.
- La sustitución de una pila por un tipo incorrecto puede provocar una explosión o la fuga de líquido o gas inflamable.
- La eliminación de la pila en un fuego o en un horno, o cortando o aplastando mecánicamente una pila, puede provocar una explosión.
- Dejar una pila en un entorno circundante con temperaturas extremadamente altas puede provocar una explosión o la fuga de líquido o gas inflamable.
- Una pila sometida a una presión del aire extremadamente baja puede provocar una explosión o la fuga de líquido o gas inflamable.
- Se debe prestar atención a los aspectos medioambientales sobre la eliminación de baterías.

## INSTALACIÓN

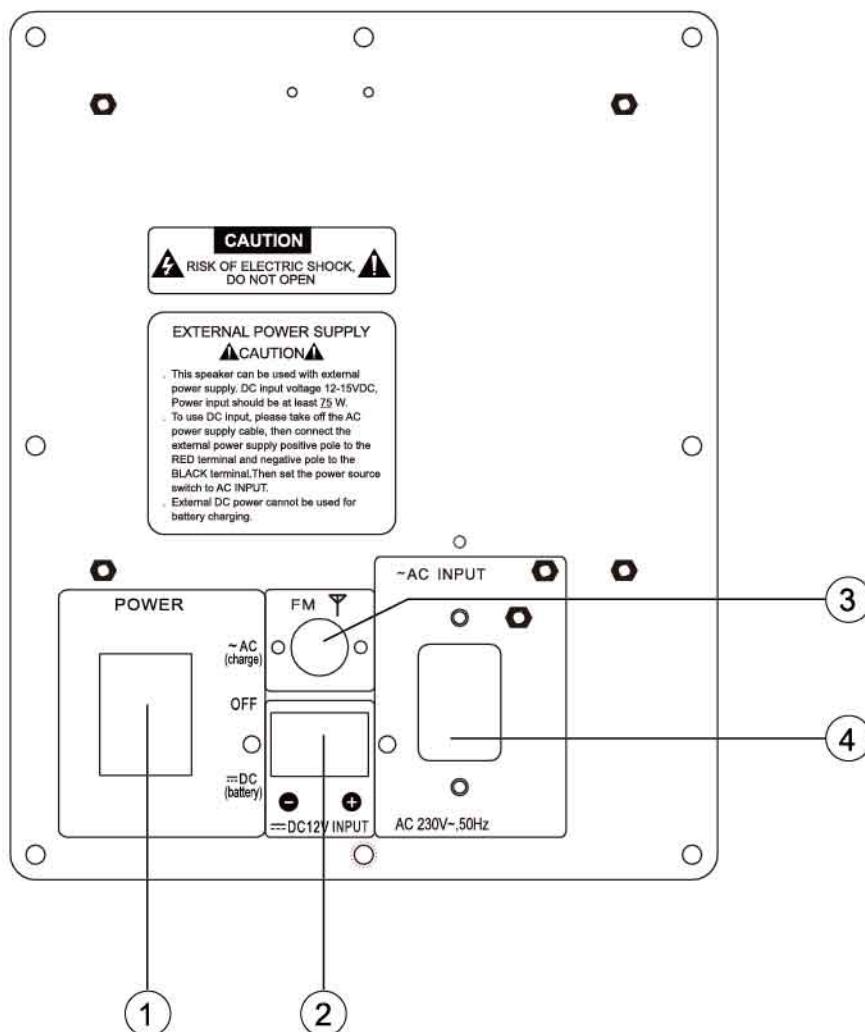
- Desembale todas las piezas y retire el material protector.
- No conecte la unidad a la corriente eléctrica antes de comprobar la tensión de la corriente y antes de que se hayan hecho todas las demás conexiones.



**ADVERTENCIA:** Utilizar un reproductor de música personal mientras participa en el tráfico puede hacer que el usuario esté menos atento a los peligros potenciales, como vehículos que se acercan.



**ADVERTENCIA:** Para evitar posibles daños en la audición, no la escuche a volúmenes elevados durante largos periodos de tiempo.



1. Interruptor de encendido

Modos de cambio ENTRADA CC, ENTRADA CA u off.

Cuando se cambia al estado CA, el altavoz funciona a 230V y se cargará la batería.

Cuando se cambia a apagado, la alimentación está apagada y no hay carga de la batería.

Cuando se cambia a CC, el altavoz está alimentado por la batería.

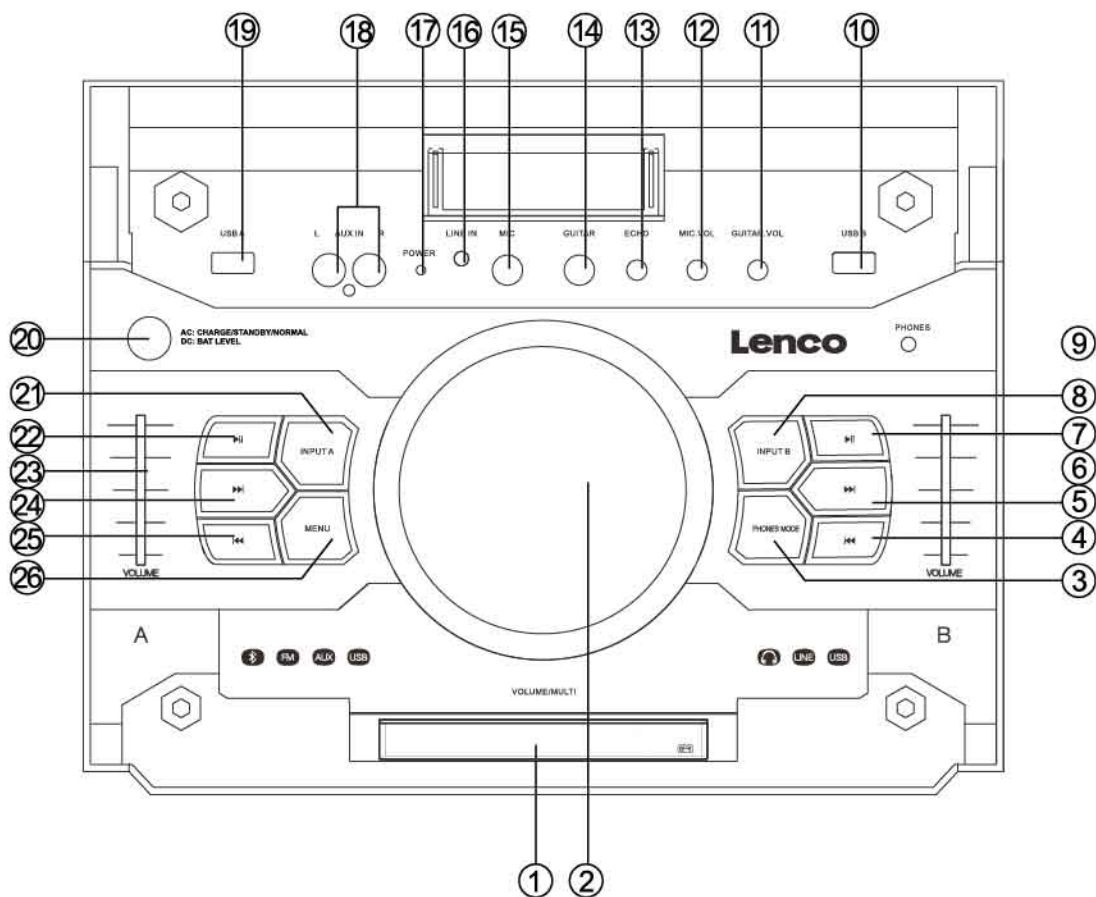
2. ENTRADA CC DE 12V

El altavoz puede conectarse a la batería CC de 12V de un vehículo.

3. ANTENA FM

4. ENTRADA CA CA 230V~,50Hz





1. PANTALLA LED

Información de parámetros del sistema de pantalla: la parte izquierda de la pantalla muestra el estados de la ENTRADA A; la parte derecha de la pantalla muestra el estado de ENTRADA B

2. VOLUMEN/MULTI/EFECTO DJ

Gire el dial para ajustar el volumen principal, volumen del teléfono, agudos y bajos. Pulse brevemente esta tecla para elegir los diferentes efectos musicales, SCRATCH, REVERB, BEAT BOX, YEAH, BRING IT, GEYA, COME ON. Púlsela durante un periodo prolongado de tiempo para reproducir el efecto de PERCUSIÓN.

3. MODO TELÉFONO

Pulse esta tecla para elegir los diferentes modos AURICULARES, ENTRADA A, ENTRADA B, ENTRADA AB

4. ENTRADA B ANTERIOR

Pulse esta tecla para elegir la música anterior con USB B

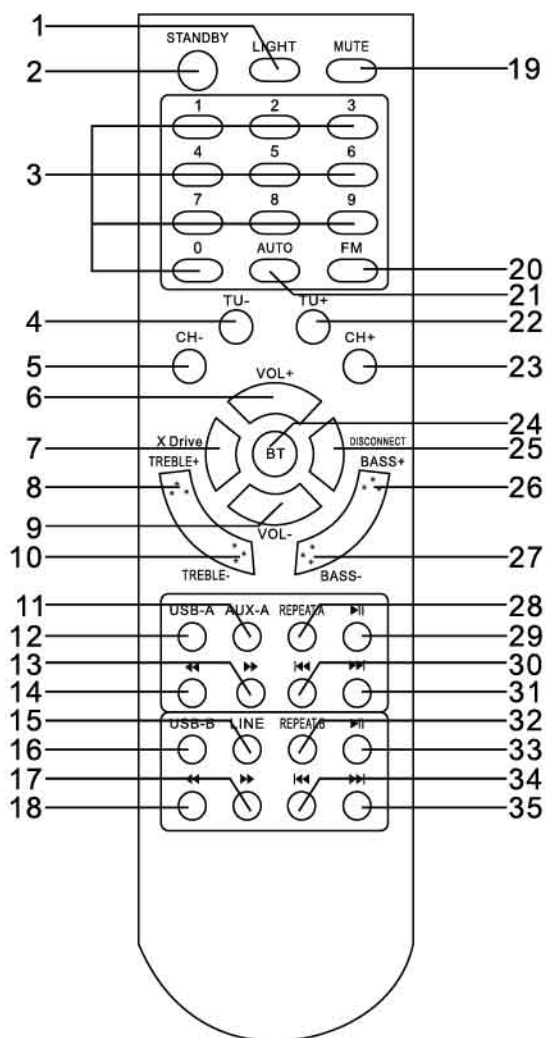
5. ENTRADA B SIGUIENTE

Pulse esta tecla para elegir la siguiente música con USB B

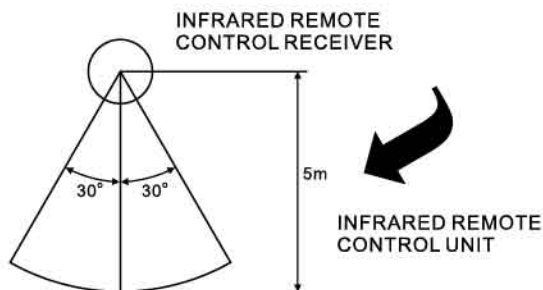
6. ENTRADA B VOLUMEN

Esto se usa para ajustar el volumen con ENTRADA B

7. **ENTRADA B REPRODUCIR/HACER UNA PAUSA**  
Pulse esta tecla para elegir reproducir/hacer una pausa en la música con ENTRADA B  
Cuando reproduzca un USB, pulse esta tecla durante un periodo prolongado de tiempo para cambiar la cuenta atrás o cuenta hacia delante de la reproducción.
8. **MODO ENTRADA B**  
Pulse esta tecla para elegir entre los diferentes modos ENTRADA B, LÍNEA, USB B
9. **TOMA DE ENTRADA DE AURICULARES**
10. **Toma de entrada USB B**
11. **VOLUMEN DE LA GUITARRA**  
Ajusta el volumen de la GUITARRA
12. **VOLUMEN DEL MICRÓFONO**  
Ajusta el volumen del MICRÓFONO
13. **ECO**  
Ajusta el ECO de la entrada del MICRÓFONO
14. **Toma de GUITARRA**
15. **Toma de MICRÓFONO**
16. **TOMA DE ENTRADA DE AUDIO DE ENTRADA DE LÍNEA**  
Conéctela a la toma de entrada de señal LINE IN (ENTRADA DE LÍNEA).
17. **Luz de alimentación CC**
18. **TOMA DE ENTRADA DE AUDIO AUXILIAR**  
Conéctelo a la toma de entrada de señal AUXILIAR.
19. **Toma de entrada USB A**
20. **en CA: CARGA/EN ESPERA/NORMAL**  
Pulsar durante un periodo prolongado esta tecla enciende o pone la unidad en espera. Pulsar brevemente esta tecla enciende la unidad en modo CARGA, EN ESPERA o NORMAL  
**En CC: NIVEL DE BATERÍA**  
Al pulsar esta tecla se muestra el nivel de batería actual.
21. **MODO DE ENTRADA A**  
Pulse esta tecla para elegir los diferentes modos de ENTRADA A, AUX A, BT A, FM, USB A
22. **ENTRADA A REPRODUCCIÓN/PAUSA**  
Pulse esta tecla para elegir reproducción/pausa de la música con ENTRADA A  
Mientras reproduce un USB, pulsar durante un periodo prolongado de tiempo esta tecla cambia la cuenta atrás o cuenta hacia delante del tiempo de reproducción.
23. **ENTRADA A VOLUMEN**  
Esto se usa para ajustar el volumen de ENTRADA A
24. **ENTRADA A SIGUIENTE**  
Pulse esta tecla para elegir la siguiente música con USB A
25. **ENTRADA A ANTERIOR**  
Pulse esta tecla para elegir la música anterior con ENTRADA USB A
26. **MENU**  
Este interruptor selecciona el modo de volumen principal, bajos, agudos, x-drive y luz.



1. LUZ
2. ESPERA
3. BOTONES NUMÉRICOS
4. SINTONIZANDO-
5. CANAL-
6. VOLUMEN+
7. DRIVE X
8. AGUDOS+
9. VOLUMEN-
10. AGUDOS-
11. AUXILIAR-A
12. USB-A
13. USB-A HACIA DELANTE ►►
14. USB-A HACIA ATRÁS ◄◄
15. LÍNEA
16. USB-B
17. USB-B HACIA DELANTE ►►
18. USB-B HACIA ATRÁS ◄◄
19. SILENCIO
20. FM
21. AUTOMÁTICO
22. SINTONIZAR+
23. CANAL+
24. BT
25. DESCONECTAR
26. BASE+
27. BASE-
28. ENTRADA-A REPETIR
29. ENTRADA-A PAUSA ◄|
30. ENTRADA-A ANTERIOR ◄◄
31. ENTRADA-A SIGUIENTE ►►
32. ENTRADA-B REPETIR
33. ENTRADA-B PAUSA ◄|
34. ENTRADA-B ANTERIOR ◄◄
35. ENTRADA-B SIGUIENTE ►►



**FUNCIONAMIENTO DEL MANDO A DISTANCIA:**

- Si el mando a distancia entra en conflicto con otros dispositivos, se verá afectado su funcionamiento.
- No pulse simultáneamente botones en la unidad y en el mando a distancia.
- Evite usar dos mandos a distancia a la vez ya que esto provocará un funcionamiento incorrecto.
- Use únicamente pilas UM-4 tamaño 'AAA'. No mezcle pilas antiguas con nuevas.
- Si las pilas presentan fugas, limpie bien el mando a distancia antes de sustituir las pilas.
- No cortocircuite dos terminales de las pilas. Deshágase de las pilas antiguas en un lugar adecuado.

## FUNCIONAMIENTO NORMAL

1. Seleccione el interruptor de alimentación situado en la parte posterior de la unidad del altavoz bien en modo CA o CC.
2. Seleccione una fuente de audio pulsando la tecla ENTRADA A situada en el panel frontal para mostrar AUX A, BT A, FM, USB A. Pulse la tecla ENTRADA B situada en el panel frontal para mostrar LINE, USB B.

### Cuando la unidad está en modo CA:

- Pulsar una vez el botón en espera active el modo de carga, mostrando el estado de carga de la batería en la pantalla LED de color azul.
- Pulsar el botón en espera una segunda vez activará el altavoz y mostrará la luz de carga de color verde.
- Asimismo puede seleccionar el modo en espera sin cargar la batería.

### Cuando la unidad está en modo CC:

- Pulsar el botón en espera muestra el nivel de batería en la pantalla LED de color azul
3. Gire el dial VOLUME/MULTI/DJ EFFECT en el panel de control o la tecla VOL+/- en el mando a distancia para ajustar el volumen principal. Posteriormente ajuste el deslizador de volumen de ENTRADA A y use el deslizador de volumen derecho para cambiar el volumen de ENTRADA B.
  4. Para ajustar los bajos, agudos, X-drive, luces del altavoz y volumen principal pulse la tecla del menú para seleccionar los bajos, agudos, X-drive, luces del altavoz, y después gire el dial grande VOLUME/MULTI/DJ EFFECT.
  5. Selección de SALIDA DE TELÉFONO. Pulse el botón PHONES MODE en el panel de control para mostrar ENTRADA A, ENTRADA B, o ENTRADA AB y ajuste el volumen de A, B o AB girando el dial de multi efectos DJ.
  6. Pulse el botón LIGHT en el mando a distancia o pulse el botón MENU en el panel frontal hasta que se muestre el modo luz del altavoz; posteriormente gire el dial VOLUME/MULTI/DJ EFFECT para seleccionar el modo de luz OFF (APAGAR), R, G, B, RG, RB, GB, RGB, AUTO, DEMO.
  7. Pulse la tecla MUTE en el mando a distancia para silenciarlo; vuélvalo a pulsar para reanudarlo.
  8. Pulse X DRIVE en el mando a distancia para conectar/desconectar el efecto X-Bass.

## OPCIONES DE CONTROL DE COLOR DE LAS LUCES DEL ALTAVOZ

- R = parpadean las luces rojas
- G = parpadean las luces verdes
- B = parpadean las luces azules
- RG = parpadean las luces rojas y verdes RB = parpadean las luces rojas y azules GB = parpadean las luces verdes y azules
- RGB = parpadean las luces rojas, verdes y azules
- Auto = las diversas combinaciones de colores cambian y parpadean.
- Demo = las luces parpadean y cambian de color como si respondieran al ritmo de la música.

## APLICACIONES DE LA RADIO

1. Antes de usar las funciones de la radio, debe ajustar la antena para obtener la recepción óptima. Pulse la tecla ENTRADA A en el panel frontal o la tecla FM en el mando a distancia para seleccionar la función "FM".
2. Pulse la tecla AUTO en el mando a distancia o el botón reproducir en el panel de control de ENTRADA A. El aparato buscará canales de radio desde la frecuencia baja a la frecuencia alta y guarda los canales encontrados uno a uno.
3. Pulse la tecla CH+/CH- en el mando a distancia para cambiar las presintonías de radio que se hayan guardado previamente.
4. Mantenga pulsada la tecla TU+/TU- en el mando a distancia para ajustar manualmente la frecuencia de radio.
5. Para seleccionar emisoras de radio del panel de control, mantenga pulsados los botones siguiente/ anterior.

## FUNCIÓN KARAOKE Y GUITARRA

1. El aparato puede conectar automáticamente si se ha conectado un MICRÓFONO o una GUITARRA. Por favor, apague del micrófono con el dial MIC.VOL situado en el panel frontal y ajuste el volumen gradualmente tras insertar el micrófono. Comentario: El PMX-250 se entrega con un micrófono inalámbrico que usa 2 pilas AA (no incluidas). Cuando cambie el botón a la posición "ON ", puede hablar a través de él y ajustar el volumen y el eco en el panel de control.
2. Ajuste el dial ECO situado en el panel frontal para cambiar el micrófono a ECO.
3. Ajuste el dial GUITAR VOL en el panel frontal para cambiar el VOLUMEN de la guitarra.

**Nota:** No toque la parte superior del micrófono cuando cante para evitar el efecto aullido. Ajuste gradualmente el volumen del micrófono para evitar el efecto aullido.

## EMPAREJAMIENTO Y CONEXIÓN BLUETOOTH

- Desconecte cualquier dispositivo Bluetooth previamente emparejados (vinculados) con esta unidad.
- Conecte la propiedad Bluetooth de su teléfono o reproductor de música.
- Conecte y fije esta unidad en modo Bluetooth. La luz azul que parpadea "BT" en la pantalla LED indica que está en modo emparejamiento.
- Fije su teléfono o reproductor de música para que busque los dispositivos Bluetooth.
- Seleccione 'PMX-250' de los resultados de la búsqueda en su teléfono o reproductor de música.
- Seleccione OK o YES (SÍ) para emparejar esta unidad con su teléfono o reproductor de música.
- Si está protegido, introduzca 0000 como contraseña; la luz azul constante indica una conexión con éxito.
- Pulse la tecla DISCONNECT en el mando a distancia para desconectar el Bluetooth.

«Este producto dispone de una función de recepción bluetooth, no puede transmitir ningún sonido bluetooth con ella: esto significa que puede recibir de forma inalámbrica una señal de sonido bluetooth desde una fuente externa como un smartphone»



**FUNCIÓN DEL LECTOR USB**

**Interfaz USB**

Esta unidad dispone de dos tomas USB. Pulse la tecla ENTRADA A para seleccionar USB A; posteriormente, puede insertar una memoria USB para reproducir música. Pulse la tecla ENTRADA B para seleccionar USB A; posteriormente, puede insertar otra memoria USB para reproducir música.

**Importante:** El puerto USB tiene como finalidad únicamente la transferencia de datos; no se pueden usar otros dispositivos con esta conexión USB. No se recomienda el uso de cables de extensión USB.

**MOSTRAR HORA**

En modo USB, la pantalla puede mostrar bien el tiempo transcurrido o el tiempo restante. Pulsando durante un periodo prolongado de tiempo la tecla reproducción/pausa, puede seleccionar la pantalla positiva o negativa del tiempo.

**CARGAR LA BATERÍA**

1. Cuando la batería está en modo alimentada, no se puede usar el funcionamiento en espera.
2. El panel de control dispone de una luz de carga. Cuando la batería está lo suficientemente cargada, la luz es de color verde.  
Cuando la batería está baja, la pantalla del sistema avisa de 'LOW POWER' (BATERÍA BAJA) y la luz de vuelve de color rojo.

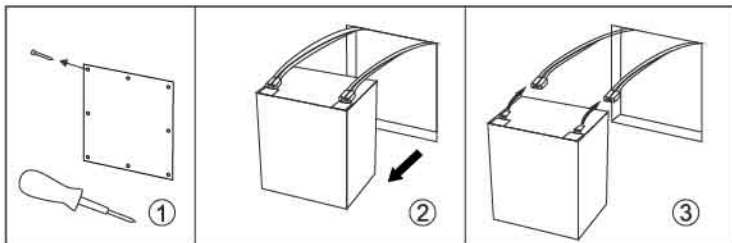
Para proteger la vida útil de la batería interna:

Cuando se descarga la batería interna, pulse inmediatamente el interruptor de alimentación (1) a la posición off, para proteger la vida útil de la batería. Para recargar la batería, pulse el interruptor de alimentación (1) a la posición AC y pulse el botón ac ENCENDIDO (20) hasta que la pantalla muestre "charging (carga)".

**IMPORTANTE:** El proveedor no asume ninguna responsabilidad para los daños causados debido al uso incorrecto del aparato y la batería no estará cubierta por la garantía.

**DESMONTAJE DE LA BATERÍA**

1. Retire los tornillos del panel posterior.
2. Extraiga la batería.
3. Desconecte la batería



**ACCESORIOS**

Mando a distancia	.....	1 unidad
Manual de instrucciones	.....	1 unidad
Micrófono inalámbrico	.....	1 unidad
Cable de alimentación CA	.....	1 unidad

	ESPECIFICACIONES
Respuesta de frecuencia	20Hz-20KHz
Fuente de alimentación	230V ~ 50Hz/12VCC
Consumo de energía	75W
Batería	Plomo/Ácido 12VCC, 4,5 Ah
Tiempo de reproducción CC	~10 horas al 50% de volumen
Potencia de salida	200W (RMS)
Micrófono	Inalámbrico 864 MHz
Bluetooth	V4.2
Radio FM	87,5-108 MHz
Tamaño de la unidad (A x D x A)	38 x 31,5 x 60,2 mm
Tamaño del altavoz de agudos	2,54 x 2,54 cm
Tamaño del woofer	2,54 x 7,62 cm
Tamaño del subwoofer	2,54 x 25,4 cm
Peso de la unidad	14,8 kg
Temperatura de funcionamiento	10-40 °C

- La especificación se presenta solo como referencia. Los valores del peso y del tamaño son aproximados.
- Nuestro producto se mejora constantemente y las especificaciones y funciones pueden cambiarse sin previo aviso.
- Se trata de una unidad clase 1 y debe conectarse a una toma de alimentación a tierra.

**Tenga en cuenta** (Para el uso del micrófono inalámbrico)

Este producto opera a una frecuencia de **864 MHz** y está diseñado sólo para usarse en un entorno doméstico normal. Este producto es adecuado para su uso con esta finalidad en la mayoría de los países de la UE.

El usuario debe comprobar las frecuencias permitidas del país donde se usará la unidad.

(Se puede obtener más información en : <https://www.apwpt.org>)

El usuario es responsable del uso de esta unidad. Lenco no asume ninguna responsabilidad si se usa esta unidad para una finalidad diferente a aquella descrita en este manual.

**1.Garantía**

Lenco ofrece servicio y garantía en cumplimiento con las leyes de la Unión Europea, lo cual implica que, en caso de que su producto precise ser reparado (tanto durante como después del periodo de garantía), deberá contactar directamente con su distribuidor.

Nota importante: No es posible enviar sus reparaciones directamente a Lenco.

Nota importante: Si la unidad es abierta por un centro de servicio no oficial, la garantía quedará anulada.

Este aparato no es adecuado para el uso profesional. En caso de darle un uso profesional, todas las obligaciones de garantía del fabricante quedarán anuladas.

## 2.Exención de responsabilidad

Regularmente se llevan a cabo actualizaciones en el Firmware y en los componentes del hardware. Por esta razón, algunas de las instrucciones, especificaciones e imágenes incluidas en este documento pueden diferir ligeramente respecto a su situación particular. Todos los elementos descritos en esta guía tienen un objetivo de mera ilustración, y pueden no ser de aplicación en su situación particular. No se puede obtener ningún derecho ni derecho legal a partir de la descripción hecha en este manual.

## 3.Eliminación del antiguo dispositivo



Este símbolo indica que no deberá deshacerse del producto eléctrico o batería en cuestión junto con los residuos domésticos, en el ámbito de la UE. Para garantizar un tratamiento residual correcto del producto y su batería, por favor, elimínelos cumpliendo con las leyes locales aplicables sobre requisitos para el desecho de equipos eléctricos y baterías. De hacerlo, ayudará a conservar recursos naturales y mejorar los estándares de protección medioambiental en el tratamiento y eliminación de residuos eléctricos (Directiva sobre la Eliminación de Equipos Eléctricos y Electrónicos).

## 4.Marca CE

Por la presente, Lenco Benelux B.V., Thermiekstraat 1a, 6361 HB Nuth, Países Bajos, declara que este producto cumple con las exigencias esenciales de la directiva de la UE. La declaración de conformidad puede consultarse mediante [techdoc@commaxxgroup.com](mailto:techdoc@commaxxgroup.com)



## 5.Service (Servicio)

Para obtener más información y soporte del departamento técnico, por favor, visite la página web [www.lenco.com](http://www.lenco.com)

Lenco Benelux BV, Thermiekstraat 1a, 6361 HB, Países Bajos.