



USER MANUAL (GB)	2
MANUEL D'UTILISATION (FR).....	14
BEDIENUNGSANLEITUNG (DE)	26
MANUALE PER L'UTENTE (IT).....	38
GEBRUIKSAANWIJZING (NL).....	50
MANUAL DE INSTRUÇÕES (PT)	62
MANUAL DE USUARIO (ES)	74
BRUGERVEJLEDNING (DK)	86
BRUKERMANUAL (NO).....	98
INSTRUKTIONSMANUAL (SE).....	110
KÄYTTÖOHJE (FI)	122
РУКОВОДСТВО ПОЛЬЗОВАТЕЛЯ (RU). 134	
ΟΔΗΓΙΕΣ ΧΡΗΣΗΣ (GR)	146
INSTRUKCJA UŻYTKOWANIA (PL) .	158
NÁVOD K POUŽITÍ (CZ).....	170
POUŽÍVATEĽSKÁ PRÍRUČKA (SK)..	182
KULLANMA KILAVUZU (TR).....	194



INSTRUCTIONS FOR SAFE USE

This appliance should only be used for private household use, as described in this user guide. Please ensure that this guide is fully understood before operating the appliance and keep for future reference.

Always switch off and remove the plug from the socket after use, or before cleaning the appliance or any maintenance task.

This appliance can be used by children aged from 8 years and above and persons with reduced physical, sensory or mental capabilities or lack of experience and knowledge if they have been given supervision or instruction concerning use of the appliance in a safe way and understand the hazards involved. Children shall not play with the appliance.

Cleaning and user maintenance shall not be made by children without supervision.

If the power cord is damaged stop using the appliance immediately. To avoid a safety hazard, an authorised HOOVER service engineer must replace the power cord.

Use only attachments, consumables or spares recommended or supplied by HOOVER.

Do not remove the plug by pulling on the power cord.

Do not continue to use your appliance if it appears faulty.

Place and use the product only on a dry, stable, level horizontal surface, so that tipping over is excluded.

Keep the product dry.

Never tilt or empty the product during operation.

Lay the supply cord so nobody will step on or trip over it.

Do not place the product on hot surfaces, near hot surfaces, near an open fire or in direct sunlight.

Do not let water or any other liquid or flammable detergent enter the appliance to avoid electric shock and/ or a fire hazard.

Do not clean the appliance with water, any other liquid, or a (flammable) detergent to avoid electric shock and/ or a fire hazard.

Do not spray any flammable materials such as insecticides or fragrance around the appliance.

Check if the voltage and ratings indicated on the label of the appliance corresponds to the local power voltage before you connect the appliance.

Do not block the air inlet or air outlet.

This appliance is not a substitute for proper ventilation, regular vacuum cleaning, or use of an extractor hood or fan while cooking.

Do not place anything on top of the appliance.

Do not place the appliance directly below an air conditioner to prevent condensation from dripping onto the appliance.

Make sure all filters are properly installed before you switch on the appliance.

Only use the original HOOVER filters specially intended for this appliance. Do not use any other filters.

Avoid knocking against the appliance (the air inlet and outlet in particular) with hard objects.

Do not insert your fingers or objects into the air outlet or the air inlet to prevent physical injury or malfunctioning of the appliance.

Do not use this appliance when you have used indoor smoke-type insect repellents or in places with oily residues, burning incense, or chemical fumes.

Do not use the appliance near gas appliances, heating devices or fireplaces.

Do not use the appliance in a room with major temperature changes.

To prevent interference, place the appliance at least 2m away from electrical appliances that use airborne radio waves such as TVs, radios, and radio-controlled clocks.

When the appliance is not used for a long time, bacteria may grow on the filters. Check the filters after a long period of disuse. If the filters are very dirty, replace them.

Do not use the appliance in wet surroundings or in surroundings with high ambient temperatures, such as the bathroom, toilet, or kitchen.

The appliance does not remove carbon monoxide (CO) or radon (Rn). It cannot be used as a safety device in case of accidents with combustion processes and hazardous chemicals.

The CO Monitor function is not to be used as, nor implied to be used as a substitute for an EN 50291-1 UL-2034, CSA-6.19 or any other recognized standard certified carbon monoxide alarm where Local or Regional Codes or legislation mandate their use. The CO Monitor function is a supplemental carbon monoxide monitoring device only. Use of this device is at the user's discretion and implies the understanding and acceptance of its limitations to adhere to codes or legislation where applicable.

Do not place the appliance in any of the following locations:

- In a bathroom or other areas where the Alarm may be exposed to water splashes, dripping or condensation (e.g. above an electric kettle).
- Next to or directly above heaters or air conditioning vents, doors, windows, extractor fans or anywhere that it would be affected by draughts.
- Directly above a sink or cooker.
- In an area where the temperature could drop below -20°C or rise above 50°C .
- In an enclosed space (e.g. in or below a cupboard).
- In a damp or humid area.
- Where it would be obstructed, e.g. by curtains or furniture.
- Where dirt or dust could block the sensor.
- Near paint, thinners, solvent fumes or air fresheners..

If CO alarm is activated, you should open all windows and doors (if safe to do so). Turn off all fuel burning appliances if possible and then evacuate the property leaving the windows and doors open. Get immediate medical help for anyone suffering the effects of carbon monoxide poisoning. Do not re-enter the property until the alarm stops. The alarm will stop once the CO has cleared. Do not use fuel burning appliances again until the CO source has been located and rectified by a qualified technician.

To activate the CO monitor, connect the plug to a socket outlet. The CO Sensor Condition Lamp will display green. When the CO monitor detects unsafe level of CO, the CO alarm will ring loudly and the CO Alert button and O ring lamp will blink in red colour. The alarm will continue to indicate until the detected CO reduces to a safe level.

Avoid using paint, thinners, solvent fumes, air fresheners, aerosol sprays or chemical cleaners near the appliance. This may affect functioning of CO monitor.

Do not allow small children to press the CO Alert button for 3 seconds as they could be subject to excessive noise when the alarm rings.

Touch [CO Alert] button for 3 seconds to test the CO Alarm function and the alarm will ring loudly for 5 seconds. Test the alarm monthly and after prolonged absence from the building (Eg Holidays). If the alarm fails to ring after touching the [CO Alert] button for 3 seconds, please contact the Hoover customer care centre to arrange a qualified technician to repair the fault.

If the display indicates that the CO sensor is faulty or end of life has been reached, please contact the Hoover customer care centre to arrange a qualified technician to replace the CO sensor. The expected lifetime of the CO sensor is 5 years and must be replaced after this time.

Operating Humidity: 15 – 90% RH

Operating Temperature: 0°C to $+40^{\circ}\text{C}$

When the detected level of CO reaches a high level, the [CO Alert] button and the [Air Quality LED Ring] blink in red color (2Hz), at the same time, alarm rings loudly (85~110dB(A)) and continuously, the alarm will not stop until the intensity of CO falls back from the alarm level.

Carbon Monoxide affects the body by starving (suffocating) critical organs of oxygen.

When CO is inhaled it attaches to the hemoglobin in the blood that normally carries oxygen throughout the body. CO permanently displaces the ability for oxygen molecules to attach to the hemoglobin, thus reducing oxygen to vital organs. The concentration level and time exposed to CO can vary its effects on the body, but experts agree even low levels of carbon monoxide exposure over prolonged periods can have serious and lasting effects to anyone's overall health.

WARNING: THE CO ALARM IS DESIGNED TO PROTECT INDIVIDUALS FROM THE ACUTE EFFECTS OF CARBON MONOXIDE EXPOSURE OR PREVENT THE CHRONIC EFFECTS OF CARBON MONOXIDE EXPOSURE. IT WILL NOT FULLY SAFEGUARD INDIVIDUALS WITH SPECIFIC MEDICAL CONDITIONS. IF IN DOUBT CONSULT A MEDICAL PRACTITIONER.

This appliance should not be used as a substitute for proper installation, use and maintenance of fuel burning appliances including appropriate ventilation and exhaust systems.

The CO monitor mobile and tablet notifications require a functional Wi-Fi connection to operate. They are not a substitute for a third-party emergency monitoring service.

Only use aroma oil recommended or supplied by HOOVER.

Avoid using stand-alone humidifier next to the air purifier when using Diffuser function of H-Essence.

Wipe any spillage of H-Essence immediately. Make sure to clean every corner of the product that had contact with H-Essence.

HOOVER service: To ensure the continued safe and efficient operation of this appliance we recommend that any servicing or repairs are only carried out by an authorised HOOVER service engineer.

The Environment

This appliance is marked according to the European directive 2011/65/EC on Waste Electrical and Electronic Equipment (WEEE). By ensuring this product is disposed of correctly, you will help prevent potential negative consequences for the environment and human health, which could otherwise be caused by inappropriate waste handling of this product.

The symbol on this appliance indicates that this appliance may not be treated as household waste. Instead it must be handed over to the applicable collection point for the recycling of electrical and electronic equipment. Disposal must be carried out in accordance with local environmental regulations for waste disposal. For more detailed information about treatment, recovery and recycling of this appliance, please contact your local city office, your household and waste disposal service or the shop where you purchased the appliance.

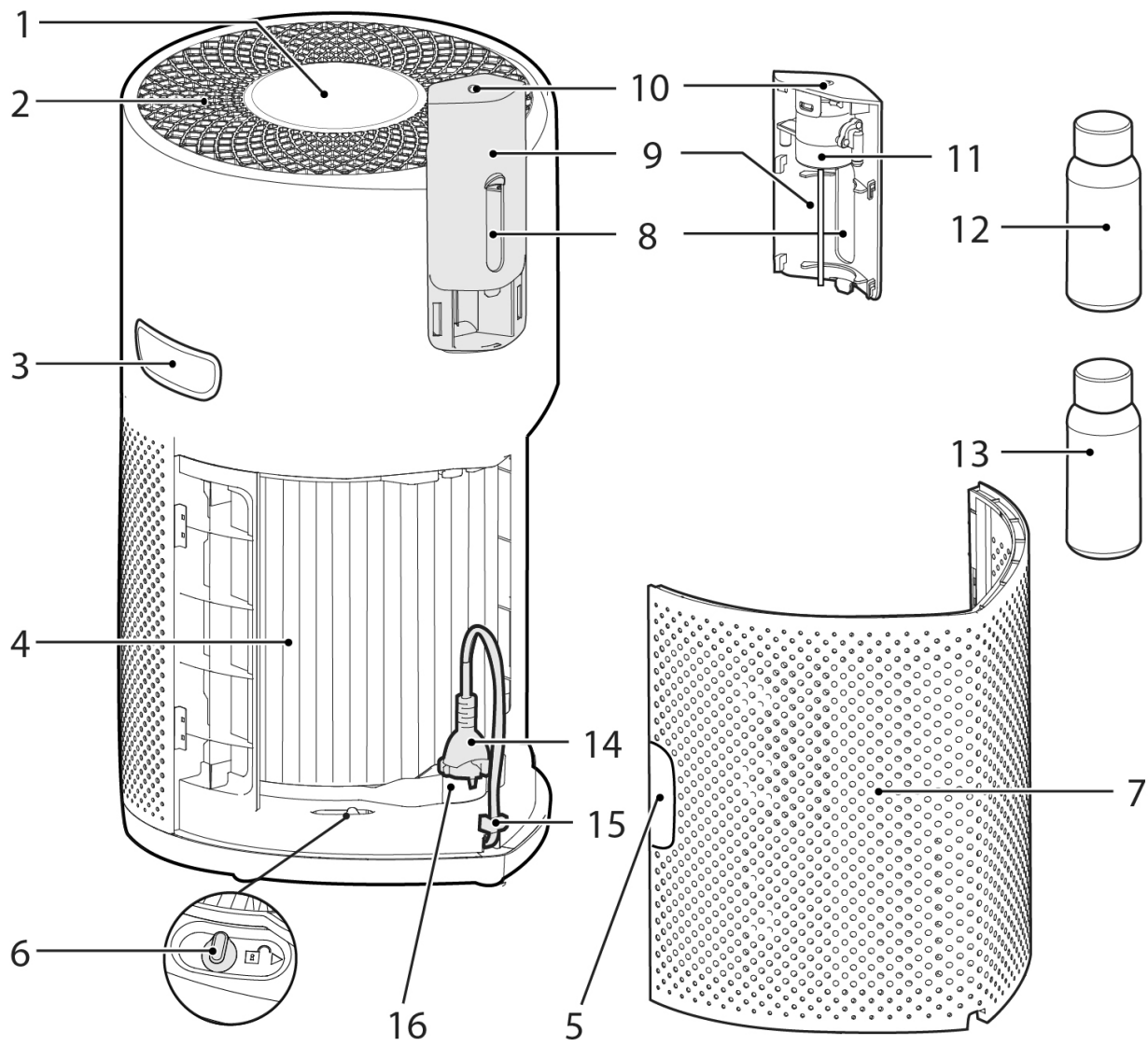


Frequency bands	2400Mhz ~ 2483.5Mhz
Maximum RF power transmitted in the frequency band	18.9 dBm

CE This appliance complies with the European Directives 2014/53/EU and 2011/65/EU. To receive a copy of the declaration of conformity, please contact the manufacturer at: www.candy-group.com

CANDY HOOVER GROUP S.r.l. Via Privata Eden Fumagalli, 20861 Brugherio (MB) Italy

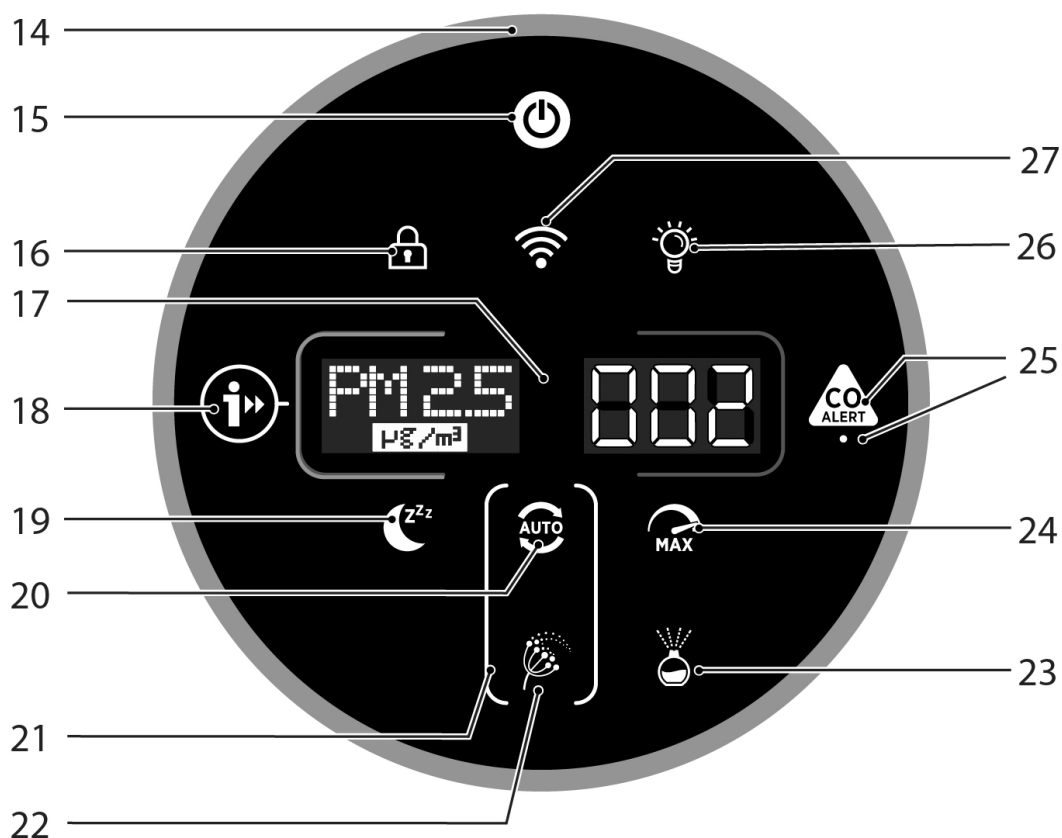
GETTING TO KNOW YOUR H-PURIFIER



1	Control Panel / Display
2	Air Outlet
3	Product Carry Handle
4	Filter Assembly
5	Air Inlet Cover Handle

6	Filter Release Switch
7	Air Inlet Cover
8	Diffuser Window
9	Diffuser Cover
10	Diffuser Outlet
11	Diffuser Unit

12	H-Essence Bottle (Green)
13	H-Biotics Bottle (Brown)
14	Power Cord & Plug
15	Storage Hook
16	Transportation Location



14	Air Quality LED Ring
15	Power Button
16	Child Lock Button
17	Digital Display
18	Information Button

19	Sleep Mode Button
20	Auto Mode Button
21	Pollen Allergy Circle Lamp
22	Pollen Allergy Lamp
23	Diffuser Button

24	Max Mode Button
25	CO Alert Button & LED
26	Light Control Button
27	Wi-Fi Button

Multi Sensor Monitoring System

Thanks to the Multi Sensor Monitoring System your product will continuously monitor the indoor air condition in terms of PM10, PM2.5, Volatile Organic Compounds (GAS), and Carbon Monoxide concentration (CO).

Each time you switch your product on, the Multi Sensor Monitoring system will start analyzing the indoor air and the Air Quality LED Ring will illuminate with different colors representing real time air quality conditions.

Air Quality LED Ring Colour	Indoor Air Quality
GREEN	EXCELLENT
YELLOW	SATISFACTORY
ORANGE	POOR
RED	VERY POOR



Carbon Monoxide Concentration Monitoring and Alarm

The H-Purifier will constantly monitor the indoor air for Carbon Monoxide (CO). The product is equipped with an alert system.

When the Carbon Monoxide alarm is activated, the AIR Quality LED Ring, Information & CO Alert button will flash red simultaneously and an audible alarm will sound. The alarm will remain in operation until the Carbon Monoxide (CO) concentration has reduced to below 50 ppm unless silenced manually by pressing the CO Alert Button for 3 seconds.

This CO Alert LED shows the working condition of the CO sensor. It appears in green color when the CO sensor is in normal condition, in yellow color when the sensor is malfunctioning or exceeds its working life.

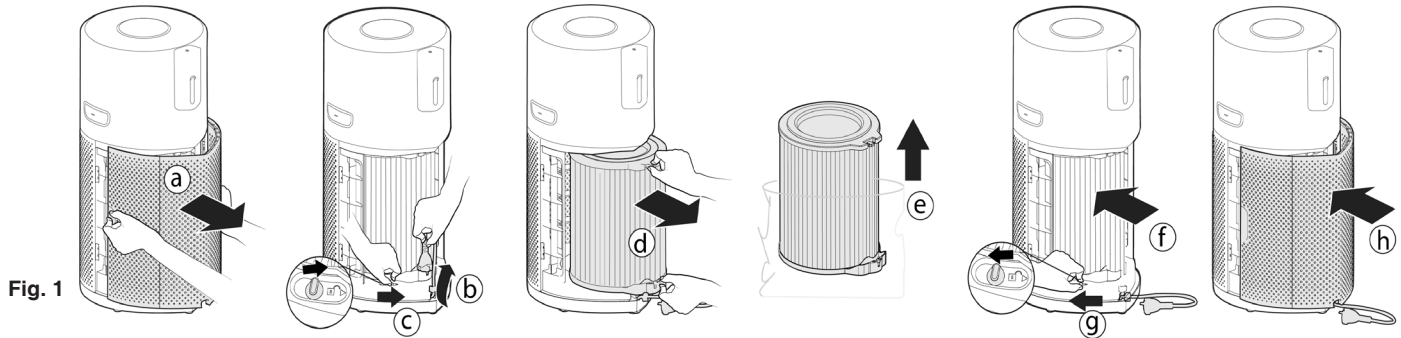
You can test if the alarm is working properly by pressing the CO Alert Button for 3 seconds, and a loud buzzer sound will last for 5 seconds if the alarm works properly.

PREPARING YOUR H-PURIFIER

1. Filter Assembly [Fig. 1]

Before using your H-Purifier product you will need to remove the filter from its protective packaging:

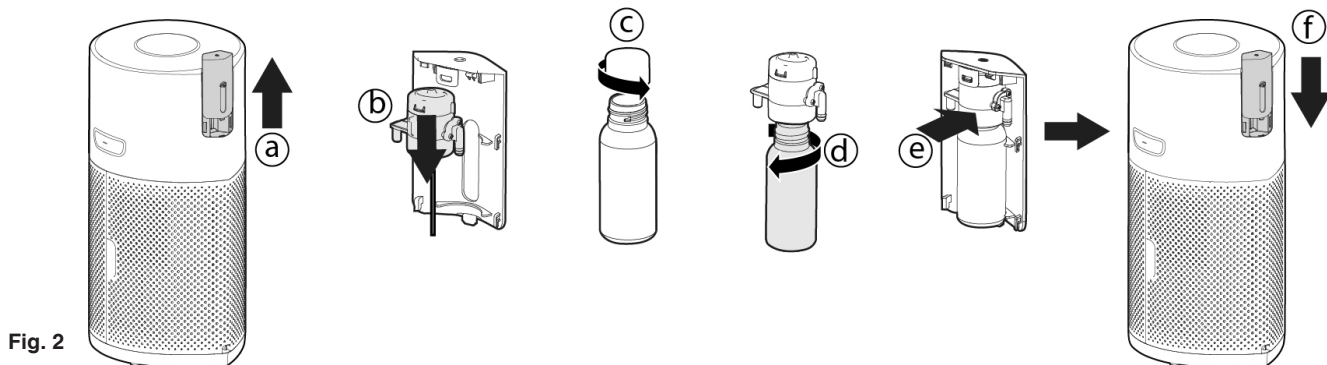
- Remove the Air Inlet Cover from your product, grip the two Air inlet cover handles and pull from the product. [Fig. 1a]
- Remove the plug from the transport location and release the cord from the Storage Hook. [Fig. 1b]
- Unlock the Filter release switch. [Fig. 1c]
- Remove the filter from your product and remove the outer packaging. [Fig. 1d,e]
- Refit the filter into your product. [Fig. 1f]
- Lock the filter release switch. [Fig. 1g]
- Refit the Air Inlet Cover to your product. [Fig. 1h]



2. Install the Diffuser Bottle [Fig. 2]

To prepare your H-Purifier product for the Diffuser function:

- Remove the Diffuser Cover from the product. [Fig. 2a]
- Remove the Diffuser Unit from the Diffuser Cover. [Fig. 2b]
- Remove the bottle of H-Essence or H-Biotics from the packaging and remove the cap. [Fig. 2c]
- Tightly screw the bottle on the Diffuser unit. [Fig. 2d]
- Refit the Diffuser Unit into the Diffuser Cover. [Fig. 2e]
- Refit the Diffuser Cover into the product. [Fig. 2f]



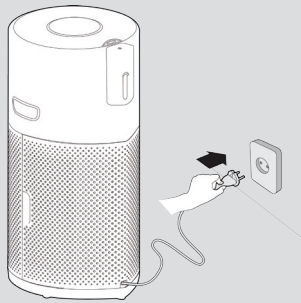


Fig. 3

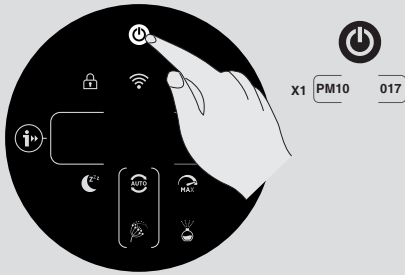


Fig. 4



Fig. 5

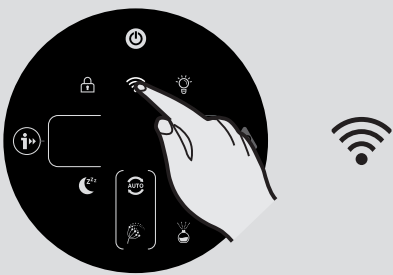


Fig. 6

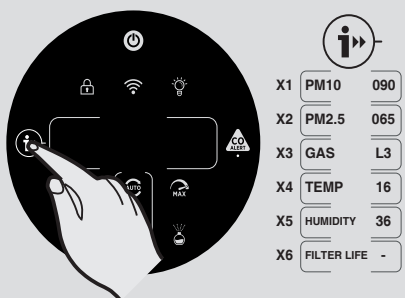


Fig. 7

USING YOUR H-PURIFIER

Plug in the Product [Fig. 3]:

Pull out the power cord from the cord reel and plug into a power supply.

All lights on the Control Panel / Display will fully illuminate for approximately 1 second to indicate a successful plug in.

The POWER button will be dimly lit and the CO sensor light will be ON to indicate that the Multi Sensor Monitoring System has started working to monitor the indoor Carbon Monoxide level.

Switching on the Product [Fig. 4]:

To switch on your product, press the POWER button on the display.

The Air Quality LED Ring will illuminate through all colours in sequence whilst the sensors are analysing the realtime air condition. After a few seconds, the Air Quality LED ring will select the appropriate colour for the air quality at that time.

Your H-Purifier product will immediately enter AUTO MODE and begin to purify the indoor air.

The AUTO MODE button, INFORMATION button, LIGHT CONTROL button and PM10 information on the Display will illuminate.

The following functions are available via the Display buttons:

Press the Wi-Fi button to turn on/off remote access.

Press the INFORMATION button to see all monitoring data.

Press the AUTO, MAX or SLEEP buttons to select a purifying mode.

Press the LIGHT CONTROL button to set the brightness of the display lights.

Press the CHILD LOCK button to inactivate all the buttons on the Control Panel / Display.

Press the DIFFUSER button to activate the function.

Press the POWER button to switch off the air purifier.

Pairing to Wi-Fi:

In order to access all the H-Purifiers functions from anywhere, it is suggested to download the hOn App. You will be able to control your product in the most efficient way.

Instructions:

1. Download the hOn application from the App Store or Google Play. [Fig. 5]
2. Open the APP, create an account with your e-mail and a password.
3. Confirm login.
4. Ensure your mobile device is connected to Wi-Fi.
5. Log into the hOn app.
6. Press and hold the Wi-Fi button on the display for 5 seconds, there will an audible beep and the Wi-Fi button will start flashing to indicate it is waiting for a connection. [Fig. 6]
7. Follow the in app instructions to connect your mobile device to your product.
8. When successfully paired, the Wi-Fi button on the product will remain illuminated.
9. To reset the Wi-Fi, press & hold the Wi-Fi button for 5 Secs.

Wireless Parameters for Pairing

Technology	Wi-Fi	Bluetooth
Standard	IEEE 802.11 b/g/n	Bluetooth v4.2, BR/EDR, BLE
Frequency Band(s) (MHz)	2401 ~ 2483	2402 ~ 2480
Maximum Power (mW)	100	10

INFORMATION Function [Fig. 7]:

There are 6 different data sets available to monitor:

PM10, PM2.5, GAS, Temperature, Humidity, and Filter Status.

To monitor each value simply press consecutively the INFORMATION button.

By default the display will show the PM10 data, the machine will remember user's last selection and maintain this selection the next time the product is switched on.

The GAS data will show spinning cursor during the initial 3 minutes after product is switched on, while the GAS sensor is performing a calibration cycle.

More info on PM 2.5, PM 10 and GAS:

PM indicates fine particles (not visible to the human eye) deriving mainly from outdoor pollution such as vehicles and industrial emissions and potentially dangerous to our health in case of prolonged exposure. PM 10 have a size up to 10 μm and are capable of penetrating the upper respiratory tract (nose, trachea, pharynx).

PM 2.5 have a size up to 2.5 μm and, given their small dimension, they can reach our lungs, thus

penetrating deeper into our body.

GAS VOC (volatile organic compounds) are volatile chemical compounds with the ability to evaporate easily in the air at room temperature. Deodorants, detergents, glues, adhesives, cosmetics, formaldehyde are just some of the VOCs that could be present in our homes but potentially harmful to our health in case of prolonged exposure.

MODE Functions:

There are 3 available air purifying modes via the display: AUTO MODE, MAX MODE & SLEEP MODE. Auto mode is the default setting for your product when switched on, all modes can be selected manually by pressing the related button on the display. POLLEN ALLERGY mode can be activated via the hOn app.

AUTO MODE [Fig. 8]:

This is the default mode of your H-Purifier product when first switched on. In Auto Mode, the H-Purifier automatically adjust its fan speed to the actual indoor air quality level to always guarantee an optimal air purification.

This is the recommended setting for your product.

In AUTO mode, after 30 minutes of excellent air quality, your product will enter an **ECO** mode by pausing the purifying function, the Multi Sensor Monitoring System will continue to analyse the indoor air and automatically switch on the purifying function when required.

MAX MODE [Fig. 9]:

Press the MAX mode button on the display to activate air purifying at maximum power setting. To exit MAX mode simply select AUTO mode or SLEEP mode.

SLEEP MODE [Fig. 10]:

Press the SLEEP mode button to activate air purifying at the lowest silent power setting. The SLEEP mode button will be dimly lit and all other display lights will be off. This can be modified by pressing the LIGHT CONTROL button.

POLLEN ALLERGY MODE: [Fig. 11]

The Pollen Allergy mode can only be activated via the hOn APP. You will first be required to activate and register a profile in the app, in order to create your Pollen Allergy Profile.

The Pollen Allergy mode works only when AUTO MODE is selected. [Fig. 11c]

In Pollen Allergy mode, the appliance continuously receives real time data from the APP about the monitored pollen concentration outdoor, and works automatically to maximize pollen capturing performance.

Once pollens are captured, they are inactivated to help alleviate allergic symptoms.

When Pollen Allergy mode is activated in the App, there are 2 possible notification lamps on the product display:

- The Pollen Allergy Lamp is **WHITE** [Fig. 11a]: The appliance and the App are monitoring the presence of pollens outdoor and there is no risk.

- The Pollen Allergy Lamp turns **YELLOW** [Fig. 11b] and the Pollen Allergy Circle lamp is **WHITE** [Fig. 11a]: The appliance and the APP have detected risk.

If the product is manually put into SLEEP mode or MAX mode whilst Pollen Allergy mode is activated, the Pollen Allergy mode will stop.

LIGHT CONTROL Function: [Fig. 12]

There are 3 settings available for the display lighting, On, Dim & Off.

To adjust the brightness of the display lighting simply press the LIGHTING button on the display to cycle through the 3 available options. ON is the default setting.

If OFF is selected, any other button will need to be pressed twice to activate, after one press, the lights will become DIM, on second press the action will be activated.

CHILD LOCK Function: [Fig. 13]

Press and hold the CHILD LOCK button for 3 seconds to activate, an audible sound will be heard when it has been activated and the CHILD LOCK button will remain illuminated. No other buttons will work when activated.

To exit, simply press and hold the CHILD LOCK button for 3 seconds, an audible sound will be heard confirm it is off and the button will no longer be illuminated.

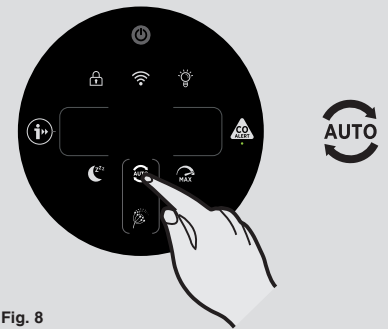


Fig. 8

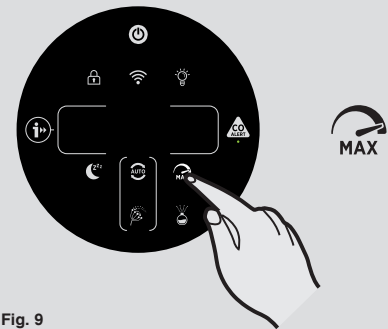


Fig. 9



Fig. 10

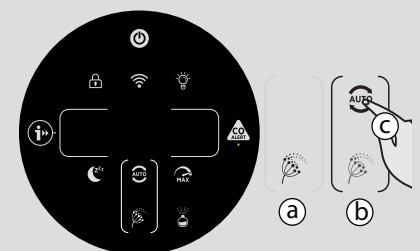


Fig. 11

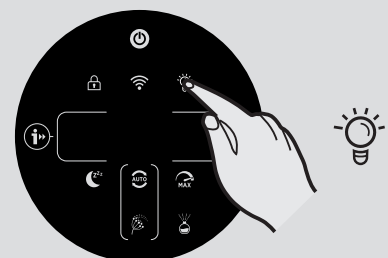


Fig. 12

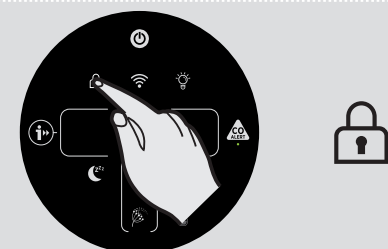


Fig. 13

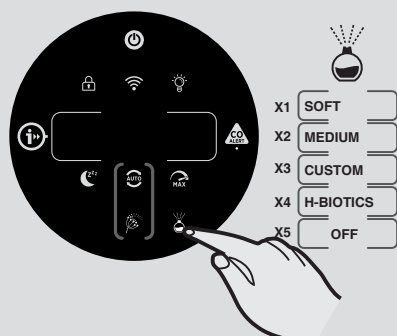


Fig. 14

Diffuser Function: [Fig. 14]

The diffuser spreads into the air of the room H-Essence or H-Biotics. H-Essence is the Hoover collection of essential oils to release into the air enjoyable fragrances.

H-Biotics is a natural blend based on probiotics that keeps the room bio-hygenized by inhibiting the growth of microorganisms such as bacteria or microbes.

There are 4 different settings for the DIFFUSER function, SOFT, MEDIUM, CUSTOM & H-BIOTICS. To activate this function simply press the Diffuser button on the Display, the default setting for this function is SOFT, to select any of the other settings simply consecutively press the button to change to the desired selection. The button will illuminate white when switched on.

It is recommended to use SOFT & MEDIUM settings for H-Essence.

Custom setting can be created within the hOn app for your H-Essence.

When Using H-Biotics, the setting **MUST** be set to H-Biotics. Once user activates H-Biotics using the APP, this will give an alert of "ACTIVATE H-BIOTICS" after 120 hours to ensure the H-biotics usage of every 5 days.

The Diffuser function can only be used in AUTO & MAX modes and cannot be used in SLEEP mode.

When activating Diffuser function in AUTO mode, the main fan will work with a specific speed to help to spread the H-Essence or the H-Biotics to the room.

Setting	Pump On	Pump Off	Cycle
SOFT	10 secs	300 secs	Shutdown after 6 Hours
MEDIUM	90 secs	120 secs	Shutdown after 6 Hours
CUSTOM	User Defined	User Defined	Shutdown after 6 Hours
H-BIOTICS	120 secs	120 secs	Shutdown after 6 Hours

To switch off the function, press the diffuser button until the button light switches off.

After each use of the Diffuser function, use a dry soft cloth to clean any residue from the product surfaces.

To change the bottle in the diffuser unit, see 'Maintaining your H-Purifier' section.

MAINTAINING YOUR H-PURIFIER

IMPORTANT: ALWAYS UNPLUG YOUR APPLIANCE FROM THE POWER SUPPLY WHEN PERFORMING MAINTENANCE TASKS.

FILTER CLEANING / REPLACEMENT

Your H-Purifier will monitor the condition of your filter. A **CLEAN FILTER OR REPLACE FILTER** alert will appear on the left side of the display and Flash indicating action is required to clean or change the filter.

Cleaning / Replacing the Filter: [Fig. 15]

- Remove the Air Inlet Cover from your product. [Fig. 15a]
- Unlock the Filter release switch. [Fig. 15b]
- Remove the filter from your product. [Fig. 15c]
- Use a Vacuum Cleaner to clean the external mesh on the Filter Assembly or Replace with a NEW filter. [Fig. 15d]
- Re-Fit the Filter assembly into the product. [Fig. 15e]
- Lock the filter release switch. [Fig. 15f]
- Refit the Air Inlet Cover to your product. [Fig. 15g]
- Plug in your appliance to the power supply and switch on. [Fig. 4]
- Press the INFORMATION button and follow the instructions to reset the Filter Clean function by holding the button for 3 secs, an audible alert will be heard to indicate a successful reset. [Fig. 7]

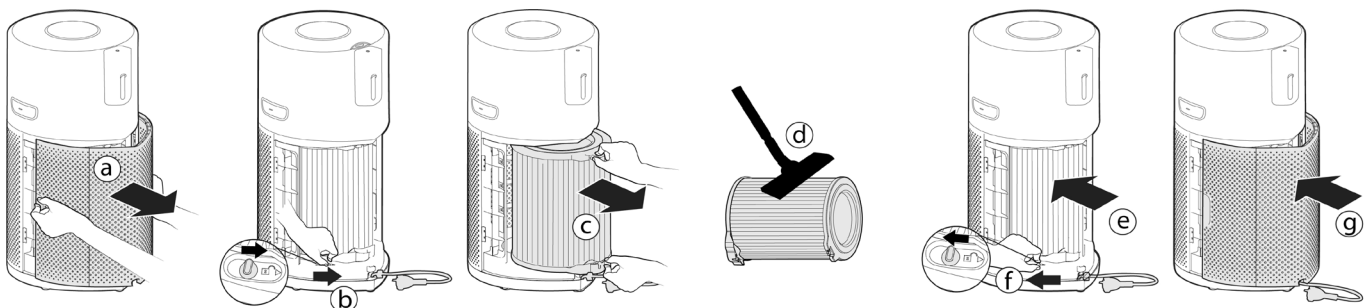


Fig. 15

DIFFUSER MAINTENANCE

After each use of the Diffuser function, use a dry soft cloth to clean any residue from the product surfaces.

Diffuser Bottle Replacement: [Fig. 16]

The volume of liquid remaining in the bottle can be checked through the Diffuser Window, when required the bottle should be replaced.

- Remove the Diffuser Cover from the product. [Fig. 16a]
- Remove the Diffuser Unit & Bottle from the diffuser cover. [Fig. 16b]
- Unscrew & remove the empty bottle and discard. [Fig. 16c]
- Remove the new bottle of H-Essence or H-Biotics from the packaging and remove the cap. [Fig. 16d]
- Tightly screw the new bottle on to the diffuser unit. [Fig. 16e]
- Refit the diffuser unit into the diffuser cover. [Fig. 16f]
- Refit the Diffuser cover into the H-Purifier. [Fig. 16g]

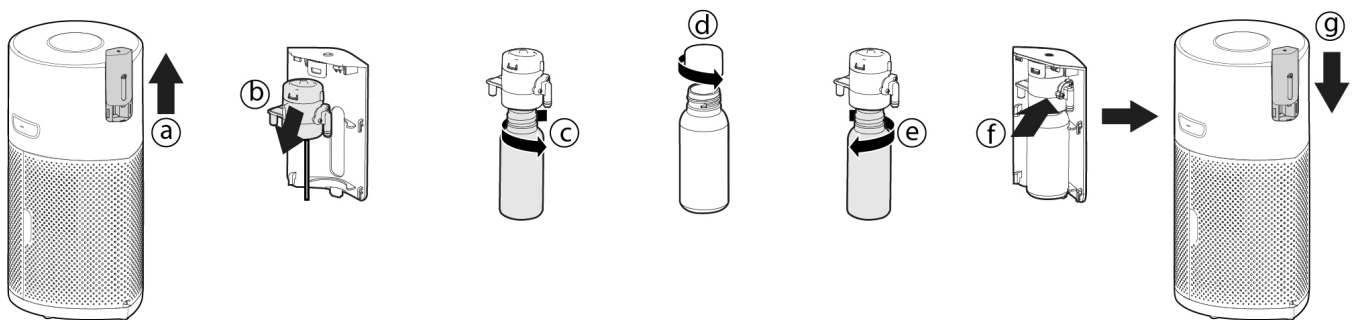


Fig.16

STORAGE OF YOUR H-PURIFIER

1. Switch off the Air Purifier and unplug the socket.
2. Clean all internal & external surfaces of the Air Purifier and the external mesh of the Filter.
3. Remove the bottle from the diffuser. Refit the original cap onto the bottle and store it to protect from direct light. Clean the surfaces of diffuser unit and Diffuser Cover. Make sure there is no residual of H-Essence on any surface of the Air Purifier.
4. Ensure all components are dry.
5. Remove the Air Inlet Cover [Fig. 17a] and Reel in the power cord by pulling on the cord [Fig. 17b] and fit the cord into the storage hook and fit the plug into the transport location. [Fig. 17c,d] Refit the air inlet cover [Fig. 17e]
6. Store the Air Purifier in a cool dry place.

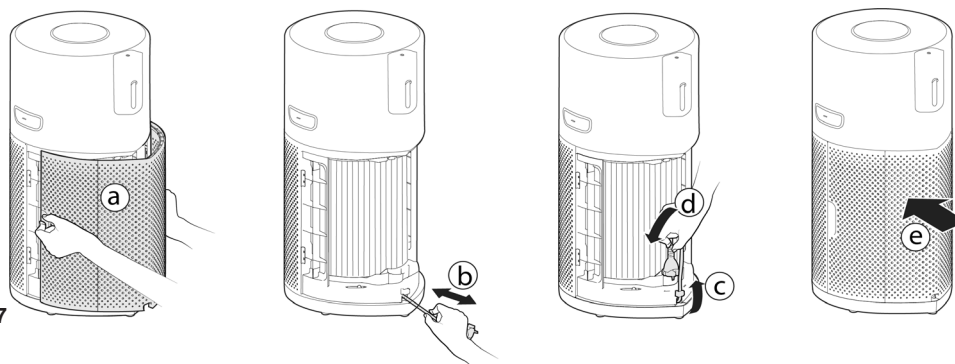


Fig. 17

ALERTS & SOLUTIONS

The following codes may appear during use. [Fig. 18]

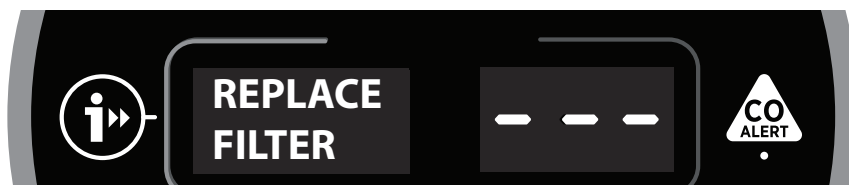


Fig. 18

Error Description	Error Description		Error Solution
	Alert on product Control Panel / Display	Alert on APP	
Outer Layer's Filter cleaning Alert	Alert of "CLEAN FILTER" blinks on display	Filter cleaning Alert	1.Follow the instructions in I/M to clean the Outer Layer's Filter. 2.Reset the alert.
Filter replacement Alert	Alert of "REPLACE FILTER" blinks on display	Filter replacement Alert	1.Follow the guidance in I/M to replace the filter. 2.Reset the alert.
Filter not present or filter has not been locked	Alert of "FILTER MISSING" blinks on display	Filter not present or filter has not been locked	1.If filter is not present, put it back. 2.If filter is in position, check whether the Filter Tab has been switched to LOCK status.
Dust sensor malfunctioning: no signal from sensor or output voltage exceeds the limit value	/	Dust sensor malfunctioning: no signal from sensor or output voltage exceeds the limit value	Dust sensor failure or dust sensor wire has not been connected well, please call service center to fix.
Motor no speed	/	Motor no speed feedback	Motor failure or motor wire has not been connected well, please call service center to fix.
CO sensor malfunctioning	CO sensor status lamp is on in yellow	CO sensor malfunctioning	Alert: need call service.

ATTENTION: If any of these failures persist, contact your local Hoover representative. DO NOT try to disassemble the H-Purifier by yourself.

TROUBLESHOOTING

The following is a list of commonly encountered problems and solutions.
If any of these problems persist contact your local Hoover representative.

The Fan does not work (Control Panel / Display Lights on)	<ul style="list-style-type: none"> • Check the alert showing on the display or in the app. • Check if there are any obstructions in the fan. • Check if the H-Purifier is switched on. • Check if the filter is incorrectly installed. • Check if the H-Purifier is in a completely upright vertical position and not leaning.
The Fan does not work (Control Panel / Display Lights off)	<ul style="list-style-type: none"> • Check if the H-Purifier is plugged in and switched on. • Check if there are any obstructions in the fan.
No Lights on Control Panel / Display (Fan Working)	<ul style="list-style-type: none"> • Check if the lights have not been switched off by pressing the Light Control button on the control Panel / Display.
Buttons on the control panel / Display do not operate	<ul style="list-style-type: none"> • Check if Child lock has been activated by pressing and holding the Child Lock Button for 3 secs.
Air Flow is Weak	<ul style="list-style-type: none"> • Check if the protective packaging has been removed from the filter. • Check if there are any obstructions in the Air Intake Cover or Air outlet. • Check the Filter status on the Control Panel / Display or in App for clean or replace warning. • Check if the H-Purifier is in sleep mode. The fan operates on reduced power in this mode.
Air Purifier is operating loudly	<ul style="list-style-type: none"> • Check if there are any obstructions in the Air Outlet or the fan. • Check if the H-Purifier is running in MAX mode, the air flow is at maximum power in this mode.
Air Purifier makes a loud buzzer sound all of a sudden.	<ul style="list-style-type: none"> • The testing function of CO Alert button is activated by mis-operation. The sound will automatically stop after 5 seconds.

IMPORTANT INFORMATION

Hoover Spares and Consumables

Always replace parts with genuine Hoover spares. These are available from your local Hoover dealer or direct from Hoover. When ordering parts always quote your model number.

Quality

Hoover's factories have been independently assessed for quality. Our products are made using a quality system which meets the requirements of ISO 9001.

Your Guarantee

The guarantee conditions for this appliance are as defined by our representative in the country in which it is sold. Details regarding these conditions can be obtained from the dealer from whom the appliance was purchased. The bill of sale or receipt must be produced when making any claim under the terms of this guarantee.

Subject to change without notice.

INSTRUCTIONS DE SÉCURITÉ D'UTILISATION

Cet appareil est uniquement conçu pour un usage privé, comme décrit dans ce manuel de l'utilisateur. Prière de bien vouloir lire et comprendre entièrement ce manuel avant de mettre en marche l'appareil. Conservez le manuel pour l'avenir.

Eteignez et débranchez toujours l'appareil après l'avoir utilisé, ou avant de le nettoyer ou de procéder à son entretien.

Cet appareil peut être utilisé par des enfants âgés d'au moins 8 ans et par des personnes ayant des capacités physiques, sensorielles ou mentales réduites, ou n'ayant pas d'expérience ou de connaissances en la matière. Ces dernières doivent recevoir des instructions sur l'utilisation de l'appareil en toute sécurité et comprendre les risques impliqués. Les enfants ne doivent pas jouer avec l'appareil.

Le nettoyage et l'entretien ne devraient pas être effectués par des enfants sans supervision.

Si le cordon d'alimentation est endommagé, arrêtez immédiatement d'utiliser l'appareil. Pour éviter les risques d'accident, un réparateur HOOVER agréé doit remplacer le cordon d'alimentation.

N'utilisez que les accessoires, consommables ou pièces détachées recommandés ou fournis par HOOVER.

Ne débranchez pas l'appareil en tirant le cordon d'alimentation.

Ne continuez pas à utiliser votre appareil s'il semble défectueux.

Placez et utilisez l'appareil uniquement sur une surface sèche, stable et à l'horizontale afin d'éviter le basculement.

Gardez l'appareil sec.

N'inclinez ou ne videz jamais l'appareil pendant le fonctionnement.

Posez le cordon d'alimentation de façon à ce que personne ne le piétine ou n'y trébuche.

Ne placez pas l'appareil sur des surfaces chaudes, près de surfaces chaudes, près de feux ouverts ou directement exposé aux rayons du soleil.

Ne laissez pas que de l'eau ou tout autre liquide ou détergent inflammable pénétre dans l'appareil pour éviter tout risque d'électrocution et/ou d'incendie.

Ne nettoyez pas l'appareil avec de l'eau, tout autre liquide ou un détergent (inflammable) pour éviter tout risque d'électrocution et/ou d'incendie.

Ne vaporisez pas de produits inflammables comme des insecticides ou des parfumeurs autour de l'appareil.

Vérifiez si la tension et les puissances indiquées sur l'étiquette de l'appareil correspondent à la tension d'alimentation locale avant de brancher l'appareil.

Ne bloquez pas l'entrée ou la sortie de l'air.

Cet appareil ne remplace pas une ventilation correcte, un nettoyage régulier avec l'aspirateur ou l'utilisation d'une hotte aspirante ou d'un ventilateur pendant que vous cuisinez.

Ne placez rien sur l'appareil.

Ne placez pas l'appareil directement en dessous d'un climatiseur pour éviter que le condensat dégouline dans l'appareil.

Assurez-vous que les filtres soient convenablement montés avant d'allumer l'appareil.

Utilisez uniquement les filtres originaux HOOVER spécifiques pour cet appareil. N'utilisez pas d'autres filtres.

Évitez de frapper contre l'appareil (l'entrée et la sortie de l'air en particulier) avec des objets durs.

N'enfilez pas vos doigts ou des objets dans la sortie de l'air ou dans l'entrée de l'air pour éviter des blessures ou un dysfonctionnement de l'appareil.

N'utilisez pas cet appareil quand vous avez utilisé des répulsifs pour insectes à fumée intérieure ou dans des endroits avec des résidus d'huile, de l'encens brûlant ou des fumées chimiques.

N'utilisez pas cet appareil près d'appareils à gaz, de dispositifs chauffants ou des cheminées.

N'utilisez pas l'appareil dans une chambre avec des changements de températures importants.

Pour éviter les interférences, placez l'appareil au moins à 2 m de tout appareil électrique qui utilise les ondes radio aériennes comme les TV, les radios et les horloges radio-pilotées.

Quand l'appareil n'est pas utilisé pendant longtemps, des bactéries peuvent proliférer sur les

filtres. Vérifiez les filtres après une longue période d'inutilisation. Si les filtres sont très sales, remplacez-les.

N'utilisez pas l'appareil dans des environnements mouillés ou dans des environnements avec des températures ambiantes élevées comme des salles de bain, des toilettes ou des cuisines. L'appareil n'élimine ni le monoxyde de carbone (CO) ni le radon (Rn). Il ne peut pas être utilisé comme dispositif de sécurité en cas d'accidents avec des processus de combustion ou des produits chimiques dangereux.

La fonction de CO Monitor ne doit pas être utilisée comme, ni implicitement être utilisée comme un substitut à un détecteur de monoxyde de carbone certifié EN 50291-1 UL-2034, CSA-6.19 ou toute autre norme reconnue lorsque les codes locaux ou régionaux ou la législation imposent leur utilisation. La fonction de CO Monitor est un dispositif supplémentaire de surveillance du monoxyde de carbone uniquement. L'utilisation de ce dispositif est à la discrétion de l'utilisateur et implique la compréhension et l'acceptation de ses limitations pour adhérer aux codes ou aux normes, les cas échéant.

Ne mettez pas l'appareil dans un des endroits suivants :

- dans une salle de bain ou dans d'autres zones où l'alarme pourrait être exposé à des éclaboussures, au dégoulinement ou au condensat d'eau (par exemple au-dessus d'une bouilloire électrique)
- À proximité de ou au-dessus de chauffages ou d'évents de climatisation, de portes, de fenêtres, de ventilateurs d'extraction ou dans n'importe quel endroit où il pourrait être affecté par des courants d'air.
- Directement au-dessus d'un évier ou d'une cuisinière.
- Dans une zone où la température pourrait chuter en dessous de -20°C ou monter au-dessus de 50°C.
- Dans un espace clos (par exemple dans ou sous une armoire).
- Dans un endroit humide ou mouillé.
- Où il pourrait être obstrué, par exemple par des rideaux ou des meubles.
- Où la saleté ou la poussière peuvent bloquer le capteur.
- Près de peinture, de diluants, de fumées de solvants ou près de désodorisants...

Si la CO Alarm est activée, vous devez ouvrir toutes les fenêtres et les portes (si vous ne courez aucun risque). Éteignez tous les appareils à combustibles si possible et, ensuite, évacuez les lieux en laissant les fenêtres et les portes ouvertes. Demandez de l'aide médicale immédiatement pour toute personne souffrant des effets d'un empoisonnement au monoxyde de carbone. Ne rentrez pas à nouveau sur les lieux tant que l'alarme est en marche. L'alarme s'arrêtera une fois que le CO aura été éliminé. N'utilisez pas d'appareils à combustible à nouveau jusqu'à ce que la source de CO n'a pas été localisée et remise en ordre par un technicien qualifié.

Pour activer le CO monitor, branchez l'appareil à une prise. Le voyant d'état du capteur de CO sera vert. Quand le CO monitor détecte un niveau non sûr de CO, la CO Alarm CO retentira fortement et le bouton CO Alert et le voyant du joint torique clignoteront en rouge. L'alarme continuera à retentir jusqu'à ce que le CO détecté diminuera à un niveau sûr.

Évitez d'utiliser de la peinture, des diluants, des fumées de solvants, des désodorisants, des vaporisateurs ou des produits de nettoyage chimiques près de l'appareil. Cela pourrait affecter le fonctionnement du CO monitor.

Veillez à ce que les enfants ne pressent pas le bouton CO Alert pendant 3 secondes car le bruit de l'alarme pourrait être excessif pour eux.

Touchez le bouton [CO Alert] pendant 3 secondes pour tester la fonction CO Alarm et l'alarme retentira fortement pendant 5 secondes. Testez l'alarme tous les mois et après une longue absence de l'immeuble (par exemple vacances). Si l'alarme ne retentit pas après avoir touché le bouton [CO Alert] pendant 3 secondes, contactez le service clients Hoover pour fixer un rendez-vous avec un technicien qualifié pour réparer l'anomalie.

Si l'écran indique que le capteur de CO est défectueux ou qu'il est en fin de vie, contactez le centre service clients Hoover pour fixer un rendez-vous avec un technicien qualifié pour remplacer le capteur de CO. Le capteur de CO a une durée de vie prévue de 5 ans période après laquelle il doit être remplacé.

Humidité de fonctionnement : 15 – 90% RH

Température de fonctionnement : 0°C à + 40°C

Quand le niveau de CO détecté atteint un niveau élevé, le bouton [CO Alert] et le LED ring de qualité de l'air] clignotent en rouge (2Hz), en même temps, l'alarme retentit fortement (85~110dB(A)) et en continu, l'alarme ne s'arrêtera pas jusqu'à ce que l'intensité de CO ne revienne en dessous du seuil d'alarme.

Le monoxyde de carbone affecte le corps en affamant (étouffant) les organes vitaux en oxygène. Quand le CO est inhalé, il s'attache à l'hémoglobine dans le sang qui, normalement, transporte l'oxygène dans tout le corps. Le CO inhibe en permanence la capacité des molécules d'oxygène de s'attacher à l'hémoglobine en réduisant, ainsi, l'apport d'oxygène aux organes vitaux. Le niveau de concentration et le temps d'exposition au CO peuvent modifier ses effets sur le corps mais les experts sont tous d'accord sur le fait que même de faibles niveaux d'exposition de monoxyde de carbone pendant des périodes prolongées peuvent avoir des effets graves et durables sur la santé des personnes.

MISE EN GARDE : LA CO ALARM EST CONÇUE POUR PROTÉGER LES INDIVIDUS DES EFFETS GRAVES DE L'EXPOSITION AU MONOXYDE DE CARBONE OU POUR ÉVITER LES EFFETS CHRONIQUES DE L'EXPOSITION AU MONOXYDE DE CARBONE. ELLE NE PRÉSERVERA PAS COMPLÈTEMENT LES INDIVIDUS AYANT DES CONDITIONS MÉDICALES PARTICULIÈRES. EN CAS DE DOUTES, CONSULTEZ UN MÉDECIN.

Cet appareil ne doit pas être utilisé comme substitut d'un montage, d'une utilisation et d'un entretien corrects des appareils à combustible y compris une ventilation correcte et des systèmes d'échappement.

Les notifications sur téléphone portable et tablette du CO monitor nécessitent une connexion Wi-fi pour fonctionner. Ils ne se substituent pas à un service de surveillance d'urgence par un tiers.

Utilisez uniquement l'huile aromatique recommandée ou fournie par HOOVER.

Évitez d'utiliser un humidificateur près du purificateur d'air lorsque vous utilisez la fonction Diffuseur de H-Essence.

Essuyez immédiatement tout déversement d'essence H. Assurez-vous de nettoyer tous les coins de l'appareil qui sont entrés en contact avec la H-Essence.

Service HOOVER : Pour assurer l'utilisation sûre et efficace de cet appareil, nous recommandons de n'en confier l'entretien ou les réparations qu'à un réparateur HOOVER agréé.


Environnement

Cet appareil porte des marques conformes à la directive européenne 2011/65/EC relative aux déchets d'équipements électriques et électroniques (DEEE). Si vous jetez ce produit convenablement, vous contribuerez à éviter des conséquences potentiellement nuisibles pour l'environnement et pour la santé.

Le symbole figurant sur cet appareil indique qu'il ne peut pas être considéré comme une ordures ménagères. Vous devez le déposer dans un centre de recyclage des déchets électriques et électroniques. La déposition doit être effectuée conformément à la réglementation locale en matière de déchets. Pour obtenir des compléments d'information sur le traitement, la récupération et le recyclage de cet appareil, veuillez contacter votre municipalité, le service local d'élimination des ordures ménagères ou le revendeur de l'appareil.

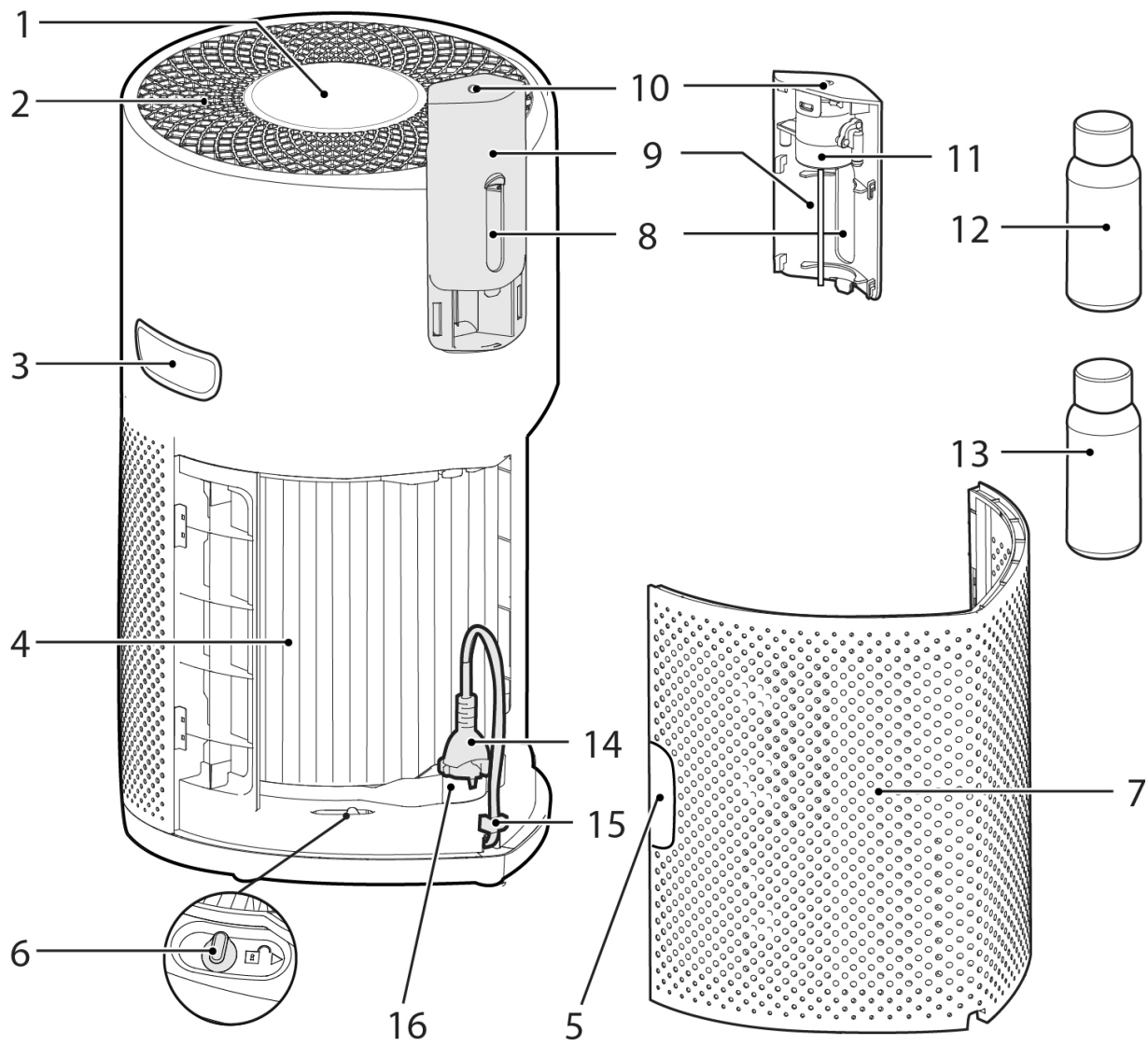


Bandes de fréquence	2400Mhz – 2483.5Mhz
Puissance RF maximale transmise sur la bande de fréquence	18.9 dBm

 Cet appareil est conforme aux Directives européennes 2014/53/UE, 2014/30/UE et 2011/65/UE. Pour recevoir une copie de la déclaration de conformité, veuillez contacter le fabricant à l'adresse suivante : www.candy-group.com

CANDY HOOVER GROUP S.r.l. Via Privata Eden Fumagalli, 20861 Brugherio (MB) Italy

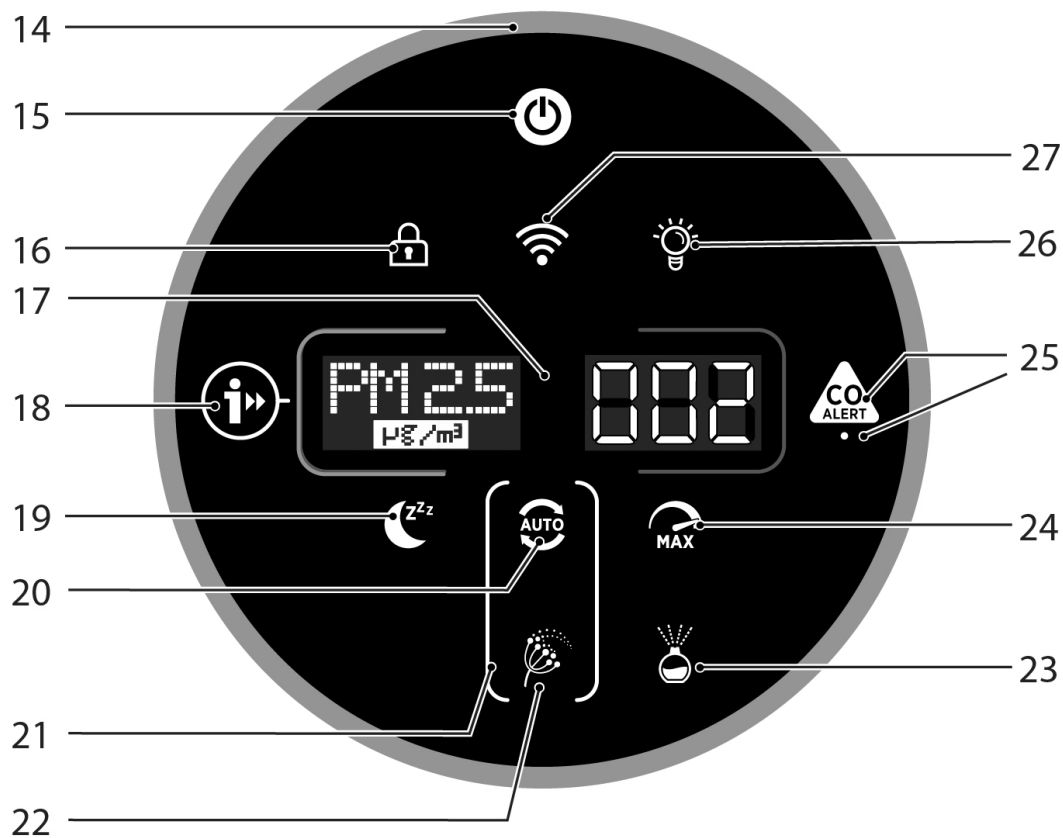
APPRENEZ À CONNAITRE VOTRE H-PURIFIER



1	Panneau de commande / Ecran
2	Sortie d'air
3	Poignée de l'appareil
4	Ensemble du filtre
5	Poignée du couvercle de l'entrée de l'air

6	Gâchette de détachement du filtre
7	Couvercle de l'entrée de l'air
8	Fenêtre du diffuseur
9	Couvercle du diffuseur
10	Prise du diffuseur
11	Unité du diffuseur

12	Bouteille essence H (Vert)
13	Bouteille biotiques H (Brun)
14	Cordon d'alimentation et fiche
15	Crochet de rangement
16	Emplacement de transport



14	LED Ring de qualité de l'air
15	Bouton d'alimentation
16	Bouton Child Lock (sécurité pour enfants)
17	Écran numérique

18	Bouton d'informations
19	Bouton Sleep mode (mode veille)
20	Bouton mode Auto
21	Voyant circulaire pour l'allergie au pollen

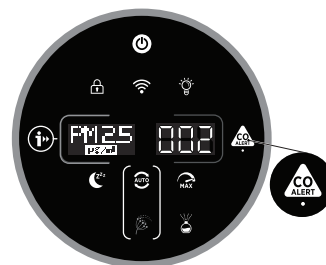
22	Voyant pour l'allergie au pollen
23	Bouton diffuseur
24	Bouton mode max
25	Bouton et LED CO Alert
26	Bouton Commande lumière
27	Wi-Fi Button

Système de surveillance à capteur multiple

Grâce au Système de surveillance à capteur multiple, votre appareil surveillera continuellement l'état de l'air à l'intérieur de la pièce en termes de PM10, PM2.5, de Composés organiques volatils (GAZ) et de concentration de monoxyde de carbone (CO).

Chaque fois que vous allumez votre appareil, le Système de surveillance à capteur multiple commencera à analyser l'air à l'intérieur de la pièce et le LED Ring de qualité de l'air s'allumera avec des couleurs différentes en indiquant, ainsi, en temps réel les conditions de la qualité de l'air.

Couleur du LED RING de qualité de l'air	Qualité de l'air à l'intérieur de la pièce
VERT	EXCELLENT
YELLOW	SATISFAISANT
ORANGE	MAUVAISE
ROUGE	TRÈS MAUVAISE



Surveillance et alarme de concentration de monoxyde de carbone

Le H-Purifier surveillera constamment l'air interne en quête de monoxyde de carbone (CO). L'appareil est équipé d'un système d'alerte.

Quand l'alarme de monoxyde de carbone est activée, le bouton du LED Ring de la qualité de l'air, d'informations et de la CO Alert clignotera en rouge simultanément et une alarme retentira. L'alarme restera active jusqu'au moment où la concentration de monoxyde de carbone (CO) descendra en dessous de 50 ppm à moins qu'elle ne soit arrêtée manuellement en appuyant sur le bouton CO Alert pendant 3 secondes.

Cette LED CO Alert montre l'état de fonctionnement du capteur de CO. Elle apparaît de couleur verte quand le capteur de CO est en état normal, en jaune quand le capteur ne fonctionne pas correctement ou dépasse sa durée de vie.

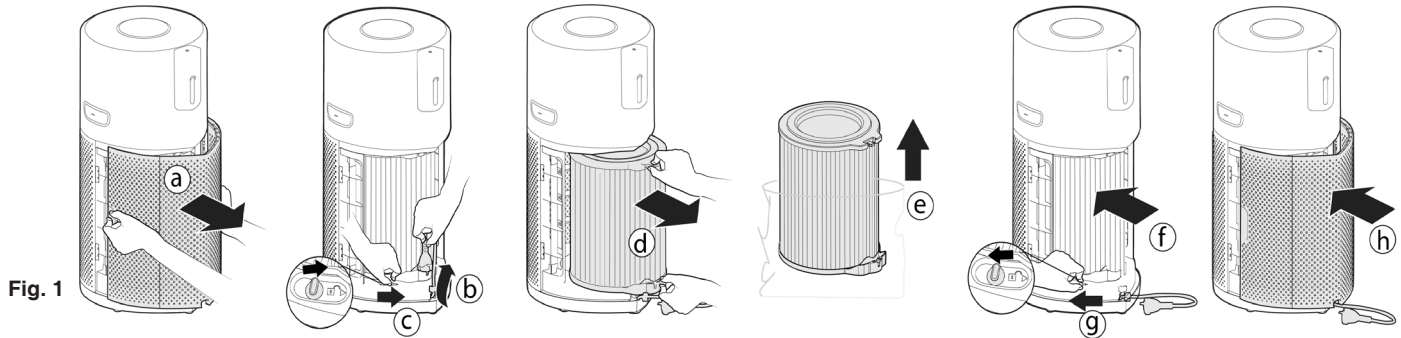
Vous pouvez tester le bon fonctionnement de l'alarme en appuyant sur le bouton CO Alert pendant 3 secondes, et un bruit fort retentira pendant 5 secondes si l'alarme fonctionne correctement.

PRÉPARATION DE VOTRE H-PURIFIER

1. Ensemble du filtre [Fig. 1]

Avant d'utiliser votre appareil H-Purifier, vous devrez retirer le filtre de son emballage de protection :

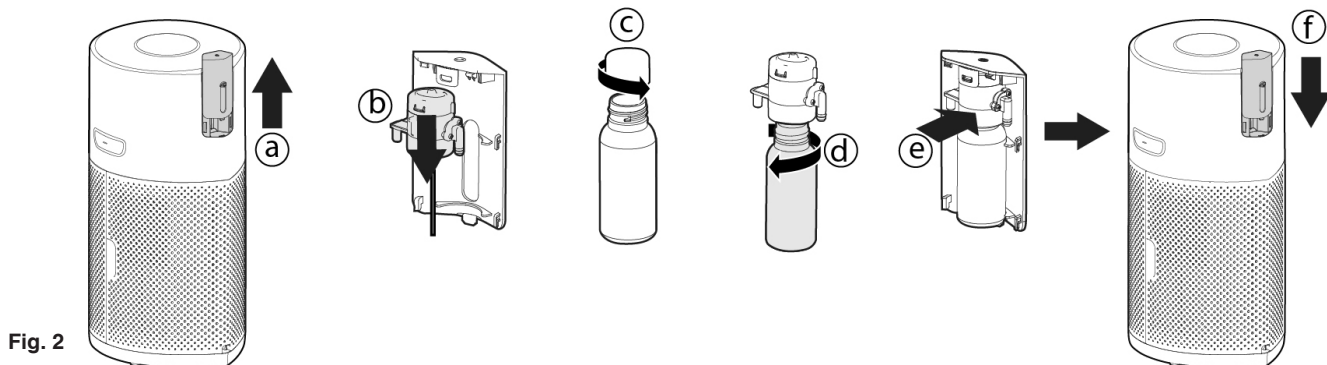
- Retirez le Couvercle de l'entrée de l'air de votre appareil, saisissez les deux poignées du couvercle de l'entrée de l'air et extrayez-les de l'appareil. [Fig. 1a]
- Retirez la fiche de l'emplacement de transport et détachez le cordon du crochet de rangement. [Fig. 1b]
- Déverrouillez la Gâchette de détachement du filtre. [Fig. 1c]
- Retirez le filtre de l'appareil et retirez l'emballage extérieur. [Fig. 1d,e]
- Remontez le filtre dans l'appareil. [Fig. 1f]
- Verrouillez la Gâchette de détachement du filtre. [Fig. 1g]
- Remontez le Couvercle de l'entrée de l'air à votre appareil. [Fig. 1h]



2. Montez la bouteille du diffuseur [Fig. 2]

Pour préparer votre H-PURIFIER pour la fonction Diffuseur :

- Retirez le Couvercle du diffuseur de l'appareil. [Fig. 2a]
- Retirez le diffuseur du couvercle du diffuseur. [Fig. 2b]
- Retirez la bouteille de l'essence H ou des biotiques H de l'emballage et retirez le capuchon. [Fig. 2c]
- Vissez fermement la bouteille sur le diffuseur. [Fig. 2d]
- Remontez le diffuseur dans le couvercle du diffuseur. [Fig. 2e]
- Remontez le Couvercle du diffuseur dans l'appareil. [Fig. 2f]



UTILISATION DE VOTRE H-PURIFIER

Branchez l'appareil [Fig. 3]:

Sortez le cordon d'alimentation de la bobine de cordon et branchez dans une prise d'alimentation électrique.

Tous les voyants sur le Panneau de commande / L'écran s'illuminera complètement pendant environ 1 seconde pour indiquer que le branchement est fait correctement.

Le bouton POWER sera faiblement éclairé et le voyant du capteur de CO sera activé pour indiquer que le Système de surveillance à capteur multiple a commencé à fonctionner pour surveiller le niveau de monoxyde de carbone interne.

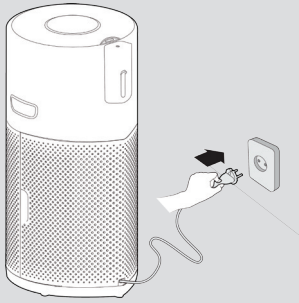


Fig. 3

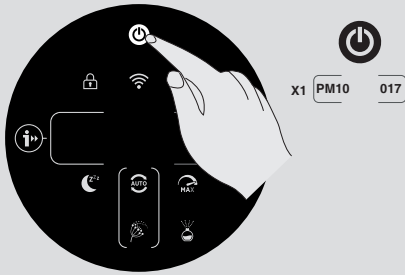


Fig. 4

Allumer l'appareil [Fig. 4]:

Pour allumer l'appareil, appuyez le bouton POWER sur l'écran.

Le LED Ring de qualité de l'air s'illuminera de toutes les couleurs en séquence pendant que les capteurs analysent l'état de l'air en temps réel. Après quelques secondes, le LED Ring de qualité de l'air sélectionnera la couleur appropriée pour la qualité de l'air en ce moment-là.

Votre H-Purifier se mettra automatiquement en MODE AUTO et commencera à purifier l'air à l'intérieur de la pièce.

Le bouton MODE AUTOMATIQUE, le bouton INFORMATIONS, le bouton COMMANDE DE LUMIÈRE et les informations PM10 à l'écran s'illumineront.

Les fonctions suivantes sont disponibles via les boutons de l'écran :

Appuyez sur le bouton Wi-fi pour allumer/éteindre l'accès à distance.

Appuyez sur le bouton INFORMATIONS pour voir toutes les données de surveillance.

Appuyez sur les bouton AUTO, MAX ou SLEEP pour sélectionner un mode purification.

Appuyez sur le bouton LIGHT CONTROL pour régler la luminosité des voyants de l'écran.

Appuyez sur le bouton CHILD LOCK pour désactiver tous les boutons sur le Panneau de commande / l'écran.

Appuyez sur le bouton DIFFUSEUR pour activez la fonction.

Appuyez sur le bouton POWER pour éteindre le purificateur d'air.

Appairage au Wi-fi :

Pour accéder à toutes les fonctions du H-Purifier depuis n'importe où, il est conseillé de télécharger l'application hOn.

Vous serez en mesure de commander votre appareil de la façon la plus efficace possible.



Fig. 5

Instructions :

1. Télécharger l'application hOn de l'App Store ou Google Play. [Fig. 5]
2. Ouvrez l'application, créez un compte à l'aide de votre e-mail et un mot de passe.
3. Confirmez la connexion.
4. Assurez-vous que votre dispositif mobile soit connecté au Wi-fi.
5. Connectez-vous à l'application hOn.
6. Appuyez et maintenez enfoncé le bouton Wi-fi sur l'écran pendant 5 secondes, un signal sonore retentira et le bouton Wi-fi commencera à clignoter pour indiquer qu'il est en attente d'une connexion. [Fig. 6]
7. Suivez les instructions présentes dans l'application pour connectez votre dispositif mobile à votre appareil.
8. Quand vous l'avez appairé, le bouton Wi-fi sur l'appareil restera allumé.
9. Pour rétablir le Wi-fi, appuyez et maintenez enfoncé le bouton Wi-fi pendant 5 secondes.

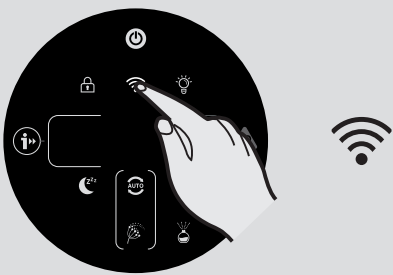


Fig. 6

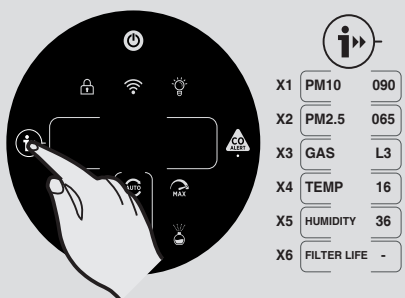


Fig. 7

Paramètres sans fils pour l'appairage

Technologie	Wi-fi	Bluetooth
Standard	IEE 802.11 b/g/n	Bluetooth v4.2, BR/EDR, BLE
Bande(s) de fréquence (MHz)	2401 ~ 2483	2402 ~ 2480
Puissance maximale (mW)	100	10

Fonction INFORMATIONS [Fig. 7]:

Il y a 6 différents groupes de données disponibles à surveiller :

PM10, PM2.5, GAZ, Température, Humidité et État du filtre.

Pour surveiller chaque valeur, appuyez tout simplement plusieurs fois sur le bouton INFORMATIONS.

Par défaut l'écran affichera les données PM10, l'appareil gardera en mémoire la dernière sélection de l'utilisateur et maintiendra cette sélection à l'allumage suivant de l'appareil.

Les données relatives au GAZ affichent un curseur qui tourne pendant les 3 premières minutes après l'allumage de l'appareil pendant que le capteur de GAZ effectue un cycle d'étalonnage.

Plus d'informations sur PM 2.5, PM 10 et GAZ :

PM indique des petites particules (non visible à l'œil nu) issues principalement de la pollution provenant de l'extérieur comme les émissions des véhicules et les émissions industrielles et potentiellement dangereuses pour notre santé en cas d'exposition prolongée.

Les PM 10 ont une taille de 10 µm et sont capables de pénétrer dans la partie supérieure des voies respiratoires (nez, trachée, pharynx).

Les PM 2.5 mesure jusqu'à 2,5 µm et, à cause de leur dimensions réduites, elles peuvent atteindre nos poumons en pénétrant, ainsi, plus loin dans notre corps.

Les VOC (volatile organic compounds - composés organiques volatiles) GAZ sont des composés chimiques volatiles ayant la capacité de s'évaporer facilement dans l'air à la température de la chambre. Les déodorants, les détergents, les colles, les adhésifs, les produits cosmétiques, la formaldéhyde sont seulement certains des VOC qui pourraient être présents dans vos maisons et qui sont potentiellement nocifs pour notre santé en cas d'exposition prolongée.

Fonctions MODE :

There are 3 available air purifying modes via the display: MODE AUTO, MAX MODE & MODE SLEEP. Le mode Auto est le paramètre par défaut pour votre appareil au moment de l'allumer, tous les modes peuvent être sélectionnés manuellement en appuyant sur le bouton correspondant sur l'écran.

Le mode POLLEN ALLERGY (allergie au pollène) peut être activé via l'application hOn.

MODE AUTO [Fig. 8]:

Il s'agit du mode par défaut de votre H-Purifier quand vous l'allumez pour la première fois. En mode Automatique, le H-Purifier règle automatiquement la vitesse du ventilateur sur la base du niveau de qualité de l'air interne pour garantir toujours une purification optimale de l'air.

Il s'agit du paramètre recommandé pour votre appareil.

En mode AUTO, après 30 minutes de qualité de l'air excellente, votre appareil passera en mode **ECO** en arrêtant la fonction de purification, le Système de surveillance à capteur multiple continuera à analyser l'air interne et allumera automatiquement la fonction de purification quand nécessaire.

MODE MAX [Fig. 9]:

Press the MAX mode button on the display to activate air purifying at maximum power setting. Pour sortir du mode MAX, sélectionnez tout simplement le mode AUTO ou SLEEP.

MODE SLEEP [Fig. 10]:

Press the SLEEP mode button to activate air purifying at the lowest silent power setting. The SLEEP mode button will be dimly lit and all other display lights will be off. Ceci peut être modifié en appuyant le bouton COMMANDE DE LUMIÈRE.

MODE POLLEN ALLERGY : [Fig. 11]

Le mode Pollen Allergy peut également être activé via l'app hOn. Vous devrez tout d'abord activer et enregistrer un profil dans l'application de façon à créer votre Profil Pollen Allergy.

Le mode Pollen Allergy fonctionne uniquement quand le MODE AUTO est sélectionné. [Fig. 11c]

En mode Pollen Allergy, l'appareil reçoit continuellement des données en temps réel de l'application sur la concentration de pollen détectée à l'extérieur et fonctionne automatiquement pour maximiser les performances de capture du pollen.

Une fois les pollens capturés, ils sont inactivés pour aider à soulager les symptômes de l'allergie.

Quand le mode Pollen Allergy est activé dans l'application, il y a 2 voyants de notification possibles sur l'écran de l'appareil :

- Le voyant Pollen Allergy est **BLANC [Fig. 11a]**: L'appareil et l'application surveillent la présence de pollens à l'extérieur et il n'y a pas de risques.

- The Voyant pour l'allergie au pollen turns **YELLOW [Fig. 11b]** and the Pollen Allergy Circle lamp is **WHITE [Fig. 11a]**: L'appareil et l'application ont détecté des risques.

Si l'appareil est mis manuellement en mode SLEEP ou MAX pendant que le mode Pollen Allergy est activé, le mode Pollen Allergy s'arrêtera.

Fonction COMMANDE LUMIÈRE : [Fig. 12]

Il y a 3 paramètres disponibles pour l'éclairage de l'écran : On, Dim et Off.

Pour régler la luminosité de l'éclairage de l'écran, appuyez tout simplement sur le bouton LIGHTING sur l'écran pour parcourir les 3 options disponibles. ON est le paramètre par défaut.

Si OFF est sélectionné, tout autre bouton devra être appuyé deux fois pour être activé, après une pression, les lumières deviendront DIM, après une deuxième pression, l'action sera activée.

Fonction CHILD LOCK : [Fig. 13]

appuyez et maintenez enfoncé le bouton CHILD LOCK pendant 3 secondes pour l'activer, un signal sonore retentira quand il sera activé et le bouton CHILD LOCK restera allumé. Aucun autre bouton ne fonctionnera si activé.

Pour sortir, appuyez et maintenez enfoncé tout simplement le bouton CHILD LOCK pendant 3 secondes, un signal sonore retentira pour confirmer qu'il est éteint et que le bouton ne sera plus allumé.

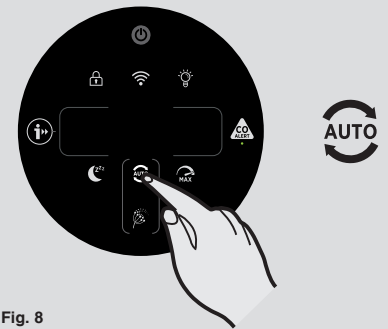


Fig. 8

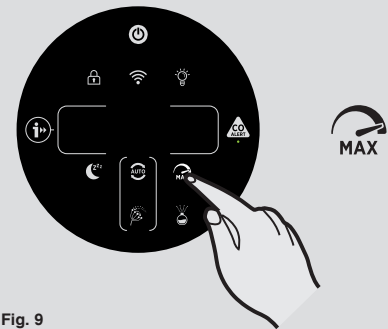


Fig. 9



Fig. 10

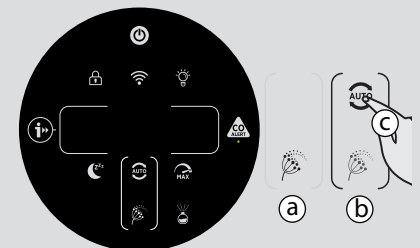


Fig. 11

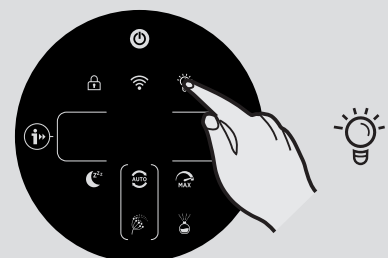


Fig. 12

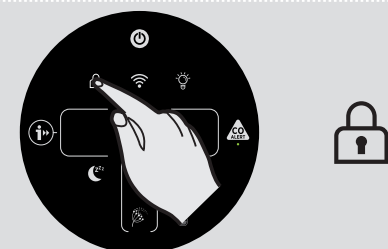


Fig. 13

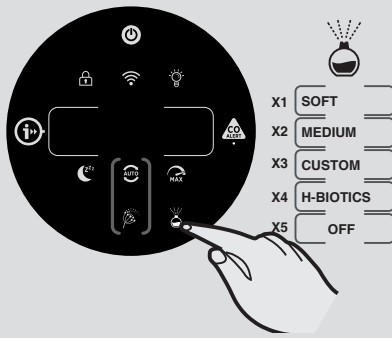


Fig. 14

Fonction Diffuseur : [Fig. 14]

Le diffuseur répand dans l'air de la chambre de l'essence H ou des biotiques H. L'essence H est la collection d'huiles essentielles de Hoover pour répandre dans l'air des fragrances agréables. Les biotiques H sont un mélange naturel basé sur les probiotiques qui gardent la chambre bio-hygiénisée en inhibant la prolifération de micro-organismes comme les bactéries et les microbes.

There are 4 different settings for the DIFFUSER function, SOFT, MEDIUM, CUSTOM & H-BIOTICS. To activate this function simply press the Diffuser button on the Ecran, the default setting for this function is SOFT, to select any of the other settings simply consecutively press the button to change to the desired selection. Le bouton s'illuminera en blanc quand il sera allumé.

It is recommended to use SOFT & MEDIUM settings for H-Essence.

Le paramètre personnalisé peut être créé dans l'app hOn pour votre essence H.

Quand vous utilisez les biotiques H, le paramètre **DOIT** être réglé sur H-Biotics. Une fois que l'utilisateur active les biotiques H en utilisant l'application, cela donnera une alerte « ACTIVEZ LES BIOTIQUES H » après 120 heures pour garantir l'utilisation des biotiques H tous les 5 jours.

La fonction Diffuseur peut uniquement être utilisée en mode AUTO et MAX et ne peut pas être utilisée en mode SLEEP.

Quand vous activez la fonction Diffuseur en mode AUTOMATIQUE, le ventilateur principal fonctionnera à une vitesse spécifique pour répandre la H-Essence ou les H-Biotics dans la pièce.

Paramètre	Pompe en marche	Pompe arrêtée	Cycle
SOFT	10 secondes	300 secondes	Arrêt après 6 heures
MEDIUM	90 secondes	120 secondes	Arrêt après 6 heures
CUSTOM	Défini par l'utilisateur	Défini par l'utilisateur	Arrêt après 6 heures
H-BIOTICS	120 secondes	120 secondes	Arrêt après 6 heures

Pour éteindre la fonction, appuyez sur le bouton diffuseur jusqu'à ce que la lumière du bouton s'éteigne. Après chaque utilisation de la fonction Diffuseur, utilisez un chiffon doux et sec pour nettoyer les résidus éventuels des surfaces de l'appareil.

Pour changer la bouteille dans le diffuseur, voir la section « Entretien de votre H-Purifier ».

ENTRETIEN DE VOTRE H-PURIFIER

IMPORTANT : DÉBRANCHEZ TOUJOURS VOTRE APPAREIL DE L'ALIMENTATION ÉLECTRIQUE QUAND VOUS EFFECTUEZ L'ENTRETIEN.

NETTOYAGE DU FILTRE / REMPLACEMENT

Votre H-Purifier surveillera l'état de votre filtre. Une alerte **NETTOYEZ FILTRE OU REMPLACEZ FILTRE** apparaîtra sur le côté gauche de l'écran et clignotera en indiquant l'action nécessaire: nettoyer ou changer le filtre.

Nettoyage / Remplacer le filtre : [Fig. 15]

- Retirez le Couvercle d'arrivée d'air de votre appareil. [Fig. 15a]
- Déverrouillez la Gâchette de détachement du filtre. [Fig. 15b]
- Retirez le filtre de votre appareil. [Fig. 15c]
- Utilisez un aspirateur pour nettoyer la maille externe sur l'ensemble filtre ou remplacez-le par un filtre NEUF. [Fig. 15d]
- Remontez l'ensemble du filtre dans l'appareil. [Fig. 15e]
- Verrouillez la Gâchette de détachement du filtre. [Fig. 15f]
- Remontez le Couvercle de l'entrée de l'air à votre appareil. [Fig. 15g]
- Branchez votre appareil à l'alimentation électrique et mettez-le en marche. [Fig. 4]
- Appuyez sur le bouton INFORMATION et suivez les instructions pour rétablir la fonction Nettoyage Filtre en maintenant enfoncé le bouton 3 secondes, un signal sonore retentira qui indiquera que l'action s'est terminée avec succès. [Fig. 7]

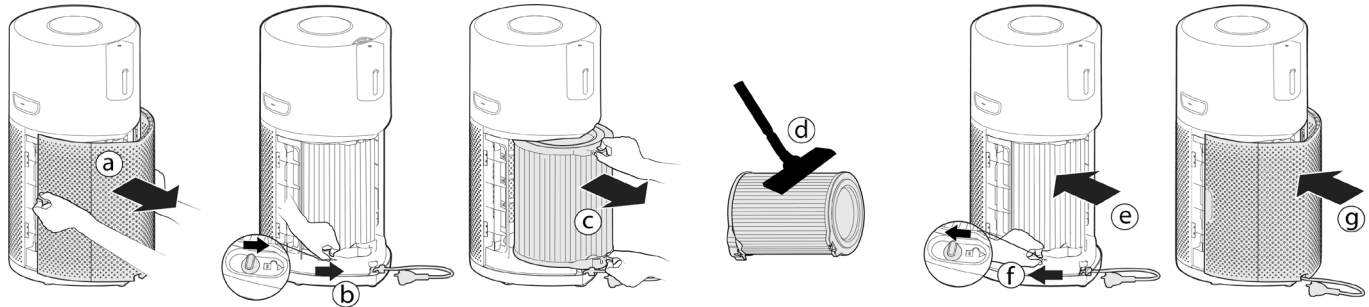


Fig. 15

ENTRETIEN DU DIFFUSEUR

Après chaque utilisation de la fonction Diffuseur, utilisez un chiffon doux et sec pour nettoyer les résidus éventuels des surfaces de l'appareil.

Remplacement de la bouteille du diffuseur : [Fig. 16]

Le volume du liquide restant dans la bouteille peut être vérifié à travers la fenêtre du diffuseur quand nécessaire, la bouteille doit être remplacée.

- Retirez le Couvercle du diffuseur de l'appareil. [Fig. 16a]
- Retirez le diffuseur et la bouteille du couvercle du diffuseur. [Fig. 16b]
- Dévissez et retirez la bouteille vide et mettez-la au rebut. [Fig. 16c]
- Retirez la nouvelle bouteille de l'essence H ou des biotiques H de l'emballage et retirez le capuchon. [Fig. 16d]
- Vissez fermement la nouvelle bouteille sur le diffuseur. [Fig. 16e]
- Remontez le diffuseur dans le couvercle du diffuseur. [Fig. 16f]
- Remontez le Couvercle du diffuseur dans le H-Purifier. [Fig. 16g]

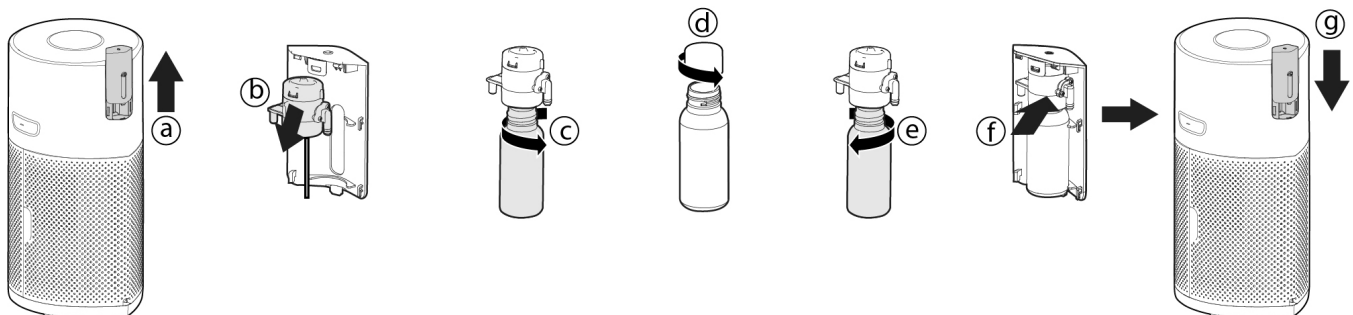


Fig. 16

STOCKAGE DE VOTRE H-PURIFIER

1. Éteignez le purificateur d'air et débranchez la fiche.
2. Nettoyez toutes les surfaces internes et externes du purificateur d'air et la maille externe du filtre.
3. Retirez la bouteille du diffuseur. Remontez le capuchon original de la bouteille et stockez-le pour le protéger de la lumière directe. Nettoyez les surfaces du diffuseur et le couvercle du diffuseur. Assurez-vous qu'il n'y a pas de résidu d'essence H sur une surface du purificateur d'air.
4. Ensure all components are dry.
5. Remove the Couvercle de l'entrée de l'air [Fig. 17a] and Reel in the power cord by pulling on the cord [Fig. 17b] and fit the cord into the storage hook and fit the plug into the transport location. [Fig. 17c,d] Remontez la couvercle de l'entrée de l'air [Fig. 17e]
6. Stockez le Purificateur d'air dans un endroit sec et frais.

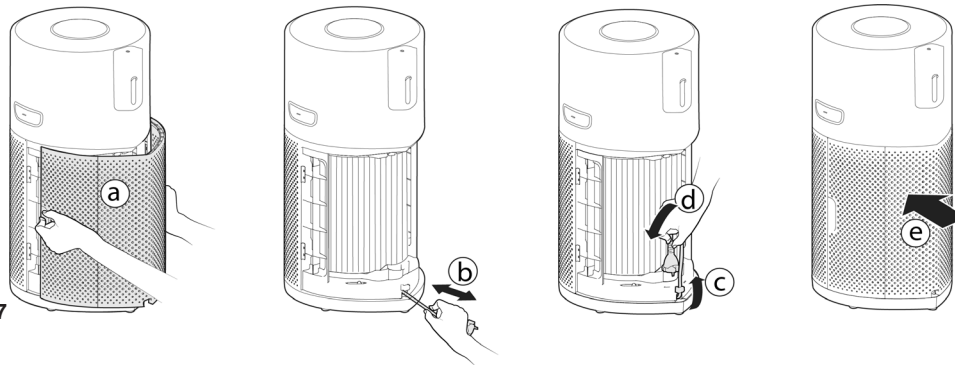


Fig. 17

ALERTES ET SOLUTIONS

Les codes suivants pourraient apparaître pendant l'utilisation. [Fig. 18]



Fig. 18

Description de l'erreur	Description de l'erreur		Solution de l'erreur
	Alerte sur le Panneau de commande de l'appareil / Ecran	Alerte sur l'Application	
Alerte nettoyage du filtre de la couche extérieure	L'alerte « CLEAN FILTER » (« NETTOYEZ FILTRE ») clignote sur l'écran	Alerte Nettoyage du filtre	1. Suivez les instructions dans le manuel de l'utilisateur pour nettoyer le filtre de la couche extérieure. 2. Rétablissez l'alerte.
Alerte Remplacement du filtre	L'alerte « REPLACE FILTER » (« REMPLACEZ FILTRE ») clignote sur l'écran	Alerte Remplacement du filtre	1. Suivez les instructions dans le manuel de l'utilisateur pour remplacer le filtre. 2. Rétablissez l'alerte.
Filtre non présent ou filtre non verrouillé	L'alerte « FILTER MISSING » (« FILTRE ABSENT ») clignote sur l'écran	Filtre non présent ou filtre non verrouillé	1. Si le filtre n'est pas présent, remettez-le. 2. Si le filtre est en position, vérifiez si la languette du filtre a été mise en état de VERROUILLAGE.
Dysfonctionnement du capteur de poussière : pas de signal du capteur ou tension de sortie supérieure à la valeur limite	/	Dysfonctionnement du capteur de poussière : pas de signal du capteur ou tension de sortie supérieure à la valeur limite	Capteur de poussière défectueux ou fil du capteur de poussière non branché correctement, prière d'appeler le centre d'entretien pour le réparer.
Moteur sans puissance	/	Moteur sans retour de vitesse	Moteur défectueux ou fil du moteur non branché correctement, prière d'appeler le centre d'entretien pour le réparer.
Dysfonctionnement du capteur de CO	Voyant de l'état du capteur de CO allumé en jaune	Dysfonctionnement du capteur de CO	Alerte : appelez service d'entretien.

ATTENTION : En cas de persistance de l'une de ces pannes, contactez votre revendeur ou le service consommateur Hoover. N'essayez pas de démonter le H-Purifier par vous-même.

DÉPANNAGE

Voici une liste de problèmes rencontrés et leurs solutions.

Si l'un de ces problèmes persiste, contactez votre revendeur ou le service consommateur HOOVER

Le ventilateur ne fonctionne pas (Panneau de commande / Lumières écran allumées)	<ul style="list-style-type: none"> • Vérifiez l'alerte affichée sur l'écran ou dans l'application. • Vérifiez s'il y a des obstructions dans le ventilateur. • Vérifiez si le H-Purifier est allumé. • Vérifiez si le filtre n'est pas mal monté. • Vérifiez que le H-Purifier soit en position verticale et qu'il ne soit pas incliné.
Le ventilateur ne fonctionne pas (Panneau de commande / Lumières écran éteintes)	<ul style="list-style-type: none"> • Vérifiez si le H-Purifier est branché et allumé. • Vérifiez s'il y a des obstructions dans le ventilateur.
Pas de voyants sur le Panneau de commande / Ecran (Ventilateur en marche)	<ul style="list-style-type: none"> • Vérifiez si les lumières n'ont pas été éteintes en appuyant sur le bouton Light Control (Commande lumière) du panneau de contrôle / Ecran.
Boutons du panneau de commande / L'écran ne fonctionne pas	<ul style="list-style-type: none"> • Vérifiez si la sécurité pour enfants a été activée en appuyant sur le bouton Child lock pendant 3 secondes.
Flux d'air faible	<ul style="list-style-type: none"> • Vérifiez si l'emballage de protection a été retiré du filtre. • Vérifiez s'il y a des obstructions dans le couvercle de l'entrée de l'air ou de la sortie de l'air. • Vérifiez l'état du filtre sur le Panneau de commande / Avertissement de nettoyage ou remplacement sur l'écran ou l'application. • Vérifiez si le H-Purifier est en mode sleep. Dans ce mode, le ventilateur fonctionne à puissance réduite.
Le purificateur fait du bruit	<ul style="list-style-type: none"> • Vérifiez s'il y a des obstructions dans la sortie de l'air ou dans le ventilateur. • Vérifiez si le H-Purifier fonctionne en mode MAX, le débit d'air est à la puissance maximale dans ce mode.
Le purificateur d'air émet un bruit fort tout d'un coup.	<ul style="list-style-type: none"> • La fonction de test du bouton CO Alert est activée par erreur. Le bruit s'arrêtera automatiquement après 5 secondes.

INFORMATIONS IMPORTANTES

Pièces détachées et consommables Hoover

Toujours remplacer les pièces par des pièces détachées de la marque Hoover. Celles-ci sont disponibles auprès de votre revendeur Hoover. Lors de la commande de pièces, veuillez toujours préciser le numéro de votre modèle.

Qualité

La qualité des usines Hoover a fait l'objet d'une évaluation indépendante. Nos produits sont fabriqués selon un système de qualité conforme à la norme ISO 9001.

Votre garantie

Les conditions de garantie de cet appareil sont définies par notre représentant dans le pays où il est vendu et peuvent être obtenues auprès de votre revendeur. Les détails concernant ces conditions peuvent être obtenues auprès du revendeur auprès duquel l'appareil a été acheté. La facture d'achat ou le reçu doivent être présentés pour toutes réclamations relevant des conditions de cette garantie.

Ces conditions peuvent être modifiées sans préavis.

HINWEISE FÜR DIE SICHERE BENUTZUNG

Dieses Gerät sollte, wie in diesem Benutzerhandbuch beschrieben, nur in einem privaten Haushalt verwendet werden. Bevor Sie das Gerät in Betrieb nehmen, stellen Sie sicher, dass Sie dieses Handbuch vollständig verstanden haben und halten Sie es für zukünftiges Nachschlagen bereit.

Vor der Reinigung oder Wartung das Gerät stets ausschalten, den Netzstecker aus der Steckdose ziehen und abkühlen lassen.

Dieses Gerät darf von Kindern ab 8 Jahren, sowie körperlich, geistig oder sensorisch behinderten Personen bzw. Personen ohne Erfahrung und Kenntnisse im Gebrauch nur unter Aufsicht oder unter Anleitung für die sichere Benutzung und den damit verbundenen Gefahren benutzt werden. Kinder sollten nicht unbeaufsichtigt mit dem Gerät spielen.

Reinigungs- und Wartungsarbeiten dürfen von Kindern nur unter Aufsicht ausgeführt werden.

Ist das Netzkabel beschädigt, darf das Gerät NICHT mehr benutzt werden. Im Falle eines Defektes darf das Netzkabel nur durch einen autorisierten HOOVER-Kundendiensttechniker ausgetauscht werden.

Verwenden Sie nur von HOOVER empfohlene oder gelieferte Zubehörteile, Verbrauchsmaterialien und Ersatzteile.

Ziehen Sie den Stecker nicht aus der Steckdose, indem Sie am Netzkabel ziehen.

Stellen Sie die Verwendung des Gerätes ein, wenn ein Defekt am Gerät vermutet wird.

Stellen Sie das Gerät nur auf einer trockenen, stabilen, ebenen horizontalen Oberfläche auf, damit ein Umkippen während des Betriebes ausgeschlossen ist.

Halten Sie das Gerät trocken.

Kippen oder entleeren Sie das Gerät niemals während des Betriebs.

Verlegen Sie das Netzkabel derart, dass niemand darauf treten oder darüber stolpern kann.

Stellen Sie das Gerät nicht auf heiße Oberflächen, in der Nähe von heißen Oberflächen, in der Nähe eines offenen Feuers oder in direkter Sonneneinstrahlung auf.

Um Stromschläge und/oder Feuergefahren zu vermeiden, lassen Sie kein Wasser oder andere flüssige oder brennbare Reinigungsmittel in das Gerät eindringen.

Um Stromschläge und/oder Feuergefahren zu vermeiden, reinigen Sie das Gerät nicht mit Wasser, einer anderen Flüssigkeit oder einem (brennbaren) Reinigungsmittel.

Sprühen Sie keine brennbaren Stoffe wie Insektizide oder Duftstoffe in die Nähe des Geräts.

Überprüfen Sie, bevor Sie das Gerät anschließen, ob die auf dem Etikett des Geräts angegebene Spannung dem Nennwert Ihrer Netzspannung entspricht.

Blockieren Sie nicht den Lufteinlass oder Luftauslass.

Dieses Gerät ist kein Ersatz für die richtige Belüftung, regelmäßige Staubsaugerreinigung oder die Verwendung einer Dunstabzugshaube oder eines Ventilators beim Kochen.

Legen Sie nichts auf das Gerät.

Stellen Sie das Gerät nicht direkt unter eine Klimaanlage, um zu verhindern, dass Kondenswasser auf das Gerät tropft.

Stellen Sie, bevor Sie das Gerät einschalten, sicher, dass alle Filter ordnungsgemäß installiert sind.

Verwenden Sie nur Original-HOOVER-Filter, die speziell auf dieses Gerät abgestimmt sind. Verwenden Sie keine anderen Filter.

Klopfen Sie nicht mit harten Gegenständen gegen das Gerät (insbesondere auf den Lufteinlass und Luftauslass).

Um Verletzungen oder Fehlfunktionen des Geräts zu vermeiden, stecken Sie niemals Ihre Finger oder Gegenstände in den Luftauslass oder Lufteinlass.

Verwenden Sie dieses Gerät nicht, wenn Sie Insektenschutzmittel in Innenräumen oder an Orten mit öligen Rückständen, brennendem Weihrauch oder chemischen Dämpfen verwendet haben.

Verwenden Sie das Gerät nicht in der Nähe von mit Gas betriebenen Haushaltsgeräten, Heizgeräten oder Kaminen.

Verwenden Sie das Gerät nicht in einem Raum mit größeren Temperaturänderungen.

Um Störungen zu vermeiden, stellen Sie das Gerät mindestens 2 m von elektrischen Geräten wie Fernseher, Radios oder Funkuhren entfernt auf, die Funkwellen verwenden.

Wenn das Gerät für eine lange Zeit nicht verwendet wird, können Bakterien auf den Filtern wachsen. Überprüfen Sie die Filter nach einer längeren Zeit der Nichtbenutzung. Wenn die Filter sehr schmutzig sind, ersetzen Sie sie.

Verwenden Sie das Gerät nicht in nasser Umgebung oder in Umgebungen mit hohen Umgebungstemperaturen, wie Bad, WC oder Küche.

Das Gerät entfernt kein Kohlenmonoxid (CO) oder Radon (Rn). Es darf nicht als Sicherheitseinrichtung bei Unfällen mit Verbrennungsprozessen und gefährlichen Chemikalien verwendet werden.

Die CO Monitor-Funktion darf nicht als Ersatz für eine EN 50291-1 UL-2034, CSA-6.19 oder eine andere anerkannte, zertifizierte CO Alert verwendet werden, wenn örtliche oder regionale Normen oder Rechtsvorschriften ihre Verwendung vorschreiben. Die Funktion CO Monitor ist nur ein zusätzliches Kohlenmonoxid-Überwachungsgerät. Die Nutzung dieses Geräts liegt im Ermessen des Benutzers und impliziert das Verständnis und die Akzeptanz seiner Einschränkungen, um gegebenenfalls Normen oder Gesetze einzuhalten.

Stellen Sie das Gerät nicht an einem der folgenden Orte auf:

- In einem Badezimmer oder anderen Bereichen, in denen das Gerät Wasserspritzern, Tropfen oder Kondenswasser ausgesetzt sein könnte (z. B. über einem Wasserkocher).
- Neben oder direkt über Heizungen oder Gebläsen von Klimaanlage, Türen, Fenster, Dunstabzugshauben oder überall dort, wo es Zugluft ausgesetzt wäre.
- Direkt über einer Spüle oder Herd.
- In einem Bereich, in dem die Temperatur unter -20°C fallen oder über 50°C steigen könnte.
- In einem geschlossenen Raum (z.B. in oder unter einem Schrank).
- In einem feuchten oder nassen Bereich.
- Wo es behindert würde, z.B. durch Vorhänge oder Möbel.
- Wo Schmutz oder Staub den Sensor blockieren könnten.
- In der Nähe von Farb-, Verdünner-, Lösungsmittel- oder Geruchsentfernerdämpfen.

Wenn der CO Alarm ausgelöst wird, sollten Sie alle Fenster und Türen öffnen (sofern dies sicher möglich ist). Schalten Sie nach Möglichkeit alle brennenden Haushaltsgeräte aus und verlassen Sie den Raum mit geöffneten Fenstern und Türen. Holen Sie sofortige medizinische Hilfe für alle Personen, die an den Auswirkungen einer Kohlenmonoxidvergiftung leiden.

Betreten Sie den Raum erst wieder, wenn der CO Alert nicht mehr besteht. Die Warnung wird aufgehoben, sobald die Kohlenmonoxidkonzentration beseitigt wurde. Verwenden Sie keine mit Flammen betriebenen Haushaltsgeräte mehr, bis die Kohlenmonoxidquelle gefunden und von einem zugelassenen Techniker beseitigt wurde.

Um den CO Monitor zu aktivieren, stecken Sie den Stecker des Geräts in eine Steckdose. Die Statusanzeige des Kohlenmonoxidsensors wird grün leuchten. Wenn der CO Monitor eine unsichere Kohlenmonoxidkonzentration erkennt, ertönt der CO Alarm und die CO Alert-Taste und die O-Ringlampe werden rot blinken. Die Warnung wird weiterhin angezeigt, bis die erkannte Kohlenmonoxidkonzentration auf ein sicheres Niveau abgesunken ist.

Vermeiden Sie die Verwendung von Farbe, Verdünner, Lösungsmittel, Geruchsentferner, Aerosolsprays oder chemische Reinigungsmittel in der Nähe des Geräts. Dies kann die Funktion des CO Monitors beeinträchtigen.

Lassen Sie kleine Kinder nicht 3 Sekunden lang die CO Alert-Taste drücken, da sie übermäßigem Lärm ausgesetzt sein könnten, wenn der Warnton ertönt.

Berühren Sie die Taste [CO Alert] für 3 Sekunden, um die Funktion CO Alarm zu überprüfen. Die akustische Warnung wird 5 Sekunden lang ertönen. Testen Sie die Warnung monatlich und nach längerer Abwesenheit vom Gebäude (Z. B. Ferien). Wenn der Warnung 3 Sekunden nach Drücken der [CO Alert]-Taste nicht ertönt, wenden Sie sich bitte an das Hoover-Kundendienstzentrum, um einen qualifizierten Techniker zur Behebung des Fehlers anzufordern.

If the display indicates that the CO sensor is faulty or end of life has been reached, please contact the Hoover customer care centre to arrange a qualified technician to replace the CO sensor. Die voraussichtliche Lebensdauer des Kohlenmonoxidsensors beträgt 5 Jahre. Er

muss nach Ablauf dieser Zeit ausgetauscht werden.

Betriebsluftfeuchtigkeit: 15 – 90% RH

Betriebstemperatur: 0°C bis + 40°C

When the detected level of CO reaches a high level, the [CO Alert] button and the [Air Quality LED Ring] blink in red color (2Hz), at the same time, alarm rings loudly (85~110dB(A)) and continuously, the alarm will not stop until the intensity of CO falls back from the alarm level.

Kohlenmonoxid beeinflusst den Körper durch ersticken wichtiger Organe aufgrund von Sauerstoffmangel. Wenn Kohlenmonoxid eingeatmet wird, heftet es sich an das Hämoglobin im Blut, das normalerweise Sauerstoff durch den Körper transportiert. Kohlenmonoxid verdrängt dauerhaft die Fähigkeit von Sauerstoffmolekülen, sich an das Hämoglobin anzuheften, wodurch der Sauerstoff in lebenswichtigen Organen reduziert wird. Die Konzentration und Dauer der Exposition von CO können die Auswirkungen auf den Körper variieren. Experten sind sich jedoch einig, dass auch niedrige Konzentrationen bei einer Exposition von Kohlenmonoxid über längere Zeiträume schwerwiegende und dauerhafte Auswirkungen auf die allgemeine Gesundheit von Menschen haben können.

WARNUNG: DER CO ALARM SOLL DEN EINZELNEN VOR DEN AKUTEN AUSWIRKUNGEN DER EXPOSITION VON KOHLENMONOXID SCHÜTZEN ODER DIE CHRONISCHEN AUSWIRKUNGEN DER EXPOSITION VON KOHLENMONOXID VERHINDERN. ES WIRD PERSONEN MIT BESTIMMTEN ERKRANKUNGEN NICHT VOLLSTÄNDIG SCHÜTZEN. FRAGEN SIE IM ZWEIFELSFALL EINEN ARZT.

Dieses Gerät darf nicht als Ersatz für die ordnungsgemäße Installation, Verwendung und Wartung von mit Flammen betriebenen Haushaltsgeräten, einschließlich geeigneter Lüftungs- und Abgassysteme, verwendet werden.

Die Benachrichtigungen des CO Monitors auf Handys und Tablets erfordern eine funktionierende WLAN-Verbindung. Sie sind kein Ersatz für einen Notfallüberwachungsdienst eines Drittanbieters.

Verwenden Sie nur Aromaöl, das von HOOVER empfohlen oder geliefert wird.

Verwenden Sie keinen freistehenden Luftbefeuchter neben dem Luftreiniger, wenn Sie die Diffusorfunktion mit H-Essence benutzen.

Wischen Sie alle Verschüttungen von H-Essence unverzüglich auf. Reinigen Sie jedes Teil des Geräts, das Kontakt mit H-Essence hatte.

HOOVER-Kundendienst: Um auf Dauer den sicheren und effizienten Betrieb dieses Gerätes zu gewährleisten, empfehlen wir, Wartungs- und Reparaturarbeiten ausschließlich von einem zugelassenen HOOVER-Kundendienst durchführen zu lassen.

Umweltschutz

Dieses Elektrohaushaltsgerät ist entsprechend der EU-Richtlinie 2011/65/EC über Elektro- und Elektronik-Altgeräte (WEEE) gekennzeichnet. Durch die sichere und umweltgerechte Entsorgung dieses Produkts tragen Sie dazu bei, mögliche negative Auswirkungen auf die Umwelt und die Gesundheit des Menschen zu verhindern.

Das am Gerät angebrachte Symbol gibt an, dass dieses Gerät nicht als Hausmüll behandelt werden darf, sondern an einer entsprechenden Sammelstelle für das Recycling von elektrischen und elektronischen Geräten zu entsorgen ist. Die Entsorgung ist in Übereinstimmung mit allen geltenden Vorschriften für die umweltgerechte Abfallentsorgung vorzunehmen. Ausführlichere Informationen über die Müllbehandlung und das Recycling dieses Gerätes erhalten Sie von der zuständigen Umweltbehörde, der Müllentsorgungsstelle Ihrer Kommune oder dem Händler, bei dem Sie das Gerät erworben haben.

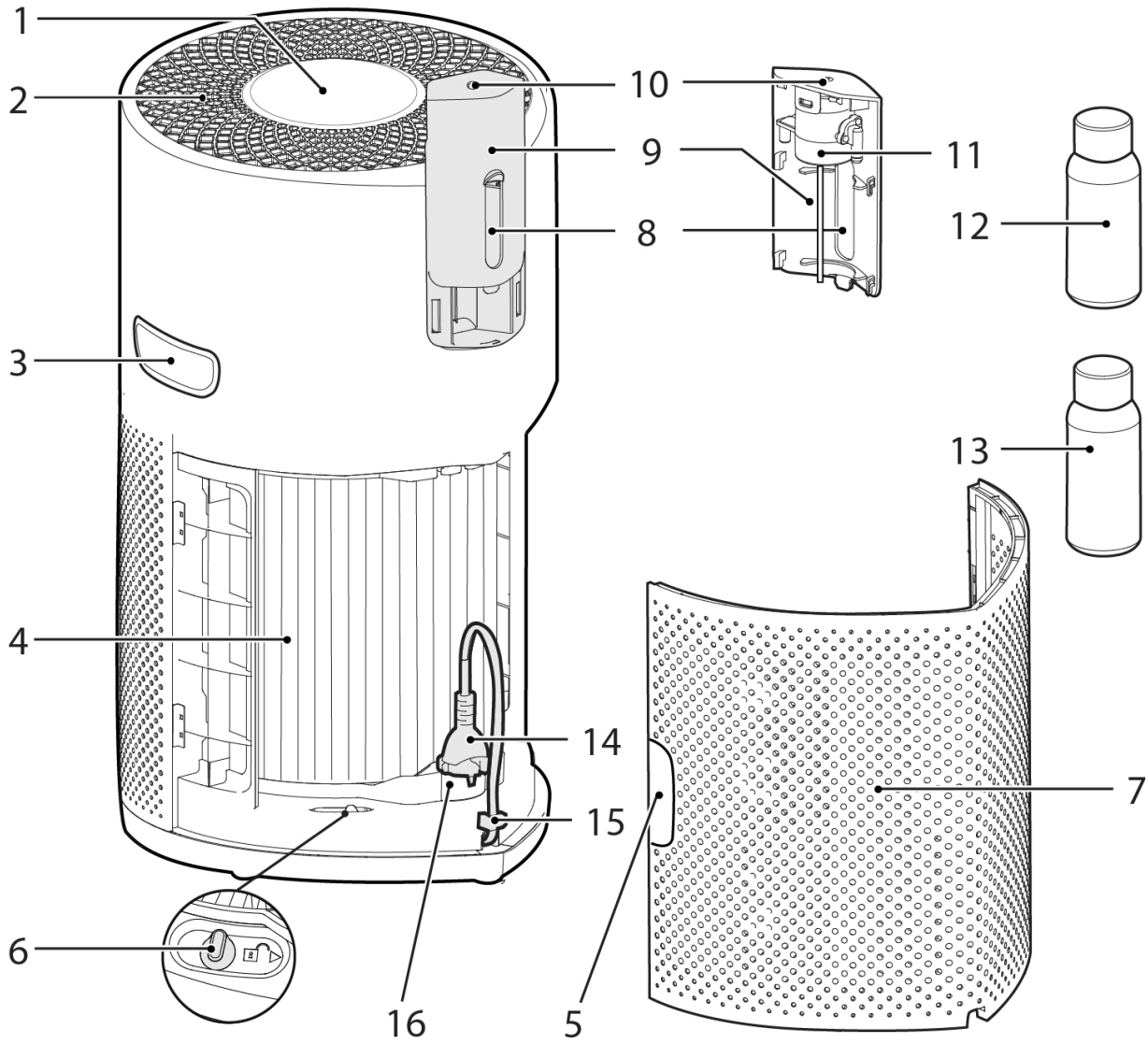


Frequenzbereiche	2400Mhz ~ 2483.5Mhz
Maximale HF-Leistung, die im Frequenzband übertragen wird	18.9 dBm

CE Dieses Gerät erfüllt die Europäischen Richtlinien 2014/53/EU, 2014/30/EU und 2011/65/EU. Für eine Kopie der Konformitätserklärung kontaktieren Sie, bitte den Hersteller auf seiner Website: www.candy-group.com

CANDY HOOVER GROUP S.r.l. Via Privata Eden Fumagalli, 20861 Brugherio (MB) Italy

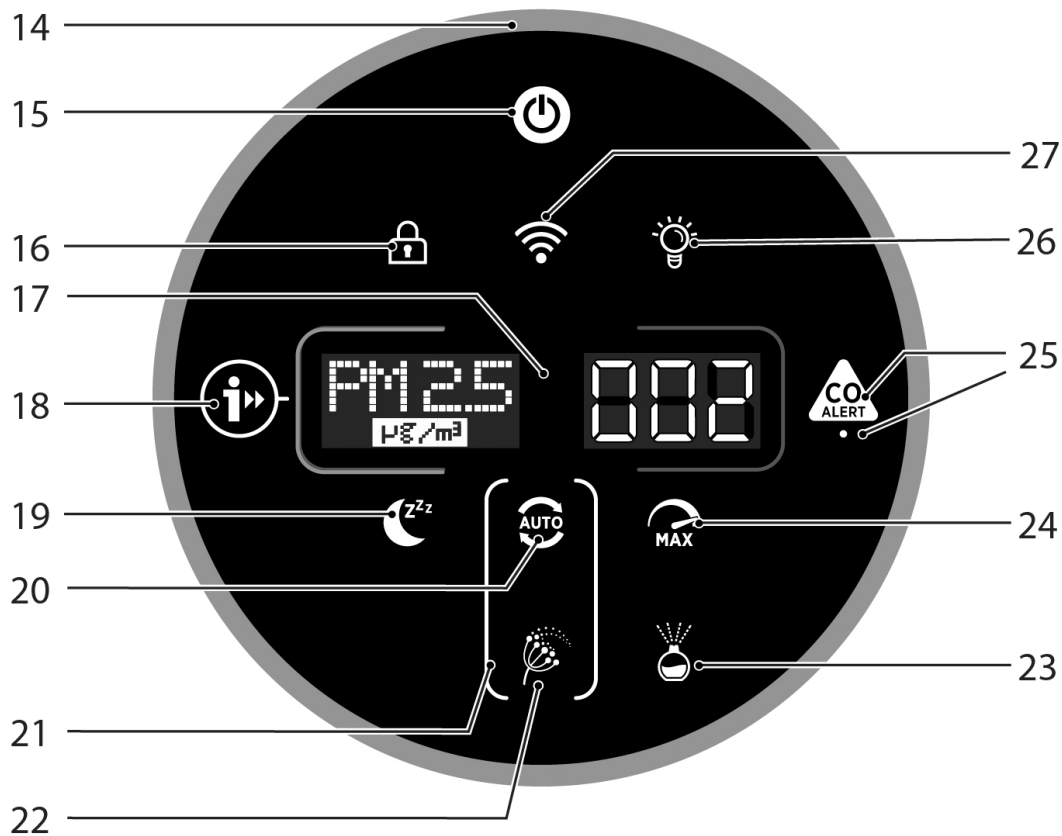
BEZEICHNUNG DER TEILE IHRES H-LUFTREINIGERS



1	Bedienfeld / Display
2	Luftauslass
3	Tragegriff
4	Filterbaugruppe
5	Griff Lufteinlassabdeckung

6	Filterfreigabetaste
7	Lufteinlassabdeckung
8	Diffusorfenster
9	Diffusorabdeckung
10	Diffusorauslass
11	Diffusoreinheit

12	H-Essence-Flasche (Grün)
13	H-Biotics-Flasche (Braun)
14	Netzkabel und Stecker
15	Hängeöse
16	Aufbewahrung



14	Luftqualitäts-LED Ring
15	Ein/Aus-Schalter
16	Taste Kindersicherung
17	Digitale Anzeige
18	Informationstaste

19	Taste Schlafmodus
20	Taste Automatikbetrieb
21	Pollen-Allergie-Ringleuchte
22	Pollen-Allergie-Leuchte
23	Diffusortaste

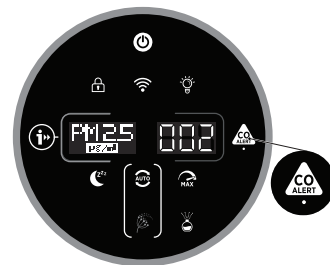
24	Taste Maximale Leistung
25	CO Alert-Taste und LED-Leuchte
26	Licht-Steuertaste
27	Wi-Fi Button

Multi Sensor-Überwachungssystem

Mit Hilfe des Multi Sensor-Überwachungssystems ist Ihr Gerät in der Lage, kontinuierlich die Raumklimatisierung in Bezug auf PM10, PM2.5, flüchtige organische Verbindungen (GAS) und Kohlenmonoxidkonzentration (CO) zu überwachen.

Jedes Mal, wenn Sie Ihr Gerät einschalten, beginnt das Multi Sensor-Überwachungssystem mit der Analyse der Raumluft und der Luftqualitäts-LED Ring zeigt mit verschiedenen Farben die Luftqualität in Echtzeit an.

Luftqualität Farbe LED Ring	Innenraumluftqualität
GRÜN	AUSGEZEICHNET
GELB	ZUFRIEDENSTELLEND
ORANGE	SCHLECHT
ROT	SEHR SCHLECHT



Überwachung der Kohlenmonoxidkonzentration und Warnung

Der H-Luftreiniger überwacht die Kohlenmonoxidkonzentration (CO) der Raumluft. Das Gerät ist mit einem Warnsystem ausgestattet.

Wenn der CO Alert ausgelöst wird, blinken der LUFT-Qualitäts-LED Ring, die Informations- und CO Alert-Taste gleichzeitig rot und es ertönt ein akustischer Warnton. Der akustische Warnton ertönt, bis die Kohlenmonoxidkonzentration (CO) auf unter 50 ppm reduziert wurde, es sei denn, der Warnton wird manuell durch Drücken der CO Alert-Taste für 3 Sekunden ausgeschaltet.

Diese CO Alert-LED zeigt den Arbeitszustand des Kohlenmonoxidsensors an. Er leuchtet grün, wenn der Kohlenmonoxidsensor einwandfrei funktioniert, gelb, wenn der Sensor defekt ist oder seine Lebensdauer überschreitet.

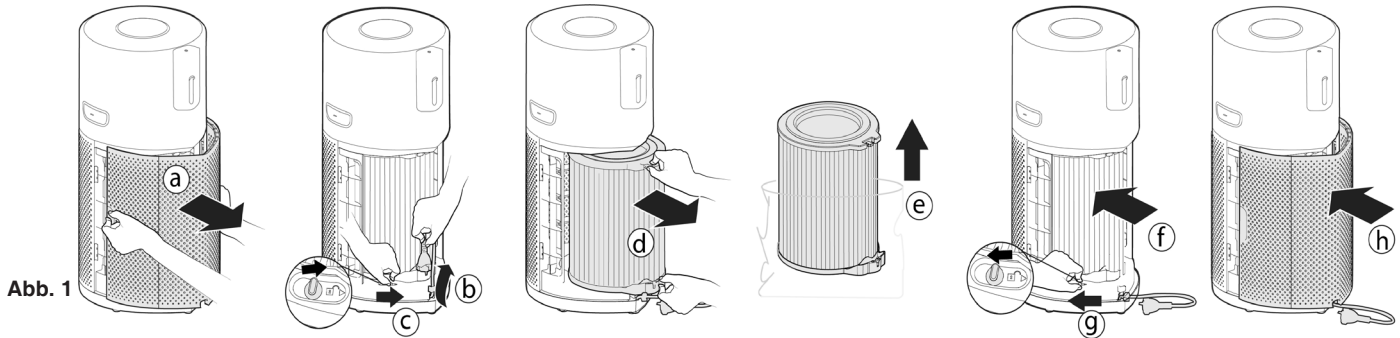
Sie können testen, ob der Alarm richtig funktioniert. Drücken Sie hierzu die Kohlenmonoxid-Warntaste für 3 Sekunden. Wenn der Alarm richtig funktioniert, wird für mindestens 5 Sekunden ein lauter Warnton ertönen.

VORBEREITUNG IHRES H-LUFTREINIGERS

1. Filterbaugruppe [Abb. 1]

Bevor Sie Ihren H-Luftreiniger verwenden, müssen Sie den Filter aus seiner Schutzverpackung entfernen:

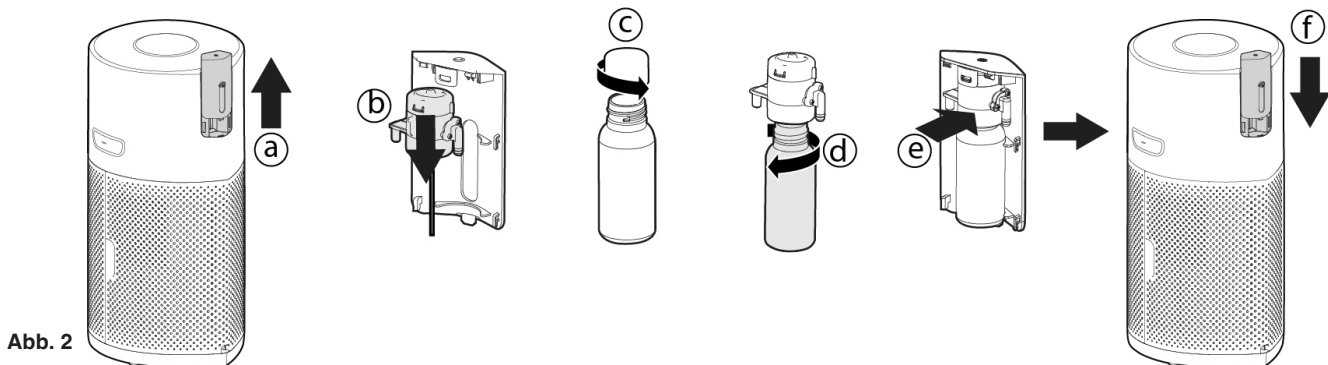
- Entfernen Sie die Lufteinlassabdeckung aus Ihrem Gerät. Ergreifen Sie die beiden Lufteinlassabdeckungsgriffe und ziehen Sie sie vom Gerät. [Abb. 1a]
- Ziehen Sie den Stecker aus der Aufbewahrung und wickeln Sie das Kabel vom Kabelhaken ab. [Abb. 1b]
- Entriegeln Sie die Filterfreigabetaste. [Abb. 1c]
- Nehmen Sie den Filter aus Ihrem Gerät und entfernen Sie die äußere Verpackung. [Abb. 1d,e]
- Setzen Sie den Filter wieder in Ihr Gerät ein. [Abb. 1f]
- Verriegeln Sie die Filterfreigabetaste. [Abb. 1g]
- Setzen Sie die Lufteinlassabdeckung wieder in Ihr Gerät ein. [Abb. 1h]



2. Befestigen Sie die Diffusorflasche [Abb. 2]

Ihren H-Luftreiniger für die Diffusorfunktion vorbereiten:

- Nehmen Sie die Diffusorabdeckung vom Gerät ab. [Abb. 2a]
- Nehmen Sie die Diffusoreinheit aus der Diffusorabdeckung. [Abb. 2b]
- Nehmen Sie die Flasche H-Essence oder H-Biotics aus der Verpackung und nehmen Sie die Kappe ab. [Abb. 2c]
- Schrauben Sie die Flasche fest auf der Diffusoreinheit. [Abb. 2d]
- Setzen Sie die Diffusoreinheit wieder in die Diffusorabdeckung ein. [Abb. 2e]
- Setzen Sie die Diffusorabdeckung wieder in das Gerät ein. [Abb. 2f]



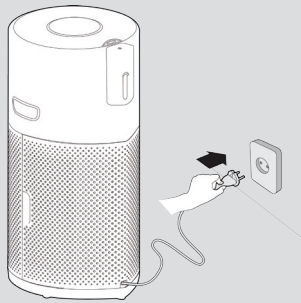


Abb. 3

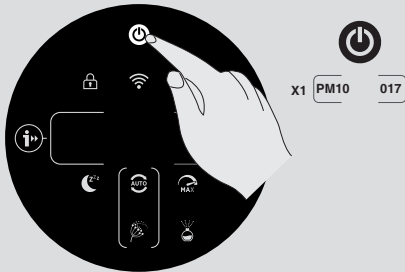


Abb. 4



Abb. 5

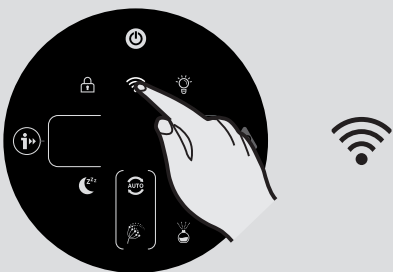


Abb. 6

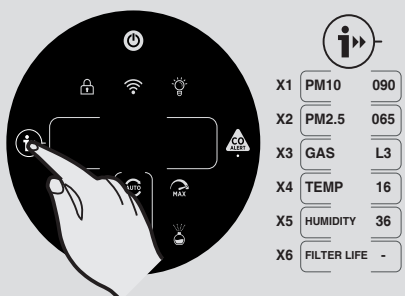


Abb. 7

GEBRAUCH IHRES H-LUFTREINIGERS

Stecken Sie den Stecker des Geräts in eine Steckdose [Abb. 3]:

Ziehen Sie hierzu das Netzkabel aus der Kabelrolle und stecken Sie den Stecker in eine Steckdose. Alle Leuchten auf dem Bedienfeld / Display will fully illuminate for approximately 1 second to indicate a succesful plug in.

Die EIN-/AUS-Taste wird schwach leuchten und die Kohlenmonoxid-Sensorleuchte leuchtet, um anzuzeigen, dass das Multi Sensor-Überwachungssystem mit der Überwachung der Kohlenmonoxidkonzentration im Raum begonnen hat.

Einschalten des Geräts [Abb. 4]:

To switch on your product, press the POWER button on the display.

Der Luftqualitäts-LED Ring leuchtet nacheinander in allen Farben, während die Sensoren die Luftqualität in Echtzeit analysieren. Nach einigen Sekunden leuchtet der Luftqualitäts-LED Ring in der entsprechenden Farbe für die momentane Luftqualität auf.

Ihr H-Luftreiniger wird sofort in den AUTOMATIKBETRIEB schalten und mit der Reinigung der Raumluft beginnen.

The AUTO MODUS button, INFORMATION button, LIGHT CONTROL button and PM10 information on the Display will illuminate.

The following functions are available via the Display buttons:

Drücken Sie die WLAN-Taste, um den Remote-Zugriff ein- und auszuschalten.

Drücken Sie die Taste INFORMATION, um alle Überwachungsdaten anzuzeigen.

Drücken Sie die Taste AUTOMATIKBETRIEB, MAXIMALLEISTUNG oder SCHLAFMODUS, um einen Reinigungsmodus auszuwählen.

Press the LIGHT CONTROL button to set the brightness of the display lights.

Press the CHILD LOCK button to inactivate all the buttons on the Bedienfeld / Display.

Drücken Sie die DIFFUSOR-Taste, um die Funktion zu aktivieren.

Drücken Sie die EIN-/AUS-Taste, um den Luftreiniger auszuschalten.

Mit WLAN koppeln:

Um von überall auf alle H-Luftreiniger-Funktionen zugreifen zu können, wird empfohlen, die App hOn herunterzuladen.

Hiermit werden Sie in der Lage sein, Ihr Gerät auf die effizienteste Weise zu steuern.

Anweisungen:

1. Laden Sie die App hOn aus dem App Store oder von Google Play herunter. [Abb. 5]
2. Öffnen Sie die APP, erstellen Sie ein Konto mit Ihrer E-Mail-Adresse und einem Passwort.
3. Bestätigen Sie die Anmeldung.
4. Stellen Sie sicher, dass Ihr Mobilgerät mit dem WLAN verbunden ist.
5. Melden Sie sich bei der App hOn an.
6. Press and hold the WLAN button on the display for 5 seconds, there will an audible beep and the WLAN button will start flashing to indicate it is waiting for a connection. [Abb. 6]
7. Folgen Sie den Anweisungen in der App, um Ihr Mobilgerät mit Ihrem Gerät zu verbinden.
8. Wenn sie erfolgreich verbunden sind, leuchtet die WLAN-Taste am Gerät kontinuierlich.
9. Um das WLAN zurückzusetzen, drücken Sie die WLAN-Taste für 5 Sekunden.

Drahtlose Parameter für die Kopplung

Technologie	WLAN	Bluetooth
Standard	IEEE 802.11 b/g/n	Bluetooth v4.2, BR/EDR, BLE
Frequenzbereich(e) (MHz)	2401 ~ 2483	2402 ~ 2480
Max. Aufnahmeleistung (mW)	100	10

Funktion INFORMATIONEN [Abb. 7]:

Für die Überwachung stehen 6 verschiedene Datensätze zur Verfügung:

PM10, PM2.5, GAS, Temperatur, Luftfeuchtigkeit und Filterstatus.

Um jeden einzelnen Wert zu überwachen, drücken Sie einfach nacheinander die Taste INFORMATIONEN.

By default the display will show the PM10 data, the machine will remember user's last selection and maintain this selection the next time the product is switched on.

Die GAS-Daten zeigen während der ersten 3 Minuten nach dem Einschalten des Geräts, in denen der GASSENSOR einen Kalibrierungszyklus durchführt, einen drehenden Cursor an.

Weitere Informationen über PM 2,5, PM 10 und GAS:

PM bedeutet feine Partikel (für das menschliche Auge nicht sichtbar), die hauptsächlich von Außenverschmutzungen wie Kraftfahrzeugen und Industrieemissionen stammen und bei längerer Exposition potenziell gefährlich für unsere Gesundheit sind.

PM 10 bedeutet eine Größe von bis zu 10 µm. Diese Partikel sind in der Lage, in die oberen Atemwege (Nase, Luftröhre, Rachen) einzudringen.

PM 2,5 bedeutet eine Größe von bis zu 2,5 µm. Diese Partikel können aufgrund ihrer geringen Größe Ihre Lunge erreichen und so tiefer in Ihren Körper eindringen.

GAS VOC (flüchtige organische Verbindungen) sind flüchtige chemische Verbindungen mit der Fähigkeit, leicht in der Luft bei Raumtemperatur zu verdampfen. Deodorants, Reinigungsmittel, Klebstoffe, Kosmetika, Formaldehyd sind nur einige der flüchtigen organischen Verbindungen (VOCs), die in unseren Wohnräumen vorhanden sein könnten. Sie können im Falle einer längeren Exposition für unsere Gesundheit schädlich sein.

BETRIEBSARTEN:

There are 3 available air purifying modes via the display: AUTO MODUS, MAXIMALE LEISTUNG & SCHLAFMODUS. Auto mode is the default setting for your product when switched on, all modes can be selected manually by pressing the related button on the display.

Der Modus POLLENALLERGIE kann über die App hOn eingeschaltet werden.

AUTO MODUS [Abb. 8]:

This is the default mode of your H-Purifier product when first switched on. Im Auto Modus passt der H-Luftreiniger seine Gebläsedrehzahl automatisch an die tatsächliche Raumluftqualität an, um eine optimale Luftreinigung zu gewährleisten.

Dies ist die empfohlene Einstellung für Ihr Gerät.

Im AUTOMATIK-Betrieb wird Ihr Gerät nach 30 Minuten mit ausgezeichneter Luftqualität in den ECO-Modus umgeschaltet. Dabei pausiert die Reinigungsfunktion, wobei das Multi Sensor-Überwachungssystem weiterhin die Raumluft analysiert und bei Bedarf automatisch die Reinigungsfunktion einschaltet.

MAXIMALE LEISTUNG [Abb. 9]:

Press the MAX mode button on the display to activate air purifying at maximum power setting. Um den Betrieb mit MAXIMALER LEISTUNG zu beenden, wählen Sie einfach den AUTOMATIKBETRIEB oder SCHLAFMODUS aus.

SCHLAFMODUS [Abb. 10]:

Drücken Sie die TASTE SCHLAFMODUS, um eine leise Luftreinigung bei der niedrigsten Leistungsstufe zu aktivieren. Die Taste SCHLAFMODUS leuchtet schwach und alle anderen Anzeigeleuchten sind ausgeschaltet. Dies kann durch Drücken der LIGHT-STEUERTASTE geändert werden.

POLLENALLERGIEMODUS: [Abb. 11]

Der Pollenallergiemodus kann nur über die App hOn aktiviert werden. Sie müssen zunächst ein Profil in der App aktivieren und sich registrieren, um Ihr Pollenallergieprofil zu erstellen.

Der Pollenallergiemodus funktioniert nur, wenn AUTOMATIKBETRIEB ausgewählt ist. [Abb. 11c]

Im Pollenallergiemodus empfängt das Gerät kontinuierlich Echtzeitdaten von der APP über die überwachte Pollenkonzentration im Freien und arbeitet automatisch, um die Pollenerfassungsleistung zu maximieren. Sobald Pollen eingefangen sind, werden sie inaktiviert, um allergische Symptome zu lindern.

Wenn der Pollenallergiemodus in der App aktiviert ist, gibt 2 mögliche Benachrichtigungsleuchten auf dem Gerätedisplay:

- Die Pollenallergieleuchte leuchtet **WEISS [Abb. 11a]**: Das Gerät und die App überwachen das Vorhandensein von Pollen im Freien und es besteht kein Risiko.

- Die Pollenallergieleuchte leuchtet **GELB [Abb. 11b]** und die Pollenallergiezyklusleuchte leuchtet **WEISS [Abb. 11a]**: Das Gerät und die APP haben das Risiko erkannt.

Wenn das Gerät, während der Pollenallergiemodus aktiviert ist, manuell in den SCHLAFMODUS oder MAXIMALE LEISTUNG umgeschaltet wird, wird der Pollenallergiemodus beendet.

LICHTSTEUERUNGSFUNKTION: [Abb. 12]

There are 3 settings available for the display lighting, On, Dim & Off.

To adjust the brightness of the display lighting simply press the LIGHTING button on the display to cycle through the 3 available options. ON is the default setting.

Wenn AUS ausgewählt ist, muss jede andere Taste zweimal gedrückt werden, um sie zu aktivieren. Nach einem Drücken wird die Leuchte DIM aktiviert. Beim zweiten Drücken wird die Aktion eingeschaltet.

Funktion KINDERSICHERUNG: [Abb. 13]

Halten Sie die Taste KINDERSICHERUNG 3 Sekunden lang gedrückt, um sie zu aktivieren, ein hörbarer Ton wird ertönen, wenn sie aktiviert wurde, und die Taste KINDERSICHERUNG leuchtet weiter. Wenn sie aktiviert ist, funktionieren keine anderen Tasten.

Zum Verlassen, drücken und halten Sie einfach die Taste KINDERSICHERUNG für 3 Sekunden gedrückt. Ein hörbarer Ton ertönt, um zu bestätigen, dass sie ausgeschaltet wurde und die Taste leuchtet nicht mehr.

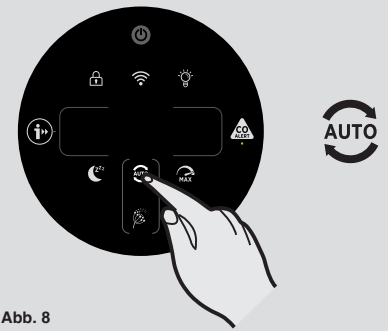


Abb. 8

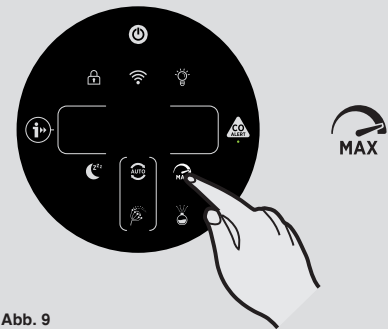


Abb. 9



Abb. 10

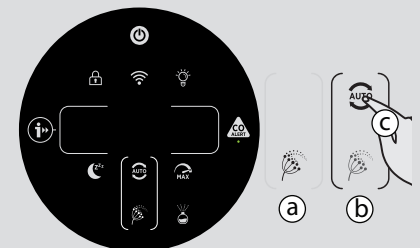


Abb. 11

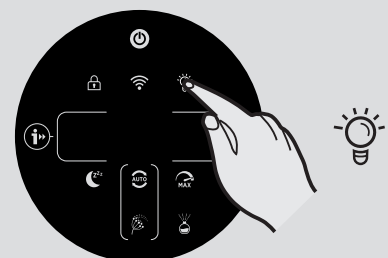


Abb. 12

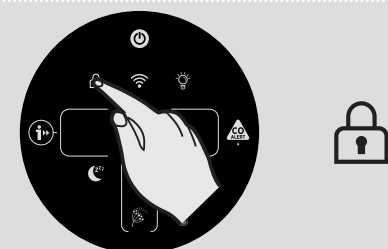


Abb. 13

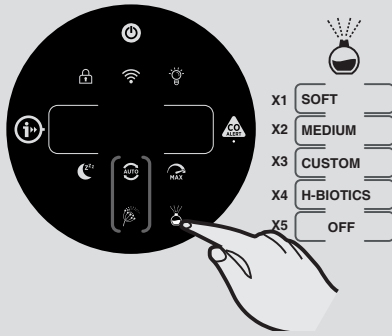


Abb. 14

Diffusorfunktion: [Abb. 14]

Der Diffusor verbreitet H-Essence oder H-Biotics in der Luft des Raumes. H-Essence ist die Kollektion ätherischer Öle von Hoover, um angenehme Düfte in die Luft abzugeben.

H-Biotics ist eine natürliche Mischung auf Basis von Probiotika, die den Raum bio-hygenisiert hält, indem sie das Wachstum von Mikroorganismen wie Bakterien oder Mikroben hemmt.

There are 4 different settings for the DIFFUSER function, SOFT, MITTEL, BENUTZERDEFINIERT & H-BIOTICS. To activate this function simply press the Diffuser button on the Display, the default setting for this function is SOFT, to select any of the other settings simply consecutively press the button to change to the desired selection. Die Taste leuchtet weiß, wenn sie eingeschaltet ist.

It is recommended to use SOFT & MITTEL settings for H-Essence.

Benutzerdefinierte Einstellungen können in der App hOn für Ihre H-Essence erstellt werden.

Bei Verwendung von H-Biotics **muss** die Einstellung auf H-Biotics eingestellt werden. Once user activates H-Biotics using the APP, this will give an alert of "ACTIVATE H-BIOTICS" after 120 hours to ensure the H-biotics usage of every 5 days.

Die Diffusorfunktion kann nur im AUTOMATIKBETRIEB und bei MAXIMALER LEISTUNG und nicht im SCHLAFMODUS verwendet werden.

Bei der Aktivierung der Diffusorfunktion im AUTO Modus arbeitet das Hauptgebläse mit einer bestimmten Drehzahl, damit die H-Essence oder die H-Biotics im Raum verteilt werden.

Einstellung	Pumpe ein	Pumpe aus	Zyklus
SANFT	10 Sek.	300 Sek.	Herunterfahren nach 6 Stunden
MITTEL	90 Sek.	120 Sek.	Herunterfahren nach 6 Stunden
BENUTZERDEFINIERT	Benutzerdefiniert	Benutzerdefiniert	Herunterfahren nach 6 Stunden
H-BIOTICS	120 Sek.	120 Sek.	Herunterfahren nach 6 Stunden

Um die Funktion auszuschalten, drücken Sie die Diffusortaste, bis sich die Tastenleuchte ausschaltet.

Verwenden Sie nach jeder Verwendung der Diffusorfunktion ein trockenes weiches Tuch, um Rückstände von den Geräteoberflächen zu entfernen.

Informationen zum Wechseln der Flasche in der Diffusoreinheit finden Sie unter "Wartung Ihres H-Luftreinigers".

WARTUNG IHRES H-LUFTREINIGERS

WICHTIG: ZIEHEN SIE VOR DER DURCHFÜHRUNG VON WARTUNGSARBEITEN IMMER DEN STECKER DES GERÄTES AUS DER STECKDOSE.

FILTER REINIGEN / AUSWECHSELN

Ihr H-Luftreiniger überwacht den Zustand Ihres Filters. A **CLEAN FILTER OR REPLACE FILTER** alert will appear on the left side of the display and Flash indicating action is required to clean or change the filter.

Reinigung / Austauschen des Filters: [Abb. 15]

- Entfernen Sie die Lufteinlassabdeckung von Ihrem Gerät. [Abb. 15a]
- Entriegeln Sie die Filterfreigabetaste. [Abb. 15b]
- Entfernen Sie den Filter von Ihrem Gerät. [Abb. 15c]
- Nehmen Sie einen Staubsauger, um das externe Gewebe auf der Filterbaugruppe zu reinigen oder ersetzen Sie es durch einen NEUEN Filter. [Abb. 15d]
- Setzen Sie die Filterbaugruppe wieder in das Gerät ein. [Abb. 15e]
- Verriegeln Sie die Filterfreigabetaste. [Abb. 15f]
- Setzen Sie die Lufteinlassabdeckung wieder in Ihr Gerät ein. [Abb. 15g]
- Stecken Sie den Stecker des Geräts in die Steckdose und schalten Sie es ein. [Abb. 4]
- Drücken Sie die Taste INFORMATIONEN und folgen Sie den Anweisungen, um die Funktion Filter reinigen zurückzusetzen. Drücken Sie hierfür die Taste für 3 Sekunden. Es wird eine akustische Warnung ertönen, was bedeutet, dass das Zurücksetzen erfolgreich ausgeführt wurde. [Abb. 7]

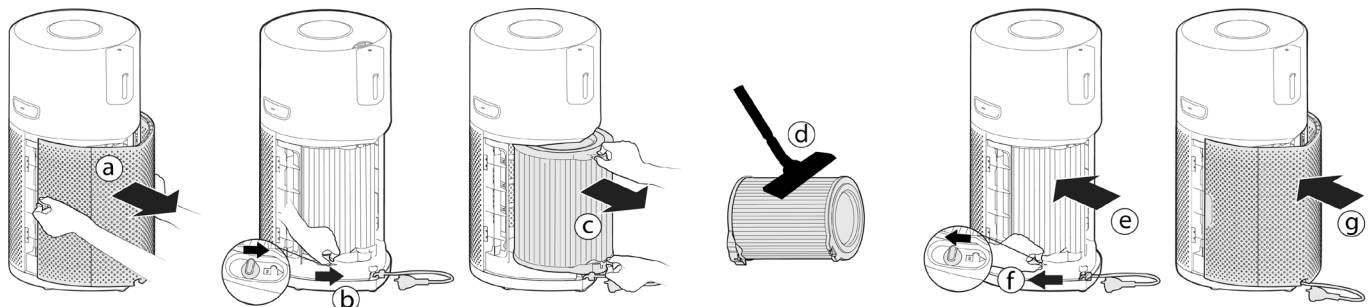


Abb. 15

DIFFUSORWARTUNG

Verwenden Sie nach jeder Verwendung der Diffusorfunktion ein trockenes weiches Tuch, um Rückstände von den Geräteoberflächen zu entfernen.

Diffusor-Flasche austauschen: [Abb. 16]

Das in der Flasche verbleibende Flüssigkeitsvolumen kann durch das Diffusorfenster überprüft werden. Bei Bedarf sollte die Flasche ausgetauscht werden.

- Nehmen Sie die Diffusorabdeckung vom Gerät ab. [Abb. 16a]
- Nehmen Sie die Diffusoreinheit aus der Diffusorabdeckung. [Abb. 16b]
- Schrauben Sie die leere Flasche los, entfernen und entsorgen Sie sie. [Abb. 16c]
- Nehmen Sie die neue Flasche H-Essence oder H-Biotics aus der Verpackung und nehmen Sie die Kappe ab. [Abb. 16d]
- Schrauben Sie die neue Flasche fest auf die Diffusoreinheit. [Abb. 16e]
- Setzen Sie die Diffusoreinheit wieder in die Diffusorabdeckung ein. [Abb. 16f]
- Setzen Sie die Diffusorabdeckung wieder in den H-Luftreiniger ein. [Abb. 16g]

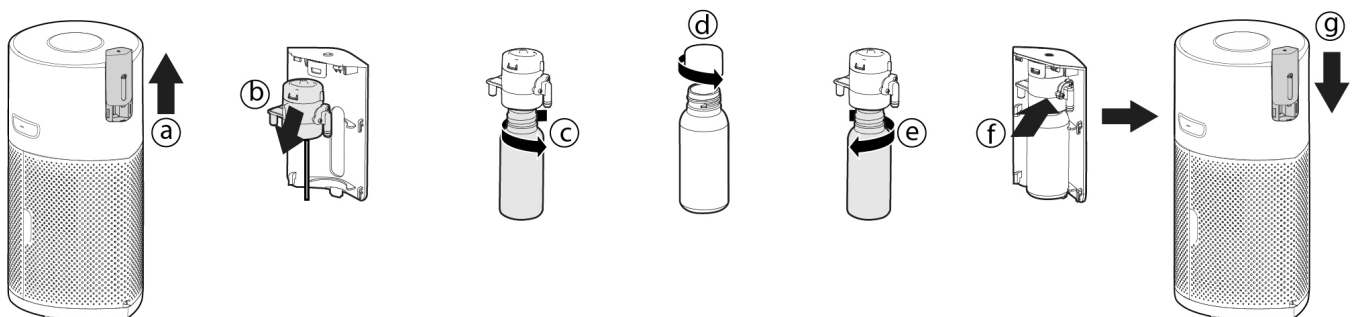


Abb. 16

IHREN H-LUFTREINIGER AUFBEWAHREN

1. Schalten Sie den Luftreiniger aus und ziehen Sie den Stecker aus der Steckdose.
2. Reinigen Sie alle Innen- und Außenflächen des Luftreinigers und das Außengewebe des Filters.
3. Nehmen Sie die Flasche aus dem Diffusor. Schrauben Sie die Originalkappe wieder auf die Flasche und bewahren Sie sie vor direktem Licht geschützt auf. Reinigen Sie die Oberflächen der Diffusoreinheit und der Diffusorabdeckung. Stellen Sie sicher, dass sich auf der Oberfläche des Luftreinigers keine Reste der H-Essence befinden.
4. Stellen Sie sicher, dass alle Komponenten trocken sind.
5. Entfernen Sie die Lufteinlassabdeckung [Abb. 17a] und wickeln Sie das Netzkabel auf, indem Sie am Kabel ziehen [Abb. 17b], verstauen Sie es auf dem Aufbewahrungshaken und stecken Sie den Stecker in das Aufbewahrungsfach. [Abb. 17c,d] Setzen Sie die Lufteinlassabdeckung wieder ein [Abb. 17e]
6. Bewahren Sie den Luftreiniger an einem kühlen, trockenen Ort auf.

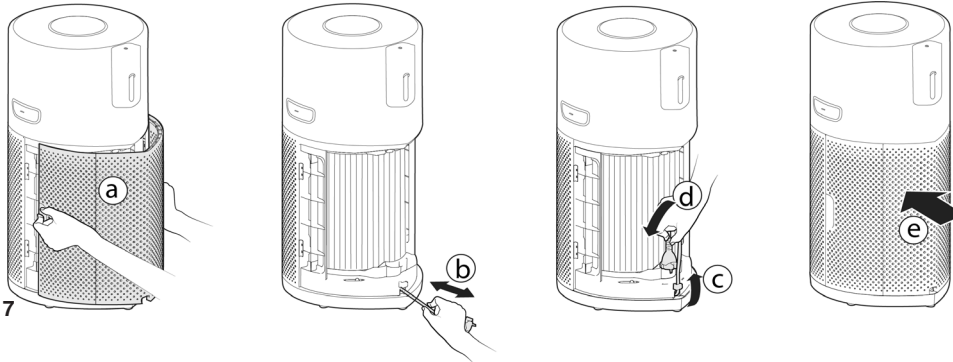


Abb. 17

WARNUNGEN UND LÖSUNGEN

Die folgenden Fehlermeldungen können während der Benutzung angezeigt werden. [Abb. 18]



Abb. 18

Fehlerbeschreibung	Fehlerbeschreibung		Fehlerbehebung
	Warnung auf dem Bedienfeld / Display	Warnung auf der APP	
Warnung Äußere Filterschicht reinigen	Alert of "CLEAN FILTER" blinks on display	Warnung Filter reinigen	1. Befolgen Sie die Anweisungen in I/M, um die Äußere Filterschicht zu reinigen. 2. Setzen Sie die Warnung zurück.
Warnung Filter austauschen	Alert of "REPLACE FILTER" blinks on display	Warnung Filter austauschen	1. Folgen Sie der Anleitung in I/M, um den Filter auszutauschen. 2. Setzen Sie die Warnung zurück.
Filter nicht vorhanden oder Filter wurde nicht verriegelt	Alert of "FILTER MISSING" blinks on display	Filter nicht vorhanden oder Filter wurde nicht verriegelt	1. Wenn der Filter nicht vorhanden ist, setzen Sie ihn wieder ein. 2. Wenn der Filter in seiner Position ist, überprüfen Sie, ob die Filterlasche in den Status VERRIEGELT umgeschaltet wurde.
Staubsensorstörung: Kein Signal von Sensor oder die Ausgangsspannung überschreitet den Grenzwert	/	Staubsensorstörung: Kein Signal von Sensor oder die Ausgangsspannung überschreitet den Grenzwert	Staubsensorausfall oder das Staubsensorkabel wurde nicht richtig angeschlossen, rufen Sie bitte das Servicecenter an, um das Problem zu beheben.
Motor läuft nicht	/	Der Motor gibt keine Drehzahlrückmeldung	Motorausfall oder das Motorkabel wurde nicht richtig angeschlossen, rufen Sie bitte das Servicecenter an, um das Problem zu beheben.
Kohlenmonoxidsensorstörung	Die Kohlenmonoxidsensor-Statuslampe leuchtet gelb	Kohlenmonoxidsensorstörung	Warnung: Rufen Sie das Servicecenter an.

ACHTUNG: Sollte einer dieser Fehler weiterhin bestehen, kontaktieren Sie Ihren lokalen Hoover-Vertreter. Versuchen Sie NICHT, den H-Luftreiniger selber zu zerlegen.

FEHLERSUCHE

Nachfolgend finden Sie eine Liste häufig auftretender Probleme und die entsprechenden Lösungen.
Sollte eines dieser Probleme weiterhin bestehen, setzen Sie sich bitte mit dem Hoover-Kundendienst in Verbindung.

Das Gebläse funktioniert nicht (Bedienfeld / Display Lights on)	<ul style="list-style-type: none"> • Check the alert showing on the display or in the app. • Prüfen Sie, ob es Hindernisse im Lüfter gibt. • Prüfen Sie, ob der H-Luftreiniger eingeschaltet ist. • Prüfen Sie, ob der Filter falsch montiert ist. • Prüfen Sie, ob sich der H-Luftreiniger in einer völlig aufrechten vertikalen Position befindet und nicht geneigt ist.
Das Gebläse funktioniert nicht (Bedienfeld / Display Lights off)	<ul style="list-style-type: none"> • Prüfen Sie, ob der Stecker des H-Luftreinigers in die Steckdose gesteckt ist und das Gerät eingeschaltet wurde. • Prüfen Sie, ob es Hindernisse im Lüfter gibt.
Keine Anzeigeleuchten auf dem Bedienfeld / Display (Gebläse funktioniert)	<ul style="list-style-type: none"> • Prüfen Sie, ob die Anzeigeleuchten nicht ausgeschaltet wurden, indem Sie die Licht-Steuertaste auf dem Bedienfeld drücken. / Display.
Tasten auf dem Bedienfeld / Display do not operate	<ul style="list-style-type: none"> • Prüfen Sie, ob die Kindersicherung aktiviert wurde, indem Sie die Taste Kindersicherung für 3 Sek. gedrückt halten.
Luftstrom ist schwach	<ul style="list-style-type: none"> • Prüfen Sie, ob die Schutzverpackung vom Filter entfernt wurde. • Prüfen Sie, ob es Hindernisse in der Luftauslassabdeckung oder im Luftauslass gibt. • Prüfen Sie auf Filterstaus auf dem Bedienfeld / Display or in App for clean or replace warning. • Prüfen Sie, ob sich der H-Luftreiniger im Schlafmodus befindet. Das Gebläse arbeitet in diesem Modus mit reduzierter Leistung.
Der Luftreiniger arbeitet laut	<ul style="list-style-type: none"> • Prüfen Sie, ob es Hindernisse im Luftauslass oder im Gebläse gibt. • Prüfen Sie, ob der H-Luftreiniger mit MAXIMALER LEISTUNG läuft, der Luftstrom ist in diesem Modus bei maximaler Leistung.
Der Luftreiniger lässt plötzlich einen lauten Warnton ertönen.	<ul style="list-style-type: none"> • Die Testfunktion der Kohlenmonoxid-Warntaste wird durch Fehlbedienung aktiviert. Der Ton wird nach 5 Sekunden automatisch verstummen.

WICHTIGE INFORMATIONEN

Hoover Originalersatzteile und Verbrauchsartikel

Verwenden Sie stets Originalersatzteile von Hoover. Diese sind über den Hoover-Kundendienst erhältlich. Geben Sie bei der Bestellung von Ersatzteilen bitte stets die komplette 16stellige Artikelnummer (Typenplakette auf der Rückseite des Gerätes) Ihres Gerätemodells an.

Qualität

Die Hoover-Werke wurden unabhängig voneinander jeweils einer Qualitätsprüfung unterzogen. Unsere Produkte werden nach einem Qualitätsstandard hergestellt, der die Anforderungen von ISO 9001 erfüllt.

Garantieerklärung

Die Garantiebestimmungen für dieses Gerät entsprechen den Richtlinien des Landes, in dem Sie das Gerät erworben haben. Weitere Einzelheiten dazu erhalten Sie vom Händler, bei dem Sie das Gerät erworben haben oder aus dem roten Garantieheft, das der Verpackung beiliegt. Bitte bewahren Sie den Kaufbeleg sorgfältig auf, denn er wird für eventuell auftretende Garantieansprüche benötigt.

Änderungen vorbehalten.

ISTRUZIONI PER UN USO SICURO

Si consiglia di utilizzare l'apparecchio solo per uso domestico, come indicato in questa guida. Prima di usare l'apparecchio, è bene assicurarsi di aver compreso interamente la guida, da conservare come riferimento per futuri utilizzi.

Prima di procedere alla pulizia dell'apparecchio o di effettuare qualsiasi operazione di manutenzione, spegnere sempre l'apparecchio e scollegare la spina.

Questo elettrodomestico non è destinato a essere utilizzato da persone dalle ridotte capacità fisiche, sensoriali o mentali (bambini inclusi), senza una adeguata assistenza o controllo da parte di una persona adulta responsabile della loro sicurezza. Controllare che i bambini non giochino con l'apparecchio.

Pulizia e manutenzione non possono essere eseguite da bambini senza sorveglianza da parte di una persona responsabile.

Se il cavo di alimentazione è danneggiato, interrompere immediatamente l'utilizzo dell'apparecchio. Per evitare pericoli, il cavo di alimentazione dovrà essere sostituito da un tecnico del servizio assistenza autorizzato HOOVER.

Utilizzare solo accessori o parti di consumo e di ricambio consigliati o forniti da HOOVER.

Non rimuovere la spina dalla presa di corrente tirando il cavo di alimentazione.

Non continuare a utilizzare l'apparecchio in caso di presunto guasto.

Collocare e utilizzare l'apparecchio solo su una superficie asciutta, stabile e orizzontale, così da prevenirne il ribaltamento.

Mantenere l'apparecchio asciutto.

Mai inclinare o svuotare l'apparecchio mentre è in funzione.

Sistemare il cavo di alimentazione in modo che non venga calpestato o urtato.

Non lasciare l'apparecchio sopra o vicino a superfici calde, vicino ad un fuoco acceso o direttamente esposto alla luce solare.

Impedire ad acqua, liquidi o detergenti infiammabili di introdursi nell'apparecchio per evitare scariche elettriche e/o che prenda fuoco.

Non pulire l'apparecchio con acqua, altri liquidi, o detergenti infiammabili per evitare scariche elettriche e/o che prenda fuoco.

Non spazzare sostanze infiammabili come insetticidi o profumi vicino all'apparecchio.

Prima di collegare l'apparecchio controllare che il voltaggio e la potenza indicati sull'etichetta corrispondano a quelli locali.

Non ostruire la via di uscita o di entrata dell'aria.

Questo apparecchio non sostituisce l'impiego di ventilatori, normali aspirapolveri o cappe aspiranti per la cucina.

Non appoggiare nulla sopra all'apparecchio.

Per impedire che la condensazione causi uno sgocciolamento sull'apparecchio, evitare di collocarlo direttamente sotto un condizionatore.

Assicurarsi che i filtri siano stati installati correttamente prima di accendere l'apparecchio.

Usare solo i filtri originali HOOVER realizzati specificatamente per questo apparecchio. Non usare altri tipi di filtri.

Non battere o picchiettare contro l'apparecchio (in particolare contro la via di uscita o di entrata dell'aria) con oggetti duri.

Non introdurre le dita o qualunque oggetto nella via di uscita o di entrata dell'aria per evitare di farsi male o di causare un malfunzionamento dell'apparecchio.

Non usare l'apparecchio quando sono stati diffusi in casa repellenti gassosi per insetti e non posizionarlo vicino a residui di oli, incensi da bruciare o fumi chimici.

Non utilizzare l'apparecchio vicino a dispositivi a gas o riscaldanti o fuochi accessi.

Non utilizzare l'apparecchio in una stanza soggetta a grossi sbalzi termici.

Per prevenire interferenze, posizionare l'apparecchio almeno a 2 m da dispositivi elettrici che utilizzano onde radio come televisori, radio o orologi radiocontrollati.

Quando l'apparecchio non viene usato per diverso tempo, potrebbero svilupparsi dei batteri sui

filtri. Controllare i filtri a seguito di un periodo di disuso. Sostituire i filtri se molto sporchi.

Non utilizzare l'apparecchio in luoghi umidi o dove la temperatura dell'ambiente è alta, come in bagno o in cucina.

L'apparecchio non rimuove monossido di carbonio (CO) o radon (Rn). In caso di un incidente che coinvolge sostanze chimiche pericolose o un processo di combustione, non è presente un dispositivo di sicurezza.

La funzione Monitor CO non sostituisce un EN 50291-1 UL-2034, CSA-6.19 o un qualunque altro rilevatore di monossido di carbonio certificato, il cui utilizzo è indicato dai Codici Locali o Regionali. La funzione Monitor CO è soltanto un dispositivo supplementare di rilevamento di monossido di carbonio. Utilizzare questo dispositivo è a discrezione dell'utente, nella consapevolezza e la comprensione dei suoi limiti di conformità ai codici o alla legislazione dove applicabili.

Non collocare il dispositivo in nessuna delle aree seguenti:

- In un bagno o in altre zone dove l'Allarme potrebbe essere esposto a schizzi d'acqua, sgocciolamenti o condense (ad esempio sopra un bollitore elettrico).
- Vicino o direttamente sopra a caloriferi, condizionatori, porte, finestre, aspiratori, o qualunque zona dove potrebbe essere soggetto a spifferi.
- Direttamente sopra un lavandino o un fornello.
- In una zona dove la temperatura può scendere sotto i -20°C o salire oltre i 50°C .
- In uno spazio limitato (per esempio dentro o sotto una credenza).
- In una zona umida o bagnata.
- Dove verrebbe ostruito, ad esempio da tende o mobili.
- Dove sporco o polvere potrebbero bloccare il sensore.
- Vicino a pittura, diluenti, vapori solventi o deodoranti per l'ambiente.

Se l'allarme CO è attivo, aprire tutte le finestre e le porte per mettersi in sicurezza. Se possibile, spegnere tutti i dispositivi che funzionano a combustione ed evacuare la stanza lasciando porte e finestre aperte. Cercare assistenza medica immediata per chiunque abbia manifestato effetti causati dall'avvelenamento da monossido di carbonio. Non rientrare nell'ambiente finché l'allarme non si interrompe. L'allarme si interromperà quando l'aria ritornerà pulita dal CO. Non utilizzare apparecchi a combustione finché la sorgente di CO non è stata identificata e riparata da un tecnico.

Per attivare il Monitor CO, collegare la spina a una presa di corrente. La spia del sensore di CO si illuminerà di verde. Quando il Monitor CO rileva un livello non sicuro di CO, l'Allarme CO emetterà un suono acuto e il pulsante di Allerta CO e l'Anello Luminoso lampeggeranno di rosso. L'allarme continuerà ad emettere il segnale finché il CO rilevato non si ridurrà a un livello sicuro.

Evitare l'utilizzo di pittura, diluenti, vapori solventi, deodoranti per ambiente, spray aerosol o agenti chimici pulenti vicino all'apparecchio. Queste sostanze potrebbero ostacolare il funzionamento del Monitor CO.

E' consigliabile tenere il pulsante di Allerta CO fuori dalla portata dei bambini in quanto potrebbero risentire del rumore eccessivo emesso dall'allarme se esposti al suono per più di 3 secondi.

Premere il pulsante [Allerta CO] per 3 secondi per testare il funzionamento dell'Allarme CO: l'allarme emetterà un suono acuto per 5 secondi. Testare l'allarme mensilmente o dopo un'assenza prolungata (per esempio dopo le vacanze). Se l'allarme non suona dopo aver premuto il pulsante [Allerta CO] per 3 secondi, contattare il centro di assistenza clienti Hoover per richiedere l'intervento di un tecnico qualificato che ripari il malfunzionamento.

Se il display indica che il sensore CO è danneggiato o è scaduto il suo tempo di funzionamento, contattare il centro di assistenza clienti Hoover per richiedere l'intervento di un tecnico qualificato che sostituisca il sensore. Il tempo di funzionamento previsto per il sensore CO è di 5 anni, poi deve essere sostituito.

Umidità Operativa: 15 – 90% RH

Temperatura Operativa: da 0°C a $+40^{\circ}\text{C}$

Quando il livello di CO rilevato è alto, il pulsante [Allerta CO] e il [Anello luminoso a LED Qualità dell'Aria] lampeggiano di rosso (2Hz) e allo stesso tempo l'allarme emette un suono

acuto (85~110dB(A)) e continuo. Il segnale non si interrompe finché l'intensità di CO nell'aria si abbassa al di sotto del livello di pericolo.

Il monossido di carbonio è dannoso per l'organismo perché priva (soffocandoli) alcuni organi importanti dell'ossigeno necessario. Quando il CO viene inalato, si attacca all'emoglobina nel sangue che normalmente trasporta ossigeno attraverso il corpo. Il CO impedisce in modo permanente all'ossigeno di unirsi all'emoglobina, riducendo la quantità di ossigeno destinato agli organi vitali. Il livello di concentrazione e il tempo di esposizione al CO possono variare gli effetti sull'organismo, ma gli esperti sono concordi sul fatto che l'esposizione a monossido di carbonio anche a bassi livelli per un tempo prolungato può avere conseguenze serie e persistenti sulla salute.

ATTENZIONE: L'ALLARME CO È STATO REALIZZATO PER PROTEGGERE GLI INDIVIDUI DALLE GRAVI CONSEGUENZE DELL'ESPOSIZIONE AL MONOSSIDO DI CARBONIO O PREVENIRNEE GLI EFFETTI CRONICI. NON SALVAGUARDERÀ COMPLETAMENTE INDIVIDUI CON SPECIFICHE CONDIZIONI MEDICHE. NEL DUBBIO, CONSULTARE UN MEDICO SPECIALISTA.

Questo apparecchio non sostituisce un'installazione specifica, l'uso e la manutenzione di dispositivi a combustione, inclusi sistemi di ventilazione e di scarico appropriati.

The CO monitor mobile and tablet notifications require a functional Wi-Fi connection to operate. Non sostituiscono un servizio di monitoraggio di emergenza di altri sistemi.

Utilizzare solamente oli aromatici raccomandati o forniti da HOOVER.

Evitare di usare umidificatori vicino al purificatore dell'aria mentre è attiva la funzione di diffusione di H-Essence.

Ripulire immediatamente ogni fuoriuscita di H-Essence. Assicurarsi di aver pulito ogni angolo dell'apparecchio che è stato a contatto con H-Essence.

Assistenza HOOVER: Per garantire un funzionamento sempre sicuro ed efficiente dell'apparecchio, si consiglia di fare eseguire eventuali interventi di assistenza o di riparazione dai tecnici del servizio assistenza autorizzato HOOVER.

Ambiente:

L'apparecchio è contrassegnato in conformità alla Direttiva Europea 2011/65/EC sulla gestione dei rifiuti da apparecchiature elettriche ed elettroniche. Garantendo il corretto smaltimento del prodotto, il cliente contribuisce alla salvaguardia della salute delle persone e alla protezione dell'ambiente che potrebbero altrimenti essere compromessi da uno smaltimento eseguito in maniera non idonea.

Il simbolo apposto sul prodotto indica che lo stesso non può essere smaltito come i normali rifiuti domestici, ma deve essere portato al punto di raccolta o al centro di riciclaggio delle apparecchiature elettriche ed elettroniche più vicino. Lo smaltimento deve essere eseguito in conformità alle normative locali vigenti per la salvaguardia dell'ambiente e lo smaltimento dei rifiuti. Per ulteriori informazioni sul trattamento, il recupero e il riciclaggio di questo prodotto, contattare l'unità territoriale competente per il servizio di smaltimento o il negozio in cui il prodotto è stato acquistato.



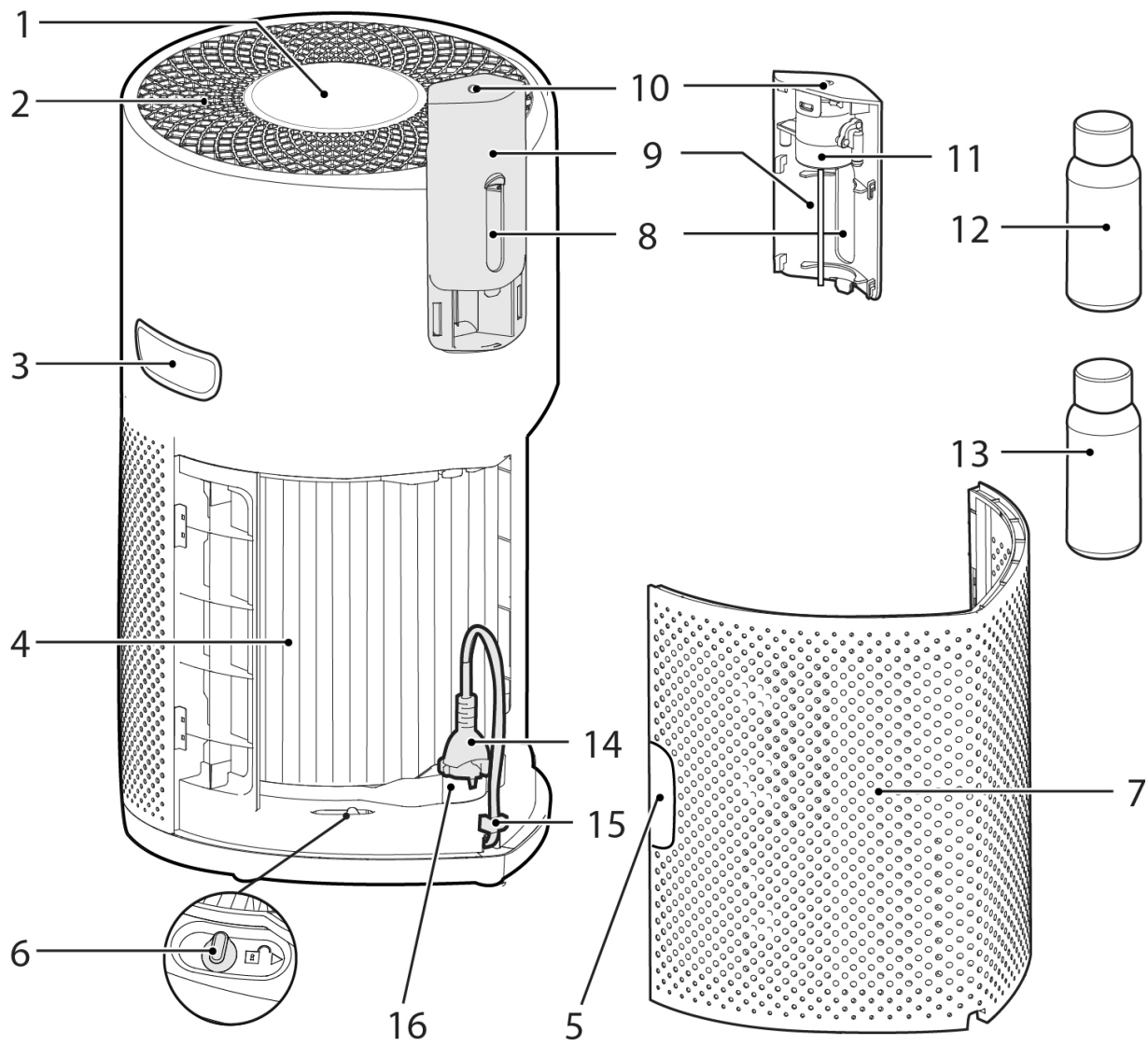
Bande di frequenza	2400Mhz ~ 2483.5Mhz
Potenza RF massima trasmessa nella banda di frequenza	18.9 dBm



Questo prodotto è conforme alle Direttive Europee 2014/53/EU, 2014/30/EU e 2011/65/EU. Per ricevere una copia di questa dichiarazione di conformità, si prega di contattare il produttore consultando il sito www.candy-group.com

CANDY HOOVER GROUP S.r.l. Via Privata Eden Fumagalli, 20861 Brugherio (MB) Italy

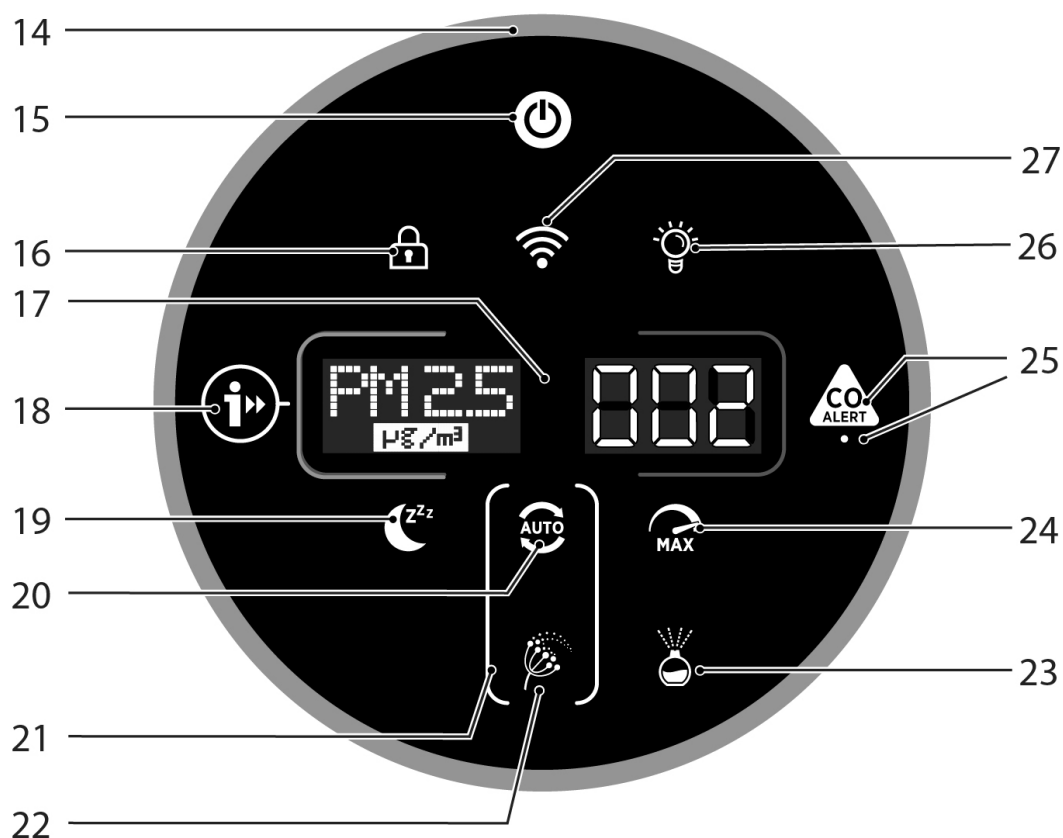
DESCRIZIONE DEL H-PURIFIER



1	Pannello di controllo / Display
2	Uscita aria
3	Maniglia di Trasporto dell'Apparecchio
4	Gruppo Filtro
5	Maniglia della Cover di Entrata dell'Aria

6	Interruttore di rilascio del Filtro
7	Cover di Entrata dell'Aria
8	Apertura del Diffusore
9	Cover del Diffusore
10	Bocchetta di Uscita del Diffusore
11	Unità Diffusore

12	Bocchetta H-Essence (Verde)
13	Bocchetta H-Biotics (Marrone)
14	Cavo di Alimentazione e Spina
15	Gancio stazionamento
16	Posizione per il trasporto



14	Anello Luminoso a LED della Qualità dell'Aria
15	Pulsante alimentazione
16	Pulsante Child Lock (Blocco Sicurezza Bambini)
17	Digital Display

18	Pulsante Informazioni
19	Pulsante Modalità Sleep
20	Pulsante Modalità Auto
21	Spia Circolare Allergia al Polline
22	Spia Allergia al Polline

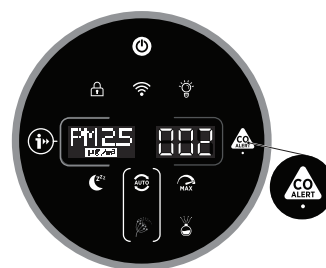
23	Pulsante Diffusore
24	Pulsante Modalità Max
25	Pulsante & LED di Allerta CO
26	Pulsante di Controllo della Luce
27	Wi-Fi Button

Sistema di Monitoraggio Multi-Sensore

Grazie al Sistema di Monitoraggio Multi-Sensore il tuo apparecchio monitorerà costantemente le condizioni dell'aria dell'ambiente in termini di PM10, PM2.5, Composti Organici Volatili (GAS) e concentrazione del Monossido di Carbonio (CO).

Ogni volta che l'apparecchio viene acceso, il Sistema di Monitoraggio Multi-Sensore inizia ad analizzare l'aria dell'interno e l'Anello Luminoso a LED della Qualità dell'Aria si illumina di colore differente in tempo reale a seconda delle condizioni.

Anello Luminoso a LED della Qualità dell'Aria	Qualità dell'Aria nell'Ambiente
VERDE	ECCELLENTE
GIALLO	SODDISFACENTE
ARANCIONE	POVERA
ROSSO	MOLTO POVERA



Monitoraggio e Allarme della Concentrazione del Monossido di Carbonio

H-Purifier monitora costantemente il monossido di carbonio (CO) presente nell'aria dell'ambiente. L'apparecchio dispone di un sistema di allerta.

Quando l'Allarme Monossido di Carbonio si attiva, l'Anello Luminoso a LED della Qualità dell'Aria e il Pulsante di Informazione e di Allerta CO lampeggeranno di colore rosso simultaneamente e verrà emesso un suono di allarme. L'allarme rimarrà attivo finché la concentrazione del monossido di carbonio (CO) non si sarà ridotto al di sotto di 50 ppm, a meno che non venga silenziato manualmente premendo il pulsante Allerta CO per 3 secondi.

Il LED di Allerta CO mostra le condizioni operative del sensore CO. Si illumina di verde quando il sensore CO è in condizioni normali, di giallo quando il sensore ha un malfunzionamento o il suo tempo di funzionamento è scaduto.

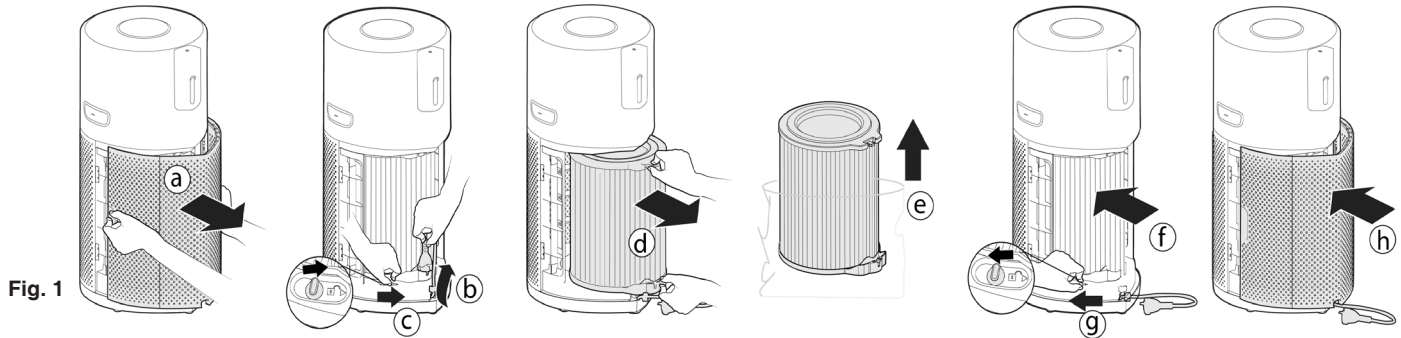
È possibile testare se l'allarme è correttamente funzionante premendo il pulsante Allarme CO per 3 secondi: se l'allarme funziona verrà emesso un suono acuto per 5 secondi.

PREPARAZIONE DEL H-PURIFIER

1. Gruppo Filtro [Fig. 1]

Prima di utilizzare H-Purifier occorre rimuovere il filtro dal suo imballaggio di protezione.

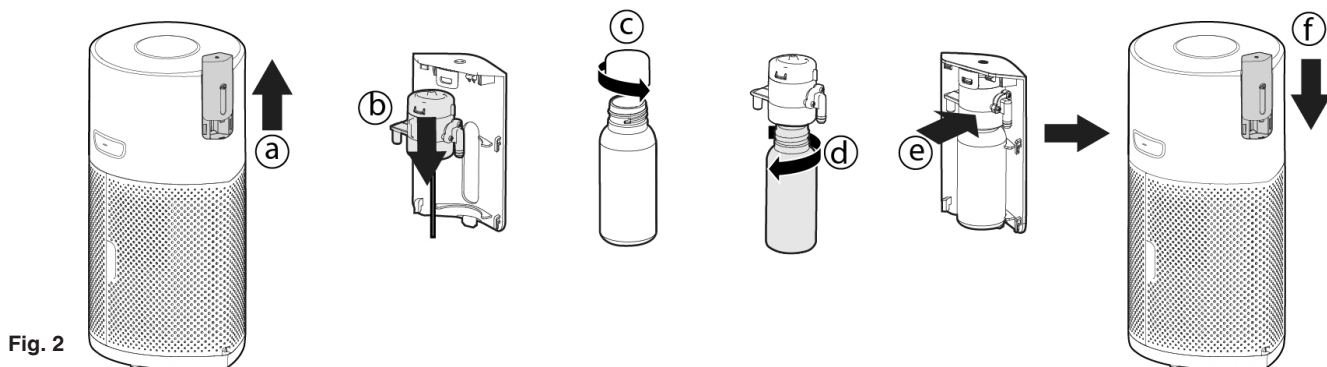
- Rimuovere la Cover di Entrata dell'Aria dall'apparecchio. [Fig. 1a]
- Rimuovere la spina dalla posizione di trasporto e svolgere il cavo dal Gancio di Stoccaggio. [Fig. 1b]
- Sbloccare l'interruttore di rilascio del Filtro. [Fig. 1c]
- Rimuovere il filtro dall'apparecchio e rimuovere l'imballaggio esterno. [Fig. 1d,e]
- Riposizionare il filtro nell'apparecchio. [Fig. 1f]
- Bloccare l'interruttore di rilascio del Filtro. [Fig. 1g]
- Riposizionare la Cover di Entrata dell'Aria sull'Apparecchio. [Fig. 1h]



2. Installare la Boccetta del Diffusore [Fig. 2]

Preparare H-Purifier per la funzione di diffusione.

- Rimuovere la Cover del Diffusore dall'apparecchio. [Fig. 2a]
- Staccare l'Unità del Diffusore dalla sua Cover. [Fig. 2b]
- Rimuovere la boccetta H-Essence o H-Biotics dall'imballaggio e togliere il tappo. [Fig. 2c]
- Avvitare saldamente la boccetta all'Unità del Diffusore. [Fig. 2d]
- Riposizionare l'Unità del Diffusore nella sua Cover. [Fig. 2e]
- Riposizionare la Cover del Diffusore sull'apparecchio. [Fig. 2f]



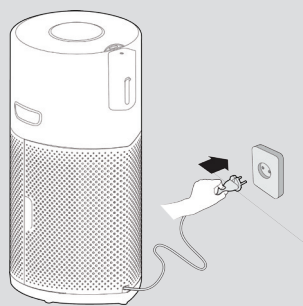


Fig. 3

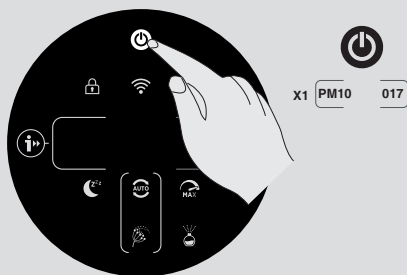


Fig. 4



Fig. 5

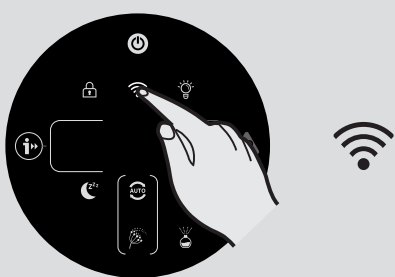


Fig. 6

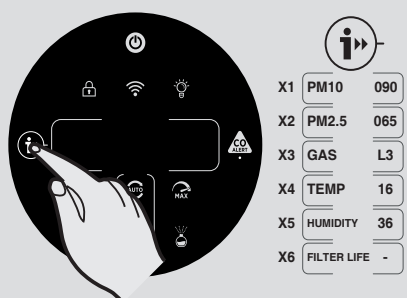


Fig. 7

USO DEL H-PURIFIER

Collegare la spina dell'apparecchio alla corrente. [Fig. 3]:

Svolgere il cavo di alimentazione dalla bobina e inserire la spina in una presa di corrente. Tutte le luci sul Pannello di Controllo / Il display si illuminerà approssimativamente per 1 secondo per segnalare il corretto inserimento della spina.

Il pulsante ALIMENTAZIONE si illuminerà debolmente e la lampada del sensore CO si accenderà per indicare che il Sistema di Monitoraggio Multi-Sensore è operativo per monitorare il livello di monossido di carbonio dell'ambiente.

Accendere l'Apparecchio [Fig. 4]:

Per accendere l'apparecchio, premere il pulsante ALIMENTAZIONE sul display.

L'Anello Luminoso a LED della Qualità dell'Aria si illuminerà di tutti i colori in sequenza mentre i sensori cominceranno ad analizzare le condizioni dell'aria in tempo reale. Dopo pochi secondi, l'Anello Luminoso a LED della Qualità dell'Aria selezionerà il colore corrispondente alla qualità dell'aria in quel momento.

H-Purifier entrerà immediatamente in MODALITÀ AUTO e comincerà a purificare l'aria dell'ambiente. Il pulsante MODALITÀ AUTO, il pulsante INFORMAZIONI, il pulsante CONTROLLO ILLUMINAZIONE e PM10 si illumineranno sul display.

Le funzioni seguenti sono avviabili tramite i pulsanti sul display.

Press the Wi-Fi button to turn on/off remote access.

Premere il pulsante INFORMAZIONI per visualizzare tutti i dati del monitoraggio.

Premere il pulsante AUTO, MAX, o SLEEP per selezionare una modalità di purificazione.

Premere il pulsante CONTROLLO ILLUMINAZIONE per regolare l'intensità luminosa delle luci sul display.

Press the CHILD LOCK button to inactivate all the buttons on the Pannello di controllo / Display.

Premere il pulsante DIFFUSORE per attivare il diffusore.

Premere il pulsante ALIMENTAZIONE per accendere il purificatore dell'aria.

Pairing to Wi-Fi:

Per accedere a tutte le funzioni di H-Purifier da qualunque luogo, si consiglia di scaricare l'App hOn. Sarà possibile controllare l'apparecchio nel modo più efficiente.

Istruzioni:

1. Scaricare l'applicazione hOn dall'App Store o da Google Play. [Fig. 5]
2. Aprire l'App, registrare un account con la propria e-mail e una password.
3. Confermare il login.
4. Ensure your mobile device is connected to Wi-Fi.
5. Effettuare il login nell'App hOn.
6. Press and hold the Wi-Fi button on the display for 5 seconds, there will an audible beep and the Wi-Fi button will start flashing to indicate it is waiting for a connection. [Fig. 6]
7. Seguire le istruzioni descritte nell'app per connettere il cellulare all'apparecchio.
8. When successfully paired, the Wi-Fi button on the product will remain illuminated.
9. To reset the Wi-Fi, press & hold the Wi-Fi button for 5 Secs.

Parametri per l'Accoppiamento Wireless

Tecnologia	Wi-Fi	Bluetooth
Standard	IEEE 802.11 b/g/n	Bluetooth v4.2, BR/EDR, BLE
Banda/e di Frequenza (MHz)	2401 ~ 2483	2402 ~ 2480
Potenza massima (mW)	100	10

Funzione INFORMAZIONI [Fig. 7]:

Ci sono 6 set di dati differenti disponibili per il monitoraggio.

PM10, PM2.5, GAS, Temperatura, Umidità e Stato del Filtro.

Premere il pulsante INFORMAZIONI per visualizzare tutti i dati del monitoraggio.

Di default, il display mostrerà i dati PM10, ma l'apparecchio ricorderà l'ultima selezione dell'utente e la manterrà quando verrà riacceso la volta successiva.

I dati GAS mostreranno un cursore che ruota durante i primi tre secondi dopo l'accensione del prodotto, durante i quali il sensore GAS esegue un ciclo di calibrazione.

Ulteriori informazioni su PM 2.5, PM 10 e GAS:

PM indica le particelle fini (non visibili a occhio nudo) che derivano principalmente dall'inquinamento esterno, come emissioni di veicoli o industrie, potenzialmente pericolose per la salute in caso di esposizione prolungata.

PM 10 raggiungono i 10 µm di grandezza e sono in grado di avanzare nel primo tratto respiratorio (naso, trachea, faringe).

PM 2.5 raggiungono i 2.5 µm di grandezza e, date le dimensioni più piccole, possono penetrare più a fondo nel nostro corpo e arrivare ai polmoni.

GAS VOC (composti organici volatili) sono composti chimici volatili con la capacità di evaporare facilmente nell'aria a temperatura ambiente. Deodoranti, detersivi, colle, adesivi, cosmetici e la formaldeide sono solo alcuni esempi dei VOC che possono essere presenti nelle abitazioni e sono potenzialmente dannosi in caso di esposizione prolungata.

MODALITÀ:

Ci sono 3 modalità avviabili per la purificazione dell'aria tramite il display: MODALITÀ AUTO, MODALITÀ MAX & MODALITÀ SLEEP. La modalità auto è impostata di default quando l'apparecchio viene acceso, ma tutte le modalità possono essere selezionate manualmente premendo il pulsante corrispondente sul display.

Attraverso l'app hOn è attivabile anche la modalità ALLERGIA AL POLLINE.

MODALITÀ AUTO [Fig. 8]:

Questa modalità è impostata di default quando H-Purifier viene acceso per la prima volta. In Modalità Auto, H-Purifier adatta automaticamente la velocità del ventilatore al livello di qualità dell'aria per garantire costantemente una purificazione ottimale.

Si raccomanda questa impostazione per l'apparecchio.

In modalità AUTO, dopo 30 minuti di qualità eccellente dell'aria, l'apparecchio entrerà in modalità **ECO**, mettendo in pausa la funzione di purificazione. Il Sistema di Monitoraggio Multi-Sensore continuerà ad analizzare l'aria dell'ambiente e attiverà automaticamente la funzione di purificazione quando richiesto.

MODALITÀ MAX [Fig. 9]:

Premere il pulsante modalità MAX sul display per attivare la purificazione alla massima potenza. Per uscire dalla modalità MAX, selezionare semplicemente la modalità AUTO o la modalità SLEEP.

MODALITÀ SLEEP [Fig. 10]:

Premere il pulsante modalità SLEEP per attivare la purificazione dell'aria al livello più basso e silenzioso. Il pulsante modalità SLEEP si illuminerà debolmente e le altre luci sul display rimarranno spente. Le luci potranno essere riaccese premendo il pulsante CONTROLLO ILLUMINAZIONE.

MODALITÀ ALLERGIA AL POLLINE [Fig. 11]

La modalità Allergia al Polline può essere attivata soltanto tramite l'App hOn. Sarà richiesto per prima cosa di attivare e registrare un profilo all'interno dell'app, per poter creare il proprio Profilo all'Allergia al Polline.

La modalità Allergia al Polline funziona mentre è selezionata la MODALITÀ AUTO. [Fig. 11c]

In modalità Allergia al Polline, l'apparecchio riceverà continuamente dati in tempo reale dall'APP riguardo la concentrazione di polline all'esterno e si regolerà in modo da massimizzare la performance di cattura del polline.

Una volta che i pollini sono stati catturati, vengono resi inattivi per aiutare ad alleviare i sintomi allergici. Quando la modalità Allergia al Polline viene attivata all'interno dell'App, esistono due possibili luci di notifica sul display del prodotto.

- La Spia Allergia al Polline è **BIANCA** [Fig. 11a]: L'apparecchio e l'App stanno monitorando la presenza di pollini all'esterno e non sono presenti rischi.

- The Spia Allergia al Polline turns **GIALLO** [Fig. 11b] and the Pollen Allergy Circle lamp is **WHITE** [Fig. 11a]: L'apparecchio e l'APP hanno rilevato un rischio.

Se l'apparecchio viene messo manualmente in modalità SLEEP o modalità MAX mentre la modalità Allergia al Polline è attiva, quest'ultima si fermerà.

Funzione CONTROLLO ILLUMINAZIONE [Fig. 12]

Ci sono tre impostazioni disponibili per l'illuminazione del display, On, Dim & Off.

Per regolare la luminosità dell'illuminazione del display, premere semplicemente il pulsante ILLUMINAZIONE sul display per passare alle 3 diverse opzioni disponibili. ON è l'impostazione di default.

Se OFF viene selezionato, ogni altro pulsante dovrà essere premuto due volte per essere attivato: dopo aver premuto una sola volta, le luci andranno in modalità DIM e dopo aver premuto la seconda volta l'azione verrà attivata.

Funzione CHILD LOCK (Blocco Sicurezza Bambini) [Fig. 13]

Premere e tenere premuto il pulsante CHILD LOCK per 3 secondi per attivare la funzione: sarà udibile un suono a seguito dell'attivazione e il pulsante CHILD LOCK rimarrà illuminato. Nessun altro pulsante funzionerà se premuto.

Per uscire da questa modalità, tenere semplicemente premuto il pulsante CHILD LOCK per 3 secondi: sarà udibile un suono che confermerà lo spegnimento e il pulsante non sarà più illuminato.

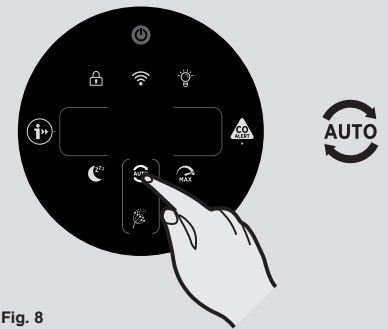


Fig. 8

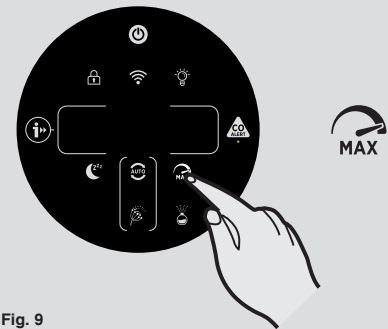


Fig. 9



Fig. 10

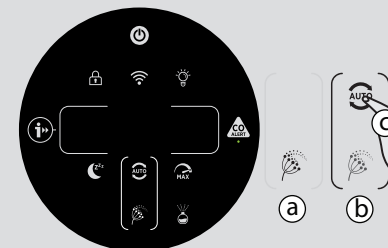


Fig. 11

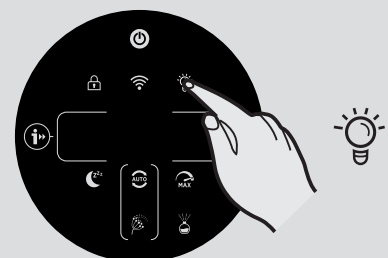


Fig. 12

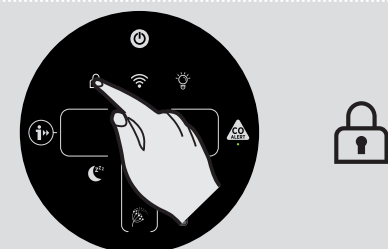


Fig. 13

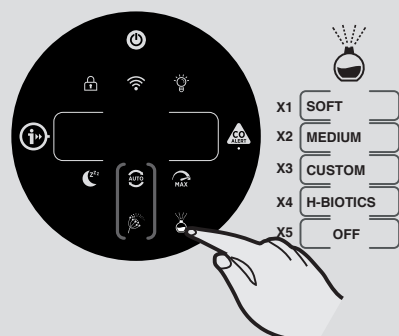


Fig. 14

Funzione Diffusione: [Fig. 14]

Il Diffusore sparge nell'aria della stanza H-Essence o H-Biotics. H-Essence è la collezione di oli essenziali Hoover per rilasciare piacevoli fragranze.

H-Biotics è una miscela naturale basata su probiotici che mantiene la stanza bio-igienizzata inibendo la crescita di microrganismi come batteri o microbi.

There are 4 different settings for the DIFFUSER function, SOFT, MEDIUM (Medio), CUSTOM (Personalizzato) & H-BIOTICS. To activate this function simply press the Diffuser button on the Display, the default setting for this function is SOFT, to select any of the other settings simply consecutively press the button to change to the desired selection. Il pulsante si illuminerà di bianco quando acceso.

It is recommended to use SOFT & MEDIUM (Medio) settings for H-Essence.

Un'impostazione personalizzata (Custom) per H-Essence può essere creata con l'app hOn.

Per utilizzare H-Biotics si **DEVE** selezionare l'impostazione H-Biotics. Once user activates H-Biotics using the APP, this will give an alert of "ACTIVATE H-BIOTICS" after 120 hours to ensure the H-biotics usage of every 5 days.

La funzione Diffuser può essere usata solo in modalità AUTO o MAX e non in modalità SLEEP. Quando viene attivata la funzione Diffusione nella modalità AUTO, il ventilatore principale funziona con una velocità specifica per diffondere H-Essence o H-Biotics nella stanza.

Impostazione	Pompa Accesa	Pompa Spenta	Ciclo
SOFT (Delicato)	10 secondi	300 secondi	Arresto dopo 6 ore.
MEDIUM (Medio)	90 secondi	120 secondi	Arresto dopo 6 ore.
CUSTOM (Personalizzato)	Definito dall'Utente	Definito dall'Utente	Arresto dopo 6 ore.
H-BIOTICS	120 secondi	120 secondi	Arresto dopo 6 ore.

Per interrompere la funzione, premere il pulsante Diffuser finché la luce non si speghe.

Dopo ogni uso della funzione Diffusione, servirsi di un panno morbido asciutto per pulire eventuali residui sulla superficie dell'apparecchio.

Per cambiare la boccetta nell'unità del diffusore, fare riferimento alla sezione "Manutenimento del H-Purifier".

MANTENIMENTO DEL H-PURIFIER

IMPORTANTE: SCOLLEGARE SEMPRE L'APPARECCHIO DALLA PRESA DI CORRENTE QUANDO SI SVOLGONO OPERAZIONI DI MANUTENZIONE..

PULIZIA FILTRI / SOSTITUZIONE

H-Purifier monitorerà le condizioni del filtro. Un avviso CLEAN FILTER (Pulire il Filtro) o REPLACE FILTER (Sostituire il Filtro) apparirà sul lato destro del display e lampeggerà per indicare che è richiesto di pulire o di sostituire il filtro.

Pulizia / Sostituzione del filtro: [Fig. 15]

- Rimuovere la Cover di Entrata dell'Aria dall'apparecchio. [Fig. 15a]
- Sbloccare l'interruttore di rilascio del Filtro. [Fig. 15b]
- Rimuovere il filtro dall'apparecchio. [Fig. 15c]
- Usare un aspirapolvere per pulire la maglia esterna del Comparto Filtro o sostituire con un NUOVO filtro. [Fig. 15d]
- Riposizionare il Comparto Filtro nell'apparecchio. [Fig. 15e]
- Bloccare l'interruttore di rilascio del Filtro. [Fig. 15f]
- Riposizionare la Cover di Entrata dell'Aria sull'Apparecchio. [Fig. 15g]
- Collegare l'apparecchio a una presa di corrente e accenderlo. [Fig. 4]
- Premere il pulsante INFORMAZIONI e seguire le istruzioni per resettare la funzione Pulizia Filtro, tenendo premuto il pulsante per 3 secondi: sarà udibile un segnale sonoro che indicherà che il reset è avvenuto con successo. [Fig. 7]

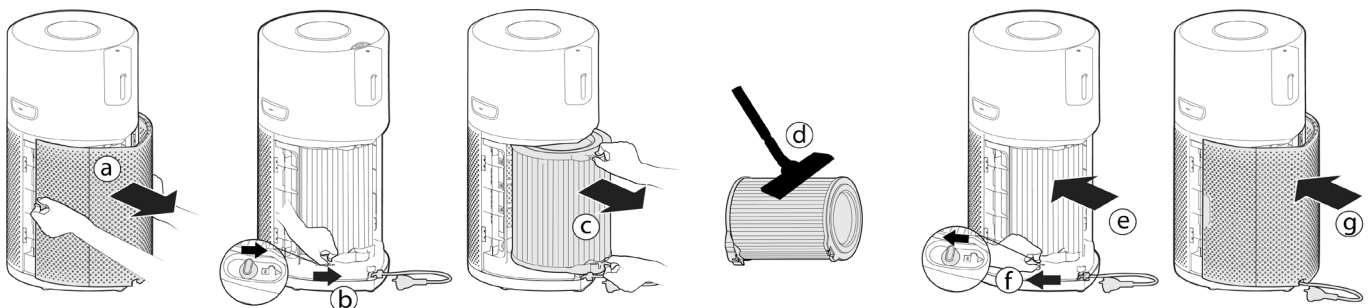


Fig. 15

MANUTENZIONE DEL DIFFUSORE

Dopo ogni uso della funzione Diffusione, servirsi di un panno morbido asciutto per pulire eventuali residui sulla superficie dell'apparecchio.

Sostituzione della Bocchetta del Diffusore: [Fig. 16]

Il volume del liquido rimasto nella bocchetta può essere controllato attraverso l'apertura del Diffusore. Quando richiesto, la bocchetta del diffusore è da sostituire.

- Rimuovere la Cover del Diffusore dall'apparecchio. [Fig. 16a]
- Rimuovere l'Unità e la Bocchetta del Diffusore dalla Cover del Diffusore. [Fig. 16b]
- Svitare e rimuovere la bocchetta vuota e buttarla. [Fig. 16c]
- Rimuovere la nuova bocchetta H-Essence o H-Biotics dall'imballaggio e togliere il tappo. [Fig. 16d]
- Avvitare saldamente la nuova bocchetta sull'Unità del Diffusore. [Fig. 16e]
- Riposizionare l'Unità del Diffusore sulla Cover del Diffusore. [Fig. 16f]
- Riposizionare la Cover del Diffusore sul H-Purifier. [Fig. 16g]

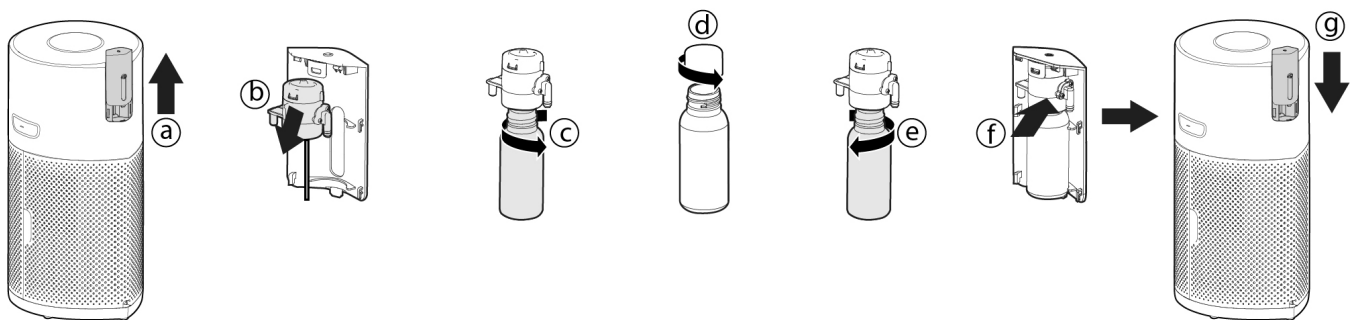


Fig. 16

STAZIONAMENTO H-PURIFIER

1. Spegner il Purificatore dell'Aria e scollegare la spina dalla presa di corrente.
2. Pulire tutte le superfici interne ed esterne del purificatore d'aria e la maglia esterna del filtro.
3. Rimuovere la boccetta dal Diffusore. Ricollocare il tappo originale sulla boccetta e conservarla in modo da proteggerla dall'esposizione diretta alla luce. Pulire le superfici dell'Unità del Diffusore e della Cover del Diffusore. Assicurarsi che non siano presenti residui di H-Essence su qualunque superficie del Purificatore dell'Aria.
4. Assicurarsi che tutti i componenti siano asciutti.
5. Remove the Cover di Entrata dell'Aria [Fig. 17a] and Reel in the power cord by pulling on the cord [Fig. 17b] and fit the cord into the storage hook and fit the plug into the transport location. [Fig. 17c,d] Ricollocare la Cover di Entrata dell'Aria [Fig. 17e]
6. Riporre il Purificatore dell'Aria in un luogo asciutto e fresco.

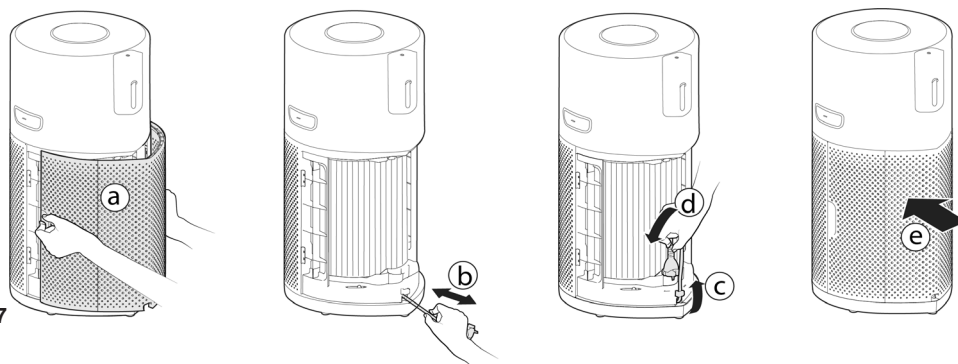


Fig. 17

AVVISI & SOLUZIONI

I seguenti codici potrebbero comparire durante l'utilizzo. [Fig. 18]

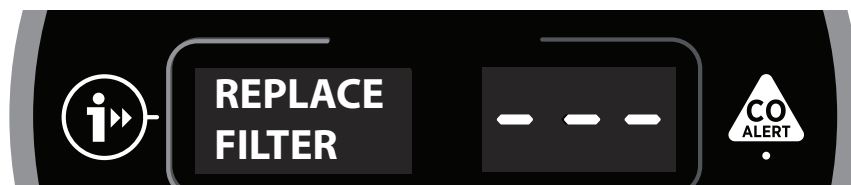


Fig. 18

Descrizione dell'errore	Descrizione dell'errore		Soluzione del problema
	Avviso sul Pannello di Controllo dell'apparecchio / Display	Avviso sull'APP	
Avviso di Pulizia del Filtro dello Strato Esterno	L'avviso "CLEAN FILTER" lampeggia sul display	Avviso di pulizia del Filtro	1. Seguire le istruzioni per pulire il Filtro dello Strato Esterno. 2. Resettare l'avviso.
Avviso di sostituzione del Filtro	L'avviso "REPLACE FILTER" lampeggia sul display	Avviso di sostituzione del Filtro	1. Seguire la guida per sostituire il filtro. 2. Resettare l'avviso.
Il filtro è assente o non è stato bloccato	L'avviso "FILTER MISSING" lampeggia sul display	Il filtro è assente o non è stato bloccato	1. Se il filtro è assente, riposizionarlo. 2. Se il filtro è posizionato correttamente, controllare se la Levetta del Filtro è in posizione LOCK (Bloccato).
I Sensori della Polvere sono malfunzionanti: non c'è segnale da parte dei sensori o il voltaggio eccede il valore limite	/	I Sensori della Polvere sono malfunzionanti: non c'è segnale da parte dei sensori o il voltaggio eccede il valore limite	I sensori della polvere non funzionano o il cavo dei sensori non è ben connesso: chiamare un centro di servizio per ripararli.
Il motore non funziona	/	Avviso del motore non funzionante	Il motore non funziona o il cavo del motore non è ben connesso: chiamare un centro servizi per ripararlo.
Malfunzionamento del sensore CO	La spia dello stato del sensore CO è accesa di giallo.	Malfunzionamento del sensore CO	Avviso: è necessario chiamare il servizio di assistenza.

ATTENZIONE: Se il problema persiste, contattare il centro assistenza Hoover più vicino. NON provare a smontare H-Purifier da soli.

RISOLUZIONE DEI PROBLEMI

Di seguito è riportato un elenco di problemi comuni riscontrati e relative soluzioni.
Se il problema persiste, contattare il centro assistenza Hoover più vicino.

Il Ventilatore non funziona (Pannello di controllo / Display Lights on)	<ul style="list-style-type: none"> • Check the alert showing on the display or in the app. • Controllare se ci sono ostruzioni nel ventilatore. • Controllare se H-Purifier è acceso. • Controllare se il filtro non è installato correttamente. • Controllare se H-Purifier è dritto in posizione verticale e non è in pendenza.
Il Ventilatore non funziona (Pannello di controllo / Display Lights off)	<ul style="list-style-type: none"> • Controllare se H-Purifier è collegato alla corrente ed è acceso. • Controllare se ci sono ostruzioni nel ventilatore.
Non ci sono spie sul Pannello di Controllo / Display (Ventilatore in funzione)	<ul style="list-style-type: none"> • Controllare se le spie non sono state spente premendo il pulsante Light Control sul Pannello di Controllo / Display.
Pulsanti sul Pannello di Controllo / Display do not operate	<ul style="list-style-type: none"> • Controllare se è stata attivata la funzione Child Lock premendo e tenendo premuto il pulsante Child Lock per 3 secondi.
Il Flusso d'Aria è Debole	<ul style="list-style-type: none"> • Controllare se l'imballaggio di protezione è stato rimosso dal filtro. • Controllare se ci sono ostruzioni sulla Cover di Entrata dell'Aria o nella via di Uscita dell'Aria. • Controllare lo stato del filtro sul pannello di controllo / sul display o sulla App per verificare se va pulito o sostituito. • Controllare se H-Purifier è in modalità Sleep. In questa modalità il ventilatore funziona a potenza ridotta.
Il Purificatore dell'Aria è rumoroso	<ul style="list-style-type: none"> • Controllare se ci sono ostruzioni nella via di Uscita dell'aria o nel Ventilatore. • Controllare se H-Purifier sta lavorando in modalità MAX. In questa modalità il flusso dell'aria è alla massima potenza..
Il purificatore dell'aria emette improvvisamente un suono acuto.	<ul style="list-style-type: none"> • La funzione di test dell'Allarme CO è stata attivata per errore. Il suono si interromperà automaticamente dopo 5 secondi.

INFORMAZIONI IMPORTANTI

PARTI DI RICAMBIO E DI CONSUMO HOOVER

Utilizzare sempre parti di ricambio originali Hoover. È possibile acquistarle dal distributore locale Hoover o direttamente sul sito internet Hoover. Quando si ordinano delle parti di ricambio, ricordarsi sempre di fornire il numero di modello dell'apparecchio utilizzato.

Qualità

La qualità degli stabilimenti Hoover è stata sottoposta a valutazione indipendente. I nostri prodotti vengono realizzati mediante un sistema di qualità che soddisfa i requisiti ISO 9001.

ASSISTENZA E GARANZIA HOOVER

Questo prodotto è garantito, oltre che ai sensi di legge, alle condizioni e nei termini riportati sul certificato di garanzia convenzionale inserito nel prodotto. Il certificato dovrà essere conservato e mostrato al nostro Centro di Assistenza Tecnica Autorizzato, in caso di necessità, insieme allo scontrino comprovante l'acquisto dell'elettrodomestico. Puoi consultare le condizioni di garanzia anche sul nostro sito internet. Per ottenere assistenza compila l'apposito form on-line oppure contattaci al numero che trovi indicato nella pagina di assistenza del nostro sito internet.

Queste condizioni potrebbero venire modificate senza obbligo di preavviso.

INSTRUCTIES VOOR VEILIG GEBRUIK

Dit toestel mag alleen worden gebruikt voor privé huishoudelijk gebruik, zoals beschreven in deze gebruikershandleiding. Zorg ervoor dat deze handleiding volledig begrepen is voordat u het toestel in gebruik neemt en bewaar deze voor toekomstig gebruik.

Schakel het toestel altijd uit en verwijder de stekker uit het stopcontact na gebruik, of voor het reinigen van het toestel of bij elke onderhoudstaak.

Dit toestel kan gebruikt worden door kinderen vanaf 8 jaar en ouder en personen met verminderde lichamelijke, zintuiglijke of mentale capaciteiten. Ook personen met een gebrek aan ervaring of kennis kunnen dit toestel gebruiken, indien ze toezicht of instructies hebben gekregen betreffende het veilig gebruik van het toestel en de gevaren in kwestie begrijpen. Kinderen mogen niet met het toestel spelen.

Reinigings- en gebruiksonderhoud mag niet uitgevoerd worden door kinderen zonder toezicht.

Indien het stroomsnoer beschadigd is, stop dan onmiddellijk met het toestel te gebruiken. Om veiligheidsgevaar te vermijden, mag enkel een erkende HOOVER dienstingenieur de stroomkabel vervangen.

Gebruik enkel verlengstukken, verbruiksartikelen of reserveonderdelen aanbevolen of geleverd door HOOVER.

Verwijder de stekker niet door aan het netsnoer te trekken.

Blijf dit toestel niet gebruiken wanneer het defect blijkt.

Plaats en gebruik het product alleen op een droge, stabiele, vlakke horizontale ondergrond, waar het niet kan omkantelen.

Houd het product droog.

Kantel of leeg het product nooit tijdens gebruik.

Leg het snoer zodat niemand erop kan gaan staan of erover kan struikelen.

Plaats het product niet op of nabij hete oppervlakken, in de buurt van open vuur of in direct zonlicht.

Zorg ervoor dat er geen water of een ander vloeibaar of brandbaar schoonmaakmiddel in het toestel komt om elektrische schokken en/of brandgevaar te voorkomen.

Maak het toestel niet schoon met water, een andere vloeistof of een (brandbaar) schoonmaakmiddel om elektrische schokken en/of brandgevaar te voorkomen.

Spuit geen brandbare materialen zoals insecticiden of geur rond het toestel.

Controleer of het voltage en de waarden die op het label van het toestel staan, overeenkomen met de lokale netspanning voordat u het toestel aansluit.

Blokkeer de luchtinlaat of luchtuitlaat niet.

Dit toestel is geen vervanging voor goede ventilatie, regelmatig stofzuigen of het gebruik van een afzuigkap of ventilator tijdens het koken.

Plaats niets bovenop het toestel.

Plaats het toestel niet direct onder een airconditioning om te voorkomen dat condensatie op het toestel druppelt.

Zorg ervoor dat alle filters correct zijn geïnstalleerd voordat u het toestel inschakelt.

Gebruik alleen de originele HOOVER-filters die speciaal voor dit toestel zijn bedoeld. Gebruik geen andere filters.

Klop niet met harde voorwerpen tegen het toestel (met name de luchtinlaat en -uitlaat).

Steek uw vingers of voorwerpen niet in de luchtuitlaat of de luchtinlaat om lichamelijk letsel of slecht functioneren van het toestel te voorkomen.

Gebruik dit toestel niet als u indoor insectenwerende middelen van het rooktype hebt gebruikt of op plaatsen met olieresten, brandende wierook of chemische dampen.

Gebruik het toestel niet in de buurt van gastoestellen, verwarmingsapparaten of open haarden.

Gebruik het toestel niet in een ruimte met grote temperatuurschommelingen.

Om interferentie te voorkomen, plaatst u het toestel op minimaal 2 meter afstand van elektrische apparaten die gebruikmaken van radiogolven in de lucht, zoals tv's, radio's en radiogestuurde klokken.

Als het toestel lange tijd niet wordt gebruikt, kunnen er bacteriën op de filters groeien. Controleer de filters na een lange periode van niet-gebruik. Als de filters erg vuil zijn, vervang ze dan.

Gebruik het toestel niet in een natte omgeving of in een omgeving met hoge omgevingstemperaturen, zoals de badkamer, toilet of keuken.

Het toestel verwijdert geen koolmonoxide (CO) of radon (Rn). Het kan niet gebruikt worden als veiligheidsvoorziening bij ongevallen met verbrandingsprocessen en gevaarlijke chemicaliën.

De functie CO Monitor mag niet gebruikt worden als, of bedoeld zijn voor gebruik als vervanging voor een EN 50291-1 UL-2034, CSA-6.19 of enige andere erkende standaard gecertificeerde koolmonoxidemelder waar lokale of regionale codes of wetgeving het gebruik hiervan verplicht. De functie CO Monitor is slechts een bijkomend koolmonoxide-bewakingstoestel. Het gebruik van dit toestel is ter discretie van de gebruiker en impliceert het begrip en aanvaarding van de beperkingen ervan om te voldoen aan codes of wetgeving waar van toepassing.

Plaats het toestel niet op een van de volgende locaties:

- In een badkamer of andere gebieden waar de melder aan waterspetters, druppels of condensatie blootgesteld kan worden (bijv. boven een waterkoker).
- Naast of direct boven kachels of airconditioning ventilatieopeningen, deuren, ramen, afzuigventilatoren of overal waar het zou worden beïnvloed door tocht.
- Direct boven een gootsteen of fornuis.
- In een gebied waar de temperatuur onder de -20°C kan dalen of boven de 50°C kan stijgen.
- In een afgesloten ruimte (bijv. In of onder een kast).
- In een natte of vochtige ruimte.
- Waar het zou worden belemmerd, bijv. door gordijnen of meubels.
- Waar vuil of stof de sensor zou kunnen blokkeren.
- In de buurt van verf, verdunners, dampen van oplosmiddelen of luchtverfrissers.

Als het CO-alarm geactiveerd is, moet u alle ramen en deuren openen (als dat veilig kan). Schakel indien mogelijk alle brandstofverbrandende apparaten uit en evacueer de woning, laat de ramen en deuren open. Zoek onmiddellijk medische hulp voor iedereen die problemen heeft omwille van koolmonoxidevergiftiging. Betreed het pand niet opnieuw totdat het alarm stopt. Het alarm stopt zodra de CO verdwenen is. Gebruik geen brandstofverbrandende apparaten meer totdat de CO-bron gevonden is en verholpen werd door een gekwalificeerde technicus.

Steek de stekker in een stopcontact om de CO Monitor te activeren. Het CO-sensorconditielampje wordt groen weergegeven. Wanneer de CO Monitor een onveilig CO-niveau detecteert, gaat het CO-alarm luid af en knipperen de knop CO Alert en het O-ringlampje in rode kleur. Het alarm blijft doorgaan totdat de gedetecteerde CO tot een veilig niveau daalt.

Vermijd het gebruik van verf, verdunners, dampen van oplosmiddelen, luchtverfrissers, spuitbussen of chemische reinigingsmiddelen in de buurt van het toestel. Dit kan de werking van de CO Monitor beïnvloeden.

Zorg ervoor dat kleine kinderen niet gedurende 3 seconden op de knop CO Alert kunnen drukken, aangezien ze aan overmatig geluid kunnen worden blootgesteld indien het alarm afgaat.

Raak de knop [CO Alert] 3 seconden aan om de functie CO-alarm te testen; het alarm zal 5 seconden lang luid afgaan. Test het alarm maandelijks en na langdurige afwezigheid in het gebouw (bijv. na vakantie). Als het alarm niet afgaat nadat u de [CO Alert] -knop gedurende 3 seconden hebt aangeraakt, neem dan contact op met de Hoover-klantenservice om een gekwalificeerde technicus in te schakelen om de storing te herstellen.

Als het display aangeeft dat de CO-sensor defect is of het einde van de levensduur bereikt is, neem dan contact op met het Hoover-klantenservicecentrum om een gekwalificeerde technicus in te schakelen om de CO-sensor te vervangen. De verwachte levensduur van de CO-sensor is 5 jaar; na deze tijd moet de sensor vervangen worden.

Luchtvochtigheid regelen: 15 – 90% RH

Bedrijfstemperatuur: 0°C tot $+40^{\circ}\text{C}$

When the detected level of CO reaches a high level, the [CO Alert] button and the [Air Quality LED Ring] blink in red color (2Hz), at the same time, alarm rings loudly (85~110dB(A)) and

continuously, the alarm will not stop until the intensity of CO falls back from the alarm level. Koolmonoxide tast het lichaam aan door kritieke zuurstoforganen uit te hongeren (te verstikken). Wanneer CO wordt ingeademd, hecht het zich aan het hemoglobine in het bloed dat normaal gesproken zuurstof door het lichaam transporteert. CO wijzigt permanent het vermogen van zuurstofmoleculen om zich aan het hemoglobine te hechten, waardoor zuurstof naar vitale organen verminderd wordt. Het concentratieniveau en de tijd van blootstelling aan CO, kan de effecten ervan op het lichaam variëren, maar experts zijn het erover eens dat zelfs lage niveaus van blootstelling aan koolmonoxide gedurende langere perioden ernstige en blijvende gevolgen kunnen hebben voor iemands algehele gezondheid.

WAARSCHUWING: HET CO ALARM IS ONTWERPEN OM PERSONEN TE BESCHERMEN TEGEN DE ACUTE EFFECTEN VAN BLOOTSTELLING AAN KOOLMONOXIDE OF DE CHRONISCHE EFFECTEN VAN BLOOTSTELLING AAN KOOLMONOXIDE TE VOORKOMEN. DIT BESCHERMT PERSONEN MET SPECIFIEKE MEDISCHE OMSTANDIGHEDEN NIET VOLLEDIG. RAADPLEEG EEN ARTS IN GEVAL VAN TWIJFEL.

Dit toestel mag niet gebruikt worden als vervanging voor een juiste installatie, gebruik en onderhoud van brandstofverbrandende apparaten, inclusief geschikte ventilatie- en uitlaatsystemen.

The CO monitor mobile and tablet notifications require a functional Wi-Fi connection to operate. Ze zijn geen vervanging voor een externe monitoringdienst door derden.

Gebruik alleen aroma-olie aanbevolen of geleverd door HOOVER.

Gebruik geen stand-alone luchtbevochtiger naast de luchtreiniger bij gebruik van de functie Diffusor van H-Essence.

Veeg gemorste H-Essence onmiddellijk af. Zorg ervoor dat u elke hoek van het product schoonmaakt die in contact is geweest met H-Essence.

HOOVER dienstverlening: Om de blijvende veilige en efficiënte werking van dit toestel te verzekeren, bevelen we aan dat alle herstellingen uitgevoerd worden door een erkende HOOVER dienstingenieur.

Het milieu

Dit toestel is gemarkeerd conform de Europese richtlijn 2011/65/EC betreffende afgedankte elektrische en elektronische apparatuur (AEEA). Door dit product aan het einde van de levensduur op verantwoorde wijze weg te gooien, voorkomt u mogelijke negatieve gevolgen voor het milieu en de gezondheid, die zouden kunnen ontstaan door een onverantwoorde afvalverwerking van dit product.

Het symbool op dit toestel duidt aan dat dit toestel niet mag behandeld worden als huishoudelijk afval. In de plaats daarvan moet het overhandigd worden aan het geschikte verzamelpunt voor de recyclage van elektrische en elektronische uitrusting. U moet het toestel weggooien in overeenstemming met de lokale voorschriften voor afvalverwerking. Voor meer gedetailleerde informatie over behandeling, herstel en recyclage van dit toestel, gelieve je lokale gemeentebestuur te contacteren, je dienst voor huishoud- en afvalverwerking of de winkel waar je het toestel kocht.

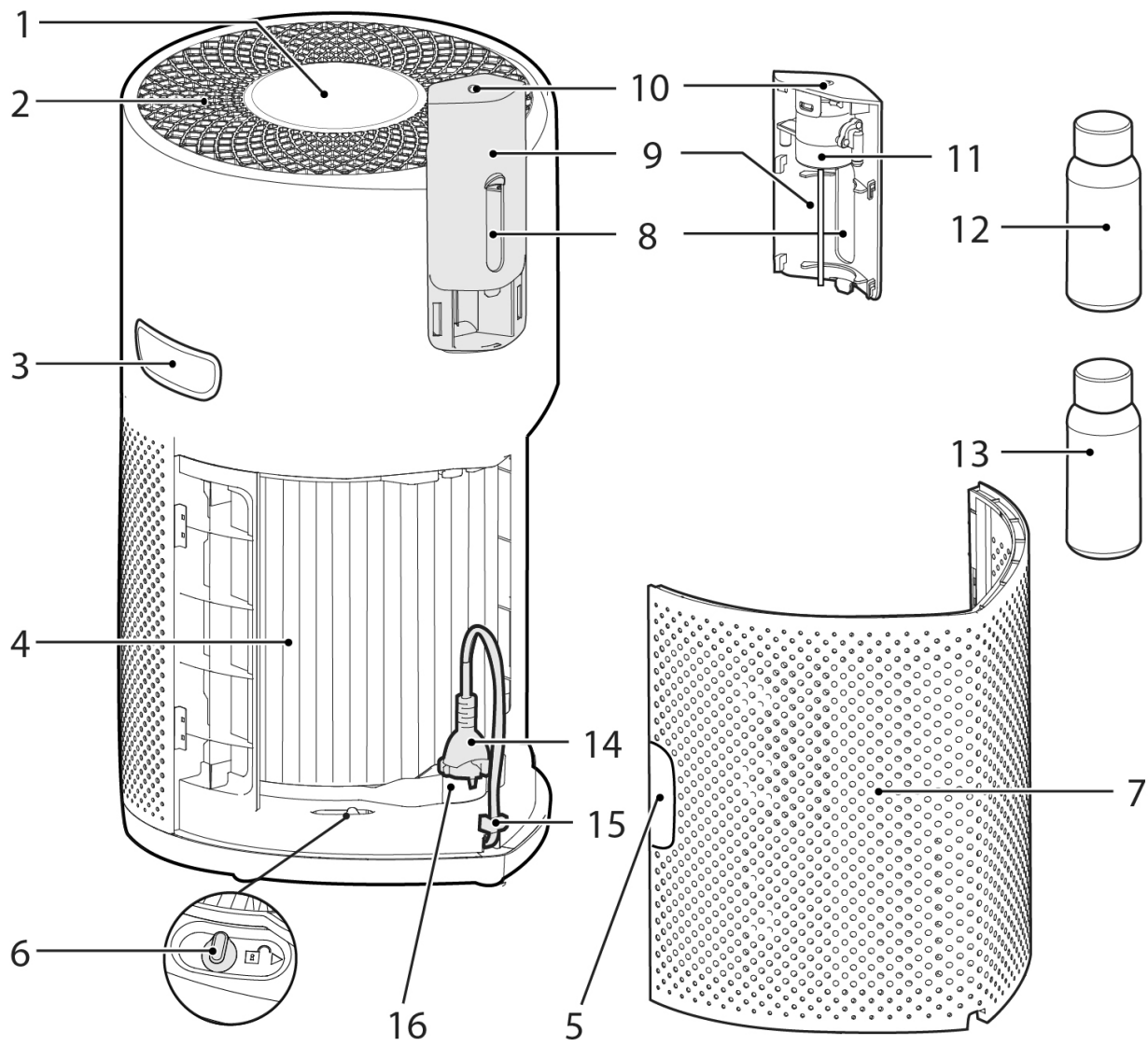


Frequentiebanden	2400Mhz ~ 2483.5Mhz
Maximaal in de frequentieband verstuurd hoogfrequent vermogen	18.9 dBm

C E Dit apparaat voldoet aan de Europese Richtlijnen 2014/53/EU, 2014/30/EU en 2011/65/EU. Om een kopie van de conformiteitsverklaring te ontvangen, kunt u contact opnemen met de fabrikant op www.candy-group.com

CANDY HOOVER GROUP S.r.l. Via Privata Eden Fumagalli, 20861 Brugherio (MB) Italy

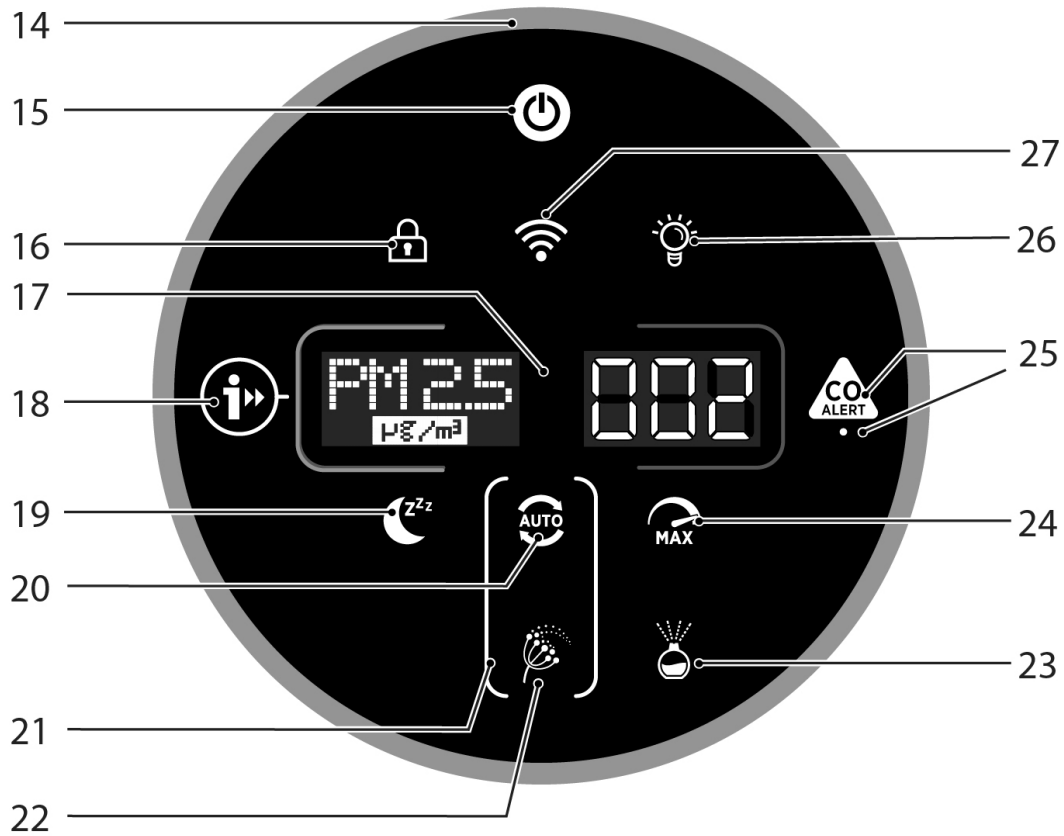
LEER UW H-PURIFIER KENNEN



1	Besturingspaneel / Display
2	Luchtuitlaat
3	Draaggreep Product
4	Filter
5	Handgreep van luchtinlaatkap

6	Schakelaar Vrijgave Filter
7	Luchtinlaatklep
8	Diffuservenster
9	Diffuserkap
10	Diffuseruitlaat
11	Diffusereenheid

12	H-Essence Fles (Groen)
13	H-Biotics-fles (NEUTRAAL)
14	Netsnoer en stekker
15	Opslaghaak
16	Transportlocatie



14	Luchtkwaliteit LED-ring
15	Schakelaar
16	Kinderslot-knop
17	Digitaal beeld
18	Informatieknop

19	Knop modus Slaapstand
20	Knop voor modus Auto
21	Ronde pollenallergielamp
22	Pollenallergielamp
23	Diffuserknop

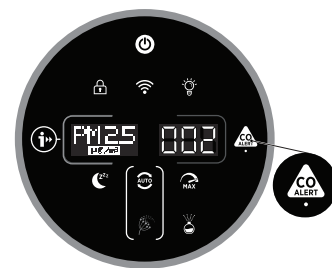
24	Knop modus Max
25	Knop CO Alert en LED
26	Knop bediening licht
27	Wi-Fi Button

Multi Sensor Monitoringsysteem

Dankzij het Multi Sensor Monitoringsysteem controleert uw product continu de binnenluchtconditie voor wat betreft PM10, PM2.5, vluchtige organische stoffen (GAS) en koolmonoxideconcentratie (CO).

Elke keer dat u uw product inschakelt, start het Multi Sensor Monitoringsysteem een analyse van de binnenlucht en de LED Ring voor luchtkwaliteit gaat branden met verschillende kleuren die de realtime luchtkwaliteitsomstandigheden weergeven.

Kleur LED Ring Luchtkwaliteit	Luchtkwaliteit binnen
GROEN	UITSTEKEND
GEEL	SATISFACTORY
ORANJE	ARM
ROOD	ZEER ARM



Monitoring en Alarm Concentratie Koolmonoxide

De H-luchtreiniger controleert constant de binnenlucht op koolmonoxide (CO). Het product is voorzien van een waarschuwingssysteem.

Wanneer het koolmonoxidealarm geactiveerd is, knipperen de LED Ring LUCHTKWALITEIT, de knop Informatie & knop CO Alert knippert tegelijkertijd rood en er klinkt een akoestisch alarm. Het alarm blijft actief totdat de koolmonoxide (CO) -concentratie tot onder de 50 ppm gedaald is, tenzij het handmatig gedempt wordt door de knop CO Alert 3 sEconden in te drukken.

Deze LED knop CO Alert toont de conditie van de CO-sensor. Dit verschijnt in groene kleur als de CO-sensor in normale toestand is, in gele kleur als de sensor niet goed functioneert of de levensduur overschreden heeft.

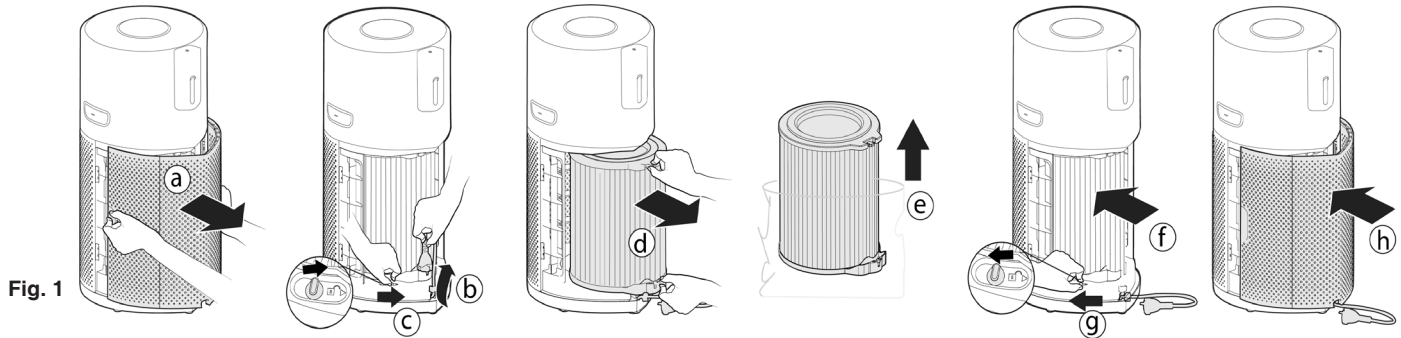
U kunt testen of het alarm goed werkt door de CO-alarmknop 3 seconden ingedrukt te houden, en een luide zoemer zal 5 seconden aanhouden als het alarm goed werkt.

UW H-PURIFIER VOORBEREIDEN

1. Filter [Fig. 1]

Voordat u uw H-Luchtreiniger gebruikt, moet u het filter uit de beschermende verpakking halen:

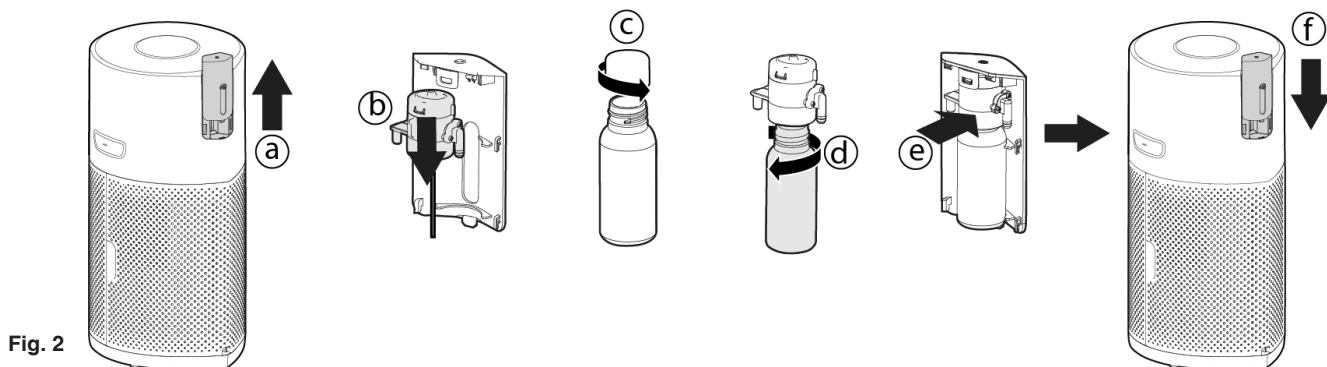
- Verwijder het luchtinlaatdeksel van uw product, pak de twee handgrepen van het luchtinlaatdeksel vast en haal het uit het product. [Fig. 1a]
- Verwijder de stekker uit de transportlocatie en maak het snoer los van de opslaghaak. [Fig. 1b]
- Ontgrendel de vrijgaveschakelaar van het filter. [Fig. 1c]
- Verwijder het filter van uw product en verwijder de buitenverpakking. [Fig. 1d,e]
- Plaats het filter terug in uw product. [Fig. 1f]
- Vergrendel de vrijgaveschakelaar van het filter. [Fig. 1g]
- Plaats de luchtinlaatkap terug op uw product. [Fig. 1h]



2. Installeer de diffuserfles [Fig. 2]

Om uw H-Luchtreiniger-product klaar te maken voor de functie Diffuser:

- Verwijder de diffuserkap van het product. [Fig. 2a]
- Verwijder de diffusereenheid van de diffuserkap. [Fig. 2b]
- Haal de fles H-Essence of H-Biotics uit de verpakking en verwijder de dop. [Fig. 2c]
- Schroef de fles stevig vast op de diffusereenheid. [Fig. 2d]
- Plaats de diffusereenheid terug in de diffuserkap. [Fig. 2e]
- Plaats de diffuserkap terug in het product. [Fig. 2f]



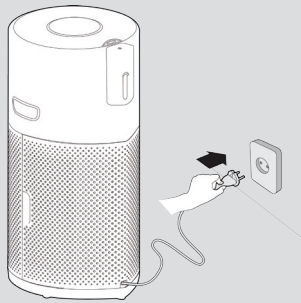


Fig. 3

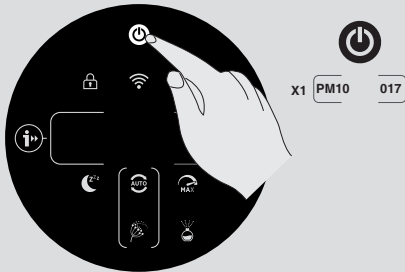


Fig. 4



Fig. 5

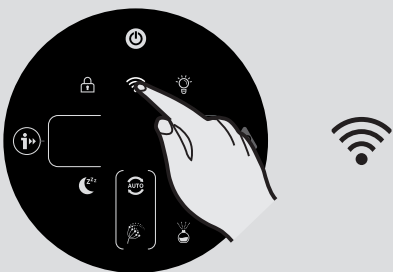


Fig. 6

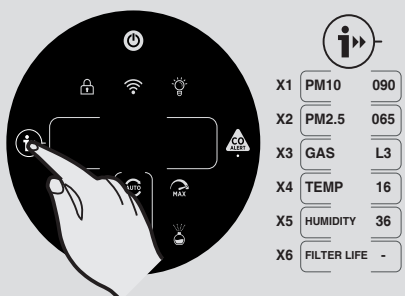


Fig. 7

UW H-PURIFIER GEBRUIKEN

Sluit het product aan [Fig. 3]:

Trek het netsnoer uit de snoerhaspel en steek de stekker in het stopcontact.

Alle lampjes op het Besturingspaneel / Het display zal ongeveer 1 seconde volledig oplichten om aan te geven dat de stekker erin zit.

De AAN / UIT-knop is gedimd verlicht en het CO-sensordisplay gaat AAN om aan te geven dat het Multi Sensor Monitoring Systeem nu het koolmonoxideniveau binnenshuis controleert.

Het product inschakelen [Fig. 4]:

Druk op de AAN / UIT-knop op het display om uw product in te schakelen.

De LED Ring Luchtkwaliteit zal achtereenvolgens in alle kleuren oplichten terwijl de sensoren de realtime conditie van de lucht analyseren. Na een paar seconden selecteert de LED Ring Luchtkwaliteit de juiste kleur voor de kwaliteit van de lucht op dat moment.

Uw H-Luchtreiniger-product gaat onmiddellijk naar de MODUS AUTO en begint de binnenlucht te zuiveren.

De knop MODUS AUTO, de knop INFORMATIE, de knop CONTROLE VERLICHTING en de informatie over de PM10 gaan branden op het display.

The following functions are available via the Display buttons:

Press the Wi-Fi button to turn on/off remote access.

Druk op de INFORMATIE-knop om alle monitoringgegevens te zien.

Druk op de knoppen AUTO, MAX of SLAAPSTAND om een zuiveringsmodus te selecteren.

Druk op de knop LICHTCONTROLE om de helderheid van de verlichting van de display in te stellen.

Druk op de KINDERSLOT-knop om alle knoppen op het besturingspaneel/display te deactiveren.

Druk op de knop DIFFUSER om de functie te activeren.

Druk op de AAN / UIT-knop om de luchtreiniger uit te schakelen.

Pairing to Wi-Fi:

Om overal toegang te krijgen tot alle functies van de H-Reinigers, raadt men aan de App hOn te downloaden.

U kunt uw product op de meest efficiënte manier bedienen.

Instructies:

1. Download de hOn-applicatie uit de App Store of Google Play. [Fig. 5]
2. Open de app, maak een account aan met uw e-mail en een wachtwoord.
3. Bevestig de log-in.
4. Ensure your mobile device is connected to Wi-Fi.
5. Log in op de App hOn.
6. Press and hold the Wi-Fi button on the display for 5 seconds, there will an audible beep and the Wi-Fi button will start flashing to indicate it is waiting for a connection. [Fig. 6]
7. Volg de instructies in de App om uw mobiele toestel met uw product te verbinden.
8. When successfully paired, the Wi-Fi button on the product will remain illuminated.
9. To reset the Wi-Fi, press & hold the Wi-Fi button for 5 Secs.

Draadloze parameters voor koppelen

Technologie	Wi-Fi	Bluetooth
Standaard	IEEE 802.11 b/g/n	Bluetooth v4.2, BR/EDR, BLE
Frequentieband(en) (MHz)	2401 ~ 2483	2402 ~ 2480
Maximale Wattage (mW)	100	10

INFORMATIE Functie [Fig. 7]:

Er zijn 6 verschillende datasets beschikbaar voor controle:

PM10, PM2.5, GAS, temperatuur, vochtigheid en filterstatus.

Om elke waarde te controleren, drukt u meerdere malen op de knop INFORMATIE.

Standaard toont het display de PM10-gegevens, de machine onthoudt de laatste selectie van de gebruiker en behoudt deze selectie de volgende keer dat het product wordt ingeschakeld.

De GAS-gegevens laten een draaiende cursor zien gedurende de eerste 3 minuten na inschakeling van het product terwijl de GAS-sensor een kalibratiecyclus uitvoert.

Meer informatie over PM 2.5, PM 10 en GAS:

PM duidt op fijne deeltjes (niet zichtbaar voor het menselijk oog) die voornamelijk afkomstig zijn van vervuiling buitenshuis, zoals voertuigen en industriële emissies, en mogelijk gevaarlijk zijn voor onze gezondheid bij langdurige blootstelling.

PM 10 hebben een grootte tot 10 µm en kunnen de bovenste luchtwegen (neus, luchtpijp, keelholte) binnendringen.

PM 2.5 hebben een grootte tot 2,5 µm en kunnen, gezien hun kleine afmeting, onze longen bereiken en zo dieper in ons lichaam doordringen.

GAS VOC (vluchtige organische stoffen) zijn vluchtige chemische verbindingen die bij kamertemperatuur gemakkelijk in de lucht kunnen verdampen. Deodorants, detergents, lijmen, kleefstoffen, cosmetica, formaldehyde zijn slechts enkele van de VOS die in onze huizen aanwezig kunnen zijn, maar die mogelijk schadelijk zijn voor onze gezondheid in geval van langdurige blootstelling.

MODUS Functies:

Er zijn 3 beschikbare luchtzuiveringsmodi via het display: MODUS AUTO, MODUS MAX & MODUS SLAAPSTAND. Modus Auto is de standaardinstelling voor uw product wanneer het ingeschakeld is, alle modi kunnen handmatig geselecteerd worden door op de desbetreffende knop op het display te drukken.

De modus POLLENALLERGIE kan via de App hOn geactiveerd worden.

MODUS AUTO [Fig. 8]:

Dit is de standaardmodus van uw H-Luchtreiniger wanneer het voor het eerst ingeschakeld wordt. In de automatische modus past de H-Luchtreiniger automatisch de ventilatorsnelheid aan het werkelijke kwaliteitsniveau van de binnenlucht aan om altijd een optimale luchtzuivering te garanderen.

Dit is de aanbevolen instelling voor uw product.

In de modus AUTO gaat uw product na 30 minuten uitstekende luchtkwaliteit naar een modus **ECO** door de zuiveringsfunctie te pauzeren, het Multi Sensor Monitoring Systeem blijft de binnenlucht analyseren en schakelt indien nodig automatisch de zuiveringsfunctie in.

MODUS MAX [Fig. 9]:

Druk op de knop modus MAX op het display om luchtzuivering bij maximale vermogensinstelling te activeren. Om de modus MAX te verlaten, selecteert u gewoon de modus AUTO of de modus SLAAPSTAND.

MODUS SLAAPSTAND [Fig. 10]:

Druk op de knop modus SLAAPSTAND om luchtzuivering te activeren met de laagste stille krachtinstelling. De knop voor de modus SLAAPSTAND is gedimd verlicht en alle andere scherm-lampjes zijn uit. Dit kan gewijzigd worden door op de knop CONTROLE VERLICHTING te drukken.

MODUS POLLENALLERGIE: [Fig. 11]

De modus POLLENALLERGIE kan alleen via de App hOn geactiveerd worden. U moet eerst een profiel in de App activeren en registreren om uw Pollenallergie-profiel aan te maken.

De modus Pollenallergie werkt alleen wanneer de MODUS AUTO geselecteerd is. [Fig. 11c]

In de modus Pollenallergie ontvangt het toestel continu realtime gegevens van de App over de gedetecteerde pollenconcentratie buitenshuis en werkt het automatisch om de prestaties van het opvangen van de pollen te maximaliseren.

Zodra pollen opgevangen zijn, worden ze gedeactiveerd om de allergische symptomen te verlichten. Wanneer de modus Pollenallergie geactiveerd is in de App, zijn er 2 meldingslampjes beschikbaar op het productdisplay:

- De Pollenallergielamp is **WIT** [Fig. 11a]: Het toestel en de App controleren de aanwezigheid van pollen buitenshuis en er is geen risico aanwezig.

- The Pollenallergielamp turns **GEEL** [Fig. 11b] and the Pollen Allergy Circle lamp is **WHITE** [Fig. 11a]: Het toestel en de App hebben risico's gedetecteerd.

Als het product handmatig in de modus SLAAPSTAND of de modus MAX wordt gezet terwijl de pollenallergiemodus geactiveerd is, stopt de pollenallergiemodus.

Functie CONTROLE VERLICHTING: [Fig. 12]

Er zijn 3 instellingen beschikbaar voor de displayverlichting, Aan, Dimmen & Uit.

Om de helderheid van de displayverlichting aan te passen, drukt u gewoon op de knop VERLICHTING op het display om de 3 beschikbare opties te doorlopen. AAN is de standaardinstelling.

Als UIT geselecteerd is, moet elke andere knop tweemaal ingedrukt worden voor activering, na één druk op de knop schakelen de lampjes over op DIM, bij de tweede druk wordt de actie ingeschakeld.

Functie KINDERSLOT: [Fig. 13]

Houd de knop KINDERSLOT 3 seconden ingedrukt om het te activeren, er volgt een geluidssignaal wanneer het geactiveerd is en de knop KINDERSLOT blijft verlicht. Geen andere knoppen werken wanneer dit geactiveerd is.

Om deze functie te verlaten, houdt u gewoon de knop KINDERSLOT 3 seconden ingedrukt, u hoort een geluidssignaal dat bevestigt dat het uit is en dat de knop niet meer verlicht is.

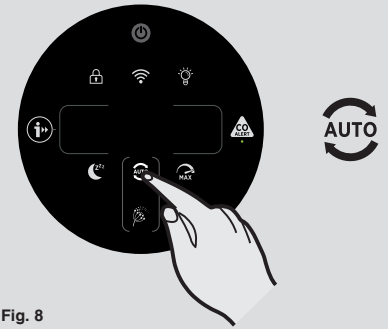


Fig. 8

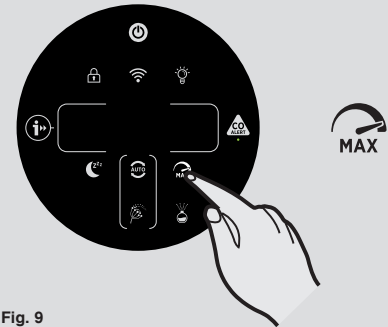


Fig. 9

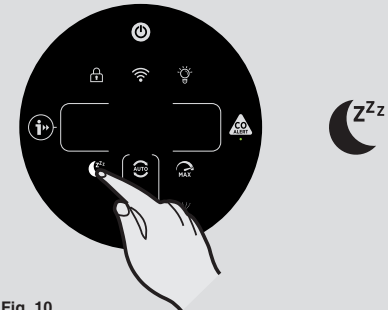


Fig. 10

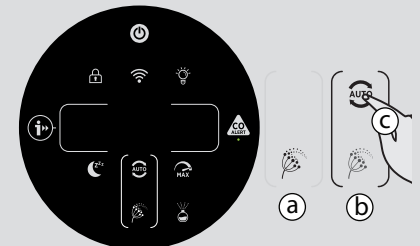


Fig. 11

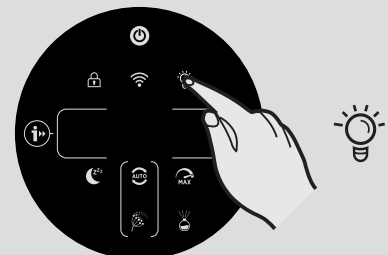


Fig. 12

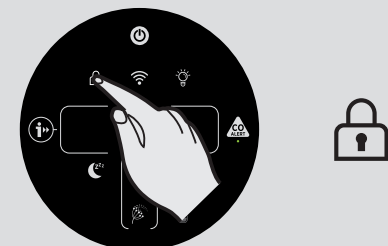


Fig. 13

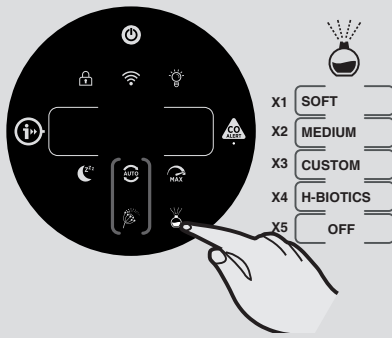


Fig. 14

Functie Diffuser: [Fig. 14]

De diffuser verspreidt H-Essence of H-Biotics in de lucht van de kamer. H-Essence is de Hoover-collectie van essentiële oliën om aangename geuren in de lucht te verspreiden.

H-Biotics is een natuurlijk mengsel op basis van probiotica dat de kamer biologisch gehydrogeneerd houdt door de groei van micro-organismen zoals bacteriën of microben te remmen.

There are 4 different settings for the DIFFUSER function, SOFT, MEDIUM, CUSTOM & H-BIOTICS. To activate this function simply press the Diffuser button on the Display, the default setting for this function is SOFT, to select any of the other settings simply consecutively press the button to change to the desired selection. De knop licht wit op wanneer deze ingeschakeld is.

It is recommended to use SOFT & MEDIUM settings for H-Essence.

In de App hOn kunnen er aangepaste instellingen gemaakt worden voor uw H-Essence.

Bij gebruik van H-Biotics **MOET** de instelling op H-Biotics ingesteld worden. Once user activates H-Biotics using the APP, this will give an alert of "ACTIVATE H-BIOTICS" after 120 hours to ensure the H-biotics usage of every 5 days.

De functie Diffuser kan alleen gebruikt worden in de modi AUTO & MAX en kan niet gebruikt worden in de modus SLAAPSTAND.

Wanneer de functie Diffuser in de AUTO-modus wordt geactiveerd, werkt de hoofdventilator met een specifieke snelheid om de H-Essence of de H-Biotics in de kamer te verspreiden.

Instelling	Pomp aan	Pomp uit	Cyclus
SOFT	10 sec	300 sec	Uitschakeling na 6 uur
MEDIUM	90 sec	120 sec	Uitschakeling na 6 uur
CUSTOM	Gedefinieerde gebruiker	Gedefinieerde gebruiker	Uitschakeling na 6 uur
H-BIOTICS	120 sec	120 sec	Uitschakeling na 6 uur

Om de functie uit te schakelen, drukt u op de knop diffuser totdat het knoplampje uitgaat.

Gebruik na elk gebruik van de functie Diffuser een droge, zachte doek om eventuele resten van de productoppervlakken te verwijderen.

Zie de sectie 'Uw H-luchtreiniger onderhouden' om de fles in de diffusereenheid te vervangen.

ONDERHOUD VAN UW H-PURIFIER

BELANGRIJK: KOPPEL UW APPARAAT ALTIJD LOS VAN DE STROOMVOORZIENING BIJ HET UITVOEREN VAN ONDERHOUDSTAKEN.

FILTER SCHOONMAKEN / VERVANGING

Uw H-Luchtreiniger controleert de status van uw filter. Aan de linkerkant van het scherm verschijnt een waarschuwing **FILTER SCHOONMAKEN OF FILTER VERVANGEN**, dit knippert om aan te geven dat er actie moet worden ondernomen om het filter schoon te maken of te vervangen.

Schoonmaken / Het filter vervangen: [Fig. 15]

- Verwijder de luchtinlaatkap van uw product. [Fig. 15a]
- Ontgrendel de vrijgaveschakelaar van het filter. [Fig. 15b]
- Verwijder het filter van uw product. [Fig. 15c]
- Gebruik een stofzuiger om het uitwendige gaas op het filter schoon te maken of Vervang het door een NIEUW filter. [Fig. 15d]
- Plaats het filter opnieuw in het product. [Fig. 15e]
- Vergrendel de vrijgaveschakelaar van het filter. [Fig. 15f]
- Plaats de luchtinlaatkap terug op uw product. [Fig. 15g]
- Sluit uw toestel aan op de stroomvoorziening en schakel het in. [Fig. 4]
- Druk op de INFORMATIE-knop en volg de instructies om de filterreinigingsfunctie te resetten door de knop 3 seconden ingedrukt te houden, een geluidssignaal geeft aan dat de reset met succes uitgevoerd werd. [Fig. 7]

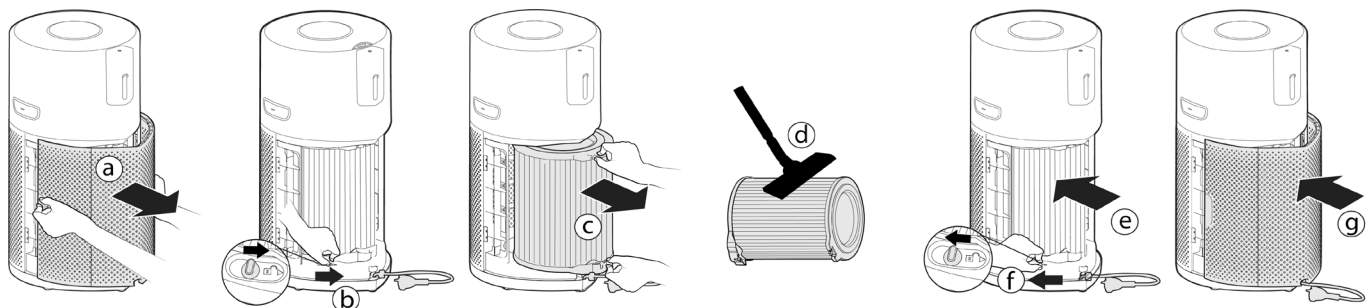


Fig. 15

ONDERHOUD DIFFUSER

Gebruik na elk gebruik van de functie Diffuser een droge, zachte doek om eventuele resten van de productoppervlakken te verwijderen.

Vervanging Diffuserfles: [Fig. 16]

Het vloeistofvolume in de fles kan gecontroleerd worden via het diffuservenster, indien nodig moet de fles vervangen worden.

- Verwijder de diffuserkap van het product. [Fig. 16a]
- Verwijder de diffusereenheid en -fles van de diffuserkap. [Fig. 16b]
- Schroef de lege fles los, verwijder ze en gooi ze weg. [Fig. 16c]
- Haal de nieuwe fles H-Essence of H-Biotics uit de verpakking en verwijder de dop. [Fig. 16d]
- Schroef de nieuwe fles stevig vast op de diffusereenheid. [Fig. 16e]
- Plaats de diffusereenheid terug in de diffuserkap. [Fig. 16f]
- Plaats de diffuserkap terug in de H-luchtreiniger. [Fig. 16g]

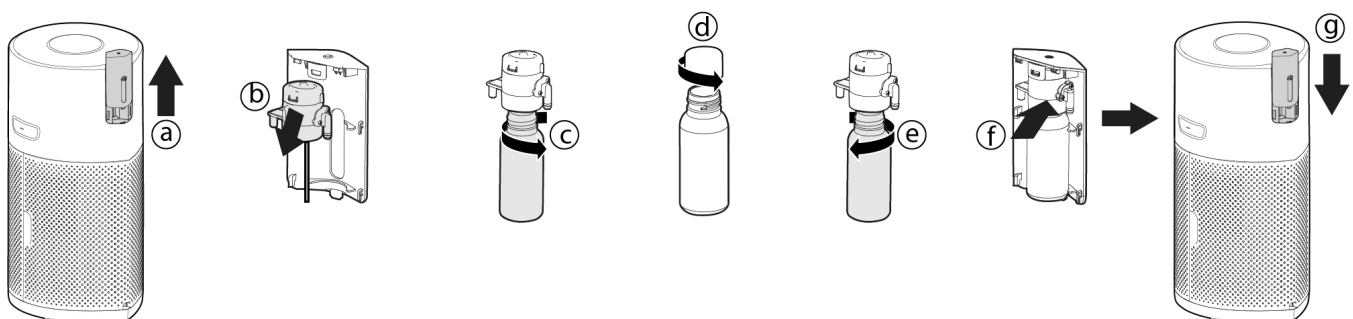


Fig. 16

OPSLAG VAN UW H-PURIFIER

1. Schakel de luchtreiniger uit en trek de stekker uit het stopcontact.
2. Reinig alle interne en externe oppervlakken van de luchtreiniger, de externe mesh van het filter.
3. Haal de fles uit de diffuser. Plaats de originele dop terug op de fles en bewaar deze ter bescherming tegen direct licht. Maak de oppervlakken van de diffusereenheid en de diffuserkap schoon. Zorg ervoor dat er geen resten van H-Essence op enig oppervlak van de Luchtreiniger achterblijven.
4. Zorg ervoor dat alle onderdelen droog zijn.
5. Remove the Luchtinlaatklep [Fig. 17a] and Reel in the power cord by pulling on the cord [Fig. 17b] and fit the cord into the storage hook and fit the plug into the transport location. [Fig. 17c,d] Plaats het luchtinlaatdeksel terug [Fig. 17e]
6. Bewaar de luchtreiniger op een koele, droge plaats.

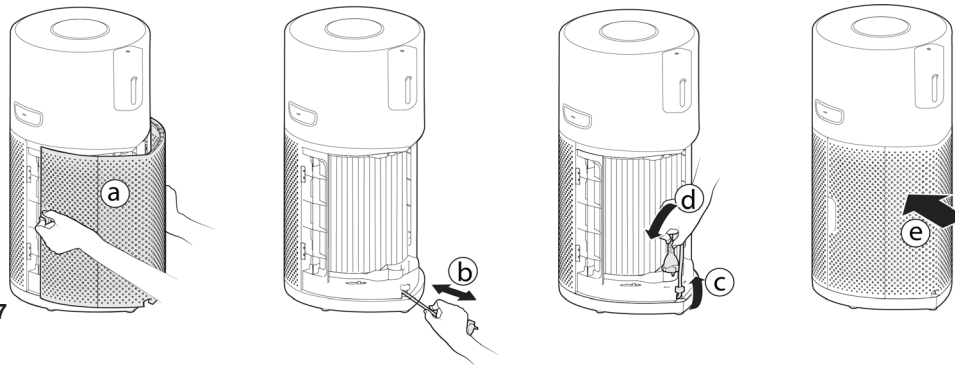


Fig. 17

WAARSCHUWINGEN & OPLOSSINGEN

Tijdens het gebruik kunnen de volgende codes verschijnen. [Fig. 18]



Fig. 18

Foutbeschrijving	Foutbeschrijving		Oplossing voor fout
	Waarschuwing product besturingspaneel / Display	Waarschuwing op App	
Waarschuwing voor schoonmaken buitenste laag filter	De waarschuwing "FILTER REINIGEN" knippert op het scherm	Waarschuwing filter schoonmaken	1. Volg de instructies in I/M om het filter van de buitenste laag te reinigen. 2. Stel de waarschuwing opnieuw in.
Waarschuwing filter vervangen	De waarschuwing "FILTER VERVANGEN" knippert op het scherm	Waarschuwing filter vervangen	1. Volg de richtlijnen in I/M om het filter te vervangen. 2. Stel de waarschuwing opnieuw in.
Filter niet aanwezig of filter niet vergrendeld	De waarschuwing "FILTER ONTBREEKT" knippert op het scherm	Filter niet aanwezig of filter niet vergrendeld	1. Als het filter niet aanwezig is, plaats het dan terug. 2. Als het filter op zijn plaats zit, controleer dan of het filtertabblad in de LOCK-status geschakeld is.
Stofsensord defect: geen signaal van sensor of uitgangsspanning overschrijdt de grenswaarde	/	Stofsensord defect: geen signaal van sensor of uitgangsspanning overschrijdt de grenswaarde	Storing van stofsensord of draad van stofsensord niet goed aangesloten, bel het servicecentrum om dit te repareren.
Motor geen snelheid	/	Feedback geen snelheid motor	Motorstoring of motordraad is niet goed aangesloten, bel het servicecentrum om dit te verhelpen.
CO-sensord werkt niet goed	Statuslampje CO-sensord brandt geel	CO-sensord werkt niet goed	Waarschuwing: service moet geraadpleegd worden.

WAARSCHUWING: Indien één van deze storingen voortduurt, neem dan contact op met uw lokale Hoover vertegenwoordiger. Probeer de H-Luchtreiniger NIET zelf te demonteren.

PROBLEEM OPLOSSEN

De volgende lijst is een lijst van algemeen gevonden problemen en oplossingen.
Als een van deze problemen blijft bestaan, neem contact op met uw plaatselijk Hoover verkooppunt.

De ventilator werkt niet (Besturingspaneel / Display Lights on)	<ul style="list-style-type: none"> Controleer de waarschuwing op het display of in de App. Controleer of er obstakels in de ventilator zijn. Controleer of de H-Luchtreiniger ingeschakeld is. Controleer of het filter niet correct geïnstalleerd is. Controleer of de H-luchtreiniger volledig rechtop staat en nergens op leunt.
De ventilator werkt niet (Besturingspaneel / Display Lights off)	<ul style="list-style-type: none"> Controleer of de H-Luchtreiniger aangesloten en ingeschakeld is. Controleer of er obstakels in de ventilator zijn.
Geen lampjes op het Besturingspaneel / Display (Ventilator werkt)	<ul style="list-style-type: none"> Controleer of de verlichting niet uitgeschakeld is door op de lichtknop op het besturingspaneel te drukken / Display.
Knoppen op het besturingspaneel / Display do not operate	<ul style="list-style-type: none"> Controleer of het kinderslot geactiveerd is door de kinderslotknop 3 seconden ingedrukt te houden.
Luchtstroom is zwak	<ul style="list-style-type: none"> Controleer of de beschermende verpakking van het filter verwijderd is. Controleer of er obstructies zijn in de luchtinlaatkap of in de luchtuitlaat. Controleer de status van het filter op het Besturingspaneel / Display or in App for clean or replace warning. Controleer of de H-Luchtreiniger in de modus slaapstand staat. De ventilator werkt in deze modus op verminderd vermogen.
Luchtreiniger werkt luid	<ul style="list-style-type: none"> Controleer of er obstructies zijn in de luchtuitlaat of de ventilator. Controleer of de H-Luchtreiniger in de modus MAX werkt, de luchtstroom is in deze modus op maximaal vermogen.
De Luchtreiniger laat plotseling een luide zoemer horen.	<ul style="list-style-type: none"> De testfunctie van de CO-alarmknop wordt geactiveerd door een verkeerde bediening. Het geluid stopt automatisch na 5 seconden.

BELANGRIJKE INFORMATIE

Originele reserveonderdelen en toebehoren van Hoover

Gebruik uitsluitend originele reserveonderdelen van Hoover. Deze zijn verkrijgbaar bij uw Hoover dealer. Als u onderdelen bestelt, vermeld dan altijd het modelnummer.

Kwaliteit

De fabrieken van Hoover zijn op onafhankelijke wijze getest op kwaliteit. Onze producten worden vervaardigd aan de hand van een kwaliteitssysteem dat voldoet aan de vereisten van ISO 9001.

Uw garantie

De garantievoorwaarden voor dit toestel worden bepaald door onze vertegenwoordiger in het land waar het toestel wordt verkocht. Details omtrent deze voorwaarden zijn verkrijgbaar bij de dealer waar u het toestel hebt gekocht. Wanneer u aanspraak wilt maken op deze garantie, dan moet u het verkoop- of ontvangstbewijs voorleggen.

Wijzigingen zijn zonder voorafgaande kennisgeving mogelijk.

INSTRUÇÕES PARA UMA UTILIZAÇÃO SEGURA

Este aparelho deve ser utilizado apenas para fins domésticos, conforme descrito neste guia do utilizador. Certifique-se de que este guia é totalmente entendido antes de utilizar o aparelho e guarde-o para futura referência.

Desligue sempre o aparelho e retire a ficha da tomada após a utilização ou antes de o limpar ou executar qualquer tarefa de manutenção.

Este aparelho pode ser utilizado por crianças com idade igual ou superior a 8 anos e por pessoas com capacidades mentais, sensoriais e físicas reduzidas ou sem experiência e conhecimento caso lhes sejam fornecidas instruções e supervisão relativas à utilização do aparelho de modo seguro e caso compreendam os perigos envolvidos. As crianças não devem brincar com o aparelho.

A limpeza e a manutenção não devem ser efectuada por crianças sem supervisão.

Se o cabo de alimentação estiver danificado deixe de utilizar o aparelho imediatamente. Para evitar um perigo para a segurança, deve ser um técnico de assistência Hoover a substituir o cabo de alimentação.

Utilize exclusivamente acessórios, peças sobressalentes ou consumíveis recomendados ou fornecidos pela HOOVER.

Não retire a ficha ao puxar pelo cabo de alimentação.

Não continue a utilizar o aparelho se este parecer defeituoso.

Coloque e utilize o produto apenas numa superfície horizontal seca, estável e nivelada, para que esteja excluída a queda.

Mantenha o produto seco.

Nunca incline ou esvazie o produto durante o funcionamento.

Coloque o cabo de alimentação de forma a que ninguém possa calcá-lo ou tropeçar no mesmo.

Não coloque o produto em superfícies quentes, próximo de superfícies quentes, próximo de um fogo aberto ou sob luz solar direta.

Não permita a entrada de água ou qualquer outro líquido ou detergente inflamável no aparelho para evitar o choque elétrico e/ou um risco de incêndio.

Não limpe o aparelho com água, qualquer outro líquido ou um detergente (inflamável) para evitar o choque elétrico e/ou um risco de incêndio.

Não pulverize quaisquer materiais inflamáveis, tais como inseticidas ou fragrância, em redor do aparelho.

Verifique se a tensão e as classificações nominais indicadas no rótulo do aparelho correspondem à tensão de alimentação local antes de ligar o aparelho.

Não bloqueie a entrada de ar ou a saída de ar.

Este aparelho não é um substituto de uma ventilação apropriada, aspiração habitual, ou utilização de um exaustor ou ventoinha enquanto cozinha.

Não coloque nada sobre o aparelho.

Não coloque o aparelho diretamente abaixo de um ar condicionado para impedir que a condensação caia para o aparelho.

Certifique-se de que todos os filtros estão instalados corretamente antes de ligar o aparelho.

Utilize apenas os filtros HOOVER originais concebidos especialmente para este aparelho. Não utilize quaisquer outros filtros.

Evite bater contra o aparelho (em particular, na entrada e saída de ar) com objetos duros.

Não introduza os seus dedos ou objetos na saída ou entrada de ar para impedir ferimentos físicos ou a avaria do aparelho.

Não utilize este aparelho quando utilizar repelentes de insetos com fumo no interior ou em locais com resíduos oleosos, incenso a arder ou fumos químicos.

Não utilize o aparelho próximo de aparelhos a gás, dispositivos de aquecimento ou lareiras.

Não utilize o aparelho num compartimento com grandes alterações de temperatura.

Para impedir a interferência, coloque o aparelho pelo menos 2 m afastado de aparelhos elétricos que utilizem ondas de rádio transmitidas pelo ar, como televisões, rádios, e relógios controlados

por rádio.

Quando o aparelho não é utilizado durante um longo período, poderão crescer bactérias nos filtros. Verifique os filtros após um longo período de inutilização. Se os filtros estiverem muito sujos, substitua-os.

Não utilize o aparelho em ambientes húmidos ou ambientes com elevadas temperaturas, como a casa de banho, balneários ou a cozinha.

O aparelho não remove o monóxido de carbono (CO) ou radon (Rn). Não pode ser utilizado como dispositivo de segurança em caso de acidentes com processos de combustão e químicos perigosos.

A função CO Monitor não deverá ser utilizada como, nem se deverá implicar a sua utilizar como substituto para um EN 50291-1 UL-2034, CSA-6.19 ou qualquer outro alarme de monóxido de carbono certificado por norma reconhecida onde os códigos locais ou regionais ou a legislação estipularem a sua utilização. A função CO Monitor é apenas um dispositivo de monitorização do monóxido de carbono suplementar. A utilização deste dispositivo fica ao critério do utilizador e implica a compreensão e aceitação das suas limitações em aderir aos códigos ou legislação, quando aplicável.

Não coloque o aparelho em nenhuma das seguintes localizações:

- Numa casa de banho ou noutras áreas onde o alarme poderá ser exposto a salpicos de água, gotejamento ou condensação (por ex., sobre uma chaleira elétrica).
- Junto de ou diretamente sobre aquecedores ou aberturas de ar condicionado, portas, janelas, exaustores ou em qualquer outro local onde seria afetado por correntes de ar.
- Diretamente sobre um lavatório ou fogão.
- Numa área onde a temperatura poderá descer abaixo dos -20°C ou subir acima dos 50°C .
- Num espaço fechado (por ex., dentro ou por baixo de um armário).
- Numa área molhada ou húmida.
- Onde ficaria obstruído, por ex., por cortinas ou mobília.
- Em locais onde a sujidade ou o pó poderiam bloquear o sensor.
- Próximo de tinta, aglutinantes, fumos de solventes ou ambientadores.

Se o alarme CO for ativado, deve abrir todas as janelas e portas (se for seguro fazê-lo).

Desligue todos os aparelhos que queimam combustível, se possível, e, em seguida evacue a propriedade deixando as janelas e portas abertas. Obtenha assistência médica imediatamente para qualquer pessoa que sofra os efeitos de envenenamento por monóxido de carbono.

Não volte a entrar na propriedade até o alarme parar. O alarme irá parar quando o CO desaparecer. Não utilize aparelhos que queimam combustível novamente até a fonte de CO ter sido localizada e retificada por um técnico qualificado.

Para ativar o CO Monitor, ligue a ficha a uma tomada. A lâmpada de estado do sensor de CO muda para verde. Quando o CO Monitor detetar um nível inseguro de CO, o alarme de CO irá soar ruidosamente o botão CO Alert e a lâmpada do anel em O piscará a vermelho. O alarme continuará como forma de indicação até o CO detetado ser reduzido para um nível seguro.

Evite utilizar tinta, aglutinantes, fumos de solventes, ambientadores, sprays aerossóis ou produtos de limpeza químicos próximo do aparelho. Isto poderá afetar o funcionamento do CO Monitor.

Não permita que crianças pequenas primam o botão CO Alert durante 3 segundos, uma vez que poderão estar sujeitas a um ruído excessivo aquando o alarme soar.

Toque no botão [CO Alert] durante 3 segundos para testar a função de Alarme de CO e o alarme soará ruidosamente durante 5 segundos. Teste o alarme mensalmente e pós uma ausência prolongada do edifício (por ex., depois das férias). Se o alarme não soar depois de tocar no botão [CO Alert] durante 3 segundos, contacte o centro de apoio ao cliente da Hoover para agendar a reparação da avaria com um técnico qualificado.

Se o visor indicar que o sensor de CO está avariado ou que o fim da vida útil foi alcançado, contacte o centro de apoio ao cliente da Hoover para agendar a substituição do sensor de CO com um técnico qualificado. A vida útil prevista do sensor de CO é de 5 anos e tem de ser substituído após este período.

Humidade de funcionamento: 15 – 90% RH

Temperatura de funcionamento: 0 °C a + 40 °C

Quando o nível detetado de CO alcançar um nível elevado, o botão [CO Alert] e o [LED Ring de qualidade do ar] piscam a vermelho (2Hz). Ao mesmo tempo, o alarme soa ruidosamente (85~110dB[A]) e de forma contínua. O alarme não para até a intensidade de CO sair de um nível de alarme.

O monóxido de carbono afeta o corpo ao esgotar (sufocar) o oxigénio de órgãos críticos. Quando o CO é inalado, liga-se à hemoglobina no sangue que normalmente transporta oxigénio pelo corpo. O CO remove permanentemente a capacidade das moléculas de oxigénio de se ligarem à hemoglobina, reduzindo assim o oxigénio dos órgãos vitais. O nível de concentração e o tempo exposto ao CO podem variar os seus efeitos no corpo, mas os especialistas concordam que mesmo níveis baixos de exposição ao monóxido de carbono ao longo de períodos prolongados pode ter efeitos graves e duradouros na saúde geral de uma pessoa.

ATENÇÃO: O ALARME CO DESTINA-SE A PROTEGER AS PESSOAS CONTRA OS EFEITOS AGUDOS DA EXPOSIÇÃO AO MONÓXIDO DE CARBONO OU IMPEDIR OS EFEITOS CRÓNICOS DA EXPOSIÇÃO AO MONÓXIDO DE CARBONO. NÃO IRÁ SALVAGUARDAR NA ÍNTEGRA AS PESSOAS COM CONDIÇÕES MÉDICAS ESPECÍFICAS. EM CASO DE DÚVIDA, CONSULTE UM PROFISSIONAL DE SAÚDE.

Este aparelho não deve ser utilizado como substituto à instalação, utilização e manutenção corretas de aparelhos de queima de combustível, incluindo sistemas de exaustão e ventilação apropriados.

The CO monitor mobile and tablet notifications require a functional Wi-Fi connection to operate. Não são um substituto de um serviço de monitorização de emergência de terceiros. Utilize apenas o óleo aromático recomendado ou fornecido pela HOOVER.

Evite utilizar o humidificador autónomo junto do purificador de ar quando utilizar a função de difusor do H-Essence.

Limpe qualquer derrame do H-Essence imediatamente. Certifique-se de que limpa todos os cantos do produto que tenham estado em contacto com o H-Essence.

Assistência HOOVER: Para assegurar o funcionamento seguro e eficiente deste aparelho, recomendamos que todas as intervenções de assistência ou reparação sejam efectuadas apenas por um técnico de assistência autorizado da Hoover.


Ambiente

Este electrodoméstico está marcado de acordo com o disposto na directiva europeia 2011/65/EC relativa aos resíduos de equipamentos eléctricos e electrónicos (REEE). Ao garantir que este produto é eliminado de forma correcta, estará a contribuir para evitar potenciais consequências negativas para o ambiente e a saúde humana, o que pode ocorrer devido a um tratamento inadequado dos resíduos deste produto.

O símbolo no aparelho indica que este não pode ser tratado como resíduo doméstico. Pelo contrário, deve ser encaminhado para o ponto de recolha aplicável para reciclagem de equipamento eléctrico e electrónico. A eliminação deve ser realizada em conformidade com as leis ambientais locais relativas à eliminação de resíduos. Para obter informações mais detalhadas sobre o tratamento, recuperação e reciclagem deste produto, contacte as autoridades locais, o serviço de eliminação de resíduos domésticos ou a loja onde adquiriu o produto.

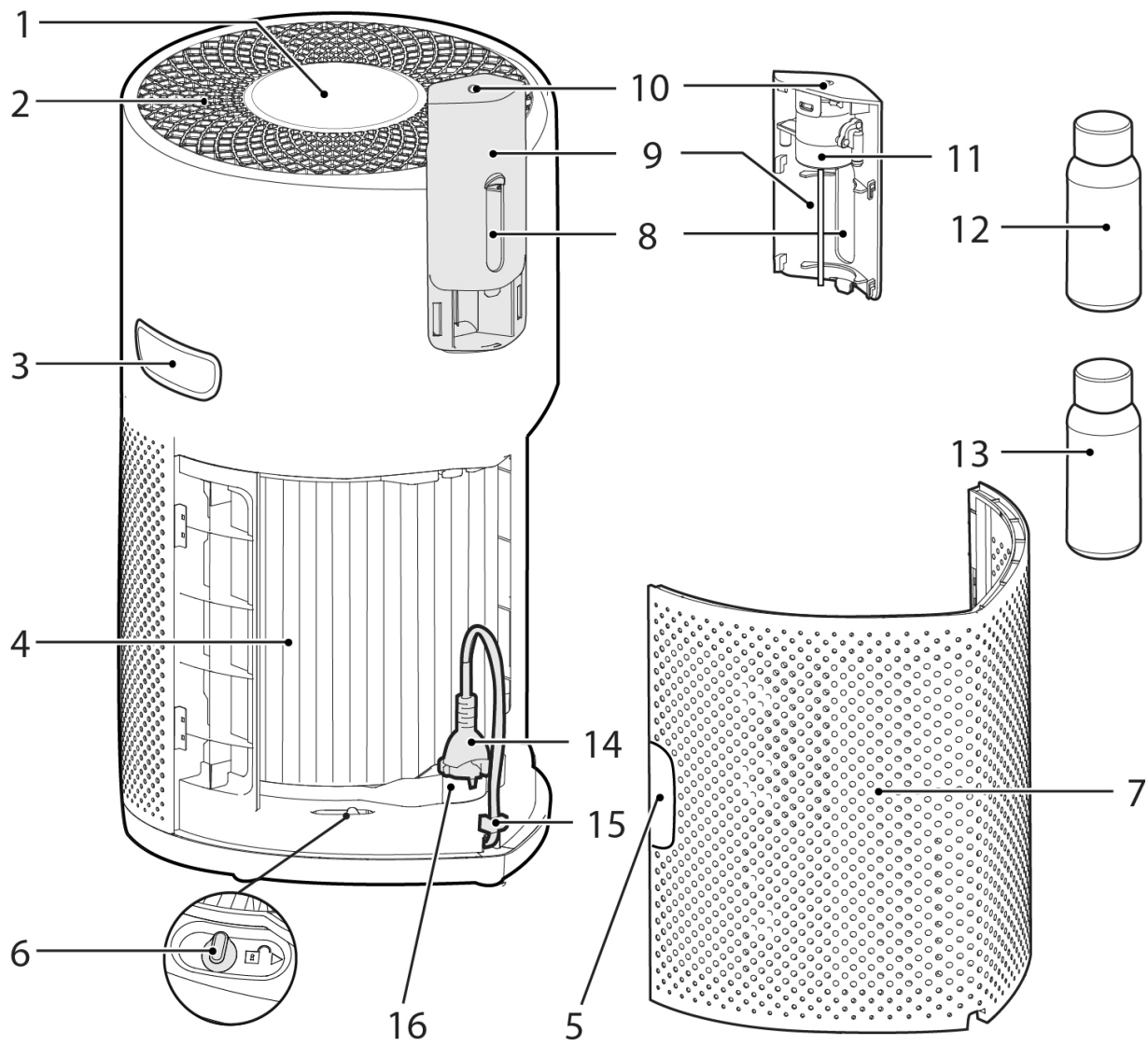


Bandas de frequência	2400Mhz - 2483.5Mhz
Potência de RF máxima transmitida na banda de frequência	18.9 dBm

 Este aparelho está em conformidade com as Diretivas Europeias 2014/53/EU, 2014/30/EU e 2011/65/EU. Para receber uma cópia da declaração de conformidade, entre em contacto com o fabricante em: www.candy-group.com

CANDY HOOVER GROUP S.r.l. Via Privata Eden Fumagalli, 20861 Brugherio (MB) Italy

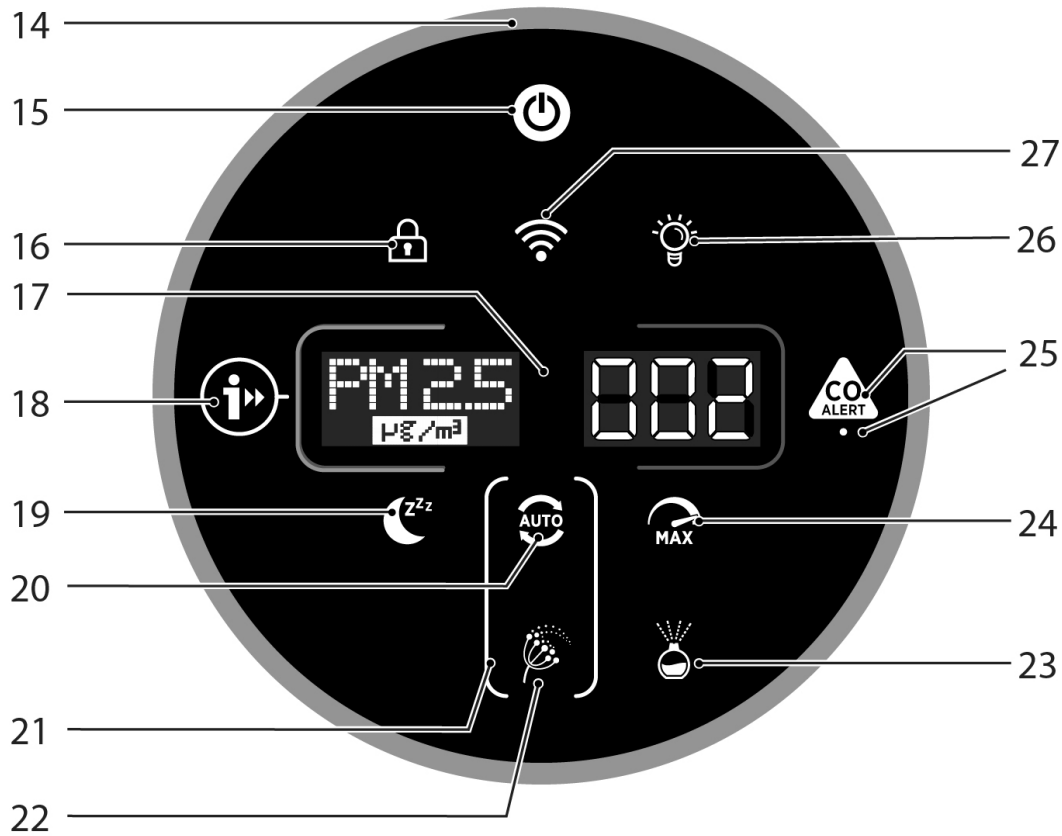
CONHECER O SEU H-PURIFIER



1	Painel de controlo / Ecrã
2	Saída de ar
3	Pega de transporte do produto
4	Conjunto do filtro
5	Pega da tampa de entrada de ar

6	Interruptor de desengate do filtro
7	Tampa de entrada de ar
8	Janela do difusor
9	Tampa do difusor
10	Saída do difusor
11	Unidade do difusor

12	Frasco H-Essence (Verde)
13	Frasco H-Biotics (Castanho)
14	Cabo de alimentação e ficha
15	Gancho de arrumação
16	Local de transporte



14	LED ring de qualidade do ar
15	Botão de ligar/desligar
16	Botão de bloqueio para crianças
17	Visor digital
18	Botão de informações

19	Botão do modo de repouso
20	Botão do modo automático
21	Luz circular de alergia ao pólen
22	Luz de alergia ao pólen
23	Botão do difusor

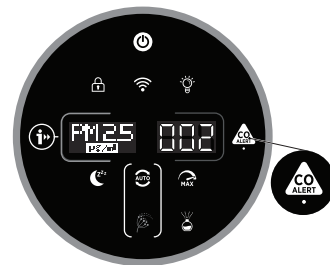
24	Botão do modo máx
25	Botão CO Alert e LED
26	Botão de controlo da luz
27	Wi-Fi Button

Sistema de monitorização multisensores

Graças ao Sistema de monitorização multisensores, o seu produto irá monitorizar continuamente o estado do ar interior em termos de PM10, PM2.5, compostos orgânicos voláteis (GÁS) e concentração de monóxido de carbono (CO).

Sempre que liga o seu produto, o sistema de monitorização multisensores começará por analisar o ar interior e o LED Ring de qualidade do ar irá acender-se com diferentes cores representando o estado de qualidade do ar em tempo real.

Cor do LED Ring de qualidade do ar	Qualidade do ar interior
VERDE	EXCELENTE
AMARELO	SATISFATÓRIO
LARANJA	FRACO
VERMELHO	MUITO FRACO



Monitorização e alarme de concentração de monóxido de carbono

O H-Purifier irá monitorizar constantemente o ar interior quanto a monóxido de carbono (CO). O produto está equipado com um sistema de alerta.

Quando o alarme de monóxido de carbono é ativado, os botões LED Ring de qualidade do ar, Informações e CO Alert piscarão a vermelho em simultâneo e soará um alarme sonoro. O alarme continuará em operação até a concentração de monóxido de carbono (CO) ser reduzida para menos de 50 ppm, a não ser que seja silenciado manualmente ao premir o botão CO Alert durante 3 segundos.

Este LED de CO Alert mostra a condição de funcionamento do sensor de CO. É apresentado a verde quando o sensor de CO está no estado normal, a amarelo quando o sensor está avariado ou excede a sua vida útil.

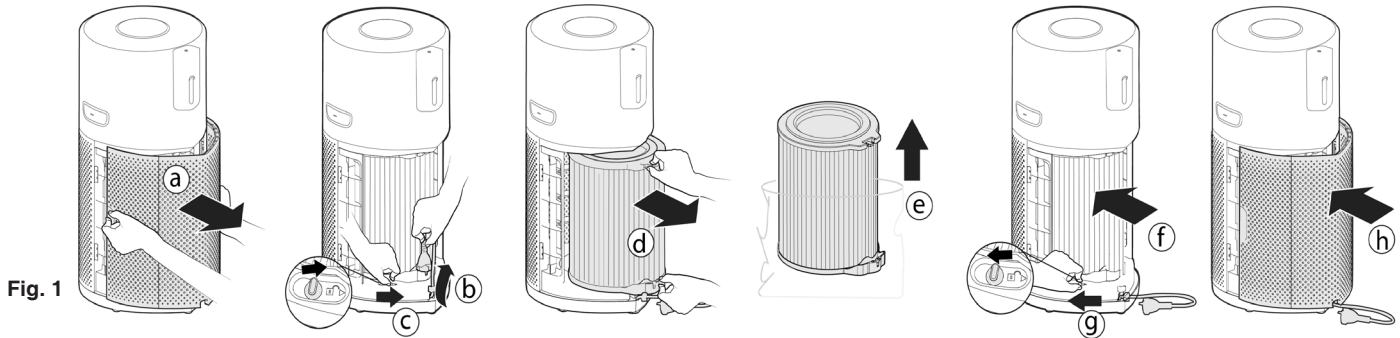
Pode testar se o alarme está a funcionar corretamente ao premir o Botão CO Alert durante 3 segundos. Será emitido um sinal sonoro alto durante 5 segundos se o alarme funcionar corretamente.

PREPARAR O SEU H-PURIFIER

1. Conjunto do filtro [Fig. 1]

Antes de utilizar o seu produto H-Purifier, terá de remover o filtro da sua embalagem de proteção:

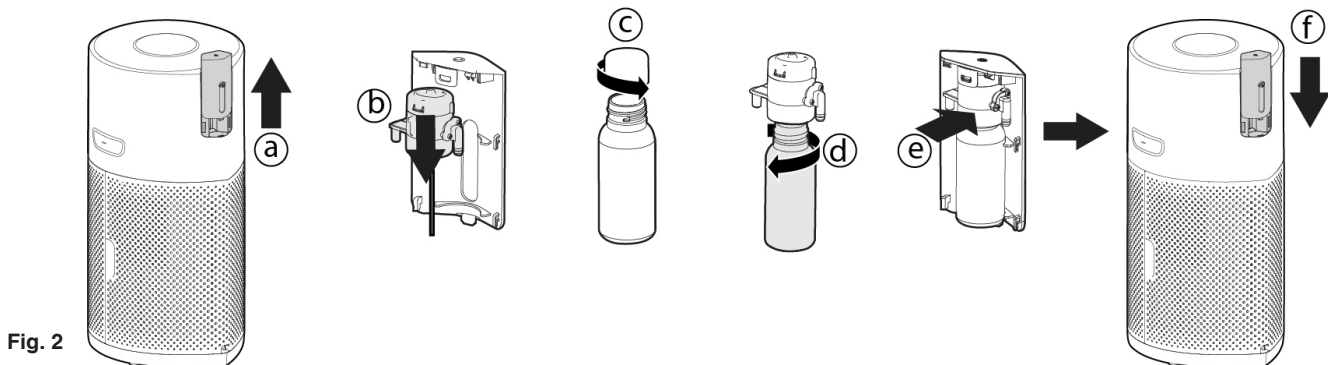
- Remova a tampa de entrada de ar do seu produto, agarre nas duas pegas da tampa de entrada de ar e puxe-as do produto. [Fig. 1a]
- Remova a ficha do local de transporte e solte o cabo do gancho de armazenamento. [Fig. 1b]
- Desbloqueie o interruptor de desengate do filtro. [Fig. 1c]
- Remova o filtro do seu produto e remova a embalagem exterior. [Fig. 1d,e]
- Volte a colocar o filtro no seu produto. [Fig. 1f]
- Bloqueie o interruptor de desengate do filtro. [Fig. 1g]
- Volte a colocar a tampa de entrada de ar no seu produto. [Fig. 1h]



2. Instalar o frasco difusor [Fig. 2]

Para preparar o seu produto H-Purifier para a função de difusor:

- Remova a tampa do difusor do produto. [Fig. 2a]
- Remova a unidade do difusor da tampa do difusor. [Fig. 2b]
- Remova o frasco de H-Essence ou H-Biotics da embalagem e remova a tampa. [Fig. 2c]
- Aperte bem o frasco na unidade do difusor. [Fig. 2d]
- Volte a colocar a unidade do difusor na tampa do difusor. [Fig. 2e]
- Volte a colocar a tampa do difusor no produto. [Fig. 2f]



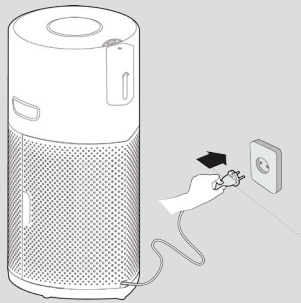


Fig. 3

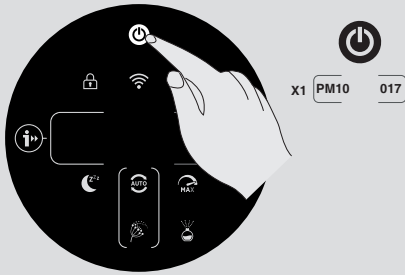


Fig. 4



Fig. 5

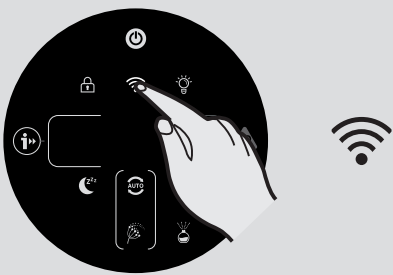


Fig. 6

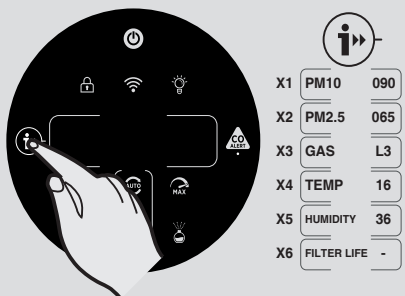


Fig. 7

UTILIZAR O SEU H-PURIFIER

Ligar o produto à ficha [Fig. 3]:

Puxe o cabo de alimentação da bobina do cabo e ligue à fonte de alimentação.

Todas as luzes no painel de controlo / O visor acende-se completamente durante cerca de 1 minuto para indicar a ligação bem-sucedida.

O botão POWER (alimentação) acende-se com uma luz fraca e a luz do sensor de CO acende-se para indicar que o sistema de monitorização multisensores começou a monitorizar o nível de monóxido de carbono no interior.

Ligar o produto [Fig. 4]:

Para ligar o seu produto, prima o botão POWER (alimentação) no visor.

O LED Ring de qualidade do ar acende-se com todas as cores por sequência enquanto os sensores estiverem a analisar o estado do ar em tempo real. Após alguns segundos, o LED Ring de qualidade do ar seleciona a cor apropriada para a qualidade do ar nesse momento.

O seu produto H-Purifier entra imediatamente no MODO AUTOMÁTICO e começa a purificar o ar interior.

O botão MODO AUTOMÁTICO, botão INFORMAÇÕES, botão CONTROLO DA LUZ e as informações PM10 no visor acendem-se.

As funções seguintes estão disponíveis através dos botões do visor:

Press the Wi-Fi button to turn on/off remote access.

Prima o botão INFORMAÇÕES para ver todos os dados de monitorização.

Prima os botões AUTO, MÁX ou REPOUSO para selecionar um modo de purificação.

Prima o botão CONTROLO DE LUZ para definir a luminosidade das luzes do visor.

Prima o botão BLOQUEIO CRIANÇAS para inativar todos os botões no painel de controlo/visor.

Prima o botão DIFUSOR para ativar a função.

Prima o botão POWER para desligar o purificador de ar.

Pairing to Wi-Fi:

Para aceder a todas as funções de H-Purifiers a partir de qualquer lado, sugerimos que transfira a aplicação hOn.

Conseguirá controlar o seu produto da forma mais eficiente.

Instruções:

1. Transfira a aplicação hOn na App Store ou no Google Play. [Fig. 5]
2. Abra a aplicação e crie uma conta com o seu e-mail e uma palavra-passe.
3. Confirme o início de sessão.
4. Ensure your mobile device is connected to Wi-Fi.
5. Inicie sessão na aplicação hOn.
6. Press and hold the Wi-Fi button on the display for 5 seconds, there will an audible beep and the Wi-Fi button will start flashing to indicate it is waiting for a connection. [Fig. 6]
7. Siga as instruções na aplicação para ligar o seu dispositivo móvel ao seu produto.
8. When successfully paired, the Wi-Fi button on the product will remain illuminated.
9. To reset the Wi-Fi, press & hold the Wi-Fi button for 5 Secs.

Parâmetros sem fios para o emparelhamento

Tecnologia	Wi-Fi	Bluetooth
Standard	IEEE 802.11 b/g/n	Bluetooth v4.2, BR/EDR, BLE
Banda(s) de frequência (MHz)	2401 ~ 2483	2402 ~ 2480
Potência máxima (mW)	100	10

Função INFORMAÇÕES [Fig. 7]:

Existem 6 conjuntos de dados diferentes disponíveis para monitorizar:

PM10, PM2.5, GÁS, Temperatura, Humidade e Estado do filtro.

Para monitorizar cada valor, basta premir consecutivamente o botão INFORMAÇÕES.

Por predefinição, o visor irá mostrar os dados PM10. A máquina irá lembrar-se da última seleção do utilizador e irá manter esta seleção da próxima vez que o produto for ligado.

Os dados de GÁS irão apresentar um cursor rotativo durante os primeiros 3 minutos após a ligação do dispositivo enquanto o sensor de GÁS estiver a executar um ciclo de calibração.

Mais informações sobre PM 2,5, PM 10 e GÁS:

PM indica partículas finas (não visível para o olho humano) provenientes principalmente da poluição exterior, tais como veículos e emissões industriais e potencialmente perigosas para a nossa saúde em caso de exposição prolongada.

PM 10 apresenta um tamanho até 10 µm e são capazes de penetrar o trato respiratório superior (nariz, traqueia, faringe).

PM 2,5 tem um tamanho até 2,5 µm e, tendo em consideração a sua dimensão pequena, podem chegar aos nossos pulmões, penetrando assim mais profundamente no nosso corpo.

GAS VOC (compostos orgânicos voláteis) são compostos químicos voláteis com a capacidade de se evaporarem facilmente no ar à temperatura ambiente. Desodorizantes, detergentes, colas, adesivos, cosméticos, formaldeído são apenas alguns dos VOC que podem estar presentes nas nossas casas, mas que podem ser nocivos para a nossa saúde em caso de exposição prolongada.

Funções MODO:

Existem 3 modos de purificação do ar disponíveis através do visor: MODO AUTO, MODO MÁX e MODO REPOUSO. O modo Auto é a predefinição para os eu produto quando é ligado. Todos os modos podem ser selecionados manualmente ao premir o respetivo botão no visor.

O modo ALERGIA AO PÓLEN pode ser ativado através da aplicação hOn.

MODO AUTO [Fig. 8]:

Este é o modo predefinido do seu produto H-Purifier quando o liga pela primeira vez. No Modo automático, o H-Purifier purifica automaticamente a velocidade da sua ventoinha para o nível de qualidade interno real para garantir sempre uma ótima purificação do ar.

Esta é a definição recomendada para colocar o seu produto.

No modo AUTO, após 30 minutos de uma excelente qualidade do ar, o seu produto entra num modo **ECO** ao interromper a função de purificação. O Sistema de monitorização multisensores continuará a analisar o ar interior e liga automaticamente a função de purificação quando necessário.

MODO MÁX [Fig. 9]:

Prima o botão de modo MÁX no visor para ativar a purificação do ar à definição de potência máxima. Para sair do modo MÁX, basta selecionar o modo AUTO ou o modo REPOUSO.

MODO REPOUSO [Fig. 10]:

Prima o botão do modo REPOUSO para ativar a purificação do ar à definição de potência silenciosa mais baixa. O botão do modo REPOUSO permanecerá aceso com uma luz fraca e todas as outras luzes do visor estarão apagadas. Isto poderá ser modificado ao premir o botão CONTROLO DA LUZ.

MODO ALERGIA AO PÓLEN: [Fig. 11]

O modo Alergia ao pólen pode ser ativado apenas através da aplicação hOn. Em primeiro lugar, terá de ativar e registar um perfil na aplicação, de forma a criar o seu Perfil de alergia ao pólen.

O modo Alergia ao pólen funciona apenas quando o MODO AUTO está selecionado. [Fig. 11c]

No modo Alergia ao pólen, o aparelho recebe continuamente os dados em tempo real da aplicação sobre a concentração de pólen monitorizada no exterior, e funciona automaticamente para maximizar o desempenho de captura de pólen.

Quando os pólenes são capturados, são inativados para ajudar os sintomas alérgicos.

Quando o modo Alergia ao pólen é ativado na aplicação, existem 2 luzes de notificação possíveis no visor do produto:

- A luz de alergia ao pólen está **BRANCA** [Fig. 11a]: O aparelho e a aplicação estão a monitorizar a presença de pólenes no exterior e não existe qualquer risco.

- The Luz de alergia ao pólen turns **AMARELO** [Fig. 11b] and the Pollen Allergy Circle lamp is **WHITE** [Fig. 11a]: O aparelho e a aplicação detetaram um risco.

Se o produto for colocado manualmente no modo REPOUSO ou modo MÁX enquanto o modo Alergia ao pólen está ativado, o modo Alergia ao pólen é interrompido.

Função CONTROLO DA LUZ: [Fig. 12]

Existem 3 definições disponíveis para a iluminação do visor: Acesa, Obscurecida e Apagada.

Para ajustar a luminosidade da iluminação do visor, basta premir o botão ILUMINAÇÃO no visor para passar pelas 3 opções disponíveis. ACESA é a predefinição.

Se selecionada APAGADA, qualquer outro botão tem de ser premido duas vezes para ativar. Depois de premir uma vez, as luzes ficam OBSCURECIDAS e quando premir de novo, a ação será ativada.

Função BLOQUEIO CRIANÇAS: [Fig. 13]

Prima e mantenha premido o botão BLOQUEIO CRIANÇAS durante 3 segundos para ativar. Ouvirá um sinal sonoro quando for ativado e o botão BLOQUEIO CRIANÇAS permanecerá aceso. Nenhum outro botão funcionará quando estiver ativado.

Para sair, basta premir e manter premido o botão BLOQUEIO CRIANÇAS durante 3 segundos. Ouvirá um sinal sonoro para confirmar que está desativado e o botão deixará de estar aceso.

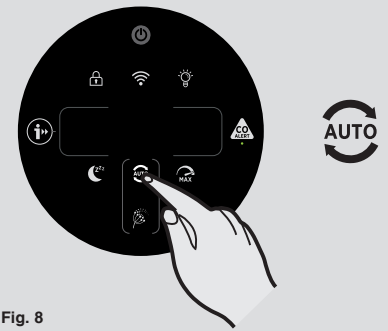


Fig. 8

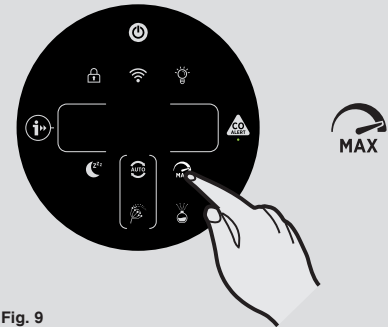


Fig. 9



Fig. 10

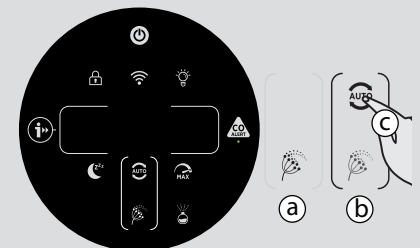


Fig. 11

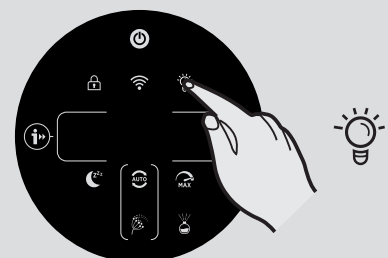


Fig. 12

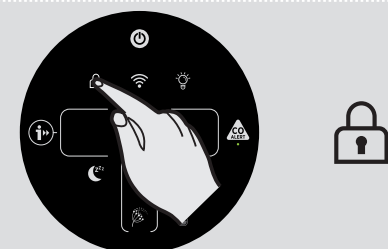


Fig. 13

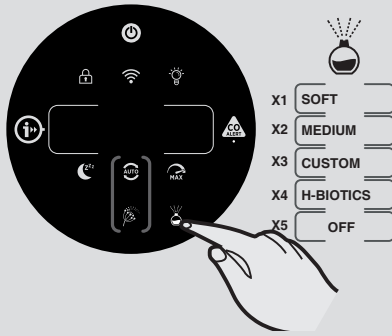


Fig. 14

Função de difusor: [Fig. 14]

O difusor espalha para o ar do compartimento H-Essence ou H-Biotics. H-Essence é a coleção da Hoover de óleos essenciais para libertar para o ar fragrâncias agradáveis.

H-Biotics é uma mistura natural à base de probióticos que mantém o compartimento bio-higienizado ao inibir o crescimento de microrganismos, tais como bactérias ou micróbios.

There are 4 different settings for the DIFFUSER function, SUAVE, MÉDIA, PERSONALIZADA & H-BIOTICS. Para ativar esta função, basta premir o botão do difusor no visor. A predefinição para esta função é SUAVE. Para seleccionar qualquer outra definição, basta premir consecutivamente o botão para mudar para a seleção desejada. O botão acende-se a branco quando está ligado.

É recomendável utilizar as definições SUAVE e MÉDIA para o H-Essence.

A definição Personalizada pode ser criada na aplicação hOn para o seu H-Essence.

Quando utilizar o H-Biotics, a definição **TEM** de ser definida para H-Biotics. Once user activates H-Biotics using the APP, this will give an alert of "ACTIVATE H-BIOTICS" after 120 hours to ensure the H-biotics usage of every 5 days.

A função de difusor só pode ser utilizada nos modos AUTO e MÁX e não pode ser utilizado no modo REPOUSO.

Quando ativar a função de difusor no modo AUTO, a ventoinha principal funcionará com uma velocidade específica para ajudar a propagar a H-Essence ou H-Biotics para o compartimento.

Definição	Bomba ligada	Bomba desligada	Ciclo
SUAVE	10 segundos	300 segundos	Desligar após 6 horas
MÉDIA	90 segundos	120 segundos	Desligar após 6 horas
PERSONALIZADA	Definido pelo utilizador	Definido pelo utilizador	Desligar após 6 horas
H-BIOTICS	120 segundos	120 segundos	Desligar após 6 horas

Para desligar a função, prima o botão do difusor até a luz do botão apagar.

Após cada utilização da função de difusor, utilize um pano macio seco para limpar qualquer resíduo das superfícies do produto.

Para substituir o frasco na unidade do difusor, consulte a secção "Manutenção do seu H-Purifier".

MANUTENÇÃO DO SEU H-PURIFIER

IMPORTANTE: DESLIGUE SEMPRE O SEU APARELHO DA FONTE DE ALIMENTAÇÃO QUANDO REALIZAR AS TAREFAS DE MANUTENÇÃO.

LIMPEZA DO FILTRO / SUBSTITUIÇÃO

O seu H-Purifier irá monitorizar o estado do seu filtro. Será apresentado um alerta para **LIMPAR FILTRO OU SUBSTITUIR FILTRO** no lado esquerdo do visor e uma luz a piscar, o que indica a necessidade de executar uma ação para limpar ou substituir o filtro.

Limpeza / Substituir o filtro: [Fig. 15]

- Retire a tampa de entrada de ar do seu produto. [Fig. 15a]
- Desbloqueie o interruptor de desengate do filtro. [Fig. 15b]
- Retire o filtro do seu produto. [Fig. 15c]
- Utilize um aspirador para limpar a rede externa no conjunto do filtro ou substitua por um NOVO filtro. [Fig. 15d]
- Volte a colocar o conjunto do filtro no produto. [Fig. 15e]
- Bloqueie o interruptor de desengate do filtro. [Fig. 15f]
- Volte a colocar a tampa de entrada de ar no seu produto. [Fig. 15g]
- Ligue o seu aparelho à fonte de alimentação e ligue-o. [Fig. 4]
- Prima o botão INFORMAÇÕES e siga as instruções para repor a função de limpeza do filtro ao manter o botão premido durante 3 segundos. Será ouvido um alerta sonoro para indicar uma reposição bem-sucedida. [Fig. 7]

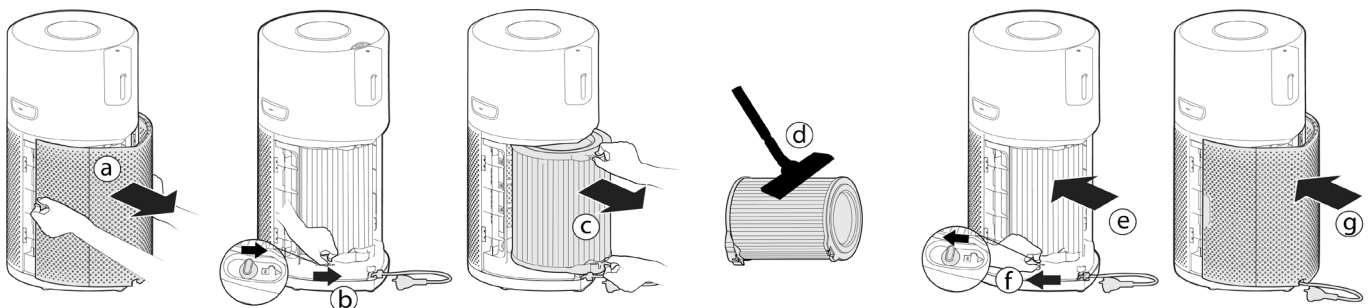


Fig. 15

MANUTENÇÃO DO DIFUSOR

Após cada utilização da função de difusor, utilize um pano macio seco para limpar qualquer resíduo das superfícies do produto.

Substituição do frasco do difusor: [Fig. 16]

O volume de líquido restante no frasco pode ser verificado através da janela do difusor. Quando necessário, o frasco deve ser substituído.

- Remova a tampa do difusor do produto. [Fig. 16a]
- Remova a unidade do difusor e o frasco da tampa do difusor. [Fig. 16b]
- Desaperte e remova o frasco vazio, eliminando-o. [Fig. 16c]
- Remova o novo frasco de H-Essence ou H-Biotics da embalagem e remova a tampa. [Fig. 16d]
- Aperte bem o novo frasco na unidade do difusor. [Fig. 16e]
- Volte a colocar a unidade do difusor na tampa do difusor. [Fig. 16f]
- Volte a colocar a tampa do difusor no H-Purifier. [Fig. 16g]

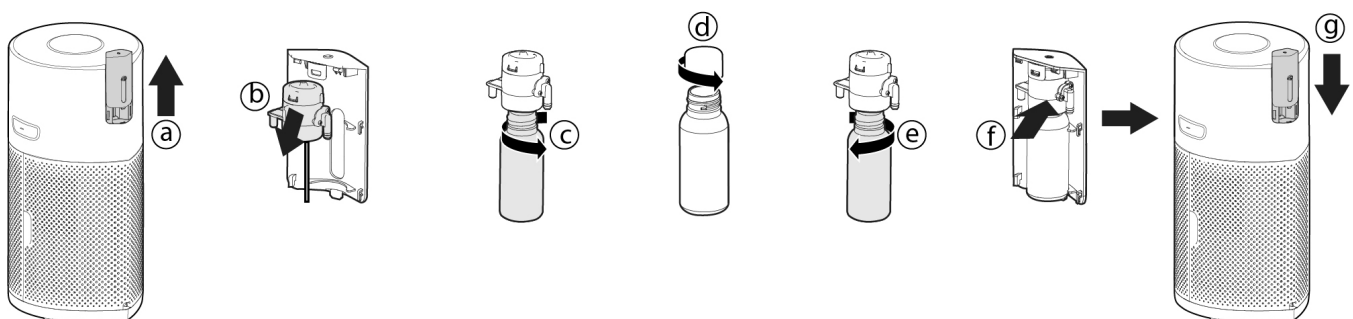


Fig. 16

ARMAZENAMENTO DO SEU H-PURIFIER

1. Desligue o purificador de ar e retire a ficha da tomada.
2. Limpe todas as superfícies internas e externas do purificador de ar e a rede externa do filtro.
3. Remova o frasco do difusor. Volte a colocar a tampa original no frasco e armazene-a para proteger contra a luz direta. Limpe todas as superfícies da unidade do difusor e a tampa do difusor. Certifique-se de que não está presente qualquer resíduo de H-Essence em qualquer superfície do purificador de ar.
4. Certifique-se de que todos os componentes estão secos.
5. Remove the Tampa de entrada de ar [Fig. 17a] and Reel in the power cord by pulling on the cord [Fig. 17b] and fit the cord into the storage hook and fit the plug into the transport location. [Fig. 17c,d] Volte a colocar a tampa de entrada de ar [Fig. 17e]
6. Armazene o purificador de ar num local seco e fresco.

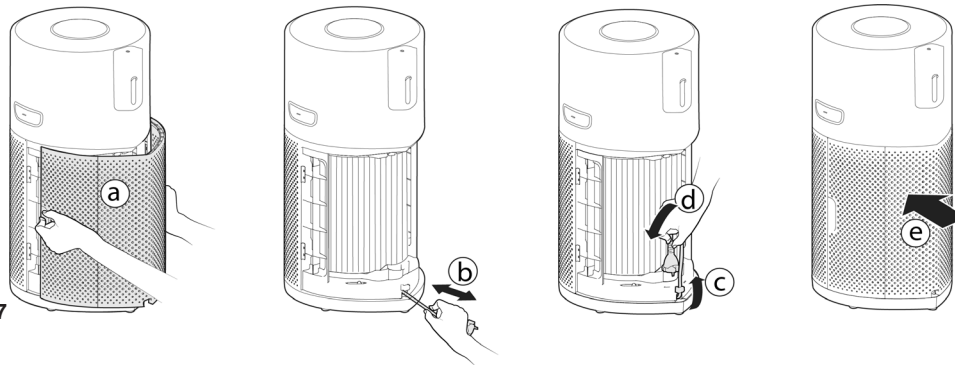


Fig. 17

ALERTAS E SOLUÇÕES

Os seguintes códigos poderão aparecer durante a utilização. [Fig. 18]



Fig. 18

Descrição do erro	Descrição do erro		Resolução do erro
	Alerta no painel de controlo do produto / Ecrã	Alerta na aplicação	
Alerta de limpeza do filtro da camada exterior	O alerta "LIMPAR FILTRO" pisca no visor	Alerta de limpeza do filtro	1.Siga as instruções em I/M para limpar o filtro da camada exterior. 2.Reponha o alerta.
Alerta de substituição do filtro	O alerta "SUBSTITUIR FILTRO" pisca no visor	Alerta de substituição do filtro	1.Siga as indicações em I/M para substituir o filtro. 2.Reponha o alerta.
Filtro não presente ou o filtro não foi bloqueado	O alerta "FILTRO AUSENTE" pisca no visor	Filtro não presente ou o filtro não foi bloqueado	1.Se o filtro não estiver presente, volte a colocá-lo. 2.Se o filtro estiver na posição, verifique se a patilha do filtro foi mudada para o estado BLOQUEADO.
O sensor de pó está avariado: sem sinal do sensor ou a tensão de saída excede o valor limite	/	O sensor de pó está avariado: sem sinal do sensor ou a tensão de saída excede o valor limite	Falha do sensor de pó ou o fio do sensor de pó não foi ligado corretamente. Contacte o centro de assistência para resolver.
Motor sem velocidade	/	Feedback de motor sem velocidade	Falha do motor ou o fio do motor não foi ligado corretamente. Contacte o centro de assistência para resolver.
Avaria do sensor de CO	A luz de estado do sensor de CO está amarela	Avaria do sensor de CO	Alerta: é necessário contactar a assistência.

ATENÇÃO: Se qualquer destas falhas persistir, contacte o seu representante Hoover local. NÃO tente desmontar o H-Purifier de forma autónoma.

RESOLUÇÃO DE PROBLEMAS

A seguir é apresentada uma lista com os problemas mais comuns e soluções.
Se qualquer destes problemas persistir, contacte o seu representante Hoover local.

A ventoinha não funciona (Painel de controlo / Luzes do visor acesas)	<ul style="list-style-type: none"> • Verifique o alerta apresentado no visor ou na aplicação. • Verifique se existe alguma obstrução na ventoinha. • Verifique se o H-Purifier está ligado. • Verifique se o filtro está instalado incorretamente. • Verifique se o H-Purifier está numa posição completamente vertical e que não está inclinado.
A ventoinha não funciona (Painel de controlo / Luzes do visor apagadas)	<ul style="list-style-type: none"> • Verifique se o H-Purifier está ligado e com a ficha ligada à tomada. • Verifique se existe alguma obstrução na ventoinha.
Nenhuma luz no painel de controlo / Ecrã (Ventoinha em funcionamento)	<ul style="list-style-type: none"> • Verifique se as luzes não foram apagadas ao premir o botão de controlo da luz no painel de controlo / Ecrã.
Botões no painel de controlo / O visor não funciona	<ul style="list-style-type: none"> • Verifique se o bloqueio para crianças foi ativado ao premir e manter premido o botão de bloqueio para crianças durante 3 segundos.
O fluxo de ar é fraco	<ul style="list-style-type: none"> • Verifique se a embalagem de proteção foi removida do filtro. • Verifique se existe alguma obstrução na tampa de entrada de ar ou na saída de ar. • Verifique o estado do filtro no painel de controlo / Verifique se existe algum aviso no visor ou a aplicação para limpar ou substituir. • Verifique se o H-Purifier está no modo de repouso. A ventoinha funciona a uma potência reduzida neste modo.
O purificador de ar está a funcionar ruidosamente	<ul style="list-style-type: none"> • Verifique se existe alguma obstrução na saída de ar ou na ventoinha. • Verifique se o H-Purifier está a funcionar no modo MÁX. O fluxo de ar encontra-se na potência máxima neste modo.
O purificador de ar emite um sinal sonoro alto de repente.	<ul style="list-style-type: none"> • A função de teste do botão CO Alert é ativada devido a funcionamento indevido. O som desativa-se automaticamente após 5 segundos.

INFORMAÇÕES IMPORTANTES

Peças sobressalentes e consumíveis Hoover

Substitua sempre as peças por peças sobressalentes Hoover genuínas. Pode obtê-las junto do seu representante local ou directamente da Hoover. Quando encomendar peças, mencione sempre o número do seu modelo.

Qualidade

A qualidade das instalações industriais da Hoover foi avaliada de forma independente. Os nossos produtos são fabricados de acordo com um sistema de qualidade que satisfaz os requisitos da norma ISO 9001.

Garantia

As condições de garantia para este aparelho são as definidas pelo nosso representante no país onde foi vendido. Pode obter detalhes sobre estas condições junto do agente a quem adquiriu o aparelho. A factura de venda ou o recibo deverão ser entregues quando apresentar uma reclamação ao abrigo dos termos da garantia.

Sujeito a alteração sem aviso prévio.

INSTRUCCIONES PARA UN USO SEGURO

Este aparato es solo para uso doméstico privado, tal como se describe en esta guía de usuario. Asegúrese de comprender por completo esta guía antes de poner en funcionamiento el aparato y consérvela como referencia en el futuro.

Apague y desenchufe siempre el aparato antes de limpiarlo o de realizar cualquier labor de mantenimiento.

Este aparato puede ser usado por niños de 8 años en adelante y personas con capacidades físicas, sensoriales o mentales reducidas o falta de experiencia y conocimiento bajo supervisión y con una explicación de las instrucciones con respecto al uso del aparato de manera segura y que comprendan los riesgos implicados. Los niños no deben jugar con el aparato.

Los niños no deben limpiar ni dar mantenimiento sin supervisión.

Si el cable de alimentación está dañado, deje de utilizar el aparato inmediatamente. Para evitar peligros de seguridad, solo profesionales del Servicio Técnico de Hoover deben reemplazar el cable de alimentación.

Utilizar únicamente accesorios, consumibles o recambios recomendados o suministrados por HOOVER.

No tire del cable de alimentación para retirar el enchufe.

No siga utilizando el aparato si parece tener algún defecto.

Coloque y solo utilice el producto en una superficie horizontal seca, estable y nivelada para evitar volcaduras.

Mantenga seco el producto.

Nunca incline o vacíe el producto durante su funcionamiento.

Extienda el cable de suministro para que nadie lo pise o se tropiece con él.

No coloque el producto sobre o cerca de superficies calientes, cerca de fuego al aire libre o bajo la luz directa del sol.

No permita que el agua, detergentes inflamables o cualquier otro líquido ingresen en el aparato para evitar descargas eléctricas y/o riesgos de incendio.

No limpie el aparato con agua, detergentes (inflamable) o cualquier otro líquido para evitar descargas eléctricas y/o riesgos de incendio.

No rocíe ningún material inflamable, como insecticidas o fragancias cerca del aparato.

Verifique que el voltaje y la potencia indicada en la etiqueta del aparato corresponda al voltaje de la energía local antes de conectar el aparato.

No obstruya la entrada o salida de aire.

Este aparato no es un sustituto para una ventilación adecuada, una limpieza regular con aspiradora o el uso de una campana extractora o un ventilador mientras se cocina.

No coloque nada encima del aparato.

No coloque el aparato directamente debajo de un aire acondicionado para evitar que la condensación gotee sobre el aparato.

Asegúrese de que todos los filtros estén instalados adecuadamente antes de encender el aparato.

Solo utilice los filtros originales de HOOVER especialmente diseñados para este aparato. No utilice otros filtros.

Evite golpear el aparato (la entrada y la salida de aire en particular) con objetos duros.

No introduzca sus dedos u objetos en la entrada o salida de aire para evitar lesiones físicas o el mal funcionamiento del aparato.

No utilice este aparato cuando haya utilizado repelentes de insectos de tipo humo en interiores o en lugares con residuos aceitosos, humos químicos o esté quemando incienso.

No utilice el aparato cerca de aparatos de gas, dispositivos de calefacción o chimeneas.

No utilice el aparato en una habitación con cambios extremos de temperatura.

Para evitar interferencias, coloque el aparato al menos a 2 m de distancia de los aparatos eléctricos que utilizan ondas de radio aerotransportadas, como televisores, radios y relojes a control remoto.

Cuando el aparato no se ha utilizado durante mucho tiempo, pueden crecer bacterias en el interior de los filtros. Verifique los filtros después de un periodo prolongado sin uso. Si los filtros están muy sucios, reemplácelos.

No utilice el aparato en un entorno húmedo o en un entorno con altas temperaturas ambientales, como el baño, el inodoro o la cocina.

El aparato no elimina el monóxido de carbono (CO) o el radón (Rn). No puede utilizarse como dispositivo de seguridad en caso de accidentes con procesos de combustión y productos químicos peligrosos.

La función del CO Monitor no debe utilizarse, ni siquiera implícitamente, como sustituto de una alarma de monóxido de carbono EN 50291-1 UL-2034, CSA-6.19 o cualquier otra alarma de monóxido de carbono certificada estándar reconocida, cuando los códigos locales o regionales o la legislación ordenen su uso. La función del CO Monitor es solo un dispositivo suplementario de monitoreo de monóxido de carbono. El uso de este dispositivo queda a discreción del usuario e implica la comprensión y aceptación de sus limitaciones para adherirse a los códigos o a la legislación cuando sea aplicable.

No coloque el aparato en ninguna de las siguientes ubicaciones:

- En el baño u otras áreas donde la Alarma pueda quedar expuesta a salpicaduras de agua, goteras o condensación (p. ej. encima de una tetera eléctrica).
- Al lado o directamente encima de calentadores o de conductos de aire acondicionado, puertas, ventanas, extractores de aire o cualquier lugar que se vea afectado por las corrientes de aire.
- Directamente encima de un fregadero o una cocina.
- En un área donde la temperatura podría disminuir por debajo de -20 °C o superar los 50 °C .
- En un espacio cerrado (p. ej. Dentro o debajo de una alacena).
- En un área húmeda o mojada.
- Donde quedaría obstruido, p. ej. por cortinas o muebles.
- Donde la tierra o el polvo puedan obstruir el sensor.
- Cerca de pintura, diluyentes, vapores de disolventes o ambientadores.

Si se activa la alarma de CO, debe abrir todas las ventanas y las puertas (si es seguro hacerlo). Si es posible, apague todos los aparatos que queman combustible y luego evacue la propiedad dejando abiertas las ventanas y las puertas. Busque ayuda médica inmediata para cualquier persona que sufra los efectos de la intoxicación por monóxido de carbono. No vuelva a ingresar a la propiedad hasta que la alarma se detenga. La alarma se detendrá una vez que el CO se haya despejado. No utilice los aparatos que queman combustible hasta que la fuente de CO haya sido ubicada y rectificada por un técnico calificado.

Para activar el CO Monitor, conecte el enchufe a una toma de corriente. La luz de condición del sensor de CO se mostrará en verde. Cuando el CO Monitor detecte un nivel inseguro de CO, la alarma de CO sonará fuertemente y tanto el botón de CO Alert como la luz del aro parpadearán en color rojo. La alarma seguirá avisando hasta que el CO detectado se reduzca a un nivel seguro.

Evite el uso de pintura, diluyentes, vapores de disolventes, ambientadores, aerosoles o limpiadores químicos cerca del aparato. Esto puede afectar al funcionamiento del CO Monitor.

No permita que los niños pequeños presionen el botón de CO Alert durante 3 segundos, ya que podrían estar sujetos a un ruido excesivo al sonar la alarma.

Pulse el botón [de CO Alert] durante 3 segundos para probar la función de Alarma de CO y la alarma sonará fuertemente durante 5 segundos. Pruebe la alarma mensualmente y después de una ausencia prolongada del edificio (p. ej. las vacaciones). Si la alarma no suena después de tocar el botón [de CO Alert] durante 3 segundos, póngase en contacto con el centro de atención al cliente de Hoover para que un técnico capacitado repare la falla.

Si el display indica que el sensor de CO está defectuoso o que se ha llegado al final de su vida útil, póngase en contacto con el centro de atención al cliente de Hoover para que un técnico especializado reemplace el sensor de CO. La vida útil esperada del sensor de CO es de 5 años y debe ser reemplazado después de este plazo.

Humedad de funcionamiento: 15 – 90% RH

Temperatura de funcionamiento: De 0 °C a más de 40 °C

Cuando el nivel detectado de CO alcanza un nivel alto, el botón [de CO Alert] y el [LED Ring de calidad del aire] parpadean de color rojo (2 Hz), al mismo tiempo, la alarma suena fuerte (85~110 dB(A)) y continuamente; la alarma no se detendrá hasta que la intensidad del CO disminuya del nivel de alarma.

El monóxido de carbono afecta al cuerpo matando de hambre (asfixiando) a los órganos críticos de oxígeno. Al inhalar CO, éste se adhiere a la hemoglobina de la sangre que normalmente transporta el oxígeno por todo el cuerpo. El CO desplaza permanentemente la capacidad de las moléculas de oxígeno de adherirse a la hemoglobina, reduciendo así el oxígeno en los órganos vitales. El nivel de concentración y el tiempo de exposición al CO pueden hacer variar sus efectos en el cuerpo, pero los expertos están de acuerdo en que incluso niveles bajos de exposición al monóxido de carbono durante períodos prolongados pueden tener efectos graves y duraderos en la salud general de cualquier persona.

ADVERTENCIA: LA ALARMA DE CO ESTÁ DISEÑADA PARA PROTEGER A LAS PERSONAS DE LOS EFECTOS AGUDOS DE LA EXPOSICIÓN AL MONÓXIDO DE CARBONO O PARA PREVENIR LOS EFECTOS CRÓNICOS DE LA EXPOSICIÓN AL MONÓXIDO DE CARBONO. NO PROTEGERÁ COMPLETAMENTE A LAS PERSONAS CON CONDICIONES MÉDICAS ESPECÍFICAS. EN CASO DE DUDA, CONSULTE A UN MÉDICO.

Este aparato no debe utilizarse como sustituto de la instalación, el uso y el mantenimiento adecuados de los aparatos que queman combustible, incluyendo los sistemas adecuados de ventilación y extracción.

The CO monitor mobile and tablet notifications require a functional Wi-Fi connection to operate. No son un sustituto de un servicio de vigilancia de emergencia de terceros.

Solo utilice el aceite aromático recomendado o suministrado por HOOVER.

Evite el uso de un humidificador independiente junto al purificador de aire cuando utilice la función Difusor de H-Essence.

Pase un paño sobre cualquier derrame de H-Essence inmediatamente. Asegúrese de limpiar todos los rincones del producto que tuvieron contacto con H-Essence.

Servicio Técnico HOOVER: Para garantizar el funcionamiento seguro y eficaz del aparato, recomendamos que las tareas de mantenimiento y reparación sean realizadas exclusivamente por profesionales autorizados del Servicio Técnico de Hoover.

El Medio Ambiente:

Este aparato está marcado de acuerdo con la Directiva Europea 2011/65/EC sobre residuos de aparatos eléctricos y electrónicos (RAEE). Al cerciorarse de que este producto se elimine correctamente, usted ayudará a prevenir las posibles consecuencias perjudiciales para el medio ambiente y la salud humana que, de otro modo, podrían producirse en caso de manejo inadecuado de los residuos de este producto.



El símbolo que puede verse en el producto indica que este no puede tratarse como residuo doméstico. En su lugar, se debe entregar en un punto de recogida de electrodomésticos para el reciclaje de equipos eléctricos y electrónicos. La eliminación debe llevarse a cabo según los reglamentos medioambientales locales sobre eliminación de residuos. Para más información sobre el tratamiento, la recuperación y el reciclaje de este aparato, ponte en contacto con tu Ayuntamiento, el servicio de recogida de residuos domésticos o con el establecimiento donde hayas comprado el producto.

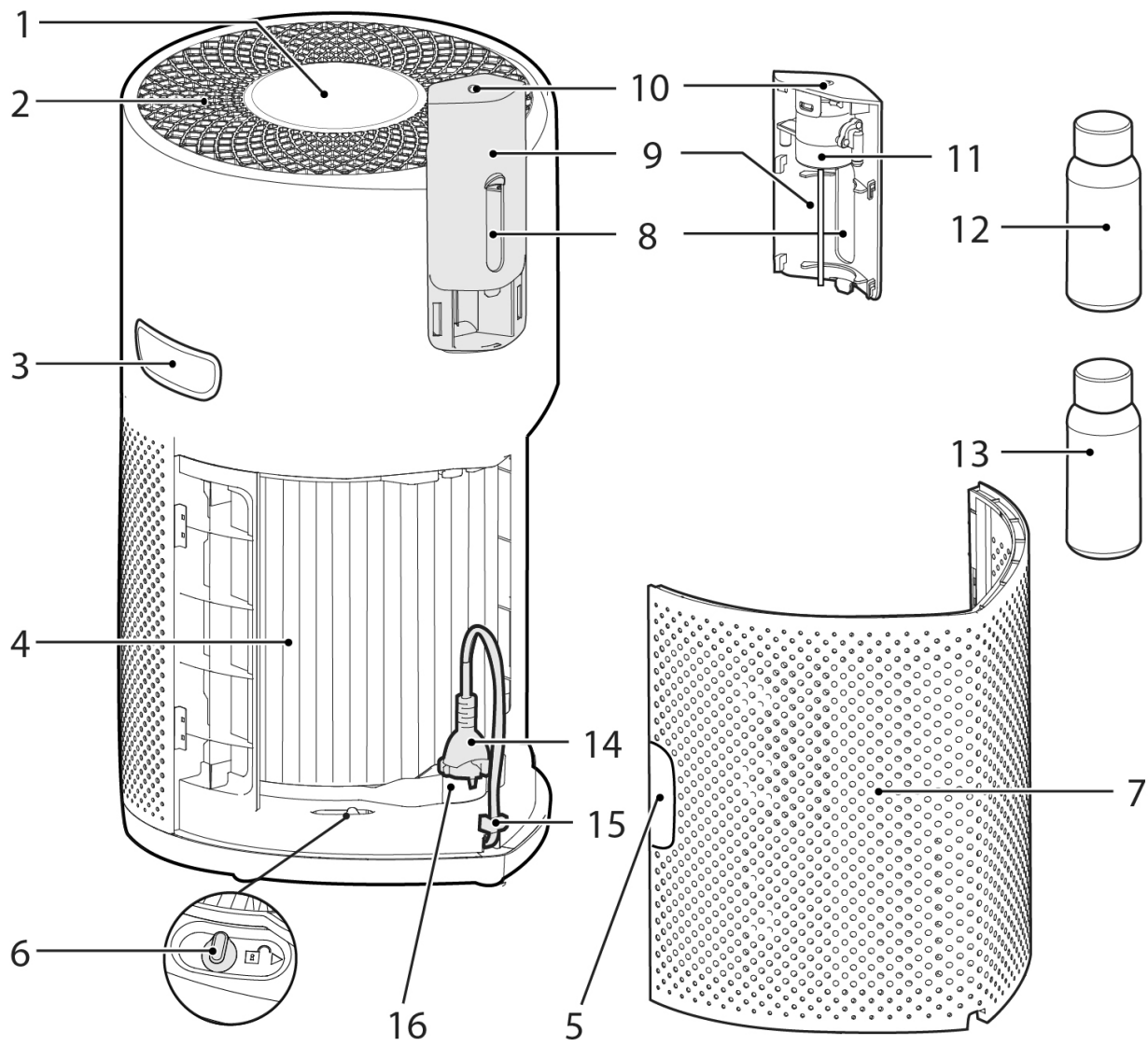
Bandas de frecuencias	2400Mhz ~ 2483.5Mhz
Potencia máxima de radiofrecuencia transmitida en la banda de frecuencias	18.9 dBm



Este aparato cumple con las Directivas Europeas 2014/53/UE y 2011/65/UE. Si desea recibir una copia de la declaración de conformidad, contacte con el fabricante en: www.hoover.es

CANDY HOOVER GROUP S.r.l. Via Privata Eden Fumagalli, 20861 Brugherio (MB) Italy

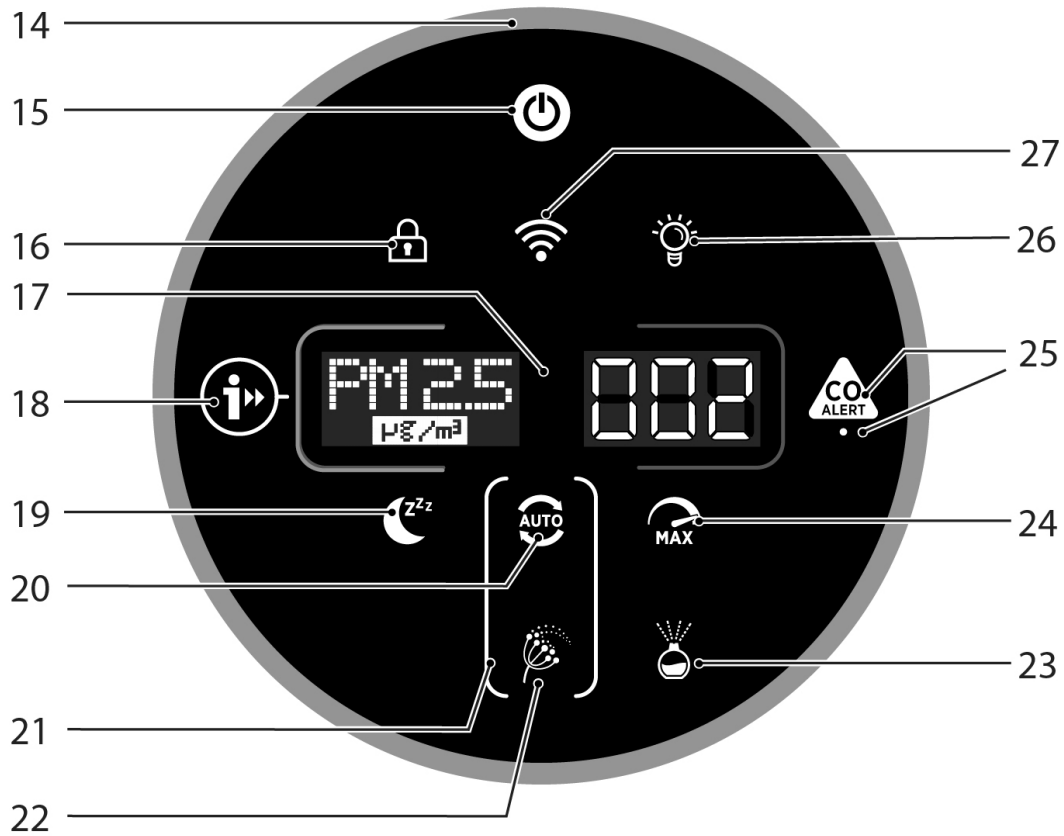
FAMILIARIZÁNDOSE CON SU H-PURIFIER



1	Panel de mandos / Display
2	Salida de aire
3	Mango de transporte del producto
4	Montaje del filtro
5	Mango de la cubierta de la entrada de aire

6	Interruptor de liberación de filtro
7	Cubierta de la entrada de aire
8	Ventana del difusor
9	Cubierta del difusor
10	Salida del difusor
11	Unidad del difusor

12	Botella de H-Essence (Verde)
13	Botella de H-Biotics (Marrón)
14	Cable de corriente y enchufe
15	Gancho de almacenamiento
16	Ubicación de transporte



14	LED Ring de calidad del aire
15	Botón de alimentación
16	Botón de bloqueo para niños
17	Digital Display
18	Botón de información

19	Botón de modo de suspensión
20	Botón de modo auto
21	Luz circular de alergia al polen
22	Luz de alergia al polen
23	Botón difusor

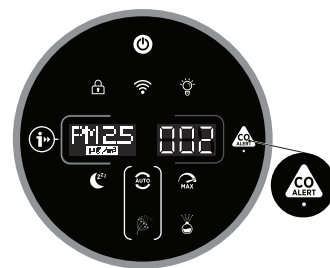
24	Botón de modo máximo
25	Botón y LED de CO Alert
26	Botón de mando de luz
27	Wi-Fi Button

Sistema de monitoreo con multisensores

Gracias al sistema de monitoreo con multisensores, su producto monitoreará continuamente la condición del aire interior en términos de PM10, PM2.5, Compuestos Orgánicos Volátiles (GAS) y concentración de Monóxido de Carbono (CO).

Cada vez que encienda su producto, el sistema de monitoreo con multisensores comenzará a analizar el aire interior y el LED Ring de calidad del aire se iluminará con diferentes colores que representan las condiciones de calidad del aire en tiempo real.

Color de LED Ring de calidad del aire	Calidad del aire en interiores
VERDE	EXCELENTE
AMARILLO	SATISFACTORIA
NARANJA	MALA
ROJO	MUY MALA



Monitoreo y alarma de la concentración de monóxido de carbono

El H-Purifier monitoreará constantemente el aire interior para detectar monóxido de carbono (CO). El producto está equipado con un sistema de alerta.

Cuando se active la alarma de monóxido de carbono, el LED Ring de calidad del aire, el botón de información y de CO Alert parpadearán en rojo simultáneamente y sonará una alarma audible. La alarma permanecerá en funcionamiento hasta que la concentración de monóxido de carbono (CO) se haya reducido por debajo de 50 ppm, a menos de que sea silenciada manualmente presionando el botón de CO Alert durante 3 segundos.

Este LED de CO Alert muestra la condición de funcionamiento del sensor de CO. Aparece en color verde cuando el sensor de CO está en condiciones normales, en color amarillo cuando el sensor funciona mal o excede su vida útil.

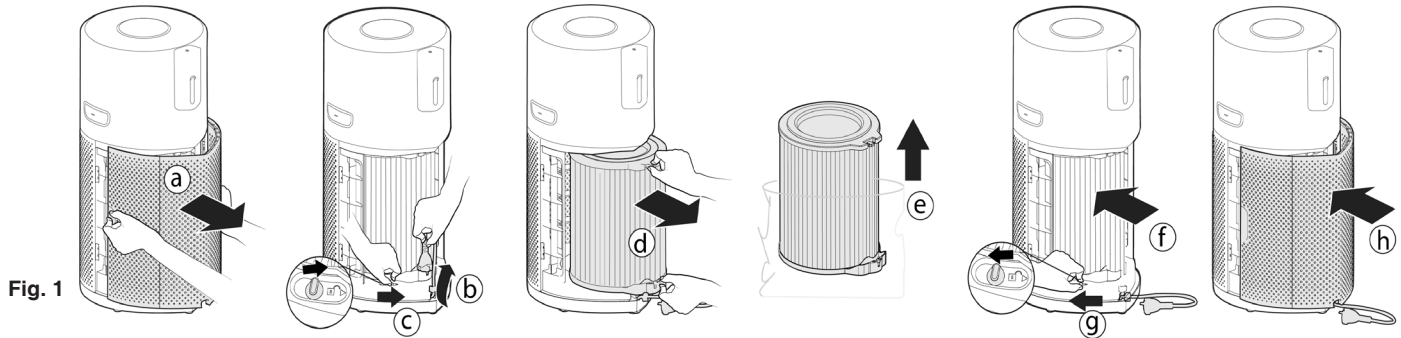
Puede probar si la alarma está funcionando correctamente presionando el botón de alerta de CO durante 3 segundos y un zumbador fuerte sonará durante 5 segundos si la alarma funciona correctamente.

PREPARANDO SU H-PURIFIER

1. Montaje del filtro [Fig. 1]

Antes de usar su producto H-Purifier, deberá retirar el filtro de su embalaje protector:

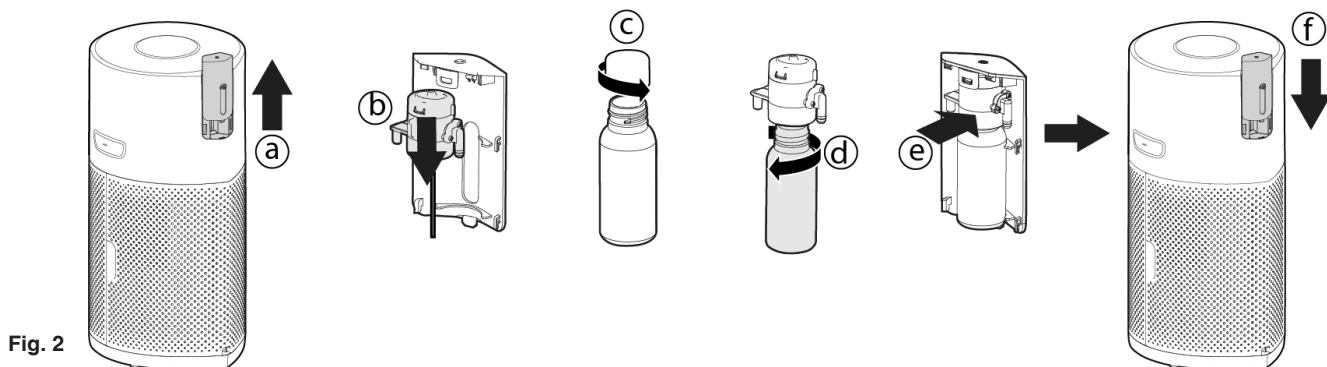
- Retire la cubierta de la entrada de aire del producto, tome los dos mangos de la cubierta de la entrada de aire y tire del producto. [Fig. 1a]
- Retire el enchufe de la ubicación de transporte y suelte el cable del gancho de almacenamiento. [Fig. 1b]
- Desbloquee el interruptor de liberación del filtro. [Fig. 1c]
- Retire el filtro de su producto y retire el embalaje exterior. [Fig. 1d,e]
- Vuelva a colocar el filtro en su producto. [Fig. 1f]
- Bloquee el interruptor de liberación del filtro. [Fig. 1g]
- Vuelva a colocar la cubierta de la entrada de aire en su producto. [Fig. 1h]



2. Instale la botella del difusor [Fig. 2]

Para preparar su producto H-Purifier para la función del difusor:

- Retire la cubierta del difusor del producto. [Fig. 2a]
- Retire la unidad del difusor de la cubierta del difusor. [Fig. 2b]
- Retire la botella de H-Essence o H-Biotics del embalaje y retire la tapa. [Fig. 2c]
- Enrosque bien la botella en la unidad del difusor. [Fig. 2d]
- Vuelva a colocar la unidad del difusor en la cubierta del difusor. [Fig. 2e]
- Vuelva a colocar la cubierta del difusor en el producto. [Fig. 2f]



USANDO SU H-PURIFIER

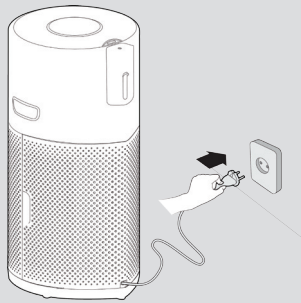


Fig. 3

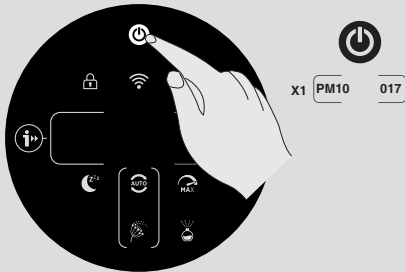


Fig. 4



Fig. 5

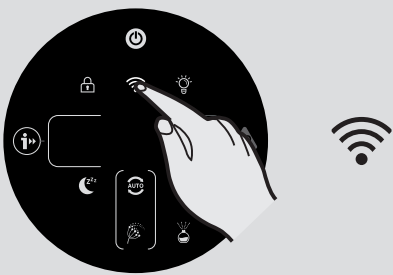


Fig. 6

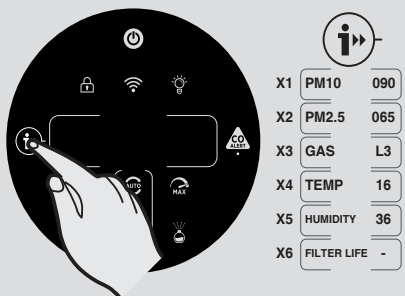


Fig. 7

Enchufe el producto [Fig. 3]:

Saque el cable de alimentación del carrito y conecte el enchufe a una fuente de alimentación. Todas las luces del panel de mandos / El display se iluminará completamente durante aproximadamente 1 segundo para indicar que se ha enchufado con éxito.

El botón de ALIMENTACIÓN se iluminará tenuemente y la luz del sensor de CO se ENCENDERÁ para indicar que el sistema de monitoreo con multisensores ha comenzado a funcionar para monitorear el nivel de monóxido de carbono en el interior.

Encendido del producto [Fig. 4]:

Para encender el producto, presione el botón de ALIMENTACIÓN en el display.

El LED Ring de calidad del aire se iluminará con cada uno de los colores en secuencia mientras los sensores analizan la condición del aire en tiempo real. Después de unos segundos, el LED Ring de calidad del aire seleccionará el color apropiado para la calidad del aire en ese momento.

Su producto H-Purifier entrará inmediatamente en MODO AUTO y comenzará a purificar el aire interior. The AUTO MODE button, INFORMATION button, LIGHT CONTROL button and PM10 information on the Display will illuminate.

Las siguientes funciones están disponibles a través de los botones del display:

Press the Wi-Fi button to turn on/off remote access.

Presione el botón de INFORMACIÓN para ver todos los datos de monitoreo.

Presione los botones AUTO, MAX o SLEEP para seleccionar un modo de purificación.

Presione el botón MANDO DE LUZ para ajustar el brillo de las luces del display.

Presione el botón de BLOQUEO INFANTIL para desactivar todos los botones del panel de mandos / display.

Presione el botón DIFUSOR para activar la función.

Pulse el botón de ALIMENTACIÓN para apagar el purificador de aire.

Pairing to Wi-Fi:

Para acceder a todas las funciones del H-Purifier desde cualquier lugar, se sugiere descargar la App hOn.

Podrá controlar su producto de la manera más eficiente.

Instrucciones:

1. Descargue la aplicación hOn desde la App Store o Google Play. [Fig. 5]
2. Abra la APP, cree una cuenta con su correo electrónico y una contraseña.
3. Confirme el Inicio de sesión.
4. Ensure your mobile device is connected to Wi-Fi.
5. Inicie sesión en la app de hOn.
6. Press and hold the Wi-Fi button on the display for 5 seconds, there will an audible beep and the Wi-Fi button will start flashing to indicate it is waiting for a connection. [Fig. 6]
7. Siga las instrucciones de la app para conectar su dispositivo móvil al producto.
8. When successfully paired, the Wi-Fi button on the product will remain illuminated.
9. To reset the Wi-Fi, press & hold the Wi-Fi button for 5 Secs.

Parámetros inalámbricos para el emparejamiento

Tecnología	Wi-Fi	Bluetooth
Standard	IEEE 802.11 b/g/n	Bluetooth v4.2, BR/EDR, BLE
Banda(s) de frecuencia(s) (MHz)	2401 ~ 2483	2402 ~ 2480
Máxima potencia. (mW)	100	10

Función de INFORMACIÓN [Fig. 7]:

Hay 6 diferentes conjuntos de datos disponibles para monitorear:

PM10, PM2.5, GAS, Temperatura, Humedad y Estatus del Filtro.

Para monitorear cada valor simplemente presione consecutivamente el botón de INFORMACIÓN.

El display mostrará de forma predeterminada los datos del PM10, la máquina recordará la última selección del usuario y mantendrá esta selección la próxima vez que se encienda el producto.

Los datos de GAS mostrarán un cursor giratorio durante los 3 minutos iniciales después de que se encienda el producto mientras el sensor de GAS esté realizando un ciclo de calibración.

Más información sobre PM 2.5, PM 10 y GAS:

PM indica partículas finas (no visibles para el ojo humano) derivadas principalmente de la contaminación exterior como vehículos y emisiones industriales y potencialmente peligrosas para nuestra salud en caso de exposición prolongada.

Las PM 10 tienen un tamaño de hasta 10 µm y son capaces de penetrar en las vías respiratorias superiores (nariz, tráquea, faringe).

Las PM 2.5 tienen un tamaño de hasta 2.5 µm y, dada su pequeña dimensión, pueden llegar a nuestros pulmones, penetrando así más profundamente en nuestro cuerpo.

GAS VOC (compuestos orgánicos volátiles) son compuestos químicos volátiles con la capacidad de evaporarse fácilmente en el aire a temperatura ambiente. Desodorantes, detergentes, colas, adhesivos, cosméticos, formaldehído son solo algunos de los compuestos orgánicos volátiles que podrían estar presentes en nuestros hogares pero que son potencialmente dañinos para nuestra salud en caso de exposición prolongada.

Funciones de MODO:

Hay 3 modos de purificación del aire disponibles a través del display: MODO AUTO, MODO MÁXIMO Y MODO DE SUSPENSIÓN. El modo auto es el ajuste predeterminado del producto cuando se enciende, todos los modos pueden seleccionarse manualmente pulsando el botón correspondiente en el display. El modo de ALERGIA AL POLEN se puede activar a través de la app hOn.

MODO AUTO [Fig. 8]:

Este es el modo predeterminado de su producto H-Purifier cuando se enciende por primera vez. En el modo automático, el H-Purifier ajusta automáticamente la velocidad del ventilador al nivel real de calidad del aire interior para garantizar siempre una purificación óptima del aire.

Este es el ajuste recomendado para su producto.

En el modo AUTO, después de 30 minutos de excelente calidad de aire, su producto entrará en un modo **ECO** al hacer una pausa en la función de purificación, el sistema de monitorización con multisensores continuará analizando el aire interior y encenderá automáticamente la función de purificación cuando sea necesario.

MODO MÁXIMO [Fig. 9]:

Presione el botón de modo MÁXIMO en el display para activar la purificación del aire en el ajuste de máxima potencia. Para salir del modo MÁXIMO, simplemente seleccione el modo AUTO o el modo SUSPENSIÓN.

MODO SUSPENSIÓN [Fig. 10]:

Presione el botón de modo SUSPENSIÓN para activar la purificación del aire en el ajuste de potencia silenciosa más bajo. El botón del modo SUSPENSIÓN se iluminará tenuemente y todas las demás luces del display se apagarán. Esto puede modificarse presionando el botón LIGHT CONTROL (control de luz).

MODO DE ALERGIA AL POLEN: [Fig. 11]

El modo de alergia al polen solo puede ser activado a través de la APP hOn. Primero se le pedirá que active y registre un perfil en la app para así poder crear su Perfil de Alergia al Polen.

El modo de alergia al polen funciona solo cuando se selecciona el MODO AUTO. [Fig. 11c]

En el modo de alergia al polen, el aparato recibe continuamente datos en tiempo real de la APP sobre la concentración de polen monitoreada en el exterior y funciona automáticamente para maximizar el rendimiento de la captura de polen.

Una vez capturados los pólenes, estos se desactivan para ayudar a aliviar los síntomas de la alergia. Cuando se activa el modo de alergia al polen en la App, hay 2 posibles luces de notificación en el display del producto:

- La luz de la alergia al polen es **BLANCA** [Fig. 11a]: El aparato y la App monitorean la presencia de polen en el exterior y no hay ningún riesgo.

- The Luz de alergia al polen turns **AMARILLO** [Fig. 11b] and the Pollen Allergy Circle lamp is **WHITE** [Fig. 11a]: El aparato y la APP han detectado el riesgo.

Si el producto se pone manualmente en modo SUSPENSIÓN o en modo MÁXIMO mientras el modo de alergia al polen está activado, el modo de alergia al polen se detendrá.

Función del MANDO DE LUZ: [Fig. 12]

Hay 3 ajustes disponibles para la iluminación del display: encendido, atenuado y apagado.

Para ajustar el brillo de la iluminación del display, simplemente presione el botón de ILUMINACIÓN en el display para recorrer las 3 opciones disponibles. ENCENDIDO es el ajuste predeterminado.

Si se selecciona APAGADO, tendrá que presionar cualquier otro botón dos veces para activarlo; al hacerlo una vez, las luces se ATENUARÁN y al presionarlo por segunda vez se activará la acción.

Función de BLOQUEO INFANTIL: [Fig. 13]

Mantenga presionado el botón de BLOQUEO INFANTIL durante 3 segundos para activarlo, se escuchará un sonido perceptible cuando se haya activado y el botón de BLOQUEO INFANTIL permanecerá iluminado. Ningún otro botón funcionará cuando se active.

Para salir, simplemente mantenga presionado el botón de BLOQUEO INFANTIL durante 3 segundos, se escuchará un sonido perceptible que confirma que está apagado y el botón ya no se iluminará.

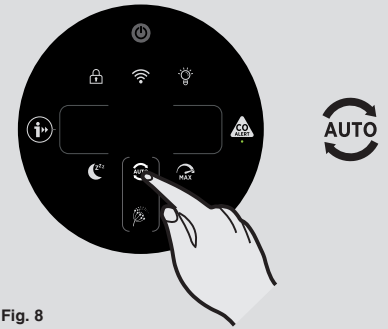


Fig. 8

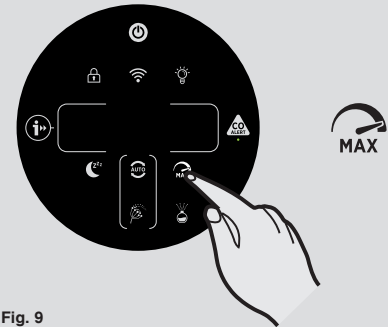


Fig. 9

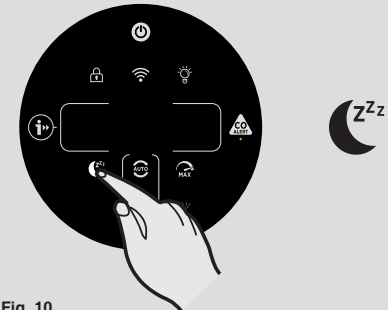


Fig. 10

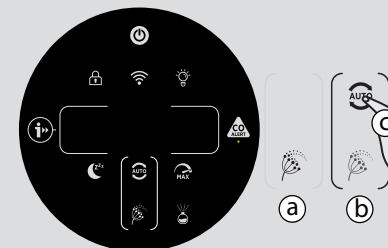


Fig. 11

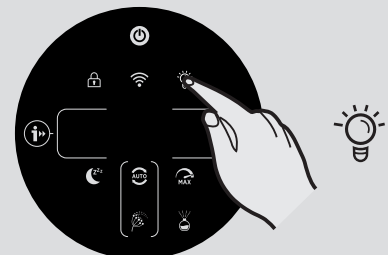


Fig. 12

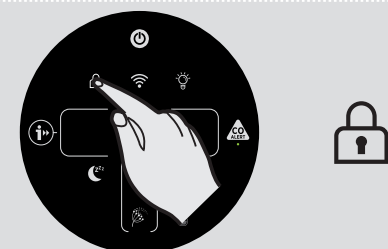


Fig. 13

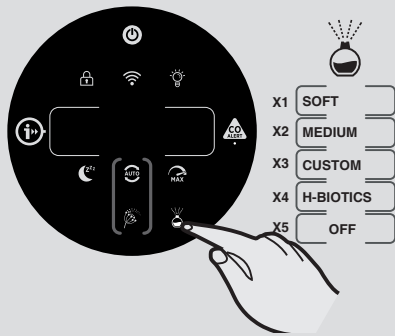


Fig. 14

Función de difusor: [Fig. 14]

El difusor se propaga en el aire de la habitación H-Essence o H-Biotics. H-Essence es la colección Hoover de aceites esenciales para liberar fragancias agradables en el aire.

H-Biotics es una mezcla natural basada en probióticos que mantiene la habitación bio-higienizada, inhibiendo el crecimiento de microorganismos como bacterias o microbios.

There are 4 different settings for the DIFFUSER function, SUAVE, MEDIO, PERSONALIZADA & H-BIOTICS. Para activar esta función simplemente presione el botón difusor en el display, el ajuste predeterminado para esta función es SUAVE; para seleccionar cualquiera de los otros ajustes simplemente presione consecutivamente el botón para cambiar a la selección deseada. El botón se iluminará en blanco cuando se encienda.

Se recomienda usar los ajustes SUAVE y MEDIO para el H-Essence.

Se puede crear un ajuste personalizado dentro de la app hOn para tu H-Essence.

Al usar H-Biotics, el ajuste **DEBE** establecerse en H-Biotics. Once user activates H-Biotics using the APP, this will give an alert of "ACTIVATE H-BIOTICS" after 120 hours to ensure the H-biotics usage of every 5 days.

La función de difusor solo se puede usar en los modos AUTO y MÁXIMO, pero no en el modo de SUSPENSIÓN.

Al activar la función Difusor en modo AUTO, el ventilador principal funcionará con una velocidad específica para ayudar a esparcir el H-Essence o el H-Biotics por la habitación.

Ajuste	Bomba encendida	Bomba apagada	Ciclo
SUAVE	10 segundos	300 segundos	Apagado después de 6 horas
MEDIO	90 segundos	120 segundos	Apagado después de 6 horas
PERSONALIZADA	Definido por el usuario	Definido por el usuario	Apagado después de 6 horas
H-BIOTICS	120 segundos	120 segundos	Apagado después de 6 horas

Para desactivar la función, presione el botón difusor hasta que la luz del botón se apague.

Después de cada uso de la función de difusor, utilice un paño seco y suave para limpiar cualquier residuo de las superficies del producto.

Para cambiar la botella en la unidad del difusor, vea la sección 'Mantenimiento del H-Purifier'.

MANTENIMIENTO DE SU H-PURIFIER

IMPORTANTE: SIEMPRE DESCONECTE SU APARATO DE LA FUENTE DE ALIMENTACIÓN CUANDO REALICE TAREAS DE MANTENIMIENTO.

LIMPIEZA DE FILTROS / REEMPLAZO

Su H-Purifier monitoreará la condición de su filtro. Una alerta de **LIMPIAR FILTRO O REEMPLAZAR FILTRO** aparecerá en el lado izquierdo del display y parpadeará indicando que se requiere una acción para limpiar o cambiar el filtro.

Limpieza / Reemplazo del filtro: [Fig. 15]

- Retire la cubierta de la entrada de aire en su producto. [Fig. 15a]
- Desbloquee el interruptor de liberación del filtro. [Fig. 15b]
- Retire el filtro de su producto. [Fig. 15c]
- Utilice una aspiradora para limpiar la malla externa del conjunto del filtro o cambie el filtro por uno NUEVO. [Fig. 15d]
- Vuelva a colocar el montaje del filtro en el producto. [Fig. 15e]
- Bloquee el interruptor de liberación del filtro. [Fig. 15f]
- Vuelva a colocar la cubierta de la entrada de aire en su producto. [Fig. 15g]
- Enchufe su aparato a la fuente de alimentación y enciéndalo. [Fig. 4]
- Presione el botón de INFORMACIÓN y siga las instrucciones para restaurar la función de limpieza de filtros manteniendo presionado el botón durante 3 segundos, se escuchará una alerta perceptible que indicará que la restauración se ha realizado con éxito. [Fig. 7]

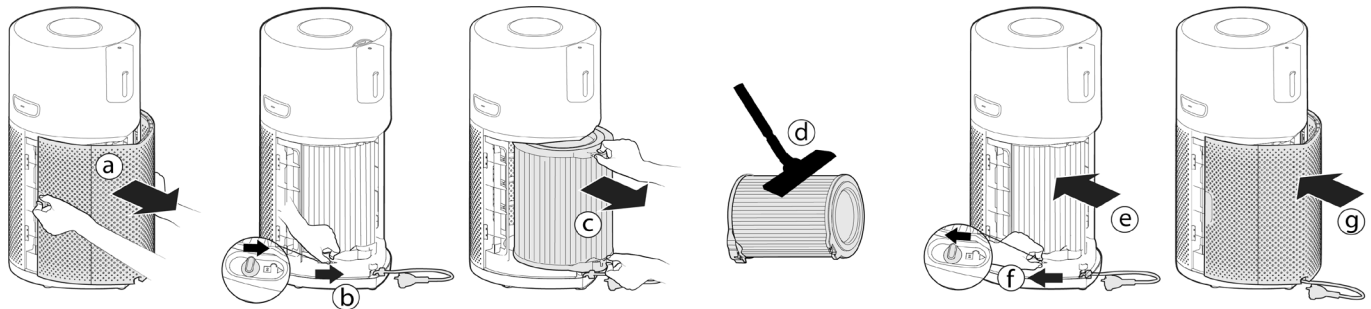


Fig. 15

MANTENIMIENTO DEL DIFUSOR

Después de cada uso de la función de difusor, utilice un paño seco y suave para limpiar cualquier residuo de las superficies del producto.

Reemplazo de la botella del difusor: [Fig. 16]

El volumen de líquido restante en la botella se puede verificar a través de la ventana del difusor, cuando sea necesario, la botella debe ser reemplazada.

- Retire la cubierta del difusor del producto. [Fig. 16a]
- Retire la unidad y la botella del difusor de la cubierta del difusor. [Fig. 16b]
- Desenrosque y retire la botella vacía y descártela. [Fig. 16c]
- Retire la nueva botella de H-Essence o H-Biotics del embalaje y retire la tapa. [Fig. 16d]
- Enrosque firmemente la nueva botella en la unidad del difusor. [Fig. 16e]
- Vuelva a colocar la unidad del difusor en la cubierta del difusor. [Fig. 16f]
- Vuelva a colocar la cubierta del difusor en el H-Purifier. [Fig. 16g]

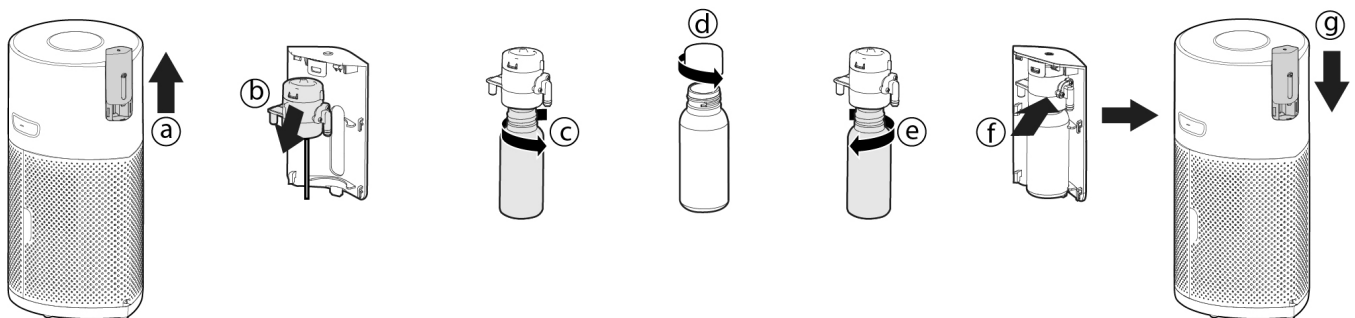


Fig. 16

ALMACENAMIENTO DE SU H-PURIFIER

1. Apague el purificador de aire y desenchúfelo de la corriente.
2. Limpie todas las superficies internas y externas del purificador de aire y la malla externa del filtro.
3. Retire la botella del difusor. Vuelva a colocar la tapa original en la botella y guárdela para protegerla de la luz directa. Limpie las superficies de la unidad del difusor y la cubierta del difusor. Asegúrese de que no haya residuos de H-Essence en ninguna superficie del purificador de aire.
4. Asegúrese de que todos los componentes estén secos.
5. Remove the Cubierta de la entrada de aire [Fig. 17a] and Reel in the power cord by pulling on the cord [Fig. 17b] and fit the cord into the storage hook and fit the plug into the transport location. [Fig. 17c,d] Vuelva a colocar la cubierta de la entrada de aire [Fig. 17e]
6. Almacene el purificador de aire en un lugar seco y fresco.

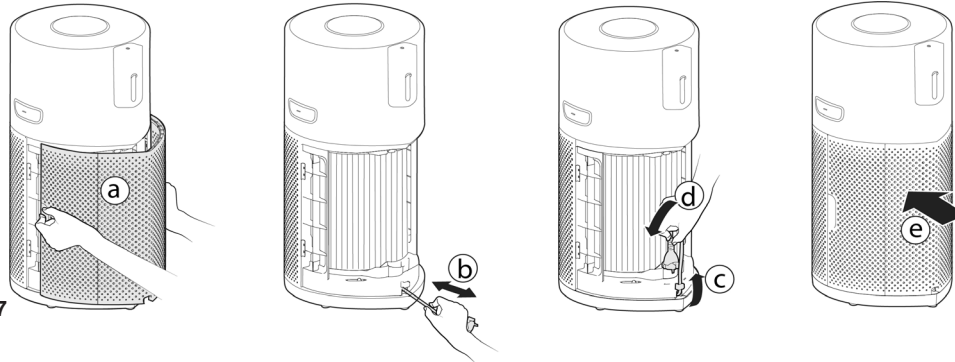


Fig. 17

ALERTAS Y SOLUCIONES

Los siguientes códigos pueden aparecer durante su uso. [Fig. 18]



Fig. 18

Descripción de errores	Descripción de errores		Solución de errores
	Alerta en el panel de mandos del producto / Display	Alerta en la APP	
Alerta de limpieza del filtro de la capa exterior	La alerta de "LIMPIAR FILTRO" parpadea en el display	Alerta de limpieza de filtros	1.Siga las instrucciones en el manual de uso para limpiar el filtro de la capa exterior. 2.Restauración de la alerta.
Alerta de reemplazo de filtros	La alerta de "REEMPLAZAR FILTRO" parpadea en el display	Alerta de reemplazo de filtros	1.Siga la guía en el manual de uso para reemplazar el filtro. 2.Restauración de la alerta.
El filtro no está presente o no se ha bloqueado	La alerta de "FILTRO FALTANTE" parpadea en el display	El filtro no está presente o no se ha bloqueado	1.Si no hay filtro presente, colóquelo de nuevo. 2.Si el filtro está en posición, verifique si la pestaña del filtro ha sido cambiada al estatus de BLOQUEO.
Mal funcionamiento del sensor de polvo: ninguna señal del sensor o del voltaje de salida excede el valor límite	/	Mal funcionamiento del sensor de polvo: ninguna señal del sensor o del voltaje de salida excede el valor límite	Fallo del sensor de polvo o el cable del sensor de polvo no se ha conectado bien, comuníquese con el centro de servicio para arreglarlo.
Motor sin velocidad	/	Motor sin respuesta de velocidad	Fallo del motor o el cable del motor no se ha conectado bien, comuníquese con el centro de servicio para arreglarlo.
Mal funcionamiento del sensor de CO	La luz de estatus del sensor de CO está encendida en amarillo	Mal funcionamiento del sensor de CO	Alerta: necesita llamar a servicio técnico.

ATENCIÓN Si cualquiera de estos fallos persiste, póngase en contacto con su Servicio Técnico de Hoover. NO intente desmontar el H-Purifier por su cuenta.

SOLUCIÓN DE PROBLEMAS

A continuación se expone una lista de problemas comunes y sus soluciones.
Si cualquiera de dichos problemas persiste, póngase en contacto con su representante local de Hoover.

El ventilador no funciona (Panel de mandos / Las luces del display están encendidas)	<ul style="list-style-type: none"> • Verifique la alerta que aparece en el display o en la app. • Verifique si hay alguna obstrucción en el ventilador. • Verifique que el H-Purifier esté encendido. • Verifique si el filtro está instalado incorrectamente. • Verifique si el H-Purifier está en una posición vertical completamente recta y no está inclinado.
El ventilador no funciona (Panel de mandos / Las luces del display están apagadas)	<ul style="list-style-type: none"> • Verifique que el H-Purifier esté enchufado y encendido. • Verifique si hay alguna obstrucción en el ventilador.
No hay luces en el panel de mandos / Display (El ventilador funciona)	<ul style="list-style-type: none"> • Verifique si las luces no se han apagado presionando el botón de mando de luz en el panel de mandos / Display.
Botones en el panel de mandos / El display no funciona	<ul style="list-style-type: none"> • Verifique si se ha activado el bloqueo infantil manteniendo presionado el botón de bloqueo infantil durante 3 segundos.
El flujo de aire es débil	<ul style="list-style-type: none"> • Verifique si el embalaje protector ha sido retirado del filtro. • Verifique si hay alguna obstrucción en la cubierta de entrada o salida de aire. • Verifique el estatus del filtro en el panel de mandos / Se muestra una advertencia de limpieza o de reemplazo en el display o en la App. • Verifique si el H-Purifier está en modo de suspensión. El ventilador funciona con una potencia reducida en este modo.
El purificador de aire está funcionando con mucho ruido	<ul style="list-style-type: none"> • Verifique si hay alguna obstrucción en la salida de aire o en el ventilador. • Verifique si el H-Purifier está funcionando en modo MÁXIMO, el flujo de aire está a máxima potencia en este modo.
El purificador de aire emite un fuerte zumbido de repente.	<ul style="list-style-type: none"> • La función de prueba del botón de alerta de CO se activa por mal funcionamiento. El sonido se detendrá automáticamente después de 5 segundos.

INFORMACIÓN IMPORTANTE

Piezas de repuesto y consumibles de Hoover

Utilice siempre piezas de repuesto originales de Hoover. Puede adquirirlas a través de su Servicio Técnico de Hoover. Cuando realice pedidos de piezas, indique siempre el número de modelo que posee.

Calidad

Las fábricas de Hoover han sido sometidas a inspecciones de calidad independientes. Nuestros productos se fabrican de conformidad con un sistema de calidad que cumple los requisitos de la norma ISO 9001.

Su garantía

Las condiciones de garantía para este aparato vienen definidas por nuestro representante en el país de venta. Puede obtener los detalles acerca de estas condiciones en el establecimiento donde haya comprado este aparato. Debe mostrarse la factura de compra o el recibo al hacer alguna reclamación en virtud de las condiciones de garantía.

Sujeto a cambios sin previo aviso.

INSTRUKTIONER FOR SIKKER ANVENDELSE

Dette udstyr bør kun anvendes i private husholdninger, og som beskrevet i denne brugervejledning. Sørg venligst for, at denne vejledning er fuldt forstået, før du betjener udstyret, og gem den som senere reference.

Inden du rengør eller foretager vedligeholdelse af støvsugeren, skal du altid slukke for den og tage stikket ud af stikkontakten.

Dette udstyr kan anvendes af børn, der er 8 år gamle og derover, og af personer med nedsatte fysiske, sensoriske eller mentale evner eller manglende erfaring og viden, hvis de er under opsyn eller vejledning i at bruge udstyret på en sikker måde og forstår de risici, der er involveret. Børn må ikke lege med udstyret.

Rengøring og vedligeholdelse må ikke udføres af børn uden en voksen tilstede.

Hvis netledningen er ødelagt, skal du stoppe med at bruge støvsugeren øjeblikkeligt. For at undgå en sikkerhedsrisiko, skal en autoriseret HOOVER servicetekniker udskifte strømkablet.

Brug kun tilbehør, forbrugsvarer eller reservedele, som anbefalet eller leveret af Hoover.

Du må ikke fjerne stikket ved at trække i strømledningen.

Lad være med at fortsætte at bruge støvsugeren, hvis den ser ud til at være defekt.

Placer og brug kun produktet på en tør, stabil, lige horisontal overflade, så den ikke kan vælte.

Hold produktet tørt.

Du må aldrig vippe eller tømme produktet under anvendelse.

Placer strømledningen så ingen kan træde eller falde over den.

Placer ikke udstyret på varme overflader, i nærheden af varme overflader, i nærheden af åben ild, eller i direkte sollys.

Du må ikke lade vand, andre væsker eller brandbare rengøringsmidler komme ind i udstyret, for at undgå elektrisk stød og/eller brandfare.

Du må ikke rengøre udstyret med vand, andre væsker eller (brandbart) rengøringsmiddel, for at undgå elektrisk stød og/eller brandfare.

Du må ikke sprøjte med brandbare materialer, såsom sprøjtemidler eller parfume i nærheden af udstyret.

Kontroller om den spænding og klassificeringer som er indikeret på mærket på udstyret svarer til den lokale strømspænding, før du tilslutter udstyret.

Du må ikke blokere luftindgangen eller luftudgangen.

Dette udstyr er ikke en erstatning for korrekt ventilering, jævnlig støvsugning, eller brug af en emhætte eller ventilator under madlavning.

Du må ikke placere noget oven på udstyret.

Du må ikke placere udstyret direkte under et airconditionanlæg for at forhindre, at kondens drypper på udstyret.

Sørg for, at alle filtrene er monteret korrekt, før du tænder for udstyret.

Brug kun originale HOOVER filtre, som specifikt er designet til dette udstyr. Brug ikke andre filtre.

Undgå at støde ind i udstyret (i særdeleshed luftindgangen og luftudgangen) med hårde objekter.

Du må ikke placere dine fingre eller objekter i luftudgangen eller luftindgangen, for at forhindre fysisk skade eller fejl i udstyret.

Du må ikke bruge dette udstyr når du har brugt indendørs insektmiddel af røgtypen, eller på steder med olierester, røgelse eller kemiske dampe.

Brug ikke udstyret i nærheden af gasudstyr, varmeenheder eller pejse.

Brug ikke udstyret i et rum med store temperaturændringer.

For at forhindre afbrydelser, skal du placere udstyret mindst 2 m væk fra elektrisk udstyr der anvender radiobølger, såsom fjernsyn, radioer og radiostyrede ure.

Når udstyret ikke anvendes i en længere periode, kan der opstå bakterievækst på filtrene. Kontroller filtrene efter en længere periode uden brug. Hvis filtrene er meget beskidte, skal du udskifte dem.

Brug ikke udstyret i våde omgivelser, eller omgivelser med meget høj omgivelsestemperaturer,

såsom badeværelset, toiletet eller køkkenet.

Udstyret fjerner ikke kulilte (CO) eller radon (Rn). Det kan ikke bruges som en sikkerhedsanordning, i tilfælde af ulykker med forbrændingsprocesser og farlige kemikalier.

CO Monitor funktionen må ikke bruges som, og er ikke indikeret til at blive brugt som erstatning for EN 50291-1 UL-2034, CSA-6.19 eller enhver anden anerkendt standard inden for certificeret kuliltealarm, hvor lokale eller regionale bestemmelser eller lovgivning angiver deres brug. CO Monitor funktionen er udelukkende en ekstra kulilte overvågningsenhed. Brug af udstyret er på brugerens eget ansvar, og indebærer forståelsen af, og accept af dets begrænsninger i forbindelse med overholdelse af bestemmelser eller lovgivning, hvor det er relevant.

Du må ikke placere udstyret i nogle af de følgende lokationer:

- I et badeværelse eller andre områder hvor alarmerne kan udsættes for vandstænk, dryp eller kondens (f.eks. over en elkedel).
- Ved siden af, eller direkte over varmere eller airconditionssystemkanaler, døre, vinduer, emhætter, eller andre steder som kan påvirkes af træk.
- Direkte over en vask eller et komfur.
- I et område hvor temperaturen kan falde til under -20°C , eller stige til over 50°C .
- I et aflukket område (f.eks. i eller under et skab).
- I et område med damp eller fugt.
- Hvor det bliver blokeret, f.eks. af gardiner eller møbler.
- Hvor snavs eller støv kan blokere sensoren.
- I nærheden af maling, dampe fra opløsningsmidler eller luftfriskere.

Hvis CO Alarm er aktiveret, bør du åbne alle vinduer og døre (hvis det er sikkert). Sluk for alt brændselsudstyr hvis muligt, og forlad bygningen med vinduer og døre åbne. Få omgående hjælp til alle der lider af effekter af kulilteforgiftning. Gå ikke ind i bygningen igen, før alarmerne stopper. Alarmerne vil stoppe når CO er væk. Brug ikke brændselsudstyret igen, før CO kilden er blevet lokaliseret, og udbedret af en kvalificeret tekniker.

For at aktivere CO Monitor, skal du forbinde stikket til en stikkontakt. CO Sensor Condition Lampen vil lyse grønt. Når CO Monitor registrerer et usikkert niveau af CO, vil CO Alarm lyde højlydt, og CO Alert knappen og O-ring lampen vil blinke rødt. Alarmerne vil fortsætte med at indikere, indtil den registrerede CO reduceres til et sikkert niveau.

Undgå at bruge maling, fortyndere, dampe fra opløsningsmidler, luftfriskere, aerosolsprays, eller kemiske rensere i nærheden af udstyret. Dette kan påvirke funktionen af CO Monitor.

Lad ikke små børn trykke på CO Alert knappen i 3 sekunder, eftersom de kan udsættes for høje lyde, når alarmerne lyder.

Rør [CO Alert] knappen i 3 sekunder for at teste CO Alarm funktionen, og alarmerne vil lyde højlydt i 5 sekunder. Test alarmerne hver måned, og efter længere fravær fra bygningen (f.eks. ferier). Hvis alarmerne ikke lyder efter at have rørt [CO Alert] knappen i 3 sekunder, bedes du kontakte Hoover kundeservice, for at arrangere, at en kvalificeret tekniker kan reparere fejlen.

Hvis displayet indikerer, at CO Sensor er defekt, eller dens levetid er udløbet, bedes du kontakte Hoover kundeservice, for at arrangere, at en kvalificeret tekniker kan udskifte CO Sensor. Den forventede levetid af CO Sensor er 5 år, og den skal udskiftes efter denne periode.

Driftsfugt: 15 – 90% RH

Driftstemperatur: 0°C til $+40^{\circ}\text{C}$

When the detected level of CO reaches a high level, the [CO Alert] button and the [Air Quality LED Ring] blink in red color (2Hz), at the same time, alarm rings loudly (85~110dB(A)) and continuously, the alarm will not stop until the intensity of CO falls back from the alarm level.

Kulilte påvirker kroppen ved at udelukke (kvæle) de kritiske organer for ilt. Når CO inhaleres, fastgøres det til hæmoglobin i blodet som normalt transporterer ilt rundt i kroppen. CO vil permanent fjerne iltmolekylernes evne til at fastgøre sig til hæmoglobinet, hvormed mængden af ilt til de vitale organer reduceres. Koncentrationsniveauet og tiden man udsættes for CO kan have forskellige effekter på kroppen, men eksperterne er enige om, at selv udsættelse af lave niveauer af kulilte over længere perioder, kan have alvorlige og vedvarende effekter på alles overordnede helbred.

ADVARSEL: CO ALARM ER DESIGNET TIL AT BESKYTTE INDIVIDER FRA DE AKUTTE EFFEKTER FRA UDSÆTTELSE AF KULILTE, ELLER FORHINDRE DE KRONISKE EFFEKTER VED UDSÆTTELSE AF KULILTE. DET VIL IKKE FULDSTÆNDIG BESKYTTE INDIVIDER MED SPECIFIKKE MEDICINSKE TILSTANDE. HVIS DU ER I TVIVL, BEDES DU KONTAKTE DIN LÆGE.

Udstyret bør ikke anvendes som erstatning for korrekt montering, brug og vedligeholdelse af brændstofbrændende udstyr, inklusive passende ventilations- og udsugningssystemer.

CO Monitor mobil- og tabletnotifikationer kræver en funktionel WiFi-forbindelse, for at fungere. De er ikke en erstatning for en tredjepart nødovervågningstjeneste.

Brug kun aromaolie som anbefales, eller leveres af HOOVER.

Undgå brugen af en enkeltstående luftfugter ved siden af luftrenseren, når du bruger diffusorfunktionen i H-Essence.

Tør omgående spildt H-Essence op. Sørg for at rengøre alle hjørner af produktet, som har været i kontakt med H-Essence.

HOOVER-SERVICE: For at sikre løbende sikker og effektiv drift af dette apparat anbefaler vi, at eftersyn eller reparationer udelukkende udføres af en autoriseret Hoover-servicetekniker.

Miljøet

Denne håndstøvsuger er mærket i overensstemmelse med det europæiskedirektiv 2011/65/EC om affald af elektrisk og elektronisk udstyr (WEEE). Ved at sikre at dette produkt bortskaffes korrekt er du med til at forhindre eventuelle negative konsekvenser for miljø og sundhed, som ellers kunne forårsages på grund af forkert bortskaffelse af dette produkt.

Symbolet på produktet angiver, at produktet ikke må behandles som husholdningsaffald. Det skal i stedet afleveres til en relevant affaldsstation for genbrug af elektrisk og elektronisk udstyr. Bortskaffelse skal ske i overensstemmelse med de lokale miljøregler vedrørende bortskaffelse af affald. For mere detaljeret information om behandling, genvinding og genbrug af dette produkt, henvend dig da til den lokale kommune, til dit affaldsselskab eller den forretning hvor du købte produktet.

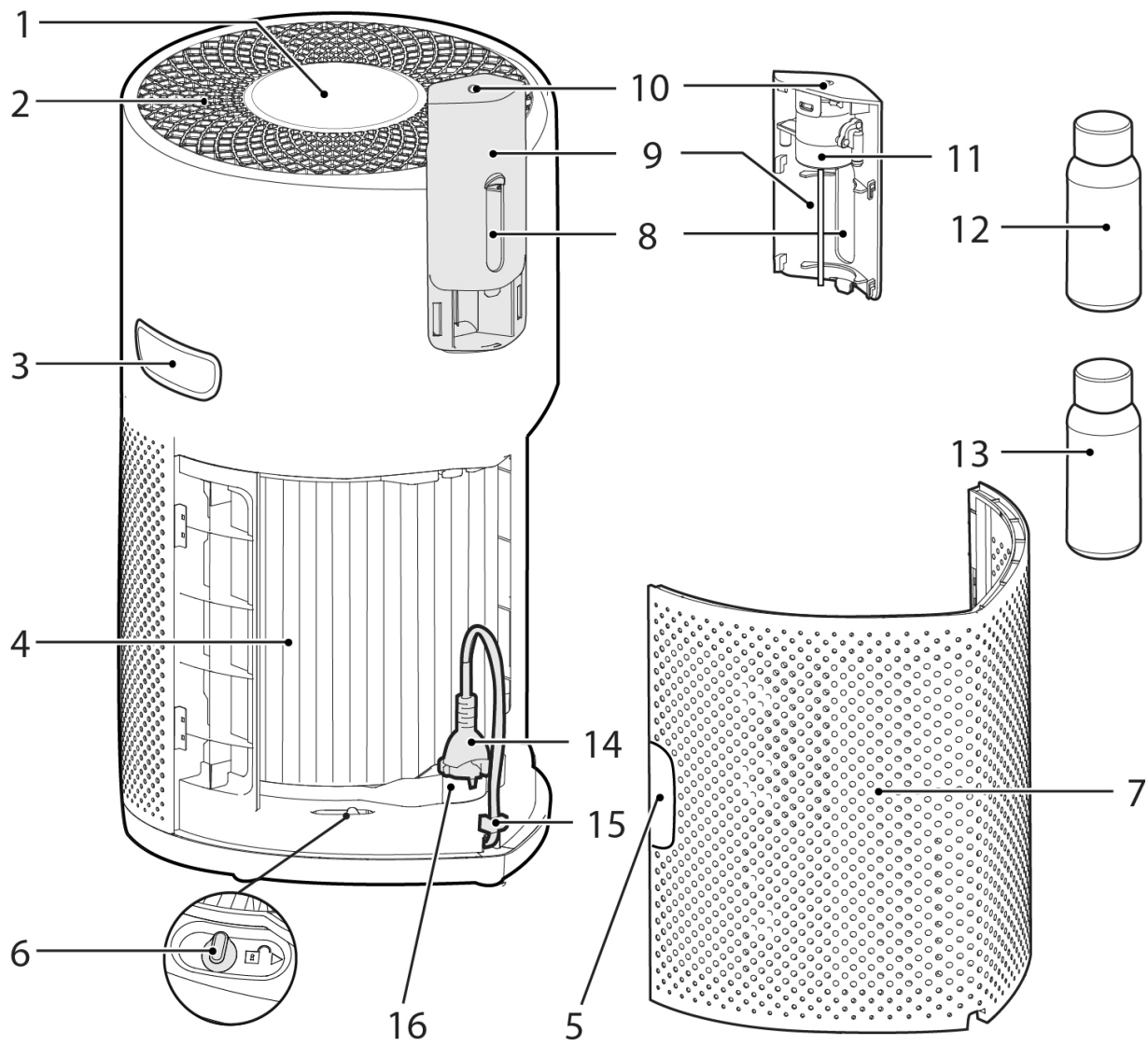


Frekvensbånd	2400Mhz ~ 2483.5Mhz
Maksimal RF strøm i frekvensbåndet	18.9 dBm

CE Dette apparat overholder bestemmelserne i EU-direktiverne 2014/53/EU, 2014/30/EU og 2011/65/EU. Kontakt venligst producenten for en kopi af overensstemmelseserklæringen: www.candy-group.com

CANDY HOOVER GROUP S.r.l. Via Privata Eden Fumagalli, 20861 Brugherio (MB) Italy

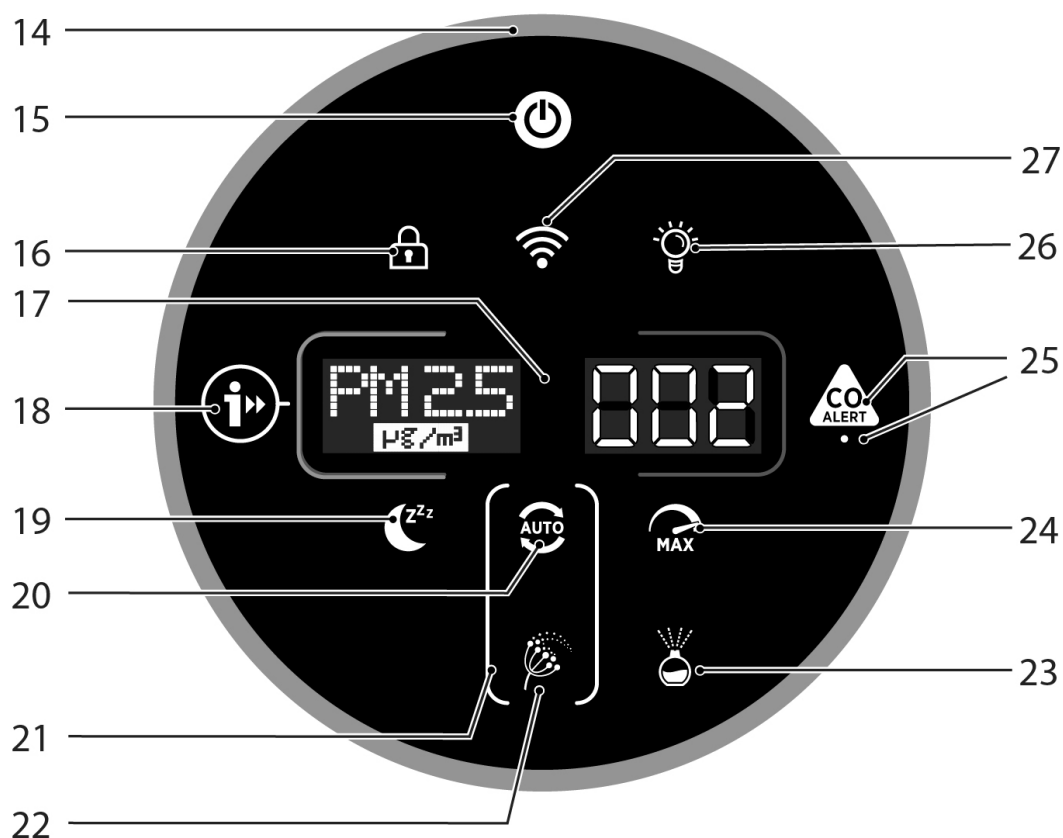
LÆR DIN H-PURIFIER AT KENDE



1	Kontrolpanel / Display
2	Luftudtag
3	Produkt bærehåndtag
4	Filterenhed
5	Luftindtagets dækselhåndtag

6	Filter frigivelseskontakt
7	Luftindtagets dæksel
8	Diffusorvindue
9	Diffusordæksel
10	Diffusorudgang
11	Diffusorenhed

12	H-Essence flaske (Grøn)
13	H-Biotics flaske (Brun)
14	Strømledning og stik
15	Opbevaringskrog
16	Transportplacering



14	Luftkvalitet LED Ring
15	Tænd/sluk-knap
16	Børnelåsknap
17	Digitalt display
18	Informationsknap

19	Knap til sovetilstand
20	Knap til autotilstand
21	Cirkellampe til pollenallergi
22	Lampe til pollenallergi
23	Diffusorknap

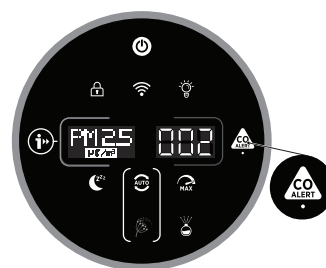
24	Knap til maks. tilstand
25	CO Alert knap og LED
26	Knap til lyskontrol
27	Wi-Fi Button

Multisensor overvågningssystem

Takket være multisensor overvågningssystemet, vil dit udstyr kontinuerligt overvåge lufttilstanden indendørs når det kommer til PM10, PM2,5 Flygtige organiske forbindelser (GAS), og Kuliltekoncentration (CO).

Each time you switch your product on, the Multi Sensor Monitoring system will start analyzing the indoor air and the Air Quality LED Ring will illuminate with different colors representing real time air quality conditions.

Air Quality LED Ring Colour	Indendørs luftkvalitet
GRØN	FREMRAGENDE
GUL	SATISFACTORY
ORANGE	DÅRLIG
RØD	MEGET DÅRLIG



Overvågning og alarm for kuliltekoncentration

H-Purifier vil kontinuerligt overvåge den indendørs luft for kulilte (CO). Udstyret kommer med et alarmsystem.

When the Carbon Monoxide alarm is activated, the AIR Quality LED Ring, Information & CO Alert button will flash red simultaneously and an audible alarm will sound. Alarmen vil fortsætte indtil kuliltekoncentrationen (CO) er reduceret til under 50 ppm, medmindre den manuelt slukkes ved at trykke på CO Alert knappen i 3 sekunder.

Denne CO Alert LED viser driftstilstanden af CO Sensor. Den lyser grønt når CO Sensor fungerer normalt, lyser gult når sensoren er defekt, eller overskrider dens levetid.

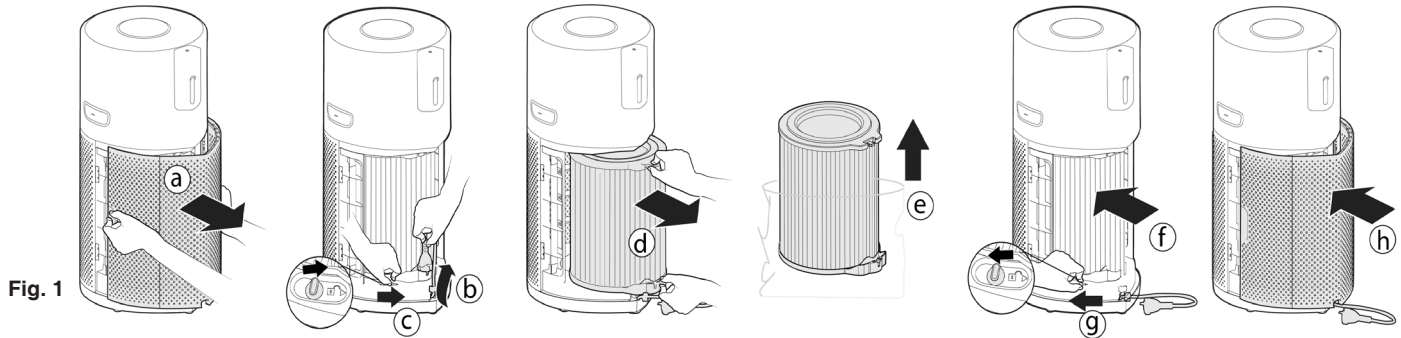
Du kan teste om alarmen fungerer korrekt, ved at trykke på CO alarmknappen i 3 sekunder, en høj tone vil lyde i 5 sekunder, hvis alarmen fungerer korrekt.

PREPARING YOUR H-PURIFIER

1. Filterenhed [Fig. 1]

Før du anvender dit H-Purifier udstyr, skal du fjerne filteret fra dets beskyttende emballage:

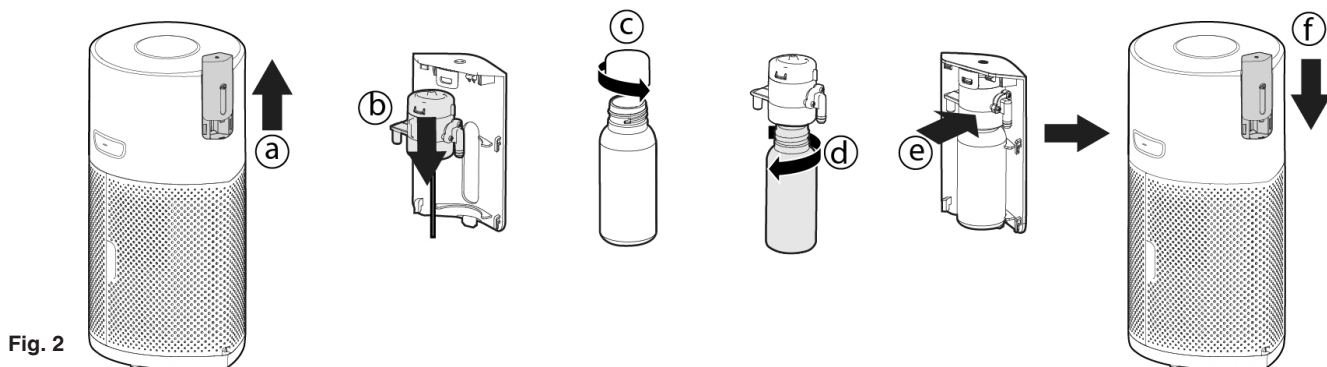
- Fjern luftindtagets dæksel fra udstyret, grib fat i de to luftindtags dækselhåndtag, og træk det væk fra udstyret. [Fig. 1a]
- Fjern stikket fra transportlokationen, og løs ledningen fra opbevaringskrogen. [Fig. 1b]
- Løsn filterets frigivelseskontakt. [Fig. 1c]
- Fjern filteret fra dit udstyr, og fjern den udvendige emballage. [Fig. 1d,e]
- Genmonter filteret i dit udstyr. [Fig. 1f]
- Lås filterets frigivelseskontakt. [Fig. 1g]
- Genmonter luftindtagets dæksel på udstyret. [Fig. 1h]



2. Monter diffusorflasken [Fig. 2]

Forbered dit H-Purifier udstyr til diffusorfunktionen:

- Fjern diffusordækslet fra udstyret. [Fig. 2a]
- Fjern diffusorenheden fra diffusordækslet. [Fig. 2b]
- Fjern flasken med H-Essence eller H-Biotics fra emballagen, og fjern hættten. [Fig. 2c]
- Fastskrue flasken på diffusorenheden. [Fig. 2d]
- Genmonter diffusorenheden på diffusordækslet. [Fig. 2e]
- Genmonter diffusordækslet på udstyret. [Fig. 2f]



BRUG AF DIN H-PURIFIER

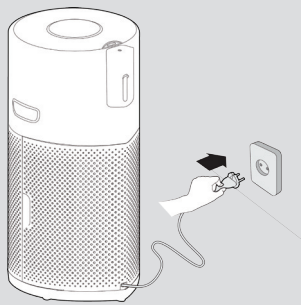


Fig. 3

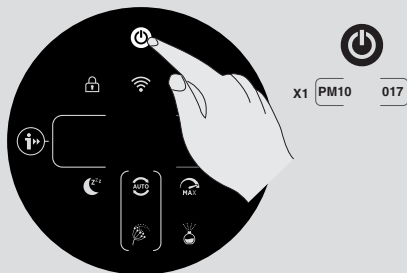


Fig. 4



Fig. 5

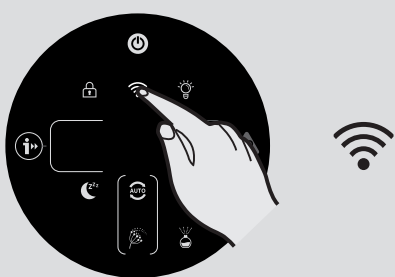


Fig. 6

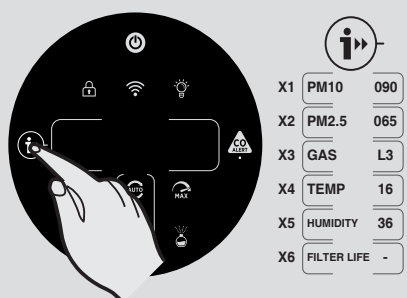


Fig. 7

Tilslut udstyret til strømmen [Fig. 3]:

Træk strømledningen ud fra strømrullen, og tilslut det til strømforsyningen.

Alle lysene på styrepanelets / display vil lyse i omkring 1 sekund, for at indikere at udstyret er tilsluttet korrekt.

STRØM knappen vil lyse dæmpet, og CO Sensor lyset vil være ON for at indikeret, at multisensor overvågningsystemet er begyndt at overvåge det indendørs kulilteniveau.

Tænd for udstyret [Fig. 4]:

For at tænde for udstyret, skal du trykke på STRØM knappen på displayet.

The Air Quality LED Ring will illuminate through all colours in sequence whilst the sensors are analysing the realtime air condition. After a few seconds, the Air Quality LED ring will select the appropriate colour for the air quality at that time.

Din H-Purifier vil omgående gå i AUTOTILSTAND, og begynde at rense luften indendørs. AUTOTILSTAND knappen, INFORMATION knappen, LYSKONTROL knappen og PM10 informationerne på displayet vil lyse.

De følgende funktioner er tilgængelige via knapperne på displayet:

Tryk på WiFi knappen for at tænde/slukke for fjernadgang.

Tryk på INFORMATION knappen for at se alle overvågningsdata.

Tryk på AUTO, MAKS. eller DVALE knapperne for at vælge en rensetilstand.

Tryk på LYSKONTROL knappen for at indstille lysstyrken på displaylamperne.

Tryk på BØRNELÅS knappen for at deaktivere alle knapperne på kontrolpanelet/displayet.

Tryk på DIFFUSOR knappen for at aktivere funktionen.

Tryk på STRØM knappen for at slukke for luftrenseren.

Parring med WiFi:

For at kunne bruge alle funktionerne på din H-Purifier, uanset hvor du er, anbefales det, at du downloader hOn appen.

Du vil dermed kunne kontrollere udstyret på den mest effektive måde.

Instruktioner:

1. Download hOn appen fra App Store eller Google Play. [Fig. 5]
2. Åbn APP'en, opret en konto med din e-mailadresse og en adgangskode.
3. Bekræft login.
4. Sørg for, at din mobile enhed er forbundet til WiFi-netværket.
5. Log ind til hOn appen.
6. Tryk og hold WiFi knappen på displayet i 5 sekunder, der vil være et lydligt bip, og WiFi knappen vil begynde at blinke, for at indikere, at den venter på forbindelse. [Fig. 6]
7. Følg instruktionerne i appen for at forbinde din mobile enhed til dit udstyr.
8. Når de er parret, vil WiFi knappen på udstyret forblive oplyst.
9. For at nulstille WiFi, skal du trykke og holde WiFi knappen i 5 sek.

Trådløs parameter for parring

Teknologi	WiFi	Bluetooth
Standard	IEEE 802.11 b/g/n	Bluetooth v4.2, BR/EDR, BLE
Frekvensbånd (MHz)	2401 ~ 2483	2402 ~ 2480
Maximum Effekt (mW)	100	10

INFORMATION funktion [Fig. 7]:

Der er 6 forskellige tilgængelige datasæt som kan overvåges:

PM10, PM2,5, GAS, temperatur, fugtighed og filterstatus.

For at overvåge hver værdi, skal du fortløbende trykke på INFORMATION knappen.

Som standard vil displayet vise PM10 data, udstyret vil huske brugerens sidste valg, og bevare dette valg, indtil udstyret tændes næste gang.

GAS data vil vise en drejende markør under de første 3 minutter efter produktet er tændt, mens GAS sensoren udfører en kalibreringscyklus.

Mere info om PM 2,5, PM 10 og GAS:

PM indikerer fine partikler (som ikke kan ses med det menneskelige øje), som hovedsageligt skyldes udendørs forurening fra køretøjer og industrielle udledninger, og som muligvis kan være farligt for vores helbred, hvis vi udsættes for det i længere perioder.

PM 10 har en størrelse på op til 10 µm, og er i stand til at gennemtrænge de øverste luftveje (næse, luftrør, svælg).

PM 2,5 har en størrelse på op til 2,5 µm, og under hensyntagen til deres lille størrelse, kan de nå vores lunger, og dermed trænge dybere ind i vores krop.

GAS VOC (flygtige organiske sammenblandinger) er flygtige kemiske sammenblandinger med muligheden for nemt at fordampe i luften ved rumtemperatur. Deodoranter, opløsningsmidler, lim, klæbemidler, kosmetik, formaldehyd er blot nogle af de VOC'er som kan være til stede i vores hjem, men som kan være farlige for vores helbred, hvis vi udsættes for dem i længere perioder.

TILSTAND funktioner:

Der er 3 tilgængelige tilstande til luftrensning via displayet: AUTOTILSTAND, MAKS. TILSTAND OG DVALETILSTAND. Autotilstand er standardindstillingen for dit udstyr når den tændes. Alle tilstande kan vælges manuelt ved at trykke på den relaterede knap på displayet.

POLLENALLERGI tilstand kan aktiveres via hOn appen.

AUTOTILSTAND [Fig. 8]:

Dette er standardtilstanden for dit H-Purifier udstyr, når det først tændes. I Auto-tilstand vil H-Purifier automatisk justere dens ventilatorhastighed til det faktiske luftkvalitetsniveau indendørs, for altid at garantere en optimal luftrensning.

Dette er den anbefalede indstilling for dit produkt.

I AUTOTILSTAND, og efter 30 minutter med fremragende luftkvalitet, vil udstyret gå i **ECOTILSTAND**, ved at sætte rensfunktionen på pause, multisensor overvågningssystemet vil fortsætte med at analysere den indendørs luftkvalitet, og automatisk tænde for rensningsfunktionen, når det er påkrævet.

MAKS. TILSTAND [Fig. 9]:

Tryk på MAKS. TILSTAND knappen på displayet for at aktivere luftrensning med maksimal strømindsstilling. For at forlade MAKS. TILSTANDEN, skal du blot vælge AUTOTILSTAND eller DVALETILSTAND.

DVALETILSTAND [Fig. 10]:

Tryk på DVALETILSTAND knappen for at aktivere luftrensning med den laveste, lydløse strømindsstilling. DVALETILSTAND knappen vil lyse dæmpet, og alle andre lamper på displayet vil være slukket. Dette kan ændres ved at trykke på LYSKONTROL knappen.

POLLENALLERGI TILSTAND: [Fig. 11]

Pollenallergi tilstand kan kun aktiveres via hOn appen. Du skal først aktivere og oprette en profil i appen, for at kunne oprette din pollenallergi profil.

Pollenallergi tilstanden fungerer kun når AUTOTILSTAND er valgt. [Fig. 11c]

I pollenallergi tilstand vil udstyret kontinuerligt modtage realtidssdata fra appen om den overvågede, udendørs pollenkoncentration, og det arbejder derefter automatisk til at maksimere indfangningen af pollen.

Når pollen er indfanget, vil de blive deaktiveret for at hjælpe med at afbedre allergiske symptomer.

Når pollenallergi tilstanden er aktiveret i appen, er der 2 mulige notifikationslamper på udstyrets display:

- Pollenallergilampen er **HVID [Fig. 11a]**: Udstyret og appen overvåger tilstedeværelsen af pollen udendørs, og der er ingen risiko.

- Pollenallergilampen skifter til **GUL [fig. 11b]**, og pollenallergicirkellampen er **HVID [Fig. 11a]**: Udstyret og appen har registreret en risiko.

Hvis udstyret manuelt aktiveres i DVALETILSTAND eller MAKS. TILSTAND, mens pollenallergi tilstanden er aktiveret, vil pollenallergi tilstanden blive stoppet.

LYSKONTROL funktion: [Fig. 12]

Der er 3 tilgængelige indstillinger for lyset på displayet: On, Dæmpet, Off.

For at justere lysstyrken for lyset på displayet, skal du trykke på LYS knappen på displayet, for at køre gennem de 3 tilgængelige muligheder. ON er standardindstillingen.

Hvis OFF vælges, skal der trykkes to gange på enhver anden knap for at aktivere den, efter et tryk vil lysende blive **DÆMPET**, og med det andet tryk, vil handlingen blive aktiveret.

BØRNELÅS funktion: [Fig. 13]

Tryk og hold **BØRNELÅS** knappen i 3 sekunder for at aktivere den, en lydhør alarm vil lyde når den er aktiveret, og **BØRNELÅS** knappen vil forblive oplyst. Ingen andre knapper vil fungere når denne er aktiveret.

For at forlade funktionen, skal du blot trykke og holde **BØRNELÅS** knappen nede i 3 sekunder, en lydhør alarm vil lyde for at bekræfte at den er deaktiveret, og knappen vil ikke længere lyse.

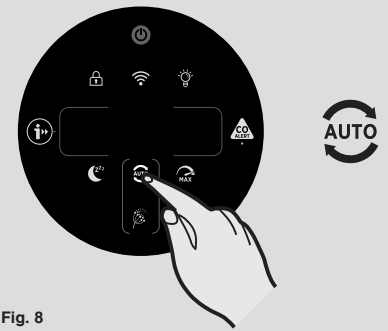


Fig. 8

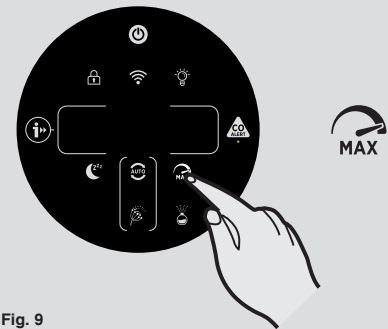


Fig. 9



Fig. 10

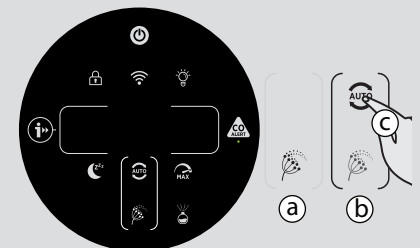


Fig. 11

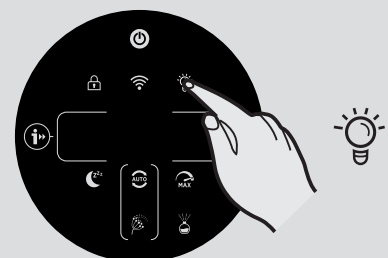


Fig. 12

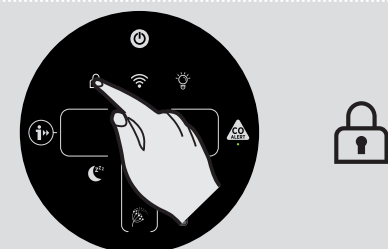


Fig. 13

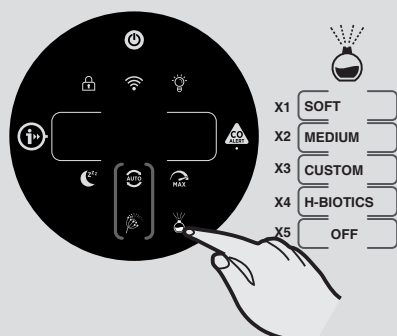


Fig. 14

Diffusorfunktion: [Fig. 14]

Diffusoren vil sprede H-Essence eller H-Biotics ud i rummet. H-Essence er Hoovers kollektion af essentielle olier som udsendes i luften, med behagelige dufte.

H-Biotics er en naturlig blanding baseret på probiotika, der holder rummet biohygiejnisk, ved at hæmme væksten af mikroorganismer, såsom bakterier eller mikrober.

There are 4 different settings for the DIFFUSER function, SOFT, MELLEMLANG, TILPASSET & H-BIOTICS. To activate this function simply press the Diffuser button on the Display, the default setting for this function is SOFT, to select any of the other settings simply consecutively press the button to change to the desired selection. Knappen vil lyse hvidt når den er tændt.

It is recommended to use SOFT & MELLEMLANG settings for H-Essence.

En tilpasset indstilling kan oprettes i hOn appen til din H-Essence.

Når du bruger H-Biotics, **SKAL** indstillingen være H-Biotics. Once user activates H-Biotics using the APP, this will give an alert of "ACTIVATE H-BIOTICS" after 120 hours to ensure the H-biotics usage of every 5 days.

Diffusorfunktionen kan kun bruges i AUTO og MAKS. tilstande, og kan ikke bruges i DVALETILSTAND.

Når diffusorfunktionen aktiveres i AUTO-tilstand, vil hovedventilatoren fungere med en specifik hastighed, for at hjælpe med at sprede H-Essence eller H-Biotics i rummet.

Indstilling	Pumpe til	Pumpe fra	Cyklus
SOFT	10 sek.	300 sek.	Slukkes efter 6 timer
MELLEMLANG	90 sek.	120 sek.	Slukkes efter 6 timer
TILPASSET	Brugerdefineret	Brugerdefineret	Slukkes efter 6 timer
H-BIOTICS	120 sek.	120 sek.	Slukkes efter 6 timer

For at slukke for funktionen, skal du trykke på diffusorknappen indtil knappens lys slukker.

Efter hver brug af diffusorfunktionen, skal du bruge en tør, blød klud til at fjerne eventuelle rester fra udstyrets overflader.

For at skifte flasken i diffusorenheden, henvises der til afsnittet 'Vedligehold din H-Purifier'.

VEDLIGEHOOLD DIN H-PURIFIER

VIGTIGT: FJERN ALTID STIKKET FRA STRØMFORSYNINGEN TIL DIT UDSTYR, NÅR DU VEDLIGEHOLDER UDSTYRET.

FILTERRENSNING / UDSKIFTNING

Din H-Purifier vil overvåge tilstanden af dit filter. En **RENT FILTER ELLER UDSKIFTNINGSFILTER** alarm vil komme frem på venstre side af displayet og blinke, hvilket indikerer, at det er nødvendigt at rense eller udskifte filteret.

Rengøring / Udskift filteret: [Fig. 15]

- Fjern luftindtagets dæksel fra udstyret. [Fig. 15a]
- Løsn filterets frigivelseskontakt. [Fig. 15b]
- Fjern filteret fra dit udstyr. [Fig. 15c]
- Brug en støvsuger til at rense det eksterne trådnæt på filterenheden eller udskift med et NYT filter. [Fig. 15d]
- Genmonter filterenheden i udstyret. [Fig. 15e]
- Lås filterets frigivelseskontakt. [Fig. 15f]
- Genmonter luftindtagets dæksel på udstyret. [Fig. 15g]
- Tilslut udstyret til strømforsyningen, og tænd det. [Fig. 4]
- Tryk på INFORMATION knappen, og følg instruktionerne til at nulstille filterrensningsfunktionen, ved at holde knappen i 3 sekunder, en lydhor alarm vil lyde, for at indikere en vellykket nulstilling. [Fig. 7]

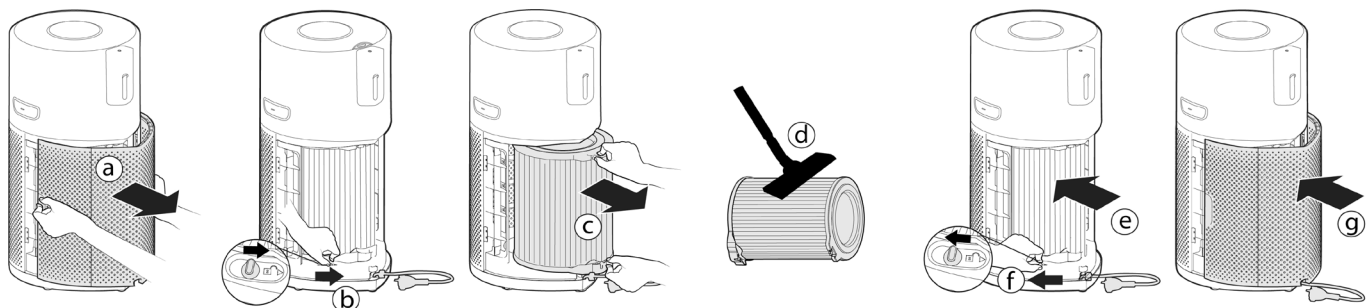


Fig. 15

DIFFUSOR VEDLIGEHOLDELSE

Efter hver brug af diffusorfunktionen, skal du bruge en tør, blød klud til at fjerne eventuelle rester fra udstyrets overflader.

Udskiftning af diffusorflaske: [Fig. 16]

Væskevolumen som er tilbage i flasken kan kontrolleres gennem diffusorvinduet, og når det er nødvendigt, skal flasken udskiftes.

- Fjern diffusordækslet fra udstyret. [Fig. 16a]
- Fjern diffusorenheden og flasken fra diffusordækslet. [Fig. 16b]
- Løsn og fjern den tomme flaske, og kasser den. [Fig. 16c]
- Fjern den nye flaske med H-Essence eller H-Biotics fra emballagen, og fjern hættten. [Fig. 16d]
- Fastskru den nye flaske på diffusorenheden. [Fig. 16e]
- Genmonter diffusorenheden på diffusordækslet. [Fig. 16f]
- Genmonter diffusordækslet på din H-Purifier. [Fig. 16g]

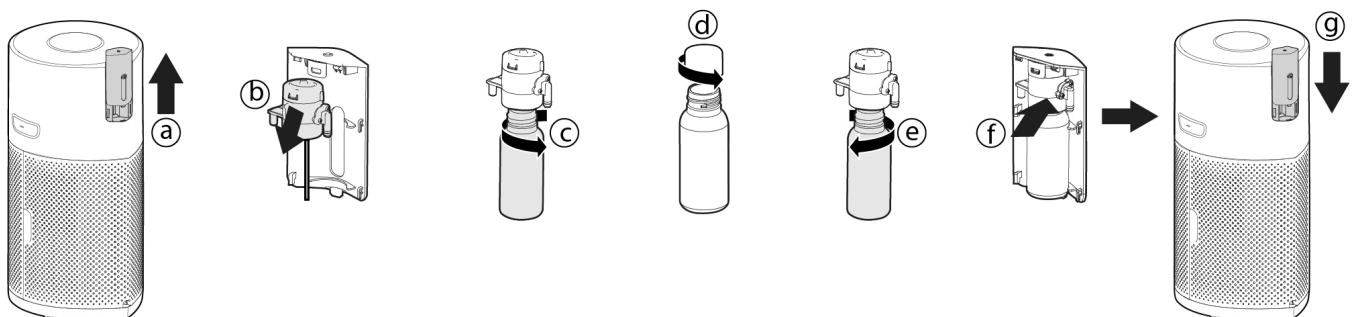


Fig. 16

OPBEVARING AF DIN H-PURIFIER

1. Sluk for luftrenseren, og fjern stikket fra stikkontakten.
2. Rengør alle interne og eksterne overflader på luftrenseren, og filterets eksterne trådnæt.
3. Fjern flasken fra diffusoren. Genmonter den oprindelige hætte på flasken, og opbevar den et sted uden direkte lys. Rengør overfladerne på diffusorenheden og diffusordækslet. Sørg for, at der ikke er nogen H-Essence rester på overfladerne på luftrenseren.
4. Sørg for, at alle komponenter er tørre.
5. Fjern luftindtagets dæksel [fig. 17a] og træk strømledningen ind, ved at trække i ledningen [fig. 17b], placer ledningen på opbevaringskrogen, og monter stikket i transportlokationen. [Fig. 17c,d] Genmonter luftindtagets dæksel [Fig. 17e]
6. Opbevar luftrenseren et køligt, tørt sted.

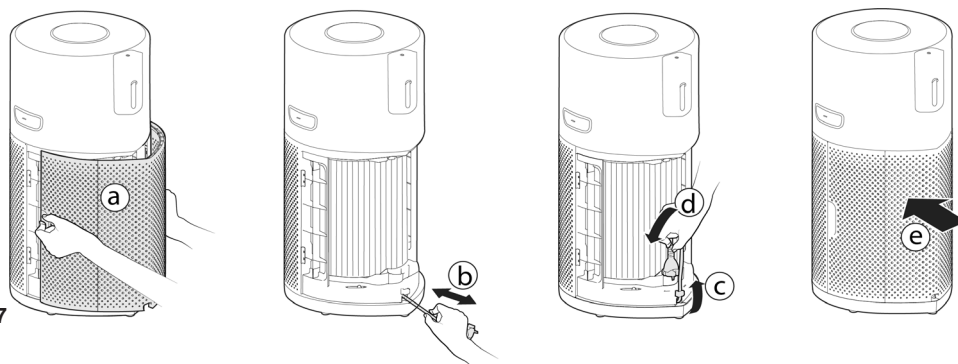


Fig. 17

ALARMER OG LØSNINGER

De følgende koder kan komme frem under brug. [Fig. 18]

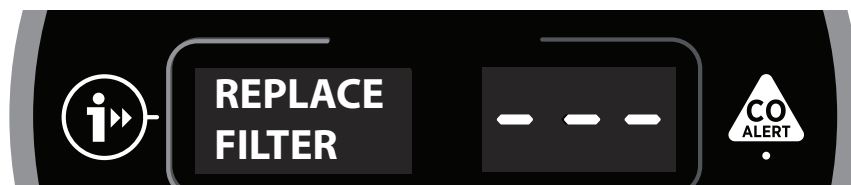


Fig. 18

Fejlbeskrivelse	Fejlbeskrivelse		Fejlløsning
	Alarm på udstyrets kontrolpanel / Display	Alarm på appen	
Rengøringsalarm på filterets yderste lag	Alarm for "RENGØR FILTER" blinker på displayet	Alarm for filterrensning	1.Følg instruktionerne på I/M til at rengøre filterets yderste lag. 2.Nulstil alarmerne.
Alarm for filterudskiftning	Alarm for "UDSKIFT FILTER" blinker på displayet	Alarm for filterudskiftning	1.Følg vejledningen på I/M til udskiftning af filteret. 2.Nulstil alarmerne.
Filter er ikke til stede, eller filter er ikke blevet låst	Alarm for "FILTER MANGLER" blinker på displayet	Filter er ikke til stede, eller filter er ikke blevet låst	1.Hvis filteret ikke er til stede, skal det monteres. 2.Hvis filteret er i dets position, skal det kontrolleres, om filterlåsen er blevet ændret til LÅS status.
Støvsensor defekt: intet signal fra sensor, eller udgangsspændingen overstiger grænseværdien	/	Støvsensor defekt: intet signal fra sensor, eller udgangsspændingen overstiger grænseværdien	Støvsensor fejl eller støvsensorledningen er ikke forbundet korrekt, kontakt venligst kundeservice så det kan blive udbedret.
Motoren har ingen hastighed	/	Motoren har ingen hastighedsfeedback	Motorfejl eller motorledningen er ikke forbundet korrekt, kontakt venligst kundeservice så det kan blive udbedret.
CO Sensor defekt	CO Sensor statuslampe lyser gult	CO Sensor defekt	Alarm: kontakt kundeservice.

PAS PÅ: Hvis disse problemer fortsætter, kontakt da din lokale Hoover repræsentant. DU MÅ IKKE prøve at demontere din H-Purifier på egen hånd.

FEJLFINDING

I det følgende vises en liste over de mest almindelige problemer og løsninger.
Hvis et af disse problemer opstår igen, skal du kontakte den lokale Hoover-repræsentant.

Ventilatoren fungerer ikke (Kontrolpanel / Display Lights on)	<ul style="list-style-type: none"> • Kontroller den alarm der vises på displayet eller i appen. • Kontroller om der er forhindringer i ventilatoren. • Kontroller om H-Purifier er tændt. • Kontroller om filteret er monteret korrekt. • Kontroller om H-Purifier er i en fuld oprejst, vertikal position, og ikke vipper.
Ventilatoren fungerer ikke (Kontrolpanel / Display Lights off)	<ul style="list-style-type: none"> • Kontroller om H-Purifier er tilsluttet strømforsyningen, og tændt. • Kontroller om der er forhindringer i ventilatoren.
Intet lys på kontrolpanelet / Display (Ventilator fungerer)	<ul style="list-style-type: none"> • Kontroller om lysene er blevet slukket, ved at Lyskontrol knappen på kontrolpanelet er blevet aktiveret / Display.
Knapperne på kontrolpanelet / Display do not operate	<ul style="list-style-type: none"> • Kontroller om børnelåsen er blevet aktiveret, ved at trykke og holde børnelåsknappen i 3 sek.
Luftgennemstrømning er svag	<ul style="list-style-type: none"> • Kontroller om den beskyttende emballage på filteret er fjernet. • Kontroller om der er forhindringer i luftindtagets dæksel eller luftudtaget. • Kontroller filterets status på kontrolpanelet / Display or in App for clean or replace warning. • Kontroller om H-Purifier er i dvaletilstand. Ventilatoren fungerer med reduceret effekt i denne tilstand.
Luftrenseren fungerer høj lyd	<ul style="list-style-type: none"> • Kontroller om der er forhindringer i luftudtaget eller ventilatoren. • Kontroller om H-Purifier kører i MAKS. TILSTAND, da luftgennemstrømningen har maksimum effekt i denne tilstand.
Luftrenseren udsender pludselig en høj tone.	<ul style="list-style-type: none"> • Testfunktionen af CO alarmknappen er aktiveret ved en fejl. Lyden vil automatisk stoppe efter 5 sekunder.

VIGTIGE OPLYSNINGER

Hoover-reservedele og -forbrugsvarer

Udskift altid dele med ægte Hoover reservedele. Disse fås fra Hoovers reservedelsforhandler, check www.hoover.dk Når du bestiller dele, skal du altid opgive modelnummer.

Kvalitet

Hoovers fabrikker er blevet vurderet uafhængigt for kvalitet. Vores produkter fremstilles med brug af et kvalitetssystem, der opfylder kravene i henhold til ISO 9001.

Din reklamationsret

Garantibetingelserne for dette apparat er som defineret af vores repræsentant i det land, hvor det er solgt. Oplysninger vedrørende disse betingelser kan indhentes hos den forhandler, apparatet er købt hos. Kvitteringen skal fremvises i forbindelse med ethvert krav under disse garantibetingelser.

Ret til ændringer uden varsel forbeholdes

INSTRUKSJONER FOR SIKKER BRUK

Dette apparatet skal bare brukes til privat husarbeid i tråd med brukerveiledningen. Påse at du er fullstendig inneforstått med denne veiledningen før du bruker apparatet, og behold den for fremtidig bruk.

Slå alltid av apparatet og koble fra støpselet etter bruk samt før apparatet rengjøres eller vedlikeholdes.

Apparatet kan brukes av barn fra 8 år, og av personer med nedsatte fysiske, sanselige eller mentale evner, eller manglende erfaring og kunnskap, dersom de er under oppsyn eller har fått opplæring i sikker bruk av apparatet og forstår farene bruk av apparatet kan medføre. Barn skal ikke leke med apparatet.

Rengjøring og vedlikehold skal ikke utføres av barn uten oppsyn.

Bruken av apparatet må opphøre umiddelbart dersom strømledningen er skadet. Unngå sikkerhetsfarer ved å la en autorisert HOOVER-tekniker skifte ut strømledningen.

Bruk kun tilbehør, forbruksvarer eller reservedeler som anbefales eller leveres av HOOVER.

Ikke fjern støpselet ved å dra i strømledningen.

All bruk av apparatet må opphøre hvis det viser tegn på feilfunksjon.

Produktet skal kun plasseres og brukes på en tørr, stabil og horisontal overflate, for å unngå at den velter.

Hold produktet tørt.

Produktet må aldri vippes eller tømmes mens det er i bruk.

Legg strømledningen slik at ingen kommer til å trekke på eller snuble i den.

Ikke plasser produktet på eller i nærheten av varme overflater, åpen ild eller i direkte sollys.

Ikke la det komme inn vann eller annen væske eller antenkelig vaskemiddel i apparatet, da dette kan føre til elektrisk støt og/eller brannfare.

Ikke rengjør apparatet med vann, annen væske eller et (antennelig) vaskemiddel, da dette kan føre til elektrisk støt og/eller en brannfare.

Ikke spray brannfarlige materialer som insektsmidler eller parfyme rundt apparatet.

Sjekk om strømmen og klassifiseringene på apparatets merke samsvarer med den lokale strømspenningen før du kobler til apparatet.

Ikke blokker luftinntaket eller -uttaket.

Dette apparatet er ikke en erstatning for skikkelig ventilering, regelmessig støvsuging eller bruk av avtrekksvifte/vifte ved matlaging.

Ikke plasser noe oppå apparatet.

Ikke plasser apparatet direkte nedenfor et klimaanlegg, da dette kan føre til at det drypper kondens ned i apparatet.

Pass på at alle filtre er skikkelig installert før du slår på apparatet.

Bare bruk de originale HOOVER-filtrene som er tiltenkt dette apparatet. Ikke bruk andre filtre.

Unngå å dulte borti apparatet (gjelder spesielt luftinntaket og -uttaket) med harde objekter.

Ikke sett inn fingre eller objekter i luftuttaket eller luftinntaket, da dette kan føre til personskaade eller ødelegge apparatet.

Ikke bruk dette apparatet når du har brukt insektsmiddel i røykform innendørs, eller på steder der det er fettrester, brennende røkelse eller kjemisk røyk.

Ikke bruk apparatet i nærheten av gassapparater, varmenheter eller peiser.

Ikke bruk apparatet i et rom med store temperaturforandringer.

Du kan forhindre interferens ved å plassere apparatet minst 2 meter unna elektriske apparater som bruker luftbårne radiobølger, som TV-er, radioer og radiokontrollerte klokker.

Når apparatet står lenge ubrukt, kan det vokse bakterier på filtrene. Kontroller filtrene dersom apparatet står lenge ubrukt. Hvis filtrene er veldig skitne må du bytte dem ut.

Ikke bruk apparatet i våte omgivelser eller i omgivelser med høy romtemperatur, for eksempel badeværelse, toalett eller kjøkken.

Apparatet fjerner ikke karbonmonoksid (CO) eller radon (Rn). Den kan ikke brukes som en sikkerhetsenhet ved uhell med forbrenningsprosesser og farlige kjemikalier.

CO Monitor-funksjonen skal ikke brukes til, og er heller ikke tiltenkt som en erstatning for EN 50291-1 UL-2034, CSA-6.19 eller en annen godkjent og sertifisert karbonmonoksidalarm der det er påkrevd av lokale eller regionale regler eller lover. CO Monitor-funksjonen er bare en tilleggsenhet for overvåkning av karbonmonoksid. Denne enheten brukes på eget ansvar, og det forutsettes at en kjenner til og aksepterer enhetens samsvarsbegrensninger til gjeldende regler og lover.

Ikke plasser apparatet på et av følgende steder:

- På badeværelse eller andre områder der alarmen kan bli utsatt for vannsprut, -drypp eller -kondens (f.eks. over en elektrisk kjele).
- Ved siden av eller rett over varmeovner eller luftingsventiler, dører, vinduer, avtrekksvifter eller andre steder der det kan oppstå trekk.
- Direkte over en vask eller komfyr.
- På et område der temperaturen kan falle under -20°C eller overstige 50°C .
- På et lukket område (f.eks. inni eller under et skap).
- I et fuktig område.
- Der den kan bli obstruert, f.eks. av gardiner eller møbler.
- Der skitt eller støv kan blokkere sensoren.
- I nærheten av maling, fortynningsmiddel, løsemiddeldamp eller luftrensere.

Hvis CO-alarmen aktiveres, må du åpne alle vinduer og dører (hvis det er trygt). Slå av alle brenselapparater hvis mulig, og evakuer eiendommen med åpne vinduer og dører. Skaff medisinsk hjelp umiddelbart for personer som rammes av karbonmonoksidforgiftning. Ikke gå tilbake til eiendommen før alarmen stopper. Alarmen stopper så snart CO-en er borte. Ikke bruk brenselapparater igjen før CO-kilden er lokalisert og rettet opp av en kvalifisert tekniker.

CO Monitor aktiveres ved å sette støpselet i en stikkontakt. CO-sensorens indikasjonslampe lyser grønt. Når CO Monitor oppdager utrygge CO-nivåer, begynner CO-alarmen å ringe høyt og CO Alert-knappen og O-ringlampen å blinke rødt. Alarmen fortsetter signaliseringen inntil den registrerte CO-en reduseres til et trygt nivå.

Unngå å bruke maling, fortynningsmidler, løsemiddeldamp, luftrensere, aerosolsprayer eller kjemiske rengjøringsmidler i nærheten av apparatet. Dette kan påvirke funksjonen av CO Monitor.

Ikke la små barn holde inne CO Alert-knappen i 3 sekunder da dette fører til høy støy når alarmen ringer.

Hold inne [CO Alert] knappen i 3 sekunder for å teste CO-alarmfunksjonen, og alarmen begynner å ringe høyt i 5 sekunder. Test alarmen månedlig og etter langvarige bortreiser fra bygningen (f.eks. ferier). Hvis alarmen ikke ringer etter du har holdt inne [CO Alert] knappen i 3 sekunder kan du kontakte Hoovers kundesenter for å få en kvalifisert tekniker til å reparere feilen.

Hvis displayet viser at det er feil på CO-sensoren eller at den har nådd slutten av sitt livsløp, kan du kontakte Hoovers kundesenter for å få en kvalifisert tekniker til å skifte ut CO-sensoren. Den forventede levetiden av CO-sensoren er 5 år og må skiftes ut etter denne tiden.

Bruksfuktighet: 15 – 90% RH

Brukstemperatur: 0°C til $+40^{\circ}\text{C}$

Når det registrerte CO-nivået blir for høyt, blinker [CO Alert] knappen og [Luftkvalitet LED Ring] rødt (2 Hz). Samtidig ringer alarmen høyt (85~110 dB(A)) og kontinuerlig. Alarmen stopper ikke før CO-konsentrasjonen faller under alarmterskelen.

Karbonmonoksid påvirker kroppen ved å stoppe (kvele) kritiske oksygenorganer. Når CO inhaleres binder det seg til hemoglobin i blodet som normalt bærer oksygen rundt i kroppen. CO forhindrer evnen oksygenmolekylene har til å binde seg til hemoglobin, hvilket reduserer oksygentilførelsen til vitale organer. Konsentrasjonsnivået og tiden en er utsatt for CO kan ha varierende effekt på kroppen, men eksperter er enige om at selv lav eksponering av karbonmonoksid over lengre perioder kan ha alvorlige og langvarige effekter på folks allmennhelse.

ADVARSEL: CO ALARM ER UTFORMET FOR Å BESKYTTE PERSONER FRA DE AKUTTE EFFEKTENE AV KARBONMONOKSID-EKSPONERING, ELLER FORHINDRE KRONISKE EFFEKTER AV KARBONMONOKSID-EKSPONERING. DEN VIL IKKE VÆRE FULLSTENDIG BESKYTTENDE FOR PERSONER MED SPESIFIKKE HELSEPROBLEMER. HVIS DU ER I TVIL BØR DU KONTAKTE EN LEGE.

Dette apparatet skal ikke brukes som en erstatning for skikkelig montering, bruk og vedlikehold av brenselapparater, inkludert skikkelig ventilasjon og luftesystemer.

The CO monitor mobile and tablet notifications require a functional Wi-Fi connection to operate. De er ikke en erstatning for en tredjeparts nødovervåkningstjeneste.

Bare bruk aromaolje som er anbefalt eller levert av HOOVER.

Unngå bruk av frittstående luftfukter ved siden av luftrenseren når diffuserfunksjonen til H-Essence er i bruk.

Tørk opp eventuelt søl av H-Essence med en gang. Sørg for å rengjøre hvert hjørne av produktet som hadde kontakt med H-Essence.

HOOVER-service: For å sikre at apparatet fortsetter å fungerer på en trygg og effektiv måte, anbefaler vi at service- og reparasjonsarbeid kun utføres av autoriserte HOVER-teknikere.

Miljøet

Dette apparatet er merket i henhold til EU-direktiv 2011/65/EC om elektrisk avfall og elektronisk utstyr (WEEE). Ved å sørge for at dette produktet avhendes på riktig måte, bidrar du til å forhindre eventuelle negative konsekvenser for miljø og menneskelig helse, som ellers kunne ha blitt forårsaket av uriktig avfallshåndtering av dette produktet.

Symbolet på dette apparatet indikerer at det ikke kan betraktes som husholdningsavfall. Ved avhending må apparatet overleveres til en egnet miljøstasjon for resirkulering av elektrisk og elektronisk utstyr. Avhendingen må gjennomføres i samsvar med lokale miljøforskrifter for avfallshåndtering. Du kan få mer detaljert informasjon om avfallsbehandling, gjenvinning og resirkulering av dette apparatet ved å ta kontakt med vårt nærmeste lokalkontor, renovasjonsetaten eller forretningen du kjøpte apparatet hos.

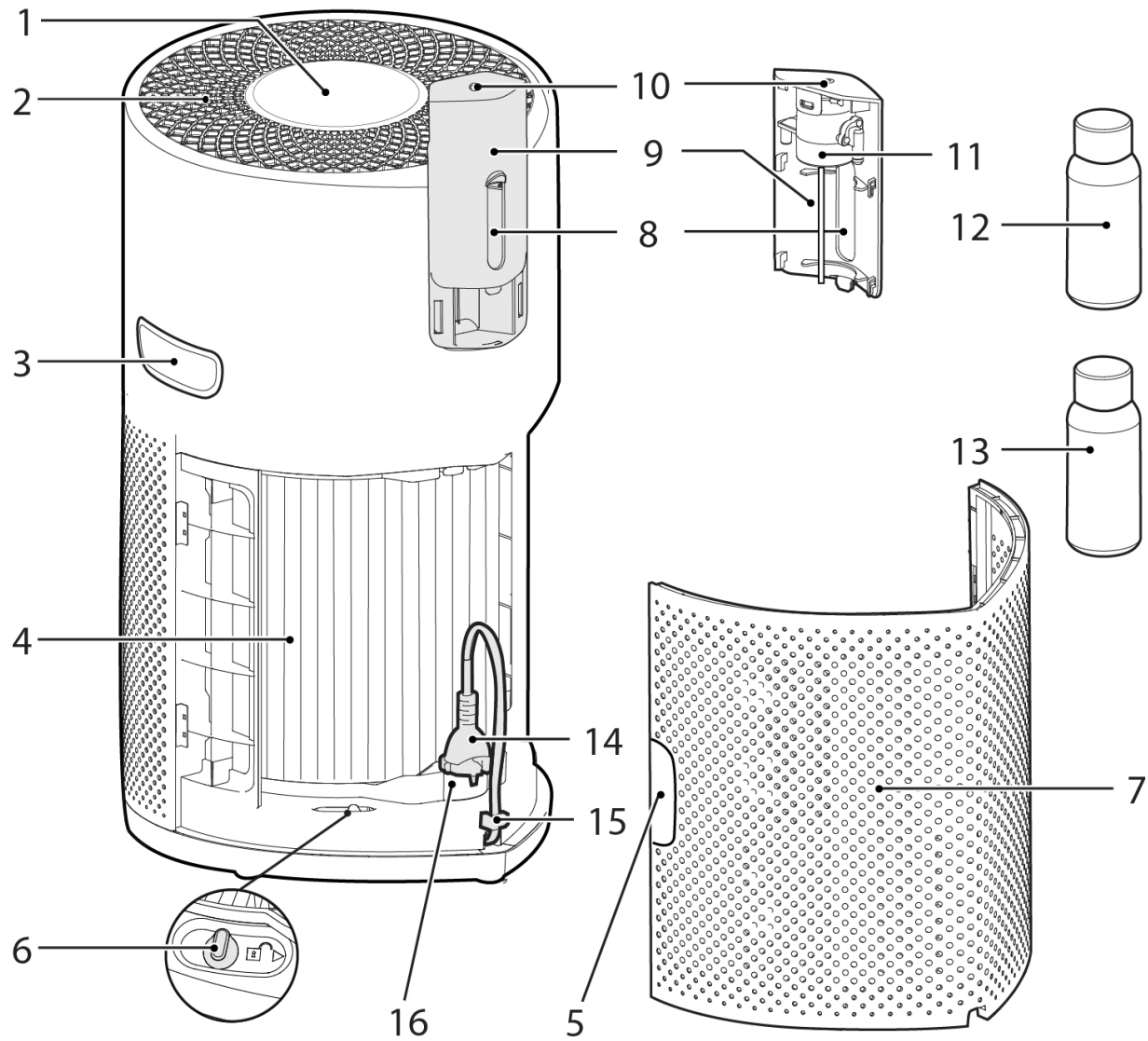


Frekvensbånd	2400Mhz ~ 2483.5Mhz
Maksimal RF-effekt som avgis i frekvensbåndet	18.9 dBm

C E Dette apparatet er i overensstemmelse med EU-direktivene 2014/53/EU, 2014/30/EU og 2011/65/EU. Hvis du vil motta en kopi av samsvarserklæringen, kan du kontakte produsenten via www.candy-group.com

CANDY HOOVER GROUP S.r.l. Via Privata Eden Fumagalli, 20861 Brugherio (MB) Italy

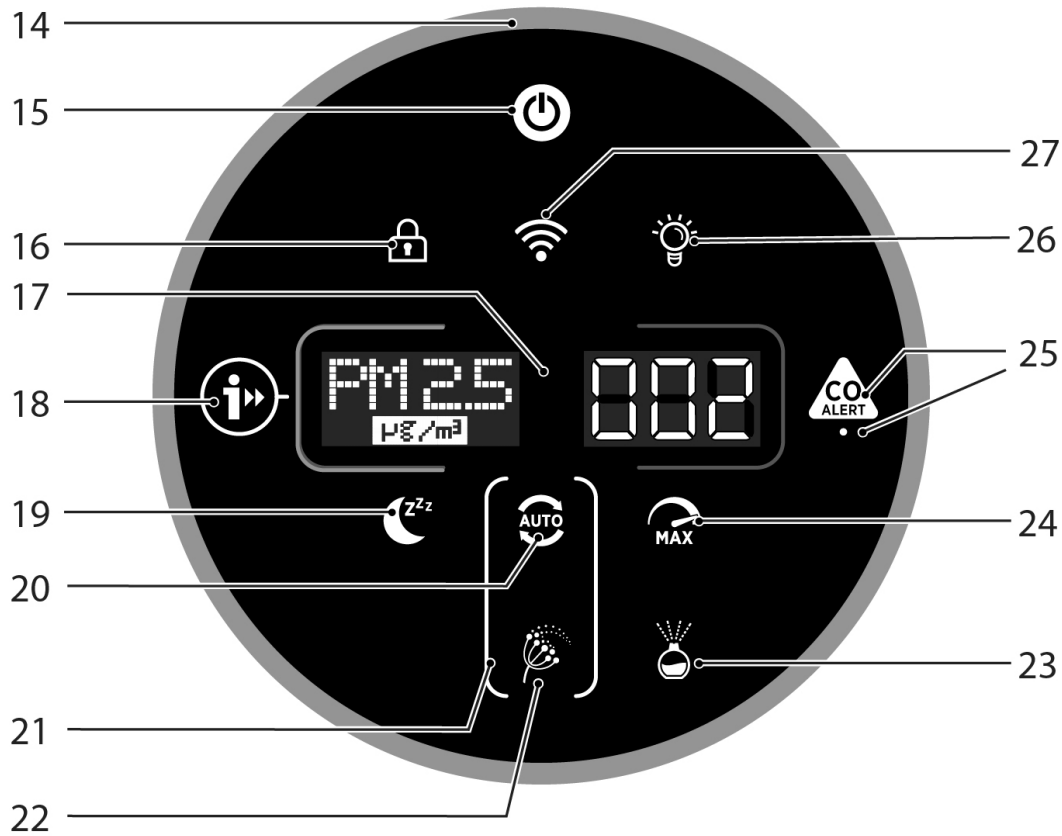
BLI KJENT MED H-PURIFIER



1	Kontrollpanel / Skjerm
2	Luftuttak
3	Produktbærehåndtak
4	Filtersamling
5	Dekselhåndtak for luftinntak

6	Filterutløsningsknapp
7	Luftinntaksdeksel
8	Diffuservindu
9	Diffuserdeksel
10	Diffuseruttak
11	Diffuserenhet

12	H-Essence-flaske (Grønn)
13	H-Biotics-flaske (Brun)
14	Strømkabel og -støpsel
15	Lagringskrok
16	Transportplassering



14	Luftkvalitet LED Ring
15	Av/på-knapp
16	Barnesikringsknapp
17	Digitalt display
18	Informasjonsknapp

19	Sovemodusknapp
20	Automodusknapp
21	Pollenallergi-sirkellampe
22	Pollenallergilampe
23	Diffuserknapp

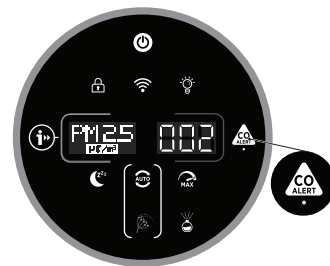
24	Maksmodusknapp
25	CO Alert-knapp og LED
26	Lyskontrollknapp
27	Wi-Fi Button

Multi Sensor Monitoring System

Thanks to the Multi Sensor Monitoring System your product will continuously monitor the indoor air condition in terms of PM10, PM2.5, Volatile Organic Compounds (GAS), and Carbon Monoxide concentration (CO).

Each time you switch your product on, the Multi Sensor Monitoring system will start analyzing the indoor air and the Luftkvalitet LED Ring will illuminate with different colors representing real time air quality conditions.

Luftkvalitet LED Ringfarge	Innendørs luftkvalitet
GRØNN	UTMERKET
GUL	SATISFACTORY
ORANSJE	DÅRLIG
RØD	SVÆRT DÅRLIG



Konsentrasjonsovervåking og alarm for karbonmonoksidkonsentrasjon

H-Purifier overvåker kontinuerlig innendørs luften for karbonmonoksid (CO). Produktet er utstyrt med et varslingsystem.

Når karbonmonoksidalarmen er aktivert, begynner Luftkvalitet LED Ring, informasjonen og CO Alert-knappen å blinke samtidig, og en lydalarm går av. Alarmen fortsetter frem til konsentrasjonen av karbonmonoksid (CO) er redusert til under 50 ppm med mindre den slås av manuelt ved å holde inne CO Alert-knappen i 3 sekunder.

Denne CO Alert-LED-lampen viser driftstilstanden til CO-sensoren. Den lyser grønt når CO-sensoren er i normal stand, gult når det er en feil på sensoren eller den har passert levetiden sin.

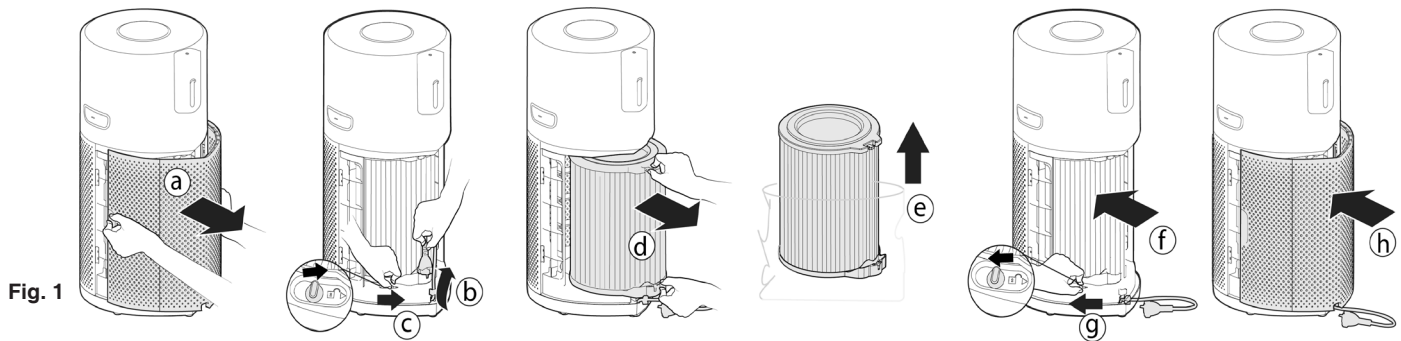
Du kan teste om alarmen fungerer riktig ved å trykke på CO-alarmknappen i tre sekunder. Det avgis en høy summelyd i fem sekunder hvis alarmen fungerer riktig.

KLARGJØR H-PURIFIER

1. Filtersamling [Fig. 1]

Før du bruker H-Purifier-produktet må du fjerne filteret fra den beskyttende emballasjen:

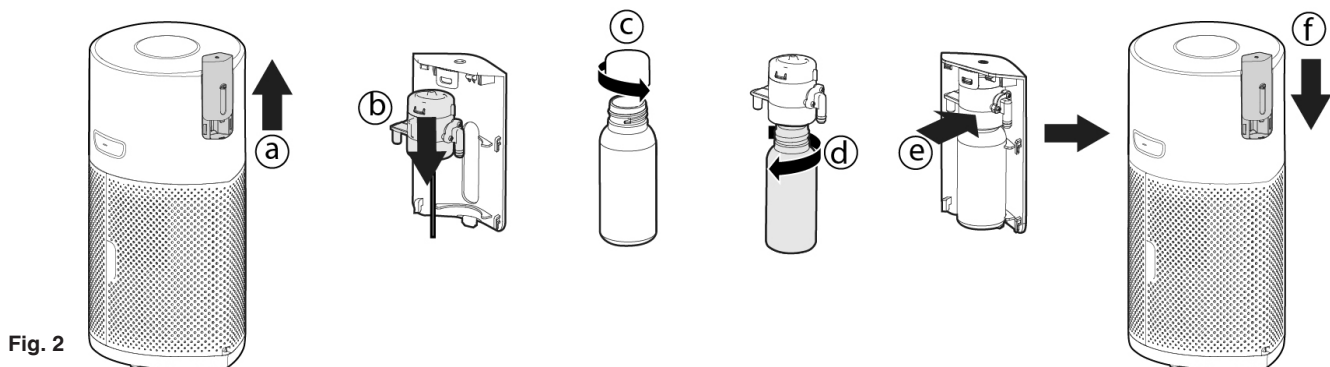
- Fjern luftinntaksdekelet fra produktet, grip de to dekselhåndtakene for luftinntaket og trekke den fra produktet. [Fig. 1a]
- Ta støpselet ut av transportplasseringen og frigjør kabelen fra oppbevaringskroken. [Fig. 1b]
- Lås opp filterutløsningsbryteren. [Fig. 1c]
- Fjern filteret fra produktet og fjern den ytre emballasjen. [Fig. 1d,e]
- Sett filteret på produktet igjen. [Fig. 1f]
- Lås filterutløsningsbryteren. [Fig. 1g]
- Fest luftinntaksdekelet på produktet igjen. [Fig. 1h]



2. Monter diffuserflasken [Fig. 2]

Slik klargjør du H-Purifier-produktet for diffuserfunksjonen:

- Fjern diffuserdekelet fra produktet. [Fig. 2a]
- Fjern diffuserenheten fra diffuserdekelet. [Fig. 2b]
- Fjern flasken med H-Essence eller H-Biotics fra emballasjen og fjern lokket. [Fig. 2c]
- Skru flasken godt på diffuserenheten. [Fig. 2d]
- Fest diffuserenheten på diffuserdekelet igjen. [Fig. 2e]
- Fest diffuserdekelet på produktet igjen. [Fig. 2f]



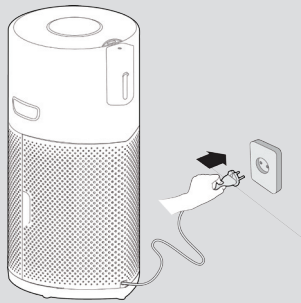


Fig. 3

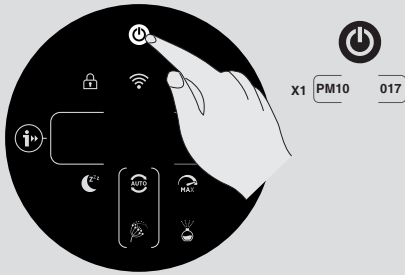


Fig. 4



Fig. 5

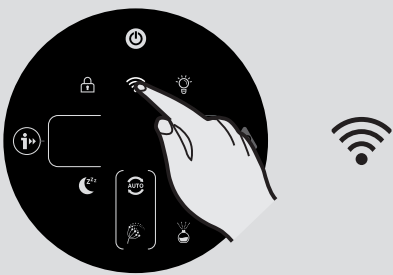


Fig. 6

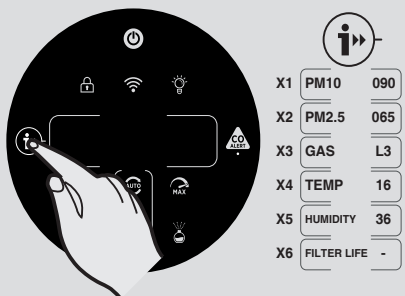


Fig. 7

BRUK AV H-PURIFIER

Plugg inn produktet [Fig. 3]:

Dra ut strømledningen fra ledningsrullen og sett den inn i en strømforsyning. Alle lampene på kontrollpanelet / Display will fully illuminate for approximately 1 second to indicate a succesful plug in.

The POWER button will be dimly lit and the CO sensor light will be ON to indicate that the Multi Sensor Monitoring System has started working to monitor the indoor Carbon Monoxide level.

Slå på produktet [Fig. 4]:

Du kan slå på produktet ved å trykke på STRØM-knappen på displayet. Luftkvalitet LED Ring lyser gjennom alle fargene i sekvens mens sensorene analyserer luftforholdene i sanntid. Etter et par sekundere velger Luftkvalitet LED Ring fargen som samsvarer med luftkvaliteten for tiden.

H-Purifier-produktet går umiddelbart inn i AUTOMODUS og begynner å rense luften innendørs. AUTOMODUS-knappen, INFORMASJON-knappen, LYSKONTROLL-knappen og PM10-informasjon på displayet lyser opp.

Følgende funksjoner er tilgjengelig via displayknappene:

- Press the Wi-Fi button to turn on/off remote access.
- Trykk på INFORMASJON-knappen for å se all overvåkingsdata.
- Trykk på AUTO, MAKS eller SOVE-knappene for å velge rensmodus.
- Velg LYSKONTROLL-knappen for å angi lysstyrken på displaylampene.
- Trykk på BARNESIKRING-knappen for å deaktivere alle knappene på kontrollpanelet/displayet.
- Trykk på DIFFUSER-knappen for å aktivere funksjonen.
- Trykk på STRØM-knappen for å slå av luftrenseren.

Pairing to Wi-Fi:

Hvis du vil bruke H-Purifier-funksjonene hvor enn du er, anbefales det at du laster ned hOn-appen. Der vil du kunne kontrollere produktet på mest effektivt vis.

Instruksjoner:

1. Last ned hOn-appen fra App Store eller Google Play. [Fig. 5]
2. Åpne appen, opprett en konto med e-posten din og et passord.
3. Bekreft innlogging.
4. Ensure your mobile device is connected to Wi-Fi.
5. Logg på hOn-appen.
6. Press and hold the Wi-Fi button on the display for 5 seconds, there will an audible beep and the Wi-Fi button will start flashing to indicate it is waiting for a connection. [Fig. 6]
7. Følg instruksjonene i appen for å koble mobilenheten til produktet.
8. When successfully paired, the Wi-Fi button on the product will remain illuminated.
9. To reset the Wi-Fi, press & hold the Wi-Fi button for 5 Secs.

Trådløse parametre for paring

Teknologi	Wi-Fi	Bluetooth
Standard	IEEE 802.11 b/g/n	Bluetooth v4.2, BR/EDR, BLE
Frekvensbånd (MHz)	2401 ~ 2483	2402 ~ 2480
Maksimal strømstyrke (mW)	100	10

INFORMASJON-funksjon [Fig. 7]:

Det er 6 ulike datasett som kan overvåkes:

PM10, PM2.5, GAS, Temperatur, Fuktighet og Filterstatus.

Angi hvilke verdi du vil overvåke ved å trykke på INFORMASJON-knappen flere ganger.

Som standard viser displayet PM10-data. Maskinen vil huske brukerens forrige valg og beholde dette valget neste gang produktet slås på.

GAS-dataene viser en spinnende musepeker i løpet av de første tre minuttene etter at produktet er slått på mens GAS-sensoren utfører en kalibreringszyklus.

Mer informasjon om PM 2.5, PM 10 og GAS:

PM indikerer fine partikler (ikke synlige for menneskets øye) som hovedsakelig kommer fra utendørs forurensning som kjøretøy og industrielle utslipp, som er farlige for helsen vår ved langvarig eksponering.

PM 10 har en størrelse opptil 10 µm og kan treng gjennom øvre luftveier (nese, luftrør, svelg).

PM 2.5 har en størrelse opptil 2,5 µm, og på grunn av den lille størrelsen kan de nå lungene og dermed

trengte dypere inn i kroppen.

GAS VOC (flyktige organiske forbindelser) er flyktige kjemiske forbindelser som lett kan fordampe i luften ved romtemperatur. Deodoranter, vaskemidler, lim, klebemiddel, kosmetikk og formaldehyd er bare noen av VOC-ene som kan være til stede i hjemmene våre, men som er potensielt skadelige for helsen vår ved langvarig eksponering.

MODUS-funksjoner:

Det er 3 tilgjengelige luftrensmoduser på displayet: AUTOMODUS, MAKSMODUS OG SOVEMODUS. Automodus er standardinnstillingen for produktet ditt når du slår det på. Alle moduser kan velges manuelt ved å trykke på samsvarende knapp på displayet.

POLLENALLERGI-modus kan aktiveres via hOn-appen.

AUTOMODUS [Fig. 8]:

Dette er standard modus for H-Purifier-produktet når det først slås på. I automodus justerer H-Purifier automatisk viftehastigheten etter det faktiske luftkvalitetsnivået innendørs for å alltid garantere optimal luftrensing.

Dette er den anbefalte innstillingen for produktet.

In AUTO mode, after 30 minutes of excellent air quality, your product will enter an **ECO** mode by pausing the purifying function, the Multi Sensor Monitoring System will continue to analyse the indoor air and automatically switch on the purifying function when required.

MAKSMODUS [Fig. 9]:

Trykk på MAKS-modusknappen på displayet for å aktivere den kraftigste luftrenningsinnstillingen. Du kan avslutte MAKS-modus ved å velge AUTO-modus eller SOVE-modus.

SOVEMODUS [Fig. 10]:

Trykk på SOVE-modus for å aktivere luftrensingen på lavest og stillest effekt. SOVE-modusknappen lyser svakt og alle andre displaylamper slås av. Dette kan endres ved å trykke på LYSKONTROLL-knappen.

POLLENALLERGI-MODUS: [Fig. 11]

Pollenallergi-modus kan bare aktiveres via hOn-appen. Du må aktivere og registrere en profil i appen før du kan opprette en pollenallergi-profil.

Pollenallergi-modusen fungerer bare når AUTOMODUS er valgt. [Fig. 11c]

I pollenallergi-modus mottar apparatet kontinuerlig data i sanntid fra appen om den registrerte pollenkonsentrasjonen utendørs, og jobber automatisk for å maksimere pollenoppfangingen.

Så snart pollen fanges opp, vil de deaktiveres for å lindre allergiske reaksjoner.

Når pollenallergi-modusen er aktivert i appen, er det 2 mulige varslingslamper på produktdisplayet:

- Pollenallergilampen er **HVIT** [Fig. 11a]: Apparatet og appen overvåker tilstedeværelsen av pollen utendørs, og det er ingen risiko.

- Pollenallergilampen blir **GUL** [fig. 11b] og pollenallergi-sirkellampen er **HVIT** [Fig. 11a]: Apparatet og appen har oppdaget en risiko.

Hvis produktet settes manuelt i SOVE-modus eller MAKS-modus mens pollenallergi-modus er aktivert, avsluttes pollenallergi-modus.

LYSKONTROLL-funksjon: [Fig. 12]

Det er 3 tilgjengelige innstillinger for displaylysene: på, dimmet og av.

Du kan justere lysstyrken på displaylysene ved å trykke på LYS-knappen på displayet, og veksle mellom de 3 tilgjengelige alternativene. PÅ er standardinnstillingen.

Hvis AV er valgt, må en annen knapp trykkes to ganger for å aktiveres. Etter ett trykk blir lampene DIMMET, etter det andre trykket blir handlingen aktivert.

BARNESIKRING-funksjon: [Fig. 13]

Trykk og hold inne BARNESIKRING-knappen i 3 sekunder for å aktivere. Det kommer et lydsignal når den er aktivert, og BARNESIKRING-knappen fortsetter å lyse. Ingen andre knapper fungerer når den er aktivert.

Du kan avslutte ved å trykke og holde inne BARNESIKRING-knappen i 3 sekunder. Et lydsignal bekrefter at den er slått av og knappen slutter å lyse.

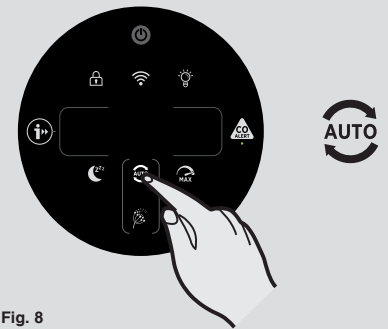


Fig. 8

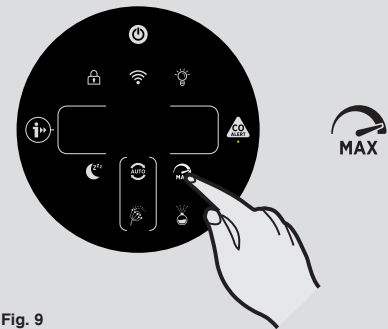


Fig. 9



Fig. 10

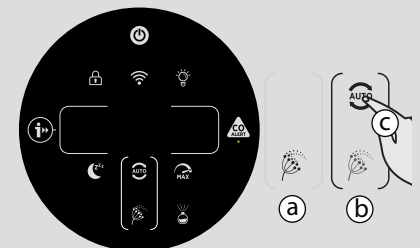


Fig. 11

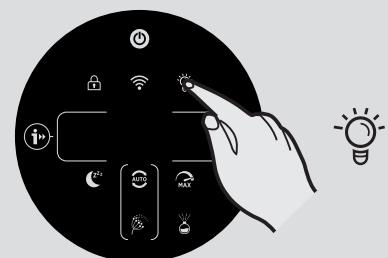


Fig. 12

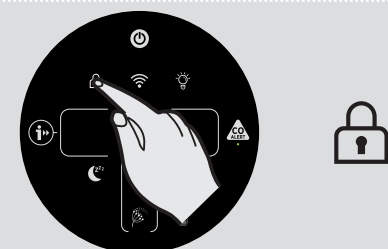


Fig. 13

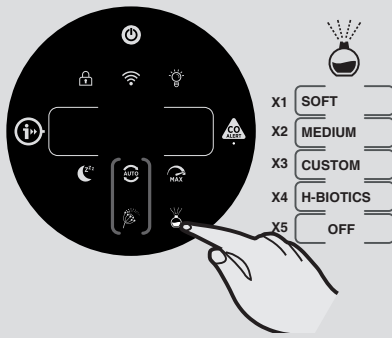


Fig. 14

Diffuserfunksjon: [Fig. 14]

Diffuseren sprer ut H-Essence eller H-Biotics i luften. H-Essence er Hoovers samling av essensielle oljer som kan frigjøres i luften for en god duft.

H-Biotics er naturlig blanding basert på probiotika som holder rommet bio-hygienisk ved å begrense veksten av mikroorganismer som bakterier eller mikrober.

There are 4 different settings for the DIFFUSER function, MILD, MIDDELS, EGENDEFINERT & H-BIOTICS. To activate this function simply press the Diffuser button on the Skjerm, the default setting for this function is MILD, to select any of the other settings simply consecutively press the button to change to the desired selection. Knappen lyser hvitt når den er påslått.

Det anbefales å bruke innstillingene MILD og MIDDELS for H-Essence.

Du kan opprette en egendefinert innstilling i hOn-appen for H-Essence.

Når du bruker H-Biotics, **MÅ** innstillingen angis til H-Biotics. Once user activates H-Biotics using the APP, this will give an alert of "ACTIVATE H-BIOTICS" after 120 hours to ensure the H-biotics usage of every 5 days.

Diffuserfunksjonen kan bare brukes i AUTO- og MAKS-modus, og ikke i SOVE-modus.

Når diffuserfunksjonen aktiveres i AUTO-modus, jobber hovedviften i en spesifikk hastighet for å bidra til å spre H-Essence eller H-Biotics i rommet.

Innstilling	Pumpe på	Pumpe av	Syklus
MILD	10 sek	300 sek	Slås av etter 6 timer
MIDDELS	90 sek	120 sek	Slås av etter 6 timer
EGENDEFINERT	Brukerdefinert	Brukerdefinert	Slås av etter 6 timer
H-BIOTICS	120 sek	120 sek	Slås av etter 6 timer

Du kan slå av funksjonen ved å trykke på diffuserknappen frem til knapplyset slår seg av.

Etter hver bruk av diffuserfunksjonen bør du bruke en tørr, myk klut til å tørke av eventuelle rester fra produktoverflatene.

Gå til «Vedlikeholde H-Purifier» for instruksjon om bytting av flasken i diffuserenheten.

VEDLIKEHOLDE H-PURIFIER

VIKTIG: APPARATET MÅ TIL ENHVER TID KOBLES FRA STRØMFORSYNINGEN VED UTFØRELSE AV VEDLIKEHOLD.

FILTERRENS / UTSKIFTNING

H-Purifier overvåker tilstanden på filteret. En varsel om «RENS ELLER BYTT FILTER» dukker opp på venstre side av displayet, og en lampe blinker for å indikere at filteret må renses eller byttes ut.

Rengjøring / Bytte filter: [Fig. 15]

- Fjern luftinntaksdekelet fra produktet. [Fig. 15a]
- Lås opp filterutløsningsbryteren. [Fig. 15b]
- Fjern filteret fra produktet. [Fig. 15c]
- Bruk en støvsuger til å rengjøre det ytre nettet på filtersamlingen eller bytt den med et NYTT filter. [Fig. 15d]
- Fest filtersamlingen på produktet igjen. [Fig. 15e]
- Lås filterutløsningsbryteren. [Fig. 15f]
- Fest luftinntaksdekelet på produktet igjen. [Fig. 15g]
- Koble apparatet til strømforsyningen og slå det på. [Fig. 4]
- Trykk på INFORMASJON-knappen og følg instruksjonene for å tilbakestille filterrens-funksjonen ved å holde inne knappen i 3 sekunder. Et lydssignal bekrefter utført tilbakestilling. [Fig. 7]

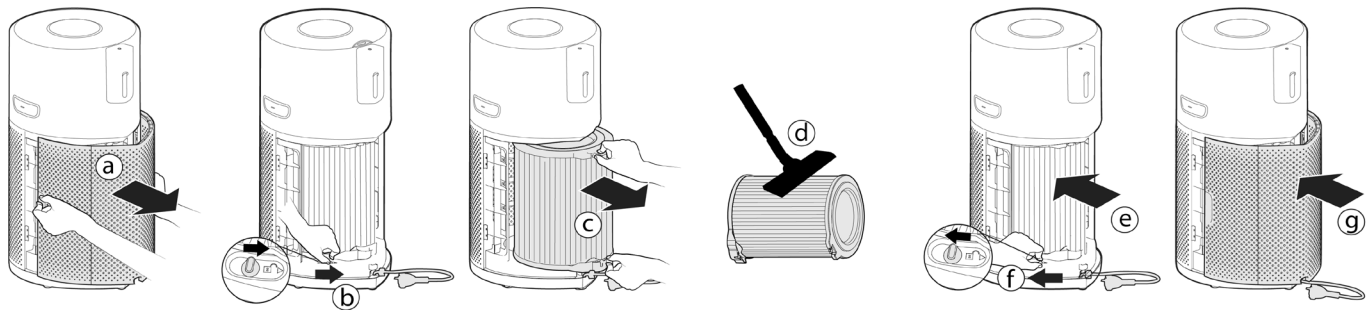


Fig. 15

VEDLIKEHOLD AV DIFFUSER

Etter hver bruk av diffuserfunksjonen bør du bruke en tørr, myk klut til å tørke av eventuelle rester fra produktoverflatene.

Utskiftning av diffuserflaske: [Fig. 16]

Volumet av væske som ligger igjen i flasken kan kontrolleres gjennom diffuservinduet. Flasken bør byttes ut etter behov.

- Fjern diffuserdekelet fra produktet. [Fig. 16a]
- Fjern diffuserenheten og flasken fra diffuserdekelet. [Fig. 16b]
- Skru løs og fjern den tomme flasken og avhend den. [Fig. 16c]
- Fjern den nye med H-Essence eller H-Biotics fra emballasjen og fjern lokket. [Fig. 16d]
- Skru den nye flasken godt på diffuserenheten. [Fig. 16e]
- Fest diffuserenheten på diffuserdekelet igjen. [Fig. 16f]
- Fest diffuserdekelet på H-Purifier igjen. [Fig. 16g]

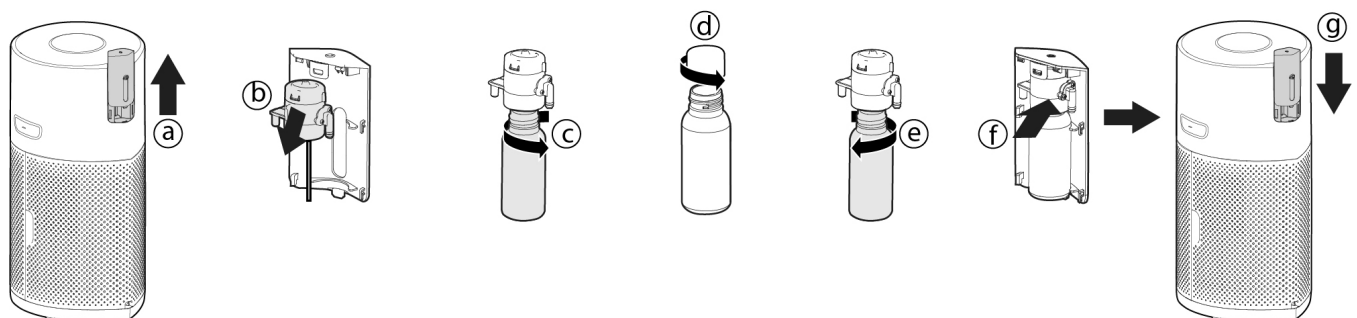


Fig. 16

OPPBEVARING AV H-PURIFIER

1. Slå av luftrensere og ta den ut av stikkontakten.
2. Rengjør alle innvendige og utvendige overflater på luftrensere og det eksterne nettet på filteret.
3. Fjern flasken fra diffuseren. Fest det opprinnelige lokket på flasken og oppbevar den slik at den er beskyttet fra direkte lys. Rengjør overflatene fra diffuserenheten og diffuserdekslet. Sørg for at det ikke er noen rester av H-Essence på noen av luftrensersens overflater.
4. Påse at alle komponentene er tørre.
5. Remove the Luftinntaksdeksel [Fig. 17a] and Reel in the power cord by pulling on the cord [Fig. 17b] and fit the cord into the storage hook and fit the plug into the transport location. [Fig. 17c,d] Fest luftinntaksdekslet igjen [Fig. 17e]
6. Oppbevar luftrensere på et kjølig og tørt sted.

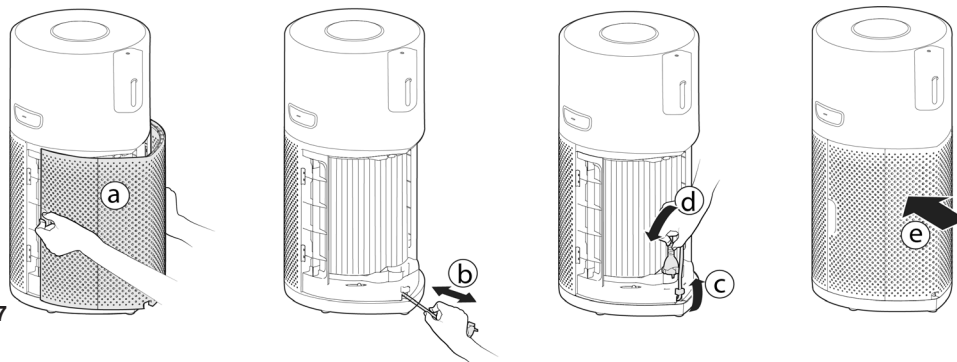


Fig. 17

VARSLINGER OG LØSNINGER

Følgende koder kan dukke opp under bruk. [Fig. 18]

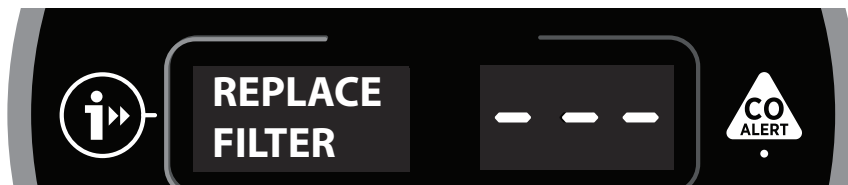


Fig. 18

Beskrivelse av feil	Beskrivelse av feil		Løsning på feil
	Varsling på produktets kontrollpanel / Skjerm	Varsling på appen	
Filterrengjøringsvarsel på ytre lag	Varsling om «RENS FILTER» blinker på displayet	Varsling om filterrens	1.Følg instruksjonene i I/M for å rense filteret på det ytre laget. 2.Tilbakestill varslingen.
Varsling om filterbytte	Varsling om «BYTT FILTER» blinker på displayet	Varsling om filterbytte	1.Følg veiledning i I/M for å bytte filteret. 2.Tilbakestill varslingen.
Filter ikke til stede eller filter ulåst	Varsling om «FILTER MANGLER» blinker på displayet	Filter ikke til stede eller filter ulåst	1.Hvis filteret ikke er til stede, må du sette det på igjen. 2.Hvis filteret er i posisjon, må du se om filterfanen har blitt byttet til LÅST status.
Funksjonsfeil på støvsensor: ingen signal fra sensor, eller utgangsspenning overskrider grenseverdien	/	Funksjonsfeil på støvsensor: ingen signal fra sensor, eller utgangsspenning overskrider grenseverdien	Støvsensor fungerer ikke eller støvsensorkabel er ikke godt nok tilkoblet. Ring servicesenter for feilretting.
Motor ingen fart	/	Motor ingen tilbakefart	Motor fungerer ikke eller motorkabel er ikke godt nok tilkoblet. Ring servicesenter for feilretting.
Funksjonsfeil på CO-sensor	CO-sensorens statuslampe lyser gult	Funksjonsfeil på CO-sensor	Varsling: må ringe service.

VÆR OPPMERKSOM: Hvis noen av disse problemene vedvarer, kontakt din lokale Hoover-representant. IKKE prøv å demontere H-Purifier selv.

FEILSØKING

Nedenfor er en liste over typiske problemer man møter, og løsninger på disse.

Hvis noen av disse problemene vedvarer må du kontakte din lokale Hoover-representant.

Viften fungerer ikke (Kontrollpanel / Display Lights on)	<ul style="list-style-type: none"> • Sjekk varslingen som vises på displayet eller i appen. • Sjekk om det er noen obstruksjoner i viften. • Kontroller at H-Purifier er påslått. • Sjekk om filteret er feilaktig installert. • Kontroller at H-Purifier står helt oppreist i vertikal posisjon og ikke er på skakke.
Viften fungerer ikke (Kontrollpanel / Display Lights off)	<ul style="list-style-type: none"> • Kontroller at H-Purifier er plagget inn og påslått. • Sjekk om det er noen obstruksjoner i viften.
Ingen lys på kontrollpanelet / Skjerm (Viften fungerer)	<ul style="list-style-type: none"> • Kontroller at lysene ikke er slått av ved å trykke på lyskontrollknappen på kontrollpanelet / Skjerm.
Knapper på kontrollpanelet / Display do not operate	<ul style="list-style-type: none"> • Sjekk om barnesikringen er aktivert ved å trykke og holde inne barnesikringsknappen i 3 sekunder.
Luftstrømmen er svak	<ul style="list-style-type: none"> • Kontroller at den beskyttende emballasjen har blitt fjernet fra filteret. • Sjekk om det er noen obstruksjoner i luftinntaksdekselet eller luftuttaket. • Kontroller filterstatus på kontrollpanelet / Display or in App for clean or replace warning. • Kontroller at H-Purifier er i sovemodus. Viften går på lavere effekt i denne modusen.
Luftrensere lager mye støy	<ul style="list-style-type: none"> • Sjekk om det er noen obstruksjoner i luftinntaket eller viften. • Sjekk om H-Purifier kjører i MAKS-modus, da luftstrømmen er kraftigst i denne modusen.
Luftrensere avgir plutselig en høy summelyd.	<ul style="list-style-type: none"> • Testfunksjonen til CO-alarmknappen er aktivert utilsiktet under betjening. Lyden stopper automatisk etter fem sekunder.

VIKTIG INFORMASJON

Reservedeler og tilbehør fra Hoover

Bruk alltid originale deler fra Hoover. Disse er tilgjengelige fra din lokale Hoover-forhandler eller direkte fra Hoover. Når du bestiller deler, må du alltid oppgi modellnummeret ditt.

Kvalitet

Hoovers fabrikker har blitt uavhengig kvalitetsvurdert. Våre produkter produseres ved å bruke et kvalitetssystem som er i samsvar med ISO 9001.

Din garanti

Garantibetingelsene for dette apparatet er som definert av vår representant i det landet der det ble solgt. Detaljer vedrørende disse betingelsene fås fra forhandleren der apparatet ble kjøpt. Salgskvitteringen må fremvises ved fremsetting av krav under betingelsene i denne garantien..

Kan endres uten forvarsel.

INSTRUKTIONER FÖR SÄKER ANVÄNDNING

Den här apparaten ska endast användas för privata hushåll, som beskrivs i denna bruksanvisning. Se till att du förstår den här guiden innan du använder apparaten och att den förvaras för framtida referens.

Stäng alltid av apparaten och dra ut kontakten ur vägguttaget efter användning eller innan rengöring av produkten eller utföring av en underhållsåtgärd.

Den här apparaten kan användas av barn från 8 års ålder och personer med en nedsatt fysisk, sensorisk eller mental förmåga och som inte har den erfarenhet och kunskaper som behövs, förutsatt att de övervakas eller har fått instruktioner om hur apparaten används på ett säkert vis och förstår riskerna som är involverade. Barn får inte leka med apparaten.

Rengöring och underhåll som användaren ska utföra, får inte göras av barn utan överinseende. Om nätsladden är skadad, sluta då omedelbart att använda produkten. För att undvika en säkerhetsrisker, måste en auktoriserad servicetekniker från HOOVER byta nätsladden.

Använd endast tillbehör, förbrukningsartiklar eller reservdelar som rekommenderas eller levererats av HOOVER.

Ta inte bort kontakten genom att dra i nätsladden.

Fortsätt inte att använda apparaten om den verkar defekt.

Placera och använd produkten endast på en torr, stabil, jämn horisontell yta, så att den inte kan falla.

Håll produkten torr.

Luta eller töm aldrig produkten under drift.

Placera nätsladden så att ingen kommer att gå på eller snubbla över den.

Placera inte produkten på heta ytor, nära heta ytor, nära öppen eld eller i direkt solljus.

Låt inte vatten eller något annat flytande eller brandfarligt rengöringsmedel komma in i apparaten för att undvika elektrisk stöt och/eller brandrisk.

Rengör inte apparaten med vatten eller något annat flytande (brandfarligt) rengöringsmedel för att undvika elektrisk stöt och/eller brandrisk.

Spruta inte brandfarliga material som insektsmedel eller parfym runt apparaten.

Kontrollera om spänningen och klassificeringarna som anges på apparatens etikett motsvarar den lokala strömspänningen innan du ansluter apparaten.

Blockera inte luftinloppet eller luftutloppet.

Denna apparat ersätter inte korrekt ventilation, regelbunden dammsugning eller användning av en köksfläkt eller fläkt under matlagning.

Placera ingenting ovanpå apparaten.

Placera inte apparaten direkt under en luftkonditioneringsapparat för att förhindra att kondens droppar på apparaten.

Se till att alla filter är korrekt installerade innan du slår på apparaten.

Använd endast de ursprungliga HOOVER-filtren speciellt avsedda för den här apparaten. Använd inga andra filter.

Undvik att stöta mot apparaten (särskilt luftinloppet och utloppet) med hårda föremål.

För inte in fingrar eller föremål i luftutloppet eller luftinloppet för att förhindra fysisk skada eller fel på apparaten.

Använd inte den här apparaten då du har använt insektsmedel i rökform inomhus eller på platser med oljiga rester, brinnande rökelse eller kemiska ångor.

Använd inte apparaten nära gasapparater, värmeapparater eller eldstäder.

Använd inte apparaten i rum med stora temperaturförändringar.

För att förhindra störningar ska du placera apparaten minst två meter från elektriska apparater som använder luftburna radiovågor som TV, radio och radiostyrda klockor.

När apparaten inte används på länge kan bakterier växa på filtren. Kontrollera filtren när apparaten har varit ur bruk en längre tid. Byt ut filtren om de är väldigt smutsiga.

Använd inte apparaten i våta omgivningar eller i omgivningar med höga omgivningstemperaturer, till exempel i badrum, toaletter eller köket.

Apparaten tar inte bort kolmonoxid (CO) eller radon (Rn). Den kan inte användas som säkerhetsanordning vid olyckor med förbränningsprocesser och farliga kemikalier.

CO Monitor-funktionen får inte användas som, eller underförstått användas som ersättning för EN 50291-1 UL-2034, CSA-6.19 eller något annat erkänt standardcertifierat kolmonoxidlarm som lokala eller regionala koder eller lagar föreskriver borde användas. CO Monitor-funktionen är endast en kompletterande övervakningsenhet för kolmonoxid. Användning av denna enhet sker enligt användarens bedömning och innebär förståelse och godtagande av dess begränsningar för att följa koder eller lagar där det är tillämpligt.

Placera inte apparaten på någon av följande platser:

- I ett badrum eller i andra områden där larmet kan utsättas för vattenstänk, vattendroppar eller kondensation (t.ex. över en vattenkokare).
- Bredvid eller direkt ovanför värmare eller luftkonditioneringsventiler, dörrar, fönster, fläktar eller var som helst där den skulle påverkas av drag.
- Direkt ovanför en diskbänk eller spis.
- I ett område där temperaturen kan sjunka under -20 °C eller stiga över 50 °C .
- I ett slutet utrymme (t.ex. i eller under ett skåp).
- I ett fuktigt område.
- Där den kan blockeras, t.ex. av gardiner eller möbler.
- Där smuts eller damm kan blockera sensorn.
- Nära målarfärg, thinners, lösningsmedelsångor eller luftuppfräschare.

Om kolmonoxidlarmet är aktiverat bör du öppna alla fönster och dörrar (om det är säkert).

Stäng av alla bränsleförbränningsapparater om så är möjligt och evakuera sedan fastigheten och lämna fönster och dörrar öppna. Alla som drabbas av kolmonoxidförgiftning borde få omedelbar medicinsk hjälp. Gå inte in i byggnaden igen förrän larmet stoppar. Larmet stoppar när kolmonoxiden har försvunnit. Använd inga bränsleförbränningsapparater igen förrän kolmonoxidkällan har hittats och korrigerats av en kvalificerad tekniker.

För att aktivera CO Monitor ska du ansluta kontakten till ett uttag. Kolmonoxidsensorns tillståndslampa kommer att visa grönt. När CO Monitor upptäcker en osäker kolmonoxidnivå, kommer kolmonoxidlarmet att ringa högt och CO Alert-knappen och O-ringlampan blinkar i rött. Larmet fortsätter ljuda tills den detekterade kolmonoxiden minskar till en säker nivå.

Undvik att använda färg, thinner, lösningsmedelsångor, luftrenare, aerosolsprayer eller kemiska rengöringsmedel nära apparaten. Detta kan påverka funktionen av CO Monitor.

Låt inte små barn trycka på CO Alert-knappen i 3 sekunder eftersom de kan utsättas för ett för högt ljud när larmet ringer.

Tryck på [CO Alert]-knappen i 3 sekunder för att testa kolmonoxidlarmfunktionen så ringer larmet högt i 5 sekunder. Testa larmet varje månad och efter långvarig frånvaro från byggnaden (t.ex. semestrar). Om larmet inte ringer efter att du har tryckt på [CO Alert]-knappen i 3 sekunder ska du kontakta Hoovers kundtjänst för att få en kvalificerad tekniker att reparera felet.

Om displayen indikerar att kolmonoxidsensorn är felaktig eller att livslängden har uppnåtts ska du kontakta Hoovers kundtjänst för att få en kvalificerad tekniker att byta ut kolmonoxidsensorn. Kolmonoxidsensorns förväntade livslängd är 5 år och den måste bytas ut efter denna tid.

Driftsfuktighet: 15 – 90% RH

Driftstemperatur: 0 °C till $+40\text{ °C}$

När den detekterade kolmonoxidnivån når en hög nivå blinkar [CO Alert]-knappen och [LED-ringen för luftkvalitet] i rött (2 Hz), samtidigt som ringer larmet högt (85 ~ 110 dB (A)) och kontinuerligt. Larmet stoppar inte förrän kolmonoxidsintensiteten faller tillbaka från larmnivån.

Kolmonoxid påverkar kroppen genom att svälta (kväva) kritiska syreorgan. När kolmonoxid inandas fästs de vid hemoglobinet i blodet som normalt transporterar syre i hela kroppen. Kolmonoxid förskjuter syremolekylernas förmåga att fästa sig vid hemoglobinet permanent och reducerar således syret till vitala organ. Koncentrationsnivån och tiden som personen exponeras för kolmonoxidet kan variera dess effekter på kroppen, men experter håller med om att även låga nivåer av kolmonoxidexponering under längre perioder kan ha allvarliga och varaktiga effekter på den allmänna hälsan.

VARNING: KOLMONOXIDLARMET ÄR UTFORMAT FÖR ATT SKYDDA PERSONER FRÅN DE AKUTA EFFEKTERNA AV KOLMONOXIDEXPONERING ELLER FÖRHINDRA KRONISKA EFFEKTER AV KOLMONOXIDEXPONERING. DET SKYDDAR INTE PERSONER MED SÄRSKILDA HÄLSOTILLSTÅND HELT. VID TVIVEL SKA DU KONTAKTA MEDICINSK PERSONAL.

Den här apparaten ska inte användas som ersättning för korrekt installation, användning och underhåll av bränsleapparater inklusive lämpliga ventilations- och utloppssystem.

The CO monitor mobile and tablet notifications require a functional Wi-Fi connection to operate. De är inte en ersättning för en tredje parts nödövervakningstjänst.

Använd endast aromolja som rekommenderas eller levereras av HOOVER.

Undvik att använda fristående luftfuktare bredvid luftrenaren när du använder diffusionsfunktionen i H-Essence.

Torka upp eventuellt spill av H-Essence omedelbart. Se till att rengöra alla hörn av produkten som kom i kontakt med H-Essence.

HOOVER service: För att säkerställa en fortsatt säker och effektiv drift av denna apparat rekommenderar vi att service eller reparationer endast utförs av en auktoriserad servicetekniker från HOOVER.

Miljön

Denna produkt är märkt enligt det europeiska direktivet 2011/65/EC gällande elektroniskt avfall och elektronisk utrustning (WEEE). Genom att se till att produkten avfallshandteras på rätt sätt kan du hjälpa till att hindra möjliga negativa konsekvenser för miljö och hälsa.

Symbolen på apparaten indikerar att denna produkt inte får behandlas som hushållsavfall. Den måste i stället lämnas in på uppsamlingsplats för återvinning av elektrisk och elektronisk utrustning. Avfallshanderingen ska utföras enligt de lokala miljöbestämmelserna. För mer information om hantering, återvinning och återanvändning av denna produkt, kontakta din kommun, lokala myndigheter och renhållningsverk eller den butik där du köpte apparaten.

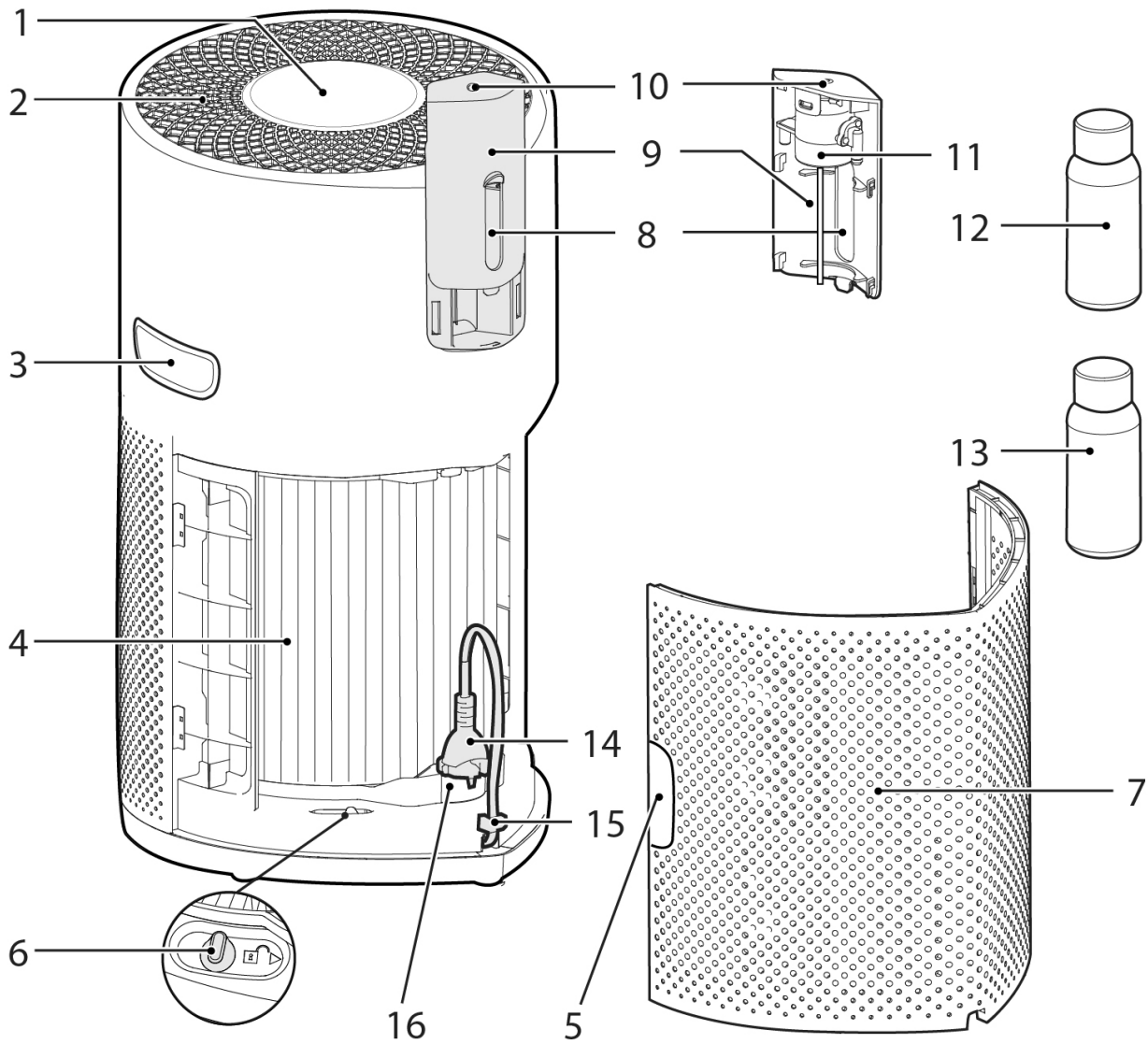


Frekvensband	2400Mhz ~ 2483.5Mhz
Maximal RF-effekt överförd i frekvensbanden	18.9 dBm

 Denna apparat uppfyller de europeiska direktiven 2014/53/EU, 2014/30/EU och 2011/65/EU. För att få en kopia på försäkran om överensstämmelse, vänligen kontakta tillverkaren på: www.candy-group.com

CANDY HOOVER GROUP S.r.l. Via Privata Eden Fumagalli, 20861 Brugherio (MB) Italy

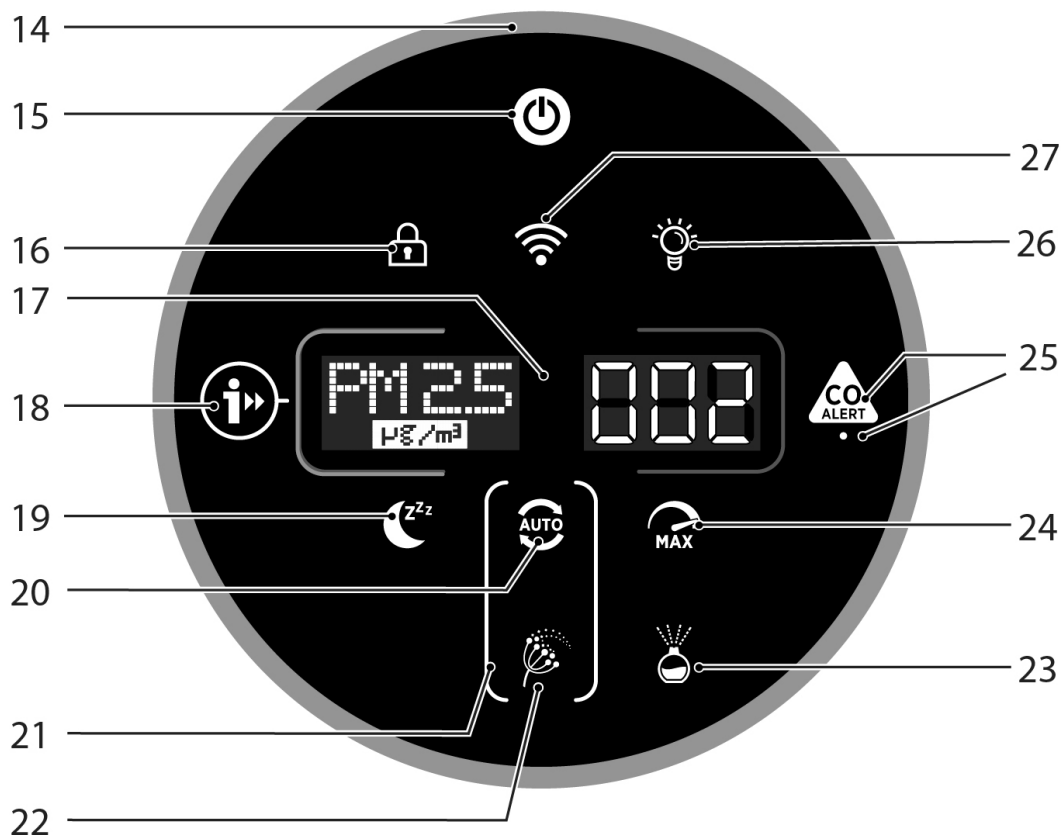
LÄR DIG KÄNNA DIN H-PURIFIER



1	Kontrollpanel / Display
2	Luftutsläpp
3	Produktens bärhandtag
4	Filtermontering
5	Luftinloppskyddets handtag

6	Upplåsningsbrytare för filtret
7	Luftinloppskydd
8	Diffuserfönster
9	Diffuserskydd
10	Diffuserutlopp
11	Diffuserenhet

12	H-Essence-flaska (Grön)
13	H-Biotics-flaska (Brun)
14	Nätsladd och kontakt
15	Förvaringskrok
16	Transportplats



14	LED-ring för luftkvalitet
15	Ström På/Av-knapp
16	Knapp för barnlås
17	Digital display
18	Informationsknapp

19	Knapp för viloläge
20	Knapp för automatiskt läge
21	Cirkellampa för pollenallergi
22	Lampa för pollenallergi
23	Diffuserknapp

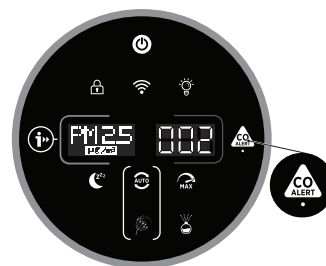
24	Knapp för maxläge
25	CO Alert-knapp och LED-lampa
26	Ljuskontrollknapp
27	Wi-Fi Button

Övervakningssystem med flera sensorer

Tack vare övervakningssystemet med flera sensorer övervakar din produkt kontinuerligt luftkvaliteten inomhus med avseende på PM10, PM2.5, Flyktiga organiska föreningar (GAS) och kolmonoxidkoncentration (CO).

Varje gång du slår på din produkt börjar övervakningssystemet med flera sensorer analysera inomhusluften och LED-ring för luftkvalitet lyser med olika färger som representerar luftkvalitetsförhållanden i realtid.

LED-ringfärg för luftkvalitet	Luftkvaliteten inomhus
GRÖN	UTMÄRKT
GUL	NÖJAKTIG
ORANGE	DÅLIG
RÖD	MYCKET DÅLIG



Koncentrationsövervakning av kolmonoxid och larm

H-Purifier övervakar ständigt inomhusluften för kolmonoxid (CO). Produkten är utrustad med ett varningssystem.

När kolmonoxidlarmet är aktiverat blinkar LED-ring för luftkvalitet, information och CO Alert-knappen röd samtidigt och ett hörbart larm ljuder. Larmet förblir påslaget tills kolmonoxidkoncentrationen (CO) har minskat till under 50 ppm om den inte tystas manuellt genom att trycka på CO Alert-knappen i 3 sekunder.

Denna CO Alert-LED visar kolmonoxidsensorns driftförhållanden. Det visas i grönt när kolmonoxidsensorn är i normalt skick, i gult när sensorn inte fungerar eller överskrider dess livslängd.

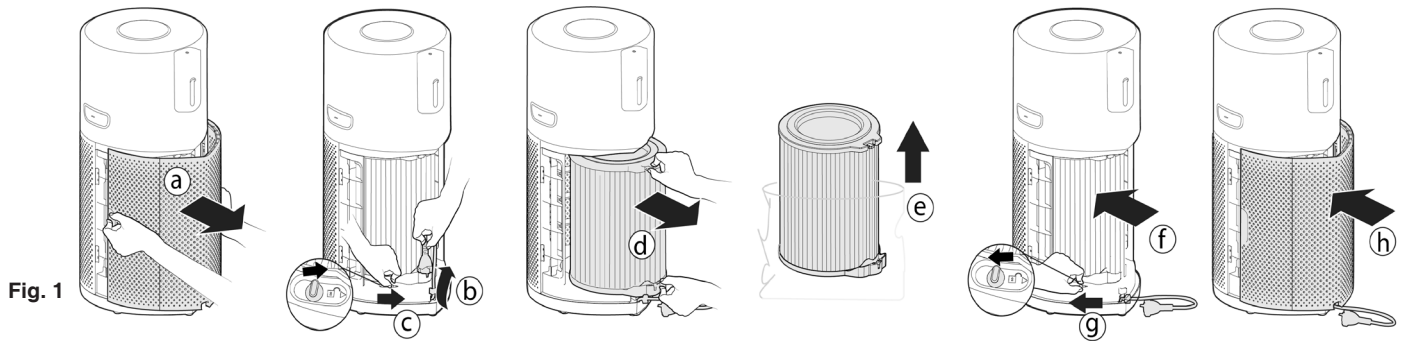
Du kan testa om larmet fungerar ordentligt genom att trycka på CO Alert-knappen i 3 sekunder. Ett högt summerljud hörs i 5 sekunder om larmet fungerar korrekt.

PREPARING YOUR H-PURIFIER

1. Filtermontering [Fig. 1]

Innan du använder din H-Purifier-produkt måste du ta bort filtret från skyddsförpackningen:

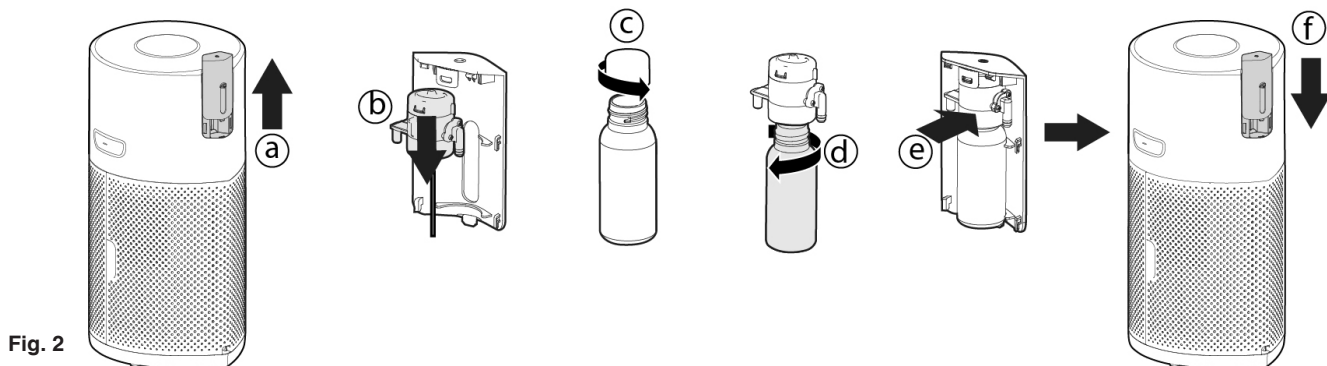
- Ta bort luftinloppsskyddet från din produkt, ta tag i de två handtagen på luftinloppsskyddet och dra det av produkten. [Fig. 1a]
- Ta bort kontakten från transportplatsen och lossa sladden från förvaringskroken. [Fig. 1b]
- Lås upp upplåsningsbrytaren för filtret. [Fig. 1c]
- Ta bort filtret från din produkt och ta bort ytterförpackningen. [Fig. 1d,e]
- Sätt tillbaka filtret i din produkt. [Fig. 1f]
- Lås uppplåsningsbrytaren för filtret. [Fig. 1g]
- Sätt tillbaka luftinloppsskyddet på din produkt. [Fig. 1h]



2. Montera fast diffuserflaskan [Fig. 2]

För att förbereda din H-Purifier-produkt för diffuserfunktionen:

- Ta bort diffuserskyddet från produkten. [Fig. 2a]
- Ta bort diffuserenheten från diffuserskyddet. [Fig. 2b]
- Ta bort H-Essence/ eller H-Biotics-flaskan från förpackningen och ta bort locket. [Fig. 2c]
- Skruva fast flaskan på diffuserenheten ordentligt. [Fig. 2d]
- Montera tillbaka diffuserenheten på diffuserskyddet. [Fig. 2e]
- Montera tillbaka diffuserskyddet på produkten. [Fig. 2f]



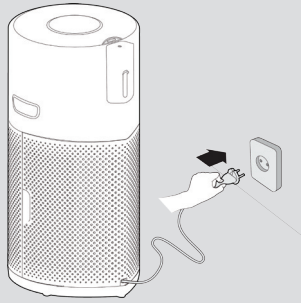


Fig. 3

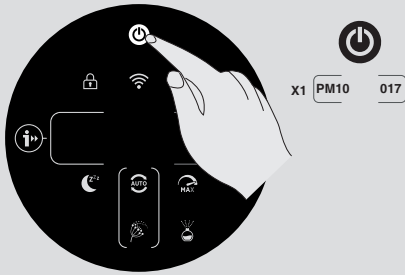


Fig. 4



Fig. 5

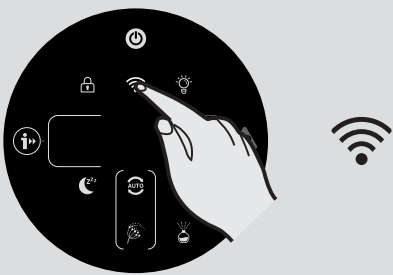


Fig. 6

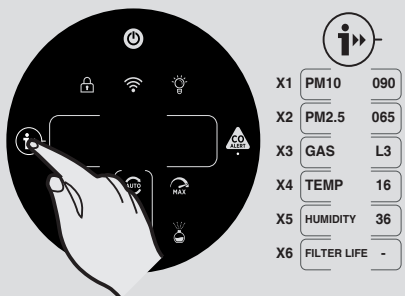


Fig. 7

ANVÄND DIN H-PURIFIER

Anslut produkten till elnätet [Fig. 3]:

Dra ut nätsladden från kabelrullen och anslut till en strömförsörjning.

Alla lampor på kontrollpanelen / Display will fully illuminate for approximately 1 second to indicate a succesful plug in.

Strömknappen lyser svagt och kolmonoxidsensorns lampa tänds för att indikera att övervakningssystemet med flera sensorer har börjat arbeta för att övervaka kolmonoxidnivån inomhus.

Slå på produkten [Fig. 4]:

För att slå på din produkt ska du trycka på strömknappen på displayen.

LED-ringen för luftkvalitet lyser genom alla färger i tur och ordning medan sensorerna analyserar lufttillståndet i realtid. Efter några sekunder väljer LED-ringen för luftkvalitet rätt färg för luftkvaliteten vid den tidpunkten.

Din H-Purifier-produkt går omedelbart in i AUTOMATISKT LÄGE och börjar rena inomhusluften.

The AUTO MODE button, INFORMATION button, LIGHT CONTROL button and PM10 information on the Display will illuminate.

Följande funktioner är tillgängliga via display-knapparna:

Press the Wi-Fi button to turn on/off remote access.

Tryck på informationsknappen för att se alla övervakningsdata.

Tryck på knapparna AUTO, MAX eller VILOLÄGE för att välja reningsläge.

Tryck på ljuskontrollknappen för att ställa in ljusstyrkan på displaylamporna.

Tryck på knappen för BARNLÅS för att inaktivera alla knappar på kontrollpanelen/displayen.

Tryck på diffuserknappen för att aktivera funktionen.

Tryck på strömknappen för att stänga av luftrenaren.

Pairing to Wi-Fi:

För att få tillgång till alla H-Purifier-funktioner på distans föreslås att du laddar ner hOn-appen.

Du kommer att kunna styra din produkt på det mest effektiva sättet.

Instruktioner:

1. Ladda ner hOn-applikationen från App Store eller Google Play. [Fig. 5]
2. Öppna APPEN, skapa ett konto med din e-mail och ett lösenord.
3. Bekräfta inloggning.
4. Ensure your mobile device is connected to Wi-Fi.
5. Logga in i hOn-appen.
6. Press and hold the Wi-Fi button on the display for 5 seconds, there will an audible beep and the Wi-Fi button will start flashing to indicate it is waiting for a connection. [Fig. 6]
7. Följ instruktionerna i appen för att ansluta din mobila enhet till din produkt.
8. When successfully paired, the Wi-Fi button on the product will remain illuminated.
9. To reset the Wi-Fi, press & hold the Wi-Fi button for 5 Secs.

Trådlösa parametrar för parkoppling

Teknologi	Wi-Fi	Bluetooth
Standard	IEE 802.11 b/g/n	Bluetooth v4.2, BR/EDR, BLE
Frekvensband (MHz)	2401 ~ 2483	2402 ~ 2480
Maximal effekt (mW)	100	10

Funktionen INFORMATION [Fig. 7]:

Det finns 6 olika dataset att övervaka:

PM10, PM2.5, GAS, temperatur, luftfuktighet och filterstatus.

För att övervaka varje värde trycker du helt enkelt på knappen INFORMATION.

Som standard visar displayen PM10-data. Maskinen kommer ihåg användarens senaste val och behåller detta val nästa gång produkten slås på.

GAS-data visar en snurrmarkör under de första 3 minuterna efter att produkten slås på medan GAS-sensorn utför en kalibreringscykel.

Mer information om PM 2,5, PM 10 och GAS:

PM indikerar fina partiklar (som inte är synliga för blotta ögat) som huvudsakligen härrör från utomhusföroreningar som fordons- och industriutsläpp och som är potentiellt farliga för vår hälsa vid långvarig exponering.

PM 10 har en storlek upp till 10 µm och kan tränga in i övre luftvägarna (näsa, luftstrupe, svalg).

PM 2,5 har en storlek upp till 2,5 µm och med tanke på dess lilla dimension kan de nå våra lungor och

därmed tränga djupare in i vår kropp.

GAS VOC (flyktiga organiska föreningar) är flyktiga kemiska föreningar som lätt avdunstar i luften vid rumstemperatur. Deodoranter, rengöringsmedel, lim, bindemedel, kosmetika, formaldehyd är bara några av de flyktiga organiska föreningarna som kan finnas i våra hem, men som är potentiellt skadliga för vår hälsa vid långvarig exponering.

Funktioner för LÄGE:

Det finns 3 tillgängliga luftreninglägen via displayen. AUTOMATISKT LÄGE, MAXLÄGE OCH VILOLÄGE. Automatiskt läge är standardinställningen för din produkt när den är påslagen. Alla lägen kan väljas manuellt genom att trycka på den motsvarande knappen på displayen. Läget POLLENALLERGI kan aktiveras via hOn-appen.

AUTOMATISKT LÄGE [Fig. 8]:

Detta är standardläget för din H-Purifier-produkt när du först slår på den. I autoläge justerar H-Purifier automatiskt fläkthastigheten till den faktiska kvalitetsnivån för inomhusluft för att alltid garantera en optimal luftrening.

Detta är den rekommenderade inställningen för din produkt.

I automatiskt läge, efter 30 minuter med utmärkt luftkvalitet, kommer din produkt att gå in i ett **ECO**-läge genom att pausa reningfunktionen. Övervakningssystemet med flera sensorer fortsätter att analysera inomhusluften och slår automatiskt på reningfunktionen vid behov.

MAXLÄGE [Fig. 9]:

Tryck på knappen för maxläge på displayen för att aktivera luftrening med inställningen maximal effekt. Välj helt enkelt det automatiska läget eller viloläget för att lämna maxläget.

VILOLÄGE [Fig. 10]:

Tryck på knappen för viloläge för att aktivera luftrening med inställningen tyst minimal effekt. Knappen för viloläge lyser svagt och alla andra lampor på displayen slocknar. Du kan ändra detta genom att trycka på LIGHT CONTROL-knappen.

LÄGET FÖR POLLENALLERGI: [Fig. 11]

Läget för pollenallergi kan bara aktiveras via hOn-appen. Du måste först aktivera och registrera en profil i appen för att skapa din pollenallergiprofil.

Läget för pollenallergi fungerar endast när det automatiska läget är valt. [Fig. 11c]

I läget för pollenallergi får apparaten kontinuerligt data i realtid från appen om den övervakade pollenkoncentrationen utomhus och den arbetar automatiskt för att maximera pollenuptagningsprestandan.

När pollen har tagits upp inaktiveras de för att lindra allergiska symtom.

När läget för pollenallergi är aktiverat i appen finns det två möjliga aviseringslampor på produktdisplayen:

- Lampan för pollenallergi är **VIT** [Fig. 11a]: Apparaten och appen övervakar förekomsten av pollen utomhus och det finns ingen risk.

- Lampan för pollenallergi blir **GUL** [fig. 11b] och cirkellampan för pollenallergi är **VIT** [Fig. 11a]:

Apparaten och APPEN har upptäckt en risk.

Om produkten manuellt sätts i viloläge eller maxläge medan läget för pollenallergi är aktiverat, stoppar läget för pollenallergi.

Funktionen LAMPKONTROLL: [Fig. 12]

Det finns tre tillgängliga inställningar för displaybelysningen: på, dämpad och av.

För att justera ljusstyrkan på displaybelysningen ska du bara trycka på belysningsknappen på displayen för att bläddra igenom de tre tillgängliga alternativen. PÅ är standardinställningen.

Om AV väljs måste någon annan knapp tryckas ned två gånger för att kunna aktiveras. Efter ett tryck kommer lampan att bli att bli **DÄMPAD**, vid ett andra tryck aktiveras åtgärden.

Funktionen BARNLÅS: [Fig. 13]

Tryck och håll in knappen för BARNLÅS i tre sekunder för att aktivera den, ett hörbart ljud hörs när den har aktiverats och knappen BARNLÅS förblir upplyst. Inga andra knappar fungerar när den är aktiverad. För att avsluta trycker du och håller ner knappen BARNLÅS i tre sekunder, ett hörbart ljud hörs för att bekräfta att låset är av och knappen kommer inte längre att lysa.

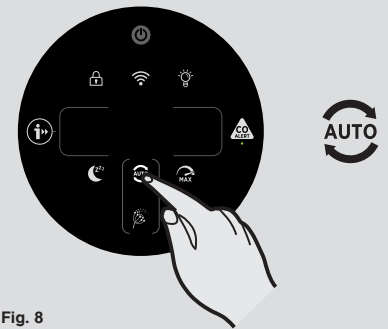


Fig. 8

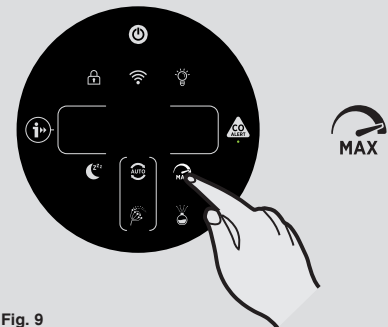


Fig. 9



Fig. 10

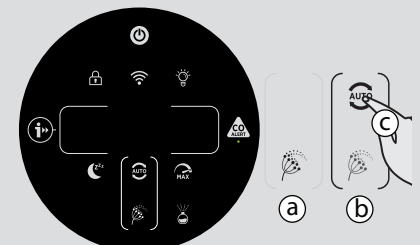


Fig. 11

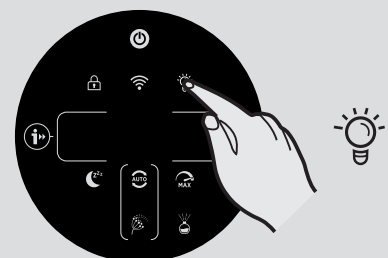


Fig. 12

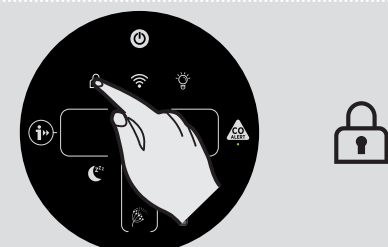


Fig. 13

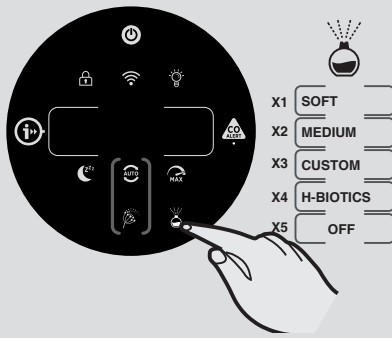


Fig. 14

Diffuserfunktion: [Fig. 14]

Diffusern sprider H-Essence eller H-Biotics i rummets luft. H-Essence är Hoover-samling av eteriska oljor som släpper ut behagliga dofter i luften.

H-Biotics är en naturlig blandning baserad på probiotika som håller rummet biohygeniserat genom att hämma tillväxten av mikroorganismer som bakterier eller mikrober.

There are 4 different settings for the DIFFUSER function, MJUK, MEDEL, SPECIAL & H-BIOTICS. To activate this function simply press the Diffuser button on the Display, the default setting for this function is MJUK, to select any of the other settings simply consecutively press the button to change to the desired selection. Knappen lyser vitt när den är påslagen.

Det rekommenderas att använda inställningarna MJUK och MEDEL för H-Essence.

Anpassade inställningar för din H-Essence kan skapas i hOn-appen.

När du använder H-Biotics **MÅSTE** inställningen ställas in på H-Biotics. Once user activates H-Biotics using the APP, this will give an alert of "ACTIVATE H-BIOTICS" after 120 hours to ensure the H-biotics usage of every 5 days.

Diffuserfunktionen kan endast användas i automatiskt läge och maxläge, inte i viloläget.

När Diffuser-funktionen aktiveras i AUTO-läge kommer huvudfläkten att arbeta på en specifik hastighet för att hjälpa till att sprida H-Essence eller H-Biotics i rummet.

Inställning	Pump på	Pump av	Cykel
MJUK	10 sek	300 sek	Stängs av efter 6 timmar
MEDEL	90 sek	120 sek	Stängs av efter 6 timmar
SPECIAL	Användardefinierad	Användardefinierad	Stängs av efter 6 timmar
H-BIOTICS	120 sek	120 sek	Stängs av efter 6 timmar

För att stänga av funktionen trycker du på diffuserknappen tills knappljuset slocknar.

Efter varje användning av diffuserfunktionen ska du använda en torr mjuk trasa för att rengöra eventuella rester från produktytorna.

För att byta flaska i diffuserenheten, se avsnittet "Underhåll din H-Purifier".

UNDERHÅLL DIN H-PURIFIER

VIKTIGT: KOPPLA ALLTID BORT DIN APPARAT FRÅN ELNÄTET NÄR DU UTFÖR UNDERHÅLLSÅTGÄRDER..

FILTERRENGÖRING / BYTE

Din H-Purifier övervakar tillståndet för ditt filter. En avisering (**RENGÖR FILTER ELLER BYT FILTER**) visas på vänster sida av displayen och en blinkande indikering visar att du måste rengöra eller byta filtret.

Rengöring / Byta filter: [Fig. 15]

- Ta bort luftinloppskyddet på din produkt. [Fig. 15a]
- Lås upp upplåsningsbrytaren för filtret. [Fig. 15b]
- Ta bort filtret från din produkt. [Fig. 15c]
- Använd en dammsugare för att rengöra det yttre nätet på filterenheten eller byt ut mot ett NYTT filter. [Fig. 15d]
- Sätt tillbaka filterenheten i produkten. [Fig. 15e]
- Lås upplåsningsbrytaren för filtret. [Fig. 15f]
- Sätt tillbaka luftinloppskyddet på din produkt. [Fig. 15g]
- Anslut apparaten till elnätet och slå på den. [Fig. 4]
- Tryck på informationsknappen och följ instruktionerna för att återställa funktionen Filter rent genom att hålla knappen intryckt i tre sekunder. En hörbar varning ljuder för att indikera att återställningen utförts. [Fig. 7]

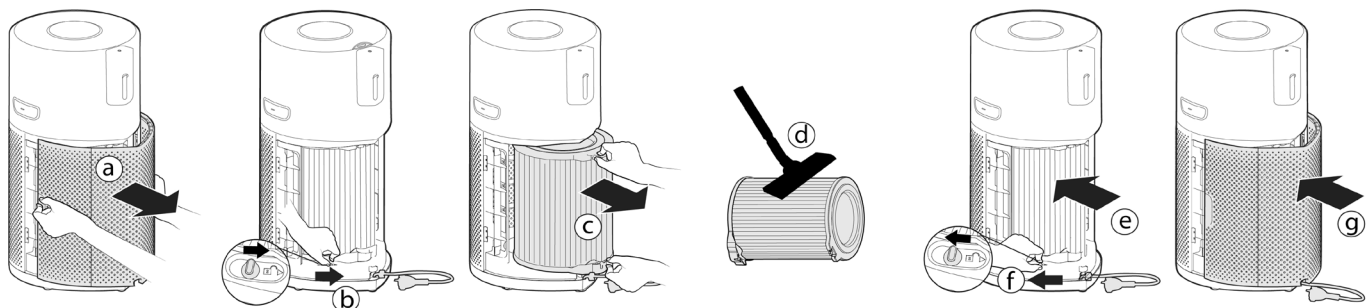


Fig. 15

DIFFUSERUNDERHÅLL

Efter varje användning av diffuserfunktionen ska du använda en torr mjuk trasa för att rengöra eventuella rester från produktytorna.

Byte av diffuserflaska: [Fig. 16]

Vätskevolymen som finns kvar i flaskan kan kontrolleras genom diffuserfönstret. Vid behov bör flaskan bytas ut.

- Ta bort diffuserskyddet från produkten. [Fig. 16a]
- Ta bort diffuserenheten och flaskan från diffuserskyddet. [Fig. 16b]
- Skruva loss och ta bort den tomma flaskan och kassera den. [Fig. 16c]
- Ta ut den nya H-Essence- eller H-Biotics-flaskan från förpackningen och ta bort locket. [Fig. 16d]
- Skruva fast den nya flaskan på diffuserenheten ordentligt. [Fig. 16e]
- Montera tillbaka diffuserenheten på diffuserskyddet. [Fig. 16f]
- Montera tillbaka diffuserskyddet på H-Purifier. [Fig. 16g]

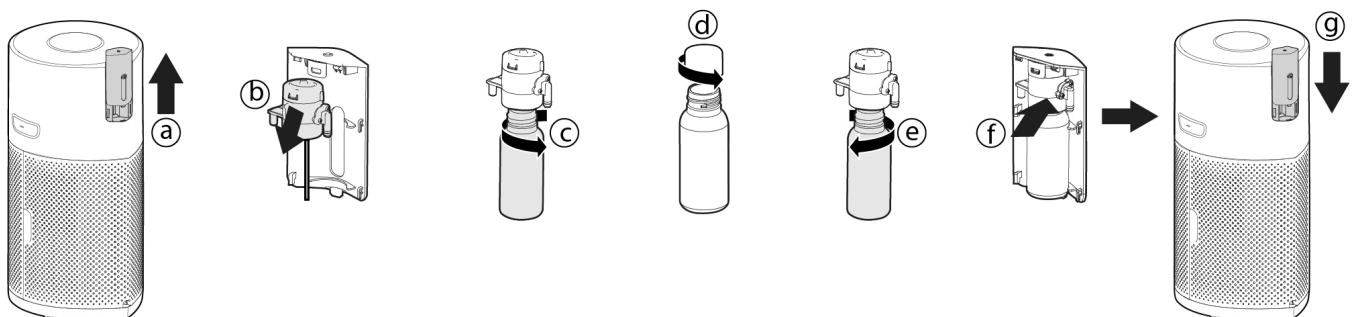


Fig. 16

LAGRA DIN H-PURIFIER

1. Stäng av luftrenaren och dra ur stickkontakten.
2. Rengör alla inre och yttre ytor på luftrenaren och filtrets yttre nät.
3. Ta bort flaskan från diffusern. Sätt tillbaka det ursprungliga locket på flaskan och förvara den skyddad mot direkt ljus. Rengör ytorna på diffusern och diffuserskyddet. Se till att det inte finns några rester av H-Essence på någon yta på luftrenaren.
4. Se till att alla komponenter är torra.
5. Ta bort locket till luftintaget **[Bild 17a]** och rulla in strömsladden genom att dra i sladden **[Bild 17b]**, sätt sladden på förvaringskroken och sätt in kontakten på transportplatsen. **[Fig. 17c,d]** Sätt tillbaka luftinloppsnytt. **[Fig. 17e]**
6. Förvara luftrenaren på en sval och torr plats.

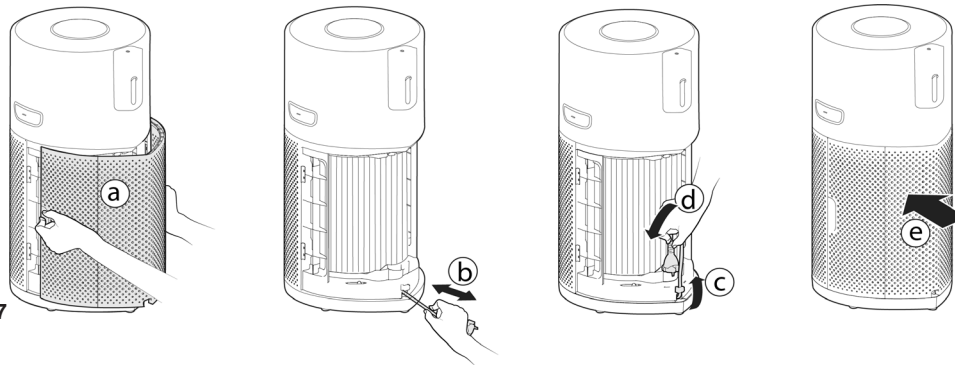


Fig. 17

VARNINGAR OCH LÖSNINGAR

Följande koder kan visas under användning. **[Fig. 18]**



Fig. 18

Beskrivning av fel	Beskrivning av fel		Fellösning
	Varning på produktens kontrollpanel / Display	Varning på APPEN	
Varning för rengöring av ytterlagrets filter	Varningen "RENGÖR FILTER" blinkar på displayen	Varning för rengöring av filter	1.Följ instruktionerna i bruksanvisningen för att rengöra ytterlagrets filter. 2.Återställ varningen.
Varning för filterbyte	Varningen "BYT FILTER" blinkar på displayen	Varning för filterbyte	1.Följ anvisningarna i bruksanvisningen för att byta ut filtret. 2.Återställ varningen.
Filter finns inte eller filtret har inte låsts	Varningen "FILTER SAKNAS" blinkar på displayen	Filter finns inte eller filtret har inte låsts	1.Sätt tillbaka filtret om det inte finns där. 2.Om filter är i rätt läge ska du kontrollera om filterfliken har ändrats till statusen LÅST.
Dammsensorfel: ingen signal från sensorn eller utgångsspänningen överskrider gränsvärdet	/	Dammsensorfel: ingen signal från sensorn eller utgångsspänningen överskrider gränsvärdet	Dammsensorfel eller dammsensorsladden har inte anslutits väl. Ring servicecentret för att fixa.
Motorn står stilla	/	Feedback motorn står stilla	Motorfel eller motorsladden har inte anslutits väl. Ring servicecentret för att fixa.
Fel med kolmonoxidsensor	Kolmonoxidsensorns statuslampa lyser gul	Fel med kolmonoxidsensor	Varning: måste ringa service.

OBSERVERA: Om några fel kvarstår, kontakta din lokala Hoover-representant. **FÖRSÖK INTE** ta isär H-Purifier själv.

FELSÖKNING

Det följande är en lista över vanliga problem och lösningar.
Om något av dessa problem kvarstår så kontakta din lokala Hoover representant.

Fläkten fungerar inte (Kontrollpanel / Display Lights on)	<ul style="list-style-type: none"> • Kontrollera varningen som visas på displayen eller i appen. • Kontrollera om det finns blockeringar i fläkten. • Kontrollera om H-Purifier är på. • Kontrollera om filtret är fel installerat. • Kontrollera om H-Purifier är i ett helt lodrätt läge och inte lutar.
Fläkten fungerar inte (Kontrollpanel / Display Lights off)	<ul style="list-style-type: none"> • Kontrollera om H-Purifier är ansluten till elnätet och på. • Kontrollera om det finns blockeringar i fläkten.
Inga lampor på kontrollpanelen / Display (Fläkten fungerar)	<ul style="list-style-type: none"> • Kontrollera att lamporna inte har stängts av genom att trycka på ljuskontrollknappen på kontrollpanelen / Display.
Knappar på kontrollpanelen / Display do not operate	<ul style="list-style-type: none"> • Kontrollera om barnlåset har aktiverats genom att trycka och hålla ned knappen för barnlås i tre sekunder.
Luftflödet är svagt	<ul style="list-style-type: none"> • Kontrollera om skyddsförpackningen har tagits bort från filtret. • Kontrollera om det finns blockeringar i luftinloppsskyddet eller luftutloppet. • Kontrollera filterstatusen på kontrollpanelen / Varning på display eller i app om rengöring eller byte. • Kontrollera om H-Purifier är i viloläge. Fläkten kör med reducerad effekt i detta läge.
Luftrenaren låter högt	<ul style="list-style-type: none"> • Kontrollera om det finns blockeringar i luftutloppet eller i fläkten. • Kontrollera om H-Purifier körs i maxläget. Luftflödet har maximal effekt i detta läge.
Luftrenaren ger plötsligt ifrån sig ett högt summerljud.	<ul style="list-style-type: none"> • Testfunktionen för CO Alert-knappen aktiveras genom felaktig användning. Ljudet stoppar automatiskt efter 5 sekunder.

VIKTIG INFORMATION

Reserv- och förbrukningsdelar från Hoover

Använd alltid originaldelar från Hoover vid byte. Du kan beställa delar från närmaste Hoover-återförsäljare eller direkt från Hoover. Uppge alltid modellnummer när du beställer delar.

Kvalitet

Hoovers fabriker har kvalitetsbedömts av oberoende organisationer. Våra produkter tillverkas enligt ett kvalitetssystem som uppfyller kraven för ISO 9001.

Garanti

Garantivillkoren för produkten definieras av vår representant i det land där produkten säljs. Du kan få uppgifter om aktuella villkor från återförsäljaren. Kvittot måste visas upp när man kräver ersättning enligt garantin.

Specifikationerna kan ändras utan föregående meddelande.

OHJEET TURVALLISTA KÄYTTÖÄ VARTEN

Tätä laitetta tulee käyttää vain yksityiseen kotitalouskäyttöön tässä oppaassa kuvatulla tavalla. Tämän oppaan sisältö on ymmärrettävä kokonaisuudessaan ennen laitteen käyttöä ja se tulee säilyttää myöhempää käyttöä varten.

Kytke laitteesta virta ja irrota virtajohto virtalähteestä aina käytön jälkeen ja ennen kuin puhdistat laitteen tai teet huoltotoimenpiteitä.

Tätä laitetta voivat käyttää yli 8-vuotiaat lapset ja henkilöt joilla on vähentynyt fyysinen, aistillinen tai henkinen kyky tai joilla ei kokemusta tai tietoja, mikäli heille on annettu ohjausta ja valvontaa koskien laitteen turvallista käyttöä ja ymmärtävät käyttöön liittyvät vaaratekijät. Lapset eivät saa leikkiä laitteella.

Käyttäjän suorittamaa puhdistusta ja huoltoa ei tule suorittaa lasten toimesta ilman valvontaa.

Lopeta laitteen käyttö välittömästi, jos virtajohto on vahingoittunut. Turvallisuusriskin välttämiseksi valtuutetun Hoover-huoltoliikkeen tulee vaihtaa virtajohto.

Käytä ainoastaan Hooverin toimittamia tai suosittelemia kiinnityskappaleita, lisävarusteita tai varaosia.

Älä irrota pistoketta vetämällä virtajohdosta.

Älä käytä laitetta, jos se vaikuttaa vialliselta.

Aseta tuote ja käytä sitä vain kuivalla, vakaalla, tasaisella ja vaakasuuntaisella pinnalla, jotta se ei pääse kaatumaan.

Pidä tuote kuivana.

Älä koskaan kallista tai tyhjennä tuotetta sen käytön aikana.

Asettele virtajohto niin, ettei kukaan astu tai kaadu sen päälle.

Älä aseta tuotetta kuumille pinnoille, lähelle kuumia pintoja, lähelle avotulta tai suoraan auringonvaloon.

Älä päästä laitteeseen vettä tai muita nesteitä tai tulenarkaa puhdistusainetta sähköiskun ja/tai tulipalovaaran välttämiseksi.

Älä puhdista laitetta vedellä tai muulla nesteellä, tai (tulenaralla) puhdistusaineella sähköiskun ja/tai tulipalovaaran välttämiseksi.

Älä suihkuta tulenarkoja materiaaleja, kuten hyönteismyrkkyjä tai hajusteita, laitteen ympärille.

Tarkista ennen laitteen kytkemistä, vastaako laitteen tyyppikilvessä ilmoitettu jännite ja luokitukset paikallista syöttöjännitettä.

Älä tuki ilman tulo- tai poistoaukkoa.

Tämä laite ei korvaa asianmukaista ilmanvaihtoa, säännöllistä imurointia tai liesituulettimen tai tuulettimen käyttöä ruoanlaiton aikana.

Älä laita mitään laitteen päälle.

Älä laita laitetta suoraan ilmastoinnin alle, jottei laitteen päälle tipu lauhdepisaroita.

Varmista, että kaikki suodattimet on asennettu oikein, ennen kuin kytket laitteen päälle.

Käytä vain alkuperäisiä HOOVER-suodattimia, jotka on tarkoitettu erityisesti tälle laitteelle. Älä käytä mitään muita suodattimia.

Vältä laitteen (erityisesti ilman tulo- ja poistoaukon) kolhimista kovilla esineillä.

Älä laita sormia tai muita esineitä ilman tulo- tai poistoaukkoon, jotta välttyt fyysisiltä vammoilta tai laitteen toimintahäiriöiltä.

Älä käytä tätä laitetta, kun olet käyttänyt sisätiloissa savumaisia hyönteiskarkottimia, tai paikoissa, joissa on öljyjäämiä, palavia suitsukkeita tai kemiallisia savuja.

Älä käytä tätä laitetta lähellä kaasulaitteita, lämmityslaitteita tai tulisijoja.

Älä käytä laitetta huoneessa, jossa on suuria lämpötilan vaihteluita.

Vältä häiriöt sijoittamalla laite vähintään 2 m etäisyydelle sähkölaitteista, jotka käyttävät ilmassa kulkevia radioaaltoja, kuten televisiot, radiot ja radio-ohjatut kellot.

Jos laitetta ei käytetä pitkään aikaan, suodattimiin voi tulla bakteerikasvustoa. Tarkista suodattimet, jos laite on ollut pitkään pois käytöstä. Jos suodattimet ovat erittäin likaiset, vaihda ne.

Älä käytä laitetta kosteissa ympäristöissä tai ympäristöissä, joissa lämpötila on korkea, esim. kylpyhuone, WC tai keittiö

Laite ei poista hiilimonoksidia (CO) tai radonia (Rn). Laitetta ei saa käyttää turvalaitteena onnettomuuksissa, joihin liittyy polttoprosesseja ja vaarallisia kemikaaleja.

CO Monitor -toimintoa ei saa käyttää eikä sitä ole tarkoitettu käytettäväksi korvaamaan standardin EN 50291-1 UL-2034, CSA-6.19 tai muun voimassa olevan standardin mukaista sertifioidua hiilimonoksidihälytystä, kun paikalliset tai alueelliset säädökset tai lait vaativat sellaisen käyttöä. CO Monitor -toiminto on vain ylimääräinen hiilimonoksidin monitorointilaitte. Tämän laitteen käyttö on käyttäjän harkinnan varaista ja se edellyttää laitteen rajoitusten ymmärtämistä ja hyväksymistä ja säännösten tai lakien noudattamista, soveltuvin osin.

Älä aseta laitetta mihinkään seuraavista sijainneista:

- Kylpyhuoneeseen tai muihin paikkoihin, joissa hälytys voi altistua vesiroiskeille, pisaroille tai lauhteelle (esim. vedenkeitin yläpuolelle).
- Lämmittimien tai ilmastointiventtiilien, ovien, ikkunoiden tai liesituulettimien viereen tai suoraan niiden päälle tai paikkaan, jossa ilmavirrat voivat vaikuttaa laitteeseen.
- Suoraan altaan tai lieden päälle.
- Paikkaan, jossa lämpötila voi pudota alle -20 °C :n tai nousta yli 50 °C :n.
- Suljettuun tilaan (esim. kaapin sisään tai alle).
- Kosteaan paikkaan.
- Paikkaan, jossa esim. verhot tai huonekalut voivat tukkia sen.
- Paikkaan, jossa lika tai pöly voisi tukkia anturin.
- Lähelle maaleja, ohenteita, liuotinhöyryjä tai ilmanraikastimia.

Jos CO-hälytys aktivoituu, sinun pitää avata kaikki ikkunat ja ovet (jos se on turvallista). Sammuta kaikki polttoainekäyttöiset laitteet, jos mahdollista, ja evakuoitu sitten rakennus jättäen ikkunat ja ovet auki. Jos joku saa häämyrkytyksen oireita, hänet on vietävä viipymättä lääkäriin. Älä palaa rakennukseen, ennen kuin hälytys loppuu. Hälytys loppuu, kun CO on poistunut. Älä käytä polttoainekäyttöisiä laitteita uudelleen, ennen kuin CO-lähde on paikannettu ja pätevä teknikko on korjannut sen.

Aktivoi CO monitor kytkemällä pistoke pistorasiaan. CO-anturin tilavalo palaa vihreänä. Jos CO monitor havaitsee vaarallisia CO-tasojia, se antaa kovaäänisen CO-hälytyksen ja CO Alert -painike ja O-renkaan valo vilkkuvat punaisina. Hälytys näytetään niin kauan, että havaittu CO vähenee turvalliselle tasolle.

Älä käytä laitteen lähellä maaleja, ohentimia, liuotinhöyryjä, ilmanraikastimia, aerosolsuihkeita tai kemiallisia puhdistusaineita. Se voisi vaikuttaa CO monitorin toimintaan.

Älä anna pienten lasten painaa CO Alert -painiketta 3 sekuntia, jotta he eivät altistu kovalle äänelle hälytyksen lauetessa.

Kosketa [CO Alert] -painiketta 3 sekuntia testataksesi CO-hälytystoiminnon. Kovaääninen hälytys kuuluu 5 sekuntia. Testaa hälytys kuukausittain ja kun olet ollut pitkään pois rakennuksesta (esim. lomalla). Jos hälytys ei aktivoidu, kun [CO Alert] -painiketta painetaan 3 sekuntia, ota yhteyttä Hooverin asiakaspalveluun ja tilaa pätevä teknikko korjaamaan vika.

Jos näytössä ilmoitetaan, että CO-anturissa on vika tai että käyttöikä on päättynyt, ota yhteyttä Hooverin asiakaspalveluun ja tilaa pätevä teknikko vaihtamaan CO-anturi. CO-anturin odotettu käyttöikä on 5 vuotta ja se pitää vaihtaa tämän ajan jälkeen.

Käyttötilan kosteus: 15 – 90% RH

Käyttötilan lämpötila: 0 – + 40 °C

Jos havaittu CO-taso saavuttaa korkean tason, [CO Alert] -painike ja [Ilmanlaadun LED Rengas] vilkkuvat punaisina (2 Hz), ja samaan aikaan kuuluu kovaääninen ja jatkuva hälytys (85~110 dB(A)). Hälytys ei sammuu ennen kuin CO-pitoisuus laskee hälytystasoa alhaisemmaksi.

Hiilimonoksidin vaikutuksesta kehon tärkeät elimet jäävät ilman happea (tukehtuvat). Kun CO:ta hengitetään, se sitoutuu veren hemoglobiiniin, joka tavallisesti vie happea kaikkialle kehoon. CO sitoutuu jatkuvasti hemoglobiiniin happimolekyylien sijasta, jolloin tärkeimmät elimet saavat vähemmän happea. CO:n pitoisuus ja sille altistumisaika voivat vaikuttaa siihen, miten se vaikuttaa kehoon, mutta asiantuntijat ovat yhtä mieltä siitä, että altistuminen pitkiä aikoja jopa alhaisille hiilimonoksiditasoille voi johtaa vakaviin ja pysyviin kokonaisvaltaisiin terveyshaittoihin.

VAROITUS: CO-HÄLYTYS ON SUUNNITELTU SUOJAAMAAN HENKILÖITÄ HIILIMONOKSIDILLE ALTISTUMISEN AKUUTEILTA SEURAUKSILTA TAI ESTÄMÄÄN HIILIMONOKSIDILLE ALTISTUMISESTA SEURAAVAT KROONISET VAIKUTUKSET. SE EI SUOJAA TÄYDELLISESTI HENKILÖITÄ, JOILLA ON ERITYINEN TERVEYDENTILA. JOS SINULLE HERÄÄ KYSYMYKSIÄ, KÄÄNNY LÄÄKÄRIN PUOLEEN.

Laitteen käyttö ei korvaa polttoaineella toimivaa polttolaitteen, asianmukaista ilmanvaihtoa ja poistojärjestelmää, asianmukaista asennusta, käyttöä ja kunnossapitoa.

The CO monitor mobile and tablet notifications require a functional Wi-Fi connection to operate. Ne eivät korvaa kolmannen osapuolen hätämonitorointipalvelua.

Käytä vain HOOVERIN suosittamaa tai toimittamaa aromaattista öljyä.

Vältä erillisen kostuttimen käyttöä ilmanpuhdistimen läheisyydessä käyttäessäsi H-Essencen diffuusoritoimintoa.

Pyyhi mahdolliset H-Essencen vuodot välittömästi. Varmista, että puhdistat H-Essencen kanssa kostetuksissa olleen tuotteen kaikki kulmat.

HOOVER-huolto Laitteen käyttöturvallisuuden ja tehokkaan toiminnan varmistamiseksi huolto ja korjaukset kannattaa antaa valtuutetun Hoover-huoltoliikkeen tehtäväksi.

Ympäristö

Tämä laite on merkitty sähkö- ja elektroniikkalaiteromusta annetun direktiivin 2011/65/EY (WEEE) mukaisesti. Hävittämällä tämän laitteen oikein estät mahdollisia ympäristölle ja ihmisterveydelle aiheutuvia haittavaikutuksia, joita saattaa syntyä laitteen vääränlaisen hävittämisen seurauksena.

Tässä laitteessa oleva symboli osoittaa, että laitetta ei saa hävittää kotitalousjätteenä. Se täytyy luovuttaa sähkö- ja elektroniikkalaitteiden keräyspisteeseen kierrätystä varten. Hävittäminen on suoritettava paikallisten jätteiden hävittämistä koskevien ympäristösäännösten mukaisesti. Saat lisätietoja tämän laitteen käsittelemisestä, hyötykäytöstä ja kierrätyksestä paikallisilta viranomaisilta, kotitalouksien ja muiden jätteiden jätehuollosta tai liikkeestä, josta ostit laitteen.



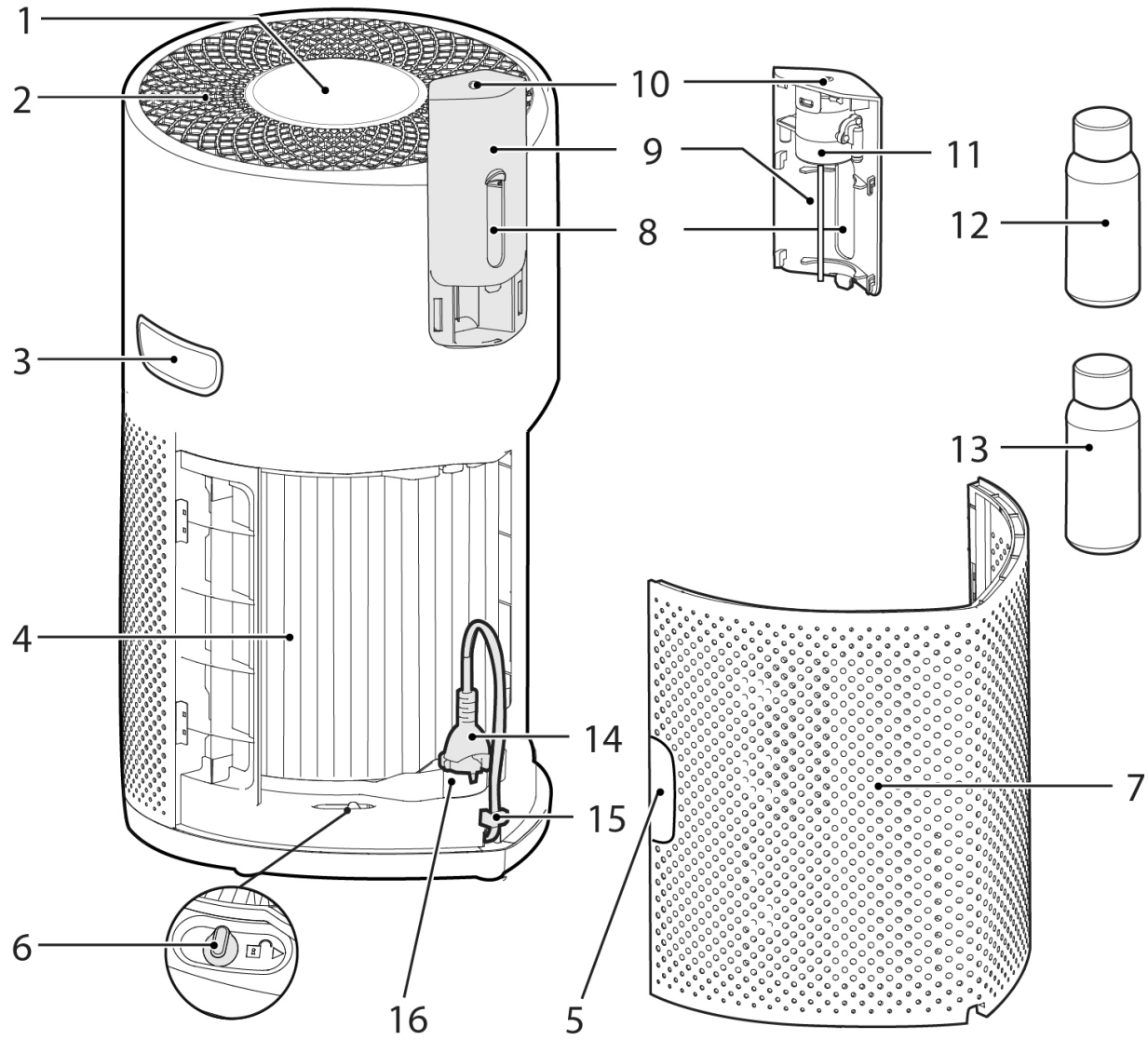
Taajuusalueet	2400Mhz ~ 2483.5Mhz
Taajuusalueella kuuluva enimmäisäänenvoimakkuus	18.9 dBm



Tämä laite on EU:n direktiivien 2014/53/EU, 2014/30/EU ja 2011/65/EU mukainen. Jos haluat kopion vaatimustenmukaisuusvakuutuksesta, ota yhteyttä valmistajaan osoitteessa www.candy-group.com

CANDY HOOVER GROUP S.r.l. Via Privata Eden Fumagalli, 20861 Brugherio (MB) Italy

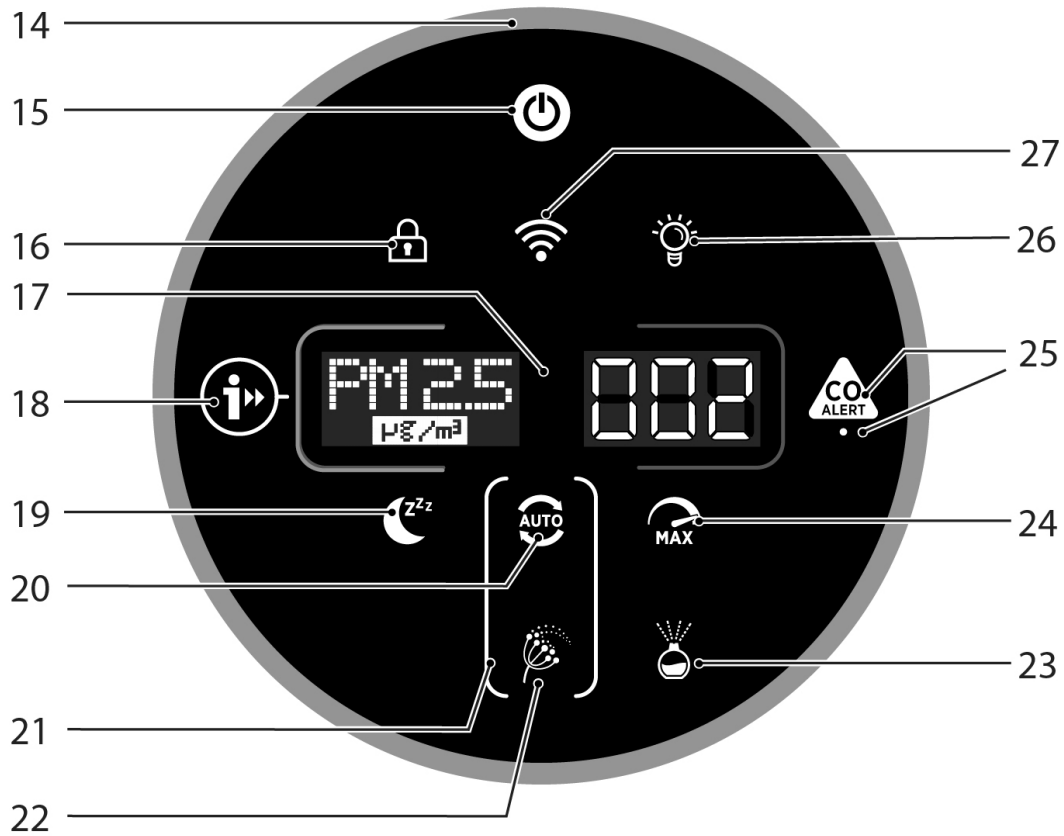
H-PURIFIERIIN TUTUSTUMINEN



1	Ohjauspaneeli / Näyttö
2	Ilmanpoistoaukko
3	Tuotteen kantokahva
4	Suodatinkokoonpano
5	Ilman sisääntulon kannen kahva

6	Suodattimen vapautuskytkin
7	Ilman sisääntulon kansi
8	Diffuusorin ikkuna
9	Diffuusorin kansi
10	Diffuusorin ulostulo
11	Diffuusoriyksikkö

12	H-Essence-pullo (Vihreä)
13	H-Biotics-pullo (Ruskea)
14	Virtajohto- ja pistoke
15	Ripustuskoukku
16	Kuljetuspaikka



14	Ilmanlaadun LED Rengas
15	Virtapainike
16	Lapsilukkopainike
17	Digitaalinen näyttö
18	Tiedot-painike

19	Lepotilan painike
20	Automaattitilan painike
21	Siitepölyallergian pyöreä valo
22	Siitepölyallergian valo
23	Diffuusorin painike

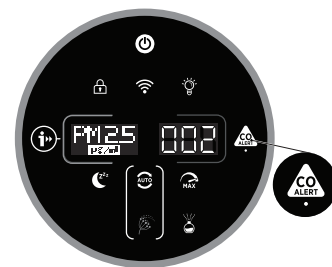
24	Maks.tilan painike
25	CO Alert -painike ja LED
26	Valon hallintapainike
27	Wi-Fi Button

Usean anturin monitorointijärjestelmä

Usean anturin monitorointijärjestelmän ansiosta tuotteesi seuraa jatkuvasti sisätilojen ilmanlaatua PM10:n, PM2.5:n, haihtuvien orgaanisten yhdisteiden (KAASU) ja hiilimonoksidin (CO) pitoisuuksien osalta.

Joka kerta, kun laitat tuotteen päälle, usean anturin monitorointijärjestelmä aloittaa sisätilojen ilman analysoinnin ja ilmanlaadun LED Rengas syttyy eri väreissä ilmaisten ilmanlaadun reaaliajassa.

Ilmanlaadun LED Rengas väri	Sisäilman laatu
VIHREÄ	ERINOMAINEN
KELTAINEN	TYDYTTÄVÄ
ORANSSI	HUONO
PUNAINEN	ERITTÄIN HUONO



Hiilimonoksidipitoisuuden monitorointi ja hälytys

H-Purifier valvoo jatkuvasti sisäilman hiilimonoksidia (CO). Tuote on varustettu hälytysjärjestelmällä.

Kun hiilimonoksidihälytys on aktivoitu, ilmanlaadun LED Rengas, Tiedot & CO Alert -painike vilkkuvat punaisena samanaikaisesti ja laite antaa äänimerkin. Hälytys jatkuu niin kauan, että hiilimonoksidin (CO) pitoisuus laskee alle arvon 50 ppm, ellei sitä mykistetä manuaalisesti painamalla CO Alert -painiketta 3 Sekunnin ajan.

Tämä CO Alert -ledvalo näyttää CO-anturin toimintatilan. Se palaa vihreänä CO-anturin ollessa normaalitilassa ja keltaisena, jos anturissa on toimintahäiriö tai jos sen käyttöikä on ylittynyt.

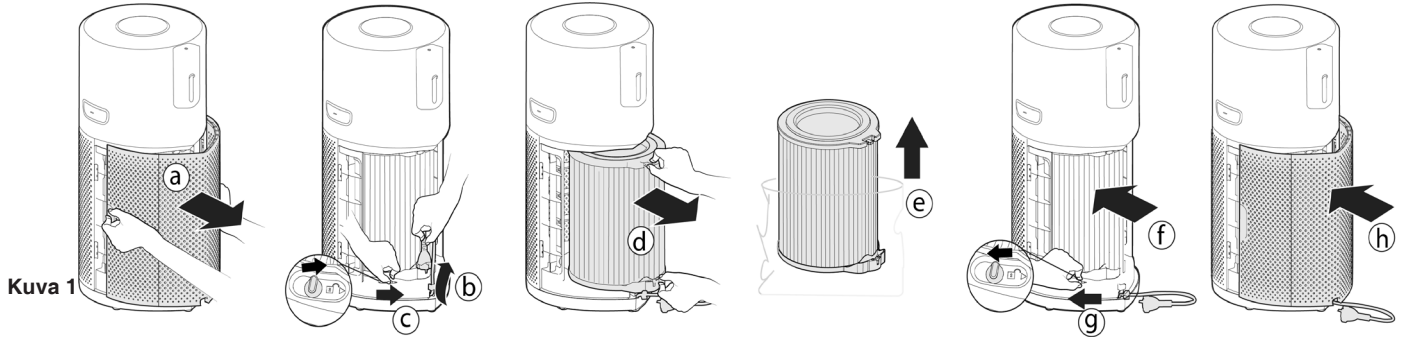
Voit testata, että hälytys toimii oikein painamalla CO-hälytyspainiketta 3 sekunnin ajan, jolloin voimakas äänimerkki käynnistyy 5 sekunnin ajaksi, jos hälytys toimii oikein.

H-PURIFIERIN VALMISTELEMINEN

1. Suodatinkokoonpano [Kuva 1]

Ennen H-Purifierin käyttöä suodatin pitää poistaa sen suojapakkauksesta.

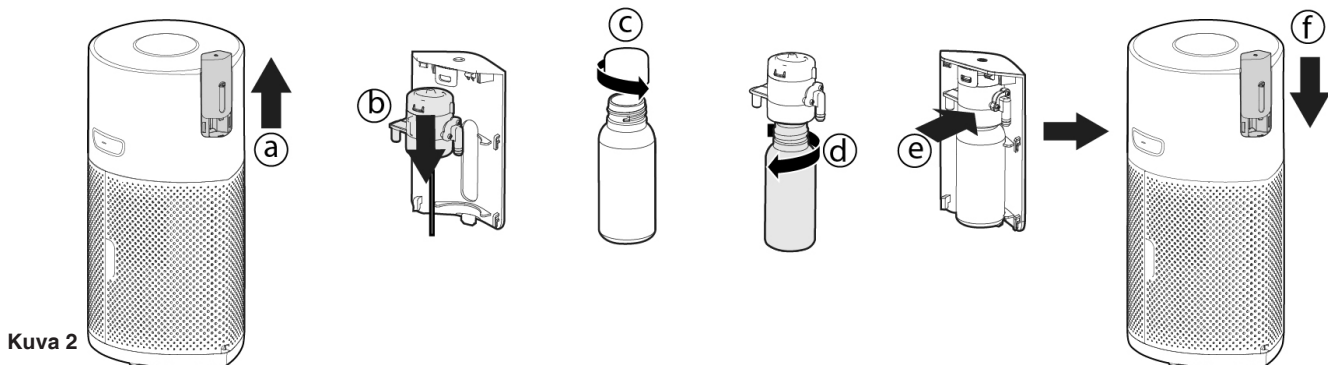
- Irrota ilman sisääntulon kansi tuotteesta, tartu ilman sisääntulon kannen kahvoihin ja vedä se irti tuotteesta. [Kuva 1a]
- Irrota pistoke kuljetuspaikasta ja vapauta johto säilytyskoukusta. [Kuva 1b]
- Avaa suodattimen vapautuskytkimen lukitus. [Kuva 1c]
- Poista suodatin tuotteesta ja poista ulkopakkaus. [Kuva 1d,e]
- Asenna suodatin takaisin tuotteeseen. [Kuva 1f]
- Lukitse suodattimen vapautuskytkin. [Kuva 1g]
- Asenna ilman sisääntulon kansi takaisin tuotteeseen. [Kuva 1h]

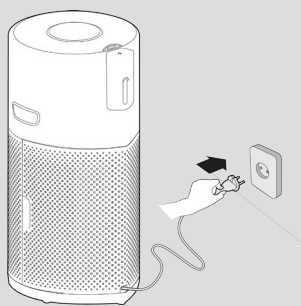


2. Asenna diffuusoripullo [Kuva 2]

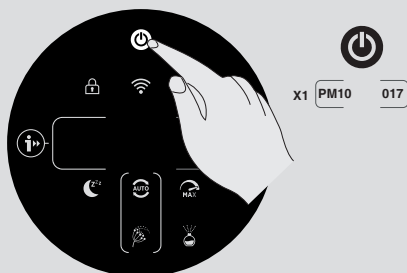
H-Purifier-tuotteen valmistelu diffuusorin toimintaa varten:

- Poista diffuusorin kansi tuotteesta. [Kuva 2a]
- Poista diffuusoriyksikkö diffuusorin kannesta. [Kuva 2b]
- Poista H-Essence- tai H-Biotics-pullo pakkauksesta ja irrota korkki. [Kuva 2c]
- Kierrä pullo tiukasti kiinni diffuusoriyksikköön. [Kuva 2d]
- Asenna diffuusoriyksikkö takaisin diffuusorin kanteen. [Kuva 2e]
- Asenna diffuusorin kansi takaisin tuotteeseen. [Kuva 2f]





Kuva 3



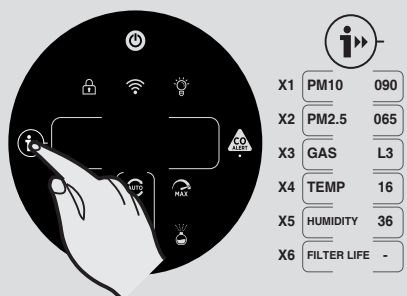
Kuva 4



Kuva 5



Kuva 6



Kuva 7

H-PURIFIERIN KÄYTTÖ

Kytke tuotteen pistoke [Kuva 3]:

Vedä virtajohto pois kelasta ja kytke se virtalähteeseen.

Kaikki ohjauspaneelin valot / Kaikki näytön valot syttyvät noin 1 sekunnin ajaksi, mikä kertoo siitä, että laite on kytketty.

Virtapainike syttyy himmeänä ja CO-anturin valo PALAA ilmoittaen, että usean anturin monitorointijärjestelmä on aloittanut toimintansa sisätilojen hiilimonoksiditason seuraamiseksi.

Tuotteen kytkeminen päälle. [Kuva 4]:

Kytke tuote päälle painamalla näytön virtapainiketta.

Ilmanlaadun LED Rengas syttyy kaikissa väreissä peräkkäin samalla, kun anturit analysoivat ilmaa reaaliajassa. Muutaman sekunnin kuluttua ilmanlaadun LED Rengas valitsee kyseisen ajankohdan ilmanlaatua vastaavan värin.

H-Purifier-tuote siirtyy viipymättä AUTOMAATTITILAAN ja alkaa puhdistaa sisäilmaa.

The AUTO MODE button, INFORMATION button, LIGHT CONTROL button and PM10 information on the Näyttö will illuminate.

Seuraavat toiminnot ovat saatavilla näytön painikkeilla:

Press the Wi-Fi button to turn on/off remote access.

Paina TIEDOT-painiketta tarkastellaksesi kaikkia monitorointitietoja.

Paina AUTO-, MAKSIMI- tai LEPO-painiketta valitaksesi puhdistustilan.

Paina VALON HALLINTA -painiketta asettaaksesi näytön valojen kirkkauden.

Paina LAPSIKUKKO-painiketta inaktivoitaksesi kaikki ohjauspaneelin/näytön painikkeet.

Paina DIFFUUSORI-painiketta aktivoitaksesi toiminnon.

Paina VIRTAPAINIKETTA -painiketta sammuttaaksesi ilmanpuhdistimen.

Pairing to Wi-Fi:

Suosittellemme lataamaan hOn-sovelluksen, jotta voit käyttää kaikkia H-Purifierin toimintoja mistä tahansa.

Näin voit hallita tuotettasi erittäin tehokkaasti.

Ohjeet:

1. Lataa hOn-sovellus App Storesta tai Google Playsta. [Kuva 5]
2. Avaa SOVELLUS, luo tili sähköpostiosoitteellasi ja salasanalla.
3. Vahvista sisäänkirjautuminen.
4. Varmista, että mobiililaitteesi on yhdistetty verkkoon.
5. Kirjautu hOn-sovellukseen.
6. Press and hold the Wi-Fi button on the display for 5 seconds, there will an audible beep and the Wi-Fi button will start flashing to indicate it is waiting for a connection. [Kuva 6]
7. Yhdistä mobiililaitteesi tuotteeseen noudattamalla sovelluksessa annettuja ohjeita.
8. When successfully paired, the Wi-Fi button on the product will remain illuminated.
9. To reset the Wi-Fi, press & hold the Wi-Fi button for 5 Secs.

Yhdistämisen langattomat parametrit

Teknologia	Wi-Fi	Bluetooth
Vakiomallinen	IEEE 802.11 b/g/n	Bluetooth v4.2, BR/EDR, BLE
Taajuuskaista(t) (MHz)	2401 ~ 2483	2402 ~ 2480
Maksimiteho (mW)	100	10

TIEDOT-toiminto [Kuva 7]:

Monitoroitavaksi on saatavilla 6 eri tietosarjaa:

PM10, PM2.5, KAASU, lämpötila, kosteus ja suodattimen tila.

Kutakin arvoa voi monitoroida helposti painamalla peräkkäin TIEDOT-painiketta.

Näytössä nähdään oletuksena PM10-tiedot; kone muistaa käyttäjän viimeisen valinnan ja se on käytössä, kun laite kytketään päälle seuraavan kerran.

GAS-tiedoissa näytetään pyörivä kohdistin ensimmäisten 3 minuutin ajan sen jälkeen, kun tuote on käynnistetty GAS-anturin suorittaessa kalibrointijaksosaa.

Lisätietoja valinnoista PM 2.5, PM 10 ja GAS.

PM osoittaa pienhiukkasmäärän (ei silmin nähtävissä). Nämä tulevat pääasiassa ulkona olevista ilmansaasteista, kuten ajoneuvojen ja teollisuuden päästöistä ja ne voivat olla vaarallisia terveydelle, mikäli niille altistuu pitkäkestoisesti.

PM 10 kattaa enintään 10 µm:n kokoiset hiukkaset, jotka voivat tunkeutua ylähengitysteihin (nenään,

henkitorveen ja nieluun).

PM 2.5 kattaa enintään 2.5 µm:n kokoiset hiukkaset ja niiden pienen koon takia ne voivat päästä keuhkoihin asti ja tunkeutua siten syvemmälle kehoon.

GAS VOC (haihtuvat orgaaniset yhdisteet) ovat haihtuvia kemiallisia yhdisteitä, jotka voivat helposti muuttua höyryksi huoneenlämpöisessä ilmassa. Deodorantit, pesuaineet, liimat, kosmetiikka ja formaldehydi ovat esimerkkejä VOC:sta, joita voi olla kodeissa ja joista voi olla haittaa terveydelle, jos niille altistutaan pitkäaikaisesti.

TILA-toiminnot:

Näytössä on saatavilla 3 ilmanpuhdistustilaa: AUTOMAATTITILA, MAKSIMITILA JA LEPOTILA. Kun tuote kytketään päälle, automaattitila on käytössä oletusasetuksena. Kaikki tilat voi valita manuaalisesti painamalla vastaavaa painiketta näytöstä.

SIITEPÖLYALLERGIA-tila voidaan ottaa käyttöön hOn-sovelluksesta.

AUTOMAATTITILA [Kuva 8]:

Tämä tila on oletuksena käytössä, kun H-Purifier kytketään päälle ensimmäisen kerran.

Automaattisessa tilassa H-Purifier säättää automaattisesti sen puhaltimen nopeutta sisäilman todellisen ilmanlaadun tason perusteella taatakseen optimaalisen ilmanpuhdistuksen.

Tämä on tuotteen suositusten mukainen asetus.

Kun laite on AUTOMAATTISESSA tilassa ja kun ilmanlaatu on ollut erinomainen 30 minuuttia, tuote siirtyy EKO-tilaan ja pysäyttää puhdistuksen; usean anturin monitorointijärjestelmä jatkaa sisäilman analysointia ja kytkee puhdistuksen tarvittaessa automaattisesti päälle.

MAKSIMITILA [Kuva 9]:

Paina näytön MAKSIMI-tilan painiketta aktivoitaksesi ilmanpuhdistuksen maksimaalisilla tehoasetuksilla. Voit poistua MAKSIMI-tilasta helposti valitsemalla AUTOMAATTI- tai LEPO-tilan.

LEPOTILA [Kuva 10]:

Paina LEPO-tilan painiketta aktivoitaksesi ilmanpuhdistuksen alhaisimmalla hiljaisella tehoasetuksella. LEPO-tilan painike syttyy himmeänä ja kaikki muut näytön valot ovat sammuksissa. Voit tehdä muutoksia LIGHT CONTROL -painiketta painamalla.

SIITEPÖLYALLERGIATILA: [Kuva 11]

Siitepölyallergiatila voidaan aktivoida vain hOn-sovelluksesta. Ensin sinun pitää aktivoida sovellus ja rekisteröidä sovellukseen profiili, jotta voit luoda siitepölyallergiaprofiilin.

Siitepölyallergiatila toimii vain, kun AUTOMAATTITILA on valittu. [Kuva 11c]

Siitepölyallergiatilassa laite vastaanottaa sovelluksesta jatkuvasti reaaliaikaisia tietoja koskien monitoroitua ulkoilman siitepölypitoisuutta, ja se toimii automaattisesti siitepölyn keräämisen maksimoimiseksi.

Kun siitepölyt on kerätty, ne inaktivoidaan allergiaoireiden helpottamiseksi.

Kun siitepölyallergiatila on aktivoitu sovelluksessa, tuotteen näytössä voi olla 2 ilmoitusvaloa:

- Siitepölyallergian valo on **VALKOINEN [Kuva 11a]**: Laite ja sovellus monitoroivat ulkoilman siitepölyä, eivätkä ne havaitse riskiä.

- Siitepölyallergian valo muuttuu **KELTAISEKSI [Kuva 11b]** ja siitepölyallergian pyöreä valo on **VALKOINEN [Kuva 11a]**: Laite ja sovellus ovat havainneet riskin.

Jos tuote kytketään manuaalisesti LEPO- tai MAKSIMI-tilaan siitepölyallergiatilan ollessa käytössä, siitepölyallergiatila keskeytyy.

VALON HALLINTA -toiminto: [Kuva 12]

Näytön valoille on saatavilla 3 asetusta: päällä, himmeä ja pois päältä.

Näytön valojen kirkkautta voi säätää helposti painamalla näytön VALOT-painiketta saatavilla olevien 3 vaihtoehdon selaamiseksi. Oletusasetus on PÄÄLLÄ.

Jos valitaan POIS PÄÄLTÄ, aktivointi tehdään painamalla jotakin muuta painiketta kahdesti. Yhdellä painalluksella valoista tulee HIMMEÄT, toisella painalluksella toiminto aktivoituu.

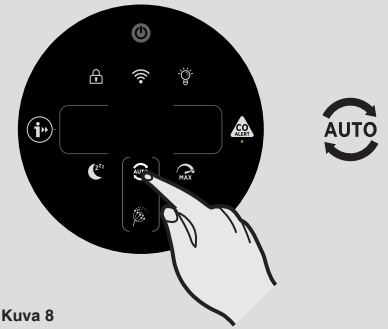
LAPSILUKKO-toiminto: [Kuva 13]

Aktivoi pitämällä LAPSILUKKO-painike painettuna 3 sekunnin ajan. Kun toiminto aktivoituu, kuullaan äänimerkki ja LAPSILUKKO-painikkeen valo jää palamaan. Kun tämä on aktivoitu, muut painikkeet eivät toimi.

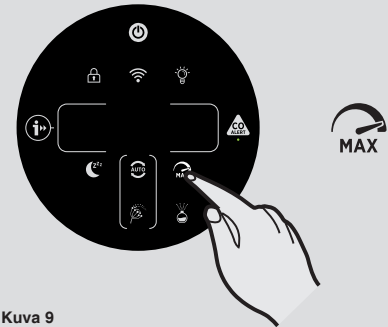
Toiminnon voi deaktivoida helposti painamalla LAPSILUKKO-painiketta 3 sekunnin ajan. Tällöin kuullaan äänimerkki, joka varmistaa deaktivoinnin, eikä valo enää pala.

Diffusoritoiminto: [Kuva 14]

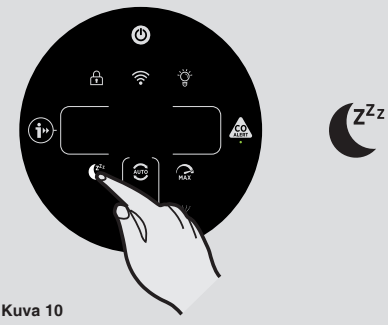
Diffusori levittää huoneilmaan H-Essence- tai H-Biotics-ainetta. H-Essence on Hooverin eteeristen



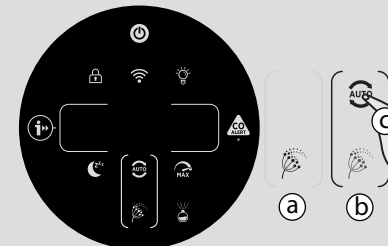
Kuva 8



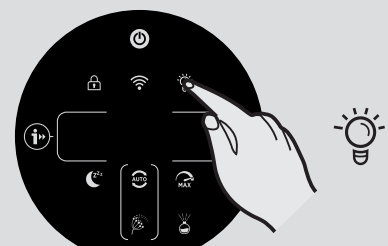
Kuva 9



Kuva 10



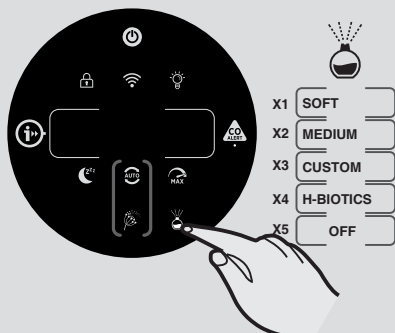
Kuva 11



Kuva 12



Kuva 13



Kuva 14

öljyjen valikoima. Ne levittävät ilmaan hyvää tuoksua.

H-Bioticsis on luonnollinen probiootteihin perustuva sekoitus, joka pitää huoneen biohygienisoituna estämällä mikro-organismien, kuten bakteerien ja mikrobin kasvun.

There are 4 different settings for the DIFFUSER function, PEHMEÄ, KESKITASO, MUKAUTETTU & H-BIOTICS. Tämä toiminto aktivoidaan helposti painamalla näytön Diffusori-painiketta. Toiminnon oletusasetus on PEHMEÄ. Muut asetukset voi valita painamalla painiketta peräkkäin halutun valinnan tekemiseksi. Painike syttyy valkoisena, kun toiminto on päällä.

H-Essencelle suositellaan asetuksia PEHMEÄ ja KESKITASO.

Mukautetut asetukset voidaan luoda hOn-sovelluksessa H-Essencelle.

Kun käytössä on H-Biotics, asetukseksi **PITÄÄ** valita H-Biotics. Once user activates H-Biotics using the APP, this will give an alert of "ACTIVATE H-BIOTICS" after 120 hours to ensure the H-biotics usage of every 5 days.

Diffusori-toimintoa voi käyttää vain AUTOMAATTI- ja MAKSIMI-tiloissa; sitä ei voi käyttää LEPO-tilassa.

Kun diffusoritoiminto otetaan käyttöön AUTO-tilassa, pääpuhallin toimii tietyllä nopeudella auttaakseen H-Essenceä tai H-Bioticsia kattamaan koko huoneen.

Asetus	Pumppu päällä	Pumppu pois päältä	Jakso
PEHMEÄ	10 sek.	300 sek.	Sammutus 6 tunnin kuluttua
KESKITASO	90 sek.	120 sek.	Sammutus 6 tunnin kuluttua
MUKAUTETTU	Käyttäjän määrittämä	Käyttäjän määrittämä	Sammutus 6 tunnin kuluttua
H-BIOTICS	120 sek.	120 sek.	Sammutus 6 tunnin kuluttua

Toiminto kytketään pois päältä painamalla diffusorin painiketta niin kauan, että painikkeen valo sammuu.

Joka kerta, kun diffusoritoimintoa on käytetty, laitteen pinnat pitää puhdistaa kuivalla, pehmeällä liinalla mahdollisten jäämien poistamiseksi.

Katso ohjeet diffusoriyksikön pullon vaihtamiseksi osiosta "H-Purifierin kunnossapito".

H-PURIFIERIN KUNNOSSAPITO

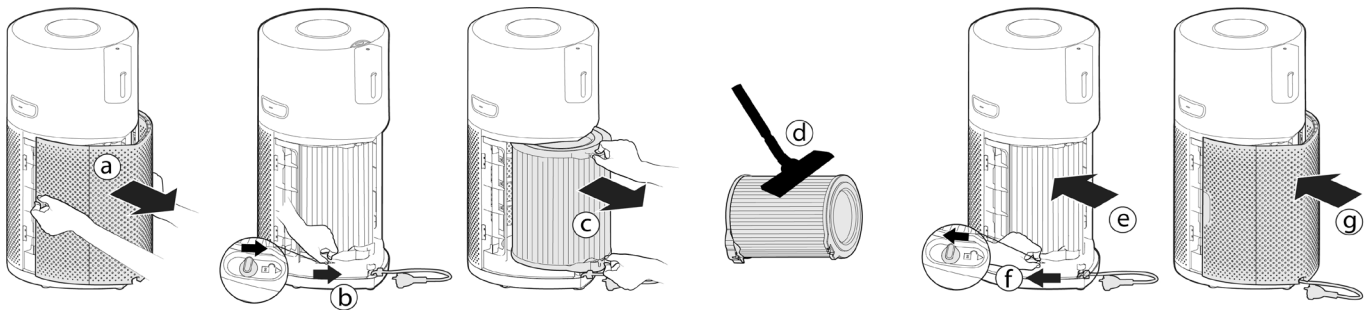
TÄRKEÄÄ: IRROTA LAITTEEN PISTOKE VIRTALÄHTEESTÄ AINA, KUN KUNNOSSAPITOTOIMIA SUORITETAAN..

SUODATTIMEN PUHDISTUS / VAIHTO

H-Purifier monitoroi suodattimen tilaa. Näytön vasempaan reunaan tulee ilmoitus **PUHDISTA SUODATIN TAI VAIHDA SUODATIN** ja vaadittava toimenpide, suodattimen puhdistus tai vaihto, ilmoitetaan vilkkuvalla merkillä.

Puhdistus / Suodattimen vaihto: [Kuva 15]

- Irrota ilman sisääntulon kansi tuotteesta. [Kuva 15a]
- Avaa suodattimen vapautuskytkimen lukitus. [Kuva 15b]
- Irrota suodatin tuotteesta. [Kuva 15c]
- Käytä imuria puhdistaksesi suodatinkokoonpanon ulkoverkko tai vaihda UUSI suodatin. [Kuva 15d]
- Asenna suodatinkokoonpano takaisin tuotteeseen. [Kuva 15e]
- Lukitse suodattimen vapautuskytkin. [Kuva 15f]
- Asenna ilman sisääntulon kansi takaisin tuotteeseen. [Kuva 15g]
- Kytke laite virtalähteeseen ja kytke se päälle. [Kuva 4]
- Paina TIEDOT-painiketta ja noudata annettuja ohjeita nollataksesi suodattimen puhdistustoiminnon: paina painiketta 3 sekuntia, minkä jälkeen hälytysääni ilmoittaa nollauksen onnistumisesta. [Kuva 7]



Kuva 15

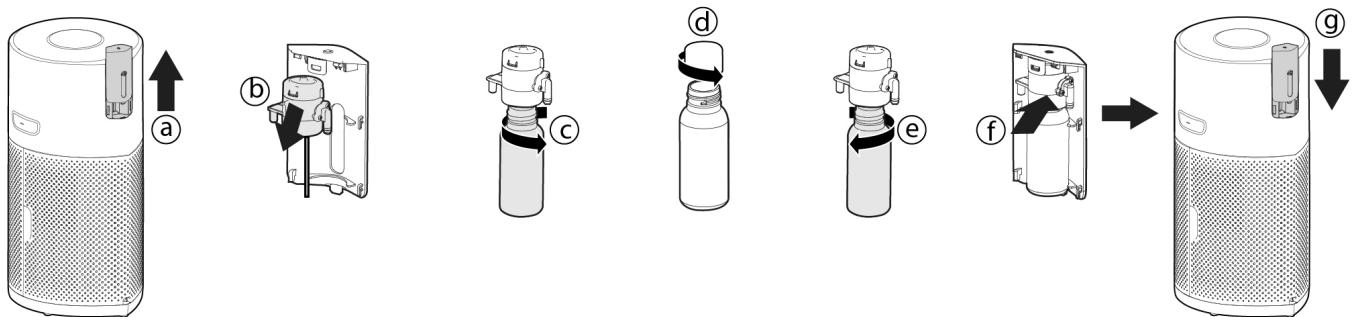
DIFFUUSORIN KUNNOSSAPITO

Joka kerta, kun diffusoritoimintoa on käytetty, laitteen pinnat pitää puhdistaa kuivalla, pehmeällä liinalla mahdollisten jäämien poistamiseksi.

Diffusoripullon vaihto: [Kuva 16]

Pullossa jäljellä olevan nesteen määrä voidaan tarkistaa diffusorin ikkunasta. Tarvittaessa pullo pitää vaihtaa.

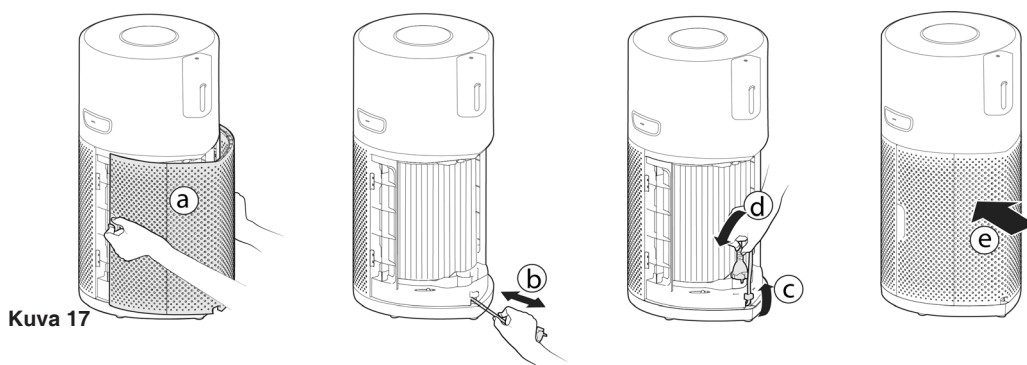
- Poista diffusorin kansi tuotteesta. [Kuva 16a]
- Poista diffusorisyksikkö ja pullo diffusorin kannesta. [Kuva 16b]
- Kierrä tyhjät pullo irti, irrota ne ja hävitä. [Kuva 16c]
- Poista uusi H-Essence- tai H-Biotics-pullo pakkauksesta ja irrota korkki. [Kuva 16d]
- Kierrä uusi pullo tiukasti kiinni diffusorisyksikköön. [Kuva 16e]
- Asenna diffusorisyksikkö takaisin diffusorin kanteen. [Kuva 16f]
- Asenna diffusorin kansi takaisin H-Purifieriin. [Kuva 16g]



Kuva 16

H-PURIFIERIN VARASTOINTI

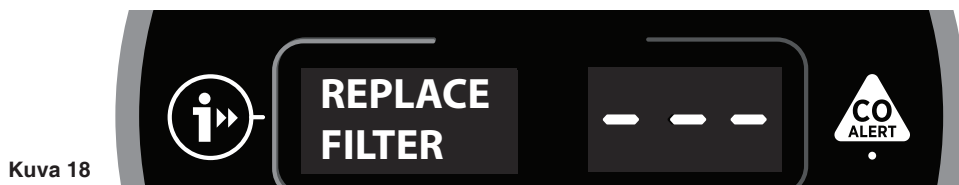
1. Kytke ilmanpuhdistin pois päältä ja irrota pistoke.
2. Puhdista kaikki ilmanpuhdistimen sisä- ja ulkopinnat sekä suodattimen ulkoverkko.
3. Poista pullo diffuusorista. Laita pulloon sen alkuperäinen korkki ja varastoi se suojaan suoralta valolta. Puhdista diffuusoriyksikön pinnat ja diffuusorin kansi. Varmista, ettei ilmanpuhdistimen pinnoilla ole jäämiä H-Essencestä.
4. Varmista, että kaikki osat ovat kuivia.
5. Irrota ilman syötön kansi [kuva 17a] ja rullaa virtajohto johdosta vetämällä [kuva 17b], aseta johto säilytyskoukkuun ja kiinnitä pistoke sen kuljetuspaikkaan. [Kuva 17c,d] Asenna ilman sisääntulon kansi takaisin [Kuva 17e]
6. Varastoi ilmanpuhdistin viileään ja kuivaan paikkaan.



Kuva 17

HÄLYTYKSET JA KORJAUSTOIMET

Käytön aikana laitteessa saatetaan nähdä seuraavat koodit. [Kuva 18]



Kuva 18

Virheen kuvaus	Virheen kuvaus		Virheen ratkaisu
	Hälytys tuotteen ohjauspaneelissa / Näyttö	Hälytys sovelluksessa	
Ulomman kerroksen suodattimen puhdistusta koskeva hälytys	"PUHDISTA SUODATIN" -hälytys vilkkuu näytössä	Suodattimen puhdistusta koskeva hälytys	1.Puhdista ulomman kerroksen suodatin noudattamalla käyttöoppaan ohjeita. 2.Nollaa hälytys.
Suodattimen vaihtoa koskeva hälytys	"VAIHDA SUODATIN" -hälytys vilkkuu näytössä	Suodattimen vaihtoa koskeva hälytys	1.Vaihda suodatin noudattamalla käyttöoppaan ohjeita. 2.Nollaa hälytys.
Suodatinta ei ole asennettu tai sitä ei ole lukittu	"SUODATIN PUUTTUU" -hälytys vilkkuu näytössä	Suodatinta ei ole asennettu tai sitä ei ole lukittu	1.Jos suodatin ei ole asennettuna, laita se takaisin. 2.Jos suodatin on paikallaan, tarkista, onko Suodatin-välilehti siirtynyt LUKITUS-tilaan.
Pölyanturin toimintahäiriö: anturista ei tule signaalia tai lähtöjännite ylittää raja-arvon	/	Pölyanturin toimintahäiriö: anturista ei tule signaalia tai lähtöjännite ylittää raja-arvon	Pölyanturin häiriö tai pölyanturin johtoa ei ole kytketty oikein: ota yhteyttä huoltoon tilanteen korjaamiseksi.
Ei moottorin nopeutta	/	Ei moottorin nopeutta palaute	Moottorin häiriö tai moottorin johtoa ei ole kytketty oikein: ota yhteyttä huoltoon tilanteen korjaamiseksi.
CO-anturin toimintahäiriö	CO-anturin tilan merkkivalo palaa keltaisena	CO-anturin toimintahäiriö	Hälytys: soita huoltoon.

HUOMIO: Jos mikään näistä ongelmista on jatkuva, ota yhteys Hoover-jälleenmyyjäsi. ÄLÄ yritä purkaa H-Purifieria itse.

VIANMÄÄRITYS

Seuraavana on lista normaaleista vikatilanteista ja ratkaisuista.
Jos mikään näistä ongelmista on jatkuva ota yhteyttä paikalliseen Hoover-huoltoliikkeeseen.

Tuuletin ei toimi (Ohjauspaneeli / Näytön valot palavat)	<ul style="list-style-type: none"> Tarkista näytössä tai sovelluksessa näytetty hälytys Tarkista, onko tuulettimessa tukkeita. Tarkista, onko H-Purifier kytketty päälle. Tarkista, onko suodatin asennettu väärin. Tarkista, onko H-Purifier täysin pystyasennossa ja ettei se ole kallellaan.
Tuuletin ei toimi (Ohjauspaneeli / Näytön valot eivät pala)	<ul style="list-style-type: none"> Tarkista, onko H-Purifierin pistoke kytketty ja laite päällä. Tarkista, onko tuulettimessa tukkeita.
Ohjauspaneelissa ei pala valoja / Näyttö (Tuulettimen toiminta)	<ul style="list-style-type: none"> Tarkista, ettei valoja ole sammutettu painamalla ohjauspaneelin valojen hallintapainiketta / Näyttö.
Ohjauspaneelin painikkeet / Näyttö ei toimi	<ul style="list-style-type: none"> Tarkista, onko lapsilukko aktivoitu, painamalla lapsilukkopainiketta 3 sekunnin ajan.
Ilmavirtaus on heikko	<ul style="list-style-type: none"> Tarkista, onko suodattimen suojauspakkaus poistettu. Tarkista, onko ilman sisääntulon kannessa tai ilman poistoaukossa tukoksia. Tarkista suodattimen tila ohjauspaneelista / Näytön tai sovelluksen puhdistusta tai vaihtoa koskeva varoitus. Tarkista, onko H-Purifier lepotilassa. Tuuletin toimii tässä tilassa alhaisella teholla.
Ilmanpuhdistimen toiminta on äänekästä	<ul style="list-style-type: none"> Tarkista, onko ilmanpoistoaukossa tai tuulettimessa tukoksia. Tarkista, onko H-Purifier MAKSIMI-tilassa; tässä tilassa ilmavirtaus toimii maksimiteholla..
Ilmanpuhdistimesta kuuluu yhtäkkiä voimakas summerin ääni.	<ul style="list-style-type: none"> CO-hälytyspainikkeen testitoiminto on käynnistynyt virheellisesti. Äänimerkki sammuu automaattisesti 5 sekunnin kuluttua.

TÄRKEÄÄ TIETOA

Hoover-varaosat ja lisätarvikkeet

Käytä vain alkuperäisiä Hoover-varaosia. Niitä on saatavana paikalliselta Hoover- jälleenmyyjältä tai valtuutetusta huoltoliikkeestä. Mainitse varaosatilauksen yhteydessä laitteen tyyppinumero.

Laatu

Hooverin tehtaat on arvioitu laadun suhteen riippumattoman tahon toimesta. Tuotantoprosessimme täyttävät ISO 9001 -laatu järjestelmän vaatimukset.

Takuu

Tämän laitteen takuehdot määrittelee ostomaan Hoover-edustaja. Yksityiskohtaiset tiedot näistä ehdoista saa laitteen myyneeltä jälleenmyyjältä. Tämän takuun mukaisia vaateita esitettäessä on esitettävä myyntitodistus tai ostokuitti.

Oikeus muutoksiin pidätetään.

ИНСТРУКЦИИ ПО БЕЗОПАСНОМУ ИСПОЛЬЗОВАНИЮ

Данный прибор следует использовать только в бытовых условиях как описано в настоящем руководстве пользователя. Прежде чем приступить к работе с прибором, обязательно ознакомьтесь с настоящим руководством и сохраните его для справки в дальнейшем.

После использования или перед очисткой или обслуживанием всегда вынимайте вилку из розетки.

Данный прибор не предназначен для использования лицами (включая детей) с пониженными физическими, психическими или умственными способностями или при отсутствии у них опыта или знаний, если они не находятся под контролем или не проинструктированы об использовании прибора лицом, отвечающим за их безопасность. Дети должны находиться под присмотром для недопущения игры с прибором.

Все упаковочные материалы должны храниться в недоступном для детей месте (риск удушья). Если провод питания поврежден, немедленно отключите прибор. Во избежание угрозы безопасности замену провода питания должен проводить только мастер авторизованной сервисной службы HOOVER.

Используйте только те насадки, расходные материалы или запасные части, которые рекомендует или поставляет HOOVER.

Не тяните вилку из розетки за шнур.

В случае неисправности не следует продолжать пользоваться прибором.

Размещайте прибор и пользуйтесь им на сухой, устойчивой, горизонтальной поверхности, чтобы исключить вероятность опрокидывания.

Прибор должен быть сухим.

Никогда не наклоняйте и не опорожняйте прибор в процессе работы.

Шнур питания необходимо проложить таким образом, чтобы на него никто не наступал и не мог зацепиться за него.

Не ставьте прибор на горячие поверхности, рядом с горячими поверхностями, вблизи открытого огня или под воздействием прямых солнечных лучей.

Не допускайте попадания воды, других жидкостей или горючих моющих средств в прибор во избежание поражения электрическим током и/или пожара.

Не очищайте прибор водой, другими жидкостями или горючими моющими средствами во избежание поражения электрическим током и/или пожара.

Не распыляйте никаких горючих материалов, таких как инсектициды или дезодоранты вокруг прибора.

Прежде чем подключать прибор, проверьте, совпадают ли значения напряжения и номинальных параметров, указанные на табличке прибора с параметрами местной сети питания.

Не закрывайте отверстия забора и выпуска воздуха.

Данный прибор не является заменой приемлемой вентиляции, регулярной уборки, вытяжки или вентилятора в процессе приготовления.

Не ставьте ничего сверху прибора.

Не размещайте прибор непосредственно под кондиционером воздуха во избежание конденсации в связи с падением капель на прибор.

Убедитесь, что все фильтры правильно установлены, прежде чем включать прибор.

Пользуйтесь только оригинальными фильтрами HOOVER, предназначенными специально для данного прибора. Не устанавливайте никаких других фильтров.

Не допускайте ударов по прибору (в частности, по блокам забора и выпуска воздуха) твердыми предметами.

Не вставляйте пальцы или предметы в блоки забора и выпуска воздуха во избежание получения травмы или поломки прибора.

Не пользуйтесь этим прибором после применения дымового репеллента для помещений или в местах, где в воздухе содержатся остатки масла, пепел или химический дым.

Не пользуйтесь прибором вблизи газовых устройств, нагревательных приборов или каминов.

Не пользуйтесь прибором в помещениях с резкими перепадами температуры.

Во избежание помех разместите прибор на расстоянии не менее 2 м от электрических устройств, в которых используются радиоволны, таких как телевизоры, радиоприемники и часы на радиоуправлении.

Если прибор не используется длительное время, на фильтрах могут размножиться бактерии. Проверяйте фильтры после длительного периода простоя. Если фильтры слишком загрязнены, замените их.

Не пользуйтесь прибором во влажной атмосфере или в помещениях с высокой температурой, например, в ваннах, туалетах или на кухнях.

Прибор не удаляет угарный газ (CO) или радон (Rn). Его нельзя использовать как средство безопасности при аварийных ситуациях, связанных с процессом горения и опасными химическими веществами.

Функцию CO Monitor не следует использовать или предполагать ее использование в качестве замены сигнализации содержания угарного газа согласно стандарту EN 50291-1 UL-2034, CSA-б.19 или любому другому стандарту, если этого требуют местные или региональные нормы. Функция CO Monitor может использоваться только как дополнение к специальному устройству обнаружению угарного газа. Владелец прибора пользуется им на свое усмотрение, что предполагает понимание и согласие с его ограничениями и соблюдение соответствующих норм и правил.

Не размещайте прибор в каком-либо из следующих мест:

- В ванной комнате или в другом месте, где на устройство сигнализации могут попасть брызги воды, капли или конденсат (например, над электрическим чайником).
- Вблизи или непосредственно над обогревателями или кондиционерами воздуха, дверьми, окнами, вытяжными вентиляторами или в других местах, где возможны сквозняки.
- Непосредственно над раковиной или плитой.
- В тех регионах, где температура может опускаться ниже -20°C или подниматься выше 50°C .
- В замкнутом пространстве (например, в шкафу или под ним).
- Во влажных местах.
- В местах, где возможна блокировка прибора, например шторами или мебелью.
- В местах, где грязь или пыль могут блокировать датчик.
- В местах, где возможны испарения от красок, разбавителей, растворителей или применение освежителей воздуха.

При срабатывании сигнализации CO откройте все окна и двери (если это безопасно).

Отключите все приборы, работающие на горючем топливе, если это возможно, а затем эвакуируйте людей из помещения, оставив окна и двери открытыми. Обратитесь за неотложной медицинской помощью при наличии у кого-либо признаков отравления угарным газом. Не входите в помещение, пока не отключится сигнализация. Сигнализация отключается сразу же, как только угарный газ выветривается. Не включайте приборы, работающие на горючем топливе, пока не установлен источник CO и не устранена причина его образования квалифицированным специалистом.

Для включения CO Monitor вставьте вилку в розетку. Индикаторная лампа состояния датчика CO загорается зеленым. Если CO Monitor обнаруживает небезопасный уровень CO, срабатывает звуковая сигнализация, а кнопка CO Alert и кольцевая индикаторная лампа начинают мигать красным. Сигнализация работает до тех пор, пока установленное повышение CO не снизится до безопасного уровня.

Старайтесь не пользоваться красками, разбавителями, растворителями, освежителями воздуха, аэрозольными распылителями или химическими очистителями вблизи прибора. Это может повлиять на работу CO Monitor.

Не разрешайте маленьким детям нажимать на кнопку CO Alert в течение 3 секунд, поскольку в результате раздается очень громкий звук.

Нажмите и удерживайте кнопку [CO Alert] в течение 3 секунд, чтобы проверить срабатывание тревоги CO; при этом на 5 секунд должна включиться громкая сигнализация. Ежемесячно проверяйте сигнализацию, а также после длительного отсутствия в здании (например, на праздники). Если при нажатии кнопки [CO Alert] в течение 3 секунд сигнализация не срабатывает, обратитесь в центр обслуживания клиентов Hoover за консультацией квалифицированного специалиста и ремонтом.

Если на дисплей выводится ошибка датчика CO или истекает срок его службы, обратитесь в центр обслуживания клиентов Hoover за консультацией квалифицированного специалиста или заменой датчика. Предполагаемый срок службы датчика CO, по истечении которого его необходимо заменить, составляет 5 лет.

Рабочая влажность: 15 – 90% RH

Рабочая температура: от 0°C до + 40°C

Если установленный уровень CO достигает высокого уровня, кнопка [CO Alert] и [LED Ring качества воздуха] мигают красным (с частотой 2 Гц), в то же время включается громкая и непрерывная сигнализация (85~110 дБ(A)); сигнализация не отключается до тех пор, пока содержание CO не опустится ниже уровня тревоги.

Угарный газ влияет на организм, лишая жизненно важные органы кислорода. При вдыхании CO связывается гемоглобином крови, вместо кислорода, который он переносит по организму в обычных условиях. CO постоянно вытесняет способность молекул кислорода связываться с гемоглобином, тем самым сокращая его поступление к жизненно важным органам. Степень влияния CO на организм зависит от уровня концентрации и времени воздействия, однако эксперты единодушны в том, что воздействие даже низкого уровня угарного газа в течение длительного времени может оказывать серьезное долгосрочное влияние на общее состояние здоровья.

ВНИМАНИЕ: ДАТЧИК CO ПРЕДНАЗНАЧЕН ДЛЯ ЗАЩИТЫ ЛЮДЕЙ ОТ ОСТРОГО ОТРАВЛЕНИЯ УГАРНЫМ ГАЗОМ ИЛИ ПРЕДОТВРАЩЕНИЯ ХРОНИЧЕСКОГО ВОЗДЕЙСТВИЯ. ОН НЕ ОБЕСПЕЧИВАЕТ АБСОЛЮТНОЙ ЗАЩИТЫ ОТ СПЕЦИФИЧЕСКИХ МЕДИЦИНСКИХ СОСТОЯНИЙ. В СЛУЧАЕ СОМНЕНИЙ ПРОКОНСУЛЬТИРУЙТЕСЬ С ВРАЧОМ.

Этим прибором не следует считать заменой правильному монтажу, использованию и техническому обслуживанию приборов, работающих на горючем топливе, включая необходимую вентиляцию и вытяжные системы.

The CO monitor mobile and tablet notifications require a functional Wi-Fi connection to operate.

Такие сигналы не являются заменой служб аварийного мониторинга третьих сторон.

Используйте только те ароматические масла, которые рекомендуются или поставляются HOOVER.

Не пользуйтесь увлажнителем вблизи очистителя воздуха во время использования диффузора с H-Essence.

Незамедлительно вытирайте все разливания H-Essence. Обязательно очистите все углы прибора, контактировавшие с H-Essence.

Сервисная служба HOOVER: Для гарантии безопасной и надежной работы данного прибора мы рекомендуем приглашать авторизованных инженеров сервисной службы HOOVER для выполнения технического обслуживания и ремонта.

Окружающая среда

Прибор маркируется согласно Европейской директиве 2011/65/EC по отходам электрического и электронного оборудования (WEEE). Соблюдая правила утилизации данного электроприбора, вы помогаете предотвратить возможные отрицательные последствия для окружающей среды и здоровья человека, которые могли бы иметь место при неправильной утилизации данного устройства.

Символ на данном приборе указывает на то, что его нельзя утилизировать вместе с бытовыми отходами. Его необходимо сдавать в соответствующий пункт приема для дальнейшей переработки электрических и электронных частей. Утилизация должна проводиться в соответствии с местными правилами по защите окружающей среды и утилизации отходов. За более подробной информацией по обращению с данным прибором, его утилизации и переработке обратитесь в местные органы власти, в службу утилизации отходов или в магазин, где вы приобрели данный прибор.

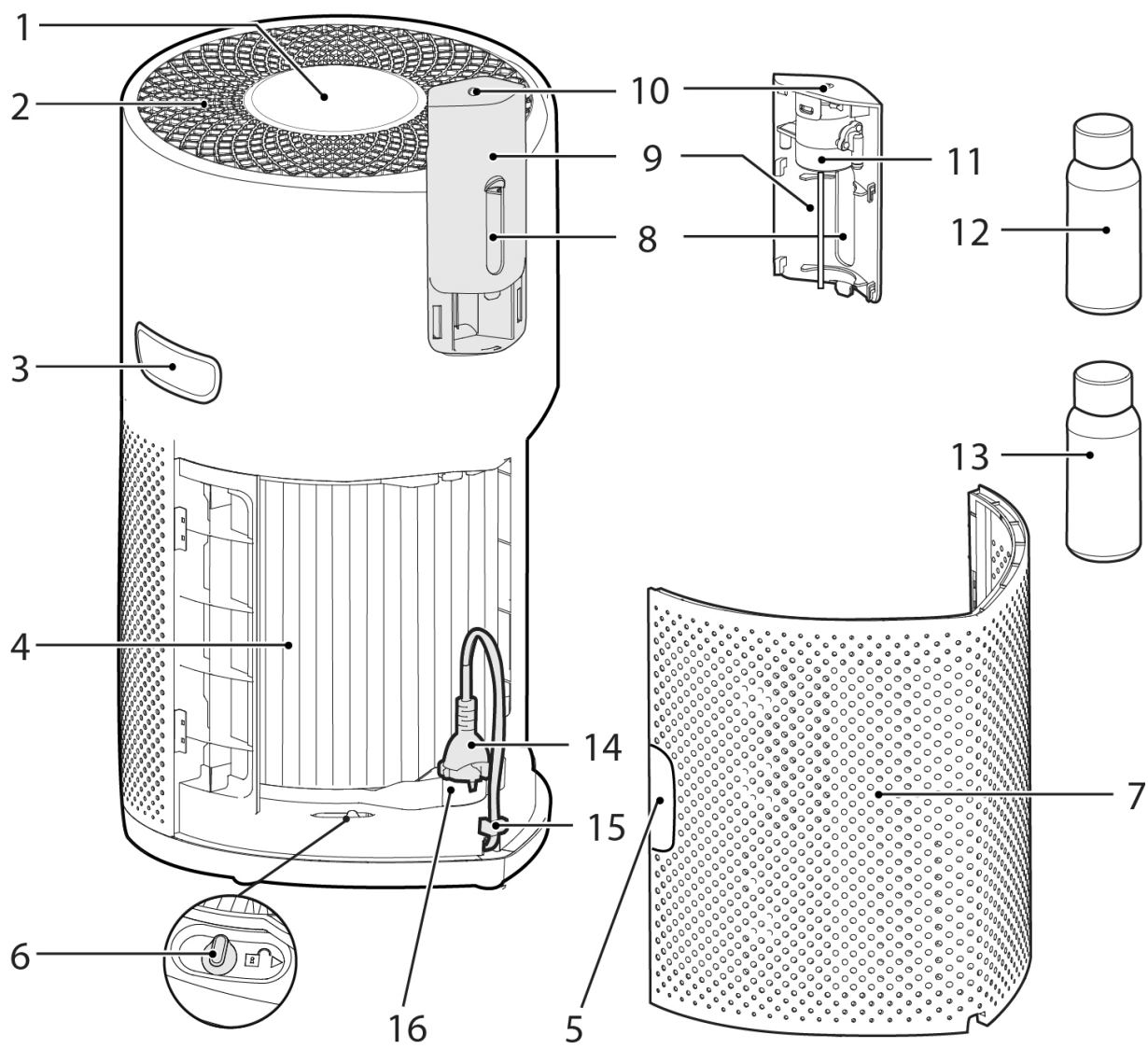


Диапазон частот	2400Mhz ~ 2483.5Mhz
Максимальная мощность передачи сигнала в пределах частотного диапазона	18.9 dBm

CE Данный прибор отвечает требованиям Европейских Директив 2014/53/EU, 2014/30/EU и 2011/65/EU. Для получения копии сертификата соответствия, пожалуйста, свяжитесь с производителем.

CANDY HOOVER GROUP S.r.l. Via Privata Eden Fumagalli, 20861 Brugherio (MB) Italy

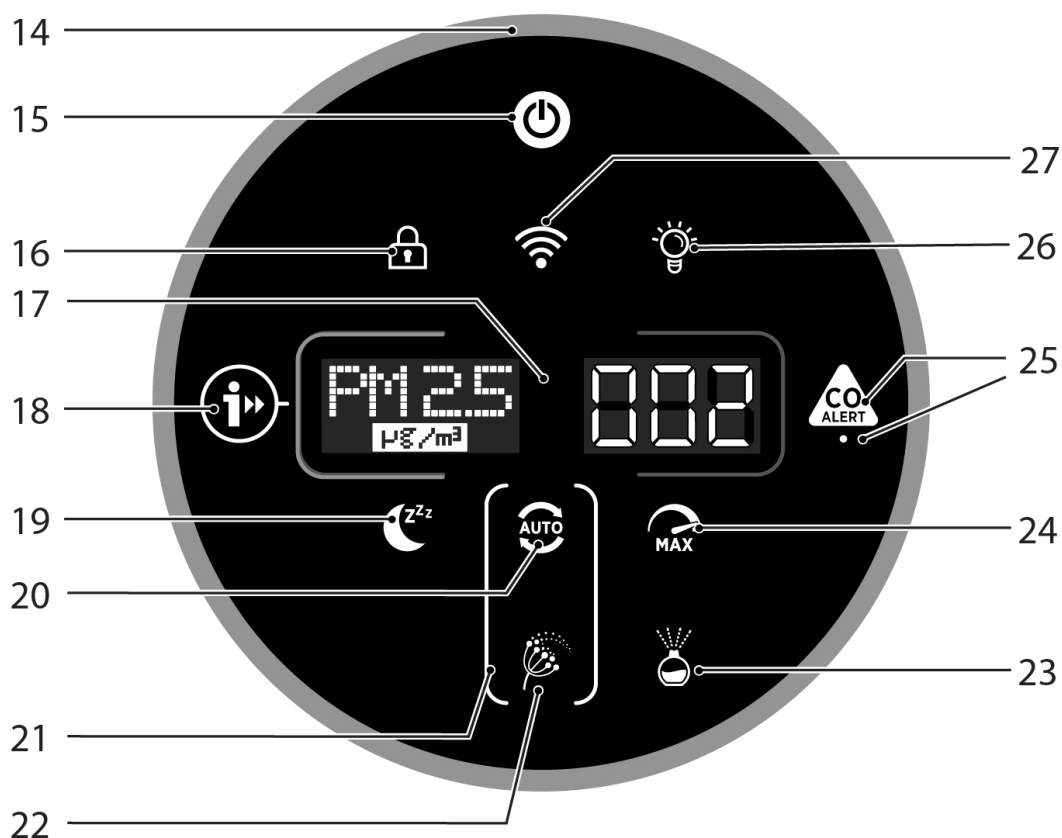
ЗНАКОМСТВО С ВАШИМ H-PURIFIER



1	Пульт управления / Дисплей
2	Выпуск воздуха
3	Ручка-переноска
4	Блок фильтра
5	Ручка крышки забора воздуха

6	Защелка фиксатора фильтра
7	Крышка забора воздуха
8	Окошко диффузора
9	Крышка диффузора
10	Выход диффузора
11	Блок диффузора

12	Бутылочка H-Essence (Зеленый)
13	Бутылочка H-Biotics (Коричневый)
14	Шнур питания и вилка
15	Крюк для хранения
16	Транспортное положение



14	LED Ring качества воздуха
15	Кнопка питания
16	Кнопка замка от детей
17	Цифровой дисплей
18	Кнопка информации

19	Кнопка спящего режима
20	Кнопка автоматического режима
21	Кольцевой индикатор аллергии на пыльцу
22	Индикатор аллергии на пыльцу

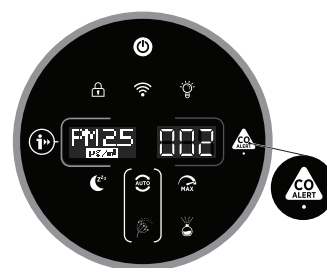
23	Кнопка диффузора
24	Кнопка максимального режима
25	Кнопка и светодиод CO Alert
26	Кнопка управления подсветкой
27	Wi-Fi Button

Система многодатчикового мониторинга

Благодаря системе многодатчикового мониторинга ваш прибор будет непрерывно отслеживать состояние воздуха в помещении, измеряя концентрацию PM10, PM2.5, летучих органических соединений (GAS) и угарного газа (CO).

При каждом включении прибора система многодатчикового мониторинга запускает анализ воздуха внутри помещения, а LED Ring качества воздуха подсвечивается разными цветами в зависимости от состояния воздуха в реальном времени.

Цвет LED Ring качества воздуха	Качество воздуха снаружи
ЗЕЛЕНЫЙ	ОТЛИЧНОЕ
ЖЕЛТЫЙ	УДОВЛЕТВОРИТЕЛЬНОЕ
ОРАНЖЕВЫЙ	ПЛОХОЕ
КРАСНЫЙ	ОЧЕНЬ ПЛОХОЕ



Контроль и сигнализация концентрации угарного газа

H-Purifier постоянно отслеживает содержание угарного газа (CO) в помещении. Прибор оснащен системой сигнализации.

При срабатывании сигнализации угарного газа LED Ring качества воздуха и кнопка CO Alert мигают красным одновременно, а также включается звуковая сигнализация. Сигнализация продолжает работать до тех пор, пока концентрация угарного газа (CO) не опустится ниже 50 ppm, если ее не отключить вручную, нажав на кнопку CO Alert в течение 3 секунд.

Сигнальный светодиод CO Alert показывает рабочее состояние датчика CO. Когда датчик CO находится в нормальном состоянии, светодиод подсвечен зеленым, и желтым, когда он неисправен или завершился срок его службы.

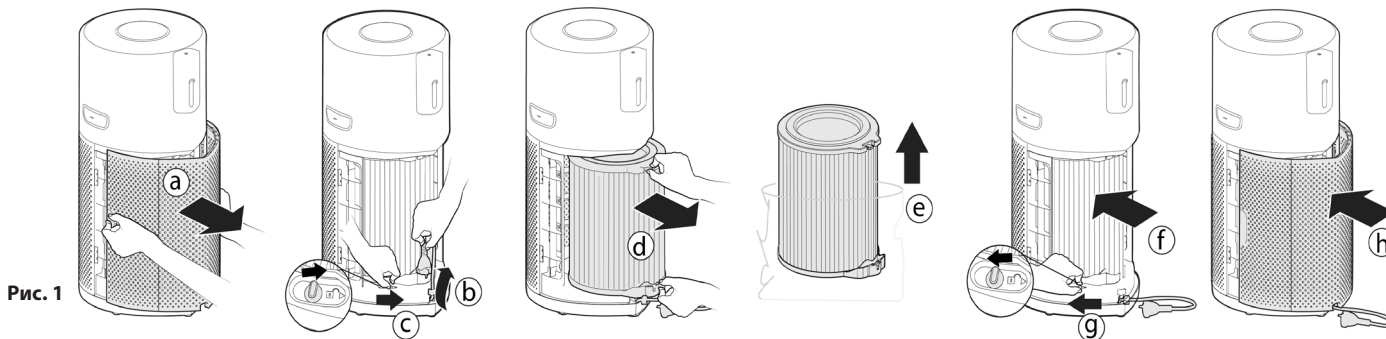
Проверить, правильно ли работает сигнализация, можно нажав кнопку CO Alert в течение 3 секунд – если сигнализация исправна, должен прозвучать 5-секундный звуковой сигнал.

ПОДГОТОВКА H-PURIFIER К РАБОТЕ

1. Блок фильтра [Рис. 1]

Перед использованием прибора H-Purifier необходимо вынуть фильтр из защитной упаковки:

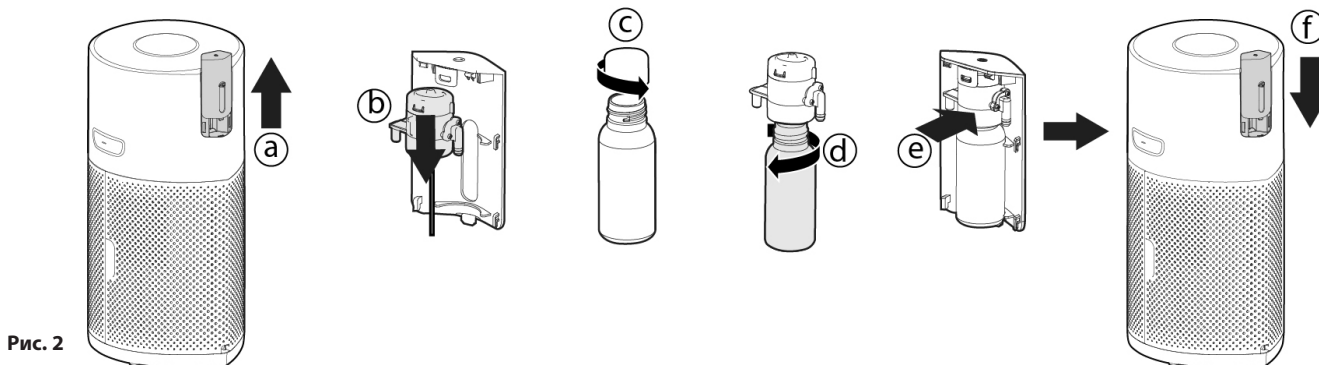
- Снимите крышку блока забор воздуха с прибора – ухватитесь за две ручки и потяните ее с прибора. [Рис. 1a]
- Выньте вилку из транспортного положения и снимите шнур с крючка для хранения. [Рис. 1b]
- Откройте защелку фиксатора фильтра. [Рис. 1c]
- Снимите фильтр с прибора и уберите внешнюю упаковку. [Рис. 1d,e]
- Установите фильтр в прибор. [Рис. 1f]
- Закройте защелку фиксатора фильтра. [Рис. 1g]
- Установите крышку блока забор воздуха на прибор. [Рис. 1h]



2. Установка бутылочки в диффузор [Рис. 2]

Для подготовки H-Purifier к работе с диффузором:

- Снимите крышку диффузора с прибора. [Рис. 2a]
- Снимите блок диффузора с крышки диффузора. [Рис. 2b]
- Выньте бутылочку H-Essence или H-Biotics из упаковки и снимите крышку. [Рис. 2c]
- Плотно закрутите бутылочку в блок диффузора. [Рис. 2d]
- Установите блок диффузора на крышку диффузора. [Рис. 2e]
- Установите крышку диффузора на прибор. [Рис. 2f]



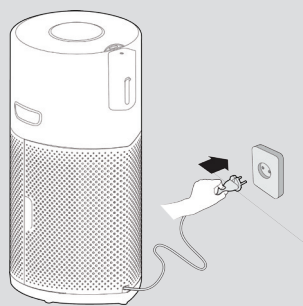


Рис. 3

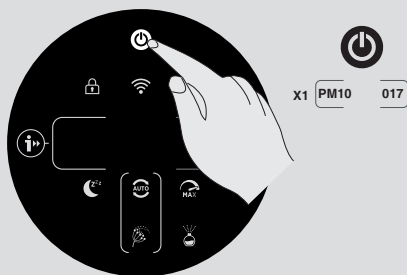


Рис. 4



Рис. 5

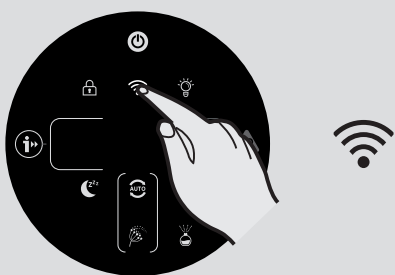


Рис. 6

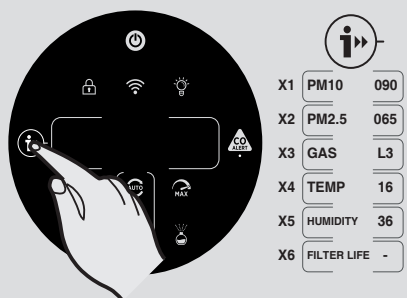


Рис. 7

ИСПОЛЬЗОВАНИЕ H-PURIFIER

Подсоединение прибора к сети [Рис. 3]:

Вытяните шнур питания с катушки и вставьте вилку в розетку.

На пульте управления загораются все индикаторы / Дисплей будет подсвечен в течение 1 секунды, указывая на успешное подсоединение.

Кнопка ПИТАНИЯ будет неярко светиться, и индикатор CO будет подсвечен, указывая на то, что система многодатчикового мониторинга включена и отслеживает уровень угарного газа.

Включение прибора [Рис. 4]:

Чтобы включить прибор, нажмите кнопку ПИТАНИЯ на дисплее.

LED Ring качества воздуха будет подсвечиваться всеми цветами последовательно, пока датчики анализируют состояние воздуха в реальном времени. Через несколько секунд LED Ring качества воздуха подсветится цветом, соответствующим качеству воздуха на данный момент.

Ваш прибор H-Purifier сразу же переходит в АВТОМАТИЧЕСКИЙ РЕЖИМ и начинает очищать воздух в помещении.

Кнопки АВТОМАТИЧЕСКОГО РЕЖИМА, ИНФОРМАЦИИ, УПРАВЛЕНИЯ ПОДСВЕТКОЙ и PM10 на дисплее будут светиться.

С помощью кнопок на дисплее осуществляется управление следующими функциями:

Press the Wi-Fi button to turn on/off remote access.

Нажмите кнопку ИНФОРМАЦИИ, чтобы просмотреть все отслеживаемые данные.

Нажмите кнопку AUTO, MAX или РЕЖИМА СНА, чтобы выбрать режим очистки.

Нажмите кнопку ПОДСВЕТКИ, чтобы выставить яркость дисплея.

Нажмите кнопку ЗАМКА ОТ ДЕТЕЙ, чтобы заблокировать все кнопки на пульте управления/дисплее.

Нажмите кнопку ДИФФУЗОРА, чтобы включить его.

Нажмите кнопку ПИТАНИЯ, чтобы включить прибор.

Pairing to Wi-Fi:

Чтобы получить доступ ко всем функциям H-Purifier из любой точки, рекомендуется загрузить приложение hOn.

Так вы сможете управлять своим прибором наиболее эффективным способом.

Инструкции:

1. Загрузите приложение hOn из App Store или Google Play. [Рис. 5]
2. Откройте приложение, создайте учетную запись со своим адресом электронной почты и паролем.
3. Подтвердите вход.
4. Ensure your mobile device is connected to Wi-Fi.
5. Зайдите в приложение hOn.
6. Press and hold the Wi-Fi button on the display for 5 seconds, there will an audible beep and the Wi-Fi button will start flashing to indicate it is waiting for a connection. [Рис. 6]
7. Следуйте инструкциям в приложении, чтобы подсоединить мобильное устройство к прибору.
8. When successfully paired, the Wi-Fi button on the product will remain illuminated.
9. To reset the Wi-Fi, press & hold the Wi-Fi button for 5 Secs.

Параметр беспроводного соединения

Технология	Wi-Fi	Bluetooth
Стандартная	IEEE 802.11 b/g/n	Bluetooth v4.2, BR/EDR, BLE
Диапазон частот (MHz)	2401 ~ 2483	2402 ~ 2480
Максимальная мощность (mW)	100	10

Функция ИНФОРМАЦИИ [Рис. 7]:

Можно отслеживать 6 разных наборов данных:

PM10, PM2.5, GAS, температура, влажность и состояние фильтра.

Для просмотра каждого из значений просто нажимайте кнопку ИНФОРМАЦИИ последовательно.

По умолчанию отображаются данные PM10. Прибор запоминает последний выбор пользователя и сохраняет его при последующем включении прибора.

После включения прибора на дисплее GAS в течение 3 минут отображается вращающийся курсор, пока датчик GAS выполняет цикл калибровки.

Дополнительная информация о PM 2.5, PM 10 и GAS:

PM указывает на наличие мелких частиц (не видимых человеческому глазу), связанных, главным образом, с наружными загрязнениями, такими как выхлопные газы автомобилей и промышленные выбросы, которые могут быть потенциально опасными для здоровья при длительном воздействии.

PM 10 имеют размер до 10 мкм и могут попадать в верхние дыхательные пути (нос, трахею, глотку). PM 2.5 имеют размер до 2,5 мкм и, учитывая их малый размер, могут попасть в легкие, проникая еще дальше в организм.

GAS – ЛОС (летучие органические соединения) являются летучими химическими соединениями, которые легко испаряются в воздух при комнатной температуре. Дезодоранты, моющие средства, клей, косметические средства, формальдегиды – это лишь некоторые примеры ЛОС, которые могут присутствовать в доме и быть потенциально вредными для здоровья при длительном воздействии.

РЕЖИМЫ работы:

С дисплея можно выбрать один из 3 режимов очистки: АВТОМАТИЧЕСКИЙ, МАКСИМАЛЬНЫЙ И РЕЖИМ СНА. Автоматический режим является настройкой по умолчанию при включении прибора. Все режимы можно выбрать вручную нажатием кнопки на дисплее.

Режим АЛЛЕРГИИ НА ПЫЛЬЦУ можно включить через приложение hOp.

АВТОМАТИЧЕСКИЙ РЕЖИМ [Рис. 8]:

Это режим по умолчанию, который запускается при первом включении H-Purifier. В автоматическом режиме H-Purifier скорость вентилятора регулируется в зависимости от фактического качества воздуха, чтобы гарантировать оптимальную очистку.

Это рекомендуемая настройка для прибора.

В автоматическом режиме после регистрации отличного качества воздуха в течение 30 минут прибор переходит в режим **ЕСО**, устанавливая функцию очистки на паузу. Система многодатчикового мониторинга при этом продолжает анализировать воздух в помещении и включает функцию очистки при необходимости.

МАКСИМАЛЬНЫЙ РЕЖИМ [Рис. 9]:

Нажмите кнопку MAX на дисплее, чтобы включить очистку воздуха на максимальной мощности. Для выхода из МАКСИМАЛЬНОГО режима просто нажмите кнопку AUTO или РЕЖИМА СНА.

РЕЖИМ СНА [Рис. 10]:

Нажмите кнопку РЕЖИМА СНА, чтобы перевести очиститель на самую низкую бесшумную настройку мощности. Кнопка РЕЖИМА СНА будет тускло подсвечиваться, а все остальные индикаторы на дисплее будут отключены. Эту настройку можно изменить, нажав кнопку УПРАВЛЕНИЯ ПОДСВЕТКОЙ.

РЕЖИМ АЛЛЕРГИИ НА ПЫЛЬЦУ: [Рис. 11]

Режим аллергии на пыльцу можно включить через приложение hOp. Для начала необходимо активировать и зарегистрировать профиль в приложении.

Режим аллергии на пыльцу работает только, если выбран АВТОМАТИЧЕСКИЙ РЕЖИМ. [Рис. 11с]

В этом режиме прибор непрерывно в реальном времени получает данные через приложение об отслеживаемой концентрации пыльцы снаружи и автоматически активирует функцию максимального улавливания пыльцы.

Улавливаемая пыльца инактивируется, помогая снимать симптомы аллергии.

При включении режима аллергии на пыльцу в приложении соответствующий индикатор на дисплее прибора загорается одним из 2 цветов:

- Индикатор аллергии на пыльцу горит **БЕЛЫМ** [Рис. 11а]: Прибор и приложение контролируют наличие пыльцы снаружи, и риск отсутствует.

- Индикатор аллергии на пыльцу горит **ЖЕЛТЫМ** [Рис. 11b], а кольцевой индикатор аллергии на пыльцу – **БЕЛЫМ** [Рис. 11а]: Прибор и приложение обнаружили риск.

Если при включенном режиме аллергии на пыльцу вручную перевести прибор в РЕЖИМ СНА или МАКСИМАЛЬНЫЙ РЕЖИМ, режим аллергии на пыльцу отключается.

Функция УПРАВЛЕНИЯ ПОДСВЕТКОЙ: [Рис. 12]

Подсветка дисплея работает с одной из 3 настроек: включено, тускло и выключено.

Чтобы отрегулировать яркость подсветки дисплея, просто нажмите кнопку ПОДСВЕТКИ, последовательно переходя к каждому из 3 вариантов. По умолчанию подсветка включена.

Когда подсветка выключена все остальные кнопки нужно будет нажимать дважды для активации: после первого нажатия подсветка включается тускло, при втором нажатии активируется необходимое действие.

Функция ЗАМКА ОТ ДЕТЕЙ: [Рис. 13]

Чтобы активировать эту функцию, нажмите и удерживайте кнопку ЗАМКА ОТ ДЕТЕЙ в течение 3 секунд; после этого активация функции подтверждается звуковым сигналом, и кнопка ЗАМКА ОТ ДЕТЕЙ остается подсвеченной. Все остальные кнопки блокируются.

Чтобы отключить функцию, нажмите и удерживайте кнопку ЗАМКА ОТ ДЕТЕЙ в течение 3 секунд; после этого отключение функции подтверждается звуковым сигналом, и кнопка гаснет.

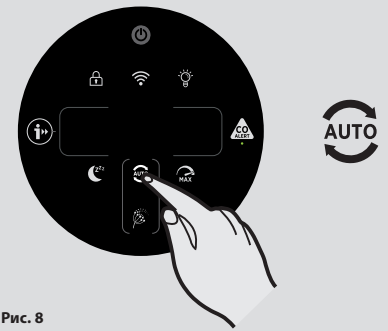


Рис. 8

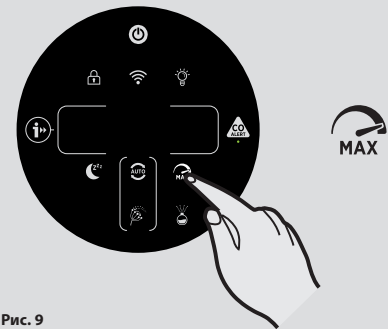


Рис. 9



Рис. 10

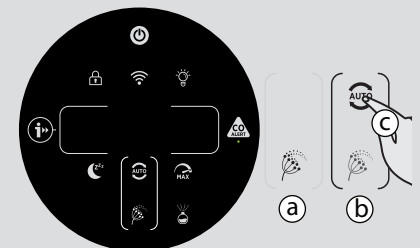


Рис. 11

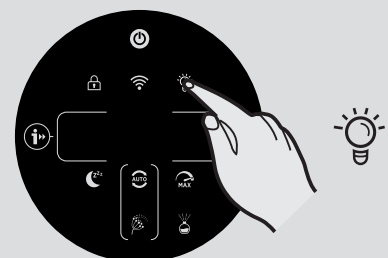


Рис. 12

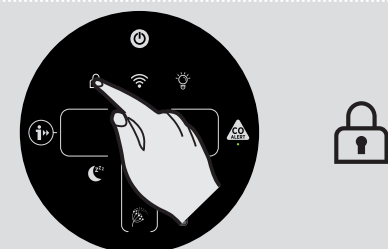


Рис. 13

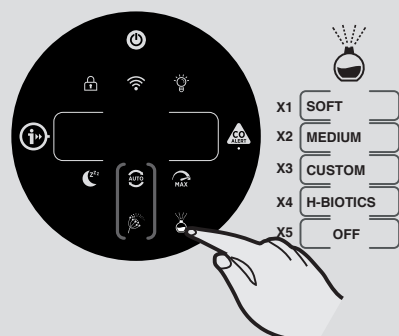


Рис. 14

Работа диффузора: [Рис. 14]

Диффузор распыляет в воздухе помещения средства H-Essence или H-Biotics. H-Essence – это предлагаемая Hoover коллекция эфирных масел для распыления в воздухе и создания приятного аромата.

H-Biotics является натуральным составом на основе пробиотиков, поддерживающим биологическую гигиену в помещении, подавляя рост микроорганизмов, таких как бактерии или микробы.

There are 4 different settings for the DIFFUSER function, SOFT, СРЕДНИЙ, CUSTOM & H-BIOTICS. To activate this function simply press the Diffuser button on the Дисплей, the default setting for this function is SOFT, to select any of the other settings simply consecutively press the button to change to the desired selection. Когда функция включена, кнопка подсвечивается.

It is recommended to use SOFT & СРЕДНИЙ settings for H-Essence.

Custom setting can be created within the hOn app for your H-Essence.

When Using H-Biotics, the setting **MUST** be set to H-Biotics. Once user activates H-Biotics using the APP, this will give an alert of "ACTIVATE H-BIOTICS" after 120 hours to ensure the H-biotics usage of every 5 days.

Диффузор может работать только в АВТОМАТИЧЕСКОМ и МАКСИМАЛЬНОМ режимах и не включается в режиме СНА.

При включении функции диффузора в АВТОМАТИЧЕСКОМ режиме главный вентилятор будет работать с определенной скоростью, способствуя распространению средств H-Essence или H-Biotics по комнате.

Настройка	Насос Вкл.	Насос Выкл.	Цикл
SOFT	10 сек	300 сек	Отключение через 6 часов
СРЕДНИЙ	90 сек	120 сек	Отключение через 6 часов
CUSTOM	Выбирает пользователь	Выбирает пользователь	Отключение через 6 часов
H-BIOTICS	120 сек	120 сек	Отключение через 6 часов

Чтобы отключить функцию, нажмите кнопку диффузора и удерживайте ее, пока подсветка кнопки не погаснет.

После каждого использования диффузора мягкой сухой салфеткой вытирайте остатки средства на поверхности прибора.

Порядок замены бутылочки диффузора см. в разделе «Обслуживание H-Purifier».

ОБСЛУЖИВАНИЕ H-PURIFIER

ВНИМАНИЕ! ОБЯЗАТЕЛЬНО ВЫНИМАЙТЕ ВИЛКУ ПРИБОРА ИЗ РОЗЕТКИ ПРИ ВЫПОЛНЕНИИ ОПЕРАЦИЙ ОБСЛУЖИВАНИЯ..

ОЧИСТКА ФИЛЬТРА / ЗАМЕНА

H-Purifier контролирует состояние фильтра. Сигнал **ОЧИСТИТЕ ФИЛЬТР** или **ЗАМЕНИТЕ ФИЛЬТР** появляется слева на дисплее и мигает, указывая на необходимость выполнения операции по очистке или замене фильтра.

Очистка / Замена фильтра: [Рис. 15]

- Снимите крышку блока забора воздуха с прибора. [Рис. 15a]
- Откройте защелку фиксатора фильтра. [Рис. 15b]
- Снимите фильтр с прибора. [Рис. 15c]
- С помощью пылесоса очистите наружную сетку на блоке фильтра или замените на НОВЫЙ фильтр. [Рис. 15d]
- Верните блок фильтра в прибор. [Рис. 15e]
- Закройте защелку фиксатора фильтра. [Рис. 15f]
- Установите крышку блока забора воздуха на прибор. [Рис. 15g]
- Вставьте вилку прибора в розетку и включите его. [Рис. 4]
- Нажмите кнопку ИНФОРМАЦИИ и следуйте инструкциям по сбросу функции очистки фильтра, удерживая кнопку в течение 3 секунд; после успешного сброса будет передан звуковой сигнал. [Рис. 7]

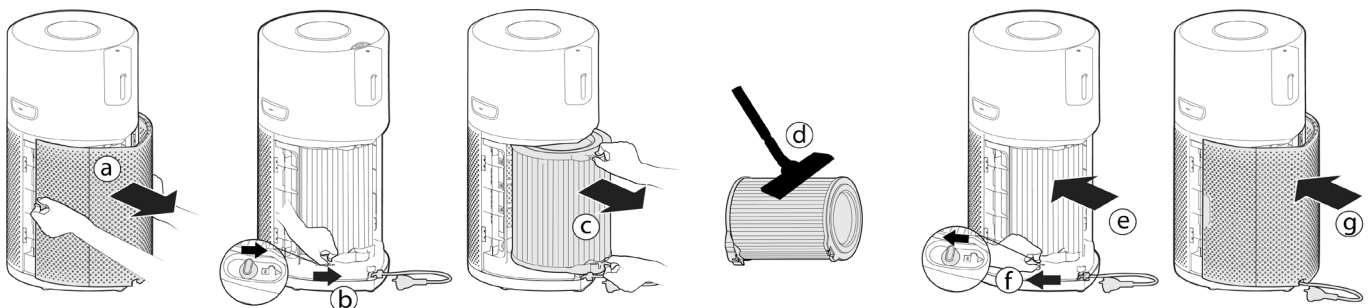


Рис. 15

ОБСЛУЖИВАНИЕ ДИФфуЗОРА

После каждого использования диффузора мягкой сухой салфеткой вытирайте остатки средства на поверхности прибора.

Замена бутылочки диффузора: [Рис. 16]

Объем жидкости, оставшийся в бутылочке, можно проверить через окошко диффузора. При необходимости бутылочку необходимо заменить.

- Снимите крышку диффузора с прибора. [Рис. 16a]
- Снимите блок диффузора с бутылочкой с крышки диффузора. [Рис. 16b]
- Открутите и снимите пустую бутылочку и выбросьте ее. [Рис. 16c]
- Выньте новую бутылочку H-Essence или H-Biotics из упаковки и снимите крышку. [Рис. 16d]
- Плотно закрутите новую бутылочку в блок диффузора. [Рис. 16e]
- Установите блок диффузора на крышку диффузора. [Рис. 16f]
- Установите крышку диффузора на H-Purifier. [Рис. 16g]

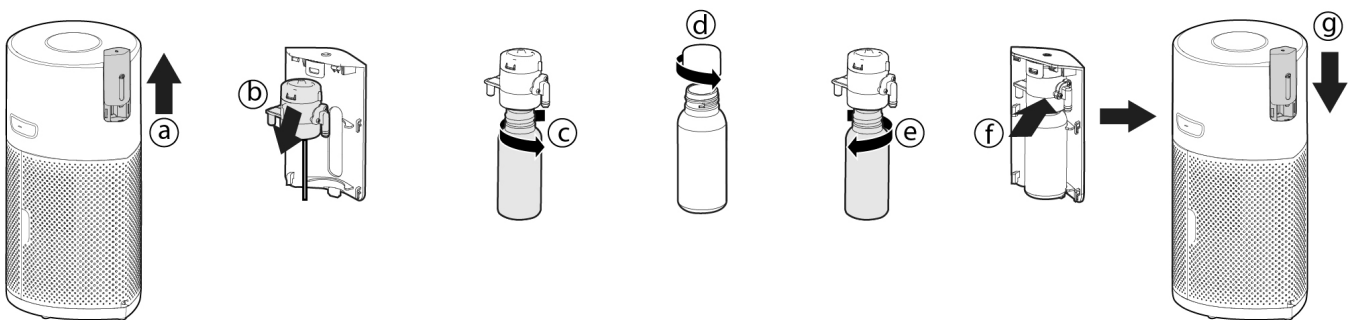


Рис. 16

ХРАНЕНИЕ H-PURIFIER

1. Отключите очиститель и выньте вилку из розетки.
2. Очистите все внутренние и наружные поверхности очистителя и наружную сетку фильтра.
3. Снимите бутылочку с диффузора. Закройте бутылочку оригинальным колпачком и храните ее вдали от прямых солнечных лучей. Очистите поверхности блока и крышки диффузора. Убедитесь в отсутствии остатков H-Essence на поверхностях очистителя воздуха.
4. Убедитесь, что все компоненты являются сухими.
5. Снимите крышку блока забора воздуха [Рис. 17а] и намотайте шнур на катушку, потянув его [Рис. 17б], закрепите шнур с помощью крючка для хранения, а затем вставьте вилку в транспортное положение. [Рис. 17с,d] Установите крышку блока забора воздуха. [Рис. 17е]
6. Храните очиститель воздуха в прохладном сухом месте.

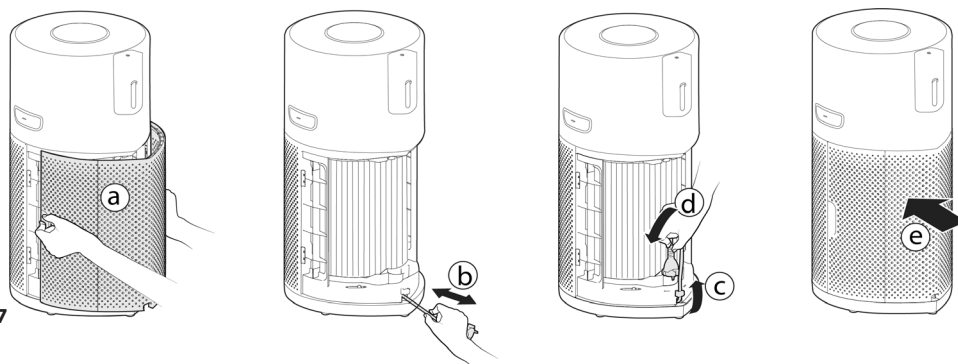


Рис. 17

СИГНАЛЫ И РЕШЕНИЯ

В процессе эксплуатации могут появляться следующие сообщения. [Рис. 18]

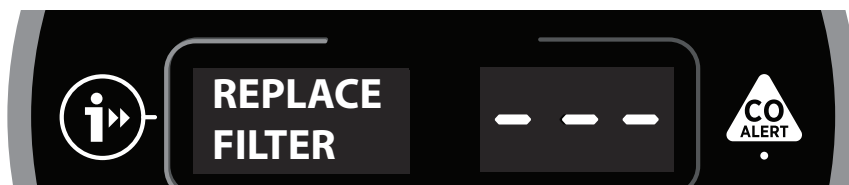


Рис. 18

Описание ошибки	Описание ошибки		Решение проблемы
	Сигнал на пульте управления прибора / Дисплей	Сигнал в приложении	
Сигнал об очистке наружного слоя фильтра	На дисплее мигает сигнал ОЧИСТИТЕ ФИЛЬТР	Сигнал об очистке фильтра	1. Следуйте инструкциям в руководстве, чтобы очистить наружный слой фильтра. 2. Сбросьте сигнал.
Сигнал о замене фильтра	На дисплее мигает сигнал ЗАМЕНИТЕ ФИЛЬТР	Сигнал о замене фильтра	1. Следуйте инструкциям по замене фильтра в руководстве. 2. Сбросьте сигнал.
Фильтр отсутствует или не зафиксирован	На дисплее мигает сигнал НЕТ ФИЛЬТРА	Фильтр отсутствует или не зафиксирован	1. Если фильтра нет, установите его. 2. Если фильтр установлен, проверьте переведена ли защелка фильтра в положение ЗАКРЫТО.
Неисправность датчика пыли: нет сигнала от датчика или выходное напряжение превышает установленный лимит	/	Неисправность датчика пыли: нет сигнала от датчика или выходное напряжение превышает установленный лимит	Датчик пыли сломан или неправильно подсоединен. Обратитесь в сервисный центр для ремонта.
Двигатель не вращается	/	Нет обратного сигнала работы двигателя	Двигатель сломан или неправильно подсоединен. Обратитесь в сервисный центр для ремонта.
Неисправность датчика CO	Лампа состояния датчика CO горит желтым	Неисправность датчика CO	Сигнал: необходимо вызвать сервисную службу.

ВНИМАНИЕ: Если у вас не получается устранить какую-либо неисправность прибора, обратитесь к местному представителю Hoover. НЕ пытайтесь разбирать H-Purifier самостоятельно.

УСТРАНЕНИЕ НЕИСПРАВНОСТЕЙ

Ниже приведен перечень часто встречающихся проблем и их решений.

Если вы не можете устранить неисправность, обратитесь к местному представителю компании Hoover.

Вентилятор не работает (Пульт управления / Дисплей подсвечен)	<ul style="list-style-type: none"> • Проверьте сигнал на дисплее или в приложении. • Проверьте возможное засорение фильтра. • Убедитесь, что H-Purifier включен. • Проверьте, правильно ли вставлен фильтр. • Убедитесь, что H-Purifier размещен в строго вертикальном положении, а не под углом.
Вентилятор не работает (Пульт управления / Дисплей не подсвечен)	<ul style="list-style-type: none"> • Убедитесь, что вилка H-Purifier вставлена в розетку и прибор включен. • Проверьте возможное засорение фильтра.
Нет подсветки на пульте управления / Дисплей (Вентилятор работает)	<ul style="list-style-type: none"> • Убедитесь, что подсветка не была выключена нажатием кнопки управления подсветкой на пульте / Дисплей.
Кнопки на пульте управления / Дисплей не работает	<ul style="list-style-type: none"> • Убедитесь, что не был включен замок от детей нажатием соответствующей кнопки в течение 3 секунд.
Слабый поток воздуха	<ul style="list-style-type: none"> • Убедитесь, что фильтр был вынут из защитной упаковки. • Убедитесь, что крышка блока забора воздуха и выпуск воздуха не заблокированы. • Проверьте состояние фильтра на пульте управления / дисплее или в приложении и сигналы об очистке или замене. • Проверьте, не находится ли H-Purifier в режиме сна. В этом режиме вентилятор работает на сниженной скорости.
Очиститель воздуха работает слишком громко	<ul style="list-style-type: none"> • Убедитесь, что блок забора воздуха или вентилятор не заблокированы. • Проверьте, не работает ли H-Purifier в максимальном режиме, при котором поток воздуха выпускается с максимальной мощностью.
Очиститель воздуха внезапно издает громкий звуковой сигнал.	<ul style="list-style-type: none"> • В результате неправильного нажатия кнопки CO Alert срабатывает функция тестирования. Звук автоматически отключится через 5 секунд.

ВАЖНАЯ ИНФОРМАЦИЯ

Запасные части и расходные материалы компании Hoover

При замене частей используйте только оригинальные запасные части и расходные материалы компании Hoover. Их можно приобрести у вашего местного дилера компании Hoover или в официальном интернет-магазине shop.hoover.ru (кроме запасных частей). При оформлении заказа на запасные части обязательно указывайте номер модели пылесоса.

Качество

Заводы компании Hoover прошли независимую оценку на предмет соблюдения требований к качеству выпускаемой продукции. Наша продукция изготавливается с применением системы качества, удовлетворяющей требованиям стандарта ISO 9001.

Условия гарантии

Условия гарантии для данного бытового электрического прибора определяются нашим представительством в стране, где этот электроприбор продан. Более подробную информацию об этих условиях вы можете получить у продавца или из гарантийного сертификата на данный прибор. В случае возникновения ситуации, покрываемой гарантийными обязательствами изготовителя, при обращении в уполномоченную сервисную организацию необходимо предъявить товарно-кассовый чек или иной документ, подтверждающий начало истечения гарантийного срока, предусмотренного условиями гарантии для данного прибора.

Вся представленная в инструкции информация, касающаяся комплектации, технических характеристик, функций, цветовых сочетаний и т.д. носит информационный характер и ни при каких условиях не является публичной офертой. Изготовитель не устанавливает условия и положения покупки, они должны соответствовать требованиям регионального и/или национального законодательства страны продажи товаров.

Αυτή η συσκευή πρέπει να χρησιμοποιείται μόνο για ιδιωτική οικιακή χρήση, όπως περιγράφεται σε αυτόν τον οδηγό χρήσης. Βεβαιωθείτε ότι έχετε κατανοήσει πλήρως αυτόν τον οδηγό πριν χρησιμοποιήσετε τη συσκευή και φυλάξτε τον για μελλοντική αναφορά.

Πριν τον καθαρισμό της συσκευής ή οποιασδήποτε εργασία συντήρησης, πρέπει να απενεργοποιείτε τη συσκευή και να την αποσυνδέετε από την πρίζα.

Η χρήση της συσκευής από παιδιά άνω των 8 ετών, ηλικιωμένους και ΑΜΕΑ προϋποθέτει την παρουσία ενήλικα που θα φέρει την ευθύνη για την ασφαλεία τους. Η χρήση της συσκευής από άτομα που δεν έχουν εξοικειωθεί στη χρήση παρόμοιων συσκευών μπορεί να γίνει μόνο αφού γίνει κατανοητός ο κίνδυνος που ενέχει η χρήση της συσκευής. Μην αφήνετε τα παιδιά να παίζουν με τη συσκευή.

Οι εργασίες καθαρισμού και συντήρησης της συσκευής δεν πρέπει να γίνονται από τα παιδιά χωρίς την επίβλεψη ενήλικα που θα φέρει την ευθύνη για την ασφαλεία τους.

Εάν το καλώδιο σύνδεσης με το δίκτυο παροχής εμφανίσει φθορές διακόψτε την λειτουργία της συσκευής αμέσως. Για λόγους ασφαλείας η αντικατάσταση του καλωδίου πρέπει να γίνει αποκλειστικά από εξουσιοδοτημένο προς τούτο τεχνικό HOOVER.

Χρησιμοποιείτε αποκλειστικά γνήσια εξαρτήματα, ανταλλακτικά και αναλώσιμα HOOVER.

Μην βγάζετε το φιλτράκι τραβώντας το καλώδιο τροφοδοσίας.

Εάν η συσκευή εμφανίσει κάποια βλάβη μην συνεχίσετε να την χρησιμοποιείτε.

Τοποθετήστε και χρησιμοποιήστε το προϊόν μόνο σε στεγνή, σταθερή, επίπεδη οριζόντια επιφάνεια, έτσι ώστε να αποκλείεται η ανατροπή.

Κρατήστε το προϊόν στεγνό.

Ποτέ μην γέρνετε ή αδειάζετε το προϊόν κατά τη διάρκεια της λειτουργίας.

Βάλτε το καλώδιο τροφοδοσίας με τέτοιο τρόπο, ώστε να μην το πατήσει κανείς ή να σκοντάψει πάνω του.

Μην τοποθετείτε το προϊόν σε θερμές επιφάνειες, κοντά σε θερμές επιφάνειες, κοντά σε ελεύθερη φλόγα ή σε άμεσο ηλιακό φως.

Μην αφήνετε νερό ή οποιοδήποτε άλλο υγρό ή εύφλεκτο απορρυπαντικό να διεισδύσει στη συσκευή για να αποφύγετε ηλεκτροπληξία ή/και κίνδυνο πυρκαγιάς.

Μην καθαρίζετε τη συσκευή με νερό, άλλο υγρό ή (εύφλεκτο) απορρυπαντικό για να αποφύγετε ηλεκτροπληξία ή/και κίνδυνο πυρκαγιάς.

Μην ψεκάζετε εύφλεκτα υλικά όπως εντομοκτόνα ή αρώματα γύρω από τη συσκευή.

Ελέγξτε εάν η τάση και οι ονομαστικές τιμές που αναγράφονται στην ετικέτα της συσκευής αντιστοιχούν στην τοπική τάση τροφοδοσίας προτού συνδέσετε τη συσκευή.

Μην φράζετε την είσοδο ή την έξοδο αέρα.

Αυτή η συσκευή δεν υποκαθιστά τον κατάλληλο εξαερισμό, τον τακτικό καθαρισμό με ηλεκτρική σκούπα ή τη χρήση απορροφητήρα ή ανεμιστήρα κατά το μαγείρεμα.

Μην τοποθετείτε τίποτα πάνω στη συσκευή.

Μην τοποθετείτε τη συσκευή ακριβώς κάτω από ένα κλιματιστικό για να αποφύγετε να στάζει η συμπύκνωση στη συσκευή.

Βεβαιωθείτε ότι όλα τα φίλτρα έχουν εγκατασταθεί σωστά πριν ενεργοποιήσετε τη συσκευή.

Χρησιμοποιείτε μόνο τα γνήσια φίλτρα HOOVER που προορίζονται ειδικά για αυτήν τη συσκευή. Μην χρησιμοποιείτε άλλα φίλτρα.

Αποφύγετε να χτυπήσετε τη συσκευή (ειδικότερα την είσοδο και την έξοδο αέρα) με σκληρά αντικείμενα.

Μην βάζετε τα δάχτυλά σας ή αντικείμενα στην έξοδο ή στην είσοδο αέρα για να αποφύγετε τραυματισμό ή δυσλειτουργία της συσκευής.

Μην χρησιμοποιείτε αυτήν τη συσκευή όταν έχετε χρησιμοποιήσει εσωτερικά εντομοαπωθητικά τύπου καπνού ή σε μέρη με λιπαρά υπολείμματα, θυμιάμα ή χημικούς καπνούς.

Μην χρησιμοποιείτε τη συσκευή κοντά σε συσκευές αερίου, συσκευές θέρμανσης ή τζάκια.

Μην χρησιμοποιείτε τη συσκευή σε δωμάτιο με σημαντικές αλλαγές θερμοκρασίας.

Για να αποφύγετε τις παρεμβολές, τοποθετήστε τη συσκευή σε απόσταση τουλάχιστον 2 μέτρων από ηλεκτρικές συσκευές που χρησιμοποιούν ραδιοκύματα, όπως τηλεοράσεις, ραδιόφωνα και ρολόγια με

ραδιόφωνο.

Όταν η συσκευή δεν χρησιμοποιείται για μεγάλο χρονικό διάστημα, μπορεί να αναπτυχθούν βακτήρια στα φίλτρα. Ελέγξτε τα φίλτρα μετά από μεγάλο χρονικό διάστημα αδράνειας. Εάν τα φίλτρα είναι πολύ βρώμικα, αντικαταστήστε τα.

Μην χρησιμοποιείτε τη συσκευή σε υγρό περιβάλλον ή σε περιβάλλον με υψηλές θερμοκρασίες, όπως μπάνιο, τουαλέτα ή κουζίνα.

Η συσκευή δεν αφαιρεί το μονοξείδιο του άνθρακα (CO) ή το ραδόνιο (Rn). Δεν μπορεί να χρησιμοποιηθεί ως συσκευή ασφαλείας σε περίπτωση ατυχημάτων με διαδικασίες καύσης και επικίνδυνα χημικά.

Η λειτουργία CO Monitor δεν πρέπει να χρησιμοποιείται, ούτε να υπονοείται ότι χρησιμοποιείται ως υποκατάστατο ενός EN 50291-1 UL-2034, CSA-6.19 ή οποιουδήποτε άλλου αναγνωρισμένου τυποποιημένου πιστοποιημένου συναγερμού μονοξειδίου του άνθρακα όπου οι Τοπικοί ή Περιφερειακοί Κώδικες ή νομοθεσία επιβάλλουν τη χρήση τους. Η λειτουργία CO Monitor είναι μια συμπληρωματική συσκευή παρακολούθησης μονοξειδίου του άνθρακα μόνο. Η χρήση αυτής της συσκευής εναπόκειται στη διακριτική ευχέρεια του χρήστη και συνεπάγεται την κατανόηση και αποδοχή των περιορισμών της όσον αφορά την τήρηση κωδίκων κανονισμών ή νομοθεσίας, όπου ισχύει.

Μην τοποθετείτε τη συσκευή σε καμία από τις ακόλουθες τοποθεσίες:

- Σε ένα μπάνιο ή σε άλλους χώρους όπου ο συναγερμός μπορεί να εκτεθεί σε πιτσιλιές νερού, στάξιμο ή συμπύκνωση (π.χ. πάνω από ηλεκτρικό βραστήρα).
 - Δίπλα ή ακριβώς πάνω από θερμαντήρες ή αεραγωγούς κλιματισμού, πόρτες, παράθυρα, ανεμιστήρες εξαγωγής ή οπουδήποτε θα επηρεαζόταν από ρεύματα.
 - Ακριβώς πάνω από έναν νεροχύτη ή την κουζίνα.
 - Σε μια περιοχή όπου η θερμοκρασία θα μπορούσε να πέσει κάτω από $-20\text{ }^{\circ}\text{C}$ ή να ανέβει πάνω από $50\text{ }^{\circ}\text{C}$.
 - Σε κλειστό χώρο (π.χ. μέσα ή κάτω από ένα ντουλάπι).
 - Σε βρεγμένη ή υγρή περιοχή.
 - Όπου εμποδίζεται, π.χ. με κουρτίνες ή έπιπλα.
 - Όπου βρωμιά ή σκόνη θα μπορούσαν να μπλοκάρουν τον αισθητήρα.
 - Κοντά σε χρώματα, αραιωτικά, αναθυμιάσεις διαλυτών ή αποσμητικά χώρου ..
- Εάν ενεργοποιηθεί ο συναγερμός CO, πρέπει να ανοίξετε όλα τα παράθυρα και τις πόρτες (εάν είναι ασφαλές να το κάνετε). Σβήστε όλες τις συσκευές καύσης, εάν είναι δυνατόν και στη συνέχεια εκκενώστε τον χώρο αφήνοντας τα παράθυρα και τις πόρτες ανοιχτές. Φροντίστε για άμεση ιατρική βοήθεια σε όσους πάσχουν από τις συνέπειες της δηλητηρίασης από μονοξείδιο του άνθρακα. Μην μπειτε ξανά στον χώρο έως ότου σταματήσει ο συναγερμός. Ο συναγερμός θα σταματήσει μόλις εξαλειφθεί το CO. Μην χρησιμοποιήσετε ξανά συσκευές καύσης έως ότου εντοπιστεί και εξαλειφθεί η πηγή CO από εξειδικευμένο τεχνικό.

Για να ενεργοποιήσετε το CO monitor, συνδέστε το φως σε μια πρίζα. Η λυχνία κατάστασης αισθητήρα CO θα ανάψει με πράσινο χρώμα. Όταν το CO monitor ανιχνεύει μη ασφαλές επίπεδο CO, ο συναγερμός CO θα χτυπά δυνατά και το κουμπί CO Alert και η λυχνία δακτυλίου O θα αναβοσβήνουν με κόκκινο χρώμα. Ο συναγερμός θα συνεχίσει να δίνει ένδειξη έως ότου το CO που ανιχνεύεται μειωθεί σε ασφαλές επίπεδο.

Αποφύγετε τη χρήση χρωμάτων, αραιωτικών, αναθυμιάσεων διαλυτών, αποσμητικών χώρου, σπρέι αερολύματος ή χημικών καθαριστικών κοντά στη συσκευή. Αυτό μπορεί να επηρεάσει τη λειτουργία του CO monitor.

Μην αφήνετε τα μικρά παιδιά να πατήσουν το κουμπί CO Alert για 3 δευτερόλεπτα, καθώς ενδέχεται να εκτεθούν σε υπερβολικό θόρυβο όταν χτυπήσει ο συναγερμός.

Αγγίξτε το κουμπί [CO Alert] για 3 δευτερόλεπτα για να δοκιμάσετε τη λειτουργία συναγερμού CO και ο συναγερμός θα ηχήσει δυνατά για 5 δευτερόλεπτα. Ελέγχετε τον συναγερμό κάθε μήνα και μετά από παρατεταμένη απουσία από το κτίριο (π.χ. διακοπές). Εάν ο συναγερμός δεν χτυπήσει αφού αγγίξετε το κουμπί [CO Alert] για 3 δευτερόλεπτα, επικοινωνήστε με το κέντρο εξυπηρέτησης πελατών της Hoover για να κανονίσετε ώστε ένας εξειδικευμένος τεχνικός να αποκαταστήσει τη βλάβη.

Εάν η οθόνη υποδεικνύει ότι ο αισθητήρας CO είναι ελαττωματικός ή έχει φτάσει στο τέλος της ζωής του, επικοινωνήστε με το κέντρο εξυπηρέτησης πελατών της Hoover για να κανονίσετε ώστε ένας εξειδικευμένος τεχνικός να αντικαταστήσει τον αισθητήρα CO. Η αναμενόμενη διάρκεια ζωής του αισθητήρα CO είναι 5 χρόνια και πρέπει να αντικατασταθεί μετά από αυτό το διάστημα.

Υγρασία λειτουργίας: 15 – 90% RH

Θερμοκρασία λειτουργίας: 0 °C έως + 40 °C

Όταν το επίπεδο CO που ανιχνεύεται φτάσει σε υψηλό επίπεδο, το κουμπί [CO Alert] και το [LED ring Ποιότητας Αέρα] αναβοσβήνουν με κόκκινο χρώμα (2Hz), ταυτόχρονα, ο συναγερμός χτυπά δυνατά (85 ~ 110dB (A)) και συνεχώς, ο συναγερμός δεν θα σταματήσει μέχρι να πέσει η ένταση του CO από το επίπεδο συναγερμού.

Το μονοξείδιο του άνθρακα επηρεάζει το σώμα στερώντας (προκαλώντας ασφυξία) από κρίσιμα όργανα το οξυγόνο. Όταν εισπνέεται το CO προσκολλάται στην αιμοσφαιρίνη στο αίμα που συνήθως μεταφέρει οξυγόνο σε όλο το σώμα. Το CO εκτοπίζει μόνιμα την ικανότητα των μορίων οξυγόνου να προσκολλώνται στην αιμοσφαιρίνη, μειώνοντας έτσι το οξυγόνο στα ζωτικά όργανα. Το επίπεδο συγκέντρωσης και ο χρόνος έκθεσης στο CO μπορεί να μεταβάλλουν τις επιδράσεις του στο σώμα, αλλά οι ειδικοί συμφωνούν ότι ακόμη και τα χαμηλά επίπεδα έκθεσης σε μονοξείδιο του άνθρακα για παρατεταμένες περιόδους μπορεί να έχουν σοβαρές και διαρκείς επιπτώσεις στη γενική υγεία όλων.

ΠΡΟΣΟΧΗ : Ο ΣΥΝΑΓΕΡΜΟΣ CO ΕΧΕΙ ΣΧΕΔΙΑΣΤΕΙ ΓΙΑ ΝΑ ΠΡΟΣΤΑΤΕΥΕΙ ΤΑ ΑΤΟΜΑ ΑΠΟ ΤΙΣ ΟΞΕΙΕΣ ΕΠΙΠΤΩΣΕΙΣ ΤΗΣ ΕΚΘΕΣΗΣ ΣΕ ΜΟΝΟΞΕΙΔΙΟ ΤΟΥ ΑΝΘΡΑΚΑ Ή ΝΑ ΑΠΟΤΡΕΨΕΙ ΤΙΣ ΜΑΚΡΟΧΡΟΝΙΕΣ ΕΠΙΔΡΑΣΕΙΣ ΤΗΣ ΕΚΘΕΣΗΣ ΣΕ ΜΟΝΟΞΕΙΔΙ ΤΟΥ ΣΝΘΡΑΚΑ. ΔΕΝ ΠΡΟΣΤΑΤΕΥΕΙ ΠΛΗΡΩΣ ΤΗΝ ΑΣΦΑΛΕΙΑ ΑΤΟΜΩΝ ΣΕ ΕΙΔΙΚΕΣ ΚΑΤΑΣΤΑΣΕΙΣ ΥΓΕΙΑΣ. ΣΕ ΠΕΡΙΠΤΩΣΗ ΑΜΦΙΒΟΛΙΑΣ ΣΥΜΒΟΥΛΕΥΤΕΙΤΕ ΓΙΑΤΡΟ.

Αυτή η συσκευή δεν πρέπει να χρησιμοποιείται ως υποκατάστατο για σωστή εγκατάσταση, χρήση και συντήρηση συσκευών καύσης καυσίμων, συμπεριλαμβανομένων κατάλληλων συστημάτων εξαερισμού και απαγωγής καυσαερίων.

The CO monitor mobile and tablet notifications require a functional Wi-Fi connection to operate. Δεν αποτελούν υποκατάστατο μιας υπηρεσίας παρακολούθησης έκτακτης ανάγκης τρίτου μέρους.

Χρησιμοποιείτε μόνο αρωματικό έλαιο που συνιστάται ή παρέχεται από την HOOVER.

Αποφύγετε τη χρήση αυτόνομου υγραντήρα δίπλα στο Air-Purifier όταν χρησιμοποιείτε τη λειτουργία Diffuser (Διαχυτής) του H-Essence.

Σκουπίστε αμέσως τυχόν διαρροές του H-Essence. Βεβαιωθείτε ότι έχετε καθαρίσει κάθε γωνία του προϊόντος που ήρθε σε επαφή με το H-Essence.

Τεχνική Υποστήριξη Hoover : Για την διατήρηση της ασφαλούς και αποτελεσματικής λειτουργίας της συσκευής οι επεμβάσεις συντήρησης και αποκατάστασης βλαβών πρέπει να γίνονται αποκλειστικά μέσω των εξουσιοδοτημένων τεχνικών HOOVER..

Περιβάλλον

Αυτή η συσκευή φέρει σήμανση σύμφωνα με την υπ' αριθμ 2011/65/EK, οδηγία για Απόβλητα Ηλεκτρικού και Ηλεκτρονικού Εξοπλισμού (WEEE). Η σωστή απόσυρση της συσκευής συμβάλλει στην αποφυγή αρνητικών επιπτώσεων για το περιβάλλον και τον άνθρωπο που μπορεί να προκληθούν από την λανθασμένη διαχείριση στην διαδικασία απόσυρσης της συσκευής .

Το σύμβολο πάνω σε αυτή τη συσκευή υποδεικνύει ότι αυτή η συσκευή δεν μπορεί να αντιμετωπιστεί σαν κοινό οικιακό απόρριμα. Αντίθετα, πρέπει να παραδοθεί στο πλησιέστερο κέντρο συλλογής για την ανακύκλωση ηλεκτρικού και ηλεκτρονικού εξοπλισμού. Η απόρριψη της συσκευής πρέπει να γίνει σύμφωνα με την ισχύουσα κατά τόπο νομοθεσία για την απόρριψη ηλεκτρονικών και ηλεκτρικών αποβλήτων. Για πιο λεπτομερείς πληροφορίες σχετικά με την επεξεργασία, την ανάκτηση και την ανακύκλωση αυτής της συσκευής, επικοινωνήστε με την κατά τόπους αρμόδια αρχή , την υπηρεσία αποκομιδής οικιακών απορριμμάτων ή το κατάστημα από το οποίο αγοράσατε τη συσκευή.

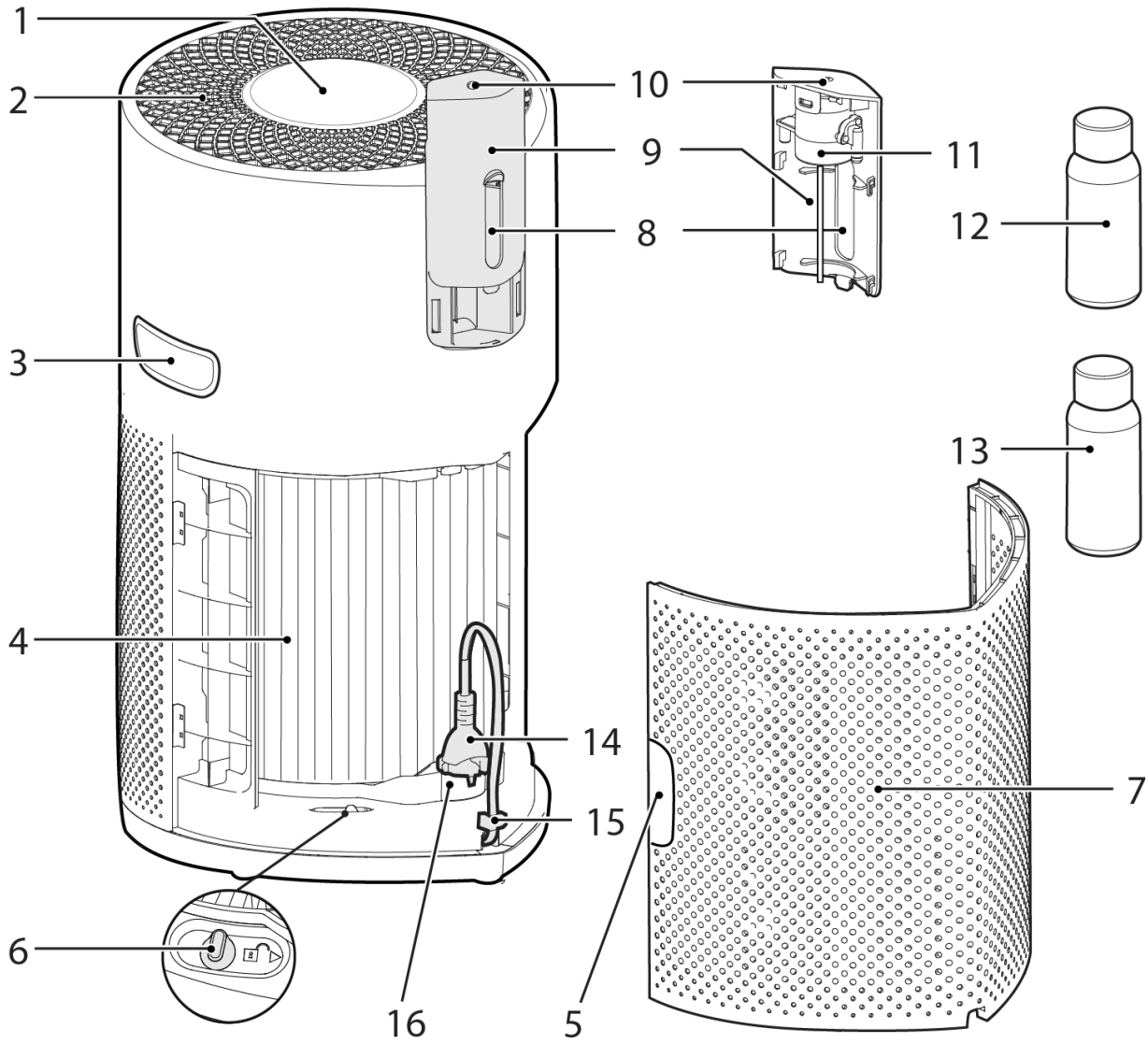


Ζώνες συχνότητας	2400Mhz ~ 2483.5Mhz
Μέγιστη ισχύς ραδιοσυχνότητας που μεταδίδεται στη ζώνη συχνότητων.	18.9 dBm

CE Αυτή η συσκευή συμμορφώνεται με τις Ευρωπαϊκές Οδηγίες 2014/53/EE, 2014/30/EE και 2011/65/EE. Για να λάβετε ένα αντίγραφο της δήλωσης συμμόρφωσης παρακαλώ επικοινωνήστε με τον κατασκευαστή στο: www.candy-group.com

CANDY HOOVER GROUP S.r.l. Via Privata Eden Fumagalli, 20861 Brugherio (MB) Italy

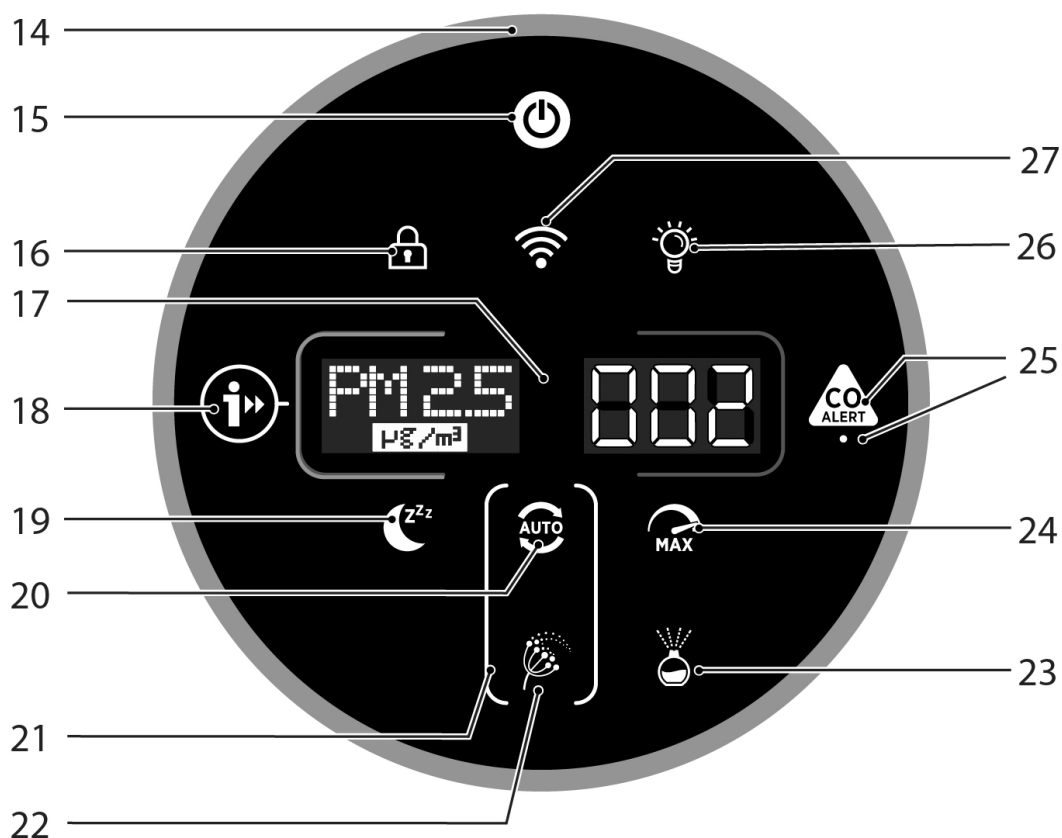
ΕΞΟΙΚΕΙΩΣΗ ΜΕ ΤΟ H-PURIFIER



1	Πάνελ λειτουργιών / Οθόνη
2	Έξοδος αέρα
3	Λαβή μεταφοράς προϊόντος
4	Συγκρότημα φίλτρου
5	Λαβή καλύμματος εισόδου αέρα

6	Διακόπτης απελευθέρωσης φίλτρου
7	Κάλυμμα εισόδου αέρα
8	Παράθυρο διαχύτη
9	Κάλυμμα διαχύτη
10	Έξοδος διαχύτη
11	Μονάδα διάχυσης

12	Φιάλη H-Essence (Πράσινο)
13	Φιάλη H-Biotics (Καφέ)
14	Καλώδιο τροφοδοσίας και ρευματολήπτης
15	Άγκιστρο Αποθήκευσης
16	Θέση μεταφοράς



14	LED Ring Ποιότητας Αέρα
15	Κουμπί τροφοδοσίας
16	Κουμπί κλειδώματος παιδιών
17	Ψηφιακή οθόνη
18	Κουμπί πληροφοριών

19	Κουμπί Λειτουργίας ύπνου
20	Κουμπί αυτόματης λειτουργίας
21	Λυχνία κύκλου αλλεργίας γύρης
22	Λυχνία αλλεργίας γύρης
23	Κουμπί διαχύτη

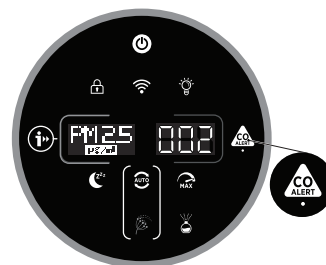
24	Κουμπί λειτουργίας Max Mode
25	Κουμπί & LED CO Alert
26	Κουμπί ελέγχου φωτός
27	Wi-Fi Button

Σύστημα παρακολούθησης πολλαπλών αισθητήρων

Χάρη στο σύστημα παρακολούθησης πολλαπλών αισθητήρων, το προϊόν σας θα παρακολουθεί συνεχώς την κατάσταση του εσωτερικού αέρα σε όρους PM10, PM2.5, πτητικών οργανικών ενώσεων (GAS) και συγκέντρωσης μονοξειδίου του άνθρακα (CO).

Κάθε φορά που ενεργοποιείτε το προϊόν σας, το σύστημα παρακολούθησης πολλαπλών αισθητήρων θα αρχίζει να αναλύει τον εσωτερικό αέρα και το LED ring Ποιότητας Αέρα θα ανάβει με διαφορετικά χρώματα αντικατοπτρίζοντας τις συνθήκες ποιότητας του αέρα σε πραγματικό χρόνο.

Χρώμα LED Ring Ποιότητας Αέρα	Ποιότητα αέρα εσωτερικού χώρου
ΠΡΑΣΙΝΟ	ΕΞΑΙΡΕΤΙΚΗ
ΚΙΤΡΙΝΟ	ΙΚΑΝΟΠΟΙΗΤΙΚΗ
ΠΟΡΤΟΚΑΛΙ	ΚΑΚΗ
ΚΟΚΚΙΝΟ	ΠΟΛΥ ΚΑΚΗ



Παρακολούθηση και συναγερμός συγκέντρωσης μονοξειδίου του άνθρακα

Το H-Purifier παρακολουθεί συνεχώς τον αέρα σε εσωτερικούς χώρους για μονοξείδιο του άνθρακα (CO). Το προϊόν είναι εξοπλισμένο με σύστημα ειδοποίησης.

Όταν ενεργοποιηθεί ο συναγερμός μονοξειδίου του άνθρακα, το κουμπί LED ring Ποιότητας Αέρα & Πληροφόρησης και CO Alert αναβοσβήνει με κόκκινο χρώμα και ακούγεται ένας ηχητικός συναγερμός. Ο συναγερμός θα παραμείνει ενεργός έως ότου η συγκέντρωση του μονοξειδίου του άνθρακα (CO) μειωθεί σε λιγότερο από 50 ppm, εκτός εάν τον σιγήσετε εσείς πατώντας το κουμπί CO Alert για 3 δευτερόλεπτα.

Αυτό το LED CO Alert δείχνει την κατάσταση λειτουργίας του αισθητήρα CO. Εμφανίζεται σε πράσινο χρώμα όταν ο αισθητήρας CO βρίσκεται σε κανονική κατάσταση, σε κίτρινο χρώμα όταν ο αισθητήρας δυσλειτουργεί ή έχει υπερβεί τη διάρκεια ζωής του.

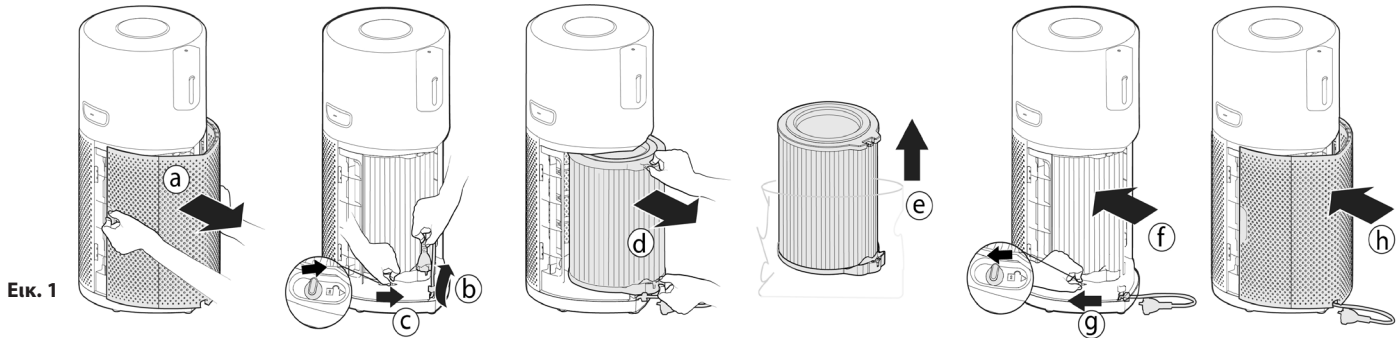
Μπορείτε να ελέγξετε εάν ο συναγερμός λειτουργεί σωστά πατώντας το κουμπί CO Alert (Ειδοποίηση CO) για 3 δευτερόλεπτα. Θα ακουστεί ένας δυνατός ήχος βομβητή για 5 δευτερόλεπτα εάν ο συναγερμός λειτουργεί σωστά.

ΠΡΟΕΤΟΙΜΑΣΙΑ ΤΟΥ Η-PURIFIER

1. Συγκρότημα φίλτρου [Εικ. 1]

Πριν χρησιμοποιήσετε το προϊόν Η-Purifier, θα πρέπει να αφαιρέσετε το φίλτρο από την προστατευτική του συσκευασία:

- Αφαιρέστε το κάλυμμα εισόδου αέρα από το προϊόν σας, πιάστε τις δύο λαβές του καλύμματος εισόδου αέρα και τραβήξτε το από το προϊόν. **[Εικ. 1a]**
- Αφαιρέστε τον ρευματολήπτη από τη θέση μεταφοράς και αποδεσμεύστε το καλώδιο από το άγκιστρο αποθήκευσης. **[Εικ. 1b]**
- Απασφαλίστε τον διακόπτη απελευθέρωσης του φίλτρου. **[Εικ. 1c]**
- Βγάλτε το φίλτρο από το προϊόν σας και αφαιρέστε την εξωτερική συσκευασία. **[Εικ. 1d,e]**
- Τοποθετήστε ξανά το φίλτρο στο προϊόν σας. **[Εικ. 1f]**
- Ασφαλίστε τον διακόπτη απελευθέρωσης φίλτρου. **[Εικ. 1g]**
- Τοποθετήστε ξανά το κάλυμμα εισόδου αέρα στο προϊόν σας. **[Εικ. 1h]**

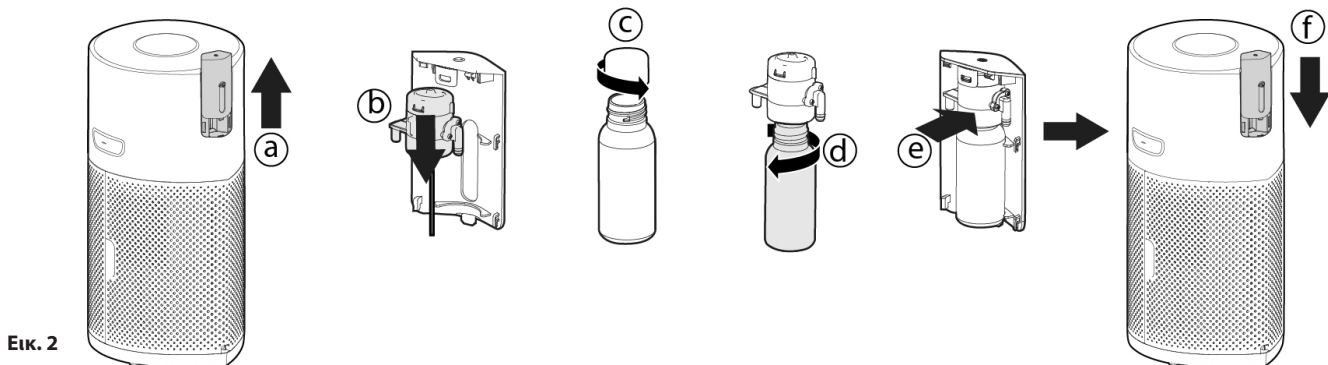


Εικ. 1

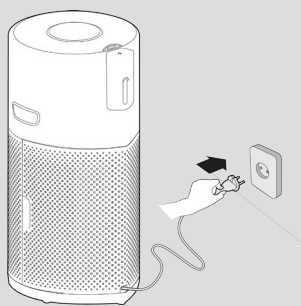
2. Εγκαταστήστε την φιάλη του διαχύτη [Εικ. 2]

Για να προετοιμάσετε το προϊόν Η-Purifier για τη λειτουργία Διάχυσης:

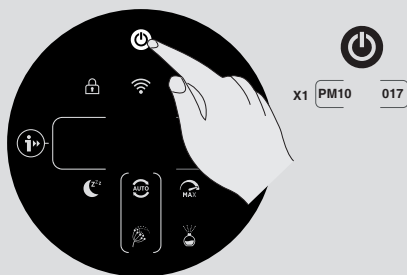
- Αφαιρέστε το κάλυμμα του διαχύτη από το προϊόν. **[Εικ. 2a]**
- Αφαιρέστε τη μονάδα διαχύτη από το κάλυμμα του διαχύτη. **[Εικ. 2b]**
- Αφαιρέστε την φιάλη Η-Essence ή Η-Biotics από τη συσκευασία και βγάλτε το καπάκι. **[Εικ. 2c]**
- Βιδώστε καλά τη φιάλη στην μονάδα Διάχυσης. **[Εικ. 2d]**
- Τοποθετήστε ξανά την μονάδα διάχυσης στο κάλυμμα του διαχύτη. **[Εικ. 2e]**
- Τοποθετήστε ξανά το κάλυμμα του διαχύτη στο προϊόν. **[Εικ. 2f]**



Εικ. 2



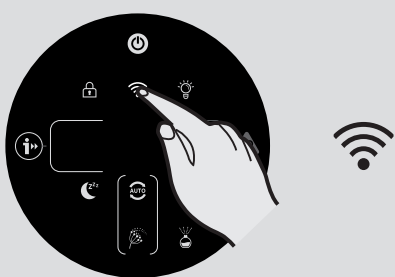
Εικ. 3



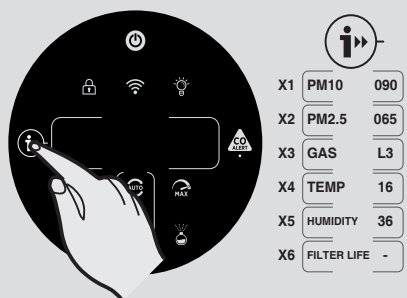
Εικ. 4



Εικ. 5



Εικ. 6



Εικ. 7

ΧΡΗΣΙΜΟΠΟΙΗΣΤΕ ΤΟ Η-PURIFIER ΣΑΣ

Συνδέστε το προϊόν [Εικ. 3]:

Τραβήξτε το καλώδιο τροφοδοσίας από τον κύλινδρο καλωδίου και συνδέστε το σε μια πρίζα.

Όλα ανάβουν στον Πίνακα Ελέγχου / Η οθόνη θα ανάψει πλήρως για περίπου 1 δευτερόλεπτο υποδεικνύοντας την επιτυχημένη σύνδεση.

Το κουμπί ΤΡΟΦΟΔΟΣΙΑΣ θα ανάψει αχνά και το φως του αισθητήρα CO θα ANABEI υποδεικνύοντας ότι το Σύστημα παρακολούθησης πολλαπλών αισθητήρων έχει αρχίσει να λειτουργεί για την παρακολούθηση του επιπέδου μονοξειδίου του άνθρακα στον εσωτερικό χώρο.

Ενεργοποίηση του προϊόντος [Εικ. 4]:

Για να ενεργοποιήσετε το προϊόν σας, πατήστε το κουμπί ΤΡΟΦΟΔΟΣΙΑΣ στην οθόνη.

Το LED ring Ποιότητας Αέρα θα ανάψει διαδοχικά σε όλα τα χρώματα, ενώ οι αισθητήρες αναλύουν την κατάσταση του αέρα σε πραγματικό χρόνο. Μετά από λίγα δευτερόλεπτα, το LED ring Ποιότητας Αέρα θα επιλέξει το κατάλληλο χρώμα για την ποιότητα του αέρα εκείνη τη στιγμή.

Your H-Purifier product will immediately enter AUTO MODE and begin to purify the indoor air.

The AUTO MODE button, INFORMATION button, LIGHT CONTROL button and PM10 information on the Οθόνη will illuminate.

Οι ακόλουθες λειτουργίες είναι διαθέσιμες μέσω των κουμπιών των ενδεικτικών λυχνιών:

Press the Wi-Fi button to turn on/off remote access.

Πατήστε το κουμπί ΠΛΗΡΟΦΟΡΙΩΝ για να δείτε όλα τα δεδομένα παρακολούθησης.

Πατήστε τα κουμπιά AUTO, MAX ή SLEEP για να επιλέξετε μια λειτουργία καθαρισμού.

Πατήστε το κουμπί ΕΛΕΓΧΟΣ ΦΩΤΙΣΜΟΥ για να ρυθμίσετε τη φωτεινότητα των ενδεικτικών λυχνιών.

Πατήστε το κουμπί ΑΣΦΑΛΕΙΑ ΠΑΙΔΙΩΝ για να απενεργοποιήσετε όλα τα κουμπιά στον Πίνακα Ελέγχου/Οθόνη.

Πατήστε το κουμπί ΔΙΑΧΥΤΗ για να ενεργοποιήσετε τη λειτουργία.

Πατήστε το κουμπί ΤΡΟΦΟΔΟΣΙΑΣ για να απενεργοποιήσετε τον καθαριστή αέρα.

Pairing to Wi-Fi:

Για να αποκτήσετε πρόσβαση σε όλες τις λειτουργίες του H-Purifiers από οπουδήποτε, προτείνεται να κάνετε λήψη της εφαρμογής hOn.

Θα μπορείτε να ελέγχετε το προϊόν σας με τον πιο αποτελεσματικό τρόπο.

Οδηγίες:

1. Κατεβάστε την εφαρμογή hOn από το App Store ή το Google Play. [Εικ. 5]
2. Ανοίξτε την εφαρμογή, δημιουργήστε έναν λογαριασμό με το e-mail και τον κωδικό πρόσβασής σας.
3. Επιβεβαιώστε τη σύνδεση.
4. Ensure your mobile device is connected to Wi-Fi.
5. Συνδεθείτε στην εφαρμογή hOn.
6. Press and hold the Wi-Fi button on the display for 5 seconds, there will an audible beep and the Wi-Fi button will start flashing to indicate it is waiting for a connection. [Εικ. 6]
7. Ακολουθήστε τις οδηγίες της εφαρμογής για να συνδέσετε την κινητή συσκευή σας στο προϊόν σας.
8. When successfully paired, the Wi-Fi button on the product will remain illuminated.
9. To reset the Wi-Fi, press & hold the Wi-Fi button for 5 Secs.

Παράμετροι ασύρματης σύνδεσης για σύζευξη

Τεχνολογία	Wi-Fi	Bluetooth
Κανονικός	IEEE 802.11 b/g/n	Bluetooth v4.2, BR/EDR, BLE
Ζώνες συχνοτήτων (MHz)	2401 ~ 2483	2402 ~ 2480
Μέγιστη ισχύς (mW)	100	10

Λειτουργία ΠΛΗΡΟΦΟΡΙΩΝ [Εικ. 7]:

Υπάρχουν 6 διαφορετικά σύνολα δεδομένων διαθέσιμα για παρακολούθηση:

PM10, PM2.5, GAS, Θερμοκρασία, Υγρασία και Κατάσταση φίλτρου.

Για την παρακολούθηση κάθε τιμής απλώς πατήστε διαδοχικά το κουμπί ΠΛΗΡΟΦΟΡΙΩΝ.

Από προεπιλογή, στην οθόνη θα εμφανίζονται τα δεδομένα PM10, το μηχάνημα θα θυμάται την τελευταία επιλογή του χρήστη και θα διατηρήσει αυτήν την επιλογή την επόμενη φορά που θα ενεργοποιηθεί το προϊόν.

Τα δεδομένα GAS θα δείξουν έναν περιστρεφόμενο δρομέα κατά τα αρχικά 3 λεπτά από την ενεργοποίηση του προϊόντος ενώ ο αισθητήρας GAS εκτελεί κύκλο βαθμονόμησης.

Περισσότερες πληροφορίες σχετικά με PM 2.5, PM 10 και GAS:

Το PM υποδεικνύει λεπτά σωματίδια (μη ορατά από το ανθρώπινο μάτι) που προέρχονται κυρίως από εξωτερική ρύπανση, όπως οχήματα και βιομηχανικές εκπομπές και ενδέχεται να είναι επικίνδυνα για την υγεία μας, σε περίπτωση παρατεταμένης έκθεσης.

Τα PM 10 έχουν μέγεθος έως 10 μm και μπορούν να διεισδύσουν στην άνω αναπνευστική οδό (μύτη, τραχεία, φάρυγγα).

Τα PM 2.5 έχουν μέγεθος έως 2,5 μm και, λόγω της μικρής διάστασής τους, μπορούν να φτάσουν στους πνεύμονές μας, διεισδύοντας έτσι βαθύτερα στον οργανισμό μας.

Τα GAS VOC (πτητικές οργανικές ενώσεις) είναι πτητικές χημικές ενώσεις οι οποίες έχουν την ικανότητα να εξατμίζονται εύκολα στον αέρα σε θερμοκρασία δωματίου. Αποσμητικά, απορρυπαντικά, κόλλες, συγκολλητικές ουσίες, καλλυντικά και η φορμαλδεΐδη είναι μόνο μερικά από τα VOC που ενδέχεται να υπάρχουν μέσα στα σπίτια μας, ωστόσο είναι δυνητικά επιβλαβή για την υγεία μας σε περίπτωση παρατεταμένης έκθεσης.

Λειτουργίες MODE:

There are 3 available air purifying modes via the display: ΑΥΤΟΜΑΤΗ ΛΕΙΤΟΥΡΓΙΑ, AUTO MODE, MAX MODE & ΛΕΙΤΟΥΡΓΙΑ ΥΠΝΟΥ, SLEEP MODE. Η αυτόματη λειτουργία είναι η προεπιλεγμένη ρύθμιση για το προϊόν σας όταν ενεργοποιείται, όλες οι λειτουργίες μπορούν να επιλεγούν με μη αυτόματο τρόπο πατώντας το σχετικό κουμπί στην οθόνη.

Η λειτουργία ΑΛΛΕΡΓΙΑΣ ΣΕ ΓΥΡΗ μπορεί να ενεργοποιηθεί με την εφαρμογή hOn.

ΑΥΤΟΜΑΤΗ ΛΕΙΤΟΥΡΓΙΑ, AUTO MODE [Εικ. 8]:

Αυτή είναι η προεπιλεγμένη λειτουργία του προϊόντος H-Purifier κατά την πρώτη ενεργοποίησή του. Στην αυτόματη λειτουργία, το H-Purifier προσαρμόζει αυτόματα την ταχύτητα του ανεμιστήρα του στο πραγματικό επίπεδο ποιότητας του εσωτερικού αέρα, ώστε να εγγυάται πάντα βέλτιστο καθαρισμό του αέρα.

Αυτή είναι η συνιστώμενη ρύθμιση για το προϊόν σας.

Σε λειτουργία AUTO, μετά από 30 λεπτά εξαιρετικής ποιότητας αέρα, το προϊόν σας θα μπει σε λειτουργία ECO παύοντας τη λειτουργία καθαρισμού, το σύστημα παρακολούθησης πολλαπλών αισθητήρων θα συνεχίσει να αναλύει τον αέρα του εσωτερικού χώρου και να ενεργοποιεί αυτόματα τη λειτουργία καθαρισμού όταν απαιτείται.

ΛΕΙΤΟΥΡΓΙΑ ΣΤΟ ΜΕΓΙΣΤΟ ΕΠΙΠΕΔΟ, MAX MODE [Εικ. 9]:

Πατήστε το κουμπί λειτουργίας ΣΤΟ ΜΕΓΙΣΤΟ ΕΠΙΠΕΔΟ στην οθόνη για να ενεργοποιήσετε τον καθαρισμό αέρα στη ρύθμιση μέγιστης ισχύος. Για έξοδο από τη λειτουργία ΣΤΟ ΜΕΓΙΣΤΟ ΕΠΙΠΕΔΟ απλώς επιλέξτε τη λειτουργία AUTO ή SLEEP.

ΛΕΙΤΟΥΡΓΙΑ ΥΠΝΟΥ, SLEEP MODE [Εικ. 10]:

Πατήστε το κουμπί λειτουργίας ΥΠΝΟΥ για να ενεργοποιήσετε τον καθαρισμό του αέρα στην αθόρυβη χαμηλότερη ρύθμιση ισχύος. Το κουμπί λειτουργίας ΥΠΝΟΥ θα ανάψει αγνά και όλα τα άλλα φώτα της οθόνης θα σβήσουν. Αυτό μπορεί να τροποποιηθεί πατώντας το κουμπί LIGHT CONTROL (Έλεγχος φωτός).

ΛΕΙΤΟΥΡΓΙΑ ΑΛΛΕΡΓΙΑΣ ΣΕ ΓΥΡΗ, POLLEN ALLERGY MODE: [Εικ. 11]

Η λειτουργία ΑΛΛΕΡΓΙΑΣ ΣΕ ΓΥΡΗ μπορεί επίσης να ενεργοποιηθεί μέσω της εφαρμογής hOn. Θα πρέπει πρώτα να ενεργοποιήσετε και να καταχωρήσετε ένα προφίλ στην εφαρμογή, προκειμένου να δημιουργήσετε το προφίλ σας Αλλεργίας σε γύρη, Pollen Allergy.

The Pollen Allergy mode works only when AUTO MODE is selected. [Εικ. 11c]

Στη λειτουργία Αλλεργίας σε γύρη, Pollen Allergy, η συσκευή λαμβάνει συνεχώς δεδομένα σε πραγματικό χρόνο από την ΕΦΑΡΜΟΓΗ σχετικά με την παρακολούθηση της συγκέντρωσης γύρης σε εξωτερικούς χώρους και λειτουργεί αυτόματα για τη μεγιστοποίηση της απόδοσης δέσμευσης γύρης.

Μετά τη δέσμευση της γύρης, αυτή απενεργοποιείται για βοήθεια στην ανακούφιση των αλλεργικών συμπτωμάτων.

Όταν η λειτουργία Αλλεργίας σε γύρη, Pollen Allergy ενεργοποιείται στην εφαρμογή, υπάρχουν 2 πιθανές λυχνίες ειδοποίησης στην οθόνη του προϊόντος:

- Η λυχνία αλλεργίας γύρης, Pollen Allergy είναι **ΛΕΥΚΗ [Εικ. 11a]**: Η συσκευή και η εφαρμογή παρακολουθούν την παρουσία γύρης σε εξωτερικούς χώρους και δεν υπάρχει κίνδυνος.

- Η λυχνία αλλεργίας σε γύρη, Pollen Allergy γίνεται ΚΙΤΡΙΝΗ [Εικ. 11b] και η λυχνία Κύκλου Αλλεργίας Γύρης, Pollen Allergy Circle είναι **ΛΕΥΚΗ [Εικ. 11a]**: Η συσκευή και η ΕΦΑΡΜΟΓΗ εντόπισαν κίνδυνο.

Εάν το προϊόν τεθεί με μη αυτόματο τρόπο σε λειτουργία SLEEP ή MAX ενώ είναι ενεργοποιημένη η λειτουργία Pollen Allergy, η λειτουργία Pollen Allergy θα σταματήσει.

Λειτουργία ΕΛΕΓΧΟΥ ΦΩΤΙΣΜΟΥ: [Εικ. 12]

Υπάρχουν 3 διαθέσιμες ρυθμίσεις για τον φωτισμό της οθόνης, On, Dim & Off.

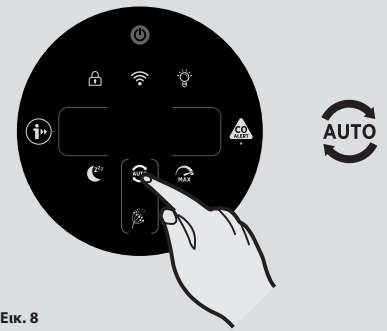
Για να ρυθμίσετε τη φωτεινότητα του φωτισμού της οθόνης, απλώς πατήστε το κουμπί ΦΩΤΙΣΜΟΣ στην οθόνη για εναλλαγή στις 3 διαθέσιμες επιλογές. Το ON είναι η προεπιλεγμένη ρύθμιση.

Εάν επιλέξετε OFF, οποιοδήποτε άλλο κουμπί θα πρέπει να πατηθεί δύο φορές για ενεργοποίηση, μετά από ένα πάτημα, τα φώτα θα ανάψουν ΑΧΝΑ, στο δεύτερο πάτημα η λειτουργία θα ενεργοποιηθεί.

Λειτουργία ΚΛΕΙΔΩΜΑΤΟΣ ΠΑΙΔΙΩΝ, CHILD LOCK: [Εικ. 13]

Πατήστε και κρατήστε πατημένο το κουμπί CHILD LOCK για 3 δευτερόλεπτα για ενεργοποίηση, ακούγεται μια ηχητική ειδοποίηση όταν ενεργοποιηθεί και το κουμπί CHILD LOCK θα παραμείνει αναμμένο. Δεν θα λειτουργούν τα άλλα κουμπιά όταν είναι ενεργοποιημένα.

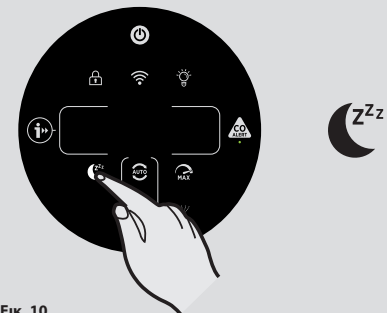
Για έξοδο, απλώς πατήστε και κρατήστε πατημένο το κουμπί CHILD LOCK για 3 δευτερόλεπτα, ακούγεται μια ηχητική ειδοποίηση επιβεβαιώνοντας ότι απενεργοποιήθηκε και το κουμπί δεν θα ανάβει πλέον.



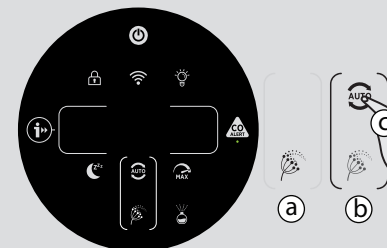
Εικ. 8



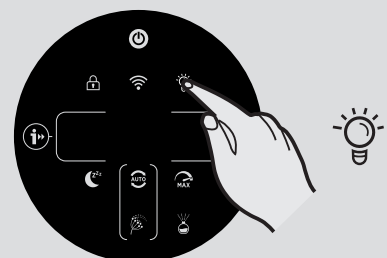
Εικ. 9



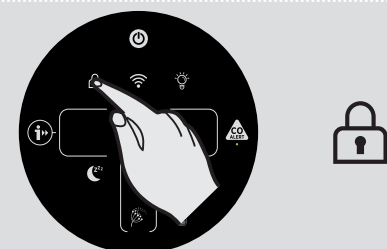
Εικ. 10



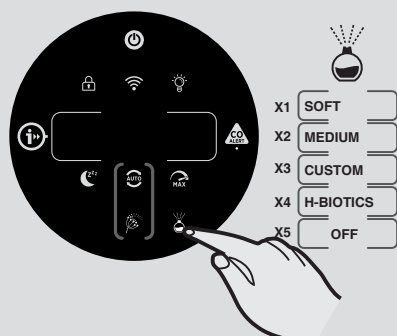
Εικ. 11



Εικ. 12



Εικ. 13



Εικ. 14

Λειτουργία διαχύτη: [Εικ. 14]

Ο διαχύτης διασκορπίζει στον αέρα του δωματίου H-Essence ή H-Biotics. Το H-Essence είναι η συλλογή αιθέριων ελαίων Hoover για απελευθέρωση στον αέρα απολαυστικών αρωμάτων.

Το H-Biotics είναι ένα φυσικό μείγμα που βασίζεται σε προβιοτικά που διατηρεί το δωμάτιο βιο-εξυγιασμένο αναστέλλοντας την ανάπτυξη μικροοργανισμών όπως βακτήρια ή μικρόβια.

There are 4 different settings for the DIFFUSER function, SOFT, MEDIUM, CUSTOM & H-BIOTICS. To activate this function simply press the Diffuser button on the Οθόνη, the default setting for this function is SOFT, to select any of the other settings simply consecutively press the button to change to the desired selection. Το κουμπί θα ανάψει λευκό όταν ενεργοποιηθεί.

It is recommended to use SOFT & MEDIUM settings for H-Essence.

Μπορείτε να δημιουργήσετε προσαρμοσμένη ρύθμιση στην εφαρμογή hOn για το H-Essence.

Όταν χρησιμοποιείτε το H-Biotics, η ρύθμιση **ΠΡΕΠΕΙ** να οριστεί σε H-Biotics. Once user activates H-Biotics using the APP, this will give an alert of "ACTIVATE H-BIOTICS" after 120 hours to ensure the H-biotics usage of every 5 days.

Ο διαχύτης μπορεί να χρησιμοποιηθεί μόνο στις λειτουργίες AUTO & MAX και δεν μπορεί να χρησιμοποιηθεί σε λειτουργία SLEEP.

Κατά την ενεργοποίηση της λειτουργίας Diffuser στο AUTO, ο κύριος ανεμιστήρας θα λειτουργεί με συγκεκριμένη ταχύτητα για να βοηθήσει στη μετάδοση του H-Essence ή του H-Biotics στο δωμάτιο.

Ρύθμιση	Ενεργοποίηση αντλίας	Απενεργοποίηση αντλίας	Εναλλαγή
SOFT	10 δευτερόλεπτα	300 δευτερόλεπτα	Τερματισμός μετά από 6 ώρες
MEDIUM	90 δευτερόλεπτα	120 δευτερόλεπτα	Τερματισμός μετά από 6 ώρες
CUSTOM	Ορισμένο από τον χρήστη	Ορισμένο από τον χρήστη	Τερματισμός μετά από 6 ώρες
H-BIOTICS	120 δευτερόλεπτα	120 δευτερόλεπτα	Τερματισμός μετά από 6 ώρες

Για να απενεργοποιήσετε τη λειτουργία, πατήστε το κουμπί του διαχύτη μέχρι να σβήσει η λυχνία του κουμπιού. Μετά από κάθε χρήση της λειτουργίας διαχύτη, χρησιμοποιήστε ένα στεγνό μαλακό πανί για να καθαρίσετε τυχόν υπολείμματα από τις επιφάνειες του προϊόντος.

Για να αλλάξετε τη φιάλη στη μονάδα διαχύτη, ανατρέξτε στην ενότητα Συντήρηση του H-Purifier.

ΣΥΝΤΗΡΗΣΗ ΤΟΥ Η-PURIFIER ΣΑΣ

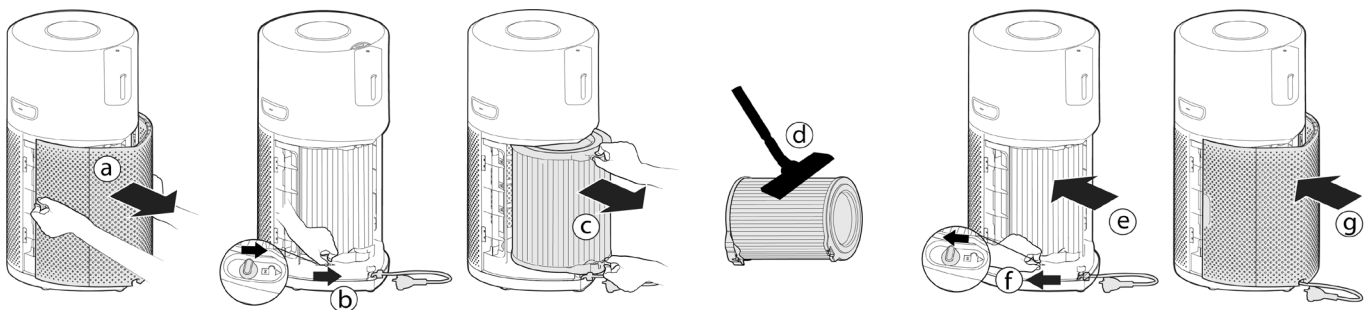
ΕΠΙΣΗΜΑΝΣΗ : ΒΓΑΖΕΤΕ ΠΑΝΤΑ ΤΗ ΣΥΣΚΕΥΗ ΣΑΣ ΑΠΟ ΤΗΝ ΠΡΙΖΑ ΟΤΑΝ ΚΑΝΕΤΕ ΕΡΓΑΣΙΕΣ ΣΥΝΤΗΡΗΣΗΣ.

ΚΑΘΑΡΙΣΜΟΣ ΦΙΛΤΡΟΥ / ΑΝΤΙΚΑΤΑΣΤΑΣΗ

Το Η-Purifier θα παρακολουθεί την κατάσταση του φίλτρου σας. Στην αριστερή πλευρά της οθόνης θα εμφανιστεί μια ειδοποίηση **ΚΑΘΑΡΙΣΜΟΥ ΦΙΛΤΡΟΥ** **Ή ΑΝΤΙΚΑΤΑΣΤΑΣΗΣ ΦΙΛΤΡΟΥ** και μια αναλαμπή που υποδεικνύει ότι απαιτείται ενέργεια για τον καθαρισμό ή την αλλαγή του φίλτρου.

Καθαρισμός / Αντικατάσταση του φίλτρου: [Εικ. 15]

- Αφαιρέστε το κάλυμμα εισόδου αέρα από το προϊόν σας. [Εικ. 15a]
- Απασφαλίστε τον διακόπτη απελευθέρωσης του φίλτρου. [Εικ. 15b]
- Αφαιρέστε το φίλτρο από το προϊόν σας. [Εικ. 15c]
- Χρησιμοποιήστε ηλεκτρική σκούπα για να καθαρίσετε το εξωτερικό πλέγμα στη συναρμογή φίλτρου ή αντικαταστήστε με ΝΕΟ φίλτρο. [Εικ. 15d]
- Επανατοποθετήστε το συγκρότημα φίλτρου στο προϊόν. [Εικ. 15e]
- Ασφαλίστε τον διακόπτη απελευθέρωσης φίλτρου. [Εικ. 15f]
- Τοποθετήστε ξανά το κάλυμμα εισόδου αέρα στο προϊόν σας. [Εικ. 15g]
- Βάλτε τη συσκευή σας στην πρίζα και ενεργοποιήστε την. [Εικ. 4]
- Πατήστε το κουμπί ΠΛΗΡΟΦΟΡΙΩΝ και ακολουθήστε τις οδηγίες για να επαναφέρετε τη λειτουργία Καθαρισμού Φίλτρου κρατώντας πατημένο το κουμπί για 3 δευτερόλεπτα, θα ακουστεί μια ηχητική ειδοποίηση υποδεικνύοντας την επιτυχημένη επαναφορά. [Εικ. 7]



Εικ. 15

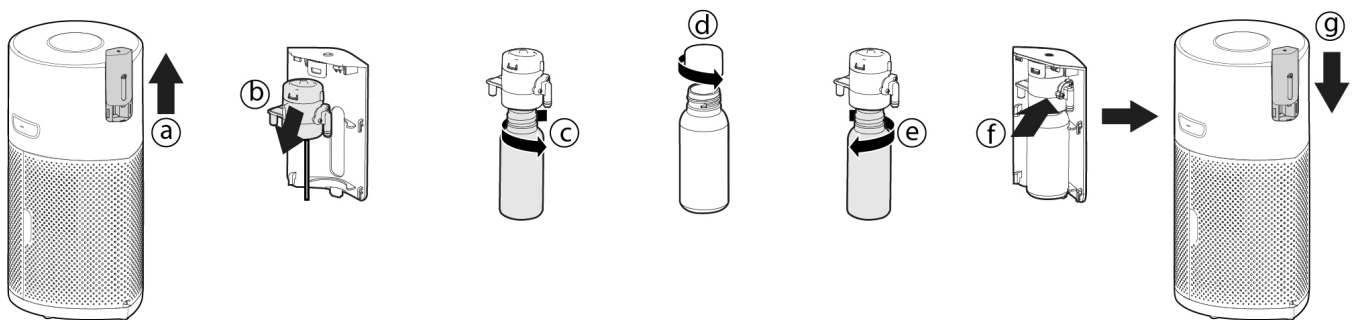
ΣΥΝΤΗΡΗΣΗ ΔΙΑΧΥΤΗ

Μετά από κάθε χρήση της λειτουργίας διαχύτη, χρησιμοποιήστε ένα στεγνό μαλακό πανί για να καθαρίσετε τυχόν υπολείμματα από τις επιφάνειες του προϊόντος.

Αντικατάσταση φιάλης διαχύτη: [Εικ. 16]

Ο όγκος του υγρού που απομένει στη φιάλη μπορεί να ελεγχθεί μέσω του παραθύρου Διαχύτη, όταν απαιτείται η αντικατάσταση της φιάλης.

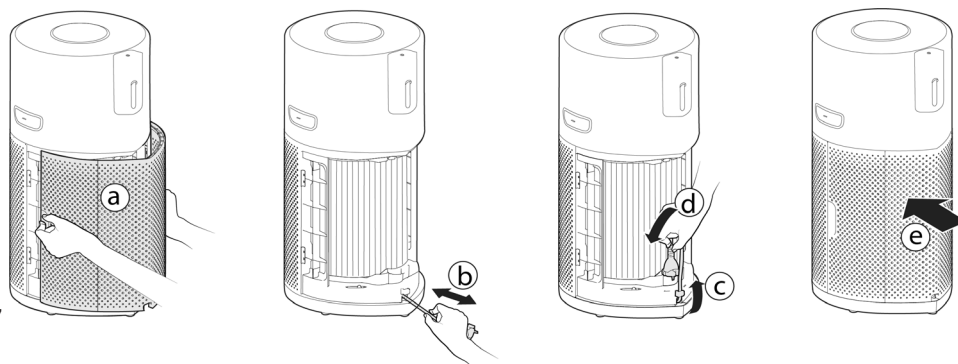
- Αφαιρέστε το κάλυμμα του διαχύτη από το προϊόν. [Εικ. 16a]
- Αφαιρέστε τη μονάδα διαχύτη & τη Φιάλη από το κάλυμμα του διαχύτη. [Εικ. 16b]
- Ξεβιδώστε και αφαιρέστε την άδεια φιάλη και απορρίψτε την. [Εικ. 16c]
- Βγάλτε την καινούργια φιάλη Η-Essence ή Η-Biotics από τη συσκευασία και βγάλτε το καπάκι. [Εικ. 16d]
- Βιδώστε καλά τη φιάλη στην μονάδα διάχυσης. [Εικ. 16e]
- Τοποθετήστε ξανά την μονάδα διάχυσης στο κάλυμμα του διαχύτη. [Εικ. 16f]
- Τοποθετήστε ξανά το κάλυμμα του διαχύτη στο Η-Purifier. [Εικ. 16g]



Εικ. 16

ΑΠΟΘΗΚΕΥΣΗ ΤΟΥ Η-PURIFIER ΣΑΣ

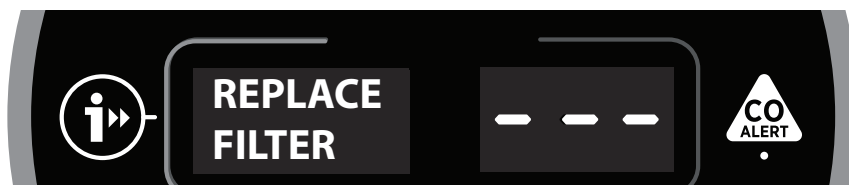
1. Απενεργοποιήστε τον καθαριστή αέρα και βγάλτε τον από την πρίζα.
2. Καθαρίστε όλες τις εσωτερικές και εξωτερικές επιφάνειες του καθαριστή αέρα και το εξωτερικό πλέγμα του φίλτρου.
3. Βγάλτε τη φιάλη από το διαχύτη. Βάλτε ξανά το αρχικό καπάκι στη φιάλη και αποθηκεύστε την για προστασία από το άμεσο φως. Καθαρίστε τις επιφάνειες της μονάδας διαχύτη και του καλύμματος διαχύτη. Βεβαιωθείτε ότι δεν υπάρχουν υπολείμματα H-Essence σε καμία από τις επιφάνειες του Air Purifier.
4. Βεβαιωθείτε ότι όλα τα εξαρτήματα είναι στεγνά.
5. Αφαιρέστε το Κάλυμμα εισόδου αέρα [Εικ. 17a] και τον Κύλινδρο στο καλώδιο τροφοδοσίας τραβώντας το καλώδιο [Εικ. 17b] και τακτοποιήστε το καλώδιο στο άγκιστρο αποθήκευσης και τον ρευματολήπτη στη θέση μεταφοράς. [Εικ. 17c,d] Βάλτε ξανά το κάλυμμα εισόδου αέρα [Εικ. 17e]
6. Αποθηκεύστε τον καθαριστή αέρα σε δροσερό και στεγνό μέρος.



Εικ. 17

ΕΙΔΟΠΟΙΗΣΕΙΣ & ΛΥΣΕΙΣ

Οι ακόλουθοι κωδικοί ενδέχεται να εμφανιστούν κατά τη χρήση. [Εικ. 18]



Εικ. 18

Περιγραφή σφάλματος	Περιγραφή σφάλματος		Λύση σφάλματος
	Ειδοποίηση στον Πίνακα Ελέγχου προϊόντος / Οθόνη	Ειδοποίηση στην εφαρμογή	
Ειδοποίηση καθαρισμού φίλτρου εξωτερικού στρώματος	Η ειδοποίηση "ΚΑΘΑΡΙΣΜΟΣ ΦΙΛΤΡΟΥ" αναβοσβήνει στην οθόνη	Ειδοποίηση καθαρισμού φίλτρου	1. Ακολουθήστε τις οδηγίες στο I/M για να καθαρίσετε το φίλτρο εξωτερικού στρώματος. 2. Επαναφέρετε την ειδοποίηση.
Ειδοποίηση αντικατάστασης φίλτρου	Η ειδοποίηση "ΑΝΤΙΚΑΤΑΣΤΑΣΗ ΦΙΛΤΡΟΥ" αναβοσβήνει στην οθόνη	Ειδοποίηση αντικατάστασης φίλτρου	1. Ακολουθήστε την ένδειξη στο I/M για να αντικαταστήσετε το φίλτρο. 2. Επαναφέρετε την ειδοποίηση.
Το φίλτρο δεν υπάρχει ή το φίλτρο δεν έχει ασφαλιστεί	Η ένδειξη "ΑΠΟΥΣΙΑ ΦΙΛΤΡΟΥ" αναβοσβήνει στην οθόνη	Το φίλτρο δεν υπάρχει ή το φίλτρο δεν έχει ασφαλιστεί	1. Εάν δεν υπάρχει φίλτρο, βάλτε το στην θέση του. 2. Εάν το φίλτρο είναι στη θέση του, ελέγξτε αν η γλώσσα φίλτρου έχει γυρίσει σε κατάσταση ασφάλισης (LOCK).
Δυσλειτουργία του αισθητήρα σκόνης: κανένα σήμα από τον αισθητήρα ή η τάση εξόδου δεν υπερβαίνει την οριακή τιμή	/	Δυσλειτουργία του αισθητήρα σκόνης: κανένα σήμα από τον αισθητήρα ή η τάση εξόδου δεν υπερβαίνει την οριακή τιμή	Βλάβη του αισθητήρα σκόνης ή το καλώδιο του αισθητήρα σκόνης δεν έχει συνδεθεί καλά, καλέστε το κέντρο σέρβις για να το διορθώσετε.
Κινητήρας χωρίς ταχύτητα	/	Χωρίς ανατροφοδότηση ταχύτητας κινητήρα	Βλάβη του κινητήρα ή το καλώδιο του κινητήρα δεν έχει συνδεθεί καλά, καλέστε το κέντρο σέρβις για να το διορθώσετε.
Δυσλειτουργία αισθητήρα CO	Η λυχνία κατάστασης του αισθητήρα CO ανάβει με κίτρινο χρώμα	Δυσλειτουργία αισθητήρα CO	Ειδοποίηση: χρειάζεστε να καλέσετε το σέρβις.

ΠΡΟΣΟΧΗ: Αν αυτές οι βλάβες επιμένουν, επικοινωνήστε με την αντιπροσωπεία Hoover της περιοχής σας. ΜΗΝ ΠΡΟΣΠΑΘΕΙΤΕ να αποσυναρμολογήσετε το H-Purifier μόνοι σας.

ΑΝΤΙΜΕΤΩΠΙΣΗ ΠΡΟΒΛΗΜΑΤΩΝ

Ακολουθεί κατάλογος των συνήθως συναντώμενων προβλημάτων και λύσεων.

Εάν κάποια απ' αυτά τα προβλήματα επιμένουν επικοινωνήστε με το πλησιέστερο κέντρο τεχνικής υποστήριξης Gias Service.

Ο ανεμιστήρας δεν λειτουργεί (Πάνελ λειτουργιών / Η οθόνη ανάβει)	<ul style="list-style-type: none"> • Ελέγξτε την ειδοποίηση που εμφανίζεται στην οθόνη ή στην εφαρμογή. • Ελέγξτε αν υπάρχουν εμπόδια στον ανεμιστήρα. • Ελέγξτε εάν το H-Purifier είναι ενεργοποιημένο. • Ελέγξτε εάν το φίλτρο δεν έχει τοποθετηθεί σωστά. • Ελέγξτε εάν το H-Purifier βρίσκεται σε μια εντελώς όρθια κατακόρυφη θέση και δεν έχει κλίση.
Ο ανεμιστήρας δεν λειτουργεί (Πάνελ λειτουργιών / Η οθόνη έχει σβήσει)	<ul style="list-style-type: none"> • Ελέγξτε εάν το H-Purifier είναι στην πρίζα και ενεργοποιημένο. • Ελέγξτε αν υπάρχουν εμπόδια στον ανεμιστήρα.
Ο πίνακας ελέγχου δεν ανάβει / Οθόνη (Ο ανεμιστήρας λειτουργεί)	<ul style="list-style-type: none"> • Ελέγξτε εάν τα φώτα δεν έχουν απενεργοποιηθεί πατώντας το κουμπί ελέγχου φωτισμού στον πίνακα ελέγχου / Οθόνη.
Κουμπιά στον πίνακα ελέγχου / Η οθόνη δεν λειτουργεί	<ul style="list-style-type: none"> • Ελέγξτε εάν έχει ενεργοποιηθεί το κλείδωμα παιδιών, Child lock πατώντας και κρατώντας πατημένο το κουμπί Child Lock για 3 δευτερόλεπτα.
Η ροή αέρα είναι αδύναμη	<ul style="list-style-type: none"> • Ελέγξτε εάν η προστατευτική συσκευασία έχει αφαιρεθεί από το φίλτρο. • Ελέγξτε εάν υπάρχουν εμπόδια στο κάλυμμα εισαγωγής αέρα ή στην έξοδο αέρα. • Ελέγξτε την κατάσταση του φίλτρου στον Πίνακα Ελέγχου / Προειδοποίηση αντικατάστασης στη οθόνη ή την εφαρμογή. • Ελέγξτε εάν το H-Purifier βρίσκεται σε κατάσταση ύπνου. Ο ανεμιστήρας λειτουργεί με μειωμένη ισχύ σε αυτή την κατάσταση.
Ο Καθαριστής Αέρα λειτουργεί κάνοντας θόρυβο	<ul style="list-style-type: none"> • Ελέγξτε εάν υπάρχουν εμπόδια στην είσοδο αέρα ή στον ανεμιστήρα. • Ελέγξτε εάν το H-Purifier λειτουργεί σε κατάσταση MAX, η ροή αέρα είναι στη μέγιστη ισχύ σε αυτή τη λειτουργία.
Το Air Purifier κάνει ξαφνικά έναν δυνατό ήχο βομβητή.	<ul style="list-style-type: none"> • Η λειτουργία δοκιμής του κουμπιού CO Alert (Συναγερμός CO) ενεργοποιείται από εσφαλμένη λειτουργία. Ο ήχος θα σταματήσει αυτόματα έπειτα από 5 δευτερόλεπτα.

ΣΗΜΑΝΤΙΚΕΣ ΠΛΗΡΟΦΟΡΙΕΣ

Ανταλλακτικά και αναλώσιμα της Hoover

Όταν παραστεί η ανάγκη χρησιμοποιείτε αποκλειστικά γνήσια ανταλλακτικά Hoover. Τα ανταλλακτικά Hoover διατίθενται από τον τοπικό αντιπρόσωπο Hoover ή απευθείας από τη Hoover. Κατά την παραγγελία εξαρτημάτων να αναφέρετε πάντα τον αριθμό μοντέλου.

Ποιότητα

Τα εργοστάσια Hoover έχουν ελεγχθεί από ανεξάρτητους φορείς ποιοτικού ελέγχου. Τα προϊόντα μας κατασκευάζονται μέσω ενός συστήματος ποιότητας το οποίο πληροί τις προδιαγραφές του προτύπου ISO 9001.

Η εγγύησή σας

Οι όροι ισχύος της εγγύησης της συσκευής καθορίζονται από τον αντιπρόσωπο της χώρας στην οποία έχει πραγματοποιηθεί η πώληση. Περισσότερες πληροφορίες σχετικά με τους όρους εγγύησης μπορείτε να ζητήσετε από τον αντιπρόσωπο που αγοράσατε τη συσκευή. Η προσκόμιση του τιμολογίου ή της απόδειξης αγοράς είναι βασική προϋπόθεση για την ισχύ της εγγύησης.

Ο κατασκευαστής διατηρεί το δικαίωμα να επιφέρει αλλαγές χωρίς προγενέστερη ενημέρωση.

INSTRUKCJE BEZPIECZNEGO UŻYTKOWANIA

To urządzenie jest przeznaczone wyłącznie do użytku domowego, zgodnie z opisem zamieszczonym w niniejszej instrukcji obsługi. Przed przystąpieniem do eksploatacji urządzenia należy upewnić się, że niniejsza instrukcja jest w pełni zrozumiała oraz zachować ją do wglądu w przyszłości.

Należy zawsze wyłączać urządzenie i wyjmować wtyczkę przewodu zasilającego z gniazdka po zakończeniu użytkowania, a także przed przystąpieniem do czyszczenia lub wykonywania jakichkolwiek czynności konserwacyjnych.

Urządzenie mogą obsługiwać dzieci w wieku co najmniej 8 lat, osoby o ograniczonych zdolnościach fizycznych, sensorycznych lub mentalnych, a także osoby nieposiadające odpowiedniego doświadczenia oraz wiedzy, jedynie pod warunkiem że odbywać się będzie to pod nadzorem lub po przeszkoleniu na temat bezpiecznego użycia urządzenia oraz związanych z nim zagrożeń. Dzieci nie mogą bawić się urządzeniem.

Urządzenia nie powinny czyścić ani konserwować dzieci bez nadzoru.

Jeśli przewód zasilający uległ uszkodzeniu, należy natychmiast zaprzestać korzystania z urządzenia. Ze względów bezpieczeństwa przewód zasilający powinien być wymieniany wyłącznie przez serwisanta autoryzowanego punktu serwisowego HOOVER.

Należy korzystać wyłącznie z końcówek, materiałów eksploatacyjnych oraz części zamiennych zalecanych lub dostarczonych przez firmę HOOVER.

Nie należy wyciągać wtyczki ciągnąc za kabel zasilający.

Nie kontynuować eksploatacji uszkodzonego urządzenia.

W celu uniknięcia ewentualnego przewrócenia się urządzenia, należy umieszczać i używać urządzenie wyłącznie na suchej, stabilnej, równej, poziomej powierzchni.

Urządzenie powinno być utrzymywane suche.

Pod żadnym pozorem nie należy przechylać ani opróżniać urządzenia podczas pracy.

Przewód zasilający powinien być ułożony w taki sposób, aby nikt na niego nie nadepnął ani się nie potknął.

Nie należy umieszczać urządzenia na lub w pobliżu gorących powierzchni, w pobliżu otwartego ognia lub wystawiać na bezpośrednie.

Aby uniknąć porażenia prądem elektrycznym i/lub zagrożenia pożarem, nie należy dopuścić do przedostania się do urządzenia wody lub innego płynnego lub łatwopalnego detergentu.

W celu uniknięcia porażenia prądem i/lub zagrożenia pożarem, nie czyścić urządzenia wodą, żadnym innym płynem lub (łatwopalnym) detergentem.

Nie należy rozpylać wokół urządzenia żadnych materiałów łatwopalnych, takich jak środki owadobójcze lub perfumy.

Przed podłączeniem urządzenia należy sprawdzić, czy napięcie i wartości znamionowe podane na etykiecie urządzenia odpowiadają lokalnemu napięciu zasilania.

Nie należy blokować wlotu ani wylotu powietrza.

Niniejsze urządzenie nie zastępuje prawidłowej wentylacji, regularnego odkurzania ani stosowania okapu wyciągowego lub wentylatora podczas gotowania.

Nie umieszczać niczego na urządzeniu.

W celu zapobieżenia pojawieniu się skroplin na urządzeniu, nie umieszczać urządzenia bezpośrednio pod klimatyzatorem.

Przed włączeniem urządzenia należy upewnić się, że wszystkie filtry są prawidłowo zainstalowane.

Należy stosować tylko oryginalne filtry firmy HOOVER przeznaczone specjalnie dla tego urządzenia. Nie stosować żadnych innych filtrów.

Unikać uderzania w urządzenie (w szczególności we wlot i wylot powietrza) twardymi przedmiotami.

W celu zapobieżenia obrażeniom fizycznym oraz nieprawidłowego działania urządzenia, nie wkładać palców lub przedmiotów do wylotu lub wlotu powietrza.

Nie należy używać tego urządzenia w przypadku wykorzystywania wewnętrznych środków odstraszających owady typu dymnego lub w miejscach, w których znajdują się tłuste pozostałości, a także przy palącym się kadzidle lub w obecności oparów chemicznych.

Nie należy używać urządzenia w pobliżu urządzeń gazowych, grzewczych lub kominków.

Nie należy używać urządzenia w pomieszczeniach o dużych zmianach temperatury.

Aby zapobiec zakłóceniom, należy umieścić urządzenie w odległości co najmniej 2 m od urządzeń elektrycznych, które wykorzystują fale radiowe w powietrzu, takich jak telewizory, radia i zegary sterowane drogą radiową.

W przypadku niekorzystania z urządzenia przez dłuższy czas, na filtrach mogą rozwijać się bakterie. Po długim okresie nieużywania urządzenia należy sprawdzić filtry. Jeśli filtry są bardzo brudne, należy je wymienić.

Nie należy używać urządzenia w wilgotnym otoczeniu lub w miejscach o wysokiej temperaturze, np. w łazience, toalecie lub kuchni.

Urządzenie nie usuwa tlenku węgla (CO) ani radonu (Rn). Nie może być wykorzystywane jako urządzenie zabezpieczające w przypadku wypadków z udziałem procesów spalania i niebezpiecznych substancji chemicznych.

Funkcja „Monitor CO” nie może być wykorzystywana jako urządzenie zastępcze w zakresie norm EN 50291-1 UL-2034, CSA-6.19 lub innych uznanych certyfikowanych standardów czujników sygnalizujących ulatnianie się tlenku węgla, w przypadku gdy lokalne lub regionalne kodeksy bądź przepisy prawne nakazują ich stosowanie. Funkcja „Monitor CO” jest jedynie dodatkiem monitorującym ulatnianie się tlenku węgla. Użytkownik korzysta z urządzenia wedle własnego uznania, a także jest on świadomy i rozumie ograniczenia urządzenia w odniesieniu do przestrzegania kodeksów lub przepisów prawnych, jeśli mają one zastosowanie.

Zabrania się umieszczania urządzenia w poniższych miejscach:

- W łazience lub innych miejscach, w których istnieje ryzyko narażenia Alarmu na rozpryski wody, kapanie lub kondensację (np. nad czajnikiem elektrycznym).
- Obok lub bezpośrednio nad grzejnikami lub otworami wentylacyjnymi, drzwiami, oknami, wentylatorami wyciągowymi lub wszędzie tam, gdzie mogą występować przeciągi.
- Bezpośrednio nad zlewem lub kuchenką.
- W miejscu, w którym temperatura może spaść poniżej -20°C lub wzrosnąć powyżej 50°C .
- W zamkniętej przestrzeni (np. w szafie lub pod nią).
- W wilgotnej lub mokrej przestrzeni.
- W miejscach, w których urządzenie mogłoby zostać zasłonięte, np. przez zasłony lub meble.
- W miejscach, gdzie brud lub kurz mógłby zablokować czujnik.
- W pobliżu farb, rozcieńczalników, oparów rozpuszczalników lub odświeżaczy powietrza.

W przypadku uruchomienia się alarmu monitora CO należy otworzyć wszystkie okna i drzwi (o ile jest to bezpieczne). W miarę możliwości należy wyłączyć wszystkie urządzenia spalające paliwo, a następnie ewakuować obiekt pozostawiając otwarte okna i drzwi. Należy szukać natychmiastowej pomocy medycznej dla wszystkich osób, które mają objawy zatrucia tlenkiem węgla. Nie należy ponownie wchodzić na teren obiektu, dopóki alarm się nie wyłączy. Alarm wyłączy się po wyeliminowaniu CO z atmosfery. Zabrania się ponownego korzystania z urządzeń do spalania paliwa, dopóki źródło CO nie zostanie zlokalizowane i naprawione przez wykwalifikowanego technika.

W celu aktywacji monitora CO, należy podłączyć wtyczkę do gniazdka. Lampka kontrolna stanu czujnika CO zapali się na zielono. Gdy monitor CO wykryje niebezpieczny poziom CO, zostanie wywołany głośny alarm CO, natomiast przycisk CO Alert i lampka pierścieniowa będą migać na czerwono. Alarm będzie aktywny, aż do momentu, kiedy wykryty poziom CO nie obniży się do bezpiecznego poziomu.

Należy unikać używania farb, rozcieńczalników, oparów rozpuszczalników, odświeżaczy powietrza, aerozoli lub chemicznych środków czyszczących w pobliżu urządzenia, ponieważ mogą one mieć wpływ na działanie monitora CO.

Należy uważać, aby małe dzieci nie naciskały przycisku CO Alert przez 3 sekundy, ponieważ mogą one zostać narażone na nadmierny hałas spowodowany aktywacją alarmu.

Dotknij przycisku [CO Alert] przez 3 sekundy, aby przetestować funkcję alarmu CO, a alarm będzie głośno działał przez 5 sekund. Należy sprawdzać alarm co miesiąc i po dłuższej nieobecności w budynku (np. po urlopie). Jeśli po dotknięciu przycisku [CO Alert] przez 3 sekundy alarm nie włączy się, należy skontaktować się z centrum obsługi klienta firmy Hoovera w celu umówienia się z wykwalifikowanym technikiem, który naprawi usterkę.

Jeśli na wyświetlaczu pojawi się informacja, że czujnik CO jest uszkodzony lub okres jego użytkowania dobiegł końca, należy skontaktować się z centrum obsługi klienta firmy Hoover w celu umówienia się na wymianę czujnika CO przez wykwalifikowanego technika. Przewidywany okres użytkowania czujnika CO wynosi 5 lat; należy wymienić czujnik po upływie tego czasu.

Wilgotność robocza: 15 – 90% RH

Temperatura robocza: od 0° do + 40°C

W razie wykrycia wysokiego poziomu CO przycisk [CO Alert] oraz [Pierścień jakość powietrza LED Ring] migają na czerwono (2Hz). Jednocześnie aktywuje się głośny, ciągły alarm (85~110dB(A)). Alarm nie wyłączy się dopóki stężenie CO nie spadnie z poziomu alarmowego.

Tlenek węgla wpływa na organizm, blokując dostęp tlenu do najważniejszych organów. Wydychany CO przyczepia się do hemoglobiny we krwi, która jest odpowiedzialna za rozprowadzanie tlenu w całym organizmie. CO w sposób trwały hamuje zdolność cząsteczek tlenu do przyłączania się do hemoglobiny, redukując w ten sposób dopływ tlenu do najważniejszych organów. Poziom stężenia i czas narażenia organizmu na wpływ CO może prowadzić do różnych konsekwencji. Ekspertci są jednakże zgodni co do tego, że nawet niski poziom narażenia organizmu na tlenek węgla przez dłuższy okres może wiązać się z poważnymi i trwałymi skutkami dla ogólnego stanu zdrowia ludzi.

Ostrzeżenie: ALARM CO JEST PRZEZNACZONY DO OCHRONY OSÓB PRZED POWAŻNYMI SKUTKAMI NARAŻENIA ORGANIZMU NA TLENEK WĘGLA LUB W CELU ZAPOBIEGANIA PRZEWLEKŁYM SKUTKOM NARAŻENIA NA TLENEK WĘGLA. NIE GWARANTUJE ON CAŁKOWITEGO BEZPIECZEŃSTWA OSÓB Z OKREŚLONYMI SCHORZENIAMI. W RAZIE WĄTPLIWOŚCI SKONSULTOWAĆ SIĘ Z LEKARZEM.

Urządzenie to nie powinno być stosowane jako zamiennik odpowiedniej instalacji, użytkowania i konserwacji urządzeń spalających paliwo, w tym odpowiednich systemów wentylacji i wyciągów.

The CO monitor mobile and tablet notifications require a functional Wi-Fi connection to operate. Urządzenie nie może zostać uznane za zamiennik dla zewnętrznych służb w zakresie monitorowania alarmów.

Można używać wyłącznie olejku aromatycznego zalecanego lub dostarczanego przez firmę HOOVER.

Nie należy używać innego nawilżacza obok oczyszczacza powietrza w przypadku stosowania funkcji dyfuzora H-Essence.

Natychmiast wytrzyj każdy wyciek H-Essence. Upewnij się, że wyczyściłeś wszystkie części produktu, które miały styczność z H-Essence.

Serwis firmy HOOVER: Aby zapewnić bezpieczne i sprawne działanie tego urządzenia, zalecamy zlecenie prac serwisowych lub napraw wyłącznie serwisantom autoryzowanego punktu serwisowego firmy HOOVER.


Ochrona środowiska

Niniejsze urządzenie posiada oznaczenia zgodnie z Dyrektywą Europejską nr 2011/65/WE w sprawie zużytego sprzętu elektrycznego i elektrotechnicznego (WEEE). Zapewniając prawidłowe złomowanie niniejszego urządzenia, przyczyniają się Państwo do ograniczenia ryzyka wystąpienia negatywnego wpływu produktu na środowisko i zdrowie ludzi, które mogłyby zaistnieć w przypadku niewłaściwej utylizacji urządzenia.

Symbol umieszczony na urządzeniu oznacza, że nie jest ono klasyfikowane jako odpad z gospodarstwa domowego. Urządzenie należy zdać w odpowiednim punkcie utylizacji w celu recyklingu komponentów elektrycznych i elektronicznych. Urządzenie należy złomować zgodnie z lokalnymi przepisami w sprawie utylizacji odpadów. Dodatkowe informacje na temat sposobu utylizacji, złomowania i recyklingu urządzenia można uzyskać w lokalnym urzędzie miejskim, w komunalnym zakładzie utylizacji odpadów lub w sklepie, w którym produkt został zakupiony.

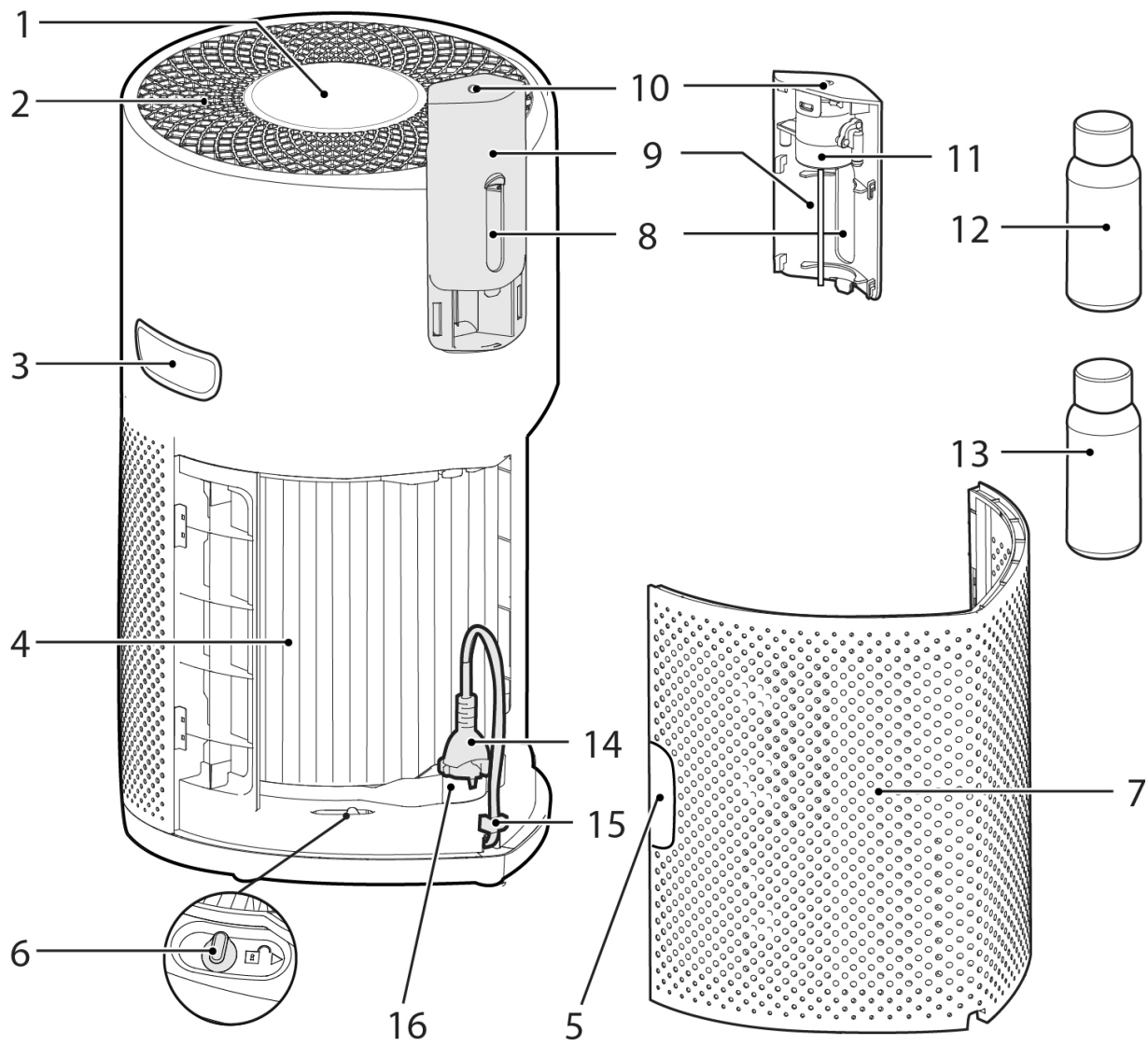


Pasma częstotliwości	2400Mhz ~ 2483.5Mhz
Maksymalna moc sygnału radiowego przesyłanego w paśmie częstotliwości	18.9 dBm

 Urządzenie spełnia wymogi europejskich norm 2014/53/WE, 2014/30/WE oraz 2011/65/WE. Aby otrzymać kopię deklaracji zgodności, proszę skontaktować się z producentem na stronie: www.candy-group.com

CANDY HOOVER GROUP S.r.l. Via Privata Eden Fumagalli, 20861 Brugherio (MB) Italy

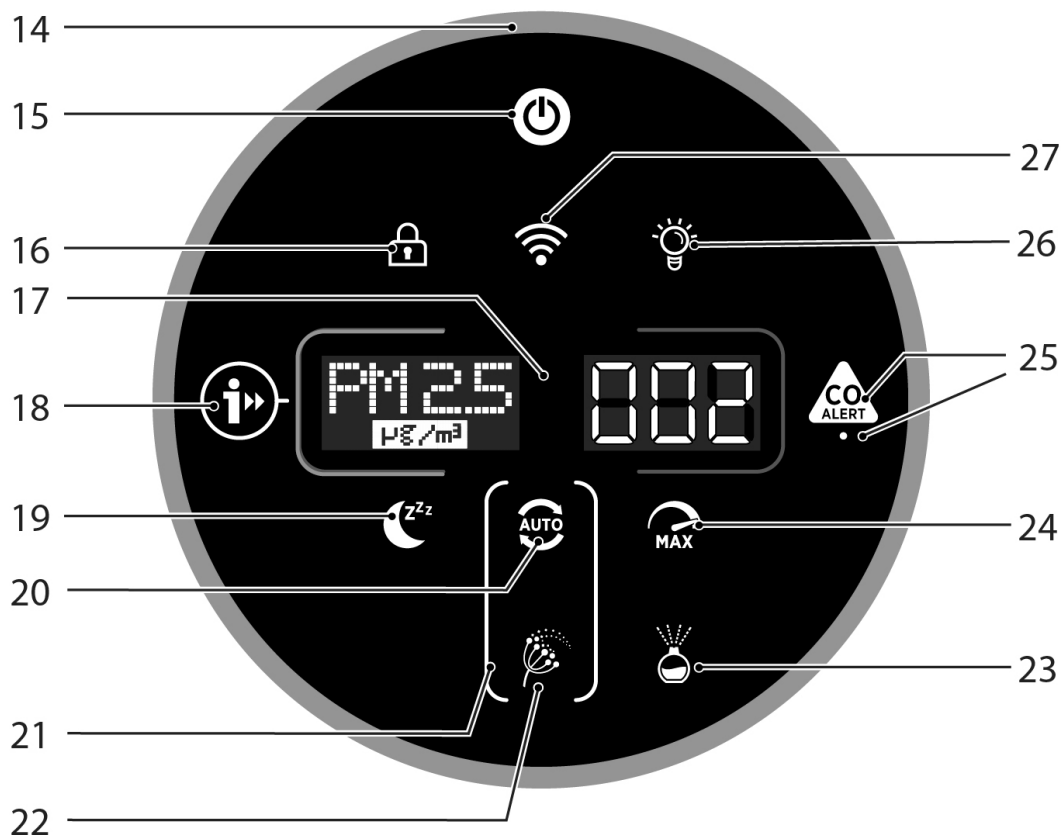
POZNAJ OCZYSZCZACZ H-PURIFIER



1	Panel sterowania / Wyświetlacz
2	Wylot powietrza
3	Uchwyt do przenoszenia urządzenia
4	Zespół filtracyjny
5	Uchwyt pokrywy wlotu powietrza

6	Przełącznik zwalniający filtr
7	Ośłona wlotu powietrza
8	Okienko dyfuzora
9	Ośłona dyfuzora
10	Wylot dyfuzora
11	Zespół dyfuzora

12	Butelka H-Essence (zielona)
13	Butelka H-Biotics (Brązowy)
14	Przewód zasilający z wtyczką
15	Hak
16	Miejsce przechowywania



14	Pierścień jakości powietrza LED Ring
15	Przycisk zasilania
16	Przycisk blokady zabezpieczającej przed dziećmi
17	Wyświetlacz cyfrowy

18	Przycisk informacyjny
19	Przycisk trybu uśpienia
20	Przycisk trybu automatycznego
21	Okrągła Lampka Alergii na pyłki
22	Lampka Alergii na pyłki

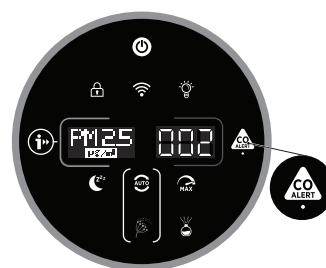
23	Przycisk dyfuzora
24	Przycisk trybu maksymalnego
25	Przycisk CO Alert & LED
26	Przycisk sterowania oświetleniem
27	Wi-Fi Button

WieloczuJNIKOWY SYSTEM MONITOROWANIA

Dzięki wieloczuJNIKOWEMU SYSTEMOWI MONITOROWANIA Twoje urządzenie będzie stale monitorowało warunki powietrza w pomieszczeniu w zakresie PM10, PM2.5, Lotnych Związków Organicznych (GAZ) oraz stężenia Tlenku Węgla (CO).

Po każdym włączeniu urządzenia wieloczuJNIKOWY SYSTEM MONITOROWANIA rozpocznie analizę powietrza w pomieszczeniu. Różne kolory pierścienia jakości powietrza LED Ring odzwierciedlają warunki jakości powietrza w czasie rzeczywistym.

Kolor pierścienia jakości powietrza LED Ring	Jakość powietrza w pomieszczeniu
ZIELONY	DOSKONAŁA
ŻÓŁTY	ZADOWALAJĄCA
POMARAŃCZOWY	SŁABA
CZERWONY	BARDZO SŁABA



Monitorowanie stężenia tlenku węgla i Alarm

Oczyszczacz H-Purifier będzie stale monitorował powietrze w pomieszczeniach pod kątem obecności tlenku węgla (CO). Urządzenie jest wyposażone w system alarmowy.

Po włączeniu alarmu tlenku węgla, pierścień jakości powietrza LED Ring, przycisk informacyjny oraz przycisk CO Alert migają jednocześnie na czerwono i rozlega się alarm dźwiękowy. Alarm będzie działał do momentu, gdy stężenie tlenku węgla (CO) spadnie poniżej 50 ppm, chyba że zostanie ręcznie wyciszony poprzez naciśnięcie przycisku CO ALert przez 3 sekundy.

Dioda LED CO Alert pokazuje stan pracy czujnika CO. Dioda Led świeci się na zielono, gdy czujnik CO działa prawidłowo, na żółto, gdy czujnik działa wadliwie lub przekroczył swój okres użytkowania.

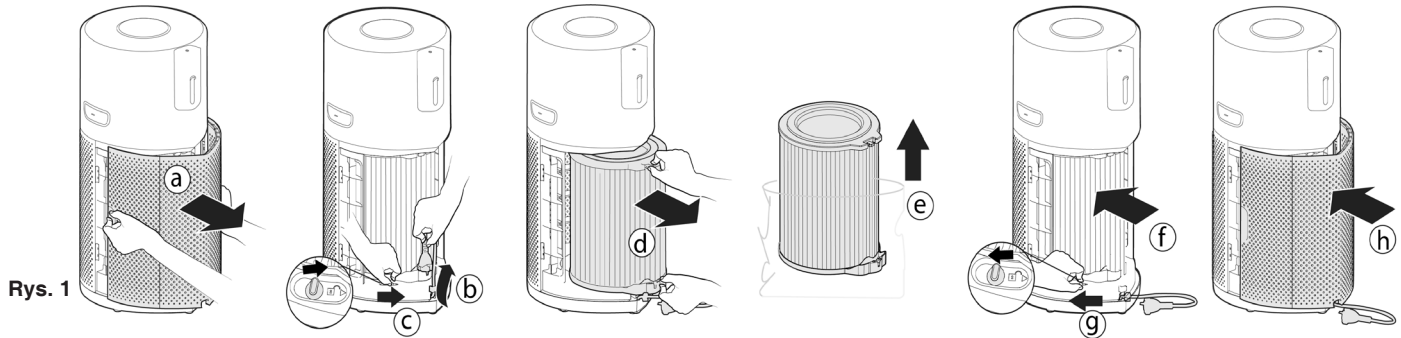
Możesz sprawdzić prawidłowe działanie alarmu, naciskając i przytrzymując przez 3 sekundy przycisk CO Alert; jeśli alarm działa prawidłowo, usłyszysz głośny, 5-sekundowy brzęczący dźwięk.

PRZYGOTOWANIE OCZYSZCZACZA H-PURIFIER

1. Zespół filtracyjny [Rys. 1]

Przed użyciem oczyszczacza H-Purifier należy usunąć opakowanie ochronne filtra:

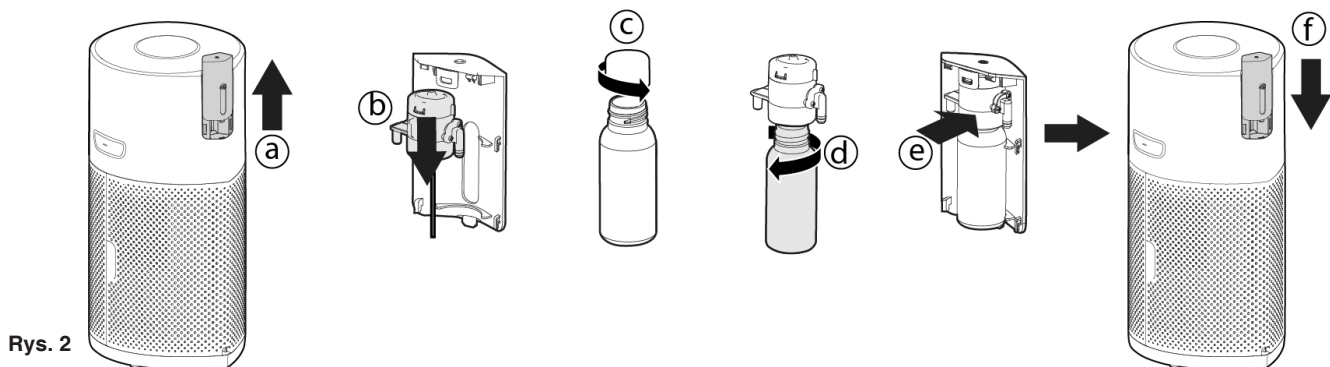
- Zdejmij pokrywę wlotu powietrza, chwytając dwa uchwyty pokrywy wlotu powietrza i wyciągnij ją z urządzenia. [Rys. 1a]
- Wyjmij wtyczkę z miejsca przechowywania i zdejmij przewód z haka magazynowego. [Rys. 1b]
- Odblokuj przełącznik zwalniający filtr. [Rys. 1c]
- Wyjmij filtr z urządzenia oraz usuń zewnętrzne opakowanie. [Rys. 1d,e]
- Włóż filtr do swojego urządzenia. [Rys. 1f]
- Zablokuj przełącznik zwalniający filtr. [Rys. 1g]
- Ponownie zamontuj pokrywę wlotu powietrza na urządzeniu. [Rys. 1h]



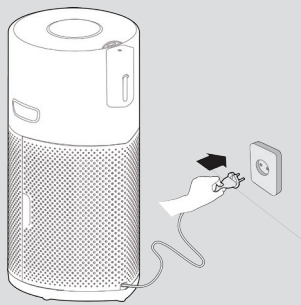
2. Wkładanie butelki z dyfuzorem [Rys. 2]

Przygotowanie urządzenia H-Purifier do funkcji dyfuzora:

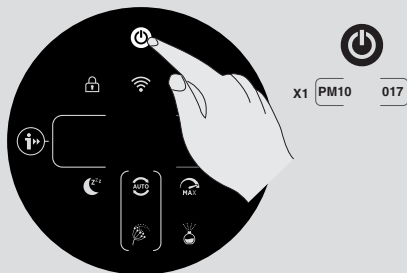
- Zdejmij pokrywę dyfuzora z urządzenia. [Rys. 2a]
- Zdejmij zespół dyfuzora z pokrywy zespołu dyfuzora. [Rys. 2b]
- Wyjmij nową butelkę z H-Essence lub H-Biotics z opakowania i zdejmij nakrętkę. [Rys. 2c]
- Mocno zamocuj nową butelkę w zespole dyfuzora. [Rys. 2d]
- Włóż zespół dyfuzora do pokrywy dyfuzora. [Rys. 2e]
- Ponownie umieść pokrywę dyfuzora w urządzeniu. [Rys. 2f]



UŻYTKOWANIE URZĄDZENIA H-PURIFIER



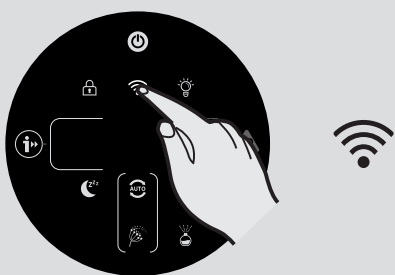
Rys. 3



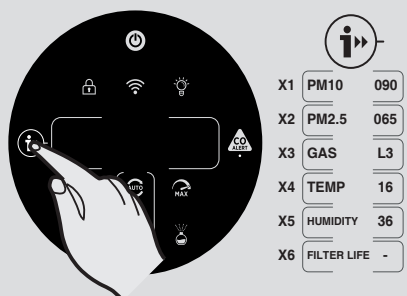
Rys. 4



Rys. 5



Rys. 6



Rys. 7

Podłączenie urządzenia [Rys. 3]:

Wyciągnąć kabel zasilający z bębna kabla i podłączyć go do zasilacza.

Wszystkie lampki na panelu sterowania / wyświetlaczu będą się w pełni świecić przez około 1 sekundę, sygnalizując prawidłowe podłączenie.

Delikatne oświetlenie przycisku POWER oraz oświetlenie czujnika CO informuje, że wieloczułkowy system monitorowania rozpoczął pracę w celu monitorowania poziomu tlenu węgla w pomieszczeniu.

Włączanie urządzenia [Rys. 4]:

Aby włączyć urządzenie, należy nacisnąć przycisk POWER, który znajduje się na wyświetlaczu.

Pierścień jakości powietrza LED Ring świeci naprzemiennie we wszystkich kolorach, podczas gdy czujniki analizują warunki powietrza w czasie rzeczywistym. Po kilku sekundach, pierścień jakości powietrza LED Ring wybierze odpowiedni kolor dla jakości powietrza w danym momencie.

Oczyszczacz H-Purifier natychmiast przejdzie w TRYB AUTO i rozpocznie oczyszczanie powietrza w pomieszczeniu.

Na wyświetlaczu podświetli się przycisk TRYB AUTO, przycisk INFORMACYJNY, przycisk STEROWANIE OŚWIETLENIEM oraz informacje dotyczące PM10.

Przyciski wyświetlacza obsługują następujące funkcje:

Press the Wi-Fi button to turn on/off remote access.

Naciśnij przycisk INFORMACYJNY, aby wyświetlić wszystkie dane z monitoringu.

Naciśnij przyciski Trybu AUTO, MAKSYMALNEGO lub UŚPIENIA, aby wybrać tryb oczyszczania.

Naciśnij przycisk STEROWANIE OŚWIETLENIEM, aby ustawić jasność podświetlenia wyświetlacza.

Naciśnij przycisk ZABEZPIECZENIA PRZED DZIEĆMI, aby dezaktywować wszystkie przyciski na panelu sterowania / wyświetlaczu.

Naciśnij przycisk DYFUZOR, aby aktywować funkcję.

Naciśnij przycisk POWER, aby wyłączyć oczyszczacz powietrza.

Pairing to Wi-Fi:

W celu uzyskania dostępu do wszystkich funkcji urządzenia H-Purifiers z dowolnego miejsca, zaleca się pobranie aplikacji hOn App.

Dzięki temu będziesz mógł kontrolować swoje urządzenie w najbardziej efektywny sposób.

Instrukcje:

1. Pobierz aplikację hOn z App Store lub Google Play. [Rys. 5]
2. Otwórz aplikację i utwórz konto za pomocą swojego e-maila oraz hasła.
3. Potwierdź login.
4. Ensure your mobile device is connected to Wi-Fi.
5. Zaloguj się do aplikacji hOn.
6. Press and hold the Wi-Fi button on the display for 5 seconds, there will an audible beep and the Wi-Fi button will start flashing to indicate it is waiting for a connection. [Rys. 6]
7. W celu połączenia urządzenia przenośnego z oczyszczaczem, postępuj zgodnie z instrukcjami aplikacji.
8. When successfully paired, the Wi-Fi button on the product will remain illuminated.
9. To reset the Wi-Fi, press & hold the Wi-Fi button for 5 Secs.

Parametry bezprzewodowe dla parowania

Technologia	Wi-Fi	Bluetooth
Standard	IEEE 802.11 b/g/n	Bluetooth v4.2, BR/EDR, BLE
Pasmo(a) częstotliwości (MHz)	2401 ~ 2483	2402 ~ 2480
Moc maksymalna (mW)	100	10

Funkcja INFORMACYJNA [Rys. 7]:

Dostępnych jest 6 różnych zestawów danych w celu monitorowania:

PM10, PM2.5, gazu, temperatury, wilgotności i stanu filtra.

Aby rozpocząć monitorowanie każdej wartości, wystarczy naciskać kolejno przycisk INFORMACYJNY.

Domyślnie na wyświetlaczu będą wyświetlane dane dotyczące PM10, urządzenie zapamięta ostatni wybór użytkownika i zachowa ten wybór przy następnym włączeniu urządzenia.

Podczas pierwszych 3 minut po włączeniu produktu wykonywany jest cykl kalibracji czujnika GAZU, a dane GAZU będą pokazywały obracający się kursor.

Więcej informacji o PM 2.5, PM 10 oraz GAZIE:

PM to drobne cząstki (niewidoczne dla ludzkiego oka) pochodzące głównie z zanieczyszczeń

zewnętrznych, takich jak pojazdy i emisje przemysłowe, które są potencjalnie niebezpieczne dla naszego zdrowia w przypadku długotrwałego narażenia.

PM 10 to cząstki o średnicy do 10 μm , które mogą docierać do górnych dróg oddechowych (nos, tchawica, gardło).

PM 2.5 to cząstki o średnicy do 2.5 μm i, biorąc pod uwagę ich mały rozmiar, mogą dotrzeć do naszych płuc, wnikając tym samym głębiej w organizm.

GAZ VOC (lotne związki organiczne) są lotnymi związkami chemicznymi, które wykazują dużą zdolność parowania w powietrzu w temperaturze pokojowej. Dezodoranty, detergenty, kleje, spoiwa, kosmetyki oraz formaldehyd to tylko niektóre z lotnych związków organicznych, które mogą występować w naszych domach i są potencjalnie szkodliwe dla naszego zdrowia w przypadku długotrwałego narażenia.

Funkcje TRYBU:

Na wyświetlaczu dostępne są 3 tryby oczyszczania powietrza: TRYB AUTO, TRYB MAKSYMALNY ORAZ TRYB UŚPIENIA. Domyślnym trybem tego urządzenia w chwili jego włączenia jest tryb automatyczny. Wszystkie tryby można wybrać ręcznie, naciskając odpowiedni przycisk na wyświetlaczu. Tryb ALERGII NA PYŁKI może zostać aktywowany za pomocą aplikacji hOn.

TRYB AUTO [Rys. 8]:

Jest to domyślny tryb pracy urządzenia H-Purifier przy pierwszym włączeniu. W Trybie Auto H-Purifier automatycznie dostosowuje prędkość wentylatora do aktualnego poziomu jakości powietrza w pomieszczeniu w celu zagwarantowania jego optymalnego oczyszczania.

Jest zalecanym ustawieniem tego urządzenia.

W trybie AUTO, po 30 minutach doskonałej jakości powietrza, Twoje urządzenie wejdzie w tryb ECO, wstrzymując funkcję oczyszczania. Wieloczułkowy system monitorowania będzie kontynuował analizę powietrza w pomieszczeniu i w razie konieczności automatycznie włączy funkcję oczyszczania.

TRYB MAKSYMALNY [Rys. 9]:

Aby włączyć maksymalną moc oczyszczania powietrza, naciśnij przycisk trybu MAKSYMALNEGO na wyświetlaczu. Aby wyjść z trybu MAKSYMALNEGO, wystarczy wybrać tryb AUTO lub tryb UŚPIENIA.

TRYB UŚPIENIA [Rys. 10]:

Aby włączyć najniższą moc oczyszczania powietrza, naciśnij przycisk trybu UŚPIENIA. Przycisk trybu UŚPIENIA ściemni się, a wszystkie inne kontrolki wyświetlacza będą wyłączone. Można zmienić te ustawienia, naciskając przycisk KONTROLA OŚWIETLENIA.

TRYB ALERGII NA PYŁKI: [Rys. 11]

Tryb ALERGII NA PYŁKI można włączyć jedynie za pomocą aplikacji hOn. Aby utworzyć PROFIL ALERGII NA PYŁKI, najpierw należy aktywować i zarejestrować profil w aplikacji.

Tryb Alergii na pyłki działa tylko wtedy, gdy wybrany jest tryb AUTO. [Rys. 11c]

W trybie Alergii na pyłki urządzenie stale otrzymuje od aplikacji dane w czasie rzeczywistym o monitorowanym stężeniu pyłków na zewnątrz i pracuje automatycznie w celu zmaksymalizowania wydajności przechwytywania pyłków.

Aby wspomóc złagodzenie objawów alergicznych, przechwycone pyłki są inaktywowane.

Po włączeniu trybu Alergii na pyłki w aplikacji, na wyświetlaczu urządzenia pojawiają się 2 możliwe lampki:

- Lampka Alergii na pyłki jest **BIAŁA** [Rys. 11a]: Urządzenie i aplikacja monitorują obecność pyłków na zewnątrz, brak ryzyka.

- Lampka Alergii na pyłki zmienia kolor na **ŻÓŁTY** [Rys. 11b], a Okrągła Lampka Alergii na pyłki jest **BIAŁA** [Rys. 11a]: Urządzenie i Aplikacja wykryły zagrożenie.

Jeśli przy aktywnym trybie Alergii na pyłki produkt zostanie ręcznie przełączony do trybu UŚPIENIA lub trybu MAKSYMALNEGO, tryb Alergii na pyłki zostanie wyłączony.

Funkcja STEROWANIA OŚWIETLENIEM: [Rys. 12]

Dostępne są 3 ustawienia oświetlenia wyświetlacza: Włączony, Ściemniony i Wyłączony.

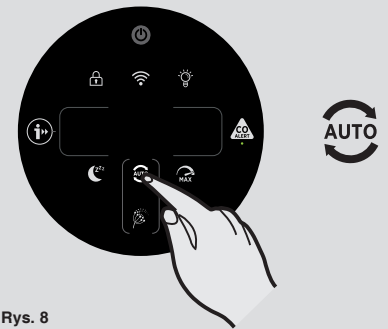
Aby wyregulować jasność podświetlenia wyświetlacza, wystarczy wcisnąć przycisk OŚWIETLENIE na wyświetlaczu, aby przejść przez 3 dostępne opcje. Domyślnym ustawieniem oświetlenia jest ON (włączone).

Jeśli wybrano opcję OFF (wyłączone), należy dwukrotnie nacisnąć dowolny inny przycisk w celu aktywacji, po jednym naciśnięciu kontrolki staną się PRZYCIEMNIONE, po drugim naciśnięciu funkcja zostanie aktywowana.

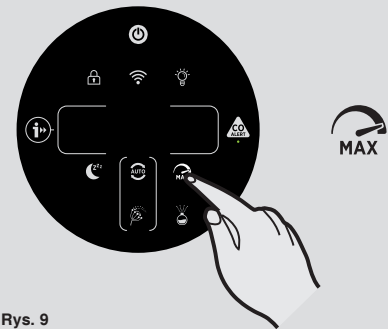
Funkcja ZABEZPIECZENIA PRZED DZIEĆMI: [Rys. 13]

Aby aktywować tę funkcję, naciśnij i przytrzymaj przycisk ZABEZPIECZENIA PRZED DZIEĆMI przez 3 sekundy. Po aktywacji usłyszysz dźwięk, a przycisk ZABEZPIECZENIA PRZED DZIEĆMI pozostanie podświetlony. Po aktywowaniu tej funkcji wszystkie przyciski będą zablokowane.

Aby wyłączyć tę funkcję, wystarczy wcisnąć i przytrzymać przycisk ZABEZPIECZENIA PRZED DZIEĆMI przez 3 sekundy, aż do usłyszenia dźwięku, który potwierdzi wyłączenie funkcji, a przycisk nie będzie już podświetlony.



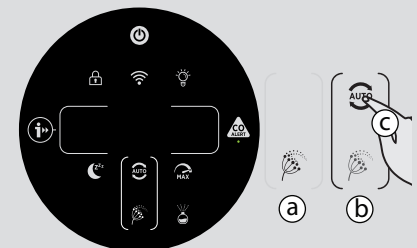
Rys. 8



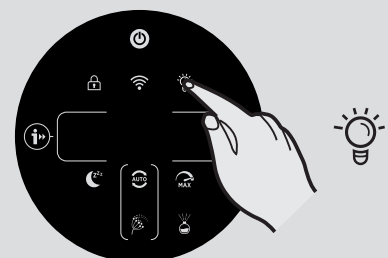
Rys. 9



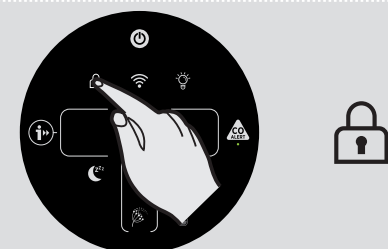
Rys. 10



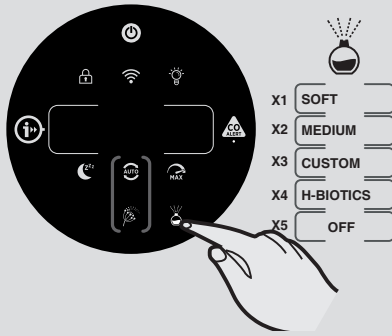
Rys. 11



Rys. 12



Rys. 13



Rys. 14

Funkcja dyfuzora: [Rys. 14]

Dyfuzor uwalnia do powietrza pomieszczenia H-Essence lub H-Biotics. H-Essence są kolekcją olejków eterycznych firmy Hoover, które uwalniają do powietrza przyjemny zapach. H-Biotics to natomiast naturalna mieszanka oparta na probiotykach, która, hamując rozwój mikroorganizmów, takich jak bakterie czy drobnoustroje utrzymuje pomieszczenie w stanie natlenionym.

There are 4 different settings for the DIFFUSER function, DELIKATNY, MEDIUM, SPERSONALIZOWANY & H-BIOTICS. Aby aktywować funkcję dyfuzora wystarczy nacisnąć przycisk Dyfuzor na wyświetlaczu. Domyślnym ustawieniem dla tej funkcji jest ustawienie DELIKATNE, aby wybrać dowolne inne ustawienie wystarczy kolejno nacisnąć przycisk w celu zmiany na docelowe ustawienie. Po włączeniu tej funkcji przycisk będzie się świecił na biało.

It is recommended to use DELIKATNY & MEDIUM settings for H-Essence.

Cykl spersonalizowany można utworzyć w aplikacji hOn dla H-Essence.

W przypadku korzystania z H-Biotics, urządzenie **MUSI** być ustawione na H-Biotics. Once user activates H-Biotics using the APP, this will give an alert of "ACTIVATE H-BIOTICS" after 120 hours to ensure the H-biotics usage of every 5 days.

Jedynie tryby AUTO i MAKSYMALNY mogą obsługiwać funkcję Dyfuzora. Funkcja nie działa w trybie UŚPIENIA.

Po włączeniu funkcji dyfuzora w trybie AUTO główny wentylator będzie pracował z określoną prędkością w celu rozpylenia H-Essence lub H-Biotics w pomieszczeniu.

Ustawienie	Pompowanie włączone	Pompowanie wyłączone	Cykl
DELIKATNY	10 sek	300 sek	Wyłącza się po 6 godzinach
MEDIUM	90 sek	120 sek	Wyłącza się po 6 godzinach
SPERSONALIZOWANY	Ustawienia użytkownika	Ustawienia użytkownika	Wyłącza się po 6 godzinach
H-BIOTICS	120 sek	120 sek	Wyłącza się po 6 godzinach

Aby wyłączyć tę funkcję, należy nacisnąć przycisk dyfuzora, aż do momentu wyłączenia się lampki przycisku.

Po każdym użyciu funkcji Dyfuzora należy oczyścić powierzchnię urządzenia suchą, miękką ściereczką. Aby wymienić butelkę w zespole dyfuzora, patrz „Konserwacja urządzenia H-Purifier”.

UŻYTKOWANIE URZĄDZENIA H-PURIFIER

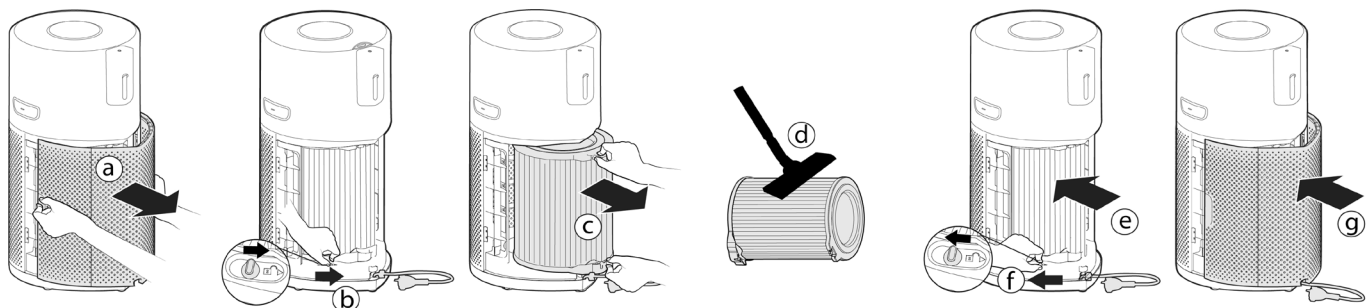
WAŻNE: PODCZAS WYKONYWANIA CZYNNOŚCI KONSERWACYJNYCH NALEŻY ZAWSZE ODŁĄCZAĆ URZĄDZENIE OD ZASILANIA.

CZYSZCZENIE FILTRA / WYMIANA

Twoje urządzenie H-Purifier będzie monitorowało stan filtra. Po lewej stronie wyświetlacza pojawi się komunikat **WYCZYŚĆ FILTR LUB WYMIENĀ FILTR**, a wskazane działania są konieczne do wyczyszczenia lub wymiany filtra.

Czyszczenie / Wymiana filtra: [Rys. 15]

- Usuń pokrywę wlotu powietrza z urządzenia. [Rys. 15a]
- Odblokuj przełącznik zwalniający filtr. [Rys. 15b]
- Usuń filtr z urządzenia. [Rys. 15c]
- Do czyszczenia zewnętrznej siatki na zespole filtra należy użyć odkurzacza lub wymienić filtr na NOWY. [Rys. 15d]
- Ponownie zamontuj zespół filtracyjny w urządzeniu. [Rys. 15e]
- Zablokuj przełącznik zwalniający filtr. [Rys. 15f]
- Ponownie zamontuj pokrywę wlotu powietrza na urządzenie. [Rys. 15g]
- Podłącz urządzenie do źródła zasilania, a następnie włącz je. [Rys. 4]
- Naciśnij przycisk INFORMACYJNY i postępuj zgodnie z instrukcjami, aby zresetować funkcję Czyszczenie filtra: naciśnij i przytrzymaj przycisk przez 3 sekundy, aż usłyszysz sygnał dźwiękowy informujący o pomyślnym zresetowaniu. [Rys. 7]



Rys. 15

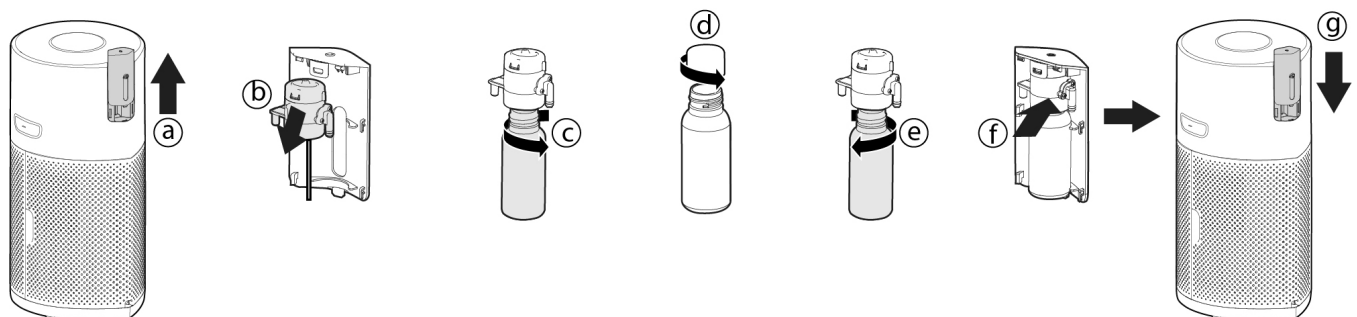
KONSERWACJA DYFUZORA

Po każdym użyciu funkcji Dyfuzora należy oczyścić powierzchnię urządzenia suchą, miękką ściereczką.

Wymiana butelki dyfuzora: [Rys. 16]

Objętość cieczy pozostałej w butelce można sprawdzić przez okienko dyfuzora. W razie potrzeby butelkę należy wymienić.

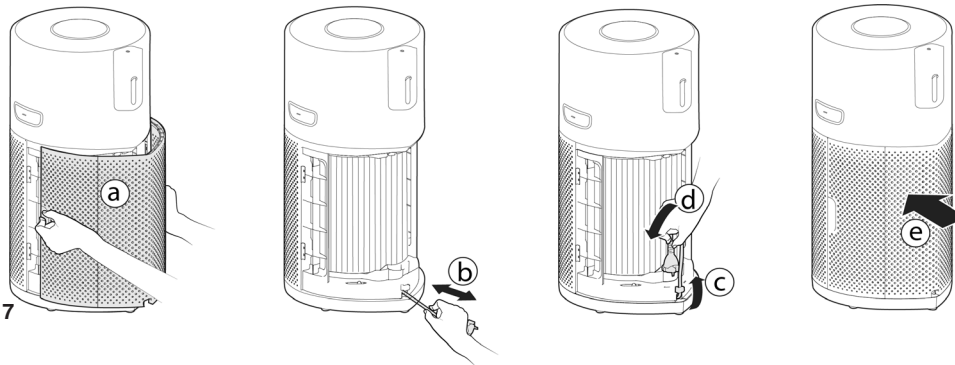
- Zdejmij pokrywę dyfuzora z urządzenia. [Rys. 16a]
- Wyjmij zespół dyfuzora wraz z butelką z pokrywy zespołu dyfuzora. [Rys. 16b]
- Odkręć i wyjmij pustą butelkę, a następnie ją wyrzuć. [Rys. 16c]
- Wyjmij nową butelkę z H-Essence lub H-Biotics z opakowania i zdejmij nakrętkę. [Rys. 16d]
- Mocno zamocuj nową butelkę w zespole dyfuzora. [Rys. 16e]
- Włóż zespół dyfuzora do pokrywy dyfuzora. [Rys. 16f]
- Ponownie umieść pokrywę dyfuzora w urządzeniu. [Rys. 16g]



Rys. 16

PRZECHOWYWANIE URZĄDZENIA H-PURIFIER

1. Wyłącz oczyszczacz powietrza i wyjmij wtyczkę z gniazdka.
2. Wyczyść wszystkie wewnętrzne i zewnętrzne powierzchnie Oczyszczacza Powietrza oraz zewnętrzną siatkę filtra.
3. Wyjmij butelkę z dyfuzora. Załóż oryginalną nakrętkę na butelkę i przechowuj ją, chroniąc przed bezpośrednim działaniem promieni słonecznych. Wyczyść powierzchnie zespołu dyfuzora i obudowy dyfuzora. Należy upewnić się, że na powierzchni Oczyszczacza Powietrza nie ma pozostałości H-Essence.
4. Upewnij się, że wszystkie elementy są suche.
5. Usuń pokrywę wlotu powietrza [Rys. 17a] i zwiń kabel zasilający, pociągając za kabel [Rys. 17b], zawiń przewód na hak do przechowywania, a następnie włóż wtyczkę do miejsca przechowywania. [Rys. 17c,d] Ponownie zamontuj osłonę wlotu powietrza [Rys. 17e]
6. Przechowuj oczyszczacz powietrza w chłodnym i suchym miejscu.



Rys. 17

ALARMY I ROZWIĄZANIA

Podczas użytkowania mogą pojawić się następujące kody. [Rys. 18]



Rys. 18

Opis błędu	Opis błędu		Rozwiązanie błędu
	Alarm na Panelu sterowania urządzenia / Wyświetlacz	Alarm w aplikacji	
Alarm czyszczenia zewnętrznej warstwy filtra	Alarm „WYCZYŚĆ FILTR” miga na wyświetlaczu	Alarm czyszczenia filtra	1.Postępuj zgodnie z instrukcjami zawartymi w Instrukcji Obsługi, aby oczyścić zewnętrzną warstwę filtra. 2.Zresetuj alarm.
Alarm wymiany filtra	Alarm „WYMIENŃ FILTR” miga na wyświetlaczu	Alarm wymiany filtra	1.Aby wymienić filtr, należy postępować zgodnie z instrukcjami zawartymi w Instrukcji Obsługi. 2.Zresetuj alarm.
Brak filtra lub filtr nie został zablokowany	Alarm „BRAK FILTRA” miga na wyświetlaczu	Brak filtra lub filtr nie został zablokowany	1.W przypadku braku filtra należy ponownie włożyć filtr. 2.Jeśli filtr jest na swoim miejscu, sprawdź, czy zakładka filtra została przełączona na stan ZABLOKOWANA.
Usterka czujnika pyłu: żaden sygnał z czujnika ani napięcie wyjściowe nie przekracza wartości granicznej	/	Usterka czujnika pyłu: żaden sygnał z czujnika ani napięcie wyjściowe nie przekracza wartości granicznej	Awaria czujnika pyłu lub nieprawidłowe podłączenie przewodu czujnika pyłu, prosimy o kontakt telefoniczny z centrum serwisowym w celu naprawy.
Brak prędkości silnika	/	Brak informacji o prędkości silnika	Awaria silnika lub nieprawidłowe podłączenie przewodu silnika, prosimy o kontakt telefoniczny z centrum serwisowym w celu naprawy.
Nieprawidłowe działanie czujnika CO	Lampka stanu czujnika CO świeci się w kolorze żółtym	Nieprawidłowe działanie czujnika CO	Alarm: potrzebny serwis telefoniczny.

UWAGA: Jeśli którakolwiek z tych usterek nie zniknie, skontaktować się z lokalnym przedstawicielem firmy HOOVER. Nie należy podejmować prób samodzielnego demontażu urządzenia H-Purifier.

ROZWIĄZYWANIE PROBLEMÓW

Poniżej znajduje się lista najczęściej spotykanych problemów i ich rozwiązanie.

Jeżeli którykolwiek z problemów utrzymuje się przez dłuższy czas, należy się skontaktować z przedstawicielem firmy Hoover.

Wentylator nie działa (Panel sterowania / Włączone oświetlenie wyświetlacza)	<ul style="list-style-type: none"> • Sprawdzić alarm wyświetlany na wyświetlaczu lub w aplikacji. • Sprawdzić, czy w wentylatorze nie występują przeszkody. • Sprawdzić, czy urządzenie H-Purifier jest włączone. • Sprawdzić, czy filtr jest zainstalowany prawidłowo. • Sprawdzić, czy urządzenie H-Purifier znajduje się w całkowicie pionowej pozycji i nie jest pochylone.
Wentylator nie działa (Panel sterowania / Wyłączone oświetlenie wyświetlacza)	<ul style="list-style-type: none"> • Sprawdzić, czy urządzenie H-Purifier jest podłączone i włączone. • Sprawdzić, czy w wentylatorze nie występują przeszkody.
Brak podświetlenia panelu sterowania / Wyświetlacz (Praca Wentylatora)	<ul style="list-style-type: none"> • Sprawdzić, czy oświetlenie nie zostało wyłączone poprzez naciśnięcie przycisku Sterowanie oświetleniem na panelu sterowania / Wyświetlacz.
Przyciski na panelu sterowania / Wyświetlacz nie działają	<ul style="list-style-type: none"> • Sprawdzić, czy Zabezpieczenie przed dziećmi zostało aktywowane, naciskając i przytrzymując przez 3 sekundy przycisk Zabezpieczenia przed dziećmi.
Słaby przepływ powietrza	<ul style="list-style-type: none"> • Sprawdzić, czy opakowanie ochronne zostało zdjęte z filtra. • Sprawdzić, czy w pokrywie wlotu powietrza lub wylocie powietrza występują przeszkody. • Sprawdź stan Filtra na panelu sterowania / wyświetlaczu lub w aplikacji pod kątem czystości i konieczności wymiany. • Sprawdzić, czy urządzenie H-Purifier nie znajduje się w Trybie uśpienia. W tym trybie wentylator pracuje ze zmniejszoną mocą.
Głośna praca oczyszczacza powietrza	<ul style="list-style-type: none"> • Sprawdzić, czy w wylocie powietrza lub w wentylatorze nie występują przeszkody. • Sprawdzić, czy urządzenie H-Purifier pracuje w trybie MAKSYMALNYM, ten tryb wiąże się z maksymalnym natężeniem przepływu powietrza.
Oczyszczacz powietrza nagle wydaje głośny brzęczący dźwięk.	<ul style="list-style-type: none"> • Została przypadkowo uruchomiona funkcja testująca przycisk CO Alert. Dźwięk wyłączy się automatycznie po 5 sekundach.

WAŻNE INFORMACJE

Części zapasowe i materiały eksploatacyjne firmy Hoover

Należy zawsze wymieniać części na oryginalne części zapasowe firmy Hoover. Można je nabyć

w lokalnym serwisie firmy Hoover lub bezpośrednio w firmie Hoover. Przy zamawianiu części zawsze należy podać numer danego modelu.

Jakość

Fabryki firmy Hoover zostały poddane niezależnej kontroli pod kątem jakości. Nasze produkty zostały wytworzone z wykorzystaniem systemu kontroli jakości spełniającego wymogi normy ISO 9001.

Gwarancja

Warunki gwarancji na niniejsze urządzenie są określone przez naszego przedstawiciela w kraju, w którym urządzenie jest sprzedawane.

Szczegółowe informacje na temat warunków gwarancji można uzyskać w punkcie, w którym urządzenie zostało nabyte. Przy zgłaszaniu wszelkich roszczeń w ramach gwarancji należy przedstawić dowód sprzedaży lub pokwitowanie.

Zastrzegamy sobie możliwość wprowadzania zmian bez wcześniejszego powiadomienia.

NÁVOD K BEZPEČNÉMU POUŽITÍ

Tento spotřebič by měl být používán pouze pro soukromé použití v domácnosti, jak je popsáno v tomto návodu k použití. Před uvedením do provozu se ujistěte, že tento návod je plně pochopen a uschovejte jej pro budoucí použití.

Před čištěním nebo jakoukoli údržbou zařízení vždy vypněte a síťovou šňůru vytáhněte ze zásuvky.

Tento přístroj smí používat děti od 8 let výše a osoby se sníženými fyzickými, smyslovými nebo mentálními schopnostmi nebo s nedostatkem zkušeností a znalostí, pokud jsou pod dohledem nebo jim byly dány pokyny týkající se bezpečného používání tohoto přístroje a byly seznámeny s možnými riziky jeho používání. S přístrojem se nesmí hrát děti.

Čištění a údržbu nesmí provádět děti bez dohledu.

Jestliže je poškozena síťová šňůra, okamžitě přestaňte zařízení používat. Abyste se vyhnuli ohrožení bezpečnosti, napájecí kabel musí být vyměněn autorizovaným technikem společnosti HOOVER.

Používejte výhradně příslušenství, spotřební materiál a náhradní díly doporučené nebo dodávané firmou HOOVER.

Neodpojujte zástrčku zatažením za napájecí kabel.

Nepoužívejte zařízení, pokud Vám připadá vadné.

Umístěte a používejte produkt pouze na suchém, stabilním a vodorovném povrchu, aby nedošlo k převrácení.

Uchovejte produkt v suchu.

Během provozu nikdy produkt nenaklánějte ani nevyprazdňujte.

Umístěte napájecí kabel tak, aby na něj nikdo nestoupal nebo o něj nezakopl.

Nepokládejte produkt na horké povrchy, blízko horkých povrchů, blízko otevřeného ohně nebo na přímé sluneční světlo.

Zabraňte vniknutí vody nebo jiných kapalných nebo hořlavých detergentů do spotřebiče, aby nedošlo k úrazu elektrickým proudem nebo k požáru.

Nečistěte spotřebič vodou ani jinou tekutinou nebo (hořlavým) čisticím prostředkem, aby nedošlo k úrazu elektrickým proudem nebo k požáru.

Nestříkejte na spotřebič žádné hořlavé materiály, jako například insekticidy nebo vůně.

Před připojením spotřebiče zkontrolujte, zda napětí a jmenovité hodnoty uvedené na štítku spotřebiče odpovídají napájecímu napětí.

Neblokujte přívod vzduchu ani výstup vzduchu.

Tento spotřebič nenahrazuje řádné větrání, pravidelné vakuové čištění ani použití digestoře nebo ventilátoru během vaření.

Na spotřebič nepokládejte žádné předměty.

Neumisťujte spotřebič přímo pod klimatizaci, aby nedošlo ke kapání kondenzátu na spotřebič.

Před zapnutím spotřebiče se ujistěte, že jsou všechny filtry správně nainstalovány.

Používejte pouze originální filtry HOOVER speciálně určené pro tento spotřebič. Nepoužívejte žádné jiné filtry.

Vyvarujte se nárazům do spotřebiče (zejména na přívodu a odvodu vzduchu) tvrdými předměty.

Nevkládejte prsty nebo předměty do výstupu vzduchu ani do přívodu vzduchu, aby se zabránilo fyzickému zranění nebo nesprávnému provozu spotřebiče.

Nepoužívejte tento spotřebič, pokud jste použili vnitřní kouřové repelenty proti hmyzu nebo na místech s mastnými zbytky, hořícím kadidlem nebo chemickými výpary.

Nepoužívejte spotřebič v blízkosti plynových spotřebičů, topných zařízení nebo krbů.

Nepoužívejte spotřebič v místnosti s výraznými teplotními výkyvy.

Abyste předešli rušení, umístěte spotřebič nejméně 2 metry od elektrických spotřebičů, které používají vzdušné rádiové vlny, jako jsou televizory, rádia a hodiny ovládané rádiem.

Pokud se spotřebič delší dobu nepoužívá, mohou na filtrech růst bakterie. Po dlouhém nepoužívání zkontrolujte filtry. Pokud jsou filtry velmi špinavé, vyměňte je.

Nepoužívejte spotřebič ve vlhkém prostředí ani v prostředí s vysokými okolními teplotami, jako je koupelna, toaleta nebo kuchyň.

Spotřebič neodstraňuje oxid uhelnatý (CO) ani radon (Rn). V případě nehod se spalovacími procesy a nebezpečnými chemickými látkami jej nelze použít jako bezpečnostní zařízení.

Funkce CO Monitor není určena k použití ani se o ní nemá předpokládat použití jako náhrada za EN 50291-1 UL-2034, CSA-6.19 nebo jakýkoli jiný uznaný standardní certifikovaný alarm oxidu uhelnatého, pokud místní nebo regionální nařízení nebo právní předpisy vyžadují jeho použití. Funkce CO Monitor je pouze doplňkové monitorovací zařízení na bázi oxidu uhelnatého. Použití tohoto zařízení závisí na uvážení uživatele a předpokládá se při něm porozumění a přijetí jeho omezení, týkajících se dodržení příslušných zákonů nebo předpisů.

Neumísťujte spotřebič na žádné z následujících míst:

- Do koupelny nebo v jiných oblastech, kde může být alarm vystaven stříkající, kapající nebo kondenzované vodě (např. nad rychlovarnou konvicí).
- Vedle nebo přímo nad topná tělesa nebo větrací otvory, dveře, okna, sací ventilátory nebo kamkoly s průvanem.
- Přímo nad umyvadlo nebo vařič.
- Do oblastech, kde by teplota mohla klesnout pod -20 °C nebo stoupnout nad 50 °C .
- Do uzavřeného prostoru (např. ve skříni nebo pod ní).
- Do mokrého nebo vlhkého prostředí.
- Tam, kde by se mohlo zablokovat, např. záclonami nebo nábytkem.
- Tam, kde by se senzory mohly zablokovat nečistotami nebo prachem.
- Do blízkosti barev, ředidel, výparů z rozpouštědel nebo osvěžovačů vzduchu.

Pokud je aktivován alarm CO, měli byste otevřít všechna okna a dveře (pokud je to bezpečné). Pokud je to možné, vypněte všechna zařízení na spalování paliva a poté evakuujte pozemek a nechte okna a dveře otevřené. Okamžitě vyhledejte lékařskou pomoc každému, kdo byl otráven oxidem uhelnatým. Nevstupujte znovu do nemovitosti, dokud se alarm nezastaví. Jakmile se CO vyčistí, alarm se zastaví. Nepoužívejte znovu spotřebiče paliva, dokud zdroj CO nebude lokalizován a odstraněn kvalifikovaným technikem.

Chcete-li aktivovat CO monitor, zapojte zástrčku do zásuvky. Kontrolka stavu senzoru CO bude svítit zeleně. Pokud CO monitor detekuje nebezpečnou hladinu CO, spustí se hlasitě alarm CO a tlačítka CO Alert a O ring budou blikat červeně. Alarm se bude i nadále zobrazovat, dokud zjištěná hladina CO neklesne na bezpečnou úroveň.

V blízkosti spotřebiče nepoužívejte barvy, ředidla, dýmy z rozpouštědel, osvěžovače vzduchu, aerosolové spreje nebo chemické čističe. Mohlo by to mít vliv na fungování CO monitor.

Nedovolte malým dětem, aby stiskly tlačítka CO Alert po dobu 3 sekund, protože by mohly být při vyzvánění alarmu vystaveny nadměrnému hluku.

Stisknutím tlačítka [CO Alert] na 3 sekundy otestujete funkci CO Alarm a alarm bude zvonit po dobu 5 sekund. Alarm testujte každý měsíc a po delší nepřítomnosti v budově (např. prázdniny). Pokud po 3 sekundách po stisknutí tlačítka [CO Alert] nezazvoní výstraha, obraťte se na středisko péče o zákazníky společnosti Hoover a požádejte o opravu poruchy kvalifikovaného technika.

Pokud se na displeji zobrazilo, že je senzor CO vadný nebo že bylo dosaženo konce životnosti, obraťte se na středisko péče o zákazníky společnosti Hoover a požádejte o výměnu senzoru CO kvalifikovaného technika. Očekávaná životnost senzoru CO je 5 let a musí být po této době vyměněn.

Provozní vlhkost: 15 – 90% RH

Provozní teplota: 0 °C do $+40\text{ °C}$

When the detected level of CO reaches a high level, the [CO Alert] button and the [Air Quality LED Ring] blink in red color (2Hz), at the same time, alarm rings loudly (85~110dB(A)) and continuously, the alarm will not stop until the intensity of CO falls back from the alarm level.

Oxid uhelnatý ovlivňuje tělo strádáním (dusením) kritických orgánů kyslíku. Při vdechování CO se váže na hemoglobin v krvi, který normálně přenáší kyslík po celém těle. CO trvale vytěsňuje schopnost kyslíkových molekul vázat se na hemoglobin, čímž redukuje kyslík na životně důležitých orgánech. Jeho účinky na tělo se mohou lišit podle hladiny koncentrace a doby vystavení CO, ale odborníci se shodují, že i nízká úroveň expozice oxidu uhelnatého po delší dobu může mít vážné a trvalé účinky na celkové zdraví každého.

VAROVÁNÍ: CO ALARM JE URČEN K OCHRANĚ JEDNOTLIVCŮ PŘI AKUTNÍCH ÚČINCÍCH EXPOZICE OXIDU UHELNATÉHO NEBO K ZABRÁNĚNÍ CHRONICKÝM ÚČINKŮM EXPOZICE OXIDU UHELNATÉHO. KAŽDOPÁDNĚ JEDNOTLIVCI SE ZVLÁŠTNÍMI ZDRAVOTNÍMI PODMÍNKAMI NEBUDOU ZCELA CHRÁNĚNY. POKUD MÁTE POCHYBNOSTI, PORAĎTE SE LÉKAŘEM.

Tento spotřebič se nesmí používat jako náhrada za správnou instalaci, používání a údržbu spotřebičů na spalování paliva včetně vhodných větracích a odsávacích systémů.

The CO monitor mobile and tablet notifications require a functional Wi-Fi connection to operate. Nejsou náhradou za nouzové monitorování třetí stranou.

Používejte pouze aromatický olej doporučený nebo dodávaný společností HOOVER.

Pokud používáte funkci difuzéru H-Essence, nepoužívejte vedle čističe vzduchu samostatný zvlhčovač vzduchu.

Rozlitou esenci H-Essence ihned otřete. Ujistěte se, že jste vyčistili všechny rohy výrobku, které byly v kontaktu s H-Essence.

Servis HOOVER: Pro zajištění vždy bezpečné a efektivní práce s přístrojem doporučujeme, aby jakékoliv servisní práce nebo opravy prováděl pouze autorizovaný servisní pracovník společnosti Hoover.

Životní prostředí

Tento spotřebič je označen v souladu s Evropskou Směrnicí 2011/65/ES o omezení používání nebezpečných látek v elektrických a elektronických zařízeních (WEEE). Zajištěním správné likvidace tohoto výrobku pomůžete předcházet případným negativním důsledkům pro životní prostředí a lidské zdraví, které mohou být v opačném případě způsobeny nesprávnou likvidací tohoto výrobku.

Symbol na tomto zařízení označuje, že tento výrobek nesmí být likvidován jako domovní odpad. Zařízení musí být předáno do příslušného sběrného místa pro likvidaci elektrických a elektronických zařízení. Likvidace musí proběhnout v souladu s místními ekologickými předpisy pro likvidaci odpadu. Pro další podrobné informace o zacházení, regeneraci a likvidaci tohoto zařízení prosím kontaktujte Váš místní úřad, společnost pro sběr odpadu nebo obchod, kde jste jej zakoupili.

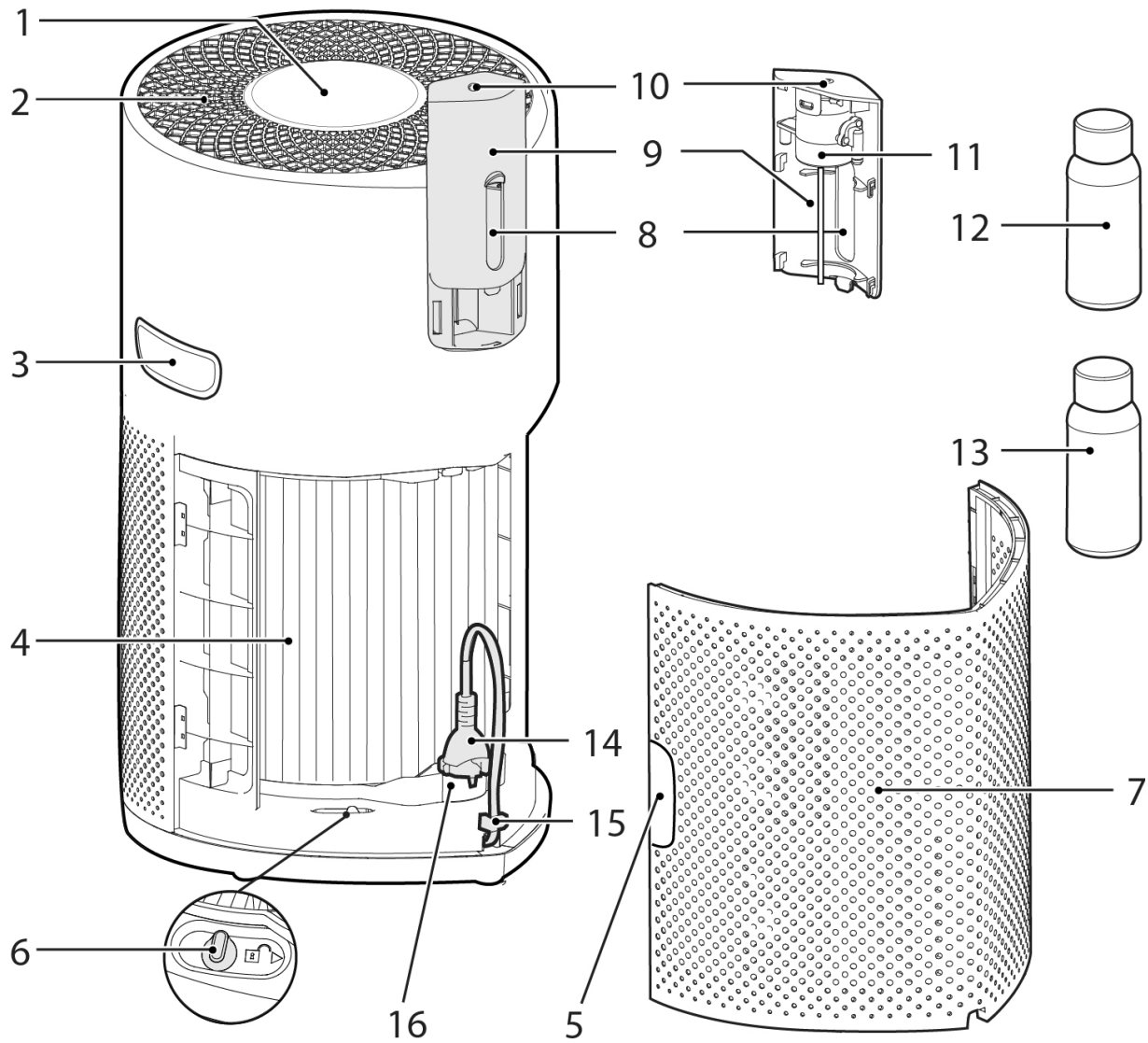


Frekvenční pásma	2400Mhz ~ 2483.5Mhz
Maximální výkon RF ve frekvenčním pásmu	18.9 dBm

CE Tento spotřebič je v souladu s evropskými směrnici 2014/53/EU, 2014/30/EU a 2011/65/EU. Chcete-li získat kopii prohlášení o shodě, kontaktujte prosím výrobce na adrese: www.hoover.cz

CANDY HOOVER GROUP S.r.l. Via Privata Eden Fumagalli, 20861 Brugherio (MB) Italy

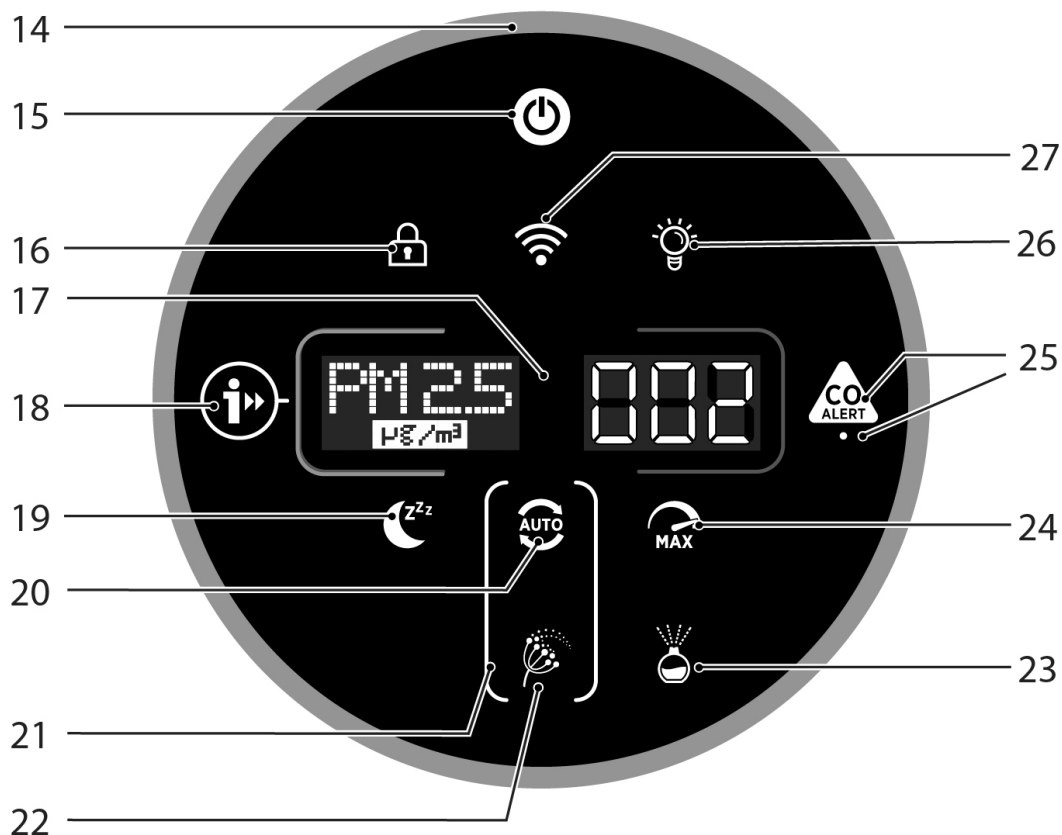
POZNEJTE VÁŠ H-PURIFIER



1	Ovládací panel / Displej
2	Vypouštění vzduchu
3	Rukojeť pro přenášení produktu
4	Sestava filtru
5	Rukojeť krytu přívodu vzduchu

6	Spínač pro uvolnění filtru
7	Kryt přívodu vzduchu
8	Okno difuzéru
9	Kryt difuzéru
10	Výstup difuzéru
11	Jednotka difuzéru

12	Láhev H-Essence (Zelená)
13	Láhev H-Biotics (Hnědá)
14	Napájecí kabel a zástrčka
15	Úložný háček
16	Poloha během přepravy



14	Air Quality LED Ring
15	Hlavní vypínač
16	Tlačítko dětská pojistka
17	Digitální displej
18	Informační tlačítko

19	Tlačítko režimu Sleep
20	Tlačítko režimu Auto
21	Kulatá kontrolka na pylovou alergii
22	Kontrolka na pylovou alergii
23	Tlačítko difuzéru

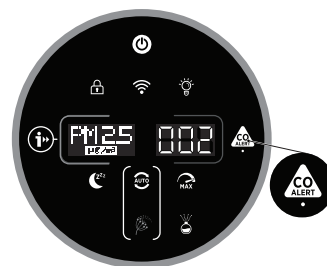
24	Tlačítko Max režimu
25	Tlačítko CO Alert & LED
26	Tlačítko ovládání světla
27	Wi-Fi Button

Monitorovací systém s více senzory

Díky monitorovacímu systému s více senzory bude váš produkt nepřetržitě sledovat stav vnitřního vzduchu, pokud jde o PM10, PM2.5, Těkavé organické sloučeniny (PLYN) a Koncentraci oxidu uhelnatého (CO).

Each time you switch your product on, the Multi Sensor Monitoring system will start analyzing the indoor air and the Air Quality LED Ring will illuminate with different colors representing real time air quality conditions.

Air Quality LED Ring Colour	Kvalita vnitřního vzduchu
ZELENÁ	SKVĚLÁ
ŽLUTÁ	USPOKOJIVÁ
ORANŽOVÁ	ŠPATNÁ
ČERVENÁ	VELMI ŠPATNÁ



Monitorování a alarm koncentrace oxidu uhelnatého

H-Purifier vzduchu bude neustále sledovat vnitřní vzduch na oxid uhelnatý (CO). Produkt je vybaven výstražným systémem.

When the Carbon Monoxide alarm is activated, the AIR Quality LED Ring, Information & CO Alert button will flash red simultaneously and an audible alarm will sound. Poplach zůstane v provozu, dokud se koncentrace oxidu uhelnatého (CO) nesníží na méně než 50 ppm, ledaže by bylo manuálně vypnuto stisknutím tlačítka CO Alert po dobu 3 sekund.

Tato CO alert LED zobrazuje pracovní stav snímače CO. Bude svítit zeleně, pokud je snímač CO v normálním stavu, v případě poruchy senzoru nebo překročení jeho životnosti bude svítit žlutě.

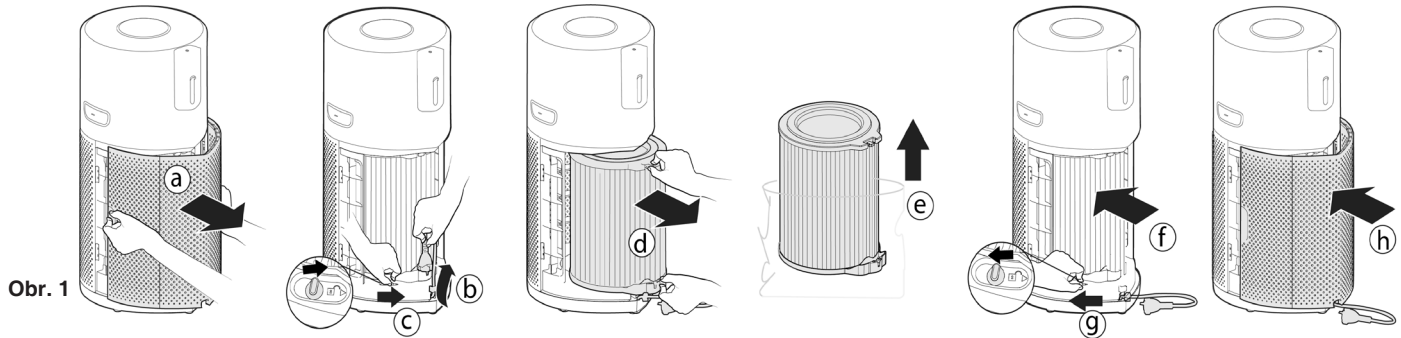
Správnou činnost alarmu můžete vyzkoušet tak, že na 3 sekundy stisknete tlačítko CO Alert. Pokud alarm funguje správně, po dobu 5 sekund bude znít hlasitá zvuková signalizace.

PŘÍPRAVA VAŠEHO H-PURIFIER

1. Sestava filtru [Obr. 1]

Před použitím vašeho H-Purifier budete muset vyjmout filtr z jeho ochranného obalu:

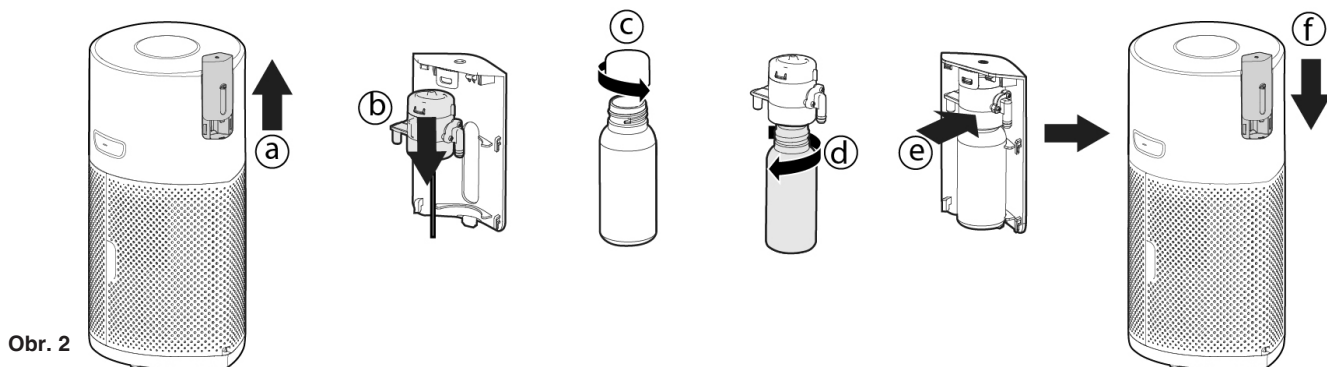
- Sejměte kryt přívodu vzduchu z vašeho produktu, uchopte dvě rukojeti krytu přívodu vzduchu a vytáhněte z produktu. [Obr. 1a]
- Vytáhněte zástrčku z polohy během přepravy a uvolněte kabel z úložného háku. [Obr. 1b]
- Uvolněte spínač pro uvolnění filtru. [Obr. 1c]
- Odstraňte filtr z vašeho produktu a odstraňte vnější obal. [Obr. 1d,e]
- Vložte filtr do vašeho produktu. [Obr. 1f]
- Zajistěte spínač pro uvolnění filtru. [Obr. 1g]
- Nasadte kryt přívodu vzduchu do vašeho produktu. [Obr. 1h]



2. Nainstalujte lahvičku difuzéru [Obr. 2]

Při přípravě vašeho H-Purifier s funkcí difuzéru:

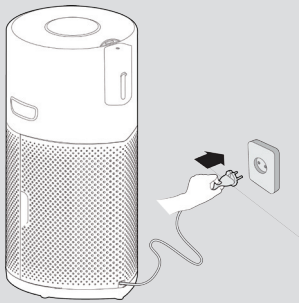
- Sejměte kryt difuzéru z produktu. [Obr. 2a]
- Vyměňte jednotku difuzéru z krytu difuzéru. [Obr. 2b]
- Vyměňte lahvičku H-Essence nebo H-Biotics z obalu a odstraňte víko. [Obr. 2c]
- Lahvičku pevně přišroubujte k jednotce difuzéru. [Obr. 2d]
- Namontujte zpět jednotku difuzéru do krytu difuzéru. [Obr. 2e]
- Namontujte zpět kryt difuzéru do produktu. [Obr. 2f]



POUŽITÍ VAŠEHO H-PURIFIER

Připojte produkt [Obr. 3]:

Vytáhněte napájecí kabel z navíječe kabelu a zapojte jej do zdroje napájení. Všechna světla na ovládacím panelu / Displej se na 1 sekundu zcela rozsvítí, což znamená úspěšné připojení.



Obr. 3

Tlačítko POWER bude slabě osvětlené a kontrolka senzoru CO bude svítit, což znamená, že se spustil monitorovací systém s více senzory na monitorování hladiny oxidu uhelnatého v místnosti.

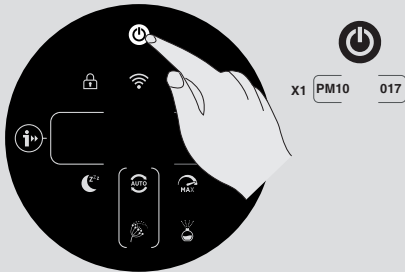
Zapnutí produktu [Obr. 4]:

Chcete-li produkt zapnout, stiskněte tlačítko POWER na displeji.

The Air Quality LED Ring will illuminate through all colours in sequence whilst the sensors are analysing the realtime air condition. After a few seconds, the Air Quality LED ring will select the appropriate colour for the air quality at that time.

Váš H-Purifier okamžitě přejde do REŽIMU AUTO a začne čistit vnitřní vzduch.

The AUTO MODE button, INFORMATION button, LIGHT CONTROL button and PM10 information on the Displej will illuminate.



Obr. 4

Na displeji jsou k dispozici tlačítka s následujícími funkcemi:

Press the Wi-Fi button to turn on/off remote access.

Stisknutím tlačítka INFORMACE zobrazíte všechny údaje o monitorování.

Stisknutím tlačítek AUTO, MAX nebo SLEEP zvolte režim čištění.

Stisknutím ovládacího tlačítka SVĚTEL nastavte jas displeje.

Stisknutím tlačítka DĚTSKÉ POJISTKY deaktivujete všechna tlačítka na ovládacím panelu / displeji.

Stisknutím tlačítka DIFUZÉRU aktivujete funkci.

Stisknutím tlačítka NAPÁJENÍ čističku vzduchu vypnete.

Pairing to Wi-Fi:

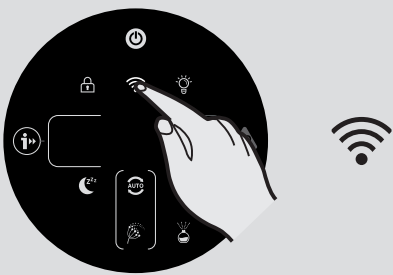
Pro přístup ke všem funkcím H-Purifier odkudkoli se doporučuje stáhnout aplikaci hOn. Svůj produkt budete moci ovládat co nejefektivnějším způsobem.



Obr. 5

Pokyny:

1. Stáhněte si aplikaci hOn z App Store nebo Google Play. [Obr. 5]
2. Otevřete aplikaci, vytvořte si účet pomocí e-mailu a hesla.
3. Potvrďte přihlášení.
4. Ensure your mobile device is connected to Wi-Fi.
5. Přihlaste se do aplikace hOn.
6. Press and hold the Wi-Fi button on the display for 5 seconds, there will an audible beep and the Wi-Fi button will start flashing to indicate it is waiting for a connection. [Obr. 6]
7. Podle pokynů v aplikaci připojte mobilní zařízení vašeho produktu.
8. When successfully paired, the Wi-Fi button on the product will remain illuminated.
9. To reset the Wi-Fi, press & hold the Wi-Fi button for 5 Secs.



Obr. 6

Parametry bezdrátové sítě pro párování

Technologie	Wi-Fi	Bluetooth
standardní	IEEE 802.11 b/g/n	Bluetooth v4.2, BR/EDR, BLE
Frekvenční pásmo(a) (MHz)	2401 ~ 2483	2402 ~ 2480
Maximální výkon (mW)	100	10

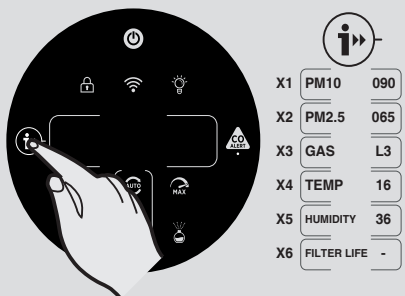
Funkce INFORMACE [Obr. 7]:

K dispozici jsou 6 různých možných nastavení údajů:

PM10, PM2.5, PLYN, Teplota, Vlhkost, a Stav filtru.

Chcete-li sledovat každou hodnotu, stiskněte několikrát po sobě tlačítko INFORMACE.

Ve výchozím nastavení se na displeji zobrazí údaje PM10, stroj si zapamatuje poslední volbu uživatele a zachová tuto volbu při následujícím spuštění produktu.



Obr. 7

Data PLYN zobrazí během prvních 3 minut po zapnutí výrobku otáčející se kurzor během toho, jak senzor PLYNU provádí kalibrační cyklus.

Více informací o PM 2,5, PM 10 a GAS:

PM označuje jemné částice (pro lidské oko neviditelné) pocházející hlavně ze znečištění ve venkovním prostředí, jako jsou emise vozidel a průmyslové emise, které jsou v případě dlouhodobé expozice potenciálně nebezpečné pro zdraví.

Částice PM 10 mají velikost do 10 um a jsou schopny proniknout do horních cest dýchacích (nos, průdušnice, hltan).

Částice PM 2,5 mají velikost do 2,5 um a vzhledem ke svému malému rozměru se mohou dostat do plic a proniknout tak hlouběji do těla.

PLYNNÉ VOC (těkavé organické sloučeniny) jsou těkavé chemické sloučeniny se schopností snadného odpařování do vzduchu při pokojové teplotě. Deodoranty, čisticí prostředky, lepidla, pojiva, kosmetika, formaldehyd jsou jen některé z VOC, které se mohou vyskytovat v domácnostech, ale při dlouhodobém působení mohou být zdraví škodlivé.

Funkce MODE:

There are 3 available air purifying modes via the display: AUTOMATICKÝ REŽIM, MAX MODE & REŽIM SLEEP. Režim Auto je výchozí nastavení produktu, pokud je zapnutý, lze všechny režimy vybrat ručně stisknutím příslušného tlačítka na displeji.

REŽIM NA PYLOVOU ALERGIÍ lze aktivovat také prostřednictvím aplikace hOn.

AUTOMATICKÝ REŽIM [Obr. 8]:

Toto je výchozí režim vašeho H-Purifier při prvním zapnutí. V automatickém režimu čistič H-Purifier automaticky upravuje rychlost ventilátoru na skutečnou úroveň kvality vzduchu v interiéru, aby vždy zaručil optimální čištění vzduchu.

Toto je doporučené nastavení vašeho produktu.

V režimu AUTO přejde výrobek po 30 minutách vynikající kvality vzduchu do režimu **ECO** pozastavením funkce čištění. Monitorovací systém Multi Sensor bude pokračovat v analýze vzduchu uvnitř a v případě potřeby automaticky zapne funkci čištění.

REŽIM MAX [Obr. 9]:

Stisknutím tlačítka režimu MAX na displeji aktivujete čištění vzduchu při nastavení maximálního výkonu. Chcete-li režim MAX ukončit, jednoduše vyberte režim AUTO nebo REŽIM SLEEP.

REŽIM SLEEP [Obr. 10]:

Stisknutím tlačítka REŽIM SLEEP aktivujete čištění vzduchu při nastavení nejnižšího tichého výkonu. Tlačítko REŽIMU SLEEP bude svítit jen slabě a všechny ostatní kontrolky displeje budou zhasnuté. Můžete to upravit stisknutím tlačítka LIGHT CONTROL.

REŽIM NA PYLOVOU ALERGIÍ: [Obr. 11]

Režim na pylovou alergii lze aktivovat pouze prostřednictvím aplikace hOn. Nejprve budete požádáni o aktivaci a registraci profilu v aplikaci, abyste mohli vytvořit svůj profil na pylovou alergii.

Režim na pylovou alergii funguje pouze v případě, že je vybrán REŽIM AUTO. [Obr. 11c]

V režimu na pylovou alergii spotřebič nepřetržitě přijímá z APLIKACE údaje o sledované koncentraci pylu venku v reálném čase a automaticky pracuje na maximalizaci výkonu při zachycování pylu.

Po zachycení pylu nejsou aktivní, aby se zmírnily alergické příznaky.

Pokud je v aplikaci aktivován režim na pylovou alergii, mohou se na displeji produktu zobrazit 2 možné kontrolky upozornění:

- Kontrolka Pylové alergie je **BÍLÁ** [Obr. 11a]: Spotřebič a aplikace monitorují přítomnost pylu venku a neohrožují žádné riziko.

- Kontrolka pylové alergie se zbarví **ŽLUTĚ** [Obr. 11b] a Kulatá kontrolka pylové alergie se zbarví **BÍLE** [Obr. 11a]: Přístrojem a APLIKACÍ bylo detekováno riziko.

Pokud je výrobek ručně přepnut do režimu SLEEP nebo režimu MAX, zatímco je aktivní režim na pylovou alergii, režim na pylovou alergii se zastaví.

Funkce OVLÁDÁNÍ SVĚTLA: [Obr. 12]

K dispozici jsou 3 nastavení pro osvětlení displeje, On (zapnuté), Dim (tlumené) & Off (vypnuté).

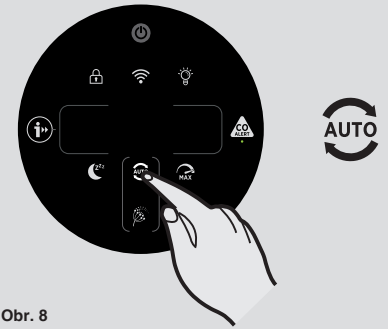
Chcete-li upravit jas osvětlení displeje, jednoduše stiskněte tlačítko OSVĚTLENÍ na displeji a projděte 3 dostupné možnosti. Výchozí nastavení je ON.

Je-li vybrána možnost OFF (vypnuté), bude nutné stisknout jakékoli jiné tlačítko dvakrát, aby se zaktivovalo, po jednom stisknutí se světla změní na DIM (tlumené), při druhém stisknutí se aktivuje funkce.

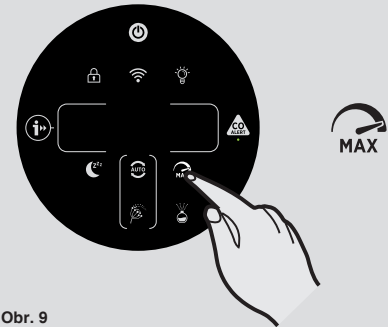
Funkce DĚTSKÁ POJISTKA: [Obr. 13]

Stiskněte a podržte tlačítko DĚTSKÁ POJISTKA po dobu 3 sekund, čímž se zaktivuje. Po jeho aktivaci zazní zvukový signál a tlačítko DĚTSKÁ POJISTKA zůstane rozsvícené. Je-li aktivní, nebudou fungovat žádná jiná tlačítka.

K ukončení stačí stisknout a podržet tlačítko DĚTSKÁ POJISTKA po dobu 3 sekund, poté se ozve zvukový signál, který potvrdí, že je funkce vypnutá a tlačítko přestane svítit.



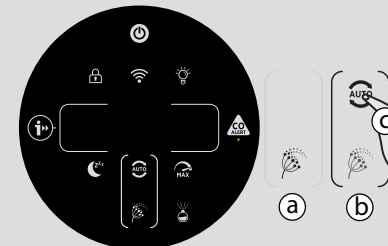
Obr. 8



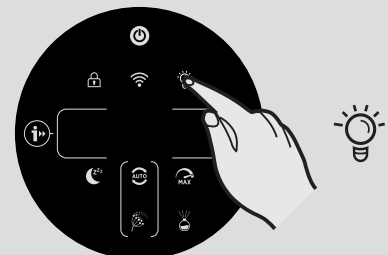
Obr. 9



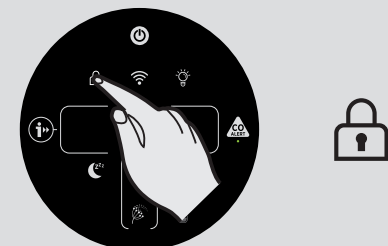
Obr. 10



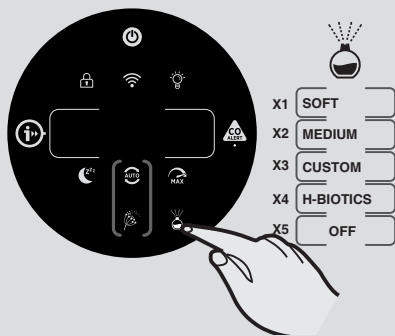
Obr. 11



Obr. 12



Obr. 13



Obr. 14

Funkce difuzéru: [Obr. 14]

Difuzér uvolňuje do vzduchu v místnosti H-Essence nebo H-Biotika. H-Essence je sada esenciálních olejů Hoover, které uvolňují do vzduchu příjemné vůně.

H- Bioticsis přirozená směs založená na probiotiku, která udržuje místnost bio-hygenizovanou inhibicí růstu mikroorganismů, jako jsou bakterie nebo mikroorganismy.

There are 4 different settings for the DIFFUSER function, SOFT, MEDIUM, VLASTNÍ & H-BIOTICS. Chcete-li tuto funkci aktivovat, jednoduše stiskněte tlačítko Difuzér na displeji. Výchozí nastavení této funkce je SLABÉ. Chcete-li zvolit jiné nastavení, jednoduše stiskněte několikrát tlačítko, čímž přepnete na požadovanou volbu. Po zapnutí se tlačítko rozsvítí bíle.

It is recommended to use SOFT & MEDIUM settings for H-Essence.

Vlastní nastavení lze vytvořit v aplikaci hOn pro vaši H-Essence.

Při použití H-Biotics **MUSÍ** být nastavení nastaveno na H-Biotics. Once user activates H-Biotics using the APP, this will give an alert of "ACTIVATE H-BIOTICS" after 120 hours to ensure the H-biotics usage of every 5 days.

Funkci difuzéru lze používat pouze v režimech AUTO a MAX a nelze ji používat v REŽIMU SLEEP. Když aktivujete funkci Difuzor v režimu AUTO, hlavní ventilátor bude pracovat při specifické rychlosti, aby pomohl šířit H-Essence nebo H-Biotics do místnosti.

Nastavení	Čerpadlo On	Čerpadlo Off	Cyklus
Soft	10 sek	300 sek	Vypnutí po 6 hodinách
MEDIUM	90 sek	120 sek	Vypnutí po 6 hodinách
VLASTNÍ	Definováno uživatelem	Definováno uživatelem	Vypnutí po 6 hodinách
H-BIOTICS	120 sek	120 sek	Vypnutí po 6 hodinách

Chcete-li funkci vypnout, stiskněte tlačítko difuzéru, dokud se kontrolka tlačítka nevyhne.

Po každém použití funkce difuzéru očistěte pomocí suchého měkkého hadříku veškeré zbytky z povrchu produktu.

Chcete-li vyměnit lahvičku v jednotce difuzéru, přečtěte si část „Údržba vašeho H-Purifier“.

ÚDRŽBA VAŠEHO H-PURIFIER

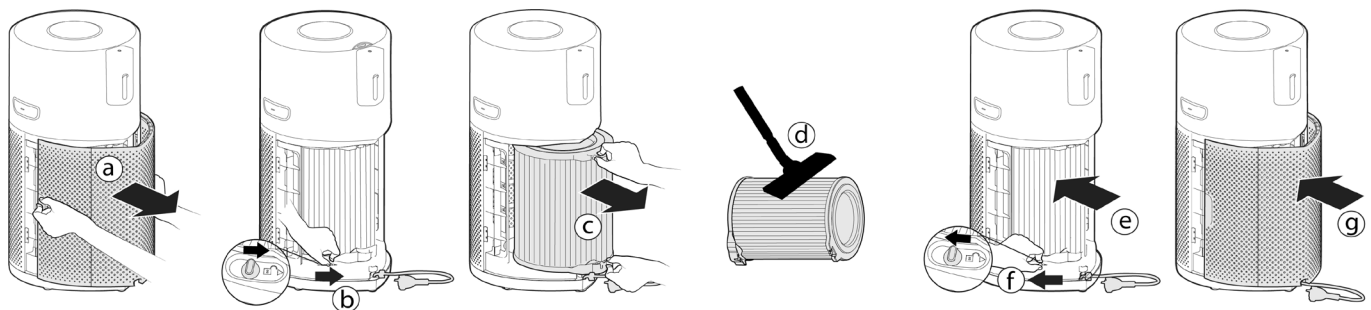
DŮLEŽITÉ UPOZORNĚNÍ: PŘI PROVÁDĚNÍ ÚDRŽBÁŘSKÝCH ZÁKROKŮ VŽDY ODPOJTE PŘÍSTROJ OD NAPÁJECÍHO ZDROJE.

ČIŠTĚNÍ FILTRU / VÝMĚNA

Váš H-Purifier bude sledovat stav filtru. Na levé straně displeje se zobrazí upozornění **A CLEAN FILTER NEBO REPLACE FILTER (VYČISTIT FILTR NEBO VYMĚNIT FILTR)** a blikající indikátor signalizuje, že je nutné provést čištění nebo výměnu filtru.

Čištění / Výměna filtru: [Obr. 15]

- Odstraňte kryt přívodu vzduchu z vašeho produktu. [Obr. 15a]
- Uvolněte spínač pro uvolnění filtru. [Obr. 15b]
- Odstraňte filtr z vašeho produktu. [Obr. 15c]
- Pomocí vysavače vyčistěte vnější mřížku na sestavě filtru nebo ji vyměňte za NOVÝ filtr. [Obr. 15d]
- Znovu namontujte sestavu filtru do produktu. [Obr. 15e]
- Zajistěte spínač pro uvolnění filtru. [Obr. 15f]
- Nasadte kryt přívodu vzduchu do vašeho produktu. [Obr. 15g]
- Připojte spotřebič do napájecího zdroje a zapněte jej. [Obr. 4]
- Stiskněte tlačítko INFORMACE a postupujte podle pokynů pro resetování funkce VYČISTIT FILTR podržením tlačítka po dobu 3 sekund. Zazní zvukový signál, který indikuje úspěšné resetování. [Obr. 7]



Obr. 15

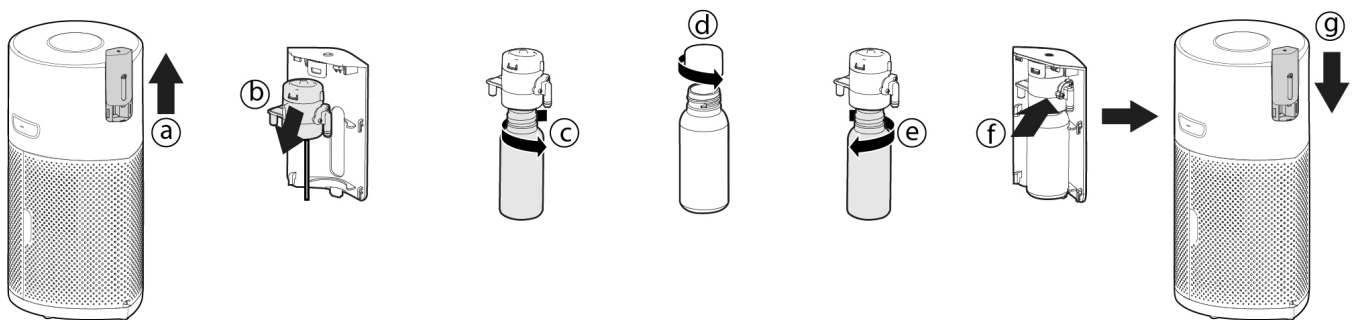
ÚDRŽBA DIFUZÉRU

Po každém použití funkce difuzéru očistěte pomocí suchého měkkého hadříku veškeré zbytky z povrchu produktu.

Výměna lahvičky difuzéru: [Obr. 16]

Objem zbývající kapaliny v lahvičce lze zkontrolovat pomocí okna difuzéru, v případě potřeby je třeba lahvičku vyměnit.

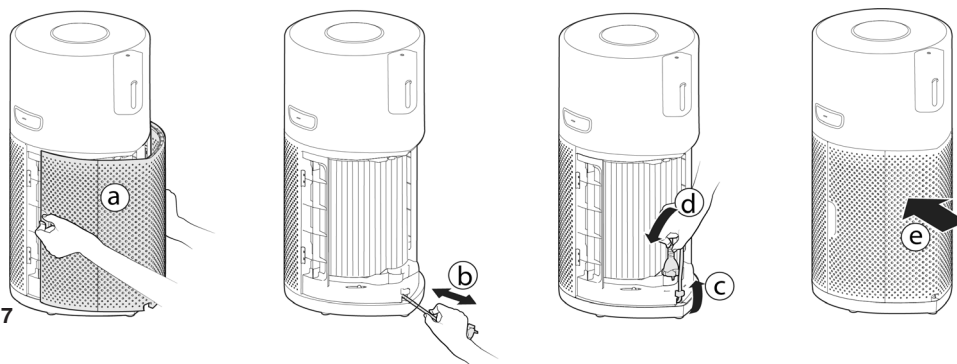
- Sejměte kryt difuzéru z produktu. [Obr. 16a]
- Vyjměte jednotku a lahvičku difuzér z krytu difuzéru. [Obr. 16b]
- Odšroubujte a vyjměte prázdnou láhev a zlikvidujte ji. [Obr. 16c]
- Vyjměte novou lahvičku H-Essence nebo H-Biotics z obalu a odstraňte víko. [Obr. 16d]
- Novou lahvičku pevně přišroubujte k jednotce difuzéru. [Obr. 16e]
- Namontujte zpět jednotku difuzéru do krytu difuzéru. [Obr. 16f]
- Namontujte zpět kryt difuzéru do H-Purifier. [Obr. 16g]



Obr. 16

SKLADOVÁNÍ VAŠEHO H-PURIFIER

1. Vypněte čističku vzduchu a odpojte jí ze zásuvky.
2. Vyčistěte všechny vnitřní a vnější povrchy čističe vzduchu a vnější mřížku filtru.
3. Vyměňte lahvičku z difuzéru. Nasadte zpět původní uzávěr na lahvičku a uskladněte jej, aby byl chráněn před přímým světlem. Vyčistěte povrchy jednotky difuzéru a krytu difuzéru. Ujistěte se, že se na žádném povrchu čističe vzduchu Air Purifier nenacházejí zbytky H-Essence.
4. Zkontrolujte, zda jsou všechny součásti suché.
5. Odstraňte kryt přívodu vzduchu [obr. 17a] a svineme napájecí kabel tažením kabelu [obr. 17b] a kabel umístěte na úložný hák. Zástrčku zasuňte do polohy během přepravy. [Obr. 17c,d] Namontujte zpět kryt přívodu vzduchu [Obr. 17e]
6. Čističku vzduchu skladujte na chladném a suchém místě.



Obr. 17

UPOZORNĚNÍ & ŘEŠENÍ

Během používání se mohou zobrazit následující kódy. [Obr. 18]



Obr. 18

Popis chyby	Popis chyby		Řešení chyby
	Upozornění na ovládacím panelu produktu / Displej	Upozornění na APLIKACI	
Upozornění čištění filtru vnější vrstvy	Na displeji bliká upozornění „CLEAN FILTER“ (VYČISTIT FILTR)	Výstraha čištění filtru	1. Při čištění filtru vnější vrstvy postupujte podle pokynů v Návodu k použití 2. Resetujte upozornění.
Upozornění na výměnu filtru	Na displeji bliká upozornění „VYMĚNIT FILTR“	Upozornění na výměnu filtru	1. Při výměně filtru postupujte podle pokynů v Návodu k použití. 2. Resetujte upozornění.
Filtr není k dispozici nebo filtr nebyl zajištěn	Na displeji bliká upozornění „CHYBÍ FILTR“	Filtr není k dispozici nebo filtr nebyl zajištěn	1. Pokud chybí filtr, vraťte jej zpět. 2. Je-li filtr na svém místě, zkontrolujte, zda je jazýček filtru přepnut do stavu ZABLOKOVANÝ.
Porucha snímače prachu: Žádný signál ze snímače nebo výstupní napětí překračuje mezní hodnotu	/	Porucha snímače prachu: Žádný signál ze snímače nebo výstupní napětí překračuje mezní hodnotu	Porucha snímače prachu nebo vedení snímače prachu nebylo správně připojeno, obraťte se na servisní středisko a opravte je.
Motor bez otáček	/	Motor bez zpětné vazby otáček	Porucha motoru nebo vedení motoru nebylo správně připojeno, obraťte se na servisní středisko a opravte je.
Porucha CO senzoru	Stavová kontrolka CO senzoru svítí žlutě	Porucha CO senzoru	Upozornění: je třeba kontaktovat servisní středisko.

Pozor: Jestliže některá z těchto chyb přetrvává, kontaktujte vašeho místního zástupce Hoover. NEPOKOUŠEJTE se H-Purifier rozebírat sami.

ŘEŠENÍ POTÍŽÍ

Následuje seznam běžných problémů a jejich řešení.
Pokud kterýkoliv z těchto problémů přetrvává, kontaktujte místního zástupce Hoover.

Ventilátor nefunguje (Ovládací panel / Svítí kontrolky displeje)	<ul style="list-style-type: none"> Zkontrolujte upozornění zobrazené na displeji nebo v aplikaci. Zkontrolujte, zda se ve ventilátoru nenachází nějaké překážky. Zkontrolujte, zda je H-Purifier zapnutý. Zkontrolujte, zda filtr není nesprávně nainstalován. Zkontrolujte, zda je H-Purifier ve zcela svislé poloze a není nakloněn.
Ventilátor nefunguje (Ovládací panel / Kontrolky displeje nesvítí)	<ul style="list-style-type: none"> Zkontrolujte, zda je H-Purifier zapojený v zásuvce a zapnutý. Zkontrolujte, zda se ve ventilátoru nenachází nějaké překážky.
Na ovládacím panelu nesvítí žádné kontrolky / Displej (Ventilátor pracuje)	<ul style="list-style-type: none"> Stisknutím tlačítka ovládání světel na ovládacím panelu zkontrolujte, zda světla nebyla vypnuta / Displej.
Tlačítka na ovládacím panelu / Displej nefunguje	<ul style="list-style-type: none"> Zkontrolujte, zda byla dětská pojistka aktivovaná stisknutím a podržením tlačítka Dětská pojistka po dobu 3 sekund.
Průtok vzduchu je slabý	<ul style="list-style-type: none"> Zkontrolujte, zda byl z filtru odstraněn ochranný obal. Zkontrolujte, že se v krytu přívodu vzduchu nebo na výstupu vzduchu nenachází žádné překážky. Zkontrolujte stav filtru na Ovládacím panelu / Displeji nebo v aplikaci upozornění na vyčištění nebo výměnu. Zkontrolujte, zda je H-Purifier v režimu sleep. Ventilátor pracuje v tomto režimu se sníženým výkonem.
Čistička vzduchu pracuje hlasitě	<ul style="list-style-type: none"> Zkontrolujte, že se na výstupu vzduchu nebo ventilátoru nenachází žádné překážky. Zkontrolujte, zda je H-Purifier spuštěn v režimu MAX, jelikož průtok vzduchu je v tomto režimu na maximálním výkonu.
Čistič vzduchu náhle vydá hlasitý zvukový signál.	<ul style="list-style-type: none"> Testovací funkce tlačítka CO Alert je aktivována nesprávnou obsluhou. Zvuk automaticky přestane znít po 5 sekundách.

DŮLEŽITÉ INFORMACE

Náhradní díly a spotřební materiály Hoover

Vždy používejte originální náhradní díly společnosti Hoover. Získáte je u místního prodejce výrobků Hoover nebo u servisních partnerů. V objednávce dílů laskavě vždy uvádějte číslo modelu.

Kvalita

Kvalita výroby ve výrobních závodech společnosti Hoover byla posouzena nezávislou organizací. Naše výrobky jsou vyráběny podle systému jakosti, který splňuje požadavky ISO 9001.

Záruka

Záruční podmínky pro tento spotřebič stanovuje náš zástupce v zemi, v níž je spotřebič prodáván. Přesné znění podmínek vám poskytne prodejce, u něhož jste si zařízení zakoupili. Při reklamaci podle těchto záručních podmínek je nutno předložit doklad o koupi nebo převzetí.

Právo změny bez předchozího upozornění vyhrazeno.

POKYNY PRE BEZPEČNÉ POUŽITIE

Tento spotrebič by sa mal používať iba na domáce použitie, ako je to opísané v tejto používateľskej príručke. Pred prácou so spotrebičom sa uistite, že ste úplne porozumeli tejto príručke. Príručku uschovajte pre budúce použitie.

Spotrebič vypnite a vyťahujte zástrčku zo zásuvky vždy po jeho použití, pred čistením, alebo akoukoľvek údržbou.

Tento spotrebič môžu používať deti staršie ako 8 rokov a osoby s obmedzenými fyzickými, zmyslovými alebo duševnými schopnosťami, alebo nedostatočnými skúsenosťami a znalosťami vtedy, ak sú pod dohľadom alebo im boli dané pokyny týkajúce sa bezpečného použitia spotrebiča a rozumejú možným rizikám. Deti sa so spotrebičom nesmú hrať.

Čistenie a údržbu nesmú vykonávať deti bez dozoru.

Ak je napájací kábel poškodený, okamžite prestaňte spotrebič používať. Aby nedošlo k ohrozeniu bezpečnosti, napájací kábel musí vymeniť autorizovaný servisný technik spoločnosti HOOVER. Používajte iba príslušenstvo, spotrebný materiál alebo náhradné diely odporúčané alebo dodávané spoločnosťou HOOVER.

Zástrčku nevyťahujte ťahaním za napájací kábel.

Spotrebič prestaňte používať, ak nefunguje správne.

Výrobok umiestňujte a používajte iba na suchom, stabilnom a vodorovnom povrchu tak, aby sa zabránilo jeho prevráteniu.

Výrobok udržiavajte v suchu.

Počas prevádzky nikdy výrobok nenakláňajte ani nevypúšťajte.

Prívodný kábel položte tak, aby naň nikto nestúpil ani oň zakopol.

Výrobok neumiestňujte na horúce povrchy, blízko horúcich povrchov, blízko otvoreného ohňa, ani na priame slnečné svetlo.

Dbajte na to, aby sa do prístroja nedostala voda alebo iná tekutina alebo horľavý čistiaci prostriedok, aby ste predišli úrazu elektrickým prúdom a/alebo nebezpečenstvu požiaru.

Spotrebič nečistite vodou, inými tekutinami ani (horľavými) čistiacimi prostriedkami, aby ste predišli úrazu elektrickým prúdom a/alebo nebezpečenstvu požiaru.

Okolo spotrebiča nestriekajte žiadne horľavé materiály, ako sú insekticídy alebo vonné látky.

Pred pripojením spotrebiča skontrolujte, či napätie a menovité hodnoty uvedené na štítku spotrebiča zodpovedajú napätiu v miestnej elektrickej sieti.

Neblokujte prívod ani odvod vzduchu.

Tento spotrebič nenahrádza riadnu ventiláciu, pravidelné vysávanie, ani použitie odsávača alebo ventilátora počas varenia.

Na spotrebič nič nekladajte.

Spotrebič neumiestňujte priamo pod klimatizáciu, aby sa zabránilo kvapkaniu kondenzácie na spotrebič.

Pred zapnutím spotrebiča sa uistite, že sú všetky filtre správne nainštalované.

Používajte iba originálne filtre HOOVER špeciálne určené pre tento spotrebič. Nepoužívajte žiadne iné filtre.

Vyvarujte sa nárazom tvrdých predmetov na spotrebič (najmä na prívod a odvod vzduchu).

Nevkladajte prsty alebo predmety do odvodu vzduchu ani do prívodu vzduchu, aby ste predišli poraneniu na tele alebo nefunkčnosti spotrebiča.

Nepoužívajte tento spotrebič, ak ste použili dymové repelenty proti hmyzu určené na interiérové použitie alebo na miestach, kde sú zvyšky olejov, horiace vonné tyčinky alebo chemické výpary.

Spotrebič nepoužívajte v blízkosti plynových spotrebičov, vykurovacích telies alebo krbov.

Spotrebič nepoužívajte v miestnosti, v ktorej dochádza k výrazným zmenám teploty.

Aby ste predišli rušeniu, umiestnite spotrebič aspoň 2 m od elektrických spotrebičov, ktoré používajú rádiové vlny, ako sú televízory, rádiá a rádiom ovládané hodiny.

Ak sa zariadenie dlhšiu dobu nepoužíva, na filtroch môžu rásť baktérie. Po dlhšom období nečinnosti skontrolujte filtre. Ak sú filtre veľmi znečistené, vymeňte ich.

Nepoužívajte spotrebič vo vlhkom prostredí ani v prostredí s vysokou teplotou, napríklad v

kúpeľni, na toailete alebo v kuchyni.

Spotrebič neodstraňuje oxid uhoľnatý (CO) ani radón (Rn). V prípade nehôd so spaľovacími procesmi a nebezpečnými chemikáliami sa nemôže ako použiť bezpečnostné zariadenie.

Funkcia CO Monitor nie je určená na použitie ani sa o nej nemá predpokladať použitie ako náhrady za EN 50291-1 UL-2034, CSA-6.19 alebo akýkoľvek iný uznaný štandardný certifikovaný alarm oxidu uhoľnatého, ak miestne alebo regionálne nariadenia alebo právne predpisy vyžadujú jeho použitie. Funkcia CO Monitor je iba doplnkové zariadenie na monitorovanie oxidu uhoľnatého. Použitie tohto zariadenia závisí od uváženia používateľa a predpokladá sa pri ňom porozumenie a prijatie jeho obmedzení týkajúcich sa dodržania príslušných zákonov alebo právnych predpisov. Spotrebič neumiestňujte na žiadne z týchto miest:

- Do kúpeľne alebo iných priestorov, kde môže byť alarm vystavený striekaniu vodou, kvapkaniu alebo kondenzácii (napr. nad rýchlovarnou kanvicou).
- Vedľa ohrievačov alebo priamo nad nimi alebo nad vetracími otvormi, dverami, oknami, odsávacími ventilátormi alebo kdekoľvek inde, kde by bol ovplyvnený prívodom.
- Priamo nad drez/umývadlo alebo sporák.
- V oblasti, kde by teplota mohla klesnúť pod -20 °C alebo vystúpiť nad 50 °C .
- V uzavretom priestore (napr. v skrinke alebo nad ňou).
- Vo vlhkom alebo mokrom prostredí.
- Na miestach, kde by mu mohli prekážať predmet, napr. záclony alebo nábytok.
- Na miestach, kde by špina alebo prach mohli zablokovať snímač.
- V blízkosti farieb, riedidiel, výparov z rozpúšťadiel alebo osviežovačov vzduchu.

Ak sa aktivuje alarm CO, je potrebné otvoriť všetky okná a dvere (ak je to bezpečné). Ak je to možné, vypnite všetky spotrebiče na spaľovanie paliva a evakuujte budovu tak, že necháte otvorené okná a dvere. Okamžite zabezpečte lekársku pomoc pre každú osobu, ktorá vykazuje príznaky otravy oxidom uhoľnatým. Do budovy nevstupujte, dokým alarm nestíchne. Alarm sa vypne po odstránení CO. Spotrebiče na spaľovanie paliva znova nepoužívajte, dokým nebude lokalizovaný zdroj CO a kvalifikovaný technik nevykoná nápravu.

Pre aktiváciu CO monitora pripojte zástrčku do zásuvky. Kontrolka stavu senzora CO bude mať zelenú farbu. Keď CO monitor zistí nebezpečnú hladinu CO, nahlas zaznie zvuková výstraha alarmu CO a tlačidlo CO Alert a kontrolka O ring budú blikať načerveno. Alarm bude pokračovať v signalizácii, až kým detekovaný CO neklesne na bezpečnú úroveň.

V blízkosti spotrebiča nepoužívajte farby, riedidlá, výpary rozpúšťadiel, osviežovače vzduchu, aerosólové spreje alebo chemické čistiace prostriedky. Môže to ovplyvniť fungovanie CO monitora.

Nedovoľte malým deťom stlačiť tlačidlo CO Alert na 3 sekundy, pretože pri spustení alarmu môžu byť vystavené nadmernému hluku.

Stlačte tlačidlo [CO Alert] na 3 sekundy, aby ste otestovali funkciu alarmu CO: alarm bude znieť po dobu 5 sekúnd. Alarm otestujte každý mesiac a po dlhšej neprítomnosti v budove (napr. prázdniny). Ak po 3 sekundách stlačenia tlačidla [CO Alert] nezaznie alarm, kontaktujte stredisko starostlivosti o zákazníkov spoločnosti Hoover a požiadajte o opravu poruchy kvalifikovaným technikom.

Ak displej uvádza, že senzor CO má poruchu alebo skončila jeho životnosť, obráťte sa na stredisko starostlivosti o zákazníkov spoločnosti Hoover a požiadajte o výmenu senzora CO kvalifikovaným technikom. Očakávaná životnosť senzora CO je 5 rokov a po uplynutí tejto doby je nutné ho vymeniť.

Prevádzková vlhkosť: 15 – 90% RH

Prevádzková teplota: od 0 °C do $+40\text{ °C}$

When the detected level of CO reaches a high level, the [CO Alert] button and the [Air Quality LED Ring] blink in red color (2Hz), at the same time, alarm rings loudly (85~110dB(A)) and continuously, the alarm will not stop until the intensity of CO falls back from the alarm level.

Oxid uhoľnatý ovplyvňuje telo zabránením prívodu kyslíka do kritických orgánov (udusenie). CO sa pri vdychovaní viaže na hemoglobín v krvi, ktorý normálne privádza kyslík do celého tela. CO natrvalo zmení schopnosť kyslíkových molekúl viazať sa na hemoglobín, čím sa znižuje objem kyslíka dostupného pre životne dôležité orgány. Účinky CO na organizmus sa

môžu líšiť v závislosti od úrovne koncentrácie a dobe vystavenia, ale odborníci sa zhodujú na tom, že aj nízka úroveň vystavenia oxidu uhoľnatému počas dlhého obdobia môže mať vážne a trvalé účinky na celkové zdravie človeka.

UPOZORNENIE: THE CO ALARM IS DESIGNED TO PROTECT INDIVIDUALS FROM THE ACUTE EFFECTS OF CARBON MONOXIDE EXPOSURE OR PREVENT THE CHRONIC EFFECTS OF CARBON MONOXIDE EXPOSURE. NEBUDE PLNE CHRÁNIŤ JEDNOTLIVCOV SO ŠPECIFICKÝMI ZDRAVOTNÝMI ŤAŽKOSŤAMI. V PRÍPADE POCHYBNOSTÍ SA OBRÁŤTE NA LEKÁRA.

Tento spotrebič sa nesmie používať ako náhrada za správnu inštaláciu, používanie a údržbu spotrebičov na spaľovanie paliva vrátane vhodných vetracích a odsávacích systémov.

The CO monitor mobile and tablet notifications require a functional Wi-Fi connection to operate. Nie sú náhradou za núdzového monitorovanie treťou stranou.

Používajte iba aromatický olej odporúčaný alebo dodávaný spoločnosťou HOOVER.

Ak používate funkciu difuzéra H-Essence, nepoužívajte vedľa čističa vzduchu samostatný zvlhčovač vzduchu.

Rozliatu esenciu H-Essence ihneď utrite. Uistite sa, že ste vyčistili všetky rohy výrobku, ktoré boli v kontakte s H-Essence.

HOOVER servis: Pre zaistenie dlhého, bezpečného a účinného fungovania tohto spotrebiča odporúčame, aby všetky servisné úkony alebo opravy vykonával len autorizovaný servisný technik spoločnosti HOOVER.

Prostredie

Tento spotrebič je označený podľa Európskej smernice 2011/65/EÚ o odpade z elektrických a elektronických zariadení (OEEZ). Zabezpečením správnej likvidácie tohto spotrebiča pomôžete zabrániť možným negatívnym následkom na životnom prostredí a ľudskom zdraví, ktoré by mohli byť spôsobené nesprávnym zaobchádzaním s týmto výrobkom.

Tento symbol na spotrebiči informuje, že s týmto spotrebičom sa nesmie zaobchádzať ako s domovým odpadom. Je potrebné ho odovzdať na príslušnom zbernom mieste na recykláciu elektrických a elektronických zariadení. Likvidácia musí byť vykonaná v súlade s miestnymi predpismi pre likvidáciu odpadu. Pre podrobnejšie informácie o nakladaní so spotrebičom, jeho obnove a recyklácii sa obráťte na váš obecný úrad, odpadkovú službu pre domácnosti a alebo obchod, kde ste spotrebič zakúpili.

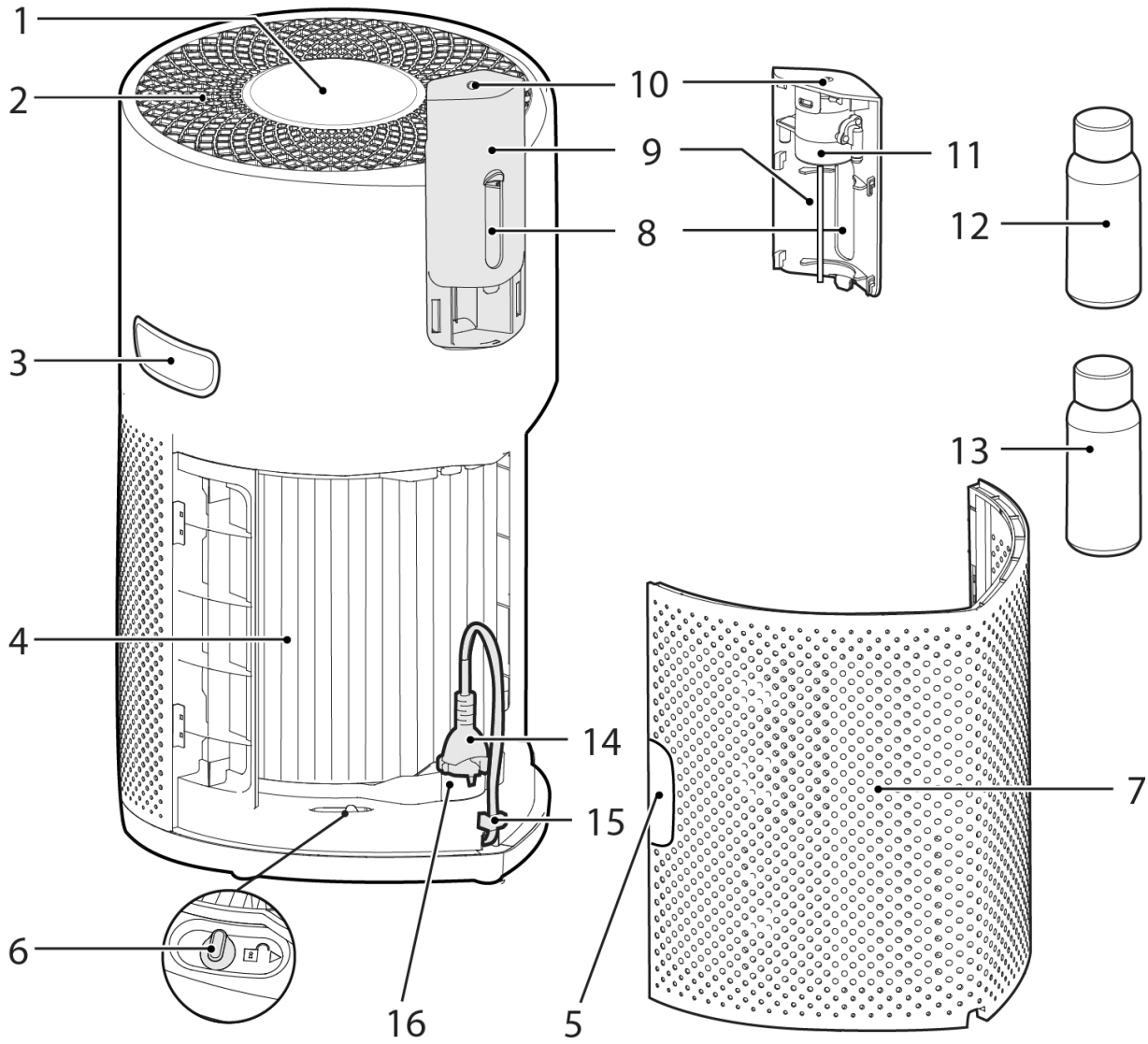


Frekvenčné pásma	2400Mhz ~ 2483.5Mhz
Maximálny rádiový výkon prenášaný vo frekvenčnom pásme	18.9 dBm

CE Tento spotrebič je v súlade s európskymi smernicami 2014/53/EÚ a 2011/65/EÚ. Aby ste obdržali kópiu prehlásenia o zhode, kontaktujte výrobcu na lokalite: www.candy-group.com

CANDY HOOVER GROUP S.r.l. Via Privata Eden Fumagalli, 20861 Brugherio (MB) Italy

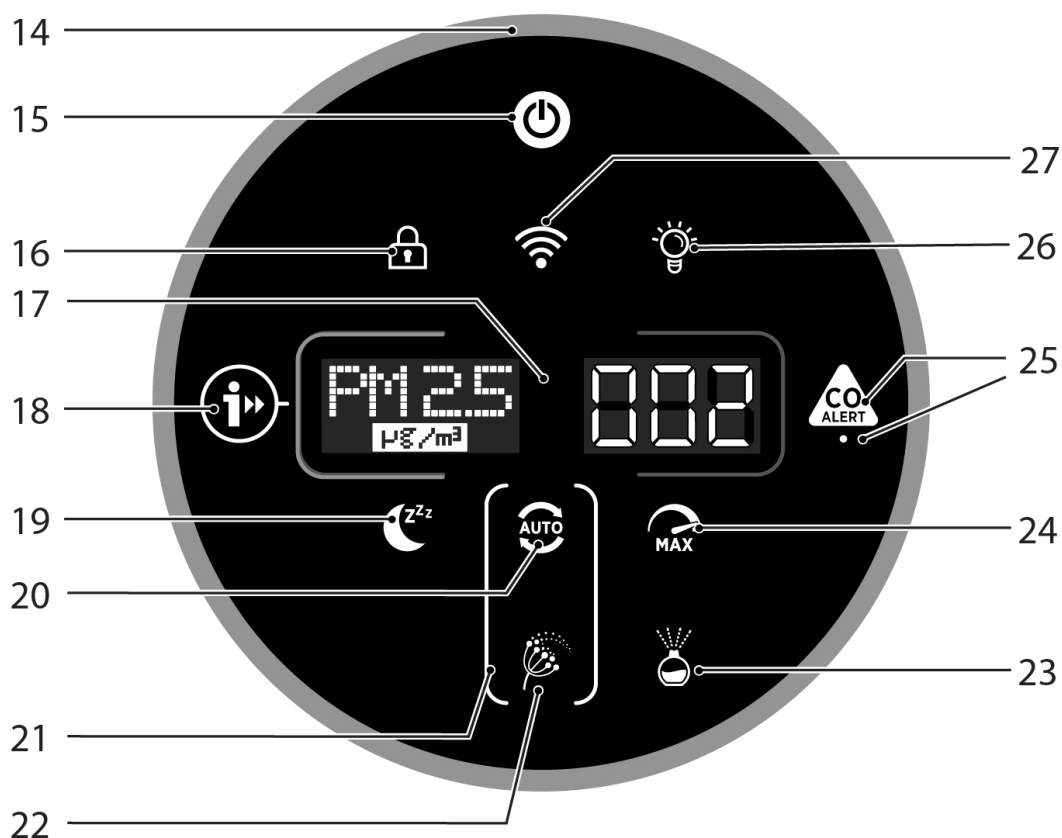
OBOZNÁMENIE SA S ČISTIČOM H-PURIFIER



1	Ovládací panel / Displej
2	Odvod vzduchu
3	Držadlo na prenášanie výrobku
4	Filtračná jednotka
5	Držadlo krytu prívodu vzduchu

6	Spínač pre uvoľnenie filtra
7	Kryt prívodu vzduchu
8	Okienko difúzora
9	Kryt difúzora
10	Výstup difúzora
11	Jednotka difúzora

12	Fľaštička H-Essence (Zelená)
13	Fľaštička H-Biotics (Hnedá)
14	Napájací kábel a zástrčka
15	Úložný hák
16	Poloha počas prepravy



14	Air Quality LED Ring
15	Tlačidlo zapnutia/vypnutia
16	Tlačidlo detskej poistky
17	Digitálny displej
18	Tlačidlo Informácie

19	Tlačidlo Režim spánku
20	Tlačidlo Automatický režim
21	Sektorová kontrolka Alergia na peľ
22	Kontrolka Alergia na peľ
23	Tlačidlo Difúzor

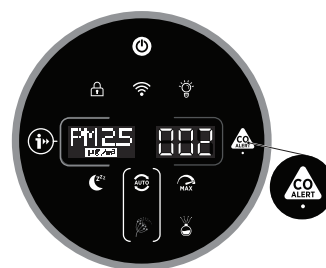
24	Tlačidlo Maximálny režim
25	Tlačidlo a LED CO Alert
26	Tlačidlo Ovládania osvetlenia
27	Wi-Fi Button

Monitorovací systém s viacerými senzormi

Vďaka monitorovaciemu systému s viacerými senzormi bude váš výrobok nepretržite sledovať stav vzduchu v interiéri, pokiaľ ide o PM10, PM2,5, prchavé organické zlúčeniny (GAS) a koncentráciu oxidu uhoľnatého (CO).

Each time you switch your product on, the Multi Sensor Monitoring system will start analyzing the indoor air and the Air Quality LED Ring will illuminate with different colors representing real time air quality conditions.

Air Quality LED Ring Colour	Kvalita vnútorného vzduchu
ZELENÁ	VYNIKAJÚCA
ŽLTÁ	USPOKOJIVÁ
ORANŽOVÁ	NÍZKA
ČERVENÁ	VELMI ZLÁ



Monitorovanie a alarm koncentrácie oxidu uhoľnatého

Čistič H-Purifier bude neustále monitorovať koncentráciu oxidu uhoľnatého (CO) vo vzduchu v interiéri. Výrobok je vybavený výstražným systémom.

When the Carbon Monoxide alarm is activated, the AIR Quality LED Ring, Information & CO Alert button will flash red simultaneously and an audible alarm will sound. Alarm zostane aktívny, kým sa koncentrácia oxidu uhoľnatého (CO) neznižuje pod 50 ppm. Môžete ho manuálne nestíšiť stlačením tlačidla CO Alert na 3 sekundy.

Táto kontrolka CO Alert zobrazuje prevádzkový stav senzora CO. Keď je senzor CO v normálnom stave, zobrazuje sa zelenou farbou, žltú farbu má vtedy, keď senzor nefunguje alebo bola prekročená jeho životnosť.

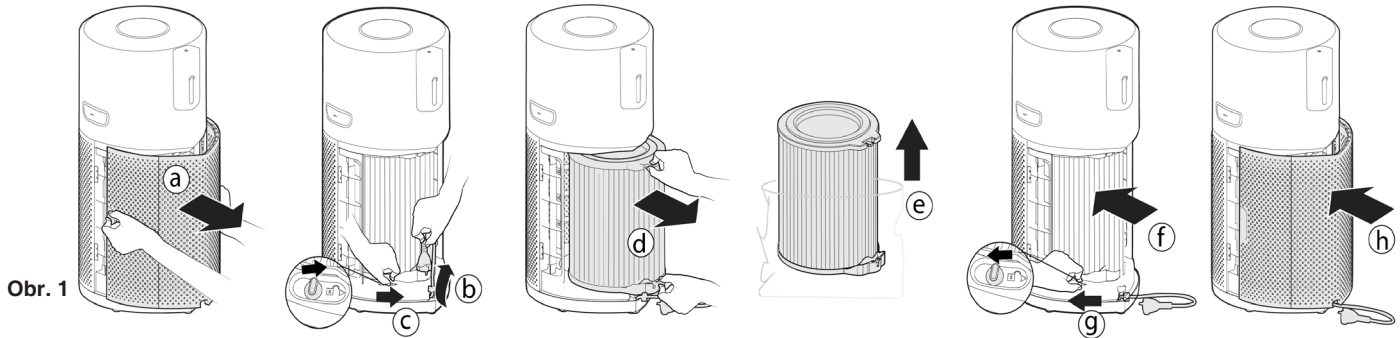
Správnu činnosť alarmu môžete vyskúšať tak, že na 3 sekundy stlačíte tlačidlo CO Alert. Ak alarm funguje správne, po dobu 5 sekúnd bude znieť hlasná zvuková signalizácia.

PRÍPRAVA ČISTIČA H-PURIFIER

1. Filtračná jednotka [Obr. 1]

Pred použitím vášho čističa H-Purifier bude potrebné vybrať filter z jeho ochranného obalu:

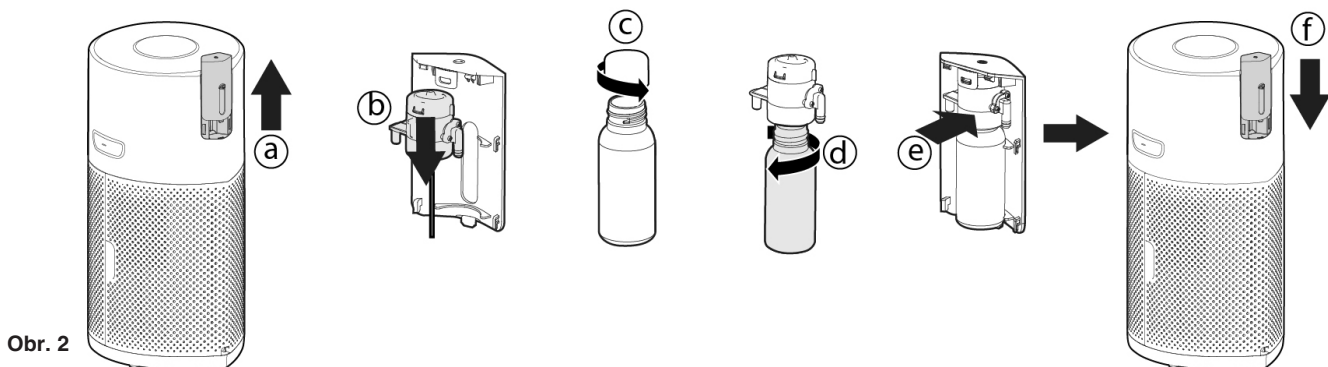
- Z výrobku odstráňte kryt prívodu vzduchu, uchopte dve dráždľá krytu prívodu vzduchu a potiahnite od výrobku. [Obr. 1a]
- Vytiahnite zástrčku z polohy počas prepravy a uvoľnite kábel z úložného háku. [Obr. 1b]
- Odblokujte vypínač na uvoľnenie filtra. [Obr. 1c]
- Vyberte filter z výrobku a odstráňte vonkajší obal. [Obr. 1d,e]
- Znovu vložte filter do výrobku. [Obr. 1f]
- Zablokujte vypínač na uvoľnenie filtra. [Obr. 1g]
- Znovu umiestnite kryt prívodu vzduchu na výrobok. [Obr. 1h]



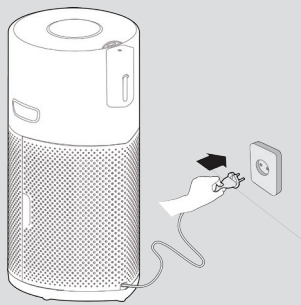
2. Umiestnenie fľaštičky do difúzora [Obr. 2]

Postup prípravy čističa H-Purifier na funkciu difúzora:

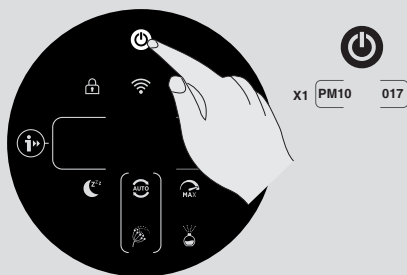
- Odstráňte kryt difúzora z výrobku. [Obr. 2a]
- Vyberte jednotku difúzora z krytu difúzora. [Obr. 2b]
- Vyberte fľaštičku H-Essence alebo H-Biotics z obalu a odstráňte uzáver. [Obr. 2c]
- Fľaštičku pevne zatočte na jednotku difúzora. [Obr. 2d]
- Vráťte jednotku difúzora do krytu difúzora. [Obr. 2e]
- Zložte naspäť kryt difúzora na výrobok. [Obr. 2f]



POUŽÍVANIE ČISTIČA H-PURIFIER



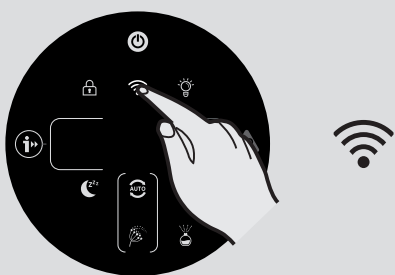
Obr. 3



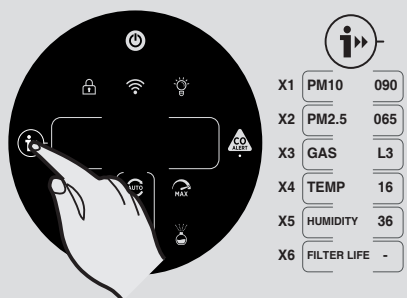
Obr. 4



Obr. 5



Obr. 6



Obr. 7

Pripojenie výrobku [Obr. 3]:

Vytiahnite napájací kábel zo zvinutého zväzku kábla a zapojte ho do napájacieho zdroja. Všetky kontrolky na ovládacom paneli / displeji sa úplne rozsvietia približne na 1 sekundu, aby signalizovali úspešné zapojenie.

Tlačidlo ZAPNUTIA/VYPNUTIA bude slabo svietiť a kontrolka senzora CO bude svietiť, aby signalizovala, že monitorovací systém s viacerými senzormi sa spustil a monitoruje hladinu oxidu uhoľnatého v interiéri.

Zapnutie výrobku [Obr. 4]:

Na zapnutie výrobku stlačte tlačidlo ZAPNUTIA/VYPNUTIA na displeji.

The Air Quality LED Ring will illuminate through all colours in sequence whilst the sensors are analysing the realtime air condition. After a few seconds, the Air Quality LED ring will select the appropriate colour for the air quality at that time.

Váš čistič H-Purifier okamžite prejde do AUTOMATICKÉHO REŽIMU a začne čistiť vzduch v interiéri. The AUTO MODE button, INFORMATION button, LIGHT CONTROL button and PM10 information on the Displej will illuminate.

Pomocou tlačidiel na displeji sú dostupné tieto funkcie:

Press the Wi-Fi button to turn on/off remote access.

Stlačením tlačidla INFORMÁCIE zobrazíte všetky údaje o monitorovaní.

Stlačením tlačidla AUTO, MAX alebo SPÁNOK vyberte režim čistenia.

Stlačením tlačidla OSVETLENIE nastavte jas displeja.

Stlačením tlačidla DETSKÝ ZÁMOK deaktivujete všetky tlačidlá na ovládacom paneli/displeji.

Stlačením tlačidla DIFÚZOR aktivujete danú funkciu.

Stlačením tlačidla ZAPNUTIE/VYPNUTIE vypnete čistič vzduchu.

Pairing to Wi-Fi:

Aby ste mali prístup k všetkým funkciám čističa H-Purifier odkiaľkoľvek, odporúčame stiahnuť si aplikáciu hOn.

Svoj výrobok budete môcť ovládať čo najefektívnejšie.

Pokyny:

1. Aplikáciu hOn si stiahnite z obchodov App Store alebo Google Play. [Obr. 5]
2. Otvorte aplikáciu, vytvorte si účet pomocou e-mailu a hesla.
3. Potvrďte prihlásenie.
4. Ensure your mobile device is connected to Wi-Fi.
5. Prihláste sa do aplikácie hOn.
6. Press and hold the Wi-Fi button on the display for 5 seconds, there will an audible beep and the Wi-Fi button will start flashing to indicate it is waiting for a connection. [Obr. 6]
7. Svoje mobilné zariadenie pripojte k výrobku podľa pokynov v aplikácii.
8. When successfully paired, the Wi-Fi button on the product will remain illuminated.
9. To reset the Wi-Fi, press & hold the Wi-Fi button for 5 Secs.

Parametre bezdrôtového pripojenia pre spárovanie

Technológia	Wi-Fi	Bluetooth
Štandard	IEEE 802.11 b/g/n	Bluetooth v4.2, BR/EDR, BLE
Frekvenčné pásmo/pásmo (MHz)	2401 ~ 2483	2402 ~ 2480
Maximálny výkon (mW)	100	10

Funkcia INFORMÁCIE [Obr. 7]:

Monitorovať je možné 6 rôznych súborov údajov:

PM10, PM2,5, GAS, teplota, vlhkosť a stav filtra.

Na sledovanie každej hodnoty jednoducho za sebou stláčajte tlačidlo INFORMÁCIE.

V predvolenom nastavení sa na displeji zobrazia údaje o PM10, výrobok si zapamätá posledný výber používateľa a tento výber zachová pri ďalšom zapnutí výrobku.

Dáta PLYN zobrazia počas prvých 3 minút po zapnutí výrobku otáčajúci sa kurzor počas toho, ako senzor PLYNU vykonáva kalibračný cyklus.

Viac informácií o PM 2,5, PM 10 a GAS:

PM označuje jemné častice (pre ľudské oko neviditeľné) pochádzajúce hlavne zo znečistenia vo vonkajšom prostredí, ako sú emisie vozidiel a priemyselné emisie, ktoré sú v prípade dlhodobej expozície potenciálne nebezpečné pre zdravie.

Častice PM 10 majú veľkosť do 10 µm a sú schopné preniknúť do horných dýchacích ciest (nos, priedušnica, hltan).

Častice PM 2,5 majú veľkosť do 2,5 µm a vzhľadom na svoj malý rozmer sa môžu dostať do pľúc a preniknúť tak hlbšie do tela.

PLYNNÉ VOC (prchavé organické zlúčeniny) sú prchavé chemické zlúčeniny so schopnosťou ľahkého odparovania do vzduchu pri izbovej teplote. Deodoranty, čistiace prostriedky, lepidlá, spojivá, kozmetika, formaldehyd sú len niektoré z VOC, ktoré sa môžu vyskytovať v domácnostiach, ale pri dlhodobom pôsobení môžu byť zdraviu škodlivé.

Funkcie REŽIM:

Na displeji sú k dispozícii 3 režimy čistenia vzduchu: AUTOMATICKÝ REŽIM, MAXIMÁLNY REŽIM A SPÁNOK. Predvolené nastavenie pre váš výrobok pri zapnutí je automatický režim, všetky režimy je možné zvoliť ručne stlačením príslušného tlačidla na displeji.

Režim ALERGIA NA PEĽ sa dá aktivovať pomocou aplikácie hOn.

AUTOMATICKÝ REŽIM [Obr. 8]:

Je to predvolený režim vášho čističa H-Purifier pri prvom zapnutí. V automatickom režime čistič H-Purifier automaticky upravuje rýchlosť ventilátora na skutočnú úroveň kvality vzduchu v interiéri, aby vždy zaručil optimálne čistenie vzduchu.

Je to odporúčané nastavenie pre váš výrobok.

V AUTOMATICKOM režime po 30 minútach vynikajúcej kvality vzduchu prejde váš výrobok do režimu ECO a pozastaví funkciu čistenia. Monitorovací systém s viacerými senzormi bude pokračovať v analýze vzduchu v interiéri a v prípade potreby automaticky zapne funkciu čistenia.

MAXIMÁLNY REŽIM [Obr. 9]:

Stlačením tlačidla maximálneho režimu MAX na displeji aktivujete čistenie vzduchu pri maximálnom nastavení výkonu. Ak chcete ukončiť MAXIMÁLNY režim, jednoducho vyberte režim AUTOMATICKÝ alebo SPÁNOK.

REŽIM SPÁNOK [Obr. 10]:

Stlačením tlačidla režimu SPÁNOK aktivujete čistenie vzduchu pri najnižšom tichom výkone. Tlačidlo režimu SPÁNOK bude slabo svietiť a všetky ostatné kontrolky na displeji zhasnú. Môžete to upraviť stlačením tlačidla LIGHT CONTROL.

REŽIM ALERGIA NA PEĽ: [Obr. 11]

Režim ALERGIA NA PEĽ sa dá aktivovať iba pomocou aplikácie hOn. Najprv bude potrebné aktivovať a zaregistrovať profil v aplikácii a vytvoriť svoj profil alergie na peľ.

Režim Alergia na peľ funguje iba vtedy, keď je vybraná možnosť AUTOMATICKÝ REŽIM. [Obr. 11c] V režime Alergia na peľ spotrebič nepretržite v reálnom čase prijíma z aplikácie údaje o monitorovanej koncentrácii peľu vonku a automaticky pracuje na maximalizácii výkonu pri zachytávaní peľu.

Po zachytení peľov sa peľe deaktivujú, aby sa tak mohli zmierniť alergické príznaky.

Keď je v aplikácii aktivovaný režim Alergia na peľ, na displeji výrobku sa môžu aktivovať 2 kontrolky:

- Kontrolka Alergia na peľ je **BIELA** [Obr. 11a]: Spotrebič a aplikácia monitorujú prítomnosť peľov vonku a nehrôzi žiadne riziko.

- Kontrolka Alergia na peľ sa zmení na **ŽLTÚ** [Obr. 11b] a sektorová kontrolka Alergia na peľ je **BIELA** [Obr. 11a]: Spotrebič a aplikácia zistili riziko.

Ak výrobok manuálne prepnete do režimu SPÁNOK alebo MAXIMÁLNY a režim Alergia na peľ je aktivovaný, vykonávanie režimu Alergia na peľ sa zastaví.

Funkcia OVLÁDANIE OSVETLENIA: [Obr. 12]

K dispozícii sú 3 nastavenia pre osvetlenie displeja: On (zapnuté), Dim (tlmené) a Off (vypnuté).

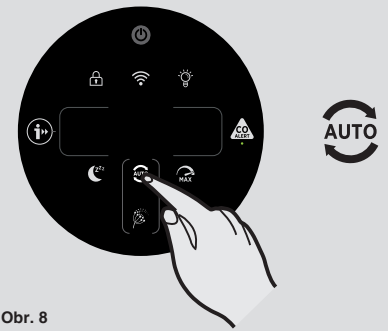
Ak chcete upraviť jas osvetlenia displeja, jednoducho stlačte tlačidlo OSVETLENIE na displeji a v kruhu môžete prepínať medzi 3 dostupnými možnosťami. Predvolené nastavenie je ON (zapnuté).

Ak zvolíte OFF (vypnuté), na aktiváciu ostatných tlačidiel ich bude potrebné stlačiť dvakrát: po jednom stlačení sa svetlo stane tlmeným, po druhom stlačení sa aktivuje daná akcia.

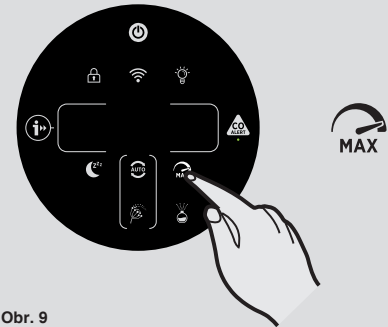
Funkcia DETSKÝ ZÁMOK: [Obr. 13]

Aktivujete ju stlačením a podržaním tlačidla DETSKÝ ZÁMOK na 3 sekundy. Po aktivácii zaznie zvukový signál a tlačidlo DETSKÝ ZÁMOK zostane svietiť. Po aktivácii nebudú fungovať žiadne iné tlačidlá.

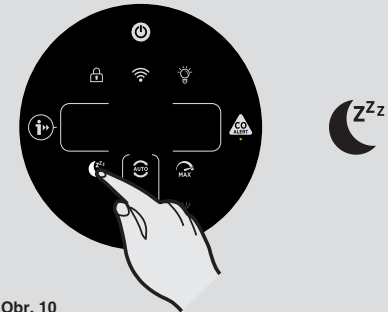
Na ukončenie funkcie jednoducho stlačte a podržte tlačidlo DETSKÝ ZÁMOK na 3 sekundy. Zaznie zvukový signál, ktorý potvrdí, že je funkcia vypnutá a tlačidlo už nebude svietiť.



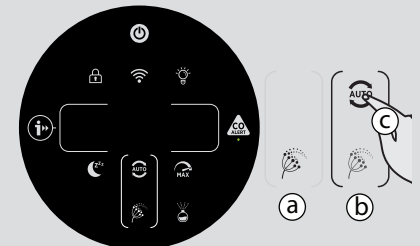
Obr. 8



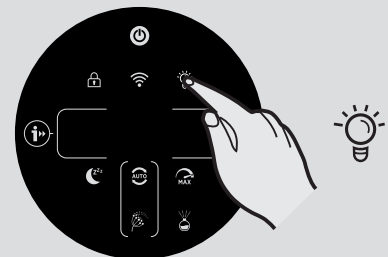
Obr. 9



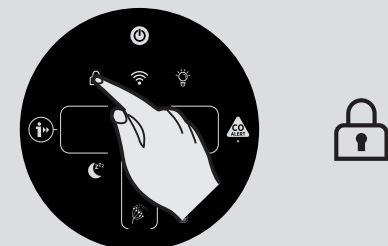
Obr. 10



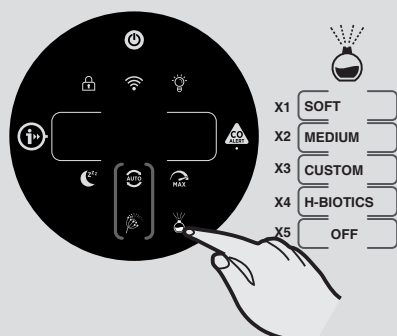
Obr. 11



Obr. 12



Obr. 13



Obr. 14

Funkcia Difúzor: [Obr. 14]

Difúzor šíri do vzduchu v miestnosti prípravky H-Essence alebo H-Biotics. H-Essence je kolekcia éterických olejov od spoločnosti Hoover, ktorá uvoľňuje do vzduchu príjemné vône.

H-Biotics je prírodná zmes založená na probiotikách, ktorá udržuje biologicky čistú miestnosť tým, že zabraňuje rastu mikroorganizmov, ako sú baktérie alebo mikróby.

There are 4 different settings for the DIFFUSER function, SOFT, MEDIUM (stredne), CUSTOM (vlastné) & H-BIOTICS. To activate this function simply press the Diffuser button on the Display, the default setting for this function is SOFT, to select any of the other settings simply consecutively press the button to change to the desired selection. Po zapnutí sa tlačidlo rozsvieti na bielo.

It is recommended to use SOFT & MEDIUM (stredne) settings for H-Essence.

Vlastné nastavenie pre H-Essence si môžete vytvoriť v aplikácii hOn.

Pri použití H-Biotics **MUSÍ** byť nastavenie prepnuté na H-Biotics. Once user activates H-Biotics using the APP, this will give an alert of "ACTIVATE H-BIOTICS" after 120 hours to ensure the H-biotics usage of every 5 days.

Funkcia difúzora sa dá použiť iba v režimoch AUTOMATICKÝ a MAXIMÁLNY a nedá sa použiť v režime SPÁNOK.

Keď aktivujete funkciu Difúzor v režime AUTO, hlavný ventilátor bude pracovať pri špecifickej rýchlosti, aby pomohol šíriť H-Essence alebo H-Biotics do miestnosti.

Nastavenie	Čerpadlo zapnuté	Čerpadlo vypnuté	Takt
SOFT (mierne)	10 s	300 s	Vypnutie po 6 hodinách
MEDIUM (stredne)	90 s	120 s	Vypnutie po 6 hodinách
CUSTOM (vlastné)	Definované používateľom	Definované používateľom	Vypnutie po 6 hodinách
H-BIOTICS	120 s	120 s	Vypnutie po 6 hodinách

Ak chcete funkciu vypnúť, stláčajte tlačidlo difúzora, až kým kontrolka tlačidla nezhasne.

Po každom použití funkcie difúzora použite suchú mäkkú handričku a vyčistite zvyšky z povrchu výrobku.

Pokyny na výmenu fľaštičky v jednotke difúzora sú uvedené v časti „Údržba čističa H-Purifier“.

ÚDRŽBA ČISTIČA H-PURIFIER

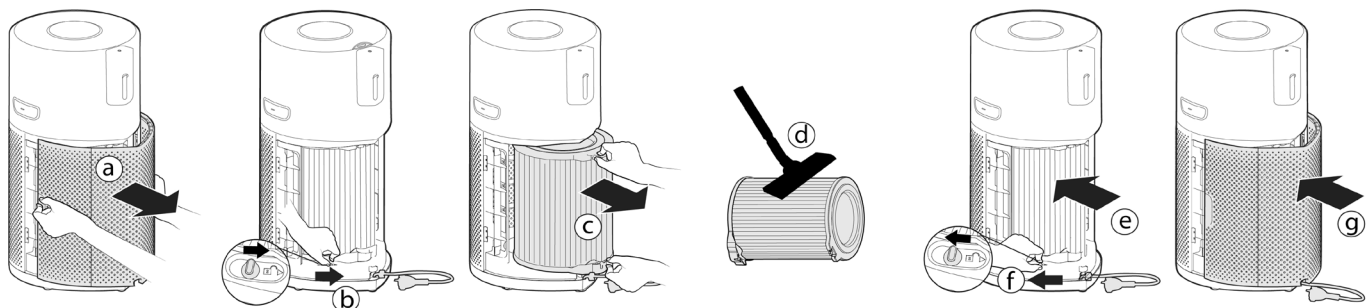
DÔLEŽITÉ: PRI VYKONÁVANÍ ÚDRŽBY VŽDY ODPOJTE SPOTREBIČ OD NAPÁJACIEHO ZDROJA..

ČISTENIE FILTRA / VÝMENA

Čistič H-Purifier bude monitorovať stav filtra. Na ľavej strane displeja sa objaví výstraha **CLEAN FILTER** (vyčistite filter) alebo **REPLACE FILTER** (vymeňte filter) a blesk, čo signalizuje, že je potrebné vyčistiť alebo vymeniť filter.

Čistenie / Výmena filtra: [Obr. 15]

- Odstráňte kryt prívodu vzduchu z výrobku. [Obr. 15a]
- Odblokujte vypínač na uvoľnenie filtra. [Obr. 15b]
- Odstráňte filter z výrobku. [Obr. 15c]
- Pomocou vysávača vyčistite vonkajšie sito na filtračnej jednotke alebo vymeňte za nový filter. [Obr. 15d]
- Filtračnú jednotku znovu založte do výrobku. [Obr. 15e]
- Zablokujte vypínač na uvoľnenie filtra. [Obr. 15f]
- Znovu umiestnite kryt prívodu vzduchu na výrobok. [Obr. 15g]
- Pripojte spotrebič k zdroju napájania a zapnite ho. [Obr. 4]
- Stlačte tlačidlo **INFORMÁCIE** a podľa pokynov zresetujte funkciu Čistenie filtra podržaním tlačidla po dobu 3 sekúnd. Zaznie zvukové znamenie, ktoré signalizuje úspešný reset. [Obr. 7]



Obr. 15

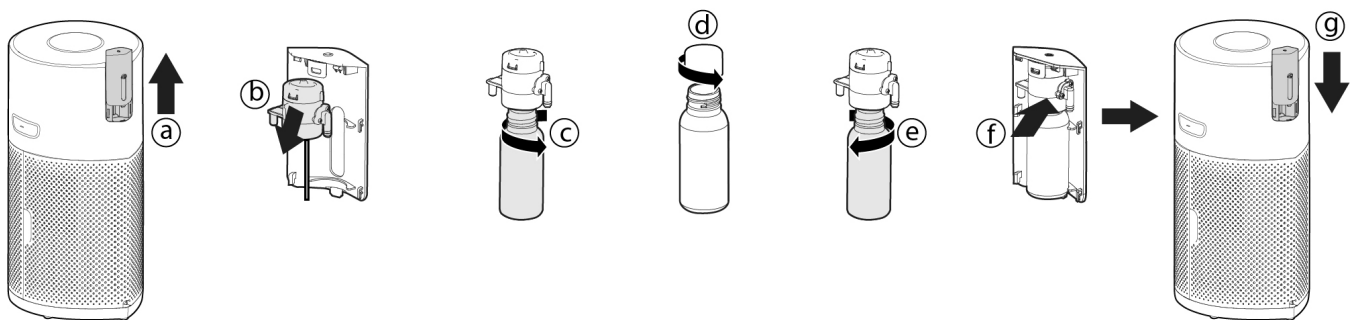
ÚDRŽBA DIFÚZORA

Po každom použití funkcie difúzora použite suchú mäkkú handričku a vyčistite zvyšky z povrchu výrobku.

Výmena fľaštičky difúzora: [Obr. 16]

Objem kvapaliny zostávajúcej vo fľaštičke sa dá skontrolovať cez okienko difúzora. Fľaštičku vymieňajte podľa potreby.

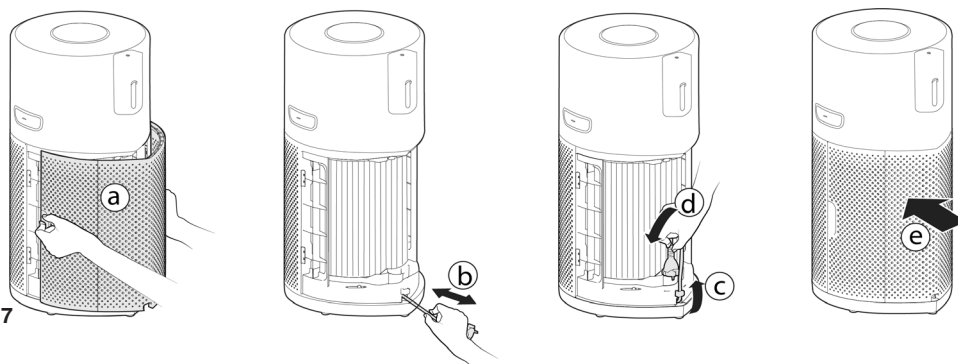
- Odstráňte kryt difúzora z výrobku. [Obr. 16a]
- Z krytu difúzora vyberte jednotku difúzora a fľaštičku. [Obr. 16b]
- Prázdnu fľaštičku odmontujte, vyberte a zlikvidujte. [Obr. 16c]
- Vyberte novú fľaštičku H-Essence alebo H-Biotics z obalu a odstráňte uzáver. [Obr. 16d]
- Novú fľaštičku pevne zatočte na jednotku difúzora. [Obr. 16e]
- Jednotku difúzora vráťte do krytu difúzora. [Obr. 16f]
- Kryt difúzora založte naspäť na čistič H-Purifier. [Obr. 16g]



Obr. 16

SKLADOVANIE ČISTIČA H-PURIFIER

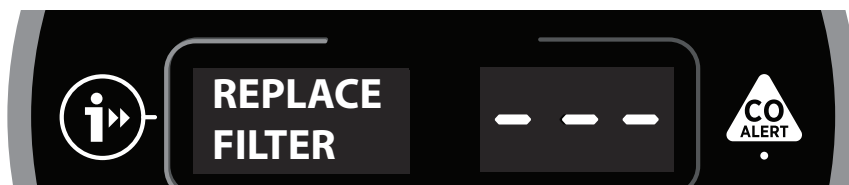
1. Vypnite čistič vzduchu a odpojte ho od zástrčky.
2. Vyčistite všetky vnútorné a vonkajšie povrchy čističa vzduchu a vonkajšiu tkaninu filtra.
3. Vyberte fľaštičku z difúzora. Na fľaštičku nasadte originálny uzáver a uložte ju na miesto chránené pred priamym slnečným svetlom. Vyčistite povrchy difúzora a krytu difúzora. Uistite sa, že sa na žiadnom povrchu čističa vzduchu nenachádzajú zvyšky H-Essence.
4. Skontrolujte, či sú všetky komponenty suché.
5. Odstráňte kryt prívodu vzduchu [obr. 17a] a zviňte napájací kábel ťahaním kábla [obr. 17b] a kábel umiestnite na úložný hák. Zástrčku zasuňte do polohy počas prepravy. [Obr. 17c,d] Nasadte naspäť kryt prívodu vzduchu. [Obr. 17e]
6. Čistič vzduchu skladujte na chladnom a suchom mieste.



Obr. 17

UPOZORNENIA A RIEŠENIA

Počas používania sa môžu zobrazíť tieto kódy. [Obr. 18]



Obr. 18

Popis chyby	Popis chyby		Riešenie chyby
	Upozornenie na ovládacom paneli výrobku / Displej	Upozornenie v aplikácii	
Upozornenie na vyčistenie vonkajšej vrstvy filtra	Na displeji bliká upozornenie „CLEAN FILTER“ (doplňte vodu)	Upozornenie na vyčistenie filtra	1.Vonkajšiu vrstvu filtra vyčistite podľa pokynov v návode na použitie. 2.Resetujte upozornenie.
Upozornenie na výmenu filtra	Na displeji bliká upozornenie „REPLACE FILTER“ (vymeňte filter)	Upozornenie na výmenu filtra	1.Pri výmene filtra postupujte podľa pokynov v návode na použitie. 2.Resetujte upozornenie.
Filter nie je prítomný alebo nebol zablokovaný	Na displeji bliká upozornenie „FILTER MISSING“ (chýba filter)	Filter nie je prítomný alebo nebol zablokovaný	1.Ak filter nie je založený, založte ho. 2.Ak je filter na svojom mieste, skontrolujte, či bola poistka filtra prepnutá do stavu ZABLOKOVANÝ.
Senzor prachu nespracuje správne: žiadny signál zo senzora alebo výstupné napätie presahuje limitnú hodnotu	/	Senzor prachu nespracuje správne: žiadny signál zo senzora alebo výstupné napätie presahuje limitnú hodnotu	Došlo k poruche senzora prachu alebo kábel senzora prachu nebol správne pripojený. Kontaktujte servisné stredisko kvôli oprave.
Bez otáčok motora	/	Motor bez spätnej väzby	Došlo k poruche motora alebo kábel motora nebol správne pripojený. Kontaktujte servisné stredisko kvôli oprave.
Porucha senzora CO	Kontrolka stavu senzora CO svieti načrto	Porucha senzora CO	Upozornenie: je potrebné zavolať servis.

POZOR: Ak niektorá z týchto porúch pretrváva, kontaktujte miestneho zástupcu spoločnosti Hoover. NESNAŽTE sa čistič H-Purifier rozoberať sami.

RIEŠENIE PROBLÉMOV

Nasleduje zoznam bežne sa vyskytujúcich problémov a riešení.
Ak niektorý z týchto problémov pretrváva, kontaktujte miestneho zástupcu spoločnosti Hoover.

Ventilátor nefunguje (Ovládací panel / Kontrolky displeja svietia)	<ul style="list-style-type: none"> • Skontrolujte upozornenie zobrazené na displeji alebo v aplikácii. • Skontrolujte, či vo ventilátore nie sú nejaké prekážky. • Skontrolujte, či je čistič H-Purifier zapnutý. • Skontrolujte, či filter nie je namontovaný nesprávne. • Skontrolujte, či je čistič H-Purifier v úplne kolmej zvislej polohe a nie je naklonený.
Ventilátor nefunguje (Ovládací panel / Kontrolky displeja nesvietia)	<ul style="list-style-type: none"> • Skontrolujte, či je čistič H-Purifier zapojený do siete a zapnutý. • Skontrolujte, či vo ventilátore nie sú nejaké prekážky.
Nesvietia žiadne kontrolky na ovládacom paneli / Displej (Ventilátor pracuje)	<ul style="list-style-type: none"> • Stlačením tlačidla ovládania svetla na ovládacom paneli skontrolujte, či nedošlo k vypnutiu osvetlenia / Displej.
Tlačidlá na ovládacom paneli / displeji nefungujú	<ul style="list-style-type: none"> • Stlačením a podržaním tlačidla detskej poistky na 3 sekundy skontrolujte, či nebola aktivovaná detská poistka.
Prúd vzduchu je slabý	<ul style="list-style-type: none"> • Skontrolujte, či bol z filtra odstránený ochranný obal. • Skontrolujte, či v kryte prívodu vzduchu alebo odvode vzduchu nie sú nejaké prekážky. • Skontrolujte stav filtra na ovládacom paneli / displeji alebo v aplikácii a či nie je prítomné upozornenie na vyčistenie alebo výmenu. • Skontrolujte, či nie je čistič H-Purifier v režime Spánok. V tomto režime ventilátor pracuje so zníženým výkonom.
Prevádzka čističa vzduchu je hlasná	<ul style="list-style-type: none"> • Skontrolujte, či v odvode vzduchu alebo ventilátore nie sú nejaké prekážky. • Skontrolujte, či čistič H-Purifier nebeží v režime MAXIMÁLNY: prúd vzduchu ide v tomto režime na maximálny výkon..
Čistič vzduchu náhle vydá hlasný zvukový signál.	<ul style="list-style-type: none"> • Testovacia funkcia tlačidla CO Alert je aktivovaná nesprávnou obsluhou. Zvuk automaticky prestane znieť po 5 sekundách.

DÔLEŽITÉ INFORMÁCIE

Náhradné diely a spotrebný materiál Hoover

Vždy nahrádzajte diely originálnymi náhradnými dielmi od spoločnosti Hoover. Môžete si ich zakúpiť u svojho miestneho distribútora spoločnosti Hoover alebo priamo od spoločnosti Hoover. Pri objednávaní náhradných dielov vždy uvádzajte číslo modelu.

Kvalita

Kvalita v továrňach spoločnosti Hoover bola nezávisle posúdená. Naše výrobky sú vyrobené s využitím systému kvality, ktorý spĺňa požiadavky normy ISO 9001.

Vaša záruka

Záručné podmienky pre tento spotrebič sú definované našim zástupcom v krajine, v ktorej sa predáva. Podrobnosti týkajúce sa týchto podmienok je možné získať u obchodníka, u ktorého bol spotrebič zakúpený. Pri uplatňovaní nárokov podľa podmienok tejto záruky je nutné predložiť doklad o predaji alebo úhrade.

Môžu sa zmeniť bez predchádzajúceho upozornenia.

GÜVENLİ KULLANIM TALİMATLARI

Bu cihaz, bu kullanıcı kılavuzunda açıklandığı gibi yalnızca özel ev tipi kullanım içindir. Lütfen cihazı çalıştırmadan önce bu kılavuzun tam olarak anlaşıldığından emin olun ve ileride başvurmak üzere saklayın.

Cihazı kullanmadan veya temizlemeden önce ya da herhangi bir bakım işleminden önce daima kapalı konuma getirin ve fişi prizden çekin.

Bu cihaz 8 yaş ve üzeri çocuklar ve yetersiz fiziksel, duyuşal veya zihinsel kabiliyete sahip kişiler ya da deneyim ve bilgi yoksunu kişiler tarafından bir yetişkinin gözetiminde veya cihazın güvenli bir şekilde kullanımı ile ilgili talimatı ve bulunan tehlikelerin açıkça anlatılması ile kullanılabilir. Çocuklar cihaz ile oynamamalıdır.

Temizleme ve bakım işlemi denetimsiz şekilde çocuklar tarafından yapılmamalıdır.

Güç kablosu hasar görürse cihazı kullanmayı derhal bırakın. Güvenliğin riske atılmaması için, elektrik kablosu mutlaka yetkili HOOVER servis teknisyeni tarafından değiştirilmelidir.

Yalnızca HOOVER tarafından önerilen veya sağlanan ek birimleri, sarf malzemelerini ya da yedek parçaları kullanın.

Güç kablosunu çekerek fişi çıkarmayın.

Arızalı görünüyorsa cihazınızı kullanmaya devam etmeyin.

Ürünü sadece kuru, sabit, düz yatay bir yüzeye yerleştirin ve kullanın, böylece devrilmesi engellenir.

Ürünü kuru tutun.

Çalışırken ürünü asla eğmeyin veya boşaltmayın.

Elektrik besleme kablosunu kimse üzerine basmayacak veya takılmayacak şekilde yerleştirin.

Ürünü sıcak yüzeyler üzerine, sıcak yüzeylerin yanına, açık ateşin yakınına yerleştirmeyin veya doğrudan güneş ışığına maruz bırakmayın.

Elektrik çarpmasını ve/veya yangın tehlikesini önlemek için cihaza su veya başka bir sıvı veya yanıcı deterjanın girmesine izin vermeyin.

Elektrik çarpmasını ve/veya yangın tehlikesini önlemek için cihazı su, başka bir sıvı veya (yanıcı) bir deterjanla temizlemeyin.

Cihazın etrafında böcek ilacı veya parfüm gibi yanıcı maddeler püskürtmeyin.

Cihazı bağlamadan önce cihazın etiketinde belirtilen voltaj ve güç değerlerinin yerel güç voltajına uygun olup olmadığını kontrol edin.

Hava girişini veya hava çıkışını engellemeyin.

Bu cihaz, uygun havalandırma, düzenli toz emme veya pişirme sırasında aspiratör veya fan kullanımı yerini tutmaz.

Cihazın üzerine hiçbir şey koymayın.

Yoğuşmanın cihaza damlamasını önlemek için cihazı doğrudan bir klimanın altına yerleştirmeyin.

Cihazı çalıştırmadan önce tüm filtrelerin doğru takıldığından emin olun.

Yalnızca bu cihaz için özel olarak tasarlanmış orijinal HOOVER filtrelerini kullanın. Başka filtre kullanmayın.

Cihaza (özellikle hava girişi ve çıkışı) sert nesnelere vurmaktan kaçının.

Yaralanmaları veya cihazın arızalanmasını önlemek için hava çıkışına veya hava girişine parmaklarınızı veya nesnelere sokmayın.

İç mekan duman tipi böcek savarlar kullandığınızda veya yağlı kalıntılar, yanan tütsü veya kimyasal duman bulunan yerlerde bu cihazı kullanmayın.

Cihazı gazlı cihazların, ısıtma cihazlarının veya şöminelerin yakınında kullanmayın.

Cihazı büyük sıcaklık değişimleri olan bir odada kullanmayın.

Paraziti önlemek için, cihazı TV, radyo ve uzaktan kontrollü saatler gibi hava kaynaklı radyo dalgaları kullanan elektrikli cihazlardan en az 2 m uzağa yerleştirin.

Cihaz uzun süre kullanılmadığında, filtrelerde bakteri üreyebilir. Uzun süre kullanılmadığında filtreleri kontrol edin. Filtreler çok kirliyse, yenileriyle değiştirin.

Cihazı ıslak ortamlarda veya banyo, tuvalet veya mutfak gibi yüksek ortam sıcaklıklarına sahip ortamlarda kullanmayın.

Cihaz, karbonmonoksit (CO) veya radonu (Rn) ortadan kaldırmaz. Yanma prosesleri ve tehlikeli kimyasallar ile kaza olması durumunda bir güvenlik cihazı kullanılamaz.

CO Monitor işlevi, EN 50291-1 UL-2034, CSA-6.19 veya Yerel ya da Bölgesel Yasaların veya mevzuatın zorunlu kıldığı herhangi bir geçerliliği kabul edilmiş standart sertifikalı karbonmonoksit alarmı olarak kullanılmamalı veya bunun yerine geçecek şekilde kullanılması ima edilmemelidir. CO Monitor işlevi, yalnızca tamamlayıcı bir karbonmonoksit izleme cihazıdır. Bu cihazın kullanımı, kullanıcının takdirindedir ve yasalara veya geçerli olduğu durumlarda mevzuata bağlı kalma sınırlamalarının anlaşılmasını ve kabul edilmesini gerektirir.

Cihazı, aşağıdaki konulardan hiçbirine yerleştirmeyin:

- Banyoda veya Alarmın su sıçramasına, damlamasına veya yoğuşmaya maruz kalabileceği diğer alanlarda (örn. elektrikli su ısıtıcısının üstünde).
- Isıtıcıların veya klima deliklerinin, kapıların, pencerelerin, aspiratörlerin veya hava akımından etkileneyeceği herhangi bir yerin yanında veya hemen üstünde.
- Bir lavabonun veya ocağın hemen üstünde.
- Sıcaklığın -20°C 'nin altına düşebileceği veya 50°C 'nin üzerine çıkabileceği bir alanda.
- Kapalı bir alanda (örn. bir dolabın içinde veya altında).
- Rutubetli veya nemli bir alanda.
- Örn. perde veya mobilya ile engellenebileceği yerlerde.
- Kir veya tozun sensörü engelleyebileceği yerlerde.
- Boya, tiner, solvent dumanı veya oda parfümlerinin yanında.

CO alarmı etkinse, tüm pencereleri ve kapıları açmalısınız (eğer güvenliyse). Mümkünse, tüm yakıtla çalışan cihazları kapatın ve ardından pencereleri ve kapıları açık bırakarak mülkü boşaltın. Karbonmonoksit zehirlenmesine maruz kalan herkes için derhal tıbbi yardım alın. Alarm durana kadar mülke tekrar girmeyin. CO temizlendikten sonra alarm duracaktır. CO kaynağı kalifiye bir teknisyen tarafından tespit edilip düzeltilinceye kadar yakıtla çalışan cihazları tekrar kullanmayın.

CO monitor'ü etkinleştirmek için, fişi bir prize takın. CO Sensörü Durum Lambası yeşil renkte görüntülenecektir. CO monitor tehlikeli bir CO seviyesi tespit ettiğinde, CO alarmı yüksek sesle çalacak ve CO Alert düğmesi ve O ring lambası kırmızı renkte yanıp sönecektir. Alarm, tespit edilen CO güvenli bir seviyeye düşene kadar sinyal vermeye devam edecektir.

Cihazın yanında boya, tiner, solvent dumanı, oda parfümü, aerosol sprey veya kimyasal temizleyiciler kullanmaktan kaçının. Bu, CO monitor'ün çalışmasını etkileyebilir.

Küçük çocukların, alarm çaldığında aşırı gürültüye maruz kalabileceklerinden, CO Alert düğmesine 3 saniye basmasına izin vermeyin.

CO Alarm işlevini test etmek için [CO Alert] düğmesine 3 saniye dokununuz; alarm, 5 saniye boyunca yüksek sesle çalacaktır. Alarmı ayda bir ve binada uzun süre bulunmama durumundan sonra (Örn. Tatiller) test edin. [CO Alert] düğmesine 3 saniye dokunduktan sonra alarm çalmazsa, hatayı onarmak üzere kalifiye bir teknisyen ayarlamak için lütfen Hoover müşteri hizmetleri merkezine başvurun.

Ekranda CO sensörünün arızalı olduğu veya kullanım ömrünün sonuna ulaşıldığı belirtiliyorsa, CO sensörünü değiştirmek üzere kalifiye bir teknisyen ayarlamak için lütfen Hoover müşteri hizmetleri merkezine başvurun. CO sensörünün beklenen kullanım ömrü 5 yıldır ve bu süreden sonra yenisiyle değiştirilmelidir.

Çalışma Nemi: 15 – 90% RH

Çalışma Sıcaklığı: 0°C - $+ 40^{\circ}\text{C}$

Tespit edilen CO seviyesi yüksek bir seviyeye ulaştığında, [CO Alert] düğmesi ve [Hava Kalitesi LED Ring] aynı anda kırmızı renkte (2Hz) yanıp söner, alarm yüksek sesle çalar (85~110dB(A)) ve sürekli olarak, CO yoğunluğu alarm seviyesinden çekilene kadar alarm durmaz.

Karbonmonoksit, kritik organları oksijenden mahrum bırakarak (tıkayarak) vücudu etkiler. CO teneffüs edildiğinde, normalde vücutta oksijen taşıyan kandaki hemoglobine tutunur. CO, oksijen moleküllerinin hemoglobine tutunma yeteneğini kalıcı olarak kaldırarak oksijenin hayati organlara geçmesini azaltır. CO'ya maruz kalınan konsantrasyon seviyesi ve süresi, vücuttaki etkilerini değiştirebilir ancak uzmanlar uzun süre düşük seviyelerde karbonmonoksit maruz kalmanın bile herkesin genel sağlığı üzerinde ciddi ve kalıcı etkileri olabileceği konusunda hemfikirdir.

UYARI: CO ALARMI, BİREYLERİ KARBONMONOKSİT MARUZİYETİNİN AKUT ETKİLERİNDEN KORUMAK VE KARBONMONOKSİT MARUZİYETİNİN KRONİK ETKİLERİNİ ÖNLEMELİK İÇİN TASARLANMIŞTIR. BELİRLİ HASTALIKLARI OLAN BİREYLERİ TAM ANLAMıyla KORUMAYACAKTIR. ŞÜPHE DUYARSANIZ, BİR DOKTORA DANIŞIN.

Bu cihaz, uygun havalandırma ve egzoz sistemleri de dahil olmak üzere yakıtla çalışan cihazların doğru kurulumu, kullanımı ve bakımı yerine kullanılmamalıdır.

The CO monitor mobile and tablet notifications require a functional Wi-Fi connection to operate. Üçüncü taraf acil durum izleme hizmetinin yerine geçmezler.

Yalnızca HOOVER tarafından önerilen veya tedarik edilen aroma yağı kullanın.

H-Essence'ın Difüzör işlevini kullanırken hava filtresinin yanında bağımsız nemlendirici kullanmaktan kaçının.

Herhangi bir H-Essence döküntüsünü hemen silin. Ürünün H-Essence ile temas eden her köşesini temizlediğinizden emin olun.

HOOVER servisi: Cihazın her zaman güvenli ve verimli bir şekilde kullanılabilmesi için, her türlü bakım veya onarım işinin sadece yetkili HOOVER servis teknisyenleri tarafından yapılmasını öneririz.

Çevre

Bu cihaz Atık Elektrikli ve Elektronik Teçhizat (WEEE) hakkında Avrupa direktifi 2011/65/EC'ye uygunluk işaretine sahiptir. Bu ürünün doğru bir şekilde atılmasını sağlayarak, yanlış atılmasından dolayı çevre ve insan sağlığında oluşabilecek olumsuz etkilerin önlenmesine katkıda bulunacaksınız.

Bu aygıttaki sembol aygıtı ev atığı gibi işlem yapılamayacağını belirtir. Bunun yerine uygun elektrikli ve elektronik ekipman geri dönüşüm toplama noktasına teslim edilmelidir. İmha, atık imhası için düzenlenen yerel çevre yönetmeliklerine uygun olarak yapılmalıdır. Bu aygıtı ait işlem, kurtarma ve geri dönüşümle ilgili daha ayrıntılı bilgi için, lütfen yerel şehir ofisiniz, ev atığı ve çöp atma servisiniz ya da aygıtı satın aldığınız mağaza ile irtibata geçin.



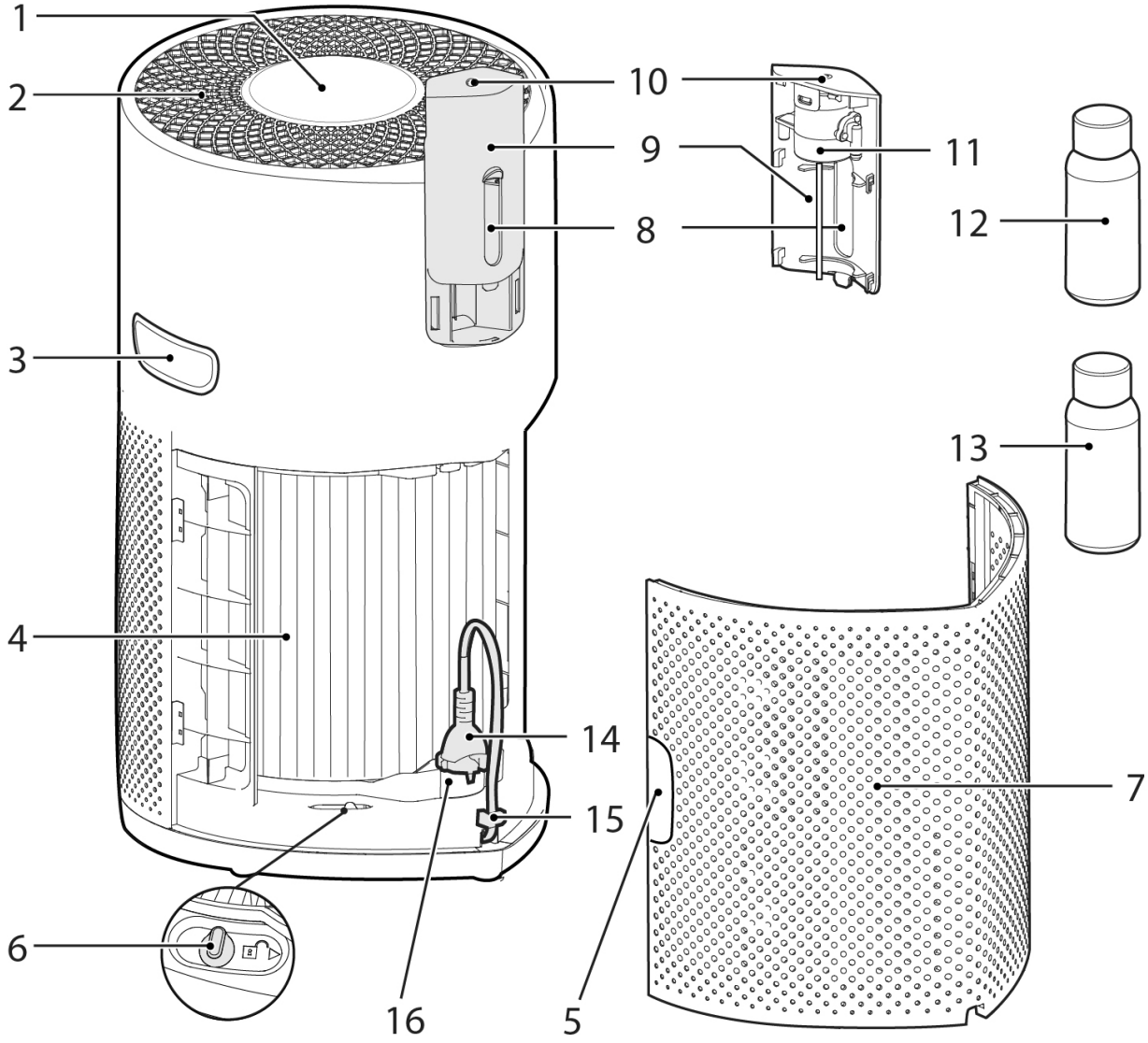
Frekans bantları	2400Mhz ~ 2483.5Mhz
Frekans bandında iletilen maksimum RF gücü	18.9 dBm



Bu cihaz, 2014/53/EU, 2014/30/EU ve 2011/65/EU sayılı Avrupa Direktifleri ile uyumludur. Uygunluk beyanının bir kopyasını almak için lütfen www.candy-group.com adresinden üretici ile irtibata geçin

CANDY HOOVER GROUP S.r.l. Via Privata Eden Fumagalli, 20861 Brugherio (MB) Italy

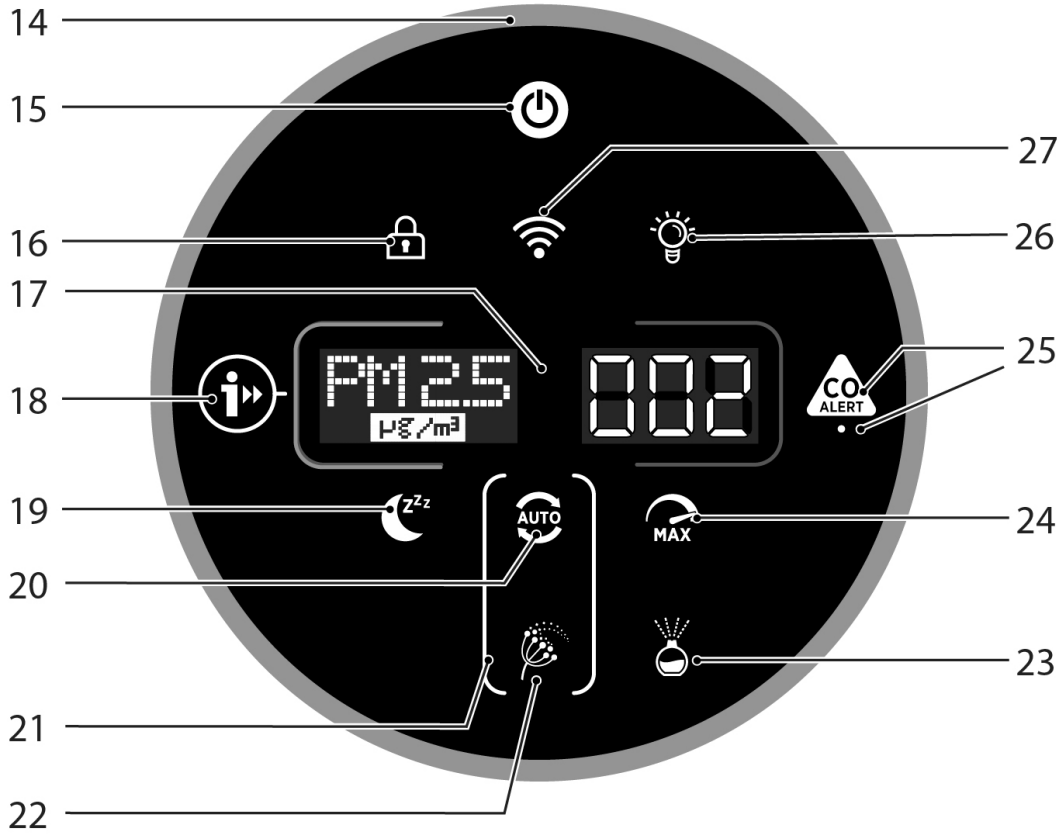
H-PURIFIER CİHAZINIZI TANIMA



1	Kumanda Paneli / Ekran
2	Hava Çıkışı
3	Ürün Taşıma Kulpu
4	Filtre Tertibatı
5	Hava Giriş Kapağı Kulpu

6	Filtre serbest bırakma düğmesi
7	Hava Giriş Kapağı
8	Difüzör Penceresi
9	Difüzör Kapağı
10	Difüzör Çıkışı
11	Difüzör Ünitesi

12	H-Esans Şişesi (Yeşil)
13	H-Biyotik Şişesi (Kahverengi)
14	Güç Kablosu ve Fişi
15	Saklama Askısı
16	Taşıma Yeri



14	Hava Kalitesi LED Ring
15	Güç Düğmesi
16	Çocuk Kilidi Düğmesi
17	Dijital Ekran
18	Bilgi Düğmesi

19	Uyku Modu Düğmesi
20	Otomatik Modu Düğmesi
21	Polen Alerjisi Çember Lambası
22	Polen Alerjisi Lambası
23	Difüzör Düğmesi

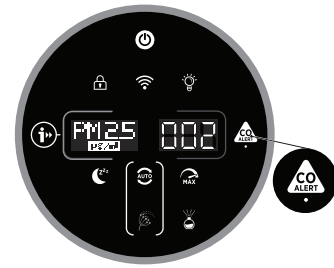
24	Maks Mod Düğmesi
25	CO Alert Düğmesi ve LED'i
26	Işık Kontrolü Düğmesi
27	Wi-Fi Button

Çoklu Sensör İzleme Sistemi

Çoklu Sensör İzleme Sistemi sayesinde, ürününüz iç mekan hava iklimini PM10, PM2.5, Uçucu Organik Bileşikler (GAZ) ve Karbonmonoksit konsantrasyonu (CO) açısından sürekli olarak izleyecektir.

Çoklu Sensör İzleme sistemi, ürününüzü her çalıştırdığınızda, iç mekan havasını analiz etmeye başlayacak ve Hava Kalitesi LED Ring gerçek zamanlı hava kalitesi koşullarını temsil eden farklı renklerle yanacaktır.

Hava Kalitesi LED Ring Rengi	İç Hava Kalitesi
YEŞİL	MÜKEMMEL
SARI	TATMİN EDİCİ
TURUNCU	YETERSİZ
KIRMIZI	ÇOK YETERSİZ



Karbonmonoksit Konsantrasyonu İzleme ve Alarm

H-Purifier, sürekli olarak Karbonmonoksit (CO) için iç mekan havasını izleyecektir. Ürün, bir uyarı sistemi ile donatılmıştır.

Karbonmonoksit alarmı etkinleştirildiğinde, HAVA Kalitesi LED Ring, Bilgi ve CO Alert düğmesi aynı anda kırmızı yanıp sönecek ve sesli bir alarm duyulacaktır. Alarm, CO Alert düğmesine 3 saniye basılarak manuel olarak susturulmadıkça Karbonmonoksit (CO) konsantrasyonu 50 ppm'nin altına düşene kadar çalışmaya devam edecektir.

Bu CO Alert LED'i, CO sensörünün çalışma koşulunu gösterir. CO sensörü normal durumda olduğunda yeşil renkte, sensör arızalandığında veya çalışma ömrünü aştığında sarı renkte görünür.

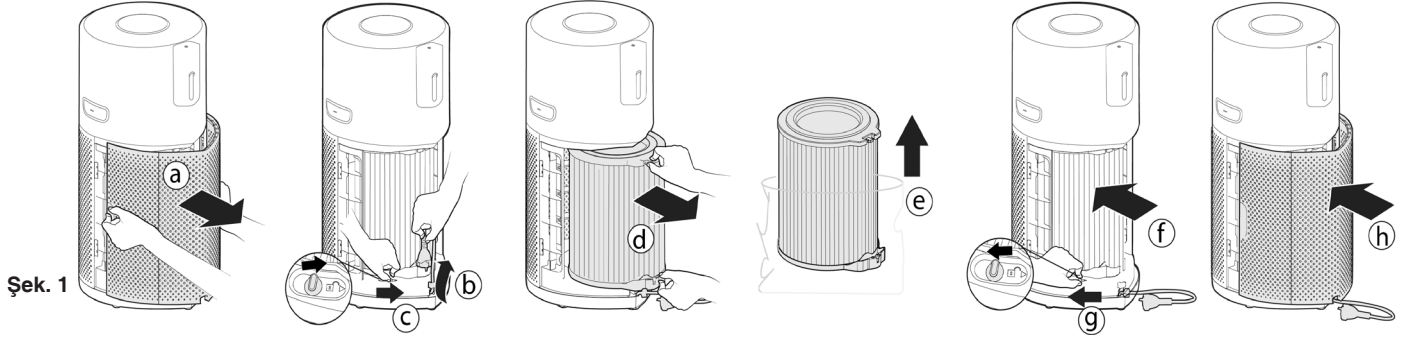
CO Uyarı Düğmesine 3 saniye basarak alarmın düzgün çalışıp çalışmadığını test edebilirsiniz ve alarm düzgün çalışıyorsa 5 saniye boyunca yüksek sesli bir zil çalar.

H-PURIFIER CİHAZINIZIN HAZIRLANMASI

1. Filtre Tertibatı [Şek. 1]

H-Purifier ürününüzü kullanmadan önce, filtreyi koruyucu ambalajından çıkarmanız gerekecektir:

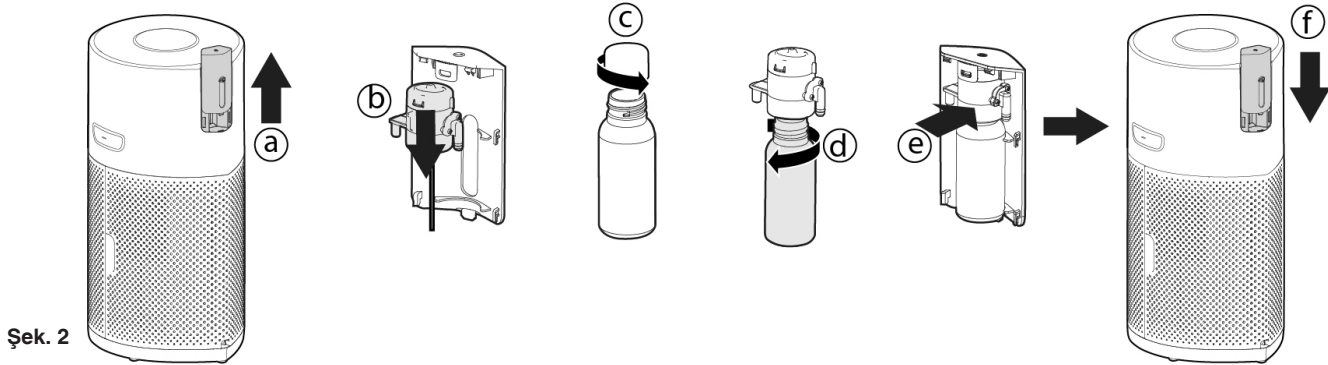
- Hava Giriş Kapağını ürününüzden çıkarın, iki Hava giriş kapağı kulpunu tutun ve üründen çekin. [Şek. 1a]
- Fişi taşıma yerinden çıkarın ve kabloyu Saklama Kancasından serbest bırakın. [Şek. 1b]
- Filtre serbest bırakma anahtarının kilidini açın. [Şek. 1c]
- Filtreyi ürününüzden çıkarın ve dış ambalajı kaldırın. [Şek. 1d,e]
- Filtreyi ürününüze geri takın. [Şek. 1f]
- Filtre serbest bırakma anahtarını kilitleyin. [Şek. 1g]
- Hava Giriş Kapağını tekrar ürününüze takın. [Şek. 1h]

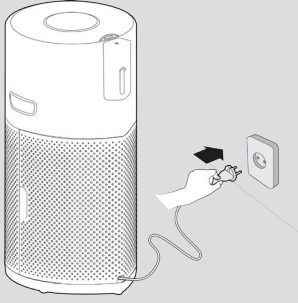


2. Difüzör Şişesini Takın [Şek. 2]

H-Purifier ürününüzü Difüzör işlevi için hazırlamak amacıyla:

- Difüzör Kapağını üründen çıkarın. [Şek. 2a]
- Difüzör Ünitesini Difüzör Kapağından çıkarın. [Şek. 2b]
- H-Esans veya H-Biyotik şişesini ambalajından çıkarıp kapağı kaldırın. [Şek. 2c]
- Şişeyi Difüzör ünitesine sıkıca vidalayın. [Şek. 2d]
- Difüzör Ünitesini Difüzör Kapağına tekrar takın. [Şek. 2e]
- Difüzör Kapağını ürüne tekrar takın. [Şek. 2f]





Şek. 3



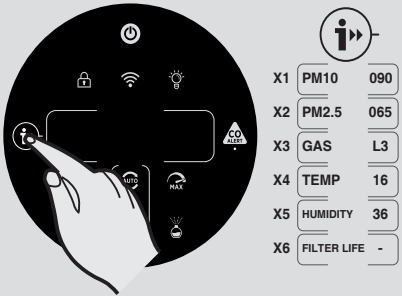
Şek. 4



Şek. 5



Şek. 6



Şek. 7

H-PURIFIER CİHAZINIZIN KULLANIMI

Ürünü prize takın [Şek. 3]:

Güç kablosunu kablo makarasından çıkarın ve bir güç kaynağına takın.

Kontrol Panelindeki / Ekrandaki tüm ışıklar, başarılı bir şekilde takıldığını göstermek için yaklaşık 1 saniye boyunca tamamen yanacaktır.

Çoklu Sensör İzleme Sisteminin iç mekan Karbonmonoksit seviyesini izlemek üzere çalışmaya başladığını göstermek için GÜÇ düğmesi yarı aydınlık olacak ve CO sensörü ışığı YANACAKTIR.

Ürünü Çalıştırma [Şek. 4]:

Ürününüzü çalıştırmak için ekrandaki GÜÇ düğmesine basın.

Hava Kalitesi LED Ring, sensörler gerçek zamanlı hava iklimini analiz ederken tüm renklerde sırayla yanacaktır. Birkaç saniye sonra, Hava Kalitesi LED ring o sırada hava kalitesi için uygun olan rengi seçecektir.

H-Purifier ürününüzü, hemen OTOMATİK MODUNA girecek ve iç mekan havasını temizlemeye başlayacaktır.

The AUTO MODE button, INFORMATION button, LIGHT CONTROL button and PM10 information on the Ekran will illuminate.

Ekran düğmeleri aracılığıyla aşağıdaki işlevler kullanılabilir:

Press the Wi-Fi button to turn on/off remote access.

Tüm izleme verilerini görmek için BİLGİ düğmesine basın.

Bir temizleme modu seçmek için OTOMATİK, MAKS veya UYKU düğmelerine basın.

Ekran ışıklarının parlaklığını ayarlamak için IŞIK KONTROLÜ düğmesine basın.

Kontrol Panelindeki / Ekrandaki tüm düğmeleri devre dışı bırakmak için ÇOCUK KİLİDİ düğmesine basın.

İşlevi etkinleştirmek için DİFÜZÖR düğmesine basın.

Hava temizleyiciyi kapatmak için GÜÇ düğmesine basın.

Pairing to Wi-Fi:

Tüm H-Purifier işlevlerine her yerden erişmek için, hOn Uygulamasını indirmeniz önerilir.

Ürününüzü en verimli şekilde kontrol edebileceksiniz.

Talimatlar:

1. hOn uygulamasını App Store veya Google Play'den indirin. [Şek. 5]
2. UYGULAMAYI açın, e-posta adresiniz ve bir parola ile bir hesap oluşturun.
3. Oturum açmak istediğinizi onaylayın.
4. Ensure your mobile device is connected to Wi-Fi.
5. hOn uygulamasında oturum açın.
6. Press and hold the Wi-Fi button on the display for 5 seconds, there will an audible beep and the Wi-Fi button will start flashing to indicate it is waiting for a connection. [Şek. 6]
7. Mobil cihazınızı ürününüze bağlamak için uygulama içi talimatları izleyin.
8. When successfully paired, the Wi-Fi button on the product will remain illuminated.
9. To reset the Wi-Fi, press & hold the Wi-Fi button for 5 Secs.

Eşleştirme için Kablosuz Parametreler

Teknoloji	Wi-Fi	Bluetooth
Standart	IEEE 802.11 b/g/n	Bluetooth v4.2, BR/EDR, BLE
Frekans Bantları (MHz)	2401 ~ 2483	2402 ~ 2480
Maksimum Güç (mW)	100	10

BİLGİ İşlevi [Şek. 7]:

İzlemek için 6 farklı veri kümesi mevcuttur:

PM10, PM2.5, GAZ, Sıcaklık, Nem ve Filtre Durumu.

Her bir değeri izlemek için BİLGİ düğmesine art arda basmak yeterlidir.

Varsayılan olarak ekranda PM10 verileri gösterilecek, makine kullanıcının son seçimini hatırlayacak ve ürün tekrar çalıştırıldığında bu seçimi devam ettirecektir.

GAS verileri, GAS sensörü bir kalibrasyon devresi gerçekleştirirken ürün çalıştırıldıktan sonraki ilk 3 dakika boyunca dönen bir imleç gösterecektir.

PM 2.5, PM 10 ve GAS (GAZ) hakkında daha fazla bilgi:

PM, ağırlıklı olarak araçlar ve endüstriyel emisyonlar gibi dış ortam kirliliğinden kaynaklanan ve uzun süre maruz kalma durumunda sağlığımız için potansiyel tehlike arz eden ince taneleri (insan gözüyle görülemeyen) gösterir.

PM 10, 10 µm'ye kadar bir boyuta sahiptir ve üst solunum yoluna (burun, soluk borusu, farenks) nüfuz edebilir.

PM 2.5, 2.5 µm'ye kadar bir boyuta sahiptir ve küçük boyutları göz önüne alındığında akciğerlerimize ulaşabilir, böylece vücudumuzun daha derinlerine nüfuz edebilir.

GAS VOC (uçucu organik bileşikler), oda sıcaklığında havada kolayca buharlaşma özelliğine sahip uçucu kimyasal bileşiklerdir. Deodorantlar, deterjanlar, tutkallar, yapııştırıcılar, kozmetikler, formaldehit, evlerimizde bulunabilecek ancak uzun süre maruz kalma durumunda sağlığımıza potansiyel olarak zararlı olabilecek VOC'lerden sadece birkaçıdır.

MOD İşlevleri:

Ekranda 3 hava temizleme modu mevcuttur: OTOMATİK MODU, MAKS MODU VE UYKU MODU Otomatik modu, çalıştırıldığında ürününüz için varsayılan ayardır, tüm modlar ekrandaki ilgili düğmeye basılarak manuel olarak seçilebilir.

POLEN ALERJİSİ modu, hOn uygulaması üzerinden etkinleştirilebilir.

OTOMATİK MODU [Şek. 8]:

Bu, ilk çalıştırıldığında H-Purifier ürününüzün varsayılan modudur. H-Purifier, Otomatik Modda, her zaman optimum hava temizlemeyi garanti etmek için fan hızını otomatik olarak gerçek iç mekan hava kalitesi seviyesine ayarlar.

Bu, ürününüz için önerilen ayardır.

OTOMATİK modunda, 30 dakikalık mükemmel hava kalitesinden sonra, ürününüz temizleme işlevini duraklatarak bir **EKO** moduna girecek, Çoklu Sensör İzleme Sistemi iç mekan havasını analiz etmeye devam edecek ve gerektiğinde temizleme işlevini otomatik olarak çalıştıracaktır.

MAKS MODU [Şek. 9]:

Maksimum güç ayarında hava temizlemeyi etkinleştirmek için ekrandaki MAKS modu düğmesine basın. MAKS modundan çıkmak için, OTOMATİK modunu veya UYKU modunu seçmek yeterlidir.

UYKU MODU [Şek. 10]:

En düşük sessiz güç ayarında hava temizlemeyi etkinleştirmek için UYKU modu düğmesine basın. UYKU modu düğmesi, yarı aydınlık olacak ve diğer tüm ekran ışıkları sönecektir. Bu, LIGHT CONTROL (IŞIK KONTROLÜ) düğmesine basılarak değiştirilebilir.

POLEN ALERJİSİ MODU: [Şek. 11]

Polen Alerjisi modu, yalnızca hOn Uygulaması üzerinden etkinleştirilebilir. Polen Alerjisi Profilinizi oluşturmak için, öncelikle uygulamada bir profil etkinleştirmeniz ve kaydetmeniz istenecektir.

Polen Alerjisi modu, yalnızca OTOMATİK MODU seçildiğinde çalışır. [Şek. 11c]

Polen Alerjisi modunda, cihaz sürekli olarak Uygulamadan dış mekanda izlenen polen konsantrasyonu hakkında gerçek zamanlı veri alır ve polen yakalama performansını en üst düzeye çıkarmak için otomatik olarak çalışır.

Polenler yakalandıktan sonra, alerjik semptomları hafifletmeye yardımcı olmak için etkisiz hale getirilirler.

Polen Alerjisi modu Uygulamada etkinleştirildiğinde, ürün ekranında 2 olası bildirim lambası mevcuttur: - Polen Alerjisi Lambası **BEYAZ [Şek. 11a]**: Cihaz ve Uygulama, dış mekandaki polen varlığını izliyor ve hiçbir risk yok.

- Polen Alerjisi Lambası **SARI** renge döner [Şek. 11b] ve Polen Alerjisi Çemberi lambası **BEYAZ [Şek. 11a]**: Cihaz ve Uygulama risk tespit etti.

Polen Alerjisi modu etkinken ürün manuel olarak UYKU moduna veya MAKS moduna geçirilirse, Polen Alerjisi modu duracaktır.

IŞIK KONTROLÜ İşlevi: [Şek. 12]

Ekran aydınlatması için Açık, Loş ve Kapalı olmak üzere 3 ayar mevcuttur.

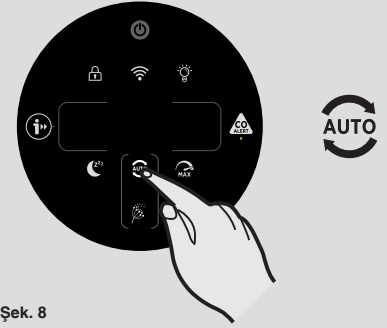
Ekran aydınlatmasının parlaklığını ayarlamak için, mevcut 3 seçenek arasında geçiş yapmak için ekrandaki AYDINLATMA düğmesine basmak yeterlidir. AÇIK, varsayılan ayardır.

KAPALI seçilirse, etkinleştirmek için başka herhangi bir düğmeye iki kez basılması gerekecek, bir defa basıldıktan sonra ışıklar LOŞ olacak, ikinci defa basıldığında eylem etkinleşecektir.

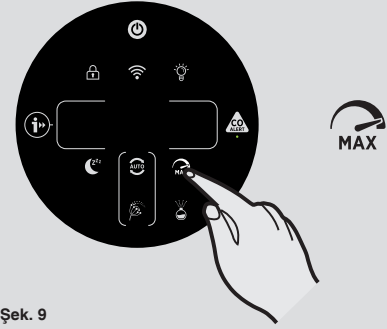
ÇOCUK KİLİDİ İşlevi: [Şek. 13]

Etkinleştirmek için ÇOCUK KİLİDİ düğmesine 3 saniye basılı tutun, etkinleştirildiğinde işitilebilir bir ses duyulacak ve ÇOCUK KİLİDİ düğmesi yanık kalacaktır. Etkinleştirildiğinde, başka hiçbir düğme çalışmayacaktır.

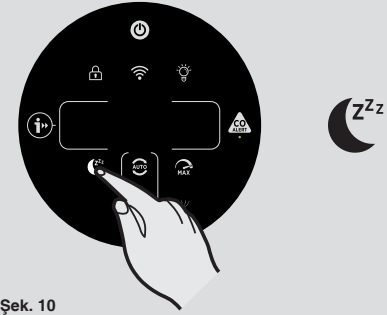
Çıkmak için ÇOCUK KİLİDİ düğmesine 3 saniye basılı tutmak yeterlidir, kapalı olduğunu onaylayan işitilebilir bir ses duyulacak ve düğme artık yanmayacaktır.



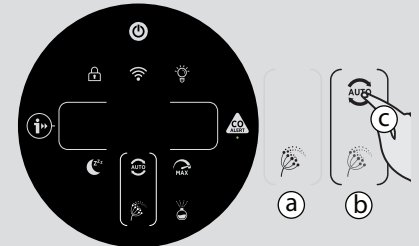
Şek. 8



Şek. 9



Şek. 10



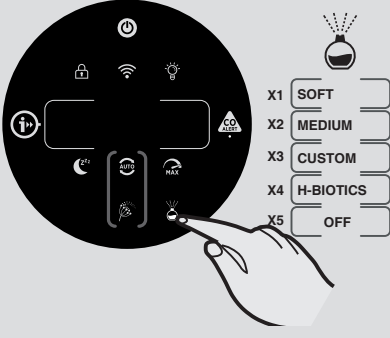
Şek. 11



Şek. 12



Şek. 13



Şek. 14

Difüzör İşlevi: [Şek. 14]

Difüzör, H-Esans veya H-Biyotik odasının havasına yayılır. H-Esans, hoş kokuları havaya yaymaya yönelik olan Hoover uçucu yağ koleksiyonudur.

H-Biyotik, bakteri veya mikrop gibi mikroorganizmaların üremesini engelleyerek odayı biyolojik olarak hijyenik tutan probiyotiklere dayalı doğal bir karışımdır.

DİFÜZÖR işlevi için HAFİF, ORTA, ÖZEL ve H-BİYOTİK olmak üzere 4 farklı ayar mevcuttur. Bu işlevi etkinleştirmek için Ekrandaki Difüzör düğmesine basmak yeterlidir, bu işlev için varsayılan ayar HAFİF'tir, diğer ayarlardan herhangi birini seçmek üzere istenen seçime geçmek için arka arkaya düğmeye basmak yeterlidir. Düğme, çalıştırıldığında beyaz renkte yanacaktır.

H-Esans için HAFİF ve ORTA ayarlarının kullanılması önerilir.

H-Esans için hOn uygulamasında özel ayar oluşturulabilir.

H-Biyotik kullanılırken, ayar H-Biyotik olarak **AYARLANMALIDIR**. Kullanıcı Uygulamayı kullanarak H-Biyotik'i etkinleştirdiğinde, bu her 5 günde bir H-biyotik kullanımını sağlamak için 120 saat sonra "H-BİYOTİĞİ ETKİNLEŞTİR" uyarısı verecektir.

Difüzör işlevi, yalnızca OTOMATİK ve MAKS modlarında kullanılabilir ve UYKU modunda kullanılamaz.

Difüzör işlevi AUTO modunda etkinleştirildiğinde, ana fan H-Essence veya H-Biotics'in odaya yayılmasına yardımcı olmak için belirli bir hızda çalışacaktır.

Ayar	Pompa Açık	Pompa Kapalı	Çevrim
HAFİF	10 san	300 san	6 Saat sonra kapanma
ORTA	90 san	120 san	6 Saat sonra kapanma
ÖZEL	Kullanıcı Tanımlı	Kullanıcı Tanımlı	6 Saat sonra kapanma
H-BİYOTİK	120 san	120 san	6 Saat sonra kapanma

İşlevi kapatmak için, düğme ışığı sönene kadar difüzör düğmesine basın.

Difüzör işlevinin her kullanımından sonra, ürün yüzeylerindeki kalıntıları temizlemek için kuru yumuşak bir bez kullanın.

Difüzör ünitesindeki şişeyi değiştirmek için, 'H-Purifier Cihazınızın Bakımı' bölümüne bakın.

H-PURIFIER CİHAZINIZIN BAKIMI

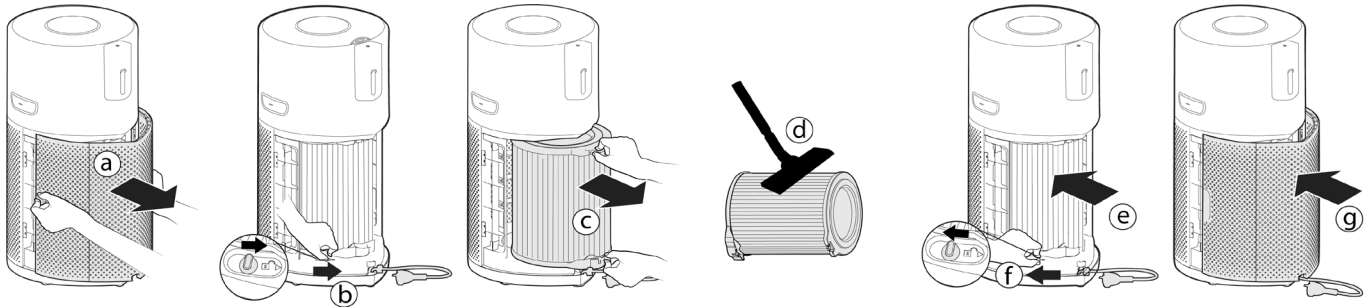
ÖNEMLİ: BAKIM GÖREVLERİNİ YERİNE GETİRİRKEN CİHAZINIZIN FİŞİNİ HER ZAMAN PRİZDEN ÇEKİN.

FİLTRE TEMİZLEME / DEĞİŞTİRME

H-Purifier cihazınız, filtrenizin durumunu izleyecektir. Ekranın sol tarafında **FİLTREYİ TEMİZLE VEYA FİLTREYİ DEĞİŞTİR** uyarısı ve filtreyi temizlemek veya değiştirmek için gereken eylemi gösteren Flaş görünecektir.

Temizleme / Filtrenin Değiştirilmesi: [Şek. 15]

- Hava Giriş Kapağını ürününüzden çıkarın. [Şek. 15a]
- Filtre serbest bırakma anahtarının kilidini açın. [Şek. 15b]
- Filtreyi ürününüzden çıkarın. [Şek. 15c]
- Filtre Tertibatı üzerindeki dış ağı temizlemek için bir Elektrik Süpürgesi kullanın veya YENİ bir filtreyle değiştirin. [Şek. 15d]
- Filtre tertibatını tekrar ürüne takın. [Şek. 15e]
- Filtre serbest bırakma anahtarını kilitleyin. [Şek. 15f]
- Hava Giriş Kapağını tekrar ürününüze takın. [Şek. 15g]
- Cihazınızın fişini prize takın ve çalıştırın. [Şek. 4]
- BİLGİ düğmesine basın ve düğmeye 3 saniye basılı tutarak Filtre Temizleme işlevini sıfırlamak için talimatları izleyin, başarılı bir sıfırlama olduğunu belirtmek için sesli bir uyarı duyulacaktır. [Şek. 7]



Şek. 15

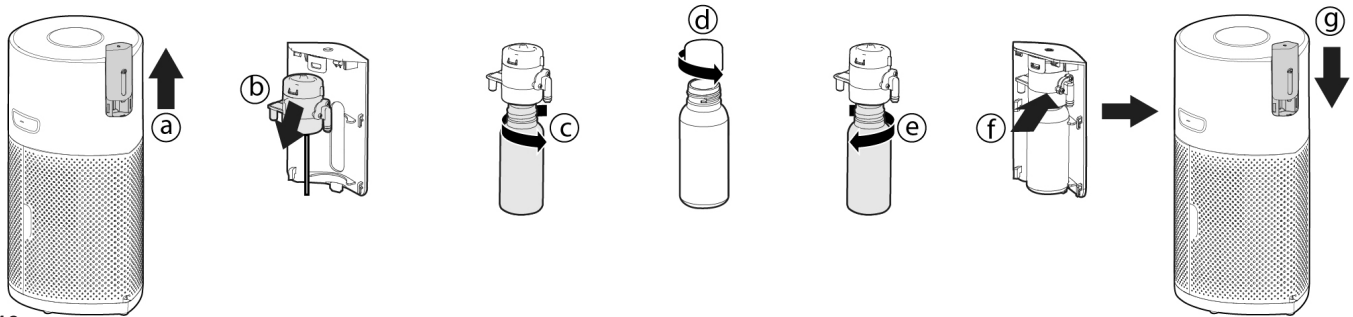
DİFÜZÖR BAKIMI

Difüzör işlevinin her kullanımından sonra, ürün yüzeylerindeki kalıntıları temizlemek için kuru yumuşak bir bez kullanın.

Difüzör Şişesinin Değiştirilmesi: [Şek. 16]

Şişede kalan sıvı miktarı Difüzör Penceresinden kontrol edilebilir, gerektiğinde şişe yenisiyle değiştirilmelidir.

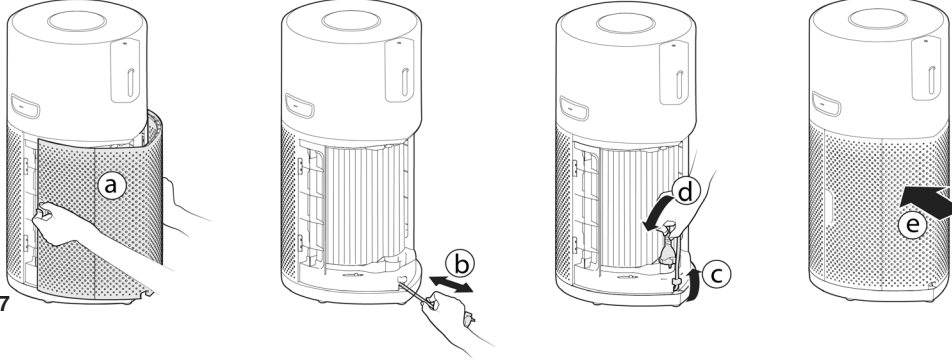
- Difüzör Kapağını üründen çıkarın. [Şek. 16a]
- Difüzör Ünitesini ve Şişesini difüzör kapağından çıkarın. [Şek. 16b]
- Vidasını söküp boş şişeyi çıkarın ve atın. [Şek. 16c]
- Yeni H-Esans veya H-Biyotik şişesini ambalajından çıkarıp kapağı kaldırın. [Şek. 16d]
- Yeni şişeyi difüzör ünitesine sıkıca vidalayın. [Şek. 16e]
- Difüzör ünitesini difüzör kapağına tekrar takın. [Şek. 16f]
- Difüzör kapağını H-Purifier cihazına tekrar takın. [Şek. 16g]



Şek. 16

H-PURIFIER CİHAZINIZIN SAKLANMASI

1. Hava Temizleyiciyi kapatın ve fişi prizden çekin.
2. Hava Temizleyicinin tüm iç ve dış yüzeylerini ve Filtrenin dış ağını temizleyin.
3. Şişeyi difüzörden çıkarın. Orijinal kapağı şişeye tekrar takın ve doğrudan ışıktan korumak için saklayın. Difüzör ünitesinin yüzeylerini ve Difüzör Kapağını temizleyin. Hava Filtresinin herhangi bir yüzeyinde H-Essence kalıntısı kalmadığından emin olun.
4. Tüm bileşenlerin kuru olduğundan emin olun.
5. Hava Girişi Kapağını [**Şek. 17a**] ve güç kablosundaki Makarayı kabloyu [**Şek. 17b**] çekerek çıkarın ve kabloyu saklama kancasına, fişi taşıma yerine yerleştirin. [**Şek. 17c,d**] Hava giriş kapağını tekrar takın [**Şek. 17e**]
6. Hava Temizleyiciyi serin ve kuru bir yerde saklayın.



Şek. 17

UYARILAR VE ÇÖZÜMLER

Kullanım sırasında aşağıdaki kodlar görünebilir. [**Şek. 18**]



Şek. 18

Hata Açıklaması	Hata Açıklaması		Hata Çözümü
	Ürünün Kontrol Panelindeki uyarı / Ekran	Uygulamadaki uyarı	
Dış Katmanın Filtre temizleme Uyarısı	Ekranında "FİLTREYİ TEMİZLE" uyarısı yanıp söner	Filtre temizleme Uyarısı	1.Dış Katmanın Filtresini temizlemek için I/M'deki talimatları izleyin. 2.Uyarıyı sıfırlayın.
Filtre değiştirme Uyarısı	Ekranında "FİLTREYİ DEĞİŞTİR" uyarısı yanıp söner	Filtre değiştirme Uyarısı	1.Filtreyi değiştirmek için I/M'deki yönlendirmeyi izleyin. 2.Uyarıyı sıfırlayın.
Filtre yok veya filtre kilitli değil	Ekranında "FİLTRE YOK" uyarısı yanıp söner	Filtre yok veya filtre kilitli değil	1.Filtre yoksa, geri takın. 2.Filtre yerindeyse, Filtre Tırnağının KİLİTLİ durumuna getirilip getirilmediğini kontrol edin.
Toz sensörü arızalı: sensörden veya çıkış voltajından gelen sinyal sınır değeri aşmıyor	/	Toz sensörü arızalı: sensörden veya çıkış voltajından gelen sinyal sınır değeri aşmıyor	Toz sensörü arızası veya toz sensörü kablosu iyi bağlanmamış, lütfen düzeltmek için bakım merkezini arayın.
Motor hız yok	/	Motor hız yok geri bildirim	Motor arızası veya motor kablosu iyi bağlanmamış, lütfen düzeltmek için bakım merkezini arayın.
CO sensörü arızalı	CO sensörü durum lambası sarı renkte yanıyor	CO sensörü arızalı	Uyarı: bakım merkezini aranması gerekiyor.

DİKKAT: Yukarıdaki bu sorunlar devam ediyorsa yerel Hoover temsilcinize danışın. H-Purifier cihazını kendiniz demonte etmeye ÇALIŞMAYIN.

SORUN GİDERME

Aşağıda en sık karşılaşılan problemler ve çözümlerinin bir listesi verilmiştir. Eğer bu problemlerden herhangi biri devam ederse, yerel Hoover temsilcinizle irtibat kurunuz.

Fan çalışmıyor (Kumanda Paneli / Ekran ışıkları yanık)	<ul style="list-style-type: none"> • Ekranda veya uygulamada gösterilen uyarıyı kontrol edin. • Fanda herhangi bir tıkanıklık olup olmadığını kontrol edin. • H-Purifier cihazının açık olup olmadığını kontrol edin. • Filtrenin yanlış takılıp takılmadığını kontrol edin. • H-Purifier cihazının tamamen dik bir konumda olduğunu ve eğilmediğini kontrol edin.
Fan çalışmıyor (Kumanda Paneli / Ekran ışıkları sönük)	<ul style="list-style-type: none"> • H-Purifier cihazının prize takılı ve açık olup olmadığını kontrol edin. • Fanda herhangi bir tıkanıklık olup olmadığını kontrol edin.
Kontrol Panelinde Işık yok / Ekran (Fan Çalışıyor)	<ul style="list-style-type: none"> • Kontrol Panelindeki Işık Kontrolü düğmesine basarak ışıkların sönük olmadığını kontrol edin / Ekran.
Kontrol panelindeki / Ekrandaki düğmeler çalışmıyor	<ul style="list-style-type: none"> • Çocuk Kilidi düğmesine 3 saniye basılı tutarak Çocuk kilidinin etkin olduğunu kontrol edin.
Hava Akışı Zayıf	<ul style="list-style-type: none"> • Koruyucu ambalajın filtreden çıkarıldığını kontrol edin. • Hava Giriş Kapağında veya Hava çıkışında herhangi bir tıkanıklık olmadığını kontrol edin. • Temizleme veya değiştirme uyarısı için Kontrol Panelinde / Ekranda veya Uygulamada Filtre durumunu kontrol edin. • H-Purifier cihazının uyku modunda olup olmadığını kontrol edin. Fan bu modda düşük güçte çalışır.
Hava Temizleyici yüksek sesle çalışıyor	<ul style="list-style-type: none"> • Hava Çıkışında veya fanda herhangi bir tıkanıklık olmadığını kontrol edin. • H-Purifier cihazının MAKS modunda çalışıp çalışmadığını kontrol edin, bu modda hava akışı maksimum güçtedir.
Hava Filtresi, aniden yüksek sesli bir zil çalar.	<ul style="list-style-type: none"> • CO Uyarı düğmesinin test işlevi, hatalı çalışma ile etkinleştirilir. Ses, 5 saniye sonra otomatik olarak duracaktır.

ÖNEMLİ BİLGİLER

Hoover Yedek Parçaları ve Sarf Malzemeleri

Parçaları daima orijinal Hoover parçaları ile değiştirin. Bu parçaları Hoover servislerinden tedarik edebilirsiniz. Parça siparişi verirken mutlaka cihazın model numarasını belirtin.

Kalite

Hoover fabrikalarının kalitesi bağımsız olarak takdir almıştır. Ürünlerimiz, ISO 9001 gereksinimlerini içeren bir kalite sistemi kullanılarak üretilmektedir.

Garanti

Bu cihaz için garanti koşulları, cihazın satıldığı ülkedeki temsilcimiz tarafından tanımlanmaktadır. Bu koşullara ilişkin ayrıntılar cihazın satın alındığı bayiden edinilebilmektedir. Bu garanti koşulları altında yapılan talepte satış fişi(faturası) ve makbuzu ibraz edilmiş olmalıdır.

Haber verilmeksizin değişiklikler yapılabilir.

