

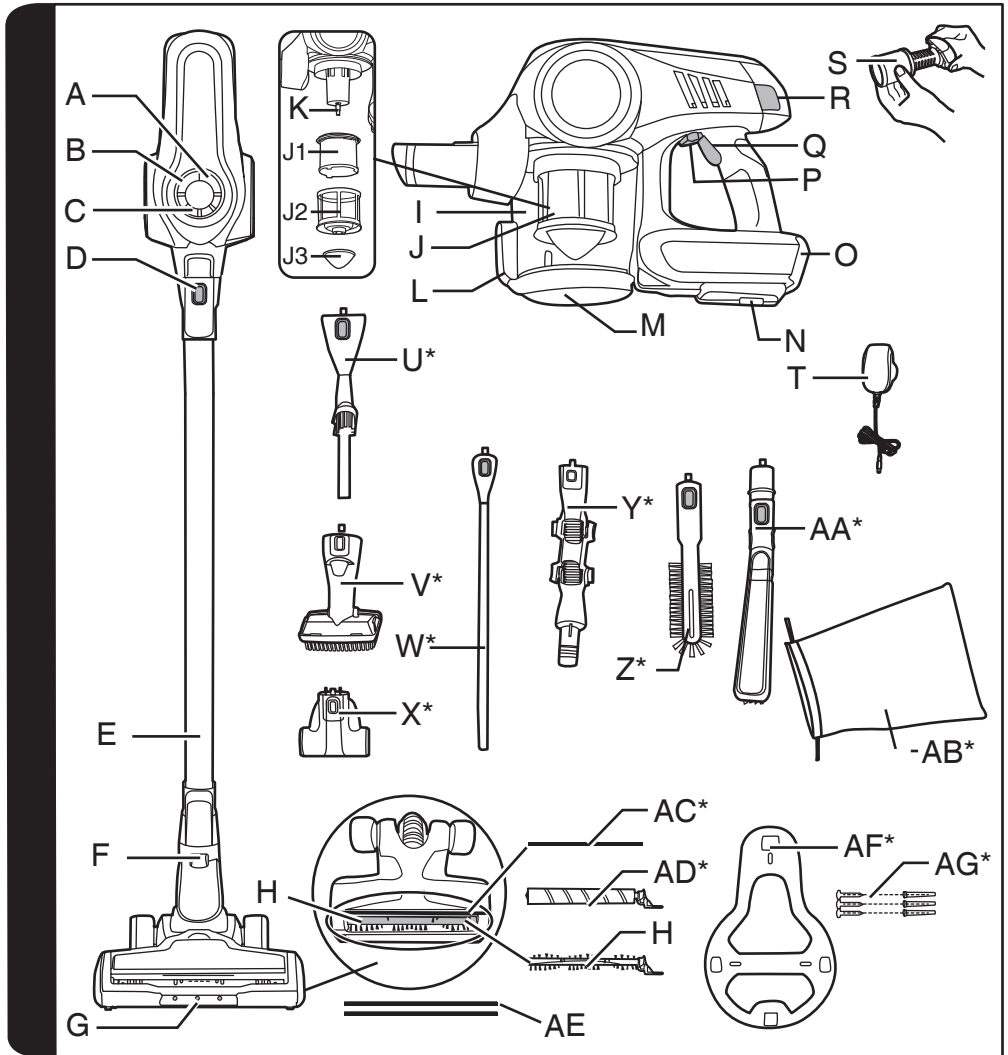
HOOVER



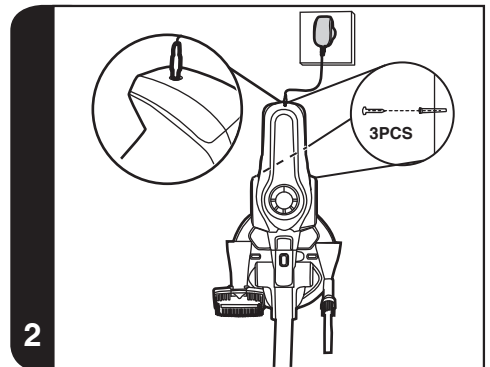
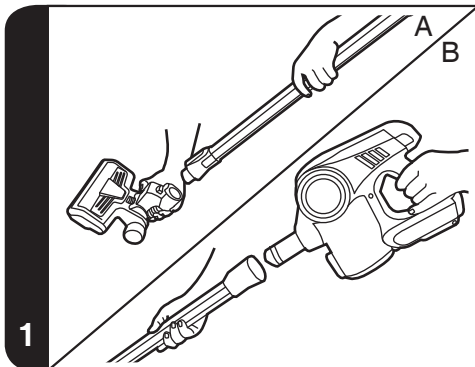
| | |
|----------------------------------|------|
| USER MANUAL (GB) | P 01 |
| MANUEL D'UTILISATION (FR) | P 07 |
| BEDIENUNGSANLEITUNG (DE)..... | P 13 |
| MANUALE D'ISTRUZIONI (IT)..... | P 19 |
| GEBRUIKERSHANDLEIDING(NL)..... | P 25 |
| MANUAL DE INSTRUÇÕES(PT)..... | P 31 |
| MANUAL DE INSTRUCCIONES(ES)..... | P 37 |
| BRUGERVEJLEDNING(DK)..... | P 43 |
| BRUKSANVISNING(NO)..... | P 49 |
| INSTRUKTIONSMANUAL(SE)..... | P 55 |
| KÄYTTÖOHJE(FI)..... | P 61 |
| ΟΔΗΓΙΕΣ ΧΡΗΣΕΩΣ(GR)..... | P 67 |
| РУКОВОДСТВО ПОЛЬЗОВАТЕЛЯ(RU)... | P 73 |
| INSTRUKCJA OBSŁUGI(PL)..... | P 79 |
| NÁVOD K OBSLUZE(CZ)..... | P 85 |
| NAVODILA ZA UPORABO(SI)..... | P 91 |
| KULLANIM KILAVUZU(TR)..... | P 97 |

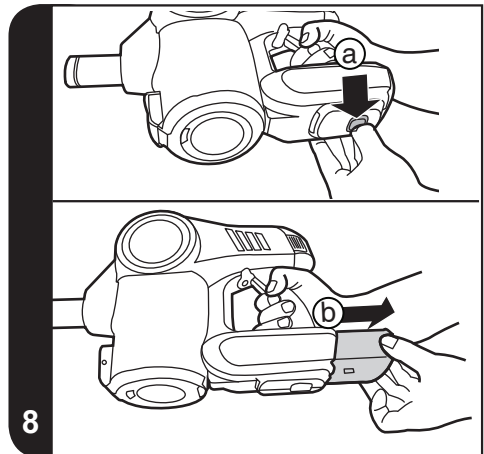
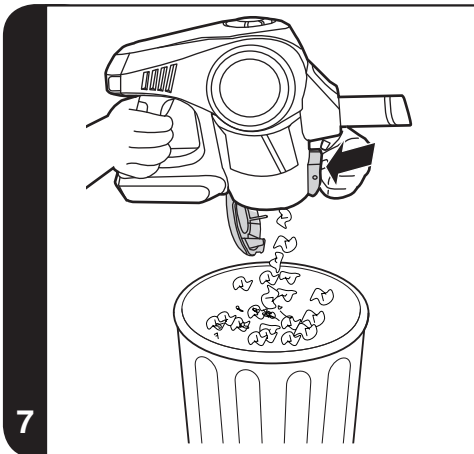
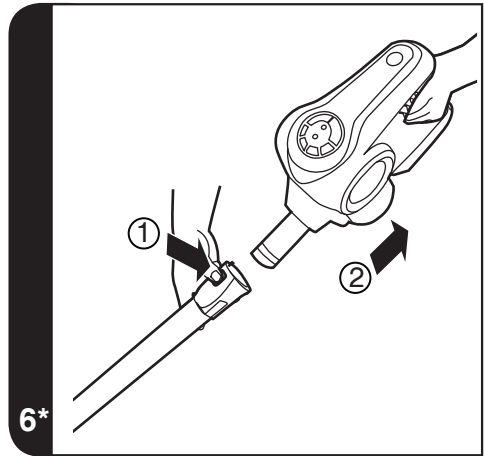
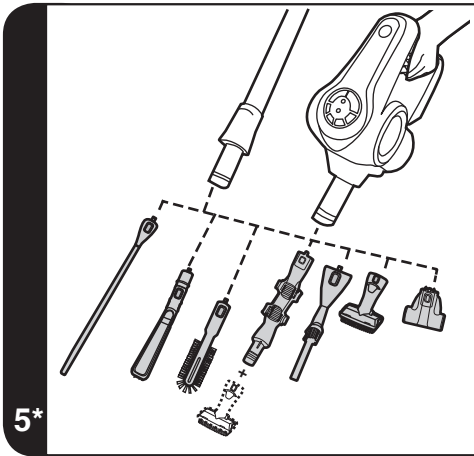
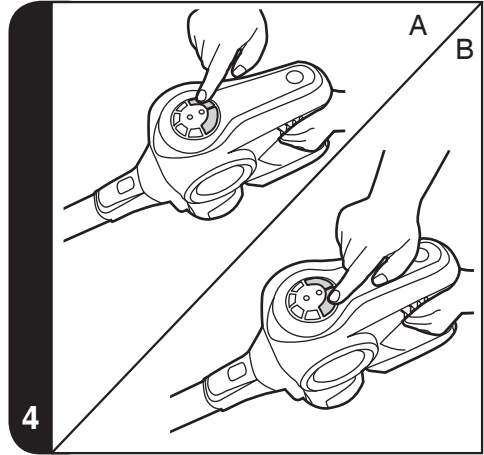
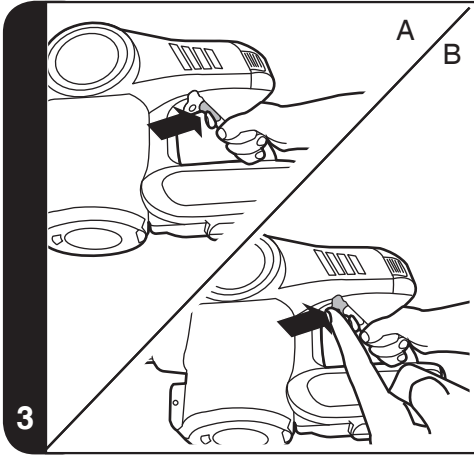


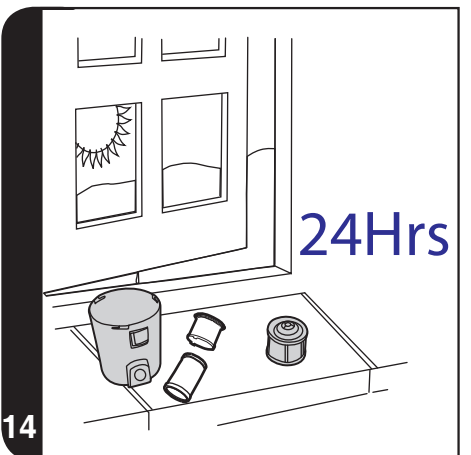
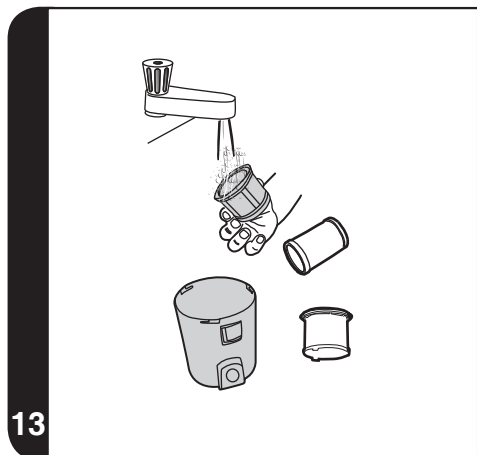
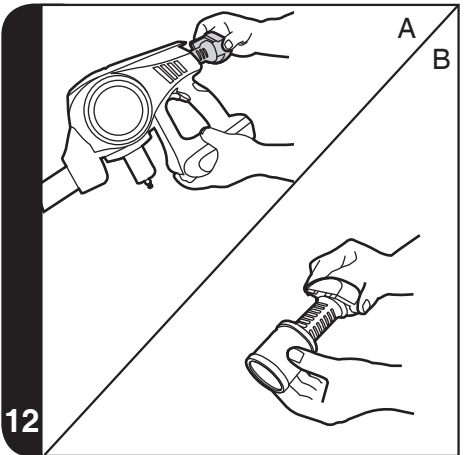
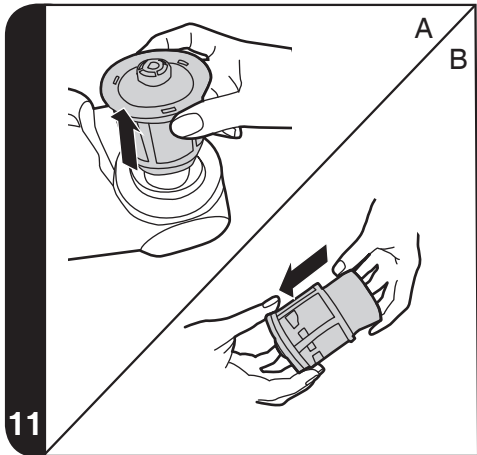
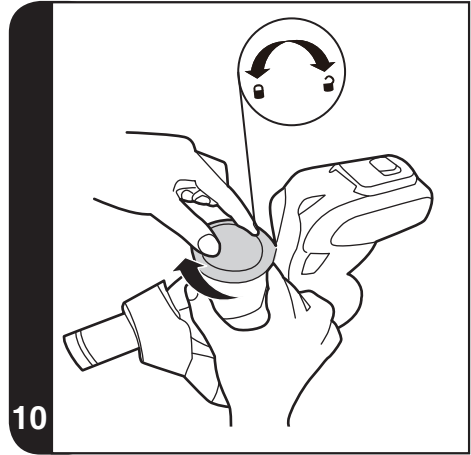
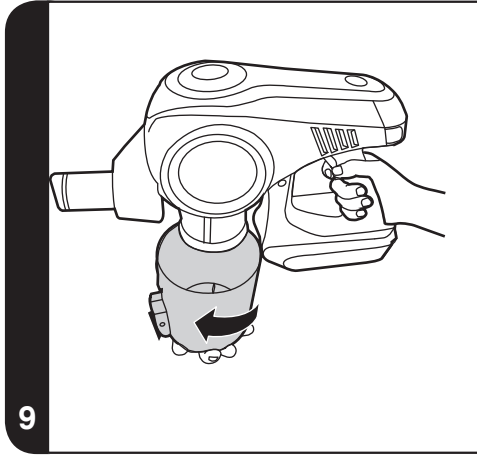
BORN INNOVATIVE

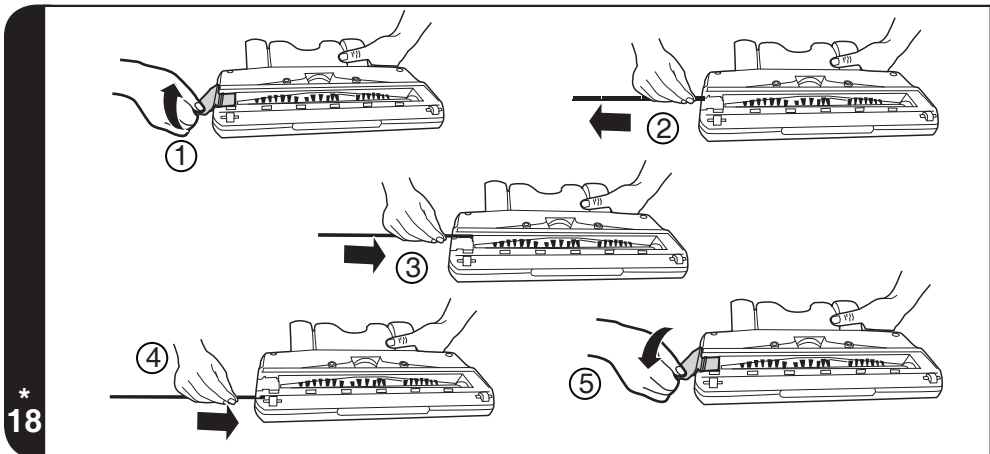
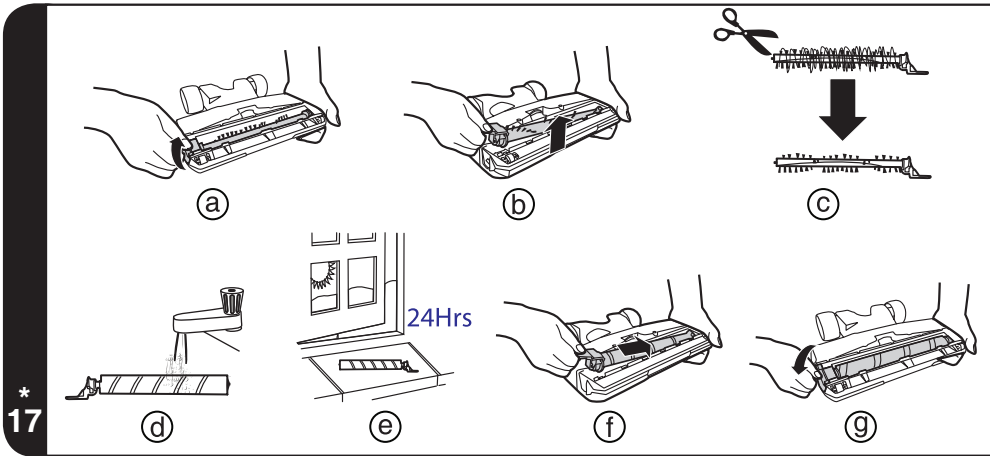
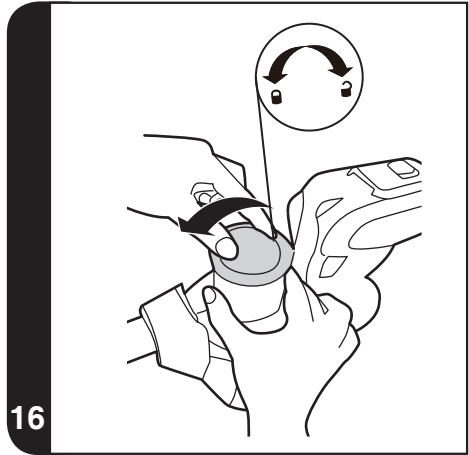
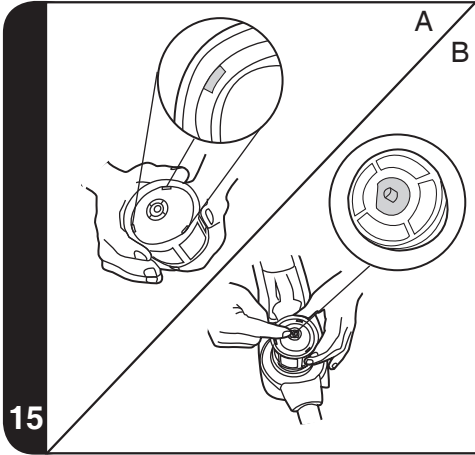


* Certain models only, accessories may vary according to model









INSTRUCTIONS FOR SAFE USE AND FITTINGS

This appliance should only be used for domestic cleaning, as described in this user guide. Please ensure that this guide is fully understood before operating the appliance.

Always switch off and remove the charger from the socket before cleaning the appliance or any maintenance task.

This appliance can be used by children aged from 8 years and above and persons with reduced physical, sensory or mental capabilities or lack of experience and knowledge if they have been given supervision or instruction concerning use of the appliance in a safe way and understand the hazards involved. Children shall not play with the appliance.

Cleaning and user maintenance shall not be made by children without supervision.

If the power cord is damaged stop using the appliance immediately.

To avoid a safety hazard, an authorised Hoover service engineer must replace the power cord.

Use only the original charger supplied with the appliance.

Check that your supply voltage is the same as that stated on the charger.

This appliance is supplied with a double insulated battery charger which is only suitable for insertion in a 230V (UK 240V) socket outlet.

Plug the charger in to suitable socket outlet and connect the charger jack plug to the appliance.

When charging the appliance, the power switch lever must be in the off position.

Before first use, charge your appliance for at least 24 hours.

The battery pack LED light will blink in blue when charging and remain lit when fully charged.

Re-connect the appliance to the charger after use to recharge the battery.

Never charge the batteries in temperatures above 37°C or below 0°C. It is normal for the charger to become warm to the touch when charging. Unplug the charger in the event of prolonged absence (holidays, etc.). Recharge appliance again before use as batteries may self discharge over increased periods of storage.

Use only attachments, consumables or spares recommended or supplied by Hoover.

Static electricity: some carpets can cause a small build up of static electricity. Any static discharge is not hazardous to health.

Keep hands, feet, loose clothing and hair away from rotating brushes.

Do not unplug the charger by pulling on the power cord.

Do not use your appliance out of doors or on any wet surface or for wet pick up. Do not pick up hard or sharp objects, matches, hot ashes, cigarette ends or other similar items. Do not spray with or pick up flammable liquids, cleaning fluids, aerosols or their vapours. Do not run over the power cord when using your appliance or remove the plug by pulling on the power cord.

Do not continue to use your appliance or charger if it appears faulty. Do not use the appliance to clean animals or people. Do not replace the batteries with non-rechargeable batteries.

Hoover service: To ensure the continued safe and efficient operation of this appliance we recommend that any servicing or repairs are only carried out by an authorised Hoover service engineer.

End of product Life disposal:

If the appliance is to be disposed of the batteries must first be removed. The appliance must be disconnected from the supply mains when removing the battery. Dispose of the batteries safely. Run the appliance until it stops because the batteries are fully discharged. Used batteries should be taken to a recycling station and not disposed of with household waste. To remove the batteries, please contact the Hoover Customer Centre or proceed according to the following instructions.

IMPORTANT: Always fully discharge the batteries before removal.

Run the cleaner until the batteries are completely empty.

Remove the charger jack plug from the appliance.

Press the battery pack release button and slide to remove.

Note: Should you experience any difficulty in dismantling the unit or for more detailed information on treatment, recovery and recycling of this appliance, please contact your local city office or your household waste disposal service.

The Environment:

This appliance is marked according to the European directive 2011/65/EC on Waste Electrical and Electronic Equipment (WEEE). By ensuring this product is disposed of correctly, you will help prevent potential negative consequences for the environment and human health, which could otherwise be caused by inappropriate waste handling of this product. The symbol on the product indicates that this product may not be treated as household waste. Instead it shall be handed over to the applicable collection point for the recycling of electrical and electronic equipment. Disposal must be carried out in accordance with local environmental regulations for waste disposal. For more detailed information about treatment, recovery and recycling of this product, please contact your local city office, your household waste disposal service or the shop where you purchased the product.



This product complies with the European Directives 2014/35/EU, 2014/30/EU and 2011/65/EU.

CANDY HOOVER GROUP S.r.l. Via Privata Eden Fumagalli, 20861 Brugherio (MB) Italy

PRODUCT COMPONENTS

- | | |
|------------------------------------|---|
| A. Turbo On/Off Button | R. Exhaust Filter Release Button |
| B. Silent Button | S. Exhaust Filter |
| C. LED Indicators | T. Charger |
| D. Handheld Release Button | U. 2 In 1 Tool With Quick&Secure Connection* |
| E. Tube | V. 2 In 1 Large Dusting And Furniture Brush With Quick & Secure Connection* |
| F. Nozzle Release Button | W. Long Flexible Crevice Tool With Quick & Secure Connection* |
| G. Nozzle Front Light | X. Mini Turbo Nozzle With Quick & Secure Connection* |
| H. Intense Floor Roller | Y. Up To Top Tool Adaptor With Quick & Secure Connection* |
| I. Dust Cup | Z. Radiator Tool With Quick & Secure Connection* |
| J. HSpin-Core Technology Assembly: | AA. Deep Cleaning Brush With Quick & Secure Connection* |
| J1. Motor Cover | AB. Accessory Bag* |
| J2. Mesh Filter | AC. Rear Fluffy Blade* |
| J3. Cover Cup | AD. Deep Care Roller* |
| K. Motor Shaft | AE. Wiper Blades |
| L. Dust Cup Empty Button | AF. Wall Mount* |
| M. Dust Cup Bottom Cover | AG. Screws Plugs* |
| N. Battery Pack Release Button | |
| O. Battery Pack | |
| P. Switch Lever | |
| Q. ON/OFF Switch | |

PREPARING YOUR CLEANER

1. Insert the nozzle head into one side of tube until you hear a "click" sound. **[1A]**
2. Insert the other side of tube into the handheld unit until you hear a "click" sound. **[1B]**
3. Fix the Wall Mount to your wall using the screws and screw plugs provided. **[2]**
4. To fully charge the appliance, connect the charger jack plug to the battery pack. It will take around 6Hrs. **[2]**

NOTE: To remove the nozzle, press the nozzle release button and pull away from the main body.

NOTE: Use only the charger supplied with your cleaner to recharge.

IMPORTANT: When charging the cleaner, the switch lever must be in the OFF position. You can charge the battery pack also when released from the product.

It is normal for the charger to become warm to touch when charging.

USING YOUR CLEANER

There are four working modes:

- **TEMPORARY MODE:** The product will start working when you press on the ON/OFF Switch and stop when released. **[3A]**
- **CONTINUOUS MODE:** To enable continuous mode you can pull switch lever back and it will click into place. **[3B]** To disable continuous mode you can push the switch lever forward.
- **SILENT MODE:** Press the silent button to clean thoroughly at the lowest noise level for this product.
- **TURBO MODE:** Press the Turbo Button to fully power the product for hard cleaning tasks.

IMPORTANT: After each use of your product, please ensure to push the switch lever forward to the unlocked position. Failure to do so may result in a reduction in battery life or failure.

SELECT SUITABLE ROLLER FOR BEST CLEANING

Intense Floor roller*: It is recommended to use on carpet which can go deep into the carpet to clean the dust.

Deep Care roller*: It is recommended to use on hard floor or delicate parquet. Thanks to the soft bristles you can gently clean those type of floors.

IMPORTANT: Always switch off the cleaner before changing and cleaning the agitator.

NOTE: To fit the Roller you would like to use: **[17]**

1. Detach the agitator release button flap. It is positioned on the lateral part of the nozzle.
2. Hold the agitator release flap and pull down to remove the agitator.
3. Replace with Intense Floor Roller or with the Deep Care Roller.
4. Re-fit in position the agitator release flap.

WIPER BLADE ASSEMBLY

To obtain the best crevice and carpet performance, it is recommended to assemble the front and rear wiper blades to the soleplate of the nozzle.

To do this, open the agitator release flap and remove the soft strip. Then grip one wiper blade, by inserting one end into the rear slot and slide it in until fully home. Repeat these operations for the second wiper blade and slide it in the front slot. Lock the agitator release flap. **[18]**

SAFETY PROTECTION SYSTEM

To ensure the reliability of the product is not affected if used under arduous conditions, the product features an integrated safety protection system.

NOTE: The Safety protection system will action if the agitator has a blockage or is locked, once actioned, the agitator will stop rotating and the white Led lights on the front of the nozzle will go out. If this happens, simply turn off your product and clear the agitator obstruction. To resume cleaning, press the on/off button and the product will start in normal mode.

BATTERY

DISPLAY Led:

This cleaner is equipped with a Led display. When the product is ON and the display illuminated the indicators show the following information.

BATTERY LEVEL INDICATOR:

- 4 points = 100% charge
- 3 points = 75% charge
- 2 points = 50% charge
- 1 point = 25% charge

CHARGING

During the charging process if the battery charged level is below 25% you will see the first Led blink until it reaches above 25%, then it will stay illuminated. This process will continue on all points of the Led indicating level of battery charge 25%, 50%, 75%, etc. When the battery charge has reached 100% all 4 points will be illuminated.

Please note to ensure your battery is being charged at a safe working temperature we have fitted a safety device. If this device activates and you commence the charging process then you will see the first Led flash until it has reset. After it has automatically reset the normal charging process as described above will commence.

DISCHARGING

When the product is running and the batteries are discharging the Led indicator light will start to flash when the battery capacity is lower than 5% indicating the need to recharge.

* Certain Models Only

ACCESSORIES

2 IN 1 CREVICE & DUSTING BRUSH WITH QUICK & SECURE CONNECTION*, 2-1 LARGE DUSTING & FURNITURE BRUSH WITH QUICK & SECURE CONNECTION*, LONG FLEXIBLE CREVICE TOOL WITH QUICK & SECURE CONNECTION*, MULTI FUNCTION UP TO TOP TOOL ADAPTOR WITH QUICK & SECURE CONNECTION*, MINI TURBO NOZZLE WITH QUICK & SECURE CONNECTION*, RADIATOR TOOL WITH QUICK & SECURE CONNECTION* AND DEEP CLEANING BRUSH WITH QUICK & SECURE CONNECTION.

The above accessories can be fitted directly into the handheld unit or one side of the tube. [5]

NOTE: The mini-turbo nozzle is ideal for deep cleaning textile surfaces (i.e. sofas) and pet hair removal. Move it steadily backwards and forwards. After using, please remove hair / threads collected on the brush with scissors if necessary.

NOTE: The long flexible crevice tool is ideal for cleaning in hard to reach areas, underneath furniture and in your car.

NOTE: The radiator tool is ideal for cleaning inside and around cabinets, radiators, couches, blinds and more.

NOTE: The deep cleaning brush is useful to clean in tight spaces without scratching surfaces, and inside your car.

NOTE: The multi-function up to top tool adaptor is recommended to reach high furniture and ceilings. You can attach to whatever tool, apart from the mini turbo, to clean high corners, curtains, or above high furniture.

ACCESSORY BAG*

Accessories can be stored in the accessory bag.

WALL MOUNT*

Hang the wall mount to the wall, using the three screws included in the product [2] to hang product, 2in1 crevice & dusting brush, 2in1 large dusting & crevice and mini turbo nozzle (when included).

CLEANER MAINTENANCE

Emptying the Dust Container

1. Press the handheld release button and remove the tube. [6]
2. Press the dust cup empty button to release the bin flap and empty the contents. [7]
3. Close the dust cup flap up, you will hear a click when fully locked.

NOTE: It is recommended to empty the dust cup after each use or when dust is up to the max fill lines.

Cleaning the Dust Container and Filter

1. Press the handheld release button and remove the tube. [6]
2. Press the dust cup empty button to open the bin flap and empty it. [7]
3. Push down the battery pack release button and remove the battery pack. [8A,8B]
4. Turn the dust bin in a clockwise direction, align the arrow marks and remove from cleaner main body. [9]
5. Clean any excess dust from the mesh filter [J2], hold the mesh firmly with one hand and with the other turn the cover cup [J3] in a clockwise direction to remove the mesh filter. [10]
6. Once the cup cover is removed, pull the HSpin-Core Technology assembly away from the main body. [11A] Hold the top of the motor cover [J1] and remove the mesh filter by pulling away. [11B]
7. Press the two exhaust filter release buttons and then remove the exhaust filter. [12A, 12B]
8. When cleaning the the filters, wash the mesh filter [J2] and exhaust filter [S] in luke warm water. [13] Please ensure all parts are completely dry before reassembling. [14]
9. When reassembling the HSpin-Core Technology, firstly reattach the mesh filter to the motor cover, [15A] then align this assembly with the motor shaft, paying particular attention to the flat surface on the motor shaft. [15B]
10. Secondly again hold mesh filter and refit cover cup: rotate in an anti-clockwise direction to lock [16]. PLEASE ENSURE YOU DO NOT OVERTIGHTEN AS THIS MAY DAMAGE THE THREAD.
11. Complete reassembly of the handheld unit and then attach it to the wall Mount.

NOTE: Do not use hot water or detergents when cleaning the exhaust filters. In the unlikely event of the exhaust filters becoming damaged, fit a genuine Hoover replacement. Do not try use the product without a filter fitted.

IMPORTANT: For optimum performance, always keep your mesh filter clean. We recommend that the filter should be washed at least once a month.

* Certain Models Only

Changing and Cleaning the Agitator

IMPORTANT: Always switch off the cleaner before changing and cleaning the agitator.

1. Detach the agitator release button flap. It is positioned on the lateral part of the nozzle. [17a]
2. Hold the agitator release flap and remove the agitator. [17b]
3. To clean the Intense Floor Roller, remove excess debris using scissors. [17c]
4. To clean the Deep Care Roller, rinse with water [17d] and leave to dry for 24hrs. [17e]
5. Re-fit the agitator. [17f] The agitator can only fit in one direction.
6. Close the agitator release flap to secure the agitator in position. [17g]

Replacing the Batteries

This cleaner is fitted with a rechargeable Lithium ion battery pack and it is replaceable.

WARNING: Only use approved replacement parts for your cleaner. Using parts not validated by Hoover are dangerous and will invalidate your guarantee.

WARNING: Do not try to open the battery pack and repair it by yourself.

1. Pull down the battery pack release button and the battery pack will be pushed out short distance automatic. [8A]
2. Drag the battery pack slowly from the slot. [8B]
3. Removed the old battery pack and replace with the new battery pack.
4. Dispose of the batteries safely. Used batteries should be taken to a recycling station and not disposed off with household waste.

TROUBLESHOOTING

Should you have any problem with you cleaner, follow this simple check list before calling the Hoover Customer Service Centre:

- A. Cleaner does not switch on
 - Check if the cleaner is charged.
 - Check if the battery pack is assembled in place.
- B. Cleaner stop working
 - Check if the HSpin-Core Technology motor is blocked.
 - Clear it and ensure the continuous mode lever is off. Once this is done simply press the on/off button, the product will restart after a few seconds.
- C. Loss of suction or no suction
 - Empty the dust cup and wash the mesh filter and clean the HSpin-Core Technology assembly.
 - Remove nozzle and check for any blockages in the duct.
- D. Batteries cannot be charged
 - This may be a result of very long storage periods (over half year).
 - Contact Hoover customer service to arrange battery replacement.
 - If the problem persists contact the Hoover customer service centre.

HOOVER SPARES AND CONSUMABLES

Always replace parts with genuine Hoover spares. These are available from your local Hoover dealer or direct from Hoover. When order parts always quote your model number.

YOUR GUARANTEE

The guarantee conditions for this appliance are as defined by our representative in the country in which it is sold. Details regarding these conditions can be obtained from the dealer from whom the appliance was purchased. The bill of sale or receipt must be produced when making any claim under the terms of this guarantee.

IMPORTANT: The battery in this cleaner is guaranteed for 2 years from the date of purchase. After 2 years the customer is liable for the cost of a new battery.

Subject to change without notice.

INSTRUCTIONS DE SÉCURITÉ D'UTILISATION ET DE RACCORDEMENT

Cet appareil ne doit être utilisé que pour un nettoyage domestique, conformément à ce guide d'utilisation. Veuillez vous assurer que ces instructions sont parfaitement comprises avant d'utiliser l'appareil.

Il convient de toujours éteindre et mettre le chargeur hors tension avant d'entreprendre des opérations de nettoyage ou d'entretien de l'appareil.

Cet appareil peut être utilisé par des enfants âgés d'au moins 8 ans et par des personnes ayant des capacités physiques, sensorielles ou mentales réduites, ou n'ayant pas d'expérience ou de connaissances en la matière. Ces dernières doivent recevoir des instructions sur l'utilisation de l'appareil en toute sécurité et comprendre les risques impliqués. Les enfants ne doivent pas jouer avec l'appareil.

Le nettoyage et l'entretien ne devraient pas être effectués par des enfants sans supervision.

Si le cordon d'alimentation est endommagé, arrêtez immédiatement d'utiliser l'appareil.

Pour éviter les risques d'accident, un réparateur Hoover agréé doit remplacer le cordon d'alimentation.

Utilisez uniquement le chargeur d'origine qui vous a été fourni avec l'appareil.

Vérifiez que la tension de l'alimentation est la même que celle indiquée sur le chargeur.

Cet appareil Hoover est fourni avec un chargeur de batterie doublement isolé qui n'est adapté qu'à une prise de 230 V (240 V Grande-Bretagne).

Branchez le chargeur dans une prise adaptée et connectez la prise jack du chargeur dans l'appareil.

Lors du chargement de l'appareil, le commutateur d'arrêt/de démarrage doit être sur arrêt.

Avant la première utilisation, rechargez votre aspirateur pendant au moins 24 heures.

Le voyant du bloc batterie clignote en bleu lorsque l'appareil est en cours de chargement et reste allumé lorsqu'il est complètement chargé.

Rebranchez l'appareil au chargeur après l'utilisation pour recharger les batteries.

Ne rechargez jamais les batteries dans des températures de plus de 37°C ou en-dessous de 0°C. Il est normal pour le chargeur de devenir chaud au toucher lorsqu'il est en train de charger. Débranchez le chargeur en cas d'absence prolongée

(vacances, etc.). Rechargez l'appareil de nouveau avant de l'utiliser car les batteries peuvent se décharger toutes seules si elles sont stockées pendant longtemps.

N'utilisez que les accessoires, les consommables et les pièces de rechange recommandés ou fournis par Hoover.

Electricité statique : certains tapis peuvent entraîner une petite accumulation d'électricité statique. Les décharges d'électricité statique ne sont pas dangereuses pour la santé.

Maintenez les mains, pieds, vêtements et cheveux à distance des brosses rotatives.

Ne pas débrancher en tirant sur le cordon d'alimentation.

N'utilisez pas votre appareil à l'extérieur, sur une surface humide ou pour un ramassage humide. N'aspirez pas d'objets durs ou tranchants, d'allumettes, de cendres chaudes, de mégots de cigarettes ou d'autres objets similaires. Ne pulvérisiez ou n'aspirez pas des liquides inflammables, des produits d'entretien liquides, des aérosols ou leurs vapeurs. Ne marchez pas sur le cordon d'alimentation lorsque vous utilisez votre appareil et ne le débranchez pas de la prise en tirant sur le cordon d'alimentation. Ne continuez pas à utiliser votre appareil ou votre chargeur s'il semble défectueux. N'utilisez pas l'appareil sur des personnes ou des animaux. Ne remplacez pas les batteries avec des batteries non rechargeables.

Service Hoover : Pour assurer l'utilisation sûre et efficace de cet appareil, nous recommandons de n'en confier l'entretien et les réparations qu'à un réparateur Hoover agréé.

Mise au rebut en fin de vie :

Si vous mettez l'appareil à la poubelle, il convient de retirer les batteries d'abord. L'appareil ne doit pas être branché à la prise, lorsque vous retirez les batteries. Mettez les batteries à la poubelle, dans un endroit sûr. Laissez fonctionner l'appareil jusqu'à l'arrêt total de l'appareil dû au fait que les batteries sont entièrement déchargées. Des batteries usées doivent être amenées à un point de recyclage et non pas être éliminées avec les ordures ménagères. Pour retirer les batteries, veuillez contacter le centre d'assistance Hoover ou suivez les instructions suivantes.

IMPORTANT : Déchargez toujours complètement les piles avant de les retirer.

Faites fonctionner le nettoyeur jusqu'à ce que les batteries soient complètement vides. Retirez la prise jack du chargeur de l'appareil.

Appuyez sur le bouton de déverrouillage du bloc batterie et faites-le glisser pour le retirer.

Note : Si vous rencontrez des difficultés en démontant l'unité ou si vous souhaitez obtenir de plus amples informations concernant le traitement, la récupération et le recyclage de cet appareil, veuillez contacter les services de votre ville locale ou un service de traitement des ordures ménagères.

Environnement :

Cet appareil porte des marques conformes à la directive européenne 2011/65/EC relative aux déchets d'équipements électriques et électroniques (DEEE). Si vous jetez ce produit convenablement, vous contribuerez à éviter des conséquences potentiellement nuisibles pour l'environnement et pour la santé. Le symbole figurant sur le produit indique qu'il ne peut pas être mis à la poubelle avec les ordures ménagères. Vous devez le déposer dans un centre de recyclage des déchets électriques et électroniques. La déposition doit être effectuée conformément à la réglementation locale en matière de déchets. Pour obtenir des compléments d'information sur le traitement, la récupération et le recyclage de ce produit, merci de contacter votre municipalité, le service local des ordures ménagères ou le revendeur du produit.



Cet appareil est conforme aux Directives européennes 2014/35/UE, 2014/30/EUE et 2011/65/UE.

CANDY HOOVER GROUP S.r.l. Via Privata Eden Fumagalli, 20861 Brugherio (MB) Italy

COMPOSANTS DU PRODUIT

- | | |
|--|--|
| A. Bouton d'activation/de désactivation du turbo | S. Filtre d'évacuation |
| B. Silent Button | T. Chargeur |
| C. Indicateurs LED | U. Outil 2 en 1 avec connexion rapide et sécurisée* |
| D. Bouton de déverrouillage portable | V. Grande brosse à dépolir et à meubler 2 en 1 avec connexion rapide et sécurisée* |
| E. Tube | W. Suceur plat long et flexible avec connexion rapide et sécurisée* |
| F. Bouton pour détacher la brosse | X. Mini turbobrosse avec connexion rapide et sécurisée* |
| G. Lumière avant de la brosse | Y. Adaptateur d'accès hauteur avec connexion rapide et sécurisée* |
| H. Rouleau pour sol intense | Z. Accessoire pour radiateurs avec connexion rapide et sécurisée* |
| I. Récipient à poussière | AA. Brosse de nettoyage en profondeur avec connexion rapide et sécurisée* |
| J. Ensemble HSpin-Core Technology : J1. Couvercle du moteur J2. Filtre à mailles J3. Cuve | AB. Sac accessoire* |
| K. Arbre de moteur | AC. Balai duveteux arrière* |
| L. Bouton de vidage du bac à poussière | AD. Rouleau d'entretien en profondeur* |
| M. Couvercle inférieur du récipient à poussière | AE. Balais d'essuie-glace |
| N. Bouton de déverrouillage du bloc batterie | AF. Support mural* |
| O. Bloc batterie | AG. Bouchons à vis* |
| P. Commutateur d'arrêt/de démarrage | |
| Q. Interrupteur ON/OFF | |
| R. Bouton de déverrouillage du filtre d'évacuation | |

PREPARATION DE L'APPAREIL

1. Insérez la tête de buse dans un côté du tube jusqu'à ce que vous entendiez un déclic. **[1A]**
2. Insérez l'autre côté du tube dans l'aspirateur à main jusqu'à ce que vous entendiez un déclic. **[1B]**
3. Fixez le support mural au mur à l'aide des vis et des bouchons à vis fournis. **[2]**
4. Pour entièrement charger l'appareil, connectez la prise jack du chargeur au bloc batterie. Cela prendra environ 6 heures. **[2]**

REMARQUE : Pour enlever la brosse, appuyez sur le bouton pour détacher la brosse et enlevez-la du corps principal.

REMARQUE : N'utilisez que le chargeur fourni avec votre nettoyeur pour recharger.

IMPORTANT : Quand vous rechargez le nettoyeur, le bouton Marche/Arrêt doit être en position ARRÊT. Vous pouvez charger le bloc batterie également lorsqu'il est détaché du produit.

Il est normal pour le chargeur de devenir chaud au toucher lorsqu'il est en train de charger.

* Sur certains modèles uniquement

UTILISATION DE L'APPAREIL

Il existe quatre modes de fonctionnement :

- **MODE TEMPORAIRE** : Le produit commence à fonctionner lorsque vous appuyez sur le bouton de MARCHE/ARRÊT et s'arrête quand vous le relâchez. [3A]
- **MODE CONTINU** : Pour activer le mode continu, vous pouvez retirer le commutateur d'arrêt/de démarrage et il s'enclenche. [3B] Pour désactiver le mode continu, vous pouvez pousser le commutateur d'arrêt/de démarrage en avant.
- **MODE SILENCIEUX** : Appuyez sur le bouton silence pour nettoyer au niveau sonore le plus bas.
- **MODE TURBO** : Appuyez sur le bouton Turbo afin d'obtenir la pleine puissance nécessaire pour le nettoyage des sols durs.

IMPORTANT : Après chaque utilisation du produit, veuillez vous assurer de faire avancer le commutateur d'arrêt/de démarrage à la position déverrouillée. Ne pas respecter cette instruction peut entraîner la réduction de la durée de vie ou la défaillance de la batterie.

SÉLECTIONNEZ LE ROULEAU ADAPTÉ POUR UN MEILLEUR NETTOYAGE

Rouleau pour sol intense* : Il est recommandé de l'utiliser sur la moquette de manière à nettoyer la poussière incrustée.

Rouleau d'entretien en profondeur* : Il est recommandé de l'utiliser sur les sols durs ou les parquets délicats. Grâce aux poils doux vous pouvez nettoyer ces types de sols en douceur.

IMPORTANT : Arrêtez toujours l'appareil avant de changer ou de nettoyer la brosse rotative.

REMARQUE : Pour le montage du rouleau que vous souhaitez utiliser : [17]

1. Détachez le volet de dégagement de la brosse rotative. Il est positionné sur la partie latérale de la brosse.
2. Tenez le volet de dégagement de la brosse rotative et abaissez-le pour retirer la brosse rotative.
3. Remplacez par le rouleau pour sol intense ou par le rouleau d'entretien en profondeur.
4. Remettez le volet de dégagement de la brosse rotative en place.

INSTALLATION DES LAMES DE BALAYAGE

Pour obtenir la meilleure performance du suceur plat sur la moquette, il est conseillé d'assembler les lames de balayage arrière et avant sous la semelle de la brosse.

Pour ce faire, ouvrez le volet de dégagement de la brosse rotative et retirez la bande souple. Puis, saisissez une lame de balayage en caoutchouc en insérant une extrémité dans la fente arrière et faites-la glisser jusqu'à ce qu'elle soit complètement en place. Répétez l'opération pour la seconde lame de balayage et faites-la glisser dans la fente avant. Verrouillez le volet de dégagement de la brosse rotative. [18]

SYSTÈME DE PROTECTION DE SÉCURITÉ

Pour s'assurer que la fiabilité du produit n'est pas affectée en cas d'utilisation dans des conditions difficiles, le produit comporte un système de protection de sécurité intégré.

REMARQUE : Le système de protection de sécurité s'activera si l'agitateur a un blocage ou est bloqué. Une fois actionné, l'agitateur s'arrêtera de tourner et les voyants blancs à l'avant de la brosse s'éteindront. Si cela se produit, éteignez simplement le produit et dégagez l'obstruction de l'agitateur. Pour reprendre le nettoyage, appuyez sur le bouton de marche/arrêt et le produit redémarrera en mode normal.

BATTERIE

AFFICHAGE LED:

Cet appareil est équipé d'un écran LED. Lorsque le produit eST en marche et que l'affichage brille, les indicateurs communiquent les informations suivantes.

INDICATEUR DE NIVEAU DE LA BATTERIE :

- 4 points = charge à 100%
- 3 points = charge à 75%
- 2 points = charge à 50%
- 1 point = charge à 25%

CHARGE

Lors du processus de charge, si le niveau de chargement de la batterie est inférieur à 25%, vous verrez le premier voyant clignoter jusqu'à ce que la charge dépasse 25%, puis la lumière du voyant se maintiendra. Ce processus se poursuivra sur tous les points du niveau d'indication LED de charge de la batterie 25%, 50%, 75%, etc. Lorsque la charge de la batterie a atteint 100%, tous les 4 points s'illuminent.

Veuillez noter que pour assurer la charge de votre batterie à une température de fonctionnement sûre, nous avons prévu un dispositif de sécurité. Si ce dispositif s'active et que vous commencez le processus de charge, vous verrez le premier voyant clignoter jusqu'à la réinitialisation. Après sa réinitialisation automatique, le processus de charge normal tel que décrit ci-dessus commencera.

* Sur certains modèles uniquement

INDICATION DE DÉCHARGE

Lorsque le produit est en marche et que les batteries se déchargent, l'indicateur LED commencera à clignoter lorsque la capacité de la batterie sera inférieure à 5%, ce qui indique la nécessité de procéder à la recharge.

ACCESSOIRES

SUCEUR PLAT ET BROSSSE À DÉPOUSSIÉRER 2 EN 1 AVEC CONNEXION RAPIDE ET SÉCURISÉE*, GRANDE BROSSSE À DÉPOUSSIÉRER ET À MEUBLES 2 EN 1 AVEC CONNEXION RAPIDE ET SÉCURISÉE*, SUCEUR PLAT LONG ET FLEXIBLE AVEC CONNEXION RAPIDE ET SÉCURISÉE*, ADAPTATEUR D'ACCÈS HAUTEUR MULTIFONCTION AVEC CONNEXION RAPIDE ET SÉCURISÉE*, MINI TURBOBROSSE AVEC CONNEXION RAPIDE ET SÉCURISÉE*, BROSSSE RADIATEUR ET BROSSSE DE NETTOYAGE EN PROFONDEUR AVEC CONNEXION RAPIDE ET SÉCURISÉE.

Les accessoires ci-dessus peuvent être insérés directement dans l'aspirateur à main ou dans un côté du tube. [5]

REMARQUE : La mini turbobrosse est idéale pour le nettoyage en profondeur des surfaces textiles (c.-à-d. les canapés) et pour le retrait de poils d'animaux domestiques. Faites-le avancer et reculer de façon régulière. Après l'utilisation, veuillez retirer les cheveux/fils rassemblés sur la brosse à l'aide de ciseaux, si nécessaire.

REMARQUE : Le suceur flexible coins profonds est idéal pour le nettoyage des endroits difficilement accessibles, sous les meubles et dans votre voiture.

REMARQUE : L'outil de radiateur est idéal pour nettoyer à l'intérieur et autour des meubles, radiateurs, canapés, stores et plus.

REMARQUE : La brosse de nettoyage en profondeur est utile pour nettoyer les espaces étroits sans égratigner les surfaces et l'intérieur de votre voiture.

REMARQUE : L'outil accès en hauteur multifonction est recommandé pour atteindre les fournitures en hauteur et les plafonds. Vous pouvez le fixer à n'importe quel outil en dehors de la mini turbobrosse, pour nettoyer les recoins en hauteur, les rideaux ou le dessus des meubles hauts.

SAC ACCESSOIRE*

Des accessoires supplémentaires peuvent être rangés dans le sac accessoire.

SUPPORT MURAL*

Accrochez le support mural au mur, à l'aide des trois vis prévues dans le produit [2] pour accrocher le produit, le suceur et brosse à dépoussiérer 2 en 1, la grande brosse et suceur 2 en 1 et la mini turbobrosse (le cas échéant).

ENTRETIEN DE L'ASPIRATEUR

Vidage du bac à poussière

1. Appuyez sur le bouton de déverrouillage manuel et retirez le tube. [6]
2. Appuyez sur le bouton de vidage du bac à poussière pour ouvrir le volet du bac et videz-le. [7]
3. Fermez le volet du bac à poussière ; vous entendrez un dé clic une fois complètement verrouillé.

REMARQUE : Il est recommandé de vider le bac à poussière après chaque usage ou lorsque la poussière atteint la ligne de remplissage maximale.

Nettoyez le bac à poussière et le filtre.

1. Appuyez sur le bouton de déverrouillage manuel et retirez le tube. [6]
2. Appuyez sur le bouton de vidage du bac à poussière pour ouvrir le volet du bac et videz-le. [7]
3. Poussez le bouton de déverrouillage du bloc batterie vers le bas et retirez le bloc batterie. [8A,8B]
4. Tournez le récipient à poussière dans le sens horaire, alignez les flèches de repère, et retirez-le du corps principal de l'aspirateur. [9]
5. Nettoyez l'excès de poussière du filtre à mailles [J2], tenez la maille fermement d'une main et avec l'autre main, tournez la cuve à couvercle [J3] dans le sens horaire pour retirer le filtre à mailles. [10]
6. Une fois que le couvercle de la cuve est retiré, tirez l'ensemble HSpin-Core Technologie pour l'enlever du corps principal. [11A] Tenez le dessus du couvercle de moteur [J1] et retirez le filtre à mailles en tirant. [11B]
7. Appuyez sur les deux boutons de déverrouillage du filtre d'évacuation, puis retirez le filtre d'évacuation. [12A, 12B]
8. Lors du nettoyage des filtres, lavez le filtre à mailles [J1] et le filtre d'évacuation [S] dans de l'eau tiède. [13] Veuillez vous assurer que toutes les pièces sont complètement sèches avant des les remonter. [14]
9. Lorsque vous remontez la HSpin-Core Technologie, refixez d'abord le filtre à mailles au couvercle de moteur [15A], puis alignez cet ensemble sur l'arbre de moteur, tout en prêtant particulièrement attention à la surface plane de l'arbre de moteur. [15B]
10. Deuxièmement, tenez à nouveau le filtre à mailles et remettez la cuve à couvercle : faites-la tourner vers l'intérieur dans le sens anti-horaire pour la verrouiller [16]. VEUILLEZ VOUS ASSURER DE NE PAS TROP SERRER, AU RISQUE D'ENDOMMAGER LE FILETAGE.
11. Terminez le remontage de l'aspirateur, puis fixez-la au support mural.

* Sur certains modèles uniquement

REMARQUE : N'utilisez pas d'eau chaude ou de détergents pour laver les filtres d'évacuation. Dans le cas peu probable où les filtres d'évacuation seraient endommagés, remplacez-les par des filtres de la marque Hoover. Ne tentez pas d'utiliser le produit sans avoir monté le filtre.

IMPORTANT : Pour des performances optimales, conservez toujours le filtre à mailles propre. Nous recommandons que le filtre soit lavé au moins une fois par mois.

Changement et nettoyage de la brosse rotative

IMPORTANT : Arrêtez toujours l'appareil avant de changer ou de nettoyer la brosse rotative.

1. Détachez le volet de dégagement de la brosse rotative. Il est positionné sur la partie latérale de la brosse. **[17a]**
2. Tenez le volet de dégagement de la brosse rotative et retirez la brosse rotative. **[17b]**
3. Pour nettoyer le rouleau pour sol intense, retirez l'excès de débris à l'aide de ciseaux. **[17c]**
4. Pour nettoyer le rouleau d'entretien en profondeur, rincez-le à l'eau **[17d]** et laissez-le sécher pendant 24 heures. **[17e]**
5. Remettez en place la brosse rotative. **[17f]** La brosse rotative ne peut s'insérer que dans un seul sens.
6. Fermez le volet de dégagement de la brosse rotative pour fixer la brosse rotative en place. **[17g]**

Remplacement des batteries

Cet aspirateur est équipé d'un bloc batterie Lithium ion rechargeable qui est remplaçable.

MISE EN GARDE : Utilisez uniquement les pièces de rechange approuvées pour votre aspirateur. L'utilisation de pièces non approuvées par Hoover est dangereuse et invalidera votre garantie.

MISE EN GARDE : N'essayez pas d'ouvrir le bloc batterie pour le réparer vous-même.

1. Tirez sur le bouton de déverrouillage du bloc batterie ; le bloc batterie ressortira sur une petite distance de manière automatique. **[8A]**
2. Tirez lentement le bloc batterie de la fente. **[8B]**
3. Enlevez l'ancien bloc batterie et remplacez-le par un nouveau.
4. Mettez les batteries à la poubelle, dans un endroit sûr. Des batteries usées doivent être amenées à un point de recyclage et non pas être éliminées avec les ordures ménagères.

DÉPANNAGE

Si vous avez des problèmes avec votre nettoyeur, suivez cette simple liste de vérification avant d'appeler le service clientèle Hoover :

- A. L'aspirateur ne s'allume pas
Vérifiez que le nettoyeur est chargé.
Vérifiez que le bloc batterie est monté en place.
- B. L'aspirateur s'arrête de fonctionner
Vérifiez si le moteur HSpin-Core Technology est bloqué.
Dégagez-le et assurez-vous que le levier de mode continu est désactivé. Une fois que cela est fait, appuyez simplement sur le bouton de marche/d'arrêt et le produit redémarrera après quelques secondes.
- C. Aspiration insuffisante ou pas d'aspiration du tout
Videz le bac à poussière, lavez le filtre à mailles et nettoyez l'ensemble HSpin-Core Technology.
Enlevez la brosse et vérifiez qu'il n'y a pas de blocages dans les conduites.
- D. La batterie ne peut pas se charger
Cela peut être dû à de très longues périodes de stockage (plus de 6 mois).
Contactez le service clientèle Hoover pour effectuer le changement de batterie.
Si le problème persiste, contactez le service clientèle Hoover.

PIÈCES DÉTACHÉES ET CONSOMMABLES HOOVER

Toujours remplacer les pièces par des pièces détachées de la marque Hoover. Celles-ci sont disponibles auprès de votre revendeur Hoover. Lorsque vous commandez des pièces, toujours indiquer votre numéro de modèle.

VOTRE GARANTIE

Les conditions de garantie de cet appareil sont définies par notre représentant dans le pays où il est vendu et peuvent être obtenues auprès de votre revendeur. Les détails concernant ces conditions peuvent être obtenues auprès du revendeur auprès duquel l'appareil a été acheté. La facture d'achat ou le reçu doivent être présentés pour toutes réclamations relevant des conditions de cette garantie.

IMPORTANT : La batterie de cet aspirateur bénéficie d'une garantie de 2 ans à partir de la date d'achat. Passés les deux ans, le client est responsable du coût d'acquisition d'une nouvelle batterie.

Ces conditions peuvent être modifiées sans préavis.

HINWEISE FÜR DIE SICHERE BENUTZUNG UND DAS ZUBEHÖR

Dieses Gerät ist nur zum Gebrauch im Haushalt und nicht für gewerbliche Zwecke bestimmt. Sie sollten das Gerät ausschließlich gemäß den Angaben in dieser Bedienungsanleitung verwenden. Vor dem Gebrauch des Gerätes muss die vorliegende Bedienungsanleitung vollständig gelesen und verstanden worden sein.

Schalten Sie das Gerät immer aus und ziehen den Stecker des Ladegerätes, bevor Sie das Gerät reinigen oder irgendwelche Wartungsarbeiten durchführen.

Dieses Gerät darf von Kindern ab 8 Jahren, sowie körperlich, geistig oder sensorisch behinderten Personen bzw. Personen ohne Erfahrung und Kenntnisse im Gebrauch nur unter Aufsicht oder unter Anleitung für die sichere Benutzung und den damit verbundenen Gefahren benutzt werden. Kinder sollten nicht unbeaufsichtigt mit dem Gerät spielen.

Reinigungs- und Wartungsarbeiten dürfen von Kindern nur unter Aufsicht ausgeführt werden.

Ist das Netzkabel beschädigt, darf das Gerät NICHT mehr benutzt werden.

Im Falle eines Defektes, darf das Netzkabel nur durch einen autorisierten Hoover-Kundendiensttechniker ausgetauscht werden. Verwenden Sie nur das Originalladegerät, das mit dem Gerät geliefert wurde.

Stellen Sie sicher, dass die Versorgungsspannung mit der auf dem Ladegerät angegebenen Spannung übereinstimmt.

Dieses Haushaltsgerät von Hoover wird mit einem schutzisolierten Batterieladegerät geliefert, welches ausschließlich für 220-230 V (GB 240 V) Steckdosen geeignet ist.

Stecken Sie das Netzteil in eine geeignete Steckdose und schließen Sie den Stecker am Gerät an.

Zum Aufladen muss der Ein-/Ausschalter des Gerätes auf AUS geschaltet werden.

Laden Sie die Akkus des Gerätes vor der ersten Benutzung mindestens 24 Stunden lang auf.

Die Akku-LED-Leuchte wird beim Aufladen blau blinken und leuchtet ununterbrochen, wenn der Akku vollständig aufgeladen ist.

Schließen Sie das Gerät nach der Benutzung wieder an das Netzteil an um die Akkus wieder aufzuladen.

Akkus niemals bei Temperaturen über 37°C oder unter 0°C aufladen! Es ist normal, dass sich das Ladegerät während des Ladevorgangs erwärmt. Ziehen Sie im Fall einer längeren

Abwesenheit, z.B. Urlaub usw. den Stecker des Ladegerätes aus der Steckdose. Laden Sie nach einer längeren Zeit der Lagerung/ Nichtbenutzung das Gerät vor der erneuten Benutzung wieder komplett auf, da sich die Akkus von selber entladen können.

Verwenden Sie nur Zubehör, Verbrauchsmaterial oder Ersatzteile, die von Hoover empfohlen oder geliefert werden. Statische Aufladung: Manche Teppichböden können die Bildung statischer Elektrizität verursachen, Diese ist jedoch sehr gering und bei Entladung nicht gesundheitsschädlich. Hände, Füße, lose Kleidung und Haare von den rotierenden Bürsten fernhalten.

Ziehen Sie den Netzstecker des Ladegerätes NIEMALS durch Ziehen am Kabel heraus.

Benutzen Sie das Gerät nicht im Freien, auf nassen Oberflächen oder zur Aufnahme von feuchtem Schmutz.

Vermeiden Sie es, harte oder scharfe Gegenstände, Streichhölzer, heiße Asche, Zigarettenkippen oder Ähnliches aufzusaugen. Niemals entzündliche Flüssigkeiten, Reinigungsmittel, Aerosole oder deren Dämpfe auf das Gerät sprühen oder damit aufsaugen. Während des Betriebs nicht über das Netzkabel fahren. Nicht am Kabel ziehen, um den Gerätestecker aus der Steckdose zu ziehen. Stellen Sie die Verwendung des Gerätes oder des Ladegerätes ein, wenn ein Defekt vermutet wird. Benutzen Sie das Gerät nicht zur Reinigung von Menschen oder Tieren. Ersetzen Sie die Akkus nicht durch Einwegbatterien.

Hoover-Kundendienst: Um auf Dauer den sicheren und effizienten Betrieb dieses Gerätes zu gewährleisten, empfehlen wir, Wartungs- und Reparaturarbeiten ausschließlich von einem zugelassenen Hoover-Kundendiensttechniker durchführen zu lassen.

Entsorgung am Ende der Produktlebensdauer:

Wenn das Gerät entsorgt wird, müssen zuvor die Akkus entfernt werden. Das Gerät muss von der Stromnetz getrennt sein, wenn die Akkus entnommen werden. Entsorgen Sie die Akkus ordnungsgemäß. Lassen Sie das Gerät laufen, bis die Akkus leer sind und es von selber stoppt. Gebrauchte Akkus sollten zum Recycling zurückgegeben und nicht mit dem Hausmüll entsorgt werden. Um die Akkus herauszunehmen, wenden Sie sich bitte an das Hoover-Kundendienst oder führen Sie folgende Schritte aus.

WICHTIG: Entladen Sie die Akkus vor dem Herausnehmen immer ganz.

Lassen Sie dafür das Gerät laufen, bis die Akkus

vollständig entladen sind. Ziehen Sie den Stecker des Ladegeräts aus dem Gerät.
Drücken Sie die Freigabetaste des Akkus und schieben Sie ihn heraus, um ihn zu entnehmen.
Hinweis: Sollten Sie irgendwelche Schwierigkeiten beim Auseinandernehmen des Gerätes haben oder detailliertere Informationen zur Behandlung, Reparatur oder zum Recycling des Geräts benötigen, kontaktieren Sie bitte Ihre Stadtverwaltung oder den lokalen Entsorgungsdienst für Haushaltsabfälle.

Umweltschutz:

Dieses Elektrohaushaltsgerät ist entsprechend der EU-Richtlinie 2011/65/EC über Elektro- und Elektronik-Altgeräte (WEEE) gekennzeichnet. Durch die sichere und umweltgerechte Entsorgung dieses Produkts tragen Sie dazu bei, mögliche negative Auswirkungen auf die Umwelt und die Gesundheit des Menschen zu verhindern. Das am Produkt angebrachte Symbol gibt an, dass dieses Produkt nicht als Hausmüll behandelt werden darf, sondern an einer entsprechenden Sammelstelle für das Recycling von elektrischen und elektronischen Geräten zu entsorgen ist. Die Entsorgung ist in Übereinstimmung mit allen geltenden Vorschriften für die umweltgerechte Abfallentsorgung vorzunehmen. Ausführlichere Informationen über die Entsorgung und das Recycling dieses Produkts erhalten Sie von der zuständigen Umweltbehörde, der Müllentsorgungsstelle Ihrer Kommune oder dem Händler, bei dem Sie das Produkt erworben haben..



Dieses Gerät erfüllt die Europäischen Richtlinien 2014/35/EG, 2014/30/EG und 2011/65/EG.

CANDY HOOVER GROUP S.r.l. Via Privata Eden Fumagalli, 20861 Brugherio (MB) Italy

PRODUKTBESTANDTEILE

- | | |
|---------------------------------------|---|
| A. Turbo Ein-/Aus-Taste | Q. EIN/AUS-Schalter |
| B. Silent Button | R. Abluftfilter-Freigabetaste |
| C. LED-Kontrollleuchten | S. Abluftfilter |
| D. Griffriegelungsknopf | T. Ladegerät |
| E. Rohr | U. 2-in-1-Zubehör mit Schnellverschluss* |
| F. Taste zum Entfernen der Bodendüse | V. 2in1- großer Möbelpinsel und Bürste mit Schnellverschluss* |
| G. Düsenbeleuchtung vorne | W. Lange, flexible Fugendüse mit Schnellverschluss* |
| H. Intensiv Bodenwalze | X. Mini Turbo-Düse mit Schnellverschluss* |
| I. Staubbehälter | Y. Höhenreinigungsbürste mit Schnellverschluss* |
| J. HSpin-Core Technologie Einbau | Z. Heizkörperbürste mit Schnellverschluss* |
| J1. Motorabdeckung | AA. Tiefenreinigungsbürste mit Schnellverschluss* |
| J2. Schaumstofffilter | AB. Zubehörtasche* |
| J3. Abdeckungssteller | AC. Hinteres Schaumwischblatt* |
| K. Motorschaft | AD. Tiefpflegewalze* |
| L. Staubfangbehälter-Entleerungstaste | AE. Wischblätter |
| M. Staubfangbehälter-Bodenabdeckung | AF. Wandhalterung* |
| N. Akku-Freigabetaste | AG. Schraubstecker* |
| O. Akku | |
| P. Schalthebel | |

VORBEREITUNG DES STAUBSAUGERS

1. Schieben Sie den Düsenkopf auf ein Ende des Rohres bis Sie ein „Klicken“ hören. **[1A]**
2. Schieben Sie das andere Ende des Rohres in die Handeinheit bis Sie ein „Klicken“ hören. **[1B]**
3. Befestigen Sie die Wandhalterung mit den mitgelieferten Schrauben und Dübeln an der Wand. **[2]**
4. Um das Gerät vollständig aufzuladen, stecken Sie den Stecker des Ladegeräts in das Akkupack. Das dauert etwa 6 Stunden. **[2]**

HINWEIS: Zum Abnehmen der Bodendüse drücken Sie auf die Düsenfreigabetaste und ziehen diese ab.

HINWEIS: Verwenden Sie zum Aufladen nur das mit dem Gerät mitgelieferte Ladegerät.

WICHTIG: Zum Aufladen muss der Ein/Aus-Schalter des Staubsaugers auf die Position AUS geschaltet werden. Sie können den Akku auch aufladen, wenn Sie ihn vom Gerät abnehmen.

Es ist normal, dass sich das Ladegerät während des Ladevorgangs erwärmt.

* Geräteausstattung ist modellabhängig

GEBRAUCH DES GERÄTES

Es gibt vier Arbeitsweisen:

- **VORÜBERGEHENDER GEBRAUCH:** Das Gerät startet, wenn Sie den Ein/Aus-Schalter drücken und stoppt, wenn Sie ihn wieder losgelassen. [3A]
- **FORTGESETZTER GEBRAUCH:** Um den Dauerbetrieb zu aktivieren, können Sie den Schalthebel nach hinten ziehen und einrasten lassen. [3B] Um den Dauerbetrieb zu deaktivieren, drücken Sie den Schalthebel nach vorne.
- **LEISEMODUS:** Drücken Sie die Leisetaste, um mit diesem Gerät so leise wie möglich zu reinigen.
- **TURBO-MODUS:** Drücken Sie die Turbo-Taste für volle Leistung für anspruchsvolle Reinigungsarbeiten.

WICHTIG: Achten Sie nach jedem Gebrauch des Geräts darauf, dass der Schalthebel nach vorne in die entriegelte Position gedrückt ist. Andernfalls kann es zu einer Verringerung der Batteriebensdauer oder zu einem Ausfall kommen.

WÄHLEN SIE DIE GEEIGNETE WALZE FÜR BESTE REINIGUNGSERGEBNISSE

Intensiv Bodenwalze*: Es wird empfohlen, sie auf Teppichböden zum verwenden, weil sie Staub tiefgehend aus dem Teppichboden entfernt.

Tiefpflegewalze*: Es wird empfohlen sie auf Hartböden oder empfindlichem Parkett zu verwenden. Aufgrund der weichen Borsten können Sie diese Art von Fußböden sanft reinigen.

WICHTIG: Schalten Sie vor einem Austausch oder Reinigen der Bürstwalze den Staubsauger immer aus.

HINWEIS: Um die Walze anzubauen, sollten Sie benutzen: [17]

1. Entriegeln Sie die Bürstwalzen-Freigabeklappe. Sie befindet sich auf dem Seitenteil der Düse.
2. Halten Sie Bürstwalzen-Freigabeklappe fest und ziehen Sie sie nach unten, um die Bürstwalze zu entfernen.
3. Ersetzen Sie sie durch die der Intensiv-Bodenwalze oder die Tiefpflegewalze.
4. Setzen Sie die Bürstwalzen-Freigabeklappe wieder ein.

WISCHBLATT-MONTAGE

Um die beste Fugen- und Teppichbodenleistung zu erzielen, empfiehlt es sich die Vorderseite zu montieren und Öffnen Sie hierzu die Freigabeklappe der Bürstwalze und entfernen Sie den weichen Streifen. Nehmen Sie danach ein Wischblatt, setzen Sie ein Ende in den hinteren Schlitz ein und schieben Sie es bis zum Anschlag hinein.

Wiederholen Sie diese Schritte für das zweite Wischblatt und schieben Sie es in den vorderen Schlitz. Verriegeln Sie die Freigabeklappe der Bürstwalze. [18]

SICHERHEITSSCHUTZSYSTEM

Um zu gewährleisten, dass die Zuverlässigkeit des Geräts bei Gebrauch unter schwierigen Bedingungen nicht beeinträchtigt wird, wurde das Gerät mit einem integrierten Sicherheitssystem ausgestattet.

HINWEIS: Das Sicherheitssystem wird aktiv, wenn die Bürstwalze verstopft oder blockiert ist. Die Bürstwalze hört auf zu rotieren und die weiße LED vorne auf der Düse schaltet sich aus. Wenn dies geschieht, schalten Sie einfach Ihr Gerät aus und beseitigen Sie das Hindernis an der Bürstwalze. Um weiter zu reinigen, drücken Sie die Ein-/Aus-Taste und das Gerät startet wieder im Normalbetrieb.

BATTERIE

LED-ANZEIGE:

Das Gerät ist mit einer LED-Anzeige ausgestattet. Wenn das Gerät eingeschaltet ist zeigen die Kontrollleuchten folgende Informationen an:

AKKULADEZUSTANDSANZEIGE:

- 4 Punkte = 100% geladen
- 3 Punkte = 75% geladen
- 2 Punkte = 50% geladen
- 1 Punkt = 25% geladen

AUFLADEN

Während des Ladevorgangs wird, wenn der Ladezustand des Akkus weniger als 25% beträgt, die erste LED blinken, bis 25% erreicht wurden. Danach wird sie kontinuierlich leuchten. Dieser Vorgang wird bei allen LEDs fortgesetzt, die den Ladezustand des Akkus von 25%, 50%, 75% usw. anzeigen. Wenn der Akku zu 100 % geladen ist, leuchten alle 4 LEDs dauerhaft.

Bitte beachten Sie, dass der Akku bei einer sicheren Betriebstemperatur aufgeladen wird. Wir haben eine Schutzvorrichtung eingebaut. Wenn dieses Gerät aktiviert wird und Sie den Ladevorgang beginnen, sehen Sie die erste LED blinken, bis es zurückgesetzt wurde. Nach dem automatischen Zurücksetzen wird der normale Ladevorgang, wie oben beschrieben, beginnen.

ENTLADEANZEIGE:

Wenn das Gerät benutzt wird und sich die Akkus entladen, beginnt die LED-Kontrollleuchte zu blinken, wenn die Akku-Kapazität unter 5% liegt, was bedeutet, dass der Akku aufgeladen werden muss.

* Geräteausstattung ist modellabhängig

ZUBEHÖR

2IN1-FUGENDÜSE UND MÖBELPINSEL MIT SCHNELLVERSCHLUSS*, 2IN1-GROSSER MÖBELPINSEL UND BÜRSTE MIT SCHNELLVERSCHLUSS*, LANGE, FLEXIBLE FUGENDÜSE MIT SCHNELLVERSCHLUSS*, MULTIFUNKTIONS-HÖHENREINIGUNGSADAPTER MIT SCHNELLVERSCHLUSS*, MINI TURBO-DÜSE MIT SCHNELLVERSCHLUSS*, HEIZKÖRPERBÜRSTE MIT SCHNELLVERSCHLUSS* UND TIEFENREINIGUNGSBÜRSTE MIT SCHNELLVERSCHLUSS.

Das oben genannte Zubehör kann direkt an der Handeinheit oder an einem Rohrende befestigt werden. [5]

HINWEIS: Die Miniturbo-Düse ist ideal für die tiefe Reinigung von Textiloberflächen (z.B. Sofas) und zum Entfernen von Tierhaaren. Bewegen Sie ihn kontinuierlich rückwärts und vorwärts. Entfernen Sie nach dem Gebrauch auf der Bürste angesammelte Haare/Fäden nach Bedarf mit einer Schere.

HINWEIS: Die lange, flexible Fugendüse ist ideal für die Reinigung von schwer erreichbaren Bereichen, unter Möbeln und in Ihrem Auto.

HINWEIS: Die Heizkörperbürste ist ideal für die Reinigung von Heizkörpern, Sofas, Jalousien, dem Schrankinneren und vielem mehr.

HINWEIS: Die Tiefenreinigungsbürste ist hilfreich bei der Reinigung von engen Bereichen, ohne dabei die Oberflächen zu zerkratzen, beispielsweise in Ihrem Auto.

HINWEIS: Der Multifunktions-Höhenreinigungsadapter wird empfohlen, um hohe Möbel und Decken zu erreichen. Sie können ihn an jedes Zubehör, außer dem Mini-Turbo, befestigen, um hohe Ecken, Vorhänge oder über hohen Möbeln zu reinigen.

Zubehörtasche*

Alles weitere Zubehör kann in der Zubehörtasche aufbewahrt werden.

WANDHALTERUNG*

Befestigen Sie die Wandhalterung mit den drei mitgelieferten Schrauben [2] an der Wand, um das Gerät, 2in1 Fugen- und Möbelpinsel, 2in1 großer Fugen- und Möbelpinsel und die Miniturbodüse (sofern enthalten) aufzuhängen.

WARTUNG DES GERÄTES

Leeren des Staubbehälters

1. Drücken Sie die Freigabetaste auf der Handeinheit und nehmen Sie das Rohr ab. [6]
 2. Drücken Sie die Staubfangbehälter-Entleerungstaste nach unten, um die Behälterklappe zu entriegeln und den Behälter zu entleeren. [7]
 3. Schließen Sie die Staubfangbehälterklappe. Sie werden ein "Klicken" hören, wenn diese vollständig verschlossen ist.
- HINWEIS:** Es wird empfohlen den Staubfangbehälter nach jedem Gebrauch, oder wenn der Staub bis zur maximalen Fülllinie reicht, zu entleeren.

Reinigen Sie den Staubbehälter und den Filter.

1. Drücken Sie die Freigabetaste auf der Handeinheit und nehmen Sie das Rohr ab. [6]
2. Drücken Sie auf die Staubfangbehälter-Entleerungstaste, um die Behälterklappe zu öffnen und den Behälter zu entleeren. [7]
3. Drücken Sie auf die Akku-Freigabetaste und nehmen Sie den Akku ab. [8A,8B]
4. Drehen Sie den Staubbehälter im Uhrzeigersinn. Richten Sie die Pfeilmarkierungen aus und nehmen das Staubsaugergehäuse ab. [9]
5. Entfernen Sie jeglichen überschüssigen Staub vom Schaumstofffilter [J2]. Halten Sie den Filter mit einer Hand fest und drehen Sie mit der anderen Hand den Abdeckungsteller [J3] im Uhrzeigersinn, um den Schaumstofffilter zu entfernen. [10]
6. Ziehen Sie, sobald die Behälterabdeckung entfernt ist, den HSpin-Core Technologie-Einbau vom Gerätekorpus weg. [11A] Halten Sie die Oberseite der Motorabdeckung [J1] fest und entfernen Sie den Schaumstofffilter, indem Sie ihn wegziehen. [11B]
7. Drücken Sie die beiden Abluftfilter-Freigabetasten gleichzeitig und entfernen Sie danach den Abluftfilter. [12A, 12B]
8. Zur Reinigung der Filter waschen Sie den Schaumstofffilter [J2] und den Abluftfilter [S] in lauwarmem Wasser. [13] Bitte stellen Sie vor dem Zusammenbau sicher, dass alle Teile vollständig getrocknet sind. [14]
9. Befestigen Sie beim Wiederzusammenbau der HSpin-Core Technologie zuerst den Netzfilter an der Motorabdeckung [15A] und richten Sie danach diesen Einbau mit der Motorwelle aus. Dabei muss besonders auf die flache Oberfläche des Motorschafts geachtet werden. [15B]
10. Halten Sie jetzt wieder den Schaumstofffilter fest und befestigen Sie den Abdeckungsteller: Drehen Sie ihn entgegen dem Uhrzeigersinn, damit er einrastet [16]. STELLEN SIE BITTE SICHER, DASS SIE IHN NICHT ZU FEST ANZIEHEN, WEIL DADURCH DAS GEWINDE BESCHÄDIGT WERDEN KANN.
11. Bauen Sie die Handeinheit wieder komplett zusammen und befestigen Sie diese an der Wandhalterung.

* Geräteausstattung ist modellabhängig

HINWEIS: Verwenden Sie kein heißes Wasser oder Reinigungsmittel zum Reinigen des Abluftfilters. Sollte einer der Abluftfilter beschädigt sein, tauschen Sie ihn nur gegen einen Hoover-Originalfilter aus. Versuchen Sie nicht, das Gerät ohne eingesetzten Filter zu benutzen.

WICHTIG: Halten Sie den Filter für optimale Leistung immer sauber. Wir empfehlen, den Filter je nach Nutzungshäufigkeit mindestens einmal pro Monat zu reinigen.

Bürstwalze austauschen und reinigen

WICHTIG: Schalten Sie vor einem Austausch oder Reinigen der Bürstwalze den Staubsauger immer aus.

1. Entriegeln Sie die Bürstwalzen-Freigabeklappe. Sie befindet sich auf dem Seitenteil der Düse. **[17a]**
2. Halten Sie Bürstwalzen-Freigabeklappe fest und nehmen Sie die Bürstwalze heraus. **[17b]**
3. Die Intensiv-Bodenwalze können Sie mithilfe einer Schere von übermäßigem Schmutz reinigen. **[17c]**
4. Um die Tiefpflegewalze zu reinigen, spülen Sie diese mit Wasser **[17d]** aus und lassen Sie sie 24 Stunden lang trocknen. **[17e]**
5. Setzen Sie die Bürstwalze wieder ein. **[17f]** Die Bürstwalze passt nur in einer Richtung.
6. Schließen Sie die Bürstwalzen-Freigabeklappe fest, um die Bürstwalze in ihrer Position zu sichern. **[17g]**

Batterien auswechseln

Dieser Staubsauger ist mit einem wiederaufladbaren, austauschbaren Lithium-Ionen-Akku ausgestattet.

WARNUNG: Verwenden Sie nur Hoover Originalersatzteile für Ihren Staubsauger. Das Verwenden von Teilen, die nicht von Hoover zugelassen wurden, ist gefährlich und führt eventuell dazu, dass Ihre Garantie erlischt.

WARNUNG: Versuchen Sie nicht den Akku zu öffnen und selbst zu reparieren.

1. Ziehen Sie die Akku-Freigabetaste zurück. Dadurch wird der Akku automatisch etwas herausgedrückt. **[8A]**
2. Ziehen Sie den Akku langsam aus dem Steckplatz. **[8B]**
3. Entfernen Sie den alten Akku und ersetzen Sie ihn durch einen neuen.
4. Entsorgen Sie die Akkus ordnungsgemäß. Gebrauchte Akkus sollten zum Recycling zurückgegeben und nicht mit dem Hausmüll entsorgt werden.

FEHLERSUCHE

Falls Sie ein Problem mit Ihrem Gerät haben, befolgen Sie, bevor Sie den Hoover-Kundendienst kontaktieren, bitte folgende einfache Checkliste:

- A. Das Gerät lässt sich nicht einschalten
Überprüfen Sie, ob die Akkus aufgeladen sind.
Überprüfen Sie, ob der Akku eingesetzt ist.
- B. Der Staubsauger funktioniert nicht mehr
Überprüfen Sie, ob der HSpin-Core Technologie-Motor blockiert ist.
Reinigen Sie sie und stellen Sie sicher, dass der Dauermodushebel auf Aus geschaltet ist. Drücken Sie danach einfach die Ein/Aus-Taste. Das Gerät wird nach einigen Sekunden neu gestartet.
- C. Niedrige Saugleistung oder das Gerät saugt überhaupt nichts an.
Entleeren Sie den Staubfangbehälter und reinigen Sie die Filter sowie den Einbau.
Entfernen Sie die Düse und überprüfen Sie diese auf Verstopfungen.
- D. Die Akkus können nicht aufgeladen werden
Dies ist nach einem langen Zeitraum (über ein halbes Jahr) der Nichtbenutzung/Lagerung möglich.
Wenden Sie sich bitte an den Hoover-Kundendienst, um einen Austausch der Akkus zu veranlassen.
Wenn das Problem weiterhin besteht, wenden Sie sich bitte an den Hoover-Kundendienst.

HOOVER ORIGINAL-ERSATZTEILE UND VERBRAUCHSARTIKEL

Verwenden Sie stets Originalersatzteile von Hoover. Diese sind über den Hoover-Kundendienst erhältlich. Geben Sie bei der Bestellung von Ersatzteilen bitte stets die komplette Modellnummer von der Typenplakette unten am Gerät an.

GARANTIEERKLÄRUNG

Die Garantiebestimmungen für dieses Gerät entsprechen den Richtlinien des Landes, in dem Sie das Gerät erworben haben. Weitere Einzelheiten dazu erhalten Sie vom Händler, bei dem Sie das Gerät erworben haben oder aus dem roten Garantieheft, das der Verpackung beiliegt. Bitte bewahren Sie den Kaufbeleg sorgfältig auf, denn er wird für eventuell auftretende Garantieansprüche benötigt.

WICHTIG: Die Garantie des Akkus beträgt 2 Jahre ab Kaufdatum. Nach Ablauf der 2 Jahre trägt der Kunde die Kosten für einen neuen Akku.

Änderungen vorbehalten.

ISTRUZIONI PER UN USO SICURO E PER IL MONTAGGIO DEGLI ACCESSORI OPZIONALI

Questo apparecchio deve essere utilizzato esclusivamente in ambito domestico per interventi di pulizia, secondo le istruzioni riportate nel presente documento. Accertarsi di aver compreso le istruzioni prima di mettere in funzione l'apparecchio.

Prima di procedere alla pulizia dell'apparecchio o effettuare qualsiasi operazione di manutenzione, spegnerlo sempre e rimuovere il caricatore dalla presa.

Questo elettrodomestico non è destinato a essere utilizzato da persone dalle ridotte capacità fisiche, sensoriali o mentali (bambini inclusi), senza una adeguata assistenza o controllo da parte di una persona adulta responsabile della loro sicurezza.

Controllare che i bambini non giochino con l'apparecchio.

Pulizia e manutenzione non possono essere eseguite da bambini senza sorveglianza da parte di una persona responsabile.

Se il cavo di alimentazione è danneggiato, interrompere immediatamente l'utilizzo dell'apparecchio.

Per evitare pericoli, il cavo di alimentazione dovrà essere sostituito da un tecnico del servizio assistenza autorizzato Hoover.

Per ricaricare l'apparecchio, usare solo il caricatore in dotazione.

Controllare che i dati indicati sul caricatore corrispondano alla vostra tensione di alimentazione.

Questo prodotto Hoover è dotato di un caricabatteria doppio isolato che può essere collegato unicamente a una presa 230V (UK 240V).

Inserire la spina del caricatore in una presa adatta e collegare il connettore jack del caricatore all'apparecchio.

Durante la carica, la leva dell'interruttore di accensione/spegnimento (On/Off) dell'apparecchio deve trovarsi in posizione Off.

Al primo utilizzo caricare l'apparecchio per almeno 24 ore.

La luce LED della batteria di colore blu lampeggerà durante la carica e rimarrà accesa a carica completa.

Dopo l'uso, ricollegare l'apparecchio al caricatore per ricaricare le batterie.

Mai caricare le batterie a temperature superiori ai 37 °C o inferiori a 0 °C. È normale che il caricatore si scaldi mentre lavora. Scollegare il caricatore in caso di assenza prolungata (ferie, ecc.). Dopo lunghi periodi di inutilizzo ricaricare l'apparecchio perchè le batterie potrebbero essersi scaricate automaticamente.

Utilizzare solo accessori o parti di consumo e di ricambio consigliati o forniti da HOOVER.

Elettricità statica: alcuni tappeti possono produrre un piccolo accumulo di elettricità statica. Le cariche di elettricità statica non sono pericolose per la salute.

Tenere le mani, i piedi, i capi di abbigliamento non attillati e i capelli lontani dalle spazzole rotanti.

Non scollegare il caricatore tirando il cavo.

Non utilizzare l'apparecchio all'aperto, su superfici bagnate o per aspirare liquidi. Non aspirare oggetti solidi o appuntiti, fiammiferi, ceneri calde, mozziconi di sigaretta o simili. Non vaporizzare o aspirare liquidi infiammabili, detergenti, aerosol o i loro vapori. Non calpestare il cavo di alimentazione durante l'utilizzo dell'apparecchio o scollegare la spina dalla presa tirando il cavo di alimentazione. Non continuare a utilizzare l'apparecchio o il caricatore in caso di presunto guasto. Non utilizzare l'apparecchio per l'igiene della persona o degli animali. Non sostituire le batterie con batterie non ricaricabili

Assistenza Hoover: per garantire un funzionamento sempre sicuro ed efficiente dell'apparecchiatura, si consiglia di fare eseguire eventuali interventi di assistenza o di riparazione dai tecnici del servizio assistenza autorizzato Hoover.

Disposizioni sullo smaltimento dell'apparecchio:

Se l'apparecchio è da smaltire, le batterie devono prima essere rimosse. Rimuovere la batteria solo quando l'apparecchio è scollegato dalla rete di alimentazione. Smaltire le batterie in sicurezza. Far funzionare l'apparecchio fino al suo arresto ed assicurarsi che le batterie siano completamente scariche. Le batterie usate devono essere riposte in un centro di riciclaggio e non smaltite con i rifiuti domestici. Per rimuovere le batterie, si prega di contattare il Centro Servizi per Assistenza Clienti Hoover o procedere in base alle seguenti istruzioni.

IMPORTANTE: Scaricare sempre completamente le batterie prima della rimozione.

Procedere con la pulizia fino a quando le batterie sono completamente scariche. Rimuovere il connettore jack per la ricarica dall'apparecchio.

Premere il pulsante di rilascio per far scorrere la batteria ed estrarla.

Nota: Se si riscontrano difficoltà a smantellare l'unità o per informazioni più dettagliate sul trattamento, recupero e riciclaggio di questo apparecchio, si prega di contattare l'ufficio comunale per il servizio smaltimento rifiuti.

Ambiente:

L'apparecchio è contrassegnato in conformità alla Direttiva Europea 2011/65/EC sulla gestione dei rifiuti da apparecchiature elettriche ed elettroniche. Garantendo il corretto smaltimento del prodotto, il cliente contribuisce alla salvaguardia della salute delle persone e alla protezione dell'ambiente che potrebbero altrimenti essere compromessi da uno smaltimento eseguito in maniera non idonea. Il simbolo apposto sul prodotto indica che lo stesso non può essere smaltito come i normali rifiuti domestici, bensì deve essere portato al punto di raccolta o al centro di riciclaggio delle apparecchiature elettriche ed elettroniche più vicino. Lo smaltimento deve essere eseguito in conformità alle normative locali vigenti per la salvaguardia dell'ambiente e lo smaltimento dei rifiuti. Per ulteriori informazioni sul trattamento, il recupero e il riciclaggio di questo prodotto, contattare l'unità territoriale competente per il servizio di smaltimento o il negozio in cui il prodotto è stato acquistato..



Questo prodotto è conforme alle Direttive Europee 2014/35/EU, 2014/30/EU e 2011/65/EU.

CANDY HOOVER GROUP S.r.l. Via Privata Eden Fumagalli, 20861 Brugherio (MB) Italy

COMPONENTI DELL'APPARECCHIO

- | | |
|--|---|
| A. Pulsante Accensione/Spegnimento modalità Turbo | R. Pulsante di rilascio filtro in uscita |
| B. Silent Button | S. Filtro in uscita |
| C. Indicatori LED | T. Caricatore |
| D. Pulsante di rilascio impugnatura | U. Bocchetta 2 In 1 con facile e sicuro assemblaggio* |
| E. Tubo | V. Spazzola a pennello larga e per tutti gli usi 2 in 1 con facile e sicuro assemblaggio* |
| F. Pulsante rilascio spazzola | W. Bocchetta lunga flessibile con facile e sicuro assemblaggio* |
| G. Luce frontale spazzola | X. Mini Turbospazzola con facile e sicuro assemblaggio* |
| H. Agitatore Intense Floor | Y. Bocchetta per la pulizia di superfici alte con facile e sicuro assemblaggio* |
| I. Vaschetta raccogli-polvere | Z. Bocchetta per radiatore con facile e sicuro assemblaggio* |
| J. Assieme Tecnologia HSpin-Core: | AA. Spazzola per pulizia profonda con facile e sicuro assemblaggio* |
| J1. Coperchio motore | AB. Borsa Accessori* |
| J2. Filtro a rete | AC. Inserto in gomma morbida posteriore* |
| J3. Contenitore a coppa | AD. Agitatore Deep Care* |
| K. Albero motore | AE. Inserti in gomma |
| L. Pulsante per svuotamento vaschetta raccogli-polvere | AF. Supporto a Parete* |
| M. Coperchio inferiore vaschetta raccogli-polvere | AG. Viti con tasselli* |
| N. Pulsante di rilascio batteria | |
| O. Batteria | |
| P. Leva interruttore | |
| Q. Interruttore ON/OFF | |

PREPARAZIONE DELL'APPARECCHIO

- Inserire la spazzola principale all'estremità del tubo fino a sentire un "click". **[1A]**
- Inserire l'altra parte del tubo nella pistola portatile fino a sentire un "click". **[1B]**
- Fissare il supporto a muro al muro utilizzando le viti e i tasselli forniti. **[2]**
- Inserire il connettore jack del caricatore al set batteria per caricare completamente l'apparecchio. Questo richiederà circa 6 ore. **[2]**

NOTA: Premere il pulsante di rilascio spazzola per rimuovere la spazzola e staccarla dal corpo principale dall'apparecchio.

NOTA: Per ricaricare l'apparecchio, usare solo il caricatore in dotazione.

IMPORTANTE: Durante la carica, la leva dell'interruttore di accensione/spegnimento dell'apparecchio deve trovarsi in posizione OFF. È possibile caricare il set batteria anche quando non è inserito nell'apparecchio.

È normale che il caricatore si scaldi mentre lavora.

* Solo su alcuni modelli

UTILIZZO DELL'APPARECCHIO

È possibile utilizzare l'apparecchio in quattro modalità di funzionamento:

- **MODALITÀ TEMPORANEA:** L'apparecchio sarà in funzione quando viene premuto l'interruttore ON/OFF e si fermerà al rilascio. **[3A]**
 - **MODALITÀ CONTINUA:** Per attivare la modalità continua basta tirare indietro la leva dell'interruttore che scatterà in posizione. **[3B]** Per disabilitare la modalità continua premere la leva dell'interruttore per riportarla avanti.
 - **MODALITÀ SILENT:** Premere il pulsante Silent per pulire a fondo ed avere il livello di rumore più basso di questo apparecchio.
 - **MODALITÀ TURBO:** Premere il tasto Turbo per azionare la piena potenza dell'apparecchio per una pulizia profonda.
- IMPORTANTE:** Dopo ogni utilizzo dell'apparecchio, assicurarsi che venga premuta in avanti la leva dell'interruttore per portarla nella posizione di sblocco. Se non lo si facesse si potrebbe danneggiare o compromettere la durata della batteria.

SCELTA DEL RULLO PIÙ ADATTO PER UNA PULIZIA OTTIMALE

Agitatore Intense Floor*: Adatto per la pulizia di tappeti dove il rullo può raggiungere la profondità del tappeto e rimuoverne la polvere.

Agitatore Deep Care*: Adatto per la pulizia di pavimenti duri e parquet delicati. Grazie ai soffici inserti in gomma pulisce con delicatezza questo tipo di pavimenti.

IMPORTANTE: Spegnerne sempre l'apparecchio prima di assemblare o pulire la spazzola rotante.

NOTA: Per assemblare il rullo: **[17]**

1. Staccare la levetta per il rilascio della spazzola rotante. Essa è posizionata sulla parte laterale della spazzola.
2. Tenere la levetta di rilascio e tirare verso il basso per rimuovere la spazzola rotante.
3. Sostituirla con l'agitatore Intense Floor o con l'agitatore Deep Care.
4. Riposizionare la levetta per il rilascio della spazzola rotante.

ASSEMBLAGGIO INSERTO IN GOMMA

Per ottenere la miglior performance nella pulizia di fessure e tappeti si consiglia di montare gli inserti anteriore e posteriore in gomma sulla base della spazzola.

Per fare questo, aprire lo sportello di rilascio della spazzola rotante e togliere lo strip. Afferrare un inserto in gomma inserendolo un'estremità nella scanalatura posteriore e farlo scivolare finché non è completamente inserito. Ripetere le stesse operazioni per il secondo inserto in gomma e farlo scivolare nella scanalatura anteriore. Chiudere lo sportello di rilascio della spazzola rotante. **[18]**

SISTEMA DI PROTEZIONE

Al fine di salvaguardare l'affidabilità del prodotto quando utilizzato in condizioni non corrette, il prodotto ha un sistema di protezione integrato.

NOTA: Il Sistema di protezione si attiva quando la spazzola rotante è ostruita o si blocca, se ciò accade, la spazzola rotante si ferma e i Led bianchi sulla parte anteriore della spazzola si spengono. Se ciò dovesse accadere, spegnere semplicemente l'apparecchio e pulire la spazzola rotante dall'ostruzione. Per riprendere la pulizia, premere il pulsante on/off e l'apparecchio riprenderà a funzionare normalmente.

BATTERIA

DISPLAY A LED:

Questo apparecchio è dotato di display a Led. Quando l'apparecchio È acceso ed il display illuminato, gli indicatori riportano le seguenti informazioni.

INDICATORE LIVELLO CARICA BATTERIA:

- 4 punti = carica al 100%
- 3 punti = carica al 75%
- 2 punti = carica al 50%
- 1 punto = carica al 25%

CARICA

Se la batteria è a un livello inferiore al 25%, durante la ricarica si vedrà lampeggiare il primo Led che sarà acceso e fisso solo dopo che la carica avrà superato questo livello. Questo processo degli indicatori Led si ripeterà per tutte i livelli di carica della batteria (25%, 50%, 75%, ecc.). Quando la batteria è carica al 100%, i 4 punti di livello di carica saranno tutti accesi. Quando la batteria è in carica, per garantire una temperatura operativa adeguata, l'apparecchio è stato dotato di un sistema di sicurezza. Se il dispositivo si è attivato ed inizia il processo di ricarica, il primo Led lampeggerà fino al ripristino. Dopo il reset automatico, inizierà un normale processo di carica come sopra descritto.

* Solo su alcuni modelli

APPARECCHIO SCARICO

Quando l'apparecchio è in funzione e le batterie si stanno scaricando, l'indicatore Led inizia a lampeggiare. Quando il livello di carica della batteria è inferiore al 5% è necessario ricaricarla.

ACCESSORI

BOCCHETTA 2 IN 1 & SPAZZOLA A PENNELLO PER TUTTI GLI USI CON FACILE E SICURO ASSEMBLAGGIO*, SPAZZOLA A PENNELLO LARGA E PER TUTTI GLI USI 2 IN 1 CON FACILE E SICURO ASSEMBLAGGIO*, BOCCHETTA LUNGA FLESSIBILE CON FACILE E SICURO ASSEMBLAGGIO*, BOCCHETTA MULTIFUNZIONE PER LA PULIZIA DI SUPERFICI ALTE CON FACILE E SICURO ASSEMBLAGGIO*, MINI TURBOSPAZZOLA CON FACILE E SICURO ASSEMBLAGGIO*, BOCCHETTA PER LA PULIZIA DEI RADIATORI CON FACILE E SICURO ASSEMBLAGGIO* E SPAZZOLA PER PULIZIA PROFONDA CON FACILE E SICURO ASSEMBLAGGIO.

È possibile inserire direttamente gli accessori nell'unità portatile o in un'estremità del tubo. [5]

NOTA: La Mini Turbospazzola è ideale per la pulizia profonda di tessuti (come ad esempio divani) e per rimuovere i peli degli animali domestici. Passarla avanti e indietro regolarmente. Dopo l'uso, prestare attenzione e se necessario, rimuovere con delle forbici eventuali capelli o fili aggrovigliati nella spazzola.

NOTA: La bocchetta flessibile lunga per fessure è ideale per la pulizia di aree di difficile accesso, sotto i mobili e nelle automobili.

NOTA: La bocchetta per radiatore è ideale per la pulizia intorno e nell'interno degli armadi, dei radiatori, dei divani, delle tende e molto altro ancora.

NOTA: La spazzola per pulizia profonda è utile per pulire in spazi ristretti senza graffiarne le superfici e all'interno delle automobili.

NOTA: La bocchetta per la pulizia di aree di difficile accesso è ideale per una facile pulizia di aree alte e soffitti. È possibile collegare qualsiasi accessorio, ad eccezione della spazzola minitubo, per pulire angoli, tende e mobili di altezza elevata.

BORSA ACCESSORI*

Gli altri accessori possono essere riposti nella apposita borsa.

SUPPORTO A MURO*

Fissare il supporto a parete al muro utilizzando le tre viti in dotazione con l'apparecchio [2] per appendere: l'apparecchio, la bocchetta per fessure 2 in 1 e la spazzola a pennello, la spazzola larga 2 in 1 per aspirare polvere e pulire mobili e la mini turbospazzola (quando inclusi).

MANUTENZIONE DELL'APPARECCHIO

Svuotamento del contenitore raccogli-polvere

1. Premere il pulsante di rilascio dell'unità portatile e rimuovere il tubo. [6]
2. Premere il pulsante per lo svuotamento della vaschetta raccogli-polvere per aprire lo sportello contenitore e svuotarne il contenuto. [7]
3. Chiudere lo sportello della vaschetta raccogli-polvere, si udirà un "click" quando completamente bloccato.

NOTA: Si consiglia di svuotare la vaschetta raccogli-polvere dopo ogni utilizzo o quando la polvere supera il livello di riempimento massimo.

Pulizia del contenitore raccogli-polvere e del filtro

1. Premere il pulsante di rilascio dell'unità portatile e rimuovere il tubo. [6]
2. Premere il pulsante per lo svuotamento della vaschetta raccogli-polvere per aprire lo sportello contenitore e svuotarne il contenuto. [7]
3. Premere verso il basso il pulsante di rilascio set batteria ed estrarlo. [8A,8B]
4. Ruotare il contenitore raccogli-polvere in senso orario ed allinearlo alla freccia disegnata, quindi estrarlo dall'apparecchio principale. [9]
5. Pulire il filtro a rete dalla polvere in eccesso [J2], con una mano tenere saldamente la rete e con l'altra girare il contenitore a coppa [J3] in senso orario per rimuovere il filtro a rete. [10]
6. Una volta rimossa la coppa del coperchio, estrarre l'assieme della Tecnologia HSpin-Core dal corpo principale. [11A] Afferrare la parte superiore del coperchio del motore [J1] e rimuovere il filtro a rete. [11B]
7. Premere i due pulsanti di rilascio filtro in uscita e poi rimuoverlo. [12A, 12B]
8. Durante la pulizia dei filtri, lavare il filtro a rete [J2] e il filtro in uscita [S] in acqua tiepida. [13] Assicurarsi che tutti i componenti siano completamente asciutti prima di assemblarli. [14]
9. Quando si rimonta l'assieme della Tecnologia HSpin-Core, per prima cosa rimettere il filtro a rete sul coperchio del motore, [15A] quindi allineare questo assieme all'albero del motore, prestando particolare attenzione a posizionare la superficie piana sull'albero del motore stesso. [15B]
10. In secondo luogo, afferrare il filtro a rete e rimontare il contenitore a coppa ruotando in senso antiorario per bloccare [16]. ATTENZIONE A NON STRINGERE ECCESSIVAMENTE PER NON DANNEGGIARE LA FILETTATURA.
11. Riassemblare completamente l'unità portatile e quindi appendere al supporto a parete.

* Solo su alcuni modelli

NOTA: Non utilizzare acqua bollente o detersivi durante la pulizia dei filtri in uscita. Se accidentalmente i filtri in uscita vengono danneggiati, sostituirli con ricambi originali Hoover. Non utilizzare l'apparecchio senza aver montato il filtro.

IMPORTANTE: Per mantenere prestazioni ottimali, tenere sempre il filtro a rete pulito. Si raccomanda di lavare il filtro almeno una volta al mese.

Sostituzione e pulizia spazzola rotante

IMPORTANTE: Spegnerne sempre l'apparecchio prima di assemblare o pulire la spazzola rotante.

1. Staccare la levetta per il rilascio della spazzola rotante. Essa è posizionata sulla parte laterale della spazzola. [17a]
2. Tenere la levetta di rilascio della spazzola rotante e rimuoverla. [17b]
3. Per pulire l'agitatore Intense Floor, rimuovere lo sporco in eccesso con delle forbici. [17c]
4. Per pulire l'agitatore Deep Care, sciacquare con acqua [17d] e lasciare asciugare per 24 ore. [17e]
5. Rimontare la spazzola rotante. [17f] La spazzola rotante può essere inserita solo in una direzione.
6. Chiudere la levetta di rilascio della spazzola rotante per fissarla nella corretta posizione. [17g]

Sostituzione delle batterie

L'apparecchio è dotato di un set di batterie ricaricabili agli ioni di litio che possono essere sostituite.

ATTENZIONE: Utilizzare solo parti di ricambio originali per il vostro apparecchio. L'uso di parti non originali Hoover può risultare pericoloso e invalida la garanzia.

ATTENZIONE: Non tentare di aprire o riparare la batteria.

1. Premere il pulsante di rilascio batteria che ne permetterà il rilascio. [8A]
2. Estrarre lentamente la batteria dal suo alloggiamento. [8B]
3. Estrarre il vecchio set batteria e sostituirlo con uno nuovo.
4. Smaltire le batterie in sicurezza. Le batterie usate devono essere riposte in un centro di riciclaggio e non smaltite con i rifiuti domestici.

RISOLUZIONE DEI PROBLEMI

In caso di problemi con l'apparecchio, completare questa semplice checklist utente prima di chiamare il Centro per l'Assistenza Clienti Hoover:

- A. L'apparecchio non si accende
Controllare che l'apparecchio sia carico.
Controllare che il set di batterie sia posizionato correttamente.
- B. L'apparecchio smette di funzionare
Controllare se il motore con Tecnologia HSpin-Core è bloccato.
Pulirlo e assicurarsi che la modalità continua sia disattivata. Quindi premere semplicemente l'interruttore On/Off e l'apparecchio riprenderà a funzionare dopo pochi secondi.
- C. Forza aspirante bassa o nulla
Svuotare il contenitore raccogli-polvere, lavare il filtro a rete e pulire l'assieme della Tecnologia HSpin-Core.
Rimuovere la spazzola e controllare eventuali ostruzioni nel condotto.
- D. Le batterie non possono essere caricate
Potrebbe essere a causa di lunghi periodi di conservazione (oltre un semestre).
Contattare un Centro per l'Assistenza Clienti Hoover per la sostituzione delle batterie.
Se il problema persiste, contattare il Centro per l'Assistenza Clienti Hoover più vicino.

PARTI DI RICAMBIO E DI CONSUMO HOOVER

Utilizzare sempre parti di ricambio originali Hoover, che è possibile acquistare dal distributore locale Hoover o direttamente sul sito internet Hoover. Quando si ordinano delle parti di ricambio, ricordarsi sempre di fornire il numero di modello dell'apparecchio utilizzato.

ASSISTENZA E GARANZIA HOOVER

Il prodotto è garantito, oltre che ai sensi di legge, alle condizioni e nei termini riportati sul certificato di garanzia convenzionale inserito nel prodotto. Il certificato dovrà essere conservato e mostrato al nostro Centro di Assistenza Tecnica Autorizzato, in caso di necessità, insieme allo scontrino comprovante l'acquisto dell'elettrodomestico. Puoi consultare le condizioni di garanzia anche sul nostro sito internet.

Per ottenere assistenza compila l'apposito form on-line oppure contattaci al numero che trovi indicato nella pagina di assistenza del nostro sito internet.

Queste condizioni potrebbero venire modificate senza obbligo di preavviso.

INSTRUCTIES VOOR VEILIG GEBRUIK EN AANSLUITINGEN

Dit toestel mag enkel gebruikt worden voor reiniging in het huis, zoals beschreven in deze gebruikersgids. Zorg ervoor dat u de instructies volledig begrijpt voordat u het apparaat in gebruik neemt.

Oplader altijd uitdoen en uit het stopcontact halen voor het schoonmaken of enige andere onderhoudstaak te verrichten. Dit toestel kan gebruikt worden door kinderen vanaf 8 jaar en ouder en personen met verminderde lichamelijke, zintuiglijke of mentale capaciteiten of een gebrek aan ervaring of kennis indien ze toezicht of onderricht gehad hebben betreffende het veilig gebruik van het toestel en het begrip van de gevaren in kwestie. Kinderen mogen niet met het toestel spelen.

Reinigings- en gebruiksonderhoud mag niet uitgevoerd worden door kinderen zonder toezicht.

Indien het stroomsnoer beschadigd is, onmiddellijk stoppen met het toestel te gebruiken.

Om veiligheidsrisico's te voorkomen, moet het netsnoer worden vervangen door een erkend monteur van Hoover.

Gebruik alleen de oplader die oorspronkelijk bij het toestel geleverd is.

Controleer dat uw bronspanning dezelfde is als die vermeld op de lader.

Dit Hoover-apparaat is voorzien van een dubbel geïsoleerde batterijoplader, die alleen geschikt is om in een 230V (UK 240V) stopcontact te steken.

Steek de oplader in een geschikt stopcontact en steek de aansluitingstekker van de oplader in het apparaat.

Tijdens het laden van het toestel dient de stroomschakelaar in de uit stand te staan.

Laad het toestel voor het eerste gebruik minstens 24 uur op. Het ledlampje van het batterijpak knippert blauw tijdens het opladen en blijft branden als het pak volledig is opgeladen. Sluit het toestel na gebruik aan de oplader aan om de batterij weer op te laden.

Laad de batterijen niet op bij temperaturen boven 37°C of onder 0°C. Het is normaal dat de lader warm wordt bij het opladen.

Haal bij langere afwezigheid (vakanties, etc.) de oplader uit het stopcontact. Laad het product opnieuw op voor gebruik, aangezien batterijen uit zichzelf kunnen ontladen tijdens langere opslagperiodes.

Gebruik enkel toevoegingen, gebruiksartikelen of

reserveonderdelen die door Hoover aanbevolen of geleverd zijn.

Statische elektriciteit: sommige tapijten kunnen een kleine hoeveelheid statische elektriciteit veroorzaken. Ontladingen van statische elektriciteit zijn onschadelijk voor uw gezondheid. Houd handen, voeten, losse kleding en haar uit de buurt van roterende borstels.

Trek de oplader niet aan de kabel uit het stopcontact.

Gebruik je toestel nooit buiten of op natte oppervlaktes of om vocht op te nemen. Raap geen harde of scherpe objecten op zoals lucifers, hete assen, sigaretten of andere gelijkaardige items. Spuit niet met ontvlambare vloeistoffen, reinigingsvloeistoffen, aerosols of hun dampen en zuig ze ook niet op. Loop niet over het stroomsnoer wanneer je het toestel gebruikt of verwijder de stekker niet door aan het stroomsnoer te trekken. Gebruik uw apparaat of oplader niet als deze defect blijkt te zijn. Gebruik het toestel niet om dieren of mensen te reinigen. Vervang de batterijen niet met onoplaadbare batterijen.

Hoover service: Om de veilige en doeltreffende werking van het apparaat te verzekeren, adviseren wij om onderhoud of reparaties alleen door een erkende onderhoudsmonteur van Hoover uit te laten voeren.

Einde van de levensduur van het product:

In het geval dat u het apparaat weg doet, dienen de batterijen eerst verwijderd te worden. Bij het verwijderen van de batterij moet het apparaat ontkoppeld zijn van het net. Gooi de batterijen veilig weg. Laat het apparaat doorwerken totdat het stopt en de batterijen volledig ontladen zijn. Gebruikte batterijen moeten naar een recyclagecentrum gebracht worden en niet bij het huishoudafval geworpen worden. Om de batterijen te verwijderen neem contact op met de Hoover klantendienst, of ga verder volgens deze instructies.

BELANGRIJK: Maak de batterijen helemaal leeg voordat u ze verwijdert.

Laat de reiniger draaien totdat de batterijen helemaal leeg zijn. Verwijder de jack plug van de oplader uit het toestel. Druk op de ontgrendelingsknop van de batterijpak en verschuif het om te verwijderen.

Opmerking: Mocht u enige problemen ondervinden met het uit elkaar halen van het voorwerp, of voor meer gedetailleerde informatie over behandeling, herstel en recyclage van dit apparaat, neem contact op met uw lokale gemeente of de afvalreinigingsdienst.

Het milieu:

Dit toestel is gemerkt volgens de Europese richtlijn 2011/65/EC op afgedankte elektrische en elektronische apparaten (AEEA). Door dit product aan het einde van de levensduur op verantwoorde wijze weg te gooien, voorkomt u mogelijk negatieve gevolgen voor het milieu en de gezondheid, die zouden kunnen ontstaan door een onverantwoorde afvalverwerking van dit product. Het symbool op dit product geeft aan dat het niet mag worden beschouwd als huishoudelijk afval. In plaats daarvan moet u het inleveren bij een inzamelpunt voor het recycleren van elektrische en elektronische apparatuur. U moet het toestel weggooien in overeenstemming met de lokale voorschriften voor afvalverwerking. Voor meer informatie over verwerking, hergebruik en recycleren van dit product, kunt u contact opnemen met uw lokale overheid, uw afvalverwerkingsbedrijf of de winkel waar u het product heeft gekocht.



Dit toestel voldoet aan de Europese Richtlijnen 2014/35/EU, 2014/30/EU en 2011/65/EU.

CANDY HOOVER GROUP S.r.l. Via Privata Eden Fumagalli, 20861 Brugherio (MB) Italy

PRODUCTONDERDELEN

- | | |
|-----------------------------------|--|
| A. Turbo aan/uit knop | R. Ontgrendelknop uitlaatfilter |
| B. Silent Button | S. Uitlaat Filter |
| C. Led-indicatoren | T. Oplader |
| D. Vrijgaveknop handgreep | U. 2 In 1 Instrument met Snelle&Veilige Aansluiting* |
| E. Buis | V. 2 in 1 Grote Stof- en Meubelborstel met Snelle&Veilige Aansluiting* |
| F. Ontgrendelingsknop mondstuk | W. Lang Flexibel Spleetinstrument met Snelle&Veilige Aansluiting* |
| G. Licht vooraan op het mondstuk | X. Mini Turbo-Mondstuk met Snelle&Veilige Aansluiting* |
| H. Intense Vloerroller | Y. Up-to-Top Instrumentenadaptor met Snelle&Veilige Aansluiting* |
| I. Stofreservoir | Z. 2 In 1 Instrument met Snelle&Veilige Aansluiting* |
| J. HSpin-Core Technology-eenheid: | AA. Diepe-Reinigingsborstel met Snelle&Veilige Aansluiting* |
| J1. Motordeksel | AB. ACCESSOIRE ZAK* |
| J2. Gaasfilter | AC. Fluffy-Achterblad* |
| J3. Afdekkap | AD. Diepe Verzorgingsroller* |
| K. Motoras | AE. Wissersbladen |
| L. Stofreservoir leegmaken knop | AF. Wandhouder* |
| M. Kap bodem stofreservoir | AG. Schroefpluggen* |
| N. Ontgrendelknop batterijpak | |
| O. Batterijpak | |
| P. Schakelaar | |
| Q. AAN/UIT Schakelaar | |

UW STOFZUIGER IN ELKAAR ZETTEN

1. Breng het mondstuk in een kant van de buis naar binnen totdat je een 'klik' geluid hoort. **[1A]**
2. Breng de andere kant van de buis in de kruimelzuiger totdat je een 'klik' geluid hoort. **[1B]**
3. Bevestig de muurhouder aan de wand met behulp van de bijgeleverde schroeven en pluggen. **[2]**
4. Verbind de stekker van de oplader met de accu om het apparaat volledig op te laden. Het duurt ongeveer 6 uur. **[2]**

OPMERKING: Om het mondstuk af te nemen, druk op de ontgrendelingsknop van het mondstuk en haal deze los van de romp.

OPMERKING: Om te heropladen, gebruik alleen de oplader die bij uw reiniger is bijgeleverd.

BELANGRIJK: Tijdens het laden van het toestel dient de schakelaar in de OFF stand te staan. De accu kan ook los van het apparaat worden opgeladen.

Het is normaal dat de lader warm wordt bij het opladen.

* Alleen bepaalde modellen

UW STOFZUIGER GEBRUIKEN

Er zijn vier werkingsmodi:

- **TUDELIJKE MODUS:** Het product begint te functioneren als je de AAN/UITKNOP indrukt en stopt als deze losgelaten wordt. [3A]
- **CONTINUE MODUS:** Om de continue modus in te schakelen kan je de schakelaar naar achter halen welke dan op zijn plaats klikt. [3B] Om de continue modus uit te schakelen kan je de schakelaar naar voor duwen.
- **SILENT MODE:** Druk op de 'silent'-knop om grondig te reinigen met het laagste geluidsniveau voor dit product.
- **TURBO MODE:** Druk op de Turbo-toets voor volledig vermogen voor een zware reinigingstaak.

BELANGRIJK: Gelieve steeds de schakelaar naar voren te duwen in de ontgrendelde positie na elk gebruik van uw product. Als dit niet gebeurt kan dit leiden tot een kortere batterijduur of falen.

KIES DE GESCHIKTE ROLLER VOOR DE BESTE REINIGING

Intense Vloerroller*: Aanbevolen voor gebruik op tapijt, om dieper in het tapijt te gaan en het stof op te zuigen.

Diepe Verzorgingsroller*: Aanbevolen voor gebruik op een harde vloer of op een delicate parquet. Dankzij de zachte haren om dit soort vloeren voorzichtig schoon te maken.

BELANGRIJK: De reiniger altijd uitschakelen alvorens de agitator te veranderen en schoon te maken.

OPMERKING: Voor montage van de Roller die u wenst te gebruiken: [17]

1. Maak de agitatorontgrendelklep los. Deze is gepositioneerd op het achterdeel van het mondstuk.
2. Hou de agitatorontgrendelklep vast en trek deze naar beneden om de agitator te verwijderen.
3. Vervang deze met Intense Vloerroller of met de Diepe Verzorgingsroller.
4. Breng de agitatorontgrendelklep terug in positie.

MONTAGE WISSERBLAD

Om de beste prestaties voor spleten en tapijten te verkrijgen, wordt het aanbevolen om de wisserbladen aan de voor- en achterkant op de zoolplaat van de zuigmond te monteren.

Open hiervoor de ontgrendelflap van de agitator en verwijder de zachte strip. Neem dan een wisserblad vast, door een uiteinde ervan in de achterste gleuf te steken tot het volledig erin steekt. Herhaal deze handelingen voor het tweede wisserblad en steek het in de voorste gleuf. Zet de ontgrendelflap van de agitator vast. [18]

VEILIGHEIDSSYSTEEM

Uw stofzuiger is voorzien van een ingebouwd veiligheidssysteem, om de betrouwbaarheid van het product ook onder moeilijke omstandigheden te garanderen.

OPMERKING: Het veiligheidssysteem komt in actie als de draaikop verstopt is of vast zit. Als de draaikop wordt geactiveerd, stopt deze met draaien en de witte ledlampjes aan de voorkant van het mondstuk gaan uit. Indien dit gebeurt, schakel dan eenvoudigweg uw product uit en verwijder de obstructie in de agitator. Om opnieuw te beginnen reinigen, druk op de on/off-knop en het product zal in normale modus terug beginnen werken.

BATTERIJ

LED DISPLAY:

Deze reiniger bevat een LED display. Als het product aan IS en de display verlicht is, zullen de indicatoren de volgende informatie vertonen.

INDICATIE BATTERIJNIVEAU:

- 4 punten = 100% lading
- 3 punten = 75% lading
- 2 punten = 50% lading
- 1 punt = 25% lading

LADEN

Tijdens het opladen knippert het eerste ledlampje zolang het laadniveau beneden 25% is. Boven de 25% blijft het lampje continu branden. Dit gaat zo door voor de overige ledlampjes, die vervolgens aangeven wanneer de accu 50%, 75% en 100% is geladen. Bij 100% branden alle vier de lampjes.

Om ervoor te zorgen dat de accu op een veilige temperatuur wordt geladen, is er een veiligheidsvoorziening aangebracht. Als deze voorziening in werking treedt en het laden begint, blijft het eerste ledlampje knipperen totdat een reset plaatsvindt. Na de automatische reset begint het opladen op normale wijze, zoals hierboven beschreven.

ONTLAADINDICATIE

Als het apparaat in werking is, begint het ledlampje te knipperen wanneer de acculading lager is dan 5%. Op dat moment is het nodig om de accu te laden.

* Alleen bepaalde modellen

ACCESSOIRES

2 IN 1 SPLEET & STOFBORSTEL MET SNELLE & VEILIGE AANSLUITING*, 2-1 BREDE STOF- EN MEUBELBORSTEL MET SNELLE & VEILIGE AANSLUITING*, LANG FLEXIBEL SPLEETINSTRUMENT MET SNELLE & VEILIGE AANSLUITING*, MULTIFUNCTIONELE UP-TO-TOP INSTRUMENTENADAPTOR MET SNELLE & VEILIGE AANSLUITING*, MINI TURBO MONDSTUK MET SNELLE & VEILIGE AANSLUITING*, RADIATORINSTRUMENT MET SNELLE & VEILIGE AANSLUITING* EN DIEPE REINIGINGSBORSTEL MET SNELLE & VEILIGE AANSLUITING.

De bovengenoemde accessoires kunnen direct op het draagbare gedeelte worden aangebracht, of op één kant van de buis. [5]

OPMERKING: Het mini-turbo mondstuk is ideaal voor het grondig reinigen van textiele oppervlakken (zoals banken) en het verwijderen van haar van huisdieren. Beweeg de reiniger gelijkmatig heen en weer. Na gebruik kan u best haar en/of draden die aan de borstel zijn gaan zitten, waar nodig met een schaar verwijderen.

OPMERKING: Het lange, flexibele opzetstuk voor het reinigen van kieren is ideaal voor moeilijk te bereiken plaatsen, zoals onder meubels of in de auto.

OPMERKING: De radiator tool is ideaal voor het van binnen en van buiten reinigen van kasten, banken, lamellen en meer.

OPMERKING: De diepreinigende borstel is handig voor het schoonmaken van nauwe ruimtes zonder risico op krassen, zoals in de auto.

OPMERKING: De multifunctionele up-to-top instrumentenadapter wordt aanbevolen om hoge meubels en plafonds te bereiken. U kunt dit aan welk instrument, behalve de mini-turbo, bevestigen om hoge hoeken, gordijnen of hoge meubels te reinigen.

ACCESSOIRE ZAK*

Overige accessoires kunnen in de accessoire zak bewaard worden.

WANDHOUDER*

Hang de muurbevestiging aan de muur met behulp van de drie schroeven die met het product [2] geleverd worden om het product op te hangen, 2in1 spleet en afstofborstel, 2in1 brede afstof- & spleet en mini-turbomondstuk (indien meegeleverd).

ONDERHOUD STOFZUIGER

De stofcontainer leegmaken

1. Druk op de ontgrendelingsknop op het draagbare gedeelte en verwijder de buis. [6]
2. Druk de stofreservoir ledigknop in om de klep van de bak te ontgrendelen en de inhoud te ledigen. [7]
3. Sluit de stofreservoir klep, je hoort een klik als deze volledig vergrendeld is.

OPMERKING: Het is aangeraden om het stofreservoir te ledigen na elk gebruik of als het stof tot de maximale vullijn komt.

Maak het stofreservoir en filter schoon

1. Druk op de ontgrendelingsknop op het draagbare gedeelte en verwijder de buis. [6]
2. Druk de stofreservoir ledigknop in om de klep van de bak te openen en deze te ledigen. [7]
3. Druk op de ontgrendelingsknop van de accu en verwijder de accu. [8A, 8B]
4. Draai het stofreservoir naar rechts. Lijn de pijltkens uit en verwijder de bak van het hoofdgedeelte van de stofzuiger. [9]
5. Verwijder overtollig stof van het gasfilter [J2]. Houd het gaas stevig met één hand vast en draai met de andere hand de afdekkap [J3] naar rechts om het gasfilter te verwijderen. [10]
6. Als de afdekkap is verwijderd, trekt u de HSPIN-Core Technology-eenheid uit het hoofdgedeelte. [11A] Hou de bovenkant van het motordeksel [J1] vast en trek het gasfilter naar buiten. [11B]
7. Druk op de twee uitlaatfilter ontgrendelknoppen tegelijkertijd en verwijder dan de uitlaatfilter. [12A, 12B]
8. Wanneer u de filters schoonmaakt, wast u het gasfilter [J2] en het uitlaatfilter [S] in lauw water. [13] Zorg ervoor dat alle onderdelen helemaal droog zijn voordat u het toestel weer in elkaar zet. [14]
9. Breng bij het opnieuw monteren van de HSpin-Core Technology eerst het gasfilter aan op het motordeksel [15A]. Lijn deze eenheid vervolgens uit met de motoras. Let daarbij vooral op het vlakke oppervlak op de motoras. [15B]
10. Hou daarna het gasfilter weer vast en breng de afdekkap weer aan door deze naar links te draaien tot de kap vastklikt [16]. DRAAI DE KAP NIET TE STRAK VAST, OMDAT DIT DE SCHROEFDRAAD KAN BESCHADIGEN.
11. Zet het draagbare gedeelte weer helemaal in elkaar en zet het in de wandhouder.

* Alleen bepaalde modellen

OPMERKING: Gebruik geen heet water of schoonmaakmiddelen bij het schoonmaken van de uitlaafilters. Het is zeer onwaarschijnlijk, maar indien de uitlaafilters beschadigd raken, vervang de door originele Hoover uitlaafilters. Gebruik het product niet zonder de filter.

BELANGRIJK: Houd de gaasfilter altijd schoon voor optimale prestatie. Wij raden aan de filter eenmaal per maand te wassen.

De draaiborstel veranderen en reinigen.

BELANGRIJK: De reiniger altijd uitschakelen alvorens de agitator te veranderen en schoon te maken.

1. Maak de agitatorontgrendelklep los. Deze is gepositioneerd op het achterdeel van het mondstuk. **[17a]**
2. Hou de agitatorontgrendelklep vast en verwijder de agitator. **[17b]**
3. Om de Intense Vloerroller te reinigen, verwijdert u overtollig vuil met een schaar. **[17c]**
4. Om de Diepe Verzorgingsroller te reinigen, spoelt u met water **[17d]** en laat u deze 24 uur drogen. **[17e]**
5. Breng de agitator terug aan. **[17f]** De agitator past maar in één richting.
6. Sluit de agitatorontgrendelklep om de agitator op zijn plaats vast te maken. **[17g]**

Batterijen vervangen

Het toestel is voorzien van een oplaadbare lithium ion batterijpak die vervangbaar is.

WAARSCHUWING: Gebruik alleen erkende vervangingsonderdelen voor uw toestel. Het gebruik van onderdelen die niet door Hoover werden gevalideerd zal uw garantie ongeldig maken.

WAARSCHUWING: Het batterijpak niet openen om het zelf proberen te repareren.

1. Haal de batterijpak ontgrendelknop naar achteren en het batterijpak zal automatisch een klein beetje naar buiten geduwd worden. **[8A]**
2. Trek de accu langzaam uit de sleuf. **[8B]**
3. Verwijder het oude batterijpak en vervang deze met het nieuwe batterijpak.
4. Gooi de batterijen veilig weg. Gebruikte batterijen moeten naar een recyclagecentrum gebracht worden en niet in het afval van het huishouden geworpen worden.

PROBLEEM OPlossen

Mocht u problemen hebben met uw reiniger, volg dan eerst deze eenvoudige checklist voordat u het Hoover-klantenservicecentrum belt:

- A. De reiniger wil niet starten
Controleer of de reiniger is opgeladen.
Controleer of de accu op zijn plaats zit.
- B. Het apparaat werkt niet meer
Controleer of de HSpin-Core-Technology motor is verstopt.
Verwijder de verstopping en zorg ervoor dat de schakelaar continue modus uit staat. Hierna kunt u gewoon op de aan-uitknop drukken, zodat de stofzuiger na enkele seconden weer wordt ingeschakeld.
- C. Verminderde of helemaal geen zuigkracht.
Leeg het stofreservoir, maak het gaasfilter schoon en reinig de HSpin-Core Technology-eenheid.
Verwijder het mondstuk en kijk of er iets de buis blokkeert.
- D. Batterijen kunnen niet worden opgeladen
Dit zou het resultaat kunnen zijn van een zeer lange opberg periode (meer dan 6 maanden).
Neem contact op met de Hoover-klantenservice om vervanging van de accu te regelen.
Indien het probleem aanhoudt, neem contact op met het Hoover-klantenservicecentrum.

HOOVER RESERVEONDERDELEN EN VERBRUIKSARTIKELEN

Gebruik uitsluitend originele reserveonderdelen van Hoover. Deze zijn verkrijgbaar bij uw Hoover dealer. Als u onderdelen bestelt, vermeld dan altijd het modelnummer.

JOUW GARANTIE

De garantievoorwaarden voor dit toestel worden bepaald door onze vertegenwoordiger in het land waar het toestel wordt verkocht. Details omtrent deze voorwaarden zijn verkrijgbaar bij de dealer waar u het toestel hebt gekocht.

Wanneer u aanspraak wilt maken op deze garantie, dan moet u het verkoop- of ontvangstbewijs voorleggen.

BELANGRIJK: De accu van dit apparaat heeft een garantie van twee jaar vanaf de aankoopdatum. Na twee jaar moet de klant zelf de kosten van een nieuwe accu betalen.

Wijzigingen zijn zonder voorafgaande kennisgeving mogelijk.

INSTRUÇÕES PARA UTILIZAÇÃO E INSTALAÇÃO SEGURAS

Este aparelho só deve ser utilizado para limpeza doméstica, conforme descrito neste guia do utilizador. Certifique-se de que este manual é totalmente compreendido antes de utilizar o aparelho. Desligue sempre o aparelho e retire o carregador da tomada antes de limpar o aparelho ou efectuar qualquer tarefa de manutenção.

Este aparelho pode ser utilizado por crianças com idade igual ou superior a 8 anos e por pessoas com capacidades mentais, sensoriais e físicas reduzidas ou sem experiência e conhecimento caso lhes sejam fornecidas instruções e supervisão relativas à utilização do aparelho de modo seguro e caso compreendam os perigos envolvidos. As crianças não devem brincar com o aparelho.

A limpeza e a manutenção não devem ser efectuada por crianças sem supervisão.

Se o cabo de alimentação estiver danificado deixe de utilizar o aparelho imediatamente.

Para evitar um risco de segurança, o cabo de alimentação deve ser substituído por um técnico de assistência autorizado da Hoover.

Utilize apenas o carregador original fornecido com o aparelho. Verifique que a tensão de alimentação corresponde à indicada no carregador.

Este electrodoméstico da Hoover vem com um carregador de baterias duplamente isolado que é apenas adequado para alimentação eléctrica de 230 V (240 V no Reino Unido).

Ligue o carregador a uma tomada eléctrica adequada e ligue a ficha do carregador ao eletrodoméstico.

Ao carregar o aparelho, o interruptor de alimentação tem de estar na posição Off.

Antes da primeira utilização, carregue o aparelho durante, pelo menos, 24 horas.

A luz LED da bateria cintila uma luz azul quando está a carregar e permanece acesa quando está carregada.

Volte a ligar o aparelho ao carregador depois da utilização para recarregar a bateria.

Nunca troque as baterias em temperaturas acima de 37°C ou abaixo de 0°C. É normal que o carregador aqueça enquanto estiver a carregar. Desligue o carregador em caso de ausência prolongada (férias, etc.). Recarregue novamente o produto antes de utilizar, pois a bateria pode descarregar durante

longos períodos de armazenamento.

Utilize apenas acessórios, consumíveis ou peças sobressalentes recomendadas ou fornecidas pela Hoover. Eletricidade estática: algumas carpetes podem causar um pequeno acúmulo de eletricidade estática. A descarga de electricidade estática não constitui qualquer perigo para a saúde. Mantenha as mãos, os pés, as roupas largas e o cabelo longe das escovas rotativas.

Não desligue o carregador puxando o cabo.

Não utilize o aparelho no exterior, em superfícies húmidas ou para aspirar líquidos. Não aspire objectos duros ou afiados, fósforos, cinzas quentes, pontas de cigarro ou outros itens semelhantes. Não pulverize nem aspire líquidos inflamáveis, líquidos de limpeza, aerossóis ou respectivos vapores. Não passe por cima do cabo de alimentação ao utilizar o aspirador nem retire a ficha puxando pelo cabo de alimentação. Não continue a utilizar o aparelho ou o carregador caso aparente estar defeituoso. Não utilize o aparelho para limpar pessoas ou animais. Não substitua as baterias por baterias não recarregáveis.

Assistência da Hoover: Para assegurar o funcionamento seguro e eficiente deste aparelho, recomendamos que todas as intervenções de assistência ou reparação sejam efectuadas apenas por um técnico de assistência autorizado da Hoover.

Eliminação do produto em fim de vida:

Se for necessário eliminar o aparelho, primeiro retire as baterias. O aparelho deve ser desligado da fonte de alimentação ao remover a bateria. Elimine as baterias em segurança. Deixe o aparelho em funcionamento até parar devido ao facto de as baterias estarem completamente descarregadas. As pilhas usadas devem ser levadas para uma estação de reciclagem e não devem ser colocadas no lixo doméstico. Para remover as baterias, contacte o centro de apoio ao cliente da Hoover ou prossiga de acordo com as instruções seguintes.

IMPORTANTE: Descarregue, sempre, na totalidade as baterias antes de as remover.

Coloque o aspirador em funcionamento até a bateria estar totalmente descarregada. Remova a ficha de tomada do carregador do aparelho.

Pressione o botão para libertar a bateria e deslize para removê-la.

Nota: Caso experiencie qualquer dificuldade na desmontagem

da unidade ou necessite de informações mais detalhadas sobre o trabalho, recuperação e reciclagem deste aparelho, contacte o departamento da sua cidade ou o serviço de eliminação de lixo doméstico.

Ambiente:

Este electrodoméstico está marcado de acordo com o disposto na directiva europeia 2011/65/EC relativa aos resíduos de equipamentos eléctricos e electrónicos (REEE). Ao garantir que este produto é eliminado de forma correcta, estará a contribuir para evitar potenciais consequências negativas para o ambiente e a saúde humana, o que pode ocorrer devido a um tratamento inadequado dos resíduos deste produto. O símbolo no produto indica que este não pode ser tratado como resíduo doméstico. Pelo contrário, deve ser encaminhado para o ponto de recolha aplicável para reciclagem de equipamento eléctrico e electrónico. A eliminação deve ser realizada em conformidade com as leis ambientais locais relativas à eliminação de resíduos. Para obter informações mais detalhadas sobre o tratamento, recuperação e reciclagem deste produto, contacte as autoridades locais, o serviço de eliminação de resíduos domésticos ou a loja onde adquiriu o produto.



Este aparelho encontra-se em conformidade com as Directivas Europeias 2014/35/UE, 2014/30/UE e 2011/65/UE.

CANDY HOOVER GROUP S.r.l. Via Privata Eden Fumagalli, 20861 Brugherio (MB) Italy

COMPONENTES DO PRODUTO

- | | |
|--|--|
| A. Botão Turbo On/Off | R. Botão de libertação do filtro de escape |
| B. Silent Button | S. Filtro do escape |
| C. Indicadores LED | T. Carregador |
| D. Botão de libertação manual | U. Ferramenta 2 em 1 com ligação Quick&Secure* |
| E. Tubo | V. Escova de limpeza de pó e para móveis grande 2 em 1 com ligação Quick&Secure* |
| F. Botão de libertação da escova | W. Boquilha flexível comprida com ligação Quick & Secure* |
| G. Luz Frontal Bocal | X. Mini bocal turbo com ligação Quick & Secure* |
| H. Cilindro intensivo para pavimentos | Y. Adaptador da ferramenta de subida até ao topo com ligação Quick & Secure* |
| I. Compartimento para o pó | Z. Ferramenta do radiador com ligação Quick & Secure* |
| J. Conjunto da Tecnologia HSpin-Core: | AA. Escova de limpeza profunda com ligação Quick & Secure* |
| J1. Tampa do motor | AB. Saco de Acessórios* |
| J2. Filtro de rede | AC. Escova macia traseira* |
| J3. Copo da tampa | AD. Rolo de cuidado profundo* |
| K. Eixo do motor | AE. Escovas de limpeza |
| L. Botão de esvaziamento do depósito de pó | AF. Montagem de parede* |
| M. Tampa Inferior Depósito Pó | AG. Tampões com porca* |
| N. Botão de libertação do conjunto de baterias | |
| O. Conjunto de baterias | |
| P. Alavanca do interruptor | |
| Q. Interruptor LIGAR/DESLIGAR | |

PREPARAR O SEU ASPIRADOR

1. Insira a cabeça da escova num lado do tubo até ouvir um clique. **[1A]**
2. Insira outro lado do tubo na unidade portátil até ouvir um clique. **[1B]**
3. Fixe a montagem de parede utilizando os parafusos e tampões com porca fornecidos. **[2]**
4. Para carregar totalmente o aparelho, ligue a ficha de tomada do carregador ao pacote da bateria. Demora cerca de 6 horas. **[2]**

NOTA: Para remover a escova, pressione o botão de libertação da escova e retire do corpo principal.

NOTA: Utilize apenas o carregador fornecido com o aspirador para recarregar.

IMPORTANTE: Ao carregar o aspirador, a alavanca do interruptor tem de estar na posição OFF. Pode carregar o conjunto de baterias também quando está desligado do produto.

É normal que o carregador aqueça enquanto estiver a carregar.

* Apenas em alguns modelos

UTILIZAR O SEU ASPIRADOR

Existem quatro modos de funcionamento:

- **MODO TEMPORÁRIO:** O produto começa a trabalhar quando prime o botão LIGAR/DESLIGAR e pára quando solto. **[3A]**
- **MODO CONTÍNUO:** Para activar o modo contínuo, pode puxar a alavanca do interruptor para trás e irá encaixar. **[3B]**

Para desactivar o modo contínuo, pode empurrar a alavanca do interruptor para a frente.

- **MODO SILÊNCIO:** Pressione o botão de silêncio para limpar totalmente no nível de ruído mais baixo do produto.
- **MODO TURBO:** Prima o botão Turbo para a potência total para tarefas de limpeza a fundo.

IMPORTANTE: Depois de cada utilização do produto, certifique-se de que empurra a alavanca do interruptor para a frente para a posição desbloqueada. O incumprimento desta recomendação pode resultar numa redução da vida da bateria ou na sua falha.

SELECIONE O ROLO ADEQUADO PARA A MELHOR LIMPEZA

Rolo de limpeza de pavimentos intensa*: Recomenda-se utilizar na carpete pela qual consiga ir a fundo para limpar o pó.

Rolo de cuidado profundo*: Recomenda-se utilizar em pavimentos duros ou parquet delicado. Graças às cerdas suaves, é possível limpar levemente estes tipos de pavimentos.

IMPORTANTE: Desligue sempre o aspirador antes de mudar e limpar o agitador.

NOTA: Para montar o rolo, aconselhamos utilizar: **[17]**

1. Liberte a aba de libertação do agitador Posicionada na parte lateral do bocal.
2. Segure na aba de libertação do agitador e puxe-a para retirar o agitador.
3. Substituir com o rolo de limpeza de pavimentos intensa ou com o Rolo de cuidado profundo.
4. Volte a colocar na respetiva posição a aba de libertação do agitador.

MONTAGEM DA ESCOVA DO LIMPADOR

Para obter a melhor forma e desempenho na carpete, recomenda-se montar as escovas dianteira e traseira à placa do bocal.

Para isto, abra a aba de libertação do agitador e remova a fita suave. Em seguida, agarre uma escova inserindo uma na ranhura traseira e deslize até ficar totalmente encaixada. Repita estas operações para a segunda escova e deslize-a na ranhura dianteira. Bloquee a aba de libertação do agitador. **[18]**

SISTEMA DE PROTEÇÃO DE SEGURANÇA

Para garantir que a fiabilidade do produto não é afetada devido a utilização em condições exigentes, o produto possui um sistema de proteção de segurança integrado.

NOTA: O sistema de proteção de segurança irá acionar se o agitador possuir um bloqueio ou estiver trancado, depois de acionado, o agitador irá parar de rodar e a luz Led branca na parte dianteira do bocal desliga-se. Se tal acontecer, deve desligar o produto e remover a obstrução do agitador. Para terminar a limpeza, pressione o botão on/off e o produto reinicia no modo normal.

BATERIA

VISOR LED:

O aspirador está equipado com um visor LED. Quando o produto está Ligado e o visor iluminado, os indicadores apresentam a seguinte informação.

INDICADOR DO NÍVEL DA BATERIA:

- Quatro pontos = 100% de carga
- Três pontos = 75% de carga
- Dois pontos = 50% de carga
- Um ponto = 25% de carga

CARREGAMENTO

Durante o processo de carregamento se o nível da bateria carregada está abaixo de 25%, irá ver o primeiro LED a piscar até passar os 25%, em seguida, este fica iluminado. Este processo irá continuar em todos os pontos do LED que indicam o nível de carga da bateria 25%, 50%, 75%, etc. Quando as baterias estiverem 100% carregadas, os quatro pontos ficarão iluminados.

Por favor, note que para garantir que a sua bateria está sendo carregada a uma temperatura de funcionamento segura, instalamos um dispositivo de segurança. Se este aparelho ativa-se e começa o processo de carregamento em seguida, irá ver o primeiro LED piscar até que se tenha restabelecido. Depois de restabelecer-se automaticamente, o ciclo normal de carregamento começará, como descrito abaixo.

INDICAÇÃO DE DESCARGA

Quando o produto está em execução e as baterias estão a descarregar-se, o indicador de LED irá começar a piscar quando a capacidade da bateria é inferior a 5%, indicando a necessidade de recarregar.

* Apenas em alguns modelos

ACESSÓRIOS

ESCOVA DE LIMPEZA DE PÓ E PARA MÓVEIS GRANDE 2 EM 1 COM LIGAÇÃO QUICK&SECURE*, ESCOVA DE LIMPEZA DE PÓ E PARA MÓVEIS GRANDE 2 EM 1 COM LIGAÇÃO QUICK&SECURE*, BOQUILHA FLEXÍVEL COMPRIDA COM LIGAÇÃO QUICK & SECURE*, ADAPTADOR DA FERRAMENTA DE SUBIDA ATÉ AO TOPO MULTIFUNÇÕES COM LIGAÇÃO QUICK & SECURE*, MINI BOCAL TURBO COM LIGAÇÃO QUICK & SECURE*, FERRAMENTA DO RADIADOR COM LIGAÇÃO QUICK & SECURE* E ESCOVA DE LIMPEZA PROFUNDA COM LIGAÇÃO QUICK & SECURE.

Os acessórios abaixo podem ser montados diretamente na unidade portátil ou num lado do tubo. [5]

NOTA: A mini escova turbo é ideal para a limpeza profunda de superfícies têxteis (ou seja, sofás) e remoção de pêlos de animais. Desloque firmemente para trás e para a frente. Depois da utilização, retire os pêlos/fios recolhidos da escova com uma tesoura, se necessário.

NOTA: O acessório de fendas flexível longo é ideal para limpar áreas de difícil acesso, debaixo de móveis e no automóvel.

NOTA: A ferramenta para radiadores é ideal para limpar dentro e ao redor de armários, radiadores, sofás, persianas, etc.

NOTA: A escova de limpeza profunda é útil para limpar espaços apertados sem riscar as superfícies, e dentro do seu automóvel

NOTA: A ferramenta para as partes superiores multifunções é recomendada para alcançar móveis altos e tetos. É possível fixar a qualquer ferramenta, exceto o mini turbo, para limpar cantos elevados, cortinas ou móveis altos.

SACO DE ACESSÓRIOS*

Podem ser armazenados acessórios adicionais no saco de acessórios.

MONTAGEM DE PAREDE*

Coloque o suporte na parede, utilizando os três parafusos incluídos no produto [2] para pendurar o produto, escova de pó e fendas 2 em 1 e mini bocal turbo (quando incluído).

MANUTENÇÃO DO ASPIRADOR

Esvaziar o depósito de pó

1. Prima o botão de libertação portátil e retire o tubo. [6]
2. Empurre o botão de esvaziamento do compartimento para pó para soltar a aba do recipiente e esvazie o conteúdo. [7]
3. Feche a aba do compartimento para pó, ouvirá um clique quando estiver encaixado.

NOTA: É recomendado esvaziar o compartimento para pó depois de cada utilização ou quando o pó estiver até à linha máxima de enchimento.

Limpe o depósito de pó e o filtro

1. Prima o botão de libertação portátil e retire o tubo. [6]
2. Prima o botão de esvaziamento do compartimento para pó para abrir a tampa do recipiente e esvaziá-lo. [7]
3. Puxe o botão de libertação do conjunto de baterias para baixo e remova o conjunto de baterias. [8A,8B]
4. Gire o depósito de pó para a direita, alinhe as marcas de seta e remova-o da estrutura principal do aspirador. [9]
5. Limpe qualquer excesso de pó do filtro de rede [J2], segure a rede firmemente com uma mão e com a outra rode o depósito da tampa [J3] para a direita para retirar o filtro de rede. [10]
6. Depois de retirar a tampa, retire o conjunto de Tecnologia HSpin-Core da estrutura principal. [11A] Segure a parte superior da tampa do motor [J1] e retire o filtro da rede ao puxar. [11B]
7. Prima os dois botões de libertação do filtro de escape e retire o filtro de escape. [12A, 12B]
8. Quando limpar os filtros, lave o filtro de rede [J2] e o filtro de escape [S] com água morna. [13] Certifique-se de que todas as peças estão totalmente secas antes de voltar a montá-las. [14]
9. Quando voltar a montar a Tecnologia HSpin-Core, primeiro volte a fixar o filtro de rede à tampa do motor [15QA] e, em seguida, alinhe este conjunto com o eixo do motor, tendo especial atenção à superfície plana no eixo do motor. [15B]
10. Depois, segure novamente o filtro de rede e volte a encaixar o depósito da tampa: rode para a esquerda para trancar [16]. CERTIFIQUE-SE DE QUE NÃO APERTA DEMASIADO, POIS PODE DANIFICAR A ROSCA.
11. Termine a remontagem da unidade portátil e, em seguida, fixe ao suporte da parede.

NOTA: Não utilize água quente ou detergentes ao limpar os filtros de escape. No caso improvável dos filtros de escape ficarem danificados, instale uma peça de substituição Hoover genuína. Não tente utilizar o aspirador sem o filtro montado.

* Apenas em alguns modelos

IMPORTANTE: Para um desempenho ideal, mantenha sempre o filtro de rede limpo. Recomendamos lavar o filtro mensalmente.

Substituir e limpar o agitador

IMPORTANTE: Desligue sempre o aspirador antes de mudar e limpar o agitador.

1. Liberte a aba de libertação do agitador Posicionada na parte lateral do bocal. [17a]
2. Segure na aba de libertação do agitador e remova o agitador. [17b]
3. Para limpar o Rolo de Limpeza Intensa do Chão, remova a sujidade em excesso utilizando tesouras. [17c]
4. Para limpar o Rolo de Limpeza Profunda, lave com água [17d] e deixe secar durante 24 horas. [17e]
5. Volte a instalar o agitador. [17f] O agitador apenas pode ser instalado numa direção.
6. Feche a aba de libertação do agitador para fixar o agitador no respetivo sítio. [17g]

Substituição das baterias

Este aspirador está instalado com um conjunto de baterias de iões de lítio recarregáveis que são substituíveis.

ATENÇÃO: Utilize apenas peças de substituição aprovadas para o aspirador. A utilização de peças não aprovadas pela Hoover é perigosa e irá tornar a sua garantia inválida.

ATENÇÃO: Não tente abrir o conjunto de baterias e repará-lo.

1. Puxe o botão de libertação do conjunto de baterias e o conjunto de baterias será afastado uma pequena distância automaticamente. [8A]
2. Afaste o conjunto de baterias lentamente da ranhura. [8B]
3. Retire a bateria antiga e substitua-a por uma bateria nova.
4. Elimine as baterias em segurança. As pilhas usadas devem ser levadas para uma estação de reciclagem e não devem ser colocadas no lixo doméstico.

RESOLUÇÃO DE PROBLEMAS

Se tiver qualquer problema com o aspirador, siga esta lista de verificação simples antes de contactar o Centro de Assistência ao Cliente da Hoover:

- A. O aspirador não liga
Verifique se o aspirador está carregado.
Controle se o pacote da bateria está montado no lugar.
- B. O aspirador parou de trabalhar.
Controle se o motor com Tecnologia HSpin-Core está bloqueado.
Desligue e certifique-se de que a alavanca de modo contínuo está desligada. Assim que concluir, prima o botão ligar/desligar, o produto irá reiniciar após alguns segundos.
- C. Perda de sucção ou sem sucção.
Esvazie o depósito e lave o filtro de rede e limpe o conjunto de Tecnologia HSpin-Core.
Retire a escova e verifique se existe qualquer obstrução na conduta.
- D. Não é possível carregar a bateria
Isto pode dever-se a um período de armazenamento muito longo (mais de meio ano).
Contacte o serviço de apoio ao cliente da Hoover para que a bateria seja substituída.
Se o problema persistir, contacte o centro de assistência ao cliente da Hoover.

PEÇAS SOBRESSALENTES E CONSUMÍVEIS HOOVER

Substitua sempre as peças por peças sobressalentes Hoover genuínas. Pode obtê-las junto do seu representante local ou directamente da Hoover. Quando encomendar peças, mencione sempre o número do seu modelo.

A SUA GARANTIA

As condições de garantia para este aparelho são as definidas pelo nosso representante no país onde foi vendido. Pode obter detalhes sobre estas condições junto do agente a quem adquiriu o aparelho. A factura de venda ou o recibo deverão ser entregues quando apresentar uma reclamação ao abrigo dos termos da garantia.

IMPORTANTE: A bateria neste aspirador possui uma garantia de 2 anos a partir da data de compra. Após 2 anos, o comprador é responsável pelo custo da nova bateria.

Sujeito a alteração sem aviso prévio.

INSTRUCCIONES PARA UN USO SEGURO Y PARA EL MONTAJE

Este aparato solo debe utilizarse para la limpieza doméstica habitual, como se describe en este manual de usuario.

Asegúrese de haber comprendido todo el contenido de este manual antes de poner en funcionamiento el aparato.

Apague y quite el cargador de la toma de corriente antes de limpiar el aparato o de efectuar cualquier operación de mantenimiento.

Este aparato puede ser usado por niños de 8 años en adelante y personas con capacidades físicas, sensoriales o mentales reducidas o falta de experiencia y conocimiento bajo supervisión y con una explicación de las instrucciones con respecto al uso del aparato de manera segura y que comprendan los riesgos implicados. Los niños no deben jugar con el aparato.

Los niños no deben limpiar ni dar mantenimiento sin supervisión.

Si el cable de alimentación está dañado, deje de utilizar el aparato inmediatamente.

Para evitar riesgos de seguridad, el cable de alimentación sólo puede ser cambiado por un especialista del servicio técnico de Hoover.

Utilice únicamente el cargador original suministrado con el aparato. Controle que el voltaje de la corriente eléctrica sea el mismo que el indicado en el cargador.

Este aparato Hoover se proporciona con un cargador de baterías con doble aislamiento que sólo se puede conectar en una toma de corriente de 230V (240V en Reino Unido).

Enchufe el cargador en una toma de corriente adecuada y conecte la clavija del cargador al electrodoméstico.

Durante la carga del electrodoméstico, el interruptor de alimentación debe estar en posición de apagado.

Antes del primer uso, cargue el aspirador durante al menos 24 horas.

La luz indicadora LED parpadeará de color azul durante la carga y permanecerá encendida cuando se haya cargado por completo.

Vuelva a conectar el cargador al electrodoméstico después del uso para recargar la batería.

No cargue nunca la batería a temperaturas superiores a los 37°C o inferiores a 0°C. Es normal que el cargador esté caliente al tacto mientras se está cargando. Desenchufe el cargador en caso de ausencias prolongadas (vacaciones,

etc.). Vuelva a cargar el aparato nuevamente antes de usarlo, ya que la batería se podría descargar durante períodos de almacenamiento prolongados.

Utiliza únicamente accesorios, consumibles o repuestos recomendados o distribuidos por Hoover.

Electricidad estática: algunas alfombras pueden provocar una pequeña acumulación de electricidad estática. Las descargas estáticas no son peligrosas para la salud.

Mantener lejos de los cepillos rotatorios pies, manos, ropa suelta y cabellos.

No tire del cable para desenchufar el cargador.

No utilice el aparato al aire libre, en superficies húmedas o para recoger líquidos. No aspire objetos duros o afilados, cerillas, cenizas calientes, colillas de cigarrillo u objetos similares. No rocíe, ni aspire líquidos inflamables, aerosoles para limpiar o sus vapores. No pase por encima del cable de alimentación cuando utilice el aparato ni lo desenchufe tirando del cable. No siga utilizando el electrodoméstico o el cargador si parece estar defectuoso. No utilice el aparato en personas ni animales. No sustituya las baterías por baterías no recargables.

Servicio Técnico de Hoover: Para garantizar el funcionamiento seguro, eficaz y duradero del aspirador, recomendamos que las tareas de mantenimiento sean realizadas exclusivamente por técnicos autorizados del servicio Técnico de Hoover.

Cómo desechar el producto cuando se haya agotado su vida útil:

Si se debe desechar el aparato, primero es necesario extraer la batería. Cuando extraiga la batería, el electrodoméstico debe estar desconectado de la red eléctrica. Elimine la batería de manera segura. Haga funcionar el electrodoméstico hasta que se detenga debido a que la batería está totalmente descargada. Las baterías usadas deben llevarse a un punto de reciclaje y no deben desecharse con los residuos domésticos. Para quitar la batería, contacte con el Servicio Técnico de Hoover o siga las presentes instrucciones.

IMPORTANTE: Descargue siempre las baterías completamente antes de desecharlas.

Haga funcionar el aspirador hasta que las baterías estén completamente descargadas. Quite el conector jack del cargador del electrodoméstico.

Pulse los botones de desenganche del paquete de baterías y

deslice para extraerlo.

Nota: Si llega a experimentar problemas al desmontar el aspirador o para obtener información más detallada sobre el tratamiento, la recuperación y el reciclaje de este electrodoméstico, contacte con su Ayuntamiento o con el servicio de recogida de residuos domésticos de su zona.

El Medio Ambiente:

Este aparato está marcado de acuerdo con la Directiva Europea 2011/65/EC sobre residuos de aparatos eléctricos y electrónicos (RAEE). Al cerciorarse de que este producto se elimine correctamente, usted ayudará a prevenir las posibles consecuencias perjudiciales para el medio ambiente y la salud humana que, de otro modo, podrían producirse en caso de manejo inadecuado de los residuos de este producto. El símbolo que puede verse en el producto indica que éste no puede tratarse como residuo doméstico. En vez de esto debe entregarse en un punto de recogida de electrodomésticos para el reciclaje de equipos eléctricos y electrónicos. La eliminación debe llevarse a cabo según los reglamentos medioambientales locales sobre eliminación de residuos. Para información más detallada sobre el tratamiento, la recuperación y el reciclaje de este producto, póngase en contacto con su Ayuntamiento, su servicio de recogida de residuos domésticos o con el establecimiento donde haya comprado el producto.



Esta aparato cumple con las Directivas europeas 2014/35/EU, 2014/30/EU y 2011/65/EU.

CANDY HOOVER GROUP S.r.l. Via Privata Eden Fumagalli, 20861 Brugherio (MB) Italy

COMPONENTES DEL PRODUCTO

- | | |
|---|---|
| A. Botón Turbo encendido/apagado | R. Botón de liberación del filtro de salida de aire |
| B. Silent Button | S. Filtro de Descarga |
| C. Indicadores LED | T. Cargador |
| D. Botón de desenganche de la unidad portátil | U. Accesorio 2 en 1 con conexión rápida y segura* |
| E. Tubo | V. Cepillo grande 2 en 1 para polvo y muebles con conexión rápida y segura* |
| F. Botón desbloqueo de tobera | W. Accesorio para tapicerías flexible y largo con conexión rápida y segura* |
| G. Luz delantera de la tobera | X. Tobera Mini Turbo con conexión rápida y segura* |
| H. Rodillo de piso intenso | Y. Adaptador de accesorio para superficies elevadas con conexión rápida y segura* |
| I. Depósito de suciedad | Z. Accesorio 2 en 1 con conexión rápida y segura* |
| J. Ensamblaje de la Tecnología HSpin-Core: | AA. Cepillo para limpieza profunda con conexión rápida y segura* |
| J1. Tapa del motor | AB. Bolsa para accesorios* |
| J2. Filtro de malla | AC. Rasqueta mullida trasera* |
| J3. Depósito de suciedad con tapa | AD. Rodillo para cuidado profundo* |
| K. Eje del motor | AE. Rasquetas |
| L. Botón de vaciado del depósito de suciedad | AF. Soporte de pared* |
| M. Cubierta inferior del depósito de suciedad | AG. Tapones de tornillos* |
| N. Botón de desenganche del paquete de baterías | |
| O. Batería | |
| P. Palanca del interruptor | |
| Q. Interruptor de encendido/apagado (ON/OFF) | |

PREPARACIÓN DEL ASPIRADOR

1. Introduzca el cabezal de la tobera en un lado del tubo hasta que se oiga un "clic". [1A]
2. Introduzca el otro lado del tubo en el aspirador extraíble hasta que se oiga un "clic". [1B]
3. Fije el soporte de pared a la pared utilizando los tornillos y los tapones de tornillos suministrados. [2]
4. Para cargar por completo el electrodoméstico, conecte el conector jack del cargador al paquete de baterías. Esto durará aproximadamente 6 horas. [2]

NOTA: Para retirar la tobera, presione el botón de desbloqueo de la tobera y retirela del cuerpo principal.

NOTA: Sólo utilice el cargador proporcionado con su aspirador para recargar.

IMPORTANTE: Cuando el aspirador se esté cargando la palanca del interruptor debe estar en posición de APAGADO.

El paquete de baterías se puede cargar incluso cuando está desenganchado del electrodoméstico.

Es normal que el cargador esté caliente al tacto mientras se está cargando.

* Sólo para algunos modelos

USO DEL ASPIRADOR

Hay cuatro modos de funcionamiento:

- **MODO TEMPORAL:** El electrodoméstico comenzará a funcionar al presionar el interruptor encendido/apagado y se detendrá al soltarlo. **[3A]**
 - **MODO CONTINUO:** Para activar el modo continuo es necesario tirar hacia atrás la palanca del interruptor que se encajará en su lugar al oírse un clic. **[3B]** Para desactivar el modo continuo es necesario empujar la palanca del interruptor hacia adelante.
 - **MODO SILENCIO:** Pulse el botón de potencia silenciosa para limpiar minuciosamente con un nivel de ruido reducido.
 - **MODO TURBO:** Presione el botón Turbo para activar la operación de limpieza profunda.
- IMPORTANTE:** Después de cada uso del electrodoméstico, asegúrese de empujar la palanca del interruptor hacia adelante en posición de desbloqueo. De lo contrario, puede reducirse la vida útil de la batería u ocurrir una avería.

SELECCIONE EL RODILLO ADECUADO PARA LA MEJOR LIMPIEZA

Rodillo de piso intenso*: Se recomienda para usar en alfombras ya que puede llegar hasta el fondo de la alfombra para limpiar el polvo.

Rodillo para cuidado profundo*: Se recomienda para usar en pisos duros o parquet delicado. Gracias a las cerdas suaves, usted puede limpiar esos tipos de suelos.

IMPORTANTE: Apague siempre el aspirador antes de cambiar o limpiar el agitador.

NOTA: Para montar el rodillo debe usar: **[17]**

1. Desacople la solapa de desbloqueo del agitador. Está colocada en la parte lateral de la tobera.
2. Sostenga la solapa de desbloqueo del agitador y tire hacia abajo para quitar el agitador.
3. Reemplace con el rodillo de piso intenso o con el rodillo para cuidado profundo.
4. Vuelva a encajar la solapa de desbloqueo del agitador en su lugar.

ENSAMBLE DE LA RASQUETA

Para obtener el mejor resultado en los rincones y las alfombras se recomienda ensamblar la rasqueta delantera y la rasqueta trasera en la suela de la tobera.

Para hacerlo, abra la solapa de desbloqueo del agitador y extraiga la tira suave. Luego agarre una rasqueta introduciendo un extremo en la ranura trasera y deslícela hasta que encaje perfectamente en su alojamiento. Repita este procedimiento para la segunda rasqueta y deslícela en la ranura delantera. Bloquee la solapa de desbloqueo del agitador. **[18]**

SISTEMA DE PROTECCIÓN DE SEGURIDAD

Para asegurar que el electrodoméstico mantenga su fiabilidad si se usa en condiciones difíciles, el aparato está dotado de un sistema de protección de seguridad.

NOTA: El sistema de protección de seguridad se accionará si el agitador tiene una obstrucción o está bloqueado; una vez que se haya accionado, el agitador dejará de girar y se apagarán las luces Led blancas de la parte delantera de la tobera. Si esto sucede, apague el electrodoméstico y elimine la obstrucción del agitador. Para reanudar la limpieza presione el botón de encendido/apagado y el electrodoméstico volverá a encenderse en modo normal.

BATERÍA

PANTALLA LED:

Este aspirador está dotado de una pantalla LED. Cuando el electrodoméstico está encendido y la pantalla está iluminada los indicadores muestran la siguiente información.

INDICADOR DEL NIVEL DE BATERÍA:

- 4 puntos = carga al 100%
- 3 puntos = carga al 75%
- 2 puntos = carga al 50%
- 1 punto = carga al 25%

PROCESO DE CARGA

Durante el proceso de carga si el nivel de carga de la batería es inferior al 25% verá parpadear el primer LED hasta que sea superior al 25%, luego permanecerá iluminado. Este proceso continuará en todos los puntos del LED que indican el nivel de carga de la batería 25%, 50%, 75%, etc. Cuando la carga de la batería alcance el 100% los 4 puntos estarán iluminados.

Cabe señalar que para asegurar que la batería se cargue a una temperatura de funcionamiento segura fue dotada de un dispositivo de seguridad. Si este dispositivo se activa y comienza el proceso de carga, se verá parpadear el primer LED hasta que se restablezca. Después de que se haya restablecido automáticamente comenzará el proceso de carga normal según lo indicado anteriormente.

INDICACIÓN DE DESCARGA

Cuando el electrodoméstico esté funcionando y las baterías se estén descargando la luz indicadora LED comenzará a parpadear cuando la capacidad de la batería sea inferior al 5% lo cual indica la necesidad de recarga.

* Sólo para algunos modelos

ACCESORIOS

CEPILLO PARA POLVO Y TAPICERÍA 2 EN 1 CON CONEXIÓN RÁPIDA Y SEGURA*, CEPILLO GRANDE 2 EN 1 PARA POLVO Y TAPICERÍA CON CONEXIÓN RÁPIDA Y SEGURA*, ACCESORIO PARA TAPICERÍA LARGO Y FLEXIBLE CON CONEXIÓN RÁPIDA Y SEGURA*, ADAPTADOR DEL ACCESORIO MULTIFUNCIÓN PARA SUPERFICIES ELEVADAS CON CONEXIÓN RÁPIDA Y SEGURA*, TOBERA MINI TURBO CON CONEXIÓN RÁPIDA Y SEGURA*, ACCESORIO PARA RADIADOR CON CONEXIÓN RÁPIDA Y SEGURA* Y CEPILLO PARA LIMPIEZA PROFUNDA CON CONEXIÓN RÁPIDA Y SEGURA.

Los accesorios indicados anteriormente pueden encajarse directamente en el aspirador extraíble o en un lado del tubo. [5]

NOTA: La tobera Mini Turbo es ideal para una limpieza profunda de los tejidos del hogar (p. ej. sofás) y para eliminar el pelo de las mascotas. Mueva constantemente hacia adelante y hacia atrás. Después del uso, elimine cabello/hilos recogidos en el cepillo, usando las tijeras si es necesario.

NOTA: El accesorio largo y flexible para rincones es ideal para la limpieza de zonas difíciles de alcanzar, debajo de los muebles y en el coche.

NOTA: El accesorio para el radiador es ideal para limpiar alrededor y en el interior de armarios, radiadores, sofás, persianas etc.

NOTA: El cepillo para limpieza profunda es útil para limpiar espacios estrechos sin rayar las superficies y el interior del coche.

NOTA: El adaptador del accesorio multifunción para superficies elevadas se recomienda para alcanzar muebles altos y techos. Puede conectar cualquier accesorio, además del mini turbo, para limpiar rincones altos, cortinas o arriba de muebles altos.

BOLSA PARA ACCESORIOS*

Los accesorios adicionales se pueden guardar en la bolsa para accesorios.

SOPORTE DE PARED*

Cuelgue el soporte de pared en la pared, usando los tres tornillos que se incluyen con el electrodoméstico [2] para colgar el electrodoméstico, el cepillo para polvo y tapicería 2 en 1, la tobera mini turbo y para polvo y tapicería grande 2 en 1 (cuando se incluye).

MANTENIMIENTO DEL ASPIRADOR

Vaciado del depósito de suciedad

1. Pulse el botón de desenganche del aspirador extraíble y extraiga el tubo. [6]
2. Presione el botón de vaciado del depósito de suciedad para desenganchar la tapa del contenedor y vaciar el contenido. [7]
3. Cierre la tapa del depósito de suciedad, cuando esté totalmente bloqueada se escuchará un clic.

NOTA: Se recomienda vaciar el depósito de suciedad después de cada uso o cuando la suciedad llegue a la línea de llenado máximo.

Limpiar el contenedor de polvo y el filtro

1. Pulse el botón de desenganche del aspirador extraíble y extraiga el tubo. [6]
2. Presione el botón de vaciado del depósito de suciedad para abrir la tapa del contenedor y vaciarlo. [7]
3. Pulse el botón de desenganche del paquete de baterías y extraiga dicho paquete de baterías. [8A,8B]
4. Gire el contenedor de polvo en el sentido de las agujas del reloj, alinee las marcas de las flechas y extraiga el cuerpo principal del aspirador. [9]
5. Limpie el exceso de polvo del filtro de malla [J2], agarre firmemente la malla con una mano y con la otra gire el depósito de suciedad con tapa [J3] en el sentido de las agujas del reloj para extraer el filtro de malla. [10]
6. Una vez que se haya extraído el depósito de suciedad con tapa, saque el ensamblaje de la tecnología HSpin-Core del cuerpo principal. [11A] Sujete la parte superior de la tapa del motor [J1] y extraiga el filtro de malla. [11B]
7. Presione simultáneamente los dos botones de desenganche del filtro de salida y luego extraiga dicho filtro de salida. [12A, 12B]
8. Al limpiar los filtros, lave el filtro de malla [J2] y el filtro de salida [S] con agua tibia. [13] Asegúrese de que todas las piezas estén totalmente secas antes de volverlas a ensamblar. [14]
9. Al volver a ensamblar la Tecnología HSpin-Core, primero vuelva a acoplar el filtro de malla con la tapa del motor [15A] luego alinee este ensamblaje con el eje motor, teniendo especial cuidado en colocar la superficie plana sobre el eje motor. [15B]
10. Segundo, sujete el filtro de malla y vuelva a encajar el depósito de suciedad con tapa: gire en sentido contrario a las agujas del reloj para bloquear [16]. ASEGÚRESE DE NO APRETAR DEMASIADO YA QUE ESTO PODRÍA DAÑAR LA ROSCA.
11. Complete el ensamblaje de la unidad portátil y fíjela en el soporte de pared.

* Sólo para algunos modelos

NOTA: No utilice agua caliente o detergentes para limpiar el filtro de salida. En el caso poco probable de que los filtros de salida se dañen, utilice un repuesto auténtico Hoover. No trate de utilizar el aparato sin montar el filtro.

IMPORTANTE: Para obtener un rendimiento óptimo, mantenga siempre limpio el filtro de malla. Le recomendamos que lave el filtro una vez al mes.

Cambio y limpieza del agitador

IMPORTANTE: Apague siempre el aspirador antes de cambiar o limpiar el agitador.

1. Desacople la solapa de desbloqueo del agitador. Está colocada en la parte lateral de la tobera. [17a]
2. Sostenga la solapa de desbloqueo del agitador y quite el agitador. [17b]
3. Para limpiar el rodillo de piso intenso, elimine cualquier desecho con tijeras. [17c]
4. Para limpiar el rodillo para cuidado profundo, lávelo con agua [17d] y déjelo secar durante 24 horas. [17e]
5. Vuelva a colocar el agitador. [17f] El agitador sólo se puede colocar en una dirección.
6. Cierre la solapa de desbloqueo del agitador para asegurar el agitador en su lugar. [17g]

Reemplazar las baterías

Este aspirador está dotado de un paquete de baterías recargables de ion-litio, el cual es reemplazable.

ADVERTENCIA: Utilice únicamente piezas de repuesto aprobadas para su aspirador. La utilización de piezas no homologadas por Hoover es peligrosa e invalidará su garantía.

ADVERTENCIA: No trates de abrir la batería ni de repararla por sí mismo.

1. Tire hacia atrás el botón de desenganche del paquete de baterías y dicho paquete de baterías será empujado automáticamente un poco hacia afuera. [8A]
2. Saque lentamente el paquete de baterías de la ranura. [8B]
3. Extraiga el viejo paquete de baterías y sustitúyalo con el nuevo.
4. Elimine la batería de manera segura. Las baterías agotadas deben llevarse a una estación de reciclaje y no se deben eliminar con los residuos domésticos.

SOLUCIÓN DE PROBLEMAS

Si tiene algún problema con su aspirador, siga esta simple lista de verificación antes de llamar al Servicio Técnico de Hoover:

- A. El aspirador no se enciende
Verifique si el aspirador está cargado.
Verifique si el paquete de baterías está montado en su lugar.
- B. El aspirador deja de funcionar
Verifique si el motor con Tecnología HSpin-Core está bloqueado.
Elimine la obstrucción y asegúrese de que la palanca del modo continuo esté en apagado. Una vez hecho esto, pulse el botón de encendido/apagado, el electrodoméstico se volverá a poner en marcha después de pocos segundos.
- C. Pérdida de aspiración o sin aspiración.
Vacíe el depósito de suciedad, lave el filtro de malla y limpie el ensamblaje de la Tecnología HSpin-Core.
Extraiga la tobera y controle si hay obstrucciones en el tubo
- D. Las baterías no se pueden cargar
Este puede ser el resultado de periodos de almacenamiento muy prolongados (más de 6 meses).
Contacte con el servicio técnico de Hoover para acordar un reemplazo de baterías.
Si el problema continúa, contacte con el servicio técnico de Hoover.

PIEZAS DE REPUESTO Y CONSUMIBLES HOOVER

Utilice siempre piezas de repuesto originales de Hoover. Puede adquirirlas a través de su Servicio Técnico de Hoover. Cuando realice pedidos de piezas, indique siempre el número de modelo que posee.

SU GARANTÍA

Las condiciones de garantía para este aparato vienen definidas por nuestro representante en el país de venta. Puede obtener los detalles acerca de estas condiciones en el establecimiento donde haya comprado este aparato. Debe mostrarse la factura de compra o el recibo al hacer alguna reclamación en virtud de las condiciones de garantía.

IMPORTANTE: La batería de este aspirador tiene una garantía de 2 años a partir de la fecha de compra. Después de 2 años el coste de una nueva batería está a cargo del cliente.

Sujeto a cambios sin previo aviso.

INSTRUKTIONER FOR SIKKER BRUG OG SAMLING

Denne støvsuger må kun anvendes til almindelig husholdningsrengøring, som beskrevet i brugsanvisningen. Du bør sikre dig, at du har forstået indholdet af denne brugervejledning fuldt ud, inden apparatet tages i brug. Inden du rengør eller foretager nogen som helst vedligeholdelse af apparatet, skal du altid slukke for det og tage stikket ud af stikkontakten.

Dette udstyr kan anvendes af børn, der er 8 år gamle og derover, og af personer med nedsatte fysiske, sensoriske eller mentale evner eller manglende erfaring og viden, hvis de er under opsyn eller vejledning i at bruge udstyret på en sikker måde og forstår de risici, der er involveret. Børn må ikke lege med udstyret.

Rengøring og vedligeholdelse må ikke udføres af børn uden en voksen tilstede.

Hvis netledningen er ødelagt, skal du stoppe med at bruge støvsugeren øjeblikkeligt.

For at undgå en sikkerhedsrisiko skal en autoriseret Hoover-servicetekniker udskifte strømledningen.

Brug kun den originale oplader, der blev leveret sammen med apparatet.

Sørg for at stømmen i dit forsyningsnet er den samme som anført på opladeren.

Denne støvsuger er forsynet med en dobbelt isoleret batterioplader, der kun er beregnet til tilslutning til en 220 V stikdåse.

Sæt opladeren i en passende stikkontakt og tilslut opladeren til apparatet.

Strømknappen skal stå på off-positionen ved opladning af apparatet.

Støvsugeren skal oplades i mindst 24 timer, før den tages i brug første gang.

LED-indikatoren blinker blå under opladning og lyser konstant ved fuld opladning.

Støvsugeren skal tilsluttes opladeren igen efter brug, så batterierne kan blive genopladet.

Oplad aldrig batterierne ved over 37°C eller under 0°C. Det er normalt for opladeren at blive varm at røre ved under opladning. Træk opladeren ud af stikket ved længere tids fravær (ferie o.lign.). Genoplad støvsugeren igen før brug, da batterierne kan selvaflade ved længere tids stilstand.

Anvend kun tilbehør, udstyr og reservedele leveret af Hoover. Statisk elektricitet: nogle tæpper kan forårsage statisk elektricitet. Udledning af statisk elektricitet er ikke sundhedsfarligt.

Hold hænder, fødder, løstsiddende tøj og hår væk fra roterende børster.

Opladeren må ikke trækkes ud af stikdåsen ved at trække i kablet.

Brug ikke støvsugeren udendørs eller på våde overflader eller til opsugning af væsker. Undlad at opsuge hårde eller skarpe genstande, tændstikker, varm aske, cigaretstumper eller andre lignende genstande. Undlad at sprøjte med eller opsuge brændbare væsker, renevæsker, spraydåser eller spray fra disse. Undlad at køre over strømkablet når du bruger din støvsuger og undlad at trække stikket ud ved at trække i strømkablet, men hold fast i stikket. Hvis apparatet eller opladeren ser ud til at være beskadigede, skal det tages ud af brug. Undlad at bruge apparatet på at rengøre mennesker eller dyr. Batterierne må ikke udskiftes med ikke-genopladelige batterier.

Hoover service: For at sikre løbende sikker og effektiv drift af denne støvsuger anbefaler vi, at eftersyn eller reparationer udelukkende udføres af en autoriseret Hoover-servicetekniker.

Bortskaffelse af brugt produkt:

Hvis dit apparat skal kasseres, skal batterierne fjernes inden. Apparatet skal afbrydes fra lysnettet når batteriet fjernes. Bortskaf batterierne på en sikker måde. Tænd apparatet, indtil det stopper, fordi batterierne er helt afladet. Brugte batterier skal afleveres på en genbrugsstation og ikke smides ud sammen med husholdningsaffald. Hvis batterierne skal fjernes, bedes du kontakte Hoover-kundeservice eller handle i henhold til følgende anvisninger.

VIGTIGT: Aflad altid batterierne helt, før de fjernes.

Kør med støvsugeren, indtil batterierne er helt tomme.

Fjern opladeren fra apparatet.

Tryk på batteripakkens frigivelsesknop, og skub til side for at fjerne den.

Bemærk: Hvis du får problemer med at afmontere enheden eller ønsker mere detaljerede oplysninger om behandling, genanvendelse og genbrug af dette produkt, bedes du kontakte kommunen eller skraldeselskabet.

Miljøet:

Denne håndstøvsuger er mærket i overensstemmelse med det europæiskedirektiv 2011/65/EC om affald af elektrisk og elektronisk udstyr (WEEE). Ved at sikre at dette produkt bortskaffes korrekt er du med til at forhindre eventuelle negative konsekvenser for miljø og sundhed, som ellers kunne forårsages på grund af forkert bortskaffelse af dette produkt. Symbolet på produktet angiver, at produktet ikke må behandles som husholdningsaffald. Det skal i stedet afleveres til en affaldsstation for genbrug af elektrisk og elektronisk udstyr. Bortskaffelse skal ske i overensstemmelse med de lokale miljøregler vedrørende bortskaffelse af affald. Du kan få flere detaljerede oplysninger om behandling, genvinding og genbrug af dette produkt ved at kontakte din lokale kommune, renovationsfirmaet eller den butik, hvor du købte produktet.



Dette apparat overholder bestemmelserne i EU Direktiverne 2014/35/EU, 2014/30/EU og 2011/65/EU.

CANDY HOOVER GROUP S.r.l. Via Privata Eden Fumagalli, 20861 Brugherio (MB) Italy

PRODUKTKOMPONENTER

- | | |
|---|--|
| A. Tænd/sluk-knap til turbo | R. Knap til afmontering af udsugningsfilter |
| B. Silent Button | S. Udsugningsfilter |
| C. LED-indikatorer | T. Oplader |
| D. Håndholdt udløserknap | U. 2i1 værktøj med Quick&Secure tilslutning* |
| E. Rør | V. 2i1 stort støv- og møbelørstemundstykke med Quick&Secure tilslutning* |
| F. Knap til afmontering af mundstykke | W. Langt fleksibelt fugemundstykke med Quick&Secure tilslutning* |
| G. Mundstykke-forlyls | X. Mini-turbomundstykke med Quick&Secure tilslutning* |
| H. Kraftig gulvvalse | Y. Op til toppen-redskabsadapter med Quick&Secure tilslutning* |
| I. Støvbeholder | Z. 2i1 værktøj med Quick&Secure tilslutning* |
| J. HSpin-Core-teknologienhed: | AA. Lang rengøringsbørste med Quick&Secure tilslutning* |
| J1. Motordæksel | AB. Tilbehørstaske* |
| J2. Maskefilter | AC. Blødt blad bagtil* |
| J3. Beholderdæksel | AD. Lang beskyttelsesvalse* |
| K. Motoraksel | AE. Viskerblade |
| L. Knap til tømnning af støvbeholder | AF. Vægholder* |
| M. Bunddæksel til støvbeholder | AG. Rawplugs* |
| N. Knap til afmontering af batteripakke | |
| O. Batteripakke | |
| P. Omskifterkontakt | |
| Q. ON/OFF kontakt | |

SÅDAN KLARGØRES STØVSUGEREN

1. Isæt mundstykket på den ene side af røret, indtil du hører en "kliklyd". **[1A]**
2. Isæt den anden side af røret på den håndholdte enhed, indtil du hører en "kliklyd". **[1B]**
3. Fastgør vægholderen vha. de medfølgende skruer og skruetrækkere. **[2]**
4. For fuld opladning af apparatet, skal opladerens stikkontakt tilsluttes batteripakken. Det vil tage omkring 6 t. **[2]**

BEMÆRK: Mundstykket tages af, ved at trykke på udløserknappen, hvorefter mundstykket trækkes af hoveddelen.

BEMÆRK: Brug kun den oplader, der er leveret sammen med støvsugeren, til opladning.

VIGTIGT: Omskifterkontakten skal stå på OFF-positionen ved opladning af støvsugeren. Batteripakken kan også oplades når den ikke er tilsluttet produktet.

Det er normalt for opladeren at blive varm at røre ved under opladning.

* Kun til visse modeller

BRUG AF STØVSUGEREN

Der er fire arbejdstilstande:

- **MIDLERTIDIG TILSTAND:** Produktet starter, når du trykker på ON/OFF-knappen og slukker, når du slipper. **[3A]**
- **KONTINUERLIG TILSTAND:** For at aktivere kontinuerlig tilstand kan du trække omskifterkontakten tilbage, hvorefter det vil klikke på plads. **[3B]** For at deaktivere kontinuerlig tilstand skal du skubbe omskifterkontakten frem,
- **LYDLØS TILSTAND:** Tryk på lydløsknappen for en omhyggelig rengøring, ved det lavest mulige støjniveau for dette produkt.
- **TURBO INDSTILLING:** Tryk på turbo-knappen for fuld styrke til svære rengøringsopgaver.

VIGTIGT: Efter du har brugt produktet, skal du sørge for at skubbe omskifterkontakten frem til den ulåste position. I modsat fald kan det resultere i en reduktion i batteriets levetid eller fejl.

VÆLG DEN PASSENDE VÆLSE FOR DEN BEDSTE RENGØRING

Kraftig gulvvalse*: Den anbefales til brug på tæpper, hvor den går dybt ind og fjerner støvet.

Lang beskyttelsesvalse*: Anbefales til brug på hårde gulve eller skrøbelige parketgulve. Takket være de bløde børster kan du forsigtigt rense disse type gulve.

VIGTIGT: Støvsugeren skal altid slukkes ved udskiftning og rengøring af børsten.

BEMÆRK: For at samle valse, skal bruge: **[17]**

1. Frigør rotor-udløsningsklappen. Den er placeret på den tværgående del af mundstykket.
2. Hold i rotor-udløsningsklappen og træk ned for at løsne rotoren.
3. Skift ud med den kraftige gulvvalse eller med den lange beskyttelsesvalse.
4. Før rotor-udløsningsklappen tilbage til sin oprindelige position.

SAMLING AF VISKERBLAD

For at opnå den bedste fuge- og tæppefunktion, anbefales det at samle de forreste og bagerste viskerblade på mundstykkets bundplade.

For at gøre dette, skal du åbne rotorens udløsningsknap og fjerne den bløde strimmel. Tag fat i et viskerblad, og sæt den ene ende i den bagerste åbning, før bladet ind indtil det er helt på plads. Gentag denne operation for det andet viskerblad, og før det ind i den forreste åbning. Lås rotorens udløsningsknap fast. **[18]**

SIKKERHEDSBESKYTTELSESSYSTEM

Produktet har et integreret sikkerhedsbeskyttelsessystem for at sikre pålideligheden af produktet, som ikke påvirkes under vanskelige forhold.

BEMÆRK: Sikkerhedsbeskyttelsessystemet aktiveres, hvis børsten er blokeret eller låst fast. Når systemet aktiveres, stopper børsten med at rotere, og de hvide LED lys forrest på mundstykket slukker. Hvis dette sker, skal du bare slukke for dit produkt og fjerne tilstopningerne i agitatoren. For at genoptage rengøringen, skal du trykke på tænd/sluk-knappen, og produktet starter igen i normal tilstand.

BATTERI

LED DISPLAY:

Denne børste har et diodedisplay. Når produktet er tændt og displayet lyser, vises de følgende informationer.

BATTERINIVEAUINDIKATOR:

- 4 point = 100% opladning
- 3 point = 75 % opladning
- 2 point = 50 % opladning
- 1 point = 25 % opladning

OPLADNING

Hvis batteriets opladningsniveau er under 25 % når opladningsprocessen er i gang, ser du først LED'en blinke, og når niveauet stiger over 25 %, lyser LED'en kontinuerligt. Denne process fremkommer ved alle punkter for batteriets opladningsniveau, 25 %, 50 %, 75 %, osv. Når batteriet er opladet til 100 %, lyser alle 4 punkter.

Vær opmærksom på at sikre, at dit batteri oplades ved en sikker driftstemperatur, vi har monteret en sikkerhedsanordning. Hvis enheden aktiveres og du starter opladningsprocessen, ser du den første LED blinke indtil den er genoprettet. Efter at den er genoprettet, starter den normale opladningsproces som beskrevet nedenfor.

INDIKATOR FOR AFLADNING

Når produktet er i funktion og batterierne er ved at aflade, begynder LED-indikatoren at blinke når batterikapaciteten er lavere end 5 %, hvilket angiver behovet for opladning.

* Kun til visse modeller

TILBEHØR

2i1 FUGE- OG STØVBØRSTE MED QUICK&SECURE TILSLUTNING*, 2i1 STORT STØV- OG MØBELBØRSTEMUNDSTYKKE MED QUICK&SECURE TILSLUTNING*, LANGT FLEKSIBELT FUGEMUNDSTYKKE MED QUICK&SECURE TILSLUTNING*, MULTIFUNKTIONELT OP TIL TOPPEN-REDSKABSADAPTER MED QUICK&SECURE TILSLUTNING*, MINI-TURBOMUNDSTYKKE MED QUICK&SECURE TILSLUTNING*, RADIATORREDSKAB MED QUICK&SECURE TILSLUTNING* OG LANG RENGØRINGSBØRSTE MED QUICK&SECURE TILSLUTNING.

Det ovennævnte tilbehør kan monteres direkte på håndstøvsugerens eller på siden af røret. [5]

BEMÆRK: Mini-turbo mundstykket er ideelt til dybdegående rengøring af tekstiloverflader (dvs. sofaer) og fjernelse af dyrehår. Flyt den frem og tilbage i en støt bevægelse. Hvis det er nødvendigt skal du med en saks fjerne hår/tråde, der har samlet sig på børsten efter brug.

BEMÆRK: Det lange fleksible fugemundstykke er ideelt til rengøring på svært tilgængelige steder, under møblerne og i din bil.

BEMÆRK: Radiatorredskabet er ideelt til rengøring i og omkring skabe, radiatorer, sofaer, persienner og mere.

BEMÆRK: Den lange rengøringsbørste er nyttig til rengøring af smalle steder uden at ridse overflader, eller til rengøring indvendigt i din bil.

BEMÆRK: Den multifunktionelle op til toppen-redskabsadapter anbefales til at nå høje møbler og lofter med. Du kan bruge et hvilket som helst redskab, undtagen mini-turboen, til at gøre høje hjørner, gardiner eller høje møbler rene med.

TILBEHØRSTASKE*

Tilbehørsudstyr kan gemmes i tilbehørstasken.

VÆGHOLDER*

Sæt vægholderen fast på væggen med de tre skruer, der følger med produktet [2] for, at hænge 2i1 fuge- og støvbørsten, det store 2i1 støv- og fugemundstykke og mini-turbomundstykket op (når de følger med produktet).

VEDLIGEHOLDELSE AF STØVSUGEREN

Tømning af støvbeholderen

1. Tryk på udløsningsknappen til den håndholdte enhed og fjern røret. [6]
2. Tryk på knappen til tømning af støvbeholderen for at udløse beholderklappen og tømme indholdet. [7]
3. Luk klappen på støvbeholderen, hvorefter du vil høre en kliklyd, når den er helt lukket i.

BEMÆRK: Det anbefales at tømme støvbeholderen efter hvert brug, eller når støvet når til den maksimale fyldlinje.

Rengør støvbeholderen og filteret

1. Tryk på udløsningsknappen til den håndholdte enhed og fjern røret. [6]
2. Tryk på knappen til tømning af støvbeholderen for at åbne beholderklappen og tømme den. [7]
3. Tryk på udløsningsknappen til batteripakken og fjern batteripakken. [8A,8B]
4. Drej støvbeholderen mod uret og træk den fremad, justér pilmærkerne og fjern den fra støvsugerens hoveddel. [9]
5. Fjern overskydende støv fra maskefilteret [J2], hold masken godt med den ene hånd og drej beholderdækslet med den anden hånd [J3] med uret for at fjerne maskefilteret. [10]
6. Når beholderdækslet er fjernet, trækkes HSpin-Core-teknologienheden væk fra hoveddelen. [11A] Hold øverst på motordækslet [J1] og fjern maskefilteret ved at trække det af. [11B]
7. Tryk på de to knapper til afmontering af udsugningsfilteret på samme tid og dernæst fjern udsugningsfilteret. [12A, 12B]
8. Når du renser filtrene, skal du vaske maskefilteret [J2] og udsugningsfilteret [S] med lunkent vand. [13] Sørg for at alle delene er helt tørre før du sætter dem sammen igen. [14]
9. Når du samler HSpin-Core-teknologien igen, skal du først sætte maskefilteret på motordækslet, [15A] og derefter justeres enheden med motorakslens. Vær særlig opmærksom på motorakslens flade overflade. [15B]
10. Derefter holder du på maskefilteret mens du genmonterer beholderdækslet: drej mod uret for at låse det fast [16].
SØRG FOR IKKE AT STRAMME FOR MEGET DA DET KAN MEDFØRE SKADE PÅ TRÅDEN.
11. Genmonter helt den håndholdte enhed og hæng den på vægholderen.

BEMÆRK: Der må ikke bruges varmt vand eller vaskemiddel til at rengøre udsugningsfilteret. Skulle det ske at udsugningsfiltre bliver beskadiget, isættes en original Hoover udskiftning. Produktet må ikke anvendes, hvis filteret ikke er monteret.

VIGTIGT: For at opnå optimal effekt skal maskefiltret altid holdes rent. Vi anbefaler, at filtret vaskes en gang om måneden.

* Kun til visse modeller

Sådan skiftes og rengøres rotoren

VIGTIGT: Støvsugeren skal altid slukkes ved udskiftning og rengøring af børsten.

1. Frigør rotor-udløsningsklappen. Den er placeret på den tværgående del af mundstykket. [17a]
2. Hold agitatorens frigivelseslåge, og fjern agitatoren. [17b]
3. For at rengøre den Intense gulvvalse, skal du fjerne overskuden affald med en saks. [17c]
4. For at rengøre Dybplejevalsen, skal du rense den med vand [17d] og lade den tørre i 24 timer. [17e]
5. Genmonter agitatoren. [17f] Agitatoren kan kun monteres i en retning.
6. Luk agitatorens frigivelseslåge, for at fastlåse agitatoren i dens position. [17g]

Udskiftning af batterierne

Denne støvsuger er udstyret med en genopladelig Lithium-ion batteripakke, som kan udskiftes.

ADVARSEL: Brug kun godkendte udskiftningsdele for din støvsuger. Dele, som ikke er godkendt af Hoover, er farlige og gør din garanti ugyldig.

ADVARSEL: Forsøg ikke at åbne batteripakken og reparere den selv.

1. Træk knappen til afmontering af batteripakke tilbage, hvorefter batteripakken automatisk skubbes et lille stykke ud. [8A]
2. Træk langsomt batteripakken ud fra åbningen. [8B]
3. Fjern den gamle batteripakke og udskift med en ny batteripakke.
4. Bortskaf batterierne på en sikker måde. Brugte batterier skal afleveres på en genbrugsstation og ikke smides ud sammen med husholdningsaffald.

FEJLFINDING

Hvis du har problemer med støvsugeren, bedes du følge følgende enkle tjekliste, før du kontakter Hoovers kundeservicecenter:

- A. Støvsugeren starter ikke
Kontroller om støvsugeren er opladet.
Kontrollér om batteripakken sidder korrekt.
- B. Støvsugeren stopper med at fungere
Kontrollér om motoren med HSpin-Core-teknologi er blokeret.
Rengør og sørg for at grebet til kontinuerlig tilstand er slået fra. Derefter trykkes der på on/off-knappen, og produktet genstarter efter få sekunder.
- C. Tab af sugeevne eller ingen sugning
Tøm støvbeholderen, vask maskefilteret og rens HSpin-Core-teknologienheden.
Fjern mundstykket og kontrollér for eventuel tilstopning af kanalen.
- D. Batterier kan ikke oplades
Dette kan opstå som følge af lange opbevaringsperioder (over et halvt år).
Kontakt Hoover kundeservice for at bestille udskiftning af batteriet.
Kontakt Hoover kundeservice, hvis problemet bliver ved.

HOOVER RESERVEDELE OG FORBRUGSSTOFFER

Udskift altid dele med ægte Hoover reservedele. Disse fås fra Hoovers reservedelsforhandler, check www.hoover.dk Når du bestiller dele, skal du altid opgive modelnummer.

DIN GARANTI

Garantibetingelserne for dette apparat er som defineret af vores repræsentant i det land, hvor det er solgt. Oplysninger vedrørende disse betingelser kan indhentes hos den forhandler, apparatet er købt hos. Kvitteringen skal fremvises i forbindelse med ethvert krav under disse garantibetingelser.

VIGTIGT: Garantien til støvsugerens batteri gælder i 2 år fra købsdatoen. Efter 2 år er udgifterne for et nyt batteri kundens ansvar.

Ret til ændringer uden varsel forbeholdes

INSTRUKSJONER FOR SIKKER BRUK OG MONTERINGER

Dette apparatet må kun brukes til husrengjøring, og slik denne bruksanvisningen beskriver. Sørg for at denne veiledningene er forstått fullstendig før du bruker apparatet.

Slå alltid av og koble laderen fra støpselet før enheten rengjøres eller vedlikeholdes.

Apparatet kan brukes av barn fra 8 år, og av personer med nedsatte fysiske, sanselige eller mentale evner, eller manglende erfaring og kunnskap, dersom de er under oppsyn eller har fått opplæring i sikker bruk av apparatet og forstår farene bruk av apparatet kan medføre. Barn skal ikke leke med apparatet.

Rengjøring og vedlikehold skal ikke utføres av barn uten oppsyn.

Bruken av apparatet må opphøre umiddelbart dersom strømledningen er skadet.

Av sikkerhetshensyn må en autorisert Hoover-tekniker erstatte strømledningen.

Bruk den opprinnelige laderen som fulgte med apparatet.

Kontroller at forsyningsspenningen er den samme som er angitt på laderen.

Dette Hoover-apparatet leveres med dobbeltisolert batterilader, som kun kan settes i et 230V (britisk 240V) strømuttak.

Koble laderen til et egnet strømuttak, og koble laderens kontakt til apparatet.

Når du lader apparatet, må av/på-spaken være i av-posisjon.

La rengjøringsapparatet stå på lading i minst 24 timer før første gangs bruk.

LED-indikatorlyset vil blinke blått når den lader, og lyset vil forbli tent når den er ferdig ladet.

Koble apparatet tilbake i laderen etter bruk, slik at batteriet lades opp.

Lad aldri batteriene i temperaturer over 37 °C eller under 0 °C. Det er vanlig at laderen er varm ved berøring under lading.

Koble fra laderen dersom du er borte over langre tid (f.eks. ferie). Produktet bør lades opp igjen før bruk, da batteriene kan selvutløses ved lengre tids lagring.

Bruk kun tilbehør, forbruksvarer eller reservedeler som anbefales eller leveres av Hoover.

Statisk elektrisitet: noen tepper kan forårsake en liten opphopning av statisk elektrisitet. Utladning av statisk elektrisitet er ikke helseskadelig.

Hold hender, føtter, løse klær og hår unna roterende børster. Ikke koble fra laderen ved å trekke i ledningen.

Du må ikke bruke apparatet utendørs, på våte overflater eller til å støvsuge væske. Du må ikke støvsuge harde eller skarpe objekter, varm aske, sigarettneiper eller andre liknende gjenstander. Apparatet må ikke utsettes for eller støvsuge opp brennbare væsker, rengjøringsmidler, aerosoler eller damp fra slike væsker. Unngå å kjøre over ledningen eller trekke ut støpselet under bruk. Ikke fortsett å bruke rengjøringsapparatet eller laderen hvis det virker som om det er noe feil med dem. Du må ikke bruke apparatet til å rengjøre dyr eller mennesker. Ikke erstatt batteriene med ikke-oppladbare batterier.

Hoover-service: For å sikre at apparatet fortsatt virker som det skal, og er trygt å bruke, anbefaler vi at all service og alle reparasjoner blir utført av en autorisert Hoover-tekniker.

Avfallshåndtering etter produktets levetid:

Hvis apparatet skal avhendes, bør batteriene fjernes først. Apparatet må være frakoblet strømmettet når du fjerner batteriet. Kast batteriene på en trygg måte. La apparatet gå til den stopper fordi batteriene er helt tømt. Brukte batterier bør leveres til en gjenbruksstasjon, og ikke kastes sammen med husholdningsavfall. For å fjerne batteriene, bør du kontakte Hoovers kundesenter, eller fortsette som anvist nedenfor:

VIKTIG: Påse at batteriene er fulladede før du fjerner dem.

La rengjøringsapparatet gå til batteriene er helt tømt. Ta laderkontakten ut av apparatet.

Trykk på knappen som frigjør batteripakken og dra den ut. Merk: Hvis du har vanskeligheter med å demontere enheten eller ønsker mer detaljert informasjon om behandling, gjenvinning og resirkulering av apparatet, ta kontakt med kommunen eller renovasjonsselskapet.

NO**Miljøet:**

Dette apparatet er merket i henhold til EU-direktiv 2011/65/EC om elektrisk avfall og elektronisk utstyr (WEEE). Ved å sørge for at dette produktet avhendes på riktig måte, bidrar du til å forhindre eventuelle negative konsekvenser for miljø og menneskelig helse, som ellers kunne ha blitt forårsaket av uriktig avfallshåndtering av dette produktet. Symbolet på produktet angir at dette produktet ikke kan behandles som husholdningsavfall. Det må istedet leveres til passende oppsamlingspunkt for resirkulering av elektrisk og elektronisk utstyr. Avhendingen må gjennomføres i samsvar med lokale miljøforskrifter for avfallshåndtering. For mer informasjon om behandling, gjenvinning og resirkulering av dette produktet, ta kontakt med den kommunale etaten for avfallshåndtering eller butikken der du kjøpte produktet..



Dette produktet overholder EU-direktiv 2014/35/EU, 2014/30/EU og 2011/65/EU.

CANDY HOOVER GROUP S.r.l. Via Privata Eden Fumagalli, 20861 Brugherio (MB) Italy

PRODUKTKOMPONENTER

- | | |
|--|--|
| A. Turbo På/Av-knapp. | Q. På/AV-knapp |
| B. Silent Button | R. Utløserknapp for avtrekksfilter |
| C. LED-indikatorer | S. Avgassfilter |
| D. Håndholdt utløserknapp | T. Lader |
| E. Rør | U. 2 i 1 Verktøy med Rask&Sikker tilkobling* |
| F. Utløserknapp for munnstykket | V. 2 i 1 Stor støv- og møbelborste med Rask&Sikker tilkobling* |
| G. Frontlys for munnstykke | W. Langt fleksibel sperreverktøy med Rask&Sikker tilkobling* |
| H. Kraftig gulvvals | X. Miniturbo munnstykke med Rask&Sikker tilkobling* |
| I. Støvbeholder | Y. Opp til toppen adapter med Rask&Sikker tilkobling* |
| J. Montasje av HSpin-Core Teknologi | Z. 2 i 1 Verktøy med Rask&Sikker tilkobling* |
| J1. Motordeksel | AA. Dyptrensende børste med Rask&Sikker tilkobling* |
| J2. Nettingfilter | AB. Tilbehørpose* |
| J3. Deksellukk | AC. Mykt blad bak* |
| K. Motoraksel | AD. Dyptgående varsom vals* |
| L. Knapp for tømning av støvbeholderen | AE. Vindusviskere |
| M. Bunndeksel for støvbeholder | AF. Veggmontering* |
| N. Utløserknapp for batteripakke | AG. Skruerplugger* |
| O. Batteripakke | |
| P. Bryterspak | |

FORBEREDING AV STØVSUGEREN

1. Før dysehodet inn på en side av røret, til du hører en klikkelyd. **[1A]**
2. Sett den andre siden av røret inn i den håndholdte enheten, til du hører en klikkelyd. **[1B]**
3. Fest veggmonteringsbraketten til veggen ved bruk av de medfølgende skruerpluggene. **[2]**
4. For å lade apparatet helt opp, må du koble ladekontakten til batteripakken. Det tar omtrent 6 timer. **[2]**

MERK: Du fjerner munnstykket ved å trykke på munnstykkets utløserknapp og trekke den unna hoveddelen.

MERK: Bruk kun laderen som ble levert med rengjøringsapparatet.

VIKTIG: Når du lader rengjøringsapparatet, må bryterspaken være i AV-posisjon. Du kan også lade batteripakken når den er frakoplet produktet.

Det er vanlig at laderen er varm ved berøring under lading.

* Bare enkelte modeller

BRUK AV APPARATET

Det finnes fire arbeidsmoduser:

- **MIDLERTIDIG MODUS:** Produktet begynner å virke når du holder inne på PÅ/AV-bryteren og stopper når bryteren slippes. [3A]
 - **KONTINUERLIG MODUS:** For aktivere kontinuerlig modus kan du trekke bryterspaken tilbake, til du hører en klikkelyd. [3B] Du kan aktivere kontinuerlig modus ved å skyve bryterspaken forover.
 - **LYDLØS MODUS:** Trykk på den stille effektknappen for å rengjøre grundig med redusert støynivå.
 - **TURBO-MODUS:** Trykk på Turboknappen for full styrke til en kraftig vask.
- VIKTIG:** Etter at du har brukt produktet må du alltid skyve bryterspaken frem i ulåst posisjon. Dersom du ikke gjør det, kan det føre til at batteriet svikter eller får kortere levetid.

VELG EGNET VALS FOR BEST RENGJØRING

Kraftig gulvvals*: Det anbefales å bruke den på teppet ettersom den kan gå dypt inn i teppet og fjerne støv.

Dyptgående varsom vals*: Det anbefales å bruke den på hardt gulv eller delikat parket. Takket være myke buster kan du rengjøre disse type gulvene på en varsom måte.

VIKTIG: Slå alltid rengjøringsapparatet av før du skifter ut og rengjør agitatorene.

MERK: For å montere valsen bør du bruke: [17]

1. Løsne utløserklaffen for agitatorene. Den er plassert på den laterale delen av munnstykket.
2. Hold utløserklaffen for agitatorene og dra den ned for å fjerne agitatorene.
3. Skift ut med kraftig gulvvals eller med dyptgående varsom vals.
4. Sett utløserklaffen for agitatorene tilbake på plass.

MONTERING AV VISKERBLAD

For å oppnå den beste ytelsen for sprekker og tepper, anbefales det å montere de fremre og bakre viskerbladene på sålen til munnstykket.

For å gjøre dette, åpne agitatorens utløserpak og dra ut det myke båndet. Ta deretter tak i ett viskerblad, ved å føre én ende inn i den bakre åpningen og la den gli helt inn. Gjenta disse operasjonene for det andre viskerbladet og la den gli inn den fremre åpningen. Lås agitatorens utløserpak. [18]

BESKYTTELSESSYSTEM FOR SIKKERHET

For å sørge for at produktets pålitelighet ikke påvirkes hvis det brukes under krevende forhold, har produktet et integrert Beskyttelsessystem for sikkerhet.

MERK: Beskyttelsessystemet for sikkerhet vil gripe inn dersom agitatorene blokkeres eller låses, og etter inngripen vil produktet stoppe å rotere og den hvite LED-lampen foran på dysen vil slå seg av. Hvis dette skulle skje er det bare å slå av produktet og fjerne det som blokkerer agitatorene. For å gjenoppta rengjøringen trykker man på on/off-knappen og produktet vil gjenstarte i normal modus.

BATTERI

LED-DISPLAY:

Dette rengjøringsapparatet er utstyrt med LED-display. Når produktet er på OG displayet lyser, viser indikatorene følgende informasjon.

BATTERINIVÅINDIKATOR:

- 4 punkter = 100 % oppladet
- 3 punkter = 75 % oppladet
- 2 punkter = 50 % oppladet
- 1 punkt = 25 % oppladet

LADING

Dersom batterinivået er under 25% i løpet av ladeprosessen, vil du se den første LED-lampen blinke inntil den når over 25%, og deretter vil den forbli tent. Denne prosessen vil fortsette på alle LED-lampenes prikker, som vil indikere batteriladenivå 25%, 50%, 75%, etc. Når batteriladingen har nådd 100%, vil alle de 4 prikkene være tent. Vennligst merk at vi har montert en sikkerhetsanordning som sørger for at batteriet blir ladet ved en trygg driftstemperatur. Dersom denne anordningen aktiveres og du begynner ladeprosessen, vil du se den første LED-lampen blinke inntil den har nullstilt seg. Etter at den har nullstilt seg automatisk, vil den normale ladeprosessen som beskrevet ovenfor starte.

UTLADNINGSIKTERING

Når produktet er i bruk og batteriene utlades, vil LED-indikatoren begynne å blinke når batterikapasiteten er lavere enn 5%, noe som indikerer at det er behov for å lade den opp.

* Bare enkelte modeller

TILBEHØR

2 I 1 SPERREVERKTØY & STØVBØRSTE MED RASK&SIKKER TILKOBLING*, 2-1 STOR STØV & MØBELBØRSTE MED RASK&SIKKER TILKOBLING*, LANGT FLEKSIBEL SPERREVERKTØY MED RASK&SIKKER TILKOBLING*, FLERFUNKSJONELT OPP TIL TOPPEN ADAPTER MED RASK&SIKKER TILKOBLING*, MINITURBO MUNNSTYKKE MED RASK&SIKKER TILKOBLING*, RADIATORVERKTØY MED RASK&SIKKER TILKOBLING* OG DYP TRENSENDE BØRSTE MED RASK&SIKKER TILKOBLING.

Det ovenfor nevnte ekstrautstyret kan monteres direkte på den håndholdte enheten eller på den ene siden av slangen. [5]

MERK: Mini-turbodysen passer perfekt for rengjøring av tekstiloverflater (f.eks. sofaer) og fjerning av dyrehår. Skyv apparatet jevnt forover og bakover. Etter bruk må du fjerne hår/tråder som har samlet seg i børsten, om nødvendig ved hjelp av saks.

MERK: Det lange bøyelige sprekkverktøyet passer perfekt til rengjøring på steder der det er vanskelig å komme til, under møbler og i bilen.

MERK: Radiatorverktøyet passer perfekt for rengjøring inni og rundt skap, radiatorer, sofaer, persienner osv.

MERK: Den dyptrengjørende børsten rengjør trange områder, uten å ripe overflater, og inne i bilen din.

MERK: Det flerfunksjonelle opp til toppen adapteren er anbefalt for å nå høye møbler og tak. Du kan koble til hvilket som helst verktøy bortsett fra miniturboen for å rengjøre hjørner, gardiner eller over høye møbler.

TILBEHØRPOSE*

Annet tilbehør kan lagres i tilbehørposen.

VEGGMONTERING*

Heng opp veggfestet til veggen med tre skruer som følger med produktet [2] for å henge opp produktet, 2 i 1 sperreverktøy og støvbørste, 2 i 1 stor støvbørste & sperreverktøy og miniturbo munnstykke (når det følger med).

VEDLIKEHOLD AV STØVSUGEREN

Tømme støvbeholderen

1. Trykk ned utløserknappen og trekk ut slangen. [6]
2. Skyv ned tømmeknappen for støvsamleren for å løsne støvbeholderklaffen og tømme ut innholdet. [7]
3. Lås støvsamleren fast med klaffen opp. En klikkelyd høres når den er låst fast.

MERK: Det anbefales at du tømmer støvbeholderen etter hver bruk, eller når støvet når opp til makslinjen.

Rengjør støvbeholderen og filteret

1. Trykk ned utløserknappen og trekk ut slangen. [6]
2. Trykk på tømmeknappen for støvsamleren for å åpne støvbeholderklaffen og tømme den. [7]
3. Trykk ned batteripakkens utløserknapp og fjern batteripakken. [8A, 8B]
4. Drei støvbeholderen i retning mot klokken, sett pilmerkene på linje og ta den ut av rengjøringsapparatets hoveddel. [9]
5. Rengjør støv fra nettingfilteret [J2]. Hold maskefilteret med en hånd og med den andre hånden drei deksellokket [J3] med klokken, for å fjerne maskefilteret. [10]
6. Etter å ha fjernet deksellokket, ta HSpin-Core teknologienheten fra hoveddelen. [11A] Hold toppen av motordekselet [J1] og fjern nettingfilteret ved å dra det ut. [11B]
7. Trykk de to utløpsfilterens utløserknapper samtidig og trekk ut utløpsfilteret. [12A, 12B]
8. Rengjør nettingfilteret [J2] og uttaksfilteret [S] med lunkent vann. [13] Pass på at alle delene er tørre før gjenmontering. [14]
9. Når du monterer HSpin-Core teknologi igjen skal først nettingfilteret festes til motordekselet [15A]. Deretter sett enheten på linje med motoraskelen mens du passer ekstra på motorakselens rette overflate. [15B]
10. Deretter hold på nettingfilteret mens du fester deksellokket. Roter mot klokken for å låse [16]. PASS PÅ Å IKKE FESTE FOR HARDT ETTERSOM DET KAN SKADE GJENGEN.
11. Monter den håndholdte delen helt og fest den til vegg enheten.

MERK: Ikke bruk varmt vann eller rengjøringsmidler til rengjøring av utløpsfiltrene. I det usannsynlige tilfellet at

utløpsfiltrene blir ødelagt, tilpass en erstatning fra Genuine Hoover. Ikke prøv å bruk produktet uten at filteret er satt inn.

VIKTIG: For å sikre optimal ytelse, bør nettingfilteret alltid holdes rent. Vi anbefaler at filteret vaskes én gang i måneden.

Bytte og rengjøre agitatoren.

VIKTIG: Slå alltid rengjøringsapparatet av før du skifter ut og rengjør agitatoren.

* Bare enkelte modeller

1. Løsne utløserklaffen for agitatoren. Den er plassert på den laterale delen av munnstykket. [17a]
2. Hold løsnefliken ved agitatoren og fjern agitatoren. [17b]
3. For å rengjøre Intense Floor Rolleren, må du fjerne rester som er til overs ved å bruke en saks. [17c]
4. For å rengjøre Deep Care Rolleren, må du skylle med vann [17d] og la tørke i 24t. [17e]
5. Sett agitatoren på plass igjen. [17f] Agitatoren passer kun i en retning.
6. Lukk løsnefliken ved agitatoren for å feste den på plass. [17g]

Bytte batteriene

Dette rengjøringsapparatet er utstyrt med en oppladbar litium-ion-batteripakke, som kan skiftes ut.

ADVARSEL: Bruk bare godkjente reservedeler til rengjøringsapparatet. Å bruke deler som ikke er godkjent av Hoover er farlig og vil ugyldiggjøre garantien.

ADVARSEL: Ikke prøv å åpne batteripakken og reparere den selv.

1. Trekk i batteripakkens utløserknapp, slik at batteripakken skyves litt ut automatisk. [8A]
2. Trekk batteripakken sakte ut av hakket. [8B]
3. Fjern den gamle batteripakken og erstatt den med den nye batteripakken.
4. Kast batteriene på en trygg måte. Brukte batterier bør leveres til en gjenbruksstasjon, og ikke kastes sammen med husholdningsavfall.

FEILSØKING

Dersom du får problemer med rengjøringsapparatet, kan du følge denne enkle kontrollisten før du tar kontakt med Hoover kundeservice:

- A. Støvsugeren slås ikke på
Kontroller at rengjøringsapparatet er ladet opp.
Sjekk om batteripakken er montert på plass.
- B. Rengjøringsapparatet har sluttet å virke.
Sjekk om HSpin-Core Teknologi motoren er blokkert.
Nullstill og vær forsikret om at spaken for kontinuerlig modus er av. Når dette er gjort, må du trykke på on/off-knappen, og produktet vil restarte etter få sekunder.
- C. Tap av sugeeffekt eller ingen sugeeffekt.
Tøm støvkoppen og vask nettingfilteret og rengjør enheten for HSpin-Core teknologi.
Ta av dysen og se etter blokkasje i røret.
- D. Batteriene kan ikke lades
Dette kan skyldes lagring over lenger tid (mer enn et halvt år).
Ta kontakt med Hoover kundeservice for å avtale utskifting av batteri.
Ta kontakt med Hoover kundeservice dersom problemet vedvarer.

ORIGINALDELER FRA HOOVER

Bruk alltid originale deler fra Hoover. Disse er tilgjengelige fra din lokale Hoover-forhandler eller direkte fra Hoover. Når du bestiller deler, må du alltid oppgi modellnummeret.

DIN GARANTI

Garantibetingelsene for dette apparatet er som definert av vår representant i det landet der det ble solgt. Detaljer vedrørende disse betingelsene fås fra forhandleren der apparatet ble kjøpt. Salgskvitteringen må fremvises ved fremsending av krav under betingelsene i denne garantien..

VIKTIG: Batteriet som medfølger dette rengjøringsapparatet har 2 års garanti fra kjøpsdato. Etter 2 år må kunden selv stå for kostnaden av et nytt batteri.

Kan endres uten forvarsel.

INSTRUKTIONER FÖR SÄKER ANVÄNDNING

Som beskrivs i denna bruksanvisning, får denna apparat endast användas vid städning av hemmet. Se till att du förstår anvisningarna helt innan du börjar använda maskinen. Stäng alltid av och ta bort laddaren från uttaget innan du rengör apparaten eller utför något underhåll.

Den här apparaten kan användas av barn från 8 års ålder och personer med en nedsatt fysisk, sensorisk eller mental förmåga och som inte har den erfarenhet och kunskaper som behövs, förutsatt att de övervakas eller har fått instruktioner om hur apparaten används på ett säkert vis och förstår riskerna som är involverade. Barn får inte leka med apparaten.

Rengöring och underhåll som användaren ska utföra, får inte göras av barn utan överinseende.

Om nätsladden är skadad, sluta då omedelbart att använda produkten.

För att undvika säkerhetsrisker så måste en behörig Hoover-servicetekniker byta nätsladden.

Använd endast den ursprungliga laddaren som följer med apparaten.

Kontrollera att din nätspänning är samma som är angivet på laddaren.

Denna Hoover ångrengörare levereras med en dubbelisolerad batteriladdare som endast är lämplig i ett 230V (Storbritannien 240V) uttag.

Koppla in laddaren i lämpligt eluttag och anslut laddaren till apparaten.

När du laddar apparaten måste strömbrytaren vara i avslaget läge.

Ladda apparaten i minst 24 timmar innan du använder den för första gången.

Batteriets LED-lampa kommer att blinka blått under laddning och förbli tänd när batterierna är fullt laddade.

Anslut apparaten till laddaren igen efter användning för att ladda batteriet.

Ladda aldrig batterier i temperaturer över 37°C eller under 0°C. Det är normalt att laddaren blir varm när laddning pågår.

Koppla ur laddaren vid långvarig frånvaro (semester, etc.).

Ladda produkten igen innan användning då batterierna kan själv laddad ur under förlängda förvaring.

Använd endast tillbehör, förbrukningsvaror och reservdelar som rekommenderas eller levereras av Hoover.

Statisk elektricitet: vissa mattor kan orsaka en viss upplagring av statisk elektricitet. Elektrostatiska urladdningar är inte hälsofarliga.

Håll händer, fötter, lösa klädesplagg och hår borta från roterande borstar.

Dra inte ut kontakten till laddaren genom att dra i kabeln.

Använd inte apparaten ut ur dörrar eller på något vått underlag eller för våtupptagning. Plocka inte upp hårda eller vassa föremål, tändstickor, het aska, fimpar eller andra liknande föremål. Plocka inte upp eller spraya med brandfarliga vätskor, rengöringsmedel, aerosoler eller ångor. Kör inte över sladden när du använder apparaten eller dra ut kontakten genom att dra i sladden. Fortsätt inte att använda apparaten eller laddaren om den verkar vara defekt. Använd inte apparaten för att rengöra djur eller människor. Ersätt inte batterierna med icke-uppladdningsbara batterier.

Hoover service: För att se till att maskinen fortsätter att vara effektiv fungerar som den ska rekommenderar vi att service och reparationer endast utförs av behöriga servicetekniker från Hoover.

Bortskaffande vid slutet av produktens livscykel:

Om maskinen ska kasseras måste batterierna först tas bort. Maskinen måste kopplas bort från elnätet vid borttagning av batterierna. Kassera batterierna på ett säkert sätt. Kör apparaten tills den stannar på grund av att batterierna är helt urladdade. Användna batterier bör tas till en återvinningsstation och inte disponeras med hushållssoporna. För att ta bort batterierna, kontakta kundtjänsten på Hoover eller fortsätt enligt följande instruktioner.

VIKTIGT: Ladda alltid ur batterier helt innan de tas ut.

Kör ångrengöraren till det attbatterierna är helt tomma. Dra ur laddarens stickpropp ur apparaten.

Tryck på lossningsknappen för batteriet och skjut för att ta bort det.

OBS! Om du upplever några svårigheter med att montera ner enheten eller för mer information om hantering eller återvinning av den här maskinen, var god och kontakta dina lokala myndigheter eller din återvinningsstation.

Miljön:

Denna produkt är märkt enligt det europeiska direktivet 2011/65/EC gällande elektroniskt avfall och elektronisk utrustning (WEEE). Genom att se till att produkten avfallshandteras på rätt sätt kan du hjälpa till att hindra möjliga negativa konsekvenser för miljö och hälsa. Symbolen på produkten visar att den inte får hanteras som hushållsavfall. Den ska i stället lämnas in på en samlingsplats för återvinning av elektrisk och elektronisk utrustning. Avfallshandlingen ska utföras enligt de lokala miljöbestämmelserna. Mer utförlig information om hantering och återvinning av produkten kan du få från kommunen, återvinningsanläggningen eller den butik där du köpte produkten..



Denna apparat uppfyller de europeiska direktiven 2014/35/EU, 2014/30/EU och 2011/65/EU.

CANDY HOOVER GROUP S.r.l. Via Privata Eden Fumagalli, 20861 Brugherio (MB) Italy

PRODUKTKOMPONENTER

- | | |
|--------------------------------------|--|
| A. På-/avknapp turbo | R. Frigöringsknapp för utblåsningsfilter |
| B. Silent Button | S. Utblåsningsfilter |
| C. LED-indikatorer | T. Laddare |
| D. Handhållen frigöringsknapp | U. 2-i-1-verktyg med Quick&Secure-anslutning* |
| E. Slang | V. 2-i-1 stor damm- och möbelborste med Quick&Secure-anslutning* |
| F. Knapp för frigörande av munstycke | W. Långt, flexibelt spaltverktyg med Quick&Secure-anslutning* |
| G. Munstyckets främre lampa | X. Mini-turbomunstycke med Quick&Secure-anslutning* |
| H. Kraftig golvrulle | Y. "Up to top"-verktygsadapter med Quick&Secure-anslutning* |
| I. Dammbehållare | Z. 2-i-1-verktyg med Quick&Secure-anslutning* |
| J. Enhet med HSpin-Core-teknologi: | AA. Djuprengöringsborste med Quick&Secure-anslutning* |
| J1. Motorhölje | AB. Tillbehörsväska* |
| J2. Nätfiler | AC. Bakre mjukt blad* |
| J3. Täckkopp | AD. Deep Care-rulle* |
| K. Motoraxel | AE. Torkarblad |
| L. Knapp för tömning av dammkopp | AF. Väggfäste* |
| M. Dammkopp bottenlock | AG. Skruvpluggar* |
| N. Frigöringsknapp för batteripaket | |
| O. Batteripaket | |
| P. Spak | |
| Q. Knapp PÅ/AV | |

FÖRBEREDA DIN DAMMSUGARE

1. För in munstyckets huvud i ena sidan av slangen tills du hör ett klickljud. **[1A]**
2. För in den andra sidan av slangen i den handhållna enheten tills du hör ett klickljud. **[1B]**
3. Fäst väggfästet i väggen med skruvar och skruvpluggar som medföljer. **[2]**
4. Anslut laddarens stickpropp till batterisatsen för att ladda upp apparaten. Det tar cirka 6 tim. **[2]**

OBS! För att ta bort munstycket, tryck på utlösningssknappen till munstycket och dra bort från dammsugaren.

OBS! Använd endast laddare som medföljde ångrengöraren.

VIKTIGT: När du laddar dammsugaren måste strömbrytaren vara i avslaget läge. Du kan även ladda batterisatsen när det har tagits ut ur produkten.

Det är normalt att laddaren blir varm när laddning pågår.

* Endast vissa modeller

ANVÄNDA PRODUKTEN

Det finns fyra arbetslägen:

- **TILLFÄLLIGT LÅGE:** Produkten börjar arbeta när du trycker på på/av-knappen och slutar arbeta när knappen släpps upp. **[3A]**
- **KONTINUERLIGT LÅGE:** Om du vill aktivera det kontinuerliga läget drar du spaken bakåt tills den klickar på plats. **[3B]** Om du vill inaktivera det kontinuerliga läget för du spaken framåt.
- **TYST LÅGE:** Tryck på tystnadsknappen för noggrann rengöring med denna produkts lägsta ljudnivå.
- **TURBOLÅGE:** Tryck på turboknappen för att full effekt vid tuffa rengöringsuppgifter.

VIKTIGT: Efter varje användning av produkten ska du se till att föra spaken framåt till den olåsta positionen.

Underlåtelse att göra detta kan leda till minskad livlängd hos batteriet eller andra fel.

VÄLJ LÄMPLIG RULLE FÖR BÄSTA RENGÖRING

Kraftig golvrulle*: Vi rekommenderar att den används på mattan eftersom den kan gå djupt in i mattan för att ta bort damm.

Deep Care-rulle*: Vi rekommenderar att den används på hårda golv eller känslig parkett. Tack vare mjuka borst kan du rengöra den typen av golv på ett skonsamt sätt.

VIKTIGT: Stäng alltid av dammsugaren innan du byter ut och rengör rullborsten.

OBS! Montera rullen som du vill använda: **[17]**

1. Ta loss omrörarens frigöringsflik. Den är placerad på munstyckets sida.
2. Håll i omrörarens frigöringsflik och dra nedåt för att ta bort omröraren.
3. Byt ut mot kraftigolvrulle eller Deep Care-rulle.
4. Återmontera omrörarens frigöringsflik.

MONTERING TORKARBLAD

För att uppnå bästa prestanda för mantel och mattor rekommenderas att främre- och bakre torkarbladen monteras på munstyckets sula.

För att göra detta, öppna torkarramens frikopplingsflik och ta bort den mjuka remsan. Montera sedan ett torkarblad genom att sätta in ena änden i bakre spåret och skjut in tills det är helt inne. Upprepa dessa moment för det andra torkarbladet och skjut in det i det främre spåret. Läs torkarramens frikopplingsflik. **[18]**

SÄKERHETSSKYDDSSYSTEM

För att säkerställa att produktens tillförlitlighet inte påverkas om den används under svåra förhållanden har produkten ett integrerat säkerhetsskyddssystem.

OBS! Säkerhetssystemet kommer att agera om agitatoren är blockerad eller låst efter aktiverad. Agitatoren slutar rotera och de vita LED-lamporna på munstyckets framsida släcks. Om detta händer måste du stänga av din produkt och ta bort hindret i agitatoren. Tryck på på/av-knappen för att återuppta rengöringen och produkten kommer att starta om i normalt läge.

BATTERI

LED-SKÄRM:

Den här dammsugaren är utrustad med en LED-skärm. När produkten är på OCH skärmen upplyst visar indikatorerna följande information.

BATTERINIVÅINDIKATOR:

- 4 punkter = 100% laddad
- 3 punkter = 75% laddad
- 2 punkter = 50% laddad
- 1 punkt = 25% laddad

LADDNING

Under laddningsprocessen, om batterikapaciteten är under 25% blinkar LED-lampan tills den ligger över 25%, och kommer sedan att lysa med fast sken. Denna process kommer att fortsätta på alla punkter där LED-lampan indikerar nivån på batteriladdningen 25%, 50%, 75%, etc. När batteriet har uppnått 100% kommer alla 4 punkter att tändas. Observera att för att du ska kunna säkerställa att batteriet laddas i en säker arbetstemperatur har vi monterat en säkerhetsanordning. Om denna anordning aktiveras och du påbörjar laddningsprocessen kommer du att se den första LED-lampan blinka tills den har återställts. När det har återställts automatiskt kommer den normala laddningsprocessen som beskrivs ovan att påbörjas.

INDIKATION PÅ URLADDAT BATTERI

När produkten är igång och batterierna börjar att laddas ur kommer LED-indikatorlampan att blinka när batterikapaciteten är lägre än 5% vilket är en indikation på att uppladdning krävs.

* Endast vissa modeller

TILLBEHÖR

2-I-1-SPALTVERKTYG MED QUICK&SECURE-ANSLUTNING*, 2-I-1 STOR DAMM- OCH MÖBELBORSTE MED QUICK&SECURE-ANSLUTNING*, LÅNGT, FLEXIBELT SPALTVERKTYG MED QUICK&SECURE-ANSLUTNING*, MULTI-FUNKTION "UP TO TOP"-VERKTYGSADAPTER MED QUICK&SECURE-ANSLUTNING*, MINI-TURBOMUNSTYCKE MED QUICK&SECURE-ANSLUTNING*, RADIATORVERKTYG MED QUICK&SECURE-ANSLUTNING* OCH DJUPRENGÖRINGSBORSTE MED QUICK&SECURE-ANSLUTNING.

Tillbehören ovan kan monteras direkt på den handhållna enheten eller på den ena sidan av röret. [5]

OBS! Det lilla turbomunstycket är perfekt för djuprengöring av ytor i textil (dvs. soffor) och för borttagning av påls. Rör det stadigt bakåt och framåt. Efter användning bör du använda en sax för att avlägsna hår/trådar som samlats på borsten om så krävs.

OBS! Det långa flexibla fogmunstycket är perfekt för rengöring av områden som är svåra att komma åt, exempelvis under möbler eller i bilen.

OBS! Elementmunstycket är perfekt för rengöring inne i och runt skåp, element, soffor, persienner osv.

OBS! Djuprengöringsborsten är användbar för att rengöra trånga utrymmen utan att repa ytor och bilens insida.

OBS! Vi rekommenderar "up to top"-verktygsadaptern för att nå höga möbler och tak. Du kan fästa vilket verktyg du vill, förutom mini-turbo, för att rengöra höga hörn, gardiner eller ovanför höga möbler.

TILLBEHÖRSVÄSKA*

Ytterligare tillbehör kan förvaras i tillbehörsväskan.

VÄGGFÄSTE*

Häng väggfästet på väggen med de tre skruvarna som medföljer enheten [2] för att hänga upp den, 2-i-1-spalt- och dammborste, 2-i-1 stor damm- och spaltborste och mini-turbomunstycke (om sådan ingår).

UNDERHÅLL AV DAMMSUGAREN

Tömma dammbehållaren

1. Tryck på den handhållna frigöringsknappen och ta bort röret. [6]
2. Tryck ner knappen för tömning av dammupsamlaren för att frigöra klaffen och tömma innehållat. [7]
3. Stäng klaffen till dammupsamlaren. Du hör ett klickljud när den är låst.

OBS! Du rekommenderas att tömma dammupsamlaren efter varje användning eller när dammet når upp till max-linjen.

Rengör dammbehållare och filter

1. Tryck på den handhållna frigöringsknappen och ta bort röret. [6]
2. Tryck på knappen för tömning av dammupsamlaren för att öppna klaffen och tömma den. [7]
3. Tryck ner frigöringsknappen till batterisatsen och ta bort batterisatsen. [8A,8B]
4. Vrid soppåsen medurs, rikta in pilmarkeringarna och ta bort från dammsugarens huvudkropp. [9]
5. Ta bort eventuellt damm från nätfiltret [J2], håll fast nätfiltret ordentligt med en hand och vrid täckkoppen [J3] medurs för att ta bort nätfiltret. [10]
6. Dra bort enheten med HSpin-Core-teknologin från huvudkroppen när täcklocket har tagits bort. [11A] Håll i toppen av motorhöljet [J1] och ta bort nätfiltret genom att dra bort det. [11B]
7. Tryck på de två frigöringsknapparna för utblåsningsfiltret samtidigt och avlägsna därefter utblåsningsfiltret. [12A, 12B]
8. Tvätta nätfiltret [J2] och avgasfiltret [S] i ljummet vatten när du rengör filtren. [13] Säkerställ att alla delar är helt torra innan återmontering. [14]
9. Sätt först tillbaka nätfiltret på motorhöljet [15A], rikta sedan in enheten till motoraxeln och var särskilt uppmärksam på den platta ytan på motoraxeln när du återmonterar HSpin-Core-teknologin. [15B]
10. Håll sedan in nätfiltret igen och sätt tillbaka täckkoppen. rotera den moturs för att låsa den [16]. SÄKERSTÄLL ATT DU INTE DRAR ÅT FÖR MYCKET EFTERSOM DET KAN SKADA GÅNGAN.
11. Montera tillbaka den handhållna enheten och sätt fast den i väggföset.

OBS! Använd inte hett vatten eller rengöringsmedel vid rengöring av utblåsningsfiltren. Om utblåsningsfiltren mot förmodan skulle skadas ska de ersättas med en äkta Hoover-reservedel. Använd inte produkten om något filter inte sitter på plats.

VIKTIGT: För optimal prestanda bör du alltid hålla nätfiltret rent. Vi rekommenderar att filtret tvättas en gång i månaden.

Byta ut och rengöra omröraren

VIKTIGT: Stäng alltid av dammsugaren innan du byter ut och rengör rullborsten.

* Endast vissa modeller

1. Ta loss omrörarens frigöringsflik Den är placerad på munstyckets sida. **[17a]**
2. Håll agitatorns lossningsflik och avlägsna agitatorn. **[17b]**
3. Rengör Kraftig golvrulle genom att ta bort överflödigt skräp med hjälp av en sax. **[17c]**
4. Rengör Deep Care-rulle genom att skölja den med vatten **[17d]** och låta den torka i 24 timmar. **[17e]**
5. Återmontera agitatorn. **[17f]** Agitatorn passar endast i en riktning.
6. Stäng agitatorns lossningsflik för att säkra agitatorn i sitt läge. **[17g]**

Byta batterier

Denna dammsugare är utrustad med ett laddningsbart litiumjonbatteripaket, som kan bytas ut.

VARNING: Använd endast godkända reservdelar för din dammsugare. Användning av delar som inte är godkända av Hoover är farligt och kan ogiltigförklara din garanti.

VARNING: Försök inte att öppna batteripaketet och reparera det själv.

1. Dra frigöringsknappen till batteripaketet bakåt så trycks batteripaketet ut en liten bit automatiskt. **[8A]**
2. Dra långsamt ur batteripaketet ur facket. **[8B]**
3. Ta bort det gamla batteripaketet och byt ut det med det nya batteripaketet.
4. Kassera batterierna på ett säkert sätt. Användna batterier bör tas till en återvinningsstation och inte disponeras med hushållsoporna.

FELSÖKNING

Om du har något problem med din ångrengörare, följ denna enkla checklista innan du ringer Hoover kundtjänstcenter:

- A. Dammsugare slår inte på
Kontrollera om ångrengöraren är laddad.
Kontrollera att batterisatsen sitter på plats.
- B. Rengöraren slutar fungera
Kontrollera om motorn till HSpin-kärntechnologin är blockerad.
Rengör den och säkerställ att spaken för kontinuerligt läge är avstängd. När detta är gjort trycker du på på-/avknappen och produkten kommer att starta om efter några sekunder.
- C. Förlust av insugningstryck eller inget sug alls
Töm dammkoppen och tvätta nätfiltret och enheten med HSpin-Core-teknologin.
Ta bort munstycket och kontrollera om det kanalen är igentäppt.
- D. Batterierna kan inte laddas
Det kan bero på att den har förvarats under en väldigt lång period (mer än ett halvår).
Kontakta Hoovers kundtjänst för att ordna batteribyte.
Om problemet kvarstår kontakta Hoovers kundtjänstcenter.

HOOVER RESERVDELAR OCH FÖRBRUKNINGSVAROR

Använd alltid originaldelar från Hoover vid byte. Du kan beställa delar från närmaste Hoover-återförsäljare eller direkt från Hoover. Uppge alltid modellnummer när du beställer delar.

DIN GARANTI

Garantivillkoren för produkten definieras av vår representant i det land där produkten säljs. Du kan få uppgifter om aktuella villkor från återförsäljaren. Kvittot måste visas upp när man kräver ersättning enligt garantin.

VIKTIGT: Batteriet i den här rengöraren har en garantitid på 2 år från inköpsdatumet. Efter 2 år måste kunden stå för kostnaden av ett nytt batteri.

Specifikationerna kan ändras utan föregående meddelande.

LISÄVARUSTEIDEN TURVALLISEN KÄYTÖN JA ASENNUKSEN OHJEET

Tämä laite on tarkoitettu ainoastaan kotikäyttöön tämän käyttöoppaan kuvaamalla tavalla. Tutustu tähän käyttöoppaaseen huolellisesti ennen laitteen käyttöä. Kytke laturista virta ja irrota laturi virtalähteestä aina käytön jälkeen ja ennen kuin puhdistat laitteen tai teet huoltotoimenpiteitä.

Tätä laitetta voivat käyttää yli 8-vuotiaat lapset ja henkilöt joilla on vähentynyt fyysinen, aistillinen tai henkinen kyky tai joilla ei kokemusta tai tietoja, mikäli heille on annettu ohjausta ja valvontaa koskien laitteen turvallista käyttöä ja ymmärtävät käyttöön liittyvät vaaratekijät. Lapset eivät saa leikkiä laitteella. Käyttäjän suorittamaa puhdistusta ja huoltoa ei tule suorittaa lasten toimesta ilman valvontaa.

Lopeta laitteen käyttö välittömästi, jos virtajohto on vahingoittunut.

Virtajohtoon saa turvallisuussyistä vaihtaa vain valtuutettu Hoover-huoltoilike.

Käytä vain laitteen mukana toimitettua laturia.

Varmista, että laturiin merkityt arvot vastaavat syöttöjännitettä.

Tämä Hoover-laite on varustettu kaksois-eristetyllä akkulaturilla joka sopii liitettäväksi vain 230V:n (Iso-Britannia 240V) pistorasiaan.

Kytke laturi sopivaan pistorasiaan ja yhdistä laturin jakkiliitinlaitteeseen.

Virtakytkimen on oltava OFF-asennossa laitteen lataamisen aikana.

Lataa laitetta ennen ensimmäistä käyttöä vähintään 24 tuntia.

Akun LED-valo vilkkuu sinisenä latauksen aikana ja pysyy valaistuna, kun se on täysin latautunut.

Laita laite käytön jälkeen takaisin laturiin akun lataamiseksi.

Älä koskaan lataa akkuja yli 37 °C:n tai alle 0 °C:n

lämpötiloissa. Laturi lämpeneminen latauksen aikana on aivan normaalia. Irrota laturi mikäli laitetta ei käytetä pitkään aikaan

(loma-ajat jne.). Lataa laite uudelleen ennen käyttöä koska akut voivat purkaa varausta pitkien säilytysjaksojen aikana.

Käytä ainoastaan Hooverin toimittamia tai suosittelemia kiinnityskappaleita, lisävarusteita tai varaosia.

Staattinen sähkö: jotkin matot saattavat saada aikaan vähän staattista sähköä. Staattisen sähköön purkaus ei ole vaarallista terveydelle.

Pidä kädet, jalat, löysät vaatteet ja hiukset loitolla pyörivistä harjoista.

Älä irrota laturia virtalähteestä johdosta vetämällä.

Älä käytä laitettasi ulkona tai märällä alustalla. Älä imuroi nesteitä. Älä imuroi kovia tai teräviä esineitä, tulitikkuja, kuumaa tuhkaa, tupakantumpeja tai muita vastaavia esineitä.

Älä ruiskuta laitteelle tai imuroi laitteella syttyviä nesteitä, puhdistusnesteitä, aerosoleja tai näiden höyryjä. Älä aja laitteella verkkojohdon yli tai irrota pistoketta virtalähteestä johdosta vetämällä. Älä käytä laitetta tai laturia, jos se vaikuttaa vialliselta. Älä käytä laitetta ihmisten tai eläinten puhdistamiseen. Älä vaihda akkuja ei-ladattaviin akkuihin.

Hoover-huolto: Laitteen käyttöturvallisuuden ja tehokkaan toiminnan varmistamiseksi huolto ja korjaukset kannattaa teettää valtuutetussa Hoover-huollossa.

Tuotteen hävittäminen käyttöiän päätyttyä:

Jos laite hävitetään, akut on ensin poistettava. Laitteen täytyy olla irti verkkovirrasta akkua vaihdettaessa. Hävitä akut turvallisesti. Käytä laitetta kunnes se pysähtyy, jotta akut tyhjäntyvät kokonaan. Vie käytetyt akut kierrätyskeskukseen. Älä hävitä niitä kotitalousjätteen mukana. Irrottaaksesi akut ota yhteyttä valtuutettuun Hoover huoltoliikkeeseen tai noudata seuraavia ohjeita.

TÄRKEÄÄ: Tyhjennä paristot aina kokonaan ennen niiden poistamista.

Käytä imuria kunnes akut ovat täysin tyhjt. Irrota laturin liitin laitteesta.

Paina akun vapautuspainiketta ja liu'uta sen poistamiseksi.

Huomaa: Jos sinulla on vaikeuksia purkaa laitetta tai tarvitset yksityiskohtaisempaa tietoa laitteen jälkikäsitelystä, talteenotosta ja kierrätyksestä, ota yhteyttä paikallisiin kierrätysviranomaisiin tai kotitalouksien jätehuoltoon.

Ympäristö:

Tämä laite on merkitty sähkö- ja elektroniikkalaiteromusta annetun direktiivin 2011/65/EY (WEEE) mukaisesti. Hävittämällä tämän laitteen oikein estät mahdollisia ympäristölle ja ihmisterveydelle aiheutuvia haittavaikutuksia, joita saattaa syntyä laitteen vääränlaisen hävittämisen seurauksena. Laitteessa oleva symboli osoittaa, että laitetta ei saa hävittää kotitalousjätteenä. Se täytyy luovuttaa kodinkoneiden keräyspisteeseen sähkölaitteiden kierrätystä varten. Hävittäminen on suoritettava paikallisten jätteiden hävittämistä koskevien ympäristösäännösten mukaisesti. Saat lisätietoja tämän tuotteen käsittelemisestä, hyötykäytöstä ja kierrätyksestä paikallisilta viranomaisilta, kotitalouksien jätehuollosta tai liikkeestä, josta ostit tuotteen..



Tämä tuote on yhdenmukainen Euroopan direktiivien 2014/35/EU, 2014/30/EU ja 2011/65/EU kanssa.

CANDY HOOVER GROUP S.r.l. Via Privata Eden Fumagalli, 20861 Brugherio (MB) Italy

TUOTTEEN OSAT

- | | |
|---------------------------------------|--|
| A. Turbon Päälle/pois-painike | Q. ON/OFF -kytkin |
| B. Silent Button | R. Poistoilmansuodattimen vapautuspainike |
| C. Merkkivalot | S. Poistoilmansuodatin |
| D. Rikkaimurin vapautuspainike | T. Laturi |
| E. Putki | U. 2in1-väline, nopea&varma liitäntä* |
| F. Suulakkeen vapautus-painike | V. 2in1 suuri pöly- ja huonekaluharja, nopea & varma liitäntä* |
| G. Suulakkeen etuvalo | W. Pitkä ja joustava rakosuutin, nopea & varma liitäntä* |
| H. Voimakas lattiatela | X. Mini turbosuulake, nopea&varma liitäntä* |
| I. Pölysäiliö | Y. Up To Top -sovitin, nopea ja varma liitäntä* |
| J. HSpin-Core Technology -kokoonpano: | Z. 2in1-väline, nopea&varma liitäntä* |
| J1. Moottorin kansi | AA. Syväpuhdistava harja, nopea & varma liitäntä* |
| J2. Verkkosuodatin | AB. Lisävarustelaukku* |
| J3. Suojakuppi | AC. Pehmeä takapyyhin* |
| K. Moottoriakseli | AD. Tehokkaasti hoitava tela* |
| L. Pölysäiliön tyhjennyspainike | AE. Pyyhkijät |
| M. Pölysäiliön alakansi | AF. Seinäasennus* |
| N. Akkupaketin vapautuspainike | AG. Ruuvitulpat* |
| O. Akkupaketti | |
| P. Kytkinvipu | |

LAITTEEN KOKOAMINEN

1. Asenna suutinpää putken toiseen päähän niin, että kuulet napsahduksen. **[1A]**
2. Kiinnitä putken toinen pää kannettavaan yksikköön niin, että kuulet napsahduksen. **[1B]**
3. Kiinnitä seinäasennus seinään toimitetuilla ruuveilla ja ruuvitulpilla. **[2]**
4. Lataa laite täyteen kiinnittämällä latausliitin akkupakettiin. Tähän kuluu noin 6 tuntia. **[2]**

HUOMAA: Irrottaaksesi suulakkeen, paina suulakkeen vapautus-painiketta ja vedä suulaketa runko-osasta ulospäin.

HUOMAA: Käytä vain imurisi kanssa toimitettua laturia imurin lataukseen.

TÄRKEÄÄ: Imurin latauksen aikana kytkinvivun on oltava OFF-asennossa. Voit ladata akkupaketin myös silloin, kun se on irrotettu tuotteesta.

On normaalia, että laturi lämpenee latauksen aikana.

* Vain joissakin malleissa

LAITTEEN KÄYTTÖ

Laitteessa on neljä toimintatilaa:

- **LYHYTTOIMINTO:** Imuri alkaa toimia painettaessa Päälle/Pois-kytkintä ja se pysähtyy, kun kytkin vapautetaan. **[3A]**
 - **JATKUVA TOIMINTO:** Jatkuvan toiminnon saa käyttöön vetämällä kytkinvivun taakse niin, että se napsahtaa paikalleen. **[3B]** Jatkuva toiminto kytketään pois päältä työntämällä kytkinvivu eteen.
 - **HILJAINEN-TILA** Paina hiljainen-painiketta puhdistaksesi perusteellisesti tämän tuotteen alimmalla melutasolla.
 - **TURBO-TILA:** Paina turbo-painiketta, jos haluat käyttää laitetta täydellä teholla hankalissa puhdistustehtävissä.
- TÄRKEÄÄ:** Kytkinvipu on muistettava työntää aina imurin käytön jälkeen eteen lukitsemattomaan asentoon. Muussa tapauksessa akun käyttöikä voi lyhentyä tai akku voi vahingoittua.

VALITSE SOPIVA TELA, JOKA TAKAA PARHAAT TULOKSET

Voimakas lattiatela* Suositellaan käytettäväksi matoilla; pääsee puhdistamaan pölyn syvältä matosta.

Tehokkaasti hoitava tela: Suositellaan käytettäväksi kovalla lattialla tai herkällä parketilla. Pehmeiden harjojen ansiosta sopii näiden lattioiden hienovaraiseen puhdistamiseen.

TÄRKEÄÄ: Imurista on aina katkaistava virta ennen mattoharjan vaihtoa ja puhdistusta.

HUOMAA: Telan asentamisessa voi käyttää: **[17]**

1. Avaa mattoharjan vapautuslappä. Se sijaitsee suulakkeen sivuosassa.
2. Irrota mattoharja pitelemällä mattoharjan vapautuslappä ja vetämällä alaspäin.
3. Vaihda tilalle voimakas tela tai tehokkaasti hoitava tela.
4. Aseta mattoharjan vapautuslappä takaisin paikalleen.

PYYHKIJÄN KOKOONPANO

Rakosuulakkeen ja maton puhdistustehokkuuden parhaan tuloksen saamiseksi on suositeltavaa asentaa etu- ja takapyyhkijät suuttimen pohjalevyyn.

Tee tämä avaamalla mattoharjan vapautuslappä ja irrottamalla pehmyt kaistale. Ota sitten kiinni pyyhkijästä. Aseta yksi pää takauraan ja liu'uta se loppuun asti. Toista toimenpiteet toisen pyyhkijän osalta ja liu'uta tämä etu-urään. Lukitse mattoharjan vapautuslappä. **[18]**

TURVAJÄRJESTELMÄ

Jotta tuotteen suorituskyky säilyisi myös raskaissa käyttöolosuhteissa, tuotteessa on sisäänrakennettu turvajärjestelmä.

HUOMAA: Turvajärjestelmä aktivoituu, jos harja on jumissa tai jos se lukittuu. Kun järjestelmä aktivoituu, harja lakkaa pyörimästä ja valkoinen merkkivalo suulakkeen edessä sammuu. Jos näin tapahtuu, sammuta laite ja poista harjassa oleva tukos. Jatka laitteen käyttöä painamalla on/off-painiketta; laite käynnistyy uudelleen normaalissa toimintatilassa.

AKKU

LED-NÄYTTÖ:

Imuri on varustettu LED-näytöllä. Kun tuote on päällä JA näyttö valaistu, merkit näyttävät seuraavat tiedot.

AKUN VARAUSTASON ILMAISIN:

- 4 pistettä = 100% lataustila
- 3 pistettä = 75% lataustila
- 2 pistettä = 50% lataustila
- 1 piste = 25% lataustila

LATAUS

Jos latauksen aikana akun lataustaso on alle 25 %, näet etsimmäisen merkkivalon vilkkuvan, kunnes taso on 25 %.

Tämän jälkeen se jää palamaan. Tämä prosessi jatkuu kaikissa merkkivalon pisteissä ilmoittaen akun lataustason 25 %, 50 %, 75 % jne. Kun akun lataustaso on 100 %, kaikki 4 pistettä palavat.

Huomaathan, että olemme asentaneet turvalaitteen sen valvomiseksi, että akkua ladataan turvallisessa toimintalämpötilassa. Jos laite kytketään päälle ja aloitat latauksen, näet ensimmäisen merkkivalon vilkkuvan, kunnes se nollautuu. Kun tämä on nollattu, normaali lataus alkaa edellä kuvatulla tavalla.

AKUN TYHJENEMISEN MERKKIVALO

Kun laite on käynnissä ja akut tyhjenemässä, merkkivalo alkaa vilkkua, kun akun lataus on alle 5 % ilmoittaen, että akku pitää ladata.

* Vain joissakin malleissa

LISÄVARUSTEET

2 IN 1 RAKOSUUTIN & PÖLYHARJA, NOPEA & VARMA LIITÄNTÄ*, 2 IN 1 SUURI PÖLY- & HUONEKALU HARJA, NOPEA&VARMA LIITÄNTÄ*, PITKÄ JOUSTAVA RAKOSUUTIN, NOPEA&VARMA LIITÄNTÄ*, MONITOIMINEN UP TO TOP -SOVITIN, NOPEA&VARMA LIITÄNTÄ*, MINI TURBOSUUTIN, NOPEA&VARMA LIITÄNTÄ*, JÄÄHDYTYINTYÖKALU, NOPEA&VARMA LIITÄNTÄ* JA SYVÄPUHDISTAVA HARJA, JOSSA NOPEA&VARMA LIITÄNTÄ.

Nämä varusteet voi asentaa suoraan rikkaimuriin tai putken toiselle puolelle. [5]

HUOMAA: Miniturbosuutin sopii ihanteellisesti tekstiilipintojen (esim. sohvien) puhdistukseen ja kotieläinten karvojen poistoon. Liikuta tasaisesti taakse- ja eteenpäin. Poista tarvittaessa käytön jälkeen harjaan kertyneet karvat/langat saksilla.

HUOMAA: Pitkät joustavat rakosuutin sopii ihanteellisesti puhdistamaan vaikeapääsisiä paikkoja, huonekalujen alta ja autojen sisätiloja.

HUOMAA: Patterisuutin sopii ihanteellisesti kaappien, pattereiden, sohvien, kaihainten jne. sisäosien ja ympäryksen puhdistamiseen

HUOMAA: Syväpuhdistusharjalla puhdistuvat kätevästi ahtaat paikat, pintoja naarmuttamatta, sekä autojen sisätilat.

HUOMAA: Monitoimisella Up to Top -sovitimella yltää puhdistamaan korkeita huonekaluja ja kattoja. Voit kiinnittää minkä tahansa varusteen, lukuun ottamatta miniturboa, ja puhdistaa nurkkia, verhoja tai huonekalujen päältä.

LISÄVARUSTELAUKKU*

Lisävarusteita voi säilyttää lisävarustelaukussa.

SEINÄASENNUS*

Ripusta seinäpidike seinään kolmella laitteen mukana toimitetulla ruuvilla [2] ja ripusta laite, 2in1 rakosuutin & pölyharja, 2in1 suuri pölyharja & rakosuutin ja mini turbosuutin (kun varusteena).

LAITTEEN KUNNOSSAPITO

Pölysäiliön tyhjennys

1. Paina rikkaimurin vapautuspainiketta ja irrota putki. [6]
2. Paina pölysäiliön tyhjennyspainiketta säiliön kannen avaamiseksi ja tyhjennä se. [7]
3. Sulje pölysäiliön kansi; sen lukituessa kuuluu napsahdus.

HUOMAA: Pölysäiliö kannattaa tyhjentää aina käytön jälkeen tai kun se on täynnä maksimirajaan asti.

Puhdista pölysäiliö ja suodatin

1. Paina rikkaimurin vapautuspainiketta ja irrota putki. [6]
2. Paina pölysäiliön tyhjennyspainiketta säiliön kannen avaamiseksi ja sen tyhjentämiseksi. [7]
3. Paina akkupaketin vapautuspainike alas ja irrota akkupaketti. [8A,8B]
4. Käännä pölysäiliötä myötäpäivään, kohdista nuolimerkit ja irrota säiliö runko-osasta. [9]
5. Puhdista liika pöly verkkosuodattimesta [J2], pidä verkosta tiukasti kiinni toisella kädellä ja käännä toisella suojakuppia [J3] myötäpäivään verkkosuodattimen irrottamiseksi. [10]
6. Kun säiliön kansi on irrotettu, vedä HSpin-Core Technology -kokoonpano irti runko-osasta. [11A] Pitele moottorin kannen yläreunaa [J1] ja irrota verkkosuodatin vetämällä se pois paikaltaan. [11B]
7. Paina molempia poistosuodattimen vapautuspainikkeita samanaikaisesti ja irrota poistosuodatin. [12A, 12B]
8. Kun peset suodattimet, pese verkkosuodatin [J2] ja poistosuodatin [S] haalealla vedellä. [13] Varmista, että kaikki osat ovat kokonaan kuivia ennen niiden takaisin asentamista. [14]
9. Kun asennat HSpin-Core Technology -kokonaisuuden takaisin, kiinnitä ensin verkkosuodatin takaisin moottorin kanteen [15A] ja kohdista sitten tämä kokonaisuus moottoriakselin kanssa, kiinnittäen erityistä huomiota moottoriakselin litteään pintaan. [15B]
10. Pitele sitten verkkosuodatinta ja aseta suojakuppi takaisin: lukitse kiertämällä vastapäivään [16]. ÄLÄ KIRISTÄ LIIKAA, JOTTEIVÄT KIERTEET VAHINGOITU.
11. Viimeistelee rikkaimurin takaisinasennus ja kiinnitä se sitten seinäasennukseen.

HUOMAA: Älä käytä poistosuodattimien pesussa kuumaa vettä tai pesuainetta. Jos poistosuodattimet jostain syystä vahingoittuvat, asenna tilalle Hooverin alkuperäinen varaosa. Älä yritä käyttää laitetta ilman suodatinta.

TÄRKEÄÄ: Hyvän suorituskyvyn ylläpitämiseksi verkkosuodatin tulee aina pitää puhtaana. Suosittelemme että suodatin pestään kerran kuukaudessa.

* Vain joissakin malleissa

Mattoharjan vaihto ja puhdistus

TÄRKEÄÄ: Imurista on aina katkaistava virta ennen mattoharjan vaihtoa ja puhdistusta.

1. Avaa mattoharjan vapautuslappää. Se sijaitsee suulakkeen sivuosassa. **[17a]**
2. Pidä sekoittimen vapautuslappää ja poista sekoitin. **[17b]**
3. Intense Floor Rollerin puhdistamiseksi poista ylimääräiset jäänteet saksilla. **[17c]**
4. Deep Care Rollerin puhdistamiseksi huuhtelee vedellä **[17d]** ja anna kuivua 24 tuntia. **[17e]**
5. Sijoita sekoitin uudelleen. **[17f]** Sekoitin mahtuu vain yhdensuuntaisesti.
6. Sulje sekoittimen vapautuslappää, jotta sekoitin pysyy paikallaan. **[17g]**

Akkujen vaihtaminen

Imurissa on ladattava litiumioniakkupaketti, jonka voi vaihtaa.

VAROITUS: Asenna imuriin vain hyväksytyjä varaosia. Varaosien, jotka eivät ole Hooverin hyväksymiä, käyttäminen on vaarallista ja mitätöi takuun.

VAROITUS: Älä yritä avata ja korjata akkupakettia itse.

1. Vedä akkupaketin vapautuspainiketta taakse, jolloin akkupaketti työntyy automaattisesti hieman ulos. **[8A]**
2. Vedä akkupaketti hitaasti pois paikaltaan. **[8B]**
3. Poista vanha akkupaketti ja laita tilalle uusi.
4. Hävitä akut turvallisesti. Vie käytetyt akut kierrätyskeskukseen. Älä hävitä niitä kotitalousjätteen mukana.

VIANMÄÄRITYS

Mikäli sinulla on mitään ongelmia imurisi kanssa, noudata seuraavaa yksinkertaista tarkistuslistaa ennen kuin soitat valtuutettuun Hoover huoltoliikkeeseen:

- A. Imuri ei käynnisty
Tarkista imurin lataus.
Tarkista, onko akkupaketti asennettu paikalleen.
- B. Imuri lakkaa toimimasta
Tarkista, onko HSpin-Core Technology -moottori jumissa.
Poista tukos ja varmista, että jatkuvan tilan vipu on pois päältä. Kun tämä on tehty, paina on/off-painiketta, jolloin laite käynnistyy uudelleen muutaman sekunnin kuluttua.
- C. Imun vähäisyys tai ei imua.
Tyhjennä pölysäiliö ja pese verkkosuodatin ja puhdista HSpin-Core Technology -kokonaisuus.
Irrota suulake ja tarkista, ettei putkessa ole tukoksia.
- D. Akkuja ei voida ladata
Voi johtua pitkästä (yli puolen vuoden) varastointijaksosta.
Ota yhteyttä valtuutettuun Hoover huoltoliikkeeseen, mistä voit ostaa uudet akut.
Mikäli ongelma ei ratkea, ota yhteyttä valtuutettuun Hoover huoltoliikkeeseen.

HOOVER-VARAOSAT JA -TARVIKKEET

Käytä vain alkuperäisiä Hoover-varaosia. Niitä on saatavana paikalliselta Hoover- jälleenmyyjältä tai valtuutetusta huoltoliikkeestä. Kun tilaat varaosia, kerro aina mallinumero.

TAKUU

Tämän laitteen takuehdot määrittelee ostomaan Hoover-edustaja. Yksityiskohtaiset tiedot näistä ehdoista saa laitteen myyneeltä jälleenmyyjältä. Tämän takuun mukaisia vaateita esitettäessä on esitettävä myyntitodistus tai ostokuitti.

TÄRKEÄÄ: Tässä imurissa olevalla akulla on 2 vuoden takuu ostopäivästä alkaen. 2 vuoden jälkeen asiakkaan on maksettava uusi akku.

Oikeus muutoksiin pidätetään.

ΟΔΗΓΙΕΣ ΑΣΦΑΛΟΥΣ ΧΡΗΣΕΩΣ ΚΑΙ ΕΞΑΡΤΗΜΑΤΩΝ

Η συσκευή πρέπει να χρησιμοποιείται αποκλειστικά για οικιακή χρήση, σύμφωνα με τις οδηγίες χρήσης. Πριν δοκιμάσετε να χρησιμοποιήσετε τη συσκευή, βεβαιωθείτε ότι έχετε κατανοήσει τις οδηγίες που περιέχει το βιβλίο που κρατάτε στα χέρια σας.

Πριν από τον καθαρισμό της συσκευής ή οποιαδήποτε εργασία συντήρησης να απενεργοποιείτε πάντα τη συσκευή και να βγάξετε το φορτιστή από την πρίζα.

Η χρήση της συσκευής από παιδιά άνω των 8 ετών, ηλικιωμένους και ΑΜΕΑ προϋποθέτει την παρουσία ενήλικα που θα φέρει την ευθύνη για την ασφαλεία τους. Η χρήση της συσκευής από άτομα που δεν έχουν εξοικειωθεί στη χρήση παρόμοιων συσκευών μπορεί να γίνει μόνο αφού γίνει κατανοητός ο κίνδυνος που ενέχει η χρήση της συσκευής. Μην αφήνετε τα παιδιά να παίζουν με τη συσκευή. Οι εργασίες καθαρισμού και συντήρησης της συσκευής δεν πρέπει να γίνονται από τα παιδιά χωρίς την επίβλεψη ενήλικα που θα φέρει την ευθύνη για την ασφαλεία τους.

Εάν το καλώδιο σύνδεσης με το δίκτυο παροχής εμφανίσει φθορές διακόψτε την λειτουργία της συσκευής αμέσως.

Για λόγους ασφάλειας η αντικατάσταση του φθαρμένου καλωδίου της συσκευής πρέπει να γίνεται αποκλειστικά στα σημεία τεχνικής υποστήριξης Hoover.

Χρησιμοποιείτε μόνο τον αυθεντικό φορτιστή που παρέχεται με τη συσκευή.

Ελέγξτε ότι η τάση τροφοδοσίας είναι η ίδια με αυτή που αναγράφεται στο φορτιστή.

Η συσκευή Hoover διατίθεται με φορτιστή μπαταρίας με διπλή μόνωση, ο οποίος είναι κατάλληλος μόνον για πρίζες με τάση 230 V (240 V - Ηνωμένο Βασίλειο).

Βάλτε τον φορτιστή σε κατάλληλη πρίζα και συνδέστε το βύσμα του φορτιστή στην συσκευή.

Κατά τη φόρτιση της συσκευής ο διακόπτης τροφοδοσίας πρέπει να βρίσκεται στη θέση OFF.

Πριν από την πρώτη χρήση, φορτίστε τη συσκευή για 24 ώρες τουλάχιστον.

Η λυχνία LED της μπαταρίας αναβοσβήνει με μπλε χρώμα κατά τη φόρτιση και παραμένει αναμμένη όταν αυτή φορτιστεί πλήρως.

Μετά τη χρήση, βάλτε τη συσκευή στον φορτιστή για την επαναφόρτιση της μπαταρίας.

Μη φορτίζετε ποτέ τις μπαταρίες σε θερμοκρασία μεγαλύτερη από 37°C ή μικρότερη από 0°C. Κατά την διάρκεια της φόρτισης ο φορτιστής θερμαίνεται. Σε περίπτωση μακράς απουσίας

(διακοπές, κλπ) αποσυνδέστε τον φορτιστή από την παροχή. Σε μακρές περιόδους αποθήκευσης της συσκευής, επαναφορτίστε την συσκευή πριν την χρησιμοποιήσετε, καθώς οι μπαταρίες μπορεί να έχουν αδειάσει.

Χρησιμοποιείτε μόνο αξεσουάρ, αναλώσιμα ή ανταλλακτικά που συνιστώνται ή παρέχονται από τη Hoover.

Στατικός ηλεκτρισμός: ορισμένα χαλιά μπορεί να προκαλέσουν μικρή συσσώρευση στατικού ηλεκτρισμού. Τυχόν στατικές εκκενώσεις δεν είναι επικίνδυνες για την υγεία.

Μην πλησιάζετε τις περιστρεφόμενες βούρτσες με τα χέρια, τα πόδια, τα μαλιά ή τα ρούχα σας.

Μην αποσυνδέετε τον φορτιστή τραβώντας το καλώδιο.

Μην χρησιμοποιείτε τη συσκευή σας σε εξωτερικούς χώρους, σε υγρή επιφάνεια ή για τη συλλογή υγρών. Μην συλλέγετε με τη συσκευή σκληρά ή αιχμηρά αντικείμενα, καυτή στάχτη, αποτσίγαρο ή άλλα παρόμοια αντικείμενα. Μην ψεκάζετε ή συλλέγετε εύφλεκτα υγρά, υγρά καθαρισμού, αερολύματα ή τους ατμούς τους. Ενόσω χρησιμοποιείτε τη συσκευή δεν πρέπει να πατάτε επάνω στο καλώδιο, μην τραβάτε το καλώδιο για να αποσυνδέσετε τη συσκευή από την παροχή. Μην συνεχίσετε να χρησιμοποιείτε τη συσκευή ή το φορτιστή αν παρουσιάζουν βλάβη. Μην χρησιμοποιείτε τη συσκευή για να καθαρίζετε ζώα ή άτομα. Μην αντικαθιστάτε τις μπαταρίες με μη επαναφορτιζόμενες μπαταρίες.

Service Hoover: Για τις εργασίες συντήρησης ή αποκατάστασης κακής λειτουργίας ή βλάβης πρέπει να απευθύνεστε αποκλειστικά στα κέντρα τεχνικής υποστήριξης Hoover, έτσι εξασφαλίζετε την ασφαλή και αποτελεσματική λειτουργία της συσκευής

Απορριψη στο τέλος του κύκλου ζωής του προϊόντος:

Εάν η συσκευή πρόκειται να απορριφθεί, πρώτα πρέπει να αφαιρεθούν οι μπαταρίες. Η συσκευή πρέπει να αποσυνδεθεί από το ηλεκτρικό δίκτυο κατά την αφαίρεση των μπαταριών. Απορρίψτε τις μπαταρίες με ασφαλή τρόπο. Αφήστε τη συσκευή να λειτουργεί μέχρι να σταματήσει λόγω πλήρους εκφόρτισης των μπαταριών. Οι χρησιμοποιημένες μπαταρίες πρέπει να προσκομίζονται σε ένα σταθμό ανακύκλωσης και δεν πρέπει να απορρίπτονται με τα οικιακά απορρίμματα. Για να αφαιρέσετε τις μπαταρίες, επικοινωνήστε με το κέντρο εξυπηρέτησης πελατών της Hoover ή ακολουθήστε τις παρακάτω οδηγίες.

ΕΠΙΣΗΜΑΝΣΗ : Αποφορτίστε τις μπαταρίες πριν τις αφαιρέσετε από τη συσκευή.

Λειτουργείστε τη σκούπα μέχρι να αδειάσουν πλήρως οι μπαταρίες. Βγάλτε το βύσμα του φορτιστή από τη συσκευή.

Πατήστε το κουμπί απελευθέρωσης της μπαταρίας και σύρετε για να την αφαιρέσετε.

Σημείωση: Εάν συναντήσετε δυσκολίες κατά την αποσυναρμολόγηση της μονάδας ή για περισσότερες πληροφορίες σχετικά με την επεξεργασία, την ανάκτηση ή την ανακύκλωση αυτής της συσκευής, επικοινωνήστε με την αρμόδια δημοτική αρχή ή την υπηρεσία απόρριψης οικιακών απορριμμάτων της περιοχής σας.



Περιβάλλον:

Αυτή η συσκευή φέρει σήμανση σύμφωνα με την υπ' αριθμ. 2011/65/EK, οδηγία για Απόβλητα Ηλεκτρικού και Ηλεκτρονικού Εξοπλισμού (WEEE). Η σωστή απόσυρση της συσκευής συμβάλει στην αποφυγή αρνητικών επιπτώσεων για το περιβάλλον και τον άνθρωπο που μπορεί να προκληθούν από την λανθασμένη διαχείριση στην διαδικασία απόσυρσης της συσκευής. Η σήμανση του προϊόντος επισημαίνει ότι το συγκεκριμένο προϊόν δεν πρέπει να απορρίπτεται μαζί με τα οικιακά απορρίμματα. Η συσκευή αυτή πρέπει να αποσύρεται στα ειδικά σημεία συγκέντρωσης για ανακύκλωση ηλεκτρικού και ηλεκτρονικού εξοπλισμού. Η απόρριψη της συσκευής πρέπει να γίνει σύμφωνα με την ισχύουσα κατά τόπο νομοθεσία για την απόρριψη ηλεκτρονικών και ηλεκτρικών αποβλήτων. Για περισσότερες πληροφορίες σχετικά με τη διαχείριση, την ανάκτηση και την ανακύκλωση του, επικοινωνήστε με την αρμόδια υπηρεσία, απόρριψης οικιακών απορριμμάτων ή το κατάστημα που το αγοράσατε ..



Αυτή η συσκευή πληροί τις υπ' αριθμ. 2014/35/EU, 2014/30/EU και 2011/65/EU Ευρωπαϊκές Οδηγίες .

CANDY HOOVER GROUP S.r.l. Via Privata Eden Fumagalli, 20861 Brugherio (MB) Italy

ΕΞΑΡΤΗΜΑΤΑ ΤΟΥ ΠΡΟΪΟΝΤΟΣ

- | | |
|--|---|
| A. Κουμπί On/Off Turbo | R. Κουμπί απελευθέρωσης φίλτρου εξόδου |
| B. Silent Button | S. Φίλτρο απαγωγής |
| C. Ενδείξεις LED | T. Φορτιστής |
| D. Πλήκτρο απασφάλισης χειρολαβής | U. Εργαλείο 2 σε 1 με Γρήγορη & Ασφαλή σύνδεση* |
| E. Σωλήνας | V. Μεγάλη βούρτσα 2 σε 1 ξεσκονίσματος και επίπλων με Γρήγορη & Ασφαλή σύνδεση* |
| F. Πλήκτρο απασφάλισης ακροφυσίου | W. Μεγάλο εύκαμπτο εργαλείο σχισμών με Γρήγορη & Ασφαλή σύνδεση* |
| G. Εμπρός φως ακροφυσίου | X. Μίνι ακροφύσιο Turbo με Γρήγορη & Ασφαλή σύνδεση* |
| H. Έντονος κύλινδρος δαπέδου | Y. Προσαρμογέας εργαλείου επάνω επιφανειών με Γρήγορη & Ασφαλή σύνδεση* |
| I. Δοχείο σκόνης | Z. Εργαλείο για καλοριφέρ με Γρήγορη & Ασφαλή σύνδεση* |
| J. Συγκρότημα τεχνολογίας HSpin-Core: | AA. Βούρτσα για βαθύ καθαρισμό με Γρήγορη & Ασφαλή σύνδεση* |
| J1. Κάλυμμα κινητήρα | AB. Τσάντα αξεσουάρ* |
| J2. Φίλτρο πλέγματος | AC. Πίσω μαλακή λεπίδα* |
| J3. Κύπελλο καλύμματος | AD. Κύλινδρος για μεγάλη φροντίδα* |
| K. Άξονας κινητήρα | AE. Λεπίδες καθαριστήρα* |
| L. Κουμπί αδειάσματος δοχείου σκόνης | AF. Επιτοίχια τοποθέτηση* |
| M. Κάτω κάλυμμα δοχείου σκόνης | AG. Πώματα βιδών* |
| N. Κουμπί απελευθέρωσης συστοιχίας μπαταριών | |
| O. Συστοιχία μπαταριών | |
| P. Μοχλός διακόπτη | |
| Q. Διακόπτης ON/OFF (έναρξης/παύσης λειτουργίας) | |

ΠΡΟΕΤΟΙΜΑΣΙΑ ΤΗΣ ΣΚΟΥΠΑΣ

1. Βάλτε την κεφαλή του ακροφυσίου στη μια πλευρά του σωλήνα μέχρι να ακούσετε ένα "κλικ" κουμπιού. **[1A]**
2. Βάλτε την άλλη πλευρά του σωλήνα στη μονάδα χειρός μέχρι να ακούσετε ένα "κλικ". **[1B]**
3. Στερεώστε την επιτοίχια βάση στον τοίχο με τις βίδες και τα ούλα που παρέχονται. **[2]**
4. Για να φορτίσετε πλήρως τη συσκευή, συνδέστε το βύσμα του φορτιστή στην μπαταρία. Θα χρειαστούν περίπου 6 ώρες. **[2]**

ΣΗΜΕΙΩΣΗ: Για να αφαιρέσετε το ακροφύσιο, πιέστε το κουμπί απασφάλισης του ακροφυσίου και τραβήξτε το από το κύριο σώμα της σκούπας.

ΣΗΜΕΙΩΣΗ: Για να φορτίσετε τη συσκευή χρησιμοποιείτε αποκλειστικά το φορτιστή που διατίθεται με τη σκούπα σας.

ΕΠΙΣΗΜΑΝΣΗ: Όταν φορτίζετε την σκούπα ο μοχλός διακόπτη πρέπει να είναι στη θέση OFF. Μπορείτε να φορτίσετε την μπαταρία ακόμη και όταν έχει βγει από το προϊόν.

Κατά τη φόρτιση, ο φορτιστής θερμαίνεται .

* Μόνο ορισμένα μοντέλα

ΟΔΗΓΙΕΣ ΧΡΗΣΕΩΣ

Υπάρχουν τέσσερις τρόποι λειτουργίας:

- **ΠΡΟΣΩΡΙΝΗ ΛΕΙΤΟΥΡΓΙΑ:** Το προϊόν θα αρχίσει να λειτουργεί όταν πατάτε τον διακόπτη ON/OFF και θα σταματήσει όταν τον αφήσετε. [3A]
 - **ΣΥΝΕΧΗΣ ΛΕΙΤΟΥΡΓΙΑ** Για να ενεργοποιήσετε την συνεχή λειτουργία μπορείτε να τραβήξετε πίσω τον μοχλό διακόπτη και θα κομπώσετε στη θέση του. [3B] Για να απενεργοποιήσετε την συνεχή λειτουργία μπορείτε να σπρώξετε μπροστά τον μοχλό διακόπτη.
 - **ΗΣΥΧΗ ΛΕΙΤΟΥΡΓΙΑ** Πατήστε το κουμπί σίγασης για να καθαρίσετε σχολαστικά με τη χαμηλότερη στάθμη θορύβου για αυτό το προϊόν.
 - **ΤΡΟΠΟΣ ΛΕΙΤΟΥΡΓΙΑΣ TURBO:** Πατήστε το κουμπί Turbo για πλήρη ισχύ σε δύσκολες εργασίες καθαρισμού.
- ΕΠΙΣΗΜΑΝΣΗ :** Μετά από κάθε χρήση του προϊόντος, βεβαιωθείτε ότι γυρίσατε τον μοχλό διακόπτη προς την ξεκλειδωτή θέση. Αν παραλείψετε να το κάνετε μπορεί να έχει ως αποτέλεσμα μειωμένη διάρκεια ζωής ή αστοχία της μπαταρίας.

ΕΠΙΛΕΞΤΕ ΤΟΝ ΚΑΤΑΛΗΛΟ ΚΥΛΙΝΔΡΟ ΓΙΑ ΚΑΛΥΤΕΡΟ ΚΑΘΑΡΙΣΜΟ

Έντονος κύλινδρος δαπέδου*: Συνιστάται η χρήση του σε χαλιά όπου μπορεί να διεισδύσει βαθιά στο χαλί για να καθαρίσει τη σκόνη.

Κύλινδρος για μεγάλη φροντίδα*: Συνιστάται η χρήση του σκληρά δάπεδα ή σε ευαίσθητα παρκέ Χάρη στις μαλακές τρίχες μπορείτε να καθαρίσετε απαλά αυτούς τους τύπους δαπέδων.

ΕΠΙΣΗΜΑΝΣΗ : Να κλείνετε πάντα τη σκούπα πριν από τη φόρτιση και τον καθαρισμό του αναδευτήρα.

ΣΗΜΕΙΩΣΗ: Για να συναρμολογήσετε το κύλινδρο θα θέλατε να χρησιμοποιήσετε: [17]

1. Αποσυνδέστε το πτερύγιο ασφάλισης του αναδευτήρα. Βρίσκεται στο πλευρικό μέρος του ακροφυσίου.
2. Κρατήστε το πτερύγιο ασφάλισης του αναδευτήρα και τραβήξτε προς τα κάτω για να αφαιρέσετε τον αναδευτήρα.
3. Αντικαταστήστε με τον έντονο κύλινδρο δαπέδου ή με τον κύλινδρο για μεγάλη φροντίδα.
4. Βάλτε ξανά στη θέση του το πτερύγιο ασφάλισης του αναδευτήρα.

ΣΥΓΚΡΟΤΗΜΑ ΛΕΠΙΔΑΣ ΚΑΘΑΡΙΣΤΗΡΑ

Για να πετύχετε την καλύτερη απόδοση σε σχισμές και χαλιά συνιστάται να συναρμολογήσετε την λεπίδα του εμπρός και πίσω καθαριστήρα στην πλάκα του ακροφυσίου.

Για να το κάνετε, ανοίξτε το πτερύγιο ασφάλισης του αναδευτήρα και αφαιρέστε τη μαλακή λωρίδα. Πιάστε μια λεπίδα του καθαριστήρα και βάλτε την στην πίσω σχισμή, και σύρετε την μέχρι να μπει τέρμα. Επαναλάβετε αυτές τις ενέργειες και για τη δεύτερη λεπίδα καθαριστήρα και σύρετε την στην εμπρός σχισμή. Ασφαλίστε το πτερύγιο ασφάλισης του αναδευτήρα. [18]

ΣΥΣΤΗΜΑ ΑΣΦΑΛΕΙΑΣ ΓΙΑ ΠΡΟΣΤΑΣΙΑ

Για να διασφαλιστεί ότι η αξιοπιστία του προϊόντος δεν επηρεάζεται αν χρησιμοποιηθεί σε αντίξοες συνθήκες, το προϊόν διαθέτει ένα ολοκληρωμένο σύστημα ασφαλείας για προστασία.

ΣΗΜΕΙΩΣΗ: Το σύστημα προστασίας της ασφαλείας θα ενεργοποιηθεί αν ο αναδευτήρας παρουσιάσει εμπλοκή ή κλειδώσει, αφού ενεργοποιηθεί, ο αναδευτήρας θα σταματήσει και η λευκή φωτεινή ένδειξη Led στο εμπρός άκρο του ακροφυσίου θα βηθεί. Αν συμβεί αυτό, απλώς κλείστε το προϊόν και αφαιρέστε το εμπόδιο από τον αναδευτήρα. Για να συνεχίσετε το καθάρισμα, πατήστε το κουμπί on/off και το προϊόν θα επανεκινήσει σε κανονική λειτουργία.

ΜΠΑΤΑΡΙΑ

ΟΘΟΝΗ LED:

Η σκούπα διαθέτει οθόνη με LED. Όταν το προϊόν είναι Ενεργοποιημένο και η οθόνη ανάβει οι δείκτες υποδεικνύουν τις εξής πληροφορίες.

ΕΝΔΕΙΞΗ ΒΑΘΜΟΥ ΦΟΡΤΙΣΗΣ ΤΗΣ ΜΠΑΤΑΡΙΑΣ:

- 4 σημεία = φόρτιση 100%
- 3 σημεία = φόρτιση 75%
- 2 σημεία = φόρτιση 50%
- 1 σημείο = φόρτιση 25%

ΦΟΡΤΙΣΗ

Κατά τη διαδικασία φόρτισης αν η στάθμη φόρτισης της μπαταρίας είναι κάτω από 25% θα δείτε το πρώτο LED να αναβοσβήνει μέχρι να ξεπεράσει το 25%, και στη συνέχεια θα μείνει αναμμένο. Αυτή η διαδικασία θα συνεχίσει σε όλα τα σημεία ένδειξης φόρτισης της μπαταρίας με LED 25%, 50%, 75%, κ.λπ. Όταν η μπαταρία έχει φορτιστεί στο 100% και τα 4 σημεία θα παραμείνουν αναμμένα.

Σημειώστε ότι για να διασφαλίσουμε ότι η μπαταρία φορτίζεται σε ασφαλή θερμοκρασία λειτουργίας ενσωματώσαμε μια ασφάλεια. Αν αυτή η ασφάλεια ενεργοποιηθεί και αρχίσετε τη διαδικασία φόρτισης τότε θα δείτε το πρώτο LED να αναβοσβήνει μέχρι να την επαναφέρετε. Αφού επαναφερθεί αυτόματα θα αρχίσει η κανονική διαδικασία φόρτισης.

ΈΝΔΕΙΞΗ ΑΠΟΦΟΡΤΙΣΗΣ

Όταν το προϊόν λειτουργεί και οι μπαταρίες εκφορτίζονται η ενδεικτική λυχνία LED αρχίζει να αναβοσβήνει όταν η χωρητικότητα της μπαταρίας είναι κάτω από 5% υποδεικνύοντας την ανάγκη επαναφόρτισης.

* Μόνο ορισμένα μοντέλα

ΕΞΑΡΤΗΜΑΤΑ

ΒΟΥΡΤΣΑ ΞΕΣΚΟΝΙΣΜΑΤΟΣ ΚΑΙ ΣΧΙΣΜΩΝ 2 ΣΕ 1 ΜΕ ΓΡΗΓΟΡΗ & ΑΣΦΑΛΗ ΣΥΝΔΕΣΗ*, 2 - 1 ΜΕΓΑΛΗ ΒΟΥΡΤΣΑ ΞΕΣΚΟΝΙΣΜΑΤΟΣ & ΕΠΙΠΛΩΝ ΜΕ ΓΡΗΓΟΡΗ & ΑΣΦΑΛΗ ΣΥΝΔΕΣΗ*, ΜΑΚΡΥ ΕΥΚΑΜΠΤΟ ΕΡΓΑΛΕΙΟ ΣΧΙΣΜΩΝ ΜΕ ΓΡΗΓΟΡΗ & ΑΣΦΑΛΗ ΣΥΝΔΕΣΗ*, ΠΡΟΣΑΡΜΟΓΕΑΣ ΕΡΓΑΛΕΙΟΥ ΠΟΛΛΑΠΛΩΝ ΛΕΙΤΟΥΡΓΙΩΝ ΓΙΑ ΕΠΑΝΩ ΕΠΙΦΑΝΕΙΕΣ ΜΕ ΓΡΗΓΟΡΗ & ΑΣΦΑΛΗ ΣΥΝΔΕΣΗ*, ΜΙΝΙ ΑΚΡΟΦΥΣΙΟ TURBO ΜΕ ΓΡΗΓΟΡΗ & ΑΣΦΑΛΗ ΣΥΝΔΕΣΗ*, ΕΡΓΑΛΕΙΟ ΚΑΛΟΡΙΦΕΡ ΜΕ ΓΡΗΓΟΡΗ & ΑΣΦΑΛΗ ΣΥΝΔΕΣΗ* ΚΑΙ ΒΟΥΡΤΣΑ ΓΙΑ ΒΑΘΥ ΚΑΘΑΡΙΣΜΟ ΜΕ ΓΡΗΓΟΡΗ & ΑΣΦΑΛΗ ΣΥΝΔΕΣΗ.

Μπορείτε να βγάλετε τα παραπάνω αξεσουάρ απευθείας στη μονάδα χειρός ή στη μια πλευρά του σωλήνα. [5]

ΣΗΜΕΙΩΣΗ: Το ακροφύσιο μίνι turbo είναι ιδανικό για βαθύ καθαρισμό υφασμάτινων επιφανειών (π.χ. καναπέδες) και απομάκρυνση τριχών κατοικίδιων. Μετακινήστε το σταθερά εμπρός και πίσω. Μετά τη χρήση, αφαιρέστε τρίχες/κλωστές που μαζεύονται στη βούρτσα με ψαλίδι αν χρειαστεί.

ΣΗΜΕΙΩΣΗ: Το μακρύ εύκαμπτο εργαλείο για σχισμές είναι ιδανικό για καθαρισμό δύσκολων σημείων και κάτω από έπιπλα και για το αυτοκίνητο.

ΣΗΜΕΙΩΣΗ: Το εργαλείο για καλοριφέρ είναι ιδανικό για να καθαρίζετε μέσα και γύρω από ντουλάπια, καλοριφέρ, καναπέδες, στόρια και άλλα.

ΣΗΜΕΙΩΣΗ: Η βούρτσα για βαθύ καθαρισμό είναι χρήσιμη για να καθαρίζετε στενούς χώρους χωρίς να χαράξετε τις επιφάνειες και για το αυτοκίνητο.

ΣΗΜΕΙΩΣΗ: Ο προσαρμογέας εργαλείων πολλαπλών λειτουργιών συνιστάται για να φτάνετε ψηλά έπιπλα και οροφές. Μπορείτε να τον συνδέσετε σε οποιοδήποτε εργαλείο, εκτός του μίνι turbo, για να καθαρίσετε ψηλές γωνίες, ή επάνω από ψηλά έπιπλα.

ΤΣΑΝΤΑ ΑΞΕΣΟΥΑΡ*

Πρόσθετα αξεσουάρ μπορείτε να τα αποθηκεύσετε στη τσάντα αξεσουάρ.

ΕΠΙΤΟΙΧΙΑ ΤΟΠΟΘΕΤΗΣΗ*

Κρεμάστε την επιτοίχια βάση στον τοίχο, με τις τρεις βίδες που παρέχονται με το προϊόν [2] για να κρεμάσετε το προϊόν, τη βούρτσα 2σε1 για σχισμές & ξεσκόνισμα, τη μεγάλη βούρτσα 2σε1 για ξεσκόνισμα & σχισμές και το μίνι ακροφύσιο turbo (όταν υπάρχει)

ΣΥΝΤΗΡΙΣΗ ΚΑΙ ΚΑΘΑΡΙΣΜΟΣ

Άδειασμα του δοχείου σκόνης

1. Πατήστε το κουμπί απελευθέρωσης και βγάλτε τον σωλήνα. [6]
2. Πατήστε το κουμπί για το άδειασμα δοχείου σκόνης για να απελευθερώσετε το πτερύγιο κάδου και να αδειάσετε τα περιεχόμενα. [7]
3. Κλείστε το πτερύγιο δοχείου σκόνης, θα ακούσετε ένα κλικ όταν κλειδώσει καλά.

ΣΗΜΕΙΩΣΗ: Συνιστάται να αδειάζετε το δοχείο σκόνης μετά από κάθε χρήση ή όταν η σκόνη είναι μέχρι τη γραμμή μέγιστης πλήρωσης.

Καθαρίστε το δοχείο σκόνης και το φίλτρο

1. Πατήστε το κουμπί απελευθέρωσης και βγάλτε τον σωλήνα. [6]
2. Πατήστε το κουμπί για το άδειασμα δοχείου σκόνης για να ανοίξετε το πτερύγιο κάδου και να τον αδειάσετε. [7]
3. Ωθήστε προς τα κάτω το κουμπί απελευθέρωσης της μπαταρίας και βγάλτε την. [8A,8B]
4. Γυρίστε το δοχείο σκόνης δεξιόστροφα, ευθυγραμμίστε τις ενδείξεις βέλους και βγάλτε το από το κύριο σώμα της σκούπας. [9]
5. Καθαρίστε κάθε περίσσεια σκόνης από το φίλτρο πλέγματος [J2], κρατήστε το πλέγμα σταθερά με το ένα χέρι και με το άλλο γυρίστε το κύπελλο του καλύμματος [J3] δεξιόστροφα για να βγάλετε το φίλτρο πλέγματος. [10]
6. Αφού βγάλετε το κύπελλο καλύμματος, τραβήξτε το συγκρότημα τεχνολογίας HSpin-Core Technology από το κυρίως σώμα. [11A] Κρατήστε την κορυφή του καλύμματος κινητήρα [J1] και βγάλτε το φίλτρο πλέγματος τραβώντας το έξω. [11B]
7. Πατήστε τα δύο κουμπιά απελευθέρωσης φίλτρου εξαγωγής ταυτόχρονα και μετά βγάλτε το φίλτρο εξαγωγής. [12A, 12B]
8. Όταν καθαρίζετε τα φίλτρα, πλύνετε το φίλτρο πλέγματος [J2] και το φίλτρο εξαγωγής [5] σε χλιαρό νερό. [13] Βεβαιωθείτε ότι όλα τα μέρη είναι εντελώς στεγνά πριν την επανασυναρμολόγηση. [14]
9. Κατά την επανασυναρμολόγηση του συγκροτήματος τεχνολογία HSpin-Core, πρώτα συνδέστε ξανά το φίλτρο πλέγματος στο κάλυμμα κινητήρα, [15A] στη συνέχεια ευθυγραμμίστε το συγκρότημα με τον άξονα του κινητήρα, προσέχοντας ιδιαίτερα την επίπεδη επιφάνεια στον άξονα του κινητήρα. [15B]
10. Μετά κρατώντας πάλι το φίλτρο πλέγματος βάλτε ξανά το κύπελλο καλύμματος: γυρίστε αριστερόστροφα για να τα κλειδώσετε [16]. ΒΕΒΑΙΩΘΕΙΤΕ ΟΤΙ ΔΕΝ ΣΦΙΓΙΤΕ ΥΠΕΡΒΟΛΙΚΑ ΚΑΘΩΣ ΑΥΤΟ ΜΠΟΡΕΙ ΝΑ ΠΡΟΞΕΝΗΣΕΙ ΒΛΑΒΗ ΣΤΟ ΣΠΕΙΡΩΜΑ.
11. Συναρμολογήστε πλήρως τη μονάδα χειρός και τοποθετήστε στην επιτοίχια βάση.

ΣΗΜΕΙΩΣΗ: Μην χρησιμοποιείτε ζεστό νερό ή απορρυπαντικά όταν καθαρίζετε τα φίλτρα εξαγωγής. Στην απίθανη περίπτωση βλάβης των φίλτρων εξαγωγής, τοποθετήστε αυθεντικό ανταλλακτικό Hoover. Μην δοκιμάζετε και μη χρησιμοποιείτε το προϊόν χωρίς φίλτρο.

ΕΠΙΣΗΜΑΝΣΗ: Για βέλτιστη απόδοση, διατηρείτε καθαρό το φίλτρο πλέγματος. Συνιστούμε να καθαρίζετε το φίλτρο μια φορά το μήνα.

* Μόνο ορισμένα μοντέλα

Αντικατάσταση και Καθαρισμός Αναδευτήρα

ΕΠΙΣΗΜΑΝΣΗ: Να κλείνετε πάντα τη σκούπα πριν από τη φόρτιση και τον καθαρισμό του αναδευτήρα.

1. Αποσυνδέστε το πτερύγιο απασφάλισης του αναδευτήρα. Βρίσκεται στο πλευρικό μέρος του ακροφυσίου. **[17a]**
2. Κρατήστε το πτερύγιο αποσύνδεσης του αναδευτήρα και αφαιρέστε τον αναδευτήρα. **[17b]**
3. Για να καθαρίσετε τον έντονο κύλινδρο δαπέδου, αφαιρέστε την περίσσεια υπολειμμάτων με ψαλίδι. **[17c]**
4. Για να καθαρίσετε τον κύλινδρο βαθιάς φροντίδας, ξεπλύνετε με νερό **[17d]** και αφήστε να στεγνώσει για 24 ώρες. **[17e]**
5. Επανατοποθετήστε το αναδευτήρα. **[17f]** Ο αναδευτήρας μπαίνει μόνο σε μία κατεύθυνση.
6. Κλείστε το πτερύγιο απελευθέρωσης του αναδευτήρα για να στερωθεί ο αναδευτήρας στη θέση του. **[17g]**

Αντικατάσταση μπαταριών

Αυτή η σκούπα είναι εφοδιασμένη με επαναφορτιζόμενη συστοιχία μπαταριών ιόντων λιθίου που μπορεί να αντικατασταθεί.

ΠΡΟΣΟΧΗ: Χρησιμοποιείτε μόνο εγκεκριμένα ανταλλακτικά για τη σκούπα σας. Η χρήση μη γνήσιων αμταλλακτικών Hoover είναι επικίνδυνη και θα ακυρώσει την εγγύησή της συσκευής

ΠΡΟΣΟΧΗ: Μην ανοίξετε τη συστοιχία μπαταριών για να την επισκευάσετε μόνοι σας.

1. Τραβήξτε το κουμπί απελευθέρωσης της συστοιχίας μπαταριών και η συστοιχία θα βγει λίγο αυτόματα. **[8A]**
2. Τραβήξτε τη συστοιχία μπαταριών αργά από την υποδοχή. **[8B]**
3. Αφαιρέστε την παλιά συστοιχία μπαταριών και αντικαταστήστε την με καινούρια.
4. Απορρίψτε τις μπαταρίες με ασφαλή τρόπο. Οι χρησιμοποιημένες μπαταρίες πρέπει να προσκομίζονται σε σημείο ανακύκλωσης και δεν πρέπει να απορρίπτονται με τα οικιακά απορρίμματα.

ΑΝΤΙΜΕΤΩΠΙΣΗ ΠΡΟΒΛΗΜΑΤΩΝ

Εάν αντιμετωπίσετε οποιοδήποτε πρόβλημα με τη σκούπα σας, πριν καλέσετε το Κέντρο Τεχνικής Υποστήριξης Hoover ακολουθείστε τις οδηγίες που αναγράφονται στο πίνακα :

- A. Η σκούπα δεν τίθεται σε λειτουργία
Ελέγξτε αν η σκούπα είναι φορτισμένη.
Ελέγξτε αν η μπαταρία έχει τοποθετηθεί στη θέση της.
- B. Η σκούπα σταμάτησε να λειτουργεί
Ελέγξτε αν ο κινητήρας τεχνολογίας HSpin-Core έχει μπλοκάρει.
Ελευθερώστε τον και βεβαιωθείτε ότι ο μοχλός συνεχούς λειτουργίας είναι απενεργοποιημένος. Αφού το κάνετε απλά πατήστε το κουμπί on/off, το προϊόν θα επανεκκινήσει μετά από λίγα δευτερόλεπτα.
- C. Απώλεια απορρόφησης ή καθόλου απορρόφηση.
Αδειάστε το κύπελλο σκόνης και πλύνετε το φίλτρο πλέγματος και καθαρίστε το συγκρότημα τεχνολογίας HSpin-Core.
Αφαιρέστε το ακροφύσιο και ελέγξτε για τυχόν εμπόδια στον αγωγό.
- D. Οι μπαταρίες δεν φορτίζονται
Αυτό μπορεί να συμβεί εάν η συσκευή έχει παραμείνει για μεγάλο διάστημα (πάνω εξάμηνο) σε αχρησία.
Επικοινωνήστε με το Κέντρο Τεχνικής Υποστήριξης Hoover για να φροντίσετε για την αντικατάσταση των μπαταριών.
Εάν το πρόβλημα παραμένει επικοινωνήστε με το Κέντρο Τεχνικής Υποστήριξης Hoover.

ΑΝΤΑΛΛΑΚΤΙΚΑ ΚΑΙ ΑΝΑΛΩΣΙΜΑ HOOVER

Όταν παραστεί η ανάγκη χρησιμοποιείτε αποκλειστικά γνήσια ανταλλακτικά Hoover. Τα ανταλλακτικά Hoover διατίθενται από τον τοπικό αντιπρόσωπο Hoover ή απευθείας από τη Hoover. Κατά την παραγγελία εξαρτημάτων να αναφέρετε πάντα τον αριθμό μοντέλου.

Η ΕΓΓΥΗΣΗ ΣΑΣ

Οι όροι ισχύος της εγγύησης της συσκευής καθορίζονται από τον αντιπρόσωπο της χώρας στην οποία έχει πραγματοποιηθεί η πώληση. Περισσότερες πληροφορίες σχετικά με τους όρους εγγύησης μπορείτε να ζητήσετε από τον αντιπρόσωπο που αγοράσατε τη συσκευή. Η προσκόμιση του τιμολογίου ή της απόδειξης αγοράς είναι βασική προϋπόθεση για την ισχύ της εγγύησης.

ΕΠΙΣΗΜΑΝΣΗ: Η μπαταρία σε αυτή τη σκούπα διαθέτει εγγύηση 2 ετών από την ημερομηνία αγοράς. Μετά τα 2 χρόνια ο πελάτης επιβαρύνεται με το κόστος της καινούργιας μπαταρίας.

Ο κατασκευαστής διατηρεί το δικαίωμα να επιφέρει αλλαγές χωρίς προγενέστερη ενημέρωση.

ИНСТРУКЦИЯ ПО БЕЗОПАСНОМУ ИСПОЛЬЗОВАНИЮ И ПРИМЕНЕНИЮ

Данный прибор предназначен только для домашнего использования в соответствии с описанием, приведенным в настоящем Руководстве пользователя. Прежде чем приступить к эксплуатации данного бытового электроприбора, убедитесь в том, что вы понимаете настоящее руководство.

Перед очисткой или обслуживанием всегда вынимайте вилку из розетки.

Дети старше восьми лет, а также лица со сниженным физическим, сенсорным или умственным развитием или отсутствием опыта или знаний об устройстве могут использовать устройство под присмотром или если они должным образом проинструктированы о безопасном использовании устройства и понимают риски, которые может повлечь собой его использование. С устройством не должны играть дети.

Не следует допускать детей к очистке и обслуживанию прибора без присмотра взрослых.

Если провод питания поврежден, немедленно отключите прибор. Во избежание несчастных случаев замену провода должен осуществлять только специалист авторизованного сервисного центра Hoover.

Пользуйтесь только оригинальным зарядным устройством, входящим в комплект поставки прибора.

Убедитесь, что напряжение источника питания соответствует параметрам зарядного устройства.

Это пылесос Hoover снабжено зарядным устройством с двойной изоляцией, которое подходит только для вставки в розетку с 230V (240 в Великобритании).

Вставьте зарядное устройство в соответствующую розетку и подсоедините разъем зарядного устройства к пылесосу.

При зарядке прибора рычаг выключателя питания должен находиться в положении "выключено".

Перед первым использованием зарядите пылесос в течении минимум 24 часов.

Светодиодный индикатор аккумуляторной батареи будет мигать синим цветом во время зарядки и останется гореть после полной зарядки.

После использования всегда устанавливайте прибор на зарядное устройство с целью подзарядки аккумуляторов. Запрещается зарядка аккумуляторных батарей при температуре выше 37 C или ниже 0 C. Совершенно нормально, если во

время зарядки коснуться зарядного устройства, то оно будет теплым. Отключите зарядное устройство в случае длительного отсутствия (каникулы и т.д.) Перезарядите пылесос снова перед использованием, так как аккумулятор может саморазрядиться за период хранения.

Используйте только рекомендуемые Hoover насадки, расходные материалы или запасные части.

Статическое электричество: некоторые ковры могут вызвать небольшое нарастание статического электричества. Разряд статического электричества не представляет опасности для здоровья.

Не приближайте вращающиеся щетки к рукам, ногам, болтающейся одежде и волосам.

Никогда не отключайте зарядное устройство, потянув за кабель.

Не применяйте прибор вне помещений, на влажных поверхностях или для сбора жидкостей. Не используйте прибор для сбора острых предметов, спичек, горячего пепла, окурков или аналогичных объектов. Не распыляйте или не собирайте горючие жидкости, чистящие средства, аэрозоли или прочие пары. Не перевозите свой прибор через провод питания и не тяните за провод, вынимая вилку из розетки. Не используйте прибор или зарядное устройство, если они неисправны. Не пользуйтесь прибором для очистки животных или людей. Замену можно производить только на аккумуляторные батареи.

Сервисная служба Hoover: Для обеспечения продолжительной, безопасной и эффективной работы данного бытового электроприбора любой вид ремонта рекомендуется производить только специалистом авторизованного сервисного центра Hoover.

Окончание срока использования:

При необходимости утилизации прибора, выньте из него аккумуляторы. Вынимая аккумуляторы, отключите прибор от электросети. Соблюдайте правила техники безопасности при утилизации аккумуляторов. Запустить в работу прибор и дождаться полной разрядки аккумуляторов. Использованные аккумуляторы необходимо сдавать в специальный пункт приема и не смешивать с обычными бытовыми отходами. Чтобы извлечь аккумуляторы, свяжитесь с Клиентской Службой Hoover или следуйте приведенным далее инструкциям.

ВНИМАНИЕ! Перед тем как извлечь батареи из пылесоса, они должны быть полностью разряжены.

Используйте пылесос до полной разрядки аккумуляторов.

Выньте вилку зарядного устройства из прибора.
Нажмите кнопку разблокировки аккумуляторной батареи и сдвиньте, чтобы снять.

Примечание: В случае возникновения каких-либо сложностей с разборкой блока или при необходимости получения более подробной информации об обслуживании, утилизации и переработке данного прибора, обратитесь в местные органы власти или в местную службу по утилизации бытовых отходов.

Окружающая среда:

Прибор маркируется согласно Европейской директиве 2011/65/EC по отходам электрического и электронного оборудования (WEEE). Соблюдая правила утилизации данного электроприбора, вы помогаете предотвратить возможные отрицательные последствия для окружающей среды и здоровья человека, которые могли бы иметь место при неправильной утилизации данного устройства. Клеймо на данном устройстве означает, что его нельзя утилизировать как бытовые отходы. Его необходимо доставить в соответствующий пункт утилизации электрического и электронного оборудования. Утилизация должна проводиться в соответствии с местными природоохранительными правилами по утилизации отходов. Для получения более подробной информации по уходу, восстановлению и переработке данного устройства обратитесь к городским властям, в службу утилизации бытовых отходов или в магазин, в котором было куплено изделие..



Данный прибор отвечает требованиям Европейских Директив 2014/35/EU, 2014/30/EU и 2011/65/EU.

CANDY HOOVER GROUP S.r.l. Via Privata Eden Fumagalli, 20861 Brugherio (MB) Italy

КОМПОНЕНТЫ ПЫЛЕСОСА

- | | |
|---|---|
| A. Кнопка включения/выключения турбо-режима | R. Защелка выпускного фильтра |
| B. Silent Button | S. Выпускной фильтр |
| C. Светодиодные индикаторы | T. Зарядное устройство |
| D. Кнопка отсоединения рукоятки | U. Насадка 2 в 1 с быстроразъемным соединением* |
| E. Трубка | V. Большая щетка 2 в 1 с быстроразъемным соединением для уборки пыли и чистки мебели* |
| F. Кнопка выпуска насадок | W. Длинная гибкая щелевая насадка с быстроразъемным соединением* |
| G. Кнопка подсветки насадок | X. Насадка минитурбо с быстроразъемным соединением* |
| H. Валик для интенсивной уборки пола | Y. Насадка для уборки высоких поверхностей с быстроразъемным соединением* |
| I. Контейнер для сбора пыли | Z. Насадка 2 в 1 с быстроразъемным соединением* |
| J. Блок HSpin-Core Technology | AA. Щетка глубокой чистки с быстроразъемным соединением* |
| J1. Крышка двигателя | AB. Сумка для насадок* |
| J2. Сетчатый фильтр | AC. Задний мягкий скребок* |
| J3. Крышка пылесборника | AD. Валик глубокой очистки* |
| K. Вал двигателя | AE. Скребок для очистки окон |
| L. Кнопка извлечения контейнера для пыли | AF. Настенное крепление* |
| M. Нижняя крышка контейнера для пыли | AG. Заглушка для винта* |
| N. Защелка аккумулятора | |
| O. Аккумулятор | |
| P. Рычаг переключателя | |
| Q. Кнопка ВКЛ/ВЫКЛ | |

ПОДГОТОВКА ПЫЛЕСОСА

1. Вставьте головку насадки с одной стороны трубы до защелкивания. **[1A]**
2. Вставьте другую сторону трубы в блок с рукояткой до защелкивания. **[1B]**
3. Закрепите настенное крепление на стене с помощью болтов и заглушек из комплекта поставки. **[2]**
4. Для полного заряда прибора подсоедините разъем зарядного устройства к аккумулятору. Процесс зарядки может занять около 6 часов. **[2]**

ПРИМЕЧАНИЕ: Чтобы удалить насадку нажмите на кнопку выпуска насадок и вытяните ее из корпуса.

ПРИМЕЧАНИЕ: Для зарядки используйте только зарядное устройство поставляемое с пылесосом.

ВНИМАНИЕ! При зарядке пылесоса рычаг выключателя питания должен находиться в положении "выключено". Для зарядки аккумулятор также можно снять с пылесоса.

Совершенно нормально, если во время зарядки коснуться зарядного устройства, то оно будет теплым.

* Только у конкретных моделей

ЭКСПЛУАТАЦИЯ ПЫЛЕСОСА

Пылесос работает в одном из четырех режимов:

- **ВРЕМЕННЫЙ РЕЖИМ:** Пылесос начинает работать при нажатии кнопки питания и останавливается при отпускании кнопки. **[3А]**
- **ПОСТОЯННЫЙ РЕЖИМ:** Для включения непрерывной работы нужно оттянуть рычаг питания назад до защелкивания. **[3В]** Для выхода из непрерывного режима нужно передвинуть рычаг вперед.
- **БЕСШУМНЫЙ РЕЖИМ:** Нажмите кнопку бесшумного режима, чтобы тщательно выполнить очистку с самым низким уровнем шума для этого изделия.
- **ТУРБО-РЕЖИМ:** Нажмите кнопку turbo-режима, чтобы запустить прибор на полную мощность для очистки чрезмерно загрязненных участков.

ВНИМАНИЕ! После каждого использования пылесоса переместите рычаг выключателя вперед в положение блокировки. В противном случае сокращается срок службы аккумулятора вплоть до его выхода из строя.

ВЫБЕРИТЕ НАИБОЛЕЕ ПОДХОДЯЩИЙ ВАЛИК ДЛЯ ЛУЧШЕЙ ОЧИСТКИ

Валик для интенсивной уборки пола*: Рекомендуется использовать для уборки ковровых покрытий, так как он глубоко проникает в ковер для максимальной уборки пыли.

Валик глубокой очистки*: Рекомендуется для очистки твердых напольных покрытий или деликатного паркета. Мягкие щетинки аккуратно очищают полы такого типа.

ВНИМАНИЕ! Перед заменой или очисткой вращающейся щетки всегда отключайте прибор от сети.

ПРИМЕЧАНИЕ: Для установки валика удобно будет воспользоваться: **[17]**

1. Отсоединить откидную защелку вращающейся щетки. Она расположена в боковой части сопла.
2. Удерживая откидную защелку, потянуть вращающуюся щетку вниз и снять ее.
3. Заменить на валик для интенсивной уборки пола или на валик глубокой очистки.
4. Вернуть на место откидную защелку вращающейся щетки.

УСТАНОВКА ЩЕТОК СТЕКЛООЧИСТИТЕЛЯ

Для улучшения качества характеристик щелей и ковровых покрытий рекомендуется собрать передние и задние щетки стеклоочистителя на подошву насадки.

Для этого откройте заслонку для выпуска мешалки и снимите мягкую полосу. Затем закрепите щеткой стеклоочистителя, вставив один конец в задний паз и вдвиньте его до полного подъема. Повторите эти операции для второй щетки стеклоочистителя и сдвиньте его в переднем слоте. Заблокируйте заслонку для выпуска мешалки. **[18]**

СИСТЕМА ЗАЩИТЫ

Для обеспечения надежной работы прибора в сложных условиях эксплуатации он оснащается встроенной системой защиты.

ПРИМЕЧАНИЕ: Система защиты срабатывает в случае засорения или заклинивания вращающейся щетки. После срабатывания щетка прекращает вращаться и загорается белый индикаторный светодиод на передней стороне насадки. В этом случае нужно просто отключить прибор и устранить закупорку на вращающейся щетке. Чтобы продолжить уборку, нажмите выключатель питания, и прибор возобновит работу в обычном режиме.

АККУМУЛЯТОР

СВЕТОДИОДНЫЙ ДИСПЛЕЙ:

Пылесос оснащен светодиодным дисплеем. После включения прибора индикаторы, загоревшиеся на дисплее, сообщают следующую информацию.

ИНДИКАТОР УРОВНЯ ЗАРЯДА АККУМУЛЯТОРА:

- 4 точки = 100% заряда
- 3 точки = 75% заряда
- 2 точки = 50% заряда
- 1 точка = 25% заряда

ЗАРЯДКА

Во время зарядки первый светодиод будет мигать до тех пор, пока заряд аккумулятора не достигнет 25%, после чего он перестает мигать и горит постоянно. Остальные светодиоды работают по тому же принципу, указывая уровень заряда аккумулятора 25%, 50%, 75%. Когда заряд достигает 100% постоянно горят все четыре светодиода.

Обратите внимание, что для контроля уровня температуры в процессе зарядки аккумулятора мы установили специальное устройство безопасности. Если во время зарядки срабатывает это устройство, первый светодиод будет мигать вспышками, пока не выполнится перезагрузка. После автоматической перезагрузки и возврата в нормальное состояние, продолжится работа в описанном выше порядке.

ИНДИКАЦИЯ РАЗРЯДКИ

При разрядке аккумулятора в процессе работы прибора индикатор начинает мигать на уровне 5%, указывая на необходимость зарядки.

* Только у конкретных моделей

ДОПОЛНИТЕЛЬНЫЕ ПРИСПОСОБЛЕНИЯ И ПРИНАДЛЕЖНОСТИ

ЩЕТКА 2 В 1 С БЫСТРОРАЗЪЕМНЫМ СОЕДИНЕНИЕМ ДЛЯ ОЧИСТКИ ЩЕЛЕЙ И УБОРКИ ПЫЛИ*, БОЛЬШАЯ ЩЕТКА 2 В 1 С БЫСТРОРАЗЪЕМНЫМ СОЕДИНЕНИЕМ ДЛЯ УБОРКИ ПЫЛИ И ЧИСТКИ МЕБЕЛИ*, ДЛИННАЯ ГИБКА ЩЕЛЕВАЯ НАСАДКА С БЫСТРОРАЗЪЕМНЫМ СОЕДИНЕНИЕМ*, МНОГОФУНКЦИОНАЛЬНЫЙ АДАПТЕР НАСАДКИ ДЛЯ УБОРКИ ВЫСОКИХ ПОВЕРХНОСТЕЙ С БЫСТРОРАЗЪЕМНЫМ СОЕДИНЕНИЕМ*, НАСАДКА МИНИТУРБО С БЫСТРОРАЗЪЕМНЫМ СОЕДИНЕНИЕМ*, НАСАДКА ДЛЯ ОЧИСТКИ РАДИАТОРОВ С БЫСТРОРАЗЪЕМНЫМ СОЕДИНЕНИЕМ* И ЩЕТКА ГЛУБОКОЙ ОЧИСТКИ С БЫСТРОРАЗЪЕМНЫМ СОЕДИНЕНИЕМ.

Следующие аксессуары можно установить непосредственно на ручной блок или с одной стороны трубы. [5]

ПРИМЕЧАНИЕ: Насадка минитурбо идеально подходит для очистки текстильных поверхностей (например, диванов) и удаления шерсти животных. Плавно перемещайте вперед и назад. После использования ножницами срежьте намотавшиеся на щетку волосы или нитки.

ПРИМЕЧАНИЕ: Длинная гибкая насадка для щелей идеально подходит для очистки труднодоступных участков, под мебелью и в автомобиле.

ПРИМЕЧАНИЕ: Насадка для батарей и радиаторов идеально подходит для очистки внутри и вокруг шкафов, радиаторных батарей, диванов, жалюзи и пр.

ПРИМЕЧАНИЕ: Щетка для глубокой очистки полезна при уборке в узких пространствах без риска поцарапать поверхности, а также внутри автомобиля.

ПРИМЕЧАНИЕ: Адаптер многофункциональной насадки для уборки высоких поверхностей рекомендуется для очистки высокой мебели и потолка. Его можно закрепить на любой насадке, кроме минитурбо, чтобы очистить высокие углы, занавески или поверхности высокой мебели.

СУМКА ДЛЯ НАСАДОК*

Дополнительные насадки можно хранить в специальной сумке.

НАСТЕННОЕ КРЕПЛЕНИЕ*

Закрепите настенное крепление на стене тремя винтами из комплекта поставки [2], чтобы можно было подвешивать изделие, щетку 2 в 1 для очистки щелей и уборки пыли, большую щетку 2 в 1 для уборки пыли и щелей и насадку минитурбо (если входит в комплектацию).

ТЕХНИЧЕСКОЕ ОБСЛУЖИВАНИЕ ПЫЛЕСОСА

Очистка пылесборника

1. Нажмите кнопку защелки и снимите трубу. [6]
2. Прижмите рычаг опорожнения контейнера для пыли, чтобы открыть откидную крышку и выгрузить мусор из контейнера. [7]
3. Закройте откидную крышку, при закрывании замка вы услышите щелчок.

ПРИМЕЧАНИЕ: Рекомендуется опорожнять контейнер после каждого использования или при его заполнении.

Очистите пылесборник и фильтр

1. Нажмите кнопку защелки и снимите трубу. [6]
2. Прижмите рычаг опорожнения контейнера для пыли, чтобы открыть откидную крышку и выгрузить мусор. [7]
3. Нажмите кнопку защелки аккумулятора и выньте его. [8A,8B]
4. Поверните пылесборник по часовой стрелке, выровняйте по меткам и извлеките из корпуса пылесоса. [9]
5. Удалите пыль из сетчатого фильтра [J2]: удерживая сетку одной рукой поверните другой крышку фильтра [J3] по часовой стрелке для извлечения сетчатого фильтра. [10]
6. После снятия крышки вытяните блок HSpin-Core Technology из корпуса. [11A] Удерживая крышку двигателя [J1], вытяните сетчатый фильтр. [11B]
7. Прижмите одновременно оба рычага высвобождения выпускного фильтра, а затем снимите выпускной фильтр. [12A, 12B]
8. Для очистки вымойте сетчатый фильтр [J2] и выпускной фильтр [5] в тёплой воде. [13] Перед сборкой убедитесь в том, что все части высохли. [14]
9. При сборке блока HSpin-Core Technology сначала присоедините сетчатый фильтр к крышке двигателя [15A], затем выровняйте данный модуль по валу двигателя, обращая внимание на ровную поверхность вала. [15B]
10. Затем, снова удерживая сетчатый фильтр установите крышку: поверните её против часовой стрелки для фиксации [16]. **ВО ИЗБЕЖАНИЕ ПОВРЕЖДЕНИЯ РЕЗЬБЫ НЕ ПРИЛАГАЙТЕ ПРИ ЗАТЯГИВАНИИ БОЛЬШУЮ СИЛУ.**
11. Завершите сборку ручного устройства и повесьте его на настенное крепление.

ПРИМЕЧАНИЕ: Не пользуйтесь горячей водой или моющими средствами при очистке выпускного фильтра. В маловероятном случае повреждения выпускного фильтра используйте для замены только оригинальный фильтр Hoover. Запрещается использование пылесоса без установленного фильтра.

ВНИМАНИЕ! Для эффективной работы пылесоса следите, чтобы сетчатый фильтр всегда был чистым. Мы рекомендуем, проводить промывку фильтра раз в месяц.

* Только у конкретных моделей

Замена и очистка вращающейся щетки

ВНИМАНИЕ! Перед заменой или очисткой вращающейся щетки всегда отключайте прибор от сети.

1. Отсоединить откидную защелку вращающейся щетки. Она расположена в боковой части сопла. [17a]
2. Удерживайте заслонку разблокировки смесителя и снимите смеситель. [17b]
3. Для очистки интенсивного напольного ролика удалите излишний мусор с помощью ножниц. [17c]
4. Для очистки ролика глубокой очистки промойте водой [17d] и оставьте сушиться на 24 часа. [17e]
5. Установите смеситель на место. [17f] Смеситель можно устанавливать только в одном направлении.
6. Закройте заслонку разблокировки смесителя, чтобы закрепить его в своем положении. [17g]

Замена батарей

Этот пылесос работает от перезаряжаемых литий-ионных аккумуляторов, которые можно заменить.

ВНИМАНИЕ: Пользуйтесь только утвержденными запасными частями для вашего пылесоса. Использование запасных частей, которые не одобрены компанией Hoover, является опасным и приведет к аннулированию вашей гарантии.

ВНИМАНИЕ: Не пытайтесь вскрывать аккумулятор и ремонтировать его самостоятельно.

1. Оттяните защелку аккумулятора назад, и аккумулятор автоматически “выскочит” из отсека. [8A]
2. Медленно и аккуратно вытяните аккумулятор из отсека. [8B]
3. Замените старый аккумулятор на новый.
4. Соблюдайте правила техники безопасности при утилизации аккумуляторов. Использованные аккумуляторы необходимо сдавать в специальный пункт приема и не смешивать с обычными бытовыми отходами.

УСТРАНЕНИЕ НЕИСПРАВНОСТЕЙ

Если у вас есть какие-либо проблемы с пылесосом, пожалуйста, выполните простую проверку перед звонком в центр обслуживания клиентов компании Hoover:

- A. Пылесос не включается
 - Проверьте зарядку пылесоса.
 - Проверьте, правильно ли установлен аккумулятор.
- B. Сработал блокиратор пылесоса
 - Проверить, не заблокирован ли двигатель HSpin-Core Technology.
 - Освободите его и убедитесь в том, что рычаг непрерывного режима отключен. После этого просто нажмите кнопку включения/отключения и прибор возобновит работу через несколько секунд.
- C. Потеря всасывания или не всасывание
 - Опорожните корпус контейнер, промойте сетчатый фильтр и очистите блок HSpin-Core Technology.
 - Снимите насадку и проверьте шланг на закупорки.
- D. Аккумулятор не заряжается
 - Такое может случиться в результате длительного простоя (более полугода).
 - Свяжитесь с центром обслуживания клиентов Hoover для организации замены аккумулятора.
 - Если проблема не устранена, обратитесь в центр обслуживания клиентов компании Hoover.

ЗАПАСНЫЕ ЧАСТИ И РАСХОДНЫЕ МАТЕРИАЛЫ К ПЫЛЕСОСАМ HOOVER

При замене частей используйте только оригинальные запасные части и расходные материалы компании Hoover. Их можно приобрести у вашего местного дилера компании Hoover или непосредственно в компании Hoover. При заказе запасных частей не забудьте указать номер модели Вашего прибора.

ВАША ГАРАНТИЯ

Условия гарантии для данного бытового электрического прибора определяются нашим представительством в той стране, в которой этот электроприбор был куплен. Более подробную информацию об этих условиях вы можете получить от нашего дилера. При предъявлении претензий по условиям данных гарантийных обязательств необходимо предъявить чек или квитанцию на проданный товар.

ВНИМАНИЕ! Гарантия на аккумулятор в данном пылесосе равняется гарантийному сроку на основное изделие. После окончания гарантийного срока покупатель несет ответственность за приобретение нового аккумулятора.

Изменения могут быть внесены без предварительного уведомления.

INSTRUKCJE BEZPIECZNEGO UŻYTKOWANIA I AKCESORIÓW

Urządzenie to jest przeznaczone wyłącznie do użytku domowego w sposób opisany w niniejszej instrukcji użytkownika. Prosimy o dokładne zapoznanie się z instrukcją przed rozpoczęciem używania odkurzacza.

Należy zawsze wyłączyć i wyjąć ładowarkę z gniazdka przed przystąpieniem do czyszczenia urządzenia lub wykonaniem jakichkolwiek czynności konserwacyjnych.

Urządzenie mogą obsługiwać dzieci w wieku co najmniej 8 lat, osoby o ograniczonych zdolnościach fizycznych, sensorycznych lub mentalnych, a także osoby nieposiadające odpowiedniego doświadczenia oraz wiedzy, jedynie pod warunkiem że odbywać się będzie to pod nadzorem lub po przeszkoleniu na temat bezpiecznego użycia urządzenia oraz związanych z nim zagrożeń. Dzieci nie mogą bawić się urządzeniem.

Urządzenia nie powinny czyścić ani konserwować dzieci bez nadzoru.

Jeśli przewód zasilający uległ uszkodzeniu, należy natychmiast zaprzestać korzystania z urządzenia.

Ze względów bezpieczeństwa, przewód zasilający powinien zostać wymieniony przez serwisanta autoryzowanego punktu serwisowego firmy Hoover.

Należy stosować wyłącznie ładowarkę dostarczoną wraz z urządzeniem.

Należy sprawdzić, czy napięcie zasilania w gniazdku jest zgodne z podanym na tabliczce znamionowej ładowarki.

Niniejsze urządzenie Hoover zasilane jest podwójnie izolowaną ładowarką akumulatorów, która może być podłączana do gniazd 230V (UK 240V).

Podłączyć ładowarkę od odpowiedniego gniazdka, a przewód ładowarki do urządzenia.

Podczas ładowania urządzenia dźwignia wyłącznika zasilania musi być w pozycji wyłączonej.

Przed pierwszym użyciem urządzenie należy ładować przez co najmniej 24 godziny.

Podczas ładowania dioda LED akumulatora będzie pulsować na niebiesko, a po całkowitym naładowaniu będzie się palić światłem ciągłym.

Po użyciu ponownie podłączyć urządzenie do ładowarki, aby doładować akumulator.

Nigdy nie ładować akumulatorów w temperaturze powyżej 37°C lub poniżej 0°C. Nieznaczne nagrzewanie się ładowarki podczas ładowania jest normalnym zjawiskiem. W razie

dłuższej nieobecności (urlop itp.) odłączyć ładowarkę od zasilania. Po dłuższej przerwie w eksploatacji urządzenie należy doładować przed użyciem, ponieważ bezczynność powoduje rozładowanie akumulatorów.

Należy korzystać wyłącznie z końcówek, materiałów eksploatacyjnych oraz części zamiennych zalecanych lub dostarczonych przez firmę Hoover.

Ładunki elektrostatyczne: odkurzanie niektórych dywanów może powodować niewielkie naelektryzowanie się odkurzacza. Tego rodzaju ładunki elektrostatyczne nie stanowią zagrożenia dla zdrowia.

Nie zbliżać rąk, stóp, luźnej odzieży ani włosów do obracających się szczotek.

NIE wyjmować wtyczki ładowarki z gniazdka, ciągnąc za przewód zasilający.

Nie używać urządzenia na zewnątrz domu, do odkurzania mokrych powierzchni ani do zbierania wody. Nie wolno wciągać twardych lub ostrych przedmiotów, zapalek, gorącego popiołu, niedopałków papierosów ani innych podobnych przedmiotów.

Nie spryskiwać łatwopalnymi cieczami, środkami czyszczącymi w aerozolu ani parą. Nie stąpać po przewodzie zasilającym podczas korzystania z urządzenia i nie wyjmować wtyczki, ciągnąc za przewód zasilający. Nie wolno kontynuować eksploatacji uszkodzonego urządzenia lub ładowarki. Nie używać urządzenia do odkurzania ludzi lub zwierząt. Nie wolno stosować jednorazowych baterii zamiast akumulatorów.

Serwis firmy Hoover: Aby zapewnić bezpieczne i sprawne działanie tego urządzenia, zalecamy zlecenie prac serwisowych lub napraw wyłącznie serwisantom autoryzowanego punktu serwisowego firmy Hoover.

Zakończenie użytkowania produktu Utylizacja:

Jeżeli urządzenie ma być złomowane, należy z niego najpierw usunąć akumulatory. Podczas wyjmowania akumulatora urządzenie musi być odłączone od zasilania. Akumulatory należy utylizować w sposób bezpieczny dla środowiska.

Włączyć urządzenie i pozwolić, aby pracowało aż do całkowitego wyczerpania akumulatorów. Zużyte akumulatory należy przekazać do recyklingu. Nie należy ich wyrzucać ze śmieciami domowymi. W celu wyjęcia akumulatorów należy skontaktować się z Centrum Serwisowym Hoover lub postępować zgodnie z następującymi instrukcjami.

WAŻNE: Przed usunięciem należy całkowicie rozładować akumulatory.

Włączyć odkurzacz i pozwolić, aby pracował aż do pełnego wyczerpania akumulatorów. Wyjąć wtyczkę przewodu ładowarki z urządzenia.

Naciśnij przycisk zwalniania akumulatora i wysuń go.

Uwaga: W razie napotkania jakichkolwiek problemów z demontażem jednostki lub w razie konieczności uzyskania dodatkowych informacji na temat sposobu utylizacji, złomowania i recyklingu urządzenia należy skontaktować się z lokalnym urzędem gminy lub komunalnym zakładem utylizacji odpadów.



Ochrona środowiska:

Niniejsze urządzenie posiada oznaczenia zgodnie z Dyrektywą Europejską nr 2011/65/WE w sprawie zużytego sprzętu elektrycznego i elektrotechnicznego (WEEE). Zapewniając prawidłowe złomowanie niniejszego urządzenia, przyczyniają się Państwo do ograniczenia ryzyka wystąpienia negatywnego wpływu produktu na środowisko i zdrowie ludzi, które mogłoby zaistnieć w przypadku niewłaściwej utylizacji urządzenia. Symbol umieszczony na produkcie lub na dołączonych do niego dokumentach oznacza, że niniejszy produkt nie jest klasyfikowany jako odpad z gospodarstwa domowego. Urządzenie należy zdać w odpowiednim punkcie utylizacji w celu recyklingu komponentów elektrycznych i elektronicznych. Urządzenie należy złomować zgodnie z lokalnymi przepisami w sprawie utylizacji odpadów. Dodatkowe informacje na temat sposobu utylizacji, złomowania i recyklingu urządzenia można uzyskać w lokalnym urzędzie miejskim, w komunalnym zakładzie utylizacji odpadów lub w sklepie, w którym produkt został zakupiony..



Urządzenie spełnia wymogi dyrektyw europejskich 2014/35/WE, 2014/30/WE oraz 2011/65/WE.

CANDY HOOVER GROUP S.r.l. Via Privata Eden Fumagalli, 20861 Brugherio (MB) Italy

KOMPONENTY URZĄDZENIA

- | | |
|--|--|
| A. Przycisk Turbo ON/OFF | S. Filtr wylotowy |
| B. Silent Button | T. Ładowarka |
| C. Wskaźniki LED | U. Narzędzie 2 w 1 z bezpieczną szybkozłączką* |
| D. Ręczny przycisk zwalnający | V. 2 w 1 Duża szczotka do odkurzania i czyszczenia mebli z bezpieczną szybkozłączką* |
| E. Rura | W. Długie elastyczne narzędzie szczelinowe z bezpieczną szybkozłączką* |
| F. Przycisk zwalniania końcówek | X. Mini dysza turbo z bezpieczną szybkozłączką* |
| G. Podświetlenie frontowe ssawki | Y. Wielofunkcyjny adapter do prac na górze z bezpieczną szybkozłączką* |
| H. Wałek do intensywnego czyszczenia podłogi | Z. Narzędzie do czyszczenia grzejników z bezpieczną szybkozłączką* |
| I. Pojemnik na kurz | AA. Narzędzie do głębokiego czyszczenia z bezpieczną szybkozłączką* |
| J. Montaż urządzenia HSpin-Core: | AB. Worek na akcesoria* |
| J1. Pokrywa silnika | AC. Tylny delikatne pióro* |
| J2. Filtr siatkowy | AD. Rolka do głębokiej pielęgnacji* |
| J3. Pokrywa zbiornika | AE. Pióra wycieraczek |
| K. Wał silnika | AF. Wspornik do montażu na ścianie* |
| L. Przycisk opróżniania pojemnika na kurz. | AG. Kołki* |
| M. Pokrywa dolna pojemnika na kurz | |
| N. Przycisk zwalnający zestaw akumulatorów | |
| O. Zestaw akumulatorów | |
| P. Dźwignia wyłącznika | |
| Q. Przełącznik Wł./Wył. | |
| R. Przycisk zwalnający filtr wylotowy | |

PRZYGOTOWYWANIE ODKURZACZA

1. Włożyć końcówkę ssawki na rurę w taki sposób, aby zaskoczyła. **[1A]**
2. Włożyć drugi koniec rury do zestawu przenośnego w taki sposób, aby zaskoczył. **[1B]**
3. Zamocuj wspornik na ścianie wykorzystując dostarczone śruby i wkręty. **[2]**
4. Aby całkowicie naładować urządzenie, podłącz wtyczkę przewodu ładowarki do urządzenia. Potrzeba to ok. 6 godzin. **[2]**

UWAGA: Aby wyjąć końcówkę, nacisnąć przycisk zwalnający końcówkę i wyciągnąć ją z obudowy odkurzacza.

UWAGA: Do ładowania należy stosować wyłącznie ładowarkę dostarczoną wraz z urządzeniem.

WAŻNE: Podczas ładowania odkurzacza dźwignia wyłącznika musi być w pozycji wyłącznej. Baterię można naładować także po odłączeniu od produktu.

Nieznaczne nagrzewanie się ładowarki podczas ładowania jest normalnym zjawiskiem.

* Tylko w niektórych modelach

KORZYSTANIE Z ODKURZACZA

Dostępne są cztery tryby pracy:

- **TRYB TYMCZASOWY:** Urządzenie zacznie pracę po naciśnięciu wyłącznika i zakończy po jego zwolnieniu. **[3A]**
- **TRYB CIĄGŁY:** Aby włączyć tryb ciągły, należy przesunąć dźwignię wyłącznika do tyłu w taki sposób, aby zaskoczyła na miejsce. **[3B]** Aby wyłączyć tryb ciągły, należy przesunąć dźwignię wyłącznika do przodu.
- **TRYB CICHY:** Naciśnij przycisk ściszenia, aby dokładnie odkurzać przy najniższym możliwym poziomie hałasu dla tego produktu.
- **TRYB TURBO:** Naciśnij przycisk Turbo, aby uzyskać pełną moc czyszczenia twardych powierzchni.

WAŻNE: Po każdym użyciu urządzenia należy zawsze przesunąć dźwignię wyłącznika do przodu do pozycji odblokowanej. Niewykonanie tego zalecenia może skutkować skróceniem żywotności akumulatora lub awarią.

WYBIERZ ROLKĘ ODPOWIEDNIĄ DO CZYSZCZENIA DANEGO RODZAJU POWIERZCHNI.

Rolka do intensywnego czyszczenia podłogi*: Zaleca się do czyszczenia dywanów w celu usunięcia głęboko zalegającego kurzu.

Rolka do głębokiej pielęgnacji*: Zaleca się do czyszczenia twardej podłogi lub delikatnego parkietu. Dzięki miękkiemu włosiu można delikatnie czyścić podłogi tego rodzaju.

WAŻNE: Zawsze wyłączaj odkurzacza przed wymianą oraz czyszczeniem szczotki obrotowej.

UWAGA: Aby zamontować Rolkę potrzebujesz: **[17]**

1. Wyjmij zagarniacz zwalniając kłapkę. Jest ona umieszczona z boku ssawki.
2. Przytrzymaj kłapkę i pociągnij w dół element zagarniający.
3. Wymierz na Rolkę do intensywnego czyszczenia podłogi lub Rolkę do głębokiej pielęgnacji.
4. Umieść w odpowiedniej pozycji i opuść kłapkę.

MONTAŻ PIÓRA

Aby uzyskać najlepszą wydajność czyszczenia szczelin i dywanów, załóż przednie i tylne pióro na stopie ssawki.

W tym celu otwórz kłapkę elementu zagarniającego i wyjmij miękkie pasek. Chwyć pióro wycieraczki i wsuń jeden koniec do gniazda i wciśnij ją aż do oporu. Powtórz te operacje dla drugiego pióra wycieraczki, wsuwając ją do przedniego gniazda. Zamknij pokrywę elementu zagarniającego. **[18]**

SYSTEM BEZPIECZEŃSTWA

Produkt wyposażony jest zintegrowany system bezpieczeństwa, który gwarantuje niezawodność jego działania i chroni go przed użytkowaniem w zbyt trudnych warunkach.

UWAGA: System zabezpieczający uruchomi się, jeśli szczotka obrotowa będzie zablokowana lub zamknięta; po uruchomieniu systemu szczotka obrotowa wstrzyma obroty i zapali się biała dioda LED z przodu ssawki. W takim przypadku należy wyłączyć urządzenie i wyczyścić zator na mieszadle. Aby zakończyć czyszczenie, należy nacisnąć przycisk ON/OFF; urządzenie wznowi pracę w normalnym trybie.

AKUMULATOR

WSKAŹNIKI LED:

Odkurzacza posiada wyświetlacz LED. Kiedy urządzenie jest Włączone i display podświetlony, wskaźniki pokazują następujące informacje.

WSKAŹNIK POZIOMU NAŁADOWANIA AKUMULATORA

- 4 punkty = 100% naładowania
- 3 punkty = 75% naładowania
- 2 punkty = 50% naładowania
- 1 punkt = 25% naładowania

ŁADOWANIE

Podczas procesu ładowania, jeżeli stan naładowania baterii jest poniżej 25%, wskaźnik LED będzie migał do czasu uzyskania 25%, a następnie będzie świecić światłem ciągłym. Proces ten będzie kontynuowany we wszystkich punktach LED, wskazując poziom naładowania akumulatora 25%, 50%, 75%, itd. Kiedy akumulator zostanie naładowany w 100%, zapalą się wszystkie 4 diody.

Aby zagwarantować, że akumulator ładowany jest przy odpowiedniej temperaturze roboczej, w urządzeniu zamocowaliśmy system zabezpieczający. Jeżeli system ten jest aktywowany, po rozpoczęciu procesu ładowania zapali się pierwsza dioda LED, która będzie migać do czasu wyresetowania. Po automatycznym zresetowaniu systemu rozpocznie się normalny proces ładowania opisany powyżej.

INFORMACJA O ROZŁADOWANIU

W czasie pracy urządzenia, bateria rozładowuje się; dioda LED zacznie migać, kiedy poziom naładowania akumulatora spadnie poniżej 5%, wskazując konieczność naładowania.

* Tylko w niektórych modelach

DODATKOWE AKCESORIA

2 W 1 NARZĘDZIE SZCZELINOWE Z BEZPIECZNĄ SZYBKOZŁĄCZKĄ*, 2-1 DUŻA SZCZOTKA DO PIELEGNACJI I CZYSZCZENIA MEBLI Z BEZPIECZNĄ SZYBKOZŁĄCZKĄ*, DŁUGIE ELASTYCZNE NARZĘDZIE SZCZELINOWE Z BEZPIECZNĄ SZYBKOZŁĄCZKĄ*, WIELOFUNKCYJNY ADAPTER DO PRAC NA GÓRZE Z BEZPIECZNĄ SZYBKOZŁĄCZKĄ*, MINI DYSZA TURBO Z BEZPIECZNĄ SZYBKOZŁĄCZKĄ*, NARZĘDZIE DO CZYSZCZENIA GRZEJNIKÓW Z BEZPIECZNĄ SZYBKOZŁĄCZKĄ* I SZCZOTKA DO GŁĘBOKIEGO CZYSZCZENIA Z BEZPIECZNĄ SZYBKOZŁĄCZKĄ.

Aksesoria można zamocować do rączki lub z boku rury. [5]

UWAGA: Szczotka miniturbo idealnie nadaje się do czyszczenia powierzchni tapicerowanych (np. sof) oraz do usuwania sierści zwierząt domowych. Miarowo przesuwaj do przodu i do tyłu. Po użyciu należy usunąć sierść/kłaczki ze szczotki. W razie potrzeby użyj do tego nożyczek.

UWAGA: Długie elastyczne narzędzie do czyszczenia w szczelinach idealnie nadaje się do czyszczenia trudno dostępnych miejsc oraz przestrzeni pod meblami.

UWAGA: Szczotka do kaloryferów jest idealna do czyszczenia wnętrza oraz okolic szaf, kaloryferów, sof, żaluzji itp.

UWAGA: Szczotka do głębokiego czyszczenia służy do czyszczenia wąskich przestrzeni z delikatną powierzchnią oraz do czyszczenia wnętrza samochodu.

UWAGA: Wielofunkcyjny adapter umożliwia odkurzanie górnych powierzchni mebli i sufitu. Możesz go zamontować do dowolnego narzędzia, z wyjątkiem dyszy mini turbo, aby odkurzać górne rogi mebli, zasłony itd.

WOREK NA AKCESORIA*

Dodatkowe akcesoria można przechowywać w worku na akcesoria.

MOCOWANIE DO ŚCIANY*

Zamocuj uchwyt do ściany za pomocą trzech dołączonych do kompletu śrub [2], aby zawiesić produkt, 2 w 1 szczotkę do odkurzania i czyszczenia szczelin, 2 w 1 dużą szczotkę do odkurzania i czyszczenia szczelin i mini dyszę turbo (jeśli jest w komplecie).

KONSERWACJA URZĄDZENIA

Opróżnianie pojemnika na kurz

1. Naciśnij przycisk zwalnający i wyjmij rurę. [6]
2. Nacisnąć przycisk opróżniania pojemnika na kurz, aby zwolnić klapę pokrywy, aby opróżnić pojemnik. [7]
3. Zamknąć klapę pojemnika na kurz. Kiedy zaskoczy, oznacza to, że jest prawidłowo zablokowana.

UWAGA: Zaleca się opróżnianie pojemnika na kurz po każdym użyciu oraz zawsze wtedy, kiedy kurz sięga linii poziomu maksymalnego napełnienia.

Czyszczenie pojemnika na kurz i filtra

1. Naciśnij przycisk zwalnający i wyjmij rurę. [6]
2. Nacisnąć przycisk opróżniania pojemnika na kurz, aby zwolnić klapę pokrywy i opróżnić pojemnik. [7]
3. Naciśnij do dołu przycisk zwalnający zestaw baterii i wyjmij go. [8A, 8B]
4. Obróć pojemnik na kurz w kierunku zgodnym z ruchem wskazówek zegara, aby dopasować się do znaczników w kształcie strzałki, a następnie wyjmij pojemnik z korpusu odkurzacza. [9]
5. Usuń nadmiar pyłu z filtra siatkowego [J2]: przytrzymuj siatkę mocno jedną ręką, a drugą obróć pokrywę pojemnika [J3] w kierunku zgodnym z ruchem wskazówek zegara, aby usunąć filtr siatkowy. [10]
6. Po usunięciu pokrywy zbiornika, wyjmij urządzenie HSpin-Core z korpusu odkurzacza. [11A] Przytrzymuj górę pokrywy silnika [J1] i wyjmij filtr siatkowy znajdujący się przed silnikiem. [11B]
7. Nacisnąć jednocześnie dwa przyciski zwalniania filtra wylotowego, a następnie wyjąć filtr wylotowy. [12A, 12B]
8. Filtr siatkowy [J2] i filtr wylotowy [S] należy umyć w letniej wodzie. [13] Przed ponownym zamontowaniem elementów w odkurzaczu należy je dokładnie osuszyć. [14]
9. Przy ponownym montażu urządzenia HSpin-Core należy najpierw przymocować filtr siatkowy do pokrywy silnika, [15A], a następnie wyrównać ten zespół z wałem silnika, zwracając szczególną uwagę na płaską powierzchnię na wale silnika. [15B]
10. Następnie ponownie przytrzymaj filtr siatkowy i zamontuj pokrywę pojemnika, obracając ją w kierunku przeciwnym do ruchu wskazówek zegara, aby ją zamknąć [16]. UPEWNIJ SIĘ, ŻE NIE UŻYWASZ NADMIERNEJ SIŁY, PONIEWAŻ MOŻE TO USZKODZIĆ GWINT.
11. Dokończ montaż uchwytu, a następnie przymocuj go do elementu ściennego.

UWAGA: Do czyszczenia filtrów nie stosować gorącej wody ani detergentów. W mało prawdopodobnym przypadku uszkodzenia filtrów wylotowych należy zastąpić je oryginalnymi filtrami Hoover. Nie używaj urządzenia bez zamontowanego filtra.

WAŻNE: Aby uzyskać optymalną wydajność, filtry siatkowe powinny być zawsze czyste. Zalecamy mycie filtra co najmniej raz na miesiąc.

* Tylko w niektórych modelach

Wymiana i czyszczenie zagarniacza

WAŻNE: Zawsze wyłączać odkurzacz przed wymianą oraz czyszczeniem szczotki obrotowej.

1. Wyjmij zagarniacz zwalniając klawkę. Jest ona umieszczona z boku ssawki. **[17a]**
2. Przytrzymaj klawkę zwalniającą szczotkę obrotową i wyjmij ją. **[17b]**
3. Aby wyczyścić Rolkę do intensywnego czyszczenia podłogi, usuń nagromadzone nieczystości za pomocą nożyczek. **[17c]**
4. Aby wyczyścić Rolkę do głębokiego czyszczenia, przepłucz ją wodą **[17d]** i pozostaw do wyschnięcia na 24 godziny. **[17e]**
5. Ponownie zamontuj szczotkę obrotową. **[17f]** Rolkę obrotową można mocować tylko w jednym kierunku.
6. Zamknij klawkę zwalniającą szczotkę obrotową, aby zablokować ją w odpowiedniej pozycji. **[17g]**

Wymiana akumulatorów

Odkurzacz jest wyposażony w wymienny zestaw akumulatorów litowo-jonowych (Li-Ion), który można ładować.

Ostrzeżenie: W odkurzaczu stosować wyłącznie zatwierdzone części zamienne. Używanie innych części niż te zatwierdzone przez firmę Hoover, jest niebezpieczne i powoduje utratę gwarancji urządzenia.

Ostrzeżenie: Nie próbować otwierać lub samodzielnie naprawiać zestawu akumulatorów.

1. Przesunąć do tyłu przycisk zwalniający zestaw akumulatorów, a zestaw automatycznie nieco się wysunie. **[8A]**
2. Powoli wysunąć zestaw akumulatorów ze szczeliny. **[8B]**
3. Wyjąć stary zestaw akumulatorów i wymienić na nowy.
4. Akumulatory należy utylizować w sposób bezpieczny dla środowiska. Zużyte akumulatory należy przekazać do recyklingu. Nie należy ich wyrzucać ze śmieciami domowymi.

ROZWIĄZYWANIE PROBLEMÓW

W razie wystąpienia jakiegokolwiek problemu z urządzeniem przed skontaktowaniem się z lokalnym serwisem firmy Hoover należy przeprowadzić proste kontrole zgodnie z poniższą listą:

- A. Odkurzacz się nie włącza
Sprawdzić, czy odkurzacz jest naładowany.
Upewnić się, że zestaw bateryjny jest poprawnie zamocowany.
- B. Przerwanie pracy odkurzacza
Sprawdź, czy silnik HSpin-Core nie jest zablokowany.
Wyczyść go i sprawdź, czy wyłączona jest dźwignia trybu ciągłego. Następnie należy po prostu nacisnąć przycisk ON/OFF: produkt uruchomi się ponownie po kilku sekundach.
- C. Utrata mocy ssania lub brak ssania
Opróżnij pojemnik na kurz i umyj filtr siatkowy oraz urządzenie HSpin-Core.
Zdjąć końcówkę i sprawdzić, czy wąż lub rura nie są zatkane.
- D. Nie można naładować akumulatorów
Może to wynikać z bardzo długiego okresu bezczynności (ponad pół roku).
Skontaktować się z centrum serwisowym firmy Hoover, aby zlecić wymianę akumulatorów.
Jeżeli problem nie znika, skontaktować się z centrum serwisowym firmy Hoover.

CZĘŚCI ZAPASOWE I MATERIAŁY EKSPLOATACYJNE MARKI HOOVER

Należy zawsze wymieniać części na oryginalne części zapasowe firmy Hoover. Można je nabyć w lokalnym serwisie firmy Hoover lub bezpośrednio w firmie Hoover. Przy zamawianiu części zawsze należy podać numer danego modelu.

GWARANCJA

Warunki gwarancji na niniejsze urządzenie są określone przez naszego przedstawiciela w kraju, w którym urządzenie jest sprzedawane. Szczegółowe informacje na temat warunków gwarancji można uzyskać w punkcie, w którym urządzenie zostało nabyte. Przy zgłaszaniu wszelkich roszczeń w ramach gwarancji należy przedstawić dowód sprzedaży lub pokwitowanie.

WAŻNE: Bateria w tym odkurzaczu jest objęta gwarancją przez 2 lata od daty zakupu. Po okresie 2 lat użytkownik jest odpowiedzialny za zapewnienie nowej baterii.

Zastrzegamy sobie możliwość wprowadzania zmian bez wcześniejszego powiadomienia.

NÁVOD K BEZPEČNÉMU POUŽITÍ A UPEVNĚNÍ

Tento vysavač by měl být používán pouze pro úklid domácnosti a v souladu s touto uživatelskou příručkou. Než začnete spotřebič používat, ujistěte se, že rozumíte tomuto návodu.

Před čištěním nebo jakoukoli údržbou zařízení vždy vypněte a síťovou šňůru vytáhněte ze zásuvky.

Tento přístroj smí používat děti od 8 let výše a osoby se sníženými fyzickými, smyslovými nebo mentálními schopnostmi nebo s nedostatkem zkušeností a znalostí, pokud jsou pod dohledem nebo jim byly dány pokyny týkající se bezpečného používání tohoto přístroje a byly seznámeny s možnými riziky jeho používání. S přístrojem si nesmí hrát děti. Čištění a údržbu nesmí provádět děti bez dohledu.

Jestliže je poškozena síťová šňůra, okamžitě přestaňte zařízení používat.

Síťovou šňůru musí vyměnit autorizovaný servisní technik společnosti Hoover, aby se předešlo ohrožení bezpečnosti.

Pro dobíjení používejte pouze nabíječku dodanou se zařízením.

Zkontrolujte, zda údaje na štítku nabíječky odpovídají hodnotám síťového napětí.

Tento vysavač společnosti Hoover je vybaven dvojitě odizolovanou nabíjecí baterií, která je vhodná k zapojení pouze do zástrčky 230V (UK 240V).

Zapojte nabíječku do vhodné zásuvky a konektor nabíječky připojte k vhodnému výstupu na vysavači.

Při nabíjení musí být spínač vysavače v poloze vypnuto.

Před prvním použitím přístroj nabíjejte nejméně 24 hodin.

Kontrolka LED akumulátoru během nabíjení bliká modře a stále svítí po kompletním nabití.

Po použití znovu připojte přístroj k nabíječce k dobití baterie.

Důležité: Nikdy nenabíjejte akumulátor při teplotě vyšší než 37°C nebo nižší než 0°C. Je běžné, že při nabíjení se nabíječka zahřívá. V případě delší nepřítomnosti (dovolená apod.) nabíječku odpojte. Přístroj před použitím znovu dobijte, protože baterie by se při delší době skladování mohly vybit samy.

Používejte výhradně příslušenství, spotřební materiály a náhradní díly doporučené nebo dodávané společností Hoover.

Statická elektřina: Některé koberce mohou způsobit malé

NÁVOD K BEZPEČNÉMU POUŽITÍ A UPEVNĚNÍ

Tento vysavač by měl být používán pouze pro úklid domácnosti a v souladu s touto uživatelskou příručkou. Než začnete spotřebič používat, ujistěte se, že rozumíte tomuto návodu.

Před čištěním nebo jakoukoli údržbou zařízení vždy vypněte a síťovou šňůru vytáhněte ze zásuvky.

Tento přístroj smí používat děti od 8 let výše a osoby se sníženými fyzickými, smyslovými nebo mentálními schopnostmi nebo s nedostatkem zkušeností a znalostí, pokud jsou pod dohledem nebo jim byly dány pokyny týkající se bezpečného používání tohoto přístroje a byly seznámeny s možnými riziky jeho používání. S přístrojem si nesmí hrát děti. Čištění a údržbu nesmí provádět děti bez dohledu.

Jestliže je poškozena síťová šňůra, okamžitě přestaňte zařízení používat.

Síťovou šňůru musí vyměnit autorizovaný servisní technik společnosti Hoover, aby se předešlo ohrožení bezpečnosti.

Pro dobíjení používejte pouze nabíječku dodanou se zařízením.

Zkontrolujte, zda údaje na štítku nabíječky odpovídají hodnotám síťového napětí.

Tento vysavač společnosti Hoover je vybaven dvojitě odizolovanou nabíjecí baterií, která je vhodná k zapojení pouze do zástrčky 230V (UK 240V).

Zapojte nabíječku do vhodné zásuvky a konektor nabíječky připojte k vhodnému výstupu na vysavači.

Při nabíjení musí být spínač vysavače v poloze vypnuto.

Před prvním použitím přístroj nabíjejte nejméně 24 hodin.

Kontrolka LED akumulátoru během nabíjení bliká modře a stále svítí po kompletním nabití.

Po použití znovu připojte přístroj k nabíječce k dobití baterie.

Důležité: Nikdy nenabíjejte akumulátor při teplotě vyšší než 37°C nebo nižší než 0°C. Je běžné, že při nabíjení se nabíječka zahřívá. V případě delší nepřítomnosti (dovolená apod.) nabíječku odpojte. Přístroj před použitím znovu dobijte, protože baterie by se při delší době skladování mohly vybit samy.

Používejte výhradně příslušenství, spotřební materiály a náhradní díly doporučené nebo dodávané společností Hoover.

Statická elektřina: Některé koberce mohou způsobit malé

Životní prostředí:

Tento spotřebič je označen v souladu s Evropskou Směrnicí 2011/65/ES o omezení používání nebezpečných látek v elektrických a elektronických zařízeních (WEEE). Zajištěním správné likvidace tohoto výrobku pomůžete předcházet případným negativním důsledkům pro životní prostředí a lidské zdraví, které mohou být v opačném případě způsobeny nesprávnou likvidací tohoto výrobku. Symbol na výrobku označuje, že tento výrobek nesmí být likvidován jako domovní odpad. Měl by být předán na příslušné místo sběru pro recyklaci elektrických a elektronických zařízení. Likvidace musí proběhnout v souladu s místními ekologickými předpisy pro likvidaci odpadu. Pro další detailní informace o zacházení, obnovu a recyklaci tohoto výrobku prosím kontaktujte váš místní úřad, místní společnost pro sběr odpadu nebo obchod, kde jste jej zakoupili.



Tento výrobek je v souladu s Evropskými směrnicemi 2014/35/ES, 2014/30/ES a 2011/65/ES.

CANDY HOOVER GROUP S.r.l. Via Privata Eden Fumagalli, 20861 Brugherio (MB) Italy

KOMPONENTY PRODUKTU

- | | |
|---------------------------------------|--|
| A. Turbo tlačítko zapnout/vypnout | R. Tlačítko uvolnění výstupního filtru |
| B. Silent Button | S. Výstupní filtr |
| C. Kontrolky LED | T. Nabíječka |
| D. Tlačítko uvolnění ručního vysavače | U. Hubice 2v1 s rychlým a bezpečným připojením* |
| E. Trubka | V. Velký kartáč 2v1 na prach a nábytek s rychlým a bezpečným připojením* |
| F. Tlačítko pro uvolnění hubice | W. Dlouhá ohebná šterbinová hubice s rychlým a bezpečným připojením* |
| G. Přední světlo hubice | X. Mini Turbo hubice s rychlým a bezpečným připojením* |
| H. Rotační kartáč | Y. Adaptér na hubici na strop* |
| I. Zásobník na nečistoty | Z. Nástavec pro radiátory s rychlým a bezpečným připojením* |
| J. Sestava HSpin-Core Technology: | AA. Kartáč na hloubkové čištění s rychlým a bezpečným připojením* |
| J1. Kryt motoru | AB. Sáček na příslušenství* |
| J2. Sítko filtru | AC. Zadní čepel* |
| J3. Víko zásobníku na nečistoty | AD. Rotační kartáč pro hloubkové čištění* |
| K. Motorová hřídel | AE. Stírací pásy |
| L. Tlačítko uvolnění nádoby na prach | AF. Úchytky na zed* |
| M. Spodní kryt nádoby na prach | AG. Šroubky* |
| N. Tlačítko uvolnění baterie | |
| O. Baterie | |
| P. Přepínací páčka | |
| Q. Vypínač | |

PŘÍPRAVA VYSAVAČE

1. Zasuňte hubici do jedné strany trubice, dokud neuslyšíte cvaknutí. **[1A]**
2. Druhou stranu trubice nasuňte do ruční jednotky, dokud neuslyšíte cvaknutí. **[1B]**
3. Připevněte nástěnný držák ke zdi pomocí šroubku a matek. **[2]**
4. Pro úplné nabití připojte k baterii spotřebiče konektor nabíječky. Nabití bude trvat asi 6 hodin. **[2]**

POZNÁMKA: Abyste sundali hlavici, stiskněte tlačítko pro uvolnění hlavice a tahem ji sejměte z hlavního těla.

POZNÁMKA: Pro dobíjení používejte pouze nabíjecí stanici dodanou k vysavači.

DŮLEŽITÉ UPOZORNĚNÍ: Při nabíjení musí být spínač přístroje v poloze vypnuto. Baterii můžete nabíjet také po sejmutí z těla vysavače.

Je běžné, že při nabíjení se nabíječka zahřívá.

* Pouze u některých modelů

JAK POUŽÍVAT VYSAVAČ

K dispozici jsou čtyři pracovní režimy:

- **DOČASNÝ REŽIM:** Přístroj začne pracovat po stisknutí spínače a přestane při jeho uvolnění. **[3A]**
 - **NEPŘETRŽITÝ REŽIM:** Nepřetržitý režim zapnete tak, že posunete páčku směrem zpět, až do zajištění. **[3B]** Nepřetržitý režim ukončíte posunutím páčky zpět do původní polohy.
 - **TICHÝ REŽIM:** Stisknutím tlačítka "tichý režim" můžete důkladně čistit při nejnižší úrovni hluku tohoto výrobku.
 - **TURBO REŽIM:** Stiskněte tlačítko Turbo pro plný výkon při náročném vysávání.
- DŮLEŽITÉ UPOZORNĚNÍ:** Po každém použití přepněte páčku vpřed do odjištěné polohy. Pokud tak neučiníte, může dojít ke zkrácení životnosti baterie nebo k její poruše.

ZVOLTE VHODNÝ VÁLEČEK PRO NEJLEPŠÍ VÝSLEDKY

Rotační kartáč*: Doporučujeme použít na koberce, dostane se hluboko do koberce a vyčistí prach

Rotační kartáč pro hloubkové čištění*: Doporučujeme používat na tvrdé podlahy nebo jemné parkety. Díky měkkým štětinám můžete tyto typy podlah jemně vyčistit.

DŮLEŽITÉ UPOZORNĚNÍ: Před výměnou otočného kartáče vysavače vždy vypněte.

POZNÁMKA: Pro sestavení kartáče, který chcete použít: **[17]**

1. Odpojte uvolňovací klapku agitátoru. Je umístěn na boční části nástavce.
2. Držte uvolňovací klapku rotačního kartáče a zatlačte k odstranění rotačního kartáče.
3. Zaměňte za rotační kartáč pro intenzivní čištění nebo rotační kartáč pro hloubkové čištění.
4. Umístěte zpět uvolňovací klapku agitátoru.

SESTAVA STÍRACÍCH LIŠTÍ:

Abyste dosáhli co nejlepšího výkonu U štěrbin a koberců, doporučujeme sestavit přední a zadní stírací lišty na základní ploše hubice.

K tomu je zapotřebí otevřít klapku pro uvolnění agitátoru a vyjmout měkký pás. Poté uchopte jednu stírací lištu vložením jednoho jejího konce do otvoru na zadní straně vysavače a zasuňte jej dovnitř, dokud zcela nezapadne. Zopakujte tyto operace pro druhou stírací lištu a zasuňte jej do otvoru na přední straně. Uzamkněte uvolňovací klapku agitátoru. **[18]**

OCHRANNÝ BEZPEČNOSTNÍ SYSTÉM

Abyste zaručili bezpečnost výrobku, při použití v náročných podmínkách, nebyla ovlivněna, je zde integrován Ochranný bezpečnostní systém.

POZNÁMKA: Bezpečnostní ochranný systém bude působit, pokud je agitátor zablokován nebo zajištěn. Po aktivaci se přestane točit a bílá kontrolka LED na přední části trysky zhasne.

V takovém případě jednoduše vypněte zařízení a vyčistěte otočný kartáč. Pro opětovné spuštění vysavače stiskněte spínač a zařízení začne znovu pracovat v normálním režimu.

BATERIE

LED DISPLEJ:

Tento vysavač je vybaven LED displejem. Když je produkt zapnutý a displej se rozsvítí, indikátory ukazují následující informace.

KONTROLKA NABÍTÍ BATERIE:

- 4 segmenty = 100% nabití
- 3 segmenty = 75% nabití
- 2 segmenty = 50% nabití
- 1 segment = 25% nabití

NABÍJENÍ

Pokud bude při nabíjení baterie nabitá z méně než 25 %, bude dioda nejprve blikat, a po dosažení 25 % začne svítit. Kontrolka bude postupně ukazovat nabití na 25 %, na 50 %, 75 % atd. Po dosažení 100% nabití se rozsvítí všechny 4 segmenty.

Baterie se nabíjí při bezpečné pracovní teplotě, vybavili jsme ji pojistným zařízením. Pokud se toto zařízení aktivuje a zahájíte proces nabíjení, bude dioda LED nejprve blikat, dokud nebude zařízení resetováno. Teprve po automatickém resetu začne běžný nabíjecí proces, jak je popsán výše.

KONTROLKA VYBÍJENÍ

Když je zařízení v provozu a baterie je nabitá na méně než 5 % a potřebuje dobít, LED kontrolka začne blikat.

* Pouze u některých modelů

PŘÍSLUŠENSTVÍ

KARTÁČ 2v1 NA ŠTĚRBINY A PRACH S RYCHLÝM A BEZPEČNÝM PŘIPOJENÍM*, VELKÝ KARTÁČ 2v1 NA PRACH A NÁBYTEK S RYCHLÝM A BEZPEČNÝM PŘIPOJENÍM*, DLOUHÁ OHEBNÁ ŠTĚRBINOVÁ HUBICE S RYCHLÝM A BEZPEČNÝM PŘIPOJENÍM*, MULTIFUNKČNÍ ADAPTÉR NA HUBICI S RYCHLÝM A BEZPEČNÝM PŘIPOJENÍM*, MINI TURBO HUBICE S RYCHLÝM A BEZPEČNÝM PŘIPOJENÍM*, NÁSTAVEC PRO RADIÁTOR S RYCHLÝM A BEZPEČNÝM PŘIPOJENÍM* A KARTÁČ PRO HLOUBKOVÉ ČIŠTĚNÍ S RYCHLÝM A BEZPEČNÝM PŘIPOJENÍM.

Výše uvedené příslušenství lze namontovat přímo na ruční jednotku nebo na jednu stranu trubice. [5]

POZNÁMKA: Hubice mini-turbo je ideální pro hloubkové čištění textilních povrchů (například pohovky) a odstranění zvířecích chloupků. Pohybuje jím neustále dopředu a dozadu. Po použití odstraňte vlasy/vláčna shromážděná na kartáči, pokud je to nutné např. nůžkami.

POZNÁMKA: Dlouhý ohebný štěrbinový nástavec je vhodný pro čištění v obtížně přístupných místech, pod nábytkem a v autě.

POZNÁMKA: Radiátorový nástavec je vhodný pro čištění uvnitř a v okolí skříněk, radiátorů, gaučů, žaluzií a podobně. **POZNÁMKA:** Pomocí hloubkového kartáče lze čistit úzká místa bez rizika poškrábání povrchu, a také v autě.

POZNÁMKA: Pro vysávání vysokého nábytku a stropů se doporučuje multifunkční stropní nástavec. Můžete připojit k jakémukoli nástavci, kromě mini turbo, a vysávat vysoké rohy, záclony nebo nad vysokým nábytkem.

Sáček na příslušenství*

V sáčku na příslušenství lze uskladnit dodatečné příslušenství.

NÁSTĚNNÝ DRŽÁK*

Připevněte nástěnný nástavec pomocí tří šroubů, které jsou součástí výrobku [2] pro zavěšení výrobku, 2v1 štěrbinové a prachové kartáče, 2v1 velké prachové a štěrbinové hubice a mini turbo hubice (je-li součástí dodávky).

ÚDRŽBA VYSAVAČE

Vyprázdnění zásobníku na prach

1. Stiskněte tlačítko uvolnění trubice na ruční jednotce a trubicí sundejte. [6]
2. Stiskněte tlačítko vyprázdnění nádoby na prach, aby se uvolnila klapka, a vysypte obsah. [7]
3. Uzavřete klapku nádoby na prach, při zajištění uslyšíte cvaknutí.

POZNÁMKA: Doporučujeme vyprazdňovat nádobu na prach po každém použití, nebo při naplnění po maximální úrovni.

Zkontrolujte prachový zásobník a filtr

1. Stiskněte tlačítko uvolnění trubice na ruční jednotce a trubicí sundejte. [6]
2. Stiskněte tlačítko vyprázdnění nádoby na prach, aby se uvolnila klapka, a vysypte obsah. [7]
3. Stiskněte tlačítko uvolnění baterie a baterii vyndejte. [8A,8B]
4. Otočte nádobu na prach ve směru hodinových ručiček, zarovnejte šípky a vyjměte ji z hlavního těla spotřebiče. [9]
5. Vyčistěte přebytečný prach z filtru [J2], pevně jednou rukou podržte nádobu a druhou otočte víkem krytu [J3] ve směru hodinových ručiček, čímž odstraníte filtr. [10]
6. Jakmile je víko krytu sejmuté, vytáhněte sestavu HSpin-Core Technology z hlavního těla [11A] Podržte horní část krytu motoru [J1] a vytáhněte filtr. [11B]
7. Stiskněte obě tlačítka uvolnění výstupního filtru zároveň a poté filtr vyndejte. [12A, 12B]
8. Při čištění filtrů umyjte filtr [J2] a výfukový filtr [S] v teplé vodě. [13] Ujistěte se, že před opětovným sestavením jsou všechny díly zcela suché. [14]
9. Při opětovném sestavením HSpin-Core Technology nejprve znovu namontujte filtr na kryt motoru [15A] a potom tuto sestavu vyrovnajte s motorovou hřídelí a věnujte zvláštní pozornost plochému povrchu na motorové hřídeli. [15B]
10. Poté podržte filtr a znovu namontujte víko krytu: otočte proti směru hodinových ručiček a zajistěte [16]. PROSÍM, UJISTĚTE SE, ŽE JSTE VÍKO NEUTÁHLI PŘÍLIŠ. TO BY MOHLO ZÁVIT POŠKODIT.
11. Dokončete opětovné sestavení ruční jednotky a poté ji vložte do nástěnného držáku.

POZNÁMKA: Na čištění filtrů nepoužívejte horkou vodu ani čisticí prostředky. V nepravděpodobném případě, že se filtry poškodí, je vyměňte za originální náhradní díly společnosti Hoover. Nesnažte se vysavač používat bez filtru.

DŮLEŽITÉ UPOZORNĚNÍ: Pro optimální výkon udržujte filtr vždy čistý. Doporučujeme, abyste filtr umývali alespoň jednou za měsíc.

* Pouze u některých modelů

Výměna a čištění rotačního kartáče

DŮLEŽITÉ UPOZORNĚNÍ: Před výměnou otočného kartáče vysavač vždy vypněte.

1. Odpojte uvolňovací klapku agitátoru. Je umístěn na boční části nástavce. [17a]
2. Držte uvolňovací klapku agitátoru a odstraňte agitátor. [17b]
3. Chcete-li vyčistit rotační kartáč, odstraňte přebytečné nečistoty pomocí nůžek. [17c]
4. Chcete-li vyčistit Rotační kartáč pro hloubkové čištění, opláchněte ho vodou [17d] a nechte ho 24 hodin sušit. [17e]
5. Namontujte zpět agitátor. [17f] Agitátor může být uložen pouze v jednom směru.
6. Uzavřete uvolňovací klapku míchadla a zajistěte ho v poloze. [17g]

Výměna baterií

Součástí vysavače je vyměnitelná dobíjecí Lithium-iontová baterie.

VAROVÁNÍ: Pro svůj vysavač používejte pouze schválené náhradní díly. Používání dílů neschválených společností Hoover je nebezpečné a přicházíte tím o záruku.

VAROVÁNÍ: Nepokoušejte se sami rozmontovat nebo opravit baterii.

1. Stiskněte tlačítko uvolnění baterie a baterie automaticky vyskočí ven. [8A]
2. Opatrně baterii vytáhněte. [8B]
3. Vyjměte starou baterii a nahraďte ji novou baterií.
4. Zlikvidujte baterie bezpečně a ekologicky. Použité baterie by měly být přijaté do recyklační stanice a nesmějí být vyhazované dohromady s domovním odpadem.

ŘEŠENÍ POTÍŽÍ

Budete-li mít s vysavačem nějaký problém, postupujte podle tohoto jednoduchého kontrolního seznamu, předtím, než zavoláte do Zákaznického servisního střediska Hoover:

- A. Vysavač se nezapíná
 - Zkontrolujte, zda je nabitý.
 - Zkontrolujte, jestli je baterie na svém místě.
- B. Čistič přestal pracovat
 - Zkontrolujte, jestli není motor technologie HSpin-Core zanesený.
 - Vyčistěte jej a ujistěte se, že páčka nepřetržitého režimu je vypnutá. Po dokončení jednoduše stiskněte tlačítko zapnutí/vypnutí, produkt se po několika sekundách restartuje.
- C. Ztráta sacího výkonu nebo žádné sání
 - Vyprázdněte nádobu na prach, umyjte filtr a vyčistěte sestavu HSpin-Core Technology.
 - Sundejte hubici a zkontrolujte, zda nejsou průchody trubice zablokované.
- D. Baterie nelze nabíjet
 - To může být následkem velmi dlouhé doby nenabíjení akumulátorů (více než půl rok).
 - Kontaktujte Zákaznické servisní středisko Hoover a dojednejte si výměnu baterií.
 - Pokud problém přetrvává, kontaktujte Zákaznické servisní středisko Hoover.

NÁHRADNÍ DÍLY A SPOTŘEBNÍ MATERIÁLY HOOVER

Vždy používejte originální náhradní díly společnosti Hoover. Získáte je u místního prodejce výrobků Hoover nebo u servisních partnerů. V objednávce dílů prosím vždy uvádějte číslo modelu.

VAŠE ZÁRUKA

Záruční podmínky pro tento spotřebič stanovuje náš zástupce v zemi, v níž je spotřebič prodáván. Přesné znění podmínek vám poskytne prodejce, u něhož jste si zařízení zakoupili. Při reklamaci podle těchto záručních podmínek je nutno předložit doklad o koupi nebo převzetí.

DŮLEŽITÉ UPOZORNĚNÍ: Záruka na baterii v tomto produktu je 2 roky od zakoupení. Po dvou letech si novou baterii musí zákazník koupit sám.

Právo změny bez předchozího upozornění vyhrazeno.

NAVODILA ZA VARNO UPORABO IN SESTAVO DODATNIH PRIPOMOČKOV

Sesalnik lahko uporabljate le za čiščenje stanovanjskih prostorov, kot je opisano v tem priročniku. Prosimo, da se pred uporabo sesalnika temeljito seznanite s temi navodili.

Pred čiščenjem naprave ali kakršimi koli vzdrževalnimi deli vedno izklopite in odstranite polnilnik iz vtičnice.

Ta aparat lahko uporabljajo otroci, starejši od 8 let, ter osebe z zmanjšanimi telesnimi, zaznavnimi in mentalnimi sposobnostmi ali osebe s pomanjkljivimi izkušnjami in znanjem, če so pod nadzorom ali so bile ustrezno podučene o varni uporabi aparata ter se zavedajo nevarnosti, ki so povezane z njegovo uporabo.

Otroci se ne smejo igrati z aparatom.

Otroci ne smejo čistiti ali vzdrževati aparata brez nadzora.

Če je napajalni kabel poškodovan, nemudoma prenehajte z uporabo sesalnika.

Da bi se izognili nevarnosti, mora napajalni kabel zamenjati pooblaščen Hooverjev serviser.

Uporabljajte le originalni polnilnik, ki je priložen napravi.

Preverite, ali je napajalna napetost enaka tisti, ki je navedena na polnilniku.

Ta Hooverjev aparat je dobavljen z dvojno izoliranim polnilcem baterij, ki je primeren samo za priključitev na 230-V (UK 240V) vtičnico.

Polnilec priključite v ustrezno vtičnico in nato drugi del priključite še na napravo.

Med polnjenjem naprave mora biti gumb za vklop in izklop naprave v legi OFF.

Pred prvo uporabo baterijo naprave polnite vsaj 24 ur.

LED luč v bateriji bo utripala modro med polnjenjem in bo svetila modro, ko bo baterija popolnoma napolnjena.

Po uporabi naprave spet priključite polnilnik in tako vnovič napolnite baterijo.

Nikoli ne polnite baterij pri temperaturah višjih od 37°C ali nižjih od 0°C. Normalno je, da se polnilnik med polnjenjem segreva. Polnilec izklopite v primeru podaljšane odsotnosti (počitnice, itd.). Pred ponovno uporabo spet napolnite baterije, ker se lahko te izpraznijo samodejno, če sesalnika dlje časa ne uporabljate.

Uporabljajte le dodatke, potrošni material ali nadomestne dele, ki jih priporoča ali dobavi Hoover.

Statična elektrika: nekatere preproge lahko povzročijo nastanek manjšega naboja statične elektrike. Kakršen koli statični električni naboj ne ogroža zdravja.

Imejte roke, noge, ohlapna oblačila in lasje proč od vrtljivih krtač.

Ne izklopite polnilca tako, da povlečete kabel.

Sesalnika ne smete uporabljati na prostem, na kakršni koli mokri površini ali za sesanje tekočin. Ne smete sesati trdih ali ostrih predmetov, vžigalic, vročega pepela, cigaretne ogorkov ali drugih podobnih snovi. Ne smete pršiti ali sesati vnetljivih tekočin, čistil, osvežilcev zraka ali njihovih hlapov. Ne smete zapeljati prek napajalnega kabla med uporabo sesalnika ali izvleči vtikača tako, da bi vlekli za kabel. Ne smete uporabljati naprave ali polnilnika, če ne delujeta pravilno. Ne smete uporabljati sesalnika za čiščenje živali ali ljudi. Polnljivih baterij ne smete zamenjati z navadnimi baterijami.

Hooverjev servis: Za zagotovitev nenehnega varnega in učinkovitega delovanja naprave priporočamo, da servis ali popravila izvrši le pooblaščen Hooverjev serviser.

Konec življenjske dobe izdelka:

Če boste napravo odvrgli, morate najprej odstraniti baterije. Ko želite odstraniti baterije, mora biti naprava izključena iz električnega toka. Baterije odvrzite na varen način. Pustite delovati napravo do konca, da bodo baterije popolnoma prazne. Uporabljene baterije je treba odnesti v enoto za recikliranje in se ne smejo odvreči v gospodinjske smeti. Za odstranitev baterij vas prosimo, da se obrnete na Hooverjev center za kupce ali nadaljujete po sledečih navodilih.

POMEMBNO: Pred odstranjevanjem baterije vedno popolnoma izpraznite.

Sesalnik naj deluje toliko časa, da se baterije do konca izpraznijo. Vtikač polnilca odstranite iz naprave.

Pritisnite na gumba za odstranitev baterije in jo odstranite tako, da jo potegnete v stran.

Opomba: V primeru težav z razstavljanjem naprave ali za podrobnejše informacije o ravnanju z izdelkom, obnovi ali ricikliranju izdelka se obrnite na krajevni urad ali komunalno podjetje za odvoz gosodinjskih odpadkov.

Okolje:

Ta naprava je označena v skladu z evropsko direktivo 2011/65/ES o odpadni električni in elektronski opremi (OEEO). S pravilnim odstranjevanjem izdelka boste pripomogli k preprečevanju morebitnih negativnih vplivov na okolje in človeško zdravje, do česar bi utegnilo priti ob neprimerni odstranitvi tega izdelka. Simbol na izdelku pomeni, da izdelka ne smete odstraniti kot gospodinjski odpadke. Oddati ga morate na zbirnem mestu za recikliranje električne in elektronske opreme. Odstranitev morate izvesti v skladu s krajevnimi okoljskimi predpisi glede odstranjevanja odpadkov. Za podrobnejše informacije o ravnanju z izdelkom, obnovi in recikliranju izdelka se obrnite na krajevni urad, komunalno podjetje za odvoz gospodinjskih odpadkov ali trgovino, kjer ste izdelek kupili.



Ta naprava je v skladu z evropskimi direktivami 2014/35/EU, 2014/30/EU in 2011/65/EU.

CANDY HOOVER GROUP S.r.l. Via Privata Eden Fumagalli, 20861 Brugherio (MB) Italy

SESTAVNI DELI IZDELKA

- | | |
|--|--|
| A. Gumb On/Off načina Turbo | R. Gumb za sprostitvev izpušnega filtra |
| B. Silent Button | S. Izhodni filter |
| C. LED indikatorji | T. Polnilec |
| D. Ročni gumb za sprostitvev | U. 2 v 1 nastavek s hitro in varno povezavo* |
| E. Cev | V. 2 v 1 Velika krtača za prah in pohištv s hitro in varno povezavo* |
| F. Gumb za sproščanje nastavkov | W. Dolg prilagodljiv nastavek za razpoke s hitro in varno povezavo* |
| G. Sprednja luč krtače | X. Mini turbo nastavek s hitro in varno povezavo* |
| H. Intenzivni nastavek za tla | Y. Adapter za nastavek "od dna do vrha" s hitro in varno povezavo* |
| I. Posoda za prah | Z. 2 v 1 nastavek s hitro in varno povezavo* |
| J. Tehnologija motorja HSpin-Core | AA. Krtača za globinsko čiščenje s hitro in varno povezavo* |
| J1. Pokrov motorja | AB. Torba za pripomočke* |
| J2. Mrežni filter | AC. Zadnje mehko rezilo* |
| J3. Posoda za pokrov | AD. Nastavek za globinsko nego* |
| K. Motorna gred | AE. Metlice brisalcev |
| L. Gumb za izpraznitvev posode za prah | AF. Stenski nosilec* |
| M. Zgornji pokrov posode za prah | AG. Vhodi za vijake* |
| N. Gumb za sprostitvev baterije | |
| O. Baterija | |
| P. Stikalna ročica | |
| Q. Stikalo za VKLOP/IZKLOP | |

PRIPRAVA VAŠEGA SESALNIKA

1. Glavo krtače vstavite v eno od dveh skrajnih točk cevi in jo namestite tako, da zaslišite "klik". **[1A]**
2. Drugo skrajno točko cevi vstavite v ročaj in cev namestite tako, da zaslišite "klik". **[1B]**
3. Stenski nosilec pritrдите na steno, za to pa uporabite priložene vijake in matice. **[2]**
4. Če želite napravo povsem napolniti, polnilnik povežite z baterijo. Naprava se bo polnila približno 6 ur. **[2]**

OPOMBA: Nastavek snamete tako, da pritisnete gumb za sproščanje nastavka in ga izvlečete iz osnovnega dela.

OPOMBA: Pri ponovnem polnjenju uporabite samo polnilec, ki je dobavljen z vašim sesalcem.

POMEMBNO: Med polnjenjem naprave mora biti stikalna ročica v legi OFF. Baterijo lahko polnite tudi, ko ta ni nameščena na napravi.

Normalno je, da se polnilnik med polnjenjem segreva.

* Le pri določenih modelih

UPORABA SESALNIKA

Izbirate lahko med štirimi delovnimi načini:

- **ZAČASNI NAČIN:** Sesalnik začne delovati, ko pritisnete stikalo on/off, in neha delovati, ko stikalo sprostite. **[3A]**
 - **NEPREKINJENI NAČIN:** Če želite vključiti neprekinjeni način, stikalno ročico povlecite nazaj in ta bo spet prešla v svojo lego. **[3B]** Če želite izključiti neprekinjeni način, stikalno ročico potisnite naprej.
 - **TIHI NAČIN:** Pritisnite na gumb za tiho napajanje za popolno čiščenje pri zmanjšani ravni hrupa za ta proizvod.
 - **NAČIN TURBO:** Za težke naloge čiščenja pritisnite na gumb za turbo delovanje.
- POMEMBNO:** Po vsaki uporabi sesalnika potisnite stikalno ročico naprej in jo tako namestite v zaklenjeno lego. Če tega ne storite, se lahko življenjska doba baterije skrajša ali se pojavi napaka.

ZA NAJBOLJŠE ČIŠČENJE IZBERITE PRIMEREN NASTAVEK

Intenzivni nastavek za tla*: Je priporočljiv za uporabo na preprogi, saj lahko gre globoko v preprogo in očisti prah.

Nastavek za globinsko nego*: Je priporočljiv za uporabo na trdih tleh ali na občutljivem parketu. To vrsto tal lahko nežno očistite zahvaljujoč mehkim ščetinam.

POMEMBNO: Pred zamenjavo in čiščenjem vrtljive krtače vedno ugasnite sesalnik.

OPOMBA: Za sestavo nastavka, ki ga želite uporabiti: **[17]**

1. Odstranite odpiralno loputo vrtljive krtače. Ta se nahaja na stranskem delu krtače.
2. Držite odpiralno loputo vrtljive krtače in povlecite navzdol ter tako odstranite vrtljivo krtačo.
3. Zamenjajte z intenzivnim nastavkom za tla ali z nastavkom za globinsko nego.
4. Odpiralno loputo vrtljive krtače spet namestite v njeno prvotno lego.

NAMEŠČANJE BRISALCEV

Za doseganje najboljših rezultatov pri čiščenju preprog in razpok je priporočljivo, da namestite prednje in zadnje brisalce na podnožje šobe.

Da bi to naredili, morate odpreti loputo za odstranjevanje krtače in odstraniti mehki trak. Nato namestite enega od brisalcev tako, da vstavite en konec brisalca na zadnjo odprtino in ga potiskate, dokler ni popolnoma nameščen.

Ponovite isti postopek še za drugi brisalec in ga namestite na prednjo odprtino. Zaprite loputo za odstranjevanje krtače. **[18]**

VARNOSTNI SISTEM

Da se zanesljivost izdelka ne bi zmanjšala v primeru uporabe v zahtevnih pogojih, je na samem izdelku nameščen varnostni sistem.

OPOMBA: Zaščitni sistem se vključi, če je agitator blokiran ali zaklenjen. Ko se sistem aktivira, se agitator neha vrteti in se bele LED luči na sprednji strani šobe ugasnejo. Če se to zgodi, ugasnite napravo in iz agitatorja odstranite oviro. Če želite spet zagnati napravo, pritisnite tipko on/off in naprava bo spet začela delovati v normalnem načinu.

BATERIJA

LED ZASLON:

Sesalnik je opremljen z zaslonom LED. Ko izdelek gori in je Zaslon osvetljen, opozorilne lučke sporočajo naslednje podatke.

INDIKATOR RAVNI BATERIJE:

- 4 pike = 100 % napolnjenost
- 3 pike = 75 % napolnjenost
- 2 piki = 50 % napolnjenost
- 1 pika = 25 % napolnjenost

POLNJENJE

Če je stopnja napolnjenosti baterije nižja od 25 %, med polnjenjem prva lučka LED utripa. Ko stopnja napolnjenosti doseže 25 %, prva lučka LED neprekinjeno sveti. Enako velja tudi za nadaljnji postopek polnjenja, saj se lučke LED v zaporedju prižigajo, ko stopnja napolnjenosti doseže 25 %, 50 %, 75% itd. Ko postopek polnjenja baterije doseže 100 %, se vse 4 pike obarvajo.

Da bi zagotovili varno polnjenje baterije na ustrezni delovni temperaturi, smo namestili varnostno napravo. Če se ta naprava aktivira in vi sprožite postopek polnjenja, bo lučka LED začela utripati in bo utripala vse do ponastavitve. Po samodejni ponastavitvi se spet sproži postopek polnjenja, kot je to zgoraj opisano.

OPOZORILO O PRAZNI BATERIJI

Ko naprava deluje in je baterija že skoraj prazna, začne lučka LED utripati. Lučka utripa, ko je stopnja napolnjeosti baterije nižja od 5 %, in tako sporoča, da je treba baterijo napolniti.

* Le pri določenih modelih

DODATNI PRIKLJUČKI

2 V 1 KRTAČA ZA REŽE IN PRAH S HITRO IN VARNO POVEZAVO*, 2 V 1 VELIKA KRTAČA ZA PRAH IN POHIŠTVO S HITRO IN VARNO POVEZAVO*, DOLG PRILAGODLJIV NASTAVEK ZA REŽE S HITRO IN VARNO POVEZAVO*, MULTIFUNKCIJSKI ADAPTER ZA NASTAVKE "OD DNA DO VRHA" S HITRO IN VARNO POVEZAVO*, MINI TURBO NASTAVEK S HITRO IN VARNO POVEZAVO*, NASTAVEK ZA RADIATORJE S HITRO IN VARNO POVEZAVO* IN KRTAČA ZA GLOBINSKO ČIŠČENJE S HITRO IN VARNO POVEZAVO.

Zgoraj navedene pripomočke lahko namestite neposredno na ročno enoto ali na eno stran cevi. [5]

OPOMBA: Mini-turbo krtača je idealna za čiščenje platnenih površin (npr. naslanjačev) in za odstranjevanje živalske dlake. Enakomerno jo potiskajte naprej in nazaj. Po uporabi odstranite dlake / delce, ki so se nabrali na krtači, po potrebi pa za to uporabite škarje.

OPOMBA: Dolga in ozka prilagodljiva cev je idealna za čiščenje težje dostopnih predelov, površin pod pohištvom in avtomobilov.

OPOMBA: Krtača za radiatorje je idealna za čiščenje notranjoti omar, radiatorjev, naslanjačev, žaluzij idr.

OPOMBA: Krtača za globinsko čiščenje je idealna za čiščenje težje dostopnih predelov in avtomobilov, pri tem pa ne odrgne površin..

OPOMBA: Multifunkcijski adapter za nastavke "od dna do vrha" je priporočljiv, ko želite doseči visoko pohištvo in strop. Lahko ga namestite na katerikoli nastavek (razen na mini turbo nastavek) za čiščenje visokih kotov, zaves ali za čiščenje nad visokim pohištvom.

TORBA ZA PRIPOMOČKE*

Dodatne pripomočke lahko shranite v torbo za pripomočke.

STENSKI NOSILEC*

Obesite stenski nosilec na steno tako, da uporabite tri vijake, ki so priloženi proizvodu [2]. Uporabite ga lahko za obešanje proizvoda, 2 v 1 krtače za razpoke in prah, 2 v 1 velike krtače za prah in razpoke in mini turbo nastavka (ko je ta vključen).

VZDRŽEVANJE SESALNIKA

Praznjenje posode za prah

1. Pritisnite gumb za ročno sprostitvev in odstranite cev. [6]
2. Gumb za izpraznitev posode za prah potisnite navzdol ter tako sprostite pokrov posode in zatem izpraznite vsebino. [7]
3. Zaprite pokrov posode za prah. Ko se pokrov povsem zapre, zaslišite "klik".

OPOMBA: Posodo za prah izpraznite po vsaki uporabi sesalnika ali ko prah doseže zgornjo oznako največje dovoljene količine prahu.

Očistite posodo za prah in filter.

1. Pritisnite gumb za ročno sprostitvev in odstranite cev. [6]
2. Pritisnite gumb za izpraznitev posode za prah ter tako odprite pokrov posode in zatem izpraznite vsebino. [7]
3. Gumb za sprostitvev baterije potisnite navzdol in odstranite baterijo. [8A,8B]
4. Posodo za prah zavrtite v smeri urinega kazalca, uskladite narisane puščice in jo odstranite z osrednjega dela čistilne naprave. [9]
5. Očistite odvečen prah z mrežastega filtra [J2], trdno držite mrežo z eno roko in z drugo roko obrnite pokrov [J3] v smeri urinega kazalca, da tako odstranite mrežasti filter. [10]
6. Ko odstranite pokrov, potegnite nastavek Hspin-Core tehnologije proč od glavnega dela naprave. [11A] Držite vrh pokrova motorja [J1] in odstranite mrežasti filter tako, da ga povlečete stran. [11B]
7. Hkrati pritisnite oba gumba za sprostitvev izpušnega filtra in zatem odstranite izpušni filter. [12A, 12B]
8. Ko čistite filtre, operite mrežasti filter [J2] in izpušni filter [S] v mlačni vodi. [13]Prepričajte se, da so vsi sestavni deli popolnoma suhi, preden ponovno sestavite napravo. [14]
9. Ko ponovno sestavljate napravo tehnologije Hspin-Core, najprej ponovno namestite mrežasti filter na pokrov motorja [15A], potem pa poravnajte ta sestavni del z gredjo motorja. Pozorno pazite na ravno površino na gredi motorja. [15B]
10. Nato držite mrežni filter in ponovno namestite pokrov. Za pravilno prilagoditev ga morate vrteti v nasprotni smeri urinega kazalca [16]. PREPRIČAJTE SE, DA NAPRAVE NA ZATISNETE PREVEČ, SAJ BI TO LAHKO POVZROČILO OKVARO.
11. Dokončajte ponovno sestavo ročne enote in jo nato pritrdite na stenski nosilec.

* Le pri določenih modelih

OPOMBA: Izpušnega filtra nikoli ne čistite z vročo vodo ali detergenti. Če se izpušni filter poškoduje, ga nadomestite samo z drugim Hooverjevim filtrom. Sesalnika ne uporabljajte brez nameščenega filtra.

POMEMBNO: Da bi zagotovili optimalno delovanje sesalnika, morate vedno ustrezno čistiti mrežni filter. Priporočamo, da filter operete enkrat na mesec.

Menjava in čiščenje vrtljive krtače

POMEMBNO: Pred zamenjavo in čiščenjem vrtljive krtače vedno ugasnite sesalnik.

1. Odstranite odpiralno loputo vrtljive krtače. Ta se nahaja na stranskem delu krtače. **[17a]**
2. Držite odpiralno loputo vrtljive krtače in odstranite vrtljivo krtačo. **[17b]**
3. Pri čiščenju Intenzivne krtače za tla odstranite ostalo umazanijo s pomočjo škarij. **[17c]**
4. Za čiščenje Krtače za globinsko nego, sperite z vodo **[17d]** in pustite, da se suši 24 ur. **[17e]**
5. Ponovno namestite krtačo. **[17f]** Krtačo lahko namestite samo na en način.
6. Zaprite nastavek krtače za sprostitev zato, da jo zadržite na mestu. **[17g]**

Menjava baterij

Sesalnik vsebuje litij-ionsko baterijo, ki jo je mogoče napolniti in tudi nadomestiti.

POZORILLO: Za svoj sesalnik uporabite samo odobrene nadomestne dele. Uporaba delov, ki jih Hoover ne priporoča, je nevarna in bo razveljavila garancijo.

OPOZORILO: Ne poskušajte sami odpreti in popraviti baterije.

1. Gumb za sprostitev baterije povlecite nazaj in baterija bo samodejno deloma izstopila iz reže. **[8A]**
2. Baterijo počasi odstranite iz reže. **[8B]**
3. Odstranite staro baterijo in jo nadomestite z novo.
4. Baterije odvrzite na varen način. Uporabljene baterije je treba odnesti v enoto za recikliranje in se ne smejo odvreči v gospodinjске smeti.

ODPRAVLJANJE TEŽAV

Če boste imeli kakršne koli težave z vašim sesalnikom, preden pokličete Hooverjev servisni center za stranke s pomočjo enostavnega seznama v nadaljevanju preverite naslednje:

- A. Sesalnik se ne vklopi
Preverite, če je sesalnik napolnjen.
Preverite, ali je baterija pravilno nameščena.
- B. Sesalnik ne deluje.
Preverite, ali je motor HSpin-Core blokiran.
Ostranite ga in se prepričajte, da je stikalo za neprekinjen način izključeno. Ko to storite, pritisnite tipko on/off. Izdelek se bo po nekaj sekundah spet vključil.
- C. Sesalna moč je manjša ali pa sesalnik sploh ne vsesava
Izpraznite posodo za prah ter operite mrežni filter in nastavek s tehnologijo HSpin-Core.
Odstranite krtačo in preverite, ali se v cevi nahaja kakršenkoli predmet, ki onemogoča prehod.
- D. Baterij ne morete napolniti
To je morebitna posledica zelo dolgega obdobja shranjevanja (več kot pol leta).
Kontaktirajte Hooverjev servis za stranke, da se dogovorite za zamenjavo baterij.
Če težava traja dlje, kontaktirajte Hooverjev servisni center za stranke.

NADOMESTNI DELI IN POTROŠNI MATERIJAL HOOVER

Vedno uporabljajte originalne nadomestne dele Hoover. Dobite jih pri krajevnem prodajalcu Hooverjevih izdelkov. Pri naročanju delov vedno navedite številko modela.

GARANCIJA

Garancijski pogoji za to napravo so taki, kot jih določí zastopnik v državi, kjer je naprava prodana. Podrobnosti glede garancijskih pogojev lahko dobite od prodajalca, pri katerem ste napravo kupili. Če želite uveljavljati kakršno koli garancijo, potrebujete potrdilo o nakupu ali račun.

POMEMBNO: Baterija tega sesalnika ima dvoletno garancijo, ta pa stopi v veljavo na dan nakupa. Po dveh letih je stranka sama odgovorna za nakup in plačilo nove baterije.

Garancija se lahko spreminja brez predhodnega obvestila.

GÜVENLİ KULLANIM VE KURULUM TALİMATLARI

Bu ürün kullanım kılavuzunda belirtildiği gibi yalnızca ev temizliği için kullanılmalıdır. Lütfen ürünü kullanmadan önce bu kılavuzun tam olarak anlaşıldığını emin olun.

Cihazı temizlemeden ya da herhangi bir bakım işlemi uygulamadan önce daima cihazı kapatın ve şarj aletini prizden çıkarın.

Bu cihaz 8 yaş ve üzeri çocuklar ve yetersiz fiziksel, duyuşal veya zihinsel kabiliyete sahip kişiler ya da deneyim ve bilgi yoksunu kişiler tarafından bir yetişkinin gözetiminde veya cihazın güvenli bir şekilde kullanımı ile ilgili talimatı ve bulunan tehlikelerin açıkça anlatılması ile kullanılabilir. Çocuklar cihaz ile oynamamalıdır.

Temizleme ve bakım işlemi denetimsiz şekilde çocuklar tarafından yapılmamalıdır.

Güç kablosu hasar görürse cihazı kullanmayı derhal bırakın. Herhangi bir yaralanmaya engel olmak için güç kablosunun mutlaka yetkili bir Hoover servisi tarafından değiştirilmesi gereklidir.

Yalnızca cihazla birlikte verilen şarj aletini kullanın.

Besleme voltajının şarj aleti üzerinde belirtilen değerle aynı olup olmadığını kontrol edin.

Bu Hoover ev aleti sadece 230V (İngiltere: 240V) prize takılması uygun olan çift izolasyonlu bir batarya şarj cihazıyla verilmektedir.

Şarj cihazını uygun bir prize takın ve şarj aleti jakının prizini cihaza takın.

Aygıtı şarj ederken güç anahtarı kolu kapalı konumda olmalıdır. İlk kullanımdan önce elektrikli süpürgeyi en az 24 saat şarj edin.

Pil paketi LED ışığı şarj olurken mavi renkte yanıp sönecek ve tam şarj olduğunda yanık kalacaktır.

Pilleri yeniden şarj etmek için kullanım sonrasında cihazı yeniden şarj cihazına bağlayın.

Pilleri kesinlikle 37°C'nin üzerindeki veya 0°C'nin altındaki sıcaklıklarda şarj etmeyin. Şarj aletinin şarj olurken ısınması doğaldır. Uzun süre evde bulunmayacaksanız (tatil vs. gibi nedenlerle) şarj aletini prizden çekin. Uzun süre kullanılmayan elektrikli süpürgeyi şarjı kendi kendine bitebileceğinden, yeniden kullanmadan önce süpürgeyi iyice şarj edin.

Yalnızca Hoover tarafından önerilen veya sağlanan aparatları,

malzemeleri ve yedek parçaları kullanın.

Statik elektrik: bazı halılar, küçük miktarda statik elektrik birikimine neden olabilir. Statik elektrik deşarjı sağlığa zararlı deęildir.

Ellerinizi, ayaklarınızı, bol giysileri ve saçlarınızı dönen fırçalardan uzak tutun.

Şarj aletinin fişini kablosundan çekerek çıkarmayın.

Cihazınızı dış mekânlarda veya ıslak yüzeylerde ya da ıslak toplama için kullanmayın. Sert veya keskin nesnelere, kibritleri, sıcak külleri, sigara izmaritleri veya diğer benzeri öğeleri toplamayın. Yanıcı sıvıları, temizleme sıvılarını, aerosollerini veya spreyleri püskürtmeyin ya da toplamayın. Cihazı kullanırken güç kablosu üzerine basmayın veya güç kablosundan çekerek prizden çıkarmayın. Arıza görünürse cihazı veya şarj aletini kullanmayı bırakın. Cihazı hayvanları veya insanları temizlemek için kullanmayın. Pilleri şarj edilemeyen pillerle deęiştirmeyin.

Hoover teknik servisi: Cihazın uzun süre güvenli ve verimli kullanımını sağlamak için, servis ve bakımlarının yetkili Hoover servisinde yapılmasını tavsiye ederiz.

Ürün Hizmet Ömrü Sonunda Elden Çıkarma:

Cihaz atılacağı zaman, öncelikle piller çıkartılmalıdır. Pil çıkartılırken, cihaz şebeke beslemesinden çıkartılmalıdır. Pilleri güvenli bir şekilde imha edin. Pillerin tamamen boşalması için cihazı durana kadar çalıştırın. Kullanılmış piller bir geri dönüştürme istasyonuna götürülmeli ve evsel atıklarla birlikte atılmamalıdır. Pilleri çıkarmak için, lütfen Hoover Müşteri Merkezi ile temasa geçin veya aşağıdaki talimatlara göre devam edin.

ÖNEMLİ: Çıkarmadan önce pilleri her zaman tamamen deşarj edin.

Süpürgeyi piller tamamen boşalana kadar çalıştırın. Şarj cihazı jak fişini cihazdan çıkarın.

Çıkarmak için pil paketi serbest bırakma düğmesine basın ve kaydırın.

Not: Birimin parçalarına ayrılması ile ilgili zorluk yaşarsanız ya da cihazın tamiri, onarımı ya da geri dönüşümü ile ilgili daha ayrıntılı bilgiye ihtiyaç duyarsanız lütfen belediye ya da ev atıkları imha hizmetleri ile görüşün.

Çevre:

Bu cihaz Atık Elektrikli ve Elektronik Teçhizat (WEEE) hakkında Avrupa direktifi 2011/65/EC'ye uygunluk işaretine sahiptir. Bu ürünün doğru bir şekilde atılmasını sağlayarak, yanlış atılmasından dolayı çevre ve insan sağlığında oluşabilecek olumsuz etkilerin önlenmesine katkıda bulunacaksınız. Ürünün üzerindeki sembol, bu ürünün ev atığı olarak değerlendirilmeyeceğini gösterir. Bunun yerine ürün, elektrikli ve elektronik cihazların geri dönüştürülmesi için oluşturulan geçerli bir toplama noktasına bırakılmalıdır. İmha, atık imhası için düzenlenen yerel çevre yönetmeliklerine uygun olarak yapılmalıdır. Ürünün nasıl elden çıkarılacağı konusunda daha detaylı bilgi için bağlı bulunduğunuz muhtarlığa, çöp toplama şirketine veya ürünü satın almış olduğunuz mağazaya müracaat edin..



Bu ürün 2014/35/EU, 2014/30/EU ve 2011/65/EU' Avrupa Direktiflerine göre uygundur.

CANDY HOOVER GROUP S.r.l. Via Privata Eden Fumagalli, 20861 Brugherio (MB) Italy

ÜRÜN BİLEŞENLERİ

- | | |
|---------------------------------|--|
| A. Turbo Açma/Kapama Düğmesi | R. Çıkış Filtresi Açma Düğmesi |
| B. Silent Button | S. Çıkış Filtresi |
| C. LED Göstergeleri | T. Şarj Aleti |
| D. El Ünitesi Çıkarma Düğmesi | U. Hızlı ve Güvenli Bağlantılı 2'si 1 Arada Araç* |
| E. Boru | V. Hızlı ve Güvenli Bağlantılı 2'si 1 Arada Geniş Toz Alma ve Mobilya Fırçası* |
| F. Başlık Çıkarma Düğmesi | W. Hızlı ve Güvenli Bağlantılı Uzun Esnek Kenar Köşe Aparatı* |
| G. Başlık Ön Işığı | X. Hızlı ve Güvenli Bağlantılı Mini Turbo Başlık* |
| H. Yoğun Zemin Rulosu | Y. Hızlı ve Güvenli Bağlantılı Yüksek Yüzey Adaptörü* |
| I. Toz haznesi | Z. Hızlı ve Güvenli Bağlantılı 2'si 1 Arada Araç* |
| J. HSpin Teknolojisi Tertibatı: | AA. Hızlı ve Güvenli Bağlantılı Derinlemesine Temizlik Fırçası* |
| J1. Motor Kapağı | AB. Aksesuar Çantası* |
| J2. Ağ filtre | AC. Arka Tüylü Kanat* |
| J3. Kapak Kabı | AD. Derinlemesine Temizlik Rulosu* |
| K. Motor Şaftı | AE. Silecek kanatları |
| L. Toz Haznesi Boşaltma Düğmesi | AF. Duvara Montaj* |
| M. Toz Kabı Alt Kapağı | AG. Vida Tapaları* |
| N. Batarya Grubu Açma Düğmesi | |
| O. Batarya Grubu | |
| P. Anahtar Kolu | |
| Q. Açma/Kapama Düğmesi | |

SÜPÜRGENİZİN HAZIRLANMASI

1. Süpürge başlığını bir "tık" sesi duyuncaya kadar borunun bir ucunun içine takın. **[1A]**
2. Borunun diğer tarafını bir "tık" sesi duyuncaya kadar elde taşınır ünite içine takın. **[1B]**
3. Ürünle birlikte verilen vida ve vida tapalarını kullanarak Duvara montaj parçasını duvara sabitleyin. **[2]**
4. Cihazı tamamen şarj etmek için şarj cihazı ucunu batarya takımına bağlayın. Yaklaşık 6 saat sürecektir. **[2]**

NOT: Başlığı çıkarmak için başlık çıkarma düğmesine basın ve başlığı çekerek ana gövdeden çıkarın.

NOT: Sadece elektrikli süpürgeyle birlikte verilen şarj aletini kullanın.

ÖNEMLİ: Elektrik süpürgesini temizlerken anahtar kolu KAPALI konumda olmalıdır. Batarya takımını üründen çıkardıktan sonra da şarj edebilirsiniz.

Şarj aletinin şarj olurken ısınması doğaldır.

* Sadece bazı modeller için

SÜPÜRGENİZİN KULLANIMI

Dört çalışma modu bulunur:

- **GEÇİCİ MOD:** Açma/kapama anahtarına bastığınızda ürün çalışmaya başlar ve bırakıldığında durur. **[3A]**
- **SÜREKLİ MOD:** Sürekli modu etkinleştirmek için anahtar kolunu geri çekip ve yerine oturtun. **[3B]** Sürekli modu devre dışı bırakmak için anahtar kolunu ileriye doğru itebilirsiniz.
- **SESSİZ MOD:** Bu ürün için en düşük gürültü seviyesinde iyice temizlemek için sessiz düğmesine basın.
- **TURBO MODU:** Zor temizlik görevleri için tam güç vermek üzere Turbo Düğmesine basın.

ÖNEMLİ: Ürününüzün her kullanımından sonra lütfen anahtar kolunu ileriye kilitleti konuma ittiğinizden emin olun. Aksi takdirde batarya ömründe azalma veya arızaya neden olabilir.

EN İYİ TEMİZLİK İÇİN UYGUN RULUYU SEÇİN

Yoğun Zemin rulosu*: Tozları temizlemek üzere halının derinliklerine inebildiğinden halı üzerinde kullanılması önerilir.

Derinlemesine Temizlik rulosu*: Sert zeminler ya da hassas parkeler üzerinde kullanılması önerilir. Yumuşak fırçaları sayesinde bu tür zeminleri nazikçe temizleyebilirsiniz.

ÖNEMLİ: Döner fırçayı değiştirmeden veya temizlemeden önce daima cihazı kapatın.

NOT: Kullanmak istediğiniz ruloyu takmak için: **[17]**

1. Döner fırça serbest bırakma kapağını çıkarın. Bu kapak ağızlığın yan kısmında yer alır.
2. Döner fırçayı serbest bırakma kapağını tutun ve döner fırçayı aşağı çekerek çıkarın.
3. Yoğun Zemin Rulosunu Derinlemesine Temizlik Rulosu ile değiştirin.
4. Döner fırça serbest bırakma kapağını yeniden uygun konuma getirin.

SİLECEK KANADI TERTİBATI

Kenarlarda, köşelerde ve halılarda en iyi performansın sağlanması için ön ve arka silecek kanadının başlığını taban plakasına monte edilmesi önerilir.

Bunu yapmak için, döner fırçayı serbest bırakma kapağını açın ve yumuşak şeridi çıkarın. Daha sonra, silecek kanadının birini, bir ucu arka yuvaya yerleştirerek kavrayın ve yerine oturana kadar itin. Bu işlemleri, ikinci silecek kanadı için yineleyin ve daha sonra ön yuvaya doğru kaydırın. Döner fırçayı serbest bırakma kapağını kilitleyin. **[18]**

EMNİYETLİ KORUMA SİSTEMİ

Ürün, ağır koşullar altında kullanıldığında ürün güvenilirliğinin olumsuz etki görmemesi için bir Emniyetli koruma sistemi ile donatılmıştır.

NOT: Emniyetli koruma sistemi, döner fırçada bir tıkanıklık ya da takılma olduğunda devreye girer; bu sistem etkinleştirildiğinde döner fırçayı dönmelerini durdurur ve başlığın ön kısmındaki beyaz LED ışıklar söner. Bu durumun oluşması halinde, ürünü kapatın ve döner fırçadaki tıkanmayı giderin. Temizliğe devam etmek için açma/kapama düğmesine basın; ürün normal moda yeniden başlatılacaktır.

PİL

GÖSTERGE LED'İ:

Bu süpürge bir LED gösterge bulunmaktadır. Ürün açık olduğunda VE ekran açık olduğunda göstergeler aşağıdaki bilgileri gösterir.

BATARYA SEVİYESİ GÖSTERGESİ:

- 4 nokta = %100 şarj durumu
- 3 nokta = %75 şarj durumu
- 2 nokta = %50 şarj durumu
- 1 nokta = %25 şarj durumu

ŞARJ OLUYOR

Şarj işlemi sırasında batarya şarj seviyesi %25'in altında olduğunda, ilk LED ışığının %25 üzerine ulaşılan kadar yanıp söneceğini ve daha sonra da açık kalacağını göreceksiniz. Bu işlem, batarya şarj düzeylerini (%25, %50, %75 vb.) gösterecek şekilde tüm LED ışıkları yanana kadar devam edecektir. Batarya şarj seviyesi %100'e ulaştığında 4 noktanın tamamı da yanacaktır.

Lütfen ürünün bataryasının güvenli bir çalışma sıcaklığında şarj edilmesini sağlamak için bir güvenlik cihazı ile donatıldığını unutmayın. Cihaz etkinken şarj işlemi başlatmanız halinde, birinci LED ışığının sınırlanana kadar yanıp söndüğünü göreceksiniz. Otomatik sıfırlama sonrasında, yukarıda açıklanan normal şarj işlemi başlatılacaktır.

DEŞARJ GÖSTERİMİ

Ürün çalışırken ve bataryaların şarjı kullanılırken, batarya kapasitesi %5'in altına ulaştığında, şarj işleminin gerekli olduğunu belirtmek üzere LED gösterge ışığı yanıp sönmeye başlayacaktır.

* Sadece bazı modeller için

AKSESUARLAR

HIZLI VE GÜVENLİ BAĞLANTI İLE 2'Sİ 1 ARADA KENAR KÖŞE VE TOZ ALMA FIRÇASI*, HIZLI VE GÜVENLİ BAĞLANTILI 2'Sİ 1 ARADA GENİŞ TOZ ALMA VE MOBİLYA FIRÇASI*, HIZLI VE GÜVENLİ BAĞLANTILI UZUN ESNEK KENAR KÖŞE APARATI*, HIZLI VE GÜVENLİ BAĞLANTILI ÇOK İŞLEVLİ YÜKSEK YÜZEY APARATI UYARLAYICI*, HIZLI VE GÜVENLİ BAĞLANTILI MİNİ TURBO BAŞLIK*, HIZLI VE GÜVENLİ BAĞLANTILI RADYATÖR APARATI* VE HIZLI VE GÜVENLİ BAĞLANTILI DERİNLEMESİNE TEMİZLİK FIRÇASI.

Yukarıdaki aksesuarlar doğrudan el ünitesine veya borunun bir tarafına takılabilir. [5]

NOT: Kumaş yüzeyleri (örneğin kanepeler) derinlemesine temizlemek ve evcil hayvan tüyleri temizlemek için mini turbo başlık idealdir. Düzgün bir şekilde ileri ve geri hareket ettirin. Kullandıktan sonra gerekirse bir makasla fırçada toplanan tüyleri/iplikleri lütfen temizleyin.

NOT: Uzun esnek köşe aparatı, mobilya altları ve araba gibi ulaşması zor alanların temizlenmesi için idealdir.

NOT: Radyatör parçası, dolap, radyatör, koltuk, perde ve daha fazlasının iç ve çevresinin temizlenmesi için idealdir.

NOT: Derin temizleme fırçası, dar alanlarda yüzeyleri çizmeden temizlik yapmak ve araba içini temizlemek için kullanılabilir.

NOT: Yüksek mobilyalara ve tavanlara erişim için çok işlevli yüksek yüzey uyarlayıcı önerilir. Yüksek köşeleri, perdeleri veya yüksek mobilyaların üzerini temizlemek için mini turbo başlık dışındaki herhangi bir aparatı takabilirsiniz.

Aksesuar Çantası*

İlave aksesuarlar aksesuar çantasında saklanabilir.

DUVARA MONTAJ*

Ürünü, 2'si 1 arada kenar köşe ve toz alma fırçası, 2'si 1 arada geniş toz alma ve kenar köşe aparatı ve mini turbo başlığı (ürünle birlikte verildiğinde) asmak üzere duvar montaj birimini ürünle birlikte temin edilen üç vidayı [2] kullanarak duvara asın.

SÜPÜRGENİZİN BAKIMI

Toz Haznesinin Boşaltılması

1. El ünitesi çıkarma düğmesine basın ve boruyu çıkarın. [6]
2. Toz haznesini kapağını açıp içindekileri boşaltmak için toz haznesi boşaltma düğmesine basın. [7]
3. Toz haznesi kapağını kapatın, tam olarak kilitletiğinde bir tık sesi duyacaksınız.

NOT: Toz haznesinin her kullanım sonrasında veya toz maksimum dolma çizgisine geldiğinde boşaltılması önerilir.

Toz haznesini ve filtreyi temizleyiniz

1. El ünitesi çıkarma düğmesine basın ve boruyu çıkarın. [6]
2. Toz haznesini kapağını açmak için toz haznesi boşaltma düğmesine basın ve boşaltın. [7]
3. Batarya takımı açma düğmesine basın ve batarya takımını çıkarın. [8A,8B]
4. Toz haznesini saat yönünün tersine çevirin, ok işaretlerini hizalayın ve süpürge ana gövdesinden çıkarın. [9]
5. Ağ filtredeki fazla tozu temizleyin [J2], ağı bir elinizde sıkıca tutarken, diğer elinizle toz kabını [J3] saat yönünde çevirerek ağ filtreyi çıkarın. [10]
6. Kap kapağı çıkarıldıktan sonra, HSpin-Core Teknolojisi tertibatını ana gövdeden dışarı doğru çekin. [11A] Motor kapağının [J1] üstünü tutun ve dışarı doğru çekerek ağ filtreyi çıkarın. [11B]
7. İki adet çıkış filtresi düğmesine aynı anda basın ve ardından çıkış filtresini çıkarın. [12A, 12B]
8. Filtreleri temizlerken, ağ filtreyi [J2] ve çıkış filtresini [S] ılık suda yıkayın. [13] Yeniden monte etmeden önce lütfen tüm parçaların tamamen kurduğundan emin olun. [14]
9. HSpin-Core Teknolojisini yeniden monte ederken öncelikle ağ filtreyi motor kapağına takın, [15A] ardından bu tertibatı motor shaftı ile hizalayın; motor shaftının düz yüzeyine özel özen gösterin. [15B]
10. İkinci olarak, ağ filtreyi tutun ve kapak kabını yerine takın; kilitlemek için saat yönünün tersine çevirin [16]. DİŞE ZARAR VEREBİLECEĞİNDEN LÜTFEN AŞIRI SIKMAMAYA ÖZEN GÖSTERİN.
11. El ünitesinin montajını tamamlayın ve ardından duvara monte edilmiş birimine takın.

NOT: Çıkış filtrelerini temizlerken sıcak su veya deterjan kullanmayın. Çıkış filtresinin hasar görmesi durumunda orijinal bir Hoover yedek parçası takın. Ürünü filtre takılı değilken kullanmaya çalışmayın.

ÖNEMLİ: Optimum performans için her zaman ağ filtrenizi temiz tutun. Filtrenin en az ayda bir kez yıkanmasını öneririz.

Döner Fırçanın Değiştirilmesi ve Temizlenmesi

ÖNEMLİ: Döner fırçayı değiştirmeden veya temizlemeden önce daima cihazı kapatın.

* Sadece bazı modeller için

1. Döner fırça serbest bırakma kapağını çıkarın. Bu kapak ağızlığın yan kısmında yer alır. **[17a]**
2. Karıştırıcı serbest bırakma kanatçığını tutun ve karıştırıcıyı çıkarın. **[17b]**
3. Yoğun Zemin Rulosunu temizlemek için, fazla kalıntıyı makasla çıkarın. **[17c]**
4. Derin Bakım Rulosunu temizlemek için, suyla **[17d]** kurulayın ve 24 saat boyunca kurumaya bırakın. **[17e]**
5. Karıştırıcıyı yeniden sabitleyin. **[17f]** Karıştırıcı yalnızca tek yönde sabitlelenebilir.
6. Karıştırıcıyı yerine sabitlemek için karıştırıcı serbest bırakma kanatçığını kapatın. **[17g]**

Pillerin değiştirilmesi

Bu elektrik süpürgesine değiştirilebilir, yeniden şarj edilebilir Lityum İyon batarya grubu takılmıştır.

UYARI: Yalnızca elektrik süpürge için onaylanmış yedek parçaları kullanın. Hoover tarafından onaylanmamış parçaların kullanılması tehlikelidir ve garantinizi geçersiz kılar.

UYARI: Batarya grubunu açmaya ve kendiniz onarmaya çalışmayın.

1. Batarya grubu açma düğmesini geri çekin ve batarya otomatik olarak kısa bir mesafe dışarı itilir. **[8A]**
2. Batarya grubunu yavaşça yuvadan çekin. **[8B]**
3. Eski batarya grubunu çıkarın ve yeni batarya grubuyla değiştirin.
4. Pilleri güvenli bir şekilde imha edin. Kullanılmış bataryaların geri dönüştürme istasyonuna götürülmeleri ve evsel atıkla atılmamaları gerekir.

SORUN GİDERME

Elektrikli süpürgeyle ilgili bir sorun yaşarsanız, Hoover Müşteri Hizmetleri Merkezi'ni aramadan önce aşağıdaki kontrol listesini inceleyin:

- A. Elektrikli süpürge açılmıyor
Süpürge'nin şarj olduğundan emin olun.
Batarya grubunun yerine monte edilmiş olup olmadığını kontrol edin.
- B. Süpürge çalışmayı durdurdu
HSpin-Core Teknolojili motorda tıkanıklık olup olmadığını kontrol edin.
Temizleyin ve sürekli mod kolunun kapalı olduğundan emin olun. Bu işlem tamamlandıktan sonra açma/kapama düğmesine basmanız halinde ürün birkaç saniye içinde yeniden başlatılacaktır.
- C. Emme zayıf veya emme yapılmıyor.
Toz kabını boşaltın ve ağ filtreyi ve HSpin-Core Teknolojisi tertibatını yıkayın.
Başlığı çıkarın ve kanalda tıkanma olup olmadığını kontrol edin.
- D. Bataryalar şarj edilemiyor
Bu, çok uzun süre saklamadan dolayı olabilir (altı aydan fazla).
Batarya değişimi için Hoover müşteri hizmetlerine başvurun.
Sorun devam ederse Hoover Müşteri Hizmetleri Merkezi'ne başvurun.

HOOVER YEDEK PARÇA VE SARF MALZEMELERİ

Parçaları daima orijinal Hoover parçaları ile değiştirin. Bu parçaları Hoover servislerinden tedarik edebilirsiniz. Parça siparişi verirken lütfen model numaranızı belirtin.

GARANTİNİZ

Bu cihaz için garanti koşulları, cihazın satıldığı ülkedeki temsilcimiz tarafından tanımlanmaktadır. Bu koşullara ilişkin ayrıntılar cihazın satın alındığı bayiden edinilebilmektedir. Bu garanti koşulları altında yapılan talepte satış fişi(faturası) ve makbuzu ibraz edilmiş olmalıdır.

ÖNEMLİ: Bu süpürge'nin bataryası satın alım tarihinden itibaren 2 yıl garantilidir. 2 yıl sonra, yeni batarya maliyeti müşterinin sorumluluğunda olacaktır.

Haber verilmeksizin değişiklikler yapılabilir.



®

BORN INNOVATIVE

PRINTED IN P.R.C.
48026243/01