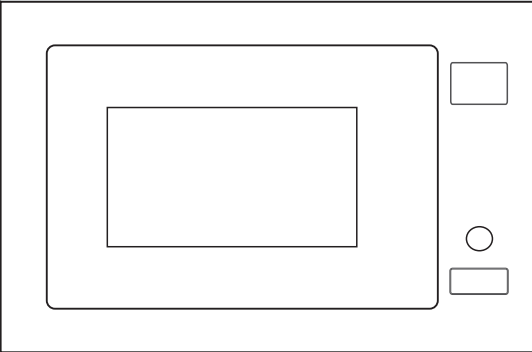


# Hisense



HB20MOBX5UK

## **Dear Customer**

We sincerely thank you for your purchase. We believe you will soon find ample evidence that you can really rely on our products. To make the use of the appliance easier, we attach this comprehensive instruction manual.

The instructions should aid you in getting familiar with your new appliance. Please, read them carefully before using the appliance for the first time.

In any case, please make sure the appliance was supplied to you undamaged. Should you identify and transport damage, contact your sales representative or the regional warehouse from where the product was delivered. You will find the telephone number on the receipt or delivery report.

We wish you a lot of pleasure with your new household appliance.



## ***Instructions for Use***

The appliance is for household use for heating food and beverages using electromagnetic energy, for indoor use only.

These instructions are intended for the user. They describe the cooker and how to use it. They also apply to different types of appliances, therefore you may find some descriptions of functions that may not apply to your appliance.

We reserve the right to any changes and errors in the instructions for use.

## Important safety instructions



Never touch the surfaces of heating or cooking appliances. They will become hot during operation. Keep children at a safe distance. There is a risk of burning!



Microwave energy & High voltage! Do not remove the cover.

**WARNING!** The appliance and its accessible parts become hot during use. Care should be taken to avoid touching heating elements. Children less than 8 years of age shall be kept away unless continuously supervised. Children should be supervised to ensure that they do not play with the appliance.

This appliance can be used by children aged from 8 years and above and persons with reduced physical, sensory or mental capabilities or lack of experience and knowledge if they have been given supervision or instruction concerning use of the appliance in a safe way and understand the hazards involved. Children shall not play with the appliance. Cleaning and maintenance shall not be made by children unless they are older than 8 and supervised. Keep the appliance and its cord out of reach of children less than 8 years.

- **WARNING:** When the appliance is operated in the combination mode, children should only use the oven under adult supervision due to the temperatures generated; (Only for the model with grill function).
- **WARNING:** If the door or door seals are damaged, the oven must not be operated until it has been repaired by a competent person.

- **WARNING:** It is hazardous for anyone other than a competent person to carry out any service or repair operation that involves the removal of a cover which gives protection against exposure to microwave energy;
- **WARNING:** liquids and other foods must not be heated in sealed containers since they are liable to explode.
- Children should be supervised to ensure that they do not play with the appliance.
- Don't remove oven's feet, do not block air vents of the oven.
- Only use utensils that are suitable for use in microwave ovens.
- When heating food in plastic or paper containers, keep an eye on the oven due to the possibility of ignition;
- If smoke is observed, switch off or unplug the appliance and keep the door closed in order to stifle any flames;
- Microwave heating of beverages can result in delayed eruptive boiling, therefore care must be taken when handling the container;
- The contents of feeding bottles and baby food jars shall be stirred or shaken and the temperature checked before consumption, in order to avoid burns;
- Eggs in their shell and whole hard-boiled eggs should not be heated in microwave ovens since they may explode, even after microwave heating has ended;
- When cleaning surfaces of door, door seal, cavity of the oven, use only mild, nonabrasive soaps, or detergents applied with a sponge or soft cloth.
- The oven should be cleaned regularly and any food deposits removed;
- Failure to maintain the oven in a clean condition could lead to deterioration of the surface that could adversely affect the life of the appliance and possibly result in a hazardous situation;
- If the supply cord is damaged, it must be replaced by the manufacturer, its service agent or similarly qualified persons in order to avoid a hazard.
- Do not let the cord hang over the edge of the table or worktop.
- Never connect this appliance to an external timer switch or remote control system in order to avoid a hazardous situation.
- Never replace the light bulb inside the oven. It must always be replaced by Hisense service.
- Do not clean the appliance with steam cleaners, high-pressure cleaners, sharp objects, abrasive cleaning agents, and abrasive sponges and stain removers.

## **Safety instructions for general use**

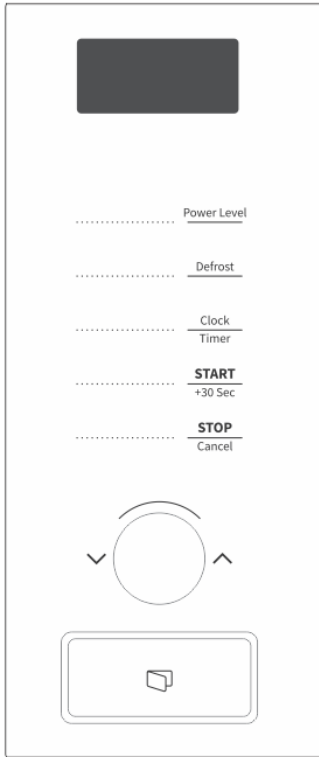
Listed below are, as with all appliances, certain rules to follow and safeguards to assure top performance from this oven:

1. Always have the glass tray, roller arms, coupling and roller track in place when operating the oven.
2. Do not use the oven for any reason other than food preparation, such as for drying clothes, paper, or any other nonfood items, or for sterilizing purposes.
3. Do not operate the oven when empty. This could damage the oven.
4. Do not use the oven cavity for any type of storage, such as papers, cookbooks, etc.
5. Do not cook any food surrounded by a membrane, such as egg yolks, potatoes, chicken livers, etc without first being pierced several times with a fork.
6. Do not insert any object into the openings on the outer case.
7. Do not at any time remove parts from the oven such as the feet, coupling, screws, etc.
8. Do not cook food directly on the glass tray. Place food in/on proper cooking utensil before placing in the oven.

### **IMPORTANT-COOKWARE NOT TO USE IN YOUR MICROWAVE OVEN**

- Do not use metal pans or dishes with metal handles.
  - Do not use anything with metal trim.
  - Do not use paper covered wire twist-ties on plastic bags.
  - Do not use melamine dishes as they contain a material which will absorb microwave energy. This may cause the dishes to crack or char and will slow down the cooking speed.
  - Do not use Centura Tableware. The glaze is not suitable for microwave use. Corelle Livingware closed handle cups should not be used.
  - Do not cook in a container with a restricted opening, such as a pop bottle or sealed oil bottle, as they may explode if heated in a microwave oven.
  - Do not use conventional meat or candy thermometers.
  - There are the thermometers available specifically for microwave cooking. These may be used.
9. Microwave utensils should be used only in accordance with manufacturer's instructions.
  10. Do not attempt to deep-fry foods in this oven.
  11. Please remember that a microwave oven only heats the liquid in a container rather than the container itself. Therefore, even though the lid of a container is not hot to the touch when removed from the oven, please remember that the food/liquid inside will be releasing the same amount of steam and/or spitting when the lid is removed as in conventional cooking.
  - 12 Always test the temperature of cooked food yourself especially if you are heating or cooking food/liquid for babies. It is advisable never to consume food/liquid straight from the oven but allow it to stand for a few minutes and stir food/liquid to distribute heat evenly.
  - 13 Food containing a mixture of fat and water, e.g. stock, should stand for 30-60 seconds in the oven after it has been turned off. This is to allow the mixture to settle and to prevent bubbling when a spoon is placed in the food/liquid or a stock cube is added.
  14. When preparing/cooking food/liquid and remember that there are certain foods, e.g. Christmas puddings, jam and mincemeat, which heat up very quickly. When heating or cooking foods with a high fat or sugar content do not use plastic containers.
  15. Cooking utensil may become hot because of heat transferred from the heated food. This is especially true if plastic wrap has been covering the top and handles of the utensil. Potholders may be needed to handle the utensil.
  16. To reduce the risk of fire in the oven cavity:
    - a) Do not overcook food. Carefully attend microwave oven if paper, plastic, or other combustible materials are placed inside the oven to facilitate cooking.
    - b) Remove wire twist-ties from bags before placing bag in oven.
    - c) If materials inside the oven should ignite, keep oven door closed, turn the oven off at the wall switch, or shut off power at the fuse or circuit breaker panel.

# CONTROL PANEL



## DISPLAY

Power Level (microwave power level)

Defrost (Weight or Time defrost)

Clock / Timer (setting the clock or countdown timer)

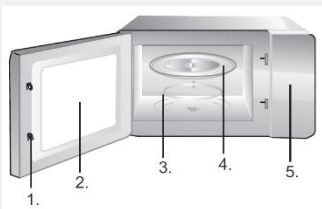
START / +30 Sec (Quick start, start the program, extend the program)

STOP / Cancel (to stop or cancel the program/setting)

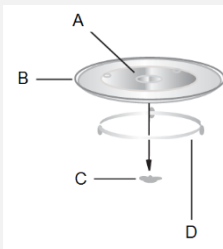
## Knob

- ∨ decrease time/weight, access to the timer
- ∧ increase time/weight, access to the automenu

## BUTTON FOR DOOR OPENING



1. Door Safety Lock System
2. Oven Window
3. Roller Ring
4. Glass Tray
5. Control Panel



A-glass tray; B-hub (under); C-turntable shaft; D-turntable ring

- a. Never place the glass tray upside down. The glass tray should never be blocked.
- b. Both glass tray and turntable ring assembly must be always used during cooking.
- c. Food and containers of food must be always placed on the glass tray for cooking.
- d. If glass tray or turntable ring assembly is damaged or broken, contact your nearest authorized service center.

# Operation instructions

This microwave oven uses modern electronic control to adjust cooking parameters to meet your needs better for cooking.

## 1. Clock Setting

When the microwave oven is electrified, the oven will display "0:00", buzzer will ring once.

- 1) Press "Clock/Timer" twice, the hour figure flash;
- 2) Turn "knob" to adjust the hour figures, the input time should be within 0-23.
- 3) Press "Clock/Timer", the minute figures will flash.
- 4) Turn "knob" to adjust the minute figures, the input time should be within 0-59.
- 5) Press "knob" to finish clock setting. ":" will flash.

Note:

- 1) If the clock is not set, it would not function when powered.
- 2) During the process of clock setting, if no operation within 1 minute, the oven will go back to the previous status automatically.

## 2. Microwave Cooking

- 1) Press the "Power Level" key once, and "P100" displays.
- 2) Press "Power Level" repeatedly or turn "knob" to select the microwave power "P100", "P80", "P50", "P30", "P10" will be display in order.
- 3) Press "Start/+30 Sec" to confirm.
- 4) Turn "knob" to adjust the cooking time. (The time setting should be 0:05- 95:00.)
- 5) Press "Start/+30 Sec" to start cooking.

Microwave Power Chart

Microwave Power	100%	80%	50%	30%	10%
Microwave Power	800W	640W	400W	240W	80W
Display	P100	P80	P50	P30	P10

## 3. Speedy Cooking

- 1) In waiting state, press "Start/+30 Sec" key to cook with 100% power level for 30 seconds. Each press on the same key can increase 30 seconds. The maximum cooking time is 95 minutes.
- 2) During the microwave, grill and combination cooking and time defrost process, press "START" to increase the cooking time.
- 3) In waiting state, turn "knob" left to choose the cooking time directly. After choosing the time, press "Start/+30 Sec" to start cooking. The microwave power is 100%.

Note: Under the states of auto menu and weight defrost, cooking time cannot be increased by pressing "Start/+30 Sec".

# Operation instructions

## 4. Defrost By Weight

- 1) Press "Defrost" once, the screen will display "dEF1".
- 2) Turn "knob" to select the food weight. The range of weight is 100-2000g.
- 3) Press "Start/+30 Sec" key to start defrosting.

## 5. Defrost By Time

- 1) Press "Defrost" twice, the screen will display "dEF2".
- 2) Turn "knob" to select the cooking time.
- 3) Press "Start/+30 Sec" key to start defrosting.

## 6. Multi-Stage Cooking

Two stages can be maximumly set. If one stage is defrosting, it should be put in the first stage. The buzzer will ring once after each stage and the next stage will begin.

Note: Auto menu cannot be set as one of the multi-stage.

Example: if you want to defrost the food for 5 minutes, then to cook with 80% microwave power for 7 minutes.

The steps are:

- 1) Press "Defrost" twice, the screen will display "dEF2".
- 2) Turn "knob" to adjust the defrost time of 5 minutes.
- 3) Press "Power Level" once.
- 4) Turn "knob" to choose 80% microwave power till "P80" displays.
- 5) Press "Start/+30 Sec" to confirm.
- 6) Turn "knob" to adjust the cooking time of 7 minutes.
- 7) Press "Start/+30 Sec" to start cooking.

## 7. Kitchen Timer

- 1) Press "Clock/Timer", display will display 00:00
- 2) Turn "knob" to enter the timer time. The maximum cooking time is 95 minutes.
- 3) Press "Start/+30 Sec" to confirm setting.
- 4) When the timer time elapses, the buzzer will ring 5 times. If the clock has been set (24-hour system), LED will display the current time.

Note: The kitchen time is different from 24-hour system. Kitchen Timer is a timer.

## 8. Auto Menu

- 1) In standby mode, turn "knob" right to choose the menu from "A-1" to "A-8";
- 2) Press "Start/+30 Sec" to confirm the menu you choose;
- 3) Turn "knob" to choose the food weight;
- 4) Press "Start/+30 Sec" to start cooking;
- 5) After cooking finishes, the buzzer sounds five times.



# Operation instructions

Menu	Weight	Display
A1 Auto Reheat	200g	200
	400g	400
	600g	600
A2 Vegetable	200g	200
	300g	300
	400g	400
A3 Fish	250g	250
	350g	350
	450g	450
A4 Meat	250g	250
	350g	350
	450g	450
A5 Pasta	50 g (with water 450 ml)	50
	100 g (with water 800 ml)	100
A6 Potato	200g	200
	400g	400
	600g	600
A7 Pizza	200g	200
	400g	400
A8 Soup	200 ml	200
	400 ml	400

## 9. Childlock function

To activate the lock: In standby mode, press "Stop/Cancel" for 3 seconds, there will be a long "beep" denoting entering the childlock mode. The screen will display current time if clock has been set. Otherwise, the screen will display "C : : C".

To deactivate the lock: In locked mode, press "Stop/Cancel" for 3 seconds, there will be a long "beep" denoting that the lock is released.

## 10. Inquiring function

1) When , press "Power Level", the current power will be displayed for 2-3 seconds.

2) During cooking state, press "Clock/Timer" to check the current time. It will be displayed for 2-3 seconds.

## 11. Specification

(1) The buzzer will sound once when turning the knob at the beginning;

(2) "D" must be pressed to continue cooking if the door is opened during cooking;

(3) Once the cooking programme has been set , "D" is not pressed in 1 minute. The current time will be displayed. The setting will be cancelled.

(4) The buzzer sounds once by efficient press, inefficient press will be no response.

(5) The buzzer will sound five times to remind you when cooking is finished.

# Care of your microwave oven

1. Turn the oven off and remove the power plug from the wall socket before cleaning.
2. Keep the inside of the oven clean. When food splatters of spilled liquids adhere to oven walls, wipe with a damp cloth. The use of harsh detergent or abrasives is not recommended.
3. The outside oven surface should be cleaned with a damp cloth. To prevent damage to the operating parts inside the oven, water should not be allowed to seep into the ventilation openings.
4. Do not allow the Control Panel to become wet. Clean with a soft, damp cloth, Do not use detergents, abrasives or sprayon cleaners on the control panel.
5. If steam accumulates inside or around the outside of the oven door, wipe with a soft cloth. This may occur when the microwave oven is operated under high humidity conditions and in no way indicates malfunction of the unit.
6. It is occasionally necessary to remove the glass tray for cleaning. Wash the tray in warm sudsy water or in a dishwasher.
7. The roller ring and oven cavity floor should be cleaned regularly to avoid excessive noise. Simply wipe the bottom surface of the oven with mild detergent, water or window cleaner and dry. The roller ring may be washed in mild sudsy water or dish washer. Cooking vapours collect during repeated use but in no way affect the bottom surface or roller ring wheels. When removing the roller ring from cavity floor for cleaning, be sure to replace it in the proper position.
8. Remove odors from your oven by combining a cup of water with the juice and skin of one lemon in a deep microwaveable bowl. Microwave for 5 minutes, wipe thoroughly and dry with a soft cloth.

## **Environment**

Do not throw away the appliance with the normal household waste at the end of its life, but hand it in at an official collection point for recycling. By doing this, you help to preserve the environment.

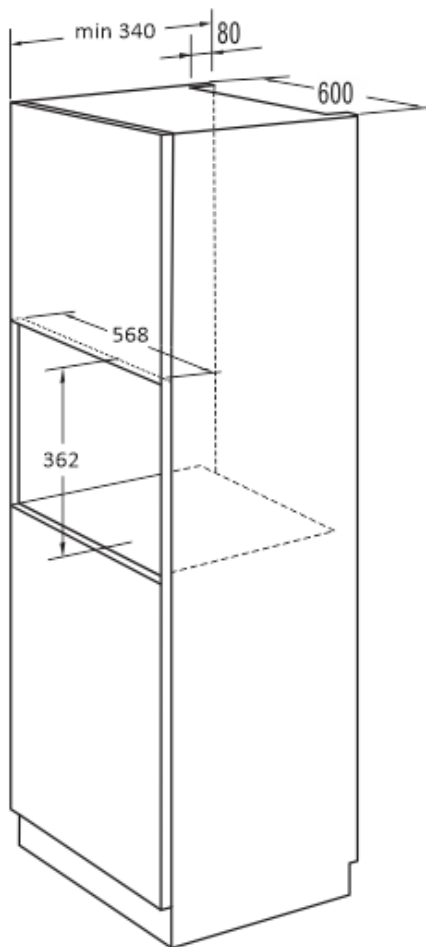
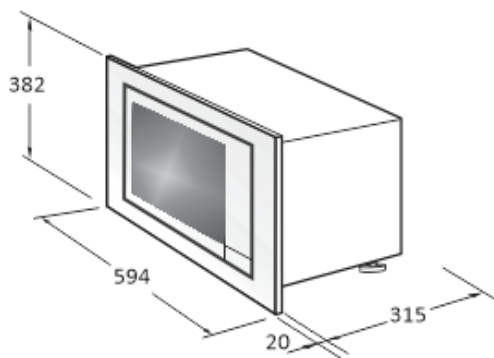
# Installation instructions

## Installation

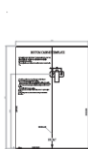
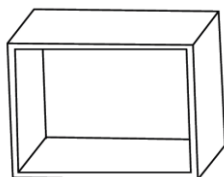
1. Make sure all the packing materials are removed from the inside of the door.
2. Inspect the oven after unpacking for any visual damage such as:
  - Misaligned Door
  - Damaged Door
  - Dents or Holes in Door Window and Screen
  - Dents in CavityIf any of the above are visible, DO NOT use the oven.
3. This Microwave Oven weighs app.14 kg and must be placed on a horizontal surface strong enough to support this weight.
4. The oven must be placed away from high temperature and steam.
5. DO NOT place anything on top of the oven.
6. DO NOT remove the turn -table drive shaft.
7. As with any appliance, close supervision is necessary when used by children.
8. Make sure that the AC outlet is easily accessible so that the plug can be removed quickly in an emergency. Otherwise, it should be possible to disconnect the device using a switch from the circuit. In this case, the existing provisions of the electrical safety standards are considered. The product has to be correctly installed on earthed socket with a single-phase AC (230 V/50 Hz). **WARNING! THIS APPLIANCE MUST BE EARTHED!**
9. This oven requires 1.4 kVA for its input. A consultation with a service engineer is suggested when installing the oven.

**CAUTION: This oven is protected internally by a 250 V,10 Amp Fuse.**

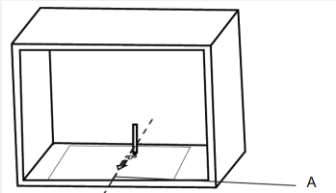
### **Built-in cabinet**



### ***Prepare the cabinet***



1. Put the template on the bottom of the cabinet.

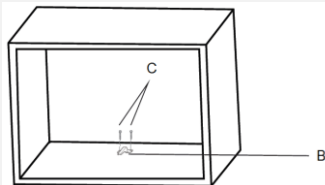


C 

2. Make the marks on the bottom of the cabinet according to marks "a" on the template.

B 

A center line  
B bracket  
C screws A

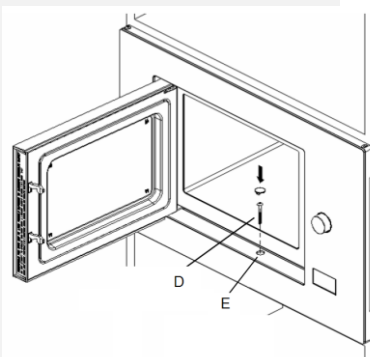
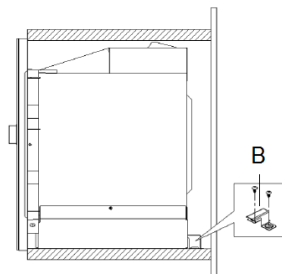
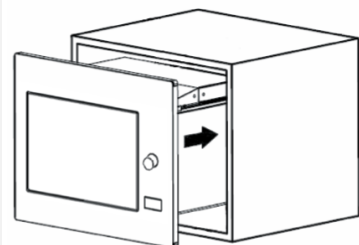


3. Remove the bottom cabinet template and fix the bracket with screw A.

### ***Install the oven***

4. Install the oven into the cabinet

- Make sure the back of the oven is locked with bracket.
- Do not cut the power cord.



5. Open the door, fix the oven to the cabinet with screw (D), at the installation hole.  
Then fix the Trim-kit plastic cover to the installation hole (E).

## Specifications

Power consumption	230V~50Hz, 1250W
Output power	800W
Grill heater	/
Operating frequency	2450MHz
Outside Dimensions	595mm(W)x388mm(H)x345mm(D)
Oven Capacity	20 litres
Uncrated Weight	Approx. 15 kg
Noise level	Lc < 58 dB (A)
Turntable diameter	245 mm



**This appliance is marked according to the European directive 2012/19/EU on Waste Electrical and Electronic Equipment (WEEE). This guideline is the frame of a European-wide validity of return and recycling on Waste Electrical and Electronic Equipment.**

## Radio interference

Microwave oven may cause interference to your radio, TV, or similar equipment. When interference occurs, it may be eliminated or reduced by the following procedures.

- Clean the door and sealing surface of the oven.
- Place the radio, TV, etc. as far away from your microwave oven as possible.
- Use a properly installed antenna for your radio, TV, etc. to get a strong signal reception.

**WE RESERVE THE RIGHT TO MAKE ANY CHANGES THAT DO NOT AFFECT THE FUNCTIONALITY OF THE APPLIANCE.**

## Before you call for service

1. If the oven will not perform at all, the information on the display does not appear or the display disappeared:
  - a) Check to ensure that the oven is plugged in securely. If it is not, remove the plug from the outlet, wait 10 seconds and plug it in again securely.
  - b) Check the premises for a blown circuit fuse or a tripped main circuit breaker. If these seem to be operating properly, test the outlet with another appliance.
2. If the microwave power will not function:
  - a) Check to see whether the timer is set.
  - b) Check to make sure that the door is securely closed to engage the safety interlocks. Otherwise, the microwave energy will not flow into the oven.

**If none of the above rectify the situation, then contact the nearest authorized service agent.**

**The appliance for household use for heating food and beverages using electromagnetic energy, for indoor use only.**

Problem	Possible cause	Solution
Oven can not be started.	Power cord not plugged in.	Unplug. Then plug again after 10 sec.
	Broken fuse.	Replace fuse or reset.
	Problem with electrical supply.	Test electrical supply with other electrical appliances.
Oven does not heat.	Door are not closed.	Close the door.
Glass turntable makes noise while oven is operating.	Dirty wheels and oven bottom.	Read »Care of your microwave« and clean the ovens dirty parts.

**The appliance for household use for heating food and beverages using electromagnetic energy, for indoor use only.**

## Guarantee & service

If you need information or if you have a problem, please contact the Hisense Customer Care Centre in your country you find its phone number in the worldwide guarantee leaflet). If there is no Customer Care Centre in your country, go to your local Hisense dealer or contact the Service department of Hisense domestic appliances.

**For personal use only!**

**WISHES YOU A LOT OF PLEASURE WHILE USING YOUR APPLIANCE**

**Hisense**  
life reimagined

