

Hamlet

UNIVERSAL COVER 101 KBT2 Universal Cover with Removable Bluetooth Keyboard for 10.1" Tablet PC



USER MANUAL
XPADCV101KBT2

Dear Customer,

thanks for choosing an Hamlet product. Please carefully follow the instructions for its use and maintenance and, once this item has run its life span, we kindly ask You to dispose of it in an environmentally friendly way, by putting it in the separate bins for electrical/electronic waste, or to bring it back to your retailer who will collect it for free.



We inform You this product is manufactured with materials and components in compliance with RoHS Directives 2011/65/EU & 2015/863/EU, WEEE Directive 2002/96/CE, 2003/108/CE Italian Legislative Decree 2005/151 and RED Directive 2014/53/EU for the following standards:

EN 300 328 V2.2.0 (2017-11)

ETSI EN 301 489-1 V2.2.0 (2017-03)

ETSI EN 301 489-17 V3.2.0 (2017-03)

EN 62368-1: 2014 + A11: 2017

EN 62479: 2010



CE Mark Warning

This is a Class B product. In a domestic environment, this product may cause radio interference, in which case the user may be required to take adequate measures.

The complete CE declaration of conformity of the product can be obtained by contacting Hamlet at info@hamletcom.com.

Visit www.hamletcom.com for complete information on all Hamlet products and to access downloads and technical support.

Imported by: CARECA ITALIA SPA - Scandiano (RE) . Italy.

Trademarks and changes

All trademarks and company names mentioned in this manual are used for description purpose only and remain property of their respective owners.

The material in this document is for information only. Contents, specifications and appearance of the product are indicative and may change without notice.

Introduction

Hamlet Universal Cover 101 KBT2 is a practical protective case designed for 10.1" Tablet PC, equipped with wireless Bluetooth keyboard. This cover enables you to use your Tablet PC in an upright position with the ideal angle for comfortable typing and maximum ease of use, while protecting your device from scratches and shock. The Tablet PC is secured to the cover by special clips which allow free access to the buttons and side ports. The removable Bluetooth keyboard can be easily detached from the cover thanks to the magnetic clips. Closing takes place through a magnetic flap. Equipped with a USB cable for charging the keyboard battery.

Features

- Universal cover with stand for 10.1" Tablet PC
- Removable Bluetooth keyboard with rechargeable lithium battery
- Bluetooth interface version 3.0
- Operating range up to 10 meters
- International QWERTY layout
- Micro USB port for recharging
- Status LED indicators
- Standby: 40 days
- Charging time: 3-4 hours
- ON/OFF switch

Package contents

- Universal keyboard case
- USB charging cable
- User manual

System requirements

- Tablet PC with Bluetooth connection
- Android 4.1 or above, iOS 6 or above operating system

Keyboard layout

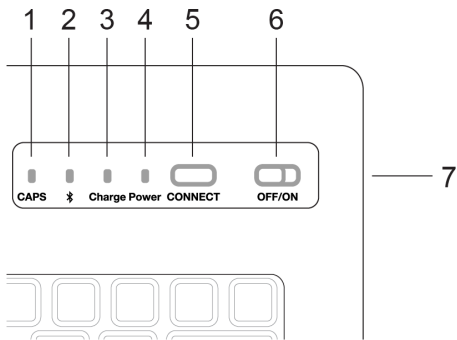
The removable Bluetooth keyboard has an international QWERTY layout based on English language.

In the case of using a system with a different language, it could be necessary to set the keyboard layout to **English (US)** so that special characters typed on keyboard appear correctly on screen.

Important Note

Multimedia keys such as brightness, volume and playback may work on some devices only.

Buttons and LED indicators



1. Caps lock indicator
2. Bluetooth indicator
3. Charging indicator
4. Battery power indicator
5. Bluetooth pairing button
6. ON/OFF power switch
7. Micro USB port

Installation and use

The following steps refer to tablets with Android system. For other types of tablet, please refer to the instructions for the Bluetooth connection provided with the product documentation.

Note: It is recommended that you fully charge the battery the first time you use the keyboard.

Connecting the keyboard to the tablet (Android)

1. Turn on the keyboard moving the power switch to the ON position (the Power light will turn on for 3 seconds).
2. Enable the Bluetooth function of the tablet you wish to connect by opening the **Settings** menu and selecting **Bluetooth** in the **Wireless & Networks** section.
3. Press the Bluetooth pairing button (Connect) on the keyboard (the Bluetooth indicator will begin to flash).
4. When the tablet detects the keyboard, select **Bluetooth 3.0 Keyboard** from the list of Bluetooth devices.
5. The system will prompt a random PIN number. Type in the PIN number on the keyboard and press **Enter** to complete the pairing.
6. The keyboard is now successfully connected to the tablet.

Note: If there is no signal for 10 minutes or the connected device is turned off, the keyboard will go into Standby. Press any key to wake up the keyboard.

Charging the keyboard

When the battery charge is low, the Power indicator will start blinking.

1. Plug the small end (micro USB) of the charging cable into the micro USB port of the keyboard.
2. Plug the other end of the cable into a USB port on your computer. The Charge indicator will light up.
3. The keyboard is fully charged when the Charge indicator turns off.

Troubleshooting

In case it is impossible to connect the keyboard to your tablet, try these steps to resolve the problem.

1. Make sure you have the Bluetooth function installed and set up properly on your tablet. Refer to your tablet's documentation for details.
2. Make sure the keyboard is in a range of 10 meters from the tablet.
3. If the tablet is connected to other Bluetooth devices, you may need to disconnect some before connecting the keyboard.
4. If you have changed some Bluetooth settings on the tablet, try to reconnect the keyboard to the tablet.
5. Make sure both batteries of tablet and keyboard are enough charged.

If you are unable to resolve the problem, contact technical support through the Hamlet website at hamletcom.com.