

**LFB2AE88S**

<b>EN</b>	User Manual   <b>Refrigerator</b>	<b>2</b>
<b>IS</b>	Notendaleiðbeiningar   <b>Ísskápur</b>	<b>20</b>



## WE'RE THINKING OF YOU

Thank you for purchasing an Electrolux appliance. You've chosen a product that brings with it decades of professional experience and innovation. Ingenious and stylish, it has been designed with you in mind. So whenever you use it, you can be safe in the knowledge that you'll get great results every time.

Welcome to Electrolux.

Visit our website to:



Get usage advice, brochures, trouble shooter, service and repair information:  
[www.electrolux.com/support](http://www.electrolux.com/support)



Register your product for better service:  
[www.registerelectrolux.com](http://www.registerelectrolux.com)



Buy Accessories, Consumables and Original spare parts for your appliance:  
[www.electrolux.com/shop](http://www.electrolux.com/shop)

## CUSTOMER CARE AND SERVICE

Always use original spare parts.

When contacting our Authorised Service Centre, ensure that you have the following data available: Model, PNC, Serial Number.

The information can be found on the rating plate.

Warning / Caution-Safety information

General information and tips

Environmental information

Subject to change without notice.

## CONTENTS

1. SAFETY INFORMATION.....	2
2. SAFETY INSTRUCTIONS.....	4
3. INSTALLATION.....	6
4. CONTROL PANEL.....	9
5. DAILY USE.....	10
6. HINTS AND TIPS.....	11
7. CARE AND CLEANING.....	13
8. TROUBLESHOOTING.....	15
9. NOISES.....	18
10. TECHNICAL DATA.....	18
11. INFORMATION FOR TEST INSTITUTES.....	18
12. ENVIRONMENTAL CONCERNS.....	19

## 1. SAFETY INFORMATION

Before the installation and use of the appliance, carefully read the supplied instructions. The manufacturer is not responsible

for any injuries or damage that are the result of incorrect installation or usage. Always keep the instructions in a safe and accessible location for future reference.

## **1.1 Children and vulnerable people safety**

- This appliance can be used by children aged from 8 years and above and persons with reduced physical, sensory or mental capabilities or lack of experience and knowledge if they have been given supervision or instruction concerning the use of the appliance in a safe way and understand the hazards involved. Children aged from 3 to 8 years and persons with very extensive and complex disabilities are allowed to load and unload the appliance provided that they have been properly instructed. Children of less than 3 years of age should be kept away from the appliance unless continuously supervised.
- Children should be supervised to ensure that they do not play with the appliance.
- Children shall not carry out cleaning and user maintenance of the appliance without supervision.
- Keep all packaging away from children and dispose of it appropriately.

## **1.2 General Safety**

- This appliance is for storing food and beverages only.
- This appliance is designed for single household domestic use in an indoor environment.
- This appliance may be used in, offices, hotel guest rooms, bed & breakfast guest rooms, farm guest houses and other similar accommodation where such use does not exceed (average) domestic usage levels.
- To avoid contamination of food respect the following instructions:
  - do not open the door for long periods;
  - clean regularly surfaces that can come in contact with food and accessible drainage systems;

- store raw meat and fish in suitable containers in the refrigerator, so that it is not in contact with or drip onto other food.
- **WARNING:** Keep ventilation openings, in the appliance enclosure or in the built-in structure, clear of obstruction.
- **WARNING:** Do not use mechanical devices or other means to accelerate the defrosting process, other than those recommended by the manufacturer.
- **WARNING:** Do not damage the refrigerant circuit.
- **WARNING:** Do not use electrical appliances inside the food storage compartments of the appliance, unless they are of the type recommended by the manufacturer.
- Do not use water spray and steam to clean the appliance.
- Clean the appliance with a moist soft cloth. Only use neutral detergents. Do not use abrasive products, abrasive cleaning pads, solvents or metal objects.
- When the appliance is empty for long period, switch it off, defrost, clean, dry and leave the door open to prevent mould from developing within the appliance.
- Do not store explosive substances such as aerosol cans with a flammable propellant in this appliance.
- If the supply cord is damaged, it must be replaced by the manufacturer, its Authorised Service Centre or similarly qualified persons in order to avoid a hazard.

## 2. SAFETY INSTRUCTIONS

### 2.1 Installation

 **WARNING!**

Only a qualified person must install this appliance.

- Remove all the packaging.
- Do not install or use a damaged appliance.
- Do not use the appliance before installing it in the built-in structure due to safety manner.
- Follow the installation instructions supplied with the appliance.
- Always take care when moving the appliance as it is heavy. Always use safety gloves and enclosed footwear.
- Make sure the air can circulate around the appliance.
- At first installation or after reversing the door wait at least 4 hours before connecting the appliance to the power supply. This is to allow the oil to flow back in the compressor.
- Before carrying out any operations on the appliance (e.g. reversing the door), remove the plug from the power socket.

- Do not install the appliance close to radiators or cookers, ovens, or hobs, unless otherwise specified in the installation instructions.
- Do not expose the appliance to the rain.
- Do not install the appliance where there is direct sunlight.
- Do not install this appliance in areas that are too humid or too cold.
- When you move the appliance, lift it by the front edge to avoid scratching the floor.

## 2.2 Electrical connection

### **WARNING!**

Risk of fire and electric shock.

### **WARNING!**

When positioning the appliance, ensure the supply cord is not trapped or damaged.

### **WARNING!**

- The appliance must be earthed.
- Make sure that the parameters on the rating plate are compatible with the electrical ratings of the mains power supply.
- Always use a correctly installed shockproof socket.
- Make sure not to cause damage to the electrical components (e.g. mains plug, mains cable, compressor). Contact the Authorised Service Centre or an electrician to change the electrical components.
- The mains cable must stay below the level of the mains plug.
- Connect the mains plug to the mains socket only at the end of the installation. Make sure that there is access to the mains plug after the installation.
- Do not pull the mains cable to disconnect the appliance. Always pull the mains plug.

## 2.3 Use

### **WARNING!**

Risk of injury, burns, electric shock or fire.



The appliance contains flammable gas, isobutane (R600a), a natural gas with a high level of environmental compatibility. Be careful not to cause damage to the refrigerant circuit containing isobutane.

- Do not change the specification of this appliance.
- Any use of the built-in product as free-standing is strictly prohibited.
- Do not put electrical appliances (e.g. ice cream makers) in the appliance unless they are stated applicable by the manufacturer.
- If damage occurs to the refrigerant circuit, make sure that there are no flames and sources of ignition in the room. Ventilate the room.
- Do not let hot items to touch the plastic parts of the appliance.
- Do not put soft drinks in the freezer compartment. This will create pressure on the drink container.
- Do not store flammable gas and liquid in the appliance.
- Do not put flammable products or items that are wet with flammable products in, near or on the appliance.
- Do not touch the compressor or the condenser. They are hot.
- Do not remove or touch items from the freezer compartment if your hands are wet or damp.
- Do not freeze again food that has been thawed.
- Follow the storage instructions on the packaging of frozen food.
- Wrap the food in any food contact material before putting it in the freezer compartment.
- Do not allow food to come in contact with the inner walls of the appliance compartments.

## 2.4 Internal lighting

### **WARNING!**

Risk of electric shock.

- This product contains one or more light sources of energy efficiency class G.
- Concerning the lamp(s) inside this product and spare part lamps sold separately: These lamps are intended to withstand extreme physical conditions in household appliances, such as temperature, vibration, humidity, or are intended to signal information about the operational status of the appliance. They are not intended to be used in other applications and are not suitable for household room illumination.

## 2.5 Care and cleaning

### **WARNING!**

Risk of injury or damage to the appliance.

- Before maintenance, deactivate the appliance and disconnect the mains plug from the mains socket.
- This appliance contains hydrocarbons in the cooling unit. Only a qualified person must do the maintenance and the recharging of the unit.
- Regularly examine the drain of the appliance and if necessary, clean it. If the drain is blocked, defrosted water collects in the bottom of the appliance.

## 2.6 Service

- To repair the appliance contact the Authorised Service Centre. Use original spare parts only.

- Please note that self-repair or non-professional repair can have safety consequences and might void the guarantee.
- The following spare parts will be available for 7 years after the model has been discontinued: thermostats, temperature sensors, printed circuit boards, light sources, door handles, door hinges, trays and baskets. Please note that some of these spare parts are only available to professional repairers, and that not all spare parts are relevant for all models.
- Door gaskets will be available for 10 years after the model has been discontinued.

## 2.7 Disposal

### **WARNING!**

Risk of injury or suffocation.

- Disconnect the appliance from the mains supply.
- Cut off the mains cable and discard it.
- Remove the door to prevent children and pets to be closed inside of the appliance.
- The refrigerant circuit and the insulation materials of this appliance are ozone-friendly.
- The insulation foam contains flammable gas. Contact your municipal authority for information on how to discard the appliance correctly.
- Do not cause damage to the part of the cooling unit that is near the heat exchanger.

## 3. INSTALLATION

### **WARNING!**

Refer to Safety chapters.

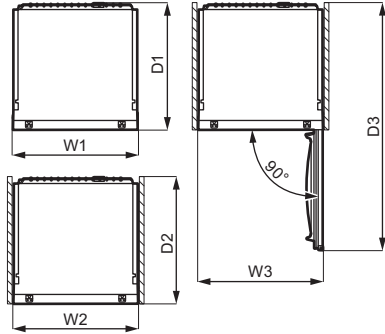
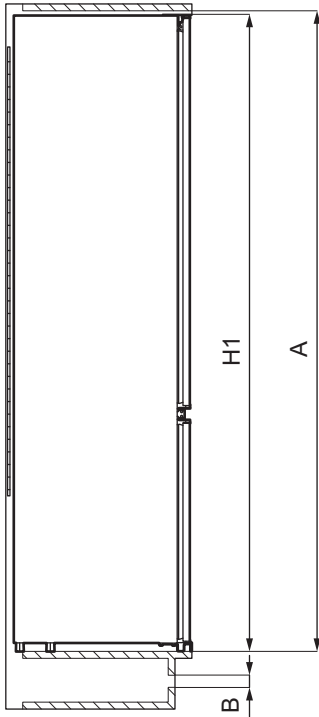
### **WARNING!**

Refer to installation instruction document to install your appliance.

### **WARNING!**

Fix the appliance in accordance with installation instruction document to avoid a risk of instability of the appliance.

### 3.1 Dimensions



Overall dimensions <sup>1</sup>		
H1	mm	873
W1*	mm	548
D1	mm	549

<sup>1</sup> the height, width and depth of the appliance without the handle

\* including the width of the bottom hinges (8 mm)

Space required in use <sup>2</sup>		
H2 (A+B)	mm	916
W2*	mm	548
D2	mm	551

Space required in use <sup>2</sup>		
A	mm	880
B	mm	36

<sup>2</sup> the height, width and depth of the appliance including the handle, plus the space necessary for free circulation of the cooling air

\* including the width of the bottom hinges (8 mm)

Overall space required in use <sup>3</sup>		
H3 (A+B)	mm	916
W3*	mm	548

### Overall space required in use <sup>3</sup>

D3	mm	1071
----	----	------

<sup>3</sup> the height, width and depth of the appliance including the handle, plus the space necessary for free circulation of the cooling air, plus the space necessary to allow door opening to the minimum angle permitting removal of all internal equipment

\* including the width of the bottom hinges (8 mm)

## 3.2 Location

To ensure appliance's best functionality, you should not install the appliance in a place with direct sunlight. Do not install the appliance close to radiators or cookers, ovens, or hobs, unless otherwise specified in the installation instructions.

Make sure that air can circulate freely around the back of the cabinet.

This appliance should be installed in a dry, well ventilated indoor position.

This appliance is intended to be used at ambient temperature ranging from 10°C to 38°C.



The correct operation of the appliance can only be guaranteed within the specified temperature range.



If you have any doubts regarding where to install the appliance, please turn to the vendor, to our customer service or to the nearest Authorised Service Centre.



It must be possible to disconnect the appliance from the mains power supply. The plug must therefore be easily accessible after installation.

## 3.3 Electrical connection

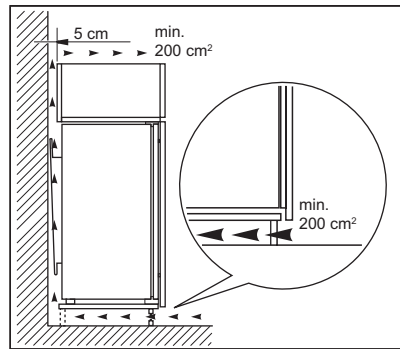
- Before plugging in, ensure that the voltage and frequency shown on the rating plate

correspond to your domestic power supply.

- The appliance must be earthed. The power supply cable plug is provided with a contact for this purpose. If the domestic power supply socket is not earthed, connect the appliance to a separate earth in compliance with current regulations, consulting a qualified electrician.
- The manufacturer declines all responsibility if the above safety precautions are not observed.

## 3.4 Ventilation requirements

The airflow behind the appliance must be sufficient.



### ⚠ CAUTION!

Refer to the installation instructions for the installation.

## 3.5 Door reversibility

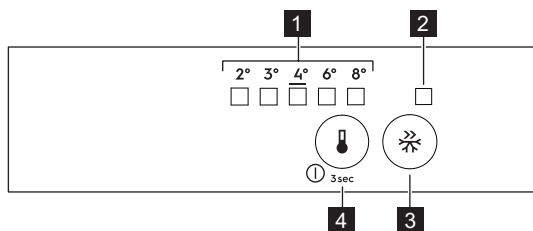
Please refer to the separate document with instructions on installation and door reversal.

### ⚠ CAUTION!

At every stage of reversing the door protect the floor from scratching with a durable material.



## 4. CONTROL PANEL



- 1** Temperature indicator LED
- 2** FastFreeze indicator
- 3** FastFreeze button
- 4** Temperature regulator ON/OFF button

### 4.1 Switching on

1. Insert the plug into the wall socket.
2. Touch the temperature regulator button if all LED indicators are off.

### 4.2 Switching off

Keep touching the temperature regulator button for 3 seconds. All indicators light off.

### 4.3 Temperature regulation

To operate the appliance, touch the temperature regulator until the LED corresponding to the required temperature lights up. Selection is progressive, varying from 2°C to 8°C. Recommended setting is 4°C.

1. Touch temperature regulator. Current temperature indicator blinks. Any time you touch the temperature regulator, the setting moves by one position. The corresponding LED blinks for a while.
2. Touch the temperature regulator until the required temperature is selected.



The set temperature will be reached within 24 hours. After a power failure the set temperature remains stored.

### 4.4 FastFreeze function

The FastFreeze function is used to perform pre-freezing and fast freezing in sequence in the freezer compartment. This function accelerates the freezing of fresh food and, at the same time, protects food products already stored in the freezer compartment from undesirable warming.



To freeze fresh food activate the FastFreeze function at least 24 hours before placing the food to complete pre-freezing.

To activate FastFreeze function press the FastFreeze button. The FastFreeze indicator switches on.



This function stops automatically after 52 hours.

It is possible to deactivate the function at any time by pressing FastFreeze button again. The FastFreeze indicator switches off.

### 4.5 Door open alarm

If the fridge door is left open for approximately 5 minutes, the sound is on.

During the alarm the sound can be muted by pressing any button. The sound switches off automatically after around one hour to avoid disturbing.

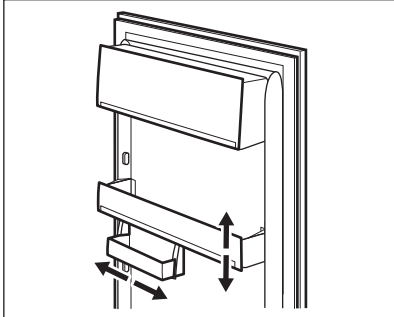
The alarm deactivates after closing the door.

## 5. DAILY USE

### 5.1 Positioning the door shelves

To permit storage of food packages of various sizes, the door shelves can be placed at different heights.

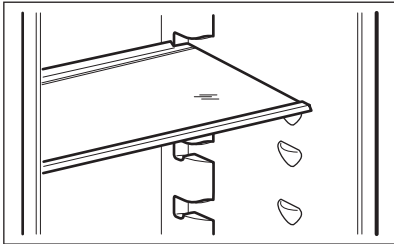
1. Gradually pull the shelf up until it comes free.
2. Reposition as required.



This model is equipped with a variable storage box which can be moved sideways.

### 5.2 Movable shelves

The walls of the refrigerator are equipped with a series of runners so that the shelves can be positioned as desired.



Do not move the glass shelf above the vegetable drawer to ensure correct air circulation.

### 5.3 Vegetable drawer

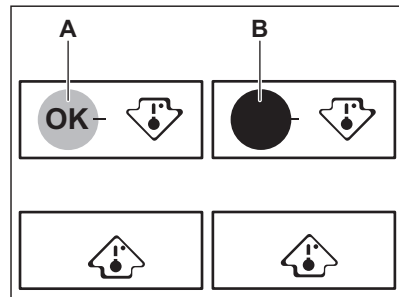
There is a special drawer in the bottom part of the appliance suitable for storage of fruits and vegetables.

### 5.4 Temperature indicator

For proper storage of food the refrigerator is equipped with the temperature indicator. The symbols on the side wall of the appliance indicate a cold area in the refrigerator, between the two arrows.

If OK is displayed (A), put fresh food into area indicated by the two labels, if not (B), wait at least 12 hours and check if it is OK (A).

If it is still not OK (B), adjust the setting control to a colder setting.



### 5.5 Freezing fresh food

The freezer compartment is suitable for freezing fresh food and storing frozen and deep-frozen food for a long time.

To freeze fresh food activate the FastFreeze function at least 24 hours before placing the food to be frozen in the freezer compartment.

Store the fresh food evenly distributed in all compartments or drawers.

The maximum amount of food that can be frozen without adding other fresh food during 24 hours is specified on the rating plate (a label located inside the appliance).

When the freezing process is complete, the appliance automatically returns to the previous temperature setting (see "FastFreeze function").



In this condition, the temperature inside the refrigerator might change slightly.

For more information refer to "Hints for freezing".

## 5.6 Storage of frozen food

When activating an appliance for the first time or after a period out of use, before putting the products in the compartment let the appliance run at least 3 hours with the FastFreeze function switched on.

Keep the food no closer than 15 mm from the door.

### CAUTION!

In the event of accidental defrosting, for example due to a power failure, if the power has been off for longer than the value shown on rating plate under "rising time", the defrosted food must be consumed quickly or cooked immediately then cooled and then re-frozen.

## 5.7 Thawing

Deep-frozen or frozen food, prior to being consumed, can be thawed in the refrigerator or inside a plastic bag under cold water.

This operation depends on the time available and on the type of food. Small pieces may even be cooked still frozen.

## 6. HINTS AND TIPS

### 6.1 Hints for energy saving

- Fridge: Most efficient use of energy is ensured in the configuration with the drawers in the bottom part of the appliance and shelves evenly distributed. Position of the door bins does not affect energy consumption.
- Do not open the door frequently or leave it open longer than necessary.
- Freezer: The colder the temperature setting, the higher the energy consumption.
- Fridge: Do not set too high temperature to save energy unless it is required by the characteristics of the food.
- If the ambient temperature is high and the temperature control is set to low temperature and the appliance is fully loaded, the compressor may run continuously, causing frost or ice formation on the evaporator. In this case, set the temperature control toward higher temperature to allow automatic defrosting and to save energy this way.
- Ensure a good ventilation. Do not cover the ventilation grilles or holes.

### 6.2 Hints for freezing

- Activate FastFreeze function at least 24 hours before placing the food inside the freezer compartment.
- Before freezing wrap and seal fresh food in: aluminium foil, plastic film or bags, airtight containers with lid.
- For more efficient freezing and thawing divide food into small portions.
- It is recommended to put labels and dates on all your frozen food. This will help to identify foods and to know when they should be used before their deterioration.
- The food should be fresh when being frozen to preserve good quality. Especially fruits and vegetables should be frozen after the harvest to preserve all of their nutrients.
- Do not freeze bottles or cans with liquids, in particular drinks containing carbon dioxide - they may explode during freezing.
- Do not put hot food in the freezer compartment. Cool it down at room temperature before placing it inside the compartment.
- To avoid increase in temperature of already frozen food, do not place fresh

unfrozen food directly next to it. Place food at room temperature in the part of the freezer compartment where there is no frozen food.

- Do not eat ice cubes, water ices or ice lollies immediately after taking them out of the freezer. Risk of frostbites.
- Do not re-freeze defrosted food. If the food has defrosted, cook it, cool it down and then freeze it.

### 6.3 Hints for storage of frozen food

- Freezer compartment is the one marked with ❄️ ❄️❄️.
- The medium temperature setting ensures good preservation of frozen food products. Higher temperature setting inside the appliance may lead to shorter shelf life.
- The whole freezer compartment is suitable for storage of frozen food products.
- Leave enough space around the food to allow air to circulate freely.
- For adequate storage refer to food packaging label to see the shelf life of food.

- It is important to wrap the food in such a way that prevents water, humidity or condensation from getting inside.

### 6.4 Shopping tips

After grocery shopping:

- Ensure that the packaging is not damaged - the food could be deteriorated. If the package is swollen or wet, it might have not been stored in the optimal conditions and defrosting may have already started.
- To limit the defrosting process buy frozen goods at the end of your grocery shopping and transport them in a thermal and insulated cool bag.
- Place the frozen foods immediately in the freezer after coming back from the shop.
- If food has defrosted even partially, do not re-freeze it. Consume it as soon as possible.
- Respect the expiry date and the storage information on the package.

### 6.5 Shelf life for freezer compartment


Type of food	Shelf life (months)
Bread	3
Fruits (except citrus)	6 - 12
Vegetables	8 - 10
Leftovers without meat	1 - 2
<b>Dairy food:</b>	
Butter	6 - 9
Soft cheese (e.g. mozzarella)	3 - 4
Hard cheese (e.g. parmesan, cheddar)	6
<b>Seafood:</b>	
Fatty fish (e.g. salmon, mackerel)	2 - 3
Lean fish (e.g. cod, flounder)	4 - 6
Shrimps	12
Shucked clams and mussels	3 - 4
Cooked fish	1 - 2
<b>Meat:</b>	

Type of food	Shelf life (months)
Poultry	9 - 12
Beef	6 - 12
Pork	4 - 6
Lamb	6 - 9
Sausage	1 - 2
Ham	1 - 2
Leftovers with meat	2 - 3

## 6.6 Hints for fresh food refrigeration

- Good temperature setting that ensures preservation of fresh food is a temperature less than or equal to +4°C. Higher temperature setting inside the appliance may lead to shorter shelf life of food.
- Cover the food with packaging to preserve its freshness and aroma.
- Always use closed containers for liquids and for food, to avoid flavours or odours in the compartment.
- To avoid the cross-contamination between cooked and raw food, cover the cooked food and separate it from the raw one.
- It is recommended to defrost the food inside the fridge.
- Do not insert hot food inside the appliance. Make sure it has cooled down at room temperature before inserting it.
- To prevent food waste the new stock of food should always be placed behind the old one.

## 6.7 Hints for food refrigeration

- Fresh food compartment is the one marked (on the rating plate) with  .

- Meat (all types): wrap in a suitable packaging and place it on the glass shelf above the vegetable drawer. Store meat for at most 1-2 days.
- Fruit and vegetables: clean thoroughly (eliminate the soil) and place in a special drawer (vegetable drawer).
- It is advisable not to keep the exotic fruits like bananas, mangos, papayas etc. in the refrigerator.
- Vegetables like tomatoes, potatoes, onions, and garlic should not be kept in the refrigerator.
- Butter and cheese: place in an airtight container or wrap in an aluminium foil or a polythene bag to exclude as much air as possible.
- Bottles: close them with a cap and place them on the door bottle shelf, or (if available) on the bottle rack.
- Always refer to the expiry date of the products to know how long to keep them.

# 7. CARE AND CLEANING

### **WARNING!**

Refer to Safety chapters.

## 7.1 Cleaning the interior

Before using the appliance for the first time, the interior and all internal accessories should be washed with lukewarm water and some

neutral soap to remove the typical smell of a brand-new product, then dried thoroughly.

### **CAUTION!**

Do not use detergents, abrasive powders, chlorine or oil-based cleaners as they will damage the finish.

**⚠ CAUTION!**

The accessories and parts of the appliance are not suitable for washing in a dishwasher.

## 7.2 Periodic cleaning

The equipment has to be cleaned regularly:

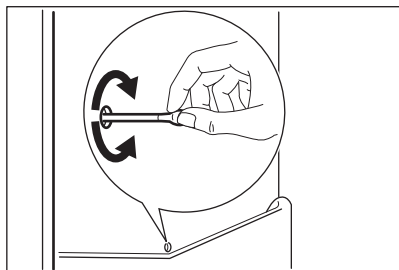
1. Clean the inside and accessories with lukewarm water and some neutral soap.
2. Regularly check the door seals and wipe them clean to ensure they are clean and free from debris.
3. Rinse and dry thoroughly.

## 7.3 Defrosting of the refrigerator

Frost is automatically eliminated from the evaporator of the refrigerator compartment during normal use. The defrost water drains out through a trough into a special container at the back of the appliance, over the motor compressor, where it evaporates.

It is important to periodically clean the defrost water drain hole in the middle of the refrigerator compartment channel to prevent the water overflowing and dripping onto the food inside.

For this purpose use the tube cleaner provided with the appliance.



## 7.4 Defrosting of the freezer

**⚠ CAUTION!**

Never use sharp metal tools to scrape off frost from the evaporator as you could damage it.

Do not use a mechanical device or any artificial means to speed up the thawing process other than those recommended by the manufacturer.



About 12 hours prior to defrosting set a lower temperature in order to build up sufficient chill reserve in case of any interruption in operation.

A certain amount of frost will always form on the freezer shelves and around the top compartment.

Defrost the freezer when the frost layer reaches a thickness of about 3-5 mm.

1. Switch off the appliance or pull out electrical plug from the wall socket.
2. Remove any stored food and put it in a cool place.

**⚠ CAUTION!**

A temperature rise of the frozen food packs during defrosting may shorten their safe storage life.

Do not touch frozen goods with wet hands. Hands can freeze to the goods.

3. Leave the door open. Protect the floor from the defrosting water e.g. with a cloth or a flat vessel.
4. In order to speed up the defrosting process, place a pot of warm water in the freezer compartment. In addition, remove pieces of ice that break away before defrosting is complete.
5. When defrosting is complete, dry the interior thoroughly.
6. Switch on the appliance and close the door.
7. Set the temperature regulator to obtain the maximum coldness and run the appliance for at least 3 hours using this setting.

Only after this time put the food back into the freezer compartment.

### 7.5 Period of non-operation

When the appliance is not in use for long period, take the following precautions:

1. Disconnect the appliance from electricity supply.
2. Remove all food.
3. Defrost the appliance.
4. Clean the appliance and all accessories.
5. Leave the doors open to prevent unpleasant smells.

## 8. TROUBLESHOOTING



### WARNING!

Refer to Safety chapters.

### 8.1 What to do if...

Problem	Possible cause	Solution
The appliance does not operate.	The appliance is switched off.	Switch on the appliance.
	The mains plug is not connected to the mains socket correctly.	Connect the mains plug to the mains socket correctly.
	There is no voltage in the mains socket.	Connect a different electrical appliance to the mains socket. Contact a qualified electrician.
The appliance is noisy.	The appliance is not supported properly.	Check if the appliance stands stable.
Acoustic or visual alarm is on.	The door is left open.	Close the door.
The compressor operates continually.	Temperature is set incorrectly.	Refer to "Control panel" chapter.
	Many food products were put in at the same time.	Wait a few hours and then check the temperature again.
	The room temperature is too high.	Refer to "Installation" chapter.
	Food products placed in the appliance were too warm.	Allow food products to cool to room temperature before storing.
The compressor does not start immediately after pressing the "Fast-Freeze", or after changing the temperature.	The door is not closed correctly.	Refer to "Closing the door" section.
	The FastFreeze function is switched on.	Refer to "FastFreeze function" section.
	The compressor starts after a period of time.	This is normal, no error has occurred.
Door is misaligned or interferes with ventilation grill.	The appliance is not levelled.	Refer to installation instructions.
Door does not open easily.	You attempted to re-open the door immediately after closing.	Wait a few seconds between closing and re-opening of the door.
The lamp does not work.	The lamp is in stand-by mode.	Close and open the door.

<b>Problem</b>	<b>Possible cause</b>	<b>Solution</b>
	The lamp is defective.	Contact the nearest Authorized Service Centre.
There is too much frost and ice.	The door is not closed correctly.	Refer to "Closing the door" section.
	The gasket is deformed or dirty.	Refer to "Closing the door" section.
	Food products are not wrapped properly.	Wrap the food products better.
	Temperature is set incorrectly.	Refer to "Control panel" chapter.
	Appliance is fully loaded and is set to the lowest temperature.	Set a higher temperature. Refer to "Control panel" chapter.
	Temperature set in the appliance is too low and the ambient temperature is too high.	Set a higher temperature. Refer to "Control panel" chapter.
Water flows on the rear plate of the refrigerator.	During the automatic defrosting process, frost melts on the rear plate.	This is correct.
There is too much condensed water on the rear wall of the refrigerator.	Door was opened too frequently.	Open the door only when necessary.
	Door was not closed completely.	Make sure the door is closed completely.
	Stored food was not wrapped.	Wrap food in suitable packaging before storing it in the appliance.
Water flows inside the refrigerator.	Food products prevent the water from flowing into the water collector.	Make sure that food products do not touch the rear plate.
	The water outlet is clogged.	Clean the water outlet.
Water flows on the floor.	The melting water outlet is not connected to the evaporative tray above the compressor.	Attach the melting water outlet to the evaporative tray.
Temperature cannot be set.	The FastFreeze function is switched on.	Switch off FastFreeze function manually, or wait until the function deactivates automatically to set the temperature. Refer to "FastFreeze function" section.
The temperature in the appliance is too low/too high.	The temperature is not set correctly.	Set a higher/lower temperature.
	The door is not closed correctly.	Refer to "Closing the door" section.
	The food products' temperature is too high.	Let the food products temperature decrease to room temperature before storage.
	Many food products are stored at the same time.	Store less food products at the same time.
	The thickness of the frost is greater than 4-5 mm.	Defrost the appliance.
	The door has been opened often.	Open the door only if necessary.



Problem	Possible cause	Solution
	The FastFreeze function is switched on.	Refer to "FastFreeze function" section.
	There is no cold air circulation in the appliance.	Make sure that there is cold air circulation in the appliance. Refer to "Hints and tips" chapter.
Some specific surfaces inside the fridge compartment are warmer at some times.		This is a normal state.
Temperature setting LEDs flash at the same time.	An error has occurred in measuring the temperature.	Contact the nearest Authorised Service Centre. The cooling system will continue to keep food products cold, but temperature adjustment will not be possible.



If the advice does not lead to the desired result, call the nearest Authorized Service Centre.

## 8.2 Replacing the lamp

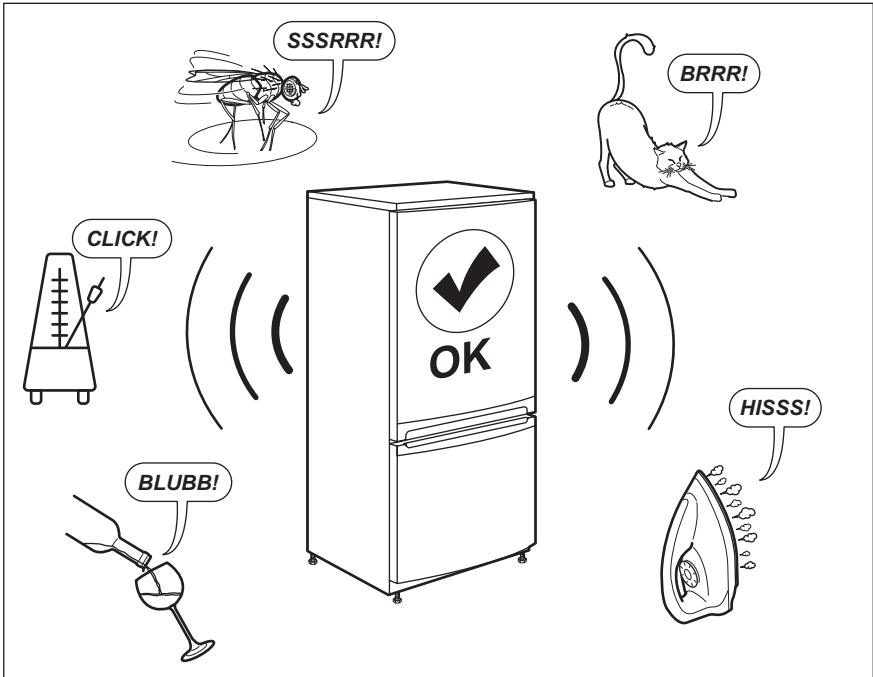
The appliance is equipped with a longlife LED interior light.

Only service is allowed to replace the lighting device. Contact your Authorised Service Centre.

## 8.3 Closing the door

1. Clean the door gaskets.
2. If necessary, adjust the door. Refer to installation instructions.
3. If necessary, replace the defective door gaskets. Contact the Authorised Service Centre.

## 9. NOISES



## 10. TECHNICAL DATA

The technical information is situated in the rating plate on the internal side of the appliance and on the energy label.

The QR code on the energy label supplied with the appliance provides a web link to the information related to the performance of the appliance in the EU EPREL database. Keep the energy label for reference together with the user manual and all other documents provided with this appliance.

It is also possible to find the same information in EPREL using the link <https://eprel.ec.europa.eu> and the model name and product number that you find on the rating plate of the appliance.


See the link [www.theenergylabel.eu](http://www.theenergylabel.eu) for detailed information about the energy label.


## 11. INFORMATION FOR TEST INSTITUTES

Installation and preparation of the appliance for any EcoDesign verification shall be compliant with EN 62552 (EU). Ventilation requirements, recess dimensions and

minimum rear clearances shall be as stated in this User Manual in "Installation". Please contact the manufacturer for any other further information, including loading plans.

## 12. ENVIRONMENTAL CONCERNS

Recycle materials with the symbol . Put the packaging in relevant containers to recycle it. Help protect the environment and human health by recycling waste of electrical and electronic appliances. Do not dispose of

appliances marked with the symbol  with the household waste. Return the product to your local recycling facility or contact your municipal office.

## VIÐ ERUM AÐ HUGSA UM ÞIG

Þakka þér fyrir að kaupa heimilistæki frá Electrolux. Þú hefur valið vöru sem byggir á áratugalangri faglegri reynslu og nýsköpun. Hugvitssamleg og nýttiskuleg og hefur verið hönnuð með þig í huga. Þannig að hvenær sem þú notar hana getur þú verið viss um að þú munir ná frábærum árangri í hvert skipti.

Velkomin(n) til Electrolux.

### HEIMSÆKTU VEFSVÆÐI OKKAR TIL AÐ:



Fá leiðbeiningar um notkun, bæklinga, bilanaleit, þjónustu- og viðgerðarupplýsingar.  
[www.electrolux.com/support](http://www.electrolux.com/support)



Skrá vöruna þína til að fá enn betri þjónustu:  
[www.registerelectrolux.com](http://www.registerelectrolux.com)




Kaupa aukahluti, rekstrarvörur og upprunalega varahluti fyrir heimilistæki þitt:  
[www.electrolux.com/shop](http://www.electrolux.com/shop)

## ÞJÓNUSTA VIÐ VIÐSKIPTAVINI

Notaðu alltaf upprunalega varahluti.

Þegar þú hefur samband við viðurkennda þjónustumiðstöð skaltu tryggja að sért með eftirfarandi gögn tiltæk: Gerð, vörunúmer, raðnúmer.

Upplýsingarnar má finna á merkiplötunni.

 Viðvörðun / Aðvörðun - Öryggisupplýsingar

 Almennar upplýsingar og ráð

 Umhverfisupplýsingar

Með fyrirvara á breytingum.

## EFNISYFIRLIT

1. ÖRYGGISUPPLÝSINGAR.....	20
2. ÖRYGGISLEIÐBEININGAR.....	22
3. UPPSETNING.....	24
4. STJÓRNBOÐ.....	27
5. DAGLEG NOTKUN.....	28
6. ÁBENDINGAR OG GÓÐ RÁÐ.....	29
7. UMHIRÐA OG HREINSUN.....	32
8. BILANALEIT.....	33
9. HÁVAÐI.....	36
10. TÆKNILEGAR UPPLÝSINGAR.....	36
11. UPPLÝSINGAR FYRIR PRÓFUNARSTOFNANIR.....	36
12. UMHVERFISMÁL.....	37

## 1. ÖRYGGISUPPLÝSINGAR

Fyrir uppsetningu og notkun heimilistækisins skal lesa meðfylgjandi leiðbeiningar vandlega. Framleiðandinn ber ekki

ábyrgð á neinum meiðslum eða skemmdum sem leiða af rangri uppsetningu eða notkun. Geymdu alltaf leiðbeiningarnar á öruggum stað þar sem auðvelt er að nálgast þær til síðari notkunar.

## 1.1 Öryggi barna og viðkvæmra einstaklinga

- Börn, 8 ára og eldri og fólk með minnkaða líkamlega-, skyn- eða andlega getu, eða sem skortir reynslu og þekkingu, mega nota þetta tæki, ef þau eru undir eftirliti eða hafa verið veittar leiðbeiningar varðandi örugga notkun tækisins og ef þau skilja hættuna sem því fylgir. Börn á aldrinum 3 til 8 ára og einstaklingar með mjög mikla og flókna fötlun er leyflegt að setja í og taka úr heimilistækinu, að því tilskildu að þau hafi fengið almennilegar leiðbeiningar. Halda ætti börnum yngri en 3 ára frá heimilistækinu nema þau séu undir stöðugu eftirliti.
- Hafa ætti eftirlit með börnum til að tryggja að þau leiki sér ekki með.
- Börn eiga ekki að hreinsa eða framkvæma notandaviðhald á heimilistækinu án eftirlits.
- Haltu öllum umbúðum frá börnum og fargaðu þeim á viðeigandi hátt.

## 1.2 Almennt öryggi

- Þetta heimilistæki er eingöngu fyrir geymslu á mat og drykkjum.
- Þetta heimilistæki er hannað til notkunar innanhúss á heimilum.
- Þetta heimilistæki má nota á skrifstofum, í herbergjum hótela, herbergjum gestahúsa, bændagistingum og öðrum sambærilegum gistirýmum þar sem notkun er ekki meiri en almenn heimilisnotkun.
- Til að forðast spillingu matvæla skal virða eftirfarandi leiðbeiningar:
  - Hafðu hurðina ekki opna um lengri tíma;

- hreinsaðu reglubundið fleti sem geta komist í snertingu við matvæli og aðgengileg frárennsliskerfi;
- geymdu hrátt kjöt og fisk í hentugum ílátum í kæliþáttum þannig að það komist ekki í snertingu við eða leki niður á önnur matvæli.
- VIÐVÖRUN: Haltu loftræstingaropum, í afgirðingu heimilistækisins eða í innbyggðu rými, lausu við hindranir.
- VIÐVÖRUN: Notaðu ekki vélrænan búnað eða aðrar aðferðir til að hraða afísunarferli, annan en þann sem framleiðandinn mælir með.
- VIÐVÖRUN: Skemmdu ekki kælimiðilsrásina.
- VIÐVÖRUN: Notaðu ekki rafmagnstæki inni í geymsluhólfum matvæla í heimilistækinu, nema þau séu af þeirri tegund sem framleiðandinn mælir með.
- Notaðu ekki vatnsúða og gufu til að hreinsa heimilistækið.
- Hreinsaðu heimilistækið með mjúkum rökum klút. Notaðu aðeins hlutlaus þvottaefni. Notaðu ekki neinar vörur með svarfefnum, stálull, leysiefni eða málmhluti.
- Þegar heimilistækið er tómt um lengri tíma skal slökkva á því, afísa, hreinsa, þurrka og skilja hurðina eftir opna til að koma í veg fyrir að mygla myndist inni í tækinu.
- Geymdu ekki sprengifim efni eins og úðabrúsa með eldfimu drifefni í þessu heimilistæki.
- Ef rafmagnssnúran er skemmd verður framleiðandi, viðurkennd þjónustumiðstöð, eða svipað hæfur aðili að endurnýja hana til að forðast hættu.

## 2. ÖRYGGISLEIÐBEININGAR

### 2.1 Uppsetning

#### AÐVÖRUN!

Einungis til þess hæfur aðili má setja upp þetta heimilistæki.

- Fjarlægðu allar umbúðir.
- Ekki setja upp eða nota skemmt heimilistæki.
- Notaðu ekki heimilistækið áður en þú setur upp innbyggða virkið af öryggisástæðum.

- Fylgdu leiðbeiningum um uppsetningu sem fylgja með heimilistækinu.
- Alltaf skal sýna aðgát þegar heimilistækið er fært vegna þess að það er þungt. Notaðu alltaf öryggishansa og lokaðan skóbúnað.
- Gakktu úr skugga um að að loft geti flætt í kringum heimilistækið.
- Við fyrstu uppsetningu eða eftir að hurðinni hefur verið snúið skal bíða í að minnsta kosti 4 klukkustundir áður en

heimilistækið er tengt við rafmagn. Þetta er til að olían nái að flæða aftur í þjöppuna.

- Áður en þú framkvæmir einhverjar aðgerðir á heimilistækinu (t.d. snýrð við hurðinni) skaltu taka klóna úr rafmagnsinnstungunni.
- Ekki setja heimilistækið upp nálægt hitagjöfum (ofnum) eða eldavélum, bókunarofnum eða helluborðum, nema annað sé tekið fram í leiðbeiningum um uppsetningu.
- Ekki hafa heimilistækið berskjaldað gagnvart rigningu.
- Ekki setja heimilistækið upp þar sem það verður fyrir beinu sólarljósi.
- Ekki setja þetta heimilistæki upp á svæðum þar sem er of mikill raki eða of kalt.
- Þegar þú færir til heimilistækið, skaltu lyfta brúninni að framan til að koma í veg fyrir að þú rispir gólfíð.

## 2.2 Rafmagnstenging

### **AÐVÖRUN!**

Hætta á eldi og raflosti.

### **AÐVÖRUN!**

Þegar heimilistækið er staðsett skaltu tryggja að rafmagnssnúran sé hvorki klemmd né skemmd.

### **AÐVÖRUN!**

- Heimilistækið verður að vera jarðtengt.
- Gakktu úr skugga um að færribreyturnar á merkiplötunni séu samhæfar við rafmagnsflokkun aðalæðar aflgjafa.
- Notaðu alltaf rétt ísetta innstungu sem ekki veldur raflosti.
- Gakktu úr skugga um að rafmagnsílutir verði ekki fyrir skemmdum (t.d. rafmagnsklóin, snúran, þjappan). Hafa skal samband við viðurkennda þjónustumiðstöð eða rafvirkja til að skipta um rafmagnsílutí.
- Rafmagnssnúran verður að liggja neðar en rafmagnsklóin.
- Aðeins skal tengja rafmagnsklóna við rafmagnsinnstunguna í lok

uppsetningarinnar. Gakktu úr skugga um að rafmagnsklóin sé aðgengileg eftir uppsetningu.

- Ekki toga í snúruna til að taka tækið úr sambandi. Taktu alltaf um klóna.

## 2.3 Notkun

### **AÐVÖRUN!**

Hætta á meiðslum, bruna, raflosti eða eldsvoða.



Heimilistækið inniheldur eldfimt gas, ísóbútan (R600a), náttúrulegt gas, sem er mjög umhverfisvænt. Gættu þess að valda ekki skaða á kæilirásinni sem inniheldur ísóbútan.

- Breytið ekki eiginleikum heimilistækisins.
- Það er harðbannað að nota þessa innbyggðu vöru sem frístandandi tæki.
- Ekki láta rafmagnstæki (s.s. ísgerðarvélar) í tækið nema það sé tekið fram af framleiðanda að þau þoli það.
- Ef rafrásir kælibúnaðarins skemmast skal gæta þess að það sé enginn logi eða kveikjugjafar í herberginu. Loftræstu herbergið.
- Ekki láta heita hluti snerta þá hluta heimilistækisins sem eru úr plasti.
- Ekki setja gosdrykki í frystihólfíð. Við það myndast þrýstingur innan í drykkjarílátinu.
- Ekki nota heimilistækið til að geyma eldfimar lofttegundir eða vökva.
- Setjið ekki eldfim efni eða hluti bleytta með eldfimum efnum í, nálægt, eða á heimilistækið.
- Ekki snerta þjöppuna eða þéttinn. Þau eru heit.
- Ekki fjarlægja eða snerta hluti úr frystihólfinu ef hendur þínar eru rakar eða blautar.
- Ekki endurfrysta mat sem búið er að þíða.
- Fylgdu geymsluleiðbeiningunum á umbúðum frystra matvæla.
- Vefðu matnum inn áður en þú setur hann í frystihólfið.
- Leyfið ekki matvælum að komast í snertingu við innri veggj heimilistækishólfanna.

## 2.4 Innri lýsing

### ⚠ AÐVÖRUN!

Hætta á raflosti.

- Þessi vara inniheldur einn eða fleiri ljósgjafa í orkunýtniflokknum G.
- Varðandi ljósin inn í þessari vöru og ljós sem varahluti sem seld eru sérstaklega: Þessi ljós eru ætluð að standast öfgakenndar aðstæður í heimilistækjum eins og hitastig, titring, raka eða til að senda upplýsingar um rekstrarstöðu tækisins. Þau eru ekki ætluð til að nota í öðrum tækjum og henta ekki sem lýsing í herbergjum heimila.

## 2.5 Umhirða og þrif

### ⚠ AÐVÖRUN!

Hætta á meiðslum eða skemmdum á heimilistækinu.

- Áður en viðhald fer fram á tækinu skal slökkva á því og aftengja aðalklóna frá rafmagnsinnstungunni.
- Þetta tæki inniheldur kolvatnsefni í kælieiningunni. Aðeins hæfir aðilar mega sinna viðhaldi og endurhleðslu á einingunni.
- Skoðið frárennsli tækisins reglulega og hreinsið það ef þörf krefur. Ef frárennslið er stíflað mun affryst vatn safnast fyrir í botni heimilistækisins.

## 2.6 Þjónusta

- Hafðu samband við viðurkennda þjónustumiðstöð til að gera við

heimilistækið. Notaðu eingöngu upprunalega varahluti.

- Vinsamlegast athugaðu að ef þú eða einhver sem ekki er fagmaður gerir við getur það haft afleiðingar varðandi öryggi og gæti ógilt ábyrgðina.
- Eftirfarandi varahlutir verða fánlegir í 7 ár eftir að hætt hefur verið framleiðslu gerðarinnar: Hitastillar, hitaskynjarar, prentplötur, ljósgjafar, hurðahandföng, hurðalamir, bakkar og grindur. Vinsamlegast athugaðu að suma þessara varahluta geta aðeins atvinnuviðgerðaraðilar fengið og ekki eru allir varahlutir viðeigandi fyrir allar gerðir.
- Hurðapéttingar verða fánlegar í 10 ár eftir að hætt hefur verið framleiðslu gerðarinnar.

## 2.7 Förgun

### ⚠ AÐVÖRUN!

Hætta á meiðslum eða köfnun.

- Aftengið heimilistækið frá rafmagnsgjafanum.
- Klippa rafmagnssnúruna af og fleygið henni.
- Fjarlægjið hurðina til að koma í veg fyrir að börn eða dýr geti lokast inni í tækinu.
- Kælirásin og einangrunarefnið á tækinu eru ósónvæn.
- Einangrunarfroðan inniheldur eldfimar lofttegundir. Hafðið samband við sveitarfélagið til að fá upplýsingar um hvernig á að farga heimilistækinu á réttan hátt.
- Ekki valda skaða á hluta kælieiningarinnar sem er nálægt hitaskiptinum.

## 3. UPPSETNING

### ⚠ AÐVÖRUN!

Sjá kafla um öryggismál.

### ⚠ AÐVÖRUN!

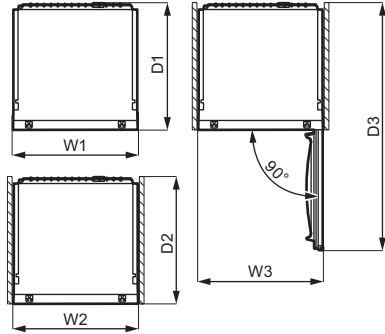
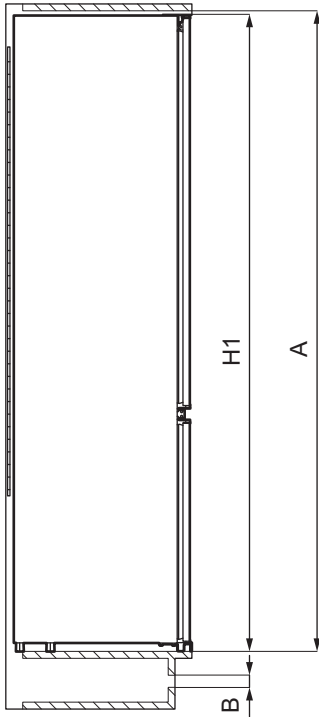
Skoðaðu leiðbeiningaskjal um uppsetningu til að setja upp heimilistækið þitt.

### ⚠ AÐVÖRUN!

Festu heimilistækið í samræmi við leiðbeiningaskjal um uppsetningu til að forðast hættuna af því að heimilistækið sé óstöðugt.



### 3.1 Mál



Heildarmál <sup>1</sup>		
H1	mm	873
W1*	mm	548
D1	mm	549

<sup>1</sup> hæð, breidd og dýpt heimilistækisins án handfangs

\* ásamt breidd neðstu hurðalamanna (8 mm)

Svæði sem þarf til notkunar <sup>2</sup>		
H2 (A+B)	mm	916
W2*	mm	548
D2	mm	551
A	mm	880

Svæði sem þarf til notkunar <sup>2</sup>		
B	mm	36

<sup>2</sup> hæð, breidd og dýpt heimilistækisins ásamt handfangi, auk rýmisins sem þarf til að tryggja rétt loftflæði fyrir kæli loft

\* ásamt breidd neðstu hurðalamanna (8 mm)

Heildarsvæði sem þarf til notkunar <sup>3</sup>		
H3 (A+B)	mm	916
W3*	mm	548
D3	mm	1071

<sup>3</sup> hæð, breidd og dýpt heimilistækisins ásamt handfangi, auk rýmisins sem þarf til að tryggja rétt loftflæði fyrir kæli loft, auk

svæðisins sem nauðsynlegt er svo að hurðin geti opnast við lágmarkshorn sem nauðsynlegt er til að fjarlægja allan innri búnað

\* ásamt breidd neðstu hurðalamanna (8 mm)

### 3.2 Staðsetning

Til að tryggja rétta virkni heimilistækisins, ætti ekki að setja það upp á stað þar sem heimilistækið verður fyrir beinu sólarljósi. Ekki setja heimilistækið upp nálægt hitagjöfum (ofnum) eða eldavélum, bókunarofnum eða helluborðum, nema annað sé tekið fram í leiðbeiningum um uppsetningu.

Gakktu úr skugga um að loftflæði sé gott aftan við skápinn.

Tækið á að setja upp á þurrum, vel loftræstum stað innandyra.

Þetta tæki er ætlað til notkunar við umhverfishita á bilinu 10°C til 38°C.



Eingöngu er hægt að ábyrgjast rétta virkni heimilistækisins sé það notað á þessu hitabili.



Ef þú hefur einhverjar efasemdir varðandi uppsetningu heimilistækisins, skaltu vinsamlegast ráðfæra þig við seljanda, þjónustuverið okkar eða næstu viðurkenndu þjónustumiðstöð.



Það verður að vera hægt að taka heimilistækið úr sambandi við rafmagn. Innstungan verður því að vera aðgengileg eftir uppsetningu.

### 3.3 Rafmagnstenging

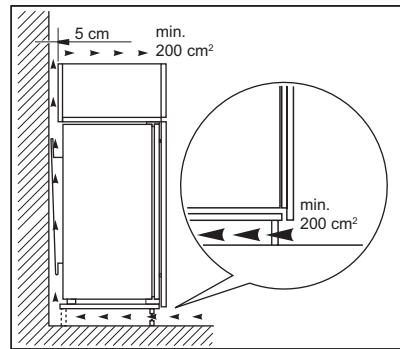
- Áður en stungið er í samband, þarf að ganga úr skugga um að sú spennan og

tíðni sem sýnd eru á merkiplötunna samræmist heimilisrafmagninu.

- Heimilistækið verður að vera jarðtengt. Kló rafmangssnúrunnar er með snertu sem er ætluð til þess. Ef innstungan á heimilinu er ekki jarðtengt, þarf að jarðtengja heimilistækið í aðskilda jörð til að uppfylla nügildandi reglugerðir. Hafið samband við fagmenntaðan rafvirkja.
- Framleiðandi hafnar allri ábyrgð ef ofangreindum öryggisráðstöfunum er ekki fylgt.

### 3.4 Viðrunarkröfur

Nauðsynlegt er að tryggja nægilegt loftflæði fyrir aftan tækið.



#### ⚠ VARÚÐ!

Sjá uppsetningarleiðbeiningar varðandi uppsetningu.

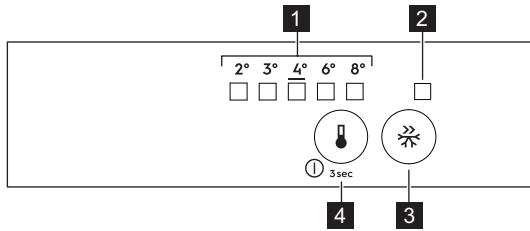
### 3.5 Viðsnúningur hurðar

Vinsamlegast skoðuðu sérstakt skjal með leiðbeiningum um uppsetningu og viðsnúning hurðar.

#### ⚠ VARÚÐ!

Við hvert þrep í viðsnúningi hurðar skal gæta þess að verja gólfíð gegn rispum, með slitsterku efni.

## 4. STJÓRNBOÐ



- 1 Ljósdióðuvísir fyrir hitastig
- 2 FastFreeze-vísir
- 3 FastFreeze-hnappur
- 4 Hitastillir  
KVEIKJA/SLÖKKVA-hnappur

### 4.1 Kveikja á

1. Stingdu klónni í samband við rafmangsinnstungu á vegg.
2. Snertu hnappinn á hitastillinum ef allir ljósdióðuvísar eru slökktir.

### 4.2 Slökkt

Haltu áfram að snerta hitastillihnappinn í 3 sekúndur.

Það slokknar á öllum vísium.

### 4.3 Hitastilling

Til að nota heimilistækið skal snerta hitastillinn þangað til LED sem samsvarar því hitastigi sem þarf, lýsist upp. Valið er stighækkandi, á bilinu frá 2°C til 8°C. Ráðlögð stilling er 4°C.

1. Snertu hitastillinn.  
Núverandi hitavísir blikkar. Í hvert sinn sem þú snertir hitastillinn færirst stillingin um eina stöðu. Samsvarandi LED blikkar um stund.
2. Snertu hitastillinn þangað til tilætluðu hitastigi hefur verið náð.



Hitastillingunni þarf að ná innan sólarhrings. Eftir rafmagnsleysi helst stillt hitastig vistað.

### 4.4 FastFreeze-aðgerð

FastFreeze-aðgerðin er notuð til að forfrysta og hraðfrysta í röð í frystihólfinu. Þessi aðgerð hraðar frystingu ferskra matvæla og ver um leið matvæli sem þegar eru geymd í frystihólfinu fyrir óæskilegri hitnun.



Til að frysta ferskan mat skaltu virkja FastFreeze-aðgerðina að minnsta kosti einum sólarhring áður en maturinn er settur í til að ljúka við forfrystingu.

Til að virkja FastFreeze-aðgerðina skaltu ýta á FastFreeze-hnappinn. Það kviknar á FastFreeze-vísinum.



Þessi aðgerð stöðvast sjálfkrafa eftir 52 klukkustundir.

Hægt að gera aðgerðina óvirka hvenær sem er með því að ýta aftur á FastFreeze-hnappinn. Það slokknar á FastFreeze-vísinum.

### 4.5 Aðvörun fyrir opna hurð

Ef hurð kælis er skilin eftir opin í um það bil 5 mínútur heyrst hljóð.

Meðan á aðvöruninni stendur er hægt að þagga í hljóðinu með því að ýta á hnapp. Það slokknar á hljóðinu sjálfkrafa eftir eina klukkustund til að forðast truflun.

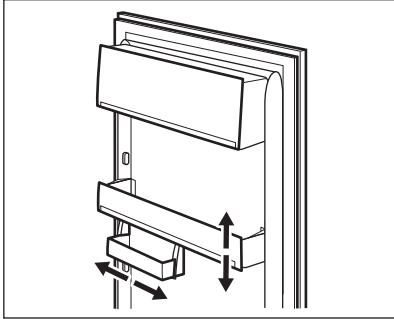
Aðvörunin hættir eftir að hurðinni hefur verið lokað.

## 5. DAGLEG NOTKUN

### 5.1 Hurðarhillurnar staðsettar

Svo hægt sé að geyma matarumbúðir af ýmsum stærðum, má staðsetja hurðasvalnar á mismunandi hæðarstigum.

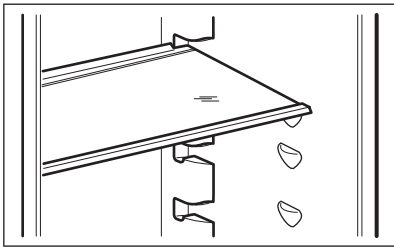
1. Togið hilluna smátt og smátt upp þar til hún losnar.
2. Endurstaðsetjið hana eftir þörfum.



Þessi gerð er búin breytilegum geymslukassa sem hægt er að færa til hliðar.

### 5.2 Færanlegar hillur

Hliðar kælskápsins eru búnar röðum af hillustöðum þannig að hægt sé að staðsetja hillurnar eftir þörfum.



Færið ekki glerhilluna fyrir ofan grænmetisskúffuna, til að tryggja rétt loftstreymi.

### 5.3 Grænmetisskúffa

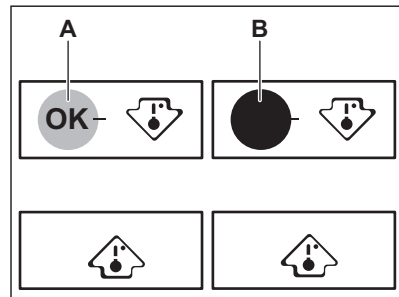
Það er sérstök skúffa í neðsta hluta heimilistækisins sem hentar til þess að geyma ávexti og grænmeti.

### 5.4 Vísir fyrir hitastig

Fyrir rétta geymslu á matvælum er kælskápurinn búinn hitastigsvísi. Táknin á innri hlið heimilistækisins gefur til kynna kalt svæði í kælskápnum, á milli örvanna tveggja.

Ef OK er sýnt (A) skaltu láta ferska matinn aftur á svæðið sem tilgreint er með tveimur merkjum, ef ekki (B), skaltu bíða í að minnsta kosti 12 klst. og kanna hvort það sé OK (A).

Ef það er enn ekki OK (B) skaltu stilla aftur á kaldari stillingu.



### 5.5 Frysta fersk matvæli

Frystihólfíð hentar til þess að frysta fersk matvæli og geyma frosin og djúpfrosin matvæli til lengri tíma.

Til að frysta fersk matvæli skal virkja FastFreezeaðgerðina minnst 24 klukkustundum áður en maturinn sem á að frysta er settur í frystihólfíð.

Dreifði fersku matvælunum jafnt yfir öll hólfín eða skúffurnar talið ofan frá.

Hámarks magn matvæla sem hægt er að frysta á sólarhring án þess að bæta við öðrum ferskum matvælum er tilgreint á merkiplötunni (merkingu sem staðsett er inni í heimilistækinu).

Að frystiferlinu loknu fer heimilistækið sjálfkrafa aftur í fyrri hitastillingu (sjá „FastFreezeaðgerðina“).



Í þessu ástandi, gæti hitastigið inn í kælinum breyst dálítið.

Til að fá frekari upplýsingar, sjá „Ábendingar um frystingu“.

## 5.6 Geymsla á frosnum matvælum

Þegar heimilistækið er virkjað í fyrsta sinn eða eftir notkunarloft skal láta það ganga í minnst 3 klukkustundir áður en vörurnar eru settar í hólfíð með kveikt á FastFreeze aðgerðinni.

Geymið matinn ekki nær hurðinni en 15 mm.

### ⚠ VARÚÐ!

Ef þiðnun verður fyrir slysn, til dæmis af því að rafmagnið fer af, og rafmagnsleysið hefur varað lengur en gildið sem sýnt er á merkiplötunni undir „hækkunartími“, þarf að neyta þíðna matarins fljótt eða elda hann strax, kæla og frysta hann svo aftur.

## 5.7 Þíðing

Djúpfrosinn eða frosinn mat er hægt að þíða í kælinum í eða í plastpoka undir köldu vatni, áður en maturinn er notaður.

Þessi aðgerð veltur á því hversu mikill tími er til boða og tegund matarins. Litla bita má jafnvel elda frosna.

# 6. ÁBENDINGAR OG GÓÐ RÁÐ

## 6.1 Ábendingar um orkusparnað


- Kælir: Skilvirkasta notkun orku er tryggð í þeirri uppsetningu að skúffum í neðri hluta heimilistækisins og hillum sé jafnt dreift. Staðsetning kassa í hurð hefur ekki áhrif á orkunotkun.
- Ekki opna hurðina oft eða hafa hana opna lengur en nauðsyn krefur.
- Frystir: Því kaldari sem stillingin er, því meiri orku notar hún.
- Kælir: Ekki still á of háan hita til að spara orku nema eiginleikar matarins krefjst þess.
- Ef umhverfishitastigið er hátt, hitastýringin stillt á lágan hita og heimilistækið fullhlaðið, getur verið að þjappan sé stöðugt í gangi, en það getur valdið því að hrím eða ís hlaðist utan á eiminn. Í þessu tilfelli skaltu setja hitastýringuna í átt að hærra hitastigi til að leyfa sjálfvirka þíðingu og spara orku á þann hátt.
- Tryggðu gott loftflæði. Ekki hylja loftæstiristarnar eða götin.

## 6.2 Ábendingar um frystingu

- Virkjaðu FastFreeze aðgerðina að minnsta kosti einum sólarhring áður en maturinn er látinn í frystihólfíð.
- Áður en ferskur matur er frystur skal setja hann í álpappír, plastfilmu eða poka, loftþétt ílát með loki.
- Til að fá skilvirkari frystingu og þíðingu ætti að skipta matvælunum í minni skammta.
- Mælt er með því að láta merkingar og dagsetningar á öll frosin matvæli. Það mun hjálpa þér að þekkja matvælin og vita hvenær þarf að nota þau áður en þau fara að spillast.
- Maturinn á að vera ferskur þegar hann er frystur til að varðveita gæðin. Sérstaklega ætti að frysta ávexti og grænmeti eftir uppskeru til að varðveita öll næringarefni þeirra.
- Ekki frysta dósir eða flöskur með vökva, sérstaklega kolsýrða drykki - þær geta sprungið þegar þær eru frystar.

- Ekki láta heitan mat í frystihólfíð. Kældu niður að stofuhita áður en hann er látinn inn í hólfið.
- Til að forðast hækkun hitastigs fyrir matvæli sem þegar voru frosin skal ekki setja fersk, ófrosin matvæli beint við hlið þeirra. Láttu matvæli við stofuhita í þann hluta frystihólfsins þar sem eru engin frosin matvæli.
- Ekki borða ísmola, vatnsís eða íspinna strax eftir að þeir hafa verið teknir úr frysti. Hætta er á kali.
- Ekki endurfrysta þiðin matvæli. Ef matvælin eru þiðin skaltu elda þau, kæla og frysta.

### 6.3 Ábendingar um geymslu á frosnum mat

- Frystihólfíð er það sem er merkt með .
- Meðalhitastillingin tryggir að frosin matvara sé geymd rétt. Sé hærra hiti stilltur fyrir heimilistækið getur það leitt til styttri endingartíma fyrir vörurnar.
- Allt frystihólfíð hentar fyrir geymslu á frosnum vörum.
- Skildu eftir nægilegt pláss í kringum matvælin til að loft nái að flæða vel um þau.

### 6.5 Endingartími fyrir frystihólf

Tegund matvæla	Endingartími (mánuð-ir)
Brauð	3
Ávextir (fyrir utan sítrusávexti)	6 - 12
Grænmeti	8 - 10
Afgangar án kjöts	1 - 2
<b>Mjólkurvörur:</b>	
Smjör	6 - 9
Mjúkur ostur (t.d. mozzarella)	3 - 4
Harður ostur (t.d. parmesan, cheddar)	6
<b>Sjávarfang:</b>	

- Fyrir fullnægjandi geymsluskilyrði, skal skoða fyrningardagsetninguna á matarumbúðum.
- Það er mikilvægt að pakka matvælunum þannig að vatn, raki og vatnsgufa komist ekki að þeim.

### 6.4 Innkaupaábendingar

Eftir að hafa keypt í matinn:


- Gakktu úr skugga um að umbúðirnar séu ekki skaddaðar - maturinn gæti hafa spillst. Ef umbúðirnar eru bólgnar eða blautar, getur verið að þær hafi ekki verið geymdar við réttar aðstæður og hafi þegar byrjað að þiðna.
- Til að takmarka þiðingu ætti að kaupa frosnar vörur í lok verzlunarleiðangursins og flytja þær í kælitösku eða hitastillandi tösku.
- Settu frosnu matvælin samstundis í frystinn þegar þú snýrð aftur úr búðinni.
- Ef maturinn hefur þiðnað, jafnvel bara að hluta, skal ekki endurfrysta hann. Neyta skal matarins eins fljótt og hægt er.
- Virtu síðasta neysludag og geymsluupplýsingarnar sem finna má á umbúðum.

Tegund matvæla	Endingartími (mánuð-ir)
Feitur fiskur (t.d. lax, makrill)	2 - 3
Magur fiskur (t.d. þorskur, flundra)	4 - 6
Rækjur	12
Skelfiskur og kræklingur án skelja	3 - 4
Eldaður fiskur	1 - 2
<b>Kjöt:</b>	
Alifuglakjöt	9 - 12
Nautakjöt	6 - 12
Svínakjöt	4 - 6
Lambakjöt	6 - 9
Pylsur	1 - 2
Skinka	1 - 2
Afgangar með kjöti	2 - 3

## 6.6 Ábendingar um kælingu á ferskum matvælum

- Góð hitastilling sem varðveitir ferska matvöru er +4°C eða lægri. Sé hærrí hiti stilltur fyrir heimilistækið getur það leitt til styttri endingartíma fyrir matvælin.
- Láttu umbúðir yfir matvælin til að varðveita ferskleika þeirra og bragð.
- Notaðu alltaf lokuð ílát fyrir vökva og fyrir mat, til að forðast að lykt eða bragð safnist í hólfið.
- Til að forðast víxlmengun á milli eldaðrar og óeldaðrar matvöru, skal þekja eldaða matvöru og halda henni aðskildri frá hrárrí matvöru.
- Mælst er til þess að matvörur séu þíddar inn í kælinum.
- Ekki stinga heitri matvöru inn í heimilistækið. Gakktu úr skugga um að matvaran hafi náð að kólna að stofuhita áður en gengið er frá henni.
- Til að koma í veg fyrir matarsóun skal alltaf setja ný matvæli fyrir aftan þau eldri.

## 6.7 Ábendingar um góða kælingu

- Ferskvöruhólfið er það sem er merkt (á merkiplötunni) með .

- Kjöt (af öllum gerðum): Pakka inn í hentugar umbúðir og setja á glerhilluna fyrir ofan grænmetisskúffuna. Kjöt skal ekki geyma lengur en 1-2 daga.
- Ávextir og grænmeti: Hreinsa vandlega (fjarlægja alla mold) og geyma í sérstakri skúffu (grænmetisskúffunni).
- Ekki er æskilegt að geyma framandi ávexti eins og banana, mangó, papæjaldin, o.s.frv. í kælikápnnum.
- Grænmeti, svo sem tómata, kartöflur, lauk og hvítlauk, skal ekki geyma í kælikápnnum.
- Smjör og ostur: Setja í loftþéttar umbúðir eða pakka inn í álpappír eða pólýþen-poka til að útiloka eins mikið loft og hægt er.
- Flöskur: Loka með loki og setja í flöskuhilluna í hurðinni, eða (ef til staðar) í flöskurekkann.
- Skoðaðu alltaf „best fyrir“ dagsetningu varanna til að vita hversu lengi á að geyma þær.

## 7. UMHIRÐA OG HREINSUN

### ⚠ AÐVÖRUN!

Sjá kafla um öryggismál.

### 7.1 Innra byrði hreinsað

Áður en heimilistækið er notað í fyrsta sinn, skal þvo innri og alla innri fylgihluti með volgu vatni og hlutlausri sápu til að losna við dæmigerða lykt af nýrri vöru og þurrka svo vandlega.

### ⚠ VARÚÐ!

Ekki nota þvottaefni, slípiduft, klór eða olíublönduð hreinsiefni, þar sem það skemmir áferðina.

### ⚠ VARÚÐ!

Aukahlutir og hlutar heimilistækisins eru ekki ætlaðir fyrir uppþvottavélar.

### 7.2 Reglubundin hreinsun

Hreinsa þarf búnaðinn reglulega:

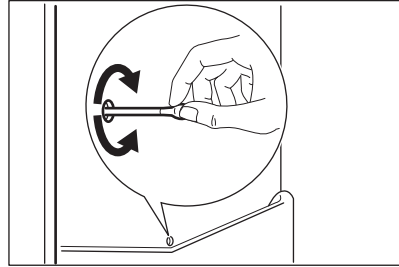
1. Hreinsaðu innra byrðið og aukahluti með volgu vatni og hlutlausri sápu.
2. Skoðaðu hurðarþéttingar reglulega og strjúktu af þeim svo þær séu hreinar og lausar við óhreinindi.
3. Skolaðu og þurrkaðu vandlega.

### 7.3 Ísskápurinn affrystur

Frostið er losað sjálfkrafa úr eimi kæliholfsins við eðlilega notkun. Vatnið eftir affrystinguna lekur út í gegnum trekt í sérstakt ílát aftan á heimilistækinu fyrir ofan þjökkpuna, þar sem það gufar upp.

Það er mikilvægt að hreinsa reglulega niðurfallsgatið fyrir affallsvatnið í miðri rás kæliholfsins til að koma í veg fyrir að vatnið flæði upp úr og leki á matinn inni í kælinum.

Það skal nota róra hreinsinn sem fylgir með heimilistækinu við þrífín.



### 7.4 Affrysting frystisins

#### ⚠ VARÚÐ!

Aldrei nota beitt málmverkfæri til að skrapa hrím úr eiminum þar sem þau geta skemmt hann. Notaðu ekki vélrænan búnað eða aðrar aðferðir til að hraða þíðingarferli, annan en þann sem framleiðandinn mælir með.

#### i

Um 12 klukkustundum fyrir þíðingu skaltu stilla á lægra hitastig til þess að byggja upp fullnægjandi kuldaforða ef einhver truflun skyldi verða á aðgerð.

Eitthvað magn af hrími mun alltaf myndast á frystihillunum og í krungum efsta hólfíð.

Affrystu frystinn þegar hrímlagið er orðið 3-5 mm þykkt.

1. Slökktu á heimilistækinu eða taktu það úr sambandi við rafmagnsinnstunguna á veggnum.
2. Fjarlægðu allan mat sem hefur verið geymdur og láttu á svalan stað.

#### ⚠ VARÚÐ!

Ef hitastig frosins matar hækkar meðan á þíðingu stendur getur það minnkað geymsluþol hans. Ekki snerta frosnar vörur með blautum höndum. Hundur geta frosið við vörurnar.

3. Láttu hurðina standa opna. Verðu gólfíð gegn vatni frá þíðingunni, t.d. með klút eða flötu ílátí.



4. Til að hraða þíðingunni skaltu setja pott af volgu vatni í frystihólfíð. Auk þess skaltu fjarlægja ísstykki sem brotna af áður en affrystingunni lýkur.
5. Þegar þíðingunni er lokið skal þurrka hólfíð vel að innan.
6. Kveiktu á heimilistækini og lokaðu hurðinni.
7. Stilltu hitastillinn þannig að hámarkskæling náist og leyfðu tækinu að ganga í að minnsta kosti 3 klukkustundir áður en þessi stilling er notuð.

Aðeins þá skal setja matvæli aftur í frystihólfíð.

## 7.5 Tímabundið ekki í notkun

Þegar heimilistækið er ekki í notkun til lengri tíma, skal grípa til eftirfarandi ráðstafana:

1. Aftengja tækið frá rafmagni.
2. Fjarlægja allan mat.
3. Affrystu heimilistækið.
4. Hreinsa heimilistækið og alla aukahluti þess.
5. Hafa skal hurðirnar opnar til að koma í veg fyrir vonda lykt.

## 8. BILANALET

### AÐVÖRUN!

Sjá kafla um öryggismál.

### 8.1 Hvað skal gera ef...

Vandamál	Möguleg ástæða	Lausn
Heimilistækið virkar ekki.	Slökkt er á heimilistækini.	Kveiktu á heimilistækini.
	Rafmagnsklói er ekki rétt tengd við rafmagnsinnstunguna.	Tengdu klóna við rafmagnsinnstunguna með réttum hætti.
	Það er ekkert rafmagn á rafmagnsinnstungunni.	Tengdu annað raftæki við rafmagnsinnstunguna. Hafðu samband við faglærðan rafvirkja.
Heimilistækið gefur frá sér mikinn hávaða.	Heimilistækið er ekki með réttan stuðning.	Kannaðu hvort heimilistækið sé stöðugt.
Heyranleg eða sjónræn aðvörin er í gangi.	Hurðin hefur verið skilin eftir opin.	Lokaðu hurðinni.
Þjappan gengur samfellt.	Hitastig er rangt stillt.	Sjá „Stjórnborð“ kaflann.
	Margar matvörur voru settar inn á sama tíma.	Þíddu í nokkrar klukkustundir og athugaðu svo hitastigið aftur.
	Stofuhitinn er of hár.	Sjá „Uppsetning“ kaflann.
	Matvara sem látin var í heimilistækið var of heit.	Leyfðu matvörunni að kólna að stofuhita áður en hún er látin til geymslu.
	Hurðin er ekki nægilega vel lokað.	Sjá „Hurðinni lokað“ hlutann.
	Kveikt er á FastFreeze aðgerðinni.	Sjá kaflann „FastFreeze Aðgerð“.
Þjappan fer ekki strax í gang eftir að ýtt er á „FastFreeze“, eða eftir að hitastigi er breytt.	Þjappan ræsist eftir nokkurn tíma.	Þetta er eðlilegt, engin villa hefur komið upp.

Vandamál	Möguleg ástæða	Lausn
Hurðin er skökk eða rekst í loftræst-iristina.	Tækið er ekki lárétt.	Sjá leiðbeiningar um uppsetningu.
Hurð opnast ekki auðveldlega.	Þú reyndir að opna hurðina aftur strax eftir að þú lokaðir henni.	Bíddu í nokkrar sekúndur á milli þess að loka og opna hurðina aftur.
Ljósíð virkar ekki.	Ljósíð er í reiðuham. Ljósíð er bilað.	Lokaðu og opnaðu hurðina. Hafðu samband við næstu viðurkenndu þjónustumiðstöð.
Það er of mikið hrím og klaki.	Hurðin er ekki nægilega vel lokuð. Þéttiborðinn er afmyndaður eða óhr-einn. Matvöru er ekki rétt pakkað. Hitastig er rangt stillt.	Sjá „Hurðinni lokað“ hlutann. Sjá „Hurðinni lokað“ hlutann. Pakkaðu matvörunni betur. Sjá „Stjórnborð“ kaflann.
	Heimilistækið er fullhlaðið og er stillt á lægsta hitastig. Hitastigið sem stillt er á heimilistæk- inu er of lágt og umhverfishitastig er of hátt.	Stilltu hærra hitastig. Sjá „Stjórn- borð“ kaflann. Stilltu hærra hitastig. Sjá „Stjórn- borð“ kaflann.
Vatnið flæðir á afturplötu kælikáps- sins.	Á meðan á sjálfvirka affrystingarferl- inu stendur, bræðir það frostið á af- turplötunni.	Þetta er í lagi.
Of mikið vatn þéttist á afturvegg kælikápsins.	Hurðin var opnuð of oft. Hurðinni var ekki lokað til fulls. Geymdum mat var ekki pakkað.	Opnaðu hurðina aðeins þegar nauðsynlegt er. Gakktu úr skugga um að hurðinni sé lokað til fulls. Pakkaðu mat í hentugar pakkningar áður en þú setur hann í heimilistæk- ið.
Vatn flæðir inn í kælikápnúm.	Matvara hindrar að vatn renni í vatnssafnarann. Vatnsúttakið er stíflað.	Gakktu úr skugga um að matvara snerti ekki aftari plötuna. Þrifðu vatnsúttakið.
Vatn flæðir á gólfinu.	Vatnsbræðsluúttakið er ekki tengt við uppgufunarbakkann fyrir ofan þjoppuna.	Tengdu vatnsbræðsluúttakið við uppgufunarbakkann.
Ekki er hægt að stilla hitastigið.	Kveikt er á FastFreeze aðgerð.	Slökktu handvirkt á FastFreeze að- gerð , eða bíddu þar til aðgerðin af- virkjast sjálfkrafa til þess að stilla hit- astigið. Sjá kaflana „FastFreeze Að- gerð“.
Hitastig heimilistækisins er of lágt/ hátt.	Hitastigið er ekki rétt stillt. Hurðin er ekki nægilega vel lokuð. Hitastig matvörunnar er of hátt.	Stilltu hitastigið hærra/lægra. Sjá „Hurðinni lokað“ hlutann. Láttu hitastig matvörunnar lækka að stofuhita áður en hún er geymd.

Vandamál	Möguleg ástæða	Lausn
	Of mikið af matvöru er geymt í einu.	Bættu við minna af matvöru í einu.
	Þykkt hrímsins er meiri en 4-5 mm.	Affrystu heimilistækið.
	Hurðin hefur verið opnuð of oft.	Opnaðu hurðina aðeins ef nauðsyn krefur.
	Kveikt er á FastFreeze aðgerðinni.	Sjá kaflann „FastFreeze Aðgerð“.
	Það er ekkert kalt loffflæði í heimilistækinu.	Gakktu úr skugga um að það sé kalt loffflæði í heimilistækinu. Sjá „Ábendingar og góð ráð“ kaflann.
Ákveðin yfirborð innan kælihlófsins eru heitari sumum stundum.		Þetta er eðlilegt ástand.
Ljósdióður fyrir hitastillinguna leifra á sama tíma.	Villa hefur komið upp við hitamælingu.	Hafðu samband við næstu viðurkennda þjónustumiðstöð. Kælikerfið mun halda áfram að halda matvælum köldum en aðlögun hitastigs verður ekki möguleg.



Ef ráðið skilar ekki óskaðri niðurstöðu skaltu hringja í næstu viðurkennda þjónustumiðstöð.

## 8.2 Skipt um ljósið

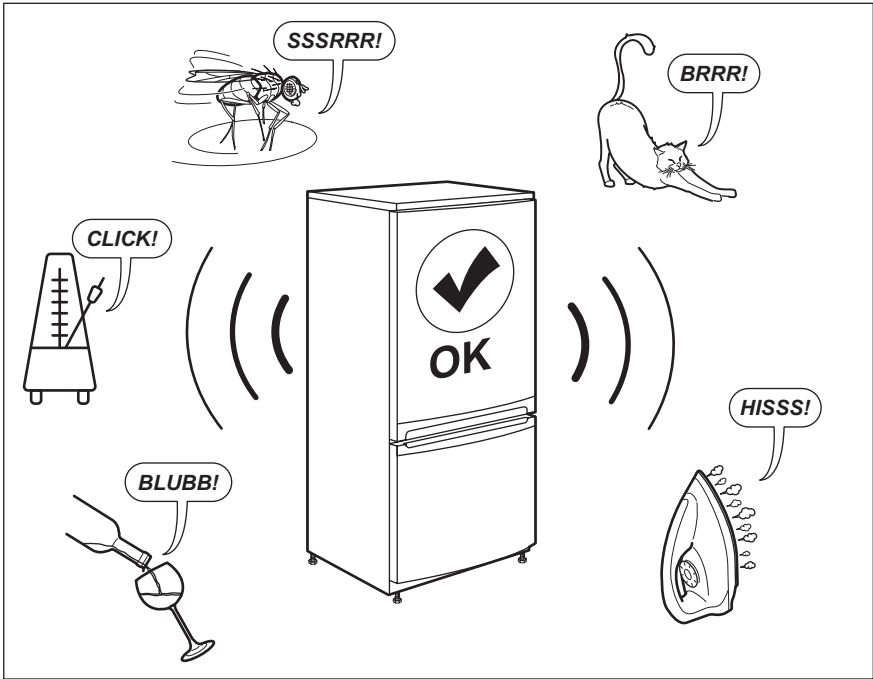
Heimilistækið er búið ljósdióðuljósi með langan endingartíma.

Aðeins viðgerðarþjónustuaðilar mega skipta um ljósabúnaðinn. Hafðu samband við viðurkennda þjónustumiðstöð.

## 8.3 Hurðinni lokað

1. Þrífðu þéttiborða hurðarinnar.
2. Stillið af hurðina ef nauðsynlegt er. Sjá leiðbeiningar um uppsetningu.
3. Ef nauðsynlegt reynist, skal skipta um ónýta þéttiborða. Hafðu samband við viðurkennda þjónustumiðstöð.

## 9. HÁVAÐI



## 10. TÆKNILEGAR UPPLÝSINGAR

Tæknilegar upplýsingar eru á merkiplötunni, á ytri eða innri hlið heimilistækisins og á orkumerkimiðanum.

QR-kóðinn á orkumerkingunni sem fylgir þessu tæki, gefur upp tengil á vefsíðu varðandi upplýsingar um frammistöðu tækisins í gagnagrunni EU EPREL. Geymdu orkumerkimiðann til uppflettingar ásamt notandahandbókinni og öllum öðrum skjölum sem fylgja með þessu heimilistæki.

Það er einnig mögulegt að nálgast sömu upplýsingar í EPREL með því að nota tengilinn: <https://eprel.ec.europa.eu> og gerðarheiti og framleiðslunúmer sem finna má á merkiplötu heimilistækisins.


Skoðaðu tengilinn [www.theenergylabel.eu](http://www.theenergylabel.eu) varðandi ítarlegar upplýsingar um orkumerkingar.


## 11. UPPLÝSINGAR FYRIR PRÓFUNARSTOFNANIR

Uppsetning og undirbúningur heimilistækisins fyrir EcoDesign-vottun verður að samræmast EN 62552 (EU). Loftræstingarkröfur, stærðir skotsins og lágmarksbil að aftan verður að

vera eins og tilgreint er í „Uppsetning“ í þessari notandahandbók. Hafðu samband við framleiðanda fyrir allar frekari upplýsingar, þar með talið hleðsluáætlanir.

## 12. UMHVERFISMÁL

Endurvinnna þarf öll efni merkt táknuinu . Setjið umbúðirnar í viðeigandi sorpilát til endurvinnslu. Leggið ykkar að mörkum til verndar umhverfinu og heilsu manna og dýra og endurvinnið rusl sem fylgir raftækjum og rafrænum búnaði. Hendið ekki

heimilistækjum sem merkt eru með táknuinu  í venjulegt heimilirusl. Farið með vöruna í næstu endurvinnslustöð eða hafið samband við sveitarfélagið.





**electrolux.com**

211628869-A-262023



**CE**