

dyson v11

Operating manual
Bedienungsanleitung
Manual de instrucciones

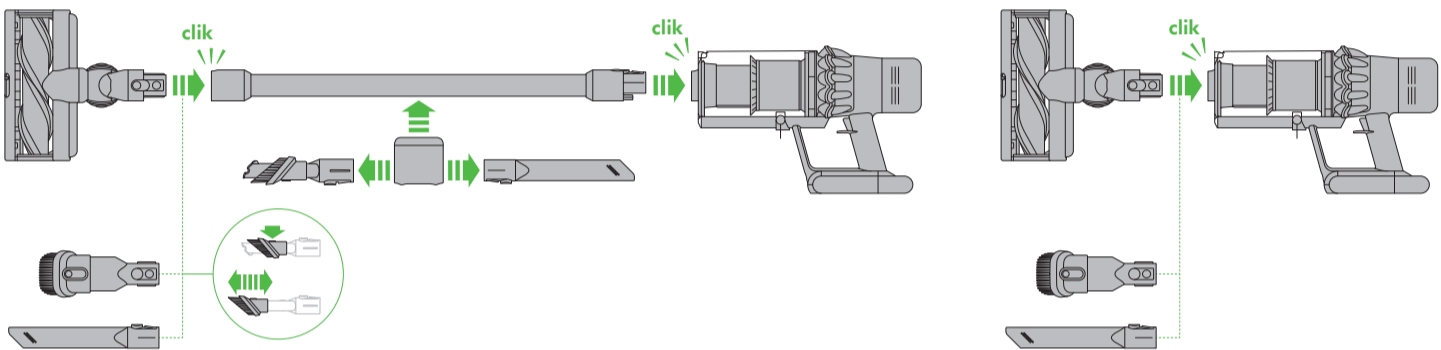
Manuel d'utilisation
Manuale d'uso
Gebruikershandleiding

Instrukcja obsługi
Руководство по эксплуатации
Priročnik za uporabo

Assembly
Zusammenbau
Montaje

Assemblage
Montaggio
Assemblage

Montaż
Сборка
Montaža



Quick start
Kurzanleitung
Inicio rápido

Démarrage rapide
Guida rapida
Snelle start

Szybkie uruchomienie
Краткое руководство
Hitri začetek



Power modes
Your appliance has three power modes for different tasks. Change cleaning modes quickly using a single button.
Eco: Maximum run time, for longer cleans.
Auto/Med: The optimum balance to clean all floors. Attach your High torque cleaner head to activate Auto mode, which automatically adapts power between carpets and hard floors.
Boost: Intensive cleaning for ground-in dirt.

Leistungsstufen
Ihr Gerät verfügt über drei Leistungsstufen für unterschiedliche Aufgaben. Über eine einzige Taste wechseln Sie rasch zwischen Reinigungsmodi.
Eco: Maximale Betriebsdauer für eine längere Reinigung.
Auto/Med: Das optimale Gleichgewicht für alle Böden. Stecken Sie die Elektrobürste mit Direktantrieb auf, um den Automatikmodus zu aktivieren, der die Leistung automatisch an Teppiche und Hartböden anpasst.
Boost: Intensivreinigung von tiefsetzendem Staub und Schmutz.

Modos de potencia
El aparato tiene tres modos de potencia para distintas tareas. Cambie de modo de limpieza de forma rápida pulsando un solo botón.
Eco: Tiempo de funcionamiento máximo para limpiezas más largas.
Auto/Medio: El equilibrio perfecto para limpiar todo tipo de suelos.
Ponga el cabezal de limpieza Direct Drive para activar el modo Automático, que adapta la potencia automáticamente para alfombras y suelos duros.
Boost: Limpieza en profundidad para la suciedad más difícil.

Modes de puissance
Votre appareil possède trois modes de puissance pour effectuer différentes tâches. Changez de mode de nettoyage rapidement à l'aide d'un seul bouton.
Éco : Durée de fonctionnement maximale, pour des nettoyages plus longs.
Auto/Inter : Le parfait équilibre pour nettoyer tous les sols. Raccordez votre brosse motorisée pour activer le mode automatique, qui adapte automatiquement la puissance entre les tapis et les sols durs.
Boost: Pour les nettoyages intensifs et la poussière incrustée.

Modalità di accensione
L'apparecchio ha tre modalità di accensione per funzioni diverse. Tramite un unico tasto è possibile cambiare rapidamente la modalità di pulizia.
Eco: Durata massima, per pulire più a lungo.
Auto/Med: L'equilibrio perfetto per pulire qualsiasi pavimento.

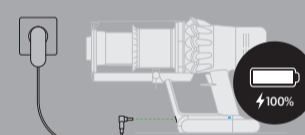
Collegare la spazzola Torque Head per attivare la modalità automatica, che consente di adattare automaticamente la potenza passando dai tappeti alle superfici rigide.
Boost: Pulizia intensa per sporco ostinato.

Vermogensmodi
Uw apparaat heeft drie vermogensmodi voor verschillende taken. Wijzig snel de reinigingsmodus met gebruik van een enkele knop.
Eco: Maximale looptijd, voor langere reinigingen.
Auto/Med: De optimale balans voor het reinigen van alle typen vloeren.
Bevestig uw hoge torque vloerzuigmond voor het activeren van de Automatische modus, wat het vermogen automatisch aanpast tussen tapijten en harde vloeren.
Boost: intensieve reiniging voor extra vuile plekken.

Tryby mocy
Urządzenie ma trzy tryby mocy dostosowane do różnych zadań. Tryb czyszczenia można zmienić szybko za pomocą jednego przycisku.
Eco: Maksymalny czas pracy, do dłuższego sprzątnięcia.
Auto/Med: Optymalny balans do czyszczenia wszystkich rodzajów podłóg.
Wystarczy zamocować elektroszczotkę Torque Drive, by uruchomić tryb automatyczny, w którym poziom mocy sam dostosuje się do rodzaju powierzchni – dywanu lub twardej podłogi.
Boost: Intensywne czyszczenie uporczywego brudu.

Режими работы
Устройство может работать в трех режимах в зависимости от выполняемой задачи. Режимы быстро переключаются одной кнопкой.
Эко: максимальное время работы, дольше чистка.
Авто/средний: оптимальный баланс для чистки пола любого типа.
Подключите насадку с высоким крутящим моментом для активации авторежима, в котором автоматически осуществляется адаптация мощности между коврами и твердыми напольными покрытиями.
Турбо: интенсивная очистка сложных загрязнений.

Način porabe energije
Naprava ima tri načine porabe energije za različna opravila. Način čiščenja lahko hitro spremenite s samo enim gumbom.
Eko: Najdaljši čas delovanja, primeren za daljša čiščenja.
Auto/Sred: Optimalno ravnovesje za čiščenje vseh tipov površin.
Namestite čistilno glavo z visokim navorom, da vklopite samodejni način, ki samodejno prilagaja moč delovanja med čiščenjem preprog oziroma gladkih površin.
Boost: Intenzivno čiščenje za trdovratno umazanje.



Charging
Your appliance will need to be fully charged before first use.

Aufladen
Das Gerät muss vor dem ersten Gebrauch vollständig geladen werden.

Carga
El dispositivo deberá estar totalmente cargado antes de usarlo por primera vez.

Chargement
Votre appareil doit être complètement chargé avant la première utilisation.


Carica
Prima del primo utilizzo, la ricarica dell'apparecchio dovrà essere completa.

Opladen
Uw apparaat moet voor het eerste gebruik volledig worden opgeladen.

Ładowanie
Przed pierwszym użyciem urządzenie musi być w pełni naładowane.

Zaradka
Pred prvom uporabo mora biti naprava popolnoma napolnjena.

Polnjenje
Pred prvo uporabo mora biti naprava popolnoma napolnjena.



Scan with your phone or QR reader to get the most out of your machine.

Requires Apple iOS 11 or later, a compatible Android device or a QR reader.

Scannen Sie den Code mit Ihrem Mobiltelefon oder einem QR Scanner, um das Beste aus Ihrem Gerät herauszuholen.

Erfordert mindestens Apple iOS 11, ein kompatibles Android Gerät oder einen QR Scanner.

Scanee con su teléfono o su lector QR para sacar el máximo partido a su máquina.

Requiere Apple iOS 11 o versiones posteriores, un dispositivo Android compatible o un lector QR.

Veuillez scanner avec votre téléphone ou votre lecteur de QR codes pour tirer le meilleur parti de votre appareil.

Nécessite iOS Apple 11 ou plus récent, un appareil Android compatible ou un lecteur de QR codes.

Scan with your phone or QR reader to get the most out of your machine.

Requires Apple iOS 11 or later, a compatible Android device or a QR reader.

Scan met de camera van uw telefoon of QR-lezer om het meeste uit uw machine te halen.

Vereist Apple iOS 11 of later, een vergelijkbaar Android apparaat of een QR lezer.

Zeskanuj telefonem lub czytnikiem kodów QR, aby w pełni wykorzystać możliwości Twojego urządzenia.

Wymaga systemu iOS 11 lub późniejszego, kompatybilnego urządzenia z systemem Android lub czytnika kodów QR.

Используйте камеру вашего телефона или сканер QR-кодов для получения дополнительной информации по вашему продукту.

Требуется устройство с операционной системой Apple iOS 11 или более поздними версиями, Android-совместимое устройство или сканер QR-кодов.

Skenirajte s telefonom ali bralnikom QR, da kar najbolj izkoristite svojo napravo.

Zahteva Apple iOS 11 ali novejšo različico, združljivo napravo Android ali bralnik QR.

Thank you for choosing to buy
a Dyson appliance
To read your manual in English
go to page 3.

Vielen Dank, dass Sie sich für ein
Dyson Gerät entschieden haben.
Um das Handbuch auf Deutsch zu
lesen, gehen Sie auf Seite 13.

Gracias por elegir una
máquina Dyson.
Para leer el manual en español,
vaya a la página 25.

Merci d'avoir choisi un appareil Dyson.
Pour lire votre manuel en français
rendez-vous à la page 37.

Grazie per aver scelto di acquistare un
apparecchio Dyson
Per leggere il manuale in Italiano,
andare a pagina 49.

Hartelijk dank voor uw aankoop
van een apparaat van Dyson.
Ga naar pagina 61 om uw
gebruikershandleiding in het
Nederlands te lezen.

Dziękujemy za zakup
urządzenia Dyson.
Instrukcja obsługi w języku polskim
jest dostępna na stronie 73.

Благодарим за выбор
устройства Dyson.
Инструкция на русском языке
находится на странице 85.

Hvala, ker ste se odločili za nakup
našega izdelka.
Priročnik v slovenščini je na strani 97

EN

Thank you for choosing
to buy a Dyson appliance

Registration

After registering your free 2 year guarantee, your Dyson appliance will be covered for parts and labour (excluding filters) for 2 years from the date of purchase, subject to the terms of the guarantee.

If you have any queries regarding your Dyson appliance, visit www.dyson.com/support for online help, support videos, general tips and useful information about Dyson.

Alternatively, you can call the Dyson Helpline with your serial number and details of where and when you bought the appliance.

Your serial number can be found on your rating plate which is on the base of the appliance.

Note your serial number for future reference.

This illustration is for example purposes only.



Register online

Visit our website to register your full parts and labour guarantee online.
www.dyson.com/register

Register by phone

Call our dedicated Helpline.
Monday to Friday 8am-8pm & Saturday
and Sunday 8am-6pm
0800 298 0298

IMPORTANT SAFETY INSTRUCTIONS

BEFORE USING THIS APPLIANCE READ ALL INSTRUCTIONS AND CAUTIONARY MARKINGS IN THIS MANUAL AND ON THE APPLIANCE

When using an electrical appliance, basic precautions should always be followed, including the following:

⚠️ WARNING

These warnings apply to the appliance, and also where applicable, to all tools, accessories, chargers or mains adaptors.

TO REDUCE THE RISK OF FIRE, ELECTRIC SHOCK, OR INJURY:

1. This Dyson appliance can be used by children aged from 8 years and above and persons with reduced physical, sensory or reasoning capabilities, or lack of experience and knowledge, only if they have been given supervision or instruction by a responsible person concerning use of the appliance in a safe way and understand the hazards involved. Cleaning and user maintenance should not be performed by children without supervision.
2. Do not allow to be used as a toy. Close attention is necessary when used by or near children. Children should be supervised to ensure that they do not play with the appliance.
3. Use only as described in this Dyson Operating Manual. Do not carry out any maintenance other than that shown in this manual, or advised by the Dyson Helpline.
4. Suitable for dry locations ONLY. Do not use outdoors or on wet surfaces.
5. Do not handle any part of the charger or appliance with wet hands.
6. Do not use with a damaged charger or cable.
7. If the appliance is not working as it should, if it has received a sharp blow, if it has been dropped, damaged, left outdoors, or dropped into water, do not use and contact the Dyson Helpline.
8. Contact the Dyson Helpline when a service or repair is required. Do not disassemble the appliance as incorrect reassembly may result in an electric shock or fire.
9. Do not stretch the cable or place the cable under strain. Keep the cable away from heated surfaces. Do not close a door on the cable, or pull the cable around sharp edges or corners. Arrange the cable away from traffic areas and where it will not

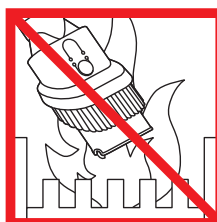
be stepped on or tripped over. Do not run over the cable.

10. Do not use to pick up water.
11. Do not use to pick up flammable or combustible liquids, such as petrol, or use in areas where they or their vapours may be present.
12. Do not pick up anything that is burning or smoking, such as cigarettes, matches, or hot ashes.
13. Keep hair, loose clothing, fingers, and all parts of the body away from openings and moving parts, such as the brush bar. Do not point the hose, wand or tools at your eyes or ears or put them in your mouth.
14. Do not put any object into openings. Do not use with any opening blocked; keep free of dust, lint, hair, and anything that may reduce airflow.
15. Use only Dyson recommended accessories and replacement parts.
16. Do not use without the clear bin and filter in place.
17. Unplug the charger when not in use for extended periods.
18. Use extra care when cleaning on stairs.
19. To prevent unintentional starting, be careful to keep your hands and fingers away from the 'ON' trigger until you are ready to begin vacuuming, especially when picking up or carrying the appliance. Carrying the appliance with your finger on the 'ON' trigger invites accidents.
20. Do not install, charge or use this appliance outdoors, in a bathroom or within 3 metres (10 feet) of a pool. Do not use on wet surfaces and do not expose to moisture, rain or snow.
21. Use only the Dyson charger Part Number 217160 for charging this Dyson appliance. Use only Dyson batteries: other types of batteries may explode, causing injury to persons and damage.
22. When removing or replacing a motorised brush bar, be careful not to pull the 'ON' trigger until the cleaner head has been reassembled.
23. Do not use a battery pack or appliance that is damaged or modified. Damaged or modified batteries may exhibit unpredictable behaviour resulting in fire, explosion or risk of injury. Do not expose battery pack or appliance to fire or excessive temperatures. Exposure to fire or temperatures above 60°C (140°F) may cause explosion.
24. The battery is a sealed unit and under normal circumstances poses no safety concerns. In the unlikely event that liquid leaks from the battery, do not touch the liquid as it may cause irritation or burns, and observe the following precautions:
 - Skin contact – can cause irritation. Wash with soap and water.

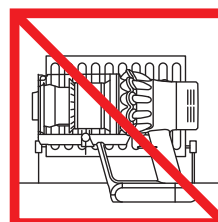
- Inhalation – can cause respiratory irritation. Expose to fresh air and seek medical advice.
 - Eye contact – can cause irritation. Immediately flush eyes thoroughly with water for at least 15 minutes. Seek medical attention.
 - Disposal – wear gloves to handle the battery and dispose of immediately, following local ordinances or regulations.
25. Follow all charging instructions and do not charge the battery pack or the appliance outside of the temperature range specified in the instructions. Charging improperly or at a temperature outside of the specified range may damage the battery and increase the risk of fire. To ensure maximum battery life, Dyson recommends the following:
 - When not in use the appliance should be stored at room temperature. Recommended range: 18°C (64°F) to 28°C (82°F).
 - The ambient temperature range for operation and charging should be 10°C (50°F) to 30°C (86°F).
 26. FIRE WARNING – Do not place this product on or near a cooker or any other hot surface and do not incinerate this appliance even if it is severely damaged. The battery might catch fire or explode.
 27. FIRE WARNING – Do not apply any fragrance or scented product to the filter(s) of this appliance. The chemicals in such products are known to be flammable and can cause the appliance to catch fire.

READ AND SAVE THESE INSTRUCTIONS

This Dyson appliance is intended for household use only.



Do not use near naked flames.



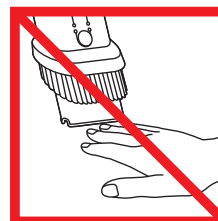
Do not store near heat sources.



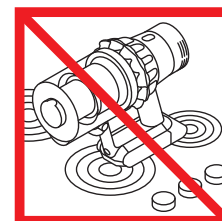
Do not pick up water or liquids.



Do not pick up burning objects.



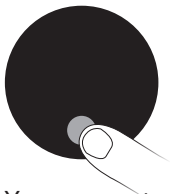
Do not put hands near the brush bar when the appliance is in use.



Do not place on or near the cooker.

Display

Selection button



You can control the settings on your appliance using the selection button.

Alerts



The screen will alert you when your appliance needs your attention. Follow the instructions on screen to maintain performance.

Battery health



Continued or regular use of Eco or Auto/Med mode helps to maximise cleaning time and prevents overheating, preserving battery durability and life.

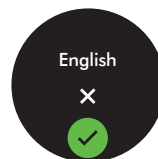
Language selection



Press and hold the selection button for 5 to 10 seconds to view the language list.



Press the selection button to scroll through the languages. A short (between 2 and 4 seconds) hold press on the selection button selects a language.



To confirm the language press the selection button to scroll to the tick, then a short hold press on the selection button will confirm your selection.

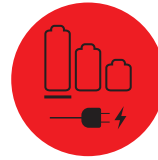


If the wrong language is selected then a short hold press on the selection button when the cross is displayed will return you to the language list.

Low battery

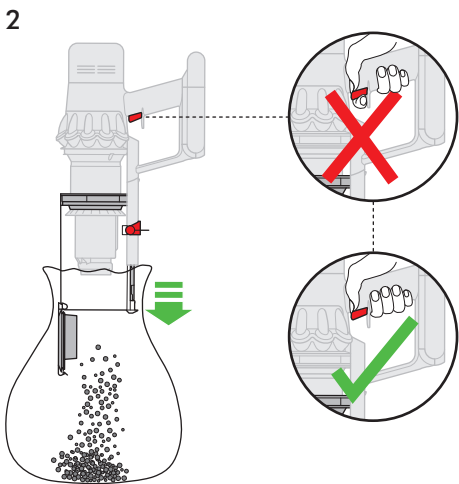
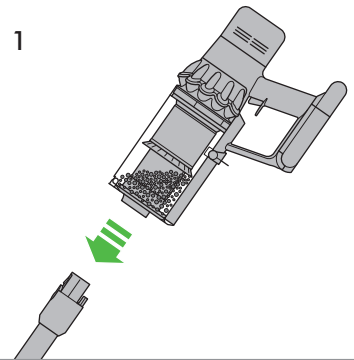
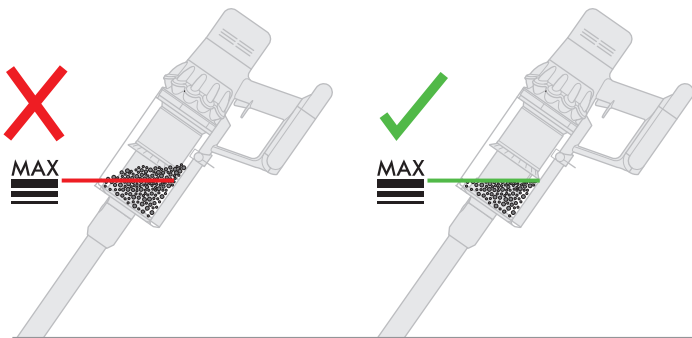
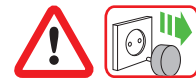


The screen will alert you when your battery is getting low.

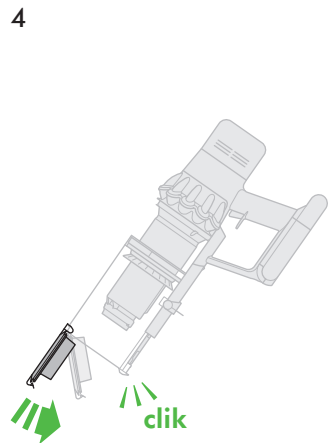
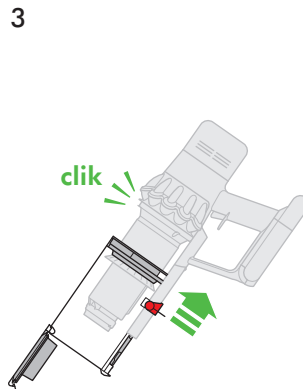


A final alert is shown when your battery is empty and needs to be charged.

Emptying the clear bin

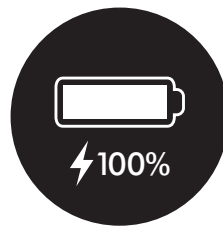
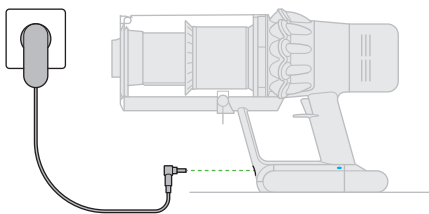
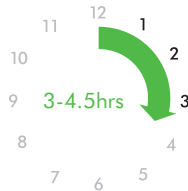
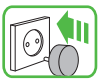


Be careful not to pull the 'ON' trigger while the clear bin is open for emptying.

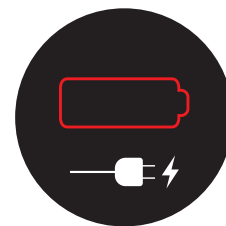


Close the clear bin by pushing the bin base upwards until the clear bin and bin base click into place.

Charging



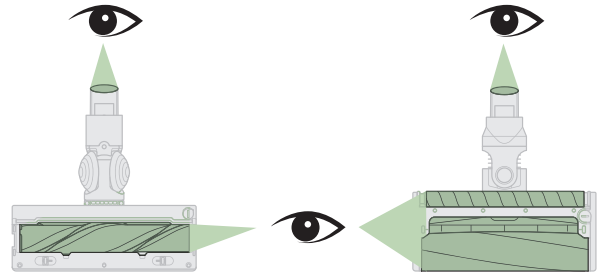
Battery is charged when display shows battery at 100%.



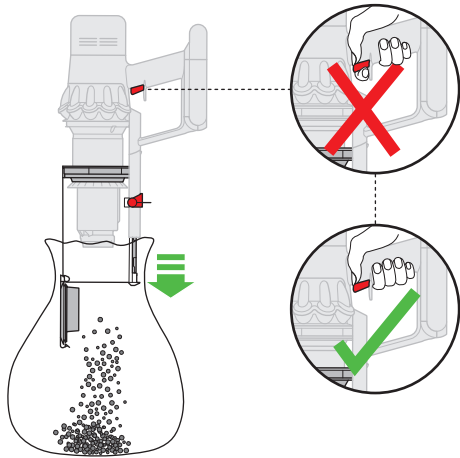
Battery empty and needs charging.

Connect to charger either directly or in the docking station. The blue LEDs – one on each side of the battery – will flash on and off during charging. When the battery is charged, both LEDs will light for 5 seconds, then go out.

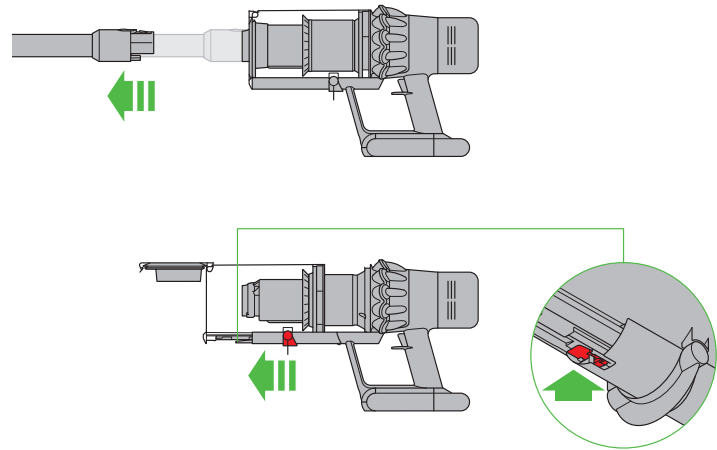
Looking for blockages



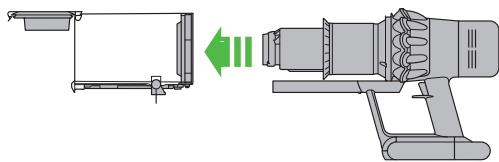
1



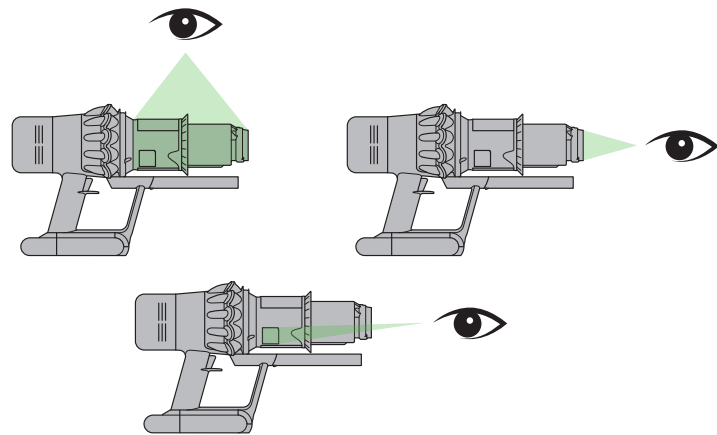
2



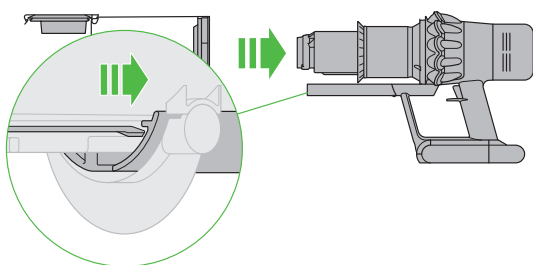
3



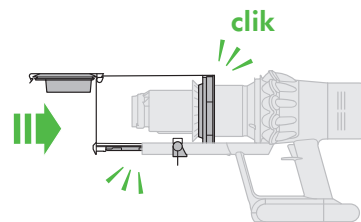
4



5

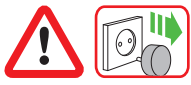


6

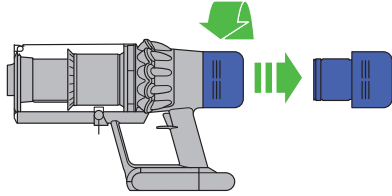


Close the clear bin by pushing the bin base upwards until the clear bin and bin base click into place.

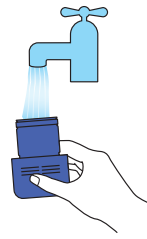
Cleaning the filter



1



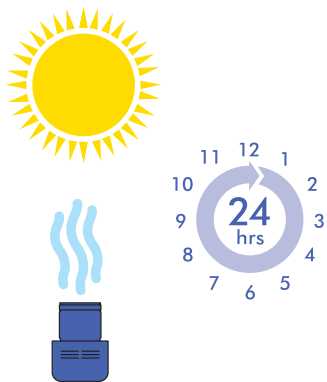
2



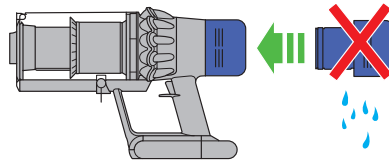
3



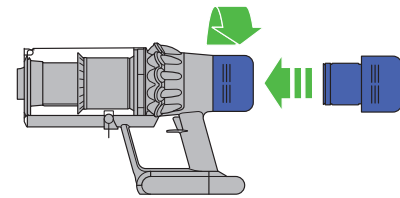
4



5



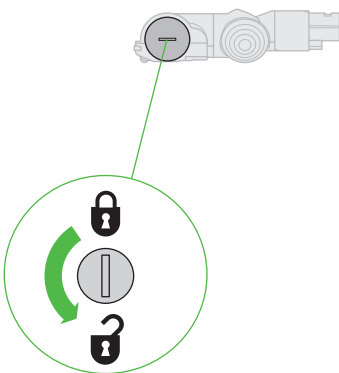
6



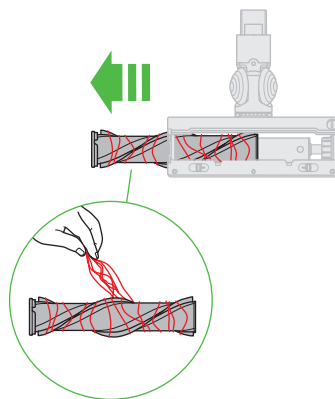
High torque cleaner head maintenance



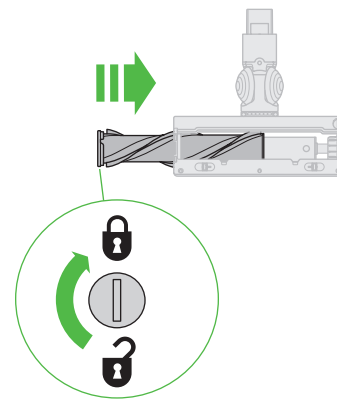
1



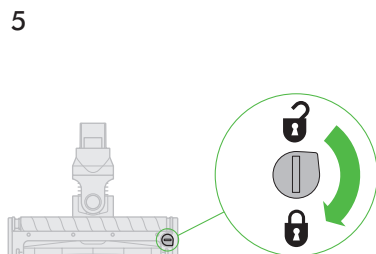
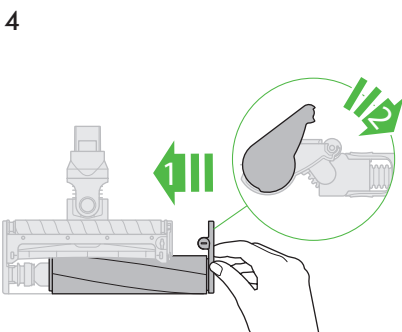
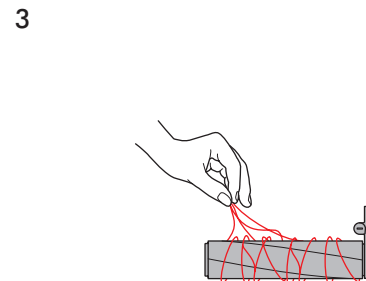
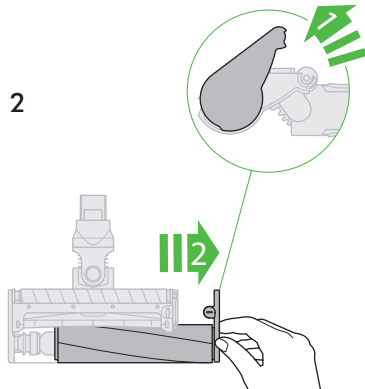
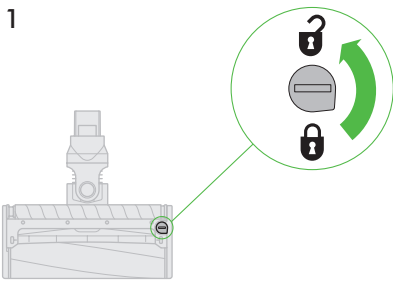
2



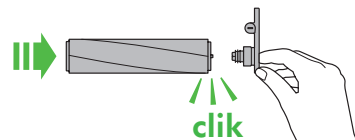
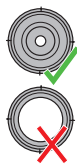
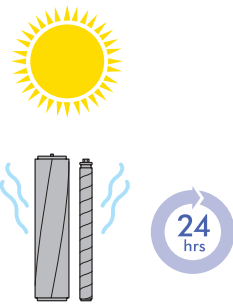
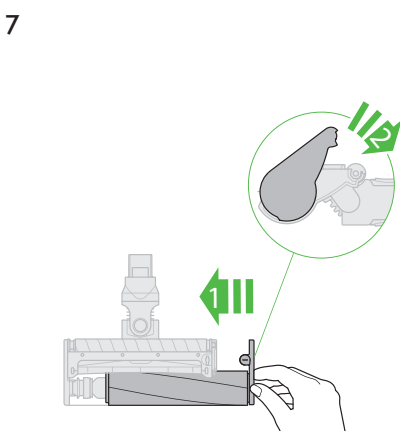
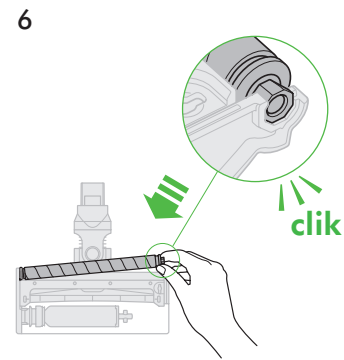
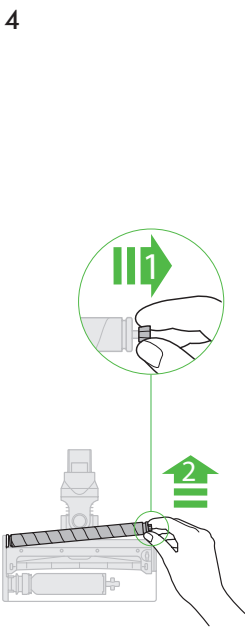
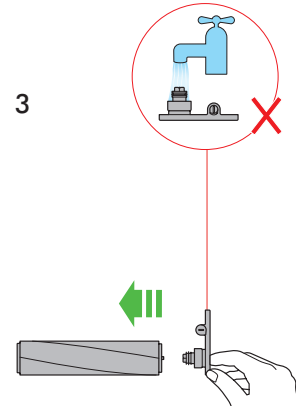
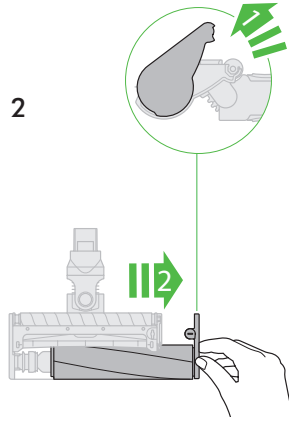
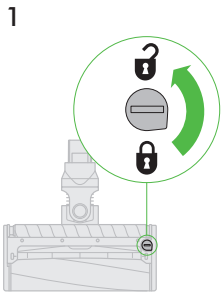
3



Soft roller cleaner head maintenance - clearing blockages



Soft roller cleaner head maintenance – washing the brush bars



Additional information

Please read the 'Important Safety Instructions' in this Dyson Operating Manual before proceeding.

Docking station installation

- Unpack the docking station, charger and installation leaflet.
- Select the location for the docking station and ensure that there is no pipework (gas, water or air), electrical cables, wires or ductwork directly behind the mounting location.
- Follow the instructions on the installation leaflet.
- Click the attachments into place.
- Place the appliance in the docking station.
- Plug the charger into the mains electricity supply. Switch on (if necessary) to charge the battery.
- Your appliance will need to be fully charged before first use.

The docking station must be mounted in accordance with regulations and applicable codes/standards (state and local laws may apply).

Dyson recommends the use of protective clothing, eyewear and materials when installing the docking station.

Vacuuming

- Remove the appliance from the docking station.
- Check that the underside of the cleaner head or tool is clean and free from foreign objects that may cause damage.

Before vacuuming your flooring, rugs and carpets, check the manufacturer's recommended cleaning instructions.

The brush bar on the appliance can damage certain carpet types and floors. Some carpets will fuzz if a rotating brush bar is used when vacuuming. If this happens, we recommend vacuuming without the motorised floor tool and consulting with your flooring manufacturer.

High torque cleaner head – suction control slider

Your High torque cleaner head has a slider control to adjust the suction of the cleaner head. To select the suction required, move the suction control slider on top of the cleaner head.

Maximum suction for ground in dust and debris (+)

- For vacuuming durable floor coverings, hard floors and heavily soiled carpets and rugs.

Suction for dust and debris (▲)

- For vacuuming of lightly soiled carpets, rugs and hard flooring.
- For vacuuming of large debris such as peanuts or rice.

Suction for deep pile carpets and delicate flooring (-)

- For vacuuming deep pile carpets or rugs and any flooring on which you may experience greater resistance.
- For vacuuming of lightly soiled floors, including delicate flooring such as vinyl, parquet and lino.

Emptying the clear bin

- Empty as soon as the dirt reaches the level of the MAX mark – do not overfill.
- Be careful not to pull the 'ON' trigger while the clear bin is open for emptying.
- Remove the wand by pressing the red wand release button and pulling away from the bin.
- To release the dirt:
 - Hold the appliance with the bin in a downwards position.
 - Firmly push the red bin release button.
 - The bin will slide down, cleaning the shroud as it goes.
 - The bin base will then open.
 - The bin base will not open if the red button is not pushed down fully.

To minimise dust/allergen contact when emptying, encase the clear bin tightly in a dust proof bag and empty. Remove the clear bin carefully from the bag. Seal the bag tightly, dispose as normal.

Cleaning the clear bin (optional)

If it is necessary to clean the clear bin:

- Follow the instructions in the 'Emptying the clear bin' section.
- Press the red button located on the bin runner to release the bin and slide the bin off the runner.
- Clean the clear bin with a damp cloth only.
- Ensure that the clear bin and seals are completely dry before replacing.
- To refit the clear bin:
 - Insert the spine on to the bin runner.

Close the clear bin by pushing the bin base upwards until the clear bin and bin base click into place.

The clear bin is not dishwasher safe and the use of detergents, polishes or air fresheners to clean the clear bin is not recommended as this may damage your appliance.

Filter and blockage indicators

The display of your appliance will alert you when simple maintenance steps are needed.

- The filter indicator will show when the filter unit is not fitted correctly. Follow the instructions on how to refit the filter unit in the 'Washing the filter unit' section.
- The filter indicator will show when the filter unit needs washing. Follow the instructions on how to wash the filter unit in the 'Washing the filter unit' section.
- The blockage indicator will show if there is a blockage. Follow the instructions on how to clear blockages in the 'Looking for blockages' section.

Washable parts

Your appliance has washable parts, which require regular cleaning. Follow the instructions below.

- Do not put any part of your appliance in a dishwasher, washing machine, tumble dryer, oven, microwave or near a naked flame.

Washing the filter unit

Wash the filter unit at least once every month, or whenever the filter maintenance indicator lights.

Check and wash the filter unit, according to the instructions, to maintain performance.

- Remove the filter unit by twisting it anti-clockwise. Gently pull away from the appliance.
- Gently tap the filter unit to remove any excess dust and debris before washing it.
- Wash the filter unit in cold water only: do not use detergent, or wash it in a dishwasher or washing machine.
- Wash the pleated paper element of the filter unit first; hold the filter unit under a cold water tap with the foam element downwards and run cold water over the pleated paper.
- Continue washing until the water runs clear.
- Wash the foam element of the filter unit next; hold the filter unit under a cold water tap with the foam element downwards so that dirty water does not contaminate the pleated paper element. Run cold water over the inside and outside of the foam element and squeeze the foam gently to expel the dirt.
- Continue washing until the water runs clear.
- Wash the outside of the filter unit. Then fill the unit with cold water, place your hands over the open ends and shake gently.
- Repeat washing the elements and outside of the filter unit until the water runs clear.
- Gently shake the filter unit to remove any excess water and leave to drain with the foam element end facing up.
- Leave the filter unit to dry completely in a dry environment with good airflow, for a minimum of 24 hours.
- Check that the filter unit is completely dry.
- To refit, return the filter unit to the main body and twist clockwise until it clicks into place.

The filter unit may require more frequent washing if vacuuming fine dust or if use is mainly in Boost mode.

- Do not put any part of your appliance in a dishwasher, washing machine, tumble dryer, oven, microwave or near a naked flame.

Washing the brush bars

The soft roller cleaner head of your appliance has two washable brush bars. Check and wash them regularly, according to the following instructions, to maintain performance:

- Refer to the 'Cleaner head maintenance' illustrations above.
- When removing or replacing a motorised brush bar, be careful not to pull the 'ON' trigger until the cleaner head has been reassembled.

To remove, wash and replace the brush bars:

- Turn the cleaner head upside down so the underside of the cleaner head is facing you. Use a coin to turn the end cap a quarter anti-clockwise until it clicks into the unlocked position. Rotate the end cap to the open position. Gently slide the main brush bar out of the cleaner head. Remove the end cap from the main brush bar. Do not wash the end cap.
- Gently slide the rear brush bar out of the cleaner head.
- Hold the brush bars under running water and gently rub to remove any lint or dirt.
- Stand the brush bars upright as shown. Leave to dry completely for a minimum of 24 hours. Before replacing, check that the brush bars are completely dry.
- Slide the rear brush bar back into the cleaner head.
- Slide the main brush bar back into the cleaner head.
- Reattach the end cap to the main brush bar.
- The end cap should be in the open position as shown. Once in place, rotate the end cap back into the closed position.
- Close the fastener by turning it a quarter clockwise. Ensure that the fastener is fully turned and the brush bars are secure.

High torque cleaner head

The brush bar of a motorised cleaner head is not washable.

Quick-release mini motorhead tool

The brush bar of a motorised cleaner head is not washable.

Blockages – automatic cut-out

- This appliance is fitted with an automatic cut-out.
- If any part becomes blocked, the appliance may automatically cut out.
- This will happen after the motor pulses a number of times (i.e switches on and off in quick succession) and the blockage indicator will light.
- Leave to cool down before looking for blockages.
- Be careful not to pull the 'ON' trigger while looking for blockages. Operating the appliance while it is partially dismantled could result in personal injury.
- Clear any blockage before restarting.
- Refit all parts securely before using.
- Clearing blockages is not covered by your guarantee.

Looking for blockages

The motor will pulse and the blockage indicator will show when there is a blockage.

Please follow the instructions below to locate the blockage:

- Be careful not to pull the 'ON' trigger while looking for blockages. Operating the appliance while it is partially dismantled could result in personal injury.
- Beware of sharp objects when checking for blockages.
- To check for blockages in the main body of the appliance, remove the clear bin following the instructions in the 'Emptying the clear bin' section and remove the blockage.
- If you cannot clear an obstruction from the cleaner head, you may need to remove the brush bar. Use a coin to unlock the fastener, slide the brush bar out of the cleaner head and remove the obstruction. Replace the brush bar and secure it by tightening the fastener. Ensure it is fixed firmly before operating the appliance.
- This product has carbon fibre brushes. Take care if coming into contact with them, as they may cause minor skin irritation. Wash your hands after handling the brushes.
- Refit all parts securely before using.
- Clearing blockages is not covered by your guarantee.

Charging and storing

- This appliance will switch 'OFF' if the battery temperature is below 10°C (50°F). This is designed to protect the motor and battery. Do not charge the appliance and then move it to an area with a temperature below 10°C (50°F) for storage purposes.
- To help prolong battery life, avoid recharging immediately after a full discharge. Allow to cool for a few minutes.
- Avoid using the appliance with the battery flush to a surface. This will help it run cooler and prolong battery run time and life.


Battery safety instructions

- If the battery needs replacing, please contact the Dyson Helpline.
- Use only the Dyson charger Part Number 217160 for charging this Dyson appliance.

CAUTION

The battery used in this device may present a risk of fire or chemical burn if mistreated. Do not short contacts, heat above 60°C (140°F), or incinerate. Keep away from children. Do not disassemble or dispose of in fire.

Disposal information

- Dyson products are made from high grade recyclable materials. Recycle where possible.
 - The battery should be removed from the product before disposal.
 - Dispose of or recycle the battery in accordance with local ordinances or regulations.
 - Dispose of the exhausted filter unit in accordance with local ordinances or regulations.
-  This marking indicates that this product should not be disposed with other household wastes throughout the EU. To prevent possible harm to the environment or human health from uncontrolled waste disposal, recycle it responsibly to promote the sustainable reuse of material resources. To return your used device, please use the return and collection systems or contact the retailer where the product was purchased. They can take this product for environmentally safe recycling.

Dyson customer care

Thank you for choosing to buy a Dyson appliance

After registering your 2 year guarantee, your Dyson appliance will be covered for parts and labour for 2 years from the date of purchase, subject to the terms of the guarantee. If you have any queries regarding your Dyson appliance, visit www.dyson.com for online help, general tips and useful information about Dyson.

Alternatively, you can call the Dyson Helpline with your serial number and details of where and when you bought the appliance.

If your Dyson appliance needs a repair, call the Dyson Helpline so we can discuss the available options. If your Dyson appliance is under guarantee, and the repair is covered, it will be repaired at no cost.

Please register as a Dyson appliance owner

The guarantee for this product is 2 years from the the date of purchase. Please register your guarantee within 30 days of your purchase date. To help us ensure that you receive prompt and efficient service, please register immediately after purchase. Please keep the receipt showing the date of purchase.

There are three ways to do this:

- Online at www.dyson.com
- Telephone the Dyson Helpline.

By registering online or by phone you will:

- Protect your investment with a two year parts and labour guarantee
- Receive helpful tips on using your machine
- Get expert advice from the Dyson helpline
- Be the first to hear about our latest inventions
- Registering only takes a few minutes and all you need is your serial number.

Limited 2 year guarantee

Terms and conditions of the dyson 2 year limited guarantee

What is covered

- The repair or replacement of your Dyson appliance (at Dyson's discretion) if it is found to be defective due to faulty materials, workmanship or function within 2 years of purchase or delivery (if any part is no longer available or out of manufacture Dyson will replace it with a functional replacement part).
- Where this appliance is sold outside of the EU, this guarantee will only be valid if the appliance is used in the country in which it was sold.
- Where this appliance is sold within the EU, this guarantee will only be valid (i) if the appliance is used in the country in which it was sold or (ii) if the appliance is used in Austria, Belgium, France, Germany, Ireland, Italy, Netherlands, Spain or the United Kingdom and the same model as this appliance is sold at the same voltage rating in the relevant country.

What is not covered

Dyson does not guarantee the repair or replacement of a product where a defect is the result of:

- Accidental damage, faults caused by negligent use or care, misuse, neglect, carelessness or operation or handling of the appliance which is not in accordance with the Dyson Operating Manual.
- Use of the appliance for anything other than normal domestic household purposes.
- Use of parts not assembled or installed in accordance with the instructions of Dyson.
- Use of parts and accessories which are not genuine Dyson components.
- Faulty installation (except where installed by Dyson).
- Repairs or alterations carried out by parties other than Dyson or its authorised agents.
- Blockages – please refer to the Dyson Operating Manual for details on how to look for and clear blockages.
- Normal wear and tear (e.g. fuse, brush bar etc.).
- Use of this appliance on rubble, ash, plaster.
- Reduction in battery discharge time due to battery age or use (where applicable).

If you are in any doubt as to what is covered by your guarantee, please contact the Dyson helpline.

Summary of cover

- The guarantee becomes effective from the date of purchase (or the date of delivery if this is later).
- You must provide proof of (both the original and any subsequent) delivery/purchase before any work can be carried out on your Dyson appliance. Without this proof, any work carried out will be chargeable. Keep your receipt or delivery note.
- All work will be carried out by Dyson or its authorised agents.
- Any parts which are replaced by Dyson will become the property of Dyson.
- The repair or replacement of your Dyson appliance under guarantee will not extend the period of guarantee.
- The guarantee provides benefits which are additional to and do not affect your statutory rights as a consumer.

Important data protection information

When registering your Dyson appliance:

- You will need to provide us with basic contact information to register your appliance and enable us to support your guarantee.
- When you register, you will have the opportunity to choose whether you would like to receive communications from us. If you opt-in to communications from Dyson, we will send you details of special offers and news of our latest innovations. We never sell your information to third parties and only use information that you share with us as defined by our privacy policies which are available on our website privacy.dyson.com
- We never sell your information to third parties and only use information that you share with us as defined by our privacy policies which are available on our website at privacy.dyson.com

DE/AT/CH

Vielen Dank, dass Sie sich für ein Dyson Gerät entschieden haben.

Registrierung

Nach der Registrierung gewähren wir Ihnen für Ihr Dyson Gerät gemäß unseren Garantiebestimmungen ab Kaufdatum eine kostenlose 2-Jahres-Garantie auf alle Teile (ausschließlich Filter) und Arbeiten.

Wenn Sie Fragen zu Ihrem Dyson Gerät haben, besuchen Sie www.dyson.de/support (DE), www.dyson.at/support (AT) oder www.dyson.ch/support (CH) um Online-Hilfe, Support-Videos, allgemeine Tipps und nützliche Informationen zu Dyson zu erhalten.

Alternativ können Sie sich auch telefonisch an den Kundendienst von Dyson wenden. Geben Sie dazu die Seriennummer Ihres Gerätes sowie das Datum und den Ort des Gerätekaufs an.

Die Seriennummer finden Sie auf dem Typenschild am Sockel des Produkts.

Bitte notieren Sie die Seriennummer für eventuelle Rückfragen.

Nur für Illustrationszwecke.



Online-Registrierung

Besuchen Sie unsere Webseite, um Ihre umfassende Garantie auf Teile und Reparaturarbeiten online zu registrieren.

DE: www.dyson.de/register

AT: www.dyson.at/register

CH: www.dyson.ch/register

Registrierung per Telefon

Montag bis Freitag, 8:00-20:00 Uhr und

Samstag von 9:00 bis 14:00 Uhr.

0800 - 31 31 31 8

0800 - 28 67 45

0800 - 740 183

WICHTIGE SICHERHEITSHINWEISE

LESEN SIE VOR DER BENUTZUNG DIESES GERÄTES ZUNÄCHST ALLE ANWEISUNGEN UND WARNHINWEISE IN DIESER BEDIENUNGSANLEITUNG SOWIE AM GERÄT SELBST

Bei der Verwendung von Elektrogeräten sollten stets grundlegende Vorsichtsmaßnahmen beachtet werden, einschließlich der folgenden:

⚠️ ACHTUNG

Diese Warnhinweise beziehen sich auf das Gerät und gegebenenfalls auf sämtliches Zubehör, Ladegeräte oder Netzteile.

UM DIE GEFAHR EINES FEUERS, STROMSCHLAGS ODER VON VERLETZUNGEN ZU VERMEIDEN:

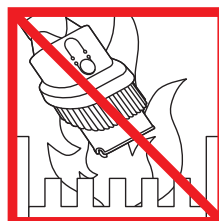
1. Dieses Dyson Gerät kann von Kindern ab 8 Jahren und Personen mit eingeschränkten physischen, sensorischen oder geistigen Fähigkeiten bzw. von unerfahrenen und ungeschulten Personen verwendet werden, sofern diese von einer verantwortlichen Person im Hinblick auf die sichere Nutzung des Geräts beaufsichtigt oder instruiert werden und sich der möglichen Risiken bewusst sind. Reinigung und Pflege dürfen von Kindern nicht ohne Beaufsichtigung durchgeführt werden.
2. Das Gerät darf nicht als Spielzeug verwendet werden. Wird das Gerät von Kindern oder in deren Nähe genutzt, muss die Situation aufmerksam beobachtet werden. Kinder sollten beaufsichtigt werden, damit sie nicht mit dem Gerät spielen.
3. Darf nur wie in dieser Dyson Bedienungsanleitung beschrieben verwendet werden. An dem Gerät dürfen keine anderen als die in dieser Anleitung beschriebenen bzw. vom Dyson Kundendienst empfohlenen Wartungsarbeiten durchgeführt werden.
4. Verwenden Sie das Gerät NUR an trockenen Standorten. Verwenden Sie es nicht im Freien oder auf nassem Untergrund.
5. Die Ladestation bzw. das Gerät nicht mit nassen Händen anfassen.
6. Nicht verwenden, wenn Ladestation oder Kabel beschädigt sind.
7. Wenn das Gerät nicht so funktioniert, wie es sollte, einen heftigen Schlag erhalten hat, fallen gelassen, beschädigt, im Freien vergessen oder

- ins Wasser fallen gelassen wurde, verwenden Sie das Gerät nicht mehr und wenden Sie sich an den Dyson Kundendienst.
8. Wenn eine Wartung oder Reparatur erforderlich ist, wenden Sie sich an den Kundendienst von Dyson. Nehmen Sie das Gerät nicht eigenständig auseinander, da es aufgrund eines falschen Zusammensetzens zu Stromschlägen oder Bränden kommen kann.
 9. Das Kabel darf nicht gespannt werden. Halten Sie das Kabel von heißen Oberflächen fern. Klemmen Sie das Kabel nicht in der Tür ein und ziehen Sie es nicht um scharfe Kanten oder Ecken. Sorgen Sie dafür, dass das Kabel niemandem im Weg ist. Fahren Sie nicht über das Kabel.
 10. Saugen Sie mit dem Gerät kein Wasser auf.
 11. Saugen Sie keine entflammbaren oder leicht entzündbaren Flüssigkeiten wie Benzin auf und benutzen Sie das Gerät nicht in Umgebungen, in denen diese flüssig oder in Dämpfen auftreten können.
 12. Verwenden Sie das Gerät nicht zum Aufsaugen von brennenden oder rauchenden Substanzen wie Zigaretten, Streichhölzern oder heißer Asche.
 13. Achten Sie darauf, dass Haare, lose Kleidung, Finger und sonstige Körperteile nicht in die Nähe von Öffnungen oder beweglichen Teilen wie z. B. der Bürstwalze gelangen. Richten Sie weder Schlauch noch Rohr oder Düsen auf Augen oder Ohren und nehmen Sie nichts davon in den Mund.
 14. Stecken Sie keine Gegenstände in Öffnungen des Geräts. Benutzen Sie das Gerät nicht, wenn eine Öffnung blockiert ist. Entfernen Sie Blockierungen durch Staub, Flusen, Haare usw., da diese den Luftstrom reduzieren können.
 15. Benutzen Sie nur Zubehör und Ersatzteile von Dyson.
 16. Verwenden Sie das Gerät nicht ohne Auffangbehälter und Filter.
 17. Trennen Sie die Ladestation von der Steckdose, wenn sie längere Zeit nicht verwendet wird.
 18. Seien Sie beim Saugen von Treppen besonders vorsichtig.
 19. Um ein versehentliches Starten zu verhindern, achten Sie darauf, dass Ihre Hände und Finger den Ein-/Aus-Schalter erst berühren, wenn Sie bereit sind zu saugen, vor allem auch, wenn Sie das Gerät aufheben oder tragen. Das Tragen des Geräts mit dem Finger am Ein-/Aus-Schalter lädt zu Unfällen ein.
 20. Installieren, laden und verwenden Sie dieses Gerät nicht im Freien, in Feuchträumen oder in einem Umkreis von 3 Metern von Schwimmbecken. Arbeiten Sie damit nicht auf feuchten Oberflächen und setzen Sie es nicht Feuchtigkeit, Regen oder Schnee aus.
 21. Verwenden Sie ausschließlich die Dyson Ladestation, Artikelnr. 217160, für das Laden dieses Dyson Geräts. Verwenden Sie ausschließlich Dyson Akkus: Andere Akkus könnten platzen und zu Verletzungen oder Beschädigungen des Geräts führen.
 22. Wenn Sie die motorisierte Bürstwalze herausnehmen oder ersetzen, achten Sie darauf, den Ein-/Aus-Schalter erst zu betätigen, wenn die Bürste wieder zusammengebaut ist.
 23. Verwenden Sie keine Akkus oder Geräte, die beschädigt oder verändert wurden. Beschädigte oder veränderte Akkus können zu unvorhersehbarem Verhalten, Bränden, Explosionen und Verletzungsgefahr führen. Setzen Sie den Akku und das Gerät weder Feuer noch überhöhten Temperaturen aus. Bei Feuer oder Temperaturen über 60° C kann es zu einer Explosion kommen.
 24. Der Akku mit den Batterien ist versiegelt und stellt unter normalen Umständen kein Risiko für Ihre Sicherheit dar. Im unwahrscheinlichen Fall, dass Flüssigkeit aus dem Akku austritt, berühren Sie die Flüssigkeit nicht, da sie Hautreizungen und Verbrennungen verursachen kann, und beachten Sie folgende Hinweise:
 - Hautkontakt – kann zu Hautirritationen führen. Waschen Sie betroffene Stellen mit Seife und Wasser.
 - Inhalation – kann zu einer Reizung der Atemwege führen. Sorgen Sie für frische Luft und konsultieren Sie einen Arzt.
 - Kontakt mit den Augen – kann zu einer Reizung führen. Spülen Sie die Augen unverzüglich mindestens 15 Minuten lang mit Wasser. Konsultieren Sie einen Arzt.
 - Entsorgung – Handschuhe anziehen und unverzüglich entsprechend örtlichen Bestimmungen und Gesetzen entsorgen.
 25. Folgen Sie den Anweisungen zum Laden des Akkus und laden Sie den Akku bzw. das Gerät nicht außerhalb des in dieser Bedienungsanleitung angegebenen Temperaturbereichs. Unsachgemäßes Laden oder Laden des Akkus außerhalb des empfohlenen Temperaturbereichs kann zu Beschädigungen des Akkus führen und das Risiko eines Feuers erhöhen. Um die maximale Akkulebensdauer zu gewährleisten, empfiehlt Dyson Folgendes:
 - Wenn das Gerät nicht verwendet wird, bewahren Sie es bei Zimmertemperatur auf. Empfohlener Bereich: 18° C bis 28° C.

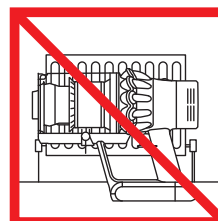
26. **BRANDGEFAHR** – Dieses Produkt darf nicht auf oder neben einen Küchenherd oder andere heiße Oberflächen gestellt werden. Das Produkt darf nicht verbrannt werden, selbst wenn es schwer beschädigt ist. Der Akku könnte Feuer fangen oder explodieren.
27. **BRANDGEFAHR** – Verwenden Sie an den Filtern dieses Geräts keine Duftstoffe oder parfümierten Produkte. Die in derartigen Produkten enthaltenen Chemikalien sind bekanntermaßen entzündbar und können dazu führen, dass das Gerät in Brand gerät.

LESEN UND BEWAHREN SIE DIESE ANWEISUNGEN AUF

Dieses Dyson Gerät ist ausschließlich für die Verwendung im Haushalt geeignet.



Nicht in der Nähe einer offenen Flamme verwenden.



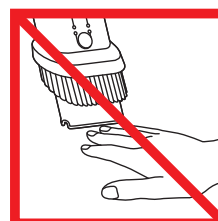
Nicht in der Nähe von Hitzequellen abstellen.



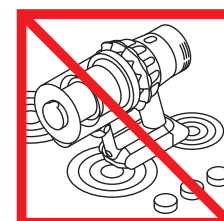
Saugen Sie kein Wasser oder andere Flüssigkeiten auf.



Verwenden Sie das Gerät nicht zum Aufsaugen von brennbaren Substanzen.



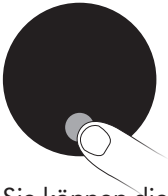
Achten Sie darauf, dass Ihre Hände beim Gebrauch des Geräts nicht in die Nähe der Bürstwalze kommen.



Nicht auf oder neben einen Küchenherd stellen.

Display

Auswahltaste



Sie können die Einstellungen Ihres Geräts über die Auswahltaste steuern.

Warnungen



Das Display warnt Sie, wenn das Gerät Ihre Aufmerksamkeit erfordert. Folgen Sie den Anweisungen im Display, um eine Wartung durchzuführen.

Akkulebensdauer



Der dauerhafte bzw. regelmäßige Einsatz des Spar- bzw. Auto/Med Modus hilft, die Reinigungszeit zu optimieren und ein Überhitzen zu verhindern, sodass die Akkulebensdauer bewahrt wird.

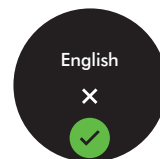
Sprachauswahl



Halten Sie die Auswahltaste 5 bis 10 Sekunden lang gedrückt, um die Sprachenliste anzuzeigen.



Drücken Sie die Auswahltaste, um durch die Sprachen zu blättern. Durch ein kurzes Drücken (zwischen 2 und 4 Sekunden) auf die Auswahltaste wählen Sie eine Sprache aus.



Um die Sprache zu bestätigen, drücken Sie die Auswahltaste, um zum Häkchen zu blättern, und halten Sie die Auswahltaste dann kurz gedrückt, um Ihre Auswahl zu bestätigen.



Falls die falsche Sprache ausgewählt wurde, kehren Sie durch ein kurzes Drücken der Auswahltaste, bis das Kreuz angezeigt wird, wieder in die Sprachenliste zurück.

Schwacher Akku

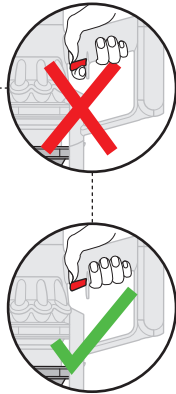
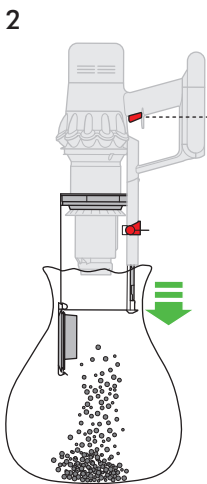
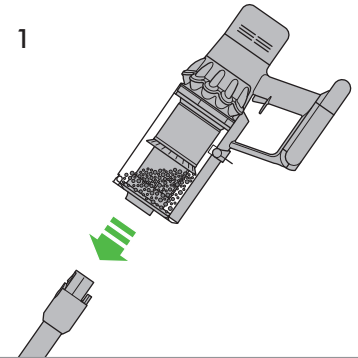
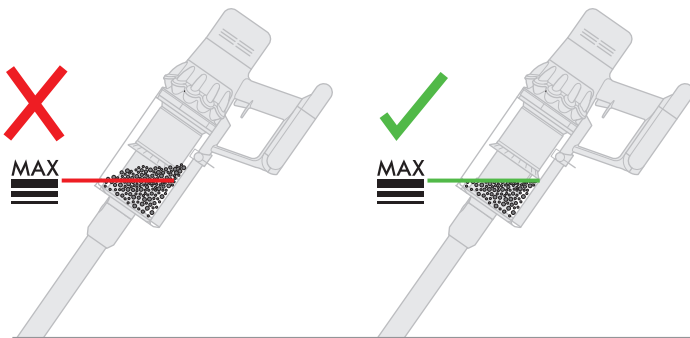
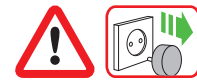


Das Display warnt Sie, wenn der Akku leerer wird.

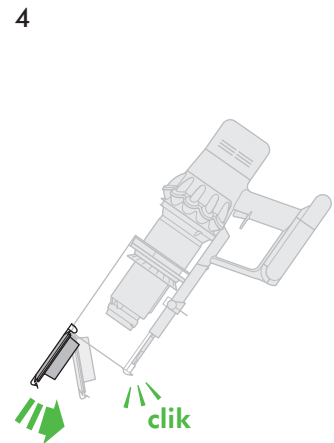
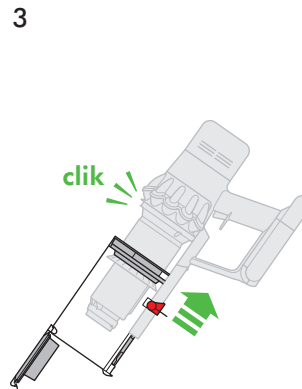


Eine finale Warnung wird angezeigt, wenn der Akku leer ist und geladen werden muss.

Behälterentleerung

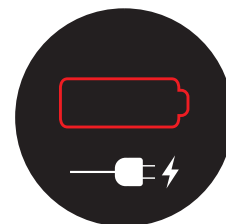
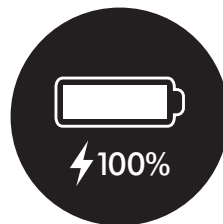
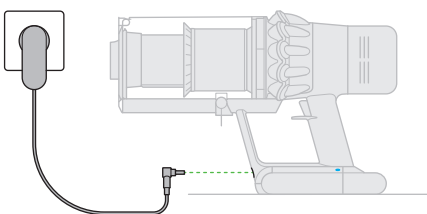
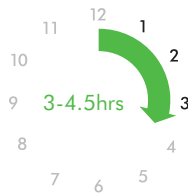
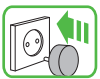


Achten Sie darauf, nicht den Ein-/Aus-Schalter zu betätigen, während der Auffangbehälter zum Leeren geöffnet ist.



Schließen Sie den Auffangbehälter, indem Sie den Behälterboden nach oben drücken, bis Auffangbehälter und Behälterboden hörbar einrasten.

Aufladen



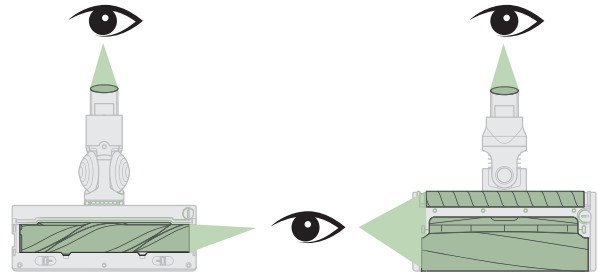
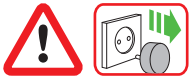
Schließen Sie das Gerät entweder direkt oder über die Ladehalterung an die Ladestation an.
Die blauen LEDs – eine je Seite des Akkus – blinkt während des Ladevorgangs.

Der Akku ist vollständig geladen, wenn das Display 100 % anzeigt.

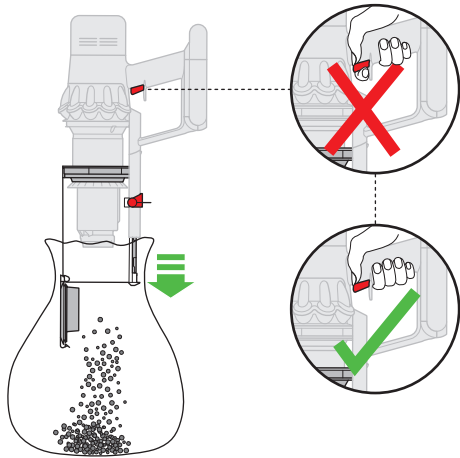
Der Akku ist leer und muss geladen werden.

Wenn der Akku geladen ist, leuchten beide LEDs 5 Sekunden lang und erlöschen dann.

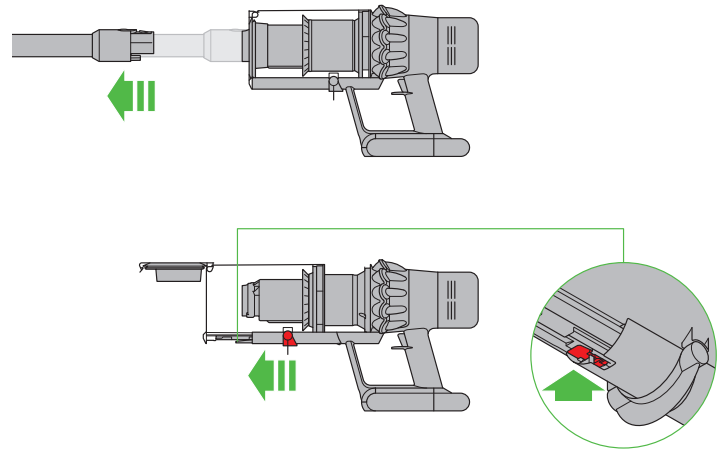
Blockierungen entfernen



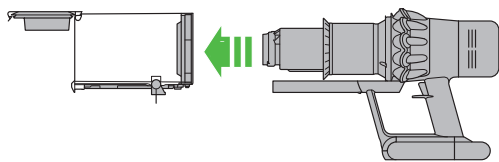
1



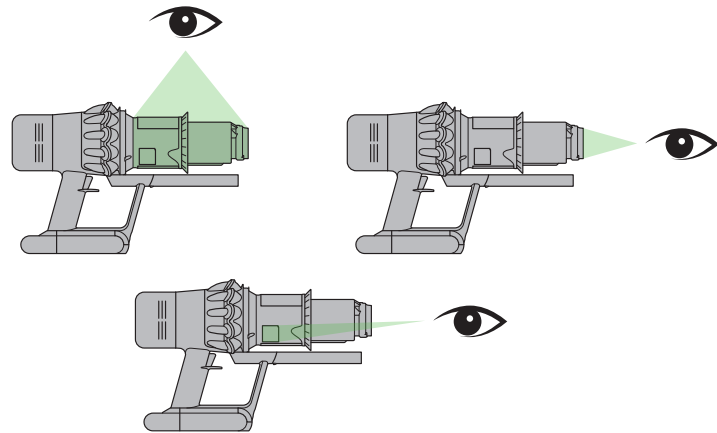
2



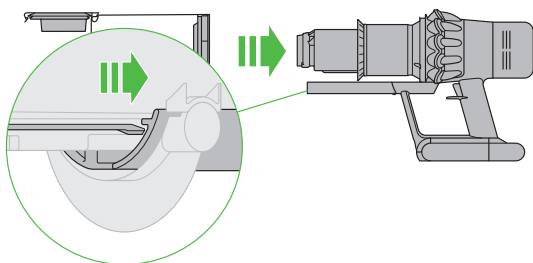
3



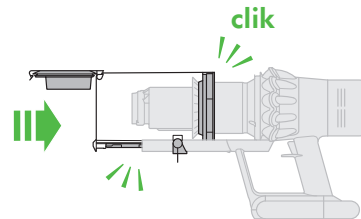
4



5

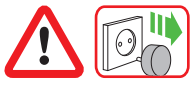


6

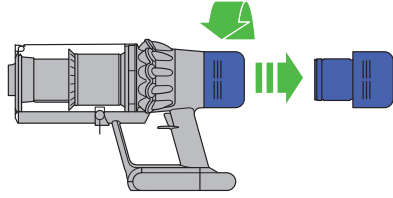


Schließen Sie den Auffangbehälter, indem Sie den Behälterboden nach oben drücken, bis Auffangbehälter und Behälterboden hörbar einrasten.

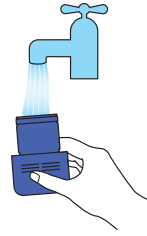
Reinigung des Filters



1



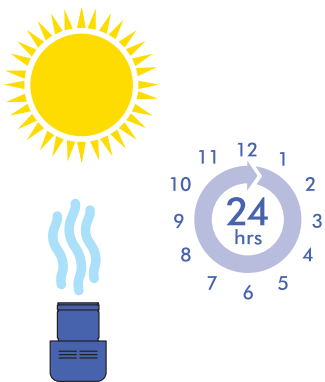
2



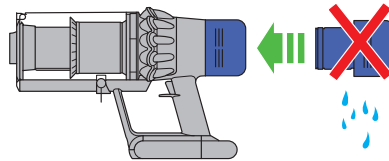
3



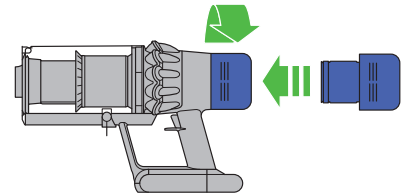
4



5



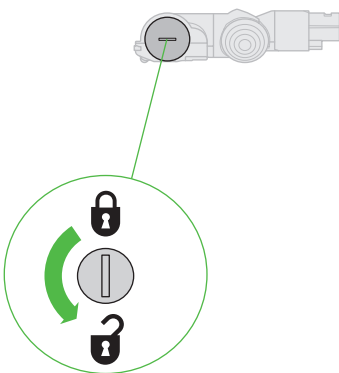
6



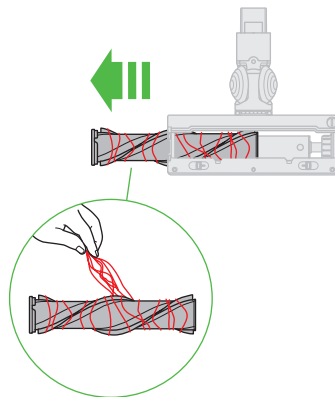
Wartung der Elektrobürste mit Direktantrieb



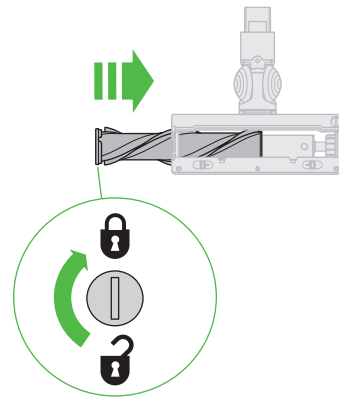
1



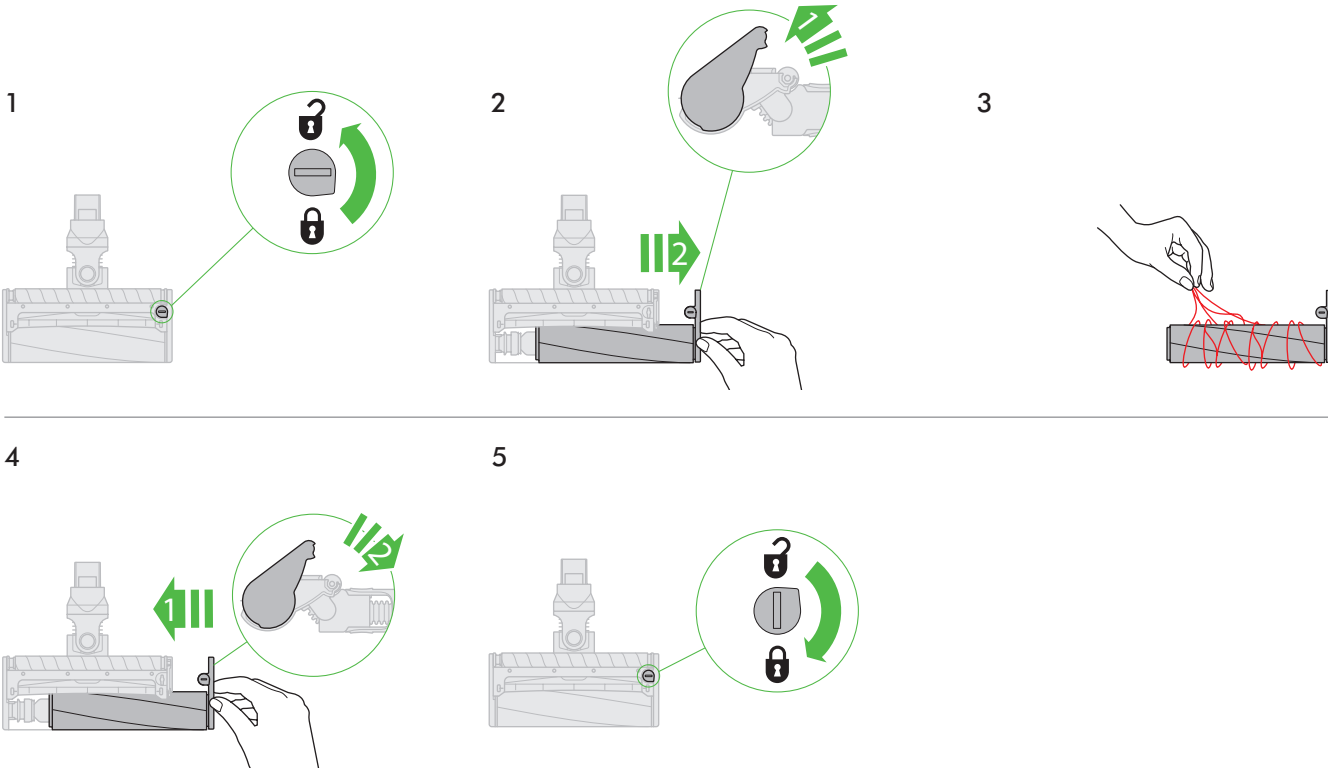
2



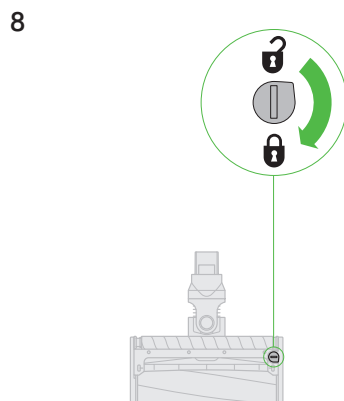
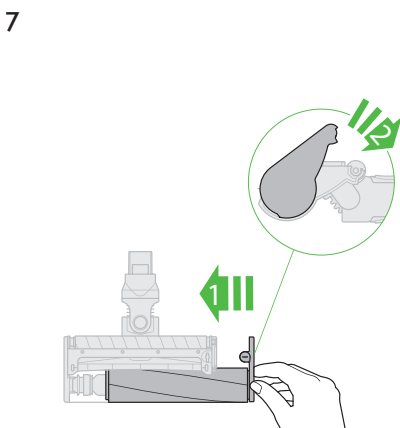
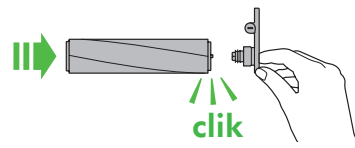
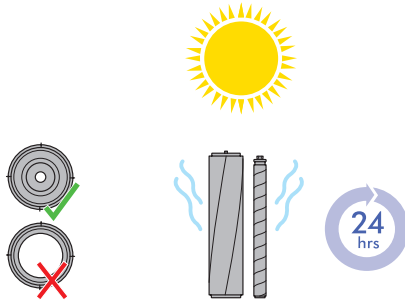
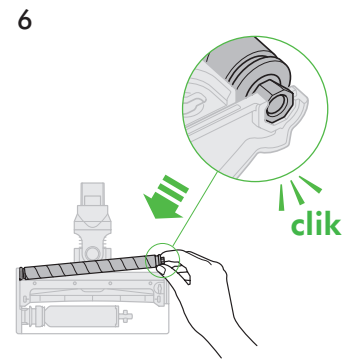
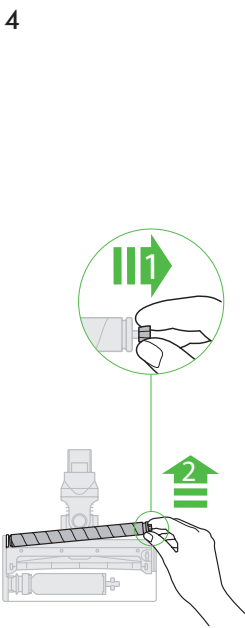
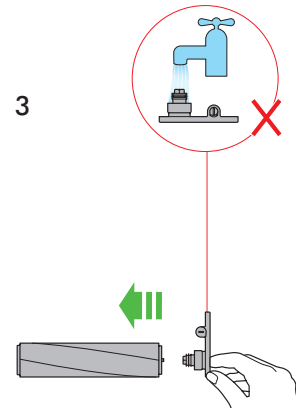
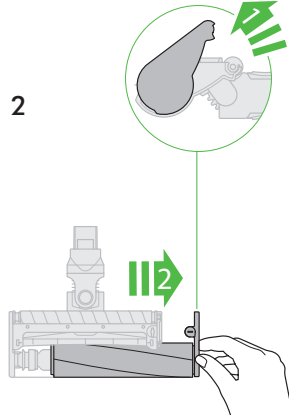
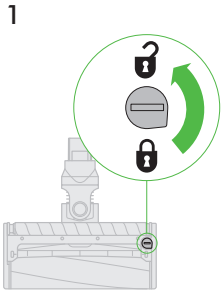
3



Wartung der Elektrobürste mit Soft-Walze – Beseitigung von Blockierungen



Wartung der Elektrobürste mit Soft-Walze – Waschen der Bürstwalzen



Zusätzliche Informationen

BITTE LESEN SIE DEN ABSCHNITT „WICHTIGE SICHERHEITSHINWEISE“ IN DIESER DYSON BEDIENUNGSANLEITUNG, BEVOR SIE DAS GERÄT BENUTZEN.

MONTAGE DER WANDHALTERUNG

- Packen Sie Ladehalterung, Ladestation und Installationsbrochüre aus.
 - Wählen Sie für die Ladehalterung einen Standort aus und stellen Sie sicher, dass direkt hinter dem Montageort keine Leitungen (Gas, Wasser oder Luft), Stromkabel, Drähte oder Rohre verlaufen.
 - Befolgen Sie die Anweisungen in der Montageanleitung.
 - Befestigungen einrasten lassen.
 - Gerät in der Ladehalterung platzieren.
 - Schließen Sie die Ladestation an die Stromversorgung an. Schalten Sie sie (bei Bedarf) ein, um den Akku zu laden.
 - Das Gerät muss vor dem ersten Gebrauch vollständig geladen werden.
- Die Ladehalterung muss entsprechend den gesetzlichen Bestimmungen und den entsprechenden Vorschriften und Normen (Bundes- und Landesgesetze beachten!) montiert werden.

Dyson empfiehlt den Einsatz von Schutzkleidung, Augenschutz und Schutzmaterial für die Montage der Ladehalterung.

Staubsaugen

- Gerät aus der Ladehalterung entnehmen.
- Überprüfen Sie, dass die Unterseite der Elektrobürste oder des Zubehörs sauber und frei von Fremdkörpern ist, die Schäden verursachen könnten.

Vor dem Saugen Ihrer Fußböden und Fußbodenbeläge sollten Sie die Pflegehinweise des jeweiligen Herstellers lesen.

Die Elektrobürste des Geräts kann bei bestimmten Teppichen und Hartböden Schäden verursachen. Einige Teppichböden fesseln, wenn sie mit einer rotierenden Elektrobürste gereinigt werden. Sollte das der Fall sein, empfehlen wir, beim Saugen auf die Elektrobürste zu verzichten und den Bodenbelaghersteller zu kontaktieren.

Intelligente Elektrobürste mit Direktantrieb – Saugkraftregulierung

Ihre intelligente Elektrobürste mit Direktantrieb verfügt über eine Regulierung, um die Saugkraft der Elektrobürste einzustellen. Um die gewünschte Saugkraft einzustellen, verschieben Sie die Saugkraftregulierung oben auf der Elektrobürste.

Maximale Saugkraft für tiefsitzenden Staub und Schmutz (+)

- Zum Staubsaugen auf widerstandsfähigen Bodenbelägen, Hartböden und stark verschmutzten Teppichen und Vorlegern.

Zum Staubsaugen von alltäglichen Verschmutzungen (▲)

- Zum Staubsaugen auf leicht verschmutzten Teppichen, Vorlegern und Hartböden.

Zum Staubsaugen von grobem Schmutz, wie z.B. Erdnüsse oder Reis.

Zum Staubsaugen von Hochflur-Teppichen und empfindlichen Böden (-)

- Zum Staubsaugen von Hochflur-Teppichen oder Vorlegern.
- Zum Staubsaugen von leicht verschmutzten Oberflächen und empfindlichen Böden wie Vinyl, Parkett oder Linoleum.

Behälterentleerung

- Leeren Sie den durchsichtigen Behälter, sobald der Schmutz an einer Stelle die MAX-Markierung erreicht hat. Er darf nicht überfüllt werden.
- Achten Sie darauf, nicht den Ein-/Aus-Schalter zu betätigen, während der Auffangbehälter zum Leeren geöffnet ist.
- Das Saugrohr durch Drücken der Verriegelung entfernen und vom Auffangbehälter abziehen.
- Schmutz entsorgen:
 - Das Gerät so halten, dass der Auffangbehälter nach unten zeigt.
 - Fest auf die rote Auffangbehälterverriegelung drücken.
 - Der Auffangbehälter lässt sich nach unten schieben, wodurch das Sieb freigelegt wird.
 - Daraufhin öffnet sich die Bodenplatte des Auffangbehälters.
 - Die Klappe des Auffangbehälters wird sich nur öffnen, wenn die Behälterverriegelung vollständig nach unten gedrückt ist.

Um Kontakt mit Staub und anderen Allergenen bei der Entleerung zu vermeiden, sollten Sie den Behälter in einen staubdichten Beutel entleeren.

Ziehen Sie den durchsichtigen Behälter anschließend vorsichtig aus der Plastiktüte. Schließen Sie die Plastiktüte und entsorgen Sie sie auf dem normalen Weg.

Reinigen des Auffangbehälters (optional)

Falls der durchsichtige Auffangbehälter gereinigt werden muss:

- Anweisungen im Abschnitt „Auffangbehälter leeren“ befolgen.
- Den roten Knopf an der Gleitschiene des Behälters drücken, um den Auffangbehälter von der Gleitschiene zu schieben.
- Reinigen Sie den durchsichtigen Behälter nur mit einem feuchten Lappen.
- Der Auffangbehälter und die Dichtungen müssen trocken sein, bevor sie wieder eingesetzt werden.
- Durchsichtigen Auffangbehälter wieder einsetzen:
 - Die Rückseite auf die Gleitschiene des Behälters schieben.
- Die Bodenplatte zum Schließen des Auffangbehälters nach oben drücken, bis sie hörbar einrastet.

Der Auffangbehälter ist nicht spülmaschineneeignet und die Verwendung von Lösungs- und Putzmitteln oder Raumsprays zur Reinigung des Behälters wird nicht empfohlen, da diese das Gerät beschädigen können.

Filter- und Blockierungsanzeigen

Das Display Ihres Staubsaugers wird Sie auf nötige Wartungsarbeiten hinweisen.

- Die Filteranzeige zeigt an, dass die Filtereinheit nicht richtig eingesetzt ist. Befolgen Sie die Anweisungen zum Einsetzen des Filters im Abschnitt „Reinigen des Filters“.
- Die Filteranzeige zeigt an, ob der Filter gewaschen werden muss. Befolgen Sie die Anweisungen zum Reinigen des Filters im Abschnitt „Reinigen des Filters“.
- Die Blockierungsanzeige zeigt an, ob eine Blockierung vorliegt. Befolgen Sie die Anweisungen zum Entfernen von Blockierungen im Abschnitt „Suchen nach Blockierungen“.

Waschbare Teile

Ihr Gerät beinhaltet waschbare Teile, die regelmäßig gereinigt werden müssen. Bitte befolgen Sie die nachstehenden Anweisungen.

- Reinigen Sie keines der Teile Ihres Geräts in der Spül- oder Waschmaschine, im Trockner, im Herd, in der Mikrowelle oder bei offenem Feuer.

Filtereinheit säubern

Waschen Sie die Filtereinheit mindestens einmal im Monat bzw. wenn die Filterwartungsanzeige leuchtet.

Prüfen und waschen Sie die Filtereinheit entsprechend den Anweisungen, damit die Filterleistung konstant bleibt.

- Entfernen Sie die Filtereinheit durch Drehen gegen den Uhrzeigersinn. Ziehen Sie sie leicht vom Gerät weg.
- Schütteln Sie die Filtereinheit leicht, um Staub und Schmutz zu entfernen, bevor Sie sie waschen.
- Waschen Sie die Filtereinheit ausschließlich mit kaltem Wasser: Verwenden Sie kein Reinigungsmittel und waschen Sie den Filter nicht in einer Wasch- oder Spülmaschine.
- Waschen Sie zunächst das gefaltete Papierelement der Filtereinheit. Halten Sie die Filtereinheit mit dem Schaumstoffelement nach unten zeigend unter fließendes Kaltwasser und lassen Sie das Wasser über das gefaltete Papier laufen.
- Waschen Sie den Filter, bis das Wasser klar bleibt.
- Waschen Sie anschließend das Schaumstoffelement der Filtereinheit. Halten Sie die Filtereinheit mit dem Schaumstoffelement nach unten zeigend unter fließendes Kaltwasser, damit das Schmutzwasser nicht über das gefaltete Papierelement läuft. Lassen Sie das Kaltwasser innen und außen über das Schaumstoffelement laufen und drücken Sie den Schaumstoff leicht, um den Schmutz zu lösen.
- Waschen Sie den Filter, bis das Wasser klar bleibt.
- Waschen Sie dann die Außenseite der Filtereinheit. Füllen Sie anschließend die Einheit mit Kaltwasser, schließen Sie die offenen Enden mit Ihren Händen und schütteln Sie vorsichtig.
- Wiederholen Sie das Waschen der Elemente und der Außenseite der Filtereinheit, bis das Wasser klar bleibt.
- Schütteln Sie die Filtereinheit vorsichtig, um restliches Wasser zu entfernen und lassen Sie sie mit dem Schaumstoffelement nach oben trocknen.
- Lassen Sie die Filtereinheit in einer trockenen Umgebung mit guter Lüftung mindestens 24 Stunden lang vollständig trocknen.
- Überprüfen Sie, dass die Filtereinheit trocken ist.
- Um die Filtereinheit wieder einzusetzen, setzen Sie sie wieder in das Gerät ein und drehen Sie sie im Uhrzeigersinn, bis sie einrastet.

Die Filtereinheit muss öfter gereinigt werden, wenn viel feiner Staub gesaugt wird oder Sie hauptsächlich den Boost-Modus verwenden.

Reinigen Sie keines der Teile Ihres Geräts in der Spül- oder Waschmaschine, im Trockner, im Herd, in der Mikrowelle oder bei offenem Feuer.

REINIGEN DER BÜRSTWALZEN

Die Elektrobürste mit Soft-Walze Ihres Geräts besitzt zwei waschbare Bürstwalzen. Prüfen und waschen Sie sie regelmäßig entsprechend den Anweisungen, damit sie optimal funktionieren:

- Siehe hierzu die Abbildungen unter „Wartung der Elektrobürste“.
- Wenn Sie die motorisierte Bürstwalze herausnehmen oder ersetzen, achten Sie darauf, den Ein-/Aus-Schalter erst zu betätigen, wenn die Bürste wieder zusammengebaut ist.

Entfernen, Waschen und Einsetzen der Bürstwalzen:

- Die Elektrobürste umdrehen, sodass die Unterseite der Elektrobürste zu Ihnen zeigt. Verwenden Sie eine Münze, um das Endstück gegen den Uhrzeigersinn in die entriegelte Position zu drehen. Das Endstück bis zur offenen Stellung drehen. Schieben Sie die große Bürstwalze vorsichtig aus der Elektrobürste. Nehmen Sie das Endstück von der großen Bürstwalze ab. Das Endstück nicht waschen.
- Schieben Sie die hintere Bürstwalze vorsichtig aus der Elektrobürste.
- Halten Sie die Bürstwalze unter fließendes Wasser und entfernen Sie Fussel oder Schmutz durch leichtes Reiben.
- Stellen Sie die Bürstwalze hochkant auf. Lassen Sie sie mindestens 24 Stunden vollständig trocknen. Vor dem Einsetzen sicherstellen, dass die Bürstwalzen vollständig trocken sind.
- Schieben Sie die hintere Bürstwalze zurück in die Elektrobürste.
- Schieben Sie die große Bürstwalze zurück in die Elektrobürste.
- Befestigen Sie das Endstück wieder an der großen Bürstwalze.
- Das Endstück muss sich wie abgebildet in der offenen Stellung befinden. Das Endstück nach dem Einrasten wieder zurück in die geschlossene Stellung drehen.
- Setzen Sie den Verschluss mit einer Vierteldrehung im Uhrzeigersinn schließen. Sicherstellen, dass der Verschluss vollständig gedreht wurde und die Bürstwalzen fest sitzen.

Intelligente Elektrobürste mit Direktantrieb

Die Bürstwalze dieser Elektrobürste ist nicht waschbar.

Mini-Elektrobürste

Die Bürstwalze dieser Elektrobürste ist nicht waschbar.

BLOCKIERUNGEN – ÜBERHITZUNGSSCHUTZ

- Das Gerät ist mit einem Überhitzungsschutz ausgestattet.
- Sollte eine Blockierung auftreten, schaltet sich das Gerät automatisch ab.
- Dies geschieht, nachdem der Motor einige Male pulsiert hat (d. h. er schaltet sich in rascher Abfolge aus und an) und die Blockierungsanzeige-LED leuchtet.
- Lassen Sie das Gerät abkühlen, bevor Sie eine Blockierung entfernen.
- Achten Sie darauf, den Ein-/Aus-Schalter nicht zu betätigen, wenn Sie nach Blockierungen suchen. Der Betrieb des teilweise demontierten Geräts kann zu Verletzungen führen.
- Entfernen Sie alle Blockierungen, bevor Sie das Gerät wieder einschalten.
- Setzen Sie das Gerät erst wieder komplett zusammen, bevor Sie es einschalten.
- Das Entfernen von Blockierungen fällt nicht unter die Garantie.

Suchen nach Blockierungen

Wenn eine Blockierung vorliegt, pulsiert der Motor und die Blockierungsanzeige-LED leuchtet. Befolgen Sie die nachstehenden Anweisungen, um die Blockierung ausfindig zu machen:

- Achten Sie darauf, den Ein-/Aus-Schalter nicht zu betätigen, wenn Sie nach Blockierungen suchen. Der Betrieb des teilweise demontierten Geräts kann zu Verletzungen führen.
- Achten Sie auf scharfe Objekte, wenn Sie Blockierungen entfernen.
- Um die Haupteinheit des Geräts auf Blockierungen zu prüfen, entfernen Sie den Auffangbehälter gemäß den Anweisungen im Abschnitt „Auffangbehälter reinigen“. Beseitigen Sie anschließend etwaige Blockierungen.
- Wenn Sie ein Hindernis an der Elektrobürste nicht beseitigen können, müssen Sie die Bürstwalze ggf. entfernen. Lösen Sie die Befestigung mit einer Münze, schieben Sie die Bürstwalze aus der Elektrobürste und entfernen Sie das Hindernis. Setzen Sie die Bürstwalze wieder ein und ziehen Sie die Befestigung fest. Achten Sie darauf, dass sie richtig festgeschraubt ist, bevor Sie das Gerät einschalten.
- Dieses Gerät ist mit Bürsten mit feinen Carbonfasern ausgestattet. Kontakt mit diesen Fasern kann u. U. zu Hautirritationen führen. Waschen Sie Ihre Hände nach dem direkten Kontakt mit den Carbonfasern.
- Setzen Sie das Gerät erst wieder komplett zusammen, bevor Sie es einschalten.
- Das Entfernen von Blockierungen fällt nicht unter die Garantie.

LADEN UND AUFBEWAHREN

- Dieses Gerät schaltet sich AUS, wenn die Akkutemperatur unter 10° C sinkt. Auf diese Weise werden Motor und Akku geschützt. Laden Sie das Gerät nicht auf und bewahren Sie es dann bei einer Temperatur unter 10° C auf.
- Um die Langlebigkeit des Akkus zu erhalten, laden Sie das Gerät nicht direkt wieder auf, wenn es komplett entladen ist. Lassen Sie es in solchen Fällen am besten für einige Minuten abkühlen und laden es dann wieder auf.
- Achten Sie darauf, dass der Akku nicht flach auf einer Oberfläche liegt. Auf diese Weise sorgen Sie für eine bessere Kühlung und eine längere Laufzeit und Lebensdauer des Akkus.


SICHERHEITSHINWEISE FÜR DEN AKKU

- Wenn der Akku ausgetauscht werden muss, kontaktieren Sie bitte den Dyson Kundendienst.
- Verwenden Sie ausschließlich die Dyson Ladestation, Artikelnr. 217160, für das Laden dieses Dyson Geräts.

ACHTUNG

Der in diesem Gerät eingebaute Akku kann bei unsachgemäßer Handhabung ein Brand- und Verätzungsrisiko darstellen. Der Akku darf nicht auseinandergenommen, kurzgeschlossen, auf über 60° C erhitzt oder verbrannt werden. Halten Sie ihn von Kindern fern. Nehmen Sie ihn nicht auseinander und verbrennen Sie ihn nicht.

Hinweis zur Entsorgung

- Produkte von Dyson bestehen aus hochwertigem, wiederverwendbarem Material. Entsorgen Sie dieses Produkt auf verantwortungsvolle Weise und führen Sie es nach Möglichkeit einer Wiederverwertung zu.
 - Vor dem Entsorgen des Geräts muss der Akku entnommen werden.
 - Bitte entsorgen oder recyceln Sie den Akku gemäß den entsprechenden örtlichen Bestimmungen.
 - Den gebrauchten Filter gemäß den entsprechenden lokalen Bestimmungen oder Vorschriften entsorgen.
-  Diese Kennzeichnung bedeutet, dass dieses Produkt innerhalb der EU nicht zusammen mit dem normalen Haushaltsmüll entsorgt werden darf. Damit durch unkontrollierte Abfallentsorgung verursachte mögliche Umwelt- oder Gesundheitsschäden verhindert werden können, entsorgen Sie dieses Produkt bitte ordnungsgemäß, um die nachhaltige Wiederverwertung von stofflichen Ressourcen zu fördern. Nutzen Sie zur Rückgabe Ihres gebrauchten Geräts bitte die entsprechenden Rückgabe- und Sammelsysteme oder wenden Sie sich an den Händler, bei dem das Produkt gekauft wurde. Auf diese Weise kann dieses Produkt auf umweltfreundliche Weise recycelt werden.

Dyson Kundendienst

Vielen Dank, dass Sie sich für ein Dyson Gerät entschieden haben. Für Ihr Dyson Gerät gewähren wir Ihnen ab Kaufdatum für einen Zeitraum von 2 Jahren gemäß unseren Garantiebestimmungen Garantie auf alle Teile und Arbeiten. Wenn Sie Fragen zu Ihrem Dyson Gerät haben, besuchen Sie www.dyson.de/support (DE), www.dyson.at/support (AT) oder www.dyson.ch/support (CH), um Online-Hilfe, allgemeine Tipps und nützliche Informationen zu Dyson zu erhalten. Alternativ können Sie sich auch telefonisch an den Kundendienst von Dyson wenden. Geben Sie dazu die Seriennummer Ihres Gerätes sowie das Datum und den Ort des Gerätekaufs an. Wenn Ihr Dyson Gerät repariert werden muss, rufen Sie den Kundendienst von Dyson an, damit wir die verfügbaren Optionen besprechen können. Wenn die Garantie Ihres Dyson Gerätes noch gültig ist und die Reparatur in den Rahmen der Garantieleistung fällt, ist die Reparatur kostenlos.

Bitte registrieren Sie sich als Eigentümer eines Dyson Produkts

Die Garantie für dieses Produkt gilt 2 Jahre ab dem Kaufdatum. Bitte registrieren Sie Ihre Garantie innerhalb von 30 Tagen ab dem Kaufdatum. Damit wir Ihnen schnellen und effizienten Service bieten können, registrieren Sie sich bitte direkt nach dem Kauf. Bitte bewahren Sie den Kaufbeleg, aus dem das Kaufdatum ersichtlich ist, auf.

Dafür stehen Ihnen drei Möglichkeiten zur Auswahl:

- Online unter www.dyson.de bzw. www.dyson.at bzw. www.dyson.ch
- Telefonisch über den Dyson Kundendienst: Für Deutschland: 0800 - 31 31 31 8. Für Österreich: 0800 - 28 67 45. Für die Schweiz: 0800 - 740 183.
- Füllen Sie das beiliegende Formular aus und lassen Sie es uns per Post zukommen.

Durch die Onlineregistrierung oder telefonisch können Sie:

- Ihre Investition dank zwei Jahren Garantie auf Teile und Arbeitsleistung schützen.
- Hilfreiche Tipps zur Nutzung Ihres Geräts bekommen.
- Fachliche Beratung über den Dyson Kundendienst erhalten.
- Brandaktuelle Neuigkeiten zu unseren Innovationen erfahren.
- Die Registrierung dauert nur ein paar Minuten und Sie müssen lediglich die Seriennummer angeben.

2-Jahres-Garantie

Allgemeine Bedingungen der auf 2 Jahre begrenzten Dyson Garantie

Was ist von der Garantie abgedeckt?

- Die Reparatur oder der Austausch Ihres Geräts erfolgt (im Ermessen von Dyson), wenn es innerhalb von 2 Jahren nach Kauf oder Lieferung Mängel aufgrund von fehlerhaftem Material, fehlerhafter Verarbeitung oder fehlerhafter Funktion aufweist. Sollte ein Teil nicht mehr verfügbar sein oder nicht mehr hergestellt werden, tauscht Dyson es gegen ein funktionsfähiges Ersatzteil aus.
- Wenn dieses Gerät außerhalb der EU verkauft wird, gilt diese Garantie nur, wenn das Gerät in dem Land, in dem es verkauft wurde, verwendet wird.
- Wenn dieses Gerät innerhalb der EU verkauft wird, gilt diese Garantie nur, (i) wenn das Gerät in dem Land, in dem es verkauft wurde, verwendet wird oder (ii) wenn das Gerät in Belgien, Deutschland, Frankreich, Großbritannien, Irland, Italien, den Niederlanden, Österreich oder Spanien verwendet wird und das gleiche Modell wie dieses Gerät mit der Nennspannung des jeweiligen Landes verkauft wird.

Was ist nicht abgedeckt

Dyson übernimmt keine Garantie für die Reparatur oder den Austausch eines Produkts, sofern der Defekt auf Folgendes zurückzuführen ist:

- Unfallschäden, die durch unsachgemäße Verwendung oder Pflege, Missbrauch, Vernachlässigung sowie unvorsichtige Behandlung des Gerätes entstanden und daher nicht mit der Dyson Bedienungsanleitung konform sind.
- Verwendung des Gerätes zu anderen als den üblichen Haushaltszwecken.
- Verwendung von Teilen, die nicht gemäß den Richtlinien von Dyson montiert oder eingebaut wurden.
- Verwendung von Teilen und Zubehör anderer Hersteller.
- Fehlerhafte Installation (gilt nicht für von Dyson vorgenommene Installation).
- Reparaturen oder Änderungen, die nicht von Dyson oder seinen autorisierten Partnern vorgenommen wurden.
- Blockierungen – bitte lesen Sie in der Dyson Bedienungsanleitung, wie Sie nach Blockierungen suchen und diese entfernen können.
- Normaler Verschleiß (z. B. Sicherung, Bürstwalze usw.)
- Verwendung des Gerätes für Schutz, Asche oder Putz.
- Kürzere Entladungszeit des Akkus aufgrund von Alter des Akkus oder Nutzung (sofern zutreffend).

Wenn Sie sich unsicher sind, welche Fälle von Ihrer Garantie abgedeckt sind, wenden Sie sich bitte an den Kundendienst von Dyson.

Zusammenfassung

- Die Garantie beginnt mit dem Kaufdatum oder mit dem Lieferdatum, wenn die Lieferung später erfolgte.
- Sie müssen einen Kaufbeleg bzw. Lieferschein vorlegen, bevor jegliche Arbeiten ausgeführt werden können. Ohne diesen Beleg werden Ihnen die Kosten sämtlicher anfallenden Arbeiten in Rechnung gestellt. Bitte bewahren Sie Ihren Kaufbeleg oder Lieferschein daher sorgfältig auf.
- Sämtliche Arbeiten werden durch Dyson oder seine autorisierten Partner ausgeführt.
- Alle ersetzten Teile werden zum Eigentum von Dyson.
- Durch Reparatur oder Ersatz Ihres Gerätes unter Garantie wird die Garantiedauer nicht verlängert.
- Die Garantie bietet zusätzliche Vorteile, die Ihre gesetzlich festgelegten Rechte als Kunde ergänzen, diese jedoch in keiner Weise berühren.

Wichtige Informationen zum Datenschutz

Registrierung Ihres Dyson Produkts:

- Sie müssen Kontaktinformationen angeben, damit Sie Ihr Produkt registrieren und wir Garantieleistungen ausführen können.
- Bei Ihrer Registrierung können Sie auswählen, ob Sie Mitteilungen von uns erhalten möchten. Wenn Sie sich für den Erhalt der Mitteilungen von Dyson entscheiden, senden wir Ihnen Informationen zu besonderen Angeboten und Neuigkeiten zu unseren aktuellen Innovationen. Ihre Informationen werden nicht an Dritte weitergegeben und von uns ausschließlich in Übereinstimmung mit den auf unserer Webseite angegebenen Datenschutzrichtlinien verwendet: privacy.dyson.com

ES

Gracias por elegir una máquina Dyson.

Registro

Después de registrar la garantía, su aparato Dyson estará cubierto en piezas y mano de obra (salvo los filtros) durante dos años desde la fecha de compra, sujeto a los términos de la garantía.

Si tiene alguna pregunta sobre su aparato Dyson, visite www.dyson.es/support para recibir asistencia en línea, vídeos de apoyo, consejos generales e información útil sobre Dyson.

O bien, llame a la línea de servicio al cliente de Dyson e indique su número de serie y los detalles de dónde y cuándo compró el aparato.

Su número de serie se encuentra en la placa de especificaciones situada en la base de la máquina.

Apunte su número de serie para futuras referencias.

Esta ilustración solo se incluye como ejemplo.



Registro en línea

Visite nuestra página web para registrar su garantía de piezas y mano de obra.
www.dyson.es/registrar-mi-dyson

Registro a través del teléfono

Llame a la línea de servicio al cliente.
(+34) 900 803 649

INSTRUCCIONES DE SEGURIDAD IMPORTANTES

ANTES DE UTILIZAR ESTE ELECTRODOMÉSTICO, LEA TODAS LAS INSTRUCCIONES Y ETIQUETAS DE ADVERTENCIA INCLUIDAS EN ESTE MANUAL Y EN LA MÁQUINA

Cuando use un aparato eléctrico, siempre se deben seguir unas precauciones básicas, incluyendo las siguientes:

AVISO

Estas advertencias se aplican a la máquina, así como a todas las herramientas, accesorios, cargadores o adaptadores de corriente.

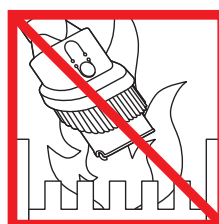
PARA REDUCIR EL RIESGO DE INCENDIO, DESCARGA ELÉCTRICA O LESIÓN:

1. Este aparato Dyson pueden utilizarlo niños desde los 8 años de edad y personas con limitaciones físicas, sensoriales o de razonamiento, o falta de experiencia y conocimiento, a condición de que hayan estado bajo la supervisión o recibido instrucción de una persona responsable con respecto al uso del aparato de manera segura y que entiendan los riesgos que esto conlleva. Se prohíbe que los niños realicen la limpieza y el mantenimiento del aparato sin supervisión.
2. No permita que la máquina se utilice como un juguete. Preste mucha atención si la utilizan niños o se hace cerca de ellos. Se debe vigilar a los niños para asegurarse de que no juegan con la máquina.
3. Úselo únicamente como se indica en este Manual de funcionamiento de Dyson. No lleve a cabo ningún mantenimiento o reparación que no se indique en este manual o le haya aconsejado la línea de servicio al cliente de Dyson.
4. Esta máquina está diseñada para uso doméstico exclusivamente. No la utilice en el exterior ni sobre superficies mojadas.
5. No manipule ningún componente del cargador o del aparato con las manos mojadas.
6. No utilice el aparato si el cable o el cargador están dañados.
7. No utilice el aparato si no funciona correctamente, ha recibido un golpe, se ha caído, ha sufrido daños, se ha dejado en el exterior o se ha sumergido en agua. Póngase en contacto con la línea de servicio al cliente de Dyson.

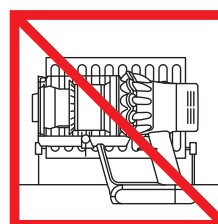
8. Comuníquese con la línea de servicio al cliente de Dyson cuando necesite mantenimiento o reparación. No desmonte el aparato, ya que un montaje incorrecto puede ocasionar una descarga eléctrica o un incendio.
9. No estire el cable ni lo someta a tensión. Mantenga el cable alejado de superficies calientes. Evite atrapar el cable al cerrar cualquier puerta, y no tire del cable alrededor de bordes o esquinas con bordes afilados. Coloque el cable alejado de las zonas de paso para evitar pisarlo y posibles tropiezos. No pase la máquina por encima del cable.
10. No utilice la aspiradora para recoger agua.
11. No lo use para recoger líquidos inflamables o combustibles, como la gasolina, ni lo use en áreas donde puedan estar presentes o sus vapores.
12. No aspire nada que esté en llamas o desprenda humo como, por ejemplo, cigarrillos, cerillas o cenizas incandescentes.
13. Evite que el pelo, la ropa, los dedos o cualquier otra parte del cuerpo entre en contacto con las aberturas o las piezas móviles, como el cepillo. No apunte con la manguera, la empuñadura o los accesorios a los ojos u orejas, ni se los meta en la boca.
14. No introduzca ningún objeto en las aberturas de la máquina. No utilice la máquina si alguna abertura estuviera bloqueada; manténgalo limpio de polvo, pelusa, pelo o cualquier otra sustancia que pueda reducir el flujo de aire.
15. Utilice solamente accesorios y repuestos Dyson recomendados.
16. No utilice la aspiradora sin el cubo transparente o los filtros debidamente colocados.
17. Desenchufe el cargador cuando no lo vaya a usar durante un largo periodo de tiempo.
18. Ponga atención mientras limpie en escaleras.
19. Para prevenir que se encienda de manera accidental, procure mantener las manos y los dedos alejados del gatillo hasta que esté preparado para empezar el aspirado, especialmente cuando mueva el aparato. Transportarlo con el dedo cerca del gatillo puede provocar accidentes.
20. No instale, cargue o utilice este aparato en el exterior, en un baño o a menos de tres metros de distancia de una piscina. No lo utilice en superficies mojadas ni lo exponga a la humedad, lluvia o nieve.
21. Utilice solo el cargador Dyson, pieza número 217160, para cargar este aparato. Utilice solo baterías Dyson: otro tipo de baterías pueden explotar y provocar así lesiones o daños materiales.
22. Cuando quite o reemplace el cepillo motorizado, tenga cuidado de no pulsar el gatillo hasta que el cabezal de limpieza haya sido montado.
23. No use una batería o dispositivo que esté dañado o modificado. Las baterías dañadas o modificadas pueden presentar comportamientos inesperados que pueden acabar en fuego, explosión o riesgo de lesión. No exponga el paquete de batería o dispositivo al fuego o a excesivas temperaturas. La exposición al fuego o a temperaturas por encima de 60 °C (140 °F) puede resultar en explosión.
24. La batería está cerrada herméticamente y en circunstancias normales no presenta ningún tipo de riesgo para la seguridad. En el caso improbable de que se produzca una fuga de la batería, no toque el líquido, ya que puede causar irritación y quemaduras, y tome las siguientes precauciones:
 - El contacto con la piel puede producir irritación. Lave la zona afectada con agua y jabón.
 - La inhalación puede causar irritación respiratoria. Tome aire fresco y acuda al médico.
 - El contacto con los ojos puede causar irritación. Enjuáguese bien los ojos con agua inmediatamente durante al menos 15 minutos. Acuda al médico.
 - Disponga de o lleve guantes para manipular la batería y deséchelos inmediatamente según las normativas o reglamentos.
25. Siga todas las instrucciones de carga y no cargue la batería o el dispositivo fuera del rango de temperatura especificado en las instrucciones. La carga incorrecta a una temperatura fuera del rango especificado puede dañar la batería y aumentar el riesgo de incendio. Para asegurar que la vida útil de la batería sea la máxima, Dyson recomienda lo siguiente:
 - Cuando no use el aparato, este debería estar guardado a temperatura ambiente. Rango recomendado: De 18 °C (64 °F) a 28 °C (82 °F).
 - El rango de temperatura ambiente de funcionamiento debe oscilar entre 10 °C (50 °F) y 30 °C (86 °F).
26. **PELIGRO DE INCENDIO:** No coloque este producto encima o cerca de una cocina o cualquier otra superficie caliente y no incinere este aparato incluso si está muy dañado. La batería podría incendiarse o explotar.
27. **ADVERTENCIA DE INCENDIO -** No aplique ninguna fragancia o producto perfumado al filtro (s) de este aparato. Se sabe que los productos químicos en dichos productos son inflamables y pueden causar que la máquina se incendie.

LEA Y GUARDE ESTAS INSTRUCCIONES

Este aparato Dyson está diseñado para uso doméstico exclusivamente.



No lo utilice cerca de una llama.



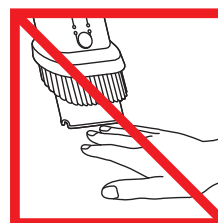
No lo guarde cerca de una fuente de calor.



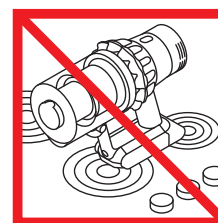
No recoja agua o líquidos.



No recoja objetos incandescentes.



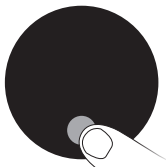
No acerque las manos al cepillo cuando el aparato esté funcionando.



No colocar encima o cerca de una cocina.

Pantalla

Botón de selección



Puede configurar los ajustes de su aparato usando el botón de selección.

Alertas



La pantalla le alertará cuando el aparato necesite su atención. Siga las instrucciones de la pantalla para mantener el rendimiento.

Estado de la batería



El uso regular o continuado de los modos Eco o Auto/Medio ayuda a maximizar el tiempo de limpieza y también a prevenir el sobrecalentamiento, conservando así la durabilidad y la vida de la batería.

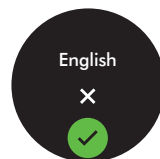
Selección de idioma



Mantenga pulsado el botón de selección entre 5 y 10 segundos para ver la lista de idiomas.



Pulse el botón de selección para navegar por la lista de idiomas. Si pulsa brevemente (entre 2 y 4 segundos) el botón de selección, elegirá un idioma.



Para confirmar el idioma, pulse el botón de selección para navegar hasta el tic. Luego, pulse brevemente el botón de selección y se confirmará su elección.

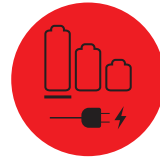


Si ha seleccionado el idioma equivocado, pulse brevemente el botón de selección cuando se visualice la cruz y volverá a lista de idiomas.

Nivel bajo de carga de batería

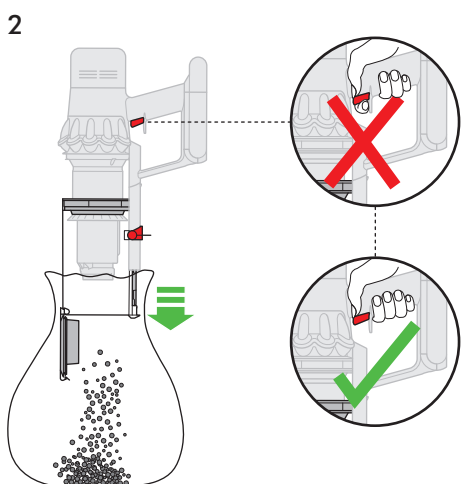
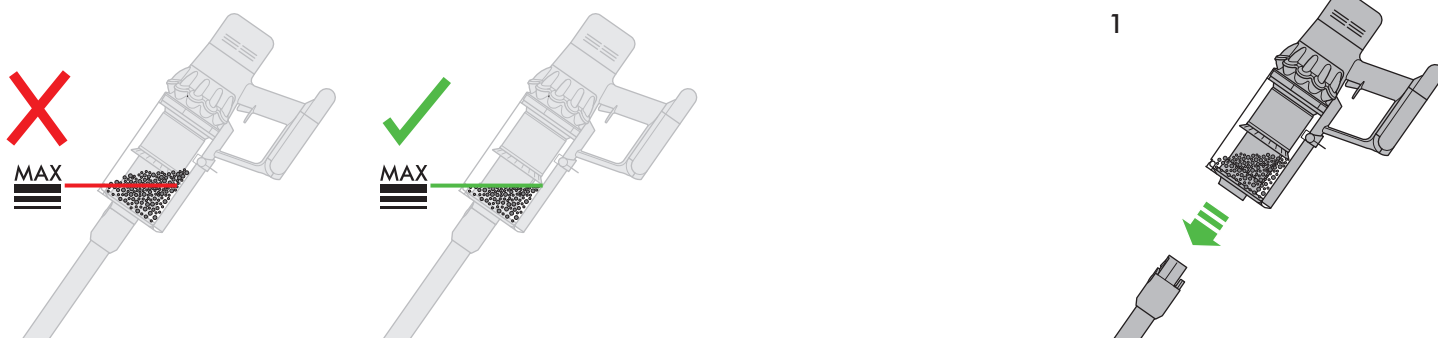


La pantalla le alertará cuando la batería esté agotándose.

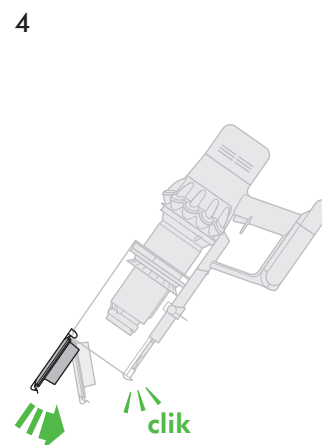
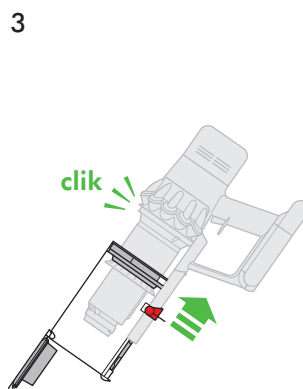


Una alerta final se mostrará cuando su batería esté agotada y necesite recargarse.

Vaciado del cubo transparente

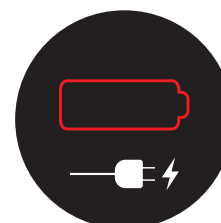
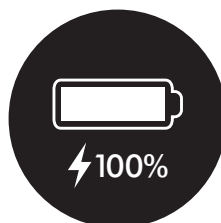
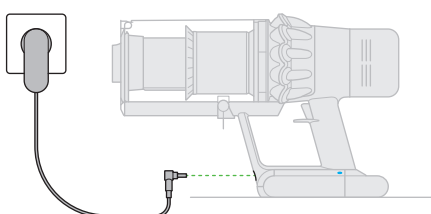
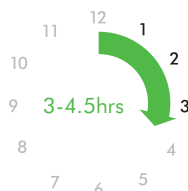


Tenga cuidado de no pulsar el gatillo mientras esté abierto el cubo transparente para vaciarlo.



Cierre el cubo transparente empujando hacia arriba la base del cubo hasta que ambos encajen correctamente.

Carga

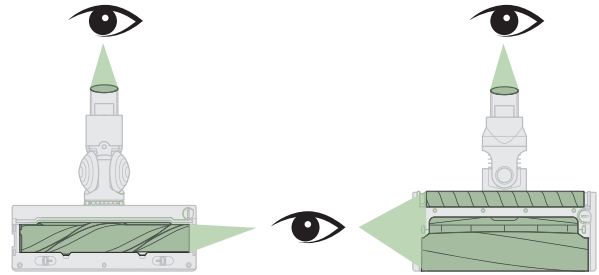
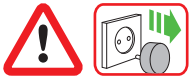


Conecte el aparato al cargador, ya sea directamente o a través del puesto de carga.
 Los LEDs azules, uno a cada lado de la batería, se encenderán y apagarán de manera intermitente mientras cargue.
 Cuando la batería está cargada, ambos LEDs se iluminarán durante 5 segundos y luego se apagarán.

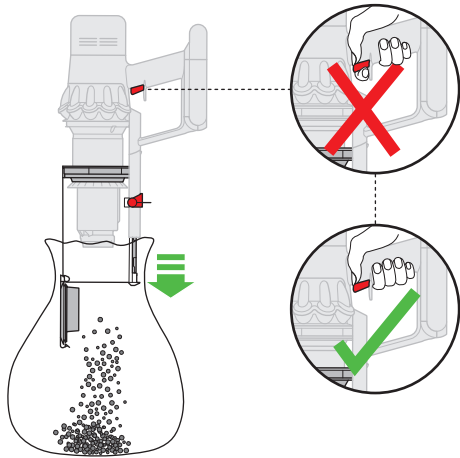
La batería está completamente cargada cuando la pantalla muestra la batería al 100 %.

Sin batería. Necesita cargarse

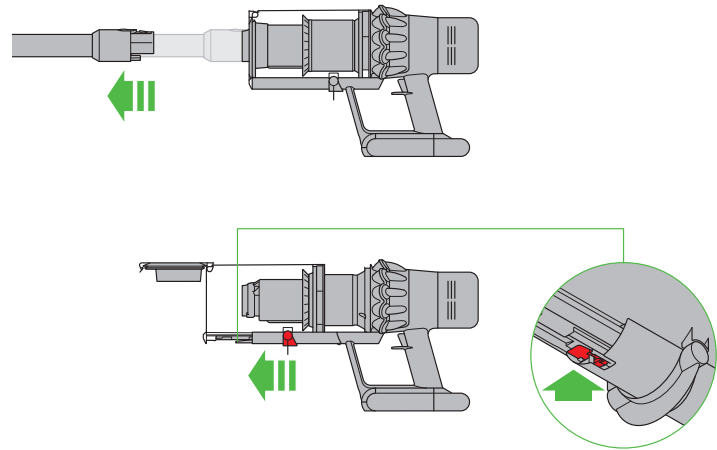
Eliminación de obstrucciones



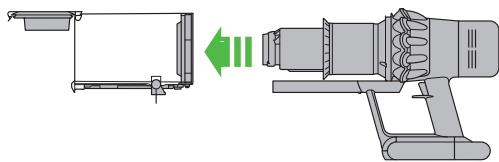
1



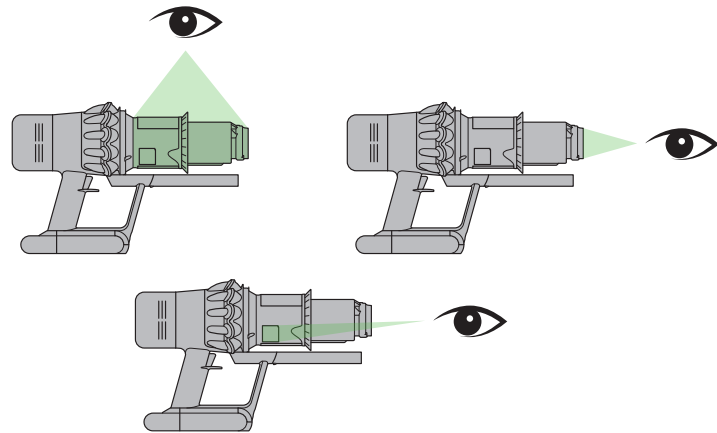
2



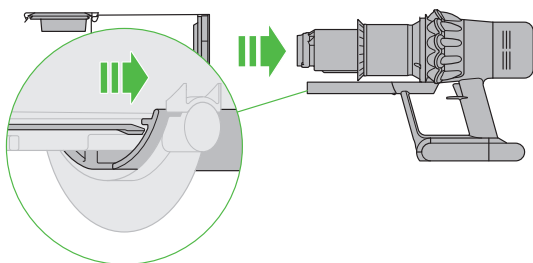
3



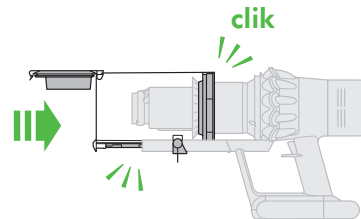
4



5

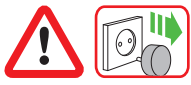


6

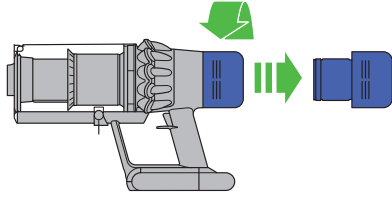


Cierre el cubo transparente empujando hacia arriba la base del cubo hasta que ambos encajen correctamente.

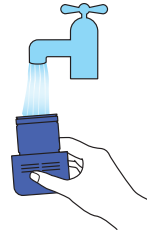
Limpeza del filtro



1



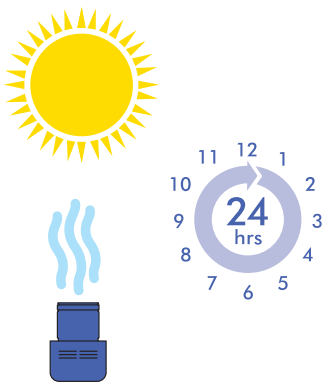
2



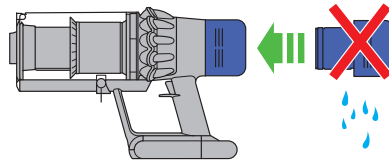
3



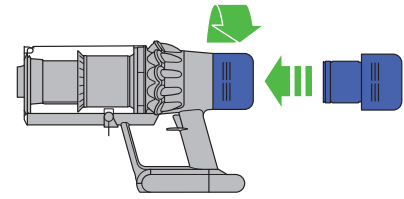
4



5



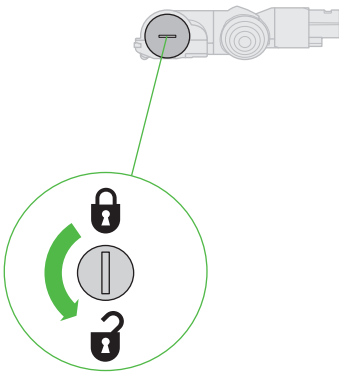
6



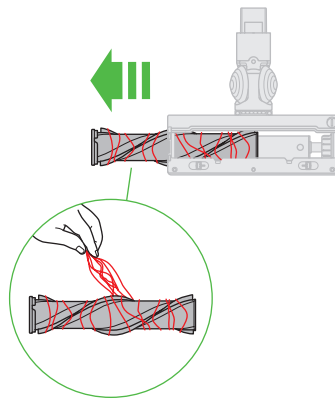
Matenimiento el cabezal de limpieza Direct Drive



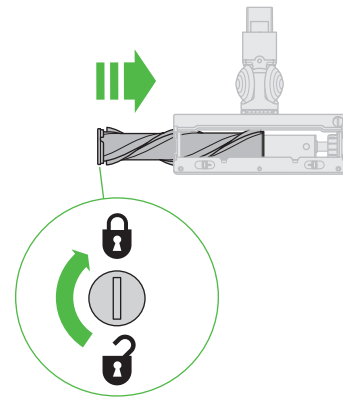
1



2



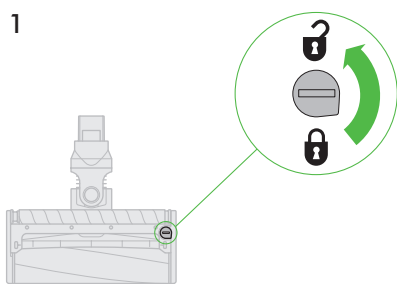
3



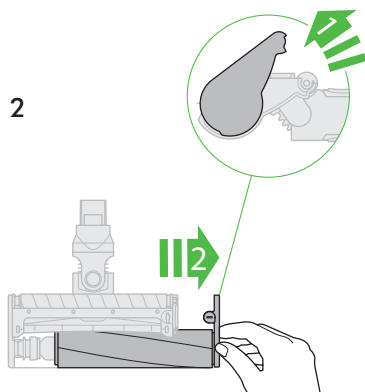
Mantenimiento y eliminación de obstrucciones del cepillo con suave cabezal giratorio



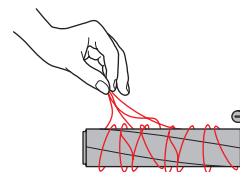
1



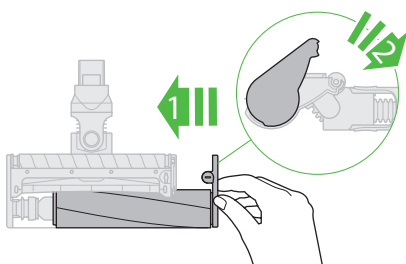
2



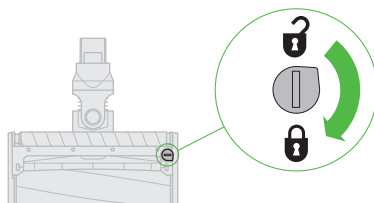
3



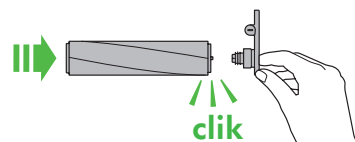
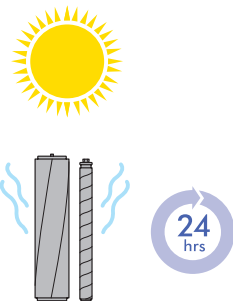
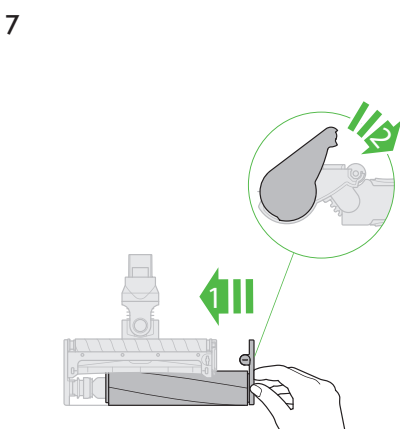
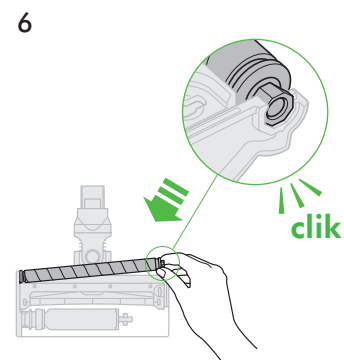
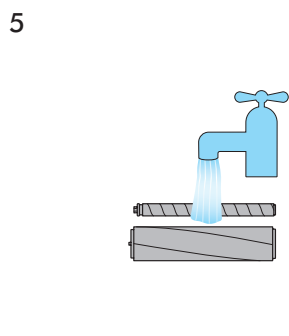
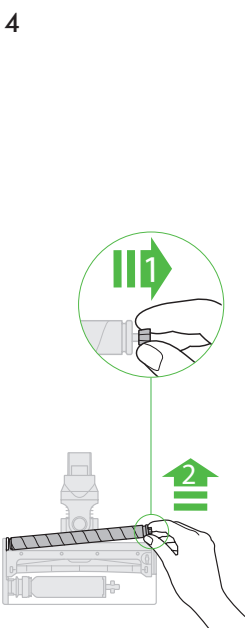
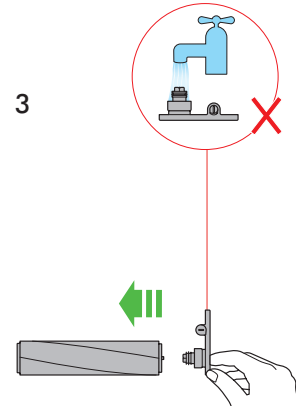
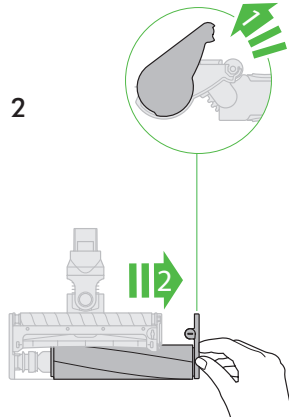
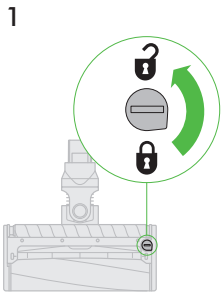
4



5



Mantenimiento y lavado de los cepillos del cepillo con suave cabezal giratorio



Información adicional

Lea las "Instrucciones de seguridad importantes" en este Manual de funcionamiento de Dyson antes de continuar.

INSTALACIÓN DEL PUERTO DE CARGA

- Desempaque el puerto de carga, el cargador y el folleto de instalación.
- Elija un sitio donde colocar el puerto de carga y asegúrese de que detrás de dicha ubicación no pasan tuberías (de gas, agua o aire), cables eléctricos, cableados o conductos.
- Siga las instrucciones del folleto de instalación.
- Encaje los accesorios en su lugar.
- Coloque el dispositivo en el puerto de carga.
- Enchufe el cargador a la red eléctrica. Enciéndalo (si es necesario) para cargar la batería.
- El dispositivo deberá estar totalmente cargado antes de usarlo por primera vez.

El puerto de carga debe montarse de acuerdo con las normas y los estándares en vigor (cumpliendo con las leyes nacionales y locales correspondientes). Dyson recomienda el uso de ropa, gafas y materiales de protección durante la instalación del puerto de carga.

Utilización del aspirador

- Extraiga el dispositivo del puerto de carga.
- Compruebe que la parte inferior del cepillo o del accesorio esté limpia y no contenga objetos extraños que puedan causar daños.

Antes de aspirar el suelo o las alfombras, consulte las instrucciones de limpieza recomendadas por el fabricante de los mismos.

El cepillo del aparato puede dañar determinados tipos de alfombras y suelos. Las fibras de determinadas alfombras se levantarán si se utiliza el cepillo con cabezal giratorio para aspirar. Si esto ocurre, recomendamos aspirar sin el cepillo motorizado y consultar con el fabricante del material del suelo.

Control deslizante de succión del cabezal de limpieza Direct Drive

Su cepillo Direct Drive tiene un control deslizante para ajustar la succión del cabezal de limpieza. Para seleccionar la succión deseada, mueva el control deslizante de succión en la parte superior del cabezal de limpieza.

Máxima aspiración de tierra en polvo y escombros (+)

- Para aspirar recubrimientos de suelo duraderos, suelos de superficie dura y alfombras y tapices muy sucios.

Succión para polvo y escombros (▲)

- Para aspirar alfombras, moquetas y suelos de superficie dura ligeramente sucios.
- Para aspirar de residuos de gran tamaño como cacahuetes o arroz.

Succión para alfombras de pelo largo y suelos delicados (-)

- Para aspirar alfombras o alfombras de pelo largo y cualquier superficie sobre la que pueda experimentar una mayor resistencia.
- Para aspirar suelos ligeramente sucios, incluidos superficies delicadas como vinilo, parquet y lino.

Vaciado del cubo transparente

- Vacíe el cubo tan pronto como la suciedad llegue a la marca "MAX". No permita que la sobrepase.
 - Tenga cuidado de no pulsar el gatillo mientras esté abierto el cubo transparente para vaciarlo.
 - Desmonte la empuñadura presionando el botón de liberación rojo de la misma, y sepárela del cubo.
 - Para vaciar la suciedad:
 - Mantenga el dispositivo con el cubo mirando hacia abajo.
 - Presione con firmeza el botón rojo de extracción.
 - El cubo se deslizará hacia abajo limpiando la rejilla en su camino.
 - La base del cubo se abrirá.
 - La base del cubo no se abrirá si el botón rojo no está completamente presionado.
- Para minimizar el contacto con el polvo/alérgenos al vaciarlo, coloque el cubo transparente firmemente en una bolsa y vacíelo. Saque el cubo transparente con cuidado de la bolsa. Cierre bien la bolsa y deséchela como lo hace normalmente.

Limpieza del cubo transparente (opcional)

Si es necesario limpiar el cubo transparente:

- Siga las instrucciones de la sección "Vaciado del cubo transparente".
- Presione el botón rojo situado en la guía del cubo para liberarlo y deslícelo por la guía hasta extraerlo.
- Lave el cubo transparente con un paño húmedo únicamente.
- Asegúrese de que el cubo transparente y las juntas están completamente secos antes de volver a colocarlo.
- Para volver a colocar el cubo transparente:
 - Inserte el chasis en la guía del cubo.

Cierre el cubo transparente empujando hacia arriba la base del cubo hasta que ambos encajen correctamente.

El cubo transparente no es apto para lavavajillas y no se recomienda el uso de detergentes, abrillantadores o ambientadores para limpiarlo, ya que puede dañar el dispositivo.

Indicadores de filtro y obstrucción

La pantalla de su dispositivo lo alertará cuando se necesiten pasos simples de mantenimiento. El indicador del filtro mostrará cuando la unidad de filtro no esté correctamente colocada. Siga las instrucciones sobre cómo volver a montar la unidad de filtro en la sección "Lavado de la unidad de filtro".

- El indicador de filtro se encenderá cuando sea necesario que la unidad de filtro se limpie. Siga las instrucciones sobre cómo lavar la unidad de filtro en la sección "Lavado de la unidad de filtro".
- El indicador de obstrucción se encenderá si hay una obstrucción. Siga las instrucciones sobre cómo eliminar las obstrucciones en la sección "Búsqueda de obstrucciones".

Piezas lavables

El aparato contiene piezas lavables que es necesario limpiar con regularidad. Siga las instrucciones a continuación.

- No ponga ninguna parte de su aparato en lavavajillas, lavadoras, secadoras, hornos, microondas o cerca de una llama candente.

Lavado de la unidad de filtro

Lave la unidad de filtro al menos una vez al mes, o siempre que el indicador de mantenimiento del filtro se encienda.

Compruebe y lave la unidad de filtro, siguiendo las instrucciones, para mantener su rendimiento.

- Extraiga la unidad de filtro girándola en el sentido contrario de las agujas del reloj. Retírela suavemente del dispositivo.
- Golpee suavemente la unidad de filtro para eliminar cualquier exceso de polvo y restos antes de lavarlo.
- Lave la unidad de filtro solo con agua fría: no utilice detergentes ni lave los filtros en un lavavajillas o una lavadora.
- Lave el papel plisado de la unidad de filtro primero. Mantenga la unidad de filtro bajo el agua fría y golpee con la pieza de espuma hacia abajo y deje que el agua fría corra por el papel plisado.
- Continúe la limpieza hasta que el agua se vuelva transparente.
- Lave la pieza de espuma de la unidad de filtro. Mantenga la unidad de filtro bajo el agua fría y golpee con la pieza de espuma hacia abajo para que el agua sucia no contamine el papel plisado. Deje que corra el agua por dentro y fuera de la pieza de espuma y apriete con delicadeza la espuma para expulsar la suciedad.
- Continúe la limpieza hasta que el agua se vuelva transparente.
- Lave el exterior de la unidad de filtro. Luego llene la unidad de filtro con agua fría, ponga las manos sobre las puntas y sacúdalo ligeramente.
- Repita el lavado de los elementos y el exterior de la unidad de filtro hasta que el agua se vuelva transparente.
- Sacuda suavemente la unidad de filtro hasta eliminar el exceso de agua y deje secar junto con la pieza de espuma hacia arriba.
- Deje secar por completo la unidad de filtro en un ambiente seco con buena ventilación durante al menos 24 horas.
- Compruebe que la unidad de filtro está completamente seca.
- Para volver a colocarlo, vuelva poner la unidad de filtro al aparato principal y gire en el sentido de las agujas del reloj hasta que haga clic.

La unidad de filtro quizás requiera una limpieza más frecuente si aspira polvo fino o si se usa principalmente en modo Máxima potencia.

No ponga ninguna parte de su aparato en lavavajillas, lavadoras, secadoras, hornos, microondas o cerca de una llama candente.

LAVADO DE LOS CEPILLOS

El cabezal de limpieza rotatorio suave de su aparato tiene dos cepillos lavables. Haga comprobaciones y lávelos regularmente, según las siguientes instrucciones, para mantener su rendimiento:

- Consulte las ilustraciones de arriba "Mantenimiento del cabezal de limpieza".
- Cuando quite o reemplace el cepillo motorizado, tenga cuidado de no pulsar el gatillo hasta que el cabezal de limpieza haya sido montado.

Para extraer, lavar y reponer los cepillos:

- Dé la vuelta al cabezal de limpieza de forma que su base quede mirando hacia usted. Use una moneda para girar la tapa inferior un cuarto de vuelta en el sentido contrario a las agujas del reloj hasta oír un clic que indica la posición de desbloqueo. Gire el tapón del extremo hasta la posición abierta. Extraiga con cuidado el cepillo principal del cabezal de limpieza. Quite el tapón del extremo del cepillo principal. No lave el tapón del extremo.
- Extraiga con cuidado el cepillo trasero fuera del cabezal de limpieza.
- Coloque los cepillos bajo un chorro de agua corriente y frote suavemente para quitar cualquier pelusa o resto de suciedad.
- Ponga de pie los cepillos como se indica. Deje secar completamente durante al menos 24 horas. Antes de reponer los cepillos, compruebe que están completamente secos.
- Vuelva a colocar el cepillo trasero en el cabezal de limpieza.
- Vuelva a colocar el cepillo principal en el cabezal de limpieza.
- Vuelva a colocar el tapón del extremo sobre el cepillo principal.
- El tapón del extremo debe estar en posición abierta como se muestra. Una vez colocado, gire el tapón del extremo a la posición cerrada inicial.
- Cierre la pestaña de fijación girándola un cuarto de vuelta en el sentido de las agujas del reloj. Asegúrese de que la pestaña de fijación ha llegado al tope y de que los cepillos están bien sujetos.

Cepillo Direct Drive

El cepillo de un cabezal de limpieza motorizado no es lavable.

Desenganche rápido del mini-cabezal motorizado

El cepillo de un cabezal de limpieza motorizado no es lavable.

Obstrucciones: desconexión automática

- Este aparato incluye un sistema de desconexión automática.
- Si se produce una obstrucción, el aparato puede apagarse automáticamente.
- Esto sucederá después de que el motor emita varias pulsaciones (es decir, se encienda y apague en sucesión rápida) y se iluminará el indicador de bloqueo.
- Deje que el aparato se enfríe antes de inspeccionar las obstrucciones.
- Tenga cuidado de no pulsar el gatillo mientras busca obstrucciones. Poner en marcha el aparato cuando está parcialmente desmontado podría producir daños personales.
- Elimine cualquier obstrucción antes de volver a usar la máquina.
- Vuelva a colocar correctamente todas las piezas antes de usar la máquina.
- La eliminación de obstrucciones no está cubierta por la garantía.

Eliminación de obstrucciones

El motor emitirá un impulso y el indicador de bloqueo se mostrará cuando haya un bloqueo.

Por favor, siga las instrucciones a continuación para localizar el bloqueo:

- Tenga cuidado de no pulsar el gatillo mientras busca obstrucciones. Poner en marcha el aparato cuando está parcialmente desmontado podría producir daños personales.
- Tenga cuidado con posibles objetos afilados cuando intente eliminar las obstrucciones.

- Para inspeccionar obstrucciones en el cuerpo principal del dispositivo, extraiga el cubo transparente siguiendo las instrucciones de la sección de limpieza del cubo transparente y elimine la obstrucción.
- Si no logra eliminar una obstrucción del cepillo, es posible que deba extraer el cepillo. Use una moneda para aflojar la pestaña de fijación, deslice el cepillo fuera del cabezal de limpieza y elimine la obstrucción. Vuelva a colocar el cepillo y asegúrelo apretando la pestaña de fijación. Asegúrese de que está firmemente apretado antes de usar el dispositivo.
- Este producto tiene cerdas de fibra de carbono. Tenga cuidado si las toca, pueden causar irritación de la piel. Lávese las manos después de tocar el cepillo.
- Vuelva a colocar correctamente todas las piezas antes de usar la máquina.
- La eliminación de obstrucciones no está cubierta por la garantía.

CARGA Y ALMACENAMIENTO

- Este aparato se apagará si la temperatura de la batería es menor a 10 °C (50 °F). Está diseñado así para proteger el motor y la batería. No cargue el aparato y luego lo mueva a un área donde la temperatura está por debajo de los 10 °C (50 °F) para almacenarlo.
- Para ayudar a prolongar la vida de la batería, evite recargarla inmediatamente después de una descarga completa. Deje que se enfríe antes durante unos minutos.
- Evite usar el aparato con la batería rozando alguna superficie, esto ayudará a que se enfríe mejor y prolongará la vida y uso del mismo.


INSTRUCCIONES DE SEGURIDAD DE LA BATERÍA

- Si es necesario cambiar la batería, póngase en contacto con la línea directa de Asistencia al Cliente de Dyson.
- Utilice solo el cargador Dyson, pieza número 217160, para cargar este aparato.

PRECAUCIÓN

La batería de este aparato puede presentar riesgo de incendio o quemadura química si se manipula de forma incorrecta. No la desmonte, cortocircuite, someta a temperaturas superiores a los 60 °C ni la incinere. Manténgala alejada de los niños. No la desmonte ni la arroje al fuego.

Información acerca de la eliminación del producto

- Los productos Dyson están fabricados con materiales reciclables de alta calidad. Recicle este producto en la medida de lo posible.
 - Antes de desechar el producto, debe extraerse la batería del mismo.
 - Deseche o recicle la batería de acuerdo con las normativas o reglamentos locales.
 - Deseche la unidad de filtro usada de acuerdo con las normativas o reglamentos locales.
-  Esta marca indica que este producto no debe eliminarse junto con otros residuos domésticos en la UE. Para evitar posibles daños al medio ambiente o a la salud humana debido a la eliminación no controlada de residuos, recíclelos adecuadamente para promover la reutilización sostenible de recursos materiales. Para devolver el dispositivo utilizado, utilice los sistemas de devolución y recogida, o bien póngase en contacto con el establecimiento en el que adquirió el producto. Ellos podrán encargarse del reciclaje de forma segura para el medio ambiente.

Servicio de atención al cliente Dyson

Gracias por elegir una máquina Dyson.

Después de registrar la garantía, su aparato Dyson estará cubierto en piezas y mano de obra durante 2 años desde la fecha de compra, sujeto a los términos de la garantía. Si tiene alguna pregunta sobre su aparato Dyson, visite www.dyson.es/support para recibir asistencia en línea, obtener consejos generales e información útil sobre Dyson.

O bien, llame a la línea de servicio al cliente de Dyson e indique su número de serie y los detalles de dónde y cuándo compró el aparato.

Si su aparato Dyson necesita reparación, llame a la línea de servicio al cliente de Dyson y trataremos las opciones disponibles. Si su aparato Dyson está en periodo de garantía y la reparación está cubierta, la reparación se realizará sin coste alguno para usted.

Regístrese como propietario de un aparato Dyson

La garantía de este producto es de 2 años a partir de la fecha de compra. Registre su garantía en los 30 días posteriores a su fecha de compra. A fin de ayudarnos a garantizar un servicio rápido y eficiente, regístrela inmediatamente después de la compra. Guarde el ticket con la fecha de compra.

Dispone de tres formas para ello:

- En línea www.dyson.es
- Por teléfono en la línea de servicio al cliente de Dyson en el 900 80 36 49.
- Rellene el formulario adjunto y envíenoslo por correo.

Ventajas de registrarse en línea o por teléfono:

- Proteger su inversión con una garantía de dos años en piezas y mano de obra.
- Recibir útiles consejos de uso del aparato.
- Obtener asesoramiento de expertos en la línea de servicio al cliente de Dyson.
- Ser el primero en conocer nuestros nuevos inventos.
- Se tarda unos minutos en registrarse y solo se necesita el número de serie.

Toda reparación deberá realizarse por los servicios técnicos autorizados por DYSON SPAIN, S.L.U.

Cualquier componente sustituido dentro del periodo de garantía será propiedad de DYSON SPAIN, S.L.U.

Qué cubre

La garantía cubre toda reparación (incluidas piezas y mano de obra) de su máquina si esta tiene un defecto debido a la falta de conformidad dentro de los 2 años desde la fecha de compra o entrega. En caso de falta de conformidad del producto dentro del periodo de garantía, podrá optar por la reparación o la sustitución gratuitas, salvo que una de esas opciones resulte objetivamente imposible o desproporcionada. En caso de que tanto la reparación como la sustitución fueran imposibles, podrá optar por una rebaja del precio o por la resolución del contrato (la resolución no procederá cuando la falta de conformidad sea de escasa importancia).

- Cuando este dispositivo se vende fuera de la Unión Europea, esta garantía sólo será válida si el dispositivo se usa en el país donde se vendió.
- Cuando este dispositivo se vende dentro de la Unión Europea, esta garantía solo será válida si (I) el dispositivo se usa en el país donde se vendió o (II) si el dispositivo se usa en Austria, Bélgica, Francia, Alemania, Irlanda, Italia, Países Bajos, España o el Reino Unido y se vende este mismo modelo con la misma especificación de voltaje en el país correspondiente.

¿Qué no está cubierto?

Dyson no garantiza la reparación o el cambio del producto cuando el defecto que presenta es resultado de:

- Daños accidentales, fallos ocasionados por un uso o mantenimiento negligente, uso indebido, descuido, funcionamiento o manejo imprudente del aparato no acordes con el manual de funcionamiento de Dyson.
- Uso del aparato para fines que no sean el doméstico.
- Uso de piezas no montadas o instaladas conforme a las instrucciones de Dyson.
- Uso de piezas y accesorios no originales de Dyson.
- Una instalación defectuosa, excepto cuando haya sido instalado por Dyson.
- Reparaciones o modificaciones realizadas por terceros ajenos a Dyson o por sus agentes autorizados.
- Obstrucciones: consulte el Manual de funcionamiento de Dyson para obtener información sobre cómo detectar y eliminar obstrucciones.
- Desgaste normal (por ejemplo, fusible, cepillo, etc.).
- Uso del aparato en lugares con escombros, cenizas o yeso.
- Reducción en el tiempo de descarga de la batería debido al uso o los años de la batería (si procede).

Si desea realizar cualquier consulta sobre la cobertura de su garantía, póngase en contacto con la línea de servicio al cliente de Dyson.

Resumen de coberturas

- La garantía entra en vigor el día de la compra (o de la entrega si es posterior).
- Sin estos comprobantes, cualquier trabajo realizado se cobrará. Por favor, guarde su recibo, ticket, factura o nota de entrega. La reparación tiene su propia garantía de tres meses.
- Toda reparación deberá realizarse por los servicios técnicos autorizados por Dyson Spain, S.L.U.
- Cualquier componente sustituido dentro del periodo de garantía será propiedad de Dyson Spain, S.L.U.
- El cambio de piezas o la sustitución del producto no ampliarán el periodo de garantía, pero lo suspenderán, en su caso, mientras dure la reparación.
- Esta garantía proporciona ventajas adicionales y no sustituye ni limita sus derechos como consumidor.

Información importante de protección de datos

Al registrar su producto Dyson:

- Deberá proporcionarnos información de contacto básica acerca de usted para que podamos registrar su producto y prestarle garantía.
- Durante el registro tendrá la oportunidad de aceptar la recepción de nuestras comunicaciones. Si accede a recibir comunicaciones de Dyson, le enviaremos ofertas especiales y noticias sobre nuestras innovaciones más recientes. Nunca venderemos a terceros la información que comparta con nosotros y la utilizaremos siempre según lo estipulado en las políticas de privacidad publicadas en nuestro sitio web privacy.dyson.com

FR/BE/CH

Merci d'avoir choisi un appareil
Dyson.

Enregistrement

Une fois que vous vous serez enregistré pour la garantie de 2 ans, votre appareil Dyson sera couvert pour les pièces et la main-d'œuvre (à l'exception des filtres) pendant 2 ans à compter de la date d'achat, conformément aux conditions de garantie.

Si vous avez la moindre question concernant votre appareil Dyson, consultez le site www.dyson.fr/support (FR), www.dyson.be/support (BE) ou www.dyson.ch/support (CH) pour obtenir une aide en ligne, des vidéos d'assistance, des conseils généraux et des informations utiles sur Dyson.

Vous pouvez également appeler le Service consommateurs Dyson et leur communiquer le numéro de série de l'appareil et les détails concernant la date/le lieu d'achat.

Le numéro de série se trouve sur la plaque signalétique située à la base de l'appareil.

Veuillez noter votre numéro de série pour pouvoir vous y référer ultérieurement.

Image donnée à titre d'exemple.



Enregistrez-vous en ligne

Rendez-vous sur notre site Web pour vous enregistrer en ligne pour la garantie pièces et main-d'œuvre complète.

FR : www.dyson.fr/register

BE : www.dyson.be/register

CH : www.dyson.ch/register

Enregistrez-vous par téléphone

Du Lundi au Vendredi de 8h à 20h et le

Samedi de 9h à 14h

0800 94 58 01

080039208

0800 - 740 183

CONSIGNES DE SÉCURITÉ IMPORTANTES

AVANT D'UTILISER CET APPAREIL, LISEZ ATTENTIVEMENT LES INSTRUCTIONS ET LES MISES EN GARDE FIGURANT DANS CE MANUEL ET SUR L'APPAREIL

Lors de l'utilisation d'un appareil électrique, il convient de respecter certaines précautions de base, notamment les suivantes :

⚠ AVERTISSEMENT

Ces avertissements s'appliquent à l'appareil et, le cas échéant, à toutes les pièces, accessoires, chargeurs ou adaptateurs secteur.

POUR ÉVITER TOUT RISQUE D'INCENDIE, DE DÉCHARGE ÉLECTRIQUE OU DE BLESSURE :

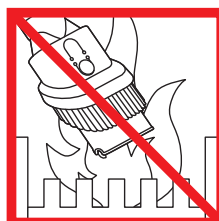
1. Cet appareil Dyson peut être utilisé par les enfants à partir de 8 ans et les personnes dont les capacités physiques, sensorielles ou mentales sont réduites, ou manquant d'expérience ou de connaissances, uniquement s'ils sont supervisés ou qu'ils ont reçu des instructions de la part d'une personne responsable concernant l'utilisation de l'appareil en toute sécurité, et qu'ils comprennent les dangers associés. Le nettoyage et l'entretien ne doivent pas être réalisés par des enfants non supervisés.
2. Cet appareil n'est pas un jouet et ne doit donc pas être utilisé comme tel. Une attention particulière est nécessaire lors de son utilisation par ou à proximité d'enfants. Il convient de surveiller les enfants pour s'assurer qu'ils ne jouent pas avec l'appareil.
3. Utilisez l'appareil uniquement tel que décrit dans ce mode d'emploi Dyson. N'effectuez pas de travaux d'entretien autres que ceux indiqués dans ce mode d'emploi Dyson ou que ceux conseillés par le Service consommateurs Dyson.
4. Convient **UNIQUEMENT** à une utilisation dans des endroits secs. N'utilisez pas cet appareil en extérieur ou sur des surfaces humides.
5. Ne manipulez aucune partie du chargeur ou de l'appareil avec les mains mouillées.
6. N'utilisez pas l'appareil si le câble ou le chargeur est endommagé.
7. N'utilisez pas l'appareil s'il ne fonctionne pas conformément à ses spécifications, s'il a reçu un choc violent, s'il a subi une chute ou des dommages, s'il a été entreposé à l'extérieur ou s'il a été immergé dans l'eau. Contactez le Service consommateurs Dyson.

8. Contactez le Service consommateurs Dyson pour obtenir des conseils ou en cas de réparation. Ne démontez pas l'appareil car un remontage incorrect risque d'entraîner un choc électrique ou un incendie.
9. N'étirez pas le câble et n'exercez pas de tension dessus. Maintenez le câble à l'écart des surfaces chaudes. Ne fermez pas de porte sur le câble et ne tirez pas sur le câble lorsqu'il se trouve à proximité d'angles ou de coins. Maintenez le câble à l'écart des zones de passage, à un endroit où personne n'est susceptible de marcher ou de trébucher dessus. Ne faites pas rouler l'appareil sur le câble.
10. N'utilisez pas l'appareil pour aspirer de l'eau.
11. Ne pas utiliser pour aspirer des liquides inflammables ou combustibles, comme de l'essence, ou dans des endroits où les vapeurs de ces produits peuvent être présentes.
12. N'aspirez rien qui brûle ou qui fume, comme des cigarettes, des allumettes ou des cendres incandescentes.
13. Éloignez les cheveux, les vêtements amples, les doigts et toute autre partie du corps des ouvertures et des pièces mobiles de l'appareil, notamment de la brosse rotative. Ne dirigez pas le flexible, le tube ou les accessoires vers les yeux ou les oreilles et ne les portez pas à la bouche.
14. Ne placez pas d'objets dans les ouvertures de l'appareil. N'utilisez pas l'appareil en cas d'obstruction d'une ouverture. Assurez-vous que rien ne réduit le flux d'air : poussières, peluches, cheveux ou autres.
15. N'utilisez que les accessoires et pièces de rechange recommandés par Dyson.
16. N'utilisez pas l'appareil sans que le collecteur transparent et le filtre soient en place.
17. Débranchez le chargeur lorsqu'il n'est pas utilisé pendant des périodes prolongées.
18. Redoublez de prudence lors de l'utilisation dans les escaliers.
19. Prenez soin de maintenir vos mains et vos doigts à distance de la gâchette de mise en marche tant que vous n'êtes pas prêt(e) à commencer à aspirer, notamment lorsque vous ramassez ou portez l'appareil, afin d'éviter qu'il ne démarre accidentellement. Veillez à ne pas appuyer sur la gâchette de mise en marche lorsque vous portez l'appareil afin d'éviter tout accident.
20. N'installez pas, ne rechargez pas et n'utilisez pas cet appareil à l'extérieur, dans une salle de bains ou à moins de 3 mètres d'une piscine. Ne l'utilisez pas sur une surface humide et ne l'exposez pas à l'humidité, la pluie ou la neige.
21. Utilisez uniquement le modèle de chargeur portant la référence 217160 de Dyson pour recharger cet appareil. Utilisez uniquement des batteries Dyson : d'autres types de batteries risquent d'exploser et de provoquer des blessures corporelles et autres dommages.
22. Lors du changement d'une brosse motorisée, veillez à ne pas activer l'appareil tant que la brosse n'a pas été remise en place.
23. N'utilisez pas une batterie ou un appareil qui est endommagé(e) ou modifié(e). Les batteries endommagées ou modifiées peuvent par exemple prendre feu, exploser ou comporter un risque de blessures. Évitez d'exposer une batterie ou un appareil au feu ou à des températures excessives. Toute exposition de la batterie ou de l'appareil à des températures supérieures à 60 °C (140 °F) peut entraîner une explosion.
24. La batterie est une unité hermétique qui, dans des circonstances normales, ne pose aucun problème de sécurité. Dans l'éventualité peu probable d'une fuite, ne touchez pas le liquide au risque de provoquer des irritations ou des brûlures et observez les précautions suivantes :
 - Contact avec la peau : peut provoquer une irritation. Nettoyez à l'eau et au savon.
 - Inhalation : peut provoquer une irritation des voies respiratoires. Respirez de l'air frais et consultez un médecin.
 - Contact avec les yeux : peut provoquer une irritation. Rincez-vous immédiatement et abondamment les yeux à l'eau pendant au moins 15 minutes. Consultez un médecin.
 - Mise au rebut : utilisez des gants pour manipuler la batterie et mettez-la immédiatement au rebut conformément à la réglementation et aux arrêtés locaux.
25. Suivez toutes les instructions de charge et ne chargez pas la batterie ou l'appareil au delà des intervalles de température spécifiées dans les instructions. Un chargement incorrect ou à une température au delà des intervalles spécifiées peut endommager la batterie et augmenter le risque d'incendie. Dyson recommande de respecter les précautions suivantes afin de conserver la batterie le plus longtemps possible :
 - Stocker l'appareil à température ambiante lorsqu'il n'est pas utilisé. Intervalle recommandée : entre 18 °C (64 °F) et 28 °C (82 °F).
 - L'intervalle de températures de fonctionnement et de chargement doit être comprise entre 10 °C (50 °F) et 30 °C (86 °F).
26. **RISQUE D'INCENDIE** – Ne placez pas ce produit sur (ou à proximité) d'une cuisinière ou autre surface chaude et ne l'incinerez pas même s'il est fortement endommagé. La batterie risque de prendre feu ou d'exploser.

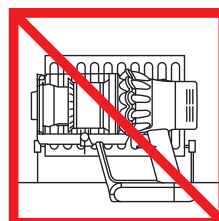
27. AVERTISSEMENT INCENDIE - ne pas appliquer de parfum ou produit parfumé sur le bloc filtres de cet appareil. Les produits chimiques dans ces produits sont connus pour être inflammables et peuvent provoquer une prise de feu de l'appareil.

LISEZ ATTENTIVEMENT CES CONSIGNES ET CONSERVEZ-LES

Cet appareil Dyson est exclusivement destiné à un usage domestique.



N'utilisez pas l'appareil près de flammes nues.



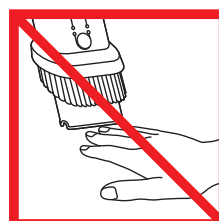
Ne rangez pas l'appareil près d'une source de chaleur.



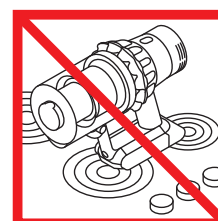
N'utilisez pas l'appareil pour aspirer de l'eau ou tout autre liquide.



N'utilisez pas l'appareil pour aspirer des objets en combustion.



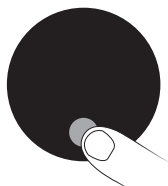
Gardez les mains à l'écart de la brosse rotative lorsque l'appareil est en cours d'utilisation.



Ne placez pas l'appareil sur une cuisinière ou à proximité.

Écran

Bouton de sélection



Vous pouvez modifier les réglages sur votre appareil à l'aide du bouton de sélection.

Alertes



L'écran vous alertera lorsque votre appareil a un problème. Suivez les instructions qui s'affichent sur l'écran pour maintenir le niveau de performances.

Intégrité de la batterie

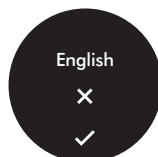


L'utilisation continue ou régulière du mode Eco ou Auto/Inter permet d'augmenter le temps de nettoyage et d'éviter les surchauffes, ce qui préserve la durée de vie et l'autonomie de la batterie.

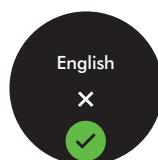
Choix de la langue



Appuyez sur le bouton de sélection et maintenez-le enfoncé pendant 5 à 10 secondes pour afficher la liste des langues.



Appuyez sur le bouton de sélection pour faire défiler les langues. Appuyez un court instant (entre 2 et 4 secondes) sur le bouton de sélection pour sélectionner une langue.



Pour confirmer la langue, appuyez sur le bouton de sélection pour faire apparaître l'icône de coche, puis maintenez-le enfoncé un court instant pour confirmer votre choix.

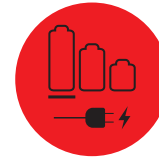


Si la langue sélectionnée n'est pas la bonne, maintenez le bouton de sélection enfoncé un court instant lorsque la croix s'affiche pour revenir à la liste des langues.

Batterie faible

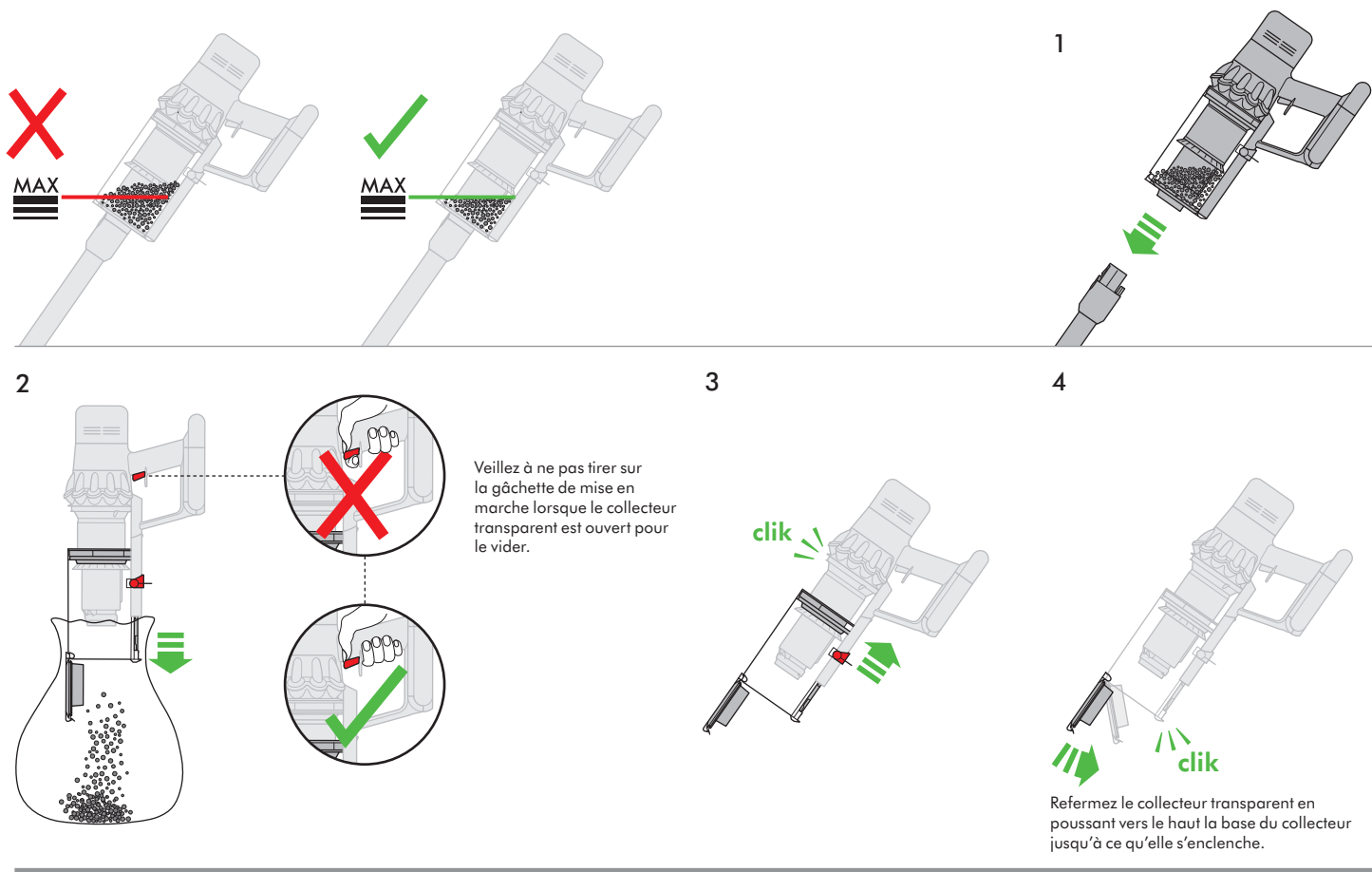
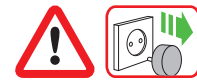


L'écran vous alertera lorsque le niveau de charge de votre batterie est faible.

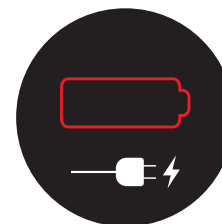
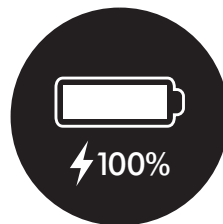
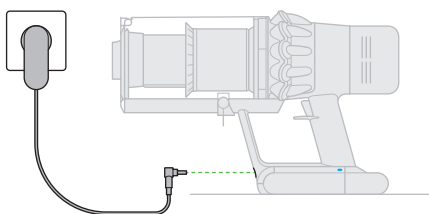
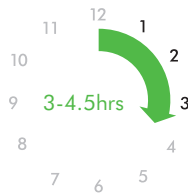
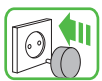


Une alerte finale apparaît lorsque votre batterie est entièrement déchargée et qu'elle doit être rechargée.

Vidage du collecteur transparent



Chargement

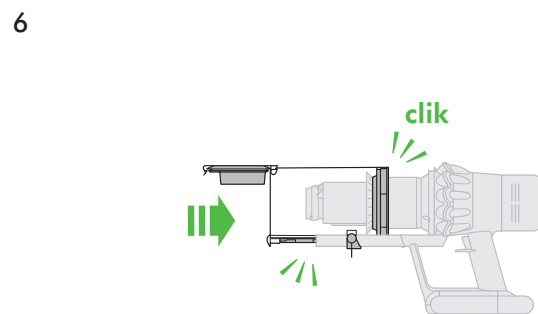
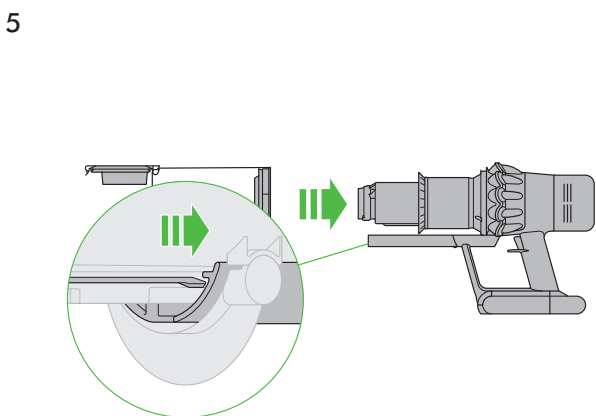
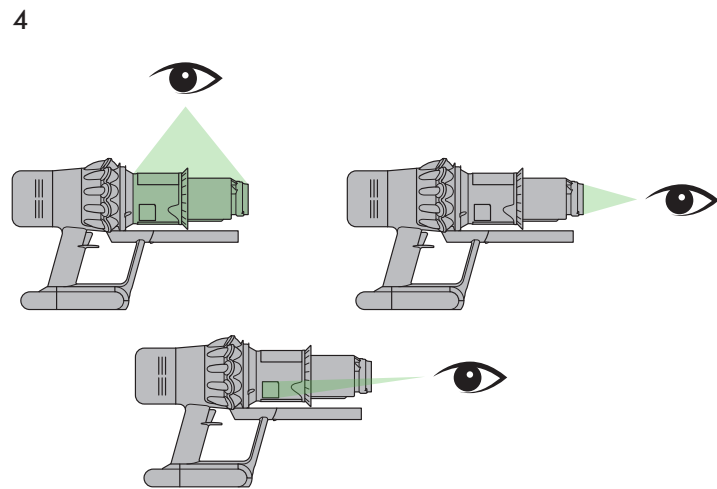
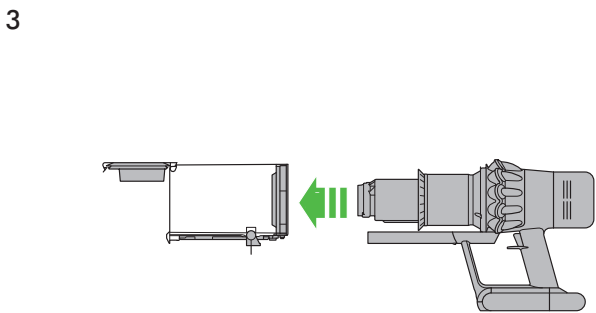
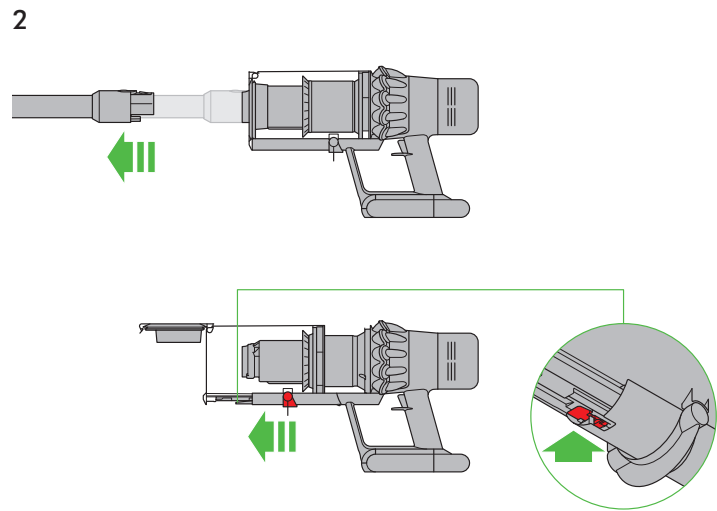
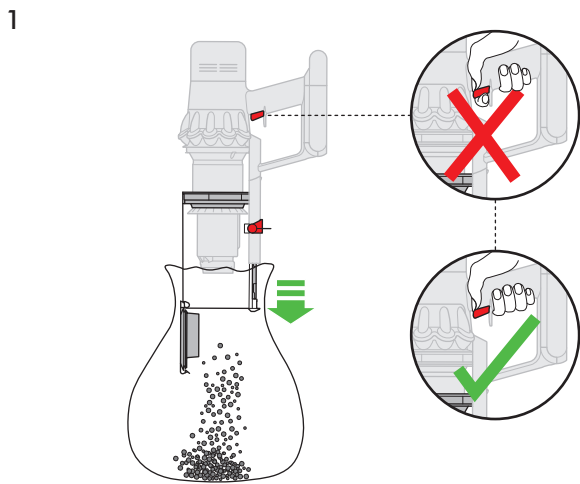
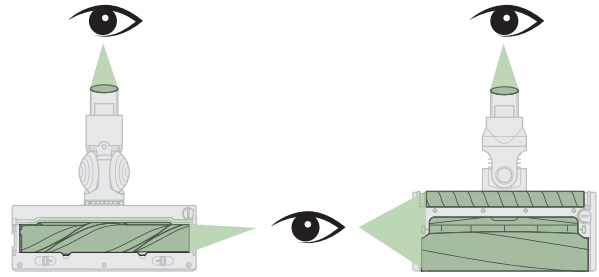
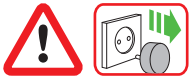


Branchez le chargeur soit directement, soit sur la station d'accueil. Les diodes bleues, placées de chaque côté de la batterie, clignoteront pendant le chargement. Une fois la batterie chargée, les deux diodes s'allumeront pendant 5 secondes avant de s'éteindre.

La batterie est chargée lorsque l'écran affiche un niveau de charge de 100 %.

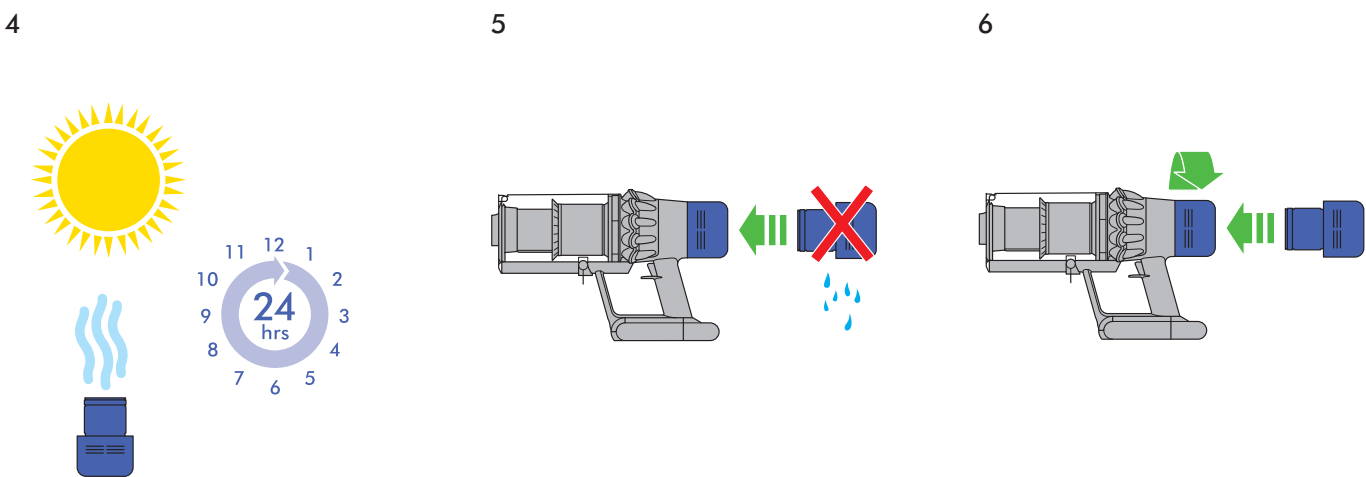
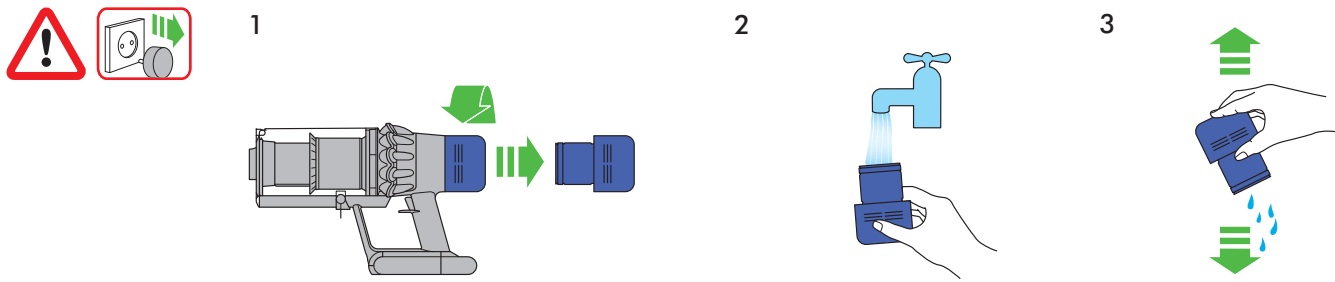
Batterie déchargée et doit être chargée.

Vérification de l'absence d'obstructions

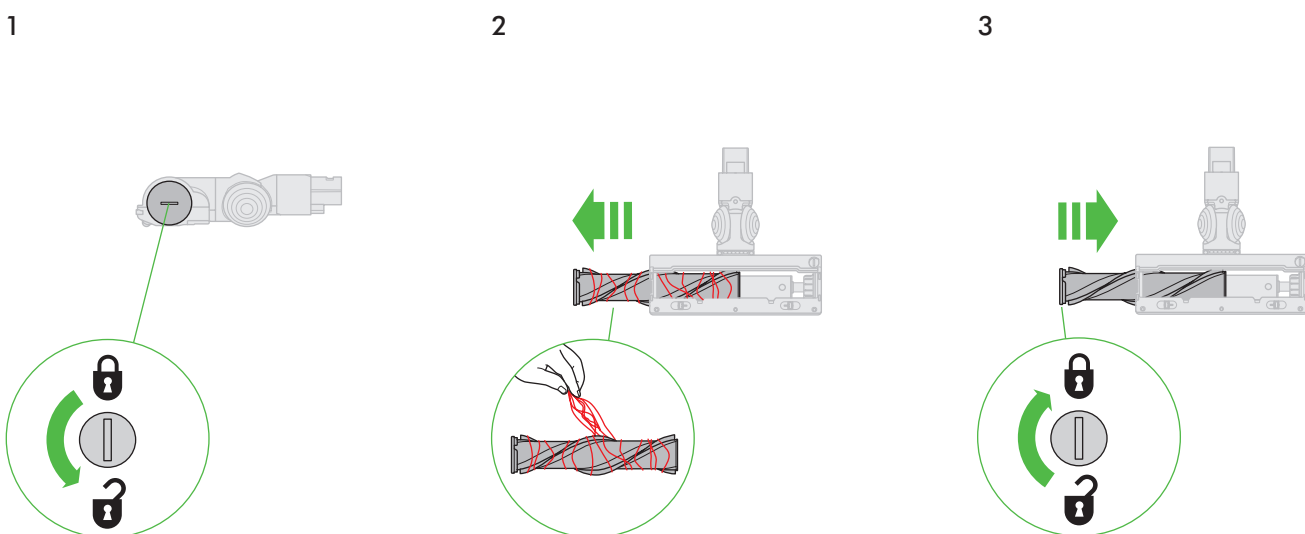


Refermez le collecteur transparent en poussant vers le haut la base du collecteur jusqu'à ce qu'elle s'enclenche.

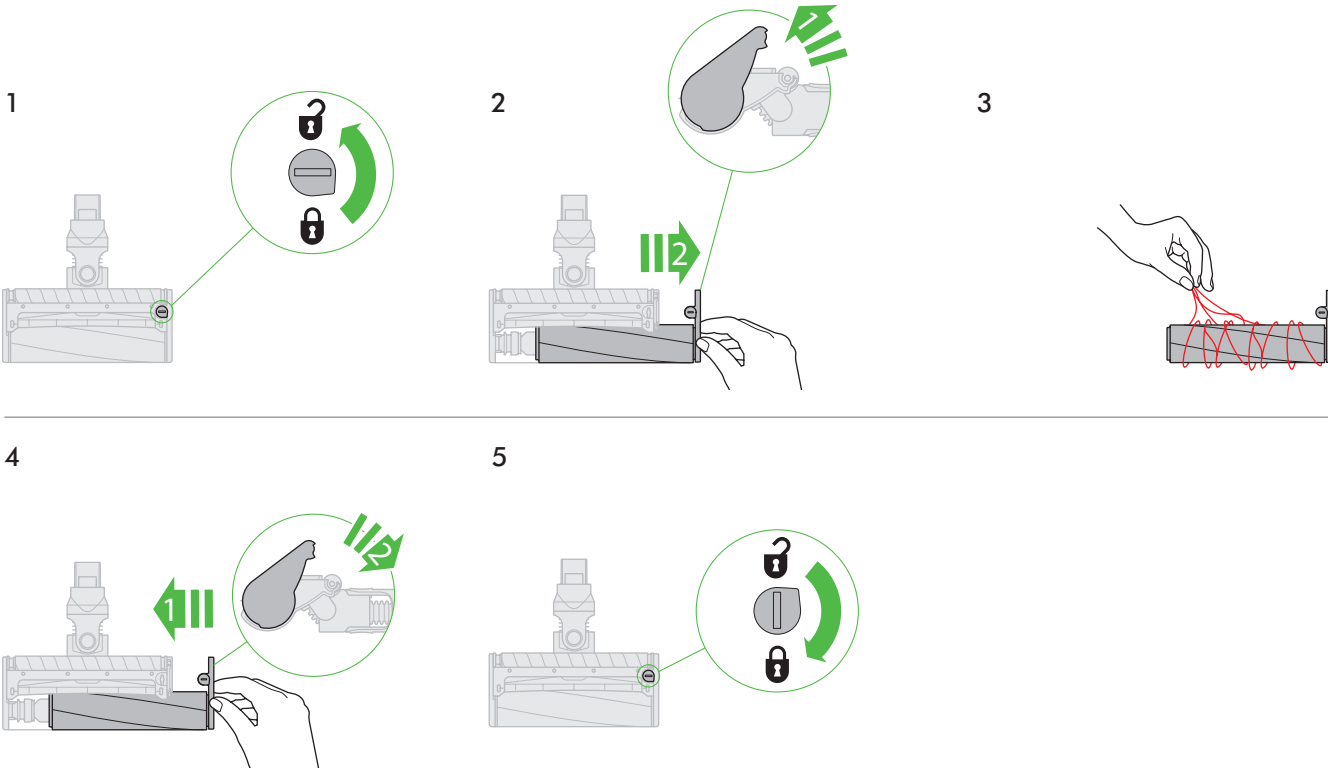
Nettoyage du filtre



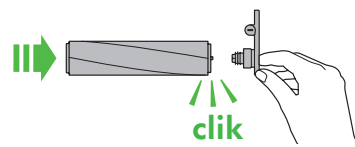
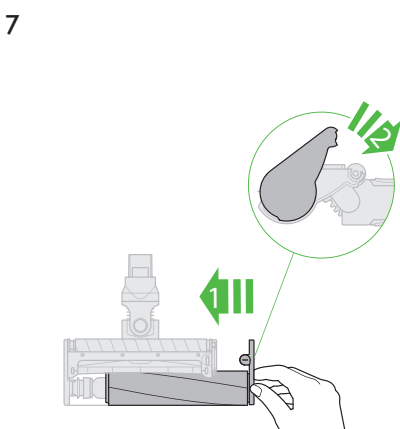
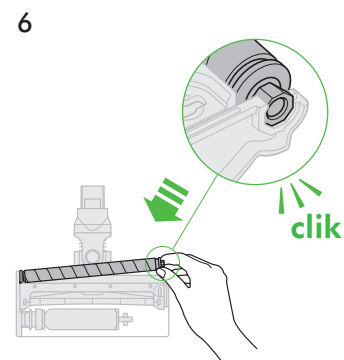
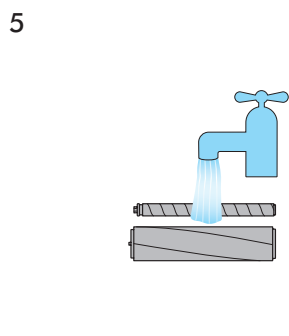
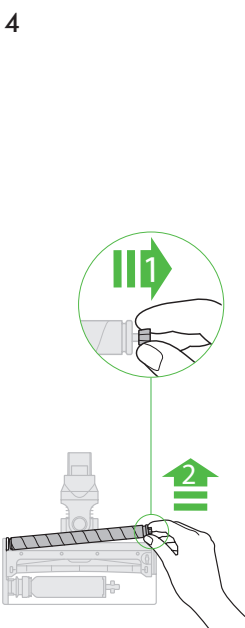
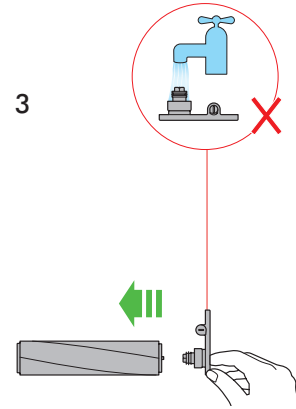
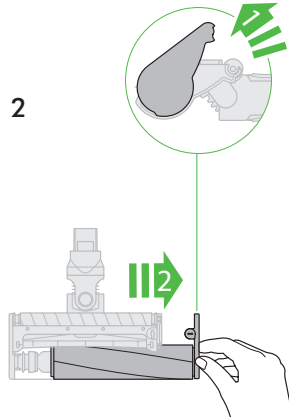
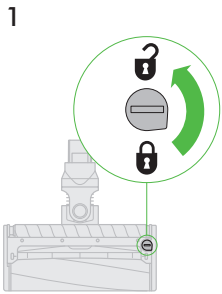
Entretien de la brosse motorisée High Torque



Entretien de la brosse à rouleau doux – élimination des obstructions



Entretien de la brosse à rouleau doux – lavage des brosses



Informations supplémentaires

Veillez lire les consignes importantes de sécurité de ce manuel d'utilisation Dyson avant toute utilisation.

Installation de la station de chargement

- Déballez la station, le chargeur et la brochure d'installation.
 - Choisissez l'emplacement de la station et assurez-vous qu'il n'y ait pas de canalisations (gaz, eau ou air), de câbles électriques, de fils électriques ou de tuyauterie directement derrière l'emplacement de montage.
 - Suivez les instructions de la brochure d'installation.
 - Fixez les accessoires.
 - Placez l'appareil sur la station.
 - Branchez le chargeur sur le réseau électrique. Mettez-le sous tension (si nécessaire) pour charger la batterie.
 - Votre appareil doit être complètement chargé avant la première utilisation.
- La station doit être montée conformément aux réglementations et aux codes/normes applicables (légalisation locale et nationale).
Dyson recommande le port de vêtements, de lunettes et d'équipements de protection lors de l'installation de la station.

Utilisation de l'appareil

- Retirez l'appareil de la station.
- Vérifiez que le dessous de la brosse ou de l'accessoire est propre et dépourvu de corps étrangers pouvant l'endommager.

Avant de passer l'aspirateur sur le sol, les tapis et les moquettes, lisez les instructions de nettoyage recommandées par le fabricant.

La brosse de l'appareil peut endommager certains types de tapis ou moquettes et de sols. Certains tapis et moquettes peuvent pelucher si la brosse motorisée est utilisée pendant l'aspiration. Dans ce cas, nous recommandons d'utiliser l'aspirateur sans la brosse motorisée et de consulter le fabricant du revêtement de sol.

Brosse motorisée : glissière de contrôle de l'aspiration

Votre brosse motorisée possède une glissière de contrôle pour régler l'aspiration. Pour sélectionner l'aspiration souhaitée, déplacez la glissière de contrôle de l'aspiration située en haut de la brosse.

Aspiration maximum pour les poussières incrustées et les débris (+)

- Pour l'aspiration des revêtements durs, des sols durs, et des moquettes et tapis bien salis.

Aspiration pour la poussière et les débris (▲)

- Pour l'aspiration des moquettes, tapis et sols durs légèrement salis.
- Pour l'aspiration des gros débris comme les cacahuètes ou le riz.

Aspiration sur tapis épais et sols délicats (-)

- Pour aspirer les moquettes et tapis épais ou toute surface avec une forte résistance.
- Pour l'aspiration des sols peu salis et les sols délicats comme le vinyl, le parquet ou le lino.

Vidage du collecteur transparent

- Videz l'appareil dès que la saleté a atteint le niveau MAX - ne le laissez pas se remplir au-delà.
- Veillez à ne pas tirer sur la gâchette de mise en marche lorsque le collecteur transparent est ouvert pour le vider.
- Retirez le tube en appuyant sur le bouton rouge du tube et en le retirant du collecteur.
- Pour vider la poussière :
 - Tenez l'appareil avec le collecteur vers le bas.
 - Appuyez fermement sur le levier rouge du collecteur.
 - Le collecteur glisse vers le bas et nettoie la grille au passage.
 - La base du collecteur s'ouvre ensuite.
 - La base du collecteur ne s'ouvrira pas si le bouton rouge n'est pas complètement poussé.

Pour réduire le contact avec la poussière et les allergènes lorsqu'on vide le collecteur, serrez un sac étanche aux poussières autour de l'ouverture du collecteur transparent et videz ce dernier. Retirez le collecteur transparent du sac avec soin. Fermez le sac hermétiquement, puis jetez-le comme un déchet usuel.

Nettoyage du collecteur transparent (facultatif)

Si un nettoyage du collecteur transparent est nécessaire :

- Suivez les instructions de la section « Vidage du collecteur transparent ».
- Appuyez sur le bouton rouge situé sur la glissière du collecteur pour libérer le collecteur et le sortir en le faisant glisser vers le bas.
- Nettoyez le collecteur transparent avec un chiffon doux uniquement.
- Assurez-vous que le collecteur transparent et les joints sont complètement secs avant de les réinstaller.
- Pour replacer le collecteur transparent :
 - Insérez l'arrière du collecteur dans la glissière de l'appareil prévue à cet effet.

Refermez le collecteur transparent en faisant remonter la base du collecteur vers le haut jusqu'à ce qu'elle se clipse.

Ne mettez pas le collecteur transparent au lave-vaisselle ; l'utilisation de détergents, de vernis ou de désodorisants pour nettoyer le collecteur transparent n'est pas recommandée, ces produits pouvant endommager votre appareil.

Indicateurs du filtre et d'obstruction

L'écran de votre appareil vous alertera quand de simples interventions sont nécessaires.

- L'indicateur du filtre s'affiche lorsque le bloc filtres n'est pas correctement installé. Suivez les instructions de remontage du bloc filtres à la section « Lavage du bloc filtres ».
- Le voyant du filtre s'affiche lorsque le filtre est sale. Suivez les instructions de lavage du bloc filtres à la section « Nettoyage du filtre ».

- Le voyant d'obstruction s'affiche en cas d'obstruction. Suivez les instructions concernant l'élimination des obstructions à la section « Vérification de l'absence d'obstructions ».

Pièces lavables

Votre appareil contient des pièces lavables qui doivent être régulièrement nettoyées. Suivez les instructions ci-dessous.

- Ne mettez aucune partie de votre appareil au lave-vaisselle, dans le lave-linge ou le sèche-linge, au four, au micro-ondes et ne le placez pas à proximité d'une flamme nue.

Lavage du bloc de filtration

Nettoyez le bloc filtres au moins une fois par mois ou chaque fois que le témoin d'entretien du filtre s'allume.

Contrôlez et nettoyez le bloc de filtration en suivant les instructions afin de maintenir les performances.

- Retirez le bloc filtres en tournant dans le sens anti-horaire. Retirez-le doucement de l'appareil.
- Tapez doucement sur le bloc filtres pour retirer tout reste de poussière et de saleté avant de le laver.
- Lavez le bloc filtres dans de l'eau froide uniquement. Veillez ne pas utiliser de détergent, ne pas laver au lave-vaisselle ou au lave-linge.
- Lavez d'abord l'élément en papier plissé du bloc filtres. Passez-le sous le robinet d'eau froide en prenant soin de placer l'élément en mousse vers le bas et faites couler de l'eau froide sur le papier plissé.
- Continuez à laver jusqu'à ce que l'eau soit claire.
- Lavez ensuite l'élément en mousse de l'unité de filtrage. Passez-la sous le robinet d'eau froide en prenant soin de placer l'élément en mousse vers le bas afin que l'eau sale ne contamine pas l'élément en papier plissé. Faites couler de l'eau froide sur l'intérieur et l'extérieur de l'élément en mousse et compressez la mousse délicatement pour faire sortir la saleté.
- Continuez à laver jusqu'à ce que l'eau soit claire.
- Lavez l'extérieur du bloc filtres. Puis remplissez l'unité d'eau froide, placez vos mains sous les extrémités ouvertes et secouez doucement.
- Refaites un lavage des éléments et de l'extérieur du bloc filtres jusqu'à ce que l'eau soit claire.
- Secouez doucement le bloc filtres pour retirer toute eau résiduelle et laissez-le sécher avec l'extrémité de l'élément en mousse vers le haut.
- Laissez sécher complètement l'unité de filtrage dans un endroit sec et parfaitement aéré pendant au moins 24 heures.
- Vérifiez que le bloc de filtration est complètement sec.
- Pour reposer le bloc filtres, replacez-le dans l'unité principale et tournez-le dans le sens horaire jusqu'à ce qu'il s'enclenche.

L'unité de filtrage peut nécessiter des lavages plus fréquents en cas d'aspiration de poussière fine ou si l'appareil est utilisé principalement en mode Boost.

Ne mettez aucune partie de votre appareil au lave-vaisselle, dans le lave-linge ou le sèche-linge, au four, au micro-ondes et ne le placez pas à proximité d'une flamme nue.

LAVAGE DES BROSSES

La brosse à rouleau doux de votre appareil possède des éléments lavables. Contrôlez-les et lavez-les régulièrement en suivant les instructions afin de maintenir le niveau de performances.

- Reportez-vous aux schémas « Entretien de la brosse » ci-dessus.
- Veillez à ne pas tirer sur la gâchette de mise en marche au moment de démonter ou de remplacer une brosse motorisée tant que l'aspirateur n'a pas été remonté.

Pour retirer, laver et remplacer les brosses :

- Retournez la brosse de sorte que le dessous soit face à vous. Tournez le cache d'un quart de tour dans le sens anti-horaire à l'aide d'une pièce jusqu'à ce qu'il s'enclenche en position déverrouillée. Tournez le cache en position ouverte. Retirez délicatement la brosse principale de la tête de nettoyage en la faisant glisser. Retirez le cache de la brosse principale. Ne lavez pas le cache.
- Retirez délicatement la brosse arrière de la tête de nettoyage en la faisant glisser.
- Placez les brosses sous l'eau et frottez-les doucement pour éliminer les peluches et la poussière.
- Posez les brosses à la verticale comme illustré. Laissez sécher complètement pendant au moins 24 heures. Avant de les reposer, vérifiez que les brosses sont complètement sèches.
- Remettez la brosse arrière en place dans la tête de nettoyage en la faisant glisser.
- Remettez la brosse principale en place dans la tête de nettoyage en la faisant glisser.
- Remettez le cache sur la brosse principale.
- Le cache doit être en position ouverte comme illustré. Une fois la brosse en place, tournez le cache en position fermée.
- Tournez l'attache d'un quart de tour dans le sens horaire dans la position fermée. Vérifiez que l'attache est complètement tournée et que les grandes brosses sont bien fixées.

Brosse High Torque

La brosse d'une tête de nettoyage motorisée n'est pas lavable.

Mini-brosse motorisée à fixation rapide

La brosse d'une tête de nettoyage motorisée n'est pas lavable.

Obstructions – Coupe-circuit automatique

- Cet appareil est équipé d'un coupe-circuit automatique.
- Si un élément est obstrué, l'appareil peut s'éteindre automatiquement.
- Cela se produira après plusieurs impulsions du moteur (c.-à-d. s'allume et s'éteint en succession rapide) et l'indicateur de blocage s'allumera.
- Laissez l'appareil refroidir avant de rechercher les obstructions.
- Veillez à ne pas tirer sur la gâchette de mise en marche lorsque vous recherchez des obstructions. Veillez ne pas mettre l'appareil en marche lorsqu'il est en partie démonté afin d'éviter de vous blesser.
- Éliminez les obstructions avant de redémarrer.
- Remettez en place tous les éléments et accessoires avant d'utiliser l'appareil.
- L'élimination des obstructions n'est pas couverte par la garantie.

Vérification de l'absence d'obstructions

Le moteur produira plusieurs pulsions et l'indicateur du blocage indiquera quand il y a un blocage. Veillez suivre les instructions ci-dessous pour détecter le blocage:

- Veillez à ne pas tirer sur la gâchette de mise en marche lorsque vous recherchez des obstructions. Veillez ne pas mettre l'appareil en marche lorsqu'il est en partie démonté afin d'éviter de vous blesser.
- Faites attention aux éventuels objets tranchants lorsque vous vérifiez l'absence d'obstructions.

- Pour vérifier la présence d'obstructions dans l'unité principale de l'appareil, retirez le collecteur transparent selon les instructions fournies à la section « Vidage du collecteur transparent » et retirez l'obstruction.
- Si vous n'arrivez pas à retirer l'obstruction de la brosse, essayez en sortant la grande brosse. Utilisez une pièce de monnaie pour déverrouiller l'attache, faites glisser la grande brosse pour la sortir de la tête de nettoyage et retirez l'obstruction. Remettez la grande brosse en place et verrouillez-la en serrant l'attache. Vérifiez qu'elle est solidement fixée avant d'utiliser l'appareil.
- Cet appareil contient des brosses avec des poils en fibre de carbone. Faites attention si vous touchez les poils car ils peuvent causer de légères irritations cutanées. Lavez-vous les mains après avoir manipulé les poils de la brosse.
- Remettez en place tous les éléments et accessoires avant d'utiliser l'appareil.
- L'élimination des obstructions n'est pas couverte par la garantie.

Chargement et rangement

- Cet appareil s'éteint si la température de la batterie est inférieure à 10 °C (50 °F) dans le but de protéger le moteur et la batterie. Ne rechargez pas l'appareil avant de l'entreposer dans un endroit dans lequel la température est inférieure à 10 °C (50 °F).
- Pour prolonger la durée de vie de la batterie, évitez de la recharger immédiatement après l'avoir complètement vidée. Laissez-la refroidir quelques minutes.
- Évitez d'utiliser l'appareil avec la batterie à plat contre une surface pour l'aider à rester froide et prolonger son autonomie et sa durée de vie.

Consignes de sécurité relatives à la batterie


- S'il est nécessaire de remplacer la batterie, contactez le Service Consommateurs de Dyson.
- Utilisez uniquement un modèle de chargeur 217160 de Dyson pour recharger cet appareil.

ATTENTION

La batterie utilisée dans cet appareil peut présenter un risque d'incendie ou de brûlure chimique si elle est mal utilisée. Elle ne doit pas être démontée, court-circuitée, chauffée à plus de 60 °C ou incinérée. Tenez-la hors de la portée des enfants. Ne la démontez pas et ne la jetez pas au feu.

Informations de mise au rebut

- Les produits Dyson sont fabriqués à partir de matériaux recyclables de haute qualité. Recyclez-les si possible.
- La batterie doit être retirée de l'appareil avant la mise au rebut de ce dernier.
- Mettez au rebut ou recyclez la batterie conformément à la réglementation et aux arrêtés locaux.
- Mettez au rebut le bloc de filtration usagé conformément à la réglementation et aux arrêtés locaux.

 Ce marquage indique que ce produit ne doit pas être jeté avec les déchets ménagers dans l'ensemble de l'UE. Pour éviter tout effet nocif d'une élimination non contrôlée des déchets sur l'environnement et la santé, recyclez ce produit de manière responsable, de sorte à encourager la réutilisation durable des ressources en matériaux. Pour renvoyer votre appareil usagé, utilisez les réseaux de retour et de collecte, ou contactez le revendeur du produit, qui sera en mesure de le recycler d'une manière respectueuse de l'environnement.

Service consommateurs Dyson

Merci d'avoir choisi un appareil Dyson.

Une fois que vous vous serez enregistré pour la garantie de 2 ans, votre appareil Dyson sera couvert pour les pièces et la main-d'œuvre pendant 2 ans à compter de la date d'achat, conformément aux conditions de garantie. Si vous avez la moindre question concernant votre appareil Dyson, consultez le site www.dyson.fr/support (FR), www.dyson.be/support (BE) ou www.dyson.ch/support (CH) pour obtenir une aide en ligne, des conseils généraux et des informations utiles sur Dyson.

Vous pouvez également appeler le Service consommateurs Dyson et leur communiquer le numéro de série de l'appareil et les détails concernant la date/le lieu d'achat.

Si votre appareil Dyson a besoin d'être réparé, appelez le Service Consommateurs Dyson afin de discuter des différentes options disponibles. Si votre appareil Dyson est sous garantie et que la réparation est couverte, elle sera gratuite.

Enregistrez-vous comme propriétaire d'un appareil dyson

La garantie pour ce produit est de 2 ans à compter de la date d'achat. Veuillez enregistrer votre produit pour activer votre garantie dans les 30 jours suivant la date d'achat. Pour nous aider à garantir un service rapide et efficace, veuillez vous enregistrer immédiatement après l'achat. Veuillez conserver la facture indiquant la date et le lieu d'achat.

Vous pouvez activer votre garantie de trois manières :

- En ligne à l'adresse www.dyson.fr
- En contactant le Service Consommateurs Dyson au 0800 94 58 01.
- En remplissant le formulaire joint et en le renvoyant.

En vous enregistrant en ligne ou par téléphone, vous :

- Sécurisez votre achat avec la garantie de 2 ans sur les pièces et la main d'œuvre;
- Recevez des conseils utiles sur l'utilisation de votre appareil ;
- Bénéficiez de conseils experts de la part du Service consommateurs Dyson ;
- Être le premier au courant des dernières innovations.
- S'enregistrer en ligne ne prend que quelques minutes et vous avez uniquement besoin du numéro de série.

Garantie limitée de 2 ans

Conditions générales de votre garantie limitée de 2 ans dyson

Ce qui est couvert

- La réparation ou le remplacement de votre appareil (à l'entière discrétion de Dyson) s'il présente un défaut matériel, de fabrication ou de fonctionnement dans les 2 ans à compter de la date d'achat ou de livraison. (Si une pièce n'est plus disponible ou plus fabriquée, Dyson la remplacera par une pièce fonctionnelle équivalente.)
- Lorsque l'appareil est vendu en dehors de l'UE, cette garantie n'est valable que si l'appareil est utilisé dans le pays dans lequel il a été vendu.
- Lorsque l'appareil est vendu dans l'UE, cette garantie n'est valable que i) si l'appareil est utilisé dans le pays dans lequel il a été vendu ou, ii) lorsque l'appareil est utilisé en Allemagne, en Autriche, en Belgique, en Espagne, en France, en Irlande, en Italie, aux Pays-Bas ou au Royaume-Uni, si le même modèle est vendu à la même tension nominale dans ce pays.

Ce qui n'est pas couvert

Dyson ne garantit pas la réparation ni le remplacement d'un produit si le défaut est dû à :

- Des dommages accidentels ou des défauts causés par une mauvaise utilisation, un entretien incorrect, une utilisation abusive, une négligence, ou une utilisation ou manipulation non conforme aux instructions du mode d'emploi Dyson.
 - Une utilisation de l'appareil à une fin autre que des travaux ménagers ordinaires.
 - Une utilisation de pièces non assemblées ou installées conformément aux instructions de Dyson.
 - Une utilisation de pièces et accessoires autres que Dyson.
 - Une erreur d'installation (sauf en cas d'installation par Dyson).
 - Des réparations ou modifications effectuées par des personnes autres que Dyson ou ses agents agréés.
 - Des obstructions : veuillez vous reporter au mode d'emploi Dyson pour savoir comment vérifier l'absence d'obstructions et les éliminer.
 - Une usure normale (par ex. brosse, etc.).
 - Une utilisation de l'appareil sur des gravats, des cendres ou du plâtre.
 - une baisse de l'autonomie de la batterie liée à son âge ou à son utilisation (le cas échéant).
- En cas de doute sur les éléments couverts par votre garantie, veuillez contacter le Service consommateurs Dyson.

Résumé de la garantie

- La garantie prend effet à la date d'achat (ou à la date de livraison si celle-ci est ultérieure à la date d'achat).
- Pour qu'une intervention puisse être réalisée sur votre appareil, vous devez fournir la preuve d'achat /de livraison (l'original ou une copie de ce dernier). Sans cette preuve, toute intervention sera à votre charge. Veuillez conserver votre facture ou et/ou votre preuve d'achat.
- Toute réparation sera effectuée par Dyson ou l'un de ses agents agréés.
- Toutes les pièces remplacées par Dyson deviennent la propriété de Dyson.
- La réparation ou le remplacement sous garantie de votre appareil Dyson ne prolonge pas sa période de garantie.
- La garantie offre des avantages qui viennent s'ajouter à vos droits légaux en tant que consommateur, sans aucune incidence sur ces droits.

Informations importantes concernant la protection des données

Lors de l'enregistrement de votre produit Dyson :

- Vous devez nous fournir des coordonnées pour pouvoir enregistrer votre produit et nous permettre de vous délivrer votre garantie.
- Lors de votre enregistrement, vous aurez l'opportunité d'indiquer si vous souhaitez ou non recevoir des informations de notre part. Si vous choisissez de recevoir des informations, nous vous enverrons nos offres spéciales détaillées et des informations sur nos toutes dernières innovations. Nous ne vendrons jamais vos informations à des tiers et utiliserons les informations que vous partagez avec nous uniquement tel que défini dans nos politiques de confidentialité, disponibles sur notre site Web.privacy.dyson.com.

IT/CH

Grazie per aver scelto di acquistare un apparecchio Dyson

Registrazione

Dopo aver registrato la garanzia gratuita di 2 anni, le parti (esclusi i filtri) e la manodopera dell'apparecchio Dyson saranno coperte per 2 anni dalla data d'acquisto, in base alle condizioni previste dalla garanzia.

In caso di dubbi sull'apparecchio Dyson, visitare www.dyson.it/support (IT) oppure www.dyson.ch/support (CH) per ricevere assistenza online, video di supporto, suggerimenti generici e informazioni utili relative a Dyson.

In alternativa, chiamate il Centro Assistenza Dyson, tenendo a portata di mano il numero di serie dell'apparecchio e le informazioni su dove e quando è stato acquistato.

Il numero di serie è riportato sulla targhetta applicata sulla base del prodotto.

Annota il tuo numero di serie per riferimento futuro.

Immagine a solo scopo di esempio.



Registrazione online

Visita il sito web per registrare online la garanzia completa sulle parti e la manodopera:

IT: www.dyson.it/register

CH: www.dyson.ch/register

Registrazione telefonica

Da lunedì a venerdì: 8.00-20.00;

sabato 09:00-14:00

800 976 024

0800 - 740 183

IMPORTANTI PRECAUZIONI D'USO

PRIMA DI USARE IL PRESENTE APPARECCHIO, LEGGERE TUTTE LE ISTRUZIONI E LE AVVERTENZE RIPORTATE ALL'INTERNO DEL PRESENTE MANUALE E SULL' APPARECCHIO

Quando utilizzate un apparecchio elettrico, dovete attenervi sempre alle precauzioni fondamentali, tra cui le seguenti:

⚠ ATTENZIONE

Gli avvisi si riferiscono all'apparecchio e, se applicabile, a tutti gli strumenti, gli accessori, i caricatori o gli adattatori di elettricità.

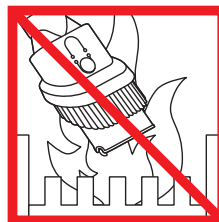
PER RIDURRE IL RISCHIO DI INCENDI, SCOSSE ELETTRICHE O INFORTUNI:

1. Questo apparecchio Dyson può essere utilizzato dai bambini con età minima di 8 anni e da persone con ridotte capacità fisiche, motorie o mentali, o da persone che non possiedono l'esperienza e le conoscenze necessarie, solo con supervisione oppure se sono state fornite loro le necessarie istruzioni per l'uso dell'apparecchiatura in modo sicuro da parte di una persona responsabile e se sono consapevoli dei rischi connessi. Interventi di manutenzione e pulizia non devono essere eseguiti da bambini senza supervisione.
2. Non consentire che l'apparecchio sia utilizzato come giocattolo. Prestare la massima attenzione quando viene adoperato da bambini piccoli. I bambini devono essere sorvegliati per controllare che non giochino con l'apparecchio.
3. Utilizzare l'apparecchio esclusivamente nel modo descritto in questo Manuale d'uso Dyson. Non eseguire interventi di manutenzione al di fuori di quelli descritti in questo manuale o consigliati dal Centro Assistenza Dyson.
4. Adatto **ESCLUSIVAMENTE** all'uso in ambienti asciutti. Non utilizzare l'apparecchio all'esterno né su superfici bagnate.
5. Non toccare il caricatore o l'apparecchio con le mani bagnate.
6. Non utilizzare l'apparecchio con caricatori o cavi danneggiati.
7. Se l'apparecchio non funziona correttamente, ha ricevuto un forte colpo, è caduto accidentalmente, è stato danneggiato o lasciato all'aperto oppure è caduto in acqua, non deve essere utilizzato; contattare il Centro Assistenza Dyson.

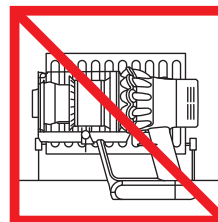
8. Se è necessario effettuare la manutenzione o la riparazione, contattare il Centro Assistenza Dyson. Non smontare l'apparecchio: in caso di rimontaggio errato, si corre il rischio di incendi o scosse elettriche.
9. Non tirare il cavo né sottoporlo a tensione. Tenere il cavo lontano da superfici calde. Non schiacciare il cavo chiudendo porte o sportelli né tenderlo su spigoli vivi. Far passare il cavo lontano dalle zone di passaggio, in modo che non venga calpestato né vi sia il rischio di inciamparvi. Non passare sopra il cavo.
10. Non usare per aspirare acqua.
11. Non utilizzare per raccogliere liquidi infiammabili o combustibili, come benzina, e in aree in cui potrebbero essere presenti i loro vapori.
12. Non aspirare alcun materiale incandescente o che emette fumo, come sigarette, fiammiferi o cenere calda.
13. Tenere lontano capelli, vestiti, dita e tutte le parti del corpo dalle aperture e dalle parti in movimento, come ad esempio la spazzola. Non dirigere il tubo flessibile, il tubo o gli accessori verso gli occhi o le orecchie e non metterli in bocca.
14. Non inserire oggetti nell'apparecchio. Non usare l'aspirapolvere se le aperture sono ostruite; eliminare polvere, fibre, capelli e qualsiasi cosa possa ridurre il flusso d'aria.
15. Usare solo accessori e parti di ricambio raccomandati da Dyson.
16. Non usare l'apparecchio senza il contenitore trasparente e il filtro.
17. Scollegare il caricatore quando non si utilizza per lunghi periodi.
18. Fare molta attenzione quando si puliscono le scale.
19. Per evitare un avvio involontario dell'apparecchio, specie quando lo si afferra o lo si trasporta, avvicinare le mani all'interruttore "ON" solo quando si è pronti a iniziare ad aspirare. Trasportare l'apparecchio tenendo il dito sull'interruttore "ON" può causare incidenti.
20. Non installare, caricare o utilizzare questo apparecchio all'esterno, in bagno o entro tre metri (10 piedi) da una piscina. Non utilizzare su superfici bagnate e non esporre a umidità, pioggia o neve.
21. Utilizzare solo il caricatore Dyson con codice 217160 per caricare questo apparecchio Dyson. Utilizzare solo batterie Dyson: altri tipi di batterie possono esplodere causando lesioni e danni.
22. Al momento di rimuovere o sostituire una spazzola motorizzata, prestare attenzione a non premere l'interruttore "ON" finché la spazzola non è stata rimontata.
23. Non utilizzare gruppi batterie o apparecchi danneggiati o modificati. L'utilizzo di batterie danneggiate o modificate può provocare effetti imprevedibili con rischio di incendi, esplosioni o lesioni. Non esporre il gruppo batteria o l'apparecchio a fiamme o temperature eccessive. L'esposizione a fiamme o a temperature superiori a 60 °C (140 °F) può provocare esplosioni.
24. La batteria è un componente perfettamente sigillato che in condizioni normali non pone alcun rischio per la sicurezza. Nell'improbabile eventualità che si verificano fuoriuscite di liquido dalla batteria, non toccare il liquido per evitare possibili irritazioni o bruciate e attenersi alle seguenti precauzioni di sicurezza:
 - Contatto con la pelle: può causare irritazioni. Lavare immediatamente con acqua e sapone.
 - Inalazione: può provocare irritazioni respiratorie. Spostarsi in luogo ben aerato e consultare un medico.
 - Contatto con gli occhi: può causare irritazioni. Sciacquare immediatamente gli occhi con acqua, per almeno 15 minuti. Consultare un medico.
 - Smaltimento: indossare guanti per maneggiare la batteria e smaltire immediatamente in conformità alle normative locali vigenti.
25. Seguire tutte le istruzioni di ricarica e non caricare la batteria o l'apparecchio al di fuori dell'intervallo di temperatura specificato nelle istruzioni. Caricare in modo errato o ad una temperatura al di fuori dell'intervallo specificato può danneggiare la batteria e aumentare il rischio di incendio. Per garantire la massima durata della batteria, Dyson raccomanda quanto segue:
 - Quando non è in uso, l'apparecchio deve essere conservato a temperatura ambiente. Intervallo consigliato: tra 18 °C (64 °F) e 28 °C (82 °F).
 - L'intervallo di temperatura ambiente per l'utilizzo e la carica deve essere compreso tra 10 °C (50 °F) e 30 °C (86 °F).
26. **AVVISO DI INCENDIO** – Non posizionare il prodotto su o vicino a un piano di cottura né su qualunque altra superficie calda e non incenerire l'apparecchio anche se gravemente danneggiato. La batteria potrebbe incendiarsi o esplodere.
27. **ALLARME INCENDIO** - Non applicare alcun profumo o prodotto profumato sui filtri di questo apparecchio. Le sostanze chimiche contenute in tali prodotti sono note per essere infiammabili e possono causare l'incendio del prodotto.

LEGGERE E CONSERVARE QUESTE ISTRUZIONI

L'apparecchio Dyson è destinato esclusivamente all'uso domestico.



Non usare vicino a fiamme libere.



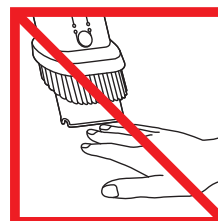
Non posizionare vicino a fonti di calore.



Non aspirare acqua o altri liquidi.



Non aspirare oggetti incandescenti.



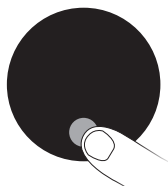
Non avvicinare le mani alla spazzola quando l'apparecchio è in funzione.



Non posizionare su o vicino a un piano di cottura.

Display

Tasto di selezione



Le impostazioni sul dispositivo si possono controllare tramite tasto di selezione.

Avvisi



Sullo schermo compare un avviso per richiamare l'attenzione. Per mantenere elevate le prestazioni, seguire le istruzioni sullo schermo.

Stato della batteria

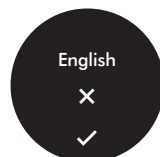


L'utilizzo continuo o regolare della modalità Eco o Auto/Medium contribuisce a gestire al meglio i tempi di pulizia e a evitare il surriscaldamento, proteggendo la durata e le condizioni della batteria.

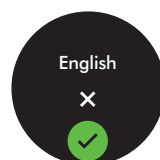
Selezione della lingua



Tenere premuto da 5 a 10 secondi il tasto di selezione per visualizzare l'elenco delle lingue.



Premere il tasto di selezione per scorrere tra le lingue. Tenendo premuto da 2 a 4 secondi il tasto di selezione, si seleziona una lingua.



Per confermare la lingua premere il tasto di selezione e scorrere fino al segno di spunta, quindi tenere brevemente premuto il tasto di selezione per confermare la selezione.

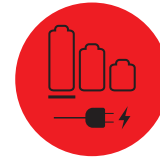


Se si è selezionata una lingua errata è possibile ritornare all'elenco di lingue tenendo brevemente premuto il tasto di selezione quando si visualizza la crocetta.

Livello batteria basso

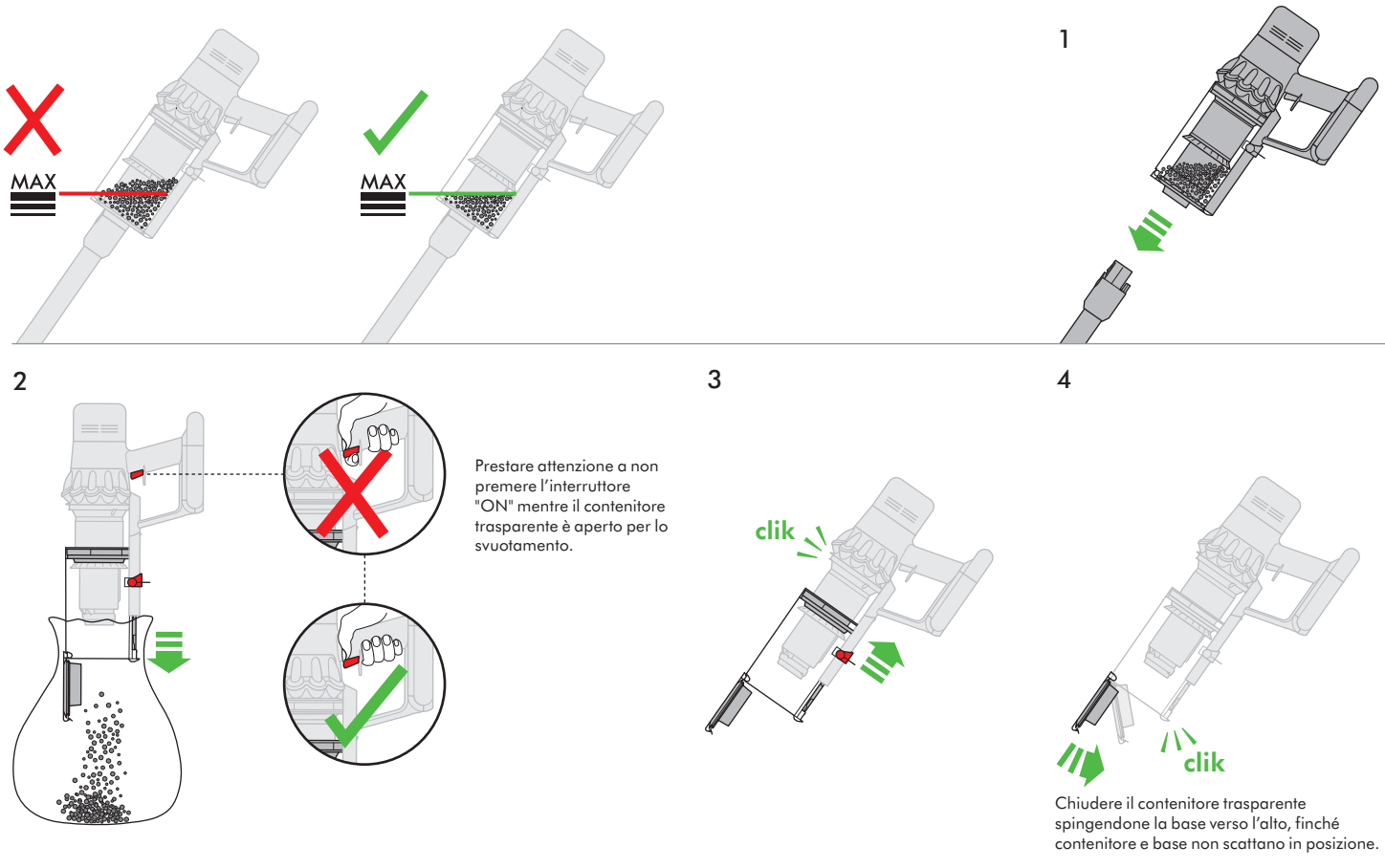
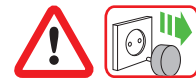


Sullo schermo compare un avviso se la batteria si sta esaurendo.

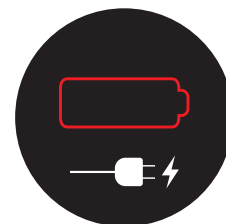
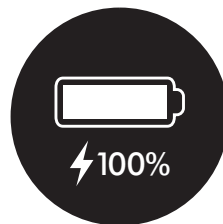
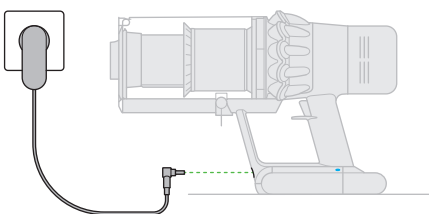
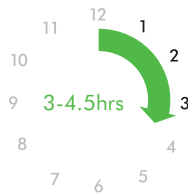
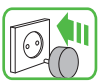


Quando la batteria è completamente scarica ed è necessario ricaricarla, viene mostrato un avviso finale.

Come svuotare il contenitore trasparente



Carica

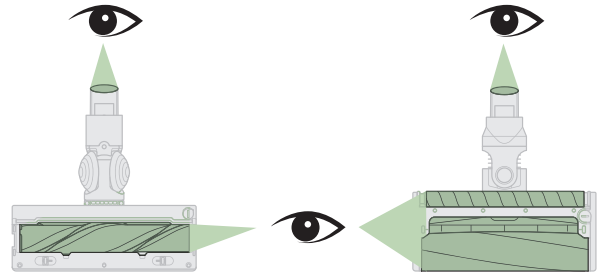


Connettere al caricatore direttamente o tramite docking station.
 I LED blu, uno per ogni lato della batteria, lampeggeranno in modo intermittente durante la carica.
 Quando la batteria è carica, entrambi i LED si illumineranno per 5 secondi per poi spegnersi.

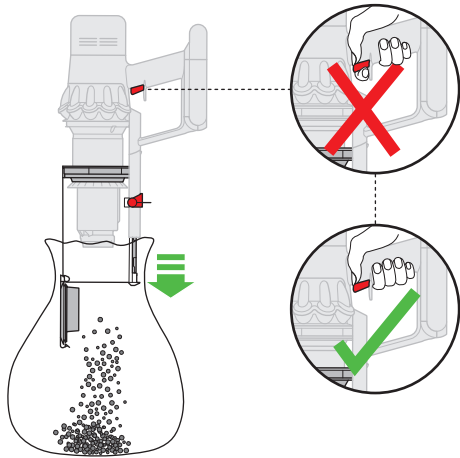
La batteria è carica quando il display indica il 100%.

La batteria è scarica e necessita di ricarica.

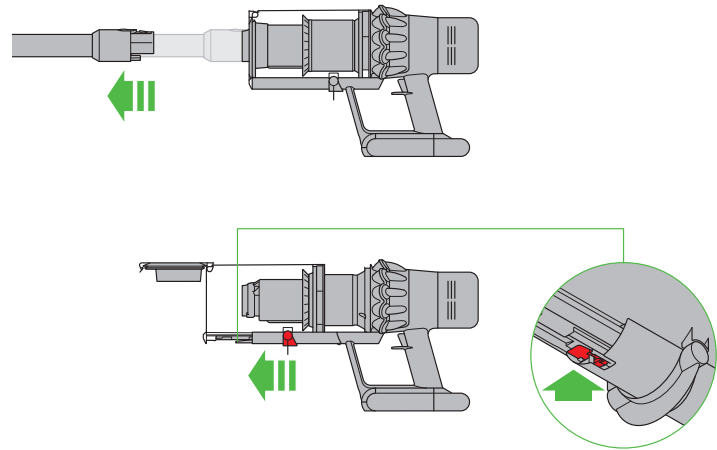
Ricerca delle ostruzioni



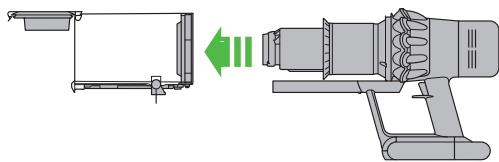
1



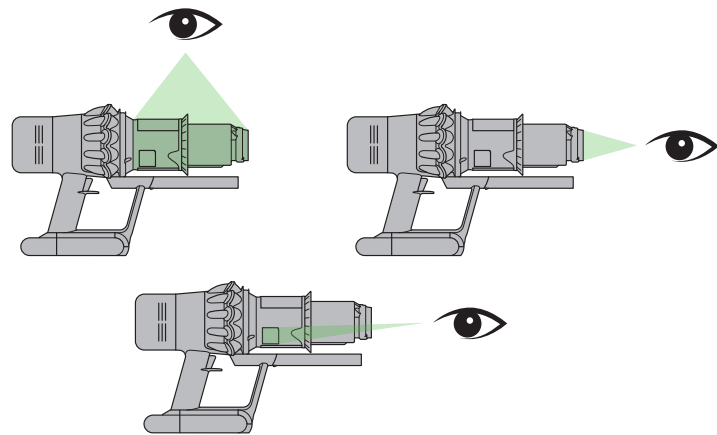
2



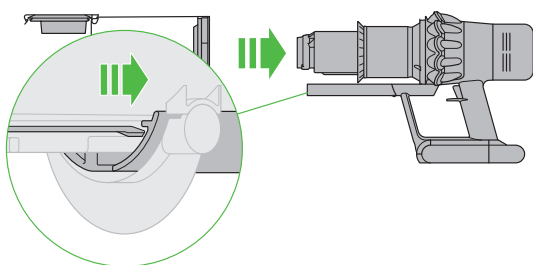
3



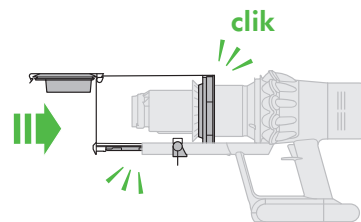
4



5

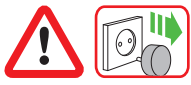


6

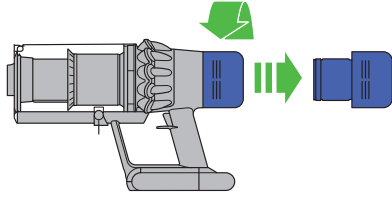


Chiudere il contenitore trasparente spingendone la base verso l'alto, finché contenitore e base non scattano in posizione.

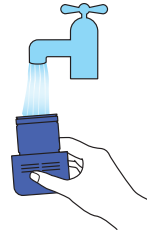
Pulizia del filtro



1



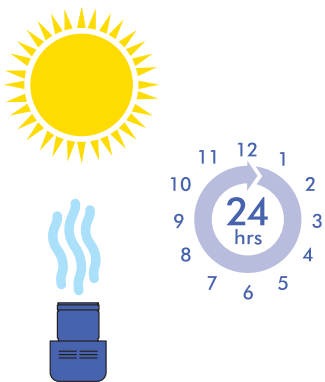
2



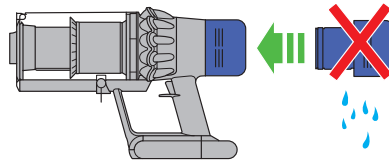
3



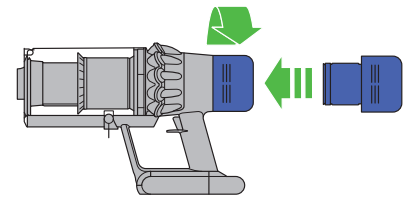
4



5



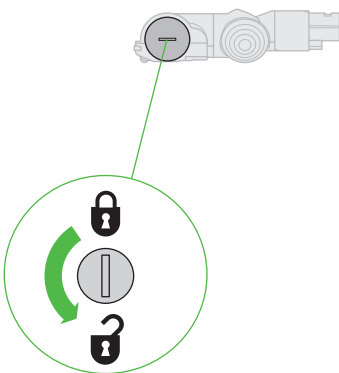
6



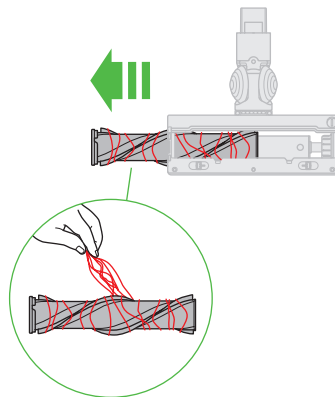
Manutenzione della spazzola High Torque



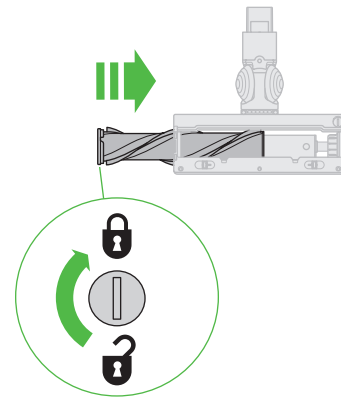
1



2



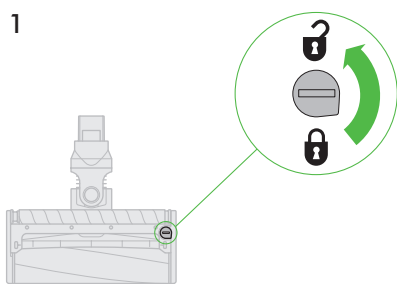
3



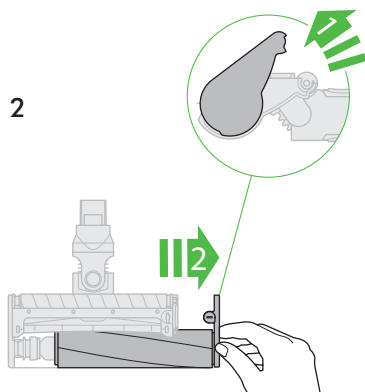
Manutenzione della spazzola a rullo morbido: rimozione delle ostruzioni



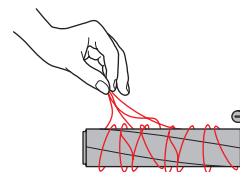
1



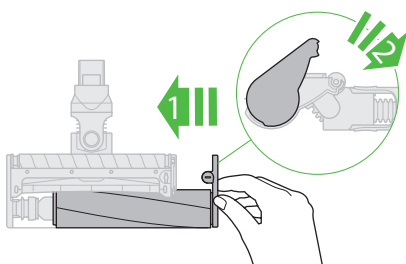
2



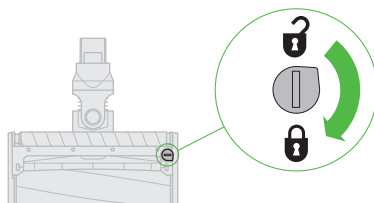
3



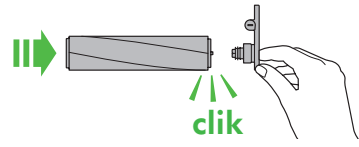
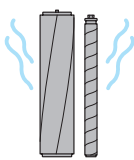
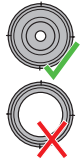
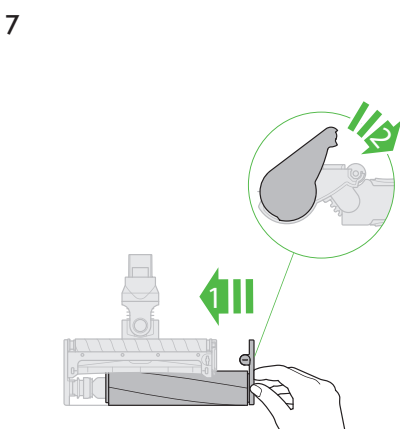
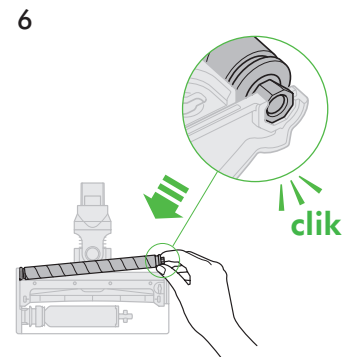
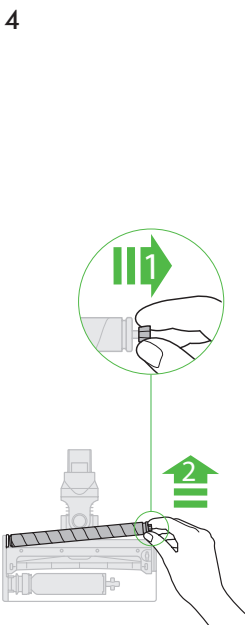
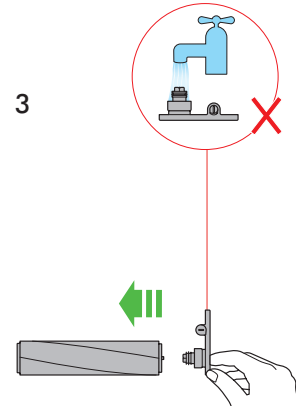
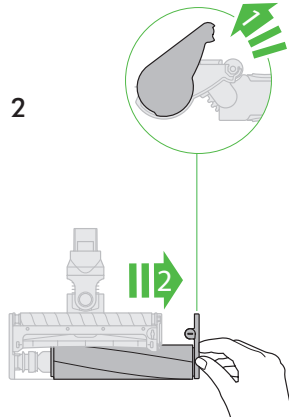
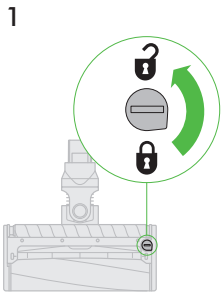
4



5



Manutenzione della spazzola a rullo morbido: lavaggio delle spazzole



Informazioni aggiuntive

Leggere attentamente le istruzioni di sicurezza in questo manuale d'uso prima di procedere.

Installazione della stazione di ricarica

- Estrarre dalla confezione la docking station, il caricatore e la guida all'installazione.
- Scegliere dove posizionare la docking station assicurandosi che non vi siano condutture (gas, acqua o aria), cavi elettrici o altre tubature dietro l'area di montaggio.
- Seguire le istruzioni presenti nella guida all'installazione.
- Agganciare gli accessori.
- Posizionare l'apparecchio nella docking station.
- Collegare il caricatore alla rete elettrica. Accendere (se necessario) per caricare la batteria.
- Prima del primo utilizzo, la ricarica dell'apparecchio dovrà essere completa.

La docking station deve essere montata in conformità alle disposizioni e agli standard/codici applicabili (possono essere applicate leggi statali e locali).

Dyson consiglia di utilizzare indumenti, occhiali e materiali protettivi durante l'installazione della docking station.

Aspirazione

- Rimuovere l'apparecchio dalla docking station.
- Verificare che la parte inferiore della spazzola sia pulita e priva di corpi estranei che potrebbero causare danni.

Prima di passare l'aspirapolvere su pavimenti, tappeti e moquette, controllare le istruzioni per la pulizia consigliate dal loro produttore.

La spazzola dell'apparecchio può danneggiare alcuni tipi di tappeti e pavimenti. Alcuni tipi di tappeti possono arruffarsi se puliti con una spazzola motorizzata. In tal caso, si consiglia di non usare l'accessorio e consultare il produttore della moquette o del tappeto per ulteriori informazioni.

Spazzola High Torque: controllo dell'aspirazione

La Spazzola High Torque è dotata di un interruttore che ne regola l'aspirazione. Per selezionare l'aspirazione desiderata, spostare l'interruttore di controllo dell'aspirazione sulla parte superiore della spazzola.

Aspirazione massima per polvere e detriti (+)

- Per aspirazione su pavimentazione, pavimenti duri, moquette e tappeti particolarmente sporchi.

Aspirazione per polvere e detriti (▲)

- L'utilizzo dell'apparecchio è indicato per punti poco sporchi su moquette, tappeti e pavimenti duri.

- Per aspirare grandi detriti come noccioline o riso.

Aspirazione per tappeti e pavimenti delicati (-)

- Per aspirare tappeti o tappeti a pelo lungo e qualsiasi pavimento su cui si possa verificare una maggiore resistenza.
- Per l'aspirazione di pavimenti leggermente sporchi, inclusi pavimenti delicati come vinile, parquet e piastrelle.

Come svuotare il contenitore trasparente

- Svuotare il contenitore non appena lo sporco raggiunge il livello "MAX". Non riempire eccessivamente il contenitore.
- Prestare attenzione a non premere l'interruttore "ON" mentre il contenitore trasparente è aperto per lo svuotamento.
- Rimuovere l'asta premendo il pulsante di sblocco rosso ed estraendola dal contenitore.
- Per espellere lo sporco:
 - Tenere l'apparecchio con il contenitore rivolto verso il basso.
 - Premere con forza il pulsante di sblocco rosso del contenitore.
 - Il contenitore scivola pulendo lo strato di sporco man mano che si sposta.
 - La base del contenitore si apre.
 - La base del cestino non si apre se il pulsante rosso non è premuto completamente.

Per minimizzare il contatto con lo sporco durante lo svuotamento, inserire il contenitore in un sacchetto di plastica e svuotare.

Rimuovere il contenitore trasparente dal sacchetto con attenzione.

Chiudere bene il sacchetto e smaltirlo normalmente.

Pulizia del contenitore trasparente (opzionale)

Se necessario, pulire il contenitore trasparente:

- Seguire le istruzioni nella sezione "Come svuotare il contenitore trasparente".
- Premere il pulsante rosso sulla guida del contenitore per sbloccarlo e farlo scivolare lungo la guida.
- Pulire il contenitore trasparente solo con un panno umido.
- Verificare che il contenitore trasparente e le guarnizioni siano completamente asciutti prima di riposizionarli sull'apparecchio.
- Per reinserire il contenitore trasparente:
 - Inserire la punta nella guida del contenitore.

Chiudere il contenitore trasparente spingendo la base verso l'alto finché il contenitore e la base non scattano in posizione.

Il contenitore trasparente non è lavabile in lavastoviglie e l'uso di detersivi, solventi o deodoranti per ambienti è sconsigliato in quanto potrebbe causare danni all'apparecchio.

Filtro e indicatori di blocco

Il display del tuo apparecchio ti avvisa quando sono necessari semplici passaggi di manutenzione.

- L'indicatore del filtro compare quando l'unità del filtro non è posizionata correttamente. Seguire le istruzioni su come riposizionare l'unità del filtro riportate nella sezione "Lavaggio dell'unità del filtro".

- L'indicatore del filtro compare quando è necessario lavare l'unità del filtro. Seguire le istruzioni su come lavare l'unità del filtro riportate nella sezione "Lavaggio dell'unità del filtro".
- L'indicatore delle ostruzioni compare in caso di blocco. Seguire le istruzioni per la rimozione riportate nella sezione "Ricerca delle ostruzioni".

Componenti lavabili

L'apparecchio dispone di componenti lavabili che necessitano di una pulizia regolare. Seguire le istruzioni di seguito.

- Non mettere nessun pezzo dell'apparecchio in lavastoviglie, lavatrice, asciugatrice, forno, microonde o vicino a fiamme libere.

Lavaggio dell'unità del filtro

Lavare l'unità del filtro almeno una volta al mese, o ogniqualvolta l'indicatore di manutenzione del filtro si illumina.

Per mantenere elevate le prestazioni, controllare e lavare l'unità del filtro in base alle istruzioni.

- Rimuovere l'unità del filtro ruotandola in senso antiorario. Estrarla delicatamente dall'apparecchio.
- Scuotere delicatamente l'unità del filtro per rimuovere eventuale polvere in eccesso e residui prima di lavarla.
- Lavare l'unità del filtro esclusivamente in acqua fredda: non usare detersivi né lavare in lavastoviglie o lavatrice.
- Lavare prima l'elemento in carta pieghevole dell'unità del filtro tenendo l'unità del filtro sotto il rubinetto dell'acqua fredda con l'elemento in gommapiuma rivolto verso il basso e lasciar scorrere l'acqua fredda sulla carta pieghevole.
- Continuare con il lavaggio finché l'acqua non risulta trasparente.
- Poi lavare l'elemento in gommapiuma dell'unità del filtro tenendo l'unità del filtro sotto il rubinetto dell'acqua fredda con l'elemento in gommapiuma rivolto verso il basso, in modo tale che l'acqua sporca non finisca sull'elemento in carta pieghevole. Lasciar scorrere l'acqua fredda all'interno e all'esterno dell'elemento in gommapiuma e strizzare delicatamente la gommapiuma per espellere lo sporco.
- Continuare con il lavaggio finché l'acqua non risulta trasparente.
- Lavare l'esterno dell'unità del filtro. Quindi riempire l'unità con acqua fredda, posizionare le mani sulle aperture e agitare delicatamente.
- Ripetere il lavaggio degli elementi e dell'esterno dell'unità del filtro finché l'acqua non risulta trasparente.
- Scuotere delicatamente l'unità del filtro per rimuovere eventuale acqua in eccesso e lasciare asciugare con l'elemento in gommapiuma rivolto verso l'alto.
- Far asciugare completamente l'unità del filtro per almeno 24 ore in un ambiente asciutto con un buon flusso d'aria.
- Verificare che sia completamente asciutta.
- Per riposizionare l'unità del filtro, rimetterla nel corpo principale e ruotarla in senso orario finché non scatta in posizione.

L'unità del filtro può richiedere lavaggi più frequenti se si aspira pulviscolo o si utilizza l'apparecchio principalmente in modalità Boost.

Non mettere nessun pezzo dell'apparecchio in lavastoviglie, lavatrice, asciugatrice, forno, microonde o vicino a fiamme libere.

LAVAGGIO DELLE SPAZZOLE

La spazzola a rullo morbido dell'apparecchio è dotata di due rulli lavabili. Per mantenere elevate le prestazioni, controllarli e lavarli regolarmente, in base alle istruzioni:

- fare riferimento alle illustrazioni sulla "Manutenzione della spazzola" riportate sopra.
- Al momento di rimuovere o sostituire una spazzola motorizzata, prestare attenzione a non premere l'interruttore "ON" finché l'intera spazzola non è stata rimontata.

Per rimuovere, lavare e riposizionare le spazzole:

- Capovolgere la spazzola in modo che la sua parte inferiore sia visibile frontalmente. Utilizzare una moneta per ruotare il tappo terminale di un quarto di giro in senso antiorario fino a udire lo scatto che ne indica lo sblocco. Ruotare il tappo verso la posizione di apertura. Far scivolare delicatamente il rullo fuori dalla spazzola. Rimuovere il tappo dalla spazzola principale. Non lavare il tappo.
- Far scivolare delicatamente il rullo posteriore fuori dalla spazzola.
- Tenere le spazzole sotto l'acqua corrente e strofinare delicatamente per rimuovere pelucchi e sporco.
- Tenere le spazzole in posizione verticale come illustrato. Lasciarle asciugare completamente per almeno 24 ore. Prima di riposizionare le spazzole, assicurarsi che siano completamente asciutte.
- Far scivolare il rullo posteriore nella sua posizione originale.
- Far scivolare il rullo della spazzola principale nella sua posizione originale.
- Inserire nuovamente il tappo nella spazzola.
- Il tappo dovrebbe essere in posizione aperta come illustrato. Una volta posizionato, ruotare il tappo nella posizione chiusa.
- Chiudere il dispositivo di blocco ruotandolo di un quarto di giro in senso orario. Accertarsi che il dispositivo di blocco sia stato ruotato completamente e che le spazzole siano fisse in posizione.

Spazzola Torque Head

La spazzola motorizzata non è lavabile.

Mini Turbo spazzola

La spazzola motorizzata non è lavabile.

Spegnimento automatico in caso di intasamento

- Questo apparecchio è dotato di spegnimento automatico.
- L'intasamento di qualsiasi parte dell'apparecchio può determinarne lo spegnimento automatico.
- Questo si verifica dopo un certo numero di impulsi del motore (ad esempio l'apparecchio si accende e spegne in rapida successione) e l'indicatore di blocco si accende.
- Prima di cercare l'eventuale intasamento, lasciare raffreddare l'apparecchio.
- Fare attenzione a non premere l'interruttore "ON" durante la ricerca degli ostruzioni. Se l'apparecchio è in funzione mentre è parzialmente smontato potrebbe causare lesioni personali.
- Rimuovere le ostruzioni prima di riaccendere l'apparecchio.
- Rimontare tutte le parti dell'apparecchio prima dell'uso.
- La rimozione delle ostruzioni non è coperta dalla garanzia.

Rimozione delle ostruzioni

Il motore pulsa e l'indicatore di blocco mostra quando c'è un blocco. Si consiglia di seguire le istruzioni riportate sotto per individuare il blocco:

- Fare attenzione a non premere l'interruttore "ON" durante la ricerca degli ostruzioni. Se l'apparecchio è in funzione mentre è parzialmente smontato potrebbe causare lesioni personali.
- Fare attenzione agli oggetti appuntiti durante la ricerca delle ostruzioni.
- Per verificare la presenza di intasamenti nel corpo principale dell'apparecchio, rimuovere il contenitore trasparente secondo quanto indicato nelle istruzioni della sezione "Svuotamento del contenitore trasparente" e rimuovere quindi gli intasamenti.
- Se non è possibile eliminare un intasamento dal rullo della spazzola, potrebbe essere necessario rimuovere la spazzola. Utilizzare una moneta per sbloccare il dispositivo di blocco, far scivolare il rullo fuori dalla spazzola e rimuovere l'intasamento. Riposizionare la spazzola e fissarla serrando il dispositivo di blocco. Controllare che sia fissato saldamente prima di mettere in funzione l'apparecchio.
- Questo prodotto è dotato di setole in carbonio. Fare attenzione se se si entra in contatto con le setole in fibra di carbonio, dato che possono creare lievi irritazioni alla pelle. Lavarsi le mani dopo aver maneggiato le setole.
- Rimontare tutte le parti dell'apparecchio prima dell'uso.
- La rimozione delle ostruzioni non è coperta dalla garanzia.

RICARICARE E RIPORRE L'APPARECCHIO

- L'apparecchio passa sulla posizione "OFF" se la temperatura della batteria è inferiore a 10 °C (50 °F), per proteggere il motore e la batteria. Non caricare l'apparecchio e spostarlo in un'area con temperatura inferiore a 10 °C (50 °F) per riporlo.
- Per allungare la vita della batteria, evitare di ricaricarla immediatamente dopo che si è scaricata. Far raffreddare per alcuni minuti.
- Evitare di usare l'apparecchio con la batteria appoggiata ad una superficie. La temperatura di esercizio sarà più bassa e prolungherà la durata e la vita della batteria.


ISTRUZIONI DI SICUREZZA PER LE BATTERIE

- Se è necessario sostituire la batteria, contattare il Centro Assistenza Dyson.
- Utilizzare solo il caricatore Dyson con codice 217160 per caricare questo apparecchio Dyson.

Attenzione

La batteria utilizzata in questo apparecchio può presentare il rischio di incendio o ustioni chimiche in caso di uso non corretto. Non aprire la batteria, non provocare cortocircuiti, non portare a temperature superiori a 60 °C e non bruciare. Tenere lontano dalla portata dei bambini. Non aprire e non gettare nel fuoco.

Informazioni sullo smaltimento

- I prodotti Dyson sono realizzati con materiali riciclabili di qualità elevata. Riciclare il prodotto se e come è possibile.
 - La batteria dovrebbe essere rimossa prima di smaltire l'apparecchio.
 - Smaltire o riciclare la batteria secondo le procedure previste dalle ordinanze o normative locali.
 - Smaltire l'unità del filtro esaurita in conformità alle direttive e alle normative locali vigenti.
-  Questo contrassegno indica che il prodotto non deve essere smaltito insieme ad altri rifiuti domestici sul territorio dell'UE. Per evitare danni all'ambiente o alla salute derivanti dallo smaltimento incontrollato, riciclare responsabilmente per promuovere il recupero sostenibile delle risorse materiali. Per restituire il dispositivo usato, servirsi dei sistemi di conferimento e raccolta o contattare il commerciante presso il quale è stato acquistato il prodotto, che provvederà ad affidarlo ai servizi di riciclo ecocompatibile.

Assistenza clienti Dyson

Grazie per aver scelto di acquistare un apparecchio Dyson. Dopo aver registrato la garanzia di 2 anni, le parti e la manodopera del vostro apparecchio Dyson saranno coperte per 2 anni dalla data d'acquisto, in base alle condizioni previste dalla garanzia. Se avete domande sul vostro apparecchio Dyson visitate il sito www.dyson.it/support (IT) oppure www.dyson.ch/support (CH) per assistenza online, suggerimenti generali e informazioni utili relative a Dyson.

In alternativa, chiamate il Centro Assistenza Dyson, tenendo a portata di mano il numero di serie dell'apparecchio e le informazioni su dove e quando è stato acquistato.

Se l'apparecchio Dyson necessita di riparazioni, chiamate il servizio assistenza Dyson per conoscere le opzioni disponibili. Se l'apparecchio Dyson è ancora in garanzia, verrà riparato senza alcun costo a carico del cliente.

Vi invitiamo a registrarvi come proprietari di un prodotto Dyson

La garanzia del prodotto è di 2 anni a partire dalla data di acquisto. Si prega di registrare la garanzia entro 30 giorni dalla data di acquisto. Per consentire a Dyson di fornire un servizio tempestivo ed efficiente, si prega di effettuare la registrazione immediatamente dopo l'acquisto. Conservare la ricevuta con la data di acquisto.

Vi sono tre modalità per procedere alla registrazione:

- Online su www.dyson.it
- Al telefono contattando il Centro Assistenza Dyson al numero 800 976 024.
- Compilando il modulo in allegato e inviandolo a Dyson.

Effettuando la registrazione online o per telefono sarà possibile:

- Tutelare l'investimento con una garanzia di due anni su componenti e manodopera.
- Ricevere suggerimenti utili sull'uso dell'apparecchio.
- Ottenere supporto dagli esperti del Centro Assistenza Dyson.
- Essere costantemente aggiornati sulle ultime tecnologie Dyson.
- La registrazione richiede pochi minuti ed è sufficiente avere a portata di mano il numero di serie.

Garanzia di 2 anni

Termini e Condizioni della Garanzia di 2 anni di Dyson

Si noti che la Garanzia limitata a 2 anni di Dyson non limita le garanzie previste dal Titolo III del Codice dei Consumatori (Decreto legislativo 2006/2002) relativo alle garanzie legali e contrattuali. La garanzia di 2 anni di Dyson è fornita da Dyson Italia srl, Piazza Gae Aulenti n°4, complesso Porta Nuova Garibaldi di 20154 Milano

Copertura della garanzia

- La riparazione o la sostituzione del vostro apparecchio (a discrezione di Dyson), in caso di difetti relativi a materiali, assemblaggio o funzionamento entro 2 anni dall'acquisto o dalla consegna (se un pezzo non è più disponibile o fuori produzione, Dyson lo sostituirà con un altro pezzo in grado di svolgere la stessa funzione).
- Nel caso in cui l'apparecchio sia venduto al di fuori della UE, la presente garanzia sarà valida soltanto se l'apparecchio viene utilizzato nel Paese in cui è stato venduto.
- Nel caso in cui l'apparecchio sia venduto all'interno della UE, la presente garanzia sarà valida soltanto (I) se l'apparecchio viene utilizzato nel Paese in cui è stato venduto, oppure (II) se l'apparecchio viene utilizzato in Austria, Belgio, Francia, Germania, Irlanda, Italia, Paesi Bassi, Spagna o Regno Unito e lo stesso modello dell'apparecchio è venduto alla stessa tensione nominale nel Paese in questione.

Elementi esclusi dalla garanzia

Dyson non garantisce la riparazione o sostituzione di un prodotto nel caso in cui un guasto sia dovuto a:

- Danni accidentali, guasti causati da negligenza, cattivo uso, trascuratezza, funzionamento o utilizzo non diligente dell'apparecchio non in linea con quanto previsto dal Manuale d'uso di Dyson.
- Uso dell'apparecchio per qualsiasi scopo differente dai normali impieghi domestici.
- Uso di parti non assemblate o installate in conformità alle istruzioni di Dyson.
- Uso di parti e accessori che non siano componenti originali Dyson.
- Installazione non corretta (eccetto quando il prodotto è stato installato da Dyson).
- Riparazioni o alterazioni compiute da soggetti diversi da Dyson o dai suoi agenti autorizzati.
- Intasamenti: fare riferimento al manuale d'uso Dyson per le informazioni su come cercare l'eventuale presenza di intasamenti e rimuoverli.
- Usura e difetti causati da impiego normale (ad esempio fusibili, spazzola, ecc.).
- Utilizzo dell'apparecchio su calcinacci, intonaco o cenere.
- Riduzione del tempo di utilizzo della batteria dovuta all'uso o al tempo (se applicabile).

Per qualsiasi dubbio relativamente a cosa sia coperto dalla garanzia, contattare il Centro Assistenza Dyson.

Sintesi della copertura

- La garanzia entra in vigore al momento dell'acquisto (o dalla data di consegna se successiva).
- È necessario presentare la prova (sia originale che qualsiasi successiva) della consegna/ dell'acquisto prima che possa essere effettuato qualsiasi intervento sul vostro apparecchio Dyson. Senza questa prova, ogni intervento sarà a pagamento. Si prega di conservare eventuali ricevute d'acquisto o prove dell'avvenuta consegna.
- Tutti gli interventi saranno eseguiti da Dyson o da suoi agenti autorizzati.
- Qualsiasi parte sostituita diverrà di proprietà di Dyson.
- La riparazione o la sostituzione del vostro apparecchio in garanzia non estenderà il periodo di garanzia.
- La garanzia prevede benefici ulteriori che non modificano i diritti garantiti dalla legge ai consumatori.

Informazioni importanti sulla tutela dei dati

Quando si registra l'apparecchio Dyson:

- È necessario fornire i dati di contatto principali, per registrare il prodotto e consentirci di fornire assistenza durante il periodo di garanzia.
- In fase di registrazione, si può scegliere di ricevere o meno comunicazioni da parte nostra. Se si acconsente a ricevere comunicazioni da parte di Dyson, verranno inviate informazioni relative a promozioni speciali e notizie sui nostri ultimi prodotti. Non venderemo a terzi le informazioni ricevute, che saranno utilizzate esclusivamente in conformità con la policy sulla privacy, consultabile sul nostro sito www.privacy.dyson.com

NL/BE

Hartelijk dank voor uw aankoop van een apparaat van Dyson.

Registratie

Na het registreren van uw gratis 2-jarige garantie, is uw Dyson toestel 2 jaar gedekt voor onderdelen en arbeidskosten (exclusief filters) vanaf de datum van aanschaf, onderhevig aan de voorwaarden van de garantie.

Bij enige vragen met betrekking tot uw Dyson apparaat gaat u naar www.dyson.nl/support (NL) of www.dyson.be/support (BE) voor online help, ondersteunende video's, algemene tips en nuttige informatie over Dyson.

U kunt ook bellen met de Dyson Benelux Helpdesk met uw serienummer en details betreffende waar/wanneer u het apparaat hebt gekocht.

Het serienummer bevindt zich aan de onderkant van het apparaat.

Noteer hier uw serienummer ter referentie.

Uitsluitend ter illustratie.



Online registreren

Bezoek onze website om uw garantie voor onderdelen en arbeid online te registreren.
NL: www.dyson.nl/register
BE: www.dyson.be/register

Registreren per telefoon

maandag-vrijdag 8.00-20.00, zaterdag en
zondag 8.00-18.00
0800 020 6203
080039208

BELANGRIJKE VEILIGHEIDSINSTRUCTIES

LEES ALLE INSTRUCTIES EN WAARSCHUWINGEN IN DEZE GEBRUIKSHANDLEIDING EN OP HET APPARAAT ALVORENS HET TE GEBRUIKEN

Bij het gebruik van elektrische apparaten dienen altijd minimale voorzorgsmaatregelen in acht genomen te worden, waaronder het volgende:

⚠ WAARSCHUWING

Deze waarschuwingen zijn van toepassing op het apparaat en indien relevant tevens op alle hulpstukken, accessoires, opladers of netadapters.

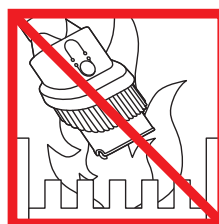
OM HET RISICO VAN BRAND, ELEKTRISCHE SCHOKKEN EN VERWONDINGEN TE VERKLEINEN:

1. Dit Dyson-apparaat kan uitsluitend worden gebruikt door kinderen vanaf 8 jaar en ouder, personen met verminderde fysieke, sensorische of verstandelijke vermogens of personen met gebrek aan kennis en ervaring, indien zij supervisie of instructies hebben ontvangen van een verantwoordelijk persoon over het veilig gebruiken van het apparaat en inzicht hebben in de risico's van het gebruik. Reiniging en onderhoud mogen niet zonder supervisie verricht worden door kinderen.
2. Laat kinderen het apparaat niet als speelgoed gebruiken. Let goed op bij gebruik van het apparaat in de buurt van jonge kinderen. Houd toezicht op kinderen om te zorgen dat zij het apparaat niet als speelgoed gebruiken.
3. Gebruik het apparaat uitsluitend zoals beschreven in deze Dyson gebruikershandleiding. Voer geen onderhoud uit anders dan hetgeen in deze handleiding wordt toegelicht of door de Dyson Helpline wordt geadviseerd.
4. UITSLUITEND geschikt voor droge omgevingen. Niet buitenshuis of op natte oppervlakken gebruiken.
5. Raak geen enkel deel van de lader of het apparaat aan met natte handen.
6. Niet gebruiken als de lader of het snoer zijn beschadigd.
7. Als het apparaat niet naar behoren functioneert, een mechanische schok heeft gekregen, is gevallen, beschadigd, buiten heeft gestaan of in het water is terechtgekomen, gebruik het dan niet en neem contact op met de Dyson Helpdesk.

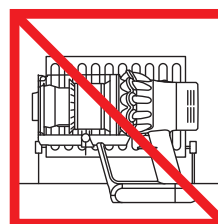
8. Neem contact op met de Dyson Helpdesk wanneer onderhoud of reparatie vereist is. Haal het apparaat niet uit elkaar omdat het incorrect weer in elkaar zetten kan leiden tot brand of elektrische schokken.
9. Rek het snoer niet en houd het niet strakgetrokken. Houd het snoer uit de buurt van verwarmde oppervlakken. Sluit geen deuren als het snoer ertussen zit. Trek het snoer niet om scherpe hoeken of randen. Leg het snoer uit de buurt van veelbelopen ruimtes zodat er niet over gestruikeld of op gestapt kan worden. Rijd niet over het snoer heen.
10. Niet gebruiken om water op te zuigen.
11. Gebruik het niet om ontvlambare of brandbare vloeistoffen op te vangen, zoals benzine, of gebruik het in gebieden waar deze of hun dampen aanwezig kunnen zijn.
12. Zuig nooit brandende voorwerpen op, zoals sigaretten, lucifers of brandende as.
13. Houd uw haar, losse kleding, vingers en andere lichaamsdelen weg van de openingen en van de bewegende onderdelen, zoals de borstel. Richt de slang, buis of hulpstukken niet op ogen, oren, of in uw mond.
14. Steek geen voorwerpen in de openingen van het apparaat. Niet gebruiken wanneer de openingen zijn geblokkeerd; vrij houden van stof, pluizen, haar en andere zaken die de luchtstroom kunnen beperken.
15. Gebruik alleen door Dyson aanbevolen accessoires en vervangende onderdelen.
16. Niet gebruiken zonder dat het doorzichtige stofreservoir en de filter zijn geplaatst.
17. Ontkoppel de oplader wanneer deze gedurende langere tijd niet wordt gebruikt.
18. Wees extra voorzichtig bij het reinigen van trappen.
19. Om onbedoeld starten te voorkomen, moet u voorzichtig zijn om uw handen en vingers weg te houden van de 'AAN'-knop totdat u klaar bent om te beginnen met stofzuigen, vooral wanneer u het apparaat oppakt of draagt. Als u het apparaat met uw vinger op de 'AAN'-knop draagt, kan dit ongelukken veroorzaken.
20. Installeer, gebruik en laad dit apparaat niet buitenshuis, in een badkamer/toilet of binnen een straal van drie meter van een zwembad. Niet gebruiken op natte oppervlakken en niet blootstellen aan vocht, regen of sneeuw.
21. Gebruik alleen de Dyson lader met onderdeelnummer 217160 voor het opladen van dit Dyson apparaat. Gebruik alleen Dyson accu's: andere soorten accu's kunnen mogelijk exploderen en persoonlijk letsel of schade veroorzaken.
22. Bij het verwijderen of vervangen van een gemotoriseerde borstel, moet u uitkijken dat u de 'AAN'-knop niet overhaalt totdat de vloerzuigmond weer in elkaar is gezet.
23. Gebruik geen beschadigd of aangepaste accu of apparaat. Beschadigde of aangepaste accu's kunnen leiden tot onvoorspelbaar gedrag met brand, explosie of risico op letsel als gevolg. Stel de accu of het apparaat niet bloot aan brand of te hoge temperaturen. Blootstelling aan brand of temperaturen van hoger dan 60°C (140°F) kan leiden tot explosie.
24. De accu is een afgedichte unit en brengt onder normale omstandigheden geen veiligheidsrisico's met zich mee. In het onwaarschijnlijke geval dat er vloeistof uit de accu lekt, raak de vloeistof dan niet aan omdat dit kan leiden tot irritatie en brandwonden, en neem de volgende voorzorgsmaatregelen in acht:
 - Huidcontact – kan irritatie veroorzaken. Was met zeep en water.
 - Inademing – kan irritatie aan de luchtwegen veroorzaken. Zorg voor frisse lucht en raadpleeg een arts.
 - Oogcontact – kan irritatie veroorzaken. Spoel de ogen direct grondig uit, minimaal 15 minuten. Raadpleeg een arts.
 - Weggooien – draag handschoenen om de accu te hanteren en gooi de accu direct weg conform de plaatselijke bepalingen en regels.
25. Volg alle oplaadinstructies en laad de accu of het apparaat niet op buiten het temperatuurbereik dat is aangegeven in de instructies. Niet correct opladen of een temperatuur buiten het gespecificeerde bereik kan de batterij beschadigen en het risico op brand verhogen. Om een maximale levensduur van de batterij te garanderen, beveelt Dyson het volgende aan:
 - Wanneer het apparaat niet wordt gebruikt, moet het bij kamertemperatuur worden opgeslagen. Aanbevolen bereik: 18°C (64°F) tot 28°C (82°F).
 - Het omgevingstemperatuurbereik voor gebruik en opladen moet 10°C (50°F) tot 30°C (86°F) zijn.
26. **BRANDWAARSCHUWING** – Plaats dit product niet op of in de buurt van een kookplaat of enig ander heet oppervlak en verbrand dit apparaat niet, zelfs als het ernstig beschadigd is. De accu kan vlam vatten of exploderen.
27. **BRANDWAARSCHUWING** - Breng geen geur- of geurstoffen aan op de filter (s) van dit apparaat. Het is bekend dat de chemicaliën in dergelijke producten ontvlambaar zijn en het apparaat vlam kunnen vatten.

LEES EN BEWAAR DEZE INSTRUCTIES

Dit Dyson apparaat is uitsluitend bedoeld voor huishoudelijk gebruik.



Niet in de buurt van open vuur gebruiken.



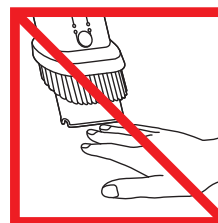
Niet in de buurt van warmtebronnen bewaren.



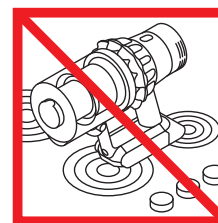
Niet gebruiken om water, andere vloeibare stoffen of bouwstof op te zuigen.



Nooit brandende voorwerpen opzuigen.



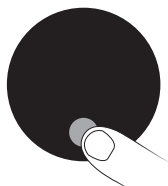
Houd de handen uit de buurt van de borstel als het apparaat wordt gebruikt.



Niet op of in de buurt van een kookplaat plaatsen.

Display

Selectieknop



U kunt de instellingen op uw apparaat regelen met gebruik van de selectieknop.

Waarschuwingen



Het scherm waarschuwt u wanneer uw apparaat uw aandacht nodig heeft. Volg de instructies op het scherm om de prestaties te onderhouden.

Gezondheid van de accu



Ononderbroken of regelmatig gebruik van de Eco modus of Auto/Med modus helpt bij het maximaliseren van de reinigingstijd en helpt bij het voorkomen van oververhitting, met behoud van duurzaamheid en levensduur van de accu.

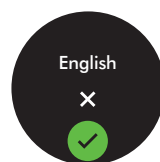
Taalknop



Houd de selectieknop tussen 5 en 10 seconden ingedrukt om de lijst met talen weer te geven.



Druk op de selectieknop om door de talen te scrollen. Door de selectieknop kort (tussen 2 en 4 seconden) ingedrukt te houden, wordt een taal geselecteerd.



Voor het bevestigen van de taal drukt u op de selectieknop om te scrollen naar het vinkje, en vervolgens wordt uw selectie bevestigd door de selectieknop kort ingedrukt te houden.

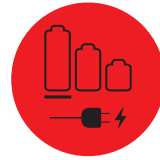


Als de verkeerde taal wordt geselecteerd, dan keert u terug naar de lijst met talen door de selectieknop kort ingedrukt te houden wanneer het kruis wordt weergegeven.

Accu bijna leeg

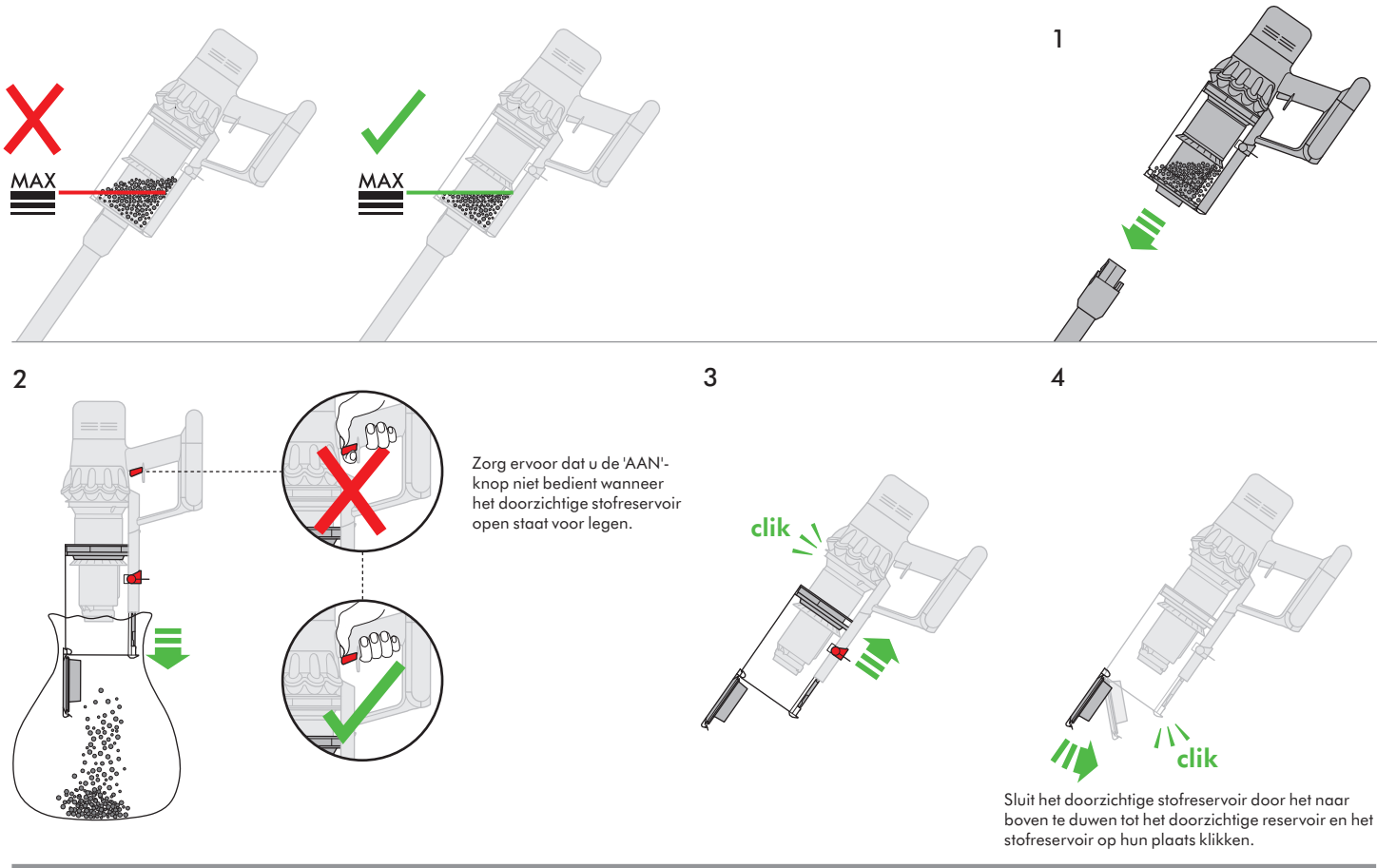
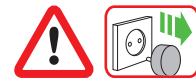


Het scherm waarschuwt u wanneer uw accu bijna leeg is.

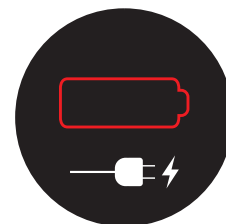
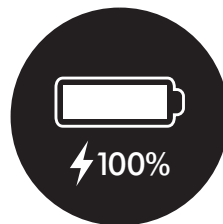
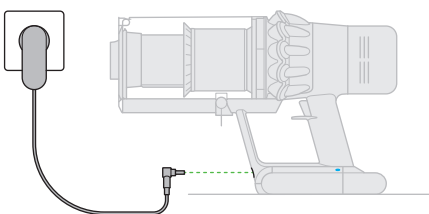
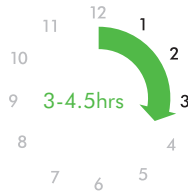
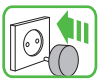


Een laatste waarschuwing wordt weergegeven wanneer uw accu leeg is en moet worden opgeladen.

Het doorzichtige stofreservoir legen



Opladen

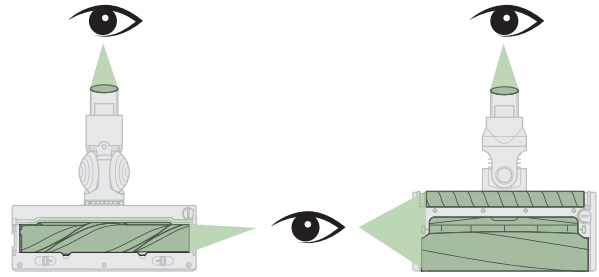
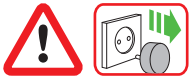


Sluit de lader direct aan of in de wandbevestiging.
De blauwe ledlampjes – een aan elke zijde van de accu – knipperen aan en uit tijdens opladen.
Wanneer de accu is opgeladen, gaan beide LED-lampjes 5 seconden branden en deze gaan vervolgens uit.

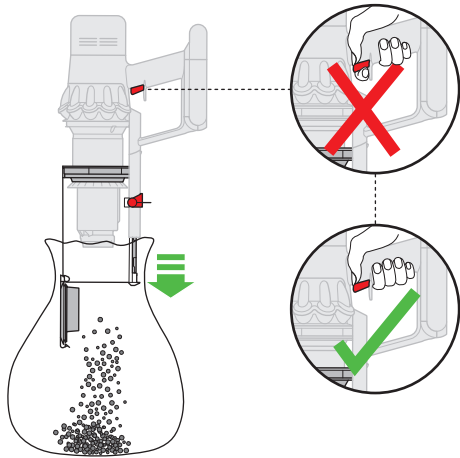
De accu is opgeladen wanneer de display 100% accu aangeeft.

Batterij leeg en moet worden opgeladen.

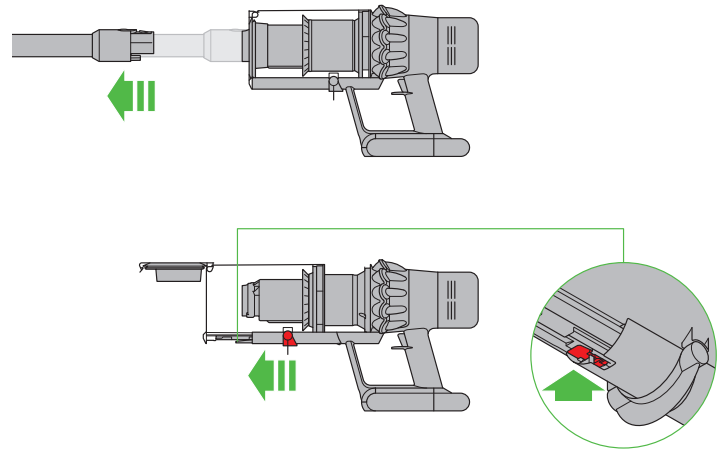
Controleren op verstoppingen



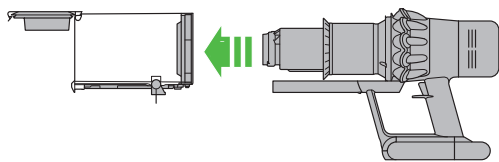
1



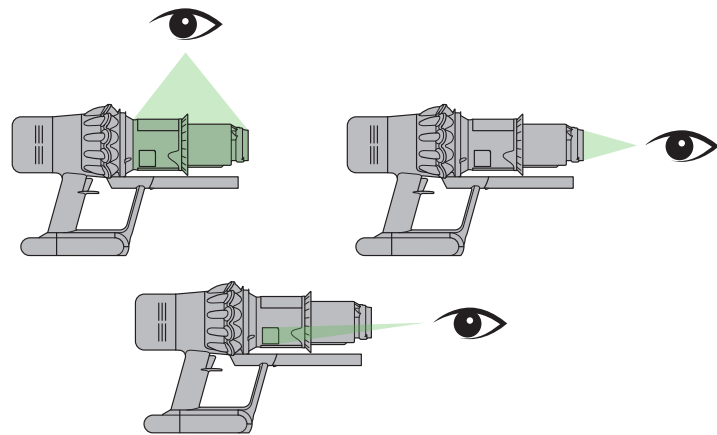
2



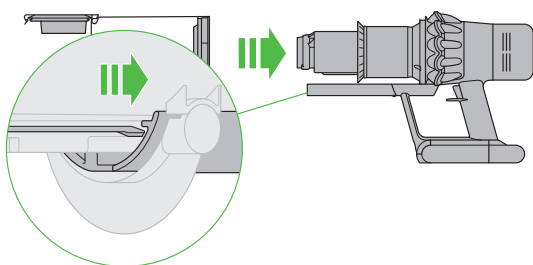
3



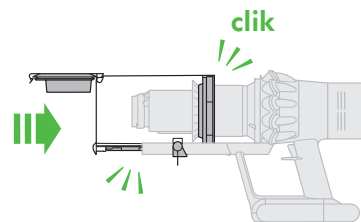
4



5

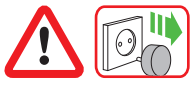


6

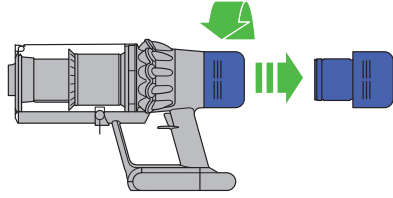


Sluit het doorzichtige stofreservoir door het naar boven te duwen tot het doorzichtige reservoir en het stofreservoir op hun plaats klikken.

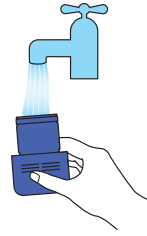
Het filter reinigen



1



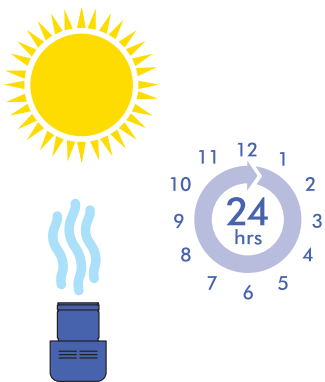
2



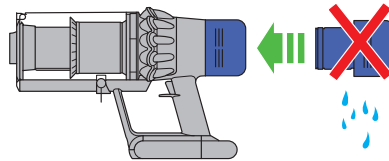
3



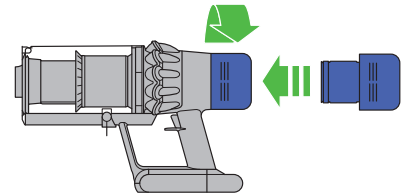
4



5



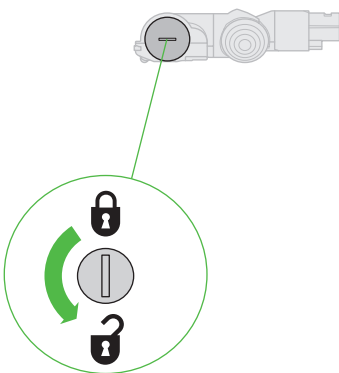
6



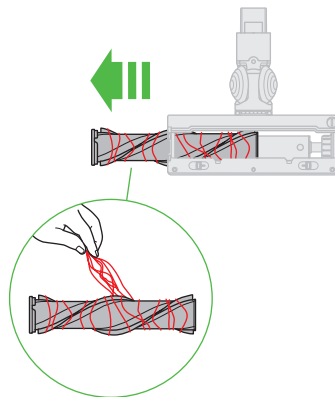
Onderhoud hoge torque vloerzuigmond



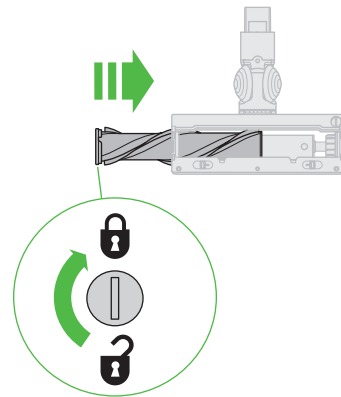
1



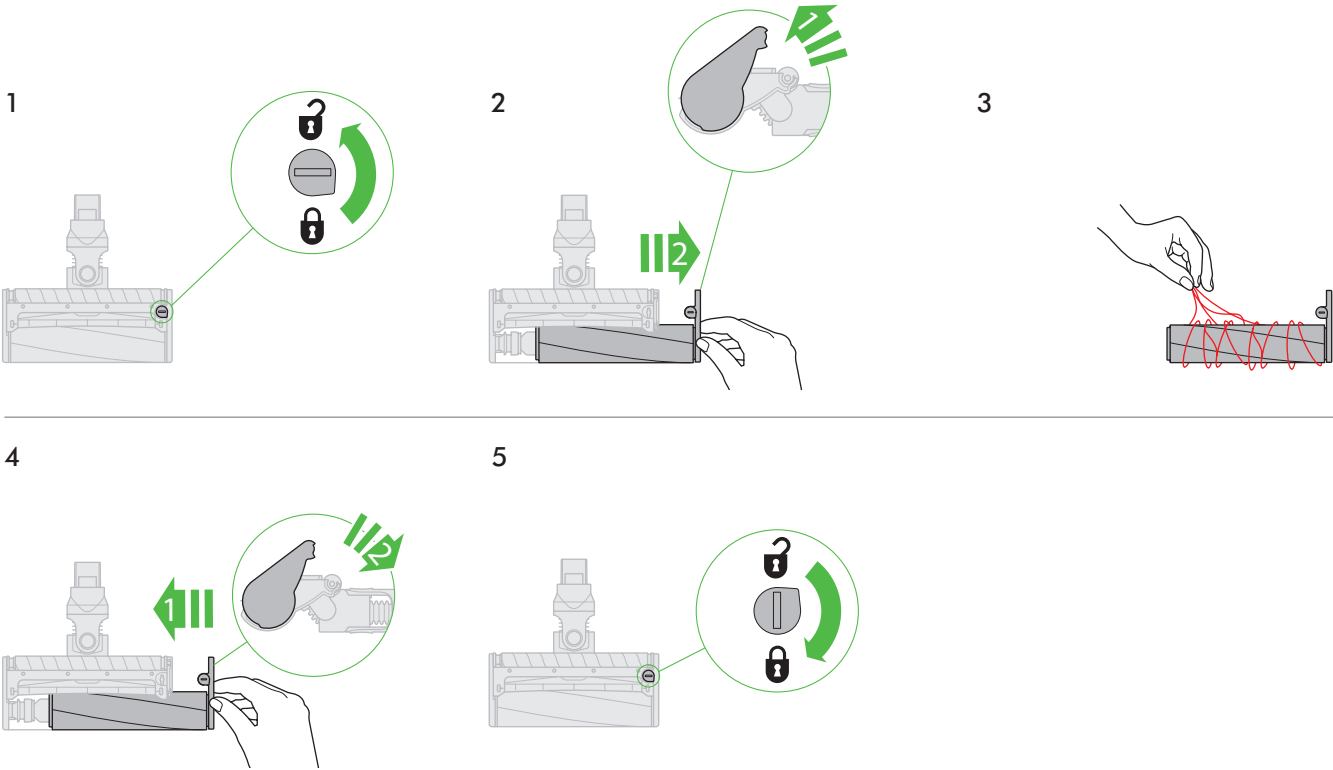
2



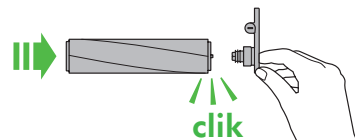
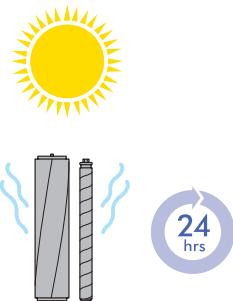
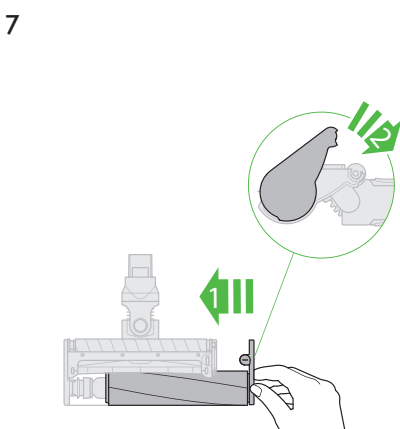
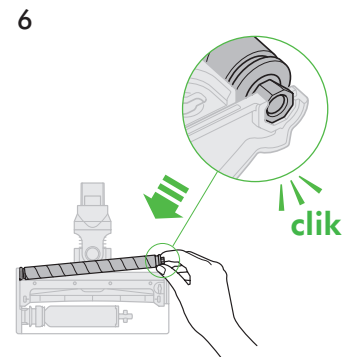
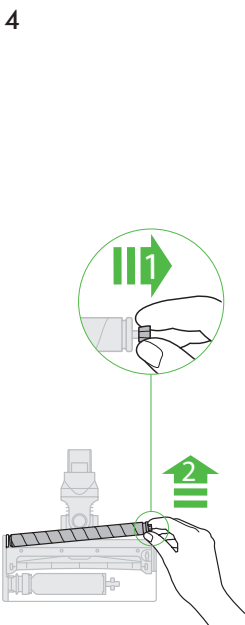
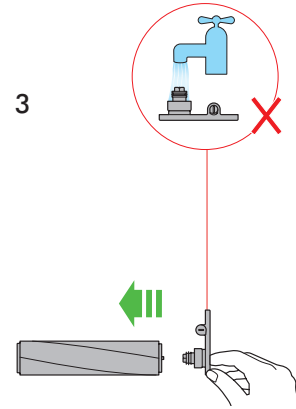
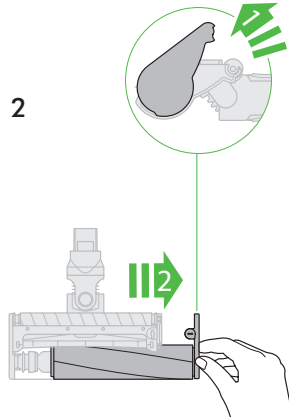
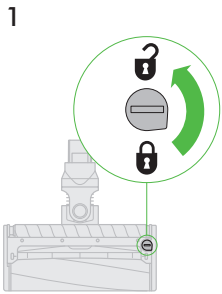
3



Onderhoud vloerzuigmond met zachte roller – verstoppingen verwijderen



Onderhoud vloerzuigmond met zachte roller – de borstels wassen



Aanvullende informatie

Lees de 'Belangrijke veiligheidsinstructies' in deze Dyson-handleiding voordat u doorgaat.

Installatie wandbevestiging

- Pak de wandbevestiging, de lader en de installatiefolder uit.
 - Kies de locatie van de wandbevestiging en zorg ervoor dat er geen leidingen (gas, water of lucht), elektrische kabels, draden of kanaalsystemen direct achter de bevestigingslocatie bevinden.
 - Volg de instructies in de installatiefolder.
 - Klik de bevestigingsdelen op hun plaats.
 - Plaats het apparaat in de wandbevestiging.
 - Sluit de lader aan op een stopcontact. Schakel in (indien nodig) om de accu op te laden.
 - Uw apparaat moet voor het eerste gebruik volledig worden opgeladen.
- De wandbevestiging moet worden gemonteerd overeenkomstig de geldende voorschriften en richtlijnen/normen (ga na of er sprake is van relevante nationale of lokale wetgeving). Dyson adviseert het gebruik van beschermende kleding, een veiligheidsbril en passende materialen waar nodig bij het installeren van de wandbevestiging.

Stofzuigen

- Verwijder het apparaat van de wandbevestiging.
 - Controleer dat de onderkant van de reinigingskop of het hulpstuk schoon en vrij is van vreemde objecten die mogelijk schade kunnen veroorzaken.
- Raadpleeg de onderhoudsinstructies van de fabrikant van uw vloerbedekking voordat u uw vloeren, tapijten en kleden gaat stofzuigen.
- De borstel op de kruimelzuiger kan bepaalde tapijten en vloeren beschadigen. Sommige tapijten kunnen gaan rafelen als u er een roterende borstel op zet bij het stofzuigen. Mocht dit het geval zijn, dan raden wij u aan zonder de gemotoriseerde borstel te stofzuigen en de fabrikant van uw vloerbedekking om advies te vragen.

Hoge torque vloerzuigmond - zuigkrachtinstelling

Uw torque vloerzuigmond heeft een schuifregeling voor het aanpassen van de zuigkracht van de vloerzuigmond. Voor het selecteren van de vereiste zuigkracht, beweegt u de zuigkrachtinstelling bovenop de vloerzuigmond.

Maximale zuigkracht voor dieperliggend vuil en stof (+)

- Voor het reinigen van duurzame vloerbedekkingen, harde vloeren en zeer vuile tapijten en kleden.

Zuigkracht voor vuil en stof (▲)

- Voor het stofzuigen van licht vervuilde tapijten, kleden en harde vloeren.
- Voor het stofzuigen van vuil zoals pinda's of rijst.

Zuigkracht voor hoogpolige tapijten en delicate vloeren. (-)

- Voor het stofzuigen van hoogpolige tapijten of vloerkleden en elke vloer waarop u mogelijk meer weerstand ondervindt.
- Voor het stofzuigen van licht bevuilde vloeren, inclusief delicate vloeren zoals vinyl, parket en lino.

Het doorzichtige stofreservoir legen

- Maak het reservoir leeg zodra de markering MAX is bereikt - vul het reservoir niet verder.
- Zorg ervoor dat u de 'AAN'-knop niet bedient wanneer het doorzichtige stofreservoir open staat voor legen.
- Verwijder de buis door op de rode ontgrendelingsknop te drukken en deze uit het reservoir te trekken.

- Het stof verwijderen:
 - Houd het apparaat vast met het reservoir aan de onderkant.
 - Druk op de rode knop voor het vrijgeven van het stofreservoir.
 - Het reservoir schuift naar beneden en reinigt zo de sluiër.
 - Hierna kan het stofreservoir geopend worden.
 - Het reservoir gaat niet open als de rode knop niet volledig naar beneden is gedrukt.

Om aanraking met stof en allergenen te minimaliseren bij het legen van het stofreservoir, bind u het stofreservoir in een stofdichte zak alvorens u deze leegt. Haal het doorzichtige stofreservoir voorzichtig uit de zak. Sluit de zak goed; gooi deze op de gebruikelijke manier weg.

Het doorzichtige stofreservoir schoonmaken (naar keuze)

Als het doorzichtige stofreservoir gereinigd moet worden:

- Volg de instructies in het hoofdstuk 'Het doorzichtige reservoir legen'.
- Druk op de rode knop op de geleiderail van het reservoir om deze vrij te geven en schuif het reservoir over de geleiderail.
- Gebruik alleen een vochtige doek om het doorzichtige stofreservoir te reinigen.
- Zorg ervoor dat het doorzichtige stofreservoir en de afdichtingen volledig droog zijn voordat u deze terugplaatst.
- Het doorzichtige stofreservoir terugplaatsen:
 - Plaats de spin op de geleiderail van het reservoir.

Sluit het doorzichtige stofreservoir door het naar boven te duwen tot het doorzichtige reservoir en het stofreservoir op hun plaats klikken.

Het doorzichtige stofreservoir is niet geschikt voor de vaatwasmachine en het gebruik van schoonmaakmiddelen, poetsmiddelen of luchtverfrissers om het doorzichtige reservoir te reinigen wordt afgeraden omdat dit schade aan uw apparaat kan veroorzaken.

Filter en indicatielampjes voor verstopping

Het display van uw apparaat zal u waarschuwen wanneer eenvoudige onderhoudsstappen nodig zijn.

- Het filterwaarschuwingslampje gaat branden als de filtereenheid niet juist is geplaatst. Volg de instructies betreffende het terugplaatsen van de filtereenheid in het hoofdstuk 'De filtereenheid wassen'.
- Het filterwaarschuwingslampje gaat branden wanneer de filtereenheid moet worden gewassen. Volg de instructies betreffende het wassen van de filtereenheid in het hoofdstuk 'De filtereenheid wassen'.
- Het indicatielampje voor verstopping zal oplichten bij een verstopping. Volg de instructies betreffende het verwijderen van verstoppingen in het hoofdstuk 'Zoeken naar verstoppingen'.

Wasbare onderdelen

Uw apparaat heeft wasbare onderdelen die regelmatig reinigen vereisen. Volg de onderstaande instructies.

- Plaats geen enkel onderdeel van uw apparaat in een afwasmachine, wasmachine, droger, oven, magnetron en plaats ze niet in de buurt van open vuur.

Wassen van de filtereenheid

Was de filtereenheid ten minste eenmaal per maand, of wanneer het indicatielampje voor filteronderhoud gaat branden.

Controleer en was de filtereenheid volgens de instructies voor het uitvoeren van onderhoud.

- Verwijder de filtereenheid door deze tegen de klok in te draaien. Trek deze voorzichtig uit het apparaat.
- Klop voorzichtig tegen de filtereenheid voor het verwijderen van enig overmatig stof en vuil voordat u het gaat wassen.
- Was de filtereenheid alleen in koud water: gebruik geen schoonmaakmiddel en was het filter niet in een wasmachine of vaatwasser.
- Was eerst het geplooid papier element van de filtereenheid; houd de filtereenheid onder een kraan met koud water met het schuimelement omlaag en laat koud water stromen over het geplooid papier.
- Ga door met spoelen totdat het water helder is.
- Was daarna het schuimelement van de filtereenheid; houd de filtereenheid onder een kraan met koud water met het schuimelement omlaag zodat vuil water het geplooid papier element niet verontreinigt. Laat koud water stromen over de binnenkant en de buitenkant van het schuimelement en knijp voorzichtig in het schuim om het vuil te verwijderen.
- Ga door met spoelen totdat het water helder is.
- Was de buitenkant van de filtereenheid. Vul de eenheid met koud water, plaats uw handen over de openingen en schud voorzichtig.
- Herhaal het wassen van de elementen en buitenkant totdat het water er helder uitloopt.
- Schud de filtereenheid voorzichtig om eventueel achterblijvend water te verwijderen en laat het drogen met het schuimelement omhoog gericht.
- Laat de filtereenheid tenminste 24 uur volledig drogen in een droge omgeving met goede luchtstroom.
- Controleer dat de filtereenheid volledig droog is.
- Om de filtereenheid terug te plaatsen, plaatst u het in het basisonderdeel en draait u het met de klok mee totdat het vastklikt.

De filtereenheid moet mogelijk vaker worden gewassen bij het opzuigen van fijn stof of als voornamelijk de Boost-modus wordt gebruikt.

Plaats geen enkel onderdeel van uw apparaat in een afwasmachine, wasmachine, droger, oven, magnetron en plaats ze niet in de buurt van open vuur.

DE BORSTELS WASSEN

De vloerzuigmond met zachte roller van uw apparaat heeft twee te wassen borstels.

Controleer en was ze regelmatig volgens de volgende instructies voor het uitvoeren van onderhoud:

- Raadpleeg de illustraties 'Onderhoud vloerzuigmond' hierboven.
 - Bij het verwijderen of vervangen van een gemotoriseerde borstel, moet u uitkijken dat u de 'AAN' knop niet overhaalt totdat de vloerzuigmond weer in elkaar is gezet.
- De borstels verwijderen, reinigen en vervangen:
- Draai de reinigingskop om zodat de onderkant van de reinigingskop naar u toe wijst. Gebruik een munt om de afsluitkap een kwartslag naar links te draaien totdat deze vastklikt in de ontgrendelstand. Draai de afsluitkap naar de open positie. Schuif de hoofdborstel voorzichtig uit de reinigingskop. Verwijder de afsluitkap van de hoofdborstel. De afsluitkap mag niet worden gewassen.
 - Schuif de achterste borstel voorzichtig uit de reinigingskop.
 - Houd de borstels onder stromend water en verwijder pluisjes of stof voorzichtig.
 - Zorg ervoor dat de borstels rechtop staan zoals afgebeeld. Laat het tenminste 24 uur volledig drogen. Controleer voordat u de borstels teruggeplaatst of deze volledig droog zijn.
 - Schuif de achterste borstel terug in de reinigingskop.
 - Schuif de hoofdborstel terug in de reinigingskop.
 - Plaats de afsluitdop weer op de hoofdborstel.
 - De eindkap moet zoals afgebeeld in de open positie staan. Als de eindkap op zijn plaats is, moet deze teruggedraaid worden in de gesloten positie.
 - Sluit de sluiting door deze een kwartslag naar rechts te draaien. Zorg ervoor dat de sluiting volledig gedraaid is en dat de borstels vastzitten.

Hoge Torque vloerzuigmond

De borstel van een gemotoriseerde vloerzuigmond kan niet worden gewassen.

Gemotoriseerde mini-zuigmond met snelkoppeling

De borstel van een gemotoriseerde vloerzuigmond kan niet worden gewassen.

Verstoppingen - automatisch uitschakelen

- Dit apparaat is uitgerust met een automatische uitschakelfunctie.
- Als een onderdeel geblokkeerd raakt, kan het apparaat automatisch uitgeschakeld worden.
- Dit zal gebeuren nadat de motor een aantal malen pulseert (d.w.z. schakelt snel achter elkaar aan en uit) en de blokkeerindicator zal oplichten.
- Laat het apparaat afkoelen voordat u op verstoppingen controleert.
- Zorg ervoor dat u de 'AAN'-knop niet bedient bij het zoeken naar verstoppingen. Het bedienen van het apparaat terwijl het gedeeltelijk is gedemonteerd, zou kunnen leiden tot lichamelijk letsel.
- Verwijder eventuele verstoppingen voordat u het apparaat weer inschakelt.
- Zet alle onderdelen goed vast voordat u het apparaat weer in gebruik neemt.
- Het verwijderen van verstoppingen wordt niet gedekt door de garantie.

Controleren op verstoppingen

De motor pulseert en de blokkeerindicator geeft aan wanneer er een blokkering is. Volg de onderstaande instructies om de blokkering te vinden:

- Zorg ervoor dat u de 'AAN'-knop niet bedient bij het zoeken naar verstoppingen. Het bedienen van het apparaat terwijl het gedeeltelijk is gedemonteerd, zou kunnen leiden tot lichamelijk letsel.
- Pas op voor scherpe voorwerpen bij het verwijderen van verstoppingen.
- Om te controleren op verstoppingen in het basisonderdeel van het apparaat, verwijdert u het stofreservoir volgens de instructies in het deel over het legen van het stofreservoir en verwijder de verstopping.
- Als u een verstopping niet kunt verwijderen uit de reinigingskop, is het wellicht nodig om de borstel te verwijderen. Gebruik een munt om de sluiting te ontgrendelen, schuif de borstel uit de reinigingskop en verwijder de verstopping. Plaats de borstel terug en zet het vast door de sluiting vast te draaien. Controleer of deze goed vastzit voordat u het apparaat gebruikt.
- De borstels van dit product zijn gemaakt van koolstofvezels. Wees voorzichtig wanneer u in contact komt met de koolstofvezels, aangezien deze lichte huidirritatie kunnen veroorzaken. Was uw handen na aanraking met de borstels.
- Zet alle onderdelen goed vast voordat u het apparaat weer in gebruik neemt.
- Het verwijderen van verstoppingen wordt niet gedekt door de garantie.

Opladen en opbergen

- Dit apparaat zal automatisch worden uitgeschakeld als de temperatuur van de accu lager is dan 10°C. Dit is ter bescherming van de motor en de accu. Laad het apparaat niet op om het vervolgens op te bergen in een ruimte waar de temperatuur lager is dan 10°C.
- Om de levensduur van de accu te verlengen, is het beter de accu na een volledige ontlading niet direct op te laden. Laad de accu daarom enkele minuten afkoelen.
- Vermijd het gebruik van het apparaat met de accu vlak boven een oppervlak. Hierdoor blijft de accu tijdens gebruik koeler en worden de werking en levensduur verlengd.

Veiligheidsinstructies voor accu

- Neem contact op met de Dyson Benelux Helpdesk als de accu moet worden vervangen.
- Gebruik alleen de Dyson lader met onderdeelnummer 217160 voor het opladen van dit Dyson apparaat.

WAARSCHUWING

De in dit apparaat gebruikte accu kan bij verkeerde behandeling brandgevaar of chemische brandwonden veroorzaken. Niet demonteren, geen korte contacten gebruiken, niet boven 60°C verhitten of verbranden. Verwijder gebruikte accu's onmiddellijk. Buiten bereik van kinderen houden. Niet demonteren of in het vuur gooien.

Informatie over weggooien

- Dyson producten worden gemaakt van hoogwaardige recyclebare materialen. Werp dit product op verantwoorde wijze weg en recycle indien mogelijk.
 - Verwijder de accu uit het product voordat u het weggooit.
 - Recycle of gooi de accu weg in overeenstemming met de plaatselijke wettelijke voorschriften en bepalingen.
 - Gooi de opgebruikte filtereenheid weg in overeenstemming met de plaatselijke wettelijke voorschriften of bepalingen.
-  Deze markering geeft aan dat dit product in de EU niet met ander huishoudelijk afval weggegooid mag worden. Om mogelijke schade aan het milieu en de algemene volksgezondheid door het onbeheerd weggooien van afval te voorkomen, hoort u te recyclen op een verantwoorde manier om duurzaam hergebruik van materiaalbronnen te bevorderen. Om uw gebruikte apparaat in te leveren, kunt u gebruikmaken van de inlever- en ophaalservices of contact opnemen met de winkel waar het product is gekocht. Zij kunnen dit product innemen voor milieuvriendelijke recycling.

Dyson klantenservice

Hartelijk dank voor uw aankoop van een apparaat van Dyson.

Na registratie voor uw 2-jarige garantie valt uw Dyson apparaat gedurende 2 jaar na de datum van aankoop onder de garantie voor onderdelen en werkzaamheden, afhankelijk van de garantievoorraarden. Bij enige vragen met betrekking tot uw Dyson apparaat gaat u naar www.dyson.nl/support (NL) of www.dyson.be/support (BE) voor online help, algemene tips en nuttige informatie over Dyson.

U kunt ook bellen met de Dyson Benelux Helpdesk met uw serienummer en details betreffende waar/wanneer u het apparaat hebt gekocht.

Als uw Dyson apparaat moet worden gerepareerd, neem dan telefonisch contact op met de Dyson Benelux Helpdesk om de beschikbare opties te bespreken. Als uw Dyson apparaat nog in de garantieperiode is en als de reparatie wordt gedekt, wordt het apparaat gratis gerepareerd.

Registreer uzelf als eigenaar van een Dyson apparaat

De garantie voor dit product is 2 jaar vanaf de datum van aanschaf. Registreer uw garantie binnen 30 dagen na de datum van aanschaf. Wij verzoeken u zich onmiddellijk na de aanschaf te registreren, zodat wij u snel en efficiënt service kunnen verlenen. Bewaar de bonnetje met daarop de datum van aanschaf.

U kunt dat op drie manieren doen:

- Online op www.dyson.be of www.dyson.nl
- Door te bellen met de Dyson Benelux Helpdesk in Nederland 0800 020 6203 of in België op 0800 392 08.
- Vul het bijgevoegde formulier in en stuur het naar ons op.

Door online of per telefoon te registreren kunt u:

- Uw investering beschermen met een garantie van twee jaar op onderdelen en arbeid.
- Handige tips ontvangen voor gebruik van uw machine.
- Deskundig advies krijgen van de Dyson Benelux Helpdesk.
- Als eerste op de hoogte zijn van onze nieuwste uitvindingen.
- Registreren duurt slechts een paar minuten en u hebt alleen uw serienummer nodig.

Garantie gedurende 2 jaar

Garantievoorraarden van de dyson garantie van 2 jaar

Wat wordt gedekt door de garantie

- De reparatie van uw apparaat als uw apparaat defect raakt als gevolg van ondeugdelijke materialen, fabricage- of functioneringsfouten binnen 2 jaar na aankoop of levering. (Als een onderdeel niet langer beschikbaar is of niet meer wordt geproduceerd, zal Dyson het onderdeel vervangen door een functionerend alternatief.)
- Indien dit apparaat buiten de EU wordt verkocht, is de garantie alleen van kracht als het apparaat wordt gebruikt in het land waarin het werd verkocht.
- Indien dit apparaat binnen de EU wordt verkocht, geldt deze garantie uitsluitend (i) als het apparaat wordt gebruikt in het land waarin het werd verkocht, of (ii) als het apparaat wordt gebruikt in België, Duitsland, Frankrijk, Ierland, Italië, Luxemburg, Nederland, Oostenrijk, Spanje of het Verenigd Koninkrijk en als hetzelfde model als dit apparaat met hetzelfde vermogen in het desbetreffende land wordt verkocht.

Wat wordt niet gedekt door de garantie

Dyson geeft geen garantie op reparaties of vervanging van producten als gevolg van de volgende oorzaken:

- Schade door ongelukken, problemen veroorzaakt door verwaarlozing, verkeerd of onvoorzichtig gebruik of gebruik dat niet geschiedt in overeenstemming met de Dyson gebruikshandleiding
- Gebruik van het apparaat voor iets anders dan normaal huishoudelijk gebruik.
- Gebruik van onderdelen die niet in overeenstemming met de instructies van Dyson aangesloten of geplaatst zijn.
- Gebruik van andere dan originele Dyson onderdelen en accessoires.
- Foutieve installatie (behalve installaties die door Dyson zelf verricht zijn).
- Reparaties of aanpassingen die door derden anders dan Dyson of haar gecertificeerde agenten zijn uitgevoerd.
- Verstoppingen – wij verwijzen u naar de Dyson gebruikshandleiding voor details betreffende het zoeken naar en verwijderen van verstoppingen.
- Normale slijtage (bijv. zekering, borstel, enz.).
- Gebruik van dit apparaat op puin, as, gips.
- Korter wordende levensduur van accu veroorzaakt door veroudering van de accu of door gebruik (waar van toepassing).

Als u twijfels hebt over zaken die door deze garantie worden gedekt, neem dan contact op met de Dyson Benelux Helpdesk.

Overzicht van dekking

- De garantie gaat in op het moment van aankoop (of een eventueel latere leverdatum).
- U dient uw aankoopbewijs en alle eventuele extra documentatie te laten zien voordat er enig onderhoud aan uw apparaat kan worden verricht. Zonder dit bewijs zijn wij verplicht kosten te berekenen. Bewaar uw aankoopbewijs en alle eventuele extra documentatie dus goed.
- Reparaties zullen worden uitgevoerd door Dyson of gecertificeerde partners.
- Vervangende onderdelen worden eigendom van Dyson.
- Door reparatie of vervanging van uw apparaat wordt de garantieperiode niet verlengd.
- De garantie is een aanvulling op uw rechten als consument en beïnvloedt deze niet.

Belangrijke informatie over gegevensbeveiliging

Bij het registreren van uw Dyson apparaat:

- U dient ons standaard contactgegevens te geven om uw apparaat te registreren en om ons in staat te stellen om uw garantie te ondersteunen.
- Bij het registreren hebt u de mogelijkheid om te kiezen of u wel of niet communicatie van ons wilt ontvangen. Als u kiest voor het ontvangen van communicatie van Dyson, sturen wij u details van speciale aanbiedingen en nieuws over onze nieuwste innovaties. Wij verkopen uw gegevens nooit aan derden en wij gebruiken alleen gegevens die u met ons deelt zoals gedefinieerd in ons privacybeleid dat beschikbaar is op onze website privacy.dyson.com.

PL

Dziękujemy za zakup urządzenia Dyson.

Rejestracja

Po zarejestrowaniu dwuletniej bezpłatnej gwarancji urządzenie firmy Dyson będzie nią objęte w zakresie części i robocizny (z wyłączeniem filtrów) przez okres 2 lat od daty zakupu zgodnie z określonymi w niej warunkami.

W razie pytań dotyczących urządzenia firmy Dyson można odwiedzić stronę www.dyson.pl aby uzyskać pomoc online, filmy, ogólne wskazówki i użyteczne informacje.

Można też skontaktować się z infolinią firmy Dyson, podając numer seryjny oraz informacje dotyczące miejsca i daty zakupu urządzenia.

Numer seryjny znajduje się na podstawie urządzenia.

Należy zapisać numer seryjny, aby móc później z niego korzystać.

Ta ilustracja służy wyłącznie jako przykład.



Rejestracja online

Odwiedź naszą stronę, aby zarejestrować pełną gwarancję na części i robociznę.
www.dyson.pl/rejestracja

Rejestracja telefoniczna
800 702025

WAŻNE INSTRUKCJE DOTYCZĄCE BEZPIECZEŃSTWA

PRZED PRZYSTĄPIENIEM DO KORZYSTANIA Z TEGO URZĄDZENIA NALEŻY ZAPOZNAĆ SIĘ ZE WSZYSTKIMI INSTRUKCJAMI I OSTRZEŻENIAMI UMIESZCZONYMI W NINIEJSZEJ INSTRUKCJI OBSŁUGI I NA URZĄDZENIU.

Podczas użytkowania sprzętu elektrycznego należy zawsze przestrzegać podstawowych zasad bezpieczeństwa, włączając poniższe:

⚠ OSTRZEŻENIE

Te ostrzeżenia dotyczą urządzenia, a w stosownych przypadkach mają także zastosowanie do wszystkich narzędzi, końcówek, ładowarek oraz wtyczek i gniazd zasilania.

ABY ZMNIJSZYĆ RYZYKO POŻARU, PORAŻENIA PRĄDEM LUB URAZU:

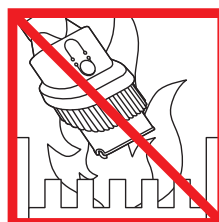
1. Dzieci powyżej 8 roku życia oraz osoby o ograniczonych możliwościach fizycznych, czuciowych lub umysłowych bądź nieposiadające odpowiedniego doświadczenia i wiedzy mogą korzystać z tego urządzenia firmy Dyson jedynie pod nadzorem osoby odpowiedzialnej lub po uzyskaniu od takiej osoby instrukcji dotyczących bezpiecznego użytkowania urządzenia, jeśli rozumieją związane z tym zagrożenia. Dzieci nie powinny przeprowadzać czyszczenia ani prac konserwacyjnych bez nadzoru dorosłych.
2. Urządzenie nie służy do zabawy. W przypadku używania urządzenia przez małe dzieci lub w ich pobliżu należy zachować szczególną ostrożność. Nie należy zezwalać dzieciom na zabawę urządzeniem.
3. Użytkować wyłącznie zgodnie z instrukcją obsługi firmy Dyson. Nie przeprowadzać prac konserwacyjnych innych niż określone w instrukcji lub zalecane przez Infolinię Dyson.
4. Używać TYLKO w suchych pomieszczeniach. Nie używać na zewnątrz ani na mokrych powierzchniach.
5. Nie chwytać ładowarki ani urządzenia mokrymi rękami.
6. Nie używać urządzenia w przypadku uszkodzenia ładowarki lub kabla.
7. Jeżeli urządzenie nie działa poprawnie w wyniku uderzenia, upuszczenia, zniszczenia, pozostawienia na zewnątrz lub upuszczenia do wody, należy zaprzestać jego użytkowania i skontaktować się z Infolinią Dyson.

8. Jeśli potrzebna jest pomoc techniczna lub naprawa, należy skontaktować się z Infolinią Dyson. Nie rozbierać urządzenia samodzielnie. Niefachowe rozmontowanie może być przyczyną pożaru bądź porażenia prądem.
9. Nie rozciągać ani nie przygniatać przewodu zasilającego. Trzymać przewód zasilający w odpowiedniej odległości od nagranych powierzchni. Nie przytrząskiwać przewodu drzwiami ani nie przeciągać go przez ostre krawędzie i kąty. Nie rozkładać przewodu w przejściach i w miejscach, gdzie można go nadepnąć lub się o niego potknąć. Nie należy najeżdżać urządzeniem na przewód.
10. Nie używać odkurzacza do zbierania wody.
11. Nie używać do zbierania łatwopalnych lub palnych płynów, takich jak benzyna oraz nie używać w miejscach gdzie takie płyny lub ich opary mogą występować.
12. Nie używać odkurzacza do sprzątania płonących ani dymiących przedmiotów, takich jak papierosy, zapalniczki lub gorący popiół.
13. Włosy, luźne części ubrania, palce i inne części ciała trzymać z daleka od otworów urządzenia i jego ruchomych części, takich jak elektroszczotka. Nie kierować węży, rury i ssawek w stronę oczu lub uszu ani nie wkładać ich do ust.
14. Nie wkładać żadnych przedmiotów w otwory odkurzacza. Nie używać odkurzacza, jeśli którykolwiek z otworów jest zablokowany; usunąć kurz, kłaczki i włosy oraz wszystko, co może utrudniać swobodny przepływ powietrza.
15. Należy używać tylko akcesoriów i części zamiennych zalecanych przez firmę Dyson.
16. Nie używać odkurzacza, jeśli przezroczysty pojemnik lub filtry nie są zamontowane.
17. Odłączyć ładowarkę od zasilania, jeśli nie jest używana przez dłuższy czas.
18. W trakcie sprzątania schodów należy zachować szczególną ostrożność.
19. Aby uniknąć przypadkowego uruchomienia, szczególnie podczas podnoszenia lub przenoszenia urządzenia, nie zbliżać dłoni do włącznika. Dotyknięcie włącznika podczas przenoszenia urządzenia stwarza wysokie ryzyko wypadku.
20. Urządzenia nie należy instalować, ładować ani używać poza pomieszczeniami zamkniętymi, w łazienkach oraz w odległości mniejszej niż 3 metry od basenu. Nie używać na mokrych powierzchniach ani nie narażać na działanie wilgoci, deszczu lub śniegu.
21. Do ładowania urządzeń Dyson należy używać wyłącznie ładowarek Dyson o numerze części 217160. Używać wyłącznie baterii firmy Dyson: inne typy baterii mogą eksplodować, powodując obrażenia ciała i szkody materialne.
22. Uważać, aby nie pociągnąć za włącznik podczas usuwania lub wymieniania turboszczotki napędzanej silnikiem do czasu ponownego złożenia głowicy czyszczącej.
23. Nie używać uszkodzonych lub zmodyfikowanych baterii i urządzeń. Skutki używania uszkodzonych lub zmodyfikowanych baterii są nieprzewidywalne i stwarzają ryzyko pożaru, eksplozji lub obrażeń. Nie narażać baterii ani urządzenia na działanie ognia lub wysokich temperatur. Narażenie na działanie ognia lub temperatur wyższych niż 60°C może spowodować eksplozję.
24. Bateria jest szczelnie zamknięta i nie stanowi zagrożenia w normalnych warunkach. W przypadku małego prawdopodobnego wycieku z baterii nie dotykać cieczy, aby uniknąć podrażnień lub oparzeń, i przestrzegać następujących środków bezpieczeństwa:
 - Kontakt ze skórą — może spowodować podrażnienie. Przemyc wodą z mydłem.
 - Wdychanie — może spowodować podrażnienie układu oddechowego. Wdychać świeże powietrze i zasięgnąć porady lekarza.
 - Kontakt z oczami — może spowodować podrażnienie. Niezwłocznie przemyć oczy dużą ilością wody, czynność kontynuować przez co najmniej 15 minut. Zasięgnąć porady lekarza.
 - Utylizacja — nosić rękawice ochronne w celu wyjęcia i natychmiastowej utylizacji baterii zgodnie z miejscowymi przepisami.
25. Należy postępować zgodnie ze wszystkimi instrukcjami dotyczącymi ładowania i ładować baterię lub urządzenie wyłącznie w zakresie temperatur określonym w instrukcji. Niewłaściwe ładowanie lub ładowanie w temperaturze niezgodnej z określonym zakresem temperatur może uszkodzić baterię oraz zwiększyć ryzyko wybuchu ognia. Aby zapewnić maksymalną żywotność baterii, firma Dyson zaleca podjęcie następujących działań:
 - Przechowywać urządzenie w temperaturze pokojowej, jeśli nie jest używane przez dłuższy czas. Zalecany zakres temperatury: od 18°C do 28°C.
 - Zakres temperatury otoczenia odpowiedniej do użytkowania i ładowania urządzenia wynosi od 10°C do 30°C.
26. **ZAGROŻENIE POŻAREM** — Nie umieszczać urządzenia na kuchence ani innej gorącej powierzchni bądź w ich pobliżu. Nie palić urządzenia, nawet jeśli jest poważnie uszkodzone. Może dojść do zapalenia lub wybuchu baterii.

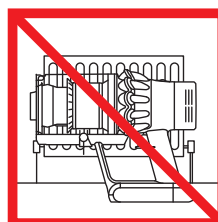
27. ZAGROŻENIE POŻAREM - Nie stosować żadnych substancji zapachowych lub produktów perfumowanych do filtru (filtrów) urządzenia. Substancje chemiczne występujące w tego typu produktach są łatwopalne i mogą doprowadzić do zapalenia urządzenia.

NINIEJSZE INSTRUKCJE NALEŻY PRZECZYTAĆ I ZACHOWAĆ

Urządzenie jest przeznaczone wyłącznie do użytku domowego.



Nie należy używać w pobliżu otwartego ognia.



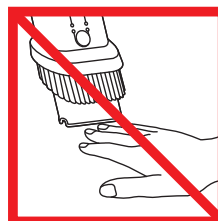
Nie należy przechowywać w pobliżu źródeł ciepła.



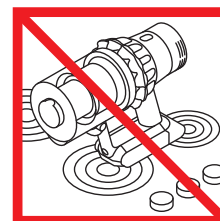
Nie należy używać do zbierania wody ani innych płynów.



Nie należy używać do zbierania płonących przedmiotów.



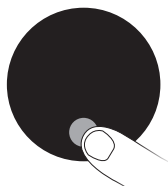
Nie zbliżać rąk zbyt blisko do szczotki w czasie pracy urządzenia.



Nie umieszczać na kuchence ani w jej pobliżu.

Wyświetlacz

Przycisk wyboru



Ustawienia urządzenia można zmieniać za pomocą przycisku wyboru.

Powiadomienia



W przypadku konieczności wykonania działań na urządzeniu, ekran wyświetli powiadomienie. Postępować zgodnie z instrukcjami na ekranie, aby utrzymać sprawność urządzenia.

Stan baterii



Ciągłe lub regularne stosowanie trybu ekonomicznego lub Auto/Med średniej mocy umożliwia wydłużenie czasu czyszczenia, przedłużanie trwałości i żywotności baterii, a także zapobiega przegrzaniu urządzenia.

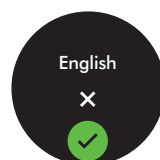
Wybór języka



Nacisnąć i przytrzymać przycisk wyboru przez czas od 5 do 10 sekund, aby wyświetlić listę języków.



Przewijając listę języków, naciskając przycisk wyboru. Aby wybrać język, nacisnąć i krótko przytrzymać przycisk wyboru (od 2 do 4 sekund).



Aby zatwierdzić wybrany język, nacisnąć przycisk wyboru i przewinąć do znaku V, następnie krótko nacisnąć i przytrzymać przycisk wyboru.



Jeśli został wybrany nieprawidłowy język, nacisnąć i krótko przytrzymać przycisk wyboru, aż wyświetli się krzyżyk, aby wrócić do listy języków.

Niski poziom naładowania baterii

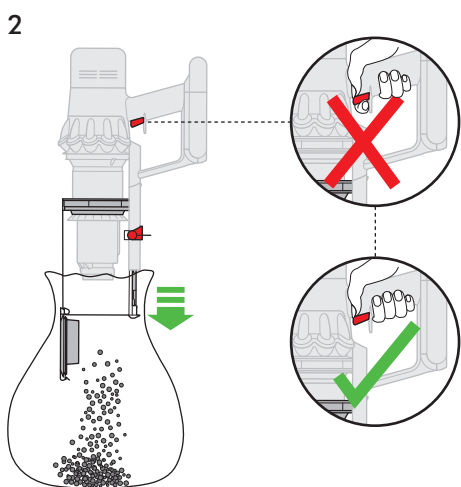
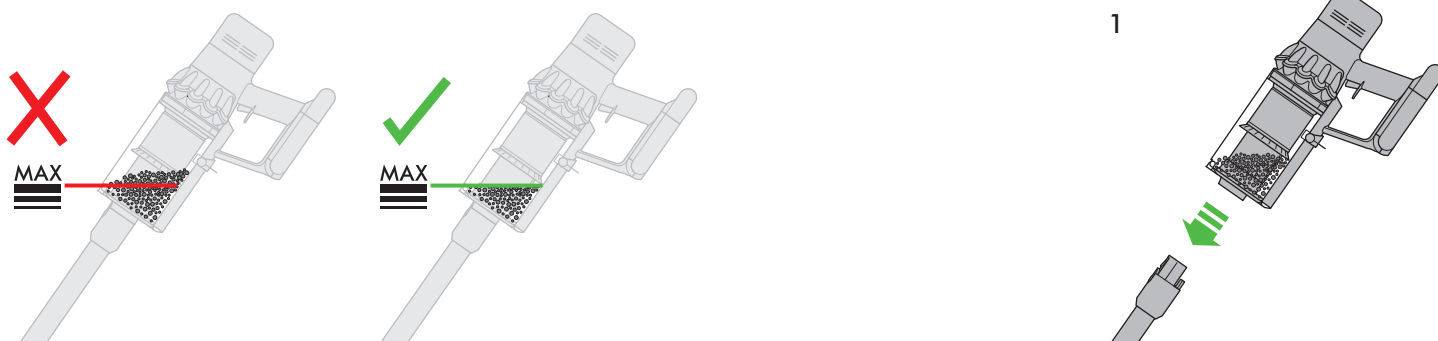


W przypadku niskiego poziomu naładowania baterii ekran wyświetli powiadomienie.

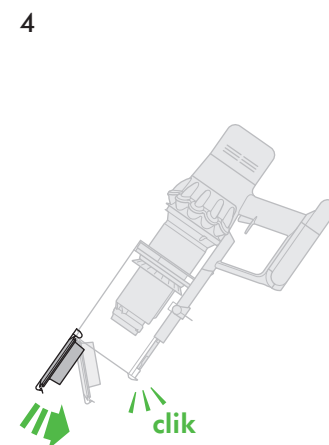
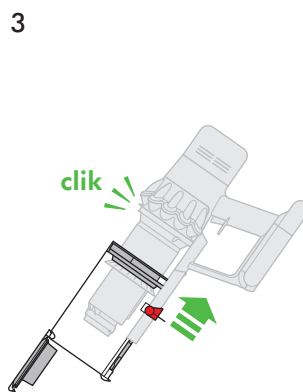


Gdy bateria się rozładuje i będzie wymagać naładowania, urządzenie wyświetli ostatnie powiadomienie.

Opróżnianie przezroczystego pojemnika

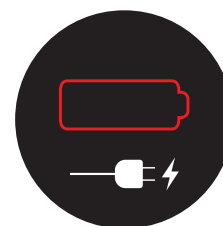
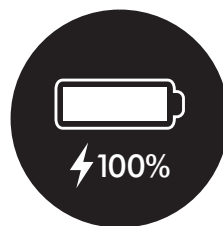
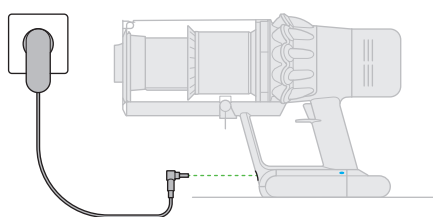
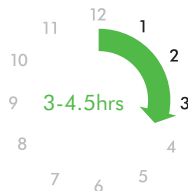
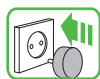


Uważać, aby nie pociągnąć za włącznik, jeśli przezroczysty pojemnik jest otwarty w celu opróżnienia.



Zamknąć przezroczysty pojemnik, wsuwając podstawę pojemnika do góry, aż pojemnik oraz jego podstawa się zatrzasną.

Ładowanie



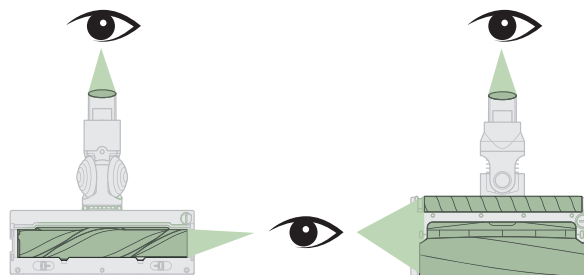
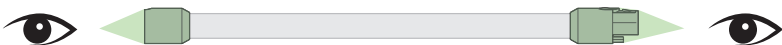
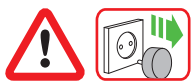
Podłączyć urządzenie do ładowarki bezpośrednio lub w stacji dokującej. Niebieskie światła LED — po jednym na każdej stronie baterii — będą migać podczas ładowania.

Bateria jest naładowana, gdy wyświetlacz pokazuje stan naładowania baterii 100%.

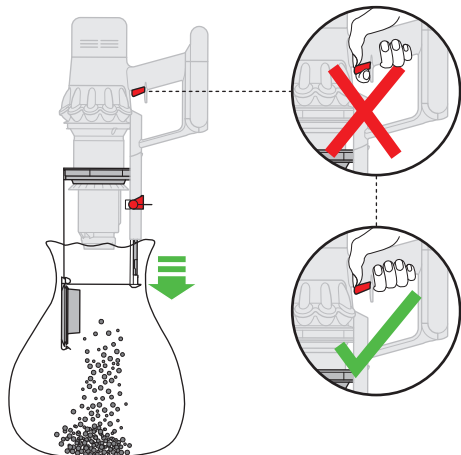
Bateria jest rozładowana i wymaga naładowania.

Po naładowaniu baterii oba światła LED zaświecą się na 5 sekund.

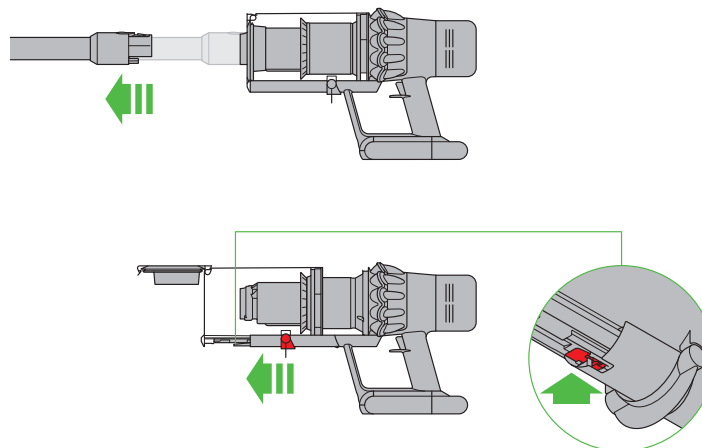
Poszukiwanie źródeł zatorów



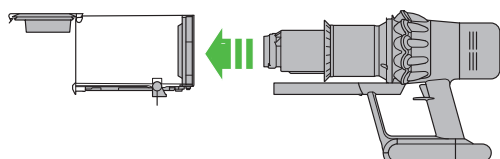
1



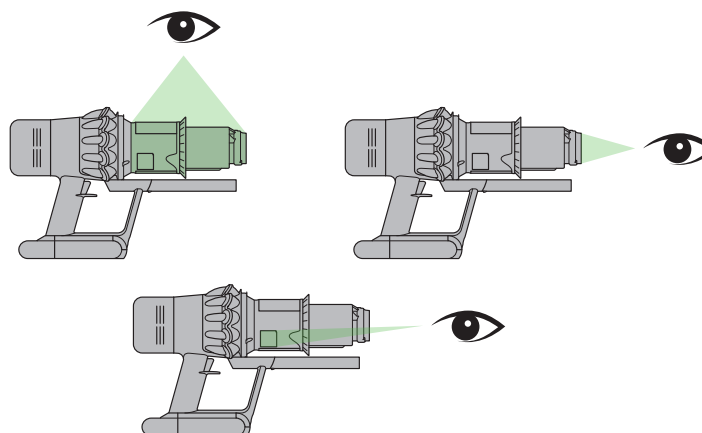
2



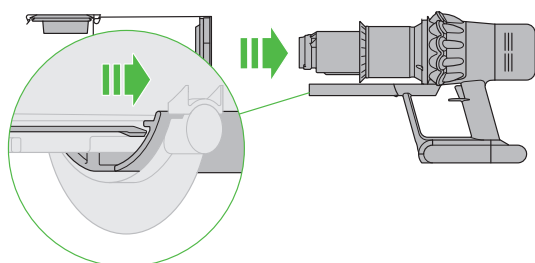
3



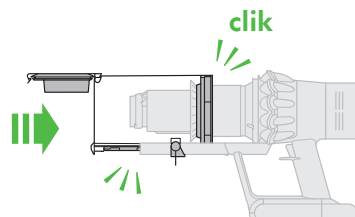
4



5

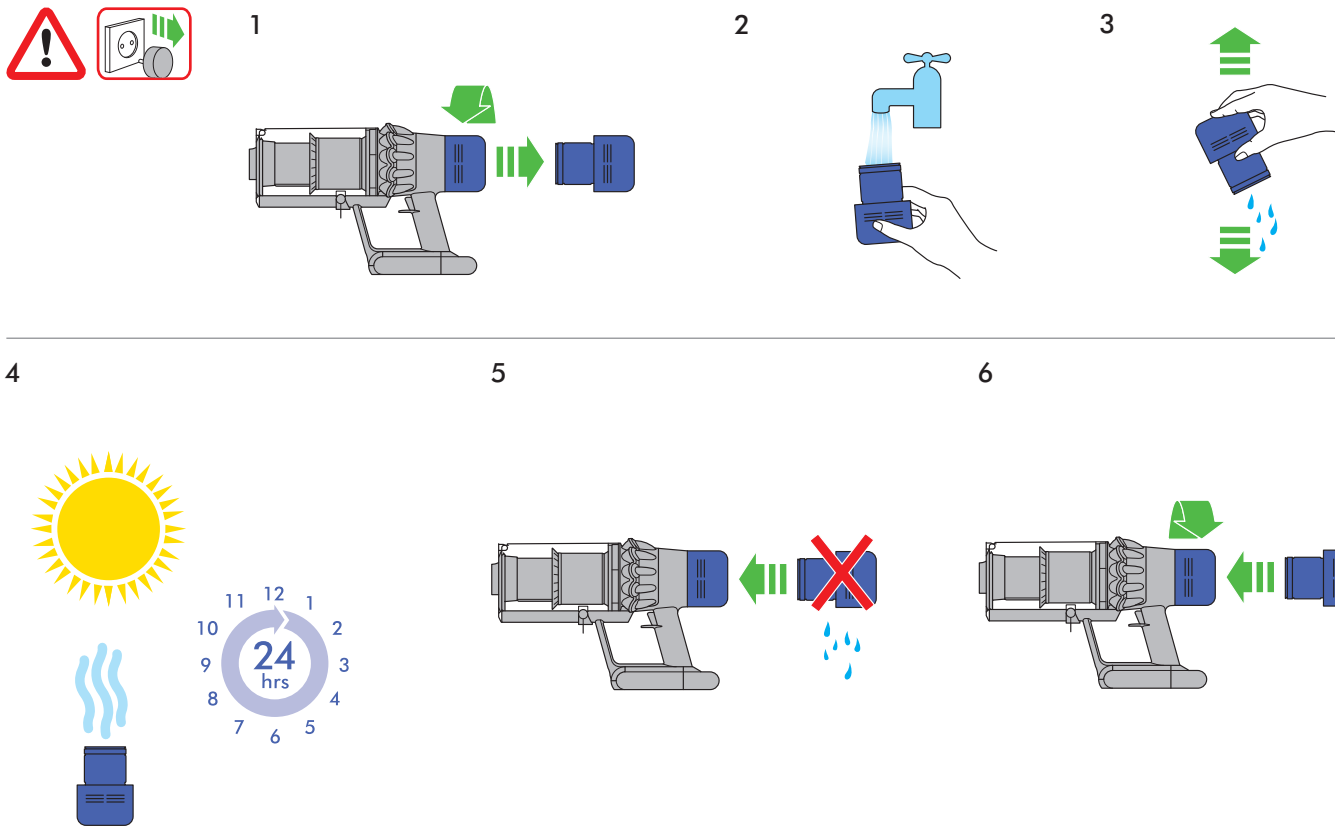


6

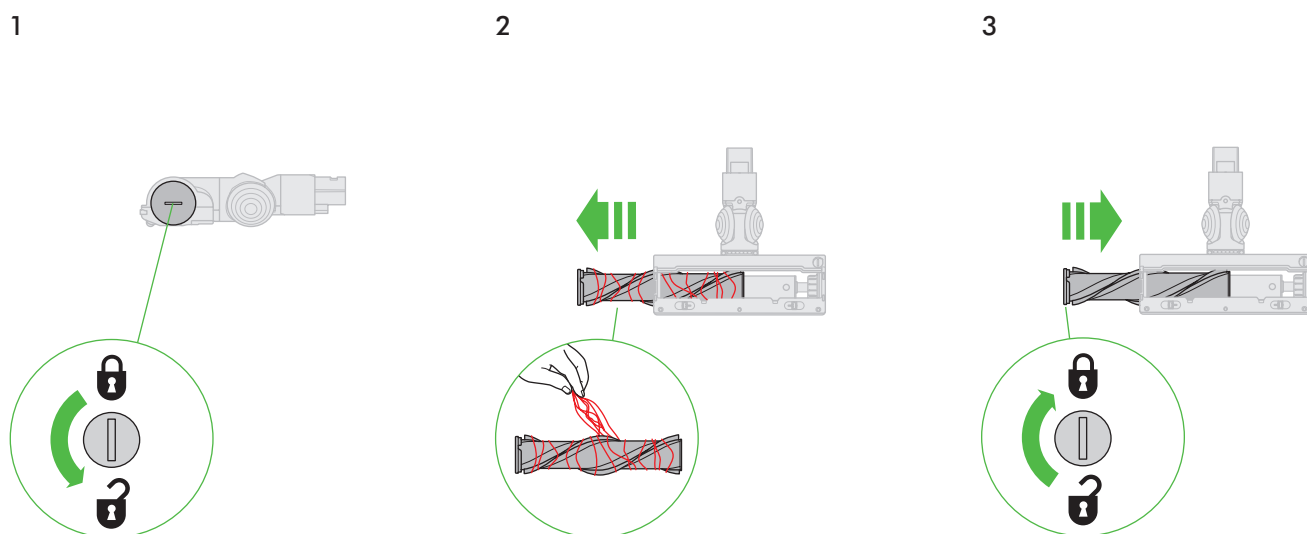


Zamknąć przezroczysty pojemnik, wsuwając podstawę pojemnika do góry, aż pojemnik oraz jego podstawa się zatrzasną.

Czyszczenie filtra



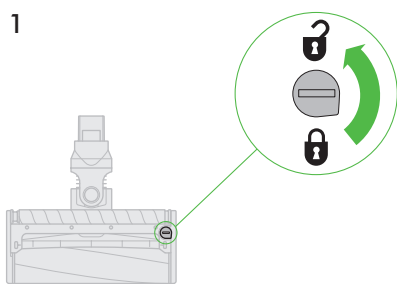
Konserwacja elektroszczotki Torque Drive



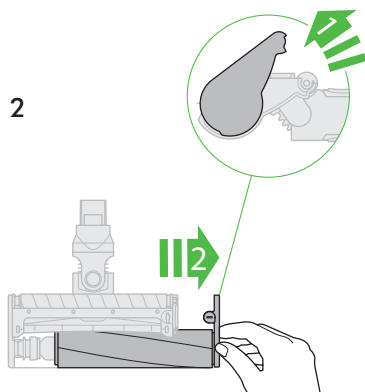
Konserwacja elektroszczotki Soft Roller — usuwanie zatorów



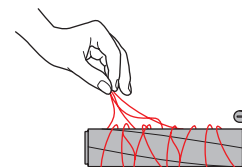
1



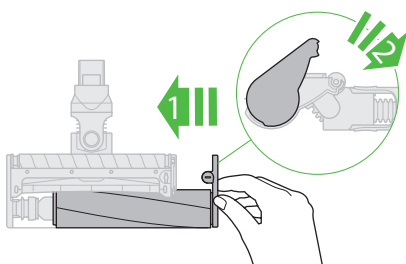
2



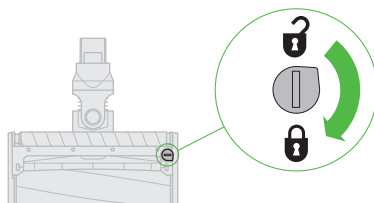
3



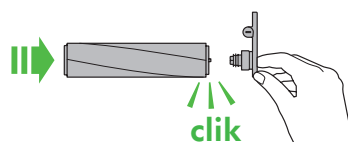
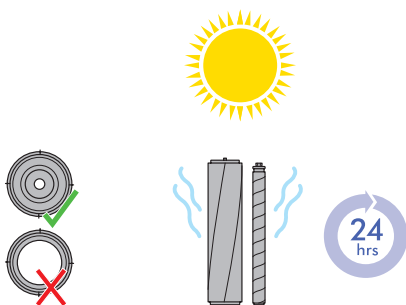
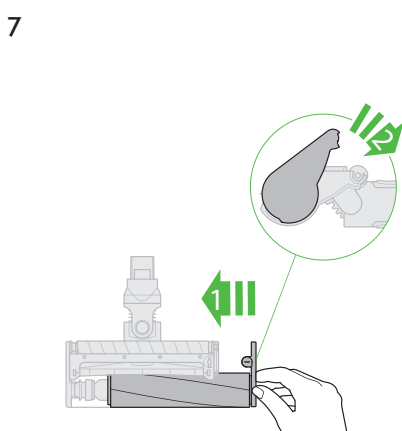
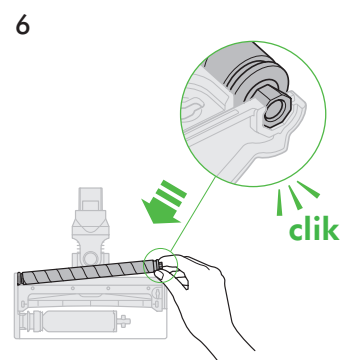
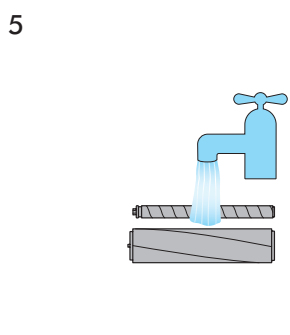
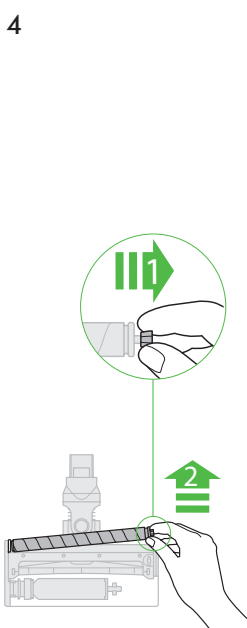
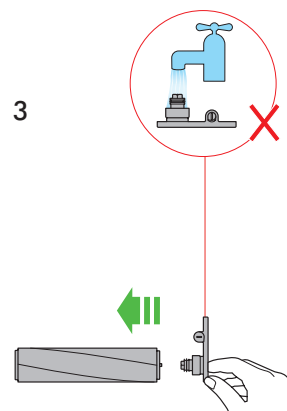
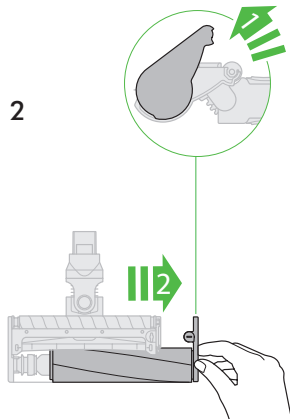
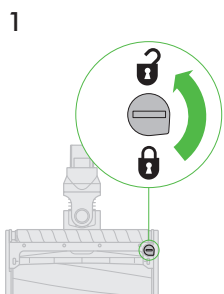
4



5



Konserwacja elektroszczotki Soft Roller — mycie turboszczotek



Informação adicional

Przed rozpoczęciem korzystania z urządzenia należy zapoznać się z "Ważnymi Instrukcjami dotyczącymi Bezpieczeństwa" zawartymi w niniejszej Instrukcji Obsługi firmy Dyson

MONTAŻ STACJI DOKUJĄCEJ

- Rozpakować stację dokującą, ładowarkę i ułotkę montażową.
 - Wybrać miejsce montażu stacji dokującej i upewnić się, że bezpośrednio za nim nie bieżą rurociągi (gazowe, wodne lub powietrza), kable elektryczne, przewody czy kanały wentylacyjne.
 - Postępować zgodnie z instrukcjami zamieszczonymi w ułotce instalacyjnej.
 - Zatrzasnąć mocowania na swoim miejscu.
 - Umieścić urządzenie w stacji dokującej.
 - Podłączyć ładowarkę do sieci elektrycznej. Włączyć (jeśli konieczne), aby naładować baterię.
 - Przed pierwszym użyciem urządzenie musi być w pełni naładowane.
- Stację dokującą należy montować zgodnie z przepisami i obowiązującymi zasadami/normami (mogą mieć zastosowanie przepisy krajowe lub lokalne). Firma Dyson zaleca przeprowadzanie montażu w odzieży ochronnej, okularach ochronnych i z użyciem materiałów ochronnych.

Odkurzanie

- Odłączyć urządzenie od stacji dokującej.
- Sprawdzić, czy spód głowicy czyszczącej lub końcówki jest wolny od zanieczyszczeń, które mogą spowodować uszkodzenie.

Przed odkurzaniem podłóg i dywanów należy zapoznać się z odpowiednią instrukcją czyszczenia.

Elektroszczotka może uszkodzić niektóre rodzaje wykładzin lub podłóg. Niektóre wykładziny mogą się mechacić pod wpływem obracającej się elektroszczotki. W takim przypadku zaleca się kontynuowanie sprzątania bez części napędzanej silnikiem oraz konsultację z producentem pokrycia podłogowego.

Elektroszczotka Torque Drive — suwak regulacji siły ssania

Elektroszczotka Torque Drive wyposażona w suwak regulacji siły ssania głowicy czyszczącej. Aby wybrać daną siłę ssania, należy przesunąć suwak regulacji siły ssania znajdujący się na górze głowicy czyszczącej.

Maksymalna siła ssania do uporczywego kurzu oraz zanieczyszczeń (+)

- Do czyszczenia trwałych posadzek, twardych podłóg oraz mocno zabrudzonych wykładzin i dywanów.

Siła ssania do sprzątania kurzu oraz zanieczyszczeń (▲)

- Do czyszczenia lekko zabrudzonych wykładzin, dywanów i twardych powierzchni podłogowych.

- Do sprzątania większych zanieczyszczeń takich jak orzeszki lub ryż.

Siła ssania do dywanów z długim włosiem oraz delikatnych posadzek (-)

- Do czyszczenia dywanów lub pleców z długim włosiem oraz wszelkiego rodzaju posadzek, o bardziej wymagającej nawierzchni.
- Do czyszczenia lekko zabrudzonych podłóg, w tym także delikatnych posadzek takich jak podłogi winylowe, parkiety oraz podłogi z linoleum.

Opróżnianie przezroczystego pojemnika

- Opróżnić, kiedy ilość zebranych zanieczyszczeń osiągnie poziom MAX — nie przepętniać.
- Uważać, aby nie pociągnąć za włącznik, jeśli przezroczysty pojemnik jest otwarty w celu opróżnienia.
- Odłączyć rurę teleskopową, naciskając czerwony przycisk zwalniania rury, a następnie wyciągając ją z pojemnika.
- Aby pozbyć się kurzu, należy:
 - Zwrócić urządzenie wraz z pojemnikiem w dół.
 - Zdecydowanie nacisnąć czerwony przycisk zwalniania pojemnika.
 - Pojemnik się zsunie, jednocześnie czyszcząc osłonę.
 - Podstawa pojemnika się otworzy.
 - Podstawa pojemnika nie otworzy się jeśli czerwony przycisk nie zostanie maksymalnie wciśnięty.

Aby zminimalizować kontakt z kurzem i alergenami podczas oczyszczania przezroczystego pojemnika, należy włożyć go do szczelnej torby i opróżnić. Ostrożnie wyciąć przezroczysty pojemnik z worka. Zamknąć szczelnie worek i wyrzucić.

Czyszczenie przezroczystego pojemnika (opcjonalnie)

Jeśli konieczne jest wyczyszczenie przezroczystego pojemnika należy:

- Postępować zgodnie z instrukcjami zamieszczonymi w części „Opróżnianie przezroczystego pojemnika”.
- Nacisnąć czerwony przycisk znajdujący się na przenośniku pojemnika, aby zwolnić pojemnik, a następnie zsunąć pojemnik z przenośnika.
- Przezroczysty pojemnik należy czyścić tylko wilgotną ściereczką.
- Przed zamontowaniem sprawdzić, czy pojemnik i uszczelki są całkowicie suche.
- Aby zamontować przezroczysty pojemnik:
 - Wprowadzić prowadnicę do przenośnika pojemników.

Zamknąć przezroczysty pojemnik, wsuwając podstawę pojemnika do góry, aż pojemnik oraz jego podstawa się zatrzasną.

Przezroczysty pojemnik nie nadaje się do mycia w zmywarce. Nie zaleca się czyszczenia przezroczystego pojemnika przy użyciu detergentów, środków do polerowania czy odświeżaczy powietrza, ponieważ mogą one spowodować uszkodzenie urządzenia.

Wskaźniki filtra i zatoru

Wyświetlacz urządzenia poinformuje o konieczności podjęcia prostych czynności konserwacyjnych.

- W przypadku nieprawidłowego zainstalowania filtra zaświeci się wskaźnik filtra. Należy postępować zgodnie z instrukcjami dotyczącymi mocowania filtra w części „Mycie filtra”.
- Jeśli filtr będzie wymagał mycia, zaświeci się wskaźnik filtra. Należy postępować zgodnie z instrukcjami dotyczącymi mycia filtra w części „Mycie filtra”.
- W przypadku wystąpienia zatoru zaświeci się wskaźnik zatoru. Należy postępować zgodnie z instrukcjami dotyczącymi usuwania zatoru w części „Poszukiwanie źródeł zatorów”.

Części zmywalne

Urządzenie zawiera części zmywalne, które wymagają regularnego czyszczenia. Należy postępować zgodnie z poniższymi instrukcjami.

- Nie wkładać żadnej części urządzenia do zmywarki, pralki, suszarki, piekarnika, kuchenki mikrofalowej ani nie przechowywać w pobliżu otwartego ognia.

Czyszczenie filtra

Myć filtr co najmniej raz w miesiącu lub gdy zaświeci się wskaźnik konserwacji filtra. Sprawdzać i czyścić filtr zgodnie z instrukcją, aby utrzymać ich sprawność.

- Zdjąć filtr, obracając go w lewo. Delikatnie odłączyć filtr od urządzenia.
- Delikatnie postukać filtr, aby usunąć nadmiar pyłu i osadu przed umyciem.
- Myć filtr wyłącznie w zimnej wodzie, nie używać detergentów, nie czyścić w zmywarce ani w pralce.
- Najpierw umyć karbowany sączonek bibułkowy filtra; przytrzymać filtr pod strumieniem zimnej wody, z wkładem gąbkowym skierowanym w dół, i przemyć karbowaną bibułę bieżącą zimną wodą.
- Myć do momentu, aż spływająca woda będzie czysta.
- Następnie umyć wkład gąbkowy filtra; przytrzymać filtr pod strumieniem zimnej wody, z wkładem gąbkowym skierowanym w dół, aby brudna woda nie zanieczyściła karbowanego sączonek bibułkowego. Przemyć bieżącą zimną wodą wewnątrz i zewnętrzną stronę wkładu gąbkowego i delikatnie wycisnąć gąbkę, aby usunąć brud.
- Myć do momentu, aż spływająca woda będzie czysta.
- Umyć zewnętrzną stronę filtra. Następnie wlać do filtra zimną wodę, trzymając rękami otwarty koniec filtra i delikatnie potrząsać.
- Powtarzać splukiwanie części i zewnętrznej strony filtra do momentu, aż spływająca woda będzie czysta.
- Delikatnie potrząsnąć filtr aby usunąć nadmiar wody i pozostawić do wyschnięcia stronę wkładu gąbkowego ustawioną do góry.
- Pozostawić filtr do całkowitego wyschnięcia w suchym miejscu z dobrym przepływem powietrza na co najmniej 24 godziny.
- Upewnić się, że filtr całkowicie wysychł.
- W celu ponownego założenia filtra włożyć go ponownie do obudowy urządzenia i obrócić w prawo aż filtr zatrzaśnie się na swoim miejscu.

W przypadku usuwania bardzo drobnych zanieczyszczeń lub korzystania głównie z trybu pracy ze zwiększoną mocą ssania filtr może wymagać częstszego mycia.

Nie wkładać żadnej części urządzenia do zmywarki, pralki, suszarki, piekarnika, kuchenki mikrofalowej ani nie przechowywać w pobliżu otwartego ognia.

MYCIE ELEKTROSZCZOTEK

Elektroszczotka Soft Roller zawiera dwie zmywalne turboszczotki. Aby utrzymać je w sprawności, należy je regularnie sprawdzać i myć zgodnie z poniższymi instrukcjami.

- Należy postępować zgodnie z powyższymi ilustracjami przedstawiającymi konserwację głowicy czyszczącej.
 - Uważać, aby nie pociągnąć za włącznik podczas usuwania lub wymieniaania turboszczotki napędzanej silnikiem do czasu ponownego złożenia głowicy czyszczącej.
- Wymywanie, mycie i ponowne zakładanie turboszczotek:
- Odwrócić głowicę czyszczącą dołem do góry tak, aby jej spód miał skierowany do siebie. Za pomocą monety przekręcić osłonę w lewo o ćwierć obrotu, aż zatrzaśnie się w pozycji odblokowania. Obrócić osłonę do pozycji otwarcia. Delikatnie wysunąć główną turboszczotkę z głowicy czyszczącej. Odłączyć osłonę od głównej turboszczotki. Nie należy czyścić osłony.
 - Delikatnie wysunąć tylną turboszczotkę z głowicy czyszczącej.
 - Trzymając turboszczotkę pod bieżącą wodą, delikatnie wycierać ją w celu usunięcia włókien i brudu.
 - Postawić turboszczotki pionowo, jak na rysunku. Pozostawić do całkowitego wyschnięcia na co najmniej 24 godziny. Przed włożeniem turboszczotek upewnić się, że całkowicie wyschły.
 - Wsunąć tylną turboszczotkę z powrotem do głowicy czyszczącej.
 - Wsunąć główną turboszczotkę z powrotem do głowicy czyszczącej.
 - Ponownie dołączyć osłonę do głównej turboszczotki.
 - Osłona powinna być w pozycji otwarcia, jak na rysunku. Gdy osłona znajdzie się na swoim miejscu, obrócić ją z powrotem do pozycji zamknięcia.
 - Zaryglować zamknięcie, obracając je o ćwierć obrotu w prawo. Upewnić się, że zamknięcie jest obrócone do końca, a turboszczotki są należycie zamocowane.

Elektroszczotka Torque Drive

Nie można myć turboszczotki zmotoryzowanej głowicy czyszczącej.

Łatwo wymiowana mała końcówka elektromechaniczna

Nie można myć turboszczotki zmotoryzowanej głowicy czyszczącej.

Zatory — wyłącznik automatyczny

- Urządzenie jest wyposażone w wyłącznik automatyczny.
- Jeśli w którejkolwiek części utworzy się zator, urządzenie może automatycznie się wyłączyć.
- Nastąpi to po uprzednich drganiach silnika (np. silnik będzie się na zmianę szybko włączał i wyłączał) oraz zapaleniu wskaźnika zatoru.
- Przed rozpoczęciem lokalizowania zatorów pozostawić silnik do schłodzenia.
- Uważać, aby nie pociągnąć za włącznik podczas poszukiwania źródeł zatorów. Użytkowanie urządzenia gdy jest częściowo rozmontowane może skutkować obrażeniami.
- Przed ponownym uruchomieniem usunąć wszelkie zatory.
- Przed ponownym użyciem zamontować wszystkie elementy.
- Usuwanie zatorów nie jest objęte gwarancją.

Poszukiwanie źródeł zatorów

W przypadku blokady nastąpi drganie silnika oraz zapalenie wskaźnika zatoru. W celu znalezienia źródła zatoru należy postępować zgodnie z poniższymi instrukcjami:

- Uważać, aby nie pociągnąć za włącznik podczas poszukiwania źródeł zatorów. Użytkowanie urządzenia gdy jest częściowo rozmontowane może skutkować obrażeniami.
- Podczas poszukiwania zatorów uważać na ostre części i przedmioty.
- Aby sprawdzić obudowę urządzenia pod kątem występowania zatorów, należy wyjąć przezroczysty pojemnik, postępując zgodnie z instrukcjami zawartymi w części dotyczącej opróżniania przezroczystego pojemnika i usunąć zator.
- Jeśli nie daje się usunąć zatoru w głowicy czyszczącej, może być konieczne wyjęcie turboszczotki. Odblokować zamknięcie za pomocą monety, wysunąć turboszczotkę z głowicy czyszczącej i usunąć zator. Zamontować turboszczotkę i zabezpieczyć przez dokręcenie zamknięcia. Przed użyciem sprawdzić, czy jest prawidłowo przymocowana.
- Produkt wyposażony jest w szczotki z włókna węglowego. Należy zachować ostrożność przy kontakcie z nimi. Mogą one wywołać niewielkie podrażnienia skóry. Po zakończeniu pracy ze szczotkami należy umyć ręce.
- Przed ponownym użyciem zamontować wszystkie elementy.
- Usuwanie zatorów nie jest objęte gwarancją.

ŁADOWANIE I PRZECHOWYWANIE

- Urządzenie wyłącza się, jeśli temperatura akumulatora jest niższa niż 10°C. Ma to na celu ochronę silnika i baterii. Po naładowaniu nie przechowywać urządzenia w temperaturze niższej niż 10°C.
- Aby przedłużyć żywotność baterii, należy unikać ładowania zaraz po pełnym rozładowaniu. Pozostawić do ostudzenia na kilka minut.
- Należy unikać używania urządzenia z baterią przyłożoną do jakiegokolwiek powierzchni. Pomocze to w ostudzeniu baterii i przedłużeniu jej żywotności.

INSTRUKCJE BEZPIECZEŃSTWA DOTYCZĄCE BATERII


- Jeśli konieczna jest wymiana baterii, skontaktować się z infolinią firmy Dyson.
- Do ładowania urządzeń Dyson należy używać wyłącznie ładowarek Dyson o numerze części 217160.

Przystroga

Niewłaściwe wykorzystanie baterii może wywołać ryzyko pożaru lub oparzenia chemicznego. Nie rozmontowywać, nie zwierać styków ani nie ogrzewać do temperatury powyżej 60°C (140°F) ani podpalać. Trzymać z dala od dzieci. Nie rozkładać i nie wrzucać do ognia.

Informacje o utylizacji

- Produkty Dyson są wykonane z wysokiej klasy materiałów nadających się do recyklingu. Jeśli tylko to możliwe, należy oddać produkty Dyson do recyklingu.
- Przed utylizacją urządzenia należy wymontować z niego baterię.
- Baterie należy utylizować lub poddać recyklingowi zgodnie z przepisami miejscowego prawa.
- Zużyty filtr należy utylizować zgodnie z lokalnymi przepisami prawa lub rozporządzeniami.

 Oznaczenie to wskazuje, że na terenie krajów członkowskich Unii Europejskiej nie należy utylizować tego produktu wraz z innymi odpadami z gospodarstw domowych. W celu uniknięcia potencjalnego zagrożenia dla środowiska lub ludzi spowodowanego niekontrolowaną utylizacją odpadów należy odpowiedzialnie poddawać je recyklingowi, a tym samym promować ekologiczne powtórne przetwarzanie zasobów materiałowych. Aby zwrócić użyte urządzenie, należy skorzystać z systemu zwrotu i odbioru lub skontaktować się ze sprzedawcą, u którego produkt został zakupiony. Sprzedawca przekaze go do bezpiecznego ekologicznie recyklingu.

Obsługa klienta Dyson

Dziękujemy za zakup urządzenia Dyson.

Po zarejestrowaniu 2-letniej gwarancji urządzenie firmy Dyson będzie objęte gwarancją w zakresie części i serwisu przez okres 2 lat od daty zakupu, zgodnie z określonymi w niej warunkami. W razie pytań dotyczących urządzenia firmy Dyson można odwiedzić stronę www.dyson.pl/pomoc, aby uzyskać pomoc, ogólne wskazówki i użyteczne informacje. Można też skontaktować się z infolinią firmy Dyson, podając numer seryjny oraz informacje dotyczące miejsca i daty zakupu urządzenia.

W przypadku konieczności naprawy urządzenia firmy Dyson prosimy o kontakt z infolinią firmy Dyson w celu przedyskutowania możliwych wariantów. Jeśli urządzenie Dyson jest na gwarancji i obejmuje ona rodzaj przeprowadzanej naprawy, zostanie ona wykonana nieodpłatnie.

Ograniczona dwuletnia gwarancja

Warunki i zakres ograniczonej dwuletniej gwarancji Dyson

Gwarancja obejmuje:

- Naprawę lub wymianę urządzenia (w zależności od decyzji firmy Dyson) — o ile posiadane urządzenie okaże się niesprawne ze względu na wadliwe materiały, wykonanie lub nieprawidłowe działanie — w ciągu 2 lat od daty zakupu (jeśli którakolwiek z części jest niedostępna lub została wycofana z produkcji, firma Dyson lub jej dystrybutor zastąpi ją odpowiednią częścią zastępczą).
- W przypadku sprzedaży tego urządzenia poza obszarem UE niniejsza gwarancja będzie ważna tylko wówczas, gdy urządzenie będzie używane w kraju, w którym zostało sprzedane.
- W przypadku sprzedaży urządzenia na terenie UE niniejsza gwarancja będzie ważna tylko wówczas, (i) gdy urządzenie będzie używane w kraju, w którym zostało sprzedane lub (ii) gdy urządzenie będzie używane na terenie Austrii, Belgii, Francji, Irlandii, Holandii, Hiszpanii, Niemiec, Wielkiej Brytanii lub Włoch oraz gdy w odpowiednim kraju sprzedawany jest taki sam model urządzenia o takim samym napięciu znamionowym.

Gwarancja nie obejmuje:

Firma Dyson nie gwarantuje naprawy ani wymiany produktu niesprawnego z następujących powodów:

- Przypadkowe uszkodzenia, usterek wynikających z nieprawidłowego albo nieostrożnego użycia lub konserwacji, użycia urządzenia niezgodnie z przeznaczeniem, niestaranności, nieostrożnej obsługi lub przenoszenia urządzenia niezgodnie z instrukcją obsługi firmy Dyson.
- Wykorzystywania urządzenia do celów innych niż użytek domowy.
- Użycia części złożonych lub zamontowanych niezgodnie z instrukcjami firmy Dyson.
- Użycia części i ssawek innych niż oryginalne produkty firmy Dyson.
- Nieprawidłowego montażu (z wyjątkiem montażu dokonanego przez pracowników firmy Dyson).
- Modyfikacji i napraw przeprowadzanych przez osoby inne niż autoryzowani serwisanci firmy Dyson.
- Zatorów — szczegółowe instrukcje dotyczące poszukiwania zatorów w odkurzaczu można znaleźć w instrukcji obsługi.
- Zużycia się części w wyniku standardowego użytkowania (bezpiecznik, elektroszczotka, itp).
- Użycia urządzenia do zbierania gruzu, popiołu i tynku.
- Skrócenie czasu rozładowania akumulatora ze względu na jego wiek lub naturalne zużycie (w stosownych przypadkach).

W razie wątpliwości dotyczących zakresu ochrony gwarancyjnej należy skontaktować się z infolinią firmy Dyson.

Podsumowanie gwarancji

- Gwarancja obowiązuje od dnia zakupu (lub od daty dostawy, jeśli jest późniejsza).
- Warunkiem przeprowadzenia jakichkolwiek prac serwisowych związanych z urządzeniem jest okazanie dowodu zakupu oraz karty gwarancyjnej. W przypadku braku tych dokumentów wszelkie prace będą dokonywane odpłatnie. Prosimy o zachowanie dowodu zakupu (paragonu) oraz karty gwarancyjnej.
- Wszelkie prace przeprowadzane będą przez pracowników firmy Dyson lub jej autoryzowanych przedstawicieli.
- Wszelkie wymienione części przechodzą na własność firmy Dyson.
- Naprawa lub wymiana urządzenia w trakcie okresu gwarancji nie przedłuża okresu gwarancji.
- Gwarancja zapewnia dodatkowe korzyści poza tymi, które wynikają z praw statutowych konsumenta i nie wpływa na nie w żaden sposób.

Ważne informacje dotyczące ochrony danych

W przypadku rejestrowania produktu firmy Dyson:

- Aby zarejestrować produkt i umożliwić nam obsługę gwarancyjną, należy podać podstawowe informacje kontaktowe.
- Proces rejestracji obejmuje możliwość wyrażenia zgody na otrzymywanie od nas wiadomości. Jeśli wyrażono zgodę na otrzymywanie wiadomości od firmy Dyson, wówczas będziemy wysyłać szczegółowe informacje o ofertach specjalnych i powiadomienia o naszych innowacjach. Informacji kontaktowych nigdy nie sprzedamy innym firmom. Używamy ich tylko zgodnie z naszą polityką prywatności, która jest dostępna w naszej stronie: privacy.dyson.com

RU

Благодарим за выбор устройства Dyson.

Регистрация

Ваше устройство Dyson находится на гарантийном обслуживании (за исключением фильтров) в течение 2 лет с момента покупки в соответствии с условиями и исключениями, указанными в данном руководстве.

В случае возникновения вопросов по устройству Dyson на веб-сайте www.dyson.com.ru/support можно получить онлайн-консультации, справочные видеоматериалы, общие советы и полезную информацию о компании Dyson.

Можно также позвонить в службу поддержки компании Dyson, указав серийный номер устройства, дату и место его приобретения.

Серийный номер находится на табличке на основании устройства.

Запишите ваш серийный номер на будущее.

Эта иллюстрация является только образцом.



Интерактивная регистрация
Посетите наш веб-сайт для регистрации в интерактивном режиме.
www.dyson.com.ru

ВАЖНЫЕ ИНСТРУКЦИИ ПО ТЕХНИКЕ БЕЗОПАСНОСТИ

ПЕРЕД ИСПОЛЬЗОВАНИЕМ УСТРОЙСТВА ПРОЧИТАЙТЕ ВСЕ ИНСТРУКЦИИ И ПРЕДУПРЕЖДЕНИЯ В ДАННОМ РУКОВОДСТВЕ И НА УСТРОЙСТВЕ

При пользовании электроприбором необходимо всегда соблюдать основные меры предосторожности, включая те, что приведены ниже:

⚠ ПРЕДУПРЕЖДЕНИЕ

Эти предупреждения относятся к устройству, а также к любым съемным приспособлениям, принадлежностям, зарядным устройствам и адаптерам питания в случаях, где они применимы.

ВО ИЗБЕЖАНИЕ РИСКА ВОЗГОРАНИЯ, ПОРАЖЕНИЯ ЭЛЕКТРИЧЕСКИМ ТОКОМ ИЛИ ПОЛУЧЕНИЯ ТРАВМЫ:

1. Дети в возрасте от 8 лет, лица с ограниченными физическими, сенсорными или умственными возможностями, а также лица, не имеющие достаточного опыта и знаний, могут использовать это устройство Dyson только в присутствии человека, отвечающего за их безопасность, или после получения от ответственного лица инструкций по безопасному использованию устройства при условии понимания существующих рисков. Очистка и осуществляемое пользователем обслуживание устройства не должны выполняться детьми без присмотра.
2. Не разрешайте детям играть с устройством. Будьте очень бдительны при использовании устройства детьми или рядом с детьми. Эксплуатация устройства детьми возможна только под постоянным присмотром взрослых, чтобы дети не играли с ним.
3. Используйте устройство только описанным в данном руководстве по эксплуатации Dyson способом. Не выполняйте работы по обслуживанию, кроме указанных в данном руководстве или рекомендованных службой поддержки компании Dyson.
4. Предназначено для использования ТОЛЬКО в сухих местах. Не используйте вне помещений или на влажных поверхностях.

5. Не касайтесь каких-либо деталей устройства или зарядного устройства влажными руками.
6. Не используйте устройство с поврежденным зарядным устройством или кабелем.
7. Если устройство не работает, как должно, если по нему был нанесен резкий удар, если его уронили, повредили, оставили на улице или оно попало в воду, не используйте данное устройство и обратитесь по телефону в службу поддержки компании Dyson.
8. При необходимости проведения обслуживания или ремонта обратитесь в службу поддержки компании Dyson. Не разбирайте устройство, так как это может стать причиной пожара или поражения электрическим током.
9. Не растягивайте и не натягивайте кабель слишком сильно. Держите кабель вдали от горячих поверхностей. Не заземляйте кабель дверями, не наматывайте его вокруг острых краев или углов. Не располагайте кабель в проходах и в местах, где на него можно наступить или споткнуться об него. Не пережимайте кабель.
10. Не используйте для уборки жидкостей.
11. Не пользуйтесь пылесосом для сбора легковоспламеняющихся или взрывоопасных жидкостей, таких как бензин, и не пользуйтесь пылесосом в местах, где могут находиться такие жидкости или их пары.
12. Не используйте для сбора горящего или тлеющего мусора, такого как сигареты, спички или горячий пепел.
13. Следите, чтобы волосы, края одежды, пальцы и другие части тела не попадали в отверстия или подвижные детали, например в щетку. Не направляйте шланг, трубку и насадки в глаза или уши и не берите их в рот.
14. Не вставляйте какие-либо предметы в отверстия. Не используйте устройство, если его отверстия заблокированы; следите за тем, чтобы пыль, мусор, волосы и пр. не мешали свободному прохождению воздушного потока.
15. Используйте только рекомендуемые Dyson аксессуары и запчасти.
16. Не используйте, если не установлен прозрачный контейнер или фильтр.
17. Отсоединяйте зарядное устройство от сети при длительных перерывах в использовании.
18. Будьте крайне аккуратны при уборке лестниц.
19. Во избежание случайного включения будьте осторожны и не подносите руки и пальцы к курку включения, пока не будете готовы начать уборку, особенно когда вы берете или переносите устройство. Если переносить устройство, удерживая палец на курке включения, может произойти несчастный случай.
20. Данное устройство нельзя устанавливать, заряжать и использовать вне помещения, в ванной комнате или в пределах 3 метров от бассейна. Не используйте его на влажных поверхностях и не подвергайте воздействию сырости, дождя или снега.
21. Для зарядки данного устройства Dyson используйте только зарядное устройство Dyson с номером 217160. Используйте только аккумуляторы Dyson: аккумуляторы других типов могут взорваться, нанеся травмы и материальный ущерб.
22. При снятии или замене электрощетки будьте осторожны, чтобы не нажать на курок включения, пока не установите насадку.
23. Не используйте аккумулятор или устройство в случае повреждения или модификации. Использование поврежденных или модифицированных аккумуляторов может привести к непредсказуемому результату и стать причиной пожара, взрыва или нанесения травмы. Не подвергайте аккумулятор или устройство воздействию огня или высоких температур. Под воздействием огня или при температуре выше 60 °C возможен взрыв.
24. Аккумулятор является герметичным устройством и в нормальных условиях не представляет опасности. Вероятность утечки электролита из аккумулятора крайне мала, но если это случилось, не трогайте электролит, поскольку он может вызвать раздражение или ожоги, и соблюдайте следующие меры предосторожности:
 - При контакте с кожей возможно раздражение. Промойте пораженный участок водой с мылом.
 - Вдыхание электролита может привести к раздражению верхних дыхательных путей. Выйдите на свежий воздух и обратитесь за медицинской помощью.
 - При попадании в глаза возможно раздражение. Немедленно тщательно промойте глаза водой в течение как минимум 15 минут. Обратитесь за медицинской помощью.
 - Утилизация: при обращении с аккумулятором надевайте перчатки, а затем немедленно утилизируйте их в соответствии с принятыми в вашей местности правилами и нормами.
25. Следуйте всем инструкциям по зарядке устройства, представленным в данном руководстве и не пытайтесь осуществлять

зарядку устройства, находящегося вне рабочего диапазона температур, указанного в данном руководстве. Неправильная зарядка устройства и зарядка, проводящаяся в диапазоне температур, могут привести к повреждению аккумулятора и повысить риск его возгорания. Для продления срока службы аккумулятора компания Dyson рекомендует следующее:

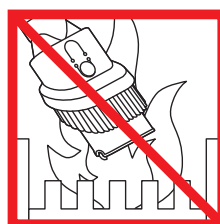
- Когда устройство не используется, храните его при комнатной температуре. Рекомендованный диапазон: от 18 до 28 °C.
- Диапазон температур окружающей среды во время работы и зарядки должен составлять от 10 до 30 °C.

26. ПРЕДУПРЕЖДЕНИЕ О ПОЖАРООПАСНОСТИ. Не размещайте данное изделие на плите или рядом с плитой или с любыми другими горячими поверхностями и не сжигайте данное устройство даже в том случае, если оно сильно повреждено. Аккумулятор может вспыхнуть или взорваться.

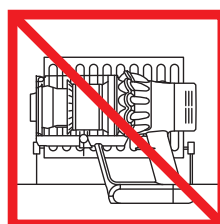
27. ПРЕДУПРЕЖДЕНИЕ О ПОЖАРООПАСНОСТИ. Не применяйте к фильтрам данного устройства какие-либо ароматизирующие или парфюмерные продукты. Химические вещества в таких продуктах являются легковоспламеняющимися и могут привести к возгоранию устройства.

ПРОЧИТАЙТЕ И СОХРАНИТЕ ДАННЫЕ ИНСТРУКЦИИ

Данное устройство Dyson предназначено только для бытового пользования.



Не используйте вблизи открытого огня.



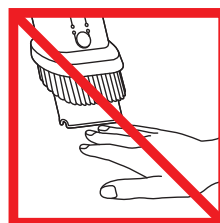
Не храните вблизи источников тепла.



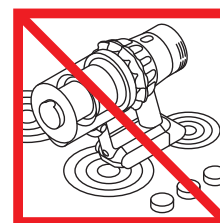
Не используйте для уборки воды или жидкостей.



Не используйте для уборки горячих предметов.



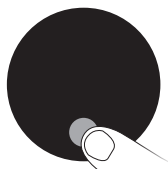
Не кладите руки возле щетки при использовании устройства.



Не размещайте на плите или рядом с плитой.

Дисплей

Кнопка выбора



Настройки устройства можно изменять с помощью кнопки выбора.

Предупреждения



На экране отображаются предупреждения, когда устройство требует вашего внимания. Для поддержания эффективности работы следуйте инструкциям, выводимым на экран.

Состояние аккумулятора

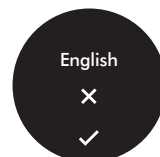


При постоянном или преимущественном использовании режимов «Еco» (Эко) и «Auto/Mid» (Авто/Средний) устройство работает в течение максимального времени и не перегревается, что положительно влияет на срок службы аккумулятора.

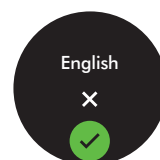
Выбор языка



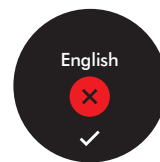
Нажмите и удерживайте кнопку выбора от 5 до 10 секунд для просмотра списка языков.



Нажимайте кнопку выбора для прокрутки языков. Нажмите и кратковременно удерживайте кнопку выбора (от 2 до 4 секунд), чтобы выбрать язык.



Для подтверждения выбора языка нажмите кнопку выбора, чтобы перейти к галочке, а затем нажмите и кратковременно удерживайте кнопку выбора, чтобы подтвердить выбор.

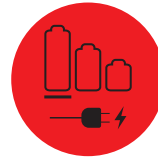


Если выбран неправильный язык, нажмите и кратковременно удерживайте кнопку выбора, пока отображается крестик, чтобы вернуться к списку языков.

Низкий уровень заряда аккумулятора

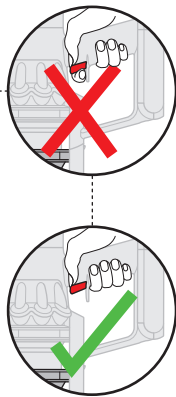
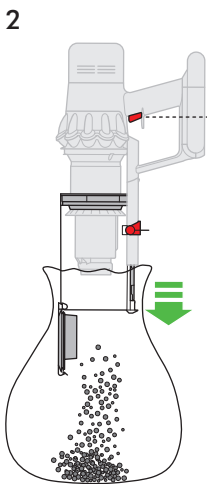
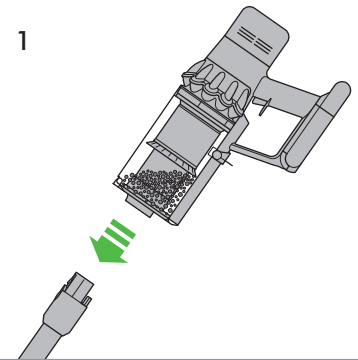
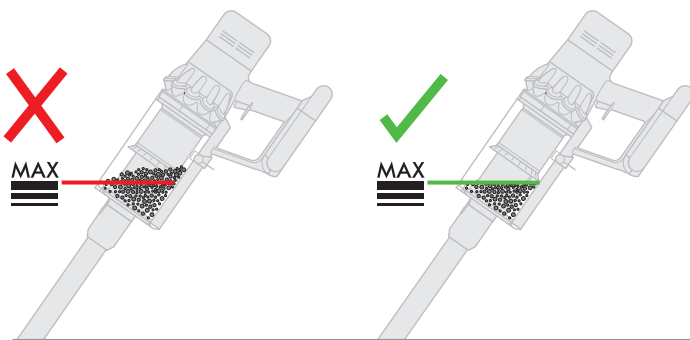
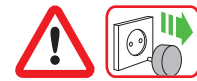


На экране отображается предупреждение, когда уровень заряда аккумулятора становится низким.

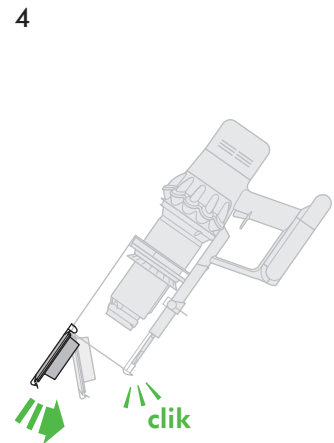
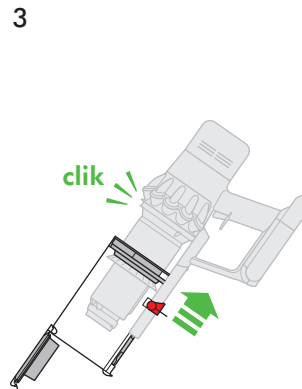


Последнее предупреждение отображается, когда аккумулятор разряжен и его требуется зарядить.

Опустошение прозрачного контейнера

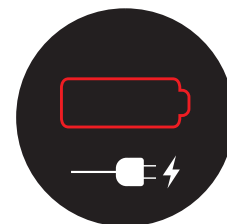
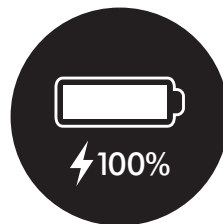
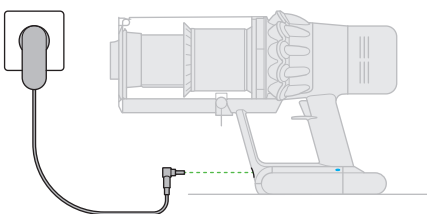
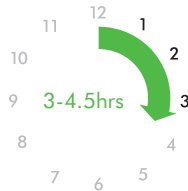
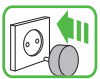


Будьте осторожны, чтобы не нажать на курок включения, пока прозрачный контейнер открыт для вытряхивания пыли.



Закройте прозрачный контейнер, продвинув основание прозрачного контейнера вверх до щелчка.

Зарядка



Подключите устройство непосредственно к зарядному устройству или установите его в док-станцию.

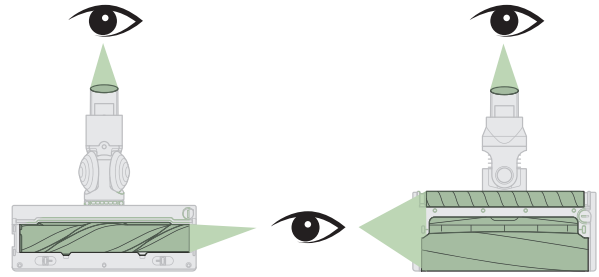
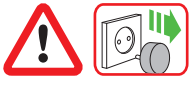
Во время зарядки будут мигать синие индикаторы, по одному с каждой стороны аккумулятора.

Когда аккумулятор зарядится, оба индикатора включатся на 5 секунд, а затем погаснут.

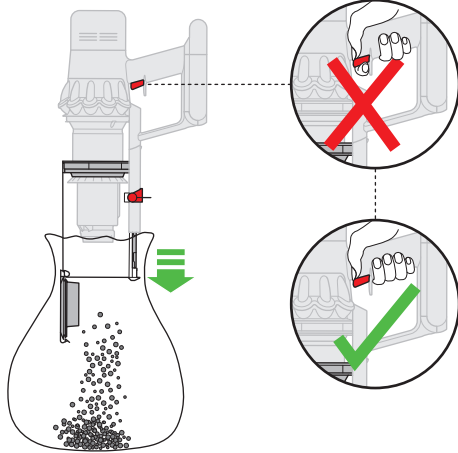
Аккумулятор заряжен, когда на дисплее указан уровень заряда 100 %.

Аккумулятор разряжен, требуется зарядка.

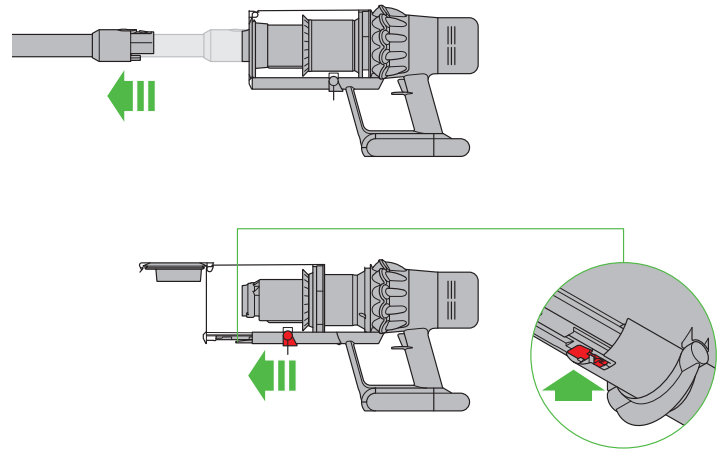
Поиск засоров



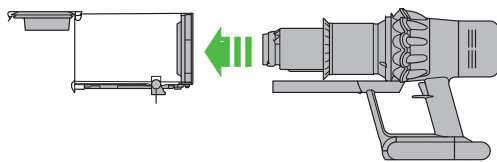
1



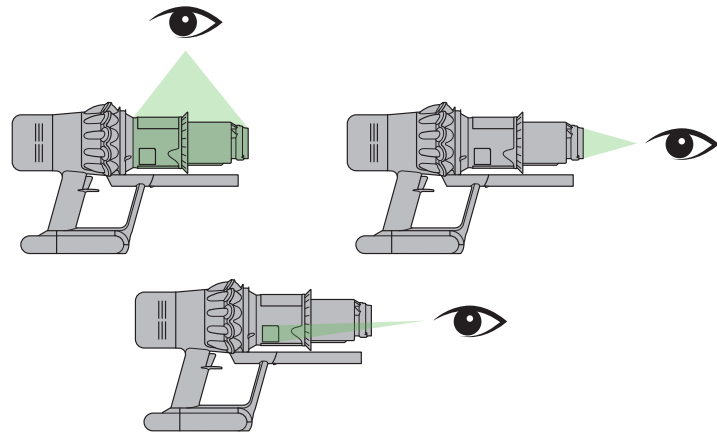
2



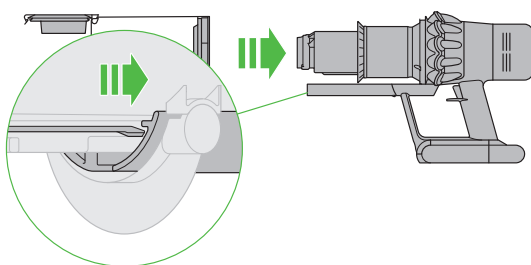
3



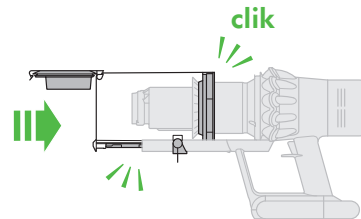
4



5

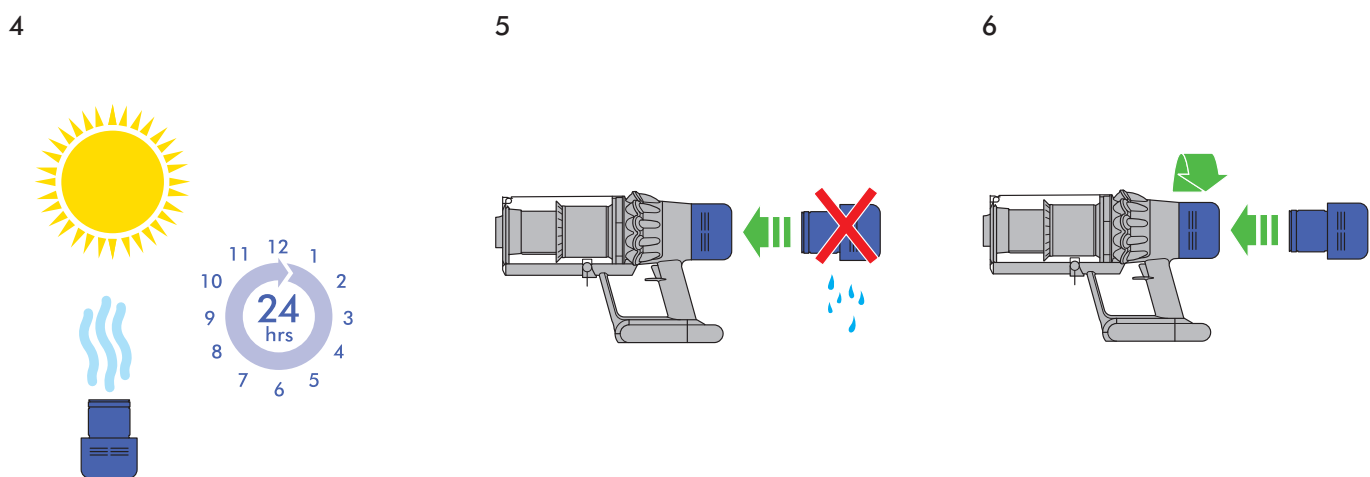
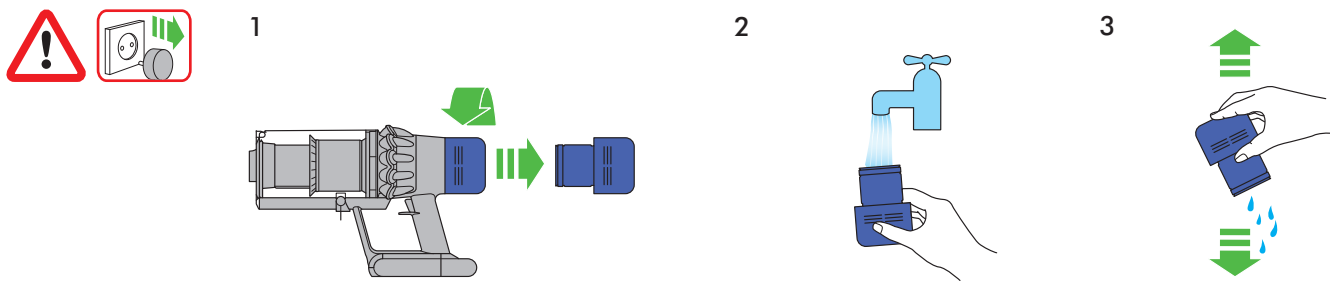


6

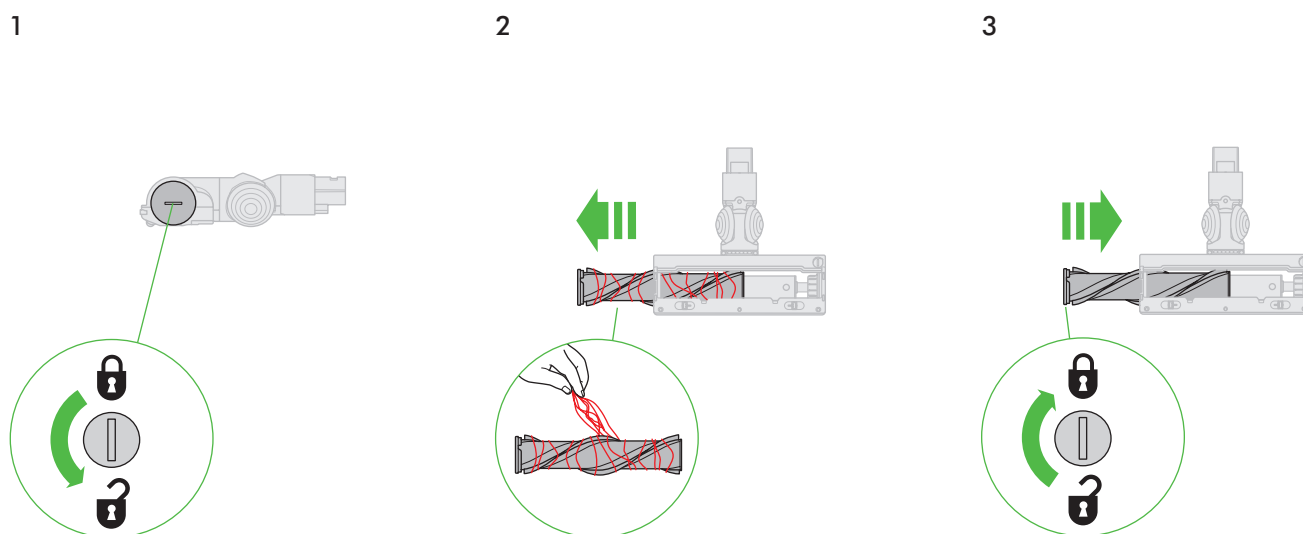


Закройте прозрачный контейнер, продвинув основание прозрачного контейнера вверх до щелчка.

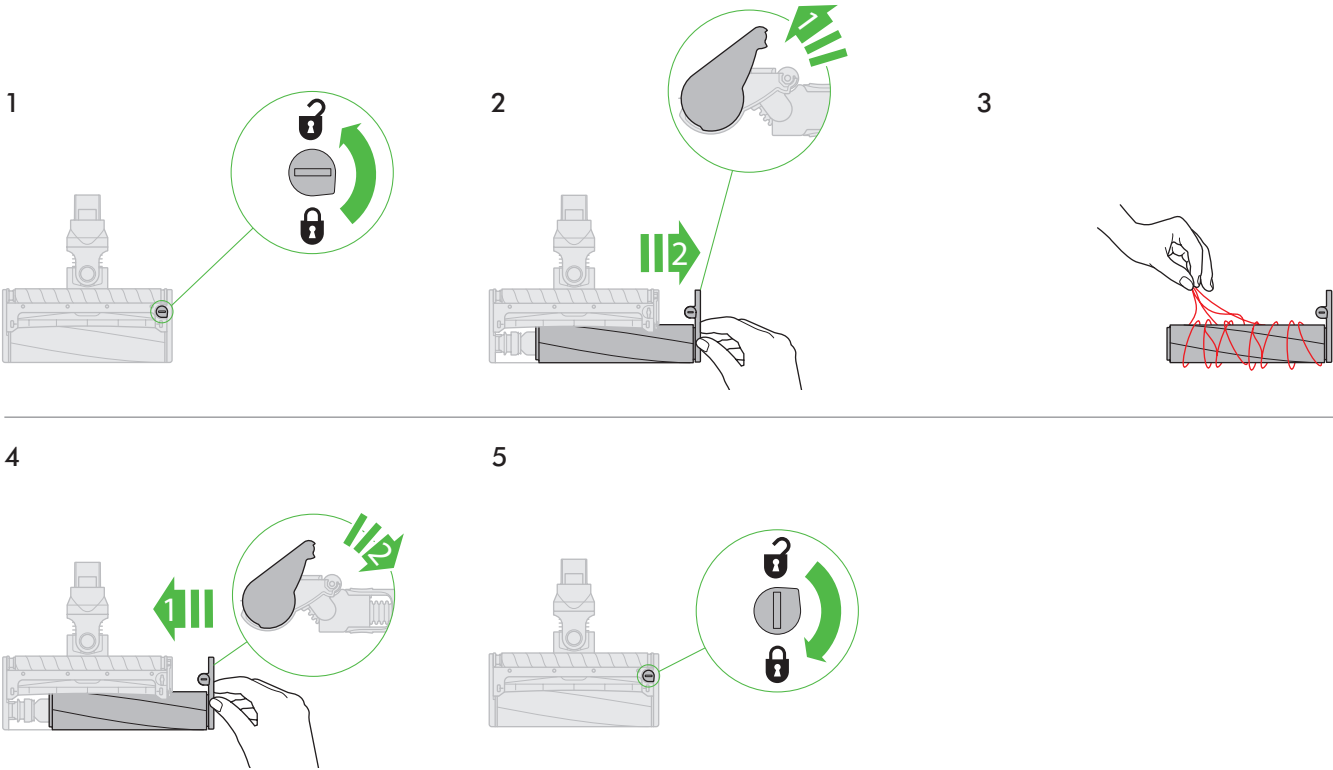
Очистка фильтра



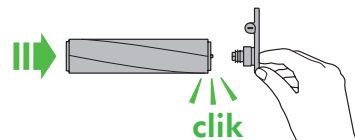
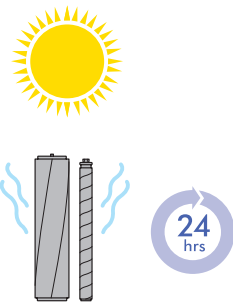
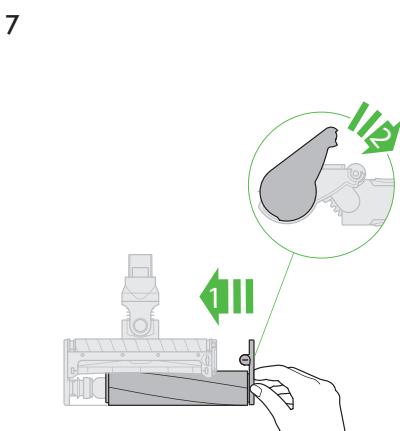
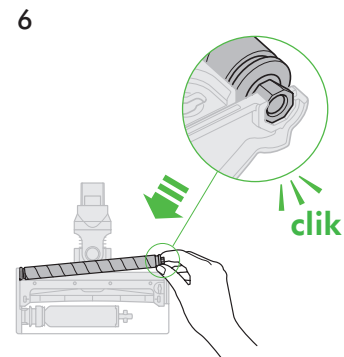
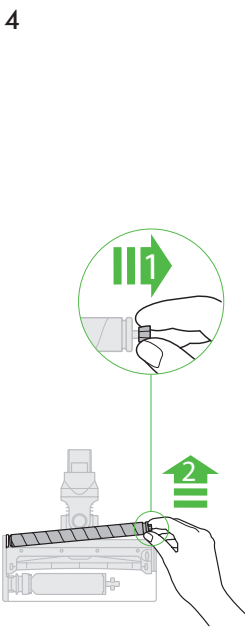
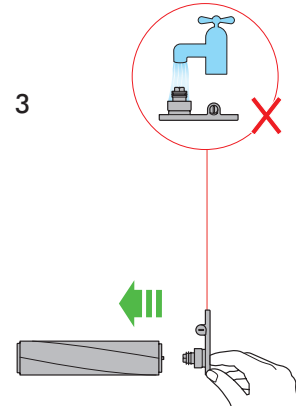
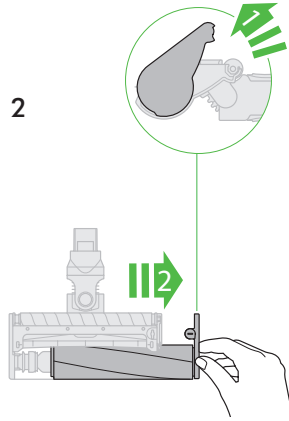
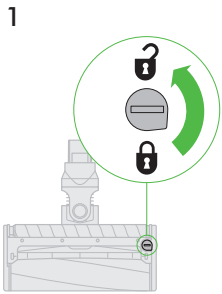
Обслуживание насадки с высоким крутящим моментом



Обслуживание насадки с мягким валиком: устранение засоров



Обслуживание насадки с мягким валиком: промыть валики



Дополнительная информация

ПЕРЕД ПРОДОЛЖЕНИЕМ ОЗНАКОМЬТЕСЬ С ВАЖНЫМИ ИНСТРУКЦИЯМИ ПО ТЕХНИКЕ БЕЗОПАСНОСТИ В ДАННОМ РУКОВОДСТВЕ DYSON ПО ЭКСПЛУАТАЦИИ.

Установка настенного крепления

- Достаньте из упаковки док-станцию, зарядное устройство и инструкцию по установке.
 - Выберите место для установки настенного крепления так, чтобы непосредственно за настенным креплением не было труб (газовых, водопроводных или вентиляционных), электрических кабелей, проводов и кабельных коробов.
 - Следуйте инструкции по установке.
 - Прикрепите насадки до щелчка.
 - Поместите устройство в настенное крепление.
 - Подключите зарядное устройство к розетке электропитания. Включите (при необходимости) для зарядки аккумулятора.
 - Перед первым использованием устройство необходимо полностью зарядить.
- Настенное крепление следует устанавливать в соответствии с нормативной документацией и действующими законами/стандартами (может применяться как местное, так и государственное законодательство).
- При установке настенного крепления компания Dyson рекомендует использовать защитную одежду, защитные очки и другие средства защиты.

Чистка пылесосом

- Снимите устройство с настенного крепления.
 - Убедитесь, что нижняя поверхность электрощетки или насадки чистая и на ней нет посторонних предметов, которые могут вызвать повреждения.
- Перед использованием пылесоса для уборки пола и ковров ознакомьтесь с рекомендациями производителя покрытия по их очистке.
- Щетка устройства может повредить некоторые виды ковровых покрытий и полов. Некоторые ковры распушаются, если их пылесосить с использованием электрощетки. В этом случае мы рекомендуем пылесосить без электрощетки и проконсультироваться у производителя покрытия.

Насадка с высоким крутящим моментом: переключатель уровня мощности всасывания.

Переключатель регулирует уровень мощности всасывания. Для выбора необходимого уровня мощности всасывания передвиньте переключатель, расположенный сверху в торцевой части насадки.

Максимальная сила всасывания для глубокой и тщательной очистки (+)

- Для уборки сильных загрязнений с твердых напольных покрытий и гладких поверхностей, а также глубокой очистки ковровых покрытий.

Мощность всасывания для простой уборки мусора (▲)

- Для чистки пылесосом легко загрязненных напольных покрытий, ковров и твердых поверхностей.
 - Для уборки крупного мусора, такого как орехи или сухой рис.
- Режим для уборки деликатных напольных и ковровых с длинным ворсом покрытий (-)
- Подходит для уборки тонких или деликатных напольных покрытий, например, линолеума, паркета и винилового покрытия.
 - Подходит для уборки коврового покрытия с длинным ворсом или любого другого покрытия, во время уборки которого вы можете столкнуться с сопротивлением.

Опустошение прозрачного контейнера

- Опустошайте прозрачный контейнер, когда он заполнится до отметки MAX. Не допускайте переполнения.
- Будьте осторожны, чтобы не нажать на курок включения, пока прозрачный контейнер открыт для вытряхивания пыли.
- Чтобы снять трубу, нажмите красную кнопку фиксатора трубы и извлеките трубу из контейнера.
- Вытряхивание мусора:
 - Держите устройство так, чтобы контейнер находился внизу.
 - Нажмите до конца красную кнопку фиксатора контейнера.
 - Контейнер соскользнет вниз, очищая по ходу сетчатый экран.
 - Основание контейнера затем откроется.
 - Контейнер не откроется до тех пор, пока красная кнопка фиксатора контейнера не будет опущена до конца.

Чтобы снизить контакт с пылью и аллергенами при опустошении прозрачного контейнера, полностью поместите его в пакет для мусора и опустошите. Осторожно доставайте прозрачный контейнер из пакета. Плотно закройте пакет и утилизируйте с бытовыми отходами.

Очистка прозрачного контейнера (дополнительно)

Если необходимо очистить прозрачный контейнер:

- См. инструкции в разделе «Опустошение прозрачного контейнера».
- Нажмите красную кнопку на направляющей контейнера, чтобы разблокировать контейнер и снять его с направляющей.
- Выполняйте очистку прозрачного контейнера только с помощью влажной ткани.
- Перед установкой дайте прозрачному контейнеру и уплотнителю полностью высохнуть.
- Для установки прозрачного контейнера на место выполните следующие действия:
 - Установите основу на направляющую контейнера.

Закройте прозрачный контейнер, продвинув основание прозрачного контейнера вверх до щелчка.

Прозрачный контейнер не предназначен для мытья в посудомоечной машине, и при его очистке не рекомендуется применять моющие и полирующие средства и освежители воздуха, поскольку они могут повредить устройство.

Индикаторы фильтра и засорения

Вы увидите предупреждение на дисплее, когда устройству потребуется обслуживание.

- Если фильтр установлен неправильно, на это укажет индикатор фильтра. Инструкции по установке фильтра см. в разделе «Промывка фильтра».
- Если фильтр нуждается в промывке, на это укажет индикатор фильтра. Инструкции по промывке фильтра см. в разделе «Промывка фильтра».
- Если возникло засорение, на это укажет индикатор засорения. Следуйте инструкциям по устранению засорений в разделе «Устранение засорений».

Компоненты для очистки

Устройство содержит компоненты, которые необходимо регулярно промывать.

Следуйте инструкциям, приведенным ниже.

- Не мойте какие-либо компоненты устройства в посудомоечной или стиральной машине, не сушите в сушильном барабане, духовке, микроволновой печи или возле открытого огня.

Промывка фильтра

Промывайте фильтр не реже одного раза в месяц или когда включается индикатор обслуживания фильтра.

Осмотрите и промойте фильтр в соответствии с инструкциями для поддержания эффективности его работы.

- Снимите фильтр, повернув его против часовой стрелки. Осторожно вытяните его из устройства.
- Осторожно постучите по фильтру, чтобы стряхнуть с него пыль и мусор перед промывкой.
- Промывайте фильтр только в холодной воде: не используйте моющие средства и не мойте его в посудомоечной или стиральной машине.
- Сначала промойте гофрированный элемент фильтра; удерживайте фильтр под струей холодной воды, повернув его поролоновым элементом вниз, чтобы вода лилась на гофрированный фильтр.
- Продолжайте промывать, пока вода не станет прозрачной.
- Затем промойте поролоновый элемент фильтра; удерживайте фильтр под струей холодной воды, повернув его поролоновым элементом вниз, чтобы грязная вода не испачкала гофрированный элемент. Промывайте поролоновый элемент холодной водой с внутренней и наружной стороны и осторожно отжимайте поролон для удаления грязи.
- Продолжайте промывать, пока вода не станет прозрачной.
- Промойте фильтр с внешней стороны. Затем наполните фильтр холодной водой, закройте руками открытые стороны и осторожно потрясите.
- Повторите промывку снаружи фильтра, пока проточная вода не станет чистой.
- Осторожно потрясите фильтр, чтобы стряхнуть воду, и положите его поролоновым элементом вверх, чтобы стекли остатки воды.
- Оставьте фильтр как минимум на 24 часа в сухом месте с хорошей вентиляцией до полного высыхания.
- Убедитесь, что фильтр полностью высох.
- Чтобы установить фильтр на место, вставьте его в корпус устройства и поверните по часовой стрелке до фиксации.

При уборке мелкой пыли или при частом использовании режима «Boost» (Турбо) может потребоваться чаще промывать фильтр.

Не мойте какие-либо компоненты устройства в посудомоечной или стиральной машине, не сушите в сушильном барабане, духовке, микроволновой печи или возле открытого огня.

Промывка валиков электрощетки

В насадке с мягким валиком есть два валика, требующие промывки. Регулярно осматривайте и промывайте их для поддержания эффективности работы в соответствии с инструкциями, приведенными далее:

- См. рисунки в разделе «Обслуживание насадки» выше.
- При снятии или замене электрощетки будьте осторожны, чтобы не нажать на курок включения, пока не установите насадку.

Порядок действий при снятии, промывке и замене валиков:

- Переверните насадку так, чтобы ее нижняя часть была обращена к вам. С помощью монеты поверните фиксатор на четверть оборота против часовой стрелки, чтобы он защелкнулся в положении разблокировки. Поверните боковую заглушку в открытое положение. Осторожно выдвиньте основной валик из насадки. Снимите заглушку с основного валика. Не мойте заглушку.
- Осторожно выдвиньте задний валик из насадки.
- Держите валики под струей воды и осторожно протирайте для удаления волокон и грязи.
- Установите валики вертикально, как показано на рисунке. Оставьте как минимум на 24 часа до полного высыхания. Перед установкой на место убедитесь, что валики полностью высохли.
- Задвиньте задний валик в насадку.
- Задвиньте основной валик в насадку.
- Установите боковую заглушку на основной валик.
- Заглушка должна быть в открытом положении, как показано на рисунке. Как только она окажется на месте, поверните ее в закрытое положение.
- Заблокируйте фиксатор, повернув его на четверть оборота по часовой стрелке. Убедитесь, что фиксатор полностью повернут и валики надежно закреплены.

Насадка с высоким крутящим моментом

Валик данной электрощетки не предназначен для промывки.

Мини-электрощетка

Валик данной электрощетки не предназначен для промывки.

засорения — автоматический выключатель

- Данное устройство оснащено автоматическим выключателем.
- Засорение какой-либо части может привести к автоматическому выключению устройства.
- Это может произойти после работы двигателя в течение некоторого времени в прерывистом режиме (т. е. быстрое последовательное включение и выключение) на аккумуляторе загорится индикатор засорения.
- Перед устранением засорений дайте двигателю охладиться.

- Будьте осторожны, чтобы не нажать на курок включения во время поиска засорений. Включение устройства в частично разобранный состояние может стать причиной травмы.
- Устраните засорения перед повторным использованием.
- Перед использованием устройства надежно закрепите все его части.
- Устранение засорений не входит в гарантийное обслуживание.

Устранение засорений

Двигатель в течение некоторого времени работает прерывисто (т. е. несколько раз быстро включается и выключается), и светится индикатор засорения. Следуйте инструкциям ниже для поиска и устранения засорений

- Будьте осторожны, чтобы не нажать на курок включения во время поиска засорений в частично разобранный состояние может стать причиной травмы.
- При проверке на наличие засорений следите, чтобы не пораниться об острые предметы.
- Чтобы проверить наличие засорения в корпусе устройства, снимите прозрачный контейнер в соответствии с инструкциями в разделе о вытряхивании пыли из прозрачного контейнера, затем устраните засорение.
- Если не удается устранить засорение внутри насадки, может потребоваться снять валик. Разблокируйте фиксатор с помощью монеты, выдвиньте валик из насадки и устраните засорение. Поместите валик обратно и зафиксируйте его, заткнув фиксатор. Перед эксплуатацией устройства убедитесь, что валик надежно закреплен.
- Насадка данного пылесоса имеет валик со щетиной из углеродного волокна. Будьте осторожны, касаясь ее руками. Это может вызвать незначительное раздражение кожи. Рекомендуется вымыть руки после контакта со щетиной валика насадки.
- Перед использованием устройства надежно закрепите все его части.
- Устранение засорений не входит в гарантийное обслуживание.

ЗАРЯДКА И ХРАНЕНИЕ

- Это устройство автоматически отключается при падении температуры аккумулятора ниже 10 °С. Данная функция предназначена для предохранения двигателя и аккумулятора. Не заряжайте устройство, если оно будет храниться при температуре ниже 10 °С.
- Для продления срока службы аккумуляторной батареи, рекомендуется не производить зарядку сразу после полной разрядки аккумулятора. Дайте аккумулятору остыть в течение нескольких минут, прежде чем вновь заряжать его.
- Не прижимайте аккумулятор к поверхностям во время использования устройства. Это позволит избежать перегрева и увеличить срок службы аккумулятора.

ПРАВИЛА ТЕХНИКИ БЕЗОПАСНОСТИ ПО ЭКСПЛУАТАЦИИ АККУМУЛЯТОРОВ

- Если аккумулятор требует замены, обратитесь в службу поддержки компании Dyson.
- Для зарядки данного устройства Dyson используйте только зарядное устройство Dyson с номером 217160.

ПРЕДОСТЕРЕЖЕНИЕ

При неправильном обращении аккумуляторы, используемые в данном устройстве, могут представлять опасность вследствие возгорания или получения химического ожога. Не разбирайте, не пытайтесь заколотить контакты и не нагревайте аккумуляторы до температуры выше 60 °С (140 °F), а также не бросайте их в огонь. Своевременно производите утилизацию аккумуляторов. Храните вдали от детей.

Информация по утилизации

- Изделия компании Dyson производятся из высококачественных материалов, допускающих переработку. По возможности сдавайте устройство на переработку.
- Перед утилизацией аккумулятор необходимо извлечь из устройства.
- Утилизация или переработка аккумулятора должна производиться в соответствии с местными предписаниями или постановлениями.
- Утилизацию отработанного фильтра необходимо проводить в соответствии с местными законами и нормативами.

 Такая маркировка означает, что данное изделие не должно утилизироваться вместе с бытовыми отходами на всей территории ЕС. Во избежание загрязнения окружающей среды или причинения вреда здоровью людей из-за неконтролируемой утилизации отходов отнесите ответственно к переработке отходов, чтобы обеспечить экологически безопасное повторное использование материальных ресурсов. Для передачи устройства на утилизацию воспользуйтесь системами возврата и сбора отходов или обратитесь к розничному продавцу, у которого оно было приобретено. Продавец сможет обеспечить экологически безопасную переработку изделия.

Служба поддержки Dyson

Благодарим за выбор устройства Dyson.

Ваше устройство Dyson находится на гарантийном обслуживании в течение 2 лет с момента покупки в соответствии с условиями и исключениями, указанными в данном руководстве. В случае возникновения вопросов по эксплуатации устройства Dyson, вы можете позвонить в службу поддержки компании Dyson, указав серийный номер устройства, дату и место его приобретения.

При необходимости ремонта устройства Dyson позвоните в службу поддержки компании Dyson, и мы сможем обсудить варианты решения проблемы. Если устройство Dyson находится на гарантии, а неисправность входит в перечень покрываемых, оно будет отремонтировано бесплатно.

Зарегистрируйтесь в качестве владельца устройства Dyson

Гарантия на данное изделие — 2 года с даты приобретения. Пожалуйста, зарегистрируйте свое устройство в течение 30 дней со дня покупки. Чтобы мы могли оказать вам быстрый и качественный сервис, пожалуйста, зарегистрируйтесь сразу после приобретения. Сохраните чек, отображающий дату приобретения.

Это можно сделать тремя способами:

- По адресу www.dyson.com/ru/register
- По телефону службы поддержки компании Dyson 8-800-100-100-2.

Регистрация приобретенного изделия позволит вам:

- Получать полезные советы по эксплуатации изделия.
- Консультироваться со специалистами службы поддержки компании Dyson.
- Узнавать обо всех наших новинках в числе первых.
- Регистрация занимает всего несколько минут. Все, что для нее нужно, это серийный номер приобретенного изделия и ваши контактные данные.

ОГРАНИЧЕННАЯ 2-ЛЕТНЯЯ ГАРАНТИЯ УСЛОВИЯ И ПОЛОЖЕНИЯ ОГРАНИЧЕННОЙ 2-ЛЕТНЕЙ ГАРАНТИИ DYSON

Что покрывается

- Ремонт или замена устройства Dyson (по решению Dyson) в случае отказа устройства в работе по причине заводского брака в течение 2 лет с момента покупки или доставки (если к моменту ремонта/замены отдельные запчасти не производятся, Dyson заменит бракованные части на функциональные).
- Если это устройство было продано за пределами ЕС, данная гарантия будет действительна, только если устройство используется в стране, в которой оно было продано.
- Если это устройство было продано в пределах ЕС, данная гарантия будет действительна в следующих случаях: (i) если устройство используется в стране, в которой оно было продано, или (ii) если устройство используется в Австрии, Бельгии, Франции, Германии, Ирландии, Италии, Нидерландах, Испании или Великобритании и имеет ту же модель с тем же номинальным напряжением, которая продается в соответствующей стране.

Что не входит в гарантию

Компания Dyson не гарантирует ремонт или замену изделий, дефекты которых появились в результате:

- Случайного повреждения и неисправностей, вызванных небрежной эксплуатацией или обращением, ненадлежащим использованием, халатностью, неосторожностью, эксплуатацией или обращением с устройством, не предусмотренными данным руководством по эксплуатации Dyson;
- Использования устройства для каких-либо нужд, отличных от обычных хозяйственных-бытовых целей;
- Использования компонентов, установленных не в соответствии с инструкциями компании Dyson;
- Использования деталей и компонентов, не являющихся оригинальными запчастями Dyson;
- Неправильной установки (за исключением случаев, когда установка выполнялась специалистами Dyson);
- Работ по ремонту или изменений конструкции, производимых не компанией Dyson или не ее уполномоченными агентами;
- Засорений — информацию по устранению засорений см. в руководстве по эксплуатации Dyson;
- Нормального физического износа (например, предохранителей, щетки и т. д.);
- Использования устройства для уборки щебня, золы, штукатурки;
- Сокращения времени разряда батареи из-за срока службы или условий эксплуатации (где применимо).

По вопросам относительно содержания гарантии обращайтесь в службу поддержки компании Dyson.


Информация о гарантии

- Гарантия предоставляется с момента покупки изделия (или с даты доставки, если доставка произведена позже).
- Вы должны предоставить доказательные документы (оригиналы и копии) на доставку/покупку устройства до начала каких-либо работ с устройством Dyson по гарантии. Без предоставления доказательных документов все работы должны быть оплачены. Сохраняйте документы о получении или доставке устройства.
- Все работы будут произведены компанией Dyson или ее авторизованными представителями.
- Все компоненты устройства, которые подлежат замене на гарантийной основе потребителю на новые, становятся собственностью компании Dyson при условии их замены.
- При гарантийном ремонте или замене устройства Dyson срок действия гарантии не увеличивается.
- Гарантия предоставляет преимущества, которые являются дополнительными и не влияют на ваши права как потребителя.

Важная информация о защите данных

При регистрации устройства Dyson:

- Вам необходимо предоставить нам основную контактную информацию для регистрации вашего изделия и разрешения нам выполнять гарантийные обязательства.
- После регистрации вы будете иметь возможность выбрать, разрешить нам обращаться к вам или нет. Если вы дадите согласие на обращение к вам от компании Dyson, вы сможете получать информацию о специальных предложениях, а также новости о последних инновациях. Мы никогда не продаем вашу информацию сторонним лицам или организациям и используем информацию, которую вы нам предоставили, как указано в нашей политике конфиденциальности, которая доступна на нашем веб-сайте по адресу: privacy.dyson.com

<p>Наименование изделия: Пылесос беспроводной Модель: V11</p>
<p>Напряжение питания: 230 Вольт Частота: 50 Гц Мощность потребляемая: 425 Вт.</p> <p>Пожалуйста, обратите внимание: Мелкие детали могут отличаться от показанных.</p>
<p>Срок службы изделия: 7 лет. Срок гарантии: 2 года.</p>
<p>Нами приложены все возможные усилия, чтобы избежать любых ошибок и обеспечить точность и надежность информации, изложенной в настоящем руководстве. Однако мы не даем полной гарантии отсутствия ошибок, которые не были обнаружены и исправлены до выхода руководства в печать. Указанные особенности и технические параметры изделия могут отличаться от реальных.</p>
<p>Местонахождение организации, производящей ремонт и техническое обслуживание: ООО Простор, г. Москва, ул. Воронцовская, д.20.</p>
<p>Адрес изготовителя: Дайсон Технолдж Лимитед., Тетбери Хил, Малмсбери, Уилтшир, Англия, СН16ОРП Импортер: ООО Дайсон, 119048, г. Москва ул. Усачева, д. 35А, тел.: +7 499 530 12 12</p>
<p>Для информационной поддержки: info.russia@dyson.com, тел.: 8 800 100 100 2 (звонок по России бесплатный) с 9:00 до 21:00 (кроме гос. праздников)</p>
<p>Определение даты производства по серийному номеру: Первая латинская буква в восьмизначном блоке символов определяет год производства: А - 2009, В - 2010, С - 2011, D - 2012, Е - 2013 и т.д. по возрастанию в соответствии с английским алфавитом. Следующая латинская буква в диапазоне от А до N (за исключением букв I и L – они не используются) определяет месяц изготовления: А – январь, В – февраль, С – март, D – апрель, Е – май, F – июнь, G – июль, H – август, J – сентябрь, K – октябрь, M – ноябрь, N – декабрь.</p>
<p>Товар соответствует требованиям Технических регламентов Таможенного союза "О безопасности низковольтного оборудования" (ТР ТС 004/2011) и "Электромагнитной совместимости технических средств" (ТР ТС 020/2011), о чем свидетельствуют соответствующие сертификаты, а также маркировка товара единым знаком обращения продукции на рынке государств - членов Таможенного союза.</p>


SI

Hvala, ker ste se odločili za nakup našega izdelka.

Registracija

Po registraciji brezplačne 2-letne garancije za vašo napravo Dyson skladno z določili garancije velja kritje za nadomestne dele in popravila (brez filtrov) za obdobje 2 let od datuma nakupa.

Če imate kakršna koli vprašanja o napravi Dyson, obiščite spletno stran www.dyson.si/support kjer lahko najdete spletno pomoč, podporne videoposnetke, splošne nasvete in koristne informacije o podjetju Dyson.

Lahko pa pokličete tudi tehnično podporo Dyson in navedete serijsko številko naprave ter natančno lokacijo in datum nakupa.

Serijsko številko najdete na napisni ploščici na dnu naprave.

Zapišite si serijsko številko za poznejšo uporabo.

Za ponazoritev.



Registracija po spletu

Obiščite našo spletno stran ter registrirajte polno garancijo na dele in izdelavo.

Registracija po telefonu

Pokličite našo telefonsko linijo za pomoč uporabnikom.
00 386 59 190 524

POMEMBNA VARNOSTNA NAVODILA

PRED UPORABO TE NAPRAVE PREBERITE VSA NAVODILA IN OPOZORILA V TEM PRIROČNIKU ZA UPORABO IN NA NAPRAVI

Pri uporabi električne naprave upoštevajte osnovne varnostne ukrepe, vključno z naslednjimi:

⚠ OPOZORILO

Ta opozorila veljajo za napravo ter za vse pripomočke, nastavke, polnilnike in omrežne vmesnike, kjer je to primerno.

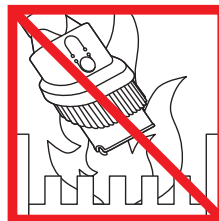
ZA PREPREČITEV TVEGANJA POŽARA, ELEKTRIČNEGA UDARA ALI POŠKODBE:

1. To napravo Dyson smejo uporabljati otroci od starosti 8 let dalje ali osebe z omejenimi fizičnimi, čutnimi ali intelektualnimi sposobnostmi oziroma osebe brez izkušenj ali znanja le pod nadzorom ali po navodilih odgovorne osebe glede varne uporabe naprave in s tem povezanih nevarnosti. Čiščenja in uporabniškega vzdrževanja otroci ne smejo opravljati brez nadzora.
2. Naprava ni igrača. Ko jo uporabljajo majhni otroci, jih vedno nadzorujte. Otroke je treba nadzorovati, da se ne bi igrali z napravo.
3. Uporabljajte samo na načine, opisane v tem Dysonovem priročniku za uporabo. Ne izvajajte vzdrževalnih del ali popravil, razen tistih, ki so prikazana v tem priročniku ali ki vam jih svetuje strokovnjak Dysonove telefonske linije za pomoč uporabnikom.
4. Naprava je primerna za uporabo SAMO v suhem okolju. Ne uporabljajte je na prostem ali na mokrih površinah.
5. Nobenega dela polnilnika ali naprave se ne dotikajte z mokrimi rokami.
6. Naprave ne uporabljajte, če je poškodovan polnilnik ali kabel.
7. Če naprava ne deluje pravilno, če je utrpela močan udarec, je padla na tla, je bila poškodovana, ste jo pustili na prostem ali je padla v vodo, naprave ne uporabljajte in pokličite Dysonovo telefonsko linijo za pomoč uporabnikom.
8. Če potrebujete servis ali popravilo, pokličite Dysonovo telefonsko linijo za pomoč uporabnikom. Naprave ne razstavljajte, saj lahko nepravilno vnovično sestavljanje povzroči električni udar ali požar.

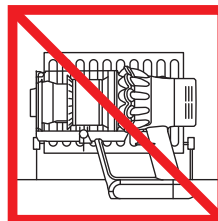
9. Kabla ne raztegujte in ga ne obremenjujte. Kabla ne približujte ogretim površinam. Kabla ne zapirajte z vrati in ga ne vlecite okrog ostrih robov ali vogalov. Kabel razporedite zunaj delovnega območja in tja, kjer nanj ne boste stopili ali se obenj spotaknili. Ne vozite čez kabel.
10. Ni primerna za sesanje vode.
11. Ne uporabljajte za sesanje vnetljivih ali eksplozivnih tekočin, kot je na primer bencin ali ne uporabljajte na območjih, kjer so lahko prisotni.
12. Ne sesajte gorečih ali kadečih se predmetov, kot so cigarete, vžigalice ali vroč pepel.
13. Pazite, da lasje, široka oblačila, prsti ali drugi deli telesa ne pridejo v odprtine ali gibljive dele, kot je krtača. Ne usmerjajte cevi ali nastavka proti očem ali ušesom ali jih dajajte v usta.
14. V odprtine ne vstavljajte nobenih predmetov. Ne uporabljajte naprave z zamašenimi odprtinami; redno čistite prah, vlakna, dlake in vse drugo, kar lahko zmanjša pretok zraka.
15. Uporabljajte le z Dysonovimi nastavki in pripomočki.
16. Ne uporabljajte brez nameščenega zbiralnika smeti in filtrov.
17. Če naprave dalj časa ne uporabljate, izključite polnilnik.
18. Pri uporabi na stopnicah bodite še zlasti previdni.
19. Če želite preprečiti nenameren vklop naprave, se z rokami in prsti ne približujte gumbu za vklop, dokler niste pripravljeni na sesanje. Zlasti bodite previdni pri dvigovanju ali prenašanju naprave. Če napravo prenašate s prstom na gumbu za vklop, lahko pride do nesreče.
20. Naprave ne nameščajte, polnite ali uporabljajte na prostem, v kopalnici ali v oddaljenosti 3 m od bazena. Prav tako je ne uporabljajte na mokrih površinah in je ne izpostavljajte vlagi, dežju ali snegu.
21. Za polnjenje te Dysonove naprave uporabljajte samo Dysonov polnilnik (številka dela 217160). Uporabljajte samo Dysonove baterije – druge vrste baterij lahko eksplodirajo ter poškodujejo ljudi in napravo.
22. Pri odstranjevanju ali zamenjavi motorne krtače bodite previdni, da ne pritisnete gumba za vklop, dokler čistilna glava ni znova sestavljena.
23. Ne uporabljajte baterijskega sklopa ali naprave, če sta poškodovana ali spremenjena. Poškodovane ali spremenjene baterije lahko delujejo nepredvidljivo in povzročijo požar, eksplozijo ali poškodbe. Baterijskega sklopa ali naprave ne izpostavljajte odprtemu ognju oziroma visokim temperaturam. Izpostavljanje ognju oziroma temperaturam nad 60 °C (140 °F) lahko povzroči eksplozijo.
24. Baterijski vložek je zatesnjen in v običajnih okoliščinah ne predstavlja nobene nevarnosti. V malo verjetnem primeru, da bi iz baterijskega vložka začela iztekati tekočina, se tekočine ne dotikajte, saj lahko povzroči draženje ali opekline, in upoštevajte naslednje varnostne ukrepe:
 - Ob stiku s kožo lahko povzroči draženje. Umijte z milom in vodo.
 - Ob vdihavanju lahko povzroči draženje dihalnih poti. Pojdite na svež zrak in poiščite zdravniško pomoč.
 - Če pride v oči, lahko povzroči draženje. Oči takoj temeljito izpirajte z vodo najmanj 15 minut. Poiščite zdravniško pomoč.
 - Odstranjevanje – nosite rokavice in baterijski vložek nemudoma odstranite skladno z lokalnimi predpisi.
25. Upoštevajte vsa navodila za polnjenje in ne polnite akumulatorja ali aparata zunaj temperaturnega območja, navedenega v navodilih. Polnjenje, ki je nepravilno ali pri temperaturi zunaj določenega območja lahko poškoduje baterijo in poveča nevarnost požara. Za zagotovitev kar najdaljše življenjske dobe baterije Dyson priporoča naslednje:
 - Ko naprave ne uporabljate, jo shranjujte pri sobni temperaturi. Priporočen razpon: od 18 °C (64 °F) do 28 °C (82 °F).
 - Priporočen razpon temperature okolja med delovanjem in polnjenjem je od 10 °C (50 °F) do 30 °C (86 °F).
26. **NEVARNOST POŽARA** – Izdelka ne polagajte na ali v bližino štedilnika ali katere koli vroče površine; izdelka ne poskušajte sežgati, tudi če je hudo poškodovan. Baterija se lahko vname ali eksplodira.
27. **POŽARNO OPOZORILO** - Ne uporabljajte dišav ali dišečih izdelkov s filtrom te naprave. Znano je, da so kemikalije v teh izdelkih vnetljive in lahko povzročijo požar.

PREBERITE IN SHRANITE TA NAVODILA

Naprava Dyson je namenjena samo za domačo uporabo.



Ne uporabljajte v bližini odprtega ognja.



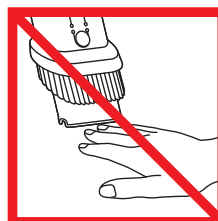
Ne hranite v bližini virov toplote.



Ne sesajte vode ali drugih tekočin.



Ne sesajte gorečih predmetov.



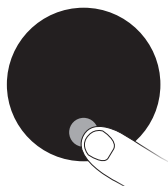
Ko napravo uporabljate, ne polagajte rok v bližino krtiče.



Ne polagajte na ali v bližino štedilnika.

Zaslon

Gumb za izbiranje



Z gumbom za izbiranje lahko upravljate nastavitve naprave.

Opozorila



Zaslon vas bo opozoril, ko bo naprava zahtevala vašo pozornost. Upoštevajte navodila na zaslonu, da ohranite učinkovitost delovanja.

Stanje baterije

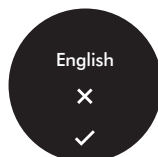


Neprekinjena ali redna uporaba načina Eco (Varčni način) ali Auto/Sred (Samodejni/srednji način) podaljšuje čas čiščenja, preprečuje pregrevanje ter ohranja trajnost in vzdržljivost baterije.

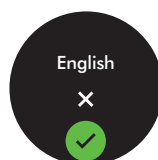
Izbiranje jezika



Pritisnite gumb za izbiranje in ga držite od 5 do 10 sekund, da se prikaže seznam jezikov.



Pritiskajte gumb za izbiranje za pomikanje med jeziki. Če za kratek čas (od 2 do 4 sekunde) pridržite gumb za izbiranje, boste izbrali jezik.



Če želite potrditi izbrani jezik, pritiskajte gumb za izbiranje, da se pomaknete na kljukico, nato pa ga za kratek čas pridržite, da potrdite izbiro.

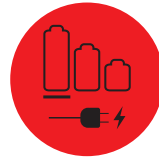


Če izberete napačen jezik, za kratek čas pridržite gumb za izbiranje, ko se prikaže križec, da se vrnete na seznam jezikov.

Skoraj prazna baterija

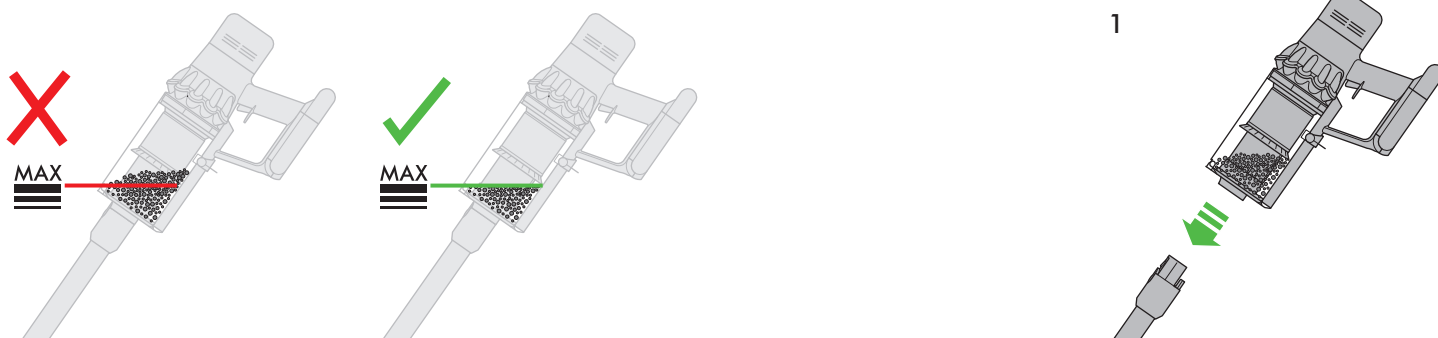


Zaslon vas bo opozoril, ko bo baterija skoraj prazna.

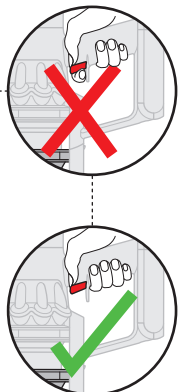
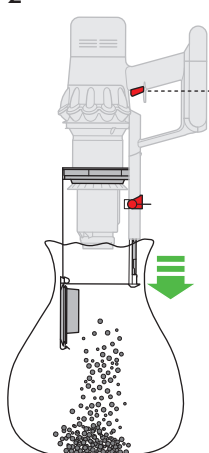


Ko je baterija prazna in jo je treba napolniti, se prikaže končno opozorilo.

Praznjenje zbiralnika smeti

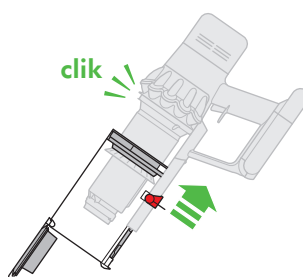


2

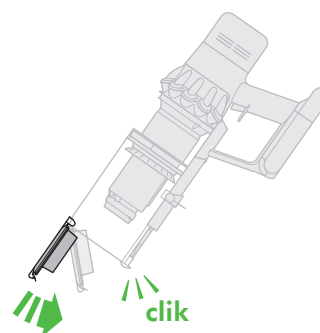


Pazite, da pri praznjenju zbiralnika smeti ne pritisnete gumba za vklop.

3

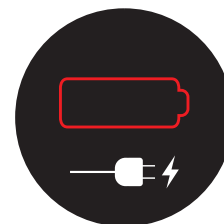
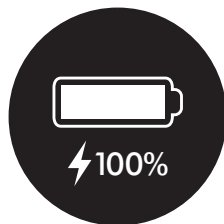
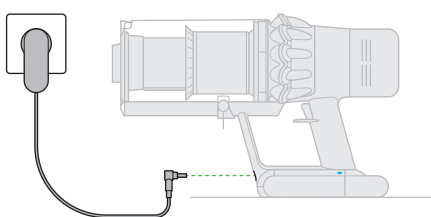
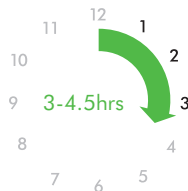


4



Zbiralnik smeti zaprete tako, da dno potiskate navzgor, dokler se zbiralnik in dno ne zaskoči.

Polnjenje

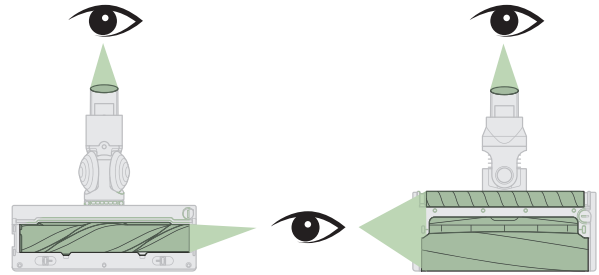
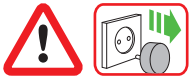


Napravo priključite neposredno na polnilnik ali jo postavite v priključno postajo. Modri lučki LED (po ena na vsaki strani baterije) bosta med polnjenjem utripali. Ko bo baterija napolnjena, bosta obe lučki LED 5 sekund svetili, nato pa ugasnili.

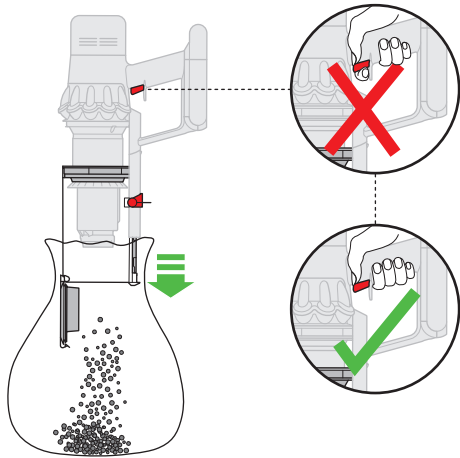
Baterija je napolnjena, ko je za stanje baterije na zaslonu prikazano 100 %.

Baterija je prazna in potrebuje polnjenje.

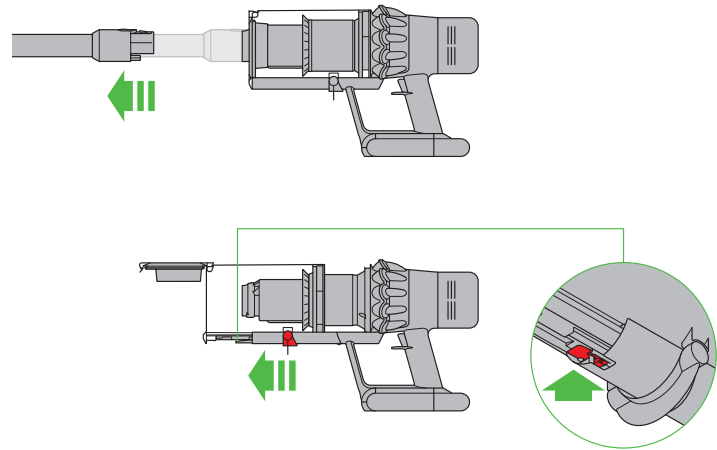
Iskanje blokad



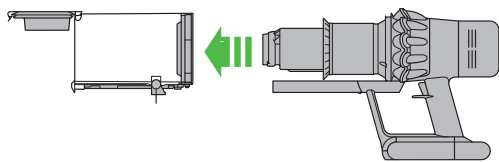
1



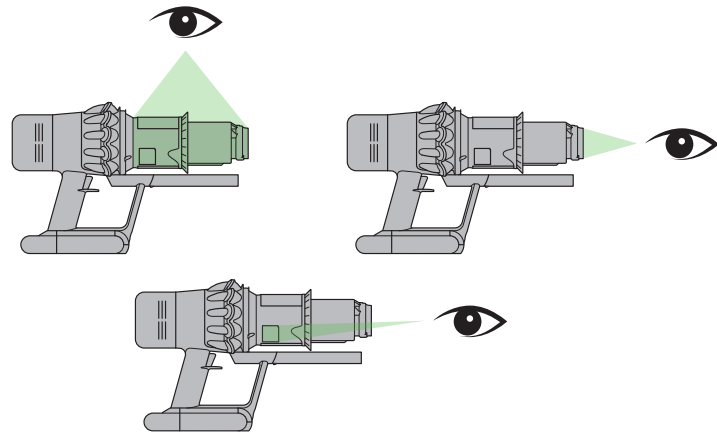
2



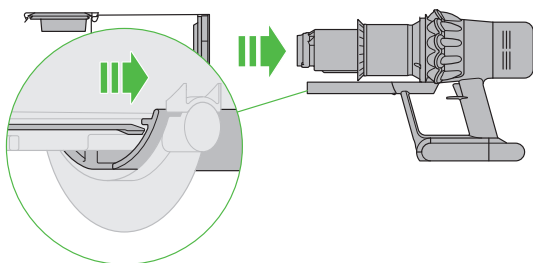
3



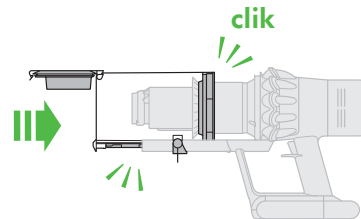
4



5

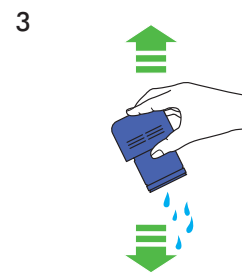
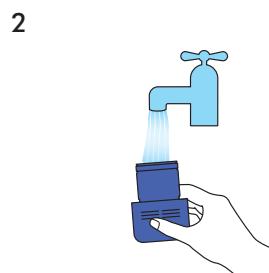
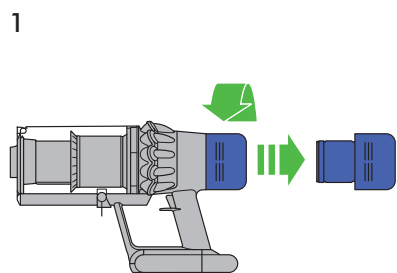
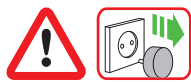


6

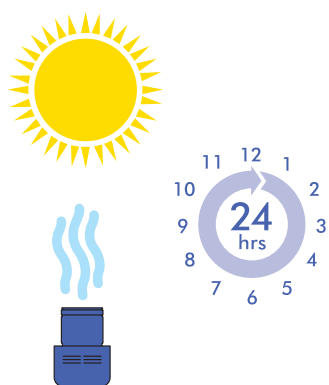


Zbirnik smeti zaprete tako, da dno potiskate navzgor, dokler se zbirnik in dno ne zaskočita.

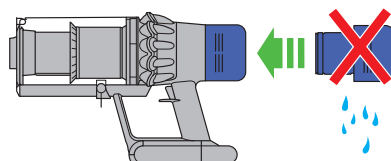
Čiščenje filtra



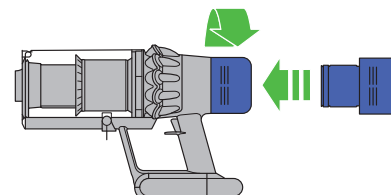
4



5



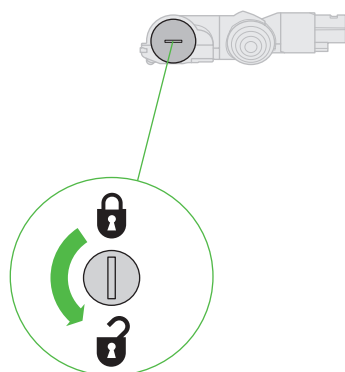
6



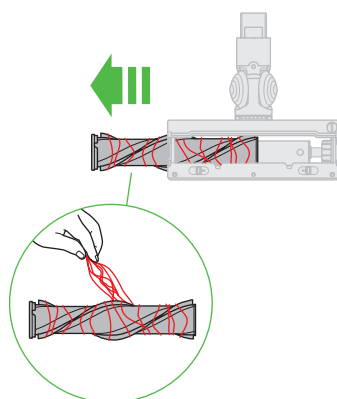
Vzdrževanje čistilne glave z visokim navorom



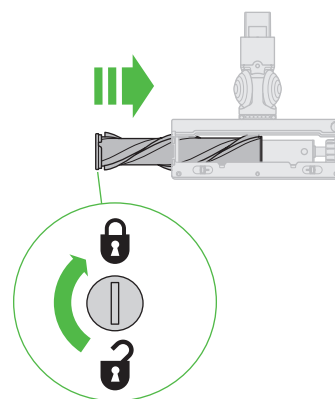
1



2



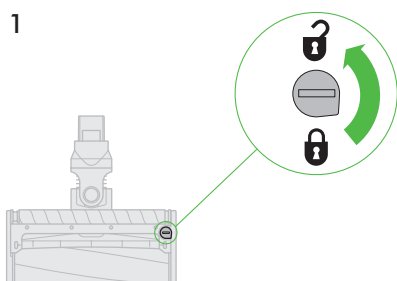
3



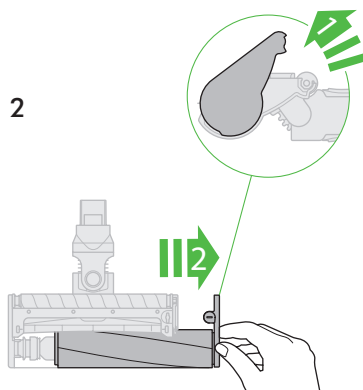
Vzdrževanje čistilne glave valjaste krtačke – odpravljanje blokad



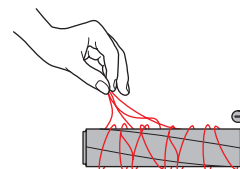
1



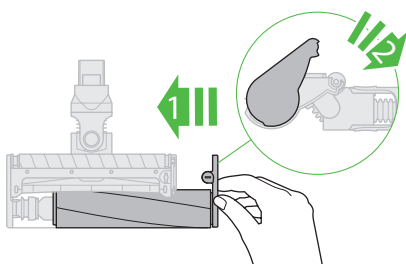
2



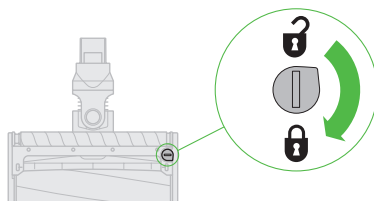
3



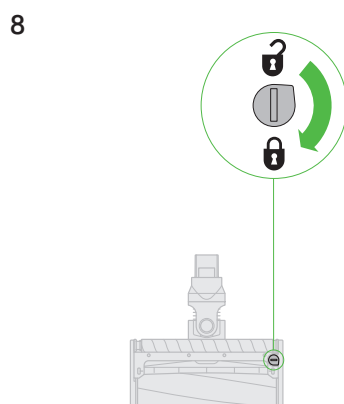
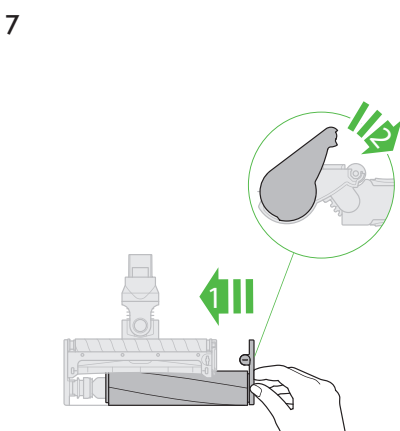
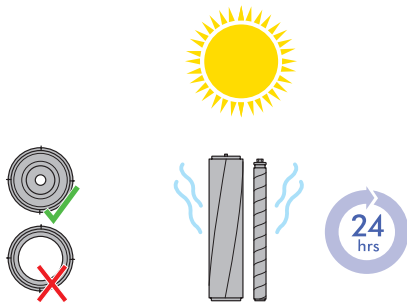
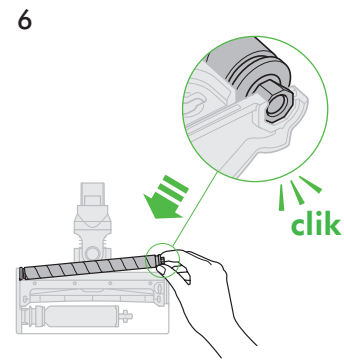
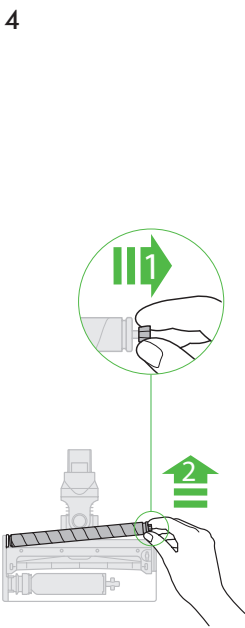
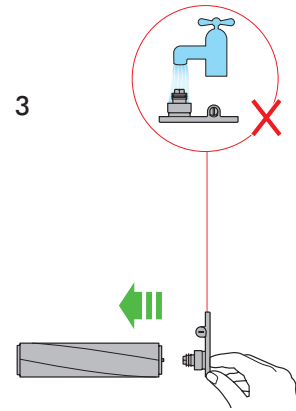
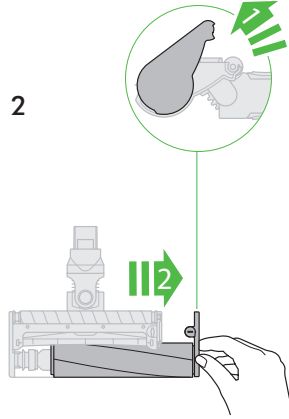
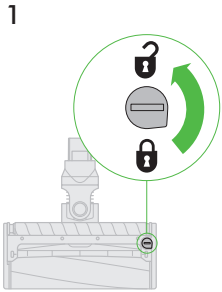
4



5



Vzdrževanje čistilne glave valjaste krtačke – pranje motornih krtač



Dodatne informacije

Pred nadaljevanjem preberite »Pomembna varnostna navodila« v tem priročniku za uporabo sistema Dyson.

Namestitve priklonpe postaje

- Iz embalaže vzemite priklonno postajo, polnilnik in priročnik za namestitve.
 - Določite mesto za priklonno postajo. Neposredno za mestom namestitve ne smejo biti cevi (za plin, vodo ali zrak), električni kabli, žice ali kanali prezračevalnih sistemov.
 - Upoštevajte navodila v priročniku za namestitve.
 - Priključke namestite na ustrezna mesta.
 - Napravo postavite v priklonno postajo.
 - Polnilnik priključite v električno napajanje. Po potrebi vklopite napravo, da napolnite baterijo.
 - Pred prvo uporabo mora biti naprava popolnoma napolnjena.
- Priklonna postaja mora biti pritrjena skladno z veljavnimi predpisi in lokalnimi standardi/kodeksi (državnimi in lokalnimi zakoni).
- Dyson priporoča, da med nameščanjem priklonpe postaje nosite zaščitna oblačila, očala in druga zaščitna sredstva.

Vakuumsko sesanje

- Odstranite napravo iz priklonpe postaje.
- Preverite, ali je spodnja stran glave sesalnika oziroma orodja čista in brez tujkov, ki bi lahko poškodovali napravo.

Pred sesanjem tal, debelih preprog in preprog preverite proizvajalčeva priporočena navodila za čiščenje.

Motorna krtača naprave lahko poškoduje nekatere vrste preprog in površin. Nekatero preprogo se pri uporabi vrteče krtače lahko scefrajo. V tem primeru priporočamo, da jih sesate brez motoriziranega nastavka za tla in se posvetujete s proizvajalcem preprog.

Čistilna glava z visokim navorom – drsnik za upravljanje sesanja

Čistilna glava z visokim navorom ima drsnik za upravljanje sesanja čistilne glave. Za izbiro ustreznega načina sesanja premaknite drsnik na vrhu čistilne glave.

Najvišji sesalni tlak v prahu in ostankih (+)

- Za sesanje trajnih in trdih talnih oblog ter zelo umazanih preprog.

Sesanje prahu in ostankov (▲)

- Za sesanje prahu na rahlo umazanih preprogah in trdih talnih oblogah.
- Za sesanje velikih ostankov, kot so arašidi ali riž.

Sesanje za globoke in občutljive talne obloge (-)

- Za sesanje globokih preprog ali preprog in vseh talnih oblog, na katerih lahko naležite na večjo trdovratnost.
- Za sesanje rahlo umazanih tal, vključno z občutljivimi tlemi, kot so vinil, parket in linolej.

Praznjenje zbiralnika smeti

- Izpraznite, kakor hitro umazanija doseže oznako MAX – ne prenapolnite.
 - Pazite, da pri praznjenju zbiralnika smeti ne pritisnete gumba za vklop.
 - Odstranite cevni podaljšek, tako da pritisnete rdeči gumb za izmet cevnega podaljška, ki ga nato potegnete iz zbiralnika smeti.
 - Postopek za sprostitev umazanije:
 - Napravo držite tako, da je zbiralnik smeti usmerjen navzdol.
 - Močno pritisnite rdeči gumb za sprostitev zbiralnika smeti.
 - Zbiralnik bo zdrsil navzdol in spotoma očistil okrov.
 - Dno zbiralnika se bo odprlo.
 - Spodnji pokrov se ne bo odprl, če rdeči gumb ni popolnoma potisnjen navzdol
- Da med praznjenjem zmanjšate stik s prahom/alergeni, zaprite zbiralnik smeti tesno v plastično vrečko in ga izpraznite. Pazljivo odstranite enoto zbiralnika smeti od vrečke. Vrečko tesno zaprite in odstranite kot običajno.

Čiščenje zbiralnika smeti (izbirno)

Če je treba očistiti zbiralnik smeti:

- Upoštevajte navodila v razdelku »Praznjenje zbiralnika smeti«.
- Pritisnite rdeči gumb na vodilu zbiralnika, da zbiralnik sprostite, nato pa ga potisnite z vodila.
- Zbiralnik smeti čistite samo z vlažno krpo.
- Preden ga znova namestite, preverite, ali so zbiralnik in tesnila popolnoma suhi.
- Za vnovično namestitve zbiralnika smeti:
 - Vstavite pritrdilo v vodilo zbiralnika.

Zaprte zbiralnik, tako da potiskate dno navzgor, dokler se zbiralnik in dno ne zaskočita. Odsvetujemo pranje zbiralnika smeti v pomivalnem stroju. Tudi uporaba detergentov, lošči ali osvežilcev zraka za čiščenje zbiralnika smeti ni priporočljiva, saj lahko povzročijo poškodbe naprave.

Indikatorja za filter in blokado

Zaslon aparata vas bo opozoril, ko boste potrebovali preproste korake vzdrževanja.

- Indikator za filter se prikaže, če filterna enota ni pravilno nameščena. Upoštevajte navodila za vnovično namestitve filterne enote v razdelku »Pranje filterne enote«.
- Indikator za filter se prikaže, če je filterna enota treba oprati. Upoštevajte navodila za pranje filterne enote v razdelku »Pranje filterne enote«.
- Indikator za blokado se prikaže, če pride do blokade. Upoštevajte navodila za odpravljanje blokad v razdelku »Ugotavljanje blokad«.

Pralni deli

Naprava ima nekaj pralnih delov, ki jih je treba redno čistiti. Upoštevajte spodnja navodila.

- Nobenega dela naprave ne dajajte v pomivalni, pralni ali sušilni stroj, v običajno ali mikrovalovno pečico oziroma v bližino odprtega ognja.

Pranje filterne enote

Filter operite vsaj enkrat na mesec oziroma vedno, ko se prikaže indikator za vzdrževanje filtra.

Filterna enota preverjajte in perite skladno z navodili, da ohranite učinkovitost delovanja.

- Filterna enota odstranite tako, da jo zavrtite v nasprotni smeri urnega kazalca. Nežno jo izvlecite iz naprave.
- Pred pranjem nežno otesite filterno enoto, da odstranite ostanke prahu in smeti.
- Filterna enota perite samo s hladno vodo – ne uporabljajte čistila in ne perite je v pomivalnem ali pralnem stroju.
- Najprej operite naguban papirnati element filterne enote – filterna enota držite pod curkom hladne vode tako, da je penasti element usmerjen navzdol, in s hladno vodo operite naguban papir.
- Perite, dokler ne priteče čista voda.
- Nato operite penasti element filterne enote – filterna enota držite pod curkom hladne vode tako, da je penasti element usmerjen navzdol, da umazana voda ne teče po nagubanem papirnatem elementu. S hladno vodo operite notranji in zunanji del penastega elementa, nato pa nežno ožemite peno, da iztisnete umazanijo.
- Perite, dokler ne priteče čista voda.
- Operite zunanji del filterne enote. Nato enoto napolnite s hladno vodo, z dlanmi prekrijte odprta dela in nežno pretresite.
- Postopek pranja elementov in zunanjega dela filterne enote ponavljajte, dokler iz nje ne priteče čista voda.
- Nežno otesite filterno enoto, da odstranite ostanke vode, nato pa z navzgor obrnjenim penastim elementom pustite, da se posuši.
- V suhem okolju z dobrim pretokom zraka jo pustite vsaj 24 ur, da se popolnoma posuši.
- Preverite, ali je filterna enota popolnoma suha.
- Če želite filterno enoto znova namestiti, jo vstavite v glavni del naprave in jo vrtite v smeri urnega kazalca, dokler se ne zaskoči.

Filterna enota boste morda morali prati pogosteje, če sesate fin prah ali če jo največkrat uporabljate v načinu Boost (Močnejši način).

Nobenega dela naprave ne dajajte v pomivalni, pralni ali sušilni stroj, v običajno ali mikrovalovno pečico oziroma v bližino odprtega ognja.

PRANJE KRTAČE

Čistilna glava valjaste krtače ima dve pralni krtači. Redno ju preverjajte in perite skladno z navodili, da ohranite učinkovitost delovanja.

- Oglejte si slike v zgornjem razdelku »Vzdrževanje čistilne glave«.
- Pri odstranjevanju ali zamenjavi motorne krtače bodite previdni, da ne pritisnete gumba za vklop, dokler čistilna glava ni znova sestavljena.

Če želite krtači odstraniti, oprati in znova namestiti:

- Obrnite čistilno glavo tako, da je njena spodnja stran obrnjena k vam. S kovancem zavrtite končni pokrovček za četrtino obrata v nasprotni smeri urnega kazalca, da bo v odklenujem položaju. Zasukajte končni pokrovček v odprti položaj. Previdno povlecite glavno krtačo s čistilne glave. Odstranite končni pokrovček z glavne krtače. Končnega pokrovčka ne čistite z vodo.
- Previdno povlecite zadnjo krtačo s čistilne glave.
- Držite valjaste krtače pod tekočo vodo in jih nežno drgnite, da odstranite vsa vlakna in umazanijo.
- Postavite krtači pokonci, kot je prikazano na sliki. Pustite vsaj 24 ur, da se popolnoma posušita. Pred namestitvijo preverite, ali sta krtači popolnoma suhi.
- Potisnite zadnjo krtačo nazaj v čistilno glavo.
- Potisnite glavno krtačo nazaj v čistilno glavo.
- Pritrdite končni pokrovček na glavno krtačo.
- Končni pokrovček naj bo v odprtem položaju, kot kaže slika. Ko je na svojem mestu, zasukajte končni pokrovček nazaj v zaprti položaj.
- Z zasukom za četrt obrata v desno zaprite pritrdilni element. Pazite, da je pritrdilni element do konca zasukan in da sta krtači trdno nameščeni.

Čistilna glava z visokim navorom

Krtača motorne čistilne glave ni pralna.

Mini orodje z motorno glavo za hitro sprostitev

Krtača motorne čistilne glave ni pralna.

Samodejni izklop ob zastoj

- Ta naprava je opremljena s sistemom za samodejni izklop.
- Če je kateri del blokiran, se lahko naprava samodejno izklopi.
- To se bo zgodilo, ko se motor nekajkrat zaporedoma zažene (npr. vklopi in izklopi v hitrem zaporedju) in se prižge indikator blokade.
- Preden poiščete zastoje, počakajte, da se ohladi.
- Pazite, da med iskanjem blokad ne pritisnete gumba za vklop. Uporaba delno razstavljene naprave lahko povzroči telesne poškodbe.
- Pred ponovnim zagonom očistite morebitne blokade.
- Pred uporabo trdno pritrdite vse dele.
- Iskanja blokad garancija ne pokriva.

Iskanje blokad

Motor bo utripal in kazalnik blokade se prikaže, ko pride do blokade. Če želite določiti blokado, sledite spodnjim navodilom:

- Pazite, da med iskanjem blokad ne pritisnete gumba za vklop. Uporaba delno razstavljene naprave lahko povzroči telesne poškodbe.
- Ko iščete blokade, pazite na ostre predmete.
- Če želite preveriti, ali je do blokade prišlo v glavnem delu naprave, skladno z navodili v razdelku »Praznjenje zbiralnika smeti« odstranite zbiralnik in odpravite blokado.
- Če ovire ni mogoče odstraniti s čistilne glave, boste morda morali odstraniti krtačo. S kovancem odvijte pritrdilni element, potisnite krtačo s čistilne glave in odstranite oviro. Znova namestite krtačo in privijte pritrdilni element. Pred uporabo naprave preverite, ali je trdno pritrjena.
- Ta naprava vsebuje oglikove ščetke. Bodite pozorni, če pridete v stik z njimi. Lahko povzročijo manjše vnetje kože. Po stiku s ščetko umijte roke.
- Pred uporabo trdno pritrdite vse dele.
- Iskanja blokad garancija ne pokriva.

POLNJENJE IN SHRANJEVANJE

- Naprava se bo izklopila, če bo temperatura baterije padla pod 10 °C (50 °F). Ta funkcija ščiti motor in baterijo. Naprave nikoli ne napolnite in nato shranite v prostoru s temperaturo pod 10 °C (50 °F).
- Za podaljšanje življenjske dobe baterije jo napolnite takoj, ko je prazna. Pustite, da se hladi nekaj minut.
- Izogibajte se uporabi naprave, če se baterija dotika površine. S tem dosežete hladnejše delovanje ter podaljšanje časa delovanja in trajanja baterije.

VARNOSTNA NAVODILA ZA BATERIJSKI VLOŽEK

- Če morate zamenjati baterijo, se obrnite na telefonsko linijo za pomoč uporabnikom Dyson.
- Za polnjenje te Dysonove naprave uporabljajte samo Dysonov polnilnik (številka dela 217160).

POZOR

Nepravilno ravnanje z baterijskim vložkom lahko privede do požara ali kemičnih opeklin. Hranite zunaj dosega otrok. Baterijskega vložka ne razstavljajte in ga ne odlagajte v ogenj.

Informacije o odstranjevanju

- Izdelki Dyson so izdelani iz visokokakovostnih materialov, ki jih je mogoče reciklirati. Izdelek odstranite odgovorno in, kjer je mogoče, reciklirajte.
- Preden napravo zavržete, morate iz nje odstraniti baterijo.
- Baterijo odstranite ali reciklirajte skladno z lokalnimi odloki ali pravilniki.
- Porabljeno filtersko enoto odstranite skladno z lokalnimi odloki in predpisi.
- Ta oznaka kaže, da tega izdelka v EU ne smete odstranjevati skupaj s preostalimi gospodinjstvi odpadki. Da bi preprečili morebitno škodo za okolje ali človeško zdravje zaradi nenadzorovanega odstranjevanja odpadkov, ta izdelek odgovorno reciklirajte in s tem spodbujajte trajnostno uporabo materialnih virov. Če želite vrniti uporabljen napravo, uporabite sisteme za vračilo in zbiranje ali se obrnite na prodajalca, pri katerem ste kupili izdelek. Ti lahko prevzamejo izdelek za okolju varno recikliranje.

Dysonova pomoč uporabnikom

Hvala, ker ste se odločili za nakup našega izdelka.

Potem ko registrirate 2-letno garancijo, bo za napravo Dyson veljala 2-letna garancija skladno z garancijskimi pogoji. Če imate kakršna koli vprašanja o napravi Dyson, obiščite spletno stran www.dyson.si/support, kjer lahko najdete spletno pomoč, splošne nasvete in koristne informacije o podjetju Dyson.

Lahko pa pokličete tudi tehnično podporo Dyson in navedete serijsko številko naprave ter natančno lokacijo in datum nakupa.

Če naprava Dyson potrebuje popravilo, pokličite tehnično podporo Dyson in se pogovorite o rešitvah, ki so na voljo. Če je naprava Dyson še v garanciji in če ta krije potrebno popravilo, bo popravilo za vas brezplačno.

Prosimo, registrirajte se kot lastnik Dysonovega izdelka

Garancija za ta izdelek velja 2 leti od datuma nakupa. Garancijo registrirajte v 30 dneh od dneva nakupa. Če registracijo opravite takoj po nakupu, nam boste pomagali zagotavljati takojšnjo in učinkovito storitev. Shranite račun, na katerem je naveden datum nakupa.

To lahko naredite na 2 načina:

- Prek spleta na www.dyson.si
- Po telefonu s klicem tehnične podpore na 386 4 537 66 00.

Z registracijo prek spleta ali telefona boste:

- Zaščitili svojo naložbo z 2-letno garancijo za dele in servis.
- Prejemali koristne nasvete o uporabi stroja.
- Prejemali strokovne nasvete od tehnične službe Dyson.
- Prvi izvedeli za naše najnovije izdelke.
- Registracija traja samo nekaj minut, potrebujete pa samo serijsko številko.

Omejena 2-letna garancija

Pogoji omejene Dysonove 2-letne garancije

Garancija krije

- Popravilo ali zamenjavo vaše naprave (po izbiri Dysona), če se naprava pokvari zaradi napake v materialu, izdelavi ali delovanju v dveh letih od nakupa ali dostave (če kateri koli del ni več na voljo ali se ne izdeluje več, ga bo Dyson zamenjal z ustreznim nadomestnim delom).
- Če je bila ta naprava prodana v državo, ki ni članica EU, bo ta garancija veljavna, samo če je bila naprava uporabljena v državi, kamor je bila prodana.
- Če je bila naprava prodana v državo članico EU, bo garancija veljavna le, (i) če je bila naprava uporabljena v državi, kamor je bila prodana, ali (ii) če je bila naprava uporabljena v Avstriji, Belgiji, Franciji, Nemčiji, na Irskem, v Italiji, na Nizozemskem, v Španiji ali Veliki Britaniji ter če je takšna naprava v prosti prodaji v državi in če omrežna napetost v državi odgovarja nazivni napetosti naprave.

Garancija ne krije

Dysonova garancija ne krije popravila ali zamenjave izdelka, če je okvara nastala zaradi:

- Naključne škode, okvar, ki so posledica malomarne uporabe ali nege, nepravilne uporabe, zanemarjanja, nepredvidne uporabe ali ravnanja z napravo, ki ni skladno z Dysonovim priročnikom za uporabo.
- Uporabe naprave za kateri koli drug namen, razen za običajne gospodinjne namene.
- Uporabe delov, ki niso sestavljeni ali nameščeni skladno z Dysonovimi navodili.
- Uporabe delov in nastavkov, ki niso originalni Dysonovi izdelki.
- Nepravilne namestitve (razen če jo je opravil Dyson).
- Popravil ali predelav, ki jih ne izvede Dyson ali njegovi pooblaščenji zastopniki.
- Blokad – preberite podrobnosti o iskanju in odpravljanju blokad v Dysonovem priročniku za uporabo.
- Normalne obrabe (varovalka, krtačke itd.).
- Uporabe naprave za sesanje kamnov, pepela ali mavca.
- Hitrejšega praznjenja baterije zaradi starosti ali izrabe baterije (kjer je to veljavno).

Če niste prepričani, kaj krije garancija, pokličite tehnično podporo Dyson.

Povzetek kritja

- Garancija začne veljati na dan nakupa (ali na dan dostave, če je ta poznejši).
- Predložiti morate dokazilo o dostavi/nakup, preden se popravilo vaše naprave lahko začne. Brez dokazila se vse delo zaračuna. Prosimo, shranite račun ali dobavnico.
- Vsa dela bo izvedel Dyson ali njegovi pooblaščenji zastopniki.
- Vsi zamenjani deli postanejo last Dysona.
- Garancijsko obdobje se ne bo podaljšalo zaradi popravila ali zamenjave naprave v garanciji.
- Garancija nudi dodatne ugodnosti, ki ne vplivajo na pravice, ki jih imate po zakonu kot potrošnik.

Informacije o zaščiti pomembnih podatkov

Pri registraciji izdelka Dyson:

- Za registracijo in garancijo vašega izdelka potrebujemo vaše osnovne kontaktne podatke.
- Ob registraciji lahko izberete, ali želite prejemati naša obvestila. Če se boste odločili za prejetje obvestil družbe Dyson, boste prejemali podrobnosti o posebnih ponudbah in novice o naših najnovjših inovacijah. Vaših podatkov ne bomo izročili tretjim osebam. Uporabili bomo le tiste informacije, ki nam jih boste zaupali, kot je to določeno v pravilniku o zasebnosti na naši spletni strani: privacy.dyson.com.

CZ

DŮLEŽITÁ BEZPEČNOSTNÍ UPOZORNĚNÍ

PŘED POUŽITÍM TOHOTO SPOTŘEBIČE SI PŘEČTĚTE VEŠKERÉ POKYNY A UPOZORNĚNÍ V TÉTO PŘÍRUČCE A NA SPOTŘEBIČI

Při použití elektrického spotřebiče dodržujte základní bezpečnostní opatření včetně následujících:

VAROVÁNÍ

Tato upozornění platí pro spotřebič a také pro všechny nástroje, příslušenství, nabíječku a síťový adaptér, jsou-li k dispozici.

OMEZTE NEBEZPEČÍ VZNIKU POŽÁRU, ÚRAZU ELEKTRICKÝM PROUDEM NEBO ZRANĚNÍ:

1. Tento spotřebič společnosti Dyson mohou používat děti od věku 8 let a osoby se sníženými fyzickými, smyslovými a rozumovými schopnostmi nebo nedostatkem znalostí a zkušeností pouze v případě, že jsou pod dozorem nebo jim odpovědná osoba poskytla příslušné pokyny a informace týkající se bezpečného používání spotřebiče a možných rizik s ním spojených. Čištění a uživatelská údržba spotřebiče nesmí být prováděna dětmi bez dozoru.
2. Nedovolte, aby si děti s tímto spotřebičem hrály. Pokud budou spotřebič používat malé děti nebo osoba v jejich blízkosti, je třeba dbát maximální opatrnosti. Malé děti by měly být pod dohledem, aby bylo zajištěno, že si nebudou s tímto spotřebičem hrát.
3. Spotřebič používejte pouze způsobem, který je popsán v tomto návodu k použití spotřebiče Dyson. Neprovádějte žádnou údržbu, která není popsána v tomto návodu k použití nebo vám nebyla doporučena prostřednictvím zákaznické linky společnosti Dyson.
4. Vhodné **POUZE** pro suché prostory. Nepoužívejte venku ani na mokřích místech.
5. Nemanipulujte s žádnou částí nabíječky nebo spotřebiče s mokřima rukama.
6. Nepoužívejte spotřebič s poškozenou nabíječkou nebo poškozeným kabelem.
7. Pokud spotřebič nefunguje správně, pokud utrpěl prudký úder, upadl na zem, byl poškozen, zůstal venku nebo spadl do vody, nepoužívejte ho a volejte zákaznickou linku společnosti Dyson.
8. Vyžaduje-li spotřebič servisní zásah nebo opravu, obraťte se na zákaznickou linku společnosti Dyson. Spotřebič sami nerozebírejte, protože nesprávná následná montáž může způsobit úraz elektrickým proudem nebo požár.
9. Napájecí kabel nenatahujte ani jej nevystavujte nadměrnému namáhání. Chraňte kabel před kontaktem s horkými plochami. Kabel nepřivírejte do dveří ani jej neved'te kolem ostrých hran nebo rohů. Napájecí kabel nepokládejte na místa, kudy se chodí, ani tam, kde by se na něj šlapalo nebo se musel překračovat. Přes kabel nepřejíždějte.
10. Nepoužívejte vysavač k vysávání vody.
11. Nepoužívejte k vysávání hořlavých kapalin, jako je benzín, ani spotřebič nepoužívejte v místech, kde mohou být tyto kapaliny nebo jejich výpary přítomny.
12. Nevysávejte nic, co hoří nebo z čeho se kouří, jako jsou cigarety, zápalky nebo horký popel.
13. Dbejte na to, aby vlasy, volné oblečení, prsty a další části těla byly v dostatečné vzdálenosti od otvorů a pohyblivých částí, jako je kartáč. Hadici, sací trubici ani nástavce nepřibližujte k očím ani uším a nedávejte si je do úst.
14. Do otvorů nevkládejte žádné předměty. Spotřebič nepoužívejte, pokud jsou některé otvory ucpané; odstraňujte prach, chuchvalce, vlasy a cokoli jiného, co by mohlo omezovat průchod vzduchu.
15. Používejte pouze příslušenství a náhradní díly doporučené společností Dyson.
16. Spotřebič použijte pouze tehdy, pokud obsahuje průhlednou nádobu na prach a pokud má správně umístěné filtry.
17. Nebudete-li nabíječku používat delší dobu, odpojte ji ze zásuvky.
18. Při vysávání schodů dbejte zvýšené opatrnosti.
19. Dokud nehodláte začít s vysáváním, mějte ruce a prsty zejména při zvedání a přenášení spotřebiče v dostatečné vzdálenosti od spouštěcího tlačítka, aby nedošlo k nechtěnému zapnutí. Přenášení spotřebiče s prstem na spouštěcím tlačítku může vést k úrazu.
20. Neinstalujte, nenabíjejte ani nepoužívejte tento spotřebič venku, v koupelně nebo do vzdálenosti 3 metrů od bazénu. Nepoužívejte jej na mokřích površích a nevystavujte jej vlhkosti, dešti ani sněhu.
21. Pro nabíjení tohoto spotřebiče Dyson používejte pouze nabíječku Dyson, číslo 217160. Používejte jen akumulátory Dyson: jiné typy akumulátorů mohou explodovat a způsobit zranění osob a věcné škody.
22. Při demontáži nebo výměně motorového rotačního kartáče dejte pozor, abyste nestiskli spouštěcí tlačítko, dokud není podlahová hubice vysavače opět smontována.
23. Nepoužívejte akumulátor nebo spotřebič, který je poškozen nebo modifikován. Poškozené nebo modifikované akumulátorové baterie mohou

vykazovat nepředvídatelné chování, které může mít za následek požár, explozi nebo nebezpečí zranění. Nevystavujte akumulátor nebo spotřebič působení ohně nebo nadměrné teploty. Působení ohně nebo teploty vyšší než 60 °C (140 °F) může způsobit explozi.

24. Akumulátor je uzavřená jednotka a za normálních okolností nepředstavuje žádné bezpečnostní riziko. V nepravděpodobném případě úniku kapaliny z akumulátoru se kapaliny nedotýkejte, protože může způsobit podráždění nebo poleptání, a dodržujte následující bezpečnostní pokyny:

- Při styku s pokožkou - může způsobit podráždění. Omyjte mýdlem a vodou.
- Vdechnutí – Může způsobit podráždění dýchacích cest. Dýchejte čerstvý vzduch a vyhledejte lékařskou pomoc.
- Při zasažení očí - může způsobit podráždění. Okamžitě vyplachujte oči důkladně vodou po dobu minimálně 15 minut. Vyhledejte lékařskou pomoc.
- Likvidace – Při manipulaci s akumulátorem používejte rukavice a okamžitě jej zlikvidujte dle místních předpisů a nařízení.

25. Dodržujte veškeré pokyny týkající se nabíjení a nenabíjejte akumulátor ani spotřebič mimo rozsah okolních teplot uvedených v těchto pokynech. Nesprávně nabíjení nebo nabíjení při teplotách mimo stanovený rozsah může poškodit akumulátor a zvýšit riziko vzniku požáru. Pro zajištění maximální životnosti akumulátoru Dyson doporučuje:

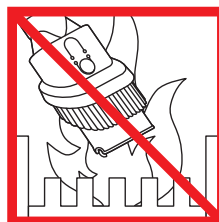
- Není-li spotřebič používán, měl by být uskladněn při pokojové teplotě. Doporučený rozsah: 18 °C (64 °F) až 28 °C (82 °F).
- Rozsah okolních teplot pro provoz a nabíjení by měl být 10 °C (50 °F) až 30 °C (86 °F).

26. **VAROVÁNÍ PŘED NEBEZPEČÍM POŽÁRU** – Tento spotřebič nepokládejte na vařič ani jiný horký povrch či do jeho blízkosti a tento spotřebič nevhazujte do ohně, ani když je silně poškozený. Baterie by se mohla vznítit nebo explodovat.

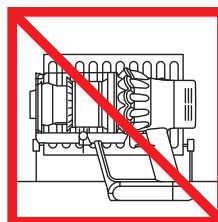
27. **VAROVÁNÍ PŘED NEBEZPEČÍM POŽÁRU** – Nepoužívejte na filtr(y) tohoto spotřebiče žádný vonný nebo parfémovaný produkt. O chemikáliích v takových produktech je známo, že jsou hořlavé a mohou způsobit vznícení spotřebiče.

TYTO POKYNY SI PŘEČTĚTE A USCHOVEJTE

Tento typ spotřebiče je určen pouze k použití v domácnosti.



Nepoužívejte v blízkosti otevřeného ohně.



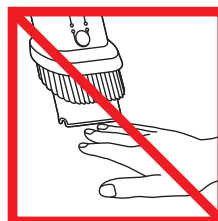
Neskladujte blízko zdrojů tepla.



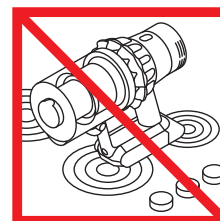
Nevysávejte vodu ani jiné kapaliny.



Nevysávejte hořící předměty.



Pokud je spotřebič v provozu, nedávejte ruce do blízkosti kartáče.



Nepokládejte na vařič ani do jeho blízkosti.

Dodatečné informace

Předtím, než budete pokračovat, přečtěte si "Důležité bezpečnostní pokyny" v tomto návodu k obsluze spotřebiče Dyson.

INSTALACE ÚCHYTU NA STĚNU

- Vybalte úchyt na stěnu, nabíječku a leták s pokyny k instalaci.
- Vyberte místo pro dokovací stanici a přesvědčte se, že přímo za místem montáže není žádné potrubí (plyn, voda nebo vzduch), elektrické kabely, dráty nebo kabelové vedení.
- Postupujte podle pokynů na letáku k instalaci.
- Zaklapněte nástavce na příslušné místo.
- Umístěte spotřebič do dokovací stanice.
- Zapojte nabíječku do elektrické zásuvky. Zapněte ji (je-li třeba), aby se akumulátor nabíjel.
- Před prvním použitím bude nutné spotřebič plně nabít.

Dokovací stanice musí být namontována v souladu s nařízeními a platnými předpisy nebo normami (státními nebo místními). Společnost Dyson doporučuje, abyste při instalaci dokovací stanice používali ochranný oděv, brýle a materiály.

Vysávání

- Vyměňte spotřebič z dokovací stanice.
- Zkontrolujte, zda je spodní strana podlahové hubice nebo nástavce čistá a bez cizích předmětů, které by mohly způsobit poškození.

Než začnete vysávat podlahu, rohože nebo koberce, přečtěte si doporučení pro čištění, které uvádí výrobce podlahové krytiny.

Kartáč spotřebiče může poškodit některé druhy koberců a podlah. Některé koberce se mohou při vysávání s použitím rotujícího kartáče třepit. Jestliže se to stane, doporučujeme vysávat bez hubice s motorovým rotačním kartáčem a konzultovat to s výrobcem koberce.

Podlahová hubice s vysokým kroutivým momentem – posuvný ovladač regulace sání
Vaše podlahová hubice s vysokým kroutivým momentem má posuvný ovladač pro regulaci sání. Chcete-li nastavit požadované sání, posouváte ovladač sání na horní části podlahové hubice.

Maximální sání pro podlahy znečištěné prachem a nečistotami (+)

- Pro vysávání odolných podlahových krytin, tvrdých podlah a silně znečištěných koberců a předložek.

Vysávání prachu a nečistot (▲)

- Pro vysávání mírně znečištěných koberců, předložek a tvrdých podlah.
- Pro vysávání velkých nečistot jako jsou arašidy nebo zrnka rýže.

Vysávání koberců s vysokým vlasem a choulstivých podlahových krytin (-)

- Pro vysávání koberců a předložek s vysokým vlasem a jakýchkoli podlahových krytin, na kterých pozorujete větší odpor kladený pohybu podlahové hubice.
- Pro vysávání mírně znečištěných podlah včetně choulstivých krytin jako je vinyl, parkety a linoleum.

Vysypání nádoby na prach

- Nádobu vysypte, jakmile nečistoty dosáhnou značky MAX – nádobu nenechte přeplnit.
- Dejte pozor, abyste nestlačili spouštěcí tlačítko v době, kdy je odpadní nádoba otevřená.
- Sací trubici odmontujete tak, že stisknete červené tlačítko pro uvolnění a trubici vytáhnete z nádoby.
- Uvolnění nečistot:
 - Držte spotřebič nádobou na prach dolů.
 - Silně stiskněte červené tlačítko pro uvolnění nádoby na prach.
 - Nádobu se bude posouvat dolů a současně očistí kryt.
 - Pak se otevře dno nádoby.
 - Dno nádoby na prach se neotevře, pokud není červené tlačítko zcela stlačeno dolů.

Pro minimalizaci kontaktu s prachem a alergeny při vysypávání nasadíte na průhlednou nádobu na prach prachotěsný sáček, doběte jej utěsníte a teprve poté vysypte nečistoty. Potom průhlednou nádobu na prach ze sáčku opatrně vyjměte. Sáček utěsníte a vyhodíte.

Čištění průhledné nádoby na prach (volitelně)

Pokud je nutné vyčistit průhlednou nádobu na prach:

- Postupujte podle pokynů v části „Vyprazdňování průhledné nádoby na prach“.
- Stisknutím červeného tlačítka na vodítku nádoby na prach uvolníte nádobu a stáhněte ji z vodítka.
- Průhlednou nádobu na prach čistíte pouze vlhkým hadříkem.
- Před nasazením se přesvědčte, že průhledná nádoba na prach a těsnění jsou zcela suché.
- Nasazení průhledné nádoby na prach:
 - Nasuňte osu na vodítko nádoby na prach.
- Průhlednou nádobu na prach zavřete tak, že zatlačíte její dno nahoru, dokud průhledná nádoba na prach a dno nádoby nezaklapnou.
- Průhledná nádoba na prach se nesmí umývat v myčce na nádobí a nedoporučuje se při jejím čištění používat mycí prostředky, leštidla a osvěžovače vzduchu, protože by mohlo dojít k poškození spotřebiče.

Indikátory filtru a ucpaní

Displej vašeho spotřebiče vás upozorní pokud je vyžadována jednoduchá údržba.

- Indikátor filtru hlásí, že je filtrační jednotka špatně vložená. Jak správně vložit filtrační jednotku se dozvíte v kapitole „Mytí filtrační jednotky“.
- Indikátor filtru hlásí, že filtrační jednotka vyžaduje mytí. Jak správně mýt filtrační jednotku se dozvíte v kapitole „Mytí filtrační jednotky“.
- Indikátor ucpaní indikuje, že došlo k ucpaní. Jak správně uvolnit ucpaná místa se dozvíte v kapitole „Hledání ucpaných míst“.

Omyvatelné součásti

Ve spotřebiči jsou omyvatelné součásti, které je třeba pravidelně čistit. Dodržujte níže uvedené pokyny.

- Žádnou část spotřebiče nevládejte do myčky na nádobí, pračky, sušičky, trouby nebo mikrovlnné trouby ani nenechávejte v blízkosti otevřeného ohně.

Mytí filtrační jednotky

Myjte filtrační jednotku alespoň jednou za měsíc nebo když se rozsvítí indikátor údržby filtru. Filtrační jednotku kontrolujte a myjte podle pokynů, aby byl zachován výkon spotřebiče.

- Chcete-li vyjmout filtrační jednotku, otočte ji proti směru hodinových ručiček. Opatrně ji vytáhněte ze spotřebiče.
- Než začnete filtrační jednotku mýt, jemně na ni poklepejte, aby se odstranil přebytečný prach a nečistoty.
- Myjte filtrační jednotku pouze ve studené vodě: nepoužívejte čisticí prostředky a nemýjte ji v myčce na nádobí nebo pračce.
- Nejprve umyjte prvek filtrační jednotky se skládaným papírem; držte filtrační jednotku pod kohoutkem se studenou vodou s pěnovým prvkem směrem dolů a pusťte studenou vodu na skládaný papír.
- Pokračujte v mytí, dokud nepoteče čistá voda.
- Potom umyjte pěnový prvek filtrační jednotky; držte filtrační jednotku pod kohoutkem se studenou vodou s pěnovým prvkem směrem dolů, aby špinavá voda neznečistila prvek se skládaným papírem. Pusťte studenou vodu na vnitřní a vnější stranu pěnového prvku a pěnu jemně mačkejte, abyste vypudili nečistoty.
- Pokračujte v mytí, dokud nepoteče čistá voda.
- Umyjte vnější stranu filtrační jednotky. Potom filtrační jednotku naplňte studenou vodou, dejte ruce na otevřené konce a jemně protřepte.
- Opakujte mytí prvků a vnějšíku filtrační jednotky, dokud nepoteče čistá voda.
- Jemně s filtrační jednotkou zatřepete, abyste odstranili přebytečnou vodu, a nechte vodu vytéct s pěnovým prvkem směrujícím nahoru.
- Nechte filtrační jednotku kompletně vyschnout v suchém prostředí s dobrým prouděním vzduchu nejméně po dobu 24 hodin.
- Zkontrolujte filtrační jednotku, zda je zcela suchá.
- Při vkládání zpět vraťte filtrační jednotku do hlavního těla spotřebiče a otáčejte s ní ve směru hodinových ručiček, dokud nezaklapne.

Jestliže vysáváte jemný prach nebo převážně používáte vysoký sací výkon, pravděpodobně bude zapotřebí filtrační jednotku umývat častěji.

Žádnou část spotřebiče nevládejte do myčky na nádobí, pračky, sušičky, trouby nebo mikrovlnné trouby ani nenechávejte v blízkosti otevřeného ohně.

UMÝVÁNÍ VÁLEČKŮ

Podlahová hubice s měkkým rotačním válečkem vašeho spotřebiče má dva omyvatelné válečky. Kontrolujte a myjte je pravidelně podle následujících pokynů, aby byl zachován výkon spotřebiče:

- Viz „Údržba podlahové hubice“ na obrázcích nahoře.
- Při demontáži nebo výměně motorem poháněného válečku dejte pozor, abyste nestiskli spouštěcí tlačítko dříve, než je podlahová hubice opět smontována.

Demontáž, mytí a opětovná montáž válečků:

- Otočte podlahovou hubici tak, aby k vám směřovala spodní stranou. Pomocí mince otočte pojistku uzávěru o čtvrtinu otáčky proti směru hodinových ručiček, aby zavazkla do polohy odjištění. Koncový uzávěr otočte do otevřené polohy. Opatrně vsuňte hlavní váleček z podlahové hubice. Z hlavního válečku sejměte koncový uzávěr. Koncový uzávěr neumývejte.
- Opatrně vsuňte zadní váleček z podlahové hubice.
- Jemně mněte povrch válečků pod tekoucí vodou, abyste odstranili chlupy a nečistoty.
- Poté je postavte svisle, jak je znázorněno. Nechte je kompletně vysušit alespoň po dobu 24 hodin. Před vložením válečků zpět na místo zkontrolujte, že jsou zcela suché.
- Zasuňte zadní váleček zpět do podlahové hubice.
- Zasuňte hlavní váleček zpět do podlahové hubice.
- Upevněte opět koncový uzávěr na hlavní váleček.
- Koncový uzávěr musí být v otevřené poloze jako na obrázku. Až bude koncový uzávěr na místě, otočte jej zpátky do uzavřené polohy.
- Pojistku uzavřete otočením o jednu čtvrtinu otáčky ve směru hodinových ručiček. Ověřte, že je pojistka zcela otočená a válečky jsou zajištěné.

Podlahová hubice s vysokým kroutivým momentem

Motorový rotační kartáč této podlahové hubice není omyvatelný.

Rychloupínací hubice s rotačním mini kartáčem

Motorový rotační kartáč této podlahové hubice není omyvatelný.

Ucpání – tepelná pojistka

- Tento spotřebič je vybaven automatickou pojistkou.
- Pokud se nějaká část spotřebiče zablokuje, může se spotřebič automaticky vypnout.
- K tomu dojde poté, co motor několikrát zapulzuje (tj. rychle za sebou se zapne a vypne) a rozsvítí se indikátor ucpání.
- Nechte spotřebič vychladnout, než začnete hledat ucpaná místa.
- Dejte pozor, abyste nestiskli spouštěcí tlačítko při hledání ucpaného místa. Spuštění spotřebiče ve stavu, kdy je částečně rozebrán, by mohlo způsobit zranění osob.
- Před opětovným spuštěním spotřebiče odstraňte veškeré překážky.
- Než spotřebič začnete opět používat, ujistěte se, že všechny jeho součásti jsou zpět na svém místě.
- Na odstraňování blokujících předmětů se záruka nevztahuje.

Hledání ucpaných míst

Pokud motor několikrát zapulzuje (tj. rychle za sebou se zapne a vypne) a rozsvítí se indikátor ucpání, znamená to, že se spotřebič ucpal. Při hledání a odstraňování blokujících předmětů postupujte podle následujících pokynů:

- Dejte pozor, abyste nestiskli spouštěcí tlačítko při hledání ucpaného místa. Spuštění spotřebiče ve stavu, kdy je částečně rozebrán, by mohlo způsobit zranění osob.
- Při hledání ucpaných míst dávejte pozor, abyste se neporanili o ostré předměty.
- Chcete-li zkontrolovat, zda hlavní tělo spotřebiče není ucpané, vyjměte průhlednou nádobu na prach podle pokynů v části „Vyprazdňování průhledné nádoby na prach“ a odstraňte překážku.
- Pokud se vám nepodaří odstranit překážku z podlahové hubice bude nutné vyjmout kartáč. Pomocí mince uvolněte pojistku, vsuňte kartáč z podlahové hubice a odstraňte překážku. Kartáč znovu nasadíte a upevníte dotažením pojistky. Před spuštěním spotřebiče se ujistěte, že je pojistka pevně dotažena.
- Tento spotřebič používá rotační kartáče s uhlíkovými vlákny. Při kontaktu s kůží mohou způsobit menší podráždění. Po manipulaci s rotačními kartáči si omyjte ruce.

- Než spotřebič začnete opět používat, ujistěte se, že všechny jeho součásti jsou zpět na svém místě.
- Na odstraňování blokových předmětů se záruka nevztahuje.

NABÍJENÍ A SKLADOVÁNÍ

- Je-li teplota akumulátorové baterie nižší než 10 °C (50 °F), spotřebič se vypne. Chrání se tím motor a akumulátor. Nenabíjejte a poté neskladujte spotřebič v prostorách s teplotou nižší než 10 °C (50 °F).
- Chcete-li prodloužit životnost baterie, nabíjejte ji ihned po úplném vybití, ale nechte ji nejprve několik minut vychladnout.
- Při používání spotřebiče dbejte na to, aby baterie nebyla ničím kryta, bude se lépe chladit, což prodlouží její životnost a udrží vyšší kapacitu.


BEZPEČNOSTNÍ POKYNY K BATERII

- Jestliže baterie potřebuje vyměnit, kontaktuje zákaznickou linku společnosti Dyson.
- Pro nabíjení tohoto spotřebiče Dyson používejte pouze nabíječku Dyson, číslo 217160.

Pozor

Baterie použité v tomto spotřebiči mohou při nevhodném zacházení představovat nebezpečí požáru nebo popálení chemikáliemi. Nerozebírejte, nezkratujte, nevhazujte do ohně a nedovolte zahřátí nad 60 °C. Uchovávejte mimo dosah dětí. Nerozebírejte a nevhazujte do ohně.

Informace k likvidaci

- Spotřebiče společnosti Dyson jsou vyrobeny z velmi dobře recyklovatelných materiálů. Po skončení životnosti spotřebič zlikvidujte odpovědně, a pokud je to možné, nechte jej recyklovat.
 - Před likvidací elektrospotřebiče z něj vyjměte baterii.
 - Baterii zlikvidujte nebo recyklujte v souladu s místními předpisy či nařízeními.
 - Opatřovanou filtrační jednotku zlikvidujte v souladu s platnými místními předpisy a normami.
-  Toto označení znamená, že by tento elektrospotřebič neměl být v zemích EU likvidován s běžným domovním odpadem. Aby nedocházelo k možnému poškození životního prostředí nebo zdraví lidí nekontrolovanou likvidací odpadů, odpovědně elektrospotřebiče recyklujte a podpořte tak udržitelné opakované využívání surovinových zdrojů. K vrácení použitého elektrospotřebiče využijte systémy vrácení a sběru nebo se spojte s prodejcem, u kterého jste elektrospotřebič zakoupili. Tato místa mohou elektrospotřebič odebrat k ekologicky bezpečné recyklaci.

Zákaznická linka společnosti Dyson

Děkujeme, že jste zakoupili spotřebič Dyson. Společnost Dyson poskytuje na tento spotřebič dvouletou záruční dobu. Pokud máte nějaké dotazy týkající se spotřebiče Dyson, navštivte stránky www.dyson.cz/support s online nápovědou, všeobecnými tipy a užitečnými informacemi o společnosti Dyson. Můžete také kontaktovat zákaznickou linku společnosti Dyson a sdělit sériové číslo spotřebiče a informace o místě a datu zakoupení. Pokud bude spotřebič Dyson vyžadovat opravu, kontaktujte zákaznickou linku společnosti Dyson, abychom vás mohli informovat o dostupných možnostech. Pokud je váš spotřebič Dyson v záruce a oprava je kryta zárukou, bude oprava zcela bezplatná.

Limitovaná dvouletá záruka

Podmínky limitované záruky společnosti Dyson v délce 2 let.

NA CO SE VZTAHUJE ZÁRUKA

- Oprava nebo výměna spotřebiče Dyson (podle uvážení společnosti Dyson), bude-li shledán vadným v důsledku vady materiálu, provedení nebo funkce do 2 let od data nákupu nebo dodání (nebude-li některý díl k dispozici nebo se již nebude vyrábět, společnost Dyson jej vymění za funkční náhradní díl).
- Byl-li tento spotřebič prodán v zemi mimo EU, tato záruka bude platná pouze v případě, že spotřebič bude používán v zemi, kde byl zakoupen.
- Byl-li spotřebič zakoupen na území EU, tato záruka bude platná pouze v případě, že (i) spotřebič bude používán v zemi, kde byl zakoupen, nebo (ii) spotřebič bude používán v Rakousku, Belgii, Francii, Německu, Irsku, Itálii, Nizozemsku, Španělsku nebo Velké Británii a příslušný model se v dané zemi prodává ve verzi pro stejné jmenovité napětí.

Na co se záruka nevztahuje

Společnost Dyson neposkytuje záruku na opravu nebo výměnu spotřebiče, pokud k závadě došlo v důsledku:

- Náhodného poškození, závad způsobených nedbalým používáním či péčí, nesprávným či neopatrným použitím nebo manipulací se spotřebičem, která není v souladu s návodem k použití spotřebiče Dyson.
- Použití spotřebiče pro jiné účely než pro běžné použití v domácnosti.
- Použití součástí nesmontovaných nebo nainstalovaných v souladu s pokyny společnosti Dyson.
- Použití jiných než originálních součástí a příslušenství společnosti Dyson.
- Nesprávné montáže (s výjimkou montáže pracovníkem společnosti Dyson).
- Oprav či úprav neprovedených společností Dyson nebo jejichmi autorizovanými poskytovateli služeb.
- Ucpaní (podrobné informace o hledání a odstraňování blokových předmětů naleznete v návodu k použití spotřebiče Dyson).
- Běžného opotřebení (např. pojistky, kartáče atd.).
- Použití spotřebiče na suť, popel, omítku.
- Snížení kapacity baterie z důvodu jejího stáří nebo opotřebení (pokud přichází v úvahu).

Máte-li jakékoli pochybnosti ohledně toho, na co se vaše záruka vztahuje, kontaktujte prosím zákaznickou linku společnosti Dyson.

Záruční podmínky

- Záruka nabývá platnosti v den nákupu (nebo v den dodání, pokud k němu došlo později).
- Před započítáním záruční opravy je nutno předložit originály záručního listu a prodejního dokladu. Bez předložení těchto dokladů bude oprava účtována jako mimozáruční. Proto si prodejní doklad a záruční list pečlivě uschovejte.
- Všechny práce smí provádět pouze společnost Dyson nebo její autorizovaní poskytovatelé služeb.
- Veškeré vyměněné součásti v rámci záruční opravy se stávají majetkem společnosti Dyson.
- Oprava nebo výměna vašeho spotřebiče Dyson prodlužuje platnost záruky o dobu, po kterou byl spotřebič v záruční opravě.
- Záruka poskytuje výhody, které jdou nad rámec vašich zákonných spotřebitelských práv a nijak je neomezují.

Důležité informace o ochraně údajů

Při registraci spotřebiče Dyson:

- Bude třeba, abyste nám poskytli základní kontaktní údaje, abychom mohli registrovat váš spotřebič a podporovat záruku na něj.
- Po registraci budete mít možnost si vybrat, zda od nás chcete dostávat různá sdělení. Pokud se přihlásíte k odběru sdělení od společnosti Dyson, budeme vám zasílat podrobnosti o speciálních nabídkách a zprávy o našich novinkách. Údaje, které nám sdělíte, nikdy neprodáme třetím osobám a budeme je používat pouze v souladu s našimi zásadami ochrany osobních údajů, které jsou k dispozici na našem webu privacy.dyson.com.

DK

VIGTIGE SIKKERHEDS-FORANSTALTNINGER

FØR DETTE APPARAT TAGES I BRUG, SKAL DU LÆSE ALLE ANVISNINGER OG ADVARSLER I DENNE VEJLEDNING OG PÅ APPARATET

Ved anvendelse af elektriske apparater skal man altid tage visse sikkerhedsforbehold:

⚠ ADVARSEL

Disse advarsler gælder for selve apparatet og, hvor det er relevant, alle redskaber, tilbehør, opladere eller netadapters.

FOR AT MINDSKE RISIKOEN FOR BRAND, ELEKTRISK STØD ELLER PERSONSKADER:

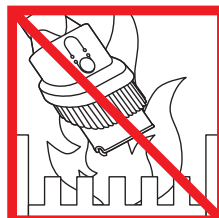
1. Dette Dyson apparat bør kun benyttes af børn fra 8 år og personer med nedsatte fysiske eller mentale funktioner eller manglende erfaring eller viden, hvis en ansvarlig person overvåger eller instruerer dem i sikker brug af apparatet og i de farer, der er knyttet til brugen. Uden overvågning bør børn ikke rengøre og vedligeholde apparatet.
2. Apparatet må ikke bruges som legetøj. Der skal udvises særlig opmærksomhed, når det benyttes af eller i nærheden af børn. Børn skal overvåges for at sikre, at de ikke leger med apparatet.
3. Brug kun apparatet som beskrevet i denne Dyson-brugervejledning. Der må ikke udføres nogen anden form for vedligeholdelse end den, der er beskrevet i denne brugervejledning eller er anvist af Dyson Helpline.
4. KUN egnet til tørre områder. Brug ikke udendørs eller på våde overflader.
5. Ingen dele af opladeren eller apparatet må berøres med våde hænder.
6. Må ikke bruges med en beskadiget oplader eller ledning.
7. Hvis apparatet ikke fungerer som det skal, hvis det har fået et hårdt slag, hvis det er blevet tabt, beskadiget, efterladt udendørs eller tabt i vand, må det ikke bruges. Kontakt Dyson Helpline.
8. Kontakt Dyson Helpline, hvis en service eller reparation er nødvendig. Apparatet må ikke skilles ad, da forkert samling kan medføre elektrisk stød eller brand.
9. Ledningen må ikke strækkes eller belastes. Hold ledningen væk fra varme overflader. Ledningen må ikke klemmes i en dør eller trækkes rundt om skarpe kanter eller hjørner. Anbring ledningen væk fra trafikerede områder, på et sted hvor den ikke trædes på eller udgør en snubelfare. Kør ikke over ledningen.
10. Må ikke anvendes til at opsamle vand.
11. Brug ikke støvsugeren til at fjerne letantændelige eller brandbare væsker, såsom benzin, og brug den ikke i områder, hvor sådanne væsker eller deres dampe kan forekomme.
12. Brug ikke støvsugeren til at opsamle genstande, som brænder eller ryger, såsom cigaretter, tændstikker, gløder eller aske.
13. Hold hår, løst tøj, fingre og andre dele af kroppen væk fra åbninger og bevægelige dele, som f.eks børstehovedet. Du må aldrig rette slange, rør og værktøj mod dine øjne eller ører eller tage dem i munden.
14. Indsæt ikke noget i åbningerne. Brug ikke støvsugeren med blokerede åbninger. Skal holdes fri for støv, fnuller, hår og alt andet, der kan formindske luftstrømmen.
15. Anvend kun tilbehør og reservedele, der er anbefalet af Dyson.
16. Brug ikke støvsugeren, medmindre den klare beholder og filtrene sidder på.
17. Træk opladerens stik ud, når den ikke bruges i længere tid.
18. Vær særligt forsigtig ved rengøring af trapper.
19. For at forhindre at apparatet starter utilsigtet, skal du være omhyggelig med at holde hænder og fingre væk fra start-knappen (ON), indtil du er klar til at støvsuge, især når du løfter eller bærer apparatet. Hvis du bærer apparatet med fingeren på start-knappen (ON), øger det risikoen for uheld.
20. Apparatet må ikke anvendes udendørs, i et badeværelse eller på en afstand af 3 meter fra et svømmebassin.
21. Brug kun Dyson-opladeren med delnummer 217160 til opladning af dette Dyson-apparat. Brug kun Dyson-batterier. Andre typer batterier kan eksplodere og derved forårsage personskader og/eller materielle skader.
22. Når du fjerner eller udskifter et motoriseret børstehoved, skal du være forsigtig med ikke at trykke på start-knappen (ON), før mundstykket er blevet genmonteret.
23. Brug ikke en batteripakke eller et apparat, der er beskadiget eller ændret. Beskadigede eller ændrede batterier kan udvise uforudsigelig adfærd, der kan medføre brand, eksplosion eller risiko for skader. Udsæt ikke batteripakken eller apparatet for ild eller høje temperaturer. Eksposering for ild eller temperaturer over 60 °C (140 °F) kan medføre eksplosion.
24. Batteriet er forseglet og giver under normale omstændigheder ingen anledning til sikkerhedsspørgsmål. Skulle der imidlertid lække

væske fra batteriet, må det ikke berøres, da dette kan medføre irritation eller forbrændinger, og der skal tages følgende sikkerhedsforanstaltninger:

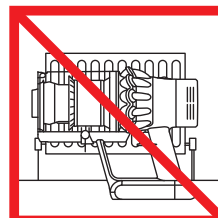
- Hudkontakt – kan forårsage irritationer. Vask med sæbevand.
 - Indånding – kan forårsage irritationer af luftvejene. Flyt personen til et sted med frisk luft, og søg lægehjælp.
 - Øjenkontakt – kan forårsage irritationer. Skyl straks øjnene grundigt med vand i mindst 15 minutter. Søg læge.
 - Bortskaffelse – brug handsker til at håndtere batteriet, og bortskaf det med det samme i overensstemmelse med lokale bestemmelser eller forordninger.
25. Følg alle opladningsinstruktioner og undlad at oplade batteripakken eller apparatet uden for det temperaturinterval, der er angivet i instruktionerne. Ukorrekt opladning eller i en temperatur, der ligger uden for det angivne interval kan beskadige batteriet og øge risikoen for brand. For at sikre optimal batterilevetid anbefaler Dyson følgende:
- Når apparatet ikke er i brug, skal det opbevares ved rumtemperatur. Anbefalet temperatur: 18 °C (64 °F) til 28 °C (82 °F).
 - Den omgivende temperatur til anvendelse og opladning skal være mellem 10 °C (50 °F) og 30 °C (86 °F).
26. **BRANDFARE** – Dette produkt må ikke anbringes på eller i nærheden af et komfur eller en anden varm overflade, og apparatet må ikke brændes, selvom det er meget beskadiget. Der kan gå ild i batteriet, eller det kan eksplodere.
27. **BRANDFARE** – Undlad at påføre dufte eller duftende ting til dette apparats filter/re. Sådanne produkter indeholder brandfarlige elementer, som kan medføre, at apparatet bryder i brand.

LÆS OG OPBEVAR DISSE INSTRUKTIONER

Dette Dyson-apparat er kun til husholdningsbrug.



Benyt ikke i nærheden af åben ild.



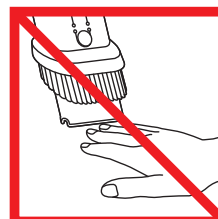
Opbevar ikke i nærheden af en varmekilde.



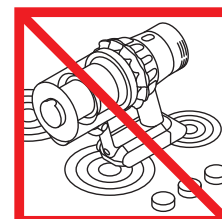
Anvend ikke maskinen til opsamling af vand eller anden væske.



Anvend ikke maskinen til opsamling af nogen form for brændende objekter.



Anbring ikke hænderne i nærheden af børstehovedet, når apparatet er i brug.



Må ikke anbringes på eller i nærheden af et komfur.

Yderligere oplysninger

Læs "Vigtige sikkerhedsanvisninger" i denne Dyson-vejledning, før du fortsætter.

MONTERING AF DOCKINGSTATION

- Pak dockingstationen, opladeren og installationsvejledningen ud.
 - Vælg en placering til dockingstationen, og sørg for, at der er ikke ledningsnet (gas, vand eller luft), elektriske kabler, ledninger eller et kanalsystem direkte bag monteringsstedet.
 - Følg anvisningerne i installationsvejledningen.
 - Klik udstyret på plads.
 - Placér apparatet i dockingstationen.
 - Sæt opladeren i stikkontakten. Tænd (hvis nødvendigt) for at oplade batteriet.
 - Dit apparat skal være fuldt opladet inden første brug.
- Dockingstationen skal monteres i overensstemmelse med regler og gældende standarder/love.
- Dyson anbefaler brugen af beskyttelsesbeklædning, -briller og -materialer ved installation af dockingstationen.

Støvsugning

- Fjern apparatet fra dockingstationen.
- Kontrollér, at undersiden af støvsugerhovedet eller -værktøjet er ren og fri for fremmedlegemer, der kan forårsage skader.

Før gulve, måtter og tæpper støvsuges, skal producentens anbefalede rengøringsanvisninger kontrolleres.

Støvsugerens børstehoved kan beskadige visse tæpper og gulve. Nogle tæpper vil fnulre, hvis du bruger det roterende børstehoved, når du støvsuger. Hvis det er tilfældet, anbefaler vi, at du støvsuger uden det roterende mundstykke, og at du beder fabrikanten af gulvtæppet om vejledning.

Mundstykke med højt drejningsmoment – skyder til sugeskontrol

Mundstykket med højt drejningsmoment har en skyder til sugeskontrol, der kan justere mundstykkets sugesugne. For at vælge den ønskede sugesugne skal du flytte skyderen til sugeskontrol øverst på mundstykket.

Maksimal sugning fjerner nedtrådt støv og snavs (+)

- Til støvsugning af solid gulvbelægning, hårde gulve og meget snavsede tæpper.

Sugning fjerner støv og snavs (▲)

- Til støvsugning af lettere snavsede tæpper og hårde gulve.
- Til sugning af større stykker snavs som f.eks. peanuts eller ris.

Sugning til tæpper med kraftig luv og sarte gulve (-)

- Til støvsugning af tæpper med kraftig luv eller slumretæpper eller enhver type gulv, hvor der er større modstand.
- Til støvsugning af let snavsede gulve, herunder sarte gulve som vinyl, parket og linolium.

Tømning af den klare beholder

- Tøm beholderen, så snart snavset når niveauet for MAX-mærket – må ikke overfyldes.
- Vær forsigtig ikke at trække i start-knappen "ON", mens den klare beholder er åben for tømning.
- Afmonter røret ved at trykke på den røde rørdløserknop og trække det væk fra beholderen.
- Frigørelse af snavs:
 - Hold apparatet med beholderen i en nedadgående position.
 - Tryk på den røde beholderløserknop.
 - Beholderen skydes ned, og knappen renses i takt hermed.
 - Beholderens bund åbnes.
 - Bundstykket åbnes kun, hvis den røde knop er trykket i bund.

For at minimere støv / allergenkontakt, når du tømmer, skal du have hele beholderen dækket af i en støvtæt pose og tømme. Fjern forsigtigt den klare beholder fra posen. Luk posen tæt, og bortskaf den på normal vis.

Rengøring af den klare beholder (valgfri)

Rengøring af klar beholder (hvis det er nødvendigt):

- Følg instruktionerne i afsnittet "Tømning af den klare beholder".
- Tryk på den røde knop på beholderen for at frigøre beholderen, og skub beholderen af skinnen.
- Den klare beholder må kun rengøres med en fugtig klud.
- Sørg for, at den klare beholder og pakningerne er helt tørre, inden den monteres igen.
- Genpåsætning af den klare beholder:
 - Indsæt ryggen på beholderens løber.

Luk den klare beholder ved at skubbe bundstykket opad, indtil den klare beholder og dens bundstykke klikker på plads.

Den klare beholder tåler ikke rengøring ved maskinopvask og brug af rengøringsmidler, polermidler eller luftfriskere. Dette anbefales ikke, da det kan skade dit apparat.

Filter- og blokeringsindikatorer

Displayet på dit apparat giver dig besked, når simpel vedligeholdelse er nødvendigt.

- Filterindikatoren viser, når filterenheden ikke er monteret korrekt. Følg anvisningerne for genmontering af filterenheden under afsnittet 'Vask af filterenheden'.
- Filterindikatoren viser, når filterenheden skal vaskes. Følg anvisningerne for vask af filterenheden under afsnittet 'Vask af filterenheden'.
- Blokeringsindikatoren viser, om der er en blokering. Følg anvisningerne for fjernelse af blokering under afsnittet 'Blokeringseftersyn'.

Vaskbare dele

Din støvsuger indeholder vaskbare dele, der skal rengøres regelmæssigt. Følg anvisningerne herunder.

- Ingen dele fra apparatet må anbringes i en opvaskemaskine, vaskemaskine, tørretumbler, ovn, mikroovn eller i nærheden af åben ild.

Vask af filterenheden

Vask filterenheden mindst én gang om måneden, eller når filterets vedligeholdelsesindikator lyser.

Kontroller og vask filterenheden regelmæssigt i henhold til vejledningen for at opretholde ydeevnen.

- Fjern filterenheden ved at dreje den mod uret. Træk den forsigtigt væk fra apparatet.
- Bank forsigtigt på filterenheden for at fjerne overskydende støv og snavs, inden du vasker den.
- Vask kun filterenheden i koldt vand: brug ikke rengøringsmidler, og vask ikke i opvaskemaskine eller vaskemaskine.
- Vask først det foldede papirelement på filterenheden. Hold filterenheden under koldt vand fra hansen med skumelementet nedad, og lad koldt vand rinde over det foldede papir.
- Fortsæt med at vaske, indtil vandet bliver klart.
- Vask derefter skumelementet på filterenheden. Hold filterenheden under koldt vand fra hansen med skumelementet nedad, så det beskidte vand ikke tilsmudser det foldede papirelement. Lad koldt vand rinde på indersiden og ydersiden af skumelementet, og tryk forsigtigt på skummet for at fjerne snavset.
- Fortsæt med at vaske, indtil vandet bliver klart.
- Vask ydersiden af filterenheden. Fyld derefter enheden op med koldt vand, og placer hænderne over de åbne ender og ryst forsigtigt.
- Gentag vask af elementerne og ydersiden af filterenheden, indtil vandet er klart.
- Ryst filterenheden forsigtigt for at fjerne overskydende vand, og lad den tørre med skumelementet opad.
- Lad filterenheden tørre fuldstændig i et tørt miljø med god luftgennemstrømning i minimum 24 timer.
- Kontroller, at filterenheden er helt tør.
- Når filterenheden skal sættes på igen, skal den sættes tilbage i hoveddelen, og derefter skal du dreje med uret, indtil den klikker på plads.

Filterenheden kan kræve mere hyppig vask ved støvsugning af fint støv, eller hvis den primært bruges i Boost-tilstand.

Ingen dele fra apparatet må anbringes i en opvaskemaskine, vaskemaskine, tørretumbler, ovn, mikroovn eller i nærheden af åben ild.

VASK AF BØRSTEHØVEDER

Apparatets mundstykke med blød rulle har to vaskbare børstehoveder. Efterse og vask dem med jævne mellemrum i henhold til følgende vejledning for at opretholde ydeevnen:

- Se illustrationerne til 'Vedligeholdelse af mundstykke' ovenfor.
- Når du fjerner eller udskifter et motoriseret børstehoved, skal du være forsigtig med ikke at trykke på start-knappen (ON), før mundstykket er blevet genmonteret.

For at fjerne, vaske og udskifte børstehovederne skal du gøre følgende:

- Vend bunden i vejret på mundstykket, så undersiden vender imod dig. Brug en mønt til at dreje endehætten en kvart omgang mod uret, til den klikker fast i åben position. Drej endehætten til åben position. Drej forsigtigt børstehovedet ud af mundstykket. Fjern endehætten fra børstehovedet. Vask ikke endehætten.
- Drej forsigtigt børstehovedet ud af mundstykket.
- Hold børstehovederne under rindende vand, og gnid forsigtigt for at fjerne fnug og snavs.
- Stil børstehovederne opad, som vist på billedet. De skal tørre i mindst 24 timer, indtil de er helt tørre. Før du sætter børstehovederne på plads igen, skal du kontrollere, at de er helt tørre.
- Drej forsigtigt det bagerste børstehoved tilbage i mundstykket.
- Drej forsigtigt det forreste børstehoved tilbage i mundstykket.
- Genmonter endehætten på det forreste børstehoved.
- Endehætten skal være i åben position, som vist. Når den er på plads, drejes endehætten tilbage i lukket position.
- Luk fæsteskraven ved at dreje den en kvart omgang med uret. Sørg for, at fæsteskraven er drejet helt rundt, og at børstehovederne sidder fast.

Mundstykke med højt drejningsmoment

Børstehovedet på et motoriseret mundstykke er ikke vaskbart.

Motoriseret miniværktøj til hurtig frigørelse

Børstehovedet på et motoriseret mundstykke er ikke vaskbart.

Blokeringer - automatisk afbryder

- Denne støvsuger er udstyret med en automatisk afbryder.
- Hvis en af støvsugerens dele bliver blokeret, kan den afbryde automatisk.
- Det sker, efter motoren har slået til og fra et antal gange i hurtig rækkefølge, og blokeringsindikatoren vil lyse.
- Lad apparatet køle af, før der kontrolleres for blokeringer.
- Vær omhyggelig med ikke at trykke på start-knappen (ON), når du foretager blokeringsseftersyn. Anvendelse af apparatet mens det er delvist adskilt, kan medføre personskaade.
- Fjern eventuelle blokeringer før genstart.
- Påmonter alle dele korrekt igen før brug.
- Fjernelse af blokeringer er ikke dækket af garantien.

Søg efter blokeringer

Motoren slår til og fra flere gange, og blokeringsindikatoren viser, når der er en blokering.

Følg nedenstående vejledning for at finde blokeringen:

- Vær omhyggelig med ikke at trykke på start-knappen (ON), når du foretager blokeringsseftersyn. Anvendelse af apparatet mens det er delvist adskilt, kan medføre personskaade.
- Pas på skarpe genstande ved kontrol for blokeringer.
- Når der skal tjekkes for blokeringer i hovedenheden på apparatet, skal du fjerne den klare beholder efter anvisningerne i afsnittet 'Rengøring af den klare beholder' og derefter fjerne blokeringen.
- Hvis en tilstopning ikke kan fjernes fra mundstykket, skal børstehovedet evt. afmonteres. Brug en mønt til at åbne fæsteskraven, før børstehovedet ud af mundstykket, og fjern tilstopningen. Sæt børstehovedet på igen, og fastgør det ved at stramme fæsteskraven. Sørg for, at det sidder godt fast, før apparatet anvendes.

- Dette produkt har kulfiberbørster. Vær forsigtig, hvis du kommer i kontakt med dem, da de kan forårsage mindre hudirritation. Vask hænder efter håndtering af børsterne.
- Påmonter alle dele korrekt igen før brug.
- Fjernelse af blokeringer er ikke dækket af garantien.

OPLADNING OG OPBEVARING

- Apparatet slukkes (OFF), hvis batteritemperaturen er under 10 °C (50 °F). Dette sker for at beskytte motoren og batteriet. Oplad ikke apparatet for derefter at stille det til opbevaring på et sted, hvor temperaturen er under 10 °C (50 °F).
- Du kan forlænge batteriets levetid ved at undlade at genoplade det lige efter en fuld afladning. Lad det køle af i et par minutter.
- Undgå at anvende apparatet med batteriet klos op ad en flade. Det vil gøre det mindre varmt under brug og forlænge batteritiden og dets levetid.

BATTERISIKKERHED

- Hvis batteriet skal udskiftes, skal du kontakte Dyson Helpline.
- Brug kun Dyson-opladeren med delnummer 217160 til opladning af dette Dyson-apparat.

ADVARSEL

Det batteri, der anvendes i dette apparat, kan ved forkert brug udgøre en brandfare eller fare for ætsning. Må ikke skilles ad, kortsluttes, opvarmes over 60 °C eller forbrændes. Opbevares utilgængeligt for børn. Skil ikke batteriet ad eller sæt ild til det.

Oplysninger om bortskaffelse

- Dysons produkter er fremstillet af genanvendelige materialer af høj kvalitet. Genbrug, hvor det er muligt.
- Fjern batteriet, før apparatet smides ud.
- Bortskaf eller genbrug batteriet i henhold til lokale bestemmelser eller regulativer.
- Bortskaf den brugte filterenhed i overensstemmelse med lokale bestemmelser eller regler.
- Denne mærkat angiver, at inden for EU bør dette apparat ikke bortskaffes sammen med andet husholdningsaffald. For at forhindre mulig skade på miljøet eller sundhedsfarer ved ukontrolleret affaldshåndtering skal det afleveres til genbrug med henblik på bæredygtig genbrug af materialerne. Du kan aflevere dit brugte apparat via genbrugssystemet eller ved at kontakte den forhandler, hvor apparatet er købt. De kan håndtere dette apparat med henblik på miljømæssigt korrekt genbrug.

Dyson kundeservice

Tak for at du har valgt at købe et Dyson-apparat.

Når du har registreret din 2 års garanti, vil Dyson-apparatet være dækket med hensyn til dele og udførelse i 2 år efter købsdatoen i henhold til garantiens vilkår. Hvis du har spørgsmål vedrørende dit Dyson-apparat, kan du gå ind på: www.dyson.dk/support for at få onlinehjælp, generelle råd og nyttige oplysninger om Dyson.

Du kan også ringe til Dysons helpline. Oplys i den forbindelse apparatets serienummer samt detaljer om, hvor og hvornår du købte apparatet.

Hvis dit Dyson-apparat trænger til reparation, kan du ringe til Dysons helpline, så vi kan rådgive om de forskellige muligheder. Hvis dit Dyson-apparat er under garanti, og reparationen er dækket heraf, vil reparationen være gratis.

Du bedes registrere dig som ejer af et Dyson-apparat

Garantien for dette produkt er 2 år fra købsdatoen. Du bedes registrere din garanti inden 30 dage fra købsdatoen. Du kan hjælpe os med at sikre, at du får hurtig og effektiv service, ved at registrere dig straks efter købet. Gem kvitteringen, der viser købsdatoen.

Det kan du gøre på tre måder:

- Registrer dig på www.dyson.dk
- Ring til Dyson Helpline på 80705843.
- Udfyld den vedlagte formular, og send den til os.

Ved at lade dig registrere online eller telefonisk kan du:

- Beskytte din investering med to års garanti på reservedele og håndværk.
- Modtage nyttige tips til, hvordan du bruger din maskine.
- Få ekspertrådgivning fra Dyson helpline.
- Høre om vores seneste opfindelser som den første.
- Det tager kun få sekunder at tilmelde sig online, og det eneste, du skal bruge, er dit serienummer.

2 års begrænset garanti

Vilkår og betingelser for Dysons 2 års begrænsede garanti

Hvad er dækket?

- Reparation eller udskiftning af dit Dyson-apparat (efter Dysons skøn), hvis dit apparat er defekt på grund af materialefejl, fabrikationsfejl eller fejlfunktion inden for 2 år fra købsdatoen (hvis en reservedel ikke længere produceres, udskifter Dyson den med en tilsvarende del).
- Hvor dette apparat sælges uden for EU, vil denne garanti kun gælde, hvis apparatet anvendes i det land, hvor det er solgt.
- Hvor dette apparat sælges inden for EU, vil denne garanti kun gælde, (i) hvis apparatet anvendes i det land, hvor det er solgt, eller (ii) hvis apparatet anvendes i Belgien, England, Frankrig, Holland, Irland, Italien, Spanien, Tyskland eller Østrig, og den samme model som dette apparat sælges med samme spænding i det pågældende land.

Hvad er ikke dækket?

Dyson garanterer ikke reparation eller udskiftning af et produkt på grund af:

- Hændelige skader, fejl opstået som følge af fejlagtig brug eller vedligeholdelse, misbrug og forsømmelse eller skødesløs betjening eller håndtering af enheden, der ikke er i overensstemmelse med Dysons brugervejledning.
- Brug af apparatet til andet end normale husholdningsformål.
- Brug af dele, der ikke er samlet eller installeret i henhold til Dysons instruktioner.
- Brug af dele og tilbehør, som ikke er originale Dyson-komponenter.
- Fejlagtig montering (undtagen, hvis Dyson har foretaget monteringen).
- Reparationer eller ændringer, der er udført af andre end Dyson eller dets autoriserede agenter.
- Blokering – se Dysons brugervejledning for nærmere oplysninger om, hvordan man undersøger for og fjerner blokeringer.
- Normal slitage (f.eks. sikring, børstestang osv.).
- Brug af dette apparat til murbrokker, aske og puds.
- Reduktion i batteriets afladningstid som følge af batteriets alder eller brug (hvor det er relevant).

Kontakt Dysons helpline, hvis du er i tvivl om, hvad garantien dækker.

Opsummering af dækningen

- Garantien træder i kraft fra og med købsdatoen (eller leveringsdatoen, hvis denne ligger senere).
- Du skal fremvise leverings-/købsdokumentation (både original og efterfølgende), før der kan udføres nogen former for arbejde på dit apparat. Uden dette bevis vil det udførte arbejde blive faktureret. Opbevar omhyggeligt kvitteringen eller følgesedlen.
- Alt arbejde udføres af Dyson eller dets autoriserede agenter.
- Ejerskabet af alle udskiftede dele overgår til Dyson.
- Reparation eller udskiftning af dit Dyson-apparat under garantien forlænger ikke garantiperioden.
- Garantien berører ikke dine ufravigelige rettigheder som forbruger.

Vigtige oplysninger vedr. databeskyttelse

Når du registrerer dit Dyson-produkt:

- Du skal give os grundlæggende kontaktoplysninger for at kunne registrere dit produkt og give os mulighed for at understøtte din garanti.
- Når du registrerer dig, vil du få mulighed for at vælge, om du vil modtage kommunikation fra os. Hvis du vælger at modtage kommunikation fra Dyson, vil vi sende dig oplysninger om særlige tilbud og nyheder om vores seneste innovationer. Vi vil aldrig sælge dine oplysninger til tredjeparter og bruger kun de oplysninger, du deler med os, som det er defineret i vores politik for beskyttelse af personlige oplysninger, som findes på vores hjemmeside: privacy.dyson.com

FI

TÄRKEITÄ TURVAOHJEITA

ENNEN TUOTTEEN KÄYTTÖÄ LUE KAIKKI OHJEET JA VAROITUSMERKINNÄT, JOTKA ON MAINITTU TÄSSÄ KÄYTTÖOHJEESSA TAI MERKITYY LAITTEeseen

Käytettäessä sähkölaitteita seuraavat turvaohjeet tulee aina ottaa huomioon:

VAROITUS

Nämä varoitukset koskevat laitetta sekä mahdollisia työkaluja, lisätarvikkeita, latureita ja verkkovirta-adaptereita.

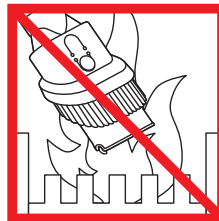
TULIPALON, SÄHKÖISKUN JA VAMMOJEN VÄLTÄMISEKSI:

1. Tätä Dysonin laitetta saavat käyttää 8-vuotiaat ja sitä vanhemmat lapset sekä henkilöt, joilla on heikentyneet fyysiset, aistilliset tai henkiset kyvyt tai kokemuksen ja tiedon puutetta, jos he ovat saaneet vastuussa olevalta henkilöltä opastusta ja ohjeita laitteen turvallisesta käytöstä ja ymmärtävät laitteen käyttöön liittyvät riskit. Lapset eivät saa suorittaa puhdistusta ja käyttäjän ylläpitotoimia ilman valvontaa.
2. Laitetta ei saa käyttää leluna. Tarkkaavainen valvonta on tarpeen lasten ollessa laitteen läheisyydessä tai käyttäessä laitetta. Lapsia tulee valvoa, jotteivät he leiki laitteella.
3. Laitetta tulee käyttää ainoastaan tämän Dyson-käyttöohjeen mukaisesti. Älä suorita mitään sellaisia huoltotöitä, joita ei ole neuvottu tässä käyttöoppaassa tai Dysonin asiakaspalvelussa.
4. Laitetta tulee käyttää AINOASTAAN kuivissa paikoissa. Älä käytä laitetta ulkotiloissa tai märillä pinnoilla.
5. Älä kosketa mitään laturin tai laitteen osaa märillä käsillä.
6. Älä käytä viallista laturia tai kaapelia.
7. Jos laite ei toimi asianmukaisesti, jos siihen on kohdistunut kova isku tai jos se on pudonnut, vaurioitunut, jätetty ulkotiloihin tai pudonnut veteen, lopeta laitteen käyttö ja ota yhteys Dysonin asiakaspalveluun.
8. Jos laite vaatii huoltoa tai korjausta, ota yhteys Dysonin asiakaspalveluun. Älä pura laitetta. Väärin koottu laite voi aiheuttaa sähköiskun tai tulipalon.
9. Virtajohtoa ei saa venyttää eikä siihen saa kohdistua räsitusta. Pidä virtajohto poissa kuumilta pinnoilta. Virtajohtoa ei saa jättää oven väliin eikä sitä saa vetää teräviä reunoja tai kulmia vasten. Sijoita virtajohto sivuun kulkuteistä siten, ettei sen päälle astuta eikä siihen kompastuta. Älä vedä imuria sen virtajohdon yli.
10. Laitteella ei saa imuroida vettä.
11. Älä imuroi syttyviä tai palonarkoja nesteitä, kuten bensiiniä, äläkä käytä imuria paikoissa, joissa saattaa olla tällaisia aineita tai niiden höyryjä.
12. Älä imuroi palavia tai savuavia materiaaleja, kuten savukkeita, tulitikkuja tai kuumaa tuhkaa.
13. Pidä hiukset, vaatetus, sormet ja muut ruumiinosat loitolla laitteen aukoista ja liikkuvista osista, kuten harjasulakkeesta. Letkulla, putkella tai suulakkeella ei saa osoittaa silmiin tai korviin eikä niitä saa laittaa suuhun.
14. Älä työnnä laitteen aukkoihin esineitä. Älä käytä laitetta, jos jokin sen aukoista on tukkiutunut. Pidä aukot puhtaana pölystä, nukasta, hiuksista tms. ilmavirtaa haittaavista tukoksista.
15. Käytä vain Dysonin suosittelemia lisävarusteita ja osia.
16. Älä käytä imuria, jos läpinäkyvä pölysäiliö tai suodatin on pois paikoiltaan.
17. Irrota laturi, kun laitetta ei käytetä pitkään aikaan.
18. Ole erityisen varovainen imuroidessasi portaita.
19. Estä tahaton käynnistyminen pitämällä kädet ja sormet pois ON-käynnistimeltä, kunnes olet valmis aloittamaan imuroinnin, etenkin kun nostat tai kannat laitetta. Laitteen kantaminen siten, että sormi on ON-käynnistimellä, voi aiheuttaa tapaturman.
20. Älä asenna, lataa tai käytä laitetta ulkotiloissa, kylpyhuoneessa tai alle kolmen metrin etäisyydellä uima-altaasta. Älä käytä kosteilla pinnoilla äläkä altista kosteudelle, sateelle tai lumelle.
21. Käytä tämän Dyson-laitteen lataamiseen vain Dyson-laturia, jonka osanumero on 217160. Käytä vain Dyson-akkuja. Muun tyyppiset akut voivat räjähtää ja aiheuttaa henkilövahinkoja ja vaurioita.
22. Kun irrotat tai vaihdat moottoroidun harjasulakkeen, varo vetämästä ON-käynnistintä, ennen kuin puhdistuspää on koottu uudelleen.
23. Älä käytä vaurioitunutta tai muutettua akkuyksikköä tai laitetta. Vaurioituneet tai muutetut akut voivat yllättäen aiheuttaa tulipalon, räjähdyksen tai loukkaantumisen. Älä altista akkuyksikköä tai laitetta avotulelle tai korkeille lämpötiloille. Avotuli tai yli 60 °C:n (140 °F) lämpötila voi aiheuttaa räjähdyksen.
24. Akku on suljettu yksikkö, joka ei normaaleissa olosuhteissa aiheuta vaaraa. Jos akusta kuitenkin jostain syystä vuotaa nestettä, nesteeseen ei saa koskea, koska se voi aiheuttaa ihoärsytystä tai palovammoja. Seuraavia varotoimia on noudatettava:

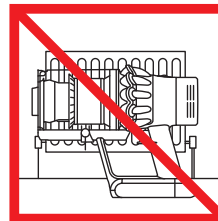
- Aineen joutuminen iholle: voi aiheuttaa ihoärsytystä. Pese saippualla ja vedellä.
 - Aineen hengittäminen: voi aiheuttaa hengitysteiden ärsytystä. Siirry raittiiseen ilmaan ja käänny lääkärin puoleen.
 - Aineen joutuminen silmiin: voi aiheuttaa ärsytystä. Huuhtelee silmiä välittömästi vedellä vähintään 15 minuutin ajan. Käänny lääkärin puoleen.
 - Hävittäminen: käsittele akkua suojakäsineillä ja hävitä se välittömästi paikallisten määräysten mukaisesti.
25. Noudata kaikkia latausohjeita. Älä lataa akkua tai laitetta ohjeiden mukaisen lämpötila-alueen ulkopuolella. Lataaminen väärin tai määrätyn lämpötila-alueen ulkopuolella voi vahingoittaa akkua ja lisätä tulipalovaaraa. Pisimmän akun käyttöiän varmistamiseksi Dyson suosittelee seuraavia menettelyjä:
- Kun laite ei ole käytössä, se on varastoitava huoneenlämmössä. Suositeltu alue: 18–28 °C.
 - Käyttö- ja latausympäristön lämpötilan on oltava 10–30 °C.
26. PALOVAROITUS – Älä sijoita tuotetta hellan tai muun kuumen pinnan päälle tai läheisyyteen äläkä polta laitetta, vaikka se olisi pahasti vahingoittunut. Akku voi syttyä tuleen tai räjähtää.
27. PALOVAROITUS – Älä lisää mitään tuoksua tai tuoksuva tuotetta tämän laitteen suodattimiin. Tällaisten tuotteiden kemikaalit ovat herkästi syttyviä ja voivat aiheuttaa laitteen syttymisen tuleen.

LUE JA SÄILYTÄ NÄMÄ OHJEET

Tämä laite on tarkoitettu vain kotitalouskäyttöön.



Älä käytä avotulen läheisyydessä.



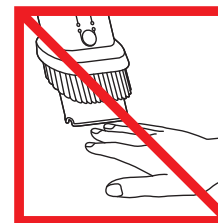
Älä säilytä lämmönlähteiden läheisyydessä.



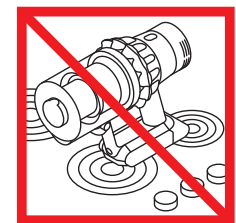
Älä imuroi vettä tai muita nesteitä.



Älä imuroi palavia esineitä.



Älä laita käsiä harjosuolakkeen läheisyyteen laitteen ollessa käytössä.



Älä sijoita hellan päälle tai läheisyyteen.

Lisätietoja

Lue tämän Dyson-käyttöohjeen kohta Tärkeitä turvaohjeita, ennen kuin jatkat.

TELAKOINTIASEMAN ASENNUS

- Pura telakka, laturi ja asennusvihkonen pakkauksesta.
 - Valitse telakalle asennuspaikka ja varmista, ettei suoraan sen takana ole putkia (kaasu, vesi tai ilma), sähkökaapeleita, johtoja tai kanavia.
 - Seuraa asennusvihkonen ohjeita.
 - Napsauta lisäkkeet paikoilleen.
 - Pane laite telakkaan.
 - Kytke laturi pistorasiaan. Lataa akku (jos tarpeen) kytkemällä virta.
 - Laitteen on oltava täysin ladattu ennen ensimmäistä käyttöä.
- Telakan asennuksessa on noudatettava määräyksiä ja suosituksia (huomioi paikalliset lait ja asetukset).
- Dyson suosittelee käyttämään suojavaatteita, suojaalaseja ja materiaaleja asennuksen/korjauksen aikana tarpeen mukaan.

Imurointi

- Poista laite telakasta.
- Varmista, että puhdistimen pään tai työkalun alapinta on puhdas eikä siinä ole vieraita esineitä, jotka voivat aiheuttaa vahinkoa.

Tutustu valmistajan puhdistussuosituksiin ennen lattiapintojen ja mattojen imurointia. Laitteen harjasuulake saattaa vaurioittaa tietyntyyppisiä mattoja ja lattiapintoja. Jotkin matot voivat nukkaantua, jos niitä imuroidaan pyörivällä harjasuulakkeella. Jos näin tapahtuu, suosittelemme imuroimaan ilman moottoroitua lattiasuulaketta ja kääntymään lattiamateriaalin valmistajan puoleen.

Korkean vääntömomentin puhdistuspää – imun liukusäädin

Korkean vääntömomentin puhdistuspäässä on liukusäädin, jolla voidaan säätää puhdistuspään imu. Valitse tarvittava imu liikuttamalla puhdistuspään yläosassa olevaa imun liukusäädintä.

Suurin imu polkeentunutta pölyä ja roskia varten (+)

- Kestävien lattiapintojen, kovien lattioiden ja erittäin likaisten mattojen imurointiin.
- Imu pölyä ja roskia varten (▲)
- Kevyesti likaisten mattojen ja kovien lattiapintojen imurointiin.
- Suurikokoisen materiaalin, kuten maapähkinöiden tai riisin, imuroimiseen.

Imu pitkänukkaisille matoille ja herkille lattiapinnoille (-)

- Pitkänukkaisten mattojen imurointiin ja lattioille, joissa on kovempi vastus.
- Vähemmän likaisten lattioiden imurointiin, mukaan lukien herkästi lattiapäällysteet, kuten vinyyli, parketti ja linoleumi.

Pölysäiliön tyhjentäminen

- Tyhjennä säiliö heti, kun pölyä on MAX-merkkiin asti. Älä täytä säiliötä sen yli.
- Varo vetämästä "ON"-käynnistintä, kun kirkas säiliö on avattuna tyhjennystä varten.
- Poista putki painamalla punaista putken irrotuspainiketta ja vetämällä pois rikkasäiliöstä.
- Lian irrottaminen:
 - Pidä laitetta siten, että sen rikkasäiliö osoittaa alas.
 - Paina säiliön punaista avausnappia voimakkaasti.
 - Säiliö liukuu alaspäin, jolloin kotelo samalla puhdistuu.
 - Tämän jälkeen säiliön pohja aukeaa.
 - Säiliön pohja ei aukea, jos punaista painiketta ei ole painettu pohjaan asti.

Pölyn ja allergeenien koskettamisen minimoimiseksi tyhjennyksen aikana sijoita pölysäiliö tiukasti suljettavaan pölytiiviseen pussiin ja tyhjennä.

Irrota läpinäkyvä pölysäiliö varovasti pussista.

Sulje pussi tiiviisti ja hävitä tavalliseen tapaan.

Läpinäkyvän pölysäiliön puhdistaminen (valinnainen)

Jos läpinäkyvä pölysäiliö tarvitsee puhdistaa:

- Seuraa ohjeita kohdassa "Läpinäkyvän säiliön tyhjentäminen".
- Vapauta rikkasäiliö painamalla säiliön ohjaimessa olevaa punaista painiketta ja liu'uta säiliö irti ohjaimesta.
- Puhdista läpinäkyvä pölysäiliö vain kostealla liinalla.
- Varmista, että läpinäkyvä rikkasäiliö ja tiivisteet ovat täysin kuivia ennen niiden kiinnittämistä.
- Läpinäkyvän säiliön asentaminen takaisin:
 - Aseta varsi säiliön ohjaimen.

Sulje läpinäkyvä rikkasäiliö painamalla säiliön pohjaa ylöspäin, kunnes läpinäkyvä rikkasäiliö ja säiliön pohja napsahtavat paikoilleen.

Läpinäkyvä rikkasäiliötä ei pidä pestä astianpesukoneessa eikä se kestä puhdistusaineita, kiillotusaineita tai ilmanraikastimia. Niiden käyttö voi vahingoittaa laitetta.

Suodatin- ja tukosmerkkivalot

- Laitteen näyttö ilmoittaa, kun tarvitaan yksinkertaisia huoltotoimenpiteitä.
- Suodattimen merkkivalo osoittaa, että suodatinyksikkö ei ole kunnolla paikallaan. Noudata suodattimen uudelleenkiinnitysohjeita, jotka löytyvät "Suodatin- ja tukosmerkkivalot" -osiossa.
 - Suodattimen merkkivalo osoittaa, milloin suodatinyksikkö pitää pestä. Noudata suodattimen pesuohjeita, jotka löytyvät "Suodatin- ja tukosmerkkivalot" -osiossa.
 - Tukosmerkkivalo osoittaa tukoksen. Noudata tukostenpoisto-ohjeita, jotka löytyvät "Tukosten etsintä" -osiossa.

Pestävät osat

Laitteessasi on pestäviä osia, jotka vaativat säännöllistä puhdistusta. Noudata alla olevia ohjeita.

- Mitään koneen osaa ei saa panna astianpesukoneeseen, pyykinpesukoneeseen, kuivausrumpuun, uuniin, mikroaaltouuniin tai avotulen lähelle.

Suodatin- ja tukosmerkkivalot

Pese suodatinyksikkö vähintään kerran kuukaudessa tai aina, kun suodattimen huoltomerkkivalo syttyy.

Tarkasta ja pese suodatinyksikkö ohjeiden mukaan suorituskyvyn ylläpitämiseksi.

- Irrota suodatinyksikkö kiertämällä sitä vastapäivään. Vedä se varoen irti laitteesta.
- Poista enimmäkseen pöly ja roskat ennen pesua naputtelemalla suodatinyksikköä kevyesti.
- Pese suodatinyksikkö kylmällä vedellä. Älä käytä pesuainetta tai pese suodatinyksikköä astian- tai pyykinpesukoneessa.
- Pese suodatinyksikön paperilaskoselementti ensin. Pidä suodatinyksikköä vesihanalla alla vaahtomuovielementti alaspäin ja laske kylmää vettä paperilaskosten päälle.
- Jatka huuhtomista, kunnes vesi on kirkasta.
- Pese seuraavaksi suodatinyksikön vaahtomuovielementti. Pidä suodatinyksikköä vesihanalla alla vaahtomuovielementti alaspäin, jotta likainen vesi ei sotke puhdistettua paperilaskoselementtiä. Laske kylmää vettä vaahtomuovielementin sisä- ja ulkopinnoille ja poista lika puristelemalla vaahtomuovia varovasti.
- Jatka huuhtomista, kunnes vesi on kirkasta.
- Pese suodatinyksikön ulkopintaa. Täytä sitten yksikkö kylmällä vedellä, peitä aukot käsillä ja ravistele varovasti.
- Pese elementtejä ja suodatinyksikön ulkopintaa, kunnes vesi on kirkasta.
- Ravista suodatinyksikköä kevyesti, jotta ylimääräinen vesi poistuu, ja jätä yksikkö kuivumaan vaahtomuovielementti ylöspäin.
- Anna suodatinyksikön kuivua kokonaan kuivassa ympäristössä, jossa on hyvä ilmanvaihto, vähintään 24 tunnin ajan.
- Tarkista, että suodatinyksikkö on kuivunut täysin.
- Asenna suodatinyksikkö takaisin runkoon ja käännä myötäpäivään, kunnes se napsahtaa paikalleen.

Suodatinyksikkö saattaa tarvita pesua useammin, jos imuroidaan hienojakoista pölyä tai jos imuria käytetään pääasiassa Boost-tilassa.

Mitään koneen osaa ei saa panna astianpesukoneeseen, pyykinpesukoneeseen, kuivausrumpuun, uuniin, mikroaaltouuniin tai avotulen lähelle.

HARJASUULAKKEIDEN PESEMINEN

Laitteen pehmeässä pyörivässä suulakkeessa on kaksi pestävää harjasuulaketta. Tarkista ja pese ne säännöllisesti seuraavien ohjeiden mukaisesti, jotta suorituskyky säilyy:

- Katso yllä olevia "Puhdistuspään huolto" -kuvia.
- Kun irrotat tai vaihdat moottoroitua harjasuulakkeen, varo vetämästä ON-käynnistintä, ennen kuin puhdistuspää on koottu uudelleen.

Harjasuulakkeiden irrotus, peseminen ja vaihto:

- Käännä puhdistuspää ylösalaisin niin, että puhdistuspään alapuoli on sinuun päin. Käännä päätytulppaa kolikolla neljänneskierron vastapäivään, kunnes se napsahtaa lukitsematomaan asentoon. Kierrä päätytulppaa auki-asentoon. Liu'uta pääharijasuulake varovasti pois puhdistuspäästä. Poista päätytulppa pääharijasuulakkeesta. Älä pese päätytulppaa.
- Liu'uta takaharijasuulake varovasti pois puhdistuspäästä.
- Huuhtelee harjasuulakkeita juoksevan veden alla ja hankaa kevyesti nukka ja lika pois.
- Aseta harjasuulakkeet pystyasentoon kuvan mukaisesti. Anna kuivua täysin vähintään 24 tunnin ajan. Tarkista ennen asennusta, että harjasuulakkeet ovat kuivuneet täysin.
- Liu'uta takaharijasuulake takaisin puhdistuspäähän.
- Liu'uta pääharijasuulake takaisin puhdistuspäähän.
- Kiinnitä päätytulppa uudelleen pääharijasuulakkeeseen.
- Päätytulpan pitäisi olla kuvan mukaisesti avoimessa asennossa. Kun se on paikallaan, kierrä päätytulppa takaisin suljettuun asentoon.
- Sulje kiinnitin kääntämällä sitä neljänneskierroksen verran myötäpäivään. Varmista, että kiinnitin on suljettu kokonaan ja että harjasuulakkeet on kiinnitetty tukevasti.

Korkean vääntömomentin puhdistuspää

Moottoroitua puhdistuspään harjasuulake ei ole pestävä.

Pikairrotettava moottoroitu pienoissuutin

Moottoroitua puhdistuspään harjasuulake ei ole pestävä.

Tukokset — automaattinen virrankatkaisu

- Laitteessa on automaattinen virrankatkaisu.
- Jos jokin laitteen osa tukkeutuu, laitteen virta saattaa katketa automaattisesti.
- Tämä tapahtuu sen jälkeen, kun moottori on toiminut sykkyksittäin useita kertoja (eli kytketty nopeasti peräkkäin päälle ja pois päältä) ja tukosmerkkivalo syttyy.
- Anna jäähtyä ennen tukosten etsintää.
- Varo vetämästä ON-käynnistintä tarkastaessasi tukoksia. Laitteen käyttö osittain purettuna voi aiheuttaa henkilövahinkoja.
- Poista tukos ennen kuin jatkat laitteen käyttöä.
- Kiinnitä kaikki osat tukevasti paikoilleen ennen laitteen käyttöä.
- Takuu ei kata tukosten poistamista.

Tukosten tarkastaminen

Moottori toimii sykkyksittäin ja tukosmerkkivalo syttyy, jos laitteessa on tukos. Etsi tukos noudattamalla seuraavia ohjeita:

- Varo vetämästä ON-käynnistintä tarkastaessasi tukoksia. Laitteen käyttö osittain purettuna voi aiheuttaa henkilövahinkoja.
- Varo teräviä esineitä tukoksia tarkastaessasi.
- Laitteen pääruuun tukosten tarkastus: läpinäkyvä säiliö irrotetaan sen tyhjennysohjeiden mukaisesti ja tukokset poistetaan.
- Jos et pysty poistamaan tukosta puhdistuspäästä, harjasuulake on ehkä irrotettava. Avaa kiinnitin kolikolla, liu'uta harjasuulake pois puhdistuspäästä ja poista tukos. Aseta harjasuulake paikalleen ja kiinnitä se kiertämällä kiinnitin. Varmista ennen laitteen käyttöä, että harjasuulake on tukevasti kiinni.
- Tässä tuotteessa on hiilikuituharjat. Ole varovainen, jos kosket niihin, sillä ne voivat aiheuttaa pienimuotoista ihon ärtymistä. Pese kätesi harjasten käsittelyn jälkeen.
- Kiinnitä kaikki osat tukevasti paikoilleen ennen laitteen käyttöä.
- Takuu ei kata tukosten poistamista.

LATAUS JA SÄILYTYS

- Laitteesta katkeaa virta, jos akun lämpötila on alle 10 °C. Tämä on suunniteltu suojaamaan moottoria ja akkua. Älä lataa laitetta ja siirrä sitä varastoon, jonka lämpötila on alle 10 °C.
- Pidentääksesi akun käyttöikää vältä lataamista heti akun tyhjentymisen jälkeen. Anna akun jäähtyä muutaman minuutin ajan.
- Vältä laitteen käyttöä akun ollessa lattiapintaa vasten. Tämä auttaa laitetta käymään viileämpänä ja pidentää akun latauksen kestoa ja käyttöikää.


AKUN TURVAOHJEET

- Jos akku on vaihdettava, ota yhteys Dysonin asiakaspalveluun.
- Käytä tämän Dyson-laitteen lataamiseen vain Dyson-laturia, jonka osanumero on 217160.

HUOMAUTUS

Tässä imurissa käytetty akku voi aiheuttaa tulipalon tai kemikaalivuodon vaaran, jos sitä käsitellään väärin. Älä pura akkua, aiheuta oikosulkua tai käytä yli 60 °C:n lämpötilassa. Pidä akku pois lasten ulottuvilta. Älä heitä akkua avotuleen.

Laitteen hävittäminen

- Dysonin tuotteet valmistetaan hyvälaatuisista, kierrätettävistä materiaaleista. Pyydämme, että hävität tuotteen vastuullisella tavalla ja kierrätät sen mahdollisuuksien mukaan.
- Akku on irrotettava laitteesta ennen laitteen hävittämistä.
- Hävitä tai kierrätä akku paikallisten määräysten mukaisella tavalla.
- Hävitä käytetty suodatinyksikkö paikallisten asetusten ja säännösten mukaisesti.
-  Tämä merkintä osoittaa, että tätä tuotetta ei saa hävittää kotitalousjätteenä EU-alueella.
- Estä mahdolliset hallitsemattomasta jätteiden hävittämisestä aiheutuvat ympäristö- ja terveyshaitat kierrättämällä tuote vastuullisesti, mikä edistää materiaaliresurssien kestävää uudelleenkäyttöä. Jos haluat palauttaa käytetyn laitteen, käytä palautus- ja keräysjärjestelmiä tai ota yhteyttä jälleenmyyjään, jolta olet ostanut tuotteen. He voivat kierrättää tuotteen ympäristöstävällisesti.

Dysonin huoltopalvelu

Kiitos, että valitsit Dyson-laitteen.

Kun olet rekisteröinyt 2 vuoden takuun, se kattaa Dyson-laitteen osat ja työn 2 vuoden ajan ostopäivästä alkaen takuuehtojen mukaisesti. Jos sinulla on jotakin kysyttävää Dyson-laitteestasi, löydät Dyson-laitteita koskevia ohjeita, yleisiä neuvoja sekä hyödyllistä tietoa osoitteesta www.fi.dyson.com/support.

Vaihtoehtoisesti voit soittaa Dysonin asiakaspalveluun. Valmistaudu kertomaan laitteen sarjanumero sekä ostopäivä ja -paikka.

Jos Dyson-laitteesi tarvitsee korjausta, kysy asiakaspalvelustamme saatavilla olevista vaihtoehtoista. Jos Dyson-laitteesi takuu on voimassa ja kattaa korjauksen, korjaus on maksuton.

Rekisteröidy Dyson-laitteen omistajaksi

Tuotteella on 2 vuoden takuu ostopäivästä alkaen. Rekisteröi takuu 30 päivän kuluessa ostopäivämäärästä. Auta meitä tarjoamaan nopeaa ja tehokasta palvelua rekisteröitymällä heti ostoksen tekemisen jälkeen. Säilytä ostokuitti todisteena ostopäivämäärästä.

Voit tehdä tämän kolmella tavalla:

- Osoitteessa www.fi.dyson.com
 - Soittamalla Dysonin asiakaspalveluun numeroon 0800 07020.
 - Täyttämällä oheisen lomakkeen ja postittamalla sen meille.
- Rekisteröitymällä verkossa tai puhelimitse saat seuraavat edut:
- Suojaat sijoitustasi kaksivuotisella osia ja työtä koskevalla takuulla.
 - Saat hyödyllisiä vinkkejä koneen käytöstä.
 - Saat asiantuntevia neuvoja Dysonin puhelinpalvelusta.
 - Kuulet ensimmäisenä uusimmista keksinnöistämme.
 - Rekisteröityminen vie vain muutaman minuutin, ja tarvitset vain sarjanumeron.

2 vuoden takuun ehdot

Dysonin myöntämän 2 vuoden takuun ehdot

Mitä takuu kattaa

- Sellaisen Dyson-laitteen korjauksen tai vaihdon (vaihdosta päättää Dyson), jossa on todettu materiaali- tai kokoonpanossa tapahtunut virhe tai toimintavika 2 vuoden sisällä osto- tai toimituspäivästä (jos tarvittavaa osaa ei enää ole saatavilla, Dyson vaihtaa sen vastaavaan varaosaan).
- Myytäessä tätä laitetta EU:n ulkopuolella takuu on voimassa vain, jos laitetta käytetään sen myyntimaassa.
- Myytäessä tätä laitetta EU:n alueella takuu on voimassa vain, (i) jos laitetta käytetään sen myyntimaassa tai (ii) jos laitetta käytetään Itävallassa, Belgiassa, Ranskassa, Saksassa, Irlannissa, Italiassa, Alankomaissa, Espanjassa tai Yhdistyneessä kuningaskunnassa ja vastaavaa, nimellisiä jännitteeltään samanlaista mallia myydään kyseisessä maassa.

Mitä takuu ei kata

Dysonin myöntämä takuu ei kata tuotteen korjausta tai vaihtoa silloin, kun vika johtuu seuraavista syistä:

- Vahinko, huolimattomuudesta tai väärinkäytöstä aiheutunut vaurio tai Dysonin käyttöoppaan ohjeiden vastaisesta käytöstä tai käsittelystä aiheutunut vaurio.
 - Laitteen käyttö muussa kuin normaalissa kotikäytössä.
 - Sellaisten osien käytön aiheuttamat vauriot, joita ei ole koottu tai asennettu Dysonin ohjeiden mukaisesti.
 - Muiden kuin Dysonin alkuperäisten osien tai lisävarusteiden käytön aiheuttamat vauriot.
 - Virheellinen asennus (ellei se ole valtuutetun huollon suorittama).
 - Muun kuin Dysonin tai sen valtuuttamien edustajien suorittamat korjaukset tai muutokset.
 - Tukokset – katso käyttöohjeista ohjeet tukosten löytämiseksi ja poistamiseksi.
 - Normaali kuluminen (sulake, harjatanko ym.).
 - Tämän laitteen käyttäminen kivimurskan, tuhkan tai laastin imuroimiseen.
 - Akun varauksen purkausajan lyheneminen akun iästä tai käytöstä johtuen (soveltuvin osin).
- Jos et ole varma siitä, mitä takuu kattaa, ota yhteys Dysonin asiakaspalveluun.

Takuun yhteenveto

- Takuu astuu voimaan ostopäivästä alkaen (tai toimituspäivästä, jos se on myöhempi kuin ostopäivä).
- Ennen huoltotoimenpiteitä tulee esittää ostokuitti (alkuperäinen ja mahdolliset huoltokuitit). Ilman kuittia huoltotyö veloitetaan. Säilytä kuitit tai toimitusvahvistus.
- Kaikki huoltotoimenpiteet suoritetaan Dysonin valtuuttamassa huoltoliikkeessä.
- Kaikki vaihdetut osat siirtyvät Dysonin omistukseen.
- Tuotteen takuukorjaus tai -vaihto ei pidennä takuuaikaa.
- Takuu tarjoaa lisäetuja, jotka eivät vaikuta kuluttajan laillisiin oikeuksiin.

Tärkeitä tietosuojatietoja

Dyson-tuotteen rekisteröinnin yhteydessä:

- Tarvitsemme perusyhteystietosi tuotteen rekisteröimistä ja takuun tarjoamista varten.
- Voit valita rekisteröitymisen yhteydessä, haluatko saada Dysonilta tiedotteita. Jos sallit Dysonin lähettää tiedotteita, saat tietoja erikoistarjouksista sekä uusimmista innovaatioista. Dyson ei koskaan myy tietojasi kolmansille osapuolille ja käyttää antamiasi tietoja ainoastaan Dysonin sivustolla olevien yksityisyydensuojakäytäntöjen mukaisesti. (privacy.dyson.com)

GR

ΣΗΜΑΝΤΙΚΕΣ ΟΔΗΓΙΕΣ ΑΣΦΑΛΕΙΑΣ

ΠΡΙΝ ΤΗ ΧΡΗΣΗ ΑΥΤΗΣ ΤΗΣ ΣΥΣΚΕΥΗΣ, ΔΙΑΒΑΣΤΕ ΠΡΟΣΕΚΤΙΚΑ ΟΛΕΣ ΤΙΣ ΟΔΗΓΙΕΣ ΚΑΙ ΤΙΣ ΕΝΔΕΙΞΕΙΣ ΠΡΟΦΥΛΑΞΗΣ ΣΤΟ ΠΑΡΟΝ ΕΓΧΕΙΡΙΔΙΟ ΚΑΙ ΤΗ ΣΥΣΚΕΥΗ

Όταν χρησιμοποιείτε μια ηλεκτρική συσκευή πρέπει να ακολουθείτε κάποιες βασικές οδηγίες ασφαλείας:

ΠΡΟΕΙΔΟΠΟΙΗΣΗ

Οι προειδοποιήσεις που ακολουθούν αφορούν τη συσκευή, καθώς επίσης και όλα τα εργαλεία, τα εξαρτήματα, τους φορτιστές ή τους μετασχηματιστές ρεύματος.

ΓΙΑ ΝΑ ΜΕΙΩΘΕΙ Ο ΚΙΝΔΥΝΟΣ ΠΥΡΚΑΓΙΑΣ, ΗΛΕΚΤΡΟΠΛΗΞΙΑΣ Ή ΤΡΑΥΜΑΤΙΣΜΟΥ:

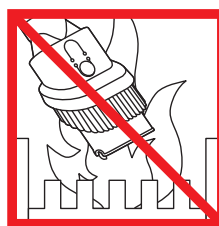
1. Αυτή η συσκευή Dyson μπορεί να χρησιμοποιηθεί από παιδιά ηλικίας 8 ετών και πάνω και από άτομα με μειωμένες φυσικές δυνατότητες και μειωμένες ικανότητες αντίληψης ή από άτομα με έλλειψη εμπειρίας και γνώσης, μόνον εάν επιτηρούνται ή τους έχουν δοθεί οδηγίες από κάποιο υπεύθυνο πρόσωπο, σχετικά με την ασφαλή χρήση της συσκευής και την κατανόηση των κινδύνων που ελλοχεύουν. Ο καθαρισμός και η συντήρηση δεν θα πρέπει να πραγματοποιούνται από παιδιά, χωρίς επιτήρηση.
2. Μην επιτρέπετε να χρησιμοποιείται η συσκευή σαν παιχνίδι. Απαιτείται προσοχή όταν η συσκευή χρησιμοποιείται από παιδιά ή κοντά σε παιδιά. Τα παιδιά πρέπει να επιτηρούνται για να διασφαλιστεί ότι δεν παίζουν με τη συσκευή.
3. Χρησιμοποιείτε τη συσκευή μόνο σύμφωνα με τις οδηγίες που αναφέρονται στο παρόν εγχειρίδιο λειτουργίας της Dyson. Μην εκτελείτε οποιαδήποτε εργασία συντήρησης εκτός από αυτές που αναφέρονται στο παρόν εγχειρίδιο ή που σας έχουν υποδειχθεί από την γραμμή βοήθειας της Dyson.
4. Κατάλληλη για χρήση ΜΟΝΟ σε στεγνούς χώρους. Μην χρησιμοποιείτε τη συσκευή σε εξωτερικούς χώρους ή σε υγρές επιφάνειες.
5. Μην χειρίζεστε κανένα τμήμα του φορτιστή ή της συσκευής με βρεγμένα χέρια.
6. Εάν ο φορτιστής ή το καλώδιο έχουν υποστεί φθορές μην χρησιμοποιείτε τη συσκευή.
7. Εάν η συσκευή δεν λειτουργεί όπως πρέπει, εάν έχει υποστεί δυνατό χτύπημα, πτώση, ζημιά ή έχει αφεθεί στο ύπαιθρο ή έχει πέσει σε νερό, μην τη χρησιμοποιήσετε και επικοινωνήστε με τη γραμμή βοήθειας της Dyson.
8. Σε περίπτωση που απαιτούνται εργασίες συντήρησης ή επισκευής, επικοινωνήστε με τη γραμμή βοήθειας της Dyson. Μην αποσυναρμολογείτε τη συσκευή, καθώς η λανθασμένη επανασυναρμολόγηση ενέχει κινδύνους ηλεκτροπληξίας ή εκδήλωσης πυρκαγιάς.
9. Μην τεντώνετε και μην τοποθετείτε το καλώδιο υπό πίεση. Τοποθετείτε το καλώδιο μακριά από θερμαινόμενες επιφάνειες. Φροντίστε ώστε το καλώδιο να μην πιέζεται από πόρτες και να μην είναι τυλιγμένο γύρω από αιχμηρές άκρες ή γωνίες. Τακτοποιήστε το καλώδιο μακριά από χώρους κυκλοφορίας και σε σημείο όπου δεν υπάρχει κίνδυνος να σκοντάψει κάποιος. Μην περνάτε τη συσκευή πάνω από το καλώδιο.
10. Μην χρησιμοποιείτε τη συσκευή για την απορρόφηση νερού.
11. Μην χρησιμοποιείτε τη συσκευή για να συλλέξετε εύφλεκτα ή καύσιμα υγρά, όπως βενζίνη, ή σε χώρους όπου μπορεί να υπάρχουν ατμοί από τέτοια υλικά.
12. Μην μαζεύετε με τη συσκευή θερμά αντικείμενα ή αντικείμενα που βγάζουν καπνό, όπως τσιγάρα, σπίρτα ή ζεστές στάχτες.
13. Κρατήστε τα μαλλιά, τα φαρδιά ρούχα, τα δάκτυλα και όλα τα άλλα μέρη του σώματός σας μακριά από τα ανοίγματα και τα κινούμενα μέρη, όπως η κυλινδρική βούρτσα. Μην στρέψετε τον εύκαμπτο και τον τηλεσκοπικό σωλήνα ή τα εργαλεία προς τα μάτια ή τα αφτιά σας και μην τα βάζετε στο στόμα σας.
14. Μην βάζετε αντικείμενα στα ανοίγματα της συσκευής. Μην την χρησιμοποιείτε όταν οποιοδήποτε άνοιγμα είναι φραγμένο. Διατηρήστε τα ανοίγματα καθαρά από σκόνες, χνούδια, τρίχες και οτιδήποτε θα μπορούσε να μειώσει τη ροή του αέρα.
15. Χρησιμοποιείτε μόνο τα προτεινόμενα αξεσουάρ και ανταλλακτικά της Dyson.
16. Χρησιμοποιήστε τη συσκευή μόνο όταν έχετε τοποθετήσει τον διαφανή κάδο και τα φίλτρα.
17. Αποσυνδέετε το φορτιστή από την πρίζα, όταν δεν χρησιμοποιείται για μεγάλα χρονικά διαστήματα.
18. Προσέχετε ιδιαίτερα όταν καθαρίζετε σκάλες.
19. Για να αποφύγετε ακούσια εκκίνηση, κρατήστε τα χέρια και τα δάκτυλά σας μακριά από τον διακόπτη ενεργοποίησης, "ON", μέχρι να είστε έτοιμοι να ξεκινήσετε το σκούπισμα, ιδιαίτερα όταν σηκώνετε ή μεταφέρετε τη συσκευή. Η μεταφορά της συσκευής με το δάκτυλό σας στον διακόπτη ενεργοποίησης "ON" προκαλεί ατυχήματα.

20. Μην εγκαταστήσετε, φορτίσετε ή χρησιμοποιήσετε αυτήν τη συσκευή σε εξωτερικούς χώρους, σε μπάνιο ή σε απόσταση μικρότερη των 3 μέτρων από πισίνα. Να μην χρησιμοποιείται σε υγρές επιφάνειες και να μην εκτίθεται σε υγρασία, βροχή ή χιόνι.
21. Χρησιμοποιήστε μόνο τον φορτιστή Dyson με κωδικό εξαρτήματος 217160 για τη φόρτιση αυτής της συσκευής Dyson. Χρησιμοποιείτε μόνο μπαταρίες Dyson: οι άλλοι τύποι μπαταριών ενδέχεται να εκραγούν προκαλώντας τραυματισμούς και φθορές.
22. Κατά την αφαίρεση ή αντικατάσταση μιας κυλινδρικής βούρτσας που κινείται με μοτέρ, προσέξτε να μην τραβήξετε τον διακόπτη "ON" μέχρι η κεφαλή καθαρισμού να επανασυναρμολογηθεί.
23. Μην χρησιμοποιείτε συστοιχίες μπαταριών ή συσκευή που έχουν φθαρεί ή τροποποιηθεί. Οι φθαρμένες ή τροποποιημένες μπαταρίες μπορεί να εμφανίσουν απροσδόκητη συμπεριφορά που οδηγεί σε πυρκαγιά, έκρηξη ή κίνδυνο τραυματισμού. Μην εκθέτετε τη συστοιχία μπαταριών ή τη συσκευή σε φλόγα ή υπερβολικές θερμοκρασίες. Η έκθεση σε φλόγα ή σε θερμοκρασίες άνω των 60°C (140°F) μπορεί να προκαλέσουν έκρηξη.
24. Η μπαταρία είναι σφραγισμένη και υπό φυσιολογικές συνθήκες δεν εγκυμονεί κινδύνους. Στην απίθανη περίπτωση που παρατηρήσετε διαρροή υγρών από τη μπαταρία, μην αγγίζετε το υγρό καθώς μπορεί να προκαλέσει ερεθισμό ή εγκαύματα και ακολουθήστε τις παρακάτω οδηγίες ασφαλείας:
- Επαφή με το δέρμα – ενδέχεται να προκαλέσει ερεθισμούς. Πλύνετε με νερό και σαπούνι.
 - Εισπνοή – ενδέχεται να προκαλέσει ερεθισμούς στο αναπνευστικό. Μεταφερθείτε σε χώρο με καθαρό αέρα και απευθυνθείτε σε ιατρό.
 - Επαφή με τα μάτια – ενδέχεται να προκαλέσει ερεθισμούς. Ξεπλύνετε τα μάτια σας επιμελώς με άφθονο νερό για τουλάχιστον 15 λεπτά. Απευθυνθείτε σε ιατρό.
 - Απόρριψη μπαταρίας – φορέστε γάντια για τον χειρισμό της μπαταρίας και ακολουθήστε τους τοπικούς κανονισμούς ή τις ισχύουσες τοπικές διατάξεις για την απόρριψή τους.

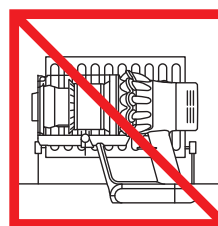
25. Ακολουθείτε όλες τις οδηγίες φόρτισης και μη φορτίζετε τη συστοιχία μπαταριών ή τη συσκευή εκτός του εύρους θερμοκρασιών που ορίζεται στις οδηγίες. Σε περίπτωση εσφαλμένης φόρτισης ή φόρτισης υπό θερμοκρασία εκτός του καθορισμένου εύρους, ενδέχεται να προκληθεί ζημιά στην μπαταρία και αυξάνεται ο κίνδυνος πυρκαγιάς. Για τη διασφάλιση της μέγιστης διάρκειας ζωής των μπαταριών, η Dyson συνιστά τα εξής:
- Όταν δεν χρησιμοποιείται, η συσκευή πρέπει να αποθηκεύεται σε θερμοκρασία δωματίου. Συνιστώμενο εύρος θερμοκρασιών: 18°C (64°F) έως 28°C (82°F).
 - Το εύρος θερμοκρασιών περιβάλλοντος για τη λειτουργία και την αποθήκευση είναι από 10°C (50°F) έως 30°C (86°F).
26. ΠΡΟΕΙΔΟΠΟΙΗΣΗ ΠΥΡΚΑΓΙΑΣ – Μην τοποθετείτε το προϊόν επάνω ή κοντά σε εστίες μαγειρέματος ή οποιαδήποτε άλλη θερμή επιφάνεια και μην καίτε τη συσκευή, ακόμη και εάν έχει υποστεί σοβαρή ζημιά. Η μπαταρία ενδέχεται να αναφλεγεί ή να εκραγεί.
27. ΠΡΟΕΙΔΟΠΟΙΗΣΗ ΠΥΡΚΑΓΙΑΣ – Μην χρησιμοποιείτε οποιοδήποτε άρωμα ή αρωματισμένο προϊόν στο(στα) φίλτρο(-α) αυτής της συσκευής. Τα χημικά που περιέχουν τα εν λόγω προϊόντα είναι γνωστό ότι είναι εύφλεκτα και μπορεί να προκαλέσουν ανάφλεξη της συσκευής.

ΔΙΑΒΑΣΤΕ ΚΑΙ ΦΥΛΑΞΤΕ ΑΥΤΕΣ ΤΙΣ ΟΔΗΓΙΕΣ

Αυτή η συσκευή Dyson προορίζεται μόνο για οικιακή χρήση.



Μην χρησιμοποιείτε τη συσκευή κοντά σε ακάλυπτες φλόγες.



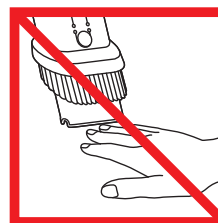
Μην αποθηκεύετε τη συσκευή κοντά σε πηγές θερμότητας.



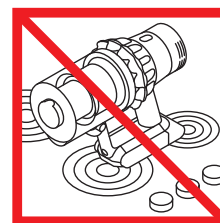
Μην συλλέγετε νερό ή υγρά.



Μην απορροφάτε φλεγόμενα αντικείμενα.



Μην τοποθετείτε τα χέρια σας κοντά στην κυλινδρική βούρτσα ενώ η συσκευή βρίσκεται σε λειτουργία.



Μην τοποθετείτε τη συσκευή επάνω ή κοντά σε εστίες μαγειρέματος.

Πρόσθετες πληροφορίες

Πριν προχωρήσετε, διαβάστε τις «Σημαντικές οδηγίες για την ασφάλεια» στο παρόν Εγχειρίδιο λειτουργίας της Dyson.

Εγκατάσταση της επιτοίχιας βάσης*

- Αποσυναρμολογήστε τη βάση, τον φορτιστή και ανοίξτε το φυλλάδιο εγκατάστασης.
 - Επιλέξτε τη θέση της επιτοίχιας εγκατάστασης και βεβαιωθείτε ότι δεν υπάρχουν σωληνώσεις (αερίου, νερού ή αέρος), καλώδια ρεύματος και γενικά καλωδιώσεις ή κανάλια ακριβώς πίσω από τη θέση τοποθέτησης.
 - Ακολουθήστε τις οδηγίες που αναγράφονται στο φυλλάδιο εγκατάστασης.
 - Κουμπώστε τα προσαρτήματα στη θέση τους.
 - Τοποθετήστε τη συσκευή στην επιτοίχια βάση.
 - Συνδέστε τον φορτιστή στην πρίζα παροχής ρεύματος. Ενεργοποιήστε (εάν είναι απαραίτητο) για να φορτίσετε τη μπαταρία.
 - Πριν από την πρώτη χρήση, η συσκευή θα πρέπει να φορτιστεί πλήρως.
 - Η επιτοίχια βάση πρέπει να στερεωθεί σύμφωνα με τους κανονισμούς και τους ισχύοντες κώδικες και πρότυπα (ενδέχεται να ισχύει επίσης κρατική και τοπική νομοθεσία).
- Η Dyson συνιστά τη χρήση προστατευτικού ρουχισμού, γυαλιών και υλικών ασφαλείας, κατά την εγκατάσταση της επιτοίχιας βάσης.

Χρήση της ηλεκτρικής σκούπας

- Αφαιρέστε τη συσκευή από την επιτοίχια βάση.
- Βεβαιωθείτε ότι η κάτω πλευρά της κεφαλής καθαρισμού ή του εξαρτήματος είναι καθαρή και απαλλαγμένη από ξένα σώματα που μπορεί να προκαλέσουν βλάβη.

Πριν τη χρήση της συσκευής σε δάπεδα, χαλιά και μοκέτες, διαβάστε τις προτεινόμενες οδηγίες καθαρισμού του κατασκευαστή.

Η χρήση της κυλινδρικής βούρτσας στη συσκευή ενδέχεται να προκαλέσει ζημιές σε ορισμένους τύπους χαλιών ή δαπέδων. Ορισμένα είδη χαλιών ενδέχεται να βγάλουν χνούδι κατά τη χρήση της περιστρεφόμενης κυλινδρικής βούρτσας. Αν συμβεί αυτό, συνιστάται ο καθαρισμός χωρίς το περιστρεφόμενο εργαλείο δαπέδων και η παροχή συμβουλής από τον κατασκευαστή του δαπέδου.

Κεφαλή καθαρισμού υψηλής ροπής – ροοστάτης ελέγχου αναρρόφησης

Η κεφαλή καθαρισμού υψηλής ροπής διαθέτει ένα χειριστήριο ροοστάτη για τη ρύθμιση της ισχύος αναρρόφησης της κεφαλής καθαρισμού. Για να επιλέξετε την απαιτούμενη ισχύ αναρρόφησης, μετακινήστε το χειριστήριο ροοστάτη στο επάνω μέρος της κεφαλής καθαρισμού.

Μέγιστη αναρρόφηση για έδαφος με σκόνη και απορρίμματα (+)

- Για το σκούπισμα με ηλεκτρική σκούπα ανθεκτικών καλυμμάτων δαπέδων, σκληρών δαπέδων και πολύ λερωμένων μοκετών και χαλιών.

Αναρρόφηση για έδαφος με σκόνη και απορρίμματα (▲)

- Για το σκούπισμα με ηλεκτρική σκούπα ελαφρώς λερωμένων μοκετών, χαλιών και σκληρών δαπέδων.
- Για την αναρρόφηση απορριμμάτων μεγάλου μεγέθους, όπως φιστίκια ή ρύζι.

Αναρρόφηση για μοκέτες βαθιάς πλέξης και ευαίσθητα δάπεδα (-)

- Για αναρρόφηση σε μοκέτες βαθιάς πλέξης ή χαλιά και σε οποιοδήποτε δάπεδο ενδέχεται να αισθανθείτε μεγαλύτερη αντίσταση.
- Για αναρρόφηση σε ελαφρώς λερωμένα δάπεδα, συμπεριλαμβανομένων ευαίσθητων επιφανειών όπως βινύλιο, παρκέ και λινόταπητες.

Άδειασμα του διαφανούς κάδου

- Αδειάζετε τον κάδο μόλις η σκόνη φτάσει στην ένδειξη MAX - μη γεμίζετε υπερβολικά.
 - Απαιτείται προσοχή ώστε να μην τραβήξετε το διακόπτη «ON» όταν ο διαφανής κάδος είναι ανοικτός για άδειασμα.
 - Αφαιρέστε τη ράβδο πιέζοντας το κόκκινο κουμπί απελευθέρωσης ράβδου και τραβώντας την από τον κάδο.
 - Για να απελευθερώσετε τη σκόνη:
 - Κρατήστε τη συσκευή με τον κάδο σε θέση προς τα κάτω.
 - Πιέστε σταθερά το κόκκινο κουμπί απελευθέρωσης του κάδου.
 - Ο κάδος θα ολισθήσει προς τα κάτω, καθαρίζοντας το κάλυμμα κατά τη διαδρομή του.
 - Στη συνέχεια, θα ανοίξει η βάση του κάδου.
 - Η βάση του κάδου δεν θα ανοίξει, εάν δεν πατήσετε πλήρως το κόκκινο κουμπί.
- Όταν αδειάζετε τον κάδο, για να ελαχιστοποιήσετε την επαφή με σκόνη και αλλεργιογόνα, καλύψτε τον κάδο με μια σακούλα και αδειάστε τον. Αφαιρέστε προσεκτικά τον διαφανή κάδο από τη σακούλα. Σφραγίστε καλά τη σακούλα και απορρίψτε την.

Καθαρισμός του διαφανούς κάδου (προαιρετικό)

- Εάν είναι απαραίτητο να καθαρίσετε τον διαφανή κάδο:
 - Ακολουθήστε τις οδηγίες της ενότητας "Άδειασμα του διαφανούς κάδου".
 - Πατήστε το κόκκινο κουμπί που βρίσκεται στο αυλάκι οδήγησης του κάδου και βγάλτε συρταρωτά τον κάδο από το αυλάκι οδήγησης.
 - Καθαρίστε τον διαφανή κάδο μόνο με ένα βρεγμένο πανί.
 - Βεβαιωθείτε ότι ο διαφανής κάδος και τα παρεμβύσματα είναι απόλυτα στεγνά πριν από την αντικατάστασή.
 - Για να επανατοποθετήσετε τον διαφανή κάδο:
 - Περάστε τη ράχη επάνω στο αυλάκι οδήγησης του συλλέκτη.
- Κλείστε τον διαφανή κάδο πιέζοντας τη βάση του κάδου προς τα επάνω μέχρι ο διαφανής κάδος και η βάση του κάδου να ασφαλιστούν στη θέση τους.
- Ο διαφανής κάδος δεν μπορεί να πλυθεί σε πλυντήριο πιάτων και δεν συνιστάται η χρήση απορρυπαντικών, γυαλιστικών ή αποσμητικών περιβάλλοντος για τον καθαρισμό του διαφανούς κάδου, διότι μπορεί να προκληθεί ζημιά στη συσκευή σας.

Φίλτρο και ενδείξεις έμφραξης

Η οθόνη της συσκευής σας σάς ενημερώνει όταν απαιτούνται απλά βήματα συντήρησης.

- Η ένδειξη φίλτρου εμφανίζεται όταν η μονάδα φίλτρου δεν έχει τοποθετηθεί σωστά. Ακολουθήστε τις οδηγίες για την επανατοποθέτηση του φίλτρου στην ενότητα "Πλύσιμο της μονάδας φίλτρου".
- Η ένδειξη φίλτρου θα εμφανιστεί όταν η μονάδα φίλτρου απαιτεί πλύσιμο. Ακολουθήστε τις οδηγίες για το πλύσιμο της μονάδας φίλτρου στην ενότητα "Πλύσιμο της μονάδας φίλτρου".
- Η ένδειξη έμφραξης εμφανίζεται όταν υπάρχει έμφραξη. Ακολουθήστε τις οδηγίες για την αποκατάσταση των έμφραξεων στην ενότητα "Έλεγχος για έμφραξεις".

Πλενόμενα μέρη

Η συσκευή σας έχει πλενόμενα μέρη, τα οποία απαιτούν τακτικό καθαρισμό. Ακολουθήστε τις παρακάτω οδηγίες.

- Μην τοποθετήσετε κανένα μέρος της συσκευής σας σε πλυντήριο πιάτων, πλυντήριο, στεγνωτήριο, φούρνο, φούρνο μικροκυμάτων ή κοντά σε γυμνή φλόγα.

Πλύσιμο της μονάδας φίλτρου

Πλένετε τη μονάδα φίλτρου τουλάχιστον μία φορά κάθε μήνα ή όποτε ανάβει η ένδειξη συντήρησης φίλτρου.

Ελέγξτε και πλύνετε τη μονάδα φίλτρου, σύμφωνα με τις οδηγίες, για να διατηρηθεί σε υψηλό επίπεδο η απόδοση της μονάδας.

- Αφαιρέστε τη μονάδα φίλτρου συστρέφοντας αριστερόστροφα. Τραβήξτε απαλά και αφαιρέστε τη από τη συσκευή.
- Κτυπήστε απαλά τη μονάδα φίλτρου για να αφαιρέσετε τυχόν περίσσεια σκόνης και ρύπων πριν την πλύση.
- Πλύνετε το φίλτρο με κρύο νερό μόνο: μην χρησιμοποιήσετε απορρυπαντικό και μην πλένετε σε πλυντήριο πιάτων ή ρούχων.
- Πλύνετε πρώτα το χάρτινο στοιχείο φίλτρου με πτυχωσείς. Κρατήστε το φίλτρο κάτω από κρύο τρεχούμενο νερό βρύσης με το αφρώδες στοιχείο προς τα κάτω και αφήστε το κρύο νερό να ρεύσει επάνω από το χάρτινο στοιχείο με πτυχωσείς.
- Συνεχίστε την πλύση μέχρι το νερό να είναι καθαρό.
- Ακολουθώντας, πλύνετε το αφρώδες στοιχείο του φίλτρου. Κρατήστε τη μονάδα φίλτρου κάτω από κρύο νερό βρύσης με το αφρώδες στοιχείο προς τα κάτω, ώστε το νερό πλύσης να μην λερώνει το χάρτινο στοιχείο με πτυχωσείς. Αφήστε το κρύο νερό να ρεύσει στο εσωτερικό και εξωτερικό του αφρώδους στοιχείου και σφίξτε τον αφαρό απαλά για να απορρίψετε τους ρύπους.
- Συνεχίστε την πλύση μέχρι το νερό να είναι καθαρό.
- Πλύνετε το εξωτερικό της μονάδας φίλτρου. Στη συνέχεια, γεμίστε τη μονάδα με κρύο νερό, τοποθετήστε τα χέρια σας επάνω από τα ανοικτά άκρα και ανακινήστε ελαφρά.
- Επαναλάβετε το πλύσιμο των στοιχείων και του εξωτερικού της μονάδας φίλτρου μέχρι να τρέξει καθαρό νερό.
- Ανακινήστε απαλά τη μονάδα φίλτρου για να αφαιρέσετε τυχόν περίσσεια νερού και αφήστε να στεγνώσει με το αφρώδες στοιχείο στραμμένο προς τα επάνω.
- Αφήστε τη μονάδα φίλτρου να στεγνώσει τελείως σε στεγνό χώρο με καλή κυκλοφορία αέρα για τουλάχιστον 24 ώρες.
- Βεβαιωθείτε ότι η μονάδα φίλτρου έχει στεγνώσει τελείως.
- Για να την επανατοποθετήσετε, επανατοποθετήστε τη μονάδα φίλτρου στο κυρίως σώμα και περιστρέψτε δεξιόστροφα μέχρι να κουμπώσει με κλικ στη θέση της.

Η μονάδα φίλτρου ενδέχεται να απαιτεί συχνότερο καθαρισμό, εάν χρησιμοποιείτε τη συσκευή για την απορρόφηση πιλής σκόνης ή εάν χρησιμοποιείται κυρίως στη λειτουργία Ενίσχυσης.

Μην τοποθετήσετε κανένα μέρος της συσκευής σας σε πλυντήριο πιάτων, πλυντήριο, στεγνωτήριο, φούρνο, φούρνο μικροκυμάτων ή κοντά σε γυμνή φλόγα.

Πλύσιμο των κυλινδρικών βουρτσών

Η κυλινδρική κεφαλή καθαρισμού της συσκευής διαθέτει δύο πλενόμενες κυλινδρικές βούρτσες. Ελέγχετε και πλένετε τις βούρτσες τακτικά, σύμφωνα με τις παρακάτω οδηγίες για να διατηρήσετε την απόδοσή τους:

- Ανατρέξτε στις εικόνες "Συντήρηση κεφαλής καθαρισμού" παραπάνω.
- Κατά την αφαίρεση ή αντικατάσταση μιας κυλινδρικής βούρτσας που κινείται με μοτέρ, προσέξτε να μην τραβήξετε το διακόπτη "ON" μέχρι η κεφαλή καθαρισμού να επανασυναρμολογηθεί.

Για να αφαιρέσετε, πλύνετε και επανατοποθετήσετε τις κυλινδρικές βούρτσες:

- Γυρίστε την κεφαλή της συσκευής ανάποδα, έτσι ώστε το κάτω μέρος της κεφαλής της συσκευής να είναι στραμμένο προς τα εσάς. Χρησιμοποιήστε ένα νόμισμα για να στρέψετε το κάλυμμα άκρου αριστερόστροφα κατά ένα τέταρτο της περιστροφής, μέχρι να ασφαλιστεί στην ασφαλισμένη θέση. Περιστρέψτε το κάλυμμα άκρου στην ανοικτή θέση. Αφαιρέστε προσεκτικά την κύρια κυλινδρική βούρτσα από την κεφαλή καθαρισμού. Αφαιρέστε το κάλυμμα άκρου από την κύρια κυλινδρική βούρτσα. Μην πλένετε το κάλυμμα άκρου.
- Αφαιρέστε προσεκτικά την πίσω κυλινδρική βούρτσα από την κεφαλή καθαρισμού.
- Κρατήστε τις κυλινδρικές βούρτσες κάτω από τρεχούμενο νερό και αφαιρέστε χνούδια ή ρύπους.
- Στερεώστε τις κυλινδρικές βούρτσες κατακόρυφα όπως απεικονίζεται. Αφήστε το φίλτρο να στεγνώσει τελείως για τουλάχιστον 24 ώρες. Πριν την επανατοποθέτησή, ελέγξτε ότι οι κυλινδρικές βούρτσες έχουν στεγνώσει εντελώς.
- Σύρετε την πίσω κυλινδρική βούρτσα ξανά στη θέση της στην κεφαλή καθαρισμού.
- Σύρετε την κύρια κυλινδρική βούρτσα ξανά στη θέση της στην κεφαλή καθαρισμού.
- Επανασυνδέστε το κάλυμμα άκρου στην κύρια κυλινδρική βούρτσα.
- Το κάλυμμα άκρου πρέπει να βρίσκεται στην ανοικτή θέση, όπως απεικονίζεται. Μόλις τοποθετηθεί, περιστρέψτε το κάλυμμα άκρου πίσω στην κλειστή θέση.
- Κλείστε την ασφάλεια, περιστρέφοντάς τη κατά ένα τέταρτο της περιστροφής δεξιόστροφα. Βεβαιωθείτε ότι η ασφάλεια έχει γυρίσει πλήρως και ότι οι κυλινδρικές βούρτσες έχουν ασφαλιστεί.

Κεφαλή καθαρισμού υψηλής ροπής

Η κυλινδρική βούρτσα μιας κεφαλής καθαρισμού με μοτέρ δεν πλένεται.

Εργαλείο ταχείας αποσύνδεσης μίνι κεφαλής μοτέρ

Η κυλινδρική βούρτσα μιας κεφαλής καθαρισμού με μοτέρ δεν πλένεται.

Έμφραξη - αυτόματη διακοπή λειτουργίας

- Η συσκευή αυτή είναι εξοπλισμένη με ένα σύστημα αυτόματης διακοπής λειτουργίας.
- Σε περίπτωση που κάποιο αντικείμενο φράξει οποιοδήποτε εξάρτημα, ενδέχεται να διακοπεί αυτόματα η λειτουργία της συσκευής.
- Αυτό θα συμβεί μετά τον παλμό του μοτέρ για μερικές φορές (δηλ., ενεργοποιείται και απενεργοποιείται σε σύντομη αλληλουχία) και θα ανάψει η λυχνία ένδειξη έμφραξης.
- Αφήστε το να κρυώσει πριν ελέγξετε για έμφραξη.
- Προσέξτε να μην τραβήξετε τον διακόπτη "ON" ενώ εξετάζετε για έμφραξη. Ο χειρισμός της συσκευής ενώ είναι μερικώς αποσυναρμολογημένη μπορεί να οδηγήσει σε τραυματισμό.
- Αφαιρέστε ό,τι φράζει τα εξαρτήματα της συσκευής πριν τη θέσετε ξανά σε λειτουργία.
- Τοποθετήστε στη θέση τους όλα τα εξαρτήματα της συσκευής πριν τη χρησιμοποιήσετε ξανά.
- Η εγγύηση της συσκευής δεν καλύπτει τον έλεγχο για εμφράξεις.

Έλεγχος για εμφράξεις

Το μοτέρ θα λειτουργήσει παλμικά και η λυχνία ένδειξη έμφραξης θα ανάψει όταν υπάρχει έμφραξη. Ακολουθήστε τις παρακάτω οδηγίες για να εντοπίσετε την έμφραξη:

- Προσέξτε να μην τραβήξετε τον διακόπτη "ON" ενώ εξετάζετε για έμφραξη. Ο χειρισμός της συσκευής ενώ είναι μερικώς αποσυναρμολογημένη μπορεί να οδηγήσει σε τραυματισμό.
- Κατά τον έλεγχο για εμφράξεις προσέξτε εάν υπάρχουν αιχμηρά αντικείμενα.
- Για να ελέγξετε για εμφράξεις στο κύριο σώμα της συσκευής, αφαιρέστε τον διαφανή κάδο ακολουθώντας τις οδηγίες στην ενότητα "Καθαρισμός του διαφανούς κάδου" και αφαιρέστε το εμπόδιο.
- Αν δεν μπορείτε να αφαιρέσετε το εμπόδιο από την κεφαλή καθαρισμού, ίσως χρειαστεί να αφαιρέσετε τη κυλινδρική βούρτσα. Χρησιμοποιήστε κέρμα για να απασφαλίσετε την ασφάλεια συγκράτησης, σύρετε τη κυλινδρική βούρτσα και αφαιρέστε από την κεφαλή καθαρισμού και αφαιρέστε το αντικείμενο που προκαλεί την έμφραξη. Τοποθετήστε την κυλινδρική βούρτσα στη θέση της σφίγγοντας την ασφάλεια συγκράτησης. Βεβαιωθείτε ότι έχει στερεωθεί καλά στη θέση της πριν θέσετε τη συσκευή σε λειτουργία.
- Το προϊόν αυτό έχει βούρτσες από ανθρακονήματα. Προσέξτε εάν έρθετε σε επαφή με αυτά. Μπορεί να προκαλέσουν ελαφρύ ερεθισμό στο δέρμα. Πλένετε τα χέρια σας μετά την επαφή.
- Τοποθετήστε στη θέση τους όλα τα εξαρτήματα της συσκευής πριν τη χρησιμοποιήσετε ξανά.
- Η εγγύηση της συσκευής δεν καλύπτει τον έλεγχο για εμφράξεις.

Φόρτιση και αποθήκευση

- Αυτή η συσκευή απενεργοποιείται όταν η θερμοκρασία της μπαταρίας είναι κάτω από 10°C (50°F). Αυτή η λειτουργία έχει προβλεφθεί για την προστασία του μοτέρ και της μπαταρίας. Μην φορτίζετε τη συσκευή και έπειτα τη μεταφέρετε σε χώρο με θερμοκρασία μικρότερη από 10°C (50°F) για να την αποθηκεύσετε.
- Για να επιμηκύνετε τη διάρκεια ζωής της μπαταρίας, αποφύγετε να την φορτίσετε αμέσως μετά την πλήρη εκφόρτιση. Αφήστε την να κρυώσει για λίγα λεπτά.
- Αποφύγετε τη χρήση της συσκευής, όταν η μπαταρία ακουμπά σε άλλη επιφάνεια. Με αυτόν τον τρόπο αποτρέπεται η υπερθέρμανση της μπαταρίας και επιμηκύνεται ο χρόνος λειτουργίας, αλλά και η διάρκεια ζωής της.

Οδηγίες ασφάλειας της μπαταρίας

- Εάν πρέπει να αντικαταστήσετε τη μπαταρία, επικοινωνήστε με τη Γραμμή υποστήριξης της Dyson.
- Χρησιμοποιήστε μόνο τον φορτιστή Dyson με κωδικό εξαρτήματος 217160 για τη φόρτιση αυτής της συσκευής Dyson.




ΠΡΟΣΟΧΗ

Η μπαταρία που χρησιμοποιείται σε αυτή τη συσκευή ενδέχεται να εκκινεί κινδύνους πυρκαγιάς ή χημικού εγκαύματος σε περίπτωση ακατάλληλης μεταχείρισης. Μην έρχεστε σε πολύ κοντινή επαφή μαζί της, μην την θερμαίνετε πάνω από τους 60°C (140°F) και μην την αποτεφρώνετε. Κρατήστε την μακριά από παιδιά. Μην την αποσυναρμολογείτε και μην την πετάτε μέσα σε φωτιά.

Πληροφορίες απόρριψης

- Τα προϊόντα της Dyson κατασκευάζονται από υψηλής ποιότητας ανακυκλώσιμα υλικά. Να ανακυκλώνετε όπου αυτό είναι δυνατό.
- Η μπαταρία θα πρέπει να αφαιρείται από το προϊόν πριν από την απόρριψή του.
- Η απόρριψη ή η ανακύκλωση της μπαταρίας πρέπει να γίνεται με βάση τις τοπικές οδηγίες ή κανονισμούς.
- Απορρίψτε τη μονάδα φίλτρου κατά το τέλος της ζωής της σύμφωνα με τις τοπικές οδηγίες ή κανονισμούς.

 Η σήμανση αυτή υποδεικνύει ότι το προϊόν αυτό δεν θα πρέπει να απορρίπτεται μαζί με τα υπόλοιπα οικιακά απόβλητα σε όλη την Ε.Ε. Για την αποτροπή πιθανής μόλυνσης του περιβάλλοντος ή βλάβης της ανθρώπινης υγείας από τη μη ελεγχόμενη απόρριψη των αποβλήτων, ανακυκλώστε τη συσκευή με υπεύθυνο τρόπο προάγοντας τη διατήρηση της χρήσης των πρώτων υλών. Για την επιστροφή της μεταχειρισμένης σας συσκευής, χρησιμοποιήστε τα συστήματα συλλογής και επιστροφής ή επικοινωνήστε με τον έμπορο από τον οποίο αγοράσατε το προϊόν. Αυτοί μπορούν να ανακυκλώσουν το προϊόν με ασφαλή για το περιβάλλον τρόπο.

Εξυπηρέτηση πελατών Dyson

Ευχαριστούμε που επιλέξατε ένα από τα προϊόντα Dyson

Μετά την ενεργοποίηση της εγγύησης 2 ετών, η συσκευή σας Dyson θα καλύπτεται για το κόστος ανταλλακτικών και εργασίας για 2 έτη από την ημερομηνία αγοράς, σύμφωνα με τους όρους της εγγύησης. Εάν έχετε απορίες σχετικά με τη συσκευή Dyson, επισκεφτείτε τη διεύθυνση www.gr.dyson.com/support για οδηγίες στο διαδίκτυο, γενικές συμβουλές και χρήσιμες πληροφορίες σχετικά με τη Dyson.

Εναλλακτικά, επικοινωνήστε με τη γραμμή βοήθειας της Dyson έχοντας διαθέσιμο τον σειριακό αριθμό της συσκευής καθώς και λεπτομέρειες σχετικά με την τοποθεσία και τον χρόνο αγοράς της.

Αν η συσκευή σας Dyson χρειάζεται επισκευή, επικοινωνήστε με τη γραμμή βοήθειας της Dyson για να συζητήσουμε τις διαθέσιμες επιλογές. Αν η συσκευή σας Dyson έχει εγγύηση σε ισχύ και η επισκευή καλύπτεται, θα επισκευαστεί χωρίς κόστος.

Εγγραφή κατόχου προϊόντος Dyson

Η εγγύηση αυτή της συσκευής, ισχύει για 2 χρόνια από την ημερομηνία αγοράς. Εγγραφείτε ως κάτοχος προϊόντος Dyson, εντός 30 ημερών από την ημερομηνία αγοράς. Για την ταχύτερη και αποτελεσματικότερη εξυπηρέτησή σας, προβείτε στην εγγραφή αμέσως μετά την αγορά της συσκευής σας. Φυλάξτε την απόδειξη αγοράς καθ' όλη τη διάρκεια της εγγύησης.

Η εγγραφή γίνεται με τους εξής τρόπους:

- Τηλεφωνικά στην γραμμή βοήθειας Dyson στο 800 111 3500.
- Με τη συμπλήρωση του εσώκλειστου εντύπου και την ταχυδρομική αποστολή του.

Με την εγγραφή σας:

- Προστατεύετε την επένδυσή σας με εγγύηση εξαρτημάτων και εργασίας για διάστημα δύο ετών.
- Λαμβάνετε χρήσιμες συμβουλές σχετικά με τη χρήση του μηχανήματός σας.
- Λαμβάνετε ειδικευμένες συμβουλές από την Τηλεφωνική γραμμή υποστήριξης της Dyson.
- Μαθαίνετε πρώτοι τις πλέον πρόσφατες εφευρέσεις μας.
- Η εγγραφή απαιτεί λίγα μόλις λεπτά και χρειάζεστε μόνο τον σειριακό αριθμό.

ΠΕΡΙΟΡΙΣΜΕΝΗ ΕΓΓΥΗΣΗ 2 ΕΤΩΝ

ΟΡΟΙ ΚΑΙ ΠΡΟΫΠΟΘΕΣΕΙΣ ΙΣΧΥΟΣ ΤΗΣ ΠΕΡΙΟΡΙΣΜΕΝΗΣ ΕΓΓΥΗΣΗΣ 2 ΕΤΩΝ ΤΗΣ DYSON

Τι καλύπτει η εγγύηση

- Την επισκευή ή αντικατάσταση της ηλεκτρικής συσκευής (κατά την κρίση της Dyson) σε περίπτωση αστοχίας υλικών, κακής συναρμολόγησης ή δυσλειτουργίας, που ισχύει για 2 χρόνια από την ημερομηνία αγοράς ή παράδοσης, (σε περίπτωση που κάποιο ανταλλακτικό έχει καταργηθεί ή είναι εκτός παραγωγής, η Dyson θα το αντικαταστήσει με ένα λειτουργικό ανταλλακτικό).
- Στις περιπτώσεις όπου η παρούσα συσκευή πωλείται εκτός ΕΕ, η παρούσα εγγύηση ισχύει μόνο εφόσον η συσκευή χρησιμοποιείται εντός της χώρας στην οποία πωλήθηκε.
- Στις περιπτώσεις όπου η παρούσα συσκευή πωλείται εντός της ΕΕ, η παρούσα εγγύηση ισχύει μόνο (i) εάν η συσκευή χρησιμοποιείται στη χώρα στην οποία πωλήθηκε (ii) εάν η συσκευή χρησιμοποιείται σε Αυστρία, Βέλγιο, Γαλλία, Γερμανία, Ιρλανδία, Ιταλία, Ολλανδία, Ισπανία ή Ηνωμένο Βασίλειο και το ίδιο μοντέλο με αυτή τη συσκευή πωλείται στην ίδια ονομαστική τάση στη σχετική χώρα.

Τι δεν καλύπτει η εγγύηση

Η Dyson δεν εγγυάται την επισκευή ή αντικατάσταση ενός προϊόντος, όταν το ελάττωμα οφείλεται σε:

- Βλάβη από ατύχημα, βλάβες που προκλήθηκαν από αμελή χρήση ή συντήρηση, κακή χρήση, αμέλεια, απροσεξία ή λανθασμένο χειρισμό ή διαχείριση της συσκευής που δεν είναι σύμφωνη με το εγχειρίδιο χρήσης της Dyson.
- Χρήση της συσκευής για άλλο σκοπό πέραν των συνθημάτων οικιακών χρήσεων.
- Συναρμολόγηση ή εγκατάσταση εξαρτημάτων με τρόπο μη συμβατό με τις οδηγίες της Dyson.
- Χρήση ανταλλακτικών και αξεσουάρ που δεν ανήκουν στα γνήσια εξαρτήματα Dyson.
- Ελαττωματική εγκατάσταση (εξαιρούνται οι εγκαταστάσεις που πραγματοποιήθηκαν από την Dyson).
- Επισκευές και μετατροπές που πραγματοποιήθηκαν από τρίτους και όχι από τη Dyson ή τους εξουσιοδοτημένους αντιπροσώπους της.
- Έμφραξη – δείτε περισσότερες λεπτομέρειες σχετικά με τον εντοπισμό έμφραξης στο Εγχειρίδιο Χρήσης της Dyson.
- Φυσιολογική χρήση και φθορά (π.χ. ηλεκτρικές ασφάλειες, κυλινδρική βούρτσα κ.λπ.).
- Χρήση της συσκευής σε μάζα, τέφρα ή σοβά.
- Μείωση του χρόνου εκφόρτισης της μπαταρίας λόγω παιαιότητας ή χρήσης (όπου αυτό εφαρμόζεται).

Αν έχετε αμφιβολίες σχετικά με το τι καλύπτεται από την εγγύησή σας, επικοινωνήστε με την γραμμή βοήθειας της Dyson.

Οι όροι κάλυψης συνοπτικά

- Η εγγύηση τίθεται σε ισχύ από την ημερομηνία αγοράς (ή την ημερομηνία παράδοσης της συσκευής, όταν η τελευταία γίνει σε δεύτερο χρόνο).
- Η επίδειξη της απόδειξης αγοράς / παράδοσης (είτε της αυθεντικής είτε οποιαδήποτε άλλου σχετικού εγγράφου) είναι απαραίτητη πριν πραγματοποιηθεί οποιαδήποτε εργασία επισκευής στη συσκευή σας Dyson. Χωρίς τα ανωτέρω αποδεικτικά, οι εργασίες επισκευής θα χρεώνονται. Για το λόγο αυτό, συνιστάται η διατήρηση της απόδειξης ή του δελτίου παράδοσης.
- Όλες οι εργασίες/επιδιορθώσεις πραγματοποιούνται αποκλειστικά από την Dyson ή τους εξουσιοδοτημένους αντιπροσώπους της.
- Κάθε εξάρτημα που αντικαθίσταται από την Dyson περιέρχεται στην ιδιοκτησία της Dyson.
- Η επισκευή ή αντικατάσταση της ηλεκτρικής συσκευής σας Dyson που καλύπτεται με εγγύηση δεν παρατείνει τη συνολική διάρκεια της εγγύησης.
- Η εγγύηση παρέχει επιπλέον προνόμια και δεν επηρεάζει τα νομοθετημένα δικαιώματα του καταναλωτή.

Σημαντικές πληροφορίες προστασίας δεδομένων

Κατά την εγγραφή του προϊόντος Dyson:

- Θα χρειαστεί να μας παράσχετε βασικά στοιχεία επικοινωνίας για την εγγραφή του προϊόντος σας και για να μας επιτρέψετε να υποστηρίξουμε την εγγύησή σας.
- Κατά την εγγραφή σας, θα έχετε τη δυνατότητα να επιλέξετε κατά πόσο θα λαμβάνετε μηνύματα επικοινωνίας από εμάς. Εάν επιλέξετε να λαμβάνετε μηνύματα επικοινωνίας από την Dyson, θα λαμβάνετε λεπτομέρειες ειδικών προσφορών και ειδήσεις των τελευταίων καινοτομιών μας. Σε καμία περίπτωση δεν θα προβούμε σε πώληση των πληροφοριών σας σε τρίτα μέρη και θα χρησιμοποιήσουμε τις πληροφορίες που κοινοποιείτε σε εμάς αποκλειστικά σύμφωνα με τα όσα ορίζονται από τις πολιτικές προστασίας απορρήτου μας, στις οποίες μπορείτε να ανατρέξετε μέσω του ιστοτόπου μας privacy.dyson.com

HU

FONTOS BIZTONSÁGI ELŐÍRÁSOK

A KÉSZÜLÉK HASZNÁLATA ELŐTT OLVASSA EL A KÉSZÜLÉKEN ÉS A JELEN KÉZIKÖNYVBEN SZEREPLŐ ELŐÍRÁSOKAT, ÉS TANULMÁNYOZZA A FIGYELMEZTETŐ JELZÉSEKET!

Elektromos készülékek használatakor mindig tartsa be az alapvető biztonsági előírásokat, többek között a következőket:

FIGYELMEZTETÉS

Ezek a figyelmeztetések a készülékre vonatkoznak, továbbá – ha van – minden alkatrészére, tartozékára, valamint a töltőre és a hálózati adapterre is.

A TŰZ, ÁRAMÜTÉS VAGY SÉRÜLÉS KOCKÁZATÁNAK CSÖKKENTÉSE ÉRDEKÉBEN TEGYE A KÖVETKEZŐKET:

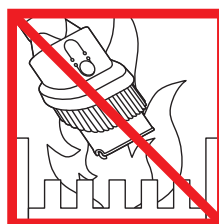
1. Ezt a Dyson készüléket 8 éven felüli gyermekek, illetve csökkent fizikai, érzékelési vagy szellemi képességekkel rendelkező, vagy a készülék működtetésében járatlan személyek is használhatják, amennyiben ezt egy felelős személy felügyelete mellett teszik, illetve ha e személy megtanította őket a készülék biztonságos használatára, és megismertette velük az azzal járó veszélyeket. Gyermekek felügyelet nélkül nem tisztíthatják a készüléket és nem végezhetnek felhasználói karbantartást rajta.
2. Tilos a készülékkel játszani! Gyermekek közelében vagy gyermekek által csak szigorú felügyelet mellett használható. Ügyeljen arra, hogy a gyermekek ne játsszanak a készülékkel.
3. A készüléket csak a Dyson működtetési kézikönyvében leírt módon használja. Ne hajtson végre semmiféle olyan karbantartási munkálatot, amely nem szerepel a jelen kézikönyvben, vagy amelyet nem a Dyson ügyfélszolgálat javasolt.
4. A készülék CSAK száraz helyen használható. Ne használja a szabadban vagy nedves felületen.
5. A töltő vagy a készülék részeit ne érintse meg nedves kézzel.
6. Ne használja a készüléket sérült töltővel vagy kábellel.
7. "Ne használja a készüléket, ha az nem az elvárt módon működik, éles ütést kapott, leesett, megsérült, a szabadban hagyták vagy vízbe esett. Ilyen esetben keresse fel a Dyson ügyfélszolgálatát."
8. "Ha szervizre vagy javításra van szüksége, forduljon a Dyson ügyfélszolgálatához. Ne szerelje szét a készüléket, mert a helytelen újbóli összeszerelés áramütést vagy tüzet okozhat."
9. A kábelt ne feszítse meg és ne helyezze nyomás alá. Tartsa a kábelt forró felületektől távol. Ne zárja rá az ajtót a kábelre, és óvja a kábelt az éles szegélyektől vagy sarkoktól. Tartsa távol a kábelt az olyan helyektől, ahol akadályozhatja a közlekedést, ráléphetnek vagy eleshetnek benne. Ne menjen át a készülékkel semmilyen kábelen.
10. Ne használja víz felszívására!
11. Ne használja a készüléket tűzveszélyes vagy gyúlékony folyadékok, például benzin felszívására, illetve ne működtesse olyan helyen, ahol ilyen folyadékok vagy gőzök lehetnek.
12. Ne használja a készüléket égő vagy füstölő tárgyak, például cigaretta, gyufa vagy forró hamu felszívására.
13. Tartsa távol a haját, öltözékét, ujjait, egyéb testrészeit a készülék nyílásaitól, és olyan mozgó alkatrészeitől, mint például a keferúd. Ne helyezze a tömlőt, a porszívócsövet vagy más tartozékokat a szeméhez, a füléhez vagy a szájába.
14. Ne helyezzen idegen tárgyakat a készülék nyílásaiba. Ne használja a készüléket eltömődött nyílásokkal, Tartsa távol a portól, bolyhoktól, hajtól és minden olyan anyagtól, amely csökkentheti a légáramlást.
15. Csak a Dyson által ajánlott tartozékokat és cserealkatrészeket használja.
16. Ne használja az átlátszó portartály és szűrő nélkül.
17. Áramtalanítsa a töltőt, ha huzamosabb ideig nem használja.
18. Lépcsők tisztításakor legyen különösen óvatos.
19. A készülék akaratlan elindítását úgy előzheti meg, ha addig távol tartja kezét és ujjait a bekapcsológombtól, amíg készen nem áll a porszívózás megkezdésére, különösen a készülék felemelése és szállítása közben. A készülék bekapcsológombon tartott ujjakkal történő szállítása balesetveszélyes.
20. Ne helyezze el, ne töltse és ne használja a készüléket a szabadban, a fürdőszobában vagy medence 3 méteres körzetében. Ne használja nedves felületen, és óvja a nedvességtől, esőtől vagy hőtől.
21. Kizárólag a 217160 cikkszámú Dyson-töltőt használja ezen Dyson-készülék töltésére. Csak Dyson-akkumulátorokat használjon: más típusú akkumulátorok felrobbanhatnak, és személyi sérülést vagy anyagi kárt okozhatnak.

22. A motoros keferúd eltávolítása vagy cseréje esetén ügyeljen arra, nehogy véletlenül bekapcsolja a készüléket, mielőtt visszaszerelné a tisztítófejet.
23. Ne használja az akkumulátorcsomagot vagy a készüléket, ha sérült vagy módosították. A sérült vagy módosított akkumulátorok kiszámíthatatlanul viselkedhetnek: tüzet, robbanást és sérülésveszélyt okozhatnak. Ne tegye ki az akkumulátorcsomagot vagy a készüléket tűz, illetve túlzottan magas hőmérséklet hatásának. Ha tűznek vagy 60 °C (140 °F) feletti hőmérsékletnek teszik ki, az robbanást okozhat.
24. Az akkumulátor zárt egység, így normál körülmények között nem veszélyezteti a biztonságot. Abban a valószínűtlen esetben, ha folyadék szivárog az akkumulátorból, ne érintse meg a folyadékot – hiszen az irritációt vagy égési sebet okozhat –, és tartsa be a következő óvintézkedéseket:
- Bőrrel való érintkezés – irritációt okozhat. Mossa le a bőrfelületet szappanos vízzel.
 - Belégzés – légúti irritációt okozhat. Menjen friss levegőre, és forduljon orvoshoz.
 - Szemmel való érintkezés – irritációt okozhat. Azonnal alaposan öblítse át a szemét bő vízzel, legalább 15 percen keresztül. Forduljon orvoshoz.
 - Ártalmatlanítás – az akkumulátort kesztyűvel fogja meg, és azonnal ártalmatlanítsa a helyi rendelkezéseknek vagy szabályoknak megfelelően.
25. Tartsa be az összes töltési előírást és ne töltsen az akkumulátort vagy a készüléket a jelen útmutatóban megadott hőmérsékleti tartományon kívüli hőmérsékleten. A nem megfelelő módon, illetve a megadott hőmérsékleti tartományon kívüli hőmérsékleten való töltés károsíthatja az akkumulátort és növeli a tűz kialakulásának veszélyét. Az akkumulátor maximális élettartamának biztosítása érdekében a Dyson a következőket javasolja:
- Ha nincs használatban, a készüléket szobahőmérsékleten kell tárolni. Ajánlott hőmérsékleti tartomány: 18 °C (64 °F) és 28 °C (82 °F) között.
 - A környezeti hőmérséklet üzemeltetés és töltés esetén legyen 10 °C (50 °F) és 30 °C (86 °F) között.

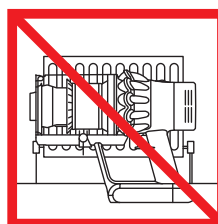
26. **TŰZVESZÉLY** – Ne helyezze a terméket tűzhelyre, illetve tűzhely vagy egyéb forró felület közelébe, és ne égesse el a készüléket még abban az esetben sem, ha az súlyosan megsérült. Az akkumulátor meggyulladhat vagy felrobbanhat.
27. **TŰZVESZÉLY** – Ne engedje, hogy a készülék szűrőjére/szűrőire illatosított vagy aromás termék jusson. Az ilyen termékek vegyi összetételükből adódóan gyúlékonyak, és a készülék meggyulladását okozhatják.

OLVASSA EL ÉS ŐRIZZE MEG EZT AZ ÚTMUTATÓT

Ez a Dyson készülék csak háztartási felhasználásra alkalmas.



Ne használja nyílt láng mellett.



Ne tárolja hőforrások közelében.



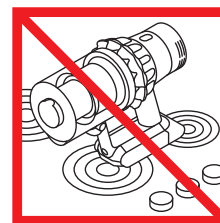
Ne szívjon fel vele vizet vagy folyadékot.



Ne szívjon fel égő tárgyakat.



A készülék működtetése közben tartsa távol a kezét a keferúdtól.



Ne helyezze tűzhelyre vagy tűzhely közelébe.

További információk

Kérjük, hogy a készülék használata előtt olvassa el a "Fontos biztonsági előírások"-at ezen Dyson működtetési kézikönyvben.

A TARTÓEGYSÉG FELSZERELÉSE

- Csomagolja ki a dokkolóegységet, a töltőt és a felszerelési útmutatót.
 - Válassza ki a dokkolóegység helyét, és ellenőrizze, hogy nincs-e csővezeték (gáz, víz vagy levegő), villamos kábel, vezeték vagy elosztócsatorna közvetlenül a felszerelési hely mögött.
 - Kövesse a felszerelési útmutató utasításait.
 - Kattintsa helyükre a rögzítéseket.
 - Helyezze a készüléket a dokkolóegységre.
 - Csatlakoztassa a töltőt a hálózati áramforrásra. Az akkumulátor töltése érdekében (szükség szerint) kapcsolja be.
 - A készüléket az első használat előtt teljesen fel kell tölteni.
- A dokkolóegységet az előírásoknak és a hatályos törvényeknek/normáknak (lehetnek állami és helyi jogszabályok) megfelelően kell felszerelni.
- A dokkolóegység felszereléséhez a Dyson védőruházat, védőszemüveg és szükség szerint egyéb védőfelszerelések használatát javasolja.

A porszívó működtetése

- Vegye le a készüléket a dokkolóegységről.
- Ellenőrizze, hogy tiszta és károsodást okozó idegen tárgytól mentes-e a tisztítófej vagy az egyéb fejek alsó része.

Padló, szőnyeg és kárpit porszívózása előtt olvassa el a gyártó utasításait a javasolt tisztítási módszerekről.

A készüléken lévő keferud egyes szőnyeg- vagy padlófajták felületét károsíthatja. Egyes szőnyegek bolyhosodnak, ha porszívózás közben a forgó keferúddal érintkeznek. Ilyen esetben a motoros padlótisztító eszköz nélkül használja a készüléket, illetve vegye fel a kapcsolatot a padlózat gyártójával.

Nagy forgatónyomatékú tisztítófej – szívóerő-szabályozó csúszka

A nagy forgatónyomatékú tisztítófejen csúszkaszabályozó segítségével állíthatja a tisztítófej szívóerejét. A kívánt szívóerő kiválasztásához a tisztítófej tetején tolja el a szívóerő-szabályozó csúszkáját.

Maximális szívóerő a padlón található por és törmelék felszívására (+)

- Robosztus padlóborítások, kemény padló, erősen szennyezett szőnyeg és takaró tisztításához.

A por és törmelék felszívása (▲)

- Enyhén szennyezett szőnyeg, takaró és keménypadló tisztításához.
- A nagyobb törmelék porszívózása, úgy mint a földimogyoró, vagy rizs.
- Hosszszálú sűrű padlószőnyegek és a kényes padlók tisztítása (-)
- A hosszszálú sűrű kárpitok, vagy szőnyegek, illetve bármely olyan padló, mely esetében nagyobb ellenállást tapasztal.
- Gyengén szennyezett padlók porszívózásához, beleértve a finom padlóburkolatokat, például vinil, parketta és linóleum.

A portartály kiürítése

- Ha a portartály tartalma eléri a MAX jelzést, azonnal ürítse ki; a tartályt nem szabad túltölteni.
 - Ügyeljen arra, hogy ne húzza az "ON" gombot, amíg a tartály nyitva van az ürítéshez.
 - Távolítsa el a porszívócsövet a piros porszívócső-kioldó gombot megnyomva, és a tartálytól elfelé húzva a csövet.
 - A por eltávolítása:
 - Tartsa úgy a készüléket, hogy a tartály lefelé nézzen.
 - Nyomja meg határozottan a piros tartálykioldó gombot.
 - A tartály lecsúszik, és közben megtisztítja a burkolatot.
 - Ezután kinyílik a tartály alsó része.
 - A tartály alja egészen addig nem nyílik ki, amíg teljesen le nem nyomja a piros gombot.
- Annak érdekében, hogy a lehető legkevésbé érintkezzen a porral/allergénekkal, ürítéskor helyezze a tartályt szorosan egy porálló szatyorba!. Az átlátszó portartályt óvatosan vegye ki a műanyag zsákból. Szorosan zárja le a zsákot, és dobja a hulladékgyűjtőbe.

Az átlátszó portartály tisztítása (opcionális)

Ha ki kell tisztítani az átlátszó tartályt:

- Kövesse Az átlátszó tartály kiürítése részben leírtakat.
 - A tartály kioldásához nyomja meg a tartály vezetősinje melletti piros gombot, és csúsztassa le a tartályt a vezetősinről.
 - Az átlátszó portartályt csak megnedvesített ronggyal tisztítsa.
 - Mielőtt az átlátszó tartályt visszahelyezné, győződjön meg arról, hogy az és a tömítések teljesen megszáradtak.
 - Az átlátszó tartály felhelyezése:
 - Illessze be a tengelyt a tartály vezetősinjébe.
- Csukja be az átlátszó tartályt oly módon, hogy felfelé nyomja a tartály alsó részét, amíg a helyére nem kattann.
- Az átlátszó tartály nem mosogatóálló, és nem ajánlott oldószert, fénycsisztószert vagy légfritsítót használni a tisztítására, mert ezek károsíthatják a készüléket..

Szűrős- és eltömődésszelzők

A készülék kijelzője jelzi, ha egyszerű karbantartási lépésekre van szükség.

- A szűrő jelzőfénye mutatja, ha a szűrőegység nem illeszkedik megfelelően. Kövesse a szűrőegység visszahelyezésére vonatkozó útmutatást a „Szűrőegység elmosása” című szakaszban.
- A szűrő jelzőfénye mutatja, ha a szűrőegységet el kell mosni. Kövesse a szűrőegység elmosására vonatkozó útmutatást a „Szűrőegység elmosása” című szakaszban.
- Az eltömődésszelző mutatja, ha eltömődés észlelhető. Kövesse az eltömődés megszüntetésére vonatkozó útmutatást az „Eltömődések megkeresése” című szakaszban.

Mosható alkatrészek

A berendezésnek több alkatrésze is mosható, amelyek egyébként rendszeres tisztítást igényelnek. Kövesse az alábbi útmutatást.

- A berendezés semelyik részét ne tegye mosogatógépbe, mosógépbe, centrifugába, sütőbe, mikrohullámú sütőbe vagy nyílt láng közelébe.

A szűrő tisztítása

Legalább havonta egyszer, illetve a szűrő karbantartási jelzőfényének működésbe lépésekor mossa el a szűrőegységet.

A készülék teljesítményének megőrzése érdekében az utasításoknak megfelelően ellenőrizze és tisztítsa a szűrőket.

- A szűrőt az eltávolításához forgassa balra. Óvatosan húzza le a szűrőt a készülékről.
- Óvatosan ütogetve a szűrőegységet, távolítson el minden felgyűlt port és törmelékét, mielőtt elmossa.
- A szűrőegységet kizárólag hideg vízben mossa el: ne használjon mosószert, illetve ne tegye mosogató- vagy mosógépbe.
- Először a szűrőegység redőzött papíralkatrészét mossa el; tartsa hideg vizes csap alá a szűrőegységet lefelé fordított szivacsalkatrésszel, és folyassa át a hideg vizet a redőzött papíron.
- Addig folytassa a mosást, amíg tiszta víz nem folyik a szűrőből.
- Ezután a szűrőegység szivacsalkatrészét mossa el; tartsa hideg vizes csap alá a szűrőegységet lefelé fordított szivacsalkatrésszel, hogy a piszkos víz ne szennyezze be a redőzött papíralkatrészét. Folyassa át a hideg vizet a szivacsalkatrész belső és külső részén, majd a szennyeződések eltávolításához óvatosan csavarja ki a szivacsot.
- Addig folytassa a mosást, amíg tiszta víz nem folyik a szűrőből.
- Mossa le a szűrőegység külsejét is. Töltse fel az egységet hideg vízzel, tegye a kezeit a nyitott végeire, és óvatosan rázza meg.
- Addig ismétlje az alkatrészek és a külső rész mosását, amíg tiszta víz nem folyik a szűrőből.
- Óvatosan megrázva a szűrőt távolítson el minden fölös vizet, és hagyja a szivacsalkatrész felőli végével felfelé megszáradni.
- Száraz, jól szellőző környezetben teljes kiszáradásáig hagyja a szűrőt legalább 24 órán át száradni.
- Ellenőrizze, hogy teljesen megszáradt-e.
- A visszaszereléséhez tegye vissza a szűrőt a fő készüléktestre, majd forgassa el jobbra, amíg a helyére nem kattann.

A szűrő gyakrabban szorul tisztításra, ha finom por felszívására használják vagy főleg fokozott szivóteljesítményű üzemmódban működtetik.

A berendezés semelyik részét ne tegye mosogatógépbe, mosógépbe, centrifugába, sütőbe, mikrohullámú sütőbe vagy nyílt láng közelébe.

A KEFERÚD MOSÁSA

A készülék puha hengerkefe-tisztítófeje két mosható keferúddal rendelkezik. A készülék teljesítményének megőrzése érdekében a következő utasításoknak megfelelően ellenőrizze és tisztítsa meg rendszeresen őket:

- Tekintse meg a „Tisztítófej karbantartása” fenti ábráit.
 - A motoros keferud eltávolítása vagy cseréje esetén ügyeljen arra, nehogy véletlenül bekapcsolja a készüléket, mielőtt visszaszerelné a tisztítófejét.
- A keferudak eltávolítása, mosása és visszahelyezése:
- Fordítsa fejjel lefelé a tisztítófejet, hogy a tisztítófejek az alsó részét lássa. Egy érme élének segítségével fordítsa el a zárósapkát negyed fordulattal az óramutató járásával ellentétes irányba, míg az a nyitott helyzetbe nem kattann. Forgassa a zárósapkát nyitott pozícióba. Húzza le finoman a fő keferudat a tisztítófejről. Távolítsa el a zárósapkát a fő keferúdról. Ne mossa le a zárósapkát.
 - Húzza le finoman a hátsó keferudat a tisztítófejről.
 - Tartsa a keferudakat folyó víz alá, és finoman dörögölve távolítsa el az esetleges szennyeződések és szőszöket.
 - Állítsa a keferudakat függőleges helyzetbe, amint azt az ábra mutatja. Hagyja száradni őket legalább 24 órán át, hogy teljesen megszáradjon. Mielőtt visszahelyezné a keferudakat, ellenőrizze, hogy teljesen megszáradtak-e.
 - Csúsztassa vissza a hátsó keferudat a tisztítófejre.
 - Csúsztassa vissza a fő keferudat a tisztítófejre.
 - Helyezze vissza a zárósapkát a fő keferúdra.
 - A zárósapkának nyitott pozícióban kell állnia, mint az ábrán is látható. Ha már a helyére illesztette, fordítsa a zárósapkát zárt helyzetbe.
 - A rögzítéshez forgassa el negyed fordulattal jobbra. Ügyeljen arra, hogy teljesen elforgassa a rögzítőt, hogy az biztosan tartsa a keferudakat.

Nagy forgatónyomatékú tisztítófej

A motoros tisztítófej keferúdjá nem mosható.

Gyors kioldású mini motorfejeszköz

A motoros tisztítófej keferúdjá nem mosható.

Eltömődés – automatikus kikapcsolás

- A készülék automatikus kikapcsolás funkcióval van ellátva.
- Ha bármely alkatrésze eltömődik, a készülék automatikusan kikapcsol.
- Ez megtörténhet miután a motor szakaszosan működik (például folyamatosan gyorsan kapcsol be és ki), és a visszajelző világít.
- Hagyja lehűlni, mielőtt keresni kezdené az eltömődéseket.
- Ügyeljen arra, nehogy az eltömődések megkeresése közben véletlenül bekapcsolja a készüléket. Részlegesen szétszerelt állapotban üzemeltetve a készüléket személyi sérülés következhet be.
- Szüntesse meg az eltömődést, mielőtt a készüléket újra bekapcsolja.
- Használat előtt a porszívó minden alkatrészét megfelelően helyezze vissza.
- Az eltömődések eltávolítása nem tartozik a garancia hatálya alá.

Eltömődések megkeresése

Amennyiben eltömődik a készülék a motor szakaszosan üzemel, valamint az elakadás jelző felvillan. Kérjük, kövesse a következő leírást a készülék megtisztításához:

- Ügyeljen arra, nehogy az eltömődések megkeresése közben véletlenül bekapcsolja a készüléket. Részlegesen szétszerelt állapotban üzemeltetve a készüléket személyi sérülés következhet be.
- Az eltömődések keresésekor ügyeljen az éles tárgyakra.
- A fő készüléktestben lévő eltömődések ellenőrzéséhez vegye ki a portartályt a „Portartály ürítése” részben leírtak szerint, és távolítsa el az eltömődést.
- Ha a tisztítófejben lévő eltömődést nem tudja eltávolítani, lehet, hogy ki kell vennie a keferudat. Egy pénzérmével lazítsa meg a rögzítőelemet, csúsztassa ki a keferudat a tisztítófejből, és távolítsa el az eltömődést. Helyezze vissza a keferudat, és rögzítse a rögzítőelemmel. A készülék bekapcsolása előtt győződjön meg arról, hogy a keferud stabilan rögzült-e.
- A termék szénszálalás kefékkel rendelkezik. Óvatosan kezelje őket, mert érintésük enyhe bőrirritációt okozhat. A kefék érintése után mosson kezet.
- Használat előtt a porszívó minden alkatrészét megfelelően helyezze vissza.
- Az eltömődések eltávolítása nem tartozik a garancia hatálya alá.

TÖLTÉS ÉS TÁROLÁS

- Ha az akkumulátor hőmérséklete 10 °C (50 °F) alá süllyed, a készülék kikapcsol. Erre a hajtómű és az akkumulátor védelme érdekében kerül sor. Ne töltsen és ne tárolja a készüléket 10 °C (50 °F) alatti hőmérsékletű helyen.
- Az akkumulátor élettartamának meghosszabbítása érdekében a teljes lemerülést követően ne kezdje meg azonnal a feltöltést, hanem várjon néhány percet, amíg az akkumulátor lehűl.
- Ügyeljen arra, hogy a készülék használata közben az akkumulátor ne érjen semmilyen felülethez. Így kevésbé hevül fel, ezért működési ideje és élettartama hosszabb lesz.

AZ AKKUMULÁTORRAL KAPCSOLATOS BIZTONSÁGI UTASÍTÁSOK


- Amennyiben az akkumulátor cseréjére van szükség, lépjen kapcsolatba a Dyson ügyfélszolgálatával.
- Kizárólag a 217160 cikkszámú Dyson-töltőt használja ezen Dyson-készülék töltésére.

Vigyzat

A készülék akkumulátorának helytelen kezelése tűzveszéllyel és vegyi égés kockázatával jár. Az akkumulátort ne szedje szét, ne zárja rövidre, ne hevítse 60 °C fölé, és ne égesse el. Gyermekektől tartsa távol. Ne szedje szét, és ne dobja tűzbe.

Leselejtezési tudnivalók

- A Dyson termékei nagymértékben újrahasznosítható anyagokból készülnek. Lehetőleg gondoskodjon a készülék újrahasznosításáról.
- Mielőtt a terméket leselejtezi, távolítsa el belőle az akkumulátort.
- Az akkumulátort a helyi szabályozásnak és előírásoknak megfelelően ártalmatlanítsa vagy hasznosítsa újra.
- Gondoskodjék az elhasznált szűrőegység hulladékkezeléséről a helyi rendeleteknek vagy szabályozásnak megfelelően.

 Ez a jelzés azt mutatja, hogy a terméket az EU-ban nem szabad más háztartási hulladékkal együtt kidobni. Az ellenőrzetlen hulladéklerakásnak a környezetre vagy az emberi egészségre esetlegesen gyakorolt negatív hatását megelőzendő felelősségteljesen gondoskodjon a leselejtezésről, hogy elősegítse az anyagi források fenntartható újrahasznosítását. A használt készülék visszajuttatásához vegye igénybe a visszaviteli és gyűjtési rendszert, vagy forduljon ahhoz a kereskedőhöz, akinél a terméket vásárolta. A kereskedő gondoskodni fog a termék környezetre ártalmatlan módon történő újrahasznosításáról.

A Dyson ügyfélszolgálat

Köszönjük, hogy a Dyson készülékét választotta.

Miután regisztrált a 2 éves garanciára, Dyson készülékére 2 éves alkatrész- és javítási garanciát nyújtunk a vásárlás napjától kezdődően, a garanciális feltételekben leírtak szerint. Ha kérdése van Dyson készülékével kapcsolatban, online segítségért, általános tippekért és a Dysonnal kapcsolatos hasznos információkért keresse fel a www.dyson.hu/support weboldalt. Vagy hívja a Dyson ügyfélszolgálatát, és adja meg a készülék sorozatszámát, valamint a vásárlás helyét és időpontját.

Ha Dyson készüléke javításra szorul, hívja a Dyson ügyfélszolgálatát, hogy megbeszélhessük a rendelkezésre álló lehetőségeket. Ha Dyson készüléke még garanciális, és abba az adott javítás is beletartozik, a javítás térítésmentes.

Kérjük, regisztrálja a tulajdonában lévő Dyson készüléket

A készülékre 2 év garancia vonatkozik a vásárlás napjával kezdődően. Kérjük regisztrálja a készülékét a vásárlástól számított 30 napon belül. Annak érdekében, hogy gyors és hatékony segítséget tudjunk nyújtani Önnek, a vásárlást követően azonnal regisztrálja készülékét.

Őrizze meg a vásárlást igazoló számlát.

Ezt háromféleképpen teheti meg:

- Interneten: www.dyson.hu
- Hívja fel telefonon a Dyson ügyfélszolgálatát a +36 (1) 248-0095 számon.
- Töltsse ki a mellékelt űrlapot, és küldje el nekünk postán.

Ha telefonon vagy online regisztrálja készülékét, az a következő előnyökkel jár az Ön számára:

- Az alkatrészekre és a javításra két éves garanciát biztosítunk, így befektetett pénze nagyobb biztonságban van.
- Hasznos tippeket kaphat a készülék használatához.
- Szakértői tanácsokat kaphat a Dyson ügyfélszolgálatán keresztül.
- Az elsők között értesülhet az új fejlesztéseinkről.
- A regisztráció mindössze néhány percet vesz igénybe, és csak a sorozatszámra van szükség hozzá.

Korlátozott 2 éves garancia

Tájékoztató / feltételek a Dyson korlátozott 2 éves garanciával kapcsolatban.

Amit fedez

- A Dyson készülék javítását vagy cseréjét (a Dyson szerviz belátása szerint), amennyiben hibás anyagok, kivitelezés vagy funkció miatt nem működik megfelelően a megrendelést vagy kiszállítást követő 2 éven belül (ha valamely alkatrész már nem kapható, akkor a Dyson egy funkciójában megfelelő cserealkatrésszel pótolja azt).
- Ha a készüléket az EU-n kívül értékesítik, akkor a garancia csak akkor érvényes, ha azt az értékesítés országában használják.
- Ha a készüléket az EU-n belül értékesítik, akkor a garancia csak akkor érvényes, ha azt (i) az értékesítés országában használják vagy (ii) azt Ausztriában, Belgiumban, Franciaországban, Németországban, Írországon, Olaszországban, Hollandiában, Spanyolországban vagy az Egyesült Királyságban használják, és ha az adott országban ezzel a termékkel azonos névleges feszültségű terméket forgalmazunk.

Amit nem fedez

A Dyson által vállalt termékjavítási vagy cseregarancia nem vonatkozik az alábbi esetekre:

- Baleset következtében történt meghibásodások, gondatlan vagy nem rendeltetészerű, a Dyson működései kézikönyvében leírtakat figyelembe nem vévő vagy azoknak ellentmondó használat miatt bekövetkezett meghibásodások.
- Ha a készüléket nem általános háztartási célokra használták.
- Ha a Dyson utasításaiban megadottaktól eltérő alkatrészeket szereltek a készülékbe.
- Nem eredeti Dyson alkatrészek használata.
- Hibás üzembe helyezés (kivéve, ha azt a Dyson végezte).
- Nem a Dyson vagy a Dyson hivatalos márkaszervize által végzett javítások és módosítások.
- Eltömődések – Az eltömődések megtalálásával és elhárításával kapcsolatos tudnivalókat megtalálja a Dyson működései kézikönyvében.
- Természetes kopás és elhasználódás (pl. biztosíték, keferud stb.).
- Ha a készüléket törmelékhez, hamuhoz vagy gipszhez használták.
- Az akkumulátor lemerülési idejének az akkumulátor korából vagy használatából adódó csökkenése (adott esetben).

Ha kétségei vannak azzal kapcsolatban, hogy mit fedez a garancia, forduljon a Dyson ügyfélszolgálatához.

ÖSSZEFOGLALÁS

- A garancia a vásárlás napján életbe lép (amennyiben az áru átvétele a megrendelést követő későbbi időpontban történik, úgy az átvétel időpontját kell figyelembe venni).
- Őrizzen meg minden (eredeti vagy későbbi) garancialevelet és vásárlást igazoló bizonylatot, és még a javítás megkezdése előtt mutassa azt be a márkaszerviz munkatársának, egyéb esetben a javításért a szerviz munkadíját számolhat fel.
- Minden javítási munkát a Dyson vagy hivatalos márkaszervize fog elvégezni az Ön készülékén.
- Minden javítás alatt kicserélt alkatrész a Dyson tulajdonába kerül.
- A Dyson által elvégzett garanciális javítások és cserék nem járnak a garancia időtartamának meghosszabbításával.
- A garancia plusz szolgáltatásokat jelent és nem befolyásolja a vásárló alapvető törvény adta jogait.

Fontos adatvédelmi információk

A megvásárolt Dyson termék regisztrálásakor:

- Meg kell adnia az alapvető kapcsolattartási adatait, hogy regisztrálhassa a terméket, és lehetővé tegye számunkra a garanciavállalást.
- Regisztrálásakor választhat, hogy szeretne-e hírleveleket kapni tőlünk. Ha feliratkozik a Dyson hírleveleire, el fogjuk küldeni Önnek a különleges ajánlatainkkal és a legújabb innovációinkkal kapcsolatos részletes tájékoztatókat és híreket. Adatait soha nem értékesítjük harmadik feleknek, és az Ön által megadott adatokat kizárólag a webhelyünkön elérhető adatvédelmi szabályzatban foglaltaknak megfelelően használjuk: privacy.dyson.com.

NO

VIKTIGE SIKKERHETSANVISNINGER

FØR DU TAR I BRUK DETTE PRODUKTET, MÅ DU LESE ALLE INSTRUKSJONER OG ADVARSLER I DENNE HÅNDBOKEN OG PÅ SELVE PRODUKTET

Ved bruk av elektriske apparater må du følge noen grunnleggende forholdsregler, deriblant:

ADVARSEL

Disse advarslene gjelder apparatet og eventuelt alt verktøy, tilbehør samt ladere eller nettdaptere.

FOR Å REDUSERE FARE FOR BRANN, ELEKTRISK STØT ELLER SKADE:

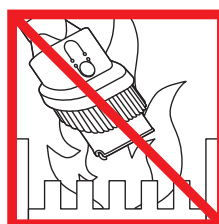
1. Dette Dyson-apparatet kan kun brukes av barn fra 8 år og oppover og av personer med reduserte fysiske, sensoriske eller psykiske evner eller med mangel på kunnskap eller erfaring hvis en ansvarlig person holder oppsyn og instruerer dem om sikker bruk av apparatet og om farene ved bruken. Barn må ikke utføre rengjøring eller brukervedlikehold uten oppsyn.
2. Må ikke brukes som leketøy. Man må være svært påpasselig når produktet brukes av eller i nærheten av små barn. Barn må holdes under oppsyn slik at de ikke leker med produktet.
3. Må kun brukes som beskrevet i denne Dyson-manualen. Du må ikke utføre noe annet vedlikehold enn det som beskrives i håndboken eller etter råd fra Dyson Helpline.
4. KUN egnet for bruk i tørre omgivelser. Må ikke brukes utendørs eller på våte overflater.
5. Ikke ta i noen del av laderen eller produktet med våte hender.
6. Må ikke brukes når laderen eller ledningen er skadet.
7. Hvis produktet ikke fungerer som det skal, hvis det har fått et hardt slag, hvis det er blitt mistet ned, skadet, etterlatt utendørs eller mistet i vann, må det ikke brukes, og du må kontakte Dyson Helpline.
8. Kontakt Dyson Helpline når det er nødvendig med service eller reparasjoner. Ikke demonter produktet siden det kan føre til elektrisk støt eller brann hvis produktet blir satt sammen feil igjen.
9. Ikke strekk ledningen eller belast den. Hold ledningen unna varme overflater. Ikke lukk dører igjen over ledningen eller trekk den rundt skarpe kanter eller hjørner. Hold ledningen unna steder der man farer ofte, og legg den på steder der den ikke blir tråkket på eller snublet i. Ikke kjør over ledningen.
10. Må ikke brukes til å suge opp vann.
11. Må ikke brukes til å suge opp brannfarlige eller brennbare væsker, for eksempel bensin, eller brukes i områder der slike væsker eller damp fra dem kan være tilstede.
12. Ikke sug opp noe som brenner eller ryker, for eksempel sigaretter, fyrstikker eller varm aske.
13. Pass på at du holder håret, klesplagg, fingre og andre kroppsdeler borte fra åpninger og bevegelige deler, for eksempel børsten. Du må ikke peke slangen, røret eller verktøy mot øyne, ører eller putte dem i munnen.
14. Ikke stikk gjenstander inn i åpningene. Må ikke brukes hvis noen av åpningene er blokkert. Skal holdes fritt for støv, smuss, hår og alt annet som kan redusere luftgjennomstrømningen.
15. Bruk kun tilbehør og reservedeler som er anbefalt av Dyson.
16. Må ikke brukes uten at klar beholder og filtre er på plass.
17. Koble fra laderen når den ikke skal brukes over lengre perioder.
18. Vær ekstra forsiktig når du støvsuger trapper.
19. For å forhindre utilsiktet start, vær forsiktig og hold hendene og fingrene unna «PÅ»-bryteren til du er klar til å begynne å støvsuge, spesielt når du henter eller bærer apparatet. Det å bære apparatet med fingeren på PÅ-knappen er å be om ulykker.
20. Apparatet må ikke installeres, lades eller brukes utendørs, i baderom eller innen 3 meter fra et svømmebasseng. Den må ikke brukes på våte overflater og skal ikke utsettes for fukt, regn eller snø.
21. Bruk kun Dyson-laderen delenummer 217160 når du skal lade dette Dyson-apparatet. Bruk kun Dyson-batterier: Andre typer batterier kan eksplodere og forårsake personskade og materiell skade.
22. Når du fjerner eller bytter ut en motorisert børste, må du passe på at du ikke trykker på PÅ-knappen før rens hodet er montert igjen.
23. Ikke bruk en batteripakke eller et apparat som er skadet eller endret. Skadede eller modifiserte batterier kan utvise uforutsigbar oppførsel som medfører brann, eksplosjon eller fare for skade. Ikke utsett batteriet eller apparatet for brann eller for høye temperaturer. Eksponering for brann eller temperaturer over 60 °C (140°F) kan forårsake eksplosjon.
24. Batteriet er lukket og det utgjør ingen fare under normale omstendigheter. Hvis det mot formodning skulle oppstå lekkasje fra batteriet må du ikke røre væsken, siden den kan forårsake

irritasjon eller brannskår, og du må følge følgende forholdsregler:

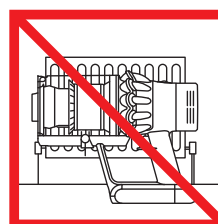
- Hudkontakt – kan forårsake irritasjon. Vask med såpe og vann.
 - Innånding – kan forårsake irritasjon i luftveiene. Oppsøk frisk luft og kontakt en lege.
 - Kontakt med øyne – kan forårsake irritasjon. Skyll øynene øyeblikkelig med vann i minst 15 minutter. Oppsøk lege.
 - Kassering – ha på hansker for å håndtere batteriet og kast det umiddelbart i henhold til lokale lover og regler.
25. Følg alle ladeanvisninger og lad ikke batteriet eller apparatet utenfor temperaturområdet som er angitt i instruksjonene. Lading på feil måte eller ved en temperatur utenfor det angitte området kan skade batteriet og øke faren for brann. For å sikre maksimal batteritid anbefaler Dyson følgende:
- Apparatet bør lagres i romtemperatur når det ikke er i bruk. Anbefalt område: 18 °C (64°F) til 28 °C (82°F).
 - Omgivelsestemperaturområdet for drift og lading bør være 10 °C (50°F) til 30 °C (86°F).
26. **BRANNADVARSEL** – Ikke plasser dette produktet på eller i nærheten av en kokeplate eller en annen varm overflate, og ikke sett fyr på dette apparatet selv om det skulle være alvorlig skadet. Batteriet kan ta fyr eller eksplodere.
27. **BRANNADVARSEL** – Ikke bruk duft eller duftprodukter på filteret/filtrene til dette apparatet. Kjemikaliene i slike produkter er kjent for å være brennbare og kan føre til at apparatet brenner.

LES OG TA VARE PÅ DISSE INSTRUKSJONENE

Dette Dyson-apparatet er kun laget for bruk i husholdninger.



Må ikke brukes i nærheten av åpen ild.



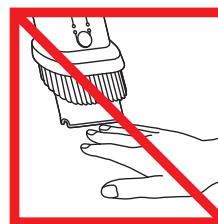
Må ikke oppbevares i nærheten av varmekilder.



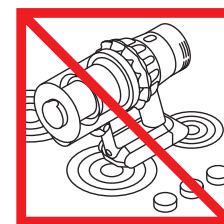
Ikke sug opp vann eller væsker.



Ikke sug opp brennende gjenstander.



Ikke plasser hendene i nærheten av den roterende børsten når produktet er i bruk.



Ikke plasser på eller i nærheten av en kokeplate.

Ytterligere informasjon

Les Viktige sikkerhetsinstruksjoner i Dysons brukerhåndbok før du fortsetter.

MONTERING AV DOCKINGSTASJON

- Pakk ut dokkingstasjonen, laderen og installasjonsanvisningene.
- Velg et sted for dokkingstasjonen og påse at det ikke finnes noen røranlegg (gass, vann eller luft), elektriske kabler, ledninger eller luftkanalsystemer rett bak monteringsstedet.
- Følg instruksene i installasjonsanvisningene.
- Sett delene inn på plass.
- Sett apparatet inn i dokkingstasjonen.
- Sett laderens støpsel i en stikkontakt. Slå på (hvis nødvendig) for å lade batteriet.
- Apparatet må lades helt opp før første gangs bruk.

Dokkingstasjonen må monteres i henhold til forskrifter og gjeldende regler/standarder (nasjonal lovgivning kan gjelde).

Dyson anbefaler bruk av verneklær, øyebeskyttelse og beskyttende materialer ved installasjon av dokkingstasjonen.

Støvsuging

- Ta apparatet ut av dokkingstasjonen.
- Kontroller at undersiden av renseshodet eller munnstykket er rent og at det ikke finnes fremmedlegemer som kan forårsake skader.

Før du støvsuger gulvbelegg, tepper og matter, bør du sjekke rengjøringsinstruksjonene til produsenten.

Børstemunnstykket på støvsugeren kan skade visse teppetypen og gulv. Noen tepper vil løse hvis du bruker en roterende børste når du støvsuger. I så fall anbefaler vi at du støvsuger uten å bruke det motordrevne gulvmunnstykket og rådfører deg med gulvprodusenten.

Støvsugerhode med høyt dreiemoment – glidebryter for regulerbar sugestykke

Støvsugeren din med høyt dreiemoment har en glidebryter til å regulere sugestykken på støvsugerhodet. For å velge den nødvendige sugestykken skyves bryteren på toppen av munnstykket.

Maksimal innsuging for overflate med støv og smuss (+)

- Til støvsuging av slitesterke gulvdekker, harde gulv og svært tilsmussede tepper og ryer.

Innsuging for støv og smuss (▲)

- Til støvsuging av lett tilsmussede tepper, ryer og harde gulv.
- For støvsuging av store rusk som peanøtter eller ris.

Innsuging for tykke tepper og delikate gulv (-)

- For støvsuging av tykke tepper eller ryer og alle gulv der du kan oppleve større motstand.
- For støvsuging av litt skitne gulv, inkludert delikate gulv som vinyl, parkett og linoleum.

Tømming av den klare beholderen

- Må tømmes så fort avfallsnivået når MAX-merket – må ikke overfylles.
- Vær forsiktig så du ikke trykker på «PÅ»-utløseren mens den gjennomsiktige beholderen er åpen for tømming.
- Fjern røret ved å trykke på den røde rørutløserknappen og trekke røret vekk fra beholderen.
- For å tømme smusset:
 - Hold apparatet slik at beholderen er vendt nedover.
 - Trykk den røde utløserknappen for beholderen godt inn.
 - Beholderen vil gli nedover og rengjøre støvutskilleren underveis.
 - Deretter vil beholderens understell åpnes.
 - Beholderbasen vil ikke åpne hvis den røde knappen ikke er helt nedtrykt.

For å minimere støv/allergenkontakt når du tømmer, forsegl en støvtett pose rundt beholderen og tøm den. Ta den klare beholderen varsomt ut av posen. Lukk posen godt, og kast den som vanlig.

Rengjøring av den klare beholderen (ekstraustyr)

Når det er nødvendig å rengjøre den klare beholderen:

- Følg anvisningene under avsnittet "Tømming av den klare beholderen".
- Premere il pulsante rosso sulla guida del contenitore per sbloccare il contenitore e farlo scivolare dalla guida.
- Den klare beholderen må kun rengjøres med en fuktig klut.
- Pass på at den klare beholderen og tetningen er helt tørre før du setter de på igjen.
- For å sette på den klare beholderen igjen:
 - Sett ryggen inn i beholderens glideskinne.

Lukk den klare beholderen ved å trykke understellet oppover, til den klare beholderen og understellet klikker på plass.

Den klare beholderen må ikke vaskes i oppvaskmaskinen, og bruk av såpemidler, poleringsmidler eller luftrensere anbefales ikke, siden disse kan skade apparatet.

Indikatorer for filter og blokkering

Skjermen på apparatet vil varsle deg når enkle vedlikeholdstrinn er nødvendig.

- Filterindikatoren viser når filterenheten ikke er satt riktig inn. Følg instruksjonene for hvordan du setter inn filterenheten på nytt i delen «Vask filterenheten».
- Filterindikatoren viser når filterenheten må vaskes. Følg instruksjonene for hvordan du vasker filterenheten i delen «Vask filterenheten».
- Blokkeringsindikatoren viser når en blokkering har oppstått. Følg instruksjonene for hvordan du fjerner blokkeringer i delen «Se etter blokkeringer».

Vaskbare deler

Apparatet har vaskbare deler som krever regelmessig rengjøring. Følg instruksjonene nedenfor.

- Ikke sett noe av apparatet i oppvaskmaskin eller vaskemaskin, og ikke tørk i tørketrommel, komfyr, mikrobølgeovn eller i nærheten av flammer.

Rengjøring av filterenheten

Vask filterenheten minst én gang i måneden, eller når indikatoren for filtervedlikehold lyser. Undersøk og vask filterenheten i henhold til anvisningene, for å sikre at den fungerer som den skal.

- Fjern filterenheten ved å vri den mot urviseren. Trekk filterenheten forsiktig vekk fra apparatet.
- Dunk forsiktig på filterenheten for å fjerne alt støv og smuss før du vasker den.
- Vask filterenheten kun i kaldt vann: Ikke bruk vaskemidler eller vask den i en oppvaskmaskin eller en vaskemaskin.
- Vask det plisserte papirelementet til filterenheten først: Hold filterenheten under kaldt vann fra kranen med skumelementet vendt nedover og la kaldt vann renne over det plisserte papiret.
- Fortsett med vaskingen til vannet er klart.
- Vask skumelementet til filterenheten etterpå: Hold filterenheten under kaldt vann fra kranen med skumelementet vendt nedover slik at skittet vann ikke forurenser det plisserte papirelementet. La kaldt vann renne over innsiden og utsiden av skumelementet og klem skummet forsiktig for å skylle ut smusset.
- Fortsett med vaskingen til vannet er klart.
- Vask utsiden av filterenheten. Fyll deretter enheten med kaldt vann, plasser hendene dine over de åpne endene og rist den forsiktig.
- Gjenta vaskingen av elementene og utsiden av filterenheten til skyllevannet er rent.
- Rist forsiktig på filterenheten for å fjerne alle vannrester og la den tørke med skumenden pekende oppover.
- La filterenheten tørke i et tørt miljø med god luftstrøm i minst 24 timer, til den er helt tørr.
- Kontroller at filterenheten er helt tørr.
- Filterenheten settes tilbake på plass ved å sette den på apparatet og vri med urviseren til den klikker på plass.

Det kan være nødvendig å vaske filterenheten oftere hvis du støvsuger fint støv eller stort sett bare bruker Boost-modus.

Ikke sett noe av apparatet i oppvaskmaskin eller vaskemaskin, og ikke tørk i tørketrommel, komfyr, mikrobølgeovn eller i nærheten av flammer.

SLIK VASKER DU DE ROTERENDE BØRSTENE

Apparatets munnstykket med myk rulle har to vaskbare børster. Undersøk og vask dem regelmessig i henhold til anvisningene for å sikre at de fungerer som de skal.

- Se illustrasjonene Vedlikehold av støvsugerhode ovenfor.

Når du fjerner eller bytter ut en motorisert børste, må du passe på at du ikke trykker på PÅ-knappen før renseshodet er montert igjen.

Slik fjernes, vaskes og skiftes de roterende børstene:

- Snu rengjøringshodet opp ned, slik at undersiden på rengjøringshodet vender mot deg. Bruk en mynt til å dreie endehetten en kvart omdreining mot urviseren til den klikker inn i den ulåste stillingen. Roter endehetten til åpen stilling. Trekk hovedbørsten forsiktig bort fra rengjøringshodet. Fjern endehetten fra hovedbørsten. Ikke vask endehetten.
- Trekk den bakre børsten forsiktig bort fra rengjøringshodet.
- Hold børstestengene under rennende vann, og gni dem varsomt for å fjerne lo og støv.
- La de roterende børstene stå som vist. La det tørke i minst 24 timer, inntil det er helt tørr. Kontroller at de roterende børstene er helt tørre før du setter dem tilbake på plass.
- Trekk den bakre børsten tilbake i rengjøringshodet.
- Trekk hovedbørsten tilbake i rengjøringshodet.
- Sett endehetten på hovedbørsten igjen.
- Endehetten skal være i åpen stilling, som vist. Når endehetten er på plass, roterer du den tilbake til lukket stilling.
- Lukk festeanordningen ved å dreie den en kvart omdreining med urviseren. Pass på at festeanordningen er helt dreid og de roterende børstene sitter fast.

Støvsugerhode med høyt dreiemoment

Børsten på det motoriserte støvsugerhodet er ikke vaskbar.

Minimotorhead-verktøy med rask utløser

Børsten på det motoriserte støvsugerhodet er ikke vaskbar.

Blokkeringer – automatisk utkobling

- Denne støvsugeren er utstyrt med automatisk utkobling.
- Hvis en del blir blokkert, kan støvsugeren slå seg av automatisk.
- Dette vil skje etter at motoren pulserer flere ganger (dvs. slår seg på og av i rask rekkefølge) og blokkeringsindikatoren lyser.
- La støvsugeren bli avkjølt før du ser etter blokkeringer.
- Pass på at du ikke trykker på PÅ-knappen mens du ser etter blokkeringer. Hvis du bruker apparatet mens det er delvis demontert, kan det føre til personskader.
- Fjern eventuelle blokkeringer før du skrur på støvsugeren igjen.
- Sett alle delene godt på igjen før bruk.
- Det å fjerne blokkeringer dekkes ikke av garantien.

Se etter blokkeringer

Motoren vil pulserer og blokkeringsindikatoren viser når det er en blokkering. Følg instruksjonene nedenfor for å finne blokkeringen:

- Pass på at du ikke trykker på PÅ-knappen mens du ser etter blokkeringer. Hvis du bruker apparatet mens det er delvis demontert, kan det føre til personskader.
- Pass deg for skarpe gjenstander når du ser etter blokkeringer.
- Se etter blokkeringer på hoveddelen av apparatet ved å fjerne den klare beholderen i henhold til anvisningene i avsnittet Tømme den klare beholderen, og fjern blokkeringen.
- Hvis du ikke kan fjerne blokkeringen fra renseshodet, må du kanskje fjerne den roterende børsten. Bruk en mynt til å låse opp festeanordningen. Skyv den roterende børsten ut av renseshodet, og fjern blokkeringen. Sett på den roterende børsten igjen og fest den ved å stramme festeanordningen. Sørg for at den er godt festet før du bruker apparatet.
- Dette produktet har børster av karbonfiber. Vær oppmerksom hvis du kommer borti dem. De kan irritere huden noe. Vask hendene etter å ha håndtert børstene.
- Sett alle delene godt på igjen før bruk.
- Det å fjerne blokkeringer dekkes ikke av garantien.

LADING OG OPPBEVARING

- Denne maskinen vil slå seg AV hvis batteriets temperatur er under 10 °C (50°F). Denne er utformet for å beskytte motoren og batteriet. Du må ikke lade apparatet og deretter flytte det til et sted for oppbevaring der temperaturen er under 10 °C (50°F).
- For å forlenge levetiden til batteriet bør du unngå å lade det opp på nytt med en gang det er blitt helt utladet. La batteriet avkjøles i et par minutter.
- Unngå å holde batteriet inntil en overflate når du bruker apparatet. Hvis du unngår dette, blir det mindre opphetet, og batteriets bruks- og levetid blir forlenget.

SIKKERHETSINSTRUKSJONER FOR BATTERI

- Hvis batteriet må skiftes, kontakt Dyson Helpline.
- Bruk kun Dyson-ladere delenummer 217160 når du skal lade dette Dyson-apparatet.

ADVARSEL

Batteriet som brukes i dette apparatet kan være brannfarlig eller forårsake kjemisk forbrenning hvis det brukes på feil måte. Må ikke demonteres, kortsluttes, varmes over 60°C, eller forbrennes. Holdes borte fra barn. Må ikke demonteres eller kastes på ilden.

Informasjon om avfallshåndtering

- Dyson-produkter er laget av førsteklasses gjenvinnbare materialer. Resirkuleres om mulig.
- Batteriet må tas ut av maskinen før den kastes.
- Kast eller resirkuler batteriet i henhold til lokale bestemmelser eller lover.
- Kasser den brukte filterenheten i samsvar med lokale regler eller forskrifter.
- Denne merkingen angir at dette produktet ikke må kasseres sammen med annet husholdningsavfall. Dette gjelder i hele EU. For å hindre mulig skade på miljøet eller på menneskers helse på grunn av uforvarlig kassering av avfall må produktet resirkuleres på en ansvarlig måte for å fremme bærekraftig gjenbruk av materialressurser. Når du skal returnere det brukte apparatet, må du bruke retur- og innsamlingsystemene eller kontakte forhandleren der produktet ble kjøpt. De kan ta imot dette produktet for miljøvennlig resirkulering.

Dyson kundeservice

Takk for at du valgte å kjøpe en Dyson

Etter å ha registrert din 2-årige garanti, vil ditt Dyson-apparat være dekket for deler og arbeid i 2 år fra kjøpsdatoen, slik det fremkommer av garantivilkårene. Hvis du har spørsmål om ditt Dyson-apparat, kan du besøke www.dyson.no/support for nettbasert hjelp, generelle tips og nyttig informasjon om Dyson.

Alternativt kan du ringe Dyson Helpline og oppgi serienummer og detaljer om hvor/når du kjøpte apparatet.

Hvis Dyson-apparatet ditt trenger reparasjon, ringer du Dyson Helpline så vi kan diskutere de tilgjengelige alternativene. Hvis garantien fremdeles gjelder for Dyson-produktet, og reparasjonen dekkes av denne, vil den bli reparert kostnadsfritt.

Registrer deg som eier av et Dyson-apparat

Garantien for dette produktet er på 2 år fra kjøpsdatoen. Registrer garantien din innen 30 dager fra kjøpsdatoen. For å hjelpe oss med å sikre at du mottar rask og effektiv hjelp, registrerer du deg øyeblikkelig etter kjøpet. Ta vare på kvitteringen som viser kjøpsdatoen. Det er tre måter å gjøre dette på:

- På Internettadressen www.dyson.no
- Ring Dyson Helpline på 080069196.
- Fyll ut det vedlagte skjemaet og send det i posten til oss.

Ved å registrere deg via Internett eller telefon, vil du:

- Beskytte din investering med en to års garanti for deler og utførelse.
- Motta nyttige tips om bruk av maskinen.
- Få ekspertråd fra Dyson Helpline.
- Være den første til å høre om de siste nyskapningene.
- Registrering tar bare noen minutter og alt du trenger er ditt serienummer.

2 års begrenset garanti

Vilkår og betingelser for dysons begrensede 2-årsgaranti

Dette dekkes

- Dersom det skulle oppstå feil på eller mangler ved apparatet, kan du benytte deg av de rettighetene som følger av forbrukerkjøpsloven. Dette innebærer blant annet at du kan kreve reparasjon eller omlevering av apparatet dersom det foreligger en feil som etter forbrukerkjøpslovens regler er å anse som en mangel, herunder dersom apparatet er defekt pga. svikt i materiale, utførelse eller funksjon, eller dersom den ikke svarer til kvaliteten og egenskapene som rimelig kan forventes av produktet. Dersom en del ikke lenger er tilgjengelig eller har gått ut av produksjon, kan Dyson innenfor forbrukerkjøpslovens rammer velge å erstatte denne med en fungerende erstatningsdel.
- Der dette produktet selges utenfor EU er garantien gyldig kun når produktet installeres og brukes i det landet der produktet ble solgt.
- Der dette produktet selges innenfor EU er garantien gyldig kun (i) når produktet brukes i det landet der det ble solgt eller (ii), når produktet brukes i Østerrike, Belgia, Frankrike, Tyskland, Irland, Italia, Nederland, Spania eller Storbritannia, og når den samme modellen selges med samme nominelle nettspenning i det aktuelle landet.

Dette dekkes ikke

Dysons garanti omfatter ikke reparasjon og utskifting av produkter der feilen skyldes følgende:

- Skade ved uhell, feil som oppstår som følge av feilaktig bruk eller vedlikehold, misbruk, uforsiktighet eller håndtering av enheten på en måte som ikke samsvarer med Dysons brukerhåndbok.
 - Feil som følge av at produktet brukes til noe annet enn normale husholdningsformål.
 - Feil som følge av bruk av deler som ikke er satt sammen eller installert i henhold til Dysons instruksjoner.
 - Bruk av deler og tilbehør som ikke er originaldeler fra Dyson.
 - Feil som følge av feilaktig installasjon (unntatt når installasjonen er gjort hos Dyson).
 - Feil som følge av reparasjoner eller endringer utført av andre parter enn Dyson eller Dysons autoriserte agenter.
 - Blokkeringer – se Dysons brukerhåndbok for nærmere beskrivelse av hvordan du ser etter og fjerner blokkeringer.
 - Vanlig slitasje (f.eks. sikringer, børste osv.).
 - Bruk av dette apparatet på murestøv, aske eller gips.
 - Redusert utladningstid for batteriet på grunn av batteriets alder eller bruk (når aktuelt).
- Hvis du er i tvil om hva som dekkes av garantien, kan du ta kontakt med Dyson Helpline.

Sammendrag av dekning

- Garantien trer i kraft på kjøpsdatoen (eller leveringsdatoen hvis den kommer senere).
- For det kan utføres arbeid på Dyson-produktet, må du legge frem kjøpebevis og følgeseddel (både original og eventuelt etterfølgende). Uten et slikt bevis skal alt arbeid betales. Ta vare på kvittering eller følgeseddel.
- Alt arbeid i forbindelse med mangler utføres av Dyson eller Dysons autoriserte agenter.
- Alle deler som skiftes ut blir Dysons eiendom.
- Reparasjon eller utskifting av ditt Dyson-produkt under garanti vil ikke forlenge garantiperioden.
- Garantien gir fordeler som kommer i tillegg til og ikke påvirker lovbestemte rettigheter du har som forbruker.

Viktig informasjon om databeskyttelse

Når du registrerer Dyson-produktet ditt:

- Du må oppgi grunnleggende kontaktopplysninger til oss for å registrere produktet ditt, og gjøre det mulig å støtte garantien din.
- Når du registrerer deg, får du mulighet til å velge om du vil motta kommunikasjon fra oss. Hvis du velger å motta kommunikasjon fra Dyson, sender vi deg informasjon om spesialtilbud og nyheter om våre siste nyvinninger. Vi vil aldri selge opplysningene dine til tredjeparter, og bare bruke opplysningene som du deler med oss, som definert av personvernerklæringene på nettstedet vårt: privacy.dyson.com.

PT

INSTRUÇÕES DE SEGURANÇA IMPORTANTES

ANTES DE UTILIZAR ESTE APARELHO, LEIA TODAS AS INSTRUÇÕES E MARCAÇÕES DE ALERTA EXISTENTES NESTE MANUAL E NO APARELHO

Quando utilizar um aparelho elétrico, devem-se sempre seguir umas precauções básicas, incluindo as seguintes:

AVISO

Estes avisos dizem respeito ao aparelho e ainda, quando aplicável, a todos os acessórios, peças, carregadores ou adaptadores de corrente.

PARA REDUZIR O RISCO DE INCÊNDIO, CHOQUE ELÉTRICO OU FERIMENTOS:

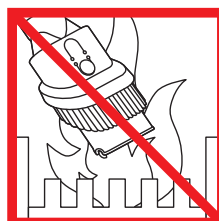
1. Este aparelho da Dyson pode ser utilizado por crianças desde os 8 anos de idade e por pessoas com capacidades físicas, sensoriais ou de raciocínio reduzidas ou falta de experiência e conhecimento, apenas se estão a ser supervisionadas ou foram instruídas, de forma segura, em relação ao uso do aparelho por uma pessoa responsável, e compreendam os perigos envolvidos. A limpeza e a manutenção do produto não devem ser efetuadas por crianças sem supervisão.
2. Não permita que seja utilizado como brinquedo. É necessário ter muita atenção quando for utilizado por ou perto de crianças. Deve vigiar as crianças para garantir que não brincam com o aparelho.
3. Utilize apenas conforme descrito neste Manual de Instruções da Dyson. Não execute qualquer tarefa de manutenção que não esteja indicada neste manual ou aconselhada pela Linha de Assistência da Dyson.
4. Adequado APENAS para locais secos. Não utilize no exterior, nem sobre superfícies molhadas.
5. Não toque em nenhuma parte da carregador ou do aparelho com as mãos molhadas.
6. Não utilize o aparelho se o carregador ou o cabo estiverem danificados.
7. Se o aparelho não estiver a funcionar como deveria, se tiver sofrido um impacto violento, uma queda ou outros danos, bem como se tiver sido deixado no exterior ou mergulhado em água, não o utilize e contacte a Linha de Assistência da Dyson.
8. Contacte a Linha de Assistência da Dyson quando necessitar de assistência ou reparações. Não desmonte o aparelho porque uma remontagem incorreta pode resultar em choque elétrico ou incêndio.
9. Não estique o cabo, nem o coloque sob tensão. Mantenha o cabo afastado de superfícies quentes. Não coloque o cabo numa área onde possa ser entalado por uma porta, nem o encoste a extremidades ou esquinas aguçadas. Não coloque o cabo em áreas de passagem onde pessoas possam pisá-lo ou tropeçar nele. Não passe o aparelho por cima do cabo.
10. Não o utilize para aspirar água.
11. Não o utilize para aspirar líquidos inflamáveis ou combustíveis, como por exemplo gasolina, ou usá-lo em áreas em que estes ou os vapores destes podem estar presentes.
12. Não aspire nada que esteja a arder ou a fumegar, tais como cigarros, fósforos ou cinzas quentes.
13. Mantenha o cabelo, a roupa solta, os dedos e todas as partes do corpo afastados das aberturas e das peças em movimento, como a escova. Não aponte a mangueira, o tubo ou os acessórios para os olhos ou os ouvidos, nem os coloque na boca.
14. Não introduza nenhum objeto nas aberturas. Não o use se alguma abertura estiver obstruída; mantenha as aberturas livres de pó, algodão, cabelos e tudo o que possa reduzir o fluxo de ar.
15. Utilize apenas acessórios e peças de substituição recomendados pela Dyson.
16. Não o use sem que o depósito transparente e os filtros estejam colocados.
17. Desligue a ficha do carregador quando não estiver a ser utilizado durante períodos prolongados.
18. Tenha especial cuidado ao aspirar escadas.
19. Para evitar um arranque intencional, tenha cuidado para manter as suas mãos e dedos afastados do gatilho "ON" (Ligar) até estar pronto para começar a aspirar, especialmente quando recolher ou transportar o aparelho. Transportar o aparelho com o nosso dedo no gatilho "ON" (Ligar) convida a acidentes.
20. Não instale, carregue ou utilize este aparelho no exterior, numa casa de banho ou a menos de 3 metros de uma piscina. Não o utilize em superfícies molhadas, nem o exponha à humidade, chuva ou neve.
21. Use apenas o carregador da Dyson com a Referência 217160 para carregar este aparelho da Dyson. Use apenas baterias da Dyson: outros tipos de baterias podem explodir, causando ferimentos e danos materiais.

22. Quando remover ou substituir uma escova motorizada, tenha cuidado para não premir o gatilho "ON" (Ligar) até a cabeça de limpeza ter sido remontada.
23. Não utilize um módulo de bateria ou aparelho que estejam danificados ou modificados. As baterias danificadas ou modificadas podem exibir um comportamento imprevisível resultando em incêndio, explosão ou risco de ferimentos. Não exponha o módulo da bateria ou o aparelho a incêndio ou temperaturas excessivas. A exposição a incêndio ou a temperaturas acima dos 60°C (140°F) pode causar explosão.
24. A bateria é uma unidade selada e, em circunstâncias normais, não coloca problemas de segurança. No caso improvável de a bateria verter líquido, não toque no mesmo, pois pode causar irritações ou queimaduras, e respeite as seguintes precauções:
- Contacto com a pele – pode causar irritação. Lave com sabão e água.
 - Inalação – pode causar irritação respiratória. Exponha ao ar fresco e procure cuidados médicos.
 - Contacto com os olhos – pode causar irritação. Lave imediatamente os olhos com água abundante durante, pelo menos, 15 minutos. Procure cuidados médicos.
 - Eliminação – use luvas para manusear a bateria e elimine-a imediatamente, em conformidade com as normas e os regulamentos locais.
25. Siga todas as instruções de carregamento e não coloque a carregar a bateria ou o aparelho fora do intervalo de temperatura especificado nas instruções. Realizar o carregamento de forma inadequada ou fora do intervalo de temperatura especificado, poderá danificar a bateria e aumentar o risco de incidência. Para garantir a vida máxima da bateria, a Dyson recomenda o seguinte:
- Quando não estiver a ser utilizado, o aparelho deve ser carregado à temperatura ambiente. Intervalo recomendado: 18°C (64°F) a 28°C (82°F).
 - O intervalo de temperatura para o seu uso e carregamento, deveria ser entre 10°C (50°F) e 30°C (86°F).

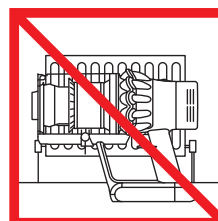
26. AVISO DE INCÊNDIO – Não coloque este produto em cima ou perto de um fogão ou qualquer outra superfície quente e não incinere este aparelho, mesmo que esteja bastante danificado. A bateria pode incendiar ou explodir.
27. Não aplique fragrâncias ou produtos perfumados ao (s) filtro (s) deste aparelho. Os químicos em tais produtos são conhecidos por serem inflamáveis e podem fazer com que o aparelho se incendeie.

LEIA E GUARDE ESTAS INSTRUÇÕES

Este aparelho da Dyson destina-se exclusivamente a utilização doméstica.



Não o utilize perto de chamas.



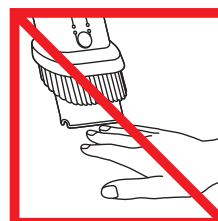
Não guarde o aparelho perto de uma fonte de calor.



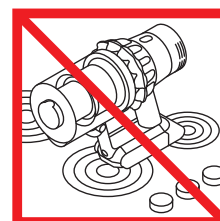
Não aspire água ou líquidos.



Não aspire objetos incandescentes.



Não aproxime as mãos da escova quando o aparelho estiver a funcionar.



Não coloque em cima ou perto de um fogão.

Informação adicional

Por favor, leia as "Instruções Importantes de Segurança" neste manual de instruções da Dyson, antes de utilizá-lo.

INSTALAÇÃO DA ESTAÇÃO DE SUPORTE

- Desembale a estação de suporte, carregador e folheto de instalação.
 - Selecione o local para a estação de suporte e certifique-se de que não existem tubagens (gás, água ou ar), cabos elétricos, fios ou canalizações diretamente por trás do local de montagem.
 - Siga as instruções no folheto de instalação.
 - Encaixe os acessórios no lugar.
 - Coloque o aparelho na estação de suporte.
 - Ligue o carregador a uma tomada elétrica. Ligue (se necessário) para carregar a bateria.
 - O seu aparelho vai precisar de ser carregado antes da primeira utilização.
- A estação de suporte deve ser montada de acordo com os regulamentos e códigos/normas aplicáveis (podem aplicar-se leis locais e estatais).
- A Dyson recomenda o uso de vestuário, óculos e materiais de proteção, quando instalar a estação de suporte.

Aspiração

- Retire o aparelho da estação de suporte.
- Verifique se o lado inferior da escova ou acessório está limpo e livre de objetos estranhos que possam causar danos.

Antes de aspirar o chão, tapetes ou carpetes, consulte as instruções de limpeza recomendadas pelo fabricante.

A escova do aparelho pode danificar certos tipos de tapetes e pavimentos. Alguns tapetes podem esfriar se utilizar sobre eles uma escova rotativa ao aspirar. Se for esse o caso, recomendamos que aspire sem a escova motorizada e consulte o fabricante do pavimento.

Cabeça de limpeza de elevado binário – aba de controlo de sucção

A sua cabeça de limpeza de elevado binário tem uma aba de controlo para ajustar a sucção da cabeça de limpeza. Para selecionar a sucção pretendida, desloque a aba de controlo de sucção na parte superior da cabeça de limpeza.

Sucção máxima para superfícies duras com pó e detritos. (+)

- Para aspirar revestimentos de pavimentos duráveis, pavimentos duros e alcatifas e tapetes muito sujos.

Sucção para pó e detritos (▲)

- Para aspirar alcatifas, tapetes e pavimentos duros ligeiramente sujos.
- Para aspirar detritos grandes como, por exemplo, amendoins ou arroz.

Sucção para carpetes com o pêlo comprido e para superfícies delicadas (-)

- Para aspirar carpetes com pêlo comprido ou tapetes e em qualquer superfície em que possa experimentar mais resistência.
- Para aspirar carpetes com pêlo comprido ou tapetes e em qualquer superfície em que possa experimentar mais resistência.

Esvaziar o depósito transparente

- Esvazie o depósito assim que o pó alcançar o nível da marca MAX – não deixe que fique demasiado cheio.
- Tenha cuidado de não pressionar o gatilho ON (Ligar), enquanto está a esvaziar o depósito.
- Remova o tubo premindo o botão vermelho de desengate do tubo e retire do depósito.
- Soltar a sujidade:
 - Segure o aparelho com o depósito virado para baixo.
 - Pressione firmemente o botão vermelho de desengate do depósito.
 - O depósito deslizará para baixo, limpando a grelha enquanto passa.
 - Então, a base do depósito abrirá.
 - A base do depósito não se abrirá se o botão vermelho não estiver pressionado até baixo totalmente.

Para minimizar o contacto com a sujidade e os alergénios, envolva o depósito num saco do lixo com atilhos e esvazie-o. Remova o depósito transparente do saco com cuidado. Feche bem o saco e elimine normalmente.

Limpeza do depósito transparente (opcional)

Se for necessário limpar o depósito transparente:

- Siga as instruções na secção "Esvaziar o depósito transparente".
- Prima o botão vermelho localizado na calha do depósito para libertar o depósito e tirá-lo da calha.
- Limpe o depósito transparente apenas com um pano húmido.
- Certifique-se de que o depósito transparente e vedações estão totalmente secos antes de voltar a colocá-los.
- Remontar o depósito transparente:
 - Introduza a coluna na calha do depósito.

Feche o depósito transparente empurrando para cima a base do depósito até que o depósito transparente e a base do depósito encaixem na devida posição.

O depósito transparente não é seguro para a máquina de lavar louça e a utilização de detergentes, polidores ou ambientadores para limpar o depósito transparente não é recomendada, pois pode danificar o seu aparelho.

Indicadores de obstrução e filtro

O visor do aparelho lhe alertará quando for necessário realizar uns passos simples de manutenção.

- O indicador do filtro aparecerá quando o filtro não estiver encaixado corretamente. Siga as instruções sobre como remontar a unidade do filtro na secção "Lavar a unidade do filtro".
- O indicador do filtro aparecerá quando a unidade do filtro precisar de ser lavada. Siga as instruções sobre como lavar a unidade do filtro na secção "Lavar a unidade do filtro".
- O indicador de obstrução acenderá se existir uma obstrução. Siga as instruções sobre como eliminar obstruções na secção "Procurar obstruções".

Peças laváveis

O seu aparelho tem peças laváveis que exigem uma limpeza regular. Siga as instruções apresentadas abaixo.

- Não coloque qualquer peça do seu aparelho na máquina de lavar louça, máquina de lavar roupa ou secador de roupa, forno, microondas, nem perto de chamas desprotegidas.

Lavar a unidade do filtro

Lave a unidade do filtro, pelo menos, todos os meses, ou sempre que o indicador de manutenção do filtro acender.

Verifique e lave a unidade do filtro de acordo com as instruções, para manter o desempenho.

- Remova a unidade do filtro rodando-a no sentido contrário ao dos ponteiros do relógio. Com cuidado tire do aparelho.
- Suavemente bata na unidade do filtro para remover o excesso de pó e detritos antes de a lavar.
- Lave a unidade do filtro apenas em água fria: não utilize detergente, não lave na máquina de lavar louça ou roupa.
- Lave primeiro o elemento de papel pregueado da unidade do filtro, segure a unidade do filtro sob água fria corrente com o elemento de espuma para baixo e deixe correr a água fria sobre o papel pregueado.
- Continue a lavar até a água ficar limpa.
- A seguir, lave o elemento de espuma da unidade do filtro; segure a unidade do filtro sob água fria corrente com o elemento de espuma baixo para que a água suja não contamine o elemento de papel pregueado. Deixe correr água fria sobre o interior e exterior do elemento de espuma e aperte suavemente a espuma para expelir a sujidade.
- Continue a lavar até a água ficar limpa.
- Lave o exterior da unidade do filtro. Depois encha a unidade com água fria, coloque as suas mãos sobre as extremidades abertas e abane suavemente.
- Repita a lavagem dos elementos e do exterior da unidade do filtro até a água ficar limpa.
- Suavemente abane a unidade do filtro para remover o excesso de água e deixe drenar com o elemento de espuma virado para cima.
- Deixe a unidade do filtro secar completamente num ambiente seco com um bom fluxo de ar, no mínimo, durante 24 horas.
- Verifique se a unidade do filtro está completamente seca.
- Para a voltar a colocar, ponha a unidade do filtro no corpo principal e rode no sentido dos ponteiros do relógio até ouvir o clique que indica que esta se encontra no devido lugar.

A unidade do filtro pode precisar de lavagens mais frequentes se aspirar pó fino ou se for usada principalmente no modo de impulso.

Não coloque qualquer peça do seu aparelho na máquina de lavar louça, máquina de lavar roupa ou secador de roupa, forno, microondas, nem perto de chamas desprotegidas.

LAVAGEM DAS ESCOVAS

A cabeça de limpeza de rolos macios do seu aparelho tem duas escovas laváveis. Verifique-as e lave-as regularmente de acordo com as instruções seguintes, para manter o desempenho.

- Consulte as ilustrações acima "Manutenção da cabeça de limpeza".
- Quando remover ou substituir uma escova motorizada, tenha cuidado para não premir o gatilho "ON" (Ligar) até a cabeça de limpeza ter sido remontada.

Para remover, lavar e substituir as escovas:

- Vire a cabeça de limpeza ao contrário, de forma que a parte inferior da cabeça de limpeza fique virada para si. Utilize uma moeda para rodar a tampa, no sentido contrário ao dos ponteiros do relógio, até clicar na posição desbloqueada. Rode a tampa para a posição aberta. Com cuidado, afaste a escova principal da cabeça de limpeza. Retire a tampa da escova principal. Não lave a tampa.
- Cuidadosamente deslize para fora da escova o rolo.
- Segure as escovas sob água corrente e esfregue suavemente para remover qualquer cotão ou sujidade.
- Mantenha as escovas na vertical, conforme mostrado. Deixe secar completamente, no mínimo, durante 24 horas. Antes de substituir, verifique se as escovas estão completamente secas.
- Introduza a escova fraseira de novo na cabeça de limpeza.
- Introduza a escova principal de novo na cabeça de limpeza.
- Volte a fixar a tampa na escova principal.
- A tampa deve estar na posição aberta, conforme mostrado. Assim que estiver na posição, rode a tampa de volta para a posição fechada.
- Feche o fecho rodando um quarto no sentido dos ponteiros do relógio. Certifique-se de que o fecho está completamente rodado e as escovas estão seguras.

Cabeça de limpeza de elevado binário

A escova de uma cabeça de limpeza motorizada não é lavável.

Acessório de mini cabeça motorizada de desengate rápido

A escova de uma cabeça de limpeza motorizada não é lavável.

Obstruções - disjuntor automático

- Este aparelho está equipado com um disjuntor automático.
- Se alguma peça ficar obstruída, o aparelho pode desligar-se automaticamente.
- Isto acontecerá quando o motor pulse várias vezes (exemplo: quando se liga e desliga de forma quase simultânea) e o indicador de bloqueio se acenderá.
- Deixe arrefecer antes de procurar as obstruções.
- Tenha cuidado para não premir o gatilho "ON" quando procura obstruções. O funcionamento do aparelho enquanto está parcialmente desmontado pode resultar em ferimentos pessoais.
- Elimine a obstrução existente antes de ligá-lo.
- Volte a montar todas as peças com firmeza antes de o utilizar.
- A limpeza de obstruções não está abrangida pela garantia.

Deteção de obstruções

O motor pulsará e o indicador de bloqueio se acenderá. Por favor, siga as instruções abaixo para localizar o bloqueio.

- Tenha cuidado para não premir o gatilho "ON" quando procura obstruções. O funcionamento do aparelho enquanto está parcialmente desmontado pode resultar em ferimentos pessoais.
- Tenha cuidado com os objetos afiados quando estiver a procurar obstruções.
- Para verificar as obstruções no corpo principal do aparelho, retire o depósito transparente, seguindo as instruções na secção "Esvaziar o depósito transparente", e remova a obstrução.
- Se não conseguir eliminar uma obstrução da cabeça de limpeza, poderá ter de retirar a escova. Utilize uma moeda para desbloquear o fecho, tire a escova para fora da cabeça de limpeza e remova a obstrução. Volte a colocar a escova e prenda-a apertando o fecho. Certifique-se de que fica bem presa antes de colocar o aparelho em funcionamento.
- Este produto tem escovas de fibra de carbono. Tenha cuidado se tocar nelas, pois podem causar irritação na pele. Lave as mãos depois de tocar nas escovas.
- Volte a montar todas as peças com firmeza antes de o utilizar.
- A limpeza de obstruções não está abrangida pela garantia.

CARGA E ARRUMAÇÃO

- Este aparelho desligar-se-á se a temperatura da bateria for inferior a 10°C (50°F). Isto destina-se a proteger o motor e a bateria. Não carregue o aparelho e depois leve-o para uma área com uma temperatura inferior a 10°C (50°F) para fins de armazenamento.
- Para ajudar a prolongar a vida da bateria, evite recarregá-la imediatamente depois de uma descarga completa. Deixe arrefecer o aparelho durante uns minutos.
- Evite usar o aparelho com a bateria encostada a uma superfície. Isto irá ajudá-la a funcionar de forma mais fresca e irá prolongar o tempo de funcionamento e a vida da mesma.

INSTRUÇÕES DE SEGURANÇA DA BATERIA

- Se a bateria precisar de ser substituída, entre em contacto com a Linha de Assistência da Dyson.
- Use apenas o carregador da Dyson com a Referência 217160 para carregar este aparelho da Dyson.

CUIDADO

A bateria usada neste dispositivo pode apresentar risco de incêndio ou queimadura química se for manuseada indevidamente. Não a desmonte, não provoque curto-circuito nos contactos, não a aqueça acima de 60°C (140°F), nem a incinere. Substitua a bateria apenas por uma bateria Dyson. A utilização de qualquer outra bateria pode apresentar risco de incêndio ou explosão. Dê imediatamente o tratamento adequado à bateria usada. Mantenha-a afastada das crianças. Não a desmonte nem a elimine através de fogo.

INFORMAÇÃO EM RELAÇÃO À ELIMINAÇÃO DO PRODUTO

- Os produtos Dyson são fabricados com materiais recicláveis de alta qualidade. Recicle, sempre que possível.
- A bateria deve ser retirada do produto antes da sua eliminação.
- Elimine ou recicle a bateria de acordo com a legislação ou regulamentação locais.
- Elimine a unidade do filtro de saída de acordo com a legislação ou regulamentação locais.
- Esta marcação indica que este produto não deve ser eliminado com outros lixos domésticos dentro da União Europeia. Para evitar possíveis danos ambientais ou na saúde humana devido à eliminação descontrolada de resíduos, recicle o produto de forma responsável para promover a reutilização sustentável dos recursos materiais. Para devolver o seu aparelho usado, utilize os sistemas de devolução e recolha ou contacte a loja onde o produto foi adquirido. A loja pode aceitar este produto para uma reciclagem ambiental segura.

Serviço de apoio ao cliente da Dyson

Obrigado por decidir adquirir um aparelho da Dyson.

Após registar a sua garantia de 2 anos, o seu aparelho da Dyson estará coberto quanto a peças e mão-de-obra durante 2 anos a contar a partir da data de compra, sujeito aos termos da garantia. Se tem dúvidas em relação ao seu aparelho da Dyson, vá a: www.dyson.pt/support para ajuda, conselhos gerais e informações úteis online sobre a Dyson.

Em alternativa, ligue para a Linha de Assistência da Dyson com o seu número de série e informações sobre o local e a data de compra do aparelho.

Se o seu aparelho da Dyson precisar de uma reparação, ligue para a Linha de Assistência da Dyson, para que possamos analisar as opções possíveis. Se o seu aparelho da Dyson ainda estiver ao abrigo da garantia e a reparação estiver coberta, esta será isenta de custos.

Registe-se como proprietário de um aparelho da Dyson

A garantia para este produto é de 2 anos a contar a partir da data de compra. Registe a sua garantia nos 30 dias a seguir à sua data de compra. Para nos ajudar a garantir que obtém um serviço imediato e eficiente, registe-se logo a seguir à compra. Guarde o recibo que mostra a data de compra.

Há três formas de o fazer:

- Online em www.dyson.pt
- Telefone para a Linha de Assistência da Dyson através do 800 78 43 54.
- Preencha o formulário em anexo e envie-nos por correio.

Ao registar-se online ou por telefone, irá:

- Proteger o seu investimento com uma garantia de 2 anos relativa a peças e a mão-de-obra.
- Receber sugestões úteis sobre o modo de utilização do seu equipamento.
- Receber aconselhamento especializado da Linha de Assistência da Dyson.
- Ser o primeiro a conhecer as nossas mais recentes invenções.
- O processo de registo demora apenas alguns minutos, e tudo o que necessita é do seu número de série.

2 anos de garantia limitada

Termos e condições da garantia limitada de 2 anos da Dyson

O que está coberto

- A reparação ou substituição do seu aparelho da Dyson (à discrição da Dyson) caso se verifique que possui defeito devido a materiais defeituosos, mão-de-obra ou funcionamento no espaço de 2 anos a contar da data de compra ou de entrega (caso alguma das peças já não se encontre disponível ou tenha sido descontinuada, a Dyson substitui-la-á por uma peça de substituição funcional).
- Se este aparelho for vendido fora da UE, esta garantia será apenas válida se o aparelho for instalado e utilizado no país em que foi vendido.
- Se este aparelho for vendido na UE, esta garantia será apenas válida (I) se o aparelho for utilizado no país em que foi vendido ou (II) se o aparelho for utilizado na Áustria, Bélgica, França, Alemanha, Irlanda, Itália, Holanda, Espanha ou Reino Unido e o mesmo modelo deste aparelho for vendido com a mesma tensão nominal, no país relevante.

O que não está coberto

A Dyson não garante a reparação ou substituição de um produto em que o defeito seja resultado de:

- Danos acidentais, avarias causadas por utilização ou cuidados negligentes, utilização indevida, negligência, utilização ou manuseamento imprudentes do aparelho, que não estejam em conformidade com o Manual de Instruções da Dyson.
- Utilização do aparelho para fins que não sejam o doméstico.
- Utilização de peças não montadas ou instaladas em conformidade com as instruções da Dyson.
- Utilização de peças e acessórios que não sejam componentes Dyson genuínos.
- Instalação defeituosa (exceto se instalado pela Dyson).
- Reparações ou alterações executadas por outros que não a Dyson ou os seus agentes autorizados.
- Obstruções - consulte o Manual de Instruções da Dyson para informações sobre como procurar e eliminar obstruções.
- Desgaste normal (por exemplo, fusíveis, escova, etc.).
- Utilização deste aparelho para aspirar entulho, cinza ou gesso.
- Redução no tempo de descarga da bateria devido à idade ou utilização da bateria (quando aplicável).

Se tiver dúvidas quanto à cobertura da sua garantia, contacte a Linha de Assistência da Dyson.

Resumo da cobertura

- A garantia entra em vigor a partir da data de compra (ou na data de entrega, caso esta seja posterior).
- Tem de fornecer prova de compra/entrega (tanto a original, como no caso de qualquer subsequente) antes que possa ser executado qualquer trabalho no seu aparelho da Dyson. Sem essa prova, qualquer trabalho executado ou peças fornecidas serão cobráveis. Guarde o seu recibo ou guia de entrega.
- Todos os trabalhos serão executados pela Dyson ou pelos seus representantes autorizados.
- Todas as peças substituídas pela Dyson tornar-se-ão propriedade da mesma.
- A reparação ou a substituição do seu aparelho da Dyson ao abrigo da garantia não alargará o período de garantia.
- A garantia proporciona benefícios que são adicionais a quaisquer direitos legais que possa ter como consumidor e não afetará os mesmos.

Informação importante em relação à proteção de dados

Ao registar o seu aparelho da Dyson:

- Vai precisar de nos fornecer informações de contacto básicas para registar o seu produto e permitir-nos suportar a sua garantia.
- Quando se registar, terá a oportunidade de escolher se gostaria de receber comunicações da nossa parte. Se optar por receber comunicações da Dyson, enviar-lhe-emos detalhes de ofertas especiais e notícias das nossas inovações mais recentes. Nunca venderemos as suas informações a terceiros e apenas utilizaremos informações que partilhe connosco conforme definido pelas nossas políticas de privacidade, que estão disponíveis no nosso website: privacy.dyson.com

SE

VIKTIGA SÄKERHETSFÖRESKRIFTER

INNAN DU ANVÄNDER MASKINEN, LÄS ALLA ANVISNINGAR OCH VARNINGSTEXTER I BRUKSANVISNINGEN OCH PÅ MASKINEN

När du använder en elektrisk apparat ska du alltid följa vissa grundläggande säkerhetsföreskrifter, inklusive följande:

VARNING

De här varningarna gäller maskinen och i förekommande fall, alla verktyg, tillbehör, laddare eller nätadapterar.

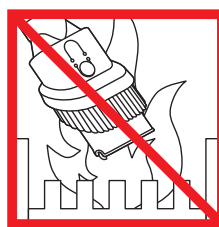
MINSKA RISKEN FÖR BRAND, ELEKTRISKA STÖTAR OCH PERSONSKADOR:

1. Denna Dyson-produkt får användas av barn från 8 års ålder och personer med nedsatt fysisk, sensorisk eller psykisk förmåga om de övervakas eller anvisas av en ansvarig person som vet hur produkten används på ett säkert sätt och som förstår riskerna som användningen innebär. Rengöring och användarunderhåll får inte göras av barn utan överinseende.
2. Maskinen får inte användas som leksak och särskild uppsikt är nödvändig när den används av barn eller i närheten av barn. Barn ska vara under uppsikt för att försäkra sig om att de inte leker med apparaten.
3. Använd bara i enlighet med beskrivningen i Dysons bruksanvisning. Utför inget underhåll utöver det som visas i denna Dyson-handbok eller som rekommenderas av Dysons hjälplinje.
4. Får ENDAST användas i torra miljöer. Använd inte utomhus eller på våta ytor.
5. Hantera inte någon del av laddaren eller apparaten med våta händer.
6. Använd inte med en skadad laddare eller kabel.
7. Om apparaten inte fungerar som den ska, om den har fått en ordentlig smäll, tappats, skadats, lämnats utomhus eller tappats ner i vatten, ska den inte användas. Kontakta Dysons hjälplinje.
8. Kontakta Dysons hjälplinje om service eller reparation krävs. Plocka inte isär apparaten eftersom felaktig återmontering kan orsaka en elektrisk stöt eller brand.
9. Elsladden får inte sträckas eller spännas. Håll sladden borta från uppvärmda ytor. Stäng inte en dörr om sladden ligger emellan och lägg inte sladden runt vassa kanter eller hörn. Håll sladden på avstånd från gångstråk så att ingen går på den eller snubblar över den. Kör inte över sladden.
10. Använd inte maskinen för att suga upp vatten.
11. Använd inte för att plocka upp brandfarliga eller brännbara vätskor, såsom bensen, eller för att använd i områden där de eller deras ångor förekommer.
12. Använd inte maskinen för att avlägsna något som brinner eller ryker, t.ex. cigaretter, tändstickor eller varm aska.
13. Håll hår, löst sittande plagg, fingrar och andra kroppsdelar borta från öppningar och rörliga delar, t.ex. borsthuvudet. Rikta inte slangen, staven eller verktygen mot ögonen eller öronen och för inte in dem i munnen.
14. För inte in föremål i öppningarna. Använd inte maskinen om en öppning är blockerad; håll öppningen fri från damm, ludd, hår och annat som kan minska luftflödet.
15. Använd endast tillbehör och ersättningsdelar som rekommenderas av Dyson.
16. Använd aldrig maskinen om inte den genomskinliga behållaren och filtret sitter på plats.
17. Dra ur kontakten till laddaren när den inte ska användas under en längre tid.
18. Var extra försiktig när du dammsuger trappor.
19. För att förhindra oavsiktlig start, var noga med att hålla händerna och fingrarna borta från "ON"-utlösaren tills du är redo att börja dammsuga, särskilt när du lyfter eller transporterar apparaten. Att bära apparaten samtidigt som fingret hålls på "ON"-utlösaren kan leda till olyckor.
20. Installera, ladda eller använd inte den här maskinen utomhus, i ett badrum eller inom 3 meter (10 fot) från en bassäng. Använd den inte på våta ytor och utsätt den inte för fukt, regn eller snö.
21. Använd endast Dyson-laddaren med artikelnummer 217160 för att ladda denna Dyson-apparat. Använd endast Dyson-batterier: andra typer av batterier kan explodera och orsaka skada på person och egendom.
22. Var försiktig så att du inte drar i "ON"-utlösaren förrän munstycket har monterats tillbaka, när du ska avlägsna eller byta det motordrivna borststaget.
23. Om ett batteri eller en apparat är skadad eller modifierad ska den inte användas. Skadade eller modifierade batterier kan uppvisa oförutsägbart beteende vilket kan leda till brand, explosion eller risk för skada. Batteriet och apparaten får inte utsättas för brand eller höga temperaturer. Exponering för brand eller temperaturer över 60 °C kan orsaka explosion.

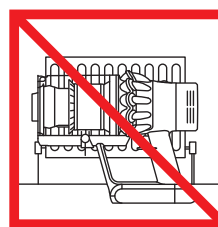
24. Batteriet är en kapslad enhet och utgör under normala omständigheter inga säkerhetsrisker. Om vätska mot förmodan skulle läcka ut ur batteriet ska vätskan inte röras eftersom det kan leda till irritation eller brännskador, och följande säkerhetsåtgärder uppmärksammas:
- Hudkontakt – kan orsaka irritation. Tvätta med tvål och vatten.
 - Inandning – kan orsaka irritation i luftvägarna. Gå ut i friska luften och uppsök läkare.
 - Ögonkontakt – kan orsaka irritation. Skölj ögonen med vatten omedelbart och under minst 15 minuter. Uppsök läkare.
 - Avfallshantering – använd handskar vid hantering av batteriet och kasta det omedelbart i enlighet med lokala förordningar eller bestämmelser.
25. Följ alla laddningsinstruktioner och ladda inte batteriet eller apparaten utanför den temperatur räckvidd som har angivits i instruktionerna. Om du laddar felaktigt eller vid en temperatur utanför det angivna räckvidden kan det skada batteriet och öka risken för brand. Dyson rekommenderar följande, för att försäkra om maximal livslängd för batteriet:
- Apparaten bör förvaras i rumstemperatur när den inte används. Rekommenderat intervall: 18 °C till 28 °C.
 - Intervallet för omgivningstemperatur vid drift och laddning bör ligga mellan 10 °C och 30 °C.
26. **VARNING FÖR BRAND!** Placera inte denna produkt på eller i närheten av en spis eller någon annan varm yta, och förbränn inte denna apparat även om den är allvarligt skadad. Batteriet kan fatta eld eller explodera.
27. **RISK FÖR BRAND** - Applicera inte parfym eller doftande produkt på filteret/filteren på denna apparat. Kemikalierna i sådana produkter är kända att vara brandfarliga och kan orsaka att apparaten fattar brand.

LÄS OCH SPARA DESSA INSTRUKTIONER

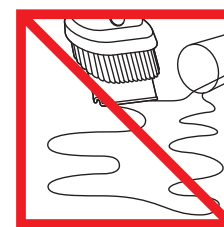
Denna Dyson-apparat är endast avsedd för hushållsbruk.



Använd inte nära öppna eldlågor.



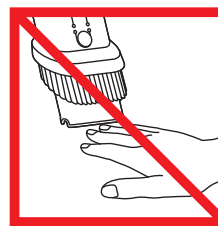
Förvara inte nära värmekällor.



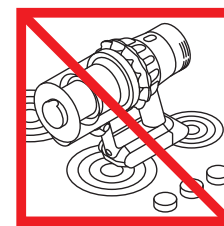
Sug inte upp vatten eller andra vätskor.



Sug inte upp brinnande föremål.



Placera inte händerna i närheten av borsthuvudet när maskinen används.



Placera inte på eller i närheten av en spis.

Ytterligare information

Läs "Viktiga säkerhetsinstruktionerna" i denna Dyson bruksanvisning innan du fortsätter.

INSTALLATION AV DOCKNINGSTATION

- Packa upp dockningsstationen, laddaren och installationsbladet.
 - Välj plats för dockningsstationen och se till att det inte finns några rör (gas, vatten eller luft), elkablar, trådar eller ventilkanaler direkt bakom monteringsstället.
 - Följ anvisningarna på installationsbladet.
 - Klicka fast tillbehören.
 - Placera apparaten i dockningsstationen.
 - Plugga in laddaren i vägguttaget. Slå på (om nödvändigt) för att ladda batteriet.
 - Din apparat behöver vara fulladdad innan den används för första gången.
- Dockningsstationen måste monteras i enlighet med bestämmelserna och gällande koder/standarder (statliga och lokala lagar kan gälla).
Dyson rekommenderar att skyddskläder, skyddsglasögon och annat skyddsmaterial används när dockningsstationen ska installeras.

Dammsugning

- Avlägsna apparaten från dockningsstationen.
- Kontrollera att munstyckets eller verktygets undersida är ren och fri från främmande objekt som kan orsaka skada.

Läs tillverkarens rekommenderade rengöringsanvisning före dammsugning av golv och mattor.

Borsthuvudet på produkten kan skada vissa typer av mattor och golv. Vissa mattor luddar av sig om ett roterande borsthuvud används. I sådana fall rekommenderar vi dammsugning utan det motoriserade golvmunstycket och att du rådfrågar tillverkaren.

Munstycke med torque - Sugeffekt reglage

Ditt munstycke med torque har ett sugeffekt reglage som justerar munstyckets sugeffekt. Flytta sugeffekt reglaget på munstycket för att välja den sugeffekt som krävs.

Maximal sugeffekt för ingrodd damm och skräp (+)

- För dammsugning av tåliga golvbeläggningar och mycket smutsiga mattor.

Sugeffekt för damm och skräp (▲)

- För dammsugning av lätt smutsiga mattor och hårda golv.
- För dammsugning av stora bitar av skräp som jordnötter eller ris.

Sugeffekt för djupa stapelmattor och ömtåliga golv (-)

- För dammsugning av djuphögt matta eller mattor och golv på vilket du kan uppleva större motstånd.
- För dammsugning av lätt smutsiga golv, inklusive ömtåliga golv som vinyl, parkett och linoleum.

Tömning av den genomskinliga behållaren

- Töm behållaren när innehålllet når MAX-markeringens nivå – den får inte överfyllas.
- Var försiktig så att du inte drar i "ON"-utlösaren medan det tömmer den genomskinliga plastbehållaren.
- Avlägsna dammsugarröret genom att trycka på den röda spärrknappen och dra loss den från behållaren.
- För att släppa ut smutsen:
 - Håll apparaten med behållaren vänd nedåt.
 - Tryck ordentligt på den röda spärrknappen för att lossa behållaren.
 - Behållaren glider ned och rengör höljet på vägen.
 - Behållarens bottenlucka öppnas sedan.
 - Botten av den genomskinliga plastbehållaren kommer inte att öppnas om den röda knappen inte är nedtryckt ordentligt.

För att minimera damm/allergenkontakt när du tömmer, förslut en dammtät påse runt behållaren och töm den. Ta försiktigt bort den genomskinliga behållaren från påsen. Förslut påsen ordentligt och kassera den på normalt sätt.

Rengöra den genomskinliga dammbehållaren (tillval)

Om det är nödvändigt att rengöra den genomskinliga behållaren:

- Följ anvisningarna i avsnittet "Tömma den genomskinliga behållaren".
- Tryck på den röda knappen på behållarens skena för att lossa behållaren från skenan.
- Använd bara en fuktad duk vid rengöring av den genomskinliga behållaren.
- Se till att den genomskinliga behållaren och tätningarna är helt torra innan behållaren sätts tillbaka.
- Sätta tillbaka den genomskinliga behållaren:
 - Placera ryggen i behållarens skena.

Stäng den genomskinliga dammbehållaren genom att trycka den uppåt tills behållaren och behållarens bottenlucka klickar på plats.

Den genomskinliga behållaren kan inte diskas i maskin och vi rekommenderar inte att rengöringsmedel, polermedel och luftfräschare används vid rengöring eftersom de kan skada din apparat.

Indikatorer för filter och blockering

Displayen på din apparat kommer att varna dig när enkla underhållsåtgärder behövs.

- Filterindikatorn visas när filterenheten sitter felmonterad. Följ anvisningarna om återmontering av filterenheten i avsnittet "Tvätta filterenheten".
- Filterindikatorn visas när filterenheten behöver tvättas. Följ anvisningarna om hur filterenheten tvättas i avsnittet "Tvätta filterenheten".
- Blockeringsindikatorn visas om det finns en blockering. Följ anvisningarna om hur blockeringar rensas i avsnittet "Söka efter igensättningar".

Delar som kan tvättas

Din produkt har delar som kan tvättas och som ska göras rent med jämna mellanrum. Följ anvisningarna nedan.

- Placera inte någon del av din apparat i en diskmaskin, tvättmaskin, ugn, mikrovågsugn eller i närheten av öppen eld.

Tvätta filterenheten

Tvätta filterenheten åtminstone en gång per månad eller när indikatorn för filterunderhåll tänds.

Kontrollera och tvätta filterenheten i enlighet med anvisningarna för att upprätthålla effektiviteten.

- Ta bort filterenheten genom att vrida den moturs. Dra försiktigt bort den från apparaten.
- Knacka försiktigt på filterenheten för att avlägsna kvarvarande damm eller skräp innan den tvättas.
- Tvätta filterenheten endast i kallt vatten: du får inte använda diskmedel eller tvätta den i diskmaskinen eller tvättmaskinen.
- Tvätta först det veckade pappret i filterenheten. Håll filterenheten under kallvattenkranen med skumgummit vänt nedåt och spola kallt vatten över det veckade pappret.
- Fortsätt att tvätta tills vattnet som rinner igenom är rent.
- Tvätta därefter skumgummit i filterenheten. Håll filterenheten under kallvattenkranen med skumgummit vänt nedåt så att det smutsiga vattnet inte kontaminerar det veckade pappret. Spola kallt vatten på insidan och utsidan av skumgummit och krama skumgummit försiktigt för att få bort smutsen.
- Fortsätt att tvätta tills vattnet som rinner igenom är rent.
- Tvätta filterenheten utvändigt. Fyll sedan enheten med kallt vatten, placera händerna över de öppna sidorna och skaka försiktigt.
- Fortsätt att tvätta komponenterna och filterenhetens utsida tills vattnet som rinner igenom är rent.
- Skaka försiktigt på filterenheten för att avlägsna kvarvarande vatten, och låt sedan filtret torka med skumgummit vänt uppåt.
- Låt filterenheten torka helt i en torr miljö med bra luftflöde under minst 24 timmar.
- Kontrollera att filterenheten är helt torr.
- Sätt tillbaka filterenheten genom att placera den på huvudenheten och vrida den medurs tills den klickar på plats.

Filterenheten kan behöva tvättas oftare om fint damm sugts upp eller om Boost-läget används för det mesta.

Placera inte någon del av din apparat i en diskmaskin, tvättmaskin, ugn, mikrovågsugn eller i närheten av öppen eld.

TVÄTTA BORSTHUVUDENA

Apparatens mjuka rullmunstycke har två tvättbara borststagar. Kontrollera och tvätta dem regelbundet i enlighet med följande anvisningar, för att upprätthålla effektiviteten:

- Se bilderna under "Underhåll av munstycke" ovan.
- Var försiktig så att du inte drar i "ON"-utlösaren förrän munstycket har monterats tillbaka, när du ska avlägsna eller byta det motordrivna borststaget.

Gör så här för att ta loss, tvätta och sätta tillbaka borststagen:

- Vänd munstycket upp och ned så att undersidan är vänd mot dig. Använd ett mynt för att vrida ändlocket ett kvarts varv moturs tills det klickar fast i det upplåsta läget. Vrid ändlocket till det öppna läget. Dra försiktigt ut det primära borststaget från munstycket. Lossa ändlocket från det primära borststaget. Diska inte ändlocket.
- Dra försiktigt ut det bakre borststaget från munstycket.
- Håll borststagen under rinnande vatten och skrubba försiktigt för att få bort ludd eller smuts.
- Ställ borststagen upp så som visas. Låt torka helt under minst 24 timmar. Kontrollera att borststagen är helt torra innan de sätts tillbaka.
- Skjut försiktigt in det bakre borststaget i munstycket.
- Skjut försiktigt in det primära borststaget i munstycket.
- Sätt tillbaka ändlocket på det primära borststaget.
- Ändlocket ska sitta i öppet läge såsom visas. När ändlocket sitter på plats ska det vridas till stängt läge.
- Stäng läset genom att vrida det ett kvarts varv medurs. Se till att skruven vridits maximalt och att borststagen sitter fast.

Munstycke med torque

Det går inte att tvätta borststaget på det motordrivna munstycket.

Motordrivet minimunstycke

Det går inte att tvätta borststaget på det motordrivna munstycket.

Blockering – automatisk avstängning

- Den här maskinen är utrustad med en automatisk avstängning.
- Om någon del blockeras kan maskinen stängas av automatiskt.
- Detta kommer att hända efter motorns pulser ett antal gånger (dvs slås på och av i snabb följd) och blockeringsindikatorn lyser.
- Låt maskinen svalna innan du letar efter blockage.
- Var försiktig så att du inte drar i "ON"-utlösaren när du letar efter blockeringar. Om apparaten används när den delvis är isärplockad kan det leda till personskada.
- Ta bort igensättningar innan maskinen startas igen.
- Sätt tillbaka alla delar ordentligt före användning.
- Borttagning av igensättningar omfattas inte av garantin.

Letar efter blockering

Motorn kommer att pulsera och blockeringsindikatorn kommer att visas när det finns blockering. Följ anvisningarna nedan för att hitta blockeringen:

- Var försiktig så att du inte drar i "ON"-utlösaren när du letar efter blockeringar. Om apparaten används när den delvis är isärplockad kan det leda till personskada.
- Akta dig för vassa föremål när blockeringar kontrolleras.
- För att kontrollera apparatens huvudenhet med avseende på blockeringar tar du bort den genomskinliga behållaren enligt instruktionerna i avsnittet "Tömma den genomskinliga behållaren" och avlägsnar blockeringen.
- Om det inte går att rensa en blockering i munstycket kan du behöva avlägsna borststaget. Använd ett mynt för att låsa upp skruven; dra ut borststaget ur munstycket och ta bort blockeringen. Sätt tillbaka borststaget och skruva fast det genom att dra åt läset. Se till att det sitter fast ordentligt innan du använder apparaten.
- Den här produkten har kolfiberborstar. Var försiktig om du kommer i kontakt med dem. De kan orsaka mindre hudirritationer. Tvätta händerna efter hantering av borstarna.
- Sätt tillbaka alla delar ordentligt före användning.
- Borttagning av igensättningar omfattas inte av garantin.

LADDNING OCH FÖRVARING

- Denna apparat stängs "AV" om batteriets temperatur faller under 10 °C. Det har utformats för att skydda motorn och batteriet. Apparaten får inte laddas och sedan flyttas till en plats för förvaring där temperaturen ligger under 10 °C.
- Undvik att ladda batteriet direkt efter en fullständig urladdning, detta för att förlänga batteriets livslängd. Låt svalna i några minuter.
- Undvik att använda maskinen med batteriet tätt intill en yta. Det hjälper till att hålla batteriet svalare och förlänger batteriets körtid och livslängd.

SÄKERHETSINSTRUKTIONER FÖR BATTERIER

- Kontakta Dysons hjälplinje om batteriet måste bytas.
- Använd endast Dyson-laddaren med artikelnummer 217160 för att ladda denna Dyson-apparat.

VAR FÖRSIKTIG!

Batteriet som används i den här apparaten kan utgöra en risk för eldsvåda eller kemisk brand om det hanteras på fel sätt. Batteriet får inte tas isär, kortslutas, utsättas för värme över 60°C (140°F) eller brännas. Förvara oåtkomligt för barn. Får ej tas isär eller brännas.

Information om avfallshantering

- Dyson-produkter tillverkas av material som i hög grad är återvinningsbara. Kassera den här produkten på ett ansvarsfullt sätt och lämna den till återvinning om så är möjligt.
- Batteriet ska avlägsnas från produkten innan produkten kasseras.
- Lämna batteriet för återvinning i enlighet med lokala föreskrifter eller bestämmelser.
- Kasta den förbrukade filterenheten i enlighet med lokala föreskrifter och bestämmelser.
- Denna märkning indikerar att denna produkt inte ska kasseras med annat hushållsavfall inom EU. För att förhindra eventuella skador på miljö eller människors hälsa från okontrollerad avfallshantering, bör det återvinnas ansvarigt för att främja hållbar återanvändning av materialresurser. För att återvinna din begagnade enhet, använd retur- och insamlingssystemen eller kontakta den återförsäljare där produkten köptes. De kan ta den här produkten till miljövänlig återvinning.

Dysons kundtjänst

Tack för att du valt att köpa en apparat från Dyson.

Efter registrering av din 2-åriga garanti kommer din Dyson-apparat att vara skyddad avseende reservdelar och arbetstid under en period av 2 år från inköpsdatum, under förutsättning att garantivillkoren efterlevs. Om du har frågor om din Dyson-apparat kan du besöka www.dyson.se/support för onlinehjälp, allmänna tips och användbar information om Dyson.

Du kan även ringa Dysons hjälptelefon med ditt serienummer och uppgifter om när/var du köpt apparaten till hands.

Om din Dyson-apparat behöver repareras kan du ringa till Dysons hjälptelefon, så kan vi diskutera de alternativ som finns. Om din Dyson-apparat har garanti och reparationen omfattas av den kommer apparaten att repareras utan kostnad.

Registrera dig som ägare till en Dyson-apparat

Garantin för denna produkt gäller 2 år från inköpsdatum. Vänligen registrera din garanti inom 30 dagar från inköpsdatum. För att hjälpa oss att se till att du får snabb och effektiv service, vänligen registrera omedelbart efter köpet. Spara kvittot som visar inköpsdatum.

Det kan du göra på tre sätt:

- Online på www.dyson.se.
- Genom att ringa Dysons hjälptelefon på 0200125871.
- Fyll i det bifogade formuläret och posta det till oss.

Om du registrerar dig online eller per telefon kommer du att:

- Skydda din investering med en garanti på två år för delar och arbete.
- Få hjälpfulla tips om att använda maskinen.
- Få expertrådgivning från Dysons hjälplinje.
- Vara först med att få information om våra senaste innovationer.
- Registreringen tar bara några minuter och allt du behöver är ditt serienummer.

2 års begränsad garanti

Villkor för Dysons begränsade 2-årsgaranti

Vad garantin omfattar

- Reparation eller utbyte (efter Dysons godtycke) av din Dyson-produkt, om denna befinns vara defekt på grund av material, tillverknings- eller funktionsfel inom 2 år från inköps- eller leveransdatum (om någon reservdel inte är tillgänglig eller inte tillverkas längre ersätter Dyson denna med en funktionellt likvärdig ersättningsdel).
- Om apparaten säljs utanför EU gäller denna garanti endast om apparaten används i det land där den sålts.
- Om apparaten säljs inom EU gäller denna garanti endast (i) om apparaten används i det land där den sålts eller, (ii) om apparaten används i Österrike, Belgien, Frankrike, Tyskland, Irland, Italien, Nederländerna, Spanien eller Storbritannien och samma modell säljs med samma spänningsmärkning som i det berörda landet.

Vad som inte omfattas

Dyson täcker inte reparation eller byte av produkt där felet är ett resultat av:

- Oavsiktlig skada, fel orsakade av vårdslös användning eller vård, missbruk, försummelse, vårdslös hantering eller en hantering av apparaten som inte är förenlig med Dysons bruksanvisning.
- Användning av apparaten för något annat ändamål än normala syften i ett privat hushåll.
- Användning av delar som inte har monterats eller installerats i enlighet med instruktioner från Dyson.
- Användning av reservdelar och tillbehör som inte är äkta Dyson-komponenter.
- En felaktig installation (utom när installationen görs av Dyson).
- Reparationer eller ändringar som utförs av andra än Dyson eller Dysons auktoriserade representanter.
- Blockeringar – se Dysons bruksanvisning för detaljerad information om hur igensättningar hittas och rensas.
- Normalt slitage (t.ex. säkring, borststeg m.m.).
- Användning av denna apparat för byggskräp, aska, spackel.
- Kortare batteriurladdningstid på grund av batteriets ålder eller användning (i förekommande fall).

Kontakta Dysons hjälptelefon om du är osäker på vad din garanti innefattar.

Sammanfattning av garantin

- Garantin träder i kraft vid inköpsdatumet (eller leveransdatumet om detta infaller senare).
- Du måste kunna visa upp kvitto på köp/leverans innan något arbete kan utföras på din Dyson-apparat. Utan kvitto kommer arbetet att utföras mot en kostnad. Kom ihåg att spara ditt inköps- eller leveranskvitto.
- Allt arbete kommer att utföras av Dyson eller dess auktoriserade ombud.
- Delar som ersätts tillfaller Dyson.
- Reparation eller utbyte av din apparat under garantin förlänger ej garantiperioden.
- Garantin ger extra förmåner som på intet sätt påverkar eller förtar dina befintliga och lagstadgade rättigheter som konsument.

Viktig information om dataskydd

Vid registrering av din Dyson-produkt:

- Du behöver ge oss grundläggande kontaktuppgifter för att registrera din produkt och för att ge oss möjlighet att stötta dig genom garantin.
- När du registrerar dig kommer du att ha möjlighet att välja om du vill eller inte vill ha meddelanden från oss i framtiden. Om du registrerar dig för att få meddelanden från Dyson kommer vi att skicka information om specialerbjudanden och våra senaste innovationer. Vi säljer aldrig dina uppgifter till tredje part och använder bara information som du ger oss i enlighet med våra integritetspolicys, vilka finns att läsa på vår webbplats privacy.dyson.com

TR

ÖNEMLİ GÜVENLİK TALİMATLARI

**BU CİHAZI KULLANMADAN ÖNCE BU
KILAVUZDAKİ VE CİHAZIN ÜZERİNDEKİ TÜM
TALİMATLARI VE UYARI İŞARETLERİNİ OKUYUN**

Elektrikli bir cihazı kullanırken, aşağıdakiler de dahil, temel önlemlere daima uyulmalıdır:

⚠ UYARI

Bu uyarılar, cihazın kendisi ve söz konusu olduğu durumlarda tüm aletler, aksesuarlar, şarj aletleri veya ana adaptörler için geçerlidir.

**YANGIN, ELEKTRİK ÇARPMASI VEYA YARALANMA
TEHLİKESİNİ AZALTMAK İÇİN:**

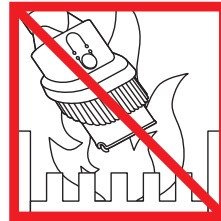
1. Dyson cihazı, gözetim altında veya cihazın kullanılmasından sorumlu ve tehlikelerin farkında bir kişinin güvenli olacak şekilde verdiği talimatlar doğrultusunda 8 yaşın üzerindeki tüm çocuklar, fiziksel, duyuşsal veya zihinsel engeli bulunan veya deneyim ve bilgisi bulunmayan kişiler tarafından da kullanılabilir. Temizlik ve bakım işlemleri, yanında yetişkin biri olmayan çocuklar tarafından yapılmaz.
2. Bir oyuncak gibi kullanılmasına izin vermeyin. Küçük yaştaki çocukların yanında veya yakınında kullanılırken çok dikkatli olmak gerekir. Cihazla oynamadıklarından emin olmak için çocuklar gözetim altında tutulmalıdır.
3. Sadece bu Dyson Çalıştırma Kılavuzunda belirtildiği şekilde kullanın. Cihaz üzerinde, bu kılavuzda belirtilen ya da Dyson Yardım Hattı tarafından önerilen bakım ve onarım işleri haricinde herhangi bir işlem yapmayın.
4. SADECE kuru yerler için uygundur. Dış mekanlarda veya ıslak yüzeylerde kullanmayın.
5. Şarj aletini veya cihazın herhangi bir kısmını ıslak elle tutmayın.
6. Cihazı hasarlı bir şarj aleti veya kabloyla kullanmayın.
7. Cihazın, çalışması gerektiği gibi çalışmaması, şiddetli bir darbeye maruz kalması, yere düşmesi, zarar görmesi, dış ortamlarda bırakılması veya suya düşmesi halinde, kesinlikle kullanılmamalı ve Dyson Yardım Hattı ile irtibata geçilmelidir.
8. Bakım ya da onarım gerektiğinde Dyson Yardım Hattı ile irtibata geçin. Cihazı sökmeyin; cihazın yanlış şekilde montajı elektrik çarpmasına ya da yangına neden olabilir.
9. Kabloyu gerdirmeyin veya gerileceği bir yere koymayın. Kabloyu sıcak yüzeylerden uzak tutun. Kapıları kabloyu sıkıştırarak şekilde kapatmayın veya kabloyu keskin kenar ya da köşelerin etrafından çekmeyin. Kabloyu, yürünen yolların uzağından ve üzerine basılmayacağı veya takılıp düşülmeyeceği yerlerden geçirin. Kablonun üzerine basmayın, üzerinden geçmeyin.
10. Kesinlikle su çekmek için kullanmayın.
11. Petrol gibi yanıcı ve parlayıcı maddeleri süpürmek için veya bu maddelerin veya buharlarının bulunabileceği yerlerde kullanmayın.
12. Sigara, kibrit ya da sıcak kül gibi yanmakta olan ya da dumanı tüten hiçbir şeyi süpürmek için kullanmayın.
13. Saçlarınızı, parmaklarınızı, bedeninizin diğer tüm uzuvlarını ve bol giysilerinizi cihazın deliklerinden ve hareket halindeki parçalarından uzak tutun. Hortumu, çubuğu veya aksesuarları kesinlikle göz veya kulaklarınıza doğru tutmayın veya ağzınıza sokmayın.
14. Delik ağızlarına herhangi bir nesne koymayın. Deliklerin önü kapalıyken cihazı kullanmayın; toz, hav, saç ve hava akımını engelleyebilecek diğer maddeleri deliklerden uzak tutun.
15. Sadece Dyson'ın tavsiye ettiği aksesuarları ve yedek parçaları kullanın.
16. Şeffaf hazne ve filtreler yerine takılı olmadan cihazı kullanmayın.
17. Uzun süre boyunca kullanmadığınızda şarj aletini prizden çekin.
18. Merdivenlerde temizlik yaparken daha dikkatli olun.
19. Yanlışlıkla çalıştırmayı engellemek üzere, özellikle cihazı elinize alırken veya taşıırken ya da süpürmeye başlamaya hazır olmadan ellerinizi ve parmaklarınızı 'AÇIK' tetiğinden uzak tutun. Cihazı, parmağınız 'AÇIK' tetiği üzerinde tutarak taşımak kazalara neden olabilir.
20. Bu cihazı açık havada, banyoda veya havuzun 3 metre (10 feet) yakınında fişe takmayın, şarj etmeyin veya kullanmayın. ıslak zeminlerde kullanmayın ve neme, yağmura veya kara maruz bırakmayın.
21. Bu Dyson cihazını şarj etmek için yalnızca 217160 Parça Numaralı Dyson şarj aleti kullanın. Sadece Dyson pil kullanın: farklı tür piller patlayabilir ve yaralanmaya ya da hasara neden olabilir.
22. Motorlu fırça barını sökerken veya değiştirirken, temizleme başlığı yeniden takılana kadar 'AÇIK' tetiğine basmamaya dikkat edin.
23. Hasarlı ya da değiştirilmiş bir pil paketi veya cihaz kullanmayın. Hasarlı veya değiştirilmiş piller yangına, patlamaya veya yaralanma riskine neden olabilecek beklenmeyen tepkiler verebilir.

Pil paketini veya cihazı ateşe veya aşırı sıcaklığa maruz bırakmayın. Yangın veya 60°C'nin (140°F) üzerindeki sıcaklıklara maruz bırakılması patlamaya neden olabilir.

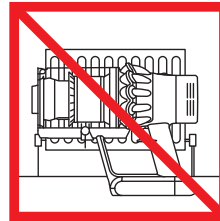
24. Bu pil yalıtımlı bir ünedir ve normal koşullar altında güvenlik açısından tehdit oluşturmaz. Beklenmeyen bir durum olur ve pilden sıvı sızarsa, bu sıvıya dokunmayın; sıvı tahriş veya yanıklara neden olabilir, aşağıdaki önlemleri alın:
- Ciltle temas – tahrişe yol açabilir. Sabun ve su ile yıkayın.
 - Solunma – solunum yollarında tahrişe yol açabilir. Temiz havaya çıkartın ve tıbbi yardım isteyin.
 - Gözle temas – tahrişe yol açabilir. Zaman kaybetmeden gözleri en az 15 dakika suyla iyice yıkayın. Tıbbi yardım isteyin.
 - Atma – pilleri tutmak için eldiven takın ve yerel yasalara veya düzenlemelere uygun olarak hemen atın.
25. Tüm şarj etme talimatlarını uygulayın ve belirtilen ısı aralığının dışındaki alanlarda pili şarj etmeyin. Talimatlara uygun olmayan şekilde veya belirtilen ısı aralığının dışında şarj etmek pile zarar verebilir veya yangın riski ortaya çıkarabilir. Maksimum pil ömrüne sahip olmak için Dyson aşağıdakileri önerir:
- Cihaz kullanılmadığında oda sıcaklığında bekletilmelidir. Önerilen aralık: 18°C (64°F) ila 28°C (82°F).
 - Çalışma ve şarj için ortam sıcaklığı 10°C (50°F) ila 30°C (86°F) arasında olmalıdır.
26. YANGIN UYARISI – Bu ürünü, ocak veya başka herhangi bir sıcak yüzey üzerine veya yakınına yerleştirmeyin ve ciddi şekilde hasarlı olsa bile cihazı yakmayın. Batarya alev alabilir veya patlayabilir.
27. YANGIN UYARISI – Bu cihazın filtresine/ filtrelerine herhangi bir parfüm veya esanslı ürün uygulamayınız. Bu tür ürünlerin içeriğinde bulunan kimyasalların tutuşabileceği ve cihazın yanmasına neden olabileceği bilinmektedir.

BU TALİMATLARI OKUYUN VE SAKLAYIN

BU DYSON CİHAZI YALNIZCA EVDE KULLANIM İÇİNDİR.



Açık alev kaynağına yakın kullanmayın.



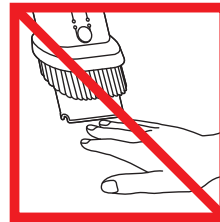
Isı kaynaklarının yakınına koymayın.



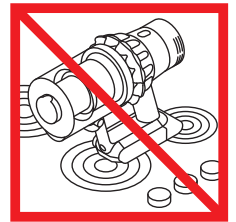
Su ya da diğer sıvıları çekmeyin.



Yanan objeleri çekmeyin.



Cihaz çalışırken ellerinizi fırça başlığına yaklaştırmayın.



Bir ocağın üzerine veya yakınına yerleştirmeyin.

Ek bilgi

Ürünü kullanmaya başlamadan önce lütfen bu kullanım kılavuzunda bulunan "Önemli güvenlik talimatlarını" okuyun.

Şarj ünitesinin montajı

- Duvar askısını, şarj aletini ve kurulum broşürünü ambalajından çıkarın.
 - Duvar askısının yerini seçin ve montaj konumunun doğrudan arkasında boru hattının (gaz, su veya hava), elektrik kablolarının, tellerin veya kanalların bulunmadığından emin olun.
 - Kurulum broşüründeki talimatlara uyun.
 - Bağlantı parçalarını yerine takın.
 - Cihazı duvar askısına yerleştirin.
 - Cihazın şarj aletini elektrik prizine takın. Pili şarj etmek için (gerekirse) çalıştırın.
 - Cihazınızı ilk kullanımdan önce tam şarj edilmelidir.
- Duvar askısı yönetmeliklere ve mevcut kodlara/standartlara uygun olarak monte edilmelidir (eyalet ve yerel yasalar uygulanabilir).
- Dyson, duvar askısının monte edilmesi esnasında koruyucu kıyafet, gözlük ve malzemeler kullanılması tavsiye eder.

Süpürme İŞLEMİ

- Cihazı duvar askısından ayırın.
 - Temizleme başlığının alt tarafının ya da aletin temiz olup olmadığını kontrol edin ve hasara neden olabilecek yabancı maddelerden arındırın.
- Zemin kaplamaları, kilim ve halılarınızı süpürmeden önce üreticilerinin tavsiye ettiği temizleme talimatlarını kontrol edin.
- Cihazda kullanılan fırça başlık belli halı cinslerine ve zeminlere zarar verebilir. Süpürme işlemi sırasında döner fırça başlık kullanıldığında bazı halılar tüylenir. Bu durumda, motorlu zemin aparatı olmadan süpürmenizi ve zemin döşeme üreticinize danışmanızı öneririz.

Yüksek torklu temizleme başlığı - emme kontrol kızıağı

- Yüksek torklu temizleme başlığı başlığın emme oranını ayarlamak için bir kontrol kızıağına sahiptir. Gerekli emme ayarını seçmek için süpürge kafasının üzerindeki emme kontrolü kızıağını şekilde gösterildiği gibi kaydırın.
- Çok tozlu ve kirli zeminler için maksimum emiş gücü. (+)
- Dayanıklı zemin yüzeyleri, sert zeminler ve aşırı derecede kirli halı, kilimlere temizlemek için.
- Tozlu ve kirli zeminler için emiş gücü. (▲)
- Çok fazla kirli olmayan halı, kilim ve sert zeminleri temizlemek için.
 - Fıstık ve piriç gibi iri taneli kirleri temizlemek için.
- Uzun kıllı halılar ve hassas zeminler için emiş gücü. (-)
- Uzun kıllı halılar veya kilimler ve direnç gösteren herhangi bir zemin türü için.
 - Vinil, parke ve lino gibi hassas zemin kaplamalarını da içeren az kirli zeminleri temizlemek için.

Şeffaf HAZNENİN BOŞALTIMASI

- Toz düzeyi göstergesi MAX işaretine ulaşır ulaşmaz hazneyi boşaltın; haznenin aşırı dolmasına izin vermeyin.
 - Toz haznesini boşaltırken "ON" tuşuna basmamaya dikkat edin.
 - Kırmızı çubuk serbest bırakma düğmesine basarak ve haznesinden çekerek çubuğu ayırın.
 - Kirin giderilmesi için:
 - Cihazı haznesiyle birlikte aşağı doğru tutun.
 - Kırmızı hazne çıkarma düğmesine sıkıca basın.
 - Hazne aşağı doğru kayarak geçtiği yerleri temizler.
 - Bundan sonra hazne tabanı açılır.
 - Kırmızı düğmeye tamamen basılmadığında toz haznesi açılmaz.
- Hazne boşaltma sırasında toz / alerjen temasını en aza indirmek için, hazneyi toz geçirmez bir torbayla sıkıca sarın ve hazneyi boşaltın. Şeffaf hazne ünitesini torbadan dikkatlice çıkarın. Torbanın ağızını sıkıca bağlayın ve uygun bir şekilde atın.

ŞEFFAF HAZNENİN TEMİZLENMESİ (OPSİYONEL)

- Şeffaf haznenin temizlenmesi gerekiyorsa:
- "Şeffaf haznenin boşaltılması" bölümünde verilen talimatları izleyin.
 - Hazneyi serbest bırakmak için hazne yuvasında yer alan kırmızı düğmeye basın ve hazneyi yuvasından çıkarın.
 - Şeffaf hazneyi sadece nemli bir bezle temizleyin.
 - Tekrar yerine yerleştirmeden önce şeffaf haznenin ve contaların tamamen kuru olduğundan emin olun.
 - Şeffaf hazneyi yeniden takmak için:
 - İğneyi hazne yuvasına takın.
- Şeffaf hazne ve hazne tabanı yerine oturana kadar yukarı doğru bastırarak şeffaf hazneyi kapatın.
- Şeffaf hazneyi bulaşık makinesinde yıkamak güvenli değildir ve şeffaf hazneyi temizlemek için deterjanların, parlatıcıların veya hava temizleyicilerin kullanılması önerilmez, çünkü bu cihazınıza hasar verebilir.

Filtre ve tıkanıklık göstergeleri

- Basit bakım adımları gerektiğinde cihazınızın ekranı sizi uyacaktır.
- Filtre birimi doğru şekilde takılmadığında filtre göstergesi gösterecektir. 'Filtre ünitesinin yıkanması' bölümünde bulunan filtrenin yeniden takılmasıyla ilgili talimatları izleyin.
 - Filtre biriminin yıkanması gerektiğinde filtre göstergesi gösterecektir. 'Filtre ünitesinin yıkanması' bölümünde bulunan filtrenin yıkanmasıyla ilgili talimatları izleyin.
 - Tıkanıklık göstergesi bir tıkanıklık olması durumunda gösterir. 'Tıkanıklıkları arama' bölümünde bulunan tıkanıklıkların temizlenmesiyle ilgili talimatları izleyin.

YIKANABİLEN parçalar

Cihazınızda düzenli temizlik gerektiren yıkanabilen parçalar mevcuttur. Aşağıdaki talimatlara uyunuz.

- Cihazınızın herhangi bir parçasını bulaşık makinesine, çamaşır makinesine, kurutma makinesine, fırına, mikrodalga fırına ya da açık alev kaynaklarının yakınına koymayın.

FİLTRE ÜNİTESİNİN YIKANMASI

Filtre ünitesini ayda en az bir kez veya filtre bakım göstergesi yandığında yıkayın. Performansı korumak için filtre ünitesini talimatlara göre kontrol edin ve yıkayın.

- Filtre ünitesini saat yönünün tersine doğru çevirerek sökün. Nazik bir şekilde cihazdan çıkarın.
- Fazla kalan toz ve kiri gidermek için filtre ünitesine hafifçe vurun.
- Filtre ünitesini sadece soğuk suda yıkayın; deterjan kullanmayın veya bulaşık makinesinde ya da çamaşır makinesinde yıkamayın.
- İlk olarak filtre ünitesinin katlı kağıt ögesini yıkayın: filtre ünitesini, köpük ögesi aşağı bakacak şekilde soğuk su altında yıkayın ve katlı kağıt üzerinden soğuk su geçirin.
- Su temiz akana kadar yıkamaya devam edin.
- Daha sonra filtre ünitesinin köpük ögesini yıkayın: köpük ögesini aşağı doğru tutun, bu şekilde kirli su katlı kağıt ögesini kirletmeyecektir; bu şekilde filtre ünitesini soğuk su altına tutun. Köpük ögesinin iç ve dış kısmına soğuk su tutun ve kiri dışarı atmak için köpüğü hafifçe sıkın.
- Su temiz akana kadar yıkamaya devam edin.
- Filtre ünitesinin dış kısmını yıkayın. Ardından üniteyi soğuk su ile doldurun, ellerinizi açık uçlarını üzerine yerleştirin ve hafifçe sallayın.
- Su berrak bir şekilde akana kadar filtre ünitesinin öğelerini ve dış kısmını yıkama işlemini tekrarlayın.
- Fazla suyu boşaltmak için filtreyi hafifçe sallayın ve köpük ögesinin uç kısmı yukarı doğru gelecek şekilde yerleştirerek suyu süzün.
- Filtre ünitesini uygun havalandırmanın olduğu kuru bir alanda en az 24 saat tamamen kurumaya bırakın.
- Filtre ünitesinin tamamen kuru olup olmadığını kontrol edin.
- Geri takmak için filtre ünitesini ana gövdeye doğru döndürün ve yerine oturana kadar saat yönünün tersine çevirin.

İnce tozlar süpürülüyorsa veya genelde Güçlü modda kullanılıyorsa filtre ünitesinin daha sık temizlenmesi gerekebilir.

Cihazınızın herhangi bir parçasını bulaşık makinesine, çamaşır makinesine, kurutma makinesine, fırına, mikrodalga fırına ya da açık alev kaynaklarının yakınına koymayın.

FIRÇA BAŞLIKLARININ YIKANMASI

Cihazınızın yumuşak rulo temizlik kafaları üzerinde iki yıkanabilir fırça barı bulunmaktadır. Performansı korumak için aşağıdaki talimatlara göre düzenli olarak kontrol edin ve yıkayın:

- Yukarıdaki 'Temizlik kafaları bakımı' ile ilgili çizimlere bakın.
- Motorlu fırça barını sökerken veya değiştirirken, temizleme başlığı yeniden takılana kadar 'AÇIK' tetiğine basmamaya dikkat edin.

Fırça başlığının sökülmesi, yıkanması ve değiştirilmesi:

- Temizleyici kafasının alt bölümü size bakacak şekilde temizleyici kafasını baş aşağı döndürünüz. Bozuk para kullanarak uç kapağını kilit açık konumuna oturana kadar saat yönünün tersinde bir çeyrek tur çevirin. Uç kapağı açık konuma döndürün. Ana fırça barını temizleyici kafasından dışa doğru nazik şekilde kaydırın. Kapak ucunu ana fırça başlığından ayırın. Kapak ucunu yıkamayın.
- Arka fırça barını temizleyici kafasından dışa doğru nazik şekilde kaydırın.
- Fırça saplarını akan suyun altına tutun ve kir ya da fazla temizlemek için hafifçe ovun.
- Fırça barlarını gösterildiği şekilde dik şekilde tutun. Tamamen kuruması için en az 24 saat bekleyin. Değiştirmeden önce fırça başlıklarının tamamen kuru olup olmadığını kontrol ediniz.
- Arka fırça barını temizleyici kafasına doğru kaydırın.
- Ana fırça barını temizleyici kafasına doğru kaydırın.
- Uç kapağı ana fırça barına yeniden tutturun.
- Uç kapak gösterildiği gibi açık konumda olmalıdır. Yerine oturduktan sonra uç kapağı tekrar kapalı konuma döndürünüz.
- Sıkıştırıcıyı saat yönünde çeyrek tur döndürerek kapatın. Sıkıştırıcının tamamen döndürüldüğünden ve fırça başlıklarının oturduğundan emin olunuz.

Yüksek torklu temizleme başlığı

Motorlu temizleme başlığının fırça barı yıkanmaz.

Hızlı çıkartılabilen mini motorlu başlık

Motorlu temizleme başlığının fırça barı yıkanmaz.

Tıkanmalar - OTOMATİK güç kesme

- Cihazda tıkanma olursa cihazın gücü otomatik olarak kesilir.
- Cihazda tıkanma olursa cihazın gücü otomatik olarak kesilir.
- Otomatik güç kesme, motor birkaç kez titredikten (hızla açılıp kapanma gibi) sonra gerçekleşir.
- Tıkanmaları kontrol etmek için soğumasını bekleyin.
- Tıkanıklığı ararken 'AÇIK' tetiğini çekmediğinizden emin olun. Parçaları tamamen bir araya getirilmemiş cihazın çalıştırılması kişisel yaralanmalara neden olabilir.
- Yeniden çalıştırmadan önce tüm tıkanıklıkları giderin.
- Kullanmadan önce tüm parçaları yerine güvenli bir şekilde yerleştirin.
- Tıkanıklıkların giderilmesi garanti kapsamında değildir.

TIKANIKLIĞIN BULUNMASI

Motor titreyecek ve tıkanıklık göstergesi tıkanıklığın yenini gösterecektir. Tıkanıklığı bulmak için lütfen aşağıdaki talimatları izleyin:

- Tıkanıklığı ararken 'AÇIK' tetiğini çekmediğinizden emin olun. Parçaları tamamen bir araya getirilmemiş cihazın çalıştırılması kişisel yaralanmalara neden olabilir.
- Tıkanıklıkları kontrol ederken keskin nesnelere dikkat edin.
- Cihazın ana gövdesindeki tıkanıklıkları kontrol etmek için 'Şeffaf haznenin boşaltılması' bölümünde verilen talimatlara uyarak şeffaf hazneyi çıkarın ve tıkanıklığı giderin.
- Temizleme başlığından bir engeli gideremiyorsanız, fırça başlığını çıkarmanız gerekebilir. Tutturunun kilidini açmak için bir bozuk para kullanın, fırça başlığını temizleme başlığından kaydırarak engeli giderin. Fırça başlığını yerleştirin ve sabitleyiciyi sıkarak sabitleyin. Cihazı çalıştırmadan önce, fırça başlığının yerine sağlam bir şekilde yerleştirdiğinden emin olun.
- Bu ürün karbon fiber fırçalara sahiptir. Temas etme durumunda dikkatli olun. Minör cilt tahrişine sebep olabilir. Fırçayı elledikten sonra ellerinizi yıkayın.
- Kullanmadan önce tüm parçaları yerine güvenli bir şekilde yerleştirin.
- Tıkanıklıkların giderilmesi garanti kapsamında değildir.

ŞARJ ETME VE SAKLAMA

- Pil sıcaklığı 10°C'nin (50°F) altına düşüğünde 'KAPALI' konuma geçecektir. Bu, motor ve pili korumak üzere tasarlanmıştır. Cihazınızı 10°C'nin (50°F) altında olan mekanlarda şarj etmeyin ve saklamayın.
- Batarya ömrünü uzatmak için, bataryanın şarjı tamamen bittikten sonra birkaç dakika bekleyip şarj ediniz.
- Cihazı kullanırken, bataryayı yüzey ile aynı hizaya getirmekten kaçının. Bu, cihazın soğuk bir halde çalışmasına yardımcı olur, batarya çalışma zamanını ve ömrünü uzatır.

BATARYA GÜVENLİK TALİMATLARI

- Bataryanın değiştirilmesi gerekirse, Dyson Müşteri Hizmetleri ile irtibata geçiniz.
- Bu Dyson cihazını şarj etmek için yalnızca 217160 Parça Numaralı Dyson şarj aleti kullanın.

Dikkat

Bu cihazda kullanılan batarya, yanlış kullanılması durumunda yangın veya kimyasal yanık riskine neden olabilir. 60 °C (140 °F) üzerinde bir ısıyı geçecek ya da yakacak şekilde kısa kontak yaptırmayın. Çocuklardan uzak tutun. Parçalarına ayırmayın ya da ateşe atmayın.

Elden çıkarma bilgisi

- Dyson ürünleri birinci sınıf geri dönüşümlü malzemelerden yapılmıştır. Lütfen bu ürünü elden çıkarırken mümkün olan yerlerde geri dönüşümünü sağlayın.
- Ürün atılmadan önce pillerin üründen çıkarılması gerekir.
- Pili yerel kurallara veya düzenlemelere uygun olarak atın veya geri dönüştürün.
- Eski filtre birimini yerel yönetmeliklere veya düzenlemelere göre atın.
- Bu işaret AB içinde bu ürünün diğer ev atıklarıyla birlikte atılmaması gerektiğini gösterir.
- Kontrolsüz atıklar nedeniyle çevrenin veya insan sağlığının zarar görmesini önlemek için, malzeme kaynaklarının sürdürülebilir şekilde yeniden kullanılmasını desteklemek üzere sorumlu bir şekilde geri dönüşümünü sağlayın. Kullanılmış cihazınızı iade etmek için, iade ve toplama sistemlerini kullanın veya ürünün alındığı perakendeciyle iletişim kurun. Çevreye saygılı ve güvenli bir şekilde geri dönüştürmek için bu ürünü alabilirsiniz.

Dyson MÜŞTERİ HİZMETLERİ

BİR DYSON CİHAZI TERCİH ETTİĞİNİZ İÇİN TEŞEKKÜR EDERİZ.

2 yıl garanti için kayıt olduktan sonra, Dyson cihazınız satın alma tarihinden itibaren 2 yıl boyunca, garanti koşullarına tabi olarak parça ve işçilik garantisini kapsamındadır. Dyson cihazınızla ilgili herhangi bir sorunuz olduğunda destek, genel ipuçları ve Dyson cihazınızla ilgili faydalı bilgiler için, www.dyson.com.tr/support destek adresini ziyaret edin. İsterseniz cihazınızın seri numarası ve ne zaman, nereden aldığınızı gibi detaylarla birlikte Dyson Müşteri Hizmetleri'ni de arayabilirsiniz. Dyson cihazınızın onarıma ihtiyacı varsa olası seçenekleri görüşebilmemiz için Dyson Müşteri Hizmetleri'ni arayın. Dyson cihazınızın garantisi altında ve mevcut onarımı kapsıyorsa, ücretsiz olarak onarılacaktır.

Lütfen Dyson kullanıcısı olarak kaydolun

Bu ürün satın alma tarihinden itibaren 2 yıl garantilidir. Lütfen satın alma tarihinden itibaren 30 gün içinde ürününüzün garantisi kaydını yaptırın. Hızlı ve verimli hizmet almak için lütfen satın aldıktan hemen sonra kaydınızı yaptırın. Lütfen satın alma tarihini gösteren faturanızı saklayın.

Bunun için üç yol mevcuttur:

- www.dyson.com.tr adresini ziyaret ederek
- Dyson Müşteri Hizmetleri'nin 0850 532 11 44 numaralı telefonunu arayarak
- Ekteki formu doldurup ve bize posta ile göndererek.

İnternet üzerinden veya telefonla kayıt yaptırarak

- Ürününüzü iki yıl parça ve işçilik garantisini altına alabilirsiniz.
- Makinenizin kullanımı hakkında faydalı bilgiler edinebilirsiniz.
- Dyson Müşteri Hizmetleri'nden uzman tavsiyeleri alabilirsiniz.
- En yeni ürünler hakkındaki gelişmeleri herkesten önce öğrenebilirsiniz.
- Kayıt yaptırmak sadece birkaç dakikanızı alır ve ihtiyacınız olan tek şey ürününüzün seri numarasıdır.

2 YILLIK SINIRLI GARANTİ

DYSON 2 YILLIK SINIRLI GARANTİ KOŞULLARI VE ŞARTLARI

Garanti kapsamında olan durumlar

- Dyson cihazınızın kusurlu malzeme, işçilik veya işlev nedeniyle satın alma veya teslimattan sonraki 2 yıl içerisinde kusurlu olduğu anlaşılırsa onarımı veya değişimi (Dyson'un takdirine bağlı olarak) (eğer cihazınızın herhangi bir parçası kullanılabilir durumda değilse ya da artık üretilmiyorsa Dyson, hatalı ya da kusurlu parçayı fonksiyonel yedek bir parça ile değiştirecektir).
- Bu cihaz Avrupa Birliği dışında satıldığında, bu garanti sadece cihaz satıldığı ülkede kurulduğunda ve kullanıldığında geçerlidir.
- Bu cihaz Avrupa Birliği sınırları içinde satıldığında, bu garanti sadece (i) cihazın satıldığı ülkede kullanıldığında veya (ii) cihaz Avusturya, Belçika, Fransa, Almanya, İrlanda, İtalya, Hollanda, İspanya veya Birleşik Krallık'ta kullanıldığında ve bu cihaz ile aynı model ilgili ülkede aynı nominal gerilimle satıldığında geçerlidir.

Garanti kapsamına girmeyenler

Dyson, arıza aşağıdaki durumların bir sonucu olarak ortaya çıktığında ürünün onarım veya değişimini garanti etmez:

- Kaza hasarı, ihmalkar kullanım veya bakım, hor kullanım, dikkatsizlik veya cihazın Dyson Kullanım Kılavuzu'na uygun olmayan bir şekilde kullanım ve bakımından kaynaklanan hasarlar.
- Cihazın normal evsel maksatlar dışında bir iş için kullanılması.
- Dyson talimatlarına göre monte edilmeyen veya takılmayan parçaların kullanımı.
- Orijinal Dyson bileşeni olmayan parçaların kullanımı.
- Hatalı kurulum (Dyson tarafından yapılan kurulumlar haricinde).
- Dyson veya yetkili servisleri dışındaki tarafların gerçekleştirdiği onarımlar ve değişimler.
- Tıkanma – Tıkanmaların bulunmasına ve temizlenmesine ilişkin bilgiler için lütfen Dyson Kullanım Kılavuzu'na bakın.
- Normal aşınma ve yıpranma (ör. sigorta, fırça vb.).
- Bu cihazın moloz, kül veya sıva üzerinde kullanılması.
- Pil yaşına ve kullanımına bağlı olarak pil bitiş süresinde kısalma görülebilir (ilgili durumlarda).

Garantinizin kapsamı konusunda daha fazla bilgi için Dyson Müşteri Hizmetleri ile irtibata geçin.

Garanti kapsamı özeti

- Garanti süreci, ürünü satın alma tarihinden itibaren başlar. Eğer ürün alım tarihinden

sonra teslim edildiyse, garanti süreci teslim tarihinden itibaren geçerlidir.

- Cihazınızın garanti kapsamında herhangi bir işlem uygulanmadan önce, ürünü satın aldığınızı gösteren evrakları yetkiliye sunmalısınız (Hem orijinal hem de herhangi müteakip). İlgili evrakların temin edilememesi durumunda yapılan işlem ücrete tabi olacaktır. Lütfen fatura veya teslimat fişini saklayın.
- Tüm işlemler Dyson ya da Dyson tarafından belirtilen yetkili teknik servis tarafından yapılacaktır.
- Değiştirilen parça Dyson'da kalacaktır.
- Dyson cihazınızın garanti kapsamındayken onarım veya değişim işlemlerinde geçen süre garanti süresine eklenmeyecektir.
- Garanti kapsamı, bir tüketici olarak kanuni haklarınızı olumsuz yönde etkilemeyen ek faydalar sağlar.

Önemli veri koruma bilgileri

Dyson cihazınızı kaydettirirken:

- Ürününüzü kaydetmek ve garantinizi desteklememizi sağlamak için bize temel iletişim bilgilerinizi vermeniz gerekir.
- Kayıt olduktan sonra tarafımızca sizinle iletişime geçilmesini isteyip istememeyi seçme fırsatınız vardır. Dyson'dan iletişimleri almayı tercih ederseniz, size özel tekliflerimizin ayrıntılarını ve en son yeniliklerimize dair haberler göndereceğiz. Hiçbir zaman bilgilerinizi üçüncü şahıslara satmayacağız ve bizimle paylaştığınız bilgileri sadece, internet sitemizde (privacy.dyson.com) bulunan gizlilik politikamızda tanımlanan şekilde kullanacağız.



DYSON CUSTOMER CARE

If you have a question about your Dyson appliance, contact us via the Dyson website or call the Dyson Helpline with your serial number and details of where and when you bought the appliance.

UK

Dyson Customer Care
askdyson@dyson.co.uk
0800 298 0298
Dyson Technology Limited, Tetbury Hill,
Malmesbury, Wiltshire, SN16 0RP
ROI
Dyson Customer Care
askdyson@dyson.ie
01 475 7109
Dyson Ireland Limited, Office 2, Central
Park, Leopardstown, Dublin 18, Ireland
AT
Dyson Kundendienst
help@dyson.at
0800 - 28 67 45
Dyson Kundendienst, Holzmanngasse 5,
1210 Wien
BE/LUX
Service consommateurs Dyson
Dyson Helpdesk
help@dyson.be
080039208
Dyson BV, Fred. Roeskestraat 109,
1076 EE Amsterdam, Nederland/
The Netherlands
CH
Service consommateurs Dyson
Dyson Kundendienst
help@dyson.ch
0800 - 740 183
Dyson SA, Hardturmstrasse 253,
CH-8005 Zürich
CY
Εξυπηρέτηση Πελατών της Dyson
24 53 2220
Thetaco Traders Ltd.,
Tapeinoseos 6, Aradhippou Industrial
Estate, Larnaka 7100, Cyprus,
PO Box 41070
CZ
Zákaznická linka společnosti Dyson
servis@solight.cz
491 512 083
Solight Holding, s.r.o., Plumlovská
481/200, 796 01 Prostějov
DE
Dyson Kundendienst
help@dyson.de
0800 - 31 31 31 8
Dyson Servicecenter - DVG -,
Birkenmaastr. 5,
53340 Meckenheim
DK
Dyson Kundeservice
help@dyson.dk
80705843
CPM International Telebusiness SL,
Edificio Ono, Carrer de Lepant 350,
Planta 1a, 08025 Barcelona, España

ES

Servicio de Atención al Cliente Dyson
help@dyson.es
900 80 36 49
CPM International Telebusiness SL,
Edificio Ono, Carrer de Lepant 350,
Planta 1a, 08025 Barcelona, España
FI
Dysonin asiakaspalvelu
help@fi.dyson.com
0800 07020
CPM International Telebusiness SL,
Edificio Ono, Carrer de Lepant 350,
Planta 1a, 08025 Barcelona, España
FR
Service Consommateurs Dyson France
help@dyson.fr
0800 94 58 01
CPM International Telebusiness SL,
Edificio Ono, Carrer de Lepant 350,
Planta 1a, 08025 Barcelone, Espagne
GR
ΒΑΣΙΛΗΑΣ ΑΕ
dyson@vassilias.gr
800 111 3500
Κελετσάκη 8 (Παράπλευρος Κηφισού) 111
45 Αθήνα
HR
Dyson servis
info@mrservis.hr
385 1 6401 204
MR servis d.o.o., Dugoselska cesta 5,
10370 Rugvica, Hrvatska
HU
Káné & Hűtő Profi Kft.
info@khpofi.hu
+36 1 248 0095
1118 Budapest, Budaörsi út 46.
IT
Assistenza Clienti Dyson
help@dyson.it
800 976 024
CPM International Telebusiness SL,
Edificio Ono, Carrer de Lepant 350,
Planta 1a, 08025 Barcelona, Spain
LB
Burotek sarl (Member of Antaki Group)
info@antaki.com.lb
01-252 474
Moutran Bldg., Sin El Fil Boulevard,
P.O.Box: 90-720, Beirut
LT
Dyson servisas
remontas@bcsc.lt
8 700 555 95
Baltic Continent, UAB Lukšio g. 23, Vilnius,
Lietuva

MA

IDEAPLUS SARL
info@idea-group.ma
0801 001 424
18 Rue Sidi Bennour, Quartier Ain Borja,
Casablanca, Maroc
NL
Dyson Benelux Helpdesk
help@dyson.nl
0800 020 6203
Dyson BV, Fred. Roeskestraat 109,
1076 EE Amsterdam, Nederland/
The Netherlands
NO
Dyson Kundeservice
help@dyson.no
80069196
CPM International Telebusiness SL,
Edificio Ono, Carrer de Lepant 350,
Planta 1a, 08025 Barcelona, España
PL
Centralny Serwis Klienta Dyson
help@dyson.pl
800 702025
CPM International Telebusiness SL,
Edificio Ono, Carrer de Lepant 350,
Planta 1a, 08025 Barcelona, Hiszpania
PT
Serviço de apoio ao cliente Dyson
help@dyson.pt
800 784 354
CPM International Telebusiness SL,
Edificio Ono, Carrer de Lepant 350,
Planta 1a, 08025 Barcelona, España
RO
GBR International Srl
info@gbrauto.ro
031 4326140
Bd. Theodor Pallady 287, Et. 1 (Cladirea
Pallady Rental, fostul IOR), Sector 3,
Bucuresti, Romania
RU
Служба поддержки компании Dyson
info.russia@dyson.com
8-800-100-100-2
Адрес для почтовых отправлений:
119048, Москва, Усачева 35А,
ООО «ДАЙСОН».
SE
Dyson kundtjänst
help@dyson.se
0200125871
CPM International Telebusiness SL,
Edificio Ono, Carrer de Lepant 350,
Planta 1a, 08025 Barcelona, España

SI

GABER AVDIO VIDEO SERVIS
Peter Kastelic s.p.
servis.gaber@gmail.com
00 386 59 190 524
Partizanska cesta 8, SI-1290 Grosuplje,
Slovenija
TR
Dyson Müşteri Hizmetleri
destek@dyson.com.tr
0850 532 11 44
Dyson Turkey Ltd
Esentepe Mh. Büyükdere Cd.
Tekfen Tower No:209 Levent / Şişli /
İSTANBUL
UA
Інформаційна та технічна підтримка:
info@dyson.com.ua
0 800 50 41 80
Адреса для поштових відправлень:
04655, м. Київ, просп. С. Бандери, 21
ZA
Dyson Customer Care
DysonService@tudortech.co.za
087 807 9353
Tudortech, 4th floor Park On
Long, 66 Long Street, Cape Town, 8001,
South Africa