

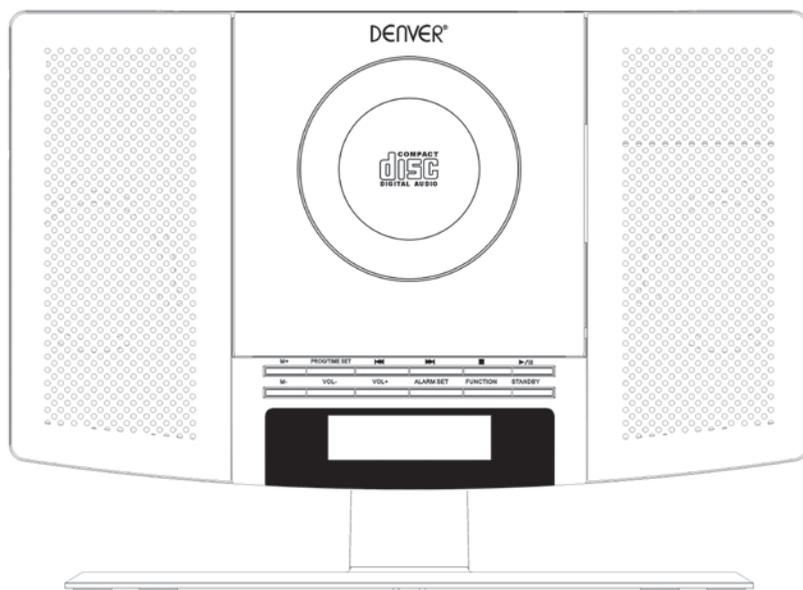
Denver MC5220 (Eng)\_New Add 2\_R • 5/4/2017 • AT

**148x210 mm**

# DENVER<sup>®</sup> ELECTRONICS

## CD PLAYER WITH FM ALARM CLOCK PLL RADIO

MODEL MC5220



**BEFORE OPERATING THIS PRODUCT, READ, UNDERSTAND, AND FOLLOW THESE INSTRUCTIONS.**

Be sure to save this booklet for future reference.

[www.facebook.com/denverelectronics](http://www.facebook.com/denverelectronics)

# SAFETY INSTRUCTIONS

 <p>The lightning flash with arrowhead symbol, with an equilateral triangle is intended to alert the user of the presence of uninsulated dangerous voltage within the product's enclosure that may be of sufficient magnitude to constitute a risk of electric shock to persons.</p>	<p><b>CAUTION</b></p> <p><b>RISK OF ELECTRIC SHOCK DO NOT OPEN</b></p> <p>CAUTION: TO REDUCE THE RISK OF ELECTRIC SHOCK, DO NOT REMOVE COVER (OR BACK). NO USER SERVICEABLE PARTS INSIDE. REFER SERVICING TO QUALIFIED SERVICE PERSONNEL.</p>	 <p>The exclamation point within an equilateral triangle is intended to alert the user of presence of important operating and maintenance (servicing) instruction. In the literature accompanying the appliance.</p>
---	---	---

**CAUTION :** TO PREVENT ELECTRIC SHOCK, MATCH WIDE BLADE OF PLUG TO WIDE SLOT, FULLY INSERT.

**WARNING :** TO REDUCE THE RISK OF FIRE OR ELECTRIC SHOCK, DO NOT EXPOSE THE APPLIANCE TO RAIN OR MOISTURE.

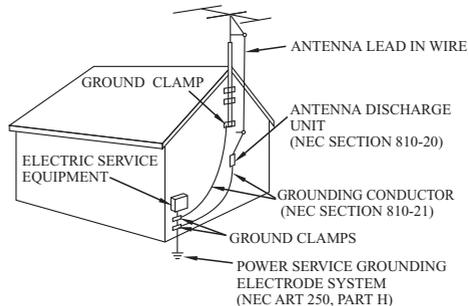
# SAFETY INSTRUCTIONS

THESE IMPORTANT SAFETY INSTRUCTIONS ARE INCLUDED, AS APPLICABLE TO THE APPLIANCE, CONVEYING TO THE USER THE INFORMATION ITEMIZED BELOW

1. Read instructions-All the safety and operating instructions should be read before the appliance is operated.
2. Retain instructions-The safety and operating instructions should be retained for future reference.
3. Head Warnings-All warnings and cautions on the appliance and in the operating instructions should be adhered to.
4. Follow instructions-All operating and use instructions should be followed.
5. Water and Moisture-The appliance should not be used near water, e.g. near a bathtub, washbowl, kitchen sink, laundry tub, in a wet basement, or near a swimming pool or the like.
6. Wall or Ceiling Mounting-The appliance should not be mounted to a wall or ceiling.
7. Ventilation-The appliance should be situated so that its location or position does not interfere with its proper ventilation. For example, the appliance should not be situated on a bed, sofa, rug or similar surface that may block the ventilation openings, or placed in a built-in installation, such as a bookcase or cabinet, that may impede the flow of air through the ventilation openings.
8. heat-The appliance should be situated away from neat sources such as radiators, heat registers, stoves, or other appliances (including amplifiers) that produce heat..
9. Power Sources-The product should be operated only with the type of power supply indicated on the marking label. If you are not sure of the type of power supply to your home, consult your product dealer or local power company. For products intended to operate from battery power, or other sources, refer to the operation instructions.
10. Grounding Polarization-This product may be equipped with a polarized alternating current line plug (a plug having one blade wider than the other). This plug will fit into the power outlet only one way this is a safety feature. If you are unable to insert the plug fully into the outlet, try reversing the plug. If the plug should still fail to fit, contact your electrician to replace your obsolete outlet. Do not defeat the safety purpose of the polarized plug.
11. Power-Cord Protection-Power supply cords should be routed so that they are not likely to be walked on or pinched by items placed upon or against them, paying particular attention to cords at plugs, convenience receptacles, and the point where they exit from the appliance.
12. Cleaning-The appliance should be cleaned only as recommended by the manufacturer.
13. Nonuse periods-The power cord of the appliance should be unplugged from the outlet when left when left unused for a long period of time.
14. Object and Liquid Entry-Care should be taken so that objects do not fall and liquids are not spilled into the product case through product openings.
15. Damage Requiring Service-Unplug this product from the wall outlet and take it to qualified service personnel under the following conditions.
  - a) When the power-supply cord or plug is damaged.

- b) If liquid has been spilled into, or objects have fallen into the product.
  - c) If the product has been exposed to rain or water.
  - d) If the product does not operate when used according to the operating instructions.  
Adjust only those controls that are covered by the operating instructions as an improper adjustment of other controls may interfere with the product's normal operation.
  - e) If the product has been dropped or damaged in any way.
  - f) When the product exhibits a distinct change in performance-this indicates a need for service.
16. Servicing-The user should not attempt to service the product beyond that described in the operating instruction. All servicing should be referred to qualified service personnel.
  17. Power Lines-An outside antenna system should not be located in the vicinity of overhead power lines, or other electric light or power circuits, or where it can fall into such power lines or circuits. When installing an outside antenna system, extreme care should be taken to keep from touching power lines or circuits as contact with them might be fatal.
  18. If an outside antenna is connected to the receiver, be sure the antenna system is grounded so as to provide some protection against voltage surges and built up static. Section 810 of the National Electrical Code ANSI/NEFA 70 provides information with respect to proper grounding of the mast and supporting structure, grounding conductress, location of antenna-discharge unit, size of grounding electrodes, and requirements for the grounding electrode (see figure).
  19. Cleaning-Unplug this product from the wall outlet before cleaning. Do not use liquid cleaners or aerosol cleaners. Use a damp cloth for cleaning.
  20. Lightning-For added protection for this product during a lightning storm, or when it is left unattended and unused for long periods of time, unplug it from the wall outlet and disconnect the antenna or cable system. This will prevent damage to the product due to lightning and power-line surges.
  21. Safety Check-Upon completion of any service or repairs to this product, ask the service technician to perform safety checks to determine that the product is in proper operation condition.
  22. Overloading-Do not overload wall outlets, extension cords, or integral convenience receptacles as this can result in a risk of fir or electric shock.

**EXAMPLE OF ANTENNA GROUNDING AS PER NATIONAL ELECTRICAL CODE**



**NEC NATIONAL ELECTRICAL CODE**

Do not apply oil or petroleum products to this product.

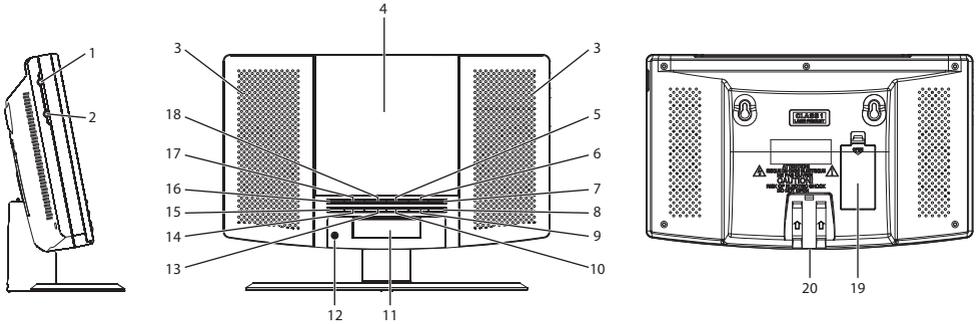
## CAUTION

Invisible laser radiation will be emitted when the product is open and interlocks are defeated. Do not defeat the safety interlocks.

GRAPHIC SYMBOLS WITH SUPPLEMENTARY MARKINGS ARE LOCATED ON THE BOTTOM OF THE UNIT.

USE OF CONTROLS, ADJUSTMENTS, OR PERFORMANCE PROCEDURE HEREIN MAY RESULT IN HAZARDOUS RADIATION EXPOSURE.

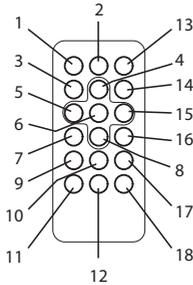
## LOCATION OF CONTROLS



1. Aux in jack
2. Phone jack
3. Speaker
4. CD door
5. ►► button
6. ■ button
7. ►|| button
8. Standby button
9. Function button
10. Alarm Set button

11. LCD display
12. IR
13. Vol+ button
14. Vol- button
15. M- button
16. M+ button
17. Prog/Time Set button
18. ◀◀ button
19. Battery compartment
20. DC jack

## REMOTE CONTROL



1. Standby button
2. Function button
3. Stop button
4. Volume + button
5. Prev/Hour button
6. Play/ Pause button
7. M-DN button
8. Volume - button
9. Alarm button
10. Memory button
11. Time button
12. Snooze button
13. Mute button
14. Mode button
15. Next/Min button
16. M-UP button
17. Prog button
18. Sleep button

## Unit Power Supply

This unit is designed to operate on wither AC/DC adaptor.

Operation with AC/DC Adaptor.

Insert the small plug of adaptor into the DC Jack.

Insert the AC/DC adaptor in to any convenient having AC~100-240V 50/60Hz household outlet in vertical or horizontal direction.

## **INSTALL THE UNIT ON WALL**

1. There are two wall mounting holes on the rear of the unit, push the stand as per the marking on the stand to the channel of the unit before installing this product.
2. Please make sure your desired wall mount method is able to hold a 5Kg product if you are going to put this frame on the wall. Seek advice from your local hardware professional.
3. Please ensure there are two stubs or nails on the walls with a distance same as the actual product on the unit between each other.
4. Please ensure the stubs or nails for on the walls can support minimum 6kg weight.

## **CLOCK SETTING**

1. In STANDBY OFF mode, press and hold the PROG/TIME SET Button,
2. Press **⏪** Button to set the desired Hour.
3. Press **⏩** button to set the desired Minute.
4. After the desired time has set, press PROG/TIME SET button to confirm.

## **WAKE UP TO ALARM BUZZER (AL 1):**

- a. Keep the unit in standby mode.
- b. Press the ALARM SET button, “🔔 1” icon will blink on the display, then press and hold the ALARM SET button again, the alarm time will blink on the display.
- c. Press **⏪** Button to set the desired alarm hour.
- d. Press **⏩** button to set the desired alarm minute.
- e. The buzzer will sound at the set alarm time.

## **WAKE UP TO RADIO:**

- a. Keep the unit in standby mode
- b. Touch the ALARM SET button, “🔔 1” icon will blink on the display, then press and hold the ALARM SET button again, the alarm time will blink on the display.
- c. Press function button to choose “FM” icon.
- d. Press the **⏪** BUTTON to set desired alarm hour.
- e. Press the **⏩** BUTTON to set desired alarm minute.
- f. The radio will turn on at the set alarm time.

## **WAKE UP TO CD:**

- a. Keep the unit in standby mode
- b. Press the ALARM SET button, “🔔 1” icon will blink on the display, then press and hold the ALARM SET button again, the alarm time will blink on the display.
- c. Press function button to choose “CD” icon.
- d. Press the **⏪** BUTTON to set desired alarm hour.
- e. Press the **⏩** BUTTON to set desired alarm minute.
- f. The CD will play on at the set alarm time.

**Note:** Please make sure the disc already put into the CD compartment.

**Note:** Please make sure the disc already put into the CD compartment.

AL2 setting is same as AL1 setting

## **SHUT OFF ALARM:**

When alarm goes off, press the STANDBY BUTTON to turn off alarm, the alarm will reset for next day

## **HOW TO TURN OFF THE ALARM**

To cancel alarm mode:

In “STANDBY OFF” mode, press AL.SET button to turn off the alarm function. (until alarm sign “🔔” will disappear on the LCD Display).

## **ADJUST VOLUME**

- Press VOL.+ button to increase the volume.
- Press VOL. – button to decrease the volume.

## **RADIO OPERATION**

1. Press the STANDBY Button to switch on the unit.
2. Press the FUNCTION Button to the RADIO Function.
3. How to use the buttons for radio
  - i. Manual Tuning  
Press the ◀◀ or ▶▶ button to search for desired frequency. Higher frequency can be selected by pressing the ▶▶ button while Lower frequency can be selected by pressing ◀◀ button
  - ii. Automatic Tuning
    - a) Press & hold the ◀◀ or ▶▶ button until the display frequency starts run
    - b) When a station of sufficient strength has been found Tuning will stop or you can stop the automatic tuning by pressing ◀◀ or ▶▶ button.
4. To turn off the radio, Press the STANDBY button.

## **PRESET TUNING**

1. Select your desired station according to the normal tuning procedure.
  2. Press the MEMORY button on the remote, “P-01” will appear and flash on the display, Then use M-UP or M-DN- button on the remote or press the M+ / M- button on the unit to change the number where the station will be stored. (P01 to P20) to change the number where the station will be stored. (P01 to P20)
  3. Store the current frequency by pressing MEMORY button on the remote again when you get the desired number.
  4. Repeat the same procedure to set other desired frequencies into Memory No.1 to No.20
- Note: The unit can be preset up to 20 stations.

## **MEMORY RECALL**

Recall the stored frequencies by pressing M-UP or M-DN BUTTON on the unit, or press the M+ / M- button on the unit to select 1 to 20 stations as desired

NOTE: As stored frequencies can only be stored for long time with the power supplying. The station you stored will be lost and can not be recalled in case that you cut off the power.

## **HANDING A COMPACT DISC**

- Always protect a disc against scratches, soil , dust and etc. If a disc is treated with reasonable care, wiping off the disc with a soft cloth should be the only maintenance needed to retain its excellent sound reproduction. Discs should be retained in their original case during periods of non-use.
- Handle a disc only by its edges, Do not touch the surface or rainbow-colored side of the disc
- Handle a disc as shown in the illustrations in this section
- Use a soft cloth to wipe a disc clean. Do not use benzene, thinner, or other chemical cleaners to clean the disc as damage may result. A disc should always be wiped in a straight line from its center to its edge. Never wipe a disc in a circular motion.
- Do not expose a disc to direct sunlight, high humidity, or high temperatures for extended periods of time. Do not place the Disc on other equipment or near any heat source.
- Dust on the pickup lens can lead to erratic operation and interruption of the sound during play. To clean the pickup lens, open the disc compartment and blow the dust off . Using a camera lens blower(available at most camera stores)
- Note: Do not touch the surface of the lens. Do not allow any liquids on the inside of the product.
- To clean the CD player cabinet, use a soft and damp cloth to wire off the exterior surface.

- Never use benzol, benzene, or other strong chemical cleaners, as these could damage the finish.

DO:



DO NOT:



## PLAYING A COMPACT DISC (CD)

**NOTE:** Never touch the laser lens inside of the CD compartment. Clean the laser lens with a CD cleaner disc if it becomes dirty.

1. Press the Standby button to turn on the unit
2. Press the Function Switch to CD mode.
3. Open the CD DOOR and insert a CD into the tray with printed label side facing up.
4. Close the CD DOOR and the disc will rotate for a few seconds and then stop.
5. Use the ◀◀ or ▶▶ button to choose a track
6. Press the ▶▶ BUTTON to start play
7. Press the ▶▶ BUTTON again to PAUSE play.
8. To stop the album temporarily, press PAUSE button, to resume, press again

## RANDOM PLAY

- In CD stop mode, Press the REPEAT button on the remote until “RAND” will appear on LCD Display.
- Then it will enable random tracks play.

## REPEAT FUNCTION

1. Press the MODE button on the remote once during playback, the “↺” sign will show on LCD display. The same track will be repeated over and over.
2. Press the MODE button on the remote a second time to repeat all tracks. The “↺ ALL” sign will show on the LCD display.
3. To cancel REPEAT PLAY, Press the MODE button on the remote repeatedly until the all sign disappeared.

## REVERSE/FORWARD

1. The CD Reverse ◀◀ and CD Forward ▶▶ Buttons can be used to jump to a different track number or to scan disc tracks at high speed.
2. Press the CD Reverse ◀◀ button once to hear the beginning of the current track. Press it two or more times to hear previous tracks on the disc.
3. Press the CD ▶▶ button to hear the next track on the disc.
4. Press and hold the ◀◀ Button, the current track will be scanned and move backwards to the previous track(s); When the desired track section is found, release the button and normal play will resume.
5. Press and hold the ▶▶ Button, the current track will be scanned and move forward to the next track(s); When the desired track section is found, release the selected button and normal play will resume.

## PROGRAM FUNCTION

**The Program feature can be used to program up to 20 tracks to play in a selected order.**

1. While in the stop mode only (CD is not playing), press the PROG/TIME SET Button, LCD Display will show the wording “PROGRAM 01” and “PROGRAM 01” starts to flash.
2. Press the ◀◀ or ▶▶ button to allocate the desired track.
3. Press the PROG/TIME SET BUTTON to select and store the track into memory.

4. Repeat step 2 to 3 to select up to 20 tracks.
5. To play the selected tracks (in the program mode), press the ►/|| BUTTON. The track number and the “PROGRAM” appear on LCD Display.
6. Press the ◀ button to hear the previous or press the ▶ buttons to hear next program track.

**Note:** After all of the programmed tracks have played, the CD player will return to the stop mode.

7. To clear the programmed tracks from memory, press STOP Button until “PROGRAM” icon disappeared.

### **AUX INPUT JACK**

1. Touch the STANDBY button to turn on the unit.
2. Touch the FUNCTION button to AUX mode
3. Connect the AUX connect wire from the out jack of your Personal Player such as portable MP3 player to the AUX input jack.
4. Play Start from your Personal Player.

### **HEADPHONE JACK**

This unit will accept stereo headphones with a  $\Phi$  3.5mm plug. Before connecting the headphones set the volume to minimum level as not to damage your ears or the headphones. Connect the headphones to the headphones jack. The speakers will be automatically disconnected.

Warning: Prolonged exposure to high sound levels may permanently damage your hearing. You may not hear some warning sound while wearing these headphones.

### **SNOOZE FUNCTION**

If you want to snooze a few more minutes press the SNOOZE BUTTON on the remote will deactivate the sound for approximately 9 minutes.

ALL RIGHTS, COPYRIGHT DENVER ELECTRONICS A/S

DENVER®

[www.denver-electronics.com](http://www.denver-electronics.com)



Electric and electronic equipment and included batteries contains materials, components and substances that can be hazardous to your health and the environment, if the waste material (discarded electric and electronic equipment and batteries) is not handled correctly.

Electric and electronic equipment and batteries is marked with the crossed out trash can symbol, seen below. This symbol signifies that electric and electronic equipment and batteries should not be disposed of with other household waste, but should be disposed of separately.

As the end user it is important that you submit your used batteries to the appropriate and designated facility. In this manner you make sure that the batteries are recycled in accordance with legislature and will not harm the environment.

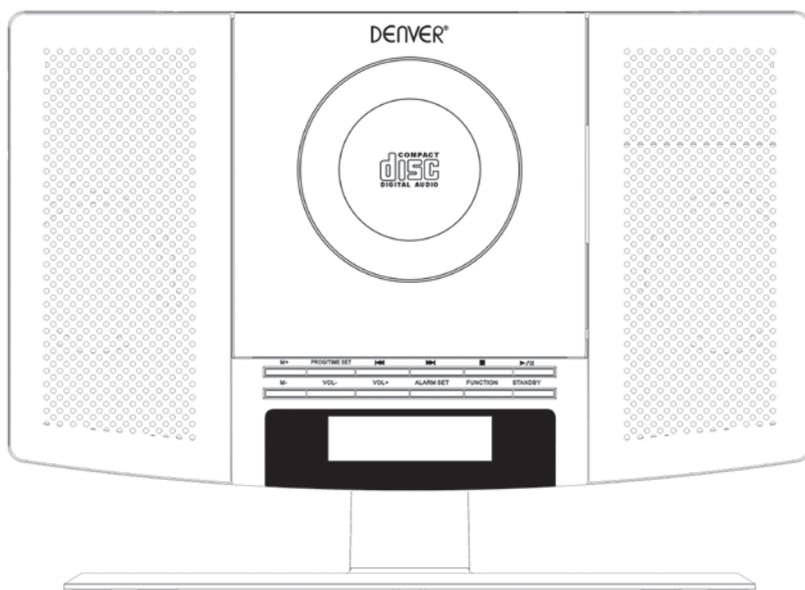
All cities have established collection points, where electric and electronic equipment and batteries can either be submitted free of charge at recycling stations and other collection sites, or be collected from the households. Additional information is available at the technical department of your city.

Importer:  
DENVER ELECTRONICS A/S  
Omega 5A, Soeften  
DK-8382 Hinnerup  
Denmark  
[www.facebook.com/denverelectronics](https://www.facebook.com/denverelectronics)

# DENVER<sup>®</sup> ELECTRONICS

## CD-AFSPILLER MED FM PLL RADIO & ALARM CLOCK

MODEL MC5220



**LÆS OG SÆT DIG IND I DENNE VEJLEDNING, INDEEN DU TAGER APPARATET I BRUG.  
FØLG ALLE ANVISNINGER.**

Gem vejledningen, så du kan slå op i den senere.

[www.facebook.com/denverelectronics](http://www.facebook.com/denverelectronics)

# SIKKERHEDSANVISNINGER

 <p>Det trekantede symbol med lynet er beregnet på at gøre bruger opmærksom på, at apparatets indre indeholder strømførende dele, der ikke er isolerede, og hvis strømstyrke er tilstrækkelig til at udgøre en fare for skade på personer ved elektriske stød.</p>	<p><b>CAUTION</b></p> <p><b>RISK OF ELECTRIC SHOCK DO NOT OPEN</b></p> <p>ADVARSEL: UNDLAD AT FJERNE DÆKSLER (ELLER BAGSTYKKE) AF HENSYN TIL FAREN FOR ELEKTRISK STØD. APPARATET INDEHOLDER INGEN DELE, SOM BRUGER SELV KAN SERVICERE. OVERLAD ALT REPARATIONSARBEJDE TIL KVALIFICERET SERVICEPERSONALE.</p>	 <p>Udråbstegnet i den ligebenede trekant er beregnet til at gøre bruger opmærksom på vigtige oplysninger i den medfølgende brugervejledning vedrørende betjening og vedligeholdelse af apparatet.</p>
---	--	---

**FORSIGTIG** : UNDGÅ RISIKO FOR ELEKTRISK STØD VED ALTID AT SÆTTE STIKKET HELT FAST I STIKKONTAKTEN.

**ADVARSEL** : UNDGÅ RISIKO FOR BRAND ELLER ELEKTRISK STØD VED ALDRIG AT UDSÆTTE DENNE RADIO FOR REGN ELLER FUGT.

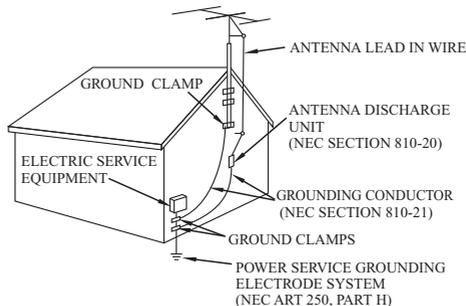
# SIKKERHEDSANVISNINGER

DISSE VIGTIGE SIKKERHEDSANVISNINGER ER  
MEDTAGET FOR AT GIVE BRUGER AF APPARATET  
DE NØDVENDIGE OPLYSNINGER, SOM SPECIFICERET HERUNDER

1. Læs betjeningsvejledningen - Du bør læse betjeningsvejledningen grundigt igennem, før du begynder at betjene apparatet.
2. Gem betjeningsvejledningen - Oplysningerne om sikkerhed og betjening bør gemmes, så du om nødvendigt kan slå op i dem på et senere tidspunkt.
3. Vær opmærksom på advarslerne - Vær opmærksom på alle advarsler vedrørende betjeningen af apparatet, som du finder på selve apparatet eller i betjeningsvejledningen.
4. Følg instruktionerne - Alle instrukser vedrørende betjening og brug bør følges.
5. Vand og fugt - Apparatet bør ikke anvendes nær vand, f.eks. nær et badekar, en håndvask, en køkkenvask, en vaskebalje, i en fugtig kælder, nær et svømmebassin eller lignende.
6. Ventilation - Apparatet bør placeres på en sådan måde, at den nødvendige ventilation kan finde sted. Ventilationsåbningerne bør aldrig blokeres ved at placere afspilleren på f.eks. en seng, en sofa, et gulvtæppe eller en lignende overflade. Ligeledes bør apparatet heller ikke indbygges i et skab, en bogkasse eller lignende, da dette kan forhindre tilstrækkelig ventilation i at finde sted.
7. Varme - Apparatet bør ikke placeres i nærheden af varmekilder som f.eks. radiatorer, ovne eller andre varmegenererende genstande (herunder også forstærkere).
8. Strømkilder - Apparatet bør kun tilsluttes en strømkilde som den, der er nævnt i betjeningsvejledningen eller angivet på markeringerne på selve apparatet. Hvis du ikke er sikker på strømstyrke og -spænding i dit lokalområde, bør du spørge forhandleren eller dit lokale elselskab. For apparater beregnet til batteridrift eller andre strømkilder skal du kigge i betjeningsvejledningen.
9. Jordforbindelse eller polarisation - Denne afspiller kan være udstyret med et polariseret vekselstrømsstik (et stik, hvor det ene ben er bredere end det andet). Dette stik kan kun vende på én måde i stikkontakten. Det er lavet på den måde af sikkerhedshensyn. Hvis du ikke kan få stikket helt ind i stikkontakten, skal du prøve at vende stikket. Hvis stikket stadig ikke passer, bør du kontakte en elektriker og få installeret en nyere stikkontakt. Forsøg ikke at ændre stikket på egen hånd, således at den indbyggede sikkerhed sættes ud af kraft.
10. Beskyttelse af strømførende ledninger - Strømførende ledninger bør placeres, så de ikke trækkes på eller kommer i klemme ved, at ting placeres ovenpå eller ind imod dem. Vær især opmærksom på overgangene mellem ledning og stik, stikdåser og det punkt, hvor ledningen er tilsluttet apparatet.
11. Rengøring - Apparatet bør udelukkende rengøres i overensstemmelse med producentens anvisninger.
12. Perioder uden brug - Tag stikket til netledningen ud af stikkontakten, hvis apparatet ikke skal bruges i længere tid.
13. Genstande og væsker - Stik aldrig nogen former for genstande ind i afspilleren gennem dens sprækker og åbninger og lad ingen væske få adgang til afspillerens indre.

14. Skade, der kræver serviceeftersyn - Stikket til afspilleren bør tages ud af stikkontakten og afspilleren kontrolleres af en faguddannet reparatør under følgende omstændigheder:
  - a. Netledningen eller stikket er blevet beskadiget.
  - b. Du har tabt en genstand eller spildt væske på afspilleren.
  - c. Afspilleren har været udsat for regn eller vand.
  - d. Afspilleren lader ikke til at fungere normalt, når du følger instruktionerne i betjeningsvejledningen. Stil kun på de knapper, der er nævnt i betjeningsvejledningen, da uautoriseret justering af andre knapper kan medføre, at afspilleren ikke fungerer korrekt.
  - e. Afspilleren har været tabt eller på anden måde beskadiget.
  - f. Afspilleren opfører sig mærkbart anderledes end den plejer - dette indikerer, at afspilleren trænger til et serviceeftersyn.
15. Service - Forsøg aldrig selv at servicere eller reparere afspilleren ud over, hvad der er beskrevet i betjeningsvejledningen. Overlad alt reparationsarbejde til kvalificeret servicepersonale.
16. Højspændingsledninger - Et udendørs antennesystem bør ikke opstilles i nærheden af luftbårne højspændingsledninger eller andre strømførende ledninger eller kredsløb eller på steder, hvor antennen kan falde ned på sådanne ledninger eller kredsløb. Når du opsætter en udendørs antenne, bør du være yderst påpasselig med ikke at berøre sådanne ledninger eller kredsløb, da det kan være livsfarligt at komme i kontakt med dem.
17. Hvis afspilleren tilsluttes en udendørs antenne, skal du sikre dig, at antennen har jordforbindelse, således at udsving i strømstyrken og opbygning af statisk elektricitet undgås. Artikel 810 i National Electrical Code (lovgivning vedr. elektricitet), ANSI/NFPA 70, giver oplysninger om korrekt udførelse af jordforbindelse på antennemasten og dens bærende konstruktion, jordforbindelse af ledningen til antennens udladningsenhed, størrelse på jordforbindelseskonduktorer, placering af antennens udladningsenhed, forbindelse af jordforbindelseselektroder og krav til jordledningselektroden. (se tegningen).
18. Rengøring - Tag stikket ud af stikkontakten inden rengøringen. Brug ikke flydende rengøringsmidler eller spray. Rengør med en let fugtet klud.
19. Lynnedslag - Under tordenvejr, hvis du forlader hjemmet i længere tid, eller hvis afspilleren ikke skal bruges i et stykke tid, bør du tage stikket ud af stikkontakten og/eller koble den fra antennen eller kabelsystemet. På den måde forhindrer du, at der opstår skade på afspilleren, hvis lynet skulle slå ned og påvirke strømforsyningen.
20. Sikkerhedstjek - Efter enhver reparation eller serviceeftersyn bør du altid bede teknikeren foretage et sikkerhedstjek af afspilleren for at sikre, at den er fuldt funktionsdygtig.
21. Overbelastning - Overbelast ikke stikkontakter, forlængerledninger eller multistikkåbser, da dette kan medføre fare for brand eller elektrisk stød.

#### **EXAMPLE OF ANTENNA GROUNDING AS PER NATIONAL ELECTRICAL CODE**



#### **NEC EL-LOVGIVNINGEN**

Brug aldrig olie eller petroleum i forbindelse med dette produkt.

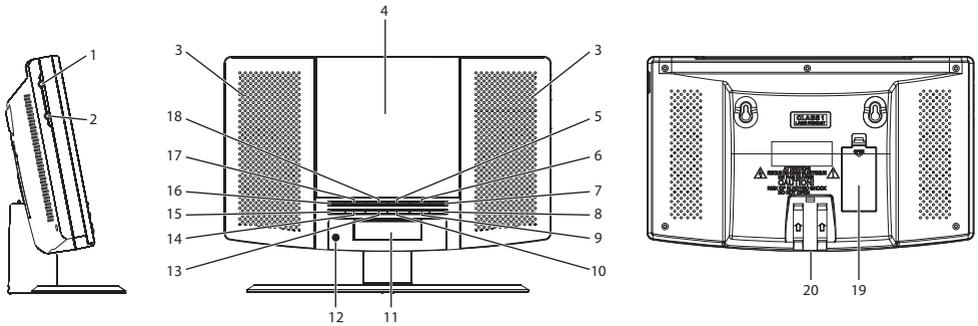
## **FORSIGTIG**

Usynlig laserstråling når apparatet er åbent, eller hvis låsemekanismen svigter eller sættes ud af drift. Sikkerhedslåsen må ikke sættes ud af drift.

GRAFISKE SYMBOLER MED YDERLIGERE OPLYSNINGER FINDES I BUNDEN AF APPARATET.

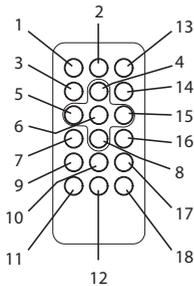
HVIS APPARATET IKKE ANVENDES I OVERENSSTEMMELSE MED BETJENINGSVEJLEDNINGEN, KAN DET RESULTERE I STRÅLING MED FARLIGT LASERLYS.

## KNAPPER OG KONTROLLER



- |                                       |  |
|---------------------------------------|--|
| 1. Aux in-terminal                    | 11. LCD display                          |
| 2. Stik til hovedtelefoner            | 12. Infrarød modtager til fjernbetjening |
| 3. Højtaler                           | 13. Knappen Vol+                         |
| 4. CD-låge                            | 14. Knappen Vol-                         |
| 5. Knappen ►► (fremad)                | 15. Knappen M- (fast station ned)        |
| 6. Knappen ■ (stop)                   | 16. Knappen M+ (fast station op)         |
| 7. Knappen ►   (afspil/ pause)        | 17. Knappen Prog/Time Set (indstil ur)   |
| 8. Knappen Standby                    | 18. Knappen ◀◀ (tilbage)                 |
| 9. Knappen Function (funktion)        | 19. Batterirum                           |
| 10. Knappen Alarm Set (indstil alarm) | 20. DC strømindtag                       |

## FJERNBETJENINGEN



- |  |
|--|
| 1. Knappen Standby                     |
| 2. Knappen Function (funktion)         |
| 3. Knappen Stop                        |
| 4. Knappen Volume +                    |
| 5. Knappen Prev/Hour (forr./ time)     |
| 6. Knappen Play/ Pause (afspil/ pause) |
| 7. Knappen M-DN (fast station ned)     |
| 8. Knappen Volume -                    |
| 9. Knappen Alarm                       |
| 10. Knappen Memory (fast programplads) |
| 11. Knappen Time (tid)                 |
| 12. Knappen Snooze                     |
| 13. Knappen Mute (lydløs)              |
| 14. Knappen Mode (modus)               |
| 15. Knappen Next/Min (næste/ minut)    |
| 16. Knappen M-UP (fast station op)     |
| 17. Knappen Prog                       |
| 18. Knappen Sleep (autosluk)           |

## Strømforsyning af enheden

Dette apparat er designet til brug med en AC/DC adapter.

Betjening med AC/DC Adapter.

Sæt adapterens lille stik i terminalen mærket DC på apparatet.

Sæt AC/DC adapteren i en enten vandret eller lodret orienteret standard AC~100-240V 50/60Hz stikkontakt.

## **OPHÆNGNING PÅ VÆG**

1. Du finder to monteringshuller beregnet til vægophæng på bagsiden af apparatet. Inden ophængning skal du tage foden af apparatet ved at skubbe foden i den retning, der er angivet i markeringen.
2. Inden ophængning skal du sikre dig, at den væg, du vil hænge anlægget på, kan bære vægten af anlægget, som er ca. 5 kg. Søg evt. yderligere råd og vejledning hos et byggemarked.
3. Skru skruer i væggen, eller slå søm i, med en indbyrdes afstand, der modsvarer afstanden mellem de to monteringshuller på anlægget.
4. Sømler eller skruer skal kunne bære en vægt på min. 6 kg.

## **INDSTILLING AF URET**

1. Tryk og hold knappen PROG/TIME SET, mens anlægget står på STANDBY.
2. Tryk på knappen **◀** for at indsætte det ønskede timetal.
3. Tryk på knappen **▶** for at indsætte det ønskede minuttal.
4. Når du har indstillet uret, skal du trykke på knappen PROG/TIME SET for at bekræfte.

## **HVIS DU VIL VÆKKES AF BUZZER (AL 1):**

- a. Anlægget skal stå på standby, mens du foretager indstillingen.
- b. Tryk på knappen ALARM SET, hvorefter ikonet “ 1” begynder at blinke på displayet. Tryk og hold knappen ALARM SET igen, hvorefter vækketidspunktet begynder at blinke på displayet.
- c. Tryk på knappen **◀** for at indsætte det ønskede timetal for vækningen.
- d. Tryk på knappen **▶** for at indsætte det ønskede minuttal for vækningen.
- e. Vækningen sker med buzzer på det valgte tidspunkt.

## **HVIS DU VIL VÆKKES AF RADIO:**

- a. Anlægget skal stå på standby, mens du foretager indstillingen.
- b. Tryk på knappen ALARM SET, hvorefter ikonet “ 1” begynder at blinke på displayet. Tryk og hold knappen ALARM SET igen, hvorefter vækketidspunktet begynder at blinke på displayet.
- c. Tryk på knappen Function og vælg ikonet “FM”.
- f. Tryk på knappen **◀** for at indsætte det ønskede timetal for vækningen.
- d. Tryk på knappen **▶** for at indsætte det ønskede minuttal for vækningen.
- e. Vækningen sker med radio på det valgte tidspunkt.

## **HVIS DU VIL VÆKKES AF CD:**

- a. Anlægget skal stå på standby, mens du foretager indstillingen.
  - b. Tryk på knappen ALARM SET, hvorefter ikonet “ 1” begynder at blinke på displayet. Tryk og hold knappen ALARM SET igen, hvorefter vækketidspunktet begynder at blinke på displayet.
  - c. Tryk på knappen Function og vælg ikonet “CD”.
  - g. Tryk på knappen **◀** for at indsætte det ønskede timetal for vækningen.
  - d. Tryk på knappen **▶** for at indsætte det ønskede minuttal for vækningen.
  - e. Vækningen sker med CD på det valgte tidspunkt.
- Bemærk: Sørg for at lægge en CD i afspilleren inden du vælger denne vækkemåde.

Indstilling af AL 2 foretages på samme måde som for AL 1.

## **SÅDAN SLÅR DU ALARMEN FRA:**

Når alarmen lyder, skal du trykke på knappen STANDBY for at slå alarmen fra. Alarmen lyder igen samme tid næste dag

## **SÅDAN DEAKTIVERER DU ALARMEN**

Sådan annullerer du vækkefunktionen:

Tryk på knappen ALARM SET mens anlægget står på STANDBY (indtil ikonet alarm “” forsvinder fra LCD displayet), hvis du vil deaktivere alarmen.

## **INDSTILLING AF LYDSTYRKEN**

- Tryk på knappen VOL.+, når du vil skrue op for lyden.
- Tryk på knappen VOL. -, når du vil skrue ned for lyden.

## **BETJENING AF RADIOEN**

1. Tryk på knappen STANDBY for at tænde anlægget.
2. Tryk på knappen FUNCTION og vælg funktionen RADIO.
3. Sådan anvendes knapperne til betjening af radioen:
  - i. Manuel kanalsøgning  
Tryk på knappen  eller  for at søge efter den ønskede frekvens. Højere frekvenser findes ved at trykke på knappen , mens lavere frekvenser nås ved at trykke på knappen .
  - ii. Automatisk kanalsøgning
    - a) Tryk på knappen  eller  og hold den inde, indtil frekvenserne begynder at rulle over displayet.
    - b) Når radioen finder en station med tilstrækkelig signalstyrke, standser søgningen. Alternativt kan du afbryde den automatiske søgning ved at trykke på knappen  eller .
4. Når du vil slukke radioen, skal du trykke på knappen STANDBY.

## **FASTE STATIONER**

1. Vælg den ønskede station, som beskrevet herover.
2. Tryk på knappen MEMORY på fjernbetjeningen, hvorefter “P01” begynder at blinke på LCD displayet. Tryk dernæst på knapperne M-UP eller M-DN- på fjernbetjeningen eller på knapperne M+ / M- på selve anlægget for at finde den faste programplads, hvor du vil gemme stationen. (P01 til P20).
3. Gem den aktuelle frekvens ved at trykke på knappen MEMORY på fjernbetjeningen igen, når du finder nummeret på den ønskede programplads.
4. Gentag disse trin for hver station, du vil placere på radioens faste programpladser Nr. 1 til Nr. 20.

Bemærk: Du kan gemme op til 20 faste stationer i anlægget.

## **GENKALD AF FASTE STATIONER**

Du kan genkalde de faste stationer, der er gemt i radioen, ved at trykke på knapperne M-UP eller M-DN på fjernbetjeningen eller på knapperne M+ / M- på selve anlægget og vælge den ønskede programplads fra 1 til 20.

BEMÆRK: De faste stationer bevares kun i afspillerens hukommelse, så længe apparatet er forbundet til lysnettet. Hvis du afbryder strømmen til apparatet, slettes alle faste stationer og kan ikke genkalde, før du har foretaget en ny kanalsøgning.

## **HÅNDTERING AF CD'ER**

- Beskyt altid CD'er mod ridser, snavs, støv o.s.v. Hvis du behandler dine CD'er godt, består den eneste nødvendige vedligeholdelse i at tørre disken over med en tør klud for at bevare en god lydgenivelse. CD'er bør opbevares i deres originalkassetter, når de ikke er i brug.
- Hold altid CD'er i kanten. Undlad at berøre CD'ens dataside, d.v.s. den side, der ikke er print på.
- Hold dine CD'er som vist på tegningerne i dette afsnit.
- Brug en blød klud til at tørre CD'erne af med. Undlad at rengøre CD'er med rensbenzin, fortynder eller andre kemiske rengøringsmidler, da sådanne midler vil beskadige dine CD'er.

En CD skal altid tørres fra midten og ud mod kanten i en ret bevægelse. Tør aldrig i cirkelbevægelser.

- Undlad at udsætte CD'er for direkte sollys, høj luftfugtighed eller høje temperaturer i længere perioder ad gangen. Undlad at opbevare CD'er ovenpå elektronisk udstyr eller nær andre varmekilder.
- Støv på pick-up linsen kan medføre periodiske fejl eller lydudfald under afspilning. Rengør pick-up linsen ved at åbne diskrummet og blæse støvet væk fra linsen. Brug en pustebold til kameraer (fås hos de fleste fotohandlere).
- Bemærk: Undlad at berøre linsens overflade. Lad ikke væske få adgang til apparatets indre.
- Rengør CD-afspillerens kabinet med en blød, let fugtet klud.
- Brug aldrig rensbenzin, fortynder eller andre skræppe kemikalier til rengøring af afspilleren, da dette vil ødelægge apparatets finish.

DO:



DONOT:



## AFSPILNING AF COMPACT DISC (CD)

**BEMÆRK:** Berør aldrig den laserlinse, der sidder inde i CD-rummet. Rengør laserlinsen med en CD rensedisk, hvis den bliver snavset.

1. Tryk på knappen Standby for at tænde anlægget.
2. Tryk på knappen Function og vælg funktionen CD.
3. Åben CD-LÅGEN og læg en CD i afspilleren med labelsiden opad.
4. Luk CD-LÅGEN, hvorefter disken roterer nogle få sekunder og dernæst stopper.
5. Tryk på knapperne **⏮** eller **⏭** for at vælge en skæring.
6. Tryk på knappen **▶** for at starte afspilningen.
7. Tryk på knappen **⏮** igen, hvis du vil PAUSE afspilningen.
8. Tryk på knappen STOP, når du vil AFBRYDE afspilningen.

## VILKÅRLIG AFSPILNING

- Tryk gentagne gange på knappen MODE i CD stop-modus, indtil "RAND" vises på displayet.
- Alle skæringer på disken afspilles nu i vilkårlig rækkefølge.

## GENTAGEFUNKTION

1. Tryk én gang på knappen MODE på fjernbetjeningen under afspilning, hvorefter indikatoren "↵" vises på LCD-displayet. Samme skæring afspilles igen og igen.
2. Tryk på knappen MODE på fjernbetjeningen for anden gang, hvis du vil gentage alle skæringer. Indikatoren "↵ ALL" vises på LCD-displayet.
3. Når du vil annullere REPEAT PLAY, skal du trykke gentagne gange på knappen MODE på fjernbetjeningen, indtil indikatoren forsvinder.

## HURTIGT TILBAGE / FREM

1. Knapperne **⏮** og **⏭** kan anvendes, hvis du vil springe til en anden skæring på disken eller gennemsnøge disken ved høj hastighed.
2. Tryk én gang på knappen **⏮**, hvis du vil springe til begyndelsen af den aktuelle skæring. Tryk to eller flere gange, hvis du vil springe til en skæring længere tilbage på disken.
3. Tryk på knappen CD **⏭**, hvis du vil springe til næste skæring på CD'en.
4. Tryk og hold knappen **⏮**, hvis du vil søge hurtigt tilbage gennem den aktuelle skæring eller længere tilbage til foregående skæringer. Når du finder det ønskede punkt på disken,

skal du slippe knappen, hvorefter afspilleren vender tilbage til normal afspilning.

5. Tryk og hold knappen ►►, hvis du vil søge hurtigt fremad gennem den aktuelle skæring eller længere frem til andre skæringer. Når du finder det ønskede punkt på disken, skal du slippe knappen, hvorefter afspilleren vender tilbage til normal afspilning.

## **PROGRAMFUNKTION**

**Du kan anvende programfunktionen til at oprette et program bestående af op til 20 skæringer i en rækkefølge efter eget valg.**

1. Et program kan kun oprettes i stop modus (dvs. mens afspilning af CD er afbrudt). Tryk på knappen PROG/TIME SET, hvorefter meddelelsen "PROG 01" begynder at blinke på LCD displayet.
2. Tryk på knappen ◀◀ eller ►► for at finde den ønskede skæring.
3. Tryk på knappen PROG/TIME SET for at gemme den valgte skæring i afspillerens hukommelse.
4. Gentag trin 2 og 3 for hver skæring op til 20, som du vil føje til programmet.
5. Når du vil afspille det oprettede program (i program modus), skal du trykke på knappen ►/II. Nummeret på skæringen samt meddelelsen "PROGRAM" vises på LCD displayet.
6. Tryk på knappen ◀◀ hvis du vil springe til den foregående skæring, eller tryk på knappen ►►, hvis du vil springe til næste skæring i programmet  
**Bemærk:** Når alle skæringer i programmet er blevet afspillet, afbryder CD-afspilleren automatisk afspilningen.
7. Hvis du vil slette et oprettet program, skal du trykke på knappen STOP, indtil "PROGRAM"-ikonet forsvinder fra displayet.

## **AUX INDGANGSTERMINAL**

1. Tryk på knappen STANDBY for at tænde anlægget.
2. Tryk på knappen FUNCTION og vælg funktionen AUX.
3. Forbind AUX tilslutningskablet fra audio udgangsterminalen på din personlige afspiller, f.eks. en bærbar MP3-afspiller, til AUX indgangsterminalen på dette anlæg.
4. Start afspilningen på den tilsluttede afspiller.

## **STIK TIL HOVEDTELEFONER**

Til denne afspiller kan tilsluttes hovedtelefoner med et  $\Phi$  3,5 mm jack-stik. Skru ned for lyden, inden du tilslutter hovedtelefoner, således at du ikke beskadiger din hørelse eller hovedtelefonerne. Forbind hovedtelefonerne til udtaget for hovedtelefoner. Lyden i højttalerne slås automatisk fra.

Advarsel: Hvis du lytter til høj musik i lange perioder ad gangen, kan det beskadige din hørelse permanent. Når du bærer hovedtelefoner, kan evt. advarselslyde muligvis ikke nå igennem til dig.

## **FUNKTIONEN SNOOZE**

Hvis du vil sove nogle få minutter længere, kan du trykke på knappen SNOOZE på fjernbetjeningen, hvilket deaktiverer vækningen i ca. 9 minutter.

ALLE RETTIGHEDER FORBEHOLDNES, COPYRIGHT DENVER ELECTRONICS A/S

DENVER®

[www.denver-electronics.com](http://www.denver-electronics.com)



Elektrisk og elektronisk udstyr samt medfølgende batterier indeholder materialer, komponenter og stoffer, der kan være skadelige for menneskers sundhed og for miljøet, hvis affaldet (kasseret elektrisk og elektronisk udstyr og batterier) ikke håndteres korrekt.

Elektrisk og elektronisk udstyr og batterier er mærket med nedenstående overkrydsede skraldespand. Den symboliserer, at elektrisk og elektronisk udstyr og batterier ikke må bortskaffes sammen med usorteret husholdningsaffald, men skal indsamles særskilt.

Som slutbruger er det vigtigt, at du afleverer dine udtjente batterier til de ordninger, der er etablerede. På denne måde er du med til at sikre, at batterierne genanvendes i overensstemmelse med lovgivningen og ikke unødigt belaster miljøet.

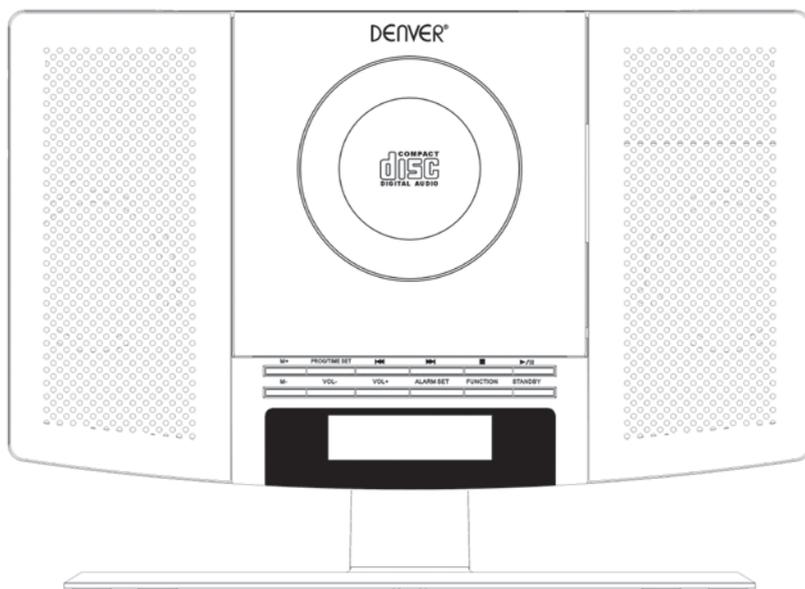
Alle kommuner har etableret indsamlingsordninger, hvor kasseret elektrisk og elektronisk udstyr samt bærbare batterier gratis kan afleveres af borgerne på genbrugsstationer og andre indsamlingssteder eller bliver afhentet direkte fra husholdningerne. Nærmere information kan fås hos kommunens tekniske forvaltning.

Importeret af:  
DENVER ELECTRONICS A/S  
Omega 5A, Soeften  
DK-8382 Hinnerup  
Danmark  
[www.facebook.com/denverelectronics](http://www.facebook.com/denverelectronics)

# DENVER<sup>®</sup> ELECTRONICS

## CD-SPELER MET FM-ALARMKLOK PLL RADIO

MODEL MC5220



**ALVORENS DIT PRODUCT TE GEBRUIKEN, LEES, BEGRIJP, EN VOLG DEZE INSTRUCTIES.**  
Zorg ervoor dit boekje als toekomstig naslagwerk te bewaren.

[www.facebook.com/denverelectronics](http://www.facebook.com/denverelectronics)

# VEILIGHEIDSINSTRUCTIES

 <p>Het bliksemschichtsymbool binnenin een gelijkzijdige driehoek is bedoeld de gebruiker te wijzen op de aanwezigheid van ongeïsoleerde gevaarlijke spanning binnenin de productbehuizing, die voldoende krachtig kan zijn om voor personen een risico op elektrische schokken te vormen.</p>	<p style="text-align: center;"><b>CAUTION</b></p> <p style="text-align: center;"><b>RISK OF ELECTRIC SHOCK DO NOT OPEN</b></p>	 <p>Het uitroepteken binnenin een gelijkzijdige driehoek is bedoeld de gebruiker te wijzen op de aanwezigheid van belangrijke gebruik- en onderhoudsinstructies (service) in de documentatie meegeleverd met het apparaat.</p>
---	--	---

**OPGELET:** OM HET RISICO OP ELEKTRISCHE SCHOKKEN TE VOORKOMEN, BREDE TAND VAN STEKKER IN BREDE INGANG STEKEN, VOLLEDIG INSTEKEN.

**WAARSCHUWING:** DIT APPARAAT NOOIT BLOOTSTELLEN AAN REGEN OF VOCHT, OM HET RISICO OP BRAND OF ELEKTRISCHE SCHOKKEN TE VOORKOMEN.

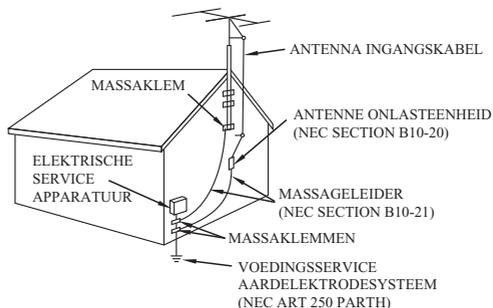
# VEILIGHEIDSINSTRUCTIES

DEZE BELANGRIJKE VEILIGHEIDINSTRUCTIES ZIJN VAN TOEPASSING OP EN MEEGELEVERD MET HET APPARAAT, OM DE GEBRUIKER VAN DE VOLGENDE INFORMATIE TE VOORZIEN

1. Instructies lezen-Alle veiligheid- en gebruiksaanwijzingen dienen vóór ingebruikname van het apparaat te worden gelezen.
2. Instructies bewaren-De veiligheid- en gebruiksaanwijzingen dienen als naslagwerk te worden bewaard.
3. Waarschuwingen in Acht Nemen-Alle waarschuwingen op het apparaat en in de gebruiksaanwijzingen moeten worden nagevolgd.
4. Instructies opvolgen-Alle bediening- en gebruiksaanwijzingen moeten worden opgevolgd.
5. Water en Vocht-Gebruik dit apparaat niet in de buurt van water, bijv. een badkuip, wastafel, gootsteen, wasmachine, in een natte kelder, nabij een zwembad, enz.
6. Muur- of Plafondmontage-Het apparaat dient niet op een muur of plafond te worden gemonteerd.
7. Ventilatie-Het apparaat dient zodanig te worden geplaatst dat de correcte ventilatie ervan niet wordt belemmerd door de locatie of positie. Plaats het apparaat bijvoorbeeld niet op een bed, sofa, tapijt of dergelijk oppervlak waardoor de ventilatieopeningen kunnen worden geblokkeerd, noch plaats het in een inbouwinstallatie zoals een boekenkast of kabinet, waardoor de luchtstroom door de ventilatieopeningen kan worden gehinderd.
8. Hitte-Plaats het apparaat uit de buurt van hittebronnen zoals radiateurs, hiteroosters, kachels of andere hitteproducerende apparatuur (waaronder versterkers).
9. Voedingsbronnen-Het product dient uitsluitend te worden gebruikt met het voedingstype aangegeven op de nominale specificatielabel. Mocht u twijfelen over het voedingstype in uw huis, neem dan contact op met uw productdealer of plaatselijk stroombedrijf. Lees de gebruiksaanwijzingen voor producten bestemd voor gebruik op batterijen of andere bronnen.
10. Massapolarisatie-Dit product is mogelijk voorzien van een gepolariseerde wisselstroomstekker (een stekker met de ene tand breder dan de andere). Deze stekker past wegens veiligheidsredenen slechts op één manier in het stopcontact. Als u de stekker niet volledig in het stopcontact kunt steken, kunt u proberen de stekker om te draaien. Mocht de stekker nog steeds niet passen, vraag uw elektromonteur dan het oude stopcontact te vervangen. Houd het veiligheidsdoel van de gepolariseerde stekker intact.
11. Voedingskabel Beschermen-Arrangeer voedingskabels zodanig dat niemand er op kan gaan staan of waar kabels ingedrukt kunnen worden door voorwerpen op of tegen de kabels geplaatst, voornamelijk bij stekkers, stopcontacten en het punt waar kabels uit het product komen.
12. Reiniging-Het apparaat dient uitsluitend te worden schoongemaakt volgens de aanbevelingen van de fabrikant.
13. Periodes zonder Gebruik-Haal de voedingskabel uit het stopcontact wanneer u het apparaat voor langere tijd niet gebruikt.
14. Binnendringen van Voorwerpen en Vloeistoffen-Zorg er goed voor dat er geen voorwerpen of vloeistoffen via de productopeningen in de behuizing terechtkomen.
15. Servicevereisende Beschadiging-Haal in de volgende gevallen de stekker van dit product uit het stopcontact en breng het naar gekwalificeerd onderhoudspersoneel.

- a) Wanneer de voedingskabel of stekker is beschadigd.
  - b) Wanneer vloeistof of voorwerpen in het product terecht zijn gekomen.
  - c) Nadat het product is blootgesteld aan regen of water.
  - d) Als het product niet werkt wanneer gebruikt volgens de gebruiksaanwijzingen.  
Pas uitsluitend de bedieningen aan die in de gebruiksaanwijzingen worden beschreven, omdat verkeerde afstelling van andere bedieningen de normale productwerking kunnen aantasten.
  - e) Nadat het product is gevallen of op willekeurige wijze beschadigd is geraakt.
  - f) Wanneer het product een duidelijke verandering in prestatie vertoont-dit betekent dat service is vereist.
16. Reparatie-Probeer het product niet zelf te onderhouden, met uitzondering van wat is beschreven in de gebruiksaanwijzingen. Alle reparaties dienen te worden overgelaten aan gekwalificeerd onderhoudspersoneel.
  17. Hoogspanningkabels-Plaats een buitenantennesysteem niet in de buurt van hoogspanningkabels, of andere elektrische licht- of voedingcircuits, of waar het in dergelijke hoogspanningkabels of circuits kan vallen. Wanneer u een buitenantennesysteem installeert, dient u uiterst voorzichtig te zijn geen hoogspanningkabels of circuits aan te raken, omdat contact hiermee fataal kan zijn.
  18. Als u een buitenantenne op de ontvanger aansluit, dient u ervoor te zorgen dat het antennesysteem is geaard ter bescherming tegen spanningsstoten en statische opbouw. Sectie 810 van de Nationale Elektricitetscode ANSI/NEFA 70 verstrekt informatie m.b.t. juiste aarding van de mast en ondersteunende structuur, massageleiding, locatie van ontlasteenheden voor de antenne, afmeting van aardelektroden, en de vereisten voor de aardelektrode (zie figuur).
  19. Reiniging-Haal de stekker van dit product uit het stopcontact alvorens te reinigen. Gebruik geen vloeibare reinigingsmiddelen of spuitmiddelen. Reinig met een vochtig doekje.
  20. Onweer-Om dit product tijdens onweer extra te beschermen, of wanneer het voor langere tijd niet wordt gebruikt, dient u de stekker uit het stopcontact te halen en het antenne- of kabelsysteem los te koppelen. Hierdoor voorkomt u productbeschadiging wegens bliksem en stroomstoten.
  21. Veiligheidscontrole-Nadat een willekeurige service of reparatie van dit product is voltooid, dient u de servicemonteur te vragen veiligheidscontroles uit te voeren om te verifiëren dat het product in goede bedrijfsconditie verkeert.
  22. Overbelasting-Laat stopcontacten, verlengkabels of integrale stekkerdozen nooit overbelast raken, omdat dit een risico op brand of elektrische schokken vormt.

## VOORBEELD VAN ANTENNE AARDEN VOLGENS NATIONALE ELEKTRICITEITSCODE



### NEC NATIONALE ELEKTRICITEITSCODE

Pas geen olie- of petroleumproducten toe op dit product.

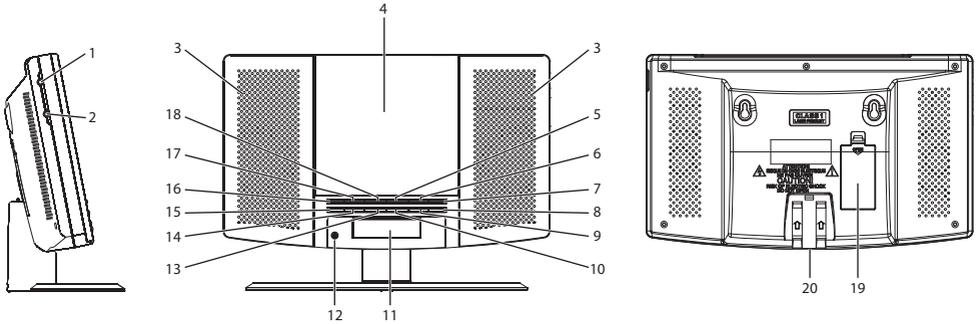
## VOORZICHTIG

Onzichtbare laserstraling wordt afgegeven wanneer product open is en beveiligingen falen. Houd de beveiligingen intact.

GRAFISCHE SYMBOLEN MET SUPPLEMENTAIRE MARKERINGEN ZIJN OP DE ONDERZIJDE VAN HET APPARAAT GEPLAATST.

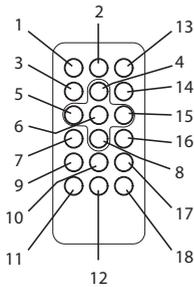
GEbruik VAN BEDIENINGEN, AFSTELLINGEN OF PRESTATIEPROCEDURES HIERIN KAN LEIDEN TOT BLOOTSTELLING AAN GEVAARLIJKE STRALING.

## LOCATIE VAN BEDIENINGEN



- |                           |                             |
|---------------------------|-----------------------------|
| 1. Aux In-aansluiting     | 11. LCD-display             |
| 2. Hoofdtelefoonuitgang   | 12. IR                      |
| 3. Luidspreker            | 13. Vol+ toets              |
| 4. CD-deur                | 14. Vol- toets              |
| 5. ►► toets               | 15. M- toets                |
| 6. ■ toets                | 16. M+ toets                |
| 7. ►   toets              | 17. Prog/Tijdstellingstoets |
| 8. Stand-bytoets          | 18. ◀◀ toets                |
| 9. Functietoets           | 19. Batterijhouder          |
| 10. Alarminstellingstoets | 20. DC-ingang               |

## AFSTANDBEDIENING



- |                          |
|--------------------------|
| 1. Stand-bytoets         |
| 2. Functietoets          |
| 3. Stopstoets            |
| 4. Volume + toets        |
| 5. Vorige/Uurtoets       |
| 6. Afspelen/Pauze-knop   |
| 7. M-Omlaagtoets         |
| 8. Volume - toets        |
| 9. Alarmtoets            |
| 10. Geheugentoets        |
| 11. Tijdtoets            |
| 12. Snoozetoets          |
| 13. Demptoets (Mute)     |
| 14. Modustoets           |
| 15. Volgende/Minuuttoets |
| 16. M-Omhoogtoets        |
| 17. Progtoets            |
| 18. Slaapstoets          |

## Apparaatvoeding

Dit apparaat is bestemd voor gebruik met een AC/DC adapter.

Gebruik met AC/DC Adapter.

Steek de kleine stekker van de adapter in de DC-ingang.

Steek de AC/DC-adapter in een willekeurig AC~100-240V 50/60Hz stopcontact in verticale of horizontale richting.

## **HET APPARAAT OP DE MUUR INSTALLEREN**

1. De achterzijde van het apparaat is voorzien van twee gaten voor muurmontage, druk de standaard volgens de markering op de standaard naar het kanaal van het apparaat voordat u dit product installeert.
2. Zorg er a.u.b. voor dat de gewenste methode voor muurmontage een product van 5Kg kan ondersteunen als u dit frame op de muur wilt plaatsen. Vraag een plaatselijke hardwarespecialist om advies.
3. Zorg a.u.b. voor twee ankers of spijkers op de muur met een afstand tussen elkaar gelijk aan die van het actuele product op het apparaat.
4. Zorg er a.u.b. voor dat de ankers of spijkers op de muur een gewicht van minimaal 6Kg kunnen ondersteunen.

## **KLOK INSTELLEN**

1. Houd in "STANDBY OFF" modus de PROG/TIME SET toets ingedrukt.
2. Druk op de **⏪** toets om de gewenste Uren in te stellen.
3. Druk op de **⏩** toets om de gewenste Minuten in te stellen.
4. Druk ter bevestiging op de PROG/TIME SET toets nadat de gewenste tijd is ingesteld.

## **WAKKER WORDEN MET DE ALARMZOEMER (AL 1):**

- a. Schakel het apparaat in de standby-modus.
- b. Druk op de ALARM SET toets, het "🔔 1" icoontje zal op de display knipperen, houd vervolgens de ALARM SET toets nogmaals ingedrukt en de alarmtijd zal op de display knipperen.
- c. Druk op de **⏪** toets om de gewenste alarmuren in te stellen.
- d. Druk op de **⏩** toets om de gewenste alarmminuten in te stellen.
- e. De zoemer zal op de ingestelde alarmtijd klinken.

## **WAKKER WORDEN MET DE RADIO:**

- a. Schakel het apparaat in de standby-modus.
- b. Druk op de ALARM SET toets, het "🔔 1" icoontje zal op de display knipperen, houd vervolgens de ALARM SET toets nogmaals ingedrukt en de alarmtijd zal op de display knipperen.
- c. Druk op de FUNCTION toets om het "FM"-pictogram te kiezen.
- d. Druk op de **⏪** toets om de gewenste alarmuren in te stellen.
- e. Druk op de **⏩** toets om de gewenste alarmminuten in te stellen.
- f. De radio zal op de ingestelde alarmtijd inschakelen.

## **WAKKER WORDEN MET CD:**

- a. Schakel het apparaat in de standby-modus.
- b. Druk op de ALARM SET toets, het "🔔 1" icoontje zal op de display knipperen, houd vervolgens de ALARM SET toets nogmaals ingedrukt en de alarmtijd zal op de display knipperen.
- c. Druk op de FUNCTION toets om het "CD"-pictogram te kiezen.
- d. Druk op de **⏪** toets om de gewenste alarmuren in te stellen.
- e. Druk op de **⏩** toets om de gewenste alarmminuten in te stellen.
- f. De CD zal op de ingestelde alarmtijd worden afgespeeld.

Opmerking: Zorg er a.u.b. voor eerst een disk in de CD-houder te plaatsen.

De AL2 instelling verloopt hetzelfde als de AL1 instelling.

## **HET ALARM UITSCHAKELEN:**

Wanneer het alarm klinkt, kunt u op de STANDBY toets drukken om het alarm uit te schakelen, het alarm zal de volgende dag weer klinken.

## **HET ALARM UITSCHAKELEN**

Om de alarmmodus te annuleren:

Druk in "STANDBY OFF" modus op de ALARM SET toets om de alarmfunctie uit te schakelen. (totdat het alarmicoontje "🔔" op de LCD display verdwijnt).

## **VOLUMEREGELING**

- Druk op de VOL + toets om het volume te verhogen.
- Druk op de VOL – toets om het volume te verlagen.

## **BEDIENING VAN DE RADIO**

1. Druk op de STANDBY toets om het apparaat in te schakelen.
2. Druk op de FUNCTION toets naar functie RADIO.
3. De radiotoetsen gebruiken
  - i. Handmatig afstemmen  
Druk op de ◀ of ▶ toets om naar de gewenste frequentie te zoeken. Selecteer een hogere frequentie door op de ▶ toets te drukken of een lagere frequentie met de ◀ toets.
  - ii. Automatisch afstemmen
    - a) Houd de ◀ of ▶ toets ingedrukt totdat de frequentie op de display wordt doorlopen.
    - b) Het afstemmen stopt zodra er een station wordt gevonden met voldoende signaalsterkte of u kunt het automatisch afstemmen zelf stoppen door op de ◀ of ▶ toets te drukken.
4. Druk op de STANDBY toets om de radio uit te schakelen.

## **VOORKEURZENDERS AFSTEMMEN**

1. Selecteer de zender die u wenst volgens de normale afstemprocedure.
2. Druk op de MEMORY toets op de afstandsbediening, “P-01” zal op de display knipperen, druk vervolgens op de M-Omhoogtoets of M-Omlaagtoets op de afstandsbediening of op de M+ / M- toets op het apparaat om het nummer te selecteren waarop u het station wilt opslaan. (P01 tot P20) om het nummer te selecteren waarop u het station wilt opslaan. (P01 tot P20)
3. Sla de huidige frequentie op door nogmaals op de MEMORY toets op de afstandsbediening te drukken wanneer het gewenste opslagnummer verschijnt.
4. Herhaal dezelfde procedure om andere gewenste frequenties op te slaan op Geheugennummer 1 tot 20.

Opmerking: Het apparaat kan totaal 20 FM-stations vooraf instellen.

## **GEHEUGEN OPROEPEN**

U kunt de opgeslagen frequenties herroepen door op de M-Omhoogtoets of M-Omlaagtoets op de afstandsbediening of de M+ / M- toets op het apparaat te drukken en naar wens station 1 tot 20 te selecteren.

OPMERKING: Omdat opgeslagen frequenties alleen langdurig kunnen worden opgeslagen wanneer voeding geleverd wordt. Zullen opgeslagen zenders verloren gaan en kunnen niet terug worden opgeroepen wanneer u de voeding ervan onderbreekt.

## **COMPACT DISKS HANTEREN**

- Bescherm een disk altijd tegen krassen, vuil, stof, enz. Als een disk met redelijke zorg wordt behandeld, is de disk met een zacht doekje afvegen het enige vereiste onderhoud om uitstekende geluidreproductie ervan te behouden. Bewaar disks in hun originele doosje wanneer niet in gebruik.
- Houd een disk uitsluitend vast aan de randen, raak niet het oppervlak of de regenbooggekleurde zijde van de disk aan.
- Hanteer een disk zoals in de afbeeldingen in deze sectie.
- Gebruik een zacht doekje om een disk schoon te vegen. Gebruik geen benzeen, verdunner of andere chemische reinigingsmiddelen om een disk te reinigen, om beschadiging te voorkomen. Veeg een disk altijd in een rechte lijn schoon vanuit het midden naar de rand. Veeg een disk nooit schoon in een cirkelvormige beweging.
- Stel een disk niet te lang bloot aan direct zonlicht, hoge luchtvochtigheid of hoge temperaturen. Plaats een disk niet op andere apparatuur of in de buurt van hittebronnen.
- Een stoffige aftastlens kan tot onregelmatige werking of geluidsonderbrekingen tijdens het afspelen leiden. Open de diskhouder en blaas het stof weg om de aftastlens te reinigen. Gebruik hiervoor een speciale blazer voor cameralenzen (verkrijgbaar in de meeste camerawinkels).

- Opmerking: Raak de oppervlakte van de lens niet aan. Laat geen enkele vloeistof binnenin het product terechtkomen.
- Reinig de behuizing van de CD-speler door het buitenoppervlak met een zacht en vochtig doekje schoon te vegen.
- Gebruik geen benzol, benzeen of andere agressieve chemische reinigingsmiddelen, om beschadiging van de afwerking te voorkomen.

DOEN:



NIET DOEN:



## EEN COMPACT DISC (CD) AFSPLELEN

**OPMERKING:** Raak nooit de laserlens in het CD-compartiment aan. Reinig de laserlens met een CD-reinigingschijf indien het vuil wordt.

1. Druk op de STANDBY toets om het apparaat in te schakelen.
2. Druk op de FUNCTION toets om de CD modus te selecteren.
3. Open het CD-KLEPJE en plaats een CD in de houder met de bedrukte zijde omhoog.
4. Sluit het CD-KLEPJE en de disk zal enkele seconden draaien en vervolgens stoppen.
5. Gebruik de ◀◀ of ▶▶ toets om een track te selecteren.
6. Druk op de ▶▶ toets om het afspelen te starten.
7. Druk nogmaals op de ▶▶ toets om het afspelen te pauzeren.
8. Druk op de STOP toets om het afspelen te STOPPEN.

## AFSPLELEN IN WILLEKEURIGE VOLGORDE

- Druk in CD stopmodus op de MODE toets op de afstandsbediening totdat “RAND” op de LCD Display verschijnt.
- Hierdoor worden de tracks in willekeurige volgorde afgespeeld.

## HERHAALFUNCTIE

1. Druk tijdens het afspelen eenmaal op de toets MODE op de afstandsbediening en het symbooltje “↺” zal op de LCD-display verschijnen. De huidige track zal nu herhalend worden afgespeeld.
2. Druk een tweede keer op de toets MODE op de afstandsbediening om alle tracks te herhalen, het symbooltje “↺ ALL” zal op de LCD-display verschijnen.
3. Druk meerdere keren op de toets MODE op de afstandsbediening totdat alle symbooltjes verdwijnen om REPEAT PLAY te annuleren.

## TERUGSPOELEN/VOORUITSPOELEN

1. Gebruik de CD Terugspoel- ◀◀ en CD Vooruitspoeltoetsen ▶▶ om een ander tracknummer te selecteren of om de disktracks op hogere snelheid te scannen.
2. Druk eenmaal op de CD Terugspoeltoets ◀◀ om naar het begin van de huidige track te gaan. Druk twee of meerdere keren in om naar vorige tracks op de disk te gaan.
3. Druk op de CD ▶▶ toets om de volgende track van de disk te selecteren.
4. Houd de ◀◀ toets om de huidige track terug te spoelen en naar de vorige track(s) te gaan; laat de toets los zodra het gewenste tracksegment is gevonden om de normale afspeelmodus te hervatten.
5. Houd de ▶▶ toets om de huidige track vooruit te spoelen en naar de volgende track(s) te gaan; laat de toets los zodra het gewenste tracksegment is gevonden om de normale afspeelmodus te hervatten.

## PROGRAMMAFUNCTIE

**De programmafunctie kan gebruikt worden om tot 20 tracks te programmeren voor het afspelen in een geselecteerde volgorde.**

1. Druk in stopmodus (alleen wanneer CD niet speelt) op de PROG/TIME SET toets, de LCD display zal "PROGRAM 01" tonen en "PROGRAM 01" begint te knippen.
2. Druk op de ◀ of ▶ toets om naar de gewenste track te zoeken.
3. Druk op de PROG/TIME SET toets om de track te selecteren en in het geheugen op te slaan.
4. Herhaal stap 2 tot 3 om tot maximaal 20 tracks te selecteren.
5. U kunt de geselecteerde tracks (in de programmamodus) afspelen door op de ▶/|| toets te drukken. Het tracknummer en "PROGRAM" verschijnen op de LCD-display.
6. Druk op de ◀ toets om de vorige geprogrammeerde track te horen of druk op de ▶ toets om de volgende geprogrammeerde track te horen.  
**Opmerking:** Nadat alle geprogrammeerde tracks zijn afgespeeld, zal de CD-speler naar de stopmodus terugkeren.
7. Druk op de STOP toets totdat het "PROGRAM" icoontje verdwijnt om de geprogrammeerde tracks uit de geheugen te wissen.

### **AUX-INGANGAANSLUITING**

1. Druk op de STANDBY toets om het apparaat in te schakelen.
2. Stel de FUNCTION toets in op de AUX modus.
3. Sluit de AUX-aansluitdraad aan vanaf de uitgangsaansluiting van uw persoonlijke speler zoals een draagbare MP3-speler naar de AUX-ingangaansluiting.
4. Start het afspelen vanaf uw persoonlijke speler.

### **HOOFDTELEFOONAANSLUITING**

U kunt voor dit product een stereo hoofdtelefoon gebruiken met een  $\Phi$  3,5mm stekker. Stel het volumeniveau in op minimum voordat u de hoofdtelefoon aansluit, om beschadiging van uw gehoor of de hoofdtelefoon te voorkomen. Sluit de hoofdtelefoon aan op de hoofdtelefoonuitgang. De luidsprekers zullen automatisch worden ontkoppeld. Waarschuwing: Langdurige blootstelling aan hoge volumeniveaus kan uw gehoor permanent beschadigen. Terwijl u een hoofdtelefoon draagt, loopt u het risico bepaalde waarschuwingsgeluiden niet te horen.

### **SLUIMERFUNCTIE**

Als u nog enkele minuten langer wilt sluimeren, kunt u op de SNOOZE toets op de afstandsbediening drukken om het geluid voor ca. 9 minuten te deactiveren.

DENVER®

[www.denver-electronics.com](http://www.denver-electronics.com)



Elektrische en elektronische apparatuur en de inbegrepen batterijen bevatten materialen, componenten en stoffen die schadelijk kunnen zijn voor uw gezondheid en het milieu, indien de afvalproducten (afgedankte elektrische en elektronische apparatuur en batterijen) niet correct worden verwerkt.

Elektrische en elektronische apparatuur en batterijen zijn gemarkeerd met een doorgekruist klike-symbool, zoals hieronder afgebeeld. Dit symbool is bestemd om de gebruiker er op te wijzen dat elektrische en elektronische apparatuur en batterijen niet bij het andere huisvuil mogen worden weggegooid, maar gescheiden moeten worden ingezameld.

Als eindgebruiker is het belangrijk dat u uw verbruikte batterijen inlevert bij een geschikte en speciaal daarvoor bestemde faciliteit. Op deze manier is het gegarandeerd dat de batterijen worden hergebruikt in overeenstemming met de wetgeving en het milieu niet aantasten.

Alle steden hebben specifieke inzamelpunten, waar elektrische en elektronische apparatuur en batterijen kosteloos ingeleverd kunnen worden op recyclestations of andere inzamellocaties. In bepaalde gevallen kan het ook aan huis worden opgehaald. Vraag om meer informatie bij uw plaatselijke autoriteiten.

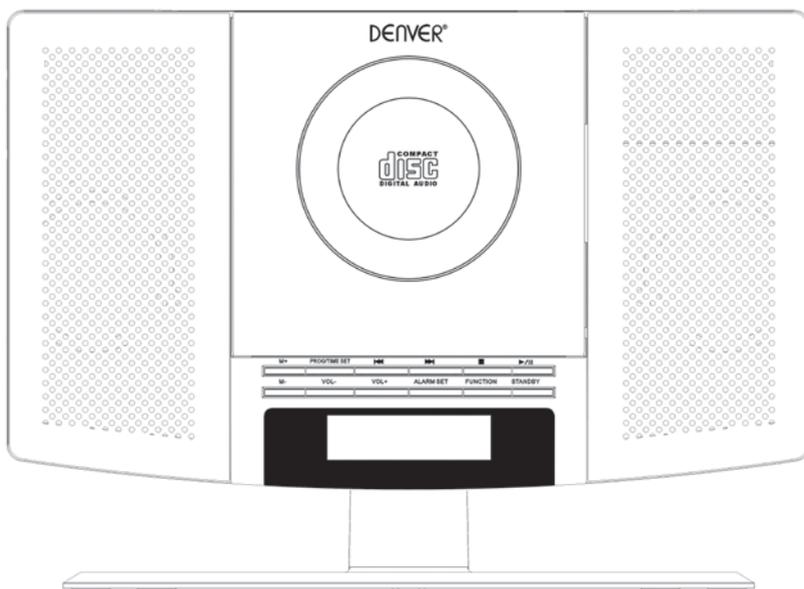
Vul het blanco veld a.u.b. in met het modelnummer van deze speler voor toekomstige referentie

Importeur:  
DENVER ELECTRONICS A/S  
Omega 5A, Soeften  
DK-8382 Hinnerup  
Denemarken  
[www.facebook.com/denverelectronics](http://www.facebook.com/denverelectronics)

# DENVER<sup>®</sup> ELECTRONICS

## CD-SOITIN, JOSSA FM-HERÄTYSKELLO PLL-RADIO

MALLI MC5220



**ENNEN TUOTTEEN KÄYTTÄMISTÄ, LUE JA YMMÄRRÄ NÄMÄ OHJEET JA NOUDATA NIITÄ.**

Muista säilyttää vihkonen tulevia tarpeita varten.

[www.facebook.com/denverelectronics](http://www.facebook.com/denverelectronics)

# TURVALLISUUSOHJEET

 <p>Tasasivuisen kolmion sisällä olevan nuolikärkisen salaman tarkoituksena on varoittaa käyttäjää laitteen sisällä olevasta eristämättömästä vaarallisesta jännitteestä, joka voi olla riittävän suuruinen aiheuttamaan sähköiskun ihmiselle.</p>	<p><b>CAUTION</b></p> <p><b>RISK OF ELECTRIC SHOCK</b> <b>DO NOT OPEN</b></p> <p>HUOMIO: ÄLÄ AVAA LAITTEEN KOTELOA (TAKAKANTTA), EI SISÄLLÄ OSIA, JOITA KÄYTTÄJÄ VOISI KORJATA. KOTELON SISÄLLÄ EI OLE KÄYTTÄJÄN HUOLLETTAVIA OSIA. ANNA HUOLTO PÄTEVÄLLE HUOLTOHENKILÖLLE.</p>	 <p>Tasasivuisen kolmion sisällä oleva huutomerkin kuva tarkoittaa, että laitteen mukana toimitetuissa ohjeissa on tärkeitä käyttö- ja kunnossapito-ohjeita (huolto).</p>
---	---	--

**HUOMIO:** SOVITA PISTOKKEEN LEVEÄ OSA LIITÄNNÄN LEVEÄÄN OSAAN KUNNOLLA SÄHKÖISKUN VÄLTÄMISEKSI.

**VAROITUS:** ÄLÄ ALTISTA TÄTÄ LAITETTA SATEELLE TAI KOSTEUDELLE TULIPALON TAI SÄHKÖISKUN VAARAN VÄHENTÄMISEKSI.

# TURVALLISUUSOHJEET

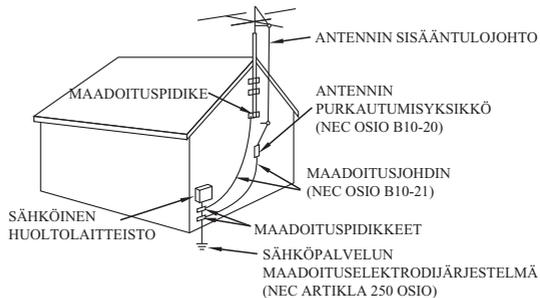
TÄTÄ LAITETTA KOSKEVAT TÄRKEÄT TURVALLISUUSOHJEET OVAT MUKANA JA ANTAVAT KÄYTTÄJÄLLE SEURAAVAT TIEDOT

1. Lue ohjeet - Kaikki turvallisuus- ja käyttöohjeet tulee lukea ennen laitteen käyttöä.
2. Säilytä ohjeet - Turvallisuus- ja käyttöohjeet tulee säilyttää tulevia tarpeita varten.
3. Noudata varoituksia - Kaikkia laitteessa ja käyttöohjeissa olevia varoituksia tulee noudattaa.
4. Noudata ohjeita - Kaikkia käyttöohjeita tulee noudattaa.
5. Vesi ja kosteus - Laitetta ei tule käyttää lähellä vettä, esim. lähellä kylpyammeita, vesiallasta, tiskiallasta, pyykkiastiaa, kosteassa kellarissa tai lähellä uima-allasta tai vastaavaa.
6. Seinä- tai kattokinnitys - Laitetta ei saa asentaa seinään tai kattoon.
7. Ilmanvaihto - Laite tulee sijoittaa siten, että sen sijainti tai paikka ei estä kunnollista ilmanvaihtoa. Esimerkiksi laitetta ei saa pitää sängyllä, sohvalta, matolla tai samanlaisella pinnalla, joka voi tukkia ilmanvaihtoaukot tai sijoittaa kirjajhylyn tai kaapin sisään, joka voisi haitata ilmanvirtausta tuuletusaukkojen läpi.
8. Lämpö - Laitteen tulee sijaita erillään lämmönlähteistä, kuten lämpöpatterit, lämpösäätelijät, uunit tai muut laitteet (mukaan lukien vahvistimet), jotka tuottavat lämpöä.
9. Virtalähteet-tuote - Tuotetta saa käyttää vain tuotteen etikettiin merkityn virtalähteen kanssa. Jos et ole varma kotisi virtalähteen tyypistä, ota yhteyttä tuotteen jälleenmyyjään tai paikalliseen sähköyhtiöön. Jos laite on tarkoitettu toimimaan akkuvirralla tai muista virtalähteistä, katso käyttöohjeita.
10. Maadoitus polarisaatio - Tämä tuote voidaan varustaa polarisoidulla AC-virtapistokkeella (pistokkeen toinen koskettimista on leveämpi kuin toinen). Tämä pistoke sopii pistorasiaan vain tietyssä asennossa, tämä on turvallisuusominaisuus. Jos et saa työnnettyä pistoketta kokonaan pistorasiaan, käännä pistoke. Jos pistoke ei edelleenkään sovi, pyydä sähköasentajaa vaihtamaan pistorasia. Älä ohita polarisoidun pistokkeen turvallisuustarkoitusta.
11. Virtajohtojen suojaaminen - Sähköjohtot tulee reitittää siten, että niiden päälle ei todennäköisesti astuta, eivätkä ne jää puristuksiin muiden esineiden alle tai väliin. Erityistä huomiota on kiinnitettävä virtajohtoihin, jakorasioihin ja laitteen liitäntäkohtiin.
12. Puhdistaminen - Laite tulee puhdistaa vain valmistajan suosittelemilla tavoilla.
13. Laite ei ole käytössä - Irrota laitteen pistoke pistorasiasta, jos laitetta ei käytetä pitkään aikaan.
14. Esineet ja nesteet - On huolehdittava siitä, että esineitä ei putoa eikä nesteitä valu tuotteen kotelossa olevien aukkojen läpi.
15. Huoltoa vaativat vauriot - Irrota laite pistorasiasta ja vie se valtuutettuun huoltoon seuraavissa tilanteissa.
  - a) Jos virtajohto tai pistoke on vahingoittunut.
  - b) Jos nestettä on läikkyntä tai esineitä on pudonnut tuotteen sisään.
  - c) Jos tuote on altistunut sateelle tai vedelle.
  - d) Jos tuote ei toimi, vaikka sitä käytetään käyttöohjeen mukaisesti.

Suorita ainaostaan käyttöohjeissa mainitut säädöt, sillä väärin suoritettut muut säädöt voivat vaurioittaa koneen normaalia toimintaa.
  - e) Jos tuote on pudonnut tai vahingoittunut jollakin tavalla.
  - f) Selvä muutos laitteen suorituskyvyssä on osoitus huollon tarpeesta.

16. Huolto - Käyttäjän ei tule pyrkiä huoltamaan tuotetta enempää kuin käyttöohjeessa on kuvattu. Kaikki muu huolto tulee jättää valtuutetulle huoltoliikkeelle.
17. Sähkölinjat - Ulkoantennijärjestelmää ei saa sijoittaa lähelle ilmajohtoja tai muita valo- tai virtapiirejä tai paikkoihin, joissa se voi pudota tällaisiin voimalinjoihin tai piireihin. Kun asennat ulkoantennia, noudata äärimmäistä varovaisuutta, jotta et koske sähkölinjoihin tai piireihin, koska se voi olla kohtalokasta.
18. Jos ulkopuolinen antenni on kytketty vastaanottimeen, varmista, että antenni on maadoitettu, jotta saadaan suojaa jännitepiikkejä ja staattisia purkautumisia vastaan. Kohta 810 kansallisissa sähkökoodeissa ANSI/NEFA 70 antaa tietoja antennin ja tukirakennelman oikeanlaisesta maadoittamisesta, maadoitusjohdosta, antennin purkautumisyksikön sijainnista, maadoituselektrodien koosta ja maadoituselektrodia koskevista vaatimuksista (katso kuva).
19. Puhdistus - Irrota tuote pistorasiasta ennen puhdistusta. Älä käytä nestemäisiä puhdistusaineita tai aerosoleja. Käytä puhdistamiseen kosteaa liinaa.
20. Ukkonen - Lisätäkseen laitteen turvallisuutta ukkosmyrskyn aikana, tai kun laite jätetään valvomatta pitkäksi aikaa, irrota laite pistorasiasta ja irrota antenni- tai kaapelijärjestelmä. Tämä estää laitteen vahingoittumisen salamoinnin tai virtapiikkien seurauksena.
21. Turvallisuustarkastus - Jos laite viedään huollettavaksi tai korjattavaksi, pyydä asentajaa suorittamaan turvallisuustarkastus, jotta varmistetaan, että laite on asianmukaisessa toimintakunnossa.
22. Ylikuormitus - Älä ylikuormita pistorasioita, jatkojohtoja tai jakorasioita välttääksesi tulipalon tai sähköiskun vaaran. provides information with respect to proper grounding of the mast and supporting structure, grounding conductress, location of antenna-discharge unit, size of grounding electrodes, and requirements for the grounding electrode (see figure).

### ESIMERKKI ANTENNIN MAADOITUKSESTA KANSALLISTEN SÄHKÖÖN LIITTYVIEN MÄÄRÄYSTEN MUKAISESTI



#### NEC KANSALLINEN SÄHKÖKODIO

Älä käytä öljyä tai öljytuotteita tähän tuotteeseen.

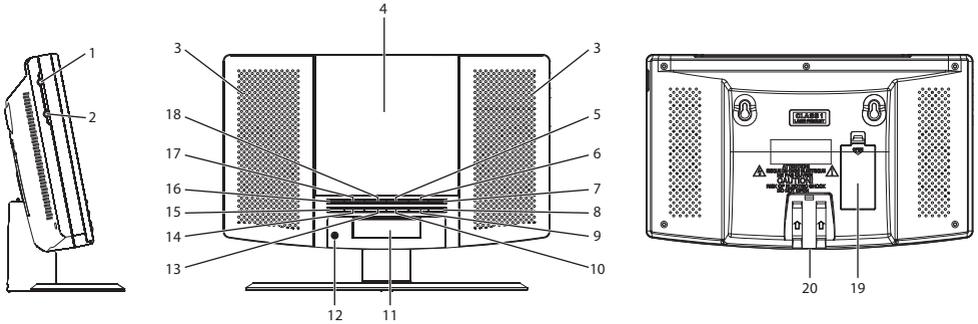
## VAROITUS

Näkymättömiä lasersäteitä pääsee ulos, kun tuote on auki ja lukitukset on avattu. Älä avaa turvalukkoja.

GRAAFISET SYMBOLISET LISÄMERKINNÄT SIJAITSEVAT LAITTEEN POHJASSA.

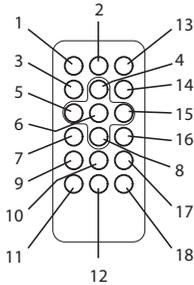
SÄÄTMIEN KÄYTÖN TAI TOIMINTAPOJEN SÄÄTÄMINEN VOI AIHEUTTAA ALTISTUMISEN VAARALLISELLE SÄTEILYLLE.

## SÄÄTIMIEN SIJAINTI



1. Aux in -liitäntä
2. Kuulokeliitäntä
3. Kaiutin
4. CD-luukku
5. ►► -painike
6. ■ painike
7. ►/|| painike
8. Valmiustilapainike
9. Toimintopainike
10. Herätyksen asetuspainike
11. LCD-näyttö
12. IR
13. Vol+ painike
14. Vol- painike
15. M- painike
16. M+ painike
17. Ohj/Ajan asetuspainike
18. ◀◀ -painike
19. Paristolokero
20. DC-liitäntä

## KAUKOSÄÄDIN



1. Valmiustilapainike
2. Toimintopainike
3. Pysäytyspainike
4. Volume + painike
5. Ed/Tuntipainike
6. Toisto-/taukopainike
7. M-DN-painike
8. Volume - painike
9. Herätyspainike
10. Muistipainike
11. Aikapainike
12. Torkkupainike
13. Mykistyspainike
14. Tilapainike
15. Seur/Min-painike
16. M-YLÖS-painike
17. Ohj.painike
18. Lepopainike

## Laitteen virtälähde

Tämä laite on suunniteltu toimimaan AC/DC-verkkolaitteella.

Käyttö AC/DC-verkkolaitteella.

Työnnä pieni pistoke verkkolaitteen DC-liitäntään.

Työnnä AC/DC -verkkolaite mihin tahansa sopivaan AC~100-240V 50/60Hz pistorasiaan pystytai vaakasuunnassa.

## **LAITTEEN ASENTAMINEN SEINÄLLE**

1. Laitteen takana on kaksi seinäkiinnitysreikää, työnnä teline merkinnän mukaisesti laitteen telinekanavaan ennen laitteen asentamista.
2. Varmista, että haluamasi seinäasennus kantaa 5 kg laitteen, jos aiot laittaa tämän kehyksen seinälle. Kysy neuvoa paikalliselta laitteistoasiantuntijalta.
3. Varmista, että seinällä on kaksi tappia tai naulaa, joiden etäisyys on sama kuin tuotteessa olevien reikien.
4. Varmista, että tapit tai naulat kantavat vähintään 6 kg painon.

## **AJAN ASETTAMINEN**

1. Paina ja pidä STANDBY OFF -tilassa PROG/TIME SET -painiketta.
2. Paina **⏪** -painiketta haluamasi tunnin asettamiseksi.
3. Paina **⏩** -painiketta haluamiesi minuuttien asettamiseksi.
4. Kun haluttu aika on asetettu, vahvista painamalla PROG/TIME SET -painiketta.

## **HERÄÄMINEN SUMMERIÄÄNEEN (AL 1):**

- a. Pidä laite valmiustilassa.
- b. Paina ALARM SET -painiketta, “🔔 1”-kuvake vilkkuu näytössä, paina ja pidä ALARM SET -painiketta uudelleen, herätysaika vilkkuu näytössä.
- c. Paina **⏪** -painiketta haluamasi herätystunnin asettamiseksi.
- d. Paina **⏩** -painiketta haluamiesi herätysminuuttien asettamiseksi.
- e. Summeri soi asetettuna herätysaikana.

## **HERÄÄMINEN RADIOON:**

- a. Pidä laite valmiustilassa.
- b. Kosketa ALARM SET -painiketta, “🔔 1”-kuvake vilkkuu näytössä, paina ja pidä ALARM SET -painiketta uudelleen, herätysaika vilkkuu näytössä.
- c. Paina FUNCTION-painiketta ja valitse “FM”-kuvake.
- d. Paina **⏪** -painiketta haluamasi herätystunnin asettamiseksi.
- e. Paina **⏩** -painiketta haluamiesi herätysminuuttien asettamiseksi.
- f. Radio käynnistyy, kun herätysaika saavutetaan.

## **HERÄÄMINEN CD-TOISTOON:**

- a. Pidä laite valmiustilassa.
  - b. Paina ALARM SET -painiketta, “🔔 1”-kuvake vilkkuu näytössä, paina ja pidä ALARM SET -painiketta uudelleen, herätysaika vilkkuu näytössä.
  - c. Paina FUNCTION-painiketta ja valitse “CD”-kuvake.
  - d. Paina **⏪** -painiketta haluamasi herätystunnin asettamiseksi.
  - e. Paina **⏩** -painiketta haluamiesi herätysminuuttien asettamiseksi.
  - f. CD toistaa asetettuna herätysaikana.
- Huomaa: Varmista, että levy on valmiina CD:n lokerossa.

AL2-asetus on sama kuin AL1-asetus.

## **HERÄTYKSEN SAMMUTTAMINEN:**

Kun herätys soi, sammuta herätys painamalla STANDBY-painiketta, herätys toistuu seuraavana päivänä.

## **HERÄTYKSEN SAMMUTTAMINEN**

Herätystilan peruuttaminen:

Paina “STANDBY OFF”-tilassa ALARM SET -painiketta herätystoiminnon sammuttamiseksi. (kunnes herätyskuvake “🔔” häviää LCD-näytöstä).

## **ÄÄNENVOIMAKKUUDEN SÄÄTÄMINEN**

- Lisää äänenvoimakkuutta painamalla VOL+ painiketta.
- Vähennä äänenvoimakkuutta painamalla VOL- painiketta.

## **RADIO-TOIMINTO**

1. Käynnistä laite painamalla STANDBY-painiketta.
2. Saat RADIO-toiminnon painamalla FUNCTION-painiketta.
3. Radion painikkeiden käyttäminen
  - i. Manuaalinen virittäminen  
Paina ◀◀ tai ▶▶ -painiketta haluamasi taajuuden hakemiseksi. Korkeamman taajuuden voi valita painamalla ▶▶ -painiketta ja matalamman taajuuden voi valita painamalla ◀◀ -painiketta.
  - ii. Automaattinen viritys
    - a) Paina & pidä ◀◀ tai ▶▶ -painiketta kunnes taajuusnäyttö alkaa juosta.
    - b) Kun riittävän voimakas asema löytyy, haku pysähtyy tai voit pysäyttää automaattisen asemavirityksen painamalla ◀◀ tai ▶▶ -painiketta.
4. Voit sulkea radion, painamalla STANDBY-painiketta.

## **PIKAVALINNAT**

1. Valitse haluamasi asema normaalilla viritysmenettelyllä.
2. Paina MEMORY-painiketta kaukosäätimessä, "P-01" ilmestyy ja vilkkuu näytössä, käytä M-YLÖS tai M-ALAS- painiketta kaukosäätimessä tai paina M+/M- painiketta laitteessa aseman tallennusnumeron vaihtamiseksi. (P01 - P20) numerot, joilla asemia voi tallentaa. (P01 - P20)
3. Säilytä nykyinen taajuus painamalla MEMORY-painiketta kaukosäätimessä uudelleen, kunnes saat haluamasi numeron.
4. Toista samat toimenpiteet muiden haluamiesi taajuuksien tallentamiseksi muistipaikkoihin 1–20.

Huomaa: Laitteeseen voidaan esiasettaa enintään 20 asemaa.

## **MUISTISTA PALAUTUS**

Hae tallennetut taajuudet painamalla M-YLÖS- tai M-ALAS- painiketta laitteessa tai paina M+/M- painiketta laitteessa valitaksesi haluamasi 1–20 asemasta.

HUOMAA: Taajuudet pysyvät muistissa vain niin kauan kuin laite on yhdistettynä verkkovirtaan. Tallennetut asemat menetetään eikä niitä voi hakea muistista, jos katkaiset virran.

## **CD-LEVYN KÄSITTELY**

- Suojaa levy naarmuilta, lialta, pölyltä jne. Jos levyä on käsitelty riittävän huolellisesti, levyn pyyhkiminen pehmeällä liinalla on ainoa hoito, mikä tarvitaan erinomaisen äänentoiston säilyttämiseksi. Levyt on säilytettävä alkuperäisissä koteloissaan, kun niitä ei käytetä.
- Käsittele levyä ainoastaan sen reunoista, älä kosketa pintaa tai sateenkaaren väristä puolta levystä.
- Käsittele levyä kuten tämän osion piirroksissa.
- Käytä pehmeää liinaa levyn puhdistamiseen. Älä käytä bentseeniä, tinneriä tai muita kemiallisia puhdistusaineita levyn puhdistamiseen, koska levy saattaa vahingoittua. Levy on aina pyyhittävä suorassa linjassa sen keskikohdasta sen reunaan. Älä koskaan pyyhi levyä pyörivin liikkein.
- Älä altista levyä suoralle auringonvalolle, kosteudelle tai korkeille lämpötiloille pitkäksi aikaa. Älä laita levyä muiden laitteiden päälle tai lähelle lämmönlähteitä.
- Pöly linssissä voi johtaa virheelliseen toimintaan ja keskeytykseen äänen toiston aikana. Voit puhdistaa linssin avaamalla levylokeron ja puhaltamalla pölyn pois. Käytä kameran linssin puhallinta (saatavilla useimmista kameraliikkeistä).
- Huomaa: Älä koske linssin pintaan. Älä päästä mitään nesteitä laitteen sisäpuolelle.
- Voit pyyhkiä CD-soittimen kotelon ulkopinnat käyttämällä pehmeää ja kosteaa liinaa.

- Älä koskaan käytä bentsolia, bentseeniä tai muita voimakkaita kemiallisia puhdistusaineita, sillä ne voivat vahingoittaa pintaa.

TEE:



ÄLÄ TEE:



## LEVYN (CD) TOISTAMINEN

**HUOMAA:** Älä koskaan kosketa laserlinssiä CD-lokeron sisällä. Puhdista laserin linssi CD-puhdistuslevyllä, jos se on likainen.

1. Käynnistä laite painamalla STANDBY-painiketta.
2. Saat CD-tilaan painamalla FUNCTION-painiketta.
3. Avaa CD-LUUKKU ja aseta CD-levy levykelkkaan tulostettu tekstipuoli ylöspäin.
4. Sulje CD-LUUKKU ja levy pyörii muutaman sekunnin ja sitten lopettaa.
5. Käytä ◀▶ tai ▶▶ -painiketta kappaleen valitsemiseen.
6. Paina ■ -painiketta aloittaaksesi toiston.
7. Paina ■ -painiketta uudelleen keskeyttääksesi toiston.
8. Paina STOP-painiketta lopettaaksesi toiston.

## SATUNNAINEN TOISTO

- Paina CD-pysäytystilassa MODE-painiketta kaukosäätimestä kunnes "RAND" ilmestyy LCD-näyttöön.
- Sen jälkeen laite toistaa satunnaisesti.

## TOISTOTOIMINTO

1. Paina kaukosäätimen MODE -painiketta kerran toiston aikana "⏮" -merkki ilmestyy LCD-näytölle. Sama kappale toistetaan uudelleen ja uudelleen
2. Paina kaukosäätimen MODE-painiketta toisen kerran toistaaksesi kaikki kappaleet. "⏮ ALL" -merkki näkyy LCD-näytöllä.
3. Peruuttaaksesi REPEAT PLAY, Paina kaukosäätimen MODE -painiketta toistuvasti, kunnes toistomerkki katoaa.

## TAAKSEPÄIN/ETEEPÄIN

1. CD Taaksepäin ◀▶ ja CD Eteenpäin ▶▶ painikkeita voidaan käyttää eri kappaleeseen siirtymiseen tai levykkeen kappaleiden nopeaan hakemiseen.
2. Paina CD Taaksepäin ◀▶ -painiketta kerran kuunnellaksesi nykyisen kappaleen alun. Paina sitä kaksi kertaa tai useammin kuunnellaksesi edelliset kappaleet levyltä.
3. Paina CD ▶▶ -painiketta kuunnellaksesi seuraavan raidan levyltä.
4. Paina ja pidä ◀▶ -painiketta, nykyinen raita haetaan ja siirrytään taaksepäin edelliseen raitaan; kun haluttu raita löytyy, vapauta painike ja normaali toisto palautuu.
5. Paina ja pidä ▶▶ -painiketta, nykyinen raita haetaan ja siirrytään eteenpäin seuraavaan raitaan; kun haluttu raita löytyy vapauta valittu painike ja normaali toisto palautuu.

## OHJELMOINTITOIMINTO

**Ohjelmointi-ominaisuutta voidaan käyttää enintään 20 raidan toistamiseen valitussa järjestyksessä.**

1. Paina Stop-tilassa (CD-levy ei ole soimassa), PROG/TIME SET -painiketta, LCD-näytössä näkyy teksti "PROGRAM 01" ja "PROGRAM 01" alkaa viikkua.
2. Paina ◀▶ tai ▶▶ -painiketta löytääksesi haluamasi raidan.
3. Valitse PROG/TIME SET -painikkeella ja tallenna raita muistiin.
4. Toistamalla vaihetta 2–3 voit valita enintään 20 raitaa.
5. Toista valitsemasi raidat (ohjelmatilassa) painamalla ▶/■ -painiketta. Raidan numero ja "PROGRAM" ilmestyvät LCD-näyttöön.

6. Paina ◀ -painiketta kuunnellaksesi edellisen tai paina ▶ -painiketta kuunnellaksesi seuraavan ohjelmaraidan.

**Huomaa:** Kun kaikki ohjelmoidut raidat toistettu, CD-soitin palautuu pysäytystilaan.

7. Voit poistaa ohjelmoidut kappaleet muistista painamalla STOP-näppäintä, kunnes "PROGRAM"-kuvake katosi.

### **AUX-TULOIITIN**

1. Käynnistä laite painamalla STANDBY-painiketta.
2. Kosketa FUNCTION-painiketta AUX.
3. Yhdistä AUX-liitäntäjohto lähtöliitännästä henkilökohtaisen soittimesi kuten kannettavan MP3-soittimen AUX-tuloliitännään.
4. Paina käynnistä henkilökohtaisesta soittimestasi.

### **KUULOKKEIDEN LIITIN**

Tämä laite hyväksyy stereokuulokkeet, joissa on  $\Phi$  3,5 mm pistoke. Ennen kuin kytket kuulokkeet aseta äänenvoimakkuus minimitasolle, jotta et vahingoita kuuloasi tai kuulokkeita.

Liitä kuulokkeet kuulokeliitännään. Kaiuttimet kytkeytyvät automaattisesti pois päältä.

Varoitus: Pitkäaikainen altistuminen kovalle äänenvoimakkuudelle saattavat vahingoittaa kuuloa pysyvästi. Et ehkä kuule varoitusääniä kuulokkeita käyttäessäsi.

### **TORKKUTOIMINTO**

Jos haluat torkkua muutaman minuutin, paina SNOOZE-painiketta kaukosäätimessä, jolloin herätys siirtyy noin 9 minuutilla eteenpäin.

**KAIKKI OIKEUDET PIDÄTETÄÄN, TEKIJÄNOIKEUS: DENVER ELECTRONICS A/S**

**DENVER®**

[www.denver-electronics.com](http://www.denver-electronics.com)



Sähkö- ja elektroniikkalaitteet sekä niissä käytettävät paristot sisältävät materiaaleja, komponentteja ja aineita, jotka voivat olla vahingollisia terveydelle ja ympäristölle, jos jätemateriaalia (pois heitettävät sähkö- ja elektroniikkalaitteet sekä paristot) ei käsitellä asianmukaisesti.

Sähkö- ja elektroniikkalaitteet sekä paristot on merkitty yliviivatun jätteastian symbolilla. Symboli kertoo, ettei sähkö- ja elektroniikkalaitteita tai paristoja saa hävittää kotitalousjätteen mukana vaan ne on hävitettävä erikseen.

On tärkeää, että loppukäyttäjänä viet käytetyt paristot oikeaan keräyspaikkaan. Tällä tavoin voit varmistaa, että paristot kierrätetään lain mukaan eivätkä ne vahingoita ympäristöä.

Kaikkiin kaupunkeihin on perustettu keräyspisteitä. Sähkö- ja elektroniikkalaitteet sekä paristot voi viedä itse ilmaiseksi pisteisiin tai ne voidaan kerätä suoraan kotoa. Lisätietoja saat kuntasi tekniseltä osastolta.

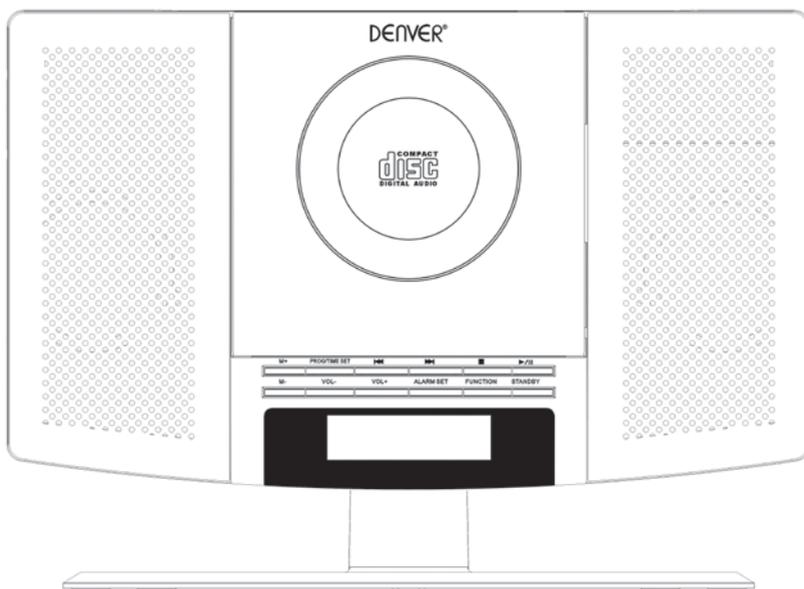
Kirjoita tyhjään tilaan tämän soittimen mallin numero

Maahantuojat:  
DENVER ELECTRONICS A/S  
Omega 5A, Soeften  
DK-8382 Hinnerup  
Tanska/Denmark  
[www.facebook.com/denverelectronics](http://www.facebook.com/denverelectronics)

# DENVER<sup>®</sup> ELECTRONICS

## LECTEUR CD AVEC RADIO-REVEIL PLL FM

MODÈLE MC5220



**AVANT D'UTILISER CE PRODUIT, IL FAUT LIRE, COMPRENDRE ET SUIVRE LES INSTRUCTIONS DU PRESENT MANUEL.**

Veillez à lire et à conserver cette notice pour toute référence ultérieure.

[www.facebook.com/denverelectronics](http://www.facebook.com/denverelectronics)

# CONSIGNES DE SECURITE

 <p>Le symbole de l'éclair à l'intérieur d'un triangle équilatéral, sert à avertir l'utilisateur de la présence dans le boîtier de l'appareil de pièces non isolées sous tension d'une intensité pouvant constituer un risque d'électrocution.</p>	<p style="text-align: center;"><b>ATTENTION</b></p> <p style="text-align: center;"><b>RISQUE DE CHOC ÉLECTRIQUE NE PAS OUVRIR</b></p> <p>ATTENTION : POUR RÉDUIRE LES RISQUES DE CHOC ÉLECTRIQUE, N'OUVREZ PAS LE COFFRET DE L'APPAREIL (NI LE PANNEAU ARRIÈRE). AUCUNE PIÈCE À L'INTÉRIEUR N'EST RÉPARABLE PAR L'UTILISATEUR. POUR TOUT PROBLÈME, APORTEZ VOTRE APPAREIL À UN CENTRE DE SERVICE COMPÉTENT.</p>	 <p>Le symbole du point d'exclamation, dans un triangle équilatéral, sert à avertir l'utilisateur que d'importantes consignes d'utilisation et d'entretien (localisation des défauts) sont fournies dans la documentation fournie avec l'appareil.</p>
---	---	---

**ATTENTION** : AFIN DE PREVENIR TOUT RISQUE D'ELECTROCUTION, INSEREZ A FOND LA LAME LA PLUS LARGE DE LA FICHE DANS LA FENTE LA PLUS LARGE DE LA PRISE.

**AVERTISSEMENT** : POUR REDUIRE TOUT RISQUE D'INCENDIE ET DE CHOC ELECTRIQUE, N'EXPOSEZ PAS CET APPAREIL A LA PLUIE OU A L'HUMIDITE.

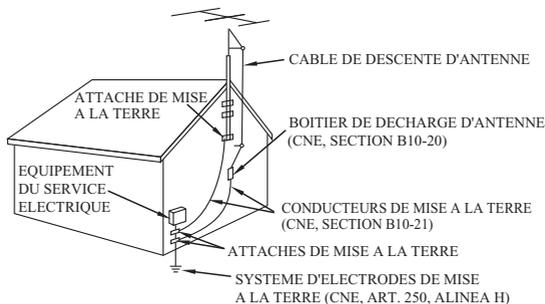
# CONSIGNES DE SECURITE

LES PRESENTES IMPORTANTES CONSIGNES DE SÉCURITÉ ETABLIES POUR CET APPAREIL SONT FOURNIES A L'UTILISATEUR AVEC LES INFORMATIONS DETAILLEES CI-DESSOUS

1. Lire le manuel - Avant d'utiliser cet appareil, veuillez lire l'ensemble des instructions concernant la sécurité et d'utilisation.
2. Conserver ce manuel - Les consignes de sécurité et d'utilisation doivent être conservées pour toute référence future.
3. Respecter les avertissements - Respectez tous les avertissements et toutes les instructions d'utilisation de l'appareil.
4. Suivre les instructions - Suivez toutes les instructions de fonctionnement et d'utilisation.
5. Eau et humidité - N'utilisez pas cet appareil à proximité de l'eau, c-à-d près d'une baignoire, lavabo, évier, piscine, cuve de lessive, dans un sous-sol humide ou près d'une piscine, etc.
6. Fixation murale ou au plafond - L'appareil ne doit pas être montée sur un mur ou au plafond.
7. Ventilation - L'appareil doit être placé de manière que son emplacement et sa position ne gênent pas sa propre ventilation. Par exemple, l'appareil ne doit pas être placé sur un lit, sofa, couverture et toute surface similaire qui peut bloquer les fentes de ventilation ; ou dans un endroit encastré, tel qu'une bibliothèque ou une armoire qui peuvent empêcher la circulation d'air par les fentes d'aération.
8. Chaleur - L'appareil doit être placé loin de toute source de chaleur telle que radiateur, bouche de chauffage, cuisinière et d'autres appareils (y compris des amplificateurs) qui produisent de la chaleur.
9. Sources d'alimentation - Cet appareil ne doit être branché qu'à une source d'alimentation de caractéristiques identiques à celles indiquées sur sa plaque signalétique. Consultez votre revendeur ou votre compagnie d'électricité si vous ignorez les caractéristiques de votre installation électrique. Reportez-vous au guide d'utilisation si votre appareil fonctionne avec des piles ou d'autres sources d'alimentation.
10. Mise à la terre et polarisation - Cet appareil peut être muni d'une fiche d'alimentation à courant alternatif polarisée (dont une lame est plus large que l'autre). Pour raison de de sécurité, cette fiche ne s'insère dans la prise de courant que dans un seul sens. S'il est impossible d'insérer complètement la fiche dans la prise, essayez dans l'autre sens. Si la fiche ne s'insère toujours pas, faites remplacer votre prise obsolète par un électricien. N'essayez pas de contourner la fonction de sécurité de cette fiche.
11. Protection des câbles électriques - Les câbles électriques doivent être disposés de manière à ce qu'ils ne soient pas piétinés ou écrasés par les objets placés dessus ou contre eux, tout en faisant particulièrement attention aux fiches, prises et à leurs sorties de l'appareil.
12. Nettoyage - L'appareil doit être nettoyé uniquement selon les recommandations du fabricant.
13. Périodes de non utilisation - Débranchez l'appareil du secteur s'il ne va pas être utilisé endant une longue période.
14. Introduction d'objets et de liquides - Aucun objet ni liquide ne doit être introduit par les fentes et ouvertures du boîtier de l'appareil.
15. Dommage nécessitant une intervention - Débranchez l'appareil de la prise secteur et le confier à un technicien qualifié dans les conditions suivantes :
  - a) Lorsque le cordon d'alimentation ou sa fiche est endommagée.

- b) Lorsqu'un liquide a été renversé sur l'appareil ou des objets se sont introduits à l'intérieur.
  - c) Lorsque l'appareil a été exposé à la pluie ou à l'eau.
  - d) Si l'appareil ne fonctionne pas normalement même en respectant le guide d'utilisation.  
L'utilisateur doit se limiter aux réglages indiqués dans le guide d'utilisation, car tout autre réglage non approprié peut gêner le fonctionnement normal de l'appareil.
  - e) Si l'appareil est tombé ou a été endommagé d'une manière ou d'une autre.
  - f) Dès que l'appareil montre des signes de dégradation de performance, il faut le faire réparer.
16. Entretien - L'entretien de l'appareil par l'utilisateur doit se limiter aux opérations décrites dans le guide d'utilisation. Toute réparation doit être effectuée par un technicien qualifié.
  17. Lignes électriques - Un système d'antennes extérieur ne doit pas être installé à proximité ou au dessus de lignes électriques, circuits d'éclairage, circuits électriques ou dans un endroit où il pourrait tomber sur de tels circuits ou lignes. Lors de l'installation d'un système d'antennes extérieur, d'extrêmes précautions doivent être prises pour éviter de toucher ces lignes ou circuits électriques car tout contact peut être mortel.
  18. Si une antenne extérieure est raccordée au récepteur, assurez-vous que le système d'antennes est mis à la terre afin d'assurer une certaine protection contre les surtensions et les charges statiques. L'article 810 du Code National d'Electricité, ANSI/NEFA n° 70, fournit des directives relatives à la mise à la terre appropriée du pylône et de la structure support, les conducteurs de mise à la terre, l'emplacement du boîtier de décharge de l'antenne, la taille des électrodes de terre et les exigences y afférentes (voir figure).
  19. Nettoyage - Débranchez toujours l'appareil de la prise secteur avant de le nettoyer. N'utilisez pas de détergents liquides ou en spray. Nettoyez avec un chiffon humide.
  20. Foudre - Par mesure de protection supplémentaire, lors d'orages ou de longues périodes d'inutilisation, débranchez l'appareil de la prise secteur ainsi que l'antenne ou le système de câblodistribution. Cette mesure permet de protéger l'appareil de la foudre et des surtensions des lignes électriques.
  21. Contrôle de sécurité - Suite à tout entretien et toute réparation, demandez au technicien en entretien et en réparation de procéder à un contrôle de sécurité afin de s'assurer que l'appareil est en bon état de fonctionnement.
  22. Surcharge - Evitez de surcharger les prises secteur, les rallonges électriques et les prises auxiliaires intégrées à l'appareil car cela peut provoquer un incendie ou un choc électrique.

**EXEMPLE DE MISE A LA TERRE D'UNE ANTENNE SELON LE CODE NATIONAL DE L'ELECTRICITE**



**CNE - CODE NATIONAL D'ELECTRICITE**

**N'appliquez aucune huile ni produit pétrolier sur ce produit.**

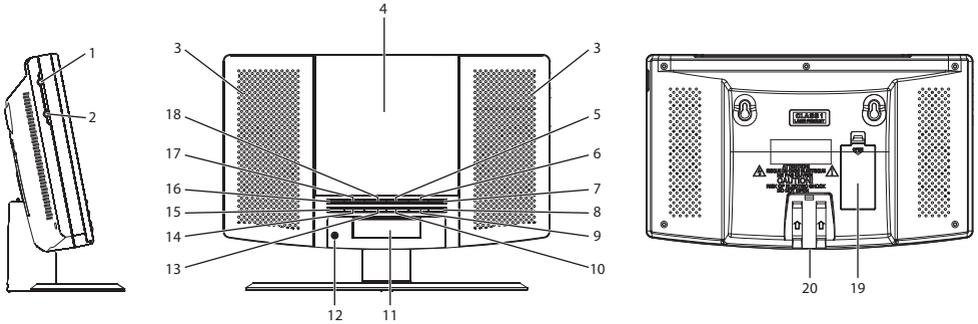
## ATTENTION

IRayonnement laser invisible si l'appareil est ouvert ou mal fermé. Ne modifiez pas le système de verrouillage de sécurité.

DES SYMBOLES GRAPHIQUES AVEC DES INSCRIPTIONS SUPPLÉMENTAIRES SE TROUVENT EN DESSOUS DE L'APPAREIL.

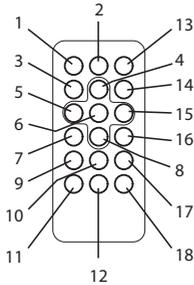
L'UTILISATION DE COMMANDES, REGLAGES OU MANIPULATIONS AUTRES QUE CELLES SPECIFIEES DANS CE MANUEL RISQUE D'EXPOSER L'USAGER A UN RAYONNEMENT DANGEREUX.

## EMPLACEMENT DES TOUCHES DE COMMANDE



- |                                   |                                    |
|-----------------------------------|------------------------------------|
| 1. Prise Entrée auxiliaire        | 11. Écran LCD                      |
| 2. Sortie casque                  | 12. IR                             |
| 3. Haut-parleur                   | 13. Touche Vol+                    |
| 4. Clapet CD                      | 14. Touche Vol-                    |
| 5. Touche ( ►► )                  | 15. Touche M-                      |
| 6. Touche ( ■ )                   | 16. Touche M+                      |
| 7. Touche ( ►   )                 | 17. Touche Prog/réglage de l'heure |
| 8. Touche Veille                  | 18. Touche ( ◀◀ )                  |
| 9. Touche Fonction                | 19. Logement pour piles            |
| 10. Touche de réglage de l'alarme | 20. Prise CC                       |

## TÉLÉCOMMANDE



- |  |
|--|
| 1. Touche Veille                             |
| 2. Touche Fonction                           |
| 3. Touche Stop                               |
| 4. Touche volume +                           |
| 5. Touche précédent/Heure                    |
| 6. Touche Lecture/Pause                      |
| 7. Touche M-Bas                              |
| 8. Touche Volume -                           |
| 9. Touche alarme                             |
| 10. Touche Mémoire                           |
| 11. Touche Heure                             |
| 12. Répétition d'alarme                      |
| 13. Touche Couper le son                     |
| 14. Touche Mode                              |
| 15. Touche Suivant/minutes                   |
| 16. Touche M-Haut                            |
| 17. Touche Prog                              |
| 18. Touche mise en veille programmée (sleep) |

## Alimentation de l'appareil

Cette unité est conçue pour fonctionner avec un adaptateur CA/CC.

Fonctionnement avec un adaptateur secteur.

Insérez la petite fiche de l'adaptateur secteur dans la prise CC.

Insérez l'adaptateur dans prise secteur CA~100-240V 50/60Hz dans le sens vertical ou horizontal.

## **MONTAGE MURAL**

1. Il y a deux trous de montage mural à l'arrière de l'appareil, avant de l'installer remontez le socle en ramenant le repère de celui-ci jusqu'à la rainure située sur l'appareil.
2. Avant d'accrochez le panneau au mur, assurez-vous que ce dernier peut supporter un poids de 5 kg. Demandez conseil à un professionnel.
3. Assurez-vous d'avoir deux ergots ou clous sur les parois avec la même distance que celle entre les trous de l'appareil.
4. Assurez-vous que ces ergots ou clous peuvent supporter au moins 6 kg.

## **REGLAGE DE L'HORLOGE**

1. En mode STANDBY OFF, maintenez la touche PROG/TIME SET appuyée.
2. Appuyez sur la touche ◀◀ pour régler l'heure de votre choix.
3. Appuyez sur la touche ▶▶ pour régler les minutes de votre choix.
4. Une fois que l'heure souhaitée est réglée, appuyez sur la touche PROG/TIME SET pour confirmer

## **REVEIL SUR LA SONNERIE (AL 1) :**

- a. L'appareil étant en mode veille.
- b. Appuyez sur la touche ALARM SET, « 🛎 1 » une icône clignotera sur l'écran, puis tenez la touche ALARM SET appuyée de nouveau, l'heure de l'alarme clignotera sur l'écran.
- c. Appuyez sur la touche ◀◀ pour régler l'heure de l'alarme de votre choix.
- d. Appuyez sur la touche ▶▶ pour régler les minutes de l'alarme de votre choix.
- e. La sonnerie se déclenche lorsque l'heure de l'alarme arrive.

## **REVEIL A LA RADIO :**

- a. L'appareil étant en mode veille.
- b. Appuyez sur la touche ALARM SET, « 🛎 1 » une icône clignotera sur l'écran, puis tenez la touche ALARM SET appuyée de nouveau, l'heure de l'alarme clignotera sur l'écran.
- c. Appuyez sur la touche Fonction pour sélectionner l'icône « FM ».
- d. Appuyez sur la touche ◀◀ pour régler l'heure de l'alarme de votre choix.
- e. Appuyez sur la touche ▶▶ pour régler les minutes de l'alarme de votre choix.
- f. La radio s'allume lorsque l'heure de l'alarme arrive.

## **REVEIL AU LECTEUR CD :**

- a. L'appareil étant en mode veille.
- b. Appuyez sur la touche ALARM SET, « 🛎 1 » une icône clignotera sur l'écran, puis tenez la touche ALARM SET appuyée de nouveau, l'heure de l'alarme clignotera sur l'écran.
- c. Appuyez sur la touche Fonction pour sélectionner l'icône « CD ».
- d. Appuyez sur la touche ◀◀ pour régler l'heure de l'alarme de votre choix.
- e. Appuyez sur la touche ▶▶ pour régler les minutes de l'alarme de votre choix.
- f. Le lecteur CD s'allume lorsque l'heure de l'alarme arrive.

**Remarque :** Veillez à ce qu'un disque soit déjà placé dans le plateau à CD.

Le réglage d'alarme 2 est le même qu'alarme 1.

## **ARRETER L'ALARME :**

Lorsque l'alarme se déclenche, appuyez sur la touche STANDBY pour l'arrêter ; l'alarme se déclenche le jour suivant.

## **COMMENT DESACTIVER L'ALARME**

Pour annuler le mode d'alarme :

En mode « STANDBY OFF », appuyez sur la touche ALARM SET pour éteindre la fonction alarme. (L'icône d'alarme 🛎 disparaît de l'écran LCD).

## **REGLAGE DU VOLUME**

- Appuyez sur la touche VOL+ pour augmenter le volume.
- Appuyez sur la touche VOL- pour baisser le volume.

## **UTILISATION DE LA RADIO**

1. Appuyez sur la touche STANDBY pour allumer l'appareil.
2. Appuyez sur la touche FUNCTION pour sélectionner la radio.
3. Comment utiliser les touches de la radio
  - i. Recherche manuelle  
Appuyez sur la touche ◀◀ ou ▶▶ pour rechercher la fréquence de votre choix. Les fréquences hautes peuvent être sélectionnées en appuyant sur la touche ▶▶ alors que les fréquences basses peuvent être sélectionnées en appuyant sur la touche ◀◀
  - ii. Recherche automatique
    - a) Tenez la touche ◀◀ ou ▶▶ appuyée jusqu'à ce que la fréquence affichée commence à défiler
    - b) Lorsqu'une station de force suffisante a été détectée, la recherche s'arrêtera ou vous pouvez arrêter la recherche automatique en appuyant sur la touche ◀◀ ou ▶▶.
4. Appuyez sur la touche STANDBY pour éteindre la radio.

## **PREREGLAGÉ**

1. Sélectionnez une station selon la procédure de réglage normal.
2. Appuyez sur la touche MEMORY sur la télécommande, « P-01 » apparaîtra en clignotant sur l'écran, alors utilisez la touche M-Haut ou M-Bas sur la télécommande ou appuyez sur la touche M+/ M- sur l'unité pour changer le numéro sur lequel la station sera enregistrée. (P01 à P20)
3. Appuyez à nouveau sur la touche MEMORY de la télécommande pour mémoriser la fréquence dans la position souhaitée.
4. Répétez la même procédure pour régler les autres fréquences de votre choix sur les espaces de mémoire 1 à 20.

Remarque : L'appareil peut mémoriser jusqu'à 20 stations.

## **RAPPEL DE STATION MEMORISEE**

Rappelez les fréquences enregistrées en appuyant sur la touche M-Haut ou M-Bas sur la télécommande, ou sur les touches M+/M- sur l'unité pour choisir la stations 1 à 20 de votre choix  
REMARQUE : Les stations mémorisées sont conservées tant que l'appareil est alimenté. Les stations que vous enregistrez seront perdues et ne pourront être rappelées si vous coupez l'alimentation.

## **MANIPULATION DES DISQUES COMPACTS**

- Il faut toujours protéger les disques contre les rayures, saleté, poussière, etc. Si un disque est manipulé de façon appropriée, l'essuyer avec un chiffon doux serait le seul entretien nécessaire pour assurer une excellente reproduction sonore. Les disques doivent être rangés dans leur étui d'origine lorsqu'ils ne sont pas utilisés.
- Ne manipulez les disques que par leurs bords, ne touchez pas la surface aux couleurs de l'arc-en-ciel
- Manipulez le disque comme indiqué dans les illustrations de cette section
- Utilisez un chiffon doux pour essuyer un disque. N'utilisez pas de benzène, diluants ou d'autres produits chimiques pour nettoyer un disque, car il peut en être endommagé. Un disque doit toujours être essuyé, en ligne droite du centre vers l'extérieur. N'essuyez jamais un disque en effectuant des mouvements circulaires.
- N'exposez pas les disques aux rayons directs du soleil, à des températures ou taux d'humidité élevés durant de longues périodes. Ne mettez pas un disque au dessus d'un autre appareil ou à proximité d'une source de chaleur.

- Une lentille couverte de poussière peut entraîner un dysfonctionnement et l'arrêt de la lecture. Pour nettoyer la lentille de lecture, ouvrez le compartiment à disque et souffler pour enlever la poussière. Vous pouvez utiliser un souffleur pour objectif d'appareil photo (disponible dans la plus part des magasins de vente d'appareils photos)
- Remarque : Ne pas toucher la face de la lentille. Ne laissez pas de liquides pénétrer à l'intérieur de l'appareil.
- Pour nettoyer le boîtier du lecteur CD, utilisez un linge doux et humide pour essuyer la surface extérieure.
- N'utilisez jamais de benzol, benzène ou d'autres produits chimiques forts, car ils peuvent endommager la finition.

A FAIRE :



NE PAS :



## LECTURE D'UN DISQUE COMPACT (CD)

**REMARQUE :** Ne touchez jamais la lentille laser à l'intérieur du compartiment à CD. Si la lentille laser devient sale, la nettoyer avec un disque de nettoyage pour CD.

1. Appuyez sur la touche STANDBY pour allumer l'appareil.
2. Appuyez sur la touche FONCTION pour sélectionner le mode CD.
3. Ouvrez la porte du CD et insérez un CD dans le tiroir avec la face imprimée orientée vers le haut.
4. Le disque se met à tourner pendant quelques secondes, puis s'arrête dès que la porte du CD est fermée.
5. Utilisez les touches ◀◀ ou ▶▶ pour choisir une piste
6. Appuyez sur la touche ▶▶ pour commencer la lecture
7. Appuyez sur la touche ▶▶ de nouveau pour mettre la lecture en pause.
8. Appuyez sur la touche STOP pour arrêter la lecture.

## LECTURE ALÉATOIRE

- En mode CD arrêté, appuyez sur la touche MODE sur la télécommande, jusqu'à ce que « RAND » apparaisse sur l'écran LCD.
- Vous pouvez ainsi lire les pistes de façon aléatoires.

## FONCTION REPETITION

1. Appuyez sur la touche MODE une fois pendant la lecture, le signe « ↻ » apparait sur l'écran LCD. La piste sera répétée indéfiniment.
2. Appuyez sur la touche MODE sur la télécommande une deuxième fois pour répéter toutes les pistes. Le « ↻ ALL » sera affiché sur l'écran LCD.
3. Pour annuler la lecture répétée, appuyez sur la touche MODE sur la télécommande à plusieurs reprises jusqu'à ce que tous les symboles disparaissent.

## Saut ARRIERE/AVANT

1. Les touches CD arrière ◀◀ et CD avant ▶▶ vous permettent de passer à un numéro de piste différent ou de rechercher dans les pistes à haute vitesse.
2. Appuyez sur la touche CD Arrière ◀◀ une fois pour écouter la piste en cours depuis le début. Appuyez dessus deux ou plusieurs fois pour écouter les pistes précédentes du disque.
3. Appuyez sur la touche CD Avant ▶▶ pour écouter la piste suivante sur le disque.
4. Tenez la touche ◀◀ appuyée, une recherche sera faite dans la piste en cours et reviendra à la piste précédente; lorsque la section de piste de votre choix est détectée, relâchez la touche et la lecture normale reprendra.
5. Tenez la touche ▶▶ appuyée, une recherche sera faite dans la piste en cours et passera à la piste suivante lorsque la section de piste de votre choix est détectée, relâchez la touche et la lecture normale reprendra.

## **FONCTION PROGRAMME**

**La fonction Programme peut être utilisée pour programmer jusqu'à 20 pistes à lire dans un ordre donné.**

1. En mode CD à l'arrêt uniquement (le CD n'est pas en cours de lecture), appuyez sur la touche PROG/Réglage de l'heure, l'écran LCD affichera « PROGRAM 1 » qui commencera à clignoter.
2. Appuyez sur la touche ◀ ou ▶ pour allouer la piste de votre choix.
3. Appuyez sur la touche PROG/TIME SET pour sélectionner une piste et la mémoriser.
4. Répétez les étapes 2 et 3 pour sélectionner jusqu'à 20 pistes.
5. Pour lire les pistes sélectionnées (en mode programme), appuyez sur la touche ▶/II. Le numéro de piste, ainsi que « PROGRAM » apparaîtront sur l'écran.
6. Appuyez sur la touche ◀ pour écouter la piste précédente ou appuyez sur la touche ▶ pour écouter la piste programmée suivante.

**Remarque :** Lorsque toutes les pistes programmées sont lues, le lecteur CD retourne au mode arrêt.

7. Pour effacer toutes les pistes programmées de la mémoire, appuyez sur la touche STOP jusqu'à ce que l'icône « PROGRAM » disparaisse.

## **PRISE D'ENTREE AUXILIAIRE**

1. Appuyez sur la touche STANDBY pour allumer l'appareil.
2. Appuyez sur la touche FUNCTION pour passer en mode Auxiliaire.
3. Connectez le fil de connexion AUX de la prise de sortie de votre lecteur personnel, tel que lecteur MP3 portable, à la prise d'entrée auxiliaire AUX.
4. La lecture démarre sur votre lecteur personnel.

## **PRISE CASQUE**

Vous pouvez utiliser avec cet appareil un casque stéréo doté d'une fiche 3,5 mm. Avant de brancher le casque réglez le volume au niveau minimum pour ne pas endommager vos oreilles et les écouteurs. Connectez le casque à la sortie casque de l'appareil. Les haut-parleurs seront automatiquement désactivés.

Avertissement : Une exposition prolongée à des niveaux sonores élevés peut entraîner une détérioration permanente de l'ouïe. Vous ne pouvez pas entendre certains avertisseurs sonores lorsque vous portez un casque.

## **FONCTION SNOOZE**

Si vous souhaitez dormir quelques minutes de plus, appuyez sur la touche SNOOZE sur la télécommande permettra de désactiver le son pendant environ 9 minutes.

DENVER®  
www.denver-electronics.com



Les appareils électriques et électroniques et les batteries contiennent des matériaux, composants et substances qui peuvent nuire à votre santé et à l'environnement si ces déchets ne sont pas traités de façon appropriée.

L'équipement électrique et électronique et les piles sont identifiés par le symbole de poubelle avec une croix (voir ci-dessus). Ce symbole indique que les appareils électriques et électroniques et les batteries doivent être collectés et jetés séparément des ordures ménagères.

En tant qu'utilisateur final, il est important que vous jetiez les batteries usagées dans des centres de collecte appropriés. En mettant en rebus les batteries pour être recyclées conformément à la réglementation vous contribuez à préserver l'environnement.

Dans toutes les villes existent des points de collecte où les appareils électriques et électroniques et les batteries peuvent y être déposés sans frais pour le recyclage. Vous pouvez obtenir des informations supplémentaires auprès des autorités locales de la ville.

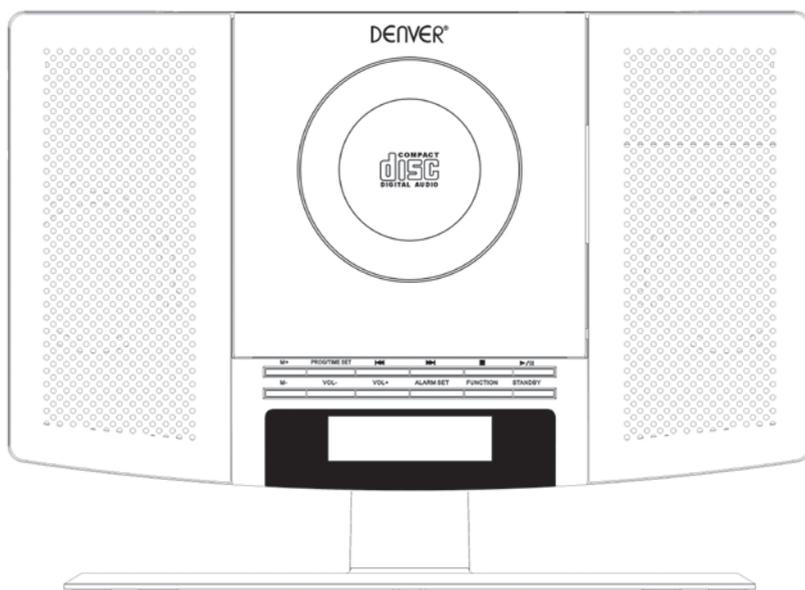
Écrivez le numéro de votre modèle dans la zone blanche pour référence ultérieure

Importateur :  
DENVER ELECTRONICS A/S  
Omega 5A, Soeften  
DK-8382 Hinnerup  
Danemark  
[www.facebook.com/denverelectronics](http://www.facebook.com/denverelectronics)

# DENVER<sup>®</sup> ELECTRONICS

## CD-PLAYER MIT UKW PLL RADIO UND ALARM

MODELL MC5220



**VOR DER INBETRIEBNAHME DES GERÄTS LESEN UND BEFOLGEN SIE BITTE DIESE ANLEITUNGEN.**

Bitte bewahren Sie die Bedienungsanleitung für späteres Nachschlagen auf.

[www.facebook.com/denverelectronics](http://www.facebook.com/denverelectronics)

# SICHERHEITSHINWEISE

 <p>Der Blitz mit Pfeilspitze im gleichseitigen Dreieck soll den Benutzer vor nicht isolierter gefährlicher Spannung im Gehäuse des Geräts warnen, die so hoch ist, dass die Gefahr von Stromschlägen besteht.</p>	<p style="text-align: center;"><b>CAUTION</b></p> <p style="text-align: center;"><b>RISK OF ELECTRIC SHOCK DO NOT OPEN</b></p> <p>VORSICHT: UM DIE STROMSCHLAGGEFAHR ZU VERMINDERN, DIE ABDECKUNG (ODER RÜCKSEITE) NICHT ABNEHMEN. ES BEFINDEN SICH KEINE VOM BENUTZER ZU WARTENDE TEILE IM INNEREN. REPARATUR UND WARTUNG NUR DURCH FACHPERSONAL.</p>	 <p>Das Ausrufezeichen im gleichseitigen Dreieck soll den Benutzer auf wichtige Gebrauchs- und Wartungsanleitungen in der Begleitliteratur des Geräts hinweisen.</p>
---	--	---

**VORSICHT:** UM DIE STROMSCHLAGGEFAHR ZU VERMEIDEN, DEN BREITEN STIFT DES STECKERS VOLLSTÄNDIG IN DEN BREITEN SCHLITZ STECKEN.

**WARNUNG:** UM DIE STROMSCHLAGGEFAHR ZU VERMEIDEN, DAS GERÄT VOR REGEN ODER FEUCHTIGKEIT SCHÜTZEN.

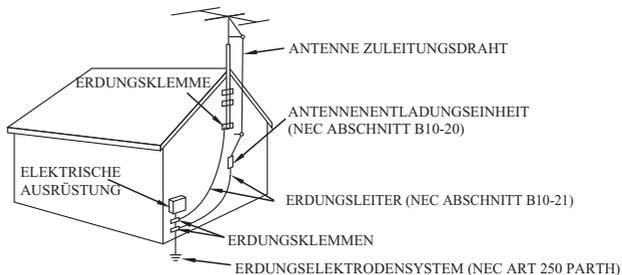
# SICHERHEITSHINWEISE

DIESE WICHTIGEN SICHERHEISHINWEISE FÜR DEN BENUTZER ENTHALTEN DIE NACHFOLGENDEN, AUF DAS GERÄT ZUTREFFENDE INFORMATIONEN

1. Anleitungen lesen- Vor dem Gebrauch des Geräts lesen Sie bitte alle Sicherheits- und Gebrauchshinweise.
2. Anleitungen aufbewahren-Die Sicherheits- und Gebrauchshinweise bewahren Sie bitte für ein späteres Nachschlagen auf.
3. Warnungen befolgen-Befolgen Sie alle Warnungen und Vorsichtsmaßnahmen auf dem Gerät und in den Anleitungen.
4. Anleitungen befolgen-Befolgen Sie alle Gebrauchs- und Anwendungshinweise.
5. Wasser und Feuchtigkeit-Das Gerät darf nicht in der Nähe von Wasser, wie z.B. neben Badewannen, Waschbecken, Spülen, Wäschewannen, in feuchten Kellern, neben Schwimmbecken oder ähnlichem verwendet werden.
6. Wand- oder Deckenmontage - Montieren Sie das Gerät nicht an der Wand oder an der Zimmerdecke.
7. Belüftung-Das Gerät ist so aufzustellen, dass durch dessen Standort oder Position die ordnungsgemäße Belüftung nicht beeinträchtigt wird. Stellen Sie das Gerät z.B. nicht auf Betten, Sofas, Bettvorläufer oder ähnliche Oberflächen, die die Belüftungsöffnungen blockieren könnten, oder in Einbauinstallationen wie Bücherregale oder Schränke, wenn dies die Luftzirkulation über die Belüftungsöffnungen beeinträchtigen würde.
8. Hitze-Das Gerät muss fern von Wärmequellen wie Heizkörpern, Wärmespeichern, Öfen oder anderen wärmeerzeugenden Geräten (einschließlich Verstärker) aufgestellt werden.
9. Stromversorgung-Das Gerät nur an eine Netzspannung anschließen, die den Angaben auf dem Typenschild entspricht. Bei Unklarheiten über Ihre örtliche Netzspannung wenden Sie sich bitte an Ihren Händler oder Stromanbieter. Bei Produkten, die mit Batterien oder anderweitig betrieben werden, informieren Sie sich in der Bedienungsanleitung näher.
10. Erdung und Polung-Dieses Produkt verfügt möglicherweise über einen gepolten Wechselstromstecker (ein Stecker mit unterschiedlich breiten Stiften). Aus Sicherheitsgründen passt dieser Stecker nur auf eine Art in die Steckdose. Falls der Stecker nicht vollständig in die Steckdose passt, versuchen Sie bitte, ihn andersherum anzuschließen. Sollte der Stecker dann noch immer nicht passen, lassen Sie die Steckdose bitte von einem Elektriker austauschen. Die Sicherheitsfunktion des gepolten Steckers darf nicht umgangen werden.
11. Netzkabelschutz-Verlegen Sie das Netzkabel so, dass niemand darauf tritt oder es gequetscht wird von Gegenständen, die darauf oder daneben liegen. Achten Sie insbesondere auf die Kabel an Steckern, Mehrfachsteckdosen und am Austritt vom Gerät.
12. Reinigung-Reinigen Sie das Gerät nur gemäß den Herstelleranleitungen.
13. Nichtgebrauch-Falls Sie das Gerät längere Zeit nicht verwenden werden, ziehen Sie bitte den Stecker aus der Steckdose.
14. Gegenstände und Flüssigkeiten-Gegenstände und Flüssigkeiten dürfen nicht durch die Geräteöffnungen in das Gerät eindringen.

15. Erforderliche Reparaturen-In den folgenden Situationen sollten Sie das Gerät vom Netz trennen und von Fachpersonal reparieren lassen.
  - a) Das Netzkabel oder der Netzstecker ist beschädigt.
  - b) Flüssigkeiten oder Gegenstände sind in das Gerät eingedrungen.
  - c) Das Gerät war Regen oder Feuchtigkeit ausgesetzt.
  - d) Das Gerät funktioniert auch dann nicht, wenn es gemäß den Anleitungen verwendet wird.  
Verwenden Sie Tasten und Regler nur gemäß den Angaben in der Bedienungsanleitung, da die unsachgemäße Handhabung anderer Regler den normalen Betrieb des Geräts beeinträchtigen könnte.
  - e) Das Gerät wurde fallengelassen oder beschädigt.
  - f) Wenn das Gerät eine deutliche Leistungsveränderung aufweist, sind Wartungsarbeiten erforderlich.
16. Wartung-Als Benutzer dürfen Sie nur die in dieser Bedienungsanleitung erläuterten Wartungsarbeiten vornehmen. Lassen Sie Reparaturen nur von qualifiziertem Fachpersonal durchführen.
17. Stromleitungen-Außenantennen dürfen nicht in der Nähe von Starkstromleitungen oder anderen elektrischen Licht- oder Stromleitungen, bzw. dort, wo sie auf solche Stromleitungen fallen können, installiert werden. Bei der Installation von Außenantennen dürfen Stromleitungen oder Stromkreise nicht berührt werden, da ein solcher Kontakt tödlich sein kann.
18. Achten Sie beim Anschluss einer Außenantenne an den Empfänger darauf die Antenne zu erden, damit ein Schutz gegen Spannungsspitzen und den Aufbau statischer Elektrizität vorhanden ist. Der Abschnitt 810 der NEC-Richtlinie ANSI/NEFA 70 enthält Informationen zur ordnungsgemäßen Erdung von Mast- und Tragestrukturen, zu Erdungsleitern, zum Standort von Antennenentladungseinheiten, zur Bemessung von Erdungselektroden, und zu den Anforderungen an die Erdungselektrode (siehe Abbildung).
19. Reinigung-Ziehen Sie vor der Reinigung den Stecker aus der Steckdose. Keine Flüssigreiniger oder Sprühreiniger verwenden. Verwenden Sie für die Reinigung einen feuchten Lappen.
20. Gewitter-Aus Gründen zusätzlicher Sicherheit sollten Sie während Gewittern, längeren Zeiten des Nichtgebrauchs oder wenn das Gerät unbeaufsichtigt ist den Stecker aus der Steckdose ziehen und die Antenne oder das Kabelsystem trennen. Mögliche Produktschäden durch Gewitter oder Stromstöße werden so vermieden.
21. Sicherheitscheck-Nach dem Abschluss von Wartungen oder Reparaturen sollten Sie den Servicetechniker bitten, Sicherheitschecks zur Überprüfung des ordnungsgemäßen Betriebs des Geräts durchzuführen.
22. Überlastung-Überlasten Sie niemals Steckdosen, Verlängerungskabel oder integrierte Mehrfachsteckdosen, weil sonst die Gefahr von Feuer oder Stromschlägen besteht.

#### **BEISPIEL FÜR DIE ERDUNG DER ANTENNE GEMÄSS NEC-RICHTLINIE**



#### **NEC-RICHTLINIE**

An diesem Gerät keine Öl- oder Petroleumprodukte anwenden.

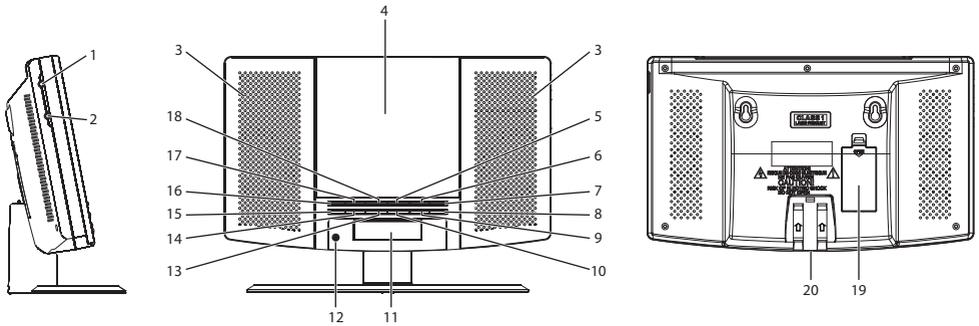
## **VORSICHT**

Unsichtbare Laserstrahlung tritt aus, wenn das Gerät geöffnet oder die Sicherheitsmechanismen umgangen werden. Die Sicherheitsmechanismen nicht umgehen.

AN DER UNTERSEITE DES GERÄTS BEFINDEN SICH SYMBOLE MIT ZUSÄTZLICHEN MARKIERUNGEN.

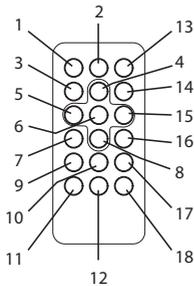
DURCH DARAN DURCHFÜHRTE FUNKTIONEN, ÄNDERUNGEN ODER ABLÄUFE KANN GEFÄHRLICHE STRAHLUNG FREIGESETZT WERDEN.

## GERÄTEÜBERSICHT



- |                          |                                 |
|--------------------------|---------------------------------|
| 1. AUX-Eingang           | 11. LCD-Display                 |
| 2. Kopfhörerbuchse       | 12. IR-Sensor                   |
| 3. Lautsprecher          | 13. Lautstärke +                |
| 4. CD-Laufwerk           | 14. Lautstärke -                |
| 5. ►  Taste              | 15. Senderspeicher -            |
| 6. ■ Taste               | 16. Senderspeicher +            |
| 7. ►   Taste             | 17. Programm/Uhrzeit einstellen |
| 8. Stand-by              | 18. ◀◀ Taste                    |
| 9. Funktionstaste        | 19. Batteriefach                |
| 10. Weckalarm einstellen | 20. Netzteileingang             |

## FERNBEDIENUNG



- |  |
|--|
| 1. Stand-by                            |
| 2. Funktionstaste                      |
| 3. Stopp                               |
| 4. Lautstärke +                        |
| 5. Vorheriger Titel/Stunden einstellen |
| 6. Wiedergabe/Pause                    |
| 7. Senderspeicher -                    |
| 8. Lautstärke -                        |
| 9. Weckalarm                           |
| 10. Senderspeicher                     |
| 11. Uhrzeit                            |
| 12. Schlummertaste                     |
| 13. Stummschaltung                     |
| 14. Modus                              |
| 15. Nächster Titel/Minuten einstellen  |
| 16. Senderspeicher +                   |
| 17. Programmieren                      |
| 18. Sleptimer                          |

## Stromversorgung des Geräts

Dieses Gerät wird mit einem AC/DC-Netzteil betrieben.

Betrieb mit AC/DC-Netzteil.

Schließen Sie den kleinen Stecker an den Netzteileingang an.

Schließen Sie das AC/DC-Netzteil vertikal oder horizontal an eine AC~100-240V 50/60Hz Steckdose in Ihrem Haushalt an.

## **WANDMONTAGE DES GERÄTS**

1. An der Rückseite des Geräts befinden sich zwei Befestigungslöcher. Vor der Installation des Produkts drücken Sie bitte den Ständer in die Fassung des Geräts. Beachten Sie dabei die Markierungen auf dem Ständer.
2. Sollten Sie diesen Rahmen an der Wand befestigen, vergewissern Sie sich bitte, dass die von Ihnen gewählte Methode der Wandmontage eine Last von 5kg tragen kann. Lassen Sie sich im Baumarkt beraten.
3. Installieren Sie an der Wand zwei Dübel oder Nägel, deren Abstand zueinander dem Abstand der Befestigungslöcher an Ihrem Gerät entsprechen muss.
4. Die Dübel oder Nägel müssen eine Last von mindestens 6kg tragen können.

## **UHR EINSTELLEN**

1. In STANDBY OFF halten Sie PROG/TIME SET gedrückt.
2. Drücken Sie ◀◀, um die Stunden einzustellen.
3. Drücken Sie ▶▶, um die Minuten einzustellen.
4. Nach dem Einstellen der Uhrzeit, drücken Sie PROG/TIME SET zur Bestätigung.

## **WECKEN MIT SUMMERALARM (AL 1):**

- a. Das Gerät muss ausgeschaltet sein.
- b. Drücken Sie ALARM SET, "🔔 1" blinkt im Display, dann halten Sie wieder ALARM SET gedrückt, die Zeit des Weckalarms blinkt.
- c. Drücken Sie ◀◀, um die Stunden für den Weckalarm einzustellen.
- d. Drücken Sie ▶▶, um die Minuten für den Weckalarm einzustellen.
- e. Der Summer ertönt zur eingestellten Weckzeit.

## **WECKEN MIT RADIO:**

- a. Das Gerät muss ausgeschaltet sein.
- b. Drücken Sie ALARM SET, "🔔 1" blinkt im Display, dann halten Sie wieder ALARM SET gedrückt, die Zeit des Weckalarms blinkt.
- c. Drücken Sie die FUNKTION Taste zur Auswahl von "FM".
- d. Drücken Sie ◀◀, um die Stunden für den Weckalarm einzustellen.
- e. Drücken Sie ▶▶, um die Minuten für den Weckalarm einzustellen.
- f. Das Radio ertönt zur eingestellten Weckzeit.

## **WECKEN MIT CD:**

- a. Das Gerät muss ausgeschaltet sein.
  - b. Drücken Sie ALARM SET, "🔔 1" blinkt im Display, dann halten Sie wieder ALARM SET gedrückt, die Zeit des Weckalarms blinkt.
  - c. Drücken Sie die FUNKTION Taste zur Auswahl von „CD“.
  - d. Drücken Sie ◀◀, um die Stunden für den Weckalarm einzustellen.
  - e. Drücken Sie ▶▶, um die Minuten für den Weckalarm einzustellen.
  - f. Die CD-Wiedergabe startet zur eingestellten Weckzeit.
- Hinweis: Vergewissern Sie sich, dass eine CD eingelegt ist.

Die Einstellung für AL2 entspricht der von AL1.

## **ALARM AUSSCHALTEN:**

Drücken Sie, wenn der Alarm ertönt, die STANDBY Taste zum Ausschalten des Alarms. Der Alarm wird am nächsten Tag erneut ertönen.

## **ALARM AUSSCHALTEN**

Zur Deaktivierung des Alarms gehen Sie wie folgt vor:

In STANDBY OFF drücken Sie ALARM SET, um den Weckalarm auszuschalten. (🔔 erlischt im LCD-Display).

## **LAUTSTÄRKE EINSTELLEN**

- Drücken Sie die VOL+ Taste zum Erhöhen der Lautstärke.
- Drücken Sie die VOL- Taste zum Reduzieren der Lautstärke.

## **RADIO**

1. Schalten Sie das Gerät mit der STANDBY Taste ein.
2. Drücken Sie FUNCTION zur Auswahl von RADIO.
3. Tasten für den Radiobetrieb
  - i. Manuelle Sendersuche  
Drücken Sie ◀◀ oder ▶▶ zur Senderwahl. Zur Sendersuche aufwärts durch das Frequenzband drücken Sie ▶▶, zur Suche abwärts drücken Sie ◀◀.
  - ii. Automatische Sendersuche
    - a) Halten Sie ◀◀ oder ▶▶ gedrückt, bis die Frequenz läuft.
    - b) Wird ein Sender mit ausreichender Signalstärke gefunden, so wird die Sendersuche automatisch unterbrochen; alternativ drücken Sie ◀◀ oder ▶▶.
4. Schalten Sie das Gerät mit der STANDBY Taste aus.

## **SENDERSPEICHER**

1. Stellen Sie den gewünschten Sender ein.
2. Drücken Sie MEMORY auf der Fernbedienung, "P-01" blinkt im Display, dann drücken Sie M-UP oder M-DN auf der Fernbedienung oder M+ / M- auf dem Gerät, um den Senderspeicher zu wählen (P01 bis P20).
3. Wenn die gewünschte Nummer angezeigt wird, drücken Sie MEMORY erneut zum Speichern der aktuellen Frequenz.
4. Wiederholen Sie den Vorgang zum Speichern weiterer Frequenzen unter Senderspeicher 1 bis 20.

Hinweis: Sie können bis zu 20 Sender speichern.

## **SENDERSPEICHER AUFRUFEN**

Zum Aufrufen der Senderspeicher 1 bis 20 drücken Sie M-UP oder M-DN auf der Fernbedienung oder M+ / M- auf dem Gerät.

HINWEIS: Sender bleiben nur gespeichert, solange das Radio spannungsversorgt ist. Bei Netzausfall oder Ziehen des Netzsteckers werden die Senderspeicher gelöscht.

## **HANDHABUNG VON CD**

- Schützen Sie Discs vor Kratzern, Schmutz, Staub usw. Sofern Discs mit der notwendigen Sorgfalt behandelt werden, sollte es ausreichen, diese mit einem Tuch abzuwischen, um so die hervorragende Tonqualität zu erhalten. Während des Nichtgebrauchs sollten Sie Discs in deren Schutzhüllen aufbewahren.
- Fassen Sie CDs nur an der Außenkante an, berühren Sie nicht die Abspielfläche.
- Behandeln Sie CDs, wie in den Abbildungen dargestellt.
- Reinigen Sie Discs nur mit einem weichen Tuch. Weder Benzin, Verdüner noch andere chemische Reiniger verwenden, da Discs anderenfalls beschädigt werden könnten. Wischen Sie Discs immer geradlinig von der Mitte nach außen hin ab. Discs nicht mit kreisförmigen Bewegungen abwischen.
- Schützen Sie Discs vor langfristiger, direkter Sonneneinstrahlung, hoher Feuchtigkeit oder hohen Temperaturen. Discs nicht auf andere Geräte legen oder in der Nähe von Wärmequellen aufbewahren.
- Staub auf der Pick-up Linse kann Fehlfunktionen und Unterbrechungen während der Wiedergabe verursachen. Zum Reinigen der Pick-up Linse öffnen Sie das CD-Laufwerk und blasen den Staub heraus. Verwenden Sie dafür ein Gebläse für Kameralinsen (erhältlich in Kamerafachgeschäften).

- Hinweis: Die Oberfläche der Linse nicht berühren. Es dürfen keine Flüssigkeiten ins Innere des Geräts eindringen.
- Reinigen Sie die Oberfläche des Geräts mit einem weichen, feuchten Tuch.
- Niemals Benzol, Benzin oder andere starke chemische Reiniger verwenden, da diese die Oberfläche beschädigen könnten.

RICHTIG:



FALSCH:



## CD-WIEDERGABE

**HINWEIS: Berühren Sie keinesfalls die Laserlinse im CD-Laufwerk. Reinigen Sie die Laserlinse mit einer CD-Reinigungs-Disc.**

1. Schalten Sie das Gerät mit der STANDBY Taste ein.
2. Drücken Sie FUNCTION zur Auswahl von CD.
3. Öffnen Sie das CD-LAUFWERK und legen Sie eine CD mit dem Aufdruck nach oben ein.
4. Schließen Sie das CD-LAUFWERK; die Disc wird sich einige Sekunden drehen und dann anhalten.
5. Mit ◀◀ oder ▶▶ wählen Sie einen Titel.
6. Drücken Sie ▶▶ , um die Wiedergabe zu starten.
7. Drücken Sie erneut ▶▶ , um die Wiedergabe zu unterbrechen.
8. Drücken Sie die STOP Taste zum Beenden der Wiedergabe.

## WILLKÜRLICHE WIEDERGABE

- Im Stoppmodus drücken Sie MODE auf der Fernbedienung, bis „RAND“ im LCD-Display angezeigt wird.
- Die willkürliche Wiedergabe ist nun aktiviert.

## WIEDERHOLTE

1. Drücken Sie während der Wiedergabe einmal MODE auf der Fernbedienung, “ ◻ ” wird im LCD-Display angezeigt. Der aktuelle Titel wird wiederholt.
2. Drücken Sie während der Wiedergabe ein zweites Mal MODE, um alle Titel zu wiederholen. “ ◻ ALL ” wird im LCD-Display angezeigt.
3. Zum Verlassen des REPEAT PLAY drücken Sie mehrmals MODE auf der Fernbedienung, bis alle Anzeigen erlöschen.

## RÜCKLAUF/VORLAUF

1. Mit den Tasten für den schnellen Rücklauf ◀◀ und Vorlauf ▶▶ springen Sie zu einem anderen Titel oder suchen Sie eine bestimmte Stelle innerhalb eines Titels.
2. Drücken Sie einmal die Rücklauftaste ◀◀ , um zum Anfang des Titels zu springen. Drücken Sie die Taste zweimal oder öfter, um vorhergehende Tracks der Discs anzuhören.
3. Drücken Sie die Vorlauftaste ▶▶ , um zum nächsten Titel zu springen.
4. Halten Sie ◀◀ gedrückt, der Titel wird rückwärts bis zum vorherigen Titel durchsucht; nach dem Auffinden der gewünschten Stelle lassen Sie die Taste los, um die Normalwiedergabe fortzusetzen.
5. Halten Sie ▶▶ gedrückt, der Titel wird vorwärts bis zum vorherigen Titel durchsucht; nach dem Auffinden der gewünschten Stelle lassen Sie die Taste los, um die Normalwiedergabe fortzusetzen.

## **PROGRAMMWIEDERGABE**

**Sie können bis zu 20 Tracks in beliebiger Reihenfolge programmieren.**

1. Drücken Sie im Stopp-Modus (CD wird nicht abgespielt) die PROG/TIME SET Taste, im LCD-Display wird „PROGRAM 01“ angezeigt und „PROGRAM 01“ blinkt.
2. Drücken Sie ◀◀ oder ▶▶ zur Auswahl des gewünschten Titels.
3. Drücken Sie die PROG/TIME SET Taste zum Bestätigen und Speichern des Tracks.
4. Wiederholen Sie die Schritte 2 und 3 zur Auswahl von bis zu 20 Tracks.
5. Zur Wiedergabe der gewählten Titel in der programmierten Reihenfolge drücken Sie ▶/II. Die jeweilige Tracknummer und „PROGRAM“ werden angezeigt.
6. Drücken Sie ◀◀, um zum vorherigen oder ▶▶, um zum nächsten programmierten Titel zu springen.  
**Hinweis:** Nach dem Abspielen des gesamten Programms wird die Wiedergabe beendet.
7. Zum Löschen des Programms drücken Sie STOP; „PROGRAM“ wird angezeigt.

## **AUX-EINGANG**

1. Schalten Sie das Gerät mit der STANDBY Taste ein.
2. Drücken Sie die FUNKTION Taste zur Auswahl von AUX.
3. Schließen Sie das AUX-Kabel am Audioausgang des externen Geräts (MP3-Player usw.) und am AUX-Eingang an.
4. Starten Sie die Wiedergabe auf dem externen Gerät.

## **KOPFHÖRER-BUCHSE**

Dieses Gerät unterstützt Stereokopfhörer mit  $\Phi$  3,5mm Stecker. Stellen Sie vor dem Anschluss der Kopfhörer die Lautstärke gering, damit weder Ihr Gehör noch die Kopfhörer beschädigt werden. Schließen Sie die Kopfhörer an die Kopfhörerbuchse an. Die Lautsprecher werden automatisch ausgeschaltet.

Warnung: Eine langfristige Belastung durch laute Musik kann einen bleibenden Hörverlust verursachen. Möglicherweise hören Sie während des Tragens der Kopfhörer Warnmeldungen nicht.

## **SCHLUMMERFUNKTION**

Möchten Sie noch einige Minuten weiterschummern, so drücken Sie SNOOZE auf der Fernbedienung, um den Weckalarm für ca. 9 Minuten zu unterbrechen.

DENVER®  
www.denver-electronics.com



Elektrische und elektronische Geräte sowie Batterien enthalten Materialien, Komponenten und Substanzen, welche für Sie und Ihre Umwelt schädlich sein können, sofern die Abfallmaterialien (entsorgte elektrische und elektronische Altgeräte sowie Batterien) nicht korrekt gehandhabt werden.

Elektrische und elektronische Geräte sowie Batterien sind mit der durchgestrichenen Mülltonne, wie unten abgebildet, kenntlich gemacht. Dieses Symbol bedeutet, dass elektrische und elektronische Altgeräte sowie Batterien nicht mit dem Hausmüll entsorgt werden dürfen, sie müssen separat entsorgt werden.

Als Endverbraucher ist es notwendig, dass Sie Ihre erschöpften Batterien bei den entsprechenden Sammelstellen abgeben. Auf diese Weise stellen Sie sicher, dass die Batterien entsprechend der Gesetzgebung recycelt werden und keine Umweltschäden verursachen.

Städte und Gemeinden haben Sammelstellen eingerichtet, an denen elektrische und elektronische Altgeräte sowie Batterien kostenfrei zum Recycling abgegeben werden können, alternativ erfolgt auch Abholung. Weitere Informationen erhalten Sie direkt bei Ihrer Stadtverwaltung.

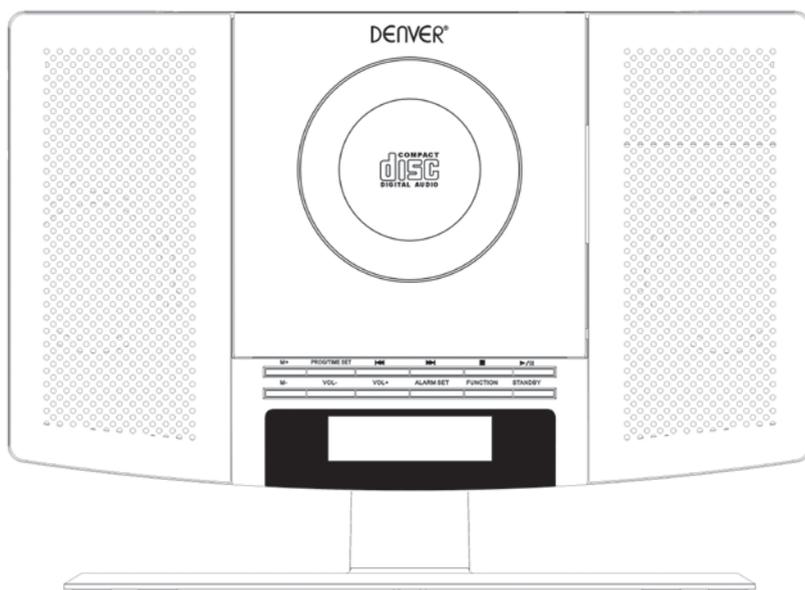
Bitte tragen Sie die Modellnummer dieses Geräts für den späteren Gebrauch in das leere Feld ein

Importeur:  
DENVER ELECTRONICS A/S  
Omega 5A, Soeften  
DK-8382 Hinnerup  
Dänemark  
[www.facebook.com/denverelectronics](http://www.facebook.com/denverelectronics)

# DENVER<sup>®</sup> ELECTRONICS

## LETTORE CD CON RADIOSVEGLIA FM CON SINTONIA PLL

MODELLO MC5220



**PRIMA DI UTILIZZARE IL PRODOTTO, LEGGERE, COMPRENDERE E SEGUIRE LE PRESENTI ISTRUZIONI.**

Conservare il presente libretto per consultarlo in futuro.

[www.facebook.com/denverelectronics](http://www.facebook.com/denverelectronics)

# ISTRUZIONI DI SICUREZZA

 <p>Il simbolo del fulmine con la punta a forma freccia all'interno di un triangolo equilatero avverte della presenza di tensione pericolosa non isolata all'interno dell'involucro, la cui intensità può essere tale da determinare il rischio di scariche elettriche per le persone.</p>	<p><b>CAUTION</b></p> <p><b>RISK OF ELECTRIC SHOCK DO NOT OPEN</b></p> <p>ATTENZIONE. PER RIDURRE IL RISCHIO DI SCARICHE ELETTRICHE, NON RIMUOVERE IL COPERCHIO (NÉ LA PARTE POSTERIORE). NON CONTIENE COMPONENTI RIPARABILI DALL'UTENTE. PER L'ASSISTENZA, RIVOLGERSI A PERSONALE QUALIFICATO.</p>	 <p>Il punto esclamativo all'interno di un triangolo equilatero avverte della presenza di importanti istruzioni sul funzionamento e sulla manutenzione nella documentazione in dotazione con l'apparecchio.</p>
---	---	--

**ATTENZIONE :** PER EVITARE SCARICHE ELETTRICHE, FAR CORRISPONDERE LO SPINOTTO LARGO DELLA SPINA ALLA FESSURA LARGA DELLA PRESA E INSERIRLA COMPLETAMENTE.

**AVVERTIMENTO :** TO REDUCE THE RISK OF FIRE OR ELECTRIC SHOCK, DO NOT EXPOSE THE APPLIANCE TO RAIN OR MOISTURE.

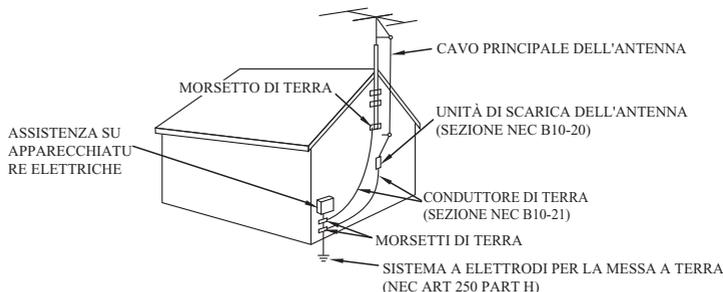
# ISTRUZIONI DI SICUREZZA

QUESTE IMPORTANTI ISTRUZIONI PER LA SICUREZZA SONO IN DOTAZIONE CON LO SPECIFICO APPARECCHIO PER FORNIRE ALL'UTENTE LE INFORMAZIONI RIPORTATE DI SEGUITO.

1. Leggere le istruzioni - Tutte le istruzioni sulla sicurezza e sull'utilizzo devono essere lette prima di mettere in funzione l'apparecchio.
2. Conservare le istruzioni - Le istruzioni sulla sicurezza e sull'utilizzo devono essere conservate per consultarle in futuro.
3. Avvertenze principali - Tutte le avvertenze e le precauzioni sull'apparecchio e nelle istruzioni per l'uso devono essere osservate con cura.
4. Seguire le istruzioni - Tutte le istruzioni operative e di utilizzo devono essere rispettate.
5. Acqua e umidità - L'apparecchio non deve essere utilizzato vicino all'acqua, ad esempio vicino a una vasca da bagno, a un lavabo, a un lavello, in una lavanderia, in uno scantinato umido, vicino a una piscina o in situazioni simili.
6. Installazione a parete o soffitto - L'apparecchio non deve essere installato a parete né a soffitto.
7. Ventilazione - L'apparecchio deve essere posizionato in modo che non interferisca con l'adeguata ventilazione dello stesso. Ad esempio, l'apparecchio non deve essere collocato su un letto, un divano, un tappeto o superfici simili, che potrebbero ostruire le prese d'aria, né montato a incasso, ad esempio in una libreria o in un armadietto, che potrebbero impedire il flusso dell'aria attraverso le prese d'aria.
8. Calore - L'apparecchio deve essere posizionato lontano da fonti di calore, come radiatori, caloriferi, stufe o altri apparecchi (inclusi gli amplificatori) che emettono calore.
9. Fonti di alimentazione - Il prodotto deve essere usato solo con il tipo di alimentazione indicato sull'etichetta. Se non si è sicuri del tipo di alimentazione a disposizione, consultare il rivenditore o l'azienda fornitrice di energia elettrica. Per i prodotti che funzionano a batteria o con altre fonti di alimentazione, consultare le istruzioni per l'uso.
10. Polarità rispetto a terra - Questo prodotto può essere dotato di una spina per corrente alternata polarizzata (spina con uno spinotto più largo dell'altro). Questa spina può essere inserita nella presa in un solo modo. È una caratteristica di sicurezza. Se non si riesce a inserire completamente la spina nella presa, provare a ruotare la spina. Se anche così non si riesce a inserirla, contattare un elettricista per far sostituire la presa. Non escludere la caratteristica di sicurezza della spina polarizzata.
11. Protezione del cavo di alimentazione - I cavi di alimentazione devono essere collocati in modo che non corrano il rischio di essere calpestati né schiacciati da oggetti posti sopra o contro gli stessi, prestando particolare attenzione all'altezza della spina, della presa e del punto in cui il cavo esce dall'apparecchio.
12. Pulizia - L'apparecchio deve essere pulito soltanto seguendo le raccomandazioni del produttore.
13. Periodi di inutilizzo - Se rimane inutilizzato per un lungo periodo, il cavo di alimentazione dell'apparecchio deve essere disinserito dalla presa.
14. Ingresso di oggetti e liquidi - Evitare con cura che cadano oggetti e liquidi sul prodotto attraverso le aperture sull'involucro dello stesso.
15. Danni che richiedono assistenza - Scollegare il prodotto dalla presa a muro e rivolgersi a personale di assistenza qualificato, nei casi elencati di seguito.

- a) Se il cavo di alimentazione o la spina sono danneggiati.
  - b) Se sono stati versati liquidi o sono caduti oggetti nel prodotto.
  - c) Se il prodotto è stato esposto a pioggia o acqua.
  - d) Se il prodotto non funziona, nonostante venga usato rispettando le istruzioni per l'uso.  
Regolare solo i comandi descritti nelle istruzioni per l'uso; una regolazione impropria di altri comandi può interferire con il normale funzionamento del prodotto.
  - e) Se il prodotto è caduto o ha subito danni di qualsiasi genere.
  - f) Quando l'apparecchio manifesta una chiara differenza nelle prestazioni, deve essere sottoposto all'assistenza.
16. Manutenzione - L'utente non deve tentare di intervenire sul prodotto in modi diversi da quelli descritti nelle istruzioni per l'uso. La manutenzione deve essere svolta solo da personale qualificato.
  17. Linee elettriche - Non si devono collocare impianti esterni di antenna vicino a linee elettriche aeree o altri circuiti elettrici di illuminazione o di alimentazione, né dove possano cadere su tali linee o circuiti. Quando si installa un impianto esterno di antenna, prestare la massima attenzione per evitare di toccare linee elettriche o circuiti, poiché il contatto potrebbe causare la morte.
  18. Se al ricevitore è collegata un'antenna esterna, verificare che l'impianto dell'antenna sia collegato a terra in modo da essere protetto contro i picchi di tensione e l'elettricità statica accumulata. La sezione 810 del codice elettrico nazionale statunitense ANSI/NEFA 70 fornisce informazioni riguardanti la corretta messa a terra della base e della struttura di supporto, i condotti di terra, la posizione dell'unità di scarica dell'antenna, le dimensioni degli elettrodi di terra e i requisiti per l'elettrodo di terra (osservare la figura).
  19. Pulizia - Scollegare il prodotto dalla presa a muro prima di pulirlo. Non utilizzare detergenti liquidi o spray. Per la pulizia, usare un panno umido.
  20. Fulmini - Per ulteriore protezione del prodotto durante i temporali o quando lo si lascia incustodito e inutilizzato per lunghi periodi, scollegarlo dalla presa a muro e scollegare anche l'antenna o il cavo. In questo modo si eviteranno danni al prodotto causati da fulmini e picchi di corrente.
  21. Controlli di sicurezza - Al termine di qualsiasi operazione di manutenzione o riparazione del prodotto, chiedere al tecnico addetto all'assistenza di eseguire i controlli di sicurezza per verificare che il prodotto sia in perfette condizioni di funzionamento.
  22. Sovraccarico - Non sovraccaricare le prese a muro, le prolunghe o le prese sull'apparecchio, per evitare rischi di scariche elettriche o di incendio.

### ESEMPIO DI ANTENNA COLLEGATA A TERRA AI SENSI DEL CODICE ELETTRICO NAZIONALE



### **CODICE ELETTRICO NAZIONALE NEC**

**Non applicare petrolio o prodotti petroliferi al prodotto.**

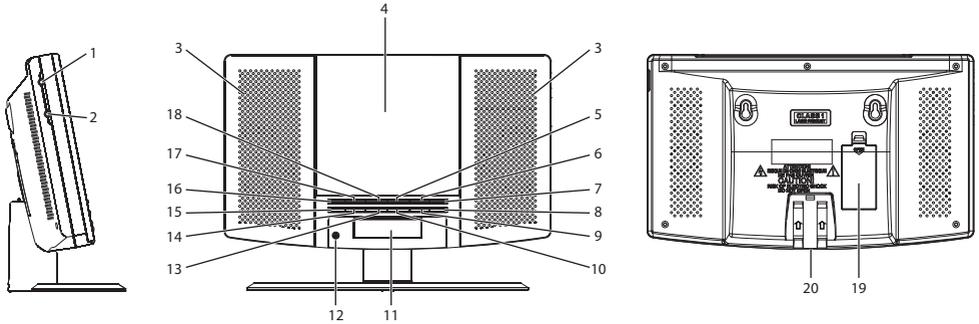
## **ATTENZIONE**

Quando il prodotto è aperto e i blocchi di sicurezza sono esclusi, viene emessa radiazione laser invisibile. Non escludere i blocchi di sicurezza.

NELLA PARTE INFERIORE DELL'UNITÀ SONO DISPONIBILI SIMBOLI GRAFICI CON ISCRIZIONI SUPPLEMENTARI.

I COMANDI, LE REGOLAZIONI O LE PROCEDURE MANUALI QUI DESCRITTE POSSONO CAUSARE L'ESPOSIZIONE A RADIAZIONI PERICOLOSE.

## POSIZIONE DEI COMANDI



1. Jack ingresso AUX

2. Jack telefono

3. Altoparlante

4. Sportello CD

5. Pulsante ►►

6. Pulsante ■

7. Pulsante ►||

8. Pulsante Standby

9. Pulsante Funzione

10. Pulsante Impostazione sveglia

11. Display LCD

12. IR

13. Pulsante VOL+

14. Pulsante VOL-

15. Pulsante M-

16. Pulsante M+

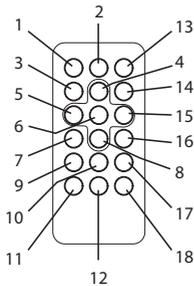
17. Pulsante Prog/Impostazione orario

18. Pulsante ◀◀

19. Vano batteria

20. Jack CC

## TELECOMANDO



1. Pulsante Standby

2. Pulsante Funzione

3. Pulsante Interruzione

4. Pulsante Volume+

5. Pulsante Indietro/Ore

6. Pulsante Riproduzione/Pausa

7. Pulsante M-GIÙ

8. Pulsante Volume-

9. Pulsante Sveglia

10. Pulsante Memoria

11. Pulsante Orario

12. Pulsante Posponi

13. Pulsante Disattivazione audio

14. Pulsante Modalità

15. Pulsante Successiva/Minuti

16. Pulsante M-SU

17. Pulsante PROG

18. Pulsante Spegnimento automatico

## Alimentatore

Questo dispositivo è progettato per funzionare con un alimentatore CA/CC.

Funzionamento con alimentatore CA/CC.

Inserire il jack dell'alimentatore nel jack CC.

Inserire la spina dell'alimentatore CA/CC in una presa domestica CA~100-240V 50/60Hz in verticale o in orizzontale.

## **INSTALLAZIONE DELL'APPARECCHIO A PARETE**

1. Sul retro dell'unità sono presenti due fori per il fissaggio a parete; premere il supporto seguendo la marcatura sullo stesso, verso la guida dell'unità, prima di installare il prodotto.
2. Verificare che il metodo scelto per il montaggio a parete sia in grado di sostenere un prodotto del peso di 5 kg, se si desidera eseguire l'installazione a parete. Chiedere consiglio a un professionista esperto di dispositivi di fissaggio.
3. Verificare che sulla parete siano presenti due tasselli o chiodi alla stessa distanza dei fori effettivi sull'unità.
4. Verificare che i tasselli o i chiodi sulla parete siano in grado di sostenere un peso di almeno 6 kg.

## **IMPOSTAZIONE OROLOGIO**

1. In modalità STANDBY DISATTIVATO, tenere premuto il pulsante PROG/IMPOSTAZIONE ORARIO.
2. Premere il pulsante ◀◀ per impostare l'ora desiderata.
3. Premere il pulsante ▶▶ per impostare i minuti desiderati.
4. Dopo aver impostato l'ora e i minuti desiderati, premere il pulsante PROG/IMPOSTAZIONE ORARIO per confermare.

## **SVEGLIARSI CON LA SUONERIA (AL 1):**

- a. Tenere l'unità in modalità standby.
- b. Premere il tasto IMPOSTAZIONE SVEGLIA: l'icona "🔔1" lampeggia sul display. Tenere premuto di nuovo il tasto IMPOSTAZIONE SVEGLIA; l'ora della sveglia lampeggia sul display.
- c. Premere il pulsante ◀◀ per impostare l'ora desiderata per la sveglia.
- d. Premere il pulsante ▶▶ per impostare il minuto desiderato per la sveglia.
- e. La suoneria si attiverà all'ora impostata per la sveglia.

## **SVEGLIARSI CON LA RADIO:**

- a. Tenere l'unità in modalità standby
- b. Toccare il tasto IMPOSTAZIONE SVEGLIA: l'icona "🔔1" lampeggia sul display. Tenere premuto di nuovo il tasto IMPOSTAZIONE SVEGLIA; l'ora della sveglia lampeggia sul display.
- c. Premere il tasto FUNZIONE per selezionare l'icona "FM".
- d. Premere il pulsante ◀◀ per impostare l'ora desiderata per la sveglia.
- e. Premere il pulsante ▶▶ per impostare il minuto desiderato per la sveglia.
- f. La radio si attiverà all'ora impostata per la sveglia.

## **SVEGLIARSI CON IL CD:**

- a. Tenere l'unità in modalità standby
- b. Premere il tasto IMPOSTAZIONE SVEGLIA: l'icona "🔔1" lampeggia sul display. Tenere premuto di nuovo il tasto IMPOSTAZIONE SVEGLIA; l'ora della sveglia lampeggia sul display.
- c. Premere il tasto FUNZIONE per selezionare l'icona "CD".
- d. Premere il pulsante ◀◀ per impostare l'ora desiderata per la sveglia.
- e. Premere il pulsante ▶▶ per impostare il minuto desiderato per la sveglia.
- f. Il CD si attiverà all'ora impostata per la sveglia.

**Nota:** Verificare che sia presente un CD nel vano CD.

Le impostazioni per AL2 sono identiche a quelle per AL1

## **INTERRUZIONE DELLA SVEGLIA:**

Quando la sveglia suona, premere il pulsante STANDBY per spegnerla; la sveglia viene reimpostata per il giorno successivo.

### **COME DISATTIVARE LA SVEGLIA**

Per annullare la modalità di sveglia:

In modalità "STANDBY DISATTIVATO", premere il tasto IMPOSTAZIONE SVEGLIA per disattivare la funzione di sveglia. (Fino a quando il simbolo della sveglia "  " non è più visibile sul display LCD).

### **REGOLAZIONE DEL VOLUME**

- Premere il pulsante VOL+ per aumentare il volume.
- Premere il pulsante VOL- per abbassare il volume.

### **FUNZIONAMENTO DELLA RADIO**

1. Premere il pulsante STANDBY per accendere l'apparecchio.
2. Premere il pulsante FUNZIONE per passare alla funzione RADIO.
3. Come utilizzare i pulsanti della radio
  - i. Sintonia manuale  
Premere il pulsante  o  per cercare la frequenza desiderata. Le frequenze superiori si selezionano premendo il pulsante  e quelle inferiori premendo il tasto .
  - ii. Sintonia automatica
    - a) Tenere premuto il pulsante  o il pulsante  fino a quando la frequenza visualizzata inizia a scorrere.
    - b) Quando viene trovata una stazione il cui segnale ha un'intensità sufficiente, la sintonizzazione si arresta; in alternativa si può arrestare la sintonizzazione automatica premendo il pulsante  o il pulsante .
4. Per spegnere la radio, premere il tasto STANDBY.

### **SINTONIA PREIMPOSTATA**

1. Selezionare la stazione desiderata seguendo la normale procedura di sintonizzazione.
2. Premere il pulsante MEMORIA sul telecomando; verrà visualizzata la sigla "P-01" lampeggiante sul display. Utilizzare quindi il pulsante M-SU o il pulsante M-GIÙ sul telecomando, oppure premere il tasto M+/M- sull'unità, per cambiare il canale in cui la stazione verrà memorizzata. (Da P01 a P20) per cambiare il canale la stazione in cui verrà memorizzata. (Da P01 a P20)
3. Memorizzare la frequenza attuale premendo di nuovo il pulsante MEMORIA sul telecomando quando si raggiunge il canale desiderato.
4. Ripetere la procedura per impostare le altre frequenze desiderate nei canali di memoria da 1 a 20

Nota: L'unità consente di impostare fino a 20 stazioni.

### **RICHIAMARE LE STAZIONI MEMORIZZATE**

Richiamare le stazioni memorizzate premendo il pulsante M-SU o il pulsante M-GIÙ sull'unità, oppure premere il pulsante M+/M- sull'unità per selezionare le stazioni da 1 a 20

NOTA. Le frequenze memorizzate possono essere conservate a lungo solo se l'apparecchio è alimentato. Se si interrompe l'alimentazione, le stazioni memorizzate verranno cancellate e non potranno essere richiamate.

### **GESTIONE DEI COMPACT DISC**

- Proteggere sempre i dischi da graffi, sporcizia, polvere e così via. Se un disco viene trattato con cura, l'unica operazione di manutenzione necessaria per un'eccellente riproduzione dei suoni è la pulizia del disco con un panno morbido. Quando non si utilizzano, i dischi devono essere conservati nella propria custodia originale.
- Maneggiare i dischi afferrandoli solo dai bordi; non toccare la superficie né il lato del disco

- con i colori dell'arcobaleno.
- Maneggiare i dischi come mostrato nelle illustrazioni presenti in questa sezione.
  - Usare un panno morbido per pulire i dischi. Non utilizzare benzene, solventi né altri detergenti chimici per pulire i dischi, poiché queste sostanze possono danneggiarli. I dischi devono sempre essere puliti con un movimento rettilineo, dal centro verso il bordo. Non pulire mai un disco con un movimento circolare.
  - Non esporre i dischi alla luce solare diretta, a umidità intensa o ad alte temperature per lunghi periodi. Non posizionare i dischi su altri apparecchi né vicino a fonti di calore.
  - Eventuale polvere sulla lente del pickup può provocare un funzionamento irregolare e l'interruzione del suono durante la riproduzione. Per pulire la lente, aprire il vano del disco e soffiare via la polvere. Utilizzare un soffietto per obiettivi fotografici (disponibile presso la maggior parte dei negozi di fotografia).
  - Nota. Non toccare la superficie della lente. Non lasciar penetrare alcun liquido all'interno del prodotto.
  - Per pulire l'involucro del lettore CD, utilizzare un panno morbido e umido per pulire la superficie esterna.
  - Non usare mai benzolo, benzene o altri detergenti chimici aggressivi che potrebbero danneggiare la finitura.

**CORRETTO:**



**SBAGLIATO:**



## RIPRODUZIONE DI UN COMPACT DISC (CD)

**NOTA.** Non toccare mai la lente laser all'interno del vano CD. Pulire la lente laser con un disco per la pulizia dei CD, se si sporca.

1. Premere il tasto STANDBY per accendere l'unità.
2. Premere il pulsante FUNZIONE per passare alla funzione CD.
3. Aprire lo sportello del CD e inserire un CD nel cassetto, con il lato dell'etichetta stampata rivolto verso l'alto.
4. Chiudere lo sportello del CD; il disco ruota per alcuni secondi quindi si ferma.
5. Utilizzare il pulsante ◀▶ o ▶▶ per scegliere un brano.
6. Premere il pulsante ▶▶▶▶ per avviare la riproduzione.
7. Premere di nuovo il pulsante ▶▶▶▶ per mettere in pausa la riproduzione.
8. Premere il pulsante INTERRUZIONE per interrompere la riproduzione.

## RIPRODUZIONE CASUALE

- In modalità CD, con il CD fermo, premere il pulsante MODE sul telecomando fino a visualizzare il testo "RAND" sul display LCD.
- A questo punto si potranno riprodurre le tracce in modo casuale.

## FUNZIONE RIPETIZIONE

Il pulsante RIPETIZIONE CD consente di ripetere un singolo brano o tutti i brani di un compact disc.

1. Premere il pulsante RIPETIZIONE una volta durante la riproduzione; il simbolo "↺" verrà visualizzato sul display LCD. Lo stesso brano viene ripetuto più volte.
2. Premere il pulsante RIPETIZIONE una seconda volta per ripetere tutti i brani. Il simbolo "↺" verrà visualizzato sul display LCD.
3. Per annullare la riproduzione ripetuta, premere il pulsante RIPETIZIONE più volte, fino a quando il simbolo scompare.

## **AVANTI/INDIETRO**

1. I pulsanti "CD indietro" ◀◀ e "CD avanti" ▶▶ possono essere utilizzati per passare direttamente a un altro brano o per eseguire la scansione veloce dei brani del disco.
2. Premere il pulsante "CD indietro" ◀◀ una volta per ascoltare l'inizio del brano corrente. Premerlo due o più volte per ascoltare i brani precedenti presenti sul disco.
3. Premere il pulsante CD ▶▶ per ascoltare il brano successivo presente sul disco.
4. Tenere premuto il pulsante ◀◀; verrà eseguita la scansione del brano corrente e si tornerà quindi a quello precedente (o a quelle precedenti). Quando si trova la sezione contenente il brano desiderato, rilasciare il pulsante; la riproduzione riprenderà normalmente.
5. Tenere premuto il pulsante ▶▶; verrà eseguita la scansione del brano corrente e si passerà quindi a quello successivo (o a quelli successivi). Quando si trova la sezione contenente il brano desiderato, rilasciare il pulsante; la riproduzione riprenderà normalmente.

## **FUNZIONE DI PROGRAMMAZIONE**

**La funzione di programmazione consente di programmare fino a 20 brani da riprodurre nella sequenza desiderata.**

1. In modalità di arresto (CD non in riproduzione), premere il pulsante PROG/IMPOSTAZIONE ORARIO; sul display LCD verrà visualizzata la scritta "PROGRAMMA 01", che inizierà a lampeggiare.
2. Premere il pulsante ◀◀ o ▶▶ per raggiungere il brano desiderato.
3. Premere il pulsante PROG/IMPOSTAZIONE ORARIO per selezionare e memorizzare il brano.
4. Ripetere i passaggi 2 e 3 per selezionare fino a 20 brani.
5. Per riprodurre i brani selezionati (in modalità di programmazione), premere il pulsante ▶/||. Il numero del brano e il testo "PROGRAMMA" vengono visualizzati sul display LCD.
6. Premere il pulsante ◀◀ per ascoltare il brano precedente oppure il pulsante ▶▶ per ascoltare brano programmato successivo.
7. Nota. Dopo che tutti i brani programmati sono stati riprodotti, il lettore CD torna alla modalità INTERRUZIONE.
8. Per cancellare dalla memoria i brani programmati, premere il pulsante INTERRUZIONE fino a quando l'icona "PROGRAMMA" scompare.

## **JACK INGRESSO AUX**

1. Toccare il pulsante STANDBY per accendere l'unità.
2. Toccare il pulsante FUNZIONE per passare alla modalità AUX
3. Collegare il cavo AUX proveniente dall'uscita del lettore esterno, ad esempio un lettore MP3 portatile, al jack di ingresso AUX.
4. Avviare la riproduzione sul lettore esterno.

## **JACK CUFFIE**

Questa unità consente l'uso di cuffie stereo con jack da  $\Phi$  3,5 mm. Prima di collegare le cuffie, impostare il volume al livello minimo in modo da non danneggiare l'udito o le cuffie. Collegare le cuffie al jack cuffie. Gli altoparlanti verranno scollegati automaticamente.

Avvertimento: L'esposizione prolungata a livelli sonori intensi può provocare danni permanenti all'udito. Mentre si indossano le cuffie potrebbe non essere possibile udire suoni di avviso o di allarme.

## **FUNZIONE POSPONI**

Per rinviare di qualche minuto il suono della sveglia, premere il pulsante POSPONI sul telecomando: la sveglia si disattiva per circa 9 minuti.

TUTTI I DIRITTI RISERVATI, COPYRIGHT DENVER ELECTRONICS A/S

DENVER®

[www.denver-electronics.com](http://www.denver-electronics.com)



Le apparecchiature elettriche ed elettroniche e le batterie contengono materiali, componenti e sostanze che possono essere dannosi per la salute e l'ambiente se i rifiuti correlati (le apparecchiature elettriche ed elettroniche e le batterie da smaltire) non vengono gestiti correttamente.

Le apparecchiature elettriche ed elettroniche e le batterie sono contrassegnate con il simbolo di un cestino sbarrato, visibile di seguito. Questo simbolo indica che le apparecchiature elettriche ed elettroniche e le batterie non devono essere smaltite con gli altri rifiuti domestici ma separatamente.

È importante inviare le batterie usate alle strutture appropriate e indicate. In questo modo le batterie vengono riciclate in conformità alle norme e non danneggiano l'ambiente.

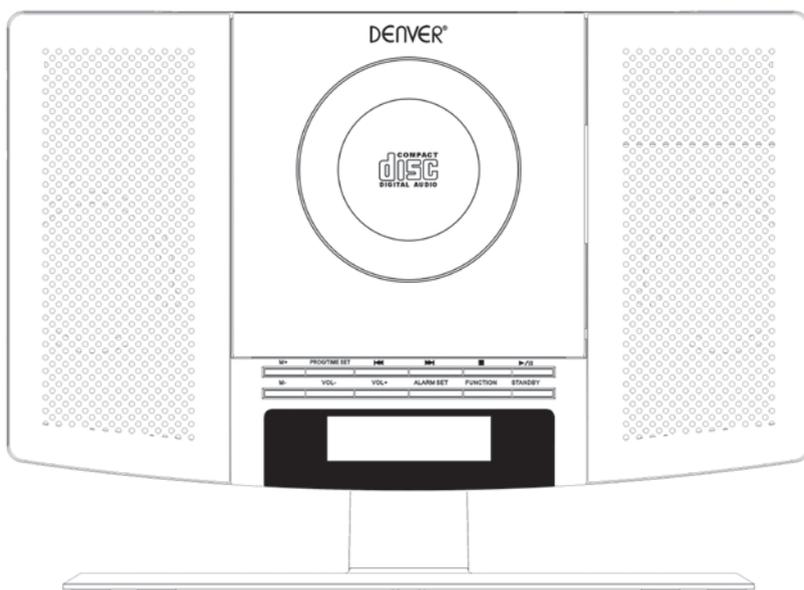
Tutte le città hanno stabilito punti di raccolta dove le apparecchiature elettroniche ed elettriche e le batterie possono essere consegnate gratuitamente alle stazioni di riciclaggio e ad altri siti di raccolta, oppure possono essere raccolte direttamente a casa. Informazioni aggiuntive sono disponibili rivolgendosi all'amministrazione comunale.

Importatore:  
DENVER ELECTRONICS A/S  
Omega 5A, Soeften  
DK-8382 Hinnerup  
Danimarca  
[www.facebook.com/denverelectronics](https://www.facebook.com/denverelectronics)

# DENVER<sup>®</sup> ELECTRONICS

## CD-SPILLER MED PLL FM-RADIO OG VEKKERKLOKKE

MODELL MC-5220



**DENNE BRUKSANVISNINGEN SKAL LESES OG FORSTÅS FØR PRODUKTET BRUKES.**  
Ta vare på heftet for fremtidig referanse.

[www.facebook.com/denverelectronics](http://www.facebook.com/denverelectronics)

# SIKKERHETSINSTRUKSJONER

 <p>Trekanten med et lyn advarer brukeren om at det finnes tilstrekkelig høye uisolerte spenninger inne i kabinettet til å gi farlige elektriske støt.</p>	<p style="text-align: center;"><b>FORSIKTIG</b></p> <p style="text-align: center;"><b>FARE FOR ELEKTRISK STØT MÅ IKKE ÅPNES</b></p> <p>FORSIKTIG: FOR Å REDUSERE FAREN FOR STØT MÅ DEKSLET (ELLER BAKSIDEN) IKKE FJERNES. INGEN INNVENDIGE DELER KAN VEDLIKEHOLDES AV BRUKEREN. SERVICE SKAL UTFØRES AV KVALIFISERT PERSONELL.</p>	 <p>Trekanten med et utropstegn forteller brukeren at den medfølgende dokumentasjonen inneholder viktige instruksjoner for bruk og vedlikehold.</p>
---	--	--

**FORSIKTIG :** FOR Å UNNGÅ FARE FOR STRØMSTØT, MÅ STØPSLETS BREDE BEN GÅ INN I KONTAKTENS BREDE SPALTE. STIKK STØPSLET HELT INN.

**ADVARSEL :** FOR Å UNNGÅ FARE FOR BRANN ELLER ELEKTRISKE STØT MÅ APPARATET IKKE UTSETTES FOR REGN ELLER FUKTIGHET.

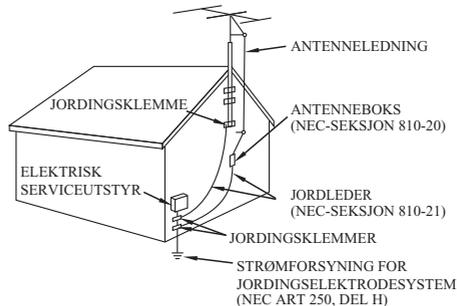
# SIKKERHETSINSTRUKSJONER

NEDENFOR GIS VIKTIG SIKKERHETSINFORMASJON RELATERT TIL ENHETEN

1. Les instruksjonene- Alle sikkerhets- og drifts-instruksjoner bør leses før apparatet tas i bruk.
2. Ta vare på instruksjonene- Sikkerhets- og bruksanvisningen bør oppbevares for fremtidig referanse.
3. Viktige Advarsler- Alle advarsler og forsiktighetsregler på apparatet og i bruksanvisningen skal følges.
4. Følg instruksjonene- Alle instruksjoner for drift og bruk skal følges.
5. Vann og fuktighet - Ikke bruk apparatet i nærheten av vann, som for eksempel badekar, vaskevannsfat, kjøkkenvask, vaskemaskin, i fuktige kjellere eller nær svømmebasseng eller lignende.
6. Vegg- eller takmontering- Apparatet bør ikke monteres på vegg eller tak.
7. Ventilasjon- Apparatet bør plasseres slik at plassering eller posisjon ikke hindrer for skikkelig ventilasjon. For eksempel bør apparatet ikke plasseres på senger, sofaer, tepper eller annet som kan blokkere ventilasjonsåpningene. Det bør heller ikke plasseres innebygd, så som i en bokhylle eller et kabinett, da dette vil kunne hindre luftstrømmen gjennom ventilasjonsåpningene.
8. Varme- Apparatet bør plasseres på avstand fra varmekilder som radiatorer, varmeregistre, ovner eller andre apparater (inkludert forsterkere) som produserer varme.
9. Strømkilder- Produktet skal kun brukes sammen med den typen strømforsyning som er angitt på etiketten. Er du usikker på hvilken nettspenning du har, ber vi deg kontakte forhandleren eller det lokale strømselskapet. Vi henviser til bruksanvisningen mht. produkter som drives av batterier eller andre strømkilder.
10. Jordingspolarisering- Dette produktet kan være utstyrt med en polarisert vekselstrøm-linjeplugg (et støpsel som har ett blad bredere enn den andre). Som en sikkerhetsfunksjon passer slike støpsler kun én vei i stikkkontakten. Får du ikke stukket støpslet helt inn i stikkkontakten, kan du prøve å snu det. Hvis støpslet fortsatt ikke passer, bør du kontakte elektriker for å skifte ut den foreldede kontakten. Ikke forsøk å omgå det polariserte støpslet, som er en sikkerhetsfunksjon.
11. Beskytt ledninger- Legg strømledninger slik at de ikke blir tråkket på eller kommer i klem. Ikke sett ting oppå ledninger. Sjekk ledninger grundig nær støpsel, stikkontakt og inngangspunkt på apparatet.
12. Rengjøring- Apparatet skal bare rengjøres slik det er anbefalt av produsenten.
13. Ikke i bruk- Strømledningen til apparatet skal være trukket ut av stikkkontakten når det ikke er i bruk over en lengre periode.
14. Gjenstander og væsker- Forsiktighet bør utvises slik at gjenstander ikke faller ned på, og væske ikke kommer inn i, produktet gjennom produktets åpninger.
15. Skader som krever service- Koble produktet fra veggkontakten og ta det med til kvalifisert servicepersonell under følgende forhold.
  - a) Når strømledningen eller støpslet er skadet.

- b) Når det er sølt væske på produktet, eller når det har falt objekter inn i produktet.
  - c) Hvis produktet har vært utsatt for regn eller vann.
  - d) Hvis produktet ikke fungerer når det brukes i henhold bruksanvisningen.  
Juster bare de kontrollene som omtales i bruksanvisningen, da feilaktig justering av andre kontroller kan ha innvirkning på produktets normale funksjon.
  - e) Hvis produktet har hatt et fall eller blitt skadd.
  - f) Hvis produktet oppfører seg unormalt, hvilket indikerer behov for service.
16. Service-Brukeren må ikke forsøke å reparere produktet utover det som er beskrevet i bruksanvisningen. All service bør utføres av kvalifisert servicepersonell.
  17. Kraftlinjer-Utendørs antenner må ikke plasseres nær kraftlinjer eller andre strømførende kretser, eller slik at de kan falle ned på slike. Vær ekstremt forsiktig ved installasjon av utvendig antenne, slik at du ikke kommer i berøring med livsfarlige strømledninger eller elektriske kretser.
  18. Hvis radioen tilkobles en utendørs antenne skal antennen være jordet for å gi en viss beskyttelse mot overspenning og oppbygd statisk elektrisitet. Vi henviser til gjeldende standarder for informasjon om korrekt jording av mast og støttestruktur, jordingens ledningsevne, plassering av antennes utladingsenhet, størrelsen på jordingen og de gjeldende kravene til denne. (§ 810, National Electrical Code ANSI/NEFA 70).
  19. Rengjøring-Koble produktet fra veggkontakten før rengjøring. Ikke bruk spray eller flytende rengjøringsmidler. Bruk en fuktig klut til rengjøring.
  20. Lyn-For ekstra beskyttelse av produktet i tordenvær, eller når det skal stå ubrukt og uten tilsyn i lange perioder, skal støpslet tas ut av stikkkontakten og antennen eller kabelsystemet kobles fra. Dette vil avverge skade på produktet som følge av lynnedslag og overspenning.
  21. Sikkerhetssjekk-Ved service eller reparasjoner på produktet, bør du be serviceteknikeren om en sikkerhetssjekk for å fastslå at produktet har riktige driftsbetingelser.
  22. Overbelastning-Ikke overbelast vegguttak, skjøteledninger eller stikkontakter, da dette kan føre til brann eller elektrisk støt.

#### **EKSEMPEL PÅ ANTENNEJORDING SOM PER NASJONAL ELEKTRISK KODE**



#### **NEC NASJONALE ELEKTRISITETSFORSKRIFTER**

Ikke bruk olje eller oljeprodukter på dette produktet.

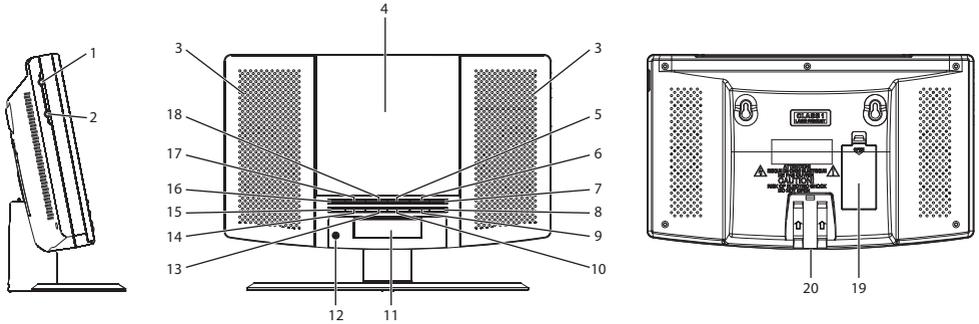
## **FORSIKTIG**

Usynlig laserstråling vil bli avgitt når produktet er åpent og sperrere er opphevet. Ikke opphev sikkerhetssperrere.

GRAFISKE SYMBOLER MED SUPPLERENDE TEGNINGER ER Plassert PÅ UNDERSIDEN AV ENHETEN.

BRUK AV KONTROLLER, JUSTERINGER ELLER YTELESESPROSEDYRE HERI KAN FØRE TIL FARLIG STRÅLING.

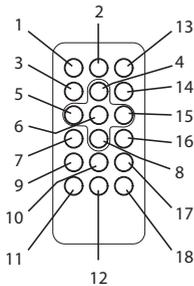
## PLASSERING AV KONTROLLENE



1. AUX-kontakt
2. Hodetelefonutgang
3. Høyttaler
4. CD-dør
5. ►► -knapp
6. ■ -knapp
7. ►|| -knapp
8. STANDBY -knapp
9. FUNCTION -knapp
10. ALARM SET-knapp

11. LCD-DISPLAY
12. IR
13. VOL+ -knapp
14. VOL- -knapp
15. M-DN-knapp
16. M-UP-knapp
17. PROG/TIME SET-knapp
18. ◀◀ -knapp
19. Batterirom
20. Strøminngang

## FJERNKONTROLL



1. STANDBY-knapp
2. FUNCTION-knapp
3. STOP-knapp
4. Øke volum (+)
5. Prev/ Hour - knapp
6. PLAY/PAUSE-knapp
7. M-DN-knapp
8. VOL- -knapp
9. ALARM SET-knapp
10. MEMORY-knapp
11. TIME SET-knapp
12. SNOOZE-knapp
13. MUTE-knapp
14. MODE-knapp
15. Next/Min -knapp
16. M-UP-knapp
17. PROG-knapp
18. SLEEP-knapp

## Enhetens Strømforsyning

Denne enheten er konstruert for å brukes med AC/DC adapter.

Bruk med AC/DC-adapter.

Sett den lille pluggen på adapteren inn i DC kontakten.

Sett AC/DC-adapteren inn i et hvilken som helst AC~230V 50Hz husholdningsuttak i vertikal eller horisontal retning.

## **MONTERE ENHETEN PÅ VEGGEN**

1. Det er to hull for veggmontering på baksiden av enheten. Fest stativet til sporet på enheten før enheten monteres på veggen
2. Kontroller at veggfestene du bruker tåler en vekt på 5 kg, dersom du skal feste denne rammen på veggen. Be om råd fra en lokal jernvarehandel.
3. Pass på at det er festet to bolter eller skruer på veggen med samme avstand som hullene bak på enheten.
4. Forviss om at boltene eller skruene på veggen kan tåle en vekt på minst 6 kg.

## **INNSTILLING AV TID**

1. I STANDBY OFF-modus trykker du på og holder TIME SET-knappen
2. Trykk så på **⏪** -knapp for å stille inn ønsket time.
3. Trykk deretter på **▶▶** -knapp for å stille inn riktig minutt.
4. Når du har stilt inn klokkeslettet, trykker du på PROG/TIME SET-knappen for å bekrefte.

## **VÅKNE TIL ALARMSUMMER (AL 1):**

- a. La enheten være i hvilemodus.
- b. Trykk på ALARM SET-knappen. Symbolet “ 1” vil blinke på displayet. Trykk og hold ALARM SET-knappen inne på nytt. Vekketiden vil blinke på displayet.
- c. Trykk på **⏪** -knappen for å stille inn timen for vekketiden.
- d. Trykk på **▶▶** -knappen for å stille inn minuttene for vekketiden.
- e. Summeren vil ringe til den innstilte vekketiden.

## **VÅKNE TIL RADIO:**

- a. La enheten være i hvilemodus.
- b. Trykk på ALARM SET-knappen. Symbolet “ 1” vil blinke på displayet. Trykk og hold ALARM SET-knappen inne på nytt. Vekketiden vil blinke på displayet.
- c. Deretter trykker du FUNKSJON-knappen for å velge "FM" ikonet.
- d. Trykk på **⏪** -knappen for å stille inn timen for vekketiden.
- e. Trykk på **▶▶** -knappen for å stille inn minuttene for vekketiden.
- f. Radioen slår seg på ved innstilt alarmtid

## **VÅKNE TIL CD:**

- a. La enheten være i hvilemodus.
- b. Trykk på ALARM SET-knappen. Symbolet “ 1” vil blinke på displayet. Trykk og hold ALARM SET-knappen inne på nytt. Vekketiden vil blinke på displayet.
- c. Deretter trykker du FUNKSJON-knappen for å velge "CD" ikonet.
- d. Trykk på **⏪** -knappen for å stille inn timen for vekketiden.
- e. Trykk på **▶▶** -knappen for å stille inn minuttene for vekketiden.
- f. CD slår seg på ved innstilt alarmtid

OBS: Vær sikker på, at der er en CD i CD-Drevet  
AL2 innstilling er same som AL1 innstilling

## **SLÅ AV ALARMEN:**

Når alarmen ringer, trykk på STANDBY-KNAPPEN for å slå av alarmen. Alarmen vil ringe igjen neste dag.

## **DEAKTIVERE ALARMEN**

For å deaktivere alarmen:

I “STANDBY OFF”-modus, trykk på AL.SET-knappen for å deaktivere alarmfunksjonen (alarmsymbolet  forsvinner fra displayet).

## **JUSTERING AV VOLUM**

1. Trykk på VOL+ for å øke volumet.
2. Trykk på VOL- for å senke volumet.

## **BETJENING AV RADIOEN**

1. Trykk på STANDBY/FUNKSJON-knappen på enheten gjentatte ganger,
2. Trykk så på FUNCTION-knappen på fjernkontrollen til frekvensen vises på displayet.
3. Slik bruker du knappene på radioen
  - i. Manuell søking  
Trykk på ◀ / ▶ for å søke etter ønsket frekvens.
  - ii. Automatisk innstilling
    - a) Trykk og hold ◀ / ▶ til frekvensen i displayet begynner å løpe.
    - b) Når en tilstrekkelig sterk stasjon er funnet, stanser søket. Du kan stanse det automatiske søket ved å trykke på ◀ / ▶ .
4. For å slå av radioen trykker du på STANDBY-knappen.

## **INNSTILLING AV FORVALG**

1. Velg ønsket stasjon i henhold til normal innstillingsprosedyre.
2. Trykk på MEMORY-knappen på fjernkontrollen. «P01» vises og blinker på displayet. Bruk deretter M-UP eller M-DN -knappen på fjernkontrollen for å endre nummeret der stasjonen vil bli lagret. (P01 til P20).
3. Den aktuelle frekvensen lagres ved å trykke MEMORY-knappen på fjernkontrollen når du kommer til ønsket nummer.
4. Gjenta samme prosedyre for å stille andre ønskede frekvenser i minne 1 til 20. 20.  
OBS: Enheten kan lagre inntil 20 stasjoner.

## **HENTING FORVALG**

Hent de lagrede frekvenser ved å trykke på M-UP eller M-DN knappen på enheten eller M+/M- knappen på fjernkontrollen og velge mellom stasjon 1 til 20.

OBS: De lagrede frekvensene kan bare lagres lenge med strømforsyningen. Stasjonen du lagret vil gå tapt og kan ikke hentes hvis du slår av strømmen.

## **HÅNDTERING AV CD-PLATER**

- Beskytt alltid CD-er mot riper, sand og støv osv. Hvis en CD behandles noenlunde forsiktig, burde det eneste vedlikeholdet som kreves for å beholde den gode lyd kvaliteten være å tørke av den med en klut. CD-er bør oppbevares i sitt originale deksel når de ikke brukes.
- Ta kun på kantene av CD-en. Ikke ta på den trykte eller den regnbuefargede siden av platen.
- Hold CD-en som vist i illustrasjonene.
- Bruk en myk klut til å tørke av CD-en. Ikke bruk benzen, tynner eller andre kjemiske rengjøringsmidler som kan skade CD-en. En CD skal alltid tørkes av i en rett linje fra midten og ut til kanten. Tørk aldri av en CD i en sirkelbevegelse.
- Ikke utsett CD-en for direkte sollys, høy fuktighet eller høye temperaturer over lengre tid. Ikke plasser platen oppå annet utstyr eller nær varmekilder.
- Støv på linsen kan medføre feilfunksjon og at lyden kuttes under avspilling. For å rengjøre linsen, åpne CD-skuffen og blås bort støv. Bruk en blåsebørste for kameraer (fåes kjøpt i de fleste fotobutikker).  
OBS: Ikke ta på linsens overflate. Ikke la det komme væsker av noe slag inn i produktet.
- For å rengjøre overflaten på selve CD-spillere, bruk en myk og fuktig klut til å tørke over den.

- Bruk aldri benzol, benzen eller andre sterke kjemiske rengjøringsmidler som kan skade finishen.

DO:



DO NOT:



### **AVSPILLING AV CD-PLATER**

OBS: Berør aldri laserlinsen inne i CD-rommet. Rens laserlinsen med en CD rensedisk hvis den blir skitten.

1. Trykk noen ganger på STANDBY -knappen til CD-ikonet vises på displayet.
2. ELLER trykk på STANDBY-knappen på fjernkontrollen for å slå på enheten, og så på FUNCTION-knappen på fjernkontrollen til CD-ikonet vises på displayet.
3. Åpne CD-døren og legg en CD i skuffen med den trykte siden opp.
4. Lukk CD-døren. Platen vil rotere i noen sekunder før den stopper.
5. Trykk på ◀▶ / ▶▶ for å velge et spor.
6. Trykk på ▶▶ for å starte avspillingen.
7. Trykk på ▶▶ på nytt for å pause avspillingen.
8. For å stoppe avspillingen midlertidig, trykker du på PAUSE-knappen. For å gjenoppta, trykk en gang til.

### **TILFELDIG AVSPILLINGSREKKEFØLGE**

1. Mens du er i CD-avspillings-modus, trykker du på REPEAT-knappen på fjernkontrollen til «RAND» vises på LCD-skjermen.
2. Dette vil gjøre at sporene spilles av i tilfeldig rekkefølge.

### **REPEAT-FUNKSJON**

1. Trykk på MODE-knappen på fjernkontrollen én gang under avspilling, ☐ tegnet vil vises på LCD-skjermen.
2. Trykk på MODE-knappen på fjernkontrollen én gang til for å gjenta alle sporene. "ALL ☐"-tegnet vises på LCD-displayet.
3. For å avbryte REPEAT PLAY trykker du på MODE-knappen på fjernkontrollen noen ganger til alle tegn er borte.

### **Hopp & søk frem og tilbake**

1. Knappene ◀▶ / ▶▶ kan brukes til å hoppe til et annet spornummer eller til å søke gjennom sporene på CD-en.
2. Trykk én gang på ◀▶ for å gå til starten av det gjeldende spor. Trykk to eller flere ganger for å høre tidligere spor på CD-en.
3. Trykk på ▶▶ for å gå til neste spor på CD-en.
4. Trykk og hold ◀▶ for å skanne og gå så bakover til de tidligere sporene. Når ønsket del av sporet er funnet, slipper du knappen, hvorpå at normal avspilling vil bli gjenopptatt.
5. Trykk og hold ▶▶ SKIP+ for å skanne og gå forover til de neste sporene. Når den ønsket del av sporet er funnet, slipper du knappen, hvorpå normal avspilling vil bli gjenopptatt.

### **PROGRAM-FUNKSJON**

**Programfunksjonen brukes til å programmere inntil 20 spor til avspilling i en valgt rekkefølge.**

1. Når du er i stoppmodus (CD-en spiller ikke) trykker du på PROG/TIME SET-knappen. LCD-displayet vil nå vise teksten "PROGRAM 01" hvorpå "PROGRAM 01" begynner å blinke.

2. Trykk på **⏮** / **⏭** SKIP- for å plassere ønsket spor.
3. Trykk på PROG/TIME SET-knappen for å velge og lagre sporet i minnet.
4. Gjenta trinn 2-3 for å velge inntil 20 spor.
5. For å spille av de valgte sporene (i program-modus) trykker du på **▶/||**-knappen. Spornummeret og "PROGRAM" vil nå bli vist på LCD-displayet.
6. Trykk på **⏮** for å lytte til foregående eller trykk på **⏭** for å lytte til neste programmerte spor. OBS: Etter at alle de programmerte sporene er avspilt, vil CD-spilleren gå tilbake til stopp-modus.

### **AUX-INNGANGSPLUGG**

1. Trykk noen ganger på STANDBY -knappen.
2. Trykk på og så på FUNCTION-knappen .
3. Koble AUX tilkoblings-ledningen fra ut-kontakten på din Personal Player, som for eksempel den bærbare MP3-spilleren, til AUX-inngangen.
4. Start avspillingen fra musikkilden.

### **HODETELEFONUTGANG**

Det kan brukes stereo-hodetelefoner med  $\Phi$  3,5 mm plugg på denne enheten. Senk volumet til minimumsnivå før du kobler til hodetelefonene, for ikke å skade ørene eller hodetelefonene. Koble hodetelefonene til hodetelefonutgangen. Høytalerne blir automatisk koblet fra.

Advarsel: Langvarig eksponering for høy lyd kan skade hørselen permanent. Du kan ikke høre enkelte varsellyder mens du bruker disse hodetelefonene.

### **SLUMREFUNKSJON**

Hvis du ønsker å slumre i noen minutter til, trykk på SNOOZE-knappen, den vil deaktivere lyden i 9 minutter og vil vise «SNOOZE» på LCD-Displayet. Trykk på Standby-knappen for å slå av slumrefunksjonen.

MED ENERETT, OPPHAVSRETT DENVER ELECTRONICS A/S

DENVER®

[www.denver-electronics.com](http://www.denver-electronics.com)



Elektrisk og elektronisk utstyr og batterier inneholder materialer, komponenter og stoffer som kan være farlige for helse og miljøet, hvis avfallet (kasserte elektriske og elektroniske produkter og batterier) ikke håndteres riktig.

Elektrisk og elektronisk utstyr og batterier er merket med en søppelbøtte med kryss over, se nedenfor. Dette symbolet betyr at elektrisk og elektronisk utstyr og batterier ikke må kastes sammen med annet husholdningsavfall, men skal avhendes separat.

Som sluttbruker er det viktig at du sender inn dine brukte batterier til korrekt avfallsordning. På denne måten sikrer du at batteriene blir resirkulert i henhold til lovverket, og ikke skader miljøet.

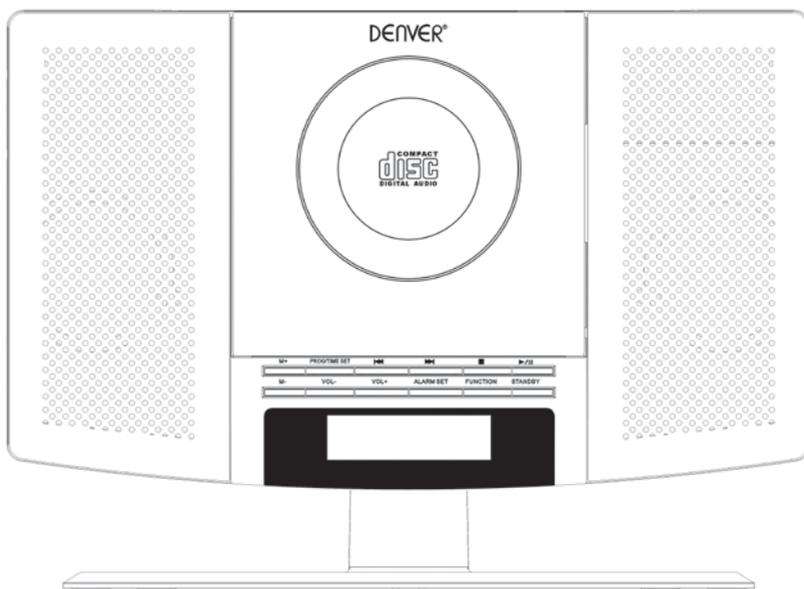
Alle byer har etablert innsamlingspunkter, hvor elektrisk og elektronisk utstyr og batterier kan enten sendes gratis til gjenvinningsstasjoner og andre innsamlingssteder, eller bli hentet direkte fra husholdningene. Mer informasjon er tilgjengelig hos lokale tekniske avdelinger.

Importert av :  
DENVER ELECTRONICS A/S  
Omega 5A, Soefte  
DK-8382 Hinnerup  
Denmark  
[www.facebook.com/denverelectronics](https://www.facebook.com/denverelectronics)

# DENVER<sup>®</sup> ELECTRONICS

## ODTWARZACZ CD Z RADIEM PLL FM I ZEGAREM Z ALARMEM

MODEL MC5220



**PRZED UŻYTKOWANIEM TEGO PRODUKTU PROSZĘ ZE ZROZUMIENIEM PRZECZYTAĆ  
TE WSKAZÓWKI.**

Broszurę proszę zachować do późniejszego użytku.

[www.facebook.com/denverelectronics](http://www.facebook.com/denverelectronics)

# WSKAZÓWKI BEZPIECZEŃSTWA

 <p>Symbol błyskawicy ze strzałką na trójkącie równobocznym ostrzega użytkownika o istnieniu nieizolowanego niebezpiecznego napięcia w obudowie produktu, które może mieć wystarczającą moc do stworzenia zagrożenia porażeniem elektrycznym osób.</p>	<p><b>CAUTION</b> <b>RISK OF ELECTRIC SHOCK</b> <b>DO NOT OPEN</b></p> <p>OSTRZEŻENIE: ABY ZAPOBIEC PORĄŻENIU ELEKTRYCZNEMU, NIE ZDEJMOWAĆ POKRYWY (TYLNEJ). NIE MA WEWNĄTRZ CZĘŚCI PODLEGAJĄCYCH SERWISOWI UŻYTKOWNIKA. SERWIS PROSZĘ POWIERZYĆ WYKwalifikowanemu PERSONELOWI.</p>	 <p>Wykrzyknik na trójkącie równobocznym informuje użytkownika o ważnych instrukcjach działania i konserwacji (serwisowania) w literaturze dołączonej do urządzenia.</p>
---	---	---

**OSTRZEŻENIE:** ABY UNIKNĄĆ PORĄŻENIA ELEKTRYCZNEGO, NALEŻY PRZYSTAWIĆ SZEROKĄ BLASZKĘ WTYCZKI DO SZEROKIEGO WEJŚCIA GNIAZDKA I WŁOŻYĆ DO KOŃCA.

**OSTRZEŻENIE:** NIE WYSTAWIAĆ URZĄDZENIA NA DESZCZ I WILGOĆ, BO GROZI TO POŻAREM LUB PORĄŻENIEM ELEKTRYCZNYM.

# WSKAZÓWKI BEZPIECZEŃSTWA

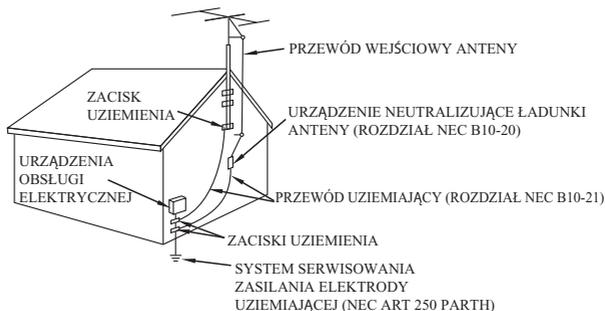
TE WAŻNE INSTRUKCJE BEZPIECZEŃSTWA ODNOSZĄ SIĘ DO URZĄDZENIA I ZAWIERAJĄ WYMIENIONE PONIŻEJ INFORMACJE DLA UŻYTKOWNIKA

1. Przeczytać instrukcje – Wszystkie instrukcje bezpieczeństwa i działania należy przeczytać przed rozpoczęciem korzystania z urządzenia.
2. Zachować instrukcje – Instrukcje bezpieczeństwa i działania należy zachować, aby można było z nich skorzystać w przyszłości.
3. Zwracać uwagę na ostrzeżenia – Należy stosować się do wszystkich ostrzeżeń i pouczeń na urządzeniu oraz w instrukcji obsługi.
4. Przestrzegać instrukcji - Należy przestrzegać wszystkich instrukcji działania i użytkowania.
5. Woda i wilgoć – Nie wolno korzystać z urządzenia w pobliżu wody, na przykład obok wanny, umywalki, zlewu, zlewozmywaka, basenu lub w wilgotnym otoczeniu bądź w pobliżu basenu, itp.
6. Montaż ścienny i sufitowy - urządzenie nie powinno być montowane do ściany lub sufitu.
7. Wentylacja – Urządzenie należy ustawiać tak, aby miejsce lub pozycja nie przeszkadzały we właściwej wentylacji. Na przykład urządzenia nie należy ustawiać na łóżku, fotelu, dywanie lub innej tego typu powierzchni, która może zatykać otwory wentylacyjne, ani w konstrukcjach zabudowanych, takich jak regał lub szafka, ponieważ może to zakłócać przepływ powietrza przez otwory wentylacyjne.
8. Gorąco – Urządzenie należy ustawiać z dala od źródeł ciepła, takich jak grzejniki, nawiewy ciepłego powietrza, kuchenki lub inne urządzenia (w tym wzmacniacze) generujące ciepło.
9. Źródła zasilania - Produkt może być zasilany tylko typem zasilania podanym na etykiecie oznaczeniowej. W razie braku pewności co do typu zasilania w domu należy skonsultować się ze sprzedawcą produktu lub miejscową firmą energetyczną. W przypadku produktów zasilanych bateriami lub z innych źródeł należy przeczytać instrukcję obsługi.
10. Uziemienie/polaryzacja - Produkt może być wyposażony w polaryzowaną wtyczkę prądu przemiennego (wtyczka z jedną blaszką szerszą niż druga). Wtyczkę można włożyć do gniazdka tylko w jeden sposób, ponieważ jest to element bezpieczeństwa. Jeśli nie udaje się wtyczki wetknąć w pełni do gniazdka to proszę spróbować ją włożyć odrotnie. Jeśli nadal nie można włożyć wtyczki, należy skontaktować się z elektrykiem, aby wymienić niewłaściwe gniazdko. Nie wolno zmieniać charakterystyki bezpieczeństwa wtyczki polaryzowanej.
11. Ochrona kabla zasilania - Kable zasilania należy układać tak, aby nie można było po nich chodzić. Nie powinny być one też mocowane przedmiotami kładzionymi na nie lub przy nich, a szczególną uwagę należy zwrócić na kable, wtyczki, przyłącza i miejsce, gdzie kable wychodzą z urządzenia.
12. Czyszczenie - Urządzenia należy czyścić tylko w sposób zalecany przez producenta.
13. Okresy przerw w użytkowaniu - Kabel zasilania urządzenia należy odłączyć od gniazdka, kiedy urządzenie nie będzie użytkowane przez długi okres czasu.
14. Przedstawianie się przedmiotów i cieczy – Należy zadbać, aby poprzez otwory do obudowy produktu nie przedostały się przedmioty ani cieczy.

15. Uszkodzenie wymagające serwisowania – Wyłączyć produkt z gniazdka i przekazać wykwalifikowanemu personelowi serwisowemu zgodnie z poniższymi warunkami:
  - a) Gdy przewód zasilania lub wtyczka zasilania są uszkodzone.
  - b) Jeśli na produkt rozlała się ciecz lub spadły do niego przedmioty.
  - c) Jeśli produkt był narażony na działanie deszczu lub wody.
  - d) Jeśli produkt nie działa mimo stosowania zgodnie z instrukcją obsługi.
 

Regulować tylko te elementy sterowania, które zostały opisane w instrukcji obsługi, ponieważ nieprawidłowa regulacja innych elementów sterowania może zakłócić prawidłowe działanie produktu.
  - e) Jeśli produkt upadł lub został uszkodzony w jakikolwiek sposób.
  - f) Jeśli produkt wykazuje wyraźne zmiany wydajności - wskazuje to na konieczność serwisowania.
16. Serwisowanie – Użytkownik nie może podejmować samodzielnego serwisowania produktu poza zakresem opisanym w instrukcji obsługi. Każde serwisowanie musi zostać zgłoszone do wykwalifikowanego personelu serwisowego.
17. Linie energetyczne - System anteny zewnętrznej nie może znajdować się w pobliżu napowietrznych linii energetycznych lub innych obwodów oświetlenia elektrycznego lub zasilania, ani też w miejscach, gdzie może упаć na takie linie energetyczne lub obwody. Podczas instalowania systemu anteny zewnętrznej należy zachować szczególną ostrożność, aby nie dotknąć linii energetycznych lub obwodów, ponieważ kontakt może mieć śmiertelne skutki.
18. Jeśli antena zewnętrzna jest podłączona do odbiornika należy się upewnić, że system anteny jest uziemiony, co zapewnia ochronę przeciwko niespodziewanym wzrostom napięcia i nagromadzeniu ładunków elektrostatycznych. W rozdziale 810 NEC ANSI/NEFA 70 znajdują się informacje dotyczące prawidłowego uziemienia masztów i instalacji podpierających, przewodów uziemiających, położenia urządzenia neutralizującego ładunki anteny, rozmiaru elektrod uziemiających i wymagań dotyczących elektrody uziemiającej (patrz rysunek).
19. Czyszczenie - Przed czyszczeniem należy wyjąć wtyczkę produktu z gniazdka. Nie używać ciekłych środków czystości lub aerozoli. Do czyszczenia należy użyć wilgotną ściereczkę.
20. Burze - Aby dodatkowo chronić produkt w czasie burzy lub kiedy jest pozostawiony bez nadzoru i nieużywany przez dłuższy okres czasu, należy wyjąć wtyczkę z gniazdka i odłączyć antenę lub kable. Zapewni to ochronę przed uszkodzeniem produktu z powodu burz lub nagłych wzrostów zasilania.
21. Kontrola bezpieczeństwa – Po zakończeniu serwisowania lub napraw produktu należy poprosić technika serwisowego o wykonanie kontroli bezpieczeństwa w celu sprawdzenia, czy produkt jest w stanie odpowiednim do pracy.
22. Przeciążenie - nie wolno przeciążać gniazdek ściennych, przedłużaczy lub przyłączy, ponieważ może to spowodować pożar lub porażenie elektryczne.

#### PRZYKŁAD UZIEMIENIA ANTENY WEDŁUG NEC



#### NEC NATIONAL ELECTRICAL CODE

Nie nakładać oleju ani produktów naftowych na ten produkt.

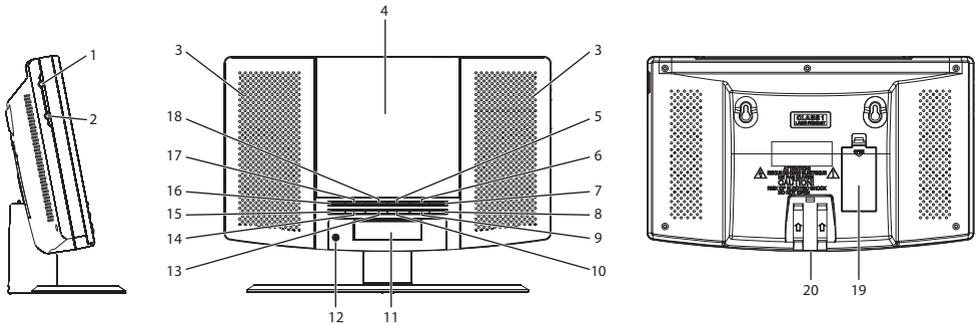
## PRZESTROGA

Niewidzialne promieniowanie laserowe będzie emitowane po otwarciu produktu i zdjęciu blokad. Nie wolno zdejmować blokad bezpieczeństwa.

SYMBOLE GRAFICZNE Z DODATKOWYMI OZNACZENIAMI ZNAJDUJĄ SIĘ NA SPODZIE URZĄDZENIA.

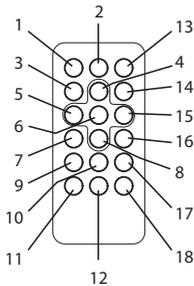
KORZYSTANIE Z ELEMENTÓW STEROWANIA, REGULACJI LUB PROCEDURY WYDAJNOŚCI MOŻE SPOWODOWAĆ NIEBEZPIECZNĄ EMISJĘ PROMIENIOWANIA.

## ROZMIESZCZENIE ORGANÓW REGULACYJNYCH



- |                                 |   |
|---------------------------------|---|
| 1. Gniazdo wejścia pomocniczego | 11. Wyświetlacz LCD                           |
| 2. Gniazdo słuchawek            | 12. IR  |
| 3. Głośnik                      | 13. Przycisk zwiększenia głośności            |
| 4. Drzwiczki CD                 | 14. Przycisk zmniejszenia głośności           |
| 5. ►► przycisk                  | 15. Przycisk M-                               |
| 6. ■ przycisk                   | 16. Przycisk M+                               |
| 7. ►   przycisk                 | 17. Przycisk ustawienia programowania / czasu |
| 8. Przycisk Gotowości           | 18. ◀◀ przycisk                               |
| 9. Przycisk funkcji             | 19. Przedział baterii                         |
| 10. Przycisk ustawienia alarmu  | 20. Gniazdo DC                                |

## REMOTE CONTROL



- |                                    |
|------------------------------------|
| 1. Przycisk Gotowości              |
| 2. Przycisk funkcji                |
| 3. Przycisk stopu                  |
| 4. Przycisk zwiększenia głośności  |
| 5. Przycisk poprzedni / godzina    |
| 6. Przycisk odtwarzanie / pauza    |
| 7. Przycisk M-DN                   |
| 8. Przycisk zmniejszenia głośności |
| 9. Przycisk alarmu                 |
| 10. Przycisk pamięci               |
| 11. Przycisk czasu                 |
| 12. Przycisk drzemki               |
| 13. Przycisk ściszenia             |
| 14. Przycisk trybu                 |
| 15. Przycisk następny / Min        |
| 16. Przycisk M-wyżej               |
| 17. Przycisk Programowania         |
| 18. Przycisk zasypiania            |

## Zasilanie urządzenia

To urządzenie jest przeznaczone do pracy z adapterem AC/DC.

Praca z adapterem - zasilaczem AC/DC.

Wetknąć mały wtyk zasilacza do gniazda DC.

Włożyć adapter AC/DC do dowolnego przyłącza z gniazdkiem domowym AC~100-240V 50/60Hz w kierunku pionowym lub poziomym.

## **MONTAŻ URZĄDZENIA NA ŚCIANIE**

1. Z tyłu urządzenia znajdują się dwa otwory do montażu na ścianie. Przed zainstalowaniem produktu należy wcisnąć podstawkę tak jak wskazuje oznaczenie na podstawie do kanału urządzenia.
2. Proszę się upewnić, czy wybrana metoda mocowania na ścianie udźwignie ciężar 5kg, jeśli zamierza się umieścić tę ramę na ścianie. Rady może udzielić lokalny specjalista od sprzętu.
3. Upewnić się, że w ścianie znajdują się dwa kołki lub gwoździe w odległości takiej samej jak aktualny produkt na urządzeniu między sobą.
4. Proszę upewnić się, że kołki lub gwoździe mogą udźwignąć ciężar co najmniej 6kg.

## **USTAWIANIE ZEGARA**

1. W trybie STANDBY OFF, nacisnąć i przytrzymać przycisk PROG/TIME SET.
2. Nacisnąć **◀◀** przycisk, by ustawić pożądaną godzinę.
3. Nacisnąć **▶▶** przycisk, by ustawić pożądaną minutę.
4. Po ustawieniu pożądanego czasu, nacisnąć przycisk PROG/TIME SET, by potwierdzić.

## **ALARM BUDZENIA BRZĘCZYKIEM (AL 1):**

- a. Upewnić się, że urządzenie jest w stanie gotowości.
- b. Nacisnąć przycisk ALARM SET, ikona na wyświetlaczu “ 1” będzie migotać, następnie nacisnąć i przytrzymać ponownie przycisk ALARM SET, czas alarmu będzie na wyświetlaczu migotać.
- c. Nacisnąć przycisk **◀◀**, by ustawić pożądaną godzinę alarmu.
- d. Nacisnąć przycisk **▶▶**, by ustawić pożądaną minutę alarmu.
- e. Brzęczyk będzie słychać o ustawionym czasie alarmu.

## **BUDZENIE RADIEM:**

- a. Upewnić się, że urządzenie jest w stanie gotowości.
- b. Dotknąć przycisk ALARM SET, ikona na wyświetlaczu “ 1” będzie migotać, następnie nacisnąć i przytrzymać ponownie przycisk ALARM SET, czas alarmu będzie na wyświetlaczu migotać.
- c. Nacisnąć przycisk FUNCTION, by wybrać ikonę “FM”.
- d. Nacisnąć przycisk **◀◀**, by ustawić pożądaną godzinę alarmu.
- e. Nacisnąć przycisk **▶▶**, by ustawić pożądaną minutę alarmu.
- f. Radio będzie słychać o ustawionym czasie alarmu.

## **BUDZENIE Z PŁYTY CD:**

- a. Upewnić się, że urządzenie jest w stanie gotowości.
  - b. Nacisnąć przycisk ALARM SET, ikona na wyświetlaczu “ 1” będzie migotać, następnie nacisnąć i przytrzymać ponownie przycisk ALARM SET, czas alarmu będzie na wyświetlaczu migotać.
  - c. Nacisnąć przycisk FUNCTION, aby wybrać ikonę “CD”.
  - d. Nacisnąć przycisk **◀◀**, by ustawić pożądaną godzinę alarmu.
  - e. Nacisnąć przycisk **▶▶**, by ustawić pożądaną minutę alarmu.
  - f. Rozpocznie się odtwarzanie płyty CD w ustawionym czasie alarmu.
- Uwaga: Upewnić się, że płyta została już włożona do kieszeni CD.

Ustawienie AL2 jest takie samo jak ustawienie AL1.

## **WYŁĄCZANIE ALARMU:**

Kiedy alarm się wyłączy, należy nacisnąć przycisk STANDBY, aby wyłączyć alarm. Alarm zostanie przestawiony na następny dzień.

## **WYŁĄCZANIE ALARMU**

Aby skasować tryb alarmu:

W trybie “STANDBY OFF”, nacisnąć przycisk ALARM SET, by funkcję alarmu wyłączyć. (aż do zniknięcia symbolu alarmu “ ” na wyświetlaczu LCD).

## **REGULACJA GŁOŚNOŚCI**

- Nacisnąć przycisk VOL+, aby zwiększyć głośność.
- Nacisnąć przycisk VOL-, aby zmniejszyć głośność.

## **PRACA RADIA**

1. Nacisnąć przycisk STANDBY, aby włączyć urządzenie.
2. Naciskaniem przycisku FUNCTION wybrać funkcję RADIO.
3. Jak korzystać z przycisków w funkcji radia
  - i. Ręczne dostrajanie  
Nacisnąć przycisk ◀ lub ▶, by wyszukać pożądaną częstotliwość. Wyższą częstotliwość wybiera się naciskając przycisk ▶ a niższą wybiera się naciskając przycisk ◀.
  - ii. Dostrajanie automatyczne
    - a) Nacisnąć i przytrzymać przycisk ◀ lub ▶, aż do rozpoczęcia zmiany wyświetlanej częstotliwości.
    - b) Gdy zostanie znaleziona stacja dostatecznie silna, dostrajanie zatrzyma się, lub można automatyczne dostrajanie zatrzymać naciskając przycisk ◀ lub ▶.
4. Aby wyłączyć radio, należy nacisnąć przycisk STANDBY.

## **USTAWIENIE WSTĘPNE STACJI**

1. Wybrać pożądaną stację wg procedury normalnego dostrajania.
2. Nacisnąć przycisk pilota MEMORY, na wyświetlaczu LCD pojawi się migoczące "P01", następnie użyć przycisk pilota M-UP lub M-DN lub M+ / M-, by zmienić numer zapamiętanej stacji. (P01 to P20) dla zmiany numeru miejsca zapamiętanej stacji. (P01 do P20)
3. Zapisać aktualną częstotliwość naciskając ponownie przycisk MEMORY na pilocie, po wybraniużądanego numeru.
4. Powtórzyć tę samą procedurę przy ustawianiu innych częstotliwości w Memory (pamięci) nr 1 do nr 20.

Uwaga: W urządzeniu można ustawić do 20-ciu stacji.

## **PRZYWOŁANIE PAMIĘCI**

Przywołanie zapamiętanej częstotliwości, następuje naciśnięciem przycisku M-UP lub M-DN w urządzeniu lub M+ lub M-, dla wyboru jednej z dwudziestu.

UWAGA: Zapamiętane częstotliwości będą zachowane przez długi czas pod warunkiem zachowania zasilania. Zapamiętanie częstotliwości zostanie utracone i nie będą one mogły być przywołane, jeśli zasilanie zostanie odłączone.

## **OBCHODZENIE SIĘ Z PŁYTĄ KOMPAKTOWĄ**

- Zabezpieczać zawsze płytę przed zadrapaniami, ziemią, pyłem, itd. Przy ostrożnym postępowaniu z płytą jedyny środek utrzymania w dobrym stanie, pozwalający zachować doskonale odtwarzanie dźwięku, to delikatne wytarcie miękką ściereczką. Nieużywane płyty powinny być przechowywane w oryginalnych opakowaniach.
- Dysk trzymać tylko za krawędzie, nie dotykać powierzchni lub tęczoowo barwnej powierzchni dysku.
- Postępować w sposób podany na poniższej ilustracji.
- Do czyszczenia płyty używać miękkiej ściereczki. Do czyszczenia płyty nie używać benzenu, rozpuszczalnika ani innych środków chemicznych, bo mogą ją uszkodzić. Płyta powinna być zawsze wycierana w prostej linii od środka do krawędzi. Nie wycierać nigdy płyty ruchem kolistym.
- Nie wystawiać płyty, przez dłuższy czas, na bezpośrednie promieniowanie słoneczne, wysoką wilgotność lub temperaturę. Nie umieszczać płyty na innym sprzęcie lub w pobliżu źródła ciepła.

- Pył na soczewce odtwarzania dźwięku może spowodować błędne działanie i przerwy w odtwarzaniu dźwięku. W celu oczyszczenia soczewki odtwarzania dźwięku należy otworzyć przedział płyty i zdmuchać pył. Zdmuchnąć pył z soczewek stosując zdmuchiwacz soczewek kamery (dostępny w większości sklepów z kamerami).
- Uwaga: Nie dotykać powierzchni soczewki. Nie dopuścić do przedostania się cieczy do środka produktu.
- Do czyszczenia kieszeni odtwarzacza CD należy używać miękkiej i nawilżonej ściereczki, którą można wyczyścić powierzchnie zewnętrzne.
- Nigdy nie stosować benzylu, benzenu lub innych silnych środków czyszczenia chemicznego, bo mogą one uszkodzić wykończenie powierzchni.

POLECANE:



NIEPOLECANE:



## ODTWARZANIE DYSKU KOMPAKTOWEGO (CD)

**UWAGA:** Nigdy nie dotykać soczewki lasera wewnątrz przedziału CD. Soczewki lasera, jeśli się zabrudzą, czyścić środkiem czyszczenia CD.

1. Nacisnąć przycisk STANDBY, aby włączyć urządzenie.
2. Nacisnąć przycisk FUNCTION, aby przejść do trybu CD.
3. Otworzyć klapę CD i umieścić CD na tacy etykieta do góry.
4. Zamknąć klapę CD, płyta będzie się obracać przez kilka sekund, a następnie się zatrzyma.
5. Do wyboru ścieżki użyć przycisku ◀ lub ▶.
6. Rozpoczęcie odtwarzania - przyciskem ■.
7. Aby wstrzymać odtwarzanie wciśnij ponownie przycisk ■.
8. Nacisnąć przycisk STOP, aby zatrzymać odtwarzanie.

## ODTWARZANIE LOSOWE

- W trybie zatrzymania CD, naciskać przycisk MODE aż do pojawienia się "RAND" na wyświetlaczu LCD.
- Włączone zostanie losowe odtwarzanie ścieżek.

## FUNKCJA POWTÓRZENIA

1. Nacisnąć raz przycisk pilota MODE (tryb), w trakcie odtwarzania, pojawi się na wyświetlaczu LCD symbol "↶". Ta sama ścieżka będzie ciągle powtarzana.
2. Nacisnąć przycisk pilota MODE powtórnie, by odtwarzać wszystkie ścieżki. Pojawi się na wyświetlaczu LCD symbol "↶ ALL".
3. Aby skasować REPEAT PLAY (powtarzanie odtwarzania), naciskać kolejno przycisk pilota MODE, aż do zniknięcia wszystkich symboli.

## DO TYŁU/DO PRZODU

1. Przyciski CD Reverse ◀ i CD Forward ▶ mogą być użyte do przeskoczenia na inny numer ścieżki lub wyszukiwania ścieżek z dużą prędkością.
2. Nacisnąć przycisk CD Reverse ◀, by słuchać początku aktualnie odtwarzanej ścieżki. Nacisnąć dwa razy lub więcej, aby odtworzyć poprzednie ścieżki na płycie.
3. Nacisnąć przycisk CD ▶, by przeskoczyć do słuchania następnej ścieżki dysku.
4. Nacisnąć i przytrzymać przycisk ◀, aktualna ścieżka zostanie przeskanowana i cofnie się wstecz, do ścieżki poprzedniej; po znalezieniu pożądanej sekcji ścieżki, zwolnić przycisk i wznowi się normalne odtwarzanie.
5. Nacisnąć i przytrzymać przycisk ▶, aktualna ścieżka zostanie przeskanowana i przesunie się do przodu, do ścieżki następnej; po znalezieniu pożądanej sekcji ścieżki, zwolnić przycisk i wznowi się normalne odtwarzanie.

## **FUNKCJA PROGRAMOWANIA**

### **Programowanie odtwarzania w wybranej kolejności może objąć do 20 ścieżek.**

1. W trybie stop (CD nie odtwarza), naciśnięć przycisk PROG/TIME SET, wyświetlacz LCD Display pokaże tekst "PROGRAM 01" i rozpocznie on migotanie.
  2. Naciśnięć przycisk **◀◀** lub **▶▶**, by wyszukać pożądaną ścieżkę.
  3. Naciśnięć przycisk PROG/TIME SET, aby wybrać i zapisać ścieżkę w pamięci.
  4. Powtórzyć kroki 2 do 3 dla wyboru aż do 20-stu ścieżek.
  5. Aby odtwarzać wybrane ścieżki (w trybie programowania), naciśnięć przycisk **▶/||**. Na wyświetlaczu LCD ukaże się numer ścieżki i napis "PROGRAM".
  6. Naciśnięć przycisk **◀◀**, by odtworzyć poprzednią ścieżkę programu lub przyciski **▶▶**, by odtworzyć następną.
- Uwaga:** Po odtworzeniu wszystkich ścieżek, odtwarzacz CD powróci do trybu stop.
7. Aby skasować w pamięci zaprogramowane ścieżki, naciskać STOP dopóki nie zniknie ikona "PROGRAM".

## **GNIAZDO WEJŚCIA POMOCNICZEGO**

1. Dotknąć przycisk STANDBY, aby włączyć urządzenie.
2. Naciśnięć przycisk FUNCTION, aby przejść do trybu AUX.
3. Połączyć przewodem wejście źródła pomocniczego AUX z gniazdem wyjścia odtwarzacza osobistego, takiego jak przenośny odtwarzacz MP3.
4. Naciśnięć start w odtwarzaczu osobistym.

## **GNIAZDO SŁUCHAWEK**

Z tym urządzeniem można używać słuchawki stereo z wtyczką  $\Phi$  3,5mm. Przed podłączeniem słuchawek ustawić głośność na minimalnym poziomie, by nie uszkodzić uszu lub słuchawek.

Podłączyć słuchawki do gniazda słuchawek. Głośniki odłączą się automatycznie.

Ostrzeżenie: Długotrwałe słuchanie głośnego dźwięku może trwale uszkodzić słuch. Przy założonych słuchawkach mogą nie być słyszane pewne dźwięki ostrzegawcze.

## **FUNKCJA DRZEMKI**

Jeśli chce się wydłużyć czas spania o kilka minut, to naciśnięć przycisk SNOOZE, który opóźni dźwięk o około 9 minut.

# DENVER®

[www.denver-electronics.com](http://www.denver-electronics.com)



Urządzenia elektryczne i elektroniczne oraz dołączone do nich baterie zawierają materiały, składniki i substancje, które mogą być niebezpieczne dla zdrowia i środowiska, jeśli nie postępuje się właściwie z odpadami (wyrzucane urządzenia elektryczne i elektroniczne oraz baterie).

Urządzenia elektryczne i elektroniczne oraz baterie są zaznaczone przekreślonym symbolem pojemnika na śmieci, patrz poniżej. Ten symbol oznacza, że urządzenia elektryczne i elektroniczne oraz baterie nie powinny być wyrzucane razem z innymi odpadami domowymi, lecz powinny być wyrzucane oddzielnie.

Ważne jest, abyś jako użytkownik końcowy wyrzucał zużyte baterie w odpowiednich i przeznaczonych do tego miejscach. W ten sposób zapewniasz, że baterie podlegają procesowi recyklingu zgodnie z rozporządzeniami władz i nie będą szkodzić środowisku.

We wszystkich miastach powstały punkty zbiórki, gdzie można oddać bezpłatnie urządzenia elektryczne i elektroniczne oraz baterie do stanowisk recyklingu bądź innych miejsc zbiórki, albo urządzenia i baterie mogą być odebrane z domu. Dodatkowa informacja jest dostępna w wydziale technicznym miasta.

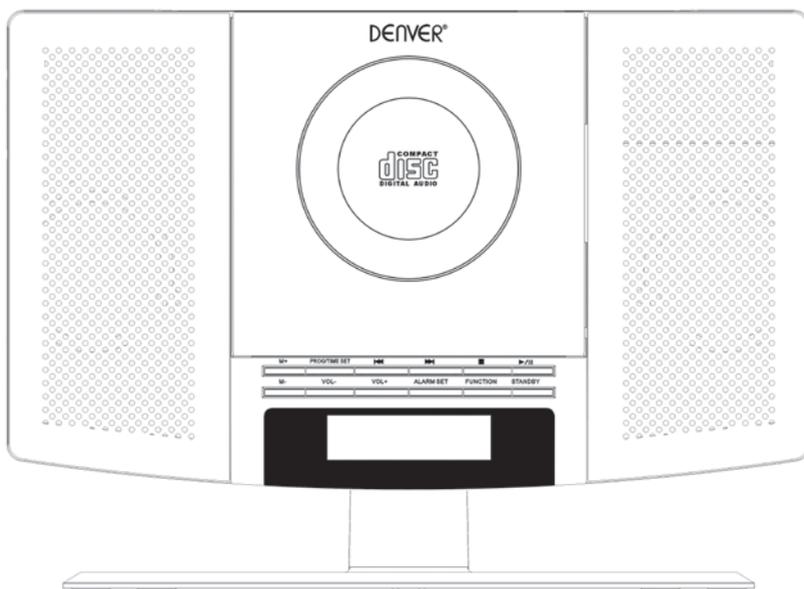
Proszę wypełnić puste miejsce numerem modelu tego odtwarzacza w celu późniejszego użytku

Importeur:  
DENVER ELECTRONICS A/S  
Omega 5A, Soeften  
DK-8382 Hinnerup  
Dania  
[www.facebook.com/denverelectronics](http://www.facebook.com/denverelectronics)

# DENVER<sup>®</sup> ELECTRONICS

## LEITOR DE CD COM RÁDIO DESPERTADOR FM PLL

MODELO MC5220



**ANTES DE UTILIZAR ESTE PRODUTO, LEIA, COMPREENDA E SIGA ESTAS INSTRUÇÕES.**  
Certifique-se de que guarda este folheto para futura referência.

[www.facebook.com/denverelectronics](http://www.facebook.com/denverelectronics)

# INSTRUÇÕES DE SEGURANÇA

 <p>O Relâmpago com cabeça de seta dentro de um triângulo equatorial destina-se a alertar o utilizador da presença de tensão perigosa não isolada dentro da caixa do produto, com uma magnitude suficiente para constituir um risco de choque eléctrico para as pessoas.</p>	<p><b>CAUTION</b> <b>RISK OF ELECTRIC SHOCK</b> <b>DO NOT OPEN</b></p> <p>CUIDADO: PARA EVITAR O RISCO DE CHOQUE ELÉCTRICO, NÃO RETIRE A TAMPÃO (OU A PARTE DE TRÁS). NENHUMA PEÇA UTILIZÁVEL PELO UTILIZADOR NO INTERIOR. AS REPARAÇÕES DEVEM SER REALIZADAS APENAS POR PESSOAL QUALIFICADO.</p>	 <p>The exclamation point O ponto de exclamação num triângulo equatorial destina-se a alertar o utilizador da presença de instruções de funcionamento e manutenção importantes no manual que acompanha o aparelho.</p>
---	---	---

**CUIDADO:** PARA EVITAR O CHOQUE ELÉCTRICO, INSIRA A LÂMINA LARGA DA FICHA NA RANHURA LARGA.

**AVISO:** PARA REDUZIR O RISCO DE INCÊNDIO OU DE CHOQUE ELÉCTRICO, NÃO EXPONHA O APARELHO À CHUVA OU HUMIDADE.

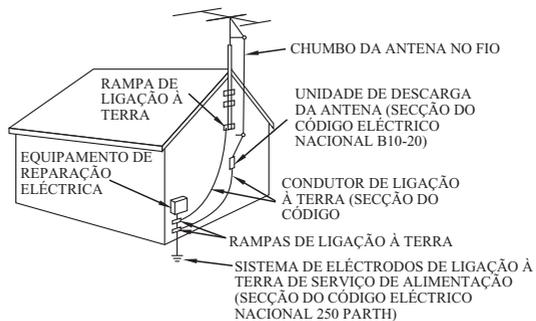
# INSTRUÇÕES DE SEGURANÇA

ESTAS INSTRUÇÕES DE SEGURANÇA IMPORTANTES ENCONTRAM-SE INCLUÍDAS, CONFORME APLICÁVEL PARA O APARELHO, TRANSMITINDO AO UTILIZADOR AS INFORMAÇÕES DETALHADAS ABAIXO

1. Ler as instruções – Deve ler todas as instruções de segurança e funcionamento antes de colocar o aparelho em funcionamento.
2. Guardar as informações – Deverá guardar as instruções de segurança e funcionamento para referência futura.
3. Avisos Principais – Todos os avisos e precauções no aparelho e nas instruções de funcionamento deverão ser seguidos.
4. Seguir as instruções – Todas as instruções de funcionamento e utilização devem ser seguidas.
5. Água e Humidade – O aparelho não deve ser utilizado perto da água como, por exemplo, perto de uma banheira, aquário, lava-loiça, tanque, em caves húmidas ou perto de piscinas.
6. Montagem na Parede ou Tecto – O aparelho não deve ser montado numa parede ou tecto.
7. Ventilação – O aparelho deve estar situado de modo a não interferir com a respectiva ventilação adequada. Por exemplo, o aparelho não deve estar situado numa cama, sofá, tapete ou superfície semelhante que possa bloquear as aberturas de ventilação, nem estar colocado numa instalação incorporada como, uma estante ou armário, que possa impedir o fluxo de ar através das aberturas de ventilação.
8. Calor – O aparelho deve estar situado longe de fontes de calor, como aquecedores, bocas de ar quente, fornos ou outros aparelhos (incluindo amplificadores) que produzam calor.
9. Fontes de Calor – O produto só deve funcionar com o tipo de fonte de alimentação indicado na etiqueta. Se não tiver a certeza do tipo de fonte de alimentação na sua residência, consulte o fabricante do seu produto ou empresa de energia local. Para os produtos destinados a funcionar com bateria, ou outras fontes, consulte as instruções de funcionamento.
10. Polarização à Terra – Este produto pode estar equipado com uma ficha de linha de corrente alternada polarizada (uma ficha com uma lâmina mais larga que a outra). Esta ficha encaixará na saída de potência apenas de uma forma, uma vez que se trata de uma funcionalidade de segurança. Se não conseguir inserir a ficha totalmente na tomada, tente rodá-la. Se mesmo assim não conseguir encaixar a ficha, contacte o seu electricista para substituir a sua saída obsoleta. Não destrua a finalidade de segurança da ficha polarizada.
11. Protecção do Cabo de Alimentação – Os cabos de alimentação devem estar posicionados de modo a não serem pisados nem oprimidos por objectos colocados sobre ou contra os mesmos, especialmente os cabos nas fichas, receptáculos de conveniência e o ponto onde saem do aparelho.
12. Limpeza – O aparelho deve ser limpo apenas conforme recomendado pelo fabricante.
13. Períodos de não utilização – O cabo de alimentação do aparelho deve ser desligado da tomada sempre que não estiver a ser utilizado durante um longo período de tempo.
14. Entrada de Líquidos e Objectos – Deverá ter cuidado para que não caiam objectos nem líquidos na caixa do produto através das respectivas aberturas.

15. Danos que Requerem Reparação – Desligue este produto da tomada de parede e leve-o ao pessoal de reparação qualificado nas seguintes condições:
  - a) Quando o cabo de alimentação ou tomada estiver danificado.
  - b) Se entornou líquido ou se caíram objectos no produto.
  - c) Se o produto ficou exposto à chuva ou água.
  - d) Se o produto não funcionar quando for utilizado de acordo com as instruções de funcionamento.
 Ajuste apenas os controlos que são abrangidos pelas instruções de funcionamento, uma vez que um ajuste inadequado ou outros controlos poderão interferir com o funcionamento normal do produto.
  - e) Se deixar cair ou danificar o produto, de qualquer forma.
  - f) Quando o produto apresentar uma alteração distinta no desempenho – isto indica uma necessidade de reparação.
16. Reparação – O utilizador não deve tentar reparar o produto para além do descrito nas instruções de funcionamento. Toda a reparação deverá ser encaminhada para o pessoal de reparação qualificado.
17. Cabos de Alimentação – Um sistema de antena exterior não deverá estar localizado perto de cabos eléctricos aéreos ou outras luzes eléctricas ou circuitos principais, ou onde possa cair para estes cabos eléctricos ou circuitos. Ao instalar um sistema de antena exterior, deverá ter muito cuidado para não tocar nos cabos eléctricos ou circuitos, uma vez que o contacto com os mesmos poderá ser fatal.
18. Se uma antena exterior estiver ligada ao receptor, certifique-se de que o sistema de antena está ligado à terra de forma a fornecer alguma protecção contra tensões de choque progressivas e estáticas com várias camadas. A secção 810 do Código Eléctrico Nacional ANSI/NEFA 70 fornece informações sobre a ligação à terra adequada do poste e estrutura de suporte, condução de ligação à terra, localização da antena-unidade de descarga, tamanho dos eléctrodos de ligação à terra e requisitos do eléctrodo de ligação à terra (consulte a figura).
19. Limpeza – Desligue este produto da tomada de parede antes de o limpar. Não utilize detergentes líquidos ou erosivos. Utilize um pano húmido para limpar.
20. Trovões – Para protecção adicional deste produto durante uma trovoada, ou quando o produto não estiver a ser supervisionado ou utilizado durante muito tempo, desligue-o da tomada de parede e desligue o sistema de cabo ou antena. Isto irá impedir danos no produto devido à trovoada e tensões de choque progressivas.
21. Verificação de Segurança – Após a conclusão de qualquer reparação neste produto, peça ao técnico de reparação para executar verificações de segurança para determinar se o produto está em boas condições de funcionamento.
22. Sobrecarga – Não sobrecarregue as tomadas de parede, cabos de extensão ou receptáculos de conveniência integrais, uma vez que poderá resultar em risco de incêndio ou choque eléctrico.

### **EXEMPLO DE LIGAÇÃO À TERRA DA ANTENA SEGUNDO O CÓDIGO ELÉCTRICO NACIONAL**



#### **CEN CÓDIGO ELÉCTRICO NACIONAL**

Não aplique óleo nem petróleo neste produto.

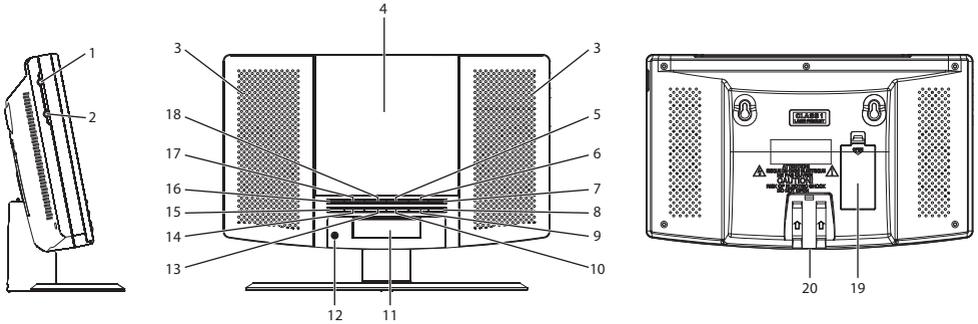
## **CUIDADO**

Será emitida radiação laser invisível quando o produto estiver aberto e desbloqueado. Não desbloqueie os bloqueios de segurança.

OS SÍMBOLOS DOS GRÁFICOS COM MARCAS SUPLEMENTARES ENCONTRAM-SE LOCALIZADOS NA PARTE INFERIOR DA UNIDADE.

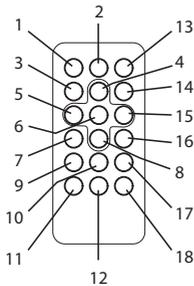
O USO DE CONTROLOS, AJUSTES OU PROCEDIMENTOS DE DESEMPENHO INCLUSOS PODERÁ RESULTAR EM EXPOSIÇÃO A RADIAÇÃO PERIGOSA.

## LOCALIZAÇÃO DOS COMANDOS



1. Tomada de entrada Aux
2. Tomada de telefone
3. Altifalante
4. Porta do CD
5. Botão ►►
6. Botão ■
7. Botão ►||
8. Botão Espera
9. Botão função
10. Botão Definição do Alarme
11. Visor LCD
12. IR
13. Botão Vol+
14. Botão Vol-
15. Botão M-
16. Botão M+
17. Botão Definição de Prog/Hora
18. Botão ◀◀
19. Compartimento da bateria
20. Tomada CC

## CONTROLO REMOTO



1. Botão Espera
2. Botão função
3. Botão parar
4. Botão Volume +
5. Botão Ant/Hora
6. Botão Reproduzir/Pausa
7. Botão M-DN
8. Botão Volume -
9. Botão Alarme
10. Botão Memória
11. Botão Hora
12. Botão de suspensão
13. Botão cortar o som
14. Botão Modo
15. Botão Seguinte/Min
16. Botão M-UP
17. Botão Prog
18. Botão Suspensão

## Fornecimento de Alimentação da Unidade

Esta unidade foi concebida para funcionar num adaptador de CA/CC.

Funcionamento com Adaptador de CA/CC.

Insira a ficha pequena do adaptador na tomada de CC.

Insira o adaptador de CA/CC em qualquer tomada doméstica com CA~100-240V 50/60Hz na direcção vertical ou horizontal.

## **INSTALAR A UNIDADE NA PAREDE**

1. Existem dois orifícios de montagem na parede na parte posterior da unidade. Empurre o suporte Segundo a marca no mesmo para o canal da unidade antes de instalar este produto.
2. Certifique-se de que o modelo de montagem na parede pretendida consegue suportar um produto de 5kg, caso coloque esta moldura na parede. Procure aconselhamento junto de um profissional de hardware local.
3. Certifique-se de que existem dois eixos ou pregos na parede com uma distância entre si idêntica ao produto real na unidade.
4. Certifique-se de que os eixos ou pregos na parede conseguem suportar um peso mínimo de 6kg.

## **DEFINIÇÕES DO RELÓGIO**

1. No modo STANDBY OFF, mantenha o botão PROG/TIME SET premido.
2. Prima o botão ◀◀ para definir a Hora pretendida.
3. Prima o botão ▶▶ para definir os Minutos pretendidos.
4. Depois de definir a hora pretendida, prima o botão PROG/TIME SET para confirmar.

## **DESPERTAR COM CAMPAINHA DO ALARME (AL 1):**

- a. Mantenha a unidade no modo de espera (standby).
- b. Prima o botão ALARM SET, para o ícone “🔔 1” começar a piscar no visor e, em seguida, mantenha o botão ALARM SET novamente premido para a hora do alarme começar a piscar no visor.
- c. Prima o botão ◀◀ para definir a hora do alarme pretendida.
- d. Prima o botão ▶▶ para definir os minutos do alarme pretendidos.
- e. A campainha irá soar à hora do alarme definida.

## **DESPERTAR COM RÁDIO:**

- a. Mantenha a unidade em modo de espera (standby).
- b. Toque no botão ALARM SET para o ícone “🔔 1” começar a piscar no visor e, em seguida, mantenha o botão ALARM SET novamente premido para a hora do alarme começar a piscar no visor.
- c. Prima o botão FUNCTION para escolher o ícone “FM”.
- d. Prima o botão ◀◀ para definir a hora do alarme pretendida.
- e. Prima o botão ▶▶ para definir os minutos do alarme pretendidos.
- f. O rádio ligará à hora do alarme definida.

## **ACORDAR COM CD:**

- a. Mantenha a unidade em modo de espera (standby).
- b. Prima o botão ALARM SET, para o ícone “🔔 1” começar a piscar no visor e, em seguida, mantenha o botão ALARM SET novamente premido para a hora do alarme começar a piscar no visor.
- c. Prima o botão FUNCTION para escolher o ícone “CD”.
- d. Prima o botão ◀◀ para definir a hora do alarme pretendida.
- e. Prima o botão ▶▶ para definir os minutos do alarme pretendidos.
- f. O CD será reproduzido à hora do alarme definida.

Nota: Certifique-se de que o disco já está inserido no compartimento do CD.

A definição de AL2 é igual à definição de AL1.

## **PARAR O ALARME:**

Quando o alarme parar de soar, prima o botão STANDBY para desligar o alarme. O alarme será redefinido para o dia seguinte.

## **COMO DESLIGAR O ALARME**

Para cancelar o modo de alarme:

No modo “STANDBY OFF”, prima o botão ALARM SET para desligar a função de alarme. (até o sinal de alarme “🔔” desaparecer no Visor LCD).

## **AJUSTAR O VOLUME**

- Prima o botão VOL + para aumentar o volume.
- Prima o botão VOL – para diminuir o volume.

## **FUNCIONAMENTO DO RÁDIO**

1. Prima o botão STANDBY para ligar a unidade.
2. Prima o Botão FUNCTION para a Função RADIO.
3. Modo de utilização dos botões do rádio
  - i. Sintonização Manual  
Prima o botão ◀◀ ou ▶▶ para procurar a frequência pretendida. Pode seleccionar uma frequência mais alta se premir o botão ▶▶ e uma frequência mais baixa se premir o botão ◀◀.
  - ii. Sintonização Automática
    - a) Mantenha o botão ◀◀ ou ▶▶ premido até a frequência ser apresentada no visor.
    - b) Quando uma estação com intensidade suficiente for encontrada a Sintonização parará ou poderá parar a sintonização automática premindo o botão ◀◀ ou ▶▶.
4. Para desligar o rádio, prima o botão STANDBY.

## **PREDEFINIR SINTONIZAÇÃO**

1. Selecione a sua estação pretendida de acordo com o procedimento de sintonização normal.
2. Prima o botão MEMORY no controlo remoto, “P-01” será apresentado e começará a piscar no visor. Em seguida, utilize o botão M-UP ou M-DN- no controlo remoto ou prima o botão M+ / M- na unidade para alterar o número onde a estação será guardada. (De P01 a P20) para alterar o número onde a estação será guardada. (De P01 a P20)
3. Guarde a frequência actual premindo novamente o botão MEMORY no controlo remoto quando obtiver o número pretendido.
4. Repita o mesmo procedimento para definir outras frequências pretendidas na Memória N.º 1 à N.º 20.

Nota: A unidade pode ser predefinida até 20 estações.

## **EVOCÇÃO DA MEMÓRIA**

Invoque as frequências guardadas premindo no botão M-UP ou M-DN na unidade ou prima o botão M+ / M- na unidade para seleccionar entre 1 a 20 estações, conforme pretendido.

NOTA: Uma vez que as frequências guardadas só podem ser guardadas durante muito tempo com fornecimento de alimentação. A estação que guardou será perdida e não poderá ser evocada em caso de falha de energia.

## **COLOCAR UM DISCO COMPACTO**

- Proteja sempre um disco contra riscos, nódoas, pó, etc. Se tratar os discos com um cuidado razoável, a limpeza do disco com um pano macio deverá ser a única manutenção necessária para reter a respectiva reprodução de som excelente. Os discos deverão permanecer na caixa original quando não estiverem a ser utilizados.
- Manuseie o disco pelas respectivas extremidades e não toque na superfície ou no lado com cores de arco-íris do mesmo.
- Manuseie um disco conforme ilustrado nesta secção.
- Utilize um pano macio para limpar um disco. Não utilize benzina, diluente ou outros detergentes químicos para limpar o disco, uma vez que poderá danificá-lo. Deverá limpar sempre um disco em linha recta a partir do centro até à extremidade. Nunca limpe um disco em movimentos circulares.
- Não exponha um disco à luz solar directa, humidade elevada ou temperaturas elevadas durante muito tempo. Não coloque o Disco noutra equipamento ou perto de qualquer fonte de calor.

- O pó na lente transmissora poderá conduzir a um funcionamento errático e interrupção do som durante a reprodução. Para limpar as lentes transmissoras, abra o compartimento do disco e sopre o pó. Utilizar soprador da lente da câmara (disponível na maioria das lojas).
- Nota: Não toque na superfície da lente. Não permite que entrem líquidos no interior do produto.
- Para limpar o compartimento do leitor de CD, utilize um pano macio e húmido para limpar a superfície exterior.
- Nunca utilize benzol, benzina ou outros detergentes químicos fortes, uma vez que poderão danificar o acabamento.

SIM:



NÃO:



## REPRODUÇÃO DE UM DISCO COMPACTO (CD)

**NOTA:** Nunca toque na objectiva no interior do compartimento do CD. Limpe a objectiva laser com um disco de limpeza de CD se ficar suja.

1. Prima o botão STANDBY para ligar a unidade.
2. Prima o botão FUNCTION para o modo CD.
3. Abra a PORTA do CD e insira um CD no tabuleiro com a etiqueta impressa virada para cima.
4. Feche a PORTA do CD. O disco começará a girar durante alguns segundos e, em seguida, parará.
5. Utilize o botão ◀◀ ou ▶▶ para escolher uma faixa.
6. Prima o botão ▶▶▶ para iniciar a reprodução.
7. Prima o botão ▶▶ novamente para pausar a reprodução.
8. Prima o botão STOP para PARAR a reprodução.

## REPRODUÇÃO ALEATÓRIA

- No modo de paragem de CD, prima o botão MODE no controlo remoto até “RAND” aparecer no Visor LCD.
- Em seguida, permitirá a reprodução aleatória das faixas.

## FUNÇÃO DE REPETIÇÃO

1. Prima uma vez o botão MODE no comando durante a reprodução e o sinal “◻” será apresentado no visor LCD. A mesma faixa será reproduzida repetidamente.
2. Prima o botão MODE uma segunda vez no comando para repetir todas as faixas. O sinal “◻ ALL” será apresentado no visor LCD.
3. Para cancelar REPEAT PLAY, prima o botão MODE repetidamente no comando até que o sinal para repetir todas as faixas tenha desaparecido.

## RETROCEDER/AVANÇAR

1. Os botões Retrocesso de CD ◀◀ e Avanço do CD ▶▶ podem ser utilizados para saltar para um número de faixa diferente ou procurar faixas do disco a alta velocidade.
2. Prima o botão de Retrocesso do CD ◀◀ uma vez para ouvir o início da faixa actual. Prima duas ou mais vezes para ouvir as faixas anteriores no disco.
3. Prima o botão CD ▶▶ para ouvir a faixa seguinte no disco.
4. Mantenha o botão ◀◀ premido para procurar na faixa actual e retroceder nas faixas anteriores quando encontrar a secção da faixa pretendida e liberte o botão para retomar a reprodução normal.
5. Mantenha o botão ▶▶ premido para procurar na faixa actual e avançar nas faixas anteriores quando encontrar a secção da faixa pretendida e liberte o botão para retomar a reprodução normal.

## **FUNÇÃO DO PROGRAMA**

**A funcionalidade Programa pode ser utilizada para programar até 20 faixas para reprodução numa ordem seleccionada.**

1. Apenas no modo de paragem (CD parado), prima o botão PROG/TIME SET para o Visor LCD apresentar “PROGRAM 01” e “PROGRAM 01” começar a piscar.
  2. Prima o botão ◀ ou ▶ para atribuir a faixa pretendida.
  3. Prima o botão PROG/TIME SET para seleccionar e guardar a faixa na memória.
  4. Repita os passos 2 e 3 para seleccionar até 20 faixas.
  5. Para reproduzir as faixas seleccionadas (no modo de programa), prima o botão ▶/II. O número da faixa e “PROGRAM” serão apresentados no Ecrã LCD.
  6. Prima o botão ◀ para ouvir a faixa do programa anterior ou prima o botão ▶ para ouvir a seguinte.
- Nota: Após a reprodução de todas as faixas reproduzida, o leitor de CD irá voltar ao modo de paragem.
7. Para limpar as faixas programadas da memória, prima o botão STOP até o ícone “PROGRAM” desaparecer.

## **TOMADA DE ENTRADA AUXILIAR**

1. Toque no botão STANDBY para ligar a unidade.
2. Toque no botão FUNCTION para mudar para o modo AUX.
3. Ligue o cabo de ligação AUX da tomada de saída do seu Leitor Pessoal, como o leitor MP3 portátil à tomada de entrada AUXILIAR.
4. Prima Iniciar no seu Leitor Pessoal.

## **TOMADA DE AUSCULTADOR**

Esta unidade irá aceitar os auscultadores com uma ficha  $\Phi$  de 3,5mm. Antes de ligar os auscultadores, defina o volume como o nível mínimo, para não danificar os ouvidos nem os auscultadores. Ligue os auscultadores à respectiva tomada. As colunas desligarão automaticamente.

Aviso: A exposição prolongada a níveis de som elevados poderá danificar de forma permanente a sua audição. Poderá não ouvir sons de aviso enquanto estiver a ouvir com estes auscultadores.

## **FUNÇÃO DE SUSPENSÃO**

Se pretender suspender durante mais alguns minutos, prima o botão SNOOZE no controlo remoto para desactivar o som durante aproximadamente 9 minutos.

TODOS OS DIREITOS RESERVADOS, COPYRIGHT DENVER ELECTRONICS A/S

DENVER®

[www.denver-electronics.com](http://www.denver-electronics.com)



Equipamentos eléctricos e electrónicos, bem como as baterias que os acompanham, contêm materiais, componentes e substâncias que podem ser perigosos para a sua saúde e ao meio ambiente, caso o lixo (equipamentos eléctricos e electrónicos forem eliminados, incluindo baterias) não seja eliminado correctamente.

Os equipamentos eléctricos e electrónicos, bem como as baterias, vêm marcados com um símbolo composto de um caixote do lixo e um X, como mostrado abaixo. Este símbolo significa que os equipamentos eléctricos e electrónicos, bem como as baterias, não devem ser eliminados em conjunto com o lixo doméstico, mas separadamente.

Como o utilizador final, é importante que envie as suas baterias usadas a uma unidade de reciclagem adequada. Assim, certamente as baterias serão recicladas de acordo com a legislação e o meio ambiente não será prejudicado.

Todas as cidades possuem pontos de recolha específicos, onde os equipamentos eléctricos e electrónicos, bem como as baterias, podem ser enviados gratuitamente para estações de reciclagem e outros locais de recolha ou recolhidos directamente no seu domicílio. O departamento técnico da sua cidade disponibiliza informações adicionais relativas a este assunto.

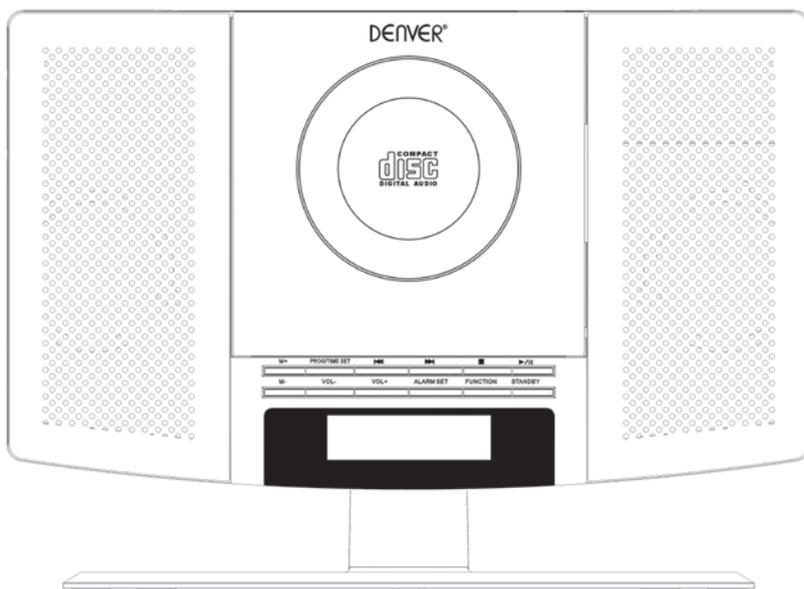
Preencher o espaço em branco com o número do modelo deste aparelho para consulta futura

Importador:  
DENVER ELECTRONICS A/S  
Omega 5A, Soefthen  
DK-8382 Hinnerup  
Dinamarca  
[www.facebook.com/denverelectronics](http://www.facebook.com/denverelectronics)

# DENVER<sup>®</sup> ELECTRONICS

## REPRODUCTOR DE CD CON RADIO RELOJ FM PLL Y ALARMA

MODELO MC5220



**ANTES DE PONER EN FUNCIONAMIENTO ESTE PRODUCTO, LEA, ENTIENDA Y SIGA ESTAS INSTRUCCIONES.**

Asegúrese de guardar este folleto como referencia futura.

[www.facebook.com/denverelectronics](http://www.facebook.com/denverelectronics)

# INSTRUCCIONES DE SEGURIDAD

 <p>El símbolo del rayo con cabeza de flecha, dentro de un triángulo equilátero tiene como finalidad alertar al usuario de la presencia de voltaje peligroso no aislado dentro de la carcasa del producto que puede presentar la magnitud suficiente como para constituir un riesgo de descarga eléctrica para las personas.</p>	<p style="text-align: center;"><b>CAUTION</b></p> <p style="text-align: center;"><b>RISK OF ELECTRIC SHOCK DO NOT OPEN</b></p> <p>PRECAUCIÓN: PARA REDUCIR EL RIESGO DE DESCARGA ELÉCTRICA, NO quite la cubierta (o parte posterior). No contiene piezas utilizables por el usuario en su interior. Remita la reparación a personal de servicio calificado.</p>	 <p>El signo de exclamación dentro de un triángulo equilátero tiene como finalidad alertar al usuario de la presencia de importantes instrucciones operativas y de mantenimiento (servicio) en la literatura que acompaña al aparato.</p>
---	---	--

**PRECAUCIÓN:** PARA PREVENIR UNA DESCARGA ELÉCTRICA, HAGA QUE LA PATILLA DEL ENCHUFE COINCIDA CON LA RANURA DE LA TOMA ELÉCTRICA E INSÉRTELO TOTALMENTE.

**ADVERTENCIA:** PARA REDUCIR EL RIESGO DE INCENDIO O DESCARGA ELÉCTRICA, NO EXPONGA EL APARATO A LA LLUVIA O HUMEDAD.

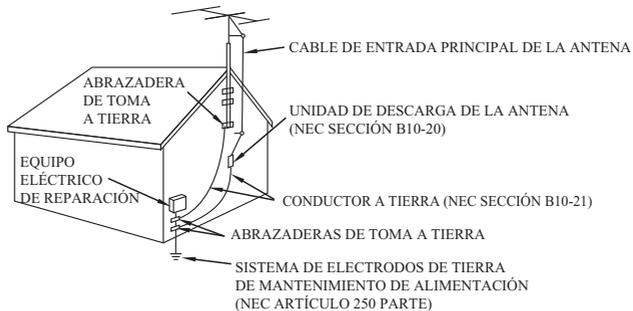
# INSTRUCCIONES DE SEGURIDAD

ESTAS INSTRUCCIONES DE SEGURIDAD SE INCLUYEN, YA QUE SON APLICABLES AL APARATO, ENTREGANDO AL USUARIO LA INFORMACIÓN QUE SE DETALLA ABAJO

1. Lea todas las instrucciones – Se deben leer todas las instrucciones de seguridad y de funcionamiento antes de poner en funcionamiento el aparato.
2. Guarde las instrucciones –Deben guardarse las instrucciones de seguridad y de funcionamiento como referencia futura.
3. Advertencias de encabezamiento –Se deben cumplir con todas las advertencias y precauciones del aparato y de las instrucciones de funcionamiento.
4. Siga las instrucciones –Se deben seguir todas las instrucciones de uso y de funcionamiento.
5. Agua y humedad –No se debe usar el aparato cerca del agua, por ejemplo, cerca de una bañera, palangana, fregadero, pila o cerca de una piscina o similares.
6. Montaje en pared o techo –No se debe montar el aparato en una pared o en el techo.
7. Ventilación- Se debe situar el aparato de forma que su ubicación o posición no interfiera con su adecuada ventilación. Por ejemplo, no debe colocarse el aparato sobre una cama o sofá, alfombra o superficies similares que bloqueen las aberturas de ventilación, o colocarse en una instalación integrada, como una librería o armario, que puedan impedir el flujo de aire a través de las aberturas de ventilación.
8. Calor- Se debe colocar el aparato alejado de Fuentes de calor como radiadores, calefactores, estufas u otros aparatos (incluyendo amplificadores) que produzcan calor.
9. Fuente de alimentación – El producto solo debe ponerse en funcionamiento con el tipo de alimentación que se indica en la etiqueta identificativa. Si no está seguro del tipo de alimentación de su hogar, consulte con su distribuidor local, o con su empresa distribuidora eléctrica. Para aquellos productos que puedan funcionar a partir de alimentación con baterías u otras Fuentes, remítase a las instrucciones de funcionamiento.
10. Polarización a tierra – Este producto puede estar equipado con un enchufe con línea de corriente alterna polarizada (un enchufe con una patilla más ancha que la otra). Este enchufe se ajusta en la toma de corriente de una única forma; se trata de una característica de seguridad. Si no puede insertar totalmente el enchufe en la toma, intente dar la vuelta al enchufe. Si el enchufe todavía no se ajusta, póngase en contacto con su electricista para sustituir su toma de corriente obsoleta. No elimine la finalidad de seguridad del enchufe polarizado.
11. Protección del cable de alimentación – Los cables de alimentación deben enrutarse de forma que sea improbable que se pisen o se pincen por parte de elementos colocados sobre o contra ellos, prestando especial atención a los cables en los enchufes, receptáculos convenientes y el punto desde donde salen del aparato.
12. Limpieza-Se debe limpiar el aparato solo de la forma que recomienda el fabricante.
13. Periodos sin uso – Se deben desenchufar el cable de alimentación del aparato de la toma cuando vaya a estar sin utilizarse durante un periodo prolongado de tiempo.
14. Entrada de objetos y líquidos – Se debe tener cuidado para que no caigan objetos ni se viertan líquidos en la carcasa del producto a través de las aberturas del producto.
15. Daños que requieran reparación – Desenchufe este producto de la toma de pared y llévelo al personal del servicio técnico cualificado bajo las siguientes condiciones.

- a) Cuando el cable de alimentación o el enchufe presenten daños.
  - b) Si se ha vertido líquido o se han caído objetos en el producto.
  - c) Si el producto ha quedado expuesto a la lluvia o al agua.
  - d) Si el producto no funciona cuando se usa según las instrucciones de funcionamiento.  
Ajuste solo aquellos controles que estén cubiertos por las instrucciones de funcionamiento ya que un ajuste inadecuado de los controles puede interferir con el funcionamiento normal del producto.
  - e) Si el producto se ha caído o presenta cualquier tipo de daño.
  - f) Cuando el producto muestre un cambio evidente en su rendimiento –esto indica que necesita una revisión.
16. Reparación- El usuario no debe intentar reparar el producto más allá de lo que se describe en las instrucciones de funcionamiento. Todas las reparaciones deben remitirse al personal de mantenimiento cualificado.
  17. Líneas eléctricas – No se debe colocar un sistema de antena exterior cerca de líneas de corriente elevadas, u otras luces eléctricas o circuitos de alimentación, o donde pueda caerse sobre estas líneas eléctricas o circuitos. Cuando instale un sistema de antena exterior, se debe tener un cuidado extremo en no tocar las líneas eléctricas o circuitos, ya que el contacto con ellos podría ser fatal.
  18. Si se conecta una antena exterior al receptor, asegúrese que la antena exterior esté conectada a tierra para ofrecer protección frente a subidas de tensión y la acumulación de electricidad estática. La sección 810 del Código Eléctrico Nacional ANSI/NEFA 70 ofrece información respecto a una conexión adecuada a tierra del mástil y de la estructura de soporte, conductores de descarga a tierra, ubicación de la unidad de descarga de la antena, tamaño de los electrodos a tierra, y requerimientos del electrodo a tierra (véase figura).
  19. Limpieza- Desenchufe este producto de la toma de pared antes de limpiarlo. No use limpiadores líquidos ni limpiadores aerosoles. Use un paño húmedo para su limpieza.
  20. Rayos- Para obtener una protección adicional durante una tormenta eléctrica, o cuando se deja sin atender o usar durante periodos prolongados de tiempo, desenchúfelo de la toma de pared y desconecte la antena o el sistema de cables. Esto evitará daños al producto debido a rayos o a una subida de tensión en las líneas eléctricas.
  21. Comprobación de seguridad – Tras la realización de cualquier mantenimiento o reparación de este producto, solicite al técnico de mantenimiento que realice comprobaciones de seguridad para determinar que el producto se encuentra en perfectas condiciones operativas.
  22. Sobrecarga- No sobrecargue las tomas de pared, cables de extensión o receptáculos convenientes integrales ya que esto puede provocar un riesgo de incendio o de descarga eléctrica.

**EJEMPLO DE CONEXIÓN A TIERRA DE UNA ANTENA SEGÚN EL CÓDIGO ELÉCTRICO NACIONAL**



**CÓDIGO ELÉCTRICO NACIONAL NEC**

**No aplique productos derivados del aceite o petróleo a este producto.**

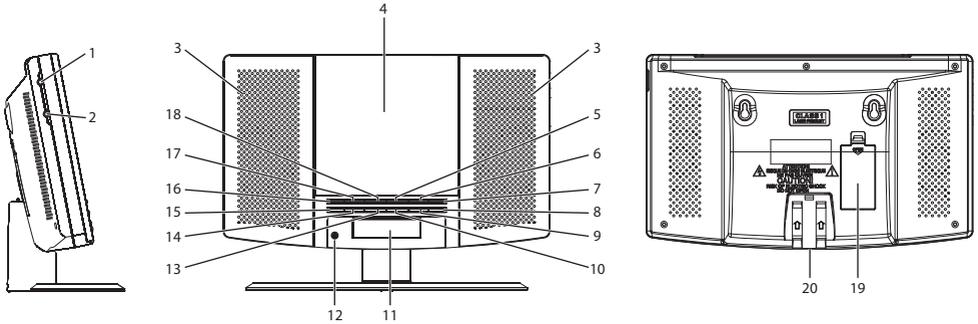
**PRECAUCIÓN**

Se emite radiación láser invisible cuando el producto está abierto y los cierres de seguridad no están activados. No desactive los cierres de seguridad.

LOS SÍMBOLOS GRÁFICOS CON MARCAS SUPLEMENTARIAS ESTÁN SITUADOS EN LA PARTE INFERIOR DE LA UNIDAD.

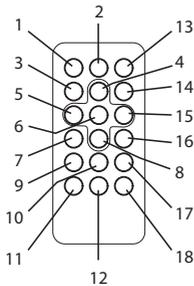
EL USO DE CONTROLES, AJUSTES, O PROCEDIMIENTOS DE FUNCIONAMIENTO PUEDEN PROVOCAR UNA EXPOSICIÓN PELIGROSA A LA RADIACIÓN.

## SITUACIÓN DE LOS CONTROLES



1. Toma de entrada auxiliar
2. Toma de teléfono
3. Altavoz
4. Puerta del CD
5. Botón ►►
6. Botón ■
7. Botón ►||
8. Botón En espera
9. Botón Función
10. Botón Fijar la alarma
11. Pantalla LCD
12. INFRARROJOS
13. Botón Volumen +
14. Botón Vol-
15. Botón M-
16. Botón M+
17. Botón Programa /Fijar hora
18. Botón ◀◀
19. Compartimento de las pilas
20. Toma de entrada CC

## MANDO A DISTANCIA



1. Botón En espera
2. Botón Función
3. Botón Parar
4. Botón Volumen +
5. Botón Anterior/Hora
6. Botón Play/Pause
7. Botón M-DN
8. Botón Volumen -
9. Botón Alarma
10. Botón Memoria
11. Botón Hora
12. Botón Snooze (sueñecito)
13. Botón silenciar
14. Botón Modo
15. Botón Siguiente/Minutos
16. Botón M-UP
17. Botón Programa
18. Botón Sueño

## Alimentación

Esta unidad está diseñada para funcionar con un adaptador CA/CC.

Funcionamiento con un adaptador CA/CC.

Inserte el enchufe pequeño en la toma CC.

Inserte el adaptador CA/CC en cualquier toma doméstica conveniente que tenga CA~100-240V 50/60Hz en dirección vertical u horizontal.

## INSTALAR LA UNIDAD E UNA PARED

1. Existen dos agujeros de montaje en la parte posterior de la unidad; empuje el soporte según las marcas del mismo para canalizar la unidad antes de instalar este producto.
2. Por favor, asegúrese que el método de montaje en pared que desee es capaz de soportar un producto de 5kg en caso de que vaya a colocar su estructura sobre la pared. Busque asesoramiento de un profesional de ferretería local.
3. Por favor asegúrese que puntas o clavos en las paredes a una distancia igual que el producto real en la unidad entre ellas.
4. Por favor, asegúrese que las puntas o clavos de las paredes pueden soportar un mínimo de 6kg de peso.

## CONFIGURACIÓN DEL RELOJ

1. En modo STANDBY OFF, pulse y mantenga pulsado el botón PROG/TIME SET.
2. Pulse el botón ◀ para fijar la hora que desee.
3. Pulse el botón ▶ para fijar los minutos que desee.
4. Una vez que haya fijado la hora que desee, pulse el botón PROG/TIME SET para confirmarlo.

## DESPERTARSE CON EL SONIDO DE LA ALARMA (AL 1):

- a. Mantenga la unidad en modo en Espera.
- b. Pulse el botón ALARM SET; el icono “ 1 ” parpadeará en la pantalla; posteriormente vuelva a pulsar y mantener pulsado el botón ALARM SET; la hora de la alarma parpadeará en la pantalla.
- c. Pulse el botón ◀ para fijar la hora de la alarma que desee.
- d. Pulse el botón ▶ para fijar los minutos de la alarma que desee.
- e. El sonido sonará a la hora de alarma fijada.

## DESPERTARSE CON LA RADIO:

- a. Mantenga la unidad en modo en Espera.
- b. Toque el botón ALARM SET; el icono “ 1 ” parpadeará en la pantalla; posteriormente, vuelva a pulsar y mantener pulsado el botón ALARM SET; la hora de la alarma parpadeará en la pantalla.
- c. Pulse el botón FUNCTION para elegir el icono “FM”.
- d. Pulse el botón ◀ para fijar la hora de la alarma que desee.
- e. Pulse el botón ▶ para fijar los minutos de la alarma que desee.
- f. La radio se encenderá a la hora de alarma fijada.

## DESPERTARSE CON EL CD:

- a. Mantenga la unidad en modo en espera.
- b. Pulse el botón ALARM SET; el icono “ 1 ” parpadeará en la pantalla; posteriormente vuelva a pulsar y mantener pulsado el botón ALARM SET; la hora de la alarma parpadeará en la pantalla.
- c. Pulse el botón FUNCTION para elegir el icono “CD”.
- d. Pulse el botón ◀ para fijar la hora de la alarma que desee.
- e. Pulse el botón ▶ para fijar los minutos de la alarma que desee.
- f. El CD se conectará a la hora de la alarma fijada.

**Nota:** Por favor, asegúrese que el disco ya está puesto en el compartimento del CD.

La configuración de AL2 es la misma que la configuración de AL1.

## DESCONEXIÓN DE LA ALARMA:

Cuando suene la alarma, pulse el botón STANDBY para apagar la alarma; la alarma se reiniciará al día siguiente.

## CÓMO APAGAR LA ALARMA

Para cancelar el modo alarma:

En modo “STANDBY OFF”, pulse el botón ALARM SET para apagar la function de alarma. (hasta que el signo de alarma “ 1 ” desaparezca de la pantalla LCD).

## **AJUSTAR EL VOLUMEN**

- Pulse el botón VOL + para aumentar el volumen.
- Pulse el botón VOL – para disminuir el volumen.

## **FUNCIONAMIENTO DE LA RADIO**

1. Pulse el botón STANDBY para encender la unidad.
2. Pulse el botón FUNCTION para conectar la función RADIO.
3. Cómo usar los botones para la radio
  - i. Sintonización manual  
Pulse el botón ◀◀ o ▶▶ para buscar la frecuencia que desee. Se puede seleccionar una frecuencia más alta pulsando el botón ▶▶ mientras que se puede seleccionar una frecuencia más baja pulsando el ◀◀ botón.
  - ii. Sintonización automática
    - a) Pulse y mantenga pulsado el botón ◀◀ o ▶▶ hasta que la pantalla de frecuencia empiece a funcionar.
    - b) Cuando se encuentre una emisora con la fuerza suficiente, se detendrá la sintonización o puede detener la sintonización automática pulsando el botón ◀◀ o ▶▶.
4. Para apagar la radio, pulse el botón STANDBY.

## **SINTONIZACIÓN PRESINTONIZADA**

1. Seleccione la emisora que desee según el procedimiento de sintonización habitual.
  2. Pulse el botón MEMORY en el mando a distancia; aparecerá y parpadeará en la pantalla “P-01”; posteriormente use el botón M-UP o M-DN- del mando a distancia o pulse el botón M+ / M- en la unidad para cambiar el número donde se guardará la emisora. (P01 a P20) para cambiar el número donde se guardará la emisora. (P01 a P20)
  3. Guarde la frecuencia actual volviendo a pulsar el botón MEMORY en el mando a distancia cuando llegue el número que desee.
  4. Repita el mismo procedimiento para fijar otras frecuencias de la Memoria del nº 1 al nº 20.
- Nota: La unidad puede estar presintonizada con hasta 20 emisoras.

## **RECUPERAR LA MEMORIA**

Recuerde las emisoras guardadas pulsando el botón M-UP o M-DN en la unidad o pulse el botón M+ / M- en la unidad para seleccionar las emisoras del 1 al 20 como desee.

NOTA: Las frecuencias guardadas solo se pueden guardar durante cierto tiempo con la alimentación conectada. Se perderá la emisora que guarde y no se podrá recuperar si se corta la alimentación.

## **MANEJAR UN DISCO COMPACTO**

- Proteja siempre el disco frente a arañazos, tierra, polvo, etc. Si un disco se trata con un cuidado razonable, limpiar el disco con un paño suave debería ser el único mantenimiento necesario para mantener su excelente reproducción de sonido. El disco debe guardarse en una carcasa original durante los periodos que no se use.
- Coja un disco únicamente por los bordes; no toque la superficie o el lado coloreado con el arco iris del disco.
- Maneje el disco tal y como se muestra en las ilustraciones de esta sección.
- Use un paño suave para limpiar un disco. No use benceno, disolventes, u otros limpiadores químicos para limpiar el disco ya que pueden ocasionar daños. Un disco debe limpiarse siempre en línea recta desde el centro hasta el borde. Nunca limpie un disco con un movimiento circular.
- No exponga un disco a la luz solar directa, alta humedad o altas temperaturas durante periodos prolongados de tiempo. No coloque el disco sobre otro equipo o cerca de cualquier fuente de calor.

- El polvo en la lente de lectura puede producir un funcionamiento errático y la interrupción del sonido durante la reproducción. Para limpiar la lente de lectura, abra el compartimento del disco y sople el polvo. Use un limpiador de lentes de cámaras (disponible en la mayoría de las tiendas de fotografía).
- Nota: No toque la superficie de las lentes. No deje que ningún líquido entre en el interior del producto.
- Para limpiar la carcasa del reproductor de CD, use un paño suave y húmedo para limpiar la superficie exterior.
- Nunca use benceno, benceno u otros limpiadores químicos fuertes, ya que esto puede ocasionar daños en el acabado.

HAGA:



NO HAGA:



## REPRODUCIR UN DISCO COMPACTO (CD)

**NOTA:** Nunca toque la lente del láser del interior del compartimento del CD. Limpie la lente del láser con un disco limpiador de CD en caso de que se ensucie.

1. Pulse el botón STANDBY para encender la unidad.
2. Pulse el botón FUNCTION para cambiar a modo CD.
3. Abra la PUERTA del CD e inserte un CD en la bandeja con la cara de la etiqueta impresa hacia arriba.
4. Cierre la PUERTA del CD DOOR y el disco empezará a girar durante unos segundos y después se detendrá.
5. Use el botón ◀ o ▶ para elegir una pista.
6. Pulse el botón ▶ para iniciar la reproducción.
7. Vuelva a pulsar el botón ▶ para hacer una pausa en la reproducción.
8. Pulse el botón STOP para DETENER la reproducción.

## REPRODUCCIÓN ALEATORIA

- En modo parada de CD, pulse el botón MODE del mando a distancia hasta que aparezca "RAND" en la pantalla LCD.
- Entonces se activará la reproducción aleatoria de pistas.

## FUNCIÓN REPETIR

1. Pulse el botón MODE en el mando a distancia una vez durante la reproducción; aparecerá el signo "◻" en la pantalla LCD. Se repetirá la misma pista una y otra vez.
2. Pulse el botón MODE en el mando a distancia una segunda vez para repetir todas las pistas. Aparecerá el signo "◻ ALL" en la pantalla LCD.
3. Para cancelar REPEAT PLAY, pulse el botón MODE en el mando a distancia de forma reiterada hasta que el signo desaparezca.

## REBOBINAS/AVANZAR RÁPIDAMENTE

1. Los botones CD Atrás ◀◀ y CD adelante ▶▶ pueden usarse para saltar a un número de pista diferente o para buscar pistas de un disco a gran velocidad.
2. Pulse el botón CD Atrás ◀◀ una vez para escuchar el inicio de la pista actual. Púlselo dos o más veces para oír las pistas anteriores del disco.
3. Pulse el botón CD ▶▶ para escuchar la siguiente pista del disco.
4. Pulse y mantenga pulsado el botón ◀◀; se buscará la pista actual y se retrocederá a la pista anterior; cuando se encuentre la sección de la pista que se desea, suelte el botón y se volverá a la reproducción normal.

5. Pulse y mantenga pulsado el botón ►► se buscará la pista actual y se avanzará a la pista siguiente; cuando se encuentre la sección de la pista que se desea, suelte el botón y se volverá a la reproducción normal.

## **FUNCIÓN DE PROGRAMA**

**La característica de Programa puede usarse para programar hasta 20 pistas para reproducir en un orden seleccionado.**

1. Mientras se encuentra solo en modo parada (el CD no se está reproduciendo), pulse el botón PROG/TIME SET; la pantalla LCD mostrará las palabras "PROGRAM 01" y "PROGRAM 01" empezará a parpadear.
2. Pulse el botón ◀◀ o ►► para localizar la pista que desee.
3. Pulse el botón PROG/TIME SET para seleccionar y guardar la pista en la memoria.
4. Repita los pasos 2 a 3 para seleccionar hasta 20 pistas.
5. Para reproducir las pistas seleccionadas (en el modo programa), pulse el botón ►/II. El número de pista y el "PROGRAM" aparecen en la pantalla LCD.
6. Pulse el botón ◀◀ para escuchar la anterior o pulse los botones ►► para escuchar la siguiente pista del programa.  
**Nota:** Una vez que se hayan reproducido todas las pistas programadas, el reproductor de CD volverá al modo parada.
7. Para borrar las pistas programadas de la memoria, pulse el botón hasta que desaparezca el icono "PROGRAM".

## **TOMA DE ENTRADA AUX**

1. Toque el botón STANDBY para encender la unidad.
2. Toque el botón FUNCTION para entrar en el modo AUX.
3. Conecte el cable de conexión AUX desde la toma de salida de su Reproductor personal como un reproductor MP3 portátil a la toma de entrada AUX.
4. Pulse Stara desde su reproductor personal.

## **TOMA DE AURICULARES**

Esta unidad acepta auriculares estéreo con una toma de  $\Phi$  3.5mm. Antes de conectar los auriculares, fije el volumen al nivel mínimo para no dañar su audición ni los auriculares. Conecte los auriculares a la toma de auriculares. Los altavoces se desconectarán automáticamente. Advertencia: Una exposición prolongada a unos niveles de sonido elevados puede dañar su audición de forma permanente. Puede que no oiga algunos sonidos de advertencia mientras lleva puestos los auriculares.

## **FUNCIÓN SNOOZE**

Si desea dormir durante unos minutos más, pulsar el botón SNOOZE del mando a distancia desactivará el sonido durante aproximadamente 9 minutos.

DENVER®

www.denver-electronics.com



Los equipos eléctricos y electrónicos, y las pilas o baterías incluidas, contienen materiales, componentes y sustancias que pueden ser perjudiciales para su salud y para el medio ambiente, si el material de desecho (equipos eléctricos y electrónicos y baterías) no se manipula correctamente.

Los equipos eléctricos y electrónicos, y las pilas o baterías incluidas, llevan un símbolo de un cubo de basura cruzado por un aspa, como el que se ve a continuación. Este símbolo indica que los equipos eléctricos y electrónicos, y sus pilas o baterías, no deberían ser eliminados con el resto de basura del hogar, sino que deben eliminarse por separado.

Como usuario final, es importante que usted remita las pilas o baterías usadas al centro adecuado de recogida. De esta manera se asegurará de que las pilas y baterías se reciclan según la legislación y no dañarán el medio ambiente.

Todas las ciudades tienen establecidos puntos de recogida, en los que puede depositar los equipos eléctricos y electrónicos, y sus pilas o baterías gratuitamente en los centros de reciclaje y en otros lugares de recogida, o solicitar que sean recogidos de su hogar. Puede obtener información adicional en el departamento técnico de su ciudad.

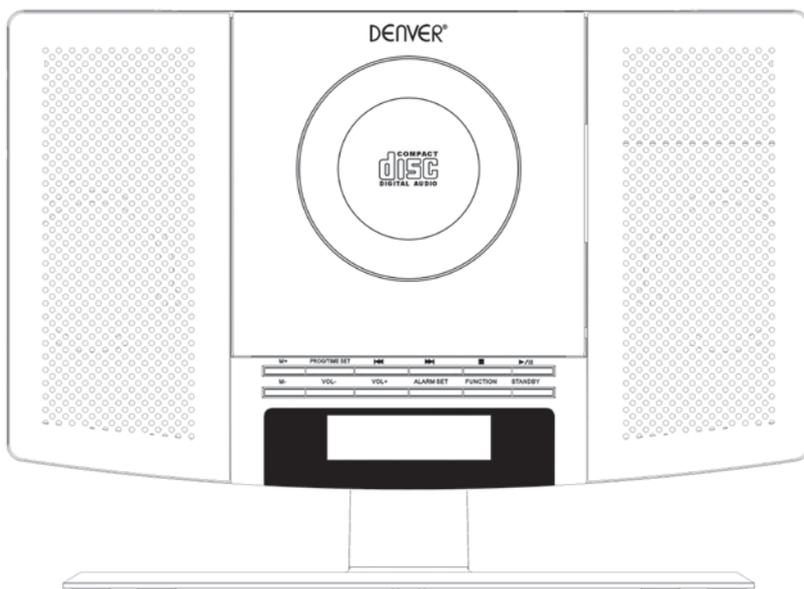
Rogamos, rellene el espacio en blanco con el número de modelo de este reproductor para su referencia futura

Importador:  
DENVER ELECTRONICS A/S  
Omega 5A, Soefthen  
DK-8382 Hinnerup  
Dinamarca  
[www.facebook.com/denverelectronics](http://www.facebook.com/denverelectronics)

# DENVER<sup>®</sup> ELECTRONICS

## CD-SPELARE MED FM-PLL-RADIO OCH VÄCKARKLOCKA

MODEL MC5220



LÄS, FÖRSTÅ OCH FÖLJ DESSA ANVISNINGAR INNAN DU ANVÄNDER DENNA PRODUKT.  
Spara denna broschyr för framtida bruk.

[www.facebook.com/denverelectronics](http://www.facebook.com/denverelectronics)

# SÄKERHETSINSTRUKTIONER

 <p>Blixten med pilspets med en liksidig triangel är avsedd att varna användaren om oisolerad farlig spänning inuti produktens hölje som kan vara tillräckligt stark för att utgöra en risk för elektriska stötter.</p>	<p><b>CAUTION</b></p> <p><b>RISK OF ELECTRIC SHOCK DO NOT OPEN</b></p> <p>FÖRSIKTIGHET: FÖR ATT FÖRHINDRA RISKEN FÖR ELEKTRISKA STÖTAR, TA INTE BORT LOCKET (ELLER BAKSIDAN). INNEHÅLLER INGA DELAR SOM KAN REPARERAS AV ANVÄNDAREN. SERVICE SKA BARA UTFÖRAS AV KVALIFICERAD SERVICEPERSONAL.</p>	 <p>Utopstrecknet i en liksidig triangel är avsedd att varna användaren för att det finns viktiga instruktioner för drift och underhåll (service) i den dokumentation som medföljer apparaten.</p>
--	--	---

**FÖRSIKTIGHET :** FÖR ATT UNDVIKA ELSTÖTAR, PASSA IN KONTAKTENS BREDA BLAD I DEN BREDA ÖPPNINGEN, SÄTT IN DEN HELT.

**WARNING :** FÖR ATT MINSKA RISKEN FÖR BRAND ELLER ELSTÖTAR UTSÄTT INTE APPARATEN FÖR REGN ELLER FUKT.

# SÄKERHETSINSTRUKTIONER

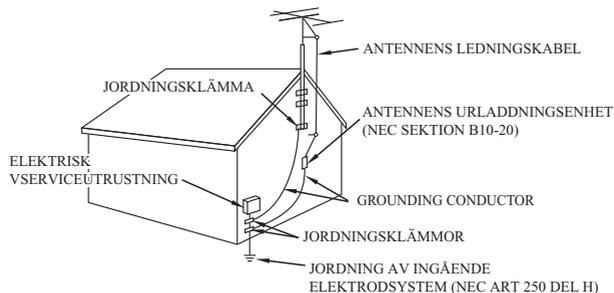
DESSA VIKTIGA SÄKERHETSINSTRUKTIONER SOM GÄLLER FÖR APPARATEN INGÅR OCH FÖRMEDLAS TILL ANVÄNDAREN I INFORMATIONEN NEDAN

1. Läs instruktionerna - Alla säkerhets- och bruksanvisningar måste läsas innan apparaten används.
2. Behåll instruktionerna - Säkerhets- och bruksanvisningar måste sparas för framtida bruk.
3. Huvudvarningar - Alla varningar och försiktighetsåtgärder på apparaten och i bruksanvisningen måste följas.
4. Följ instruktionerna - Alla drifts- och användningsinstruktioner måste följas.
5. Vatten och fukt - Apparaten får inte användas i närheten av vatten, t.ex. nära badkar, handfat, diskbänk, tvättmaskin, i en fuktig källare eller nära en simbassäng eller liknande.
6. Vägg - eller takmontering - Apparaten bör inte monteras på en vägg eller i ett tak.
7. Ventilation - Apparaten måste placeras så att dess omgivning eller placering inte hindrar en tillräcklig ventilation. Apparaten bör till exempel inte ställas på en säng, soffa, matta eller liknande yta som kan blockera ventilationsöppningarna, eller placeras i en inbyggd installation, som en bokhylla eller ett skåp, som kan hindra luftflödet genom ventilationsöppningarna.
8. Värme - Apparaten ska ställas på säkert avstånd från värmekällor såsom element, värmeutsläpp, spisar eller andra apparater (inklusive förstärkare) som producerar värme.
9. Strömkällor - Produkten bör endast användas med den typ av strömkälla som anges på märkesetiketten. Om du inte är säker på vilken typ av strömförsörjning som du har hemma bör du rådfråga din återförsäljare eller ditt lokala elbolag. Se bruksanvisningen för produkter som är avsedda att drivas med batterier eller andra källor.
10. Faspolariserad - Denna produkt kan vara utrustad med en polariserad stickkontakt för växelström (en kontakt som har ett blad som är bredare än det andra). Denna kontakt har en säkerhetsfunktion som gör att den bara kan sättas in på ett sätt i vägguttaget. Om du inte lyckas sätta in kontakten helt i uttaget, försök att vända den. Om kontakten fortfarande inte passar, kontakta en elektriker för att byta ut det felaktiga uttaget. Förstör inte säkerhetsfunktionen i den polariserade kontakten.
11. Nätkabelskydd - Strömkablar ska läggas så att de inte riskerar att bli trampade på eller klämmas av föremål som placeras på eller mot dem, med särskild hänsyn till sladdar vid kontakter, uttag och där de kommer ut från apparaten.
12. Rengöring - Apparaten får endast rengöras enligt tillverkarens rekommendationer.
13. Perioder utan användning - Apparaten ska kopplas ur vägguttaget när den inte används under en längre tid.
14. Föremål och vätskor - Var försiktig så att inga föremål ramlar ner i produkten och att ingen vätska spills på den genom öppningarna.
15. Skador som kräver service - Koppla ur produkten från vägguttaget och ta den till kvalificerad servicepersonal vid följande förhållanden.
  - a) Om nätkabeln eller kontakten är skadad.
  - b) Om vätska har spillts eller föremål har fallit in i produkten.
  - c) Om produkten har utsatts för regn eller vatten.
  - d) Om produkten inte fungerar när den används i enlighet med bruksanvisningen.

Justera endast de kontroller som beskrivs i bruksanvisningen eftersom en felaktig justering av andra kontroller kan störa produktens normala funktion.

- e) Om produkten har tappats eller skadats på något sätt.
- f) Om produkten uppvisar en tydlig förändring i prestanda - detta indikerar behov av service.
16. Service - Användaren får inte göra något försök att serva produkten förutom vad som beskrivs i bruksanvisningen. All service skall utföras av utbildad servicepersonal.
  17. Kraftledning - Ett system för utomhusantenn bör inte placeras i närheten av kraftledningar eller andra elektriska ljus- eller strömkretsar, eller där den kan ramla ner på denna typ av ledningar eller kretsar. När du installerar en utomhusantenn bör du vidta extrema försiktighetsåtgärder för att undvika kontakt med kraftledningar eller strömkretsar då detta kan vara dödlig.
  18. Om en utomhusantenn är ansluten till mottagaren, se till att antennen är jordad så att det finns ett visst skydd mot spänningstoppar och uppbyggd statisk spänning. Avsnitt 810 i National Electrical Code ANSI/NEFA 70 informerar om korrekt jordning av masten och stödstrukturen, jordledning, placering av antennens urladdningsenhet, storlek på jordningselektroder och krav på jordningselektroden (se figur).
  19. Rengöring - Koppla ur produkten från vägguttaget innan du rengör den. Använd inte flytande rengöringsmedel eller sprayer. Använd en fuktig trasa vid rengöring.
  20. Blixtnedslag - För extra skydd av denna produkt under åskväder eller när den lämnas oanvänd och utan tillsyn en längre tid, kopplar du bort den från vägguttaget och kopplar bort antennen eller kabelsystemet. Detta förhindrar skador på produkten som orsakas av blixtnedslag och strömrusning.
  21. Säkerhetskontroll - När service eller reparation av denna produkt är avslutad, be serviceteknikern att utföra säkerhetskontroller för att fastställa att produkten är driftsduglig.
  22. Överbelastning - Överbelasta inte vägguttag, förlängningssladdar eller integrerade uttag då detta kan leda till risk för brand eller elektriska stötar.

#### EXEMPEL PÅ ANTENNJORDNING ENLIGT NATIONAL ELECTRICAL CODE



#### NEC NATIONAL ELECTRICAL CODE

Applícera inte olja eller petroleumprodukter på denna produkt.

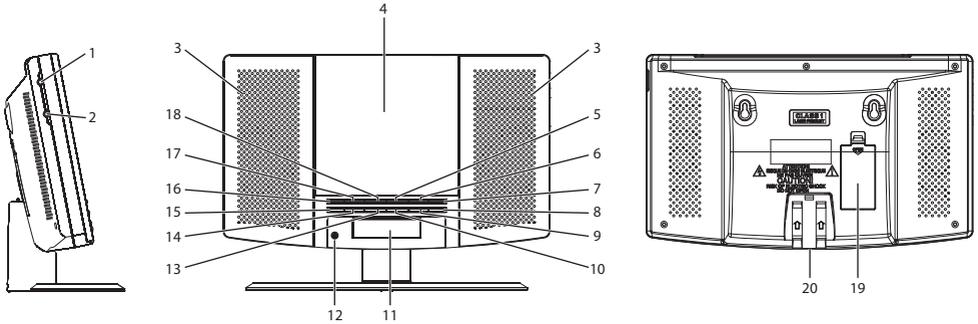
## FÖRSIKTIGHET

När produkten är öppen avges en osynlig laserstrålning och föreglingar förstörs. Förstör inte säkerhetslåsen.

PÅ ENHETENS UNDERSIDA HITTAS GRAFISKA SYMBOLER MED KOMPLETTERANDE MARKERINGAR.

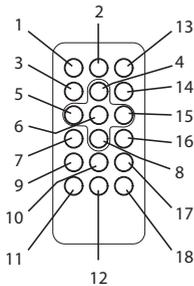
ANVÄNDNING AV KONTROLLER, JUSTERINGAR ELLER PRESTATIONSARBETE KAN LEDA TILL FARLIG STRÅLNINGSEXPONERING.

## KONTROLLERNAS PLACERING



1. Aux in kontakt
2. Telefonkontakt
3. Högtalare
4. CD-lucka
5. ►► -knapp
6. ■ -knapp
7. ►/|| -knapp
8. Standby-knapp
9. Funktionsknapp
10. Knapp för larminställning
11. LCD-skärm
12. IR
13. Vol+ -knapp
14. Vol- -knapp
15. M- -knapp
16. M+ -knapp
17. Prog/Time Set-knapp
18. ◀◀ -knapp
19. Batterifack
20. DC-kontakt

## FJÄRRKONTROLL



1. Standby-knapp
2. Funktionsknapp
3. Stoppknapp
4. Volymknapp +
5. Tidigare/timme-knapp
6. Prev/Hour-knapp
7. M-NED-knapp
8. Volymknapp -
9. Larmknapp
10. Minnesknapp
11. Tidknapp
12. Snooze-knapp
13. Mute-knapp
14. Lägesknapp
15. Nästa/minut-knapp
16. M-UPP-knapp
17. Program-knapp
18. Sleepfunktionsknapp

## Nättaggregat

Denna enhet är avsedd att drivas med en AC/DC-adapter.

Drift med AC/DC-adapter.

Sätt i den lilla adaptorns kontakt i DC-uttaget.

Sätt in i AC/DC-adaptorn i något lämpligt AC~100-240V 50/60Hz hushållsuttag i vertikal eller horisontell riktning.

## **IINSTALLERA ENHETEN PÅ VÄGGEN**

1. Det finns två väggmonteringshål på enhetens baksida, tryck på stativet enligt markeringen på stativet till enhetens kanal innan du installerar den här produkten.
2. Se till att vald väggfästningsmetod kan hålla upp en produkt på 5 kg om du ska sätta upp denna ram på väggen. Rådgör med din lokala hårdvaruspecialist.
3. Se till att det finns två dubbar eller spikar på väggarna med samma avstånd som hålen på enhetens baksida.
4. Se till att dubbar eller spikar för väggarna stöder en vikt på minst 6 kg.

## **KLOCKINSTÄLLNING**

1. I STANDBY OFF-läget, tryck på knappen PROG/TIME SET-knappen och håll den nedtryckt.
2. Tryck **⏪** på knappen för att ställa in önskad timme.
3. Tryck **⏩** på knappen för att ställa in önskad minut.
4. När önskad tid ställts in, tryck på PROG/TIME SET-knappen för att bekräfta.

## **VAKNA TILL LARMSIGNAL (AL 1):**

- a. Håll apparaten i standbyläge.
- b. Tryck på ALARM SET-knappen, "  1"-ikonen blinkar på skärmen. Tryck sedan på ALARM SET-knappen och håll den nedtryckt igen och larmtiden börjar blinka på skärmen.
- c. Tryck på **⏪** -knappen för att ställa in önskad larmtimme.
- d. Tryck på **⏩** -knappen för att ställa in önskad larmminut.
- e. Summern låter vid den inställda larmtiden.

## **VAKNA TILL RADIO:**

- a. Håll apparaten i standbyläge.
- b. Tryck på ALARM SET-knappen, "  1"-ikonen blinkar på skärmen. Tryck sedan på ALARM SET-knappen och håll den nedtryckt igen och larmtiden börjar blinka på skärmen.
- c. Tryck på funktionsknappen för att välja ikonen "FM".
- d. Tryck på **⏪** -knappen för att ställa in önskad larmtimme.
- e. Tryck på **⏩** -knappen för att ställa in önskad larmminut.
- f. Radion slås på vid den inställda larmtiden.

## **VAKNA UPP TILL CD:**

- a. Håll apparaten i standbyläge.
- b. Tryck på ALARM SET-knappen, "  1"-ikonen blinkar på skärmen. Tryck sedan på ALARM SET-knappen och håll den nedtryckt igen och larmtiden börjar blinka på skärmen.
- c. Tryck på funktionsknappen för att välja "CD"-ikonen.
- d. Tryck på **⏪** -knappen för att ställa in önskad larmtimme.
- e. Tryck på **⏩** -knappen för att ställa in önskad larmminut.
- f. CD:n sätts på vid den inställda larmtiden.

**Obs:** Se till att skivan redan är placerats i CD-facket.

AL2-inställning är samma som AL1-inställning.

## **STÅNG AV LARM:**

När larmet går, trycker du på STANDBY-knappen för att stänga av larmet, larmet återställs till nästa dag.

## **AVSTÄNGNING AV LARMET**

Avbryta larmläge:

I läget "STANDBY OFF", tryck på ALARM SET-knappen för att stänga av larmfunktionen. (tills väckarklockan "  " försvinner från LCD-skärmen).

## **JUSTERA VOLYMEN**

- Tryck på VOL+ knappen för att höja volymen.
- Tryck på VOL- knappen för att minska volymen.

## **ANVÄNDNING AV RADIO**

1. Tryck på STANDBY-knappen för att slå på apparaten.
2. Tryck på FUNCTION-knappen för funktionen RADIO.
3. Hur du använder knapparna för radio
  - i. Manuell inställning  
Tryck på ◀-knappen eller ▶-knappen för att söka efter önskad frekvens. Högre frekvens kan väljas genom att trycka på ▶-knappen medan lägre frekvens kan väljas genom att trycka på ◀-knappen.
  - ii. Automatisk inställning
    - a) Tryck på och håll ◀-knappen eller ▶-knappen nedtryckt tills skärmfrekvensen börjar rulla.
    - b) När en station med tillräcklig styrka har hittats stannar kanalsökningen eller så kan du stoppa den automatiska kanalsökningen genom att trycka på ◀-knappen eller ▶-knappen.
4. Stäng av radion genom att trycka på STANDBY-knappen.

## **FÖRINSTÄLLD SÖKNING**

1. Välj önskad station enligt vanligt inställningssätt.
2. Tryck på MEMORY-knappen på fjärrkontrollen "P-01" visas och blinkar på skärmen, använd sedan knappen M-UPP eller M-NED på fjärrkontrollen eller tryck på knappen M+/M- på enheten för att ändra det nummer på vilket stationen ska sparas. (P01 till P20) för att ändra det nummer på vilket stationen ska sparas. (P01 till P20)
3. Spara den aktuella frekvensen genom att trycka på MEMORY-knappen på fjärrkontrollen igen när du får upp önskat nummer.
4. Upprepa samma procedur för att ställa in andra önskade frekvenser till minne 1 till minne 20.  
Obs: Apparaten kan förinställa upp till 20 stationer.

## **HÄMTA MINNE**

Hämta sparade frekvenser genom att trycka på knappen M-UPP eller M-NED på enheten, eller tryck på knappen M+/M- på enheten för att välja 1 till 20 stationer som du önskar.  
OBS: Sparade frekvenser kan endast sparas under lång tid om strömmen är på. Stationen du sparar försvinner och kan inte återställas i fall du stänger av strömmen.

## **HANTERING AV CD-SKIVOR**

- Skydda alltid en skiva mot repor, jord, damm etc. Om en skiva behandlas med omsorg bör det räcka med att torka av skivan med en mjuk trasa som enda underhåll för att bibehålla en utmärkt ljudåtergivning. Skivor bör bevaras i sitt ursprungliga fodral när de inte används.
- Hantera endast skivan i kanterna, rör inte ytan eller skivans regnbågsfärgade sida.
- Hantera en skiva enligt bilderna i det här avsnittet.
- Använd en mjuk trasa för att torka ren en skiva. Använd inte bensen, thinner eller andra kemiska rengöringsmedel för att rengöra skivan det kan orsaka skador. En skiva bör alltid torkas i en rak linje från mitten ut till kanten. Torka aldrig en skiva med cirkelrörelse.
- Utsätt inte skivan för direkt solljus, hög luftfuktighet eller höga temperaturer under längre tid. Lägg inte skivan på annan utrustning eller nära en värmekälla.
- Damm på pickuplinsen kan leda till felaktig drift och avbrott i ljudet under uppspelning. För att rengöra pickuplinsen, öppnar du skivfacket och blåser bort dammet. Använd en kameralinsfläkt (finns i de flesta kamerabutiker).
- Obs: Rör inte ytan på linsen. Låt inga vätskor hamna på insidan av produkten.
- För att rengöra CD-spelarens hölje, använder du en mjuk och fuktig trasa för att torka av ytan.

- Använd aldrig bensol, bensen eller andra starka kemiska rengöringsmedel, eftersom dessa kan skada ytan.

GÖR:



GÖR INTE:



## SPELA UPP EN CD-SKIVA (CD)

**OBS:** Vidrör aldrig laserlinsen inuti CD-facket. Rengör laserlinsen med en rengörande CD-skiva om linsen blir smutsig.

1. Tryck på STANDBY-knappen för att sätta på enheten.
2. Tryck på FUNCTION-knappen till CD-läge.
3. Öppna CD-luckan och sätt in en CD i facket med den tryckta etiketten uppåt.
4. Stäng CD-luckan och skivan kommer att rotera under några sekunder och sedan stanna.
5. Använd ◀◀ -knappen eller ▶▶ -knappen för att välja ett spår.
6. Tryck på ▶ -knappen för att starta uppspelning.
7. Tryck ned ⏸ -knappen igen för att pausa uppspelningen.
8. Tryck på STOP-knappen för att stoppa uppspelningen.

## SLUMPVIS UPPSPELNING

- I CD-läget stopp, tryck ned MODE-knappen på fjärrkontrollen tills "RAND" (slumpvis) visas på LCD-skärmen.
- Den kommer sedan att aktivera slumpvis uppspelning av spår.

## REPEAT-FUNKTION

1. Tryck på knappen MODE på fjärrkontrollen en gång under uppspelning så visas symbolen "↺" på LCD-skärmen. Samma spår spelas upp upprepat.
2. Tryck på knappen MODE på fjärrkontrollen en gång till för att upprepa alla spår. Symbolen "↺ ALL" visas på LCD-skärmen.
3. För att avbryta REPEAT PLAY trycker du på knappen MODE på fjärrkontrollen flera gånger i följd tills alla symboler försvunnit.

## BAKÅT/FRAMÅT

1. Knapparna CD-Reverse (bakåt) ◀◀ och CD-Forward (framåt) ▶▶ kan användas för att hoppa till ett annat spårnummer eller för att skanna skivspår i hög hastighet.
2. Tryck ned CD Reverse ◀◀ -knappen en gång för att höra inledningen på aktuellt spår. Tryck på den två eller fler gånger för att höra föregående spår på skivan.
3. Tryck på CD ▶▶ -knappen för att höra nästa spår på skivan.
4. Tryck ned ◀◀ -knappen, aktuellt spår skannas och flytta bak till föregående spår; när önskat spår hittas släpper du upp knappen och enheten återgår till normal uppspelning.
5. Tryck ned ▶▶ -knappen, aktuellt spår skannas och flytta framåt till nästa spår; när önskat spår hittas släpper du upp knappen och enheten återgår till normal uppspelning.

## PROGRAMFUNKTION

**Programfunktionen kan användas för att programmera upp till 20 spår för spelning i en vald ordning.**

1. Endast när enheten är i stoppläget (CD spelar inte upp), tryck på PROG/TIME SET-knappen, LCD-skärmen visar orden "PROGRAM 01" och "PROGRAM 01" börjar blinka.
2. Tryck ned ◀◀ -knappen eller ▶▶ -knappen för att allokeras önskat spår.
3. Tryck på PROG/TIME SET-knappen för att välja och lagra spåret i minnet.

4. Upprepa steg 2 till 3 för att välja upp till 20 spår.
  5. För att spela valda spår (i programläget), tryck på ►/|| -knappen. Spårnumret och "PROGRAM" visas på LCD-skärmen.
  6. Tryck ned ◀◀ -knappen för att höra föregående spår eller tryck ned ▶▶ -knapparna för att höra nästa programspår.
- Obs:** När alla programmerade spår har spelats går CD-spelaren tillbaka till stoppläget.
7. För att rensa programmerade spår från minnet, tryck på STOPP-knappen tills "PROGRAM"-ikonen försvinner.

### **AUX INGÅNGSUTTAG**

1. Tryck på STANDBY-knappen för att sätta på enheten.
2. Tryck på FUNCTION-knappen till AUX-läge.
3. Anslut AUX-kabeln från utgången på din personliga spelare som MP3 spelare till AUX-ingången.
4. Spela Start från din personliga spelare.

### **UTTAG HÖRLUR**

Denna enhet accepterar stereohörlurar med en kontakt på  $\Phi$  3,5 mm. Innan du ansluter hörlurarna bör du ställa in volymen på lägsta nivå för att inte skada dina öron eller hörlurarna. Anslut hörlurarna till hörlursuttaget. Högtalarna stängs automatiskt av.

Varning: Långvarig exponering av höga ljudnivåer kan skada din hörsel. Du kanske inte får höra några varningsljud när du har på dig dessa hörlurar.

### **SLUMMERFUNKTION**

Om du vill slumra några minuter till, tryck på SNOOZE-knappen på fjärrkontrollen för att inaktivera ljudet under cirka 9 minuter.

MED ENSAMRÄTT, UPPHOVSRÄTT DENVER ELECTRONICS A/S

DENVER®

[www.denver-electronics.com](http://www.denver-electronics.com)



Elektrisk och elektronisk utrustning och tillhörande batterier innehåller material, komponenter och ämnen som kan vara skadliga för hälsan och miljön om avfallet (kasserad elektrisk och elektronisk utrustning och batterier) inte hanteras korrekt.

Elektrisk och elektronisk utrustning och batterier är märkta med en symbol i form av en överstruken soptunna (syns nedan). Denna symbol visar att elektrisk och elektronisk utrustning och batterier inte bör slängas tillsammans med annat hushållsavfall, utan ska istället slängas separat.

Som slutanvändare är det viktigt att du lämnar in dina använda batterier i en för ändamålet avsedd facilitet. På det viset säkerställer du att batterierna återvinns lagenligt och att de inte skadar miljön.

Alla kommuner har etablerat uppsamlingsställen där elektrisk och elektronisk utrustning och batterier antingen kan lämnas in kostnadsfritt i återvinningsstationer eller hämtas från hushållen. Vidare information finns att tillgå hos din kommuns tekniska förvaltning.

Fyll i spelarens modellnummer för framtida bruk på tom plats

Importör:  
DENVER ELECTRONICS A/S  
Omega 5A, Soefte  
DK-8382 Hinnerup  
Danmark  
[www.facebook.com/denverelectronics](https://www.facebook.com/denverelectronics)