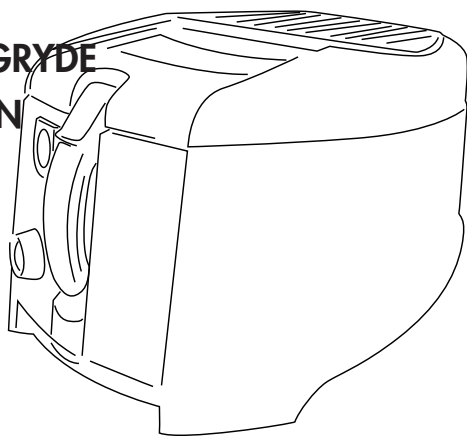


**ELECTRIC DEEP FRYER  
FRITEUSE ELECTRIQUE  
ELEKTRISCHE FRITEUSE  
FRIGGITRICE ELETTRICA  
ELEKTRISCHE FRITEUSE  
FREIDORA ELECTRICA  
FRITADEIRA ELECTRICA  
ΗΛΕΚΤΡΙΚΗ ΦΡΙΤΕΖΑ  
ЭЛЕКТРИЧЕСКАЯ ФРИТЮРНИЦА  
ELEKTROMOS OLAJSÜTŐ  
ELEKTRICKÝ FRITOVACÍ HRNEC  
FRYTKOWNICA ELEKTRYCZNA  
ELEKTRISK FRITYRKOKER  
ELEKTRISK FRITÖS  
ELEKTRISK FRITUREGRYDE  
SÄHKÖRASVAKEITIN**



**Instructions for use  
Mode d'emploi  
Bedienungsanleitung  
Istruzioni per l'uso  
Gebruiksaanwijzingen  
Instrucciones para el uso  
Instruções  
Οδηγίες χρήσης  
Инструкции по эксплуатации  
Használati utasítás  
Návod k použití  
Instrukcja obsługi  
Bruksanvisning  
Brugsanvisninger  
Käyttöohjeet**

**DeLonghi**

De'Longhi Appliances  
via Seitz, 47  
31100 Treviso Italia

## ELECTRICAL CONNECTION (U.K. ONLY)

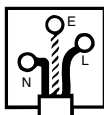
- A) If your appliance comes fitted with a plug, it will incorporate a 13 Amp fuse. If it does not fit your socket, the plug should be cut off from the mains lead, and an appropriate plug fitted, as below. **warning:** Very carefully dispose of the cut off plug after removing the fuse: do not insert in a 13 Amp socket elsewhere in the house as this could cause a shock hazard. With alternative plugs not incorporating a fuse, the circuit must be protected by a 15 Amp fuse. If the plug is a moulded-on type, the fuse cover must be re-fitted when changing the fuse using a 13 Amp Asta approved fuse to BS 1362. In the event of losing the fuse cover, the plug must NOT be used until a replacement fuse cover can be obtained from your nearest electrical dealer. The colour of the correct replacement fuse cover is that as marked on the base of the plug.
- B) If your appliance is not fitted with a plug, please follow the instructions provided below:

WARNING - THIS APPLIANCE MUST BE EARTHED


### IMPORTANT

The wires in the mains lead are coloured in accordance with the following code:

Green and yellow	Earth
Blue	Neutral
Brown	Live



As the colours of the wires in the mains lead may not correspond with the coloured markings identifying the terminals in your plug, proceed as follows:

The green and yellow wire must be connected to the terminal in the plug marked with the letter E or the earth symbol  or coloured green or green and yellow.

The blue wire must be connected to the terminal marked with the letter N or coloured black.

The brown wire must be connected to the terminal marked with the letter L or coloured red.

