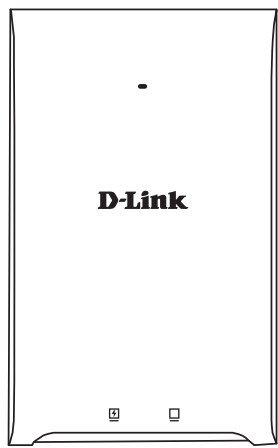


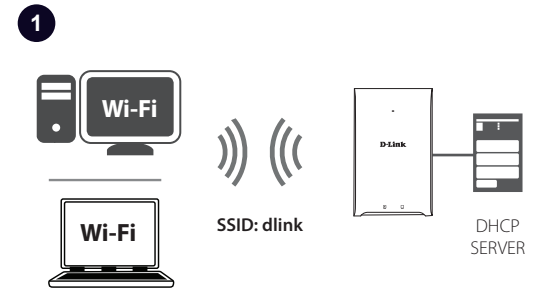
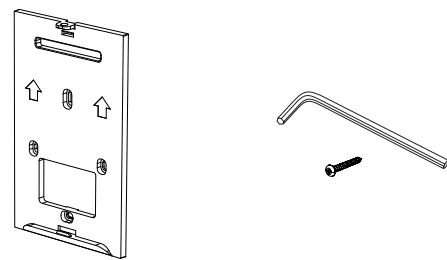
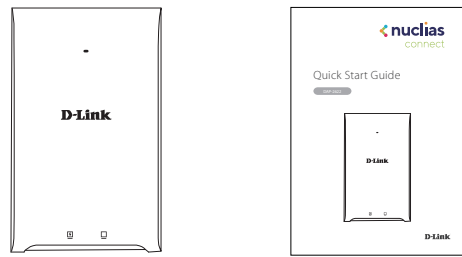


Quick Start Guide

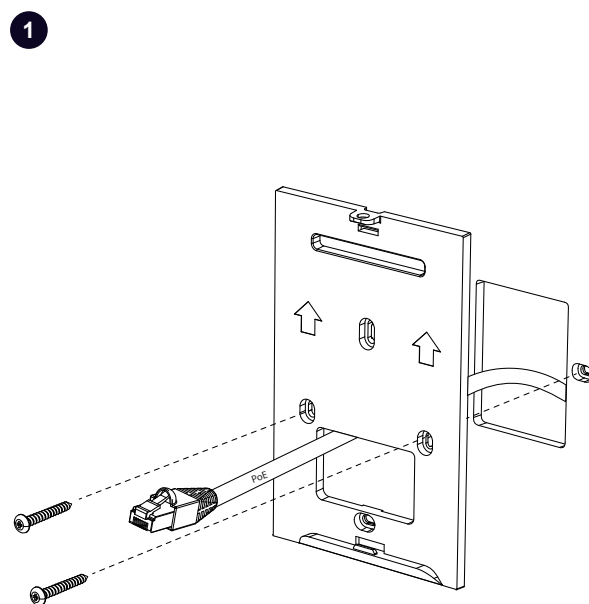
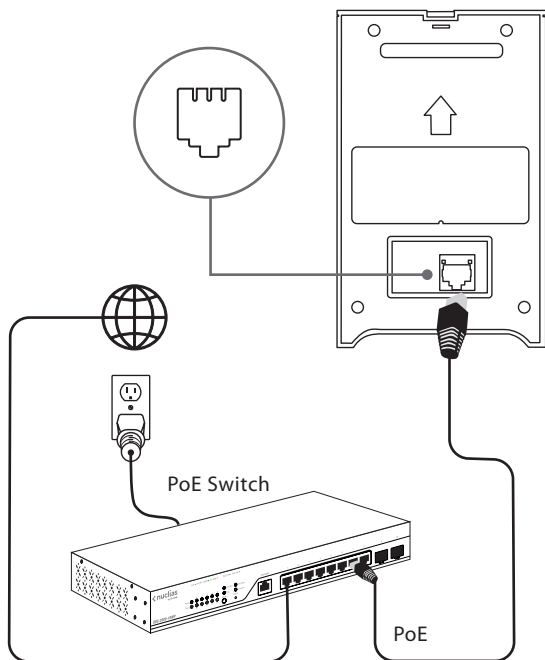
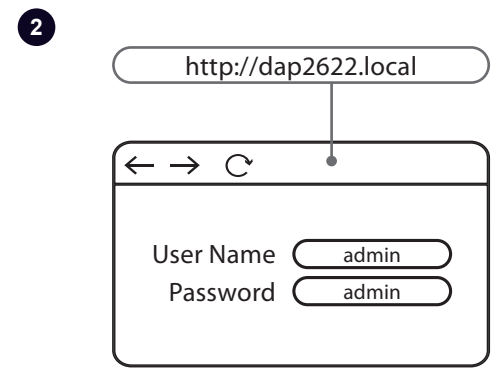
DAP-2622



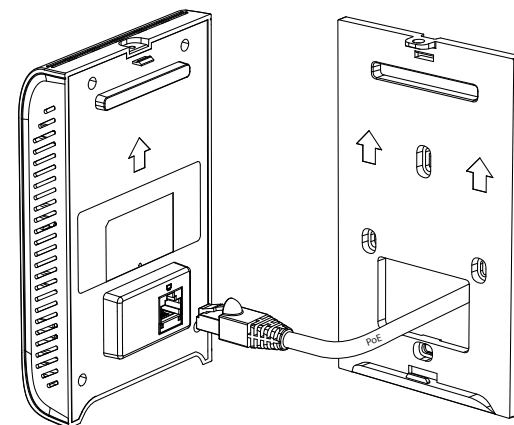
**D-Link**



OR



2



3

