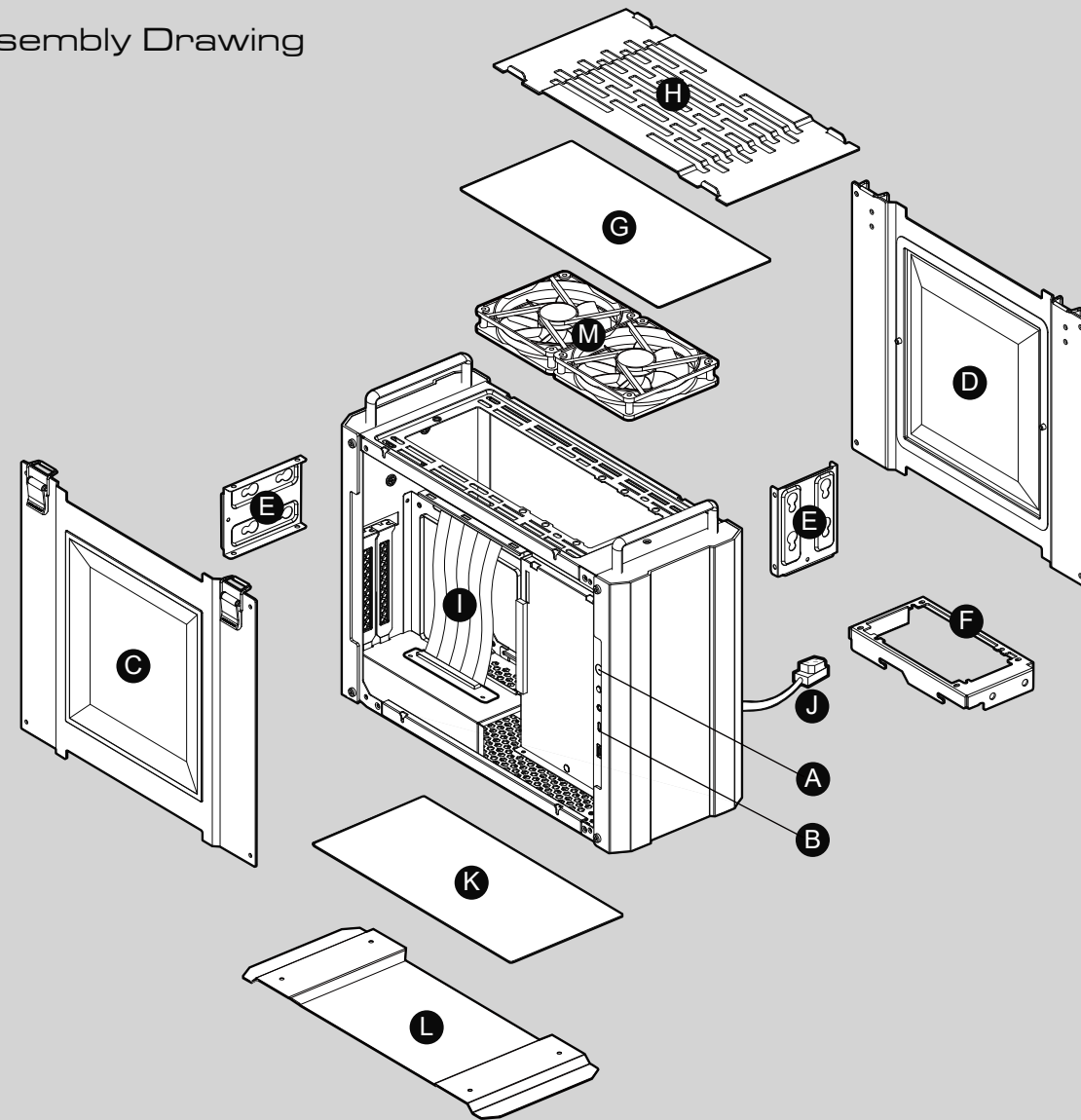


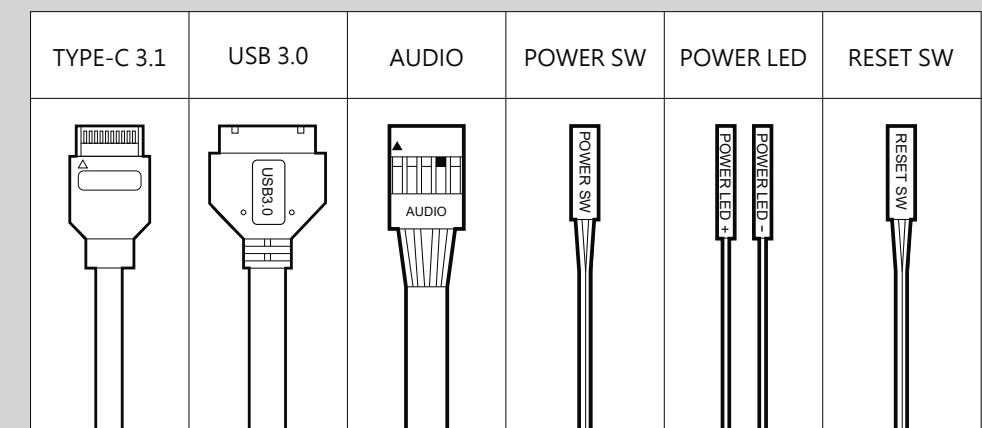


Assembly Drawing



- A** Power button / Reset button
- B** Type C 3.1 / USB 3.0 / 4 pole headset audio jack
- C** Left panel
- D** Right panel
- E** 2.5" HDD/SSD trays
- F** Power supply bracket
- G** Air filter for top panel
- H** Top panel
- I** PCIe 16x Gen3 High-Speed Riser Card (pre-installed)
- J** Power extension cord (pre-installed)
- K** Air filter for bottom panel
- L** Bottom panel
- M** 120mm black fan x 2 (pre-installed)

Installing the Front I/O Connectors



COUGAR Dust 2 features military style.
It is an Mini-ITX case with optimal compatibility, which is born for travelling gamers and LAN Party dominance. Just grab your rig and go!

Model Name	DUST 2	
Case Form Factor	Small Form Factor	
Motherboard Type	Mini ITX	
Dimensions (WxHxD)	Exclude Handles	175 (W) x 299 (H) x 403 (D) mm 6.9 (W) x 11.8 (H) x 15.9 (D) in
	Include Handles	175 (W) x 335 (H) x 403 (D) mm 6.9 (W) x 13.2 (H) x 15.9 (D) in
I/O Panel	Type C 3.1 x1, USB3.0 x1, 4 Pole Headset Audio Jack x1, Reset Button	
3.5" Drive Bay	*1	
2.5" Drive Bay	2 (2 SSD trays included)	
Expansion Slots	2 (A PCIe 16x Gen3 high-speed riser card included)	
Cooling Fan Support	Top : 120mm x 2 / 140mm x 2 (120mm black fan x 2 pre-installed)	
Maximum Number of Fans	2 Max.	
Water Cooling Support	Top : *280mm / *240mm / 140mm / 120mm (Max. water block height is under 55mm)	
Max. Graphics Card Length	330 (mm) / 13 in (Max. graphic card height is under 60mm)	
Max. CPU Cooler Height	70 (mm) / 2.8 in	
Max. PSU Length	160 (mm) / 6.3 in	

Specifications might vary depending on the country or region of sale.
*Please choose either of a 280mm/240mm radiator or a 3.5" HDD to install on the top panel.

ДАТА ИЗГОТОВЛЕНИЯ ПРОДУКЦИИ

год и месяц изготовления продукции указаны в серийном номере продукта.
(существует 2 способа определения даты изготовления, оба способа описаны ниже)

- A** После S/N: первые две цифры означают год, вторые две – месяц изготовления.
Например, S/N: H1702000001 означает, что товар был произведен в феврале 2017 года.
- B** После S/N: если указаны буквы, то две буквы представляют цифры из таблицы ниже, и означают год, последующие две цифры – месяц изготовления.
Например, S/N: DAG02REV1000001 означает, что товар был произведен в феврале 2017 года.

A	B	C	D	E	F	G	H	I	J
1	2	3	4	5	6	7	8	9	0

* Например, AG = 17 = 2017 год

ENGLISH

- Sturdy and solid aluminum panels
- Ergonomic carry handles make carriage a breeze
- Excellent cooling solution: support for a 280mm water cooling radiator
- Top-notch performance: support for full-sized vertical GPU (up to 330mm) and PSU (160mm PS2 ATX)
- Easy access to USB3.1 Gen-2 Type-C connector

РУССКИЙ

- Прочные и прочные алюминиевые панели.
- Удобные ручки для переноски упрощают транспортировку
- Превосходное охлаждающее решение: поддержка 280-мм радиатора водяного охлаждения.
- Высочайшая производительность: поддержка полноразмерного вертикального графического процессора (до 330 мм) и блока питания (160 мм PS2 ATX)
- Легкий доступ к разъему USB3.1 Gen-2 Type-C

PORTUGUÊS

- Painéis de alumínio robustos e sólidos
- Alças de transporte confortáveis tornam o transporte uma brisa
- Excelente solução de refrigeração: suporte para radiador de refrigeração de água de 280 mm
- Desempenho de alto nível: suporte para GPU vertical de tamanho completo (até 330 mm) e PSU (160 mm PS2 ATX)
- Fácil acesso ao conector USB3.1 Gen-2 Type-C

日本語

- 頑丈なアルミニウムパネル
- 快適なキャリーハンドルにより、キャリッジが簡単になります
- 優れた冷却ソリューション: 280mm水冷ラジエーターのサポート
- 一流のパフォーマンス: フルサイズの垂直GPU (最大330mm) およびPSU (160mm PS2 ATX) のサポート
- USB3.1 Gen-2 Type-Cコネクタに簡単にアクセス

中文

- 坚固耐用的铝合金面板设计
- 一体成型便携把手设计·玩到哪带到哪
- 优化的散热表现·支持 280mm 水冷排
- 强大的硬件兼容性·可支持长度达330mm的高端显卡
- 与160mm长的PS2 ATX电源
- 支持最新 USB3.1 Gen-2 Type-C 接口

DEUTSCH

- Robuste und solide Aluminiumplatten
- Bequeme Tragegriffe machen den Transport zum Kinderspiel
- Hervorragende Kühlung: Unterstützung für einen 280-mm-Wasserkühler
- Erstklassige Leistung: Unterstützung für vertikale GPUs in voller Größe (bis zu 330 mm) und Netzteile (160 mm PS2 ATX)
- Einfacher Zugriff auf den USB3.1 Gen-2 Typ C-Anschluss

ESPAÑOL

- Paneles de aluminio robustos y sólidos
- Cómodas asas de transporte hacen que el transporte sea una brisa
- Excelente solución de refrigeración: soporte para un radiador de refrigeración por agua de 280 mm
- Rendimiento de primer nivel: compatibilidad con GPU vertical de tamaño completo (hasta 330 mm) y PSU (PS2 ATX de 160 mm)
- Fácil acceso al conector USB3.1 Gen-2 Type-C

FRANÇAIS

- Panneaux en aluminium robustes et solides
- Les poignées de transport confortables facilitent le transport
- Excellente solution de refroidissement: prise en charge d'un radiateur de refroidissement à eau de 280 mm
- Performances de premier ordre: prise en charge des GPU verticaux pleine taille (jusqu'à 330 mm) et du bloc d'alimentation (160 mm PS2 ATX)
- Accès facile au connecteur USB3.1 Gen-2 Type-C

한국어

- 견고하고 견고한 알루미늄 패널
- 편리한 운반 손잡이로 간편하게 운반
- 탁월한 냉각 솔루션: 280mm 수냉 라디에이터 지원
- 최고의 성능: 풀 사이즈 수직 GPU (최대 330mm) 및 PSU (160mm PS2 ATX) 지원
- USB3.1 Gen-2 Type-C 커넥터에 쉽게 액세스







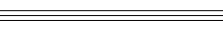
БЪЛГАРИЯ

- Подробни инструкции за употреба изтеглете от: <https://cougargaming.com/bg>



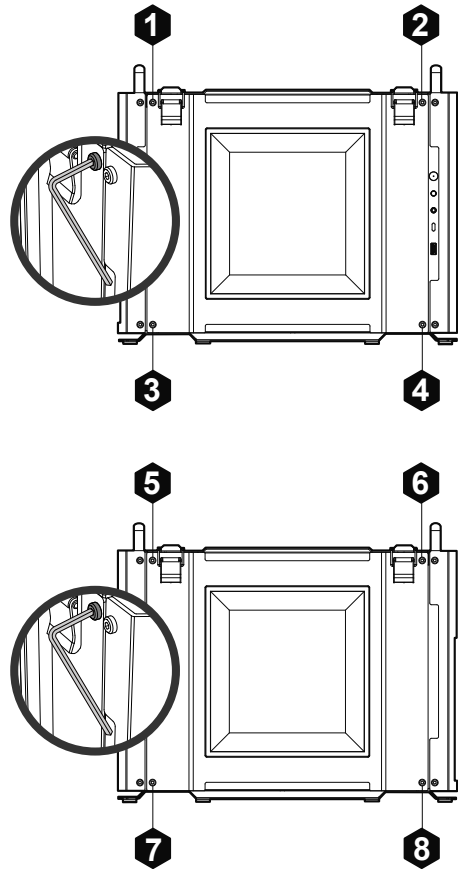
България QR код

ACCESSORY KIT

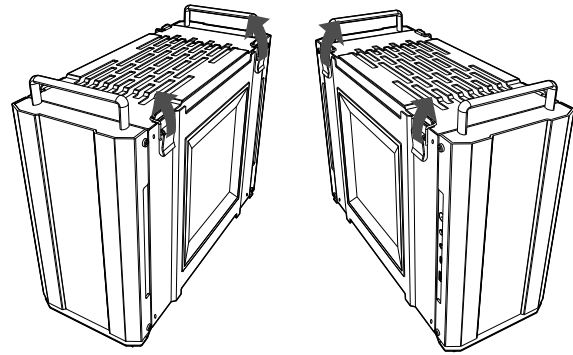
	Motherboard screws & 2.5" SSD screws	X 20
	3.5" HDD screws	X 4
	3.5" HDD rubber mounts	X 4
	Power supply screws	X 7
	Fan screws	X 8
	Cable ties	X 4
	Hex key for removing socket head screws at side panels	X 1

Removing top and side panels

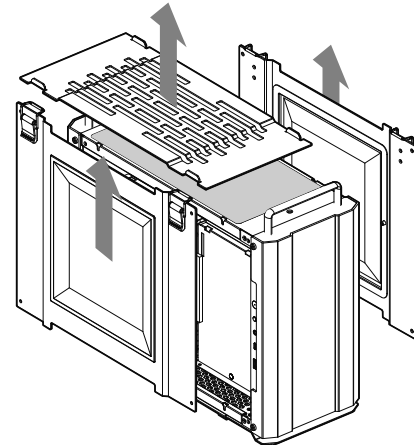
① Please use the hex key to remove socket head screws at side panels.



② Open box buckles.

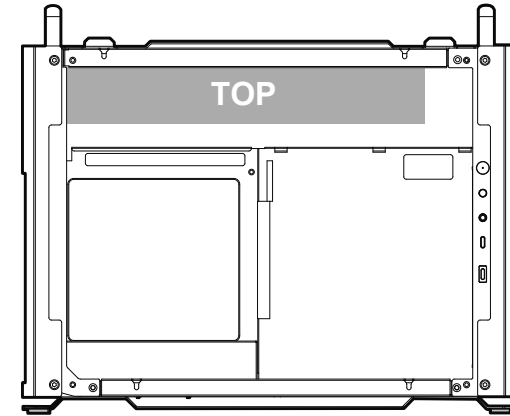
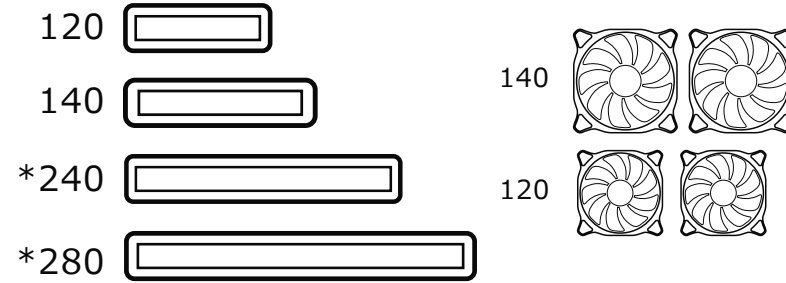


③ Remove top and side panels.



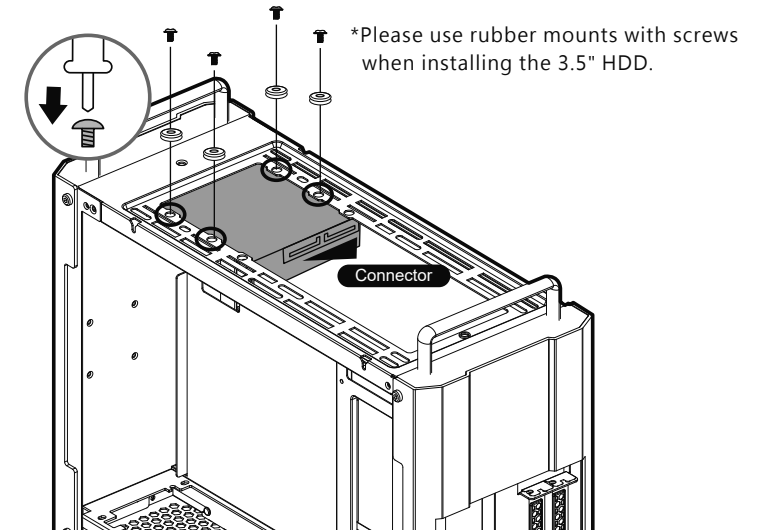
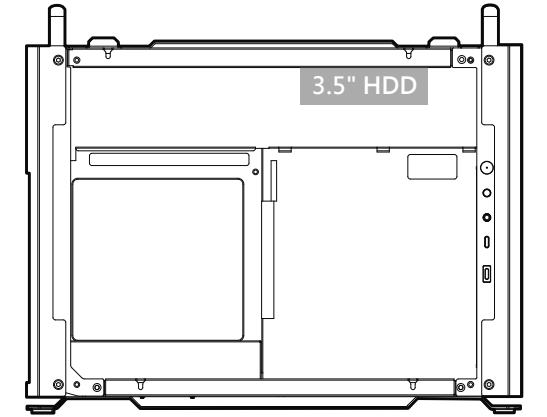
Installing water cooling radiators & cooling fans

* Please install the 2.5" SSD first, and then the radiator and power supply.



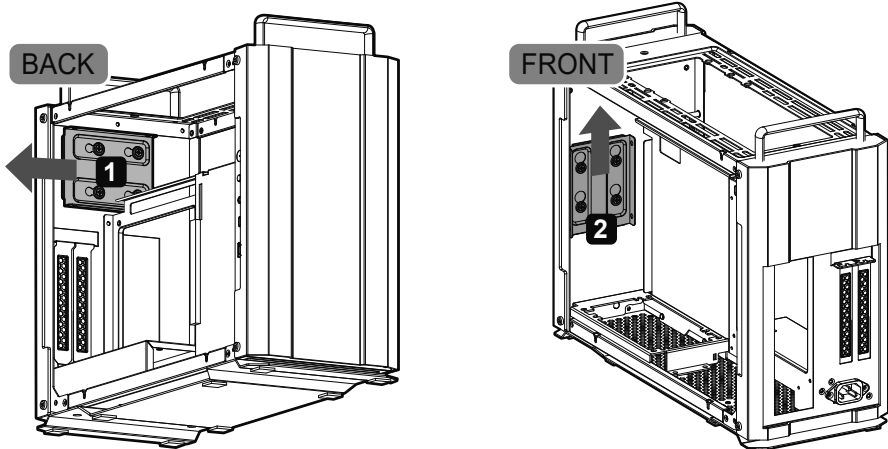
*Please choose either of a 280mm/240mm radiator or a 3.5" HDD to install on the top panel.
*Max. water block height is under 55mm.

Installing the 3.5" HDD

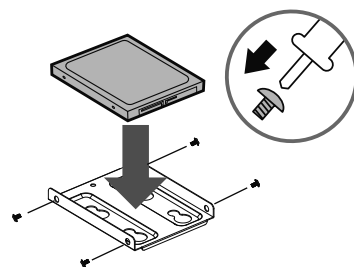


Installing 2.5" SSDs /HDDs

■ Install with trays (There are two SSD trays in this case.)

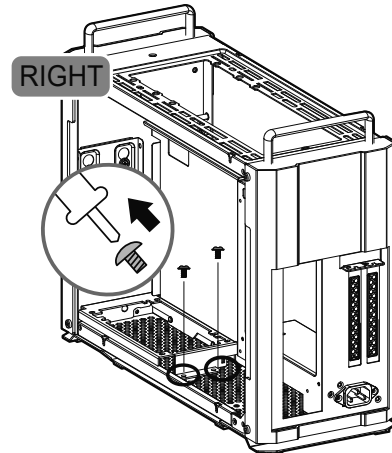


* Please install the 2.5" SSD first, and then the radiator and power supply.

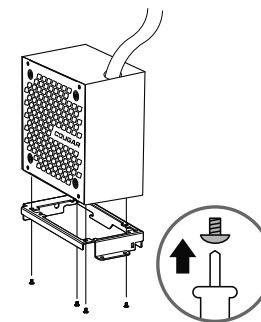
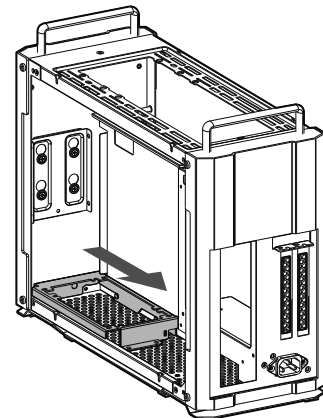


Installing the power supply

① Please remove the screws of PSU bracket. ③ Mount the screws of the PSU bracket.

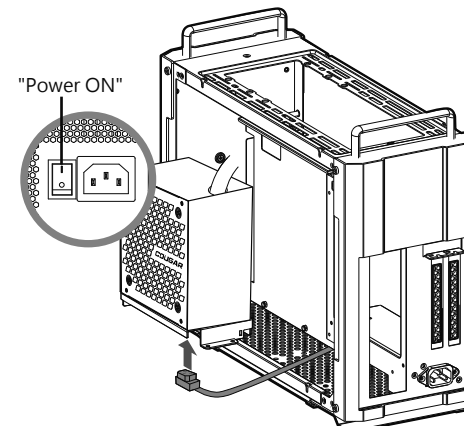


② Please push out the PSU bracket from the notch.

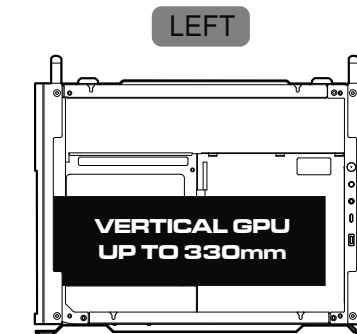


* The maximum PSU length is 160mm.

④ Plug the power cord first, and then turn on the switch.

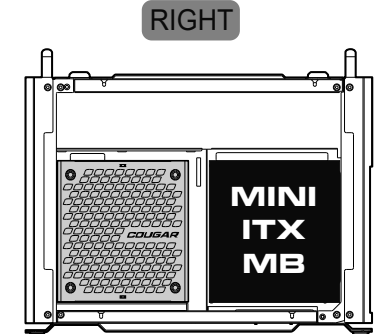


Installing the vertical graphic card



* Please install the vertical graphic card with the included PCIe 16x Gen3 High-Speed Riser Card.
* Max. graphic card height is under 60mm.

Installing the Mini ITX motherboard



* The maximum PSU length is 160mm.

Compucase Enterprise Co.,Ltd.
No. 225, Lane 54, An Ho Road Sec. 2 Tainan, Taiwan, R.O.C
Tel:+886-6-356-0606
Service E-Mail:service@cougargaming.com

COUGAR USA Technical Service
Tel: (833) 256-3778
Mail: rma@compucaseusa.com
<https://cougargaming.com/support/contact/upload/>

For more information, please visit
www.cougargaming.com
Compucase Enterprise Co.,Ltd.
All rights reserved.



Made in China