



BLAZER

SUPERB OPEN-FRAME GAMING MID TOWER CASE

ALUMINUM FRAMING DESIGN

Blazer's distinctive design based on a powerful CNC-milled aluminum alloy frame and COUGAR's unique design DNA, presenting in every inch of its body. This case is a refined art piece!

SUPERIOR EXPANDABILITY

The unique COUGAR esthetics design with superior combination of aluminum framing and full tempered glass panels allow you to show your high-end components for everybody to see. It also allows you to create an amazing masterpiece beyond your imagination.

EXTREME COOLING PERFORMANCE

Cooling is a critical factor for gamers, overclockers and PC enthusiasts in general, and Blazer offers all they could ask for. With support for a 360mm radiator at the side and aluminum open-frame design to achieve extreme cooling performance.

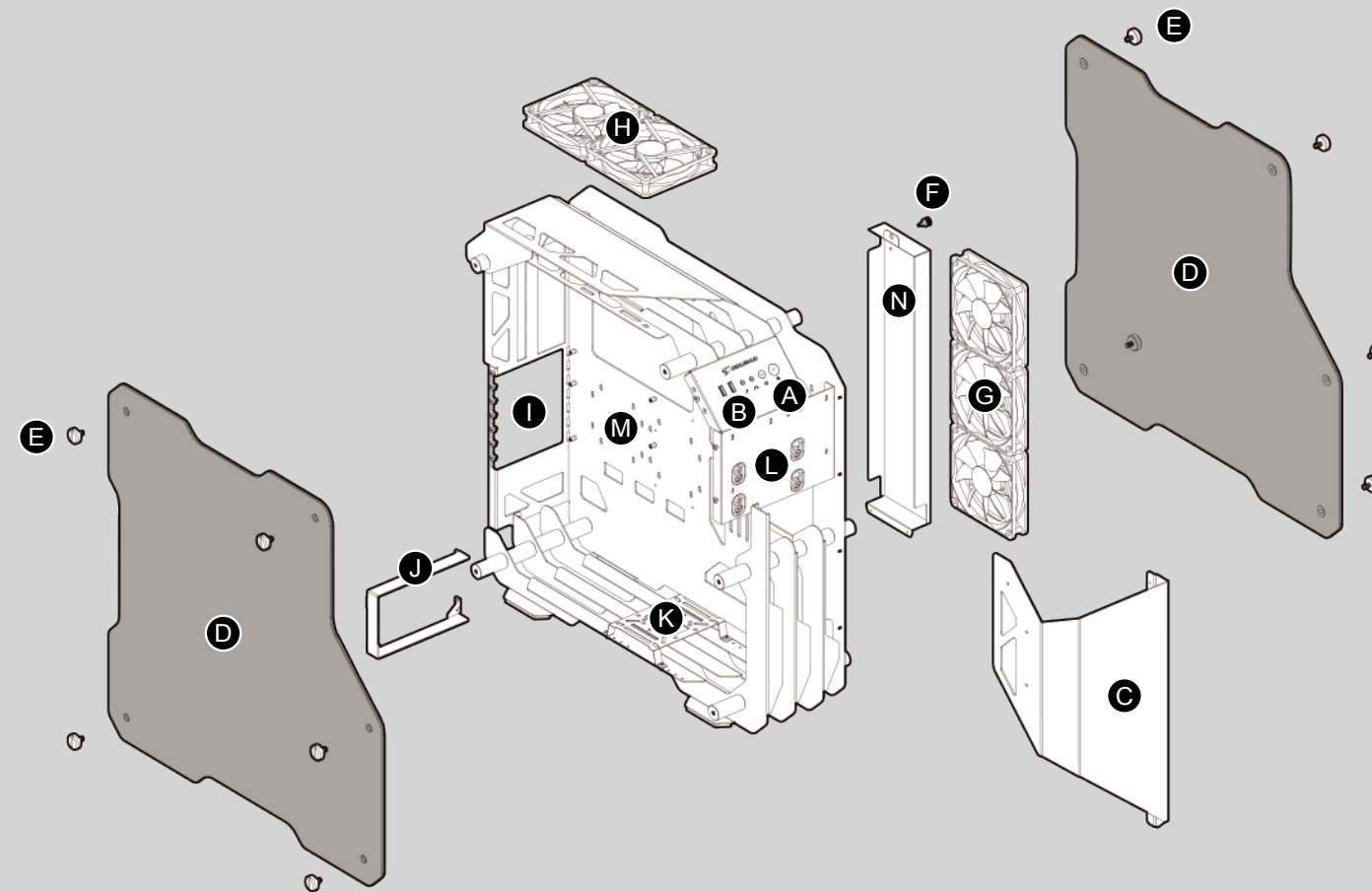
IDEAL FOR CASE MODS

Blazer's unique aluminum frame design breaks away from traditional case designs. It provides an easy way to build and modify the case. Your bold modding concepts are achievable with creation of unlimited. A modder's dream come true!

Model Name	BLAZER
Model No.	CGR-5LMGO
Case Form Factor	Mid Tower
Motherboard Type	Mini ITX / Micro ATX / ATX / CEB
Dimension (WxHxD mm)	226 x 535 x 560 (mm) 8.9 x 21.1 x 22.0 (inch)
I/O Panel	USB3.0 x 2, Mic x 1 / Audio x 1, Reset Button
3.5" Drive Bay	3 Max.
2.5" Drive Bay	5 Max.
Expansion Slots	7
Cooling Fan Support	Top : 120mm x 2 Right Side : 120mm x 3
Maximum Number of Fans	5 Max.
Water Cooling Support	Top : 240 / 120 (mm) Right Side : 360 / 240 / 120 (mm)
Max. Graphics Card Length	350 (mm) / 13.8 (in)
Max. CPU Cooler Height	160 (mm) / 6.3 (in)
Max. PSU Length	180mm / 7.1 (in)
PSU	Standard ATX PS2
Tempered Glass Side Panel	Both Sides 5mm Thick

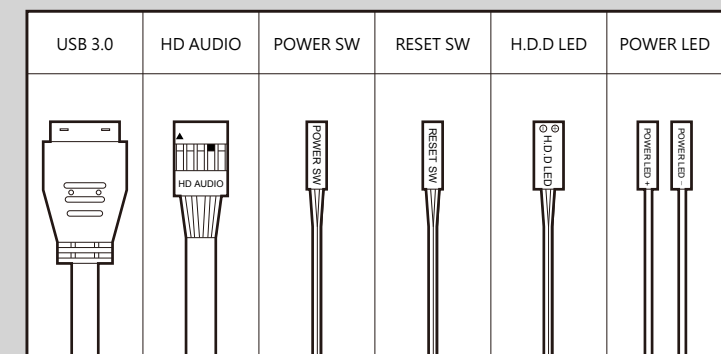
Specifications might vary depending on the country or region of sale.

Assembly Drawing



- A** Power button / Reset button
- B** USB 3.0 / HD audio ports
- C** Front panel
- D** Tempered glass side panels
- E** Thumb screws
- F** Cable cover thumb screw
- G** 3 x 120mm fan for side panel (optional, purchased separately)
- H** 2 x 120mm fans for top panel (optional, purchased separately)
- I** Expansion slots
- J** Power supply holder
- K** Water cooling reservoir/pump stand
- L** 3.5" HDD & 2.5" HDD / SSD mount for front panel
- M** 3.5" HDD & 2.5" HDD / SSD mount for side panel
- N** 2.5" HDD/SSD mount for cable cover

Installing the Front I/O Connectors



FEATURES

ENGLISH

- All the aluminum alloy framing design is made meticulously with CNC mill for refining every design detail
- Put your components on display through beautiful 5mm thick tempered glass with aluminum alloy frame to showcase directly your high-end and powerful gaming system
- Easy to assemble framing design with superior expandability for builders
- Support for up to 360mm radiator
- Support for three 3.5" HDDs or five 2.5" HDDs/SSDs
- Support for up to 350mm long graphics cards
- Two USB 3.0 ports at the front I/O panel

DEUTSCH

- Die gesamte Platte aus Aluminiumlegierung wurde sorgfältig mit einer CNC-Fräse zur Verfeinerung sämtlicher Designdetails bearbeitet
- Stellen Sie Ihre Komponenten durch wunderschönes 5 mm dickes gehärtetes Glas mit Rahmen aus Aluminiumlegierung zur Schau, für direkte Einblicke in Ihr hochmodernes, leistungsfähiges Gaming-System
- Einfach zu montierendes Rahmendesign mit ausgezeichneter Erweiterbarkeit für Builder
- Unterstützt bis zu einen 360-mm-Kühlkörper
- Unterstützt drei 3,5 Zoll HDDs oder fünf 2,5 Zoll HDDs/SSDs
- Unterstützt Grafikkarten mit einer Länge von bis zu 350 mm
- Zwei USB 3.0-Anschlüsse an der vorderen I/O-Leiste

PORTUGUÊS

- As placas de liga de alumínio são fabricadas meticulosamente com máquinas avançadas para refinar cada detalhe
- Coloque seus componentes em exibição através do lindo vidro temperado de 5mm com moldura de liga de alumínio para exibir diretamente o seu poderoso layout gamer de última geração
- Design de fácil montagem, com capacidade superior de expansão
- Suporte para até um Radiador de 360mm
- Suporte para três HDDs de 3.5" ou cinco HDDs/SSDs de 2.5"
- Suporte até para Placas Gráficas de 350mm de Comprimento
- Doas portas USB 3.0 no painel frontal de I/O

ESPAÑOL

- Las placas de aleación de aluminio son hechas meticulosamente con máquinas avanzadas para refinar cada detalle
- Coloque tus componentes en exhibición a través del lindo vidrio templado de 5mm con marco de aleación de aluminio para lucir directamente tu poderoso sistema gamer de última generación
- Diseño de fácil montaje, con capacidad superior de expansión
- Soporta hasta un Radiador de 360mm
- Soporte para tres HDDs de 3.5" o cinco HDDs/SSDs de 2.5"
- Soporta Tarjetas Gráficas de Hasta 350mm de Longitud
- Dos puertos USB 3.0 en el panel frontal de I/O

ITALIANO

- Tutto il telaio in alluminio è realizzato con precisione con finiture controllate da computer per completare ogni dettaglio
- Mostrate i vostri componenti attraverso il vetro temperato da 5 mm con telaio in alluminio,realizzato per farvi presentare direttamente il vostro sistema di gioco di fascia alta
- Semplice da assemblare grazie al design particolare, ed espandibile per gli appassionati
- Supporta fino a un radiatore da 360 mm
- Supporto per tre HDDs da 3,5" o cinque HDDs/SSDs da 2,5"
- Supporto per schede grafiche fino a 350mm di lunghezza
- Due porte USB 3.0 sul pannello I/O anteriore

中文

- 延续COUGAR一致出色的军事风格DNA与结构美学，全新的铝合金框架以CNC铣床工艺严格精制每一处细节。
- 将您的机箱组件放置在厚度5mm的钢化玻璃与铝合金框架中，能够展现出您高端与强大的电竞系统。
- 为改装玩家量身打造的简易组装框架设计与绝佳的扩充性。
- 最高可支援360mm的水冷散热器
- 支持3个3.5" HDD硬盘或5个2.5" HDD/SSD硬盘
- 支援长达350mm的显卡
- 前面板I/O有两个USB 3.0端口

GLOBAL WARRANTY POLICY

WARRANTY PERIODS OF COUGAR GAMING DEVICES

Product : COUGAR BLAZER

Warranty : 1 Year

*This warranty gives you specific legal rights. You may also have other rights granted under local law. These rights may vary.

*Only for electrical components

تعليمات التركيب و الأمان:
- عند التركيب أو التفكيك يجب التأكد من أن جميع الأسلاك ممتصولة عن الكهرباء.
- يجب اتخاذ الاحتياطات اللازمة لمنع الصعق الكهربائي.
- يجب ارتداء الملابس المناسبة أثناء تركيب/ تجميع الكمبيوتر.
من يقوم بعملية التركيب الشخص المختص فقط.







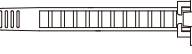

COUGAR USA Technical Service
Tel: (833) 256-3778
Mail: rma@compucaseusa.com
https://cougargaming.com/support/contact/upload/

For more information, please visit
www.cougargaming.com
Compucase Enterprise Co.,Ltd.
All rights reserved.

Compucase Enterprise Co.,Ltd.
No. 225, Lane 54, An Ho Road Sec. 2 Tainan, Taiwan, R.O.C
Tel:+886-6-356-0606
Service E-Mail:service@cougargaming.com



ACCESSORY KIT

	3.5" HDD PSU screws	X 12
	3.5" HDD rubber screws	X 4
	2.5" SSD screws	X 20
	MB screws	X 9
	Fan screws	X 20
	Stand-off	X 9
	Cable ties	X 5
	Cable hooks	X 5

ДАТА ИЗГОТОВЛЕНИЯ ПРОДУКЦИИ

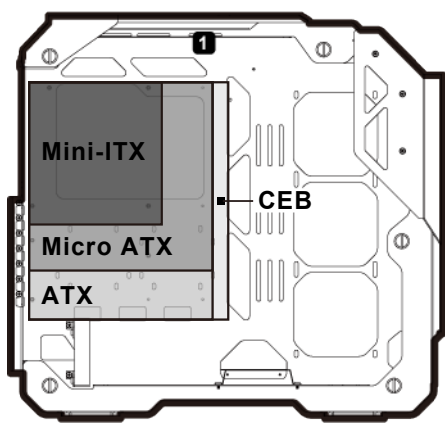
год и месяц изготовления продукции указаны в серийном номере продукта. (существует 2 способа определения даты изготовления, оба способа описаны ниже)

A После S/N: первые две цифры означают год, вторые две – месяц изготовления. Например, S/N: H1702000001 означает, что товар был произведен в феврале 2017 года.

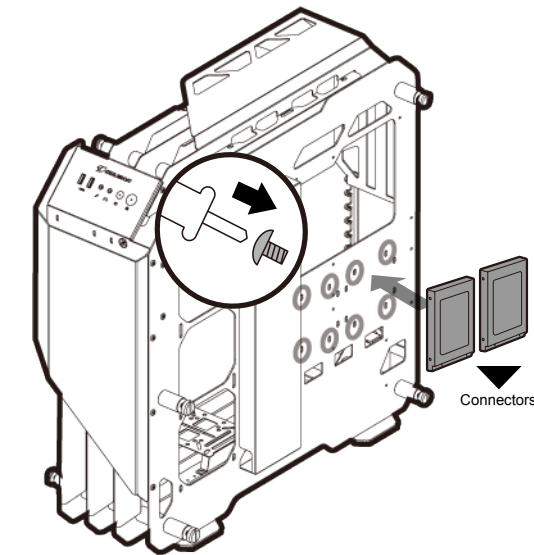
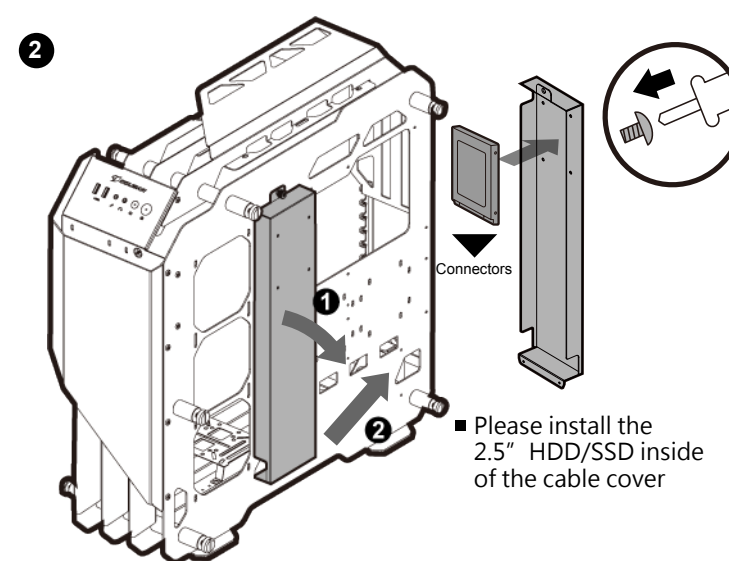
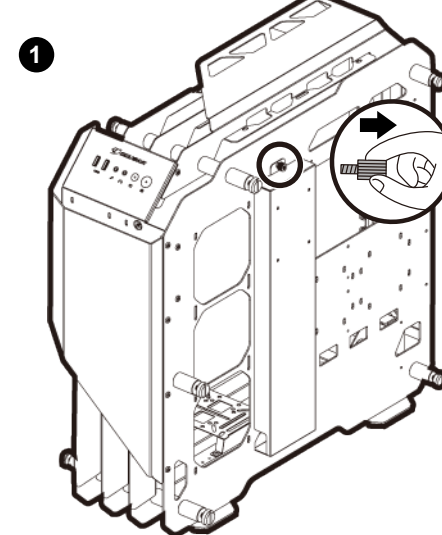
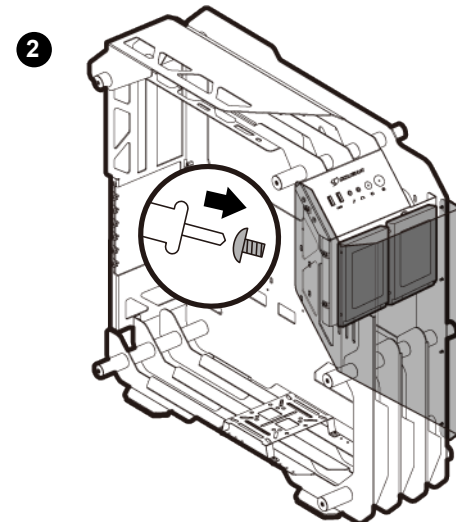
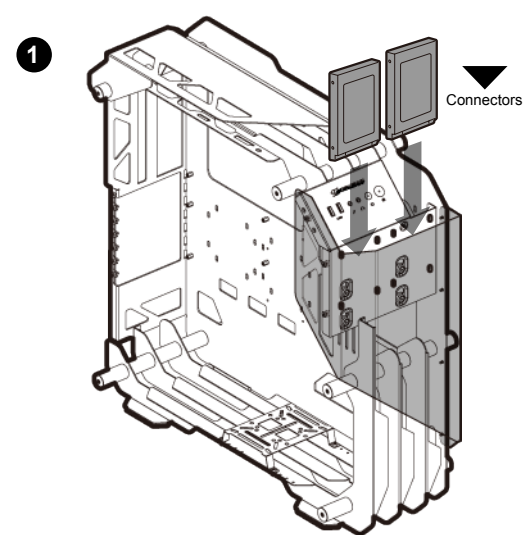
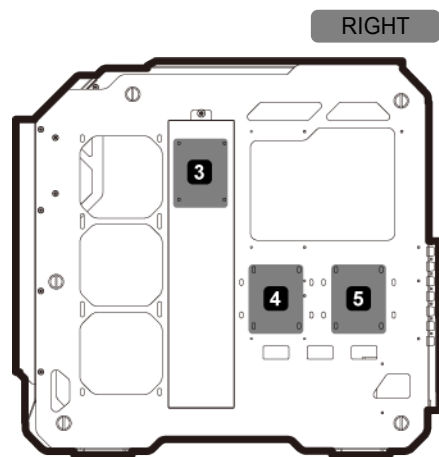
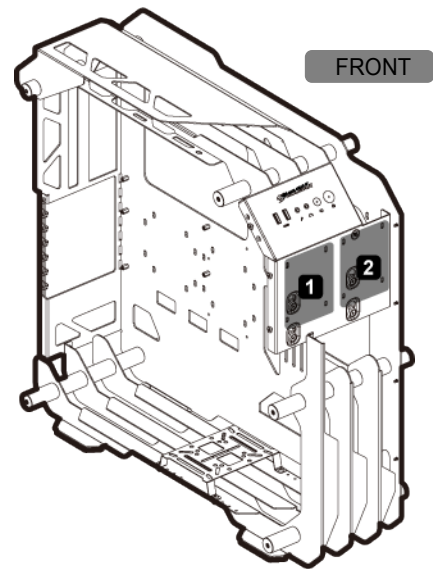
B После S/N: если указаны буквы, то две буквы представляют цифры из таблицы ниже, и означают год, последующие две цифры – месяц изготовления. Например, S/N: DAG02REV1000001 означает, что товар был произведен в феврале 2017 года.

A	B	C	D	E	F	G	H	I	J
1	2	3	4	5	6	7	8	9	0

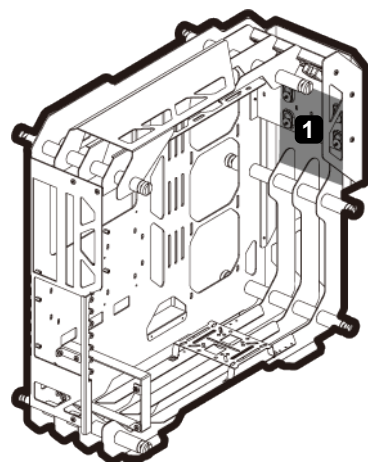
• Например, AG = 17 = 2017 год



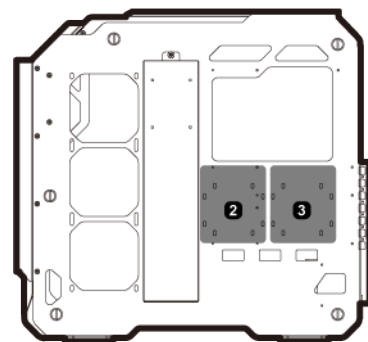
■ Supports Mini-ITX, Micro ATX, ATX, and CEB motherboards.



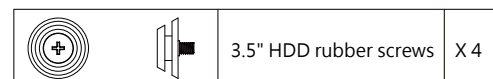
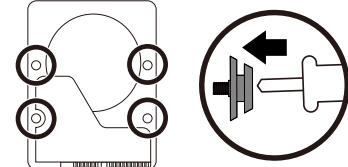
AT THE BACK OF THE FRONT PANEL



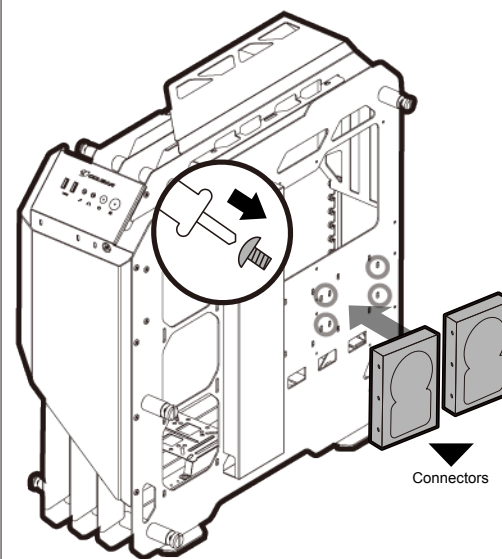
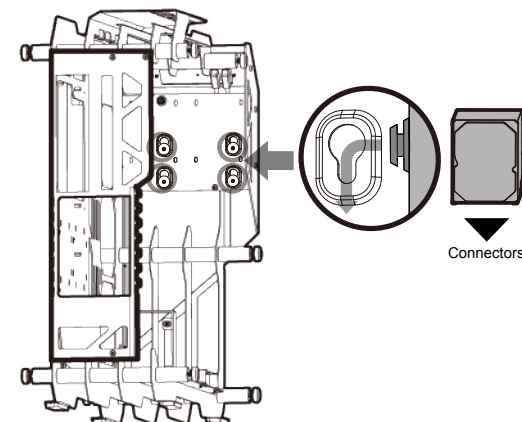
RIGHT



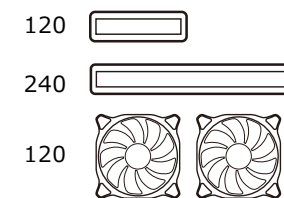
1 Align the 3.5" HDD with the rubber screws that correspond with the mounting holes at the back of the front panel.



2 Slide down the 3.5" HDD in the direction of the arrow.



1 (Top)



2 (Right Side)

