

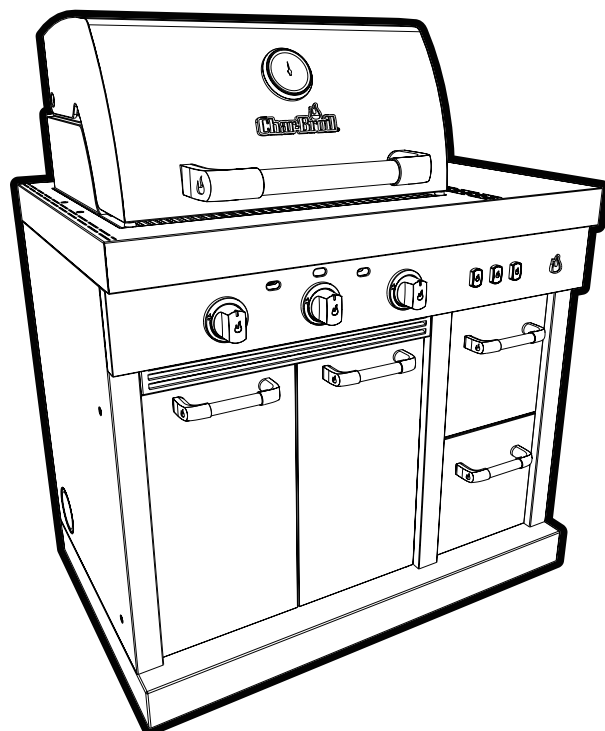
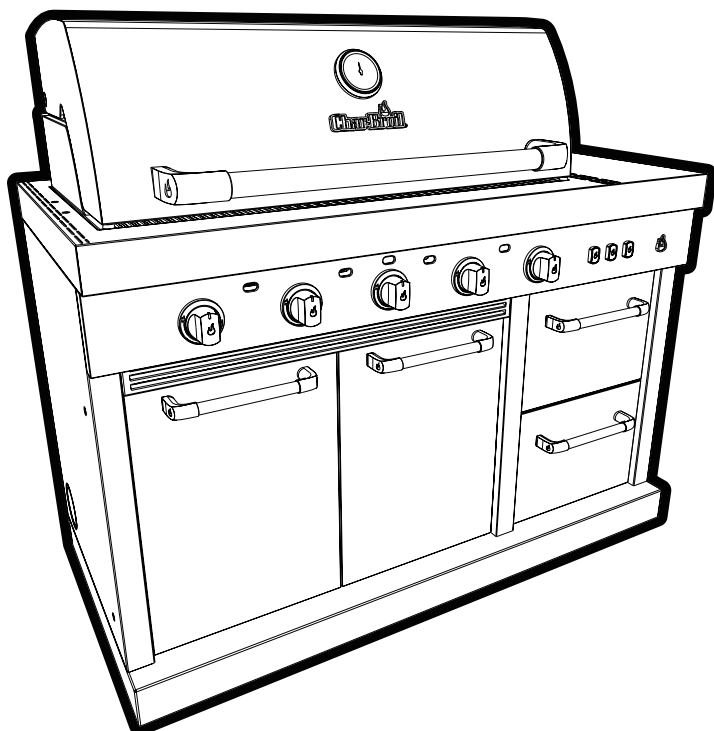


WARRANTY PART REPLACEMENT GUIDE

MODEL | MODELO

463246018 463246118

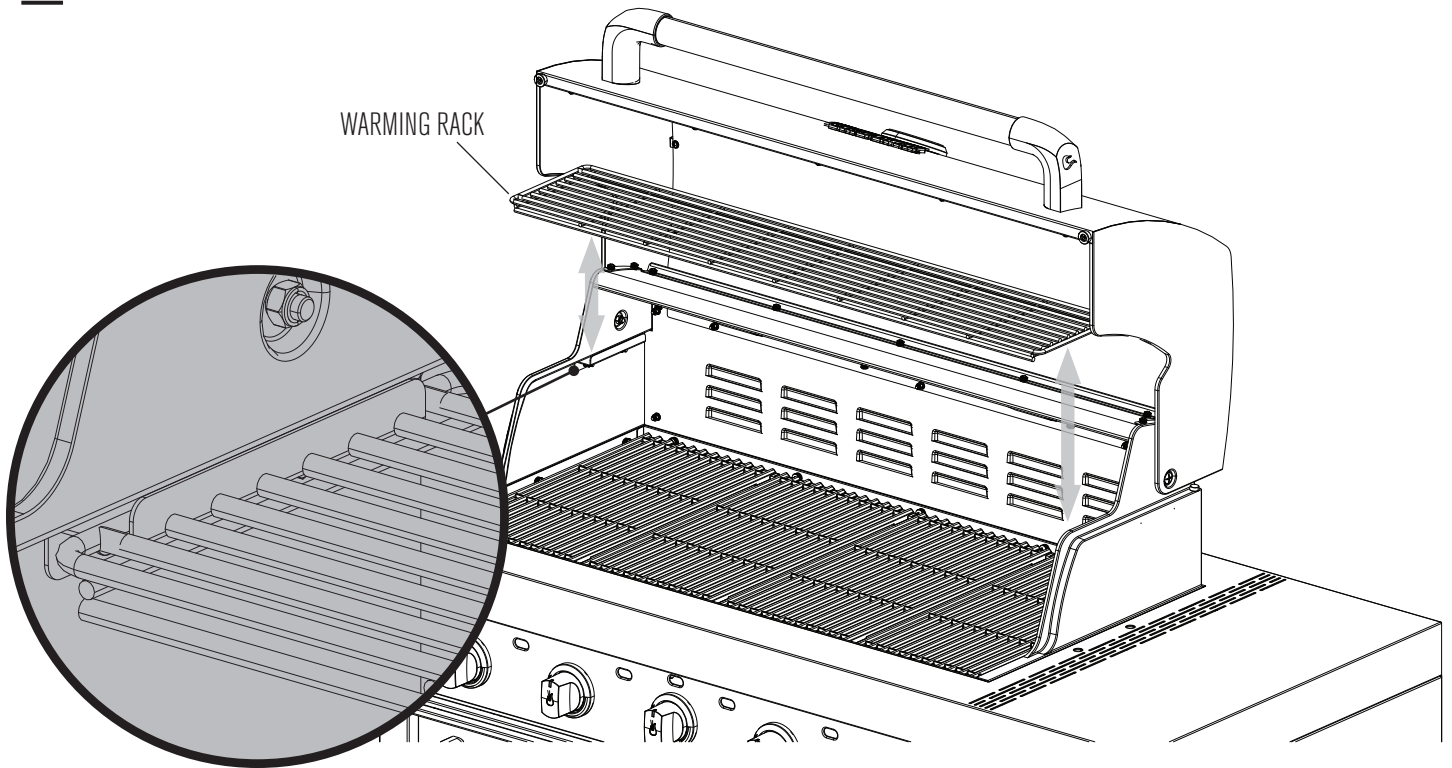
MODULAR OUTDOOR KITCHEN



Each step shows removal and replacement of parts. Follow the steps in order to remove parts, then reverse the steps to replace all parts.

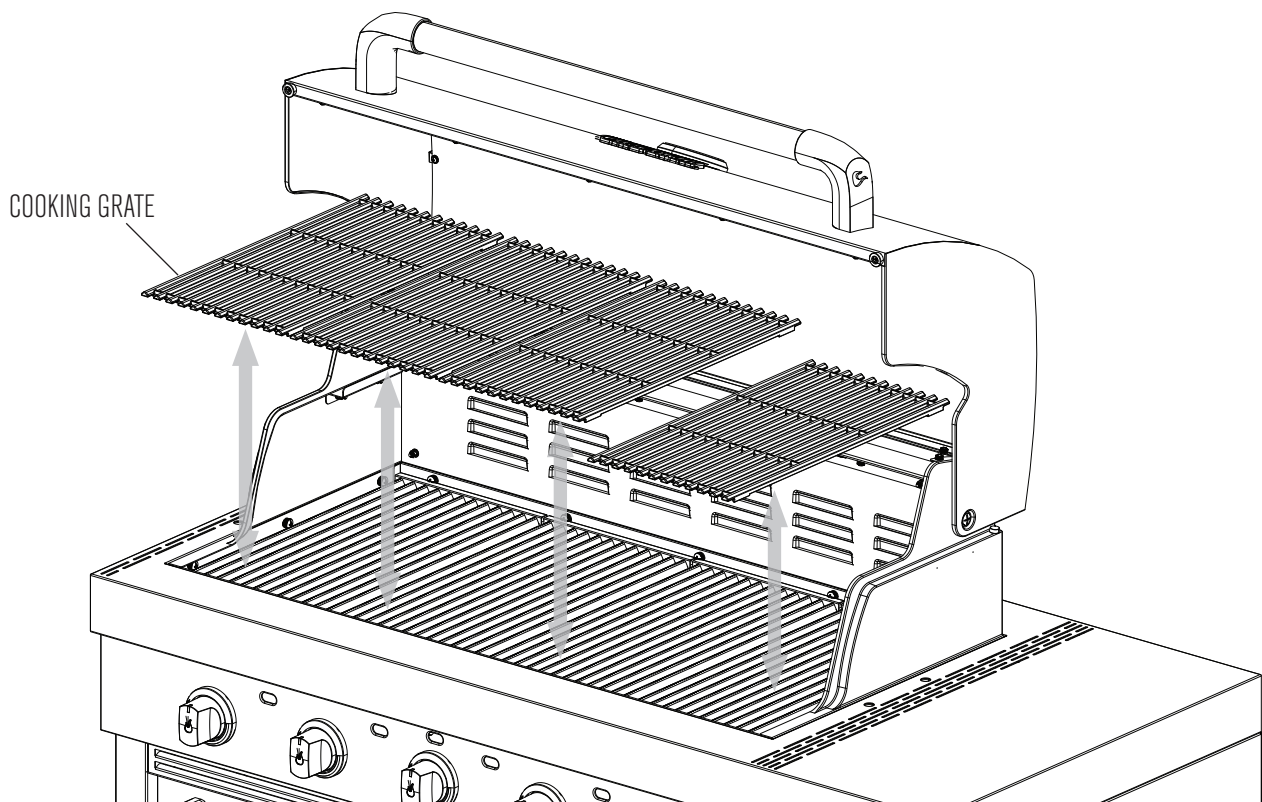
1

Remove and replace WARMING RACK.



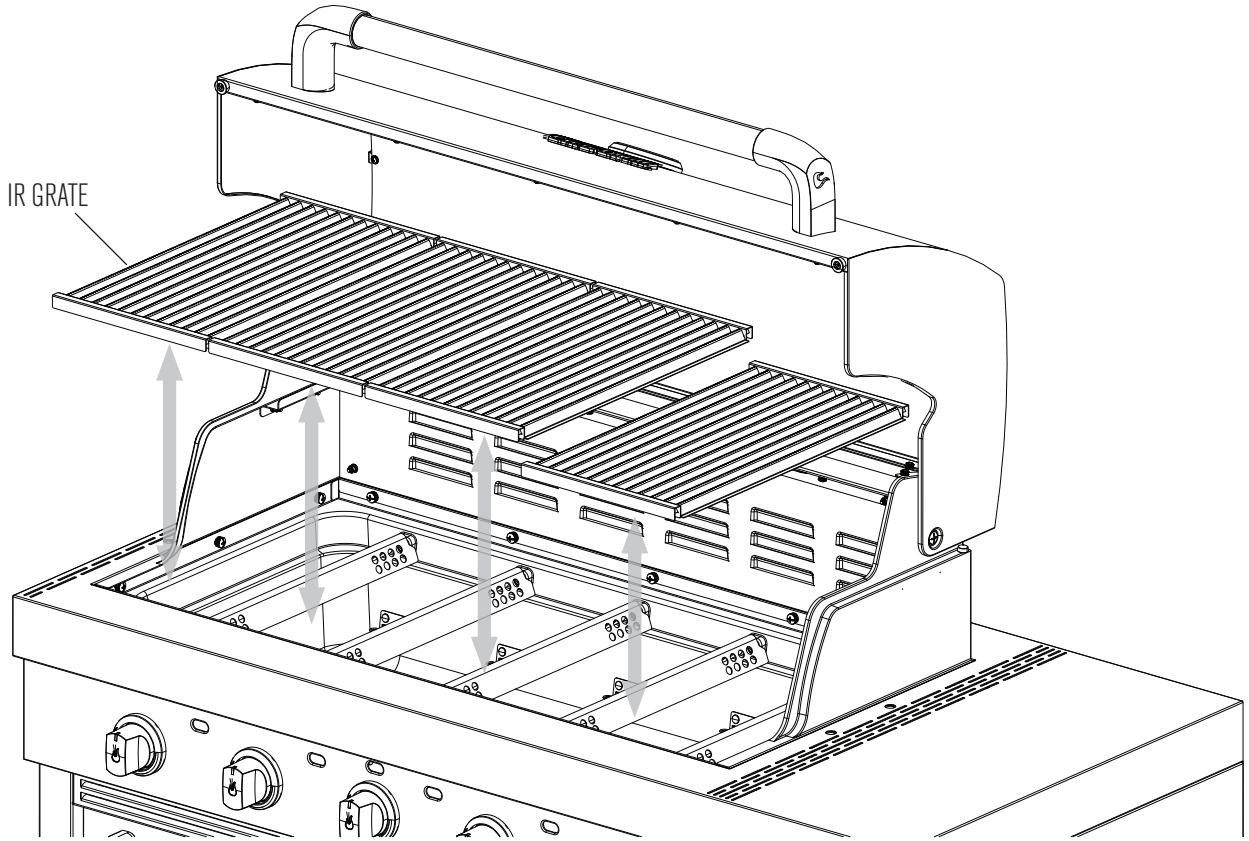
2

Remove and replace COOKING GRATES.



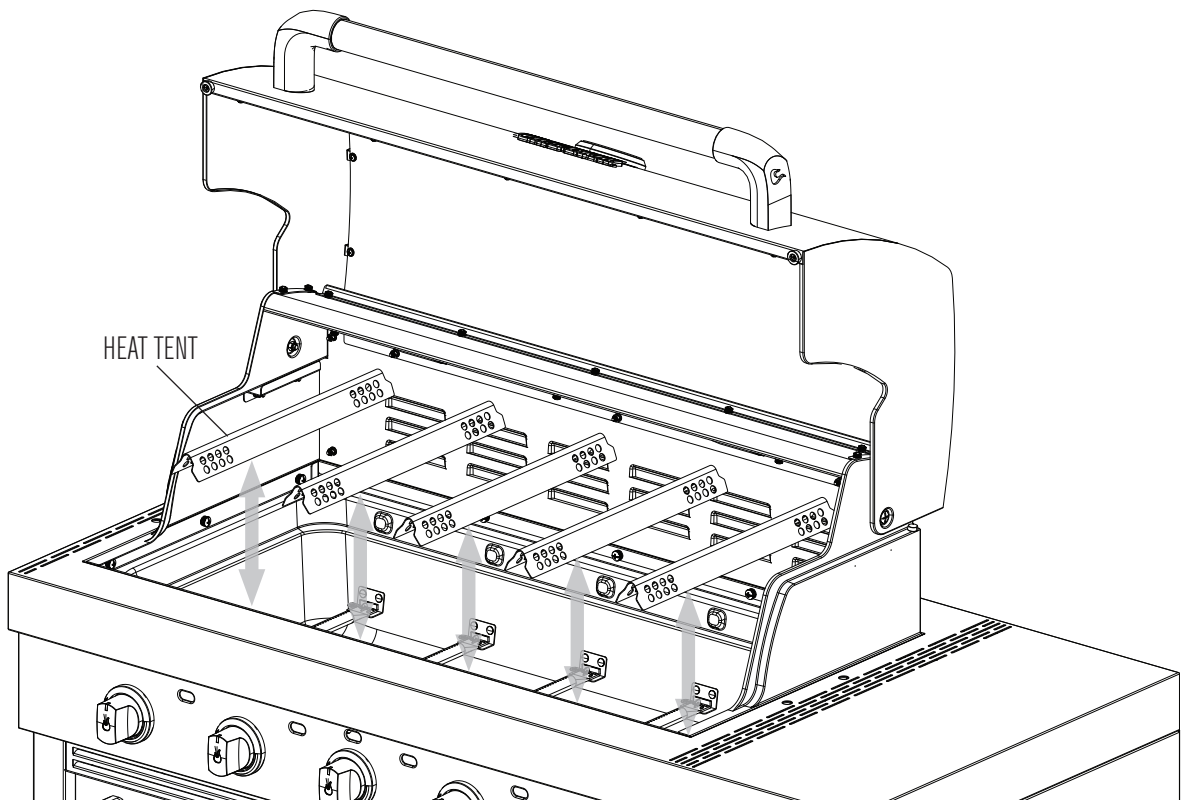
3

Remove and replace IR GRATES.



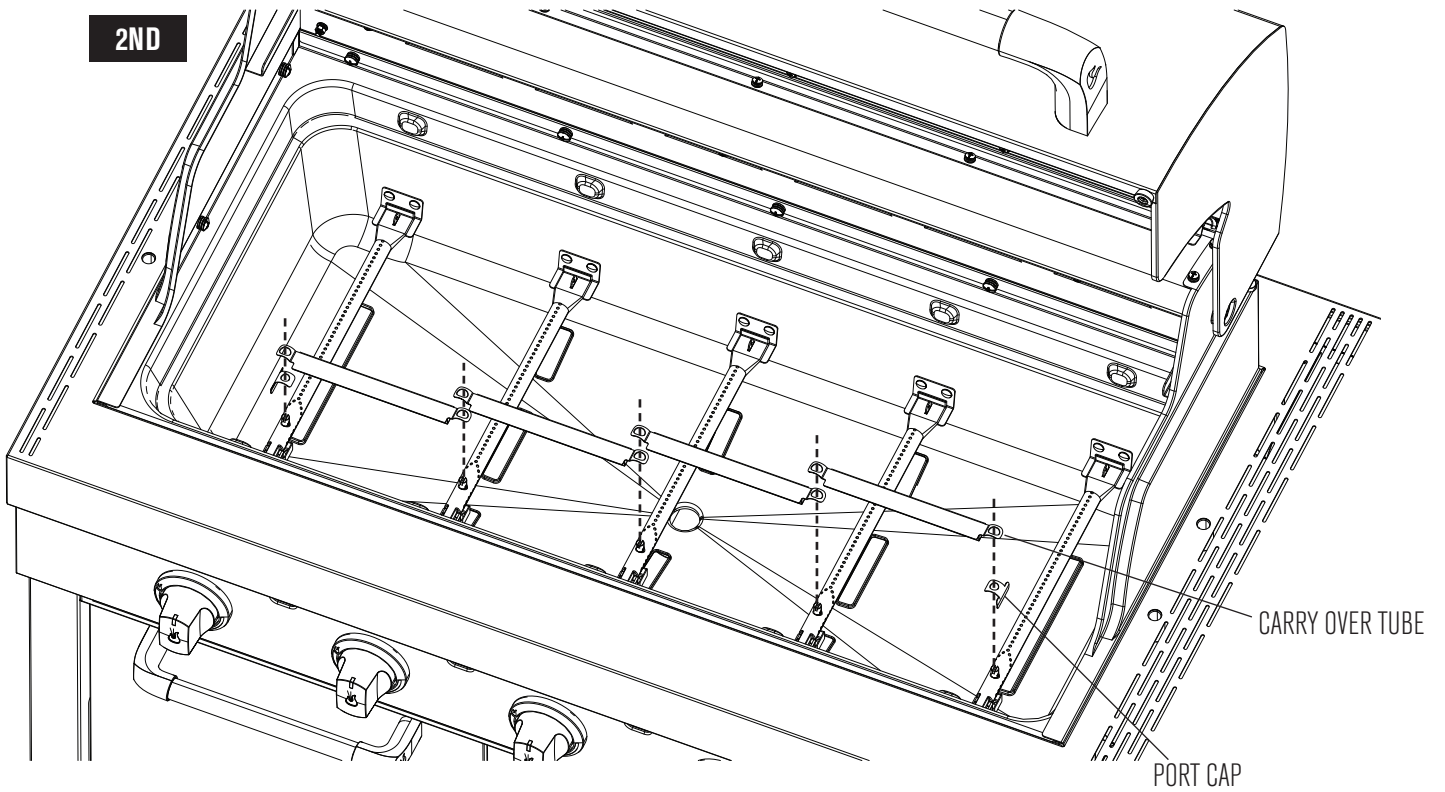
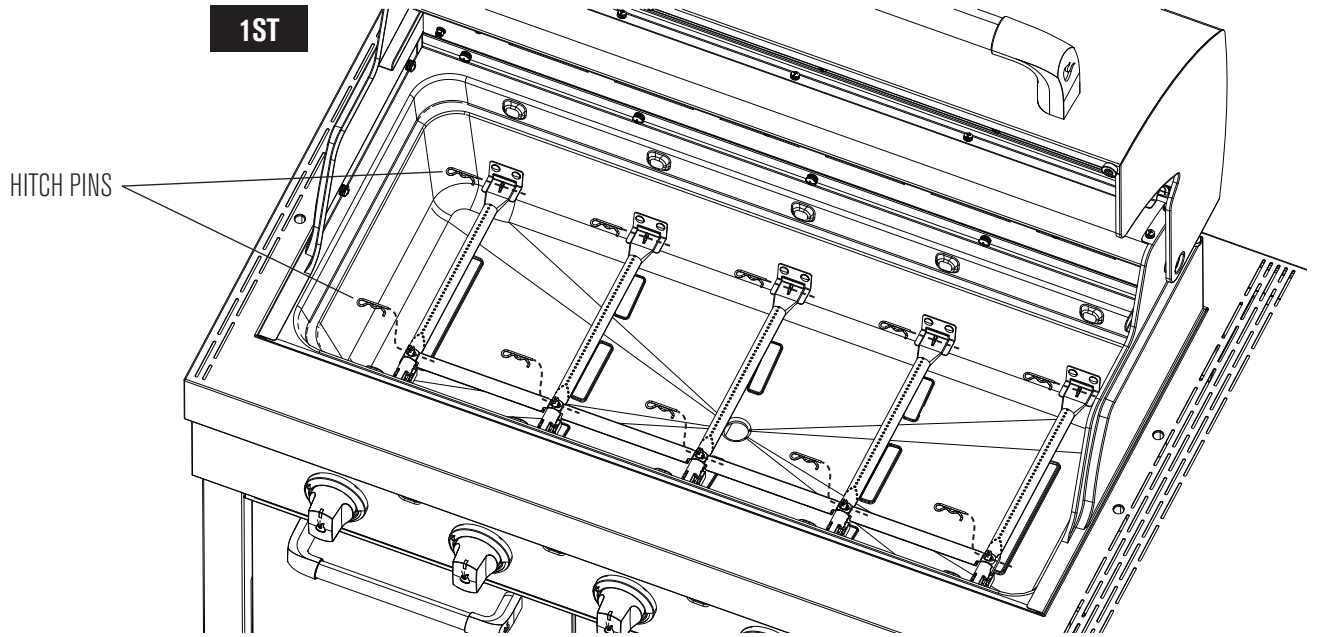
4

Remove and replace HEAT TENTS.



5

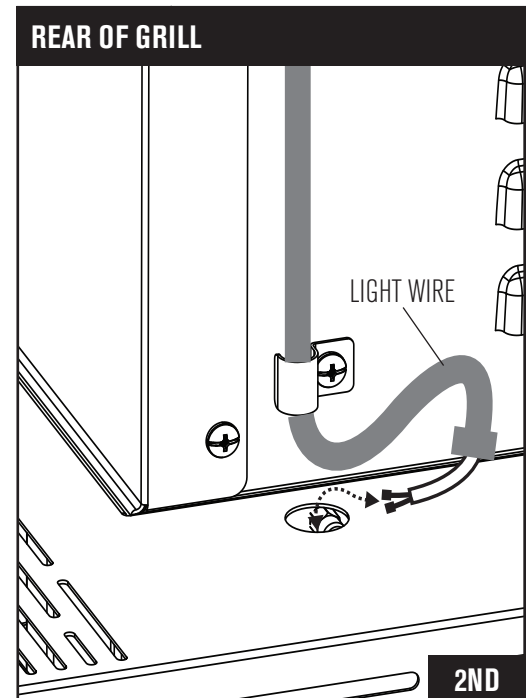
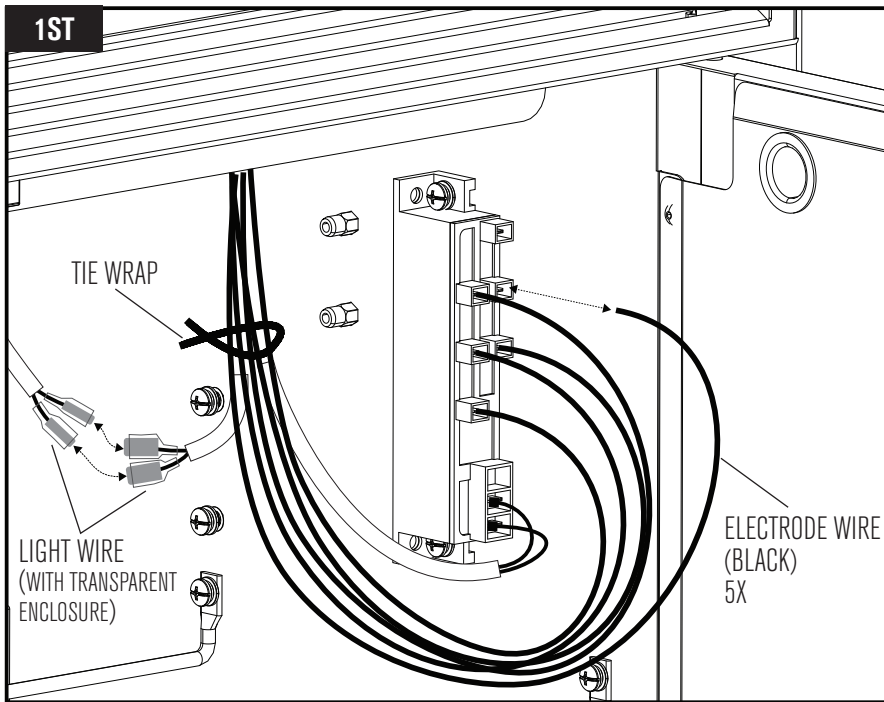
Remove and replace CARRY OVER TUBES and PORT CAPS.



6

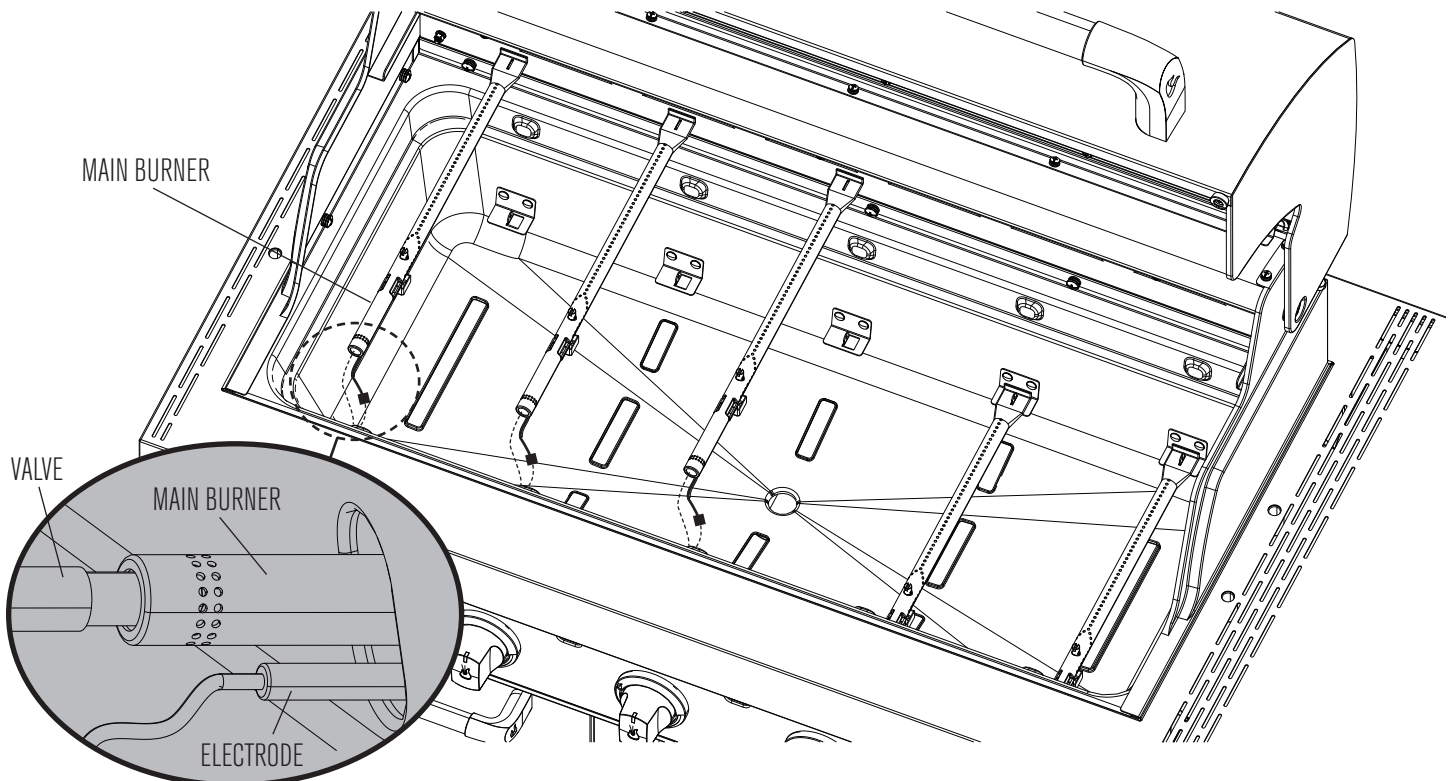
Unplug and replug ELECTRODE WIRES and LIGHT WIRE.

- Unplug/ replug ELECTRODE WIRES.
- Unplug/ replug LIGHT WIRE.
- Remove/ replace Tie Wrap to unbundle/ bundle ELECTRODE WIRES.
- Remove/ replace LIGHT WIRE from rear of TOP SHELF.



7

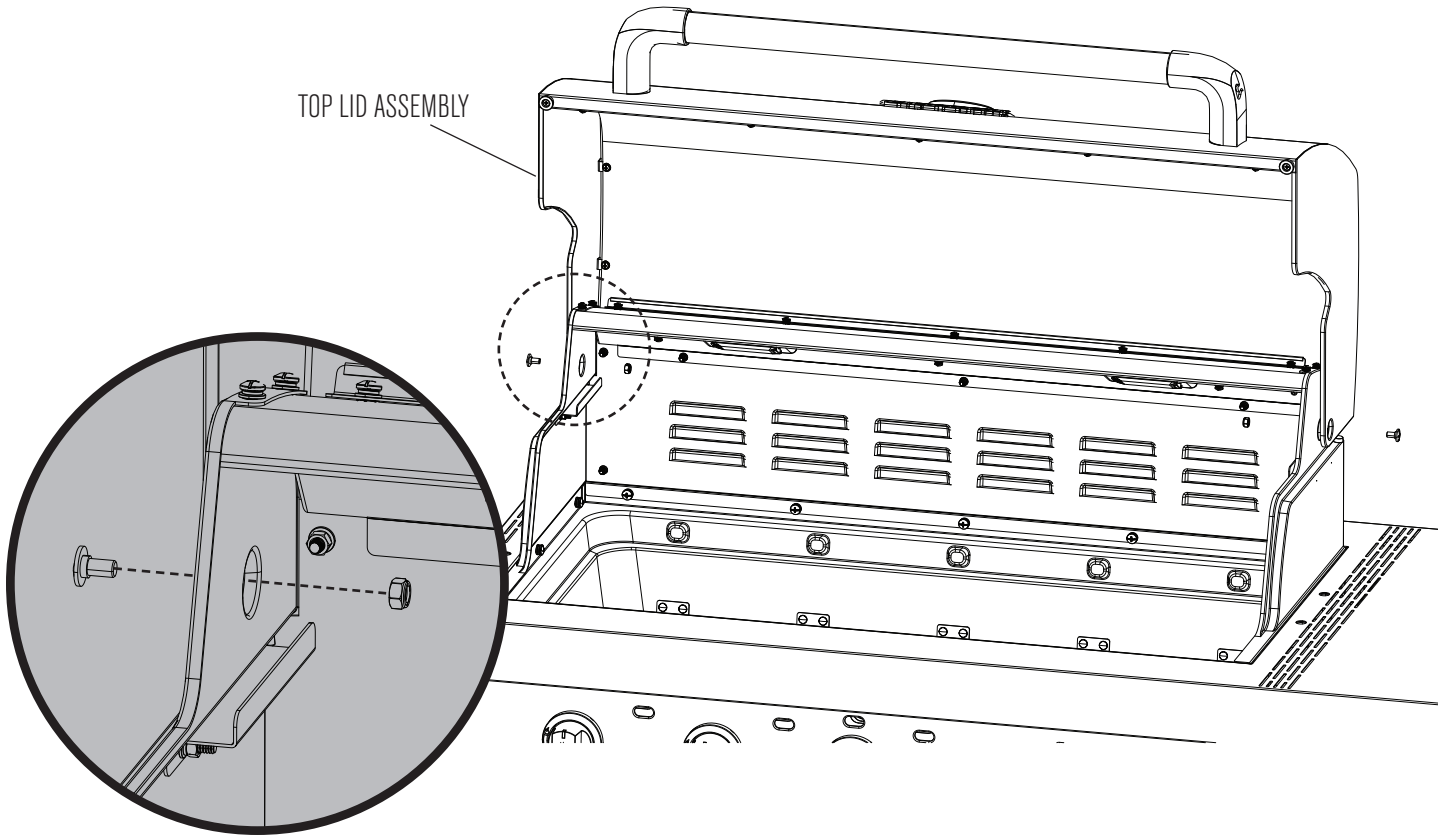
Remove and replace MAIN BURNERS.



VALVES MUST BE PROPER ENGAGED WITH BURNER TUBES

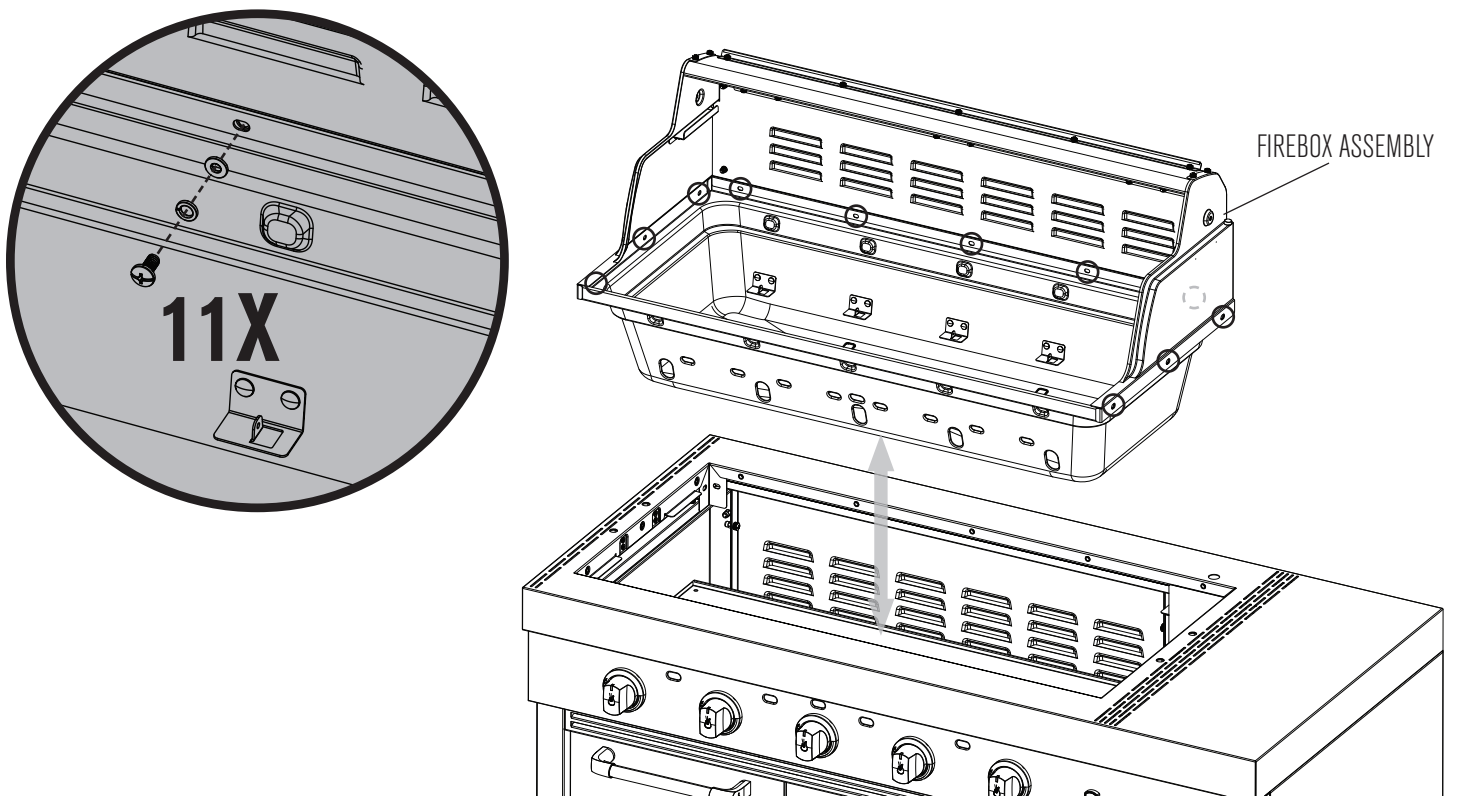
8

Remove and replace TOP LID ASSEMBLY.



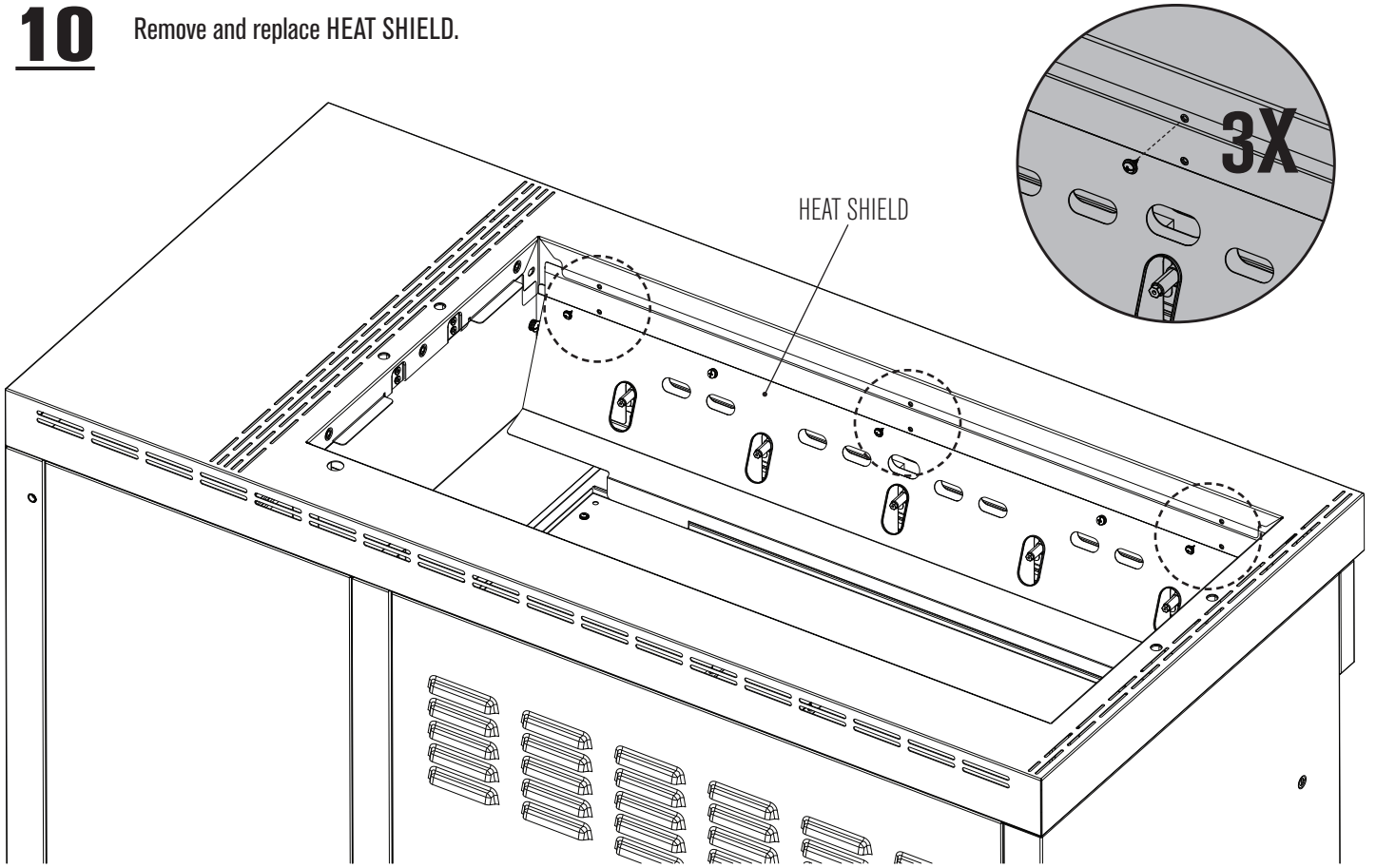
9

Remove and replace FIREBOX ASSEMBLY.



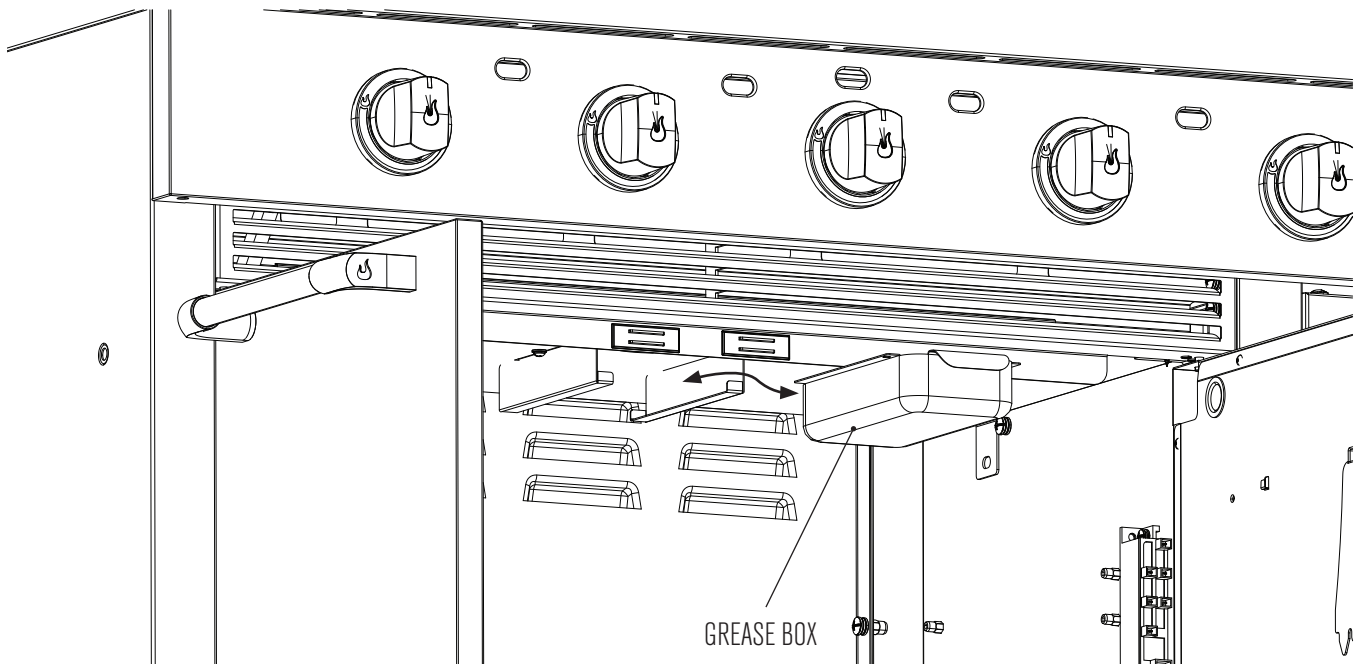
10

Remove and replace HEAT SHIELD.



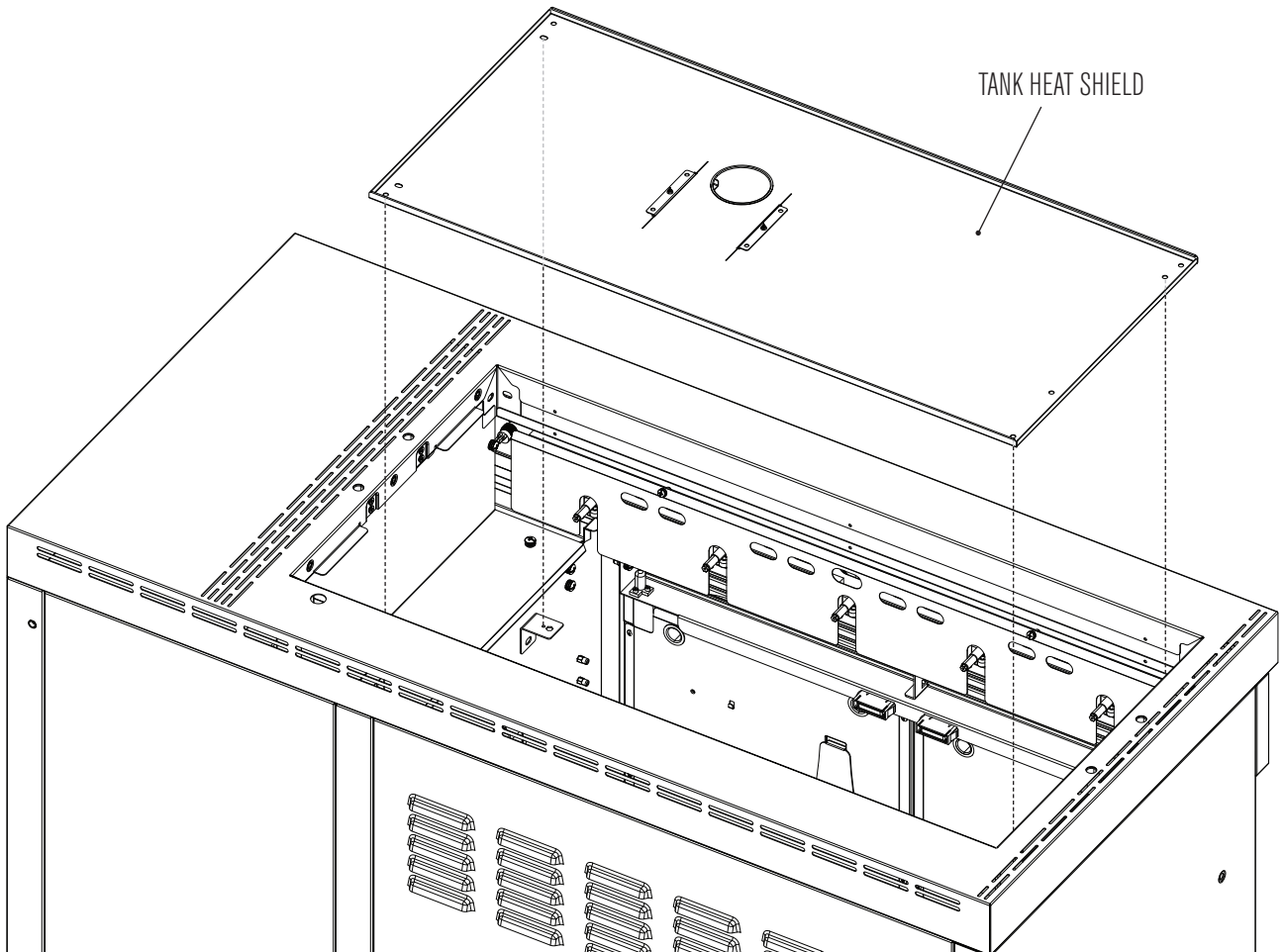
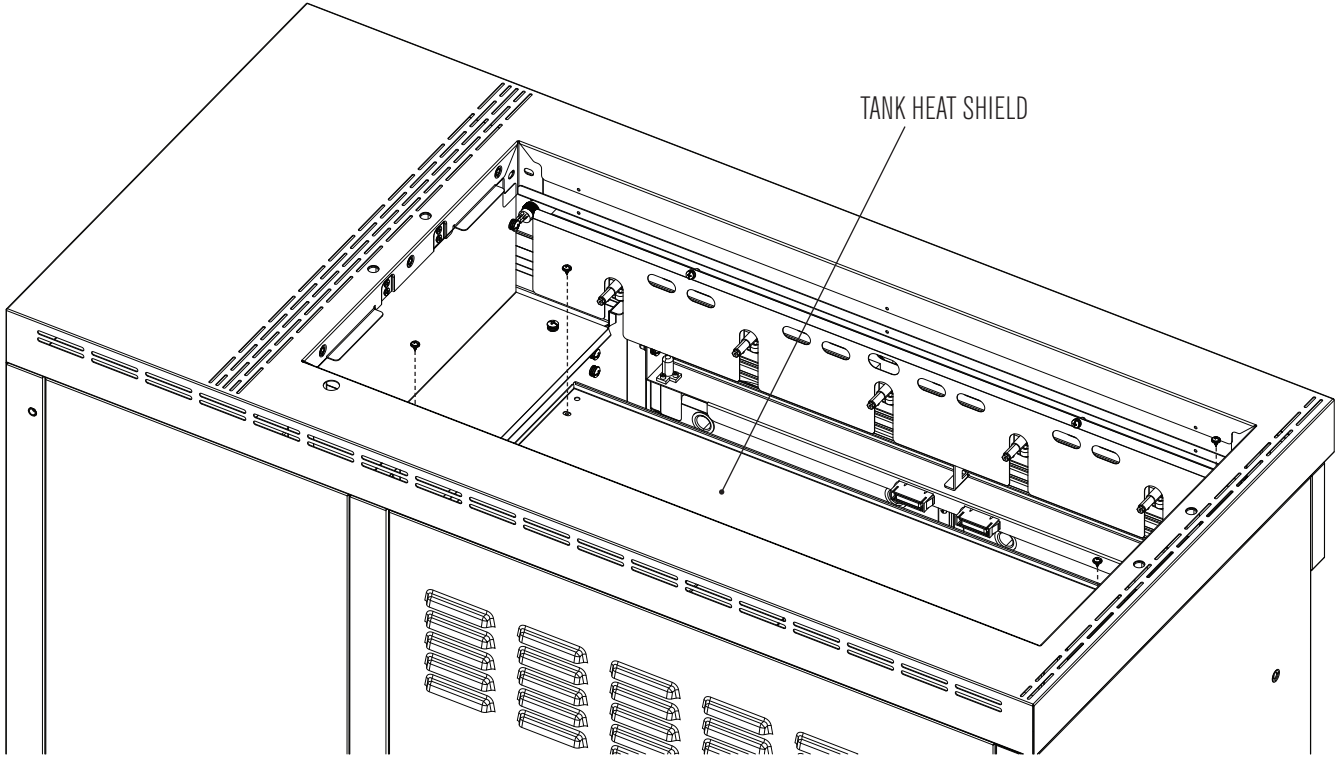
11

Remove and replace GREASE BOX.



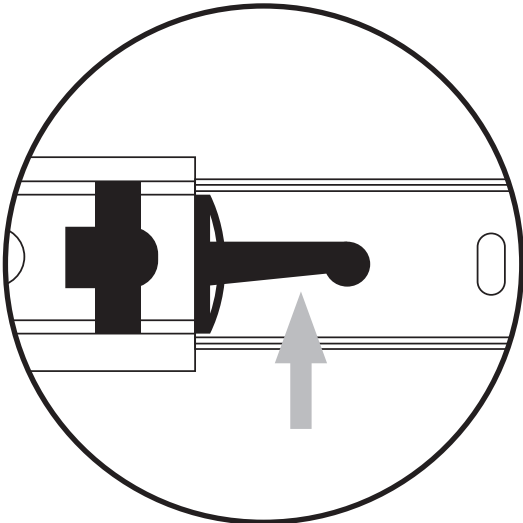
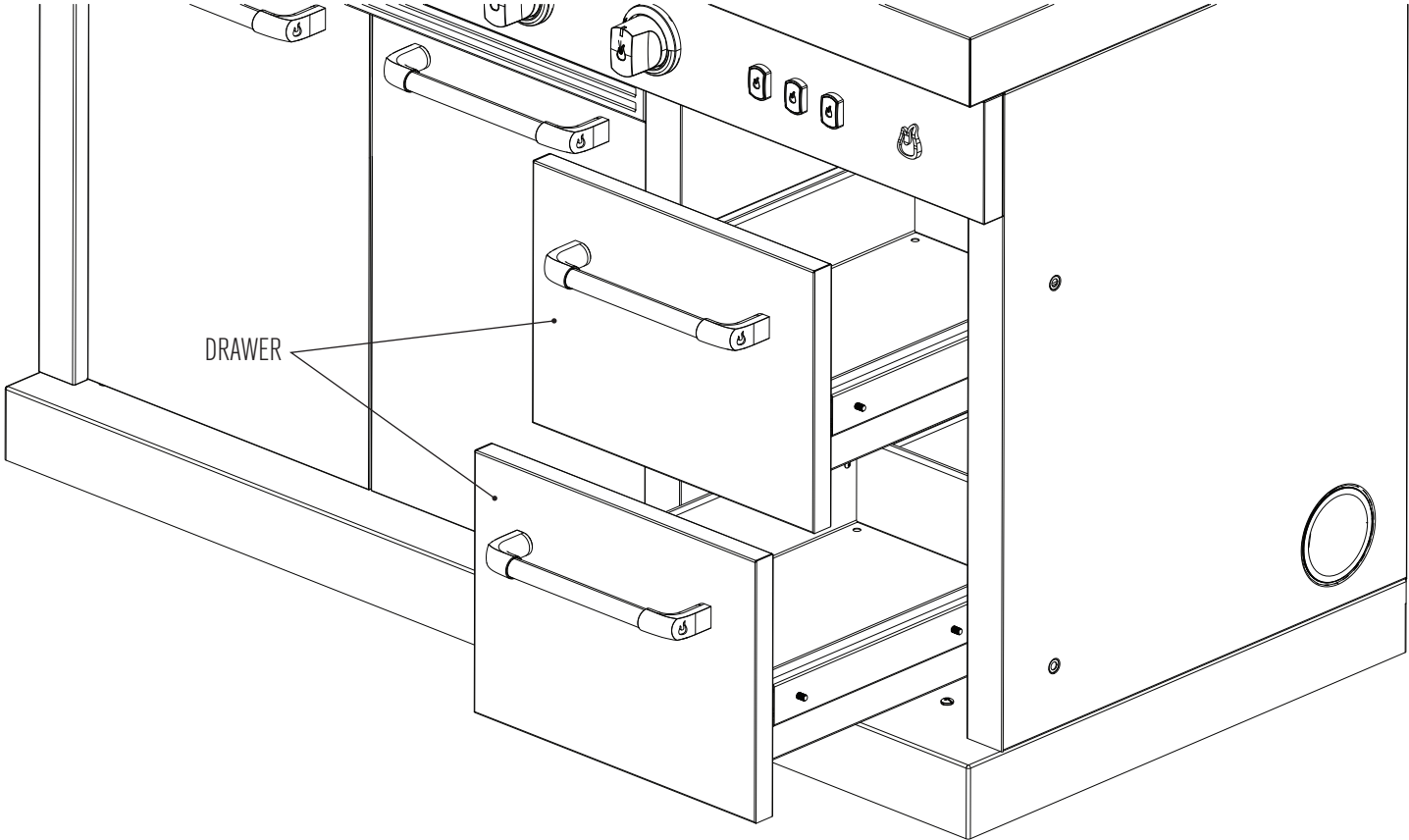
12

Remove and replace TANK HEAT SHIELD.

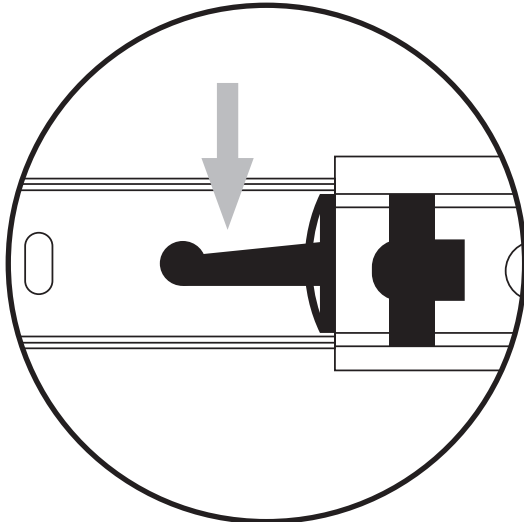


13

Remove and replace DRAWERS.



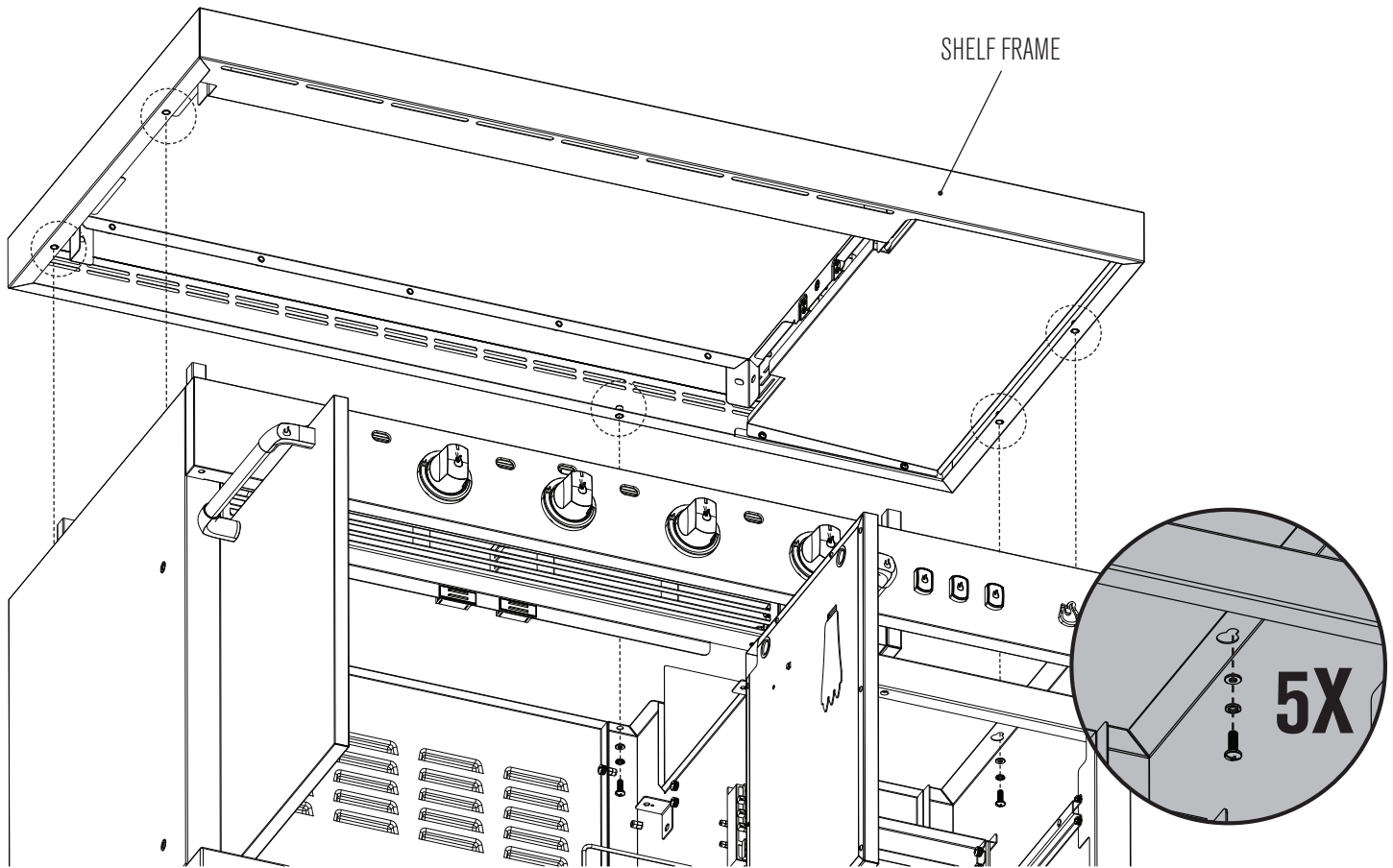
Left rail of drawer



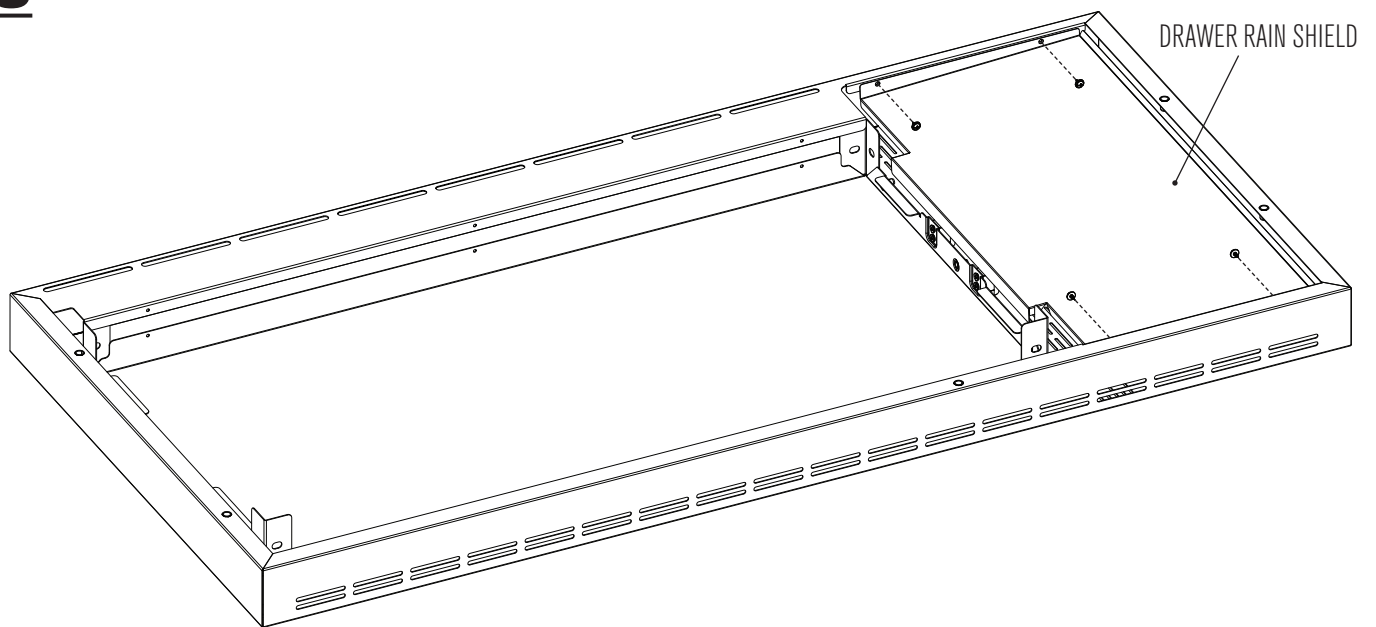
Right rail of drawer

NOTE: press the clips on left and right rails as the arrows indicate to remove drawers.

14 Remove and replace SHELF FRAME.



15 Remove and replace DRAWER RAIN SHIELD.



REVERSE THE STEPS TO ASSEMBLE THE GRILL.
NOTE: READ THE USE AND CARE GUIDE IN INSTRUCTION MANUAL PRIOR TO LIGHTING THE GRILL.