



**TS5300 series**  
**Online Manual**

# Contents

Using Online Manual. . . . .	9
Symbols Used in This Document. . . . .	10
Touch-enabled Device Users (Windows). . . . .	11
Trademarks and Licenses. . . . .	12
Basic Operation. . . . .	27
Printing Photos from a Computer. . . . .	28
Printing Photos from a Smartphone/Tablet. . . . .	33
Copying. . . . .	36
Network. . . . .	40
Restrictions. . . . .	42
Network Connection Tips. . . . .	44
Default Network Settings. . . . .	45
Detect Same Printer Name. . . . .	47
Connects to Another Computer via LAN/Changes from USB to LAN Connection. . . . .	48
Printing Network Settings. . . . .	49
Reconfiguration Method of Wi-Fi Connection. . . . .	54
IJ Network Device Setup Utility (macOS). . . . .	55
IJ Network Device Setup Utility. . . . .	56
Starting Up IJ Network Device Setup Utility. . . . .	57
Diagnosing and Repairing Network Settings. . . . .	58
List of Models Which Does Not Support Diagnosis and Repair Function. . . . .	59
Handling Paper, Originals, FINE Cartridges, etc.. . . . .	60
Loading Paper. . . . .	61
Paper Sources. . . . .	62
Loading Paper in the Rear Tray. . . . .	63
Loading Paper in the Cassette. . . . .	68
Loading Envelopes in Rear Tray. . . . .	73
Loading Originals. . . . .	77
Loading Originals on Platen. . . . .	78
Supported Originals. . . . .	80
How to Detach / Attach the Document Cover. . . . .	81

Replacing a FINE Cartridge. . . . .	83
Replacing a FINE Cartridge. . . . .	84
Checking Ink Status on the LCD. . . . .	89
Ink Tips. . . . .	90
If Printing Is Faint or Uneven. . . . .	91
Maintenance Procedure. . . . .	92
Printing the Nozzle Check Pattern. . . . .	95
Examining the Nozzle Check Pattern. . . . .	96
Cleaning the Print Head. . . . .	98
Deep Print Head Cleaning. . . . .	100
Aligning the Print Head. . . . .	102
Aligning the Print Head Manually. . . . .	104
Performing Maintenance Functions from Your Computer (macOS). . . . .	108
Opening Remote UI for Maintenance. . . . .	109
Cleaning the Print Heads. . . . .	110
Adjusting Print Head Position. . . . .	112
Checking Ink Status from Your Computer. . . . .	113
Cleaning. . . . .	114
Cleaning Paper Feed Rollers. . . . .	115
Cleaning Inside the Printer (Bottom Plate Cleaning). . . . .	117
Overview. . . . .	120
Safety. . . . .	121
Safety Precautions. . . . .	122
Regulatory Information. . . . .	125
WEEE (EU&EEA). . . . .	127
Handling Precautions. . . . .	138
Legal Restrictions on Scanning/Copying. . . . .	139
Printer Handling Precautions. . . . .	140
Transporting Your Printer. . . . .	141
When Repairing, Lending, or Disposing of the Printer. . . . .	143
Keeping Print Quality High. . . . .	144
Main Components and Their Use. . . . .	145
Main Components. . . . .	146

Front View. . . . .	147
Rear View. . . . .	149
Inside View. . . . .	150
Operation Panel. . . . .	151
Power Supply. . . . .	152
Checking that Power Is On. . . . .	153
Turning the Printer On and Off. . . . .	154
Checking the Power Plug/Power Cord. . . . .	156
Unplugging the Printer. . . . .	157
LCD and Operation Panel. . . . .	158
Entering Numbers, Letters, and Symbols. . . . .	161
<b>Changing Settings. . . . .</b>	<b>163</b>
Changing Printer Settings from Your Computer (macOS). . . . .	164
Managing the Printer Power. . . . .	165
Changing the Printer Operation Mode. . . . .	166
Changing Settings from Operation Panel. . . . .	167
Changing Settings from Operation Panel. . . . .	168
Setting Items on Operation Panel. . . . .	170
Print settings. . . . .	171
LAN settings. . . . .	172
Other device settings. . . . .	177
Language selection. . . . .	178
Firmware update. . . . .	179
Reset setting. . . . .	180
Feed settings. . . . .	181
Web service setup. . . . .	182
ECO settings. . . . .	183
Quiet setting. . . . .	185
System information. . . . .	186
Specifications. . . . .	187
<b>Information about Paper. . . . .</b>	<b>190</b>
Supported Media Types. . . . .	191
Paper Load Limit. . . . .	194
Unsupported Media Types. . . . .	196

Handling Paper. . . . .	197
<b>Printing. . . . .</b>	<b>198</b>
Printing from Computer. . . . .	199
Printing from Application Software (macOS AirPrint). . . . .	200
Printing. . . . .	201
Perform Borderless Printing. . . . .	204
Printing on Postcards. . . . .	206
Adding Printer. . . . .	208
How to Open Printer Settings Screen. . . . .	209
Displaying the Printing Status Screen. . . . .	210
Deleting the Undesired Print Job. . . . .	211
Removing Printer That Is No Longer Required from List of Printers. . . . .	212
Printing Using Canon Application Software. . . . .	213
Printing from Smartphone/Tablet. . . . .	214
Printing/Scanning with Wireless Direct. . . . .	215
Paper Settings. . . . .	220
<b>Copying. . . . .</b>	<b>224</b>
Making Copies. . . . .	225
Setting Items for Copying. . . . .	226
<b>Scanning. . . . .</b>	<b>228</b>
Scanning from Computer (macOS). . . . .	229
Scanning According to Item Type or Purpose (IJ Scan Utility Lite). . . . .	230
IJ Scan Utility Lite Features. . . . .	231
Scanning Easily (Auto Scan). . . . .	233
Scanning Documents and Photos. . . . .	235
Scanning Tips. . . . .	236
Positioning Originals (Scanning from Computer). . . . .	237
<b>Frequently Asked Questions. . . . .</b>	<b>242</b>
Network Settings and Common Problems. . . . .	244
Network Communication Problems. . . . .	246
Cannot Find Printer on Network. . . . .	247

Cannot Find Printer on Check Printer Settings Screen During Setup (Windows) . . . . .	248
Cannot Find Printer on Check Printer Settings Screen During Wi-Fi Setup (Windows)-Checking Power Status. . . . .	249
Cannot Find Printer on Check Printer Settings Screen During Wi-Fi Setup (Windows)-Checking PC Network Connection. . . . .	250
Cannot Find Printer on Check Printer Settings Screen During Wi-Fi Setup (Windows)-Checking Printer's Wi-Fi Settings. . . . .	251
Cannot Find Printer on Check Printer Settings Screen During Wi-Fi Setup (Windows)-Checking Wi-Fi Environment. . . . .	252
Cannot Find Printer on Check Printer Settings Screen During Wi-Fi Setup (Windows)-Checking Printer's IP Address. . . . .	254
Cannot Find Printer on Check Printer Settings Screen During Wi-Fi Setup (Windows)-Checking Security Software Settings. . . . .	255
Cannot Find Printer on Check Printer Settings Screen During Wi-Fi Setup (Windows)-Checking Wireless Router Settings. . . . .	256
Cannot Proceed beyond Printer Connection Screen. . . . .	257
Cannot Find Printer while Using Wi-Fi. . . . .	259
Network Connection Problems. . . . .	262
Printer Suddenly Stopped Working for Some Reason. . . . .	263
Network Key (Password) Unknown. . . . .	268
Printer Cannot Be Used After Replacing Wireless Router or Changed Router Settings. . . . .	270
Other Network Problems. . . . .	272
Checking Network Information. . . . .	273
Restoring to Factory Defaults. . . . .	276
Problems while Printing/Scanning from Smartphone/Tablet. . . . .	277
Cannot Print/Scan from Smartphone/Tablet. . . . .	278
Printing Problems. . . . .	282
Printer Does Not Print. . . . .	283
Ink Does Not Come Out. . . . .	286
Printer Does Not Pick up or Feed the Paper/"No Paper" Error. . . . .	288
Printout Results Are Unsatisfactory. . . . .	290
Printouts Are Blank/Blurry or Fuzzy/Inaccurate or Bleeding Colors/Streaks or Lines. . . . .	292
Colors Are Unclear. . . . .	295
Lines Are Misaligned/Distorted. . . . .	297
Paper Is Smudged / Printed Surface Is Scratched. . . . .	298
Vertical Line Next to Image. . . . .	302

Scanning Problems (macOS).....	303
Scanning Problems.....	304
Scanner Does Not Work.....	305
Scanner Driver Does Not Start.....	306
Error Message Is Displayed.....	307
Scanning Does Not Start / Scanning Does Not Complete.....	308
Items Cannot Be Scanned Correctly.....	309
Mechanical Problems.....	310
Printer Does Not Turn On.....	311
Printer Turns Off Unexpectedly or Repeatedly.....	312
USB Connection Problems.....	314
Cannot Communicate with Printer via USB.....	315
Wrong Language Appears in LCD.....	316
Installation and Download Problems.....	317
Failed to MP Drivers Installation (Windows).....	318
Updating MP Drivers in Network Environment (Windows).....	319
Errors and Messages.....	320
When Error Occurred.....	321
Message (Support Code) Appears.....	323
List of Support Code for Error.....	326
List of Support Code for Error (Paper Jams).....	328
1300.....	329
1303.....	331
1304.....	332
1313.....	333
Paper Is Jammed inside Printer.....	334
Removing Jammed Paper from Rear Side.....	337
1000.....	341
Paper is Not in the Cassette (1003).....	342
1200.....	343
1401.....	344
1430.....	345
1485.....	346

1682.....	347
1686.....	348
1687.....	349
1688.....	350
Shipping Tape etc. Are Still Attached (1890).....	351
2110.....	352
2113.....	355
2114.....	358
4103.....	361
5011.....	362
5012.....	363
5100.....	364
5200.....	365
5B02.....	366
6000.....	367
C000.....	368



## Using Online Manual

---

- **Operating Environment**
- **Symbols Used in This Document**
- **Touch-enabled Device Users (Windows)**
- **Printing Online Manual**
- **Trademarks and Licenses**
- **Screenshots in This Manual**

## Symbols Used in This Document

---

### **Warning**

Instructions that, if ignored, could result in death, serious personal injury, or property damage caused by incorrect operation of the equipment. These must be observed for safe operation.

### **Caution**

Instructions that, if ignored, could result in personal injury or property damage caused by incorrect operation of the equipment. These must be observed for safe operation.

### **Important**

Instructions including important information that must be observed to avoid damage and injury or improper use of the product. Be sure to read these instructions.

### **Note**

Instructions including notes for operation and additional explanations.

### **Basics**

Instructions explaining basic operations of your product.

### **Note**

- Icons may vary depending on your product.

## Touch-enabled Device Users (Windows)

---

For touch actions, you need to replace "right-click" in this document with the action set on the operating system. For example, if the action is set to "press and hold" on your operating system, replace "right-click" with "press and hold."

## Trademarks and Licenses

- Microsoft is a registered trademark of Microsoft Corporation.
- Windows is a trademark or registered trademark of Microsoft Corporation in the U.S. and/or other countries.
- Windows Vista is a trademark or registered trademark of Microsoft Corporation in the U.S. and/or other countries.
- Internet Explorer is a trademark or registered trademark of Microsoft Corporation in the U.S. and/or other countries.
- Mac, Mac OS, macOS, OS X, AirPort, App Store, AirPrint, the AirPrint logo, Safari, Bonjour, iPad, iPhone and iPod touch are trademarks of Apple Inc., registered in the U.S. and other countries.
- IOS is a trademark or registered trademark of Cisco in the U.S. and other countries and is used under license.
- Google Cloud Print, Google Chrome, Chrome OS, Chromebook, Android, Google Drive, Google Apps and Google Analytics are either registered trademarks or trademarks of Google Inc. Google Play and Google Play Logo are trademarks of Google LLC.
- Adobe, Acrobat, Flash, Photoshop, Photoshop Elements, Lightroom, Adobe RGB and Adobe RGB (1998) are either registered trademarks or trademarks of Adobe Systems Incorporated in the United States and/or other countries.
- Bluetooth is a trademark of Bluetooth SIG, Inc., U.S.A. and licensed to Canon Inc.
- Autodesk and AutoCAD are registered trademarks or trademarks of Autodesk, Inc., and/or its subsidiaries and/or affiliates in the USA and/or other countries.
- USB Type-C™ is a trademark of USB Implementers Forum.

### »» Note

- The formal name of Windows Vista is Microsoft Windows Vista operating system.

Copyright (c) 2003-2015 Apple Inc. All rights reserved.

Redistribution and use in source and binary forms, with or without modification, are permitted provided that the following conditions are met:

1. Redistributions of source code must retain the above copyright notice, this list of conditions and the following disclaimer.
2. Redistributions in binary form must reproduce the above copyright notice, this list of conditions and the following disclaimer in the documentation and/or other materials provided with the distribution.
3. Neither the name of Apple Inc. ("Apple") nor the names of its contributors may be used to endorse or promote products derived from this software without specific prior written permission.

THIS SOFTWARE IS PROVIDED BY APPLE AND ITS CONTRIBUTORS "AS IS" AND ANY EXPRESS OR IMPLIED WARRANTIES, INCLUDING, BUT NOT LIMITED TO, THE IMPLIED WARRANTIES OF MERCHANTABILITY AND FITNESS FOR A PARTICULAR PURPOSE ARE DISCLAIMED. IN NO EVENT SHALL APPLE OR ITS CONTRIBUTORS BE LIABLE FOR ANY DIRECT, INDIRECT, INCIDENTAL, SPECIAL, EXEMPLARY, OR CONSEQUENTIAL DAMAGES (INCLUDING, BUT NOT LIMITED TO, PROCUREMENT OF SUBSTITUTE GOODS OR SERVICES; LOSS OF USE, DATA, OR PROFITS; OR BUSINESS INTERRUPTION) HOWEVER CAUSED AND ON ANY THEORY OF LIABILITY, WHETHER IN CONTRACT, STRICT LIABILITY, OR TORT (INCLUDING NEGLIGENCE OR OTHERWISE) ARISING IN ANY WAY OUT OF THE USE OF THIS SOFTWARE, EVEN IF ADVISED OF THE POSSIBILITY OF SUCH DAMAGE.

## Apache License

Version 2.0, January 2004

<http://www.apache.org/licenses/>

### TERMS AND CONDITIONS FOR USE, REPRODUCTION, AND DISTRIBUTION

#### 1. Definitions.

"License" shall mean the terms and conditions for use, reproduction, and distribution as defined by Sections 1 through 9 of this document.

"Licensor" shall mean the copyright owner or entity authorized by the copyright owner that is granting the License.

"Legal Entity" shall mean the union of the acting entity and all other entities that control, are controlled by, or are under common control with that entity. For the purposes of this definition, "control" means (i) the power, direct or indirect, to cause the direction or management of such entity, whether by contract or otherwise, or (ii) ownership of fifty percent (50%) or more of the outstanding shares, or (iii) beneficial ownership of such entity.

"You" (or "Your") shall mean an individual or Legal Entity exercising permissions granted by this License.

"Source" form shall mean the preferred form for making modifications, including but not limited to software source code, documentation source, and configuration files.

"Object" form shall mean any form resulting from mechanical transformation or translation of a Source form, including but not limited to compiled object code, generated documentation, and conversions to other media types.

"Work" shall mean the work of authorship, whether in Source or Object form, made available under the License, as indicated by a copyright notice that is included in or attached to the work (an example is provided in the Appendix below).

"Derivative Works" shall mean any work, whether in Source or Object form, that is based on (or derived from) the Work and for which the editorial revisions, annotations, elaborations, or other modifications represent, as a whole, an original work of authorship. For the purposes of this License, Derivative Works shall not include works that remain separable from, or merely link (or bind by name) to the interfaces of, the Work and Derivative Works thereof.

"Contribution" shall mean any work of authorship, including the original version of the Work and any modifications or additions to that Work or Derivative Works thereof, that is intentionally submitted to Licensor for inclusion in the Work by the copyright owner or by an individual or Legal Entity authorized to submit on behalf of the copyright owner. For the purposes of this definition, "submitted" means any form of electronic, verbal, or written communication sent to the Licensor or its representatives, including but not limited to communication on electronic mailing lists, source code control systems, and issue tracking systems that are managed by, or on behalf of, the Licensor for the purpose of discussing and improving the Work, but excluding communication that is conspicuously marked or otherwise designated in writing by the copyright owner as "Not a Contribution."

"Contributor" shall mean Licensor and any individual or Legal Entity on behalf of whom a Contribution has been received by Licensor and subsequently incorporated within the Work.

2. Grant of Copyright License. Subject to the terms and conditions of this License, each Contributor hereby grants to You a perpetual, worldwide, non-exclusive, no-charge, royalty-free, irrevocable copyright license to reproduce, prepare Derivative Works of, publicly display, publicly perform, sublicense, and distribute the Work and such Derivative Works in Source or Object form.
3. Grant of Patent License. Subject to the terms and conditions of this License, each Contributor hereby grants to You a perpetual, worldwide, non-exclusive, no-charge, royalty-free, irrevocable (except as stated in this section) patent license to make, have made, use, offer to sell, sell, import, and otherwise transfer the Work, where such license applies only to those patent claims licensable by such Contributor that are necessarily infringed by their Contribution(s) alone or by combination of their Contribution(s) with the Work to which such Contribution(s) was submitted. If You institute patent litigation against any entity (including a cross-claim or counterclaim in a lawsuit) alleging that the Work or a Contribution incorporated within the Work constitutes direct or contributory patent infringement, then any patent licenses granted to You under this License for that Work shall terminate as of the date such litigation is filed.
4. Redistribution. You may reproduce and distribute copies of the Work or Derivative Works thereof in any medium, with or without modifications, and in Source or Object form, provided that You meet the following conditions:
  1. You must give any other recipients of the Work or Derivative Works a copy of this License; and
  2. You must cause any modified files to carry prominent notices stating that You changed the files; and
  3. You must retain, in the Source form of any Derivative Works that You distribute, all copyright, patent, trademark, and attribution notices from the Source form of the Work, excluding those notices that do not pertain to any part of the Derivative Works; and
  4. If the Work includes a "NOTICE" text file as part of its distribution, then any Derivative Works that You distribute must include a readable copy of the attribution notices contained within such NOTICE file, excluding those notices that do not pertain to any part of the Derivative Works, in at least one of the following places: within a NOTICE text file distributed as part of the Derivative Works; within the Source form or documentation, if provided along with the Derivative Works; or, within a display generated by the Derivative Works, if and wherever such third-party notices normally appear. The contents of the NOTICE file are for informational purposes only and do not modify the License. You may add Your own attribution notices within Derivative Works that You distribute, alongside or as an addendum to the NOTICE text from the Work, provided that such additional attribution notices cannot be construed as modifying the License.

You may add Your own copyright statement to Your modifications and may provide additional or different license terms and conditions for use, reproduction, or distribution of Your modifications, or for any such Derivative Works as a whole, provided Your use, reproduction, and distribution of the Work otherwise complies with the conditions stated in this License.
5. Submission of Contributions. Unless You explicitly state otherwise, any Contribution intentionally submitted for inclusion in the Work by You to the Licensor shall be under the terms and conditions of this License, without any additional terms or conditions. Notwithstanding the above, nothing herein shall supersede or modify the terms of any separate license agreement you may have executed with Licensor regarding such Contributions.
6. Trademarks. This License does not grant permission to use the trade names, trademarks, service marks, or product names of the Licensor, except as required for reasonable and customary use in describing the origin of the Work and reproducing the content of the NOTICE file.

7. Disclaimer of Warranty. Unless required by applicable law or agreed to in writing, Licensor provides the Work (and each Contributor provides its Contributions) on an "AS IS" BASIS, WITHOUT WARRANTIES OR CONDITIONS OF ANY KIND, either express or implied, including, without limitation, any warranties or conditions of TITLE, NON-INFRINGEMENT, MERCHANTABILITY, or FITNESS FOR A PARTICULAR PURPOSE. You are solely responsible for determining the appropriateness of using or redistributing the Work and assume any risks associated with Your exercise of permissions under this License.
8. Limitation of Liability. In no event and under no legal theory, whether in tort (including negligence), contract, or otherwise, unless required by applicable law (such as deliberate and grossly negligent acts) or agreed to in writing, shall any Contributor be liable to You for damages, including any direct, indirect, special, incidental, or consequential damages of any character arising as a result of this License or out of the use or inability to use the Work (including but not limited to damages for loss of goodwill, work stoppage, computer failure or malfunction, or any and all other commercial damages or losses), even if such Contributor has been advised of the possibility of such damages.
9. Accepting Warranty or Additional Liability. While redistributing the Work or Derivative Works thereof, You may choose to offer, and charge a fee for, acceptance of support, warranty, indemnity, or other liability obligations and/or rights consistent with this License. However, in accepting such obligations, You may act only on Your own behalf and on Your sole responsibility, not on behalf of any other Contributor, and only if You agree to indemnify, defend, and hold each Contributor harmless for any liability incurred by, or claims asserted against, such Contributor by reason of your accepting any such warranty or additional liability.

END OF TERMS AND CONDITIONS

---- Part 1: CMU/UCD copyright notice: (BSD like) ----

Copyright 1989, 1991, 1992 by Carnegie Mellon University

Derivative Work - 1996, 1998-2000

Copyright 1996, 1998-2000 The Regents of the University of California

All Rights Reserved

Permission to use, copy, modify and distribute this software and its documentation for any purpose and without fee is hereby granted, provided that the above copyright notice appears in all copies and that both that copyright notice and this permission notice appear in supporting documentation, and that the name of CMU and The Regents of the University of California not be used in advertising or publicity pertaining to distribution of the software without specific written permission.

CMU AND THE REGENTS OF THE UNIVERSITY OF CALIFORNIA DISCLAIM ALL WARRANTIES WITH REGARD TO THIS SOFTWARE, INCLUDING ALL IMPLIED WARRANTIES OF MERCHANTABILITY AND FITNESS. IN NO EVENT SHALL CMU OR THE REGENTS OF THE UNIVERSITY OF CALIFORNIA BE LIABLE FOR ANY SPECIAL, INDIRECT OR CONSEQUENTIAL DAMAGES OR ANY DAMAGES WHATSOEVER RESULTING FROM THE LOSS OF USE, DATA OR PROFITS, WHETHER IN AN ACTION OF CONTRACT, NEGLIGENCE OR OTHER TORTIOUS ACTION, ARISING OUT OF OR IN CONNECTION WITH THE USE OR PERFORMANCE OF THIS SOFTWARE.

---- Part 2: Networks Associates Technology, Inc copyright notice (BSD) ----

Copyright (c) 2001-2003, Networks Associates Technology, Inc

All rights reserved.

Redistribution and use in source and binary forms, with or without modification, are permitted provided that the following conditions are met:

- \* Redistributions of source code must retain the above copyright notice, this list of conditions and the following disclaimer.
- \* Redistributions in binary form must reproduce the above copyright notice, this list of conditions and the following disclaimer in the documentation and/or other materials provided with the distribution.
- \* Neither the name of the Networks Associates Technology, Inc nor the names of its contributors may be used to endorse or promote products derived from this software without specific prior written permission.

THIS SOFTWARE IS PROVIDED BY THE COPYRIGHT HOLDERS AND CONTRIBUTORS ``AS IS" AND ANY EXPRESS OR IMPLIED WARRANTIES, INCLUDING, BUT NOT LIMITED TO, THE IMPLIED WARRANTIES OF MERCHANTABILITY AND FITNESS FOR A PARTICULAR PURPOSE ARE DISCLAIMED. IN NO EVENT SHALL THE COPYRIGHT HOLDERS OR CONTRIBUTORS BE LIABLE FOR ANY DIRECT, INDIRECT, INCIDENTAL, SPECIAL, EXEMPLARY, OR CONSEQUENTIAL DAMAGES (INCLUDING, BUT NOT LIMITED TO, PROCUREMENT OF SUBSTITUTE GOODS OR SERVICES; LOSS OF USE, DATA, OR PROFITS; OR BUSINESS INTERRUPTION) HOWEVER CAUSED AND ON ANY THEORY OF LIABILITY, WHETHER IN CONTRACT, STRICT LIABILITY, OR TORT (INCLUDING NEGLIGENCE OR OTHERWISE) ARISING IN ANY WAY OUT OF THE USE OF THIS SOFTWARE, EVEN IF ADVISED OF THE POSSIBILITY OF SUCH DAMAGE.

---- Part 3: Cambridge Broadband Ltd. copyright notice (BSD) ----

Portions of this code are copyright (c) 2001-2003, Cambridge Broadband Ltd.

All rights reserved.

Redistribution and use in source and binary forms, with or without modification, are permitted provided that the following conditions are met:

- \* Redistributions of source code must retain the above copyright notice, this list of conditions and the following disclaimer.
- \* Redistributions in binary form must reproduce the above copyright notice, this list of conditions and the following disclaimer in the documentation and/or other materials provided with the distribution.
- \* The name of Cambridge Broadband Ltd. may not be used to endorse or promote products derived from this software without specific prior written permission.

THIS SOFTWARE IS PROVIDED BY THE COPYRIGHT HOLDER ``AS IS" AND ANY EXPRESS OR IMPLIED WARRANTIES, INCLUDING, BUT NOT LIMITED TO, THE IMPLIED WARRANTIES OF MERCHANTABILITY AND FITNESS FOR A PARTICULAR PURPOSE ARE DISCLAIMED. IN NO EVENT SHALL THE COPYRIGHT HOLDER BE LIABLE FOR ANY DIRECT, INDIRECT, INCIDENTAL, SPECIAL, EXEMPLARY, OR CONSEQUENTIAL DAMAGES (INCLUDING, BUT NOT LIMITED TO, PROCUREMENT OF SUBSTITUTE GOODS OR SERVICES; LOSS OF USE, DATA, OR PROFITS; OR BUSINESS INTERRUPTION) HOWEVER CAUSED AND ON ANY THEORY OF LIABILITY, WHETHER IN CONTRACT, STRICT LIABILITY, OR TORT (INCLUDING NEGLIGENCE OR OTHERWISE) ARISING IN ANY WAY OUT OF THE USE OF THIS SOFTWARE, EVEN IF ADVISED OF THE POSSIBILITY OF SUCH DAMAGE.

---- Part 4: Sun Microsystems, Inc. copyright notice (BSD) ----

Copyright c 2003 Sun Microsystems, Inc., 4150 Network Circle, Santa Clara, California 95054, U.S.A. All rights reserved.



Use is subject to license terms below.

This distribution may include materials developed by third parties.

Sun, Sun Microsystems, the Sun logo and Solaris are trademarks or registered trademarks of Sun Microsystems, Inc. in the U.S. and other countries.

Redistribution and use in source and binary forms, with or without modification, are permitted provided that the following conditions are met:

- \* Redistributions of source code must retain the above copyright notice, this list of conditions and the following disclaimer.
- \* Redistributions in binary form must reproduce the above copyright notice, this list of conditions and the following disclaimer in the documentation and/or other materials provided with the distribution.
- \* Neither the name of the Sun Microsystems, Inc. nor the names of its contributors may be used to endorse or promote products derived from this software without specific prior written permission.

THIS SOFTWARE IS PROVIDED BY THE COPYRIGHT HOLDERS AND CONTRIBUTORS "AS IS" AND ANY EXPRESS OR IMPLIED WARRANTIES, INCLUDING, BUT NOT LIMITED TO, THE IMPLIED WARRANTIES OF MERCHANTABILITY AND FITNESS FOR A PARTICULAR PURPOSE ARE DISCLAIMED. IN NO EVENT SHALL THE COPYRIGHT HOLDERS OR CONTRIBUTORS BE LIABLE FOR ANY DIRECT, INDIRECT, INCIDENTAL, SPECIAL, EXEMPLARY, OR CONSEQUENTIAL DAMAGES (INCLUDING, BUT NOT LIMITED TO, PROCUREMENT OF SUBSTITUTE GOODS OR SERVICES; LOSS OF USE, DATA, OR PROFITS; OR BUSINESS INTERRUPTION) HOWEVER CAUSED AND ON ANY THEORY OF LIABILITY, WHETHER IN CONTRACT, STRICT LIABILITY, OR TORT (INCLUDING NEGLIGENCE OR OTHERWISE) ARISING IN ANY WAY OUT OF THE USE OF THIS SOFTWARE, EVEN IF ADVISED OF THE POSSIBILITY OF SUCH DAMAGE.

---- Part 5: Sparta, Inc copyright notice (BSD) ----

Copyright (c) 2003-2012, Sparta, Inc

All rights reserved.

Redistribution and use in source and binary forms, with or without modification, are permitted provided that the following conditions are met:

- \* Redistributions of source code must retain the above copyright notice, this list of conditions and the following disclaimer.
- \* Redistributions in binary form must reproduce the above copyright notice, this list of conditions and the following disclaimer in the documentation and/or other materials provided with the distribution.
- \* Neither the name of Sparta, Inc nor the names of its contributors may be used to endorse or promote products derived from this software without specific prior written permission.

THIS SOFTWARE IS PROVIDED BY THE COPYRIGHT HOLDERS AND CONTRIBUTORS "AS IS" AND ANY EXPRESS OR IMPLIED WARRANTIES, INCLUDING, BUT NOT LIMITED TO, THE IMPLIED WARRANTIES OF MERCHANTABILITY AND FITNESS FOR A PARTICULAR PURPOSE ARE DISCLAIMED. IN NO EVENT SHALL THE COPYRIGHT HOLDERS OR CONTRIBUTORS BE LIABLE FOR ANY DIRECT, INDIRECT, INCIDENTAL, SPECIAL, EXEMPLARY, OR CONSEQUENTIAL DAMAGES (INCLUDING, BUT NOT LIMITED TO, PROCUREMENT OF SUBSTITUTE GOODS OR SERVICES; LOSS OF USE, DATA, OR PROFITS; OR BUSINESS INTERRUPTION) HOWEVER CAUSED AND ON ANY THEORY OF LIABILITY, WHETHER IN CONTRACT, STRICT LIABILITY, OR

TORT (INCLUDING NEGLIGENCE OR OTHERWISE) ARISING IN ANY WAY OUT OF THE USE OF THIS SOFTWARE, EVEN IF ADVISED OF THE POSSIBILITY OF SUCH DAMAGE.

---- Part 6: Cisco/BUPTNIC copyright notice (BSD) ----

Copyright (c) 2004, Cisco, Inc and Information Network Center of Beijing University of Posts and Telecommunications.

All rights reserved.

Redistribution and use in source and binary forms, with or without modification, are permitted provided that the following conditions are met:

- \* Redistributions of source code must retain the above copyright notice, this list of conditions and the following disclaimer.
- \* Redistributions in binary form must reproduce the above copyright notice, this list of conditions and the following disclaimer in the documentation and/or other materials provided with the distribution.
- \* Neither the name of Cisco, Inc, Beijing University of Posts and Telecommunications, nor the names of their contributors may be used to endorse or promote products derived from this software without specific prior written permission.

THIS SOFTWARE IS PROVIDED BY THE COPYRIGHT HOLDERS AND CONTRIBUTORS ``AS IS" AND ANY EXPRESS OR IMPLIED WARRANTIES, INCLUDING, BUT NOT LIMITED TO, THE IMPLIED WARRANTIES OF MERCHANTABILITY AND FITNESS FOR A PARTICULAR PURPOSE ARE DISCLAIMED. IN NO EVENT SHALL THE COPYRIGHT HOLDERS OR CONTRIBUTORS BE LIABLE FOR ANY DIRECT, INDIRECT, INCIDENTAL, SPECIAL, EXEMPLARY, OR CONSEQUENTIAL DAMAGES (INCLUDING, BUT NOT LIMITED TO, PROCUREMENT OF SUBSTITUTE GOODS OR SERVICES; LOSS OF USE, DATA, OR PROFITS; OR BUSINESS INTERRUPTION) HOWEVER CAUSED AND ON ANY THEORY OF LIABILITY, WHETHER IN CONTRACT, STRICT LIABILITY, OR TORT (INCLUDING NEGLIGENCE OR OTHERWISE) ARISING IN ANY WAY OUT OF THE USE OF THIS SOFTWARE, EVEN IF ADVISED OF THE POSSIBILITY OF SUCH DAMAGE.

---- Part 7: Fabasoft R&D Software GmbH & Co KG copyright notice (BSD) ----

Copyright (c) Fabasoft R&D Software GmbH & Co KG, 2003 oss@fabasoft.com

Author: Bernhard Penz <bernhard.penz@fabasoft.com>

Redistribution and use in source and binary forms, with or without modification, are permitted provided that the following conditions are met:

- \* Redistributions of source code must retain the above copyright notice, this list of conditions and the following disclaimer.
- \* Redistributions in binary form must reproduce the above copyright notice, this list of conditions and the following disclaimer in the documentation and/or other materials provided with the distribution.
- \* The name of Fabasoft R&D Software GmbH & Co KG or any of its subsidiaries, brand or product names may not be used to endorse or promote products derived from this software without specific prior written permission.

THIS SOFTWARE IS PROVIDED BY THE COPYRIGHT HOLDER ``AS IS" AND ANY EXPRESS OR IMPLIED WARRANTIES, INCLUDING, BUT NOT LIMITED TO, THE IMPLIED WARRANTIES OF MERCHANTABILITY AND FITNESS FOR A PARTICULAR PURPOSE ARE DISCLAIMED. IN NO EVENT SHALL THE COPYRIGHT HOLDER BE LIABLE FOR ANY DIRECT, INDIRECT, INCIDENTAL,

SPECIAL, EXEMPLARY, OR CONSEQUENTIAL DAMAGES (INCLUDING, BUT NOT LIMITED TO, PROCUREMENT OF SUBSTITUTE GOODS OR SERVICES; LOSS OF USE, DATA, OR PROFITS; OR BUSINESS INTERRUPTION) HOWEVER CAUSED AND ON ANY THEORY OF LIABILITY, WHETHER IN CONTRACT, STRICT LIABILITY, OR TORT (INCLUDING NEGLIGENCE OR OTHERWISE) ARISING IN ANY WAY OUT OF THE USE OF THIS SOFTWARE, EVEN IF ADVISED OF THE POSSIBILITY OF SUCH DAMAGE.

---- Part 8: Apple Inc. copyright notice (BSD) ----

Copyright (c) 2007 Apple Inc. All rights reserved.

Redistribution and use in source and binary forms, with or without modification, are permitted provided that the following conditions are met:

1. Redistributions of source code must retain the above copyright notice, this list of conditions and the following disclaimer.
2. Redistributions in binary form must reproduce the above copyright notice, this list of conditions and the following disclaimer in the documentation and/or other materials provided with the distribution.
3. Neither the name of Apple Inc. ("Apple") nor the names of its contributors may be used to endorse or promote products derived from this software without specific prior written permission.

THIS SOFTWARE IS PROVIDED BY APPLE AND ITS CONTRIBUTORS "AS IS" AND ANY EXPRESS OR IMPLIED WARRANTIES, INCLUDING, BUT NOT LIMITED TO, THE IMPLIED WARRANTIES OF MERCHANTABILITY AND FITNESS FOR A PARTICULAR PURPOSE ARE DISCLAIMED. IN NO EVENT SHALL APPLE OR ITS CONTRIBUTORS BE LIABLE FOR ANY DIRECT, INDIRECT, INCIDENTAL, SPECIAL, EXEMPLARY, OR CONSEQUENTIAL DAMAGES (INCLUDING, BUT NOT LIMITED TO, PROCUREMENT OF SUBSTITUTE GOODS OR SERVICES; LOSS OF USE, DATA, OR PROFITS; OR BUSINESS INTERRUPTION) HOWEVER CAUSED AND ON ANY THEORY OF LIABILITY, WHETHER IN CONTRACT, STRICT LIABILITY, OR TORT (INCLUDING NEGLIGENCE OR OTHERWISE) ARISING IN ANY WAY OUT OF THE USE OF THIS SOFTWARE, EVEN IF ADVISED OF THE POSSIBILITY OF SUCH DAMAGE.

---- Part 9: ScienceLogic, LLC copyright notice (BSD) ----

Copyright (c) 2009, ScienceLogic, LLC

All rights reserved.

Redistribution and use in source and binary forms, with or without modification, are permitted provided that the following conditions are met:

- \* Redistributions of source code must retain the above copyright notice, this list of conditions and the following disclaimer.
- \* Redistributions in binary form must reproduce the above copyright notice, this list of conditions and the following disclaimer in the documentation and/or other materials provided with the distribution.
- \* Neither the name of ScienceLogic, LLC nor the names of its contributors may be used to endorse or promote products derived from this software without specific prior written permission.

THIS SOFTWARE IS PROVIDED BY THE COPYRIGHT HOLDERS AND CONTRIBUTORS "AS IS" AND ANY EXPRESS OR IMPLIED WARRANTIES, INCLUDING, BUT NOT LIMITED TO, THE IMPLIED WARRANTIES OF MERCHANTABILITY AND FITNESS FOR A PARTICULAR PURPOSE ARE DISCLAIMED. IN NO EVENT SHALL THE COPYRIGHT HOLDERS OR CONTRIBUTORS BE LIABLE

FOR ANY DIRECT, INDIRECT, INCIDENTAL, SPECIAL, EXEMPLARY, OR CONSEQUENTIAL DAMAGES (INCLUDING, BUT NOT LIMITED TO, PROCUREMENT OF SUBSTITUTE GOODS OR SERVICES; LOSS OF USE, DATA, OR PROFITS; OR BUSINESS INTERRUPTION) HOWEVER CAUSED AND ON ANY THEORY OF LIABILITY, WHETHER IN CONTRACT, STRICT LIABILITY, OR TORT (INCLUDING NEGLIGENCE OR OTHERWISE) ARISING IN ANY WAY OUT OF THE USE OF THIS SOFTWARE, EVEN IF ADVISED OF THE POSSIBILITY OF SUCH DAMAGE.

LEADTOOLS

Copyright (C) 1991-2009 LEAD Technologies, Inc.

CMap Resources

-----  
Copyright 1990-2009 Adobe Systems Incorporated.

All rights reserved.

Copyright 1990-2010 Adobe Systems Incorporated.

All rights reserved.

Redistribution and use in source and binary forms, with or without modification, are permitted provided that the following conditions are met:

Redistributions of source code must retain the above copyright notice, this list of conditions and the following disclaimer.

Redistributions in binary form must reproduce the above copyright notice, this list of conditions and the following disclaimer in the documentation and/or other materials provided with the distribution.

Neither the name of Adobe Systems Incorporated nor the names of its contributors may be used to endorse or promote products derived from this software without specific prior written permission.

THIS SOFTWARE IS PROVIDED BY THE COPYRIGHT HOLDERS AND CONTRIBUTORS "AS IS" AND ANY EXPRESS OR IMPLIED WARRANTIES, INCLUDING, BUT NOT LIMITED TO, THE IMPLIED WARRANTIES OF MERCHANTABILITY AND FITNESS FOR A PARTICULAR PURPOSE ARE DISCLAIMED. IN NO EVENT SHALL THE COPYRIGHT HOLDER OR CONTRIBUTORS BE LIABLE FOR ANY DIRECT, INDIRECT, INCIDENTAL, SPECIAL, EXEMPLARY, OR CONSEQUENTIAL DAMAGES (INCLUDING, BUT NOT LIMITED TO, PROCUREMENT OF SUBSTITUTE GOODS OR SERVICES; LOSS OF USE, DATA, OR PROFITS; OR BUSINESS INTERRUPTION) HOWEVER CAUSED AND ON ANY THEORY OF LIABILITY, WHETHER IN CONTRACT, STRICT LIABILITY, OR TORT (INCLUDING NEGLIGENCE OR OTHERWISE) ARISING IN ANY WAY OUT OF THE USE OF THIS SOFTWARE, EVEN IF ADVISED OF THE POSSIBILITY OF SUCH DAMAGE.

## MIT License

Copyright (c) 1998, 1999, 2000 Thai Open Source Software Center Ltd

Permission is hereby granted, free of charge, to any person obtaining a copy of this software and associated documentation files (the "Software"), to deal in the Software without restriction, including without limitation the rights to use, copy, modify, merge, publish, distribute, sublicense, and/or sell copies of the Software, and to permit persons to whom the Software is furnished to do so, subject to the following conditions:

The above copyright notice and this permission notice shall be included in all copies or substantial portions of the Software.

THE SOFTWARE IS PROVIDED "AS IS", WITHOUT WARRANTY OF ANY KIND, EXPRESS OR IMPLIED, INCLUDING BUT NOT LIMITED TO THE WARRANTIES OF MERCHANTABILITY, FITNESS FOR A PARTICULAR PURPOSE AND NONINFRINGEMENT. IN NO EVENT SHALL THE AUTHORS OR COPYRIGHT HOLDERS BE LIABLE FOR ANY CLAIM, DAMAGES OR OTHER LIABILITY, WHETHER IN AN ACTION OF CONTRACT, TORT OR OTHERWISE, ARISING FROM, OUT OF OR IN CONNECTION WITH THE SOFTWARE OR THE USE OR OTHER DEALINGS IN THE SOFTWARE.

Copyright 2000 Computing Research Labs, New Mexico State University

Copyright 2001-2015 Francesco Zappa Nardelli

Permission is hereby granted, free of charge, to any person obtaining a copy of this software and associated documentation files (the "Software"), to deal in the Software without restriction, including without limitation the rights to use, copy, modify, merge, publish, distribute, sublicense, and/or sell copies of the Software, and to permit persons to whom the Software is furnished to do so, subject to the following conditions:

The above copyright notice and this permission notice shall be included in all copies or substantial portions of the Software.

THE SOFTWARE IS PROVIDED "AS IS", WITHOUT WARRANTY OF ANY KIND, EXPRESS OR IMPLIED, INCLUDING BUT NOT LIMITED TO THE WARRANTIES OF MERCHANTABILITY, FITNESS FOR A PARTICULAR PURPOSE AND NONINFRINGEMENT. IN NO EVENT SHALL THE COMPUTING RESEARCH LAB OR NEW MEXICO STATE UNIVERSITY BE LIABLE FOR ANY CLAIM, DAMAGES OR OTHER LIABILITY, WHETHER IN AN ACTION OF CONTRACT, TORT OR OTHERWISE, ARISING FROM, OUT OF OR IN CONNECTION WITH THE SOFTWARE OR THE USE OR OTHER DEALINGS IN THE SOFTWARE.

Written by Joel Sherrill <joel@OARcorp.com>.

COPYRIGHT (c) 1989-2000.

On-Line Applications Research Corporation (OAR).

Permission to use, copy, modify, and distribute this software for any purpose without fee is hereby granted, provided that this entire notice is included in all copies of any software which is or includes a copy or modification of this software.

THIS SOFTWARE IS BEING PROVIDED "AS IS", WITHOUT ANY EXPRESS OR IMPLIED WARRANTY. IN PARTICULAR, THE AUTHOR MAKES NO REPRESENTATION OR WARRANTY OF ANY KIND

CONCERNING THE MERCHANTABILITY OF THIS SOFTWARE OR ITS FITNESS FOR ANY PARTICULAR PURPOSE.

(1) Red Hat Incorporated

Copyright (c) 1994-2009 Red Hat, Inc. All rights reserved.

This copyrighted material is made available to anyone wishing to use, modify, copy, or redistribute it subject to the terms and conditions of the BSD License. This program is distributed in the hope that it will be useful, but WITHOUT ANY WARRANTY expressed or implied, including the implied warranties of MERCHANTABILITY or FITNESS FOR A PARTICULAR PURPOSE. A copy of this license is available at <http://www.opensource.org/licenses>. Any Red Hat trademarks that are incorporated in the source code or documentation are not subject to the BSD License and may only be used or replicated with the express permission of Red Hat, Inc.

(2) University of California, Berkeley

Copyright (c) 1981-2000 The Regents of the University of California.

All rights reserved.

Redistribution and use in source and binary forms, with or without modification, are permitted provided that the following conditions are met:

- \* Redistributions of source code must retain the above copyright notice, this list of conditions and the following disclaimer.
- \* Redistributions in binary form must reproduce the above copyright notice, this list of conditions and the following disclaimer in the documentation and/or other materials provided with the distribution.
- \* Neither the name of the University nor the names of its contributors may be used to endorse or promote products derived from this software without specific prior written permission.

THIS SOFTWARE IS PROVIDED BY THE COPYRIGHT HOLDERS AND CONTRIBUTORS "AS IS" AND ANY EXPRESS OR IMPLIED WARRANTIES, INCLUDING, BUT NOT LIMITED TO, THE IMPLIED WARRANTIES OF MERCHANTABILITY AND FITNESS FOR A PARTICULAR PURPOSE ARE DISCLAIMED. IN NO EVENT SHALL THE COPYRIGHT OWNER OR CONTRIBUTORS BE LIABLE FOR ANY DIRECT, INDIRECT, INCIDENTAL, SPECIAL, EXEMPLARY, OR CONSEQUENTIAL DAMAGES (INCLUDING, BUT NOT LIMITED TO, PROCUREMENT OF SUBSTITUTE GOODS OR SERVICES; LOSS OF USE, DATA, OR PROFITS; OR BUSINESS INTERRUPTION) HOWEVER CAUSED AND ON ANY THEORY OF LIABILITY, WHETHER IN CONTRACT, STRICT LIABILITY, OR TORT (INCLUDING NEGLIGENCE OR OTHERWISE) ARISING IN ANY WAY OUT OF THE USE OF THIS SOFTWARE, EVEN IF ADVISED OF THE POSSIBILITY OF SUCH DAMAGE.

The FreeType Project LICENSE

-----

2006-Jan-27

Copyright 1996-2002, 2006 by

David Turner, Robert Wilhelm, and Werner Lemberg

Introduction

=====

The FreeType Project is distributed in several archive packages; some of them may contain, in addition to the FreeType font engine, various tools and contributions which rely on, or relate to, the FreeType Project.

This license applies to all files found in such packages, and which do not fall under their own explicit license. The license affects thus the FreeType font engine, the test programs, documentation and makefiles, at the very least.

This license was inspired by the BSD, Artistic, and IJG (Independent JPEG Group) licenses, which all encourage inclusion and use of free software in commercial and freeware products alike. As a consequence, its main points are that:

- o We don't promise that this software works. However, we will be interested in any kind of bug reports. ('as is' distribution)
- o You can use this software for whatever you want, in parts or full form, without having to pay us. ('royalty-free' usage)
- o You may not pretend that you wrote this software. If you use it, or only parts of it, in a program, you must acknowledge somewhere in your documentation that you have used the FreeType code. ('credits')

We specifically permit and encourage the inclusion of this software, with or without modifications, in commercial products.

We disclaim all warranties covering The FreeType Project and assume no liability related to The FreeType Project.

Finally, many people asked us for a preferred form for a credit/disclaimer to use in compliance with this license. We thus encourage you to use the following text:

\*\*\*\*

Portions of this software are copyright © <year> The FreeType Project (www.freetype.org). All rights reserved.

\*\*\*\*

Please replace <year> with the value from the FreeType version you actually use.

Legal Terms

=====

0. Definitions

-----

Throughout this license, the terms 'package', 'FreeType Project', and 'FreeType archive' refer to the set of files originally distributed by the authors (David Turner, Robert Wilhelm, and Werner Lemberg) as the 'FreeType Project', be they named as alpha, beta or final release.

'You' refers to the licensee, or person using the project, where 'using' is a generic term including compiling the project's source code as well as linking it to form a 'program' or 'executable'.

This program is referred to as 'a program using the FreeType engine'.

This license applies to all files distributed in the original FreeType Project, including all source code, binaries and documentation, unless otherwise stated in the file in its original, unmodified form as distributed in the original archive.

If you are unsure whether or not a particular file is covered by this license, you must contact us to verify this.

The FreeType Project is copyright (C) 1996-2000 by David Turner, Robert Wilhelm, and Werner Lemberg. All rights reserved except as specified below.

## 1. No Warranty

-----

THE FREETYPE PROJECT IS PROVIDED 'AS IS' WITHOUT WARRANTY OF ANY KIND, EITHER EXPRESS OR IMPLIED, INCLUDING, BUT NOT LIMITED TO, WARRANTIES OF MERCHANTABILITY AND FITNESS FOR A PARTICULAR PURPOSE. IN NO EVENT WILL ANY OF THE AUTHORS OR COPYRIGHT HOLDERS BE LIABLE FOR ANY DAMAGES CAUSED BY THE USE OR THE INABILITY TO USE, OF THE FREETYPE PROJECT.

## 2. Redistribution

-----

This license grants a worldwide, royalty-free, perpetual and irrevocable right and license to use, execute, perform, compile, display, copy, create derivative works of, distribute and sublicense the FreeType Project (in both source and object code forms) and derivative works thereof for any purpose; and to authorize others to exercise some or all of the rights granted herein, subject to the following conditions:

- o Redistribution of source code must retain this license file ('FTL.TXT') unaltered; any additions, deletions or changes to the original files must be clearly indicated in accompanying documentation. The copyright notices of the unaltered, original files must be preserved in all copies of source files.

- o Redistribution in binary form must provide a disclaimer that states that the software is based in part of the work of the FreeType Team, in the distribution documentation. We also encourage you to put an URL to the FreeType web page in your documentation, though this isn't mandatory.

These conditions apply to any software derived from or based on the FreeType Project, not just the unmodified files. If you use our work, you must acknowledge us. However, no fee need be paid to us.

## 3. Advertising

-----

Neither the FreeType authors and contributors nor you shall use the name of the other for commercial, advertising, or promotional purposes without specific prior written permission.

We suggest, but do not require, that you use one or more of the following phrases to refer to this software in your documentation or advertising materials: 'FreeType Project', 'FreeType Engine', 'FreeType library', or 'FreeType Distribution'.

As you have not signed this license, you are not required to accept it. However, as the FreeType Project is copyrighted material, only this license, or another one contracted with the authors, grants you the right to use, distribute, and modify it.

Therefore, by using, distributing, or modifying the FreeType Project, you indicate that you understand and accept all the terms of this license.

## 4. Contacts

-----

There are two mailing lists related to FreeType:

- o [freetype@nongnu.org](mailto:freetype@nongnu.org)



Discusses general use and applications of FreeType, as well as future and wanted additions to the library and distribution.

If you are looking for support, start in this list if you haven't found anything to help you in the documentation.

o [freetype-devel@nongnu.org](mailto:freetype-devel@nongnu.org)

Discusses bugs, as well as engine internals, design issues, specific licenses, porting, etc.

Our home page can be found at

<http://www.freetype.org>

--- end of FTL.TXT ---

The TWAIN Toolkit is distributed as is. The developer and distributors of the TWAIN Toolkit expressly disclaim all implied, express or statutory warranties including, without limitation, the implied warranties of merchantability, noninfringement of third party rights and fitness for a particular purpose. Neither the developers nor the distributors will be liable for damages, whether direct, indirect, special, incidental, or consequential, as a result of the reproduction, modification, distribution or other use of the TWAIN Toolkit.

JSON for Modern C++

Copyright (c) 2013-2017 Niels Lohmann

Permission is hereby granted, free of charge, to any person obtaining a copy of this software and associated documentation files (the "Software"), to deal in the Software without restriction, including without limitation the rights to use, copy, modify, merge, publish, distribute, sublicense, and/or sell copies of the Software, and to permit persons to whom the Software is furnished to do so, subject to the following conditions:

The above copyright notice and this permission notice shall be included in all copies or substantial portions of the Software.

THE SOFTWARE IS PROVIDED "AS IS", WITHOUT WARRANTY OF ANY KIND, EXPRESS OR IMPLIED, INCLUDING BUT NOT LIMITED TO THE WARRANTIES OF MERCHANTABILITY, FITNESS FOR A PARTICULAR PURPOSE AND NONINFRINGEMENT. IN NO EVENT SHALL THE AUTHORS OR COPYRIGHT HOLDERS BE LIABLE FOR ANY CLAIM, DAMAGES OR OTHER LIABILITY, WHETHER IN AN ACTION OF CONTRACT, TORT OR OTHERWISE, ARISING FROM, OUT OF OR IN CONNECTION WITH THE SOFTWARE OR THE USE OR OTHER DEALINGS IN THE SOFTWARE.

Copyright (c) 2011 - 2015 ARM LIMITED

All rights reserved.

Redistribution and use in source and binary forms, with or without modification, are permitted provided that the following conditions are met:

- Redistributions of source code must retain the above copyright notice, this list of conditions and the following disclaimer.
- Redistributions in binary form must reproduce the above copyright notice, this list of conditions and the following disclaimer in the documentation and/or other materials provided with the distribution.
- Neither the name of ARM nor the names of its contributors may be used to endorse or promote products derived from this software without specific prior written permission.

THIS SOFTWARE IS PROVIDED BY THE COPYRIGHT HOLDERS AND CONTRIBUTORS "AS IS" AND ANY EXPRESS OR IMPLIED WARRANTIES, INCLUDING, BUT NOT LIMITED TO, THE IMPLIED WARRANTIES OF MERCHANTABILITY AND FITNESS FOR A PARTICULAR PURPOSE ARE DISCLAIMED. IN NO EVENT SHALL COPYRIGHT HOLDERS AND CONTRIBUTORS BE LIABLE FOR ANY DIRECT, INDIRECT, INCIDENTAL, SPECIAL, EXEMPLARY, OR CONSEQUENTIAL DAMAGES (INCLUDING, BUT NOT LIMITED TO, PROCUREMENT OF SUBSTITUTE GOODS OR SERVICES; LOSS OF USE, DATA, OR PROFITS; OR BUSINESS INTERRUPTION) HOWEVER CAUSED AND ON ANY THEORY OF LIABILITY, WHETHER IN CONTRACT, STRICT LIABILITY, OR TORT (INCLUDING NEGLIGENCE OR OTHERWISE) ARISING IN ANY WAY OUT OF THE USE OF THIS SOFTWARE, EVEN IF ADVISED OF THE POSSIBILITY OF SUCH DAMAGE.

The following applies only to products supporting Wi-Fi.

(c) 2009-2013 by Jeff Mott. All rights reserved.

Redistribution and use in source and binary forms, with or without modification, are permitted provided that the following conditions are met:

- \* Redistributions of source code must retain the above copyright notice, this list of conditions, and the following disclaimer.
- \* Redistributions in binary form must reproduce the above copyright notice, this list of conditions, and the following disclaimer in the documentation or other materials provided with the distribution.
- \* Neither the name CryptoJS nor the names of its contributors may be used to endorse or promote products derived from this software without specific prior written permission.

THIS SOFTWARE IS PROVIDED BY THE COPYRIGHT HOLDERS AND CONTRIBUTORS "AS IS," AND ANY EXPRESS OR IMPLIED WARRANTIES, INCLUDING, BUT NOT LIMITED TO, THE IMPLIED WARRANTIES OF MERCHANTABILITY AND FITNESS FOR A PARTICULAR PURPOSE, ARE DISCLAIMED. IN NO EVENT SHALL THE COPYRIGHT HOLDER OR CONTRIBUTORS BE LIABLE FOR ANY DIRECT, INDIRECT, INCIDENTAL, SPECIAL, EXEMPLARY, OR CONSEQUENTIAL DAMAGES (INCLUDING, BUT NOT LIMITED TO, PROCUREMENT OF SUBSTITUTE GOODS OR SERVICES; LOSS OF USE, DATA, OR PROFITS; OR BUSINESS INTERRUPTION) HOWEVER CAUSED AND ON ANY THEORY OF LIABILITY, WHETHER IN CONTRACT, STRICT LIABILITY, OR TORT (INCLUDING NEGLIGENCE OR OTHERWISE) ARISING IN ANY WAY OUT OF THE USE OF THIS SOFTWARE, EVEN IF ADVISED OF THE POSSIBILITY OF SUCH DAMAGE.

## **Basic Operation**

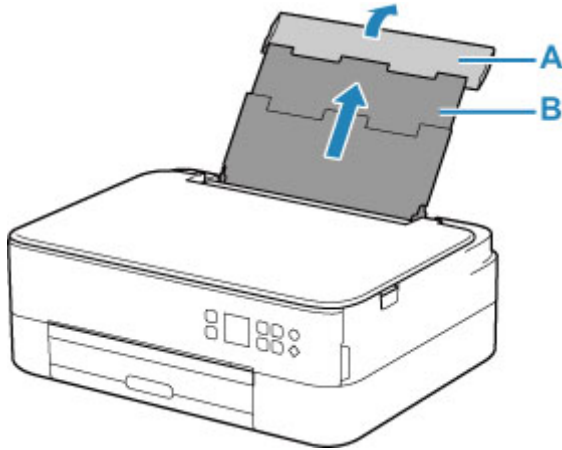
---

- **Printing Photos from a Computer**
- **Printing Photos from a Smartphone/Tablet**
- **Copying**

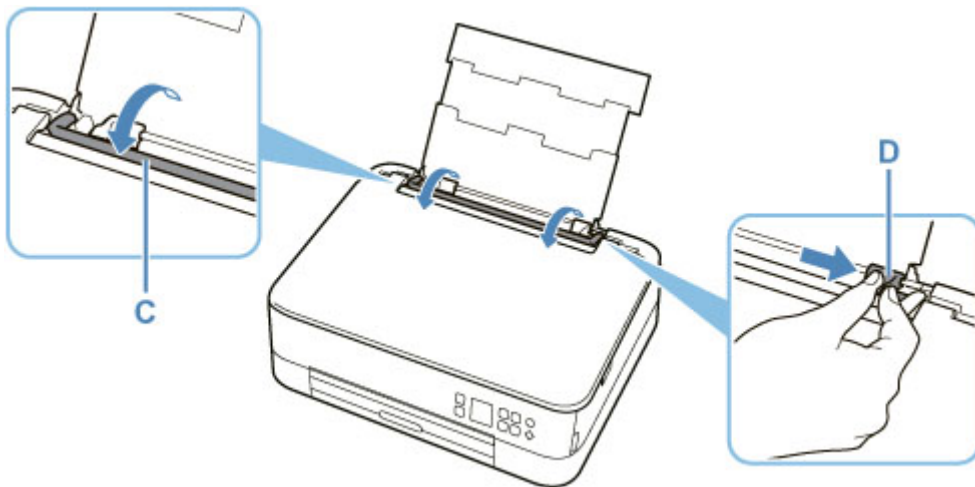
## Printing Photos from a Computer

This section describes how to print photos with Easy-PhotoPrint Editor.

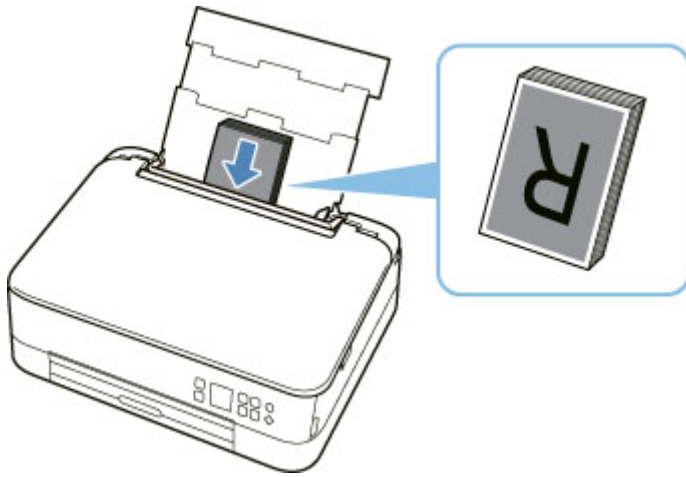
1. Open rear tray cover (A). Pull straight up and fold back paper support (B).



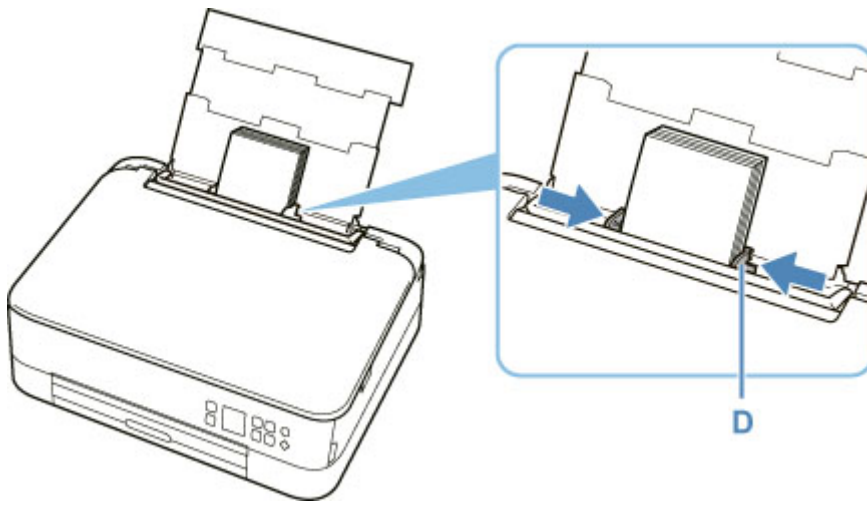
2. Open the feed slot cover (C).
3. Slide right paper guide (D) to open both paper guides.



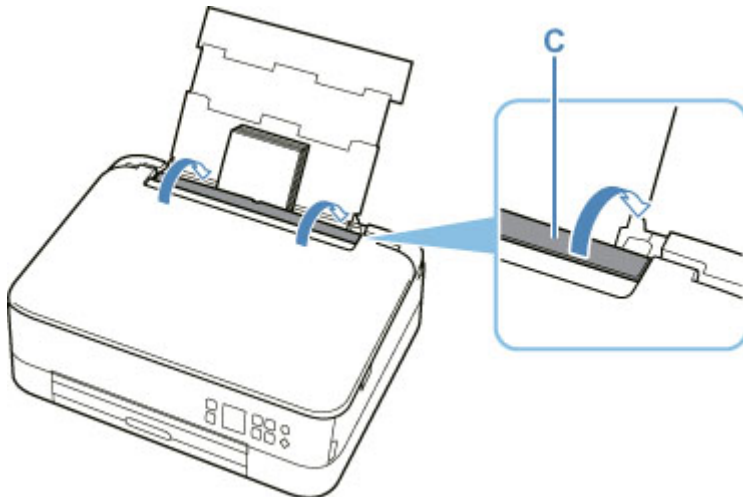
4. Load photo paper in portrait orientation WITH PRINT SIDE FACING UP.



5. Slide right paper guide (D) to align with both sides of paper stack.



6. Close feed slot cover (C) gently.



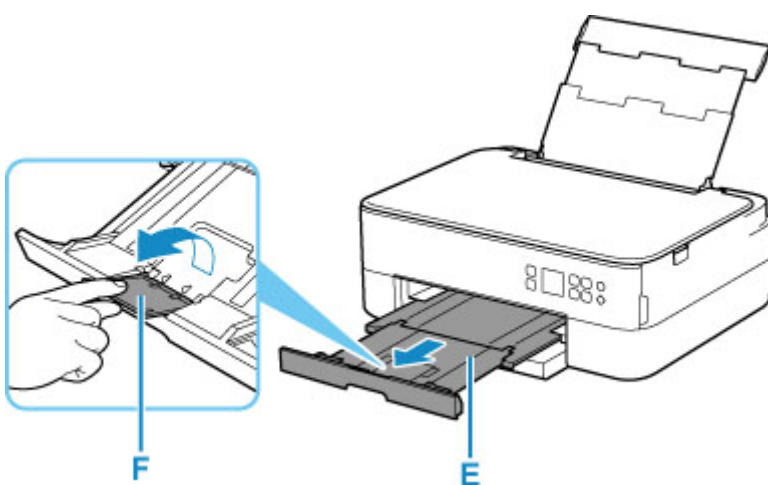
After closing the feed slot cover, the paper setting confirmation screen for the rear tray appears on the LCD.

7. If page size and media type on LCD match size and type of paper loaded in rear tray, select **OK**.

If not, select **Change** to change the settings in accordance with the size and type of the loaded paper.



8. Pull out the paper output tray (E) and open the paper output support (F).



9. Start Easy-PhotoPrint Editor.

**For Windows:**

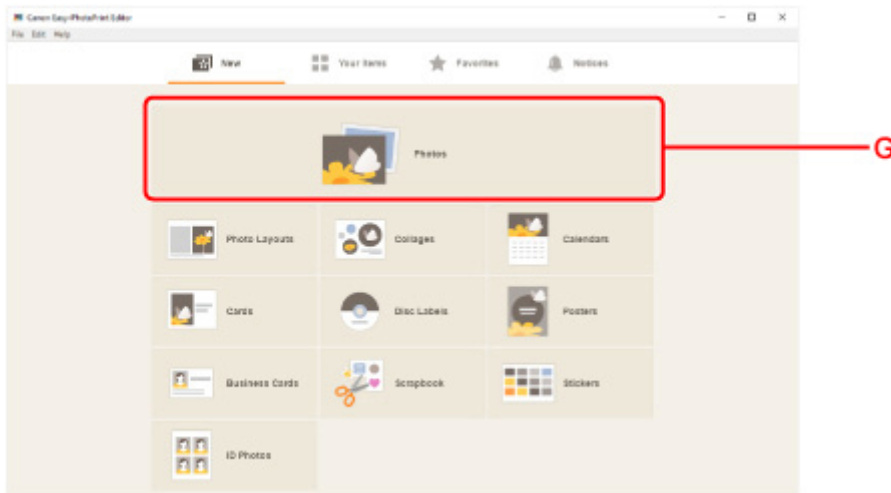
The procedure below is for a computer running the Windows 10 operating system.

From the **Start** menu, select **(All apps >) Canon Utilities > Easy-PhotoPrint Editor**.

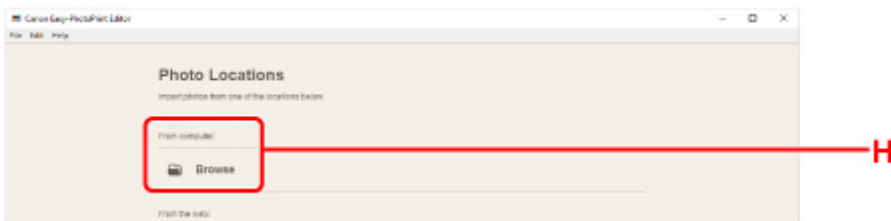
**For macOS:**

From the **Go** menu in **Finder**, select **Application** and double-click the **Canon Utilities** folder, the **Easy-PhotoPrint Editor** folder, and then the **Easy-PhotoPrint Editor** icon.

10. Click **Photos** icon (G).



11. Click **Browse** (H) in **Computer:** and select folder with photos you want to print.



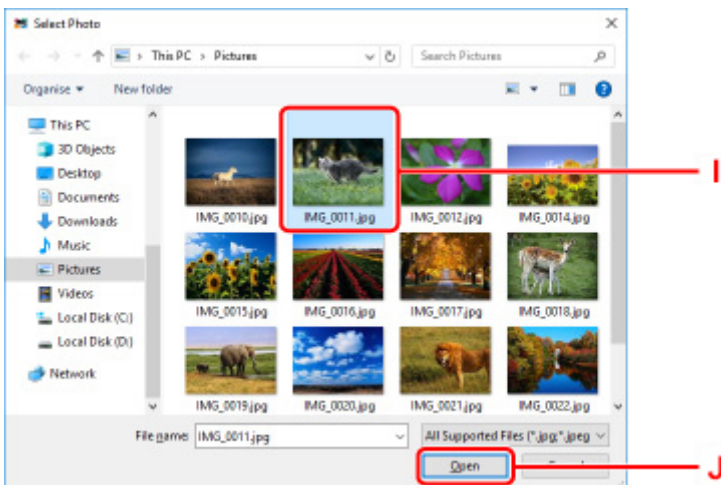
12. Click photos (I) you want to print and select **Open** (J).

**For Windows:**

To select two or more photos at a time, click photos while pressing the Ctrl key.

**For macOS:**

To select two or more photos at a time, click photos while pressing the command key.



13. Specify number of copies and other options under **Print Settings** (K).


**For Windows:**

Specify the number of copies, your model name, the paper size, and other options.

**For macOS:**

Specify the number of copies, the paper size, and other options.

**▶▶▶ Note**

- Selecting **Same No. of each photo** enables you to specify the number of copies for all photos with a single setting.
- Selecting **Same No. of each photo** disables the number-of-copies setting specified for each photo. When unchecked, the previous settings for each copy are re-enabled.  for specifying the number of copies is also re-enabled.

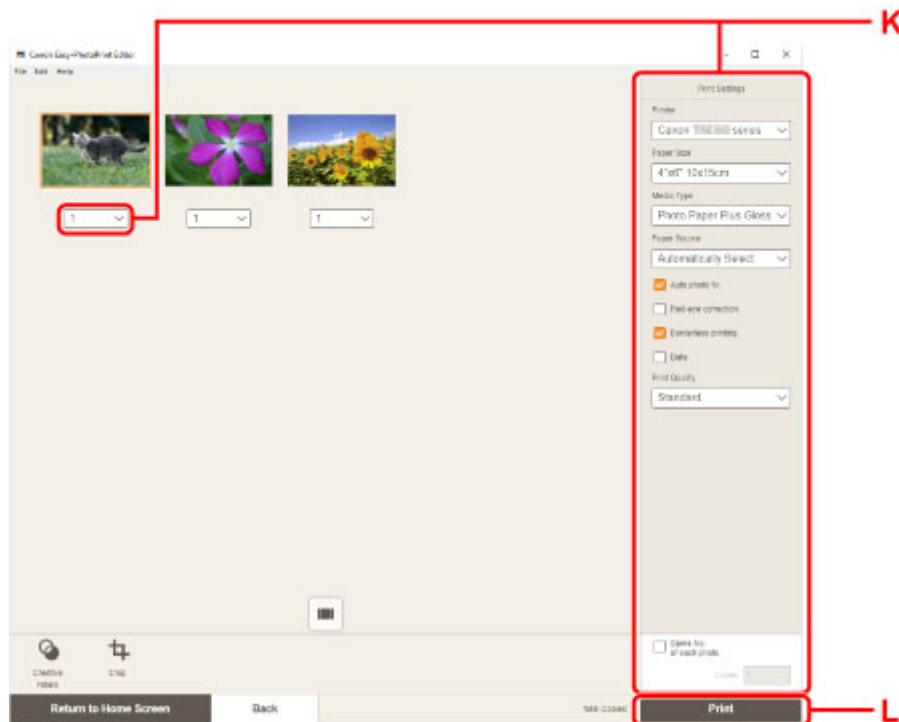
**14. Start printing.**

**For Windows:**

Click **Print** (L).

**For macOS:**

Click **Next**. When the Print dialog appears, specify your model name, paper, and other options, and then click **Print**.



**▶▶▶ Note**

- Easy-PhotoPrint Editor lets you easily create and print original collages, cards, or calendars using your favorite photos.

➔ [Easy-PhotoPrint Editor Guide](#)



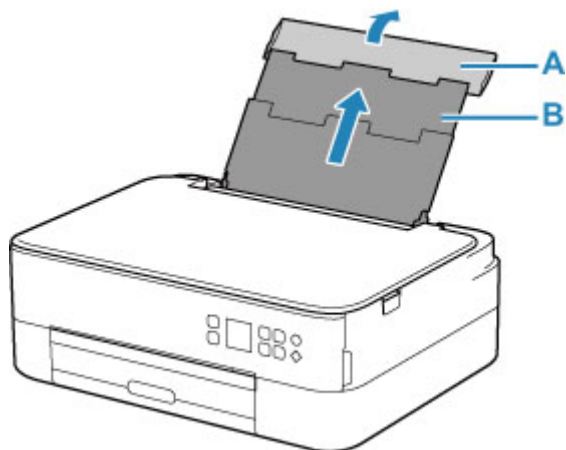
## Printing Photos from a Smartphone/Tablet

This section describes how to print photos with Canon PRINT Inkjet/SELPHY.

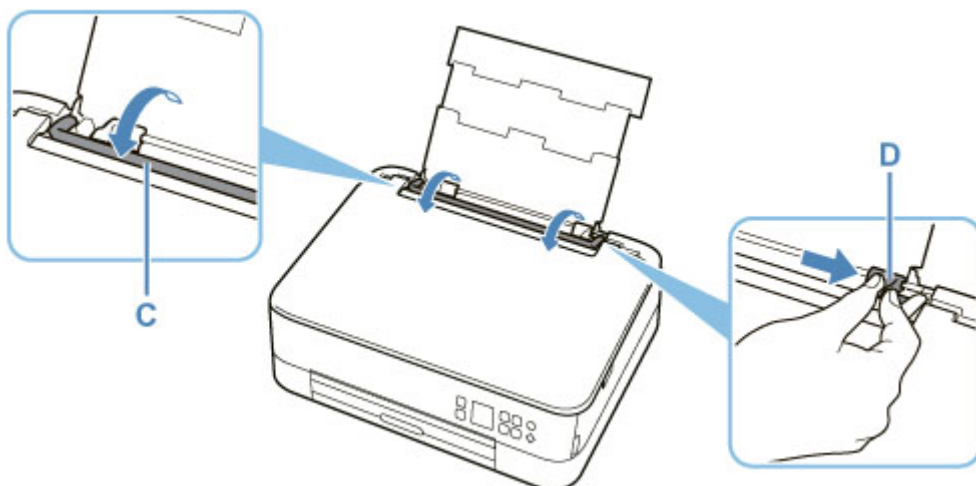
For details on how to download Canon PRINT Inkjet/SELPHY, see below.

### ➔ Print Photos from Your Smartphone

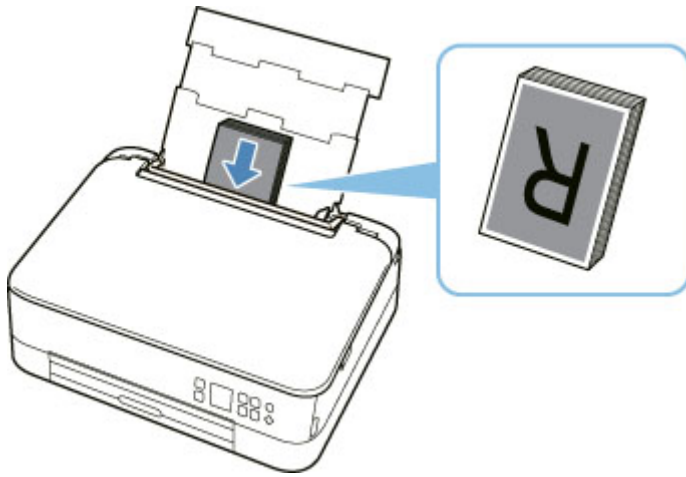
1. Open rear tray cover (A). Pull straight up and fold back paper support (B).



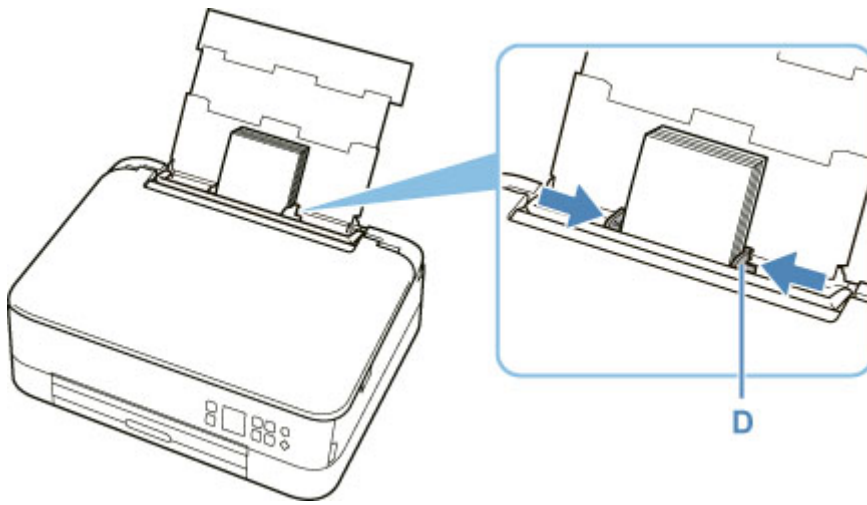
2. Open the feed slot cover (C).
3. Slide right paper guide (D) to open both paper guides.



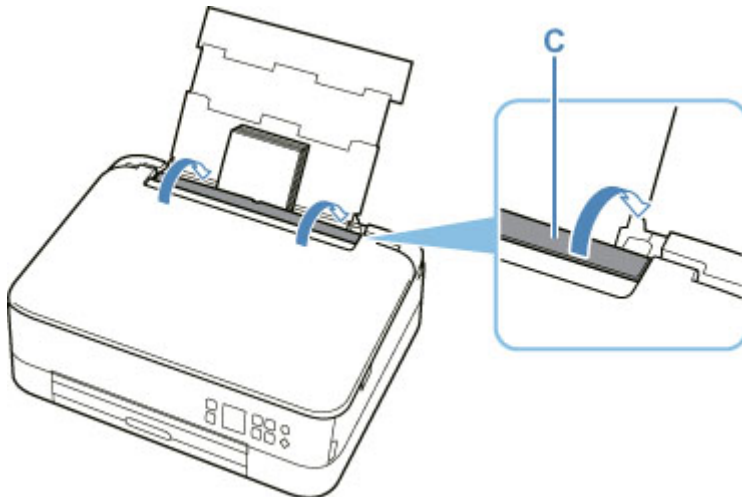
4. Load photo paper in portrait orientation WITH PRINT SIDE FACING UP.



5. Slide right paper guide (D) to align with both sides of paper stack.



6. Close feed slot cover (C) gently.



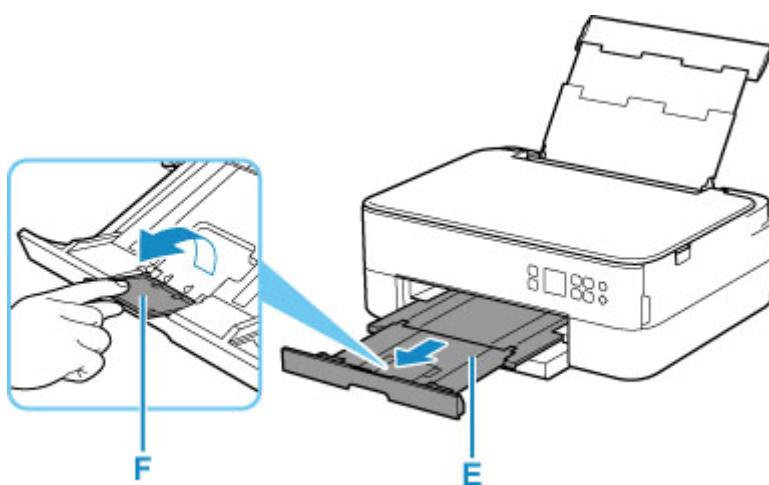
After closing the feed slot cover, the paper setting confirmation screen for the rear tray appears on the LCD.

7. If page size and media type on LCD match size and type of paper loaded in rear tray, select **OK**.

If not, select **Change** to change the settings in accordance with the size and type of the loaded paper.



8. Pull out the paper output tray (E) and open the paper output support (F).



9. Start  (Canon PRINT Inkjet/SELPHY) from your smartphone/tablet.

10. Select **Photo Print** on Canon PRINT Inkjet/SELPHY.

The list of photos saved on your smartphone/tablet is displayed.

11. Select a photo.

You can also select multiple photos at once.

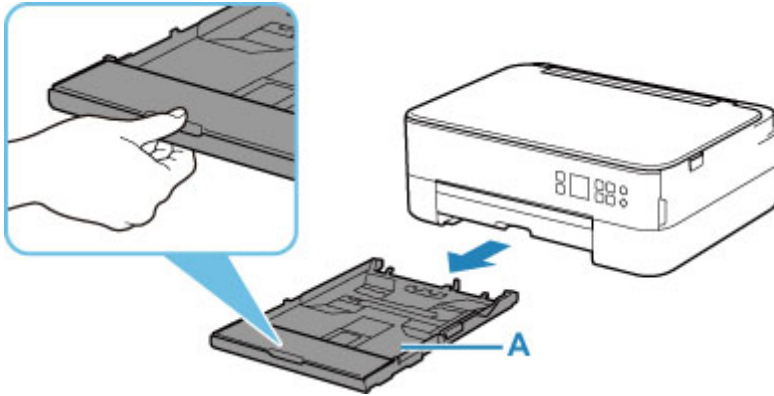
12. Specify the number of copies, paper size, etc.

13. Start printing.

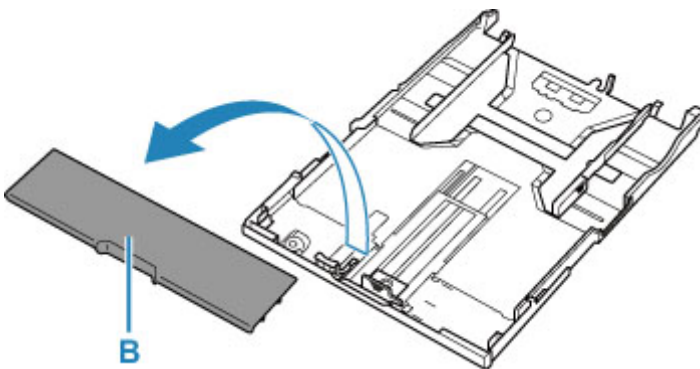
## Copying

This section describes how to load originals and copy them to plain paper loaded in the cassette.

1. Pull out the cassette (A) from the printer.

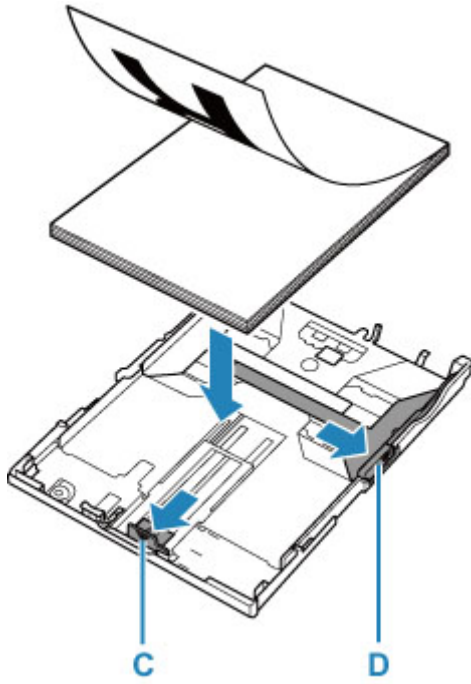


2. Remove the cassette cover (B).

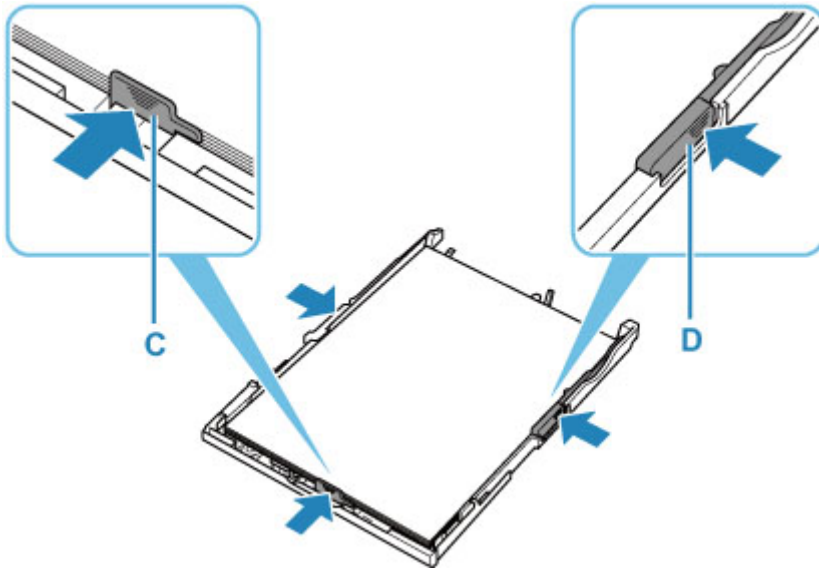


3. Slide paper guides (C) in front and (D) on right to open guides.

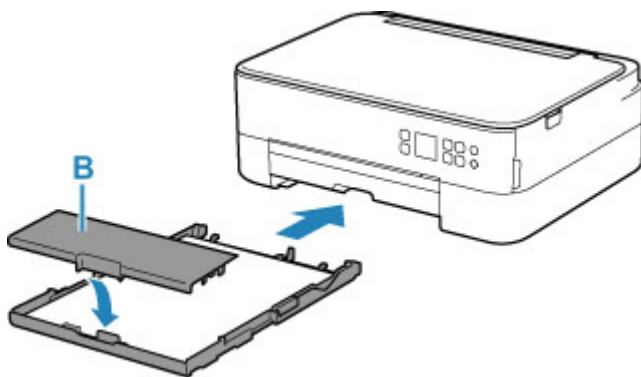
4. Load plain paper in portrait orientation WITH PRINT SIDE FACING DOWN.



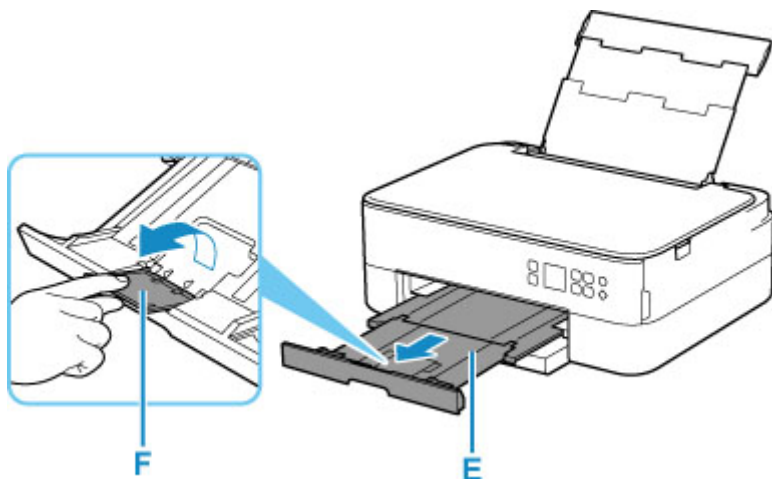
5. Align paper guides (C) in front and (D) on right with paper length and width.



6. Mount cassette cover (B) and insert cassette into printer.

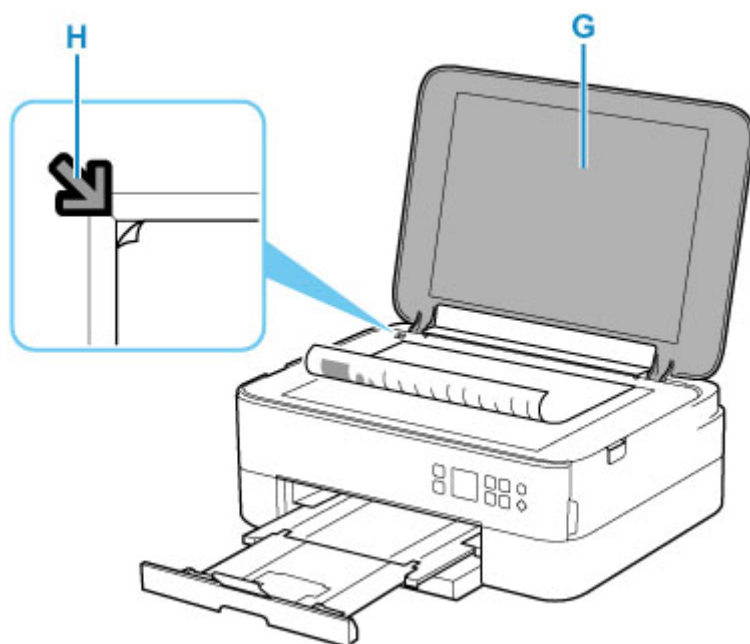


7. Pull out the paper output tray (E) and open the paper output support (F).



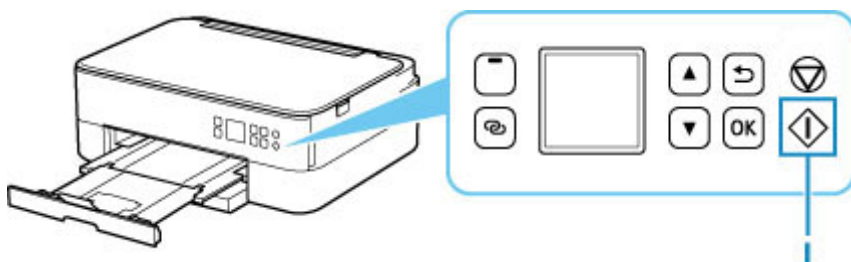
8. Open document cover (G).

9. Load original WITH SIDE TO COPY FACING DOWN and align it with alignment mark (H).



10. Close the document cover.

11. Check paper settings and press **Start** button (I).



## ▶▶ Important

- Do not open the document cover until copying is complete.

## ▶▶ Note

- Your printer is equipped with many other convenient copy features.

➔ [Copying](#)

# Network

## Available Connection Methods


The following connection methods are available on the printer.

### • Wireless Connection

Connect the printer and devices (e.g. computer/smartphone/tablet) using a wireless router.

If you have a wireless router, we recommend you use one for wireless connection.



- Connection methods vary depending on the wireless router type.
- You can change network settings such as the network name (SSID) and security protocol on the printer.
- When the connection between a device and a wireless router is completed and  (Wi-Fi icon) is displayed in the device's screen, you can connect the device to the printer using the wireless router.

### • Wireless Direct

Connect the printer and devices (e.g. computer/smartphone/tablet) without using a wireless router.



- While you are using the printer with Wireless Direct, Internet connection from the printer becomes unavailable. In that case, web services for the printer cannot be used.
- If you connect a device connected to the Internet via a wireless router to the printer that is in the Wireless Direct, the connection between the device and wireless router will be disabled. In that case, the connection of the device may switch to a mobile data connection automatically depending on your device. Transmission fees for connecting to the Internet using a mobile data connection apply.
- In the Wireless Direct, you can connect up to five devices at the same time. If you try to connect a sixth device while five devices are already connected, an error will appear. If an error appears, disconnect a device you do not use and configure settings again.
- Network settings such as the network name (SSID) and security protocol are specified automatically.

### ▶▶▶ Note

- You can connect the printer and computer using a USB cable (USB connection). Prepare a USB cable. For details, see [Connects to Another Computer via LAN/Changes from USB to LAN Connection](#).

## Network Connection Settings/Setup

Perform connection setup for the printer and computer/smartphone/tablet.

For more on setup procedure, click here.



## Changing Network Settings

See below for changing connection settings for the printer and computer/smartphone/tablet.

- To change network connection method:
  - ➔ [Reconfiguration Method of Wi-Fi Connection](#)
  - ➔ Changing the Connection Mode
- To add computer/smartphone/tablet to the printer:
  - ➔ [Connects to Another Computer via LAN/Changes from USB to LAN Connection](#)
- To use Wireless Direct temporarily:
  - ➔ [Printing/Scanning with Wireless Direct](#)

## IJ Network Device Setup Utility

IJ Network Device Setup Utility checks or diagnoses the settings of the printer and those of computer and restores the status of them if anything is wrong with network connection. Select either link below to download IJ Network Device Setup Utility.

- ➔ Checking Printer Connection Status Using IJ Network Device Setup Utility
- Performing/Changing Network Settings (Windows)  
For Windows, you can perform network settings using IJ Network Device Setup Utility.
  - ➔ [IJ Network Device Setup Utility \(Windows\)](#)
- Diagnosing and Repairing Network Settings (Windows/macOS)  
You can diagnose or repair network settings using IJ Network Device Setup Utility.
  - **For Windows:**
    - ➔ [IJ Network Device Setup Utility \(Windows\)](#)
  - **For macOS:**
    - ➔ [IJ Network Device Setup Utility \(macOS\)](#)

## Network Connection Tips

See below for tips on using the printer via network connection.

- ➔ [Network Connection Tips](#)
- ➔ Handling Printer Configuration using the Web Browser
- ➔ Countermeasures against Unauthorized Access

## Troubleshooting

See [Network Settings and Common Problems](#) for troubleshooting on network connection.

## Notice/Restriction

See below for details.

- Restrictions on network settings:
  - ➔ [Restrictions](#)
- Notices when printing using web service:
  - ➔ Notice for Web Service Printing

## Restrictions

When connecting another device while a device (such as a computer) is already connected to the printer, connect it using the same connection method as the connected device.

If you connect using a different connection method, the connection to the device in use will be disabled.

### Connect via wireless router

- Make sure your device and the wireless router are connected. For details on checking these settings, see the manual supplied with the wireless router or contact its manufacturer.

As for a device already connected to the printer without using a wireless router, reconnect it via a wireless router.

- Configuration, router functions, setup procedures and security settings of wireless routers vary depending on the system environment. For details, see the manual for your wireless router or contact its manufacturer.
- This printer does not support IEEE802.11ac, IEEE802.11a, or IEEE802.11n (5 GHz). Check if your device supports IEEE802.11n (2.4 GHz), IEEE802.11g or IEEE802.11b.
- If your device is set to the "IEEE802.11n only" mode, WEP or TKIP cannot be used as a security protocol. Change the security protocol for your device to something other than WEP and TKIP or change the setting to something other than "IEEE802.11n only."

The connection between your device and the wireless router will be temporarily disabled while the setting is changed. Do not proceed to the next screen of this guide until setup is complete.

- For office use, consult your network administrator.
- Note that if you connect to a network with no security protection, your personal information could be disclosed to a third party.

### Wireless Direct

#### »» Important

- If a device is connected to the Internet via a wireless router, and you then connect it to a printer in Wireless Direct mode, the existing connection between the device and wireless router will be disabled. In that case, the connection of the device may switch to a mobile data connection automatically depending on your device. When you connect to the Internet using a mobile data connection, charges may apply depending on your contract.
  - When you connect a device and the printer using Wireless Direct, the connection information will be saved to Wi-Fi settings. The device may be connected to the printer automatically even after disconnecting it or connecting it to another wireless router.
  - To prevent automatic connection to the printer in Wireless Direct mode, change the connection mode after using the printer, or set not to connect automatically in the Wi-Fi settings of the device.For details on changing the settings of your device, see the manual supplied with the device or contact its manufacturer.

- If you connect a device and the printer using Wireless Direct, Internet connection may become unavailable depending on your environment. In that case, web services for the printer cannot be used.

- In Wireless Direct mode, you can connect up to five devices at the same time. If you try to connect a sixth device while five devices are already connected, an error will appear.  
If an error appears, disconnect a device that does not use the printer, then configure settings again.
- Devices connected to the printer using Wireless Direct cannot communicate with each other.
- Firmware updates for the printer are not available while using Wireless Direct.
- When a device has been connected to the printer without using a wireless router and you want to set it up again using the same connection method, disconnect it first. Disable the connection between the device and printer in the Wi-Fi setting screen.

## **Network Connection Tips**

---

- **Default Network Settings**
- **Detect Same Printer Name**
- **Connects to Another Computer via LAN/Changes from USB to LAN Connection**
- **Printing Network Settings**
- **Reconfiguration Method of Wi-Fi Connection**

## Default Network Settings

### LAN Connection Defaults

Item	Default
Enable/Disable LAN	Disable LAN
Network name(SSID)	BJNPSETUP
Wi-Fi security	Disable
IP address (IPv4)	Auto setup
IP address (IPv6)	Auto setup
Set printer name*	XXXXXXXXXXXX
Enable/disable IPv6	Enable
Enable/disable WSD	Enable
Timeout setting	15 min.
Enable/disable Bonjour	Enable
Service name	Canon TS5300 series
LPR protocol setting	Enable
RAW protocol	Enable
LLMNR	Enable
PictBridge communication (Enable/disable communication)	Enable

("XX" represents alphanumeric characters.)

\* Default value depends on printer. To check value, use operation panel.

➔ [LAN settings](#)

### Wireless Direct Defaults

Item	Default
SSID/device name	DIRECT-abXX-TS5300series *1
Password	YYYYYYYYYY *2
Wi-Fi security	WPA2-PSK (AES)
Connection request confirmation	Displayed

\*1 "ab" is specified at random and "XX" represents last two digits of printer's MAC address. (The value is specified when the printer is turned on for the first time.)

\*2 The password is specified automatically when the printer is turned on for the first time.

## Detect Same Printer Name

When the printer is detected during setup, plural printers with the same name may appear on the results screen.

Select a printer with checking the printer settings against those on detection result screen.

- **For Windows:**

Check the printer's MAC address or serial to select the correct printer from the results.

- **For macOS:**

The printer names appear with the MAC address added at the end or as the printer name specified by Bonjour.

Check identifiers such as the MAC address, the printer name specified by Bonjour, and the printer's serial number to select the printer from among those that appear.

### ▶▶▶ Note

- Serial number may not appear on result screen.

To check the printer's MAC address and the serial number, print out the network settings information.

➡ [Printing Network Settings](#)

### ▶▶▶ Note

- You can check the printer's MAC address and the serial number by displaying on the LCD.

➡ [System information](#)

## **Connects to Another Computer via LAN/Changes from USB to LAN Connection**

---

To connect an additional computer to the printer via LAN, or to change from USB to LAN connection, click [here](#) and perform setup.



## Printing Network Settings

Use the operation panel to print the printer's current network settings.

### »» Important

- The network settings printout contains important information about your network. Handle it with care.

1. [Check that printer is turned on.](#)
2. [Load three sheets of A4 or Letter-sized plain paper.](#)
3. Press **OK** button on HOME screen.
4. Select **Device settings** and press **OK** button.
5. Select **LAN settings** and press **OK** button.
6. Select **Print details** and press **OK** button.
7. Select **Yes** and press **OK** button.

The printer starts printing the network setting information.

The following information on the printer's network setting is printed out. (Some setting values are not displayed depending on the printer settings.)

Item Number	Item	Description	Setting
1	Product Information	Product information	–
1-1	Product Name	Product name	XXXXXXXXXX
1-2	ROM Version	ROM version	XXXXXXXXXX
1-3	Serial Number	Serial number	XXXXXXXXXX
2	Network Diagnostics	Network diagnostics	–
2-1	Diagnostic Result	Diagnostic result	XXXXXXXXXX
2-2	Result Codes	Result codes	XXXXXXXXXX
2-3	Result Code Details	Result code details	<a href="http://canon.com/ijnwt">http://canon.com/ijnwt</a>
3	Wireless LAN	Wireless LAN	Enable/Disable
3-2	Infrastructure	Infrastructure	Enable/Disable
3-2-1	Signal Strength	Signal strength	0 to 100 [%]

3-2-2	Link Quality	Link quality	0 to 100 [%]
3-2-3	Frequency	Frequency	XX (GHz)
3-2-4	MAC Address	MAC address	XX:XX:XX:XX:XX:XX
3-2-5	Connection	Connection status	Active/Inactive
3-2-6	SSID	SSID	Wireless LAN network name (SSID)
3-2-7	Channel	Channel	XX (1 to 13)
3-2-8	Encryption	Encryption method	None/WEP/TKIP/AES
3-2-9	WEP Key Length	WEP key length (bits)	Inactive/128/64
3-2-10	Authentication	Authentication method	None/auto/open/shared/WPA-PSK/WPA2-PSK
3-2-11	TCP/IPv4	TCP/IPv4	Enable
3-2-12	IP Address	IP address	XXX.XXX.XXX.XXX
3-2-13	Subnet Mask	Subnet mask	XXX.XXX.XXX.XXX
3-2-14	Default Gateway	Default gateway	XXX.XXX.XXX.XXX
3-2-15	TCP/IPv6	TCP/IPv6	Enable/Disable
3-2-16	Link Local Address	Link local address	XXXX:XXXX:XXXX:XXXX XXXX:XXXX:XXXX:XXXX
3-2-17	Link Local Prefix Length	Link local prefix length	XXX
3-2-18	Stateless Address1	Stateless address 1	XXXX:XXXX:XXXX:XXXX XXXX:XXXX:XXXX:XXXX
3-2-19	Stateless Prefix Length1	Stateless prefix length 1	XXX
3-2-20	Stateless Address2	Stateless address 2	XXXX:XXXX:XXXX:XXXX XXXX:XXXX:XXXX:XXXX
3-2-21	Stateless Prefix Length2	Stateless prefix length 2	XXX
3-2-22	Stateless Address3	Stateless address 3	XXXX:XXXX:XXXX:XXXX XXXX:XXXX:XXXX:XXXX
3-2-23	Stateless Prefix Length3	Stateless prefix length 3	XXX
3-2-24	Stateless Address4	Stateless address 4	XXXX:XXXX:XXXX:XXXX XXXX:XXXX:XXXX:XXXX

3-2-25	Stateless Prefix Length4	Stateless prefix length 4	XXX
3-2-26	Default Gateway1	Default gateway 1	XXXX:XXXX:XXXX:XXXX XXXX:XXXX:XXXX:XXXX
3-2-27	Default Gateway2	Default gateway 2	XXXX:XXXX:XXXX:XXXX XXXX:XXXX:XXXX:XXXX
3-2-28	Default Gateway3	Default gateway 3	XXXX:XXXX:XXXX:XXXX XXXX:XXXX:XXXX:XXXX
3-2-29	Default Gateway4	Default gateway 4	XXXX:XXXX:XXXX:XXXX XXXX:XXXX:XXXX:XXXX
3-2-33	IPsec	IPsec setting	Active
3-2-34	Security Protocol	Security method	ESP/ESP & AH/AH
3-3	Wireless Direct	Operation mode for Wireless Direct	Enable/Disable
3-3-1	MAC Address	MAC address	XX:XX:XX:XX:XX:XX
3-3-2	Connection	Connection status	Active/Inactive
3-3-3	SSID	SSID	Wireless Direct network name (SSID)
3-3-4	Password	Password	Wireless Direct password (10 alphanumeric characters)
3-3-5	Channel	Channel	3
3-3-6	Encryption	Encryption method	AES
3-3-7	Authentication	Authentication method	WPA2-PSK
3-3-8	TCP/IPv4	TCP/IPv4	Enable
3-3-9	IP Address	IP address	XXX.XXX.XXX.XXX
3-3-10	Subnet Mask	Subnet mask	XXX.XXX.XXX.XXX
3-3-11	Default Gateway	Default gateway	XXX.XXX.XXX.XXX
3-3-12	TCP/IPv6	TCP/IPv6	Enable/Disable
3-3-13	Link Local Address	Link local address	XXXX:XXXX:XXXX:XXXX XXXX:XXXX:XXXX:XXXX
3-3-14	Link Local Prefix Length	Link local prefix length	XXX
3-3-15	IPsec	IPsec setting	Active
3-3-16	Security Protocol	Security method	–

5	Other Settings	Other settings	–
5-1	Printer Name	Printer name	Printer name (Up to 15 alphanumeric characters)
5-2	Wireless Direct Dev-Name	Device name for wireless direct	Device name for wireless direct (Up to 32 alphanumeric characters)
5-4	WSD Printing	WSD printing setting	Enable/Disable
5-5	WSD Timeout	Timeout	1/5/10/15/20 [min]
5-6	LPD Printing	LPD printing setting	Enable/Disable
5-7	RAW Printing	RAW printing setting	Enable/Disable
5-9	Bonjour	Bonjour setting	Enable/Disable
5-10	Bonjour Service Name	Bonjour service name	Bonjour service name (Up to 52 alphanumeric characters)
5-11	LLMNR	LLMNR setting	Enable/Disable
5-12	SNMP	SNMP setting	Enable/Disable
5-13	PictBridge Commun.	PictBridge Communication	Enable/Disable
5-14	DNS Server	Obtain DNS server address automatically	Auto/Manual
5-15	Primary Server	Primary server address	XXX.XXX.XXX.XXX
5-16	Secondary Server	Secondary server address	XXX.XXX.XXX.XXX
5-17	Proxy Server	Proxy server setting	Enable/Disable
5-18	Proxy Address	Proxy address	XXXXXXXXXXXXXXXXXXXX
5-19	Proxy Port	Proxy port specification	1 to 65535
5-20	Cert. Fingerprt(SHA-1)	Certificate fingerprint(SHA-1)	xxxxxxxx xxxxxxxx xxxxxxxx xxxxxxxx xxxxxxxx
5-21	Cert. Fingerprt(SHA-256)	Certificate fingerprint(SHA-256)	xxxxxxxx xxxxxxxx xxxxxxxx xxxxxxxx xxxxxxxx xxxxxxxx xxxxxxxx xxxxxxxx
6	Bluetooth	Bluetooth settings	–
6-1	Bluetooth Setting	Bluetooth	Enable/Disable
6-3	Bluetooth Device Address	Bluetooth device address of the printer	XXXXXXXX
6-5	Bluetooth Device Name	Bluetooth device name of the printer	XXXXXXXX

7	Web Services	Web Services	–
7-1	Unsent Usage Logs	Number of unsent usage logs	0 to 200
7-2	Usage Log Last Sent	Last date when usage log was sent	XXXXXXXX
7-3	Web Service Status	Registration status	Not set/Disabled/Registration pending/Registered
7-4	Log Transmission Status	Transmission result	Not activated/Processing/Server error/Connection error/Timeout error/Error/Awaiting server response/Active

("XX" represents alphanumeric characters.)

## Reconfiguration Method of Wi-Fi Connection


Follow either procedure below to change Wi-Fi connection method (infrastructure or Wireless Direct).

- **For Windows:**

- Click [here](#) and redo setup.
- Perform settings on the **Network Settings** screen on IJ Network Device Setup Utility.

### »» Important

- Before you perform settings using IJ Network Device Setup Utility, turn on Easy wireless connect mode on the printer following the procedure below.

1. [Check that printer is turned on.](#)
2. Press and hold  (**Wireless connect**) button for 3 seconds.
  - ➔ [LCD and Operation Panel](#)
3. Follow instructions on your smartphone or tablet.
4. If message saying setup is completed appears, press **OK** button.

- **For macOS:**

Click [here](#) and redo setup.

## **IJ Network Device Setup Utility (macOS)**

---

- ▶ **IJ Network Device Setup Utility**
- ▶ **Starting Up IJ Network Device Setup Utility**
- ▶ **Diagnosing and Repairing Network Settings**
- ▶ **List of Models Which Does Not Support Diagnosis and Repair Function**

## IJ Network Device Setup Utility

---

If anything is wrong with connection, IJ Network Device Setup Utility diagnoses the settings of the printer and those of computer on which it is installed. In addition, IJ Network Device Setup Utility restores the status of the printer and computer.

### »» Important

- To use the printer over LAN, make sure you have the equipment necessary for the connection type, such as a wireless router or a LAN cable.
- When you install IJ Network Device Setup Utility, disable block function of firewall.



## Starting Up IJ Network Device Setup Utility

---

Start up **Launchpad**, select **Canon Utilities**, and then select IJ Network Device Setup Utility.

When you start up IJ Network Device Setup Utility, the screen below appears.



Enter the password specified for your computer and select **Install Helper**. IJ Network Device Setup Utility starts diagnosis and repair of network.

➔ [Diagnosing and Repairing Network Settings](#)

## Diagnosing and Repairing Network Settings

IJ Network Device Setup Utility diagnoses and repairs computer settings or connection between the computer and printer when a problem (e.g. cannot print from a printer on the network) occurs.

### ▶▶▶ Important

- Some models do not support diagnosis and repair function.

For details:

➔ [List of Models Which Does Not Support Diagnosis and Repair Function](#)

IJ Network Device Setup Utility starts checking the computer settings when it starts up. Perform operations following the instructions on the screen.

### ▶▶▶ Note

- This function checks the following items:
  - whether the computer is connected to the router
  - whether the printer can be detected on the network
  - whether the signal strength or communication level is sufficient (when using Wi-Fi)
  - whether the printer port setting matches with the network setting

## List of Models Which Does Not Support Diagnosis and Repair Function

---

The following models does not support "Diagnose and Repair" function of IJ Network Device Setup Utility.

- G4000 series
- PRO-500 series
- PRO-1000 series
- MB2100 series
- MB2700 series
- MB5100 series
- MB5400 series
- iB4000 series
- PRO-520
- PRO-540
- PRO-560
- PRO-540S
- PRO-560S
- PRO-2000
- PRO-4000
- PRO-6000
- PRO-4000S
- PRO-6000S
- TS9000 series
- TS8000 series
- TS6000 series
- TS5000 series
- MG3000 series
- E470 series

## **Handling Paper, Originals, FINE Cartridges, etc.**

---

- ▶ **Loading Paper**
- ▶ **Loading Originals**
- ▶ **Replacing a FINE Cartridge**

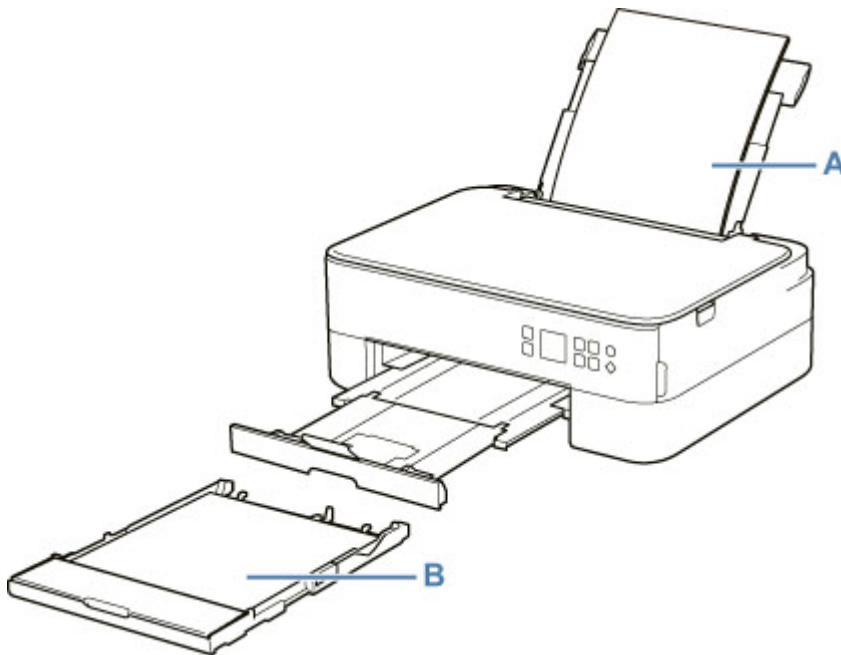
## **Loading Paper**

---

- **Paper Sources**
- **Loading Paper in the Rear Tray**
- **Loading Paper in the Cassette**
- **Loading Envelopes in Rear Tray**

## Paper Sources

The printer has two paper sources for feeding paper, the rear tray (A) and cassette (B).



You can load all supported paper on the rear tray.

➔ [Supported Media Types](#)

You can load A4, B5, A5, or Letter-sized plain paper in the cassette.

### ▶▶▶ Note

- When printing, select the correct page size and media type. If you select the wrong page size or media type, the printer may feed paper from the wrong paper source or may not print with the proper print quality.

For details on how to load paper in each paper source, see below.

- ➔ [Loading Paper in the Rear Tray](#)
- ➔ [Loading Paper in the Cassette](#)
- ➔ [Loading Envelopes in Rear Tray](#)

## Loading Paper in the Rear Tray

You can load plain paper or photo paper.

You can also load envelopes on the rear tray.

➔ [Loading Envelopes in Rear Tray](#)

### ▶▶▶ Important

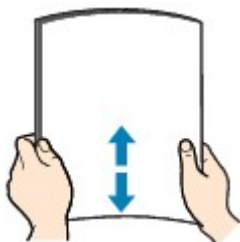
- If you cut plain paper to a size of 5" x 7" (13 x 18 cm) or smaller to perform a trial print, it may cause a paper jam.

### ▶▶▶ Note

- We recommend Canon genuine photo paper for printing photos.  
For details on the Canon genuine paper, see [Supported Media Types](#).
- You can use general copy paper or Canon Red Label Superior WOP111/Canon Océ Office Colour Paper SAT213.  
For the page size and paper weight you can use for this printer, see [Supported Media Types](#).

#### 1. Prepare paper.

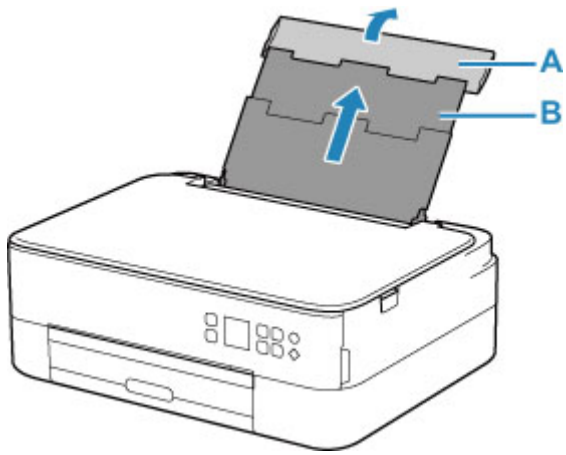
Align the edges of paper. If paper is curled, flatten it.



### ▶▶▶ Note

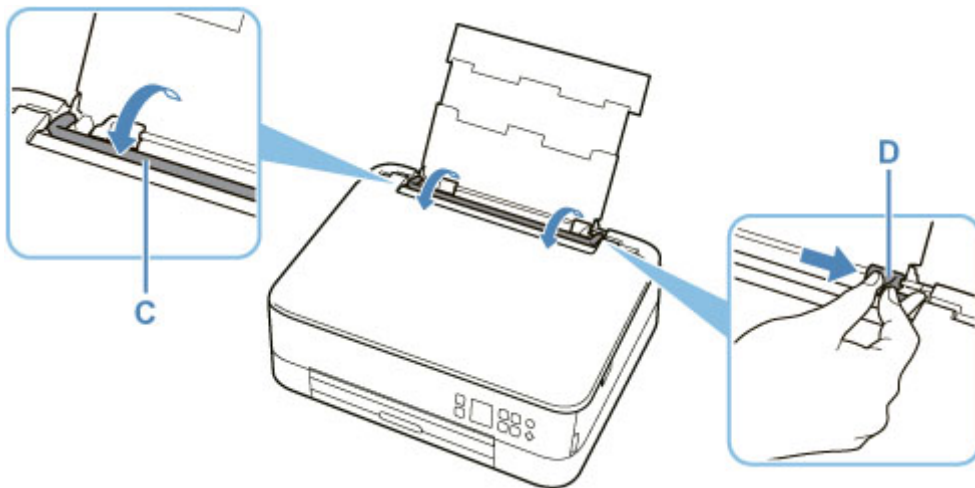
- Align the edges of paper neatly before loading. Loading paper without aligning the edges may cause paper jams.
- If paper is curled, hold the curled corners and gently bend them in the opposite direction until the paper becomes completely flat.  
For details on how to flatten curled paper, see [Check3](#) in [Paper Is Smudged / Printed Surface Is Scratched](#).
- When using Photo Paper Plus Semi-gloss SG-201, even if the sheet is curled, load one sheet at a time as it is. If you roll up this paper to flatten, this may cause cracks on the surface of the paper and reduce the print quality.

#### 2. Open rear tray cover (A). Pull straight up and fold back paper support (B).

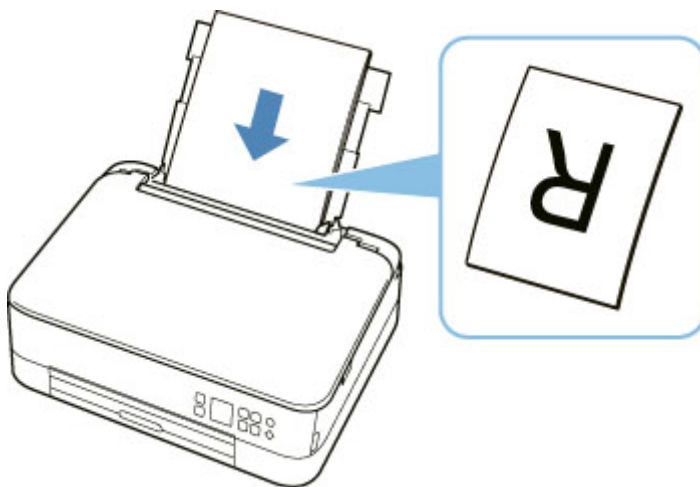


3. Open the feed slot cover (C).

4. Slide right paper guide (D) to open both paper guides.



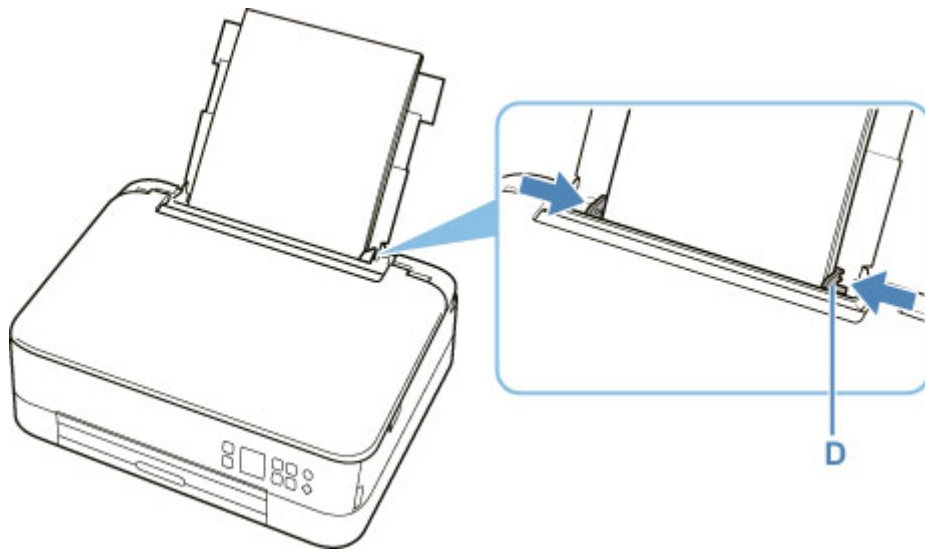
5. Load paper stack in portrait orientation WITH PRINT SIDE FACING UP.



6. Slide right paper guide (D) to align with both sides of paper stack.

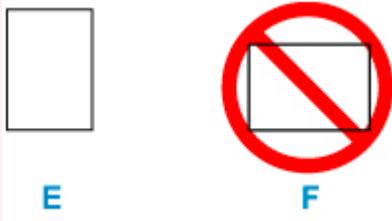
Do not slide the paper guides too hard against the paper. The paper may not be fed properly.





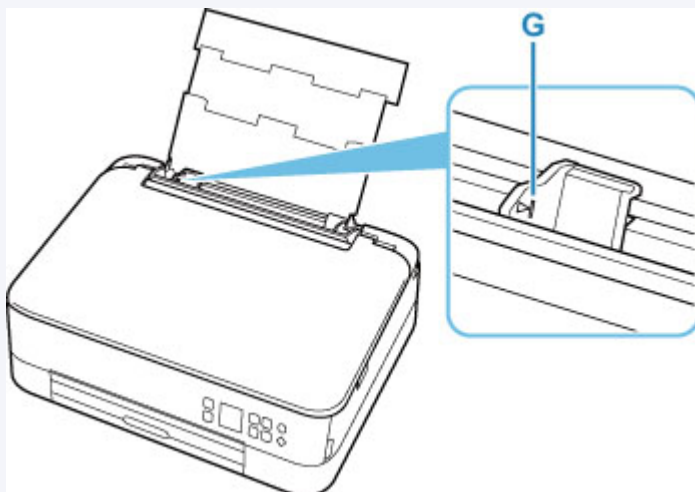
**▶▶▶ Important**

- Always load paper in portrait orientation (E). Loading paper in landscape orientation (F) can cause paper jams.

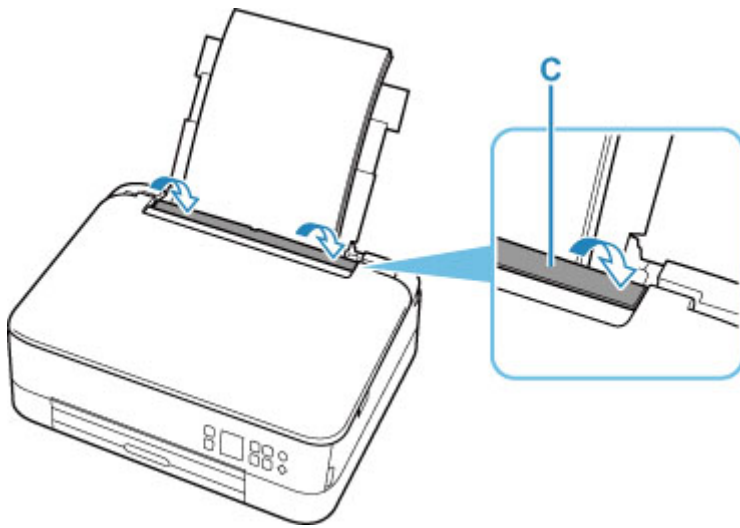


**▶▶▶ Note**

- Do not load sheets of paper higher than the load limit mark (G).



7. Close feed slot cover (C) gently.



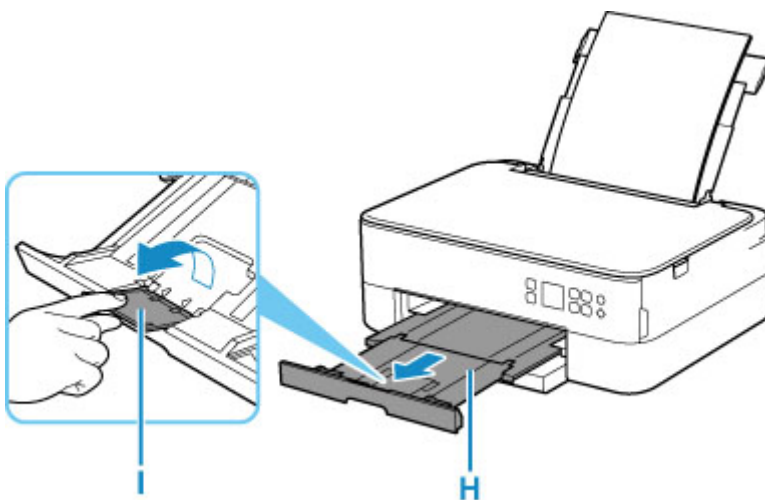
After closing the feed slot cover, the paper setting confirmation screen for the rear tray appears on the LCD.

8. If page size and media type on LCD match size and type of paper loaded in rear tray, select **OK**.

If not, select **Change** to change the settings in accordance with the size and type of the loaded paper.



9. Pull out the paper output tray (H) and open the paper output support (I).



## »» Note

- There are various types of paper, such as paper with a special surface coating for printing photos at optimal quality and paper suitable for documents. Each media type has specific preset settings (how ink is used and sprayed, distance from nozzles, etc.), that allow you to print to that type with optimal image quality. The wrong paper settings may cause poor printout color quality or scratches on the printed surface. If you notice blurring or uneven colors, increase the print quality setting and try printing again.
- To prevent incorrect printing, this printer has a function that detects whether the settings for the paper loaded on the rear tray matches the paper settings. Before printing, make print settings in accordance with the paper settings. When this function is enabled, an error message is displayed if these settings do not match to prevent incorrect printing. When this error message is displayed, check and correct the paper settings.

## Loading Paper in the Cassette

You can load A4, B5, A5, or Letter-sized plain paper in the cassette.

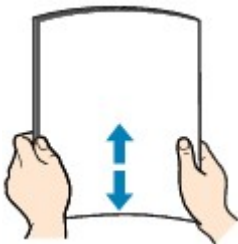
### ►► Note

- In the cassette, be sure to load only plain paper.
- You can use general copy paper or Canon Red Label Superior WOP111/Canon Océ Office Colour Paper SAT213.

For the page size and paper weight you can use for this printer, see [Supported Media Types](#).

### 1. Prepare paper.

Align the edges of paper. If paper is curled, flatten it.

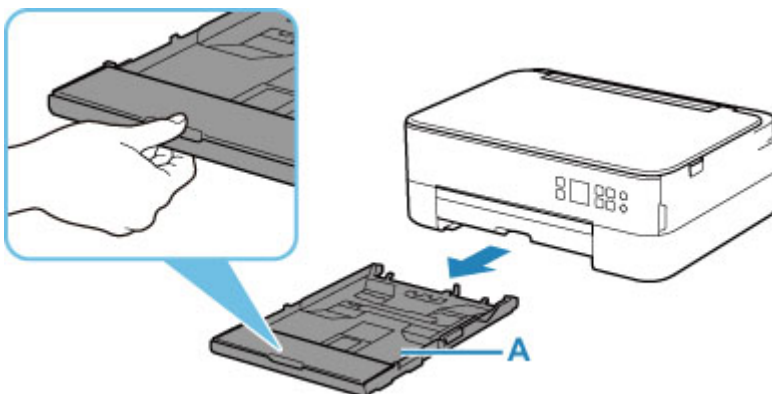


### ►► Note

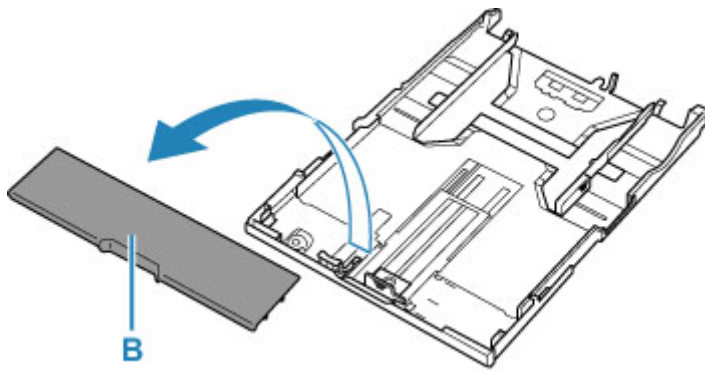
- Align the edges of paper neatly before loading. Loading paper without aligning the edges may cause paper jams.
- If paper is curled, hold the curled corners and gently bend them in the opposite direction until the paper becomes completely flat.

For details on how to flatten curled paper, see **Check3** in [Paper Is Smudged / Printed Surface Is Scratched](#).

### 2. Pull out the cassette (A) from the printer.

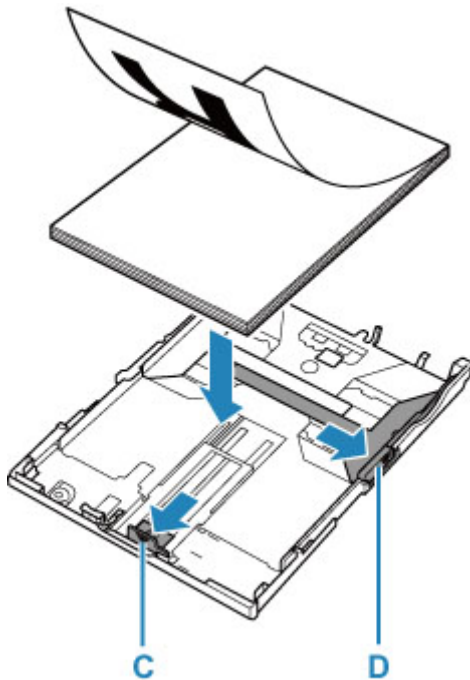


### 3. Remove the cassette cover (B).



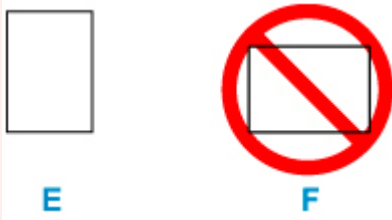
4. Slide paper guides (C) in front and (D) on right to open guides.

5. Load paper stack in portrait orientation WITH PRINT SIDE FACING DOWN, and place it in center of cassette.



### »»» Important

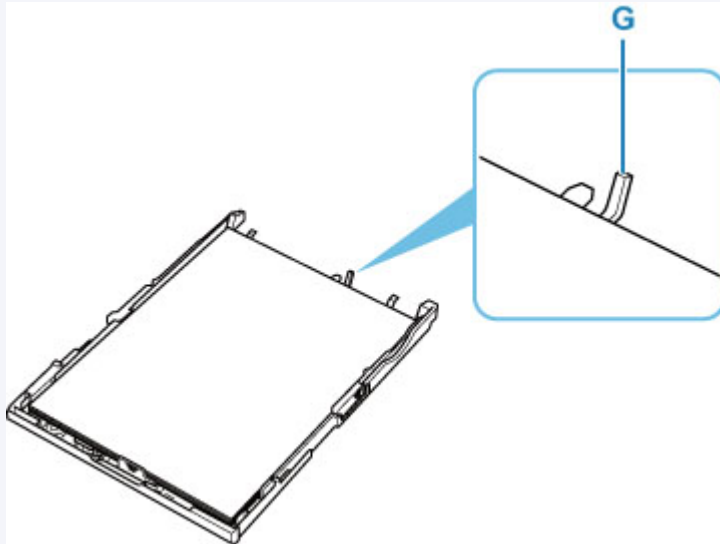
- Always load paper in portrait orientation (E). Loading paper in landscape orientation (F) can cause paper jams.



### »»» Note

- Align the paper stack with the edge of the cassette as shown in the figure below.

If the paper stack is in contact with the protrusion (G), the paper may not be fed properly.

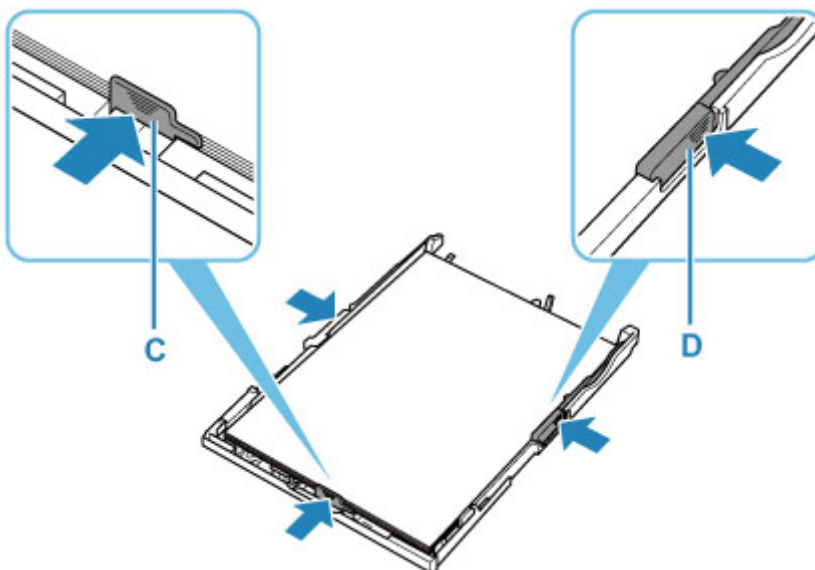


6. Slide front paper guide (C) to align it with paper stack.

Align paper guide with where it clicks into place.

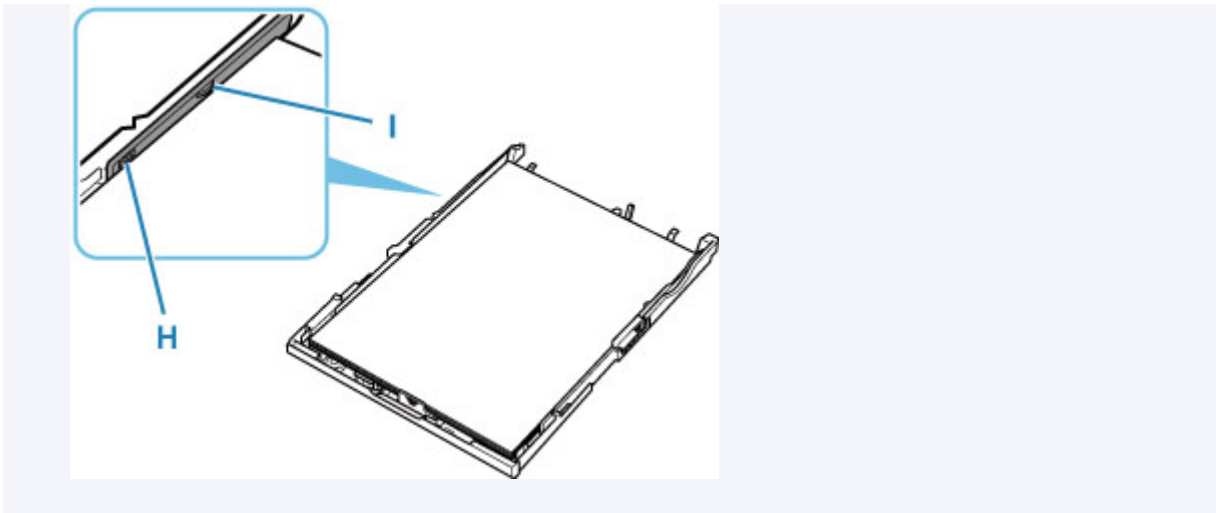
7. Slide right paper guide (D) to align it with paper stack.

Do not slide the paper guide too hard against the paper. The paper may not be fed properly.



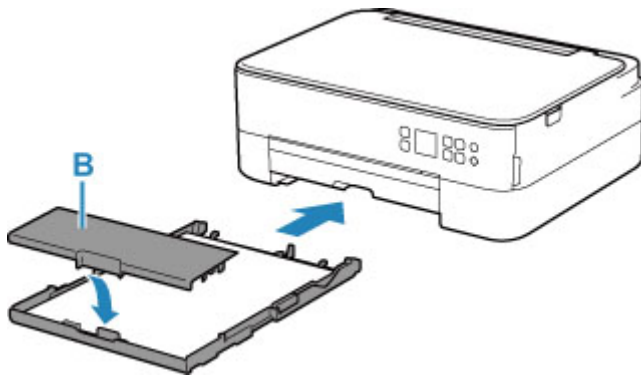
**▶▶▶ Note**

- Do not load sheets of paper higher than the load limit mark (H).
- Keep the paper stack height below the tabs (I) of the paper guides.

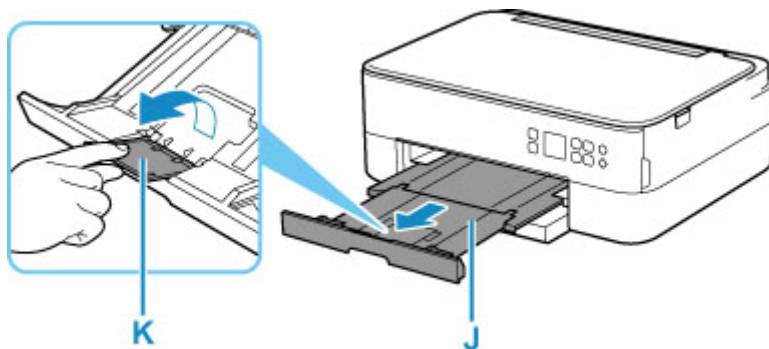


**8. Mount cassette cover (B) and insert cassette into printer.**

Push the cassette into the printer until it stops.

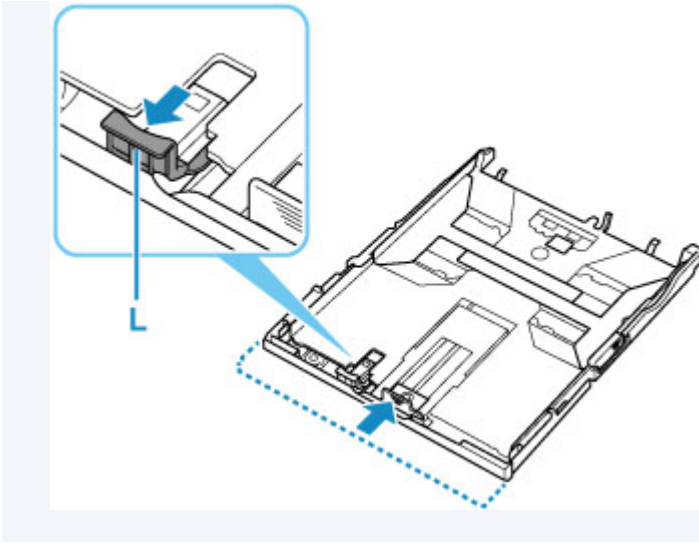


**9. Pull out the paper output tray (J) and open the paper output support (K).**



**▶▶▶ Note**

- To prevent incorrect printing, this printer has a function that detects whether the settings for the paper loaded in the cassette matches the paper settings. Before printing, make print settings in accordance with the paper settings. When this function is enabled, an error message is displayed if these settings do not match to prevent incorrect printing. When this error message is displayed, check and correct the paper settings.
- When the cassette is pulled out, it automatically extends. To shorten the extended cassette, push it in while pulling lever (L).





## Loading Envelopes in Rear Tray

You can load Envelope DL and Envelope Com 10 on the rear tray.

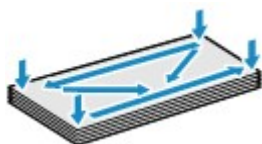
The address is automatically rotated and printed according to the envelope's direction by specifying with the printer driver properly.

### Important

- Printing of envelopes from the operation panel or from a PictBridge (Wi-Fi) compliant device is not supported.
- Do not use the following envelopes. They could jam in the printer or cause the printer to malfunction.
  - Envelopes with an embossed or treated surface
  - Envelopes with a double flap
  - Envelopes whose gummed flaps are already moistened and adhesive

### 1. Prepare envelopes.

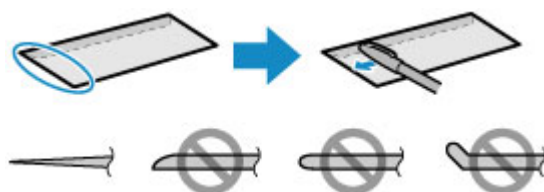
- Press down on all four corners and edges of the envelopes to flatten them.



- If the envelopes are curled, hold the opposite corners and gently twist them in the opposite direction.



- If the corner of the envelope flap is folded, flatten it.
- Use a pen to press the leading edge in the inserting direction flat and sharpen the crease.

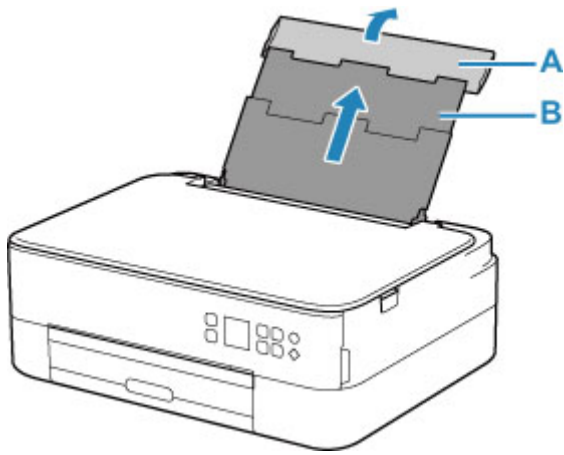


The figures above show a side view of the leading edge of the envelope.

### Important

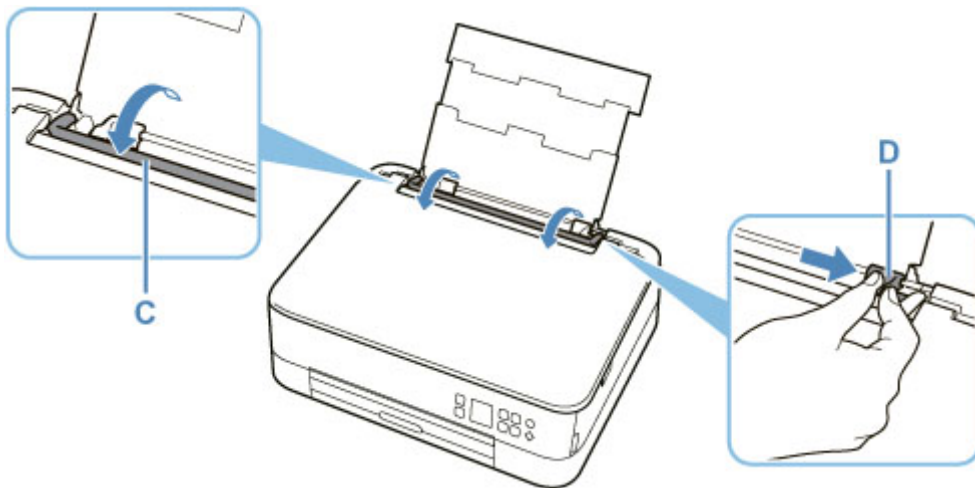
- The envelopes may jam in the printer if they are not flat or the edges are not aligned. Make sure that no curl or puff exceeds 0.12 in. (3 mm).

### 2. Open rear tray cover (A). Pull straight up and fold back paper support (B).



3. Open the feed slot cover (C).

4. Slide right paper guide (D) to open both paper guides.



5. Load envelopes in portrait orientation WITH PRINT SIDE FACING UP.

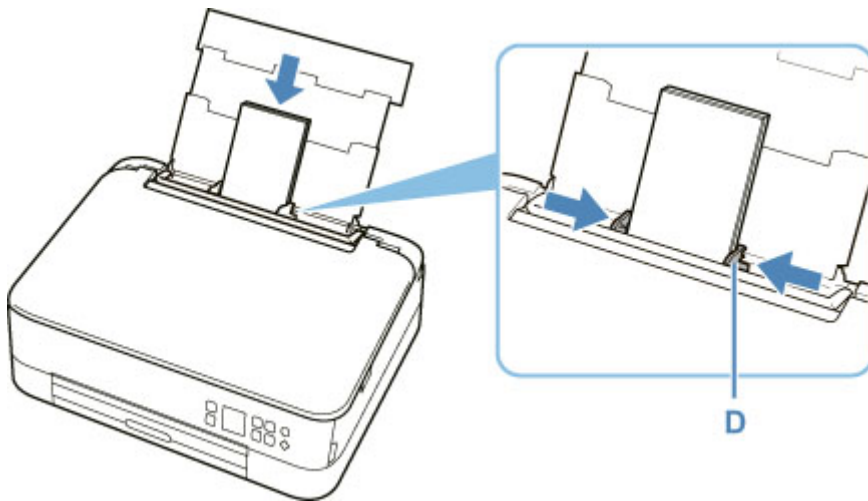
Up to 10 envelopes can be loaded at once.

Fold flap of the envelope and load the envelope in portrait orientation with the address side facing up.



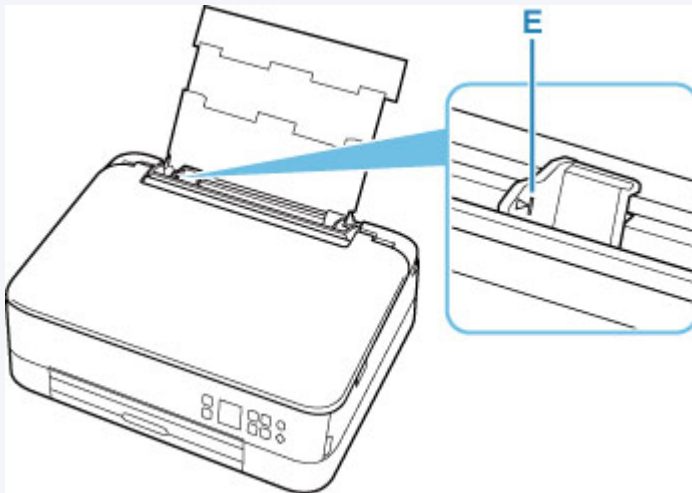
6. Slide right paper guide (D) to align with both sides of envelopes.

Do not slide the paper guides too hard against the envelopes. The envelopes may not be fed properly.

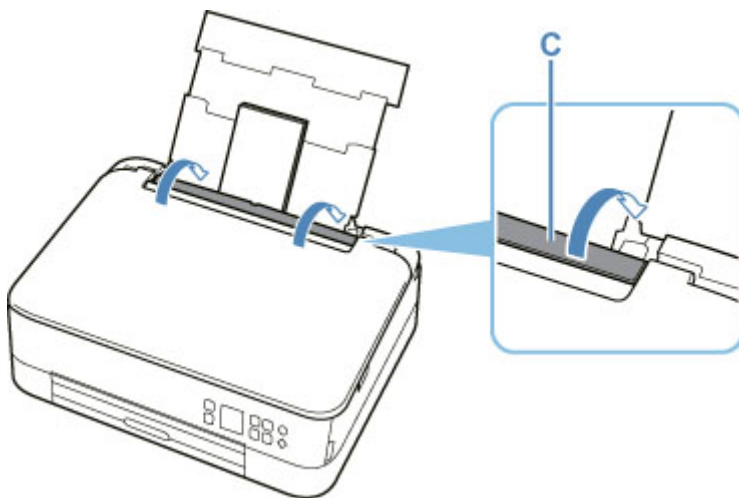


►►► **Note**

- Do not load envelopes higher than the load limit mark (E).



7. Close feed slot cover (C) gently.



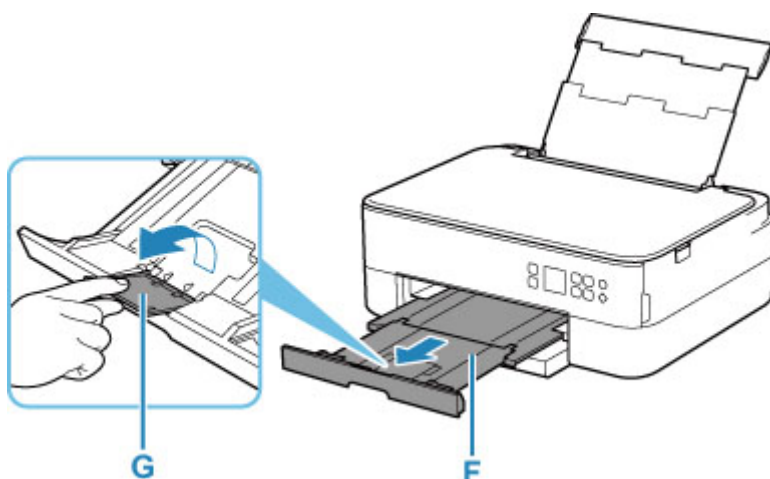
After closing the feed slot cover, the paper setting confirmation screen for the rear tray appears on the LCD.

8. If page size and media type shown on LCD match size and type of envelopes loaded in rear tray, select **OK**.

If not, select **Change** to change the settings in accordance with the size and type of the loaded envelopes.



9. Pull out the paper output tray (F) and open the paper output support (G).



### »» Note

- To prevent incorrect printing, this printer has a function that detects whether the settings for the paper loaded on the rear tray matches the paper settings. Before printing, make print settings in accordance with the paper settings. When this function is enabled, an error message is displayed if these settings do not match to prevent incorrect printing. When this error message is displayed, check and correct the paper settings.

## **Loading Originals**

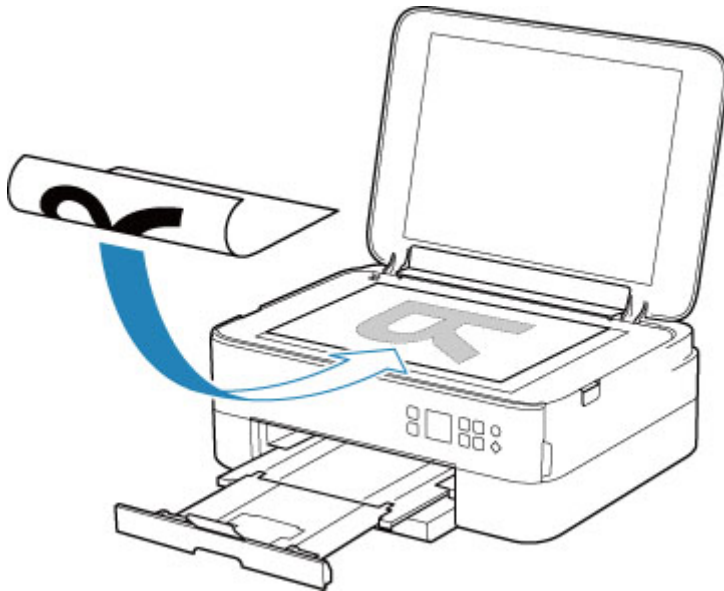
---

- ▶ **Loading Originals on Platen**
- ▶ **Supported Originals**
- ▶ **How to Detach / Attach the Document Cover**

## Loading Originals on Platen

1. Open the document cover.
2. Load original WITH SIDE TO SCAN FACING DOWN on platen.

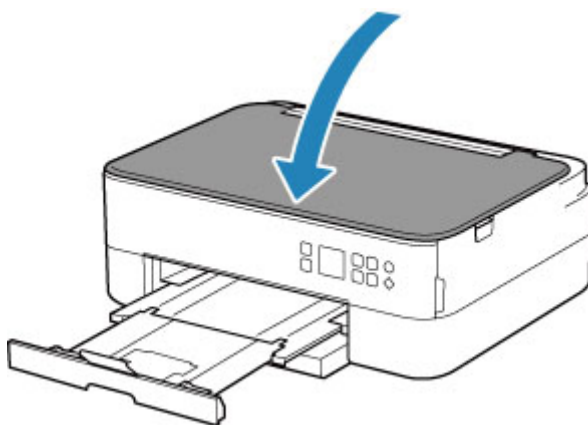
➔ [Supported Originals](#)



### »» Important

- Be sure to observe the following when loading the original on the platen.  
Failure to observe the following may cause the scanner to malfunction or the platen glass to break.
  - Do not place any objects weighing 4.4 lb (2.0 kg) or more on the platen glass.
  - Do not put any pressure of 4.4 lb (2.0 kg) or more on the platen glass, such as pressing down the original.

3. Close the document cover gently.



## **»» Important**

- After loading the original on the platen, be sure to close the document cover before starting to copy or scan.

## Supported Originals

Item	Details
Types of originals	<ul style="list-style-type: none"><li>• Text document, magazine, or newspaper</li><li>• Printed photo, postcard, business card, or disc (BD/DVD/CD, etc.)</li></ul>
Size (width x height)	Max. 8.5 x 11.7 in. (216 x 297 mm)

### »» Note

- When loading a thick original such as a book on the platen, you can load it by removing the document cover from the printer.

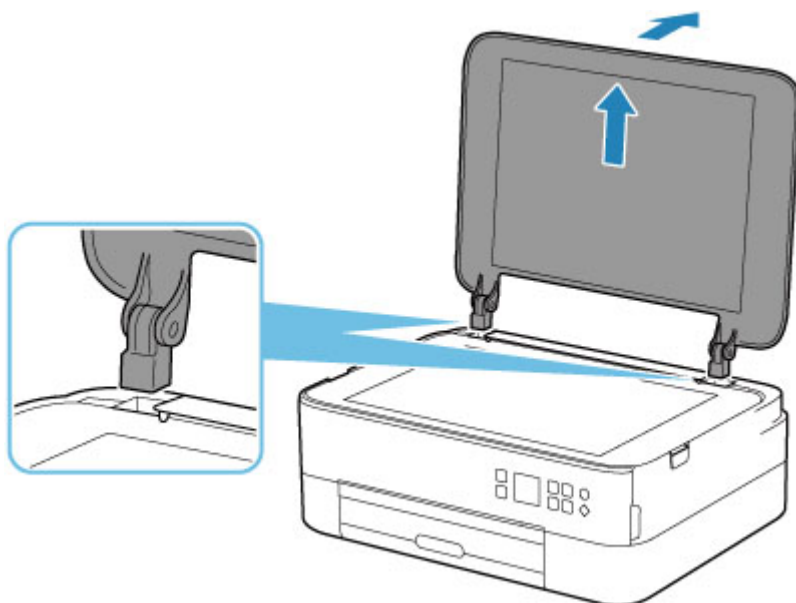
➔ [How to Detach / Attach the Document Cover](#)



## How to Detach / Attach the Document Cover

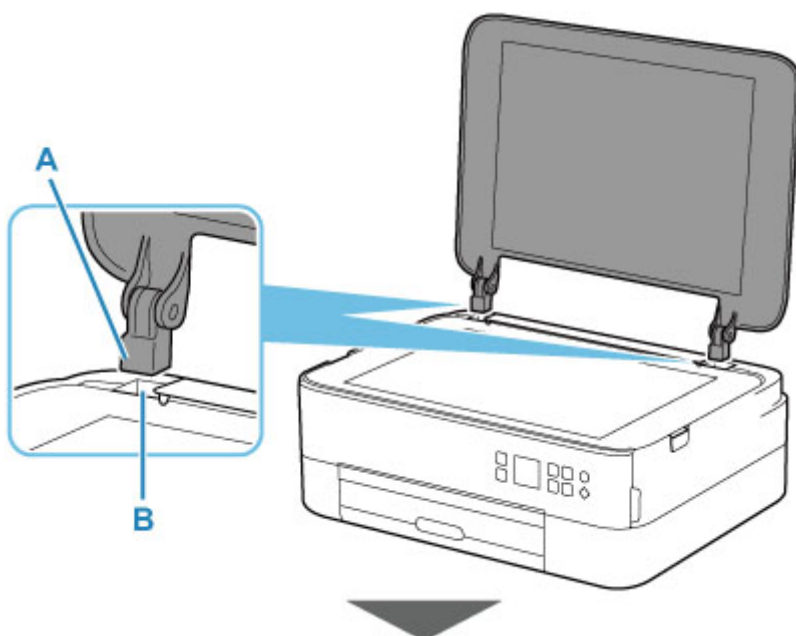
### Detaching the document cover:

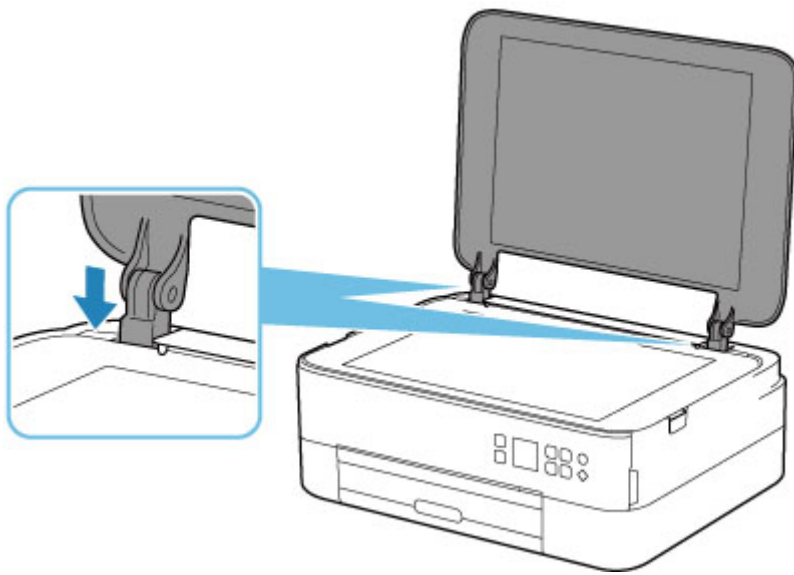
Hold up the document cover in portrait orientation and then tip it back.



### Attaching the document cover:

Fit both hinges (A) of the document cover into the holder (B) and insert both hinges of the document cover vertically as illustrated below.





## Replacing a FINE Cartridge

---

- ▶ [Replacing a FINE Cartridge](#)
- ▶ [Checking Ink Status on the LCD](#)
- ▶ [Ink Tips](#)

## Replacing a FINE Cartridge

When remaining ink cautions or errors occur, the error message will appear on the LCD to inform you of the error. In this state, the printer cannot print or scan. Check the error message and take appropriate action.

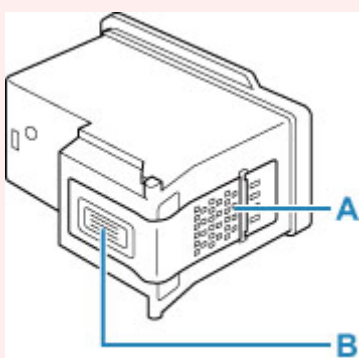
➔ [When Error Occurred](#)

### Replacing Procedure

When you need to replace a FINE cartridge, follow the procedure below.

#### ►► Important

- Do not touch the electrical contacts (A) or print head nozzle (B) on a FINE cartridge. The printer may not print properly if you touch them.



- If you remove a FINE cartridge, replace it immediately. Do not leave the printer with the FINE cartridge removed.
- Use a new FINE cartridge for replacement. Installing a used FINE cartridge may cause the nozzles to clog.  
Furthermore, with such a FINE cartridge, the printer will not be able to inform you when to replace the FINE cartridge properly.
- Once a FINE cartridge has been installed, do not remove it from the printer and leave it out in the open. This will cause the FINE cartridge to dry out, and the printer may not operate properly when it is reinstalled. To maintain optimal printing quality, use a FINE cartridge within six months of first use.

#### ►► Note

- For Windows, if a FINE cartridge runs out of ink, you can print with either color or black FINE cartridge, in whichever ink remains, only for a while. However the print quality may be reduced compared to when printing with both cartridges. We recommend to use a new FINE cartridge in order to obtain optimum qualities.

Even when printing with one ink only, print with leaving the empty FINE cartridge installed. If either of the color FINE cartridge or black FINE cartridge is not installed, an error occurs and the printer cannot print.

For information on how to configure this setting, see below.

➔ [Setting the Ink to be Used](#)

- Color ink may be consumed even when printing a black-and-white document or when black-and-white printing is specified.

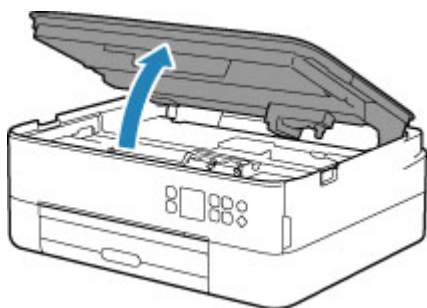
Both color ink and black ink are also consumed in the standard cleaning and deep cleaning of the print head, which may be necessary to maintain the performance of the printer. When ink runs out, replace the FINE cartridge immediately with a new one.

➔ [Ink Tips](#)

1. [Check that printer is turned on.](#)

2. Open the scanning unit / cover.

The FINE cartridge holder moves to the replacement position.



**⚠ Caution**

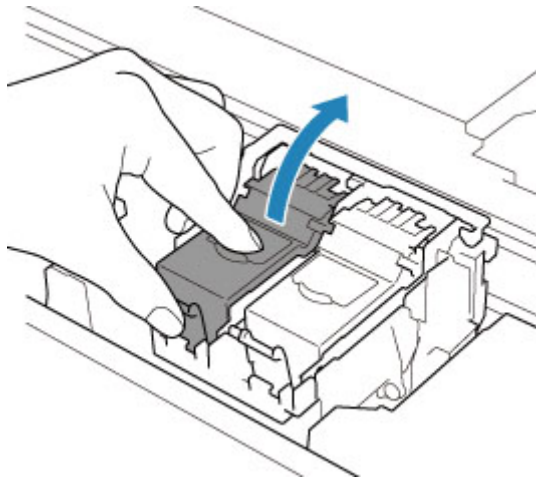
- Do not hold the FINE cartridge holder to stop or move it forcibly. Do not touch the FINE cartridge holder until it stops completely.

**➤➤ Important**

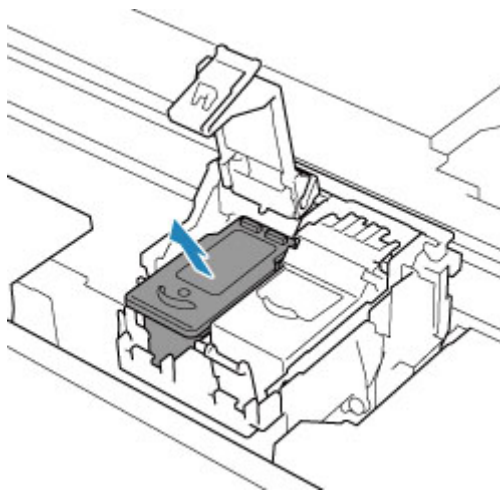
- The inside of the printer may be stained with ink. Be careful not to stain your hands or clothing when replacing the FINE cartridge. You can easily wipe off the ink from the inside of the printer with tissue paper or the like.
- Do not touch the metallic parts or other parts inside the printer.
- If the scanning unit / cover is left open for more than 10 minutes, the FINE cartridge holder may move and the **Alarm** lamp may light. In this case, close the scanning unit / cover, and then open it again.

3. Remove the empty FINE cartridge.

1. Pick up the ink cartridge locking cover to open it.



2. Remove the FINE cartridge.

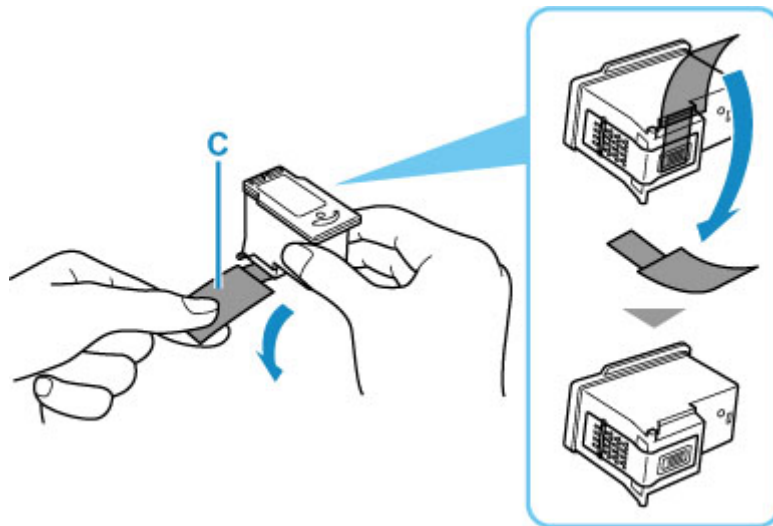


**»» Important**

- Handle the FINE cartridge carefully to avoid staining of clothing or the surrounding area.
- Discard the empty FINE cartridge according to the local laws and regulations regarding disposal of consumables.

4. Prepare a new FINE cartridge.

1. Take new FINE cartridge out of its package and remove protective tape (C) gently.



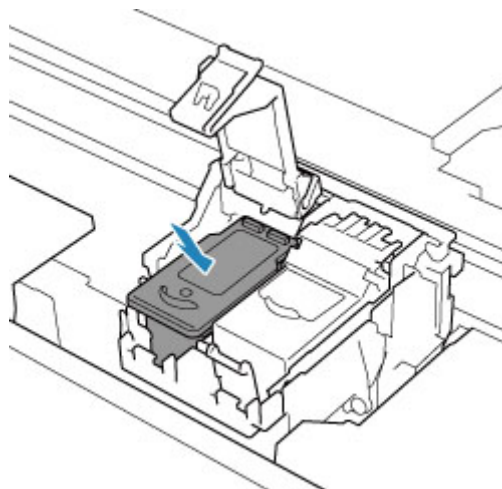
### ►► Important

- If you shake a FINE cartridge, ink may spill out and stain your hands and the surrounding area. Handle a FINE cartridge carefully.
- Be careful not to stain your hands and the surrounding area with ink on the removed protective tape.
- Do not reattach the protective tape once you have removed it. Discard it according to the local laws and regulations regarding disposal of consumables.
- Do not touch the electrical contacts or print head nozzle on a FINE cartridge. The printer may not print properly if you touch them.

## 5. Install the FINE cartridge.

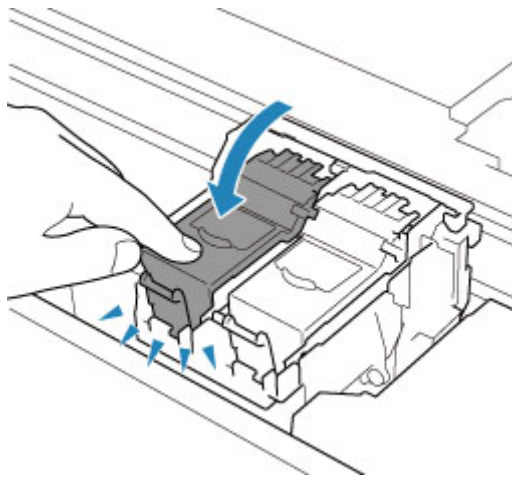
1. Insert the new FINE cartridge into the FINE cartridge holder.

The color FINE cartridge should be installed into the left slot and the black FINE cartridge should be installed into the right slot.



2. Close the ink cartridge locking cover to secure the FINE cartridge.

Push the ink cartridge locking cover fully until a "click" sound is heard.

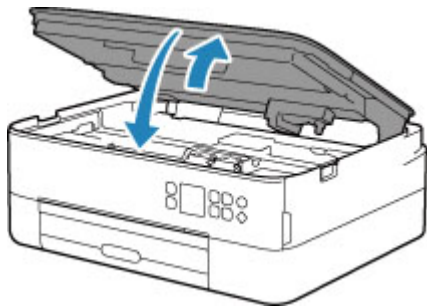


### ►► Important

- The printer cannot print unless both the color FINE cartridge and black FINE cartridge are installed. Be sure to install both cartridges.

### 6. Close the scanning unit / cover.

To close the scanning unit / cover, hold it up once, then take it down gently.



### ⚠ Caution

- When closing the scanning unit / cover, be careful not to get your fingers caught.

### ►► Note

- If the error message appears on the LCD after the scanning unit / cover is closed, take appropriate action.
  - ➔ [When Error Occurred](#)
- When you start printing after replacing the FINE cartridge, the printer starts cleaning the print head automatically. Do not perform any other operations until the printer completes the cleaning of the print head.
- If the print head is out of alignment, as indicated by misaligned printed ruled lines or similar symptoms, [align the print head](#).
- The printer may make noise during operation.



## Checking Ink Status on the LCD

1. [Check that printer is turned on.](#)
2. Press the **OK** button.

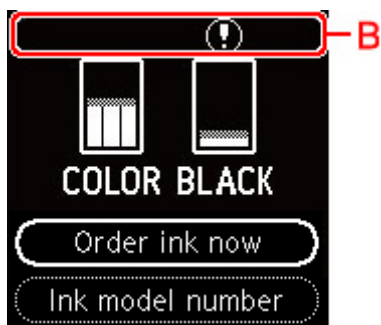
### ►►► Note

- A symbol appears in the area A if there is any information about the remaining ink level.



3. Select **Estimated ink levels**.

A symbol is displayed on top of the FINE Cartridge (area B) where there is a notification.



The ink is running low. Prepare a new ink cartridge.

The resulting print quality may not be satisfactory, if printing is continued under this condition.

### ►►► Note

- The above screen shows estimated ink levels.
- Select **Order ink now** and press the **QR** button to display the QR code and access the ink purchasing site. Cost of connecting to Internet is to be born by the customer.
- You can check the model number of the FINE cartridge by selecting **Ink model number**.
- You can also check the ink status on the computer screen.
  - For Windows:
    - ➔ [Checking Ink Status from Your Computer](#)
  - For macOS:
    - ➔ [Checking Ink Status from Your Computer](#)

## **Ink Tips**

---

### **How is ink used for various purposes other than printing?**

Ink may be used for purposes other than printing. It is used for cleaning to keep the printing clean. To keep printer's performance, Canon printer performs cleaning automatically according to its condition. A small amount of ink is consumed when cleaning.

### **Does black-and-white printing use color ink?**

Black-and-white printing may use ink other than black ink depending on the type of printing paper or the settings of the printer driver. So, color ink is consumed even when printing in black-and-white.

## **If Printing Is Faint or Uneven**

---

- **Maintenance Procedure**
- **Printing the Nozzle Check Pattern**
- **Examining the Nozzle Check Pattern**
- **Cleaning the Print Head**
- **Deep Print Head Cleaning**
- **Aligning the Print Head**
- **Aligning the Print Head Manually**

## Maintenance Procedure

If print results are blurred, colors are not printed correctly, or print results are unsatisfactory (e.g. misaligned printed ruled lines), perform the maintenance procedure below.

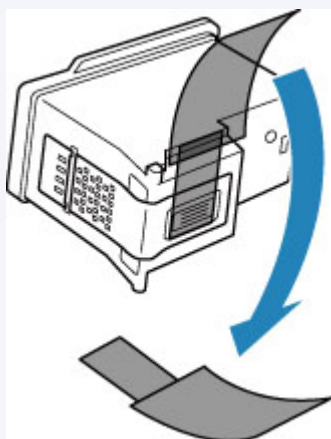
### ▶▶▶ Important

- Do not rinse or wipe the FINE cartridge. This can cause trouble with the FINE cartridge.

### ▶▶▶ Note

- Check if ink remains in the FINE cartridge.
  - ➔ [Checking the Ink Status on the LCD](#)
- Check if the FINE cartridge is installed correctly.
  - ➔ [Replacing Procedure](#)

Also check if the protective tape on the bottom of the FINE cartridge is removed.



- If an error message appears on the LCD, see [When Error Occurred](#).
- For Windows, increasing the print quality in the printer driver settings may improve the print result.
  - ➔ [Changing the Print Quality and Correcting Image Data](#)

## When the Print Results Are Blurred or Uneven:

**Step 1** Print the nozzle check pattern.

From the printer

- ➔ [Printing the Nozzle Check Pattern](#)

From the computer

- For Windows:
  - ➔ [Printing a Nozzle Check Pattern](#)
- For macOS:
  - ➔ [Printing a Nozzle Check Pattern](#)

**Step2** [Examine the nozzle check pattern.](#)

If there are missing lines or horizontal white streaks in the pattern:



**Step3** Clean the print head.

From the printer

➔ [Cleaning the Print Head](#)

From the computer

- For Windows:
  - ➔ [Cleaning the Print Heads](#)
- For macOS:
  - ➔ [Cleaning the Print Heads](#)

After cleaning the print head, print and examine the nozzle check pattern: ➔ [Step1](#)

If the problem is not resolved after performing from step 1 to step 3 twice:



**Step4** Clean the print head deeply.

From the printer

➔ [Deep Print Head Cleaning](#)

From the computer

- For Windows:
  - ➔ [Cleaning the Print Heads](#)
- For macOS:
  - ➔ [Cleaning the Print Heads](#)

If the problem is not resolved, turn off the power and clean the print head deeply again after 24 hours. Do not unplug the power cord when turning off the power.

If the problem is still not resolved:



**Step5** Replace the FINE cartridge.

➔ [Replacing a FINE Cartridge](#)

**▶▶▶ Note**

- If the problem is still not resolved after replacing the FINE cartridge, contact your nearest Canon service center to request a repair.

## When the Print Results Are Not Even such as the Ruled Lines Are Misaligned:

|| Step | Align the print head.

From the printer

➔ [Aligning the Print Head](#)

From the computer

- For Windows:
  - ➔ [Adjusting Print Head Position Automatically](#)
- For macOS:
  - ➔ [Adjusting Print Head Position](#)

## Printing the Nozzle Check Pattern

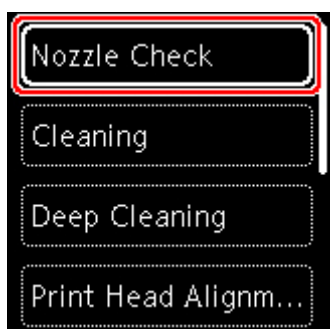
Print the nozzle check pattern to determine whether the ink ejects properly from the print head nozzle.

### ►► Note

- If the remaining ink level is low, the nozzle check pattern will not be printed correctly. [Replace the FINE cartridge](#) whose ink is low.

**You need to prepare: a sheet of A4 or Letter-sized plain paper**

1. [Check that printer is turned on.](#)
2. Load a sheet of A4 or Letter-sized plain paper in the cassette.  
➔ [Loading Paper in the Cassette](#)
3. Press the **OK** button.
4. Select **Maintenance**.
5. Select **Nozzle Check**.



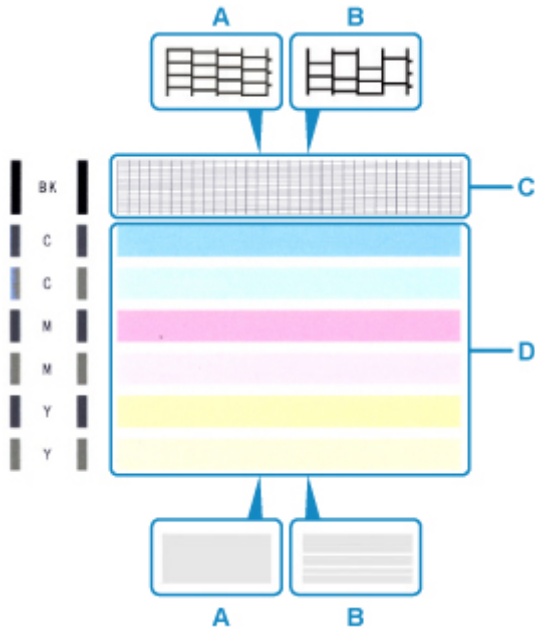
The confirmation screen will appear.

6. Select **Yes**.
7. Press the **OK** button.  
The nozzle check pattern will be printed and two pattern confirmation screens will appear on the LCD.
8. Select **Next**.
9. [Examine the nozzle check pattern.](#)

## Examining the Nozzle Check Pattern

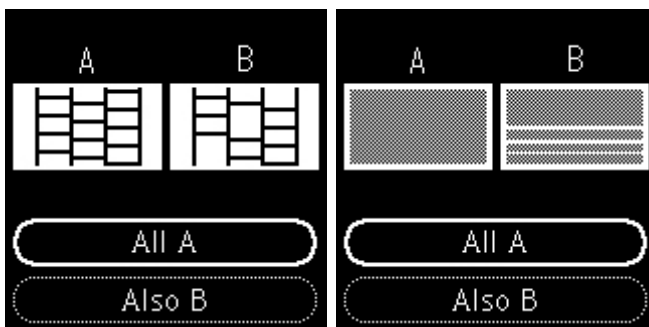
Examine the nozzle check pattern, and clean the print head if necessary.

1. Check if there are missing lines in the pattern C or horizontal white streaks in the pattern D.



- A: No missing lines/No horizontal white streaks  
B: Lines are missing/Horizontal white streaks are present

2. Select the pattern that is closer to the printed nozzle check pattern on the confirmation screen.



**For A (no missing lines or no horizontal white streaks) in both the pattern C and pattern D:**

The cleaning is not required. Select **All A**, confirm the message, then select **OK**.

**For B (lines are missing or horizontal white streaks are present) in the pattern C or pattern D, or in both patterns:**

The cleaning is required. Select **Also B**, then select **Yes** on the cleaning confirmation screen.

The printer starts cleaning the print head.

➔ [Cleaning the Print Head](#)



If the pattern D or any color in the pattern C is not printed:



(Example: Magenta pattern is not printed)

The cleaning is required. Select **Also B**, then select **Yes** on the cleaning confirmation screen.

The printer starts cleaning the print head.

➡ [Cleaning the Print Head](#)

## Cleaning the Print Head

Clean the print head if lines are missing or if horizontal white streaks are present in the printed nozzle check pattern. Cleaning unclogs the nozzles and restores the print head condition. Cleaning the print head consumes ink, so clean the print head only when necessary.

**You need to prepare: a sheet of A4 or Letter-sized plain paper**

1. [Check that printer is turned on.](#)
2. Load a sheet of A4 or Letter-sized plain paper in the cassette.  
➔ [Loading Paper in the Cassette](#)
3. Press the **OK** button.
4. Select **Maintenance**.
5. Select **Cleaning**.



The confirmation screen will appear.

6. Select **Yes**.

The printer starts cleaning the print head.

Do not perform any other operations until the printer completes the cleaning of the print head. This takes about 2 minutes.

The pattern print confirmation screen will appear.

7. Select **Yes**.
8. Press the **OK** button.  
The nozzle check pattern will be printed.
9. Select **Next**.
10. [Examine the nozzle check pattern.](#)

**»» Note**

- If the problem is not resolved after cleaning the print head twice, [clean the print head deeply](#).

## Deep Print Head Cleaning

If print quality does not improve by the standard cleaning of the print head, clean the print head deeply. Cleaning the print head deeply consumes more ink than the standard cleaning of the print head, so clean the print head deeply only when necessary.

**You need to prepare: a sheet of A4 or Letter-sized plain paper**

1. [Check that printer is turned on.](#)
2. Load a sheet of A4 or Letter-sized plain paper in the cassette.  
➔ [Loading Paper in the Cassette](#)
3. Press the **OK** button.
4. Select **Maintenance**.
5. Select **Deep Cleaning**.



The confirmation screen will appear.

6. Select **Yes**.

The printer starts cleaning the print head deeply.

Do not perform any other operations until the printer completes the deep cleaning of the print head. This takes about 1 to 2 minutes.

The pattern print confirmation screen will appear.

7. Select **Yes**.
8. Press the **OK** button.  
The nozzle check pattern will be printed.
9. When the completion message appears, select **OK**.
10. [Examine the nozzle check pattern.](#)

If the problem is not resolved, turn off the power and clean the print head deeply again after 24 hours.

If the problem persists, replace the [FINE cartridge](#).

If the problem persists despite replacing the FINE cartridge, contact your nearest Canon service center to request a repair.

## Aligning the Print Head

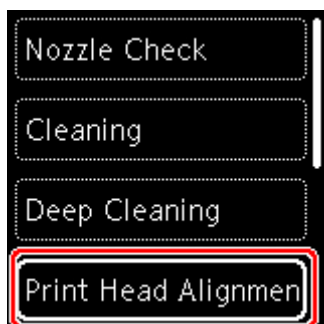
If printed ruled lines are misaligned or print results are otherwise unsatisfactory, adjust the print head position.

### ▶▶▶ Note

- If the remaining ink level is low, the print head alignment sheet will not be printed correctly.  
[Replace the FINE Cartridge](#) whose ink is low.
- If ink runs out as the print head alignment sheet is printed, an error message appears on the LCD.  
➔ [When Error Occurred](#)

You need to prepare: two sheets of A4 or Letter-sized plain paper

1. [Check that printer is turned on.](#)
2. Load two sheets of A4 or Letter-sized plain paper in cassette.  
➔ [Loading Paper in the Cassette](#)
3. Press the **OK** button.
4. Select **Maintenance**.
5. Select **Print Head Alignment - Auto**.



The confirmation screen will appear.

### ▶▶▶ Note

- To print and check the current head position alignment values, select **Print the head alignment value**.

6. Select **Yes**.
7. Press the **OK** button.

The print head alignment sheet is printed, and the print head is aligned automatically.

This takes about 4 to 5 minutes.

**▶▶▶ Note**

- If automatic print head alignment fails, an error message appears on the LCD.
  - ➔ [When Error Occurred](#)

8. When completion message appears, select **OK**.

**▶▶▶ Note**

- If the print results are still not satisfactory after adjusting the print head position as described above, [adjust the print head position manually](#).
  - For Windows:  
You can also align the print head manually from a computer.
    - ➔ [Adjusting Print Head Position Manually](#)

## Aligning the Print Head Manually

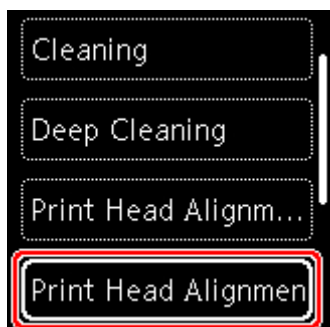
Try aligning the print head manually after automatic print head alignment if printing results are not as expected, as when printed ruled lines are misaligned.

### ►►► Note

- For details on automatic print head alignment, see [Aligning the Print Head](#).

**What you will need: three sheets of A4 or Letter-sized plain paper**

1. [Check that printer is turned on.](#)
2. Load three sheets of A4 or Letter-sized plain paper in cassette.  
➔ [Loading Paper in the Cassette](#)
3. Press the **OK** button.
4. Select **Maintenance**.
5. Select **Print Head Alignment - Manual**.



The confirmation screen will appear.

### ►►► Note

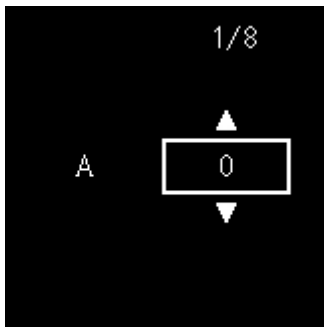
- To print and check the current head position alignment values, select **Print the head alignment value**.

6. Check message and select **Yes**.
7. Press the **OK** button.  
The print head alignment pattern will be printed.
8. When **Did the patterns print correctly?** appears, make sure pattern was printed correctly, and if so, select **Yes**.

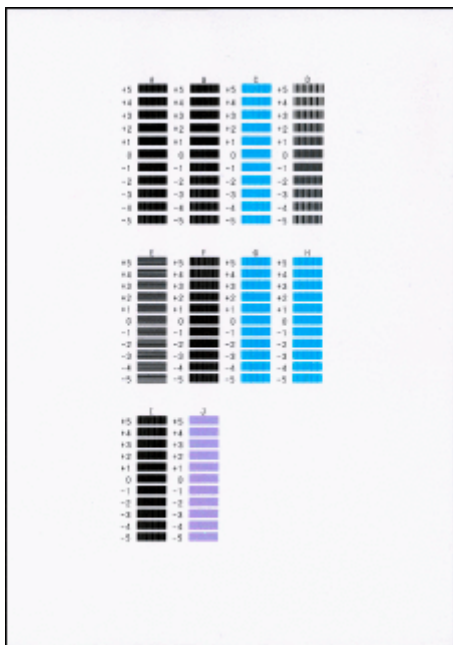


9. Select **OK**.

The input screen for head position alignment values is displayed.



10. Examine first patterns. In column A, find pattern in which streaks are least noticeable, select the number of that pattern, and then press the **OK** button.



▶▶▶ **Note**

- If all patterns look different, choose the pattern in which vertical streaks are least noticeable.

Subtle vertical streaks



Noticeable vertical streaks



- If all patterns look different, choose the pattern in which horizontal streaks are least noticeable.

Subtle horizontal streaks



Noticeable horizontal streaks

11. Repeat these steps for columns B to J.

12. Check message and press the **OK** button.

The second set of patterns is printed.

13. Examine second patterns. In column K, find pattern in which streaks are least noticeable, select the number of that pattern, and then press the **OK** button.



►►► **Note**

- If all patterns look different, choose the pattern in which vertical streaks are least noticeable.

Subtle vertical streaks



Noticeable vertical streaks

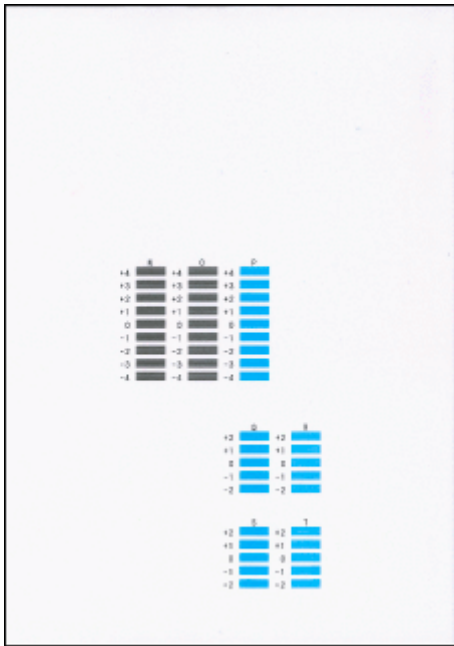


14. Repeat these steps for columns L to M.

15. Check message and press the **OK** button.

The third set of patterns is printed.

16. Examine third patterns. In column N, find pattern in which stripes are least noticeable, select the number of that pattern, and then press the **OK** button.



►► Note

- If all patterns look different, choose the pattern in which horizontal stripes are least noticeable.

Subtle horizontal stripes



Noticeable horizontal stripes



17. Repeat these steps for columns O to T.

18. When completion message appears, select **OK**.

## **Performing Maintenance Functions from Your Computer (macOS)**

---

- **Opening Remote UI for Maintenance**
- **Cleaning the Print Heads**
- **Adjusting Print Head Position**
- **Checking Ink Status from Your Computer**

## Opening Remote UI for Maintenance

---

You can perform maintenance of printer and change the settings from a Remote UI. The following is the procedure to open a Remote UI.

1. Open **System Preferences**, and select **Printers & Scanners**
2. Select your model from the printer list, and click **Options & Supplies...**
3. Click **Show Printer Webpage...** in **General** tab

Remote UI starts.

### ▶▶▶ Note

- The password may have to be entered after Remote UI starts. In such a case, enter the password and click **OK**. In case you do not know the password, click **Passwords and cookies**.

## Related Topics

- ➔ [Cleaning the Print Heads](#)
- ➔ [Adjusting Print Head Position](#)
- ➔ [Checking Ink Status from Your Computer](#)
- ➔ Printing a Nozzle Check Pattern
- ➔ [Managing the Printer Power](#)
- ➔ [Changing the Printer Operation Mode](#)
- ➔ Reducing the Printer Noise

## Cleaning the Print Heads

The print head Cleaning and Deep Cleaning functions allow you to clear up clogged print head nozzles. Perform print head Cleaning if printing results are not satisfactory or if a specific color fails to print, even though there is enough ink.

### Cleaning

1. Select **Utilities** from [Remote UI](#)

2. Click **Cleaning**

Before performing Cleaning, check the following items:

Check whether the printer is on and open the printer's cover.

Check the following items for each ink. Then, if necessary, perform **Cleaning**.

- [Is there ink remaining in the cartridge?](#)
- Did you push in the ink cartridge completely until you heard a clicking sound?
- If the orange tape is there, has it been peeled off completely?  
Any remaining tape will hinder ink output.
- Did you install the ink cartridges in their correct positions?

3. Perform Cleaning

Click **Yes**.

Print head Cleaning starts.

4. Complete Cleaning

Next, the message for Nozzle Check pattern printing is displayed.

5. Check the results

To check whether the print quality has improved, click **Yes**. To cancel the check process, click **No**.

If cleaning the head once does not resolve the print head problem, clean it once more.

### Important

- **Cleaning** consumes a small amount of ink.  
Cleaning the print head frequently will rapidly deplete your printer's ink supply. Perform Cleaning only when necessary.

### Deep Cleaning

**Deep Cleaning** is more thorough than Cleaning. Perform Deep Cleaning when two **Cleaning** attempts do not resolve the print head problem.

1. Select **Utilities** from [Remote UI](#)

## 2. Click **Deep Cleaning**

Before performing Deep Cleaning, check the following items:

Check whether the printer is on and open the printer's cover.

Check the following items for each ink. Then, if necessary, perform **Deep Cleaning**.

- [Is there ink remaining in the cartridge?](#)
- Did you push in the ink cartridge completely until you heard a clicking sound?
- If the orange tape is there, has it been peeled off completely?  
Any remaining tape will hinder ink output.
- Did you install the ink cartridges in their correct positions?

## 3. Perform Deep Cleaning

Click **Yes**.

Print head Deep Cleaning starts.

## 4. Complete Deep Cleaning

Next, the message for Nozzle Check pattern printing is displayed.

## 5. Check the results

To check whether the print quality has improved, click **Yes**. To cancel the check process, click **No**.

### ▶▶▶ Important

- **Deep Cleaning** consumes a larger amount of ink than **Cleaning**.  
Cleaning the print head frequently will rapidly deplete your printer's ink supply. Perform **Cleaning** only when necessary.

### ▶▶▶ Note

- If there is no sign of improvement after **Deep Cleaning**, turn off the printer, wait 24 hours, and then perform **Deep Cleaning** again. If there is still no sign of improvement, see "[Ink Does Not Come Out.](#)"

## Related Topic

➔ [Printing a Nozzle Check Pattern](#)

## Adjusting Print Head Position

---

Any error in the print head installation position can cause color and line shifts. Adjusting the print head position improves print results.

### Print Head Alignment - Auto

1. Select **Utilities** from [Remote UI](#)

2. Click **Print Head Alignment - Auto**

A message appears.

3. Load paper in printer

In the cassette, load 2 sheets of plain A4-sized or Letter-sized paper.

4. Run head position adjustment

Check that the printer power is on, and then click **Yes**.

Head alignment starts. Proceed with the operations in accordance with the messages on the screen.

#### ▶▶ Important

- Do not open the scanning unit / cover while printing is in progress; otherwise, printing will stop.

#### ▶▶ Note

- You can print and check the current settings by clicking on **Print the head alignment value**.



## Checking Ink Status from Your Computer

---

You can check the detailed information such as the remaining ink level and the FINE cartridge types of your model.

If you select **Printer status** from [Remote UI](#), the ink status appears as an illustration.

### Estimated ink levels

You can check the types and levels of ink.

When ink levels are running low or an error occurs because there is no ink, a notification icon will appear.

### Ink model number

You can look up the correct FINE cartridge for your printer.

### ▶▶ Note

- To check the ink status, you can also display the pop-up menu of the Print dialog and select **Supply Levels**.

## Cleaning

---

- ▶ **Cleaning Exterior Surfaces**
- ▶ **Cleaning Platen and Document Cover**
- ▶ **Cleaning Paper Feed Rollers**
- ▶ **Cleaning Inside the Printer (Bottom Plate Cleaning)**
- ▶ **Cleaning Cassette Pads**

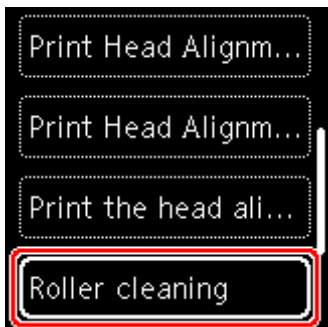
## Cleaning Paper Feed Rollers

If the paper feed roller is dirty or paper powder is attached to it, paper may not be fed properly.

In this case, clean the paper feed roller. Cleaning will wear out the paper feed roller, so perform this only when necessary.

**You need to prepare: three sheets of A4 or Letter-sized plain paper**

1. [Check that printer is turned on.](#)
2. Press the **OK** button.
3. Select **Maintenance**.
4. Select **Roller cleaning**.



The confirmation screen will appear.

5. Select **Yes**.
6. Select **Rear tray** or **Cassette** to clean the paper feed roller.
7. Follow the message to remove any paper from the paper source.  
If you clean the paper feed roller of cassette, remove any paper from the cassette, then push it back.
8. Press the **OK** button.  
The paper feed roller will rotate as it is cleaned without paper.
9. Make sure that the paper feed roller has stopped rotating, then follow the message to load the three sheets of A4 or Letter-sized plain paper.
  - ➔ [Loading Paper in the Rear Tray](#)
  - ➔ [Loading Paper in the Cassette](#)
10. Press the **OK** button.

The printer starts cleaning. The cleaning will be complete when the paper is ejected.

**11.** When the completion message appears, select **OK**.

If the problem is not resolved after cleaning the paper feed roller, contact your nearest Canon service center to request a repair.

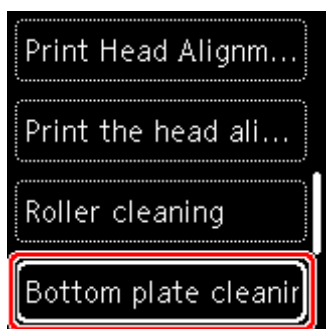
## Cleaning Inside the Printer (Bottom Plate Cleaning)

Remove stains from the inside of the printer. If the inside of the printer becomes dirty, printed paper may get dirty, so we recommend performing cleaning regularly.

**You need to prepare: a sheet of A4 or Letter-sized plain paper\***

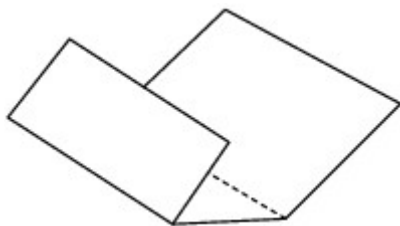
\* Be sure to use a new piece of paper.

1. [Check that printer is turned on.](#)
2. Press the **OK** button.
3. Select **Maintenance**.
4. Select **Bottom plate cleaning**.

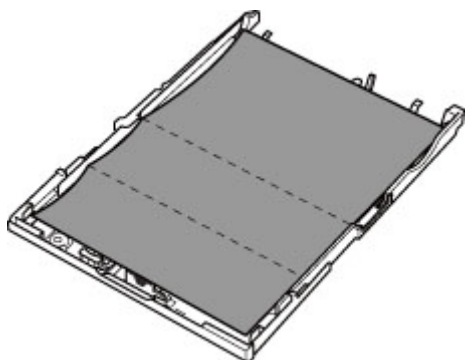


The confirmation screen will appear.

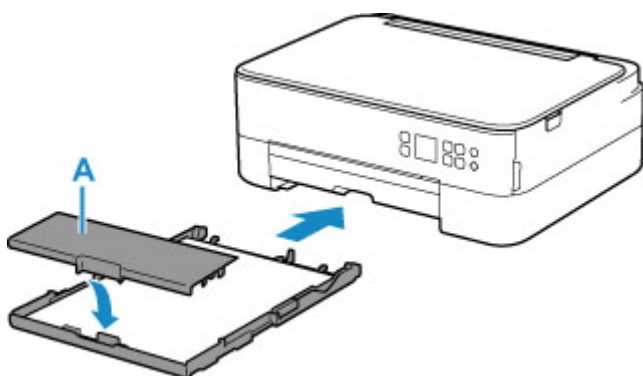
5. Select **Yes**.
6. Follow the message to remove any paper from the cassette, then press the **OK** button.
7. Fold a single sheet of A4 or Letter-sized plain paper in half widthwise, then unfold the paper.
8. Fold one side of the opened paper in another half, aligning the edge with the center crease, unfold the paper, then press the **OK** button.



9. Load only this sheet of paper in the cassette with the ridges of the creases facing up and the edge of the half with no crease facing to the far side.



10. Mount cassette cover (A) and insert cassette into printer.



11. Pull out the paper output tray.

12. Press the **OK** button.

The paper cleans the inside of the printer as it feeds through the printer.

Check the folded parts of the ejected paper. If they are smudged with ink, perform Bottom Plate Cleaning again.

13. When the completion message appears, select **OK**.

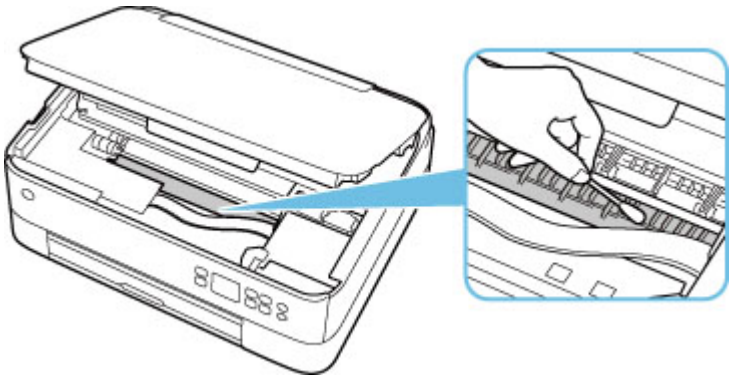
#### ▶▶▶ **Note**

- When performing Bottom Plate Cleaning again, be sure to use a new piece of paper.

If the problem is not resolved after performing cleaning again, the protrusions inside the printer may be stained. Wipe off any ink from the protrusions using a cotton swab or the like.

#### ▶▶▶ **Important**

- Be sure to turn off the power and unplug the power cord before cleaning the printer.



## Overview

---

### ▶ Safety

- Safety Precautions
- Regulatory Information
- WEEE (EU & EEA)

### ▶ Handling Precautions

- Canceling Print Jobs
- Legal Restrictions on Scanning/Copying
- Printer Handling Precautions
- Transporting Your Printer
- When Repairing, Lending, or Disposing of the Printer
- Keeping Print Quality High

### ▶ Main Components and Their Use

- Main Components
- Power Supply
- LCD and Operation Panel
- Entering Numbers, Letters, and Symbols

### ▶ Changing Settings

- Changing Printer Settings from Your Computer (Windows)
- Changing Printer Settings from Your Computer (macOS)
- Changing Settings from Operation Panel

### ▶ Specifications



## **Safety**

---

- ▶ **Safety Precautions**
- ▶ **Regulatory Information**
- ▶ **WEEE (EU&EEA)**

## Safety Precautions

---

### Safety Precautions

- This manual contains important notices and safety precautions about your printer.

Do not use the printer in ways other than described in the accompanying manuals, as this may result in fire, electric shock or other unexpected accidents.

Safety standard marks and declarations are only valid for the supported voltages and frequencies in the applicable countries or regions.

#### **Warning**

---

- Users with cardiac pacemakers:

This product emits a low-level magnetic flux. If you feel abnormalities, please move away from the product and consult your doctor.

- Do not use the printer in the following cases:

Stop use immediately, unplug the printer and call your local service representative to request repair.

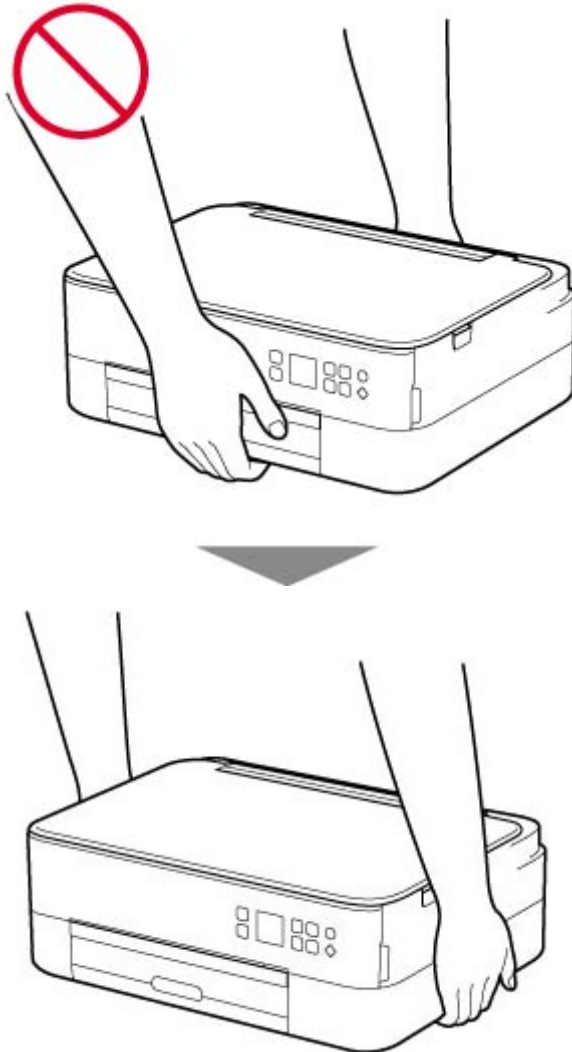
- Metal objects or liquids are spilt inside the printer.
  - The printer emits smoke, strange odors, or makes unusual noises.
  - The power cord or plug overheat or are broken, bent or damaged in any way.
- Failure to adhere to the following may result in fire, electric shock, or injury:
    - Do not place product close to the flammable solvents such as alcohol or thinner.
    - Do not open or modify the printer.
    - Use only the power cord/cables that came with your printer. Do not use these cables with other devices.
    - Do not plug in to voltages or frequencies other than those specified.
    - Plug the power cord into the socket completely.
    - Do not plug in or unplug the power cord with wet hands.
    - Do not damage the power cord by twisting, bundling, tying, pulling or excessively bending it.
    - Do not place heavy objects on the power cord.
    - Do not connect multiple power cords to a single electrical outlet. Do not use multiple extension cords.
    - Do not leave the printer plugged in during lightning storms.
    - Always unplug the power cord and cables when cleaning. Do not use flammable sprays or liquids such as alcohol or thinners for cleaning.
    - Unplug the power cord once a month to check that it is not overheating, rusted, bent, scratched, split, or otherwise damaged.

#### **Caution**

---

- Do not put your hands inside the printer while printing.
- Do not touch the print head or other metal parts immediately after printing.
- Ink
  - Keep ink out of reach of children.
  - If ink is accidentally licked or swallowed, rinse out your mouth and drink one or two glasses of water. If irritation or discomfort occurs, obtain medical advice immediately.

- In case ink gets in contact with eyes, rinse with water immediately. In case ink gets in contact with skin, wash with soap and water immediately. If irritation to eyes or skin persists, obtain medical advice immediately.
- Moving the printer
  - Do not hold the printer by the cassette. Hold the printer by its sides and carry it with both hands.



---

## General Notices

### Choosing a Location

Refer to "[Specifications](#)" in the Online manual for details on operating environment.

- Do not install the printer in a location that is unstable or subject to excessive vibration.
- Do not install the printer in locations that get very hot (direct sunlight, or close to a heating source), very humid or dusty locations, or outdoors.
- Do not place the printer on a thick rug or carpet.
- Do not place the printer flush against a wall.

## **Power Supply**

- Keep the area around the power outlet clear at all times so you can easily unplug the power cord if necessary.
- Never remove the plug by pulling on the cord.

## **General Notices**

- Do not tilt the printer, stand it on end, or turn it upside down. This may cause ink to leak.
- Do not place anything on top of the printer. Be especially careful to avoid metal objects such as paper clips and staples, and containers holding flammable liquids such as alcohol or thinner.
- Be sure to observe the following when loading the original on the platen. Failure to observe the following may cause the scanner to malfunction or the platen glass to break.
  - Do not place any objects weighing 4.4 lb (2.0 kg) or more on the platen glass.
  - Do not put any pressure of 4.4 lb (2.0 kg) or more on the platen glass, such as pressing down the original.
- Do not attempt to open, disassemble or modify the FINE cartridges. Ink may leak and damage your printer.
- Do not throw FINE cartridges in the fire.

## Regulatory Information

### Users in the U.S.A.

FCC Notice (U.S.A. Only)

For 120V, 60Hz model

Model Number: K10500 (Contains FCC Approved WLAN Module K30365, FCC Approved Bluetooth K30375)

This device complies with Part 15 of the FCC Rules. Operation is subject to the following two conditions: (1) This device may not cause harmful interference, and (2) this device must accept any interference received, including interference that may cause undesired operation.

Note: This equipment has been tested and found to comply with the limits for a Class B digital device, pursuant to Part 15 of the FCC Rules. These limits are designed to provide reasonable protection against harmful interference in a residential installation. This equipment generates, uses and can radiate radio frequency energy and, if not installed and used in accordance with the instructions, may cause harmful interference to radio communications.

However, there is no guarantee that interference will not occur in a particular installation. If this equipment does cause harmful interference to radio or television reception, which can be determined by turning the equipment off and on, the user is encouraged to try to correct the interference by one or more of the following measures:

- Reorient or relocate the receiving antenna.
- Increase the separation between the equipment and receiver.
- Connect the equipment into an outlet on a circuit different from that to which the receiver is connected.
- Consult the dealer or an experienced radio/TV technician for help.

Use of a shielded cable is required to comply with Class B limits in Subpart B of Part 15 of the FCC Rules.

Do not make any changes or modifications to the equipment unless otherwise specified in the manual. If such changes or modifications should be made, you could be required to stop operation of the equipment.

Changes or modifications not expressly approved by the party responsible for compliance could void the user's authority to operate equipment.

This transmitter must not be co-located or operating in conjunction with any other antenna or transmitter.

The equipment complies with FCC radiation exposure limits for uncontrolled equipment. This equipment should be installed and operated with minimum distance at least 20cm between the radiator and persons body (excluding extremities: hands, wrists, feet and ankles) and must not be colocated or operated with any other antenna or transmitter.

Canon U.S.A., Inc.

One Canon Park

Melville, New York 11747

1-800-652-2666

## **Interference**

Do not use the printer around medical equipment or other electronic devices. Signals from the printer may interfere with the correct operation of these devices.

## WEEE (EU&EEA)

### Only for European Union and EEA (Norway, Iceland and Liechtenstein)



This symbol indicates that this product is not to be disposed of with your household waste, according to the WEEE Directive (2012/19/EU) and national legislation. This product should be handed over to a designated collection point, e.g., on an authorized one-for-one basis when you buy a new similar product or to an authorized collection site for recycling waste electrical and electronic equipment (EEE). Improper handling of this type of waste could have a possible negative impact on the environment and human health due to potentially hazardous substances that are generally associated with EEE. At the same time, your cooperation in the correct disposal of this product will contribute to the effective usage of natural resources. For more information about where you can drop off your waste equipment for recycling, please contact your local city office, waste authority, approved WEEE scheme or your household waste disposal service. For more information regarding return and recycling of WEEE products, please visit [www.canon-europe.com/weee](http://www.canon-europe.com/weee).

### Nur für Europäische Union und EWR (Norwegen, Island und Liechtenstein)



Dieses Symbol weist darauf hin, dass dieses Produkt gemäß der EU-Richtlinie über Elektro- und Elektronik-Altgeräte (2012/19/EU) und nationalen Gesetzen nicht über den Hausmüll entsorgt werden darf. Dieses Produkt muss bei einer dafür vorgesehenen Sammelstelle abgegeben werden. Dies kann z. B. durch Rückgabe beim Kauf eines ähnlichen Produkts oder durch Abgabe bei einer autorisierten Sammelstelle für die Wiederaufbereitung von Elektro- und Elektronik-Altgeräten geschehen. Der unsachgemäße Umgang mit Altgeräten kann aufgrund potentiell gefährlicher Stoffe, die generell mit Elektro- und Elektronik-Altgeräten in Verbindung stehen, negative Auswirkungen auf die Umwelt und die menschliche Gesundheit haben. Durch die umweltgerechte Entsorgung dieses Produkts tragen Sie außerdem zu einer effektiven Nutzung natürlicher Ressourcen bei. Informationen zu Sammelstellen für Altgeräte erhalten Sie bei Ihrer Stadtverwaltung, dem öffentlich-rechtlichen Entsorgungsträger, einer autorisierten Stelle für die Entsorgung von Elektro- und Elektronik-Altgeräten oder Ihrem örtlichen Entsorgungsunternehmen. Weitere Informationen zur Rückgabe und Entsorgung von Elektro- und Elektronik-Altgeräten finden Sie unter [www.canon-europe.com/weee](http://www.canon-europe.com/weee).

### Union Européenne, Norvège, Islande et Liechtenstein uniquement.



Ce symbole indique que ce produit ne doit pas être jeté avec les ordures ménagères, conformément à la directive DEEE (2012/19/UE) et à la réglementation de votre pays. Ce produit doit être confié au distributeur à chaque fois que vous achetez un produit neuf similaire, ou à un point de collecte mis en place par les collectivités locales pour le recyclage des Déchets des Équipements Électriques et Électroniques (DEEE). Le traitement inapproprié de ce type de déchet risque d'avoir des répercussions sur l'environnement et la santé humaine, du fait de la présence de substances potentiellement dangereuses généralement associées aux équipements électriques et électroniques. Parallèlement, votre entière coopération dans le cadre de la mise au rebut correcte de ce produit favorisera une meilleure utilisation des ressources naturelles. Pour plus d'informations sur les points de collecte des équipements à recycler, contactez vos services municipaux, les autorités locales compétentes, le plan DEEE approuvé ou le service d'enlèvement des ordures ménagères. Pour plus d'informations sur le retour et le recyclage des produits DEEE, consultez le site: [www.canon-europe.com/weee](http://www.canon-europe.com/weee).

### **Uitsluitend bestemd voor de Europese Unie en EER (Noorwegen, IJsland en Liechtenstein)**



Dit symbool geeft aan dat dit product in overeenstemming met de AEEA-richtlijn (2012/19/EU) en de nationale wetgeving niet mag worden afgevoerd met het huishoudelijk afval. Dit product moet worden ingeleverd bij een aangewezen, geautoriseerd inzamelpunt, bijvoorbeeld wanneer u een nieuw gelijksoortig product aanschaft, of bij een geautoriseerd inzamelpunt voor hergebruik van elektrische en elektronische apparatuur (EEA). Een onjuiste afvoer van dit type afval kan leiden tot negatieve effecten op het milieu en de volksgezondheid als gevolg van potentieel gevaarlijke stoffen die veel voorkomen in elektrische en elektronische apparatuur (EEA). Bovendien werkt u door een juiste afvoer van dit product mee aan het effectieve gebruik van natuurlijke hulpbronnen. Voor meer informatie over waar u uw afgedankte apparatuur kunt inleveren voor recycling kunt u contact opnemen met het gemeentehuis in uw woonplaats, de reinigingsdienst, of het afvalverwerkingsbedrijf. U kunt ook het schema voor de afvoer van afgedankte elektrische en elektronische apparatuur (AEEA) raadplegen. Ga voor meer informatie over het verzamelen en recyclen van afgedankte elektrische en elektronische apparatuur naar [www.canon-europe.com/weee](http://www.canon-europe.com/weee).

### **Sólo para la Unión Europea y el Área Económica Europea (Noruega, Islandia y Liechtenstein)**



Este símbolo indica que este producto no debe desecharse con los desperdicios domésticos, de acuerdo con la directiva RAEE (2012/19/UE) y con la legislación nacional. Este producto debe entregarse en uno de los puntos de recogida designados, como por ejemplo, entregándolo en el lugar de venta al comprar un producto similar o depositándolo en un lugar de recogida autorizado para el reciclado de residuos de aparatos eléctricos y electrónicos (RAEE). La manipulación inapropiada de este tipo de desechos podría tener un impacto negativo en el entorno y la salud humana, debido a las sustancias potencialmente



perigosas que normalmente están asociadas con los RAEE. Al mismo tiempo, su cooperación a la hora de desechar correctamente este producto contribuirá a la utilización eficaz de los recursos naturales. Para más información sobre cómo puede eliminar el equipo para su reciclado, póngase en contacto con las autoridades locales, con las autoridades encargadas de los desechos, con un sistema de gestión RAEE autorizado o con el servicio de recogida de basuras doméstico. Si desea más información acerca de la devolución y reciclado de RAEE, visite la web [www.canon-europe.com/weee](http://www.canon-europe.com/weee).

## **Només per a la Unió Europea i a l'Espai Econòmic Europeu (Noruega, Islàndia i Liechtenstein)**



Aquest símbol indica que aquest producte no s'ha de llençar a les escombraries de la llar, d'acord amb la Directiva RAEE (2012/19/UE) i la legislació nacional. Aquest producte s'hauria de lliurar en un dels punts de recollida designats, com per exemple, intercanviant-lo un per un en comprar un producte similar o lliurant-lo en un lloc de recollida autoritzat per al reciclatge de residus d'aparells elèctrics i electrònics (AEE). La manipulació inadequada d'aquest tipus de residus podria tenir un impacte negatiu en l'entorn i en la salut humana, a causa de les substàncies potencialment perilloses que normalment estan associades als AEE. Així mateix, la vostra cooperació a l'hora de llençar correctament aquest producte contribuirà a la utilització efectiva dels recursos naturals. Per a més informació sobre els punts on podeu lliurar aquest producte per procedir al seu reciclatge, adreceu-vos a la vostra oficina municipal, a les autoritats encarregades dels residus, al pla de residus homologat per la RAEE o al servei de recollida de deixalles domèstiques de la vostra localitat. Per a més informació sobre la devolució i el reciclatge de productes RAEE, visiteu [www.canon-europe.com/weee](http://www.canon-europe.com/weee).

## **Solo per Unione Europea e SEE (Norvegia, Islanda e Liechtenstein)**



Questo simbolo indica che il prodotto deve essere oggetto di raccolta separata in conformità alla Direttiva RAEE (2012/19/UE) e alla normativa locale vigente. Il prodotto deve essere smaltito presso un centro di raccolta differenziata, un distributore autorizzato che applichi il principio dell'"uno contro uno", ovvero del ritiro della vecchia apparecchiatura elettrica al momento dell'acquisto di una nuova, o un impianto autorizzato al riciclaggio dei rifiuti di apparecchiature elettriche ed elettroniche. La gestione impropria di questo tipo di rifiuti può avere un impatto negativo sull'ambiente e sulla salute umana causato dalle sostanze potenzialmente pericolose che potrebbero essere contenute nelle apparecchiature elettriche ed elettroniche. Un corretto smaltimento di tali prodotti contribuirà inoltre a un uso efficace delle risorse naturali ed eviterà di incorrere nelle sanzioni amministrative di cui all'art. 255 e successivi del Decreto Legislativo n. 152/06. Per ulteriori informazioni sullo smaltimento e il recupero dei Rifiuti di Apparecchiature Elettriche ed Elettroniche, consultare la Direttiva RAEE, rivolgersi alle autorità competenti, oppure visitare il sito [www.canon-europe.com/weee](http://www.canon-europe.com/weee).

## Apenas para a União Europeia e AEE (Noruega, Islândia e Liechtenstein)



Este símbolo indica que o produto não deve ser colocado no lixo doméstico, de acordo com a Directiva REEE (2012/19/UE) e a legislação nacional. Este produto deverá ser colocado num ponto de recolha designado, por exemplo, num local próprio autorizado quando adquirir um produto semelhante novo ou num local de recolha autorizado para reciclar resíduos de equipamentos eléctricos e electrónicos (EEE). O tratamento inadequado deste tipo de resíduo poderá causar um impacto negativo no ambiente e na saúde humana devido às substâncias potencialmente perigosas normalmente associadas aos equipamentos eléctricos e electrónicos. Simultaneamente, a sua cooperação no tratamento correcto deste produto contribuirá para a utilização eficaz dos recursos naturais. Para mais informações sobre os locais onde o equipamento poderá ser reciclado, contacte os serviços locais, a autoridade responsável pelos resíduos, o esquema REEE aprovado ou o serviço de tratamento de lixo doméstico. Para mais informações sobre a devolução e reciclagem de produtos REEE, vá a [www.canon-europe.com/weee](http://www.canon-europe.com/weee).

## Gælder kun i Europæiske Union og EØS (Norge, Island og Liechtenstein)



Dette symbol angiver, at det pågældende produkt ikke må bortskaffes sammen med dagrenovation jf. direktivet om affald af elektrisk og elektronisk udstyr (WEEE) (2012/19/EU) og gældende national lovgivning. Det pågældende produkt skal afleveres på et nærmere specificeret indsamlingssted, f.eks. i overensstemmelse med en godkendt én-til-én-procedure, når du indkøber et nyt tilsvarende produkt, eller produktet skal afleveres på et godkendt indsamlingssted for elektronikaffald. Forkert håndtering af denne type affald kan medføre negative konsekvenser for miljøet og menneskers helbred på grund af de potentielt sundhedsskadelige stoffer, der generelt kan forefindes i elektrisk og elektronisk udstyr. Når du foretager korrekt bortskaffelse af det pågældende produkt, bidrager du til effektiv brug af naturressourcerne. Yderligere oplysninger om, hvor du kan bortskaffe dit elektronikaffald med henblik på genanvendelse, får du hos de kommunale renovationsmyndigheder. Yderligere oplysninger om returnering og genanvendelse af affald af elektrisk og elektronisk udstyr får du ved at besøge [www.canon-europe.com/weee](http://www.canon-europe.com/weee).

## Μόνο για την Ευρωπαϊκή Ένωση και τον ΕΟΧ (Νορβηγία, Ισλανδία και Λιχτενστάιν)



Αυτό το σύμβολο υποδηλώνει ότι αυτό το προϊόν δεν πρέπει να απορρίπτεται μαζί με τα οικιακά απορρίμματα, σύμφωνα με την Οδηγία σχετικά με τα Απόβλητα Ηλεκτρικού και Ηλεκτρονικού Εξοπλισμού (ΑΗΗΕ) (2012/19/ΕΕ) και την εθνική σας νομοθεσία. Αυτό το προϊόν πρέπει να παραδίδεται σε καθορισμένο σημείο συλλογής, π.χ. σε μια εξουσιοδοτημένη βάση ανταλλαγής όταν αγοράζετε ένα νέο παρόμοιο προϊόν ή σε μια εξουσιοδοτημένη θέση συλλογής για την ανακύκλωση των αποβλήτων Ηλεκτρικού και Ηλεκτρονικού Εξοπλισμού (ΗΗΕ). Ο ακατάλληλος χειρισμός αυτού του τύπου αποβλήτων μπορεί να έχει αρνητικό αντίκτυπο στο περιβάλλον και την υγεία του ανθρώπου, λόγω δυνητικώς επικίνδυνων ουσιών που γενικά συνδέονται με τον ΗΗΕ. Ταυτόχρονα, η συνεργασία σας όσον αφορά τη σωστή απόρριψη αυτού του προϊόντος θα συμβάλει στην αποτελεσματική χρήση των φυσικών πόρων. Για περισσότερες πληροφορίες σχετικά με τα σημεία όπου μπορείτε να απορρίψετε τον εξοπλισμό σας για ανακύκλωση, επικοινωνήστε με το τοπικό γραφείο της πόλης σας, την υπηρεσία απορριμμάτων, το εγκεκριμένο σχήμα ΑΗΗΕ ή την υπηρεσία απόρριψης οικιακών αποβλήτων. Για περισσότερες πληροφορίες σχετικά με την επιστροφή και την ανακύκλωση των προϊόντων ΑΗΗΕ, επισκεφθείτε την τοποθεσία [www.canon-europe.com/weee](http://www.canon-europe.com/weee).

## Gjelder kun den europeiske union og EØS (Norge, Island og Liechtenstein)



Dette symbolet indikerer at dette produktet ikke skal kastes sammen med husholdningsavfall, i henhold til WEEE-direktiv (2012/19/EU) og nasjonal lov. Produktet må leveres til et dertil egnet innsamlingspunkt, det vil si på en autorisert en-til-en-basis når du kjøper et nytt lignende produkt, eller til et autorisert innsamlingssted for resirkulering av avfall fra elektrisk og elektronisk utstyr (EE-utstyr). Feil håndtering av denne typen avfall kan være miljø- og helseskadelig på grunn av potensielt skadelige stoffer som ofte brukes i EE-utstyr. Samtidig bidrar din innsats for korrekt avhending av produktet til effektiv bruk av naturressurser. Du kan få mer informasjon om hvor du kan avhende utrangert utstyr til resirkulering ved å kontakte lokale myndigheter, et godkjent WEEE-program eller husholdningens renovasjonsselskap. Du finner mer informasjon om retur og resirkulering av WEEE-produkter på [www.canon-europe.com/weee](http://www.canon-europe.com/weee).

## Vain Euroopan unionin sekä ETA:n (Norja, Islanti ja Liechtenstein) alueelle.



Tämä tunnus osoittaa, että sähkö- ja elektroniikkalaiteromua koskeva direktiivi (SER-direktiivi, 2012/19/EU) sekä kansallinen lainsäädäntö kieltävät tuotteen hävittämisen talousjätteen mukana. Tuote on vietävä asianmukaiseen keräyspisteeseen, esimerkiksi kodinkoneliikkeeseen uutta vastaavaa tuotetta ostettaessa tai viralliseen sähkö- ja elektroniikkalaiteromun keräyspisteeseen. Sähkö- ja elektroniikkalaiteromun virheellinen käsittely voi vahingoittaa ympäristöä ja ihmisten terveyttä, koska laitteet saattavat sisältää ympäristölle ja terveydelle haitallisia aineita. Lisäksi tuotteen asianmukainen hävittäminen säästää luonnonvaroja. Lisätietoja sähkö- ja elektroniikkalaiteromun keräyspisteistä saat kaupunkien ja kuntien tiedotuksesta, jätehuoltoviranomaisilta, sähkö- ja elektroniikkalaiteromun

kierrätysjärjestelmän ylläpitäjältä ja jätehuoltoyhtiöltä. Lisätietoja sähkö- ja elektroniikkalaiteromun keräyksestä ja kierrätyksestä on osoitteessa [www.canon-europe.com/weee](http://www.canon-europe.com/weee).

## Endast för Europeiska unionen och EES (Norge, Island och Liechtenstein)



Den här symbolen visar att produkten enligt WEEE-direktivet (2012/19/EU) och nationell lagstiftning inte får sorteras och slängas som hushållsavfall. Den här produkten ska lämnas in på en därför avsedd insamlingsplats, t.ex. på en återvinningsstation auktoriserad att hantera elektrisk och elektronisk utrustning (EE-utrustning) eller hos handlare som är auktoriserade att byta in varor då nya, motsvarande köps (en mot en). Olämplig hantering av avfall av den här typen kan ha en negativ inverkan på miljön och människors hälsa på grund av de potentiellt farliga ämnen som kan återfinnas i elektrisk och elektronisk utrustning. Din medverkan till en korrekt avfallshantering av den här produkten bidrar dessutom till en effektiv användning av naturresurserna. Kontakta ditt lokala kommunkontor, berörd myndighet, företag för avfallshantering eller ta del av en godkänd WEEE-organisation om du vill ha mer information om var du kan lämna den kasserade produkten för återvinning. För mer information om inlämning och återvinning av WEEE-produkter, se [www.canon-europe.com/weee](http://www.canon-europe.com/weee).

## Pouze Evropská unie a EHP (Norsko, Island a Lichtenštejnsko)



Tento symbol znamená, že podle směrnice o OEEZ (2012/19/EU) a podle vnitrostátních právních předpisů nemá být tento výrobek likvidován s odpadem z domácností. Tento výrobek má být vrácen do sběrného místa, např. v rámci autorizovaného systému odběru jednoho výrobku za jeden nově prodaný podobný výrobek nebo v autorizovaném sběrném místě pro recyklaci odpadních elektrických a elektronických zařízení (OEEZ). Nevhodné nakládání s tímto druhem odpadu by mohlo mít negativní dopad na životní prostředí a lidské zdraví, protože elektrická a elektronická zařízení zpravidla obsahují potenciálně nebezpečné látky. Vaše spolupráce na správné likvidaci tohoto výrobku současně napomůže efektivnímu využívání přírodních zdrojů. Další informace o místech sběru vašeho odpadního zařízení k recyklaci vám sdělí místní úřad vaší obce, správní orgán vykonávající dozor nad likvidací odpadu, sběrný OEEZ nebo služba pro odvoz komunálního odpadu. Další informace týkající se vracení a recyklace OEEZ naleznete na adrese [www.canon-europe.com/weee](http://www.canon-europe.com/weee).

## Csak az Európai Unió és az EGT (Norvégia, Izland és Liechtenstein) országáiban



Ez a szimbólum azt jelzi, hogy a helyi törvények és a WEEE-irányelv (2012/19/EU) szerint a termék nem kezelhető háztartási hulladékként. A terméket a kijelölt nyilvános gyűjtőpontokon kell leadni, például hasonló cserekeszülék vásárlásakor, illetve bármelyik, elektromos és elektronikai berendezésekből származó hulladék (WEEE) átvételére feljogosított gyűjtőponton. Az ilyen jellegű hulladékok a nem megfelelő kezelés esetén a bennük található veszélyes anyagok révén ártalmasak lehetnek a környezetre és az emberek egészségére. Továbbá, a termékből származó hulladék megfelelő kezelésével hozzájárulhat a természetes nyersanyagok hatékonyabb hasznosításához. A berendezésekből származó, újrahasznosítható hulladékok elhelyezésére vonatkozó további tudnivalókért forduljon a helyi önkormányzathoz, a közterület-fenntartó vállalathoz, a háztartási hulladék begyűjtését végző vállalathoz, illetve a hivatalos WEEE-képviselőhöz. További tudnivalókat a WEEE-termékek visszajuttatásáról és újrahasznosításáról a [www.canon-europe.com/weee](http://www.canon-europe.com/weee).

## Tylko dla krajów Unii Europejskiej oraz EOG (Norwegia, Islandia i Liechtenstein)



Ten symbol oznacza, że zgodnie z dyrektywą WEEE dotyczącą zużytego sprzętu elektrycznego i elektronicznego (2012/19/UE) oraz przepisami lokalnymi nie należy wyrzucać tego produktu razem z odpadami gospodarstwa domowego. Produkt należy przekazać do wyznaczonego punktu gromadzenia odpadów, np. firmie, od której kupowany jest nowy, podobny produkt lub do autoryzowanego punktu gromadzenia zużytego sprzętu elektrycznego i elektronicznego w celu poddania go recyklingowi. Usuwanie tego typu odpadów w nieodpowiedni sposób może mieć negatywny wpływ na otoczenie i zdrowie innych osób ze względu na niebezpieczne substancje stosowane w takim sprzęcie. Jednocześnie pozbycie się zużytego sprzętu w zalecany sposób przyczynia się do właściwego wykorzystania zasobów naturalnych. Aby uzyskać więcej informacji na temat punktów, do których można dostarczyć sprzęt do recyklingu, prosimy skontaktować się z lokalnym urzędem miasta, zakładem utylizacji odpadów, skorzystać z instrukcji zatwierdzonej dyrektywą WEEE lub skontaktować się z przedsiębiorstwem zajmującym się wywozem odpadów domowych. Więcej informacji o zwracaniu i recyklingu zużytego sprzętu elektrycznego i elektronicznego znajduje się w witrynie [www.canon-europe.com/weee](http://www.canon-europe.com/weee).

## Plati len pre štáty Európskej únie a EHP (Nórsko, Island a Lichtenštajnsko)



Tento symbol znamená, že podľa Smernice 2012/19/EÚ o odpade z elektrických a elektronických zariadení (OEEZ) a podľa platnej legislatívy Slovenskej republiky sa tento produkt nesmie likvidovať spolu s komunálnym odpadom. Produkt je potrebné odovzdať do určenej zberne, napr. prostredníctvom výmeny za kúpu nového podobného produktu, alebo na autorizované zberné miesto, ktoré spracúva odpad z elektrických a elektronických zariadení (EEZ). Nesprávna manipulácia s takýmto typom odpadu môže mať negatívny vplyv na životné prostredie a ľudské zdravie, pretože elektrické a elektronické zariadenia obsahujú potenciálne nebezpečné látky. Spoluprácou na správnej likvidácii produktu prispějete

k účinnému využití prírodných zdrojov. Ďalšie informácie o mieste recyklácie opotrebovaných zariadení získate od miestneho úradu, úradu životného prostredia, zo schváleného plánu OEEZ alebo od spoločnosti, ktorá zaisťuje likvidáciu komunálneho odpadu. Viac informácií nájdete aj na webovej stránke: [www.canon-europe.com/weee](http://www.canon-europe.com/weee).

## Üksnes Euroopa Liit ja EMP (Norra, Island ja Liechtenstein)



See sümbol näitab, et antud toodet ei tohi vastavalt elektri- ja elektroonikaseadmete jäätmeid käsitlevale direktiivile (2012/19/EL) ning teie riigis kehtivatele õigusaktidele utiliseerida koos olmejäätmetega. Antud toode tuleb anda selleks määratud kogumispunkti, nt müügipunkt, mis on volitatud üks ühe vastu vahetama, kui ostate uue sarnase toote, või elektri- ja elektroonikaseadmete jäätmete ümbertöötlemiseks mõeldud kogumispunkti. Täiendava teabe saamiseks elektri- ja elektroonikaseadmetest tekkinud jäätmete tagastamise ja ümbertöötlemise kohta võtke ühendust kohaliku omavalitsusega, asjakohase valitsusasutusega, asjakohase tootjavastutusorganisatsiooniga või olmejäätmete käitlejaga. Lisateavet leitate ka Interneti-leheküljelt [www.canon-europe.com/weee](http://www.canon-europe.com/weee).

## Tikai Eiropas Savienībai un EEZ (Norvēģijai, Islandei un Lihtenšteinai)



Šis simbols norāda, ka atbilstoši ES Direktīvai (2012/19/ES) par elektrisko un elektronisko iekārtu atkritumiem (EEIA) un vietējiem tiesību aktiem no šī izstrādājuma nedrīkst atbrīvoties, izmetot to kopā ar sadzīves atkritumiem. Šis izstrādājums ir jānodod piemērotā savākšanas vietā, piemēram, apstiprinātā veikalā, kur iegādājaties līdzīgu jaunu produktu un atstājat veco, vai apstiprinātā vietā izlietotu elektrisko un elektronisko iekārtu pārstrādei. Nepareiza šāda veida atkritumu apsaimniekošana var apdraudēt vidi un cilvēka veselību tādu iespējami bīstamu vielu dēļ, kas parasti ir elektriskajās un elektroniskajās iekārtās. Turklāt jūsu atbalsts pareizā šāda veida atkritumu apsaimniekošanā sekmēs efektīvu dabas resursu izmantošanu. Lai saņemtu pilnīgāku informāciju par vietām, kur izlietoto iekārtu var nodot pārstrādei, sazinieties ar vietējo pašvaldību, atkritumu savākšanas atbildīgo dienestu, pilnvarotu EEIA struktūru vai sadzīves atkritumu apsaimniekošanas iestādi. Lai saņemtu plašāku informāciju par elektrisko un elektronisko iekārtu nodošanu pārstrādei, apmeklējiet tīmekļa vietni [www.canon-europe.com/weee](http://www.canon-europe.com/weee).

## Tik Europos Sąjungai ir EEE (Norvegijai, Islandijai ir Lichtenšteinui)



Šis ženkla reiškia, kad gaminio negalima išmesti su buitinėmis atliekomis, kaip yra nustatyta Direktyvoje (2012/19/ES) ir nacionaliniuose teisė aktuose dėl EEI atliekų tvarkymo. Šį gaminį reikia atiduoti į tam skirtą surinkimo punktą, pvz., pagal patvirtintą keitimo sistemą, kai perkamas panašus gaminytis, arba į

elektros ir elektroninės įrangos (EEI) atliekų perdirbimo punktą. Netinkamas tokios rūšies atliekų tvarkymas dėl elektros ir elektroninėje įrangoje esančių pavojingų medžiagų gali pakenkti aplinkai ir žmonių sveikatai. Padėdami užtikrinti tinkamą šio gaminio šalinimo tvarką, kartu prisidėsite prie veiksmingo gamtos išteklių naudojimo. Jei reikia daugiau informacijos, kaip šalinti tokias atliekas, kad jos būtų toliau perdirbamos, kreipkitės į savo miesto valdžios institucijas, atliekų tvarkymo organizacijas, patvirtintų EEI atliekų sistemų arba jūsų buitinių atliekų tvarkymo įstaigų atstovus. Išsamesnės informacijos apie EEI atliekų grąžinimo ir perdirbimo tvarką galite rasti apsilankę tinklalapyje [www.canon-europe.com/weee](http://www.canon-europe.com/weee).

## **Samo za Evropsko unijo in EGP (Norveška, Islandija in Lihtenštajn)**



Ta simbol pomeni, da tega izdelka v skladu z direktivo OEEO (2012/19/EU) in državno zakonodajo ne smete odvreči v gospodinjske odpadke. Ta izdelek morate odložiti na ustrezno zbiralno mesto, na primer pri pooblaščenem prodajalcu, ko kupite podoben nov izdelek ali na zbiralno mesto za recikliranje električne in elektronske opreme. Neprimerno ravnanje s takšnimi odpadki lahko negativno vpliva na okolje in človekovo zdravje zaradi nevarnih snovi, ki so povezane z električno in elektronsko opremo. S pravilno odstranitvijo izdelka hkrati prispevate tudi k učinkoviti porabi naravnih virov. Če želite več informacij o tem, kje lahko odložite odpadno opremo za recikliranje, pokličite občinski urad, komunalno podjetje ali službo, ki skrbi za odstranjevanje odpadkov, ali si oglejte načrt OEEO. Če želite več informacij o vračanju in recikliranju izdelkov v skladu z direktivo OEEO, obiščite [www.canon-europe.com/weee](http://www.canon-europe.com/weee).

## **Само за Европейския съюз и ЕИП (Норвегия, Исландия и Лихтенщайн)**



Този символ показва, че този продукт не трябва да се изхвърля заедно с битовите отпадъци, съгласно Директивата за ИУЕЕО (2012/19/ЕС) и Вашето национално законодателство. Този продукт трябва да бъде предаден в предназначен за целта пункт за събиране, например на база размяна, когато купувате нов подобен продукт, или в одобрен събирателен пункт за рециклиране на излязло от употреба електрическо и електронно оборудване (ИУЕЕО). Неправилното третиране на този тип отпадъци може да доведе до евентуални отрицателни последици за околната среда и човешкото здраве поради потенциално опасните вещества, които обикновено са свързани с ЕЕО. В същото време Вашето съдействие за правилното изхвърляне на този продукт ще допринесе за ефективното използване на природните ресурси. Повече информация относно местата, където може да предавате излязло от употреба оборудване за рециклиране, може да получите от местните власти, от органа, отговорен за отпадъците и от одобрена система за излязло от употреба ЕЕО или от Вашата местна служба за битови отпадъци. За повече информация относно връщането и рециклирането на продукти от излязло от употреба ЕЕО посетете [www.canon-europe.com/weee](http://www.canon-europe.com/weee).

## Doar pentru Uniunea Europeană și EEA (Norvegia, Islanda și Liechtenstein)



Acest simbol indică faptul că acest produs nu trebuie aruncat o dată cu reziduurile menajere, în conformitate cu Directiva DEEE (Directiva privind deșeurile de echipamente electrice și electronice) (2012/19/UE) și legile naționale. Acest produs trebuie transportat la un punct de colectare special, de exemplu un centru care preia produsele vechi atunci când achiziționați un produs nou similar, sau la un punct de colectare autorizat pentru reciclarea deșeurilor provenite de la echipamentele electrice și electronice (EEE). Mănuirea necorespunzătoare a acestor tipuri de deșeuri poate avea un impact negativ asupra mediului înconjurător și sănătății indivizilor, din cauza substanțelor potențial nocive care sunt în general asociate cu EEE. În același timp, cooperarea dvs. la reciclarea corectă a acestui produs va contribui la utilizarea efectivă a resurselor naturale. Pentru mai multe informații privind locurile de reciclare a deșeurilor provenite de la echipamente, contactați biroul primăriei locale, autoritatea responsabilă cu colectarea deșeurilor, schema DEEE aprobată sau serviciul de colectare a deșeurilor menajere. Pentru mai multe informații privind returnarea și reciclarea produselor DEEE, vizitați [www.canon-europe.com/weee](http://www.canon-europe.com/weee).

## Samo za Europsku uniju i EEZ (Norveška, Island i Lihtenštajn)



Ovaj simbol pokazuje da se ovaj proizvod ne smije odlagati s kućnim otpadom sukladno WEEE Direktivi (2012/19/EC) i vašem nacionalnom zakonu. Ovaj proizvod je potrebno predati na posebno mjesto za sakupljanje otpada, npr. na ovlašteno mjesto gdje možete zamijeniti staro za novo ukoliko kupujete novi sličan proizvod ili na ovlašteno mjesto za sakupljanje rabljene električne i elektroničke opreme (EEE) za recikliranje. Neproprisan rukovanje ovom vrstom otpada može imati negativan učinak na okolinu i zdravlje ljudi zbog supstanci koje su potencijalno opasne za zdravlje, a općenito se povezuju s EEE. Istovremeno, vaša će suradnja kroz propisno odlaganje ovog proizvoda doprinijeti efektivnoj uporabi prirodnih resursa. Za više informacija o tome gdje možete odložiti svoj otpad za recikliranje obratite se vašem lokalnom gradskom uredu, komunalnoj službi, odobrenom WEEE programu ili službi za odlaganje kućnog otpada. Ostale informacije o vraćanju i recikliranju WEEE proizvoda potražite na [www.canon-europe.com/weee](http://www.canon-europe.com/weee).

## Korisnici u Srbiji



Ovaj simbol označava da ovaj proizvod ne sme da se odlaže sa ostalim kućnim otpadom, u skladu sa WEEE Direktivom (2012/19/EU) i nacionalnim zakonima. Ovaj proizvod treba predati određenom centru za prikupljanje, npr. na osnovi "jedan-za-jedan" kada kupujete sličan novi proizvod, ili ovlašćenom centru za prikupljanje za reciklažu istrošene električne i elektronske opreme (EEE). Nepravilno rukovanje ovom



vrstom otpada može da ima moguće negativne posledice po životnu sredinu i ljudsko zdravlje usled potencijalno opasnih materijala koji se uglavnom vezuju za EEE. U isto vreme, vaša saradnja na ispravnom odlaganju ovog proizvoda će doprineti efikasnom korišćenju prirodnih resursa. Za više informacija o tome gde možete da predate vašu staru opremu radi recikliranja, vas molimo, da kontaktirate lokalne gradske vlasti, komunalne službe, odobreni plan reciklaže ili Gradsku čistoću. Za više informacija o vraćanju i recikliranju WEEE proizvoda, posetite stranicu [www.canon-europe.com/weee](http://www.canon-europe.com/weee).

## Handling Precautions

---

- **Canceling Print Jobs**
- **Legal Restrictions on Scanning/Copying**
- **Printer Handling Precautions**
- **Transporting Your Printer**
- **When Repairing, Lending, or Disposing of the Printer**
- **Keeping Print Quality High**

## Legal Restrictions on Scanning/Copying

---

Scanning, printing, copying, or modifying copies of the following may be punishable under law.

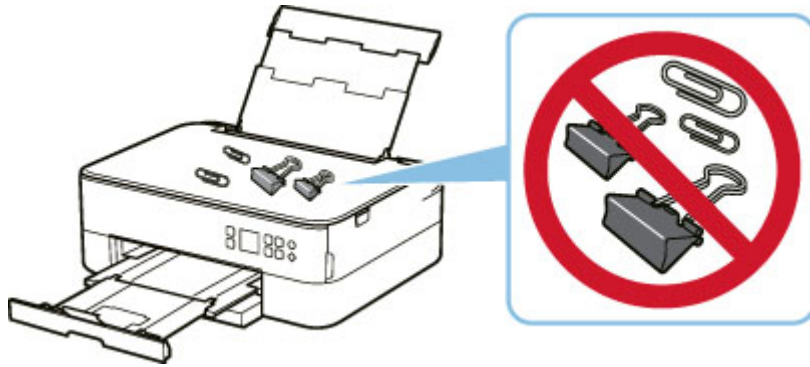
This list is non-exhaustive. When in doubt, check with a local legal representative.

- Paper money
- Money orders
- Certificates of deposit
- Postage stamps (canceled or uncanceled)
- Identification badges or insignia
- Selective service or draft papers
- Checks or drafts issued by governmental agencies
- Motor vehicle licenses and certificates of title
- Traveler's checks
- Food stamps
- Passports
- Immigration papers
- Internal revenue stamps (canceled or uncanceled)
- Bonds or other certificates of indebtedness
- Stock certificates
- Copyrighted works or works of art, without the owner's consent

## Printer Handling Precautions

### Do not place any object on the document cover!

Do not place any object on the document cover. It will fall into the rear tray when the document cover is opened and cause the printer to malfunction. Also, place the printer where objects will not fall on it.



## Transporting Your Printer

When relocating the printer for changing your living place or repairing it, make sure of the following.

### ►► Important

- Pack the printer in a sturdy box so that it is placed with its bottom facing down, using sufficient protective material to ensure safe transport.
- With the print head and FINE Cartridge left installed in the printer, press the **ON** button to turn off the power. This allows the printer to automatically cap the print head, thus preventing it from drying.
- After packing, do not tilt the box containing the printer or turn it on its side or upside down. Doing so may cause the ink to leak during transport and cause damage to the printer.
- When a shipping agent is handling transport of the printer, have its box marked "THIS SIDE UP" to keep the printer with its bottom facing down. Mark also with "FRAGILE" or "HANDLE WITH CARE".



1. Turn the printer off.
2. Close the operation panel.
3. [Unplug the power cord.](#)

### ►► Important

- Do not unplug the printer while the status bar is lit or flashing, or while a screen is displayed in the LCD, as it may cause malfunction or damage to the printer, making the printer unable to print.

4. Retract the paper output tray and the paper output support.
5. Retract the paper support, and close the rear tray cover.
6. Shorten cassette.
7. Unplug the printer cable from the computer and from the printer, then unplug the power cord from the printer.
8. Use adhesive tape to secure all the covers on the printer to keep them from opening during transportation. Then pack the printer in the plastic bag.

**9.** Attach the protective material to the printer when packing the printer in the box.

## When Repairing, Lending, or Disposing of the Printer

---

If you have entered personal data, passwords and/or other security settings on the printer, such information may be stored in the printer.

When sending the printer for repair, lending or transferring the printer to another person, or disposing of the printer, please be sure to follow the steps below in order to delete such information and prevent third parties from accessing it.

- Press the **OK** button and select **Device settings > Reset settings > Reset all > Yes**.

## Keeping Print Quality High

The key to printing with the optimal printing quality is to prevent the print head from drying or clogging. Always observe the following rules for optimal printing quality.

### ▶▶▶ Note

- Depending on the type of paper, ink may blur if you trace the printed area with a highlight pen or paint-stick, or bleed if water or sweat comes in contact with the printed area.

### Never unplug the power cord until the power is turned off!

If you press the **ON** button to turn off the power, the printer caps the print head (nozzles) automatically to prevent from drying. If you unplug the power cord from the wall outlet while the status bar is lit/flashing or a screen is displayed in the LCD, the print head will not be capped properly and this will cause drying or clogging.

When [unplugging the power cord](#), check that the status bar goes off and the display in the LCD disappears.

### Print periodically!

Just as the tip of a felt pen becomes dry and unusable if it has not been used for a long time, even if it is capped, the print head too, may become dried or clogged if the printer has not been used for a long time. We recommend you to use the printer at least once a month.



## **Main Components and Their Use**

---

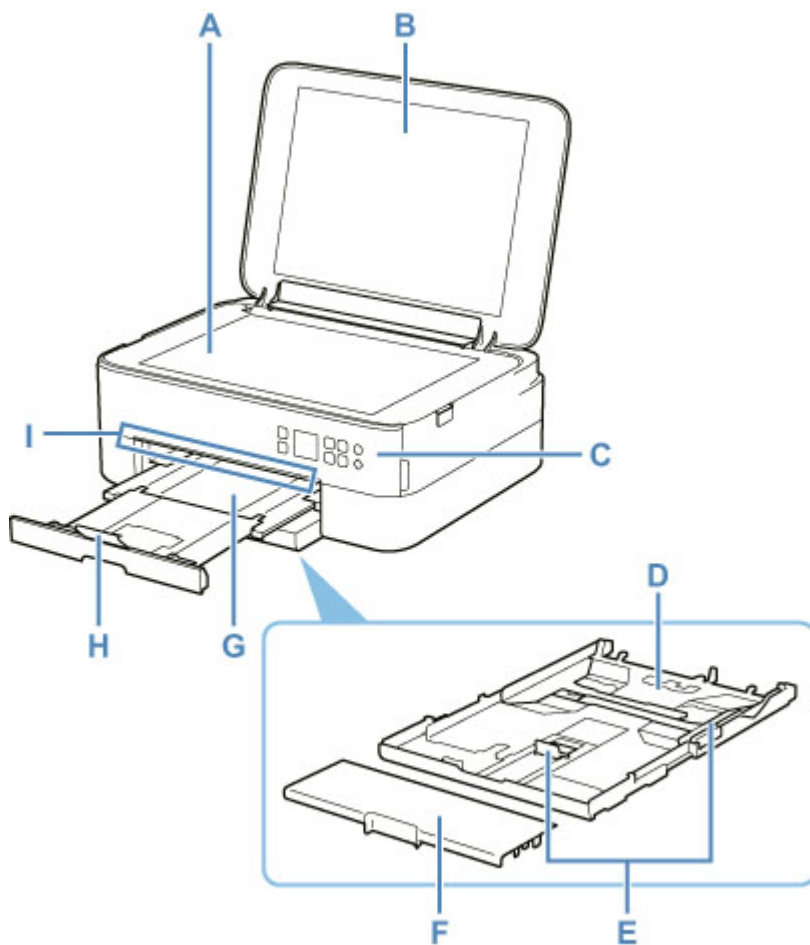
- **Main Components**
- **Power Supply**
- **LCD and Operation Panel**
- **Entering Numbers, Letters, and Symbols**

## **Main Components**

---

- **Front View**
- **Rear View**
- **Inside View**
- **Operation Panel**

## Front View



### A: Platen

Load an original here.

### B: Document Cover

Open to load an original on the platen.

### C: Operation Panel

Use to change the settings of the printer or to operate it.

The operation panel can be tilted.

➔ [Operation Panel](#)

### D: Cassette

Load A4, B5, A5, or Letter-sized plain paper into the cassette, and insert it into the printer.

➔ [Loading Paper in the Cassette](#)

### E: Paper Guides

Align with right/left/front sides of the paper stack.

### F: Cassette Cover

Detach to load paper in the cassette.

### G: Paper Output Tray

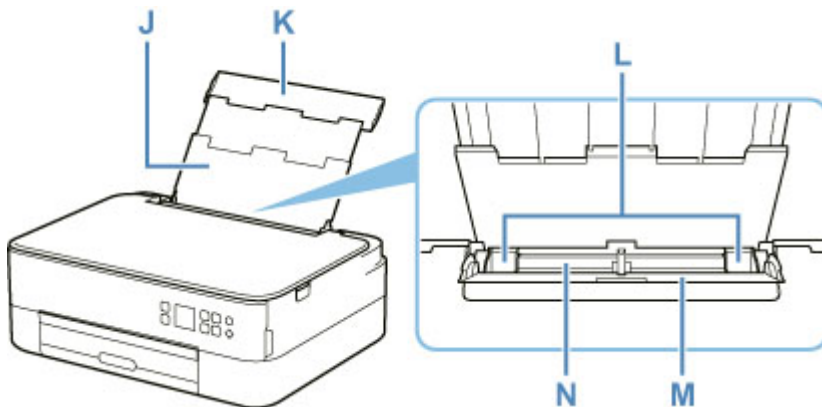
Printed paper is ejected. Pull out it before printing.

**H: Paper Output Support**

Open to support ejected paper.

**I: Status Bar**

Lights or flashes to indicate the printer is operating or when an error occurs.

**J: Paper Support**

Extend to load paper in the rear tray.

**K: Rear Tray Cover**

Open to load paper in the rear tray.

**L: Paper Guides**

Align with both sides of the paper stack.

**M: Feed Slot Cover**

Prevents anything from falling into the feed slot.

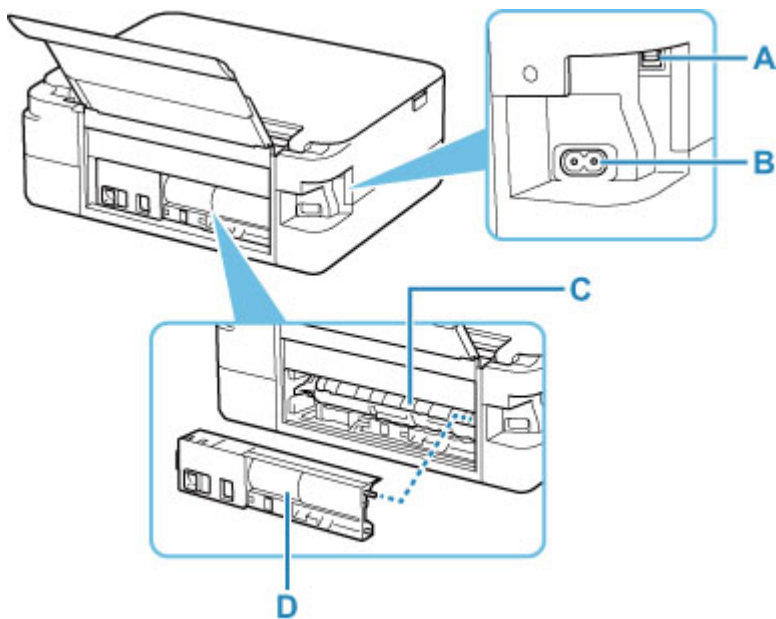
Open it to slide the paper guides, and close it before printing.

**N: Rear Tray**

Load paper here. Two or more sheets of the same size and type of paper can be loaded at the same time, and fed automatically one sheet at a time.

- ➡ [Loading Paper in the Rear Tray](#)
- ➡ [Loading Envelopes in Rear Tray](#)

## Rear View



### A: USB Port

Plug in the USB cable to connect the printer with a computer.

### B: Power Cord Connector

Plug in the supplied power cord.

### C: Transport Unit Cover

Open when removing jammed paper.

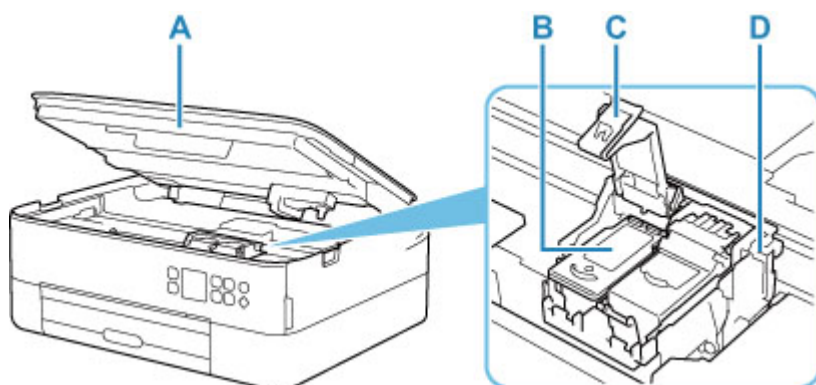
### D: Rear Cover

Detach when removing jammed paper.

## ►► Important

- Do not touch the metal casing.
- Do not plug in or unplug the USB cable while the printer is printing or scanning with the computer. This can cause trouble.

## Inside View



### **A: Scanning Unit / Cover**

Scans originals. Also, lift and open it to replace a FINE cartridge or to remove jammed paper inside the printer.

### **B: FINE Cartridge (ink cartridges)**

A replaceable cartridge that integrates print head and ink tank.

### **C: Ink Cartridge Locking Cover**

Secures the installed FINE cartridge.

### **D: FINE Cartridge Holder**

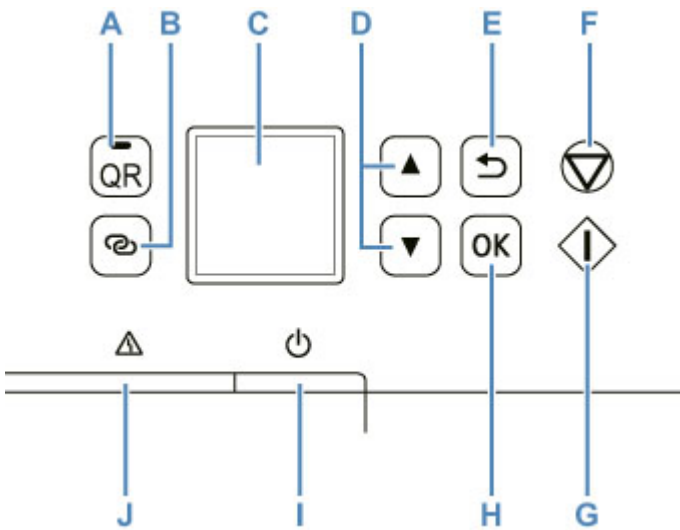
Install the FINE cartridge.

The color FINE cartridge should be installed into the left slot and the black FINE cartridge should be installed into the right slot.

### **▶▶▶ Note**

- For details on replacing a FINE cartridge, see [Replacing a FINE Cartridge](#).

## Operation Panel



### A: QR button/QR lamp

When you press the **QR** button while the **QR** lamp is lit, the QR code will appear, giving you access to an online manual that explains the function that is in operation. Cost of connecting to Internet is to be born by the customer.

### B: Wireless connect button

To set wireless router information in the printer directly from a smartphone or other such device (without having to do any procedures at the router), hold down this button.

### C: LCD (Liquid Crystal Display)

Displays messages, menu items, and the operational status.

### D: ▲ and ▼ buttons

Used to select a setting item. These buttons are also used for entering characters.

➔ [Selecting a Menu or Setting Item](#)

### E: Back button

Returns the LCD to the previous screen.

### F: Stop button

Cancels operation when printing is in progress or when selecting a menu item.

### G: Start button

Press this button to start printing or copying, and to confirm the characters entered.

### H: OK button

Finalizes your selection of items. Also used to resolve errors.

### I: ON button

Turns the power on or off. Before turning on the power, make sure that the document cover is closed.

➔ [Turning the Printer On and Off](#)

### J: Alarm lamp

Lights or flashes when an error occurs.

## **Power Supply**

---

- **Checking that Power Is On**
- **Turning the Printer On and Off**
- **Checking the Power Plug/Power Cord**
- **Unplugging the Printer**



## Checking that Power Is On

---

A screen appears in the LCD when the printer is turned on.

Even if the display in the LCD is off, if the status bar is lit, the printer is on.

### ▶▶ Note

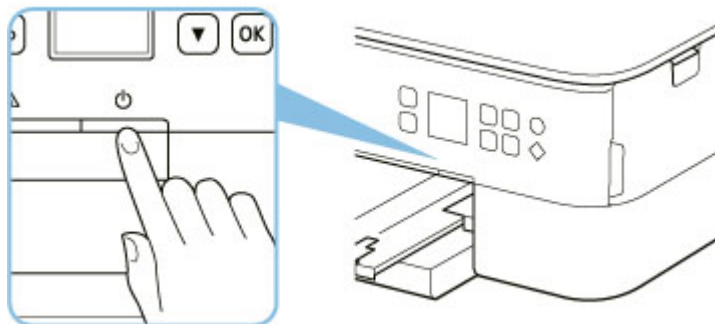
- It may take a while for the printer to start printing immediately after you turn on the printer.
- The display in the LCD will turn off if the printer is not operated for about 10 minutes.  
To restore the display, either press a button on the operation panel or perform a print operation.

## Turning the Printer On and Off

### Turning on the printer

1. Press the **ON** button to turn on the printer.

➔ [Confirming that the Power Is On](#)



#### ➤➤➤ Note

- It may take a while for the printer to start printing immediately after you turn on the printer.
- If an error message is displayed on the LCD, see [When Error Occurred](#).
- You can set the printer to automatically turn on when a print or scan operation is performed from a computer connected by USB cable or wireless network. This feature is set to off by default.

From the printer

➔ [ECO settings](#)

From the computer

– For Windows:

➔ [Managing the Printer Power](#)

– For macOS:

➔ [Managing the Printer Power](#)

### Turning off the printer

1. Press the **ON** button to turn off the printer.

#### ➤➤➤ Important

- When you [unplug the power cord](#) after turning off the printer, be sure to confirm that the status bar goes off and the display in the LCD disappears.

## »» Note

- You can set the printer to automatically turn off when no operations are performed or no print jobs are sent to the printer for a certain interval. This feature is set to on by default.

From the printer

➔ [ECO settings](#)

From the computer

– For Windows:

➔ [Managing the Printer Power](#)

– For macOS:

➔ [Managing the Printer Power](#)

## Checking the Power Plug/Power Cord

---

Unplug the power cord once a month to confirm that the power plug/power cord does not have anything unusual described below.

- The power plug/power cord is hot.
- The power plug/power cord is rusty.
- The power plug/power cord is bent.
- The power plug/power cord is worn.
- The power plug/power cord is split.

### **Caution**

- If you find anything unusual with the power plug/power cord described above, [unplug the power cord](#) and call for service. Using the printer with one of the unusual conditions above may cause a fire or an electric shock.
-

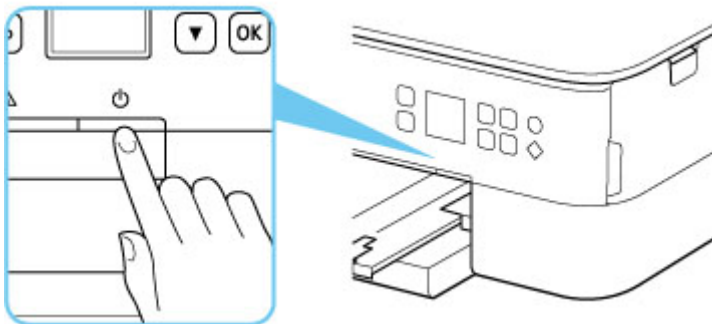
## Unplugging the Printer

To unplug the power cord, follow the procedure below.

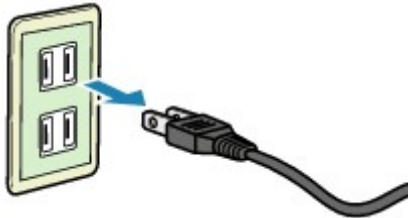
### ►► Important

- Press the **ON** button and confirm that the status bar goes off and the display in the LCD disappears before unplugging the power cord. Unplugging the power cord while the status bar is lit/flashing or a screen is displayed in the LCD may cause drying or clogging of the print head and print quality may be reduced.

1. Press the **ON** button to turn the printer off.



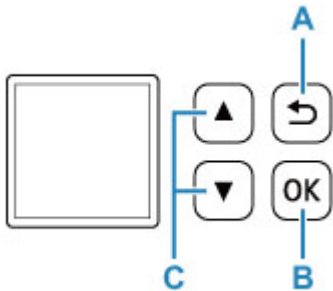
2. Check that status bar goes off and display in LCD disappears.
3. Unplug the power cord.



The specification of the power cord differs depending on the country or region of use.

## LCD and Operation Panel

Pressing the **OK** button (B) on the operation panel displays the menu screen, which enables you to perform printer settings and maintenance.



### Selecting a Menu or Setting Item

In a menu screen or settings screen, use the ▲▼ button (C) to select an item or option, and then press the **OK** button (B) to proceed with the procedure.

To return to the previous screen, press the **Back** button (A).

Example: Changing the setting for Prevent Abrasion.

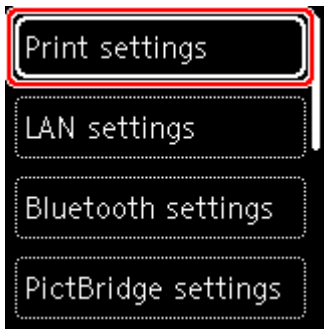
1. Press **OK** button (B).



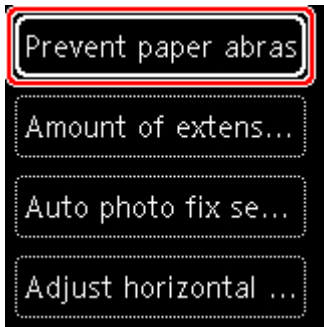
2. Use ▲▼ button (C) to select **Device settings** and press **OK** button (B).



3. Select **Print settings** and press the **OK** button (B).



4. Select **Prevent paper abrasion** and press the **OK** button (B).




5. Use ▲ ▼ button (C) to change setting and press **OK** button (B).

## Network Status Indication

When you press the **OK** button, icons depicting the Wi-Fi setting and the network status indicate by the icon in the standby screen.



If the  icon appears on the LCD, it indicates that Wi-Fi is enabled and the printer is connected to the wireless router.

Depending on the signal state, the icon will change.



**Signal strength:** 81 % or more

You can use the printer over Wi-Fi without any problems.



**Signal strength:** 51 % or more

The problem such as the printer cannot print may occur according to the network status. We recommend placing the printer near the wireless router.





**Signal strength:** 50 % or less

The problem such as the printer cannot print may occur. Place the printer near the wireless router.



Wi-Fi is enabled but the printer is not connected to the wireless router.

### ▶▶ Note

-  Wireless Direct is enabled.
-  Wi-Fi and Wireless Direct are disabled.



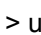

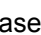


## Entering Numbers, Letters, and Symbols

The buttons on the operation panel allow you to enter (or change) characters, numbers, or symbols when setting up the network or making other settings.

### Switching the Input Mode

The current input mode appears at the upper right corner of the LCD.

Pressing the  (**Wireless connect**) button on the operation panel toggles through the input modes in the order lowercase  > uppercase  > numeric  > symbols , showing the first available character.



The following shows available characters in each mode.

Mode	Available characters
Lowercase	abcdefghijklmnopqrstuvwxyz SP
Uppercase	ABCDEFGHIJKLMNOPQRSTUVWXYZ SP
Numeric	1234567890 SP
Symbols	. @ - _ SP * # ! " , ; : ^ ` = /   ' ? \$ % & + ( ) [ ] { } < > \ ~

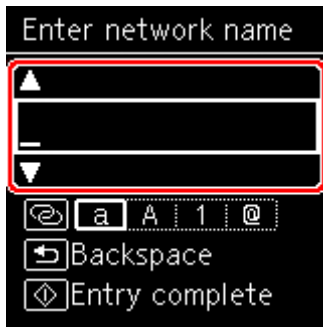
SP: Indicates a space.

#### ➤➤➤ Note

- Only the input modes or characters available for input appear in their respective screens.

### Entering Numbers, Letters, and Symbols

Use the ▲ ▼ button to select a character and press the **OK** button to input it.



After all the characters have been input, press the **Start** button.

- To insert a space

Either press the **OK** button without selecting any character, or switch to the symbol mode and then press the ▲ button 5 times.

- To delete the last entered character

Press the **Back** button. You can only delete the last entered character.

## Changing Settings

---

- ▶ **Changing Printer Settings from Your Computer (Windows)**
- ▶ **Changing Printer Settings from Your Computer (macOS)**
- ▶ **Changing Settings from Operation Panel**

## **Changing Printer Settings from Your Computer (macOS)**

---

- **Managing the Printer Power**
- **Changing the Printer Operation Mode**

## Managing the Printer Power

---

Printer power supply is operated from Remote UI.

### Energy saving settings

**Energy saving settings** allow you to set **Auto power off** and **Auto power on**.

**Auto power off** is the function wherein the printer automatically turns itself off, when data is not sent or the printer remains inactive for a certain period.

The **Auto power on** function automatically turns on the printer when data is received.

1. Selecting **Device settings** from [Remote UI](#)

2. Click **Energy saving settings**

3. Complete the following settings:

**Auto power off**

Specify the time from the list. Printer automatically turns itself off, when data is not sent within the specified time or the printer has remained inactive.

**Auto power on**

When you check this check box, the printer automatically turns itself on when data is sent.

4. Apply the settings

Click **OK**.

The printer will operate with the changed settings hereafter.

## Changing the Printer Operation Mode

---

If necessary, switch between various modes of printer operation.

1. Check whether the printer is on and select **Device settings** from [Remote UI](#)

2. If necessary, complete the following settings:

### **Print settings - Prevent paper abrasion**

The printer can increase the gap between the print head and the paper during high-density printing to prevent paper abrasion.

Check this check box to prevent paper abrasion.

### **Custom settings - Detect paper setting mismatch**

If the check box is deselected, at the time of printing from PC, you can continue to print without the message display even if the paper settings set in the Print dialog differs from the paper information registered to the printer.

### **Ink drying wait time**

You can set the length of the printer rest time until printing of the next page begins. The wait time becomes longer as the value set in the list increases, and shorter as the value decreases.

If the paper gets stained because the next page is ejected before the ink on the printed page dries, increase the ink drying wait time.

Reducing the ink drying wait time speeds up printing.

3. Apply the settings

Click **OK**.

The printer operates with the modified settings hereafter.

## Changing Settings from Operation Panel

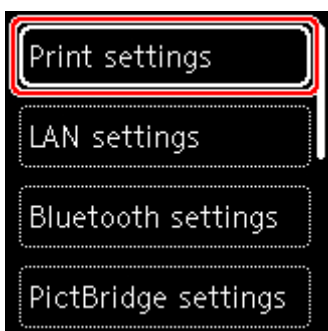
---

- **Changing Settings from Operation Panel**
- **Setting Items on Operation Panel**
- **Print settings**
- **LAN settings**
- **Bluetooth settings**
- **PictBridge settings**
- **Smartphone photo print settings**
- **Other device settings**
- **Language selection**
- **Firmware update**
- **Reset setting**
- **Feed settings**
- **Web service setup**
- **ECO settings**
- **Quiet setting**
- **System information**

## Changing Settings from Operation Panel

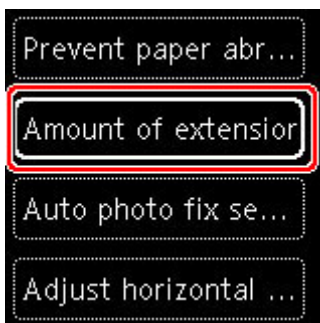
This section describes the procedure to change the settings in the **Device settings** screen, taking the steps to specify **Amount of extension** as an example.

1. [Check that printer is turned on.](#)
2. Press **OK** button.
3. Select **Device settings**.
4. Select a setting item to adjust.

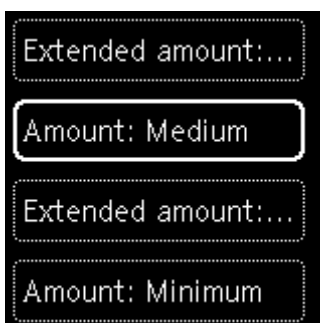


The setting screen for the selected item is displayed.

5. Select a setting item.



6. Select a setting to specify.



For more on setting items on the operation panel:



➔ [Setting Items on Operation Panel](#)

## Setting Items on Operation Panel

---

### Items for Printer

- ➔ [Other device settings](#)
- ➔ [Language selection](#)
- ➔ [Web service setup](#)
- ➔ [ECO settings](#)
- ➔ [Quiet setting](#)

### Items for Paper/Printing

- ➔ [Print settings](#)
- ➔ Bluetooth settings
- ➔ PictBridge settings
- ➔ Smartphone photo print settings
- ➔ [Feed settings](#)

### Items for Maintenance/Management

- ➔ [LAN settings](#)
- ➔ [Firmware update](#)
- ➔ [Reset setting](#)
- ➔ [System information](#)

## Print settings

Select this setting item from **Device settings** in the menu screen which appears when you press the **OK** button.

- **Prevent paper abrasion**

Use this setting only if the print surface becomes smudged.

### ▶▶▶ Important

- Be sure to set this back to **OFF** after printing since it may result in lower printing speed or lower print quality.

- **Amount of extension**

Selects the amount of image that extends off the paper when printing in borderless (full).

When performing Borderless Printing, slight cropping may occur at the edges since the printed image is enlarged to fill the whole page. You can change the width to be cropped from the borders of the original image as needed.

### ▶▶▶ Important

- Settings will become ineffective in the following situations:
  - PictBridge (Wi-Fi) compliant device
  - Printing from a handwritten navigation sheet.
  - Printing from a standard form.

### ▶▶▶ Note

- When performing settings from application software or the printer driver, these settings will be prioritized.
- If printouts contain margins even though you are printing in Borderless, specifying **Extended amount: Large** for this setting may help solve the problem.

- **Auto photo fix setting**

When **ON** is selected, you can select whether to print photos using the Exif information recorded in the image files when **Default\*** or **On** is selected in printing with a PictBridge (Wi-Fi) compliant device.

\* When **Default** is selected for the print setting on the PictBridge (Wi-Fi) compliant device, select **Auto photo fix** in **PictBridge settings**.

- **Adjust horizontal print position**

Adjusts the print position when the left/right margins are not aligned.

When the paper width is less than 8.03 in. (204 mm), you can adjust the left/right margins in increments of 0.004 in. (0.1 mm) between -0.08 in. (-2 mm) and +0.08 in. (+2 mm) centered on the horizontal center of the paper.

## LAN settings

Select this setting item from **Device settings** in the menu screen which appears when you press the **OK** button.

- ➔ [Wi-Fi](#)
- ➔ [Wireless Direct](#)

### Wi-Fi

By selecting **Wi-Fi** from **LAN settings**, the following settings are available.

To print the LAN settings, select **Print details** in the **LAN settings** and select **Yes**.

- ➔ [Printing Network Settings](#)

### ▶▶▶ Important

- The network settings printout contains important information about your network. Handle it with care.

- **Show setting info**

The following setting items are displayed. (Some setting items are not displayed depending on the printer settings.)

Items	Setting
<b>Connection</b>	Enabled/Enabled (disconnected)/Disabled
<b>Network name (SSID)</b>	XXXXXXXXXXXXXXXXXXXX XXXXXXXXXXXXXXXXXXXX (up to 32 characters)
<b>Wi-Fi security</b>	Inactive/WEP(64bit)/WEP(128bit)/WPA-PSK(TKIP)/WPA-PSK(AES)/ WPA2-PSK(TKIP)/WPA2-PSK(AES)
<b>Signal strength (%)</b>	XXX
<b>IPv4 address</b>	XXX. XXX. XXX. XXX (12 characters)
<b>IPv4 subnet mask</b>	XXX. XXX. XXX. XXX (12 characters)
<b>IPv4 default gateway</b>	XXX. XXX. XXX. XXX (12 characters)
<b>IPv6 link-local address</b>	XXXX: XXXX: XXXX: XXXX: XXXX: XXXX: XXXX: XXXX (32 characters)
<b>MAC address (Wi-Fi)</b>	XXX. XXX. XXX. XXX (12 characters)
<b>Printer name</b>	XXXXXXXXXXXXXXXXXXXX (up to 15 characters)
<b>Bonjour service name</b>	XXXXXXXXXXXXXXXXXXXX XXXXXXXXXXXXXXXXXXXX XXXXXXXXXXXXXXXXXXXX XXXXXXXXXXXXXXXXXXXX (up to 52 characters)

("XX" represents alphanumeric characters.)

The following settings are available on the **Wi-Fi** screen.

- **Advanced mode**

Enables/disables Wi-Fi.

- **Wi-Fi setup**

Selects the setup method for Wi-Fi connection.

- **Easy wireless connect**

Select if you specify the settings of the access point information to the printer directly from a device (e.g. smartphone, or tablet) without operating the wireless router. Follow the on-screen instructions of the connecting device for the setup procedure.

- **Manual connect**

Select when you perform settings for Wi-Fi manually using the operation panel of the printer.

- **WPS (Push button method)**

Select when you perform settings for Wi-Fi using a wireless router supporting a Wi-Fi Protected Setup (WPS) push button method. Follow the on-screen instructions during setup.

- **Other connection types**

- Manual connect (adv.)**

Select when you perform settings for Wi-Fi manually. You can specify multiple WEP keys.

- WPS (PIN code method)**

Select when you perform settings for Wi-Fi using a wireless router supporting a Wi-Fi Protected Setup (WPS) PIN code method. Follow the on-screen instructions during setup.

- **Advanced**

For details on each setting item:

➔ [Advanced](#)

## Wireless Direct

By selecting **Wireless Direct** from **LAN settings**, the following settings are available.

To print the LAN settings, select **Print details** in the **LAN settings** screen and select **Yes**.

➔ [Printing Network Settings](#)

### Important

- The network settings printout contains important information about your network. Handle it with care.

- **Show setting info**

The following setting items are displayed. (Some setting items are not displayed depending on the printer settings.)

#### Note

- Select **Show setting info** to display a screen, allowing you to show or hide the password.

Items	Setting
-------	---------

<b>Connection</b>	Enabled (connected)/Disabled
<b>SSID/device name</b>	DIRECT-XXXX-TS5300series
<b>Password</b>	XXXXXXXXXXXX (10 characters)
<b>Wi-Fi security</b>	WPA2-PSK(AES)
<b>No. of devices connected now</b>	XX/XX
<b>IPv4 address</b>	XXX. XXX. XXX. XXX (12 characters)
<b>IPv4 subnet mask</b>	XXX. XXX. XXX. XXX (12 characters)
<b>IPv4 default gateway</b>	XXX. XXX. XXX. XXX (12 characters)
<b>IPv6 link-local address</b>	XXXX: XXXX: XXXX: XXXX: XXXX: XXXX: XXXX: XXXX (32 characters)
<b>MAC address (Wi-Fi)</b>	XXX. XXX. XXX. XXX (12 characters)
<b>Printer name</b>	XXXXXXXXXXXXXXXXXX (up to 15 characters)
<b>Bonjour service name</b>	XXXXXXXXXXXXXXXXXX XXXXXXXXXXXXXXXXXX XXXXXXXXXXXXXXXXXX XXXXXXXXXXXXXXXXXX (up to 52 characters)

("XX" represents alphanumeric characters.)

The following settings are available in the **Wireless Direct**.

- **Advanced mode**

Enables/disables Wireless Direct.

- **Change SSID/device name**

Changes the identifier (SSID/the printer's name displayed on a Wi-Fi Direct compatible device) for Wireless Direct.

- **Change password**

Changes the password for Wireless Direct.

- **Connection request confirmation**

Selecting **ON** displays the confirmation screen when a Wi-Fi Direct compatible device is connecting the printer.

- **Advanced**

For details on each setting item:

➔ [Advanced](#)

## Advanced

- **Set printer name**

Specifies the printer name. You can use up to 15 characters for the name.

### ▶▶▶ Note

- You cannot use the same printer name as that already used for other LAN connected devices.

- You cannot use a hyphen for the initial or last character of the printer name.

- **TCP/IP settings**

Performs IPv4 or IPv6 setting.

- **WSD setting**

Setting items when you use WSD (one of the network protocols supported in Windows).

- **Enable/disable WSD**

Selects whether WSD is enabled or disabled.

**▶▶▶ Note**

- When this setting is enabled, the printer icon is displayed on the Network Explorer in Windows.

- **Optimize inbound WSD**

Selecting **Enable** allows you to receive the WSD printing data faster.

- **Timeout setting**

Specifies the timeout length.

- **Bonjour settings**

Setting items for LAN using Bonjour for macOS.

- **Enable/disable Bonjour**

Selecting **Enable** allows you to use Bonjour to perform the network settings.

- **Service name**

Specifies the Bonjour service name. You can use up to 48 characters for the name.

**▶▶▶ Note**

- You cannot use the same service name as that already used for other LAN connected devices.

- **LPR protocol setting**

Enables/disables the LPR setting.

- **RAW protocol**

Enables/disables RAW printing.

- **LLMNR**

Enables/disables LLMNR (Link-Local Multicast Name Resolution). Selecting **Enable** allows the printer to detect printer's IP address from the printer name without a DNS server.

- **IPP settings**

Selecting **Enable** allows you to print via the network with the IPP protocol.

- **PictBridge communication**

Setting items for printing from a PictBridge (Wi-Fi) compliant device.

- **Enable/disable communication**

Selecting **Enable** allows you to print from a PictBridge (Wi-Fi) compliant device.

- **Timeout setting**

Specifies the timeout length.

- **IPsec settings**

Selecting **Enable** allows you to specify the IPsec security.



## Other device settings

Select this setting item from **Device settings** in the menu screen which appears when you press the **OK** button.

- **Key repeat**

When you select **ON**, numbers, characters and other choices can be displayed quickly by pressing the holding the ▲ ▼ button when you are entering the characters etc.

- **ECO settings**

➔ [ECO settings](#)

- **Quiet setting**

➔ [Quiet setting](#)

- **Original removal reminder**

Selects whether the printer will display the reminder screen in case you forget to remove the original from the platen after scanning.

### ▶▶▶ Important

- Depending on the type of original or the state of the document cover, forgetting to remove the original may not be detected.

- **Status bar settings**

Change the display of the status bar.

- **Advanced mode**

Enables or disables the status bar display.

When **Disable** is selected, only the left end of the status bar will light up or flash.

- **Brightness**

Adjusts the brightness of the status bar.

- **Wi-Fi pairing settings**

In order to connect Canon PRINT Inkjet/SELPHY, multiple configurations will be performed.

- **Enable/disable pairing**

Set the printer's Wi-Fi pairing function to enable or disable.

- **Allow/block additional pairing**

On another function permit or prohibit Canon PRINT Inkjet/SELPHY pairing.

- **Delete paired devices**

Cancel all Canon PRINT Inkjet/SELPHY pairing.

## Language selection

---

Changes the language for the messages and menus on the LCD.

Japanese / English / German / French / Italian / Spanish / Portuguese / Dutch / Danish / Norwegian / Swedish / Finnish / Russian / Ukrainian / Polish / Czech / Slovene / Hungarian / Slovak / Croatian / Romanian / Bulgarian / Turkish / Greek / Estonian / Latvian / Lithuanian / Simplified Chinese / Korean / Traditional Chinese / Thai / Indonesian / Vietnamese

## Firmware update

Select this setting item from **Device settings** in the menu screen which appears when you press the **OK** button.

You can update the firmware of the printer, check the firmware version, or perform settings of a notification screen, a DNS server and a proxy server.

### ▶▶▶ Important

- When you use this function, make sure the printer is connected to the Internet.

### ▶▶▶ Note

- Only **Check current version** is available when **Disable** is selected for **Advanced mode** of **Wi-Fi** in **LAN settings**.

- **Install update**

Performs the firmware update of the printer. If you select **Yes**, the firmware update starts. Follow the on-screen instructions to perform update.

### ▶▶▶ Note

- If the firmware update is not complete, check the following and take an appropriate action.
  - Check the network settings such as a wireless router.
  - If **Cannot connect to the server.** is displayed on the LCD, select **OK** and try again after a while.

- **Check current version**

You can check the current firmware version.

- **Update notification setting**

When **ON** is selected and the firmware update is available, the screen to inform you of the firmware update is displayed on the LCD.

- **DNS server setup**

Performs settings for a DNS server. Select **Auto setup** or **Manual setup**. If you select **Manual setup**, follow the display on the LCD to perform settings.

- **Proxy server setup**

Performs settings for a proxy server. Follow the display on the LCD to perform settings.

## Reset setting

---

Select this setting item from **Device settings** in the menu screen which appears when you press the **OK** button.

You can set the settings back to the default.

- **Web service setup only**

Sets the Web service settings back to the default.

- **LAN settings only**

Sets the LAN settings back to the default.

- **Settings only**

Sets the settings such as the paper size or media type back to the default.

- **Reset all**

Sets all settings you made to the printer back to the default. The administrator password specified by Remote UI or IJ Network Device Setup Utility reverts to the default setting.

### **Note**

- You cannot set the following setting items back to the default:
  - The language displayed on the LCD
  - The current position of the print head
  - CSR (Certificate Signing Request) for encryption method (SSL/TLS) setting

## Feed settings

Select this setting item from **Device settings** in the menu screen which appears when you press the **OK** button.

By registering the paper size and the media type loaded on the rear tray or in the cassette, you can prevent the printer from misprinting by displaying the message before printing starts when the paper size or the media type of the loaded paper differs from the print settings.

For details:

➔ [Paper Settings](#)

### ▶▶▶ Note

- For more on the proper combination of paper settings you can specify by the printer driver (Windows) or on the LCD:
  - ➔ Paper Settings on the Printer Driver and the Printer (Media Type)
  - ➔ Paper Settings on the Printer Driver and the Printer (Paper Size)

#### • Rear tray paper settings

Registers the paper size and the media type you load on the rear tray.

#### • Cassette paper settings

Registers the paper size and the media type you load in the cassette.

### ▶▶▶ Note

- Plain paper can only be loaded in the cassette.

#### • Detect paper width

Select **Enable** to automatically detect the paper size when paper is loaded.

#### • Detect paper setting mismatch

If you select **Enable**, the printer detects whether the paper size and the media type are identical with those registered in **Feed settings**. If printing starts with the settings that do not match, an error message is displayed on the LCD.

### ▶▶▶ Note

- When **Disable** is selected, the settings in **Feed settings** is disabled.

## Web service setup

---

Select this setting item from **Web service setup** in the menu screen which appears when you press the **OK** button.

- **Web service registration/Web service cancellation**

Registers/Deletes Web service usage to use the printer device information to/from PIXMA/MAXIFY Cloud Link.

- **Web service connection setup**

The following setting items are available.

- **Google Cloud Print setup**

Registers/Deletes the printer to/from Google Cloud Print.

- **IJ Cloud Printing Center setup**

Registers/Deletes the printer to/from Canon Inkjet Cloud Printing Center.

- **Check Web service setup**

Make sure whether the printer is registered to Google Cloud Print or Canon Inkjet Cloud Printing Center.

- **Issue registration code**

In order to link the web service and printer, obtain the registration code from the service origin.

- **DNS server setup**

Performs settings for a DNS server. Select **Auto setup** or **Manual setup**. If you select **Manual setup**, follow the display on the LCD to perform settings.

- **Proxy server setup**

Performs settings for a proxy server. Follow the display on the LCD to perform settings.

## ECO settings

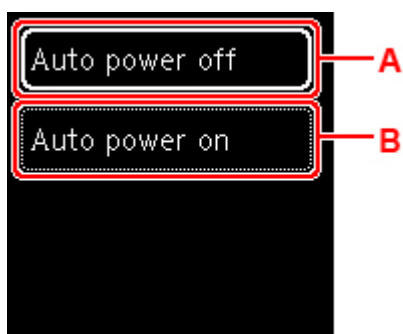
This setting allows you to use automatic duplex printing as a default to save paper and to turn on/off the printer automatically to save electricity.

- ➔ [Using Power Saving Function](#)
- ➔ [Using Duplex Printing](#)

### Using Power Saving Function

Follow the procedure below to use power saving function.

1. [Check that printer is turned on.](#)
2. Press the **OK** button.
3. Select **Device settings**.
4. Select **Other device settings**.
5. Select **ECO settings**.
6. Select **Energy saving settings**.
7. Specify settings as necessary.



A: Specify the length of time to turn the printer off automatically when no operation is made or no printing data is sent to the printer.

B: Selecting **ON** enables the printer to turn on automatically when a scanning command from a computer or printing data is sent to the printer.

### Using Duplex Printing

Follow the procedure below to use duplex printing.

1. [Check that printer is turned on.](#)

2. Press the **OK** button.
3. Select **Device settings**.
4. Select **Other device settings**.
5. Select **ECO settings**.

6. Select **Two-sided print settings**.

A confirmation screen will appear when the default setting for copying is set for two-sided printing.

7. Select **ON** or **OFF** to turn on/off two-sided printing.





## Quiet setting

---

Enables this function on the printer if you want to reduce the operating noise, such as when printing at night. Follow the procedure below to perform setting.

1. [Check that printer is turned on.](#)
2. Press the **OK** button.
3. Select **Device settings**.
4. Select **Other device settings**.
5. Select **Quiet setting**.
6. Select to turn it ON/OFF.

When **Quiet setting** is turned on, it is possible to reduce the operating noise while printing is in progress.

### ▶▶ Important

- When **Quiet setting** is turned on, the operating speed will be slower compared to when it is turned off.
- This function may not be so effective depending on the printer's setting. Furthermore, certain noise, such as when the printer is preparing for printing, is not reduced.

### ▶▶ Note

- You can set the quiet mode from the operation panel of the printer or the printer driver. No matter how you set the quiet mode, the mode is applied when you perform operations from the operation panel of the printer or printing and scanning from the computer.
- For Windows, you can set the quiet mode from ScanGear (scanner driver).

## System information

---

Select this setting item from **System information** in the menu screen which appears when you press the **OK** button.

- **Current version**

Displays the current firmware version.

- **Printer name**

Displays the printer name currently specified.

- **Serial number**

Displays the printer serial number.

- **MAC address (Wi-Fi)**

Displays the MAC address for Wi-Fi.

- **Root cert. thumbprint (SHA-1)**

Shows the root certification thumbprint (SHA-1) of the printer.

▶▶▶ **Note**

- If the password is set to the printer, the password may be requested.

- **Root certificate thumbprint: SHA-256**

Shows the root certification thumbprint (SHA-256) of the printer.

▶▶▶ **Note**

- If the password is set to the printer, the password may be requested.

## Specifications

### General Specifications

<b>Interface</b>	<p><b>USB Port:</b> Hi-Speed USB *</p> <p><b>Network Port:</b> Wi-Fi: IEEE802.11n / IEEE802.11g / IEEE802.11b</p> <p>* A computer that complies with Hi-Speed USB standard is required. Since the Hi-Speed USB interface is fully upwardly compatible with USB 1.1, it can be used at USB 1.1.</p> <p>USB and the network can be used at the same time.</p>
<b>Operating environment</b>	<p><b>Temperature:</b> 41 to 95 °F (5 to 35 °C)</p> <p><b>Humidity:</b> 10 to 90 % RH (no condensation)</p> <p>* The performance of the printer may be reduced under certain temperature and humidity conditions.</p> <p>Recommended conditions:</p> <p><b>Temperature:</b> 59 to 86 °F (15 to 30 °C)</p> <p><b>Humidity:</b> 10 to 80 % RH (no condensation)</p> <p>* For the temperature and humidity conditions of papers such as photo paper, refer to the paper's packaging or the supplied instructions.</p>
<b>Storage environment</b>	<p><b>Temperature:</b> 32 to 104 °F (0 to 40 °C)</p> <p><b>Humidity:</b> 5 to 95 % RH (no condensation)</p>
<b>Power supply</b>	<p>AC 100-240 V, 50/60 Hz</p> <p>(The supplied power cord is only for the country or region you purchased.)</p>
<b>Power consumption</b>	<p><b>Printing (Copy):</b> 19 W or less *1</p> <p><b>Standby (minimum):</b> 0.9 W or less *1*2</p> <p><b>OFF:</b> 0.3 W or less</p> <p>*1 USB connection to a PC, and Bluetooth settings enabled</p> <p>*2 The wait time for standby cannot be changed.</p>
<b>External dimensions (W x D x H)</b>	<p>Approx. 15.9 x 12.5 x 5.9 in. (Approx. 403 x 315 x 148 mm)</p> <p>* With the Cassette and trays retracted.</p>
<b>Weight</b>	<p>Approx. 13.8 lb (Approx. 6.3 kg)</p> <p>* With the FINE cartridge installed.</p>

## Scan Specifications

<b>Scanner driver</b>	<b>Windows:</b> TWAIN 1.9 Specification, WIA
<b>Maximum scanning size</b>	A4/Letter, 8.5 x 11.7 in. (216 x 297 mm)
<b>Optical resolution (horizontal x vertical)</b>	1200 x 2400 dpi * * Optical Resolution represents the maximum sampling rate based on ISO 14473.
<b>Gradation (Input / Output)</b>	<b>Gray:</b> 16 bit/8 bit <b>Color:</b> RGB each 16 bit/8 bit

## Network Specifications

<b>Communication protocol</b>	SNMP, HTTP, TCP/IP (IPv4/IPv6)
<b>Wi-Fi</b>	<p><b>Supported Standards:</b> IEEE802.11n / IEEE802.11g / IEEE802.11b</p> <p><b>Frequency bandwidth:</b> 2.4 GHz</p> <p><b>Channel:</b> 1-11 or 1-13</p> <p>* Frequency bandwidth and available channels differ depending on country or region.</p> <p><b>Communication distance:</b> Indoors 164 feet/50 m</p> <p>* Effective range varies depending on the installation environment and location.</p> <p><b>Security:</b></p> <p>WEP (64/128 bits)</p> <p>WPA-PSK (TKIP/AES)</p> <p>WPA2-PSK (TKIP/AES)</p> <p><b>Setup:</b></p> <p>WPS (Push button configuration/PIN code method)</p> <p>Easy wireless connect</p>

## Minimum System Requirements

Conform to the operating system's requirements when higher than those given here.

### Windows

<b>Operating System</b>	Windows 10, Windows 8.1, Windows 7 SP1 Note: Operation can only be guaranteed on a PC with pre-installed Windows 7 or later.
<b>Hard Disk Space</b>	2.0 GB or more Note: For bundled software installation. The necessary amount of hard disk space may be changed without notice.

## macOS

<b>Operating System</b>	OS X 10.11.6, macOS 10.12 - macOS 10.14
<b>Hard Disk Space</b>	1.0 GB or more Note: For bundled software installation. The necessary amount of hard disk space may be changed without notice.

## Other Supported OS

iOS, Android, Windows 10 Mobile

Some functions may not be available with the supported OS.

Refer to the Canon web site for details.

## Mobile Printing Capability

Apple AirPrint
Google Cloud Print
PIXMA Cloud Link
Windows 10 Mobile Print
Mopria Print Service

- Internet connection or CD-ROM drive is required to install the software for Windows.
- Windows: Some functions may not be available with Windows Media Center.
- Windows: The TWAIN driver (ScanGear) is based on the TWAIN 1.9 Specification and requires the Data Source Manager bundled with the operating system.
- macOS: For macOS, an internet connection is required during software installation.
- Internet connection is required to use all the user's guide.

Information in this manual is subject to change without notice.

## Information about Paper

---

- ▶ **Supported Media Types**
  - Paper Load Limit
- ▶ **Unsupported Media Types**
- ▶ **Handling Paper**
- ▶ **Print Area**

## Supported Media Types

For best results, choose paper designed for how you are printing. A variety of paper for documents as well as photos or illustrations is available from Canon. Use genuine Canon paper to print important photos, when possible.

- ➔ [Media Types](#)
- ➔ [Page Sizes](#)
- ➔ [Paper Weight](#)

## Media Types

### Genuine Canon paper

#### ▶▶▶ Note

- For warnings on use of the non-printable side, see each product's usage information.
- Page sizes and media types differ depending on the country or region where the paper is sold. For details on page sizes and media types, access the Canon website.
- Genuine Canon paper is not available in some countries or regions. Note that in the United States, Canon paper is not sold by model number. Instead, purchase paper by name.

#### Paper for printing documents:

- Canon Red Label Superior <WOP111>
- Canon Océ Office Colour Paper <SAT213>
- High Resolution Paper <HR-101N>[\\*1](#)

#### Paper for printing photos:

- Photo Paper Pro Platinum <PT-101>
- Glossy Photo Paper "Everyday Use" <GP-501/GP-508>
- Photo Paper Glossy <GP-701>
- Photo Paper Plus Glossy II <PP-201/PP-208/PP-301>
- Photo Paper Pro Luster <LU-101>
- Photo Paper Plus Semi-gloss <SG-201>
- Matte Photo Paper <MP-101>

#### Paper for making original goods:

- Photo Stickers (16 stickers per sheet) <PS-108>
- Photo Stickers (Free Cutting) <PS-208>
- Photo Stickers (Variety Pack) <PS-808>
- Restickable Photo Paper <RP-101>
- Removable Photo Stickers <PS-308R>
- Magnetic Photo Paper <MG-101/PS-508>

- Light Fabric Iron-on Transfers <LF-101><sup>\*1</sup>
- Dark Fabric Iron-on Transfers <DF-101><sup>\*1</sup>
- Double sided Matte Paper <MP-101D>

## Paper other than genuine Canon paper

- Plain Paper (including recycled paper)
- Envelopes<sup>\*1</sup>
- T-Shirt Transfers<sup>\*1</sup>
- Greeting Card<sup>\*1</sup>
- Card Stock<sup>\*1</sup>

\*1 Printing to this paper from the operation panel or from a PictBridge (Wi-Fi) compliant device is not supported.

- ➡ [Paper Load Limit](#)
- ➡ Paper Settings on the Printer Driver and the Printer (Media Type) (Windows)

### ▶▶▶ Note

- When printing photos saved on a PictBridge (Wi-Fi) compliant device, you must specify the page size and media type.
  - ➡ Printing from Digital Camera

## Page Sizes

You can use the following page sizes.

### ▶▶▶ Note

- Page sizes and media types the printer supports differ depending on the OS you are using.

#### Standard sizes:

- Letter
- Legal
- A5
- A4
- B5
- KG/4"x6"(10x15)
- 5"x7"(13x18cm)
- 7"x10"(18x25cm)
- 8"x10"(20x25cm)
- L(89x127mm)
- 2L(127x178mm)



- Square 3.5"
- Square 5"
- Hagaki
- Hagaki 2
- Envelope Com 10
- Envelope DL
- Nagagata 3
- Nagagata 4
- Yougata 4
- Yougata 6
- Card 2.17"x3.58"

### **Special sizes**

Special page sizes must be within the following limits:

- rear tray
  - Minimum size: 2.17 x 3.51 in. (55.0 x 89.0 mm)
  - Maximum size: 8.50 x 26.61 in. (215.9 x 676.0 mm)
- cassette
  - Minimum size: 5.83 x 8.27 in. (148.0 x 210.0 mm)
  - Maximum size: 8.50 x 11.69 in. (215.9 x 297.0 mm)

## **Paper Weight**

You can use paper in the following weight range.

- Plain paper: From 17 to 28 lb (64 to 105 g /m<sup>2</sup>)

## Paper Load Limit

This section shows the paper load limits of the rear tray, the cassette, and the paper output tray.

➔ [Paper Load Limits of Rear Tray and Cassette](#)

➔ [Paper Load Limit of Paper Output Tray](#)

### ▶▶▶ Note

- Page sizes and media types differ depending on the country or region where the paper is sold. For details on page sizes and media types, access the Canon website.

## Paper Load Limits of Rear Tray and Cassette

### Genuine Canon Paper

#### Paper for printing documents:

Media Name <Model No.>	Rear Tray	Cassette
Canon Red Label Superior <WOP111>	A4: Approx. 100 sheets	A4: Approx. 100 sheets
Canon Océ Office Colour Paper <SAT213>	A4: Approx. 80 sheets	A4: Approx. 80 sheets
High Resolution Paper <HR-101N> <sup>*1</sup>	A4, B5, Letter: Approx. 80 sheets	N/A

#### Paper for printing photos:

Media Name <Model No.>	Rear Tray
Photo Paper Pro Platinum <PT-101> <sup>*2</sup> Glossy Photo Paper "Everyday Use" <GP-501/ GP-508> <sup>*2</sup> Photo Paper Glossy <GP-701> <sup>*2</sup> Photo Paper Plus Glossy II <PP-201/PP-208/PP-301> <sup>*2</sup> Photo Paper Pro Luster <LU-101> <sup>*2</sup> Photo Paper Plus Semi-gloss <SG-201> <sup>*2</sup> Matte Photo Paper <MP-101>	A4, Letter, 5"x7"(13x18cm), 8"x10"(20x25cm), 2L(127x178mm): 10 sheets KG/4"x6"(10x15), L(89x127mm), Square 3.5", Square 5", Hagaki: 20 sheets

#### Paper for making original goods:

Media Name <Model No.>	Rear Tray
Photo Stickers (16 stickers per sheet) <PS-108> Photo Stickers (Free Cutting) <PS-208> Photo Stickers (Variety Pack) <PS-808> Restickable Photo Paper <RP-101> Removable Photo Stickers <PS-308R> Magnetic Photo Paper <MG-101/PS-508>	1 sheet

Light Fabric Iron-on Transfers <LF-101>	
Dark Fabric Iron-on Transfers <DF-101>	
Double sided Matte Paper <MP-101D>	

## Paper other than Genuine Canon Paper

Common Name	Rear Tray	Cassette
Plain Paper (including recycled paper)*1	Approx. 100 sheets (Legal: 10 sheets)	Approx. 100 sheets
Envelopes	10 envelopes	N/A
T-Shirt Transfers	A4: 1 sheet	N/A
Greeting Card	Letter, 7"x10"(18x25cm): 1 sheet	N/A
Card Stock	A4, Letter: 1 sheet	N/A

\*1 Normal feeding at maximum capacity may not be possible with some types of paper, or under very high or low temperature or humidity. In this case, load half the amount of paper or less.

\*2 Feeding from a loaded stack of paper may leave marks on the printed side or prevent efficient feeding. In this case, load one sheet at a time.

## Paper Load Limit of Paper Output Tray

### Genuine Canon Paper

Paper for printing documents:

Media Name <Model No.>	Paper Output Tray
Canon Red Label Superior <WOP111>	Approx. 50 sheets
Canon Océ Office Colour Paper <SAT213>	
High Resolution Paper <HR-101N>	

### Paper other than Genuine Canon Paper

Common Name	Paper Output Tray
Plain Paper (including recycled paper)	Approx. 50 sheets (Legal: 10 sheets)

When continuing printing with paper other than the above, we recommend removing already printed paper from the paper output tray to avoid smearing or discoloration.

## Unsupported Media Types

---

Do not use the following types of paper. Using such paper will cause not only unsatisfactory results, but also the printer to jam or malfunction.

- Folded, curled, or wrinkled paper
- Damp paper
- Paper that is too thin (weighing less than 17 lb (64 g /m<sup>2</sup>))
- Paper that is too thick (plain paper weighing more than 28 lb (105 g /m<sup>2</sup>), except for Canon genuine paper)
- Paper thinner than a postcard, including plain paper or notepad paper cut to a small size (when printing on paper smaller than A5)
- Picture postcards
- Postcards
- Envelopes with a double flap
- Envelopes with an embossed or treated surface
- Envelopes whose gummed flaps are already moistened and adhesive
- Any type of paper with holes
- Paper that is not rectangular
- Paper bound with staples or glue
- Paper with an adhesive surface on the back such as label seal
- Paper decorated with glitter, etc.

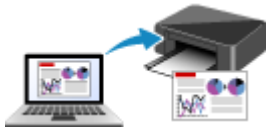
## Handling Paper

---

- Be careful not to rub or scratch the surfaces of any types of paper when handling.
- Hold the paper as closely as possible to its edges and try not to touch the printing surface. The print quality may be degraded if the printing surface is smudged with sweat or oil that comes from your hands.
- Do not touch the printed surface until the ink is dried. Even when the ink is dried, be careful not to touch the printed surface as much as possible when handling. Due to the nature of the pigment ink, the ink on the printed surface may be removed when being rubbed or scratched.
- Take out only the necessary number of paper from the package, just before printing.
- To avoid curling, when you do not print, put unused paper back into the package and keep it on a level surface. And also, store it avoiding heat, humidity, and direct sunlight.

# Printing

---



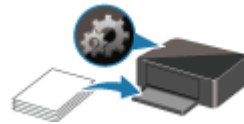
**Printing from Computer**



**Printing from Smartphone/Tablet**



**Printing from Digital Camera**



**Paper Settings**

## Printing from Computer

---

- ▶ **Printing from Application Software (Windows Printer Driver)**
- ▶ **Printing from Application Software (macOS AirPrint)**
- ▶ **Printing Using Canon Application Software**
- ▶ **Printing Using a Web Service**

## Printing from Application Software (macOS AirPrint)

---

- **Printing** 📄 **Basic**
- **Perform Borderless Printing**
- **Printing on Postcards**
- **Adding Printer**
- **How to Open Printer Settings Screen**
- **Displaying the Printing Status Screen**
- **Deleting the Undesired Print Job**
- **Removing Printer That Is No Longer Required from List of Printers**



## Printing

This printer is compatible with the macOS standard printing system (AirPrint). You can start printing right away after connecting this printer to your Mac without installing any special software.



### Checking Your Environment

First, check your environment.

- AirPrint Operation Environment  
Mac running the latest version of OS
- Requirement  
The Mac and the printer must be connected by one of the following methods:
  - Connected to the same network over a **LAN**
  - Connected directly without wireless router (Direct Connection)
  - Connected by USB

### Print from a Mac

1. [Check that printer is turned on](#)

#### ▶▶▶ Note

- If **Auto power on** is enabled, printer automatically turns itself on when receiving a print job.

2. [Load paper](#) in printer
3. Select paper size and paper type from printer

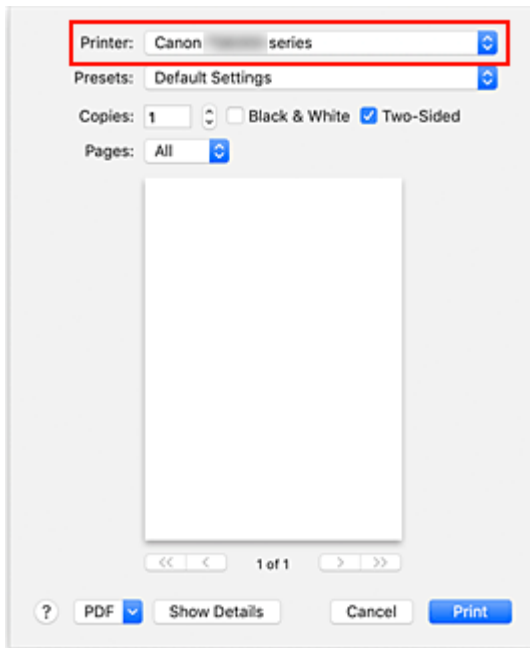
Register the set paper size and paper type on the printer operation panel.  
For instructions, see "[Paper Settings](#)."

4. Start printing from your application software

The Print dialog opens.

5. Select printer

Select your model from the **Printer** list in the Print dialog.



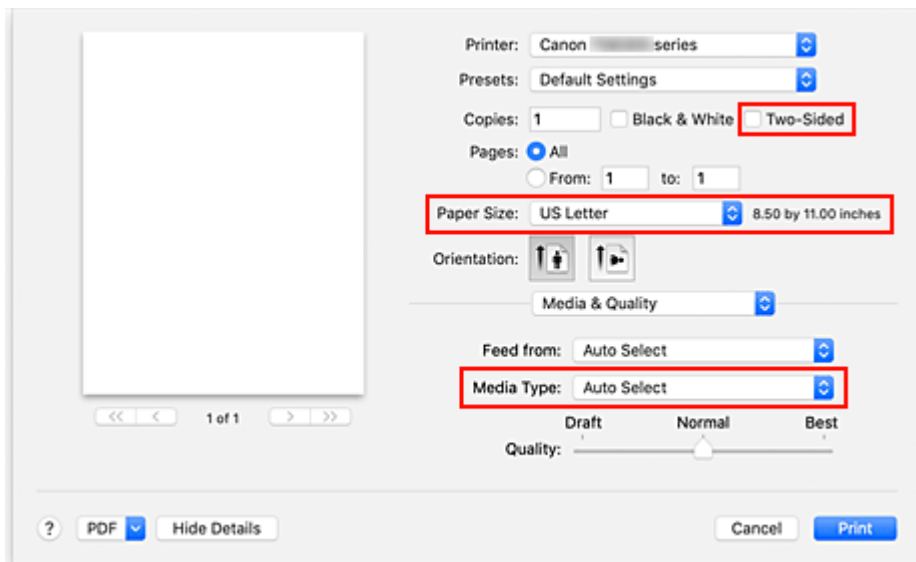
### ➤➤➤ Note

- Click **Show Details** to switch the setup window to the detailed display.

## 6. Check print settings

Set items such as **Paper Size** to the appropriate size, as well as **Media Type** from **Media & Quality** of the pop-up menu.

Remove the **Two-Sided** check mark if you are not printing on both sides of the paper.



### ➤➤➤ Important

- An error may occur if the paper size set in the print dialog is different from the paper size registered on the printer. Select the correct items on the print dialog and the printer that correspond to the paper being printed.
- If printing in **A4**, **A5**, **JIS B5**, or **US Letter**, set the desired feed position (**Main Tray** or **Rear Tray**) from **Feed From** of the print dialog. If **Auto Select** is selected in **Feed From**, the feed

position differs depending on **Media Type**. If **Media Type** is set to plain paper, it is fed from the cassette (main tray). If set to other types of paper, it is fed from the rear tray.

- If printing paper such as photo paper and postcards that cannot be printed on both sides, uncheck the **Two-Sided** checkbox.

### ▶▶▶ Note

- Use the Print dialog to set general print settings such as the layout and the print sequence. For information about print settings, refer to macOS help.

## 7. Click **Print**




The printer prints according to the specified settings.

### ▶▶▶ Note

- It can take the Wi-Fi a few minutes to get connected after the printer turns on. Print after checking that the printer is connected to the network.
- You cannot print if Bonjour settings of printer are disabled. Check **LAN** settings of printer and enable Bonjour settings.
- Refer to "Cannot Print Using AirPrint" for printing problems.
- The display of the settings screen may differ depending on the application software you are using.

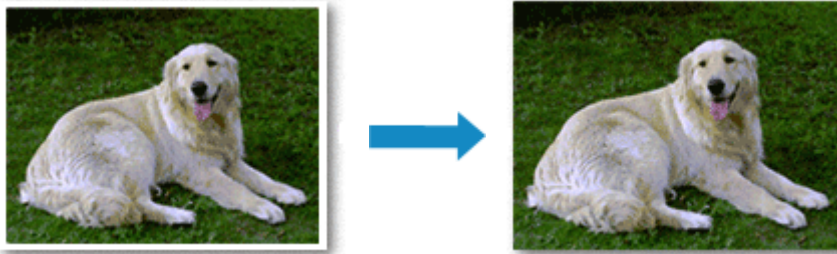
## Printing of Envelopes

For printing on the envelope from Mac, refer to the following.

Print result image	Orientation of print data	Orientation of loading envelope
	 <p>The print data is rotated by 180 degrees against the print result image.</p>	 <p>Load the envelope in vertically with the address side facing up so that the folded flap of the envelope will be faced down on the right side.</p>

## Perform Borderless Printing

The borderless printing function allows you to print data without any margin by enlarging the data so that it extends slightly off the paper. In standard printing, margins are created around the document area. However, in borderless printing function, these margins are not created. When you want to print data such as a photo without providing any margin around it, set borderless printing.



The procedure for performing borderless printing is as follows:

### Setting Borderless Printing

1. Set the **Amount of extension** on the printer operation panel

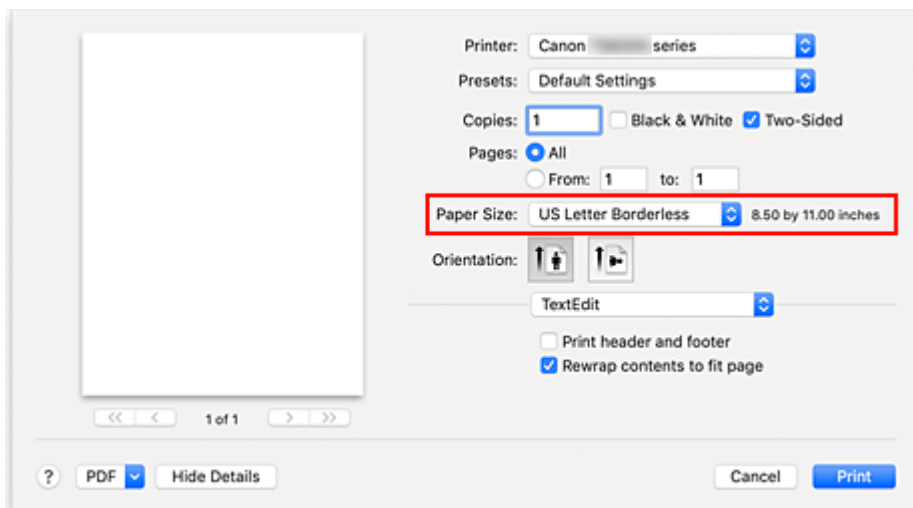
For information on how to set the amount of extension, see "[Print settings](#)."

#### ►► Important

- When the **Extended amount: Large** is set, the back side of the paper may become smudged.

2. Select sheet size for borderless printing

Select **XXX Borderless** for **Paper Size** from the print dialog.



3. Click **Print**

When you perform print, the data is printed without any margins on the paper.

### ▶▶▶ Important

- Borderless printing only supports specific paper sizes. Make sure to select a paper size with the wording "Borderless" from the **Paper Size**.
- Print quality may deteriorate or the sheet may be stained at the top and bottom depending on the type of paper used.
- When the ratio of the height to the width differs from the image data, a portion of the image may not be printed depending on the size of the media used.  
In this case, crop the image data with an application software according to the paper size.
- When scaled printing or page layout printing is enabled, you cannot perform borderless printing.

### ▶▶▶ Note

- The use of borderless printing is not recommended if plain paper is selected for **Media Type** in **Media & Quality**.

## Expanding the Range of the Document to Print

Setting a large amount of extension allows you to perform borderless printing with no problems. However, the portion of the document extending off the paper range will not be printed and for this reason, the subjects around the perimeter of a photo may not be printed.

If you are not satisfied with the borderless printing results, reduce the amount of extension in printer operation panel.

### ▶▶▶ Important

- When the amount of extension is decreased, an unexpected margin may be produced on the print, depending on the size of the paper.

### ▶▶▶ Note

- When the **Amount: Minimum** is set, image data will be printed in the full size. If you set this when printing the address side of a postcard, the postal code of the sender is printed in the correct position.

## Printing on Postcards

This section describes the procedure for printing on postcards.

1. [Load postcards](#) in printer
2. Select paper size and paper type from the printer

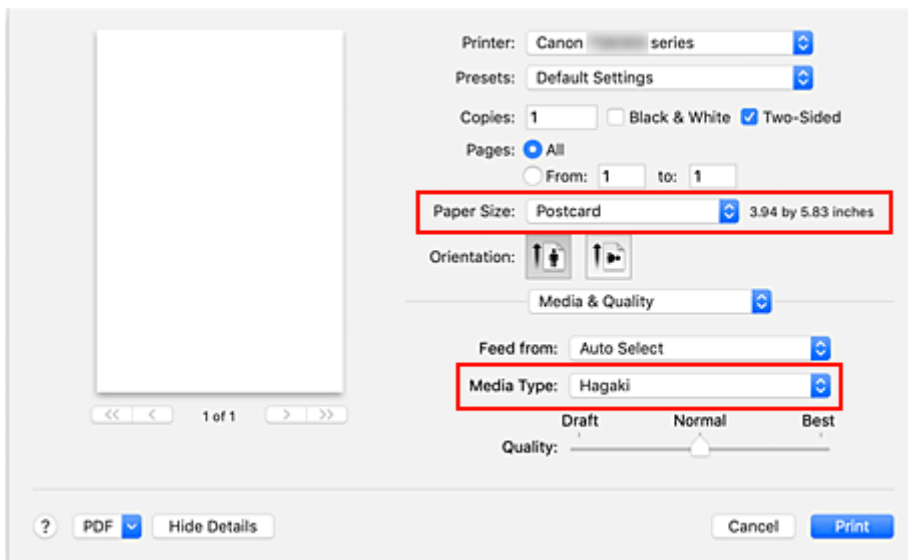
Register **Hagaki** for paper size from the printer operation panel.

Also, register **Hagaki**, **IJ Hagaki**, or **Hagaki K** for paper type, according to your purpose. When you print on the address side, register **Hagaki**.

3. Select **Paper Size** and **Media Type** from the print dialog

Select **Postcard** or **Postcard Borderless** for **Paper Size** from the print dialog. When you print on the address side, select **Postcard**.

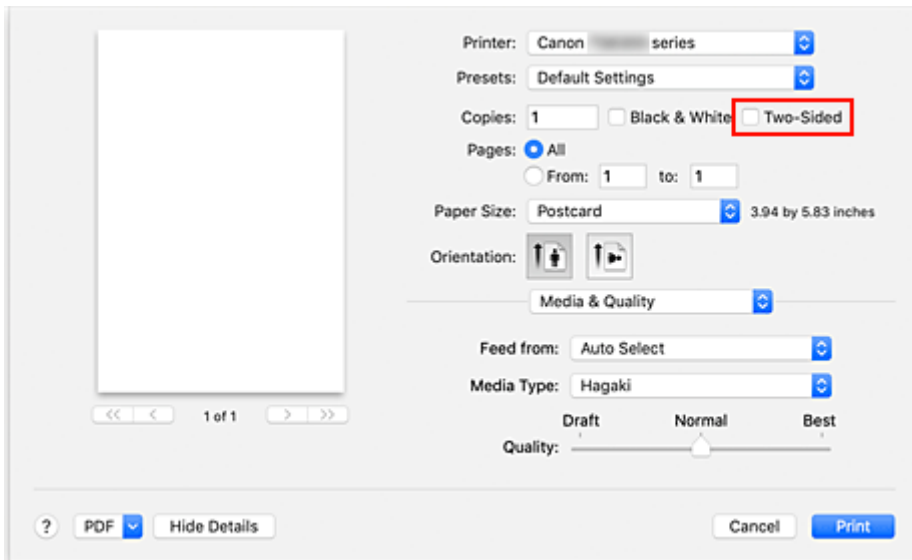
Select **Hagaki**, **Hagaki (A)**, **Hagaki K**, **Hagaki K (A)**, **Ink Jet Hagaki**, **Ink Jet Hagaki (A)**, for **Media Type** from the print dialog.



### Important

- This printer cannot print on postcards that have photos or stickers attached.

4. Uncheck **Two-Sided**



### »»» Important

- Two-sided printing is not possible for postcards, so remove the **Two-Sided** check mark. If you print with the **Two-Sided** check mark on, the printing result may not be as you intended.
- You will get cleaner printing if you print the message side first and then print the address side.

#### 5. Click **Print**

The printer prints according to the specified settings.

## Adding Printer

---

Procedure for adding printer to your Mac is explained.

To re-add a printer that was deleted, open **System Preferences** -> **Printers & Scanners**, click **+** next to the printer list, and then perform the procedure described below.

If your printer is connected via USB, and you connect the USB cable to a Mac, the printer is automatically added. The below procedure is not necessary in this case.

1. Check whether **Default** is selected in the displayed dialog

### ▶▶▶ Note

- It may take a little time for the name of your printer to appear.

2. Select the printer

Select the printer listed as **Bonjour Multifunction**.

### ▶▶▶ Note

- Check the following if printer does not appear.
  - Printer is on
  - Firewall function of the security software is off
  - Printer is either connected to the wireless router or directly connected to the PC (Direct Connection)

3. Select **Secure AirPrint** from **Use**

4. Click **Add**

The printer is added to your Mac.



## How to Open Printer Settings Screen

---

The settings screen of the printer can be displayed from your application software.

### Opening the Page Setup Dialog

Use this procedure to set the page (paper) settings before printing.

1. Select **Page Setup...** from the **File** menu of the application software

The Page Setup dialog opens.

### Opening the Print Dialog

Use this procedure to set the print settings before printing.

1. Select **Print...** from the **File** menu of the application software


The Print dialog opens.

## Displaying the Printing Status Screen

Check the print progress according to the following procedure:

### 1. Launch the printing status screen

- If the print data has been sent to the printer

The printing status screen opens automatically. To display the printing status screen, click the  (the printer icon) displayed on the Dock.

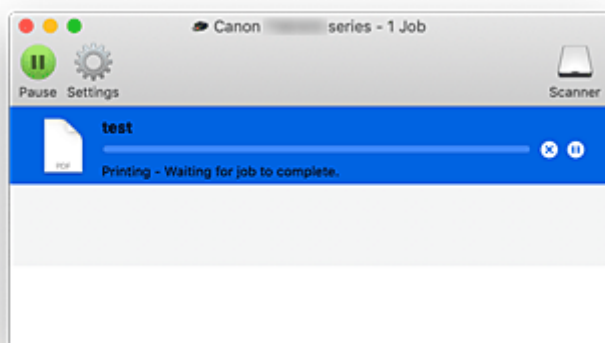
- If the print data has not been sent to the printer






Open **System Preferences**, and select **Printers & Scanners**.

To display the printing status screen, select the name of your printer model from the printer list, and then click **Open Print Queue....**

### 2. Check the printing status

You can check the name of the file being printed or ready for being printed.



-  Deletes the specified print job.
-  Stops printing the specified document.
-  Resumes printing the specified document.
-  Stops printing all documents.
-  Displayed only when printing of all documents is being stopped, and resumes printing all documents.

### ►► Important

- If an error occurs, an error message will appear on the printing progress confirmation screen.
- The content of the error message may differ depending on the OS version.
- The printer part names in the error message may differ from what is listed in this manual.
- If the content of the error message is difficult to understand, check the error message displayed on the printer operation panel.

## Deleting the Undesired Print Job


---

If the printer does not start printing, canceled or failed print job data may be remaining. Delete unnecessary print jobs from the print status check screen.

1. Open **System Preferences**, and select **Printers & Scanners**

2. Select your model, and then click **Open Print Queue...**

The print status check screen appears.

3. Select the unnecessary print job and click  (Delete)

The selected print jobs will be deleted.

## Removing Printer That Is No Longer Required from List of Printers

---

The printer that is no longer in use can be removed from the list of printers. Before removing the printer, remove the cable connecting the printer and PC.

You cannot remove the printer if not logged in as the administrator. For information about an administrative user, see **Users & Groups** from **System Preferences**.

1. Open **System Preferences**, and select **Printers & Scanners**

2. Delete printer from list of printers

Select the printer you wish to remove from the list of printers and click -.

Click **Delete Printer** when the confirmation message appears.

## Printing Using Canon Application Software

---

- ▶ Easy-PhotoPrint Editor Guide

## Printing from Smartphone/Tablet

---

- ▶ **Printing from iPhone/iPad/iPod touch (iOS)**
- ▶ **Printing from Smartphone/Tablet (Android)**
- ▶ **Printing from Windows 10 Mobile Device**
- ▶ **Printing/Scanning with Wireless Direct**

## Printing/Scanning with Wireless Direct

You can connect devices (e.g. computer, smartphone, or tablet) to the printer by two methods below.

- Wireless connection (connecting devices via a wireless router)
- Direct wireless connection (connecting devices using Wireless Direct)

This section describes Wireless Direct, which allows you to print or scan by connecting the devices to the printer directly.

Follow the procedure below to use Wireless Direct.

1. Preparing the printer.
  - ➔ [Changing Printer Setting to Use Wireless Direct](#)
2. Preparing a device to connect to the printer.
  - ➔ [Changing Settings of a Device and Connecting It to the Printer](#)
3. Printing/Scanning.
  - ➔ [Printing/Scanning with Wireless Direct](#)

### »» Important

- You can connect up to 5 devices to the printer at the same time.
- Check the usage restrictions and switch the printer to the Wireless Direct.
  - ➔ [Restrictions](#)

## Changing Printer Setting to Use Wireless Direct

1. [Check that printer is turned on.](#)
2. Press the **OK** button.
3. Select **Device settings**.
4. Select **LAN settings**.
5. Select **Wireless Direct**.
6. Select **Advanced mode**.
7. Select **Next**.
8. Select **ON**.

A confirmation screen to enable Wireless Direct appears.

The Wireless Direct is enabled and a device can be connected to the printer wirelessly.

## »» Note

- To show the password, select **ON**. To hide the password, select **OFF**.
- The password is required when connecting a device to the printer. Depending on the device you are using, no password is required.
- When you connect a Wi-Fi Direct compatible device to the printer, select the device name displayed on the LCD from your device.
- To update the identifier (SSID) and the password, see below.
  - ➔ [Changing Wireless Direct Setting](#)

## Changing Settings of a Device and Connecting It to the Printer

### 1. Turn on Wi-Fi function on your device.

Enable "Wi-Fi" on your device's "Setting" menu.

For more on turning on Wi-Fi function, see your device's instruction manual.

### 2. Select "DIRECT-XXXX-TS5300series" ("X" represents alphanumeric characters) from list displayed on your device.

## »» Note

- If "DIRECT-XXXX-TS5300series" does not appear on the list, Wireless Direct is not enabled. See [Changing Printer Setting to Use Wireless Direct](#) to enable Wireless Direct.

### 3. Enter password.

Your device is connected to the printer.

## »» Note

- Check the password for the Wireless Direct.  
Check by one of the following methods.
  - Display on the LCD of the printer.
    - ➔ [LAN settings](#)
  - Print the network settings.
    - ➔ [Printing Network Settings](#)
- Depending on the device you are using, entering the password is required to connect a device to the printer via Wi-Fi. Enter the password specified for the printer.
- If your Wi-Fi Direct compatible device is set to prioritize using Wi-Fi Direct and it is connecting to the printer, the printer displays a confirmation screen asking if you allow the device to connect to the printer.  
  
Make sure the name on the LCD is the same as that of your wireless communication device and select **Yes**.



## Printing/Scanning with Wireless Direct

After connecting a device and the printer, start printing/scanning from the application of your device.

### ▶▶▶ Note

- For more on printing or scanning from a device via Wi-Fi, refer to the device's or application's instruction manual.
- You can print/scan from your smartphone or tablet by installing Canon PRINT Inkjet/SELPHY. Download it from App Store and Google Play.
  - ➔ For iOS
  - ➔ For Android

## Changing Wireless Direct Setting

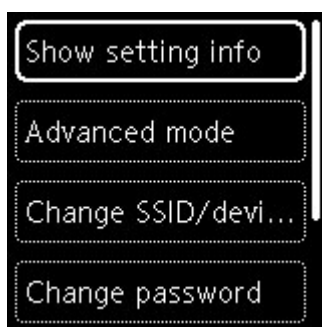
Change the settings for the Wireless Direct following the procedure below.

1. [Check that printer is turned on.](#)
2. Press the **OK** button.
3. Select **Device settings**.
4. Select **LAN settings**.

### ▶▶▶ Note

- To print network settings, select **Print details**.

5. Select **Wireless Direct**.
6. Select a setting item.



- **Show setting info**

A confirmation screen is displayed whether you want to display password information.

When you select **ON** or **OFF**, the setting values for using the printer with Wireless Direct are displayed.

Devices detect the printer by Network (SSID)/device name shown on the screen.

- **Change SSID/device name**

Change the identifier (SSID) for Wireless Direct.

The identifier (SSID) is the printer's name (device name) displayed on a Wi-Fi Direct compatible device.

Follow the procedure below to change the identifier (SSID).

- To set manually

1. Select **Change manually**.
2. Enter the identifier or printer name.
3. Confirm the inputted content and press the **Start** button.

- To set automatically

1. Select **Auto update**.
2. Select **Yes**.
3. To show the password, select **ON** and to hide the password, select **OFF**.

You can check the updated identifier (SSID).

- **Change password**

Change the password for Wireless Direct.

- To set manually.

1. Select **Change manually**.  
The input screen will appear.
2. Select the entry field and enter the password (up to 10 characters).
3. Confirm the inputted content and press the **Start** button.

- To set automatically

1. Select **Auto update**.
2. Select **Yes**.
3. To show the password, select **ON** and to hide the password, select **OFF**.

You can check the password.

- **Connection request confirmation**

Change the confirmation screen setting when a Wi-Fi Direct compatible device is connecting to the printer.

If you want the printer to display the screen to inform you a Wi-Fi Direct compatible device is connecting to the printer, select **ON**.

**»»» Important**

- To prevent an unauthorized access, we recommend you should select the setting to display the confirmation screen.

**»» Note**

- If you change the Wireless Direct setting of the printer, also change the wireless router setting of the device.

## Paper Settings

By registering the paper size and the media type loaded on the rear tray or in the cassette, you can prevent the printer from misprinting by displaying the message before printing starts when the paper size or the media type of the loaded paper differs from the print settings.

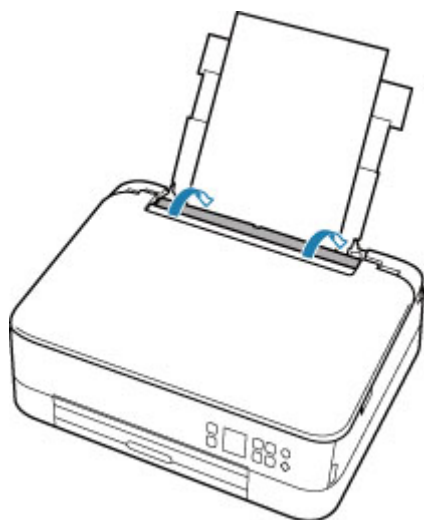
### ▶▶▶ Note

- The default display setting is different between, when you print from Smartphone/tablet, when you print from Windows, and when you print from macOS.

➔ [Default Setting for Displaying the Message which Prevents Misprinting](#)

### After loading paper:

- When you close the feed slot cover:



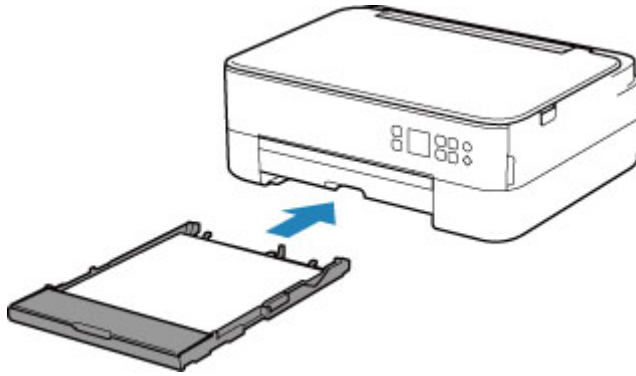
The screen to register the rear tray paper information is displayed.



If the page size on the LCD matches the size of the paper loaded in the rear tray, select **OK**.

If not, select **Change** to change the setting in accordance with the size of the loaded paper.

- When you insert the cassette:



Paper size is detected and set automatically in the printer.

\* You can load only plain paper in the cassette.

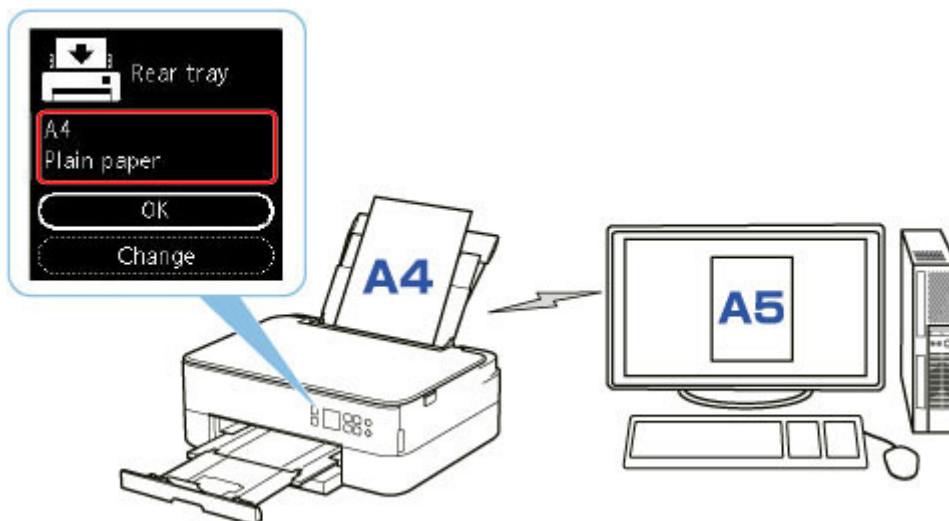
### »»» Important

- For more on the proper combination of paper settings you can specify by the printer driver (Windows) or on the LCD:
  - ➔ Paper Settings on the Printer Driver and the Printer (Media Type)
  - ➔ Paper Settings on the Printer Driver and the Printer (Paper Size)

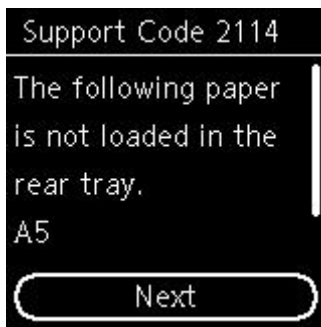
## When the paper settings for printing are different from the paper information registered to the printer:

Ex:

- Paper settings for printing/copying: A5
- Paper information registered to the printer: A4



When you start printing, a message will appear.



Check the message and select **Next**. When the screen to select the operation is displayed, select one of the operations below.

### ▶▶▶ Note

- Depending on the setting, the choices below may not be displayed.

#### **Print on set paper**

Select if you want to print on the paper loaded without changing the paper settings.

For example, when the paper setting for printing is A5 and the paper information registered to the printer is A4, the printer starts printing on the paper loaded in the rear tray or in the cassette without changing the paper size setting for printing.

#### **Replace paper**

Select if you want to print after replacing the paper of the rear tray or the cassette.

For example, when the paper size setting for printing is A5 and the paper information registered to the printer is A4, you load A5 sized paper in the rear tray or in the cassette before you start printing.

The paper information registration screen is displayed after replacing the paper. Register the paper information according to the paper that you loaded.

### ▶▶▶ Note

- If you do not know what paper information to register to the printer, press the **Back** button when the screen to select the operation is displayed.
- For more on the proper combination of paper settings you can specify by the printer driver (Windows) or on the LCD:
  - ➔ Paper Settings on the Printer Driver and the Printer (Media Type)
  - ➔ Paper Settings on the Printer Driver and the Printer (Paper Size)

#### **Cancel print**

Cancels printing.

Select when you change the paper settings specified for printing/copying. Change the paper settings and try printing again.

## **Default Setting for Displaying the Message which Prevents Misprinting**

- **When you print/copy using the operation panel of the printer or when you print from smartphone/tablet:**

The message which prevents misprinting is enabled by default.

To change the setting:

➔ [Feed settings](#)

- **When you print from Windows:**

The message which prevents misprinting is disabled by default.

To change the setting:

➔ Changing the Printer Operation Mode

- **When you print from macOS:**

The message which prevents misprinting is enabled by default.

To change the setting:

➔ [Changing the Printer Operation Mode](#)

### **»» Important**

- When the message which prevents misprinting is disabled:

The printer starts printing even though the paper settings for printing and the paper information registered to the printer are different.

# Copying



**Making Copies**  **Basics**



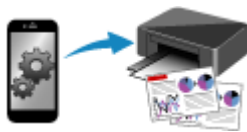
**Reducing/Enlarging Copies**



**Two-Sided Copying**



**Special Copy Menu**



**Copying Using Smartphone or Tablet**



## Making Copies

This section describes the basic procedure to perform standard copying.

1. [Check that printer is turned on.](#)
2. [Load paper.](#)
3. [Load original document on platen.](#)
4. Confirm the page size and color mode.



### ▶▶▶ Note

- To change the paper position, color mode and other settings, press the **OK** button. Select **Copy settings** to display the desired setting item.
  - ➔ [Setting Items for Copying](#)

5. Use the ▲ ▼ button to specify the number of copies.

### ▶▶▶ Note

- You can specify the number of copies even if you select **Copies** from **Copy settings**.

6. Press the **Start** button.

The printer starts copying.

Remove the original on the platen after copying is complete.

### ▶▶▶ Important

- Do not open the document cover or remove the original while **Copying...** is displayed on the screen.

### ▶▶▶ Note

- To cancel copying, press the **Stop** button.

## Setting Items for Copying

You can change the copy settings such as the page position, color mode, and intensity.

Press the **OK** button and select **Copy settings**.

Use the ▲ ▼ button to set the number of copies, paper source, color mode, then press the **OK** button.

Use the ▲ ▼ button to select **Others** when adjusting other settings, then press the **OK** button.

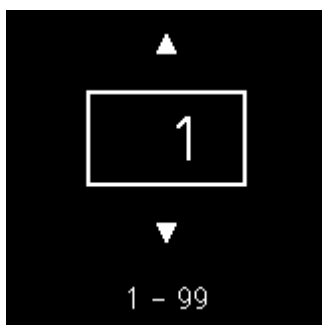
### ▶▶▶ Note

- The setting currently specified appears in the selected state.
- Some settings cannot be specified in combination with the setting of other setting items or the copy menu.
- The settings of the **Intensity: Auto** and print quality are retained even if the printer is turned off.

#### • Number of copies

Specify the number of copies.

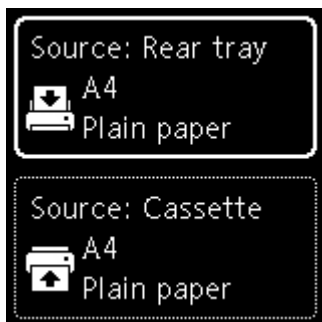
Ex:



#### • Paper source

Select a paper source (rear tray/cassette) where paper is loaded.

Ex:



#### • Color mode

Select the color mode for copying (color copy/black & white copy).

#### • Others

- Two-Sided Copying

Select whether to perform duplex copying.

➔ Two-Sided Copying

### ▶▶▶ Note

- This item appears when A4 or Letter is selected.

#### ◦ Layout

Select whether to copy two pages onto a single page.

➔ Copying Two Pages onto Single Page

### ▶▶▶ Note

- This item appears when A4 or Letter is selected.

#### • Copy intensity

Change the intensity (brightness).

### ▶▶▶ Note

- If you select **Intensity: Auto**, load the original on the platen.

#### • Enlarge/Reduce

Select the reduction/enlargement method.

➔ Reducing/Enlarging Copies

#### • Print quality

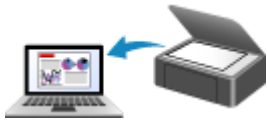
Select the print quality according to the original.

### ▶▶▶ Note

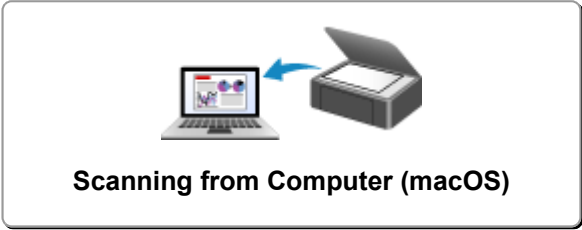
- The **Quality: Draft** can be set when the paper type is normal paper.

# Scanning

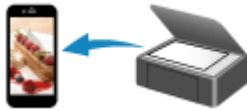
---



**Scanning from Computer (Windows)**



**Scanning from Computer (macOS)**



**Scanning Using Smartphone/Tablet**

## Scanning from Computer (macOS)

---

### ➤ Scanning According to Item Type or Purpose (IJ Scan Utility Lite)


- IJ Scan Utility Lite Features
- Scanning Easily (Auto Scan) 📄 **Basics**
- Scanning Documents and Photos

### ➤ Scanning Tips

- Positioning Originals (Scanning from Computer)

## Scanning According to Item Type or Purpose (IJ Scan Utility Lite)

---

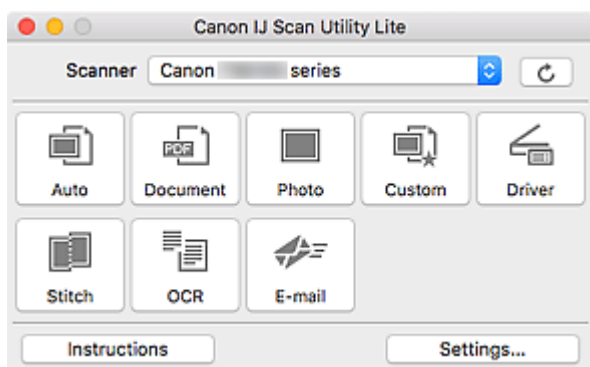
- ▶ **IJ Scan Utility Lite Features**
- ▶ **Scanning Easily (Auto Scan)**  **Basics**
- ▶ **Scanning Documents and Photos**

### **Important**

- Available functions and settings vary depending on your scanner or printer.

## IJ Scan Utility Lite Features

Use IJ Scan Utility Lite to scan and save documents, photos, or other items at one time by simply clicking the corresponding icon.



### Important

- The displayed items and available functions vary depending on your scanner or printer.

## Multiple Scanning Modes

**Auto** allows for one click scanning with default settings for various items. **Document** will sharpen text in a document or magazine for better readability, and **Photo** is best suited for scanning photos.

### Note

- For details on the IJ Scan Utility Lite main screen, see IJ Scan Utility Lite Main Screen.

## Save Scanned Images Automatically

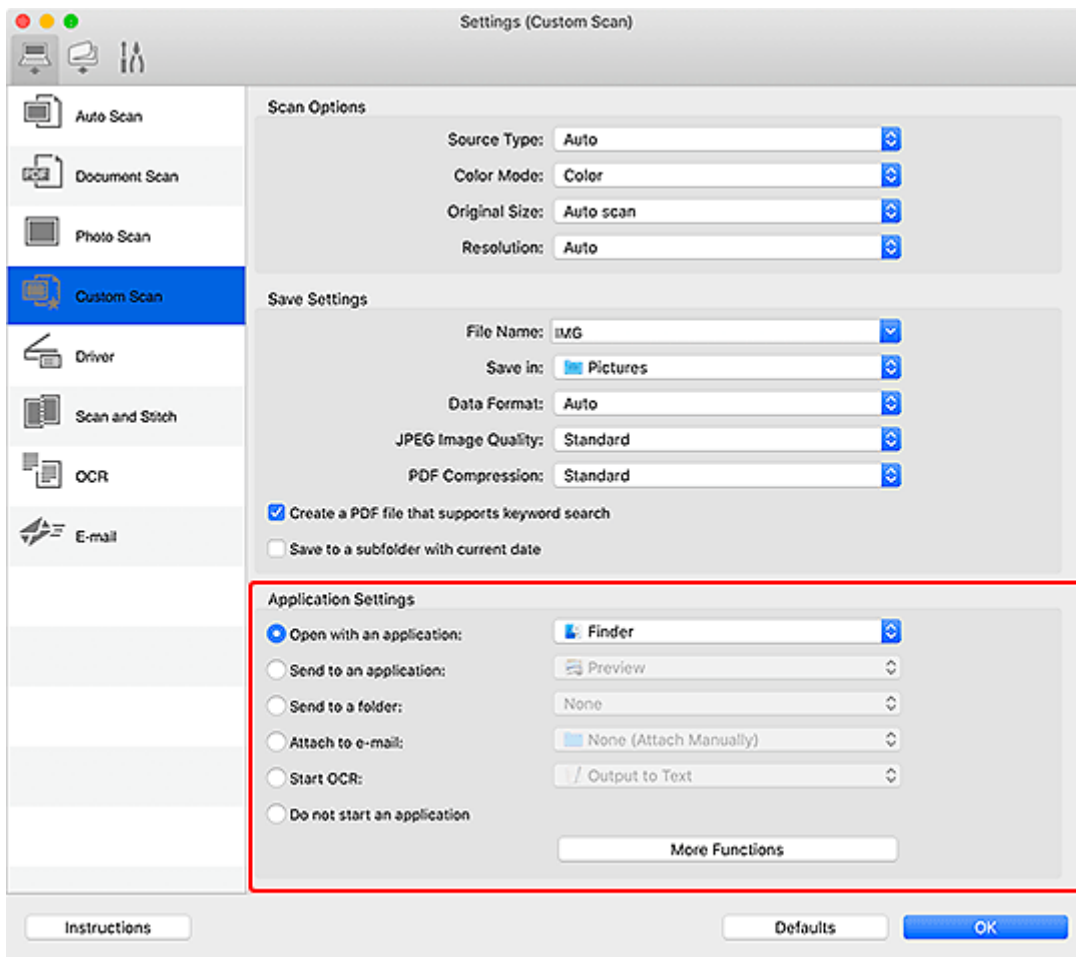
Scanned images are automatically saved to a preset folder. The folder can be changed as needed.

### Note

- The default save folder is the **Pictures** folder.
- For how to specify a folder, see Settings Dialog.

## Application Integration

Scanned images can be sent to other applications. For example, display scanned images in your favorite graphics application, attach them to e-mails, or extract text from images.



## ►► Note

- To set the applications to integrate with, see Settings Dialog.



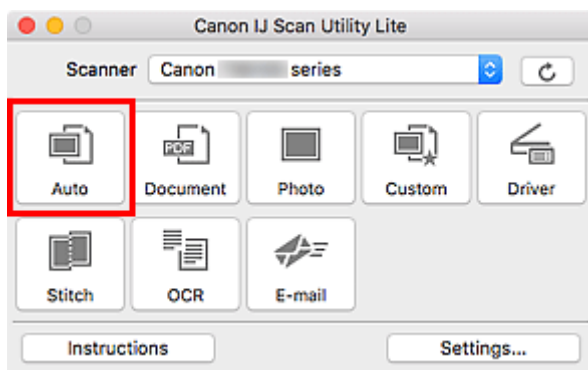
## Scanning Easily (Auto Scan)

Auto Scan allows for automatic detection of the type of the item placed on the platen or ADF (Auto Document Feeder).

### ►►► Important

- This function is not supported depending on your model.
- The following types of items may not be scanned correctly. In that case, adjust the cropping frames (selection boxes; scan areas) in the screen displayed by clicking **Driver** in the IJ Scan Utility Lite main screen, and then scan again.
  - Photos with a whitish background
  - Items printed on white paper, hand-written text, business cards, and other unclear items
  - Thin items
  - Thick items
- When scanning two or more documents from the ADF, place documents of the same size.

1. Check that scanner or printer is turned on.
2. Place items on platen or ADF.
  - ➔ [Positioning Originals \(Scanning from Computer\)](#)
3. Start IJ Scan Utility Lite.
4. Click **Auto**.



Scanning starts.

### ►►► Note

- To cancel the scan, click **Cancel**.
- Use the **Settings (Auto Scan)** dialog to set where to save the scanned images and to make advanced scan settings.
- To scan a specific item type, see the following pages.
  - ➔ [Scanning Documents and Photos](#)
  - ➔ [Scanning with Favorite Settings](#)

➔ Scanning Multiple Documents at One Time from the ADF (Auto Document Feeder)

## Scanning Documents and Photos

Scan items placed on the platen with settings suitable for documents or photos.

Save documents in formats such as PDF and JPEG, and photos in formats such as JPEG and TIFF.

1. Place the item on the platen.

➔ [Positioning Originals \(Scanning from Computer\)](#)

2. Start IJ Scan Utility Lite.

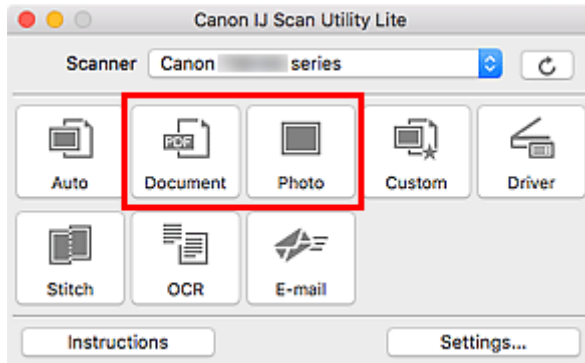
3. To specify the paper size, resolution, PDF settings, etc., click **Settings...**, and then set each item in the Settings dialog.

### ▶▶▶ Note

- Once settings are made in the Settings dialog, the same settings can be used for scanning from the next time.
- In the Settings dialog, specify image processing settings such as slant correction, set where to save the scanned images, and more, as needed.

When setting is completed, click **OK**.

4. Click **Document** or **Photo**.



Scanning starts.

### ▶▶▶ Note

- To cancel the scan, click **Cancel**.

## Scanning Tips

---

- ▶ **Positioning Originals (Scanning from Computer)**

## Positioning Originals (Scanning from Computer)

This section describes how to load originals on the platen or ADF (Auto Document Feeder) for scanning. If items are not placed correctly they may not be scanned correctly.

### Important

- Be sure to observe the following when loading the original on the platen. Failure to observe the following may cause the scanner to malfunction or the platen glass to break.
  - Do not place any objects weighing 4.4 lb (2.0 kg) or more on the platen glass.
  - Do not put any pressure of 4.4 lb (2.0 kg) or more on the platen glass, such as pressing down the original.
- Close the document cover when scanning.
- Do not touch the operation panel buttons or LCD (Liquid Crystal Display) when opening/closing the document cover. May result in unintended operation.
- When using a personal scanner in the upright position, the item type may not be detected automatically. In that case, specify the item type in IJ Scan Utility and scan.

➔ [Placing Items \(Platen\)](#)

➔ [Placing Documents \(ADF \(Auto Document Feeder\)\)](#)



➔ [Placing Items \(When Using Stand\)](#)

## Placing Items (Platen)

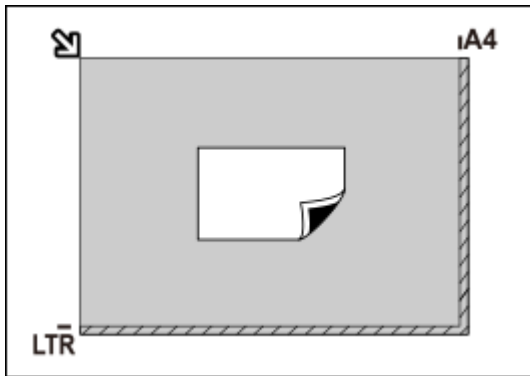
Place items as described below to scan by detecting the item type and size automatically.

### Important

- Depending on your model, the function to scan by automatically detecting the item type and size does not appear.
- When scanning by specifying the paper size, align an upper corner of the item with the corner at the arrow (alignment mark) of the platen.
- Photos that have been cut to irregular shapes and items smaller than 1.2 inches (3 cm) square cannot be cropped accurately when scanning.
- Reflective disc labels may not be scanned as expected.
- If scanned by detecting the item type and size automatically, the response may differ. In that case, adjust the cropping frame (selection box) manually.

Photos, Postcards, Business Cards, and BD/DVD/CD	Magazines, Newspapers, and Documents
<div style="text-align: center;">  </div> <p><b>Single item:</b></p> <p>Place the item face-down on the platen, with 0.4 inch (1 cm) or more space between the edges (diagonally striped area)</p>	<div style="text-align: center;">  </div> <p>Place the item face-down on the platen and align an upper corner of the item with the corner at the arrow (alignment mark) of the platen. Portions placed on the diagonally striped area cannot be scanned.</p>

of the platen and the item. Portions placed on the diagonally striped area cannot be scanned.

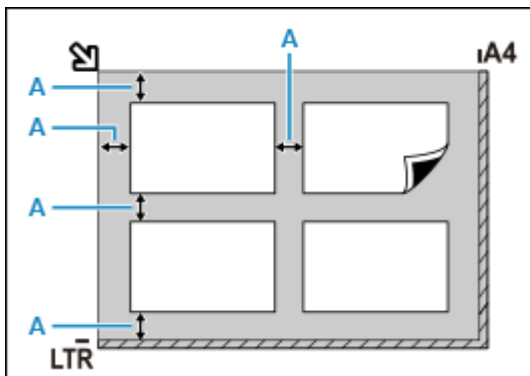


### Important

- Large items (such as A4 size photos) that cannot be placed away from the edges/arrow (alignment mark) of the platen may be saved as PDF files. To save in a format other than PDF, scan by specifying the data format.

#### Multiple items:

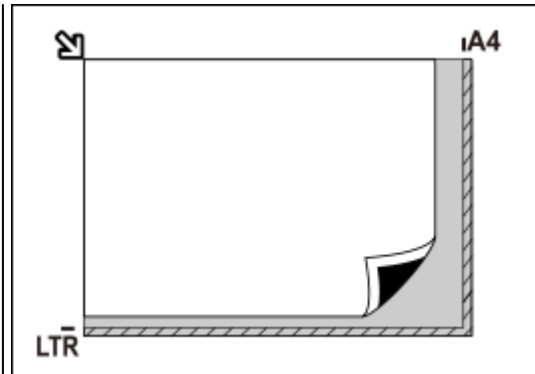
Allow 0.4 inch (1 cm) or more space between the edges (diagonally striped area) of the platen and items, and between items. Portions placed on the diagonally striped area cannot be scanned.



A : 0.4 inch (1 cm) or more

### Note

- In IJ Scan Utility Lite, place up to 12 items.
- Positions of slanted items (10 degrees or less) are corrected automatically.



### Important

#### • Inkjet All-In-One printer:

For the portions in which items cannot be scanned, click Home to return to the top page of the Online Manual for your model and search for "Loading Originals."

#### • Personal scanner:

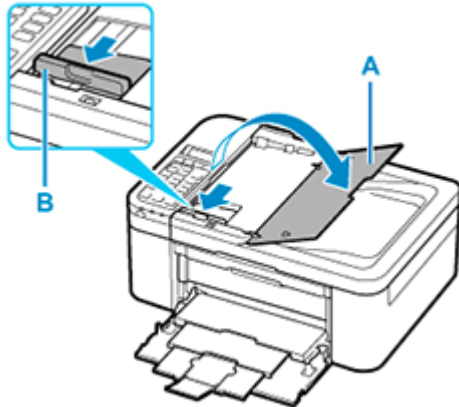
For the portions in which items cannot be scanned, click Home to return to the top page of the Online Manual for your model and search for "Items You Can Place & How to Place Items."

## Placing Documents (ADF (Auto Document Feeder))

### Important

- Do not leave thick items on the platen when scanning from the ADF. May result in paper jam.
- Place and align documents of the same size when scanning two or more documents.
- For supported document sizes when scanning from the ADF, click Home to return to the top page of the Online Manual for your model and search for "Supported Originals."

1. Make sure any original has been removed from platen.
2. Open document tray (A).
3. Slide the paper guides (B) all the way out.

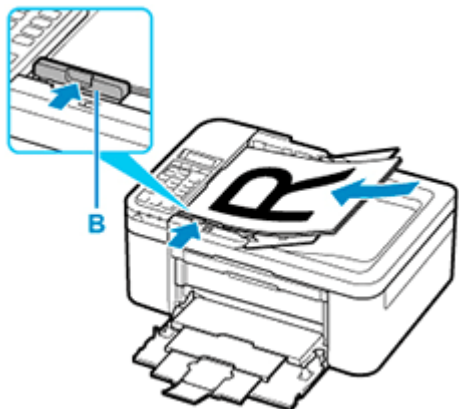


4. Load document with side to scan facing up in document tray.

Insert the document until it stops.

5. Adjust document guide (B) to match width of document.

Do not slide the document guide too hard against the document. The document may not be fed properly.



#### ►► Note

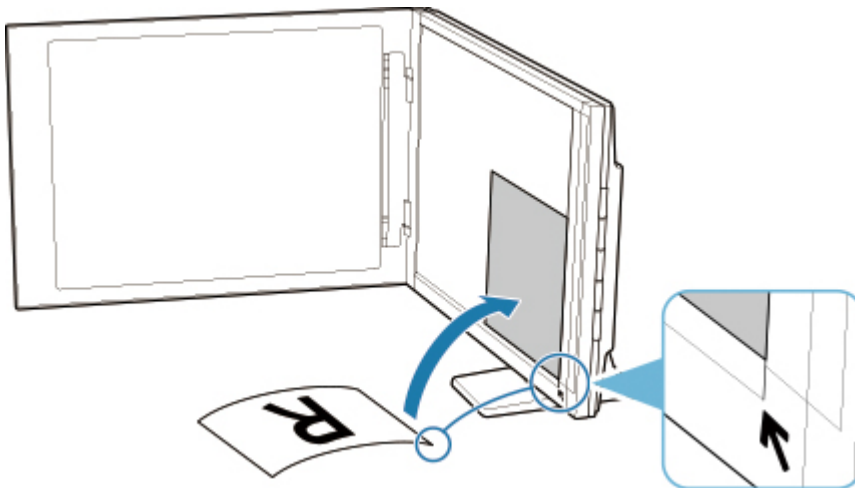
- When scanning duplex documents, place the front sides facing up. They will not be scanned correctly if placed the other way around.

## Placing Items (When Using Stand)

1. Place item on platen.

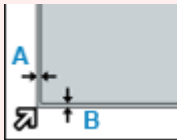
1. Open the document cover.

2. Place the item with the side to scan facing the platen, and then align it with the alignment mark.



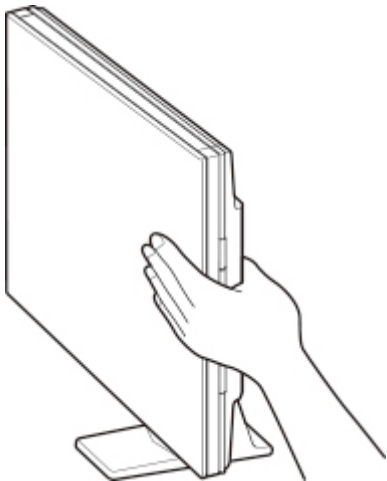
### »» Important

- If you open the document cover wide, the scanner may fall over.
- Portions placed over (A) (0.094 inch (2.4 mm) from the left edge of the platen) or (B) (0.106 inch (2.7 mm) from the front edge) cannot be scanned.



2. Gently close document cover.

While scanning, hold the document cover gently with your hand to keep it closed.



### »» Important

- Keep these points in mind when using the scanner in the upright position.
  - Do not subject the scanner to vibration during operation. The correct image results may not be obtained (for example, images may blur).



- The item type may not be detected automatically. In that case, specify the item type in IJ Scan Utility and scan.

## Frequently Asked Questions

---



Network

- ➔ [Cannot Find Printer on Network](#)
- ➔ [Cannot Find Printer while Using Wi-Fi](#)
- ➔ [Network Key \(Password\) Unknown](#)
- ➔ Cannot Print or Connect

For other questions about network, [click here](#).

---



Print

- ➔ [Printer Does Not Print](#)
  - ➔ [Printouts Are Blank/Blurry or Fuzzy/Inaccurate or Bleeding Colors/Streaks or Lines](#)
  - ➔ [Printout Results Are Unsatisfactory](#)
  - ➔ [List of Support Code for Error \(Paper Jams\)](#)
  - ➔ Cannot Print or Connect
- 



Installation

- ➔ [Failed to MP Drivers Installation \(Windows\)](#)
- 



Error

- ➔ [When Error Occurred](#)
  - ➔ [Message \(Support Code\) Appears](#)
- 

## Solve Problems

---

### Printer Does Not Work

- ➔ [Printer Does Not Turn On](#)
  - ➔ [Printer Turns Off Unexpectedly or Repeatedly](#)
  - ➔ [Wrong Language Appears in LCD](#)
  - ➔ LCD Is Off
  - ➔ [USB Connection Problems](#)
  - ➔ [Cannot Communicate with Printer via USB](#)

---

  - ➔ [Printer Does Not Print](#)
  - ➔ Copying/Printing Stops
  - ➔ Cannot Print Using AirPrint
  - ➔ Printer Prints Slowly
  - ➔ [Ink Does Not Come Out](#)
  - ➔ [List of Support Code for Error \(Paper Jams\)](#)
  - ➔ [Printer Does Not Pick up or Feed the Paper/"No Paper" Error](#)
  - ➔ Automatic Duplex Printing Problems
  - ➔ Paper Does Not Feed from Paper Source Specified in Printer Driver (Windows)
  - ➔ [Printout Results Are Unsatisfactory](#)
-

- ➔ [Scanning Problems \(Windows\)](#)
  - ➔ [Scanning Problems \(macOS\)](#)
  - ➔ [Scan Results Are Unsatisfactory \(Windows\)](#)
  - ➔ [Scan Results Are Unsatisfactory \(macOS\)](#)
  - ➔ [Cannot Print/Scan from Smartphone/Tablet](#)
- 

#### Cannot Set Correctly (Network)

- ➔ [Cannot Find Printer on Check Printer Settings Screen During Setup \(Windows\)](#)
  - ➔ [Cannot Find Printer while Using Wi-Fi](#)
  - ➔ [Printer Suddenly Stopped Working for Some Reason](#)
  - ➔ [Network Key \(Password\) Unknown](#)
  - ➔ [Forgot Administrator Password of Printer](#)
  - ➔ [Printer Cannot Be Used After Replacing Wireless Router or Changed Router Settings](#)
  - ➔ [Message Appears on Computer During Setup](#)
  - ➔ [Checking Network Information](#)
  - ➔ [Restoring to Factory Defaults](#)
- 

#### Cannot Set Correctly (Installation)

- ➔ [Failed to MP Drivers Installation \(Windows\)](#)
- ➔ [Updating MP Drivers in Network Environment \(Windows\)](#)

#### Error or Message Appears

- ➔ [When Error Occurred](#)
  - ➔ [Message \(Support Code\) Appears](#)
  - ➔ [List of Support Code for Error](#)
  - ➔ [Error Message Appears on PictBridge \(Wi-Fi\) Compliant Device](#)
  - ➔ [IJ Scan Utility Error Messages \(Windows\)](#)
  - ➔ [IJ Scan Utility Lite Error Messages \(macOS\)](#)
  - ➔ [ScanGear \(Scanner Driver\) Error Messages \(Windows\)](#)
- 

## Operation Problems

---

- ➔ [Network Communication Problems](#)
- ➔ [Printing Problems](#)
- ➔ [Problems while Printing/Scanning from Smartphone/Tablet](#)
- ➔ [Scanning Problems \(Windows\)](#)
- ➔ [Scanning Problems \(macOS\)](#)
- ➔ [Mechanical Problems](#)
- ➔ [Installation and Download Problems](#)
- ➔ [Errors and Messages](#)
- ➔ [If You Cannot Solve a Problem](#)

## Network Settings and Common Problems

Here are frequently asked questions on network. Select a connection method you are using, or you want to use.



### Wireless LAN

#### Cannot Find Printer

- ➔ [Cannot Find Printer while Using Wi-Fi](#)
- ➔ [Cannot Find Printer on Check Printer Settings Screen During Setup \(Windows\)](#)
- ➔ [Cannot Proceed beyond Printer Connection Screen](#)
- ➔ Printer is Not Found by Printer Find Screen of Setup
- ➔ Searching Printer by IP Address or Host Name During Setup
- ➔ Error Occurs During Wi-Fi Setup
- ➔ [Detect Same Printer Name](#)
- ➔ [Reconfiguration Method of Wi-Fi Connection](#)

#### Cannot Print or Connect

- ➔ [Printer Suddenly Stopped Working for Some Reason](#)
- ➔ [Printer Cannot Be Used After Replacing Wireless Router or Changed Router Settings](#)
- ➔ Cannot Access to Internet on Wi-Fi from Communication Device
- ➔ Connecting Printer and Wireless Router Using Easy wireless connect
- ➔ Cannot Connect Smartphone/Tablet to Wireless Router
- ➔ Error Occurs During Wi-Fi Setup
- ➔ [Connects to Another Computer via LAN/Changes from USB to LAN Connection](#)
- ➔ Cannot Print or Connect

#### LAN Setting Tips/Changing LAN Settings

- ➔ [Network Key \(Password\) Unknown](#)
- ➔ Forgot Administrator Password of Printer
- ➔ [Checking Network Information](#)
- ➔ [Restoring to Factory Defaults](#)
- ➔ Checking Wireless Router SSID/Key
- ➔ Checking Wireless Router Network Name (SSID) for Smartphone/Tablet
- ➔ Privacy Separator/SSID Separator/Network Separation Function
- ➔ [Default Network Settings](#)
- ➔ [Connects to Another Computer via LAN/Changes from USB to LAN Connection](#)
- ➔ [Printing Network Settings](#)
- ➔ [Reconfiguration Method of Wi-Fi Connection](#)
- ➔ Checking Status Code

## Printing from Smartphone/Tablet

- ➔ Connecting Printer and Wireless Router Using Easy wireless connect
- ➔ Cannot Connect Smartphone/Tablet to Wireless Router
- ➔ Checking Wireless Router Network Name (SSID) for Smartphone/Tablet
- ➔ Setting Up Using Smartphone/Tablet
- ➔ [Cannot Print/Scan from Smartphone/Tablet](#)
- ➔ Cannot Find Printer from Smartphone/Tablet while Using Bluetooth
- ➔ Downloading Canon PRINT Inkjet/SELPHY

## Problems while Using Printer

- ➔ Message Appears on Computer During Setup
- ➔ Printer Prints Slowly
- ➔ No Ink Level Appears in Printer Status Monitor (Windows)
- ➔ Packets Are Sent Constantly (Windows)

## Wireless Direct

---

### Cannot Print or Connect

- ➔ [Printer Suddenly Stopped Working for Some Reason](#)
- ➔ Cannot Access to Internet on Wi-Fi from Communication Device
- ➔ Cannot Print or Connect

### LAN Setting Tips/Changing LAN Settings

- ➔ [Network Key \(Password\) Unknown](#)
- ➔ Forgot Administrator Password of Printer
- ➔ [Checking Network Information](#)
- ➔ [Restoring to Factory Defaults](#)
- ➔ [Default Network Settings](#)
- ➔ [Printing Network Settings](#)
- ➔ [Reconfiguration Method of Wi-Fi Connection](#)
- ➔ Checking Status Code

## Printing from Smartphone/Tablet

- ➔ [Cannot Print/Scan from Smartphone/Tablet](#)
- ➔ Cannot Find Printer from Smartphone/Tablet while Using Bluetooth
- ➔ Downloading Canon PRINT Inkjet/SELPHY

## Problems while Using Printer

- ➔ Message Appears on Computer During Setup
- ➔ Printer Prints Slowly
- ➔ No Ink Level Appears in Printer Status Monitor (Windows)

## **Network Communication Problems**

---

- **Cannot Find Printer on Network**
- **Network Connection Problems**
- **Other Network Problems**

## Cannot Find Printer on Network

---

### While performing printer setup:

- **Cannot Find Printer on Check Printer Settings Screen During Setup (Windows)**
- **Cannot Proceed beyond Printer Connection Screen**

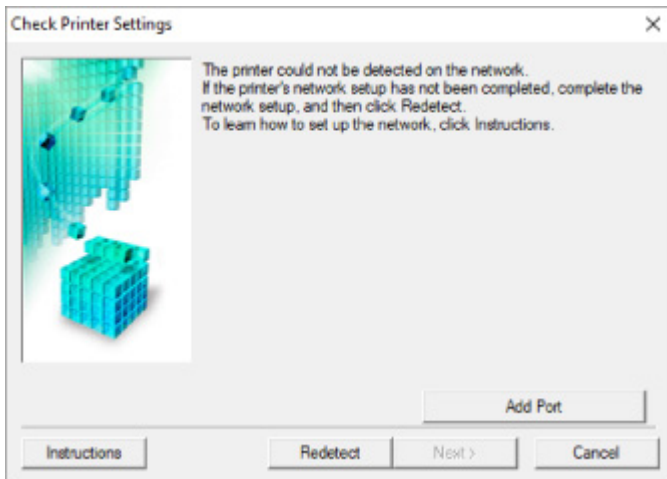
### While using printer:

- **Cannot Find Printer while Using Wi-Fi**

## Cannot Find Printer on Check Printer Settings Screen During Setup (Windows)

If the printer cannot be found and the **Check Printer Settings** screen appears after searching the printer by **Automatic search** on the **Search for Printers** screen during driver setup, click **Redetect** and search for the printer again by the IP address on the **Search for Printers** screen.

If the printer has not been found after searching it by the IP address, check network settings.



- ➔ [Checking Power Status](#)
- ➔ [Checking PC Network Connection](#)
- ➔ [Checking Printer's Wi-Fi Settings](#)
- ➔ [Checking Wi-Fi Environment](#)
- ➔ [Checking Printer's IP Address](#)
- ➔ [Checking Security Software Settings](#)
- ➔ [Checking Wireless Router Settings](#)





## Cannot Find Printer on Check Printer Settings Screen During Wi-Fi Setup (Windows)-Checking Power Status

---



### Are printer and network device (router, etc.) turned on?

Make sure the printer is turned on.

➔ [Checking that Power Is On](#)

Make sure network device (router, etc.) is turned on.

### If printer or network device is off:

Turn on printer or network device.

It may take a while for the printer and network device to become ready for use once they are turned on.

Wait a while after turning on the printer or network device, and then click **Redetect** on the **Check Printer Settings** screen to redetect the printer.

If the printer is found, follow the instructions on the screen to continue to set up network communication.

### If printer and network device are on:

If the network devices are on, turn them off and on again.

If above does not solve the problem:

➔ [Checking PC Network Connection](#)



## Cannot Find Printer on Check Printer Settings Screen During Wi-Fi Setup (Windows)-Checking PC Network Connection

---



### Can you view any web pages on your computer?

Make sure the computer and network device (router, etc.) are configured and the computer is connected to the network.

#### **If you cannot view any web pages:**

Click **Cancel** on the **Check Printer Settings** screen to cancel to set up the network communication.

After that, configure the computer and network device.

For the procedures, refer to the instruction manuals supplied with the computer and network device, or contact their manufacturers.

If you can view web pages after configuring the computer and network device, try to set up the network communication from the beginning.

#### **If you can view web pages, or if above does not solve the problem:**

➔ [Checking Printer's Wi-Fi Settings](#)



## Cannot Find Printer on Check Printer Settings Screen During Wi-Fi Setup (Windows)-Checking Printer's Wi-Fi Settings

---



### Is printer set to allow wireless communication?

Make sure the  or  icon is displayed on the LCD when the OK button is pressed.



#### **If icon is not displayed:**

The printer is not set to allow wireless communication. Turn on wireless communication on the printer.

#### **If icon is displayed:**

➔ [Checking Wi-Fi Environment](#)



## Cannot Find Printer on Check Printer Settings Screen During Wi-Fi Setup (Windows)-Checking Wi-Fi Environment



### Is the printer connected to the wireless router?

Use the icon on the LCD when the OK button is pressed to make sure the printer is connected to the wireless router.



### If is displayed:

- Check wireless router configuration.

After checking the wireless router setting, make sure the printer is not placed far away from the wireless router.

The printer can be up to 50 m (164 ft) from the wireless router indoors. Make sure the printer is close enough to the wireless router to be used.

Place the printer and wireless router where there are no obstacles between them. Wireless communication between different rooms or floors is generally poor. Wireless communication can be impeded by building materials containing metal or concrete. If the printer cannot communicate with the computer over a Wi-Fi due to a wall, place the printer and the computer in the same room.

In addition, if a device like a microwave oven that emits radio waves of the same frequency bandwidth as a wireless router is nearby, it may cause interference. Place the wireless router as far away from interference sources as possible.

#### ▶▶▶ Note

- Though an antenna is attached to most wireless routers, note that some of them have it inside.

- Check wireless router setting.

The printer and wireless router should be connected using 2.4 GHz bandwidth. Make sure the wireless router for the printer's destination is configured to use 2.4 GHz bandwidth.

## ▶▶ Important

- Note that some wireless routers distinguish network names (SSIDs) by the last alphanumeric character according to their bandwidth (2.4 GHz or 5 GHz) or purpose (for computer or game machine).

To check the network name (SSID) of the wireless router the printer is connected to, display it using the operation panel of the printer or print out the network setting information of the printer.

- Display on the LCD.
  - ➔ [LAN settings](#)
- Print the network settings.
  - ➔ [Printing Network Settings](#)

For details, see the instruction manual supplied with the wireless router or contact the manufacturer.

After taking measures above, click **Redetect** on the **Check Printer Settings** screen to redetect the printer.

If the printer is found, follow the instructions on the screen to continue to set up network communication.

If the printer cannot be detected, the printer is not connected to the wireless router. Connect the printer to the wireless router.

After connecting the printer to the wireless router, set up the network communication from the beginning.

If  is displayed:

- ➔ [Checking Printer's IP Address](#)



## Cannot Find Printer on Check Printer Settings Screen During Wi-Fi Setup (Windows)-Checking Printer's IP Address

---



### Is printer's IP address specified correctly?

If printer's IP address is not specified correctly, the printer may not be found. Make sure whether printer's IP address is not used for another device.

To check the printer's IP address, display it using the operation panel of the printer or print out the network setting information of the printer.

- Display on the LCD.
  - ➔ [LAN settings](#)
- Print the network settings.
  - ➔ [Printing Network Settings](#)

### **|** If the IP address is not specified correctly:

See If an error screen appears: and specify the IP address.

### **|** If the IP address is specified correctly:

- ➔ [Checking Security Software Settings](#)



## Cannot Find Printer on Check Printer Settings Screen During Wi-Fi Setup (Windows)-Checking Security Software Settings

---



### **Make sure the firewall does not interfere with setup.**

The firewall of your security software or operation system for computer may limit communication between the printer and your computer.

- **If a firewall message appears:**

If a firewall message appears warning that Canon software is attempting to access the network, set the security software to allow access.

After allowing the software to access, click **Redetect** on the **Check Printer Settings** screen to redetect the printer.

If the printer is found, follow the instructions on the screen to continue to set up network communication.

- **If no firewall message appears:**

Temporarily disable the firewall and redo the network communication setup.

After the setup is complete, re-enable the firewall.

### **▶▶▶ Note**

- For more on firewall settings of your operating system or security software, see instruction manual or contact its manufacturer.

### **If above does not solve the problem:**

- ➔ [Checking Wireless Router Settings](#)



## Cannot Find Printer on Check Printer Settings Screen During Wi-Fi Setup (Windows)-Checking Wireless Router Settings

---



### Check wireless router settings.

Check wireless router network connection settings, such as IP address filtering, MAC address filtering, encryption key, and DHCP function.

Make sure the same radio channel is assigned to the printer and the wireless router.

To check the settings of the wireless router, see the instruction manual supplied with the wireless router or contact the manufacturer.

In addition, make sure the wireless router you are using is configured to use 2.4 GHz bandwidth.

### ►► Important

- Depending on the wireless router, note that different network name (SSID) is assigned for a bandwidth (2.4 GHz or 5 GHz) or its usage (for PC or game machine) using alphanumeric characters at the end of network name (SSID).

After checking the wireless router settings, click **Redetect** on the **Check Printer Settings** screen to redetect the printer.

If the printer is found, follow the instructions on the screen to continue to set up network communication.





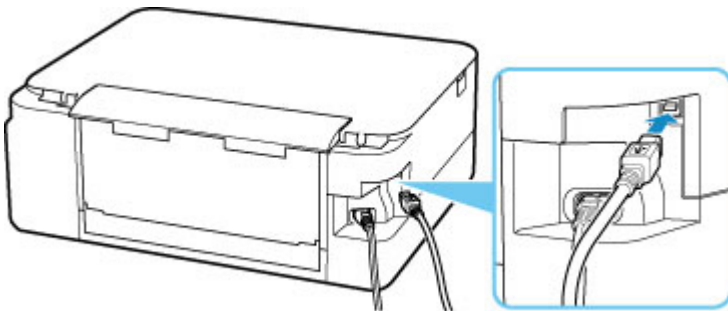
## Cannot Proceed beyond Printer Connection Screen



If you cannot proceed beyond the **Printer Connection** screen, check the following.

**Check1** Make sure USB cable is securely plugged in to printer and computer.

Connect the printer and the computer using a USB cable as the illustration below. The USB port is located at the back of the printer.




### Important

- Connect the "Type-B" terminal to the printer with the notched side facing UP. For details, refer to the instruction manual supplied with the USB cable.

**Check2** Follow procedure below to connect printer and computer again.

### Important

- For macOS, make sure the lock icon is on the lower left of the **Printers & Scanners** screen.

If the  icon (locked) is displayed, click the icon to unlock. (The administrator name and the password are necessary to unlock.)

1. Unplug USB cable from printer and computer and connect it again.
2. Make sure no printer operation is in progress and turn off.
3. Turn on printer.

**Check3** If you cannot resolve problem, follow procedure below to reinstall printer driver.

1. Finish setup.
2. Turn off printer.

3. Restart computer.
4. Make sure you have no application software running.
5. Click here and perform setup.



## Cannot Find Printer while Using Wi-Fi




### Check1 Make sure printer is turned on.


Make sure the status bar or LCD is lit.

If not, make sure the printer is securely plugged in and press **ON** button to turn on.

### Check2 Check the icon on LCD.

The  icon appears by pressing OK button.

If the icon is not displayed, from the setup menu select **Device settings > LAN settings > Wi-Fi > Advanced mode** and then select **Enable**.

If the  icon is displayed, see Check 3 or later checking items to make sure whether printer setup is complete or the settings of wireless router to connect are correct.

### Check3 Make sure printer setup is complete on the computer.

If it is not, click [here](#) and perform setup.

### ▶▶▶ Note

- IJ Network Device Setup Utility allows you to diagnose and repair the network status.

Select the link below to download IJ Network Device Setup Utility and install it.

- ➔ [Checking Printer Connection Status Using IJ Network Device Setup Utility](#)

See below for starting up IJ Network Device Setup Utility.

— **For Windows:**

- ➔ [Starting Up IJ Network Device Setup Utility](#)

— **For macOS:**

- ➔ [Starting Up IJ Network Device Setup Utility](#)

### Check4 Make sure printer and wireless router network settings match.

Make sure the network settings of the printer (e.g. network name (SSID) or network key (password), etc.) are identical with those of the wireless router.

To check the settings of the wireless router, refer to the instruction manual provided with it or contact its manufacturer.

## ▶▶▶ Note

- Use 2.4 GHz frequency band to connect to a wireless router. Match the network name (SSID) set for the printer with that for 2.4 GHz frequency band of the wireless router.

To check the network name (SSID) set for the printer, display it using the operation panel of the printer or print out the network setting information of the printer.

- Display on the LCD.
  - ➔ [LAN settings](#)
- Print the network settings.
  - ➔ [Printing Network Settings](#)

## ▶▶▶ Note

- IJ Network Device Setup Utility allows you to diagnose and repair the network status.

Select the link below to download IJ Network Device Setup Utility and install it.

- ➔ [Checking Printer Connection Status Using IJ Network Device Setup Utility](#)

See below for starting up IJ Network Device Setup Utility.

— **For Windows:**

- ➔ [Starting Up IJ Network Device Setup Utility](#)

— **For macOS:**

- ➔ [Starting Up IJ Network Device Setup Utility](#)

**Check5** Make sure the printer is not placed too far away from the wireless router.

If the distance between the printer and wireless router is too far, wireless communication becomes poor. Place the printer and wireless router close to each other.

## ▶▶▶ Note

- Though an antenna is attached to most wireless routers, note that some of them have it inside.

**Check6** Make sure wireless signal is strong. Monitor signal strength and move printer and wireless router as necessary.

Place the printer and wireless router where there are no obstacles between them. Wireless communication between different rooms or floors is generally poor. Wireless communication can be impeded by building materials containing metal or concrete. If the printer cannot communicate with the computer over a Wi-Fi due to a wall, place the printer and the computer in the same room.

In addition, if a device like a microwave oven that emits radio waves of the same frequency bandwidth as a wireless router is nearby, it may cause interference. Place the wireless router as far away from interference sources as possible.

Check the signal strength on the LCD.

- ➔ [LCD and Operation Panel](#)

## ▶▶▶ Note

- IJ Network Device Setup Utility allows you to diagnose and repair the network status.

Select the link below to download IJ Network Device Setup Utility and install it.

- ➔ [Checking Printer Connection Status Using IJ Network Device Setup Utility](#)

See below for starting up IJ Network Device Setup Utility.

— **For Windows:**

- ➔ [Starting Up IJ Network Device Setup Utility](#)

— **For macOS:**

- ➔ [Starting Up IJ Network Device Setup Utility](#)

**Check7** Make sure the computer is connected to the wireless router.

For more on how to check the computer settings or connection status, see your computer instruction manual or contact its manufacturer.

**»» Note**

- If you use a smartphone or tablet, make sure the Wi-Fi is enabled on the device.

**Check8** Make sure **Enable bidirectional support** is selected in the **Ports** sheet of the **Printer properties** dialog box. (Windows)

If not, select it to enable bidirectional support.

**Check9** Make sure security software's firewall is off.

If your security software's firewall is on, a message may appear warning you that Canon software is attempting to access the network. If this warning message appears, set security software to always allow access.

If you are using any programs that switch between network environments, check their settings. Some programs use a firewall by default.

**Check10** If printer is connected to an AirPort Base Station via LAN, make sure you use alphanumeric characters for network name (SSID). (macOS)

**If the problem is not resolved, click here and redo setup.**

## **Network Connection Problems**

---

- **Printer Suddenly Stopped Working for Some Reason**
- **Network Key (Password) Unknown**
- **Printer Cannot Be Used After Replacing Wireless Router or Changed Router Settings**

## Printer Suddenly Stopped Working for Some Reason

---

- ➔ [Cannot Connect to a Printer after Network Configuration Changes](#)
- ➔ [Cannot Connect to a Printer via Wireless LAN \(Wi-Fi\)](#)
- ➔ [Cannot Connect to a Printer through Wireless Direct](#)
- ➔ [Cannot Print through Network](#)

### Cannot Connect to a Printer after Network Configuration Changes

---

#### 

It may take a while for the computer to obtain an IP address, or you may need to restart your computer. Make sure the computer has obtained a valid IP address, and try again to find the printer.

### Cannot Connect to a Printer via Wireless LAN (Wi-Fi)

---

#### 

**Check1** Check the power status of printer, network devices (e.g. wireless router), and smartphone/tablet.

- Turn on the printer or devices.
- If the power is already turned on, cycle the power switch.
- It may be necessary to resolve wireless router problems (e.g. update interval of a key, problems of DHCP update interval, energy saving mode, etc.) or to update the wireless router firmware.


For details, contact the manufacturer of your wireless router.

**Check2** Can you view any web pages on your computer?

Make sure your computer is connected to the wireless router properly.

For more on checking computer settings or connection status, see the instruction manual supplied with the computer or contact the manufacturer.

**Check3** Is the printer connected to the wireless router?

Use the icon on the LCD when OK button is pressed to check the connection status between the printer and wireless router. If the  icon is not displayed, Wi-Fi is disabled. Turn on wireless communication on the printer.

**Check4** Make sure the printer and wireless router network settings match.

Make sure the network settings of the printer (e.g. network name (SSID) or network key (password), etc.) are identical with those of the wireless router.

To check the settings of the wireless router, refer to the instruction manual provided with it or contact its manufacturer.

### ▶▶▶ Note

- Use 2.4 GHz frequency band to connect to a wireless router. Match the network name (SSID) set for the printer with that for 2.4 GHz frequency band of the wireless router.

To check the current network settings of the printer, print out the network setting information.

➡ [Printing Network Settings](#)

### ▶▶▶ Note

- IJ Network Device Setup Utility allows you to diagnose and repair the network status.

Select the link below to download IJ Network Device Setup Utility and install it.

➡ [Checking Printer Connection Status Using IJ Network Device Setup Utility](#)

See below for starting up IJ Network Device Setup Utility.

— **For Windows:**

➡ [Starting Up IJ Network Device Setup Utility](#)

— **For macOS:**

➡ [Starting Up IJ Network Device Setup Utility](#)

**Check5** Make sure the printer is not placed too far away from the wireless router.

If the distance between the printer and wireless router is too far, wireless communication becomes poor. Place the printer and wireless router close to each other.

### ▶▶▶ Note

- Though an antenna is attached to most wireless routers, note that some of them have it inside.

**Check6** Make sure wireless signal is strong. Monitor signal status and move printer and wireless router as necessary.

Place the printer and wireless router where there are no obstacles between them. Wireless communication between different rooms or floors is generally poor. Wireless communication can be impeded by building materials containing metal or concrete. If the printer cannot communicate with the computer over a Wi-Fi due to a wall, place the printer and the computer in the same room.

In addition, if a device like a microwave oven that emits radio waves of the same frequency bandwidth as a wireless router is nearby, it may cause interference. Place the wireless router as far away from interference sources as possible.

Check the signal strength on the LCD.

➡ [LCD and Operation Panel](#)

### ▶▶▶ Note

- IJ Network Device Setup Utility allows you to diagnose and repair the network status.

Select the link below to download IJ Network Device Setup Utility and install it.

➡ [Checking Printer Connection Status Using IJ Network Device Setup Utility](#)



See below for starting up IJ Network Device Setup Utility.

– **For Windows:**

➔ Starting Up IJ Network Device Setup Utility

– **For macOS:**

➔ [Starting Up IJ Network Device Setup Utility](#)

**Check7** Make sure of the Wi-Fi channel numbers used for your computer.

You need to have the same Wi-Fi channel number that you are using for the wireless router as your computer. It is normally set in the way that you can use all the Wi-Fi channels. However, when the channels that you are using are restricted, the Wi-Fi channels do not match.

See the instruction manual provided with your computer and check the Wi-Fi channel number available for your computer.

**Check8** Make sure channel set on wireless router is a usable channel as confirmed in Check 7.

If it is not, change the channel set on the wireless router.

**Check9** Make sure security software's firewall is off.

If your security software's firewall is on, a message may appear warning you that Canon software is attempting to access the network. If this warning message appears, set security software to always allow access.

If you are using any programs that switch between network environments, check their settings. Some programs use a firewall by default.

**Check10** If printer is connected to an AirPort Base Station via LAN, make sure you use alphanumeric characters for network name (SSID). (macOS)

**If the problem is not resolved, click here and redo setup.**

• **Positioning:**

Place the printer and wireless router where there are no obstacles between them.



## Cannot Connect to a Printer through Wireless Direct



**Check1** Check the power status of printer and other devices (smartphone or tablet).

Turn on the printer or devices.

If the power is already turned on, cycle the power switch.

**Check2** Check printer settings.

Select **Device settings** > **LAN settings** > **Wireless Direct** > **Advanced mode** in this order and enable it.

**Check3** Check the settings of your device (smartphone/tablet).

Make sure Wi-Fi is enabled on your device.

For details, refer to your device's instruction manual.

**Check4** Make sure printer is selected as connection for device (e.g. smartphone or tablet).

Select the network name (SSID) for Wireless Direct specified for the printer as the connection destination for devices.

Check the destination on your device.

For details, refer to your device's instruction manual or visit the manufacturer's website.

To check the network name (SSID) for Wireless Direct specified for the printer, display it using the operation panel of the printer or print out the network setting information of the printer.

- Display on the LCD.
  - ➔ [LAN settings](#)
- Print the network settings.
  - ➔ [Printing Network Settings](#)

**Check5** Have you entered the proper password specified for the Wireless Direct?

To check the password specified for the printer, display it using the operation panel of the printer or print out the network setting information of the printer.

- Display on the LCD.
  - ➔ [LAN settings](#)
- Print the network settings.
  - ➔ [Printing Network Settings](#)

**Check6** Make sure the printer is not placed too far away from the device.

If the distance between the printer and device is too far, wireless communication becomes poor. Place the printer and device close to each other.

**Check7** Make sure 5 devices are already connected.

Wireless Direct does not allow more than 5 devices to be connected.



## Cannot Print/Scan through Network

---



**Check1** Make sure the computer is connected to the wireless router.

For more on how to check the computer settings or connection status, see your computer instruction manual or contact its manufacturer.

**Check2** If MP Drivers is not installed, install it. (Windows)

Click [here](#) and install the MP Drivers.

**Check3** Make sure wireless router does not restrict which computers can access it.

For more on connecting to and setting up your wireless router, see the wireless router instruction manual or contact its manufacturer.

**▶▶ Note**

- To check the MAC address or IP address of your computer, see [Checking Computer IP Address or MAC Address](#).

## Network Key (Password) Unknown

---

- ➔ [WPA/WPA2 or WEP Key Set for Wireless Router Unknown, Cannot Connect](#)
- ➔ [Setting an Encryption Key](#)

### WPA/WPA2 or WEP Key Set for Wireless Router Unknown, Cannot Connect

---

#### A

For more on setting up a wireless router, see the instruction manual provided with the wireless router or contact its manufacturer. Make sure your computer can communicate with the wireless router.

#### Note

- IJ Network Device Setup Utility allows you to diagnose and repair the network status.

Select the link below to download IJ Network Device Setup Utility and install it.

- ➔ [Checking Printer Connection Status Using IJ Network Device Setup Utility](#)

See below for starting up IJ Network Device Setup Utility.

- **For Windows:**

- ➔ [Starting Up IJ Network Device Setup Utility](#)

- **For macOS:**

- ➔ [Starting Up IJ Network Device Setup Utility](#)

### Setting an Encryption Key

---

#### A

For more on setting up a wireless router, see the instruction manual provided with the wireless router or contact its manufacturer. Make sure your computer can communicate with the wireless router.

#### Note

- IJ Network Device Setup Utility allows you to diagnose and repair the network status.

Select the link below to download IJ Network Device Setup Utility and install it.

- ➔ [Checking Printer Connection Status Using IJ Network Device Setup Utility](#)

See below for starting up IJ Network Device Setup Utility.

- **For Windows:**

- ➔ [Starting Up IJ Network Device Setup Utility](#)

– **For macOS:**

➔ [Starting Up IJ Network Device Setup Utility](#)

Selecting WPA, WPA2, or WPA/WPA2 is recommended for security reason. If your wireless router is compatible with WPA/WPA2, you can also use WPA2 or WPA.

• **Using WPA/WPA2 (Windows)**

The authentication method, Wi-Fi password, and dynamic encryption type must be identical among the wireless router, the printer, and your computer.

Enter the Wi-Fi password configured on the wireless router.

Either TKIP (basic encryption) or AES (secure encryption) is selected automatically as the dynamic encryption method.

For details, see [If WPA/WPA2 Details Screen Appears](#).

➤➤➤ **Note**

- This printer supports WPA/WPA2-PSK (WPA/WPA2-Personal) and WPA2-PSK (WPA2-Personal).

• **Using WEP**

The length or format of the Wi-Fi password and authentication method must be identical among the wireless router, the printer, and your computer.

To communicate with a wireless router that generates a password automatically, you must set the printer to use the password generated by the wireless router.

◦ **For Windows:**

When the **WEP Details** screen appears after you click **Search...** on the **Network Settings (Wi-Fi)** screen in IJ Network Device Setup Utility, follow the on-screen instructions to set the password length, format, and the password to use.

For details, see [If WEP Details Screen Appears](#).

➤➤➤ **Note**

- If the printer is connected to an AirPort Base Station via LAN:

If the printer is connected to an AirPort Base Station via a LAN, check the settings in **Wireless Security of AirPort Utility**.

- Select **64 bit** if **WEP 40 bit** is selected for password length in AirPort Base Station.
- Select **1** for the password to use. Otherwise, computer will not be able to communicate with printer via the wireless router.



## Printer Cannot Be Used After Replacing Wireless Router or Changed Router Settings

---



When you replace a wireless router, redo the network setup for the printer according to the replaced one.  
Click [here](#) and perform setup.

### ▶▶▶ Note

- IJ Network Device Setup Utility allows you to diagnose and repair the network status.

Select the link below to download IJ Network Device Setup Utility and install it.

- ➔ [Checking Printer Connection Status Using IJ Network Device Setup Utility](#)

See below for starting up IJ Network Device Setup Utility.

– **For Windows:**

- ➔ [Starting Up IJ Network Device Setup Utility](#)

– **For macOS:**

- ➔ [Starting Up IJ Network Device Setup Utility](#)

If this does not solve the problem, see below.

- ➔ [Cannot Communicate with Printer After Enabling MAC/IP Address Filtering or Encryption Key on Wireless Router](#)
- ➔ [With Encryption On, Cannot Communicate with Printer After Changing Encryption Type at Wireless Router](#)



## Cannot Communicate with Printer After Enabling MAC/IP Address Filtering or Encryption Key on Wireless Router

---



**Check1** Check wireless router setting.

To check the wireless router setting, see the instruction manual provided with the wireless router or contact its manufacturer. Make sure the computer and the wireless router can communicate with each other under this setting.

**Check2** If filtering MAC addresses or IP addresses at wireless router, check that MAC addresses or IP addresses for computer, network device, and printer are registered.

**Check3** If using WPA/WPA2 key or a password, make sure encryption key for computer, network device, and printer matches key set for wireless router.

The length or format of the Wi-Fi password and authentication method must be identical among the wireless router, the printer, and your computer.

For details, see [Setting an Encryption Key](#).

## **Q** With Encryption On, Cannot Communicate with Printer After Changing Encryption Type at Wireless Router

---

### **A**

If you change the encryption type for the printer and it subsequently cannot communicate with the computer, make sure the encryption type for the computer and the wireless router matches the type set for the printer.

- ➔ [Cannot Communicate with Printer After Enabling MAC/IP Address Filtering or Encryption Key on Wireless Router](#)

## **Other Network Problems**

---

- ▶ **Checking Network Information**
- ▶ **Restoring to Factory Defaults**



## Checking Network Information

---

- ➔ [Checking Printer IP Address or MAC Address](#)
- ➔ [Checking Computer IP Address or MAC Address](#)
- ➔ [Checking Communication Between the Computer, the Printer, and the Wireless Router](#)
- ➔ [Checking Network Setting Information](#)

### Checking Printer IP Address or MAC Address

---

#### A

To check the printer's IP address or MAC address, display it using the operation panel of the printer or print out the network setting information of the printer.

- Display on the LCD.
  - ➔ [LAN settings](#)
- Print the network settings.
  - ➔ [Printing Network Settings](#)

For Windows, you can check the network setting information on the computer screen.

- ➔ Canon IJ Network Device Setup Utility Screen

### Checking Computer IP Address or MAC Address

---

#### A

To check the IP Address or MAC address of your computer, follow the instructions below.

- **For Windows:**

1. Select **Command Prompt** as shown below.

In Windows 10, right-click **Start** and select **Command Prompt**.

In Windows 8.1, select **Command Prompt** from the **Start** screen. If **Command Prompt** is not displayed on the **Start** screen, select the **Search** charm and search for "**Command Prompt**".

In Windows 7, click **Start** > **All Programs** > **Accessories** > **Command Prompt**.

2. Enter "ipconfig/all" and press **Enter**.

The IP address and MAC address of your computer appear. If your computer is not connected to a network, the IP address does not appear.

- **For macOS:**

1. Select **System Preferences** from Apple menu, and then click **Network**.

2. Make sure network interface used by computer is selected, and then click **Advanced**.  
Make sure **Wi-Fi** is selected as network interface.
3. Click **TCP/IP** to check the IP address, or click **Hardware** to check the MAC address.

## **Checking Communication Between the Computer, the Printer, and the Wireless Router**

---

### **A**

Perform a ping test to check if communication is taking place.

- **For Windows:**

1. Select **Command Prompt** as shown below.

In Windows 10, right-click **Start** and select **Command Prompt**.

In Windows 8.1, select **Command Prompt** from the **Start** screen. If **Command Prompt** is not displayed on the **Start** screen, select the **Search** charm and search for "**Command Prompt**".

In Windows 7, click **Start > All Programs > Accessories > Command Prompt**.

2. Type the ping command and press **Enter**.

The ping command is as follows: ping XXX.XXX.XXX.XXX

"XXX.XXX.XXX.XXX" is the IP address of the target device.

If communication is taking place, a message like the one shown below appears.

Reply from XXX.XXX.XXX.XXX: bytes=32 time=10ms TTL=255

If **Request timed out** appears, communication is not taking place.

- **For macOS:**

1. Start **Network Utility** as shown below.

Select **Computer** from **Go** menu of Finder, double-click **Macintosh HD > System > Library > CoreServices > Applications > Network Utility**.

2. Click **Ping**.
3. Make sure **Send only XX pings** (XX are numbers) is selected.
4. Enter IP address of target printer or target wireless router in **Enter the network address to ping**.
5. Click **Ping**.

"XXX.XXX.XXX.XXX" is the IP address of the target device.

A message such as the following appears.

```
64 bytes from XXX.XXX.XXX.XXX: icmp_seq=0 ttl=64 time=3.394 ms
```

```
64 bytes from XXX.XXX.XXX.XXX: icmp_seq=1 ttl=64 time=1.786 ms
```

```
64 bytes from XXX.XXX.XXX.XXX: icmp_seq=2 ttl=64 time=1.739 ms
```

```
--- XXX.XXX.XXX.XXX ping statistics ---
```

```
3 packets transmitted, 3 packets received, 0% packet loss
```

If "100% packet loss" appears, communication is not taking place. Otherwise, computer is communicating with target device.

## Checking Network Setting Information

---

### 

To check the printer's network settings information, display it using the operation panel of the printer or print out the network setting information of the printer.

- Display on the LCD.
  - ➔ [LAN settings](#)
- Print the network settings.
  - ➔ [Printing Network Settings](#)



## Restoring to Factory Defaults

---



### »» Important

- Initialization erases all network settings on the printer, making printing/scanning operation from a computer over a network impossible. To use the printer over a network again after restoring it to the factory defaults, [Click here](#) and redo setup.

Initialize the network setting using the printer's operation panel.

➔ [Reset setting](#)

## **Problems while Printing/Scanning from Smartphone/Tablet**

---

- ▶ **Cannot Print/Scan from Smartphone/Tablet**

## Cannot Print/Scan from Smartphone/Tablet

If you cannot print/scan from your smartphone/tablet, it is possible that your smartphone/tablet cannot communicate with the printer.

Check the cause of your problem according to the connection method.

- ➔ [Cannot Communicate with Printer over Wireless LAN](#)
- ➔ [Cannot Communicate with Printer while It Is in Wireless Direct](#)

### ▶▶▶ Note

- For problems on printing with other connection methods or more on performing settings of each connection method:
  - ➔ Using PIXMA/MAXIFY Cloud Link
  - ➔ Printing with Google Cloud Print
  - ➔ Printing from iOS Device (AirPrint)



### Cannot Communicate with Printer over Wireless LAN



If your smartphone/tablet cannot communicate with the printer, check the following.

**Check1** Check the power status of printer, network devices (e.g. wireless router), and smartphone/tablet.

- Turn on the printer or devices.
- If the power is already turned on, cycle the power switch.
- It may be necessary to resolve wireless router problems (e.g. update interval of a key, problems of DHCP update interval, energy saving mode, etc.) or to update the wireless router firmware.

For details, contact the manufacturer of your wireless router.



**Check2** Check the settings of your device (smartphone/tablet).

Make sure Wi-Fi is enabled on your device.

For details, refer to your device's instruction manual.

**Check3** Is the printer connected to the wireless router?

Use the  icon on the LCD to check the connection status between the printer and wireless router.

 icon is displayed, when **OK** button is pressed. If the  icon is not displayed, Wi-Fi is disabled. Turn on wireless communication on the printer.

**Check4** Are network settings of printer identical with those of wireless router?

Make sure the network settings of the printer (e.g. network name (SSID) or network key (password), etc.) are identical with those of the wireless router.

To check the settings of the wireless router, refer to the instruction manual provided with it or contact its manufacturer.

To check the current network settings of the printer, print out the network setting information.

➔ [Printing Network Settings](#)

### ▶▶▶ Note

- IJ Network Device Setup Utility allows you to diagnose and repair the network status.

Select the link below to download IJ Network Device Setup Utility and install it.

➔ [Checking Printer Connection Status Using IJ Network Device Setup Utility](#)

See below for starting up IJ Network Device Setup Utility.

– **For Windows:**

➔ [Starting Up IJ Network Device Setup Utility](#)

– **For macOS:**

➔ [Starting Up IJ Network Device Setup Utility](#)

**Check5** Are network settings of your smartphone/tablet identical with those of wireless router?

Make sure the network settings of the printer (e.g. network name (SSID) or network key (password), etc.) are identical with those of the wireless router.

To check the settings of your smartphone/tablet, refer to the instruction manual provided with it.

If the network settings of your smartphone/tablet are not identical with those of the wireless router, change the network settings of it to match with those of the wireless router.

**Check6** Make sure the printer is not placed too far away from the wireless router.

If the distance between the printer and wireless router is too far, wireless communication becomes poor. Place the printer and wireless router close to each other.

### ▶▶▶ Note

- Though an antenna is attached to most wireless routers, note that some of them have it inside.

**Check7** Make sure wireless signal is strong. Monitor signal status and move printer and wireless router as necessary.

Place the printer and wireless router where there are no obstacles between them. Wireless communication between different rooms or floors is generally poor. Wireless communication can be impeded by building materials containing metal or concrete. If the printer cannot communicate with the computer over a Wi-Fi due to a wall, place the printer and the computer in the same room.

In addition, if a device like a microwave oven that emits radio waves of the same frequency bandwidth as a wireless router is nearby, it may cause interference. Place the wireless router as far away from interference sources as possible.

Check the signal strength on the LCD.

➔ [LCD and Operation Panel](#)

## ▶▶▶ Note

- IJ Network Device Setup Utility allows you to diagnose and repair the network status.

Select the link below to download IJ Network Device Setup Utility and install it.

- ➔ [Checking Printer Connection Status Using IJ Network Device Setup Utility](#)

See below for starting up IJ Network Device Setup Utility.

- **For Windows:**

- ➔ [Starting Up IJ Network Device Setup Utility](#)

- **For macOS:**

- ➔ [Starting Up IJ Network Device Setup Utility](#)

## Q Cannot Communicate with Printer while It Is in Wireless Direct

### A

If your smartphone/tablet cannot communicate with the printer in the Wireless Direct, check the following.

#### Check1 Check the power status of printer and other devices (smartphone or tablet).

Turn on the printer or devices.

If the power is already turned on, cycle the power switch.

#### Check2 Is Wireless Direct enabled?

From the setup menu, select **Device settings** > **LAN settings** > **Wireless Direct** > **Advanced mode** in this order and enable it.

#### Check3 Check the settings of your device (smartphone/tablet).

Make sure Wi-Fi is enabled on your device.

For details, refer to your device's instruction manual.

#### Check4 Make sure printer is selected as connection for device (e.g. smartphone or tablet).

Select the network name (SSID) for Wireless Direct specified for the printer as the connection destination for devices.

Check the destination on your device.

For details, refer to your device's instruction manual or visit the manufacturer's website.

To check the network name (SSID) for Wireless Direct specified for the printer, display it using the operation panel of the printer or print out the network setting information of the printer.

- Display on the LCD.

- ➔ [LAN settings](#)

- Print the network settings.



➡ [Printing Network Settings](#)

**Check5** Have you entered the proper password specified for the Wireless Direct?

To check the password specified for the printer, display it using the operation panel of the printer or print out the network setting information of the printer.

- Display on the LCD.

➡ [LAN settings](#)

- Print the network settings.

➡ [Printing Network Settings](#)

**Check6** Make sure the printer is not placed too far away from the device.

If the distance between the printer and device is too far, wireless communication becomes poor. Place the printer and device close to each other.

**Check7** Make sure 5 devices are already connected.

Wireless Direct does not allow more than 5 devices to be connected.

## **Printing Problems**

---

- **Printer Does Not Print**
- **Ink Does Not Come Out**
- **Printer Does Not Pick up or Feed the Paper/"No Paper" Error**
- **Printout Results Are Unsatisfactory**



## Printer Does Not Print

---



### Check1 Make sure printer is turned on.

Make sure the status bar or LCD is lit.

If not, make sure the printer is securely plugged in and press **ON** button to turn on.

#### ▶▶▶ Note

- If you are printing large data such as photos or other graphics, printing may take longer to start. Wait until printing starts.

### Check2 Make sure printer is properly connected to computer.

If you are using a USB cable, make sure it is securely connected to both the printer and the computer. When the USB cable is securely plugged in, check the following:

- If you are using a relay device such as a USB hub, disconnect it, connect the printer directly to the computer, and retry the printing. If printing starts normally, there is a problem with the relay device. Contact the vendor of the relay device.
- There could also be a problem with the USB cable. Replace the USB cable and retry the printing.

If you use the printer over a LAN, make sure the printer is correctly set up for network use.

➔ [Cannot Find Printer while Using Wi-Fi](#)

#### ▶▶▶ Note

- IJ Network Device Setup Utility allows you to diagnose and repair the network status. Download it from the web page.
  - ➔ For Windows
  - ➔ For macOS

### Check3 Make sure that the cassette is correctly inserted.

If there is an object under the printer, the cassette cannot be correctly inserted and paper may not be correctly fed.

Make sure there are no objects under the printer and push the cassette flatly into the printer until it stops.

➔ [Loading Paper in the Cassette](#)

### Check4 When using rear tray, make sure feed slot cover is closed.

When the feed slot cover is open, paper may not be fed.

Close the feed slot cover and check if no message appears on the LCD.

➔ [Loading Paper in the Rear Tray](#)

#### Check5 Make sure paper settings match information set for rear tray or cassette.

If the paper settings do not match the information set for the rear tray or the cassette, an error message appears on the LCD. Follow the instructions on the LCD to solve the problem.

#### ▶▶▶ Note

- You can select whether the message which prevents misprinting is displayed.
  - To change the message view setting when printing or copying using the printer's operation panel:
    - ➔ [Feed settings](#)
  - To change the message view setting when printing using the printer driver:
    - ➔ [Changing the Printer Operation Mode \(Windows\)](#)
    - ➔ [Changing the Printer Operation Mode \(macOS\)](#)

#### Check6 If printing from a computer, delete jobs stuck in print queue.

- For Windows:
  - ➔ [Deleting the Undesired Print Job](#)
- For macOS:
  - ➔ [Deleting the Undesired Print Job](#)

#### Check7 Is your printer's printer driver selected when printing?

The printer will not print properly if you are using a printer driver for a different printer.

- For Windows:

Make sure "Canon XXX series" (where "XXX" is your printer's name) is selected in the Print dialog box.

#### ▶▶▶ Note

- If multiple printers are registered to your computer, set your printer as default printer to make the one selected by default.

- For macOS:

Make sure your printer's name is selected in **Printer** in the Print dialog.

#### ▶▶▶ Note

- If multiple printers are registered to your computer, select **Set as Default Printer** from **System Preferences > Printers & Scanners** for a printer to make the one selected by default.

#### Check8 Are you trying to print a large data file? (Windows)

If you are trying to print a large data file, it takes a long time to start printing.

If the printer does not start printing after a certain period of time, select **On** for **Prevention of Print Data Loss**.

For details, refer to Page Setup Tab Description.

#### ▶▶▶ Important

- Selecting **On** for **Prevention of Print Data Loss** may reduce print quality.
- After printing is completed, select **Off** for **Prevention of Print Data Loss**.

**Check9** If printing from a computer, restart the computer.

Restart the computer and try printing again.



## Ink Does Not Come Out



**Check1** Make sure of the estimated ink levels in the FINE cartridges.

When a FINE cartridge runs out of ink, replace empty FINE cartridges with new ones.

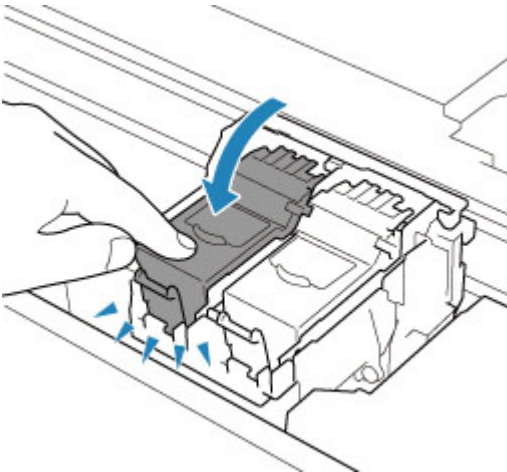
➔ [Replacing a FINE Cartridge](#)

**Check2** Is the FINE cartridge installed properly?

If you do not close the ink cartridge locking cover correctly, ink may not be ejected correctly.

Open the scanning unit / cover to open the ink cartridge locking cover, and then close it.

Press down the ink cartridge locking cover until it clicks into place.



**Check3** Are the print head nozzles clogged?

Print the nozzle check pattern to determine whether the ink ejects properly from the print head nozzles.

For details on printing the nozzle check pattern, print head cleaning, and print head deep cleaning, see [If Printing Is Faint or Uneven](#).

- **If nozzle check pattern is not printed correctly:**

If ink has not run out, perform print head cleaning and try printing the nozzle check pattern again.

- **If problem is not resolved after performing print head cleaning twice:**

Perform print head deep cleaning.

If the problem is not resolved after performing print head deep cleaning, turn off the printer and perform print head deep cleaning again 24 hours later. When you turn the printer off, do not unplug it from the power supply.

- **If problem is not resolved after performing print head deep cleaning twice:**

Ink may have run out. Replace the FINE cartridge.



## Printer Does Not Pick up or Feed the Paper/"No Paper" Error

---



**Check1** Make sure paper is loaded.

➔ [Loading Paper](#)

**Check2** When loading paper, consider the following.

- When loading two or more sheets of paper, align the edges of the sheets before loading the paper.
- When loading two or more sheets of paper, make sure the paper stack does not exceed the paper load limit.

However, paper may not feed correctly at the maximum capacity, depending on the type of paper or environmental conditions (very high or low temperature and humidity). In such cases, reduce the amount of paper you load at a time to less than half of the paper load limit.

- Always load the paper in portrait orientation, regardless of the printing orientation.
- When you load the paper on the rear tray, place the print side facing UP and align the right and left paper guides with the paper stack.

➔ [Loading Paper](#)

- In the cassette, be sure to load only plain paper.
- When you load the paper on the cassette, place the print side facing DOWN and align the right/left/front paper guides with the paper stack.

➔ [Loading Paper](#)

**Check3** Is paper too thick or curled?

➔ [Unsupported Media Types](#)

**Check4** When loading envelopes, consider the following.

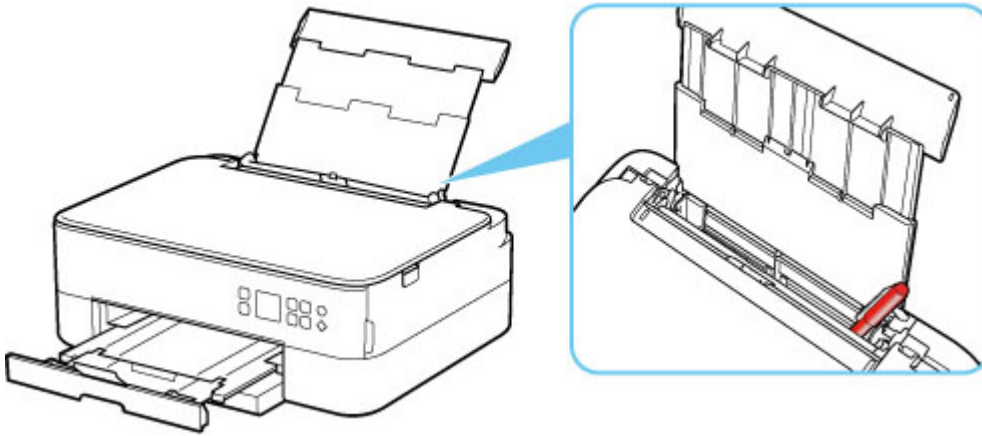
When printing on envelopes, see [Loading Envelopes in Rear Tray](#), and prepare the envelopes before printing.

Once you have prepared the envelopes, load them in portrait orientation. If the envelopes are placed in landscape orientation, they will not feed properly.

**Check5** Make sure media type and paper size settings match with loaded paper.

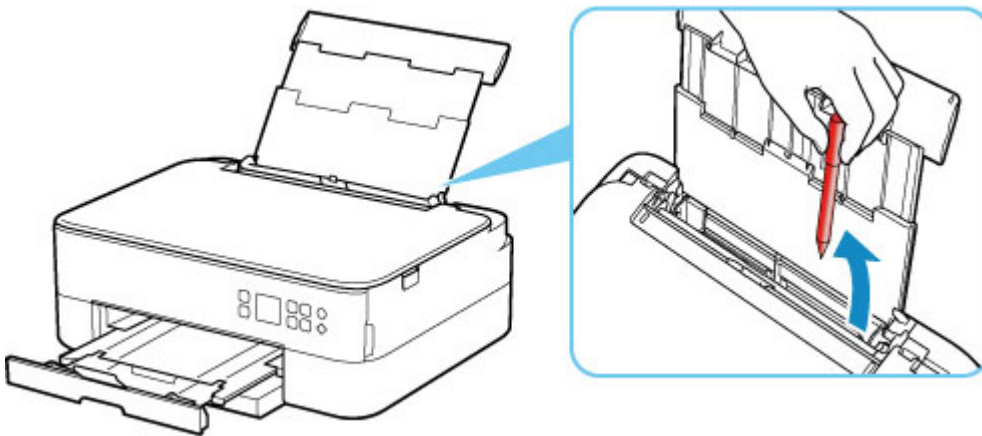
**Check6** Make sure that there are not any foreign objects in the rear tray.





If the paper tears in the rear tray, see [List of Support Code for Error \(Paper Jams\)](#) to remove it.

If there are any foreign objects in the rear tray, be sure to turn off the printer, unplug it from the power supply, then remove the foreign object.



### ▶▶▶ Note

- If the feed slot cover is opened, close it slowly.

**Check7** Clean paper feed roller.

- ➔ [Cleaning Paper Feed Rollers](#)

### ▶▶▶ Note

- Cleaning the paper feed roller abrades it, so do this only when necessary.

**Check8** If two or more sheets of paper feed from cassette at once, clean inside of cassette.

- ➔ [Cleaning Cassette Pads](#)

**Check9** Are transport unit cover and rear cover attached properly?

See [Rear View](#) for the positions of the transport unit cover and the rear cover.

If the measures above do not solve the problem, contact your nearest Canon service center to request a repair.



## Printout Results Are Unsatisfactory

---



If the print results are unsatisfactory due to white streaks, misaligned/distorted lines, or uneven colors, check the paper and print quality settings first.

### **Check1** Do page size and media type settings match size and type of loaded paper?

If these settings do not match, it is not possible to obtain the proper result.

If you are printing a photograph or an illustration, an incorrect paper type setting may reduce the quality of the printout color.

Also, if you print with an incorrect paper type setting, the printed surface may be scratched.

In borderless printing, uneven coloring may occur depending on the combination of the paper type setting and the loaded paper.

The method for checking the paper and print quality settings differs depending on what you are using your printer for.

- **Copying:**

Check the settings using the operation panel.

- ➔ [Setting Items for Copying](#)

- **Printing from your computer:**

Check the settings using the printer driver.

- ➔ Basic Printing Setup

- **Printing from a PictBridge (Wi-Fi) compliant device:**

Check the settings on your PictBridge (Wi-Fi) compliant device or using the operation panel.

- ➔ PictBridge (Wi-Fi) Print Settings
- ➔ PictBridge settings

- **Printing from your smartphone/tablet using Canon PRINT Inkjet/SELPHY:**

Check the settings on Canon PRINT Inkjet/SELPHY.

- ➔ Print Photos from Your Smartphone

### **Check2** Make sure appropriate print quality is selected (see list above).

Select a print quality suited to the paper and to what you are printing. If you notice blurs or uneven colors, increase the print quality setting and retry the printing.

## ▶▶▶ Note

- When printing from a PictBridge (Wi-Fi) compliant device, set the print quality setting using the operation panel.

This setting cannot be made on the PictBridge (Wi-Fi) compliant device.

**Check3** If problem is not resolved, check also the sections below.

See also the sections below:

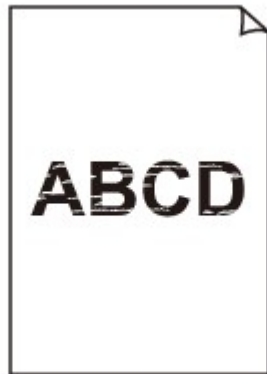
- ➔ [Printouts Are Blank/Blurry or Fuzzy/Inaccurate or Bleeding Colors/Streaks or Lines](#)
- ➔ [Colors Are Unclear](#)
- ➔ [Lines Are Misaligned/Distorted](#)
- ➔ [Paper Is Smudged / Printed Surface Is Scratched](#)
- ➔ [Vertical Line Next to Image](#)
- ➔ Cannot Complete Printing
- ➔ Part of Page Is Not Printed (Windows)
- ➔ Lines Incomplete or Missing (Windows)
- ➔ Images Incomplete or Missing (Windows)
- ➔ Ink Blots / Paper Curl
- ➔ Back of Paper Is Smudged
- ➔ Uneven or Streaked Colors



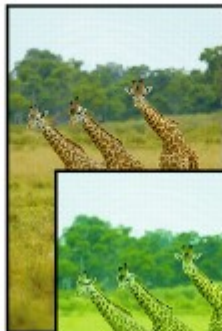
## Printouts Are Blank/Blurry or Fuzzy/Inaccurate or Bleeding Colors/ Streaks or Lines



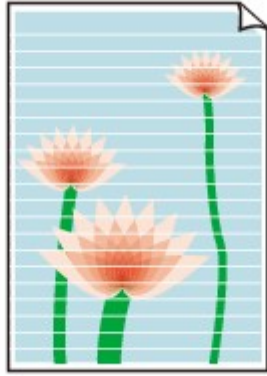
### Printing Is Blurry



### Colors Are Wrong



## White Streaks Appear



### A

**Check1** Check paper and print quality settings.

➔ [Printout Results Are Unsatisfactory](#)

**Check2** Make sure of the estimated ink levels in the FINE cartridges.

When a FINE cartridge runs out of ink, replace empty FINE cartridges with new ones.

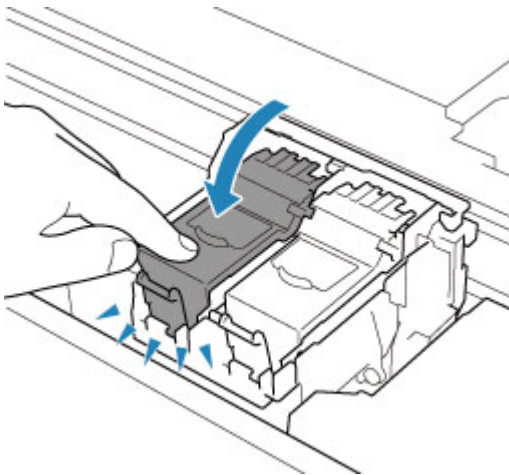
➔ [Replacing a FINE Cartridge](#)

**Check3** Is the FINE cartridge installed properly?

If you do not close the ink cartridge locking cover correctly, ink may not be ejected correctly.

Open the scanning unit / cover to open the ink cartridge locking cover, and then close it.

Press down the ink cartridge locking cover until it clicks into place.



**Check4** Are the print head nozzles clogged?

Print the nozzle check pattern to determine whether the ink ejects properly from the print head nozzles.

For details on printing the nozzle check pattern, print head cleaning, and print head deep cleaning, see [If Printing Is Faint or Uneven](#).

- **If nozzle check pattern is not printed correctly:**

If ink has not run out, perform print head cleaning and try printing the nozzle check pattern again.

- **If problem is not resolved after performing print head cleaning twice:**

Perform print head deep cleaning.

If the problem is not resolved after performing print head deep cleaning, turn off the printer and perform print head deep cleaning again 24 hours later. When you turn the printer off, do not unplug it from the power supply.

- **If problem is not resolved after performing print head deep cleaning twice:**

Ink may have run out. Replace the FINE cartridge.

**Check5** When using paper with one printable surface, check the correct printable side of the paper.

Printing on the wrong side of such paper may cause unclear prints or prints with reduced quality.

When you load paper on the rear tray, load paper with the printable side facing up. When you load paper in the cassette, load paper with the printable side facing down.

Refer to the instruction manual supplied with the paper for detailed information on the printable side.

- **When copying, see also the sections below:**

**Check6** Is platen glass dirty?

Clean the platen glass.

➔ [Cleaning Platen and Document Cover](#)

**Check7** Make sure original is properly loaded on platen.

When you load the original on the platen, load it with the side to be copied facing down.

➔ [Loading Originals](#)

**Check8** Is copy source a printed paper by printer?

If you use a printout done by this printer as the original, print quality may be reduced depending on the condition of the original.

Print from the printer directly, or reprint from the computer if you can reprint from it.



## Colors Are Unclear



### Check1 Is nozzle check pattern printed properly?

Print the nozzle check pattern to determine whether the ink ejects properly from the print head nozzles.

For details on printing the nozzle check pattern, print head cleaning, and print head deep cleaning, see [If Printing Is Faint or Uneven](#).

- If nozzle check pattern is not printed correctly:

After performing the print head cleaning, print the nozzle check pattern and examine the pattern.

- If problem is not resolved after performing print head cleaning twice:

Perform print head deep cleaning.

If the problem is not resolved after performing print head deep cleaning, turn off the printer and perform print head deep cleaning again 24 hours later. When you turn the printer off, do not unplug it from the power supply.

- If problem is not resolved after performing print head deep cleaning twice:

Ink may have run out. Replace the FINE cartridge.

### Check2 Make sure of the estimated ink levels in the FINE cartridges.

When a FINE cartridge runs out of ink, replace empty FINE cartridges with new ones.

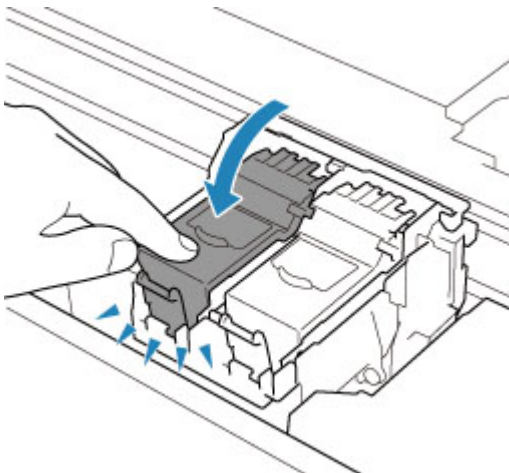
➔ [Replacing a FINE Cartridge](#)

### Check3 Is FINE cartridge installed properly?

If you do not close the ink cartridge locking cover correctly, ink may not be ejected correctly.

Open the scanning unit / cover to open the ink cartridge locking cover, and then close it.

Press down the ink cartridge locking cover until it clicks into place.



**»» Note**

- Printed colors may not match screen colors due to basic differences in the methods used to produce colors. Color control settings and environmental differences can also affect how colors appear on the screen. Therefore, colors of printing results may be different from those on the screen.





## Lines Are Misaligned/Distorted



**Check1** Check paper and print quality settings.

➔ [Printout Results Are Unsatisfactory](#)

**Check2** Perform print head alignment.

If printed lines are misaligned/distorted or print results are otherwise unsatisfactory, adjust the print head position.

➔ [Aligning the Print Head](#)

### ▶▶▶ Note

- If the problem is not resolved after performing the print head alignment, perform print head alignment manually.

➔ [Aligning the Print Head Manually](#)

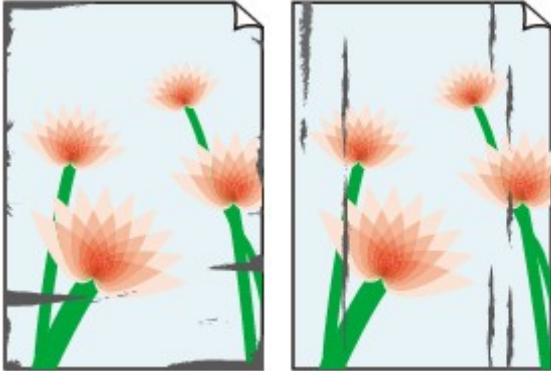
**Check3** Increase print quality and try printing again.

Increasing the print quality using the operation panel or the printer driver may improve the print result.



## Paper Is Smudged / Printed Surface Is Scratched

### Paper Is Smudged



Smudged Edges

Smudged Surface



### Printed Surface Is Scratched

---



**Check1** Check paper and print quality settings.

➔ [Printout Results Are Unsatisfactory](#)

**Check2** Check paper type.

Make sure you are using the right paper for what you are printing.

➔ [Supported Media Types](#)

**Check3** Correct curl before loading paper.

When using Photo Paper Plus Semi-gloss, even if the sheet is curled, load one sheet at a time as it is. Rolling this paper in the opposite direction to flatten it may crack the paper surface and reduce the print quality.

We recommend putting unused paper back into the package and storing it flat.

- **Plain Paper**

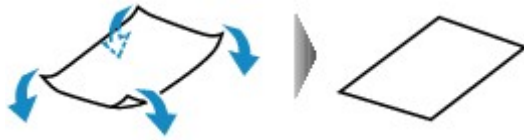
Turn the paper over and reload it to print on the other side.

- **Other Paper such as envelope**

If the paper corners curl more than 0.1 in. / 3 mm (A) in height, the paper may smudge or may not feed properly. Follow the instructions below to correct the paper curl.



1. Roll up paper in opposite direction to paper curl as shown below.

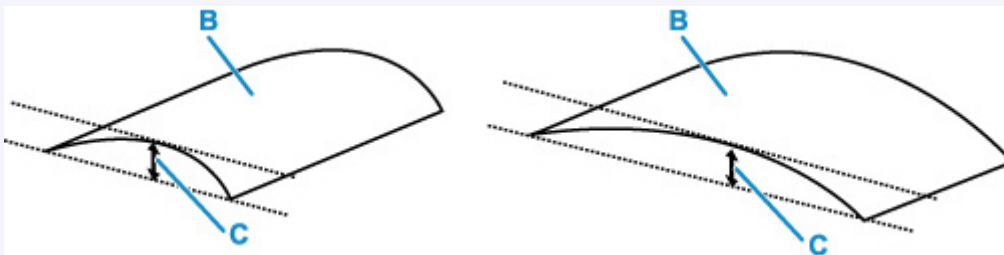


2. Check that paper is now flat.

We recommend printing curl-corrected paper one sheet at a time.

### ▶▶▶ Note

- Depending on paper type, the paper may smudge or may not feed properly even if it is not curled inward. Follow the instructions below to curl the paper outward up to 0.1 in. / 3 mm (C) in height before printing. This may improve the print result.



(B) Print side

We recommend feeding paper that has been curled outward one sheet at a time.

### Check4 Set printer to prevent paper abrasion.

Adjusting the setting to prevent paper abrasion will widen the clearance between the print head and the paper. If you notice abrasion even with the media type set correctly to match the paper, set the printer to prevent paper abrasion using the operation panel or the computer.

This may reduce the print speed.

\* Once you have finished printing, undo this setting. Otherwise, it will apply to subsequent print jobs.

#### • From operation panel:

1. Press **OK** button on HOME screen.
2. Select **Device settings** > **Print settings** in this order, and then set **Prevent paper abrasion** to **ON**.

➔ [Changing Settings from Operation Panel](#)

- **From computer (Windows):**

1. Check that printer is turned on.
2. Open Canon IJ Printer Assistant Tool.
  - ➔ Opening the Maintenance Tool (Canon IJ Printer Assistant Tool)
3. Select **Custom Settings**.
4. Select **Prevents paper abrasion** check box and select **OK**.
5. Check message and select **OK**.

- **From computer (macOS):**

Adjust the setting to prevent paper abrasion from Remote UI.

- ➔ [Opening Remote UI for Maintenance](#)

**Check5** If brightness is set low, increase brightness setting and try printing again.

If you are printing with a low brightness setting on plain paper, the paper may absorb too much ink and become wavy, causing paper abrasion.

- Printing from your computer (Windows)
  - Check the brightness setting in the printer driver.
    - ➔ Adjusting Brightness
- Copying
  - ➔ [Setting Items for Copying](#)

**Check6** Is platen glass dirty?

Clean the platen glass.

- ➔ Cleaning Platen and Document Cover

**Check7** Is paper feed roller dirty?

Clean paper feed roller.

- ➔ [Cleaning Paper Feed Rollers](#)

**▶▶▶ Note**

- Cleaning the paper feed roller abrades it, so do this only when necessary.

**Check8** Is inside of printer dirty?

During duplex printing, ink may stain the inside of the printer, smudging the printout.

Perform bottom plate cleaning to clean inside of printer.

- ➔ [Cleaning Inside the Printer \(Bottom Plate Cleaning\)](#)

## ▶▶▶ Note

- To prevent staining inside the printer, be sure to set the correct paper size.

### Check9 Set longer ink drying time.

This allows the printed surface to dry, preventing smudges and scratches.

#### • For Windows:

1. Check that printer is turned on.
2. Open Canon IJ Printer Assistant Tool.
  - ➔ Opening the Maintenance Tool (Canon IJ Printer Assistant Tool)
3. Select **Custom Settings**.
4. Drag **Ink Drying Wait Time** slide bar to set the wait time and select **OK**.
5. Check message and select **OK**.

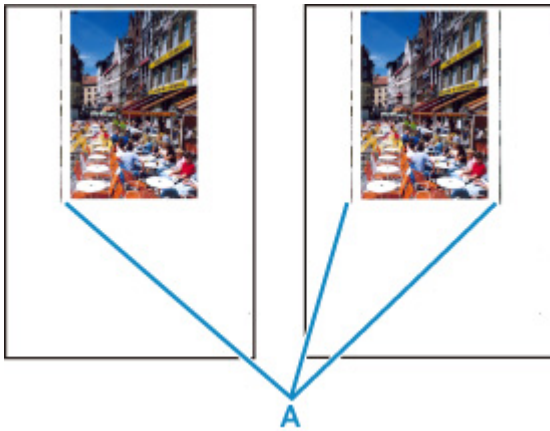
#### • For macOS:

Set the waiting time using Remote UI.

- ➔ [Opening Remote UI for Maintenance](#)



## Vertical Line Next to Image



**Check** Is loaded paper size correct?

If the loaded paper is larger than the size you specified, a vertical line (A) may appear in the margin.

Set the paper size to match the loaded paper.

➔ [Printout Results Are Unsatisfactory](#)

### ▶▶▶ Note

- The direction of the vertical line (A) pattern may vary depending on the image data or the print setting.
- This printer performs automatic cleaning when necessary to keep printouts clean. A small amount of ink is ejected for cleaning.

Although the ink is normally ejected onto the ink absorber at the outer edge of the paper, it may get onto the paper if the loaded paper is larger than the set size.

## Scanning Problems (macOS)

---

- Scanning Problems

## **Scanning Problems**

---

- ▶ **Scanner Does Not Work**
- ▶ **Scanner Driver Does Not Start**





## Scanner Does Not Work

---



**Check 1** Check that your scanner or printer is turned on.

**Check 2** With network connection, check the connection status and reconnect as needed.

**Check 3** With USB connection, connect the USB cable to a different USB port on the computer.

**Check 4** If the USB cable is connected to a USB hub, remove it from the USB hub and connect it to a USB port on the computer.

**Check 5** Restart the computer.

**Check 6** To scan from the printer's operation panel with USB connection, click **Scan-from-Operation-Panel Settings** in the **Settings (General Settings)** dialog, and then check that the following checkboxes are selected.

- Your scanner or printer
- **Enables scanning from the operation panel**



## Scanner Driver Does Not Start

---



**Check 1** Make sure the application software supports AirPrint.


**Check 2** Select your scanner or printer on the application's menu.

### ▶▶▶ Note

- The operation may differ depending on the application.

**Check 3** Scan and save images with IJ Scan Utility Lite and open the files in your application.

**Check 4** Your scanner may be locked. (Personal scanners only)

If IJ Scan Utility Lite or the application is running, exit it. Slide the scanner lock switch to the release position (  ), then reconnect the USB cable.




## Error Message Is Displayed

---



**Check** Your scanner may be locked.

If IJ Scan Utility Lite or the application is running, exit it. Slide the scanner lock switch to the release position (  ), then reconnect the USB cable.

Refer to the printed manual: Getting Started for how to unlock the scanner.




## Scanning Does Not Start / Scanning Does Not Complete

---



**Check** Your scanner may be locked.

If IJ Scan Utility Lite or the application is running, exit it. Slide the scanner lock switch to the release position (  ), then reconnect the USB cable.

Refer to the printed manual: Getting Started for how to unlock the scanner.




## Items Cannot Be Scanned Correctly

---



**Check** Your scanner may be locked.

If IJ Scan Utility Lite or the application is running, exit it. Slide the scanner lock switch to the release position (  ), then reconnect the USB cable.

Refer to the printed manual: Getting Started for how to unlock the scanner.

## **Mechanical Problems**

---

- **Printer Does Not Turn On**
- **Printer Turns Off Unexpectedly or Repeatedly**
- **USB Connection Problems**
- **Cannot Communicate with Printer via USB**
- **Wrong Language Appears in LCD**



## Printer Does Not Turn On

---



**Check1** Press **ON** button.

**Check2** Make sure power plug is securely connected to printer, and then turn on again.

**Check3** Unplug printer, leave it for at least 2 minutes, and then plug it back in and turn on again.

If this does not solve the problem, contact your nearest Canon service center to request a repair.



## Printer Turns Off Unexpectedly or Repeatedly

---



**Check** If printer is set to turn off automatically after a certain time, disable this setting.

If you have set the printer to turn off automatically after a specified time, the power will shut off by itself once that time has elapsed.

- **To disable the setting from the operation panel:**

1. Check that printer is turned on.
2. Press **OK** button on HOME screen.
  - ➔ [LCD and Operation Panel](#)
3. Select **Device settings** and press the **OK** button.
4. Select **Other device settings** and press the **OK** button.
5. Select **ECO settings** and press the **OK** button.
6. Select **Energy saving settings** and press the **OK** button.
7. Select **Auto power off** and press the **OK** button.
8. Select **Never** and press the **OK** button.

The setting to shut off the power automatically is disabled.

- **To disable the setting from the computer:**

For Windows, use Canon IJ Printer Assistant Tool or ScanGear (scanner driver) to disable the setting.

Follow the procedure below to disable the setting using Canon IJ Printer Assistant Tool.

1. Open Canon IJ Printer Assistant Tool.
  - ➔ Opening the Maintenance Tool (Canon IJ Printer Assistant Tool)
2. Select **Auto Power**.
3. Select **Disable** for **Auto Power Off**.



4. Select **OK**.

5. Select **OK** on the displayed screen.

The setting to shut off the power automatically is disabled.

**»» Note**

- See below for details on how to disable the setting from ScanGear (scanner driver).

➔ Scanner Tab



## USB Connection Problems

---



Make sure of the checking item below when you find one of the followings.

- Printing/Scanning is slow.
- Hi-Speed USB connection does not work.
- A message such as "**This device can perform faster**" appears. (Windows)

### ▶▶▶ Note

- If your system environment does not support Hi-Speed USB, the printer operates at the slower speed of USB 1.1. In this case, the printer works properly but printing speed may slow down due to the communication speed.

### Check

Check following to make sure your system environment supports Hi-Speed USB connection.

- Does the USB port on your computer support Hi-Speed USB connection?
- Does the USB cable or the USB hub support Hi-Speed USB connection?

Be sure to use a certified Hi-Speed USB cable. We recommend that the USB cable be no longer than 10 feet / 3 meters or so.

- Is the Hi-Speed USB driver working properly on your computer?

Make sure the latest Hi-Speed USB driver is working properly and obtain and install the latest version of the Hi-Speed USB driver for your computer, if necessary.

### ▶▶▶ Important

- For more information, contact the manufacturer of your computer, USB cable, or USB hub.



## Cannot Communicate with Printer via USB

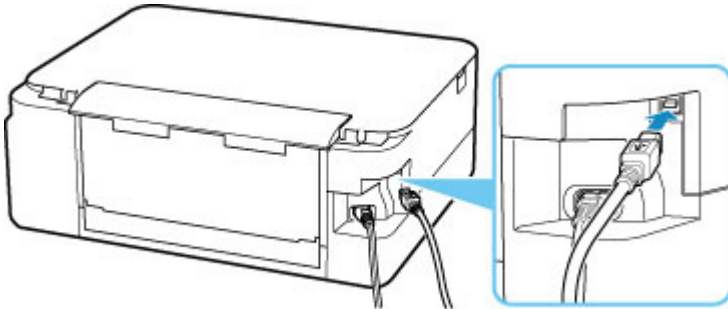
---



**Check1** Make sure printer is turned on.

**Check2** Connect USB cable properly.

As the illustration below, the USB port is at the back of the printer.



### ▶▶▶ Important

- Connect the "Type-B" terminal to the printer with the notched side facing UP. For details, refer to the instruction manual supplied with the USB cable.

**Check3** Make sure **Enable bidirectional support** is selected in the **Ports** sheet of the **Printer properties** dialog box. (Windows)

If not, select it to enable bidirectional support.

- ➔ Opening Printer Driver's Setup Screen



## Wrong Language Appears in LCD

---



Follow the instructions below to select your language.

1. Press **Back** button repeatedly until the HOME screen is displayed.
2. Press **OK** button on HOME screen.
3. Press ▼ button 3 times and press **OK** button.
4. Press ▼ button 6 times and press **OK** button.
5. Use ▲▼ button to select language for LCD and press **OK** button.  
The desired language appears on the LCD.
6. Press **OK** button.

## **Installation and Download Problems**

---

- **Failed to MP Drivers Installation (Windows)**
- **Updating MP Drivers in Network Environment (Windows)**

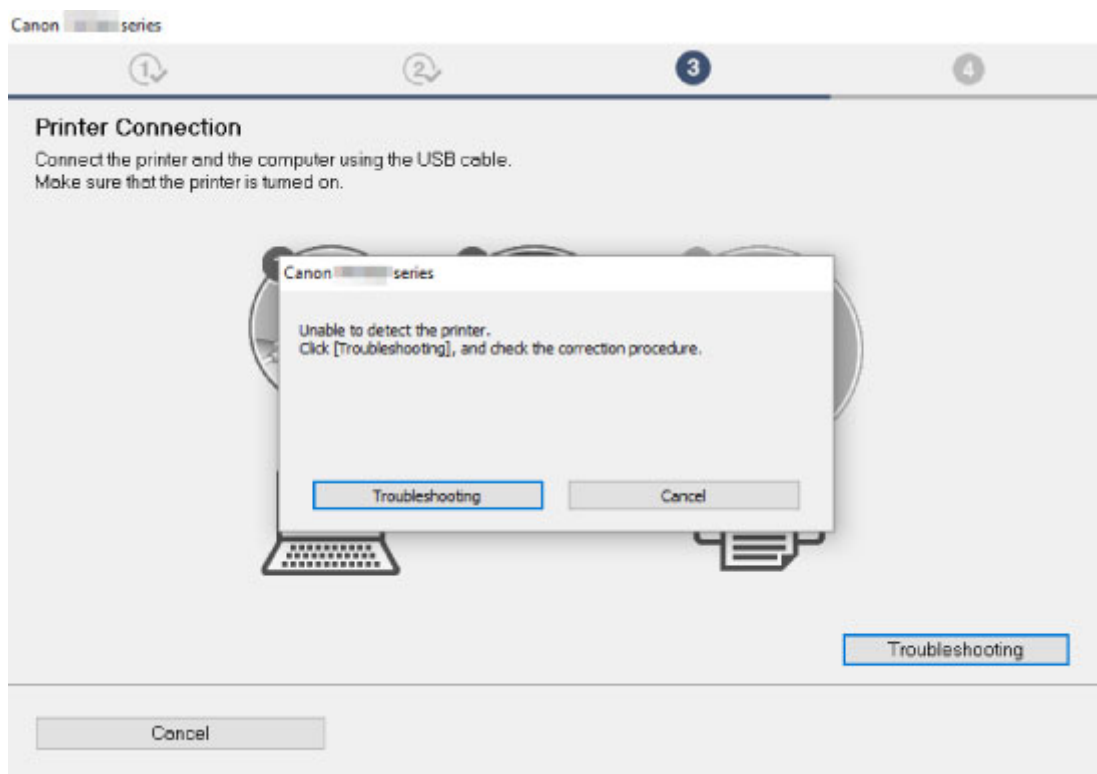


## Failed to MP Drivers Installation (Windows)



- ➔ [If you cannot get past the Printer Connection screen:](#)
- ➔ [Other cases:](#)

### If you cannot get past the Printer Connection screen:



- ➔ [Cannot Proceed beyond Printer Connection Screen](#)

### Other cases:

If the MP Drivers was not installed correctly, uninstall the MP Drivers, restart your computer, and then reinstall the MP Drivers.

- ➔ Deleting the Unnecessary MP Drivers

Click [here](#) and install the MP Drivers.

### ▶▶▶ Note

- If the installer was stopped due to a Windows error, Windows operation may be unstable, and you may not be able to install the drivers. Restart your computer and then reinstall the drivers.



## Updating MP Drivers in Network Environment (Windows)

---



Download the latest MP Drivers.

Download the latest MP Drivers for your model on the download page of the Canon website.

Uninstall the existing MP Drivers and follow the installation instructions to install the latest MP Drivers that you downloaded. In the connection method selection screen, select **Use the printer with Wi-Fi connection**. The printer is detected automatically in the network.

Make sure the printer was found, and install the MP Drivers following the on-screen instructions.

### »» Note

- The network settings on the printer are not affected, so the printer can be used on the network without redoing settings.

## **Errors and Messages**

---

- **When Error Occurred**
- **Message (Support Code) Appears**

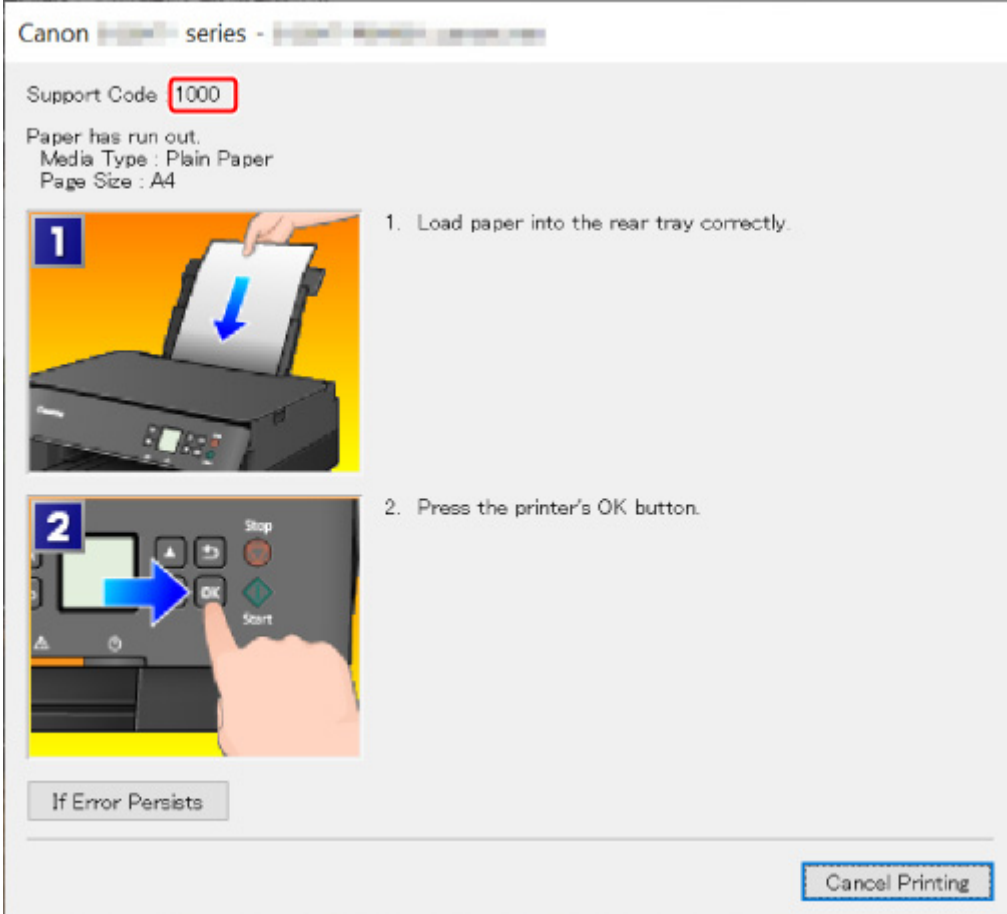


## When Error Occurred

If an error occurs in printing, for example if the paper runs out or jams, a troubleshooting message appears automatically. Take the appropriate action described in the message.

When an error occurs, a message is displayed on the computer or on the printer. For some errors, a support code (error number) is also displayed.


### When a Support Code and a Message are displayed on the Computer Screen (Windows):




Canon [series] series - [model]

Support Code **1000**

Paper has run out.  
Media Type : Plain Paper  
Page Size : A4

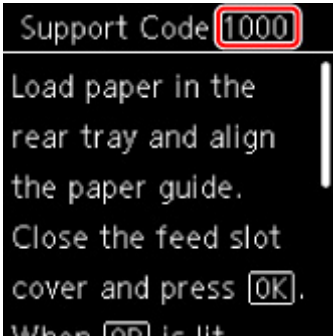
**1**  1. Load paper into the rear tray correctly.

**2**  2. Press the printer's OK button.

If Error Persists

Cancel Printing

### When a Support Code and a Message are displayed on the Printer's LCD:



Support Code **1000**

Load paper in the rear tray and align the paper guide.

Close the feed slot cover and press **[OK]**.

When **[OK]** is lit

For details on how to resolve errors with Support Codes, see [List of Support Code for Error](#).

**▶▶ Note**

- For details on how to resolve errors without Support Codes, see [Message \(Support Code\) Appears](#).

## Message (Support Code) Appears

---

This section describes some of the messages that may appear.

### ►►► Note

- A support code (error number) is displayed for some errors. For details on errors that have support code, see [List of Support Code for Error](#).

If a message appears on the printer's LCD, see below.

➔ [Message Appears on Printer's LCD](#)

If a message appears on the computer, see below.

➔ [Error Regarding Automatic Duplex Printing Is Displayed](#)

➔ [Error Regarding Power Cord Being Unplugged Is Displayed \(Windows\)](#)

➔ [Writing Error/Output Error/Communication Error \(Windows\)](#)

➔ [Other Error Messages \(Windows\)](#)

### Message Appears on Printer's LCD

---

#### A

Check the message and take an appropriate action.

- **Power was not turned off correctly the last time. Press  when turning power off.**

The printer may have been unplugged while the power was still on.

Press the printer's **OK** button to cancel the error.

### ►►► Note

- See [Unplugging the Printer](#) to unplug the printer correctly.

- **Cannot connect to the server. Please wait a while and try again.**

The printer cannot connect to the server due to a communication error.

Press the printer's **OK** button to cancel the error and try again after a while.

### Error Regarding Automatic Duplex Printing Is Displayed

---

#### A

**Check** See Automatic Duplex Printing Problems and take the appropriate action.

## Error Regarding Power Cord Being Unplugged Is Displayed (Windows)

---

### 

The printer may have been unplugged while it was on.

Check the error message that appears on the computer and click **OK**.

The printer starts printing.

See [Unplugging the Printer](#) for unplugging the power cord.

## Writing Error/Output Error/Communication Error (Windows)

---

### 

**Check1** If the status bar is off and nothing is displayed on printer's LCD, make sure printer is plugged in and turn on.

**Check2** Make sure printer is properly connected to computer.

If you are using a USB cable, make sure it is securely connected to both the printer and the computer. When the USB cable is securely plugged in, check the following:

- If you are using a relay device such as a USB hub, disconnect it, connect the printer directly to the computer, and retry the printing. If printing starts normally, there is a problem with the relay device. Contact the vendor of the relay device.
- There could also be a problem with the USB cable. Replace the USB cable and retry the printing.

If you use the printer over a LAN, make sure the printer is correctly set up for network use.

**Check3** Make sure MP Drivers are installed correctly.

Uninstall the MP Drivers following the procedure described in [Deleting the Unnecessary MP Drivers](#) and reinstall them from the Setup CD-ROM or the Canon website.

**Check4** When printer is connected to your computer with a USB cable, check device status from your computer.

Follow the procedure below to check the device status.

1. Select **Control Panel > Hardware and Sound > Device Manager**.

#### **Note**

- If the **User Account Control** screen appears, select **Continue**.

2. Open **USB Printing Support Properties**.

Double-click **Universal Serial Bus controllers** and **USB Printing Support**.

### »» Note

- If **USB Printing Support Properties** screen does not appear, make sure the printer is correctly connected to the computer.

➔ **Check2** [Make sure printer is properly connected to computer.](#)

3. Click **General** tab and check for a device problem.

If a device error is shown, see Windows Help to resolve it.

## Other Error Messages (Windows)

---

### A

**Check** If an error message appears outside printer status monitor, check the following:

- **"Could not spool successfully due to insufficient disk space"**  
Delete any unnecessary files to increase the amount of free space on the disk.
- **"Could not spool successfully due to insufficient memory"**  
Close other applications to increase the available memory.  
If you still cannot print, restart your computer and retry the printing.
- **"Printer driver could not be found"**  
Uninstall the MP Drivers following the procedure described in *Deleting the Unnecessary MP Drivers* and reinstall them from the Setup CD-ROM or the Canon website.
- **"Could not print Application name - File name"**  
Try printing again once the current job is complete.

## List of Support Code for Error

---

Support code appears on the printer's LCD and your computer screen when errors occur.

A "support code" is an error number, and appears along with an error message.

When an error occurs, check the support code displayed on the printer's LCD and computer screen and take the appropriate action in response.

### Support Code Appears on Printer's LCD and Computer Screen

- **1000 to 1ZZZ**

[1000](#) [1003](#) [1200](#) [1300](#) [1303](#) [1304](#)

1309 1310 [1313](#) [1401](#) 1403 [1430](#)

[1485](#) 1551 1552 15A1 15A2 [1682](#)

1684 [1686](#) [1687](#) [1688](#) 168D 1702

1703 1704 1705 1712 1713 1714

1715 1730 1731 1871 [1890](#)

- **2000 to 2ZZZ**

[2110](#) [2113](#) [2114](#) 2120 2123 2500

2700

- **3000 to 3ZZZ**

3402 3403 3405 3407 3412 3413

3438 3439 3440 3441 3442 3443

3444 3445 3446 3447

- **4000 to 4ZZZ**

4100 [4103](#) 4104 495A

- **5000 to 5ZZZ**

[5011](#) [5012](#) 5050 [5100](#) [5200](#) 5205

5206 5400 5700 [5B02](#) 5B03 5B04

5B05 5B12 5B13 5B14 5B15 5C02

- **6000 to 6ZZZ**

[6000](#) 6001 6004 6500 6502 6800  
6801 6830 6831 6832 6833 6900  
6901 6902 6910 6911 6930 6931  
6932 6933 6936 6937 6938 6940  
6941 6942 6943 6944 6945 6946  
6951 6A80 6A81 6D01

- **7000 to 7ZZZ**

7500 7600 7700 7800

- **8000 to 8ZZZ**

8300

- **A000 to ZZZZ**

[C000](#)

For paper jam support codes, see also [List of Support Code for Error \(Paper Jams\)](#).

## List of Support Code for Error (Paper Jams)

---

If paper jams, remove it following the appropriate procedure as shown below.

- If you can see the jammed paper at the paper output slot or the rear tray:
  - ➔ [1300](#)
- If you cannot see the jammed paper at the paper output slot or the rear tray:
  - If the paper fed from the cassette is jammed:
    - ➔ [1303](#)
  - If the paper is jammed when performing automatic duplex printing:
    - ➔ [1304](#)
  - If the paper is jammed as the printer pulled in the printed paper:
    - ➔ [1313](#)
  - If the paper tears and you cannot remove it from the paper output slot or if the paper is jammed inside the printer:
    - ➔ [Paper Is Jammed inside Printer](#)
- Cases other than above:
  - ➔ Other Cases



## Cause

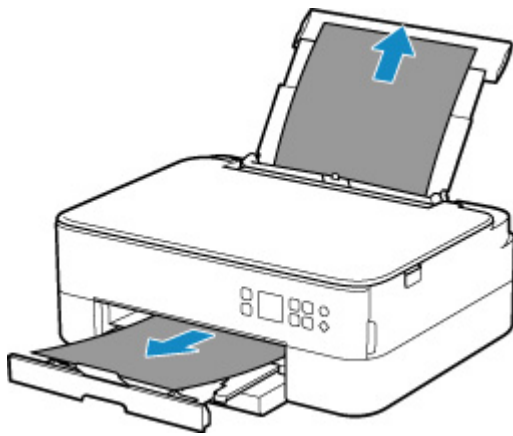
Paper is jammed when feeding paper from rear tray.

## What to Do

If the paper fed from the rear tray is jammed, remove the jammed paper from the paper output slot or from the rear tray following the instructions below.

1. Slowly pull out paper, either from paper output slot or from rear tray, whichever is easier.

Hold the paper with both hands, and pull it out slowly so as not to tear it.



### ▶▶ Note

- If you cannot pull out the paper, turn the printer back on without pulling forcibly. The paper may be ejected automatically.
- If paper becomes jammed during printing and you need to turn off the printer to remove it, press the printer's **Stop** button to stop the printing before you turn off the printer.
- If the paper tears and you cannot remove the jammed paper from the paper output slot or the rear tray, remove the paper from inside the printer.
  - ➔ [Paper Is Jammed inside Printer](#)
- If you cannot pull the paper out from the paper output slot or from the rear tray, try to pull the paper out from the rear side of the printer.
  - ➔ [Removing Jammed Paper from Rear Side](#)

2. Reload paper and press the printer's **OK** button.

The printer resumes printing. Reprint the page you were printing if it was not printed properly due to the paper jam.

If you turned off the printer in step 1, the print data that was sent to the printer is erased. Redo the printing.

**▶▶ Note**

- When reloading the paper, make sure you are using suitable paper and loading it correctly.
- We recommend using paper sizes other than A5 to print documents with photos or graphics. A5 paper may curl and jam as it leaves the printer.

If the measures above do not solve the problem, contact your nearest Canon service center to request a repair.

## Cause

Paper is jammed when feeding paper from cassette.

## What to Do

### 1. Remove jammed paper.

- If the paper is jammed at the paper output slot:

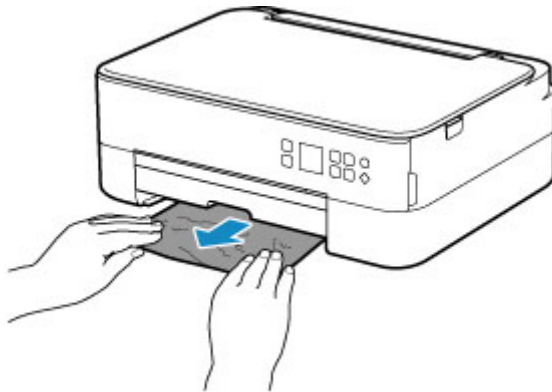
➔ [1300](#)

- If the paper is jammed inside the printer:

➔ [Paper Is Jammed inside Printer](#)

- If the paper is jammed at the feed slot of the cassette:

After storing the paper output tray and the paper output support, pull out the cassette and remove the jammed paper slowly with both hands.



- If none of the above is applied, see [Removing Jammed Paper from Rear Side](#) to open the rear cover and to remove the paper.

### 2. Load paper in cassette properly.

➔ [Loading Paper in the Cassette](#)

### 3. Press the printer's **OK** button.

The printer resumes printing. Reprint the page you were printing if it was not printed properly due to the paper jam.

If the measures above do not solve the problem, contact your nearest Canon service center to request a repair.

## Cause

Paper is jammed when performing automatic duplex printing.

## What to Do

### 1. Remove jammed paper.

- If the paper is jammed at the paper output slot:

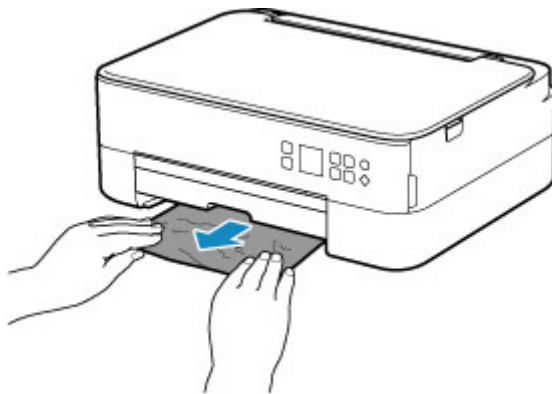
➔ [1300](#)

- If the paper is jammed inside the printer:

➔ [Paper Is Jammed inside Printer](#)

- If the paper is jammed at the feed slot of the cassette:

After storing the paper output tray and the paper output support, pull out the cassette and remove the jammed paper slowly with both hands.



- If none of the above is applied, see [Removing Jammed Paper from Rear Side](#) to open the rear cover and to remove the paper.

### 2. Load paper properly.

➔ [Loading Paper in the Cassette](#)

➔ [Loading Paper in the Rear Tray](#)

### 3. Press the printer's **OK** button.

The printer resumes printing. Reprint the page you were printing if it was not printed properly due to the paper jam.

If the measures above do not solve the problem, contact your nearest Canon service center to request a repair.

## Cause

Paper is jammed as printer pulled in printed paper.

## What to Do

If the paper is jammed as the printer pulled in the printed paper, try to remove the paper from the following locations.

- Paper output slot
  - ➔ [1300](#)
- Inside of the printer
  - ➔ [Paper Is Jammed inside Printer](#)
- Rear side
  - ➔ [Removing Jammed Paper from Rear Side](#)

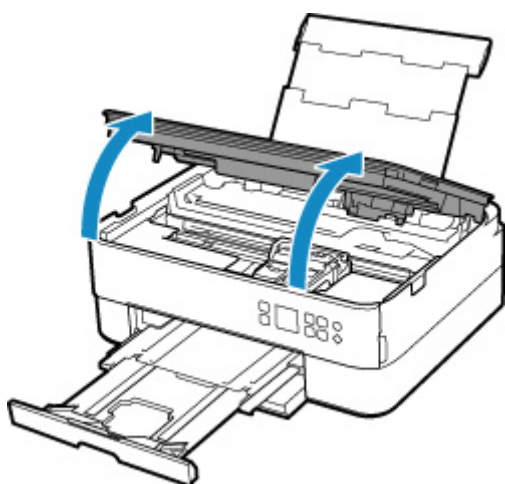
## Paper Is Jammed inside Printer

If the jammed paper tears and you cannot remove the paper from the paper output slot / the feed slot of the cassette / the rear tray, or if the jammed paper remains inside the printer, remove the paper following the instructions below.

### ▶▶▶ Note

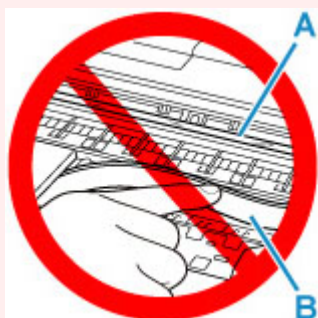
- If paper becomes jammed during printing and you need to turn off the printer to remove it, press the printer's **Stop** button to stop the printing before you turn off the printer.

1. Turn off the printer and unplug it.
2. Open scanning unit / cover.



### ▶▶▶ Important

- Do not touch clear film (A) and white belt (B).

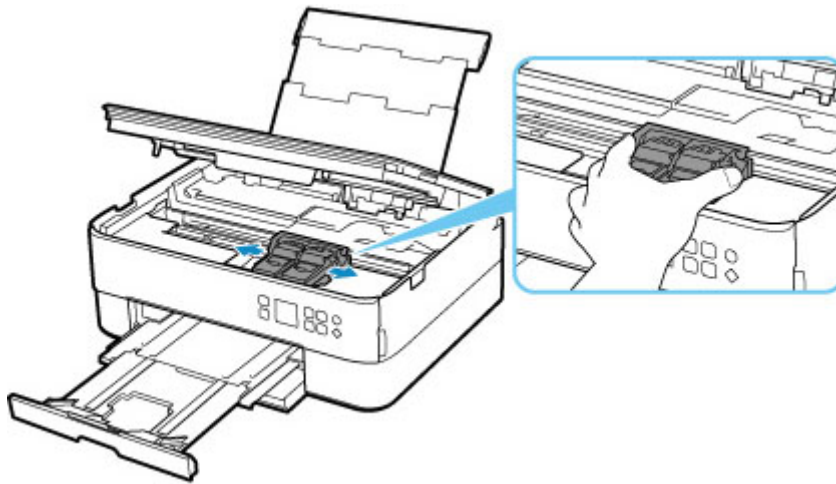


If you soil or scratch this part by touching it with paper or your hand, it could damage the printer.

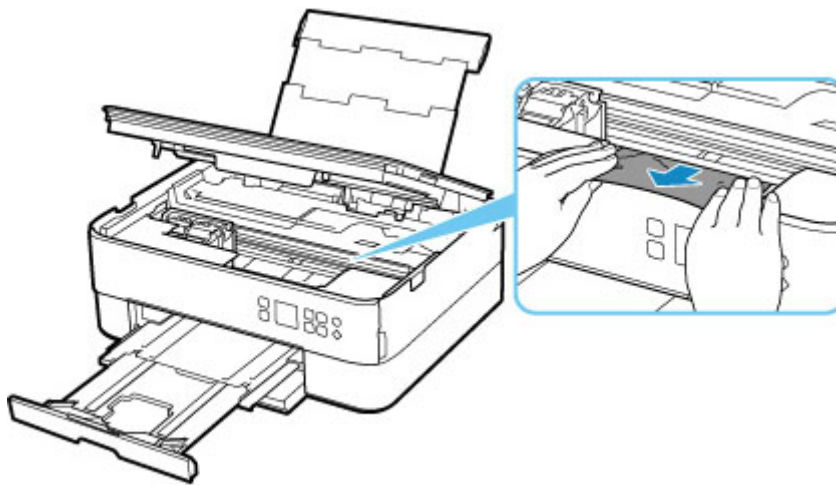
3. Check if jammed paper is under FINE cartridge holder.

If the jammed paper is under the FINE cartridge holder, move the FINE cartridge holder to the far right or left, whichever makes it easier to remove the paper.

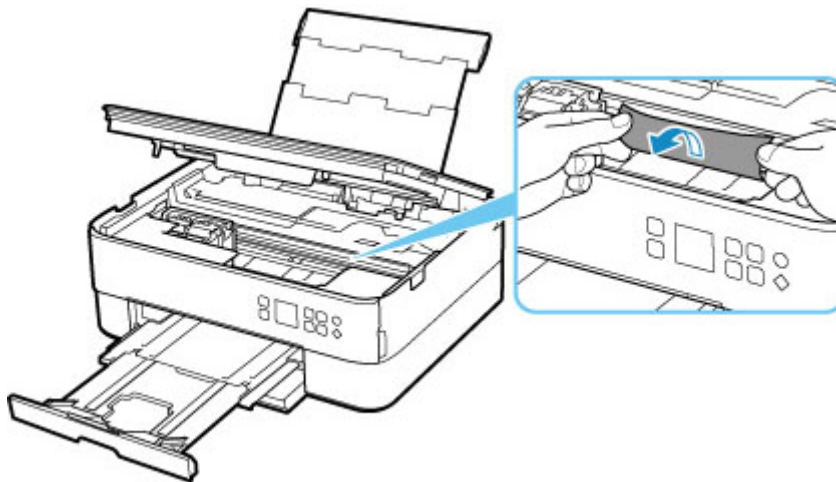
When moving the FINE cartridge holder, hold the top of the FINE cartridge holder and slide it slowly to the far right or left.



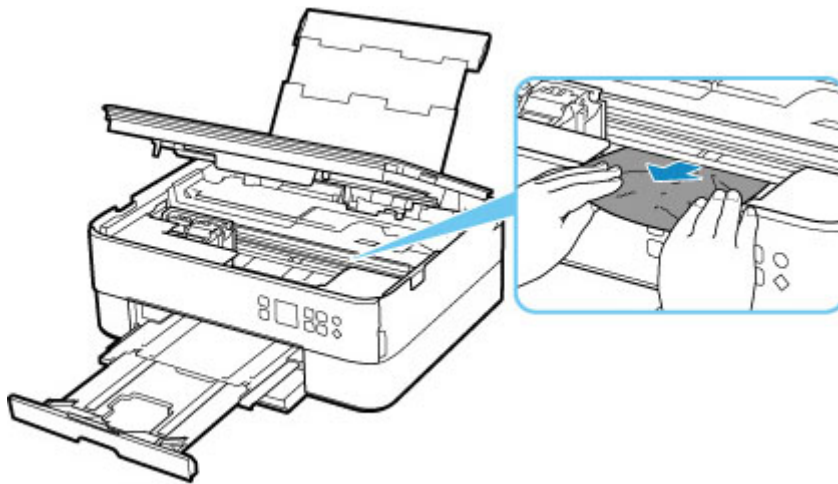
4. Hold jammed paper firmly in both hands.



If the paper is rolled up, pull out it.



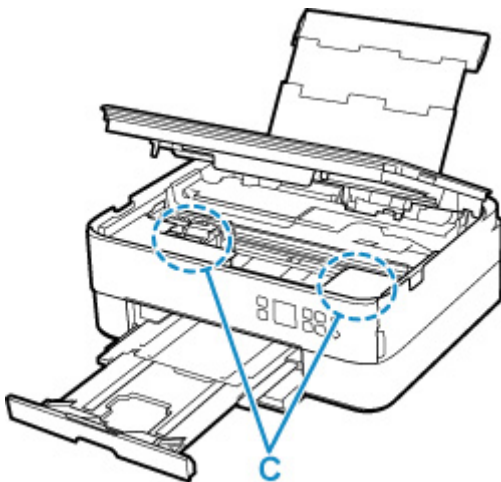
5. Slowly pull out paper, so as not to tear it.



## 6. Make sure all jammed paper is removed.

If the paper tears when you pull out it, a bit of paper may remain in the printer. Check the following and remove any remaining paper.

- Any paper left under the FINE cartridge holder?
- Any small bits of paper left in the printer?
- Any paper left in the left and right empty spaces (C) in the printer?



## 7. Close scanning unit / cover gently.

To close the scanning unit / cover, hold it up once, and then take it down gently.

All jobs in the print queue are canceled. Redo the printing.

### ▶▶▶ Note

- When reloading the paper, make sure you are using suitable paper and loading it correctly. If a paper jam message appears on the printer's LCD or on your computer screen when you resume printing after removing all the jammed paper, there may be some paper still inside the printer. Check the printer again for any remaining bits of paper.

If the measures above do not solve the problem, contact your nearest Canon service center to request a repair.



## Removing Jammed Paper from Rear Side

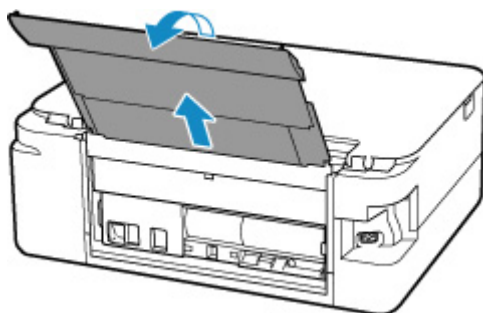
### ►► Note

- If paper becomes jammed during printing and you need to turn off the printer to remove it, press the printer's **Stop** button to stop the printing before you turn off the printer.

1. Make sure you have unplugged the power cord.
2. Rotate printer so that rear side of printer faces toward you.

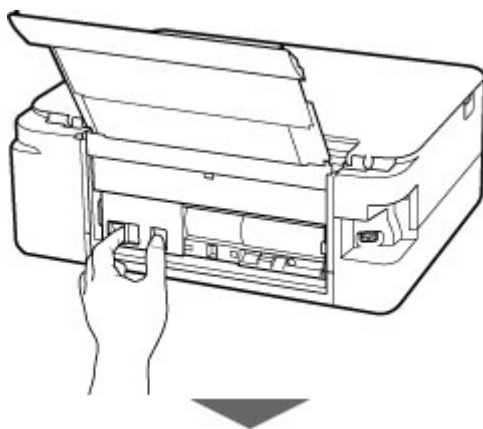


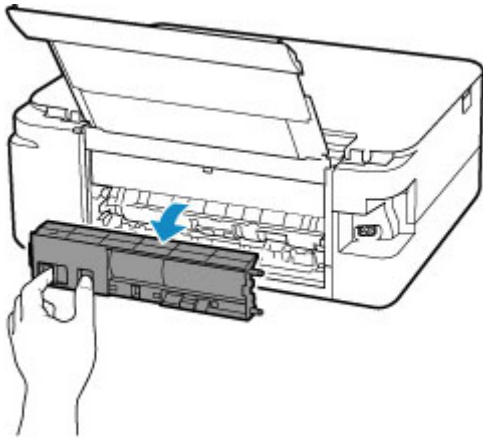
3. Open rear tray cover and then pull up paper support.



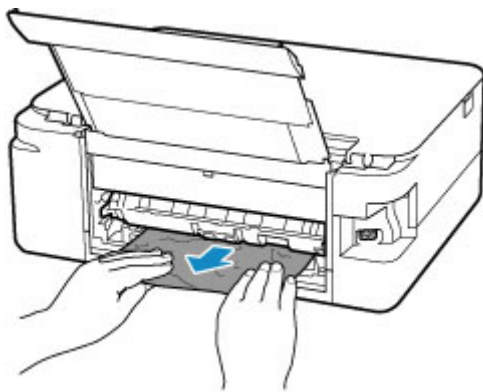
4. Detach rear cover.

Pull out the rear cover.





5. Slowly pull out paper.



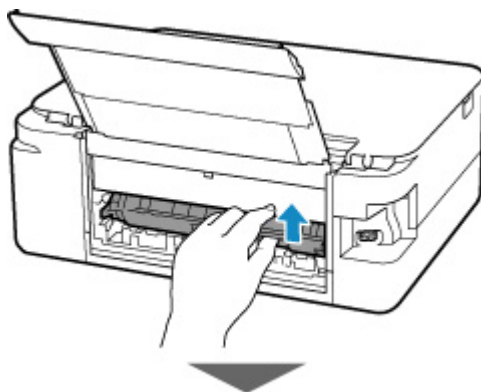
►►► **Note**

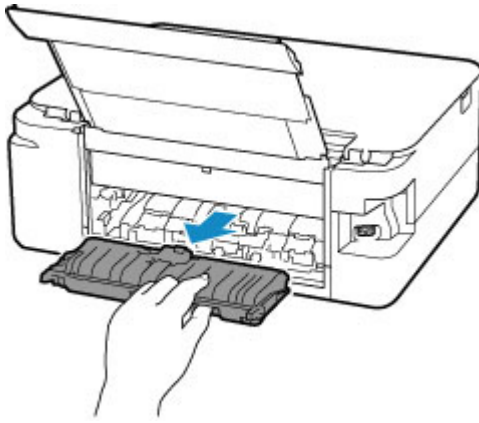
- Do not touch the inner parts of the printer.

If you were not able to remove the paper in this step, detach the transport unit cover and remove the paper by following these steps.

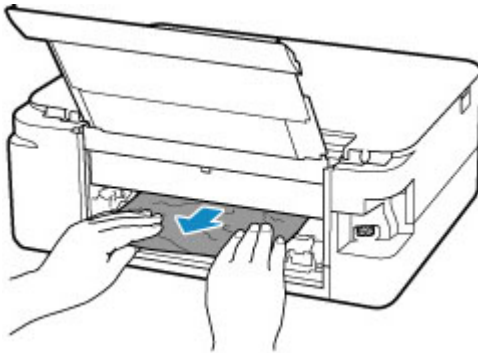
1. Detach transport unit cover.

Lift up the transport unit cover and pull out it.





2. Slowly pull out paper.



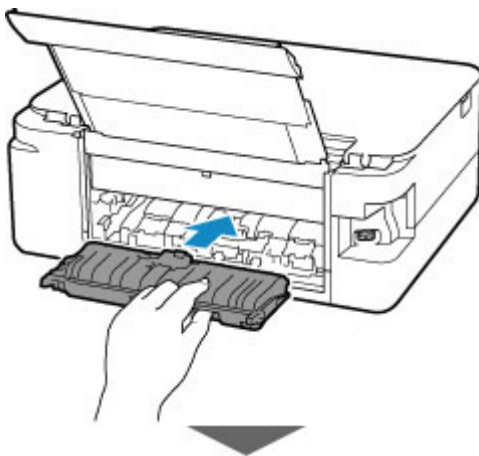
▶▶▶ **Note**

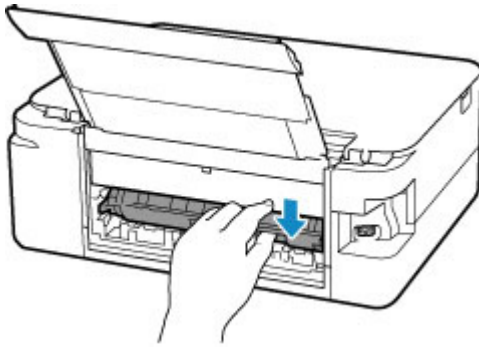
- Do not touch the inner parts of the printer.

3. Make sure all jammed paper is removed.

4. Attach transport unit cover.

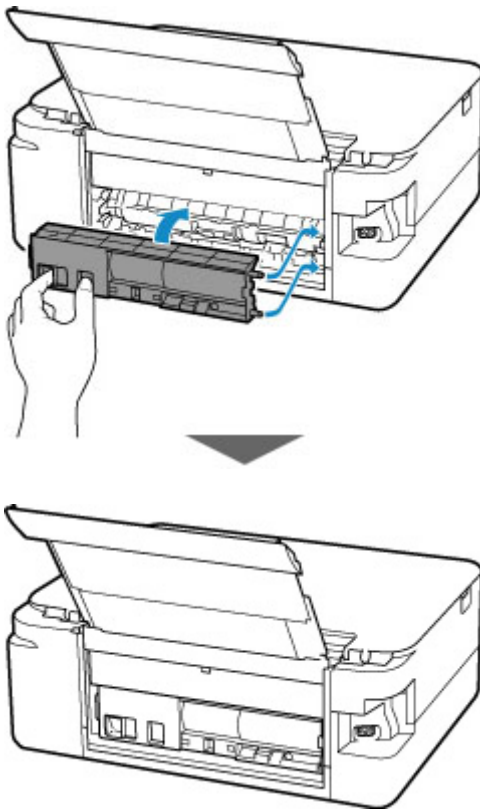
Insert the transport unit cover slowly all the way into printer and take down the transport unit cover.





**6. Attach rear cover.**

Insert the projections of the right side of the rear cover into the printer, and then push the left side of the rear cover until it is closed completely.



The print data that was sent to the printer is erased. Redo the printing.

**▶▶▶ Note**

- When reloading the paper, make sure you are using suitable paper and loading it correctly.

If the measures above do not solve the problem, contact your nearest Canon service center to request a repair.

## Cause

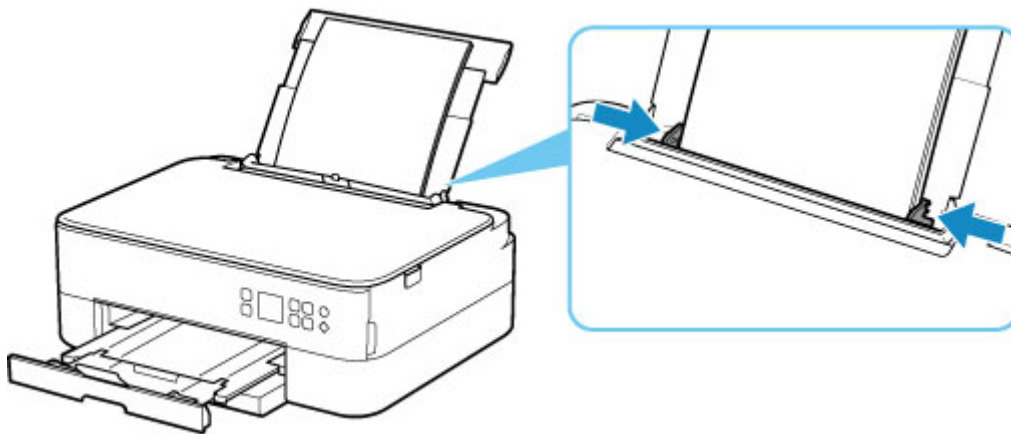
Possible causes include the following.

- There is no paper in the rear tray.
- Paper is not loaded in the rear tray properly.

## What to Do

Take the corresponding actions below.

- Load paper in the rear tray.
  - ➔ [Loading Paper in the Rear Tray](#)
- Align the paper guides of the rear tray with the both edges of the paper.



- Set paper information for the paper in the rear tray.
  - ➔ [Paper Settings](#)

After carrying out the above measures, press the printer's **OK** button to cancel the error.

## ▶▶▶ Note

- After loading paper in the rear tray, close the feed slot cover.
- To cancel printing, press the printer's **Stop** button.

## Paper is Not in the Cassette (1003)

### Cause

Possible causes include the following.

- There is no paper in the cassette.
- Paper is not loaded in the cassette properly.

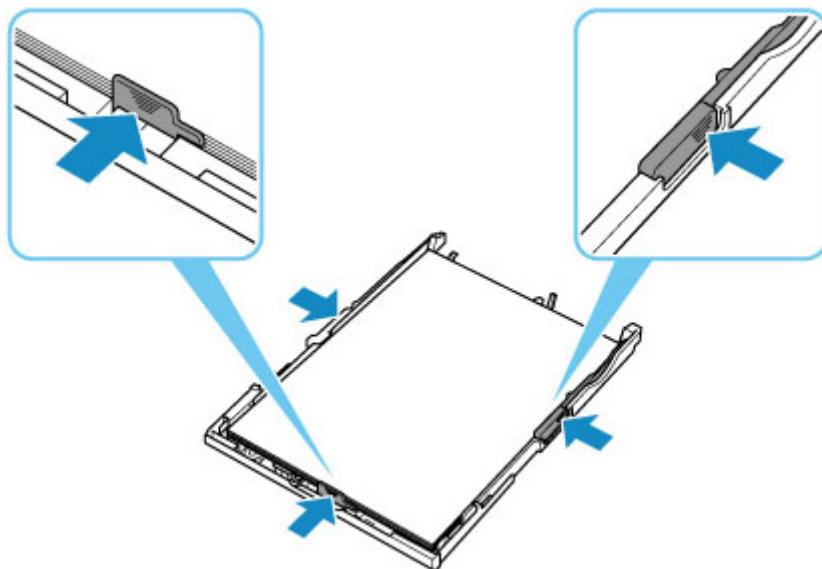
### What to Do

Take the corresponding actions below.

- Load paper in the cassette.
  - ➔ [Loading Paper in the Cassette](#)

#### ➤➤➤ Note

- The loadable paper differs depending on the paper source. The loadable paper in the cassette is A4, Letter, A5, or B5 size plain paper.
  - Load two sheets of A4/Letter-size plain paper in the cassette before aligning the print head.
- Align the paper guides of the cassette with the edges of the paper.



After carrying out the above measures, press the printer's **OK** button to cancel the error.

#### ➤➤➤ Note

- To cancel printing, press the printer's **Stop** button.  
However, if you are printing a print head alignment sheet during printer setup, do not cancel printing.

## 1200

---

### Cause

Scanning unit / cover is open.

### What to Do

Close the scanning unit / cover and wait for a while.

Do not forget to close it, such as after replacing FINE cartridges.

## 1401

---

### Cause

FINE cartridge is not installed.

### What to Do

Install the FINE cartridge.

If the error is not resolved, the FINE cartridge may be damaged. Contact your nearest Canon service center to request a repair.

### ▶▶ Note

- To cancel printing, press the printer's **Stop** button.



## 1430

---

### **Cause**

FINE cartridge cannot be recognized.

### **What to Do**

Remove the FINE cartridge and reinstall it.

If the error is not resolved, the FINE cartridge may be damaged. Replace the FINE cartridge with a new one.

If this still does not solve the problem, contact your nearest Canon service center to request a repair.

## 1485

---

### Cause

Appropriate ink cartridge is not installed.

### What to Do

Printing cannot be executed because the ink cartridge is not compatible with this printer.

Install the appropriate ink cartridge.

If you want to cancel printing, press the printer's **Stop** button.

## 1682

---

### Cause

FINE cartridge cannot be recognized.

### What to Do

Replace the FINE cartridge.

If the error is not resolved, the FINE cartridge may be damaged. Contact your nearest Canon service center to request a repair.

## 1686

---

### Cause

The ink may have run out.

### What to Do

The function for detecting the remaining ink level will be disabled since the ink level cannot be correctly detected.

If you want to continue printing without this function, press the printer's **Stop** button for at least 5 seconds.

Canon recommends to use new genuine Canon cartridges in order to obtain optimum qualities.

Please be advised that Canon shall not be liable for any malfunction or trouble caused by continuation of printing under the ink out condition.

**Cause**

FINE cartridge is not installed properly.

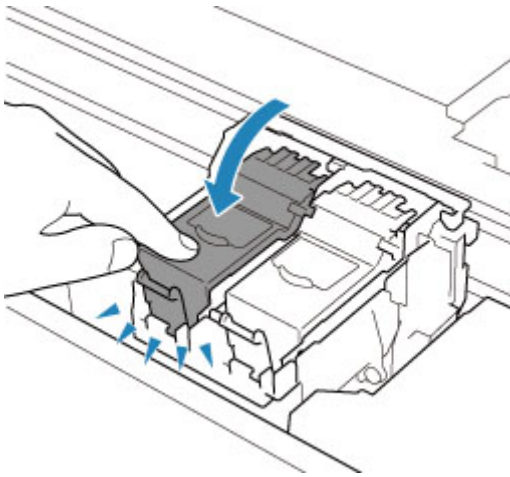
**What to Do**

Open the scanning unit / cover to open the ink cartridge locking cover, and then remove the FINE cartridge.

Make sure that the FINE cartridges are compatible with this printer.

Then install the FINE cartridges again.

Press down the ink cartridge locking cover until it clicks into place.



After you install the FINE cartridge, close the scanning unit / cover.

## 1688

---

### Cause

The ink has run out.

### What to Do

Replace the ink cartridge and close the scanning unit / cover.

If printing is in progress and you want to continue printing, press the printer's **Stop** button for at least 5 seconds with the ink cartridge installed. Then printing can continue under the ink out condition.

The function for detecting the remaining ink level will be disabled.

Replace the empty ink cartridge immediately after the printing. The resulting print quality is not satisfactory, if printing is continued under the ink out condition.

## Shipping Tape etc. Are Still Attached (1890)

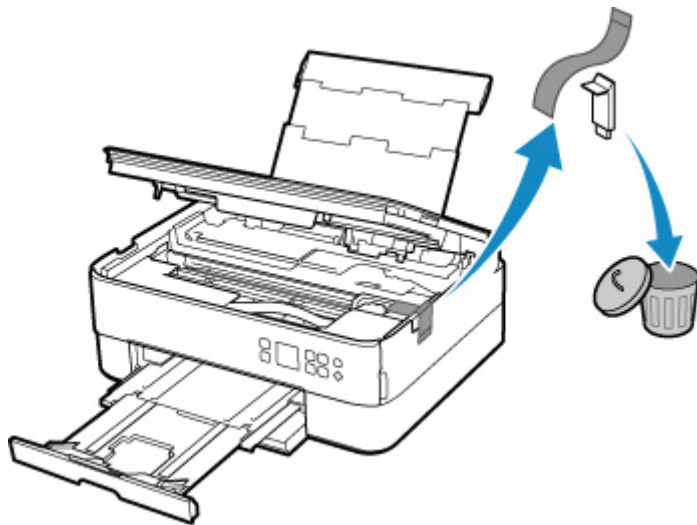
### Cause

Shipping tape or protective material may still be attached to FINE cartridge holder.

### What to Do

Open the scanning unit / cover and make sure that shipping tape and protective material have been removed from the FINE cartridge holder.

If the shipping tape or protective material is still there, remove it and close the scanning unit / cover.



In the case of the first printer setup, [click here](#), select your printer name on the page, and follow the instructions.

## 2110

### Cause

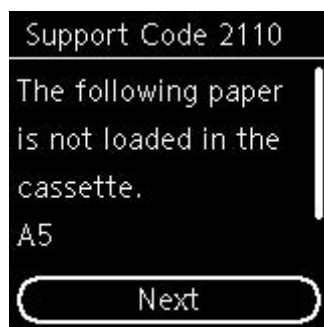
Paper settings for printing or copying do not match cassette paper information set on printer.

### ▶▶ Note

- See below for the correct correspondence between paper settings made on the printer driver or on the printer.
  - ➔ Paper Settings on the Printer Driver and the Printer (Media Type) (Windows)
  - ➔ Paper Settings on the Printer Driver and the Printer (Paper Size) (Windows)
- For copying, make the copy paper settings to match cassette paper information set on the printer.
- See below for details on cassette paper information set on the printer.
  - ➔ [Paper Settings](#)

If the print or copy paper settings do not match cassette paper information set on the printer, as shown below, a message appears on the printer's LCD.

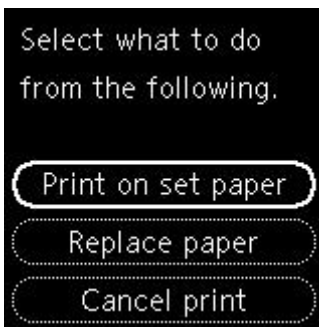
- Paper settings specified on the printer driver:
  - Paper size: A5
  - Paper type: Plain paper
- Cassette paper information set on the printer:
  - Paper size: A4
  - Paper type: Plain paper



### What to Do

Press the printer's **OK** button to display the screen below.





Use the ▲ ▼ buttons to select the appropriate action, then press the printer's **OK** button.

### ▶▶▶ Note

- Depending on settings, some of the options below may not appear.

#### **Print on set paper**

Select this option to print or copy onto the paper in the cassette without changing the paper settings.

For example, if the print or copy paper setting is A5, and cassette paper information is set to A4, the A5 size setting is used to print or copy onto the paper in the cassette.

#### **Replace paper**

Select this option to print after changing the paper in the cassette.

For example, if the print or copy paper setting is A5, and cassette paper information is set to A4, change the paper in the cassette to A5 paper and proceed with printing or copying.

After exchanging the paper and inserting the cassette, the paper information is automatically registered in the printer according to the loaded paper.

### ▶▶▶ Note

- If you do not know the paper size and paper type to be loaded in the cassette, press the printer's **Back** button. The paper size and paper type are displayed.
- See below for the correct correspondence between paper settings made on the printer driver or on the printer.
  - ➔ Paper Settings on the Printer Driver and the Printer (Media Type) (Windows)
  - ➔ Paper Settings on the Printer Driver and the Printer (Paper Size) (Windows)

#### **Cancel print**

Cancels printing.

Select this option when you want to change the print or copy paper settings. Change the paper settings and retry printing.

### ▶▶▶ Note

- To suppress the misprint prevention message, change the setting as described below. When you suppress the message, the printer uses the paper settings for printing or copying onto the paper in the cassette regardless of whether or not the paper matches these settings.
  - To change the message view setting when printing or copying using the operation panel of the printer:
    - ➔ [Feed settings](#)
  - To change the message view setting when printing using the printer driver:

- ➔ Changing the Printer Operation Mode (Windows)
- ➔ [Changing the Printer Operation Mode](#) (macOS)

### Cause

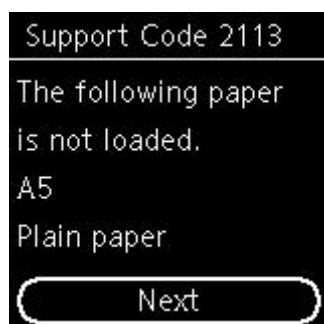
Paper settings for printing or copying do not match either rear tray or cassette paper information set on printer.

### ▶▶▶ Note

- See below for the correct correspondence between paper settings made on the printer driver or on the printer.
  - ➔ Paper Settings on the Printer Driver and the Printer (Media Type) (Windows)
  - ➔ Paper Settings on the Printer Driver and the Printer (Paper Size) (Windows)
- For copying, make the copy paper settings to match rear tray or cassette paper information set on the printer.
- See below for details on rear tray or cassette paper information set on the printer.
  - ➔ [Paper Settings](#)

If the paper source is set to automatically switch and the print or copy paper settings do not match either rear tray or cassette paper information set on the printer, as shown below, a message appears on the printer's LCD.

- Paper settings specified on the printer driver:
  - Paper size: A5
  - Paper type: Plain paper
- Rear tray and cassette paper information set on the printer:
  - Paper size: A4
  - Paper type: Plain paper



### What to Do

Press the printer's **OK** button to display the screen below.



Use the ▲ ▼ buttons to select the appropriate action, then press the printer's **OK** button.

### ▶▶▶ Note

- Depending on settings, some of the options below may not appear.

#### **Print on set paper**

Select this option to print or copy onto the paper in the rear tray or the cassette without changing the paper settings.

For example, if the print or copy paper setting is A5, and rear tray and cassette paper information are set to A4, the A5 size setting is used to print or copy onto the paper in the cassette.

#### **Replace paper**

Select this option to print after changing the paper in the rear tray or the cassette.

For example, if the print or copy paper setting is A5, and rear tray and cassette paper information are set to A4, change the paper in the rear tray or the cassette to A5 paper and proceed with printing or copying.

After changing the paper, if the paper information registration screen appears, register the paper information on the printer according to the loaded paper.

### ▶▶▶ Note

- If you do not know the paper size and paper type to be loaded in the rear tray / cassette, press the printer's **Back** button. The paper size and paper type are displayed.
- See below for the correct correspondence between paper settings made on the printer driver or on the printer.
  - ➡ Paper Settings on the Printer Driver and the Printer (Media Type) (Windows)
  - ➡ Paper Settings on the Printer Driver and the Printer (Paper Size) (Windows)

#### **Cancel print**

Cancels printing.

Select this option when you want to change the print or copy paper settings. Change the paper settings and retry printing.

### ▶▶▶ Note

- To suppress the misprint prevention message, change the setting as described below. When you suppress the message, the printer uses the paper settings for printing or copying onto the paper in the cassette regardless of whether or not the paper matches these settings.
  - To change the message view setting when printing or copying using the operation panel of the printer:

➡ [Feed settings](#)

– To change the message view setting when printing using the printer driver:

➡ Changing the Printer Operation Mode (Windows)

➡ [Changing the Printer Operation Mode](#) (macOS)

## Cause

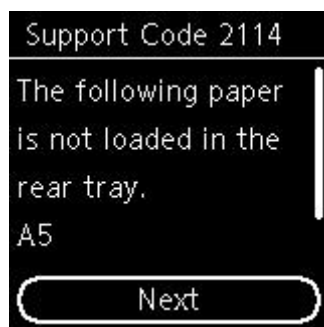
Paper settings for printing or copying do not match rear tray paper information set on printer.

### ▶▶▶ Note

- See below for the correct correspondence between paper settings made on the printer driver or on the printer.
  - ➔ Paper Settings on the Printer Driver and the Printer (Media Type) (Windows)
  - ➔ Paper Settings on the Printer Driver and the Printer (Paper Size) (Windows)
- For copying, make the copy paper settings to match rear tray paper information set on the printer.
- See below for details on rear tray paper information set on the printer.
  - ➔ [Paper Settings](#)

If the print or copy paper settings do not match rear tray paper information set on the printer, as shown below, a message appears on the printer's LCD.

- Paper settings specified on the printer driver:
  - Paper size: A5
  - Paper type: Plain paper
- Rear tray paper information set on the printer:
  - Paper size: A4
  - Paper type: Plain paper



## What to Do

Press the printer's **OK** button to display the screen below.



Use the ▲ ▼ buttons to select the appropriate action, then press the printer's **OK** button.

### ▶▶▶ Note

- Depending on settings, some of the options below may not appear.

#### **Print on set paper**

Select this option to print or copy onto the paper in the rear tray without changing the paper settings.

For example, if the print or copy paper setting is A5, and rear tray paper information is set to A4, the A5 size setting is used to print or copy onto the paper in the rear tray.

#### **Replace paper**

Select this option to print after changing the paper in the rear tray.

For example, if the print or copy paper setting is A5, and rear tray paper information is set to A4, change the paper in the rear tray to A5 paper and proceed with printing or copying.

After changing the paper and closing the feed slot cover, the paper information registration screen for the rear tray appears. Register the paper information on the printer according to the loaded paper.

### ▶▶▶ Note

- If you do not know the paper size and paper type to be loaded in the rear tray, press the printer's **Back** button. The paper size and paper type are displayed.
- See below for the correct correspondence between paper settings made on the printer driver or on the printer.
  - ➔ Paper Settings on the Printer Driver and the Printer (Media Type) (Windows)
  - ➔ Paper Settings on the Printer Driver and the Printer (Paper Size) (Windows)

#### **Cancel print**

Cancels printing.

Select this option when you want to change the print or copy paper settings. Change the paper settings and retry printing.

### ▶▶▶ Note

- To suppress the misprint prevention message, change the setting as described below. When you suppress the message, the printer uses the paper settings for printing or copying onto the paper in the rear tray regardless of whether or not the paper matches these settings.
  - To change the message view setting when printing or copying using the operation panel of the printer:
    - ➔ [Feed settings](#)
  - To change the message view setting when printing using the printer driver:

- ➔ Changing the Printer Operation Mode (Windows)
- ➔ [Changing the Printer Operation Mode](#) (macOS)



## 4103

---

### Cause

Cannot perform printing with current print settings.

### What to Do

Press the printer's **Stop** button to cancel printing.

Then change the print settings and retry printing.

## 5011

---

### Cause

Printer error has occurred.

### What to Do

Turn off the printer and unplug it.

Plug in the printer again and turn it back on.

If this does not solve the problem, contact your nearest Canon service center to request a repair.

## 5012

---

### Cause

Printer error has occurred.

### What to Do

Turn off the printer and unplug it.

Plug in the printer again and turn it back on.

If this does not solve the problem, contact your nearest Canon service center to request a repair.

## 5100

### Cause

Printer error has occurred.

### What to Do

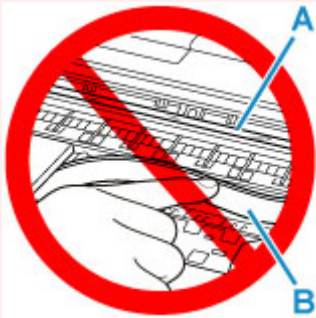
If you are printing, press the printer's **Stop** button to cancel printing, then turn off the printer.

Check the following:

- Make sure FINE cartridge holder motion is not impeded by protective material, jammed paper, etc.  
Remove any impediment.

#### »» Important

- When clearing an impediment to FINE cartridge holder motion, be careful not to touch clear film (A) or white belt (B).



If you soil or scratch this part by touching it with paper or your hand, it could damage the printer.

- Make sure the FINE cartridges are properly installed.  
Press down the ink cartridge locking cover until it clicks into place.

Turn the printer back on.

If this does not solve the problem, contact your nearest Canon service center to request a repair.

## 5200

---

### Cause

Printer error has occurred.

### What to Do

Turn off the printer and unplug it.

After a while, plug in the printer again and turn it back on.

If this does not solve the problem, contact your nearest Canon service center to request a repair.

## 5B02

---

### Cause

Printer error has occurred.

### What to Do

Contact your nearest Canon service center to request a repair.

### ▶▶ Note

- In the case of warnings or errors caused by remaining ink levels, the printer cannot print or scan.

## 6000

---

### Cause

Printer error has occurred.

### What to Do

If the paper is jammed, remove it depending on the jammed location and cause.

➔ [List of Support Code for Error \(Paper Jams\)](#)

Turn off the printer and unplug it.

Plug in the printer again and turn it back on.

If this does not solve the problem, contact your nearest Canon service center to request a repair.

## **C000**

---

### **Cause**

Printer error has occurred.

### **What to Do**

Turn off the printer and unplug it.

Plug in the printer again and turn it back on.

If this does not solve the problem, contact your nearest Canon service center to request a repair.