

# CANDY

## HOBS

*USER INSTRUCTIONS*

**GB - IE**

## TABLES DE CUISSON

*NOTICE D'EMPLOI*

**FR**

## VARNÉ DESKY

*NÁVOD POUŽITÍ*

**CZ**

## UND BEDIENUNGSANLEITUNG

*INSTALLATIONS*

**DE**

## ENCIMERAS

*INSTRUCCIONES DE USO*

**ES**

## INSTRUKCJE

*UŻYCIA I MONTAŻU*

**PL**

## ANKASTRE OCAK

*KULLANIM KLAVUZU*

**TR**

## ВАРОЧНЫЕ ПОВЕРХНОСТИ

*ИНСТРУКЦИЯ ПОЛЬЗОВАТЕЛЯ*

**RU**

## NAVODILA ZA UPORABO

*VGRADNJO IN PRIKLJUČITEV*

**SI**

## PIANI COTTURA

*ISTRUZIONI PER L'USO*

**IT**

## PLACAS

*INSTRUÇÕES DE UTILIZAÇÃO*

**PT**

## TŰZHELYLAPOK

*HASZNÁLATI UTASÍTÁS*

**HU**

## PLITE

*MANUAL DE UTILIZARE*

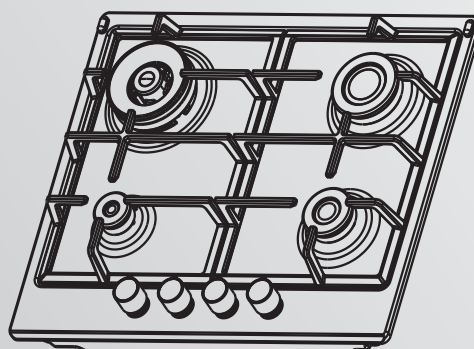
**RO**

## KOOKPLAATS

*MANUAL DE UTILIZARE*

**NL**

**EAC**



- CHG63B
- CHG6BR
- CHG6D
- CHG6W
- CHW6BR
- CHW6D

CONTENT	GB - IE
<b>Safety Instructions</b> .....	<b>05</b>
<b>1. Instructions For The Installer</b> .....	<b>06</b>
1.1. Bulding In .....	06
1.2. Suitable Location .....	06
<b>2. Electrical Connection (For U.K. Only)</b> .....	<b>06</b>
2.1. Electrical Connection .....	06
2.2. Gas Connection (For U.K. Only).....	06
2.3. Adapting The Hob To Different Types Of Gas .....	07
2.4. Regulating The Minimum Flame .....	07
<b>3. Use Of Hob - User Instructions</b> .....	<b>07</b>
3.1. Using The Gas Burner .....	07
<b>4. Maintenance and Cleaning</b> .....	<b>07</b>
<b>5. Aftercare</b> .....	<b>08</b>
<b>6. Protection Of The Environment</b> .....	<b>08</b>

OBSAH	CZ
<b>Bezpečnostní Pokyny</b> .....	<b>13</b>
<b>1. Pokyny pro instalatéra</b> .....	<b>14</b>
1.1. Vestavba .....	14
1.2. Vhodné místo instalace .....	14
2.1. Připojení k elektrické síti .....	14
2.2. Připojení plynu .....	14
2.3. Změna varné desky na jiný druh plynu .....	15
2.4. Nastavení minimálního plamene .....	15
<b>3. Použití varné desky</b> .....	<b>15</b>
3.1. Použití plynového hořáku .....	15
<b>4. Údržba a čištění</b> .....	<b>15</b>
<b>5. Servis</b> .....	<b>15</b>
<b>6. Ochrana životního prostředí</b> .....	<b>16</b>

CONTENIDO	ES
<b>Instrucciones Para Un Uso Seguro</b> .....	<b>21</b>
<b>1. Instrucciones Para El Instalador</b> .....	<b>22</b>
1.1. Integración .....	22
1.2. Ubicación Ideal .....	22
2.1. Conexión Eléctrica .....	22
2.2. Conexión Del Gas .....	22
2.3. Adaptación De La Placa A Distintos Tipos De Gas .....	23
2.4. Regulación De La Llama Mínima .....	23
<b>3. Utilización De La Placa Instrucciones Para El Usuario</b> .....	<b>23</b>
3.1. Utilización Del Quemador De Gas .....	23
<b>4. Mantenimiento Y Limpieza</b> .....	<b>23</b>
<b>5. Servicio Técnico</b> .....	<b>24</b>
<b>6. Protección Del Medioambiente</b> .....	<b>24</b>

İÇİNDEKİLER	TR
<b>Güvenlik Talimatları</b> .....	<b>29</b>
<b>1. Kurulum Talimatları</b> .....	<b>30</b>
1.1. Ankastré Montaj .....	30
1.2. Uygun Yer Tespiti .....	30
2.1. Elektrik Bağlantısı .....	30
2.2. Gaz Bağlantısı .....	30
2.3. Ocağın Farklı Gaz Türlerine Uyarlanması .....	31
2.4. Minimum Alevin Ayarlanması .....	31
<b>3. Ocak Kullanımı Kullanım Talimatları</b> .....	<b>31</b>
3.1. Gazlı Ocak Gözlerinin Kullanımı .....	31
<b>4. Bakım Ve Temizlik</b> .....	<b>31</b>
<b>5. Satış Sonrası Servis</b> .....	<b>31</b>
<b>6. Çevrenin Korunması</b> .....	<b>32</b>

VSEBINA	SL
<b>Varnostna Navodila</b> .....	<b>39</b>
<b>1. Vgradnja In Priključitev</b> .....	<b>40</b>
1.1. Vgradnja .....	40
1.2. Ustrezen Prostor .....	40
2.1. Priključitev Na Električno Omrežje .....	40
2.2. Priključitev Plina .....	40
2.3. Prilaganje Kuhalne Plošče Za Drugo Vrsto Plina .....	40
2.4. Nastavljanje Minimalnega Plamena Gorilnika .....	41
<b>3. Uporaba Kuhalne Plošče Navodila Za Uporabnika</b> .....	<b>41</b>
3.1. Uporaba Gorilnikov .....	41
<b>4. Vzdrževanje In Čiščenje</b> .....	<b>41</b>
<b>5. Servisiranje</b> .....	<b>41</b>
<b>6. Protection De L'environnement</b> .....	<b>42</b>

CONTENU	FR
<b>Conseils De Sécurité</b> .....	<b>09</b>
<b>1. Installation</b> .....	<b>10</b>
1.1. Encastrement .....	10
1.2. Caractéristiques Requises .....	10
2.1. Raccordement Electrique .....	10
2.2. Raccordement Gaz .....	10
2.3. Adapter La Table A Differents Types De Gaz .....	11
2.4. Regular La Flamme Au Minimum .....	11
<b>3. Utilisation De La Table</b> .....	<b>11</b>
3.1. Using The Gas Burner .....	11
<b>4. Maintenance Et Entretien</b> .....	<b>11</b>
<b>5. Assistance Technique</b> .....	<b>11</b>
<b>6. Protection De L'environnement</b> .....	<b>12</b>

INHALT	DE
<b>Sicherheitsvorschriften</b> .....	<b>17</b>
<b>1. Installationsanweisung</b> .....	<b>18</b>
1.1. Einbau .....	18
1.2. Geeigneter Standort .....	18
2.1. Elektrischer Anschluss .....	18
2.2. Gasanschluss .....	18
2.3. Umstellung Auf Eine Andere Gasart .....	19
2.4. Einstellen Der Gasmindestzufuhr .....	19
<b>3. Bedienungsanleitung</b> .....	<b>19</b>
3.1. Inbetriebnahme Der Brenner .....	19
<b>4. Wartung Und Reinigung</b> .....	<b>19</b>
<b>5. Technischer Kundendienst</b> .....	<b>20</b>
<b>6. Umweltgerechte Entsorgung</b> .....	<b>20</b>

SPIS TREŚCI	PL
<b>Instrukcje Bezpieczeństwa</b> .....	<b>25</b>
<b>1. Instrukcje Dla Instalatora</b> .....	<b>26</b>
1.1. Zabudowa .....	26
1.2. Odpowiednie Pomieszczenie .....	26
2.1. Podłączenie Do Sieci Elektrycznej .....	26
2.2. Podłączenie Do Gazu .....	26
2.3. Przystosowanie Płyty Do Różnych Rodzajów Gazu .....	27
2.4. Regulacja Płomienia Minimalnego .....	27
<b>3. Użytkowanie Płyty - Instrukcje Dla Użytkownika</b> .....	<b>27</b>
3.1. Używanie Palników Gazowych .....	27
<b>4. Czyszczenie I Konserwacja</b> .....	<b>27</b>
<b>5. Obsługa Serwisowa</b> .....	<b>28</b>
<b>6. Ochrona Środowiska</b> .....	<b>28</b>

СОДЕРЖАНИЕ	RU
<b>ПРАВИЛА ТЕХНИКИ БЕЗОПАСНОСТИ</b> .....	<b>34</b>
<b>1. Инструкции по выполнению установки</b> .....	<b>35</b>
1.1. Встраиваемые варочные поверхности .....	35
1.2. Выбор места для установки варочной поверхности .....	35
<b>2. Подключение к электросети (только для Великобритании)</b> .....	<b>35</b>
2.1. Подключение к электросети .....	35
2.2. Подключение к линии газоснабжения (только для Великобритании) .....	35
2.3. Адаптация варочной поверхности на другие типы газа .....	36
2.4. Регулировка минимального пламени .....	36
<b>3. Инструкции по эксплуатации варочной поверхности</b> .....	<b>36</b>
3.1. использование газовой конфорки .....	36
<b>4. Обслуживание и чистка</b> .....	<b>37</b>
<b>5. Послепродажное обслуживание</b> .....	<b>37</b>
<b>6. Защита окружающей среды</b> .....	<b>37</b>

INDICE	IT
<b>Indicazioni Di Sicurezza</b> .....	<b>43</b>
<b>1. Istruzioni Per L'installatore</b> .....	<b>44</b>
1.1. Installazione .....	44
1.2. Locazioni Consigliate .....	44
2.1. Connessione Elettrica .....	44
2.2. Connessione Gas .....	44
2.3. Adattare Il Piano Cottura Con Diversi Tipi Di Gas .....	45
2.4. Regolare Il Minimo Della Fiamma .....	45
<b>3. Uso Del Piano - Istruzioni Utente</b> .....	<b>45</b>
3.1. Uso Del Bruciatore Gas .....	45
<b>4. Manutenzione E Pulizia</b> .....	<b>45</b>
<b>5. Ripristino</b> .....	<b>45</b>
<b>6. Rispetto Dell'ambiente</b> .....	<b>44</b>

**ÍNDICE****PT**

<b>INSTRUÇÕES DE SEGURANÇA</b> .....	<b>47</b>
<b>1. Instruções Para O Instalador</b> .....	<b>48</b>
1.1 Preparação .....	48
1.2 Localização Adequada .....	48
2.1. Ligaç�o El�trica .....	48
2.2. Liga�o � Rede De G�s.....	48
2.3. Adapta�o Da Placa A Diferentes Tipos De G�s .....	49
2.4. Regula�o Da Altura M�nima Da Chama .....	49
<b>3. Utiliza�o Da Placa Instru�es Para O Utilizador</b> .....	<b>49</b>
3.1. Como Utilizar O Queimador De G�s .....	49
<b>4. Manuten�o E Limpeza</b> .....	<b>50</b>
<b>5. Antes De Chamar A Assist�ncia T�cnica</b> .....	<b>50</b>
<b>6. Protec�o Do Ambiente</b> .....	<b>50</b>

**CUPRINS****RO**

<b>INSTRUC�IUNI PRIVIND SIGURAN�A</b> .....	<b>55</b>
<b>1. Instruc�iuni de Instalare</b> .....	<b>56</b>
1.1. Incorporare .....	56
1.2. Amplasare.....	56
<b>2. Conexiunea electric� (numai pentru G.B.)</b> .....	<b>56</b>
2.1. Conexiunea electric� .....	56
2.2. Conectarea la gaz (numai pentru G.B.) .....	56
2.3. Adaptarea la diverse tipuri de gaz .....	57
2.4. Reglarea fl�c�rii minime .....	57
<b>3. Utilizarea plitei Instruc�iuni de utilizare</b> .....	<b>57</b>
3.1. Utilizarea arz�toarelor .....	57
<b>4. �ntreţinere �i cur�ţare</b> .....	<b>57</b>
<b>5. Service</b> .....	<b>58</b>
<b>6. Protejarea mediului</b> .....	<b>58</b>
<b>Gas Type Tables</b> .....	<b>63</b>

**TARTALOMJEGYZ K****HU**

<b>Biztons�gi Utas�t�sok</b> .....	<b>51</b>
<b>1. Utas�t�sok a telep�t�s számára</b> .....	<b>52</b>
1.1. Be�p�t�s .....	52
1.2. Alkalmaz helysz�n .....	52
<b>2. Elektromos bek�t�s (csak az Egyes�lt Kir�lysgban)</b> .....	<b>52</b>
2.1. Elektromos bek�t�s .....	52
2.2. G�zbek�t�s (csak az Egyes�lt Kir�lysgban) .....	52
2.3. A t�zhelylap be�ll�t�sa k�l�nb�z� g�zt�pusokhoz .....	53
2.4. A minim�lis l�ngm�ret be�ll�t�sa .....	53
<b>3. A t�zhelylap haszn�lata Felhaszn�l�i utas�t�sok</b> .....	<b>53</b>
3.1. A g�z�g� haszn�lata .....	53
<b>4. Karbantart�s �s tiszt�t�s</b> .....	<b>54</b>
<b>5. Vev�szolg�lat</b> .....	<b>54</b>
<b>6. K�rnyezetv�delem</b> .....	<b>54</b>

**INHOUD****NL**

<b>Veiligheidsvoorschriften</b> .....	<b>59</b>
<b>1. Richtlijnen voor de installateur</b> .....	<b>60</b>
1.1. Inbouwen .....	60
1.2. De juiste omgeving .....	60
<b>2. Elektrisch gedeelte aansluiten</b> .....	<b>60</b>
2.1. Elektrisch gedeelte aansluiten .....	60
2.2. Gas aansluiting.....	60
2.3. Aanpassen aan diverse soorten gas .....	61
2.4. Afstellen van de branders .....	61
<b>3. Instructies voor gebruik</b> .....	<b>61</b>
3.1. Gebruik van de gasbranders .....	61
3.2. Gebruik van elektrische kookzones .....	61
<b>4. Onderhoud en reinigen</b> .....	<b>61</b>
<b>5. Technische dienst</b> .....	<b>62</b>
<b>6. Milieubescherming</b> .....	<b>62</b>

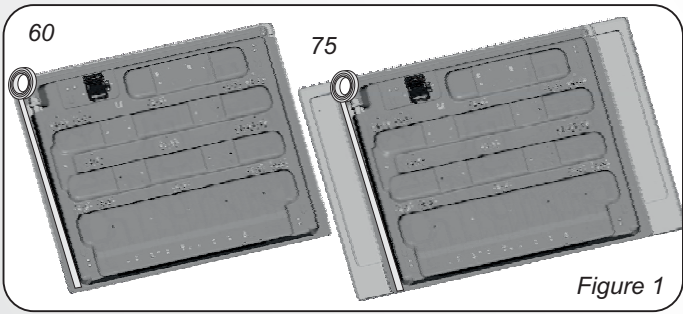


Figure 1

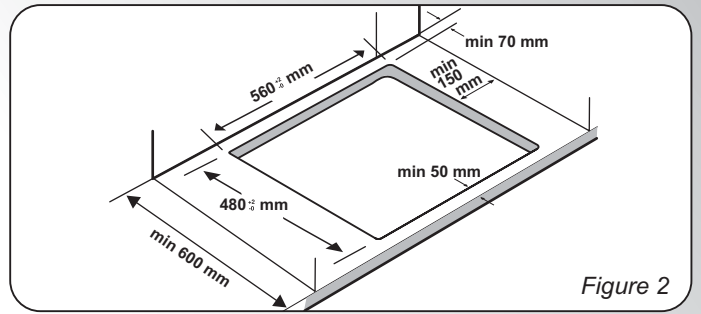


Figure 2

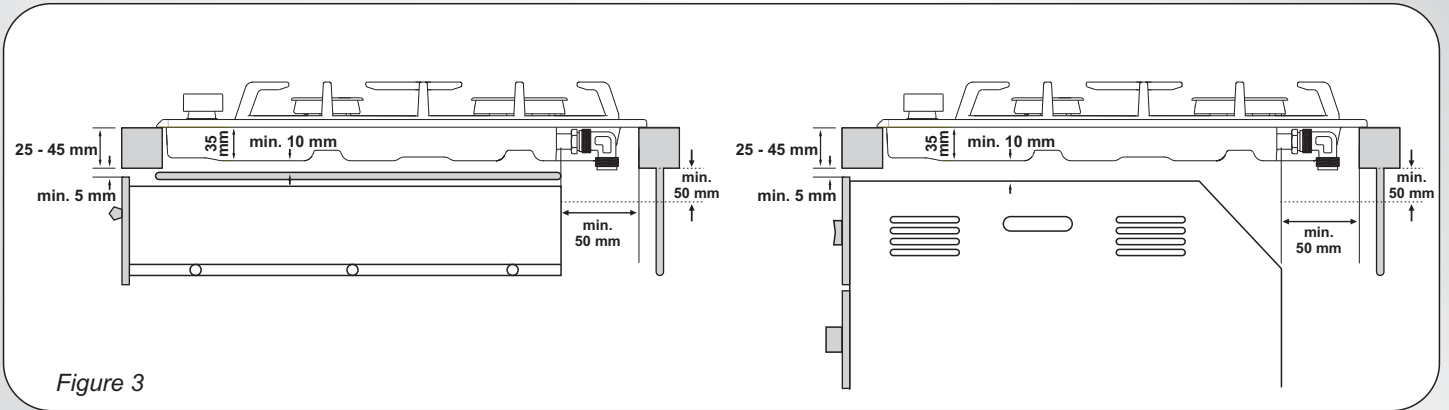


Figure 3

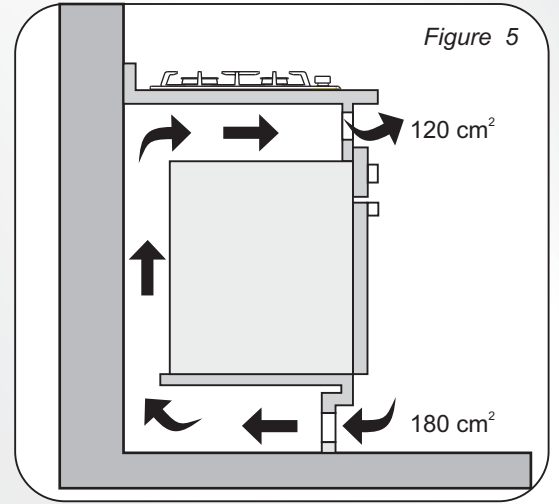
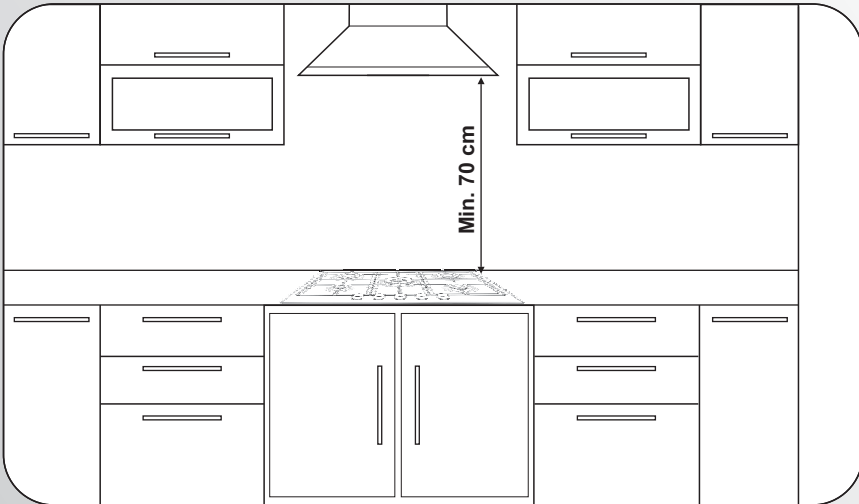


Figure 5

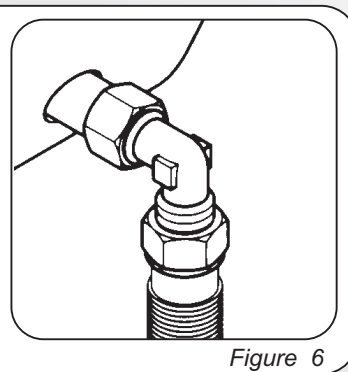
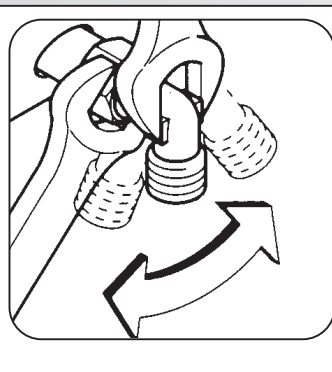
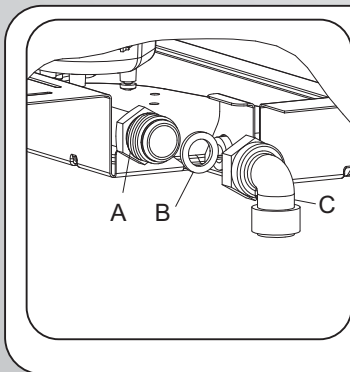


Figure 6

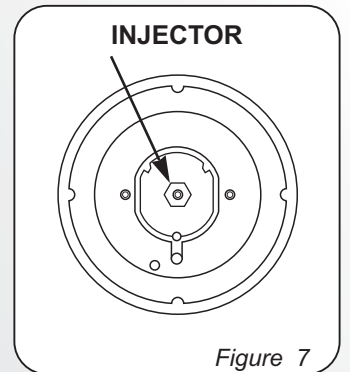


Figure 7

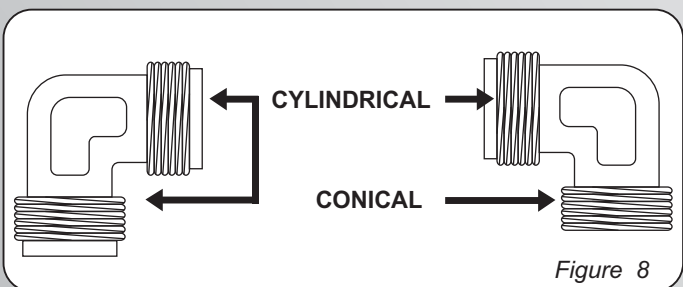


Figure 8

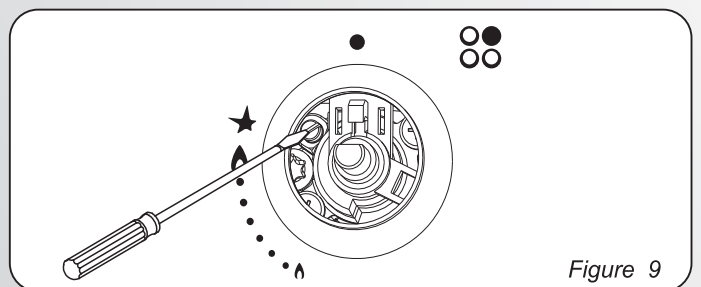


Figure 9

## SAFETY INSTRUCTIONS

We recommend you keep the instructions for installation and use for later reference, and before installing the hob, note its serial number in case you need to get help from the after sales service.

**WARNING:** the appliance and its accessible parts become hot during use. Care should be taken to avoid touching heating elements. Children under 8 years of age must be kept away from the appliance unless they are continuously supervised.

**WARNING:** use only hob guards designed by the Manufacturer of the cooking appliance or indicated by the Manufacturer of the appliance in the instructions for use as suitable or hob guards incorporated in the appliance. The use of inappropriate guards can cause accidents.

**WARNING:** unattended cooking on a hob with fat or oil can be dangerous and may result in fire. NEVER try to extinguish a fire with water, but switch off the appliance and then cover flame e.g. with a lid or a fire blanket.

**WARNING:** danger of fire: do not store items on the cooking surfaces.

**WARNING:** if the surface is cracked, do not touch the glass and switch off the appliance to avoid the possibility of electric shock.

This appliance can be used by children aged from 8 years and above and people with reduced physical, sensory or mental capabilities or lack of experience and knowledge if they have been given supervision or instruction concerning use of the appliance in a safe way and understand the hazards involved. Children should be supervised to ensure that they do not play with the appliance. Cleaning and user maintenance shall not be made by children without supervision.

**CAUTION:** the cooking process must be supervised. A short term cooking process has to be supervised continuously.

It is strongly recommended to keep children away from the cooking zones while they are in operation or when they are switched off, so long as the residual heat indicator is on, in order to prevent the risks of serious burns.

This appliance is not intended to be operated by means of an external timer or separate remote control system.

If present do not stare into halogen lamp hob elements.

Connect a plug to the supply cable that is able to bear the voltage, current and load indicated on the tag and having the earth contact. The socket must be suitable for the load indicated on the tag and must be having the earth contact connected and in operation. The earth conductor is yellow-green in color. This operation should be carried out by a

suitably qualified professional. In case of incompatibility between the socket and the appliance plug, ask a qualified electrician to substitute the socket with another suitable type. The plug and the socket must be conformed to the current norms of the installation country. Connection to the power source can also be made by placing an omnipolar breaker between the appliance and the power source that can bear the maximum connected load and that is in line with current legislation.

The yellow-green earth cable should not be interrupted by the breaker. The socket or omnipolar breaker used for the connection should be easily accessible when the appliance is installed.

The disconnection may be achieved by having the plug accessible or by incorporating a switch in the fixed wiring in accordance with the wiring rules.

If the supply cord is damaged, it must be replaced by Manufacturer, its service agent or similarly qualified people in order to avoid a hazard. The earth conductor (yellow-green) must be longer than 10 mm on the terminal block side. The internal conductors section should be appropriate to the power absorbed by the hob (indicated on the tag). The type of power cable must be HO5V2V2-F.

Do not put metallic objects such as knives, forks, spoons or lids on the hob. They could heat up.

Aluminum foil and plastic pans must not be placed on heating zones.

After every use, some cleaning of the hob is necessary to prevent the build-up of dirt and grease. If left, this is recooked when the hob is used and burns giving off smoke and unpleasant smells, not to mention the risks of fire propagation.

Never use a steam or high pressure spray to clean the appliance.

Do not touch the heat zones during operation or for a while after use.

Never cook food directly on the glass ceramic hob.

Always use the appropriate cookware. Always place the pan in the center of the unit that you are cooking on.

Do not place anything on control panel.

Do not use the hob as a working surface.

Do not use the surface as a cutting board.

Do not store heavy items above the hob. If they drop onto the hob, they may cause damage.

Do not use the hob for storage of any items.

Do not slide cookware across the hob.

## 1. INSTRUCTIONS FOR THE INSTALLER

INSTALLING A DOMESTIC APPLIANCE CAN BE A COMPLICATED OPERATION WHICH IF NOT CARRIED OUT CORRECTLY, CAN SERIOUSLY AFFECT CONSUMER SAFETY. IT IS FOR THIS REASON THAT THE TASK SHOULD BE UNDERTAKEN BY A PROFESSIONALLY QUALIFIED PERSON WHO WILL CARRY IT OUT IN ACCORDANCE WITH THE TECHNICAL REGULATIONS IN FORCE. IN THE EVENT THAT THIS ADVICE IS IGNORED AND THE INSTALLATION IS CARRIED OUT BY AN UNQUALIFIED PERSON, THE MANUFACTURER DECLINES ALL RESPONSIBILITY FOR ANY TECHNICAL FAILURE OF THE PRODUCT WHETHER OR NOT IT RESULTS IN DAMAGE TO GOODS OR INJURY TO INDIVIDUALS.

### 1.1 BUILDING IN

The hob may be installed in any worktop which is heat resistant to a temperature of 100°C, and has a thickness of 25-45 mm. The dimensions of the insert to be cut out of the worktop are in shown in *Figure 2*.

If the Hob is fitted next to a cabinet on either side, the distance between the Hob and the cabinet must be at least 15 cm (*see Figure 4*); while the distance between the hob and the rear wall must be at least 70 mm. The distance between the hob and any other unit or appliance above it (e.g. An extractor hood) must be no less than 70 cm (*Figure 4*).

When there is an accessible space between the built-in hob and the cavity below, a dividing wall made of insulating material should be inserted (wood or a similar material) (*Figure 3*).

**Metal objects in the drawer may reach high temperatures due to air recirculation. It is therefore recommended to use an intermediate wood panel.**

**Important - The diagram in figure 1 shows how the sealant should be applied.**

The Hob unit is fitted by attaching the Fixing Clamps supplied, using the holes at the base of the unit.

If a hob of 60 cm is fitted above an oven which is not equipped with fan cooling system it is recommended that openings are created within the built in furniture to ensure correct air circulation.

The size of these openings must be at least 300 cm<sup>2</sup> and placed as shown in *Figure 5*.

When a 75 cm hob is fitted over a built in oven, the latter must be fan cooled.

### 1.2. SUITABLE LOCATION

This appliance must be installed in accordance with the regulations in force and only used in a well ventilated space. Read the instructions before installing or using this appliance.

A gas-powered cooking appliance produces heat and humidity in the area in which it is installed. For this reason you should ensure good ventilation either by keeping all natural air passages open or by installing an extractor hood with an exhaust flue. Intensive and prolonged use of the appliance may require extra ventilation, such as the opening of a window or an increase in speed of the electric fan, if you have one.

If a hood can not be installed, an electric fan should be fitted to an outside wall or window to ensure that there is adequate ventilation.

The electric fan should be able to carry out a complete change of air in the kitchen 3-5 times every hour. The installer should follow the relevant national standards.

## 2. ELECTRICAL CONNECTION (FOR U.K. ONLY)

### Warning - this appliance must be earthed

This appliance is designed for domestic use only. Connection to the main supply must be made by a competent electrician, ensuring that all current regulations concerning such installations are observed.

The appliance must only be connected to a suitably rated spur point, a 3 pin 13 amp plug/socket is not suitable. A double pole switch must be provided and the circuit must have appropriate fuse protection. Further details of the power requirement of the individual product will be found in the users' instruction and on the appliance rating plate. In the case of built-in product you are advised, should you wish to use a longer cable than the one supplied, that a suitably rated heat resistant type must be used.

The wiring must be connected to the mains supply as follows:

CONNECT	TO SPUR TERMINAL
Green & Yellow Wire	Earth Connection
Blue Wire	Neutral Connection
Brown Wire	Live Connection

**Note:** We do not advocate the use of earth leakage devices with electric cooking appliances installed to spur points because of the «nuisance tripping» which may occur. You are again reminded that the appliance must be correctly earthed, the manufacturer declines any responsibility for any event occurring as a result of incorrect electrical installation.

### 2.1. ELECTRICAL CONNECTION

Check the data on the rating plate, located on the outside of the unit, to ensure that the supply and input voltage are suitable.

Before connection, check the earthing system.

By Law, this appliance must be earthed. If this regulation is not complied with, the Manufacturer will not be responsible for any damage caused to persons or property. If a plug is not already attached, fit a plug appropriate to the load indicated on the rating plate. The earth wire is coloured yellow/green. The plug should always be accessible.

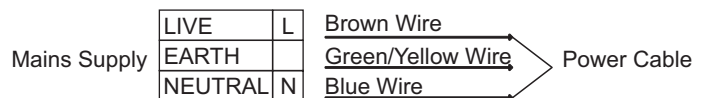
Where the Hob is connected direct to the electricity supply, a circuit breaker must be fitted.

If the power supply cord is damaged this is to be replaced by a qualified engineer so as to prevent any potential risk.

The earth wire ( green and yellow coloured ) must be at least 10 mm longer than the live and neutral wires.

The section of the cable used must be of the correct size in relation to the absorbed power of the hob.

Please check rating plate for the power details and ensure that the power supply cord is of the type 3x0.75 mm<sup>2</sup> H05 V2V2-F.



If an appliance is not fitted with a supply cord and a plug, or with other means for disconnection from the supply mains having a contact separation in all poles that provide full disconnection under overvoltage category III conditions, the instructions shall state that means for disconnection must be incorporated in the fixed wiring in accordance with the wiring rules.

### 2.2. GAS CONNECTION

These instructions are for qualified personnel, installation of equipment must be in line with the relevant national standard. **(For U.K. only: by law the gas installation/commissioning must be carried out by a "Gas Safe" installer)**

All work must be carried out with the electricity supply disconnected.

The rating plate on the hob shows the type of gas with which it is designed to be used. Connection to the mains gas supply or gas cylinder should be carried out after having checked that it is regulated for the type of gas with which it will be supplied. If it is not correctly regulated see the instructions in the following paragraphs to change gas setting.

For liquid gas (cylinder gas) use pressure regulators which comply with the relevant national standards.

Use only pipes, washers and sealing washers which comply with the relevant national standards.

For some models a conic link is furnished to outfit for the installation in the countries where this type of link is obligatory; in picture 8 it is pointed out how to recognize the different types of links (CY = cylindrical, CO = conic). In every case the cylindrical part of the link has to be connected to the hob.

When connecting the hob to the gas supply via use of flexible hoses please ensure that the maximum distance covered by the hose does not exceed 2 metres.

The flexible tube shall be fitted in such a way that it cannot come into contact with a moveable part of the housing unit (e.g. a drawer) and does not pass through any space where it may become crushed/ kinked or damaged in any way.

To prevent any potential damage to the hob please carry out the installation following this sequence (picture 6):

#### 1)As illustrated, assemble parts in sequence:

A: 1/2 Male Adaptor Cylindrical

B: 1/2 Seal

C: 1/2 Female Gas Adaptor Conical-Cylindrical or Cylindrical-Cylindrical

2) Tighten the joints with the spanner, remembering to twist the pipes into position.

3) Attach fitting C to mains gas supply using rigid copper pipe or flexible steel pipe.

**IMPORTANT:** carry out a final check for leaks on the pipe connections using a soapy solution. NEVER USE A FLAME. Also, make sure that the flexible pipe cannot come into contact with a moving part of the cabinet (eg. adrawer) and that it is not situated where it could be damaged.

**Warning:** If gas can be smelt in the vicinity of this appliance turn off the gas supply to the appliance and call the engineer directly. Do not search for a leak with a naked flame.

### 2.3. ADAPTING THE HOB TO DIFFERENT TYPES OF GAS

To adapt the Hob for use with different types of gas, carry out the following instructions:

- Remove the grids and burners
- Insert on hexagonal spanner (7 mm) into the burner support (Figure 7)
- Unscrew the injector and replace it with one suitable for the gas to be used (see gas type table)

### 2.4. REGULATING THE MINIMUM FLAME

After lighting the burners, turn the control knob to the minimum setting and then remove the knob (this can easily be removed by applying gentle pressure).

Using a small «Terminal» type screwdriver the regulating screw can be adjusted as in Figure 9. Turning the screw clockwise reduces the gas flow, whilst turning it anticlockwise increases the flow – Use this adjustment to obtain a flame of approximately 3 to 4 mm in length and then replace the control knob.

When the gas supply available is LPG - the screw to set the idle flame must be turned (clockwise) to the end stop.

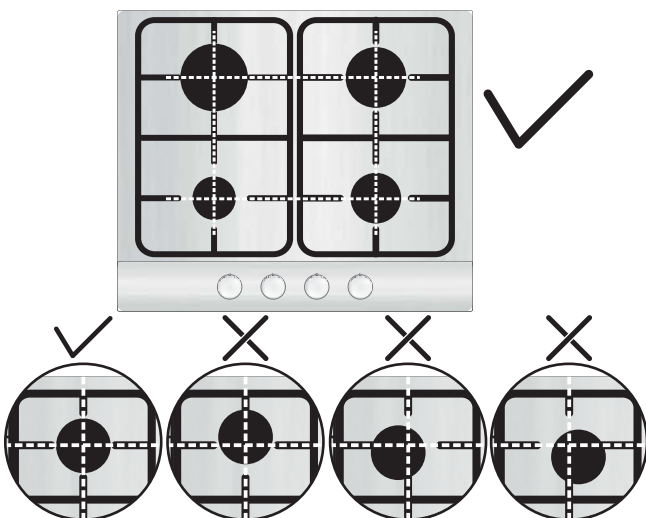
When you have carried out the new gas regulation, replace the old gas rating plate on your appliance with one (supplied with hob) suitable for the type of gas for which it has been regulated.

### 3. USE OF HOB - USER INSTRUCTIONS

This appliance must only be used for the purpose for which it is intended, domestic cooking, and any other use will be considered improper and could therefore be dangerous. The Manufacturer will not be responsible for any damage or loss resulting from improper use.

Before using burner, be sure, grid perimeters center the burner as below figure.

If you are using Cast Iron Grids; underneath the grid, position of it is stated. Be sure for the exact grid is used in correct position.



### 3.1. USING THE GAS BURNER

To ignite the burners, place a lighted taper close to the burner, press in and turn the control knob anti-clockwise.

If the burners have not been used for a couple of days, wait for a few seconds before lighting the burner, this will allow any air present in the pipes to escape.

For appliances fitted with electronic ignition carry out the following:

- Push in and turn the knob anticlockwise to the ignition symbol.
  - Ignite the burner by pressing the sparker button.
- For hobs fitted with automatic ignition simply push in and turn the knob to the ignition symbol.

The ignition system will continue to generate sparks as long as the control knob is being pressed.

If the burner has not ignited within 5 seconds, turn the knob to the 0 position and repeat the operation.

For models fitted with a safety tap (which cuts-off the flow of gas if the flame is accidentally extinguished) the burners are ignited and described above, but care must be taken.

Prior to switching on the gas hob ensure that the burners and burner caps are correctly placed within their position.

**Warning:** If there is no electricity on appliance, to ignite the burner a lighter should be used;

- Push in and turn the knob anti-clockwise to the ignition symbol,
- While pushing in the button ignite the burner by using a lighter and keep button pushed in 5 seconds after ignition.

#### GENERAL ADVICE

For best results, use cooking vessels with a flat surface. The size of the surface should match the gas burner side as follows. Table A.

Burner Type	Ø pan/pot (cm)	Power (kW)	G20/20 mbar (methane)	G30/28-30 mbar (LPG)
AUX Auxiliary	12 - 18	1,00	95 l/h	73 g/h
SR Semi Rapid	18 - 22	1,75	167 l/h	127 g/h
R Rapid	24 - 26	2,70	257 l/h	196 g/h
UR Ultrarapid	26 - 28	3,50	334 l/h	254 g/h
DC 4 kW MONO	26 - 28	4,00	381 l/h	291 g/h

Table A

For smaller containers the gas burner should be regulated so that the flame does not overlap the base of the pan. Vessels with a concave or convex base should not be used.

**WARNING:** If a flame is accidentally extinguished, turn the knob to the off position and do not attempt to re-ignite if for at least 1 minute.

If over the years the gas taps become stiff to turn it is necessary to lubricate them.

**Such operation must be carried out only by qualified Service Engineers.**

### 4. MAINTENANCE AND CLEANING

Before cleaning the hob, ensure the appliance has cooled down. Remove the plug from the socket or (if connected directly) switch off the electricity supply.

Cleaning and user maintenance shall not be made by children without supervision

Never use abrasives, corrosive detergents, bleaching agents or acids. Avoid any acid or alkaline substances (lemon, juice, vinegar etc.) on the enamelled, varnished or stainless steel sections.

When cleaning the enamelled, varnished or chrome sections, use warm soapy water or a non caustic detergent. For stainless steel use an appropriate cleaning solution.

The burners can be cleaned with soapy water. To restore their original shine, use a household stainless steel cleaner. After cleaning, dry the burners and replace.

**It is important the Burners are replaced correctly.**

#### Chromed grids and burners

Chromed grids and burners have a tendency to discolour with use. This does not jeopardize the functionality of the hob.

Our After Sales Service Centre can provide spare parts if required.

## 5. AFTERCARE

Before calling out a Service Engineer please check the following:

- that the plug is correctly inserted and fused;
- that the gas supply is not faulty.

If the fault cannot be detected:

Switch off the appliance and call the After Service Centre. **DO NOT TAMPER WITH THE APPLIANCE.**

## 6. PROTECTION OF THE ENVIRONMENT



This appliance is marked according to the European directive 2012/19/EU on Waste Electrical and Electronic Equipment (WEEE). WEEE contains both polluting substances (which can cause negative consequences for the environment) and basic components (which can be re-used). It is important to have WEEE subjected to specific treatments, in order to remove and dispose properly all pollutants, and


recover and recycle all materials.

Individuals can play an important role in ensuring that WEEE does not become an environmental issue; it is essential to follow some basic rules:

- WEEE shall not be treated as household waste.
- WEEE shall be handed over to the relevant collection points managed by the municipality or by registered companies. In many countries, for large WEEE, home collection could be present.
- When you buy a new appliance, the old one may be returned to the retailer who has to collect it free of charge on a one-to-one basis, as long as the equipment is of equivalent type and has the same functions as the supplied equipment.

**Declaration of compliance:** This equipment, in the parts intended to come into contact with food, complies with the regulations laid down in EEC directives 89/109.

The appliance complies with European Directive 2009/142/EC (GAD) and starting from 21/04/2018 with Gas Appliances Regulation 2016/426 (GAR).

By placing the  mark on this product, we are confirming compliance to all relevant European safety, health and environmental requirements which are applicable in legislation for this product.

*The Manufacturer will not be responsible for any inaccuracy resulting from printing or transcript errors contained in this brochure. We reserve the right to carry out modifications to products as required, including the interests of consumption, without prejudice to the characteristics relating to safety or function.*

Table 1

Burner Plate	3 Gas	4 Gas	4 Gas	5 Gas	5 Gas	5 Gas
Burner	Aux/R/DC 4 Mono	Aux/SR/R/DC 4 Mono	Aux/SR/R	UR/2R/SR/AUX	DC/2R/SR/AUX	DC/R/2SR/AUX
Type	UH60MF	UH60MF	UH60MF	UH75MF	UH75MF	UH75MF
FFD	YES	YES	YES	YES	YES	YES
Aux 1kW	1	1	1	1	1	1
Sr 1,75 kW	-	1	1	1	1	2
R 2,7 kW	1	1	1	2	2	1
UR 3,5 kW	-	-	-	1	-	-
Dc 4 kW Mono	1	1	-	-	1	1
Nominal Heat Input	7,7 kW	9,45 kW	7,2 kW	11,65 kW	12,15 kW	11,2 kW
G20/20 mbar	734 l/h	900 l/h	686 l/h	1110 l/h	1157 l/h	1067 l/h
G30/28-30 mbar	560 g/h	688 g/h	524 g/h	848 g/h	884 g/h	815 g/h
Installation Class	3	3	3	3	3	3
Voltage V/Frequency Hz	220-240 V/ 50-60 Hz	220-240 V/ 50-60 Hz	220-240 V/ 50-60 Hz	220-240 V/ 50-60 Hz	220-240 V/ 50-60 Hz	220-240 V/ 50-60 Hz
Electrical Input Power	1	1	1	1	1	1
Electric Ignition	YES	YES	YES	YES	YES	YES
Product Dimension	595x510	595x510	595x510	745x510	745x510	745x510

*This appliance has been designed for non-professional, i.e. domestic, use.*



## CONSIGNES DE SÉCURITÉ

Nous vous recommandons de conserver les instructions d'installation et d'utilisation pour pouvoir les consulter ultérieurement. Avant d'installer la table de cuisson, notez son numéro de série, au cas où vous auriez besoin de l'aide du service après-vente.

**AVERTISSEMENT** : l'appareil et ses parties accessibles chauffent pendant l'utilisation. Évitez de toucher les éléments chauffants. Les enfants de moins de 8 ans doivent être tenus hors de portée de l'appareil, sauf s'ils sont surveillés en permanence.

**AVERTISSEMENT** : n'utilisez qu'un dispositif de protection de votre table de cuisson conçu par le fabricant de votre appareil ou indiqué, dans le manuel d'utilisation, comme étant compatible, ou bien le dispositif de protection fourni avec l'appareil. L'utilisation d'un dispositif de protection non approprié peut causer des accidents.

**AVERTISSEMENT** : l'utilisation de la table de cuisson sans surveillance avec manipulation de graisse ou d'huile peut être dangereux et provoquer un incendie. N'essayez JAMAIS d'éteindre un feu avec de l'eau, mais éteignez l'appareil, puis couvrez la flamme avec un couvercle ou une couverture anti-feu, par exemple.

**AVERTISSEMENT**, risque d'incendie : ne stockez pas d'éléments sur les surfaces de cuisson.

**AVERTISSEMENT** : si la surface est fissurée, ne touchez pas le verre de la table et éteignez l'appareil pour éviter tout risque d'électrocution.

Cet appareil peut être utilisé par des enfants âgés de 8 ans et plus, par des personnes dont les capacités physiques, sensorielles ou mentales sont réduites ou par des personnes dénuées d'expérience et de connaissances, mais qui ont été informées sur la manière d'utiliser l'appareil en toute sécurité, si elles comprennent les risques impliqués. Surveillez les enfants afin qu'ils ne jouent pas avec l'appareil. L'entretien et le nettoyage ne doivent pas être effectués par des enfants sans surveillance.

**ATTENTION** : la cuisson demande d'être surveillée. Les cuissons de courte durée doivent être surveillées en permanence.

Il est chaudement recommandé d'éloigner les enfants de la zone de cuisson lorsqu'elle fonctionne ou même quand elle est éteinte, mais que l'indicateur de chaleur résiduelle est encore visible, afin d'éviter tout risque de brûlures graves.

Cet appareil n'est pas conçu pour être actionné par un temporisateur externe ou un système séparé de commande à distance.

Si votre table de cuisson est dotée d'éléments halogènes, n'en fixez pas la lumière.

Brancher le câble d'alimentation sur une prise de courant qui supporte le voltage (le courant et la charge sont indiqués sur l'étiquette) et vérifier la présence d'une mise à la terre. La prise d'alimentation doit supporter la charge indiquée sur l'étiquette et être dotée d'une mise à la terre en état de fonctionnement. Le câble conducteur de mise à la terre est jaune et vert. Cette opération doit être exécutée par du personnel qualifié. En cas d'incompatibilité entre la prise d'alimentation et la fiche du câble de l'appareil, demander à un

électricien professionnel de remplacer la prise d'alimentation par un dispositif compatible. La fiche du câble d'alimentation et la prise d'alimentation doivent être conformes aux normes en vigueur dans le pays d'installation.

Il est possible de brancher l'appareil à la prise d'alimentation en installant un disjoncteur multipolaire qui supporte la charge électrique maximale, conformément aux lois en vigueur, entre l'appareil et la prise d'alimentation.

Le conducteur jaune et vert de mise à la terre ne doit pas être bloqué par le disjoncteur. La prise d'alimentation ou le disjoncteur multipolaire utilisé pour le branchement doit rester à tout moment accessible lors de l'installation de l'appareil.

Le débranchement doit se faire en accédant à la prise d'alimentation ou en prévoyant un interrupteur sur le circuit électrique fixe, conforme aux normes électriques.

Si le câble d'alimentation est endommagé, il doit être remplacé par le fabricant, son agent d'entretien ou des personnes dotées du même type de qualification, afin d'éviter tout risque. Le conducteur de mise à la terre (jaune et vert) doit être plus long de 10 mm du côté de la plaque à bornes. Le diamètre interne du câble conducteur doit être proportionné à la puissance absorbée par la table de cuisson (indiquée sur l'étiquette). Le câble d'alimentation requis est le suivant : H05V2V2-F.

Ne déposez jamais d'objets en métal, tels que des couteaux, fourchettes, cuillers ou couvercles sur la table de cuisson. Ils pourraient devenir brûlants.

Ne posez jamais de papier aluminium ou de récipients en plastique sur les zones chauffantes.

Après chaque utilisation, il convient de nettoyer la table de cuisson, afin d'éviter l'accumulation de saleté et de graisse. Dans le cas contraire, les résidus risquent de brûler lors de la prochaine utilisation de la table de cuisson, causant fumées et odeurs déplaisantes, pour ne pas mentionner les risques d'incendie.

N'utilisez jamais de vaporisateur, ni de jet à haute pression pour nettoyer l'appareil.

Ne touchez pas les zones chauffantes pendant qu'elles fonctionnent, ni pendant un certain temps après leur utilisation.

Ne faites jamais cuire d'aliments directement sur la table de cuisson vitrocéramique.

Utilisez toujours des ustensiles de cuisson adéquats.

Placez toujours votre casserole au centre du foyer que vous utilisez. Ne déposez jamais aucun objet sur le panneau de commande.

N'utilisez jamais votre table de cuisson comme plan de travail.

N'utilisez pas la surface de la table de cuisson comme planche à découper.

Ne rangez pas d'objets lourds sur votre table de cuisson. S'ils tombaient sur la table de cuisson, ils risqueraient de l'endommager.

N'utilisez pas la table de cuisson pour ranger des objets.

Ne faites pas glisser d'ustensiles de cuisine sur la table de cuisson.

## 1. INSTALLATION

La mise en place fonctionnelle des appareils ménagers dans leur environnement est une opération délicate qui, si elle n'est pas correctement effectuée, peut avoir de graves conséquences sur la sécurité des consommateurs. Dans ces conditions, il est impératif de confier cette tâche à un professionnel qui la réalisera conformément aux normes techniques en vigueur. Si malgré cette recommandation, le consommateur réalisait lui-même l'installation, le constructeur déclinerait toute responsabilité en cas de défaillance technique du produit entraînant ou non des dommages aux biens et/ou aux personnes.

### 1.1. ENCASTREMENT

Le meuble ou le support dans lequel doit être encastrée la table, ainsi que les parois du meuble qui pourraient juxtaposer celui-ci, doivent être d'une matière résistante à une température élevée (jusqu'à 100°C) et d'une épaisseur comprise entre 25 et 45 cm.

Les dimensions d'encastrement sont indiquées sur le schéma 2.

Si la table est installée entre deux meubles de cuisine, la distance entre la table et les meubles doit être au moins de 15 cm (voir schéma 4); tandis que la distance entre la table et le mur du fond doit être au moins de 70 mm. La distance entre la table et tout autre appareil ou meuble situé au dessus (par exemple une hotte) doit être au moins de 70 cm (voir schéma 4).

Si, en fonction de l'installation de la table, la partie inférieure de son caisson se trouve à proximité d'une zone normalement accessible lors de manipulations et/ou de rangements, placer une cloison (bois ou similaire) pour éviter tous risques de brûlure ou de détérioration (schéma 3).

**Les objets en métal contenus dans le tiroir peuvent atteindre une température très élevée, à cause du système de recirculation d'air. Il est donc recommandé d'interposer un panneau en bois.**

**Attention : Lors de la mise en place, un soin particulier doit être porté au joint entourant le bord de la table afin d'éviter toute infiltration dans le meuble support (schéma 1).**

Lors de la mise en place du joint sur la partie arrière, veiller à ne pas obstruer les passages d'air nécessaires à la combustion.

Le caisson de la table est équipé en dessous de 4 emplacements prévus pour recevoir les brides de fixation destinées à l'immobilisation de la table sur le meuble. Placer les 4 brides de fixation de manière à ce que la table de travail soit parfaitement plaquée au meuble.

Si une table de 60 cm de large est installée au-dessus d'un four qui n'est pas équipé de ventilation tangentielle, il est recommandé de créer des ouvertures dans le caisson de cuisine pour faire ainsi circuler l'air.

La taille de ces ouvertures doit être au moins de 300 cm<sup>2</sup> et placées comme indiqué sur le schéma 5.

Si c'est une table de 75cm de large qui est installée au-dessus du four, ce dernier doit être équipé d'une ventilation tangentielle.

### 1.2. CARACTERISTIQUES REQUISES

Cet appareil doit être installé en conformité avec la réglementation en vigueur et utilisé uniquement dans un espace ventilé. Lisez les instructions avant d'installer ou utiliser cet appareil.

Une utilisation intensive et prolongée de l'appareil peut requérir une ventilation plus importante, telle que l'ouverture d'une fenêtre ou une puissance d'aspiration plus intense de la VMC si vous en êtes équipés.

S'il n'est pas possible d'installer une hotte, une VMC devrait être installée sur un mur donnant sur l'extérieur ou sur une fenêtre.

La VMC devrait être en mesure d'apporter un changement complet de l'air de la cuisine 3 à 5 fois par heure. L'installateur doit installer la VMC conformément aux règles en vigueur dans le pays d'installation.

### 2.1. RACCORDEMENT ELECTRIQUE

**"L'installation recevant l'appareil cité en référence doit être conforme à la norme en vigueur dans le pays d'installation". Le constructeur décline toute responsabilité en cas de non respect de cette disposition.**

Vérifier les données sur la plaque signalétique, située à l'extérieur de l'unité, pour assurer que l'alimentation et le voltage conviennent.

Avant le branchement, vérifier le système de mise à la terre.

**Attention : vérifier la continuité de la terre de l'installation avant de procéder au raccordement. Notre responsabilité ne saurait être engagée pour tout incident ou ses conséquences éventuelles qui pourraient survenir à l'usage d'un appareil non relié à la terre, ou relié à une terre dont la continuité serait défectueuse.**

Si une prise n'est pas déjà fournie, installer une prise appropriée pour la charge indiquée sur la plaque signalétique.

La prise devrait toujours être accessible.

Le fil de terre est de couleur jaune / vert.

Lorsque la table de cuisson est reliée directement à l'approvisionnement en électricité, un disjoncteur doit être installé.

Si le cordon d'alimentation est endommagé, il doit être remplacé par un technicien qualifié afin d'éviter tout risque potentiel.

Le fil de terre (couleur vert et jaune) doit être au moins 10mm plus long que les fils de phase et neutre.

La section du câble utilisé doit être de la bonne taille par rapport à la puissance absorbée de la table de cuisson.

Veillez vérifier la plaque signalétique pour les détails de puissance et veiller à ce que le cordon d'alimentation électrique soit de type 3x0.75 mm<sup>2</sup> I'H05 V2V2-F.



Un système de déconnexion doit être incorporé dans le compteur conformément aux règles de câblage.

### 2.2. RACCORDEMENT GAZ

L'appareil doit être installé et raccordé conformément aux règles

En vigueur dans le pays d'installation. Une attention particulière sera accordée aux dispositions applicables en matière De ventilation.

Tous les travaux d'installation doivent être effectués avec l'électricité déconnectée.

La plaque signalétique sur la plaque indique le type de gaz qui doit être utilisé. Le raccordement au réseau d'approvisionnement en gaz cylindre doit être effectuée qu'après avoir vérifié qu'il est réglementé pour le type de gaz avec lequel il sera distribué. S'il n'est pas correctement réglementé, voir les instructions dans les paragraphes suivants pour modifier les paramètres du gaz.

Pour le gaz liquide (bouteille de gaz), utiliser des régulateurs de pression conformes aux normes en vigueur.

Utilisez uniquement des tuyaux, des rondelles et des rondelles d'étanchéité conformes aux normes en vigueur.

Pour certains modèles un lien conique est fourni pour installation l'appareil, dans les pays où ce type de lien est obligatoire ; sur le schéma 8, il est indiqué comment reconnaître les différents types de liens (CY = cylindrique, CO = conique). Dans tous les cas, la partie cylindre du lien doit être connecté à la table.

Lorsque vous connectez la table de cuisson à l'alimentation du gaz via l'utilisation de tuyaux flexibles, veuillez faire en sorte que la distance maximum couverte par le tuyau ne dépasse pas 2 mètres.

Le tube flexible doit être installé de manière à ne pas entrer en contact avec un élément mobile de la cuisine (par exemple un tiroir) et à ne pas passer dans un espace pouvant être encombré.

Pour éviter tout dommage potentiel à la table de cuisson, veuillez effectuer l'installation suivant les indications du schéma 6.

1) Comme illustré dans le schéma, assembler les pièces en séquence :

A: ½ Adaptateur Cylindrique mâle

B: ½ Obturation

C: ½ Adaptateur gaz Femelle conique-cylindrique ou cylindrique-cylindrique.

2) Serrer les joints avec des clés à molette, pensez à placer les tuyaux en position.

3) Fixer le raccord C au réseau d'approvisionnement en gaz à l'aide tuyau rigide ou en acier flexi-ble.

**IMPORTANT: effectuer une dernière vérification pour détecter les fuites sur les raccords de tuyauterie en utilisant une solution savonneuse. Ne jamais utiliser une flamme. Aussi, assurez vous que le tuyau flexible ne peut pas entrer en contact avec une partie mobile du meuble de cuisine (par exemple un tiroir) et qu'il ne se trouve pas à un endroit où il pourrait être endommagé.**

**Attention:** Si vous sentez des émanations de gaz en provenance de l'appareil, coupez immédiatement l'alimentation en gaz et appelez directement une personne qualifiée. Ne cherchez pas une fuite à l'aide d'une flamme.

## 2.3. ADAPTER LA TABLE A DIFFERENTS TYPES DE GAZ

Pour adapter la table de cuisson à différents types de gaz, veuillez exécuter les instructions suivantes:

- Enlever les grilles, chapeaux et corps de brûleurs
- Insérez une clé à pipe (7 mm) dans le support du brûleur (*schéma 7*)
- Dévisser le/les injecteurs et le/les remplacer par un/des injecteurs adaptés au gaz à utiliser (voir le type de gaz préconisé sur la table)
- Visser le/les injecteurs à fond
- Régler la bague d'air
- Remplacer les corps de brûleurs, le chapeau de brûleur et les grilles.

## 2.4. REGULER LA FLAMME AU MINIMUM

Après l'allumage du brûleur, tourner le bouton de commande au réglage minimum, puis enlever la manette de commande (ce qui peut facilement être enlevé par appliquer une légère pression). En utilisant un petit « Terminal » type tournevis, la vis de réglage peut être ajustée (cf Schéma 9). En tournant la vis dans le sens des aiguilles d'une montre, cela réduit le débit de la flamme, alors qu'en tournant dans le sens inverse, cela l'augmente. Utilisez ce réglage pour obtenir une flamme d'environ 3 à 4 mm de longueur, puis replacer la manette de commande.

Lorsque l'approvisionnement en gaz disponible est du butane/propane (gaz de bouteilles), la vis pour régler la flamme au ralenti doit être tournée dans le sens des aiguilles d'une montre, jusqu'à la butée.

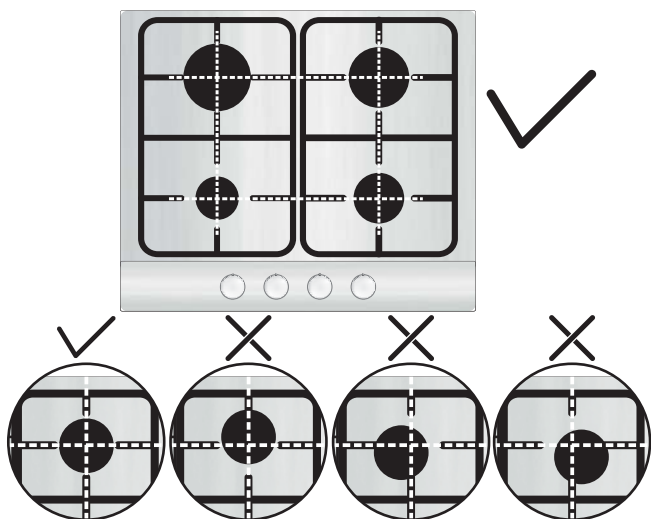
Lorsque vous avez effectué la régulation du gaz, remplacer l'ancienne plaque signalétique de votre appareil avec celle adaptée au type de gaz installé (fournie avec plaque de cuisson).

## 3. UTILISATION DE LA TABLE

Cet appareil ne doit être utilisé que pour des fins pour lesquelles il est destiné : la cuisson domestique. Toute autre utilisation sera considérée comme abusive et peut donc être dangereuse. Le fabricant ne sera pas responsable pour tout dommage ou perte découlant d'une utilisation abusive.

Avant d'utiliser le brûleur, assurez-vous que les périmètres de la grille centrent le brûleur tel qu'illustré à la figure ci-dessous.

Si vous utilisez des grilles en fonte; sous la grille, leur position est indiquée. Assurez-vous que la grille adéquate est utilisée dans la bonne position.



## 3.1. UTILISATION DU BRÛLEUR À GAZ

Pour allumer les brûleurs, placez une flamme (allume-feu, allumette, briquet etc...) près du brûleur, appuyez et tournez la manette de commande.

Si les brûleurs n'ont pas été utilisés depuis quelques jours, attendre quelques secondes avant d'allumer le brûleur, ce qui permettra l'air éventuellement présent dans les tuyaux de s'échapper.

Pour les appareils équipés d'allumage électronique, effectuer les opérations suivantes:

- Pousser et tourner la manette de commande sur le symbole d'allumage.
- Allumer le brûleur en appuyant sur le bouton d'allumage

Pour les tables de cuisson équipées d'allumage électronique intégré, il suffit de pousser et tourner le bouton sur le symbole d'allumage.

Le système d'allumage continuera à produire des étincelles aussi longtemps que le robinet de gaz est actionné.

Si le brûleur ne s'enflamme pas dans les 5 secondes, tournez le bouton vers la position 0 et répéter l'opération.

Pour les modèles équipés d'un robinet de sécurité par thermocouple (qui coupe l'écoulement du gaz si la flamme est accidentellement éteint), les brûleurs sont allumés et décrit ci-dessus, mais il faut prendre soin de garder la manette de commandes enfoncée pendant 5 ou 6 secondes après que la flamme est allumée.

**ATTENTION :** Avant d'allumer la table gaz, veillez à ce que les brûleurs et les chapeaux de brûleur soient correctement placés dans leur position.

**Avvertenza:** se non c'è elettricità sull'apparecchio, per accendere il bruciatore dovrebbe essere usato un accendino;

- Premere e ruotare la manopola in senso antiorario fino al simbolo di accensione,

- Premendo il pulsante, accendere il bruciatore usando un accendino e tenere premuto il pulsante entro 5 secondi dopo l'accensione.

### CONSEIL

Pour de meilleurs résultats, la taille de casseroles à fond plat doit correspondre à la taille des brûleurs comme suit :

Type de brûleurs	Ø casserole (cm)	Puissance totale (kW)	G20/20 mbar (Gaz de nature: Méthane)	G30/28-30 mbar (Butane/Propane)
AUX Brûleur auxiliaire	12 - 18	1,00	95 l/h	73 g/h
SR Brûleur semi-rapide	18 - 22	1,75	167 l/h	127 g/h
R Brûleur rapide	24 - 26	2,70	257 l/h	196 g/h
UR Brûleur ultrarapide	26 - 28	3,50	334 l/h	254 g/h
DC 4 kW MONO	26 - 28	4,00	381 l/h	291 g/h

Table A

Pour les petites casseroles/poêles, le brûleur à gaz doit être réglé de telle manière que la flamme ne chevauche pas le fond de la casserole. Les récipients à fond concave ou convexe ne doivent pas être utilisés.

**ATTENTION: Si un brûleur est accidentellement éteint, tournez le bouton vers la position fermée et ne pas tenter de relancer pendant au moins 1 minute.**

Si au fil des années les robinets de gaz deviennent raides, il est nécessaire de les lubrifier.

**Cette opération doit être effectuée que par un technicien agréé.**

## 4. MAINTENANCE ET ENTRETIEN

Avant de nettoyer la table de cuisson, assurez-vous que cet appareil est refroidi. Retirez la fiche de la prise ou (s'il est connecté directement), éteindre l'alimentation d'électricité.

Le nettoyage et l'entretien par l'utilisateur ne doit pas être fait par des enfants sans surveillance.

Ne jamais utiliser de produits abrasifs, de détergents corrosifs, agents de blanchiment ou d'acides. Éviter les substances acides ou alcalines (citron, jus, vinaigre etc...) sur l'émail ou l'acier.

Lors du nettoyage de l'émail, vernis ou des sections chromées, utilisez de l'eau chaude savonneuse ou un détergent non corrosif.

Pour l'acier inoxydable, utilisez une solution de nettoyage appropriée. Les brûleurs peuvent être nettoyés avec de l'eau savonneuse. Pour restaurer leur éclat d'origine, utilisez un nettoyant ménager pour acier inoxydable. Après nettoyage, séchez les brûleurs et les replacer.

**Il est important que les brûleurs soient remplacés correctement à leur position.**

### Grilles chromées et brûleurs

Les grilles chromées et les brûleurs ont tendance à foncer à l'utilisation. Il s'agit d'un phénomène normal et inévitable, mais elle ne compromet pas la fonctionnalité de la table de cuisson.

Si besoin, des pièces de rechange sont disponibles dans notre centre de service après-vente.

## 5. ASSISTANCE TECHNIQUE

Avant d'appeler le Service d'Assistance Technique, vérifier les points suivants:

- La prise est bien insérée ;
- L'approvisionnement en gaz n'est pas défectueux.

Si la panne ne peut être identifiée:

Éteignez l'appareil (ne pas l'utiliser) et appeler le Service d'Assistance Technique.

## 6. PROTECTION DE L'ENVIRONNEMENT



Le présent appareil est marqué conformément à la directive 2012/19/UE relative aux déchets d'équipements électriques et électroniques (DEEE). Les DEEE contiennent à la fois des substances polluantes (qui peuvent avoir des conséquences négatives sur l'environnement) et des éléments de base (réutilisables). Il est important de soumettre les DEEE à des traitements spécifiques,


en vue d'extraire et d'éliminer de façon appropriée toutes les substances polluantes, puis de récupérer et recycler tous les matériaux.

Chacun peut jouer un rôle important quant à la protection de l'environnement contre les DEEE. Pour atteindre cet objectif, il est impératif de suivre quelques règles élémentaires :

- Les DEEE ne doivent pas être traités comme des déchets ménagers.
- Ils doivent être remis aux points de collecte appropriés gérés par la municipalité ou par des sociétés immatriculées. Dans plusieurs pays, il est possible de collecter à domicile les DEEE volumineux.
- Lorsque vous achetez un nouvel appareil, vous devez retourner l'ancien au vendeur qui le récupère gratuitement, au cas par cas, à condition que l'équipement soit de type équivalent et possède les mêmes fonctions que celui fourni.

**Déclaration de conformité:** cet équipement, dans les parties destinées à entrer en contact avec les aliments, est conforme aux normes fixées par les directives CEE 89/109.

L'appareil est conforme à la Directive européenne 2009/142/CE (GAD) et à partir du 21/04/2018, à la Réglementation sur les appareils à gaz 2016/426 (GAR).

En utilisant le symbol  sur ce produit, nous déclarons sur notre propre responsabilité que ce produit est conforme à toutes les normes Européennes relatives à la sécurité, la santé et à l'environnement.

*Le constructeur décline toute responsabilité concernant d'éventuelles inexactitudes imputables à des erreurs d'impression ou de transcription contenue dans cette notice. Le constructeur se réserve le droit de modifier les produits en cas de nécessité, même dans l'intérêt de l'utilisation, sans causer de préjudices aux caractéristiques de fonctionnement de sécurité des appareils.*

Table 1

	3 Gas	4 Gas	4 Gas	5 Gas	5 Gas	5 Gas
Plaque de brûleur	3 Gas	4 Gas	4 Gas	5 Gas	5 Gas	5 Gas
Brûleur	Aux/R/DC 4 Mono	Aux/SR/R/DC 4 Mono	Aux/SR/R	UR/2R/SR/AUX	DC/2R/SR/AUX	DC/R/2SR/AUX
Type	UH60MF	UH60MF	UH60MF	UH75MF	UH75MF	UH75MF
FFD	OUI	OUI	OUI	OUI	OUI	OUI
Aux 1kW	1	1	1	1	1	1
Sr 1,75 kW	-	1	1	1	1	2
R 2,7 kW	1	1	1	2	2	1
UR 3,5 kW	-	-	-	1	-	-
Dc 4 kW Mono	1	1	-	-	1	1
Entrée de chaleur nominale	7,7 kW	9,45 kW	7,2 kW	11,65 kW	12,15 kW	11,2 kW
G20/20 mbar	734 l/h	900 l/h	686 l/h	1110 l/h	1157 l/h	1067 l/h
G30/28-30 mbar	560 g/h	688 g/h	524 g/h	848 g/h	884 g/h	815 g/h
Classe d'installation	3	3	3	3	3	3
Voltage / Frequency V / Hz	220-240 V/ 50-60 Hz	220-240 V/ 50-60 Hz	220-240 V/ 50-60 Hz	220-240 V/ 50-60 Hz	220-240 V/ 50-60 Hz	220-240 V/ 50-60 Hz
Puissance électrique	1	1	1	1	1	1
Allumage électronique intégré	OUI	OUI	OUI	OUI	OUI	OUI
Dimensions appareil (LxP) mm	595x510	595x510	595x510	745x510	745x510	745x510

*Cet appareil a été dessiné pour un usage non professionnel, usage domestique uniquement*

## BEZPEČNOSTNÍ OPATŘENÍ

Doporučujeme vám, abyste si uchovali pokyny pro instalaci a použití pro pozdější potřebu, a před instalací varné desky si poznamenejte její sériové číslo pro případ, že byste potřebovali pomoc poprodejního servisu.

**UPOZORNĚNÍ:** Spotřebič a jeho přístupné části se během používání zahřívají na vysokou teplotu. Dávejte pozor, abyste se nedotkli topných článků. Děti do 8 let věku musejí být mimo dosah spotřebiče, pokud nejsou pod neustálým dohledem.

**UPOZORNĚNÍ:** Používejte pouze ochrannou zábranu varné desky navrženou výrobcem varného spotřebiče nebo zábranu, kterou výrobce spotřebiče označí v návodu k použití za vhodnou, nebo zábranu zabudovanou do spotřebiče. Použití nevhodných ochranných zábran může způsobit nehody.

**UPOZORNĚNÍ:** Vaření bez dozoru na varné desce s tukem nebo olejem může být nebezpečné a způsobit požár. Nikdy se nepokoušejte uhasit požár vodou; vypněte spotřebič, a potom zakryjte plamen např. pokličkou nebo protipožární dekou.

**UPOZORNĚNÍ:** Nebezpečí požáru: na varném povrchu nic neskladujte.

**UPOZORNĚNÍ:** Pokud je povrch prasklý, nedotýkejte se skla a spotřebič vypněte, aby nedošlo k úrazu elektrickým proudem.

Tento spotřebič smějí používat děti starší 8 let a osoby se sníženými fyzickými, smyslovými nebo duševními schopnostmi nebo bez patřičných zkušeností a znalostí, pokud jsou pod dohledem osoby odpovědné za jejich bezpečnost, případně byly poučené o bezpečném používání spotřebiče a rozumějí možným nebezpečím. Děti by měly být dohledem, aby se zajistilo, že si se spotřebičem nebudou hrát. Děti nesmějí bez dozoru dospělých spotřebič čistit, ani provádět činnosti údržby.

**POZOR:** Vaření musí probíhat pod dohledem. Na krátký proces vaření je nutné dohlížet neustále.

Důrazně doporučujeme, aby se děti nepřibližovaly k varným zónám v době, kdy jsou v provozu nebo jsou vypnuté, ale indikátor zbytkového tepla svítí, aby se zabránilo riziku vážných popálenin.

Tento spotřebič není určen k používání pomocí externího časovače nebo samostatného dálkového ovládání.

Je-li jimi varná deska vybavena, nedívejte se po delší dobu na prvky varné desky s halogenovými žárovkami

Připojte zástrčku k napájecímu kabelu, který je schopen vydržet napětí, proud a zátěž uvedené na štítku a který je opatřen uzemňovacím kontaktem. Zásuvka musí být vhodná pro zatížení uvedené na štítku a musí mít zapojený a funkční uzemňovací kontakt. Uzemňovací vodič má

žlutozelenou barvu. Tuto operaci by měl provádět odborník s vhodnou kvalifikací. V případě neslučitelnosti mezi zásuvkou a zástrčkou spotřebičů požádejte kvalifikovaného elektrikáře, aby zásuvku nahradil jiným vhodným typem. Zástrčka i zásuvka musejí odpovídat platným normám země instalace.

Připojení k napájecímu zdroji lze provést také tak, že mezi spotřebičem a zdrojem energie, který zvládne maximální připojenou zátěž a který je v souladu se stávajícími právními předpisy, je umístěn omnipolární vypínač.

Žlutozelený uzemňovací kabel by neměl být přerušen vypínačem. Zásuvka nebo omnipolární vypínač používaný pro připojení by měl být při instalaci spotřebiče snadno přístupný.

Odpojení lze zajistit přístupnou zástrčkou nebo začleněním spínače v pevném zapojení v souladu s pravidly elektroinstalace.

Je-li napájecí kabel poškozen, musí jej vyměnit výrobce, jeho autorizovaný servis nebo podobně kvalifikované osoby, aby nedošlo ke vzniku nebezpečných situací. Zemnicí vodič (žlutozelený) musí být na straně svorkovnice delší než 10 mm. Vnitřní část vodičů by měla odpovídat výkonu absorbovanému varnou deskou (uvedeno na štítku). Typ napájecího kabelu musí být HO5V2V2-F.

Na varnou desku nepokládejte žádné kovové předměty jako nože, vidličky, lžice nebo pokličky. Mohly by se zahřát na velmi vysokou teplotu.

Na zóny ohřevu se nesmějí umisťovat hliníkové fólie ani plastové nádoby.

Po každém použití je nutné varnou desku vyčistit, aby se zabránilo hromadění nečistot a mastnoty. Pokud se tyto nečistoty a mastnota na varné desce ponechají, jsou při jejím používání znovu zahřívány a spalovány za vzniku kouře a nepříjemných zápachů, nemluvě o riziku šíření požáru.

K čištění spotřebiče nikdy nepoužívejte páru ani vysokotlaký postřik.

Nedotýkejte se tepelných zón během provozu a po nějakou dobu po použití

Jídlo nepřipravujte nikdy přímo na sklokeramické varné desce.

Vždy používejte odpovídající nádobí.

Nádobu vždy umístěte do středu jednotky, na které vaříte. Nic nepokládejte na ovládací panel. Varnou desku nepoužívejte jako pracovní plochu.

Povrch desky nepoužívejte jako krájecí prkénko. Nad varnou deskou neukládejte těžké předměty. Pokud by na desky spadly, mohly by způsobit její poškození.

Na varnou desku neodkládejte žádné předměty. Nádobí po varné desce neposunujte.

## 1. POKYNY PRO INSTALATÉRA

**INSTALACE DOMÁCÍCH SPOTŘEBIČŮ MŮŽE BÝT SLOŽITÁ OPERACE, KTERÁ, POKUD NENÍ PROVEDENA SPRÁVNĚ, MŮŽE VÁŽNĚ OHROZIT BEZPEČNOST UŽIVATELE. Z TOHOTO DŮVODU POŽÁDEJTE O INSTALACI KVALIFIKOVANÉHO SERVISNÍHO TECHNIKA, KTERÝ INSTALACI PROVEDE PODLE PLATNÝCH PŘEDPISŮ. V PŘÍPADĚ NEOPRÁVNĚNÉ INSTALACE VÝROBCE NENESE ŽÁDNOU ODPOVĚDNOST ZA TECHNICKÉ ZÁVADY VÝROBKU, KTERÉ MOHOU VÉST KE POŠKOZENÍ VÝROBKU NEBO ZRANĚNÍ OSOB.**

### 1.1 VESTAVBA

Varnou desku lze instalovat do pracovní desky, která je z teplu odolného materiálu do 100°C a má tloušťku 25-45 mm. Rozměry výřezu v pracovní desce jsou na *obrázku 2*.

Pokud je varná deska připevněná k nábytku na kterékoli straně, vzdálenost mezi varnou deskou a nábytkem musí být nejméně 15 cm (viz *obrázek 4*); zatímco vzdálenost mezi varnou deskou a zadní stěnou musí být nejméně 70 mm.

Vzdálenost mezi varnou deskou a spotřebičem nad ní (např. odsavač par) musí být nejméně 70 cm (*obrázek 4*).

Pokud není volný prostor mezi varnou deskou a skříňkou pod ní, je nutné instalovat vhodné mezidno (dřevěné nebo z podobného materiálu) (*obrázek 3*).

**Kovové předměty v zásuvce mohou v důsledku recirkulace vzduchu dosáhnout vysokých teplot.**

**Doporučuje se proto použít dřevěnou vložku.**

**Důležité - Obrázek 1 znázorňuje aplikaci těsnění.**

Varná deska se upevňuje pomocí dodaných upevňovacích svorek, pomocí otvorů ve spodní části spotřebiče.

Pokud je 60 cm varná deska nad troubou, která není vybavená chladicím ventilátorem, doporučujeme udělat větrací otvory v nábytku pro zajištění správné ventilace.

Velikost otvorů musí být nejméně 300 cm<sup>2</sup> a umístění podle *obrázku 5*.

Pokud je 75 cm varná deska nad troubou, musí být přidán chladicí ventilátor.

### 1.2 VHODNÉ MÍSTO INSTALACE

Tento spotřebič musí být instalován v souladu s platnými předpisy a používat na dobře větraném místě. Před instalací a použitím spotřebiče si přečtěte pokyny k použití.

PLynové spotřebiče produkují teplo a vlhkost v místě instalace. Z tohoto důvodu musíte zajistit dostatečnou ventilaci udržením volných přirozených otvorů nebo instalací odsavače.

Intenzivní a dlouhodobé použití spotřebiče může vyžadovat extra ventilaci, jako je otevření okna nebo zvýšení výkonu ventilátoru, pokud je.

Pokud nelze instalovat odsavač, je nutné instalovat ventilátor do vnější stěny nebo okna. Elektrický ventilátor musí být schopný vyměnit vzduch 3-5 násobku objemu kuchyně každou hodinu, instalátor musí dodržovat platná pravidla.

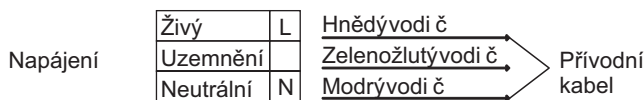
### 2.1. PŘIPOJENÍ K ELEKTRICKÉ SÍTI

Zkontrolujte data na výrobním štítku, na vnější straně přístroje, pro kontrolu, zda napětí odpovídá napětí elektrické sítě. Před připojením zkontrolujte uzemnění. Tento spotřebič musí být uzemněn. Pokud tuto podmínku nesplníte, výrobce neneše žádnou odpovědnost za poškození spotřebiče nebo úrazy osob. Pokud přívodní kabel není vybavený zástrčkou, připojte vhodnou zástrčku podle údajů na výrobním štítku.

Uzemňovací systém je barevně označený žlutozelenou. Zástrčka musí zůstat i po instalaci snadno přístupná.

Pokud je varná deska připojena přímo k elektrické síti, musíte instalovat odpojovací zařízení. Pokud se poškodí přívodní kabel, musí jej vyměnit kvalifikovaný servisní technik, aby se zabránilo možnému nebezpečí.

Uzemňovací vodič (žlutozelený) musí být nejméně o 10 mm delší než živý a neutrální vodič. Použijte vhodný kabel podle parametrů výkonu trouby. Zkontrolujte výrobní štítek a ujistěte se, zda je přívodní kabel typu 3x0.75 mm<sup>2</sup> H05 V2V2-F.



Pokud spotřebič není vybaven přívodním kabelem se zástrčkou, nebo jiným typem odpojovacího zařízení nabízejícím odstup kontaktu v odpojeném stavu podle požadavků proti přepětí III kategorie, musíte uskutečnit toto připojení podle platných směrnic.

### 2.2. PŘIPOJENÍ PLYNU

Tyto pokyny jsou pro kvalifikovaného technika, instalace musí být v souladu s národními předpisy.

Všechny práce se musí provádět při odpojeném napájení.

Výrobní štítek na varné desce definuje typ plynu, pro který je navržena. Připojení k hlavní přípojce plynu nebo k plynové láhvi může být provedeno po ověření, že je vhodný pro typ přiváděného plynu. Pokud není správně regulovaný, viz pokyny v následujících odstavcích pro úpravu nastavení.

Pro tekutý plyn (plyn v láhvi) použijte regulátor tlaku plynu vyhovující mezinárodním standardům.

Některé modely jsou vybavené kónickou přípojkou pro instalace v zemích, kde je tento typ povinný, v *obrázku 8* je popsáno jak rozeznat různé typy spojů (CY = cylindrický, CO = kónický). V každém případě, cylindrická část připojení musí být připojena k varné desce.

Pokud připojujete varnou desku k přípojce plynu pomocí ohebné hadice, zajistěte, aby maximální délka hadice nepřesahovala 2 metry.

Flexibilní trubku je nutné připevnit tak, aby nepřišla do kontaktu s pohyblivými díly skříňky (např. šuplíkem) a nepřecházela přes příliš úzké prostory.

Abyste zabránili možnému nebezpečí, proveďte instalaci v následujícím pořadí (*obrázek 6*):

#### 1) Podle obrázku sestavte díly v pořadí:

A: 1/2 cylindrický adaptér,

B: 1/2 těsnění,

C: 1/2 kónický-cylindrický nebo cylindrický-cylindrický adaptér plynu

#### 2) Utáhněte spoje kleštěmi, umístěte trubky do správné pozice.

#### 3) Připevněte díl C k hlavní přípojce plynu pomocí pevné měděné trubky nebo ohebné ocelové trubky.

**DŮLEŽITÉ: proveďte konečnou kontrolu těsnosti spojů pomocí roztoku vody a saponátu. Nikdy nepoužívejte plamen. Také se ujistěte, zda ohebná trubka není v kontaktu s pohyblivými díly skříňky (např. šuplíkem) a není instalovaná v místě, kde se může poškodit.**

**Upozornění:** Pokud ucítíte plyn v okolí spotřebiče, okamžitě vypněte přívod plynu a kontaktujte servisního technika. Nepokoušejte se najít únik plynu pomocí plamene.

## 2.3. ZMĚNA VARNÉ DESKY NA JINÝ DRUH PLYNU

Pro úpravu varné desky na jiný typ plynu proveďte následující kroky:

- sejměte mřížky a hořáky
- vložte klíč (7 mm) do podložky hořáku (obrázek 7)
- vyšroubujte trysku a nahraďte vhodnou pro daný typ používaného plynu (viz tabulku typů Plynů)

## 2.4. NASTAVENÍ MINIMÁLNÍHO PLAMENE

Po zapálení hořáků, otočte ovládacím knoflíkem na minimální nastavení a poté sejměte ovládací knoflík (můžete jej sejmout jemným potažením).

Pomocí malého šroubováku nastavte regulační šroub podle obrázku 9. Otočením šroubu ve směru hodinových ručiček snížíte plamen, otočením proti směru hodinových ručiček plamen zvětšíte. Pomocí tohoto nastavení nastavte plamen o délce přibližně 3 až 4 a poté nasadte ovládací knoflík.

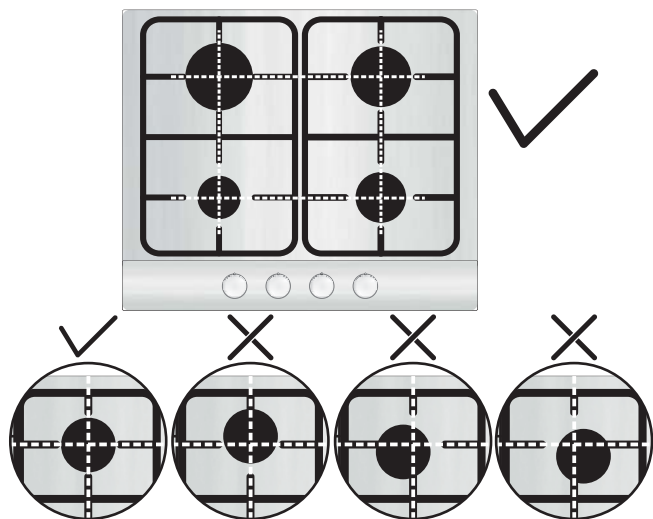
Pokud je dodáván plyn LPG (plyn v láhvích) - šroub pro nastavení počátečního plamene musíte otočit ve směru hodinových ručiček do konce.

Po dokončení nastavení plynu nahraďte výrobní štítek s typem plynu za nový, podle instalovaného Plynů.

## 3. POUŽITÍ VARNÉ DESKY

Tento spotřebič se musí používat pouze k účelům, pro které byl navržen a to pro vaření v domácnosti. Jakékoli jiné použití je nesprávné a může být nebezpečné. Výrobce nenesе žádnou odpovědnost za poškozené vyplývající z nesprávného použití tohoto spotřebiče.

Před použitím hořáku se ujistěte, že obvod mřížky je na středu hořáku, jak ukazuje obrázek. Pokud používáte litinovou mřížku, je ve spodní poloze. Ujistěte se, že je použita mřížka je ve správné pozici.



## 3.1. POUŽITÍ PLYNOVÉHO HOŘÁKU

K zapálení hořáků přiložte zdroj otevřeného plamene k hořáku, stiskněte a otočte knoflíkem ovládaní plynu proti směru hodinových ručiček.

Pokud jste hořák nepoužívali několik dní, před zapálením počkejte několik sekund, toto odstraní přítomný vzduch v trubkách.

Pro spotřebiče s elektrickým zapalováním proveďte následující kroky:

- stiskněte a otočte knoflík proti směru hodinových ručiček na symbol zapálení.
- zapalte hořák stisknutím tlačítka jiskření.

Pro varné desky vybavené automatickým zapalováním pouze stiskněte a otočte knoflík na symbol zapálení.

Systém zapalování opakuje jiskření, dokud držíte stisknutí ovládací knoflík.

Pokud se hořák nezapálí do 5 sekund, otočte knoflík na pozici 0 a postup opakujte.

Pro modely vybavené bezpečnostním ventilem (který vypne přívod plynu v případě náhodného zhasnutí plamene) se hořák zapaluje podle výše uvedeného postupu, ale knoflík musíte držet stisknutý 6 sekund po zapálení plamene.

### UPOZORNĚNÍ:

Před zapnutím varné desky se ujistěte, zda jsou hořáky a víčka hořáků správně nasazené.

**Varování:** Pokud do zařízení neproudí elektrina, měli byste pro zapálení hořáku použít zapalovač.

- stiskněte a otočte proti směru hodinových ručiček knoflík se symbolem zapalování,
- držte knoflík stlačený a pomocí zapalovače zapalte hořák, po zapálení držte knoflík stlačený ještě dalších 5 sekund.

### VŠEOBECNÉ POKYNY

Pro nejlepší výsledky používejte nádobí s rovným dnem, které vyhovují průměru hořáků. Tabulka A.

Typ hořáku	Ø pánev (cm)	Výkon (kW)	G20/20 mbar (Metan)	G30/28-30 mbar (LPG)
AUX Pomocný hořák	12 - 18	1,00	95 l/h	73 g/h
SR Půlrychlý hořák	18 - 22	1,75	167 l/h	127 g/h
R Silný hořák	24 - 26	2,70	257 l/h	196 g/h
UR Ultra hořák	26 - 28	3,50	334 l/h	254 g/h
DC 4 kW MONO	26 - 28	4,00	381 l/h	291 g/h

Tabulka A

Pro menší nádoby nastavte plyn tak, aby plamen nepřesahoval za okraj dna nádoby. Nepoužívejte nádoby s vypuklým dnem.

**UPOZORNĚNÍ:** Pokud plamen nečekaně zhasne, otočte knoflíkem do pozice vypnuté a nepokoušejte se jej zapalovat do 1 minuty.

Pokud se knoflík po letech použití otáčí těžko, je nutné jej namazat. Tuto činnost smí provádět pouze kvalifikovaný technik.

## 4. ÚDRŽBA A ČIŠTĚNÍ

Před čištěním varné desky se ujistěte, zda dostatečně vychladla. Odpojte zástrčku od elektrické zásuvky nebo vypněte jistič.

Čištění a údržbu nesmí provádět děti bez dohledu.

K čištění nepoužívejte drsné, korosivní prostředky, bělidla, nebo kyseliny. Vyhýbejte se jakýkoli kyselinám (citronová šťáva, ocet, apod.) Na smaltovaném nebo nerezovém povrchu.

Pokud čistíte smaltovaný, lakovaný nebo chromový povrch, použijte roztok saponátu a vody. Pro nerezovou ocel používejte vhodný čisticí prostředek.

Hořáky můžete čistit vodou se saponátem. K obnovení původního lesku použijte čistič na nerezovou ocel. Po vyčištění nechte hořáky vysušit a vraťte na své místo.

**Je důležité nasadit hořáky správně.**

### Chromové mřížky a hořáky

Chromové mřížky a hořáky mají při použití tendenci ztmavnout. Toto je normální a neodvratný fenomén, ale nemá vliv na funkčnost varné desky. V případě potřeby jsou náhradní díly dostupné v servisním středisku.

## 5. SERVIS

Dříve než zavoláte servis, zkontrolujte následující:

- je připojená zástrčka k síťové zásuvce;
- není problém v přípojce plynu.

Pokud nelze závadu odstranit: vypněte spotřebič, nedemontujte jej a kontaktujte autorizované servisní středisko.

## 6. OCHRANA ŽIVOTNÍHO PROSTŘEDÍ



Tento spotřebič je označen v souladu s evropskou směrnicí 2012/19/EU o odpadu z elektrického a elektronického zařízení (WEEE). WEEE obsahuje jak škodlivé látky (které mohou vyvolat nepříznivý dopad na životní prostředí), tak i suroviny (které lze použít opakovaně). Je nutno používat speciální zacházení vzhledem k WEEE, aby se všechny nečistoty likvidovaly správně a bylo možno recyklovat všechny materiály.

Jednotlivci mohou hrát významnou úlohu při zajišťování toho, aby se z WEEE nestal ekologický problém; je nezbytné dodržovat některá základní pravidla:

- WEEE nelikvidujte jako běžný domovní odpad.
- WEEE předávejte na příslušná sběrná místa řízená městskými úřady nebo registrovanými společnostmi. V řadě zemí může být používán systém domácího odběru velkých WEEE.
- Když kupujete nový spotřebič, můžete starý vrátit prodejci, který jej musí zdarma odebrat na principu kus za kus, pokud jde o zařízení odpovídajícího typu, které má stejné funkce jako dodávané zařízení.

**Prohlášení o shodě:** Tento spotřebič přicházející do kontaktu s potravinami vyhovuje předpisům směrnice EEC 89/109.

Spotřebič je ve shodě se směrnicí 2009/142/ES o spotřebičích plyných paliv a počínaje 21. dubnem 2018 s nařízením 2016/426 o spotřebičích plyných paliv.

Umístěním značky **CE** na produkt deklaruje na vlastní zodpovědnost shodu se všemi požadavky EU týkajícími se bezpečnosti, zdraví a životního prostředí, které jsou zakotveny v legislativě a týkají se daného produktu.

*Výrobce nenes žádnou odpovědnost za nepřednosti vyplývající z tisku nebo překladu v tomto návodu. Vyhraujeme si právo na změny výrobku, včetně bodů o spotřebě, bez předchozího upozornění, které nemají vliv na funkčnost nebo bezpečnost výrobku.*

Tabulka 1

	3 Gas	4 Gas	4 Gas	5 Gas	5 Gas	5 Gas
Deska hořáku	3 Gas	4 Gas	4 Gas	5 Gas	5 Gas	5 Gas
Hořák	Aux/R/DC 4 Mono	Aux/SR/R/DC 4 Mono	Aux/SR/R	UR/2R/SR/AUX	DC/2R/SR/AUX	DC/R/2SR/AUX
Typ	UH60MF	UH60MF	UH60MF	UH75MF	UH75MF	UH75MF
FFD	ANO	ANO	ANO	ANO	ANO	ANO
Aux 1kW	1	1	1	1	1	1
Sr 1,75 kW	-	1	1	1	1	2
R 2,7 kW	1	1	1	2	2	1
UR 3,5 kW	-	-	-	1	-	-
Dc 4 kW Mono	1	1	-	-	1	1
Jmenovitý epelnýv stup	7,7 kW	9,45 kW	7,2 kW	11,65 kW	12,15 kW	11,2 kW
G20/20 mbar	734 l/h	900 l/h	686 l/h	1110 l/h	1157 l/h	1067 l/h
G30/28-30 mbar	560 g/h	688 g/h	524 g/h	848 g/h	884 g/h	815 g/h
Instalační třída	3	3	3	3	3	3
Napětí/frekvence V / Hz	220-240 V/ 50-60 Hz	220-240 V/ 50-60 Hz	220-240 V/ 50-60 Hz	220-240 V/ 50-60 Hz	220-240 V/ 50-60 Hz	220-240 V/ 50-60 Hz
Příkon	1	1	1	1	1	1
Elektrické zapalování	YES	YES	YES	YES	YES	YES
Rozměry spotřebiče	595x510	595x510	595x510	745x510	745x510	745x510

*Tento spotřebič je navržený pro nekomerční použití v domácnosti.*



## SICHERHEITSHINWEISE

Wir empfehlen, diese Anleitung für die Montage sowie zum späteren Nachschlagen aufzubewahren. Notieren Sie sich vor der Montage des Kochfelds die Seriennummer für den Fall, dass Sie die Hilfe des Kundendienstes in Anspruch nehmen müssen.

**WARNUNG:** Während des Gebrauchs werden das Gerät und dessen zugänglichen Teile heiß. Es muss darauf geachtet werden, die Heizelemente nicht zu berühren. Kinder unter 8 Jahren müssen vom Gerät ferngehalten oder permanent beaufsichtigt werden.

**WARNUNG:** Verwenden Sie ausschließlich einen Kochfeldschutz, der vom Hersteller des Kochgeräts entwickelt wurde, vom Gerätehersteller in der Bedienungsanleitung als geeignet genannt wird oder Bestandteil des Kochfelds ist. Die Benutzung eines ungeeigneten Kochfeldschutzes kann zu Unfällen führen.

**WARNUNG:** Unbeaufsichtigtes Kochen auf einem Kochfeld mit Fett oder Öl kann gefährlich sein und zu einem Brand führen. Versuchen Sie NIEMALS, einen Brand mit Wasser zu löschen, sondern schalten Sie das Gerät aus und ersticken Sie die Flamme dann (z. B. mit einem Deckel oder einer Feuerlöschdecke).

**WARNUNG:** Brandgefahr: Legen Sie niemals Gegenstände auf den Kochflächen ab.

**WARNUNG:** Falls die Oberfläche zerbrochen ist, dürfen Sie das Glas keinesfalls anfassen. Schalten Sie das Gerät aus, um die Möglichkeit eines Stromschlags zu vermeiden.

Dieses Gerät darf von Kindern ab 8 Jahren und Personen mit eingeschränkten körperlichen, sensorischen oder geistigen Fähigkeiten oder ohne Erfahrung und Wissen benutzt werden, wenn sie beaufsichtigt werden oder Anweisungen für den sicheren Gebrauch des Geräts erhalten und die damit verbundenen Gefahren verstanden haben. Kinder sollten beaufsichtigt werden, um sicherzugehen, dass sie nicht am Gerät herumspielen. Kinder dürfen das Gerät nur unter Beaufsichtigung reinigen und instandhalten.

**ACHTUNG:** Der Kochvorgang muss beaufsichtigt werden. Ein kurzzeitiger Kochvorgang muss permanent überwacht werden.

Es wird dringend empfohlen, Kinder von den Kochzonen fernzuhalten, wenn diese in Betrieb sind oder nachdem sie ausgeschaltet wurden, solange die Restwärmeanzeige noch aktiv ist, um die Gefahr schwerer Verbrennungen zu vermeiden.

Das Gerät ist nicht dafür vorgesehen, mit Hilfe einer externen Zeitschaltuhr oder einer separaten Fernsteuerung betrieben zu werden.

Vermeiden Sie es, in die Halogenlampenelemente des Kochfelds (sofern vorhanden) zu blicken.

Schließen Sie einen Stecker an das Stromkabel an, der für die auf dem Typenschild angegebenen Spannungs-, Strom- und Belastungswerte geeignet ist und einen Schutzkontakt hat. Die Steckdose muss für die auf dem Typenschild angegebene Last geeignet sein und über einen funktionsfähigen Schutzkontakt verfügen. Der Schutzleiter hat die Farbe Gelb-Grün. Diese

Arbeit darf nur von qualifiziertem Personal durchgeführt werden. Falls Steckdose und Gerätestecker nicht kompatibel sind, wenden Sie sich an einen qualifizierten Elektriker, um einen entsprechenden Austausch vorzunehmen. Stecker und Steckdose müssen den geltenden Vorschriften des jeweiligen Landes entsprechen.

Der Anschluss an die Spannungsversorgung kann auch erfolgen, indem ein allpoliger Trennschalter zwischen Gerät und Spannungsquelle installiert wird, der für die maximale angeschlossene Last geeignet ist und den geltenden Vorschriften entspricht.

Der gelb-grüne Schutzleiter darf nicht vom Trennschalter unterbrochen werden. Die für den Anschluss verwendete Steckdose bzw. der allpolige Trennschalter muss leicht erreichbar sein, wenn das Gerät installiert ist.

Die Trennung kann durch einen zugänglichen Stecker oder einen vorschriftsmäßig in die Festverdrahtung eingebundenen Schalter erfolgen.

Ein beschädigtes Netzkabel muss durch den Hersteller, seinen Wartungstechniker oder ähnlich qualifizierte Personen ausgetauscht werden, um mögliche Gefahren zu vermeiden. Der Schutzleiter (gelb-grün) muss auf der Klemmleiste länger als 10 mm sein. Der interne Leiterabschnitt muss für die (auf dem Typenschild angegebene) vom Kochfeld absorbierte Leistung ausgelegt sein. Das Stromkabel muss vom Typ HO5V2V2-F sein.

Metallobjekte wie Messer, Gabeln, Löffel und Deckel dürfen nicht auf der Kochfläche abgelegt werden. Sie könnten heiß werden.

Auf den Kochzonen dürfen weder Aluminiumfolie noch Kunststoffschalen abgelegt werden.

Das Kochfeld muss nach jeder Benutzung gereinigt werden, damit sich kein Schmutz und Fett ablagert. Andernfalls werden solche Reste bei der nächsten Benutzung erhitzt und können verbrennen, was zu Rauchentwicklung und unangenehmen Gerüchen, schlimmstenfalls sogar zur Brandentwicklung führen kann.

Reinigen Sie das Gerät keinesfalls mit einem Dampf- oder Hochdruckspray.

Während des Betriebs sowie für eine gewisse Zeit danach dürfen die Kochzonen nicht berührt werden.

Lebensmittel dürfen keinesfalls direkt auf dem Glaskeramik-Kochfeld gegart werden.

Benutzen Sie stets geeignetes Kochgeschirr. Stellen Sie das Kochgefäß immer in die Mitte des jeweiligen Kochfelds. Stellen Sie nichts auf das Bedienfeld.

Benutzen Sie das Kochfeld nicht als Arbeitsfläche.

Benutzen Sie das Kochfeld nicht als Schneidunterlage.

Lagern Sie keine schweren Gegenstände über dem Kochfeld. Beim Herunterfallen könnten Sie das Kochfeld beschädigen.

Benutzen Sie das Kochfeld nicht als Ablagefläche.

Schieben Sie Kochtöpfe nicht über das Kochfeld.

## 1. INSTALLATIONSANWEISUNG

Die Installation eines Haushaltsgeräts kann unter Umständen eine komplexe Arbeit sein; wenn diese nicht korrekt ausgeführt wird, könnte es zu schweren Beeinträchtigungen der Sicherheit des Benutzers kommen. Das ist der Grund, warum sie von einem qualifizierten Fachmann unter Einhaltung der geltenden technischen Regeln durchgeführt werden soll. Falls diese Empfehlung nicht beachtet und die Installation des Gerätes durch eine nicht qualifizierte Person durchgeführt werden sollte, lehnt der Hersteller jede Verantwortung für eventuelle technische Fehler des Produktes ab, gleichviel, ob es zu Schäden an Personen oder Sachen führt.

### 1.1. EINBAU

Die Arbeitsplatte, in der diese Kochmulde eingebaut werden soll, kann aus beliebigem Material sein, vorausgesetzt, es ist hitzebeständig und kann eine Temperatur von 100°C aushalten. Die Arbeitsplatte kann zwischen 25 und 40 mm dick sein. Die Einbaumaße entnehmen Sie bitte der Abb. 2.

Falls an einer Seite der Kochmulde die Wand eines Möbels ist, muss der Abstand der Mulde zur Möbelwand mindestens 15 cm betragen (s. Abb. 4). Zwischen Küchenwand und Mulde muss ein Abstand von mindestens 70 mm eingehalten werden. Der Abstand zwischen der Kochmulde und einem eventuell darüber befindlichen Element (z.B. Dunstabzugshaube) muss mindestens 70 cm betragen (s. Abb. 4). Wenn unter der Kochmulde ein zugängliches Möbelteil vorhanden ist, muss zwischen der Kochmulde und der unteren Möbelnische eine Trennplatte aus isolierendem, hitzebeständigem Material (Holzplatte o.Ä.) dazwischen gebaut werden (s. Abb. 3).

**Metallgegenstände in der Schublade können hohe Temperaturen aufgrund der Luftzirkulation erreichen. Es wird daher empfohlen, eine Abtrennung aus Holz einzusetzen.**

**Wichtig: Entnehmen Sie der Abb. 1, wie die Dichtungstreifen angebracht werden müssen.**

Die Befestigung an das Möbel erfolgt mit Fixierbügel, die als Zubehör zur Mulde mitgeliefert werden. Am Geräteboden sind die Bohrungen zum Verschrauben der Fixierbügel bereits vorhanden.

Falls unter der Kochmulde (60 cm) ein Backofen ohne Kühlungsventilator installiert sein sollte, müssen in der Einbaunische Öffnungen angebracht werden, damit die Luftzirkulation gewährleistet ist. Diese Öffnungen müssen eine freie Oberfläche von mindestens 300 cm<sup>2</sup> gewährleisten, verteilt wie in der Abb. 5 gezeigt.

Unter der Kochmulde mit 75 cm Breite kann nur ein Backofen mit Kühlungsventilator installiert werden.

### 1.2. GEEIGNETER STANDORT

Das Gerät sollte gemäß den Installationsanweisungen installiert werden und genügend Belüftung gewährleistet werden. Lesen Sie bitte die Anweisungen, bevor Sie das Gerät installieren.

Beim Gebrauch eines Gasherdes entstehen Hitze und Feuchtigkeit, die sich im Raum verbreiten. Daher ist es wichtig, eine ausreichende Belüftung des Raumes zu gewährleisten, entweder durch Lüftungsöffnungen oder durch eine Dunstabzugshaube mit Außenanschluss. Bei einem längeren Gebrauch des Gerätes ist es ratsam, die Belüftung zu fördern, z.B. durch zusätzliches Öffnen eines Fensters oder durch Erhöhung der Dunstabzugsleistung.

Sollte der Einbau einer Dunstabzugshaube nicht möglich sein, ist die Verwendung eines Elektroventilators vonnöten, der entweder an der Außenwand oder am Fenster angebracht wird, sofern der Raum über ausreichend Lufteinlassöffnungen verfügt. Der Elektroventilator muss eine Leistung aufweisen, die ausreicht, um den 3- bis 5-fachen Luftvolumen der Küche pro Stunde auszutauschen.

Beachten Sie bitte die im jeweiligen Land geltenden Standardregeln für Gasinstallationen.

### 2.1. ELEKTRISCHER ANSCHLUSS

Überprüfen Sie die auf dem Matrikelschild angegebenen Daten. Das Matrikelschild befindet sich auf der unteren Seite des Gerätegehäuses. Notieren Sie alle Daten wie Matrikel- und Seriennummer am besten direkt auf dem Deckblatt der Bedienungsanleitung, da diese Angaben in einem eventuellen Servicefall vom Kundendienst benötigt werden. Überprüfen Sie, dass die Netzspannung und die Leistung für den Betrieb des Gerätes geeignet sind.

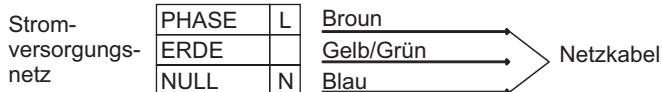
Vor dem elektrischen Anschluss ist die einwandfreie Erdung der elektrischen Hausinstallation zu prüfen. Die Erdung des Gerätes ist gesetzlich vorgeschrieben. Der Hersteller weist jede Verantwortung für Sach- oder Personenschäden zurück, die auf fehlende bzw. mangelhafte Erdung zurückzuführen sind. Bei den Modellen, die ohne Stecker geliefert werden, ist ein genormter Stecker an das Kabel zu montieren, welcher für die auf das Matrikelschild angegebene

Belastung geeignet ist. Der Erdleiter ist durch das gelb-grüne Kabel gekennzeichnet. Der Stecker muss in jedem Fall zugänglich sein.

Soll das Gerät an einer festen Anschlussdose angeschlossen werden, ist zwischen dem Gerät und dem Versorgungsnetz eine der Last entsprechende, genormte Abschaltvorrichtung einzubauen.

Sollte das Netzkabel beschädigt sein, muss dieser durch einen qualifizierten Fachmann ausgewechselt werden.

Der gelb-grüne Erdleiter muss mindestens 10 mm länger sein als die Phasenleiter. Der Querschnitt der Kabel muss der Leistung der Kochmulde entsprechen (s. Matrikelschild). Benutzen Sie ausschließlich ein Netzkabel des Typs 3x0.75 mm<sup>2</sup> H05 V2V2-F.



Die Abschaltung muss mit einer festen Verdrahtung im Einklang mit den Verkabelungsregeln durchgeführt werden.

Um das Gerät direkt an das Stromnetz anzuschließen, beachten Sie bei der Verkabelung die elektronischen Vorschriften sowie die Bedingungen eines Überspannungsschutz Klasse 3.

### 2.2. GASANSCHLUSS

Diese Anweisung richtet sich an das für die Installation autorisierte Fachpersonal und muss lt. geltenden Richtlinien ausgeführt werden.

Jeder Eingriff am Gerät muss bei ausgeschalteter Stromversorgung erfolgen.

Auf dem Gerät finden Sie Aufkleber, auf denen der Gastyp angegeben ist, für den die Kochmulde eingestellt ist. Der Anschluss am Gasversorgungsnetz bzw. an der Gasflasche muss unter Berücksichtigung der geltenden Vorschriften durchgeführt werden. Stellen Sie sicher, dass das Gerät für das von Ihnen verwendete Gas eingestellt ist.

Sollte das Gerät mit Flüssiggas aus Gasflaschen betrieben werden, benutzen Sie bitte nur vorschriftsmäßige Druckregler, die den geltenden Normen entsprechen.

Benutzen Sie ausschließlich genormte Schläuche und Dichtungen, die den nationalen Standards entsprechen.

Bei einigen Modellen wird ein konischer Anschlussadapter mitgeliefert, da die Gasinstallation in einigen Ländern diesen Adapter vorschreibt. In der Abb. 8 werden die zwei unterschiedlichen Adaptertypen dargestellt (CY: zylindrisch, CO: konisch). In jedem Fall muss die zylindrische Seite des Anschlussadapters an die Gaskochmulde angeschlossen werden.

Werden bei der Installation biegsame Rohre benutzt, achten Sie bitte darauf, dass sie nicht länger als 2 Meter sind.

Der Schlauch soll so eingebaut werden, so dass er nicht mit einem beweglichen Teil des Gehäuses in Berührung kommen kann (z.B. einer Schublade). Der Schlauch darf nicht durch Räumlichkeiten verlegt werden indem er Überlastungen standhalten muss.

Um den Installationsvorgang zu erleichtern und um Undichtigkeiten am Gasrohr zu vermeiden, empfiehlt es sich, den Anschluss des Gasversorgungsrohres in der untenstehenden Reihenfolge vorzunehmen (s. Abb. 6)

**1. Montieren Sie die Teile in der abgebildeten Reihenfolge:**

A: 1/2 Anschlussstutzen zylindrisch

B: 1/2 Dichtung

C: 1/2 Gasadapter konisch-zylindrisch bzw. zylindrisch-zylindrisch

**2) Schrauben Sie das Verbindungsstück mit dem Sechskantschlüssel fest an. Richten Sie dabei die bewegliche Verbindung in die gewünschte Position.**

**3) Verbinden Sie den Rohrbogen C mit dem Gasversorgungsnetz entweder mit einem starren Rohr aus Kupfer oder mit einem biegsamen aus Stahl.**

**Achtung:** Nach der Montage überprüfen Sie die Verbindungen auf ihre Dichtigkeit durch Beschmieren mit einfachem Seifenwasser. Benutzen Sie hierzu niemals eine offene Flamme! Versichern Sie sich außerdem, dass das biegsame Rohr nicht eingeklemmt oder beschädigt werden kann (z.B. durch eine Schublade des Einbauschranks).

**Achtung:** Sollten Sie Gasgeruch in der Nähe des Gerätes wahrnehmen, schalten Sie die Gasversorgung umgehend ab und rufen Sie den Kundendienst. Suchen Sie Gasleckagen niemals mit offener Flamme!

### 2.3. UMSTELLUNG AUF EINE ANDERE GASART

Für die Länder, für die das Gerät für den Betrieb mit einer anderen Gasart zugelassen ist, kann das Gerät von der werkseitigen Einstellung auf eine andere Gasart umgestellt werden. Gehen Sie dabei wie folgt vor:

- Topfträger entfernen
  - Brennerdeckel und Brennerköpfe entfernen
  - Schrauben Sie die Düsen ab und ersetzen Sie diese mit einer für die gewünschte Gasart geeigneten Düse (s. Tabelle der Gasarten)
- Anmerkung: In Deutschland und Österreich ist der Betrieb nur für Erdgas vorgesehen.

### 2.4. EINSTELLEN DER GASMINDESTZUFUHR

Zünden Sie jeden Brenner und drehen Sie den entsprechenden Drehschalter auf die kleinste Stufe, ziehen Sie dann den Drehschalter durch leichte Kraftanwendung heraus.

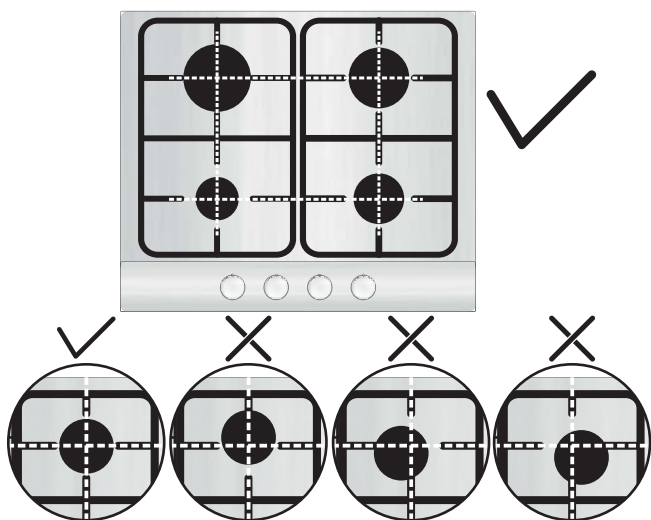
Mithilfe eines Schraubendrehers regulieren Sie die Einstellschraube wie in der Abb. 9 dargestellt. Durch Drehen der Einstellschraube im Uhrzeigersinn wird die Gaszufuhr reduziert, in die andere Richtung dagegen erhöht. Stellen Sie die Schraube so ein, dass die Flamme ca. 3-4 mm lang ist und setzen Sie schließlich den Drehschalter wieder ein.

Nach der Einstellung der Gasflamme ersetzen Sie das Matrikelschild mit der alten Gasart durch ein neues (mitgeliefertes) Matrikelschild entsprechend der neuen Gasart.

### 3. BEDIENUNGSANLEITUNG

Dieses Gerät ist ausschließlich für den Gebrauch gedacht, Speisen zuzubereiten. Jede andere Verwendung wäre zweckentfremdend und gegebenenfalls gefährlich. Der Hersteller kann für eventuelle Schäden, die auf einen ungeeigneten, fehlerhaften und unvernünftigen Einsatz zurückzuführen sind, nicht haftbar gemacht werden.

Vor der Verwendung der Kochstellen müssen Sie darauf achten, dass die Kochstellen sich mittig zur Gitterrosteingrenzung befinden, wie unten in der Abbildung gezeigt. Wenn Sie Gitterroste aus Gusseisen verwenden, ist die Position unter dem Gitter markiert. Achten Sie darauf, dass der richtige Gitterrost in der richtigen Position verwendet wird.



### 3.1. INBETRIEBNAHME DER BRENNER

Um die Brenner des Kochfeldes anzuzünden, nähern Sie eine Flamme an den gewünschten Brenner. Drücken Sie dann und drehen Sie den entsprechenden Schalterknopf gegen den Uhrzeigersinn.

Für Geräte mit elektronischer Zündvorrichtung gehen Sie wie folgt vor:

• Drücken Sie und drehen Sie den Schalterknopf gegen den Uhrzeigersinn bis zum Zündungssymbol

• Zünden Sie den Brenner durch Betätigen der Zündungstaste  
Für Geräte mit automatischer Zündvorrichtung genügt es, den Schalterknopf zu drücken und bis zum Zündsymbol zu drehen. Solange Sie den Knopf gedrückt halten, werden kleine Funken durch die Zündvorrichtung entladen. Wenn die Flamme sich nicht innerhalb von 5 Sekunden anzündet, drehen Sie den Schalterknopf wieder auf die Position 0 und wiederholen Sie den Vorgang.

Bei den Geräten mit Sicherheitsgashahn wird die Gaszufuhr bei einem ungewollten Auslöschen der Flamme automatisch unterbrochen. Das Zünden der Brenner erfolgt bei diesen Geräten wie oben beschrieben, **jedoch muss der Schalterknopf mindestens 5-6 Sekunden nach Entzünden der Flamme gedrückt gehalten werden.** Nach dieser Zeit ist die Sicherheitsvorrichtung eingeschaltet und die Flamme bleibt stabil.

#### ACHTUNG:

Bevor Sie das Gaskochfeld einschalten, überprüfen Sie, dass die Brenner richtig aufliegen und die Funktion der Zündkerzen nicht beeinträchtigt.

#### Warnung:

Wenn das Gerät keinen Strom bekommt, soll der Brenner mit einem Anzünder angezündet werden.

- Gasregler eindrücken und festhalten, auf Zündsymbol drehen.

- Mit einem Anzünder die Zündflamme zünden. Nach dem Anzünden den Gasregler 5 Sekunden gedrückt halten.

#### ALLGEMEINER HINWEIS

Um die Flamme optimal und energiesparend auszunutzen, benutzen Sie nur Töpfe und Pfannen, deren Durchmesser für den jeweiligen Brenner geeignet ist. Vergleichen Sie dazu folgende Tabelle A:

Brennertyp	Topfdurchmesser (cm)	Leistung (kW)	G20/20 mbar (Erdgas)	G30/28-30 mbar (LPG)
AUX Hilfsbrenner	12 - 18	1,00	95 l/h	73 g/h
SR Normalbrenner	18 - 22	1,75	167 l/h	127 g/h
R Schnellbrenner	24 - 26	2,70	257 l/h	196 g/h
UR Ultrabrenner	26 - 28	3,50	334 l/h	254 g/h
DC 4 kW MONO	26 - 28	4,00	381 l/h	291 g/h

Tabelle A

Bei Pfannen oder Töpfen mit kleinem Durchmesser regulieren Sie die Leistung des Brenners so, dass die Flamme den Topf- bzw. Pfannenboden nicht überlappt.

Verwenden Sie bitte nur Pfannen oder Töpfe mit flachem Boden!

**HINWEIS: Sollte die Flamme ungewollt ausgehen, schalten Sie die Gaszufuhr durch Drehen des Schalterknopfes aus und warten Sie mindestens eine Minute, bevor Sie den Brenner wieder anzünden.**

Sollten die Gashähne mit der Zeit schwergängig werden, müssen sie mit einem geeigneten Schmierstoff neu geschmiert werden. **Dieser Vorgang darf ausschließlich durch den Werkkundendienst durchgeführt werden.**

### 4. WARTUNG UND REINIGUNG

Vor jedem Vorgang zur Reinigung des Gerätes schalten Sie den Strom durch Ziehen des Steckers aus der Steckdose oder durch Ausschalten der Haussicherung ab. Bevor Sie das Gerät reinigen, warten Sie, bis es vollständig abgekühlt ist.

Die Reinigung und Wartung des Gerätes darf nicht durch Kinder ohne Aufsicht durchgeführt werden.

Verwenden Sie bitte niemals scheuernde oder korrosive Reinigungsmittel, auch kleine Bleichmittel oder Säuren. Achten Sie darauf, dass keine säurehaltigen bzw. ätzenden Substanzen (Zitronensäure, Essig, o.Ä.) auf die emaillierten bzw. lackierten Flächen liegen bleiben.

Reinigen Sie die emaillierten, verchromten oder lackierten Teile mit lauwarmem Seifenwasser oder mit nicht scheuernden Flüssigmitteln. Für die Edelstahlteile verwenden Sie bitte die handelsüblichen Mittel zur Pflege von Edelstahl.

Reinigen Sie die Gasbrenner mit Seifenwasser. Um den ursprünglichen Glanz zu bewahren, verwenden Sie einen handelsüblichen Spezialreiniger für Aluminiumlegierungen. Nach der Reinigung sind die Brenner sorgfältig zu trocken, bevor sie wieder aufgesetzt werden.

**Kontrollieren Sie bitte unbedingt, dass die Brenner wieder richtig aufliegen, da eine fehlerhafte Montage der Brenner zur mangelhaften Verbrennung des Gases führen kann.**

#### Gitterroste und Chromteile

Die Gitterroste und die verchromten Teile neigen mit der Zeit dazu, sich zu verfärben.

Dies ist ein natürliches Phänomen, das sich zwar nicht vermeiden lässt, jedoch in keiner Weise die Funktion des Gerätes beeinträchtigt. Auf Wunsch sind entsprechende Ersatzteile erhältlich. Fragen Sie bitte bei dem Werkskundendienst nach.

## 5. TECHNISCHER KUNDENDIENST

Sollte Ihr Gerät einmal nicht ordnungsgemäß funktionieren, kontrollieren Sie bitte folgendes, bevor Sie den technischen Kundendienst rufen:

- überprüfen Sie, dass das Gerät stromversorgt ist
- überprüfen Sie, dass die Gaszufuhr in Ordnung ist.

Sollte die Ursache für die Funktionsstörung nicht ermittelt werden können, trennen Sie das Gerät vom Stromnetz und rufen Sie den Kundendienst. Unternehmen Sie nichts auf eigene Faust!

## 6. UMWELTGERECHTE ENTSORGUNG



Dieses Gerät ist in Übereinstimmung mit der europäischen Richtlinie 2012/19/EU zu elektrischen und elektronischen Altgeräten (WEEE) gekennzeichnet. Elektrische und elektronische Altgeräte enthalten sowohl Schadstoffe (die negative Auswirkungen auf die Umwelt haben können) als auch Basiskomponenten (die wiederverwendet werden können). Es ist wichtig, dass elektrische und elektronische Altgeräte spezifischer Handhabung unterliegen, damit alle Schadstoffe angemessen entfernt und entsorgt und alle Materialien wiederverwertet und recycelt werden.


Verbraucher spielen eine wichtige Rolle bei der Gewährleistung, dass elektrische und elektronische Altgeräte nicht zu Umweltproblemen werden; es ist wichtig, einige grundlegende Regeln zu befolgen:

- Elektrische und elektronische Altgeräte können nicht als Haushaltsabfall behandelt werden.
- Elektrische und elektronische Altgeräte sollten an relevante Sammelpunkte übergeben werden, die von der Stadtverwaltung oder eingetragenen Unternehmen verwaltet werden. In vielen Ländern können bei großen elektrischen und elektronischen Altgeräten heimische Sammeldienste verfügbar sein.

- Wenn Sie ein neues Gerät erwerben, kann das alte Gerät möglicherweise an den Händler übergeben werden, der es kostenlos auf einer 1:1-Basis sammeln muss, solange das Gerät von dem gleichen Typ ist und dieselben Funktionen hat wie das gelieferte Gerät.

**Konformitätserklärung:** Dieses Gerät entspricht in den Teilen, die mit Lebensmitteln in Berührung kommen, den Vorgaben der Europäischen Richtlinie EEC 89/109.

Dieses Gerät ist im Einklang mit der Europäischen Richtlinien 2009/142/EC (GAD) gültig ab 21.04.2018 Gasverbrauchseinrichtungen 2016/426 (GAR).

Mit der Anbringung des  -Zeichens am Gerät zeigen wir an, dass wir sämtliche für dieses Produkt geltenden und notwendigen europäischen Sicherheits-, Gesundheits- und Umweltstandards einhalten und hierfür haftbar sind.

*Der Hersteller übernimmt keine Haftung für eventuelle Fehler, die durch den Druck, die Transkription oder Übersetzung dieser Broschüre entstanden sein könnten, ab. Wir behalten uns das Recht vor, technische Änderungen im Interesse der Konsumenten an den Produkten vorzunehmen, ohne die Sicherheitseigenschaften oder die Funktion der Geräte zu verändern.*

Tabelle 1

	3 Gas	4 Gas	4 Gas	5 Gas	5 Gas	5 Gas
Brennerplatte	3 Gas	4 Gas	4 Gas	5 Gas	5 Gas	5 Gas
Brenner	Aux/R/DC 4 Mono	Aux/SR/R/DC 4 Mono	Aux/SR/R	UR/2R/SR/AUX	DC/2R/SR/AUX	DC/R/2SR/AUX
Type	UH60MF	UH60MF	UH60MF	UH75MF	UH75MF	UH75MF
FFD	JA	JA	JA	JA	JA	JA
Aux 1kW	1	1	1	1	1	1
Sr 1,75 kW	-	1	1	1	1	2
R 2,7 kW	1	1	1	2	2	1
UR 3,5 kW	-	-	-	1	-	-
Dc 4 kW Mono	1	1	-	-	1	1
Nennwärmebelastung	7,7 kW	9,45 kW	7,2 kW	11,65 kW	12,15 kW	11,2 kW
G20/20 mbar	734 l/h	900 l/h	686 l/h	1110 l/h	1157 l/h	1067 l/h
G30/28-30 mbar	560 g/h	688 g/h	524 g/h	848 g/h	884 g/h	815 g/h
Installationsklasse	3	3	3	3	3	3
Spannung/Frequenz V/Hz	220-240 V/ 50-60 Hz	220-240 V/ 50-60 Hz	220-240 V/ 50-60 Hz	220-240 V/ 50-60 Hz	220-240 V/ 50-60 Hz	220-240 V/ 50-60 Hz
Gesamtanschlusswert	1	1	1	1	1	1
Elektrische Zündung	YES	YES	YES	YES	YES	YES
Gerätemaße	595x510	595x510	595x510	745x510	745x510	745x510

Dieses Gerät ist für die nichtprofessionelle Benutzung, d.h. Für Haushaltsnutzung, vorgesehen

## INSTRUCCIONES DE SEGURIDAD

Recomendamos mantener las instrucciones de instalación y uso para consultas futuras. Antes de instalar la placa de cocción, anote el número de serie por si fuese necesario solicitar asistencia al servicio posventa.

**ADVERTENCIA:** El electrodoméstico y las partes accesibles de este se calientan durante el funcionamiento. Debe prestarse atención para no tocar los elementos térmicos. Los niños de menos de 8 años deben mantenerse alejados del electrodoméstico, a menos que estén constantemente vigilados.

**ADVERTENCIA:** Utilice solamente las protecciones que incorpora el electrodoméstico, las protecciones diseñadas por el fabricante del equipo de cocina o las protecciones que indica el fabricante en las instrucciones de uso, según corresponda. El uso de protecciones inadecuadas puede causar accidentes.

**ADVERTENCIA:** Dejar desatendida la placa de cocción mientras se cocina con grasa o aceite puede ser peligroso y originar un incendio. NUNCA intente apagar el fuego con agua; apague la placa de cocción y cubra la llama con una tapa o una manta ignífuga, por ejemplo.

**ADVERTENCIA:** Peligro de incendio; no coloque objetos en las superficies de cocción.

**ADVERTENCIA:** Si la superficie se agrieta, no toque el cristal y apague el electrodoméstico para evitar la posibilidad de sufrir una descarga eléctrica.

Pueden utilizarlo niños a partir de 8 años de edad y personas con facultades físicas, sensoriales o mentales reducidas, o con falta de experiencia y conocimiento, si lo emplean bajo supervisión o se les instruye acerca de la seguridad del producto y entienden los riesgos que comporta. Es preciso vigilar a los niños para asegurarse de que no jueguen con el electrodoméstico. Los niños no deben limpiar ni mantener el producto sin supervisión.

**PRECAUCIÓN:** El proceso de cocción debe supervisarse. Los procesos de cocción breves deben vigilarse de manera continua.

Con el fin de evitar el riesgo de quemaduras graves, es muy recomendable mantener a los niños alejados de las zonas de cocción mientras estén funcionando, pero también cuando se apaguen mientras el indicador de calor residual siga encendido.

Este electrodoméstico no está diseñado para funcionar con un temporizador externo ni con ningún sistema de control remoto separado.

No mire fijamente a las lámparas halógenas de la placa de cocción.

Conecte un enchufe en el cable que transporta la tensión, la corriente y la carga indicadas en la etiqueta y que tiene el contacto de masa. La toma de corriente debe adecuarse a la carga indicada en la etiqueta y disponer de un contacto de masa conectado y operativo. El conductor de tierra es de color amarillo verdoso. Esta operación debe realizarla un profesional debidamente cualificado. Si la toma de corriente es

incompatible con el enchufe del electrodoméstico, pida a un electricista profesional que sustituya la toma por otra adecuada. El enchufe y la toma deben cumplir las normas actuales del país donde se instala el electrodoméstico.

En la conexión con la fuente de alimentación también puede utilizarse un contactor omnipolar entre la fuente y el electrodoméstico. Este debe soportar la carga conectada máxima y cumplir la legislación vigente.

El contactor no debe interrumpir el cable de tierra de color amarillo verdoso. La toma de corriente o el contactor omnipolar empleados deben estar fácilmente accesibles cuando se instala el electrodoméstico.

La desconexión puede realizarse mediante el enchufe accesible o mediante la incorporación de un interruptor en el cableado fijo con arreglo a las normativas de cableado.

Para evitar riesgos, el fabricante, su representante de servicio o cualquier otra persona cualificada deben cambiar los cables de alimentación que estén dañados. El conductor de tierra (amarillo verdoso) debe tener una longitud superior a 10 mm por el lado del bloque de conexión. La sección de los conductores internos debe adecuarse al consumo de potencia de la placa de cocción (indicado en la etiqueta). El cable de alimentación debe ser de tipo HO5V2V2-F.

No coloque objetos metálicos, como cuchillos, tenedores, cucharas o tapas, en la placa de cocción. Podrían calentarse.

En las superficies calientes no deben colocarse recipientes de plástico y papel de aluminio.

Después de cada uso, es preciso limpiar un poco la placa de cocción para evitar que se acumule suciedad y grasa. La suciedad y la grasa que no se eliminan se recalentarán y se quemarán cuando se utilice de nuevo la placa de cocción, con lo que se generará humo y se desprenderán olores desagradables, sin olvidar el riesgo de propagación del fuego.

Nunca utilice vapor o aerosoles a alta presión para limpiar el electrodoméstico.

No toque las superficies calientes durante el funcionamiento o inmediatamente después del uso.

Nunca cocine los alimentos directamente sobre la placa vitrocerámica.

Utilice siempre utensilios de cocina adecuados.

Coloque siempre el recipiente en el centro de la zona en la que esté cocinando. No coloque nada en el panel de control.

No utilice la placa de cocción como superficie de trabajo.

No utilice la superficie como tabla para cortar.

No coloque objetos pesados encima de la placa de cocción. Podrían ocasionar daños si se cayesen en la placa de cocción.

No acumule objetos en la placa de cocción.

No deslice los utensilios de cocina por la placa de cocción.

## 1. INSTRUCCIONES PARA EL INSTALADOR

LA INSTALACIÓN DE UN ELECTRODOMÉSTICO PUEDE SER UNA OPERACIÓN QUE PUEDE AFECTAR GRAVEMENTE A LA SEGURIDAD DEL USUARIO SI NO SE REALIZA ADECUADAMENTE. POR ELLO ES UNA TAREA QUE HA DE REALIZAR UNA PERSONA AUTORIZADA Y CUALIFICADA QUE PUEDA HACER LA INSTALACIÓN DE ACUERDO CON LA NORMATIVA TÉCNICA EN VIGOR. EN CASO DE DESATENDER ESTA ADVERTENCIA Y QUE QUIEN REALICE LA INSTALACIÓN NO SEA UNA PERSONA CUALIFICADA, EL FABRICANTE NO ASUME RESPONSABILIDAD ALGUNA POR POSIBLES FALLOS TÉCNICOS DEL PRODUCTO DERIVEN O NO EN DAÑOS MATERIALES O PERSONALES.

### 1.1. INTEGRACIÓN

La placa puede instalarse en cualquier superficie que sea resistente al calor a 100°C y cuyo grosor sea de entre 25 y 45 mm. Las dimensiones para el corte de la superficie y la inclusión de la placa se muestran en la *Figura 2*.

Si la placa se coloca entre dos armarios, la distancia entre la misma y el armario ha de ser de al menos 15 cm (véase *Figura 4*); mientras que la distancia entre la placa y la pared posterior tiene que ser de al menos 70 mm.

La distancia entre la placa y otra unidad o electrodoméstico que tenga encima (por ejemplo, el extractor) tiene que ser superior a 70 cm (*Figura 4*).

En caso de haber espacio entre la placa incrustada y la cavidad inferior, ha de colocarse una separación divisoria hecha de un material aislante (madera o similar) (*Figura 3*).

**Los objetos metálicos del cajón pueden alcanzar temperaturas elevadas debido a la recirculación del aire. Por consiguiente, se recomienda utilizar un panel de madera intermedio.**

**Importante** el diagrama de la figura 1 muestra cómo ha de aplicarse el sellado.

La placa se encaja con las sujeciones proporcionadas utilizando los agujeros de la base de la unidad.

Si se coloca una placa de 60 cm encima de un horno que no disponga de un sistema de refrigeración por ventilador, se recomienda la creación de aperturas en el mueble en el que se vaya a colocar para garantizar una circulación correcta del aire.

La dimensión de estas aperturas ha de ser de al menos 30 cm<sup>2</sup> y han de hacerse como se muestra en la *Figura 5*.

Cuando se coloque una placa de 75 cm sobre un horno, el horno ha de tener un sistema de refrigeración por ventilador.

### 1.2. UBICACIÓN IDEAL

Este aparato debe ser instalado según normativa vigente y utilizado en un espacio lo suficientemente ventilado. Lea las instrucciones antes de instalar o de utilizar este aparato.

Un electrodoméstico que funciona con gas produce calor y humedad en la zona en la que se coloca. Por ello ha de asegurarse una buena ventilación así como conductos de ventilación natural o extractores de gran potencia. La utilización intensa y prolongada del electrodoméstico puede requerir una ventilación adicional tal como abrir una ventana o aumentar la velocidad del ventilador eléctrico si dispone de uno.

Si no puede instalar una campana extractora debe disponerse de un ventilador eléctrico en la pared exterior o en la ventana para que se formen corrientes de aire en la zona.

El ventilador eléctrico tiene que poder cambiar el aire de la cocina entre 3 y 5 veces en una hora. El instalador ha de tener en cuenta los estándares nacionales pertinentes.

### 2.1. CONEXIÓN ELÉCTRICA

Comprobar la placa informativa situada en la parte exterior de la unidad para asegurar que el voltaje de entrada es el adecuado.

Antes de la conexión compruebe la toma de tierra.

Por ley este electrodoméstico tiene que tener toma de tierra. En caso de no cumplirse ese requisito el Fabricante no se responsabiliza de daños personales o materiales. Si no se adjunta enchufe alguno conecte un enchufe adecuado con la carga indicada en la placa de información. El cable de la toma de tierra es verde/amarillo. El enchufe tiene que estar siempre accesible.

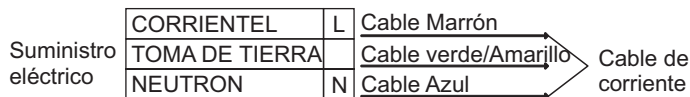
Cuando la Cocina se conecta directamente a la corriente eléctrica ha de instalarse también un cortacircuitos.

Si el cable está dañado le corresponde a una persona autorizada su sustitución para evitar posibles riesgos.

El cable de la toma de tierra (verde o amarillo) tiene que tener una longitud mínima de 10 mm más que los cables neutro y de corriente.

La sección del cable utilizada tiene que tener la dimensión correcta según la potencia que requiera la placa.

Compruébese la placa de información para información sobre suministro eléctrico y asegúrese de que el cable eléctrico es del tipo 3x0.75 mm<sup>2</sup> H05 V2V2-F.



Los medios de desconexión deben ser incorporados en el cableado fijo en conformidad con las reglas del cableado.

Si una unidad no dispone de cable eléctrico y un enchufe, y no dispone de otros medios de desconexión de la red eléctrica como por ejemplo una separación de contacto de los polos que proporcione una desconexión total según las condiciones de sobrecarga de voltaje de la categoría III, las instrucciones han de indicar que han de incorporarse al cableado fijo medios de desconexión de acuerdo con las normas de cableado.

### 2.2. CONEXIÓN DEL GAS

Estas instrucciones son para el personal cualificado, la instalación del equipo ha de hacerse de acuerdo con los estándares nacionales de aplicación. **(Sólo para el Reino Unido: por leu la instalación/conexión del gas tiene que realizarlo un instalador "Corgi" autorizado).**

Todos los trabajos han de realizarse con la corriente desconectada.

La placa de información de la placa muestra el tipo de gas para el que está diseñada. La conexión con el suministro de gas o el cilindro de gas debe realizarse una vez comprobada la regulación del tipo de gas suministrado. Si no está correctamente regulado véanse las instrucciones en los apartados siguientes para cambiar la configuración del gas.

Para el caso de gas líquido (gas en cilindro) utilícense reguladores de presión que cumplan los estándares nacionales pertinentes.

Utilícenso sólo tuberías, lavadores y lavadores de sellado que cumplan los estándares nacionales pertinentes.

En algunos modelos se proporciona una conexión cónica para colocar en el momento de la instalación en países en los que este tipo de conexión es obligatoria; en la imagen 8 se señala cómo reconocer los diferentes tipos de conexiones (CY= cilíndrica; CO= cónica). En cada caso la parte cilíndrica de la conexión tiene que conectarse a la placa.

Cuando se conecte la placa al gas mediante los latiguillos flexibles asegúrese de que la distancia máxima que abarca el latiguillo no excede los dos metros.

El tubo flexible se deberá instalar de tal forma que no pueda entrar en contacto con alguna parte móvil de la unidad de la vivienda (por ejemplo, un cajón) y no atraviese algún espacio susceptible de bloqueo.

Para evitar posibles daños en la placa proceda con la instalación como se indica en la secuencia (imagen 6):

1) **Como se muestra, montaje de las piezas en la secuencia**

A: Adaptador cilíndrico macho ½

B: Sello ½

C: Adaptador de Gas Cónico-Cilíndrico Hembra ½ o Cilíndrico-Cilíndrico

2) **Ajustar las juntas con la llave inglesa, recuérdese colocar las tuberías.**

3) **Adjuntar la pieza C al gas utilizando una tubería rígida de cobre o una tubería flexible de acero.**

**IMPORTANTE:** realícese una comprobación final de posibles pérdidas en las conexiones de las tuberías utilizando una solución jabonosa. No utilice jamás llamas para dicha comprobación. Asegúrese también que la tubería flexible no puede tocar pieza móvil alguna de la caldera (por ejemplo, la parte inferior) y que no se encuentra en un lugar donde pueda dañarse.

**Advertencia: si huele a gas cerca de la unidad corte el suministro de gas y llámese directamente al técnico. No busque la fuga mediante llama directa.**

### 2.3. ADAPTACIÓN DE LA PLACA A DISTINTOS TIPOS DE GAS

Para adaptar la placa a los distintos tipos de gas, síganse las instrucciones siguientes:

- retire las rejillas y los quemadores
- inserte una llave hexagonal (de 7 mm) en el soporte del quemador (*Imagen 7*)
- Desenrosque el inyector y sustitúyase por uno adecuado al tipo de gas que se va a utilizar (*véase la tabla del tipo de gas*)

### 2.4. REGULACIÓN DE LA LLAMA MÍNIMA

Una vez encendidos los quemadores, gire el mando de control al mínimo y luego retire el mando (se puede retirar con facilidad presionando ligeramente).

Con un destornillador pequeño tipo "Terminal" se puede ajustar el regulador como se muestra en la *Imagen 9*. Girar el tornillo en el sentido de las agujas del reloj reduce el flujo de gas, mientras que si se gira en sentido contrario el flujo aumenta. Utilice este ajuste para lograr una llama de unos 3 ó 4 mm de altura y vuelva a colocar el mando de control.

Cuando el tipo de gas disponible es LPG (Bombona) el tornillo para configurar la llama permanente ha de girarse (en el sentido de las agujas del reloj) hasta el final.

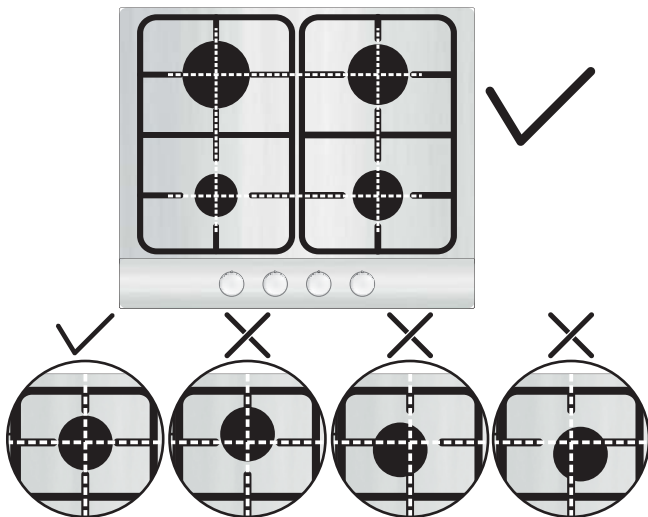
Cuando se realice un nuevo ajuste del gas sustitúyase la placa de información del gas anterior que figura en la unidad por una (que se proporciona con la placa) adecuada para el tipo de gas para el que está regulada)

### 3. UTILIZACIÓN DE LA PLACA INSTRUCCIONES PARA EL USUARIO

La unidad sólo puede utilizarse para el fin para el que está diseñado, la cocina casera, y otros posibles utilizaciones se considerarán inadecuados y podrían ser peligrosos. El Fabricante declina toda responsabilidad por daños o pérdidas que puedan derivarse de una utilización inadecuada.

Antes de utilizar el hornillo, asegúrese de que esté centrado en el hornillo el perímetro de la rejilla, según se muestra en la ilustración siguiente.

En caso de utilizar rejillas de hierro fundido: bajo la misma se indica su posición. Asegúrese de utilizar la rejilla exacta y en la posición correcta.



### 3.1. UTILIZACIÓN DEL QUEMADOR DE GAS

Para encender los quemadores colóquese una vela encendida al quemador, presionar y girar el mando de control en el sentido contrario a las agujas del reloj.

Si los quemadores no se han utilizado en un par de días espérese unos segundos antes de encender el quemador, esto permitirá que se elimine el aire que haya en los conductos.

Para unidades de ignición eléctrica realícese lo siguiente:

\* empuje hacia dentro y gire el mando en el sentido contrario a las agujas del reloj hasta el símbolo de ignición.

\* enciéndase el quemador presionando el botón de chispa.

Para las placas de ignición automática simplemente empújese hacia dentro y gírese el mando hasta la posición de ignición.

El sistema de ignición seguirá generando chispazos hasta que presione el mando del gas.

Si el quemador no se prende en 5 segundos gírese el mando a la posición 0 y repítase la operación.

En el caso de modelos con válvula de seguridad (que interrumpe el flujo de gas si la llama de apaga por accidente), los quemadores se encienden como se describe arriba, pero **ha de mantenerse pulsado el mando durante 5 o 6 segundos una vez prendida la llama.**

#### ATENCIÓN:

Antes de encender la placa de gas asegúrese de que los quemadores y los mandos correspondientes están en la posición adecuada.

**Advertencia: si no hay electricidad en el artefacto, para encender el quemador se debe usar un encendedor;**

- Presione y gire la perilla en sentido antihorario hasta el símbolo de encendido,

- Mientras presiona el botón, encienda el quemador utilizando un encendedor y mantenga pulsado el botón en 5 segundos después del encendido.

#### CONSEJO GENERAL

Para un mejor resultado la dimensión de la base de la batería de cocina ha de coincidir con la dimensión del quemador tal y como se indica. *Tabla A.*

Tipo de Quemador	Ø batería (cm)	Potencia (kW)	G20/20 mbar (Metano)	G30/28-30 mbar (LPG)
AUX Quemador Auxiliar	12 - 18	1,00	95 l/h	73 g/h
SR Quemador Semi-rápido	18 - 22	1,75	167 l/h	127 g/h
R Quemador Rápido	24 - 26	2,70	257 l/h	196 g/h
UR Ultra Rápido	26 - 28	3,50	334 l/h	254 g/h
DC 4 kW MONO	26 - 28	4,00	381 l/h	291 g/h

*Tabla A*

En caso de recipientes más pequeños el quemador ha de regularse con el fin de que la llama no sobrepase la base de la cazuela o sartén. No es recomendable utilizar baterías con bases cóncavas o convexas.

**ADVERTENCIA: Si un quemador se apaga por accidente, gire el mando hasta la posición de apagado y no intente volver a encender la llama hasta que transcurra como mínimo 1 minuto.**

Si con los años los reguladores del gas se endurecen y resulta difícil girarlos será necesario lubricarlos.

**Esta operación sólo la puede realizar, única y exclusivamente, personas del Servicio Técnico cualificadas.**

### 4. MANTENIMIENTO Y LIMPIEZA

Antes de limpiar la placa ésta tiene que estar fría. Desenchúfese o (si está conectada directamente) desconéctese de la corriente.

La limpieza y el mantenimiento que debe realizar el usuario no será realizada por niños sin supervisión.

No utilice jamás detergentes abrasivos y corrosivos, lejía o ácidos. Evite los ácidos o sustancias parecidas (zumo de limón, vinagre, etc.) en las secciones lacadas, barnizadas o de acero inoxidable.

Para limpiar las zonas esmaltadas, barnizadas o cromadas utilícese agua templada con jabón o detergente no cáustico. Después de limpiarla séquese los quemadores y vuelvan a colocarse.

**Es importante que los Quemadores se coloquen correctamente.**

#### Rejillas cromadas y quemadores

Las rejillas cromadas y los quemadores tienen tendencia a ponerse oscuros con el uso. Es algo normal e inevitable, pero es algo que no altera en absoluto el funcionamiento de la placa de cocina.

En todo caso en nuestro centro de servicio de post-venta pueden encontrarse piezas de recambio.

## 5. SERVICIO TÉCNICO

Antes de llamar al Servicio Técnico compruebe lo siguiente:

- que el enchufe está correctamente insertado y que el fusible funciona;

- que no hay problema con el suministro de gas.

Si no puede identificarse el fallo:

Desenchufe la placa no intente averiguarlo- llame al Servicio Técnico.

## 6. PROTECCIÓN DEL MEDIOAMBIENTE



Este aparato está etiquetado conforme a la Directiva europea 2012/19/EU sobre residuos de aparatos eléctricos y electrónicos.

(RAEE). La RAEE contiene tanto sustancias contaminantes (que pueden generar consecuencias negativas para el medio ambiente) como componentes básicos (que pueden reutilizarse). Es importante someter los RAEE a tratamientos

específicos, con el fin de

retirar y eliminar correctamente todos los contaminantes y reciclar todos los materiales.

Los usuarios pueden desempeñar una función importante para garantizar que los RAEE no representen un problema ambiental; es esencial que se sigan algunas reglas:

- Los RAEE no se deben tratar como residuos domésticos.

- Los RAEE se deben depositar en los puntos de recolección correspondientes gestionados por la municipalidad o por empresas registradas. En muchos países, para los RAEE de gran tamaño, puede existir la recolección domiciliaria.

- Cuando compre un nuevo aparato, el anterior debe devolverse al vendedor que lo debe recolectar gratuitamente de manera individual, siempre que el equipo sea de un tipo equivalente y que tenga las mismas funciones que el equipo entregado.

**Declaración de cumplimiento:** en este equipo, las piezas que se prevé que puedan estar en contacto con los alimentos, cumplen las regulaciones de la CEE indicadas en la directiva 89/109.

El aparato cumple con la Directiva Europea 2009/142/CE (GAD) y, a partir del 21/04/2018, con el Reglamento para Aparatos de Gas 2016/426 (GAR).

Al mostrar el logo **CE** marcado en este producto, declaramos, bajo nuestra propia responsabilidad, el cumplimiento de todos los requisitos europeos en términos de seguridad, salud y medio ambiente, establecidos en la legislación de este producto.

*El Fabricante no se responsabiliza de las posibles imprecisiones derivadas de la impresión o transcripción que se contengan en este libreto. Nos reservamos el derecho de realizar las modificaciones necesarias de los productos, incluidos los intereses de consumo, sin perjuicio de las características relacionadas con la seguridad o el funcionamiento.*

Tabla 1

	3 Gas	4 Gas	4 Gas	5 Gas	5 Gas	5 Gas
Placa del quemador	3 Gas	4 Gas	4 Gas	5 Gas	5 Gas	5 Gas
Quemador	Aux/R/DC 4 Mono	Aux/SR/R/DC 4 Mono	Aux/SR/R	UR/2R/SR/AUX	DC/2R/SR/AUX	DC/R/2SR/AUX
Type	UH60MF	UH60MF	UH60MF	UH75MF	UH75MF	UH75MF
FFD	Si	Si	Si	Si	Si	Si
Aux 1kW	1	1	1	1	1	1
Sr 1,75 kW	-	1	1	1	1	2
R 2,7 kW	1	1	1	2	2	1
UR 3,5 kW	-	-	-	1	-	-
Dc 4 kW Mono	1	1	-	-	1	1
Entrada nominal de calor	7,7 kW	9,45 kW	7,2 kW	11,65 kW	12,15 kW	11,2 kW
G20/20 mbar	734 l/h	900 l/h	686 l/h	1110 l/h	1157 l/h	1067 l/h
G30/28-30 mbar	560 g/h	688 g/h	524 g/h	848 g/h	884 g/h	815 g/h
Clase de instalación	3	3	3	3	3	3
Voltaje / Frecuencia V / Hz	220-240 V/ 50-60 Hz	220-240 V/ 50-60 Hz	220-240 V/ 50-60 Hz	220-240 V/ 50-60 Hz	220-240 V/ 50-60 Hz	220-240 V/ 50-60 Hz
Potencia de entrada	1	1	1	1	1	1
Ignición eléctrica	Si	Si	Si	Si	Si	Si
Dimensión del producto	595x510	595x510	595x510	745x510	745x510	745x510

Este electrodoméstico está pensado para aquellos que no son profesionales, es decir, uso casero.



## INSTRUKCJE DOTYCZĄCE BEZPIECZEŃSTWA

Zalecamy zachowanie instrukcji instalacji i obsługi na przyszłość, a przed zainstalowaniem płyty odnotowanie numeru seryjnego urządzenia, gdyby konieczne było skorzystanie z pomocy obsługi posprzedażowej.

**OSTRZEŻENIE:** urządzenie i niektóre z jego elementów nagrzewają się w trakcie działania. Należy zachować ostrożność, aby nie dotknąć elementów grzejnych. Dzieci poniżej 8 roku życia powinny przebywać z dala od urządzenia, chyba że są one pod stałym nadzorem osoby dorosłej.

**OSTRZEŻENIE:** należy korzystać wyłącznie z osłon płyty kuchennej zaprojektowanych przez producenta urządzenia lub wskazanych przez niego w instrukcji obsługi jako odpowiednie lub z osłon płyty kuchennej wbudowanych w urządzenie. Stosowanie nieprawidłowych osłon może doprowadzić do wypadków.

**OSTRZEŻENIE:** przyrządzanie na płycie potraw z użyciem tłuszczu lub oleju może być niebezpieczne i może skutkować pożarem. **NIGDY** nie należy próbować gasić pożaru wodą. Należy wyłączyć urządzenie, a następnie zakryć płomień, na przykład pokrywką lub kocem gaśniczym.

**OSTRZEŻENIE:** niebezpieczeństwo pożaru: powierzchnie płyty kuchennej nie służą do przechowywania przedmiotów.

**OSTRZEŻENIE:** jeśli powierzchnia jest pęknięta, nie dotykaj szyby i wyłącz urządzenie, aby uniknąć ryzyka porażenia prądem.

Urządzenie to może być obsługiwane przez dzieci powyżej 8 roku życia oraz osoby o ograniczonej zdolności fizycznej, czuciowej lub psychicznej bądź nieposiadające doświadczenia i wiedzy, jeśli są one pod nadzorem lub poinstruowano je w zakresie bezpiecznej obsługi urządzenia i rozumiały one ewentualne zagrożenia. Dzieci powinny być pod nadzorem osoby dorosłej, która zapewni, że nie będą się one bawić tym urządzeniem. Czyszczenie i konserwacja urządzenia nie powinny być przeprowadzane przez dzieci bez nadzoru.

**PRZESTROGA:** proces gotowania powinien być nadzorowany. Krótki proces gotowania powinien być stale nadzorowany.

Aby uniknąć ryzyka mocnych oparzeń, dzieci powinny przebywać z dala od działających powierzchni grzejnych, również tuż po wyłączeniu ich, dopóki świeci się lampka informująca o gorącej jeszcze powierzchni.

Urządzenie to nie powinno być sterowane przez zewnętrzny regulator czasowy lub osobny system sterowania zdalnego.

W przypadku urządzeń z wbudowanymi lampami halogenowymi nie należy się w lampy te wpatrywać.

Podłączyć wtyczkę do kabla zasilającego odpowiedniego do wymaganego napięcia, prądu i obciążenia wskazanego na tabliczce oraz posiadającego styk uziemiający. Gniazdko musi być odpowiednie do obciążenia wskazanego na tabliczce i musi posiadać podłączony oraz działający styk uziemiający. Przewód uziemiający

jest koloru żółto-zielonego. Czynność tę powinien przeprowadzić odpowiednio wykwalifikowany specjalista. W razie niekompatybilności pomiędzy gniazdkiem a wtyczką urządzenia należy poprosić wykwalifikowanego elektryka o wymianę gniazdka na inne odpowiedniego typu. Wtyczka oraz gniazdko powinny być zgodne z obowiązującymi w danym kraju przepisami w zakresie instalacji elektrycznej.

Podłączenie do źródła zasilania można wykonać również poprzez umieszczenie pomiędzy urządzeniem a źródłem zasilania wielobiegunowego wyłącznika, który wytrzyma maksymalne podłączone obciążenie i który będzie zgodny z obowiązującymi przepisami.

Żółto-zielony kabel uziemiający nie powinien być przerwany przez ten wyłącznik. Gniazdko oraz wyłącznik wielobiegunowy zastosowany do podłączenia powinien być po zainstalowaniu urządzenia łatwo dostępny.

Rozłączania można dokonywać dzięki dostępnej wtyczce lub wbudowanemu przełącznikowi w stałym okablowaniu, zgodnie z obowiązującymi przepisami w zakresie okablowania.

W razie uszkodzenia kabla zasilającego powinien go wymienić producent, serwisant lub inna wykwalifikowana osoba, aby uniknąć zagrożenia. Przewód uziemiający (żółto-zielony) na stronie zacisku musi być dłuższy niż 10 mm. Przekrój przewodów wewnętrznych musi być dostosowany do wartości mocy pobieranej przez płytę kuchenną (podanej na tabliczce znamionowej). Kabel zasilający musi być typu HO5V2V2-F.

Nie umieszczać na płycie kuchennej przedmiotów metalowych, takich jak noże, widelce, łyżki lub pokrywki. Mogą się one nagrzać.

Nie umieszczać na strefach grzejnych folii aluminiowej i naczyń plastikowych.

Po każdym użyciu płytę kuchenną należy przynajmniej w pewnym stopniu wyczyścić, aby zapobiec nawarstwianiu się brudu i tłuszczu. Pozostawiony brud lub tłuszcz przy kolejnym użyciu płyty kuchennej będzie się przypalał, powodując nieprzyjemny zapach, a także mogąc doprowadzić do ryzyka powstania pożaru.

Nigdy nie używać do czyszczenia urządzenia pary lub wody rozpylanej pod wysokim ciśnieniem.

Nie dotykać stref grzejnych podczas ich działania lub tuż po wyłączeniu ich.

Nigdy nie gotować jedzenia bezpośrednio na szklano-ceramicznej płycie kuchennej.

Zawsze korzystać z odpowiednich garnków.

Zawsze umieszczać patelnię na środku strefy, na której zamierza się gotować. Nie umieszczać nic na panelu sterowania.

Nie używać płyty kuchennej jako blatu roboczego.

Nie używać powierzchni jako deski do krojenia.

Nie przechowywać nad płytą kuchenną ciężkich przedmiotów. Jeśli spadną one na płytę kuchenną, mogą spowodować uszkodzenia.

Nie używać płyty kuchennej do przechowywania jakichkolwiek elementów.

Nie przesuwaj garnków/patelni po płycie kuchennej.

## 1. INSTRUKCJE DLA INSTALATORA

INSTALACJA URZĄDZENIA DOMOWEGO MOŻE BYĆ SKOMPLIKOWANĄ OPERACJĄ, KTÓRA JEŻELI NIE BĘDZIE WYKONANA PRAWIDŁOWO, MOŻE POWAŻNIE ZAGROZIĆ BEZPIECZEŃSTWU UŻYTKOWNIKA. DLATEGO TEŻ, ZADANIE TO POWINNO BYĆ WYKONANE PRZEZ OSOBĘ O ODPOWIEDNICH KWALIFIKACJACH ORAZ ZGODNIE Z OBOWIĄZUJĄCYMI PRZEPISAMI. W PRZYPADKU ZIGNOROWANIA NINIEJSZEGO ZALECENIA I WYKONANIA INSTALACJI PRZEZ OSOBĘ BEZ ODPOWIEDNICH KWALIFIKACJI, PRODUCENT NIE PONOSI ŻADNEJ ODPOWIEDZIALNOŚCI ZA JAKIEKOLWIEK USTERKI TECHNICZNE, BEZ WZGLĘDU NA TO, CZY SPOWODUJĄ ONE SZKODY W MIENIU, CZY TEŻ USZKODZENIA CIAŁA U LUDZI.

### 1.1. ZABUDOWA

Płytę można zamontować w dowolnym blacie kuchennym, który jest odporny na działanie temperatury do 100C oraz posiada grubość 25-45 mm. Wymiary otworu, który należy wyciąć w blacie kuchennym, podane są na *Rysunku 2*.

Jeżeli kuchenka jest montowana obok szafki kuchennej, odległość pomiędzy płytą i szafką musi być co najmniej 15 cm (*patrz Rysunek 4*); natomiast odległość pomiędzy płytą i ścianą kuchni musi być co najmniej 70 mm.

Odległość pomiędzy płytą i szafką lub jakimkolwiek urządzeniem zamontowanym nad kuchenką (np. okapem) musi być nie mniejsza niż 70 cm (*Rysunek 4*).

Jeżeli pod zabudowaną płytą znajduje się dostępna przestrzeń, konieczne jest zamontowanie przegrody z materiału izolacyjnego (np. drewna) (*Rysunek 3*).

**Metalowe przedmioty w szufladzie mogą osiągać wysokie temperatury w wyniku recykulacji powietrza. Dlatego zaleca się stosowanie pośredniego panelu drewnianego.**

**Uwaga - Na Rysunku 1 pokazano sposób przyklejenia uszczelki.**

Płytę należy zamocować przy użyciu uchwytów znajdujących się w jej wyposażeniu, korzystając z otworów wykonanych w podstawie płyty.

W przypadku montowania płyty o szerokości 60 cm nad piekarnikiem, który nie jest wyposażony w obieg chłodzący, zaleca się utworzenie otworów w zabudowie w celu zapewnienia prawidłowego przepływu powietrza.

Wielkość tych otworów powinna wynosić co najmniej 300 cm<sup>2</sup> i należy je rozmieścić w sposób pokazany na *Rysunku 5*.

W przypadku montowania płyty o szerokości 75 cm nad piekarnikiem do zabudowy, piekarnik musi być wyposażony w obieg chłodzący.

### 1.2. ODPOWIEDNIE POMIESZCZENIE

Urządzenie musi być zainstalowane zgodnie z obowiązującymi przepisami i w miejscu dobrze wentylowanym. Proszę zapoznać się z instrukcją przed przystąpieniem do instalacji.

W przestrzeni, w której zainstalowana jest kuchenka gazowa powstają duże ilości ciepła i pary. Dlatego też, konieczne jest zapewnienie dobrej wentylacji poprzez utrzymywanie naturalnego obiegu powietrza lub poprzez zamontowanie okapu kuchennego z wyciągiem. W przypadku długiego i intensywnego użytkowania kucharki, konieczne może być zastosowanie dodatkowej wentylacji, na przykład poprzez otwarcie okna lub zwiększenie obrotów wentylatora.

Przy braku możliwości zamontowania okapu, w ścianie zewnętrznej lub w oknie należy zainstalować wentylator elektryczny pod warunkiem, że pomieszczenie posiada otwory odpowietrzające.

Wentylator elektryczny powinien zapewniać pełną wymianę powietrza w kuchni w tempie 3-5 razy na godzinę. Instalator powinien przestrzegać obowiązujących w danym kraju przepisów.

#### 2.1. PODŁĄCZENIE DO SIECI ELEKTRYCZNEJ

Upewnić się, że napięcie w sieci odpowiada napięciu podanemu na tabliczce znamionowej znajdującej się na obudowie urządzenia.

Przed podłączeniem, sprawdź obwód uziemienia.

Zgodnie z przepisami prawa, niniejsze urządzenie musi być uziemione. W razie nie przestrzegania tego wymagania, producent nie poniesie żadnej odpowiedzialności za jakiegokolwiek szkody w stosunku do osób lub mienia. Jeżeli kabel zasilający nie posiada wtyczki, należy zamontować wtyczkę dopasowaną do obciążenia wskazanego na tabliczce znamionowej urządzenia. Przewód uziemienia jest w kolorze żółtozielonym. Wtyczka powinna być zawsze dostępna.

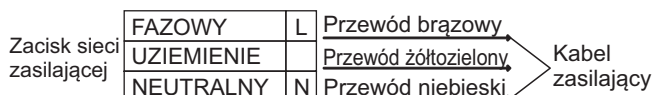
W przypadku gdy płyta podłączona jest bezpośrednio do sieci elektrycznej, konieczne jest zainstalowanie wyłącznika automatycznego.

W razie uszkodzenia kabla zasilającego, musi on być wymieniony przez wykwalifikowanego elektryka w celu wyeliminowania potencjalnych zagrożeń.

Przewód uziemienia (w kolorze żółtozielonym) musi być co najmniej 10 mm dłuższy niż przewód fazowy i neutralny.

Przekrój poprzeczny kabla zasilającego musi być o wielkości dostosowanej do mocy pobieranej przez płytę.

Sprawdź na tabliczce znamionowej dane dotyczące podłączenia do sieci elektrycznej oraz upewnij się, że kabel zasilający jest typu 3x0.75 mm<sup>2</sup> H05 V2V2-F.



Wyłącznik musi być podłączony do okablowania zgodnie z obowiązującymi przepisami.

Jeśli urządzenie nie posiada kabla i wtyczki lub innego rozwiązania umożliwiającego odłączenie od odpowiednio zabezpieczonej sieci elektrycznej pozwalającej na pełne odłączenie przy wystąpieniu nadnapięcia spełniającego warunki kategorii III, instrukcja stwierdza, że sposoby odłączenia muszą być wbudowane w instalację elektryczną, zgodnie z zasadami okablowania.

#### 2.2. PODŁĄCZENIE DO GAZU

Poniższe instrukcje przeznaczone są dla wykwalifikowanego personelu, instalacja urządzenia musi być zgodna z obowiązującymi normami krajowymi. **(Wyłącznie dla Wielkiej Brytanii: zgodnie z przepisami prawa, instalacja gazowa i jej odbiór muszą być przeprowadzone przez instalatora zarejestrowanego w CORGI)** Wszystkie prace muszą być wykonane przy odłączonym zasilaniu elektrycznym.

Na tabliczce znamionowej urządzenia wskazany jest rodzaj gazu do którego zostało ono przystosowane. Podłączenie do sieci gazowej lub do butli z gazem płynnym należy przeprowadzić po uprzednim upewnieniu się, że urządzenie jest wyregulowane dla danego rodzaju gazu, który ma być podłączony. Jeżeli urządzenie nie jest prawidłowo wyregulowane, patrz instrukcje w kolejnym punkcie na temat zmiany ustawień gazowych.

W przypadku butli z gazem płynnym (butli gazowej) należy zastosować regulator ciśnienia zgodny z obowiązującymi normami krajowymi.

Należy stosować wyłącznie rury, podkładki i uszczelki, które są zgodne z obowiązującymi normami krajowymi.

W niektórych modelach, na wyposażeniu urządzenia znajduje się łącznik stożkowy, przeznaczony do zamontowania na terenie krajów, w których ten typ łącznika jest obligatoryjny; na rysunku 8 pokazano w jaki sposób rozróżnić poszczególne typy łącznika (CY = cylindryczny, CO = stożkowy). W każdym przypadku, cylindryczna część łącznika musi być podłączona do płyty gazowej.

W przypadku podłączania płyty do gazu przy użyciu przewodów elastycznych, należy zapewnić, aby maksymalna odległość łączenia tym przewodem nie przekroczyła 2 metrów.

Giętkiej rurki, powinny być wyposażone w taki sposób, że nie może wejść w kontakt z ruchomą częścią mieszkania (np. szuflady) i nie przechodzi przez wszelkie miejsca, gdzie może stać się zgnieciony / załamane lub uszkodzone w inny sposób.

Aby zapobiec ewentualnemu uszkodzeniu płyty, należy zachować następującą kolejność podczas instalacji (*rysunek 6*):

**1) Jak pokazano na rysunku, kolejno zamontować:**

A: Łącznik cylindryczny męski 1/2"

B: Uszczelka 1/2"

C: Łącznik gazowy damski stożek-cylinder lub cylinder-cylinder 1/2"

**2) Zaciśnąć połączenie przy użyciu kluczy, pamiętając o ułożeniu przewodów rurowych w odpowiednim położeniu.**

**3) Podłączyć łącznik C do domowej instalacji gazowej przy użyciu sztywnego przewodu miedzianego lub stalowego przewodu elastycznego.**

**UWAGA:** sprawdzić szczelność połączeń przewodów rurowych przy użyciu roztworu wody z mydłem. Nigdy nie należy do tego celu używać płomienia. Należy również upewnić się, że przewód elastyczny nie wejdzie w kontakt z ruchomą częścią szafki (np. szufladą), oraz że jest on ułożony w sposób wykluczający jego uszkodzenie.

**Ostrzeżenie:** Jeżeli w pobliżu urządzenia wyczuwalny jest gaz, należy natychmiast odciąć dopływ gazu do urządzenia i wezwać instalatora. Nie próbować wykrywania nieszczelności przy pomocy otwartego płomienia.

### 2.3. PRZYSTOSOWANIE PŁYTY DO RÓŻNYCH RODZAJÓW GAZU

W celu przystosowania płyty do różnych rodzajów gazu, należy wykonać następujące czynności:

- Zdjąć ruszty i palniki
- Umieścić klucz sześciokątny (7 mm) we wsporniku palnika (Rysunek 7)
- Odkręcić dysze i wymienić je na dysze odpowiednie do danego rodzaju gazu (patrz tabela rodzajów gazu).

### 2.4. REGULACJA PŁOMIENIA MINIMALNEGO

Po zapaleniu palników, ustawić pokrętkę w pozycji płomienia minimalnego i następnie zdjąć pokrętkę (można je łatwo zdjąć wywierając niewielki nacisk).

Przy użyciu małego wkrętaka można następnie wyregulować śrubę regulacyjną w sposób pokazany na Rysunku 9. Obracanie śruby w kierunku zgodnym z ruchem wskazówek zegara powoduje zmniejszenie przepływu gazu, natomiast obracanie w kierunku przeciwnym do ruchu wskazówek zegara powoduje zwiększenie przepływu. Regulację należy przeprowadzać do momentu uzyskania płomienia o długości około 3-4 mm, poczym należy założyć pokrętkę.

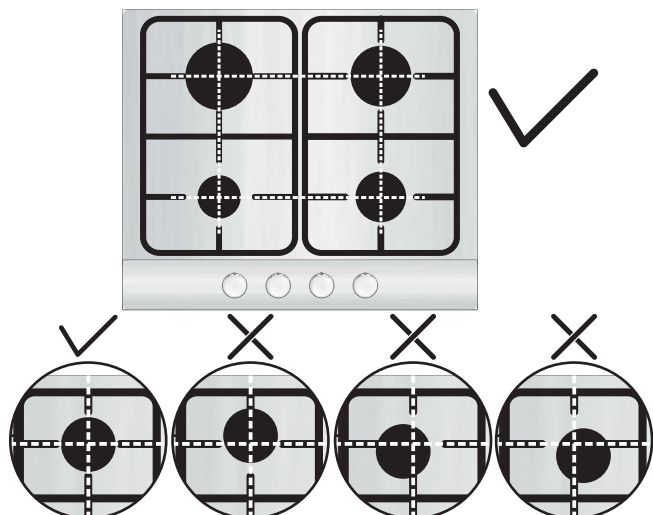
W przypadku korzystania z butli z gazem płynnym (LPG) śrubę do regulacji płomienia minimalnego należy obrócić (zgodnie z kierunkiem ruchu wskazówek zegara) aż do oporu.

Po przeprowadzeniu regulacji dla nowego rodzaju gazu, należy wymienić starą tabliczkę znamionową umieszczoną na urządzeniu na nową tabliczkę (znajdującą się na wyposażeniu płyty) odpowiednią dla rodzaju gazu, dla którego przeprowadzono regulację.

### 3. UŻYTKOWANIE PŁYTY - INSTRUKCJE DLA UŻYTKOWNIKA

Urządzenie może być używane wyłącznie do celu, do którego zostało przeznaczone, tzn. do przyrządzania potraw w gospodarstwie domowym, i jego używanie do wszelkich innych celów będzie traktowane jako niewłaściwe i może być niebezpieczne. Producent nie ponosi odpowiedzialności za wszelkie szkody spowodowane niewłaściwym użytkowaniem urządzenia.

Przed użyciem palnika należy upewnić się, że obwody siatki środkują palnik zgodnie z poniższym rysunkiem. W przypadku korzystania z siatek żeliwnych; pod siatką znajduje się jej pozycja. Należy upewnić się, że w właściwa siatka stosowana jest w prawidłowym położeniu.



### 3.1. UŻYWANIE PALNIKÓW GAZOWYCH

Aby zapalić palnik, należy umieścić w jego pobliżu zapaloną świeczkę, nacisnąć i obrócić pokrętkę w kierunku przeciwnym do ruchu wskazówek zegara.

Jeżeli palniki nie były używane przez kilka dni, należy odczekać kilka sekund przed zapaleniem palnika, pozwoli to na wydostanie się powietrza zgromadzonego w przewodach rurowych.

W przypadku urządzeń wyposażonych w zapalacze elektroniczne, należy wykonać następujące czynności:

nacisnąć i obrócić pokrętkę w kierunku przeciwnym do ruchu wskazówek zegara do pozycji symbolu zapłonu, zapalić palnik naciskając na przycisk iskrownika.

W przypadku płyt wyposażonych w zapalacze automatyczne, wystarczy po prostu nacisnąć i obrócić pokrętkę do pozycji symbolu zapłonu.

System zapłonowy będzie generował iskry przez cały czas, gdy naciśnięty jest kurek gazowy.

Jeżeli palnik nie zostanie zapalony po upływie 5 sekund, należy obrócić pokrętkę do pozycji 0 i powtórzyć czynność.

W przypadku modeli wyposażonych w zabezpieczenie przeciwwypływowo (które odcina dopływ gazu w razie przypadkowego zgaśnięcia płomienia), zapalenie palników odbywa się w sposób opisany powyżej, przy czym należy pamiętać, że **po zapaleniu płomienia pokrętkę należy jeszcze przytrzymać w pozycji wciśniętej przez 5 do 6 sekund.**

#### UWAGA:

Przed włączeniem płyty gazowej, należy upewnić się, że palniki i nakrywki palników są prawidłowo umieszczone na swoich miejscach.

**Ostrzeżenie:** Jeśli w urządzeniu nie ma prądu, w celu uruchomienia palnika należy użyć zapalniczki:

- Wcisnąć i obrócić pokrętkę w lewo w kierunku symbolu zapłonu
- Naciskając przycisk, zapalić palnik za pomocą zapalniczki i przytrzymać przycisk wciśnięty przez 5 sekund po zapaleniu.

#### UWAGA OGÓLNA

W celu maksymalnego wykorzystania palników, należy używać naczyń z płaskim dnem o średnicy odpowiednio dopasowanej do wielkości palnika. Tabela A.

Typ palnika	Średnica naczynia/garnka (cm)	Moc (kW)	G20/20 mbar (Metan)	G30/28-30 mbar (LPG)
AUX Quemador Auxiliar	12 - 18	1,00	95 l/h	73 g/h
SR Quemador Semi-rápido	18 - 22	1,75	167 l/h	127 g/h
R Quemador Rápido	24 - 26	2,70	257 l/h	196 g/h
UR Ultra Rápido	26 - 28	3,50	334 l/h	254 g/h
DC 4 kW MONO	26 - 28	4,00	381 l/h	291 g/h

Tabela A

W przypadku korzystania z mniejszych naczyń, palnik należy wyregulować tak, aby płomień nie wychodził poza brzeg naczynia. Naczynia z wypukłym lub wklęsłym dnem nie powinny być używane.

**OSTRZEŻENIE:** W razie przypadkowego zgaśnięcia płomienia, należy wyłączyć palnik i spróbować powtórnie go zapalić dopiero po upływie co najmniej 1 minuty.

Jeżeli z biegiem lat kurki gazowe zaczną się ciężko obracać, konieczne będzie ich naoliwienie.

**Czynność ta może być przeprowadzona wyłącznie przez wykwalifikowany personel serwisu.**

### 4. CZYSZCZENIE I KONSERWACJA

Przed przystąpieniem do czyszczenia, należy upewnić się, że płyta wystygła. Wyjąć wtyczkę z gniazdka zasilania lub (w przypadku podłączenia bezpośredniego) wyłączyć zasilanie elektryczne.

Do czyszczenia płyty nigdy nie należy używać środków ściernych, środków zawierających substancje żrące, wybielające lub kwasy. Należy również unikać stosowania substancji kwaśnych lub alkalicznych (sok z cytryny, ocet itp.) do części emaliowanych, lakierowanych lub wykonanych ze stali nierdzewnej.

**OSTRZEŻENIE** Do czyszczenia płyt gazowych nie wolno używać oczyszczaczy parowych."

Podczas czyszczenia emaliowanych, lakierowanych lub chromowanych części, należy używać ciepłej wody z mydłem lub detergentu nie zawierającego substancji żrących. Do czyszczenia części ze stali nierdzewnej, należy używać odpowiedniego roztworu czyszczącego.

Palniki można czyścić wodą z mydłem. Aby przywrócić ich oryginalny blask, należy stosować domowy płyn do czyszczenia stali nierdzewnej. Po wyczyszczeniu, palniki należy wysuszyć i umieścić na płycie.

**Istotne jest, aby palniki były umieszczone dokładnie na swoim miejscu.**

### Chromowane ruszty i palniki

Chromowane ruszty i palniki mają tendencję do ciemnienia w miarę ich używania. Jest to zjawisko normalne i nieuchronne, w żadnym stopniu jednak nie pogarszające funkcjonalności płyty gazowej.

W każdym bądź razie, są one dostępne w naszym centrum serwisowym jako części zamienne.

## 5. OBSŁUGA SERWISOWA

Przed zadzwonieniem do pracownika serwisu, należy upewnić się, że:

- wtyczka jest prawidłowo umieszczona w gniazdku;
- nie ma awarii zasilania gazowego.

Jeżeli nie można zidentyfikować źródła usterki: urządzenie należy wyłączyć - nie próbować go samodzielnie naprawiać - zadzwonić do centrum serwisowego.

## 6. OCHRONA ŚRODOWISKA



Urządzenie to jest oznaczone zgodnie z Dyrektywą Europejską 2012/19 / UE w sprawie zużytego sprzętu elektrycznego i elektronicznego (WEEE). Zużyty sprzęt elektryczny i elektroniczny zawiera zarówno substancje zanieczyszczające (o negatywnym oddziaływaniu na środowisko naturalne), jak i podstawowe elementy (które można użytkować wielokrotnie). Ważne, aby zużyty sprzęt elektryczny i elektroniczny poddawać specjalnej obróbce w celu bezpiecznego usunięcia i pozbycia się wszystkich środków zanieczyszczających i odzyskania wszystkich surowców wtórnych.


Urządzenie należy poddać specjalnej obróbce w celu bezpiecznego usunięcia i pozbycia się wszystkich środków zanieczyszczających i odzyskania wszystkich surowców wtórnych.

Poszczególne osoby odgrywają ważną rolę w zapobieganiu szkodliwemu oddziaływaniu zużytego sprzętu elektrycznego i elektronicznego na środowisko, ważne aby przestrzegać kilku podstawowych zasad:

- Zużyty sprzęt elektryczny i elektroniczny nie może być traktowany jako odpad komunalny.
- Zużyty sprzęt elektryczny i elektroniczny przekazuje się do właściwych punktów zbiórki prowadzonych przez gminy lub koncesjonowane firmy. W wielu krajach, gdzie jest dużo zużytego sprzętu elektrycznego i elektronicznego, odbiera się go z domów.
- gdy kupuje się nowe urządzenie, zużyte można zwrócić do sprzedawcy, który musi je przyjąć bezpłatnie, na zasadzie zamiany jeden za jeden, o ile urządzenie to jest tego samego rodzaju i ma takie same funkcje, jak urządzenie dostarczone.

**Deklaracja zgodności:** Niniejsze urządzenie, w części przeznaczonej do kontaktu ze środkami spożywczymi spełnia wymagania przepisów ustanowionych w Dyrektywie 89/109/EWG.

Urządzenie jest zgodne z Europejską Dyrektywą 2009/142 / WE (GAD), a od dnia 21 kwietnia 2018 r. z rozporządzeniem w sprawie urządzeń spalających paliwa gazowe 2016/426 (GAR).

Poprzez umieszczenie oznaczenia  na tym produkcie poświadczamy na własną odpowiedzialność przestrzeganie wszystkich wymogów europejskich dotyczących bezpieczeństwa, ochrony zdrowia i środowiska określonych w przepisach dla tego produktu.

*Producent nie ponosi odpowiedzialności za jakiegokolwiek niedokładności spowodowane błędami w druku lub w transkrypcji zawarte w niniejszej broszurze. Zastrzegamy sobie prawo do dokonywania modyfikacji produktu zgodnie z potrzebami, w tym w interesie konsumenta, bez uszczerbku dla charakterystyki dotyczącej bezpieczeństwa lub funkcjonalności.*

Tabela 1

	3 Gas	4 Gas	4 Gas	5 Gas	5 Gas	5 Gas
Płyta palnika	3 Gas	4 Gas	4 Gas	5 Gas	5 Gas	5 Gas
Palnik	Aux/R/DC 4 Mono	Aux/SR/R/DC 4 Mono	Aux/SR/R	UR/2R/SR/AUX	DC/2R/SR/AUX	DC/R/2SR/AUX
Type	UH60MF	UH60MF	UH60MF	UH75MF	UH75MF	UH75MF
FFD	TAK	TAK	TAK	TAK	TAK	TAK
Aux 1kW	1	1	1	1	1	1
Sr 1,75 kW	-	1	1	1	1	2
R 2,7 kW	1	1	1	2	2	1
UR 3,5 kW	-	-	-	1	-	-
Dc 4 kW Mono	1	1	-	-	1	1
Nominalne ciepło wejściowe	7,7 kW	9,45 kW	7,2 kW	11,65 kW	12,15 kW	11,2 kW
G20/20 mbar	734 l/h	900 l/h	686 l/h	1110 l/h	1157 l/h	1067 l/h
G30/28-30 mbar	560 g/h	688 g/h	524 g/h	848 g/h	884 g/h	815 g/h
Klasa instalacji	3	3	3	3	3	3
Napięcie / Częstotliwość V / Hz	220-240 V/ 50-60 Hz	220-240 V/ 50-60 Hz	220-240 V/ 50-60 Hz	220-240 V/ 50-60 Hz	220-240 V/ 50-60 Hz	220-240 V/ 50-60 Hz
Moc elektryczna pobierana	1	1	1	1	1	1
Zapłon elektryczny	TAK	TAK	TAK	TAK	TAK	TAK
Wymiary produktu	595x510	595x510	595x510	745x510	745x510	745x510

Niniejsze urządzenie przeznaczone jest do użytku domowego.

## GÜVENLİK TALİMATLARI

Kurulum ve kullanım talimatlarını daha sonra başvurmak üzere saklamanızı ve ocağın kurulumunu gerçekleştirmeden önce, satış sonrası servis almanız gerektiğinde kullanmak üzere seri numarasını not etmenizi tavsiye ederiz. UYARI: Cihaz ve erişilebilir parçaları kullanım sırasında sıcak olur. Isıtma elemanlarına dokunmamaya dikkat edilmelidir. 8 yaşından küçük çocuklar, sürekli olarak gözetim altında olmadıkları sürece cihazdan uzak tutulmalıdır.

UYARI: Yalnızca pişirme cihazının Üreticisi tarafından tasarlanmış veya kullanım talimatlarında Üretici tarafından belirtilen ocak korumalarını ya da cihazla birlikte verilen ocak korumalarını kullanın. Uygun olmayan korumaların kullanılması kazalara neden olabilir.

UYARI: Gözetimsiz bir şekilde, katı veya sıvı yağ ile ocağın üzerinde yapılan pişirme işlemleri tehlikeli olabilir ve yangına neden olabilir. Yangını HİÇBİR ZAMAN suyla söndürmeyi denemeyin; bunun yerine cihazı kapatın ve kapak ya da yangın battaniyesi gibi bir aletle alevlerin üzerini örtün.

UYARI: Yangın tehlikesi: Pişirme yüzeylerinde eşya bırakmayın.

UYARI: Yüzeyde çatlak varsa cama dokunmayın ve elektrik çarpması olasılığını önlemek için cihazı kapatın.

Bu cihaz, gözetim altında veya cihazın güvenli bir şekilde kullanımına ilişkin talimatların verilmesi ve ilgili tehlikelerin anlaşılması halinde 8 yaşından büyük çocuklar ve fiziksel, duyuşsal ya da zihinsel engeli bulunan veya yeterli deneyim ve bilgiye sahip olmayan kişiler tarafından kullanılabilir. Çocuklar, cihaz ile oynamadıklarından emin olmak amacıyla gözetim altında tutulmalıdır. Temizlik ve kullanıcı bakımı işlemleri, gözetim altında olmayan çocuklar tarafından yapılmamalıdır.

DİKKAT: Pişirme işlemi gözetim altında yapılmalıdır. Kısa süreli bir pişirme işlemi sürekli olarak gözetim altında tutulmalıdır.

Ciddi yanık riskini önlemek için pişirme bölgeleri çalışır durumdayken veya kapalıyken, kalıntı ısı göstergesi açık olduğu sürece çocukların bu bölgelerden uzak tutulmaları önemle tavsiye edilir.

Bu cihaz, harici zamanlayıcı veya ayrı bir uzaktan kumanda sistemi yoluyla kullanılmak için değildir. Varsa, halojen lambalı ocak elemanlarına doğrudan bakmayın.

Besleme kablosuna etikette belirtilen gerilimi, akımı ve yükü kaldırabilecek, toprak bağlantısı olan bir fiş takın. Prizin etikette belirtilen yüke uygun, toprak bağlantısı yapılmış ve çalışır durumda olması gerekir. Topraklama iletkeni sarı-

yeşil renklidir. Bu işlem yalnızca uygun yetkinliğe sahip personel tarafından gerçekleştirilmelidir. Prizle cihazın fişi arasında uyumsuzluk olması durumunda, yetkin bir elektrik ustasından prizi uygun tipte bir prizle değiştirmesini isteyin. Fiş ve priz kurulumun yapıldığı ülkede geçerli olan normlara uygun olmalıdır.

Güç kaynağı bağlantısı, cihazla güç kaynağı arasına maksimum bağlı yükü kaldırabilecek ve geçerli mevzuata uygun olan omnipolar bir devre kesici yerleştirilerek de yapılabilir.

Sarı-yeşil topraklama kablosu devre kesici tarafından kesintiye uğratılmamalıdır. Priz veya bağlantı için kullanılan omnipolar devre kesici, cihazın kurulumu yapıldığında kolayca erişilebilir durumda olmalıdır.

Bağlantı, fişin erişilebilir durumda tutulması veya kablolama kurallarına uygun şekilde sabit kablo tesisatına bir anahtarın eklenmesi yoluyla kesilebilir.

Besleme kablosu hasarlıysa tehlikeyi önlemek amacıyla Üretici, Üreticinin servis temsilcisi veya benzeri bir yetkin kişi tarafından değiştirilmelidir. Toprak iletkeni (sarı-yeşil) uç bloğu tarafında 10 mm'den uzun olmalıdır. İç iletkenler bölümü, ocağın aldığı güce uygun olmalıdır (alınan güç etikette belirtilir). Güç kablosu HO5V2V2-F tipi olmalıdır.

Bıçak, çatal, kaşık veya kapak gibi metal nesnelere ocağın üzerine koymayın. Bu gibi nesnelere ısınabilir.

Alüminyum folyo ve plastik kaplar ısıtma bölgelerine yerleştirilmemelidir.

Her kullanımdan sonra kir ve yağ birikimini önlemek için ocağın temizlenmesi gerekir. Bu gibi kalıntılar, ocağın üzerinde bırakılırsa ocak kullanıldığında tekrar pişerek duman ve hoş olmayan kokuların oluşmasına, ayrıca alevin yayılması riskine neden olur.

Cihazı temizlemek için hiçbir zaman buhar veya yüksek basınçlı sprey kullanmayın.

Çalışma sırasında veya kullanımdan kısa bir süre sonra ısıtma bölgelerine dokunmayın.

Hiçbir zaman yemekleri doğrudan cam seramik ocağın üzerinde pişirmeyin.

Her zaman uygun pişirme gereçleri kullanın.

Tencereyi her zaman yemek pişirmek için üzerine koyduğunuz birimin ortasına yerleştirin. Kontrol panelinin üzerine hiçbir şey koymayın.

Ocağı çalışma yüzeyi olarak kullanmayın.

Ocağı çalışma kesme tahtası olarak kullanmayın.

Ocağın üst kısmında ağır eşyalar saklamayın. Ocağın üzerine ağır bir şeyin düşmesi hasara neden olabilir.

Ocağı hiçbir eşyayı saklamak için kullanmayın.

Pişirme gereçlerini ocağın üzerinde kaydırmayın.

## 1. KURULUM TALİMATLARI

**EVDE KULLANIMA YÖNELİK BİR CİHAZIN KURULUMU, DOĞRU ŞEKİLDE YAPILMAZSA MÜŞTERİNİN GÜVENLİĞİNİ CİDDİ BİÇİMDE ETKİLEYEBİLECEK KARMAŞIK BİR İŞLEM OLABİLİR. BU NEDENLE, BU İŞLEM MESLEKİ YETERLİLİĞE SAHİP BİR KİŞİ TARAFINDAN, YÜRÜRLÜKTEKİ TEKNİK MEVZUATA UYGUN OLARAK GERÇEKLEŞTİRİLMELİDİR. BU ÖNERİNİN GÖZARDI EDİLMESİ VE KURULUMUN YETKİSİZ BİR KİŞİ TARAFINDAN YAPILMASI DURUMUNDA ÜRETİCİ, İSTER ÜRÜNLERİN, İSTER KİŞİLERİN ZARAR GÖRMESİYLE SONUÇLANSIN, ÜRÜNÜN HİÇBİR TEKNİK ARIZASINDA SORUMLULUK KABUL ETMEZ.**

### 1.1. ANKASTRE MONTAJ

Ocak 100 °C sıcaklığa dayanıklı ve 25-45 mm kalınlıkta bir tezgah içine yerleştirilebilir. Tezgah içinde oluşturulacak bölmenin boyutları *Şekil 2'de* verilmiştir.

Ocak bir kabinin yanına yerleştirilecekse, Ocak ile kabin arasındaki mesafe en az 15 cm olmalıdır (*Şekil 4'e bakın*); ocak ile arkasındaki duvar arasındaki mesafe de en az 70 mm olmalıdır.

Ocak ile diğer herhangi bir ünite veya cihaz (örn. hava tahliye aspiratörü) arasındaki mesafe 70 cm'den az olmamalıdır (*Şekil 4*). Ankastre ocak ile aşağıdaki boşluk arasındaki erişilebilir bir mesafe olduğunda, izole bir malzemeden yapılmış bir bölme duvarı yerleştirilmelidir (ahşap malzeme veya benzeri bir başka malzeme) (*Şekil 3*).

**Çekmecedeki metal objeler hava devridaimi nedeniyle yüksek sıcaklıklara ulaşabilir. Bu nedenle ahşap bir ara panel kullanılması tavsiye edilir.**

**Önemli Şekil 1'deki diyagram dolgu malzemesinin nasıl uygulanacağını göstermektedir.**

Ocak ünitesi, ünite kaidesindeki delikler kullanılarak Sabitleme Keleççeleriyle yerleştirilir.

60 cm'lik ocak, soğutucu sistemi olmayan bir fırın üzerine yerleştirilecekse, doğru hava sirkülasyonunun sağlanması için ankastre mobilyada hava çıkışlarının oluşturulması tavsiye edilir. Bu hava delikleri en az 300cm olmalıdır ve *Şekilde* gösterildiği gibi yerleştirilmelidir.

Ankastre fırın üzerinde 75 cm'lik bir ocak yerleştirilecekse, fırının fan soğutucusu olmalıdır.

### 1.2. UYGUN YER TESPİTİ

Bu cihaz, yürürlükteki mevzuata uygun olarak kurulmalıdır ve sadece iyi havalandırılan bir alanda kullanılmalıdır. Cihazı kurarken veya kullanmadan önce talimatları okuyun.

Gazla çalışan bir pişirme cihazı, monte edildiği mekanda ısı ve nem üretimine yol açar. Bu nedenle, tüm doğal hava yolları açık tutarak veya bir bacalı aspiratör kullanılarak havalandırma sağlamanızdır. Cihazın yoğun ve uzun süreli kullanımı pencereyi açmak gibi ilave havalandırmayı veya varsa elektrikli soğutucunun hızını artırmayı gerektirebilir.

Aspiratör kurulmıyorsa, mekanda hava çıkışı olduğu sürece, duvarın veya pencerenin dışına bir elektrikli soğutucu yerleştirilmelidir. Elektrikli soğutucu saatte 3-5 kez havayı tamamen sirküle edebilecek kapasitede olmalıdır. Montaj uzmanı ilgili ulusal standartları izlemelidir.

### 2.1. ELEKTRİK BAĞLANTISI

Ünitenin dışına yerleştirilmiş olan değer plakasındaki verilerin, güç kaynağı ve giriş voltajı değerlerine uygun olduğunu kontrol edin. Bağlantı öncesinde, topraklama sistemini kontrol edin. Kanun gereğince, bu cihaz topraklanmalıdır. Bu düzenlemeye uyulmadığı takdirde, Üretici kişilere veya mülkiyete verilecek zararlardan sorumlu olmayacaktır. Fiş henüz takılmadıysa, değer plakasında gösterilen yüke uygun bir fiş takınız. Topraklama teli sarı/yeşil renklidir. Fiş her zaman erişilebilir durumda olmalıdır.

Ocağın doğrudan bir elektrik kaynağına bağlı olduğu yerde, bir devre kesicisi (şalter) tesis edilmelidir.

Güç kaynağı kablolu zarar görürse, potansiyel bir riski önlemek için ehliyetli bir mühendis tarafından değiştirilmelidir. Topraklama kablolu (yeşil veya sarı renkli) aktif ve nötr kablolardan en az 10 mm daha uzun olmalıdır.

Kullanılan kablo bölümü, ocağın çektiği elektrige göre uygun ölçülerde olmalıdır.

Lütfen güç bilgileri için değer plakasını kontrol edin ve güç kaynağı kablusunun 3x0.75 mm<sup>2</sup> H05 V2V2-F, tipinde olmasını sağlayın.



Bağlantının sağlanamaması kablolarına göre kabloların bağlanmamasından kaynaklanmıştır. Eğer ocak, kablo veya fiş bağlantısına sahip değilse veya diğer bir deyişle aşırı voltaj kategorisi şartları altında bütün kutuplar ana şebeke bağlantısından ayrılma durumu varsa yönergelerce belirlenen kablolarına uygun bağlantı sağlanmalıdır.

### 2.2. GAZ BAĞLANTISI

Bu talimatlar sadece ehliyet sahibi uzman personel için hazırlanmıştır, ekipmanın kurulumu geçerli ulusal standartlara uygun olmalıdır.

Tüm işler elektrik bağlantısı kesilmiş durumda yapılmalıdır. Ocak üzerindeki değer plakası, ocakla birlikte kullanılması tasarlanmış olan gaz türünü göstermektedir. Ana gaz kaynağına veya gaz tüpüne yapılan bağlantı, cihazın verilecek gaz türüne göre ayarlandığı kontrol edildikten sonra, gerçekleştirilmelidir.

Doğru şekilde ayarlanmamışsa, gaz ayarını değiştirmek için aşağıdaki paragraflardaki talimatlara bakın.

Likit gaz için (tüp gaz), geçerli ulusal standartlara uyumlu olan basınçlı regülatörleri kullanın.

Sadece ulusal standartlara uyumlu olan boru, pul veya conta pulu kullanın.

Bazı modeller için, konik bağlantı tipinin zorunlu olduğu ülkelerde, montaj için konik bir bağlantı verilmektedir; Resim 8'de farklı bağlantı türlerinin nasıl tanınacağı anlatılmaktadır (CY= silindirik, CO = konik). Her tür durumda, bağlantının konik parçası ocağa bağlanmalıdır.

Ocağı gaz kaynağına esnek hortumlarla bağlayacaksanız, lütfen hortumun kaplayacağı maksimum mesafenin 2 metreyi geçmemesini temin edin.

Esnek hortum, ocağın yerleştirildiği mobilyanın çekmece gibi hareketli parçalarına temas etmeyecek şekilde montajlanmalı ve tıkanıklık yaratabilecek hassas bölümlerden geçmemelidir.

Ocağın herhangi bir şekilde zarar görmesinin önüne geçmek için, lütfen aşağıdaki adımları sırayla takip ederek montaj işlemini gerçekleştirin (Resim 6)

**1) Gösterildiği şekilde, parçaları sırayla birleştirin:**

A: 1/2 Erkek Adaptör Silindirik,

B: 1/2 Conta,

C: 1/2 Dişi Gaz Adaptörü Konik-Silindirik veya Silindirik-Silindirik

**2) Boruları pozisyona sokmak için, anahtarlarla bağlantı yerlerini sıkın.**

**3) Sert bakır boru veya esnek çelik boru kullanarak ana gaz kaynağına C rakoru takın.**

**ÖNEMLİ: Sabunlu bir çözelti yardımıyla son kez borularda sızıntı olup olmadığını kontrol edin. Asla ateş kullanmayın. Ayrıca esnek boruyu, kabinin hareket eden bir parçasıyla (örn çekmece) ile temas etmeyecek şekilde ayarlayın veya borunun zarar görebilecek bir konumda olmamasını temin edin.**

**Uyarı: Bu cihazın yanında herhangi bir gaz kokusu aldığınız zaman, cihaza giden gaz kaynağını kapatın ve doğrudan mühendisi arayın. Sızıntıyı tespit etmek için çıplak ateş kullanmayın.**

### 2.3. OCAĞIN FARKLI GAZ TÜRLERİNE UYARLANMASI

Ocağı farklı gaz türleriyle birlikte kullanmak için, aşağıdaki talimatları gerçekleştirin.

- Izgaraları ve ocak gözlerini çıkarın
- Ocak gözü desteği için altıgen bir anahtar (7mm), (Şekil 7) kullanın
- Enjektörü çıkarın ve kullanılacak olan gaz türü için uygun olan yen enjektörü takın (gaz türleri tablosuna bakın)

### 2.4. MİNİMUM ALEVİN AYARLANMASI

Ocak gözlerini yaktıktan sonra, kontrol düğmesini kısık ayağa getirin ve sonra da düğmeyi yerinden çıkarın (hafifçe bastırarak suretiyle kolayca çıkarılabilir).

Küçük bir «Terminal» tipi tornavida kullanarak, ayar vidası Şekil 9'da gösterildiği gibi ayarlanabilir. Vıdayı saat yönüne çevirirseniz, gaz akışını azaltırsınız, saat yönünün tersine çevirirseniz, akışı artırırınız - yaklaşık 3-4 mm uzunlukta bir alev seviyesi ayarlayın ve daha sonra kontrol düğmesini tekrar yerine takın.

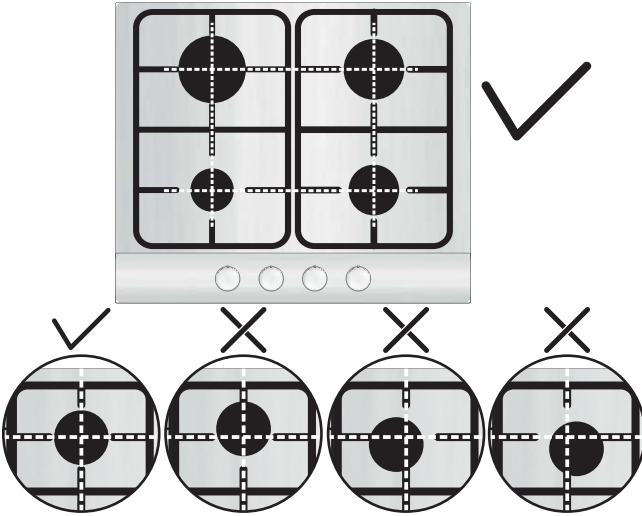
Gaz kaynağı LPG ise (tüp gaz) - boş alevi ayarlama vidası, uçtaki stop noktasına kadar (saat yönünde) döndürülmelidir.

Yeni gaz ayarlamasını yaptırdığınızda, cihazınızın üzerindeki eski gaz değeri plakasını, yeni ayarladığınız gaz türüne uygun olan değeri plakasıyla (ocakla birlikte teslim edilmiştir) değiştirin.

### 3. OCAK KULLANIMI KULLANIM TALİMATLARI

Bu cihaz sadece evde yemek pişirmek için tasarlanmıştır ve bu amaçla kullanılmalıdır. Diğer kullanım türleri sakıncalı olup tehlikeli durumlara neden olabilir. Üretici uygunsuz ve sakıncalı kullanımlardan kaynaklanan zarar ve ziyandan sorumlu olmayacaktır.

Ocağı kullanmadan önce, ızgara çevresinin aşağıdaki şekilde gösterildiği gibi ocağı ortalamadan emin olun. Döküm Demir Izgaralar kullanıyorsanız; ızgaranın altında, konumu belirtilmiştir. Izgaraların doğru yerleştirildiğinden emin olun.



### 3.1. GAZLI OCAK GÖZLERİNİN KULLANIMI

Ocağın gözlerini yakmak için, ateş kaynağını gözün yakınında tutun, kontrol düğmesine bastırın ve saat yönüne çevirin.

Ocak birkaç günlüğüne kullanılmadıysa, yakmadan önce birkaç saniye bekleyin, böylece borularda mevcut olan havanın tahliyesi sağlanmış olacaktır.

Elektronik tutuşturma sistemi olan cihazlar için, aşağıdaki işlemleri gerçekleştirin.

- Düğmeye bastırın ve tutuşturma sembolüne kadar saat yönünün tersine çevirin.

- Ateşleme butonuna basarak ocak gözünü yakın.

Otomatik çakmağı olan ocaklar için, sadece düğmeye bastırın ve tutuşturma sembolüne kadar çevirin.

Ateşleme sistemi gaz vanasına basıldığı sürece kıvılcım çıkarmaya devam edecektir.

Ocak gözü 5 saniye içerisinde yanmazsa, düğmeyi 0 konumuna getirin ve işlemi tekrarlayın.

Güvenlik vanasına sahip modellerde (ateş kazayla söndüğünde gaz akışını kesen modeller), ocak gözü yukarıda anlatılan şekilde yakılır; fakat yakma sonrasında düğme 5 veya 6 saniye boyunca basılı tutulmalıdır.

#### DİKKAT:

Gaz ocağını açmadan önce, ocak gözlerinin ve ocak gözü kapaklarının yerlerine yerleştirildiğinden emin olun.

**Uyarı:** Cihaza elektrik gelmediğinde ocağı ateşlemek için bir çakmak kullanın.

- Düğmeyi saat yönünün tersine ateşleme işareti doğru bastırarak çevirin.

- Düğmeye basılı tutarken ocağı çakmak kullanarak ateşleyin ve 5 saniye boyunca düğmeye basmaya devam edin.

#### GENEL TAVSİYELER

En iyi sonuçları almak için, düz tabanlı tencerelerin ölçüleri aşağıdaki şekilde gaz ocağı gözü ölçülerine uygun olmalıdır: Tablo A.

Ocak Gözü Türü	Ø Tava/Tencere (cm)	Güç (kW)	G20/20 mbar (Methane)	G30/28-30 mbar (LPG)
AUX Yardımcı Ocak Gözü	12 - 18	1,00	95 l/h	73 g/h
SR Yarı Hızlı Ocak Gözleri	18 - 22	1,75	167 l/h	127 g/h
R Hızlı Ocak Gözü	24 - 26	2,70	257 l/h	196 g/h
UR Ultra Ocak Gözü	26 - 28	3,50	334 l/h	254 g/h
DC 4 kW MONO	26 - 28	4,00	381 l/h	291 g/h

Tablo A

Daha küçük kaplar için, gaz ocağı gözlerinin, alevin tavanın tabanını aşmayacak şekilde ayarlanması gerekir. Konkav veya konveks tabanlı kaplar kullanılmamalıdır.

**UYARI: Ocak yanışlıkla söndürülürse, düğmeyi kapalı (off) konuma getirin ve tekrar yakmadan önce en az 1 dakika bekleyin.**

Zaman içerisinde, gaz vanaları açılıp kapatılırken sertleşirse, yağlanmaları gerekir.

**Bu işlem sadece ehliyetli Bakım Mühendisleri tarafından yapılmalıdır.**

### 4. BAKIM VE TEMİZLİK

Ocağı temizlemeden önce, cihazın soğutulmasını sağlayın. Fişini prizden çekin veya (direkt bağlıysa) güç kaynağını kapatın.

Cihazın temizlik ve bakımı gözetmen olmaksızın çocuklar tarafından yapılmamalıdır.

Asla, zımpara, yıpratıcı deterjan, ağartıcı veya asit ürünü kullanmayın. Emaye kaplı, vernikli veya paslanmaz çelik bölümlerin üzerine asit veya alkalın madde (limon suyu, sirke, vb.) dökmeyin.

Emaye kaplı, vernikli veya krom yüzeyleri temizlerken, sıcak sabunlu su veya aşındırıcı olmayan deterjanlar kullanın. Paslanmaz çelik için, uygun bir temizleme solüsyonu kullanın.

Ocak gözleri sabunlu suyla temizlenebilir. Orijinal parlaklıklarını muhafaza etmek için, evsel bir paslanmaz çelik temizleyici kullanın. Temizleme işlemi sonunda, ocak gözlerini kurutun ve yerine takın.

**Ocak gözlerinin doğru yerleştirilmesi önemlidir.**

**Krom ızgara ve ocak gözleri**

Krom ızgaralar ve ocak gözleri kullanıldıkça kararım eğilimi gösterirler. Bu durum normaldir ve kaçınılmazdır ama ocağın işlevselliğini tamamen tehlikeye atmaz.

Herhangi bir durumda, satış sonrası servis merkezimizden, yedek parçaları alabilirsiniz.

### 5. SATIŞ SONRASI SERVİS

Bir Servis Teknisyeni çağırmadan önce, lütfen aşağıdaki kontrolleri yapın:

- fiş doğru şekilde takılmış ve yerine oturmuş;
- gaz kaynağı hatalı değil.

Arıza belirlenemiyorsa:

cihazı kapatın -kurcalamayın- ve Satış Sonrası Servis Merkezini arayın.

## 6. ÇEVRENİN KORUNMASI



Bu cihaz, Atık Elektrikli ve Elektronik Cihazlar (AEEE) hakkındaki 2012/19/EU Avrupa Birliği Yönergesine uygun biçimde işaretlenmiştir.

AEEE, hem kirletici maddeleri (bunlar çevre üzerinde olumsuz etkilere neden olabilir) hem de temel bileşenleri (bunlar yeniden kullanılabilir) içerir. Tüm kirleticilerin düzgün bir şekilde bertaraf edilmesi ve atılması ve tüm malzemelerin geri kazanılıp ve dönüştürülmesi için AEEE'nin özel işlemlere tabi tutulması önemlidir.

Kişiler, AEEE'nin bir çevre sorununa dönüşmemesini sağlamakta önemli bir rol üstlenir; bazı basit kuralların izlenmesi gerekir:

- AEEE'lere ev atıkları olarak davranılmamalıdır.
- AEEE'ler, belediye veya kayıtlı şirketler tarafından yönetilen ilgili toplama noktalarına teslim edilmelidir. Pek çok ülkede, büyük AEEE'ler için evden toplama hizmeti verilir.
- Yeni bir cihaz satın aldığınızda, eskisi satıcıya verilebilir ve satıcı yeni teslim ettiği cihaz başına bir adet olmak üzere ücretsiz olarak bu cihazı teslim alabilir, bunun için alınacak ekipmanın teslim edilen ekipman ile aynı türden ve aynı fonksiyonlara sahip olması gerekir.

**Uygunluk Beyanı:** Bu ekipman, gıdalarla temas ettiği parçalarda, 89/109 sayılı EEC Direktifinde öngörülen düzenlemelere uygundur. Cihaz, 2009/142/EC (GAD) Avrupa Yönergesi ve 21/04/2018 itibariyle 2016/426 (GAR) Gaz Yakan Cihazlar Yönetmeliği ile uyumludur.

**CE** işareti ile bu cihazın, Avrupa direktiflerine uygunluğunun ve yasa tarafından belirlenmiş güvenlik, sağlık ve çevresel gerekliliklerin yerine getirilmesinin bize ait olduğunu kabul ediyoruz.

*Üretici bu broşürde bulunan basım veya kopyalama hatalarından kaynaklanan herhangi bir eksiklikten sorumlu olmayacaktır. Güvenlik veya işlevle ilgili özelliklere zarar vermeden tüketim istekleri dahil olmak üzere ürünlerde gerektiğinde değişiklik yapma hakkımız mahfuzdur.*

Tablo 1

	3 Gas	4 Gas	4 Gas	5 Gas	5 Gas	5 Gas
Gaz Plakası	Aux/R/DC 4 Mono	Aux/SR/R/DC 4 Mono	Aux/SR/R	UR/2R/SR/AUX	DC/2R/SR/AUX	DC/R/2SR/AUX
Tür	UH60MF	UH60MF	UH60MF	UH75MF	UH75MF	UH75MF
FFD	EVET	EVET	EVET	EVET	EVET	EVET
Aux 1kW	1	1	1	1	1	1
Sr 1,75 kW	-	1	1	1	1	2
R 2,7 kW	1	1	1	2	2	1
UR 3,5 kW	-	-	-	1	-	-
Dc 4 kW Mono	1	1	-	-	1	1
Normal Isı Girişi	7,7 kW	9,45 kW	7,2 kW	11,65 kW	12,15 kW	11,2 kW
G20/20 mbar	734 l/h	900 l/h	686 l/h	1110 l/h	1157 l/h	1067 l/h
G30/28-30 mbar	560 g/h	688 g/h	524 g/h	848 g/h	884 g/h	815 g/h
Montaj Sınıfı	3	3	3	3	3	3
Voltaj / Frekans V/Hz	220-240 V/ 50-60 Hz	220-240 V/ 50-60 Hz	220-240 V/ 50-60 Hz	220-240 V/ 50-60 Hz	220-240 V/ 50-60 Hz	220-240 V/ 50-60 Hz
Elektrik Giriş Gücü	1	1	1	1	1	1
Elektrikli Ateşleme	EVET	EVET	EVET	EVET	EVET	EVET
Ürün Boyutları	595x510	595x510	595x510	745x510	745x510	745x510

*Bu cihaz, profesyonel kullanım için değil yalnızca evde kullanılmak üzere tasarlanmıştır.*



# TÜKETİCİ HİZMETLERİ

Yetkili servislerimizden hizmet talebiniz olduğunda veya ürünlerimizle ilgili genel öneri ve talepleriniz için aşağıdaki numaradan ulaşabilirsiniz.

## TÜKETİCİ HATTI: 444 03 98

Sabit telefonlardan veya cep telefonlarından alan kodu çevirmeden arayınız.

Ürününüzü kullanmadan önce montaj ve kullanma kılavuzunu mutlaka okuyunuz. Ürünün montaj ve kullanım kılavuzunda yer alan hususlara aykırı kullanılması, kullanım hataları ve cihazın standart kullanım şartları / amaçları haricinde kullanılması halinde ürün garanti kapsamı dışında kalacaktır.

Ürünün standart ve sorunsuz çalışma koşullarının sağlanması için gerekli / zorunlu olan montaj ve kullanım kılavuzunda belirtilen teknik özelliklerinin (su basıncı, voltaj değeri, gaz besleme basıncı, sigorta değeri, topraklama, yakıt cinsi, yakıt kalitesi vb.) uygun olmaması, sabit olmaması ve/veya değişken olması halinde, cihazda meydana gelebilecek arızalar ve sorunlar garanti kapsamı dışında kalacaktır.

Candy Hoover Euroasia tarafından sağlanan garanti şartları aşağıdaki koşullarda geçersiz olacaktır.

• Ürüne, yetkili servis dışındaki kişiler tarafından müdahale edilmesi, elektrik-su kesintisi ve üründen kaynaklanmayan kaçaklar garanti kapsamı dışındadır.  
• Kullanım hatalarından dolayı oluşan arıza ve hasarlar, elektrik-gaz -su tesisatı ve / veya tesisat ekipmanları nedeniyle meydana gelebilecek arızalar garanti kapsamı dışındadır.

• Ürünün, müşteriye ulaştırılması sonrası yapılan taşıma işlemine bağlı arıza ve hasarlar, tüketici tarafından yapılan yanlış depolama ve ortam koşulları nedeniyle cihazda meydana gelen hasarlar ve arızalar garanti kapsamı dışındadır.

• Hatalı elektrik tesisatı, ürünün üzerinde belirtilen voltajdan farklı voltajda kullanılması veya şebeke voltajındaki dalgalanmalar sonucu oluşan arıza ve hasarlar, doğal afetler, üründen kaynaklanmayan harici/fiziki dış etkenler, mevsimsel hava şartları ve çevresel etkenler (deprem, yangın, sel, su basması, şiddetli rüzgar, yıldırım düşmesi, kireç, nem, rutubet, toz, nakliye, taşıma, ürünün dona maruz kalması, susuz çalışma vb.) nedeniyle oluşan arızalar garanti kapsamı dışında kalacaktır.

• Kullanım kılavuzunda belirtilen hususlara aykırı kullanılmasından kaynaklanan arızalar ve hasarlar.

Yukarıda belirtilen arızaların giderilmesi ücret karşılığı yapılır.

Ürünün kullanım ömrü 10 (on) yıldır. Bu ürünün tanımlandığı şekilde çalışabilmesi için gerekli yedek parçaları bulundurma süresidir.

Üretim yeri Türkiye'dir.

### İTHALATCI FİRMA:

CANDY HOOVER EUROASIA EV GEREÇLERİ SAN. VE TİC. A.Ş.

İçerenköy Mh. Hal Yolu Cd. Çayır Yolu Sk. No: 11

Sayar İş Merkezi Kat: 7 34752 Ataşehir / İSTANBUL/ TÜRKİYE

Tel: 0216 466 42 42 • Fax: 0216 466 15 45

www.hoover.com.tr • servis@hoover.com.tr

### ÜRETİCİ FİRMA:

CANDY HOOVER GROUP

Via Privata E. Fumagalli 20861 Brugherio (MB) - ITALY

Tel: 039.2086.1 • Fax: 039.2086.403

www.candy-group.com



## GARANTİ BELGESİ

### ANKASTRE OCAK

Ankastre ocak kullanma kılavuzunda gösterildiği şekilde kullanılması ve yetkili kıldığımız servis elemanları dışındaki şahıslar tarafından bakımı, onarımı veya başka bir nedenle müdahale edilmemiş olması şartıyla bütün parçaları dahil olmak üzere tamamı malzeme, işçilik ve üretim hatalarına karşı ürünün teslim tarihinden itibaren **3 ( ÜÇ ) YIL SÜRE İLE CANDY HOOVER EUROASIA A.Ş. TARAFINDAN GARANTİ EDİLMİŞTİR.**

Malın bütün parçaları dahil olmak üzere tamamı garanti kapsamındadır.

Malın ayıplı olduğunun anlaşılması durumunda tüketici, 6502 sayılı Tüketicinin Korunması Hakkında Kanununun 11 inci maddesinde yer alan;

a) Satılanı geri vermeye hazır olduğunu bildirerek sözleşmeden dönme,

b) Satılanı alıkoyup ayıp oranında satış bedelinde indirim isteme,

c) Aşırı bir masraf gerektirmediği takdirde, bütün masrafları satıcıya ait olmak üzere satılanın ücretsiz onarılmasını istem,

ç) İmkan varsa, satılanın ayıpsız bir misli ile değiştirilmesini isteme, seçimlik haklarından birini kullanabilir.

Tüketicinin, Kanununun 11. maddesinde yer alan seçimlik haklarından ücretsiz onarım hakkını seçmesi durumunda satıcı; işçilik masrafı, değiştirilen parça bedeli ya da başka herhangi bir ad altında hiçbir ücret talep etmeksizin malın onarımını yapmak veya yaptırmakla yükümlüdür. Tüketici ücretsiz onarım hakkını üretici veya ithalatçıya karşı da kullanabilir. Satıcı, üretici ve ithalatçı tüketicinin bu hakkını kullanmasından müteselsilen sorumludur.

Tüketicinin, ücretsiz onarım hakkını kullanması halinde malın;

• Garanti süresi içinde tekrar arızalanması,

• Tamiri için gereken azami sürenin aşılması,

• Tamirinin mümkün olmadığı, yetkili servis istasyonu, satıcı, üretici veya ithalatçı tarafından bir raporla belirlenmesi durumlarında;

tüketici malın bedel iadesini alıp, ayıp oranında bedel indirimini veya imkan varsa malın ayıpsız misli ile değiştirilmesini satıcıdan talep edebilir. Satıcı, tüketicinin talebini reddetmez. Bu talebin yerine getirilmemesi durumunda satıcı, üretici ve ithalatçı müteselsilen sorumludur.

**Garanti uygulaması sırasında değiştirilen malın garanti süresi, satın alınan malın kalan garanti süresi ile sınırlıdır.**

Malın tamir süresi 20 iş gününü geçemez. Bu süre, garanti süresi içerisinde mala ilişkin arızanın yetkili servis istasyonuna veya satıcıya bildirim tarihinde, garanti süresi dışında ise malın yetkili servis istasyonuna teslim tarihinden itibaren başlar. Malın arızasının 10 iş günü içerisinde giderilememesi halinde, üretici veya ithalatçı; malın tüketicinin kullanımına tahsis etmek zorundadır. Malın garanti süresi içerisinde arızalanması durumunda, tamirde geçen süre garanti süresine eklenir.

Malın kullanma kılavuzunda yer alan hususlara aykırı kullanılmasından kaynaklanan arızalar garanti kapsamı dışındadır.

Tüketici, garantiden doğan haklarının kullanılması ile ilgili olarak çıkabilecek uyuşmazlıklarda yerleşim yerinin bulunduğu veya tüketici işleminin yapıldığı yerdeki Tüketici Hakem Heyetine veya Tüketici Mahkemesine başvurabilir.

**Garanti belgesinin tekemmül ettirilerek tüketiciye verilmesi ve bu yükümlülüğün yerine getirildiğinin ispatı satıcıya aittir.**

**Satılan mala ilişkin olarak düzenlenen faturalar garanti belgesi yerine geçmez.**

Satıcı tarafından bu Garanti Belgesinin verilmemesi durumunda, tüketici Gümrük ve Ticaret Bakanlığı Tüketicinin Korunması ve Piyasa Gözetimi Genel Müdürlüğüne başvurabilir.

### CANDY-HOOVER-EUROASIA EV GEREÇLERİ SAN VE TİC. A.Ş.

Model:.....

Bandrol ve Seri No:.....

Teslim Tarihi Yeri: .....

Fatura Tarihi No: .....

Satıcı Firma Ünvanı: .....

Genel Müdür: .....

Adres: .....

Tel - Fax: .....

Satıcı Firma (Kaşe ve İmza):.....

CANDY HOOVER EUROASIA EV  
GEREÇLERİ SAN. VE TİC. A.Ş.  
İçerenköy Mh. Hal Yolu Cd. Çayır Yolu Sk. No:11  
Sayar İş Merkezi Kat:7 34752 Ataşehir/ İSTANBUL  
Tel:0 (216) 466 42 42 Fax:0 (216) 466 15 45  
Kozyatağı Vezirliği Dairesi:703 003 9546

Bu bölümü, ürünü aldığınız Yetkili Satıcı imzalayacak ve kaşeyecektir.

Bu garanti belgesi ile kesilen fatura garanti süresi boyunca garanti belgesi ile muhafaza edilmesi önerilir.

## ПРАВИЛА БЕЗОПАСНОСТИ

Рекомендуем Вам сохранить это руководство по установке и эксплуатации и обращаться к нему по мере необходимости в будущем. Перед тем, как приступить к установке варочной панели, запишите ее серийный номер в случае, если Вам придется обратиться в центр послепродажного обслуживания.

**ВНИМАНИЕ:** прибор и его доступные части нагреваются во время использования. Будьте осторожны и не прикасайтесь к нагревательным элементам. Детям младше 8 лет запрещается находиться рядом с прибором, если только за ними не обеспечивается постоянный контроль со стороны взрослых.

**ВНИМАНИЕ:** допускается использование только тех защитных устройств, которые были разработаны с этой целью Производителем кухонного прибора, или тех, которые были указаны Производителем кухонного прибора в инструкции в качестве допустимых, а также защитных устройств, входящих в комплект варочной панели. Использование неподходящих защитных устройств может стать причиной несчастного случая.

**ВНИМАНИЕ:** При приготовлении пищи с использованием жиров или масла всегда следите за процессом приготовления пищи, так как жиры или масло могут внезапно загореться. **КАТЕГОРИЧЕСКИ ЗАПРЕЩАЕТСЯ** тушить огонь водой. Выключите прибор, после чего накройте пламя, например, крышкой или противопожарным одеялом.

**ВНИМАНИЕ:** угроза пожара: не складировать вещи на варочной поверхности.

**ВНИМАНИЕ:** в случае образования трещин на поверхности, запрещается дотрагиваться до стеклянных поверхностей. Выключите прибор из сети, чтобы предупредить возможность поражения электрическим током.

Данным прибором могут пользоваться дети в возрасте 8 лет и старше, лица с ограниченными физическими, сенсорными и умственными способностями, а также с недостаточным опытом и знаниями, если они находятся под присмотром или получили надлежащий инструктаж по безопасному пользованию прибором и осознают связанные с ним риски. Необходимо обеспечить наблюдение за детьми с тем, чтобы убедиться, что они не играют с прибором. Детям без надлежащего присмотра запрещается выполнять операции по очистке и обслуживанию изделия.

**ПРЕДУПРЕЖДЕНИЕ:** процесс приготовления пищи не должен протекать без контроля. Краткосрочный процесс приготовления пищи должен находиться под постоянным контролем.

Настоятельно рекомендуется не допускать детей к работающим или выключенным зонам нагрева до тех пор, пока включен индикатор остаточного тепла, во избежание риска получения серьезных ожогов.

В изделие не было предусмотрено управление посредством внешнего таймера или внешней системы дистанционного управления.

В случае его наличия, не рекомендуется смотреть на галогенные элементы.

Подсоедините вилку к шнуру питания, способному выдержать напряжение, ток и нагрузку, указанные на табличке данных, и имеющему проводник заземления. Розетка должна быть подходящей

для нагрузки, указанной на табличке, и должна иметь исправный контакт заземления. Проводник заземления является желто-зеленым. Данную операцию должен проводить специалист, имеющий соответствующую квалификацию. В случае несовместимости между розеткой и вилкой, попросите электрика заменить розетку на другую приемлемого типа. Вилка и розетка должны отвечать нормам, действующим в стране монтажа.

Подключение к источнику питания также можно выполнить путем установки автоматического выключателя между прибором и источником питания, способным выдержать максимальную подключенную нагрузку и отвечающим требованиям действующего законодательства.

Желто-зеленый проводник заземления не должен размыкаться выключателем. Используемые для соединения розетка или автоматический выключатель должны находиться в удобной зоне досягаемости при монтаже прибора.

Для отключения можно либо разместить розетку в зоне досягаемости, либо установить переключатель на фиксированном проводе согласно правилам устройства электроустановок.

В случае повреждения шнура электропитания, последний должен быть заменен Производителем, его сервисным агентом или лицом, выступающим в схожем качестве, во избежание рисков. Заземляющий провод (желто-зеленый) должен быть длиннее на 10 мм со стороны клеммной колодки. Внутреннее сечение проводников должно соответствовать мощности, потребляемой варочной панелью (указана на табличке данных). Шнур питания должен быть типа H05V2V2-F.

Запрещается помещать на варочную панель металлические предметы, такие, как ножи, вилки, ложки или крышки, поскольку они могут нагреваться.

Не кладите на зоны нагрева алюминиевую фольгу и не ставьте на них пластмассовую посуду.

После каждого использования необходимо проводить очистку варочной панели с тем, чтобы на ней не оставались грязь и жир. В противном случае при следующем включении варочной панели могут выделяться дым и неприятный запах. Кроме того, это может привести к пожару.

Запрещается использовать пар или струи под высоким давлением для очистки изделия.

Запрещается прикасаться к зонам нагрева во время работы и некоторое время после завершения работы.

Никогда не готовьте пищу непосредственно на стеклокерамической варочной панели.

Всегда используйте для этого подходящую посуду. Всегда помещайте посуду по центру нагревательного элемента, на котором Вы готовите пищу. Не помещайте на панель управления какие-либо предметы.

Не используйте варочную панель в качестве рабочей поверхности.

Не используйте поверхность варочной панели в качестве разделочной доски.

Не храните над варочной панелью тяжелые предметы. В случае падения они могут повредить варочную панель.

Не используйте варочную панель в качестве места складирования предметов.

Не двигайте посуду по варочной панели.

## 1. ИНСТРУКЦИИ ПО ВЫПОЛНЕНИЮ УСТАНОВКИ

УСТАНОВКА БЫТОВОЙ ТЕХНИКИ ЯВЛЯЕТСЯ СЛОЖНОЙ РАБОТОЙ, НЕПРАВИЛЬНОЕ ВЫПОЛНЕНИЕ КОТОРОЙ МОЖЕТ ОТРИЦАТЕЛЬНО СКАЗАТЬСЯ НА БЕЗОПАСНОСТИ ПОЛЬЗОВАТЕЛЯ. ПО ЭТОЙ ПРИЧИНЕ УСТАНОВКА БЫТОВОЙ ТЕХНИКИ ДОЛЖНА ВЫПОЛНЯТЬСЯ ВЫСОКОКВАЛИФИЦИРОВАННЫМИ СПЕЦИАЛИСТАМИ, КОТОРЫЕ ВЫПОЛНЯТ УСТАНОВКУ С СОБЛЮДЕНИЕМ ВСЕХ ДЕЙСТВУЮЩИХ ПРАВИЛ И НОРМ. В ТОМ СЛУЧАЕ, ЕСЛИ ЭТО ПРЕДОСТЕРЕЖЕНИЕ БУДЕТ ПРОИГНОРИРОВАНО, И УСТАНОВКА БУДЕТ ВЫПОЛНЕНА ЛИЦОМ, НЕ ИМЕЮЩИМ ДОСТАТОЧНОЙ КВАЛИФИКАЦИИ, ПРОИЗВОДИТЕЛЬ НЕ БУДЕТ ПРИНИМАТЬ НИКАКИХ ПРЕТЕНЗИЙ ОТНОСИТЕЛЬНО ВЫХОДА ОБОРУДОВАНИЯ ИЗ СТРОЯ И НАНЕСЕННОГО ПРИ ЭТОМ УЩЕРБА ИМУЩЕСТВУ ИЛИ ЗДОРОВЬЮ ЛЮДЕЙ.

### 1.1. ВСТРАИВАЕМЫЕ ВАРОЧНЫЕ ПОВЕРХНОСТИ

Варочная поверхность может устанавливаться на любой рабочей поверхности кухонного стола, которая выдерживает нагрев до температуры 100 °С, и имеет толщину от 25 до 40 мм. Размеры отверстия, которое должно быть вырезано в рабочей поверхности кухонного стола, показаны на рис. 2.

Если варочная поверхность устанавливается так, что по обе ее стороны располагаются шкафы, то расстояние между варочной поверхностью и шкафом должно быть не меньше 15 см (см. рис. 4), а расстояние между варочной поверхностью и расположенной сзади стеной должно быть не меньше 70 мм.

Расстояние между варочной поверхностью и другим электроприбором (например, вытяжной колпак) должно быть не меньше 70 см (см. рис. 4). Если под варочной поверхностью имеется свободное пространство, то под варочной поверхностью нужно установить разделительную панель, изготовленную из теплоизоляционного материала (например, из дерева) (см. рис. 3).

**Металлические предметы в ящике могут достигать высоких температур из-за рециркуляции воздуха. Рекомендуется использовать промежуточную деревянную панель.**

**Важная информация** На рис. 1 показано, как наносится герметик. Варочная поверхность крепится с помощью фиксирующих зажимов, которые вставляются в отверстия, расположенные на основании варочной поверхности.

Если варочная поверхность 60 см устанавливается над духовкой, в которой нет системы охлаждения с вентилятором, то во встраиваемой мебели рекомендуется сделать отверстия для обеспечения нормальной циркуляции воздуха.

Площадь этих отверстий должна быть не меньше 300 см<sup>2</sup> и эти отверстия должны располагаться так, как показано на рис. 5.

Если варочная поверхность 75 см крепится над духовкой, то в духовке должна быть система охлаждения с вентилятором.

### 1.2. ВЫБОР МЕСТА ДЛЯ УСТАНОВКИ ВАРОЧНОЙ ПОВЕРХНОСТИ

Данный бытовой прибор должен устанавливаться в соответствии с действующими правилами, и только в хорошо проветриваемых помещениях. Перед установкой или использованием бытового прибора прочтите инструкцию.

В местах, где установлены газовые плиты, выделяется тепло и влага. Поэтому вы должны обеспечить хорошую вентиляцию в помещении либо с помощью отверстий для естественной вентиляции, либо с помощью электрической вытяжки. При интенсивной и продолжительной эксплуатации плиты может потребоваться дополнительная вентиляция, обеспечиваемая, например, с помощью открывания окна, и проветривания помещения или с помощью увеличения скорости вращения электрического вентилятора системы принудительной вентиляции (если он установлен).

Если нет возможности установить вытяжной колпак, то в стене или в оконном проеме нужно установить электрический втяжной вентилятор.

Вытяжной вентилятор должен иметь мощность, достаточную для того, чтобы воздух в кухне полностью заменялся 3-5 раз в час. Установка должна выполняться в соответствии с требованиями национальных правил и норм.

## 2. ПОДКЛЮЧЕНИЕ К ЭЛЕКТРОСЕТИ (ТОЛЬКО ДЛЯ ВЕЛИКОБРИТАНИИ)

**Внимание** данный электроприбор должен быть заземлен

Данный электроприбор предназначен только для бытовых применений. Подключение к электросети должно выполняться только опытным электриком с соблюдением всех действующих правил и норм электробезопасности.

Данный электроприбор должен подключаться к ответвлению электросети с достаточной нагрузочной способностью. 3-штырьковая вилка/розетка на 13 А не подходит для данного подключения. В линии электропитания должен быть установлен двухполюсный выключатель, и цепь должна быть защищена с помощью плавкого предохранителя соответствующего номинала. Более подробная информация относительно требований, предъявляемых к электропитанию для конкретного изделия, представлена в инструкции по эксплуатации и в паспортной табличке, закрепленной на изделии. Если длина кабеля питания, поставляемого в комплекте с варочной поверхностью, является

недостаточной, то следует использовать более длинный теплостойкий кабель питания с достаточной нагрузочной способностью. Подключение к электросети должно быть выполнено следующим образом:

**ПОДСОЕДИНИТЕ К КЛЕММЕ ОТВОДА ЭЛЕКТРОСЕТИ**

Зелено-желтый провод	Земля
Синий провод	Нейтраль
Коричневый провод	Фаза

**Примечание:** Не подключайте варочную поверхность через устройство обнаружения утечки тока на землю, так как это может привести к "ложным отключениям". Еще раз напоминаем, что электроприбор должен быть правильно заземлен, и что производитель не принимает никаких претензий в случае повреждений и несчастных случаев, возникших в результате неправильного подключения электроприбора к электросети.

### 2.1. ПОДКЛЮЧЕНИЕ К ЭЛЕКТРОСЕТИ

Проверьте данные, приведенные в паспортной табличке, закрепленной снаружи на варочной поверхности, для того, чтобы убедиться в том, что входное напряжение варочной поверхности соответствует напряжению электросети.

Перед подключением варочной поверхности к электросети проверьте систему заземления.

Данный электроприбор обязательно должен быть заземлен. В случае несоблюдения этого требования производитель снимает с себя ответственность за нанесение вреда здоровью людей и повреждение имущества. Если к кабелю питания не подсоединена вилка, подсоедините к кабелю питания вилку, нагрузочная способность которой соответствует указанной в паспортной табличке. Провод заземления имеет желто-зеленый цвет. К электрической розетке должен всегда обеспечиваться свободный доступ.

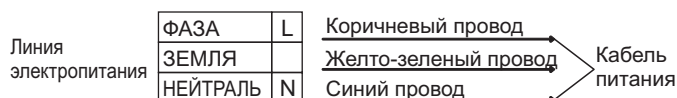
Если варочная поверхность подключается к электросети напрямую, то должен быть установлен автоматический выключатель.

Для предотвращения опасной замены поврежденного кабеля питания должна выполняться только квалифицированным специалистом.

Провод заземления (желто-зеленый) должен быть приблизительно на 10 мм длиннее проводов фазы и нейтрали.

Сечение проводников кабеля питания должно соответствовать мощности, потребляемой варочной поверхностью.

Проверьте значение мощности, потребляемой электроприбором, указанное в паспортной табличке, а также проверьте, что используется кабель питания типа 3x0.75 mm<sup>2</sup> H05 V2V2-F.



I класс защиты от поражения током.

Электрическое подключение бытовой прибора должно быть выполнено с использованием разъединительного устройства в соответствии с действующими правилами и нормами электробезопасности.

Если электроприбор поставляется без кабеля питания с вилкой, или без других устройств для отсоединения от электросети с отсоединением всех фаз, что обеспечивает полное отсоединение электроприбора от электросети в случае возникновения перенапряжения категории III, то электроприбор должен подключаться через разъединяющее устройство с жесткой электропроводкой, смонтированной в соответствии с правилами прокладки электропроводки.

### 2.2. ПОДКЛЮЧЕНИЕ К ЛИНИИ ГАЗОСНАБЖЕНИЯ

Данные инструкции предназначены для специалистов, имеющих достаточную квалификацию для выполнения установки оборудования в соответствии с требованиями национальных правил и норм.

**Только для Великобритании. Согласно закону, установка/ввод в эксплуатацию должны выполняться только сотрудником службы "Gas Safe".**

Все работы должны выполняться с отсоединенным электропитанием.

В закрепленной на варочной поверхности паспортной табличке указан тип газа, на котором должна работать варочная поверхность. Перед подключением варочной поверхности к линии газоснабжения или к газовому баллону необходимо проверить, что варочная поверхность отрегулирована на тот тип газа, который будет в нее подаваться. Если варочная поверхность не отрегулирована на нужный тип газа, обратитесь к инструкциям, приведенным в последующих параграфах, где описано, как изменить регулировки.

При работе на сжиженном газе (газ в баллоне) следует пользоваться регулятором давления, отвечающего требованиям национальных стандартов.

Трубы, шайбы и уплотнительные прокладки должны соответствовать требованиям национальных стандартов.

Некоторые модели поставляются с коленом (переходником), имеющим коническую резьбу. В некоторых странах использование таких переходников является обязательным. На рис. 8 показано, как отличить переходник с цилиндрической резьбой от переходника с конической резьбой (СУ = цилиндрическая, СО = коническая). В любом случае цилиндрическая резьба должна быть

В любом случае, конец переходника с цилиндрической резьбой должен подсоединяться к варочной поверхности.

Если подключение варочной поверхности к линии газоснабжения осуществляется с помощью гибкого шланга, проверьте, что длина гибкого шланга не превышает 2 м.

Гибкая трубка монтируется таким образом, чтобы она не контактировала с подвижными частями мебели (например, ящиком) и не пролежала в местах, где может быть пережата.

Чтобы не повредить варочную поверхность, выполните ее установку, как описано (см. рис. 6).

#### 1) Подсоедините детали, как показано на рисунке:

- А) Переходник с наружной цилиндрической резьбой 1/2 дюйма
- В) Прокладка 1/2 дюйма
- С) Газовый переходник с внутренней резьбой 1/2 дюйма, коническая цилиндрическая, или цилиндрическая цилиндрическая.

#### 2) Затяните соединение с помощью гаечных ключей. Перед тем как затянуть соединение установите трубы в нужное положение.

#### 3) Подсоедините колено С к линии подачи газа с помощью жесткой медной трубы или гибкой стальной трубы.

**ВАЖНОЕ ЗАМЕЧАНИЕ:** После подсоединения варочной поверхности к линии газоснабжения проверьте на отсутствие утечек газа все трубные соединения с помощью мыльного раствора. НИКОГДА НЕ ИСПОЛЬЗУЙТЕ ДЛЯ ПРОВЕРКИ УТЕЧЕК ГАЗА ПЛАМЯ. Проверьте также, что гибкий шланг не соприкасается с движущимися частями кухонной мебели (например, выдвижной ящик) и не проходит в таком месте, где он может быть поврежден.

**Предупреждение:** Если вблизи варочной поверхности вы почувствуете запах газа, перекройте подачу газа на варочную поверхность и вызовите специалиста. Не ищите место утечки газа с помощью открытого пламени.

### 2.3. АДАПТАЦИЯ ВАРОЧНОЙ ПОВЕРХНОСТИ НА ДРУГИЕ ТИПЫ ГАЗА

Для адаптации варочной поверхности для работы с другими газами выполните описанные ниже инструкции:

- снимите решетки и конфорки
- вставьте шестигранный ключ (7 мм) в основание конфорки (рис. 7)
- выверните форсунку и замените ее форсункой, соответствующей тому типу газа, который будет использоваться (см. таблицу типов газа).

### 2.4. РЕГУЛИРОВКА МИНИМАЛЬНОГО ПЛАМЕНИ

После зажигания конфорки установите ручку регулятора высоты пламени в положение, соответствующее минимальному пламени, а затем снимите ручку регулятора, приложив небольшое усилие.

Регулировка минимального пламени выполняется с помощью винта и маленькой отвертки, как показано на рис. 9. Поворот винта по часовой стрелке уменьшает поток газа, а поворот винта против часовой стрелки увеличивает поток газа. С помощью этой регулировки получите пламя высотой 3-4 мм, а затем установите на место ручку регулятора.

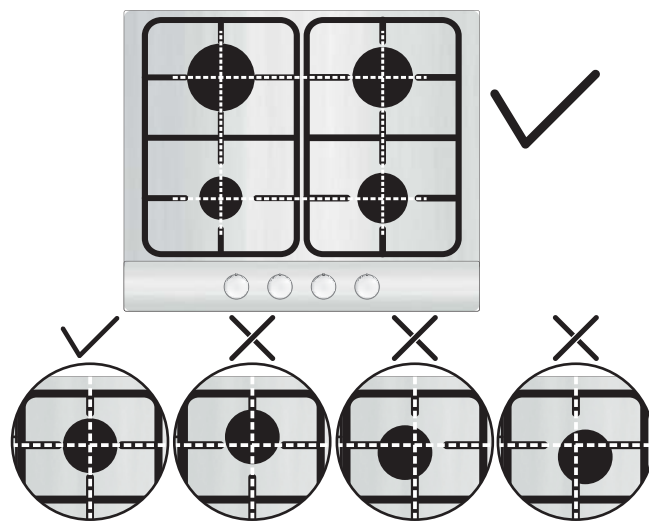
Если используется сжиженный нефтяной газ (СНГ), поверните винт до упора по часовой стрелке.

После выполнения регулировок для адаптации варочной поверхности на другой тип газа замените старую табличку, закрепленную на варочной поверхности, в которой указан тип газа, на новую (поставляется в комплекте с варочной поверхностью), в которой указан тип газа, на который переведена варочная поверхность.

## 3. ИНСТРУКЦИИ ПО ЭКСПЛУАТАЦИИ ВАРОЧНОЙ ПОВЕРХНОСТИ

Данный электроприбор предназначен только для использования по его прямому назначению, то есть, для приготовления пищи в домашних условиях. Любое другое применение варочной поверхности считается неправильным, и поэтому может быть опасным. Производитель не несет ответственности за повреждения и потери, являющиеся следствием неправильного использования варочной поверхности.

Перед использованием конфорки убедитесь, что внешние границы решетки расположены по центру относительно конфорки, как показано на рисунке ниже. Если вы используете чугунные решетки; под решеткой указано ее положение. Убедитесь, что соответствующая решетка используется в правильном положении.



### 3.1. ИСПОЛЬЗОВАНИЕ ГАЗОВОЙ КОНФОРКИ

Чтобы зажечь конфорку, поднесите к ней зажженную спичку, нажмите на ручку регулировки высоты пламени, и поверните ее против часовой стрелки.

Если конфорки не использовались в течение двух или более дней, то прежде чем зажечь конфорку подождите несколько секунд для того, чтобы из трубок вышел воздух.

Чтобы зажечь конфорку варочной поверхности, снабженную устройством электроподжига, выполните следующие операции:

- нажмите на ручку регулировки высоты пламени и поверните ее против часовой стрелки в положение, обозначенное поджигом.
- зажгите конфорку с помощью нажатия кнопки электроподжига.

Если варочная поверхность снабжена автоматическим электроподжигом, просто нажмите на ручку регулировки высоты пламени и установите ее в положение, обозначенное значком поджига. Система электроподжига будет постоянно генерировать искры, до тех пор, пока ручка регулировки пламени будет находиться в нажатом положении.

Если конфорка не загорается в течение 5 секунд, установите ручку регулировки в положение 0, и повторите описанную выше операцию.

В моделях, снабженных защитным клапаном, который автоматически перекрывает подачу газа в случае внезапного погасания пламени, конфорки зажигаются, как описано выше, но при этом после зажигания конфорки необходимо соблюдать осторожность.

Перед включением газовой варочной поверхности проверьте, что конфорки и крышки конфорок правильно установлены на варочную поверхность.

Если на устройстве нет напряжения, следует использовать зажигалку, чтобы зажечь горелку;

- Нажмите ручку и поверните ее против часовой стрелки до символа зажигания;

- Удерживая кнопку нажатой, зажигайте горелку с помощью зажигалки и удерживайте кнопку нажатой в течении 5 секунд после зажигания.

#### ПОЛЕЗНЫЕ СОВЕТЫ

Для получения наилучших результатов пользуйтесь сковородами и кастрюлями с плоским дном, размеры которых соответствуют размерам газовых конфорок (см. Табл. А).

Тип конфорки	Ø сковороды/кастрюли (см)	Мощность (кВт)	G20/20 мбар (метан)	G30/28-30 мбар (СНГ)
AUX Маленькая конфорка	12 - 18	1,00	95 л/час	73 л/час
SR Полубыстрая конфорка	18 - 22	1,75	167 л/час	127 л/час
R Быстрая конфорка	24 - 26	2,70	257 л/час	196 л/час
UR ультра конфорка	26 - 28	3,50	334 л/час	254 л/час
DC 4 kW MONO	26 - 28	4,00	381 л/час	291 л/час

Таблица А

При использовании сковороды или кастрюли меньшего размера пламя должно быть отрегулировано таким образом, чтобы оно не выходило за пределы дна сковороды или кастрюли. Не следует пользоваться посудой с выпуклым или вогнутым дном.

**ПРЕДУПРЕЖДЕНИЕ:** Если горелка случайно погаснет, установите ручку регулировки в положение **ВЫКЛ.**, и не пытайтесь зажечь пламя в течение, по крайней мере, одной минуты.

Если через несколько лет работы варочной поверхности газовые краны будут туго поворачиваться, то их необходимо смазать.

**Эта работа должна выполняться только квалифицированным специалистом по обслуживанию.**

#### 4. ОБСЛУЖИВАНИЕ И ЧИСТКА

Перед тем как приступить к выполнению чистки варочной поверхности, проверьте, что она остыла. Выньте вилку из розетки, или (если варочная поверхность подсоединена к электросети напрямую), выключите питающее напряжение.

Чистка и обслуживание бытового прибора не должны выполняться детьми без надзора взрослых.

Запрещается использовать абразивные и корродирующие чистящие средства, отбеливающие вещества, или кислоты. Не пользуйтесь для чистки эмалированных и лакированных деталей, а также деталей из нержавеющей стали кислотами и щелочами (лимонный сок, уксус и т. п.)

Очистка эмалированных, лакированных и хромированных поверхностей должна выполняться с помощью мыльной воды или нейтрального моющего средства. Для очистки поверхностей из нержавеющей стали необходимо пользоваться подходящим чистящим раствором.

Конфорки можно очищать с помощью мыльной воды. Для восстановления их первоначального блеска используйте бытовое чистящее средство для нержавеющей стали. После чистки горелок высушите их и установите на место.

**Проследите за тем, чтобы конфорки были собраны правильно.**

##### **Хромированные решетки и конфорки**

Хромированные решетки и конфорки со временем темнеют.

Это нормальное и неизбежное явление, которое не оказывает негативного влияния на работу варочной поверхности.

Вы можете приобрести запасные части в отделе послепродажного обслуживания нашей компании.

#### 5. ПОСЛЕПРОДАЖНОЕ ОБСЛУЖИВАНИЕ

Перед тем как вызвать специалиста по техническому обслуживанию для выполнения ремонта варочной поверхности, выполните следующие проверки:

• Проверьте, что вилка кабеля питания правильно вставлена в электрическую розетку, и что не перегорел плавкий предохранитель.

• Проверьте, что газ подается.

Если вы не можете самостоятельно определить причину неисправности:

Выключите варочную поверхность и обратитесь в центр послепродажного обслуживания. **НЕ ПЫТАЙТЕСЬ ОТРЕМОНТИРОВАТЬ ЭЛЕКТРОПРИБОР САМОСТОЯТЕЛЬНО.** Серийный номер состоит из 16 цифр. Первые 8 цифр – код модели. Следующие 4 цифры – дата производства (год, неделя). Последние 4 цифры – заводские номера.

#### 6. ЗАЩИТА ОКРУЖАЮЩЕЙ СРЕДЫ



Данный прибор имеет маркировку в соответствии с Европейской директивой 2012/19/ЕС об отходах производства электрического и электронного оборудования (WEEE). Отходы производства электрического и электронного оборудования содержат загрязняющие вещества (которые могут негативно влиять на окружающую среду) и основные компоненты (которые подлежат повторному использованию). Важно, чтобы отходы производства электрического и электронного оборудования подвергались специальной обработке с целью удаления и утилизации всех загрязняющих веществ, а также регенерации и повторного использования всех материалов.

Каждый может сделать существенный вклад в предотвращение экологических проблем, вызываемых отходами производства электрического и электронного оборудования; для этого важно придерживаться некоторых основных правил:

• Нельзя обращаться с отходами производства электрического и электронного оборудования, как с бытовыми отходами.

• Отходы производства электрического и электронного оборудования следует передавать в пункты сбора, контролируемые органами местной власти или зарегистрированными компаниями. Во многих странах при наличии большого количества отходов производства электрического и электронного оборудования сбор отходов осуществляется на дому.

• При покупке нового прибора старый прибор можно вернуть розничному торговому предприятию, которое обязано принять его бесплатно на основе взаимно-однозначного соответствия, если это приборы аналогичного типа, и возвращаемый прибор имеет те же функции, что и продаваемый.

• При покупке нового прибора старый прибор можно вернуть розничному торговому предприятию, которое обязано принять его бесплатно на основе взаимно-однозначного соответствия, если это приборы аналогичного типа, и возвращаемый прибор имеет те же функции, что и продаваемый.

• При покупке нового прибора старый прибор можно вернуть розничному торговому предприятию, которое обязано принять его бесплатно на основе взаимно-однозначного соответствия, если это приборы аналогичного типа, и возвращаемый прибор имеет те же функции, что и продаваемый.

• При покупке нового прибора старый прибор можно вернуть розничному торговому предприятию, которое обязано принять его бесплатно на основе взаимно-однозначного соответствия, если это приборы аналогичного типа, и возвращаемый прибор имеет те же функции, что и продаваемый.

**Декларация соответствия:** Данное оборудование, детали которого вступают в контакт с пищей, отвечает требованиям Европейской директивы 89/109/ЕЕС.

Устройство соответствует Директиве Европейского Союза 2009/142/ЕС (GAD), а с 21/04/2018 г. – Регламенту по газовым приборам 2016/426 (GAR).

Размещая маркировку **CE** на этой продукции, мы заявляем, под нашу ответственность, о соответствии всем Европейским нормам безопасности, охраны здоровья и экологическим требованиям, изложенным в законодательстве для данного вида продукции.

*Производитель не несет ответственности за опечатки и неточности, которые могут встретиться в данной инструкции. Мы оставляем за собой право вносить изменения в конструкцию выпускаемых нами изделий с целью улучшения качества выпускаемой продукции. При этом основные функции изделия и его безопасность будут оставаться неизменными.*



Это изделие соответствует техническим регламентам Таможенного Союза:

- ТР ТС 004/2011 «О соответствии низковольтного оборудования»

- ТР ТС 016/2011 «О безопасности аппаратов, работающих на газообразном топливе»

- ТР ТС 020/2011 «Электромагнитная совместимость технических средств»

Пластина горелки	3 Gas	4 Gas	4 Gas	5 Gas	5 Gas	5 Gas
горелка	Aux/R/DC 4 Mono	Aux/SR/R/DC 4 Mono	Aux/SR/R	UR/2R/SR/AUX	DC/2R/SR/AUX	DC/R/2SR/AUX
Тип	UH60MF	UH60MF	UH60MF	UH75MF	UH75MF	UH75MF
FFD	ДА	ДА	ДА	ДА	ДА	ДА
Aux 1kW	1	1	1	1	1	1
Sr 1,75 kW	-	1	1	1	1	2
R 2,7 kW	1	1	1	2	2	1
UR 3,5 kW	-	-	-	1	-	-
Dc 4 kW Mono	1	1	-	-	1	1
Номинальный вход тепла	7,7 kW	9,45 kW	7,2 kW	11,65 kW	12,15 kW	11,2 kW
G20/20 mbar	734 l/h	900 l/h	686 l/h	1110 l/h	1157 l/h	1067 l/h
G30/28-30 mbar	560 g/h	688 g/h	524 g/h	848 g/h	884 g/h	815 g/h
Класс установки	3	3	3	3	3	3
Напряжение/Частота В/Гц	220-240 V/ 50-60 Hz	220-240 V/ 50-60 Hz	220-240 V/ 50-60 Hz	220-240 V/ 50-60 Hz	220-240 V/ 50-60 Hz	220-240 V/ 50-60 Hz
Входная электрическая мощность	1	1	1	1	1	1
Электроподжиг	ДА	ДА	ДА	ДА	ДА	ДА
Размеры варочной поверхности	595x510	595x510	595x510	745x510	745x510	745x510

Данное изделие предназначено только для бытовых применений.

Priporočamo vam, da navodila za namestitev in uporabo shranite za poznejšo uporabo in pred namestitvijo kuhalne plošče zabeležite njeno serijsko številko v primeru, če potrebujete pomoč prodajnega servisa.

**OPOZORILO:** Naprava in dostopni deli se med uporabo segrejejo. Pazite, da se ne dotikate grelnih elementov. Otroci mlajši od 8 let ne smejo uporabljati naprave, razen če so pod stalnim nadzorom.

**OPOZORILO:** Uporabljajte samo zaščite kuhalnih plošč, ki jih je izdelal proizvajalec naprave za kuhanje ali ki jih je proizvajalec navedel v uporabniških navodilih kot primerne, ali zaščite, ki so vgrajene v napravi. Uporaba neustreznih zaščit lahko povzroči nesreče.

**OPOZORILO:** Nenadzorovano kuhanje na plošči z mastjo ali oljem je lahko nevarno in lahko privede do požara. NIKOLI ne poskušajte gasiti požara z vodo, temveč izklopite napravo in nato pokrijte ogenj, npr. s pokrovom ali požarno odejo.

**OPOZORILO:** Nevarnost požara: na kuhalnih površinah ne hranite predmetov.

**OPOZORILO:** Če je površina počena se ne dotikajte stekla in izklopite napravo, da bi se izognili morebitnemu električnemu udaru.

To napravo lahko uporabljajo otroci od osmega leta naprej in osebe z zmanjšanimi telesnimi, senzoričnimi ali razumskimi sposobnostmi oziroma osebe s pomanjkanjem izkušenj ter znanja lahko uporabljajo napravo samo pod nadzorom ali če so dobili ustrezna navodila glede varne uporabe naprave in če se zavedajo nevarnosti, ki jih njena uporaba prinaša. Zagotovite ustrežen nadzor otrok in preprečite igranje z napravo. Čiščenja in vzdrževanja otroci ne smejo izvajati brez nadzora.

**POZOR:** Postopek kuhanja mora biti pod nadzorom. Kratkotrajni postopek kuhanja mora biti pod stalnim nadzorom.

Zelo priporočljivo je, da se otroci zadržujejo proč od območja kuhanja medtem, ko so kuhalne cone v uporabi ali ko so izklopljene, dokler indikator preostale toplote sveti, da se prepreči tveganje resnih opeklin.

Ta naprava ni namenjena za upravljanje z zunanjim časovnikom ali ločenim sistemom daljinskega upravljanja.

Ne zrite v elemente halogenskih luči kuhalne plošče, če so prisotni.

Vtikač napajalnega kabla priklopite v vtičnico, ki izpolnjuje zahteve glede napetosti, toka in moči, ki so navedene na oznaki naprave, vtičnica pa mora biti tudi ustrezno ozemljena. Vtičnica mora zagotavljati ustrezno moč, ki je navedena na oznaki naprave, biti mora ozemljena in v brezhibnem stanju. Kabel za ozemljitev je rumeno-zelene barve. Priklop naprave mora izvesti ustrezno usposobljena oseba. Če vtičnica

in vtikač nista združljiva, naj ustrezno usposobljeni elektro-serviser zamenja vtičnico s takšno, ki se bo prilegala vtikaču. Vtičnica in vtikač morata izpolnjevati veljavne norme v državi, kjer bo naprava priklopljena v omrežje.

Priklop v električno omrežje je možno izvesti tudi tako, da je napajanje urejeno prek ustrezne varovalke, vgrajene med napravo in vir napajanja, ki zagotavlja, da obremenitev omrežja ne presega predpisane zakonodaje.

Rumeno-zelenega kabla ni dovoljeno prekinjati z varovalko. Vtičnica ali varovalka, ki sta vgrajeni med vtičnico in napravo, morata po namestitvi naprave ostati enostavno dostopni.

Prekinitev napajanja mora biti možna bodisi z odklopom vtikača iz vtičnice, oziroma prek dodatno vgrajenega stikala, nameščenega skladno s pravili elektro-stroke.

Če je napajalni kabel poškodovan, ga mora zamenjati predstavnik proizvajalca, pooblaščen servisne službe ali druga strokovno usposobljena oseba, kajti menjava je lahko nevarna. Kabel za ozemljitev (rumeno-zelen) mora na strani priključka biti daljši od 10 mm. Odsek notranjih prevodnikov mora ustrezati moči, ki jo absorbira kuhalna plošča (označena na oznaki). Napajalni kabel mora biti vrste HO5V2V2-F.

Na kuhalno ploščo ne polagajte kovinskih predmetov, kot so noži, vilice, žlice ali pokrovi. Ti se lahko segrejejo.

Aluminijaste folije in plastičnih posod ni dovoljeno polagati na ogrevano območje.

Po vsaki uporabi je potrebno kuhalno ploščo nekoliko očistiti, da se prepreči nabiranje umazanije in maščobe. Če le-to pustite, se bo ta ponovno segrevala pri naslednji uporabi kuhalne plošče ter se smodila ter oddajala dim in neprijetne vonjave, poleg nevarnosti širjenja požara.

Za čiščenje aparata nikoli ne uporabljajte pare ali visokotlačnega pršila.

Med uporabo in še nekaj časa po uporabi se ne dotikajte ogrevanih površin.

Hrane nikoli ne kuhajte neposredno na steklokeramični kuhalni plošči.

Vedno uporabljajte ustrezno kuhinjsko posodo.

Posodo vedno položite na sredino enote, na kateri kuhate. Na upravljalno ploščo ne polagajte ničesar.

Kuhalne plošče ne uporabljajte kot delovno površino.

Površine ne uporabljajte kot rezalno ploščo.

Ne hranite težkih stvari nad kuhalno ploščo. Če le-te padejo na kuhalno ploščo, lahko povzročijo poškodbe.

Kuhalne plošče na uporabljajte za shranjevanje kakršnih koli predmetov.

Kuhinjske posode ne vlecite po kuhalni plošči.

# 1. VGRADNJA IN PRIKLJUČITEV

VGRADNJA IN PRIKLJUČITEV GOSPODINJSKEGA APARATA JE DOKAJ ZAPLETEN POSTOPEK, KI MORA BITI OPRAVLJEN BREZHBNO, SICER OBSTAJA TVEGANJE ZA VARNOST UPORABNIKA. ZATO PRIPOROČAMO, DA DELO PREPUSTITE USTREZNO USPOSOBLJENIM STROKOVNJAKOM, KI BODO PRI TEM UPOŠTEVALI TUDI VSE VELJAVNE PREDPISE. PROIZVAJALEC NE PREVZEMA ODGOVORNOSTI ZA ŠKODO ALI POŠKODBE ZARADI NEPRAVILNE VGRADNJE IN PRIKLJUČITVE.

## 1.1. VGRADNJA

Kuhalna plošča je namenjena vgradnji v kuhinjski pult debeline med 25 in 45 mm, ki so odporne na temperature do 100°C. Mere izreza v kuhinjskem pultu so prikazane na *sliki 2*.

Če namestite kuhhalno ploščo ob visoko kuhinjsko omarico na eni strani, mora biti razdalja med kuhhalno ploščo in stranico omarice vsaj 15 cm (gl. *slika 4*), kuhhalna plošča pa mora biti na zadnji strani od zidu oddaljena vsaj 70 mm.

Razdalja med kuhhalno ploščo in elementom nad njo (npr. kuhinjsko napo) mora znašati vsaj 70 cm (*slika 4*).

Če je pod vgradno kuhhalno ploščo prazen prostor, mora biti dostop do nje s spodnje strani onemogočen z vgradnjo predelne stene iz izolacijskega materiala (les ali podoben material) (*slika 3*).

**Kovinski objekti v predalu lahko dosegajo visoko temperaturo kot posledica pretoka zraka. Zato se priporoča uporaba vmesnih lesenih panelov.**

**Pomembno: Na sliki 1 je prikazano nameščanje tesnila.**

Kuhhalna plošča je opremljena s sponkami za pritrditev, ki jih namestite v za to predvidene luknje na spodnji strani kuhhalne plošče.

Če je kuhhalna plošča širine 60 cm vgrajena nad pečico, ki ni opremljena z ventilatorskim sistemom za hlajenje, priporočamo, da z izrezom v kuhinjski omarici omogočite pravilno kroženje zraka.

Površina odprtine za zračenje mora biti vsaj 300 cm<sup>2</sup>, izrežite pa jo tako, kot je to prikazano na *sliki 5*.

Če vgradite nad pečico kuhhalno ploščo širine 75 cm, mora biti pečica opremljena z ventilatorjem za hlajenje.

## 1.2. USTREZEN PROSTOR

Aparat mora biti inštaliran skladno z vsemi veljavnimi predpisi in uporabljan samo v ustrezno zračnih prostorih. Pred inštalacijo in uporabo preberite navodila za uporabo.

Upoštevajte, da plinski kuhalniki v prostoru, kjer se uporabljajo, ustvarjajo toploto in vlago. Zato morate poskrbeti za primerno zračenje ali s pomočjo odprtin, ki omogočajo izmenjavo zraka, ali s pomočjo kuhinjske nape, ki odvajajo zrak na prosto. Ob intenzivni ali dolgotrajni rabi kuhhalne plošče bo morda potrebno dodatno zračenje, na primer z odpiranjem okna na prosto ali povečanjem stopnje hitrosti delovanja električnega ventilatorja, če je prostor z njim opremljen.

Če v kuhinji ni možno namestiti kuhinjske nape, lahko na zunanji zid ali na okno namestite električni ventilator, če je prostor opremljen z odprtinami za zračenje.

Električni ventilator mora biti tako zmogljiv, da omogoča izmenjavo zraka v prostoru v celoti 3- do 5-krat na uro. Pri priključitvi je potrebno upoštevati vse veljavne predpise.

## 2.1. PRIKLJUČITEV NA ELEKTRIČNO OMREŽJE

Prepričajte se, da vrednosti v hišnem električnem omrežju ustrezajo predpisanemu napajanju in napetosti. Podatki so navedeni na tablici na zunanji strani kuhhalne plošče.

Kuhhalna plošča mora biti ozemljena. Proizvajalec ne prevzema odgovornosti za morebitno škodo ali poškodbe v primeru neupoštevanja teh navodil. Če kuhhalna plošča ni opremljena z vtikačem, uporabite ustrezen vtikač za obremenitev, navedeno na tablici s podatki. Ozemljitveni vod je obarvan rumeno/zeleno. Vtikač mora biti dosegljiv tudi po vgradnji.

V primeru fiksne priključitve je potrebno vgraditi prekinjalo.

Če je priključni električni kabel poškodovan, ga mora zamenjati ustrezen usposobljen strokovnjak pooblaščenega servisa, da se izognete morebitnemu tveganju.

Ozemljitveni vod (obarvan rumeno/zeleno) mora biti vsaj 10 mm daljši od faze in nule.

Presek kabla mora po velikosti ustrezati odvzemni moči kuhhalne plošče.

Prosimo, da preverite vrednosti, navedene na tablici s podatki, in se prepričate, da je uporabljen kabel tipa 3x0.75 mm H05 V2V2-F.

Napajanje	Faza	L	rjava žica	priljučni kabel
	Ozemljitev		zelena/rumena žica	
	Nula	N	modra žica	

Pri fiksni priključitvi mora biti zagotovljena možnost izklopa iz električnega omrežja skladno z veljavnimi predpisi.

Če aparat ni opremljen s priključnim električnim kablom in vtikačem, ali z drugo napravo za izključitev iz električnega omrežja z ločenimi kontakti na vseh polih, ki zagotavlja popolno izključitev v primeru preobremenjenosti v pogojih kategorije III, mora biti v navodilih za priključitev navedeno, da mora biti naprava za izključitev vgrajena v fiksni priklop skladno z vsemi veljavnimi predpisi.

## 2.2. PRIKLJUČITEV PLINA

Vsa potrebna dela morajo opraviti ustrezno usposobljene strokovne osebe skladno z vsemi veljavnimi predpisi.

Med priključevanjem mora biti kuhhalna plošča izklopljena iz električnega omrežja.

Na tablici s podatki je navedena vrsta plina, za katero je kuhhalna plošča tovarniško prirejena. Pred priključitvijo na dovod plina ali plinsko jeklenko preverite, da je kuhhalna plošča prirejena za izbrano vrsto plina. V nasprotnem primeru morate opraviti v nadaljevanju opisane prilagoditve.

Če kuhhalno ploščo priključite na tekoči plin (v jeklenki), uporabite regulatorje tlaka skladno z vsemi veljavnimi predpisi.

Uporabiti smete samo take cevi, podložke in tesnila, ki so skladni z vsemi veljavnimi predpisi.

Nekaterim modelom je priložen konusni priključek, ki je v določenih državah predpisani način priključitve. Na sliki 8 so prikazani različni načini priključevanja (CY cilindrični, CO konusni). V vsakem primeru pa mora biti cilindrični del priključka priključen na kuhhalno ploščo.

Če za priključitev plina uporabite gibljivo cev, dolžina cevi ne sme presegati 2 m.

Gibljivo cev namestite tako, da ne more priti v stik s premičnimi deli ohišja (npr. predalom). Pazite, da je ne napeljeta mimo mest, kjer obstaja možnost, da bi prišlo do oviranja pretoka zaradi stisnjenosti.

Da bi preprečili morebitno poškodbo kuhhalne plošče, pri priključevanju upoštevajte spodaj navedeno zaporedje (*slika 6*):

**1) Kot je to prikazano na sliki, sestavite dele v naslednjem zaporedju:**

A: ½ moški cilindrični adaptor

B: ½ tesnilo

C: ½ ženski adaptor za plin, konusni-cilindrični ali cilindrični-cilindrični

**2) Zategnite spoje s pomočjo ključa; ne pozabite pravilno namestiti cevi.**

**3) Priključek C namestite na cev za dovod plina; uporabite togo bakreno cev ali gibljivo cev iz nerjavečega jekla.**

**POMEMBNO: Preverite, da spoji ne puščajo; uporabite milnico. Nikoli ne preverjajte tesnosti z odprtim plamenom! Prepričajte se tudi, da gibljiva cev ne more priti v stik s premičnimi deli omarice (npr. Predalom) ter da je napeljana tako, da se ne more poškodovati.**

**Opozorilo:** Če zavohate plin v bližini kuhhalne plošče, takoj zaprite dovod plina do kuhhalne plošče ter pokličite strokovnjaka. Ne poskušajte ugotoviti mesta puščanja z odprtim plamenom!

## 2.3. PRILAGAJANJE KUHALNE PLOŠČE ZA DRUGO VRSTO PLINA

Kuhhalno ploščo prilagodite za drugo vrsto plina na naslednji način:

- odstranite mreže za posodo in gorilnike
- namestite šestrokotni ključ (7 mm) na nosilec gorilnika (*slika 7*)
- odvijte šobo in jo nadomestite z ustrežno za izbrano vrsto plina (gl. vrsto plina na tablici s podatki)



## 2.4. NASTAVLJANJE MINIMALNEGA PLAMENA GORILNIKA

Po vžiganju gorilnikov obrnite gumb na minimalno stopnjo, nato pa odstranite gumb (povsem enostavno, z rahlim pritiskom). Z majhnim izvijačem lahko regulirate vijak, kot je to prikazano na sliki 9. Z obračanjem vijaka na desno dotok plina zmanjšate, z obračanjem vijaka na levo pa dotok plina povečate. Na ta način nastavite velikost plamena na približno 3 do 4 mm, nato pa ponovno namestite gumb. Če uporabljate plin LPG (v jeklenkah), vijak za nastavljanje minimalnega plamena obrnite do konca na desno.

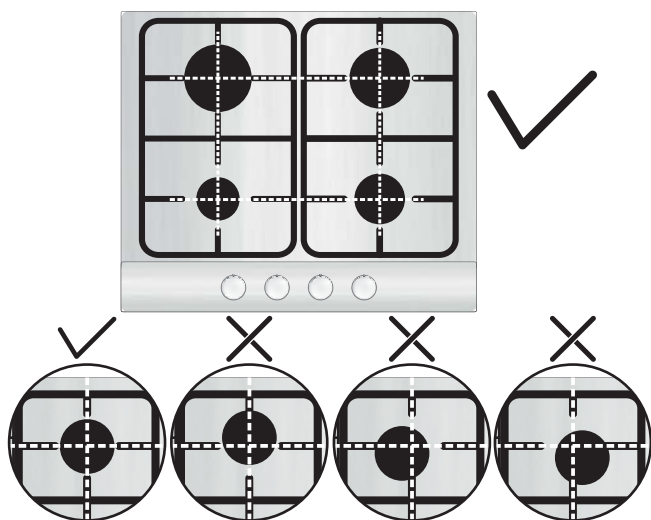
Ko prilagodite kuhhalno ploščo za drugo vrsto plina, nadomestite tudi tablico s podatki o vrsti plina z ustrežno (priložena kuhhalni plošči), tako da se bodo podatki ujemali z vrsto plina, za katero je kuhhalna plošča prilagojena.

## 3. UPORABA KUHALNE PLOŠČE NAVODILA ZA UPORABNIKA

Dovoljena je samo namenska uporaba kuhhalne plošče, tj. za kuhanje v gospodinjstvih. Drugačna uporaba ni dovoljena in predstavlja tveganje za uporabnika. Proizvajalec ne prevzema odgovornosti za poškodbe ali škodo zaradi nenamenske uporabe.

Pred uporabo gorilnika poskrbite, da je rešetka poravnana na sredino gorilnika, kot je prikazano na spodnji sliki.

Če uporabljate litoželezne rešetke, je položaj označen pod rešetko. Poskrbite, da je uporabljena prava rešetka v pravilnem položaju.



### 3.1. UPORABA GORILNIKOV

Gorilnik prižgete tako, da pridržite npr. vžigalico ob gorilniku, pritisnete na gumb za izbrani gorilnik in ga obrnete na levo.

Če gorilnika nekaj dni niste uporabljali, pred prižiganjem počakajte nekaj sekund, kar omogoči uhajanje zraka, ki je morda prisoten v ceveh.

Pri kuhhalnih ploščah, opremljenih z elektronskim vžigom, pa:

- pritisnite na gumb za izbrani gorilnik in ga obrnite na levo, na simbol iskre;
- s pritiskom na gumb za proizvodnjo isker prižgite plamen.

Pri kuhhalnih ploščah, opremljenih s samodejnim vžigom, pa enostavno pritisnite na gumb za izbrani gorilnik in ga obrnite na simbol iskre. Sistem za vžig bo proizvajal isker, dokler pritisnete na gumb.

Če plamen v roku 5 sekund ne zagori, obrnite gumb nazaj na 0 in poskusite ponovno.

Pri modelih, ki so opremljeni z varnostnim priključkom, ki prekine dotok plina, če plamen slučajno ugasne, gorilnike prižgite na enak način, toda pri tem morate paziti, da **ohranite pritisk na gumb še 5 do 6 sekund potem, ko plamen zagori.**

#### Pozor:

Pred prižiganjem gorilnikov se prepričajte, da so vsi deli pravilno nameščeni.

**Opozorilo:** če na aparatu ni električne energije, morate za prižiganje gorilnika uporabiti vžigalnik; - Pritisnite in obrnite gumb v nasprotni smeri urinega kazalca vse do simbola vžiga, - Med pritiskanjem tipke prižgete gorilnik z vžigalnikom in po vžigu držite gumb še 5 sekund.

## KORISTEN NASVET

Priporočamo, da uporabljate posodo z ravnim dnom in ustrezne velikosti za izbrani gorilnik (gl. Razpredelnico):

Vrsta gorilnika	Ø posode (cm)	Moč (kW)	G20/20 mbar (Metan)	G30/28-30 mbar (LPG-propan)
AUX Pomožni gorilnik	12 - 18	1,00	95 l/h	73 g/h
SR Srednje hitri gorilnik	18 - 22	1,75	167 l/h	127 g/h
R Hitri gorilnik	24 - 26	2,70	257 l/h	196 g/h
UR Ultra gorilnik	26 - 28	3,50	334 l/h	254 g/h
DC 4 kW MONO	26 - 28	4,00	381 l/h	291 g/h

gl. Razpredelnico

Če uporabite manjšo posodo, zmanjšajte plamen, tako da ne sega izpod dna posode. Ne uporabljajte posode s konkavnim ali konveksnim dnom.

**OPOZORILO:** Če plamen slučajno ugasne, obrnite gumb v izklopljeni položaj in počakajte vsaj 1 minuto, šele nato ponovno prižgite gorilnik.

Če po večletni uporabi opazite, da se gumbi težje obračajo, je to znak, da jih je treba podmazati. **Obrnite se na najbližji pooblaščen servis.**

## 4. VZDRŽEVANJE IN ČIŠČENJE

Pred čiščenjem počakajte, da se vsi deli ohladijo. Potegnite vtičnik iz vtičnice ali odvijte varovalko, da izklopite kuhhalno ploščo iz električnega omrežja.

Otroci lahko sodelujejo pri čiščenju in vzdrževalnih delih le pod nadzorom odraslih.

Nikoli ne uporabljajte grobih čistil ali čistilnih pripomočkov; korozivnih detergentov, belil ali kislin. Izogibajte se tudi kislim ali alkalnim snovem (limonin sok, kis ipd.) na emajliranih ali lakiranih površinah ali površinah iz nerjavečega jekla.

Za čiščenje emajliranih, lakiranih ali kromiranih površin uporabljajte toplo milnico in blagi detergent. Površine iz nerjavečega jekla čistite z namenskim čistilom.

Gorilnike čistite z milnico; lesk jim lahko povrnete z namenskim čistilom za nerjaveče jeklo. Po čiščenju jih obrišite do suhega in ponovno namestite.

**Pomembno je, da so gorilniki pravilno sestavljeni.**

#### Kromirane mreže in gorilniki

Kromirane mreže in gorilniki z uporabo potemijo. To je običajen pojav, ki se mu ni mogoče izogniti, ki pa ne delovanje kuhhalne plošče ne vpliva.

Pri pooblaščenem servisu lahko naročite nadomestne dele.

## 5. SERVISIRANJE

Preden se obrnete na pooblaščen servis, preverite:

- da je vtičnik pravilno v vtičnici;
- da je dovod plina brezhiben

Če vam ne uspe odpraviti nepravilnosti v delovanju, izklopite kuhhalno ploščo in pokličite najbližji pooblaščen servis.

## 6. PROTECTION DE L'ENVIRONNEMENT



Ta naprava je označena v skladu z določili Evropske direktive 2012/17/EU o odpadni električni in elektronski opremi (OEEO). OEEO so tako snovi, ki onesnažujejo okolje (lahko negativno učinkujejo na okolje) kot osnovni sestavni deli (ki jih je možno ponovno uporabiti). Pomembno je pravilno ravnanje z OEEO, da pravilno odstranimo in zavržemo vse snovi, ki onesnažujejo, okolje, ter obnovimo in recikliramo vse materiale.

Kot posamezniki lahko pomembno vplivamo na to, da OEEO ne postane okoljska težava; upoštevati moramo le nekaj osnovnih pravil:

- Z OEEO ne smemo ravnati kot z ostalimi hišnimi odpadki.
- OEEO moramo odnesti v ustrezne centre za zbiranje odpadkov, ki jih upravlja občina ali pooblaščen podjetje. V več državah imajo urejen prevzem večjih kosov OEEO na domu.
- Ob nakupu nove lahko staro napravo vrnemo prodajalcu, ki jo je dolžen brezplačno prevzeti na osnovi ena za eno, če je oprema enake vrste in ima enake funkcije kot dobavljena.

**Izjava o skladnosti:** Deli aparata, ki prihajajo v stik z živili, so izdelani skladno z določili, navedenimi v direktivi 89/106.

Naprava izpolnjuje zahteve evropske direktive 2009/142/ES (naprave na plinsko gorivo) in od 21. 4. 2018 tudi uredbe o plinskih napravah 2016/426 (uredba o plinskih napravah).

Z oznako **CE** na tem proizvodu izjavljamo, na lastno odgovornost, da je proizvod skladen z vsemi evropskimi zahtevami o varnosti, zdravju in varstvu okolja, ki se v zakonodaji nanašajo na ta izdelek.

Proizvajalec ne prevzema odgovornosti za morebitne tiskarske napake v tej knjižici. Pridržujemo si pravico do sprememb na izdelku brez predhodnega obvestila.

Razpredelnica 1

Gorilnikov Plate	3 Gas	4 Gas	4 Gas	5 Gas	5 Gas	5 Gas
Gorilnikov	Aux/R/DC 4 Mono	Aux/SR/R/DC 4 Mono	Aux/SR/R	UR/2R/SR/AUX	DC/2R/SR/AUX	DC/R/2SR/AUX
Tip	UH60MF	UH60MF	UH60MF	UH75MF	UH75MF	UH75MF
FFD	DA	DA	DA	DA	DA	DA
Aux 1kW	1	1	1	1	1	1
Sr 1,75 kW	-	1	1	1	1	2
R 2,7 kW	1	1	1	2	2	1
UR 3,5 kW	-	-	-	1	-	-
Dc 4 kW Mono	1	1	-	-	1	1
Nazivni vhod toplote	7,7 kW	9,45 kW	7,2 kW	11,65 kW	12,15 kW	11,2 kW
G20/20 mbar	734 l/h	900 l/h	686 l/h	1110 l/h	1157 l/h	1067 l/h
G30/28-30 mbar	560 g/h	688 g/h	524 g/h	848 g/h	884 g/h	815 g/h
Razred	3	3	3	3	3	3
Napetost/Frekvenca	220-240 V/ 50-60 Hz	220-240 V/ 50-60 Hz	220-240 V/ 50-60 Hz	220-240 V/ 50-60 Hz	220-240 V/ 50-60 Hz	220-240 V/ 50-60 Hz
El. priključna moč	1	1	1	1	1	1
Električni vžig	DA	DA	DA	DA	DA	DA
Mere izdelka	595x510	595x510	595x510	745x510	745x510	745x510

Aparat je namenjen za neprofesionalno uporabo v gospodinjstvih.

## ISTRUZIONI DI SICUREZZA

Si consiglia di conservare le istruzioni di uso e montaggio per riferimento successivo e, prima di montare il piano di cottura, annotare il suo numero di serie per richiedere assistenza al Servizio post-vendita.

**AVVERTENZA:** l'elettrodomestico e le sue parti accessibili diventano calde durante l'uso. Prestare attenzione ad evitare qualsiasi contatto con le resistenze di riscaldamento. Mantenere lontani dall'elettrodomestico i bambini di età inferiore agli 8 anni, a meno che non siano continuamente supervisionati.

**AVVERTENZA:** utilizzare unicamente protezioni per piani di cottura progettate dal produttore della cucina o indicate dal produttore dell'elettrodomestico nelle istruzioni d'uso come adatte, o ancora protezioni incorporate nell'elettrodomestico. L'utilizzo di protezioni non adatte può provocare incidenti.

**AVVERTENZA:** la cottura senza sorveglianza su un piano di cottura in presenza di grasso o olio nella pentola può essere pericolosa, con rischio di incendi. **NON** cercare **MAI** di spegnere un incendio con acqua, bensì spegnere l'elettrodomestico e coprire la fiamma con un coperchio o una coperta antifiama.

**AVVERTENZA:** pericolo di incendio: non appoggiare nulla sulle superfici di cottura.

**AVVERTENZA:** se la superficie è crepata, non toccare la vetroceramica e spegnere l'elettrodomestico per evitare la possibilità di elettrocuzioni.

L'elettrodomestico può essere utilizzato da bambini di età superiore a 8 anni e da persone con ridotte capacità fisiche, sensoriali o mentali, oppure prive di esperienza e conoscenza, se supervisionate o istruite riguardo all'uso dell'elettrodomestico in sicurezza, e se comprendono i rischi che derivano dall'uso dello stesso. I bambini dovrebbero essere supervisionati per assicurarsi che non giochino con l'elettrodomestico. La pulizia e la manutenzione da parte dell'utente non possono essere effettuate da bambini senza supervisione.

**ATTENZIONE:** il processo di cottura deve essere supervisionato. Un processo di cottura di breve termine deve essere supervisionato in continuo.

Si consiglia vivamente di tenere i bambini a distanza dalle zone di cottura quando queste sono in funzione o quando sono spente, per tutto il tempo durante il quale l'indicatore di calore residuo rimane attivo, per evitare il rischio di ustioni gravi.

Questo elettrodomestico non è concepito per funzionare con temporizzatori esterni o con sistemi di comando a distanza separati.

Se è presente, non guardare direttamente gli elementi riscaldati della lampada alogena.

Collegare al cavo di alimentazione una spina dimensionata per la tensione, la corrente e la potenza indicate nella targhetta e dotata del contatto di terra. La presa deve essere dimensionata per la potenza indicata sulla targhetta e deve avere il contatto di terra collegato e funzionante. Il conduttore di terra è giallo-verde. Questa operazione deve essere

eseguita solo da un tecnico adeguatamente addestrato. In caso di incompatibilità tra presa e spina dell'elettrodomestico, richiedere ad un tecnico specializzato di sostituire la presa con un'altra di tipo compatibile. La spina e la presa devono essere conformi alle normative attuali del paese di installazione.

Il collegamento alla rete di alimentazione può essere effettuato anche collocando un interruttore automatico onnipolare tra l'elettrodomestico e la rete di alimentazione, in grado di supportare il carico massimo collegato, in linea con la legislazione corrente.

Il cavo di terra giallo-verde non deve essere interrotto dall'interruttore automatico. La presa o l'interruttore automatico onnipolare utilizzati per il collegamento devono essere facilmente accessibili al momento del montaggio dell'elettrodomestico.

La disconnessione può essere eseguita con la spina accessibile o aggiungendo un interruttore sul cablaggio fisso, nel rispetto delle normative relative ai cablaggi.

Se il cavo di alimentazione dell'elettrodomestico dovesse essere danneggiato, farlo sostituire dal produttore, dal suo servizio tecnico o da tecnici qualificati, per evitare rischi. Il conduttore di terra (giallo-verde) deve essere più lungo di 10 mm sul lato della morsettiere. La sezione dei conduttori interni deve essere adatta alla potenza assorbita dal piano di cottura (come indicato sulla targhetta). Il cavo di alimentazione deve essere di tipo HO5V2V2-F.

Non appoggiare sul piano di cottura oggetti metallici come coltelli, forchette, cucchiai o coperchi. Potrebbero scaldarsi eccessivamente.

Non appoggiare sulle zone riscaldanti pellicole di alluminio e padelle in plastica.

Dopo ogni utilizzo è necessario pulire il piano di cottura per evitare l'accumulo di sporcizia e grasso. Se ci sono accumuli di questo tipo vengono cotti nuovamente quando il piano di cottura viene acceso, creando fumo e odori sgradevoli per non parlare del rischio di propagazione di incendi.

Non utilizzare mai un getto di vapore o ad alta pressione per la pulizia dell'elettrodomestico.

Non toccare le zone riscaldanti durante il funzionamento o per un breve periodo dopo l'uso.

Non cuocere mai gli alimenti direttamente sul piano di cottura in vetroceramica.

Utilizzare sempre i recipienti di cottura adatti.

Mettere sempre la pentola al centro del gruppo sul quale si sta effettuando la cottura. Non appoggiare nulla sul pannello di comando.

Mai utilizzare il piano di cottura come superficie di lavoro.

Mai utilizzare il piano di cottura come tagliere.

Non appoggiare oggetti pesanti al di sopra del piano di cottura. Se cadono sul piano possono danneggiarlo.

Non utilizzare il piano di cottura per riporvi oggetti.

Non fare scivolare i recipienti sul piano di cottura.

## 1. ISTRUZIONI PER L'INSTALLATORE

**INSTALLARE UN ELETTRODOMESTICO PUÒ ESSERE UN'OPERAZIONE COMPLICATA CHE, SE NON ESEGUITA CORRETTAMENTE, PUÒ COMPROMETTERE SERIAMENTE LA SICUREZZA DELL'UTENTE. È PER QUESTA RAGIONE CHE L'OPERAZIONE DEV'ESSERE CONDOTTA DA PERSONALE PROFESSIONALMENTE QUALIFICATO CHE TENGA PRESENTE LE NORME VIGENTI. NEL CASO IN CUI QUESTO AVVISO VENGA IGNORATO E L'INSTALLAZIONE VENGA ESEGUITA DA PERSONALE NON QUALIFICATO, IL PRODUTTORE DECLINA OGNI RESPONSABILITÀ PER OGNI PROBLEMA TECNICO DEL PRODOTTO SIA IN CASO DI DANNI A COSE O PERSONE SIA IN ASSENZA DI ESSI.**

### 1.1. INSTALLAZIONE

Il piano cottura può essere installato in qualsiasi top che sia resistente ad una temperatura di 100°C e abbia uno spessore di 25-45 mm. La dimensione del vano di inserimento del piano cottura è mostrata in *Figura 2*.

Qualora il piano venga incassato in modo che sul suo lato sinistro o destro ci sia una parete, la distanza non dev'essere inferiore a 15 cm (*vedere Figura 4*); mentre la distanza tra la parete posteriore e il piano deve essere di almeno 70 mm.

La distanza tra il piano cottura e qualsiasi altro apparecchio sopra di esso (es. una cappa) non deve essere inferiore a 70 cm (*Figura 4*). Qualora sotto il piano cottura vi sia un vano accessibile bisogna predisporre un parete di divisione in materiale isolante (legno o simili) (*Figura 3*).

**Oggetti metallici nel cassetto possono raggiungere temperature elevate a seguito del ricircolo dell'aria. Pertanto si consiglia di utilizzare una separazione intermedia in legno.**

**Importante - Il diagramma in figura 1 mostra come deve essere applicato il sigillante.**

Il piano cottura è fissato grazie a morsetti di supporto agganciati alla base.

Se un piano cottura da 60 cm è posizionato sopra un forno non equipaggiato con un sistema di raffreddamento a ventola si raccomanda di predisporre delle aperture che assicurino una corretta circolazione d'aria.

La dimensione di queste aperture deve essere di almeno 300 cm<sup>2</sup> e posizionate come in *Figura 5*.

Quando un piano cottura da 75 cm viene posizionato sopra un forno, la parte posteriore deve essere raffreddata ad aria.

### 1.2. LOCAZIONI CONSIGLIATE

Questo apparecchio può essere installato in accordo con il regolamento vigente e solo in un ambiente ben ventilato. Leggere le istruzioni prima dell'installazione o l'uso dell'apparecchio.

Un piano gas produce umidità e calore nell'area in cui è installato. Per questa ragione bisogna garantire una buona ventilazione sia tramite passaggio di aria naturale sia grazie all'installazione di una cappa d'aspirazione. Un uso intensivo e prolungato dell'apparecchio richiede una ventilazione maggiore, come l'apertura di una finestra o aumentando la velocità di ventole di raffreddamento, se possibile. Se non vi è la possibilità di installare una cappa, un aspiratore può essere installato su una parete esterna o su una finestra affinché ci siano delle correnti d'aria nell'area.

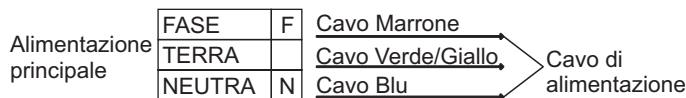
Una ventola elettrica è in grado di assicurare un cambio d'aria completo nella cucina 3-5 volte ogni ora. L'installatore dovrà seguire gli standard nazionali pertinenti.

### 2.1. CONNESSIONE ELETTRICA

Controllare i dati sulla placca segnaletica, situata sotto l'unità, per assicurarsi che il collegamento elettrico sia corretto. Prima della connessione, controllare l'impianto di messa a terra. Per legge, quest'apparecchio deve avere la messa a terra. Se questa operazione non viene eseguita, il produttore non sarà responsabile di eventuali danni occorsi a persone o proprietà. Se non è già applicata una spina, applicarne una appropriata come indicato sulla placca segnaletica. Il cavo di messa a terra è di color verde/giallo. La spina deve essere posizionata in modo tale che sia sempre accessibile. Qualora il piano cottura sia connesso direttamente all'alimentazione principale, bisognerà predisporre anche un salvavita. Se il cavo di alimentazione è danneggiato dovrà essere sostituito da personale qualificato in modo da prevenire qualsiasi potenziale rischio.

Il cavo di messa a terra (di color verde/giallo) deve essere più lungo di almeno 10 mm rispetto ai cavi neutro e fase. La sezione del cavo usato deve essere delle giuste dimensioni in base all'assorbimento dell'apparecchio.

Si prega di controllare la placca segnaletica per i dettagli riguardanti la potenza dell'apparecchio e assicurare che il cavo di connessione sia dei tipi 3x0.75 mm<sup>2</sup> H05 V2V2-F.



Il mezzo di disconnessione deve essere incorporato nel cablaggio fisso in accordo con le leggi di cablaggio.

Per il collegamento diretto alla rete, è necessario prevedere un dispositivo che assicuri la disconnessione dalla rete, con una distanza di apertura dei contatti che consenta la disconnessione completa nelle condizioni della categoria di sovratensione III, conformemente alle regole di installazione.

### 2.2. CONNESSIONE GAS

Queste istruzioni sono per personale qualificato, l'installazione dell'apparecchio deve seguire le direttive standard nazionali. **(Solo per U.K.: per legge l'installazione deve essere commissionata ad un operatore "Corgi")**

Qualsiasi operazione deve essere svolta staccando la corrente elettrica.

La placca segnaletica sotto il piano cottura mostra il tipo di gas con cui bisogna allacciare l'apparecchio. La connessione all'alimentazione gas principale deve essere approntata dopo aver controllato che sia regolata in base al tipo di gas previsto dall'apparecchio. Se non è regolata correttamente guardare le istruzioni nei paragrafi seguenti per cambiare le impostazioni gas.

Per il gas liquido GPL usare dei regolatori di pressione che siano conformi con gli standard nazionali.

Usare solo tubazioni, guarnizioni e sigillanti che siano conformi con gli standard nazionali.

Per alcuni modelli viene fornito in dotazione un raccordo conico, come attrezzatura per l'installazione, nei paesi dove è obbligatorio per legge; in *Figura 8* viene mostrato come riconoscere i diversi tipi di raccordi (CY=cilindrico, CO=conico). In qualsiasi caso la parte cilindrica del raccordo sarà connessa al piano cottura.

Quando la connessione del piano all'alimentazione gas verrà effettuata utilizzando manicotti flessibili assicurarsi che la distanza massima coperta dal tubo non superi i 2 metri.

Il tubo flessibile deve essere sistemato in modo tale che non possa entrare in contatto con parti mobile dell'unità abitativa (ad esempio un cassetto) e non passi attraverso alcuno spazio che sia suscettibile a congestionamento.

Per prevenire qualsiasi danno al piano seguire l'installazione seguendo questa sequenza (*Figura 6*):

#### 1) Come illustrato, assemblare le parti in sequenza:

A: 1/2 Adattatore cilindrico maschio

B: ½ Sigillante

C: 1/2 Adattatore gas femmina conico-cilindrico o cilindrico-cilindrico

#### 2) Stringere le giunture con la chiave inglese, ricordando di mettere le tubature in posizione.

#### 3) Attaccare l'elemento C all'alimentazione gas usando tubi di rame o manicotti flessibili in acciaio.

**IMPORTANTE: eseguire un ultimo controllo con una soluzione a base di sapone per controllare che le tubature non perdano. Non usare mai una fiamma. Inoltre assicurarsi che il manicotto flessibile non venga a contatto con una parte mobile della cucina (es. cassetto) e che non sia situato dove possa essere danneggiato.**

**Attenzione:** se si avverte odore di gas in vicinanza dell'apparecchio spegnere l'alimentazione e chiamare il tecnico. Non cercare un'eventuale perdita con una fiamma.

### 2.3. ADATTARE IL PIANO COTTURA CON DIVERSI TIPI DI GAS

Per adattare il piano cottura all'uso di diversi tipi di gas, seguire le seguenti istruzioni:

- rimuovere le griglie e i bruciatori
- inserire una chiave esagonale a tubo (7 mm) dentro il supporto bruciatore (Figura 7)
- svitare l'iniettore e sostituirlo con uno compatibile con il tipo di gas che verrà utilizzato (vedere la tabella tipi di gas).

### 2.4. REGOLARE IL MINIMO DELLA FIAMMA

Dopo aver acceso i bruciatori, girare la manopola del gas sul minimo quindi rimuovere la manopola (può essere rimossa con una leggera pressione).

L'apparecchio può essere usato da bambini dagli 8 anni in su e persone con ridotte capacità fisiche, sensoriali o mentali o senza esperienza e conoscenza del prodotto se supervisionate o dando loro istruzioni riguardo al funzionamento dell'apparecchio in maniera sicura e coscente del rischio possibile.

Usare una piccola estermità come un cacciavite per regolare la vite come mostrato in Figura 9. Girando la vite in senso orario si riduce il flusso di gas, viceversa in senso antiorario si aumenta il flusso - Usate questi aggiustamenti per ottenere una fiamma approssimativamente di 3/4 mm di lunghezza dopodiché riposizionare la manopola. Nel caso in cui l'alimentazione sia di tipo GPL - la vite per regolare la fiamma ideale deve essere ruotata (in senso orario) verso fine corsa.

Una volta che si è impostata la nuova regolazione, sostituire la vecchia placca segnaletica sull'apparecchio con una adatta al tipo di alimentazione gas che è stata installata.

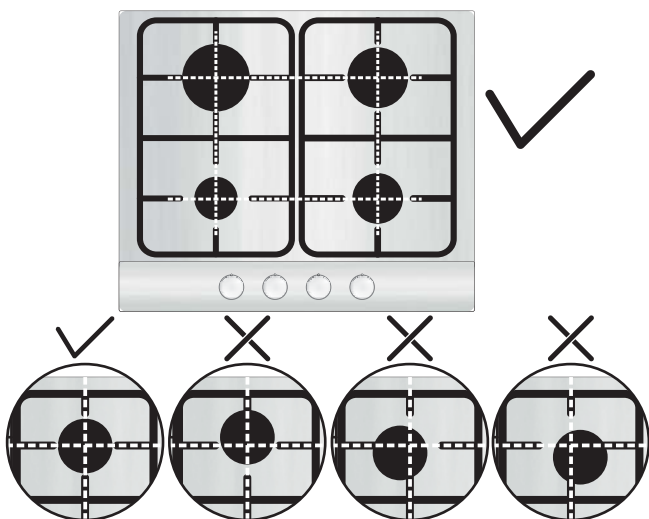
### 3. USO DEL PIANO - ISTRUZIONI UTENTE

Quest'apparecchio deve essere utilizzato solo per gli scopi con cui è stato pensato, qualsiasi altro utilizzo può essere considerato improprio e quindi pericoloso. Il produttore non è responsabile per qualsiasi danno o perdita dovuti ad un uso inappropriato.

Questo apparecchio non è pensato per essere usato da persone (inclusi bambini) con handicap fisici, sensoriali o capacità mentali limitate, con mancanza di esperienza e conoscenza, a meno che non siano supervisionati o istruiti all'uso dell'apparecchio da una persona responsabile della loro incolumità.

I bambini devono essere supervisionati per assicurare che non giochino con l'apparecchio.

Prima di utilizzare il fornello, assicurarsi che i perimetri della griglia siano posizionati al centro del fornello come nella figura sottostante. Se state utilizzando Griglie in Ghisa; la posizione della griglia è segnata al di sotto di essa. Assicurarsi che la griglia esatta sia posizionata correttamente.



### 3.1. USO DEL BRUCIATORE GAS

Per l'accensione basta premere e girare la manopola sul simbolo di accensione.

Il sistema di accensione partirà generando scintille. Quando la fiamma si è accesa, tenere premuta la manopola per 5/6 secondi dopodiché regolare la potenza.

Se non c'è corrente elettrica, accendere la fiamma con un fiammifero. Se il bruciatore non si accende entro 3 secondi girare la manopola sulla posizione 0, attendere un minuto e ripetere l'operazione.

#### ATTENZIONE:

Prima di accendere il gas assicurarsi che i bruciatori e i rispettivi coperchi siano al loro posto.

**Avvertenza:** se non c'è elettricità sull'apparecchio, per accendere il bruciatore dovrebbe essere usato un accendino;

- Premere e ruotare la manopola in senso antiorario fino al simbolo di accensione,

- Premendo il pulsante, accendere il bruciatore usando un accendino e tenere premuto il pulsante entro 5 secondi dopo l'accensione.

#### AVVISI GENERICI:

Per risultati migliori, la dimensione delle pentole deve seguire la dimensione del bruciatore come mostrato qui a seguito. Tabella A.

Tipo di bruciatore	Ø / (cm)	Potenza (kW)	G20/20 mbar (Metano)	G30/28-30 mbar (LPG)
AUX Ausiliario	12 - 18	1,00	95 l/h	73 g/h
SR Semi rapido	18 - 22	1,75	167 l/h	127 g/h
R Rapido	24 - 26	2,70	257 l/h	196 g/h
UR Ultra Rapido	26 - 28	3,50	334 l/h	254 g/h
DC 4 kW MONO	26 - 28	4,00	381 l/h	291 g/h

Tabella A

Per contenitori più piccoli il bruciatore gas può essere regolato in modo che la fiamma non superi la pasc della pentola. Recipienti con una base concava o convessa non possono essere usati.

**ATTENZIONE: se un bruciatore si spegne accidentalmente, riportare la manopola sulla posizione spenta e non tentare di riaccenderlo prima che sia passato 1 minuto.**

Se col passare del tempo il rubinetto del gas si indurisce è necessario lubrificarlo.

**Questo tipo di operazione deve essere eseguita da personale qualificato.**

### 4. MANUTENZIONE E PULIZIA

Prima di pulire il piano cottura, assicurarsi che l'apparecchio si sia raffreddato.

La pulizia e la manutenzione non dovrebbero essere fatte da bambini senza supervisione.

Rimuovere la spina dalla presa corrente o (se connessa direttamente all'alimentazione generale) togliere la corrente dall'impianto generale.

Non usare sostanze abrasive, detergenti corrosivi, agenti sbiancanti o acidi. Evitare ogni tipo di acido o sostanza alcalina (limone, aceto, etc.) per pulire le parti smaltate, laccate o in acciaio inox.

Quando bisogna pulire le parti smaltate, laccate o cromate, usare acqua calda con sapone o un detergente non corrosivo. Per l'acciaio antimacchia usare una soluzione appropriata.

I bruciatori possono essere puliti con acqua e sapone. Per ripristinare la loro brillantezza originale, usare un comune prodotto di pulizia per superfici in acciaio. Dopo averli puliti, asciugarli e ricollocarli al loro posto.

**È importante che i bruciatori vengano riposizionati correttamente.**

#### Griglie cromate e bruciatori

Le griglie cromate e i bruciatori tendono a diventare scuri con l'uso. Questo è un fenomeno normale ed inevitabile, che tuttavia non compromette assolutamente il buon funzionamento del piano cottura. In ogni caso sono disponibili, presso i centri servizio post vendita, i pezzi di ricambio.

### 5. RIPRISTINO

Prima di contattare un tecnico del Centro Assistenza si prega di controllare:

- Che la spina sia ben inserita e collegata;
- Che l'alimentazione gas non sia difettosa.

Se il malfunzionamento non è identificabile: spegnere l'apparecchio - non manometterlo - e chiamare il Centro Assistenza.

## 6. RISPETTO DELL'AMBIENTE



Questo apparecchio è contrassegnato in conformità alla Direttiva europea 2012/19/EU sulle apparecchiature elettriche ed elettroniche (WEEE). I WEEE contengono sia le sostanze inquinanti (che possono provocare conseguenze negative sull'ambiente) che componenti di base (che possono essere riutilizzati). È importante che i WEEE siano soggetti a trattamenti specifici, per rimuovere e smaltire correttamente tutti gli inquinanti e recuperare e riciclare tutti i materiali.

I singoli possono giocare un ruolo importante nell'assicurare che i WEEE non diventino un problema ambientale; è essenziale seguire alcune regole di base:

- I WEEE non devono essere trattati come rifiuti domestici.
- I WEEE devono essere portati ai punti di raccolta appositi gestiti dal comune o da società registrate. In molti Paesi, per i WEEE grandi, potrebbe essere presente la raccolta domestica.
- Quando si acquista un nuovo apparecchio, quello vecchio potrebbe essere restituito al rivenditore che deve acquisirlo gratuitamente su base singola, sempre che l'apparecchio sia del tipo equivalente e abbia le stesse funzioni di quello acquistato.

Dichiarazione di conformità: questo apparecchio, nelle parti progettate per venire a contatto con cibi, è conforme con le regolamentazioni espresse nelle direttive EEC 89/109.

L'elettrodomestico è conforme alla Direttiva Europea 2009/142/CE (GAD) e a partire dal 21/04/2018 con il regolamento GAR (Gas Appliances Regulation) 2016/426.

Apponendo la marcatura **CE** su questo prodotto, dichiariamo, sotto la nostra responsabilità, di ottemperare a tutti i requisiti relativi alla tutela di sicurezza, salute e ambiente previsti dalla legislazione europea in essere per questo prodotto.

*// produttore non si rende responsabile per alcuna imprecisione dovuta a errori di stampa o trascrizione contenuti nel libretto. Ci riserviamo il diritto di apportare modifiche al prodotto qualora sia necessario, inclusi i consumi, senza compromettere le caratteristiche inerenti la sicurezza del funzionamento.*

Tabella 1

	3 Gas	4 Gas	4 Gas	5 Gas	5 Gas	5 Gas
Piastra del bruciatore	3 Gas	4 Gas	4 Gas	5 Gas	5 Gas	5 Gas
Bruciatore	Aux/R/DC 4 Mono	Aux/SR/R/DC 4 Mono	Aux/SR/R	UR/2R/SR/AUX	DC/2R/SR/AUX	DC/R/2SR/AUX
Genere	UH60MF	UH60MF	UH60MF	UH75MF	UH75MF	UH75MF
FFD	si	si	si	si	si	si
Aux 1kW	1	1	1	1	1	1
Sr 1,75 kW	-	1	1	1	1	2
R 2,7 kW	1	1	1	2	2	1
UR 3,5 kW	-	-	-	1	-	-
Dc 4 kW Mono	1	1	-	-	1	1
Ingresso nominale di calore	7,7 kW	9,45 kW	7,2 kW	11,65 kW	12,15 kW	11,2 kW
G20/20 mbar	734 l/h	900 l/h	686 l/h	1110 l/h	1157 l/h	1067 l/h
G30/28-30 mbar	560 g/h	688 g/h	524 g/h	848 g/h	884 g/h	815 g/h
Classe di installazione	3	3	3	3	3	3
Voltaggio / Frequenza (V / Hz)	220-240 V/ 50-60 Hz	220-240 V/ 50-60 Hz	220-240 V/ 50-60 Hz	220-240 V/ 50-60 Hz	220-240 V/ 50-60 Hz	220-240 V/ 50-60 Hz
Potenza elettrica in ingresso	1	1	1	1	1	1
Iniezione elettrica	si	si	si	si	si	si
Dimensione prodotto (mm)	595x510	595x510	595x510	745x510	745x510	745x510

Questo apparecchio è stato progettato per uso domestico e non professionale.

## INSTRUÇÕES DE SEGURANÇA

Recomendamos que conserve as instruções de instalação e utilização para referência futura e que, antes de instalar o fogão, anote o número de série para o caso de precisar de obter ajuda do serviço pós-venda.

**AVISO:** o equipamento e as partes acessíveis estão quentes durante a utilização. Cuidado para evitar tocar os elementos de aquecimento. As crianças com menos de 8 anos de idade devem ser mantidas afastadas do equipamento, exceto quando supervisionadas continuamente.

**AVISO:** use apenas os resguardos de placa desenhados pelo fabricante do equipamento de cozinha ou os indicados pelo fabricante do equipamento nas instruções de utilização ou os incluídos na entrega do equipamento. O uso de resguardos errados pode provocar acidentes.

**AVISO:** deixar alimentos com gordura ou com óleo a cozinhar sem supervisão pode ser perigoso e pode provocar incêndios. **NUNCA** tente apagar um fogo com água! Desligue o equipamento e tape a chama com, por exemplo, uma tampa ou um cobertor de fogo.

**AVISO:** perigo de incêndio - não coloque nada sobre as superfícies de cozedura.

**AVISO:** se a superfície estiver rachada, não toque no vidro e desligue o equipamento para evitar a possibilidade de ocorrência de choque elétrico.

Este equipamento pode ser usado por crianças a partir dos 8 anos de idade e por pessoas com incapacidade física, sensorial ou mental, ou sem experiência e conhecimentos para o fazer, desde que supervisionadas ou devidamente orientadas relativamente ao uso seguro do equipamento e sobre os perigos envolvidos. As crianças devem ser supervisionadas para garantir que não brincam com o equipamento. A limpeza e a manutenção não deve ser realizada por crianças sem a supervisão de um adulto.

**CUIDADO:** o processo de cozedura deve ser supervisionado. Um processo de cozedura curto deve ser supervisionado continuamente.

É altamente recomendável manter as crianças afastadas das zonas de cozedura durante o período de funcionamento ou quando estão desligadas mas enquanto o indicador de calor residual estiver ligado, para evitar risco de ocorrência de queimaduras graves.

Este equipamento não foi desenhado para ser operado através de um temporizador externo ou sistema de controlo remoto separado.

Se presentes, não olhe fixamente para a lâmpada de halogéneo da placa.

Ligue uma ficha com contacto de terra ao cabo de alimentação que suporte a tensão, corrente e carga indicadas na etiqueta. A tomada deve ser adequada para a carga indicada na etiqueta e deve ter um contacto de terra ligado e operacional.

O condutor de terra é de cor amarelo-verde. Esta operação deve ser realizada por um profissional qualificado. Em caso de incompatibilidade entre a tomada e a ficha do equipamento, peça a um electricista qualificado para substituir a tomada por outro do tipo correto. A ficha e a tomada devem estar em conformidade com as normas de corrente do país de instalação do forno.

A ligação da fonte de potência também pode ser realizada colocando um disjuntor omnipolar entre o equipamento e a fonte de potência que possa aguentar a carga máxima ligada e que cumpra a legislação atual.

O cabo de terra amarelo-verde não deve ser interrompido pelo disjuntor. A tomada ou o disjuntor omnipolar usado deve ser facilmente acessível quando o equipamento está instalado.

A desconexão deve ser conseguida colocando a ficha acessível ou incorporando um interruptor na cablagem fixa de acordo com as regras de cablagem.

Se o cabo de alimentação estiver danificado, deve ser substituído pelo fabricante, pelo seu agente de serviço ou por pessoas qualificadas, para evitar perigo. O condutor de terra (amarelo-verde) deve ter mais de 10 mm do lado do bloco de terminais. A secção de condutores internos deve ser apropriada para a potência absorvida pela placa (indicada na etiqueta). O cabo de potência deve ser do tipo HO5V2V2-F.

Não coloque objetos metálicos, como facas, garfos, colheres ou tampas sobre a placa. Podem ficar quentes.

Folhas de alumínio e painéis plásticos não devem ser colocadas sobre as zonas de aquecimento.

Depois de cada utilização, é necessário limpar a placa para evitar a acumulação de sujidade e gordura. Caso contrário, a sujidade e a gordura são cozinhadas novamente quando o fogão é usado, provocando fumo e cheiros desagradáveis, sem mencionar o risco de incêndio.

Nunca use vapor ou sprays de alta pressão para limpar o equipamento.

Não toque nas zonas de calor durante o funcionamento ou algum tempo após a utilização.

Não cozinhar alimentos diretamente sobre a placa vitrocerâmica.

Use sempre o utensílio apropriado.

Coloque sempre o recipiente no centro do disco onde vai cozinhar. Não coloque nada sobre o painel de controlo.

Não use a placa como superfície de trabalho.

Não use a placa como tábua de corte.

Não coloque itens pesados por cima da placa. Se caírem sobre a placa, podem causar danos.

Não use a placa para armazenar itens.

Não deslize utensílios de cozinha sobre a placa.

# 1. INSTRUÇÕES PARA O INSTALADOR

A INSTALAÇÃO DE ELECTRODOMÉSTICOS PODE SER UMA OPERAÇÃO COMPLICADA QUE, SE NÃO FOR EFECTUADA CORRECTAMENTE, PODE AFECTAR SERIAMENTE A SEGURANÇA DO CONSUMIDOR. POR ESTA RAZÃO, ESTA TAREFA DEVE SER EXECUTADA POR UMA PESSOA QUALIFICADA PROFISSIONALMENTE, QUE A FARÁ DE ACORDO COM OS REGULAMENTOS TÉCNICOS EM VIGOR. SE ESTE CONSELHO FOR IGNORADO, E SE A INSTALAÇÃO FOR EXECUTADA POR UMA PESSOA NÃO QUALIFICADA, O FABRICANTE DECLINA TODAS AS RESPONSABILIDADES POR FALHA TÉCNICA DO PRODUTO, QUE PROVOQUE OU NÃO DANOS DE PROPRIEDADE OU FERIMENTOS.

## 1.1 PREPARAÇÃO

A placa pode ser instalada em qualquer bancada que seja resistente até uma temperatura de 100°C e que tenha uma espessura de 25-45 mm. As dimensões da abertura para o encaسته, a ser feita na bancada, estão indicadas na *Figura 2*.

Se a placa for instalada numa bancada ficando com um armário de qualquer um dos lados, a distância entre a placa e o armário tem de ser de, pelo menos, 15 cm (vide a *Figura 4*); já a distância entre a placa e a parede traseira tem de ser de, pelo menos, 70 mm.

A placa deve sempre ficar a uma distância de, pelo menos, 70 cm de qualquer unidade ou aparelho instalado sobre ela (como, por exemplo, um extractor). (*Figura 4*)

Sempre que houver um espaço que seja acessível entre a placa encastrada e a cavidade por baixo dela, tem de ser instalada uma divisória feita de material isolante, como, por exemplo, madeira ou um material semelhante, entre ambas (*Figura 3*).

**Objetos metálicos na gaveta podem atingir altas temperaturas devido à recirculação de ar. Por isso, é recomendável usar um painel de madeira intermediário.**

Importante O diagrama apresentado na figura 1 mostra a forma de aplicação do vedante.

Para poder encastrar a placa tem de instalar os grampos de fixação, inserindo-os nos orifícios existentes na base da placa.

Sempre que uma placa de 60 cm for instalada sobre um forno que não esteja equipado com um sistema de refrigeração por ventoinha, o fabricante recomenda que sejam introduzidas aberturas no móvel em que as unidades vão ser encastradas, a fim de assegurar uma circulação correcta do ar.

Estas aberturas devem ter uma área mínima de 300 cm<sup>2</sup> e devem estar localizadas nos pontos indicados na *Figura 5*.

Sempre que uma placa de 75 cm for instalada sobre um forno encastrado, esse forno tem de estar equipado com um sistema de refrigeração por ventoinha.

## 1.2 LOCALIZAÇÃO ADEQUADA

Este aparelho tem de ser instalado de acordo com as normas e regulamentos em vigor e só pode ser utilizado num local bem ventilado. Leia as instruções antes de instalar ou de utilizar este aparelho.

Um fogão ou placa a gás produzem calor e humidade na zona em que são instalados. Por isso, deve sempre certificar-se de que a ventilação nesse local é boa, seja mantendo todas as passagens para o ar natural abertas, seja instalando um extractor com um tubo de evacuação. Se o electrodoméstico for submetido a uma utilização intensa e prolongada, poderá ser necessária uma ventilação adicional, como, por exemplo, a abertura de uma janela ou o aumento da velocidade da ventoinha de exaustão eléctrica, caso esteja instalada uma.

Se não puder ser instalado um extractor, deve ser instalada uma ventoinha eléctrica numa parede exterior ou numa janela, conquanto a zona disponha de aberturas para ventilação e passagem de ar.

A ventoinha eléctrica tem de estar apta a renovar completamente o ar no interior da cozinha 3 a 5 vezes por hora. O instalador deve cumprir todos os regulamentos e normas nacionais aplicáveis.

## 2.1. LIGAÇÃO ELÉCTRICA

Verifique os dados indicados na placa de características do aparelho, afixada do lado de fora da placa, para se certificar de que tanto a alimentação de energia como a tensão de entrada são as adequadas. Antes de proceder à ligação do aparelho, verifique o sistema de ligação à terra.

Por lei, esta placa tem de ser ligada à terra. Se este requisito não for cumprido, o fabricante declina toda e qualquer responsabilidade por eventuais danos materiais ou lesões pessoais. Se o aparelho não estiver equipado com uma ficha, instale uma ficha adequada para a carga indicada na placa de características. O fio de ligação à terra é o fio amarelo/verde. A ficha tem de estar sempre acessível.

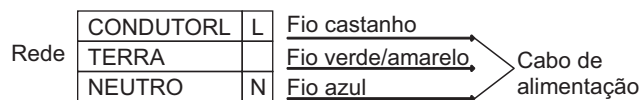
Sempre que a placa for directamente ligada à rede eléctrica, tem de ser instalado um disjuntor no circuito.

Sempre que o cabo de alimentação de energia estiver danificado deverá o mesmo ser substituído por um técnico devidamente qualificado, de modo a evitar qualquer risco potencial.

O fio de ligação à terra (verde e amarelo) deve ser pelo menos 10 mm mais comprido do que os fios condutor e neutro.

O cabo de alimentação de energia deve ter uma secção transversal adequada à potência máxima absorvida pela placa.

O fabricante recomenda que consulte a placa de características do aparelho para se informar sobre as características eléctricas do mesmo e ainda que se assegure de que o cabo de alimentação de energia seja do tipo 3x075 mm<sup>2</sup> H05 V2V2-F.



O sistema de desligamento tem de estar integrado na instalação fixa, de acordo com as regras aplicáveis à instalação e ligação eléctrica.

Se um equipamento não estiver equipado com um cabo de alimentação e uma ficha, ou com outros meios para desligar da alimentação, precisa de uma separação de contacto em todos os pólos que permita a desconexão total em condições de sobretensão de categoria III, e as instruções devem indicar que devem ser incorporados meios para desligar na cablagem fixa de acordo com os regulamentos de ligação.

## 2.2. LIGAÇÃO À REDE DE GÁS

Estas instruções destinam-se a pessoal qualificado, a instalação do equipamento deve estar de acordo com as normas nacionais relevantes. **(Apenas para o Reino Unido: por lei, a instalação/fornecimento de gás deve ser efectuada por um instalador registado "Corgi")**

O trabalho deve ser efectuado com a alimentação eléctrica desligada. A placa de classificação na placa indica o tipo de gás que deve ser utilizado. A ligação à alimentação de gás ou à botija de gás deve ser executada depois de ter verificado que é adequada para o tipo de gás que vai ser fornecido. Se não estiver regulado correctamente, consulte as instruções dos parágrafos seguintes para alterar a configuração do gás.

Para gás líquido (botija de gás), utilize reguladores de pressão que estejam em conformidade com as normas nacionais relevantes.

Utilize apenas tubos, anilhas e juntas que estejam em conformidade com as normas nacionais relevantes.

Nalguns modelos, é fornecida uma peça de ligação cónica para colocar na instalação em países onde este tipo de ligação é obrigatório; na figura 8 está indicado como reconhecer os diferentes tipos de ligação (CY = cilíndrica, CO = cónica). Em todos os casos, a peça cilíndrica da ligação tem de ser ligada à placa.

Quando liga a placa à alimentação de gás com mangueiras flexíveis, assegure que a distância máxima coberta pela mangueira não ultrapassa os 2 metros.

O tubo flexível deve ser montado de forma a não estar em contacto com uma parte móvel da unidade (por exemplo, uma gaveta), e não passar por espaços que possam ficar bloqueados.



Para evitar danos potenciais na placa, execute a instalação seguindo esta sequência (figura 6):

1) Tal como é ilustrado, monte as peças pela sequência:

A: Adaptador cilíndrico macho 1/2,

B: Junta 1/2,

C: Adaptador cónico-cilíndrico fêmea de gás 1/2 ou cilíndrico-cilíndrico

2) Aperte as justas com as chaves, recordando que deve colocar os tubos em posição.

3) Ligue o encaixe C na alimentação de gás utilizando um tubo rígido de cobre ou um tubo de aço flexível.

**IMPORTANTE:** faça uma verificação final de fugas nas ligações dos tubos utilizando uma saponária. Nunca utilize uma chama. Igualmente, certifique-se que o tubo flexível não está em contacto com uma peça móvel do armário (por exemplo, gaveta) e que não está situado onde possa ser danificado.

**Aviso:** Se cheirar a gás perto deste equipamento, desligue a alimentação de gás do equipamento e contacte directamente o técnico. Não procure a fuga com uma chama viva.

### 2.3. ADAPTAÇÃO DA PLACA A DIFERENTES TIPOS DE GÁS

Para adaptar a placa aos diferentes tipos de gás deverá executar as operações que passamos a descrever em seguida:

- remova as grelhas e os queimadores
- insira uma chave hexagonal (7 mm) no suporte do queimador (Figura 7)
- Desenrosque o injector e substitua-o por um que seja adequado ao tipo de gás que vai ser utilizado (consulte a tabela dos tipos de gás.)

### 2.4. REGULAÇÃO DA ALTURA MÍNIMA DA CHAMA

Depois de acender os queimadores, rode o botão de comando para a posição correspondente ao mínimo e remova o botão da placa (basta aplicar uma pressão ligeira).

Servindo-se de uma chave de fendas pequena, pode ajustar a posição do parafuso da forma indicada na Figura 9.

Se rodar o parafuso para a direita está a reduzir o fluxo de gás, e se o rodar para a esquerda está a aumentá-lo. Ajuste o parafuso desta forma até obter uma chama com uma altura aproximada de 3 a 4 mm e, em seguida, volte a montar o botão de comando.

Sempre que o gás disponível for o gás GPL (gás de garrafa), o parafuso de regulação da chama piloto tem de ser rodado (para a direita) até prender.

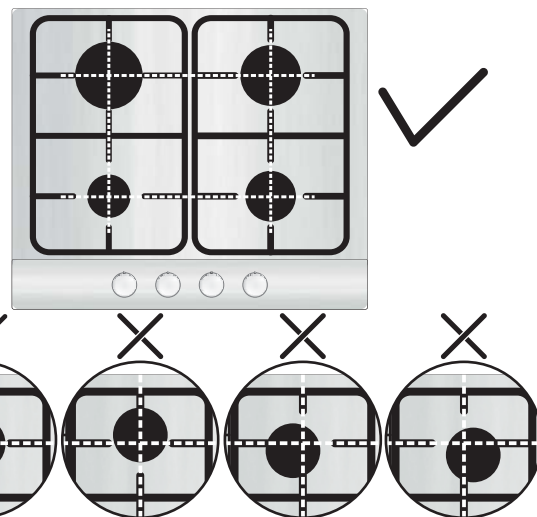
Depois de ter regulado a placa para o tipo de gás que vai ser utilizado, substitua a placa de características antiga, com os dados relativos ao gás para que a placa estava preparada, pela placa adequada ao tipo de gás para que a placa foi regulada (esta placa é fornecida com a placa).

### 3. UTILIZAÇÃO DA PLACA INSTRUÇÕES PARA O UTILIZADOR

Esta placa só pode ser utilizada para o fim para que foi concebida, ou seja, para uma utilização doméstica, sendo qualquer outra utilização considerada imprópria e, por conseguinte, perigosa. O fabricante declina toda e qualquer responsabilidade por danos decorrentes de uma utilização imprópria da placa.

Antes de usar o queimador, assegurar que os contornos da grelha se centram com o queimador como na figura abaixo.

Se estiver a usar grelhas de ferro fundido; por baixo da grelha é indicada a posição. Assegurar que a grelha exata é usada na posição correta.



### 3.1. COMO UTILIZAR O QUEIMADOR DE GÁS

Para ligar os queimadores, aproxime um fósforo acesso do queimador, empurre o botão de comando para dentro e rode-o para a esquerda.

Se os queimadores não tiverem sido utilizados durante alguns dias, espere alguns segundos antes de acender o queimador, para permitir a evacuação de ar que se tenha acumulado nos canos.

Se a sua placa dispuser de um isqueiro electrónico, proceda da seguinte forma:

empurre o botão de comando para dentro e rode-o para a esquerda, para a posição com o símbolo do isqueiro.

ligue o queimador, premindo o botão com o símbolo da faísca.

Se a sua placa estiver equipada com ignição electrónica só tem de empurrar o botão de comando para dentro e de o rodar até ao símbolo de ignição

O sistema de ignição (isqueiro) continuará a gerar faíscas enquanto o botão de comando estiver a ser premido.

Se o queimador não se acender em 5 segundos, rode o botão de comando para a posição 0 e repita a operação.

No caso dos modelos com torneira de segurança (que corta a alimentação de gás no caso de a chama se apagar acidentalmente), os queimadores são acesos da forma descrita acima, sendo que, no entanto, deve manter o botão de comando premido durante cerca de 5 a 6 segundos depois de o queimador estar aceso.

#### ATENÇÃO:

Antes de ligar a placa a gás, deverá certificar-se de que os queimadores e os espalhadores estão correctamente instalados.

**Advertência:** Se não houver eletricidade no aparelho, deve ser usado um isqueiro para acender o queimador;

- Premir e rodar o botão no sentido anti-horário até ao símbolo de ignição,

- Premir o botão de ignição do queimador utilizando um isqueiro e manter o mesmo premido durante 5 segundos após a ignição.

#### CONSELHOS GERAIS

Para assegurar os melhores resultados possíveis, deverá ter o cuidado de ajustar o tamanho dos recipientes de fundo plano ao tamanho dos queimadores de gás, conforme pode ver na tabela abaixo. Tabela A.

Tipo di queimador	Ø recipiente (cm)	Energia (kW)	G20/20 mbar (Metano)	G30/28-30 mbar (LPG)
AUX Auxiliar	12 - 18	1,00	95 l/h	73 g/h
SR Semi-rápido	18 - 22	1,75	167 l/h	127 g/h
R Rápido	24 - 26	2,70	257 l/h	196 g/h
UR Ultra Rápido	26 - 28	3,50	334 l/h	254 g/h
DC 4 kW MONO	26 - 28	4,00	381 l/h	291 g/h

Tabela A

Sempre que utilizar recipientes pequenos, regule o queimador de modo a que a chama não saia pelos lados do recipiente. Nunca utilize recipientes com um fundo concave ou convexo.

**AVISO:** Se um queimador se apagar acidentalmente, rode o botão para a posição de desligado e espere pelo menos 1 minuto antes de o voltar a tentar ligar.

Se, com o passar do tempo, as torneiras do gás ficarem perras é necessário lubrificá-las.

Trata-se de uma operação que só deve ser levada a cabo por um técnico devidamente qualificado.

## 4. MANUTENÇÃO E LIMPEZA

Antes de limpar a placa, certifique-se de que ela já está fria. Desligue a ficha do cabo de alimentação da tomada de rede ou, no caso de a placa estar directamente ligada à rede, corte a alimentação de energia à placa.

Crianças sem supervisão não devem nem limpar, nem manter este aparelho.

Nunca utilize abrasivos, detergentes corrosivos, produtos de branqueamento ou ácidos. Evite quaisquer produtos ácidos ou alcalinos (limão, sumo, vinagre, etc.) nas zonas esmaltadas, envernizadas ou de aço inoxidável.

Quando limpa as zonas esmaltadas, envernizadas ou cromadas, utilize uma saponária quente ou um detergente não cáustico. No aço inoxidável, utilize uma solução de limpeza apropriada.

Os queimadores podem ser limpos com uma saponária. Para restaurar o seu brilho original, utilize um produto doméstico para aço inoxidável. Depois de limpar, seque os queimadores e coloque-os de novo.

**É importante que os queimadores sejam colocados correctamente.**

*Grelhas e queimadores cromados*

As grelhas e os queimadores cromados têm tendência para escurecer com o passar do tempo. Isto é perfeitamente normal, inevitável até, e não prejudica o bom funcionamento da placa.

No entanto, se quiser proceder à substituição das grelhas e dos queimadores escurecidos, basta entrar em contacto com a nossa assistência técnica, à qual poderá adquirir as peças sobressalentes em causa.

## 5. ANTES DE CHAMAR A ASSISTÊNCIA TÉCNICA

Antes de solicitar a comparência de um técnico do Serviço de Assistência Técnica, agradecemos que proceda às seguintes verificações:

- certifique-se de que a ficha está devidamente inserida na tomada e de que o fusível tem a amperagem correcta e não disparou;
- de que o gás está a ser devidamente alimentado à placa.

Se não conseguir detectar o problema:

desligue o aparelho, não o tente reparar, e entre em contacto com a Assistência Técnica.

## 6. PROTECÇÃO DO AMBIENTE



Este aparelho está classificado de acordo com a Diretiva Europeia 2012/19/UE relativa aos Resíduos de Equipamentos Elétricos e Eletrônicos (REEE). Os REEE incluem substâncias poluentes (que podem provocar consequências negativas no meio ambiente) e componentes básicos (que podem ser reutilizados). É importante que os REEE sejam submetidos a tratamentos específicos, a fim de

remover e eliminar corretamente todos os poluentes e recuperar e reciclar todos os materiais.

Os cidadãos individualmente podem desempenhar um papel importante no sentido de garantir que os REEE não se tornam num problema ambiental; é essencial seguir algumas regras básicas:

- Os REEE não devem ser tratados como lixo doméstico.
- Os REEE deverão ser entregues nos pontos de recolha relevantes geridos pelo município ou por empresas registadas. Em muitos países, no caso de grande REEE, poderão existir serviços de recolha ao domicílio.
- quando compra um novo aparelho, o antigo pode ser devolvido ao comerciante que terá a obrigação de o transportar gratuitamente numa base de um-para-um, desde que o equipamento seja de tipo equivalente e tenha as mesmas funções que o equipamento fornecido.

**Declaração de conformidade:** Este equipamento, nas zonas destinadas a estar em contacto com alimentos, está em conformidade com os regulamentos constantes nas directivas EEC 89/109. O aparelho está em conformidade com a Diretiva Europeia 2009/142/CE (GAD) e desde 21/04/2018 com o regulamento relativo aos aparelhos a gás 2016/426 (GAR).

Ao colocar o símbolo neste produto declaramos, sob nossa responsabilidade, a conformidade com todas as exigências de segurança europeia, para com a saúde e os requisitos ambientais estabelecidos na legislação em relação a este produto.

*O fabricante não será responsável por qualquer imprecisão resultante da impressão ou erros de transcrição contidos desta documentação. Reservamos o direito de efectuar modificações aos produtos de acordo com o necessário, incluindo os direitos de consumo, sem prejuízo das características relacionadas com segurança ou função.*

Tabela 1

	3 Gas	4 Gas	4 Gas	5 Gas	5 Gas	5 Gas
Chapa de Queimador	3 Gas	4 Gas	4 Gas	5 Gas	5 Gas	5 Gas
Queimador	Aux/R/DC 4 Mono	Aux/SR/R/DC 4 Mono	Aux/SR/R	UR/2R/SR/AUX	DC/2R/SR/AUX	DC/R/2SR/AUX
Tipo	UH60MF	UH60MF	UH60MF	UH75MF	UH75MF	UH75MF
FFD	SIM	SIM	SIM	SIM	SIM	SIM
Aux 1kW	1	1	1	1	1	1
Sr 1,75 kW	-	1	1	1	1	2
R 2,7 kW	1	1	1	2	2	1
UR 3,5 kW	-	-	-	1	-	-
Dc 4 kW Mono	1	1	-	-	1	1
Entrada Nominal de Calor	7,7 kW	9,45 kW	7,2 kW	11,65 kW	12,15 kW	11,2 kW
G20/20 mbar	734 l/h	900 l/h	686 l/h	1110 l/h	1157 l/h	1067 l/h
G30/28-30 mbar	560 g/h	688 g/h	524 g/h	848 g/h	884 g/h	815 g/h
Classe de instalação	3	3	3	3	3	3
Tensão/frequência V/Hz	220-240 V/ 50-60 Hz	220-240 V/ 50-60 Hz	220-240 V/ 50-60 Hz	220-240 V/ 50-60 Hz	220-240 V/ 50-60 Hz	220-240 V/ 50-60 Hz
Potência absorvida	1	1	1	1	1	1
Isqueiro (ignição eléctrica)	SIM	SIM	SIM	SIM	SIM	SIM
Dimensões do produto	595x510	595x510	595x510	745x510	745x510	745x510

*Este aparelho foi exclusivamente concebido para uma utilização não profissional, ou seja, doméstica.*

## BIZTONSÁGI UTASÍTÁSOK

Ajánlatos megtartani az útmutatót a beszereléshez és a későbbi hivatkozások céljából, valamint a főzőlap beszerelését megelőzően jegyezze fel annak sorozatszámát, hogy szükség esetén fel tudja venni a kapcsolatot az értékesítés utáni szolgáltatással.

**FIGYELMEZTETÉS:** a készülék és annak hozzáférhető részei használat közben felforrósodnak. Ne érintse meg a fűtőelemeket. 8 éven aluli gyermekek csak folyamatos felnőtt felügyelet mellett tartózkodhatnak a készülék közelében.

**FIGYELMEZTETÉS:** csak olyan főzőlap védőrácsot használjon, amelyet a készülék gyártója készít, illetve javasol a készülék használati utasításában, vagy ami a készülékkel egybe van építve. A nem megfelelő védőrácsok használata balesetet okozhat.

**FIGYELMEZTETÉS:** a főzőlapon őrizetlenül hagyott zsír vagy olaj veszélyes lehet, és tüzet okozhat. Tűz esetén SOHA ne próbálja azt vízzel oltani. Kapcsolja ki a készüléket, majd pl. egy edényfedővel vagy tűzálló takaróval fojtsa el a tüzet.

**FIGYELMEZTETÉS:** tűzveszély: ne tároljon semmilyen tárgyat a főzőlap felületén.

**FIGYELMEZTETÉS:** ha a főzőlap felülete megrepedt, az áramütés elkerülése érdekében kapcsolja ki a készüléket.

A készüléket 8 év fölötti gyermekek, csökkent fizikai, érzékszervi és mentális képességekkel rendelkező, illetve kellő tapasztalattal nem rendelkező személyek, csak felügyelet mellett, illetve akkor használhatják, ha már rendelkeznek a készülék biztonságos használatára és a kockázatokra vonatkozó tudással. Felügyelje a gyermekeket, hogy azok ne játsszanak a készülékkel. A tisztítást és a karbantartást gyermekek nem végezhetik felügyelet nélkül.

**VIGYÁZAT:** főzés során ne hagyja felügyelet nélkül a készüléket. A rövid ideig tartó főzési folyamatokat folyamatosan felügyelni kell.

A súlyos égési sérülések kockázatának megelőzése érdekében erősen ajánlott távol tartani a gyermekeket a főzőzónától azok működése alatt, vagy kikapcsolt állapotukban, amíg a maradékhő jelző bekapcsolt állapotban van.

A készülék nem használható külső időzítővel vagy távirányító rendszerrel.

Ne nézzen bele a főzőlap halogén lámpáiba, amennyiben van ilyen.

A tápkábelre olyan dugaszt kell felszerelni, amely képes elviselni az adattáblán feltüntetett feszültséget, áramerősséget és terhelést, valamint földelt. Az aljzatnak alkalmasnak kell lennie az adattáblán feltüntetett terhelés elviselésére, és bekötött földelővezetékekkel kell rendelkeznie. A védőföldelés vezetéke sárga-zöld színű. A bekötési műveletet csak szakember

végezheti el. Ha a készülék dugasa nem illik a táphálózati aljzatba, akkor a dugaszt képzett villanyszerelővel kell kicseréltetni a megfelelő típusúra. Mind a dugasznak, mind az aljzatnak meg kell felelnie az adott országban érvényes telepítési előírásoknak.

A táphálózathoz történő csatlakoztatás elvégezhető egy olyan kétsarkú megszakító beiktatásával a készülék és az áramforrás közé, amely elbírja a maximális csatlakoztatott terhelést és megfelel a hatályos jogszabályoknak.

A sárga-zöld földelőkábel a megszakítónak nem szabad megszakítania. A csatlakoztatáshoz használt aljzatnak vagy kétsarkú megszakítónak a készülék telepítésekor könnyen hozzáférhető helyen kell lennie.

A tápellátás megszakíthatóságáról vagy úgy kell gondoskodni, hogy a dugaszolóaljzatot hozzáférhető helyen van, vagy a fix vezetékezésbe a villanyszerelési szabályok betartásával be kell kötni egy kapcsolót.

Ha a tápkábel megsérül, a kockázatok elkerülése végett a gyártó által megadott márkaszerviznek vagy megfelelően képzett szakembernek kell gondoskodnia a cseréjéről. A védőföldelés (sárga-zöld) vezetékének 10 mm-nél hosszabbnak kell lennie a sorkapocs oldalán. A vezetékek keresztmetszete meg kell feleljen a főzőlap által felvett teljesítménynek (lásd az adattáblát). HO5V2V2-F típusú tápkábelt kell használni.

Ne tegyen fémből készült tárgyakat, például kést, villát, kanalat vagy fedőt a főzőlapra. Ezek felmelegedhetnek.

Alumíniumfóliát és műanyag edényeket tilos a fűtési zónákra helyezni.

Használat után tisztítsa meg a főzőlapot a kosz és a zsír felgyülemelésének megelőzése érdekében. Ellenkező esetben a főzőlap ismételt használatakor ezek füstöt és nemkívánatos szagokat hozhatnak létre, továbbá fennáll a veszély, hogy elősegítik egy esetleges tűz terjedését.

Ne tisztítsa a készüléket gőzzel vagy magas nyomású spray-vel.

Üzemelés közben, vagy azt követően ne érintse meg a főzőzónákat.

Ne főzzön ételeket közvetlenül az üvegkerámia főzőlapon.

Minden esetben használjon megfelelő főzőedényeket.

Minden esetben a főzésre használt egység közepére helyezze az edényeket. Ne tegyen semmit a vezérlőpanelre.

Ne használja a főzőlapot munkafelületként.

Ne használja a felületet vágódeszkaként.

Ne tároljon nehéz tárgyakat a főzőlap felett. Megkárosíthatják a főzőlapot, ha ráesnek.

Ne tároljon semmit a főzőlapon.

Ne húzza keresztül a főzőedényeket a főzőlapon.

## 1. UTASÍTÁSOK A TELEPÍTŐ SZÁMÁRA

**A HÁZTARTÁSI KÉSZÜLÉKEK TELEPÍTÉSE BONYOLULT MŰVELET LEHET, AMELYNEK HELYTELEN ELVÉGZÉSE KOMOLYAN VESZÉLYEZTETHETI A FOGYASZTÓK BIZTONSÁGÁT. EZÉRT FONTOS AZ, HOGY EZT A FELADATOT SZAKKÉPZETT SZEMÉLY VÁLLALJA, AKI A MUNKÁT A HATÁLYOS MŰSZAKI ELŐÍRÁSOKNAK MEGFELELŐEN VÉGZI EL. HA EZT A TANÁCSOT FIGYELMEN KIVÜL HAGYJÁK ÉS A TELEPÍTÉST SZAKKÉPZETLEN SZEMÉLY VÉGZI EL, A GYÁRTÓ SEMMILYEN FELELŐSSÉGET SEM VÁLLAL A TERMÉK MŰSZAKI MEGHIBÁSODÁSÁÉRT, FÜGGETLENÜL ATTÓL, HOGY AZ OKOZ-E ANYAGI KÁROKAT VAGY SZEMÉLYI SÉRÜLÉSEKET.**

### 1.1. BEÉPÍTÉS

A tűzhelylap olyan munkalapra helyezhető, amelynek hőálló képessége 100°C, vastagsága pedig 25-45 mm. A munkalapról kivágandó betét méretei a 2. ábrán láthatók.

Ha a tűzhelylapot mindkét oldalon szekrény mellé helyezzük, akkor a tűzhelylap és a szekrény közötti távolságnak legalább 15 cm-nek (lásd a 4. ábrát), míg a tűzhelylap és a hátsó fal közötti távolságnak legalább 70 mm-nek kell lennie.

A tűzhelylap és más, fölülte lévő egységek vagy készülékek (például szagelszívó) közötti távolságnak legalább 70 cm-nek kell lennie (4. ábra). Ha szabad tér van a beépített tűzhelylap és az alatta lévő üreg között, akkor szigetelőanyagból (fából vagy hasonló anyagból) készült válaszfalat kell beilleszteni (3. ábra).

**A keringő levegő miatt a fiókban lévő fémtárgyak hőmérséklete magasra megeemelkedhet. Ezért javasolt egy köztes fapanel használata.**

**Fontos! Az 1. ábra a tömítőanyag elhelyezésének módját mutatja be.**

A tűzhelylapot a mellékelt rögzítőkapcsokkal kell rögzíteni az egység aljában lévő furatok felhasználásával.

Ha a 60 cm-es tűzhelylapot olyan sütő fölé helyezi, amely nem rendelkezik ventilátoros hűtőrendszerrel, javasoljuk, hogy a megfelelő levegőáramlás biztosítása érdekében alakítson ki nyílásokat a bútorban. A nyílások mérete legalább 300 cm<sup>2</sup> legyen, elhelyezésüket az 5. ábra mutatja be.

Ha a 75 cm-es tűzhelylapot beépített sütő fölé helyezi, akkor a sütőnek ventilátoros hűtésűnek kell lennie.

### 1.2. ALKALMAS HELYSZÍN

"A készüléket az érvényes szabályoknak megfelelően kell telepíteni, és csak jól szellőztetett helyiségekben szabad használni. A készülék telepítése vagy használata előtt olvassa el az utasításokat."

A gáztűzhely hőt és nedvességet hoz létre a telepítés helyszínén. Ezért megfelelő szellőztetést kell biztosítani a természetes szellőzőcsatornák nyitva tartásával vagy kivezető csővel ellátott szagelszívó felszerelésével. A készülék intenzív és hosszabb ideig történő használata erőteljesebb szellőztetést igényelhet: nyissa ki az ablakot vagy növelje az elektromos ventilátor sebességét (ha van).

Ha szagelszívó nem telepíthető, akkor elektromos ventilátort kell felszerelni a külső falra vagy az ablakra, ha vannak szellőzőcsatornák a helyszínen.

Az elektromos ventilátornak óránként 3-5 alkalommal kell teljes levegőcserét végeznie a konyhában. A telepítőnek be kell tartania a vonatkozó országos előírásokat.

## 2. ELEKTROMOS BEKÖTÉS

### (CSAK AZ EGYESÜLT KIRÁLYSÁGBAN)

**Figyelmeztetés: A készüléket földelni kell.**

A készüléket kizárólag háztartási célra tervezték. A hálózatra történő csatlakoztatást szakképzett villanyszerelőnek kell elvégeznie a telepítéssel kapcsolatos szabályok szigorú betartása mellett. A készüléket csak megfelelő, előírt csatlakozási pontra szabad csatlakoztatni, a 3-csapos 13 A-es dugó/aljzat nem felel meg. Kétsarkú kapcsolót kell biztosítani, és az áramkört megfelelő biztosító-vevélemmel kell ellátni. Az egyes termékek teljesítményigényével kapcsolatos további részletek a felhasználói utasításban és a készülék géptörzslapján található. Beépített készülék esetén javasoljuk, hogy ha a meglévőnél hosszabb kábelt szeretne, akkor megfelelő, hőálló típust használjon.

A vezetékeket az alábbiak szerint kell a hálózatra csatlakoztatni:

CSATLAKOZTATÁSA	CSOMÓPONTRA
Zöld-sárga vezeték	Földvezeték
Kék vezeték	Nullavezeték
Barna vezeték	Feszültség alatti vezeték

**Megjegyzés:** Nem javasoljuk földzárlati készülékek használatát a csomópontokra telepített elektromos tűzhelyekkel, mert ún. „terheléskioldás” következhet be. Ismételten emlékeztetjük, hogy a készüléket megfelelően földelni kell; a gyártó elhárít minden felelősséget a hibás elektromos telepítésből származó eseményekkel kapcsolatban.

### 2.1. ELEKTROMOS BEKÖTÉS

Ellenőrizze a készülék külső részén elhelyezett géptörzslapon lévő adatokat, hogy a hálózati és bemeneti feszültség megfelelő-e. A csatlakoztatás előtt ellenőrizze a földelő rendszert. Az előírásoknak megfelelően a készüléket földelni kell. Ennek az előírásnak a be nem tartása esetén a gyártó nem vállal felelősséget a személyi sérülésekért és az anyagi károkért. Ha a csatlakozódugó még nincs felszerelve, akkor a géptörzslapon jelzett terhelésnek megfelelő dugót használjon. A földelőkábel színe sárga-zöld. A csatlakozódugónak mindig hozzáférhetőnek kell lennie.

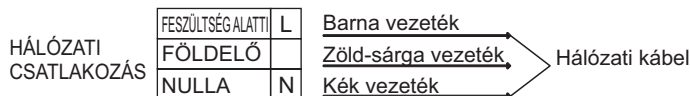
A tűzhelylap elektromos hálózatra történő közvetlen csatlakoztatása esetén megszakítót kell beépíteni.

Ha a hálózati kábel sérült, az esetleges veszélyek elkerülése érdekében cseréjét szakképzett szerelőnek kell elvégeznie.

A (zöld/sárga színű) földvezetéknek legalább 10 mm-rel hosszabbnak kell lennie a feszültség alatti vezetéknek és a nullavezetéknek.

A tűzhelylap felvett teljesítményéhez viszonyítva a kábelnek megfelelő méretűnek kell lennie.

Ellenőrizze a teljesítménnyel kapcsolatos adatokat a géptörzslapon, és ügyeljen arra, hogy a hálózati kábel 3x0.75 mm<sup>2</sup> H05 V2V2-F típusú legyen.



A kikapcsolást szolgáló eszközt a huzalozási szabályoknak megfelelően a fix vezetékbe kell beépíteni.

A készülék táphálózatra történő közvetlen csatlakoztatásához a rögzített huzalozásba beépített eszköz szükséges, amely az összes pólusnál olyan érintkező-elkülönítéssel rendelkezik, amely a huzalozási szabályoknak megfelelően teljes megszakítást biztosít III. kategóriájú túlfeszültség esetén.

### 2.2. GÁZBEKÖTÉS

Az alábbi utasítások szakképzett szerelők részére készültek, amelyeket az érvényes országos előírásokkal együtt kell betartani. **(Csak az Egyesült Királyságban: a törvény értelmében a gázbekötést/üzembe helyezést úgynevezett "Gas Safe" szerelőnek kell elvégeznie)**

A munkálatok megkezdése előtt ki kell kapcsolni az elektromos ellátást.

A tűzhelylap géptörzslapja tartalmazza a felhasználható gáztípust. A gázhálózatra vagy a gázpalackra történő csatlakoztatást annak ellenőrzése után kell elvégezni, hogy a készülék a hálózati gáz típusához van-e beszabályozva. Ha a készülék nincs megfelelően beszabályozva, akkor olvassa el a gázbeállítás módosításával kapcsolatos utasításokat a következő bekezdésben.

Folyékony (palackos) gáz esetében használjon a vonatkozó országos szabályoknak megfelelő nyomásszabályozókat.

Csak olyan csöveket, alátéteket vagy tömítéseket használjon, amelyek megfelelnek a vonatkozó országos előírásoknak.

Egyes típusok esetében kúpos csatlakozót szállítunk a berendezésekhez azokban az országokban, amelyekben az ilyen típusú csatlakozó használata kötelező; a 8. ábrán mutatjuk be, hogyan ismerhetők fel a különböző típusú csatlakozók (CY = hengeres, CO = kúpos). Minden esetben a csatlakozó hengeres részét kell a tűzhelylaphoz csatlakoztatni.

A rugalmas tömlőt úgy kell felszerelni, hogy ne érintkezzen a burkolat mozgó részeivel (például egy fiókkal), és ne haladjon át olyan helyen, ahol összenyomódhat.

Ha a tűzhelylapot rugalmas tömlővel csatlakoztatja a hálózatra, ügyeljen arra, hogy a tömlő hossza ne haladja meg a 2 métert.

A tűzhelylap esetleges sérüléseinek elkerülése érdekében a telepítést az alábbi sorrendben végezze (6. Ábra):

1) Az ábra szerint az alábbi sorrendben szerelje össze az alkatrészeket:

A: 1/2 dugós illesztődarab hengeres

B: 1/2 tömítés

C: 1/2 hüvelyes illesztődarab kúpos-hengeres vagy Hengeres-hengeres

2) Húzza meg a csatlakozásokat a csavarkulccsal, és csavarja a csöveket a helyükre.

3) Tegye fel a szerelvényt (C) a fővezetékre merev részcső vagy rugalmas acélcső segítségével.

**FONTOS! A csővezeték végleges szivárgásellenőrzését szappanos oldattal végezze el. LÁNG HASZNÁLATA TILOS!** Ügyeljen arra is, hogy a rugalmas tömlő ne érintkezzen a szekrény mozgó alkatrészeivel (például fiókkal), illetve ne helyezkedjen el sérülésveszélyes területeken.

**Figyelmeztetés:** Ha gázszagot érez a készülék közelében, kapcsolja ki a készülék gázellátását és haladéktalanul hívjon szerelőt. Ne keresse nyílt lánggal a szivárgás helyét.

### 2.3. A TŰZHELYLAP ÁTÁLLÍTÁSA KÜLÖNBÖZŐ GÁZTÍPUSOKHOZ

A tűzhelylap különböző gáztípusokhoz történő átállításához végezze el a következőket:

- vegye le a rácsokat és az égőfejeket;
- helyezze be a csavarkulcsot (7 mm) az égőfejtartóba (7. Ábra);
- csavarozza ki a fűvókát, és cserélje ki a felhasználandó gázhoz alkalmas fűvókával (lásd a gáztípus táblázatot).

### 2.4. A MINIMÁLIS LÁNGMÉRET BEÁLLÍTÁSA

Az égőfejek meggyújtása után fordítsa el a szabályozógombot a minimális állásba, majd pedig vegye le a gombot (enyhe nyomással ez könnyen elvégezhető).

Egy kis „kapocscsavarhúzóval” állítható be a szabályozócsavar a 9. ábrán látható módon. A csavar óramutató járásával megegyező irányba (jobbra) fordításával csökken a gázáramlás, az óramutató járásával ellenkező irányba (balra) fordításával pedig növekszik. Ezzel a beállítással alakítson ki körülbelül 3-4 mm-es lángot, majd pedig tegye vissza a szabályozógombot.

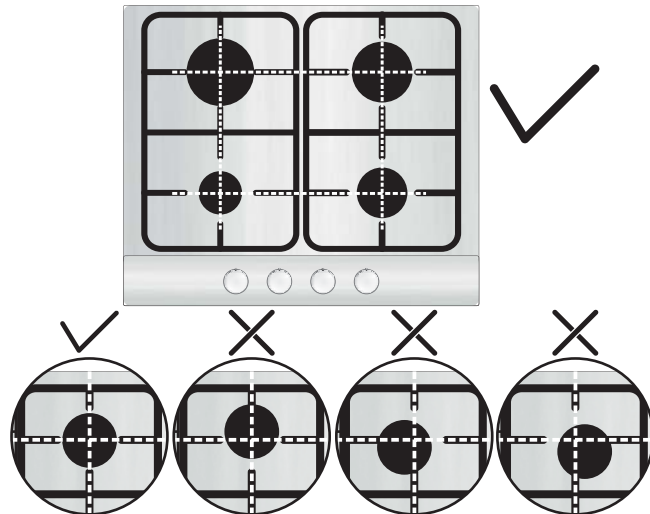
Ha kisnyomású gázt használ, a lángbeállító csavart az óramutató járásával megegyező irányba (jobbra) a legszélső állásig kell elfordítani.

Az új gázbeállítás elvégzése után cserélje ki a készüléken lévő régi géptörzslapot a megfelelő, beszabályozott gáztípusra vonatkozó (tűzhelylappal együtt szállított) géptörzslappal.

### 3. A TŰZHELYLAP HASZNÁLATA FELHASZNÁLÓI UTASÍTÁSOK

A készüléket csak rendeltetésszerűen, háztartási célra szabad használni, az ettől eltérő használat nem minősül megfelelőnek, és ezért veszélyes lehet. A gyártó nem vállal felelősséget a helytelen használatból eredő károkért és veszteségekért.

Az égő használata előtt győződjön meg róla, hogy a rács peremei középpontjában legyen az égő, amint azt az alábbi ábra is mutatja. Ha öntöttvas rácsokat használ, a rács alatti részen látható a helyes pozíció. Győződjön meg róla, hogy a pontos rácsot a megfelelő helyzetben használja.



### 3.1. A GÁZÉGŐ HASZNÁLATA

A gázégők begyújtásához helyezzen egy gázgyújtót az égőfejhez, nyomja be és fordítsa el az óramutató járásával ellenkező irányba (balra) a szabályozógombot.

Ha a gázégőket néhány napig nem használta, várjon néhány másodpercig az égőfej begyújtása előtt, ezáltal eltávolíthat a csövekben lévő levegőt.

Az elektronikus gyújtású készülékek esetében az eljárás a következő:

- nyomja be és fordítsa el az óramutató járásával ellenkező irányba (balra) a gombot a gyújtás jelig,
- a szikraadó gomb benyomásával gyújtsa be a gázégőt.

Az automatikus gyújtással ellátott tűzhelylapok esetében egyszerűen csak nyomja be és fordítsa el a gombot a gyújtás jelig.

A gyújtórendszer addig fejleszt szikrákat, amíg a gomb be van nyomva. Ha a gázégő nem gyullad be 5 másodpercen belül, fordítsa a gombot a 0 állásba, és ismételje meg a műveletet.

A biztonsági csappal ellátott típusok esetében (amely elzárja a gázáramlást, ha a láng véletlenül kialszik) a gázégők begyújtása a fenti módon történik, de körültekintően kell eljárni.

A tűzhelylap bekapcsolása előtt ellenőrizze, hogy a gázégők és az égőcsészék a helyükön vannak-e.

**Figyelem:** Ha a készülék nincs feszültség alatt, az égő meggyújtásához használjon öngyújtót;

- Nyomja be és fordítsa el a gombot az óra járásával ellentétes irányban a gyújtás szimbólumra,

- A gomb nyomva tartása közben öngyújtóval gyújtsa meg az égőt és tartsa a gombot 5 másodpercig lenyomva, miután az égő meggyulladt.

#### ÁLTALÁNOS TANÁCS

A legjobb eredmény elérése érdekében használjon lapos felületű főzőedényeket. Az edények felülete feleljen meg a gázégő méretének az alábbiak szerint. A. Táblázat

Égőfej típusa	Edény/fazék átmérője (cm)	Teljesítmény(kW)	G20/20 mbar (metán)	G30/28-30 mbar (kisnyomású gáz)
AUX Kiegészítő égőfej	12 - 18	1,00	95 l/h	73 g/h
SR Középerős égőfej	18 - 22	1,75	167 l/h	127 g/h
R Erős égőfej	24 - 26	2,70	257 l/h	196 g/h
UR Ultra égőfej	26 - 28	3,50	334 l/h	254 g/h
DC 4 kW MONO	26 - 28	4,00	381 l/h	291 g/h

A. Táblázat

A kisebb edények esetében a gázégőt úgy kell beszabályozni, hogy a láng ne nyúljon túl az edény alaplapiján. Kerülje a homorú és a domború fenekű edények használatát.

**FIGYELMEZTETÉS:** Ha a láng véletlenül elalszik, fordítsa a gombot kikapcsolt helyzetbe, és legalább 1 percig ne próbálkozzon az újragyújtással.

Ha az évek folyamán a gázcsapok szorossá válnak, akkor el kell végezni kenésüket.

Ezt a műveletet csak szakképzett szerelők végezhetik.

## 4. KARBANTARTÁS ÉS TISZTÍTÁS

A tűzhelylap tisztítása előtt hagyja a készüléket lehűlni. Húzza ki a dugót a csatlakozóaljzatból, vagy közvetlen csatlakoztatás esetén kapcsolja ki az áramellátást.

A tisztítást és a karbantartást nem végezhetik felügyelet nélküli gyerekek. Soha ne használjon dörzsölő hatású, korróziót okozó tisztítószeret, fehérítőszeret vagy savakat. A zománczott, lakkozott vagy rozsdamentes acélból készült felületeken kerülje a lúgos vagy savas anyagok (citromlé, ecet stb.) Alkalmazását.

A zománczott, lakkozott vagy krómozott részek tisztításakor használjon meleg szappanos vizet vagy maró hatástól mentes tisztítószeret. A rozsdamentes acélhoz használjon megfelelő tisztítóoldatot.

Az égőfejek szappanos vízzel tisztíthatók. Eredeti fényük helyreállításához használjon háztartási rozsdamentesacél-tisztítót. A tisztítás után szárítsa meg és tegye vissza az égőfejeket a helyükre.

**Fontos, hogy az égőfejek megfelelően kerüljenek vissza a helyükre.**

### **Krómozott rácsok és égőfejek**

A krómozott rácsok és égőfejek a használat során elszíneződhetnek. Ez nem befolyásolja a tűzhelylap üzemképességét.

A tartalék alkatrészek szükség esetén vevőszolgálatunktól szerezhetők be.

## 5. VEVŐSZOLGÁLAT

A szerelő kihívása előtt kérjük, ellenőrizze a következőket:

- A csatlakozódugó megfelelően van-e bedugva és biztosítókkal ellátva;

- Nincs-e hiba a gázellátásban.

Ha a hiba nem azonosítható:

Kapcsolja ki a készüléket és hívja a vevőszolgálatot. **KERÜLJE A KÉSZÜLÉK SZAKSZERŰTLEN KEZELÉSÉT.**

## 6. KÖRNYEZETVÉDELEM



A készülék jelölése az elektromos és elektronikus berendezések hulladékairól (WEEE) szóló uniós irányelv (2012/19/EU) előírásainak megfelelően történt. Az elektromos és elektronikus berendezések hulladékai szennyezőanyagokat (melyek hatása káros lehet a környezetre) és alapanyagokat (melyeket újra fel lehet használni) egyaránt tartalmaznak. Fontos, hogy az elektromos és elektronikus berendezések hulladékai különleges kezelésben részesüljenek, melyek során megfelelően eltávolítják és ártalmatlanítják az összes szennyezőanyagot, és kinyerik az újrahasznosítható anyagokat.

Az egyéni felhasználók is fontos szerepet játszanak annak biztosításában, hogy az elektromos és elektronikus berendezések hulladékai ne okozhassanak környezeti problémát; ennek érdekében néhány alapvető szabályt be kell tartani:

• Az elektromos és elektronikus berendezések hulladékai nem kezelhetők háztartási hulladékként.

• Az elektromos és elektronikus berendezések hulladékait az önkormányzat vagy hivatalos vállalkozások által működtetett begyűjtési pontokon kell leadni. Számos országban nagy méretű elektromos és elektronikus berendezések hulladékai esetén megoldható, hogy az elszállító cég hához jöjjön.

Amikor új készüléket vásárol, a régit visszaviheti a kereskedőnek, aki köteles azt ingyenesen begyűjteni (egy új termékért egy régit), amennyiben a régi berendezés ugyanolyan típusú, és ugyanolyan funkciókkal rendelkezik, mint az új.

**Megfelelőségi nyilatkozat:** A berendezés a fával érintkező alkatrészek tekintetében megfelel a 89/109/EGK irányelvben meghatározott szabályoknak.

A készülék megfelel a 2009/142/EK uniós irányelvnek és 2018.04.21-től kezdődően a gáz halmazállapotú tüzelőanyag égetésével üzemelő berendezésekről szóló 2016/426/EU uniós rendeletnek.

A **CE** jel terméken történő elhelyezésével saját felelősségünkre kijelentjük, hogy a termék megfelel a jogszabályokban meghatározott összes európai biztonsági, egészségügyi és környezetvédelmi követelménynek.

*A gyártó nem vállal felelősséget e kiadványban előforduló nyomtatási és átírási hibákból eredő pontatlanságokért. A biztonsággal vagy a működéssel kapcsolatos jellemzők sérelme nélkül fenntartjuk a jogot a termékek szükség szerinti változtatására.*

1. Táblázat

	3 Gas	4 Gas	4 Gas	5 Gas	5 Gas	5 Gas
Égőlap	3 Gas	4 Gas	4 Gas	5 Gas	5 Gas	5 Gas
Égőfej	Aux/R/DC 4 Mono	Aux/SR/R/DC 4 Mono	Aux/SR/R	UR/2R/SR/AUX	DC/2R/SR/AUX	DC/R/2SR/AUX
Típus	UH60MF	UH60MF	UH60MF	UH75MF	UH75MF	UH75MF
FFD	IGEN	IGEN	IGEN	IGEN	IGEN	IGEN
Aux 1kW	1	1	1	1	1	1
Sr 1,75 kW	-	1	1	1	1	2
R 2,7 kW	1	1	1	2	2	1
UR 3,5 kW	-	-	-	1	-	-
Dc 4 kW Mono	1	1	-	-	1	1
Névleges hőbevitel	7,7 kW	9,45 kW	7,2 kW	11,65 kW	12,15 kW	11,2 kW
G20/20 mbar	734 l/h	900 l/h	686 l/h	1110 l/h	1157 l/h	1067 l/h
G30/28-30 mbar	560 g/h	688 g/h	524 g/h	848 g/h	884 g/h	815 g/h
Installation Class	3	3	3	3	3	3
Voltage V/Frequency Hz	220-240 V/ 50-60 Hz	220-240 V/ 50-60 Hz	220-240 V/ 50-60 Hz	220-240 V/ 50-60 Hz	220-240 V/ 50-60 Hz	220-240 V/ 50-60 Hz
Electrical Input Power	1	1	1	1	1	1
Electric Ignition	IGEN	IGEN	IGEN	IGEN	IGEN	IGEN
Product Dimension	595x510	595x510	595x510	745x510	745x510	745x510

A készüléket nem nagyüzemi, hanem háztartási felhasználásra tervezték.

## INSTRUCȚIUNI PRIVIND SIGURANȚA

Vă recomandăm să păstrați instrucțiunile de instalare și utilizare pentru o consultare ulterioară și, înainte de a instala plita, rețineți numărul de serie în caz că aveți nevoie de ajutor de la serviciul post-vânzare.

**AVERTISMENT:** aparatul și piesele accesibile devin fierbinți în timpul funcționării. Încercați să nu atingeți elementele de încălzire. Copiii cu vârsta sub 8 ani nu trebuie lăsați în apropierea aparatului dacă nu sunt permanent supravegheați.

**AVERTISMENT:** utilizați numai protecții de plită concepute de către producătorul aparatului de gătit sau indicate de către producătorul aparatului în instrucțiunile de utilizare astfel cum este adecvat sau protecții de plită încorporate în aparat. Utilizarea unor protecții necorespunzătoare pot produce accidente.

**AVERTISMENT:** gătitul nesupravegheat pe o plită cu grăsime sau ulei poate fi periculos și poate duce la producerea unui incendiu. Nu încercați NICIODATĂ să stingeți un incendiu cu apă, ci opriți aparatul și apoi acoperiți flacăra cu, de exemplu, un capac sau un material anti-incendiu.

**AVERTISMENT:** pericol de incendiu: nu depozitați articole pe suprafețele de gătit.

**AVERTISMENT:** dacă suprafața este fisurată, nu atingeți sticla și opriți aparatul pentru a evita posibilitatea electrocutării.

Acest aparat poate fi utilizat de copii cu vârstă de cel puțin 8 ani și de persoane cu abilități fizice, senzoriale sau mentale sau lipsite de experiență și cunoștințe dacă sunt supravegheate sau instruite cu privire la utilizarea în siguranță a aparatului și dacă înțeleg pericolele aferente. Copiii trebuie supravegheați pentru a vă asigura că nu se joacă cu aparatul. Curățarea și întreținerea efectuată de către utilizator nu se va face de către copii fără a fi supravegheați.

**ATENȚIE:** procesul de gătit trebuie supravegheat. Un proces de gătit pe termen scurt trebuie supravegheat continuu.

Recomandăm cu căldură să nu lăsați copiii în apropierea zonelor de gătit atunci când le folosiți sau atunci când sunt oprite, atâta timp cât indicatorul de căldură reziduală este aprins, pentru a împiedica riscul de arsuri severe.

Acest aparat nu este destinat utilizării cu ajutorul unui temporizator extern sau al unui sistem separat de comandă la distanță.

Dacă există elemente cu lampă cu halogen, nu priviți fix în acestea.

Conectați un ștecher la cablul de alimentare care să poată suporta tensiunea, curentul și sarcina indicate pe etichetă și care să aibă contact de împământare. Priza trebuie să fie adecvată pentru sarcina indicată pe etichetă și trebuie să aibă contactul de împământare conectat și în funcțiune. Conductorul de împământare are

culoarea galben-verde. Această operațiune trebuie efectuată de un specialist având calificarea adecvată. În cazul incompatibilității dintre priză și ștecherul aparatului, solicitați unui electrician calificat să înlocuiască priza cu un alt model adecvat. Ștecherul și priza trebuie să fie în conformitate cu normele curente din țara unde se efectuează instalarea.

Conexiunea la o sursă de alimentare poate fi realizată de asemenea prin așezarea unui disjunctiv monopolar între aparat și sursa de alimentare care să suporte sarcina maximă conectată și care să respecte legislația actuală.

Cablul de împământare verde-galben nu trebuie să fie întrerupt de disjunctiv. Priza și disjunctivul monopolar utilizate pentru conexiune trebuie să fie ușor accesibile atunci când aparatul este instalat.

Deconectarea se poate realiza dacă ștecherul este accesibil sau dacă este încorporat un comutator în schema electrică fixă în conformitate cu regulile referitoare la schema electrică.

Dacă cablul de alimentare este deteriorat, trebuie înlocuit de către producător, de agenții săi de service sau de persoane calificate similar pentru a evita pericolele. Conductorul de împământare (galben-verde) trebuie să fie mai lung de 10 mm pe partea cutiei de borne. Secțiunea conductorilor interni trebuie să fie corespunzătoare cu puterea absorbită de plită (indicată pe etichetă). Cablul de curent trebuie să fie de tip HO5V2V2-F.

Nu așezați obiecte metalice, cum ar fi cuțite, furculițe, linguri sau capace pe plită. Acestea s-ar putea încălzi.

Folia de aluminiu și vasele de plastic nu trebuie așezate pe zonele de încălzire.

După fiecare utilizare este necesară curățarea parțială a plitei pentru a preveni acumularea de murdărie și grăsime. Dacă rămâne, aceasta este gătită din nou atunci când se folosește plita și arde, producând fum și mirosuri neplăcute și reprezintă un risc de propagare a incendiului.

Nu utilizați niciodată abur sau spray sub presiune pentru a curăța aparatul.

Nu atingeți zonele de încălzire în timpul funcționării sau la scurt timp după utilizare.

Nu gătiți niciodată mâncarea direct pe plita vitroceramică.

Utilizați întotdeauna vasele de gătit corespunzătoare.

Așezați întotdeauna vasul în centrul zonei pe care gătiți. Nu așezați nimic pe panoul de comandă.

Nu utilizați plita ca suprafață de lucru.

Nu utilizați suprafața ca tocător.

Nu depozitați articole grele deasupra plitei. Dacă acestea cad pe plită, o pot deteriora.

Nu utilizați plita pentru a depozita diverse articole.

Nu glisați vasele de gătit pe suprafața plitei.

## 1. INSTRUCȚIUNI DE INSTALARE

**INSTALAREA UNUI APARAT ELECTROCASNIC REPREZINTĂ O OPERAȚIUNE COMPLICATĂ CARE, DACĂ NU ESTE CORECT REALIZATĂ, POATE AVEA CONSECINȚE NEPLĂCUTE ASUPRA SIGURANȚEI UTILIZATORULUI. DE ACEEA, INSTALAREA TREBUIE REALIZATĂ NUMAI DE CĂTRE O PERSOANĂ CALIFICATĂ ÎN ACEST SENS, CARE SĂ RESPECTE REGLEMENTĂRILE ÎN VIGOARE PRIVIND INSTALAREA. ÎN CAZUL ÎN CARE INSTALAREA NU ESTE REALIZATĂ DE CĂTRE O PERSOANĂ CALIFICATĂ, PRODUCĂTORUL NU ÎȘI ASUMĂ NICIO RESPONSABILITATE PENTRU EVENTUALELE PROBLEME SAU DEFECTIUNI.**

### 1.1. INCORPORARE

Plita poate fi instalată în orice blat de lucru care rezistă la o temperatură de până la 100°C și are o grosime de 25-45 mm. Dimensiunile cadrului în care poate fi incorporată plita sunt indicate în *Figura 2*.

Dacă plita va fi fixată în apropierea unui corp de mobilier, distanța dintre plită și corpul de mobilier trebuie să fie de cel puțin 15 cm (*vezi Figura 4*); distanța dintre plită și peretele din spate trebuie să fie de cel puțin 5,5 cm.

Distanța dintre plită și orice corp de mobilier sau aparat (ex. Hotă) situat deasupra plitei trebuie să fie de minimum 70 mm (*Figura 4*).

Dacă există un spațiu care este accesibil între plita incorporabilă și cavitatea de sub aceasta, este recomandat să fie fixat un panou de izolare (din lemn sau un material similar) (*Figura 3*).

**Obiectele de metal din sertar pot atinge temperaturi ridicate datorită recirculării aerului. Prin urmare, se recomandă utilizarea unui panou de lemn intermediar.**

**Important Diagrama din figura 1 arată modul de aplicare a garniturii de etanșare.**

Plita se fixează cu ajutorul clemelor de fixare furnizate și se utilizează găurile de la baza aparatului.

Dacă instalați o plită de 60 cm deasupra unui cuptor care nu este prevăzut cu sistem de ventilație pentru răcire, se recomandă realizarea unor fante de aerisire în corpul de mobilier pentru a permite circulația corectă a aerului.

Dimensiunea acestor fante de ventilație trebuie să fie de cel puțin 300 cm<sup>2</sup> și să fie amplasate așa cum se poate observa din *Figura 5*.

Dacă instalați o plită de 75 cm deasupra unui cuptor, acesta trebuie să fie prevăzut cu ventilator pentru răcire.

### 1.2. AMPLASARE

Acest aparat trebuie instalat în conformitate cu reglementările în vigoare și trebuie utilizat numai într-un spațiu bine ventilat. Citiți instrucțiunile înainte de a instala sau utiliza acest aparat.

Un aparat de gătit pe gaz produce căldura și umiditate în zona unde este instalat. Din acest motiv trebuie să asigurați o bună ventilație, fie prin menținerea tuturor pasajelor de aer deschise, sau prin instalarea unei hote cu cos de evacuare. Utilizarea intensiva și prelungită a aparatului poate necesita ventilație suplimentară, cum ar fi deschiderea unei ferestre sau creșterea vitezei ventilatorului electric, dacă aveți unul.

Dacă o hotă nu poate fi instalată, un ventilator electric ar trebui fixat pe un perete exterior sau fereastra atât timp cât există guri de aerisire în zona.

Ventilatorul electric trebuie să efectueze schimbarea completă a aerului din bucatărie de la 3 până la 5 ori pe ora. Instalatorul trebuie să urmeze standardele naționale relevante.

## 2. CONEXIUNEA ELECTRICĂ (NUMAI PENTRU G.B.)

**Avertizare Acest aparat trebuie conectat la o priză prevăzută cu împământare.**

Acest aparat este destinat numai pentru uz casnic. Conexiunea la sursa de alimentare trebuie efectuată de către un electrician autorizat, care să respecte toate reglementările în vigoare referitoare la instalare. Aparatul trebuie conectat la o priză adecvată o priză cu 3 pini de 13 amp nu este adecvată. Trebuie să existe un comutator bipolar și circuitul trebuie să aibă o siguranță de protecție adecvată. Mai multe detalii referitoare la sursa de alimentare pentru acest produs se regăsesc în manualul de utilizare și pe plăcuța cu date tehnice a produsului. În cazul în care cablul de alimentare al plitei nu este suficient de lung și va trebui înlocuit cu un altul mai lung, trebuie să utilizați un cablu rezistent la temperaturi ridicate.

Firele cablului de alimentare trebuie conectate astfel:

CONECTARE	TERMINAL
Fir galben și verde	Împământare
Fir albastru	Nul
Fir maro	Fază

**Observație:** Vă rugăm să verificați ca împământarea să fie realizată corect. În cazul în care apar defecțiuni ca urmare a unei împământări realizate incorect, producătorul își declină orice responsabilitate.

### 2.1. CONEXIUNEA ELECTRICĂ

Verificați informațiile de pe plăcuța cu date tehnice, situată pe exteriorul aparatului, pentru a vă asigura că sursa de alimentare la care va fi conectată plita este corespunzătoare.

Înainte de a realiza conectarea, verificați împământarea.

În conformitate cu legea, aparatul trebuie conectat la o priză prevăzută cu împământare. În cazul în care această recomandare nu este respectată, producătorul își declină orice responsabilitate pentru eventualele pagube sau avarii care se produc. În situația în care cablul de alimentare nu este prevăzut cu un ștecher, respectați diagrama de conectare a firelor. Cablul pentru împământare este colorat în verde și galben. Ștecherul trebuie să fie întotdeauna accesibil.

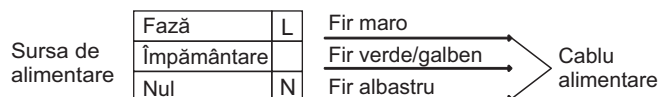
În cazul în care plita este conectată direct la sursa de alimentare, trebuie montat un întrerupător de circuit.

Dacă este deteriorat cablul de alimentare, acesta trebuie înlocuit de către un electrician autorizat, astfel încât să se evite orice risc.

Firul pentru împământare (colorat în verde și galben) trebuie să fie cu 10 mm mai lung decât firele pentru fază și nul.

Secțiunea cablului utilizat trebuie să fie corespunzătoare cu puterea absorbită a plitei.

Vă rugăm să verificați plăcuța cu date tehnice pentru mai multe detalii și cablul de alimentare trebuie să fie unul din următoarele tipuri 3x0.75 mm<sup>2</sup> H05 V2V2-F.



Cablul de alimentare al aparatului trebuie să respecte reglementările în vigoare.

Pentru a conecta aparatul direct la rețeaua de alimentare, un mijloc de deconectare cu o separare de contact în toți polii care asigură deconectarea completă în condiții de supratensiune categoria a-III-a, trebuie să fie încorporat în cabluri de fixare, în conformitate cu normele de cablare.

### 2.2. CONEXIUNEA LA GAZ

Aceste instrucțiuni sunt destinate numai personalului calificat iar instalarea trebuie efectuată cu respectarea reglementărilor în vigoare (**Numai pentru G.B.: conectarea la gaze trebuie efectuată numai de către un instalator autorizat pentru gaze**).

În timpul efectuării oricăror operațiuni, aparatul trebuie să fie deconectat de la sursa de alimentare cu energie electrică.

Pe plăcuța cu date tehnice aplicată pe aparat este indicat tipul de gaz la care trebuie conectată plita. Conectarea la sursa de alimentare cu gaz sau la butelie trebuie efectuată numai după ce s-a verificat ca aparatul să fie reglat pentru tipul de gaz cu care va fi alimentat. Dacă reglajele nu sunt corecte, citiți instrucțiunile din paragrafele următoare pentru a realiza modificările pentru diverse tipuri de gaz.

Pentru gaz lichid (butelie) trebuie utilizate regulatoare de presiune care să corespundă cu standardele naționale în vigoare.

Utilizați numai conducte, piulițe și garnituri de etanșare care respectă standardele naționale în vigoare.

Pentru unele modele este furnizată o conexiune conică pentru instalare în țările în care acest tip de conexiune este obligatorie; în figura 8 sunt ilustrate diversele tipuri de conexiuni (CY=cilindric, CO=conic). În oricare dintre situații, partea cilindrică a conexiunii trebuie conectată la plită.

Dacă realizați conexiunea la sursa de alimentare cu gaz prin intermediul unor tuburi rigide, lungimea maximă a tubului nu trebuie să depășească 2 metri.

Tubul flexibil trebuie fixat în așa fel încât să nu intre în contact cu partile mobile ale mobilei (ex:sertar) și să nu treacă prin niciun spațiu ce poate deveni congestionat.

Pentru a evita orice deteriorări ale plitei, vă rugăm să efectuați instalarea parcurgând următoarele etape (*figura 6*).



1) Așa cum este ilustrat, fixați părțile componente în următoarea ordine:

A: Adaptor cilindric tată 1/2

B: Garnitură 1/2

C: Adaptor gaz cilindric-cilindric sau cilindric - conic mamă 1/2

2) Strângeți îmbinările cu o cheie, având grijă ca tuburile să fie răsucite corect.

3) Fixați adaptorul C la sursa de alimentare cu gaz prin intermediul unei țevi rigide din cupru sau a unei țevi flexibile din inox.

**IMPORTANT:** pentru verificarea finală a etanșeității conexiunilor, utilizați o soluție de apă cu săpun. **NU UTILIZAȚI FLACĂRĂ.** De asemenea, verificați ca țeava flexibilă să nu vină în contact cu părți mobile ale corpului de mobilier (de exemplu, un sertar) și să nu fie amplasată în locații în care poate fi deteriorată.

**Avertizare:** Dacă se simte gaz în apropierea plitei, opriți imediat alimentarea cu gaz și luați legătura cu un specialist. **NU încercați să identificați zona de scurgere a gazelor cu ajutorul unei flăcări.**

## 2.3 ADAPTAREA PLITEI LA DIVERSE TIPURI DE GAZ

Pentru a adapta funcționarea plitei la diverse tipuri de gaz, procedați astfel:

• Scoateți suporturile și arzătoarele

• Introduceți o cheie hexagonală (7 mm) prin suportul arzătorului (Figura 7)

• Deșurubați injectorul și înlocuiți-l cu un injector adecvat pentru tipul de gaz ce va fi utilizat (vezi tabelul pentru tipul de gaz).

## 2.4 REGLAREA FLĂCĂRII MINIME

După aprinderea arzătoarelor, rotiți butonul de control pe setarea minimă și scoateți butonul (poate fi scos ușor prin apăsare).

Utilizați o șurubelniță cu cap drept, mică, pentru a roti șurubul de reglare, așa cum se poate observa din Figura 9. Rotiți șurubul în sensul acelor de ceasornic pentru a reduce intensitatea flăcării și rotiți în sens invers acelor de ceasornic pentru a mări intensitatea flăcării. Realizați aceste reglaje pentru a obține o flacără cu înălțimea de 3 sau 4 mm și apoi puneți butonul la loc.

Dacă sursa de alimentare este GPL șurubul trebuie rotit până la capăt (în sensul acelor de ceasornic).

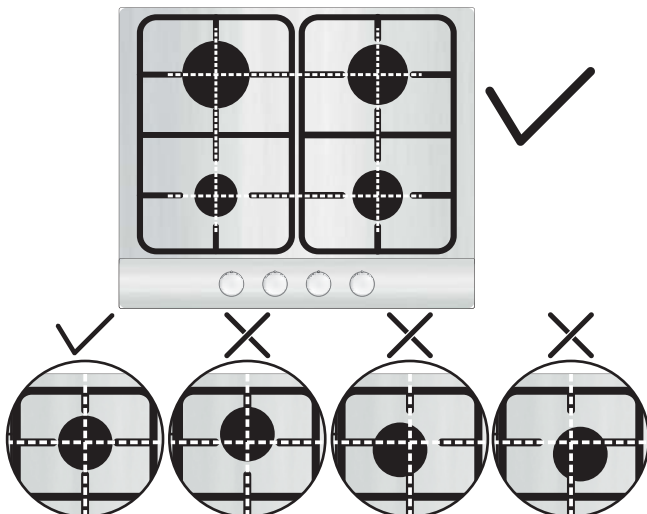
După realizarea unui reglaj pentru un nou tip de gaz, înlocuiți plăcuța de pe aparat cu o plăcuță pe care să fie indicat noul tip de gaz utilizat.

## 3. UTILIZAREA PLITEI INSTRUCȚIUNI DE UTILIZARE

Acest aparat trebuie utilizat numai în scopul pentru care a fost creat și anume, pentru uz casnic, pentru prepararea mâncării. Utilizarea în alte scopuri este considerată improprie și periculoasă. Producătorul nu se consideră responsabil pentru eventualele pagube și deteriorări care apar ca urmare a unei utilizări necorespunzătoare a acestui aparat.

Înainte de a folosi arzătorul, asigurați-vă că perimetrele drătarului centrează arzătorul ca în figura de mai jos.

Dacă folosiți grătar de fontă; sub grătar, poziția este menționată. Asigurați-vă că grătarul este folosit în poziția corectă.



## 3.1 UTILIZAREA ARZĂTOARELOR

Pentru a aprinde arzătoarele, așezați un aprinzător în apropierea arzătorului, apăsați pe aprinzător și rotiți butonul corespunzător arzătorului în sens invers acelor de ceasornic.

Dacă nu ați folosit arzătoarele timp de câteva zile, așteptați câteva secunde înainte de a aprinde arzătorul, pentru a permite eliminarea aerului de pe țevi.

Pentru aparatele prevăzute cu aprindere electrică:

• Împingeți și rotiți butonul corespunzător arzătorului în sens invers acelor de ceasornic, către simbolul de aprindere

• Aprindeți arzătorul prin apăsarea butonului pentru aprindere

Pentru plitele cu aprindere automată pur și simplu apăsați butonul corespunzător arzătorului și rotiți-l către simbolul de aprindere.

Sistemul de aprindere va continua să genereze scânteie atât timp cât butonul de control este menținut apăsat.

Dacă arzătorul nu se aprinde în 5 secunde, rotiți butonul în poziția 0 și repetați operațiunea.

Pentru modelele prevăzute cu supapă de siguranță (la care fluxul de gaz este întrerupt dacă flacăra se stinge accidental) arzătoarele se aprind așa cum este descris mai sus, însă trebuie să fiți foarte atenți.

Înainte de a pune plita în funcțiune, verificați ca arzătoarele și coroanele arzătoarelor să fie corect așezate.

**Avertisment:** Dacă aoaralul n ueste sub tensiune, pentru a aprinde arzătorul, trebuie să folosiți o brichetă;

- Împingeți și rotiți butonul în sens contrar până la simbolul de aprindere,

- În timp ce apăsați butonul, aprindeți arzătorul folosind o brichetă și mențineți butonul apăsat 5 secunde după aprindere.

## RECOMANDĂRI GENERALE

Pentru rezultate de preparare cât mai bune, trebuie să utilizați recipiente cu baza plată. Dimensiunea bazei recipientului trebuie să se potrivească dimensiunii arzătorului utilizat, așa cum este prezentat în Tabelul A:

Tip arzător	Ø tigaie/crațiță (cm)	Putere (kW)	G20/20 mbar (metan)	G30/28-30 mbar (GPL)
AUX Arzător auxiliar	12 - 18	1,00	95 l/h	73 g/h
SR Arzător semi rapid	18 - 22	1,75	167 l/h	127 g/h
R Arzător rapid	24 - 26	2,70	257 l/h	196 g/h
UR Ultra rapid	26 - 28	3,50	334 l/h	254 g/h
DC 4 kW MONO	26 - 28	4,00	381 l/h	291 g/h

Tabelul A

Pentru recipientele mai mici va trebui să reglați intensitatea flăcării, astfel încât aceasta să nu depășească baza recipientului. Nu utilizați recipiente cu bază concavă sau convexă.

**AVERTIZARE:** Dacă flacăra se stinge accidental, rotiți butonul corespunzător arzătorului respectiv în poziția oprit și nu încercați să reaprindeți arzătorul decât după 1 minut.

Dacă, în timp, robinetul de gaz devine rigid, acesta va trebui uns. Această operațiune trebuie efectuată numai de către un specialist.

## 4. ÎNTREȚINERE ȘI CURĂȚARE

Înainte de a curăța plita, lăsați-o să se răcească. Scoateți ștecherul din priză sau (dacă este conexiune directă) deconectați aparatul de la sursa de alimentare cu energie.

Nu permiteți copiilor să realizeze operațiuni de curățare și întreținere, fără supravegherea unui adult.

Nu utilizați substanțe abrazive, detergenți corozivi, agenți de înălbire sau substanțe acide. Nu aplicați substanțe alcaline sau acide (suc de lămâie, oțet etc.) pe suprafețele emailate, lăcuite sau din inox.

Pentru curățarea suprafețelor din email, lăcuite sau cromate, utilizați o soluție de apă și detergent lichid sau un detergent care să nu fie caustic. Pentru suprafețele din inox, utilizați o soluție specială pentru curățarea inoxului.

Arzătoarele pot fi spălate cu o soluție de apă cu detergent lichid. Pentru a le reda strălucirea originală, puteți utiliza o soluție specială pentru curățarea suprafețelor din inox. După curățare, ștergeți bine arzătoarele și așezați-le la loc.

**Este foarte important ca arzătoarele să fie așezate corect.**

**Arzătoare și suporturi cromate**

Arzătoarele și suporturile cromate au tendința de a se decolora în timp. Acest fapt nu va influența performanțele de utilizare ale plitei.

Pentru piese de schimb, vă rugăm să luați legătura cu centrele de service autorizate.

## 5. SERVICE

Înainte de a apela la service, vă rugăm să verificați următoarele:

- Dacă ștecherul este corect introdus în priză
- Dacă alimentarea cu gaz este corectă

În cazul în care defecțiunea nu poate fi detectată:

Oprii imediat funcționarea aparatului și luați legătura cu un centru de service autorizat. **NU ÎNCERCAȚI SĂ REPARAȚI DUMNEAVOASTRĂ APARATUL!**

## 6. PROTECȚIA MEDIULUI



Acest aparat este marcat în conformitate cu Directiva europeană 2012/19/UE privind deșeurile de echipamente electrice și electronice (DEEE). DEEE cuprind atât substanțele poluante (care pot cauza consecințe negative pentru mediu), cât și componentele de bază (care pot fi reutilizate). Este important ca DEEE să fie supuse unor anumite

tratamente pentru a îndepărta și elimina corespunzător toate substanțele poluante și pentru a recupera și recicla toate materialele. Persoanele pot juca un rol important în a se asigura că DEEE nu devin un pericol pentru mediu. Astfel, este esențial ca acestea să respecte unele reguli de bază:

- DEEE nu trebuie tratate ca deșeuri menajere.
- DEEE trebuie predate la punctele de colectare corespunzătoare gestionate de municipalitate sau de companiile înregistrate. În numeroase țări, pentru DEEE de dimensiuni mari, poate fi prezentă colectarea de la domiciliu.
- când cumpărați un aparat nou, cel vechi poate fi returnat comerciantului, care este obligat să-l colecteze în mod gratuit și individual, atât timp cât echipamentul este de tip echivalent și are aceleași funcții ca echipamentul furnizat.

Declarație de conformitate: Acest aparat și părțile care vin în contact cu alimentele respectă reglementările stipulate în Directiva 89/109 CEE.

Dispozitivul este conform cu Directiva europeană 2009/142/CE (GAD) și începând cu 21/04/2018 cu Regulamentul privind dispozitivele cu gaz 2016/426 (GAR).

Prin aplicarea marcajului **CE** pe produs, declarăm pe proprie răspundere că acest produs este în conformitate cu reglementările europene în vigoare cu privire la siguranță, sănătate și protecția mediului.

Importator: **CANDY HOOVER ROMANIA SRL**  
Calea Victoriei, 155, bl.D1, sc.7, et.4, sector 1, Bucuresti  
Tel/Fax: 021 318 32 97; 021 318 32 98

Tabelul 1

	3 Gas	4 Gas	4 Gas	5 Gas	5 Gas	5 Gas
Plăcuța arzătorului	3 Gas	4 Gas	4 Gas	5 Gas	5 Gas	5 Gas
Arzător	Aux/R/DC 4 Mono	Aux/SR/R/DC 4 Mono	Aux/SR/R	UR/2R/SR/AUX	DC/2R/SR/AUX	DC/R/2SR/AUX
Tip	UH60MF	UH60MF	UH60MF	UH75MF	UH75MF	UH75MF
FFD	DA	DA	DA	DA	DA	DA
Aux 1kW	1	1	1	1	1	1
Sr 1,75 kW	-	1	1	1	1	2
R 2,7 kW	1	1	1	2	2	1
UR 3,5 kW	-	-	-	1	-	-
Dc 4 kW Mono	1	1	-	-	1	1
Puterea nominală a căldurii	7,7 kW	9,45 kW	7,2 kW	11,65 kW	12,15 kW	11,2 kW
G20/20 mbar	734 l/h	900 l/h	686 l/h	1110 l/h	1157 l/h	1067 l/h
G30/28-30 mbar	560 g/h	688 g/h	524 g/h	848 g/h	884 g/h	815 g/h
Clasa de instalare	3	3	3	3	3	3
Voltaj / Frecvență V / Hz	220-240 V/ 50-60 Hz	220-240 V/ 50-60 Hz	220-240 V/ 50-60 Hz	220-240 V/ 50-60 Hz	220-240 V/ 50-60 Hz	220-240 V/ 50-60 Hz
Putere intrare	1	1	1	1	1	1
Aprindere electrică	DA	DA	DA	DA	DA	DA
Dimensiuni produs	595x510	595x510	595x510	745x510	745x510	745x510

Acest produs este destinat pentru uz casnic.

## VEILIGHEIDSAANWIJZINGEN

Wij raden u aan om de instructies voor installatie en gebruik te bewaren voor later gebruik. Noteer voordat u de kookplaat installeert het serienummer, voor het geval u hulp nodig heeft van de klantenservice.

**WAARSCHUWING:** het apparaat en de toegankelijke onderdelen worden heet tijdens gebruik. Wees voorzichtig en raak de verwarmingselementen niet aan. Kinderen onder de 8 jaar moeten uit de buurt van het apparaat worden gehouden, tenzij ze onder voortdurend toezicht staan.

**WAARSCHUWING:** gebruik alleen kinderbeveiligingsrekjes voor de kookplaat die ontworpen zijn door de fabrikant van het kooktoestel, of waarvan de fabrikant van het apparaat in de gebruiksaanwijzing heeft aangegeven dat ze geschikt zijn, of de kinderbeveiligingsrekjes die bijgeleverd zijn bij het apparaat. Het gebruik van ongeschikte kinderbeveiligingsrekjes kan ongelukken veroorzaken.

**WAARSCHUWING:** bereidingen op een kookplaat met vet of olie zonder toezicht kunnen gevaarlijk zijn en brand veroorzaken. Probeer **NOOIT** een brand te blussen met water, maar schakel het apparaat uit en dek de vlam af bijv. met een deksel of een branddeken.

**WAARSCHUWING:** bewaar geen voorwerpen op de kookoppervlakken.

**WAARSCHUWING:** als het oppervlak gebarsten is, raak het glas dan niet aan en schakel het apparaat uit om de kans op een elektrische schok te voorkomen.

Dit apparaat mag gebruikt worden door kinderen ouder dan 8 jaar en personen met een lichamelijke, zintuiglijke of verstandelijke beperking of gebrek aan ervaring en kennis als zij in de gaten gehouden worden of aanwijzingen hebben gekregen over hoe zij het apparaat op veilige wijze kunnen gebruiken en als zij de bijbehorende gevaren begrijpen. Kinderen moeten onder toezicht staan om ervoor te zorgen dat ze niet met het apparaat spelen. Reiniging en onderhoudswerkzaamheden mogen niet door kinderen uitgevoerd worden als zij niet onder toezicht staan.

**LET OP:** blijf bij de kookplaat als u aan het koken bent. Ook bij een korte bereiding moet u de pannen continu in de gaten houden.

Het wordt sterk om kinderen uit de buurt van de kookzones te houden wanneer deze in gebruik zijn of wanneer ze uitgeschakeld zijn en de restwarmte-indicator nog brandt, om het risico op ernstige brandwonden te voorkomen.

Dit apparaat is niet bedoeld om bediend te worden door middel van een externe timer of een apart afstandsbedieningssysteem.

Kijk niet in de halogeenlampen van de kookplaat, indien aanwezig.

Bevestig een stekker aan de voedingskabel die in staat is de spanning, stroom en belasting te verdragen die vermeld staan op het etiket, en een aardcontact heeft. Het stopcontact moet geschikt zijn voor de belasting die op het etiket staat aangegeven en moet een goed werkende aarding hebben. De aardgeleider is groen-geel gekleurd.

Dit moet worden gedaan door een gekwalificeerd vakman. In het geval van incompatibiliteit tussen het stopcontact en de stekker van het apparaat, moet u een gekwalificeerd elektricien vragen om het stopcontact te vervangen door een ander, geschikt stopcontact. De stekker en het stopcontact moeten conform de huidige normen zijn van het land waar het apparaat geïnstalleerd wordt.

Aansluiting op de stroombron kan ook tot stand worden gebracht door tussen het apparaat en de stroombron een omnipolaire stroomonderbreker aan te brengen, die de maximaal aangesloten belasting kan verdragen en voldoet aan de huidige wetgeving.

De geel-groene aardkabel mag niet worden onderbroken door de stroomonderbreker. Het stopcontact of de omnipolaire stroomonderbreker die gebruikt wordt voor de aansluiting moet gemakkelijk te bereiken zijn wanneer het apparaat geïnstalleerd is.

Afkoppeling is mogelijk doordat de stekker bereikbaar is of door een schakelaar in de vaste bedrading te monteren overeenkomstig de bedradingsregels.

Als het netsnoer beschadigd is, moet het worden vervangen door de fabrikant, zijn servicevertegenwoordiger of ander bevoegd personeel om gevaarlijke situaties te voorkomen. De aardgeleider (geel-groen) moet langer dan 10 mm zijn aan de kant van het aansluitblok. Het gedeelte van de interne geleiders moet geschikt zijn voor het geabsorbeerde vermogen van de kookplaat (aangegeven op het label). De voedingskabel moet van het type HO5V2V2-F zijn.

Leg geen metalen voorwerpen zoals messen, vorken, lepels of deksels op de kookplaat. Deze kunnen heet worden.

Leg geen aluminiumfolie of zet geen kunststof pannen op de verwarmingszones.

Na elk gebruik moet de kookplaat gereinigd worden om het aankoeken van vuil en vet te voorkomen. Als er vuil op de kookplaat blijft zitten, wordt dit opnieuw verwarmd als de kookplaat wordt gebruikt en geeft het verbrande voedsel rook en een onaangename geur af; bovendien ontstaat er brandgevaar.

Gebruik nooit een stoom- of hogedrukreiniger om het apparaat schoon te maken.

Raak de verwarmingszones niet aan tijdens gebruik en nog een tijd na gebruik.

Bereid voedsel nooit rechtstreeks op de kookplaat van glaskeramiek.

Gebruik altijd geschikte pannen.

Plaats de pan altijd in het midden van de zone waarop u kookt. Leg niets op het bedieningspaneel.

Gebruik de kookplaat niet als werkblad.

Gebruik de kookplaat niet als snijplank.

Bewaar geen zware voorwerpen boven de kookplaat. Als ze op de kookplaat vallen, kunnen ze schade veroorzaken.

Gebruik de kookplaat niet voor het bewaren van voorwerpen.

Schuif geen pannen over de kookplaat.

## 1. RICHTLIJNEN VOOR DE INSTALLATEUR

HET INSTALLEREN VAN EEN HUISHOUDELIJK APPARAAT IS EEN COMPLEXE OPERATIE DIE, INDIEN HET NIET CORRECT WORDEN UITGEVOERD, ERNSTIGE GEVOLGEN KAN HEBBEN VOOR DE VEILIGHEID VAN DE CONSUMENT. HET IS OM DEZE REDEN DAT DE TAAK MOET WORDEN UITGEVOERD DOOR EEN GEKWALIFICEERDE PERSOON DIE DIT TOT UITVOERING ZAL BRENGEN IN OVEREENSTEMMING MET DE TECHNISCHE VOORSCHRIFTEN DIE VAN KRACHT ZIJN. IN HET GEVAL DAT DIT ADVIES WORDT GENEGEERD EN DE INSTALLATIE WORDT UITGEVOERD DOOR EEN NIET GEKWALIFICEERD PERSOON, WIJST DE FABRIKANT ELKE VERANTWOORDELIJKHEID AF VOOR ELK TECHNISCH DEFECT VAN HET PRODUCT DAT AL DAN NIET LEIDT TOT SCHADE AAN GOEDEREN OF LETSELAAN PERSONEN.

### 1.1 INBOUWEN

Deze inbouwkookplaten zijn bestemd voor installatie in een werkblad dat bestand is tegen temperaturen van 100 °C en een dikte hebben tussen 25 en 45 mm. Voor de inbouwmaat dient u zich te houden aan de maten zoals aangegeven in figuur 2.

De kookplaat dient zo te worden ingebouwd dat er aan de linker- en rechterzijde minstens 15 cm. ruimte is tussen kookplaat en kasten of verticale panelen (zie figuur 4). De afstand tussen kookplaat en achterwand dient minstens 70 mm. te zijn.

De afstand tussen de kookplaat en ieder ander apparaat erboven (bijv. een afzuigkap) mag nooit kleiner zijn dan 70 cm. (fig. 4)

Wanneer er een ruimte is tussen de inbouw kookplaat en de ruimte daaronder moet er een scheidingsplaat van isolatiemateriaal geplaatst worden (bijvoorbeeld hout) (figuur 3).

**Metalen voorwerpen in de lade kunnen heet worden door luchtrecirculatie.**

**Het wordt daarom aanbevolen een houten tussenplaat te gebruiken.**

Belangrijk : op figuur 1 kunt u zien hoe de afdichtingskit moet worden aangebracht.

Het vastzetten in het meubel geschiedt door de bijgeleverde bevestigingsbeugels die aan de onderzijde op de daarvoor bestemde plaats worden vastgedraaid.

Wanneer de kookplaat (60 cm) geïnstalleerd wordt boven een oven zonder mantelkoeling, is het aan te bevelen dat er ventilatieopeningen worden gemaakt om een goede ventilatie te waarborgen.

De afmeting van deze opening dient ten minste 300 cm<sup>2</sup> te zijn met plaatsing zoals is weergegeven in fig. 5.

### 1.2. DE JUISTE OMGEVING

Dit apparaat moet worden geïnstalleerd in overeenstemming met de geldende voorschriften en alleen in een goed geventileerde ruimte. Lees de instructies voor het installeren of gebruiken van dit apparaat.

Een gaskookplaat produceert tijdens het gebruik warmte en vocht in de ruimte waarin deze is geïnstalleerd. Wilt u zeker zijn van een goede ventilatie van de ruimte open daar dan de ventilatieroosters of installeer een afzuigkap met een afvoer.

Bij een intensief en langdurig gebruik van het apparaat kan het nodig zijn extra te ventileren door bijvoorbeeld een raam open te zetten of de afzuigkap op de hoogste stand te zetten.

Voor de installatie dient u ervoor te zorgen dat de lokale distributie omstandigheden (aard van het gas en de gasdruk) en de afstelling van het apparaat compatibel zijn. De afstellingsvoorwaarden voor deze toepassing worden vermeld op het etiket (of typeplaatje). Dit apparaat is niet aangesloten op een evacuatiesysteem. Het wordt geïnstalleerd en aangesloten in overeenstemming met de huidige installatievoorschriften met bijzondere aandacht voor de relevante eisen inzake ventilatie.

In het geval dat er geen mogelijkheid is om een afzuigkap te installeren, is het nodig een elektrische ventilator te plaatsen, met afvoer of in het raam. Deze ventilator moet geschikt zijn voor een keuken en een capaciteit hebben van 3 tot 5 maal het volume van de keuken per uur. De installateur dient zich te houden aan de geldende wetgeving.

## 2. ELEKTRISCH GEDEELTE AANSLUITEN

“ De installatie van het geciteerde apparaat dient overeen te komen met de plaatselijk geldende normen.”.

### 2.1. ELEKTRISCH GEDEELTE AANSLUITEN

Controleer de gegevens op het typeplaatje op het apparaat, die zich bevindt aan de binnenzijde onder in de kookplaat, en verzeker u er vervolgens van dat het apparaat goed geaard is en gevoed.

Voor het aansluiten, dat wettelijk verplicht is.

Opgelet : controleer de aarding van het apparaat alvorens aan te sluiten. De fabrikant is niet verantwoordelijk voor eventuele materiële of persoonlijke schade als gevolg van een gebruik van een niet geaard toestel of na beschadiging opgetreden aan het netsnoer.

Voor apparaten zonder stekker dient u een stekker op het aansluitingsnoer te monteren die het vermogen als aangegeven op het typeplaatje kan verwerken. De kabel moet altijd bereikbaar zijn. De aarde kabel is uitgevoerd in groengeel.

Wanneer de plaat direct verbonden is met het elektriciteitsnet moet een stroomonderbreker geïnstalleerd worden.

Wanneer die voedingskabel beschadigd is, dient deze vervangen te worden door een erkende reparateur, om onnodige risico's te vermijden.

De aarde-draad (groen en geel van kleur) moet ten minste 10 mm langer zijn dan de beide andere draden. De doorsnee van de kabel moet in een goede verhouding staan tot de maximale aansluitwaarde van de kookplaat. Zie voor de netspanningsgegevens het typeplaatje op de kookplaat en controleer of het nieuwe netsnoer van het type H05 V2V2-F is.



In het onwaarschijnlijke geval dat een scheur zou verschijnen op het glas, haal onmiddellijk de stekker uit het contact en neem contact op met de klantenservice. Het apparaat is niet bedoeld voor gebruik met een externe timer of afstandsbediening.

### 2.2. GAS AANSLUITEN

Het aansluiten van het apparaat op het gasnet of gasflessen dient te gebeuren volgens de wettelijk geldende voorschriften.

Speciale aandacht zal worden besteed aan voorzieningen voor ventilatie. Alle installatie werkzaamheden dienen te worden gedaan met de stroom afgekoppeld van het stroomnet.

Op het typeplaatje is aangegeven voor welke type gas dit apparaat geschikt is.

De gasaansluiting dient te gebeuren volgens de voorschriften van het land van de installatie, pas nadat u gecontroleerd hebt of het type gas uit de fabriek overeenstemt met de installatie. Als dit niet het geval is, volg de onderstaande stappen.

Voor gas-vloeistof (gasfles), gebruik drukregelaars die voldoen aan de huidige normen. Gebruik alleen kranen, afdichtingsringen, fittingen en flexibele leidingen die voldoen aan de normen in het land van installatie. Voor sommige modellen is een conische koppeling voorzien voor het installeren van het apparaat, in landen waar dit type koppeling is verplicht in figuur 8, is te zien hoe de verschillende soorten koppelingen te herkennen (CY = cilindrische, CO = conische) in alle gevallen dient het cilindrische gedeelte van de koppeling verbonden te worden met de plaat. Wanneer u de kookplaat aansluit op de gastoevoer door het gebruik van slangen, mag de maximale afstand overbrugd door de slang niet meer dan 2 meter overschrijden.

Om mogelijke schade aan de kookplaat te voorkomen, voert u de installatie zoals aangegeven in schema 6 uit :

- 1) zoals weergegeven in het schema, monteer de delen achtereenvolgens:  
A: cilindrische mannelijke adaptor  
B: afdichting  
C: vrouwelijke gasadaptor cilindrisch-conisch of cilindrisch-cilindrisch
- 2) Draai de dichtingen vast. Denk eraan de buizen in positie te zetten.
- 3) Bevestig de aansluiting C met het gasnet met een vaste buis of flexibel staal.

**Belangrijk: controleer nadat u alle installatie handelingen heeft verricht de aansluitpunten op een goede afsluiting. Gebruik hiervoor een zeepsopje. Nooit een vlam. Controleer ook of de flexibele slang niet in aanraking komt met bewegende delen van de keukenmeubelen zoals een lade zodat de slang wordt beschadigd.**

Let op: als u een gasgeur ruikt die uit het toestel lijkt te komen, schakel dan onmiddellijk de gastoevoer dicht en bel een gekwalificeerde persoon. Ga niet op zoek naar een lek met een vlam.

### 2.3. AANPASSEN AAN VERSCHILLENDE GASSOORTEN

Om de kookplaat aan een andere gassoort aan te passen, dient u de volgende handelingen uit te voeren.

- verwijder pannendrager en branders
- gebruik de bijgeleverde pijpsleutel (7mm) om via de opening (fig. 7) van de branders bij de branderbasis te komen
- draai de inspuiter los en vervang deze door het passende type (zie tabel gasverbruik)
  - . Schroef de inspuiter goed vast
- Stel de brander af.
  - . Zet de pannendrages en branders terug op hun plaats.

### 2.4. AFSTELLEN VAN DE BRANDERS

Na het aansteken van de brander, draait u de bedieningsknop op de laagste stand en verwijder de bedieningsknop, die gemakkelijk kan worden verwijderd met lichte druk.

Met een kleine 'terminal' type schroevendraaier, kan het waakvlamschroefje worden aangepast (figuur 9). Door deze schroef in wijzerzin te draaien, vermindert het debiet van de vlam, door het draaien in tegenwijzerzin, verhoogt het debiet. Gebruik deze instelling om een vlam te verkrijgen van ongeveer 3 tot 4 mm lang, en vervang de bedieningsknop. Wanneer het beschikbare gas butaan of propaan is (flessen gas), moet het waakvlamschroefje in wijzerzin worden gedraaid tot op het einde.

Zodra u klaar bent met de aanpassing van de vlam van de gasbrander, vervangt u het oude typeplaatje door het nieuwe type geïnstalleerd gas (meegeleverd met fornuis).

### 3. GEBRUIK VAN DE KOOKPLAAT

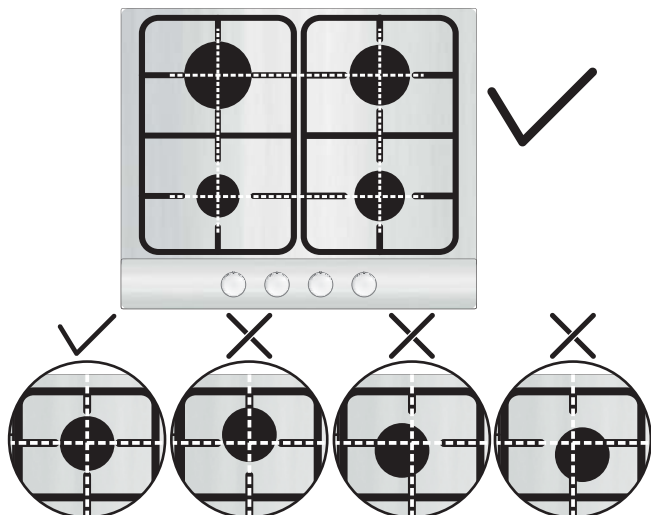
Dit apparaat is ontwikkeld en geproduceerd voor koken bij huishoudelijk gebruik. Elke andere vorm van gebruik is onjuist en derhalve gevaarlijk.

De fabrikant kan niet aansprakelijk worden gesteld voor eventuele schade veroorzaakt door onjuist, onredelijk en onverantwoord gebruik.

Kinderen jonger dan 8 jaar moeten op veilige afstand worden gehouden, tenzij continu bewaakt. Dit apparaat is niet bedoeld voor gebruik door personen (inclusief kinderen) met een lichamelijke, zintuiglijke of verstandelijke handicap of met een gebrek aan ervaring en kennis, tenzij ze zijn opgeleid en begeleid in het gebruik van het apparaat door een persoon die verantwoordelijk is voor hun veiligheid.

Bij het koken met vet of olie, loop niet weg van de kookplaat. Oververhitte vetten of oliën kunnen snel ontbranden. Probeer nooit een brand met water te blussen, maar schakel eerst het toestel uit en bedek de vlam met een deksel of een branddeken. Tijdens de werking van de kookplaat, kunnen bereikbare delen zeer heet worden, dus het is aan te raden om jonge kinderen te verwijderen. Kinderen moeten onder toezicht worden gehouden zodat ze niet met het apparaat gaan spelen.

Voor u de brander gebruikt, moet u ervoor zorgen dat de de omtrek van het rooster centraal op de brander staat, zoals weergegeven in de afbeelding. Als u een gietijzeren rooster gebruikt, moet deze in de onderste stand staan. Zorg ervoor dat het rooster in de correcte positie staat.



### 3.1. GEBRUIK VAN DE GASBRANDERS

Om de brander aan te steken, houdt u eerst een vlam bij de brander en drukt u de knop naar beneden en draait u de knop tegen de wijzers van de klok in tot maximum.

Als u de branders lange tijd niet gebruikt heeft, kan het zijn dat er een beetje lucht in de gasbuizen zit.

Houdt er rekening mee dat de ontsteking dan iets langer kan duren.

Voor apparaten met een elektronische ontsteking geldt het volgende:

Druk en draai de knop tegen de klok in naar het \* symbool.

Ontsteek de brander door het indrukken van een ontstekingsknop.

Bij een kookplaat met een automatische ontsteking hoeft u slechts de knop in te drukken en vervolgens naar het \* symbool te draaien.

De vonkontsteking werkt continu zolang de knop wordt ingedrukt.

Wanneer de vlam niet binnen 5 seconden is ontstoken draai de knop terug naar nul en herhaal de procedure.

Voor modellen uitgevoerd met een veiligheidsventiel, welke de gastoevoer afsluit wanneer de vlam gedoofd is, worden de branders op dezelfde manier ontstoken. Het is belangrijk om de knop 5 à 6 seconden ingedrukt te houden nadat de vlam ontstoken is.

Daarna zal de vlam blijven branden.

LET OP: Voordat de kookplaat wordt gebruikt dient u er zeker van te zijn dat de branders en branderdeksele op een correcte wijze zijn geplaatst.

**Waarschuwing:** Als het apparaat niet van elektriciteit wordt voorzien, moet u een aansteker gebruiken om de brander te ontsteken;

- Druk de knop in en draai hem tegen wijzerzin in de richting van het ontstekingsymbool,

- Terwijl u de knop indrukt, ontsteekt u de brander met een aansteker en houdt u de knop gedurende 5 seconden ingedrukt na de ontsteking.

**Voor optimaal gebruik van de branders raden wij u aan pannen te gebruiken die bij de branders passen.**

Om de branders optimaal te benutten, raden wij u aan pannen te gebruiken waarvan de diameter niet kleiner is dan hieronder aangeduid:

Brander Type	Ø pannen (cm)	Vermogen (kW)	G20/20 mbar (methane)	G30/28-30 mbar (LPG)
AUX Aux	12 - 18	1,00	95 l/h	73 g/h
SR Half snel	18 - 22	1,75	167 l/h	127 g/h
R Snel	24 - 26	2,70	257 l/h	196 g/h
UR Ultra Snel	26 - 28	3,50	334 l/h	254 g/h
DC 4 kW MONO	26 - 28	4,00	381 l/h	291 g/h

Table A

In het geval dat u kleinere pannen wilt gebruiken, dient u zich er van te verzekeren dat u de vlam zo instelt dat deze net de onderzijde van de pan raakt. Het gebruik van holle of bolle pannen wordt ernstig afgeraden.

**WAARSCHUWING: in het geval dat de vlam een keer te groot wordt, draai dan de knop dicht en wacht minstens 1 minuut alvorens u de gaspit weer ontsteekt.**

Als na verloop van tijd de gasranen moeilijk vast te draaien zijn, is het noodzakelijk deze te smeren. **Dit kan enkel worden uitgevoerd door een erkende technicus.**

### 4. ONDERHOUD EN REINIGEN

Voordat u gaat demonteren of schoonmaken dient u de stroomvoorziening af te sluiten door de stekker uit het stopcontact te halen of de stroomtoevoer via de zekering af te sluiten. Zorg ervoor dat het apparaat volledig is afgekoeld.

Reinig de geëmailleerde, verchromde en geverfde delen met handwarm water en met een niet agressieve allesreiniger.

Gebruik voor de roestvrijstalen delen een rvs reiniger die gewoon in de winkel verkrijgbaar is.

Aluminium kunt u het beste reinigen door eerst met een met olie doordrenkte doek te poetsen en dit vervolgens met een alcoholhoudend middel af te nemen.

Gebruik tijdens het schoonmaken nooit: schuurmiddelen, bijtende schoonmaakmiddelen, bleekmiddel of zuren.

Voorkom dat er op de geëmailleerde, roestvrijstalen of geverfde delen zuren blijven liggen (azijn, citroensap etc.)

De brandervoet kunt u reinigen met water en allesreiner. Als u de oorspronkelijke glans terug wilt krijgen, kunt u een speciaal schoonmaakmiddel voor aluminiumlegeringen gebruiken.

De branderdeksele, gemaakt van staal met emaille, kunt u reinigen in warm water met reinigingsmiddel. U dient alle aangekoekte deeltjes te verwijderen die onregelmatigheid in de vlam kunnen veroorzaken.

Na het reinigen moeten brandervoot en branderdekseel goed worden gedroogd. Let hierbij op de de buisjes in de brandervoot. Zet daarna de branders zorgvuldig op hun plaats.

**LET OP: Zorg er voor dat na het schoonmaken de branders op de juiste plaats zitten en dat het branderdekseel goed op de brandervoot zit. Dit om een slecht vlambeeld en schade aan de brandervoot te voorkomen.**

Het wordt aanbevolen om alles wat kan smelten zoals plastic, suiker of producten met een hoog suikergehalte weg te houden van de kookplaat.

- Neem een paar druppels van een specifiek reinigingsmiddel voor glazen oppervlakken
- Wrijf met kracht op de vervuilde onderdelen, indien mogelijk, met een zachte doek of een licht vochtige papieren doek
- Droog met een zachte doek of keukenpapier totdat het oppervlak schoon is. Indien er na nog steeds vlekken blijven:
- neem opnieuw een doek met een paar druppels glasreiniger
- verwijder de vlekken met een schraper in een hoek van 30 ° tot er geen hardnekkige vlekken meer zijn
- Veeg met een zachte doek of keukenpapier droog totdat het oppervlak schoon is
- Herhaal indien nodig

het gebruik van het scheermes of schraper kan het oppervlak niet beschadigen indien een hoek van 30 ° wordt gerespecteerd. Hou het mes buiten het bereik van kinderen.

Tips: Regelmatig reinigen is van essentieel belang om een bescherm laag te laten die krassen en slijtage voorkomt. Zorg ervoor dat het oppervlak schoon is voordat u de kookplaat opnieuw gebruikt. Om sporen van water en kalksteen te verwijderen, wacht tot de plaat is afgekoeld en gebruik een paar druppels witte azijn of citroensap. Veeg tenslotte de druppels weg met een papieren doek en een paar druppels van het specifieke product.

## 5. TECHNISCHE DIENST

Het kan natuurlijk gebeuren dat er met uw kookplaat iets niet in orde is. Alvorens de service dienst te bellen (in het geval dat de kookplaat niet goed werkt):

- controleer of de stekker juist is aangesloten en in het stopcontact zit;
- controleer of de gastoevoer goed is.

In het geval dat er iets niet functioneert, haal dan de stroom van het apparaat. Maak het apparaat in geen geval open maar neem contact op met de Technische dienst.

## 6. MILIEUBESCHERMING



Dit apparaat is gemarkeerd volgens de Europese norm 2012/19/EU inzake Afval van elektrisch en elektronisch apparatuur (WEEE). WEEE bevat zowel verontreinigende substanties (die negatieve gevolgen op het milieu kunnen hebben) en basiscomponenten (die hergebruikt kunnen worden).

Het is belangrijk om WEEE aan bepaalde behandelingen te onderwerpen om alle vervuilde onderdelen te verwijderen en op juist wijze afstand van te doen, en alle materialen te herstellen en te recyclen.

Particulieren kunnen hier een belangrijke rol in spelen door te zorgen dat een WEEE geen milieukwestie wordt; het is essentieel de volgende basisregels te volgen:

- WEEE mag niet als huishoudelijk afval worden beschouwd.
- WEEE moet worden overhandigd aan relevante inzamel punten die worden beheerd door de gemeente of door geregistreerde bedrijven. In veel landen bestaat er voor grote WEEE een ophaaldienst.
- Als u een nieuw apparaat koopt, kan het oude bij de leverancier worden ingeleverd, welke het gratis bij u moet afhalen op een één-op-één basis, zolang het apparaat van soortgelijk type is en dezelfde functies heeft als de geleverde apparatuur.

Conformiteitsverklaring : dit toestel is conform aan de normen vastgelegd in de richtlijn CEE89/109 (voor wat betreft de onderdelen die in contact komen met voedingsmiddelen).

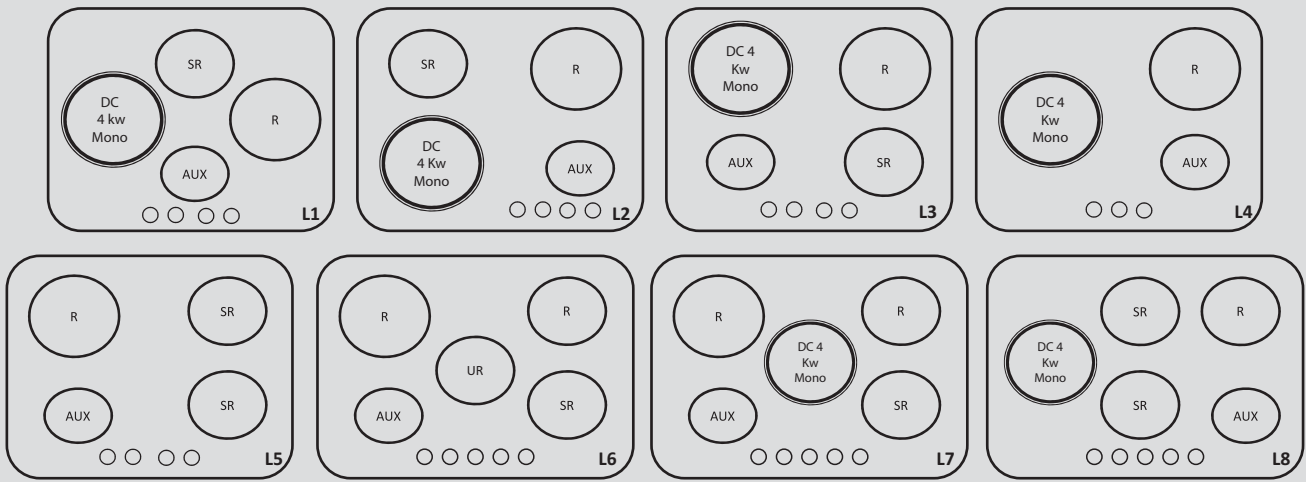
Het apparaat voldoet aan de Europese Richtlijn 2009/142/EG (GAD) en vanaf 21/04/2018 aan Verordening 2016/426 betreffende gasverbrandingstoestellen (GAR).

Door het plaatsen van de **CE** markering op dit product, verklaren wij, op onze eigen verantwoordelijkheid, alle Europese veiligheids-, gezondheids- en milieu-eisen na te leven opgesteld in de regelgeving geldig voor dit product.


Table 1

Branderplaat	3 Gas	4 Gas	4 Gas	5 Gas	5 Gas	5 Gas
Brander	Aux/R/DC 4 Mono	Aux/SR/R/DC 4 Mono	Aux/SR/R	UR/2R/SR/AUX	DC/2R/SR/AUX	DC/R/2SR/AUX
Type	UH60MF	UH60MF	UH60MF	UH75MF	UH75MF	UH75MF
FFD	JA	JA	JA	JA	JA	JA
Aux 1kW	1	1	1	1	1	1
Sr 1,75 kW	-	1	1	1	1	2
R 2,7 kW	1	1	1	2	2	1
UR 3,5 kW	-	-	-	1	-	-
Dc 4 kW Mono	1	1	-	-	1	1
Nominale warmte-input	7,7 kW	9,45 kW	7,2 kW	11,65 kW	12,15 kW	11,2 kW
G20/20 mbar	734 l/h	900 l/h	686 l/h	1110 l/h	1157 l/h	1067 l/h
G30/28-30 mbar	560 g/h	688 g/h	524 g/h	848 g/h	884 g/h	815 g/h
Installatie klasse	3	3	3	3	3	3
Spanning (V) /Frequentie (Hz)	220-240 V/ 50-60 Hz	220-240 V/ 50-60 Hz	220-240 V/ 50-60 Hz	220-240 V/ 50-60 Hz	220-240 V/ 50-60 Hz	220-240 V/ 50-60 Hz
Elektrisch vermogen	1	1	1	1	1	1
Ontsteking	JA	JA	JA	JA	JA	JA
Afmeting product (mmxmm)	595x510	595x510	595x510	745x510	745x510	745x510

Die toestel is bestemd voor huishoudelijk gebruik, niet voor professioneel gebruik.



## HOBS GAS TYPE

	Gas Type		G20	G20	G25.1	G25.3	G30	G30	G30
	Gas Pressure		20 mbar	25 mbar	25 mbar	25 mbar	29 mbar	37 mbar	50 mbar
Burners	Max (kW)	Min (kW)	Injector NG	Injector NG	Injector NG	Injector NG	Injector LPG	Injector LPG	Injector LPG
Aux	1	0,3	72X	70X	74F1	72F1	50	46	43H2
Sr	1,75	0,44	97Z	91Z	98Y	102F3	65	61	58M
R	2,7	0,75	109Y	110F3	120F2	115F2	80	78	73S
UR	3,5	1,00	140T2P	130	145	143T2	93	92	86
Dc 4 kW Mono	4	1,8	151H3	145H3	150F3	146F3	100	94	78F4

Gas Categories	I1E+3+		I1H3+		I1H3B/P	
	G20 20 mbar		G20 20 mbar		G20 20 mbar	
	G30/31 28-30/37 mbar		G30 28-30mbar		G30/31 30/30 mbar	
			G31 37 mbar			
Countries	BE,FR		CY,CZ,GB,GR,IE,IT,PT,SI, ES,TR,CH		BG, HR,DK,EE,FI,LV,LT,NO,RO,SK,SE,CZ,SI,TR	

Gas Categories	I1H3B/P		I1EKS/P		I1EKB/P		I1E3B/P		I1E3B/P	
	G20 20 mbar		G25.3 25 mbar		G20 25mbar		G20 20 mbar		G20 20 mbar	
	G30/31 50/50 mbar		G20 20 mbar		G2.1 25mbar		G30/31 37/37 mbar		G30/31 50 mbar	
			G30/31 30/30 mbar		G30/31 30/30 mbar					
Countries	AT,CH,DE		NL		HU		PL		DE	

## Efficiency Declaration 2016/426

DIAMOND (L1)				BIG REAR (L3,L5)				BIG FRONT (L2)			
SINGLE BURNER EFFICIENCY				SINGLE BURNER EFFICIENCY				SINGLE BURNER EFFICIENCY			
AUX	SR	R	DC	AUX	SR	R	DC	AUX	SR	R	DC
-	55%	55,90%	55,90%	-	57,10%	55,90%	54,30%	-	60%	55,90%	54,30%
MEDIUM %55,6				MEDIUM %55,8				MEDIUM %56,7			
75 CENTER UR (L6)				75 CENTER DC (L7)				75 LATERAL DC (L8)			
SINGLE BURNER EFFICIENCY				SINGLE BURNER EFFICIENCY				SINGLE BURNER EFFICIENCY			
AUX	SR	R	UR	AUX	SR	R	UR	AUX	SR	R	UR
-	57,10%	57,60%	55,90%	-	57,10%	57,60%	55,90%	-	60%	59,40%	57,60%
MEDIUM %57,1				MEDIUM %56,9				MEDIUM %59,3			

**GB - IE**

The manufacturer will not be responsible for any inaccuracy resulting from printing or transcript errors contained in this brochure. We reserve the right to carry out modifications to products as required, including the interests of consumption, without prejudice to the characteristics relating to safety or function.

**FR**

Le constructeur décline toute responsabilité concernant d'éventuelles inexactitudes imputables à des erreurs d'impression ou de transcription contenue dans cette notice. Le constructeur se réserve le droit de modifier les produits en cas de nécessité, même dans l'intérêt de l'utilisation, sans causer de préjudices aux caractéristiques de fonctionnement de sécurité des appareils.

**CZ**

Výrobce nezodpovídá za nepřesnosti obsažené v této příručce vzniklé při tisku nebo překladu. Vyhrazuje si právo provádět úpravy výrobku podle potřeby, aniž by byly dotčeny charakteristiky vztahující se k bezpečnosti nebo provozu.

**DE**

Der Hersteller übernimmt keine Haftung für eventuelle Druck- oder Übersetzungsfehler dieser Bedienungsanleitung. Der Hersteller behält sich vor technische Änderungen zur Verbesserung der Produktqualität im Interesse des Endverbrauchers vorzunehmen.

**ES**

La empresa constructora declina toda responsabilidad derivada de eventuales errores de impresión contenidos en el presente libro. Se reserva además el derecho de realizar las modificaciones que se consideren útiles a los productos sin comprometer las características esenciales.

**PL**

Producent nie będzie ponosić odpowiedzialności za jakiegokolwiek niedokładności wynikające z druku lub błędów tłumaczenia występujące w niniejszej broszurze. Zastrzegamy sobie prawo do wprowadzania modyfikacji produktu zgodnie z potrzebami, w tym w interesie konsumenta, bez szkody dla charakterystyk dotyczących bezpieczeństwa lub działania.

**TR**

Üretici, bu klavuzda meydana gelecek baskı hatalarından sorumlu değildir. Üretici gerekli olması durumunda ürünün emniyet ve işlevine ilişkin olmamak kaydıyla üründe değişiklik yapma hakkını saklı tutar.

**RU**

Производитель не несет ответственности за опечатки и неточности, которые могут встретиться в данной инструкции. Мы оставляем за собой право вносить изменения в конструкции выпускаемых нами изделий с целью улучшения качества выпускаемой продукции. При этом основные функции изделия и его безопасность будут оставаться неизменными.

**SI**

Proizvajalec ni odgovoren za napake v tej knjižici, ki bi nastale ob tisku ali prepisu. Pridržujemo si pravico izvajanja potrebnih sprememb na izdelku, tudi tistih, ki se nanašajo na porabo, brez škode za varnost in funkcionalnost naprave.

**IT**

La Ditta costruttrice declina ogni responsabilità per eventuali errori di stampa contenuti nel presente libretto. Si riserva inoltre il diritto di apportare le modifiche che si renderanno utili ai propri prodotti senza compromettere le caratteristiche essenziali.

**PT**

O fabricante não será responsável por quaisquer imprecisões resultantes de impressão ou transcrição de erros contidos na presente brochura. Reservamo-nos ao direito de efectuar alterações aos produtos, conforme necessário, incluindo as taxas de consumo, sem prejuízo das características relacionadas com a segurança ou funcionamento.

**HU**

A gyártó nem vállal felelősséget az ebben a kiadványban előforduló nyomtatási és elírási hibákból eredő pontatlanságokért. A biztonsággal vagy a működéssel kapcsolatos jellemzők sérelme nélkül fenntartjuk a jogot a termékek szükség szerinti változtatására.

**RO**

Producătorul nu se face responsabil pentru erorile de printare din acest manual. Ne rezervăm dreptul de a realiza modificări asupra produselor fără a afecta caracteristicile privind siguranța sau funcționarea. Versiunea în limba engleză este de referință.

**NL**

De fabrikant stelt zich niet aansprakelijk voor eventuele drukfouten in deze brochure. Kleine veranderingen en technische ontwikkelingen zijn voorbehouden.