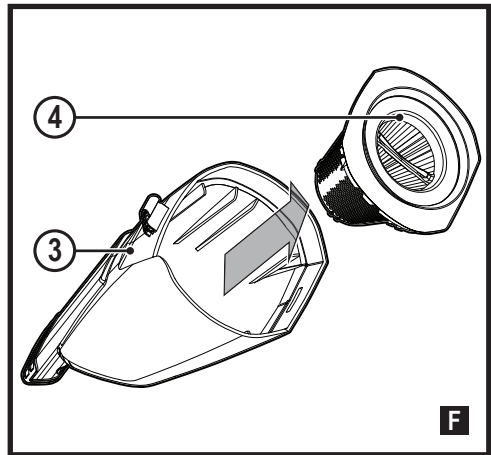
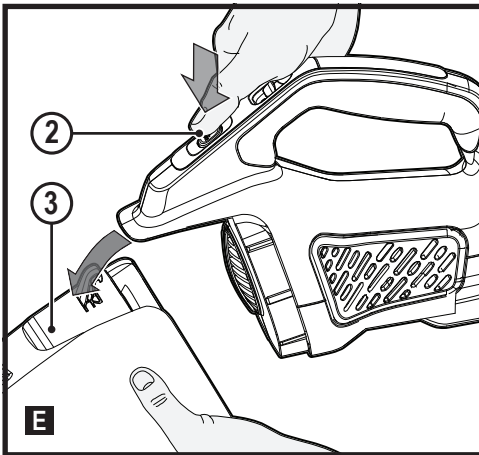
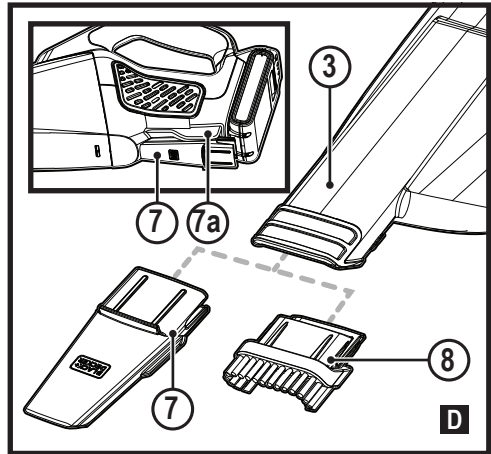
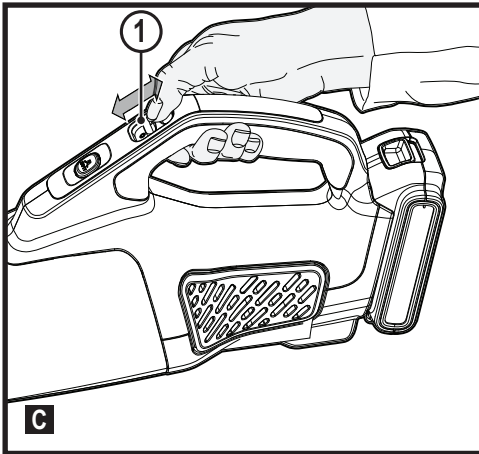
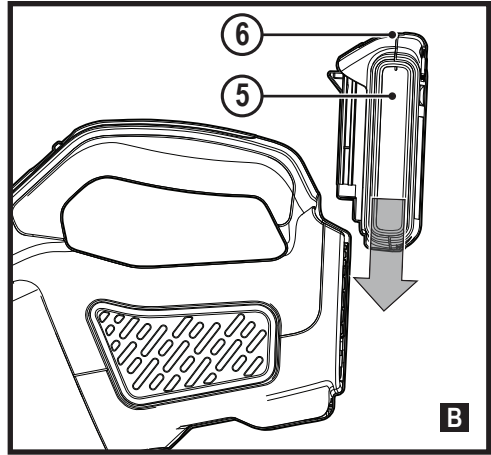
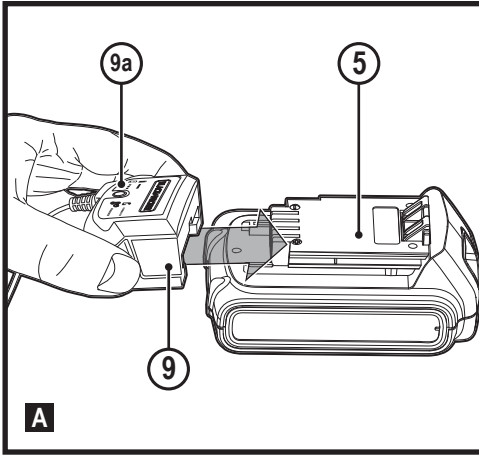
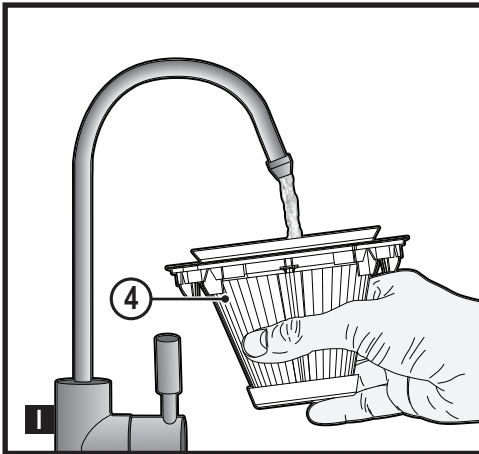
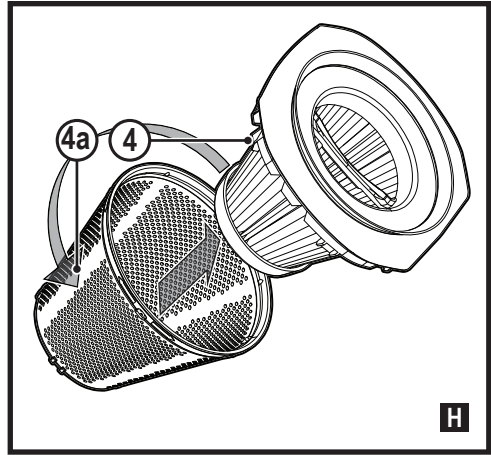
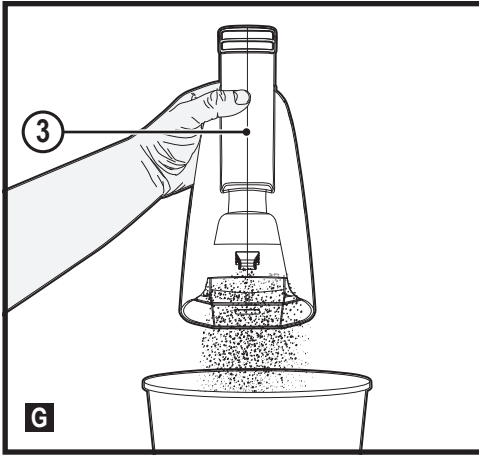


English (<i>original instructions</i>)	4
Deutsch (<i>übersetzt von den originalanweisungen</i>)	10
Français (<i>traduction de la notice d'instructions originale</i>)	17
Italiano (<i>tradotto dalle istruzioni originali</i>)	24
Nederlands (<i>vertaald vanuit de originele instructies</i>)	31
Español (<i>traducido de las instrucciones originales</i>)	38
Português (<i>traduzido das instruções originais</i>)	45
Svenska (<i>översatt från de ursprungliga instruktionerna</i>)	51
Norsk (<i>oversatt fra de originale instruksjonene</i>)	57
Dansk (<i>oversat fra original brugsvejledning</i>)	63
Suomi (<i>käännetty alkuperäisestä käyttöohjeesta</i>)	69
Ελληνικά (<i>μετάφραση από τις πρωτότυπες οδηγίες</i>)	75





Intended use

Your BLACK+DECKER BCHV001 handheld vacuum cleaner has been designed for light dry vacuum cleaning purposes. This appliance is intended for household use only.

Safety instructions



Warning! Read all safety warnings and all instructions.

Failure to follow the warnings and instructions listed below may result in electric shock, fire and/or serious injury.



Warning! When using battery-powered appliances, basic safety precautions, including the following, should always be followed to reduce the risk of fire, leaking batteries, personal injury and material damage.

- ◆ Read all of this manual carefully before using the appliance.
- ◆ The intended use is described in this manual. The use of any accessory or attachment or the performance of any operation with this appliance other than those recommended in this instruction manual may present a risk of personal injury.
- ◆ Retain this manual for future reference.

Using your appliance

- ◆ Do not use the appliance to pick up liquids or any materials that could catch fire.
- ◆ Do not use the appliance near water.
- ◆ Do not immerse the appliance in water.

- ◆ Never pull the charger lead to disconnect the charger from the socket. Keep the charger lead away from heat, oil and sharp edges.
- ◆ Keep hair, loose clothing, fingers, and all parts of body away from openings and moving parts.
- ◆ Do not use without dust bag and/or filters in place.

Inspection and repairs

- ◆ Before use, check the appliance for damaged or defective parts. Check for breakage of parts, damage to switches and any other conditions that may affect its operation.
- ◆ Do not use the appliance if any part is damaged or defective.
- ◆ Have any damaged or defective parts repaired or replaced by an authorized repair agent.
- ◆ Regularly check the charger lead for damage. Replace the charger if the lead is damaged or defective.
- ◆ Never attempt to remove or replace any parts other than those specified in this manual.

Safety of others

- ◆ This appliance can be used by children aged from 8 years and above and persons with reduced physical, sensory or mental capabilities or lack of experience and knowledge if they have been given supervision or instruction concerning use of the appliance in a safe way and understand the hazards involved.

- ◆ Children shall not play with the appliance.
Cleaning and user maintenance shall not be made by children without supervision.

Additional safety instructions

After use

- ◆ Unplug the charger before cleaning the charger or charging base.
- ◆ When not in use, the appliance should be stored in a dry place.
- ◆ Children should not have access to stored appliances.
- ◆ It is very important that the filter and pre-filter are correctly positioned before use.
- ◆ To install the dust bowl (3), place it onto the front of the unit and click firmly into position.

Residual risks.

Additional residual risks may arise when using the tool which may not be included in the enclosed safety warnings. These risks can arise from misuse, prolonged use etc.

Even with the application of the relevant safety regulations and the implementation of safety devices, certain residual risks can not be avoided.

These include:

- ◆ Injuries caused by touching any moving parts.
- ◆ Injuries caused by touching any hot parts.

- ◆ Injuries caused when changing any parts or accessories.
- ◆ Injuries caused by prolonged use of the appliance. When using any appliance for prolonged periods ensure you take regular breaks.
- ◆ Impairment of hearing.
- ◆ Health hazards caused by breathing dust developed when using your tool (example:- working with wood, especially oak, beech and MDF.)

Batteries and chargers

Batteries (can be sold seperately)

- ◆ Rechargeable batteries are to be removed from the appliance before being charged.
- ◆ Batteries are to be inserted with the correct polarity.
- ◆ Exhausted batteries are to be removed from the appliance and safely disposed of.
- ◆ If the appliance is to be stored unused for a long period, the batteries should be removed.
- ◆ The supply terminals are not to be short circuited.
- ◆ Never attempt to open for any reason.
- ◆ Do not expose the battery to water.
- ◆ Do not expose the battery to heat.
- ◆ Do not store in locations where the temperature may exceed 40°C.
- ◆ Charge only at ambient temperatures between 10°C and 40°C.
- ◆ Charge only using the charger provided with the appliance/tool.

Using the wrong charger could result in an electric shock or overheating of the battery.

- ◆ When disposing of batteries, follow the instructions given in the section "Protecting the environment".
- ◆ Do not damage/deform the battery pack either by puncture or impact, as this may create a risk of injury and fire.
- ◆ Do not charge damaged batteries.
- ◆ Under extreme conditions, battery leakage may occur. When you notice liquid on the batteries carefully wipe the liquid off using a cloth. Avoid skin contact.
- ◆ In case of skin or eye contact, follow the instructions below.

Warning! The battery fluid may cause personal injury or damage to property. In case of skin contact, immediately rinse with water. If redness, pain or irritation occurs seek medical attention. In case of eye contact, rinse immediately with clean water and seek medical attention.

Chargers (can be sold seperately)

Your charger has been designed for a specific voltage. Always check that the mains voltage corresponds to the voltage on the rating plate and the information in the technical data table.

Warning! Never attempt to replace the charger unit with a regular mains plug.

- ◆ Use your BLACK+DECKER charger only to charge the battery in the appliance/tool with which it was supplied. Other batteries could burst, causing personal injury and damage.

- ◆ Never attempt to charge non-rechargeable batteries.
- ◆ If the supply cord is damaged, it must be replaced by the manufacturer or an authorised BLACK+DECKER Service Centre in order to avoid a hazard.
- ◆ Do not expose the charger to water.
- ◆ Do not open the charger.
- ◆ Do not probe the charger.
- ◆ The appliance/tool/battery must be placed in a well ventilated area when charging.

Electrical safety

Your charger has been designed for a specific voltage. Always check that the mains voltage corresponds to the voltage on the rating plate. Never attempt to replace the charger unit with a regular mains plug.

Symbols on the charger



Read all of this manual carefully before using the appliance.



This tool is double insulated; therefore no earth wire is required. Always check that the power supply corresponds to the voltage on the rating plate.



The charger is intended for indoor use only.

Labels on appliance

The following symbols appear on this appliance along with the date code.



Read all of this manual carefully before using the appliance.

Features

This tool includes some or all of the following features.

1. On/off switch (Slide forward for On. Slide backward for Off)
2. Bowl release button
3. Dust bowl
4. Filter
5. Battery (Battery included on BCHV001C1 versions only)
6. Battery release button
7. Crevice tool
- 7a. On board storage for crevice tool
8. Brush tool

Use

Charging the battery (Fig. A)

The standard charger provided will charge a fully depleted battery in about 5 hours

- ◆ Plug the charger (9) into an appropriate outlet before inserting the battery pack (5).
- ◆ Insert the battery pack (5) into the charger (9) as shown in figure A.
- ◆ The green LED (9a) will flash indicating that the battery is being charged.
- ◆ The completion of charge is indicated by the green LED (9a) remaining on continuously. The pack is fully charged and may be used at this time or left on the charger.

Note: Recharge discharged batteries as soon as possible after use or battery life may be greatly diminished.

Note: The charger and battery pack can be left connected with the green LED glowing indefinitely. The charger will keep the battery pack fresh and fully charged.

Important charging notes

- ◆ Longest life and best performance can be obtained if the battery pack is charged when the air temperature is between 18°- 24°C. DO NOT charge the battery pack in an air temperature below +4.5°C, or above +40.5°C. This is important and will prevent serious damage to the battery pack.
- ◆ The charger and battery pack may become warm to touch while charging. This is a normal condition, and does not indicate a problem. To facilitate the cooling of the battery pack after use, avoid placing the charger or battery pack in a warm environment such as in a metal shed, or an uninsulated trailer.
- ◆ If the battery pack does not charge properly:
 - ◆ Check current at receptacle by plugging in a lamp or other appliance.
 - ◆ Check to see if receptacle is connected to a light switch which turns power off when you turn out the lights.

- ◆ Move charger and battery pack to a location where the surrounding air temperature is approximately 18°- 24°C
- ◆ If charging problems persist, take the tool, battery pack, and charger to your local service centre.
- ◆ The battery pack should be recharged when it fails to produce sufficient power on jobs which were easily done previously. DO NOT CONTINUE to use under these conditions. Follow the charging procedure. You may also charge a partially used pack whenever you desire with no adverse affect on the battery pack.
- ◆ Foreign materials of a conductive nature such as, but not limited to, steel wool, aluminium foil, or any buildup of metallic particles should be kept away from charger cavities.
Always unplug the charger from the power supply when there is no battery pack in the cavity. Unplug charger before attempting to clean.
- ◆ Do not freeze or immerse charger in water or any other liquid.

Warning! Do not allow any liquid to get inside charger. Never attempt to open the battery pack for any reason. If the plastic housing of the battery pack breaks or cracks, return to a service centre for recycling.

Installing and removing the battery (Fig. B)

Warning! Make certain the vac is switched off before removing or installing battery.

To install battery pack

- ◆ Insert battery pack (5) into the vac until an audible click is heard (Figure B). Make sure battery pack is fully seated and fully latched into position.

To remove battery pack

- ◆ Depress the battery release button (6) as shown in Figure B and pull battery pack out of the vac.

Operation

Warning! This product is for dry pick-up only.

- ◆ To switch the vac on, slide the on/off switch (1) forward (Fig. C).
- ◆ To switch the vac off, slide the on/off switch (1) backward (Fig. C).

Mounting accessories (Fig. D)

- ◆ The brush tool (8) has a brush that can be used for dusting and upholstery cleaning.
- ◆ The crevice tool (7) allows for vacuuming in narrow and hard to-reach places.
- ◆ To attach an accessory, press the accessory into dust bowl (3).
- ◆ Crevice tool can be stored on the unit as shown in (7a).

Removing dust bowl (Fig. E)

- ◆ Remove the dust bowl (3) by pressing the dust bowl release button (2) and pulling the bowl down and out (Fig. E).

Removing filters (Fig. F, G, H and I)

After you have released the bowl from the unit the filter is inside bowl.

- ◆ Remove the filter from the bowl by pulling the filter out.
- ◆ Dispose of the dirt inside.
- ◆ The prefilter (4a) and filter (4) are fitted together.
- ◆ You must twist the prefilter to release from the filter to allow you to clean each part separately as shown in figure H.

Cleaning the product

Dispose of the dirt inside the dust bowl (3) as shown in figure G. The dust bowl can be rinsed by water. However it needs to be dried afterwards.

Warning! Never use this cordless hand vacuum without its filters.

Note: The filter is re-usable, do not confuse them with disposable dust bags, and do not throw it away when the product is emptied. We recommend that you replace the filter every 6-9 months.

Warning! Maximum dust collection will only be obtained with clean filters and an empty dust bowl. If dust begins to fall back out of the product after it is switched off, this indicates that the bowl is full and requires emptying.

- ◆ Remove the filter (4) and shake or lightly brush any loose dust off the filter.
- ◆ Empty the dust from the bowl and wash if necessary.
- ◆ Wash the filter regularly using warm, soapy water as shown in figure I. Ensure that it is completely dry before using again.

Note: The cleaner the filter is, the better the product will perform.

- ◆ The dust bowl can also be washed in warm soapy water. Ensure that it is dry before re-attaching.
- ◆ Never immerse the product in water. A damp cloth and soapy water should be used to clean the exterior of the motor section. Always ensure the product is completely dry before re-use or storing.

Troubleshooting

Problem	Possible Cause	Possible Solution
Unit will not start.	Battery not installed properly. Battery not charged.	Check battery installation. Check battery charging requirements
Battery will not charge.	Battery not inserted into charger. Charger not plugged in. Surrounding air temperature too hot or too cold.	Insert battery into charger until LED appears. Plug charger into a working outlet. Refer to "Important Charging Notes" for more details. Check current at receptacle by plugging in a lamp or other appliance. Check to see if receptacle is connected to a light switch which turns power off when you turn out the lights Move charger and tool to a surrounding air temperature of above 4,5°C or below +40,5°C.

Maintenance

Your BLACK+DECKER corded/cordless appliance/tool has been designed to operate over a long period of time with a minimum of maintenance. Continuous satisfactory operation depends upon proper tool care and regular cleaning.

Warning! Before performing any maintenance on corded/cordless power tools:

- ◆ Switch off and unplug the appliance/tool.
- ◆ Or switch off and remove the battery from the appliance/tool if the appliance/tool has a separate battery pack.
- ◆ Or run the battery down completely if it is integral and then switch off.
- ◆ Unplug the charger before cleaning it. Your charger does not require any maintenance apart from regular cleaning.
- ◆ Regularly clean the ventilation slots in your appliance/tool/charger using a soft brush or dry cloth.
- ◆ Regularly clean the motor housing using a damp cloth. Do not use any abrasive or solvent-based cleaner.

Protecting the environment



Separate collection. Products and batteries marked with this symbol must not be disposed of with normal household waste.

Products and batteries contain materials that can be recovered or recycled reducing the demand for raw materials. Please recycle electrical products and batteries according to local provisions. Further information is available at www.2helpU.com

Technical data

BCHV001	
Voltage (V _{ac})	18
Weight (Kg)	1.05

Charger		S010**240040/ SSC-250040**	S018***1800100/ SSC-200100**
Input Voltage	V _{AC}	100 - 240	220 - 240
Output Voltage	V _{DC}	8 - 20	8 - 20
Current	mA	400	1000
Approx. charge time	Hours	3 - 5	1 - 5

Battery		BL1518	BL2018	BL4018	BL1518ST
Voltage	V _{AC}	18	18	18	18
Capacity	Ah	1.5	2.0	4.0	1.5
Type		Li-Ion	Li-Ion	Li-Ion	Li-Ion

Guarantee

Black & Decker is confident of the quality of its products and offers consumers a 24 month guarantee from the date of purchase. This guarantee is in addition to and in no way prejudices your statutory rights. The guarantee is valid within the territories of the Member States of the European Union and the European Free Trade Area.

To claim on the guarantee, the claim must be in accordance with Black&Decker Terms and Conditions and you will need to submit proof of purchase to the seller or an authorised repair agent. Terms and conditions of the Black&Decker 2 year guarantee and the location of your nearest authorised repair agent can be obtained on the Internet at www.2helpU.com, or by contacting your local Black & Decker office at the address indicated in this manual.

Please visit our website www.blackanddecker.co.uk to register your new Black & Decker product and receive updates on new products and special offers.

Verwendungszweck Ihr BLACK+DECKER Handstaubsauger BCHV001 wurde zum Saugen von leichtem, trockenem Schmutz entwickelt. Dieses Gerät ist nicht für den gewerblichen Einsatz vorgesehen.

Sicherheitshinweise



Warnung! Lesen Sie alle Sicherheitswarnhinweise und alle Anweisungen. Das Nichtbeachten der unten aufgeführten Warnhinweise und Anweisungen kann zu elektrischem Schlag, Brand und/oder schweren Verletzungen führen.



Warnung! Beachten Sie beim Umgang mit akku- oder batteriebetriebenen Geräten stets die grundlegenden Sicherheitshinweise, einschließlich der folgenden. Dadurch verhindern Sie so weit wie möglich das Entstehen von Bränden, das Auslaufen von Batterien oder Akkus sowie Sach- und Personenschäden.

- ◆ Lesen Sie diese Anleitung vollständig und aufmerksam durch, bevor Sie das Gerät zum ersten Mal verwenden.
- ◆ Der vorgesehene Verwendungszweck ist in dieser Anleitung beschrieben. Bei Verwendung von Zubehör oder Anbauteilen, die nicht in dieser Anleitung empfohlen werden, sowie bei der Verwendung des Geräts in Abweichung von den in dieser

Anleitung beschriebenen Verfahren besteht Verletzungsgefahr.

- ◆ Bewahren Sie diese Anleitung auf.

Verwendung des Geräts

- ◆ Benutzen Sie das Gerät nicht zum Aufsaugen von Flüssigkeiten oder entzündlichen Materialien.
- ◆ Betreiben Sie das Gerät nicht in der Nähe von Wasser.
- ◆ Tauchen Sie das Gerät nicht in Wasser.
- ◆ Ziehen Sie das Ladegerät nicht am Kabel aus der Netzsteckdose. Achten Sie darauf, dass das Kabel des Ladegeräts nicht in Kontakt mit starker Hitze, Öl oder scharfen Gegenständen kommt.
- ◆ Halten Sie Haare, weite Kleidung, Finger und alle Körperteile von Öffnungen und sich bewegenden Teilen fern.
- ◆ Verwenden Sie das Gerät nicht, wenn der Staubbeutel bzw. die Filter nicht eingesetzt sind.

Inspektion und Reparaturen

- ◆ Prüfen Sie das Gerät vor der Verwendung auf beschädigte oder defekte Teile. Prüfen Sie, ob Teile gebrochen sind, Schalter beschädigt wurden oder andere Bedingungen vorliegen, die die Funktion beeinträchtigen können.
- ◆ Betreiben Sie das Gerät nicht, wenn ein Teil beschädigt oder defekt ist.

- ◆ Lassen Sie beschädigte oder defekte Teile in einer Vertragswerkstatt reparieren oder austauschen.
- ◆ Überprüfen Sie das Ladegerätkabel in regelmäßigen Abständen auf Beschädigungen. Tauschen Sie das Ladegerät aus, wenn das Kabel beschädigt oder defekt ist.
- ◆ Ersetzen oder entfernen Sie keine Teile, für die in dieser Anleitung keine entsprechende Beschreibung enthalten ist.

Sicherheit von Anderen

- ◆ Dieses Gerät darf von Kindern ab 8 Jahren und Personen mit eingeschränkten körperlichen, sensorischen oder geistigen Fähigkeiten sowie mangelnder Erfahrung und Wissen in Bezug auf dessen Gebrauch bedient werden, wenn sie bei der Verwendung des Geräts beaufsichtigt oder angeleitet werden und die möglichen Gefahren verstehen.
- ◆ Kinder dürfen nicht mit dem Gerät spielen. Reinigung und Wartungsarbeiten dürfen von Kindern nur unter Aufsicht durchgeführt werden.

Zusätzliche Sicherheitshinweise

Nach dem Gebrauch

- ◆ Ziehen Sie das Ladegerät aus der Netzsteckdose, bevor Sie das Ladegerät oder die Ladestation reinigen.

- ◆ Bewahren Sie das Gerät bei Nichtgebrauch an einem trockenen Ort auf.
- ◆ Kinder sollten keinen Zugang zu aufbewahren Geräten haben.
- ◆ Es ist sehr wichtig, dass der Filter und der Vorfilter vor der Verwendung richtig positioniert werden.
- ◆ Um den Staubauffangbehälter (3) einzubauen, bringen Sie diesen an der Vorderseite des Geräts an und lassen ihn fest einrasten.

Restrisiken.

Zusätzliche Restrisiken können auftreten, wenn das Werkzeug verwendet wird, das möglicherweise nicht in den Sicherheitswarnungen enthalten ist. Diese Risiken können aus Missbrauch, verlängerter Nutzung usw. resultieren. Selbst unter Beachtung der geltenden Sicherheitsvorschriften und des Einsatzes von Schutzvorrichtungen können bestimmte Risiken nicht vermieden werden. Diese sind:

- ◆ Verletzungen, die durch das Berühren von sich bewegenden Teilen verursacht werden.
- ◆ Verletzungen, die durch das Berühren von erhitzten Teilen verursacht werden.
- ◆ Verletzungen, die durch das Austauschen von Teilen oder Zubehör verursacht werden.
- ◆ Verletzungen, die durch längeren Gebrauch des Geräts verursacht werden. Legen Sie bei längerem Gebrauch regelmäßige Pausen ein.

- ◆ Schwerhörigkeit.
- ◆ Gesundheitsrisiken durch das Einatmen von Staub beim Gebrauch des Geräts (beispielsweise bei Holzarbeiten, insbesondere Eiche, Buche und Pressspan).

Akkus und Ladegeräte

Akkus (separat erhältlich)

- ◆ Aufladbare Akkus sind vor dem Laden aus dem Gerät zu entfernen.
- ◆ Die Akkus sind mit der richtigen Polarität einzusetzen.
- ◆ Entladene Akkus sind aus dem Gerät zu entfernen und sicher zu entsorgen.
- ◆ Wenn das Gerät über einen längeren Zeitraum unbenutzt gelagert werden soll, sollten die Akkus entfernt werden.
- ◆ Die Anschlusskontakte dürfen nicht kurzgeschlossen werden.
- ◆ Keinesfalls versuchen, den Akku zu öffnen.
- ◆ Achten Sie darauf, dass der Akku nicht mit Wasser in Berührung kommt.
- ◆ Setzen Sie den Akku keinen hohen Temperaturen aus.
- ◆ Nicht bei Temperaturen über 40 °C lagern.
- ◆ Laden Sie den Akku nur bei Umgebungstemperaturen von 10 °C bis 40 °C.
- ◆ Verwenden Sie ausschließlich das mit dem Gerät gelieferte Ladegerät. Das Verwenden des falschen Ladegeräts kann zu einem Stromschlag oder dem Überhitzen des Akkus führen.

- ◆ Bei der Entsorgung von Akkus oder Batterien die Hinweise im Abschnitt „Umweltschutz“ beachten.
- ◆ Der Akku darf nicht durch mechanische Krafteinwirkung oder Belastungen beschädigt oder verformt werden. Andernfalls besteht Verletzungs- und Brandgefahr.
- ◆ Laden Sie beschädigte Akkus nicht auf.
- ◆ Unter extremen Bedingungen können Akkus undicht werden. Wenn Sie feststellen, dass aus der Batterie Flüssigkeit austritt, wischen Sie diese vorsichtig mit einem Tuch ab. Vermeiden Sie Hautkontakt.
- ◆ Beachten Sie nach Haut- oder Augenkontakt die folgenden Hinweise.

Warnung! Batteriesäure kann Sach- oder Personenschäden verursachen. Spülen Sie die Säure nach Hautkontakt sofort mit Wasser ab. Suchen Sie einen Arzt auf, wenn sich auf der Haut Rötungen, Reizungen oder andere Irritationen zeigen. Spülen Sie das Auge nach Augenkontakt sofort mit sauberem Wasser aus, und suchen Sie einen Arzt auf.

Ladegeräte (separat erhältlich)

Das Ladegerät ist für eine bestimmte Spannung ausgelegt. Stellen Sie sicher, dass die Netzspannung der auf dem Typenschild des Geräts und in der Tabelle mit den technischen Daten angegebenen Spannung entspricht.

Warnung! Ersetzen Sie das Ladegerät keinesfalls durch ein normales Netzkabel.

- ◆ Verwenden Sie das BLACK+DECKER-Ladegerät nur für den Akku des Geräts, mit dem es geliefert wurde. Andere Akkus könnten platzen und Sachschäden oder Verletzungen verursachen.
- ◆ Versuchen Sie keinesfalls, nicht aufladbare Batterien zu laden.
- ◆ Bei einer Beschädigung des Netzkabels muss dieses durch den Hersteller oder eine BLACK+DECKER Vertragswerkstatt ausgetauscht werden, um mögliche Gefahren zu vermeiden.
- ◆ Achten Sie darauf, dass das Ladegerät nicht mit Wasser in Berührung kommt.
- ◆ Versuchen Sie nicht, das Ladegerät zu öffnen.
- ◆ Nehmen Sie am Ladegerät keine Veränderungen vor.
- ◆ Während das Gerät/der Akku geladen wird, muss auf ausreichende Belüftung geachtet werden.

Elektrische Sicherheit

Das Ladegerät ist für eine bestimmte Spannung ausgelegt. Stellen Sie sicher, dass die Netzspannung der auf dem Typenschild des Geräts angegebenen Spannung entspricht. Ersetzen Sie das Ladegerät keinesfalls durch ein normales Netzkabel.

Symbole auf dem Ladegerät



Lesen Sie diese Anleitung vollständig und aufmerksam durch, bevor Sie das Gerät zum ersten Mal verwenden.



Dieses Gerät ist schutzisoliert, daher ist keine Erdleitung erforderlich. Überprüfen Sie immer, dass die Stromversorgung der Spannung auf dem Typenschild entspricht.



Das Ladegerät darf nur im Innenbereich verwendet werden.

Etiketten am Gerät

Am Gerät befinden sich folgende Warnsymbole inkl. Datumscode.



Lesen Sie diese Anleitung vollständig und aufmerksam durch, bevor Sie das Gerät zum ersten Mal verwenden.

Merkmale

Dieses Werkzeug umfasst einige oder alle der folgenden Merkmale.

1. Ein-/Ausschalter (zum Einschalten nach vorne schieben, zum Ausschalten nach hinten schieben)
2. Entriegelungstaste für den Auffangbehälter
3. Staubauffangbehälter
4. Filter
5. Akku (nur die Version BCHV001C1 umfasst einen Akku)
6. Akku-Löseknopf
7. Fugendüse
- 7a. Integrierte Fugendüsenhalterung
8. Pinseldüse

Verwendung

Laden des Akkus (Abb. A)

Das Standardladegerät kann einen vollständig entladenden Akku in ca. 5 Stunden aufladen.

- ◆ Setzen Sie das Ladegerät (9) in eine geeignete Steckdose ein, bevor Sie den Akku (5) einsetzen.
- ◆ Setzen Sie den Akku (5) wie in Abbildung A gezeigt in das Ladegerät (9) ein.
- ◆ Die grüne LED (9a) blinkt, wenn der Akku geladen wird.
- ◆ Der Abschluss des Ladevorgangs wird dadurch angezeigt, dass die grüne LED (9a) dauerhaft leuchtet. Der Akku ist vollständig aufgeladen und kann jetzt verwendet oder in der Ladestation gelassen werden.

Hinweis: Laden Sie entladene Akkus so bald wie möglich nach dem Gebrauch wieder auf, da sonst die Batteriebensdauer stark verringert werden kann.

Hinweis: Sie können den Akku auch im Ladegerät belassen. In diesem Fall leuchtet die grüne LED-Anzeige dauerhaft. Das Ladegerät hält den Akku in einem vollständig geladenen Zustand.

Wichtige Hinweise zum Aufladen

- ◆ Die längste Lebensdauer und beste Leistung werden erreicht, wenn das Akkupack bei Lufttemperaturen zwischen 18° bis 24 °C geladen wird. Laden Sie das Akkupack NICHT, wenn die Lufttemperatur unter +4,5 °C oder über +40,5 °C liegt.
Dies ist wichtig und verhindert schwere Schäden am Akku.
- ◆ Das Ladegerät und der Akku können sich während des Ladevorgangs warm anfühlen. Dies ist ein normaler Umstand und weist nicht auf ein Problem hin. Um das Abkühlen des Akkus nach dem Gebrauch zu erleichtern, platzieren Sie das Ladegerät und den Akku nicht in einer warmen Umgebung, wie beispielsweise in einem Metallschuppen oder einem nicht isolierten Wohnwagen..
- ◆ Wenn der Akku nicht richtig aufgeladen wird:
 - ◆ Prüfen Sie, ob die Steckdose unter Spannung steht, indem Sie eine Lampe oder ein anderes Gerät an die Steckdose anschließen.
 - ◆ Überprüfen Sie, ob die Steckdose mit einem Lichtschalter verbunden ist, der auch das Gerät ausschaltet, wenn das Licht ausgeschaltet wird.
 - ◆ Bringen Sie Ladegerät und Akku an einen Ort, wo die Umgebungstemperatur ca. 18° bis 24 °C beträgt.
 - ◆ Wenn die Ladeprobleme bestehen bleiben, bringen Sie Werkzeug, Akku und Ladegerät zu Ihrer lokalen Vertragswerkstatt.
- ◆ Dieser Akku sollte aufgeladen werden, wenn er nicht mehr ausreichend Energie erzeugt, um Arbeiten so gut wie zuvor zu erledigen. Betreiben Sie das Werkzeug unter diesen Bedingungen NICHT WEITER. Halten Sie sich an das Ladeverfahren. Sie können auch jederzeit einen teilweise entleerten Akku aufladen, ohne dass dies nachteilige Auswirkungen auf den Akku hat.
- ◆ Leitfähige Fremdmaterialien, z.B. unter anderem Stahlwolle, Alufolie oder angesammelte Metallpartikel, sollten von Hohlräumen des Ladegeräts ferngehalten werden. Ziehen Sie den Netzstecker des Ladegerätes immer aus der Steckdose, wenn kein Akku in der Vertiefung steckt. Ziehen Sie den Netzstecker des Ladegerätes vor dem Reinigen aus der Steckdose.
- ◆ Gerät keinem Spritzwasser aussetzen oder in Wasser oder andere Flüssigkeiten tauchen.

Warnung! Keine Flüssigkeiten in das Ladegerät gelangen lassen. Keinesfalls versuchen, den Akku zu öffnen. Wenn das Kunststoffgehäuse des Akkus Brüche oder Risse aufweist, bringen Sie es zum Recycling zu einer Vertragswerkstatt.

Einlegen und Entnehmen des Akkus (Abb. B)

Warnung! Stellen Sie sicher, dass der Staubsauger ausgeschaltet ist, bevor Sie den Akku entnehmen oder anbringen.

Anbringen des Akkus

- ◆ Setzen Sie den Akku (5) in den Staubsauger ein, bis ein Klicken zu hören ist (Abbildung B). Stellen Sie sicher, dass der Akku vollständig sitzt und in Position eingerastet ist.

Entfernen des Akkus

- ◆ Drücken Sie den Akku-Löseknopf (6) wie in Abbildung B gezeigt und ziehen Sie den Akku aus dem Staubsauger.

Betrieb

Warnung! Das Produkt eignet sich nur für trockene Arbeiten.

- ◆ Zum Einschalten des Staubsaugers schieben Sie den Ein-/Ausschalter (1) nach vorne (Abb. C).
- ◆ Um den Staubsauger auszuschalten, schieben Sie den Ein-/Ausschalter (1) nach hinten (Abb. C).

Anbringen von Zubehör (Abb. D)

- ◆ Die Polsterbürste (8) hat eine Bürste, die zum Saugen und Reinigen von Polstermöbeln eingesetzt werden kann.
- ◆ Die Fugendüse (7) eignet sich zum Aussaugen von Fugen, Ecken und anderen schwer erreichbaren Stellen.
- ◆ Um ein Zubehörteil zu montieren, drücken Sie dieses in den Staubauffangbehälter (3).
- ◆ Die Fugendüse kann wie in (7a) gezeigt am Gerät aufbewahrt werden.

Entfernen des Staubauffangbehälters (Abb. E)

- ◆ Entfernen Sie den Staubauffangbehälter (3), indem Sie den Entriegelungstaste für den Auffangbehälter (2) drücken und den Auffangbehälter nach unten herausziehen (Abb. E).

Entfernen der Filter (Abb. F, G, H und I)

Nachdem Sie den Behälter vom Gerät gelöst haben, befindet sich der Filter in dem Behälter.

- ◆ Entfernen Sie den Filter durch Herausziehen aus dem Behälter.
- ◆ Entfernen Sie den Schmutz daraus.
- ◆ Vorfilter (4a) und Filter (4) bilden eine Einheit.
- ◆ Drehen Sie den Vorfilter, um ihn vom Filter zu lösen, so dass Sie jedes Teil separat reinigen können; siehe Abb. H.

Reinigung des Produkts

Entsorgen Sie den Schmutz im Staubauffangbehälter (3) wie in Abbildung G dargestellt. Der Staubauffangbehälter kann mit Wasser abgespült werden. Vor dem Wiedereinsetzen muss er jedoch erst trocknen.

Warnung! Verwenden Sie diesen kabellosen Handstaubsauger keinesfalls ohne seine Filter.

Hinweis: Der Filter ist wiederverwendbar; verwechseln Sie diesen nicht mit Einweg-Staubbeuteln und werfen Sie ihn nicht weg, wenn das Gerät geleert wird. Wir empfehlen, dass Sie den Filter alle 6 bis 9 Monate wechseln.

Warnung! Die maximale Saugleistung erzielen Sie bei sauberen Filtern und leerem Staubauffangbehälter. Wenn nach dem Ausschalten des Staubsaugers Staub aus der Saugöffnung fällt, ist der Staubauffangbehälter voll und muss geleert werden.

- ◆ Entfernen Sie den Filter (4) und schütteln oder bürsten Sie den losen Staub aus dem Filter heraus.
- ◆ Entfernen Sie den Staub aus dem Behälter und waschen Sie diesen bei Bedarf.
- ◆ Waschen Sie den Filter regelmäßig mit warmer Seifenlauge, wie in Abbildung I dargestellt. Stellen Sie sicher, dass er komplett trocken ist, bevor Sie ihn wieder verwenden.

Hinweis: Je sauberer der Filter ist, desto besser ist die Leistung des Produkts.

- ◆ Der Staubauffangbehälter kann auch mit warmer Seifenlauge gereinigt werden. Vor dem Wiedereinsetzen muss er trocken sein.
- ◆ Tauchen Sie das Gerät nie in Wasser ein. Reinigen Sie die Außenseite des Motorbereichs mit einem feuchten Tuch und Seifenlauge. Stellen Sie immer sicher, dass das Gerät vollständig trocken ist, bevor Sie es erneut verwenden oder aufbewahren.

Fehlerbehebung

Problem	Mögliche Ursache	Mögliche Lösung
Gerät startet nicht.	Akku wurde nicht ordnungsgemäß angebracht. Der Akku ist nicht geladen.	Prüfen Sie, ob der Akku richtig angebracht wurde. Prüfen Sie die Ladekapazitätsanforderungen
Akku lädt nicht.	Akku befindet sich nicht im Ladegerät. Das Ladegerät ist nicht mit dem Stromnetz verbunden. Umgebungstemperatur zu hoch oder zu niedrig.	Akku so in das Ladegerät einsetzen, dass die LED leuchtet. Stecken Sie den Stecker des Ladegeräts in eine aktive Steckdose. Siehe „Wichtige Hinweise zum Aufladen“ für weitere Details. Prüfen Sie, ob die Steckdose unter Spannung steht, indem Sie eine Lampe oder ein anderes Gerät an die Steckdose anschließen. Überprüfen Sie, ob die Steckdose mit einem Lichtschalter verbunden ist, der auch das Gerät ausschaltet, wenn das Licht ausgeschaltet wird. Bringen Sie Ladegerät und Gerät an einen Ort, wo die Umgebungstemperatur zwischen 4,5°C und +40,5°C liegt.

Wartung

Ihr BLACK + DECKER Elektrowerkzeug mit Kabel/ohne Kabel wurde für langfristigen Betrieb mit minimalem Wartungsaufwand konstruiert. Ein kontinuierlicher, zufriedenstellender Betrieb hängt von der richtigen Pflege des Gerätes und seiner regelmäßigen Reinigung ab.

Warnung! Vor dem Ausführen jeglicher Wartungsarbeiten an Geräten mit und ohne Netzkabel:

- ◆ Schalten Sie das Gerät aus, und ziehen Sie den Netzstecker.
- ◆ Wenn das Gerät über einen separaten Akkupack verfügt, schalten Sie den Akku ab und entfernen Sie ihn vom Gerät.
- ◆ Wenn der Akku integriert ist, entladen Sie diesen vor dem Abschalten vollständig.
- ◆ Ziehen Sie das Ladegerät aus der Netzsteckdose, bevor Sie es reinigen. Ihr Ladegerät braucht neben der normalen Reinigung keine Wartung.
- ◆ Reinigen Sie regelmäßig die Lüftungsschlitze des Geräts und des Ladegeräts mit einer weichen Bürste oder einem trockenen Tuch.

- ◆ Reinigen Sie das Motorgehäuse regelmäßig mit einem feuchten Tuch. Verwenden Sie keine scheuerndes oder lösungsmittelbasiertes Reinigungsmittel.

Umweltschutz



Getrennte Sammlung. Produkte und Akkus mit diesem Symbol dürfen nicht mit dem normalen Hausmüll entsorgt werden.

Produkte und Batterien enthalten Materialien, die zurückgewonnen oder recycelt werden können und die Nachfrage nach Rohstoffen reduzieren.

Bitte recyceln Sie Elektroprodukte und Batterien gemäß den lokalen Bestimmungen. Weitere Informationen finden Sie auf www.2helpU.com

Technische Daten

BCHV001	
Spannung (V _{ac})	18
Gewicht (kg)	1,05

Ladegerät		S010**2400040/ SSC-250040**	S018***1800100/ SSC-200100**
Eingangsspannung	V _{AC}	100 - 240	220 - 240
Ausgangsspannung	V _{DC}	8 - 20	8 - 20
Stromstärke	mA	400	1000
Ungefähre Ladezeit	Stunden	3 - 5	1 - 5

Akku		BL1518	BL2018	BL4018	BL1518ST
Spannung	V _{AC}	18	18	18	18
Kapazität	Ah	1,5	2,0	4,0	1,5
Typ		Li-Ion	Li-Ion	Li-Ion	Li-Ion

Garantie

Black & Decker ist von der Qualität seiner Produkte überzeugt und bietet Kunden eine 24-monatige Garantie ab dem Datum des Kaufs. Diese Garantie ist ergänzend und beeinträchtigt keinesfalls ihre gesetzlichen Ansprüche. Diese Garantie gilt innerhalb der Staatsgebiete der Mitgliedstaaten der Europäischen Union und der Europäischen Freihandelszone.

Für den Garantieanspruch muss der Anspruch mit den Black&Decker Geschäftsbedingungen übereinstimmen und Sie müssen dem Verkäufer oder einer zugelassenen Reparaturwerkstatt einen Kaufbeleg vorlegen. Die Geschäftsbedingungen der 2-jährigen der Black&Decker Garantie sowie den Ort der nächsten zugelassenen Reparaturwerkstatt in Ihrer Nähe erhalten Sie im Internet unter www.2helpU.com oder in dem Sie Kontakt mit dem Black & Decker Büro unter der in diesem Handbuch angegebenen Adresse aufnehmen.

Bitte besuchen Sie unsere Website unter www.blackanddecker.co.uk, um Ihr neues Black & Decker Produkt zu registrieren und um Updates zu neuen Produkten und Sonderangeboten zu erhalten.

Utilisation prévue Votre aspirateur à main BLACK+DECKER BCHV001 est conçu pour les petits travaux d'aspiration à sec. Cet appareil est exclusivement destiné à un usage domestique.

Consignes de sécurité



Avertissement ! **Veillez à lire tous les avertissements sur la sécurité et toutes les instructions.** Le non-respect des avertissements et des instructions listés ci-dessous peut entraîner des décharges électriques, des incendies et/ou de graves blessures.



Avertissement ! Pour utiliser des appareils alimentés par batterie, certaines précautions de sécurité de base, dont celles qui suivent, doivent toujours être respectées afin de réduire le risque d'incendie, de fuite de la batterie, de blessures et de dommages matériels.

- ◆ Veillez à attentivement lire l'intégralité de ce manuel avant d'utiliser l'appareil.
- ◆ Ce manuel décrit la manière d'utiliser l'appareil. L'utilisation d'un accessoire ou d'un équipement autre que ceux recommandés dans ce manuel et l'utilisation de cet appareil à d'autres fins que celles recommandées dans ce manuel d'utilisation peuvent entraîner un risque de blessures.
- ◆ Conservez ce manuel pour pouvoir vous y référer dans le futur.

Utiliser votre appareil

- ◆ N'utilisez pas l'appareil pour aspirer des liquides ou toute autre matière susceptible de prendre feu.
- ◆ N'utilisez pas cet appareil près d'une source d'eau.
- ◆ Ne plongez pas l'appareil dans l'eau.
- ◆ Ne tirez jamais sur le fil du chargeur pour le débrancher. Gardez le fil du chargeur à l'écart de toute source de chaleur, zone grasse et bord tranchant.
- ◆ Gardez vos cheveux, vêtements amples, doigts ainsi que toutes les autres parties de votre corps loin des ouvertures et des pièces mobiles.
- ◆ N'utilisez pas l'appareil sans que le sac à poussière et/ou le filtre ne soient en place.

Inspections et réparations

- ◆ Avant d'utiliser l'appareil, vérifiez l'absence de pièces endommagées ou défectueuses. Contrôlez qu'aucune pièce n'est cassée, qu'aucun interrupteur n'est endommagé et contrôlez l'absence de toute autre anomalie susceptible de nuire au bon fonctionnement de l'appareil.
- ◆ N'utilisez pas l'appareil si l'une de ses pièces est endommagée ou défectueuse.
- ◆ Faites réparer ou remplacer les pièces défectueuses ou endommagées par un réparateur agréé.
- ◆ Vérifiez régulièrement l'état du fil du chargeur. Si le fil est endommagé ou défectueux, remplacez le chargeur.

- ◆ Ne tentez jamais de retirer ou de remplacer des pièces autres que celles indiquées dans ce manuel.

Sécurité des personnes

- ◆ Cet appareil peut être utilisé par des enfants âgés de 8 ans et plus et par des personnes aux capacités physiques, sensorielles ou intellectuelles réduites, ou qui manquent d'expérience et de connaissance, à condition qu'ils soient supervisés ou qu'ils aient été formés sur la façon sûre d'utiliser l'appareil et qu'ils comprennent les risques encourus.
- ◆ Les enfants ne doivent pas jouer avec l'appareil. Le nettoyage et les opérations de maintenance à réaliser par l'utilisateur ne doivent pas être exécutés par des enfants sans surveillance.

Consignes de sécurité supplémentaires

Après l'utilisation

- ◆ Débranchez le chargeur pour le nettoyer ou pour nettoyer son support.
- ◆ Lorsqu'il n'est pas utilisé, rangez l'appareil dans un endroit sec.
- ◆ Les enfants ne doivent jamais avoir accès aux appareils une fois qu'ils sont rangés.
- ◆ Il est très important que le filtre et le préfiltre soient parfaitement en place avant l'utilisation.

- ◆ Pour installer le bac à poussières (3), replacez-le à l'avant de l'appareil et clipsez-le fermement en place.

Risques résiduels.

Certains risques résiduels autres que ceux mentionnés dans les avertissements sur la sécurité peuvent survenir en utilisant l'outil. Ces risques peuvent être dus à une utilisation incorrecte, prolongée, etc.

Malgré le respect de toutes les réglementations sur la sécurité pertinentes et la mise en œuvre de dispositifs de sécurité, certains risques résiduels ne peuvent pas être évités.

Ils comprennent :

- ◆ Les blessures dues au contact avec une pièce mobile.
- ◆ Les blessures dues au contact avec des pièces brûlantes.
- ◆ Les blessures survenues en changeant des pièces ou des accessoires.
- ◆ Les blessures dues à l'utilisation prolongée de l'appareil. Lorsque vous utilisez un appareil quel qu'il soit pendant de longues périodes, veillez à faire des pauses régulières.
- ◆ Les troubles de l'ouïe.
- ◆ Les risques pour la santé dus à l'inhalation des poussières émises pendant l'utilisation de l'outil (exemple : travail avec du bois, surtout le chêne, le hêtre et les panneaux en MDF).

Batteries et chargeurs

Batteries (peuvent être vendues séparément)

- ◆ Les batteries rechargeables doivent être retirées de l'appareil avant d'être rechargées.
- ◆ Les batteries doivent être installées en respectant la polarité.
- ◆ Les batteries usagées doivent être retirées de l'appareil et jetées de façon sûre.
- ◆ Si l'appareil doit rester rangé sans être utilisé pendant une longue période, les batteries doivent être retirées.
- ◆ Les bornes d'alimentation ne doivent pas être mises en court-circuit.
- ◆ Ne tentez de les ouvrir sous aucun prétexte.
- ◆ N'exposez pas la batterie à l'eau.
- ◆ N'approchez pas la batterie d'une source de chaleur.
- ◆ Ne la rangez pas dans des endroits où la température peut dépasser 40 °C.
- ◆ Ne procédez à la charge qu'à une température ambiante comprise entre 10 °C et 40 °C.
- ◆ N'utilisez que le chargeur fournis avec l'appareil/outil. L'utilisation d'un chargeur inadapté peut conduire à une décharge électrique ou à la surchauffe de la batterie.
- ◆ Pour la mise au rebut des batteries, respectez les instructions mentionnées à la section "Protection de l'environnement".

- ◆ Ne déformez/n'endommagez pas le bloc-batterie en le perçant ou en le cognant car cela pourrait entraîner des blessures et un incendie.
- ◆ Ne chargez pas les batteries endommagées.
- ◆ Dans des conditions extrêmes, une batterie peut fuir. Si vous détectez une fuite, utilisez un chiffon pour essuyer le liquide avec précaution. Évitez tout contact avec la peau.
- ◆ En cas de contact avec la peau ou les yeux, suivez les instructions ci-dessous.

Avertissement ! Le liquide de la batterie peut provoquer des blessures ou des dégâts matériels. En cas de contact avec la peau, rincez immédiatement à l'eau. Si des rougeurs, une douleur ou une irritation se produisent, consultez un médecin. En cas de contact avec les yeux, rincez immédiatement à l'eau et consultez un médecin.

Chargeurs (peuvent être vendus séparément)

Votre chargeur a été conçu pour une tension spécifique. Vérifiez toujours que la tension du réseau électrique correspond à celle de la plaque signalétique et des informations du tableau de données techniques.

Avertissement ! N'essayez jamais de remplacer le module de charge par une prise de courant ordinaire.

- ◆ N'utilisez votre chargeur BLACK+DECKER que pour recharger la batterie fournie avec l'appareil/


outil. Les autres batteries pourraient exploser et entraîner des blessures et des dommages.

- ◆ Ne tentez jamais de recharger des piles non rechargeables.
- ◆ Si le câble d'alimentation est endommagé, il doit être remplacé par le fabricant ou par un centre d'assistance agréé BLACK+DECKER afin d'éviter tout accident.
- ◆ N'exposez pas le chargeur à l'eau.
- ◆ N'ouvrez pas le chargeur.
- ◆ Ne sondez pas le chargeur.
- ◆ Pendant la charge, l'appareil/l'outil/la batterie doivent être placés dans un endroit bien aéré.

Sécurité électrique

Votre chargeur a été conçu pour une tension spécifique. Vérifiez toujours que la tension du réseau électrique correspond à la tension figurant sur la plaque signalétique. N'essayez jamais de remplacer le module de charge par une prise de courant ordinaire.

Symboles sur le chargeur

 Veuillez à attentivement lire l'intégralité de ce manuel avant d'utiliser l'appareil.


Cet outil est doublement isolé. Par conséquent, aucun câble de mise à la terre n'est nécessaire. Assurez-vous toujours que l'alimentation électrique correspond à la tension mentionnée sur la plaque signalétique.



Le chargeur est conçu pour être exclusivement utilisé à l'intérieur.

Étiquettes apposées sur l'appareil

Les symboles qui suivent figurent sur l'appareil avec le code date.

 Veuillez à attentivement lire l'intégralité de ce manuel avant d'utiliser l'appareil.

Caractéristiques

Cet outil dispose de tout ou partie des éléments suivants.

1. Interrupteur Marche/Arrêt (À glisser vers l'avant pour allumer l'appareil. À glisser vers l'arrière pour l'éteindre)
2. Bouton de libération du bac à poussière
3. Bac à poussière
4. Filtre
5. Batterie (Batterie fournie avec les versions BCHV001C1 uniquement)
6. Bouton de libération de la batterie
7. Suceur plat
- 7a. Rangement pour le suceur plat
8. Brosse

Utilisation

Recharger la batterie (Fig. A)

Le chargeur standard fourni permet de recharger une batterie complètement vide en 5 heures environ

- ◆ Branchez le chargeur (9) dans une prise appropriée avant d'insérer le bloc-batterie (5).
- ◆ Insérez le bloc-batterie (5) dans le chargeur (9) comme illustré par la figure A.
- ◆ Le voyant vert (9a) clignote pour indiquer que la batterie est en charge.

- ◆ La fin de la charge est indiquée par le voyant vert (9a) restant fixe en continu. Le bloc est alors complètement rechargé et il peut soit être utilisé, soit être laissé dans le chargeur.

Remarque : Rechargez les batteries déchargées dès que possible après utilisation pour ne pas grandement diminuer leur durée de vie.

Remarque : Le chargeur et le bloc-batterie peuvent rester connectés avec le voyant allumé en continu. Le chargeur maintient le bloc-batterie complètement chargé.

Remarques importantes liées à la charge

- ◆ Une durée de vie prolongée et de meilleures performances peuvent être obtenues si le bloc-batterie est rechargé à une température ambiante comprise entre 18° et 24°C. NE rechargez PAS le bloc-batterie si la température ambiante est inférieure à +4,5°C ou supérieure à +40,5°C.
Cette donnée est importante et elle permet d'éviter le grave endommagement du bloc-batterie.
- ◆ Le chargeur et le bloc-batterie peuvent devenir chauds au toucher pendant la charge. Ceci est normal et n'indique pas un problème. Afin de faciliter le refroidissement du bloc-batterie après utilisation, évitez de placer le chargeur ou le bloc-batterie dans un environnement chaud comme une remise métallique ou une remorque non isolée.
- ◆ Si le bloc-batterie ne se recharge pas correctement :
 - ◆ Vérifiez la présence de courant en branchant une lampe ou un autre appareil dans la prise murale.
 - ◆ Vérifiez que la prise murale n'est pas reliée à un interrupteur coupant l'alimentation lorsqu'on éteint l'éclairage.
 - ◆ Déplacez le chargeur et le bloc-batterie dans un endroit où la température ambiante est comprise entre 18° et 24°C environ
 - ◆ Si les problèmes de charge persistent, apportez l'outil, le bloc-batterie et le chargeur à votre centre d'assistance local.
- ◆ Le bloc-batterie doit être rechargé lorsqu'il ne parvient plus à fournir la puissance nécessaire aux opérations qui étaient facilement réalisées auparavant. **CESSEZ D'UTILISER** l'outil dans ces conditions. Respectez la procédure de charge. Vous pouvez également charger un bloc déjà utilisé si vous le souhaitez, sans que cela n'affecte le bloc-batterie.
- ◆ Les corps étrangers de nature conductrice tels que, notamment, la laine d'acier, le papier d'aluminium ou toute accumulation de particules métalliques, doivent être tenus éloignés des cavités du chargeur. Débranchez toujours le chargeur de l'alimentation électrique lorsqu'aucun bloc-batterie n'y est installé. Débranchez le chargeur avant de le nettoyer.

- ◆ Ne congelez pas le chargeur et ne l'immergez pas dans de l'eau ou dans tout autre liquide.

Avertissement ! Ne laissez aucun liquide pénétrer dans le chargeur. Ne tentez jamais d'ouvrir le bloc-batterie pour quelque raison que ce soit. Si le corps en plastique du bloc-batterie se casse ou se fissure, retournez-le dans un centre d'assistance pour qu'il soit recyclé.

Installation et retrait de la batterie (Fig. B)

Avertissement ! Assurez-vous que l'aspirateur est éteint avant de retirer ou d'installer la batterie.

Pour installer le bloc-batterie

- ◆ Insérez le bloc-batterie (5) dans l'aspirateur jusqu'à entendre un clic (figure B). Assurez-vous que le bloc-batterie est bien en place et correctement verrouillé.

Pour retirer le bloc-batterie

- ◆ Appuyez sur le bouton de libération de la batterie (6) comme illustré par la figure B et tirez sur le bloc-batterie pour le sortir de l'outil.

Fonctionnement

Avertissement ! Ce produit n'est destiné qu'à l'aspiration de matières sèches.

- ◆ Pour mettre l'aspirateur en marche, glissez l'interrupteur Marche/Arrêt (1) vers l'avant (Fig. C).
- ◆ Pour éteindre l'aspirateur, glissez l'interrupteur Marche/Arrêt (1) vers l'arrière (Fig. C).

Installer les accessoires (Fig. D)

- ◆ La brosse (8) peut être utilisée pour dépeussier et nettoyer les tissus d'ameublement.
- ◆ Le suceur plat (7) sert à aspirer dans les endroits étroits et difficiles d'accès.
- ◆ Pour installer un accessoire, enfoncez-le dans le bac à poussières (3).
- ◆ Le suceur plat peut être rangé dans l'appareil comme illustré en 7a.

Retirer le bac à poussière (Fig. E)

- ◆ Retirez le bac à poussière (3) en appuyant sur le bouton de libération du bac à poussière (2) et en tirant le bac vers le bas pour le sortir (Fig. E).

Retirer les filtres (Fig. F, G, H et I)

Après avoir retiré le bac de l'appareil, le filtre se trouve à l'intérieur du bac.

- ◆ Retirez le filtre du bac en le tirant vers l'extérieur.
- ◆ Jetez les impuretés qu'il contient.
- ◆ Le préfiltre (4a) et le filtre (4) sont fixés ensemble.

- ◆ Vous devez tourner le préfiltre pour le libérer du filtre et pour pouvoir nettoyer chaque pièce séparément, comme illustré par la figure H.

Nettoyer le produit

Jetez les impuretés à l'intérieur du bac poussière (3) comme illustré par la figure G. Le bac à poussière peut être rincé à l'eau. Il doit cependant être parfaitement séché ensuite.

Avertissement ! N'utilisez jamais cet aspirateur à main sans fil sans que ses filtres ne soient installés.

Remarque : Le filtre est réutilisable, ne le confondez pas avec un sac à poussière jetable et ne le jetez pas en vidant l'appareil. Nous recommandons de changer le filtre tous les 6 à 9 mois.

Avertissement ! Pour ramasser le maximum de poussière, les filtres doivent être propres et le bac à poussière vide. Si de la poussière tombe de l'appareil après l'avoir éteint, cela indique que le bac est plein et qu'il doit être vidé.

- ◆ Retirez le filtre (4) et secouez ou brossez-le doucement pour éliminer la poussière.
- ◆ Videz la poussière du bac et nettoyez ce dernier si nécessaire.
- ◆ Nettoyez le filtre régulièrement à l'eau savonneuse chaude, comme illustré par la figure I. Veillez à ce qu'il soit complètement sec avant de le réutiliser.

Remarque : Plus le filtre est propre, mieux l'appareil fonctionne.

- ◆ Le bac à poussière peut également être lavé à l'eau chaude et au savon. Veillez à ce qu'il soit bien sec avant de le réinstaller.
- ◆ Ne plongez jamais l'appareil dans l'eau. Pour nettoyer l'extérieur du bloc-moteur, utilisez de l'eau savonneuse et un chiffon humide. Assurez-vous que l'appareil est complètement sec avant de le réutiliser ou de le ranger.

Dépannage

Problème	Cause possible	Solution possible
La machine ne démarre pas.	Le bloc-batterie n'est pas bien installé. La batterie n'est pas chargée.	Vérifiez l'installation de la batterie. Vérifiez les caractéristiques de charge de la batterie
Le bloc-batterie ne se recharge pas.	La batterie n'est pas correctement insérée dans le chargeur. Le chargeur n'est pas branché. La température ambiante est trop chaude ou trop froide.	Insérez la batterie dans le chargeur jusqu'à ce que le voyant s'allume. Branchez le chargeur dans une prise murale qui fonctionne. Consultez la section "Remarques importantes pour la charge" pour obtenir plus de détails. Vérifiez la présence de courant en branchant une lampe ou un autre appareil dans la prise murale. Vérifiez que la prise murale n'est pas reliée à un interrupteur coupant l'alimentation lorsqu'on éteint l'éclairage. Déplacez le chargeur et l'outil dans un endroit dont la température ambiante est supérieure à 4,5°C ou inférieure à +40,5°C.

Maintenance

Votre appareil/outil sans fil/avec fil BLACK+DECKER a été conçu pour fonctionner pendant avec un minimum d'entretien. Le fonctionnement continu et satisfaisant de l'outil dépend de son bon entretien et de son nettoyage régulier.

Avertissement ! Avant toute intervention de maintenance sur des outils électriques avec ou sans fil :

- ◆ Éteignez et débranchez l'appareil/outil.
- ◆ Ou, arrêtez l'appareil/outil et retirez-en la batterie si celui-ci est muni d'un bloc-batterie séparé.
- ◆ Ou déchargez complètement la batterie si elle est intégrée, puis éteignez la machine.
- ◆ Débranchez le chargeur avant de le nettoyer. Votre chargeur ne nécessite aucun entretien particulier, à l'exception d'un nettoyage régulier.
- ◆ Nettoyez régulièrement les fentes d'aération de votre appareil/outil/chargeur à l'aide d'une brosse souple ou d'un chiffon sec.
- ◆ Nettoyez régulièrement le bloc-moteur à l'aide d'un chiffon humide. N'utilisez pas de détergents abrasifs ou à base de solvants.

Protection de l'environnement



Tri sélectif. Les produits et piles/batteries marqués de ce symbole ne doivent pas être jetés avec les déchets ménagers.

Les produits et les piles/batteries contiennent des matières qui peuvent être récupérées et recyclées afin de réduire la demande en matières premières.

Veillez à recycler les produits électriques et les batteries/piles conformément aux prescriptions locales en vigueur. Pour plus d'informations, consultez le site www.2helpU.com

Caractéristiques techniques

BCHV001	
Tension (V_{cc})	18
Poids (kg)	1,05

Chargeur		S010**2400040/ SSC-250040**	S018***1800100/ SSC-200100**
Tension d'entrée	V_{ca}	100 - 240	220 - 240
Tension de sortie	V_{cc}	8 - 20	8 - 20
Courant	mA	400	1000
Durée de charge approx.	Heures	3 - 5	1 - 5

Batterie		BL1518	BL2018	BL4018	BL1518ST
Tension	V_{ca}	18	18	18	18
Capacité	Ah	1,5	2,0	4,0	1,5
Type		Li-Ion	Li-Ion	Li-Ion	Li-Ion

Garantie

Black & Decker est sûr de la qualité de ses produits et offre une garantie de 24 mois aux utilisateurs, à partir de la date d'achat. Cette garantie s'ajoute à vos droits légaux auxquels elle ne porte aucunement préjudice. Cette garantie est valable au sein des territoires des États membres de l'Union européenne et au sein de la Zone européenne de libre-échange.

Pour prétendre à la garantie, la réclamation doit être conforme aux conditions générales de Black & Decker et vous devez fournir une preuve d'achat au vendeur ou au réparateur agréé. Les conditions générales de la garantie de 2 ans Black&Decker ainsi que l'adresse du réparateur agréé le plus proche sont disponibles sur le site Internet www.2helpU.com ou en contactant votre agence Black & Decker locale à l'adresse indiquée dans ce manuel.

Veillez consulter notre site Internet www.blackanddecker.co.uk pour enregistrer votre nouveau produit Black & Decker et pour être tenu informé des nouveaux produits et offres spéciales.

Uso previsto L'aspirapolvere portatile Black & Decker BCHV001 è stato progettato per la pulizia leggera e a secco, esclusivamente per uso domestico.

Istruzioni di sicurezza



Avvertenza! Leggere attentamente tutte le avvertenze e le istruzioni.

La mancata osservanza delle avvertenze e istruzioni seguenti potrebbe causare scossa elettrica, incendi e/o gravi lesioni personali.



Avvertenza! Quando si usano elettrodomestici alimentati a batteria, osservare sempre le normali precauzioni di sicurezza per ridurre il rischio di incendio, di perdita di liquido dalle batterie, di lesioni personali e di danni materiali.

- ◆ Leggere attentamente il presente manuale prima di usare l'elettrodomestico.
- ◆ L'uso previsto è descritto in questo manuale. Se questo apparecchio viene usato con accessori o per usi diversi da quelli raccomandati in questo manuale di istruzioni, si potrebbero verificare lesioni personali.
- ◆ Conservare questo manuale per riferimenti futuri.

Utilizzo dell'apparecchio

- ◆ Non usare l'apparecchio per aspirare liquidi o materiali che potrebbero incendiarsi.
- ◆ Non usare l'elettrodomestico vicino all'acqua.
- ◆ Non immergere l'apparecchio in acqua.
- ◆ Non tirare mai il filo per scollegare il caricabatterie dalla presa di corrente. Tenere il filo dell'alimentatore lontano da calore, olio e bordi taglienti.
- ◆ Tenere i capelli, gli indumenti larghi, le dita e tutte le parti del corpo lontano dalle aperture e dalle parti mobili.
- ◆ Non utilizzare per aspirare senza il sacchetto raccogli-polvere e/o i filtri in posizione.

Ispezione e riparazioni

- ◆ Prima dell'uso, controllare che l'apparecchio non sia danneggiato e non presenti parti difettose. Controllare che non vi siano parti rotte, che gli interruttori non siano danneggiati e che non vi siano altre condizioni che potrebbero avere ripercussioni sulle prestazioni.
- ◆ Non usare l'apparecchio se alcune parti sono danneggiate o difettose.
- ◆ Far riparare o sostituire le parti danneggiate o difettose da un tecnico autorizzato.
- ◆ Controllare a intervalli regolari che il cavo di alimentazione del caricabatterie non sia danneggiato. Sostituire il caricabatterie se il cavo è danneggiato o difettoso.

- ◆ Non tentare di smontare o sostituire alcuna parte, ad eccezione di quelle specificate in questo manuale.

Sicurezza altrui

- ◆ Questo apparecchio può essere usato da bambini dagli 8 anni in su e da persone portatrici di handicap fisici, psichici o sensoriali o che non abbiano la dovuta esperienza o conoscenza, sempre che siano sorvegliate od opportunamente istruite sull'uso sicuro dello stesso e comprendano i pericoli inerenti.
- ◆ Non lasciare che i bambini giochino con l'apparecchio. Gli interventi di pulizia e manutenzione da parte dell'utilizzatore non devono essere eseguiti da bambini senza supervisione.

Ulteriori precauzioni di sicurezza

Dopo l'uso

- ◆ Scollegare l'alimentatore dalla spina prima di pulire l'alimentatore o la base di ricarica.
- ◆ Quando non è in uso, l'apparecchio deve essere conservato in un luogo asciutto.
- ◆ Non lasciare che bambini abbiano accesso all'apparecchio stoccato.
- ◆ È molto importante che il filtro e il prefiltro siano posizionati correttamente prima dell'uso.
- ◆ Per installare il contenitore raccogli-polvere (3), appoggiarlo sul lato frontale dell'unità e premerlo saldamente in sede.

Rischi residui.

L'utilizzo dell'elettrotensile può comportare rischi residui non necessariamente riportati in queste avvertenze di sicurezza. Tali rischi possono sorgere a seguito di un uso prolungato o improprio, ecc. Malgrado il rispetto delle norme di sicurezza pertinenti e l'implementazione di dispositivi di sicurezza, alcuni rischi residui non possono essere evitati.

Sono inclusi:

- ◆ Lesioni causate dal contatto con parti in movimento.
- ◆ Lesioni causate dal contatto con parti calde.
- ◆ Lesioni causate durante la sostituzione di parti o accessori.
- ◆ Lesioni causate dall'impiego prolungato dell'elettrotensile. Quando si usa qualsiasi elettrotensile per lunghi periodi, accertarsi di fare regolarmente delle pause.
- ◆ menomazioni uditive;
- ◆ rischi per la salute causati dalla respirazione delle polveri generate durante l'uso dell'apparecchio (ad esempio quando si lavora con il legno, in modo particolare quello di quercia o faggio o con l'MDF).

Batterie e caricabatterie

Batterie (possono essere vendute separatamente)

- ◆ Rimuovere le batterie ricaricabili dall'apparecchio prima di caricarle.

- ◆ Inserire le batterie rispettando la polarità corretta.
- ◆ Rimuovere le batterie scariche dall'apparecchio prima di smaltirle.
- ◆ Se si prevede che l'apparecchio rimarrà inutilizzato per un lungo periodo, rimuovere la batteria.
- ◆ I morsetti non devono essere cortocircuitati.
- ◆ Non tentare mai di aprire la batteria per alcun motivo.
- ◆ Non lasciare che la batteria si bagni.
- ◆ Non esporre la batteria al calore.
- ◆ Non conservare in luoghi dove la temperatura potrebbe superare i 40 °C.
- ◆ Caricare solo a temperature ambiente tra 10 °C e 40 °C.
- ◆ Caricare solo usando l'alimentatore fornito con l'apparecchio/elettrodomestico. L'uso del caricabatterie sbagliato potrebbe causare scosse elettriche o il surriscaldamento della batteria.
- ◆ Quando si smaltiscono le batterie, seguire le istruzioni riportate al capitolo "Protezione dell'ambiente".
- ◆ Non danneggiare/deformare il pacco batteria forandolo o colpendolo, per evitare il rischio di lesioni o di incendio.
- ◆ Non caricare batterie danneggiate.
- ◆ In condizioni estreme, si potrebbe verificare la perdita di liquido dalle batterie. Se si nota la presenza di liquido sulle batterie, pulirle con attenzione con uno straccio. Evitare il contatto con la pelle.

- ◆ In caso di contatto con la pelle o gli occhi, seguire le istruzioni riportate di seguito.

Avvertenza! Il liquido delle batterie può causare lesioni alle persone o danni materiali. In caso di contatto con la pelle, risciacquare immediatamente con acqua. In caso di rossore, dolore o irritazione, rivolgersi immediatamente a un medico. In caso di contatto con gli occhi, risciacquarli immediatamente con acqua pulita e consultare un medico.

Caricabatterie (possono essere venduti separatamente)

Il caricabatterie è stato progettato per una tensione specifica. Controllare sempre che la tensione di rete corrisponda alla tensione sulla targhetta e alle informazioni contenute nella tabella dei dati tecnici.

Avvertenza! Non tentare mai di sostituire il caricabatterie con una normale spina di rete.

- ◆ Usare l'alimentatore BLACK+DECKER solo per caricare la batteria nell'apparecchio/elettrodomestico con il quale è stato fornito. Batterie diverse potrebbero scoppiare, causando lesioni alle persone e danni materiali.
- ◆ Non tentare mai di caricare batterie non ricaricabili.
- ◆ Per prevenire pericoli, i cavi di alimentazione danneggiati devono essere sostituiti dal produttore o da un centro di assistenza BLACK+DECKER.

- ◆ Non lasciare che il caricabatterie si bagni.
- ◆ Non aprire il caricabatterie.
- ◆ Non collegare il caricabatterie a sonde.
- ◆ L'apparecchio/elettrotensile/batteria devono essere lasciati in una zona ben ventilata durante la carica.

Sicurezza elettrica

Il caricabatterie è stato progettato per una tensione specifica. Verificare sempre che la tensione di rete corrisponda alla tensione indicata sulla targhetta dei valori nominali. Non tentare mai di sostituire il caricabatterie con una normale spina di rete.

Simboli sull'alimentatore



Leggere attentamente il presente manuale prima di usare l'elettrodomestico.



Il doppio isolamento di cui è provvisto l'elettrotensile rende superfluo il filo di terra. La fornitura del voltaggio e della corrente deve essere conforme alle specifiche indicate sulla targa.



Il caricabatterie è destinato solo all'uso in ambienti chiusi.

Etichette sull'elettrotensile

Sull'elettrodomestico sono presenti i seguenti simboli, assieme al codice data.



Leggere attentamente il presente manuale prima di usare l'elettrodomestico.

Caratteristiche

Questo elettrotensile include alcune delle seguenti caratteristiche.

1. Interruttore acceso/spento (Far scorrere in avanti per Acceso. Far scorrere indietro per Spento)
2. Pulsante di rilascio contenitore raccogli-polvere
3. Contenitore raccogli-polvere
4. Filtro
5. Batteria (Batteria inclusa soltanto sulle versioni BCHV001C1)
6. Pulsante di rilascio batteria
7. Bocchetta per interstizi
- 7a. Vano per riporre la bocchetta per interstizi
8. Spazzola a pennello

Uso

Carica della batteria (Fig. A)

Il caricabatterie standard in dotazione carica la batteria completamente scarica in circa 5 ore

- ◆ Collegare il caricabatterie (9) a una presa di corrente adatta prima di installare il pacco batteria (5).
- ◆ Inserire il pacco batteria (5) nel caricabatterie (9), come illustrato nella figura A.
- ◆ Il LED verde (9a) lampeggia mentre la carica è in corso.
- ◆ Il completamento della ricarica sarà indicato dal LED verde (9a) che rimane acceso fisso. Il pacco è completamente carico e può essere utilizzato in questo momento o lasciato nel caricabatterie.

Nota: ricaricare le batterie scariche al più presto possibile dopo l'uso o la durata della batteria potrebbe diminuire notevolmente.

Nota: Il caricabatterie e il pacco batteria possono essere lasciati collegati con il LED verde sempre acceso. Il caricabatterie manterrà il pacco batteria come nuovo e completamente carico.

Note importanti riguardanti la carica

- ◆ La più lunga durata di vita e le migliori prestazioni si ottengono, se il pacco batteria è caricato con una temperatura dell'aria compresa tra 18° e 24°C. NON caricare il pacco batteria con una temperatura dell'aria compresa tra +4,5°C o ad oltre +40,5°C. Questo è importante e consentirà di evitare gravi danni al pacco batteria.
- ◆ Il caricabatterie e la batteria possono diventare caldi al tatto durante la carica. Si tratta di una condizione normale che non indica un problema. Per agevolare il raffreddamento del pacco batteria dopo l'uso, evitare di collocare il caricabatterie o il pacco batteria in un ambiente caldo ad esempio all'interno di un capannone di metallo o di un rimorchio non isolato.

- ◆ Se il pacco batteria non si carica correttamente:
 - ◆ Controllare la presenza di corrente nella presa collegandovi una lampada o apparecchio simile.
 - ◆ Verificare che la presa di corrente non sia collegata a un interruttore della luce che interrompe l'alimentazione quando si spegne la luce.
 - ◆ Spostare il caricatore e il pacco batteria in un luogo dove la temperatura dell'aria circostante è di circa 18°-24 °C.
 - ◆ Se i problemi di ricarica persistono, portare l'utensile, la batteria e il caricabatterie presso il centro di assistenza di zona.
- ◆ Il pacco batteria deve essere sostituito se non riesce a produrre alimentazione a sufficienza per lavori che prima venivano svolti con facilità. **NON CONTINUARE** a usarlo in queste condizioni. Seguire la procedura di ricarica. È anche possibile caricare un pacco batteria parzialmente utilizzato ogni volta che si desidera, senza alcun effetto negativo sullo stesso.
- ◆ Materiali estranei di natura conduttiva quali, a titolo esemplificativo, ma non esaustivo, lana d'acciaio, fogli di alluminio o qualsiasi accumulo di particelle metalliche, devono essere tenuti lontano dalle cavità del caricabatterie. Scollegare sempre il caricabatterie dalla presa di corrente quando il pacco batteria non è in sede. Scollegare il caricabatterie dalla presa di corrente prima di iniziare a pulirlo.
- ◆ Non congelare né immergere il caricabatterie in acqua o altri liquidi.

Avvertenza! Non far penetrare alcun liquido all'interno del caricabatterie. non tentare mai di aprire il pacco batteria per alcun motivo. Se l'alloggiamento in plastica del pacco batteria si rompe o si crepa, riportarlo presso un centro di assistenza per il riciclaggio.

Installazione e rimozione della batteria (fig. B)

Avvertenza! Accertarsi che l'aspirapolvere sia spento prima di rimuovere o inserire la batteria.

Per installare il pacco batteria

- ◆ Inserire il pacco batteria (5) nell'apparecchio finché non si sente un clic (Figura B). Assicurarsi che il pacco batteria sia insediato a fondo e completamente bloccato in posizione.

Per rimuovere il pacco batteria

- ◆ Premere il pulsante di rilascio della batteria (6) come indicato in Figura B ed estrarre la batteria dall'aspirapolvere.

Utilizzo

Avvertenza! Il prodotto è destinato esclusivamente per la raccolta a secco.

- ◆ Per accendere l'aspirapolvere, far scorrere in avanti l'interruttore acceso/spento (1) (Fig. C).
- ◆ Per spegnere l'aspirapolvere, far scorrere all'indietro l'interruttore acceso/spento (1) (Fig. C).

Montaggio degli accessori (Fig. D)

- ◆ La spazzola a pennello (8) è dotata di spazzola che può essere utilizzata per spolverare e pulire i rivestimenti.
- ◆ La bocchetta a lancia (7) consente di pulire interstizi e punti difficili da raggiungere.
- ◆ Per fissare un accessorio, premere l'accessorio nel contenitore raccogli-polvere (3).
- ◆ La bocchetta per interstizi può essere riposta sull'unità come mostrato in (7a).

Rimozione del contenitore raccogli-polvere (Fig. E)

- ◆ Rimuovere il contenitore raccogli-polvere (3) premendo il pulsante del contenitore raccogli-polvere (2) ed estraendo il contenitore raccogli-polvere da sotto (Fig. E).

Rimozione dei filtri (Fig. F, G, H e I)

Dopo aver sganciato il contenitore dall'unità, il filtro si trova all'interno del contenitore.

- ◆ Rimuovere il filtro dal contenitore estraendolo.
- ◆ Smaltire lo sporco all'interno.
- ◆ Il prefiltro (4a) e il filtro (4) sono montati insieme.
- ◆ È necessario ruotare il prefiltro per rilasciarlo dal filtro e consentire la pulizia di ciascuna parte separatamente come mostrato nella figura H.

Pulizia del prodotto

Smaltire lo sporco all'interno del contenitore raccogli-polvere (3) come mostrato nella figura G. Il contenitore raccogli-polvere può essere risciacquato con acqua. Tuttavia, è necessario asciugarlo successivamente.

Avvertenza! Non utilizzare mai questo aspirapolvere portatile cordless senza i filtri.

Nota: Il filtro è riutilizzabile, non confonderlo con i sacchetti raccogli-polvere usa e getta, e non gettarlo nei rifiuti quando il prodotto viene svuotato. Si raccomanda di cambiare il filtro ogni 6-9 mesi.

Avvertenza! Si avrà la raccolta ottimale della polvere solo con filtri puliti e un contenitore raccogli-polvere vuoto. Se la polvere comincia a fuoriuscire dal prodotto quando viene spento, significa che il contenitore è pieno e deve essere svuotato.

- ◆ Rimuovere il filtro (4) e scuotere o spazzolare con cautela qualsiasi residuo di polvere dal filtro.

- ◆ Svuotare la polvere dal contenitore e lavare il contenitore stesso in caso di necessità.
- ◆ Lavare regolarmente il filtro utilizzando acqua calda saponata come da figura I. Accertarsi che il contenitore sia perfettamente asciutto prima del riutilizzo dello stesso.

Nota: Le prestazioni del prodotto sono migliori, tanto più che il filtro è pulito.

- ◆ Il contenitore raccogli-polvere può anche essere lavato in acqua calda insaponata. Assicurarsi che sia asciutto prima di rimontarlo.
- ◆ Non immergere mai l'apparecchio in acqua. Per pulire l'esterno della sezione del motore, usare un panno umido e acqua insaponata. Verificare sempre che il prodotto sia completamente asciutto prima di riutilizzarlo o di riporlo.

Guida alla risoluzione dei problemi

Problema	Causa possibile	Soluzione possibile
L'elettrotensile non parte.	Batteria non installata correttamente. Batteria scarica.	Controllare l'inserimento della batteria. Controllare i requisiti di carica della batteria.
Il pacco batteria non si carica.	La batteria non è inserita nell'alimentatore. Alimentatore non collegato a una presa di corrente. Temperatura dell'aria circostante troppo calda o troppo fredda.	Inserire la batteria nell'alimentatore finché non compare il LED. Collegare il caricabatterie a una presa di corrente funzionante. Per ulteriori dettagli, fare riferimento a "Note importanti per il processo di carica". Controllare la presenza di corrente nella presa collegandovi una lampada o apparecchio simile. Verificare che la presa di corrente non sia collegata a un interruttore della luce che interrompe l'alimentazione quando si spegne la luce. Spostare il caricabatterie e l'utensile a una temperatura dell'aria circostante superiore a 4,5 °C o inferiore a +40,5 °C.

Manutenzione

L'elettrotensile BLACK+DECKER con/senza cavo è stato progettato per funzionare a lungo con una manutenzione minima. Per ottenere prestazioni sempre soddisfacenti occorre avere cura dell'elettrotensile e sottoporlo a pulizia periodica.

Avvertenza! Prima di eseguire interventi di manutenzione su elettrotensili con o senza filo procedere come descritto di seguito.

- ◆ Spegnerne e scollegare l'apparecchio/elettrotensile.
- ◆ Oppure spegnere ed estrarre la batteria se l'apparecchio/elettrotensile è dotato di un pacco batteria a parte.
- ◆ Oppure scaricare completamente la batteria se è di tipo integrale e quindi spegnerlo.
- ◆ Scollegare il caricabatterie dalla presa di corrente prima di pulirlo. Il caricabatterie non richiede alcuna manutenzione, fuorché una pulizia regolare.
- ◆ Pulire regolarmente le prese di ventilazione dell'apparecchio/elettrotensile/alimentatore con un pennello o con un panno morbido e asciutto.
- ◆ L'alloggiamento del motore deve essere pulito regolarmente con un panno umido. Non utilizzare materiali abrasivi o detersivi a base di solventi.

Tutela ambientale



Raccolta differenziata. I prodotti e le batterie contrassegnati con questo simbolo non devono essere smaltiti insieme ai normali rifiuti domestici.

I prodotti e le batterie contengono materiali che possono essere recuperati e riciclati, riducendo la domanda di materie prime.

Riciclare i prodotti e le batterie in base alle normative locali pertinenti. Ulteriori informazioni sono disponibili all'indirizzo www.2helpU.com.

Dati tecnici

BCHV001	
Tensione (V _{cc})	18
Peso (kg)	1,05

Caricabatterie		S010**2400040/ SSC-250040**	S018***1800100/ SSC-200100**
Tensione in ingresso	V _{CA}	100 - 240	220 - 240
Tensione erogata	V _{CC}	8 - 20	8 - 20
Corrente	mA	400	1000
Tempo di carica approssimativo	Ore	3 - 5	1 - 5

Batteria		BL1518	BL2018	BL4018	BL1518ST
Tensione	V _{CA}	18	18	18	18
Capacità	Ah	1,5	2,0	4,0	1,5
Tipo		Ioni di litio	Ioni di litio	Ioni di litio	Ioni di litio

Garanzia

Certa della qualità dei suoi prodotti, Black & Decker offre 24 mesi di garanzia* dalla data di acquisto. Questa garanzia aggiuntiva non pregiudica in alcun modo i diritti del consumatore previsti dalla legge. La garanzia è valida sui territori degli stati membri dell'Unione Europea o dell'EFTA (Associazione europea di libero scambio).

Per attivare la garanzia è necessario attenersi ai Termini e condizioni di Black&Decker ed esibire la prova d'acquisto al venditore o a un tecnico autorizzato. Per consultare i Termini e condizioni della garanzia di 2 anno di Black&Decker e trovare il centro di assistenza autorizzato più vicino, visitare il sito web .2helpU.com oppure rivolgersi alla propria sede Black&Decker locale, all'indirizzo riportato nel presente manuale.

Visitare il nostro sito web www.stanleytools.co.uk per registrare il proprio prodotto Black&Decker e ricevere aggiornamenti su nuovi prodotti e offerte speciali.

Bedoeld gebruik

Uw BLACK + DECKER handstofzuiger BCHV001 is ontworpen voor lichte, droge stofzuigwerkzaamheden. Het apparaat is uitsluitend bedoeld voor huishoudelijk gebruik.

Instructies voor de veiligheid

Waarschuwing! Lees alle veiligheidswaarschuwingen en alle instructies. Het niet opvolgen van de hieronder vermelde waarschuwingen en instructies kan leiden tot een elektrische schok, brand en/of ernstig persoonlijk letsel.



Waarschuwing! Bij apparaten voor gebruik op accu's moeten bepaalde elementaire voorzorgsmaatregelen, waaronder de navolgende, altijd in acht worden genomen om het gevaar voor brand, lekkende accu's, persoonlijk letsel en materiële schade tot een minimum te beperken.

- ◆ Lees deze handleiding zorgvuldig door voordat u het apparaat in gebruik neemt.
- ◆ In deze handleiding wordt het bedoelde gebruik beschreven. Het gebruik van andere accessoires of hulpstukken dan wel de uitvoering van andere handelingen dan in deze gebruikershandleiding worden aanbevolen, kan tot persoonlijk letsel leiden.

- ◆ Bewaar deze handleiding zorgvuldig zodat u deze altijd nog eens kunt raadplegen.

Gebruik van uw apparaat

- ◆ Gebruik het apparaat nooit voor het opzuigen van vloeistoffen of materialen die vlam kunnen vatten.
- ◆ Gebruik het apparaat niet in de buurt van water.
- ◆ Dompel het apparaat niet onder in water.
- ◆ Trek de lader nooit aan het snoer uit het stopcontact. Houd de lader uit de buurt van warmtebronnen, olie en scherpe randen.
- ◆ Houd haar, losse kleding, vingers en alle lichaamsdelen weg bij de openingen en bewegende delen.
- ◆ Gebruik het systeem niet zonder dat de stofzak en/of de filters zijn geplaatst.

Inspectie en reparaties

- ◆ Controleer de machine vóór gebruik op beschadigingen en defecten. Controleer het vooral op gebroken onderdelen, schade aan de schakelaars en andere omstandigheden die de werking ervan kunnen beïnvloeden.
- ◆ Gebruik het apparaat niet in geval van een of meer beschadigde of defecte onderdelen.
- ◆ Laat beschadigde of defecte onderdelen door een van onze servicecentra repareren of vervangen.

- ◆ Controleer het snoer van de lader regelmatig op beschadigingen. Vervang de lader als het snoer beschadigd of defect is.
- ◆ Probeer nooit andere onderdelen te verwijderen of vervangen dan in deze handleiding zijn vermeld.

Veiligheid van anderen

- ◆ Dit apparaat mag worden gebruikt door kinderen van 8 jaar en ouder en personen die lichamelijk of geestelijk minder valide zijn of die geen ervaring met of kennis van dit apparaat hebben, mits zij onder toezicht staan of instructies krijgen over het veilig gebruik van het apparaat en begrijpen welke gevaren er zich kunnen voordoen.
- ◆ Kinderen mogen niet met het apparaat spelen. Laat kinderen nooit zonder toezicht het gereedschap schoonmaken of onderhouden.

Aanvullende Veiligheidsinstructies

Na gebruik

- ◆ Neem de lader uit het stopcontact voordat u de lader of het laadstation schoonmaakt.
- ◆ Bewaar het apparaat na gebruik op een droge plaats.
- ◆ Kinderen mogen geen toegang hebben tot de opslaglocatie.
- ◆ Het is belangrijk dat vóór gebruik het filter en het voorfilter goed worden geplaatst.

- ◆ Plaats het stofreservoir (3) door het op de voorzijde van het apparaat te plaatsen en stevig op z'n plaats vast te klikken.

Overige risico's.

Er kunnen zich nog meer risicovolle situaties voordoen wanneer u het gereedschap gebruikt, die mogelijk niet in de bijgesloten veiligheidswaarschuwingen worden vermeld. Deze risico's kunnen voortvloeien uit verkeerd gebruik, langdurig gebruik, enz.

Zelfs bij het toepassen van de relevante veiligheidsvoorschriften en het gebruik van veiligheidsvoorzieningen zullen bepaalde risico's misschien niet kunnen worden vermeden. Dit zijn onder meer:

- ◆ Verwondingen die worden veroorzaakt door het aanraken van bewegende onderdelen.
- ◆ Verwondingen die worden veroorzaakt door het aanraken van warme onderdelen.
- ◆ Verwondingen die worden veroorzaakt bij het vervangen van onderdelen of accessoires.
- ◆ Verwondingen die worden veroorzaakt door langdurig gebruik van het apparaat. Telkens als u lange tijd met een apparaat werkt, is het raadzaam om regelmatig een pauze in te lassen.
- ◆ Gehoorbeschadiging.
- ◆ Gezondheidsrisico's als gevolg van het inademen van stof dat door gebruik van het gereedschap wordt

veroorzaakt (bijvoorbeeld tijdens het werken met hout, vooral eiken, beuken en MDF.)

Batterijen en laders

Batterijen (kunnen apart worden verkocht)

- ◆ Oplaadbare batterijen moeten altijd uit het apparaat worden gehaald voordat ze worden opgeladen.
- ◆ Batterijen moeten met de juiste polariteit worden geplaatst.
- ◆ Lege batterijen moeten altijd uit het apparaat worden gehaald en veilig worden afgevoerd.
- ◆ Als het apparaat voor langere tijd wordt opgeborgen, moeten de batterijen worden uitgenomen.
- ◆ De contacten van de accu mogen niet worden kortgesloten.
- ◆ Probeer nooit de batterijen om welke reden dan ook open te maken.
- ◆ Stel de batterij niet bloot aan water.
- ◆ Stel de batterij niet bloot aan hitte.
- ◆ Bewaar deze niet op locaties met temperaturen van meer dan 40 °C.
- ◆ Laad de accu's alleen op bij omgevingstemperaturen tussen 10°C en 40 °C.
- ◆ Gebruik alleen de lader die bij het gereedschap/apparaat is geleverd. Het gebruik van de verkeerde lader kan een elektrische schok of oververhitting van de accu tot gevolg hebben.
- ◆ Gooi lege accu's weg volgens de instructies in het gedeelte "Milieu".

- ◆ De accubehuizing mag niet worden beschadigd of vervormd door er gaten in te laten komen of ertegen aan te stoten, aangezien dit kan leiden tot letsel of brand.
- ◆ Laad beschadigde batterijen niet op.
- ◆ Onder extreme omstandigheden kunnen batterijen lekkages vertonen. Wanneer u sporen van vloeistof op de accu ontdekt, veeg dan voorzichtig de vloeistof weg met een doek. Vermijd huidcontact.
- ◆ Bij huid- of oogcontact volgt u de onderstaande instructies.

Waarschuwing! De accuvloeistof kan lichamelijk letsel of materiële schade veroorzaken. Bij huidcontact moet u de vloeistof direct afspoelen met water. Raadpleeg uw huisarts als er rode vlekken ontstaan of bij een pijnlijke of geïrriteerde huid. Bij oogcontact moet u de vloeistof direct afspoelen met water en uw huisarts raadplegen.

Laders (kunnen apart worden verkocht)

De lader is ontworpen voor een specifieke spanning. Controleer altijd dat de netspanning overeenkomt met de waarde op het typeplaatje en de informatie in de tabel met technische gegevens.

Waarschuwing! Probeer nooit de lader door een normale netstekker te vervangen.

- ◆ Gebruik de lader van BLACK+DECKER alleen voor de batterij in het gereedschap/apparaat


waarbij de lader is geleverd. Andere batterijen kunnen exploderen, met lichamelijk letsel en materiële schade als gevolg.

- ◆ Niet-oplaadbare batterijen mogen nooit worden opgeladen.
- ◆ Als het netsnoer is beschadigd, moet dit worden vervangen door de fabrikant of een BLACK+DECKER-servicecentrum zodat een risicovolle situatie wordt voorkomen.
- ◆ Stel de lader niet bloot aan water.
- ◆ Open de lader niet.
- ◆ Prik nooit met een scherp voorwerp in de lader.
- ◆ Laad het apparaat/het gereedschap/ de accu in een goed geventileerde locatie op.

Elektrische veiligheid

De lader is ontworpen voor een specifieke spanning. Controleer altijd dat de netspanning overeenkomt met de waarde op het typeplaatje. Probeer nooit de lader door een normale netstekker te vervangen.

Symbolen op de lader

 Lees deze handleiding zorgvuldig door voordat u het apparaat in gebruik neemt.

Dit gereedschap is dubbel geïsoleerd. Een aardaansluiting is daarom niet noodzakelijk. Controleer altijd dat de stroomvoorziening overeenkomt met de voltage op het typeplaatje.



De lader is uitsluitend bestemd voor gebruik binnenshuis.

Etiketten op machine

Naast de datumcode worden op het apparaat de volgende pictogrammen vermeld.

Lees deze handleiding



zorgvuldig door voordat u het apparaat in gebruik neemt.

Functies

Dit gereedschap is voorzien van enkele van de volgende functies of alle volgende functies.

1. Aan/uit-schakelaar (Schuif naar voren voor Aan. Schuif naar achteren voor Uit)
2. Ontgrendelingsknop stofreservoir
3. Stofreservoir
4. Filter
5. Accu (Accu wordt alleen bij de versies BCHV001C1 meegeleverd)
6. Accu-ontgrendelknop
7. Smalle zuigmond
- 7a. Opbergvak smalle zuigmond op het apparaat
8. Borstelhulpstuk

Gebruik

De accu opladen (Afb. A)

De standaardlader die wordt geleverd, laadt een volledig lege accu op in ongeveer 5 uur

- ◆ Steek de stekker van de lader (9) in een geschikt stopcontact voor u de accu (5) plaatst.
- ◆ Plaats de accu (5) in de lader (9), zoals wordt getoond in afbeelding A.
- ◆ Het groene LED-lampje (9a) gaat knipperen ten teken dat de accu wordt opgeladen.
- ◆ Wanneer de accu geheel is opgeladen, blijft het groene LED-lampje (9a) ononderbroken branden. De accu is volledig opgeladen en kan worden gebruikt of kan in de lader blijven zitten.

Opmerking: Laad accu's die leeg zijn zo spoedig mogelijk na gebruik op, omdat anders de levensduur van de accu mogelijk ernstig wordt bekort.

Opmerking: U kunt de accu voor onbepaalde tijd in de lader laten zitten en de groene LED blijft branden. De lader houdt de accu volledig opgeladen.

Belangrijke opmerkingen over het laden

- ◆ De accu gaat het langst mee en presteert het best wanneer u oplaadt bij een luchttemperatuur tussen 18°-24°C. Laad de accu NIET OP bij een luchttemperatuur lager dan +4,5 °C of hoger dan +40,5 °C. Dit is belangrijk en zal ernstige beschadiging van de accu voorkomen.
- ◆ De lader en de accu zullen tijdens het laden misschien bij aanraking warm aanvoelen. Dit is normaal en wijst niet op een probleem. Plaats de accu en de lader na gebruik niet in een warme omgeving, zoals een metalen schuur of een niet-geïsoleerde aanhangwagen, laat de accu op een koele plaats afkoelen.
- ◆ Als de accu niet goed oplaadt:
 - ◆ Controleer de spanning door een lamp of ander apparaat op het stopcontact aan te sluiten.
 - ◆ Controleer of de spanning op het stopcontact misschien wordt onderbroken door een lichtsakelaar, die het stopcontact stroomloos maakt wanneer u het licht uitschakelt.
 - ◆ Breng de lader en de accu naar een ruimte waar de omgevingstemperatuur tussen 18° en 24 °C ligt
 - ◆ Houd het probleem met het laden aan, breng dan het gereedschap, de accu en de lader naar het servicecentrum bij u in de buurt.
- ◆ De accu moet worden opgeladen wanneer de accu niet voldoende vermogen levert voor werkzaamheden die voorheen zonder veel moeite werden gedaan. WERK NIET LANGER MET HET GEREEDSCHAP onder deze omstandigheden. Volg de laadprocedure. U kunt ook een accu die u al hebt gebruikt opladen, wanneer u dat maar wilt, zonder nadelige gevolgen voor de accu.
- ◆ Bepaalde materialen die geleidend zijn, zoals, maar niet uitsluitend, staalwol, aluminiumfolie of een opeenhoping van metaalachtige deeltjes, kunnen beter bij de holtes van de lader worden weggehouden. Trek altijd de stekker uit het stopcontact wanneer er geen accu in de lader zit. Trek de stekker van de lader uit het stopcontact voordat u de lader gaat reinigen.
- ◆ Laat de lader niet bevriezen en dompel de lader niet onder in water of andere vloeistoffen.

Waarschuwing! Laat geen vloeistof in de lader dringen. Probeer nooit om welke reden dan ook de accu te openen. Als de kunststof behuizing van de accu breekt of scheurt, breng de accu dan naar het servicecentrum waar deze kan worden gerecycled.

De accu plaatsen en verwijderen (Afb. B)

Waarschuwing! Schakel de stofzuiger vooral uit voordat u de accu uitneemt of plaatst.

De accu plaatsen

- ◆ Steek de accu (5) in de stofzuiger en duw tot u een klik hoort (Afbelding B). Controleer dat de accu geheel op zijn plaats zit en goed is vergrendeld.

De accu uitnemen

- ◆ Druk op de accu-ontgrendelknop (6) zoals wordt getoond in Afbelding B en trek de accu uit de stofzuiger.

Bediening

Waarschuwing! Dit product is alleen bedoeld voor het opzuigen van droog materiaal.

- ◆ Schakel de stofzuiger in door de aan/uit-schakelaar (1) naar voren te schuiven (Afb. C).
- ◆ Schakel de stofzuiger uit door de aan/uit-schakelaar (1) naar achteren te schuiven (Afb. C).

Accessoires plaatsen (Afb. D)

- ◆ Het borstelaccessoire (8) heeft een borstel die kan worden gebruikt voor het afstoffen en reinigen van bekleding van uw interieur.
- ◆ De smalle zuigmond (7) dient voor het stofzuigen op smalle en moeilijk bereikbare plaatsen.
- ◆ U kunt het accessoire bevestigen door het in het stofreservoir (3) te drukken.
- ◆ De smalle zuigmond kan op het apparaat worden opgeborgen, zoals wordt getoond in (7a).

Stofreservoir losnemen (Afb. E)

- ◆ Neem het stofreservoir (3) los door op de vrijgaveknop (2) van het stofreservoir te drukken en het reservoir naar beneden uit het apparaat te trekken (Afb. E).

Filters uitnemen (Afb. F, G, H en I)

Wanneer het stofreservoir hebt losgenomen van het apparaat vindt u het filter in het reservoir.

- ◆ Neem het filter uit het reservoir door het naar buiten te trekken.
- ◆ Schud het vuil uit het reservoir.
- ◆ Het voorfilter (4a) en het filter (4) zijn bij elkaar geplaatst.
- ◆ U moet het voorfilter losdraaien van het filter en dan kunt u de onderdelen afzonderlijk schoonmaken, zoals in afbeelding H wordt getoond.

Het product reinigen

Schud het vuil uit het stofreservoir (3) zoals wordt getoond in afbeelding G. U kunt het reservoir met water afspoelen. U moet het daarna wel laten drogen.

Waarschuwing! Gebruik deze snoerloze handstofzuiger nooit zonder de filters.

Opmerking: Het filter kan opnieuw worden gebruikt, verwar het niet met de stofzakken voor eenmalig gebruik, en gooi het niet weg wanneer u het product leeggemaakt. Wij adviseren u het filter om de 6 tot 9 maanden te vervangen.

Waarschuwing! De stofzuiger werkt alleen optimaal met schone filters en een leeg stofreservoir. Als er stof uit het apparaat valt wanneer u het uitschakelt, wijst dat erop dat het stofreservoir vol is en moet worden geleegd.

- ◆ Neem het filter (4) uit en schud of borstel eventueel los vuil eruit.
- ◆ Schud het stof uit het reservoir en was het reservoir uit als dat nodig is.
- ◆ Was het filter regelmatig uit in een warme zeepoplossing zoals wordt getoond in afbeelding I. Let erop dat u het pas weer kunt gebruiken wanneer het geheel droog is.

Opmerking: Hoe schoner het filter is, des te beter werkt de stofzuiger.

- ◆ U kunt het stofreservoir wassen in warm water met een wat zeep. Let erop dat het droog is wanneer u het weer bevestigt.
- ◆ Dompel het product nooit onder in water. Reinig de buitenkant van het motorgedeelte met een vochtige doek en een milde zeepoplossing. Let er altijd op dat het product helemaal droog moet zijn voordat u het weer gebruikt of opbergt.

Problemen oplossen

Probleem	Mogelijke oorzaak	Mogelijke oplossing
Unit start niet.	De accu is niet goed geplaatst. Accu is niet opgeladen.	Controleer dat de accu goed is geplaatst. Controleer wat nodig is voor het laden van de accu
De accu laadt niet op.	De accu is niet in de lader geplaatst. De stekker van de lader zit niet in het stopcontact. De luchttemperatuur van de omgeving is te hoog of te laag.	Plaats de accu in de lader en wacht tot het LED-lampje gaat branden. Steek de stekker van de lader in een werkend stopcontact. Raadpleeg "Belangrijke opmerkingen over laden" voor nadere bijzonderheden. Controleer de spanning door een lamp of ander apparaat op het stopcontact aan te sluiten. Controleer of de spanning op het stopcontact misschien wordt onderbroken door een lichtschemelaar, die het stopcontact stroomloos maakt wanneer u het licht uitschakelt. Verplaats de lader en het gereedschap naar een plaats met een omgevingstemperatuur van meer dan 4,5°C of minder dan +40,5°C.

Onderhoud

Uw BLACK+DECKER apparaat/gereedschap met snoer/ snoerloos apparaat/gereedschap is ontworpen om gedurende lange tijd te functioneren met een minimum aan onderhoud. Het continu naar tevredenheid functioneren hangt af van de juiste zorg voor het gereedschap en regelmatig schoonmaken.

Waarschuwing! Ga altijd als volgt te werk voor u onderhouds- of reinigingswerkzaamheden aan het gereedschap (met snoer/snoerloos) uitvoert:

- ◆ Schakel het gereedschap/apparaat uit en trek de stekker uit het stopcontact.
- ◆ Als het gereedschap/apparaat een afzonderlijke accu heeft, schakelt u het gereedschap/apparaat uit en haalt u de accu eruit.
- ◆ Als de accu is ingebouwd, laat u deze volledig ontladen. Schakel dan het apparaat uit.
- ◆ Trek de stekker van de lader uit het stopcontact voor u de lader gaat schoonmaken. Ander onderhoud dan een regelmatige schoonmaakbeurt vraagt uw lader niet.
- ◆ Reinig regelmatig de ventilatieopeningen van het gereedschap/apparaat/lader met een zachte borstel of droge doek.

- ◆ Reinig de behuizing van de motor regelmatig met een vochtige doek. Gebruik geen schuurmiddelen of schoonmaakmiddelen die op een oplosmiddel zijn gebaseerd.

Bescherming van het milieu



Gescheiden afvalinzameling. Producten en accu's die zijn voorzien van dit symbool mogen niet worden weggegooid bij het normale huishoudafval.

Producten en accu's bevatten materialen die kunnen worden herwonnen en gerecycled waardoor de vraag naar grondstoffen afneemt.

Recycle elektrische producten en accu's volgens de ter plaatse geldende voorschriften. Nadere informatie is beschikbaar op www.2helpU.com

Technische gegevens

BCHV001	
Spanning (V _{2c})	18
Gewicht (kg)	1,05

Lader		S010**2400040/ SSC-250040**	S018***1800100/ SSC-200100**
Ingangsspanning	V _{AC}	100 - 240	220 - 240
Uitgangsspanning	V _{DC}	8 - 20	8 - 20
Laadstroom	mA	400	1000
Oplaadtijd ca.	Uren	3 - 5	1 - 5

Accu		BL1518	BL2018	BL4018	BL1518ST
Spanning	V _{AC}	18	18	18	18
Capaciteit	Ah	1,5	2,0	4,0	1,5
Type		Li-Ion	Li-Ion	Li-Ion	Li-Ion

Garantie

Black & Decker vertrouwt op de kwaliteit van zijn producten en biedt consumenten een garantie* van 24 maanden vanaf de aankoopdatum. Deze garantie is een aanvulling op uw wettelijke rechten en maakt op geen enkele wijze inbreuk daarop. De garantie is geldig binnen het grondgebied van de Lidstaten van de Europese Unie en de Europese Vrijhandelszone.

Wilt u aanspraak maken op de garantie, dan moet de aanspraak in overeenstemming zijn met de voorwaarden en condities van Black&Decker en moet u aan de verkoper of het geautoriseerd reparatiecentrum een bewijs van aankoop overleggen. Voorwaarden en condities van de 2-jarige garantie van Black&Decker en de vestiging van het geautoriseerde reparatiecentrum bij u in de buurt, kunt u vinden op internet op www.2helpU.com, of kunt u verkrijgen door contact op te nemen met het Black&Decker-kantoor op het adres dat in deze handleiding wordt vermeld.

Ga naar onze website www.blackanddecker.co.uk en registreer uw nieuwe Black & Decker-product en ontvang updates over een nieuwe producten en speciale aanbiedingen.

Uso previsto La aspiradora de mano BCHV001 de BLACK + DECKER ha sido diseñada para la limpieza mediante aspiración ligera. Este aparato está pensado únicamente para uso doméstico.

Instrucciones de seguridad



¡Advertencia! Lea todas las advertencias de seguridad y todas las instrucciones.

El incumplimiento de las advertencias e instrucciones que aparecen a continuación podría provocar una descarga eléctrica, un incendio y/o lesiones graves.



¡Advertencia! Si utiliza aparatos que funcionan con batería, es necesario seguir las precauciones de seguridad básicas, incluidas las que se indican a continuación, para reducir el riesgo de incendios, derrame de líquido de baterías, lesiones y daños materiales.

- ◆ Lea todo el manual detenidamente antes de utilizar el aparato.
- ◆ En este manual se describe el uso para el que se ha diseñado el aparato. La utilización de accesorios o la realización de operaciones distintas a las recomendadas en este manual de instrucciones puede presentar un riesgo de lesiones.
- ◆ Conserve este manual para futuras consultas.

Utilización del aparato

- ◆ No utilice el aparato para recoger líquidos ni materiales inflamables.
- ◆ No utilice el aparato cerca del agua.
- ◆ No sumerja el aparato en agua.
- ◆ No tire del cable para desconectar el cargador de la toma de corriente. Mantenga el cable del cargador alejado de fuentes de calor, aceites y bordes afilados.
- ◆ Mantenga el cabello, la ropa suelta, los dedos y todas las partes del cuerpo alejadas de los orificios y de las piezas móviles.
- ◆ No utilice el aparato si no tiene colocada la bolsa de recogida de polvo y/o los filtros.

Inspecciones y reparaciones

- ◆ Antes de utilizarlo, compruebe que el aparato no tiene piezas dañadas o defectuosas. Compruebe que no hay piezas rotas, que los interruptores no están dañados y que no existen otros defectos que puedan afectar al funcionamiento del aparato.
- ◆ No utilice el aparato si presenta alguna pieza dañada o defectuosa.
- ◆ Solicite al servicio técnico autorizado la reparación o sustitución de las piezas dañadas o defectuosas.
- ◆ Compruebe con regularidad que el cable del cargador no ha sufrido daños. Sustituya el cargador si el cable está dañado o es defectuoso.
- ◆ Nunca intente extraer o sustituir piezas no especificadas en este manual.

Seguridad de otras personas

- ◆ Este aparato puede ser utilizado por niños de 8 años en adelante y por personas con capacidades sensoriales, mentales o físicas reducidas siempre y cuando estén bajo la supervisión de un adulto y se le hayan proporcionado instrucciones sobre el uso del dispositivo y comprendan los riesgos implícitos del uso del mismo.
- ◆ Los niños no deben jugar con el aparato. Ningún niño deberá realizar las tareas de limpieza y mantenimiento, salvo que lo hagan bajo supervisión.

Otras instrucciones de seguridad

Después del uso

- ◆ Desenchufe el cargador antes de limpiar dicho cargador o su respectiva base.
- ◆ Cuando no utilice el aparato, guárdelo en un lugar seco.
- ◆ Los niños no deberían poder acceder a los aparatos guardados.
- ◆ Es muy importante que el filtro y el prefiltro estén correctamente posicionados antes del uso.
- ◆ Para instalar el depósito de polvo (3), colóquelo en la parte delantera de la unidad hasta que haga clic trabándose en su posición.

Riesgos residuales.

Pueden producirse otros riesgos residuales al usar la herramienta que no se hayan incluido en las advertencias de seguridad adjuntas. Estos riesgos pueden derivarse de un mal uso, un uso prolongado, etc.

No obstante el cumplimiento de las normas de seguridad pertinentes y del uso de dispositivos de seguridad, existen determinados riesgos residuales que no pueden evitarse. Esto incluye:

- ◆ Lesiones producidas por el contacto con piezas móviles.
- ◆ Lesiones producidas por el contacto con piezas calientes.
- ◆ Lesiones producidas al cambiar cualquier pieza o accesorio.
- ◆ Lesiones producidas al usar el aparato por un tiempo demasiado prolongado. Cuando utilice cualquier aparato durante períodos de tiempo prolongados, asegúrese de realizar pausas con frecuencia.
- ◆ Deterioro auditivo.
- ◆ Riesgos para la salud producidos al respirar el polvo que se genera al usar la herramienta (por ejemplo: en los trabajos con madera, especialmente de roble, haya y tableros de densidad mediana).

Baterías y cargadores

Baterías (pueden ser vendidas por separado)

- ◆ Hay que quitar del aparato las baterías recargables antes de cargarlas.

- ◆ Las baterías deben insertarse con la polaridad correcta.
- ◆ Hay que quitar las baterías agotadas del aparato y tirarlas según las normas correspondientes.
- ◆ Si va a guardar el aparato y no lo va a usar en mucho tiempo, debe quitar las baterías.
- ◆ Los terminales de alimentación no deben cortocircuitarse.
- ◆ Jamás trate de abrirla por ninguna razón.
- ◆ No exponga la batería al agua.
- ◆ No exponga la batería al calor.
- ◆ No las almacene en lugares en los que la temperatura pueda superar los 40 °C.
- ◆ Realice la carga únicamente a una temperatura ambiente de entre 10 °C y 40 °C.
- ◆ Utilice únicamente el cargador suministrado con el aparato o la herramienta para realizar la carga. La utilización de un cargador incorrecto podría provocar una descarga eléctrica o el recalentamiento de la batería.
- ◆ Para desechar las pilas o las baterías, siga las instrucciones facilitadas en la sección "Protección del medio ambiente".
- ◆ No dañe ni deforme la batería mediante perforaciones o golpes, ya que puede suponer un riesgo de incendio y de lesiones.
- ◆ No cargue baterías dañadas.

- ◆ Es posible que se produzcan fugas en las baterías en condiciones extremas. Si nota que se producen fugas en las baterías, limpie con cuidado el líquido con un paño. Evite el contacto con la piel.
- ◆ En caso de que se produzca contacto con la piel o los ojos, siga las instrucciones facilitadas a continuación.

¡Advertencia! El líquido de las baterías puede provocar lesiones personales o daños materiales. En caso de que se produzca contacto con la piel, lave la zona con agua inmediatamente. Si se produce enrojecimiento, dolor o irritación, solicite atención médica. En caso de contacto con los ojos, lave la zona inmediatamente con agua limpia y solicite atención médica.

Cargadores (pueden ser vendidos por separado)

El cargador ha sido diseñado para un voltaje específico. Compruebe siempre que el voltaje de la red eléctrica corresponda al indicado en la placa de datos y en la información técnica de la tabla de datos.

¡Advertencia! No intente sustituir el cargador por un enchufe convencional para la red eléctrica.

- ◆ Utilice únicamente el cargador BLACK+DECKER suministrado para cargar la batería del aparato o la herramienta. En caso de intentar

cargar otras baterías, estas podrían explotar causando lesiones personales y daños.

- ◆ Nunca intente cargar baterías no recargables.
- ◆ Si se daña el cable de alimentación, debe ser sustituido por el fabricante o por un centro de asistencia técnica autorizado de BLACK+DECKER, para evitar cualquier situación de riesgo.
- ◆ No exponga el cargador al agua.
- ◆ No abra el cargador.
- ◆ No aplique ningún dispositivo para medir la resistencia del cargador.
- ◆ El aparato, la herramienta o la batería debe colocarse en una zona bien ventilada durante la carga.

Seguridad eléctrica

El cargador ha sido diseñado para un voltaje específico. Compruebe siempre que el voltaje de la red eléctrica coincida con el valor indicado en la placa de datos. No intente sustituir el cargador por un enchufe convencional para la red eléctrica.

Símbolos del cargador



Lea todo el manual detenidamente antes de utilizar el aparato.



La herramienta lleva un doble aislamiento; por lo tanto, no requiere una toma a tierra. Compruebe siempre que el voltaje suministrado corresponda al indicado en la placa de características.



Este cargador está pensado únicamente para utilizar en un lugar interior.

Etiquetas adheridas

Junto con el código de la fecha, en el aparato aparecen los siguientes símbolos.



Lea todo el manual detenidamente antes de utilizar el aparato.

Características

Esta herramienta incluye todas o algunas de las características siguientes.

1. Interruptor de encendido/apagado (Deslizar hacia adelante para encender. Deslizar hacia atrás para apagar.)
2. Botón de liberación del depósito
3. Depósito para el polvo
4. Filtro
5. Batería (incluida solo con las versiones BCHV001C1)
6. Botón de liberación de la batería
7. Boquilla rinconera
- 7a. Almacenamiento interior boquilla rinconera
8. Cepillo

Uso

Carga de la batería (Fig. A)

El cargador estándar suministrado carga una batería completamente agotada en unas 5 horas

- ◆ Conecte el cargador (9) a la toma adecuada antes de introducir la batería (5).
- ◆ Introduzca la batería (5) en el cargador (9), tal como se muestra en la figura A.
- ◆ El LED indicador de carga verde (9a) parpadea indicando que se está cargando la batería.

- ◆ Cuando la carga haya terminado, la luz LED verde (9a) permanece encendida de manera continua. La batería está totalmente cargada y se puede usar o se puede dejar en el cargador.

Nota: Recargue el conjunto descargado de la batería tan pronto como sea posible después del uso; de lo contrario, se reducirá la vida útil del conjunto de la batería.

Nota: El cargador y el conjunto de la batería pueden permanecer conectados durante un periodo de tiempo indefinido con el indicador LED verde iluminado. El cargador mantendrá la batería a baja temperatura y completamente cargada.

Notas importantes para la carga

- ◆ Se puede conseguir una mayor duración y rendimiento si se carga la batería con una temperatura ambiente de entre 18 °C y 24 °C. NO cargue la batería a una temperatura ambiente inferior a +4.5 °C o superior a +40.5 °C.
Esto es importante y previene los daños graves a la batería.
- ◆ El cargador y la batería pueden calentarse durante la carga. Esto es normal y no indica ningún problema. Para facilitar el enfriamiento de la batería después del uso, evite colocar el cargador o la batería en un entorno caluroso tal como un cobertizo de metal o un tráiler no aislado.
- ◆ Si la batería no se carga correctamente:
 - ◆ Compruebe la corriente de la toma enchufando una lámpara u otro aparato.
 - ◆ Compruebe si la toma está conectada a un interruptor de luz que interrumpe la energía al apagar las luces.
 - ◆ Desplace el cargador y la batería hacia un lugar donde la temperatura ambiente sea de aproximadamente 18 °C–24 °C.
 - ◆ Si el problema de carga persiste, lleve la herramienta, la batería y el cargador a su servicio técnico local.
- ◆ La batería debe recargarse cuando no produzca energía suficiente para trabajos que antes se efectuaban fácilmente. NO SIGA UTILIZANDO la herramienta en estas condiciones. Siga el procedimiento de carga. También puede cargar una batería parcialmente usada cuando lo desee, sin ningún efecto adverso para la batería.
- ◆ Los materiales conductores extraños como, a título enunciativo pero no limitativo, lana de acero, papel de aluminio o cualquier acumulación de partículas metálicas deben mantenerse alejados de las cavidades del cargador. Desconecte siempre el cargador de la red cuando no haya ninguna batería en el alojamiento. Desconecte el cargador antes de intentar limpiarlo.
- ◆ No congelar ni sumergir el cargador en agua u otros líquidos.

¡Advertencia! No permita que ningún líquido penetre en el cargador. Nunca intente abrir la batería por ningún motivo. Si la carcasa de plástico del conjunto de la batería se rompe o se agrieta, llévela a un servicio técnico para reciclarla.

Instalación y extracción del conjunto de la batería (fig. B)

¡Advertencia! Asegúrese de que la aspiradora está apagada antes de colocar o extraer la batería.

Colocación del conjunto de la batería

- ◆ Inserte la batería (5) en la aspiradora hasta que oiga un clic (Figura B). Compruebe que el conjunto de la batería quede bien colocado y enganchado en su posición.

Extracción del conjunto de la batería

- ◆ Presione el botón de liberación de la batería (6) como se muestra en la figura B y tire de la batería para extraerla de la aspiradora.

Funcionamiento

¡Advertencia! Este producto sirve únicamente para la recogida en seco.

- ◆ Para encender la aspiradora, deslice el interruptor de encendido y apagado (1) hacia adelante (Fig. C).
- ◆ Para apagar la aspiradora, deslice el interruptor de encendido/apagado (1) hacia atrás (Fig. C).

Colocación de los accesorios (Fig. D)

- ◆ El cepillo (8) puede utilizarse para limpiar el polvo y la tapicería.
- ◆ El accesorio para hendiduras (7) permite aspirar en superficies estrechas e inaccesibles.
- ◆ Para colocar un accesorio, presiónelo hacia el depósito de polvo (3).
- ◆ La boquilla rinconera puede guardarse en la unidad como se muestra en (7a).

Extracción del depósito de polvo (Fig. E)

- ◆ Retire el depósito para el polvo (3) presionando el botón de liberación del depósito para el polvo (2) y tirando del depósito hacia abajo y hacia fuera (Fig. E).

Extracción de los filtros (Fig. F, H y I)

Después de liberar el depósito de polvo de la unidad, el filtro está dentro del depósito.

- ◆ Retire el filtro del depósito tirando del filtro hacia fuera.
- ◆ Elimine la suciedad que contenga.
- ◆ El prefiltro (4a) y el filtro (4) se colocan juntos.
- ◆ Debe girar el prefiltro para liberarlo del filtro para poder limpiar cada parte por separado, como se muestra en la figura H.

Limpeza del producto

Elimine la suciedad del depósito de polvo (3) como se muestra en la figura G. El depósito de polvo se puede lavar con agua. Pero después se debe secar.

¡Advertencia! Esta aspiradora manual sin cable no debe utilizarse nunca sin filtro.

Nota: El filtro es reutilizable y no debe confundirse con las bolsas de polvo desechables, ni debe tirarse cuando el producto se vacíe. Le recomendamos que sustituya el filtro cada 6-9 meses.

¡Advertencia! Si los filtros están limpios y el depósito para el polvo vacío, conseguirá el rendimiento máximo del aparato. Si al apagar el aparato sale polvo, esto significa que el depósito está lleno y se debe vaciar.

- ◆ Retire el filtro (4) y agite o cepille suavemente para limpiar el polvo suelto del filtro.
- ◆ Vacíe el depósito de polvo y lávelo si es necesario.
- ◆ Lave el filtro periódicamente con agua tibia y jabón, como se muestra en la figura I. Asegúrese de que esté completamente seco antes de volver a utilizarlo.

Nota: Cuanto más limpio esté el filtro, mejor funcionará el producto.

- ◆ Los depósitos y filtros de polvo también pueden lavarse con agua tibia y jabón. Compruebe que estén secos antes de volver a colocarlos.
- ◆ No sumerja nunca el aparato en agua. Utilice un paño húmedo y agua con jabón para limpiar el exterior de la parte del motor. Asegúrese siempre de que el producto esté totalmente seco antes de volver a utilizarlo o de almacenarlo.

Resolución de problemas

Problema	Causa posible	Solución posible
La unidad no arranca.	La batería no se ha instalado correctamente. La batería no está cargada.	Compruebe la instalación del conjunto de la batería. Compruebe los requisitos de carga del conjunto de la batería
La batería no se carga.	No se ha insertado la batería en el cargador. El cargador no está enchufado. La temperatura del aire circundante es demasiado caliente o demasiado fría.	Inserte la batería en el cargador hasta que se encienda el LED. Enchufe el cargador en una toma de corriente que funcione. Consulte las "Notas importantes para la carga" para obtener más información. Compruebe la corriente de la toma enchufando una lámpara u otro aparato. Compruebe si la toma está conectada a un interruptor de luz que apaga la corriente cuando se apagan las luces. Coloque el cargador y la herramienta a una temperatura ambiente superior a 4,5 °C o inferior a +40,5 °C.

Mantenimiento

Su aparato o herramienta con o sin cable de BLACK+DECKER ha diseñada para funcionar durante mucho tiempo con un mantenimiento mínimo. El funcionamiento satisfactorio y continuo depende del buen cuidado de la herramienta y de una limpieza frecuente.

¡Advertencia! Antes de realizar el mantenimiento de herramientas eléctricas con o sin cables:

- ◆ Apague y desenchufe el aparato o herramienta.
- ◆ O apague y extraiga la batería del aparato o herramienta si es que cuenta con una batería separada.
- ◆ O bien, deje que la batería se agote por completo si es integral y, a continuación, apague el aparato.
- ◆ Desenchufe el cargador antes de limpiarlo. El cargador no requiere otro mantenimiento que una limpieza periódica.
- ◆ Limpie periódicamente las ranuras de ventilación de la herramienta, aparato o cargador con un cepillo suave o un paño seco.
- ◆ Limpie periódicamente la carcasa del motor con un paño húmedo. No utilice productos de limpieza abrasivos o a base de disolventes.

Protección del medioambiente



Recogida selectiva. Los productos y las baterías marcadas con este símbolo no deben eliminarse junto con los residuos domésticos normales.

Los productos y las baterías que contienen materiales que se puedan recuperar o reciclar reducen la demanda de materias primas.

Recicle los productos eléctricos y las baterías de conformidad con las normas locales. Puede obtener más información en www.2helpU.com

Datos técnicos

BCHV001	
Tensión (V _{cc})	18
Peso (kg)	1,05

Cargador		S010**2400040/ SSC-250040**	S018***1800100/ SSC-200100**
Voltaje de entrada	V _{CA}	100 - 240	220 - 240
Voltaje de salida	V _{CC}	8 - 20	8 - 20
Corriente	mA	400	1000
Tiempo de carga aproximado	Horas	3 - 5	1 - 5

Batería		BL1518	BL2018	BL4018	BL1518ST
Voltaje	V _{CA}	18	18	18	18
Capacidad	Ah	1,5	2,0	4,0	1,5
Tipo		iones de litio	iones de litio	iones de litio	iones de litio

Garantía

Black & Decker confía en la calidad de sus productos y ofrece a los consumidores una garantía de 24 meses a partir de la fecha de compra. Esta garantía es adicional a sus derechos legales y no los menoscaba en modo alguno. La garantía es válida dentro de los territorios de los Estados Miembros de la Unión Europea y del Área de Libre Comercio Europea.

Para reclamar la garantía, la reclamación se debe presentar de conformidad con las condiciones de Black & Decker. Tendrá que adjuntar un justificante de compra al vendedor o al agente técnico autorizado. Las condiciones de la garantía de 2 años de Black & Decker y la ubicación de su agente técnico autorizado más cercano se pueden obtener en Internet en www.2helpU.com o poniéndose en contacto con su oficina local de Black & Decker en la dirección que se indica en este manual.

Visite nuestro sitio web www.blackanddecker.co.uk para registrar su nuevo producto Black & Decker y recibir noticias sobre nuevos productos y ofertas especiales.

Utilização prevista O aspirador portátil BCHV001 da BLACK+DECKER foi concebido para limpezas leves de detritos líquidos e sólidos. Este equipamento destina-se apenas a utilização doméstica.

Instruções de segurança



Atenção! Leia todos os avisos de segurança e todas as instruções. O não cumprimento dos seguintes avisos e instruções pode resultar em choque eléctrico, incêndio e/ou ferimentos graves.



Atenção! Ao utilizar equipamentos alimentados a baterias, deve respeitar sempre as medidas de segurança básicas, incluindo as seguintes, de modo a reduzir o risco de incêndio, fuga do líquido da bateria, ferimentos e danos materiais.

- ◆ Leia com atenção o manual na íntegra antes de utilizar o equipamento.
- ◆ A utilização prevista para este equipamento está descrita no manual. A utilização de qualquer acessório ou a execução de qualquer operação com este equipamento que não esteja incluída no presente manual de instruções pode representar um risco de ferimentos pessoais.
- ◆ Conserve este manual para referência futura.

Utilizar o equipamento

- ◆ Não utilize este equipamento para aspirar líquidos ou quaisquer materiais combustíveis.
- ◆ Não utilize este equipamento perto de água.
- ◆ Não mergulhe o equipamento em água.
- ◆ Nunca puxe pelo cabo do carregador para desligar o carregador da tomada. Mantenha o cabo do carregador afastado do calor, combustíveis e extremidades afiadas.
- ◆ Mantenha os cabelos, roupa larga, dedos e todas as partes do corpo afastadas de orifícios e peças em movimento.
- ◆ Não utilize se o saco de poeira e/ou os filtros estiverem instalados.

Inspecção e reparações

- ◆ Antes da utilização, verifique a existência de peças danificadas ou avariadas no equipamento. Verifique se há peças partidas, danos nos interruptores ou outro tipo de condições que possam afectar o seu funcionamento.
- ◆ Não utilize o equipamento se alguma das peças se encontrar danificada ou avariada.
- ◆ Mandar reparar ou substituir quaisquer peças danificadas ou avariadas por um técnico de reparação autorizado.
- ◆ Verifique regularmente se existem danos no cabo do carregador. Substitua o carregador se o cabo estiver danificado ou com defeitos.

- ◆ Nunca tente retirar ou substituir quaisquer peças que não as especificadas neste manual.

Segurança de outras pessoas

- ◆ Este equipamento pode ser utilizado por crianças com 8 anos ou mais e por pessoas que apresentem capacidades físicas, sensoriais ou mentais reduzidas ou que não possuam os conhecimentos e a experiência necessários se tiverem sido vigiadas e instruídas acerca da utilização do equipamento de maneira segura e compreendam os perigos envolvidos.
- ◆ As crianças não devem mexer no equipamento. A limpeza e manutenção não devem ser efectuadas por crianças sem supervisão.

Instruções de segurança adicionais

Após a utilização

- ◆ Desligue o carregador ou a base de carga antes de os limpar.
- ◆ Quando não estiver a ser utilizado, o equipamento deve ser armazenado num local seco.
- ◆ As crianças não devem ter acesso a equipamentos armazenados.
- ◆ É muito importante que o filtro e o pré-filtro estejam posicionados correctamente antes de utilizá-los.
- ◆ Para instalar o depósito de poeiras (3), coloque-o novamente na parte da frente da unidade até este ficar fixo na posição correcta.

Riscos residuais.

Quando utilizar a ferramenta, podem ocorrer riscos residuais adicionais que não constam nos avisos de segurança incluídos. Estes riscos podem resultar de má utilização, uso prolongado, etc.

Mesmo após o cumprimento dos regulamentos de segurança relevantes e a implementação de dispositivos de segurança, alguns riscos residuais não podem ser evitados. Estes incluem:

- ◆ Ferimentos causados pelo contacto com peças em movimento.
- ◆ Ferimentos causados pelo contacto com peças quentes.
- ◆ Ferimentos causados durante a troca de peças ou acessórios.
- ◆ Ferimentos causados pela utilização prolongada do equipamento.
Quando utilizar um equipamento durante um período prolongado, faça intervalos regulares.
- ◆ Danos auditivos.
- ◆ Os problemas de saúde causados pela inalação de poeiras resultantes da utilização da ferramenta (exemplo: trabalhos em madeira, especialmente carvalho, faia e MDF).

Baterias e carregadores

Baterias (podem ser vendidas em separado)

- ◆ As baterias recarregáveis devem ser retiradas do equipamento antes de serem carregadas.
- ◆ As baterias devem ser inseridas de acordo com a polaridade correcta.

- ◆ As baterias gastas devem ser retiradas do equipamento e eliminadas em segurança.
- ◆ Se for necessário armazenar o equipamento durante um período prolongado, é necessário retirar as baterias.
- ◆ Os terminais de alimentação não devem ser colocados em curto circuito.
- ◆ Nunca tente abrir a bateria, seja qual for o motivo.
- ◆ Não exponha a bateria à água.
- ◆ Não exponha a bateria ao calor.
- ◆ Não a armazene em locais onde a temperatura possa exceder os 40 °C.
- ◆ Carregue apenas a temperaturas ambiente entre 10 °C e 40 °C.
- ◆ Carregue apenas com o carregador fornecido com o equipamento/ferramenta. A utilização de um carregador errado pode resultar em choque eléctrico ou sobreaquecimento da bateria.
- ◆ Quando eliminar as baterias, siga as instruções da secção "Protecção do ambiente".
- ◆ Não danifique/deforme a bateria por perfuração ou impacto, porque há o risco de ferimentos e incêndio.
- ◆ Não carregue baterias danificadas.
- ◆ Em condições extremas, pode ocorrer uma fuga nas baterias. Se detectar fuga de líquido das baterias, limpe o líquido cuidadosamente com um pano. Evite o contacto com a pele.

- ◆ Em caso de contacto com a pele ou com os olhos, siga as instruções seguintes.

Atenção! O electrólito da bateria pode causar ferimentos pessoais ou danos materiais. Em caso de contacto com a pele, enxágue imediatamente com água. Em caso de vermelhidão, dor ou irritação, contacte um médico. Em caso de contacto com os olhos, enxágue imediatamente com água limpa e procure ajuda médica.

Carregadores (podem ser vendidos em separado)

O carregador foi concebido para uma tensão específica. Verifique sempre se a tensão de alimentação corresponde à tensão indicada na placa de especificações e as informações indicadas na tabela de dados técnicos.

Atenção! Nunca substitua a unidade do carregador por uma tomada de alimentação normal.

- ◆ Utilize o carregador BLACK+DECKER apenas para carregar a bateria do equipamento/ferramenta com o qual foi fornecido. Outras baterias podem rebentar, provocando ferimentos e danos.
- ◆ Nunca tente carregar baterias não recarregáveis.
- ◆ Se o cabo de alimentação estiver danificado, terá de ser substituído pelo fabricante ou por um centro de assistência autorizado BLACK+DECKER para evitar acidentes.

- ◆ Não exponha o carregador à água.
- ◆ Não abra o carregador.
- ◆ Não manipule o interior do carregador.
- ◆ O equipamento/ferramenta/bateria deve ser colocado numa área com boa ventilação durante o carregamento.

Segurança eléctrica

O carregador foi concebido para uma tensão específica. Verifique sempre se a tensão de alimentação corresponde à tensão indicada na placa sinalética. Nunca substitua a unidade do carregador por uma tomada de alimentação normal.

Símbolos no carregador



Leia com atenção o manual na íntegra antes de utilizar o equipamento.



Esta ferramenta tem um isolamento duplo e, por isso, não é necessário um fio de terra. Verifique sempre se a fonte de alimentação corresponde à tensão indicada na placa sinalética.



O carregador deve ser utilizado apenas em espaços interiores.

Etiquetas no equipamento

O equipamento apresenta os seguintes símbolos em conjunto com o código de data.



Leia com atenção o manual na íntegra antes de utilizar o equipamento.

Características

Esta ferramenta inclui algumas ou todas as características seguintes.

1. Interruptor para ligar/desligar (deslize para a frente para a posição Ligar. Deslize para trás para a posição Desligar)

2. Botão de desbloqueio do depósito
3. Depósito de poeiras
4. Filtro
5. Bateria (bateria incluída apenas nas versões BCHV001C1)
6. Patilha de libertação da bateria
7. Bico
- 7a. Espaço de arrumação para o bico
8. Escova

Utilização

Carregar a bateria (Fig. A)

O carregador padrão fornecido permite carregar uma bateria totalmente descarregada em cerca de 5 horas

- ◆ Ligue o carregador (9) numa tomada adequada antes de inserir a bateria (5).
- ◆ Insira a bateria (5) no carregador (9), como indicado na Figura A.
- ◆ O LED verde (9a) começa a piscar, o que indica que a bateria está a ser carregada.
- ◆ A conclusão do processo de carregamento é indicada pelo LED verde (9a), que permanece ligado de maneira contínua. A bateria fica totalmente carregada e pode ser utilizada nesta altura ou pode deixá-la no carregador.

Nota: Após a utilização, recarregue as baterias descarregadas assim que possível, caso contrário a duração da bateria pode diminuir consideravelmente.

Nota: O carregador e a bateria podem permanecer ligados com o LED verde aceso indefinidamente. O carregador vai manter a bateria completamente carregada.

Notas importantes sobre carregamento

- ◆ É possível aumentar a duração da bateria e obter o melhor desempenho se esta for carregada a uma temperatura ambiente que se situe entre os 18 ° e 24 °C. NÃO carregue a bateria se a temperatura ambiente for inferior a +4,5 °C ou superior a 40,5 °C. Isto é importante e impede danos graves na bateria.
- ◆ O carregador e a bateria podem ficar demasiado quentes durante o carregamento. Isto é normal e não representa um problema. Para facilitar o arrefecimento da bateria após a utilização, evite colocar o carregador ou a bateria num local quente, como, por exemplo, um barracão de metal ou um atrelado sem isolamento.
- ◆ Se a bateria não carregar correctamente:
 - ◆ Verifique a corrente na tomada, ligando uma lâmpada ou outro equipamento.
 - ◆ Verifique se a tomada está ligada a um interruptor de luz que se desliga quando apaga as luzes.
 - ◆ Coloque o carregador e a bateria num local onde a bateria esteja num local onde a temperatura do ar ambiente se situe entre 18 e 24 °C

- ◆ Se os problemas de carregamento persistirem, leve a ferramenta, a bateria e o carregador para um centro de assistência local.
- ◆ A bateria deve ser recarregada se não fornecer energia suficiente em trabalhos que tenham sido efectuados sem problemas anteriormente. NÃO CONTINUE a utilizar a bateria nestas condições. Siga o procedimento de carga. Pode também carregar uma bateria parcialmente utilizada sempre que quiser, porque não afecta a bateria.
- ◆ Os materiais estranhos condutores como, por exemplo, mas não limitado a, lâ de aço, folha de alumínio ou qualquer acumulação de partículas metálicas devem ser removidos dos orifícios do carregador. Desligue sempre o carregador da fonte de alimentação quando não estiver inserida uma bateria no respectivo compartimento. Desligue o carregador antes de proceder à limpeza.
- ◆ Não congele ou coloque o carregador dentro de água ou de outros líquidos.

Atenção! Não permita a entrada de líquidos no carregador. Nunca tente abrir a bateria, seja qual for o motivo. Se a estrutura de plástico da bateria se partir ou rachar, envie o equipamento para um centro de assistência para reciclagem.

Colocação e remoção da bateria (Fig. B)

Atenção! Certifique-se de que desliga o aspirador antes de retirar ou instalar a bateria.

Instalar a bateria

- ◆ Insira a bateria (5) no aspirador até ouvir um som de encaixe (Figura B). Certifique-se de que a bateria está totalmente encaixada na posição.

Retirar a bateria

- ◆ Prima a patilha de libertação da bateria (6), como indicado na Figura B e retire a bateria da ferramenta.

Funcionamento

Atenção! Este produto destina-se apenas a limpeza a seco.

- ◆ Para ligar o equipamento, deslize o interruptor para ligar/desligar (1) para a frente (Fig. C).
- ◆ Para desligar o aspirador, deslize o interruptor para ligar/desligar (1) para trás (Fig. C).

Montagem de acessórios (Fig. D)

- ◆ A ferramenta de escova (8) inclui uma escova que pode ser utilizada para aspirar o pó e limpar estofos.
- ◆ O bico (7) permite a aspiração de locais estreitos e de difícil alcance.
- ◆ Para montar um acessório, insira o acessório no depósito de poeiras (3).
- ◆ O bico pode ser guardado na unidade, como indicado na (7a).

Remover o depósito de poeiras (Fig. E)

- ◆ Retire o depósito de poeiras (3) pressionando a patilha de libertação do depósito de poeiras (2) e puxando o depósito para baixo e para fora (Fig. E).

Retirar os filtros (Fig. F, G, H e I)

Depois de retirar o depósito da unidade, vai verificar que o filtro está no interior do depósito.

- ◆ Puxe o filtro para fora para retirar o filtro do depósito.
- ◆ Deite fora o pó.
- ◆ O pré-filtro (4a) e o filtro (4) estão instalados juntos.
- ◆ Deve torcer o pré-filtro do filtro para poder limpar cada parte em separado, como indicado na Figura H.

Limpar o produto

Deite fora a sujidade no interior do depósito de poeiras (3), como indicado na Figura G. O depósito de poeiras pode ser lavado com água. Em seguida, deve ser secado.

Atenção! Nunca utilize este aspirador sem fio sem os respectivos filtros.

Nota: O filtro é reutilizável, não o confunda com os sacos de poeira descartáveis e não o deite fora quando a ferramenta for limpa. Recomendamos que substitua o filtro num prazo de 6 a 9 meses.

Atenção! Só é possível obter uma recolha máxima das poeiras com os filtros limpos e o depósito de poeiras vazio. Se começar a sair poeira da ferramenta após esta ser desligada, significa que o depósito de poeiras está cheio e deve ser esvaziado.

- ◆ Retire o filtro (4) e agite ou escova ligeiramente qualquer poeira solta do filtro.
- ◆ Retire a poeira do depósito e lave-o, se necessário.
- ◆ Lave o filtro com regularidade, utilizando água morna e com sabão, como indicado na Figura I. O filtro deve estar totalmente seco antes de voltar a utilizá-lo.

Nota: Quanto mais limpo estiver o filtro, melhor será o desempenho do produto.

- ◆ O depósito de poeiras pode ser lavado com água tépida com sabão. Verifique se está seco antes de voltar a montá-lo.
- ◆ Nunca coloque o equipamento dentro de água. Utilize um pano húmido e água com sabão para limpar o exterior do bloco motor. Certifique-se de que o equipamento está completamente seco antes de reutilizá-lo ou armazená-lo.

Resolução de problemas

Problema	Causa possível	Solução possível
A unidade não é iniciada.	A bateria não foi colocada correctamente. A bateria não está carregada.	Verifique a instalação da bateria. Verifique os requisitos para carregar a bateria
A bateria não carrega.	A bateria não foi introduzida no carregador. Carregador não ligado. A temperatura de ar circundante é demasiado quente ou fria.	Insira a bateria no carregador até o LED acender-se. Ligue o carregador à tomada. Consulte "Notas importantes sobre carregamentos" para obter mais informações. Verifique a corrente na tomada, ligando uma lâmpada ou outro equipamento. Verifique se a tomada está ligada a um interruptor de luz que se desliga quando apaga as luzes. Coloque o carregador e a ferramenta num local onde a temperatura ambiente superior a 4,5 °C ou inferior a 40,5 °C.

Manutenção

A ferramenta/equipamento com/sem fio da BLACK+DECKER foi concebida para funcionar durante um longo período de tempo com uma manutenção mínima. Uma utilização continuamente satisfatória depende de uma manutenção adequada da ferramenta e de uma limpeza frequente.

Atenção! Antes de proceder a qualquer acção de manutenção em ferramentas eléctricas com cabo/sem fio:

- ◆ Desligue o equipamento/ferramenta e retire a respectiva ficha da tomada.
- ◆ Desligar e remover a bateria do equipamento/ferramenta caso o equipamento/ferramenta tenha uma bateria individual.
- ◆ Ou deixe a bateria descarregar completamente se estiver incorporada e, em seguida, desligue-a.
- ◆ Desligue o carregador antes de o limpar. O carregador não requer manutenção, além do processo de limpeza normal.
- ◆ Limpe regularmente as aberturas de ventilação do equipamento/ferramenta/carregador com uma escova suave ou um pano seco.
- ◆ Limpe regularmente o compartimento do motor com um pano húmido. Não utilize produtos de limpeza abrasivos ou à base de solventes.

Proteger o meio ambiente



Faça uma recolha de lixo selectiva. Os produtos e as baterias assinalados com este símbolo não devem ser eliminados em conjunto com os resíduos domésticos normais.

Os produtos e as baterias contêm materiais que podem ser recuperados ou reciclados, reduzindo assim a necessidade de matérias-primas.

Recicle os produtos eléctricos e as baterias de acordo com as disposições locais. Estão disponíveis mais informações em www.2helpU.com

Dados técnicos

BCHV001	
Tensão (V _{ca})	18
Peso (kg)	1,05

Carregador		S010**2400040/ SSC-250040**	S018***1800100/ SSC-200100**
Tensão de entrada	V _{CA}	100 - 240	220 - 240
Tensão de saída	V _{CC}	8 - 20	8 - 20
Corrente	mA	400	1000
Tempo de carga aprox.	Horas	3 - 5	1 - 5

Bateria		BL1518	BL2018	BL4018	BL1518ST
Tensão	V _{CA}	18	18	18	18
Capacidade	Ah	1,5	2,0	4,0	1,5
Tipo		lões de lítio	lões de lítio	lões de lítio	lões de lítio

Garantia

A Black & Decker confia na qualidade dos respectivos produtos e proporciona aos consumidores uma garantia de 24 meses a partir da data de aquisição. Esta garantia é um complemento dos seus direitos estabelecidos por lei e não os afecta de forma alguma. A garantia é válida nos Estados-membros da União Europeia e nos países-membros da Zona Europeia de Comércio Livre.

Para apresentar uma reclamação sobre a garantia, esta deve estar de acordo com os termos e condições da Black & Decker e terá de enviar um comprovativo de compra ao revendedor ou a um técnico de reparação autorizado. Os termos e condições da garantia de 2 anos da Black & Decker e a localização do seu técnico de reparação podem ser obtidos na Internet no Website www.2helpU.com ou contactando o escritório local da Black & Decker na morada indicada neste manual.

Visite o nosso Website www.blackanddecker.co.uk para registar o seu novo produto da Black & Decker e receber actualizações sobre novos produtos e ofertas especiais.

Avsedd användning Din BLACK+DECKER BCHV001 handdammsugare har konstruerats för lätt torrdammsugning. Apparaten är endast avsedd för hemmabruk.

Säkerhetsinstruktioner



Varning! Läs alla säkerhetsvarningar och instruktioner. Underlåtenhet att följa de nedanstående varningarna och instruktionerna kan resultera i elektrisk stöt, eldsvåda och/eller allvarlig personskada.



Varning! För att minska risken för brand, läckande batterier, personskador och materialskador ska du alltid följa grundläggande säkerhetsföreskrifter, inklusive de som följer, vid användning av batteridrivna apparater.

- ◆ Läs hela den här bruksanvisningen noggrant innan du använder redskapet.
- ◆ Användningsområdet beskrivs i den här bruksanvisningen. Användning av andra tillbehör eller tillsatser eller andra åtgärder som utförs med apparaten än de som rekommenderas i den här bruksanvisningen kan leda till personskador.
- ◆ Spara den här bruksanvisningen för framtida bruk.

Använda apparaten

- ◆ Använd inte redskapet för att suga upp vätskor eller material som kan fatta eld.
- ◆ Använd inte redskapet i närheten av vatten.
- ◆ Doppa aldrig redskapet i vatten.
- ◆ Dra aldrig i sladden till laddaren när du drar ut den från vägguttaget. Håll sladden till laddaren borta från värme, olja och vassa kanter.
- ◆ Håll hår, lösa kläder, fingrar och övriga kroppsdelar undan från öppningar och rörliga delar.
- ◆ Använd inte utan dammsugarpåse och/eller filtret på plats.

Kontroll och reparationer

- ◆ Innan användning bör du kontrollera att apparaten är hel och att inga delar är skadade. Kontrollera att inga delar är trasiga, att strömbrytaren fungerar och att inget annat föreligger som kan påverka dess funktion.
- ◆ Använd inte redskapet om någon del har skadats eller gått sönder.
- ◆ Reparera eller byt ut skadade eller trasiga delar på en auktoriserad verkstad.
- ◆ Kontrollera regelbundet att sladden till laddaren inte har skadats. Byt ut laddaren om sladden är skadad eller trasig.
- ◆ Försök aldrig ta bort eller byta ut andra delar än dem som anges i den här bruksanvisningen.

Säkerhet för andra

- ◆ Denna apparat kan användas av barn från 8 år och samt personer med nedsatt fysisk, sensorisk eller mental förmåga, eller med bristfällig erfarenhet och kunskap, under förutsättning att de har instruerats om hur man använder apparaten på ett säkert sätt och är införstådda med de risker som är förknippade därmed.
- ◆ Barn ska inte leka med apparaten. Rengöring och användarunderhåll ska inte göras av barn utan övervakning.

Ytterligare säkerhetsinstruktioner

Efter användning

- ◆ Dra ur sladden till laddaren innan du rengör den.
- ◆ När den inte används bör apparaten förvaras torrt.
- ◆ Barn skall inte ha åtkomst till förvarade apparater.
- ◆ Det är mycket viktigt att filtret och förfiltret är korrekt placerade före användning.
- ◆ Installera dammbehållaren (3) genom att placera den på framsidan av enheten och klicka fast den på plats.

Återstående risker.

När verktyget används kan återstående risker som inte nämns i de medföljande säkerhetsvarningarna uppstå. Dessa risker kan uppstå på grund av felaktig användning, långvarig användning etc. Trots att de relevanta

säkerhetsbestämmelserna tillämpas och säkerhetsanordningarna används kan vissa återstående risker inte undvikas.

Dessa omfattar:

- ◆ Skador orsakade av att rörliga delar vidrörs.
- ◆ Skador orsakade av att varma delar vidrörs.
- ◆ Skador som uppstår vid byte av delar eller tillbehör.
- ◆ Skador som orsakas av långvarig användning av apparaten. Se till att med jämna mellanrum ta en vilopaus när du använder apparater under en längre period.
- ◆ Hörselnedsättning.
- ◆ Hälsorisker orsakade av inandning av damm när verktyget används (exempel: arbete med trä, särskilt ek, bok och MDF).

Batteri och laddare

Batterier (kan säljas separat)

- ◆ Laddningsbara batterier ska tas bort från apparaten innan de laddas.
- ◆ Batterierna ska sättas in med rätt polaritet.
- ◆ Utslitna batterier ska tas bort från apparaten och kasseras på ett säkert sätt.
- ◆ Om apparaten ska förvaras oanvänd under en lång period ska batterierna tas bort.
- ◆ Terminalerna får inte kortslutas.
- ◆ Försök aldrig öppna batteriet.
- ◆ Utsätt inte batteriet för vatten.
- ◆ Utsätt inte batteriet för värme.

- ◆ Förvara inte apparaten på platser där temperaturen kan bli högre än 40 °C.
- ◆ Ladda endast vid temperaturer mellan 10 °C och 40 °C.
- ◆ Ladda endast med hjälp av laddaren som medföljer apparaten. Användning av fel laddare kan resultera i en elektrisk stöt eller att batteriet överhettas.
- ◆ Följ instruktionerna i avsnittet "Miljö" när du gör dig av med batterier.
- ◆ Skydda batteriet från skador/ deformerings i form av slag och stötar eftersom det kan leda till personskador eller eldsvåda.
- ◆ Ladda inte skadade batterier.
- ◆ Under extrema förhållanden kan batterierna läcka. Om det finns vätska på batterierna ska du torka bort vätskan försiktigt med hjälp av en trasa. Undvik hudkontakt.
- ◆ Vid kontakt med hud eller ögon, följ instruktionerna nedan.

Varning! Batterivätskan kan orsaka person- eller materialskador. Vid hudkontakt, skölj genast med vatten. Vid rodnader, smärta eller irritation ska läkare uppsökas. Vid kontakt med ögon, skölj genast med rent vatten, och uppsök läkare.

Laddare (kan säljas separat)

Laddaren är avsedd för en viss spänning. Kontrollera alltid att nätspänningen överensstämmer med spänningen på typskylten och informationen i tabellen med tekniska data.


Varning! Försök aldrig byta ut kontakten till laddaren mot en vanlig kontakt.

- ◆ Använd endast laddaren från BLACK+DECKER för att ladda batteriet i apparaten/verkyget som den levererades med. Andra batterier kan spricka och orsaka personskador och andra skador.
- ◆ Försök aldrig att ladda ej uppladdningsbara batterier.
- ◆ Om nätsladden är skadad måste den bytas ut av tillverkaren eller en auktoriserad BLACK+DECKER-verkstad för att undvika farliga situationer.
- ◆ Utsätt inte laddaren för vatten.
- ◆ Öppna inte laddaren.
- ◆ Gör ingen åverkan på laddaren.
- ◆ Apparaten/verkyget/batteriet ska placeras på en plats med god ventilation vid laddning.

Elektrisk säkerhet

Laddaren är avsedd för en viss spänning. Kontrollera alltid att nätspänningen överensstämmer med spänningen på typskylten. Försök aldrig byta ut kontakten till laddaren mot en vanlig kontakt.

Symboler på laddaren

- 
 Läs hela den här bruksanvisningen noggrant innan du använder redskapet.



Eftersom verktyget är dubbelisolerat behövs ingen jordledare. Kontrollera alltid att spänningen på nätet motsvarar den spänning som finns angiven på märkplattan.



Adaptorn är endast avsedd för användning inomhus.

Etiketter på apparaten

Följande symboler finns på denna apparat tillsammans med datumkoden.



Läs hela den här bruksanvisningen noggrant innan du använder redskapet.

Egenskaper

Detta verktyg har en del av dessa eller alla dessa.

1. Strömbrytare (skjut framåt för På. Skjut bakåt för Av)
2. Låsknapp för behållare
3. Dammbehållare
4. Filter
5. Batteri (batteri ingår endast för BCHV001C1-versioner)
6. Batterifrigöringsknapp
7. Elementmunstycke
- 7a. Förvaring för elementmunstrycke
8. Borstmunstycke

Användning

Ladda batteriet (bild A)

Standardladdaren som medföljer laddar ett helt tomt batteri på ca fem timmar.

- ◆ Koppla in laddaren (9) i lämpligt uttag innan batteripaketet (5) sätts i.
- ◆ Sätt i batteripaketet (5) i laddaren (9) på det sätt som bild A visar.
- ◆ Den gröna LED (9a) blinkar vilket indikerar att batteriet laddas.
- ◆ När laddningen är klar indikeras detta av att den gröna LED (9a) lyser kontinuerligt. Batteriet är fulladdat och kan nu användas eller lämnas i laddaren.

Notera: Ladda urladdade batterier så snart som möjligt efter användning, i annat fall kan batterilivslängden minska betydligt.

Notera: Laddaren och batteripaketet kan vara ansluten till vägguttaget hur länge som helst när den gröna LED-indikatorn lyser. Laddaren ser till att batteriet hålls fräscht och fulladdat.

Viktiga laddningsnoteringar

- ◆ Längst livslängd och bäst prestanda kan erhållas om batteriet laddas när lufttemperaturen är mellan 18-24 °C. Ladda inte batteriet i en lufttemperatur under +4,5°C eller över +40,5°C. Detta är viktigt för att förhindra skador på batteriet.
Detta är viktigt eftersom det förhindrar allvarig skada på batteripaketet.
- ◆ Laddaren och batteripaketet kan bli för varma att vidröra under laddningen. Detta är normalt och indikerar inte något problem. För att möjliggöra kylningen av batteripaketet efter användning, undvik att placera laddaren eller batteripaketet i en varm miljö såsom i ett metallskjul eller oisolerad vagn..
- ◆ Om inte batteripaketet laddar ordentligt:
 - ◆ Kontrollera eluttaget genom att ansluta en lampa eller någon annan apparat.
 - ◆ Kontrollera om uttaget är anslutet till en strömbrytare som stänger av strömmen när du släcker ljuset.
 - ◆ Flytta laddaren och batteripaketet till en plats där den omgivande temperaturen är ungefär 18-24 °C.
 - ◆ Om laddningsproblemen kvarstår, lämna apparaten, batteripaketet och laddaren till ditt lokala servicecenter.
- ◆ Batteripaketet måste laddas när de inte längre kan producera tillräckligt med energi för jobb som enkelt utfördes tidigare. Fortsätt INTE att använda under dessa förhållanden. Följ laddningsproceduren. Du kan också ladda ett delvis använt paket när du så önskar utan att det har någon negativ effekt på batteripaketet.
- ◆ Främmande föremål som är ledande såsom, men inte begränsat till, stålull, aluminiumfolie eller ansamling av metallpartiklar bör hållas borta från laddningshållrummet. Koppla alltid ifrån laddaren från eluttaget när det inte finns något batteripaket i hållrummet. Koppla ifrån laddaren vid rengöring.
- ◆ Frys inte eller sänk ned laddaren i vatten eller annan vätska.

Varning! Låt ingen vätska komma in i laddaren. Försök aldrig att öppna batteripaketet av någon anledning. Om plasthöljet på batteripaketet går sönder eller spricker, lämna det till ett servicecenter för återvinning.

Installera och ta bort batteriet (bild B)

Varning! Se till att dammsugaren är avstängd innan du tar bort eller installerar batteriet.

Installera batteripaket

- ◆ Sätt in batteripaketet (5) i dammsugaren tills ett hörbart klick hörs (bild B). Se till att batteripaketet sitter helt på plats och är låst i positionen.

Ta bort batteripaketet

- ◆ Tryck ned batterilåsknappen (6) såsom visas i bild B och dra bort batteripaketet från dammsugaren.

Drift

Varning! Denna produkt är endast till för torrdammsugning.

- ◆ Slå på apparaten genom att föra strömbrytaren (1) framåt (bild C).
- ◆ Slå av dammsugaren genom att skjuta omkopplaren (1) bakåt (bild C).

Montering tillbehör (bild D)

- ◆ Borstmunstycket (8) har en borste som kan användas för dammsugning och rengöring av stoppade möbler.
- ◆ Med elementmunstycket (7) kan du dammsuga i trånga utrymmen och utrymmen som är svåra att nå.
- ◆ Sätt fast ett tillbehör genom att trycka in tillbehöret i dammbehållaren (3).
- ◆ Elementmunstycket kan förvaras på enheten som visas i (7a).

Ta bort dammbehållaren (bild E)

- ◆ Ta bort dammbehållaren (3) genom att trycka på låsknappen (2) och dra behållaren ned och ut (bild E).

Ta bort filter (bild F, G, H och I)

När du har tagit loss behållaren från enheten är filtret inuti behållaren.

- ◆ Ta bort filtret från behållaren genom att dra ut filtret.
- ◆ Släng skräpet inuti.
- ◆ Förfiltret (4a) och filtret (4) är monterade tillsammans.
- ◆ Du måste vrida förfiltret så att det lossnar från filtret så att du kan rengöra varje del separat som visas i bild H.

Rengöring av produkten

Släng skräpet inuti dammbehållaren (3) enligt bild G.

Dammbehållaren kan sköljas med vatten. Den måste dock torkas efteråt.

Varning! Använd aldrig denna sladdlösa handdammsugare utan sina filter.

Notera: Filtret är återanvändningsbart, blanda inte ihop dem med dammpåsen som kastas och kasta inte bort det när produkten töms. Vi rekommenderar att filtret byts var 6-9 månad.

Varning! Maximal dammuppsamling fås enbart med rena filter och en tom dammbehållare. Om det börjar falla ut damm ur produkten efter att den stängts av innebär det att behållaren är full och behöver tömmas.

- ◆ Ta bort filtret (4) och skaka det eller borsta försiktigt bort allt löst damm från filtret.
- ◆ Töm dammet från behållaren och skölj ur den om så behövs.

- ◆ Tvätta filtret regelbundet med varmt såpvatten såsom visas i bild I. Se till att det är helt torrt innan det används igen.

Notera: Ju renare filtret är desto bättre prestanda hos produkten.

- ◆ Dammbehållaren kan också tvättas i varmt tvålatten. Se till att den är torr innan du sätter fast den igen.
- ◆ Doppa aldrig ned produkten i vatten. Använd en fuktig trasa och såpvatten för att rengöra utsidan av motordelen. Se alltid till att produkten är helt torr innan den används eller förvaras.

Felsökning

Problem	Möjlig orsak	Möjlig lösning
Enheten startar inte.	Batteriet är inte korrekt installerat. Batteriet är inte laddat.	Kontrollera batteriets installation. Kontrollera batteriets laddningskrav
Batteriet går inte att ladda.	Batteriet är inte isatt i laddaren. Laddaren är inte ansluten till elnätet. Omgivande temperatur är för varm eller för kall.	Sätt i batteriet i laddaren tills en LED tänds. Anslut laddaren till ett fungerande eluttag. Se "Viktiga laddningsnoteringar" för ytterligare detaljer. Kontrollera eluttaget genom att ansluta en lampa eller någon annan apparat. Kontrollera om uttaget är anslutet till en ljusbrytare som stänger av strömmen när du slår på lamporna. Flytta laddaren och verktyget till en omgivande lufttemperatur över 4,5 °C eller lägre än +40,5 °C.

Underhåll

Ditt BLACK+DECKER kabelanslutna/sladdlösa verktyg har konstruerats för att fungera länge med minimalt underhåll. Kontinuerlig tillfredsställande drift beror på ordentlig verktygsvård och regelbunden rengöring.

Varning! Innan något underhåll utförs på sladdanslutna/sladdlösa elverktyg:

- ◆ Stäng av redskapet/verktyget och dra ur nätkontakten.
- ◆ Du kan också ta ur batteriet ur apparaten om apparaten har ett separat batteri.
- ◆ Om batteriet är inbyggt låter du det laddas ur helt innan avstängningen.
- ◆ Dra ur sladden till laddaren innan du rengör den. Din laddare kräver ingen annan service än regelbunden rengöring.
- ◆ Rengör regelbundet redskapets/verktygets/laddarens luftintag med en mjuk borste eller torr trasa.

- ◆ Rengör motorkåpan regelbundet med en fuktig trasa. Använd inga slipande eller lösningsmedelhaltiga rengöringsmedel.

Att skydda miljön



Separat insamling. Produkter och batterier märkta med denna symbol får inte kastas med de vanliga hushållssoporna.

Produkter och batterier innehåller material som kan återvinnas och återanvändas för att minska behovet av råmaterial. Återvinn elektriska produkter och batterier enligt lokala bestämmelser. Närmare information finns tillgänglig på www.2helpU.com

Tekniska specifikationer

BCHV001	
Spänning (V ₂)	18
Vikt (kg.)	1,05

Laddare		S010**2400040/ SSC-250040**	S018***1800100/ SSC-200100**
Inspänning	V _{AC}	100 - 240	220 - 240
Utspänning	V _{DC}	8 - 20	8 - 20
Strömstyrka	mA	400	1000
Laddningstid cirka	Timmar	3 - 5	1 - 5

Batteri		BL1518	BL2018	BL4018	BL1518ST
Spänning	V _{AC}	18	18	18	18
Kapacitet	Ah	1,5	2,0	4,0	1,5
Typ		Li-jon	Li-jon	Li-jon	Li-jon

Garanti

Black & Decker är övertygad om sina produkters kvalitet och beviljar konsumenterna 24 månaders garanti* från och med inköpsdatumet. Denna garanti är ett tillägg till dina lagstadgade rättigheter och påverkar inte dessa på något sätt. Garantin är giltig områden som tillhör medlemsstaterna i Europeiska unionen och det europeiska frihandelsområdet.

För att göra anspråk på garantin, måste anspråket uppfylla Black & Deckers regler och villkor och du måste kunna förevisa säljaren eller den auktoriserade reparationsverkstaden ett inköpsbevis. Reglerna och villkoren för Black & Deckers 2 åriga garanti och var din närmaste auktoriserade reparationsverkstad befinner sig kan du se på internetadressen www.2helpU.com, eller ta reda på genom att kontakta din lokala Black & Decker filial på den adress som finns angiven i denna handbok.

Besök vår webbplats på www.blackanddecker.co.uk för att registrera din nya Black & Decker produkt och få ny information om nya produkter och specialerbjudanden.

Tiltenkt bruk

Den håndholdte støvsugeren BLACK + DECKER BCHV001 er konstruert for lett støvsuging på tørre overflater. Apparatet er kun tiltenkt for bruk i husholdningen.

Sikkerhetsinstruksjoner

Advarsel! Les alle sikkerhetsadvarsler og instruksjer. Manglende overholdelse av advarslene og instruksjonene kan resultere i elektrisk sjokk, brann og/eller alvorlig skade.



Advarsel! Ved bruk av batteridrevne apparater må grunnleggende sikkerhetsforholdsregler (inkludert punktene som er beskrevet nedenfor) alltid følges for å redusere risikoen for brann, batterilekkasje, personskade og skade på materiell.

- ♦ Les hele håndboken nøye før du bruker apparatet.
- ♦ Beregnet bruk er beskrevet i denne håndboken. Hvis du bruker annet tilbehør, kobler til annet utstyr eller bruker dette apparatet til andre oppgaver enn det som er anbefalt i denne håndboken, kan det føre til fare for personskade.
- ♦ Ta vare på denne håndboken for fremtidig bruk.

Bruke apparatet

- ♦ Ikke bruk apparatet til å suge opp væske eller materialer som kan ta fyr.

- ♦ Ikke bruk apparatet i nærheten av vann.
- ♦ Ikke senk apparatet ned i vann.
- ♦ Ikke dra i ledningen når du skal fjerne laderen fra stikkkontakten. Hold ledningen til laderen borte fra varmekilder, olje og skarpe kanter.
- ♦ Hold hår, løstsittende klær, fingre og andre kroppsdeler unna åpninger og bevegelige deler.
- ♦ Ikke bruk hvis ikke filteret sitter på plass.

Kontroll og reparasjon

- ♦ Kontroller at apparatet ikke er skadet eller har defekte deler før du bruker det. Kontroller om noen av delene har sprekker, om bryterne er skadet, eller om det er andre forhold som kan påvirke bruken.
- ♦ Ikke bruk apparatet hvis en av delene er skadet eller defekt.
- ♦ Overlat reparasjon eller utskifting av skadde eller defekte deler til et autorisert serviceverksted.
- ♦ Kontroller jevnlig om ledningen til laderen er skadet. Skift ut laderen hvis ledningen er skadet eller defekt.
- ♦ Forsøk aldri å fjerne eller skifte ut andre deler enn de som er oppgitt i denne håndboken.

Sikkerhet for andre

- ♦ Dette apparatet kan brukes av barn på 8 år eller mer og personer som har reduserte fysiske, sansemessige eller mentale evner, eller som mangler erfaring og kunnskap, hvis de har tilsyn eller har fått veiledning i bruk av

apparatet på en trygg måte og forstår farene som foreligger.

- ◆ Barn skal ikke leke med apparatet. Rengjøring og brukervedlikehold skal ikke utføres av barn uten tilsyn.

Ytterligere sikkerhetsinstruksjoner

Etter bruk

- ◆ Fjern laderen fra stikkontakten før du rengjør selve laderen eller ladeenheten.
- ◆ Når apparatet ikke er i bruk, skal det oppbevares på et tørt sted.
- ◆ Barn skal ikke ha tilgang til lagrede maskiner.
- ◆ Det er svært viktig at filter og forfilter er korrekt posisjonert før bruk.
- ◆ Du setter støvbeholderen (3) på plass ved å sette den på håndtaket til den klikker på plass og sitter godt.

Restrisikoer.

Andre risikoer kan oppstå dersom du bruker verktøyet på en måte som ikke er beskrevet i de angitte sikkerhetsadvarslene. Slik risiko kan oppstå som følge av feil bruk, for lang bruk og annet.

Til tross for at man følger relevante sikkerhetsbestemmelser og bruker sikkerhetsutstyr, er det bestemte restrisikoer som ikke kan unngås. Disse inkluderer:

- ◆ Personskader som forårsakes av berøring av en bevegelig del.

- ◆ Personskader som forårsakes av berøring av en varm del.
- ◆ Personskader som forårsakes av at en del eller tilbehør byttes.
- ◆ Personskader som forårsakes av langvarig bruk av produktet. Når du bruker et produkt i lange perioder, må du sørge for å ta regelmessige pauser.
- ◆ Hørselskader.
- ◆ Helsefarer som forårsakes av innånding av støv som dannes når du bruker verktøyet (eksempel: arbeid med tre, spesielt eik, bøk og MDF.)

Batterier og ladere

Batterier (kan selges separat)

- ◆ Oppladbare batterier skal tas ut av apparatet for lading.
- ◆ Batteriene skal settes inn med korrekt polaritet.
- ◆ Brukte batterier skal tas ut av apparatet og avhendes trygt.
- ◆ Dersom maskinen skal lagres uten bruk i en lang periode, bør batteriene tas ut.
- ◆ Forsyningskontaktene skal ikke kortsluttes.
- ◆ Forsøk aldri å åpne av noen årsak.
- ◆ Ikke utsett batteriet for vann.
- ◆ Ikke utsett batteriet for varme.
- ◆ Oppbevar ikke på steder der temperaturen kan overskride 40 °C.
- ◆ Lad bare ved temperaturer mellom 10 °C og 40°C.
- ◆ Bruk bare ladere av typen som følger med apparatet/verktøyet.

Hvis du bruker feil lader, kan dette føre til et elektrisk støt eller at batteriet overopphetes.

- ◆ Følg instruksjonene i avsnittet "Miljø" når du skal kaste batterier.
- ◆ Ikke skade eller deformer batteripakken ved punktering eller støt, da dette kan føre til risiko for personskade og brann.
- ◆ Ikke lad skadede batterier.
- ◆ Under ekstreme forhold kan batterilekkasje forekomme. Hvis du oppdager at det er væske på batteriene, tørker du bort væsken forsiktig med en klut. Unngå kontakt med huden.
- ◆ Hvis væsken kommer i kontakt med huden eller øynene, følger du instruksjonene nedenfor.

Advarsel! Batterivæsken kan føre til personskade eller skade på eiendom. Ved hudkontakt skyller du umiddelbart med vann. Hvis huden blir rød eller irritert eller smerter inntreffer, søk øyeblikkelig medisinsk hjelp. Hvis væsken kommer i kontakt med øynene, skyller du umiddelbart med rent vann og søker øyeblikkelig medisinsk hjelp.

Ladere (kan selges separat)

Laderen er konstruert for en bestemt spenning. Kontroller alltid at nettspenningen er i overensstemmelse med spenningen på typeskiltet og angivelsene under tekniske data.

Advarsel! Ikke skift ut laderen med et vanlig nettstøpsel.

- ◆ Black & Decker-laderen skal bare brukes til å lade batteriet i maskinen/ verktøyet som laderen kom sammen med. Andre batterier kan sprekke og føre til personskade og materiell skade.
- ◆ Prøv aldri å lade ikke-oppladbare batterier.
- ◆ Hvis strømledningen blir skadet, må den byttes av produsenten eller et autorisert BLACK+DECKER-servicesenter for å unngå fare.
- ◆ Ikke utsett laderen for vann.
- ◆ Ikke åpne laderen.
- ◆ Ikke stikk gjenstander eller fingre ned i laderen.
- ◆ Apparatet/verktøyet/batteriet må plasseres på et sted med god gjennomlufting når det lades.

Elektrisk sikkerhet

Laderen er konstruert for en bestemt spenning. Kontroller alltid at nettspenningen er i overensstemmelse med spenningen på typeskiltet. Ikke skift ut laderen med et vanlig nettstøpsel.

Symboler på laderen



Les hele håndboken nøye før du bruker apparatet.



Dette verktøyet er dobbeltisolert. Jording er derfor ikke nødvendig. Kontroller alltid at strømforsyningen samsvarer med spenningen på merkeskiltet.



Laderen er bare beregnet for bruk innendørs.

Merker på maskinen

Følgende symboler vises på apparatet sammen med datokoden.



Les hele håndboken nøye før du bruker apparatet.

Funksjoner

Dette verktøyet har følgende egenskaper og funksjoner.

1. Av/på bryter (skyv forover for På. Skyv bakover for Av)
2. Utløserknapp for støvbeholder
3. Støvsugersamlere
4. Filter
5. Batteri (batteri inkludert kun på BCHV001C1-versjoner)
6. Festeknapp for batteriet
7. Kantsuger
- 7a. Innebygget lagring for kantsuger
8. Børsteverktøy

Bruk

Lading av batteriet (Fig. A)

Standard lader vil lade opp et helt utladet batteri på omtrent 5 timer

- ◆ Plugg inn laderen (9) i en passende stikkontakt før du setter inn batteripakken (5).
- ◆ Sett batteripakken (5) inn i laderen (9) som vist i figur A.
- ◆ Det grønne LED-lyset (9a) blinker for å varsle om at batteriet lades.
- ◆ Fullført lading vises ved at den grønne LED-en (9a) lyser kontinuerlig. Pakken er da fullt oppladet og kan brukes, eller den kan bli stående i laderen.

Merk: Lad opp utladete batterier så fort som mulig etter bruk, ellers vil batteriets levetid forringes.

Merk: Laderen og batteripakken kan forbli tilkoblet med lysende LED-lys i ubegrenset tid. Laderen vil holde batteripakken klar og fulladet.

Viktige merknader om lading

- ◆ Lang levetid og best ytelse oppnås dersom batteripakken lades med lufttemperatur mellom 18° - 24°C. IKKE lade batteripakken ved lufttemperatur under +4,5°C eller over +40,5°C.
 Dette er viktig og vil forhindre alvorlig skade på batteripakken.
- ◆ Laderen og batteripakken kan være varme å ta på under lading. Dette er normalt og er ikke et tegn på et problem.

For å kjøle ned batteripakken etter bruk, unngå å legge laderen i et varme omgivelser slik som et metallskur eller en uisolert trailer.

- ◆ Hvis batteripakken ikke lader slik den skal:
 - ◆ Kontroller strømmen i kontakten ved å sette inn en lampe eller et annet apparat.
 - ◆ Kontroller om stikkkontakten er koblet til en lysbryter som slår av strømmen når du slår av lyset.
 - ◆ Flytt laderen og batteripakken til et sted hvor omgivelsestemperaturen er omtrent 18° - 24°C
 - ◆ Dersom ladeproblemene vedvarer, ta verktøyet, batteripakken og laderen til ditt lokale servicesenter.
- ◆ Denne batteripakken må lades opp når den slutter å gi nok strøm til jobber som ble utført lett tidligere. I SÅ FALL, IKKE FORTSETT å bruke verktøyet. Følg ladeprosedyren. Du kan også lade opp en delvis utladet pakke når som helst uten at det har noen effekt på batteripakken.
- ◆ Fremmedlegemer som kan lede strøm, inkludert, men ikke begrenset til stålull, aluminiumsfolie eller annen ansamling av metalliske partikler, må holdes unna åpningene i laderen. Kople alltid laderen fra strømtilførselen når det ikke er en batteripakke i hulrommet. Kople fra laderen før rengjøring.
- ◆ IKKE sprut på eller senke ned i vann eller andre væsker.

Advarsel! Ikke la væske komme inn i laderen. Forsøk aldri å åpne batteripakken av noen årsak. Dersom plathuset på batteripakken knekker eller får sprekker, send den til et servicesenter for avhending.

Sette inn og ta ut batteriet (Fig. B)

Advarsel! Pass på at støvsugeren er slått av før du tar av eller setter på batteriet.

Installere batteripakken

- ◆ Sett batteripakken (5) inn i verktøyet til du hører et klikk når det går i lås (Fig. B). Pass på at batteripakken sitter godt og er låst på plass.

Ta ut batteripakken

- ◆ Trykk på batteriutløserknappen (6) som vist på figur B og dra batteripakken ut av verktøyet.

Bruk

Advarsel! Produktet er kun ment for tørr støvsuging.

- ◆ Når du skal slå støvsugeren på, skyver du av/på-bryteren (1) fremover (Fig. C).
- ◆ Når du skal slå støvsugeren av, skyver du av/på-bryteren (1) bakover (Fig. C).

Montere tilbehør (Fig. D)

- ◆ Børsteverktøyet (8) har en børste som kan vippes fremover for støvsuging og rengjøring av møbelstoff.

- ◆ Det smale sugestykket (7) er laget for støvsuging av smale og utligjengelige steder.
- ◆ For å sette på tilbehør, trykk tilbehøret på plass på støvbeholderen (3).
- ◆ Kantsugeren kan lagres på apparatet som vist i (7a).

Ta av støvbeholderen (Fig. E)

- ◆ Ta av støvbeholderen (3) ved å trykke inn festeknappen (2) og trekke støvbeholderen ned og ut (Fig. E).

Ta av filtere (Fig. F, G, H og I)

Etter at du har løstnet støvbeholderen fra apparatet, filteret er inne i beholderen.

- ◆ Ta filteret ut av beholderen ved å trekke det ut.
- ◆ Kast smuss som er inni.
- ◆ Forfilter (4a) og filter (4) monteres sammen.
- ◆ Du må vri forfilteret for å løsne det fra filteret, slik at du kan rengjøre hver del separat som vist i figur H.

Rengjøring av produktet

Kast skitten inne i støvbeholderen (3) som vist i figur G. Støvbeholderen kan skylles med vann. Men den må få tørke etterpå.

Advarsel! Bruk aldri denne trådløse støvsugeren uten filtere.

Merk: Filteret kan brukes om igjen, ikke forveksle dem med engangs støvposer og ikke kast det når produktet tømmes. Vi anbefaler at du skifter filter hver 6. til 9. måned.

Advarsel! Den optimale støvsugingen oppnår du bare hvis filterene er rene og støvoppsamleren er tom. Hvis det faller støv ut av apparatet etter at det er slått av, kan det bety at støvoppsamleren er full og må tømmes.

- ◆ Ta av filteret (4) og rist eller børst lett av løst støv fra filteret.
- ◆ Tøm støvbeholderen og vask den om nødvendig.
- ◆ Vask filteret regelmessig med varmt såpevann som vist i figur I. Pass på at det er helt tørt før du bruker det igjen.

Merk: Desto renere filteret er, desto bedre vil produktet fungere.

- ◆ Støvbeholderen kan også vaskes i varmt såpevann. Pass på at den er tørt før du setter den på igjen.
- ◆ Ikke senk produktet ned i vann. Motordelen rengjøres utvendig med en fuktig klut og såpevann. Sørg alltid for at apparatet er helt tørt før du bruker det igjen eller oppbevarer det.

Feilsøking

Problem	Mulig årsak	Mulig løsning
Enheten starter ikke.	Batteriet er ikke satt inn riktig. Batteriet er ikke ladet.	Kontroller innstillingen av batteriet. Kontroller batteriets ladingskrav
Batteriet lader ikke.	Batteriet er ikke satt inn i laderen. Laderen er ikke satt i stikkontakten. Omgivelsestemperaturen er for varm eller kald.	Sett batteriet i laderen til grønn LED lyser. Sett laderen i stikkontakt som virker. Se "Viktige merknader om lading" for mer informasjon. Kontroller strømmen i kontakten ved å sette inn en lampe eller et annet apparat. Kontroller om stikkontakten er koblet til en lysbryter som slår av strømmen når du slår av lyset. Flytt laderen og batteripakken til et sted hvor lufttemperaturen i omgivelsene er over 4,5°C og under +40,5°C.

Vedlikehold

Ditt BLACK+DECKER elektriske verktøy (med eller uten strømkabel) er designet for å virke over en lang tidsperiode med et minimum av vedlikehold. For at den skal fungere tilfredsstillende over tid, er det viktig å sørge for riktig stell og regelmessig renhold.

Advarsel! Før du utfører vedlikehold på elektriskdrevet/batteridrevet elektroverktøy:

- ◆ Slå av apparatet/verktøyet og trekk ut støpselet.
- ◆ Eller slå av apparatet/verktøyet, og fjern batteriet fra dette hvis apparatet/verktøyet har separat batteripakke.
- ◆ Eller la batteriet gå helt tomt hvis det er innebygd, og slå deretter av.
- ◆ Fjern laderen fra stikkontakten før du rengjør den. Laderen krever intet annet vedlikehold enn regelmessig rengjøring.
- ◆ Rengjør ventilasjonsåpningene i apparatet/verktøyet/laderen jevnlig med en myk børste eller tørr klut.
- ◆ Rengjør motorhuset regelmessig med en ren, fuktig klut. Ikke bruk skurende eller løsemiddelbaserte rengjøringsmidler.

Beskyttelse av miljøet



Separat avfallshåndtering. Produkter og batterier som er merket med dette symbolet skal ikke kastes sammen med vanlig husholdningsavfall.

Produkter og batterier inneholder materialer som kan gjenbrukes eller gjenvinnes for å redusere behovet for nye råmaterialer.

Vennligst lever elektrisk utstyr og batterier til gjenbruk i henhold til lokale retningslinjer. Mer informasjon finner du på www.2helpU.com

Tekniske data

BCHV001	
Spenning (V_{AC})	18
Vekt (kg)	1,05

Lader		S010**2400040/ SSC-250040**	S018***1800100/ SSC-200100**
Inngangsspenning	V_{AC}	100 - 240	220 - 240
Utgangsspenning	V_{DC}	8 - 20	8 - 20
Strøm	mA	400	1000
Omtrentlig ladetid	Timer	3 - 5	1 - 5

Batteri		BL1518	BL2018	BL4018	BL1518ST
Spenning	V_{AC}	18	18	18	18
Kapasitet	Ah	1,5	2,0	4,0	1,5
Type		Li-ion	Li-ion	Li-ion	Li-ion

Garanti

Black & Decker er sikre på kvaliteten av sine produkter, og gir forbrukere 24 måneder garanti fra kjøpsdato. Denne garantien er et tillegg og endrer ikke dine rettigheter i henhold til loven. Garantien er gyldig innen områdene tilhørende medlemslandene i den Europeiske Union (EU) og det Europeiske Frihandelsområdet (EFTA).

For å fremme garantikrav, må kravet være i henhold til Black&Deckers kjøpsbetingelser og du må vedlegg kjøpskvittering for selgeren eller et autorisert servicesenter. Black&Deckers betingelser for 2 års garanti samt adressen til det nærmeste autoriserte servicesenteret kan du finne på internett under www.2helpU.com, eller ved å kontakte ditt lokale Black&Decker kontor som angitt i denne bruksanvisningen.

Vennligst se vår nettside www.blackanddecker.co.uk for å registrere ditt Black&Decker produkt og få oppdateringer om nye produkter og spesialtilbud.

Tilsigtet brug

Din BLACK+DECKER BCHV001 håndholdte støvsuger er udviklet til let tør støvsugning. Apparatet er kun beregnet til brug i husholdninger.

Sikkerhedsinstruktioner

Advarsel! Læs alle sikkerhedsadvarsler og alle instruktioner. Manglende overholdelse af de advarsler og instruktioner, der er anført nedenfor, kan medføre elektrisk stød, brand og/eller alvorlig personskade.



Advarsel! Ved brug af batteridrevne apparater er det vigtigt, at grundlæggende sikkerhedsforholdsregler, herunder bl.a. nedenstående, altid følges for at mindske risikoen for brand, batterilækage, personskade og tingskade.

- ◆ Læs hele denne vejledning omhyggeligt, før du bruger apparatet.
- ◆ Den tilsigtede brug er beskrevet i denne vejledning. Brugen af ekstraudstyr eller tilbehør eller udførelse af andet arbejde med dette apparat end det, der anbefales i denne vejledning, kan udgøre en risiko for personskade.
- ◆ Opbevar denne vejledning til senere brug.

Brug af apparatet

- ◆ Brug ikke apparatet til at opsamle væske eller stoffer, der kan være antændelige.
- ◆ Brug ikke apparatet i nærheden af vand.
- ◆ Apparatet må ikke nedsænkes i vand.
- ◆ Træk aldrig i laderens ledning for at afbryde laderen fra stikkontakten. Beskyt laderens ledning imod varmepåvirkninger, olie og skarpe kanter.
- ◆ Hold dit hår, løst tøj, fingre og alle dele af kroppen væk fra åbninger og bevægelige dele.
- ◆ Må ikke anvendes uden støvsugerpose og/eller indsatte filtre.

Eftersyn og reparationer

- ◆ Før brug skal apparatet kontrolleres for beskadigede eller defekte dele. Se efter knækkede dele, skader på kontakter og eventuelle andre forhold, der kan påvirke apparatets funktion.
- ◆ Brug ikke apparatet med beskadigede eller defekte dele.
- ◆ Sørg for at få beskadigede eller defekte dele repareret eller udskiftet på et autoriseret værksted.
- ◆ Kontroller regelmæssigt laderens ledning for skader. Udskift laderen, hvis ledningen er beskadiget eller defekt.
- ◆ Forsøg aldrig at fjerne eller udskifte dele ud over dem, der er beskrevet i denne vejledning.

Andres sikkerhed

- ◆ Dette apparat kan bruges af børn i en alder fra 8 år og derover og personer med nedsatte fysiske, sensoriske eller mentale evner eller manglende erfaring og viden, hvis det sker under overvågning, eller de vejledes i brugen af apparatet på en sikker måde, og de forstår de farer, som er forbundet dermed.
- ◆ Børn må ikke lege med apparatet. Rengøring og brugervedligeholdelse må ikke foretages af børn uden opsyn.

Yderligere sikkerhedsvejledninger

Efter brug

- ◆ Træk laderen ud af stikkontakten, før laderen eller laderens basisenhed rengøres.
- ◆ Når apparatet ikke er i brug, skal det opbevares på et tørt sted.
- ◆ Børn bør aldrig have adgang til opbevarede apparater.
- ◆ Det er meget vigtigt, at filteret og forfilteret sidder korrekt på plads inden brug.
- ◆ Støvbeholderen (3) monteres ved at sætte den på enhedens forside og klikke den på plads.

Restrisici.

Der kan opstå yderligere, tilbageværende risici under brugen af værktøjet, som muligvis ikke behandles i de vedlagte sikkerhedsadvarsler. Disse risici

kan opstå som følge af forkert brug, langvarigt brug osv.

På trods af overholdelsen af de relevante sikkerhedsregler og brug af sikkerhedsudstyr kan visse restriksi ikke undgås. Disse omfatter:

- ◆ Tilskadekomst forårsaget af berøring af bevægelige dele.
- ◆ Tilskadekomst forårsaget af berøring af varme dele.
- ◆ Tilskadekomst forårsaget af udskiftning af dele eller tilbehør.
- ◆ Tilskadekomst forårsaget af langvarig brug af apparatet. Husk at holde pause jævnligt ved brug af et apparat i længere tid.
- ◆ Hørenedsættelse.
- ◆ Sundhedsrisici forårsaget af indånding af støv, der genereres ved brug af værktøjet (eksempel: arbejde med træ, især, eg, bøg og MDF.)

Batterier og ladere

Batterier (kan sælges separat)

- ◆ Genopladelige batterier skal tages ud af apparatet, inden de oplades.
- ◆ Batterier skal isættes med den korrekte polaritet.
- ◆ Afladede batterier skal tages ud af apparatet og bortskaffes sikkert.
- ◆ Hvis apparatet skal opbevares uden brug gennem en længere periode, bør batterierne tages ud.
- ◆ Forsyningsterminalerne må ikke kortsluttes.
- ◆ Forsøg aldrig at åbne den af en eller anden grund.

- ◆ Batteriet må ikke udsættes for fugt.
- ◆ Batteriet må ikke udsættes for varme.
- ◆ Opbevar ikke på steder, hvor temperaturen kan overstige 40 °C.
- ◆ Fortag kun opladning ved omgivelsestemperaturer mellem 10 °C og 40°C.
- ◆ Brug kun den oplader, der fulgte med apparatet/værktøjet, til opladning. Brug af den forkerte oplader kan medføre elektrisk stød eller overophedning af batteriet.
- ◆ Følg vejledningen i afsnittet "Miljøbeskyttelse" ved bortskaffelse af batterier.
- ◆ Undgå at beskadige/deformere batteripakken ved at punktere den eller slå på den, da dette kan forårsage risiko for tilskadekomst eller brand.
- ◆ Beskadigede batterier må ikke oplades.
- ◆ Under ekstreme forhold kan der forekomme batterilækage. Hvis du bemærker væske på batterierne, skal du omhyggeligt tørre den af med en klud. Undgå kontakt med huden.
- ◆ I tilfælde af kontakt med hud eller øjne, skal du følge nedenstående anvisninger.

Advarsel! Batterivæsken kan forårsage personskade eller materielle skader. I tilfælde af kontakt med huden skylles straks med vand. Søg læge, hvis der opstår rødme, smerte eller irritation. Skyl straks med rent vand, og søg læge i tilfælde af kontakt med øjnene.

Opladere (kan sælges separat)

Opladeren er udviklet til en specifik spænding. Kontroller altid, at netspændingen svarer til spændingen på typeskiltet og oplysningerne i den tekniske datatabel.

Advarsel! Forsøg aldrig at erstatte opladerenheden med et almindeligt netstik.

- ◆ Brug kun din BLACK+DECKER oplader til at oplade batteriet i det apparat/værktøj, som den blev leveret sammen med. Andre batterier kan eksplodere og forårsage personskade og materiel skade.
- ◆ Forsøg aldrig at oplade ikke-genopladelige batterier.
- ◆ Hvis netledningen beskadiges, skal den udskiftes af producenten eller et autoriseret BLACK+DECKER-værksted, så farlige situationer undgås.
- ◆ Laderen må ikke udsættes for fugt.
- ◆ Laderen må ikke åbnes.
- ◆ Undersøg ikke laderen.
- ◆ Apparatet/værktøjet/batteriet skal anbringes et sted med god udluftning, når det oplades.

EI-sikkerhed

Opladeren er udviklet til en specifik spænding. Kontroller altid, at netspændingen svarer til spændingen på typeskiltet. Forsøg aldrig at erstatte opladerenheden med et almindeligt netstik.

Symboler på laderen



Læs hele denne vejledning omhyggeligt, før du bruger apparatet.



Dette værktøj er dobbeltisoleret. Derfor er en jordledning ikke nødvendig. Kontrollér altid, at strømforsyningen svarer til spændingen på mærkepladen.



Laderen er kun beregnet til indendørs brug.

Mærkater på apparat

Værktøjet er forsynet med følgende advarselssymboler samt datokoden.



Læs hele denne vejledning omhyggeligt, før du bruger apparatet.

Funktioner

Dette værktøj indeholder nogle eller alle funktioner.

1. Tænd/sluk-kontakt (Skub fremad for at tænde. Skub tilbage for at slukke)
2. Knap til frigørelse af beholderen
3. Støveholder
4. Filter
5. Batteri (batteri kun inkluderet på BCHV001C1 versioner)
6. Batteriudløserknap
7. Revneværktøj
- 7a. Indbygget opbevaring af revneværktøj
8. Børsteforsats

Brug

Opladning af batteriet (fig. A)

Den medfølgende standardoplader lader et helt afladet batteri op på ca. 5 timer

- ◆ Indsæt opladeren (9) i en passende udgang, før batteripakken indsættes (5).
- ◆ Indsæt batteripakken (5) i opladeren (9) som vist i figur A.
- ◆ Den grønne LED-lampe (9a) blinker for at vise, at batteriet oplades.
- ◆ Når opladningen er færdig, vil det blive angivet af den grønne LED (9a), som vil lyse konstant. Pakken er fuldt opladet og kan nu anvendes eller kan efterlades i opladeren.

Bemærk: Genoplad afladede batterier så hurtigt som muligt efter brug, da batteriets levetid ellers kan blive stærkt formlindsket.

Bemærk: Du kan lade batteripakken sidde i laderen med den grønne LED tændt, så længe det ønskes. Laderen holder batteripakken klar og fuldt opladet.

Vigtige bemærkninger om opladning

- ◆ Der kan opnås den længste levetid og bedste ydeevne, hvis batteripakken oplades, når lufttemperaturen er 18°-24°C. Oplad IKKE batteripakken i en lufttemperatur på under +4,5°C eller over +40,5°C. Dette er vigtigt og vil forhindre alvorlig beskadigelse af batteripakken.
- ◆ Opladeren og batteripakken kan blive for varm at røre ved under opladning. Dette er normalt og angiver ikke et problem. For at lette køling af batteripakken efter brug, undgå at placere opladeren eller batteripakken i varme omgivelser, som f.eks. i et metalskur eller i en uisoleret trailer.
- ◆ Hvis batteripakken ikke oplades ordentligt:
 - ◆ Kontroller strømstikket ved at tilslutte en lampe eller et andet apparat.
 - ◆ Kontrollér, om der er forbindelse på stikdåsen ved at tilslutte en lampe til den, og derefter om strømmen bliver slået fra, når du slukker for lyset.
 - ◆ Flyt opladeren og batteripakken til et sted, hvor den omgivende lufttemperatur er ca. 18°-24°C
 - ◆ Hvis der stadig er opladningsproblemer, tag værktøjet, batteripakken og opladeren til dit lokale servicecenter.
- ◆ Batteripakken skal genoplades, når den ikke forsyner med tilstrækkelig strøm til de opgaver, som tidligere let blev udført. FORTSÆT IKKE med at bruge den under disse forhold. Følg opladningsproceduren. Du kan også oplade en delvist brugt pakke, når du ønsker det uden nogen negativ indflydelse på batteripakken.
- ◆ Fremmede materialer af en ledende art som for eksempel, men ikke begrænset til ståluld, aluminiumsfolie eller anden koncentration af metalliske partikler skal holdes på afstand af opladerens huller. Tag altid stikket til opladeren ud fra kontakten, når der ikke er indsat en batteripakke. Tag stikket til opladeren ud før forsøg på at rengøre den.
- ◆ Frys ikke eller nedsænk opladeren i vand eller andre væsker.

Advarsel! Lad ikke nogen flydende væsker komme ind i opladeren. Forsøg aldrig at åbne batteripakken. Hvis batteripakkens plastikhus får brud eller revner, returner det til et servicecenter til genbrug.

Montering og afmontering af batteriet (fig. B)

Advarsel! Sørg for, at støvsugeren er slukket, inden du fjerner eller installerer batteri.

Sådan installeres batteripakken

- ◆ Sæt batteripakken (5) i støvsugeren, indtil der høres et klik (figur B). Sørg for at batteripakken er helt skubbet ind og låst i position.

Sådan udtages batteripakken

- ◆ Tryk batteriets udløserknop (6) ned som vist i figur B, og træk batteripakken ud af støvsugeren.

Drift

Advarsel! Dette produkt er kun til tørstøvsugning.

- ◆ Tænd støvsugeren ved at skubbe tænd/sluk-kontakten (1) fremad (fig. C).
- ◆ Sluk for støvsugeren ved at skubbe tænd/sluk-kontakten (1) tilbage (fig. C).

Montering af tilbehør (fig. D)

- ◆ Børsteforsatsen (8) har en børste, der kan bruges til afstøvning og rengøring af møbler.
- ◆ Sprakkeforsatsen (7) bruges til støvsugning på smalle og svært tilgængelige steder.
- ◆ Påsæt en tilbehørsdel ved at trykke det ind i støvbeholderen (3).
- ◆ Revneværktøj kan opbevares på enheden, som vist i (7a).

Fjernelse af støvbeholder (fig. E)

- ◆ Fjern støvbeholderen (3) ved at trykke på knappen til frigørelse af beholderen (2) og trække beholderen ned og ud (fig. E).

Fjernelse af filtre (fig. F, G, H og I)

Efter du har frigivet beholderen fra enheden, er filteret inde i beholderen.

- ◆ Fjern filteret fra beholderen ved at trække filteret ud.
- ◆ Bortskaf snavset indeni.
- ◆ Forfilteret (4a) og filteret (4) er sat sammen.
- ◆ Du skal dreje forfilteret for at frigive det fra filteret, så du kan rengøre hver del separat, som vist i figur H.

Rengøring af produktet

Bortskaf snavset inde i støvbeholderen (3), som vist i figur G. Støvbeholderen kan skylles med vand. Den skal dog tørres bagefter.

Advarsel! Brug aldrig den trådløse støvsuger uden dens filtre.

Bemærk: Filteret er genanvendeligt. De må ikke forveksles med engangsstøvsugerposer, og de skal ikke smides væk, når produktet tømmes. Vi anbefaler, at du udskifter filteret hver 6.-9. måned.

Advarsel! Maksimal støvsopsamling kan kun opnås med rene filtre og tom støvbeholder. Hvis der falder støv ud af produktet, efter det er slukket, betyder det, at beholderen er fuld og skal tømmes.

- ◆ Fjern filteret (4), og ryst eller børst let evt. løst støv af filteret.
- ◆ Fjern støvet fra beholderen, og vask den om nødvendigt.
- ◆ Vask filteret jævnlgt med varmt sæbevand, som vist på figur I. Sørg for, at det er helt tørt, inden du bruger det igen.

Bemærk: Jo renere filteret er, des bedre præsterer produktet.

- ◆ Støvbeholderen kan også vaskes i varmt sæbevand. Sørg for, at den er tør, inden den genmonteres.
- ◆ Produktet må aldrig nedsænkes i vand. Brug en fugtig klud og sæbevand til rengøring af motordelen udvendigt. Sørg altid for, at produktet er helt tørt, inden det bruges igen eller opbevares.

Fejlsøgning

Problem	Mulig årsag	Mulig løsning
Enheden vil ikke starte.	Batteriet er ikke installeret korrekt. Batteri ikke opladet.	Kontroller installationen af batteriet. Kontroller kravene til opladning af batteriet
Batteriet kan ikke oplades.	Batteri er ikke sat i opladeren. Opladeren er ikke tilsluttet. Omgivende lufttemperatur for varm eller for kold.	Indsæt batteriet i opladeren, indtil LED vises. Tilslut opladeren til en fungerende stikkontakt. Se "Vigtige bemærkninger om opladning" for yderligere oplysninger. Kontroller strømstikket ved at tilslutte en lampe eller et andet apparat. Kontrollér, om der er forbindelse på stikdåsen ved at tilslutte en lampe til den, og derefter om strømmen bliver slået fra, når du slukker for lyset. Flyt opladeren og værktøjet til en omgivende lufttemperatur på over 4,5°C eller under +40,5°C.

Vedligeholdelse

Dit BLACK+DECKER apparat/værktøj med eller uden ledninger er designet til at fungere i lang tid med minimal vedligeholdelse. Vedvarende tilfredsstillende funktion er afhængig af, om værktøjet plejes korrekt og rengøres regelmæssigt.

Advarsel! Før udførelse af nogen form for vedligeholdelse på elværktøj med/uden ledning:

- ◆ Sluk, og tag apparatets/værktøjets stik ud af stikkontakten.
- ◆ Eller sluk og fjern batteriet fra apparatet/værktøjet, hvis det har en separat batteripakke.
- ◆ Eller aflad batteriet helt, hvis det er indbygget, og sluk derefter.
- ◆ Træk laderen ud af stikkontakten, før den rengøres.

Din oplader kræver ingen vedligeholdelse bortset fra regelmæssig rengøring.

- ◆ Rengør jævnligt apparatets/værktøjets/laderens ventilationshuller med en blød børste eller en tør klud.
- ◆ Rengør med jævne mellemrum motorhuset med en fugtig klud. Brug ikke et slibende eller opløsningsmiddel-baseret rengøringsmiddel.

Miljøbeskyttelse



Særskilt indsamling. Produkter og batterier mærket med dette symbol må ikke bortskaffes sammen med normalt husholdningsaffald.

Produkter og batterier indeholder materialer, der kan blive gendannet eller genanvendt og således reducere efterspørgslen efter råvarer.

Genbrug venligst elektriske produkter og batterier i henhold til lokale regulativer. Yderligere informationer findes på www.2helpU.com

Tekniske data

BCHV001	
Spænding (V_{AC})	18
Vægt (kg)	1,05

Oplader		S010**2400040/ SSC-250040**	S018***1800100/ SSC-200100**
Indgangsspænding	V_{AC}	100 - 240	220 - 240
Udgangsspænding	V_{DC}	8 - 20	8 - 20
Strømstyrke	mA	400	1000
Ladetid ca.	Timer	3 - 5	1 - 5

Batteri		BL1518	BL2018	BL4018	BL1518ST
Spænding	V_{AC}	18	18	18	18
Kapacitet	Ah	1,5	2,0	4,0	1,5
Type		Li-Ion	Li-Ion	Li-Ion	Li-Ion

Garanti

Black & Decker er sikker på kvaliteten af sine produkter og giver forbrugeren en garanti på 24 måneder fra købsdatoen. Garantien er et tillæg til forbrugerenes lovmæssige rettigheder og påvirker ikke disse. Garantien er gyldig inden for medlemsstaterne af Den Europæiske Union og Det Europæiske Frihandelsområde.

Når du gør krav på garantien, skal kravet være i overensstemmelse med Black & Decker vilkår og betingelser, og du skal indsende dokumentation for købet til sælgeren eller til en autoriseret reparatør. Vilkår og betingelser for Black & Decker 2 års garanti og placeringen af dit nærmeste autoriserede serviceværksted kan fås på internettet på www.2helpU.com, eller ved at kontakte dit lokale Black & Decker kontor på den adresse, der er angivet i denne vejledning.

Besøg venligst vores websted www.blackanddecker.co.uk for at registrere dit nye Black & Decker produkt og modtage opdateringer om nye produkter og specielle tilbud.

Käyttötarkoitus

BLACK+DECKER BCHV001 -rikkaimuri on tarkoitettu kevyeen märkä- ja kuivaimurointiin. Laite on tarkoitettu ainoastaan kotitalouskäyttöön.

Turvallisuusohjeet

Varoitus! Lue kaikki turvallisuusvaroitukset ja ohjeet. Jos alla olevia varoituksia ja ohjeita ei noudateta, on olemassa sähköiskun, tulipalon ja/tai vakavan henkilövahingon vaara.



Varoitus! Käytettäessä paristokäyttöisiä laitteita on aina noudatettava perusvarotoimenpiteitä palovaaran, vuotavien paristojen, tapaturmien ja aineellisten vaurioiden välttämiseksi.

- ◆ Lue nämä ohjeet huolellisesti ennen laitteen käyttöä.
- ◆ Käyttötarkoitus kuvataan tässä käyttöohjeessa. Muiden kuin tässä käyttöohjeessa suositeltujen lisävarusteiden tai -osien käyttö sekä laitteen käyttö muuhun kuin käyttöohjeessa suositeltuun tarkoitukseen voi aiheuttaa henkilövahingon vaaran.
- ◆ Säilytä tämä käyttöohje tulevaa tarvetta varten.

Laitteen käyttö

- ◆ Älä käytä laitetta nesteiden tai syttyvien materiaalien keräämiseen.

- ◆ Älä käytä laitetta veden lähellä.
- ◆ Älä upota laitetta veteen.
- ◆ Älä koskaan irrota laturia pistorasiasta vetämällä virtajohtosta. Pidä laturin virtajohto etäällä lämmönlähteistä, öljystä ja terävistä reunoista.
- ◆ Pidä hiukset, löysät vaatteet, sormet ja kaikki ruumiinosat poissa aukoista ja liikkuvista osista.
- ◆ Laitetta ei saa käyttää ilman pölypussia ja/tai suodattimia.

Tarkastus ja korjaus

- ◆ Tarkista ennen laitteen käyttöä, ettei laitteessa ole vahingoittuneita tai viallisia osia. Tarkista osien ja kytkimien kunto sekä muut seikat, jotka voivat vaikuttaa laitteen toimintaan.
- ◆ Älä käytä laitetta, jos jokin osa on vahingoittunut tai viallinen.
- ◆ Korjauta tai vaihdata vaurioituneet tai vialliset osat valtuutetussa huoltoliikkeessä.
- ◆ Tarkista säännöllisesti, ettei laturin virtajohto ole vahingoittunut. Vaihda laturi, jos virtajohto on vahingoittunut tai viallinen.
- ◆ Älä koskaan yritä korjata tai vaihtaa muita kuin ohjeissa erikseen määriteltyjä osia.

Muiden henkilöiden turvallisuus

- ◆ Tämä laite soveltuu yli 8-vuotiaiden lasten ja sellaisten henkilöiden käyttöön, joilla on fyysisiä tai älyllisiä rajoitteita tai aistirajoitteita, kuten myös laitteen toimintaan perehtymättömien henkilöiden käyttöön, jos heitä valvotaan tai jos he ovat saaneet

laitteen turvalliseen käyttöön liittyvää opastusta ja ymmärtävät laitteen käyttöön liittyvät vaarat.

- ◆ Älä anna lasten leikkiä laitteella. Puhdistus- ja huoltotöitä ei saa jättää lapsille ilman valvontaa.

Lisäturvaohjeet

Käytön jälkeen

- ◆ Irrota laturi pistorasiasta ennen laturin puhdistamista.
- ◆ Kun laitetta ei käytetä, se on säilytettävä kuivassa paikassa.
- ◆ Varmista, että lapset eivät pääse käsiksi laitteisiin.
- ◆ Suodatin ja esisuodatin on erittäin tärkeää asentaa oikein paikoilleen ennen laitteen käyttöä.
- ◆ Asenna pölysäiliö (3) asettamalla se laitteen etuosaan ja painamalla se paikoilleen.

Jäännösriskit

Myös muut kuin turvavaroituksissa mainitut riskit ovat mahdollisia laitetta käytettäessä. Riskit voivat johtua väärinkäytöstä, pitkästä käytöstä jne. Turvamääräysten noudattamisesta ja turvalaitteiden käyttämisestä huolimatta tiettyjä vaaroja ei voida välttää.

Näitä ovat:

- ◆ liikkuvien osien koskettamisen aiheuttamat vahingot
- ◆ kuumien osien koskettamisen aiheuttamat vahingot
- ◆ osia tai lisälaitteita vaihdettaessa aiheutuneet vahingot

- ◆ laitteen pitkäaikaisen käytön aiheuttamat vahingot. Kun käytät laitetta pitkään, varmista, että pidät säännöllisesti taukoja.
- ◆ Kuulon heikkeneminen.
- ◆ Työkalua käytettäessä (esimerkiksi puuta, erityisesti tammea, pyökkiä ja MDF-levyjä, käsiteltäessä) syntyneen pölyn sisäänhengityksen aiheuttamat terveystriskit.

Akut ja laturit

Akut ja laturit (myytävissä erikseen)

- ◆ Ladattavat akut tulee poistaa laitteesta ennen niiden lataamista.
- ◆ Akut ja paristot tulee asentaa merkittyjen napaisuuksien mukaisesti.
- ◆ Tyhjentyneet akut ja paristot tulee poistaa laitteesta ja hävittää asianmukaisesti.
- ◆ Jos laitetta säilytetään pitkään käyttämättömänä, akut ja paristot tulee poistaa.
- ◆ Napoja ei saa asettaa oikosulkuun.
- ◆ Älä koskaan yritä avata mistään syystä.
- ◆ Älä altista akkua vedelle.
- ◆ Älä altista akkua kuumuudelle.
- ◆ Älä säilytä akkua tiloissa, joissa lämpötila voi nousta yli 40 °C:n.
- ◆ Lataa akku paikassa, jonka lämpötila on vähintään 10 °C ja enintään 40 °C.
- ◆ Käytä akun lataamiseen vain laitteen mukana toimitettua laturia. Väärän tyyppinen laturi voi aiheuttaa sähköiskun tai akun ylikuumentumisen.

- ◆ Noudata akkujen hävittämisessä kohdassa Ympäristönsuojelu esitettyjä ohjeita.
- ◆ Suojaa akkua vahingoittumiselta niin, ettei sen kotelo rikkoudu eikä siihen kohdistu iskuja, sillä muutoin voi syntyä henkilövahinkojen ja tulipalon vaara.
- ◆ Älä lataa viallisia akkuja.
- ◆ Vaativissa oloissa voi ilmetä akkuvuotoja. Jos havaitset akkujen pinnalla nestettä, pyyhi se huolellisesti pois. Vältä ihokosketusta.
- ◆ Jos nestettä joutuu silmiin tai iholle, noudata alla olevia ohjeita.

Varoitus! Akkuneste voi aiheuttaa aineellisia vahinkoja tai henkilövahinkoja. Jos nestettä joutuu iholle, se on välittömästi huuhdeltava pois vedellä. Jos ihoa kirvelee tai se punottaa tai on muuten ärtynyt, kysy lisäohjeita lääkäriltä. Jos nestettä joutuu silmiin, huuhto välittömästi puhtaalla vedellä ja mene lääkäriin.

Laturit (myytävissä erikseen)

Laturi on tarkoitettu tietylle jännitteelle. Tarkista aina, että verkkojännite vastaa arvokilvessä ilmoitettua jännitettä ja teknisten tietojen taulukossa annettuja tietoja.

Varoitus! Älä yritä korvata laturiyksikköä tavallisella verkkopistokkeella.


- ◆ Käytä BLACK+DECKERin laturia vain laitteen/työkalun mukana toimitetun akun lataamiseen. Muut akut voivat räjähtää ja aiheuttaa henkilövahinkoja tai aineellisia vahinkoja.


- ◆ Älä koskaan yritä ladata akkuja tai paristoja, joita ei ole tarkoitettu ladattaviksi.
- ◆ Jos virtajohto vahingoittuu, sen vaihtaminen on turvallisuussyistä jätettävä valmistajan tai valtuutetun BLACK+DECKER-huollon tehtäväksi.
- ◆ Älä altista laturia vedelle.
- ◆ Älä avaa laturia.
- ◆ Älä työnnä mitään laturin sisään.
- ◆ Lataa laite/työkalu/akku paikassa, jossa on kunnollinen ilmanvaihto.


Sähköturvallisuus

Laturi on tarkoitettu tietylle jännitteelle. Tarkista aina, että verkkojännite vastaa arvokilvessä ilmoitettua jännitettä. Älä yritä korvata laturiyksikköä tavallisella verkkopistokkeella.

Laturin symbolit


 Lue nämä ohjeet huolellisesti ennen laitteen käyttöä.

 Tämä laite on kaksoiseristetty, joten erillistä maadoitusta ei tarvita. Tarkista aina, että verkkovirran jännite vastaa tyyppikilpeen merkittyä jännitettä.

 Laturi on tarkoitettu ainoastaan sisäkäyttöön.

Laitteen merkinnät

Työkaluun on merkitty päivämääräkoodi sekä seuraavat symbolit.

 Lue nämä ohjeet huolellisesti ennen laitteen käyttöä.

Ominaisuudet

Tämä kone sisältää kaikki seuraavat ominaisuudet tai joitakin niistä.

1. Virtakytkin (Kytke päälle liu'uttamalla eteen. Kytke pois päältä liu'uttamalla taakse)
2. Säiliön vapautuspainike
3. Pölysäiliö
4. Suodatin
5. Akku (akku sisältyy vain BCHV001C1-malleihin)
6. Akun vapautuspainike
7. Rakosuulake
- 7a. Rakosuulakkeen säilytystila
8. Harjasuulake

Käyttö

Akun lataaminen (kuva A)

Toimitettu vakiomallinen laturi lataa kokonaan tyhjän akun täyteen noin 5 tunnissa.

- ◆ Yhdistä laturi (9) sopivaan pistorasiaan ennen kuin laitat siihen akun (5).
- ◆ Aseta akku (5) laturiin (9) kuvan A mukaisesti.
- ◆ Vihreä LED-merkkivalo (9a) vilkkuu käynnissä olevan latauksen merkiksi.
- ◆ Kun lataus on valmis, vihreä LED-valo (9a) jää palamaan jatkuvasti. Akku on täysin ladattu ja sitä voidaan käyttää heti tai sen voi jättää laturiin.

Huomautus: Lataa tyhjennetyt akut mahdollisimman pian käytön jälkeen, muutoin akun käyttöikä voi lyhentyä.

Huomautus: Akku voidaan jättää laturiin, kun vihreä merkkivalo palaa. Laturi pitää akun käyttövalmiina ja ladattuna.

Tärkeitä huomautuksia lataamiseen

- ◆ Optimaalinen käyttöikä ja paras suorituskyky saavutetaan, kun akkua ladataan lämpötilassa 18 °C – 24 °C. ÄLÄ lataa akkua alle +4,5 °C tai yli +40,5 °C lämpötilassa. Tämä on tärkeää ja se estää akun vakavat vauriot.
- ◆ Laturi ja akku voivat kuumentua latauksen aikana. Tämä on normaalia, eikä ole se ole merkki ongelmasta. Jotta akku jäähtyisi käytön jälkeen, vältä asettamasta laturia tai akkua lämpimään ympäristöön (esim. metallikoteloon tai eristämättömään säiliöön).
- ◆ Jos akku ei lataudu virheettömästi:
 - ◆ Tarkista pistorasian sähkövirta kytkemällä siihen lamppu tai jokin muu laite.
 - ◆ Tarkista valojen sammuttamisen yhteydessä virran katkaisevaa valokytkintä liitetty pistorasiaan.
 - ◆ Siirrä laturi ja akku paikkaan, jossa ympäristölämpötila on noin 18 °C – 24 °C.
 - ◆ Jos latausongelmat jatkuvat, vie työkalu akun ja laturin ohella paikalliseen huoltopalveluun.

- ◆ Tämä akku tulee ladata uudelleen, kun se ei enää tuota riittävää tehoa töissä, jotka voitiin aikaisemmin tehdä helposti. ÄLÄ JATKA TYÖKALUN KÄYTTÖÄ näissä olosuhteissa. Noudata latausohjeita. Voit halutessasi myös ladata osittain käytetyn akun milloin tahansa, ilman että siitä olisi haittaa akulle.
- ◆ Vieraat johtavat aineet, kuten teräsvilla, alumiinifolio tai metallihiukkaskertymät, niihin kuitenkaan rajoittumatta, on pidettävä poissa laturin aukoista. Irrota laturi aina tehonsyötöstä, kun laturissa ei ole akkua. Irrota laturi tehonsyötöstä ennen kuin yrität puhdistaa sitä.
- ◆ Älä pakasta tai upota laturia veteen tai muihin nesteisiin.

Varoitus! Älä päästä nestettä laturin sisään. Älä koskaan yritä avata akkua mistään syystä. Jos akun muovikotelo rikkoutuu tai halkeaa, palauta se huoltopalveluun kierrätystä varten.

Akun asentaminen ja irrottaminen (kuva B)

Varoitus! Varmista, että imuri on kytketty pois päältä ennen akun poistamista tai asentamista.

Akun asentaminen

- ◆ Aseta akku (5) imuriin, kunnes kuulet napsahduksen (kuva B). Varmista, että akku on kokonaan paikoillaan ja lukittu paikoilleen.

Akun poistaminen

- ◆ Paina akun vapautuspainiketta (6) kuvan B mukaisesti ja vedä akku irti imurista.

Käyttäminen

Varoitus! Tämä laite on tarkoitettu vain kuivien roskien imuroimiseen.

- ◆ Virta kytketään imuriin työntämällä virtakytkin (1) eteen (kuva C).
- ◆ Imuri sammutetaan työntämällä virtakytkin (1) taakse (kuva C).

Lisävarusteiden asentaminen (kuva D)

- ◆ Harjasuulake (8) sisältää harjan, jota voidaan käyttää pölyn poistamiseen ja verhoilun puhdistamiseen.
- ◆ Rakosuulakkeen (7) avulla voit imuroida kapeita ja vaikeapääsyisiä paikkoja.
- ◆ Kiinnitä lisävaruste painamalla se pölysäiliöön (3).
- ◆ Rakosuulaketta voidaan säilyttää laitteessa kuvan (7a) mukaisesti.

Pölysäiliön irrottaminen (kuva E)

- ◆ Poista pölysäiliö (3) painamalla pölysäiliön vapautuspainiketta (2) ja vetämällä säiliö alas ja ulos (kuva E).

Suodattimien irrottaminen (kuvat F, G, H ja I)

Kun olet irrottanut säiliön laitteesta, näet sisällä olevan suodattimen.

- ◆ Voit irrottaa suodattimen säiliöstä vetämällä sen ulos.
- ◆ Poista sisällä oleva lika.
- ◆ Esisuodatin (4a) ja suodatin (4) on kiinnitetty yhteen.
- ◆ Voit irrottaa esisuodattimen suodattimesta esisuodatinta kiertämällä, jolloin osat voidaan puhdistaa erikseen kuvan H mukaisesti.

Tuotteen puhdistus

Poista pölysäiliön (3) sisällä oleva lika kuvan G mukaisesti. Pölysäiliö voidaan huuhdella vedellä. Se on kuivattava pesemisen jälkeen.

Varoitus! Älä koskaan käytä tätä langatonta rikkaimuria ilman suodattimia.

Huomautus: Suodatinta voidaan käyttää uudelleen, niitä ei saa sekoittaa kertakäyttöisiin pölypusseihin eikä sitä saa heittää pois tuotteen tyhjentämisen yhteydessä. Suodatin on suositeltavaa vaihtaa 6–9 kuukauden välein.

Varoitus! Maksimaalinen pölynkeräysteho saavutetaan vain, jos suodattimet ovat puhtaat ja pölysäiliö tyhjä. Jos pölyä tulee sammuttamisen jälkeen ulos tuotteesta, pölysäiliö on täynnä ja se on tyhjennettävä.

- ◆ Irrota suodatin (4) ja ravista tai harjaa sitä kevyesti pölyn poistamiseksi suodattimesta.
- ◆ Tyhjennä pölysäiliö ja pese se tarvittaessa.
- ◆ Pese suodatin säännöllisesti lämpimällä saippuavedellä kuvan I mukaisesti. Varmista, että se on kokonaan kuiva ennen uudelleen käyttöä.

Huomautus: Mitä puhtaampi suodatin on, sitä parempi on tuotteen teho.

- ◆ Pölysäiliö voidaan pestä myös lämpimällä saippuavedellä. Säiliö on kuivattava, ennen kuin asennetaan takaisin paikoilleen.
- ◆ Älä koskaan upota laitetta veteen. Puhdista laitteen moottori ulkoisesti käyttämällä vain saippuavettä ja kosteaa kangasta. Varmista, että tuote on täysin kuiva ennen sen käyttöä tai varastoimista.

Vianmääritys

Ongelma	Mahdollinen syy	Mahdollinen ratkaisu
Laitte ei käynnisty.	Akkua ei ole asennettu oikein. Akku ei ole latautunut.	Tarkista akun asennus. Tarkista akun latausvaatimukset.
Akku ei lataudu.	Akkua ei ole asetettu laturiin. Laturia ei ole kytketty pistorasiaan.	Aseta akku laturiin, kunnes vihreä LED-valo syttyy. Kytke laturi pistorasiaan. Katso lisätietoa osiosta ”Tärkeitä huomautuksia lataamiseen”. Tarkista pistorasian sähkövirta kytkemällä siihen lamppu tai jokin muu laite. Tarkista valojen sammuttamisen yhteydessä, onko virran katkaisevaa valokytkintä liitetty pistorasiaan. Siirrä laturi tai työkalu yli 4,5 °C tai alle +40,5 °C ympäristölämpötilaan.
	Ympäristölämpötila on liian korkea tai liian alhainen.	

Huolto

Langallinen/langaton BLACK+DECKER-työkalusi/koneesi on suunniteltu käytettäväksi pitkään ja edellyttämään vain vähän kunnossapitoa. Oikea käsittely ja säännöllinen puhdistus varmistavat laitteen ongelmattoman toiminnan.

Varoitus! Ennen verkkojohdolla varustetun tai verkkojohdottoman sähkötyökalun huoltoa toimi seuraavasti.

- ◆ Sammuta laite/työkalu ja irrota se verkkovirrasta.
- ◆ Jos laitteessa/työkalussa on erillinen akku, sammuta laite/työkalu ja irrota sen akku.
- ◆ Jos akku on kiinteä, käytä akku täysin loppuun ja sammuta laite/työkalu sitten.
- ◆ Irrota laturi pistorasiasta ennen laturin puhdistamista. Laturi ei vaadi huoltoa, ainoastaan säännöllisen puhdistuksen.
- ◆ Puhdista laitteen/työkalun/laturin ilma-aukot säännöllisesti pehmeällä harjalla tai kuivalla kangasliinalla.
- ◆ Puhdista moottorikotelo säännöllisesti kostealla liinalla. Älä käytä hiovia tai liuotinpohjaisia puhdistusaineita.

Ympäristön suojeleminen



Toimita tämä laite erilliskeräykseen. Tällä symbolilla merkityjä tuotteita ja akkuja ei saa hävittää tavallisen kotitalousjätteen mukana.

Tuotteissa ja akuissa on materiaaleja, jotka voidaan kerätä tai kierrättää uudelleen käyttöä varten.

Kierrätä sähkölaitteet ja akut paikallisten määräyksien mukaisesti. Lisätietoa on saatavilla osoitteessa

www.2helpU.com

Tekniset tiedot

BCHV001	
Jännite (V_{ac})	18
Paino (kg)	1,05

Laturi		S010**2400040/ SSC-250040**	S018***1800100/ SSC-200100**
Tulojännite	V_{AC}	100 - 240	220 - 240
Lähtöjännite	V_{DC}	8 - 20	8 - 20
Virta	mA	400	1000
Arvioitu latausaika	Tunnit	3 - 5	1 - 5

Akku		BL1518	BL2018	BL4018	BL1518ST
Jännite	V_{AC}	18	18	18	18
Teho	Ah	1,5	2,0	4,0	1,5
Tyyppi		Litiumioni	Litiumioni	Litiumioni	Litiumioni

Takuu

Black & Decker on varma tuotteidensa korkeasta laadusta ja tarjoaa kuluttajille 24 kuukauden takuun*, joka astuu voimaan ostopäivänä. Takuu on lisäys kuluttajan laillisiin oikeuksiin eikä se vaikuta niihin. Tämä takuu on voimassa kaikissa EU- ja ETA-maissa.

Takuuvaateet tulee tehdä Black & Decker -ehtojen mukaisesti ja ostotositte tulee tällöin toimittaa jälleenmyyjälle tai valtuutettuun huoltopalveluun. Black&Decker -yhtiön kahden vuoden takuun ehdot ja lähimmän valtuutetun korjauspalvelun tiedot ovat saatavilla osoitteessa www.2helpU.com tai ottamalla yhteyttä paikalliseen Black & Decker -toimipisteeseen tämän ohjekirjan osoitteeseen.

Vieraile verkkosivuillamme www.blackanddecker.co.uk uuden Black & Decker -tuotteen rekisteröimiseksi ja saadaksesi uusia tuotepäivityksiä sekä erikoistarjouksia.

Προβλεπόμενη χρήση Το ηλεκτρικό σκουπάκι χειρός BLACK+DECKER BCHV001 έχει σχεδιαστεί για ελαφρές εργασίες σκουπίσματος στεγνών επιφανειών. Αυτή η συσκευή προορίζεται μόνο για οικιακή χρήση.

Οδηγίες ασφαλείας



Προειδοποίηση! Διαβάστε όλες τις προειδοποιήσεις ασφαλείας και όλες τις οδηγίες. Η μη τήρηση των προειδοποιήσεων και των οδηγιών που αναφέρονται παρακάτω μπορεί να έχει ως αποτέλεσμα ηλεκτροπληξία, πυρκαγιά και/ή σοβαρή σωματική βλάβη.



Προειδοποίηση! Κατά τη χρήση συσκευών που τροφοδοτούνται με μπαταρίες, θα πρέπει να λαμβάνονται οι βασικές προφυλάξεις ασφαλείας, συμπεριλαμβανομένων των παρακάτω, για τον περιορισμό του κινδύνου πυρκαγιάς, διαρροής των μπαταριών, τραυματισμού προσώπων και υλικών ζημιών.

- ♦ Πριν χρησιμοποιήσετε τη συσκευή διαβάστε προσεκτικά ολόκληρο το εγχειρίδιο.
- ♦ Η προβλεπόμενη χρήση περιγράφεται σε αυτό το εγχειρίδιο. Τόσο η χρήση εξαρτημάτων ή προσαρτημάτων όσο και η πραγματοποίηση εργασιών με τη συσκευή που δεν συνιστώνται σε

αυτό το εγχειρίδιο οδηγιών εγκυμονεί κίνδυνο τραυματισμού.

- ♦ Φυλάξτε αυτό το εγχειρίδιο για μελλοντική αναφορά.

Χρήση της συσκευής σας

- ♦ Μη χρησιμοποιείτε τη συσκευή για να περισυλλέξετε υγρά ή οποιαδήποτε υλικά θα μπορούσαν να πιάνουν φωτιά.
- ♦ Μη χρησιμοποιείτε τη συσκευή κοντά σε νερό.
- ♦ Μη βυθίζετε τη συσκευή σε νερό.
- ♦ Ποτέ μην αποσυνδέετε το φορτιστή από την πρίζα τραβώντας τον από το καλώδιό του. Διατηρείτε το καλώδιο φορτιστή σε απόσταση από πηγές θερμότητας, λάδια και κοφτερές αιχμές.
- ♦ Κρατήστε μαλλιά, χαλαρά ρούχα, δάκτυλα και όλα τα μέρη του σώματος μακριά από ανοίγματα και κινούμενα μέρη.
- ♦ Μη χρησιμοποιείτε τη συσκευή χωρίς τη σακούλα σκόνης και/ή τα φίλτρα στη θέση τους.

Έλεγχος και επισκευή

- ♦ Πριν από τη χρήση, ελέγξτε τη συσκευή σας για τυχόν εξαρτήματα που παρουσιάζουν ζημιά ή ελάττωμα. Ελέγξτε αν υπάρχουν σπασμένα εξαρτήματα, ζημιά σε διακόπτες και οτιδήποτε άλλο μπορεί να επηρεάσει τη λειτουργία της.
- ♦ Μη χρησιμοποιείτε τη συσκευή εάν οποιοδήποτε εξάρτημα έχει υποστεί ζημιά ή βλάβη.

- ♦ Φροντίστε να γίνει η επισκευή ή η αντικατάσταση από εξουσιοδοτημένο κέντρο επισκευών τυχόν εξαρτημάτων που έχουν ζημιά ή ελάττωμα.
- ♦ Να ελέγχετε τακτικά την κατάσταση του καλωδίου του φορτιστή για τυχόν ζημιά. Σε περίπτωση που το καλώδιο του φορτιστή παρουσιάζει ζημιά ή ελάττωμα, αντικαταστήστε το φορτιστή.
- ♦ Ποτέ μην επιχειρήσετε να αφαιρέσετε ή να αντικαταστήσετε εξαρτήματα άλλα από αυτά που προσδιορίζονται σε αυτό το εγχειρίδιο.
- ♦ Όταν δεν χρησιμοποιείται, η συσκευή πρέπει να φυλάσσεται σε στεγνό μέρος.
- ♦ Τα παιδιά δεν πρέπει να έχουν πρόσβαση σε αποθηκευμένες συσκευές.
- ♦ Είναι πολύ σημαντικό να έχουν τοποθετηθεί σωστά το φίλτρο και το προφίλτρο πριν τη χρήση.
- ♦ Για να εγκαταστήσετε τον κάδο συλλογής σκόνης (3), τοποθετήστε τον πάνω στο μπροστινό μέρος της μονάδας και πιέστε τον ώστε να ασφαλίσει σταθερά στη θέση του με χαρακτηριστικό ήχο κλικ.

Ασφάλεια τρίτων

- ♦ Αυτή η συσκευή μπορεί να χρησιμοποιηθεί από παιδιά ηλικίας 8 ετών και άνω καθώς και από άτομα με μειωμένες σωματικές, αντιληπτικές ή διανοητικές ικανότητες ή άτομα χωρίς εμπειρία και γνώσεις, μόνο εφόσον επιτηρούνται ή τους έχουν δοθεί οδηγίες σχετικά με την ασφαλή χρήση της συσκευής και έχουν κατανοήσει τους πιθανούς κινδύνους.
- ♦ Τα παιδιά δεν πρέπει να παίζουν με τη συσκευή. Ο καθαρισμός και η συντήρηση από το χρήστη δεν πρέπει να γίνονται από παιδιά χωρίς επίβλεψη.

Πρόσθετες οδηγίες ασφαλείας

Μετά τη χρήση

- ♦ Πριν καθαρίσετε τον φορτιστή ή την βάση φόρτισης αποσυνδέστε τον φορτιστή από την πρίζα.

Υπολειπόμενοι κίνδυνοι.

Κατά τη χρήση του εργαλείου μπορεί να προκύψουν πρόσθετοι υπολειπόμενοι κίνδυνοι, οι οποίοι ενδέχεται να μη συμπεριλαμβάνονται στις προειδοποιήσεις ασφαλείας που εσωκλείονται. Αυτοί οι κίνδυνοι μπορεί να προκληθούν από κακή χρήση, παρατεταμένη χρήση κλπ. Παρά την εφαρμογή των σχετικών κανονισμών ασφαλείας και τη χρήση διατάξεων ασφαλείας, ορισμένοι υπολειπόμενοι κίνδυνοι δεν είναι δυνατό να αποφευχθούν. Σε αυτούς περιλαμβάνονται:

- ♦ Τραυματισμοί από επαφή με οποιαδήποτε κινούμενα εξαρτήματα.
- ♦ Τραυματισμοί από επαφή με οποιαδήποτε καυτά εξαρτήματα.
- ♦ Τραυματισμοί κατά την αλλαγή οποιωνδήποτε εξαρτημάτων ή αξεσουάρ.

- ♦ Τραυματισμοί που προκαλούνται από παρατεταμένη χρήση του εργαλείου. Όταν χρησιμοποιείτε οποιαδήποτε συσκευή για παρατεταμένες χρονικές περιόδους, βεβαιωθείτε ότι κάνετε τακτικά διαλείμματα.
- ♦ Βλάβη της ακοής.
- ♦ Κίνδυνοι στην υγεία που προκαλούνται από την εισπνοή σκόνης όταν χρησιμοποιείτε το εργαλείο (παραδείγματα:- όταν επεξεργάζεστε ξύλο, ειδικά δρυ, οξιά και MDF).
- ♦ Μην φυλάσσετε τις μπαταρίες σε μέρη όπου η θερμοκρασία μπορεί να υπερβεί τους 40 °C.
- ♦ Η φόρτιση πρέπει να γίνεται μόνο σε θερμοκρασίες περιβάλλοντος μεταξύ 10 °C και 40 °C.
- ♦ Η φόρτιση πρέπει να γίνεται μόνο με το φορτιστή που παρέχεται μαζί με τη συσκευή/το εργαλείο. Η χρήση άλλου φορτιστή μπορεί να προκαλέσει ηλεκτροπληξία ή υπερθέρμανση της μπαταρίας.
- ♦ Όταν απορρίπτετε μπαταρίες, ακολουθείτε τις οδηγίες που δίνονται στην ενότητα "Προστασία του περιβάλλοντος".
- ♦ Μην προξενήσετε ζημιά/ παραμορφώσετε το πακέτο μπαταριών είτε με τρύπημα είτε με χτύπημα, επειδή αυτό μπορεί να προκαλέσει κίνδυνο τραυματισμού και πυρκαγιάς.
- ♦ Μη φορτίζετε μπαταρίες που έχουν υποστεί ζημιά.
- ♦ Κάτω από ακραίες συνθήκες, μπορεί να επέλθει διαρροή υγρών μπαταρίας. Αν παρατηρήσετε υγρό πάνω στις μπαταρίες, σκουπίστε το προσεκτικά με ένα πανί. Αποφύγετε την επαφή με το δέρμα.
- ♦ Στην περίπτωση επαφής με το δέρμα ή τα μάτια, ακολουθήστε τις παρακάτω οδηγίες.

Μπαταρίες και φορτιστές

Μπαταρίες (μπορεί να πωλούνται χωριστά)

- ♦ Οι επαναφορτιζόμενες μπαταρίες πρέπει να αφαιρούνται από τη συσκευή πριν φορτιστούν.
- ♦ Οι μπαταρίες πρέπει να τοποθετούνται με τη σωστή πολικότητα.
- ♦ Οι μπαταρίες που έχουν εξαντληθεί πρέπει να αφαιρούνται από τη συσκευή και να απορρίπτονται με ασφαλή τρόπο.
- ♦ Αν η συσκευή πρόκειται να αποθηκευτεί για μεγάλο χρονικό διάστημα χωρίς να χρησιμοποιείται, οι μπαταρίες πρέπει να αφαιρεθούν.
- ♦ Οι ακροδέκτες τροφοδοσίας δεν πρέπει να βραχυκυκλωθούν.
- ♦ Ποτέ μην επιχειρήσετε να ανοίξετε το προϊόν, για κανένα λόγο.
- ♦ Μην εκθέτετε την μπαταρία σε νερό.
- ♦ Μην εκθέτετε την μπαταρία σε θερμότητα.

Προειδοποίηση! Το υγρό της μπαταρίας μπορεί να προκαλέσει τραυματισμό ή υλικές ζημιές. Στην περίπτωση επαφής με το δέρμα, ξεπλύνετε αμέσως με άφθονο νερό. Αν παρουσιαστεί κοκκίνισμα του δέρματος, πόνος ή

ερεθισμός, ζητήστε ιατρική βοήθεια. Στην περίπτωση επαφής με τα μάτια, ξεπλύνετε αμέσως με άφθονο καθαρό νερό και ζητήστε ιατρική βοήθεια.

Φορτιστές (μπορεί να πωλούνται χωριστά)

Ο φορτιστής σας είναι σχεδιασμένος για μια συγκεκριμένη ηλεκτρική τάση. Πάντα να ελέγχετε ότι η τάση ρεύματος δικτύου ανταποκρίνεται στην τάση που αναφέρεται στην πινακίδα στοιχείων και στις πληροφορίες στον πίνακα τεχνικών χαρακτηριστικών.

Προειδοποίηση! Ποτέ μην επιχειρήσετε να αντικαταστήσετε τη μονάδα φορτιστή με κανονική πρίζα.


- ♦ Ο φορτιστής BLACK+DECKER πρέπει να χρησιμοποιείται αποκλειστικά και μόνο για τη φόρτιση της μπαταρίας στη συσκευή/το εργαλείο που συνόδευε. Άλλες μπαταρίες μπορεί να εκραγούν, προκαλώντας τραυματισμό και ζημιές.
- ♦ Μην επιχειρήσετε ποτέ να φορτίσετε μη επαναφορτιζόμενες μπαταρίες.
- ♦ Αν το καλώδιο ρεύματος έχει υποστεί ζημιά, πρέπει να αντικατασταθεί από τον κατασκευαστή ή εξουσιοδοτημένο κέντρο σέρβις BLACK+DECKER, για την αποφυγή κινδύνου.
- ♦ Μην εκθέσετε τον φορτιστή σε νερό.
- ♦ Μην ανοίξετε τον φορτιστή.
- ♦ Μην εισάγετε αντικείμενα στον φορτιστή.


- ♦ Κατά τη φόρτιση, η συσκευή/το εργαλείο/η μπαταρία πρέπει να βρίσκεται σε επαρκώς αεριζόμενο χώρο.


Ασφαλής χρήση ηλεκτρικού ρεύματος

Ο φορτιστής σας είναι σχεδιασμένος για μια συγκεκριμένη ηλεκτρική τάση. Ελέγχετε πάντα αν η τάση τροφοδοσίας αντιστοιχεί σε αυτήν που αναγράφεται στην πινακίδα στοιχείων. Ποτέ μην επιχειρήσετε να αντικαταστήσετε τη μονάδα φορτιστή με κανονική πρίζα.

Σύμβολα επάνω στο φορτιστή


 Πριν χρησιμοποιήσετε τη συσκευή διαβάστε προσεκτικά ολόκληρο το εγχειρίδιο.

 Αυτό το εργαλείο διαθέτει διπλή μόνωση, επομένως δεν απαιτείται καλώδιο γείωσης. Ελέγχετε πάντα ότι η παροχή ρεύματος αντιστοιχεί στην τάση που αναφέρεται στην πινακίδα στοιχείων.

 Ο φορτιστής προορίζεται για χρήση σε εσωτερικούς χώρους μόνο.

Ετικέτες πάνω στη συσκευή

Αυτή η συσκευή φέρει τα παρακάτω σύμβολα μαζί με τον κωδικό ημερομηνίας.

 Πριν χρησιμοποιήσετε τη συσκευή διαβάστε προσεκτικά ολόκληρο το εγχειρίδιο.

Χαρακτηριστικά

Στο εργαλείο αυτό διατίθενται ορισμένα ή όλα τα παρακάτω χαρακτηριστικά.

1. Διακόπτης ενεργοποίησης/ απενεργοποίησης (on/off) (Σύρετέ τον προς τα εμπρός για ενεργοποίηση. Σύρετέ τον προς τα πίσω για απενεργοποίηση)
2. Κουμπί αποδέσμευσης κάδοου
3. Κάδος συλλογής σκόνης
4. Φίλτρο
5. Μπαταρία (Η μπαταρία περιλαμβάνεται μόνο στις εκδόσεις BCHV001C1)
6. Κουμπί απελευθέρωσης μπαταρίας
7. Εξάρτημα χαραμάδων
- 7α. Σημείο φύλαξης πάνω στη συσκευή για το εξάρτημα χαραμάδων
8. Εξάρτημα βούρτσας

Χρήση

Φόρτιση της μπαταρίας (Εικ. Α)

Ο κανονικός φορτιστής που παρέχεται θα φορτίσει μια πλήρως εξαντλημένη μπαταρία σε περίπου 5 ώρες

- ◆ Συνδέστε τον φορτιστή (9) σε κατάλληλη πρίζα πριν εισάγετε το πακέτο μπαταριών (5).
- ◆ Εισάγετε το πακέτο μπαταριών (5) στον φορτιστή (9) όπως δείχνει η εικόνα Α.
- ◆ Η πράσινη λυχνία LED (9a) θα αναβοσβήνει υποδεικνύοντας ότι η μπαταρία φορτίζεται.
- ◆ Η ολοκλήρωση της φόρτισης υποδεικνύεται από τη σταθερά αναμμένη πράσινη λυχνία LED (9a). Το πακέτο μπαταριών είναι πλήρως φορτισμένο και μπορεί να χρησιμοποιηθεί άμεσα ή να παραμείνει στο φορτιστή.

Σημείωση: Επαναφορτίζετε τις αποφορτισμένες μπαταρίες το συντομότερο δυνατόν μετά τη χρήση, διαφορετικά μπορεί να μειωθεί πολύ η διάρκεια ζωής τους.

Σημείωση: Ο φορτιστής και το πακέτο μπαταριών μπορούν να παραμείνουν συνδεδεμένα επί αόριστον με την πράσινη λυχνία LED αναμμένη. Ο φορτιστής θα διατηρήσει το πακέτο μπαταριών πλήρως φορτισμένο.

Σημαντικές επισημάνσεις για τη φόρτιση

- ◆ Μπορείτε να επιτύχετε τη μέγιστη διάρκεια ζωής και την καλύτερη απόδοση αν το πακέτο μπαταριών φορτίζεται όταν η θερμοκρασία αέρα είναι ανάμεσα σε 18 °C και 24 °C. ΜΗ φορτίζετε το πακέτο μπαταριών σε θερμοκρασία αέρα κάτω από τους +4,5 °C ή πάνω από τους +40,5 °C. Αυτό είναι σημαντικό και θα αποτρέψει σοβαρή ζημιά στο πακέτο μπαταριών.
- ◆ Ο φορτιστής και το πακέτο μπαταριών μπορεί να θερμανθούν κατά τη φόρτιση. Αυτό είναι κανονικό φαινόμενο και όχι ένδειξη προβλήματος. Για να διευκολύνετε την ψύξη του πακέτου μπαταριών μετά τη χρήση, αποφεύγετε να τοποθετείτε το φορτιστή ή το πακέτο μπαταριών σε θερμό περιβάλλον, όπως σε μεταλλικό παράπηγμα ή σε μη μονωμένο τρέιλερ.

- ◆ Αν το πακέτο μπαταριών δεν φορτίζεται σωστά:
 - ◆ Ελέγξτε το ρεύμα στην πρίζα συνδέοντας ένα φωτιστικό ή άλλη ηλεκτρική συσκευή.
 - ◆ Ελέγξτε μήπως η πρίζα συνδέεται σε διακόπτη φώτων που διακόπτει το ρεύμα όταν σβήνετε τα φώτα.
 - ◆ Μετακινήστε το φορτιστή και το πακέτο μπαταριών σε θέση όπου η θερμοκρασία αέρα περιβάλλοντος είναι περίπου 18 °C–24 °C
 - ◆ Αν τα προβλήματα φόρτισης επιμένουν, παραδώστε το εργαλείο, το πακέτο μπαταριών και τον φορτιστή στο τοπικό σας κέντρο σέρβις.
- ◆ Το πακέτο μπαταριών πρέπει να επαναφορτίζεται όταν δεν είναι σε θέση να παράγει επαρκή ισχύ σε εργασίες που γινόντουσαν εύκολα πιο πριν. ΜΗ ΣΥΝΕΧΙΣΤΕ να χρησιμοποιείτε το εργαλείο υπό αυτές τις συνθήκες. Ακολουθείτε τη διαδικασία φόρτισης. Μπορείτε επίσης να φορτίσετε όποτε επιθυμείτε ένα πακέτο μπαταριών που δεν έχει εξαντληθεί πλήρως, χωρίς αυτό να έχει αρνητικές συνέπειες στο πακέτο μπαταριών.
- ◆ Τα ξένα υλικά με αγωγίμες ιδιότητες, όπως είναι, αλλά χωρίς περιορισμό σε αυτά, το σύρμα τριψίματος, το αλουμινοχαρτό ή οποιαδήποτε συσσώρευση μεταλλικών σωματιδίων, θα πρέπει να διατηρούνται μακριά από τις κοιλότητες του φορτιστή. Πάντα αποσυνδέετε τον φορτιστή από την παροχή ρεύματος όταν δεν υπάρχει πακέτο μπαταριών μέσα στην κοιλότητα του φορτιστή. Αποσυνδέετε τον φορτιστή από την πρίζα πριν επιχειρήσετε να τον καθαρίσετε.
- ◆ Μην αφήσετε τον φορτιστή να παγώσει και μη τον βυθίσετε σε νερό ή οποιοδήποτε άλλο υγρό.

Προειδοποίηση! Μην επιτρέψετε να εισέλθει οποιοδήποτε υγρό μέσα στον φορτιστή. Ποτέ μην επιχειρήσετε να ανοίξετε το πακέτο μπαταριών, για κανένα λόγο. Αν το πλαστικό περιβλήμα του πακέτου μπαταριών σπάσει ή ραγίσει, επιστρέψτε το πακέτο σε κέντρο σέρβις για ανακύκλωση.

Εγκατάσταση και αφαίρεση της μπαταρίας (Εικ. Β)

Προειδοποίηση! Βεβαιωθείτε ότι το σκουπάκι είναι απενεργοποιημένο πριν αφαιρέσετε ή εγκαταστήσετε την μπαταρία.

Για την εγκατάσταση του πακέτου μπαταριών

- ◆ Εισαγάγετε το πακέτο μπαταριών (5) στο σκουπάκι, έως ότου ακούσετε χαρακτηριστικό ήχο κλικ (Εικόνα Β). Βεβαιωθείτε ότι το πακέτο μπαταριών έχει εδράσει πλήρως και έχει ασφαλίσει πλήρως στη θέση του.

Για να αφαιρέσετε το πακέτο μπαταριών

- ◆ Πατήστε το κουμπί απελευθέρωσης μπαταρίας (6) όπως δείχνει η Εικόνα Β και τραβήξτε το πακέτο μπαταριών έξω από το σκουπάκι.

Λειτουργία

Προειδοποίηση! Αυτό το προϊόν προορίζεται μόνο για συλλογή ξηρών υλικών.

- ♦ Για να ενεργοποιήσετε το σκουπάκι, μετακινήστε τον διακόπτη on/off (1) προς τα εμπρός (Εικ. C).
- ♦ Για να απενεργοποιήσετε το σκουπάκι, μετακινήστε τον διακόπτη on/off (1) προς τα πίσω (Εικ. C).

Τοποθέτηση των αξεσουάρ (Εικ. D)

- ♦ Το εξάρτημα βούρτσας (8) διαθέτει ένα βουρτσάκι το οποίο μπορεί να χρησιμοποιηθεί για ξεσκόνισμα και για καθαρισμό ταπεταριών.
- ♦ Το εξάρτημα χαραμάδων(7) επιτρέπει το ηλεκτρικό σκούπισμα σε στενά και δυσπρόσιτα μέρη.
- ♦ Για να συνδέσετε ένα αξεσουάρ, πιέστε το αξεσουάρ μέσα στον κάδο συλλογής σκόνης (3).
- ♦ Το εξάρτημα χαραμάδων μπορεί να φυλαχτεί πάνω στη μονάδα όπως φαίνεται στο (7a).

Αφαίρεση του κάδου συλλογής σκόνης (Εικ. E)

- ♦ Αφαιρέστε τον κάδο συλλογής σκόνης (3) πιέζοντας το κουμπί απελευθέρωσης κάδου συλλογής σκόνης (2) και τραβώντας τον κάδο προς τα κάτω και έξω (Εικ. E).

Αφαίρεση των φίλτρων (Εικ. F, G, H και I)

Αφού έχετε απελευθερώσει τον κάδο από τη μονάδα, το φίλτρο είναι μέσα στον κάδο.

- ♦ Αφαιρέστε το φίλτρο από το μπολ τραβώντας έξω το φίλτρο.
- ♦ Απορρίψτε τις ακαθαρσίες από το εσωτερικό του.
- ♦ Το προφίλτρο (4a) και το φίλτρο (4) είναι τοποθετημένα μαζί στη μονάδα.
- ♦ Πρέπει να περιστρέψετε το προφίλτρο για να το ελευθερώσετε από το φίλτρο και να καθαρίσετε κάθε εξάρτημα ξεχωριστά, όπως δείχνει η εικόνα H.

Καθαρισμός του προϊόντος

Απορρίψτε της ακαθαρσίες από το εσωτερικό του κάδου συλλογής σκόνης (3) όπως δείχνει η εικόνα G. Μπορείτε να ξεπλύνετε τον κάδο συλλογής σκόνης με νερό. Ωστόσο, μετά πρέπει να τον στεγνώσετε.

Προειδοποίηση! Ποτέ μη χρησιμοποιήσετε αυτό το σκουπάκι μπαταρίας χωρίς τα φίλτρα του.

Σημείωση: Το φίλτρο μπορεί να επαναχρησιμοποιηθεί, μην το θεωρήσετε παρόμοιο με τις σακούλες μιας χρήσης, και μην το πετάξετε κατά το άδειασμα του προϊόντος. Συνιστούμε να αντικαθιστάτε το φίλτρο κάθε 6-9 μηνες.

Προειδοποίηση! Η μέγιστη συλλογή σκόνης επιτυγχάνεται μόνο με καθαρά φίλτρα και άδειο τον κάδο συλλογής σκόνης. Αν αρχίσει να πέφτει σκόνη έξω από τη συσκευή μετά την απενεργοποίησή της, αυτό σημαίνει ότι ο κάδος συλλογής σκόνης είναι γεμάτος και πρέπει να τον αδειάσετε.

- ♦ Αφαιρέστε το φίλτρο (4) και νινάξτε το ελαφρά ή βουρτσάστε το απαλά ώστε να απομακρύνετε όλα τα μη προσκολλημένα σωματίδια σκόνης.
- ♦ Αδειάστε τη σκόνη από τον κάδο, και πλύνετε τον κάδο αν χρειάζεται.
- ♦ Πλύνετε το φίλτρο τακτικά χρησιμοποιώντας χλιαρό σαπουνόνερο όπως δείχνει η Εικόνα I. Βεβαιωθείτε ότι έχει στεγνώσει τελείως, πριν το χρησιμοποιήσετε πάλι.

Σημείωση: Όσο πιο καθαρό είναι το φίλτρο, τόσο καλύτερη θα είναι η απόδοση του προϊόντος.

- ♦ Ο κάδος συλλογής σκόνης μπορεί και να πλυθεί μέσα σε χλιαρό σαπουνόνερο. Βεβαιωθείτε ότι είναι στεγνός πριν τον τοποθετήσετε πάλι στη μονάδα.
- ♦ Ποτέ μη βυθίσετε το προϊόν σε νερό. Για να καθαρίζετε το εξωτερικό του τμήματος κινητήρα πρέπει να χρησιμοποιείτε ένα πανί που έχετε βρέξει ελαφρά με σαπουνόνερο. Πάντα να βεβαιώνετε ότι το προϊόν είναι τελείως στεγνό πριν το χρησιμοποιήσετε πάλι ή το φυλάξετε.

Αντιμέτωπιση προβλημάτων

Πρόβλημα	Πιθανή αιτία	Πιθανή λύση
Η μονάδα δεν τίθεται σε λειτουργία.	Η μπαταρία δεν έχει εγκατασταθεί σωστά. Η μπαταρία δεν είναι φορτισμένη.	Ελέγξτε την εγκατάσταση της μπαταρίας. Ελέγξτε τις απαιτήσεις φόρτισης της μπαταρίας
Το πακέτο μπαταρίας δεν φορτίζεται.	Η μπαταρία δεν έχει εισαχθεί στον φορτιστή. Ο φορτιστής δεν έχει συνδεθεί.	Εισάγετε την μπαταρία στον φορτιστή έως ότου ανάψει η LED. Συνδέστε τον φορτιστή σε λειτουργική πρίζα. Ανατρέξτε στις "Σημαντικές Παρατηρήσεις για τη φόρτιση" για περισσότερες λεπτομέρειες. Ελέγξτε το ρεύμα στην πρίζα συνδέοντας ένα φωτιστικό ή άλλη ηλεκτρική συσκευή. Ελέγξτε μήπως η πρίζα συνδέεται σε διακόπτη φωτών που διακόπτει το ρεύμα όταν σβήνετε τα φώτα. Μετακινήστε τον φορτιστή και το εργαλείο σε χώρο με θερμοκρασία αέρα περιβάλλοντος πάνω από 4,5 °C ή κάτω από +40,5 °C.
	Η θερμοκρασία αέρα περιβάλλοντος είναι πολύ θερμή ή πολύ ψυχρή.	

Συντήρηση

Αυτή η συσκευή/το εργαλείο ρεύματος/μπαταρίας της BLACK+DECKER έχει σχεδιαστεί έτσι ώστε να λειτουργεί για μεγάλο χρονικό διάστημα με την ελάχιστη δυνατή συντήρηση. Η συνεχής ικανοποιητική λειτουργία εξαρτάται από τη σωστή φροντίδα και τον τακτικό καθαρισμό του εργαλείου.

Προειδοποίηση! Πριν πραγματοποιήσετε οποιαδήποτε συντήρηση σε ηλεκτρικά εργαλεία με ρεύματος/μπαταρίας:

- ◆ Απενεργοποιήστε και αποσυνδέστε τη συσκευή/το εργαλείο από την πρίζα.
- ◆ Ή απενεργοποιήστε και αφαιρέσετε την μπαταρία από τη συσκευή/το εργαλείο εάν η συσκευή/το εργαλείο διαθέτει ξεχωριστό πακέτο μπαταριών.
- ◆ Ή χρησιμοποιήστε την μπαταρία μέχρι να αδειάσει εντελώς και στη συνέχεια απενεργοποιήστε.
- ◆ Πριν καθαρίσετε τον φορτιστή, αποσυνδέστε τον από την πρίζα. Ο φορτιστής σας δεν χρειάζεται οποιαδήποτε συντήρηση πέραν του τακτικού καθαρισμού.
- ◆ Καθαρίζετε τακτικά τις εγχοπές εξαιρισμού της συσκευής/του εργαλείου/του φορτιστή με μια μαλακή βούρτσα ή με ένα στεγνό πανί.
- ◆ Καθαρίζετε τακτικά το περίβλημα μοτέρ με ένα ελαφρά υγρό πανί. Μη χρησιμοποιείτε καθαριστικά που χαράζουν ή περιέχουν διαλύτες.

Προστασία του περιβάλλοντος



Χωριστή περισυλλογή. Τα προϊόντα και οι μπαταρίες που επισημαίνονται με αυτό το σύμβολο δεν πρέπει να απορρίπτονται μαζί με τα κανονικά οικιακά απορρίμματα.

Τα προϊόντα και οι μπαταρίες περιέχουν υλικά που μπορούν να ανακτηθούν ή να ανακυκλωθούν ώστε να μειωθούν οι ανάγκες για πρώτες ύλες.

Παρακαλούμε να ανακυκλώνετε τα ηλεκτρικά προϊόντα και τις μπαταρίες σύμφωνα με τους τοπικούς κανονισμούς. Περισσότερες πληροφορίες διατίθενται στον ιστότοπο www.2helpU.com

Τεχνικά χαρακτηριστικά

		BCHV001	
Τάση (V _{ac})		18	
Βάρος (kg)		1,05	

Φορτιστής		S010**2400040/ SSC-250040**	S018***1800100/ SSC-200100**
Τάση εισόδου	V _{AC}	100 - 240	220 - 240
Τάση εξόδου	V _{DC}	8 - 20	8 - 20
Ρεύμα	mA	400	1000
Χρόνος φόρτισης κατά προσέγγιση	Ωρες	3 - 5	1 - 5

Μπαταρία		BL1518	BL2018	BL4018	BL1518ST
Τάση	V _{AC}	18	18	18	18
Χωρητικότητα	Ah	1,5	2,0	4,0	1,5
Τύπος		Ιόντων Λιθίου	Ιόντων Λιθίου	Ιόντων Λιθίου	Ιόντων Λιθίου

Εγγύηση

Η Black & Decker είναι σίγουρη για την ποιότητα των προϊόντων της και προσφέρει στους καταναλωτές εγγύηση 24 μηνών από την ημερομηνία αγοράς. Αυτή η εγγύηση αποτελεί πρόσθετο δικαίωμά σας και δεν ζημιώνει τα νόμιμα δικαιώματά σας. Η εγγύηση ισχύει εντός της επικράτειας των χωρών μελών της Ευρωπαϊκής Ένωσης και της Ευρωπαϊκής Ζώνης Ελεύθερων Συναλλαγών.

Για να υποβάλετε αξίωση βάσει της εγγύησης, η αξίωση πρέπει να είναι σύμφωνη με τους Όρους και προϋποθέσεις της Black & Decker και θα χρειαστεί να υποβάλετε απόδειξη αγοράς στον πωλητή ή ένα εξουσιοδοτημένο αντιπρόσωπο σέρβις. Μπορείτε να δείτε τους Όρους και προϋποθέσεις της εγγύησης 2 ετών της Black & Decker και την τοποθεσία του πλησιέστερου εξουσιοδοτημένου αντιπροσώπου σέρβις, στο Internet στη διεύθυνση www.2helpU.com, ή επικοινωνώντας με το τοπικό σας γραφείο Black & Decker στη διεύθυνση που υποδεικνύεται στο παρόν εγχειρίδιο.

Επισκεφθείτε τον ιστότοπό μας www.blackanddecker.gr για να καταχωρίσετε το καινούργιο προϊόν Black & Decker που αποκτήσατε και για να λαμβάνετε ενημερώσεις σχετικά με νέα προϊόντα και ειδικές προσφορές.

België/Belgique/Luxembourg www.blackanddecker.be enduser.be@sbdinc.com	Stanley Black & Decker Belgium BVBA Egide Walschaertsstraat 16 2800 Mechelen	Tel. NL +32 15 47 37 65 Tel. FR +32 15 47 37 66 Fax. +32 15 47 37 99
Danmark	Black & Decker Roskildevej 22 2620 Albertslund	kundeservice.dk@sbdinc.com www.blackanddecker.dk
Deutschland www.blackanddecker.de infobfge@sbdinc.com	Stanley Black & Decker Deutschland GmbH Black & Decker Str. 40, D - 65510 Idstein	Tel. 06126 21-0 Fax 06126 21-2980
Ελλάδα www.blackanddecker.gr greece.service@sbdinc.com	Stanley Black & Decker (ΕΛΛΑΣ) Ε.Π.Ε ΓΡΑΦΕΙΑ: Στράβωνος 7 & Βουλιαγμένης 166 74 Γλυφάδα - Αθήνα	Τηλ. 210-8981616 Φαξ 210-8983570
SERVICE:	Ημερος Τόπος 2 -Χάνι Αδάμ 193 00 Ασπρόπυργος - Αθήνα	Τηλ. Service 210-8985208 Φαξ 210-5597598
España www.blackanddecker.es respuesta.posventa@sbdinc.co	Stanley Black & Decker Ibérica, S.C.A. Parc de Negocis "Mas Blau" Edificio Muntadas, c/Bergadà, 1, Of. A6 08820 El Prat de Llobregat (Barcelona)	Tel. 934 797 400 Fax 934 797 419
France www.blackanddecker.fr	Black & Decker (France) S.A.S. 5 allée des Hêtres B.P. 30084 69579 Limonest Cédex	Tel. 04 72 20 39 20 Fax 04 72 20 39 00
Helvetia www.blackanddecker.ch service@rofoag.ch	ROFO AG Gewerbezone Seeblick 3213 Kleinbödingen	Tel. 026-6749393 Fax 026-6749394
Italia www.blackanddecker.it service.italia@sbdinc.com	Stanley Black & Decker Italia Via Energy park 6 20871 Vimercate (MB)	Tel. 039-9590200 Fax 039-9590313 Numero verde 800-213935
Nederland www.blackanddecker.nl enduser.nl@sbdinc.com	Stanley Black & Decker Netherlands BV Holtum Noordweg 35, 6121 RE BORN Postbus 83, 6120 AB BORN	Tel. +31 164 283 065 Fax +31 164 283 200
Norge	Black & Decker Postboks 4613, Nydalen 0405 Oslo	kundeservice.no@sbdinc.com www.blackanddecker.no
Österreich www.blackanddecker.at service.austria@sbdinc.com	Stanley Black & Decker Austria GmbH Oberlaaerstraße 248, A-1230 Wien	Tel. 01 66116-0 Fax 01 66116-614
Portugal www.blackanddecker.pt resposta.posvenda@sbdinc.com	Black & Decker Limited SARL Quinta da Fonte - Edifício Q55 D. Diniz Rua dos Malhões, 2 e 2A - Piso 2 Esquerdo 2770 - 071 Paço de Arcos	Tel. 214667500 Fax 214667580
Suomi	Black & Decker PL47 00521, Helsinki	asiakaspalvelu.fi@sbdinc.com www.blackanddecker.fi
Sverige	Black & Decker AB Box 94, 431 22 Mölndal	kundserservice.se@sbdinc.com www.blackanddecker.se
Türkiye www.blackanddecker.com.tr	KALE Hirdavat ve Makina A.Ş. Defterdar Mah. Savaklar Cad. No:15 Edirnekapı / Eyüp / İstanbul 34050	Tel. 0212 533 52 55 Fax. 0212 533 10 05
United Kingdom & Republic Of Ireland www.blackanddecker.co.uk emeaservice@sbdinc.com	Black & Decker 270 Bath Road Slough, Berkshire SL1 4DX	Tel. 01753 511234 Fax 01753 512365
Middle East & Africa www.blackanddecker.ae service.mea@sbdinc.com	Black & Decker P.O.Box - 17164 Jebel Ali Free Zone (South), Dubai, UAE	Tel. +971 4 8863030 Fax +971 4 8863333