

# ENSO MESH

— Quick Installation Guide —

## Package Content:

⊕ ***Enso Mesh Case***

⊕ ***Enso Mesh Quick Installation Guide***

⊕ ***Accessory Box***

3x Motherboard standoff-M3 #6-32 L3mm

---

8x 3.5"HDD screw-6#-32\*5BM

---

4x HDD tray fasten screw-#6-32\*L12MM

---

6x PSU Screw Hex-#6-32\*5\*7.5

---

22x Motherboard Standard Screw- PWM M3\*5\*7.5

---

6x Cable tie- 2.5mm x 150mm

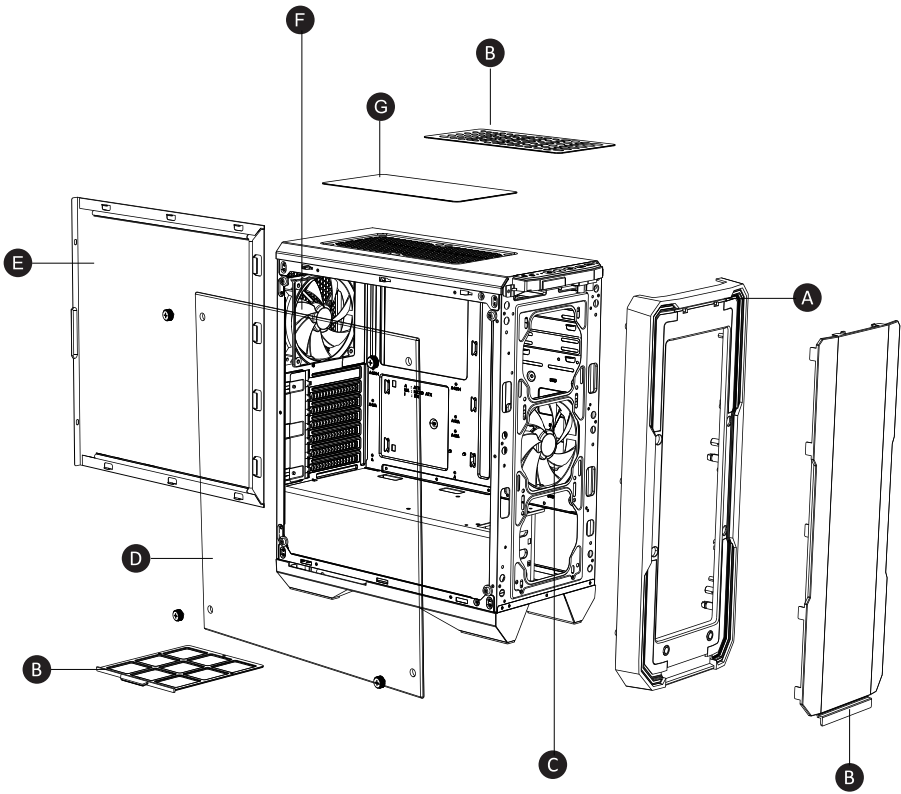
---

1x Speaker

---

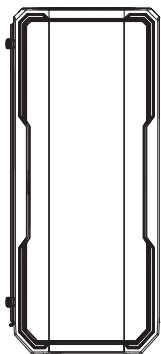
1x Tempered Glass Standard Thumbscrews-#6-32\*10

---

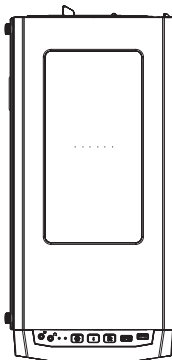


- (A)** Front Panel
- (E)** Side Panel
- (B)** Dust Filter
- (F)** Static RGB LED Fan
- (C)** Fan (120mm)
- (G)** Dust Cover
- (D)** Tempered Glass Side Panel

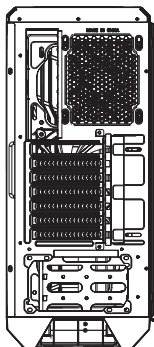
Front



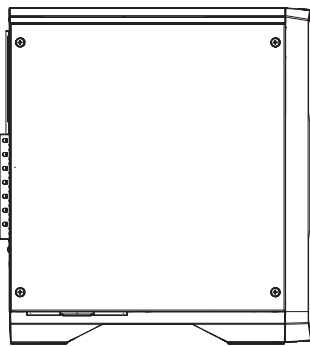
Top



Back

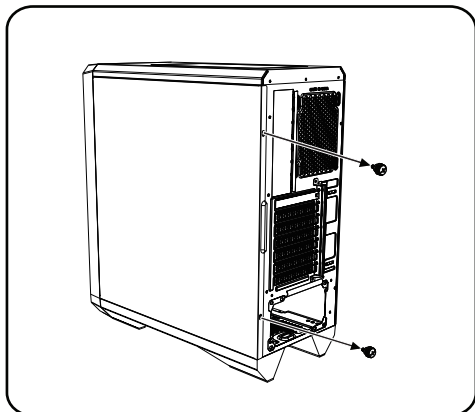


Side

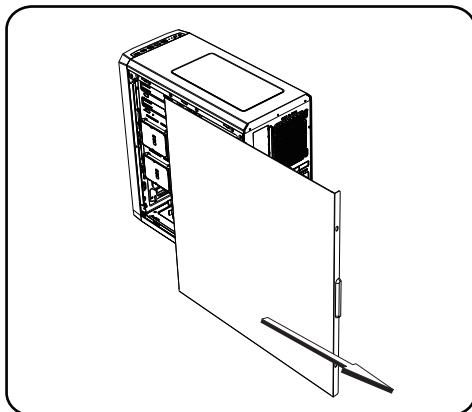


## Basic Installation

How to remove the right side panel

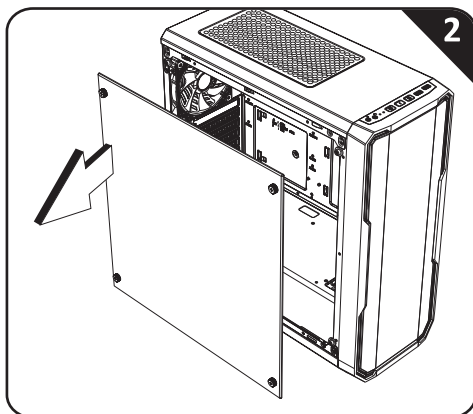
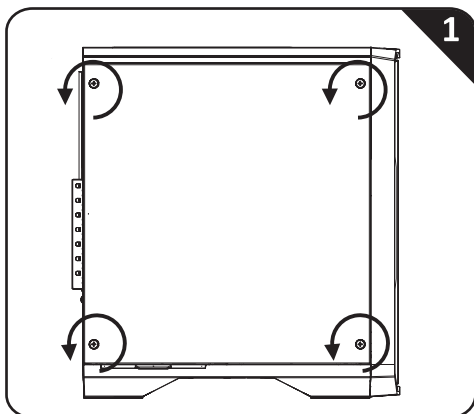


Remove both thumb screws

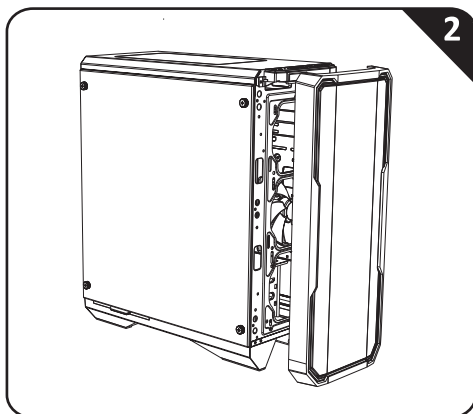
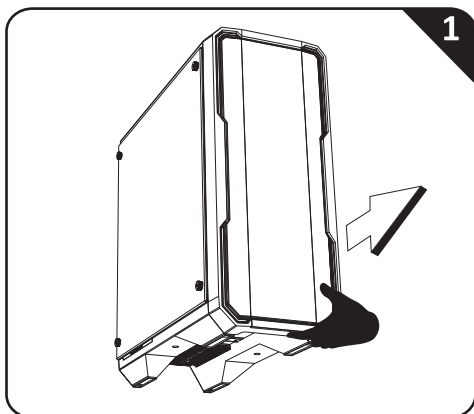


Slide the side panels towards the back of the case

## How to remove the tempered glass side panel



## How to remove the front panel

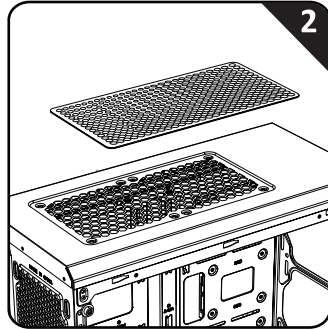
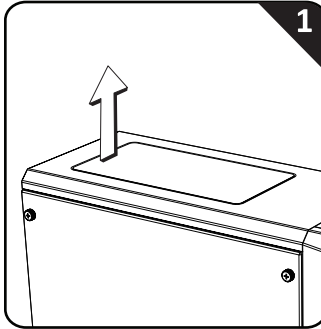




# How to remove the dust filters

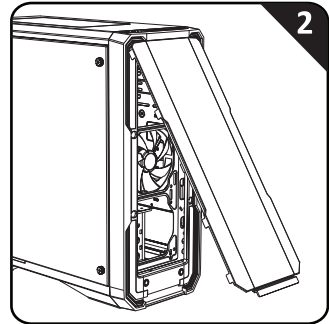
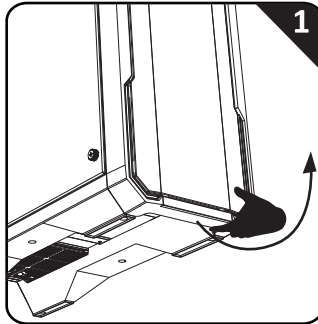
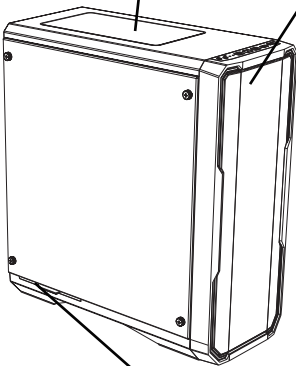
## Top Filter

Pull off the magnetic dust filter



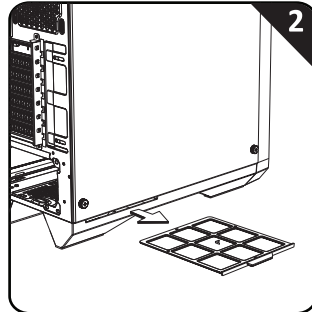
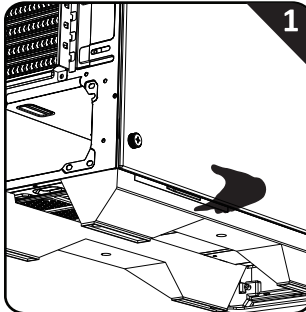
## Front Filter

Pull out the front filters from the side of the front panel

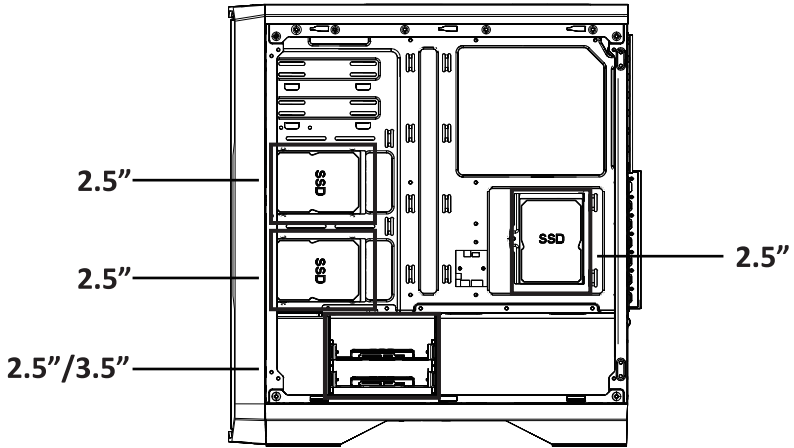


## PSU Filter

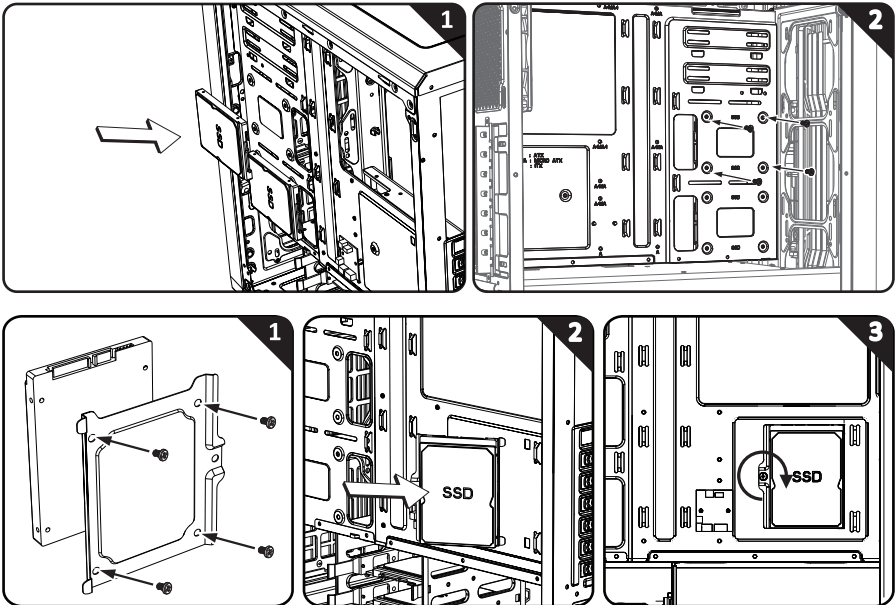
Pull out the PSU filter from the side of the feet



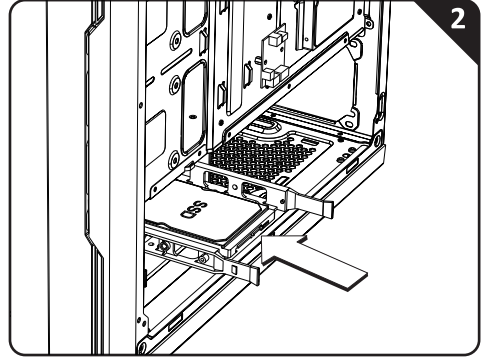
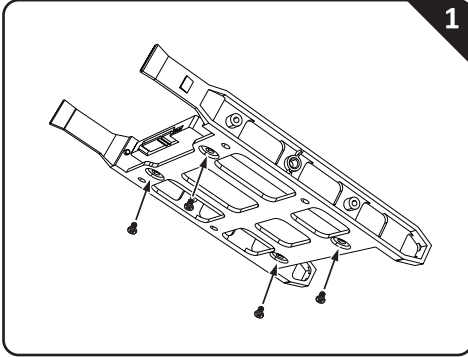
## Drive Locations



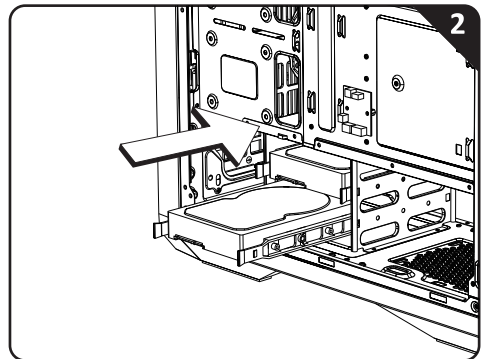
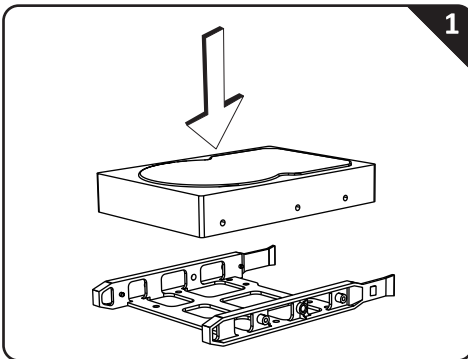
## Installing 2.5" Drives



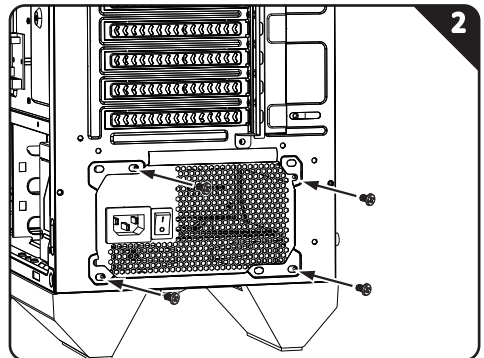
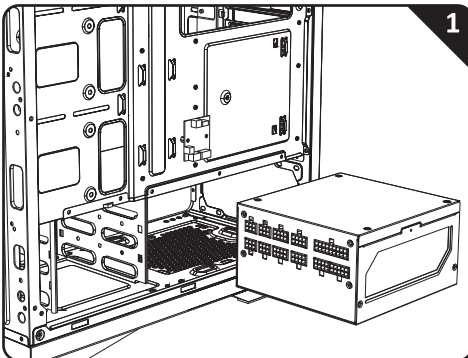
## Installing 2.5" Drives



## Installing 3.5" Drives

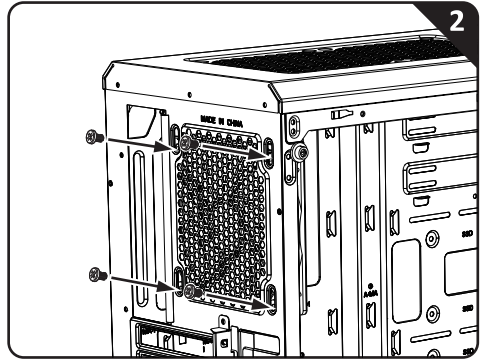
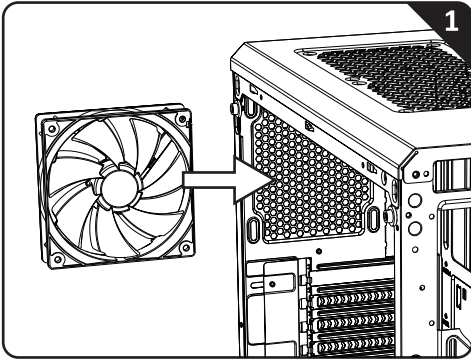


## PSU Installation

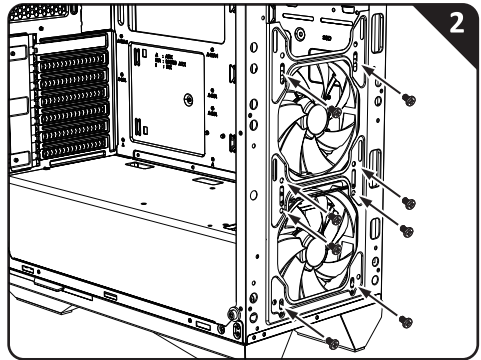
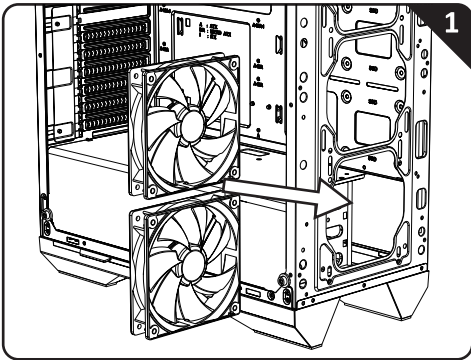




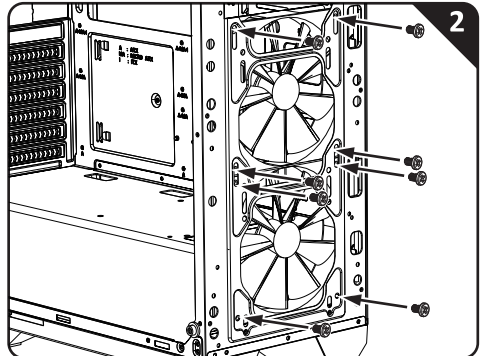
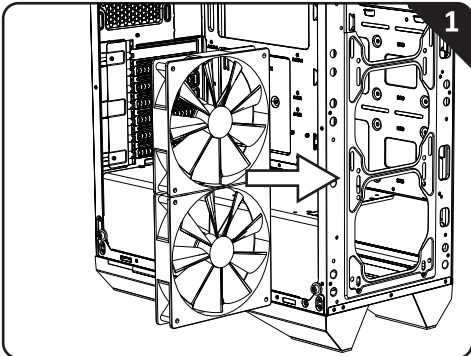
## Back Fan Installation (120mm)



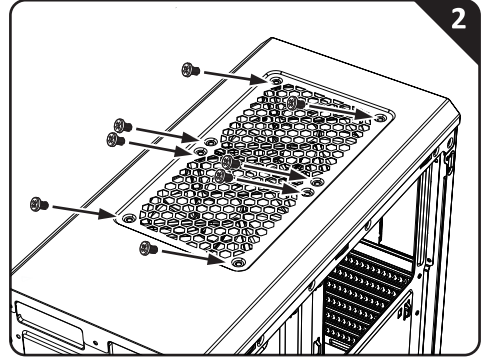
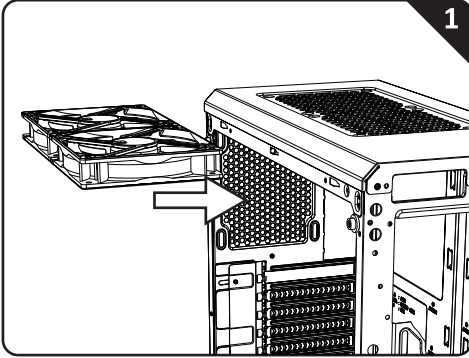
## Front Fan Installation (120mm)



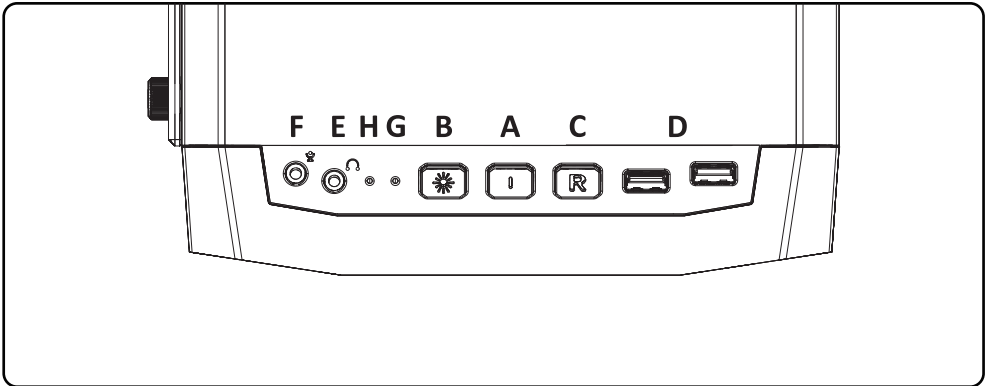
## Front Fan Installation (140mm)



## Top Fan Installation (120mm)



## Control Panel



**A. Power Button**

**E. Headphone Jack**

**B. LED Control Button**

**F. Microphone Jack**

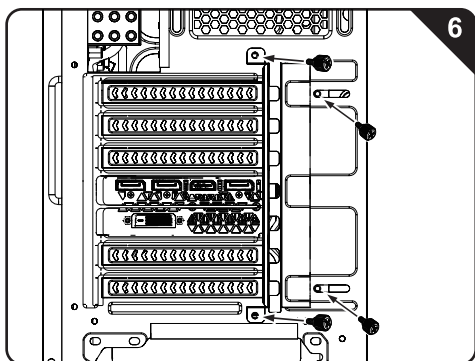
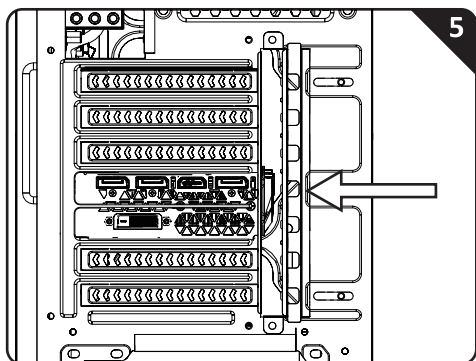
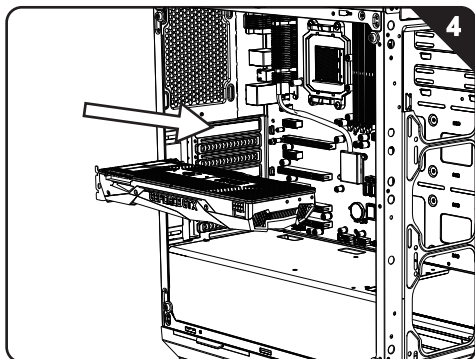
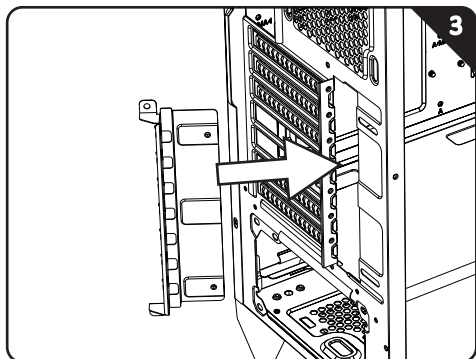
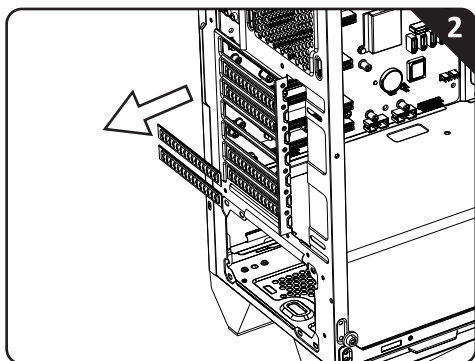
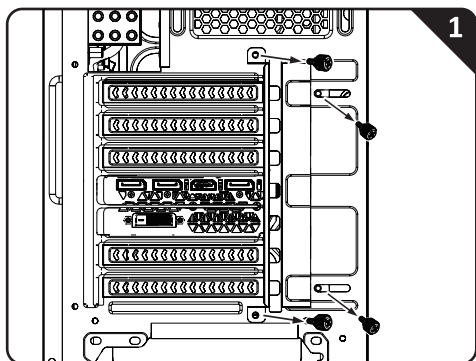
**C. Reset Button**

**G. HDD LED**

**D. USB3.0 Port**

**H. Power LED**

## PCI-E Card Installation



# BE INVINCIBLE

WWW.BITFENIX.COM



**BitFenix Co., Ltd.**

3F, No.79, Sec. 1, Xintai 5th Rd.,

BITFENIX

Xi Zhi District, New Taipei City, Taiwan, R.O.C.

© 2018 BITFENIX Co., Ltd. All Rights Reserved. All trademarks are registered to their respective owners

For the most updated information, please visit our official website : <http://www.bitfenix.com> Ver 1.0 | 2018/11