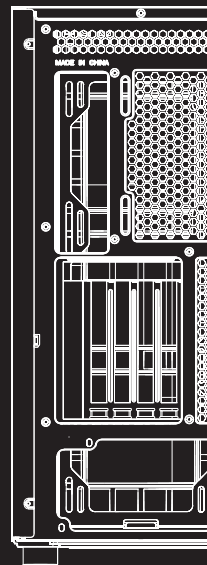
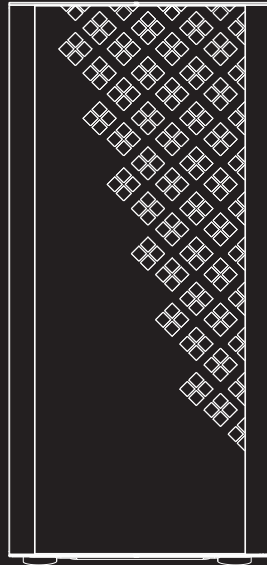
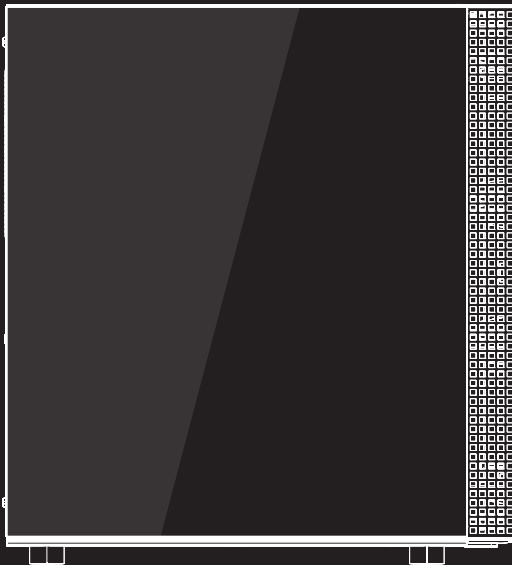


DAWN TG

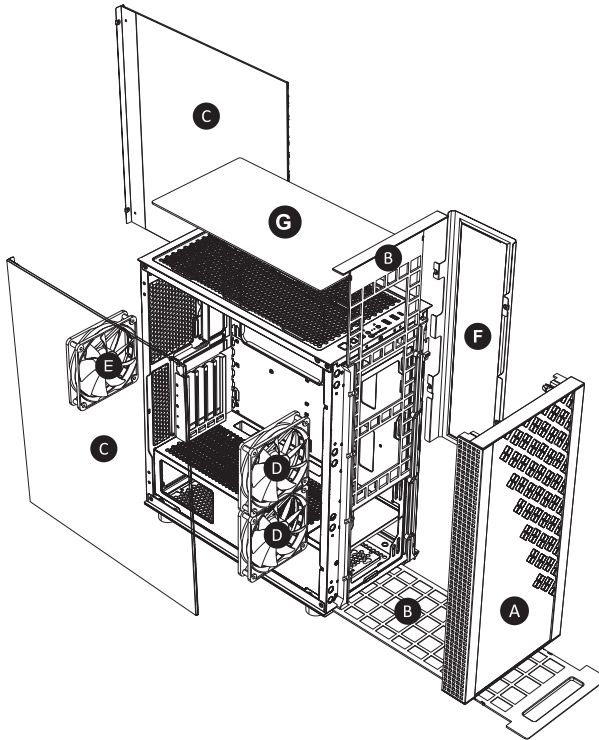
Quick Installation Guide



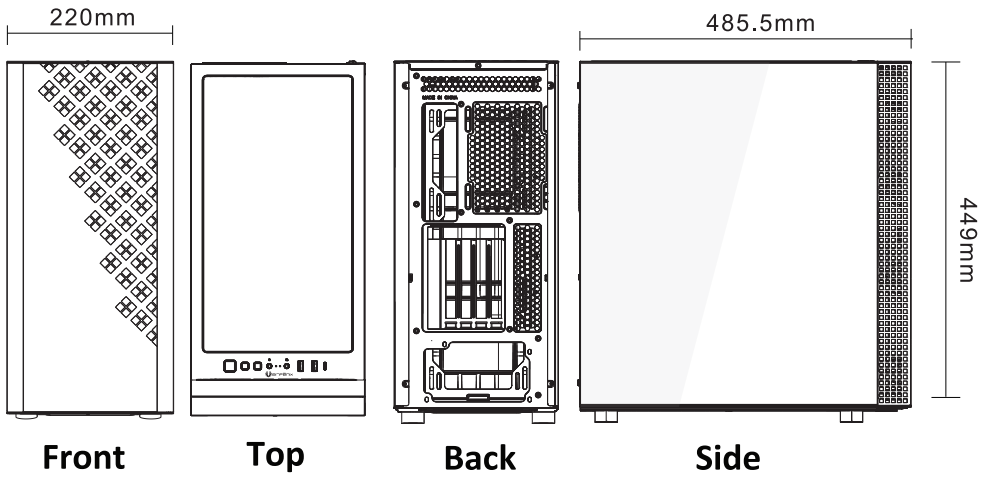
DAWN TG Package Content:

- ⊕ **DAWN TG Case**
- ⊕ **DAWN TG Quick Installation Guide**
- ⊕ **Accessory Pack**

Buzzer	1pc	PSU screw	6pcs
Copper column	3pcs	M/B screw	27pcs
HDD screw	16pcs	Cable tie	8pcs
Hand screw	1pcs		

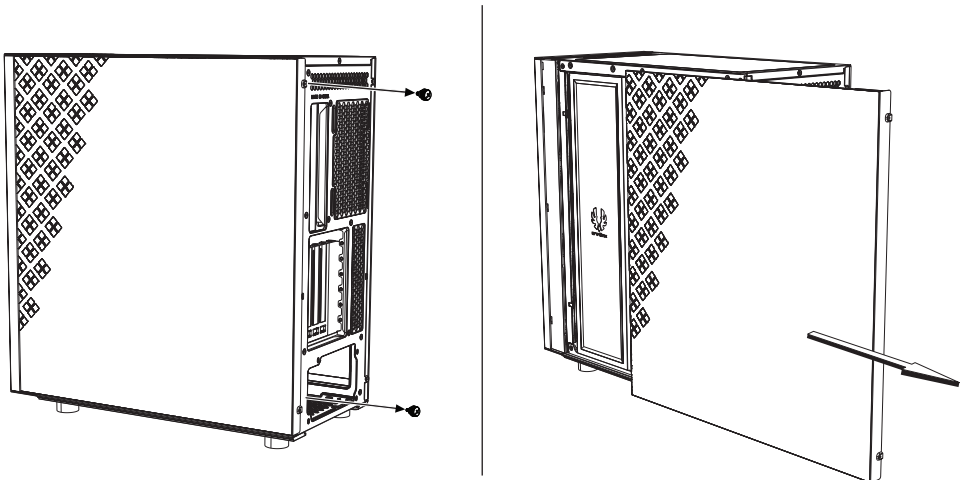


- A** Front Panel
- B** Dust Filter
- C** Tempered Glass Side Panel
- D** Fan (120mm)
- E** Static RGB LED Fan
- F** Cable Management Cover
- G** Magnet Solid Top Cover x1 , Magnet Mesh Top Cover x1

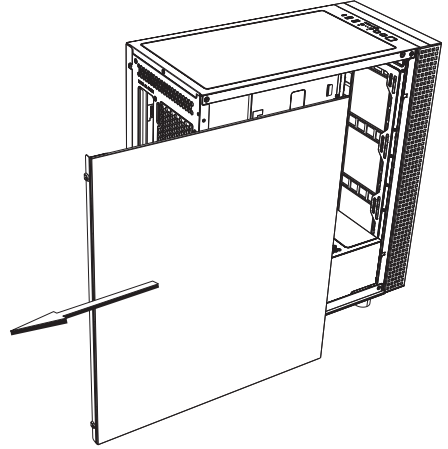
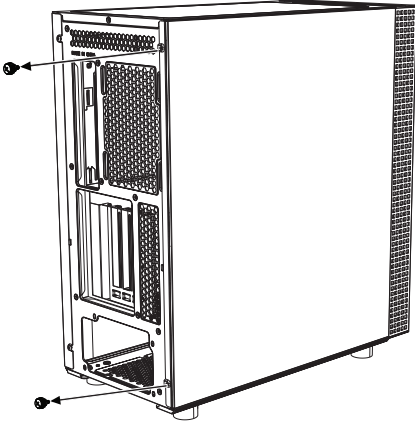


Basic Installation

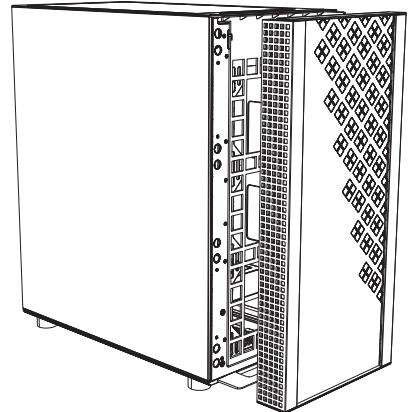
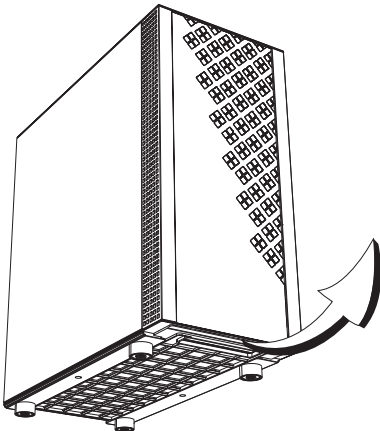
How to remove the right tempered glass side panel



How to remove the left tempered glass side panel



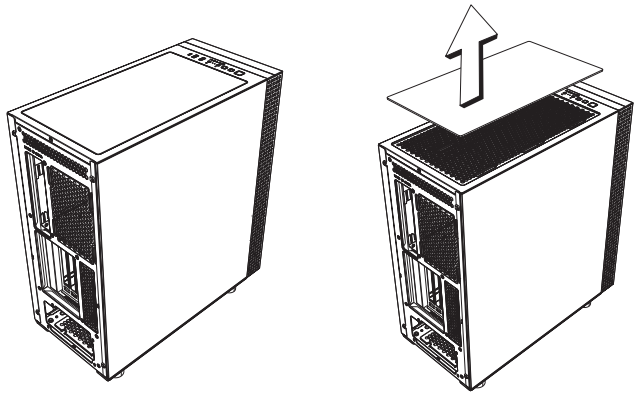
How to remove the front panel



How to remove the dust filters

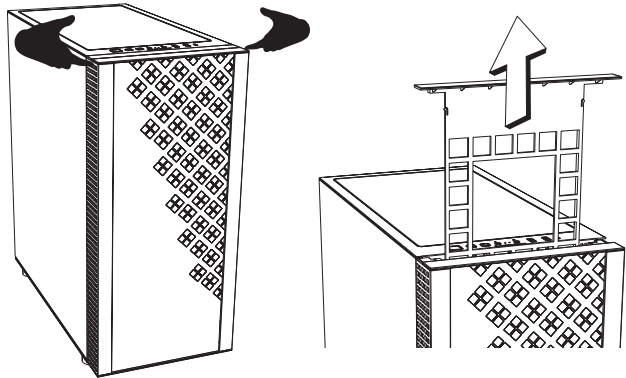
Top Filter

Pull off
the magnetic
dust filter



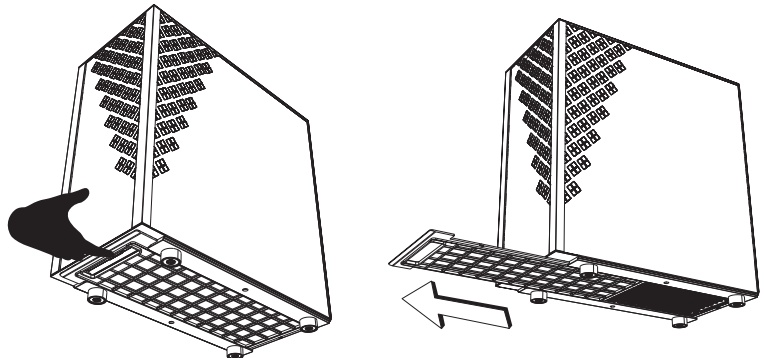
Front Filter

Pull off
the magnetic
dust filter

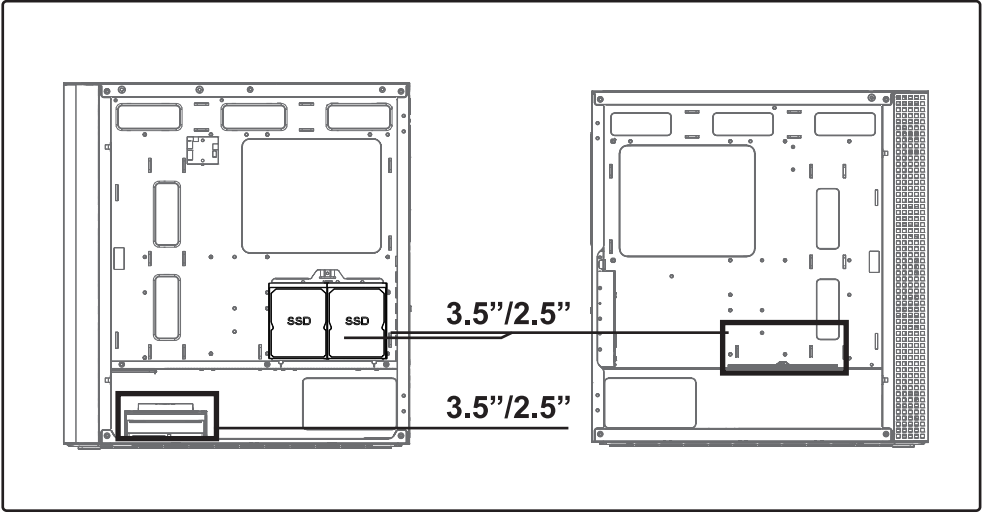


PSU Filter

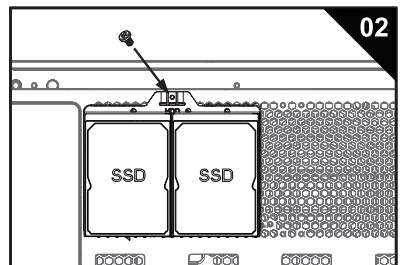
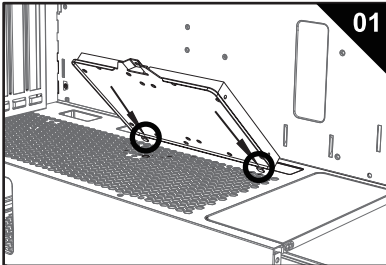
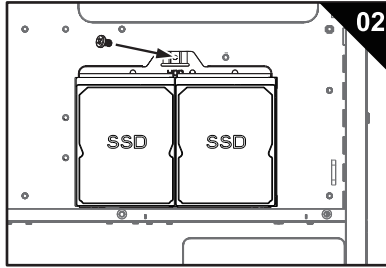
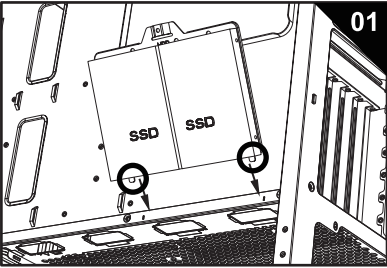
Pull out the
PSU filter from
the side of the feet



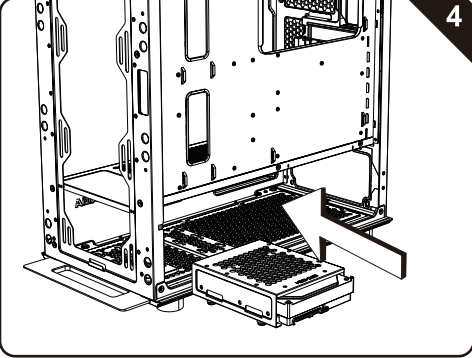
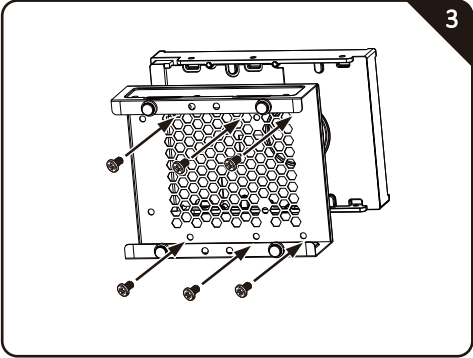
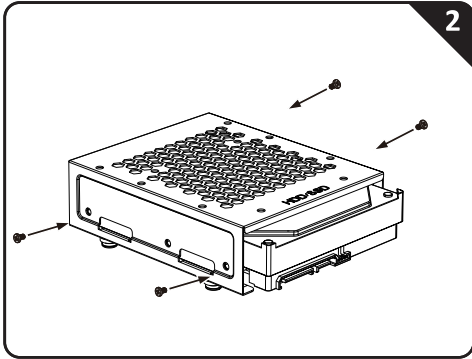
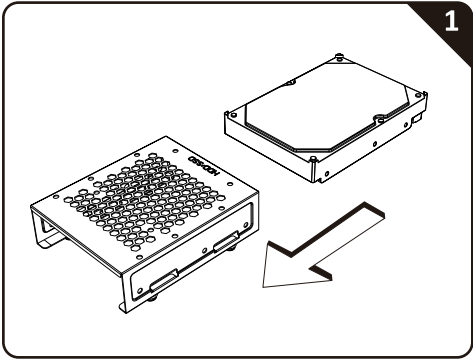
Drive Locations



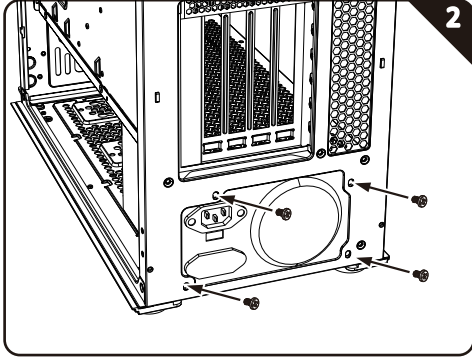
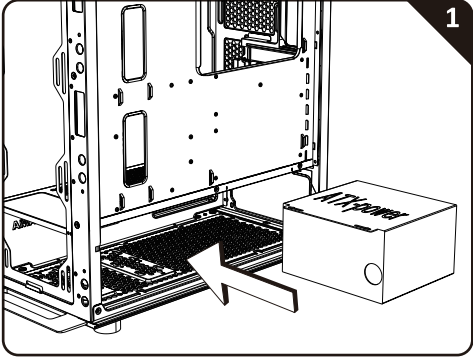
Installing 2.5" Drives



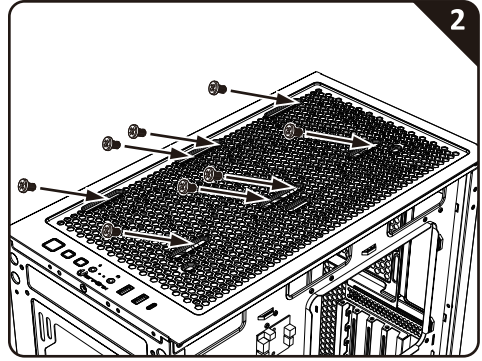
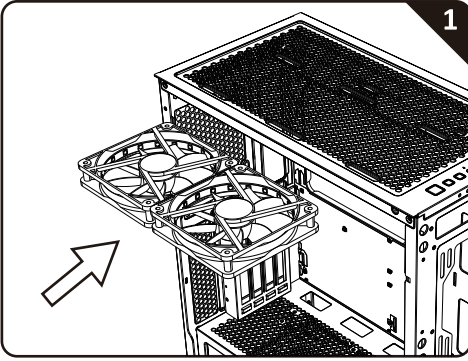
Installing 3.5" Drives



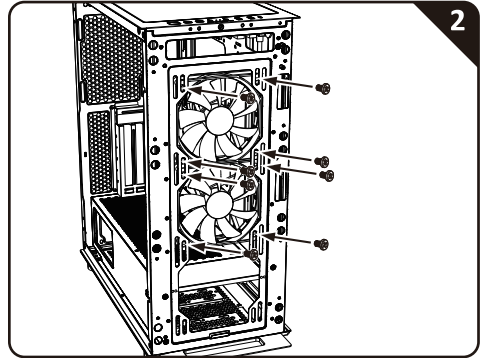
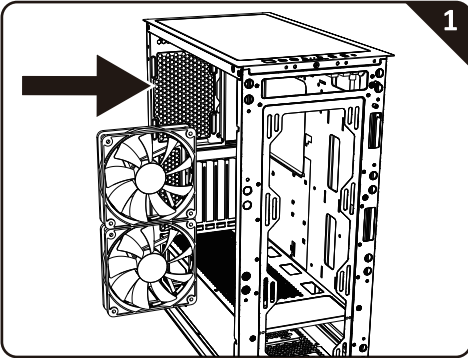
PSU Installation



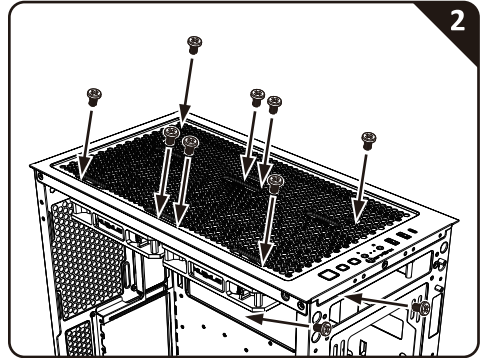
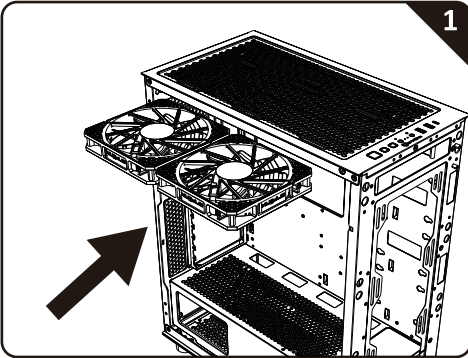
Top Fan Installation (120mm)



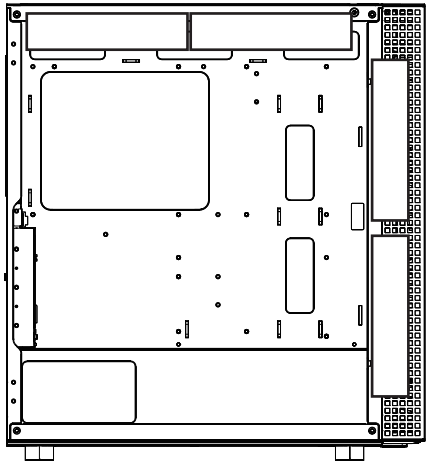
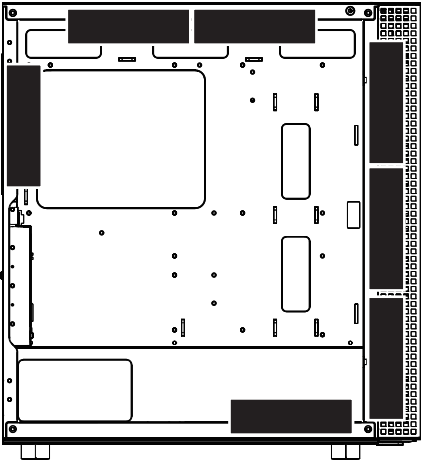
Front Fan Installation (120mm)



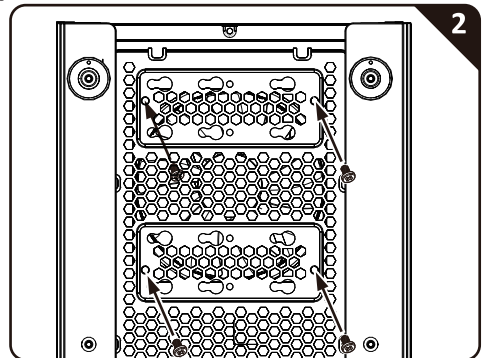
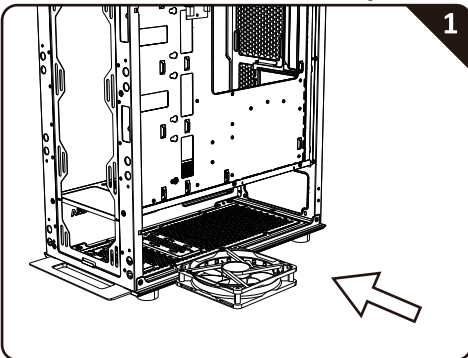
Front Fan Installation (140mm)



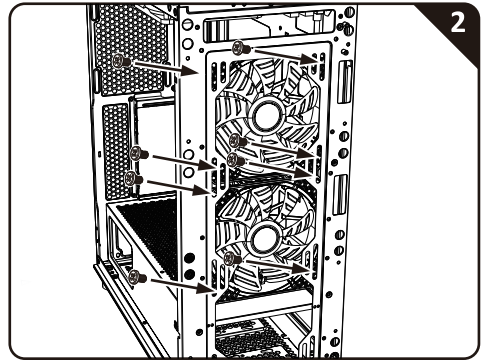
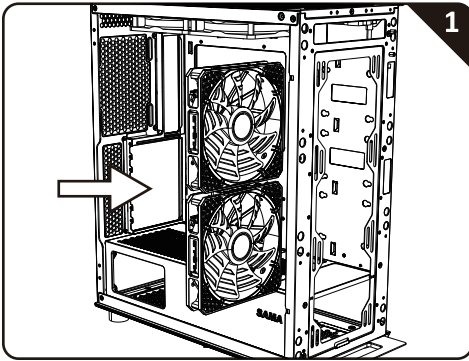
Fan Locations 120mm  140mm 



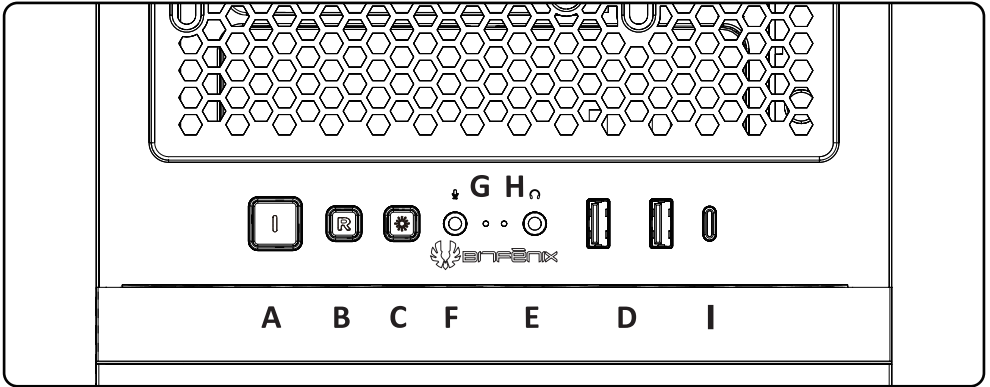
Front Fan Installation (120mm)



Front Fan Installation (140mm)



Control Panel



A. Power Button

B. LED Control Button

C. Reset Button

D. USB3.0 Port

I. USB Type-C x1

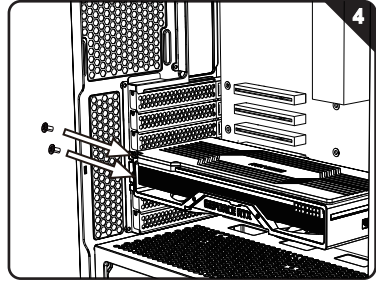
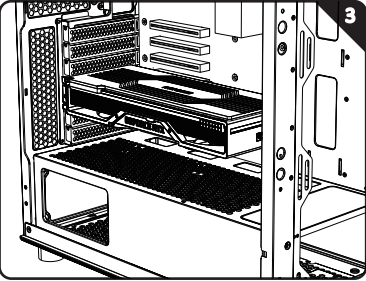
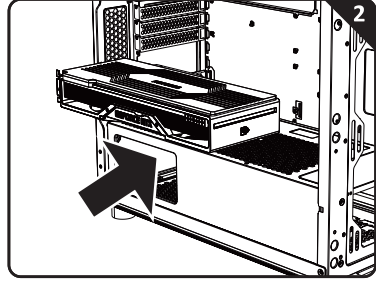
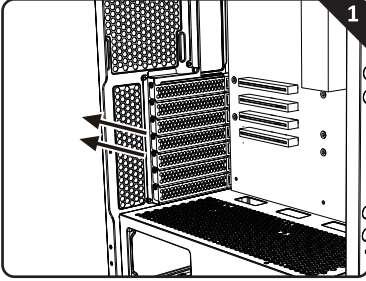
E. Headphone Jack

F. Microphone Jack

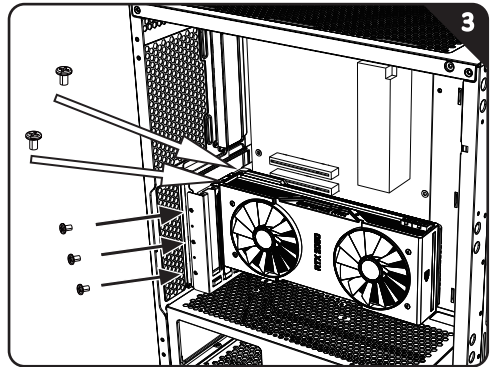
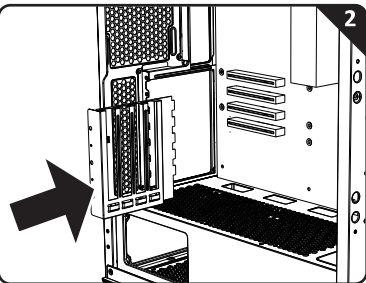
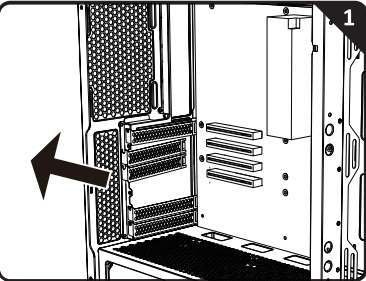
G. Power LED

H. HDD LED

PCI-E Card Installation



Vertical PCI-E Card Installation



BE INVINCIBLE

WWW.BITFENIX.COM



BitFenix Co., Ltd.

3F, No.79, Sec. 1, Xintai 5th Rd.,

BITFENIX Xi Zhi District, New Taipei City, Taiwan, R.O.C.

©2019 BITFENIX Co., Ltd. All Rights Reserved. All trademarks are registered to their respective owners

For the most updated information, please visit our official website : <http://www.bitfenix.com> Ver 1.0 | 2019/05