

# **beko**

**Freezer**

User manual

**Kühlschrank/Gefrierschrank**

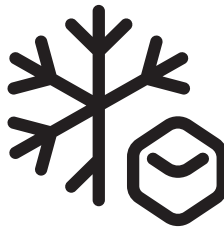
Bedienungsanleitung

**Congelatore**

Manuale utente

**Congélateur**

Manuel d'utilisation



F60096EB

BU 1200 - BU 1201 - BU 1203N - BU1204N

## **Please read this user manual first!**

Dear Customer,

We hope that your product, which has been produced in modern plants and checked under the most meticulous quality control procedures, will provide you an effective service.

Therefore, read this entire user manual carefully before using the product and keep it as a reference. If you handover the product to someone else, give the user manual as well.

## **The user manual will help you use the product in a fast and safe way.**

- Read the manual before installing and operating the product.
- Make sure you read the safety instructions.
- Keep the manual in an easily accessible place as you may need it later.
- Read the other documents given with the product.

Remember that this user manual is also applicable for several other models. Differences between models will be identified in the manual.

## **Explanation of symbols**

### **Throughout this user manual the following symbols are used:**

 Important information or useful tips.

 Warning against dangerous conditions for life and property.

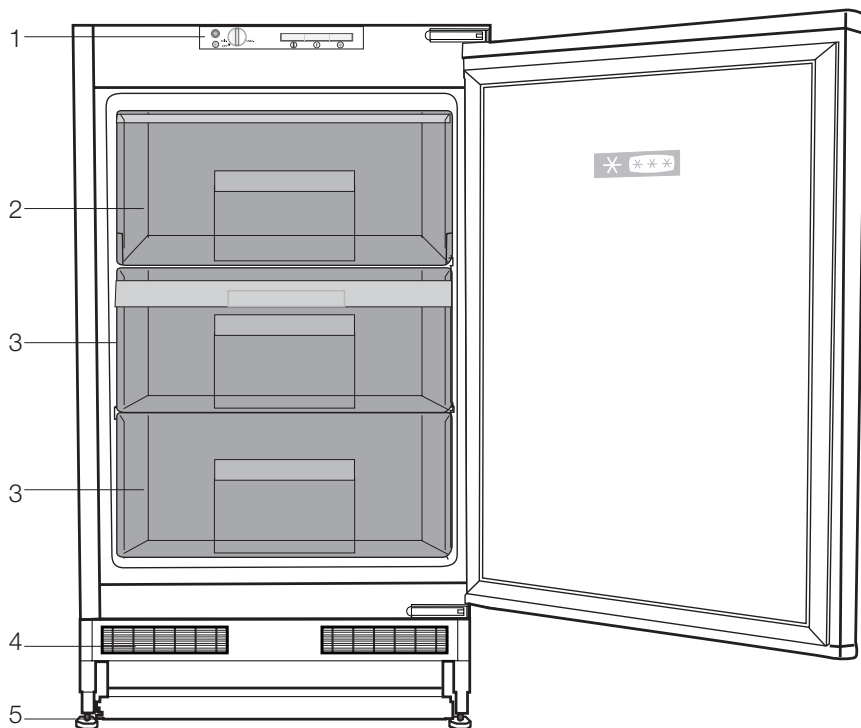
 Warning against electric voltage.

## CONTENTS

---

<b>1 Your freezer</b>	<b>3</b>	<b>4 Preparation</b>	<b>12</b>
<b>2 Safety and Environment Instructions</b>	<b>4</b>	<b>5 Using your freezer</b>	<b>13</b>
General Safety .....	4	Setting the operating temperature.....	13
Intended Use .....	7	Freezing.....	13
Child Safety .....	7	Defrost.....	14
Compliance with WEEE Directive and Disposing of the Waste Product .....	7	LED indicators and control panel.....	15
Compliance with RoHS Directive.....	7	<b>6 Maintenance and cleaning</b>	<b>16</b>
Package Information .....	7	Protection of plastic surfaces .....	16
<b>3 Installation</b>	<b>8</b>	<b>7 Troubleshooting</b>	<b>17</b>
Points to be paid attention to when the relocation of the freezer .....	8		
Electrical connection .....	8		
Disposing of the packaging.....	9		
Disposing of your old freezer .....	9		
Placing and Installation.....	9		
Placing the freezer under the counter and adjusting the legs.....	10		
Reversing the doors .....	11		

# 1 Your freezer








1. Control panel
2. Fast freeze compartment
3. Frozen food storage compartment
4. Ventilation lid
5. Adjustable legs

Figures that take place in this instruction manual are schematic and may not correspond exactly with your product. If the subject parts are not included in the product you have purchased, then it is valid for other models.

This section provides the safety instructions necessary to prevent the risk of injury and material damage. Failure to observe these instructions will invalidate all types of product warranty.

### Intended use

	<b>WARNING:</b> Keep ventilation openings, in the appliance enclosure or in the built-in structure, clear of obstruction.
	<b>WARNING:</b> Do not use mechanical devices or other means to accelerate the defrosting process, other than those recommended by the manufacturer.
	<b>WARNING:</b> Do not damage the refrigerant circuit.
	<b>WARNING:</b> Do not use electrical appliances inside the food storage compartments of the appliance, unless they are of the type recommended by the manufacturer.
	<b>WARNING:</b> Do not store explosive substances such as aerosol cans with a flammable propellant in this appliance.

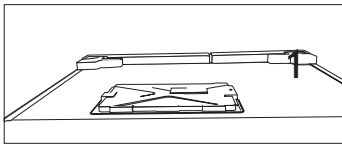
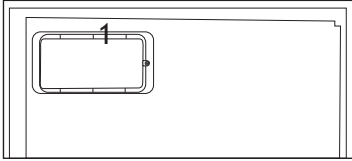
This appliance is intended to be used in household and similar applications such as

- staff kitchen areas in shops, offices and other working environments;
- farm houses and by clients in hotels, motels and other residential type environments;
- bed and breakfast type environments;
- catering and similar non-retail applications.

### General Safety

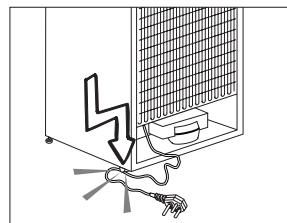
- **This product should not be used by persons with physical, sensory and mental disabilities, without sufficient knowledge and experience or by children. The device can only be used by such persons under supervision and instruction of a person responsible for their safety. Children should not be allowed to play with this device.**
- In case of malfunction, unplug the device.
- After unplugging, wait at least 5 minutes before plugging in again.
- Unplug the product when not in use.
- Do not touch the plug with wet hands! Do not pull the cable to plug off, always hold the plug.
- Do not plug in the freezer if the socket is loose.
- Unplug the product during installation, maintenance, cleaning and repair.

- If the product will not be used for a while, unplug the product and remove any food inside.
- Do not use the product when the compartment with circuit cards located on the upper back part of the product (electrical card box cover) (1) is open.



- Do not use steam or steamed cleaning materials for cleaning the freezer and melting the ice inside. Steam may contact the electrified areas and cause short circuit or electric shock!
- Do not wash the product by spraying or pouring water on it! Danger of electric shock!
- In case of malfunction, do not use the product, as it may cause electric shock. Contact the authorized service before doing anything.
- Plug the product into an earthed socket. Earthing must be done by a qualified electrician.
- If the product has LED type lighting, contact the authorized service for replacing or in case of any problem.
- Do not touch frozen food with wet hands! It may adhere to your hands!

- Do not place liquids in bottles and cans into the freezer compartment. They may burst out!
- Place liquids in upright position after tightly closing the lid.
- Do not spray flammable substances near the product, as it may burn or explode.
- Do not keep flammable materials and products with flammable gas (sprays, etc.) in the freezer.
- Do not place containers holding liquids on top of the product. Splashing water on an electrified part may cause electric shock and risk of fire.
- Exposing the product to rain, snow, sunlight and wind will cause electrical danger. When relocating the product, do not pull by holding the door handle. The handle may come off.
- Take care to avoid trapping any part of your hands or body in any of the moving parts inside the product.
- Do not step or lean on the door, drawers and similar parts of the freezer. This will cause the product to fall down and cause damage to the parts.
- Take care not to trap the power cable.



- When positioning the appliance, ensure the supply cord is not trapped or damaged.
- Do not locate multiple portable socket-outlets or portable power supplies at the rear of the appliance.
- Children aged from 3 to 8 years are allowed to load and unload refrigerating appliances.
- To avoid contamination of food, please respect the following instructions:
  - Opening the door for long periods can cause a significant increase of the temperature in the compartments of the appliance.
  - Clean regularly surfaces that can come in contact with food and accessible drainage systems.
  - Clean water tanks if they have not been used for 48 h; flush the water system connected to a water supply if water has not been drawn for 5 days.
  - Store raw meat and fish in suitable containers in the freezer, so that it is not in contact with or drip onto other food.
  - Two-star frozen-food compartments are suitable for storing pre-frozen food, storing or making icecream and making ice cubes.
  - One-, two- and three-star compartments are not suitable for the freezing of fresh food.
  - If the refrigerating appliance is left empty for long periods, switch off, defrost, clean, dry, and leave

the door open to prevent mould developing within the appliance.

### 1.1.1 HC Warning

If the product comprises a cooling system using R600a gas, take care to avoid damaging the cooling system and its pipe while using and moving the product. This gas is flammable. If the cooling system is damaged, keep the product away from sources of fire and ventilate the room immediately.



The label on the inner left side indicates the type of gas used in the product.

### 1.1.2 For Models with Water Dispenser

- Pressure for cold water inlet shall be maximum 90 psi (6.2 bar). If your water pressure exceeds 80 psi (5.5 bar), use a pressure limiting valve in your mains system. If you do not know how to check your water pressure, ask for the help of a professional plumber.
- If there is risk of water hammer effect in your installation, always use a water hammer prevention equipment in your installation. Consult Professional plumbers if you are not sure that there is no water hammer effect in your installation.
- Do not install on the hot water inlet. Take precautions against of the risk of freezing of the hoses. Water temperature operating interval shall be 33°F (0.6°C) minimum and 100°F (38°C) maximum.
- Use drinking water only.

## Intended Use

- This product is designed for home use. It is not intended for commercial use.
- The product should be used to store food and beverages only.
- Do not keep sensitive products requiring controlled temperatures (vaccines, heat sensitive medication, medical supplies, etc.) in the freezer.
- The manufacturer assumes no responsibility for any damage due to misuse or mishandling.
- Original spare parts will be provided for 10 years, following the product purchasing date.

## Child Safety

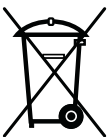
**Keep packaging materials out of children's reach.**

**Do not allow the children to play with the product.**

**If the product's door comprises a lock, keep the key out of children's reach.**

## Compliance with WEEE Directive and Disposing of the Waste Product

This product complies with EU WEEE Directive (2012/19/EU). This product bears a classification symbol for waste electrical and electronic equipment (WEEE).



This product has been manufactured with high quality parts and materials which can be reused and are suitable for recycling. Do not dispose of the

waste product with normal domestic and other wastes at the end of its service life. Take it to the collection center for the recycling of electrical and electronic equipment. Please consult your local authorities to learn about these collection centers.

## Compliance with RoHS Directive

- This product complies with EU WEEE Directive (2011/65/EU). It does not contain harmful and prohibited materials specified in the Directive.

## Package Information

Packaging materials of the product are manufactured from recyclable materials in accordance with our National Environment Regulations. Do not dispose of the packaging materials together with the domestic or other wastes. Take them to the packaging material collection points designated by the local authorities.



## 3 Installation

⚠ In case the information which are given in the user manual are not taken into account, manufacturer will not assume any liability for this.

### Points to be paid attention to when the relocation of the freezer

1. Your freezer should be unplugged. Before transportation of your freezer, it should be emptied and cleaned.

2. Before it is re-packaged, shelves, accessories, crisper, etc. inside your freezer should be fixed with adhesive tape and secured against impacts. Package should be bound with a thick tape or sound ropes and the transportation rules on the package should be strictly observed.

3. Original packaging and foam materials should be kept for future transportations or moving.

Before you start the freezer,

#### Check the following before you start to use your freezer:

1. Attach 2 plastic wedges as illustrated below. Plastic wedges are intended to keep the distance which will ensure the air circulation between your freezer and the wall. (The picture is drawn up as a representation and it is not identical with your product.)

2. Clean the interior of the freezer as recommended in the "Maintenance and cleaning" section.

3. Connect the plug of the freezer to the wall socket. When the fridge door is opened, fridge internal lamp will turn on.

4. When the compressor starts to operate, a sound will be heard. The liquid and gases sealed within the refrigeration system may also give rise to noise, even if the compressor is not running and this is quite normal.

5. Front edges of the freezer may feel warm. This is normal. These areas are designed to be warm to avoid condensation.

### Electrical connection

Connect your product to a grounded socket which is being protected by a fuse with the appropriate capacity.

#### Important:

The connection must be in compliance with national regulations.

- The power plug must be easily accessible after installation.
- Electrical safety of your freezer shall be guaranteed only if the earth system in your house complies with standards.
- The voltage stated on the label located at left inner side of your product should be equal to your network voltage.
- Extension cables and multi plugs must not be used for connection.

⚠ **A damaged power cable must be replaced by a qualified electrician.**

⚠ **Product must not be operated before it is repaired! There is the risk of electric shock!**

## Disposing of the packaging

The packing materials may be dangerous for children. Keep the packing materials out of the reach of children or dispose of them by classifying them in accordance with the waste instructions stated by your local authorities. Do not throw away with regular house waste, throw away on packaging pick up spots designated by the local authorities.

The packing of your freezer is produced from recyclable materials.

## Disposing of your old freezer

Dispose of your old freezer without giving any harm to the environment.

- You may consult your authorized dealer or waste collection center of your municipality about the disposal of your freezer.

Before disposing of your freezer, cut out the electric plug and, if there are any locks on the door, make them inoperable in order to protect children against any danger.

## Placing and Installation

**⚠ If the entrance door of the room where the freezer will be installed is not wide enough for the freezer to pass through, then call the authorized service to have them remove the doors of your freezer and pass it sideways through the door.**

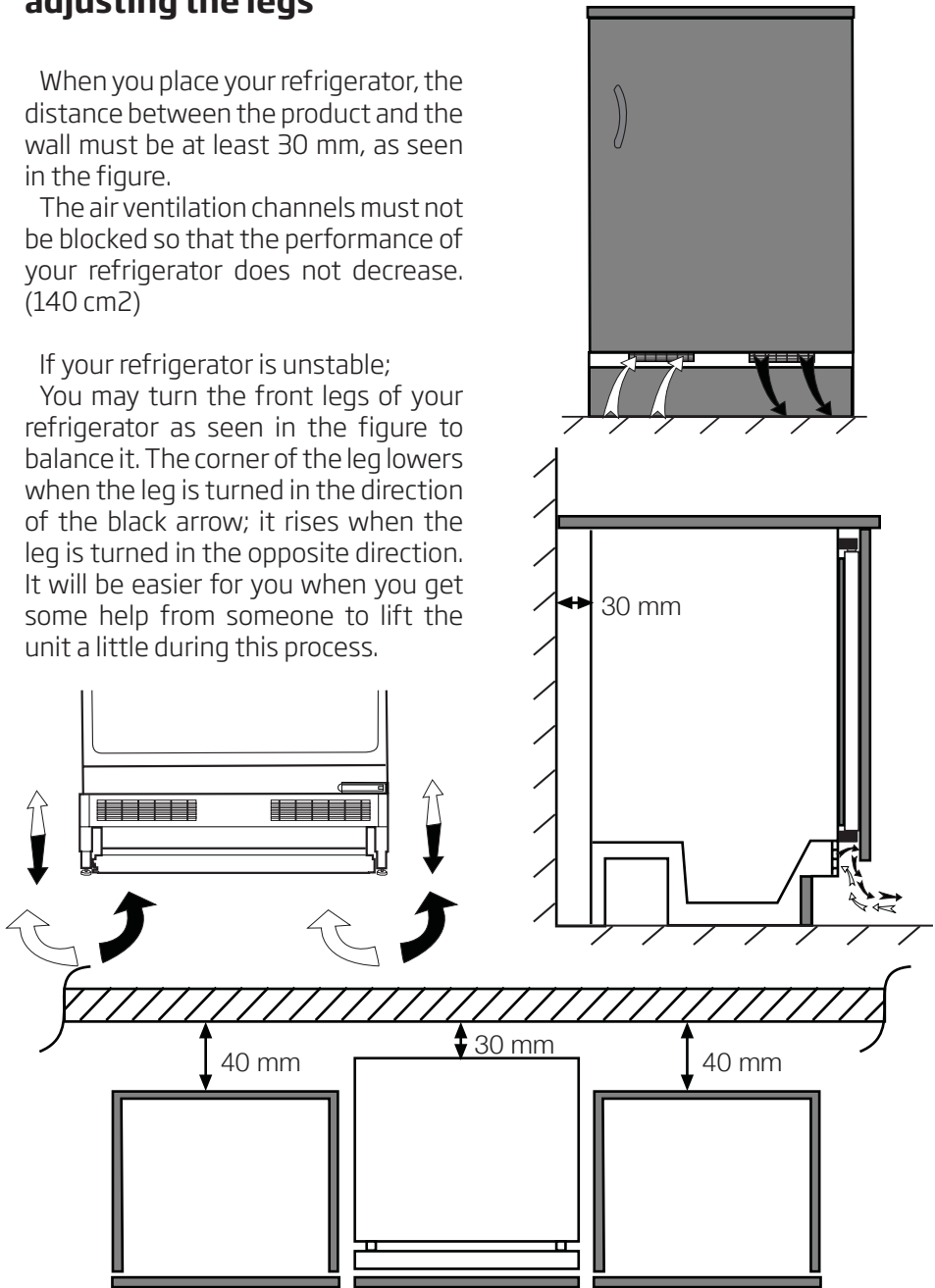
1. Install your freezer to a place that allows ease of use.
2. Keep your freezer away from heat sources, humid places and direct sunlight.
3. There must be appropriate air ventilation around your freezer in order to achieve an efficient operation. If the freezer is to be placed in a recess in the wall, there must be at least 5 cm distance with the ceiling and at least 5 cm with the wall. Do not place your product on the materials such as rug or carpet.
4. Place your freezer on an even floor surface to prevent jolts.

# Placing the refrigerator under the counter and adjusting the legs

When you place your refrigerator, the distance between the product and the wall must be at least 30 mm, as seen in the figure.

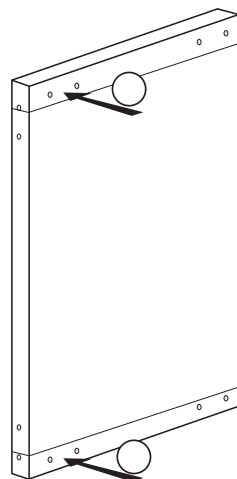
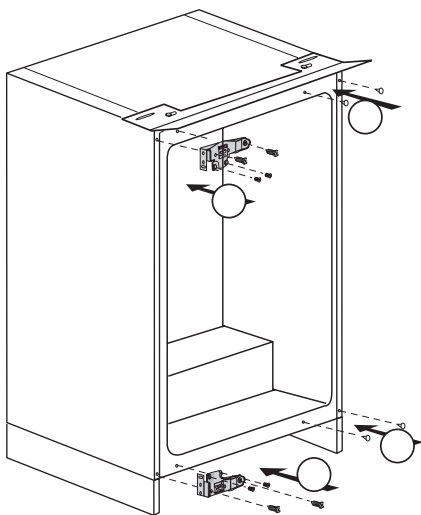
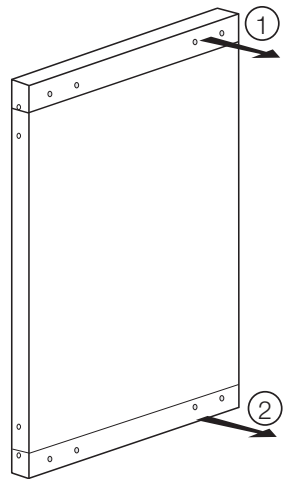
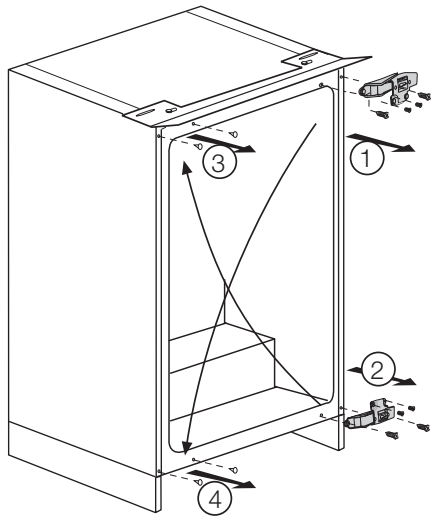
The air ventilation channels must not be blocked so that the performance of your refrigerator does not decrease. (140 cm<sup>2</sup>)

If your refrigerator is unstable; You may turn the front legs of your refrigerator as seen in the figure to balance it. The corner of the leg lowers when the leg is turned in the direction of the black arrow; it rises when the leg is turned in the opposite direction. It will be easier for you when you get some help from someone to lift the unit a little during this process.



# Reversing the doors

Proceed in numerical order



## 4 Preparation

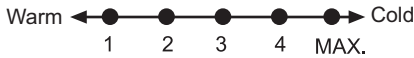
---

- **Your freezer should be installed at least 30 cm away from heat sources such as hobs, ovens, central heater and stoves and at least 5 cm away from electrical ovens and should not be located under direct sunlight.**
- The ambient temperature of the room where you install your freezer should at least be 10°C. Operating your freezer under cooler conditions is not recommended with regard to its efficiency.
- Please make sure that the interior of your freezer is cleaned thoroughly.
- If two freezers are to be installed side by side, there should be at least 2 cm distance between them.
- When you operate your freezer for the first time, please observe the following instructions during the initial six hours.
- The door should not be opened frequently.
- It must be operated empty without any food in it.
- Do not unplug your freezer. If a power failure occurs out of your control, please see the warnings in the "Recommended solutions for the problems" section.
- Original packaging and foam materials should be kept for future transportations or moving.
- The baskets/drawers that are provided with the chill compartment must always be in use for low energy consumption and for better storage conditions.
- Food contact with the temperature sensor in the freezer compartment may increase energy consumption of the appliance. Thus any contact with the sensor(s) must be avoided.
- In some models, the instrument panel automatically turns off 5 minutes after the door has closed. It will be reactivated when the door has opened or pressed on any key.
- Due to temperature change as a result of opening/closing the product door during operation, condensation on the door/body shelves and the glass containers is normal

## 5 Using your refrigerator

### Setting the operating temperature

The operating temperature is regulated by the temperature control.



Please choose the setting according to the desired temperature.

The interior temperature also depends on ambient temperature, the frequency with which the door is opened and the amount of foods kept inside.

Frequently opening the door causes the interior temperature to rise.

For this reason, it is recommended to close the door again as soon as possible after use.

The normal storage temperature of your appliance should be  $-18\text{ }^{\circ}\text{C}$  ( $0\text{ }^{\circ}\text{F}$ ). Lower temperatures can be obtained by adjusting the thermostat knob towards Position 4 (or Max.).

We recommend checking the temperature with a thermometer to ensure that the storage compartments are kept to the desired temperature. Remember to take the reading immediately since the thermometer temperature will rise very rapidly after you remove it from the freezer.

### Freezing

#### Freezing food

The freezing compartment is marked with **\* \*\* \*** this symbol.

You can use the appliance for freezing fresh food as well as for storing pre-frozen food.

Please refer to the recommendations given on the packaging of your food.

#### **⚠ Attention**

Do not freeze fizzy drinks, as the bottle may burst when the liquid in it is frozen.

Be careful with frozen products such as coloured ice-cubes.

Do not exceed the freezing capacity of your appliance in 24 hours. See the rating label.

In order to maintain the quality of the food, the freezing must be effected as rapidly as possible.

Thus, the freezing capacity will not be exceeded, and the temperature inside the freezer will not rise.

#### **⚠ Attention**

Keep the already deep-frozen food always separated with freshly placed food.

When deep-freezing hot food, the cooling compressor will work until the food is completely frozen. This can temporarily cause excessive cooling of the refrigeration compartment.

If you find the freezer door difficult to open just after you have closed it, don't worry. This is due to the pressure difference which will equalize and allow the door to open normally after a few minutes.

You will hear a vacuum sound just after closing the door. This is quite normal.

- Frozen food can be stored up to 3 months in general in temperatures under  $-18^{\circ}\text{C}$ . Storage periods may vary depending on the type of the food. Storage periods of expiry dates of such food are indicated on the food package by their manufacturers.
- Frozen food that you have purchased should be placed in the freezer before they thaw.
- Frozen food may be kept in the compartments with drawers.

To ensure that the high quality achieved by the frozen food manufacturer and the food retailer is maintained the following should be remembered:

1. Put packets in the freezer as quickly as possible after purchase.
2. Do not exceed "Use By", "Best Before" dates on the packaging.
3. Please note that drawers, baskets, flaps, trays are all removable.

## Defrost

Increase in the thickness of the ice that forms on the evaporator of your refrigerator will decrease the cooling efficiency of it.

Therefore, you must defrost the ice when the thickness of the ice layer around the evaporator reaches to approximately 5 mm. It is

recommended to defrost the ice when the refrigerator is not filled too much or is empty.

Wrap the food in the refrigerator by a few sheets of paper and keep them in the coolest place possible or in another refrigerator.

Turn the thermostat setting button to "off" or unplug the power cable in order to perform the defrosting.

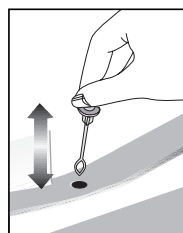
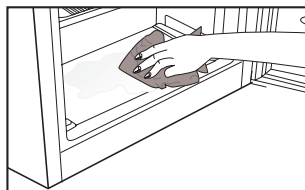
Remove the drawers of your refrigerator (it is not required to remove the lid of the compartment equipped with a lid). After some time, the water that melts will accumulate in the pool located at the bottom of your refrigerator.

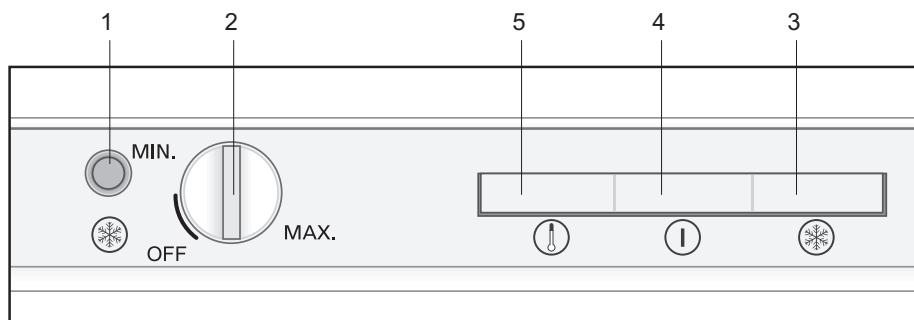
Remove the accumulating water by means of a soft sponge or etc. and dry the pool thoroughly.

Do not forget to turn the thermostat setting button to a position other than the "off" in order to restart your refrigerator.

Operate your refrigerator for 2 hours while it is empty and its doors are closed before replacing your food into it.

Check regularly to see if the drain pipe is clogged or not and clear it with the stick in the hole when necessary.





## LED indicators and control panel

LED indicators in the front section of your freezer are intended to help you in monitoring the operation of your appliance.

Keep your food in the freezer in a safe manner by monitoring and using these LEDs and controls as explained below:

### Fast Freeze Button (1):

Used to freeze the food fastly. Compressor may not operate immediately but after some time when the button is pressed and this is quite normal.

### Thermostat Setting Button (2):

Used to set your freezer between minimum and maximum values.

The appliance may go to OFF position when the knob is adjusted below MIN. When the green indicator light is OFF, the appliance is turned OFF also.

Once it is turned OFF (even for defrosting), please adjust the knob somewhere above MIN to be sure that it is turned ON again. When the appliance is turned ON, the green indicator will light up.

### Orange LED (3):

Lights up when the fast freeze button on the LED panel is pressed. In this case, your freezer operates continuously.

Press the button again when the food you would like to fast freeze comes to the desired temperature and the orange LED will turn off.

### Green LED (4):

Lights up continuously after plugging in your freezer.

### Red LED (5):

It warns you by lighting up continuously when your freezers start to operate, if not enough cooling effect is obtained, when the door remains open for a long time and when excessive food is loaded.

If the red LED lights up continuously when the conditions stated in the adjacent column do not exist, then call our Authorized Service.



## 6 Maintenance and cleaning

---

- ⚠ **Never use gasoline, benzene or similar substances for cleaning purposes.**
- ⚠ **We recommend that you unplug the appliance before cleaning.**
- ⚠ **Never use any sharp abrasive instrument, soap, household cleaner, detergent and wax polish for cleaning.**
- ⚠ **For non-No Frost products, water drops and frosting up to a fingerbreadth occur on the rear wall of the Fridge compartment. Do not clean it; never apply oil or similar agents on it.**
- ⚠ **Only use slightly damp microfiber cloths to clean the outer surface of the product. Sponges and other types of cleaning cloths may scratch the surface.**
- ⓘ **Use lukewarm water to clean the cabinet of your freezer and wipe it dry.**
- ⓘ **Use a damp cloth wrung out in a solution of one teaspoon of bicarbonate of soda to one pint of water to clean the interior and wipe it dry.**
- ⚠ **Make sure that no water enters the lamp housing and other electrical items.**
- ⚠ **If your freezer is not going to be used for a long period of time, unplug the power cable, remove all food, clean it and leave the door ajar.**
- ⓘ **Check door seals regularly to ensure they are clean and free from food particles.**
- ⚠ **To remove door racks, remove all the contents and then simply push the door rack upwards from the base.**
- ⚠ **Never use cleaning agents or water that contain chlorine to clean the outer surfaces and chromium coated parts of the product. Chlorine causes corrosion on such metal surfaces.**
- ⚠ **Do not use sharp, abrasive tools, soap, household cleaning agents, detergents, kerosene, fuel oil, varnish etc. to prevent removal and deformation of the prints on the plastic part. Use lukewarm water and a soft cloth for cleaning and then wipe it dry.**

### Protection of plastic surfaces

- ⓘ **Do not put the liquid oils or oil-cooked meals in your freezer in unsealed containers as they damage the plastic surfaces of your freezer. In case of spilling or smearing oil on the plastic surfaces, clean and rinse the relevant part of the surface at once with warm water.**

## 7 Troubleshooting

Please review this list before calling the service. It will save your time and money. This list includes frequent complaints that are not arising from defective workmanship or material usage. Some of the features described here may not exist in your product.

The freezer does not operate.
<ul style="list-style-type: none"><li>• The plug is not inserted into the socket correctly. &gt;&gt;&gt; Insert the plug into the socket securely.</li><li>• The fuse of the socket which your freezer is connected to or the main fuse have blown out. &gt;&gt;&gt; Check the fuse.</li></ul>
Condensation on the side wall of the fridge compartment (MULTIZONE, COOL CONTROL and FLEXI ZONE).
<ul style="list-style-type: none"><li>• Door has been opened frequently. &gt;&gt;&gt; Do not open and close the door of freezer frequently.</li><li>• Ambient is very humid. &gt;&gt;&gt; Do not install your freezer into highly humid places.</li><li>• Food containing liquid is stored in open containers. &gt;&gt;&gt; Do not store food with liquid content in open containers.</li><li>• Door of the freezer is left ajar. &gt;&gt;&gt; Close the door of the freezer.</li><li>• Thermostat is set to a very cold level. &gt;&gt;&gt; Set the thermostat to a suitable level.</li></ul>
Compressor is not running
<ul style="list-style-type: none"><li>• Protective thermic of the compressor will blow out during sudden power failures or plug-out plug-ins as the refrigerant pressure in the cooling system of the freezer has not been balanced yet. The freezer will start running approximately after 6 minutes. Please call the service if the freezer does not startup at the end of this period.</li><li>• The fridge is in defrost cycle. &gt;&gt;&gt; This is normal for a full-automatically defrosting freezer. Defrosting cycle occurs periodically.</li><li>• The freezer is not plugged into the socket. &gt;&gt;&gt; Make sure that the plug is fit into the socket.</li><li>• Temperature settings are not made correctly. &gt;&gt;&gt; Select the suitable temperature value.</li><li>• There is a power outage. &gt;&gt;&gt; Freezer returns to normal operation when the power restores.</li></ul>
The operation noise increases when the freezer is running.
<ul style="list-style-type: none"><li>• The operating performance of the freezer may change due to the changes in the ambient temperature. It is normal and not a fault.</li></ul>

The freezer is running frequently or for a long time.

- New product may be wider than the previous one. Larger freezers operate for a longer period of time.
- The room temperature may be high. >>> It is normal that the product operates for longer periods in hot ambient.
- The freezer might be plugged in recently or might be loaded with food. >>> When the freezer is plugged in or loaded with food recently, it will take longer for it to attain the set temperature. This is normal.
- Large amounts of hot food might be put in the freezer recently. >>> Do not put hot food into the freezer.
- Doors might be opened frequently or left ajar for a long time. >>> The warm air that has entered into the freezer causes the freezer to run for longer periods. Do not open the doors frequently.
- Freezer or fridge compartment door might be left ajar. >>> Check if the doors are closed completely.
- The freezer is adjusted to a very low temperature. >>> Adjust the freezer temperature to a warmer degree and wait until the temperature is achieved.
- Door seal of the fridge or freezer may be soiled, worn out, broken or not properly seated. >>> Clean or replace the seal. Damaged/broken seal causes the freezer to run for a longer period of time in order to maintain the current temperature.

Freezer temperature is very low while the fridge temperature is sufficient.

- The freezer temperature is adjusted to a very low value. >>> Adjust the freezer temperature to a warmer degree and check.

Fridge temperature is very low while the freezer temperature is sufficient.

- The fridge temperature is adjusted to a very low value. >>> Adjust the fridge temperature to a warmer degree and check.

Food kept in the fridge compartment drawers is frozen.

- The fridge temperature is adjusted to a very high value. >>> Adjust the fridge temperature to a lower value and check.

Temperature in the fridge or freezer is very high.

- The fridge temperature is adjusted to a very high value. >>>Fridge compartment temperature setting has an effect on the temperature of the freezer. Change the temperatures of the fridge or freezer and wait until the relevant compartments attain a sufficient temperature.
- Doors are opened frequently or left ajar for a long time. >>>Do not open the doors frequently.
- Door is ajar. >>>Close the door completely.
- The freezer is plugged in or loaded with food recently. >>>This is normal. When the freezer is plugged in or loaded with food recently, it will take longer for it to attain the set temperature.
- Large amounts of hot food might be put in the freezer recently. >>>Do not put hot food into the freezer.

#### Vibrations or noise.

- The floor is not level or stable. >>> If the freezer rocks when moved slowly, balance it by adjusting its feet. Also make sure that the floor is strong enough to carry the freezer, and level.
- The items put onto the freezer may cause noise. >>>Remove the items on top of the freezer.

#### There are noises coming from the freezer like liquid flowing, spraying, etc.

- Liquid and gas flows occur in accordance with the operating principles of your freezer. It is normal and not a fault.

#### Whistle comes from the freezer.

- Fans are used in order to cool the freezer. It is normal and not a fault.

#### Condensation on the inner walls of freezer.

- Hot and humid weather increases icing and condensation. It is normal and not a fault.
- Doors are opened frequently or left ajar for a long time. >>>Do not open the doors frequently. Close them if they are open.
- Door is ajar. >>>Close the door completely.

#### Humidity occurs on the outside of the freezer or between the doors.

- There might be humidity in the air; this is quite normal in humid weather. When the humidity is less, condensation will disappear.

#### Bad odour inside the freezer.

- No regular cleaning is performed. >>> Clean the inside of the freezer regularly with a sponge, lukewarm water or carbonate dissolved in water.
- Some containers or package materials may cause the smell. >>> Use a different container or different brand packaging material.
- Food is put into the freezer in uncovered containers. >>> Keep the food in closed containers. Microorganisms spreading out from uncovered containers can cause unpleasant odours.
- Remove the foods that have expired best before dates and spoiled from the freezer.

The door is not closing.

- Food packages are preventing the door from closing. >>> Replace the packages that are obstructing the door.
- The freezer is not completely even on the floor. >>> Adjust the feet to balance the freezer.
- The floor is not level or strong. >>> Make sure that the floor is level and capable to carry the freezer.

Crispers are stuck.

- The food is touching the ceiling of the drawer. >>> Rearrange food in the drawer.

If The Surface Of The Product Is Hot.

- High temperatures may be observed between the two doors, on the side panels and at the rear grill while the product is operating. This is normal and does not require service maintenance!

## Bitte lesen Sie zuerst diese Anleitung!

Lieber Kunde,

Wir sind sicher, dass Ihnen dieses Produkt, das in modernsten Fertigungsstätten hergestellt und den strengsten Qualitätsprüfungen unterzogen wurde, lange Zeit gute Dienste leisten wird.





Wir empfehlen Ihnen, vor Inbetriebnahme des Gerätes das gesamte Handbuch durchzulesen und es anschließend aufzubewahren.






## Diese Anleitung...

- hilft Ihnen, Ihr Gerät schnell und sicher zu bedienen.
- Lesen Sie die Anleitung, bevor Sie Ihr Gerät aufstellen und bedienen.
- Halten Sie sich an die Anweisungen, beachten Sie insbesondere die Sicherheitshinweise.
- Bewahren Sie die Anleitung an einem leicht zugänglichen Ort auf, damit Sie jederzeit darin nachschlagen können.
- Lesen Sie auch die weiteren Dokumente, die mit Ihrem Produkt geliefert wurden.
- Bitte beachten Sie, dass diese Anleitung eventuell auch für andere Geräte eingesetzt werden kann.

## Symbole und ihre Bedeutung

In dieser Anleitung finden Sie die folgenden Symbole:

-  Wichtige Informationen oder nützliche Tipps.
-  Warnung vor Verletzungen oder Sachschäden.
-  Warnung vor elektrischem Strom.
-  Warnung: Brandgefahr / Brennbare Materialien

 <b>ANGABEN</b>	
	
SUPPLIER'S NAME	MODEL IDENTIFIER (*)
	
Die Modellinformationen, wie sie in der Produktdatenbank gespeichert sind, können durch Eingabe der folgenden Website und Suche nach Ihrer Modellkennung (*) auf dem Energieetikett erreicht werden.	
<a href="https://eprel.ec.europa.eu/">https://eprel.ec.europa.eu/</a>	

---

**1 Ihr Gefrierschrank / Gefrierschrank 3**

---

**2 Wichtige Sicherheitshinweise 4**

---

Bestimmungsgemäßer Einsatz.....	4
Allgemeine Hinweise zu Ihrer Sicherheit .....	4
Kinder - Sicherheit .....	8
Ihre Pflichten als Endnutzer .....	8
Hinweise zum Recycling.....	9
Rücknahmepflichten der Vertreiber..	9
HC-Warnung.....	10
Tipps zum Energiesparen .....	10

**3 Installation 11**

---

Wenn Sie den Gefrierschrank versetzen möchten: .....	11
Vor dem Einschalten .....	11
Elektrischer Anschluss.....	11
Verpackungsmaterialien entsorgen	12
Altgeräte entsorgen.....	12
Aufstellung und Installation.....	12
Gefrierschrank unter einer Arbeitsplatte installieren, Füße einstellen .....	13

**4 Vorbereitung 14**

---

**5 So bedienen Sie Ihren Gefrierschrank / Gefrierschrank 15**

---

Temperatureinstellung.....	15
Lagerung von Tiefkühlkost.....	15
Abtauen.....	15
LED-Anzeigen und Bedienfeld .....	17

**6 Wartung und Reinigung 18**

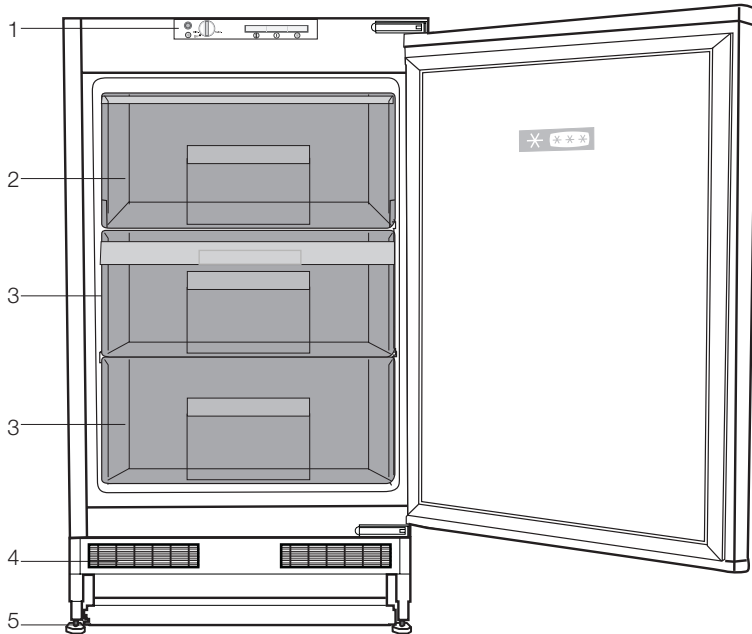
---

Schutz der Kunststoffflächen .....	19
------------------------------------	----

**7 Problemlösung 20**

---

# 1 Ihr Gefrierschrank/Gefrierschrank



1. Bedienungskonsole
2. Schockgefrierfach
3. Tiefkühlfach
4. Belüftungsdeckel
5. Einstellbare Füße

**i** Abbildungen und Angaben in dieser Anleitung sind schematisch und können etwas von Ihrem Produkt abweichen. Wenn die Teile nicht im gekauften Produkt enthalten sind, gelten Sie für andere Modelle.







## 2 Wichtige Sicherheitshinweise

Bitte lesen Sie die folgenden Hinweise aufmerksam durch. Bei Nichtbeachtung dieser Angaben kann es zu Verletzungen und Sachschäden kommen. In diesem Fall erlöschen auch sämtliche Garantie- und sonstigen Ansprüche.

Originalersatzteile stehen für einen Zeitraum von 10 Jahre beginnend mit dem Kaufdatum zur Verfügung.

### Bestimmungsgemäßer Einsatz

	<b>ACHTUNG:</b> Stellen Sie sicher, dass wenn das Gerät in seinem Gehäuse oder platziert ist, die Entlüftungsöffnungen nicht blockiert werden.
	<b>ACHTUNG:</b> Um den Auftauvorgang zu beschleunigen, keine anderen mechanischen Geräte oder Geräte verwenden, die nicht vom Hersteller empfohlen sind.
	<b>ACHTUNG:</b> Dem Kühlmittelkreislauf keine Schäden zufügen.
	<b>ACHTUNG:</b> In den ebensmittelaufbewahrungsfächern keine elektrischen Geräte verwenden, die nicht vom Hersteller empfohlen sind.

### WARNING:



Lagern Sie keinerlei explosiven Substanzen (dazu zählen auch Sprühdosen mit brennbarem Treibmittel) im Gerät.

Dieses Gerät ist für die private Nutzung oder für den Gebrauch bei folgenden ähnlichen Anwendungen konzipiert wurden

- In Personalküchen in Geschäften, Büros und anderen Arbeitsumgebungen;
- In Bauernhöfen, Hotels, Motels und anderen Unterkünften, für den Gebrauch der Kunden;
- Umgebungen mit Übernachtung und Frühstück;
- Bei Catering und ähnlichen Non-Retail-Anwendungen.

### Allgemeine Hinweise zu Ihrer Sicherheit

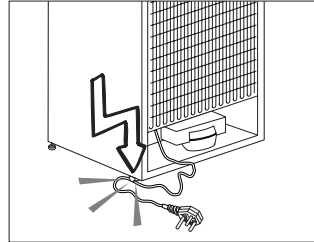
- Wenn Sie das Gerät entsorgen möchten, wenden Sie sich am besten an den autorisierten Kundendienst. Hier erhalten Sie notwendige Informationen und erfahren, welche Stellen für die Entsorgung zuständig sind.
- Bei Problemen und Fragen zum Gerät wenden Sie sich grundsätzlich an den autorisierten Kundendienst. Ziehen Sie keine Dritten zu Rate, versuchen Sie nichts in Eigenregie,

- ohne den autorisierten Kundendienst davon in Kenntnis zu setzen.
- Bei Geräten mit Tiefkühlbereich: Der Verzehr von Speiseeis und Eiswürfeln unmittelbar nach der Entnahme aus dem Tiefkühlbereich ist nicht ratsam. (Dies kann zu Erfrierungen führen.)
  - Bei Geräten mit Tiefkühlbereich: Bewahren Sie Getränke in Flaschen sowie Dosen niemals im Tiefkühlbereich auf. Diese platzen.
  - Berühren Sie gefrorene Lebensmittel nicht mit der Hand; sie können festfrieren.
  - Trennen Sie Ihren Gefrierschrank vor dem Reinigen oder Abtauen vom Stromnetz.
  - Verwenden Sie niemals Dampf- oder Sprühreiniger zum Reinigen und Abtauen Ihres Gefrierschranks. Die Dämpfe oder Nebel können in Kontakt mit stromführenden Teilen geraten und Kurzschlüsse oder Stromschläge auslösen.
  - Missbrauchen Sie niemals Teile Ihres Gefrierschranks (z. B. Tür) als Befestigungen oder Kletterhilfen.
  - Nutzen Sie keine elektrischen Geräte innerhalb des Gefrierschranks.
  - Achten Sie darauf, den Kühlkreislauf keinesfalls mit Bohr- oder Schneidwerkzeugen zu beschädigen. Das Kühlmittel kann herausspritzen, wenn die Gaskanäle des Verdunsters, Rohr- und Schlauchleitungen oder Oberflächenversiegelungen beschädigt werden. Dies kann zu Hautreizungen und Augenverletzungen führen.
  - Decken Sie keinerlei Belüftungsöffnungen des Gefrierschranks ab.
  - Elektrische Geräte dürfen nur von autorisierten Fachkräften repariert werden. Reparaturen durch weniger kompetente Personen können erhebliche Gefährdungen des Anwenders verursachen.
  - Sollten Fehler oder Probleme während der Wartung oder Reparaturarbeiten auftreten, so trennen Sie den Gefrierschrank von der Stromversorgung, indem Sie die entsprechende Sicherung abschalten oder den Netzstecker ziehen.
  - Ziehen Sie niemals am Netzkabel – ziehen Sie direkt am Stecker.
  - Achten Sie darauf, hochprozentige Getränke stehend und mit fest verschlossenem Deckel zu lagern.
  - Bewahren Sie niemals Sprühdosen mit brennbaren und explosiven Substanzen im Gefrierschrank auf.
  - Nutzen Sie keine mechanischen oder anderen Hilfsmittel, um das Gerät abzutauen – es sei denn, solche Hilfsmittel werden ausdrücklich vom Hersteller empfohlen.
  - Dieses Produkt darf nicht von Personen (einschließlich Kindern) mit eingeschränkten physischen, sensorischen oder geistigen Fähigkeiten bedient werden, sofern sie nicht durch eine Person, die für ihre Sicherheit verantwortlich ist, in der Bedienung des Produktes angeleitet werden.
  - Nehmen Sie einen beschädigten Gefrierschrank nicht in Betrieb. Wenden Sie sich bei jeglichen Zweifeln an einen Kundendienstmitarbeiter.

- Die elektrische Sicherheit des Gerätes ist nur dann gewährleistet, wenn das hausinterne Erdungssystem den zutreffenden Normen entspricht.
- Setzen Sie das Gerät keinem Regen, Schnee, direktem Sonnenlicht oder Wind aus; dies kann die elektrische Sicherheit gefährden.
- Wenden Sie sich zur Vermeidung von Gefahren an den autorisierten Kundendienst, falls das Netzkabel beschädigt ist.
- Stecken Sie während der Installation niemals den Netzstecker ein. Andernfalls kann es zu schweren bis tödlichen Verletzungen kommen.
- Dieser Gefrierschrank dient nur der Aufbewahrung von Lebensmitteln. Für andere Zwecke sollte er nicht verwendet werden.
- Das Etikett mit den technischen Daten befindet sich an der linken Innenwand des Gefrierschranks.
- Schließen Sie Ihren Gefrierschrank niemals an energiesparende Systeme an; dies kann den Gefrierschrank beschädigen.
- Falls sich ein blaues Licht am Gefrierschrank befindet, blicken Sie nicht längere Zeit mit bloßem Auge oder optischen Werkzeugen hinein.
- Bei manuell gesteuerten Kühlschränken warten Sie mindestens 5 Minuten, bevor Sie den Gefrierschrank nach einem Stromausfall wieder einschalten.
- Falls Sie das Gerät an einen anderen Besitzer weitergeben, vergessen Sie nicht, die Bedienungsanleitung ebenfalls auszuhändigen.
- Achten Sie darauf, dass das Netzkabel beim Transport des Gefrierschranks nicht beschädigt wird. Übermäßiges Biegen

des Kabels birgt Brandgefahr. Platzieren Sie keine schweren Gegenstände auf dem Netzkabel.

- Berühren Sie den Netzstecker niemals mit feuchten oder gar nassen Händen.



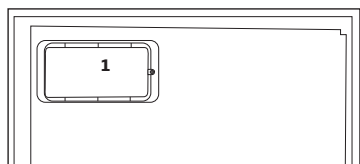
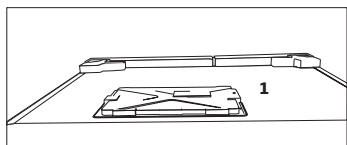
- Achten Sie beim Aufstellen des Gerätes darauf, dass das Netzkabel nicht eingeklemmt oder anderweitig beschädigt wird.
- Platzieren Sie nicht mehrere Mehrfachsteckdosen oder Netzteile hinter dem Gerät. Schließen Sie den Gefrierschrank nicht an lose Steckdosen an.
- Kinder im Alter von 3 bis 8 Jahren dürfen Kühlgeräte ein- und ausräumen.
- Vermeiden Sie durch Einhaltung der folgenden Anweisungen Lebensmittelkontamination:
  - Durch langes Öffnen der Tür kann die Temperatur in den Fächern des Gerätes drastisch ansteigen.
  - Reinigen Sie die Oberflächen, die mit Lebensmitteln in Berührung kommen, sowie zugängliche Ableitungssysteme regelmäßig.
  - Reinigen Sie Wassertanks, wenn diese 48 Stunden lang nicht benutzt wurden; spülen Sie das an die Wasserversorgung

angeschlossene Wassersystem durch, falls 5 Tage lang kein Wasser entnommen wurde.

- Bewahren Sie rohes Fleisch und Fisch in geeigneten Behältern im Gefrierschrank auf, damit diese nicht mit anderen Lebensmitteln in Berührung kommen.
- Zwei-Sterne-Gefrierfächer eignen sich zur Aufbewahrung von Tiefkühlkost, zur Lagerung oder Herstellung von Speiseeis und zur Herstellung von Eiswürfeln.
- Ein-, Zwei- und Drei-Sterne-Fächer eignen sich nicht zum Einfrieren frischer Lebensmittel.
- Falls das Kühlgerät lange Zeit leer bleibt, sollten Sie es abschalten, abtauen, reinigen, trocknen und die Tür geöffnet lassen, damit sich kein Schimmel im Gerät bildet.
- Sprühen Sie aus Sicherheitsgründen niemals Wasser auf die Innen- und Außenflächen des Gerätes.
- Sprühen Sie keine Substanzen mit brennbaren Gasen, wie z. B. Propangas, in die Nähe des Gefrierschranks; andernfalls bestehen Brand- und Explosionsgefahr.
- Stellen Sie keine mit Wasser gefüllten Gegenstände auf den Gefrierschrank; dies birgt Brand- und Stromschlaggefahr.
- Überladen Sie das Gerät nicht mit Lebensmitteln. Wenn das Gerät überladen ist, können beim Öffnen der Gefrierschranktür Lebensmittel herausfallen und Verletzungen verursachen.
- Stellen Sie keinesfalls Gegenstände auf den Gefrierschrank; sie könnten beim Öffnen oder Schließen der Gefrierschranktür herunterfallen.
- Materialien wie beispielsweise Impfstoffe, wärmeempfindliche Arznei, wissenschaftliche Proben usw. sollten nicht im Gefrierschrank aufbewahrt werden, da sie bei exakt festgelegten Temperaturen gelagert werden müssen.
- Trennen Sie den Gefrierschrank vom Stromnetz, wenn er längere Zeit nicht benutzt wird. Ein mögliches Problem im Netzkabel kann einen Brand auslösen.
- Wenn die höhenverstellbaren Füße nicht sicher auf dem Boden stehen, kann sich der Gefrierschrank bewegen. Die angemessene Sicherung der höhenverstellbaren Füße am Boden kann eine Bewegung des Gefrierschranks verhindern.
- **WARNUNG:** Wenn Sie das Gerät in die gewünschte Position bringen, müssen Sie darauf achten, dass das Netzkabel nicht eingeklemmt oder beschädigt wird.
- **WARNUNG:** An der Rückseite des Geräts dürfen sich nicht mehrere tragbare Steckdosen oder tragbare Stromversorgungsgeräte befinden.
- Halten Sie den Gefrierschrank beim Tragen nicht am Türgriff. Andernfalls könnte er abbrechen.
- Wenn Sie Ihr Produkt neben einem anderen Kühl- oder Gefrierschrank aufstellen möchten, sollte der Abstand zwischen beiden Geräten mindestens 8 cm betragen. Andernfalls können die

benachbarten Seitenwände feucht werden.

- Benutzen Sie das Gerät niemals, wenn die sich auf der Oberseite bzw. auf der Rückseite befindlichen Bereiche mit den elektronischen Leitern im Inneren geöffnet sind (Abdeckung der elektronischen Leiterplatten) (1).



## Bei Geräten mit Wasserspender:

- Der Druck für die Kaltwasserzufuhr sollte maximal 90 psi (620 kPa) betragen. Wenn der Wasserdruck in Ihrem Haushalt 80 psi (550 kPa) übersteigt, verwenden Sie bitte ein Druckbegrenzungsventil in Ihrem Leitungssystem. Sollten Sie nicht wissen, wie der Wasserdruck gemessen wird, ziehen Sie bitte einen Fachinstallateur hinzu.
- Sollte für Ihr Leitungssystem das Risiko eines Wasserschlags (Druckstoß) bestehen, verwenden Sie stets eine geeignete Druckstoßsicherung. Wenden Sie sich bitte an einen Fachinstallateur, falls Sie sich über die Wasserschlaggefährdung in

Ihrem Leitungssystem nicht sicher sein sollten.

- Nutzen Sie niemals die Warmwasserzufuhr für den Einbau. Treffen Sie geeignete Vorsichtsmaßnahmen zum Schutz der Leitungen gegen mögliches Einfrieren. Die für den Betrieb zulässige Wassertemperatur liegt im Bereich von mindestens 0,6°C (33°F) bis hin zu maximal 38°C (100°F).
- Nur Trinkwasser verwenden.

## Kinder - Sicherheit

- Bei abschließbaren Türen bewahren Sie den Schlüssel außerhalb der Reichweite von Kindern auf.
- Achten Sie darauf, dass Kinder nicht mit dem Produkt spielen.

## Ihre Pflichten als Endnutzer



Dieses Elektro- bzw. Elektronikgerät ist mit einer durch gestrichenen Abfalltonne auf Rädern gekennzeichnet. Das Gerät darf deshalb nur getrennt vom unsortierten Siedlungsabfall gesammelt und zurückgenommen werden. Es darf somit nicht in den Hausmüll gegeben werden. Das Gerät kann z.B. bei einer kommunalen Sammelstelle oder ggf. bei einem Vertreiber (siehe unten zu deren Rücknahmepflichten in Deutschland) abgegeben werden.

Das gilt auch für alle Bauteile, Unterbaugruppen und Verbrauchsmaterialien des zu entsorgenden Altgeräts.

Bevor das Altgerät entsorgt werden darf, müssen alle Altbatterien und Altakkumulatoren vom Altgerät getrennt werden, die nicht vom Altgerät umschlossen sind. Das gleiche gilt für Lampen, die zerstörungsfrei aus dem Altgerät entnommen werden können. Der Endnutzer ist zudem selbst dafür verantwortlich, personenbezogene Daten auf dem Altgerät zu löschen.

## **Einhaltung der RoHS-Richtlinie:**

Das von Ihnen gekaufte Gerät entspricht der RoHS-Richtlinie der EU (2011/65/EU). Es enthält keinerlei Materialien, die gemäß der Richtlinie als schädlich oder verboten gelten.

## **Hinweise zum Recycling**



Helfen Sie mit, alle Materialien zu recyceln, die mit diesem Symbol gekennzeichnet sind.

Entsorgen Sie solche Materialien, insbesondere Verpackungen, nicht im Hausmüll, sondern über die bereitgestellten Recyclingbehälter oder die entsprechenden örtlichen Sammelsysteme.

Recyceln Sie zum Umwelt- und Gesundheitsschutz elektrische und elektronische Geräte.

## **Rücknahmepflichten der Vertreiber**

Wer auf mindestens 400 m<sup>2</sup> Verkaufsfläche Elektro- und Elektronikgeräte vertreibt oder diese

gewerblich an Endnutzer abgibt, ist verpflichtet, bei Abgabe eines neuen Gerätes, ein Altgerät des Endnutzers der gleichen Geräteart, das im Wesentlichen die gleichen Funktionen wie das neue Gerät erfüllt, am Ort der Abgabe oder in unmittelbarer Nähe, unentgeltlich zurückzunehmen. Das gilt auch für Vertreiber von Lebensmitteln mit einer Gesamtverkaufsfläche von mindestens 800 m<sup>2</sup>, die mehrmals im Kalenderjahr oder dauerhaft Elektro- und Elektronikgeräte anbieten und auf dem Markt bereitstellen. Solche Vertreiber müssen zudem auf Verlangen des Endnutzers Altgeräte, die in keiner äußeren Abmessung größer als 25 cm sind, (kleine Elektrogeräte) im Einzelhandelsgeschäft oder in unmittelbarer Nähe hierzu unentgeltlich zurückzunehmen; die Rücknahme darf in diesem Fall nicht an den Kauf eines Elektro- oder Elektronikgerätes verknüpft, kann aber auf drei Altgeräte pro Geräteart beschränkt werden.

Ort der Abgabe ist auch der private Haushalt, wenn das neue Elektro- oder Elektronikgerät dorthin geliefert wird; in diesem Fall ist die Abholung des Altgerätes für den Endnutzer kostenlos.

Die vorstehenden Pflichten gelten auch für den Vertrieb unter Verwendung von Fernkommunikationsmitteln, wenn die Vertreiber Lager- und

Versandflächen für Elektro- und Elektronikgeräte bzw. Gesamtlager und Versandflächen für Lebensmittel beinhalten, die den oben genannten Verkaufsflächen entsprechen. Die unentgeltliche Abholung von Elektro- und Elektronikgeräten ist dann aber auf Wärmeüberträger (z.B. Gefrierschrank), Bildschirme, Monitore und Geräte, die Bildschirme mit einer Oberfläche von mehr als 100 cm<sup>2</sup> enthalten und Geräte beschränkt, bei denen mindestens eine der äußeren Abmessungen mehr als 50 cm beträgt. Für alle übrigen Elektro- und Elektronikgeräte muss der Vertreiber geeignete Rückgabemöglichkeiten in zumutbarer Entfernung zum jeweiligen Endnutzer gewährleisten; das gilt auch für kleine Elektrogeräte (s.o.), die der Endnutzer zurückgeben möchte, ohne ein neues Gerät zu erwerben.

## **HC-Warnung**

### **Falls das Kühlsystem Ihres Produktes R600a enthält:**

Dieses Gas ist leicht entflammbar. Achten Sie also darauf, Kühlkreislauf und Leitungen während Betrieb und Transport nicht zu beschädigen. Bei Beschädigungen halten Sie das Produkt von potenziellen Zündquellen (z. B. offenen Flammen) fern und sorgen für eine gute Belüftung des Raumes, in dem das Gerät aufgestellt wurde.

### **Ignorieren Sie diese Warnung, falls das Kühlsystem Ihres Produktes R134a enthält.**

Die Art des im Gerät eingesetzten

Gases wird auf dem Typenschild an der linken Innenwand des Gefrierschranks angegeben.

Entsorgen Sie das Produkt keinesfalls durch Verbrennen.

## **Tipps zum Energiesparen**

- Halten Sie die Gefrierschrantüren nur möglichst kurz geöffnet.
- Geben Sie keine warmen Speisen oder Getränke in den Gefrierschrank.
- Überladen Sie den Gefrierschrank nicht; die Luft muss frei zirkulieren können.
- Stellen Sie den Gefrierschrank nicht im direkten Sonnenlicht oder in der Nähe von Wärmequellen wie Öfen, Spülmaschinen oder Heizkörpern auf. Halten Sie den Gefrierschrank mindestens 30 cm von Wärmequellen und mindestens 5 cm von elektrischen Öfen entfernt.
- Achten Sie darauf, Ihre Lebensmittel in verschlossenen Behältern aufzubewahren.
- Bei Geräten mit Tiefkühlbereich: Sie können noch mehr Lebensmittel einlagern, wenn Sie die Ablage oder Schublade aus dem Tiefkühlbereich herausnehmen. Der für Ihren Gefrierschrank angegebene Energieverbrauch wurde nach dem Entfernen der Ablage oder Schublade und bei maximaler Beladung bestimmt. Ansonsten ist es Ihnen freigestellt, die Ablage oder Schublade zu verwenden.
- Das Auftauen von gefrorenen Lebensmitteln im Kühlbereich ist energiesparend und bewahrt die Qualität der Lebensmittel.

## 3 Installation

⚠ Der Hersteller haftet nicht, falls die Angaben in dieser Anleitung nicht berücksichtigt werden.

### Wenn Sie den Gefrierschrank versetzen möchten:

1. Ziehen Sie zuvor den Netzstecker. Der Gefrierschrank sollte geleert und gesäubert werden, bevor Sie ihn transportieren oder versetzen.
2. Sichern Sie die beweglichen Teile im Inneren (z. B. Ablagen, Zubehör, Gemüsefach etc.) vor dem Verpacken mit Klebeband, schützen Sie solche Teile vor Stößen. Umwickeln Sie die Verpackung mit kräftigem Klebeband oder stabilen Schnüren, beachten Sie die Transporthinweise auf der Verpackung.
3. Originalverpackung und Schaumstoffmaterialien sollten zum zukünftigen Transport des Gerätes aufbewahrt werden.
3. Reinigen Sie das Innere des Gefrierschranks wie im Abschnitt „Wartung und Reinigung“ beschrieben.
4. Schließen Sie den Netzstecker des Gefrierschranks an eine Steckdose an. Beim Öffnen der Tür leuchtet die Innenbeleuchtung auf.
5. Beim Anspringen des Kompressors sind Geräusche zu hören. Die Flüssigkeiten und Gase im Kühlsystem können auch leichte Geräusche erzeugen, wenn der Kompressor nicht läuft. Dies ist völlig normal.
6. Die Vorderkanten des Kühlgerätes können sich warm anfühlen. Dies ist normal. Diese Bereiche wärmen sich etwas auf, damit sich kein Kondenswasser bildet.

### Vor dem Einschalten

Beachten Sie Folgendes, bevor Sie Ihren Gefrierschrank benutzen:

1. Bringen Sie die beiden Kunststoffkeile wie nachstehend abgebildet an. Die Kunststoffkeile sorgen für den nötigen Abstand zwischen Gefrierschrank und Wand, damit die Luft frei zirkulieren kann. (Die Abbildung dient lediglich zur Orientierung und kann daher etwas von Ihrem Gerät abweichen.)
2. Bitte bringen Sie die beiden Kunststoffkeile wie in der Abbildung

gezeigt an. Die Kunststoffkeile sorgen für den richtigen Abstand zwischen Gefrierschrank und Wand – und damit für die richtige Luftzirkulation. (Die Abbildung dient lediglich zur Orientierung und muss nicht exakt mit Ihrem Gerät übereinstimmen.)

### Elektrischer Anschluss

Schließen Sie das Gerät an eine geerdete (Schuko-) Steckdose an. Diese Steckdose muss mit einer passenden Sicherung abgesichert werden.

Wichtig:

- Der Anschluss muss gemäß lokaler Vorschriften erfolgen.
- Der Netzstecker muss nach der Installation frei zugänglich bleiben.



- Die elektrische Sicherheit des Gerätes ist nur dann gewährleistet, wenn das hausinterne Erdungssystem den zutreffenden Normen entspricht.
- Die auf dem Typenschild an der linken Innenwand des Gerätes angegebene Spannung muss mit Ihrer Netzspannung übereinstimmen.
- **Zum Anschluss dürfen keine Verlängerungskabel oder Mehrfachsteckdosen verwendet werden.**

**⚠ Ein beschädigtes Netzkabel muss unverzüglich durch einen qualifizierten Elektriker ausgetauscht werden.**

**⚠ Das Gerät darf vor Abschluss der Reparaturen nicht mehr betrieben werden! Es besteht Stromschlaggefahr!**

## **Verpackungsmaterialien entsorgen**

Das Verpackungsmaterial kann eine Gefahr für Kinder darstellen. Halten Sie Verpackungsmaterialien von Kindern fern oder entsorgen Sie das Verpackungsmaterial gemäß gültigen Entsorgungsbestimmungen. Entsorgen Sie das Verpackungsmaterial über geeignete Sammelstellen (Ihre Stadtverwaltung informiert Sie gerne), nicht über den regulären Hausmüll.

Die Verpackung Ihres Gerätes wurde aus recyclingfähigen Materialien hergestellt.

## **Altgeräte entsorgen**

Entsorgen Sie Altgeräte auf umweltfreundliche Weise.

- Bei Fragen zur richtigen Entsorgung wenden Sie sich bitte an Ihren Händler, an eine Sammelstelle oder an Ihre Stadtverwaltung.

Bevor Sie das Gerät entsorgen, schneiden Sie den Netzstecker ab und machen die Türverschlüsse (sofern vorhanden) unbrauchbar, damit Kinder nicht in Gefahr gebracht werden.

## **Aufstellung und Installation**

**⚠ Falls die Tür des Raumes, in dem der Gefrierschrank aufgestellt werden soll, nicht breit genug ist, wenden Sie sich an den autorisierten Kundendienst, lassen die Gefrierschranktüren demontieren und befördern das Gerät seitlich durch die Tür.**

1. Stellen Sie Ihren Gefrierschrank an einer gut erreichbaren Stelle auf.
2. Platzieren Sie den Gefrierschrank nicht in der Nähe von Wärmequellen oder dort, wo er Feuchtigkeit oder direktem Sonnenlicht ausgesetzt ist.
3. Damit das Gerät richtig arbeiten kann, müssen Sie ausreichend Platz um das Gerät herum freilassen, damit eine ordentliche Belüftung gewährleistet ist. Wenn Sie den Gefrierschrank in einer Nische aufstellen, müssen Sie einen Abstand von mindestens 5 cm zur Decke und 5 cm zu den Wänden einhalten. Stellen Sie das Gerät nicht auf Materialien wie Teppichen oder Teppichböden auf.
4. Stellen Sie Ihren Gefrierschrank auf einem ebenen Untergrund auf, damit er nicht wackelt.

5. Ihr Produkt benötigt eine ausreichende Luftzirkulation, um effizient zu funktionieren. Wenn das Produkt in eine Nische gestellt wird, denken Sie daran, mindestens 5 cm Abstand zwischen dem Produkt und der Decke, der Rückwand und den Seitenwänden zu lassen.
6. Wenn das Produkt in eine Nische gestellt wird, denken Sie daran, mindestens 5 cm Abstand zwischen dem Produkt und der Decke, der Rückwand und den Seitenwänden zu lassen. Prüfen Sie, ob die Rückwand-Abstandsschutzkomponente an ihrem Standort vorhanden ist (falls mit dem Produkt geliefert). Wenn die Komponente nicht verfügbar ist oder verloren geht oder heruntergefallen ist, positionieren Sie das Produkt so, dass zwischen der Rückseite des Produkts und der Wand des Raums mindestens 5 cm Abstand verbleiben. Der Freiraum an der Rückseite ist wichtig für den effizienten Betrieb des Produkts.

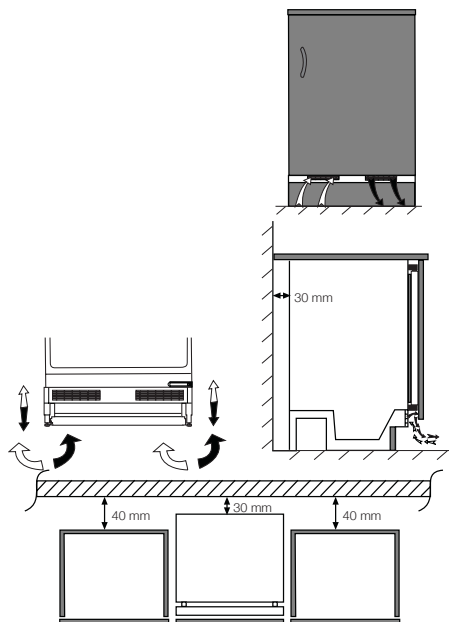
## Kühlschrank unter einer Arbeitsplatte installieren, FüÙe einstellen

Achten Sie bei der Aufstellung Ihres Kühlschranks auf einen Mindestabstand von 30 mm zwischen Gerät und Wand; siehe Abbildung.

Die Belüftungsöffnungen dürfen nicht blockiert werden; andernfalls kann es vorkommen, dass Ihr Kühlgerät mit verminderter Leistung arbeitet. (140 cm<sup>2</sup>)

Wenn Ihr Kühlschrank nicht absolut gerade steht:

Zum Ausbalancieren Ihres Kühlschranks können Sie die VorderfüÙe durch Drehen verstellen; siehe Abbildung. Wenn Sie den Fuß in Richtung des schwarzen Pfeils drehen, senkt sich die entsprechende Ecke. Wenn Sie in Gegenrichtung drehen, wird die Ecke angehoben. Sie können sich die Einstellung erleichtern, wenn Sie einen Helfer bitten, das Gerät dabei etwas anzuheben.



## 4 Vorbereitung

---

- **Ihr Gefrierschrank / Gefrierschrank sollte mindestens 30 cm von Hitzequellen wie Kochstellen, Öfen, Heizungen, Herden und ähnlichen Einrichtungen aufgestellt werden. Halten Sie mindestens 5 cm Abstand zu Elektroöfen ein, vermeiden Sie die Aufstellung im direkten Sonnenlicht.**
- Die Zimmertemperatur des Raumes, in dem der Gefrierschrank / Gefrierschrank aufgestellt wird, sollte mindestens 10 °C betragen. Im Hinblick auf den Wirkungsgrad ist der Betrieb des Gefrierschrank / Gefrierschranks bei geringerer Umgebungstemperatur nicht ratsam.
- Sorgen Sie dafür, dass das Innere Ihres Gefrierschrank / Gefrierschranks gründlich gereinigt wird.
- Falls zwei Kühlschränke nebeneinander platziert werden sollen, achten Sie darauf, dass sie mindestens 2 cm voneinander entfernt aufgestellt werden.
- Wenn Sie den Gefrierschrank / Gefrierschrank zum ersten Mal in Betrieb nehmen, halten Sie sich bitte an die folgenden Anweisungen für die ersten sechs Betriebsstunden.
- Die Gefrierschrank / Gefrierschranktür sollte nicht zu häufig geöffnet werden.
- Der Gefrierschrank / Gefrierschrank muss zunächst vollständig leer arbeiten.
- Ziehen Sie nicht den Netzstecker. Falls der Strom ausfallen sollte, beachten Sie die Warnhinweise im Abschnitt „Empfehlungen zur Problemlösung“.
- Originalverpackung und Schaumstoffmaterialien sollten zum zukünftigen Transport des Gerätes aufbewahrt werden.
- Bei einigen Modellen schaltet sich das Armaturenbrett 5 Minuten nach dem Schließen der Tür automatisch ab. Es schaltet sich wieder an, wenn die Tür geöffnet wurde oder indem man auf einen beliebigen Schalter drückt.
- Temperaturschwankungen aufgrund des Öffnens/Schließens der Gefrierschranktür können zur Kondensation an den Böden in der Tür und im Gefrierschrankinnern sowie an den Glasbehältern führen.

## 5 So bedienen Sie Ihren Gefrierschrank

### Temperatureinstellung

Die Innentemperatur Ihres Gefrierschrank / Gefrierschranks hängt teilweise von folgenden Einflüssen ab:

- Umgebungstemperatur
- Häufigkeit der Türöffnungen, Offenstehen der Tür über längere Zeit
- Einlagern von Lebensmitteln, ohne diese zuvor auf Raumtemperatur abkühlen zu lassen
- Platzierung des Gefrierschrank / Gefrierschranks innerhalb des Raumes (z. B. im direkten Sonnenlicht).

Zum Anpassen der Innentemperatur an solche Einflüsse benutzen Sie das Thermostat. Falls die Umgebungstemperatur mehr als 32 °C beträgt, wählen Sie die höchstmögliche Thermostateinstellung.

### Lagerung von Tiefkühlkost

- Allgemein kann Tiefkühlkost bei Temperaturen unter -18 °C bis 3 Monate lang gelagert werden. Die Lagerungszeiten können je nach Lebensmitteltyp variieren. Die vom Hersteller angegebenen zulässigen Lagerzeiten und Mindesthaltbarkeitsdaten finden Sie auf der Verpackung der jeweiligen Lebensmittel.

- Tiefgekühlte Lebensmittel sollten in das Gefriergerät gegeben werden, bevor sie antauen können.
- Tiefkühlkost kann in den Tiefkühlfachschubladen gelagert werden.

### Abtauen

Bei Eisbildung auf dem Verdunster Ihres Gefrierschrank / Gefrierschranks sinkt die Kühlleistung. Je dicker die Eisschicht, desto schlechter die Kühlung.

Daher müssen Sie das Eis spätestens dann abtauen, wenn die Eisschicht auf dem Verdunster eine Dicke von 5 mm erreicht. Wir empfehlen, das Eis bei kaum gefülltem, am besten bei vollständig leerem Gefrierschrank / Gefrierschrank abzutauen.

Wickeln Sie die Lebensmittel aus dem Gefrierschrank / Gefrierschrank in mehrere Lagen Papier ein und lagern Sie sie an einem möglichst kühlen Ort oder in einem anderen Kühlgerät.

Zum Abtauen schalten Sie das Thermostat aus oder ziehen den Netzstecker aus der Steckdose.

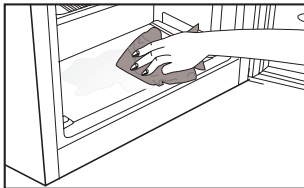
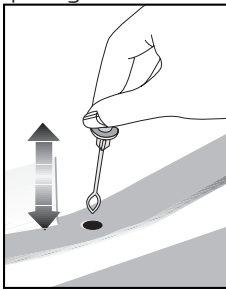
Nehmen Sie die Schubladen aus dem Kühlgerät heraus (Deckel müssen dabei nicht abgenommen werden). Mit der Zeit schmilzt das Eis und sammelt sich als Tauwasser am Boden des Kühlgerätes.

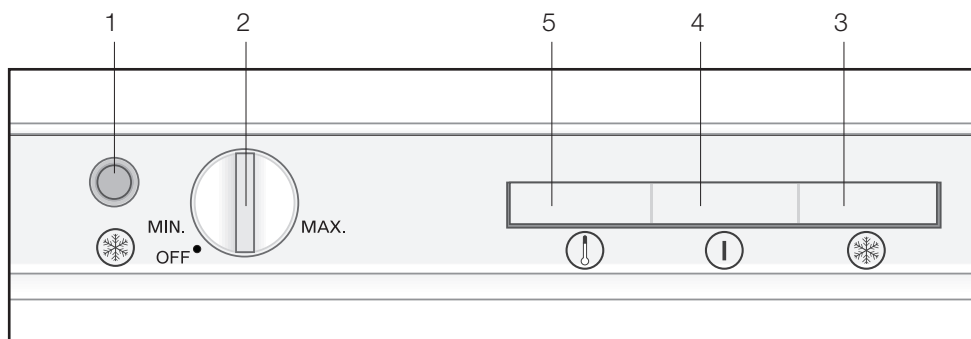
Entfernen Sie das Wasser mit einem weichen Schwamm oder etwas Ähnlichem, trocknen Sie den Innenraum gründlich.

Vergessen Sie nicht, das Thermostat wieder auf den gewünschten Wert zurückzustellen, wenn Sie das Kühlgerät wieder in Betrieb nehmen.

Lassen Sie das Kühlgerät bei geschlossenen Türen 2 Stunden lang leer arbeiten, bevor Sie die Lebensmittel wieder in das Gerät geben.

Prüfen Sie in regelmäßigen Abständen, ob dieses Abflussrohr verstopft ist oder falls ja, sollte es von der Verstopfung befreit werden.





## LED-Anzeigen und Bedienfeld

Die LED-Anzeigen an der Vorderseite Ihres Gefrierschranks helfen Ihnen, den Betriebszustand Ihres Gerätes zu überwachen.

Sie können Ihre Lebensmittel auf sichere Weise im Gefrierschrank aufbewahren, indem Sie diesen LEDs etwas Beachtung schenken und die Anzeigen und Bedienelemente wie nachstehend erklärt verwenden:

**Schnellgefriertaste (1):** Zum schnellen Einfrieren von Lebensmitteln. Nach dem Betätigen dieser Taste springt der Kompressor sofort oder nach einer Weile an; dies ist völlig normal.

**Thermostateinstelltaste (2):** Zum Definieren der minimalen und maximalen Kühlungsleistung Ihres Gefrierschranks.

**Orange LED (3):** Leuchtet auf, wenn die Schnellgefriertaste am LED-Feld gedrückt wurde. In diesem Fall arbeitet Ihr Gefrierschrank ohne

Unterbrechung.

Wenn Ihr Gefriergut die gewünschte Temperatur erreicht hat, drücken Sie diese Taste erneut: Die orange LED erlischt.

**Grüne LED (4):** Leuchtet ständig, solange der Gefrierschrank mit Strom versorgt wird.

**Rote LED (5):** Diese LED leuchtet ständig, wenn Sie Ihren Gefrierschrank in Betrieb nehmen, falls die Kühlungsleistung nicht ausreicht, wenn die Tür über längere Zeit offen steht oder wenn zu viele Lebensmittel in das Gerät gegeben werden.

Falls die rote LED unter anderen als den angegebenen Bedingungen dauerhaft leuchten sollte, wenden Sie sich bitte an den autorisierten Kundendienst.

## 6 **Wartung und Reinigung**

---

- ⚠ Verwenden Sie zu Reinigungszwecken niemals Benzin oder ähnliche Substanzen.
- ⚠ Wir empfehlen, vor dem Reinigen den Netzstecker zu ziehen.
- ⓘ Verwenden Sie zur Reinigung niemals scharfe Gegenstände, Seife, Haushaltsreiniger, Waschmittel oder Wachspolituren.
- ⓘ Bei nicht eisfreien Geräten bilden sich Wassertropfen an der Rückwand des Kühlfaches, die zu einer fingerdicken Eisschicht gefrieren können. Nicht beseitigen, nicht reinigen, niemals Öl oder andere Mittel auftragen.
- ⓘ Reinigen Sie die Außenflächen des Gerätes nur mit einem leicht angefeuchteten Mikrofasertuch. Schwämme und andere Reinigungshilfen können die Oberfläche verkratzen.
- ⓘ Reinigen Sie das Gehäuse des Gerätes mit lauwarmem Wasser, wischen Sie die Flächen danach trocken.
- ⚠ Zur Reinigung des Innenraums verwenden Sie ein feuchtes Tuch, das Sie in eine Lösung aus 1 Teelöffel Natron und einem halben Liter Wasser getaucht und ausgewrungen haben. Nach dem Reinigen wischen Sie den Innenraum trocken.
- ⚠ Achten Sie darauf, dass kein Wasser in das Lampengehäuse oder andere elektrische Komponenten eindringt.
- ⚠ Wenn Ihr Kühlgerät längere Zeit nicht benutzt wird, ziehen Sie den Netzstecker, nehmen alle Lebensmittel heraus, reinigen das Gerät und lassen die Türe geöffnet.
- ⓘ Kontrollieren Sie die Türdichtungen regelmäßig, um sicherzustellen, dass diese sauber und frei von Speiseresten sind.
- ⓘ Zum Entfernen einer Türablage räumen Sie sämtliche Gegenständen aus der Ablage und schieben diese dann nach oben heraus.
- ⓘ Verwenden Sie zur Reinigung der Außenflächen und Chrombeschichteten Produktteile niemals Reinigungsmittel oder Wasser, die/das Chlor enthält. Chlor lässt Metalloberflächen korrodieren.
- ⓘ Verwenden Sie keine spitzen oder scheuernde Gegenstände, Seifen, Reinigungsmittel bzw. Chemikalien, sowie auch kein Benzin, keine Benzole bzw. Wachse usw. Andernfalls werden die Einprägungen auf den Plasteteilen möglicherweise beschädigt oder deformiert. Verwenden Sie warmes Wasser und einen weichen Lappen zum anschließenden Trockenreiben.

## **Schutz der Kunststoffflächen**

- ① Geben Sie keine Öle oder stark fetthaltige Speisen offen in Ihren Gefrierschrank / Gefrierschrank - dadurch können die Kunststoffflächen angegriffen werden. Sollten die Plastikoberflächen einmal mit Öl in Berührung kommen, so reinigen Sie die entsprechend Stellen umgehend mit warmem Wasser.**



## 7 Problemlösung

Bitte arbeiten Sie diese Liste durch, bevor Sie sich an den Kundendienst wenden. Dies kann Ihnen Zeit und Geld sparen. In der Liste finden Sie häufiger auftretende Probleme, die nicht auf Verarbeitungs- oder Materialfehler zurückzuführen sind. Nicht alle hier beschriebenen Funktionen sind bei jedem Modell verfügbar.

### Der Gefrierschrank arbeitet nicht.

- Der Netzstecker ist nicht richtig eingesteckt. >>> Stecken Sie den Netzstecker bis zum Anschlag in die Steckdose.
- Die entsprechende Haussicherung ist herausgesprungen oder durchgebrannt. >>> Überprüfen Sie die Sicherung.

### Kondensation an den Seitenwänden des Kühlbereiches (Multizone, Kühlkontrolle und FlexiZone).

- Die Tür wurde häufig geöffnet. >>> Verzichten Sie auf häufiges Öffnen der Gefrierschranktür.
- Die Luftfeuchtigkeit in der Umgebung ist zu hoch. >>> Stellen Sie Ihren Gefrierschrank nicht an Orten mit hoher Luftfeuchtigkeit auf.
- Lebensmittel mit hohem Flüssigkeitsanteil werden in offenen Behältern aufbewahrt. >>> Bewahren Sie Lebensmittel mit hohem Flüssigkeitsanteil nicht in offenen Behältern auf.
- Die Gefrierschranktür steht offen. >>> Schließen Sie die Gefrierschranktür.
- Das Thermostat ist auf eine sehr geringe Temperatur eingestellt. >>> Stellen Sie das Thermostat entsprechend nach.

### Der Kompressor läuft nicht.

- Eine Schutzschaltung stoppt den Kompressor bei kurzzeitigen Unterbrechungen der Stromversorgung und wenn das Gerät zu oft und schnell ein- und ausgeschaltet wird, da der Druck des Kühlmittels eine Weile lang ausgeglichen werden muss. Der Gefrierschrank beginnt nach etwa sechs Minuten wieder zu arbeiten. Bitte wenden Sie sich an den Kundendienst, falls Ihr Gefrierschrank nach Ablauf dieser Zeit nicht wieder zu arbeiten beginnt.
- Der Gefrierschrank taut ab. >>> Dies ist bei einem vollautomatisch abtauenden Gefrierschrank völlig normal. Das Gerät taut von Zeit zu Zeit ab.
- Der Netzstecker ist nicht eingesteckt. >>> Überprüfen Sie, ob der Netzstecker richtig eingesteckt wurde.
- Die Temperatur ist nicht richtig eingestellt. >>> Wählen Sie eine geeignete Temperatur.
- Der Strom ist ausgefallen. >>> Sobald die Stromversorgung wiederhergestellt ist, nimmt der Gefrierschrank den Betrieb wieder auf.

### Das Betriebsgeräusch nimmt zu, wenn der Gefrierschrank arbeitet.

- Das Leistungsverhalten des Kühlgerätes kann sich je nach Umgebungstemperatur ändern. Dies ist völlig normal und keine Fehlfunktion.

### Der Gefrierschrank arbeitet sehr intensiv oder über eine sehr lange Zeit.

• Ihr neues Gerät ist vielleicht etwas breiter als sein Vorgänger. Große Kühlgeräte arbeiten oft etwas länger.

• Die Umgebungstemperatur ist eventuell sehr hoch. >>> Bei hohen Umgebungstemperaturen arbeitet das Gerät etwas länger.

• Der Gefrierschrank wurde möglicherweise erst vor Kurzem in Betrieb genommen oder mit Lebensmitteln gefüllt. >>> Wenn der Gefrierschrank erst vor Kurzem in Betrieb genommen oder mit Lebensmitteln gefüllt wurde, dauert es einige Zeit, bis er die eingestellte Temperatur erreicht. Dies ist normal.

• Kurz zuvor wurden größere Mengen warmer Speisen in den Gefrierschrank gestellt. >>> Geben Sie keine warmen oder gar heißen Speisen in den Gefrierschrank.

• Die Türen wurden häufig geöffnet oder längere Zeit nicht richtig geschlossen. >>> Der Gefrierschrank muss länger arbeiten, weil warme Luft in den Innenraum eingedrungen ist. Verzichten Sie auf häufiges Öffnen der Türen.

• Die Türen des Kühl- oder Tiefkühlbereiches wurden nicht richtig geschlossen. >>> Vergewissern Sie sich, dass die Türen richtig geschlossen wurden.

• Die Gefrierschranktemperatur ist sehr niedrig eingestellt. >>> Stellen Sie die Gefrierschranktemperatur höher ein. Warten Sie dann ab, bis die gewünschte Temperatur erreicht ist.

• Die Türdichtungen von Kühl- oder Gefrierbereich sind verschmutzt, verschlissen, beschädigt oder sitzen nicht richtig. >>> Reinigen oder ersetzen Sie die Dichtung. Beschädigte oder defekte Dichtungen führen dazu, dass der Gefrierschrank länger arbeiten muss, um die Temperatur halten zu können.

Die Temperatur im Tiefkühlbereich ist sehr niedrig, während die Temperatur im Kühlbereich normal ist.

• Die Tiefkühltemperatur ist sehr niedrig eingestellt. >>> Stellen Sie die Tiefkühltemperatur wärmer ein, prüfen Sie die Temperatur nach einer Weile.

Die Temperatur im Kühlbereich ist sehr niedrig, während die Temperatur im Tiefkühlbereich normal ist.

• Die Kühltemperatur ist sehr niedrig eingestellt. >>> Stellen Sie die Kühlbereichtemperatur wärmer ein, prüfen Sie die Temperatur nach einer Weile.

Im Kühlbereich gelagerte Lebensmittel frieren ein.

• Die Kühltemperatur ist sehr niedrig eingestellt. >>> Wählen Sie eine höhere Kühlbereichtemperatur, prüfen Sie die Temperatur nach einer Weile.

Die Temperatur im Kühl- oder Tiefkühlbereich ist sehr hoch.

• Die Kühltemperatur ist sehr hoch eingestellt. >>> Die Kühlbereichtemperatur wirkt sich auf die Temperatur des Tiefkühlbereichs aus. Ändern Sie die Temperatur des Kühl- oder Tiefkühlbereichs und warten Sie, bis die entsprechenden Fächer eine geeignete Temperatur erreicht haben.

• Türen wurden häufig geöffnet oder längere Zeit nicht richtig geschlossen. >>> Verzichten Sie auf häufiges Öffnen der Türen.

• Die Tür steht offen. >>> Schließen Sie die Tür komplett.

• Der Gefrierschrank wurde möglicherweise erst vor Kurzem in Betrieb genommen oder mit Lebensmitteln gefüllt. >>> Dies ist normal. Wenn der Gefrierschrank erst vor Kurzem in Betrieb genommen oder mit Lebensmitteln gefüllt wurde, dauert es einige Zeit, bis er die eingestellte Temperatur erreicht.

• Kurz zuvor wurden größere Mengen warmer Speisen in den Gefrierschrank gestellt. >>> Geben Sie keine warmen oder gar heißen Speisen in den Gefrierschrank.

<b>Vibrationen oder Betriebsgeräusche.</b>	<b>Unangenehmer Geruch im Gefrierschrank.</b>
<ul style="list-style-type: none"> <li>• Der Boden ist nicht eben oder nicht stabil genug. &gt;&gt;&gt; Falls der Gefrierschrank bei leichten Bewegungen wackelt, gleichen Sie ihn mit Hilfe seiner Füße aus. Achten Sie außerdem darauf, dass der Boden eben ist und das Gewicht des Gefrierschranks problemlos tragen kann.</li> <li>• Gegenstände, die auf dem Gefrierschrank abgestellt wurden, können Geräusche verursachen. &gt;&gt;&gt; Nehmen Sie die Gegenstände vom Gefrierschrank.</li> </ul>	<ul style="list-style-type: none"> <li>• Der Gefrierschrank wurde nicht regelmäßig gereinigt. &gt;&gt;&gt; Reinigen Sie das Innere des Gefrierschranks regelmäßig mit einem Schwamm, den Sie mit lauwarmem Wasser oder einer Natron-Wasser-Lösung angefeuchtet haben.</li> <li>• Bestimmte Behälter oder Verpackungsmaterialien verursachen den Geruch. &gt;&gt;&gt; Verwenden Sie andere Behälter oder Verpackungsmaterial einer anderen Marke.</li> <li>• Lebensmittel wurden in offenen Behältern in den Gefrierschrank gegeben. &gt;&gt;&gt; Lagern Sie Lebensmittel in geschlossenen Behältern. Mikroorganismen, die aus unverschlossenen Behältern entweichen, können üble Gerüche verursachen.</li> <li>• Nehmen Sie Lebensmittel mit abgelaufenem Mindesthaltbarkeitsdatum sowie verdorbene Lebensmittel aus dem Gefrierschrank.</li> </ul>
<b>Fließ- oder Spritzgeräusche sind zu hören.</b>	<b>Die Tür lässt sich nicht schließen.</b>
<ul style="list-style-type: none"> <li>• Aus technischen Gründen bewegen sich Flüssigkeiten und Gase innerhalb des Gerätes. Dies ist völlig normal und keine Fehlfunktion.</li> </ul>	<ul style="list-style-type: none"> <li>• Lebensmittelpackungen verhindern ein vollständiges Schließen der Tür. &gt;&gt;&gt; Entfernen Sie die Verpackungen, welche die Tür blockieren.</li> <li>• Der Gefrierschrank steht nicht vollständig eben auf dem Boden. &gt;&gt;&gt; Gleichen Sie den Gefrierschrank mit Hilfe der Füße aus.</li> <li>• Der Boden ist nicht eben oder nicht stabil genug. &gt;&gt;&gt; Achten Sie darauf, dass der Boden eben ist und das Gewicht des Gefrierschranks problemlos tragen kann.</li> </ul>
<b>Der Gefrierschrank pfeift.</b>	<b>Das Gemüsefach klemmt.</b>
<ul style="list-style-type: none"> <li>• Zum gleichmäßigen Kühlen werden Ventilatoren eingesetzt. Dies ist völlig normal und keine Fehlfunktion.</li> </ul>	<ul style="list-style-type: none"> <li>• Lebensmittel berühren eventuell den oberen Teil der Schublade. &gt;&gt;&gt; Ordnen Sie die Lebensmittel in der Schublade anders an.</li> </ul>
<b>Kondensation an den Gefrierschrankinnenflächen.</b>	<b>Wenn Die Produktoberfläche Heiss Ist.</b>
<ul style="list-style-type: none"> <li>• Bei heißen und feuchten Wetterlagen treten verstärkt Eisbildung und Kondensation auf. Dies ist völlig normal und keine Fehlfunktion.</li> <li>• Türen wurden häufig geöffnet oder längere Zeit nicht richtig geschlossen. &gt;&gt;&gt; Verzichten Sie auf häufiges Öffnen der Türen. Schließen Sie geöffnete Türen.</li> <li>• Die Tür steht offen. &gt;&gt;&gt; Schließen Sie die Tür komplett.</li> </ul>	<ul style="list-style-type: none"> <li>• Die Bereiche zwischen den beiden Türen, an den Seitenflächen und hinten am Grill können im Betrieb sehr heiß werden. Dies ist völlig normal und weist nicht auf eine Fehlfunktion hin.</li> </ul>
<b>Feuchtigkeit sammelt sich an der Außenseite des Gefrierschranks oder an den Türen.</b>	
<ul style="list-style-type: none"> <li>• Eventuell herrscht hohe Luftfeuchtigkeit; dies ist je nach Wetterlage völlig normal. Die Kondensation verschwindet, sobald die Feuchtigkeit abnimmt.</li> </ul>	

## **Leggere innanzitutto il manuale di istruzioni.**

Gentile Cliente,

ci auguriamo che l'articolo da Lei scelto, prodotto in moderni stabilimenti e sottoposto ai più severi controlli di qualità, risponda interamente alle Sue esigenze.




A tal fine, La invitiamo a leggere attentamente il manuale di istruzioni del prodotto prima di procedere al suo utilizzo e di conservarlo per eventuali consultazioni future.

### **Il presente manuale**

- Aiuterà l'utente ad utilizzare l'apparecchio in modo rapido e sicuro.
- Leggere le istruzioni per l'uso prima di installare e utilizzare il prodotto.
- Seguire attentamente le istruzioni, in particolare quelle inerenti alla sicurezza.
- Conservare il presente manuale in un luogo facilmente accessibile per eventuali future consultazioni.
- Leggere inoltre gli altri documenti forniti assieme al prodotto.
- Il presente manuale può essere valido anche per altri modelli.

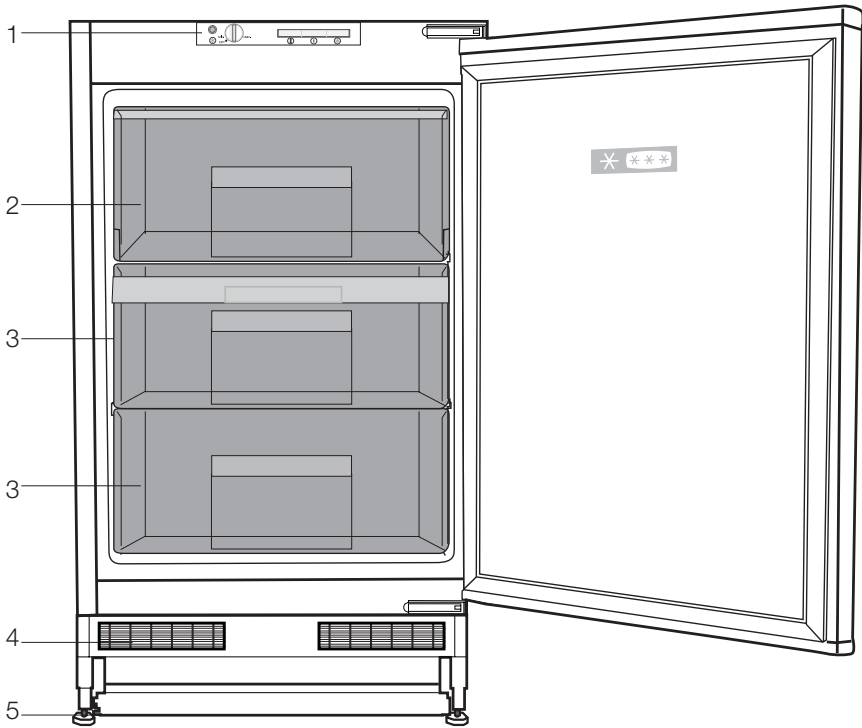
### **Simboli e loro descrizione**

Il manuale di istruzioni contiene i seguenti simboli:

-  Informazioni importanti o consigli utili di utilizzo.
-  Segnale di avvertimento in caso di situazioni pericolose per la persona o i beni.
-  Segnale di avvertimento in caso di problemi con il voltaggio.

<b>1 Il frigorifero</b>	<b>4</b>	<b>5 Utilizzo del frigorifero</b>	<b>16</b>
<b>2 Importanti avvertenze per la sicurezza</b>	<b>5</b>	Impostazione della temperatura di funzionamento .....	16
Uso previsto.....	5	Congelamento .....	16
Sicurezza generale .....	5	Sbrinamento .....	17
Sicurezza bambini .....	8	Arresto del prodotto.....	18
Conformità alla direttiva WEEE e allo smaltimento dei rifiuti: .....	9	Indicatori LED e pannello di controllo .....	19
Conformità alla Direttiva RoHS: .....	9	<b>6 Manutenzione e pulizia</b>	<b>20</b>
Informazioni sulla confezione .....	9	Protezione delle superfici di plastica .....	20
Avvertenza HC.....	9	<b>7 Ricerca e risoluzione dei problemi</b>	<b>21</b>
Cose da fare per risparmiare energia.....	10		
<b>3 Installazione</b>	<b>11</b>		
Punti a cui prestare attenzione quando si sposta il frigorifero .....	11		
Prima di avviare il frigorifero,.....	11		
Collegamenti elettrici .....	11		
Smaltimento del materiale di imballaggio.....	12		
Smaltimento del vecchio frigorifero	12		
Posizionamento e installazione .....	12		
Posizionamento del frigorifero sotto il piano di lavoro e regolazione dei piedini.....	13		
Inversione degli sportelli .....	14		

# 1 Il frigorifero



1. Quadro di comando
2. Scomparto congelamento rapido
3. Scomparto per conservazione cibi congelati
4. Coperchio di ventilazione
5. Piedini regolabili

Le illustrazioni contenute in questa guida sono schematiche e potrebbero non corrispondere esattamente al prodotto in uso. Se le parti in oggetto non sono incluse nel prodotto acquistato, significa che sono da intendersi per altri modelli.

## 2 Importanti avvertenze per la sicurezza

Prendere in esame le seguenti informazioni. La mancata osservanza di queste informazioni può provocare lesioni o danni materiali. Quindi tutte le garanzie e gli impegni sull'affidabilità diventerebbero privi di validità.

I pezzi di ricambio originali verranno forniti per 10 anni, successivamente alla data di acquisto del prodotto.

### Uso previsto

⚠	<b>AVVERTENZA:</b> Assicurarsi che i fori di ventilazione non sono chiusi quando il dispositivo è nella sua custodia o quando lo si inserisce nel suo alloggiamento.
⚠	<b>AVVERTENZA:</b> Non utilizzare alcun dispositivo meccanico o altri dispositivi per accelerare il processo di sbrinamento e seguire solo i consigli del fabbricante.
⚠	<b>AVVERTENZA:</b> Non danneggiare il circuito del liquido refrigerante.
⚠	<b>AVVERTENZA:</b> Non utilizzare apparecchi elettrici non consigliati dal fabbricante all'interno dei vani per la conservazione degli alimenti.

⚠	<b>AVVERTENZA:</b> Non conservare sostanze esplosive come aerosol con gas propellenti infiammabili nell'apparecchio.
---	---

Questo apparecchio é stato progettato per applicazioni domestiche e per la seguenti applicazioni similari:

- Per essere utilizzato nelle cucine del personale di negozi, uffici e altri luoghi di lavoro;
- Per essere utilizzato dai clienti negli alberghi e nelle case di campagna, motel e altri luoghi di alloggio;
- in ambienti tipo pensioni
- in luoghi simili che non offrano servizi di ristorazione e non siano di vendita al dettaglio.

### Sicurezza generale

- Quando si vuole smaltire/eliminare l'apparecchio, è consigliabile consultare il servizio autorizzato per apprendere le informazioni necessarie e conoscere gli enti autorizzati.
- Consultare il servizio di manutenzione autorizzato per tutti i problemi relativi al frigorifero. Non intervenire o far intervenire sul frigorifero senza informare il servizio manutenzione autorizzato.

- Per apparecchi dotati di scomparto freezer; non mangiare coni gelato o cubetti di ghiaccio o gelati appena estratti dal freezer! (Ciò potrebbe causare sintomi di congelamento in bocca).
- Per apparecchi dotati di scomparto freezer; non mettere bottiglie e lattine di bibite liquide nello scomparto del freezer altrimenti potrebbero esplodere.
- Non toccare con le mani gli alimenti gelati; possono incollarsi ad esse.
- Scollegare il frigorifero prima della pulizia o dello sbrinamento.
- Il vapore e i materiali per la pulizia vaporizzati non devono mai essere usati per pulire e scongelare il frigorifero. In queste situazioni, il vapore può entrare in contatto con le parti elettriche e provocare corto circuito o scossa elettrica.
- Non usare mai parti del frigorifero come lo sportello come mezzo di supporto o movimento.
- Non utilizzare dispositivi elettrici all'interno del frigorifero.
- Non danneggiare le parti, in cui circola il refrigerante, con utensili perforanti o taglienti. Il refrigerante può scoppiare quando i canali del gas dell'evaporatore, le estensioni dei tubi o le pellicole superficiali vengono punti e provocano irritazioni alla pelle e lesioni agli occhi.
- Non bloccare o coprire la ventilazione dell'elettrodomestico.
- I dispositivi elettrici devono essere riparati solo da persone autorizzate. Le riparazioni eseguite da personale non competente provocano danni all'utilizzatore.
- In caso di guasto o durante lavori di riparazione e manutenzione, scollegare la fornitura d'energia principale spegnendo il fusibile principale o scollegando la presa dell'apparecchio.
- Non tirare dal cavo quando si estrae la spina.
- Assicurarsi che le bevande alcoliche siano conservate in modo sicuro con il coperchio chiuso e posizionate in verticale.
- Non conservare mai nel frigorifero contenitori spray che contengano sostanze infiammabili ed esplosive.
- Non utilizzare apparecchiature meccaniche o altri mezzi diversi da quelli consigliati dal produttore per accelerare il processo di sbrinamento.
- Questo apparecchio non deve essere usato da persone con disturbi fisici, sensoriali o mentali o persone non preparate o senza esperienza (compresi bambini) a meno che non ricevano la

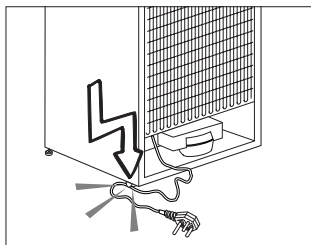


supervisione da parte di una persona responsabile della loro sicurezza che li instruirà sull'uso corretto dell'apparecchio.

- Non utilizzare frigoriferi danneggiati. Consultare l'agente per l'assistenza in caso di dubbi.
- La sicurezza elettrica del frigorifero è garantita unicamente se il sistema di messa a terra dell'apparecchiatura è conforme agli standard.
- L'esposizione dell'apparecchio a pioggia, neve, sole e vento è pericolosa per la sicurezza elettrica.
- Contattare l'assistenza autorizzata quando ci sono danni ai cavi in modo da evitare pericoli.
- Non collegare mai il frigorifero alla presa a muro durante l'installazione, per evitare il rischio di morte o lesioni gravi.
- Questo frigorifero è destinato solo alla conservazione di alimenti. Non deve essere usato per altri scopi.
- L'etichetta con le specifiche tecniche si trova sulla parete sinistra nella parte interna del frigorifero.
- Non collegare mai il frigorifero a sistemi di risparmio energetico; potrebbero danneggiare il frigorifero.
- Se c'è una luce blu sul frigorifero, non guardarla a

lungo a occhio nudo o con strumenti ottici.

- Per i frigoriferi con controllo manuale, attendere almeno 5 minuti per avviare il frigorifero dopo un'assenza di elettricità.
- Questo manuale operativo deve essere dato al nuovo proprietario dell'apparecchio quando il prodotto stesso viene dato ad altri.
- Evitare di provocare danni al cavo di alimentazione quando si trasporta il frigorifero. Piegare il cavo può provocare un incendio. Non mettere mai oggetti pesanti sul cavo di alimentazione.
- Non toccare la spina con le mani bagnate quando si collega l'apparecchio alla rete elettrica.



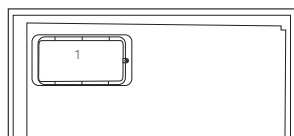
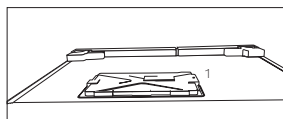
- Non collegare il frigorifero alla rete se la presa elettrica è allentata.
- Non deve essere spruzzata acqua sulle parti interne o esterne dell'apparecchio per motivi di sicurezza.
- Non spruzzare sostanze contenenti gas infiammabili come gas propano vicino al

frigorifero per evitare rischio di incendio ed esplosione.

- Non mettere mai contenitori pieni di acqua sopra al frigorifero; in caso di schizzi, questo potrebbe provocare shock elettrico o incendio.
- Non sovraccaricare il frigorifero di alimenti. In caso di sovraccarico, gli alimenti potrebbero cadere provocando lesioni alla persona e danni al frigorifero quando si apre lo sportello.
- Non mettere mai oggetti sopra al frigorifero; altrimenti questi oggetti potrebbero cadere quando si apre o si chiude lo sportello del frigorifero.
- Poiché necessitano di un controllo preciso della temperatura, vaccini, medicine sensibili al calore e materiali scientifici non devono essere conservati nel frigorifero.
- Se non sarà usato per un lungo periodo, il frigorifero deve essere scollegato. Un problema possibile nel cavo di alimentazione può provocare un incendio.
- Il frigorifero potrebbe spostarsi se i piedini regolabili non sono assicurati correttamente al pavimento. Assicurare correttamente i piedini al pavimento può evitare che il frigorifero si sposti.
- Quando si trasporta il frigorifero, non tenerlo dalla

maniglia dello sportello. Altrimenti si stacca.

- Quando è necessari posizionare l'apparecchio vicino ad un altro frigorifero o freezer, la distanza tra i dispositivi deve essere di almeno 8 cm. Altrimenti le pareti laterali vicine potrebbero produrre condensa.
- Non usare mai il prodotto se la sezione che si trova sulla parte superiore o posteriore del prodotto, con le schede dei circuiti elettronici stampati all'interno, è aperta (copri schede dei circuiti elettronici stampati) (1).



## Sicurezza bambini

- La pressione per l'ingresso dell'acqua fredda dovrebbe essere al massimo 90 psi (620 kPa). Qualora la pressione dell'acqua superi il valore 80 psi (550 kPa), usare una valvola di limitazione della pressione nel sistema principale. Qualora non si sappia come verificare

la pressione dell'acqua, chiedere aiuto a un idraulico professionista.

- In caso di rischio dell'effetto "martello acqua" nel proprio impianto, usare sempre una strumentazione per evitare l'effetto "martello d'acqua" nel proprio impianto. Rivolgersi a idraulici professionisti in caso di dubbio relativamente alla presenza o meno dell'effetto "martello d'acqua" nel proprio impianto.
- Non installare l'ingresso dell'acqua calda. Prendere precauzioni contro il rischio di congelamento dei tubi. La gamma di funzionamento della temperatura dell'acqua dovrebbe essere 33°F (0,6°C) come minimo e 100°F (38°C) al massimo.
- I bambini devono ricevere supervisione per evitare che interferiscano con l'apparecchio.

## Conformità alla direttiva WEEE e allo smaltimento dei rifiuti:



Questo apparecchio è conforme alla Direttiva UE WEEE (2012/19/EU). Questo apparecchio riporta il simbolo di classificazione per i rifiuti delle apparecchiature elettriche ed elettroniche (WEEE).

Questo apparecchio è stato realizzato con parti e materiali di alta qualità che possono essere riutilizzati e sono adatti ad essere riciclati. Non

smaltire i rifiuti dell'apparecchio con i normali rifiuti domestici e gli altri rifiuti alla fine della vita di servizio. Portarlo al centro di raccolta per il riciclaggio di apparecchiature elettriche ed elettroniche. Consultare le autorità locali per conoscere la collocazione di questi centri di raccolta.

## Conformità alla Direttiva RoHS:

L'apparecchio acquistato è conforme alla Direttiva UE RoHS (2011/65/EU). Non contiene materiali pericolosi o proibiti specificati nella Direttiva.

## Informazioni sulla confezione

I materiali di imballaggio del prodotto sono realizzati con materiali riciclabili secondo i nostri regolamenti nazionali sull'ambiente. Non smaltire i materiali di imballaggio con i rifiuti domestici o altri rifiuti. Portarli ai punti di raccolta dedicati ai materiali di imballaggio, previsti dalle autorità locali.

## Cose da non dimenticare...

Tutte le sostanze riciclate sono elementi indispensabili per la natura e la nostra ricchezza nazionale.

Se si desidera contribuire alla rivalutazione dei materiali di imballaggio, è possibile consultare le organizzazioni ambientaliste o le autorità del comune in cui si vive.

## Avvertenza HC

### Se il sistema di raffreddamento dell'apparecchio contiene R600a:

Questo gas è infiammabile. Pertanto, fare attenzione a non danneggiare il sistema di raffreddamento e le tubazioni durante l'uso e il trasporto.

In caso di danni, tenere l'apparecchio lontano da potenziali fonti di incendio che possono provocarne l'incendio e ventilare la stanza in cui si trova l'unità.

**Ignorare questa avvertenza se il sistema di raffreddamento dell'apparecchio contiene R134a.**

Il tipo di gas usato nell'apparecchio è descritto nell'etichetta con il tipo sulla parete sinistra nella parte interna del frigorifero.

Non gettare mai l'apparecchio nel fuoco per lo smaltimento.

## **Cose da fare per risparmiare energia**

- Non lasciare lo sportello del frigorifero aperto per lungo tempo.
- Non inserire alimenti caldi o bevande calde nell'elettrodomestico.
- Non sovraccaricare il frigorifero impedendo la circolazione dell'aria al suo interno.
- Non installare il frigorifero sotto la luce diretta del sole o nelle vicinanze di forni, lavastoviglie o radiatori. Tenere il frigorifero ad almeno 30 cm dalle fonti che emettono calore e ad almeno 5 cm dai forni elettrici.
- Porre attenzione nel conservare gli alimenti in contenitori chiusi.
- Per apparecchi dotati di scomparto freezer; è possibile conservare la quantità massima di alimenti nel freezer quando si rimuove il ripiano o il cassetto del freezer. Il valore di consumo energetico dichiarato per il frigorifero è stato determinato rimuovendo il ripiano del freezer o il cassetto e in condizione di carico massimo. Non c'è pericolo nell'usare un ripiano o un cassetto secondo le

forme e le dimensioni degli alimenti da congelare.

- Scongelare alimenti congelati nello scomparto frigo garantisce risparmio energetico e conserva la qualità degli alimenti.

## 3 Installazione

⚠ Se le informazioni date in questo manuale utente non sono prese in considerazione, il produttore non accetta alcuna responsabilità per questo.

### Punti a cui prestare attenzione quando si sposta il frigorifero

1. Il frigorifero deve essere scollegato. Prima del trasporto, il frigorifero deve essere svuotato e pulito.
2. Prima di imballarlo di nuovo, ripiani, accessori, scomparto frutta e verdura, ecc. all'interno del frigorifero devono essere fissati con nastro adesivo e assicurati contro i colpi. L'imballaggio deve essere eseguito con un nastro doppio o cavi sicuri e bisogna osservare rigorosamente le norme per il trasporto presenti sulla confezione.
3. Conservare i materiali originali di imballaggio per futuri trasporti o spostamenti.

### Prima di avviare il frigorifero,

Controllare quanto segue prima di utilizzare il frigorifero:

1. Montare i 2 cunei in plastica come illustrato sotto. I cunei in plastica servono a mantenere la distanza che assicura la circolazione dell'aria tra frigorifero e parete. (L'immagine è creata per illustrare e non è identica all'apparecchio).
2. Pulire la parte interna del frigorifero come consigliato nella sezione "Manutenzione e pulizia".

3. Collegare la spina del frigorifero alla presa elettrica. Quando lo sportello del frigorifero è aperto, la lampadina interna si accende.
4. Quando il compressore comincia a funzionare, si sente un rumore. I liquidi e i gas sigillati nel sistema refrigerante possono produrre dei rumori, anche se il compressore non è in funzione; questo è abbastanza normale.
5. I bordi anteriori del frigorifero possono essere tiepidi. Questo è normale. Queste zone sono progettate per essere tiepide per evitare la condensazione.

### Collegamenti elettrici

Collegare il frigorifero ad una presa di messa a terra protetta da un fusibile della capacità appropriata.

Importante:

- Il collegamento deve essere conforme ai regolamenti nazionali.
- La spina elettrica deve essere facilmente accessibile dopo l'installazione.
- La sicurezza elettrica del frigorifero è garantita unicamente se il sistema di messa a terra dell'apparecchiatura è conforme agli standard.
- La tensione dichiarata sull'etichetta che si trova nel lato interno a sinistra dell'apparecchio deve essere pari alla tensione di rete.
- Le prolunghe e le prese multiple non devono essere usate per il collegamento.

⚠ Un cavo di alimentazione danneggiato deve essere sostituito da un elettricista qualificato.

⚠ L'apparecchio non deve essere usato finché non viene riparato! C'è rischio di shock elettrico!

## Smaltimento del materiale di imballaggio

I materiali di imballaggio potrebbero essere dannosi per i bambini. Tenere i materiali di imballaggio fuori dalla portata dei bambini o smaltirli classificandoli secondo le istruzioni sui rifiuti comunicate dalle autorità locali. Non smaltire assieme ai normali rifiuti domestici, smaltire nei punti di raccolta appositi indicati dalle autorità locali.

L'imballaggio del frigorifero è prodotto con materiali riciclabili.

## Smaltimento del vecchio frigorifero

Smaltire il vecchio frigorifero senza danni per l'ambiente.

- Bisogna consultare il rivenditore autorizzato o il centro di raccolta rifiuti della propria città per quanto riguarda lo smaltimento del frigorifero.

Prima di smaltire il frigorifero, tagliare la spina elettrica e, se ci sono blocchi allo sportello, renderli inutilizzabili per proteggere i bambini da eventuali pericoli.

## Posizionamento e installazione

⚠ Nel caso in cui la porta di ingresso della stanza in cui il frigorifero deve essere posizionato non è abbastanza grande per il passaggio del frigorifero, chiamare il servizio autorizzato per rimuovere le porte del frigorifero e per farlo passare attraverso la porta.

1. Installare il frigorifero in un luogo che ne permetta il facile utilizzo.
2. Tenere il frigorifero lontano da fonti di calore, luoghi umidi e luce diretta del sole.
3. Intorno al frigorifero deve esserci ventilazione appropriata per poter avere operatività efficiente. Se il frigorifero deve essere posizionato in un recesso della parete, è necessario porlo ad almeno 5 cm di distanza dal soffitto e a 5 cm dalla parete. Non posizionare l'apparecchio su materiali come tappetini o tappeti.
4. Posizionare l'elettrodomestico solo su superfici uniformi e piane per evitare dondoli.

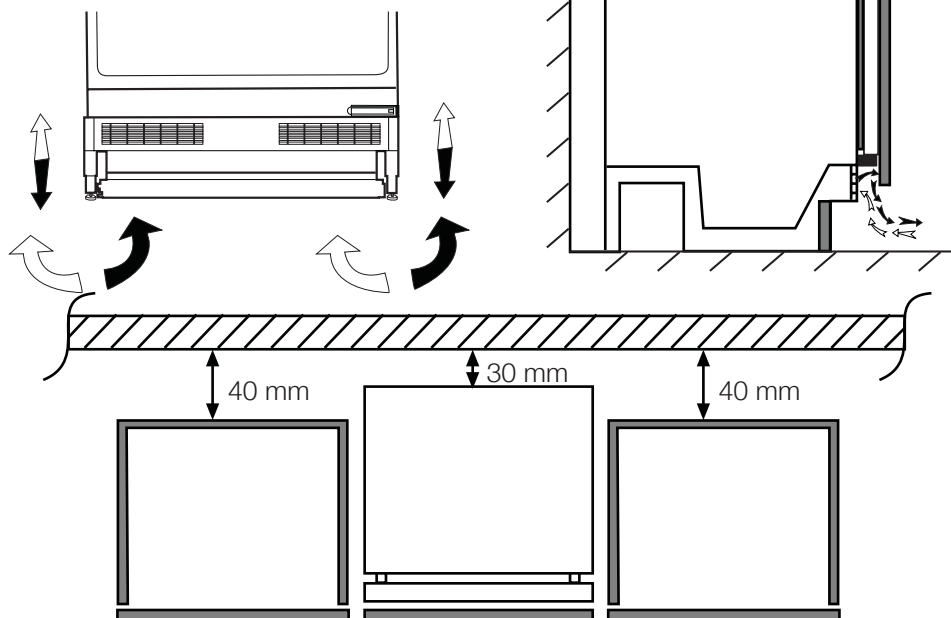
## Posizionamento del frigorifero sotto il piano di lavoro e regolazione dei piedini

Quando si posiziona il frigorifero, la distanza tra il prodotto e la parete deve essere almeno di 30 cm, come si vede nella figura.

I canali di aspirazione dell'aria non devono essere bloccati in modo che la prestazione del frigorifero non peggiori. (140 cm<sup>2</sup>)

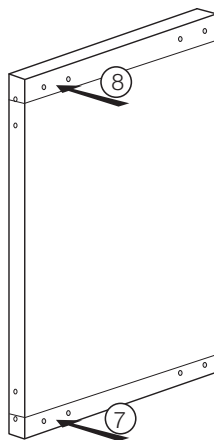
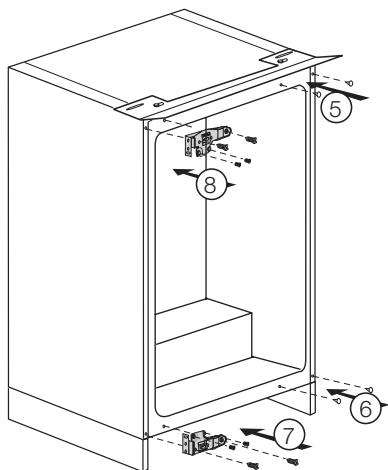
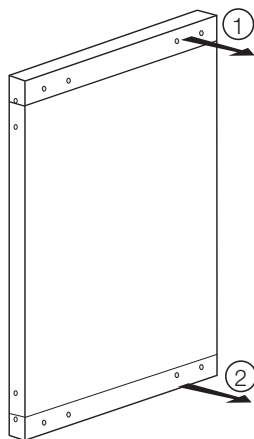
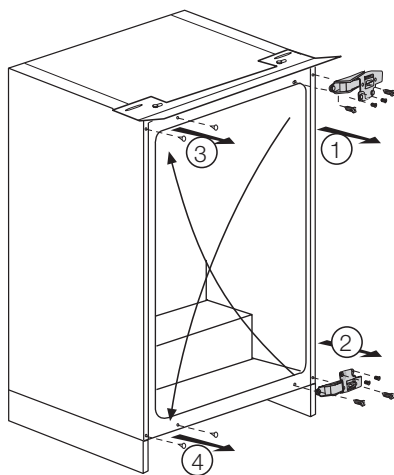
Se il frigorifero non è stabile;

Si possono ruotare i piedini anteriori del frigorifero come si vede nella figura per farlo stare in equilibrio. L'angolo del piedino si abbassa quando il piedino è ruotato in direzione della freccia nera; si alza quando il piedino è ruotato nella direzione opposta. Sarà più facile per l'utente farsi aiutare a sollevare un po' l'unità durante questo processo.



# Inversione degli sportelli

Procedere in ordine numerico





## 4 Preparazione

---

- Il frigorifero dovrà essere installato ad almeno 30 cm lontano da fonti di calore, come forni, riscaldamento centrale e stufe e ad almeno 5 cm da forni elettrici e non deve essere esposto alla luce diretta del sole.
- La temperatura ambiente della stanza in cui viene installato il frigorifero deve essere almeno 10°C. Usare il frigorifero in ambienti con temperatura inferiore non è consigliabile per motivi di efficienza.
- Assicurarsi che l'interno del frigorifero sia ben pulito.
- In caso di installazione di due frigoriferi l'uno accanto all'altro, devono esservi almeno 2 cm di distanza tra di loro.
- Quando il frigorifero viene messo in funzione per la prima volta, osservare le seguenti istruzioni per le prime sei ore.
- La porta non si deve aprire frequentemente.
- Deve funzionare vuoto senza alimenti all'interno.
- Non staccare il frigo dalla presa di corrente. Se si verifica un calo di potenza al di là del controllo dell'utente, vedere le avvertenze nella sezione "Soluzioni consigliate per i problemi".
- Conservare i materiali originali di imballaggio per futuri trasporti o spostamenti.
- In alcuni modelli, il pannello si spegne automaticamente 5 minuti dopo che la porta è stata chiusa. si riattiva automaticamente quando la porta viene aperta o premendo qualsiasi pulsante.
- A causa del cambiamento di temperatura dovuto all'apertura/ alla chiusura dello sportello dell'apparecchio durante il funzionamento, la formazione di condensa su sportello/ripiani e sui contenitori di vetro è normale.

## 5 Utilizzo del frigorifero

### Impostazione della temperatura di funzionamento

La temperatura di funzionamento è regolata con il comando temperatura.



Scegliere l'impostazione secondo la temperatura desiderata.

La temperatura interna dipende anche dalla temperatura ambiente, dalla frequenza con cui lo sportello viene aperto e dalla quantità di cibo contenuto all'interno.

L'apertura frequente dello sportello provoca un aumento della temperatura interna.

Per questo motivo si consiglia di chiudere lo sportello subito dopo l'uso, il più velocemente possibile.

La temperatura normale di conservazione dell'elettrodomestico dovrebbe essere di  $-18^{\circ}\text{C}$  ( $0^{\circ}\text{F}$ ). Per ottenere temperature inferiori regolare la manopola del termostato sulla posizione 4 (o Max.).

Si consiglia di controllare la temperatura con un termometro per assicurare che gli scomparti di conservazione restino della temperatura desiderata. Ricordare di effettuare la lettura subito poiché la temperatura del termometro si alzerà con molta rapidità dopo che è stato rimosso dal freezer.

### Congelamento

#### Congelamento alimenti

Il comparto freezer è segnalato da questo simbolo ❄️❄️❄️.

È possibile usare l'elettrodomestico per congelare cibi freschi ma anche per conservare cibi pre-congelati.

Vedere i consigli presenti sulle confezioni degli alimenti.

#### ⚠️ Attenzione

Non congelare bibite gassate, poiché la bottiglia potrebbe esplodere quando il liquido al suo interno si congela.

Fare attenzione ai prodotti congelati, ad esempio cubetti di ghiaccio colorati.

Non superare la capacità di congelamento dell'elettrodomestico in 24 ore. Vedere l'etichetta informativa.

Per conservare la qualità degli alimenti, il congelamento deve avvenire quanto più rapidamente possibile.

In questo modo, non verrà superata la capacità di congelamento e la temperatura all'interno del freezer non aumenterà.

#### ⚠️ Attenzione

Mantenere il cibo già surgelato separato dal cibo appena messo.

Quando si surgela cibo caldo, il compressore di raffreddamento lavorerà finché il cibo non è perfettamente congelato. Ciò può temporaneamente causare un raffreddamento eccessivo dello scomparto di refrigerazione.

## Sbrinamento

Se lo sportello del freezer si apre con difficoltà dopo averlo appena chiuso, non c'è da preoccuparsi. Ciò è dovuto alla differenza di pressione che si livellerà e consentirà allo sportello di essere aperto normalmente dopo pochi minuti.

Si sentirà un rumore a vuoto subito dopo aver chiuso lo sportello. Ciò è abbastanza normale.

- Gli alimenti congelati possono essere conservati fino a 3 mesi in genere, con temperature al di sotto di  $-18^{\circ}\text{C}$ . I periodi di conservazione possono variare a seconda del tipo di alimento. I periodi di conservazione o le date di scadenza di tali alimenti sono indicate dai produttori sulla confezione degli alimenti stessi.
- Gli alimenti congelati acquistati devono essere posti nel freezer prima che si scongelino.
- Gli alimenti congelati possono essere conservati negli scomparti dotati di cassettei.

Per assicurare che l'alta qualità del cibo congelato dal fabbricante e dal dettagliante sia conservato, tenere a mente i seguenti punti:

**1.** Il cibo da congelare deve essere posto nello scomparto del freezer il più presto possibile dopo l'acquisto.

**2.** Che non superi "usare entro" "preferibilmente entro" le date sul pacco.

**3.** Notare che cassettei, cestelli, alette, vassoi, sono tutti rimuovibili.

L'aumento dello spessore del ghiaccio che si forma sull'evaporatore del frigorifero fa diminuire l'efficienza di raffreddamento dello stesso.

Pertanto bisogna sbrinare il ghiaccio quando lo spessore dello strato di ghiaccio intorno all'evaporatore raggiunge circa 5 mm. Si consiglia di sbrinare il ghiaccio quando il frigorifero non è troppo pieno o è vuoto.

Avvolgere gli alimenti nel frigorifero con qualche foglio di carta e tenerli nel posto più freddo possibile o in un altro frigorifero.

Portare il tasto di impostazione del termostato su "off" o scollegare il cavo di alimentazione per eseguire lo sbrinamento.

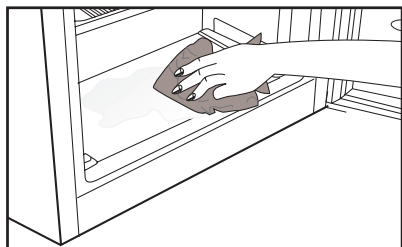
Rimuovere i cassettei del frigorifero (non è necessario rimuovere il coperchio dello scomparto dotato di coperchio). Dopo un po' di tempo, l'acqua che si forma dallo scioglimento si accumula nella vaschetta che si trova sul fondo del frigorifero.

Rimuovere l'acqua che si accumulato usando una spugna morbida, ecc. e asciugare bene la vaschetta.

Non dimenticare di portare il tasto di impostazione del termostato su una posizione diversa da "off" per riavviare il frigorifero.

Prima di rimettere gli alimenti nel comparto surgelati, far funzionare il frigorifero per 2 ore vuoto e con le porte chiuse.

Controllare regolarmente per vedere se il tubo di scarico è ostruito o meno e pulirlo con il bastone nel foro quando necessario.



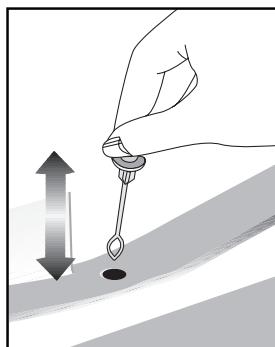
## Arresto del prodotto

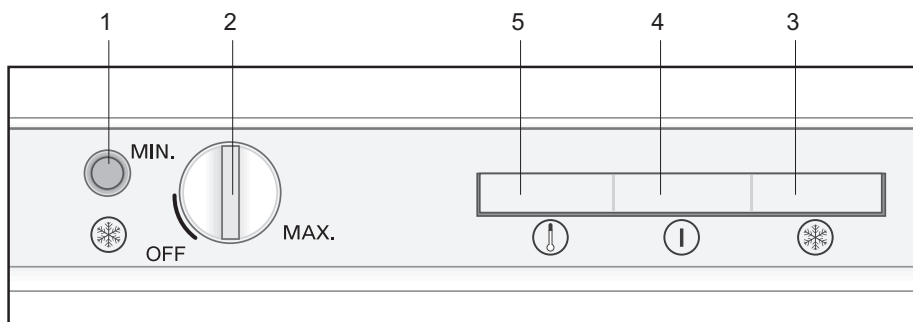
Se il termostato è dotato della posizione "0":

- Il prodotto smette di funzionare quando si porta il termostato in posizione "0" (zero). Il prodotto non si avvia a meno che non si porta di nuovo il termostato in posizione "1" o un'altra posizione.

Se il termostato è dotato della posizione "min":

- Scollegare il prodotto per arrestarlo.





## Indicatori LED e pannello di controllo

Gli indicatori LED posti nella sezione frontale del frigorifero sono intesi ad aiutare nel controllo del funzionamento dell'apparecchio.

Tenere gli alimenti nel frigorifero in maniera sicura, controllando e utilizzando gli stessi LED e controlli come viene spiegato di seguito:

**Pulsante Congelamento Rapido (1):** Utilizzare per congelare gli alimenti in maniera rapida. Il compressore potrebbe non funzionare immediatamente, ma dopo un pò di tempo che il pulsante viene premuto, ma ciò è normale.

**Pulsante di Impostazione Termostato (2):** Utilizzato per impostare il frigorifero tra valori minimi e massimi.

L'apparecchio può passare in posizione OFF quando la manopola è regolata al di sotto di MIN. Anche quando la spia dell'indicatore verde è OFF, l'apparecchio si spegne.

Una volta che si è spento (anche per lo sbrinamento), regolare la manopola in qualche modo al di sopra di MIN per assicurarsi che si riaccenda. Quando l'apparecchio è acceso, l'indicatore verde si illumina.

**LED arancione (3):** Si accende quando è premuto il pulsante di congelamento rapido sul LED. In questo caso il frigorifero funziona in maniera continua.

Premere nuovamente il pulsante quando si desidera congelare rapidamente gli alimenti alla temperatura desiderata e il LED arancione si spegnerà.

**LED verde (4):** Si illumina in maniera continua dopo aver inserito la presa di corrente del frigorifero.

**LED rosso (5):** Avvisa l'utente accendendosi in modo continuo quando il frigorifero comincia a funzionare, se non si ottiene un effetto abbastanza refrigerante, quando lo sportello del frigo resta aperto per troppo tempo e quando si caricano troppe cose.

Se il LED rosso si accende in maniera continua quando però non sono presenti le condizioni precedentemente riportate, si prega di rivolgersi al Servizio Clienti Autorizzato.

## 6 Manutenzione e pulizia

- ⚠ Non usare mai gasolio, benzene o sostanze simili per scopi di pulizia.
- ⚠ È consigliato scollegare l'apparecchio prima della pulizia.
- ⚠ Non utilizzare mai attrezzi appuntiti o sostanze abrasive, saponi, detergenti per la casa o cere per la pulizia.
- ⚠ Per i prodotti non-No Frost, si verifica la formazione di gocce di acqua e ghiaccio fino allo spessore di un dito sulla parete posteriore dello scomparto frigo. Non pulire; non applicare mai olio né agenti simili.
- ⚠ Utilizzare solo panni umidi in microfibra per pulire la superficie esterna del prodotto. Spugne e altri tipi di panni per la pulizia possono graffiare la superficie.
- ℹ Utilizzare acqua tiepida per pulire l'alloggiamento del frigorifero e asciugarlo.
- ℹ Utilizzare un panno umido intriso di una soluzione composta da un cucchiaino di bicarbonato di soda e da circa mezzo litro di acqua e pulire l'interno, quindi asciugarlo.
- ⚠ Assicurarsi che l'acqua non penetri nel quadro di comando della temperatura.
- ⚠ Se il frigorifero non viene usato per un lungo periodo di tempo, scollegare il cavo di alimentazione, rimuovere tutti gli alimenti dal suo interno, pulirlo e lasciare lo sportello aperto.
- ℹ Controllare le guarnizioni dello sportello periodicamente per garantire che siano pulite e che non siano presenti particelle di alimenti.
- ⚠ Per rimuovere le rastrelliere dello sportello, rimuovere tutto il contenuto e spingere semplicemente le rastrelliere verso l'alto.
- ⚠ Non utilizzare mai agenti di pulizia o acqua contenente cloro per pulire le superfici esterne e le parti rivestite in cromo dell'apparecchio. Il cloro provoca corrosione su tali superfici di metallo.
- ⚠ Non usare strumenti affilati e abrasivi o sapone, agenti detergenti domestici, detergenti, gasolio, benzene, cera, ecc., altrimenti le indicazioni sulle parti in plastica si toglieranno e si verificherà deformazione. Usare acqua tiepida e un panno morbido unicamente per le operazioni di pulizia e asciugatura.

### Protezione delle superfici di plastica

- ℹ Non inserire oli liquidi o piatti cotti in olio nel frigorifero se in contenitori non sigillati poiché questi possono danneggiare le superfici in plastica del frigorifero. In caso di fuoriuscita di olio sulle superfici in plastica, pulire e asciugare le parti della superfici con acqua tiepida.

## 7 Ricerca e risoluzione dei problemi

Prima di chiamare il servizio assistenza, rivedere la lista precedente. Si risparmierà tempo e denaro. Questa lista comprende frequenti reclami che non derivano da difetti di lavorazione o dai materiali utilizzati. Alcune delle funzioni descritte qui potrebbero non esistere nel proprio apparecchio.

### Il frigorifero non funziona.

- La spina non è inserita correttamente nella presa. >>> Inserire in modo sicuro la spina nella presa.
- Il fusibile della presa a cui è collegato il frigorifero o il fusibile principale sono saltati. >>> Controllare il fusibile.

### Condensa sulla parete laterale dello scomparto frigo (MULTIZONE, COOL CONTROL e FLEXI ZONE).

- Lo sportello è stato aperto con eccessiva frequenza. >>> Non aprire e chiudere lo sportello del frigorifero con eccessiva frequenza.
- L'ambiente è molto umido. >>> Non installare il frigorifero in luoghi molto umidi.
- Gli alimenti che contengono liquidi sono conservati in contenitori aperti. >>> Non conservare alimenti che contengono liquido in contenitori aperti.
- Lo sportello del frigorifero è lasciato aperto. >>> Chiudere lo sportello del frigorifero.
- Il termostato è impostato ad un livello molto freddo. >>> Impostare il termostato ad un livello adatto.

### Il compressore non funziona

• La protezione termica del compressore è inattiva in caso di mancanza di corrente o di mancato collegamento alla presa, se il sistema refrigerante non è ancora stato regolato. Il frigorifero comincerà a funzionare dopo circa 6 minuti. Chiamare il servizio assistenza se il frigorifero non inizia a funzionare al termine di questo periodo.

• Il frigorifero è nel ciclo di sbrinamento. >>> Si tratta di una cosa per un frigorifero con sbrinamento completamente automatico. Il ciclo di sbrinamento si verifica periodicamente.

• L'elettrodomestico non è collegato alla presa. >>> Accertarsi che la spina sia inserita nella presa.

• Le regolazioni di temperatura non sono eseguite in modo corretto. >>> Selezionare il valore di temperatura adatto.

• Vi è una mancanza di alimentazione. >>> Il frigorifero torna ad un funzionamento normale quando viene ripristinata l'alimentazione.

### Il rumore aumenta quando il frigorifero sta lavorando.

• La performance operativa del frigorifero può cambiare secondo i cambiamenti della temperatura ambiente. Si tratta di una cosa normale e non di un guasto.

Il frigorifero funziona frequentemente o per lunghi periodi.

• Il nuovo apparecchio è più grande del precedente. I frigoriferi più grandi lavorano per un più lungo periodo di tempo.

• La temperatura ambiente può essere alta. >>>È normale che l'apparecchio funzioni per periodi più lunghi in ambienti caldi.

• Il frigorifero è stato collegato alla presa di recente o è stato riempito di cibo. >>>Quando il frigorifero è stato appena collegato all'alimentazione o caricato con alimenti, ci vuole più tempo per raggiungere la temperatura impostata. Questo è normale.

• Grandi quantità di cibo caldo sono state recentemente inserite. >>>Non mettere alimenti caldi nel frigorifero.

• Gli sportelli sono aperti con eccessiva frequenza o sono stati lasciati aperti a lungo. >>>L'aria tiepida entrata nel frigorifero ne provoca il funzionamento per un periodo più lungo. Non aprire gli sportelli di frequente.

• Lo sportello del freezer o dello scomparto frigo sono rimasti aperti. >>>Controllare se gli sportelli sono perfettamente chiusi.

• Il frigo è regolato a temperatura molto bassa. >>>Regolare la temperatura del frigorifero ad un livello più alto e attendere fino a che la stessa sia acquisita.

• La chiusura dello sportello del frigorifero o del freezer può essere usurata, rotta o non inserita in modo appropriato. >>>Pulire o sostituire la guarnizione. Guarnizioni rotte o danneggiate provocano il funzionamento del frigo per periodi più lunghi per mantenere la temperatura corrente.

La temperatura ambiente è molto bassa mentre la temperatura del frigorifero è sufficiente.

• La temperatura del freezer è regolata a temperatura molto bassa. >>>Regolare la temperatura ad un livello più alto e controllare.

La temperatura ambiente è molto bassa mentre la temperatura del freezer è sufficiente.

• La temperatura del frigo è regolata a temperatura molto bassa. >>>Regolare la temperatura ad un livello più alto e controllare.

Gli alimenti che sono nei cassetti dello scomparto frigo sono congelati.

• La temperatura del frigo è regolata su un valore molto alto. >>>Regolare la temperatura del frigo ad un livello più basso e controllare.

La temperatura del frigo o freezer è molto alta.



•La temperatura del frigo è regolata su un valore molto alto. >>>L'impostazione della temperatura dello scomparto frigo provoca effetti sulla temperatura del freezer. Cambiare le temperature di frigo o freezer e aspettare finché i relativi scomparti non raggiungono una temperatura sufficiente.

•Gli sportelli sono aperti con eccessiva frequenza o sono stati lasciati aperti a lungo. >>>Non aprire gli sportelli di frequente.

•Lo sportello è aperto. >>>Chiudere completamente lo sportello.

•Il frigorifero è stato recentemente collegato all'alimentazione o caricato con alimenti. >>>Questo è normale. Quando il frigorifero è stato appena collegato all'alimentazione o caricato con alimenti, ci vuole più tempo per raggiungere la temperatura impostata.

•Grandi quantità di cibo caldo sono state recentemente inserite. >>>Non mettere alimenti caldi nel frigorifero.

• Vibrazioni o rumore.

•Il pavimento non è orizzontale o stabile. >>>Se il frigorifero ondeggia quando è mosso lentamente, equilibrarlo regolando i piedini. Accertarsi anche che il pavimento sia in piano e forte abbastanza da sopportare il frigorifero.

•Gli articoli messi sul frigorifero possono provocare rumore. >>>Rimuovere gli articoli da sopra al frigorifero.

Ci sono rumori che provengono dal frigorifero come gocciolamenti, spruzzo di liquidi, ecc.

•Il flusso di liquido e gas si verifica secondo i principi operativi del frigorifero. Si tratta di una cosa normale e non di un guasto.

Dal frigorifero si sente un fischio.

•Le ventole sono usate per raffreddare il frigorifero. Si tratta di una cosa normale e non di un guasto.

Condensa sulla parete interna del frigorifero.

•Il clima caldo/umido aumenta il ghiaccio e la condensa. Si tratta di una cosa normale e non di un guasto.

•Gli sportelli sono aperti con eccessiva frequenza o sono stati lasciati aperti a lungo. >>>Non aprire gli sportelli di frequente. Chiuderli se sono aperti.

•Lo sportello è aperto. >>>Chiudere completamente lo sportello.

Umidità al di fuori del frigorifero o tra le porte.

•Potrebbe esserci umidità nell'aria; questo è normale nei climi umidi. Al diminuire dell'umidità, la condensa scompare.

Odore cattivo dentro al frigorifero.

• Non viene eseguita una pulizia regolare. >>> Pulire regolarmente l'interno del frigorifero con una spugna, acqua tiepida o carbonato di sodio diluito in acqua.

• Alcuni contenitori o alcuni materiali per la confezione possono provocare odori. >>> Usare contenitori diversi o marche diverse.

• Gli alimenti sono posti nel frigorifero in contenitori non coperti. >>> Tenere gli alimenti in contenitori chiusi. I microrganismi che fuoriescono da contenitori non coperti possono provocare odori sgradevoli.

• Rimuovere gli alimenti scaduti e che si sono rovinati nel frigorifero.

**Lo sportello non è chiuso.**

• Gli imballaggi degli alimenti impediscono la chiusura dello sportello. >>> Sostituire le confezioni che ostruiscono lo sportello.

• Il frigorifero non è completamente poggiato sul pavimento. >>> Regolare i piedini per bilanciare il frigorifero.

• Il pavimento non è orizzontale o forte. >>> Accertarsi che il pavimento sia in piano, forte e in grado di sopportare il frigorifero.

**Gli scomparti frutta e verdura sono bloccati.**

• Gli alimenti potrebbero toccare il tetto del cassetto. >>> Risistemare gli alimenti nel cassetto.

**Se La Superficie Del Prodotto È Bollente.**

• Quando il prodotto è in funzione, possono essere osservate alte temperature tra i due sportelli, sui pannelli laterali e sul grill posteriore. Ciò è normale e non richiede manutenzione!

## **Veillez commencer par lire ce manuel d'utilisation!**

Cher client,

Nous espérons que votre produit, qui a été fabriqué dans des usines modernes et vérifié au terme des procédures de contrôle de qualité les plus méticuleuses, vous donnera entière satisfaction.

Veillez donc lire attentivement l'intégralité de ce manuel avant de commencer à utiliser le produit et conservez-le manuel comme référence. Si vous remettez cet appareil à quelqu'un d'autre, remettez-lui également le manuel d'utilisation.

## **Ce manuel vous aidera à utiliser votre produit en toute sécurité et efficacement.**

- Lisez le manuel avant d'installer et de faire fonctionner votre produit.
- Veillez à lire les instructions de sécurité.
- Laissez ce manuel dans un endroit facile d'accès car vous pourriez en avoir besoin ultérieurement.
- Lisez également la documentation fournie avec le produit.

N'oubliez pas que le manuel d'utilisation est également valable pour plusieurs autres modèles. Les différences entre les différents modèles seront identifiées dans le manuel.






## **Explication des symboles**

### **Les symboles ci-dessous sont utilisés dans le manuel d'utilisation:**

 Informations importantes ou astuces.

 Avertissement relatif aux situations dangereuses pour la vie et la propriété.

 Avertissement relatif à la tension électrique.

 <b>INFORMATIONS</b>	
	
SUPPLIER'S NAME	MODEL IDENTIFIER (*)
	

Vous pouvez accéder aux informations relatives au modèle telles que sauvegardées dans la base de données des produits en entrant le site internet suivant et en recherchant l'identifiant de votre modèle (\*) qui se trouve sur la vignette énergie

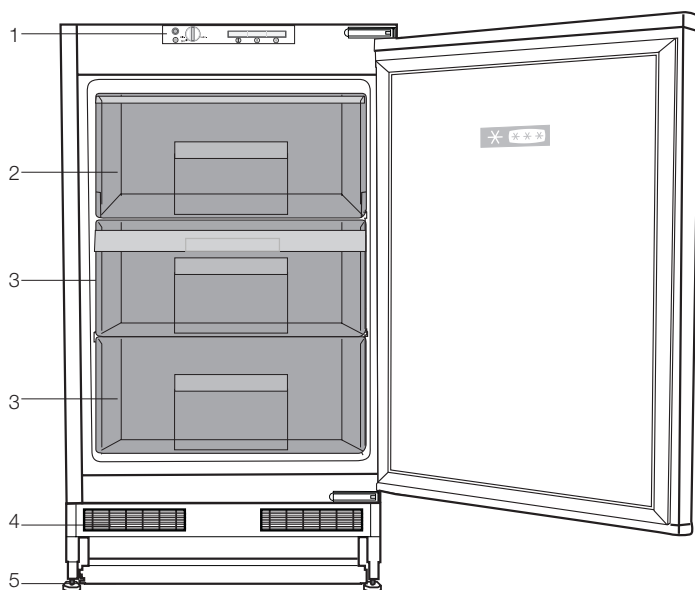
<https://eprel.ec.europa.eu/>

## TABLE DES MATIÈRES

---

<b>1 Votre réfrigérateur</b>	<b>3</b>	<b>4 Préparation</b>	<b>15</b>
<b>2 Précautions de sécurité importantes</b>	<b>4</b>	<b>5 Bouton de réglage de la température</b>	<b>16</b>
Sécurité générale.....	5	Conservation des denrées surgelées .....	16
Pour les appareils dotés d'une fontaine à eau.....	8	Décongélation .....	16
Sécurité enfants.....	8	Voyants DEL et bandeau de commande.....	18
Conformité avec la réglementation DEEE et mise au rebut des déchets...8		<b>6 Entretien et nettoyage</b>	<b>19</b>
Informations relatives à l'emballage..	9	Protection des surfaces en plastique. ....	20
Avertissement HC .....	9	<b>7 Dépannage</b>	<b>21</b>
Mesures d'économie d'énergie .....	9		
<b>3 Installation</b>	<b>11</b>		
Éléments à prendre en considération lors du déplacement de votre réfrigérateur.....	11		
Avant de mettre votre réfrigérateur en marche.....	11		
Branchement électrique .....	12		
Mise au rebut de l'emballage .....	12		
Mise au rebut de votre ancien réfrigérateur.....	12		
Disposition et Installation.....	13		
Installation du réfrigérateur sous le plan de travail et réglage des pieds.	14		

# 1 Votre réfrigérateur



1. Bandeau de commande
2. Compartiment congélation rapide
3. Compartiment congélateur
4. Plinthe
5. Pieds réglables

❶ Les illustrations présentées dans cette notice d'utilisation sont schématiques et peuvent ne pas correspondre exactement à votre produit. Si des pièces présentées ne sont pas comprises dans le produit que vous avez acheté, elles sont valables pour d'autres modèles.


## 2 Précautions de sécurité importantes





Veuillez examiner les informations suivantes :

Cet appareil peut être utilisé par des enfants âgés d'au moins 8 ans et par des personnes ayant des capacités physiques, sensorielles ou mentales réduites ou dénuées d'expérience ou de connaissance, s'ils (si elles) sont correctement surveillé(e)s ou si des instructions relatives à l'utilisation de l'appareil en toute sécurité leur ont été données et si les risques encourus ont été appréhendés. Les enfants ne doivent pas jouer avec l'appareil. Le nettoyage et l'entretien par l'utilisateur ne doivent pas être effectués par des enfants sans surveillance.

Le non-respect de ces consignes peut entraîner des blessures ou dommages matériels. Sinon, tout engagement lié à la garantie et à la fiabilité du produit devient invalide.

Les pièces détachées d'origine sont disponibles pendant 10 ans, à compter de la date d'achat du produit.

	<b>REMARQUE :</b> Assurez-vous que les trous d'aération ne sont pas fermés quand le dispositif est dans son boîtier ou est installé à sa place.
--	--

	<b>REMARQUE:</b> Ne pas utiliser tout dispositif mécanique ou un autre dispositif hors des recommandations du fabricant pour accélérer le processus de décongeler.
	<b>REMARQUE:</b> Ne pas endommager le circuit de fluide du réfrigérateur.
	<b>REMARQUE:</b> Ne pas utiliser des appareils électriques non prévus par le fabricant dans les compartiments de conservation des aliments.
	<b>AVERTISSEMENT:</b> Ne conservez pas de substances explosives comme des aérosols avec un liquide inflammable dans cet appareil.

Ce dispositif est conçu pour l'usage domestique ou les applications similaires suivantes :

- Pour être utilisé dans la cuisine de personnel dans les magasins, bureaux et autres environnements de travail ;
- Pour être utilisé par les clients dans les maisons de campagne et hôtels et les autres environnements d'hébergement ;
- Dans des environnements de type de

pension de famille

- Dans des applications similaires n'ayant pas de service alimentaire et non détaillants

## Sécurité générale

- Si le cordon d'alimentation est endommagé, celui-ci doit être remplacé par le fabricant, ses agents agréés ou tout autre agent qualifié afin d'être à l'abri de tout danger.
- Avant de vous débarrasser de votre appareil, veuillez consulter les autorités locales ou votre revendeur pour connaître le mode opératoire et les organismes de collecte agréés.
- Consultez le service après-vente agréé concernant toutes questions ou problèmes relatifs au réfrigérateur. N'intervenez pas ou ne laissez personne intervenir sur le réfrigérateur sans le communiquer au service après-vente agréé.
- Pour les produits équipés d'un compartiment congélateur : ne mangez pas de cônes de crème glacée ou des glaçons immédiatement après les avoir sortis du compartiment de congélation ! (Cela pourrait provoquer des engelures).
- Pour les produits équipés d'un compartiment congélateur : ne placez pas de boissons en bouteille ou en cannette dans le compartiment de congélation. Cela peut entraîner leur éclatement.

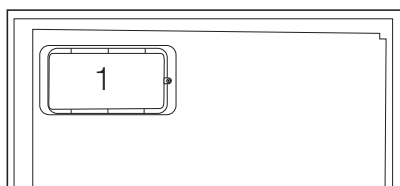
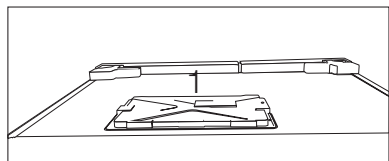
- Ne touchez pas des produits congelés avec les mains, ils pourraient se coller à celles-ci.
- Débranchez votre réfrigérateur avant de le nettoyer ou de le dégivrer.
- La vapeur et des matériaux de nettoyage pulvérisés ne doivent jamais être utilisés pour les processus de nettoyage ou de dégivrage de votre réfrigérateur. La vapeur pourrait pénétrer dans les pièces électriques et provoquer des courts-circuits ou des électrocutions.
- Ne jamais utiliser les pièces de votre réfrigérateur telles que la porte, comme un support ou une marche.
- N'utilisez pas d'appareils électriques à l'intérieur du réfrigérateur.
- N'endommagez pas les pièces où circule le liquide réfrigérant avec des outils de forage ou coupants. Le liquide réfrigérant qui pourrait s'échapper si les canalisations de gaz de l'évaporateur, les rallonges de tuyau ou les revêtements de surface étaient percés, cela pourrait irriter la peau et provoquer des blessures aux yeux.
- Ne pas couvrir ou obstruer les orifices de ventilation du réfrigérateur.
- Les appareils électriques peuvent être réparés seulement par des personnes autorisées. Les réparations réalisées par des personnes

- ne présentant pas les compétences requises peuvent présenter un risque pour l'utilisateur.
- En cas de dysfonctionnement ou lors d'opérations d'entretien ou de réparation, débranchez l'alimentation électrique du réfrigérateur soit en désactivant le fusible correspondant, soit en débranchant l'appareil.
  - Assurez-vous que les boissons comportant un taux d'alcool très élevé sont conservées en sécurité avec leur couvercle fixé et placées en position verticale.
  - Placez les boissons alcoolisées verticalement, dans des récipients convenablement fermés.
  - Ne conservez jamais des aérosols contenant des substances inflammables et explosives dans le réfrigérateur.
  - N'utilisez pas d'outils mécaniques ou autres dispositifs pour accélérer le processus de décongélation autres que ceux qui sont recommandés par le fabricant.
  - Ce produit n'est pas conçu pour être utilisé par des personnes (enfants compris) souffrant de déficience physique, sensorielle, mentale, ou inexpérimentées, à moins d'avoir obtenu une autorisation auprès des personnes responsables de leur sécurité.
  - Ne faites pas fonctionner un réfrigérateur endommagé. Consultez le service agréé en cas de problème.
  - La sécurité électrique du réfrigérateur n'est assurée que si le système de mise à la terre de votre domicile est conforme aux normes en vigueur.
  - L'exposition du produit à la pluie, la neige, au soleil ou au vent présente des risques concernant la sécurité électrique.
  - Contactez le service agréé quand un câble d'alimentation est endommagé pour éviter tout danger.
  - Ne branchez jamais le réfrigérateur à la prise murale au cours de l'installation. Vous vous exposeriez à un risque de mort ou à de blessures graves.
  - Ce réfrigérateur est conçu seulement pour conserver des aliments. Par conséquent, il ne doit pas être utilisé à d'autres fins.
  - L'étiquette avec les caractéristiques techniques est située sur la paroi gauche à l'intérieur du réfrigérateur.
  - Ne branchez jamais votre réfrigérateur à des systèmes d'économie d'énergie, cela peut l'endommager.
  - S'il y a une lumière bleue sur le réfrigérateur, ne la regardez ni avec vos yeux nus, ni avec des outils optiques pendant longtemps.



- Pour les réfrigérateurs contrôlés manuellement, attendez au moins 5 minutes pour allumer le réfrigérateur après une coupure de courant.
  - Si cet appareil venait à changer de propriétaire, n'oubliez pas de remettre la présente notice d'utilisation au nouveau bénéficiaire.
  - Évitez d'endommager le câble d'alimentation quand vous transportez le réfrigérateur. Tordre le câble peut entraîner un incendie. Ne placez jamais d'objets lourds sur le câble d'alimentation.
  - Évitez de toucher à la prise avec des mains mouillées au moment de brancher l'appareil.
  - Évitez de brancher le réfrigérateur lorsque la prise de courant électrique a lâché.
  - Pour des raisons de sécurité, évitez de pulvériser directement de l'eau sur les parties externes et internes du réfrigérateur.
  - Ne pulvérisez pas de substances contenant des gaz inflammables comme du propane près du réfrigérateur pour éviter tout risque d'incendie et d'explosion.
  - Ne placez jamais de récipients contenant de l'eau sur votre réfrigérateur, ils pourraient causer des chocs électriques ou un incendie.
  - Évitez de surcharger le réfrigérateur avec une quantité excessive d'aliments.
- S'il est surchargé, les aliments peuvent tomber, vous blesser et endommager le réfrigérateur quand vous ouvrez la porte.
- Ne placez jamais d'objets au-dessus du réfrigérateur, ils pourraient tomber quand vous ouvrez ou fermez la porte du réfrigérateur.
  - Les produits qui nécessitent un contrôle de température précis (vaccin, médicament sensible à la chaleur, matériels scientifiques, etc.) ne doivent pas être conservés dans le réfrigérateur.
  - Si le réfrigérateur n'est pas utilisé pendant longtemps, il doit être débranché. Un problème avec le câble d'alimentation pourrait causer un incendie.
  - Le réfrigérateur peut bouger si ses pieds réglables ne sont pas bien fixés sur le sol. Bien fixer les pieds réglables sur le sol peut empêcher le réfrigérateur de bouger.
  - Quand vous transportez le réfrigérateur, ne le tenez pas par la poignée de la porte. Cela peut le casser.
  - Quand vous devez placer votre produit près d'un autre réfrigérateur ou congélateur, la distance entre les appareils doit être d'au moins 8 cm. Sinon, les murs adjacents peuvent être humidifiés.
  - Ne jamais utiliser le produit si la section située dans sa partie supérieure ou inférieure avec

cartes de circuits imprimés électroniques à l'intérieur est ouverte (couvercle de cartes de circuits imprimés électroniques) (1).



### Pour les appareils dotés d'une fontaine à eau

- La pression de l'eau froide à l'entrée ne doit pas excéder 90 psi (620 kPa). Si votre pression d'eau dépasse 80 psi (550 kPa), utilisez une soupape de limitation de pression sur votre réseau de conduite. Si vous ne savez pas comment vérifier la pression de l'eau, demandez l'assistance d'un plombier professionnel.
- S'il existe un risque d'effet coup de bélier sur votre installation, utilisez systématiquement un équipement de protection contre l'effet coup de bélier sur celle-ci. Consultez des plombiers professionnels si vous n'êtes pas sûr de la présence de cet effet sur votre installation.
- Ne l'installez pas sur l'entrée d'eau chaude. Prenez des

précautions contre le risque de congélation des tuyaux. L'intervalle de fonctionnement de la température des eaux doit être de 33 F (0,6°C) au moins et de 100 F (38 C) au plus.

- Utilisez uniquement de l'eau potable.

### Sécurité enfants

- Si la porte a un verrouillage, la clé doit rester hors de portée des enfants.
- Les enfants doivent être surveillés et empêchés de s'amuser avec le produit.

### Conformité avec la réglementation DEEE et mise au rebut des déchets

Ce produit ne contient pas de matériaux dangereux et interdits décrits dans la « Règlementation sur le contrôle des déchets d'équipements électriques et électroniques » publié par le Ministère de l'Environnement et de l'Urbanisme. Conforme avec la réglementation DEEE.



Le présent produit a été fabriqué avec des pièces et du matériel de qualité supérieure susceptibles d'être réutilisés et adaptés au recyclage. Par conséquent, nous vous conseillons de ne pas le mettre au rebut aux côtés des ordures ménagères à la fin de sa durée de vie. Au contraire, rendez-vous dans un point de collecte pour le recyclage de tout matériel électrique et

électronique. Veuillez vous rapprocher des autorités de votre localité pour plus d'informations concernant le point de collecte le plus proche. Aidez-nous à protéger l'environnement et les ressources naturelles en recyclant les produits usagés. Pour la sécurité des enfants, coupez le câble d'alimentation et le mécanisme de verrouillage de la porte, le cas échéant. Ce faisant, vous rendez l'appareil inopérant avant sa mise au rebut.

## Informations relatives à l'emballage

Les matériaux d'emballage de cet appareil sont fabriqués à partir de matériaux recyclables, conformément à nos Réglementations Nationales en Environnement. Ne mélangez pas les matériaux d'emballage avec les déchets domestiques ou d'autres déchets. Amenez-les aux points de collecte des matériaux d'emballage, désignés par les autorités locales.

### N'oubliez pas...

Pour la préservation de la nature et de notre santé, il est indispensable de recycler les matières.

Si vous voulez contribuer au recyclage des matériaux d'emballage, vous pouvez vous renseigner auprès d'organisations environnementales ou de l'autorité locale proche de votre domicile.

## Avertissement HC

### Si le système de refroidissement de votre appareil contient R600a :

Ce gaz est inflammable. Par conséquent, veuillez prendre garde à ne pas endommager le système de refroidissement et les tuyauteries lors de son utilisation ou de son transport. En cas de dommages, éloignez votre produit de toute source potentielle de flammes susceptible de provoquer l'incendie de l'appareil. De même, placez le produit dans une pièce aérée.

### Ne tenez pas compte de cet avertissement si le système de refroidissement de votre appareil contient R134a.

Le type de gaz utilisé dans l'appareil est mentionné sur la plaque signalétique située sur la paroi gauche de l'intérieur du réfrigérateur.

Ne jetez jamais l'appareil au feu pour vous en débarrasser.

## Mesures d'économie d'énergie

- Ne laissez pas les portes du réfrigérateur ouvertes pendant une durée prolongée.
- N'introduisez pas de denrées ou de boissons chaudes dans le réfrigérateur.
- Ne surchargez pas le réfrigérateur pour ne pas obstruer pas la circulation d'air à l'intérieur.

- N'installez pas le réfrigérateur à la lumière directe du soleil ou près d'appareil émettant de la chaleur tels qu'un four, un lave-vaisselle ou un radiateur. Maintenez une distance d'au moins 30 cm entre votre réfrigérateur et toute source de chaleur, et à une distance de 5cm d'un four électrique.
- Veillez à conserver vos denrées dans des récipients fermés.
- Pour les produits équipés d'un compartiment congélateur : vous pouvez conserver une quantité maximale d'aliments dans le congélateur quand vous enlevez l'étagère ou le tiroir du congélateur. La consommation d'énergie précisée pour votre réfrigérateur a été déterminée en enlevant l'étagère ou le tiroir du congélateur et avec la charge maximale. Il n'y aucun risque à utiliser une étagère ou un tiroir en fonction des formes et tailles des denrées à congeler.
- La décongélation des aliments dans le compartiment réfrigérateur permet de faire des économies d'énergie et de préserver la qualité des aliments.

### 3 Installation

#### **⚠ AVERTISSEMENT:**

Dans l'hypothèse ou l'information contenue dans ce manuel n'a pas été prise en compte par l'utilisateur, le fabricant ne sera aucunement responsable en cas de problèmes.

#### **Éléments à prendre en considération lors du déplacement de votre réfrigérateur**

1. Votre réfrigérateur doit être débranché. Avant le transport de votre réfrigérateur, vous devez le vider et le nettoyer. Avant d'emballer votre réfrigérateur, vous devez fixer ses étagères, bac, accessoires, etc, avec du ruban adhésif afin de les protéger contre les chocs.
1. L'emballage doit être solidement attaché avec du ruban adhésif épais ou avec un cordage solide. La réglementation en matière de transport et de marquage de l'emballage doit être strictement respectée.
2. L'emballage et les matériaux de protection d'emballage doivent être conservés pour les éventuels transports ou déplacements à venir.

#### **Avant de mettre votre réfrigérateur en marche**

Vérifiez les points suivants avant de commencer à utiliser votre réfrigérateur

1. Fixez les câles en plastique tel qu'indiqué sur le schéma ci-dessous. Les câles en plastique servent à maintenir une distance permettant

la circulation de l'air entre le réfrigérateur et le mur. (Cette image n'est donnée qu'à titre indicatif ; elle n'est pas identique à votre produit.)

2. Vous pouvez installer les 2 cales en plastique comme illustré dans le schéma. Les cales en plastique maintiendront la distance nécessaire entre votre Congélateur / réfrigérateur et le mur pour permettre une bonne circulation de l'air. (Le schéma présenté est fourni à titre indicatif et peut ne pas correspondre exactement avec votre produit.)
3. Nettoyez l'intérieur du réfrigérateur tel qu'indiqué dans la section « Entretien et nettoyage ».
4. Insérez la prise du réfrigérateur dans la prise murale. Lorsque la porte du réfrigérateur est ouverte, la lampe interne du réfrigérateur s'éclaire.
5. Lorsque le compresseur commence à fonctionner, il émettra un son. Le liquide et les gaz intégrés au système du réfrigérateur peuvent également faire du bruit, que le compresseur soit en marche ou non. Ceci est tout à fait normal.
6. Les parties antérieures du réfrigérateur peuvent chauffer. Ce phénomène est normal. Ces zones doivent en principe être chaudes pour éviter tout risque de condensation.

## Branchement électrique

Branchez votre réfrigérateur à une prise électrique protégée par un fusible ayant une capacité appropriée. Important :

- Le branchement doit être conforme aux normes en vigueur sur le territoire national.
- La fiche du câble d'alimentation doit être facilement accessible après installation.
- La sécurité électrique du réfrigérateur n'est assurée que si le système de mise à la terre de votre domicile est conforme aux normes en vigueur.
- La tension indiquée sur l'étiquette située sur la paroi gauche interne de votre produit doit correspondre à celle fournie par votre réseau électrique.
- **Les rallonges et prises multivoies ne doivent pas être utilisés pour brancher l'appareil.**

### AVERTISSEMENT:

Un câble d'alimentation endommagé doit être remplacé par un électricien qualifié.

### AVERTISSEMENT:

L'appareil ne doit pas être mis en service avant d'être réparé! Cette précaution permet d'éviter tout risque de choc électrique!

## Mise au rebut de l'emballage

Les matériaux d'emballage peuvent être dangereux pour les enfants. Tenez les matériaux d'emballage hors de portée des enfants ou jetez-les conformément aux consignes établies par les autorités locales en matière de déchets. Ne les jetez pas avec les déchets domestiques, déposez-les dans les centres de collecte désignés par les autorités locales.

L'emballage de votre appareil est produit à partir de matériaux recyclables.

## Mise au rebut de votre ancien réfrigérateur

Débarrassez-vous de votre ancien réfrigérateur sans nuire à l'environnement.

- Vous pouvez consulter le service après-vente agréé ou le centre chargé de la mise au rebut dans votre municipalité pour en savoir plus sur la mise au rebut de votre produit.

Avant de procéder à la mise au rebut de votre machine, coupez la prise électrique et, le cas échéant, tout verrouillage susceptible de se trouver sur la porte. Rendez-les inopérants afin de ne pas exposer les enfants à d'éventuels dangers.

## Disposition et Installation

### AVERTISSEMENT:

Si la porte d'entrée de la pièce où sera installé le réfrigérateur n'est pas assez large pour laisser passer le réfrigérateur, appelez le service après-vente qui retirera les portes du réfrigérateur et le fera entrer latéralement dans la pièce.

1. Installez le réfrigérateur dans un emplacement qui permette une utilisation pratique.
2. Maintenez le réfrigérateur éloigné de toutes sources de chaleur, des endroits humides et de la lumière directe du soleil.
3. Une ventilation d'air autour du réfrigérateur doit être aménagée pour obtenir un fonctionnement efficace. Si le réfrigérateur est placé dans un enfoncement du mur, il doit y avoir un espace d'au moins 5 cm avec le plafond et d'au moins 5 cm avec le mur. Ne placez pas l'appareil sur des revêtements tels qu'un tapis ou de la moquette.
4. Placez le réfrigérateur sur une surface plane afin d'éviter les à-coups.

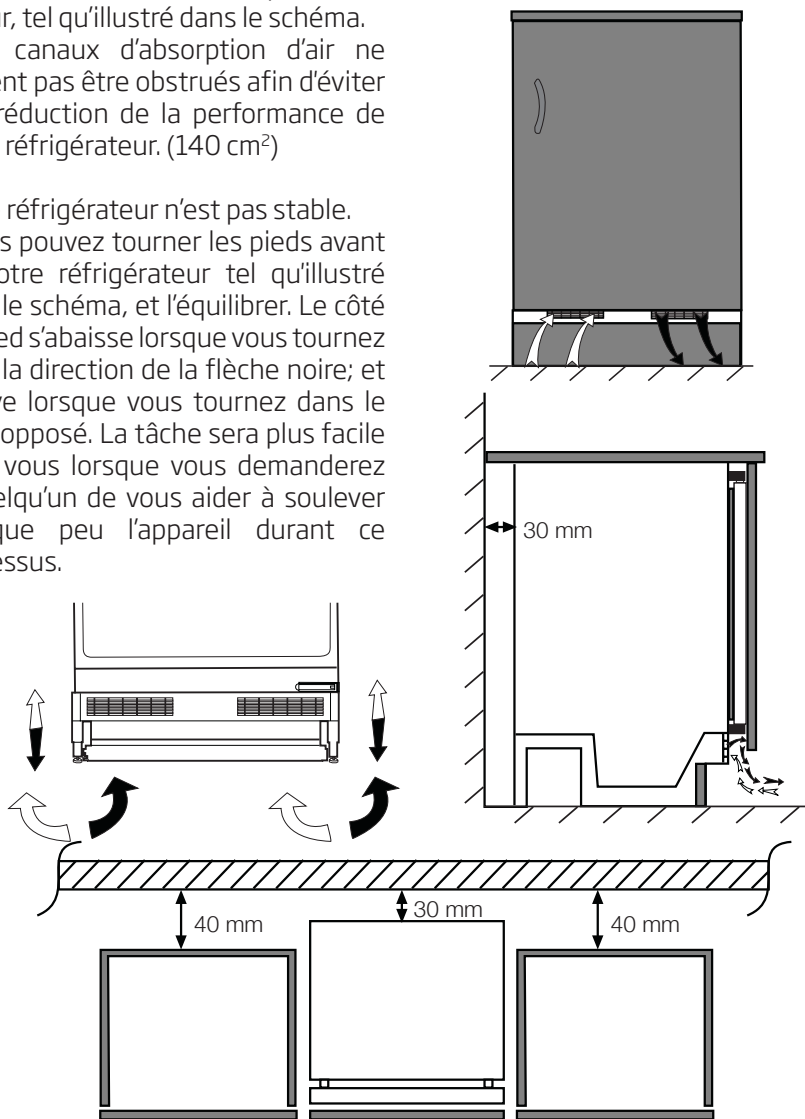
## Installation du réfrigérateur sous le plan de travail et réglage des pieds

Lorsque de l'installation de votre réfrigérateur, prévoyez une distance d'au moins 30 mm entre le produit et le mur, tel qu'illustré dans le schéma.

Les canaux d'absorption d'air ne doivent pas être obstrués afin d'éviter une réduction de la performance de votre réfrigérateur. (140 cm<sup>2</sup>)

Si le réfrigérateur n'est pas stable.

Vous pouvez tourner les pieds avant de votre réfrigérateur tel qu'illustré dans le schéma, et l'équilibrer. Le côté du pied s'abaisse lorsque vous tournez dans la direction de la flèche noire; et s'élève lorsque vous tournez dans le sens opposé. La tâche sera plus facile pour vous lorsque vous demanderez à quelqu'un de vous aider à soulever quelque peu l'appareil durant ce processus.





## 4 Préparation

---

- Votre congélateur / réfrigérateur doit être installé à au moins 30 cm des sources de chaleur telles que les plaques de cuisson, les fours, appareils de chauffage ou cuisinières, et à au moins 5 cm des fours électriques. De même, il ne doit pas être exposé à la lumière directe du soleil.
- Veuillez vous assurer que l'intérieur de votre appareil est soigneusement nettoyé.
- La température ambiante de la pièce où vous installez le congélateur / réfrigérateur doit être d'au moins 10°C. Faire fonctionner l'appareil sous des températures inférieures n'est pas recommandé et pourrait nuire à son efficacité.
- Si deux congélateur / réfrigérateurs sont installés côte à côte, ils doivent être séparés par au moins 2 cm.
- Lorsque vous faites fonctionner le congélateur / réfrigérateur pour la première fois, assurez-vous de suivre les instructions suivantes pendant les six premières heures.
- La porte ne doit pas être ouverte fréquemment.
- Le congélateur / réfrigérateur doit fonctionner à vide, sans denrées à l'intérieur.
- Ne débranchez pas le congélateur / réfrigérateur. Si une panne de courant se produit, veuillez vous reporter aux avertissements dans la section « Solutions recommandées aux problèmes ».
- L'emballage et les matériaux de protection d'emballage doivent être conservés pour les éventuels transports ou déplacements à venir.
- Les paniers/tiroirs fournis avec le compartiment rafraîchissement doivent être utilisés de manière continue pour une consommation énergétique minimale et de meilleures conditions de conservation.
- Le contact entre le capteur de température et les denrées alimentaires à l'intérieur du compartiment de congélation peut augmenter la consommation énergétique de l'appareil. Pour cette raison, les contacts avec les capteurs doivent être évités.
- Dans certains modèles, le tableau de bord s'éteint automatiquement 5 minutes après la fermeture de la portière. Il est réactivé à l'ouverture de la portière ou lorsqu'on appuie sur n'importe quelle touche.
- En raison des variations de température dues à l'ouverture ou à la fermeture de la porte de l'appareil en fonctionnement, il est normal que la condensation se forme sur la porte, les étagères ou les récipients en verre.

## 5 Bouton de réglage de la température

La température intérieure de votre réfrigérateur change pour les raisons suivantes ;

- Températures saisonnières,
- Ouverture fréquente de la porte et porte laissée ouverte pendant de longues périodes,
- Denrées introduites dans le réfrigérateur sans réduction à la température ambiante.
- Emplacement du réfrigérateur dans la pièce (par ex. exposition à la lumière directe du soleil)

Vous pouvez régler les différentes températures intérieures dues à de telles raisons en utilisant le thermostat. Si la température ambiante est supérieure à 32°C, réglez le bouton du thermostat à la position maximale.

### Conservation des denrées surgelées

- En général, les aliments congelés peuvent être conservés pendant 3 mois, dans des températures inférieures à -18°C. Les périodes de conservation peuvent varier selon le type de l'aliment. Les dates d'expiration de telles denrées sont indiquées sur leurs emballages respectifs par leurs fabricants.
- Les aliments congelés que vous avez achetés doivent être introduits dans le congélateur avant leur dégivrage.
- Les denrées congelées peuvent être conservées dans les compartiments avec tiroirs.

### Décongélation

L'augmentation de l'épaisseur de la glace qui se forme autour de l'évaporateur de votre réfrigérateur en réduira l'efficacité de réfrigération.

En conséquence, vous devez décongeler la glace lorsque l'épaisseur de sa couche qui se trouve autour de l'évaporateur atteint environ 5 mm. Il est conseillé d'effectuer cette décongélation lorsque le réfrigérateur n'est pas trop rempli ou lorsque celui-ci est vide.

Emballez l'aliment dans le réfrigérateur à l'aide de quelques feuilles de papier et conservez-le dans l'endroit le plus froid possible ou dans un autre réfrigérateur.

Tournez le bouton de réglage du thermostat à la position « Off » et débranchez le câble d'alimentation pour effectuer le dégivrage.

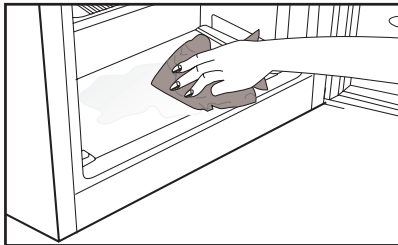
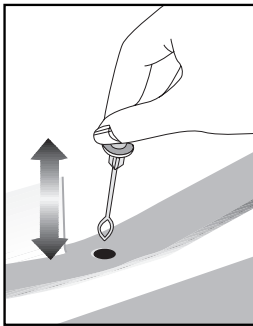
Retirez les tiroirs de votre réfrigérateur (Vous n'avez pas besoin d'enlever le couvercle du compartiment équipé d'un couvercle). Quelques temps après, l'eau qui fond s'accumulera dans le pool situé au fond de votre réfrigérateur.

Enlevez l'eau qui s'accumule au moyen d'une éponge douce ou de tout autre objet similaire, puis séchez correctement le pool.

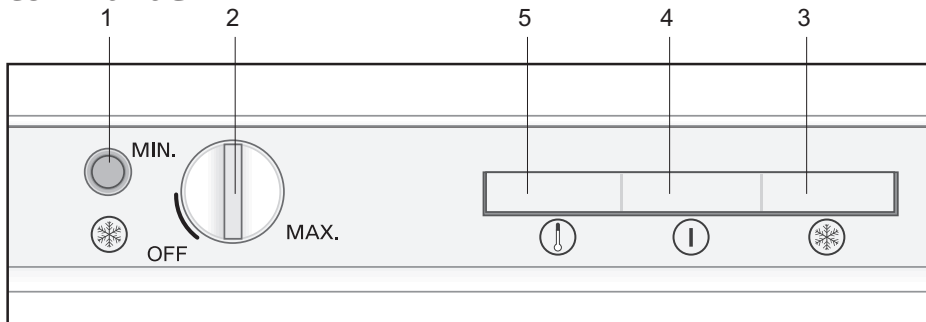
N'oubliez pas de tourner le bouton de réglage du thermostat dans une position autre que la position « Off » afin de redémarrer votre réfrigérateur.

Faites fonctionner votre réfrigérateur à vide pendant 2 heures, portes fermées, avant d'y remettre vos denrées.

Vérifiez régulièrement le tuyau de vidange pour vous assurer qu'il n'est pas obstrué et débouchez-le en introduisant un bâton dans le trou si nécessaire.



## Voyants DEL et bandeau de commande



L'objectif es voyants DEL qui se trouvent à l'avant de votre réfrigérateur est de vous aider à contrôler le fonctionnement de votre appareil.

Conservez vos aliments dans le réfrigérateur avec une certaine sécurité en contrôlant et en utilisant ces DEL et commandes tels qu'expliqués ci-dessous :

Bouton de congélation rapide(1): Utilisé pour congeler les denrées rapidement. Le compresseur peut ne pas fonctionner immédiatement mais le fait après un certain temps, lorsque le bouton est appuyé, et ce phénomène est tout à fait normal.

Bouton de réglage du thermostat (2): Ce bouton est utilisé pour régler votre réfrigérateur entre les niveaux minimum et maximum.

L'appareil peut passer en position éteinte lorsque le bouton est placé sous la position MIN. Lorsque le voyant vert est éteint, l'appareil cesse également de fonctionner.

Lorsque l'appareil est éteint (même pour le dégivrage), placez le bouton sur une position supérieure à la position MIN. pour vous assurer qu'il s'allume de nouveau. Dès que l'appareil est allumé, le voyant vert s'allume.

DEL Orange (3): S'allume lorsque le bouton de congélation rapide qui se trouve sur le panneau DEL est appuyé. Dans ce cas, votre réfrigérateur fonctionne en continu.

Appuyez à nouveau sur le bouton lorsque l'aliment que vous voulez congeler atteint la température souhaitée et la DEL orange s'éteindra.

DEL Verte (4): S'allume en continu après avoir branché votre réfrigérateur.

DEL Rouge (5): Ce voyant vous averti en s'allumant en continu lorsque vos réfrigérateurs commencent à fonctionner. Si vous n'obtenez pas suffisamment d'effet de refroidissement, cela signifie que la porte est restée ouverte pendant longtemps et que vous avez surchargé l'appareil de denrées.

Si la DEL rouge s'allume en continu alors que vous n'avez observé aucune des conditions présentées dans la colonne adjacente, appelez immédiatement notre service après-vente agréé.

## 6 Entretien et nettoyage

---

- ⚠ N'utilisez jamais d'essence, de benzène ou de matériaux similaires pour le nettoyage.
- ⚠ Nous vous recommandons de débrancher l'appareil avant de procéder au nettoyage.
- ℹ N'utilisez jamais d'ustensiles tranchants, savon, produit de nettoyage domestique, détergent et cirage pour le nettoyage.
- ℹ Pour des appareils qui ne sont pas de la marque No Frost, des gouttes d'eau et une couche de givre pouvant atteindre la largeur d'un doigt se forment sur la paroi arrière du compartiment réfrigérateur. Ne les nettoyez pas et évitez d'y utiliser de l'huile ou des produits similaires.
- ℹ Utilisez uniquement des tissus en microfibres légèrement mouillés pour nettoyer la surface externe de l'appareil. Les éponges et autres tissus de nettoyage sont susceptibles de rayer la surface.
- ℹ Utilisez de l'eau tiède pour nettoyer la carrosserie du congélateur / réfrigérateur et séchez-la soigneusement à l'aide d'un chiffon.
- ℹ Utilisez un chiffon humide imbibé d'une solution composée d'une cuillère à café de bicarbonate de soude pour un demi litre d'eau pour nettoyer l'intérieur et séchez soigneusement.
- ⚠ Prenez soin de ne pas faire couler d'eau dans le logement de la lampe et dans d'autres éléments électriques.
- ⚠ En cas de non utilisation de votre congélateur / réfrigérateur pendant une période prolongée, débranchez le câble d'alimentation, sortez toutes les denrées, nettoyez-le et laissez la porte entrouverte.
- ℹ Inspectez les joints de porte régulièrement pour vérifier qu'ils sont propres et qu'il n'y a pas de résidus de nourriture.
- ℹ Pour retirer les balconnets de portes, sortez tout son contenu puis poussez simplement le balconnet vers le haut à partir de la base.
- ℹ Ne jamais utiliser des produits nettoyants ou de l'eau contenant du chlore pour le nettoyage des surfaces externes et des pièces chromées du produit. Le chlore entraîne la corrosion de ces surfaces métalliques.
- ℹ Évitez d'utiliser des objets tranchants ou abrasifs, du savon, des produits ménagers de nettoyage, des détergents, de l'essence, du benzène, de la cire, ect. ; autrement, les marques sur les pièces en plastique pourraient s'effacer et les pièces elles-mêmes pourraient présenter des déformations. Utilisez de l'eau tiède et un torchon doux pour nettoyer et sécher.

## **Protection des surfaces en plastique.**

- Ne placez pas d'huiles ou de plats huileux dans le congélateur / réfrigérateur dans des récipients non fermés, car les graisses peuvent endommager les surfaces en plastique du congélateur / réfrigérateur. Si vous versez ou éclaboussez de l'huile sur les surfaces en plastique, nettoyez et lavez les parties souillées avec de l'eau chaude immédiatement.

## 7 Dépannage

Veillez vérifier la liste suivante avant d'appeler le service après-vente. Cela peut vous faire économiser du temps et de l'argent. Cette liste regroupe les problèmes les plus fréquents ne provenant pas d'un défaut de fabrication ou d'utilisation du matériel. Il se peut que certaines des fonctions décrites ne soient pas présentes sur votre produit.

### Le réfrigérateur ne fonctionne pas.

- La fiche n'est pas insérée correctement dans la prise. >>> Insérez correctement la fiche dans la prise.
- Est-ce que le fusible ou le fusible principal a sauté? >>> Vérifiez le fusible.

### Condensation sur la paroi intérieure du compartiment réfrigérateur. (MULTIZONE, COOL CONTROL et FLEXI ZONE).

- La porte a été ouverte souvent. >>> Évitez d'ouvrir et de fermer trop fréquemment la porte du réfrigérateur.
- L'environnement est très humide. >>> N'installez pas votre réfrigérateur dans des endroits très humides.
- La nourriture contenant du liquide est conservée dans des récipients ouverts. >>> Ne conservez pas de la nourriture contenant du liquide dans des récipients ouverts.
- La porte du réfrigérateur est laissée entrouverte. >>> Fermez la porte du réfrigérateur.
- Le thermostat est réglé à un niveau très froid. >>> Réglez le thermostat à un niveau adapté.

### Le compresseur ne fonctionne pas.

- Le dispositif de protection thermique du compresseur sautera en cas de coupures soudaines du courant ou de débranchement intempestif, en effet la pression du liquide réfrigérant du système de refroidissement ne sera pas équilibrée. Le réfrigérateur recommencera à fonctionner normalement après 6 minutes environ. Veuillez contacter le service après-vente si le réfrigérateur ne redémarre pas après cette période.
- Le réfrigérateur est en mode dégivrage. >>> Cela est normal pour un réfrigérateur à dégivrage semi-automatique. Le cycle de dégivrage se déclenche régulièrement.
- Le réfrigérateur n'est pas branché à la prise. >>> Assurez-vous que la prise est branchée dans la prise murale.
- Les réglages de température ne sont pas effectués correctement. >>> Sélectionnez la température appropriée.
- Il y a une panne de courant. >>> Le réfrigérateur recommence à fonctionner normalement après le retour du courant.

Le niveau sonore augmente lorsque le réfrigérateur est en marche.

- Les caractéristiques de performance du réfrigérateur peuvent changer en raison des variations de la température ambiante. Cela est normal et n'est pas un défaut.

Le réfrigérateur fonctionne fréquemment ou pendant de longues périodes.

- Votre nouveau réfrigérateur est peut-être plus large que l'ancien. Les grands réfrigérateurs fonctionnent plus longtemps.
- La température de la pièce est probablement élevée. >>> Il est normal que l'appareil fonctionne plus longtemps quand la température ambiante est élevée.
- Le réfrigérateur pourrait y avoir été branché tout récemment ou pourrait avoir été chargé de denrées alimentaires. >>> Quand le réfrigérateur a été branché ou récemment rempli avec de la nourriture, il met plus de temps à atteindre la température réglée. Ce phénomène est normal.
- D'importantes quantités de denrées chaudes ont peut-être été introduites dans le réfrigérateur récemment. >>> Ne mettez pas de nourriture chaude dans le réfrigérateur.
- Les portes ont peut-être été ouvertes fréquemment ou laissées entrouvertes pendant une durée prolongée. >>> L'air chaud qui entre dans l'appareil oblige le réfrigérateur à travailler sur de plus longues périodes. N'ouvrez pas les portes fréquemment.
- La porte du réfrigérateur est probablement entrouverte. >>> Vérifiez que les portes sont bien fermées.
- Le réfrigérateur est réglé à une température très basse. >>> Réglez la température du réfrigérateur à un degré supérieur et attendez que la température réglée soit atteinte.
- Le joint de la porte du réfrigérateur ou du congélateur peut être sale, déchiré, rompu ou mal en place. >>> Nettoyez ou remplacez le joint. Tout joint endommagé/déchiré fait fonctionner le réfrigérateur pendant une période de temps plus longue afin de conserver la température actuelle.

La température du congélateur est très basse alors que celle du réfrigérateur est correcte.

- La température du congélateur est réglée à une température très basse. >>> Réglez la température du congélateur à un degré supérieur et vérifiez.

La température du réfrigérateur est très basse alors que celle du congélateur est correcte.

- La température du réfrigérateur est réglée à une température très basse. >>> Réglez la température du réfrigérateur à un degré supérieur et vérifiez.



Les denrées conservées dans les tiroirs du compartiment de réfrigération sont congelées.

- La température du réfrigérateur est réglée à une température très basse. >>> Réglez la température du réfrigérateur à un niveau inférieur et vérifiez.

La température dans le réfrigérateur ou le congélateur est très élevée.

- La température du réfrigérateur est réglée à une température très basse. >>> Le réglage du compartiment réfrigérant a un effet sur la température du congélateur. Changez les températures du réfrigérateur ou du congélateur et attendez que les compartiments atteignent une température suffisante.
- Les portes ont peut être été ouvertes fréquemment ou laissées entrouvertes pendant une durée prolongée. >>> N'ouvrez pas les portes fréquemment.
- La porte est entrouverte. >>> Refermez complètement la porte.
- Le réfrigérateur a été récemment branché ou rempli avec de la nourriture. >>> Ce phénomène est normal. Lorsque le réfrigérateur vient d'être branché ou récemment rempli avec de la nourriture, il met plus de temps à atteindre la température réglée.
- D'importantes quantités de denrées chaudes ont peut être été introduites dans le réfrigérateur récemment. >>> Ne mettez pas de nourriture chaude dans le réfrigérateur.

• Vibrations ou bruits

- Le sol n'est pas plat ou stable. >>> Si le réfrigérateur balance lorsqu'il est déplacé lentement, équilibrez-le en ajustant sa base. Assurez-vous que le sol est plat et suffisamment solide pour supporter le poids et le volume de l'appareil.
- Les éléments placés sur le réfrigérateur peuvent faire du bruit. >>> Enlevez les éléments du haut du réfrigérateur.

Le réfrigérateur produit des bruits semblables à de l'eau qui coule, à la pulvérisation d'un liquide, etc.

- Des écoulements de gaz et de liquides surviennent dans le réfrigérateur, de par ses principes de fonctionnement. Cela est normal et n'est pas un défaut.

Un sifflement sort du réfrigérateur.

- Les ventilateurs sont utilisés pour refroidir le réfrigérateur. Cela est normal et n'est pas un défaut.

### Condensation sur les parois intérieures du réfrigérateur.

- Un temps chaud et humide augmente la formation de givre et de condensation. Cela est normal et n'est pas un défaut.
- Les portes ont peut être été ouvertes fréquemment ou laissées entrouvertes pendant une durée prolongée. >>> N'ouvrez pas les portes fréquemment. Refermez-les si elles sont ouvertes.
- La porte est entrouverte. >>> Refermez complètement la porte.

### De l'humidité est présente à l'extérieur ou entre les portes du réfrigérateur.

- Il y a peut être de l'humidité dans l'air; ceci est tout à fait normal par un temps humide. Lorsque l'humidité est faible, la condensation disparaîtra.

### Présence d'une mauvaise odeur dans le réfrigérateur.

- Il n'y a pas de nettoyage régulier effectué. >>> Nettoyez régulièrement l'intérieur du réfrigérateur avec une éponge, de l'eau tiède ou du carbonate dissout dans l'eau.
- Certains récipients ou matériaux d'emballage peuvent provoquer ces odeurs. >>> Utilisez un autre récipient ou changez de marque de matériau d'emballage.
- Les denrées sont mises au réfrigérateur dans des récipients sans couvercle. >>> Conservez les aliments liquides dans des récipients fermés. Les micro-organismes issus de récipients non fermés peuvent dégager des odeurs désagréables.
- Enlevez les aliments périmés et pourris du réfrigérateur.

### La porte ne se ferme pas.

- Des récipients empêchent la fermeture de la porte. >>> Retirez les emballages qui obstruent la porte.
- Le réfrigérateur n'est pas complètement vertical sur le sol. >>> Ajustez les pieds du réfrigérateur pour l'équilibrer.
- Le sol n'est pas plat ou solide. >>> Assurez-vous que le sol est plat et qu'il peut supporter le poids du réfrigérateur.

### Les bacs à légumes sont coincés.

- Il se peut que les denrées touchent le plafond du tiroir. >>> Disposez à nouveau les denrées dans le tiroir.

### Si La Surface De L'appareil Est Chaude.

- Vous pouvez observer une élévation de la température entre les deux portes, sur les panneaux latéraux et au niveau de la grille arrière pendant le fonctionnement de l'appareil. Ce phénomène est normal et ne nécessite aucune opération d'entretien !



Points de collecte sur [www.quefairedemesdechets.fr](http://www.quefairedemesdechets.fr)  
Privilégiez la réparation ou le don de votre appareil !





**Mraznička**

Návod k použití

**Congelador**

Manual del usuario

**Køl/Frys**

Brugervejledning

**Kyl/Frys**

Bruksanvisning



F60096EB

BU 1200 - BU 1201- BU 1203N - BU1204N



**CZ / ES / DA / SV**

48 4918 0004 / BA  
2/4

## Nejprve si přečtete tento návod!

Vážený zákazníku,

Doufáme, že výrobek, který byl vyroben v moderních závodech a kontrolován v souladu s nejpřísnějšími postupy kontroly kvality, vám zajistí účinný provoz.




Proto vám doporučujeme pozorně si přečíst celý návod k výrobku, než jej použijete, a uskladnit je v dosahu pro budoucí použití.

## Tento návod

- Pomůže vám s použitím spotřebiče rychle a bezpečně.
  - Návod si přečtete dříve, než produkt nainstalujete a zapnete.
  - Dodržujte pokyny, zejména ty, které se týkají bezpečnosti.
  - Návod uschovejte na snadno přístupném místě, možná jej budete později potřebovat.
  - Kromě toho si přečtete i další dokumenty dodané s výrobkem.
- Nezapomeňte, že tento návod může platit i pro jiné modely.

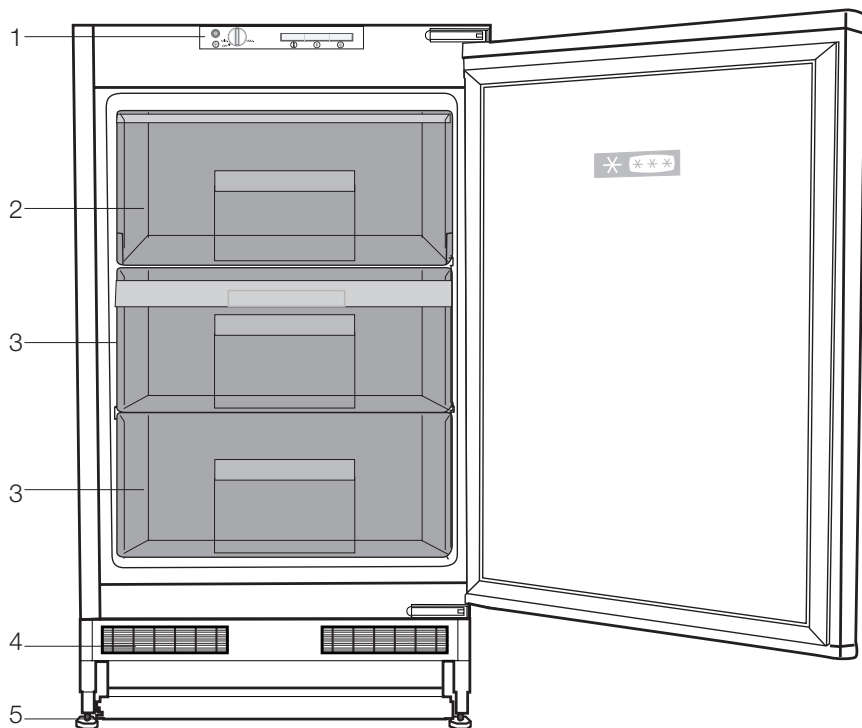
## Symbyly a jejich popis

Tento návod obsahuje následující symboly:

-  Důležité informace nebo užitečné tipy k použití.
-  Varování před nebezpečnými situacemi pro život a majetek.
-  Varování na elektrické napětí.

<b>1 Vaše chladnička</b>	<b>4</b>	<b>4 Příprava</b>	<b>15</b>
<b>2 Důležitá bezpečnostní upozornění</b>	<b>5</b>	<b>5 Používání chladničky</b>	<b>16</b>
Určené použití .....	5	Nastavení provozní teploty .....	16
U výrobků s dávkovačem vody; .....	8	Mražení .....	16
Bezpečnost dětí .....	8	Odmrazení .....	17
Dodržování směrnice WEEE a o likvidaci odpadů: .....	9	LED kontrolky a panel ovladačů.....	18
Dodržování směrnice RoHS:.....	9	<b>6 Údržba a čištění</b>	<b>19</b>
Informace o balení .....	9	Ochrana plastových ploch .....	19
Upozornění HC.....	9	<b>7. Doporučená řešení problémů</b>	<b>20</b>
Postup pro úsporu energie.....	9		
<b>3 Instalace</b>	<b>11</b>		
Body ke zvážení při přepravě chladničky.....	11		
Než chladničku zapnete .....	11		
Zapojení do sítě.....	11		
Likvidace obalu .....	12		
Likvidace vaší staré chladničky .....	12		
Umístění a instalace.....	12		
Umístění chladničky pod linku a nastavování nožek .....	13		
Změna dvířek .....	14		

# 1 Vaše chladnička



1. Ovládací panel
2. Prostor na rychlé mražení
3. Prostor na zmrazené potraviny
4. Víko větrání
5. Nastavitelné nožky





Obrázky uvedené v tomto návodu k použití jsou schematické a nemusí přesně korespondovat s vaším výrobkem. Pokud zobrazené části nejsou obsaženy v produktu, který jste zakoupili, jde o součásti jiných modelů.

## 2 Důležitá bezpečnostní upozornění

Prostudujte si následující informace. Nedodržení těchto informací může vést ke zraněním nebo škodám na majetku. Jinak neplatí záruka ani jiné závazky.

Originální náhradní díly budou dodávány po dobu 10 let od koupě výrobku.

### Určené použití

	<b>UPOZORNĚNÍ:</b> V případě, že je zařízení v ochranné fázi nebo umísteno, ujistěte se, zda nejsou odvětrávací dírky uzavřeny.
	<b>UPOZORNĚNÍ:</b> Za účelem urychlení rozpouštění ledu nepoužívejte žádné jiné mechanické zařízení nebo jiný přístroj než ty, jež byly doporučeny výrobcem.
	<b>UPOZORNĚNÍ:</b> Pokud je chladidlo v provozu, nezasahujte do jeho obvodu.
	<b>UPOZORNĚNÍ:</b> Uvnitř skladovacích prostor jídla přístroje nepoužívejte jiná elektrická zařízení než ta, která byla doporučena výrobcem.

### UPOZORNĚNÍ:

Neskladujte výbušné látky, jako jsou lahve s aerosolem s hořlavými hnacími plyny v tomto spotřebiči.



Toto zařízení bylo navrženo pro použití v domácnosti nebo pro níže uvedené aplikování.

- V kuchyních personálu obchodů, kanceláří a jiných pracovních míst;

- Za účelem použití návštěvníky farem a hotelů, motelů a jiných míst s ubytováním.

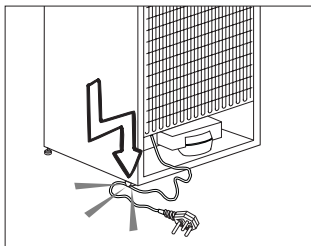
### Obecná bezpečnost

- Když chcete výrobek zlikvidovat/sešrotovat, doporučujeme kontaktovat autorizovaný servis, kde zjistíte nezbytné informace a autorizované orgány.
- Veškeré otázky a problémy související s chladničkou vám pomůže vyřešit autorizovaný servis. Nezasahujte do chladničky a nikomu toto nedovolte bez upozornění autorizovaného servisu.
- U výrobků s prostorem mrazničky; Nejezte zmrzlinu a kostky ledu bezprostředně poté, co je vyjmete z prostoru mrazničky! (Může dojít k omrznutí úst.)
- U výrobků s prostorem mrazničky; Nevkládejte do prostoru mrazničky nápoje v lahvích a plechovkách. Jinak by

- Nedotýkejte se mražených potravin rukou; mohou se vám přilepit k ruce.
- Odpojte chladničku, než ji vyčistíte nebo odmrazíte.
- Výpary a parní čisticí materiály nikdy nepoužívejte při čištění a odmrazování chladničky. V těchto případech by se totiž výpary mohly dostat do styku s elektrickými součástmi a způsobit zkrat či zásah elektrickým proudem.
- Nikdy nepoužívejte součásti na chladničce, jako je ochranná deska, jako dvířka nebo podpreru nebo schůdek.
- Nepoužívejte elektrická zařízení uvnitř chladničky.
- Nepoškozujte součásti, kde obíhá chladicí médium, vrtáním nebo řezáním. Chladicí médium by mohlo vytéct v místech porušení plynových kanálů výparníku, prodlouženích trubek nebo povrchových vrstev a způsobit podráždění kůže a zranění očí.
- Nezakrývejte a neblokuje větrací otvory na chladničce žádným materiálem.
- Elektrické spotřebiče musejí opravovat jen autorizované osoby. Opravy provedené nekompetentními osobami mohou vést k ohrožení uživatele.
- V případě poruchy nebo při údržbě či opravách odpojte napájení chladničky buď vypnutím příslušné pojistky nebo odpojením spotřebiče.
- Netahejte za kabel – tahejte za zástrčku.
- Ujistěte se, že nápoje s vysokým obsahem alkoholu jsou bezpečně uzavřené a umístěné kolmo.
- Nikdy neskladujte nádoby s hořlavými spreji a výbušnými látkami v chladničce.
- Nepoužívejte mechanické nástroje nebo jiné prostředky k urychlení procesu odmrazení s výjimkou těch, které doporučuje výrobce.
- Tento výrobek by neměly používat osoby s tělesnými, smyslovými nebo duševními poruchami či nezkušené nebo nepoučené osoby (včetně dětí), pokud jsou bez dohledu osoby, která bude odpovídat za jejich bezpečnost nebo která jim poskytne náležité školení k používání výrobku
- Nepoužívejte poškozenou chladničku. V případě jakýchkoli pochybností kontaktujte servisního zástupce.
- Elektrická bezpečnost chladničky je zaručena pouze tehdy, pokud systém uzemnění ve vašem domě splňuje patřičné normy.
- Vystavení výrobku dešti, sněhu, slunci a větru je nebezpečné z hlediska elektrické bezpečnosti.
- Pokud dojde k poškození napájecího kabelu, kontaktujte autorizovaný servis.

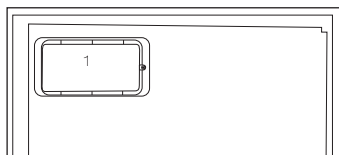
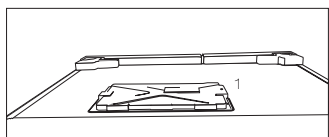


- Během instalace nikdy nezapojíte chladničku k zásuvce. Jinak může dojít k ohrožení zdraví s následkem smrti.
- Tato chladnička je určena jen k uchování potravin. Neměla by být používána k žádnému jinému účelu.
- Štítek s technickými parametry se nachází na levé stěně uvnitř chladničky.
- Nikdy nepřipojujete chladničku k systémům pro úsporu elektřiny; mohly by chladničku poškodit.
- Pokud se na chladničce rozsvítí modré světlo, nedívejte se do něj nezakrytými očima nebo bez ochranných pomůcek příliš dlouho.
- U manuálně ovládaných chladniček počkejte nejméně 5 minut, než chladničku po výpadku energie znovu spustíte.
- Tento návod k použití předejte novému majiteli v případě prodeje výrobku.
- Při přepravě chladničky nepoškozujte napájecí kabel. Ohnutím kabelu může dojít k požáru. Na napájecí kabel nikdy nestavte těžké předměty. Nedotýkejte se zástrčky mokřkýma rukama při zapojování výrobku.



- Nezapojíte chladničku, pokud je zásuvka uvolněna.
- Nestříkejte vodu přímo na vnitřní či vnější části výrobku z bezpečnostních důvodů.
- Do blízkosti chladničky nestříkejte látky s hořlavými plyny, jako je propan, aby nedošlo k požáru a výbuchu.
- Na horní stranu chladničky nikdy nestavte nádoby naplněné vodou, jinak by mohlo dojít k zásahu elektrickým proudem nebo k požáru.
- Do chladničky nevkládejte přílišná množství potravin. Při přeplnění mohou potraviny spadnout dolů a poranit vás a poškodit chladničku při otevření dveří. Na horní stranu chladničky nic nestavte; tyto předměty by jinak mohly spadnout, až otevřete nebo zavřete dvířka chladničky.
- Jelikož vakcíny, léky citlivé na teplo a vědecké materiály atd. vyžadují přesnou teplotu, neskladujte je tedy v této chladničce.
- Pokud chladničku delší dobu nebudete používat, odpojte ji. Možný problém napájecího kabelu by mohl způsobit požár.

- Chladničku se může pohybovat, pokud její nožky nejsou řádně upevněny na podlaze. Správným nastavením nožek na podlaze předejete pohybu chladničky.
- Při přenášení chladničky ji nedržte za kliku dvířek. Jinak by se mohla odlomit.
- Když musíte postavit tento výrobek vedle jiné chladničky nebo mrazničky, vzdálenost mezi zařízeními by měla být nejméně 8 cm. Jinak by mohlo dojít k provlhnutí sousedních stěn.
- Nikdy nepoužívejte výrobek, pokud část nacházející se na horní nebo zadní straně výrobku s elektronickou deskou s plošným spojem uvnitř je otevřená (krycí deska elektronických plošných spojů) (1).



## U výrobků s dávkovačem vody;

- Tlak pro přívod studené vody musí být maximálně 90 psi (620 kPa). Pokud je váš tlak vody vyšší než 80 psi (550 kPa), použijte ve vaší síti ventil na omezování tlaku. Pokud nevíte, jak zkontrolovat tlak vody, požádejte o pomoc profesionálního instalatéra.
- Pokud při instalaci existuje riziko vodního rázu, vždy použijte preventivně zařízení proti vodnímu rázu. Pokud jste si není jistý, zda ve Vaší síti je efekt vodního rázu, poraďte se s profesionálním instalatérem.
- Neinstalujte na přívodu pro teplou vodu. Proveďte nezbytná opatření proti riziku zamrznutí hadic. Provozní interval teplota vody musí být mezi minimálně 33 ° F (0,6 ° C) a maximálně 100 ° F (38 ° C).
- Používejte jen pitnou vodu.

## Bezpečnost dětí

- Pokud mají dvířka zámek, měli byste skladovat klíč mimo dosah dětí.
- Děti je nutno kontrolovat, aby nezasahovaly do součástí výrobku.

## **Dodržování směrnice WEEE a o likvidaci odpadů:**



Tento produkt splňuje směrnici EU WEEE (2012/19/EU). Tento výrobek nese symbol pro třídění, platný pro elektrický a elektronický odpad (WEEE).

Tento produkt byl vyroben z vysoce kvalitních součástí a materiálů, které lze znovu použít a které jsou vhodné pro recyklaci. Produkt na konci životnosti nevyhazujte do běžného domácího odpadu. Odveďte ho do sběrného místa pro recyklaci elektrických a elektronických zařízení. Informace o těchto sběrných místech získáte na místních úřadech.

## **Dodržování směrnice RoHS:**

Produkt, který jste zakoupili splňuje směrnicí EU RoHS (2011/65/EU). Neobsahuje žádné škodlivé ani zakázané materiály, které jsou směrnicí zakázané.

## **Informace o balení**

Balící materiály jsou vyrobeny z recyklovatelných materiálů v souladu s našimi národními směrnice na ochranu životního prostředí. Balící materiály nevyhazujte do domácího nebo jiného odpadu.

Odveďte je na sběrné místo balícího materiálu, které má pověření místních orgánů.

## **Upozornění HC**

### **Pokud chladicí systém vašeho výrobku obsahuje R600a:**

Tento plyn je hořlavina. Dávejte tedy pozor, abyste nepoškodili systém chlazení a potrubí během použití a přepravy. V případě poškození udržíte výrobek mimo potenciální zdroje hoření, které mohou způsobit vznícení výrobku, a vyvětrejte místnost, v níž je přístroj umístěn.

### **Ignorujte toto upozornění, pokud chladicí systém vašeho výrobku obsahuje R134a.**

Typ plynu použitý ve výrobku je uveden na typovém štítku na levé stěně uvnitř chladničky.

Výrobek nikdy nevhazujte do ohně.

## **Postup pro úsporu energie**

- Nenechávejte dvířka chladničky otevřená delší dobu.
- Nevkládejte do chladničky horké potraviny nebo nápoje.
- Nepřepíňujte chladničku, abyste nebránili oběhu vzduchu uvnitř.

- Neinstalujte chladničku na přímé sluneční světlo nebo do blízkosti tepelných spotřebičů, jako je trouba, myčka nebo radiátor.
- Dávejte pozor, abyste nechávali potraviny v uzavřených nádobách.
- U výrobků s prostorem mrazničky; Maximální množství potravin v mrazničce můžete uskladnit, pokud vyjmete polici nebo zásuvku mrazničky. Hodnota spotřeby energie udaná pro vaši chladničku byla stanovena při vyjmuté polici nebo zásuvce mrazničky a při maximální náplni. Nehrozí riziko při používání police nebo zásuvky podle tvarů a rozměrů potravin, které chcete mrazit.
- Rozmrazování zmražených potravin v prostoru chladničky zajistí úsporu energie a zachová kvalitu potravin.

## 3 Instalace

⚠ Nezapomeňte, že výrobce neodpovídá za nedodržení informací uvedených v návodu k použití.

### Body ke zvážení při přepravě chladničky

1. Chladničku je nutno vyprázdnit a vyčistit před jakoukoli přepravou.
2. Police, příslušenství, prostor pro čerstvé potraviny atd. v chladničku je nutno řádně upoutat lepicí páskou, aby nedocházelo k vibracím.
3. Obaly je nutno upevnit silnými páskami a lany a je nutno dodržovat pravidla pro přepravu vytištěná na obalu.

### Nezapomeňte...

Každý recyklovaný materiál je nezbytný zdroj pro přírodu a naše národní zdroje.

Pokud chcete přispět k recyklaci obalových materiálů, další informace získáte od orgánů ochrany životního prostředí nebo místních úřadů.

### Než chladničku zapnete

Než začnete používat chladničku, zkontrolujte následující:

1. Je vnitřek chladničky suchý a může za ní volně obíhat vzduch?
2. Oba plastové klínky nainstalujte podle obrázku. Plastové klínky zajistí potřebnou vzdálenost mezi vaší chladničkou a zdí, aby se zajistilo proudění vzduchu. (Uvedený obrázek je jen příklad a neshoduje se přesně s vaším výrobkem.)

3. Vyčistěte vnitřek chladničky podle kapitoly „Údržba a čištění“.
4. Zapojte chladničku do sítě. Po otevření dvířek se rozsvítí vnitřní osvětlení prostoru chladničky.
5. Uslyšíte hluk při startování kompresoru. Kapalina a plyn v chladicí soustavě mohou také vydávat zvuky, i když kompresor neběží, což je poměrně normální.
6. Přední kraje chladničky mohou být teplé. Je to zcela normální. Tyto oblasti mají být teplé, aby nedocházelo ke kondenzaci.

### Zapojení do sítě

Připojte výrobek k uzemněné zásuvce, která je chráněna pojistkou vhodné kapacity.

Důležité:

- Spojení musí být v souladu s národními předpisy.
  - Napájecí kabel musí být po instalaci snadno dostupný.
  - Specifikované napětí musí být rovné napětí v síti.
  - K připojení nepoužívejte prodlužovací kabely a vícecestné zásuvky.
- ⚠ Poškozený napájecí kabel musí vyměnit kvalifikovaný elektrikář.
- ⚠ Výrobek nesmíte používat, dokud není opraven! Hrozí riziko zásahu elektrickým proudem!

## Likvidace obalu

Obalové materiály mohou být pro děti nebezpečné. Udržujte materiály mimo dosah dětí nebo je zlikvidujte v souladu s pokyny zpracování odpadů. Nelikvidujte je s běžným domovním odpadem.

Balení chladničky je z recyklovatelných materiálů.


## Likvidace vaší staré chladničky

Starou chladničku zlikvidujte tak, abyste neohrozili životní prostředí

- Informace o likvidaci chladničky získáte u autorizovaného prodejce nebo odpadového odboru vašeho města.

Před likvidací vaší chladničky odřízněte zástrčku a v případě, že jsou na dveřích zámky, zneškodněte je, aby nedošlo k ohrožení dětí.

## Umístění a instalace

 Pokud nejsou vstupní dveře do místnosti, v níž chladničku nainstalujete, dostatečně široké, aby chladnička prošla, kontaktujte autorizovaný servis a nechte sejmut dveře chladničky a protáhněte je bokem.

1. Chladničku umístěte na místo, které umožňuje snadnou obsluhu.
2. Chladničku umístěte mimo zdroje tepla, vlhka a přímé světlo.

3. Kolem chladničky musí být dostatečný prostor pro ventilaci, aby se zajistila účinnost provozu. Pokud máte chladničku umístit do výklenku, musí být nejméně 5 cm od stropu a 5 cm od stěn. Pokud je na podlaze koberec, musíte zvednout produkt o 2,5 cm nad zem.

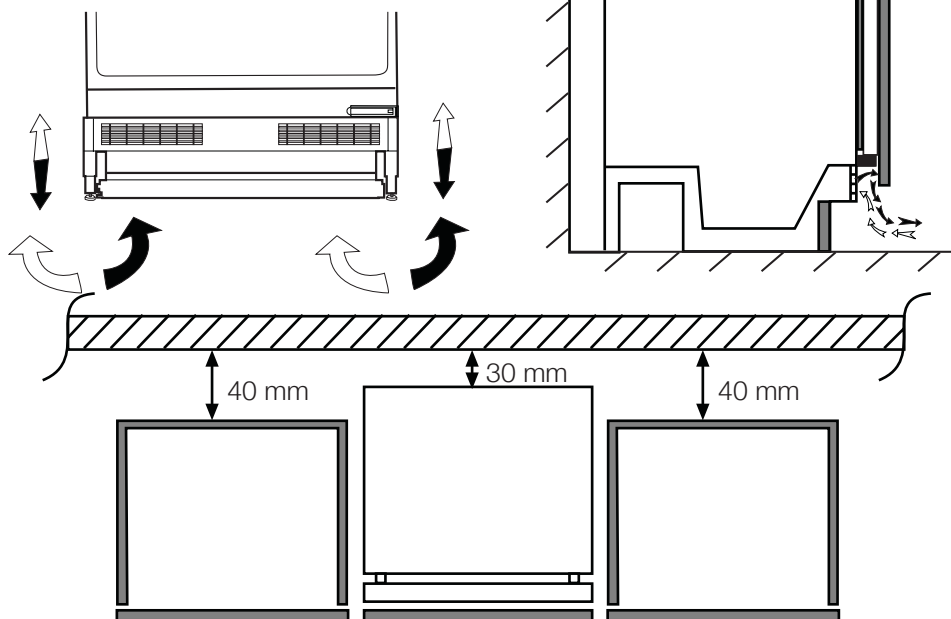
4. Umístěte chladničku na rovnou podlahu, aby nedocházelo ke kymácení.

## Umístění chladničky pod linku a nastavování nožek

Když umísťujete chladničku, vzdálenost mezi výrobkem a stěnou musí být minimálně 30 cm, viz obrázek.

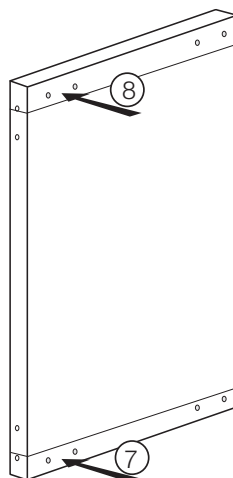
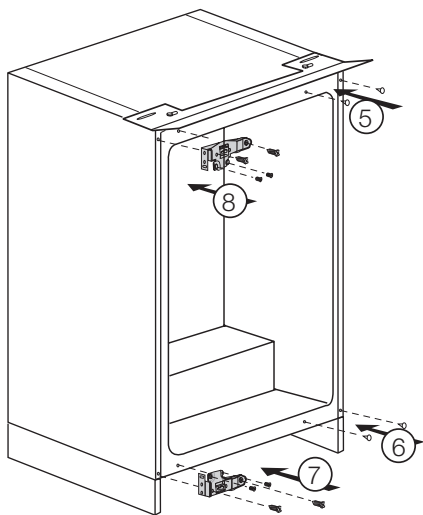
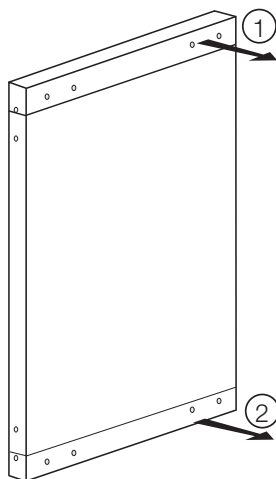
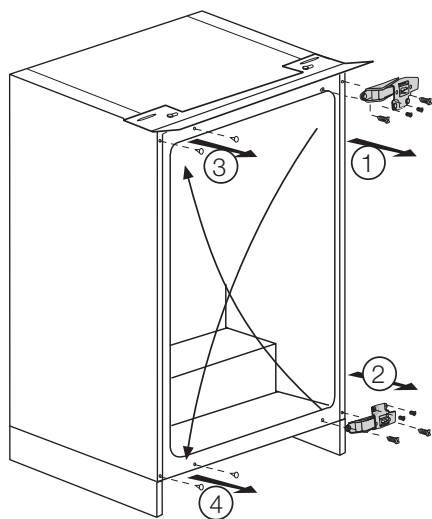
Kanály pro nasávání vzduchu nesmějí být blokovány, aby se nesnižovala výkonnost vaší chladničky. (140 cm<sup>2</sup>)

Pokud je vaše chladnička nestabilní; Můžete otáčet předními nožkami chladničky, viz obrázek, a zajistit její vyrovnanost. Roh příslušné nožky se sníží, když nožku otáčíte ve směru černé šipky; zvedne se, když nožku otáčíte v opačném směru. Bude pro vás snadnější, pokud si zajistíte pomoc od někoho, kdo přístroj současně nepatrně nadzvedne.



# Změna dvířek

Postupujte podle pořadí





## 4 Příprava

---

- Chladničku instalujte nejméně 30 cm od zdrojů tepla, jako jsou varné desky, trouby, ústřední topení a sporáky a nejméně 5 cm od elektrických trub, neumísťte ji na přímé sluneční světlo.
- Teplota prostředí v místnosti, kde instalujete chladničku, by měla být nejméně 10°C. Používání chladničky za chladnějších podmínek se nedoporučuje vzhledem k její účinnosti.
- Zajistěte, aby byl vnitřek vaší chladničky důkladně vyčištěn.
- Pokud vedle sebe instalujete dvě chladničky, měl by mezi nimi být rozestup nejméně 2 cm.
- Když spustíte chladničku poprvé, dodržujte následující pokyny během prvních šesti hodin.
- Dveře neotevírejte často.
- Musí běžet prázdná bez vkládání potravin.
- Neodpojujte chladničku. Pokud dojde k výpadku energie, prostudujte si varování v kapitole "Doporučená řešení problémů".
- Vždy používejte koše/zásuvky poskytované s chladícím prostorem v zájmu nízké spotřeby energie a lepších podmínek skladování.
- Styk potravin s čidlem teploty v mrazničce může zvýšit spotřebu energie zařízení. Zabraňte tedy jakémukoliv kontaktu s čidlem (čidly).
- Původní obaly a pěnové materiály uschovejte pro budoucí přepravu či přesun.
- U některých modelů se přístrojová deska automaticky vypne po 5 minutách po tom, jak byly dveře uzavřeny. Opět se aktivuje, když se dveře otevřou nebo po stisknutí libovolné klávesy.
- Vzhledem ke změně teploty v důsledku otevření/zavření dveří během provozu je běžné, že se na dveřích/poličkách a skleněných nádobách objeví kondenzace.

## 5 Používání chladničky

### Nastavení provozní teploty

Provozní teplotu lze regulovat ovladačem teploty.



Zvolte nastavení podle požadované teploty.

Vnitřní teplota také závisí na teplotě prostředí, frekvenci otvírání dvířek a množství jídla uvnitř.

Častým otevíráním dvířek teplota uvnitř stoupne.

Z tohoto důvodu doporučujeme zavřít dvířka co nejdříve po použití.

Běžná skladovací teplota vašeho spotřebiče by měla být -18 °C. Nižších teplot lze dosáhnout nastavením tlačítka termostatu do pozice 4 (nebo Max.).

Doporučujeme kontrolovat teplotu teploměrem, abyste měli jistotu, že skladovací prostory mají stále požadovanou teplotu. Nezapomínejte odečíst hodnotu okamžitě, protože teplota na teploměru stoupne velmi rychle poté, co jej vyjmete z mrazničky.

### Mražení

#### Mražení potravin

Mrazicí prostor je označen symbolem



Spotřebič lze použít pro mražení čerstvých potravin i pro skladování předmražených potravin.

Dodržujte pokyny uvedené na obalu potravin.

#### Pozor

Nezmrazujte perlivé nápoje, protože láhev může explodovat po zmrznutí kapaliny v ní.

Dávejte pozor na zmražené produkty, jako jsou barevné ledové kostky.

Nepřekračujte mrazicí kapacitu vašeho spotřebiče na 24 hodin. Viz štítek s parametry.

Aby se zachovala kvalita potravin, je třeba provést zmražení co nejdříve.

Mrazicí kapacita tak nebude překročena a teplota uvnitř mrazničky nestoupne.

#### Pozor

Udržujte již zmražené potraviny vždy mimo čerstvě umístěné potraviny.

Při hloubkovém mražení horkých potravin bude chladicí kompresor v provozu až do úplného zmražení potravin. Může tím dojít k dočasnému přílišnému zchlazení chladicího prostoru.

Pokud máte pocit, že dvířka mrazničky jdou těžko otevřít poté, co jste je právě zavřeli, nebojte se. Je to zaviněno rozdílem tlaku, který se ustálí, a dvířka půjdou po pár minutách normálně otevřít.

Hned po zavření dvířek uslyšíte zvuk typický pro vakuum. Je to zcela normální.

- Mražené potraviny můžete skladovat až 3 měsíce při běžných teplotách pod -18°C. Délka uschování se může lišit podle typu potravin. Doba uskladnění těchto potravin je uvedena na obalu od výrobce.
- Zmražené potraviny, které jste zakoupili, umístěte do mrazničky, než rozmrznou.
- Zmražené potraviny můžete skladovat v prostorech se zásuvkami.

Pro zajištění vysoké kvality podle výrobce a prodejce mražených potravin nezapomeňte dodržovat následující body:

1. Balení vkládejte do mrazničky co nejdříve po zakoupení.
2. Nepřekračujte data spotřeby na obalu.
3. Nezapomínejte, že veškeré zásuvky, košíky, dvířka i přihrádky jsou odnímatelné.

## Odmrazení

Zvýšení síly ledu, který se tvoří na výparníku vaší chladničky, bude mít za následek snížení její účinnosti.

Proto musíte odmrazit chladničku, jakmile síla vrstvy ledu kolem výparníku dosáhne přibližně 5 mm. Doporučuje se chladničku odmrazit, když není příliš plná nebo je-li prázdná.

Jídlo z chladničky zabalte do několika listů papíru a uložte je na nejchladnější místo nebo do jiné chladničky.

Otočte tlačítkem nastavení termostatu na vypnuto nebo odpojte napájecí kabel, aby mohlo dojít k odmrazení.

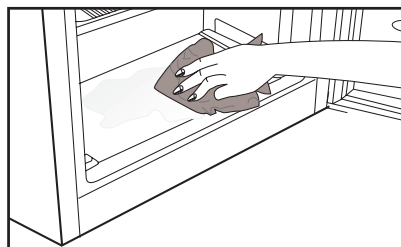
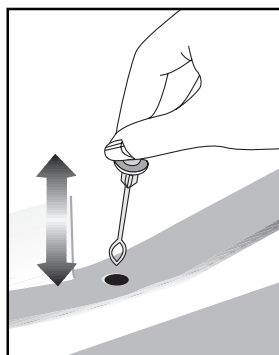
Odstraňte z chladničky zásuvky (není nutno vyjímat víko prostoru vybaveného víkem). Po nějaké době se rozmrzlá voda nahromadí v nádrži umístěné na dně chladničky.

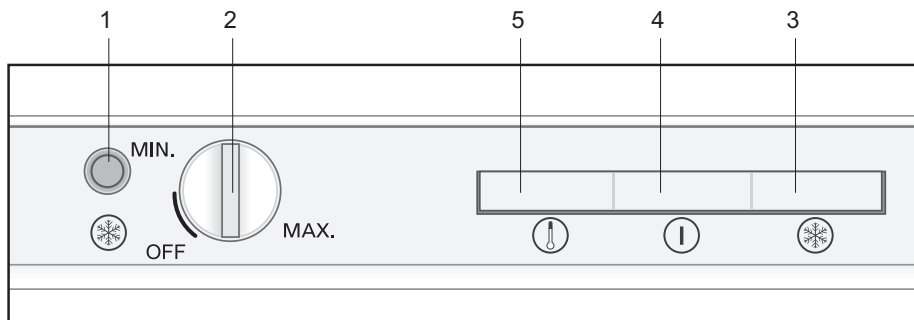
Hromadící se vodu vyčistěte měkkou houbou apod. a nádrž pečlivě vysušte.

Pro opětovné zapnutí vaší chladničky nezapomeňte otočit tlačítkem nastavení termostatu do pozice jiné než vypnuto.

Mrazničku nechte běžet 2 hodiny prázdnou a se zavřenými dvířky, pak teprve do ní naskládejte potraviny.

Pravidelně kontrolujte průchodnost odvodňovací trubice a podle potřeby ji čistěte.





## LED kontrolky a panel ovladačů

LED kontrolky v přední části vaší chladničky vám mají pomoci při kontrole činnosti vašeho spotřebiče.

Potraviny skladujte v chladničce bezpečně tak, že budete sledovat a používat tyto kontrolky a ovladače podle níže uvedených pokynů:

### Tlačítko pro rychlé mražení (1):

Slouží k rychlému zmrazení potravin. Kompresor se možná nespustí okamžitě, ale po určité době od stisknutí tlačítka, je to naprosto normální.

Tlačítko nastavení termostatu (2):

Slouží k nastavení chladničky na hodnoty mezi minimální a maximální.

Zařízení může být uvedeno do pozice vypnuto, je-li tlačítko nastaveno pod MIN. Je-li zelená kontrolka zhasnuta, přístroj je také vypnut.

Je-li přístroj vypnut (i pro odmrazení), nastavte prosím tlačítko někde nad MIN, aby bylo jisté, že je opět zapnut. Je-li přístroj zapnut, rozsvítí se zelená kontrolka.

### Oranžová kontrolka (3):

Svítlí, když stisknete tlačítko rychlého mražení na panelu kontrolky. V tomto případě je chladnička v provozu nepřetržitě.

Znovu stiskněte tlačítko, když potraviny, které jste chtěli rychle zmrazit, dosáhnou požadované teploty a zhasne oranžová kontrolka.

### Zelená kontrolka (4):

Svítlí trvale od chvíle, kdy zapojíte chladničku do sítě.

### Červená kontrolka (5):

Varuje vás nepřetržitým světlem, když se vaše chladnička zapne, pokud není dosaženo dostatečného chladicího účinku, pokud dlouho necháte otevřená dvířka chladničky a nebo vložíte příliš mnoho potravin.

Pokud červená kontrolka svítí nepřetržitě, aniž by existovaly podmínky ve vedlejším sloupci, kontaktujte náš autorizovaný servis.

## 6 Údržba a čištění

- ⚠ Nikdy na čištění nepoužívejte benzín, technický benzín a podobné materiály.
- ⚠ Doporučujeme odpojit přístroj od sítě, než jej začnete čistit.
- ⚠ Nikdy nepoužívejte brusné nástroje, mýdlo, domovní čistič, odmašťovač či voskové čisticí.
- ⚠ U produktů, které nejsou No Frost, se mohou na zadní stěně chladničky objevit kapky vody a námraza na tloušťku prstu. Nečistěte; nikdy nepoužívejte olej nebo podobné prostředky.
- ⚠ Pro čištění vnějšího povrchu produktu používejte pouze mírně navlhčené utěrky z mikrovláken. Houbičky a jiné typy čisticích ubrousků mohou poškrábat povrch.
- ℹ Používejte vlažnou vodu pro vyčištění skříně a otřete ji pak dosucha.
- ℹ Používejte vlhký hadřík namočený do roztoku jedné čajové lžičky sody bikarbony na půl litru vody na vyčištění vnitřku, pak jej dosucha otřete.
- ⚠ Zajistěte, aby do krytu světla a jiných elektrických prvků nepronikla voda.
- ⚠ Pokud chladničku delší dobu nebudete používat, odpojte napájecí kabel, vyjměte všechny potraviny, vyčistěte jej a nechte dveře otevřené.
- ℹ Pravidelně kontrolujte těsnění dvířek, abyste zajistili jejich čistotu a nezanesení částicemi potravin.
- ⚠ Pro odstranění polic ve dveřích odstraňte všechny obsah a pak jen zvedněte dveřní polici vzhůru ze základny.
  - ⚠ K čištění vnějších povrchů a chromem potažených součástí produktu nikdy nepoužívejte čisticí prostředky nebo vodu, která obsahuje chlór. Chlór způsobuje korozi takových kovových povrchů.
  - ⚠ Nikdy nepoužívejte ostré a drsné nástroje nebo mýdlo, domácí čisticí prostředky, čisticí prostředky, benzín, benzen, vosk, atd., v opačném případě se na plastových dílech objeví skvrny a dojde k jejich deformaci. K čištění použijte teplou vodu a měkký hadřík a otřete je do sucha

### Ochrana plastových ploch

- ℹ Nevkládejte tekuté oleje nebo pokrmy s obsahem oleje do chladničky v neuzavřených nádobách, jelikož poškodí plastovou plochu vaší chladničky. V případě rozlití nebo rozetření oleje na plastové ploše vyčistěte a opláchněte příslušnou část plochy teplou vodou.

## 7 Doporučená řešení problémů

Než zavoláte do servisu, projděte si tento seznam. Možná vám ušetří čas a peníze. Tento seznam obsahuje časté stížnosti, které nejsou způsobeny vadným zpracováním či použitými materiály. Některé zde uvedené funkce nemusejí být přítomny na vašem výrobku.

### Chladnička nefunguje.

- Je chladnička řádně zapojena? Zasuňte zástrčku do sítě.
- Není vypálena pojistka zástrčky, do níž je chladnička zapojena, nebo hlavní pojistka? Zkontrolujte pojistku.

### Kondenzace na boční stěně prostoru chladničky (MULTIZONE, COOL CONTROL a FLEXI ZONE).

- Velmi nízká teplota prostředí. Časté otevírání a zavírání dveří. Vysoká vlhkost v prostředí. Skladování potravin s obsahem kapalin v otevřených nádobách. Nechání otevřených dveří. Přepnutí termostatu na nižší teplotu.
- Snížení času otevřených dveří nebo méně časté použití.
- Zakrytí potravin v otevřených nádobách vhodným materiálem.
- Otřete kondenzaci suchým hadrem a ověřte, zda je stále přítomna.

### Kompresor neběží

- Tepelná pojistka kompresoru se zapne během náhlého výpadku energie nebo odpojení a zapojení, jelikož tlak chladicího média v chladicí soustavě chladničky není dosud vyvážen. Vaše chladnička začne fungovat asi po 6 minutách. Kontaktujte servis, pokud se chladnička nespustí na konci této doby.
- Chladnička je v režimu odmrazování. Toto je normální pro chladničku s plně automatickým odmrazováním. Cyklus odmražení probíhá pravidelně.
- Chladnička není zapojena do zásuvky. Ověřte, zda je zástrčka řádně zasunuta do zásuvky.
- Je správně nastavena teplota?
- Možná je odpojeno napájení.

Chladnička často běží nebo běží dlouhodobě.

<ul style="list-style-type: none"> <li>Nový výrobek může být širší než předchozí. Je to zcela normální. Četší chladničky fungují delší dobu.</li> <li>Okolní teplota v místnosti je možná vysoká. Je to zcela normální.</li> <li>Chladnička možná byla nedávno zapojena nebo byla naplněna potravinami. Ochlazování chladničky může trvat o pár hodin déle.</li> <li>V nedávné době jste do chladničky vložili velké množství teplých pokrmů. Horké pokrmy způsobují delší fungování chladničky až do dosažení bezpečné teploty pro uchování.</li> <li>Dveře se mohly otevřít častěji nebo byly ponechány dlouhou dobu otevřené. Teplý vzduch, který pronikl do chladničky, způsobil dlouhodobější chod chladničky. Otevírejte dveře méně často.</li> <li>Mraznička nebo dveře chladničky zůstaly dokořán. Zkontrolujte, zda jsou dveře pevně zavřeny.</li> <li>Chladnička je nastavena na velmi nízkou teplotu. Upravte teplotu chladničky na vyšší hodnotu a počkejte na dosažení této teploty.</li> <li>Těsnění dveří chladničky nebo mrazničky může být ušpiněno, opotřebené, prasklé nebo nesprávně usazené. Vyčistěte nebo vyměňte těsnění. Poškození/prasklé těsnění způsobuje dlouhodobý chod chladničky pro udržení správné teploty.</li> </ul>
<p>Teplota mrazničky je velmi nízká, zatímco teplota v chladničce je dostatečná.</p>

<ul style="list-style-type: none"> <li>Teplota mrazničky je nastavena na velmi nízkou teplotu. Upravte teplotu mrazničky na vyšší hodnotu a zkontrolujte ji.</li> </ul>
<p>Teplota chladničky je velmi nízká, zatímco teplota v mrazničce je dostatečná.</p>
<ul style="list-style-type: none"> <li>Teplota chladničky může být nastavena na velmi nízkou teplotu. Upravte teplotu chladničky na vyšší hodnotu a zkontrolujte ji.</li> </ul>
<p>Jídlo v chladničce začíná mrznout.</p>
<ul style="list-style-type: none"> <li>Teplota chladničky může být nastavena na velmi nízkou teplotu. Upravte teplotu chladničky na vyšší hodnotu a zkontrolujte ji.</li> </ul>
<p>Teplota v mrazničce nebo chladničce je velmi vysoká.</p>
<ul style="list-style-type: none"> <li>Teplota chladničky může být nastavena na velmi vysokou teplotu. Nastavení chladničky má vliv na teplotu v mrazničce. Změňte teplotu chladničky nebo mrazničky, dokud teplota v chladničce nebo mrazničce nedosáhne dostatečnou hodnotu.</li> <li>Dveře se mohly otevřít častěji nebo byly ponechány dlouhou dobu otevřené; otevírejte je méně často.</li> <li>Možná jste nechali nedovřená dvířka; zavírejte je úplně.</li> <li>V nedávné době jste do chladničky vložili velké množství teplých pokrmů. Počkejte, až chladnička nebo mraznička dosáhne požadované teploty.</li> <li>Chladnička byla nedávno zapojena. Úplné ochlazení chladničky trvá nějakou dobu.</li> </ul>
<p>Provozní hluk se zvyšuje, když je chladnička zapnutá.</p>

<ul style="list-style-type: none"> <li>• Provozní vlastnosti chladničky se mohou změnit podle výkyvů okolní teploty. Je to normální, nejde o poruchu.</li> </ul>	<ul style="list-style-type: none"> <li>• Chladničku je nutno vyčistit uvnitř. Vyčistěte vnitřek chladničky houbičkou, vlažnou vodou nebo karbonovou vodou.</li> <li>• Některé nádoby či obalové materiály mohou způsobit zápach. Použijte odlišnou nádobu nebo obalový materiál jiné značky.</li> </ul>
<p><b>Vibrace nebo hluk.</b></p>	<p><b>Dvířka se nezavírají.</b></p>
<ul style="list-style-type: none"> <li>• Podlaha není rovná nebo je slabá. Chladnička se při pohybu kymácí. Ověřte, zda je podlaha dostatečně pevná pro chladničku a zda je rovná.</li> <li>• Hluk mohou způsobovat předměty vkládané na chladničku. Předměty na horní straně chladničky sejměte.</li> </ul>	<ul style="list-style-type: none"> <li>• Zabalené potraviny mohou bránit v zavírání dveří. Vyměňte obaly, které brání v chodu dveří.</li> <li>• Chladnička nestojí zcela svisle na podlaze a při pohybu se mírně pohupuje. Upravte seřizovací šrouby.</li> <li>• Podlaha není rovná či silná. Ověřte, zda je podlaha rovná a unese chladničku.</li> </ul>
<p><b>Ozývá se zvuk z chladničky jako rozlévání kapaliny nebo stříkání.</b></p>	<p><b>Přihrádky na čerstvé potraviny jsou zaseklé.</b></p>
<ul style="list-style-type: none"> <li>• Proudění kapalin a plynu se může objevit v souladu s provozními zásadami vaší chladničky. Je to normální, nejde o poruchu.</li> </ul>	<ul style="list-style-type: none"> <li>• Potraviny se možná dotýkají horní strany zásuvek. Upravte rozložení potravin v zásuvce.</li> </ul>
<p><b>Ozývá se hluk jako kvílení větru.</b></p>	<p><b>Pokud je Povrch Produktu Horký</b></p>
<ul style="list-style-type: none"> <li>• Jsou v provozu ventilátory pro ochlazení chladničky. Je to normální, nejde o poruchu.</li> </ul>	<ul style="list-style-type: none"> <li>• Když je zařízení v provozu, lze pozorovat vysoké teploty mezi dvěma dvířky, na postranních panelech a na zadním grilu. To je běžné a není to důvod pro servisní údržbu! Při kontaktu s těmito plochami buďte opatrní.</li> </ul>
<p><b>Kondenzace na vnitřních stěnách chladničky.</b></p>	
<ul style="list-style-type: none"> <li>• Horké a vlhké počasí zvyšuje tvorbu ledu a kondenzace. Je to normální, nejde o poruchu.</li> <li>• Možná zůstala nedovřená dvířka; zajistěte úplné uzavření dveří.</li> <li>• Dveře se mohly otevřít častěji nebo byly ponechány dlouhou dobu otevřené; otevírejte je méně často.</li> </ul>	
<p><b>Vlhkost na vnější straně chladničky nebo mezi dveřmi.</b></p>	
<ul style="list-style-type: none"> <li>• Ve vzduchu může být vlhkost; toto je ve vlhkém počasí poměrně normální. Po poklesu vlhkosti kondenzace zmizí.</li> </ul>	
<p><b>Nepříjemný zápach v chladničce.</b></p>	



## **Lea este manual antes de utilizar el frigorífico.**

Estimado cliente:

Esperamos que este producto, que ha sido fabricado en plantas dotadas de la más avanzada tecnología y sometido a los más estrictos procedimientos de control de calidad, le preste un servicio eficaz.

Para ello, le recomendamos que lea atentamente el presente manual antes de utilizar el producto, y que lo tenga a mano para futuras consultas.

### **Este manual**

- Le ayudará a usar el electrodoméstico de manera rápida y segura.
- Lea el manual antes de instalar y poner en funcionamiento el producto.
- Siga las instrucciones, en particular las relacionadas con la seguridad.
- Conserve el manual en un sitio de fácil acceso, ya que podría necesitarlo en el futuro.
- Además, lea también otros documentos suministrados junto con el producto.
- Tenga en cuenta que este manual también podría ser válido para otros modelos.

### **Símbolos y sus descripciones**

El presente manual de instrucciones emplea los siguientes símbolos:

 Información importante o consejos útiles sobre el funcionamiento.

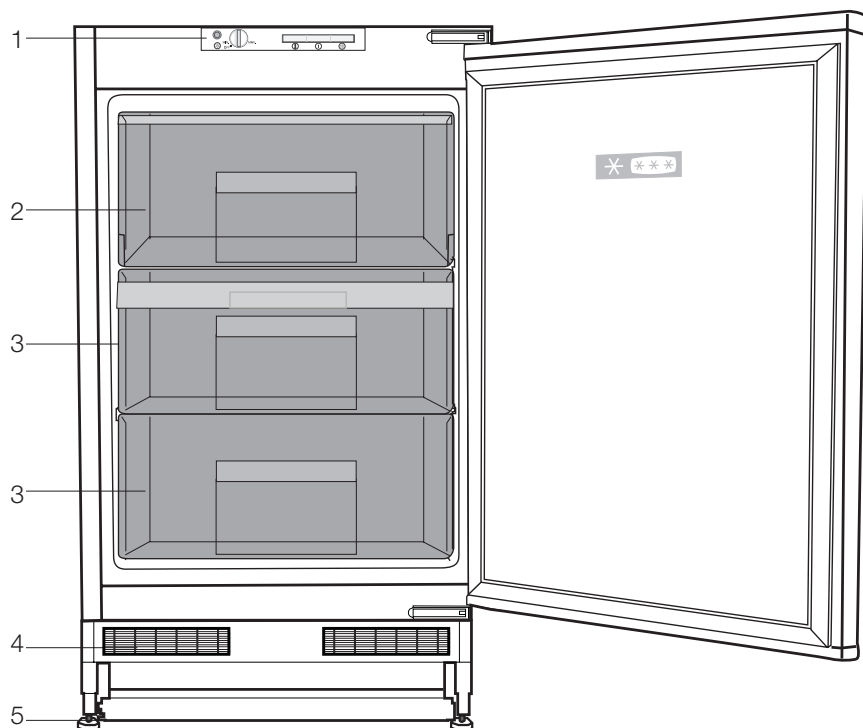
 Advertencia sobre situaciones peligrosas para la vida y la propiedad.

 Advertencia acerca de la tensión eléctrica.

# ÍNDICE

<b>1 Su frigorífico</b>	<b>4</b>	<b>4 Preparación</b>	<b>16</b>
<b>2 Avisos importantes sobre la seguridad</b>	<b>5</b>	<b>5 Uso del frigorífico</b>	<b>17</b>
Finalidad prevista .....	5	Ajuste de la temperatura de funcionamiento .....	17
Productos equipados con dispensador de agua: .....	9	Congelación .....	17
Seguridad infantil .....	9	Deshielo .....	18
Conformidad con la normativa WEEE y eliminación del aparato al final de su vida útil: .....	9	Parada del aparato .....	19
Cumplimiento de la directiva RoHS: ..	10	Indicadores LED y panel de control .	20
Información sobre el embalaje .....	10	<b>6 Mantenimiento y limpieza</b>	<b>21</b>
Advertencia sobre la seguridad de la salud .....	10	Protección de las superficies de plástico .....	21
Consejos para el ahorro de energía .	10	<b>7 Sugerencias para la solución de problemas</b>	<b>22</b>
<b>3 Instalación</b>	<b>12</b>		
Cuestiones a considerar a la hora de transportar el frigorífico .....	12		
Antes de usar el frigorífico .....	12		
Conexiones eléctricas .....	13		
Eliminación del embalaje .....	13		
Eliminación de su viejo frigorífico .....	13		
Colocación e instalación .....	13		
Colocación del frigorífico bajo la encimera y ajuste de los pies .....	14		
Inversión de las puertas .....	15		

# 1 Su frigorífico



1. Panel de control
2. Compartimento de congelación rápida
3. Compartimento de almacenamiento de alimentos congelados
4. Cubierta de ventilación
5. Pies ajustables

**i** Las ilustraciones incluidas en el presente manual de instrucciones son esquemáticas y puede que no se adecúen a su producto con exactitud. Si alguno de los elementos reflejados no se corresponde con el producto que usted ha adquirido, entonces será válido para otros modelos.

## 2 Avisos importantes sobre la seguridad

Lea con atención la siguiente información. No tener en cuenta dicha información podría acarrear lesiones o daños materiales. En tal caso, las garantías y los compromisos de fiabilidad quedarían anulados.

Se proporcionarán piezas de recambio originales durante 10 años, después de la fecha de compra del producto.

### **ADVERTENCIA:**

Asegúrese de que cuando el dispositivo está en su custodia o durante su montaje en el alojamiento, los orificios de ventilación no están cerrados.

### **ADVERTENCIA:**

Con el fin de acelerar la operación de derretimiento del hielo, no utilice cualquier dispositivo o aparato mecánico que no es recomendado por el fabricante.



### **ADVERTENCIA:**

No dañe el circuito de fluido refrigerante.

### **ADVERTENCIA:**

No utilice dispositivos eléctricos que no estén recomendados por el fabricante en los compartimentos del dispositivo para la conservación de alimentos.

Este dispositivo está diseñado para ser utilizado en el hogar o en las siguientes aplicaciones similares:

- Con el fin de ser utilizado en las cocinas para el personal de las tiendas, oficinas y otros lugares de trabajo;

- Con el fin de ser utilizado por los clientes en casas de campo y hoteles, moteles y otros lugares de alojamiento:

- en entornos tales pensiones

- en lugares similares que no ofrecen servicios de restauración y no es al por menor

### **Finalidad prevista**

Este aparato está diseñado para usarse en los siguientes entornos:

- interiores y entornos cerrados tales como domicilios particulares;
- entornos cerrados de trabajo tales como almacenes u oficinas;
- zonas de servicio cerradas tales como casas rurales, hoteles o pensiones.
- Este aparato no se debe usar al aire libre.

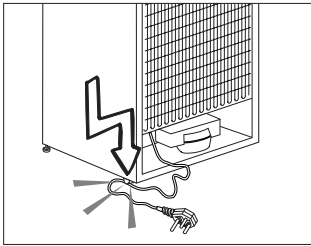
### **Seguridad general**

- Cuando desee deshacerse del aparato, le recomendamos que solicite a su servicio técnico autorizado la información

- necesaria a este respecto, así como la relación de entidades locales a las que puede dirigirse.
- En caso de dudas o problemas, diríjase a su servicio técnico autorizado. No intente reparar el frigorífico sin consultar con el servicio técnico, ni deje que nadie lo haga.
  - Para aparatos equipados con un compartimento congelador: no consuma los helados o cubitos de hielo inmediatamente después de sacarlos del compartimento congelador, ya que podría sufrir daños en su boca a causa del frío.
  - Para aparatos equipados con un compartimento congelador: no deposite bebidas embotelladas o enlatadas en el compartimento congelador, ya que podrían estallar.
  - No toque con la mano los alimentos congelados, ya que podrían adherirse a ella.
  - Desenchufe su frigorífico antes de proceder a su limpieza o deshielo.
  - No utilice nunca materiales de limpieza que usen vapor para limpiar o descongelar el frigorífico. El vapor podría entrar en contacto con los elementos eléctricos y causar cortocircuitos o descargas eléctricas.
  - No utilice nunca elementos del frigorífico tales como la puerta como medio de sujeción o como escalón.
  - No utilice aparatos eléctricos en el interior del frigorífico.
  - Evite dañar el circuito del refrigerante con herramientas cortantes o de perforación. El refrigerante que puede liberarse si se perforan los canales de gas del evaporador, los conductos o los recubrimientos de las superficies causa irritaciones en la piel y lesiones en los ojos.
  - No cubra ni bloquee los orificios de ventilación de su frigorífico con ningún material.
  - Deje la reparación de los aparatos eléctricos únicamente en manos de personal autorizado. Las reparaciones realizadas por personas incompetentes generan riesgos para el usuario.
  - En caso de fallo o cuando vaya a realizar cualquier operación de reparación o mantenimiento, desconecte el frigorífico de la corriente apagando el fusible correspondiente o bien desenchufando el aparato.
  - No desenchufe el aparato de la toma de corriente tirando del cable.

- Asegúrese de guardar las bebidas alcohólicas correctamente con la tapa puesta y colocadas hacia arriba.
- No almacene en el frigorífico aerosoles que contengan sustancias inflamables o explosivas.
- No utilice dispositivos mecánicos u otros medios para acelerar el proceso de deshielo distintos de los recomendados por el fabricante.
- Este aparato no debe ser utilizado por niños o por personas con sus facultades físicas, sensoriales o mentales reducidas o bien que carezcan de la experiencia y los conocimientos necesarios, a menos que lo hagan bajo la supervisión de personas responsables de su seguridad o bien tras haber recibido instrucciones de uso por parte de dichas personas.
- No utilice un frigorífico que haya sufrido daños. Consulte con el servicio de atención al cliente en caso de duda.
- La seguridad eléctrica de su frigorífico sólo estará garantizada si el sistema de toma de tierra de su domicilio se ajusta a los estándares.
- Desde el punto de vista de la seguridad eléctrica, es peligroso exponer el aparato a la lluvia, la nieve o el viento.
- Póngase en contacto con el servicio técnico autorizado en caso de que el cable de alimentación principal se dañe, para evitar cualquier peligro.
- Nunca enchufe el frigorífico en la toma de corriente durante su instalación. Existe peligro de lesiones graves e incluso de muerte.
- Este frigorífico está únicamente diseñado para almacenar alimentos. No debe utilizarse para ningún otro propósito.
- La etiqueta que contiene los datos técnicos del frigorífico se encuentra en la parte interior izquierda del mismo.
- Jamás conecte el frigorífico a sistemas de ahorro de electricidad, ya que podría dañarlo.
- Si el frigorífico está equipado con una luz azul, no la mire a simple vista o a través de dispositivos ópticos durante un tiempo prolongado.
- En los frigoríficos de control manual, si se produce un corte del fluido eléctrico espere al menos 5 minutos antes de volver a ponerlo en marcha.

- Cuando entregue este aparato a un nuevo propietario, asegúrese de entregar también este manual de instrucciones.
- Tenga cuidado de no dañar el cable de alimentación al transportar el frigorífico. Doblar el cable podría causar un incendio. Nunca deposite objetos pesados encima del cable de alimentación. No toque el enchufe con las manos mojadas para conectar el aparato.



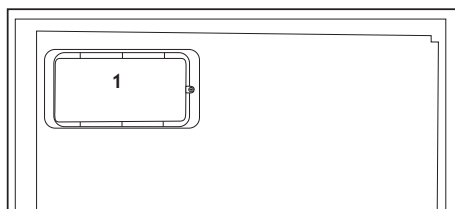
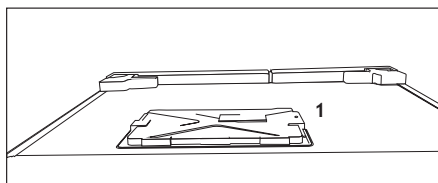
- No enchufe el frigorífico si el enchufe no encaja con firmeza en la toma de corriente de la pared.
- Por razones de seguridad, no pulverice agua directamente en las partes interiores o exteriores de este aparato.
- No rocíe cerca del frigorífico sustancias que contengan gases inflamables tales como gas propano para evitar riesgos de incendio y explosiones.
- Nunca coloque recipientes con agua sobre el frigorífico, ya que podría

provocar una descarga eléctrica o un incendio.

- No deposite cantidades excesivas de alimentos en el frigorífico. Si lo hace, al abrir la puerta del frigorífico los alimentos podrían caerse y provocar lesiones personales o dañar el frigorífico. Nunca coloque objetos sobre el frigorífico, ya que podrían caer al abrir o cerrar la puerta.
- No guarde en el frigorífico productos que necesiten un control preciso de la temperatura tales como vacunas, medicamentos sensibles al calor, materiales científicos, etc.
- Desenchufe el frigorífico si no lo va a utilizar durante un periodo prolongado de tiempo. Un problema en el cable de alimentación podría causar un incendio.
- El frigorífico podría moverse si los pies no están adecuadamente asentados en el suelo. Fijar adecuadamente los pies del frigorífico en el suelo puede ayudar a evitar que se mueva.
- Cuando transporte el frigorífico, no lo aferre del asa de la puerta. De lo contrario, podría romperla.
- Cuando tenga que colocar el frigorífico cerca de otro frigorífico o congelador, deberá dejar un espacio entre ambos aparatos de

8 cm como mínimo. De lo contrario, podría formarse humedad en las paredes adyacentes.

- Nunca utilice el producto si la sección situada en la parte superior o posterior del producto que tiene las placas de circuitos impresos electrónicos en el interior está abierta (cubierta de la placa del circuito electrónico impreso) (1).



### Productos equipados con dispensador de agua:

- La presión en la entrada de agua fría será a un máximo de 90 psi (620 kPa). Si la presión del agua es superior a 80 psi (550 kPa), utilice una válvula limitadora de presión en el sistema de red. Si usted no sabe cómo controlar la presión del agua, pida la ayuda de un plomero profesional.

- Si hay riesgo de golpe de ariete en la instalación, siempre utilice un equipo de prevención contra golpes de ariete en la instalación. Consulte a un fontanero profesional si no está seguro de que no hay un efecto del golpe de ariete en la instalación.
- No instale en la entrada de agua caliente. Tome precauciones contra el riesgo de congelación en las mangueras. El intervalo de funcionamiento de la temperatura del agua debe ser un mínimo de 33°F (0.6°C) y un máximo de 100°F (38°C).
- Use agua potable únicamente.

## Seguridad infantil

- Si la puerta tiene cerradura, mantenga la llave fuera del alcance de los niños.
- Vigile a los niños para evitar que manipulen el aparato.

## Conformidad con la normativa WEEE y eliminación del aparato al final de su vida útil:



Este producto es conforme con la directiva de la UE sobre residuos de aparatos eléctricos y electrónicos (WEEE) (2012/19/UE). Este producto incorpora el



símbolo de la clasificación selectiva para los residuos de aparatos eléctricos y electrónicos (WEEE).

Este aparato se ha fabricado con piezas y materiales de primera calidad, que pueden ser reutilizados y son aptos para el reciclado. No se deshaga del producto junto con sus los residuos domésticos normales y de otros tipos al final de su vida útil. Llévelo a un centro de reciclaje de dispositivos eléctricos y electrónicos. Solicite a las autoridades locales información acerca de dichos centros de recogida.

## **Cumplimiento de la directiva RoHS:**

El producto que ha adquirido es conforme con la directiva de la UE sobre la restricción de sustancias peligrosas (RoHS) (2011/65/UE). No contiene ninguno de los materiales nocivos o prohibidos especificados en la directiva.

## **Información sobre el embalaje**

El embalaje del aparato se fabrica con materiales reciclables, de acuerdo con nuestro Reglamento Nacional sobre Medio Ambiente. No elimine los materiales de embalaje junto con los residuos domésticos o de otro tipo. Llévelos a un punto de recogida de materiales de embalaje designado por las autoridades locales.

## **Advertencia sobre la seguridad de la salud**

### **Si el sistema de refrigeración de su aparato contiene R600a:**

Este gas es inflamable. Por lo tanto, procure no dañar el sistema de enfriamiento ni sus conductos durante el uso o el transporte del aparato. En caso de daños, mantenga el aparato alejado de fuentes potenciales de ignición que puedan provocar que éste sufra un incendio, y ventile la estancia en la que se encuentre el aparato.

### **Ignore esta advertencia si el sistema de refrigeración de su aparato contiene R134a.**

El tipo de gas utilizado en el aparato se indica en la placa de datos ubicada en la pared interior izquierda del frigorífico.

Jamás arroje el aparato al fuego.

## **Consejos para el ahorro de energía**

- No deje las puertas del frigorífico abiertas durante periodos largos de tiempo.
- No introduzca alimentos o bebidas calientes en el frigorífico.
- No sobrecargue el frigorífico, ya que entorpecería la circulación del aire en su interior.
- No instale el frigorífico de forma que quede expuesto a la luz solar directa o cerca de aparatos que irradian calor tales como hornos, lavavajillas o radiadores.
- Procure depositar los alimentos en recipientes cerrados.

- Productos equipados con compartimento congelador: puede disponer del máximo volumen para el depósito de alimentos retirando el estante o el cajón del congelador. El consumo energético que se indica para su frigorífico se ha calculado retirando el estante o el cajón del congelador y en condiciones de máxima carga. No existe ningún riesgo en la utilización de un estante o cajón según las formas o tamaños de los alimentos que se van a congelar.
- Descongele los alimentos congelados en el compartimento frigorífico; ahorrará energía y preservará la calidad de los alimentos.

## 3 Instalación

⚠ Recuerde que el fabricante declina toda responsabilidad en caso de incumplimiento de las instrucciones de este manual.

### Cuestiones a considerar a la hora de transportar el frigorífico

1. El frigorífico debe estar vacío y limpio antes de proceder a su transporte.
2. Los estantes, accesorios, el cajón de frutas y verduras, etc., deben sujetarse con cinta adhesiva antes de embalar el frigorífico para evitar que se muevan.
3. Encinte el frigorífico una vez embalado con cinta gruesa y fíjelo con cuerdas resistentes. Siga las reglas de transporte que encontrará impresas en el propio embalaje.

#### No olvide que:

El reciclaje de materiales es un asunto de vital importancia para la naturaleza y para los recursos del país.

Si desea contribuir al reciclaje de los materiales de embalaje, solicite más información a los responsables medioambientales de su zona o a las autoridades locales.

### Antes de usar el frigorífico

Antes de empezar a usar el frigorífico, verifique lo siguiente:

1. El interior del frigorífico está seco y el aire puede circular con libertad por su parte posterior.
2. Introduzca 2 cuñas plásticas en la ventilación trasera, como se muestra en la figura siguiente. Las cuñas de plástico proporcionarán la distancia requerida entre su frigorífico y la pared para una correcta circulación del aire.
3. Limpie el interior del frigorífico de la forma recomendada en la sección "Mantenimiento y Limpieza".
4. Enchufe el frigorífico a la toma de corriente. Al abrir la puerta del frigorífico, la luz interior del compartimento frigorífico se enciende.
5. Se oye un sonido cuando arranca el compresor. El líquido y los gases contenidos en el sistema de refrigeración pueden también generar ruidos, incluso aunque el compresor no esté funcionando, lo cual es normal.
6. Es posible que las aristas delanteras del aparato se noten calientes al tacto, cosa que es perfectamente normal. Estas zonas deben permanecer calientes para evitar la condensación.

## Conexiones eléctricas

Conecte el frigorífico a una toma de corriente provista de toma de tierra y protegida por un fusible de la capacidad adecuada.

Importante:

- La conexión debe cumplir con las normativas nacionales.
- El enchufe de alimentación debe ser fácilmente accesible tras la instalación.
- La tensión especificada debe corresponder a la tensión de la red eléctrica.
- No use cables de extensión ni enchufes múltiples para conectar la unidad.

⚠ Todo cable de alimentación dañado debe ser reemplazado por un electricista cualificado.

⚠ No ponga en funcionamiento el aparato hasta que esté reparado, ya que existe peligro de cortocircuito.

## Eliminación del embalaje

Los materiales de empaque pueden ser peligrosos para los niños. Manténgalos fuera de su alcance o deshágase de ellos clasificándolos según las instrucciones para la eliminación de residuos. No los tire junto con los residuos domésticos normales.

El embalaje del frigorífico se ha fabricado con materiales reciclables.

## Eliminación de su viejo frigorífico

Deshágase de su viejo frigorífico de manera respetuosa con el medio ambiente.

- Consulte las posibles alternativas a un distribuidor autorizado o al centro de recogida de residuos de su municipio.

Antes de proceder a la eliminación del frigorífico, corte el enchufe y, si las puertas tuvieran cierres, destrúyalos para evitar que los niños corran riesgos.

## Colocación e instalación

⚠ Si la puerta de entrada a la estancia donde va a instalar el frigorífico no es lo suficientemente ancha como para permitir su paso, solicite al servicio técnico que retire las puertas del frigorífico y lo pase de lado a través de la puerta.

1. Instale el frigorífico en un lugar en el que pueda utilizarse con comodidad.

2. Mantenga el frigorífico alejado de fuentes de calor y lugares húmedos y evite su exposición directa a la luz solar.

3. Para que el frigorífico funcione con la máxima eficacia, debe instalarse en una zona que disponga de una ventilación adecuada. Si el frigorífico va a instalarse en un hueco de la pared, debe dejarse un mínimo de 5 cm de separación con el techo y de 5 cm con las paredes. Si el suelo está cubierto con una alfombra, deberá elevar el frigorífico 2,5 cm del suelo.

4. Coloque el frigorífico sobre una superficie lisa para evitar sacudidas.

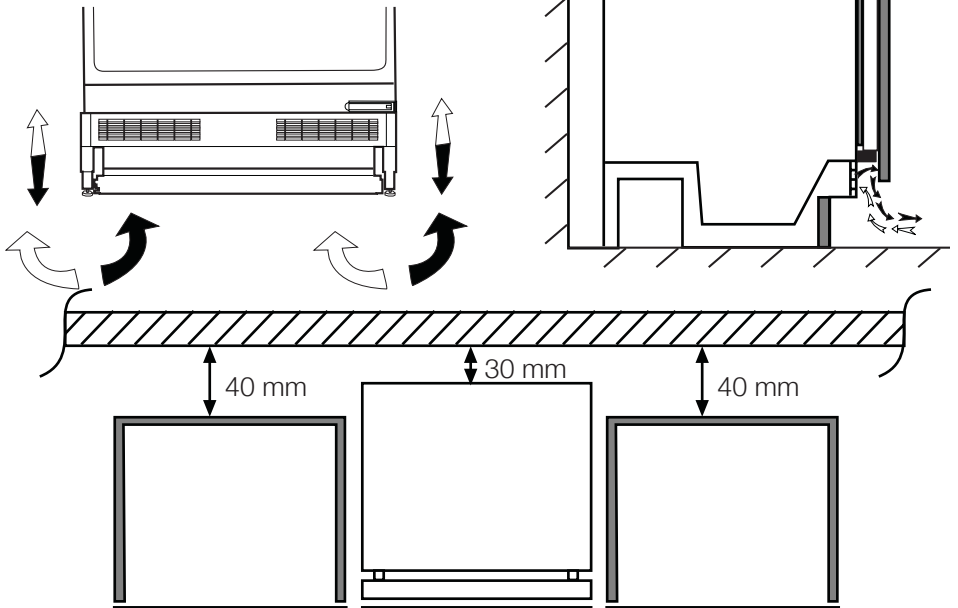
## Colocación del frigorífico bajo la encimera y ajuste de los pies

Cuando coloque el frigorífico, deberá quedar un espacio libre entre éste y la pared de 30 cm como mínimo, tal como se observa en la figura.

Los canales de absorción de agua no deberán estar obstruidos, para que no disminuya el desempeño del aparato. (140 cm<sup>2</sup>)

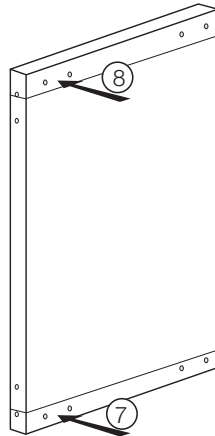
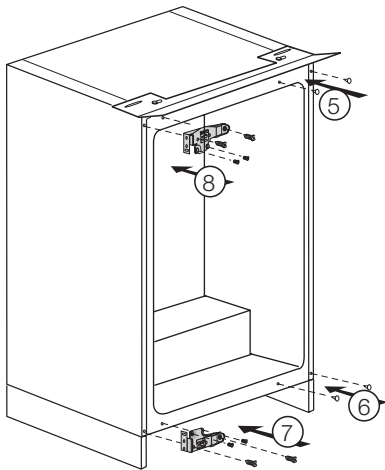
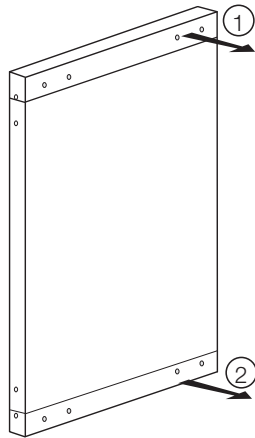
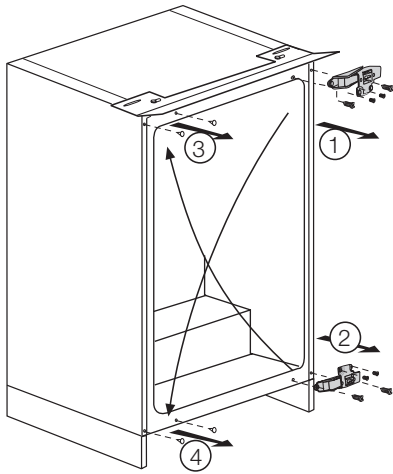
Si el frigorífico está inestable:

Puede girar los pies delanteros, tal como se observa en la figura, hasta encontrar una posición en equilibrio. La esquina correspondiente baja cuando se hace girar este pie en dirección de la flecha negra; sube, cuando se lo gira en dirección contraria. Para usted será más sencillo hacer esto si busca ayuda para levantar un poquito la unidad.



# Inversión de las puertas

Proceder en orden numérico



## 4 Preparación

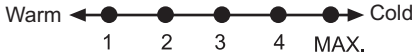
---

- El frigorífico debe instalarse dejando una separación no inferior a 30 cm respecto a fuentes de calor tales como quemadores, hornos, calefacciones o estufas y no inferior a 5 cm con respecto a hornos eléctricos, evitando asimismo su exposición directa a la luz solar.
- La temperatura ambiente de la estancia donde instale el frigorífico no debe ser inferior a 10 °C. A temperaturas inferiores, el frigorífico puede ver reducida su eficacia.
- Asegúrese de limpiar meticulosamente el interior del frigorífico.
- En caso de que vaya a instalar dos frigoríficos uno al lado del otro, debe dejar una separación no inferior a 2 cm entre ellos.
- Al utilizar el frigorífico por primera vez, siga las siguientes instrucciones referentes a las primeras seis horas.
- No abra la puerta con frecuencia.
- No deposite alimentos en el interior.
- No desenchufe el frigorífico. En caso de corte del suministro eléctrico ajeno a su voluntad, consulte las advertencias de la sección "Sugerencias para la solución de problemas".
- Guarde el embalaje original para futuros traslados.
- Para un consumo eléctrico reducido y mejores condiciones de almacenamiento, las cestas y cajones incluidos con el congelador deberán estar siempre en uso.
- Si los alimentos entran en contacto con el sensor de temperatura del congelador, el consumo eléctrico puede incrementarse. Por tanto, es aconsejable evitar cualquier tipo de contacto con el sensor.
- En algunos modelos, el panel de instrumentos se apaga automáticamente 5 minutos después de cerrar la puerta. Se reactivará cuando se abra la puerta o se pulse cualquier botón.
- Debido al cambio de temperatura como resultado de la apertura/clusura de la puerta del producto durante el funcionamiento, la condensación en los estantes de la puerta/cuerpo y los contenedores de cristal es normal.

## 5 Uso del frigorífico

### Ajuste de la temperatura de funcionamiento

La temperatura de funcionamiento se regula mediante el mando de control de temperatura.



Seleccione el ajuste en función de la temperatura deseada.

La temperatura interior depende asimismo de la temperatura ambiente, la frecuencia de apertura de la puerta y la cantidad de alimentos almacenados.

Una apertura frecuente de la puerta provoca una subida de la temperatura del interior.


Por este motivo, se recomienda cerrar la puerta lo antes posible después de cada uso.

La temperatura normal de almacenamiento del electrodoméstico debe ser de  $-18\text{ }^{\circ}\text{C}$  ( $0\text{ }^{\circ}\text{F}$ ). Es posible alcanzar temperaturas más bajas desplazando el mando del termostato hacia la posición 4 (o máx.)

Se recomienda comprobar la temperatura con un termómetro para asegurarse de que los compartimentos para alimentos se encuentra a la temperatura deseada. Es necesario tomar la lectura inmediatamente, puesto que la temperatura del termómetro subirá muy rápidamente después de que se saque del congelador.

### Congelación

#### Congelación de alimentos

El compartimento de congelación aparece marcado con el símbolo .

El electrodoméstico puede utilizarse para congelar alimentos frescos así como para almacenar preparados precongelados.

Por favor, consulte las recomendaciones que figuran en el envase de los alimentos.

#### Advertencia

No congele bebidas gaseosas, ya que las botellas pueden estallar cuando el líquido en su interior se congele.

Tenga cuidado con productos congelados tales como cubitos de hielo de colores.

No rebase la cantidad de alimentos que es capaz de congelar el frigorífico en 24 horas. Consulte la placa de datos.

Para mantener la calidad de los alimentos, la congelación de los mismos debe realizarse lo más rápidamente posible.

De esa manera, no se excederá la capacidad de congelación y no aumentará la temperatura en el interior del congelador.



## **⚠ Advertencia**

Mantenga los alimentos ya congelados separados de los colocados recientemente.

Cuando introduzca alimentos calientes en el congelador, el compresor de refrigeración se mantendrá en funcionamiento hasta que estén completamente congelados, cosa que puede temporalmente provocar un enfriamiento excesivo del compartimento de refrigeración.

Puede resultar difícil abrir la puerta del congelador justo después de haberla cerrado. No se preocupe. Ello es debido a la diferencia de presión, que se igualará y permitirá la normal apertura de la puerta en pocos minutos.

Oirá un sonido de aspiración nada más cerrar la puerta. Esto es perfectamente normal.

- Por lo general, los alimentos congelados pueden almacenarse a temperaturas inferiores a -18 °C durante un periodo que dependerá del tipo de alimento, pero que puede llegar a ser de 3 meses. Los fabricantes de los alimentos indican en los envases los periodos de almacenamiento y las fechas de caducidad.
- Deposite los alimentos congelados adquiridos en el congelador antes de que se descongelen.

- Los alimentos congelados pueden conservarse en los compartimentos con cajones.

Para garantizar el mantenimiento de la calidad de los alimentos congelados, tenga en cuenta lo siguiente:

1. Coloque los paquetes de alimentos congelados en el congelador lo antes posible tras su compra.
2. Respete las fechas de "Usar antes de" o "Consumir antes de" indicadas en los envases.
3. Tenga en cuenta que los cajones, las cestas, las solapas y las bandejas son extraíbles.

## **Deshielo**

El incremento del grosor del hielo que se forma en el evaporador del frigorífico reducirá su eficiencia de enfriamiento.

Por lo tanto, proceda al deshielo cuando el grosor de la capa de hielo alrededor del evaporador alcance los 5 mm. Se recomienda que descongele el hielo cuando el frigorífico no esté demasiado lleno o cuando esté vacío.

Envuelva los alimentos contenidos en el frigorífico en unas cuantas hojas de papel y deposítelos en el lugar más fresco posible o bien en otro frigorífico.

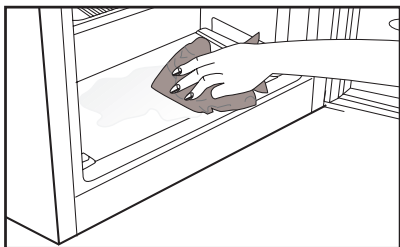
Ponga el botón de ajuste del termostato en la posición de apagado o desenchufe el cable de alimentación para llevar a cabo el deshielo.

Retire los cajones del frigorífico (no es necesario retirar la tapa del compartimento con tapa). Transcurrido cierto tiempo, el agua fundida se acumulará en el depósito ubicado en la parte inferior del frigorífico.

Retire el agua acumulada por medio de una esponja suave o similar, y a continuación seque bien el depósito.

No olvide poner el botón de ajuste del termostato en una posición distinta de la posición de apagado para que el frigorífico se vuelva a poner en marcha.

Deje en funcionamiento el frigorífico vacío y con las puertas cerradas durante dos horas antes de volver a introducir los alimentos en él.



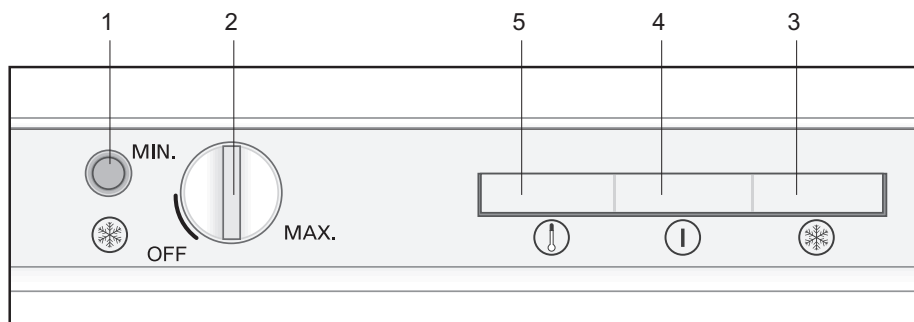
## Parada del aparato

Si su termostato dispone de posición "0":

- Su aparato dejará de funcionar al poner el botón del termostato en la posición "0" (cero). El aparato no se pondrá en marcha hasta que no sitúe de nuevo el botón del termostato en la posición "1" o en cualquiera de las demás posiciones.

Si su termostato dispone de posición "min":

- Desenchufe el aparato para detener su funcionamiento.



## Indicadores LED y panel de control

Los indicadores LED situados en la parte frontal de su frigorífico le ayudan a supervisar el funcionamiento del aparato.

Estos LED y controles le ayudan a conservar los alimentos en el frigorífico con total seguridad de la siguiente forma:

### Botón de congelación rápida (1):

Se utiliza para congelar alimentos con rapidez. Es posible que el compresor no entre en funcionamiento inmediatamente después de pulsar el botón, cosa que es totalmente normal.

### Botón de ajuste del termostato (2):

se usa para fijar la temperatura del frigorífico entre el valor mínimo y el máximo.

Es posible que el frigorífico se apague al ajustar el mando a una posición por debajo de MIN. Cuando el indicador luminoso verde está apagado, el frigorífico está también apagado.

Una vez apagado el frigorífico (incluso para el deshielo), ajuste el mando en alguna posición por encima de MIN para garantizar que se vuelva a encender. Cuando el frigorífico se encienda, el indicador luminoso verde se encenderá también.

### LED naranja (3):

Se enciende al pulsar el botón de congelación rápida ubicado en el panel de LED. En tal caso, el frigorífico funcionará de manera ininterrumpida.

Pulse de nuevo el botón cuando los alimentos que desee congelar rápidamente alcancen la temperatura deseada; el LED naranja se apagará.

### LED verde (4):

Se queda iluminado sin parpadear al enchufar el frigorífico.

### LED rojo (5):

Se ilumina sin parpadear cuando el frigorífico empieza a funcionar, si no enfría lo suficiente, si la puerta se queda abierta durante un periodo largo de tiempo o si se deposita en él una cantidad excesiva de alimentos.

Si el LED rojo permanece encendido sin que se aprecien ninguna de las condiciones mencionadas, póngase en contacto con el servicio técnico autorizado.

## 6 Mantenimiento y limpieza

- ⚠ No utilice nunca gasolina, benceno o sustancias similares para la limpieza.
- ⚠ Le recomendamos desenchufar el aparato antes de proceder a su limpieza.
- ❗ No utilice nunca para la limpieza instrumentos afilados o sustancias abrasivas, jabones, limpiadores domésticos, detergentes ni ceras brillantadoras.
- ❗ En el caso de productos con sistema de enfriamiento cíclico o estático, se pueden producir gotas de agua y una capa de hielo en la pared trasera del compartimento del frigorífico. No lo limpie, nunca aplique aceite o agentes similares en el mismo.
- ❗ Utilice solo paños de microfibra ligeramente humedecidos para limpiar la superficie exterior del producto. Las esponjas u otro tipo de paños de limpieza pueden rayar la superficie.
- ❗ Limpie el armario del frigorífico con agua tibia y séquelo con un paño.
- ❗ Para limpiar el interior, utilice un paño humedecido en un vaso grande de agua con una cucharadita de bicarbonato sódico disuelta y séquelo con un trapo.
- ⚠ Asegúrese de que no penetre agua en el alojamiento de la lámpara ni en otros elementos eléctricos.
- ⚠ Si no va a utilizar el frigorífico durante un periodo prolongado, desenchúfelo, retire todos los alimentos, límpielo y deje la puerta entreabierta.
- ❗ Compruebe regularmente los cierres herméticos de la puerta para asegurarse de que estén limpios y sin restos de alimentos.
- ❗ Para extraer las bandejas de la puerta, retire todo su contenido y, a continuación, simplemente empuje la bandeja hacia arriba desde su base.
- ❗ Nunca use agentes de limpieza o agua que contengan cloro para limpiar las superficies exteriores y los cromados del producto, ya que el cloro corroe dichas superficies metálicas.
- ❗ No utilice herramientas afiladas y abrasivas ni jabón, productos de limpieza domésticos, detergentes, gasolina, benceno, cera, etc., de lo contrario los sellos en las piezas de plástico se caerán y deformarán. Use agua tibia y un paño suave para limpiar y secar.

### Protección de las superficies de plástico

- ❗ No deposite aceites líquidos o alimentos aceitosos en recipientes no cerrados ya que dañarán las superficies de plástico de su frigorífico. En caso de derrame de aceite sobre las superficies de plástico, limpie y enjuague con agua caliente la parte afectada de inmediato.

## 7 Sugerencias para la solución de problemas

Le rogamos compruebe la siguiente lista antes de llamar al servicio técnico. Ello puede ayudarle a ahorrar tiempo y dinero. Esta lista incluye problemas frecuentes no achacables a defectos en materiales o manufactura. Es posible que algunas de las características mencionadas no estén presentes en su producto.

### El refrigerador no funciona

- ¿Está el frigorífico correctamente enchufado? Inserte el enchufe en la toma de corriente.
- ¿Están fundidos el fusible principal o el fusible del enchufe al cual ha conectado el frigorífico? Revise los fusibles.

### Condensación en la pared lateral del compartimento refrigerador. (MULTI ZONE, COOL CONTROL y FLEXI ZONE)

- Condiciones ambientales muy frías. Frecuente apertura y cierre de la puerta. Nivel alto de humedad ambiental. Almacenamiento de alimentos que contienen líquidos en recipientes abiertos. Dejar la puerta entreabierta.
- Ponga el termostato a una temperatura más baja.
- Deje la puerta abierta durante menos tiempo o ábrala con menor frecuencia.
- Cubra los alimentos almacenados en recipientes abiertos con un material adecuado.
- Enjugue el agua condensada con un paño seco y compruebe si la condensación persiste.

### El compresor no funciona

- El dispositivo térmico protector del compresor saltará en caso de un corte súbito de energía o de idas y venidas de la corriente, ya que la presión del refrigerante en el sistema de enfriamiento aún no se ha estabilizado.
- Su frigorífico se pondrá en marcha transcurridos unos 6 minutos. Llame al servicio técnico si su frigorífico no se pone en marcha transcurrido ese periodo.
- El frigorífico se encuentra en el ciclo de descongelación. Esto es normal en un frigorífico con descongelación automática. El ciclo de descongelación se produce de forma periódica.
- El frigorífico no está enchufado. Compruebe que el enchufe esté firmemente insertado en la toma de corriente.
- ¿Está la temperatura correctamente fijada? Hay un corte del fluido eléctrico. Llame a su electricista.

El frigorífico está en funcionamiento con frecuencia o durante periodos prolongados.

• Puede que su nuevo frigorífico sea más grande que el que tenía anteriormente. Esto es perfectamente normal. Los frigoríficos de mayor tamaño funcionan durante más tiempo.

• Es posible que la temperatura ambiente de la estancia sea más alta. Esto es perfectamente normal.

• Es posible que haya enchufado el frigorífico o bien lo haya cargado de alimentos recientemente. Puede que el frigorífico tarde unas dos horas en enfriarse por completo.

• Es posible que recientemente haya depositado grandes cantidades de alimentos en el frigorífico. Los alimentos calientes pueden ocasionar que el frigorífico trabaje durante más tiempo hasta alcanzar la temperatura de almacenamiento seguro.

• Es posible que las puertas se hayan abierto con frecuencia o que se hayan dejado entreabiertas por un tiempo prolongado. El aire caliente que ha penetrado en el frigorífico hace que éste funcione durante más tiempo. Abra las puertas con menos frecuencia.

• Es posible que la puerta del compartimento frigorífico o congelador se haya dejado entreabierta. Compruebe que las puertas estén bien cerradas.

• El frigorífico está ajustado a una temperatura muy baja. Ajuste la temperatura del frigorífico a un valor más alto y espere a que se alcance dicha temperatura.

• La junta de la puerta del compartimento frigorífico o congelador puede estar sucia, desgastada, rota o no asentada correctamente. Limpie o sustituya la junta. Una junta rota o dañada hace que el frigorífico funcione durante más tiempo con el fin de mantener la temperatura actual.

La temperatura del congelador es muy baja, mientras que la del frigorífico es correcta.

• La temperatura del congelador está ajustada a un valor muy bajo. Ajuste la temperatura del congelador a un valor más elevado y compruebe.

La temperatura del frigorífico es muy baja, mientras que la del congelador es correcta.

• La temperatura del compartimento frigorífico está ajustada a un valor muy bajo. Ajuste la temperatura del frigorífico a un valor más elevado y compruebe.

Los alimentos depositados en los cajones del compartimento frigorífico se están congelando.

• La temperatura del compartimento frigorífico está ajustada a un valor muy bajo. Ajuste la temperatura del frigorífico a un valor más elevado y compruebe.

La temperatura del congelador o el frigorífico es muy alta.

• La temperatura del frigorífico está ajustada a un valor muy alto. El ajuste de la temperatura del frigorífico afecta a la temperatura del congelador. Cambie la temperatura del frigorífico o del congelador hasta que alcance un nivel suficiente.

• Es posible que la puerta se haya quedado entreabierta. Cierre la puerta del todo.

• Es posible que recientemente haya depositado grandes cantidades de alimentos en el frigorífico. Espere hasta que el frigorífico o el congelador alcance la temperatura deseada.

• Es posible que el frigorífico haya sido enchufado recientemente. El enfriamiento completo del frigorífico lleva un tiempo debido a su tamaño.

Puede escucharse un sonido parecido al tic tac de un reloj saliendo del frigorífico.

• Este ruido procede de la electroválvula del frigorífico. La electroválvula garantiza el flujo de líquido refrigerante a través del compartimento, que puede ajustarse a temperaturas de enfriamiento o congelación así como llevar a cabo funciones de refrigeración. Esto es perfectamente normal y no es ninguna anomalía.

El nivel de ruidos propios del funcionamiento se incrementa cuando el frigorífico está en marcha.

• Las características de rendimiento del frigorífico pueden cambiar en función de las variaciones en la temperatura ambiente. Esto es perfectamente normal, no es ninguna avería.

Vibraciones o ruidos.

• El suelo no está nivelado ni es firme. El frigorífico oscila al moverlo lentamente. Compruebe que el suelo esté nivelado y sea firme y capaz de soportar el peso del frigorífico.

• El ruido puede deberse a los elementos guardados en el frigorífico. Tales objetos deben retirarse de la parte superior del frigorífico.

Pueden oírse ruidos como si un líquido se derramara o se pulverizara.

• Los líquidos y gases fluyen de acuerdo con los principios de funcionamiento del frigorífico. Esto es perfectamente normal, no es ninguna avería.

Puede oírse un ruido parecido al viento.

• Se utilizan ventiladores con el fin de hacer que el frigorífico se enfríe con eficiencia. Esto es perfectamente normal, no es ninguna avería.

Condensación en las paredes interiores del frigorífico.

• El tiempo cálido y húmedo favorece la formación de hielo y la condensación. Esto es perfectamente normal, no es ninguna avería.

• Las puertas están entreabiertas. Asegúrese de que las puertas estén completamente cerradas.

• Es posible que las puertas se hayan estado abriendo con frecuencia o que se hayan dejado abiertas durante un periodo prolongado. Abra las puertas con menor frecuencia.

Hay humedad en el exterior del frigorífico o entre las puertas.

• Puede que haya humedad ambiental. Esto es perfectamente normal en climas húmedos. Cuando el grado de humedad descienda, la condensación desaparecerá.

Mal olor en el interior del frigorífico.

• El interior del frigorífico debe limpiarse. Limpie el interior del frigorífico con una esponja empapada en agua caliente o agua con gas.

• Es posible que el olor provenga de algún recipiente o envoltorio. Utilice otro recipiente o materiales para envolver de una marca diferente.

La puerta (o puertas) no se cierra.

• Puede que los paquetes de alimentos depositados no dejen que las puertas se cierren. Recoloque los paquetes que estén obstruyendo la puerta.

• Es probable que el frigorífico no esté en posición completamente vertical sobre el suelo y que oscile si se lo mueve ligeramente. Ajuste los tornillos de elevación.

• El suelo no está nivelado o no es firme. Compruebe que el suelo esté nivelado y que sea capaz de soportar el peso del frigorífico.

Los cajones están atascados.

• Es posible que algún alimento toque el techo del cajón. Cambie la distribución de los alimentos en el cajón.

Si la superficie del producto está caliente

• Pueden observarse altas temperaturas entre las dos puertas, en los paneles laterales y en la parrilla trasera mientras el producto esté en funcionamiento. Se trata de algo normal y no requiere mantenimiento del servicio.



## Læs venligst denne vejledning først!

Kære kunde

Vi håber, at dit produkt, der er produceret i moderne produktionsanlæg og kontrolleret under de grundigste kvalitetskontrolprocedurer, vil give yde dig en effektiv service.

Derfor anbefaler vi dig grundigt at læse hele vejledningen for produktet, inden du tager det i anvendelse, og gemmer det tilgængeligt for fremtidige opslag.


## Denne vejledning

- Vil hjælpe dig med at bruge køle-/fryseskabet hurtigt og sikkert.
- Læs denne vejledning, inden du installerer og betjener produktet.
- Følg instruktionerne, især sikkerhedsinstruktionerne.
- Opbevar denne manual på et nemt tilgængeligt sted, da du kan få brug for den senere.
- Derudover skal du også læse de andre dokumenter, der er fulgt med produktet.
- Bemærk at denne vejledning også kan være gældende for andre modeller.

## Symboler og deres beskrivelse

Denne brugsvejledning indeholder følgende symboler:

 Vigtige informationer eller brugbare tips.

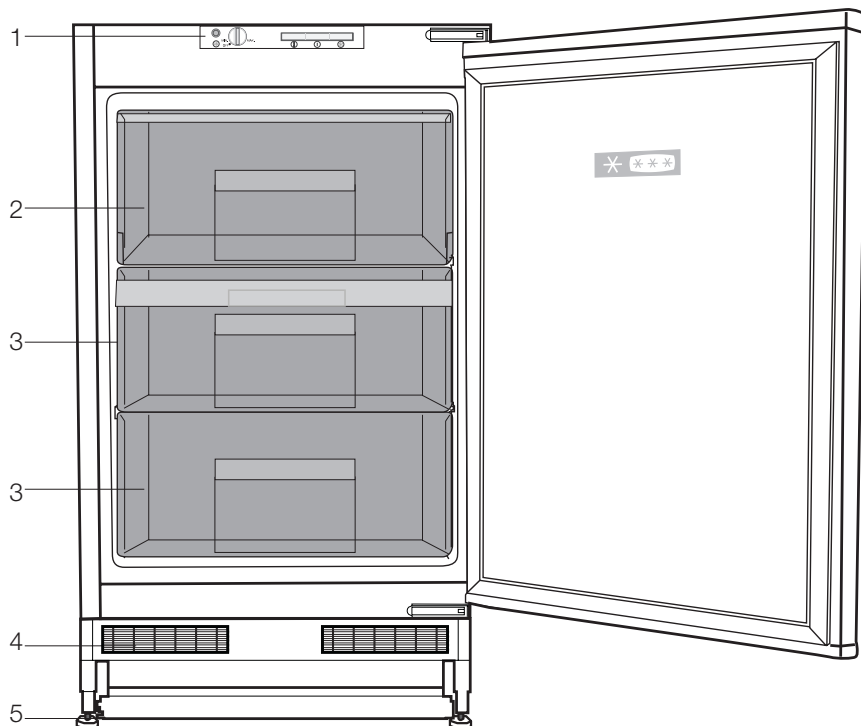
 Advarsel mod farlige forhold for liv og ejendom.

 Advarsel mod strømspænding.

## INDHOLD

<b>1 Køleskabet</b>	<b>4</b>	<b>4 Tilberedning</b>	<b>15</b>
<b>2 Vigtige sikkerhedsadvarsler</b>	<b>5</b>	<b>5 Anvendelse af køleskabet</b>	<b>16</b>
Tilsigtet brug.....	5	Indstilling af driftstemperaturen.....	16
Børnesikkerhed.....	9	Frysning.....	16
Overholdelse af WEEE-direktivet og bortskaffelse af affald: .....	9	Optøning .....	17
Overholdelse af RoHS-direktivet:.....	9	Lysdiodeindikatorer og betjeningspanel.....	18
Emballagegensoplysninger.....	9	<b>6 Vedligeholdelse og rengøring</b>	<b>19</b>
HC Advarsel.....	9	Beskyttelse af plasticoverflader .....	19
Energibesparende foranstaltninger .	9	<b>7 Anbefalede løsninger på problemerne</b>	<b>20</b>
<b>3 Installation</b>	<b>11</b>		
Hvis køleskabet skal transporteres igen .....	11		
Inden køleskabet betjenes .....	11		
Elektrisk tilslutning.....	11		
Bortskaffelse af emballagen.....	12		
Bortskaffelse af det gamle køleskab .....	12		
Placering og installation.....	12		
Placering af køleskabet under bordet og justering af fødder.....	13		
Vende dørene .....	14		

# 1 Køleskabet



- 1- Betjeningspanel
- 2- Knap til hurtig frys
- 3- Rum til opbevaring af frossen mad
- 4- Ventilationslåg
- 5- Justerbare fødder





Tallene i denne manual er skematiske og svarer måske ikke helt til dit produkt. Hvis delene ikke er indeholdt i det produkt, du har købt, findes de i andre modeller.


## 2 Vigtige sikkerhedsadvarsler

Gennemgå følgende informationer. Hvis man undlader at overholde disse informationer, kan det forårsage kvæstelser eller materiel skade. Ellers vil alle garantier og løfter om driftssikkerhed blive ugyldige.

Originale reservedele kan leveres i 10 år efter produktets købsdato.

### Tilsluttet brug

	<b>ADVARSEL:</b> Hvis du åbner ventilationsåbninger i apparatets kabinet eller i den indbyggede struktur, kan det være farligt for dig og andre. Sørg for at apparatet er fri for forhindringer.
	<b>ADVARSEL:</b> Brug ikke mekanisk udstyr eller andre midler til at fremskynde afrimningen, ud over dem, der er anbefalet af producenten.
	<b>ADVARSEL:</b> Undgå at beskadige kølekredsløbet.
	<b>ADVARSEL:</b> Brug ikke elektriske apparater inden i rummet til opbevaring af fødevarer i apparatet, medmindre de er af en type anbefalet af producenten.

	<b>ADVARSEL:</b> Opbevar ikke eksplosive stoffer, såsom spraydåser med brændbare drivgasser i køleskabet.
---	--

Dette apparat er beregnet til brug i husholdningen og lignende anvendelser såsom

- Personalekøkkenområder i butikker, kontorer og andre arbejdsmiljøer;
- landbrug og hos kunder på hoteller, moteller og andre typer af boligmiljøer;
- bed and breakfast miljøer;
- catering og lignende ikke-detailbutikanvendelser.

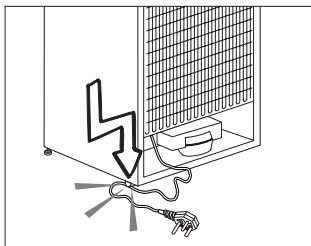
### Generelle sikkerhedsregler

- Når du vil bortkaste/skrotte produktet, anbefaler vi, at du rådfører dig med den autoriserede service for at tilegne dig de krævede informationer samt med de autoriserede myndigheder.
- Kontakt den autoriserede forhandler for at få svar på spørgsmål og problemer omkring køle-/fryseskabet. Undlad at foretage indgreb eller lade andre foretage indgreb på køle-/fryseskabet uden at informere den autoriserede forhandler.
- For produkter med fryser; Undlad at spise vaffelis eller isterninger lige efter, du har

- taget dem ud af fryseren! (Det kan forårsage forfrysninger i munden.)
- For produkter med fryser; læg ikke flydende drikkevarer på flaske eller kande i fryseren. De kan eksplodere.
  - Rør ikke frosne madvarer med hænderne, da de kan hænge fast i din hånd.
  - Tag køle-/fryseskabet ud af stikket inden rengøring eller afrimning.
  - Damp og fordampede rengøringsmaterialer skal aldrig bruges ved rengøring og afrimning af køle-/fryseskabet. Hvis det sker, kan dampen komme i kontakt med de elektriske dele og forårsage kortslutning eller elektrisk stød.
  - Brug aldrig delene på køle-/fryseskabet, som f.eks. lågen til at støtte dig på eller stå på.
  - Brug ikke elektriske apparater inde i køle-/fryseskabet.
  - Undlad at beskadige de dele, hvor kølemidlet cirkulerer, med bore- eller skæreværktøjer. Kølemidlet, som kan blæse ud, når fordamperens gaskanaler, forlængerrørene eller overfladebelægningerne punkteres, kan forårsage hudirritationer og øjenskader.
  - Undlad med nogen form for materiale at tildække eller blokere ventilationshullerne på køle-/fryseskabet.
  - Elektrisk udstyr må kun repareres af autoriserede personer. Reparationer, der er udført af inkompetente personer, skaber en risiko for brugeren.
  - I tilfælde af fejlfunktion under vedligeholdelses- eller reparationsarbejde skal køle-/fryseskabets forsyningsnet afbrydes ved enten at slukke for den relevante sikring eller ved at tage apparatets stik ud af kontakten.
  - Træk ikke i ledningen, når stikket skal tages ud.
  - Placer de drikkevarer, der indeholder højere alkoholprocent, stramt lukket og lodret.
  - Opbevarer aldrig sprayflasker, der indeholder brændbare og eksplosive substanser, i køle-/fryseskabet.
  - Der må ikke anvendes mekanisk udstyr eller andre midler, ud over de af producenten anbefalede, for at fremskynde afrimningsprocessen.
  - Dette produkt er ikke beregnet til at bruges af personer med fysiske handicap, føleforstyrrelser og psykiske lidelser eller personer, som ikke har modtaget instruktion (herunder børn), medmindre de er ledsaget af en person, der er ansvarlig for deres sikkerhed eller som instruerer dem i brug af produktet.

- Lad ikke et beskadiget køle-/fryseskab køre. Kontakt serviceagenten, hvis du har nogen betænkeligheder.
- Der kan kun garanteres for køle-/fryseskabets strømsikkerhed, hvis jordingsystemet i dit hjem opfylder standarderne.
- At udsætte produkterne for regn, sne, sol og vind er farligt hvad angår el-sikkerheden.
- Kontakt autoriseret service, hvis der er et beskadiget strømkabel, for at undgå fare.
- Sæt aldrig køle-/fryseskabet ind i stikkontakten under installationen. Hvis det sker, kan der opstå risiko for dødsfald eller alvorlig skade.
- Dette køle-/fryseskab er kun beregnet til at opbevare madvarer. Det bør ikke bruges til andre formål.
- Typeskiltet med tekniske informationer er placeret på den venstre væg i køle-/fryseskabet.
- Tilslut aldrig køle-/fryseskabet til el-besparende systemer; de kan beskadige køle-/fryseskabet.
- Hvis der er et blåt lys på køleskabet, skal du undgå at kigge på det med eller uden briller i en længere tid.
- For manuelt betjente køle-/fryseskabe skal man vente mindst 5 minutter med at starte det efter strømsvigt.

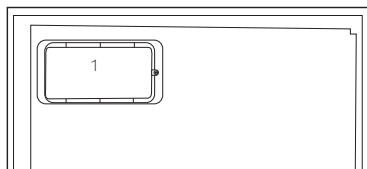
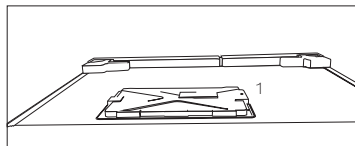
- Denne brugermanual skal afleveres til den nye ejer når det skifter ejermand.
- Undlad at beskadige strømkablet, når køle-/fryseskabet transporteres. Det kan forårsage brand at bøje kablet. Placer aldrig tunge genstande på strømkablet. Rør ikke ved stikket med våde hænder, når du tager stikket ud.



- Tilslut ikke køle-/fryseskabet hvis stikkontakten er løs.
- Vand bør ikke blive sprøjet direkte på indre og ydre dele af produktet af sikkerhedsmæssige årsager.
- Undlad at sprøjte substanser, der indeholder brændbare gasser, som f.eks. propangas, nær ved køle-/fryseskabet for at undgå risiko for brand og eksplosion.
- Placer aldrig beholdere, der er fyldt med vand, oven på køle-/fryseskabet, da det kan forårsage elektrisk stød eller brand.
- Overfyld ikke køle-/fryseskabet med overdrevne mængder mad. Hvis det er overfyldt, kan maden falde

ned og beskadige dig og beskadige køle-/fryseskabet, når lågen åbnes. Placer aldrig genstande oven på køle-/fryseskabet; disse genstande kan falde ned, når du åbner eller lukker køle-/fryseskabslågen.

- Vacciner, varmfølsomme medikamenter, videnskabelige materialer osv. bør ikke opbevares i køle-/fryseskabet, da de har brug for præcis temperatur.
- Køle-/fryseskabet skal tages ud af stikkontakten, hvis det ikke skal bruges i længere tid. Et evt. problem i strømkablet kan forårsage brand.
- Køle-/fryseskabet kan flytte sig, hvis de justerbare ben ikke er sikret godt nok på gulvet. Rigtigt sikrede justerbare ben på gulvet kan forhindre køle-/fryseskabet i at flytte sig.
- Når køle-/fryseskabet skal bæres, må man ikke holde i lågens håndtag. Hvis det sker, kan det brække.
- Hvis produktet skal placeres ved siden af et andet køle-/fryseskab eller fryser, skal afstanden mellem de to apparater være mindst 8 cm. Ellers kan de tilgrænsende sidevægge blive fugtige.
- Benyt aldrig produktet, hvis afsnittet øverst eller på bagsiden af dit produkt med elektroniske printkort indeni er åbent (printkort-dæksel) (1).



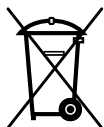
### For produkter med en vanddispenser;

- Tryk i koldtvars-indtag skal være maksimum 90 psi (620 kPa). Hvis vandtrykket overstiger 80 psi (550 kPa), så anvend en trykbegrænsningsventil i dit hovedsystem. Hvis du ikke ved, hvordan du skal kontrollere dit vandtryk, så spørg en professionel VVS-tekniker om hjælp.
- Hvis der er risiko for vand-hammereffekt i din installation, så brug altid et vandhammerforhindringsudstyr i din installation. Spørg professionelle VVS-teknikere til råds, hvis du ikke er sikker på at der ikke er en vandhammer-effekt i din installation.
- Installer ikke på varmtvands-indtaget. Tag forholdsregler imod risiko for frysning i rørene. Vandtemperaturens drifts-interval skal ligge imellem 33°F (0,6°C) minimum og 100°F (38°C) maksimum.
- Brug kun drikkevand.

## Børnesikkerhed

- Hvis døren har en lås, bør nøglen opbevares uden for børns rækkevidde.
- Børn skal overvåges for at forhindre, at de spiller ved produktet.

## Overholdelse af WEEE-direktivet og bortskaffelse af affald:



Dette produkt er i overensstemmelse med WEEE-direktiv (2012/19/EU). Dette produkt bærer etsymbol for klassificering af bortskaffelse af elektrisk og elektronisk udstyr (WEEE).

Dette produkt er fremstillet af dele og materialer af høj kvalitet, der kan bruges igen, og som er egnede for genbrug. Smid ikke produktet med husholdningsaffald og andet affald ved slutningen af dets levetid. Bring det til et opsamlingssted for genbrug af elektroniske og elektriske apparater. Kontakt dine lokale myndigheder for at finde nærmeste opsamlingssted.

## Overholdelse af RoHS-direktivet:

Det produkt, du har købt, er i overensstemmelse med EU RoHS-direktivet (2011/65/EU). Det indeholder ikke skadelige og forbudte materialer angivet i direktivet.

## Emballageoplysninger

Produktets emballage er fremstillet af genbrugsmaterialer i overensstemmelse med vores

ationale miljøbestemmelser. Smid ikke emballagen sammen med husholdningsaffald eller andet affald. Bring den til et opsamlingssted udpeget af de lokale myndigheder.

## HC Advarsel

### Hvis køle-/fryseskabets kølesystem indeholder R600a:

Denne gas er brændbar. Du skal derfor være opmærksom på ikke at ødelægge kølesystemet og kølerørene under brug og transport. I tilfælde af beskadigelse skal produktet holdes væk fra mulige brandkilder, der kan forårsage, at produktet går i brand, og du skal sørge for at lufte ud i rummet, hvor produktet er placeret.

### Ignorer denne advarsel, hvis dit køle-/fryseskabs kølesystem indeholder R134a.

Gastypen, der bruges i produktet, er meddelt på typeskiltet, der er på venstre væg inde i køle-/fryseskabet.

Kast aldrig produktet i en brand for bortskaffelse.

## Energibesparende foranstaltninger

- Undlad at lade lågerne i køle-/fryseskabet stå åbne i lang tid.
- Put ikke varm mad eller drikke i køle-/fryseskabet.
- Overfyld ikke køle-/fryseskabet, så luftcirkulationen bliver forhindret.
- Placer ikke dit køle-/fryseskab under direkte sollys eller tæt på varmeudstrålende apparater, som f.eks. ovne, opvaskemaskiner eller radiatorer.
- Vær omhyggelig med at opbevare maden i lukkede beholdere.



- Produkter med en fryser: Du kan opbevare maksimal mængde madvarer i fryseren, hvis du fjerner hylde eller skuffen i fryseren. Energiforbrugsværdien, der er angivet for køle-/fryseskabet, er blevet bestemt ved at fjerne fryserhylde eller -skuffe og under maksimal indfyldning. Der er ingen skade ved at bruge en hylde eller skuffe der passer i form og størrelse til de madvarer der skal fryses.
- Optøning af frossen mad i køle-/fryseskabet vil både skabe energibesparelse og bevare madens kvalitet.

## 3 Installation

⚠ Producenten kan ikke holdes ansvarlig, hvis oplysningerne givet i brugsanvisningen ikke er overholdt.

### Hvis køleskabet skal transporteres igen

1. Køleskabet skal tømmes og rengøres inden transport.
2. Hylde, tilbehør, grøntsagsskuffer osv. skal fastgøres sikkert for at modvirke stød, inden produktet pakkes igen.
3. Emballagen skal fastgøres, og reglerne for transport, der er trykt på pakken, skal følges.

### Glem ikke, at...

Alt genbrugsmateriale er en uundværlig kilde for naturen og for vore nationale ressourcer.

Hvis du ønsker at medvirke til at genbruge emballagen, kan du få yderligere informationer hos miljøorganisationerne eller de lokale myndigheder.

### Inden køleskabet betjenes

Inden du begynder at bruge køleskabet, skal du kontrollere følgende:

1. Køleskabet skal være tørt indvendigt, og luften skal kunne cirkulere frit bagved det.
2. Rengør køleskabet indvendigt som anbefalet i afsnittet "Vedligeholdelse og rengøring".
3. Sæt køleskabets ledning i kontakten. Når køleskabsdøren åbnes, vil køleskabets indvendige lys tændes.

4. Der vil kunne høres en lyd, når kompressoren starter. Kølevæskan og gasarterne, der findes i kølesystemet, kan også støje lidt, selv om kompressoren ikke kører, hvilket er helt normalt.
5. Køleskabets forreste kanter kan føles varme. Dette er normalt. Disse områder er beregnet til at være varme for at undgå kondensering.

### Elektrisk tilslutning

Tilslut produktet til en jordet kontakt, der er beskyttet af en sikring med passende kapacitet.

Vigtigt:

- Tilslutningen skal være i overensstemmelse med de nationale regulativer.
  - Strømticket skal være nemt tilgængeligt efter installationen.
  - Den angivne spænding skal være lig med spændingen på dit el-net.
  - Mellemkabler og stikdåser med flere stik skal ikke bruges til tilslutningen.
- ⚠ Beskadiget netledning skal udskiftes af autoriseret el-installatøren.
- ⚠ Produktet må ikke betjenes, før det er repareret! Der er fare for elektrisk stød!

## Bortskaffelse af emballagen

Emballagen kan være farlig for børn. Hold emballagen væk fra børns rækkevidde eller bortskaf den, idet du skal klassificere den i henhold til affaldsinstruktionerne. Smid den ikke væk sammen med det øvrige husholdningsaffald.

Køleskabets emballage er produceret af genanvendelige materialer.

## Bortskaffelse af det gamle køleskab

Bortskaf det gamle køleskab uden at skade miljøet.

- Du kan spørge din forhandler eller genbrugsstationen i din kommune angående bortskaffelse af køleskabet.

Inden køleskabet bortskaffes, skal du skære elstikket af, og hvis der er låse i lågen, skal du gøre dem ubrugelige for at beskytte børn mod fare.

## Placering og installation

1. Ungå at placere køleskabet ved varmekilder, fugtige steder og direkte sollys.
2. Der skal være tilstrækkelig ventilation rundt om køleskabet for at opnå en effektiv funktion. Hvis køleskabet skal placeres i en fordybning i væggen, skal der være mindst 5 cm afstand fra loft og væg. Hvis gulvet er belagt med tæppe, skal produktet hæves 2,5 cm fra gulvet.
3. Placér køleskabet på en jævn gulvoverflade for at undgå rystebevægelser.

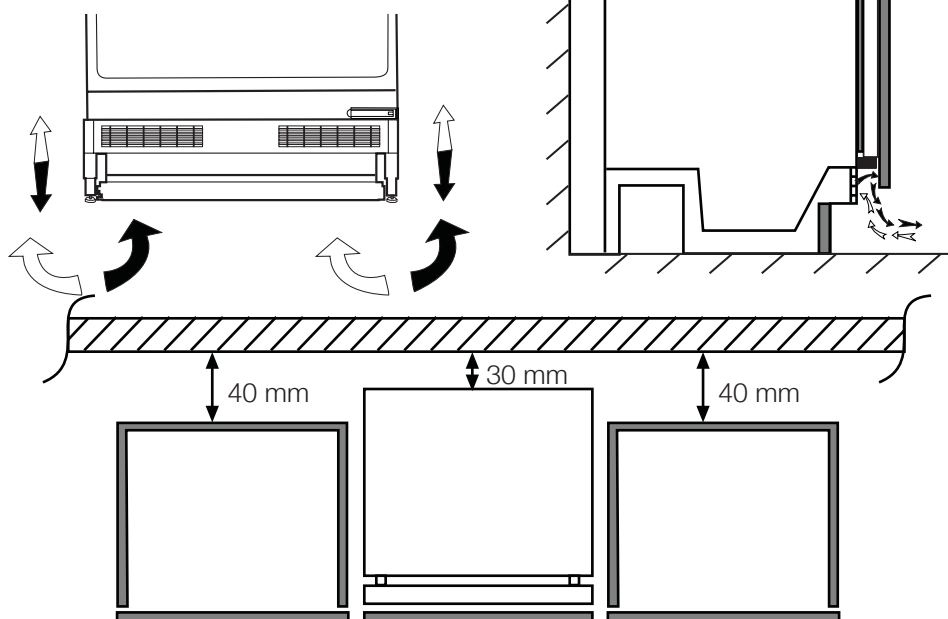
## Placering af køleskabet under bordet og justering af fødder

Når du opstiller dit køleskab, skal afstanden mellem produktet og væggen være på mindst 30 cm, som vist i figuren.

Lufkanalerne må ikke blokeres, så køleskabets ydeevne ikke forringes. (140 cm<sup>2</sup>)

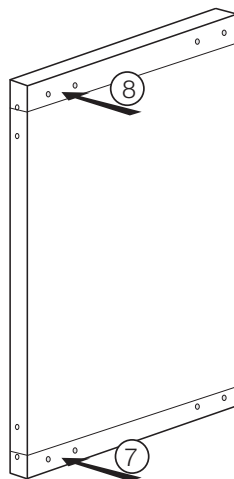
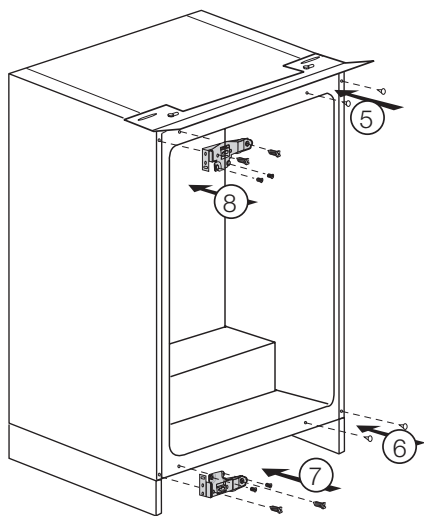
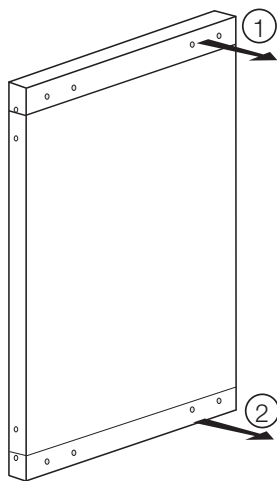
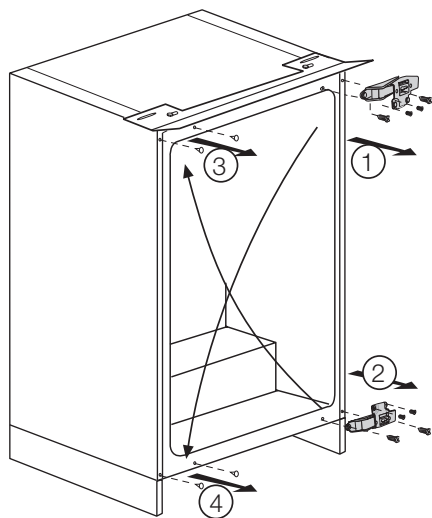
Hvis køleskabet ikke er i balance;

Du kan dreje de forreste læg i køleskabet som vist i figuren og få det i balance. Det hjørne, hvor benet befinder sig, bliver sænket, når du drejer i retning af den sorte pil, og hævet, når du drejer i den modsatte retning. Det bliver nemmere for dig, hvis du får hjælp fra en anden person til at udføre denne justering!



## Vende dørene

Fortsæt i numerisk rækkefølge



## 4 Tilberedning

---

- Køle-/fryseskabet skal installeres mindst 30 cm væk fra varmekilder, som f.eks. kogeplader, ovne, radiatorer og brændeovne, og mindst 5 cm væk fra elektriske ovne, og det bør ikke placeres i direkte sollys.
- Den omgivende temperatur i det rum, hvor køle-/fryseskabet installeres, bør være mindst 10°C. For at køle-/fryseskabet skal være effektivt, anbefales det ikke at betjene det under koldere forhold.
- Sørg for at den indvendige del af køle-/fryseskabet er grundigt rengjort.
- Hvis der skal installeres to køle-/fryseskabe ved siden af hinanden, bør der være mindst 2 cm imellem dem.
- Når du lader køle-/fryseskabet køre første gang, skal du overholde følgende instruktioner de første 6 timer.
- Lågen skal ikke åbnes ofte.
- Det skal køre tomt uden nogen form for mad i det.
- Tag ikke køle-/fryseskabet ud af stikkontakten. Hvis der opstår et strømudfald uden for din kontrol, så læs advarslerne under afsnittet "Anbefalede løsninger ved problemer".
- Den originale emballage og skummaterialerne bør gemmes for fremtidig transport eller flytning.
- På nogle modeller slukker instrumentpanelet automatisk efter 5 sekunder efter at døren er lukket. Det vil blive reaktiveret, når døren åbnes eller ved tryk på enhver tast.
- På grund af temperaturændring som et resultat af at åbne / lukke produktets dør under drift, er kondens på dør / hylder og glasbeholdere normal.

## 5 Anvendelse af køleskabet

### Indstilling af driftstemperaturen

Driftstemperaturen reguleres ved temperaturstyringen.



Vælg indstilling efter ønsket temperatur.

Den indvendige temperatur afhænger også af rumtemperaturen, hvor ofte lågen åbnes, og mængden af madvarer, der opbevares i køleskabet.

Hvis lågen åbnes ofte, får det den indvendige temperatur til at stige.

Det anbefales derfor at lukke lågen så hurtigt som muligt efter brug.

Den normale opbevaringstemperatur for din fryser bør være  $-18^{\circ}\text{C}$ . Lavere temperaturer kan opnås ved at justere termostatknappen mod Position 4 (eller Maks.).

Vi anbefaler, at du kontrollerer temperaturen med et termometer for at sikre, at rummene til opbevaring holdes på den ønskede temperatur. Husk at aflæse med det samme, da termometrets temperatur vil stige meget hurtigt, efter du tager det ud af fryseren.

### Frysning

#### Nedfrysning af mad

Fryseområdet er markeret med

 dette symbol.

Du kan bruge fryseren til at fryse friske madvarer samt til at opbevare præ-frosne mad.

Referer venligst til angivelserne på madvarernes emballage.

#### Vær opmærksom på

Frys ikke drikkevarer med brus, da flasken kan sprænge, når væsken deri fryses.

Vær forsigtig med frosne produkter som f.eks. farvede isterninger.

Overskrid ikke apparatets indfrysningsskapacitet pr døgn. Se mærkeskiltet.

For at opretholde madens kvalitet skal frysningen udføres så hurtigt som muligt.

På den måde vil frysekapaciteten ikke blive overskredet, og temperaturen i fryseren vil ikke stige.

#### Vær opmærksom på

Opbevar altid de allerede dybfrosne madvarer adskilt fra nyligt placerede madvarer.

Når der dybfryses varm mad, vil kølekompressoren arbejde, indtil maden er helt frosen. Dette kan midlertidigt forårsage overdreven køling af køleskabsrummet.

Hvis du synes, at fryserlågen er svær at åbne, lige efter du har lukket den, skal du ikke være bekymret. Dette skyldes trykforskellen, der vil udjævnes og lade lågen åbne normalt efter et par minutter.

Du vil høre en vakuum-lyd lige efter at have lukket døren. Det er ganske normalt.

- Frosne madvarer kan normalt opbevares op til tre måneder ved temperaturer på under -18°C. Opbevaringsperioderne kan afhænge af typen af madvarer. Opbevaringsperioder af udløbsdatoer for sådanne madvarer har fremstilleren angivet på pakken for madvaren.
- Frosne madvarer som du har købt bør fryses ned før de tør op.
- Frosne madvarer kan opbevares i rum med skuffer.

For at sikre, at den høje kvalitet sikret af producenten af de frosne madvarer og af detailhandleren af maden, bør følgende huskes:

1. Læg pakker i fryseren så snart som muligt efter køb.
2. Overskrid ikke "Anvendes inden", "Sidste salgsdato" datoerne på pakningen.
3. Bemærk venligst, at alle skuffer, kurve, klapper og bakker er flytbare.

## Optøning

Hvis islaget på køleskabets forlængerrørene bliver større, vil det forringe køleskabets køleeffektivitet.

Derfor skal køleskabet afrimes, så islaget ikke overstiger ca. 5 mm i tykkelse. Det anbefales at afrime køleskabet, når det ikke er overfyldt eller når det er tomt.

Pak maden taget ud af køleskabet i nogle papirlag og opbevar den på et køligt sted eller i et andet køleskab.

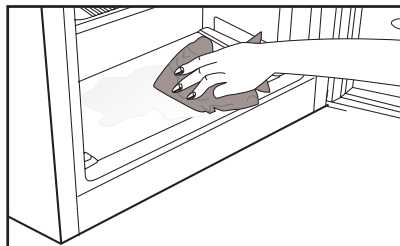
Drej termostatknappen til "off" eller trak netledningen ud af stikkontakten for at foretage afrimningen.

Fjern skufferne fra køleskabet (der skal ikke fjernes låge i det rum, der er udstyret med dem). Efter nogen tid vil det smeltede vand samles i opsamlere placeret i bunden af køleskabet.

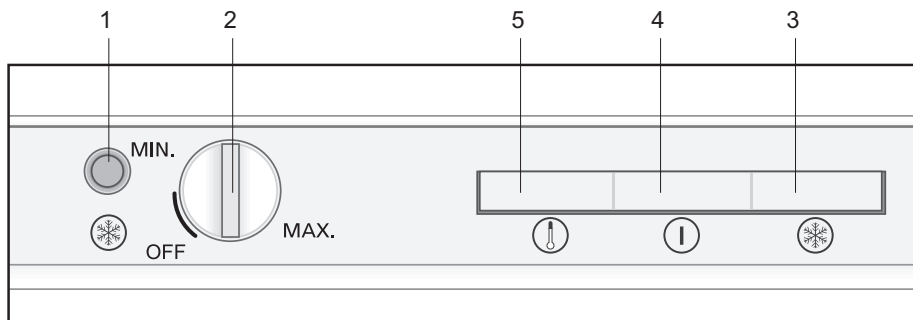
Fjern vandet ved hjælp af en blød svamp eller en blød klud og tør opsamlere omhyggeligt.

Glem ikke at dreje termostatknappen tilbage til tænd-stilling for at genstarte køleskabet.

Køleskabet skal være tændt i to timer mens det er tomt og med dørene lukkede før du kan anbringe maden i det.







## Lysdiodeindikatorer og betjeningspanel

Lysdiodeindikatorerne på forreste afsnit af dit køleskab er beregnet til at hjælpe dig med at overvåge apparatets funktion.

Opbevar maden i køleskabet på en sikker måde ved at overvåge og bruge disse lysdioder og kontroller som forklaret nedenfor:

### Hurtig-frys knap (1):

Bruges til at nedfryse maden hurtigt. Kompressoren kører måske ikke med det samme, men efter nogen tid når knappen er trykket ind, og dette er helt normalt.

### Knap til indstilling af termostaten (2):

Bruges til at indstille køleskabet mellem minimums- og maksimumsværdier.

Apparatet kan gå i Sluk-position når drejeknappen er indstillet under MIN. Når den grønne indikatorlys er Sluk-positionen, vil apparatet også slukkes.

Når knappen er indstillet på Sluk (selv for afrimning), skal du justere knappen et sted over Min for at sikre, at apparatet tændes igen. Når apparatet tændes, vil den grønne indikator lyse.

### Orange Lysdiode (3):

Lyser når hurtig-frys knappen på lysdiodepanelet er trykket ind. I det tilfælde kører køleskabet konstant.

Tryk på knappen igen, når maden, du gerne ville have frosset hurtigt ned, har nået den ønskede temperatur, og den orange lysdiode vil slukkes.

### Grøn Lysdiode (4):

Lyser konstant op, når køleskabet er tilsluttet.

### Rød lysdiode (5):

Advarer dig ved at lyse konstant, når køleskabet begynder at køre, og hvis der ikke opnås nok køleeffekt, hvis lågen forbliver åben i lang tid, og hvis der læsses for meget mad ind i køleskabet.

Hvis det RØDE lys lyser konstant, når ovenstående betingelser ikke er tilstede, så skal du ringe til vores autoriseret service.

## 6 Vedligeholdelse og rengøring

---

⚠ Anvend aldrig benzin, benzen eller lignede stoffer til rengøring.

⚠ Vi anbefaler at koble køle-/fryseskabet fra strømmen inden rengøring.

⚠ Anvend aldrig skarpe, slibende redskaber, sæbe, rengøringsmidler, detergenter og pudsemidler med voks til rengøring.

ℹ Brug lunt vand til rengøring af køle-/fryseskabet udvendigt og tør det af.

ℹ Anvend en fugtig, opvredet klud i en opløsning af en teske af natron til en halv liter vand til rengøring af køle-/fryseskabet indvendigt og tør det af.

⚠ Sørg for, at ingen vand kommer i kontakt med lampen og andre elektriske dele.

⚠ Hvis køle-/fryseskabet ikke skal bruges i en længere periode, træk stikket ud af kontakten, fjern al mad, rengør køle-/fryseskabet og lad døren stå på klem.

ℹ Kontroller jævnligt dørlisterne for at sikre, at de er rene og frie for madrester.

⚠ For at fjerne dørhulder, tømmes indholdet ud, hvorefter dørhulden ganske enkelt løftes op fra sin plads.

⚠ Brug aldrig rengøringsmidler eller vand, der indeholder klorin, til rengøring af de ydre overflader og de forkromede dele af produktet. Klorin forårsager korrosion på den slags metaloverflader.

⚠ Brug ikke skarpe eller slibende værktøjer eller sæbe, rengøringsmidler til husholdning, vaskemidler, benzin, benzen, voks osv., ellers vil stempler på plasticdelene forsvinde, og de vil blive deforme. Brug varmt vand og en blød klud til rensning og tørring.

### Beskyttelse af plasticoverflader

ℹ Sæt ikke flydende olie eller olieholdige madvarer i åbne beholdere da de kan ødelægge køle-/fryseskabets plastikdele. Hvis der spildes eller smøres olie på plasticoverfladerne, skal den relevante del af overfladen renses og skylles med det samme med varmt vand.

## 7 Anbefalede løsninger på problemerne

Læs denne liste igennem, inden du ringer efter service. Det kan spare dig for tid og penge. Denne liste indeholder ofte forekommende reklamationer, der ikke opstår af defekt udførelse eller materialebrug. Det er muligt, at nogle af de her beskrevne funktioner ikke findes i dit produkt.

### Køle-/fryseskabet virker ikke

- Er køle-/fryseskabet sat rigtigt i stikkontakten? Sæt stikket i kontakten i væggen.
- Er sikringen, som køle-/fryseskabet er tilsluttet, eller hovedsikringen sprunget? Kontroller sikringen.

### Kondition på siden af køle-/fryseskabet (MULTIZONE, KØLEKONTROL og FLEXIZONE).

- Meget kolde omgivelser. Ofte åbning og lukning af lågen. Højt fugtindhold i omgivelserne. Opbevaring af mad, der indeholder væske, i åbne beholdere. Lågen står på klem. Sæt termostaten på koldere grader.
- Reducér tiden, hvor lågen står åben, eller brug den mindre ofte.
- Dæk maden, der opbevares i åbne beholdere, til med passende materiale.
- Tør kondensvandet af vha. en tør klud og kontroller, om det vedvarer.

### Kompressoren kører ikke.

- Beskyttelsestermo fra kompressoren vil blæse ud under pludselig strømudfald eller tilkoblinger/afkoblinger, da kølemiddeltrykket i køle-/fryseskabets kølesystem ikke er bragt i balance endnu. Køle-/fryseskabet vil starte med at køre efter ca. 6 minutter. Ring efter service, hvis køle-/fryseskabet ikke starter efter denne periode.

- Køle-/fryseskabet er ved at afrime. Dette er normalt for et køle-/fryseskab med fuldautomatisk afrimning. Afrimning foregår med jævne mellemrum.

- Køle-/fryseskabsstikket er ikke sat i kontakten. Sørg for, at stikket er sat ordentligt i kontakten.

- Er temperaturindstillingerne foretaget rigtigt?

- Strømmen kan være afbrudt.

Køle-/fryseskabet kører ofte eller i lang tid.

• Det nye køle-/fryseskab kan være bredere end det foregående. Det er ganske normalt. Store køle-/fryseskabe arbejder i længere perioder.

• Den omgivende rumtemperatur kan være høj. Det er ganske normalt.

• Køle-/fryseskabet kan have været sat til for nylig eller have været fyldt op med mad. Komplet nedkøling af køle-/fryseskabet kan vare et par timer længere.

• Store mængder varm mad kan være blevet sat ind i køle-/fryseskabet fornylig. Varm mad medfører, at køle-/fryseskabet skal køre i længere tid, indtil maden når den ønskede temperatur.

• Lågerne kan have været åbnet jævnlige eller have stået på klem i lang tid. Den varme luft, der er kommet ind i køle-/fryseskabet, får køle-/fryseskabet til at køre i længere perioder. Undlad at åbne lågen så ofte.

• Fryserens eller køle-/fryseskabets dør kan have stået på klem. Kontroller om lågerne er lukket tæt.

• Køle-/fryseskabet er indstillet meget koldt. Indstil køle-/fryseskabstemperaturen højere, indtil temperaturen er tilpas.

• Køle-/fryseskabets eller fryserens lågepakning kan være snavset, slidt, ødelagt eller ikke sat ordentligt på. Rengør eller udskift pakningen. Beskadiget/brækket pakning forårsager, at køle-/fryseskabet kører i længere perioder for at vedligeholde den aktuelle temperatur.

Frysertemperaturen er meget lav, mens køle-/fryseskabstemperaturen er tilpas.

• Frysertemperaturen er indstillet meget koldt. Juster frysertemperaturen varmere og kontroller.

Køle-/fryseskabstemperaturen er meget lav, mens fryserstemperaturen er tilpas.

• Køle-/fryseskabstemperaturen er indstillet til en meget lav temperatur. Juster køle-/fryseskabstemperaturen varmere og kontroller.

Mad, der opbevares i køle-/fryseskabet, fryser.

• Køle-/fryseskabstemperaturen er indstillet til en meget lav temperatur. Juster køle-/fryseskabstemperaturen varmere og kontroller.

Temperaturen i køle-/fryseskab eller fryser er meget høj.

• Køle-/fryseskabstemperaturen er indstillet til en meget lav temperatur. Køle-/fryseskabsindstillingen har virkning på fryserens temperatur. Skift køle-/fryseskabets eller fryserens temperatur, indtil køle-/fryseskabs- eller frysertemperatur når et tilpas niveau.

• Lågerne kan have været åbnet jævnlige eller have stået på klem i lang tid.

• Døren kan have stået på klem, luk døren helt.

• Store mængder varm mad kan være blevet sat ind i køle-/fryseskabet fornylig. Vent til køle-/fryseskabet eller fryseren når den ønskede temperatur.

• Køle-/fryseskabet kan være taget ud af kontakten fornylig. Komplet nedkøling af køle-/fryseskabet tager tid.

Funktionslyden øges, når køle-/fryseskabet kører.

• Egenskaberne for køle-/fryseskabets driftsydelse kan ændre sig alt efter ændringerne i den omgivende temperatur. Det er normalt og ikke en fejl.

Vibrationer eller støj.

• Gulvet er ikke lige, eller det er svagt. Køle-/fryseskabet vipper, når det flyttes langsomt. Sørg for, at gulvet er lige, stærkt og kapabelt til at bære køle-/fryseskabet.

• Støjen kan være forårsaget af de genstande, der er lagt i køle-/fryseskabet. Ting oven på køle-/fryseskabet skal fjernes.

Der er støj som væske, der løber over eller sprøjter.
<ul style="list-style-type: none"> <li>• Væske- og gasstrømning sker i henhold til køle-/fryseskabets driftsprincipper. Det er normalt og ikke en fejl.</li> </ul>
Der er en støj som en vind, der blæser.
<ul style="list-style-type: none"> <li>• Ventilatorer bruges til at køle køle-/fryseskabet. Det er normalt og ikke en fejl.</li> </ul>
Kondensvand på køle-/fryseskabets indervægge.
<ul style="list-style-type: none"> <li>• Varmt og fugtigt vejr øger isdannelse og udsvedning. Det er normalt og ikke en fejl.</li> <li>• Dørrerne kan have stået på klem, sørg for de er helt lukkede.</li> <li>• Lågerne kan have været åbnet jævnligt eller have stået på klem i lang tid.</li> </ul>
Der opstår fugt på ydersiden af køle-/fryseskabet eller mellem lågerne.
<ul style="list-style-type: none"> <li>• Der kan være fugtighed i luften hvilket er normalt i fugtigt vejr. Når fugtigheden er mindre, vil kondensen forsvinde.</li> </ul>
Dårlig lugt inde i køle-/fryseskabet.
<ul style="list-style-type: none"> <li>• Køle-/fryseskabets skal rengøres indvendigt. Rengør køle-/fryseskabet indvendigt med en svamp, varmt vand eller kulstofholdigt vand.</li> <li>• Nogle beholdere eller emballeringsmaterialer kan forårsage lugten. Brug en anden beholder eller et andet mærke indpakningsmateriale.</li> </ul>
Døren lukker ikke.
<ul style="list-style-type: none"> <li>• Madbeholdere forhindrer lågen i at lukke. Omplacér pakkerne, der blokerer lågen.</li> <li>• Køle-/fryseskabet står ikke helt lodret på gulvet og vipper når det flyttes lidt. Justér højdeskruerne.</li> <li>• Gulvet er ikke lige eller stærkt. Sørg for, at gulvet er lige, stærkt og kapabelt til at bære køle-/fryseskabet.</li> </ul>
Grøntsagsskuffer sidder fast.
<ul style="list-style-type: none"> <li>• Maden berører måske skuffens top. Omarranger maden i skuffen.</li> </ul>

Hvis Produktets Overflade Er Varm.
<ul style="list-style-type: none"> <li>• Der kan opleves varme temperaturer mellem de to løber, på sidepanelerne og ved risten bagtil, når produktet er i brug. Dette er normalt og kræver ikke vedligeholdelse af servicepersonale. Vær forsigtig, når du rører ved disse områder.</li> </ul>

## Läs den här bruksanvisningen först!

Kära kund!

Vi hoppas att produkten, som har tillverkats på en modern anläggning och genomgått de allra noggrannaste kvalitetsprocesser, kommer att erbjuda effektiv service.




Vi rekommenderar därför att du läser igenom hela bruksanvisningen noggrant innan du använder den och att du förvarar den nära till hands för framtida referens.

## Den här bruksanvisningen

- Hjälper dig använda enheten på ett snabbt och säkert sätt.
  - Läs bruksanvisningen innan du installerar och använder produkten.
  - Följ instruktionerna, speciellt säkerhetsanvisningarna.
  - Förvara bruksanvisningen på en lättåtkomlig plats där du kan hämta den senare.
  - Läs även övriga dokument som tillhandahålls tillsammans med produkten.
- Observera att den här bruksanvisningen även kan gälla för andra modeller.

## Symboler och beskrivningar för dem

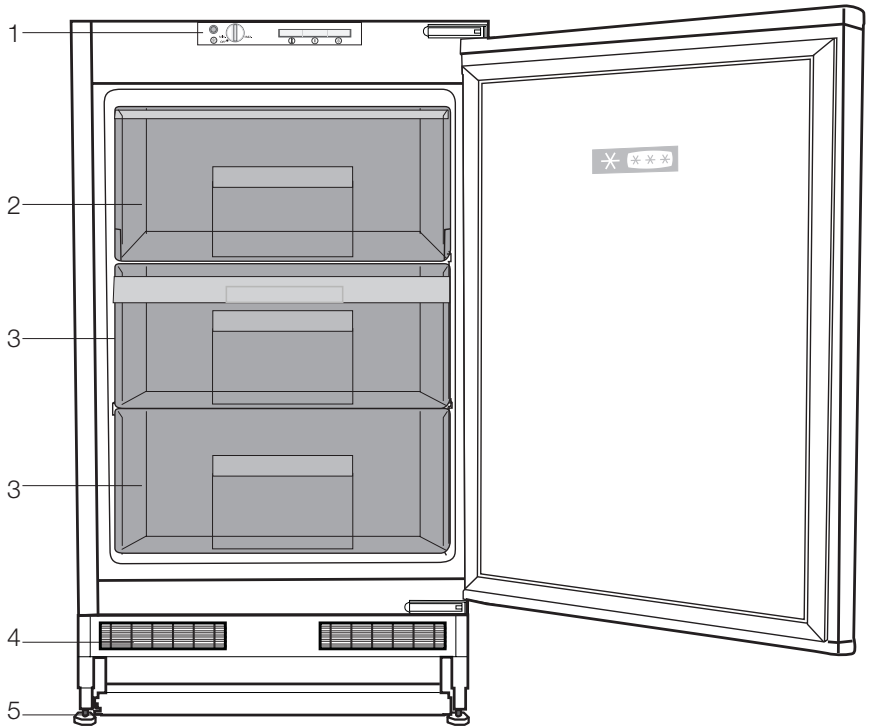
Den här bruksanvisningen innehåller följande symboler:

-  Viktig information eller användbara tips.
-  Varning för risker för liv och egendom.
-  Varning för elektrisk spänning.

## **INNEHÅLL**

<b>1 Kylskåpet</b>	<b>3</b>	<b>5 Använda kylskåpet</b>	<b>14</b>
<b>2 Viktiga säkerhetsvarningar</b>	<b>4</b>	Ställ in driftstemperaturen .....	14
För produkter med vattenbehållare; ...	6	Frysning.....	14
Barnsäkerhet .....	7	Avfrostning .....	15
I enlighet med WEEE-direktivet för		Stoppa produkten .....	15
hantering av avfallsprodukter: .....	7	Lysdioder och kontrollpanel .....	16
I enlighet med RoHS-direktivet: .....	7	<b>6 Underhåll och rengöring</b>	<b>17</b>
Paketinformation .....	7	<b>7 Rekommenderade</b>	
HC-Varning.....	7	<b>lösningar på problem</b>	<b>18</b>
Saker att göra för att spara energi .....	7		
<b>3 Installation</b>	<b>9</b>		
Saker att tänka på vid transport av			
frysskåpet.....	9		
Innan du använder frysskåpet.....	9		
Elektrisk anslutning .....	9		
Kassering av förpackningen.....	9		
Kassering av ditt gamla skåp .....	10		
Placering och installation .....	10		
Placera kylskåpet under bänken och			
justera benen.....	11		
Byte av dörrar.....	12		
<b>4 Förberedelse</b>	<b>13</b>		

# 1 Kylskåpet



- 1- Kontrollpanel
- 2- Fack för snabbfrysning
- 3- Förvaringsfack för fryst mat
- 4- Ventilationslock
- 5- Justerbara ben

Bilder som förekommer i den här bruksanvisningen är exempel och överensstämmer inte exakt med din produkt. Om det finns delar som inte inkluderas i produkten du har köpt gäller det för andra modeller.



Läs följande information. Om du underlåter att följa den här informationen kan det orsaka person- och materialskador. Annars blir alla garanti- och tillförlitlighetsåtaganden ogiltiga.

Användningstidslängden för enheten är 10 år. Det här är den period som reservdelarna krävs för att enheten ska hålla.

### Avsedd användning

	<b>VARNING:</b> Håll ventilationsöppningar i apparatens hölje eller i den inbyggda strukturen fritt från hinder.
	<b>VARNING:</b> Använd inte mekaniska anordningar eller andra medel för att påskynda avfrostningsprocessen, annat än de som rekommenderas av tillverkaren.
	<b>VARNING:</b> Skada inte kylmedelskretsen.
	<b>VARNING:</b> Använd inte elektriska apparater inuti matvaru förvaringsutrymme na i apparaten, såvida de inte är av den typ som rekommenderas av tillverkaren.



### VARNING!

Förvara inte explosiva ämnen, så som aerosolbehållare med brandfarligt bränsle, i den här enheten.

Denna apparat är avsedd att användas i hushåll och liknande användning såsom

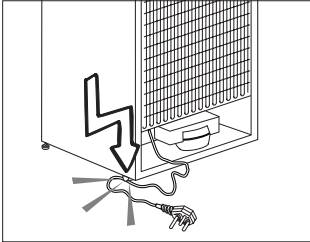
- personalkök i butiker, kontor och andra arbetsmiljöer;
- Bondgårdar och av kunder på hotell, motell och andra bostadsmiljöer;
- Bed and breakfast-miljöer;
- Catering och liknande icke-detaljhandelsanvändning.

### Allmän säkerhet

- När du vill avyttra produkten rekommenderar vi att du rådgör med auktoriserad kundtjänst för att få den information som krävs, samt auktoriserade organ.
- Rådfråga auktoriserad service när det gäller alla frågor och problem som är relaterade till kylskåpet. Modifiera inte kylskåpet utan att meddela auktoriserad kundtjänst.
- För produkter med frysfacket; Ät inte glass och iskuber direkt efter att du har tagit ut dem ur frysfacket! (Det kan leda till köldskador i munnen.)
- För produkter med frysfack; Placera inte flaskprodukter och konserverade drycker i frysfacket. De kan explodera.
- Rör inte vid fryst mat med händerna; de kan fastna.
- Koppla ur kylskåpet före rengöring och avfrostning.

- Lättflyktiga material skall aldrig användas vid avfrostning av kylskåpet. Det kan leda till att ångan kommer i kontakt med elektriska delar och orsaka kortslutning eller elektriska stötar.
- Använd aldrig delar på ditt kylskåp såsom en dörr som stöd eller trappsteg.
- Använd inte elektriska enheter inne i kylskåpet.
- Skada inte delarna med borr eller vassa verktyg, när kylskåpet cirkulerar. Kylmedlet som kan läcka ut om rör eller ytor punkteras kan orsaka hudirritation och ögonskador.
- Täck inte över eller blockera ventilationshålen på kylskåpet med något material.
- Elektriska enheter måste repareras av behöriga fackmän. Reparationer som utförs av personer utan rätt kunskap kan orsaka risk för användaren.
- Vid eventuella fel eller felfunktion under service eller reparationsarbete, skall du koppla ur strömkällan till kylskåpet genom att antingen vrida ur motsvarande säkring eller dra ur sladden.
- Drag inte i kabeln – drag i kontakten.
- Se till att drycker med hög alkoholhalt placeras upprätt och förvaras säkert med fastsatta lock.
- Förvara aldrig spraymedel som innehåller antändbara och explosiva ämnen i kylskåpet.
- Använd inte mekaniska enheter eller andra sätt för att snabba på avfrostningsprocessen, förutom det som rekommenderas av tillverkaren.
- Den här produkten är inte avsedd att användas av personer med nedsatt fysisk, psykisk eller mental förmåga eller oerfarna personer (inklusive barn) om de inte övervakas av en person som ansvarar för deras säkerhet eller instruerar dem i användningen av produkter
- Använd inte ett skadat kylskåp. Kontakta serviceombudet om du har några frågor.
- Elsäkerheten för kylskåpet garanteras endast om jordningssystemet i huset uppfyller de krav som gäller.
- Det är farligt att utsätta produkten för regn, snö, sol och vind med tanke på elsäkerheten.
- Kontakta auktoriserad service om strömkabeln skadas för att undvika fara.
- Koppla aldrig in kylskåpet i vägguttaget under installationen. Det ökar risken för allvarig skada eller dödsfall.
- Det här kylskåpet är endast avsett för förvaring av livsmedel. Det får inte användas för något annat ändamål.
- Etiketten med tekniska specifikationer sitter på vänster insida i kylskåpet.
- Koppla aldrig in kylskåpet till energibesparande system; de kan skada kylskåpet.
- Om det finns en blå lampa på kylskåpet får du inte titta rakt in i den eller titta på den genom optiska verktyg under en längre stund.
- För manuellt kontrollerade kylskåp, vänta i minst 5 minuter för att starta kylskåpet efter strömavbrottet.
- Den här bruksanvisningen ska lämnas till den nya ägaren av produkten när den lämnas till andra.

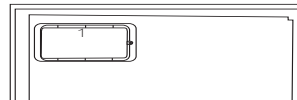
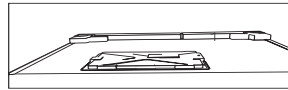
- Undvik att orsaka skada på strömkabeln vid transport av kylskåpet. Om du böjer kabeln kan det orsaka brand. Placera aldrig tunga föremål på strömkabeln. Rör inte vid kontakten med våta händer när du kopplar in produkten.



- Anslut inte kylskåpet till ett eluttag som sitter löst.
- Vatten får av säkerhetsskäl inte sprayas direkt på de inre eller yttre delarna av produkten.
- Spraya inte ämnen som innehåller antändbara gaser, såsom propangas, nära kylskåpet för att undvika brand och explosionsrisk.
- Placera aldrig behållare som är fyllda med vatten på kylskåpet, eftersom det kan orsaka elektrisk kortslutning eller brand.
- Överbelasta inte kylskåpet med för stora mängder mat. Om det överbelastas kan mat falla ned och skada dig och kylskåpet när du öppnar dörren. Placera aldrig föremål på kylskåpet; annars kan de falla ned när du öppnar eller stänger kylskåpsdörren.
- Produkter som behöver en exakt temperaturkontroll (vaccin, värmekänslig medicin, vetenskapliga material etc.) får inte förvaras i kylan.
- Om kylskåpet inte används under en långre tid ska det kopplas från

strömkällan. Ett möjligt problem i strömkabeln kan orsaka brand.

- Kylskåpet kan flytta på sig om de justerbara benen inte sitter fast ordentligt i golvet. Om du förankrar de justerbara benen ordentligt i golvet kan det förhindra att kylskåpet flyttar på sig.
- När du bär på kylskåpet ska du inte hålla i dörrhandtaget. Annars kan det släppa.
- Om du har placerat produkten intill ett annat kylskåp eller en frys ska avståndet mellan enheterna vara minst 8 cm. Annars kan de angränsande väggarna blir fuktiga.
- Använd aldrig produkten om delen som är överst eller bak på produkten har det elektroniskt skrivna kretskortet öppet (skyddet för kretskortet) (1).



## För produkter med vattenbehållare;

- Trycket till ingående vatten ska vara minst 90 psi (620 kPa). Om vattentrycket överstiger 80 psi (550 kPa), använd en tryckbegränsande ventil i ditt huvudsystem. Om du inte vet hur du kontrollerar trycket ska du fråga en yrkesrörmokare.
- Om det finns en risk för att vattenhammaren påverkas i din installation, använd alltid en vattenhammarförhindrande utrustning

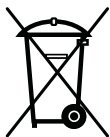
i din installation. Konsultera en yrkesrörmokare om du inte är säker på om vattnet påverkar din installation.

- Installera inte på varmvattenintaget. Vidtag åtgärder mot frysrisiker i slangarna. Vattentemperaturens driftsintervall ska vara minst 33°F (0,6°C) och mest 100°F (38°C).
- Använd bara drickbart vatten.

## Barnsäkerhet

- Om dörren har ett lås ska nyckeln hållas borta från barn.
- Barn ska övervakas för att hindra att de pillar på produkten.

## I enlighet med WEEE-direktivet för hantering av avfallsprodukter:



Den här produkten gäller under EU WEEE-direktivet (2012/19/EU).

Den här produkten är försedd med en klassificeringssymbol för avfallshandling av elektriskt och elektroniskt material (WEEE).

Denna produkt är tillverkad med delar av hög kvalitet samt material som kan återanvändas

och återvinnas. Produkten får inte slängas i hushållssoporna eller i annat avfall vid livsslut. Ta den till en återvinningsstation för elektrisk och elektronisk utrustning. Kontakta din kommun för mer information om närmaste återvinningsstation.

## I enlighet med RoHS-direktivet:

Produkten du har köpt gäller under EU RoHS-direktivet (2011/65/EU). Den innehåller inga av de farliga eller förbjudna material som anges i direktiven.

## Paketinformation

Produktens förpackningsmaterial

tillverkas av återvinningsbara material i enlighet med våra nationella miljöregler. Kassera inte förpackningsmaterial tillsammans med hushållsavfall eller annat avfall. Ta med dem till ett samlingsställe för förpackningsmaterial som anges av de lokala myndigheterna.

## HC-Varning

### Om produktens kylsystem innehåller R600a:

Den här gasen är lättantändlig. Var därför noggrann så att du inte skadar kylsystemet och rören under användning och transport. Om det skulle uppstå någon skada skall produkten hållas borta från potentiella eldkällor som kan göra att produkten fattar eld och du ska ventilerarummet där enheten är placerad.

### Du kan bortse från den här varningen om produktens kylsystem innehåller R134a.

Typen av gas som används i produkten anges på märkplåten som sitter på kylskåpets vänstra insida.

Kasta aldrig produkten i eld när den ska kasseras.

## Saker att göra för att spara energi

- Låt inte dörrarna till kylskåpet stå öppna under en längre tid.
- Placera inte varm mat eller varma drycker i kylskåpet.
- Överbelasta inte kylskåpet så att luften inuti det påverkas.
- Installera inte kylskåpet i direkt solljus eller nära värmeavsöndrande enheter såsom ugn, diskmaskin eller element.
- Observera att mat ska förvaras i tillslutna behållare.

- För produkter med frysack; Du kan lagra maximal mängd mat i frysen när du tar bort hyllan eller lådan till frysen. Energiförbrukningen som anges på kylskåpet har fastställts genom att ta bort fryshyllan eller lådan och ha maximal belastning. Det finns ingen risk i att använda en hylla eller låda enligt formerna och storlekarna på maten som ska frysas.
- Upptining av fryst mat i kylfacket sparar både energi och håller matens kvalitet.

### 3 Installation

⚠ Kom ihåg att tillverkaren inte skall hållas ansvarig om användaren underlåter att observera något i den här bruksanvisningen.

#### Saker att tänka på vid transport av frysskåpet

1. Frysskåpet måste vara tomt och rent före transport.
2. Hyllor, tillbehör, etc. i frysskåpet måste spännas fast ordentligt med tejp före ompaketering.
3. Förpackningen måste fästas ihop med tjock tejp och starka rep och de transportregler som anges på förpackningen måste följas.
4. Om skåpet legat ned under transport skall det stå upprätt i minst två timmar innan strömmen slås på.

#### Glöm inte...

Varje återvunnet material är en ovärderlig källa för naturen och för våra nationella resurser.

Om du vill bidra till återvinningen av förpackningsmaterial kan du hämta ytterligare information från våra miljöorgan eller lokala myndigheter.

#### Innan du använder frysskåpet

Kontrollera följande innan du startar frysskåpet:

1. Är frysskåpet insida torr och kan luften cirkulera fritt bakom det?
2. Du kan installera de två plastklämmorna så som visas på bilden. Plastklämmorna ger rätt avstånd mellan frysskåpet och väggen för att tillåta luften att cirkulera.

(Bilden som visas är bara ett exempel och överensstämmer inte exakt med din produkt.)

3. Rengör frysskåpet insida enligt rekommendationerna i avsnittet "Underhåll och rengöring".
4. Koppla in frysskåpet i vägguttaget. När kylskåpsdörren öppnas kommer den invändiga belysningen att tändas.
5. Du kommer att höra ett bullrande ljud när kompressorn startar. Vätska och gas inne i produkten kan också ge upphov till ljud, även om kompressorn inte körs och detta är helt normalt.
6. De främre kanterna på frysskåpet kan kännas varma. Detta är normalt. De här områdena är utformade för att bli varma och därmed undvika kondens

#### Elektrisk anslutning

Anslut produkten till ett jordat uttag som skyddas av en säkring med lämplig kapacitet.

Viktigt:

- Anslutningen måste ske i enlighet med nationell lagstiftning.
- Strömkabelns kontakt måste vara lätt att komma åt efter installationen.
- Den angivna spänningen måste överensstämma med strömkällans spänning.
- Förlängningskablar och grenkontakter får inte användas för anslutningen.

⚠ En skadad strömkabel måste bytas av en behörig elektriker.

⚠ Produkten får inte användas innan den reparerats! Det finns risk för kortslutning!

#### Kassering av förpackningen

Förpackningsmaterial kan vara farligt för barn. Förvara förpackningsmaterialen utom räckhåll för barn eller kassera dem i enlighet med gällande avfallsregler. Kassera dem inte med hushållsavfallet.

Förpackningsmaterialet för ditt frysskåp produceras av återvinningsbara material.

## **Kassering av ditt gamla skåp**

Kassera ditt gamla frysskåp utan att skada miljön.

- Du kan kontakta en auktoriserad återförsäljare eller ett återvinningscenter angående avyttring av ditt frysskåp.

Innan du kasserar frysskåp, dra ur strömkontakten och, om det finns några lås på dörren, göra dem obrukbara för att förhindra att barn skadar sig.

## **Placering och installation**

1. Installera frysskåpet på en plats där det är lättåtkomligt.
2. Håll frysskåpet borta från värmekällor, fuktiga platser och direkt solljus.
3. Det måste finnas tillräcklig ventilation runt frysskåpet för att uppnå effektiv användning. Om frysskåpet placeras i en hålighet i väggen måste det vara ett avstånd på minst 5 cm till taket och 5 cm till väggen.
4. Placera frysskåpet på en jämn och plan golvyta för att förhindra lutningar.
5. Frysbox kan placeras i kalla rum, helt ner till -15 °C. Det ger dig möjlighet att placera frysen i t.ex. sommarstugan, garaget eller redskapsrummet.

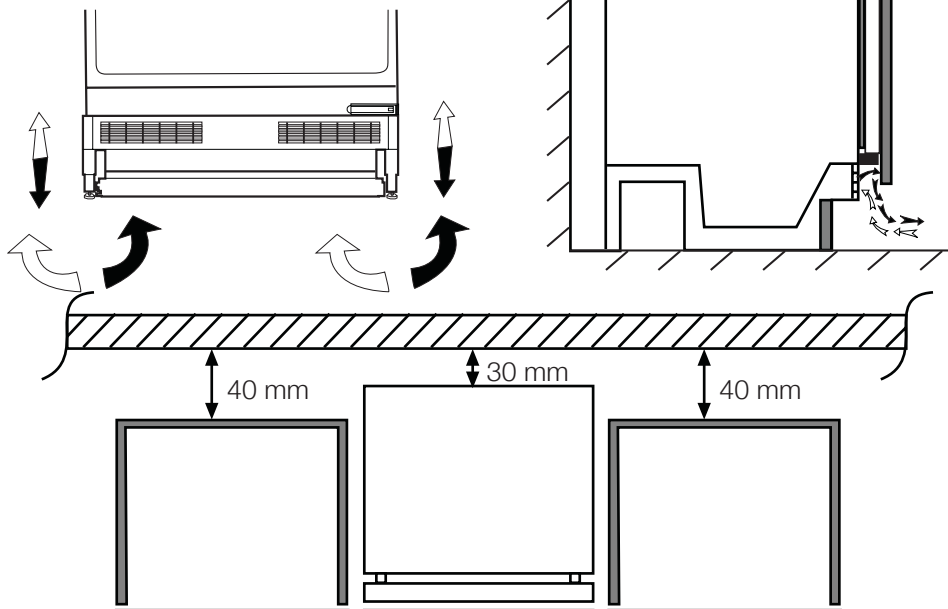
## Placera kylskåpet under bänken och justera benen

När du placerar kylskåpet ska avståndet mellan produkten och väggen vara minst 30 cm, så som visas på bilden.

Luftsugkanalerna får inte blockeras, då kan kylskåpets prestanda försämrans. (140 cm<sup>2</sup>)

Om kylskåpet är obalanserat;

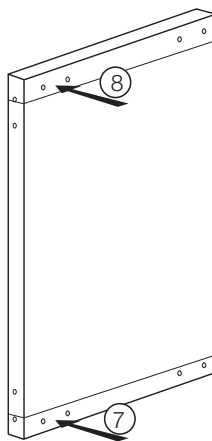
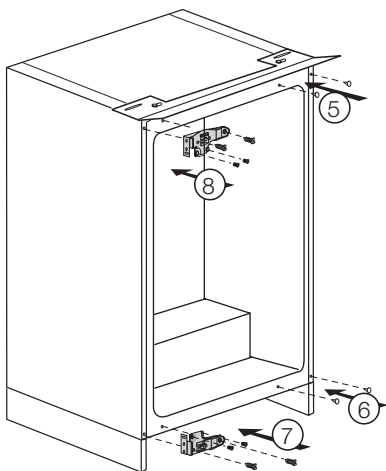
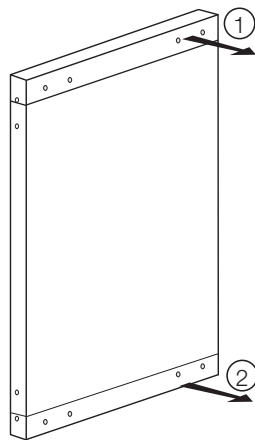
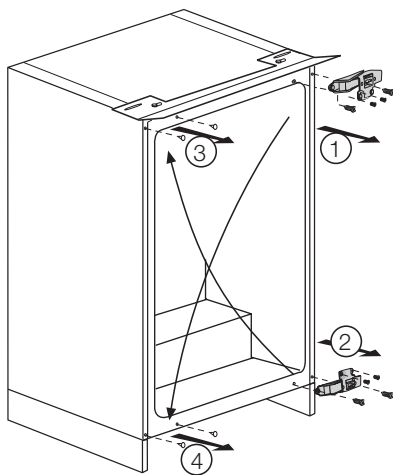
Du kan vrida frambenen på kylskåpet, så som visas på bilden, och på så sätt få det stabilare. Benets hörn sänks när benet vrids i den svarta pilens riktning. Det höjs när benet vrids åt andra hållet. Det blir enklare om du får hjälp av någon som kan lyfta enheten under det här arbetet.





# Byte av dörrar

Gå tillväga i nummerordning



## 4 Förberedelse

---

- Kylskåpet skall installeras minst 30 cm från värmekällor, såsom spis, ugn och centralvärme och minst 5 cm från elektriska ugnar och får inte placeras i direkt solljus.
- Den omgivande temperaturen i rummet där du installerar kylskåpet skall vara minst 10°C. Användning av kylskåpet i lägre temperaturer rekommenderas inte.
- Se till att kylskåpet är ordentligt rengjort invändigt.
- Om ni önskar att placera ett kylskåp och ett frysskåp bredvid varandra, som "side-by-side", skall ni använda ett monteringsset. Monteringssetet innehåller en matta och en dekorationslist. Mattan skall monteras på sidan av det ena skåpet, med lite luft mellan. Dekorationslisten monteras mellan de två skåpen, så att den döljer mellanrummet mellan skåpen. Monteringssetet är inte en del av produkten och skall levereras som tillbehör.
- Vid användning av kylskåpet för första gången skall du observera följande anvisningar under de första sex timmarna.
  - Dörren får inte öppnas för ofta.
  - Det måste köras tomt utan mat.
  - Dra inte ur sladden till kylskåpet. Om det inträffar ett strömavbrott som ligger utanför din kontroll, se varningarna i avsnittet "Rekommenderade lösningar på problem".
- Korgarna/lådorna som medföljer kylfacket måste alltid användas för lägre energikonsumtion och för bättre lagringsvillkor.
- Om mat kommer i kontakt med temperatursensorn i frysfacket kan det öka energikonsumtionen för utrustningen. Därför måste all kontakt med denna sensor (dessa sensorer) undvikas.
- Originalförpackning och skumplastmaterial skall sparas för framtida transport.
- I vissa modeller stänger instrumentpanelen av 5 minuter efter att luckan har stängts. Den kommer att återaktiveras när luckan har öppnats, eller när en knapp tryckts in.
- På grund av temperaturförändringar som resulterar av att öppna / stänga dörren under drift, är kondens på dörr- / kylskåpshyllor och glasbehållare normalt.

## 5 Använda kylskåpet

### Ställ in driftstemperaturen

Driftstemperaturen regleras med temperaturreglaget.



Välj inställning enligt önskad temperatur.

Den invändiga temperaturen beror också på den omgivande temperaturen, hur ofta dörren öppnas och hur mycket mat som förvaras i kylskåpet.

Frekvent öppnande av dörren gör att den invändiga temperaturen stiger.


Av denna anledning bör man stänga dörren så fort som möjligt efter användning.

Den normala lagringstemperaturen för din enhet är  $-18\text{ }^{\circ}\text{C}$  ( $0\text{ }^{\circ}\text{F}$ ). Lägre temperaturer kan uppnås genom att justera termostatvredet mot position 4. (eller Max.)

Vi rekommenderar kontroll av temperaturen med en termometer för att kontrollera att förvaringshyllorna håller önskad temperatur. Kom ihåg att läsa av omedelbart eftersom temperaturen stiger mycket snabbt då du avlägsnar termometern från frysen.

### Frysning

#### Frysning av mat

Frysområdet är märkt med  den här symbolen.

Du kan använda enheten för frysning av färsk mat samt för förvaring av djupfrost mat

Se rekommendationerna på matförpackningen.

#### **Observera**

Frys inte kolsyrade drycker, eftersom flaskan kan spricka.

Var försiktig med frysta produkter som t.ex. färgade isbitar.

Överskrid inte din enhets infrysningskapacitet under 24 timmar. Se märketiketten.

För att bibehålla matens kvalitet, skall den frysas så fort som möjligt.

På detta sätt överskrids inte fryskapaciteten, och temperaturen inuti frysen kommer inte att stiga.

#### **Observera**

Förvara alltid redan djupfrost mat separat från nyligen frost mat.

Vid djupfrysning av varm mat, kommer kylkompressorn att slås på till dess att maten är helt frost. Detta kan tillfälligt leda till extra kylning av kylskåpet.

Om du tycker att frysdörren är svår att öppna precis då du stängt den, var inte orolig. Detta beror på tryckskillnaden som jämnar ut sig så att dörren kan öppnas normalt efter några minuter.

Du kommer att höra ett vakuum-ljud precis då dörren stängts. Detta är helt normalt.

- Frost mat kan förvaras upp till 3 månader i temperaturer under  $-18^{\circ}\text{C}$ . Förvaringsperioderna kan variera beroende på typen av mat. Förvaringsperiodernas sista datum för sådan mat indikeras på förpackningen från tillverkaren.

- Fryst mat som du har köpt ska placeras i frysen innan den tinar.
- Fryst mat måste förvaras i facken med lådor.

För att säkerställa att hög kvalitet uppnås av tillverkaren för fryst mat och detaljisten som har sålt maten ska följande beaktas:

1. Placera förpackningarna i frysen så snabbt som möjligt efter inköpet.
2. Överskrid inte "Bäst före"-datum på förpackningen.
3. Observera att lådor, hyllor, fack och luckor är löstagbara.

## Avfrostning

En ökning av tjockleken av isen som bildas i utsläppsenheten i kylskåpet minskar kylningseffekten.

Därför måste du avfrostasien när tjockleken runt utsläppet når omkring 5 mm. Vi rekommenderar att du avfrostar när kylskåpet är tomt eller inte innehåller mycket mat.

Vira in maten i kylskåpet i några lager papper och lägg dem på den svalaste platsen eller i ett annat kylskåp.

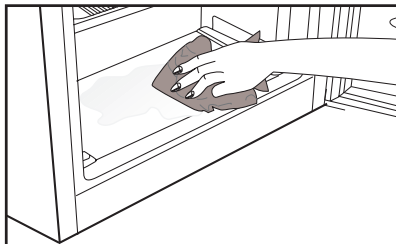
Vrid termostaten till läget "av" eller koppla ur strömkabeln för att genomföra avfrostningen.

Ta ur lådorna ur kylskåpet (du behöver inte avlägsna locket till facket om det är utrustat med ett lock). Efter viss tid smälter vatten som samlas i uppsamlingsstället längst ned i kylskåpet.

Avlägsna det vatten som har samlats med en mjuk svamp eller liknande och torka ut uppsamlingsstället noggrant.

Glöm inte att vrida termostatinställningsknappen till en annan position än "av" för att starta om kylskåpet.

Kör frysen i 2 timmar när den är tom och dörrarna stängda innan du placerar mat i djupfrysen.



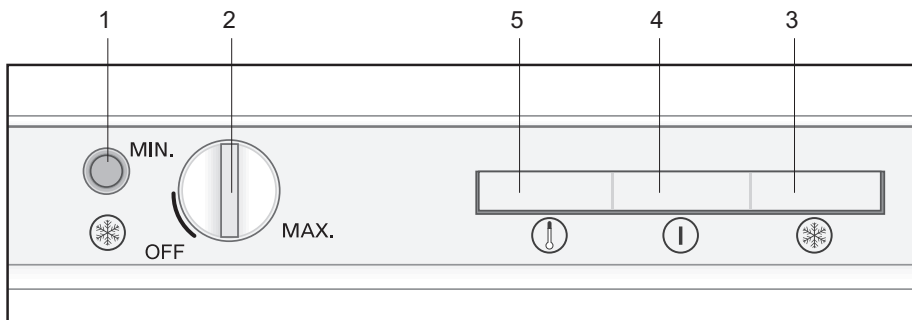
## Stoppa produkten

Om termostaten är utrustad med positionen "0":

- Produkten slutar arbeta när du vrider termostaten till position "0" (noll). Din produkt startar inte om du inte vrider termostattvredet till position "1" eller en av de andra positionerna igen.

Om termostaten är utrustad med positionen "min":

- Koppla ur produkten för att stoppa den.



## Lysdioder och kontrollpanel

Lysdioderna på kylskåpets framsida är avsedda att hjälpa dig övervaka driften för enheten.

Förvara maten i kylskåpet på ett säkert sätt genom att övervaka och använda de här lysdioderna och kontrollerna så som förklaras nedan:

**Snabbfrysningsknapp (1):** Används för att frysa ned maten snabbt. Kompressorn kanske inte fungerar direkt, utan efter en viss stund när knappen trycks in och detta är helt normalt.

**Termostatinställningsknapp (2):** Används för att ställa in kylan mellan mini- och maxvärden.

Enheten kan stängas AV när knappen justeras till en nivå som ligger under MIN. När den gröna indikatorn stängs AV stängs även enheten AV.

När den stängs AV (även för avfrostning) ska du justera knappen till en nivå över MIN för att se till att den slås PÅ igen. När enheten slås PÅ tänds den gröna indikatorn.

**Orange lysdiod (3):** Tänds när snabbfrysningsknappen på lysdiodspanelen trycks in. I så fall går kylskåpet oavbrutet.

Tryck på knappen igen när maten du vill frysa ned har uppnått önskad temperatur så släcks den orange lysdioden.

**Grön lysdiod (4):** Tänds med fast sken efter att du har kopplat in kylskåpet.

**Röd lysdiod (5):** Den här lysdioden tänds med fast sken när kylskåpet börjar arbeta, om inte tillräcklig kyleffekt uppnås, när kylskåpsdörren står öppen en längre tid och när för mycket mat stoppas in i kylskåpet.

Om den röda lysdioden tänds och lyser med fast sken när förutsättningarna i kolumnen jämte inte finns så ska du kontakta kundtjänst.

## 6 Underhåll och rengöring

---

- ⚠ Använd aldrig bensen, bensin eller liknande ämnen för rengöring.
- ⚠ Vi rekommenderar att du kopplar ur utrustningen före rengöring.
- ⚠ Använd aldrig vassa instrument eller slipande medel, tvål, rengöringsmedel, tvättmedel eller polish för rengöring.
- ⚠ För icke-No Frost-produkter kan vattendroppar och frost upp till en fingerbredd högt förekomma på den bakre väggen av kylutrymmet. Rengöra den inte; använd aldrig olja eller liknande medel på den.
- ⚠ Använd endast lätt fuktad mikrofibertrasa för att rengöra produktens yta. Svampar och andra typer av rengöringsprodukter kan repa produktens yta.
- ℹ Använd ljummet vatten för rengöring av enhetens skåp och torka det torrt.
- ℹ Använd en fuktig trasa urvriden i en lösning av en tesked bikarbonatsoda till en halv liter vatten, torka ur interiören och torka sedan torrt.
- ⚠ Se till att inget vatten tränger in i lampkåpan och i andra elektriska tillbehör.
- ⚠ Om enheten inte kommer att användas under en längre tid, stäng då av den, plocka ur all mat, rengör den och lämna dörren på glänt.
- ℹ Kontrollera dörrtätningen regelbundet så att den är ren och fri från matrester.
- ⚠ För att ta bort ett dörrfack tar du först ur allt innehåll och trycker sedan enkelt upp det från sitt fäste.
- ⚠ Använd aldrig rengöringsmedel eller vatten med kloring för att rengöra de utvändiga ytorna och krombelagda delarna på produkten. Klorin orsakar korrosion på sådana metallytor.
- ⚠ Använd inte vassa och skrapande verktyg, eller tvål, rengöringsmedel för hemmabruk, rengöringsmedel, bensen, bensin, vax eller liknande, klistermärkena på plastdelarna lossnar då och deformation kan ske. Använd varmt vatten och en mjuk trasa för rengöring, torka sedan rent.

### Skydd av plastytor

- ℹ Förvara inte rinnande olja eller mat som har tillagats i olja utan att vara tillslutna i kylskåpet, eftersom det kan skada kylskåpets plastytor. Om du spillar olja på plasten, rengör och skölj ytan direkt med varmvatten.

## 7 Rekommenderade lösningar på problem

Titta igenom listan innan du tillkallar service. Det kan spara både tid och pengar. Den här listan inkluderar vanliga klagomål som inte uppstår till följd av defekter i tillverkningen eller materialanvändningen. Vissa av funktionerna som beskrivs här kanske inte finns på din produkt.

Kylen fungerar inte
<ul style="list-style-type: none"><li>• Är kylskåpet korrekt inkopplat? Sätt i vägguttaget.</li><li>• Har säkringen som är ansluten till kylskåpet gått? Kontrollera säkringen.</li></ul>
Kondens på kylskåpets sidoväggar (MULTIZON, KYLKONTROLL och FLEXIZON).
<ul style="list-style-type: none"><li>• Mycket kalla omgivande förhållanden. Dörren öppnas och stängs ofta. Hög luftfuktighet i den omgivande luften. Lagring av mat med vätska i öppna behållare. Dörren har lämnats öppen. Vrid termostaten till ett kallare läge.</li><li>• Minska tiden som dörren lämnas öppen eller öppna inte så ofta.</li><li>• Täck över mat som lagras i öppna behållare med ett lämpligt material.</li><li>• Torka av kondens med en torr trasa och kontrollera om den kvarstår.</li></ul>
Kompressorn går inte
<ul style="list-style-type: none"><li>• Det termiska skyddet i kompressorn kommer att lösas ut vid plötsliga strömavbrott då kylskåpets tryck i kylsystemet inte har balanserats. Ditt kylskåp startar efter omkring 6 minuter. Tillkalla service om kylskåpet inte startar i slutet av den här perioden.</li><li>• Frysaren är i avfrostningsläge. Det här är normalt för en helautomatiskt avfrostande kyl. Avfrostningscykeln inträffar regelbundet.</li><li>• Kylskåpet är inte inkopplat i strömkällan. Kontrollera att kontakten sitter ordentligt i uttaget.</li><li>• Är temperaturinställningen korrekt?</li><li>• Strömmen kan kapas.</li></ul>
Kylskåpet körs ofta eller under en längre tid.

- Din nya produkt kan vara bredare än det gamla. Detta är helt normalt. Stora kylskåp arbetar under en längre tidsperiod.
- Den omgivande rumstemperaturen kan vara hög. Detta är helt normalt.
- Kylskåpet kan ha varit inkopplat nyligen eller ha fyllts på med mat. Det kan ta flera timmar innan kylskåpet har kylts ned helt.
- Stora mängder mat kanske har placerats i kylskåpet nyligen. Varm mat gör att kylskåpet arbetar längre för att uppnå önskad temperatur.
- Dörren kanske har öppnats ofta eller lämnats öppen under en längre tid. Den varma luften som har kommit in i kylskåpet gör att kylskåpet arbetar under längre perioder. Öppna inte dörrarna så ofta.
- Frysens eller kylfackets dörr kanske har lämnats öppen. Kontrollera om dörren är ordentligt stängd.
- Kylskåpet är inställt på en mycket kall nivå. Justera kylskåpstemperaturen till en högre nivå tills temperaturen är enligt önskemål.
- Dörrens tätning på kyl eller frys kan vara sliten, smutsig eller trasig. Rengör eller byt tätningen. Skadade tätningar kan göra att kylskåpet körs under en längre tid för att bibehålla den aktuella temperaturen.

Frystemperaturen är mycket låg när kyltemperaturen är normal.

- Frysens temperatur är inställd på en mycket kall nivå. Justera frystemperaturen till en högre nivå och kontrollera.

Kyltemperaturen är mycket låg när frystemperaturen är normal.

- Kylens temperatur kanske är inställd på en mycket låg temperatur. Justera kyltemperaturen till en högre nivå.

Mat som förvaras i kylskåpsfacken fryser.

- Kylens temperatur kanske är inställd på en mycket låg temperatur. Justera kyltemperaturen till en högre nivå.

Temperaturen i kylan eller frysen är mycket hög.

- Kylens temperatur kanske är inställd på en mycket hög temperatur. Kylinställningen påverkar frysens temperatur. Sänk temperaturen för kyl eller frys tills den ligger på acceptabel nivå.
- Dörren kanske har öppnats ofta eller lämnats öppen under en längre tid.
- Kylskåpsdörren kan ha lämnats öppen; stäng dörren direkt.
- Stora mängder mat kanske har placerats i kylskåpet nyligen. Vänta tills kylan eller frysen uppnår önskad temperatur.
- Kylskåpet kanske nyligen har kopplats in. Nedkylningen kan ta tid.

Kylskåpet dånar när det går.

- Egenskaperna hos kylskåpet kan ändras enligt den omgivande temperaturen. Detta är normalt och inte något fel.

Vibrationer eller felbalans.



<ul style="list-style-type: none"> <li>• Golvet är ojämnt eller svagt. Kylskåpet skakar när det rör sig långsamt. Säkerställ att golvet är rakt, kraftigt och att det klarar tyngden från kylskåpet.</li> <li>• Ljudet kan orsakas av saker som ligger ovanpå kylan. Föremål på kylskåpet ska tas bort.</li> </ul>
Det förekommer ljud från kylskåpet som låter som dropp eller sprutning.
<ul style="list-style-type: none"> <li>• Vätske- och gasflöden sker i enlighet med användningsprinciperna för ditt kylskåp. Detta är normalt och inte något fel.</li> </ul>
Det förekommer ljud som låter som vind.
<ul style="list-style-type: none"> <li>• Fläktar används för att kyla ned kylskåpet. Detta är normalt och inte något fel.</li> </ul>
Kondens på innerväggarna i kylskåpet.
<ul style="list-style-type: none"> <li>• Varmt och fuktigt väder ökar isbildning och kondens. Detta är normalt och inte något fel.</li> <li>• Dörrarna kan ha lämnats öppna; se till att stänga dörrarna ordentligt.</li> <li>• Dörren kanske har öppnats ofta eller lämnats öppen under en längre tid.</li> </ul>
Fukt bildas på kylskåpets utsida eller mellan dörrarna.
<ul style="list-style-type: none"> <li>• Det kan finnas fukt i luften; detta är normalt vid fuktig väderlek. När fuktnivån är lägre försvinner kondensen.</li> </ul>
Dålig lukt inne i kylan.
<ul style="list-style-type: none"> <li>• Kylskåpets insida måste rengöras. Rengör kylskåpets insida med en svamp och varmt vatten.</li> <li>• Vissa behållare eller förpackningsmaterial kan orsaka lukt. Använd en annan behållare eller olika förpackningsmaterial.</li> </ul>
Dörren stängs inte.
<ul style="list-style-type: none"> <li>• Matpaket kan vara i vägen. Byt ut förpackningarna som ligger ivägen för dörren.</li> <li>• Kylskåpet står inte helt rakt på golvet och svajar lätt när det förflyttas. Justera lyftskruvarna.</li> <li>• Golvet är inte helt plant eller tillräckligt starkt. Säkerställ att golvet är rakt, kraftigt och att det klarar tyngden från kylskåpet.</li> </ul>
Grönsaker fastnar.
<ul style="list-style-type: none"> <li>• Maten kanske vidrör taket i lådan. Sortera om maten i facket.</li> </ul>



**Kjøl/Frys**

Bruksanvisning

**Jääkaappi/Pakastin**

Käyttöopas

**Diepvriezer**

Gebruiksaanwijzing

**Frigorifer**

Manuali i përdoruesit



F60096EB

BU 1200 - BU 1201- BU 1203N - BU1204N



**NO / FIN / NL / SQ**

48 4918 0004 / BA  
3/4

## Vennligst les denne veiledningen først!

Kjære kunde,

Vi håper at produktet ditt, som er produsert ved moderne fabrikker og som har gått igjennom strenge kvalitetskontrollprosedyrer, fullt ut vil dekke dine behov.

Derfor ber vi deg lese nøye gjennom denne veiledningen før du bruker produktet, og beholde denne for fremtidig bruk.

## Bruksanvisningen

- Vil hjelpe deg til å bruke apparatet på en hurtig og sikker måte.
  - Vennligst les bruksanvisningen før du installerer og bruker produktet.
  - Følg instruksjonene, spesielt de som angår sikkerheten.
  - Hold veiledningen lett tilgjengelig, siden du kan ha behov for den senere.
  - Les også de andre dokumentene som ble levert sammen med produktet.
- Vennligst merk at denne bruksanvisningen kan gjelde for flere andre modeller.

## Symboler og beskrivelser av disse

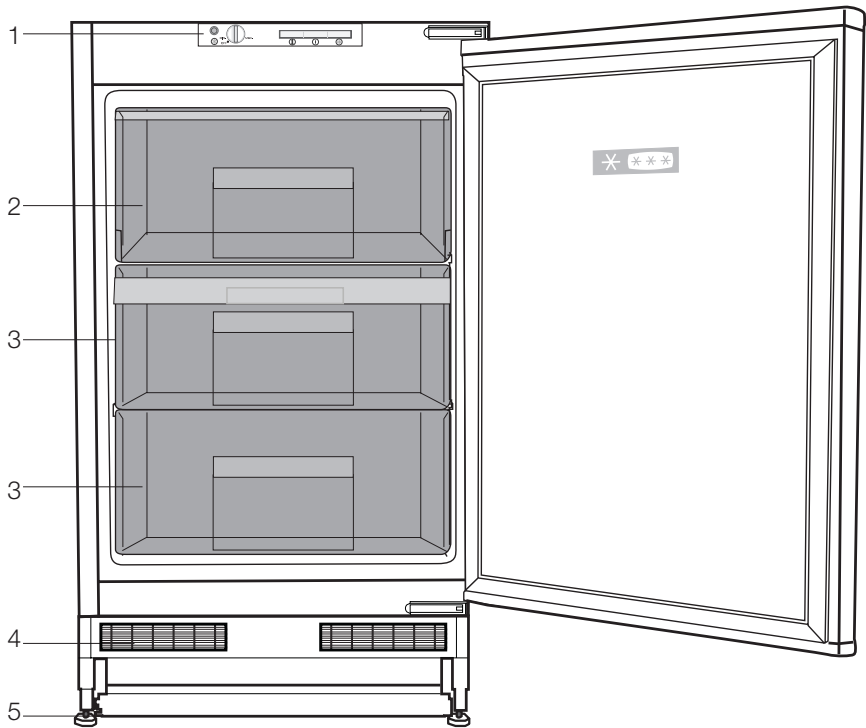
Denne veiledningen inneholder følgende symboler:

-  Viktig informasjon eller nyttige tips om bruk.
-  Advarsel om farlige tilstander for liv og eiendom.
-  Advarsel om elektrisk spenning.

## INNHOOLD

<b>1 Kjøleskapet</b>	<b>3</b>	<b>4 Forberedelse</b>	<b>13</b>
<b>2 Viktige sikkerhetsadvarsler</b>	<b>4</b>	<b>5 Bruk av kjøleskapet</b>	<b>14</b>
Beregnet bruk.....	4	Stille driftstemperaturen .....	14
For produkter med en vanndispenser: .....	7	Frysing .....	14
Barnesikring .....	7	Tining .....	15
Samsvar med WEEE-direktivet og Deponering av avfallsproduktet: .....	7	Stoppe produktet .....	15
Samsvar med RoHS-direktivet:.....	8	LED- indikatorer og kontroll panel.....	16
Informasjon om emballasjen .....	8	<b>6 Vedlikehold og rengjøring</b>	<b>17</b>
HC-advarsel .....	8	Beskyttelse av plastoverflater .....	17
Ting å gjøre for å spare energi .....	8	<b>7 Anbefalte løsninger på problemer</b>	<b>18</b>
<b>3 Installasjon</b>	<b>9</b>		
Punkter som er viktige ved ny transportering av kjøleskapet .....	9		
Før du bruker kjøleskapet .....	9		
Elektrisk tilkobling .....	9		
Bortskaffing av emballasjen .....	10		
Bortskaffing av det gamle kjøleskapet .....	10		
Plassering og installasjon.....	10		
Plassering av kjøleskapet under kjøkkenbenken og justering av bena	11		
Omhengsling av dørene.....	12		

# 1 Kjøleskapet



- 1- Kontrollpanel
- 2- Hurtigfrysingsdel
- 3- Frossenmatoppbevaringsdel
- 4- Ventilasjonslokk
- 5- Justerbare ben

Figurene i denne veiledningen er skjematiske og kan derfor være litt forskjellige fra ditt produkt. Hvis noen deler ikke medfølger produktet du har kjøpt, gjelder den for andre modeller.

## 2 Viktige sikkerhetsadvarsler

Vennligst les følgende informasjon. Hvis denne informasjonen ikke overholdes, kan det forårsake personskader eller materialskader. Videre vil garanti og pålitelighetsløfte bli ugyldig.

Originale reservedeler vil bli gitt i 10 år etter kjøpsdatoen for produktet.

### Beregnet bruk

	<b>ADVARSEL:</b> Sørg for at ventilasjonsåpningene i apparatets kabinett eller i den innebygde strukturen ikke blokkeres.
	<b>ADVARSEL:</b> Bruk ikke andre mekaniske innretninger eller midler for å akselerere avisingsprosessen enn det som er anbefalt av produsenten.
	<b>ADVARSEL:</b> Ikke skad kjølekretsen.
	<b>ADVARSEL:</b> Ikke bruk elektriske apparater inne i oppbevaringsrommene for mat i apparatet, med mindre de er av en type som anbefales av produsenten.
	<b>ADVARSEL:</b> Ikke oppbevar eksplosive stoffer, slik som aerosolbokser med antennelig drivmiddel i dette apparatet.

Dette apparatet er beregnet til bruk i husholdninger og lignende bruksområder som f.eks.

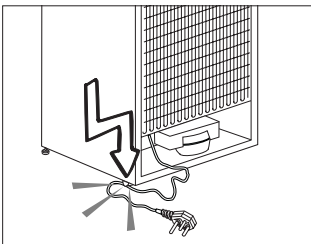
- kjøkkenområder med ansatte i butikker, kontorer og andre arbeidsmiljøer;
- gårdshus og av kunder i hoteller, moteller og andre typer boligmiljøer;
- overnattingssteder med frokost;
- catering og lignende bruksområder utenom detaljhandel.

### Generell sikkerhet

- Når du ønsker å kaste/skrote produktet, anbefaler vi at du forhører deg med autorisert service for å få nødvendig informasjon og autoriserte myndigheter.
- Hør med autorisert service når det gjelder alle spørsmål og problemer relatert til kjøleskapet. Ikke foreta endringer eller la noen andre foreta endringer på kjøleskapet uten å varsle autorisert service.
- For produkter med en fryserdel: Ikke spis iskrem med kjeks eller isbiter straks etter at du tar dem ut av fryseren! (Dette kan forårsake frostbitt i munnen.)
- For produkter med en fryserdel: Ikke putt drikkevarer på flaske eller bokser i fryseren. Dette kan føre til at de sprekker.
- Ikke rør frossen mat med hendene, da disse kan hefte seg til hånden.

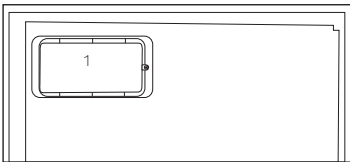
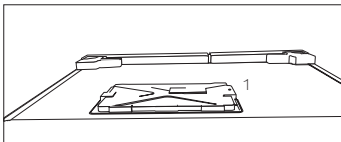
- Trekk ut støpselet før rengjøring eller avising.
- Damp og amprenghjøringsmaterialer skal aldri brukes i rengjørings- og avtiningsprosesser for kjøleskapet. I slike tilfeller kan dampen komme i kontakt med de elektriske planene og forårsake kortslutning eller elektrisk sjokk.
- Bruk aldri deler på kjøleskapet slik som døren som støtte eller trinn.
- Ikke bruk elektriske innretninger på innsiden av kjøleskapet.
- Ikke ødelegg delene der kjølevæsken sirkulerer, med drill eller kutteverktøy. Kjølevæsken som kan strømme ut når gasskanaler for fordampere, rørforlengelser eller overflatebelegg punkteres, kan forårsake hudirritasjon og øyeskader.
- Ikke dekk til eller blokker ventilasjonsåpningene på kjøleskapet med noe materiale.
- Elektriske enheter må kun repareres av autoriserte personer. Reparasjoner som utføres av en inkompetent person kan forårsake fare for brukeren.
- I tilfelle feil under vedlikehold eller reparasjonsarbeid, kople fra kjøleskapets strømforsyning ved å slå av relevant sikring eller trekke ut støpselet.
- Ikke trekk etter ledningen når du trekker ut støpselet.
- Sørg for at alkoholholdige drikkevarer med høy alkoholinnhold lagres trygt med lokket festet og plassert oppreist
- Lagre aldri spraybokser som inneholder antenkelig og eksplosive stoffer i kjøleskapet.
- Ikke bruk mekanisk utstyr eller andre midler for å akselerere avisingsprosessen annet enn slikt utstyr som produsenten anbefaler.
- Dette produktet er ikke beregnet til bruk av personer med fysiske, sensoriske eller mentale forstyrrelser eller personer som ikke er opplært eller ikke har erfaring (inkludert barn), med mindre det holdes under oppsyn av personer som er ansvarlige for deres sikkerhet eller som vil instruere dem tilstrekkelig i bruk av produktet.
- Ikke bruk et ødelagt kjøleskap. Hør med serviceagenten hvis du har spørsmål.
- Elektrisk sikkerhet på kjøleskapet kan garanteres kun hvis jordingen i hjemmet oppfyller standardene.
- Det er farlig å utsette produktet for regn, snø, sol og vind pga. elektrisk sikkerhet.
- Ta kontakt med autorisert service når en strømkabel skades for å unngå fare.

- Plugg aldri kjøleskapet inn i vegguttaket under installasjonen. Dette kan føre til fare for døden eller alvorlig skade.
- Dette kjøleskapet er kun beregnet til for å oppbevare mat. Det skal ikke brukes til noen andre formål.
- Merket med tekniske spesifikasjoner befinner seg på venstre vegg inne i kjøleskapet.
- Koble aldri kjøleskapet til strømsparesystemer, de kan skade kjøleskapet.
- Dersom det er et blått lys på kjøleskapet, ikke se på det med det blotte øye eller ved hjelp av optiske verktøy over lengre tid.
- For manuelt kontrollerte kjøleskap vent i minst 5 minutter for å starte kjøleskapet etter et strømbrudd.
- Denne brukerhåndboken skal overleveres til neste eier av produktet hvis det skifter eier.
- Unngå å skade strømkabelen ved transport av kjøleskapet. Bøying av kabelen kan forårsake brann. Plasser aldri tunge gjenstander på strømledningen. Ikke berør støpselet med våte hender når du kobler til produktet.
- Ikke koble til kjøleskapet hvis vegguttaket er løst.
- Ikke sprut vann direkte på de ytre eller indre delene av produktet av sikkerhetsmessige grunner.
- Ikke spray stoffer som inneholder antennelige gasser, slik som propangass i nærheten av kjøleskapet for å unngå brann- og eksplosjonsfare.
- Ikke plasser gjenstander som er fylt med vann oppå kjøleskapet, da det kan føre til elektrisk støt eller brann.
- Ikke overbelast kjøleskapet med for mye mat. Hvis det overlastes, kan maten falle ned og skade deg og kjøleskapet når du åpner døren. Ikke plasser gjenstander oppe på kjøleskapet, da disse kan falle ned ved åpning eller lukking av kjøleskapsdøren.
- Produkter som trenger en nøyaktig temperaturkontroll (vaksiner, varmesensitive medisiner, forskningsmaterialer osv.), skal ikke oppbevares i kjøleskapet.
- Hvis det ikke skal brukes på lang tid, skal kjøleskapet kobles fra strømuttaket. Et problem i den elektriske kabelen kan føre til brann.
- Kjøleskapet kan flytte seg hvis de justerbare beina ikke er riktig sikret på gulvet. Riktig sikring av justerbare bein på gulvet kan forhindre at kjøleskapet flytter seg.





- Når du bærer kjøleskapet, ikke hold det etter dørhåndtaket. Da kan det knekke av.
- Hvis du må plassere produktet ved siden av et annet kjøleskap eller fryser, skal avstanden mellom enheten være minst 8 cm. Ellers kan sideveggene som grenser til hverandre bli fuktige.
- Bruk aldri produktet hvis den del som ligger på toppen eller bak på produktet som har elektroniske kretskort inne, er åpen (deksel for elektronisk kretskort) (1).
- Hvis det er fare for vannslageffekt i installasjonen, må du alltid bruke forebyggende utstyr for vannslag i installasjonen. Rådfør med profesjonelle rørleggere hvis du ikke er sikker på at det ikke er vannslageffekt i installasjonen.
- Ikke installer på varmtvannsinntaket. Ta forholdsregler mot risikoen for frysing av slangene. Driftsintervallet for vanntemperaturen skal være 0,6 °C og minst 38 °C maks.
- Bruk kun drikkevann.



### For produkter med en vanddisplenser:

- Trykket for kaldtvannsinntaket skal være maksimalt 90 psi (620 kPa). Hvis vanntrykket overstiger 80 psi (550 kPa), må du bruke en trykkbegrensningsventil i ledningsnettets. Hvis du ikke vet hvordan du skal sjekke vanntrykket, be om hjelp fra en profesjonell rørlegger

### Barnesikring

- Hvis du har en lås på døren, skal nøkkelen oppbevares utilgjengelig for barn.
- Barn må passes på for å sikre at de ikke tukler med produktet.

### Samsvar med WEEE-direktivet og Deponering av avfallsproduktet:



Dette produktet er i samsvar med EU-direktivet som omhandler elektronisk og elektrisk utstyr (2012/19/EU). Dette produktet har et klassifiseringsymbol for sortering av avfall elektrisk og elektronisk utstyr (WEEE).

Dette produktet er laget av høykvalitetsdeler og -materialer som kan gjenbrukes og resirkuleres. Produktet

skal ikke kastes sammen med normalt husholdningsavfall og annet avfall på slutten av levetiden. Ta det med til et innsamlingspunkt for resirkulering av elektriske og elektroniske innretninger. Vennligst forhør deg med de lokale myndighetene for å få opplysninger om slike innsamlingssteder.

## **Samsvar med RoHS-direktivet:**

Produktet du har kjøpt er i samsvar med EU-RoHS-direktivet (2011/65/EU). Det inneholder ingen farlige eller forbudte substanser som er angitt i direktivet.

## **Informasjon om emballasjen**

Emballasjen for dette produktet er produsert av resirkulerbart materiale, i hht. nasjonale miljøforskrifter. Ikke kast emballasjen sammen med normalt husholdningsavfall eller annet avfall. Ta dem til et lokalt innsamlingspunkt som er beregnet på emballasjematerialer.

## **HC-advarsel**

### **Hvis produktets kjølesystem inneholder R600a:**

Denne gassen er brennbar. Derfor, vær forsiktig så kjølesystemet og rørene ikke ødelegges under bruk og transport. I tilfelle skade skal produktet holdes på avstand fra potensielle brannkilder som kan gjøre at produktet begynner å brenne, og ventiler rommet der enheten er plassert.

### **Ignorer denne advarselen hvis produktets kjølesystem inneholder R134a:**

Typen gass som brukes i produktet er oppgitt på typeskiltet som finnes på venstre vegg inne i kjøleskapet.

Kast aldri produktet inn i flammer.

## **Ting å gjøre for å spare energi**

- Ikke hold dørene til kjøleskapet åpne over lang tid.
- Ikke putt varm mat eller drikke i kjøleskapet.
- Ikke overlast kjøleskapet slik at luften sirkulerer inne i kjøleskapet hvis den ikke forhindres.
- Ikke installer kjøleskapet under direkte sollys eller i nærheten av varmeutstrålende apparater, slik som ovn, oppvaskmaskin eller radiator.
- Se til å holde maten i lukkede beholdere.
- For produkter med en fryserdel: Du kan lagre maksimale mengder mat i fryseren hvis du fjerner hyllene eller skuffen i fryseren. Energiforbruksverdien som er oppgitt for kjøleskapet har blitt bestemt ved å fjerne fryserhyllene eller skuffen og under maksimal last. Det er ingen fare ved bruk av hyllene eller skuffen i henhold til form og størrelse på maten som skal fryses.
- Opptining av frossenmat i kjøleskapsdelen vil både gi energisparing og bevare matkvaliteten.

### 3 Installasjon

⚠ Vennligst husk at produsenten ikke skal holdes ansvarlig hvis informasjonen som gis i bruksanvisningen ikke overholdes.

#### Punkter som er viktige ved ny transportering av kjøleskapet

1. Kjøleskapet må tømmes og rengjøres før transport.
2. Hyller, tilbehør, grønnsaksoppbevaringsboks osv. i kjøleskapet må festes godt med teip mot støt før innpakning.
3. Innpakningen må festes med tykk teip og sterke tau, og transportreglene på pakningen må følges.

#### Vennligst ikke glem...

Hvert resirkulert material er en uunnværlig kilde for naturen of for de nasjonale ressursene.

Hvis du ønsker å bidra til resirkulering av pakkematerialene, kan du få mer informasjon fra miljømyndigheter eller lokale myndigheter

#### Før du bruker kjøleskapet

Før du begynner å bruke kjøleskapet må du kontrollere følgende:

1. Er de indre delene av kjøleskapet tørre, og kan luften sirkulere fritt på baksiden av skapet?
2. Installer de 2 plastkildene slik som vist på figuren. Plastkiler vi gi nødvendig avstand mellom kjøleskapet og vegg for å kunne gjøre det mulig med luftsirkulasjon. (Den illustrerte figuren er kun et eksempel og samsvarer ikke helt med ditt produkt.)

3. Rengjør de indre delene av kjøleskapet slik som anbefalt i avsnittet "Vedlikehold og rengjøring".
4. Sett kjøleskapets støpsel inn i uttaket. Hvis kjøleskapsdøren er åpen, vil lyset inne i skapet tennes.
5. Du vil høre en lyd når kompressoren starter opp. Væsken og gassene som er foreglet inne i kjølesystemet også kan lage litt støy, selv om kompressoren ikke går, og dette er helt normalt.
6. Frontkantene på kjøleskapet kan føles varme. Dette er normalt. Disse områdene er designet til å være varme for å unngå kondens.

#### Elektrisk tilkobling

Tilkople produktet til et jordet uttak som er beskyttet av en sikring med riktig kapasitet.

Viktig:

- Tilkoplingen skal være i overensstemmelse med nasjonale forskrifter.
  - Strømledningens støpsel skal være lett tilgjengelig etter installasjon.
  - Oppgitt spenning må tilsvare spenningen i strømmettet ditt.
  - Skjøtekabler og flerveispluggen skal ikke brukes for tilkobling.
- ⚠ En ødelagt strømledning skal skiftes ut av en kvalifisert elektriker.
- ⚠ Produktet skal ikke brukes før det er reparert! Det er fare for elektrisk støt!

## Bortskaffing av emballasjen

Innpakningsmaterialer kan være farlige for barn. Hold innpakningsmaterialene utilgjengelig for barn eller kast dem ved sortering etter avfallsforskriftene. Ikke kast dem sammen med normalt husholdningsavfall.

Emballasjen for maskinen din er produsert av resirkulerbare materialer.

## Bortskaffing av det gamle kjøleskapet

Bortskaff det gamle kjøleskapet uten å skade miljøet.

- Du kan forhøre deg med din autoriserte forhandler eller avfallssorteringssenteret der du bor om bortskaffing av kjøleskapet ditt.

Før du bortskaffer kjøleskapet, kutt av strømstøpselet, og hvis det finnes låser på døren, se til at de ikke lenger virker, slik at barn beskyttes mot all fare.

## Plassering og installasjon

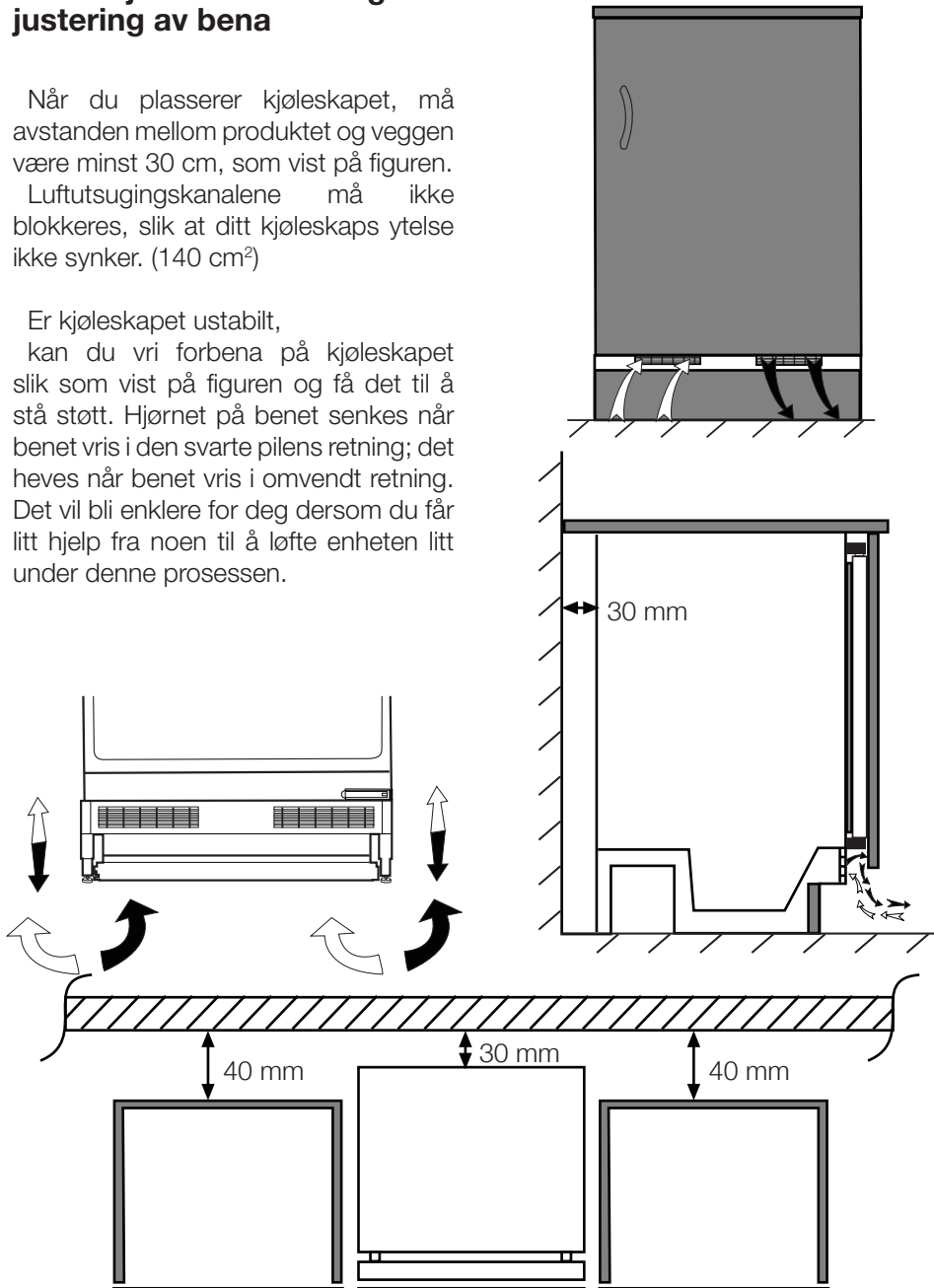
1. Plasser ikke kjøleskapet ved varmekilder, fuktige steder og i direkte sollys.
2. Det skal være tilstrekkelig luftventilasjon rundt kjøleskapet for å oppnå en effektiv drift. Hvis kjøleskapet skal plasseres i en innbygging i veggen, må det være minst 5 cm avstand fra taket og 5 cm fra veggen. Hvis gulvet er dekket med et teppe, skal produktet heves 2,5 cm fra gulvet.
3. Plasser kjøleskapet på jevn gulvoverflate for å unngå støt.

## Plassering av kjøleskapet under kjøkkenbenken og justering av bena

Når du plasserer kjøleskapet, må avstanden mellom produktet og veggen være minst 30 cm, som vist på figuren.

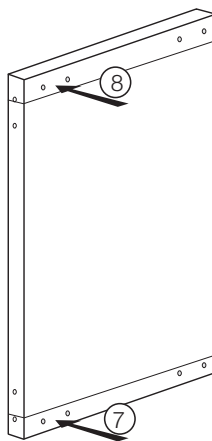
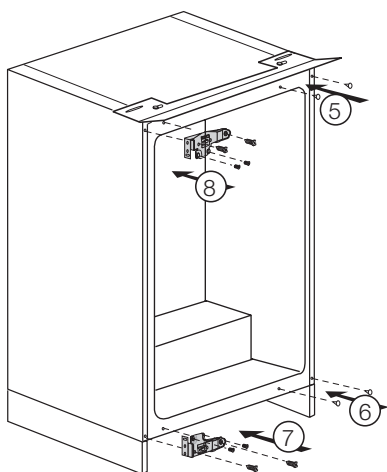
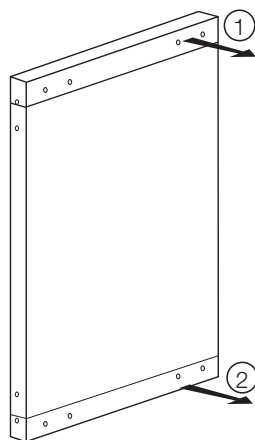
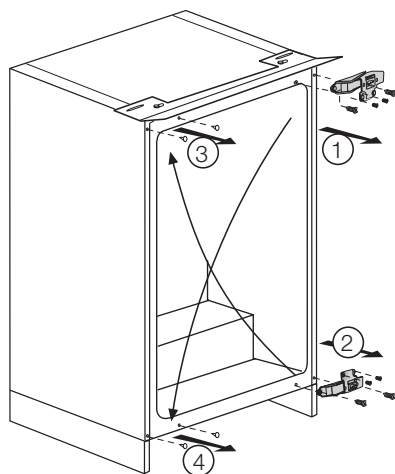
Luftutsugingskanalene må ikke blokkeres, slik at ditt kjøleskaps ytelse ikke synker. (140 cm<sup>2</sup>)

Er kjøleskapet ustabilt, kan du vri forbena på kjøleskapet slik som vist på figuren og få det til å stå støtt. Hjørnet på benet senkes når benet vris i den svarte pilens retning; det heves når benet vris i omvendt retning. Det vil bli enklere for deg dersom du får litt hjelp fra noen til å løfte enheten litt under denne prosessen.



## Omhengsling av dørene

Gå frem i nummerrekkefølge



## 4 Forberedelse

---

- Kjøleskapet skal installeres minst 30 cm på avstand fra varmekilder, slik som f.eks. komfyrer, ovner, sentralvarme og kokeplater, samt minst 5 cm borte fra elektriske ovner og skal ikke plasseres i direkte sollys.
- Omgivelsestemperaturen i det rommet der kjøleskapet plasseres skal være minst 10°C. Bruk av kjøleskapet ved lavere temperaturer enn dette anbefales ikke.
- Vennligst se til at de indre delene av kjøleskapet rengjøres grundig.
- Hvis to kjøleskap skal installeres ved siden av hverandre, skal det være en avstand på minst 2 cm mellom dem.
- Når du bruker kjøleskapet for første gang, vennligst følg instruksene rundt de første seks timene.
- Døren skal ikke åpnes ofte.
- Det skal kun brukes tomt uten mat.
- Ikke trekk ut støpselet for kjøleskapet. Hvis et strøbrudd oppstår som du ikke kan kontrollere, vennligst se advarsler i avsnittet "Anbefalte løsninger på problemer".
- Kurvene/skuffene som følger med fryserrommet må alltid brukes for å sikre lavt energiforbruk og bedre lagringsforhold.
- Dersom mat kommer i kontakt med temperatursensoren i fryserrommet, vil dette øke energiforbruket til apparatet.
- Originalinnpakningen og skummaterialer skal beholdes for fremtidig transport eller flytting.
- I noen modeller, vil instrumentpanelet slå seg av automatisk 5 minutter etter at døren er lukket. Det aktiveres på nytt når døren har åpnet eller en knapp er blitt trykket.
- Grunnet temperatursvingninger som følge av åpning/lukking av produktets dør under drift, er kondens på hyller i døren og på selve enheten, foruten på glassbeholdere, normalt.

## 5 Bruk av kjøleskapet

### Stille driftstemperaturen

Driftstemperaturen justeres med temperaturkontrollen.



Vennligst velg innstilling etter ønsket temperatur.

Interiørtemperaturen avhenger også av omgivelsestemperaturen, hvor ofte døren åpnes og mengde mat som oppbevares på inne i skapet.

Hvis døren åpnes ofte, kan temperaturen inne i kjøleskapet øke.

Av denne grunn anbefales det å lukke døren igjen så snart som mulig etter bruk.

Normal oppbevaringstemperatur på apparatet skal være  $-18\text{ }^{\circ}\text{C}$  ( $0\text{ }^{\circ}\text{F}$ ). Lavere temperaturer kan oppnås ved å justere termostatknotten mot posisjon 4 (eller maks.).

Vi anbefaler at du kontrollerer temperaturen med et termometer for å se til at oppbevaringsrommene holdes ved ønsket temperatur. Husk å lese av temperaturen med en gang, siden termometertemperaturen vil stige hurtig etter at du tar det ut av fryseren.

### Frysing

#### Frysing av matvarer

Fryseseksjonen er merket med  dette symbolet.

Du kan bruke innretningen til å fryse fersk mat, samt lagre mat som allerede er frossen.

Vennligst se anbefalingene på pakningen av maten.

#### **Obs!**

Ikke frys drikkevarer, da frossen væske kan sprengte flasken.

Vær forsiktig med frosne produkter slik som fargede isterninger.

Ikke gå ut over frysekapasiteten i apparatet over 24 timer. Se typebetegnelsen.

For å opprettholde kvaliteten på maten må frysingen skje så raskt som mulig.

Dermed vil ikke frysekapasiteten overstiges, og temperaturen inne i fryseren vil ikke stige.

#### **Obs!**

Hold alltid dypfrossen mat på avstand fra fersk mat.

Ved dypfrysing av varm mat, vil kjølekompressoren jobbe inntil maten er helt frossen. Dette kan føre til midlertidig nedkjøling av kjøleskapsdelen.

Hvis det er vanskelig å åpne fryserdøren rett etter at du har lukket den, trenger du ikke bekymre deg. Dette er pga. trykkforskjellen som gradvis vil utjevne seg og la døren åpnes som vanlig etter noen få minutter.

Du vil høre en vakuumlid rett etter du lukker døren. Dette er helt normalt.

- Frossen mat kan lagres i opptil 3 måneder generelt sett ved temperaturer under  $-18\text{ }^{\circ}\text{C}$ . Lagringsperioder kan variere avhengig av typen mat. Lagringsperioder eller utløpsdato på maten indikeres på matpakken av produsentene.



- Frossen mat som du har kjøpt skal plasseres i fryseren før de tiner.
- Frossen mat kan oppbevares i delen med skuffer.

For å sikre at den høye kvaliteten som er oppnådd av frossenmatprodusenten og matforhandleren opprettholdes, bør en huske på følgende:

1. Putt pakningene i fryseren så hurtig som mulig etter kjøp.
2. Ikke overskrid "Brukes innen"-, "Best før"-datoene på pakningen.
3. Vennligst merk at alle skuffer, kurver, klaffer og brett kan tas ut.

## Tining

En økning i tykkelsen på den isen som dannes på kjøleskapets fordampere vil senke kjøleeffektiviteten.

Derfor må du avise når tykkelsen på islaget rundt fordampere kommer opp i ca. 5 mm. Du rådes til å avise når kjøleskapet ikke er så fullt eller er tomt.

Pakk maten i kjøleskapet inn i noen få ark papir og oppbevar dem på et sted der det er så kaldt som mulig eller i et annet kjøleskap.

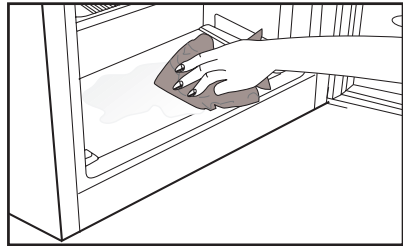
Sett termostatinnstillingsknappen på "av" eller trekk ut strømledningen for å gjennomføre avisingen.

Ta skuffene ut av kjøleskapet (det er ikke nødvendig å ta av lokket på den delen som er utstyrt med et lokk). Etter en viss tid, vil vannet som smelter samles opp i et pytt under kjøleskapet.

Fjern det oppsamlede vannet ved hjelp av en myk klut, svamp e.l. og tørk opp pytten skikkelig.

Glem ikke å sette termostatinnstillingsknappen i en annen posisjon enn "av" for å starte opp kjøleskapet på nytt.

Ha kjøleskapet på i to timer mens det er tomt og dørene er lukket før du setter mat inn i det.



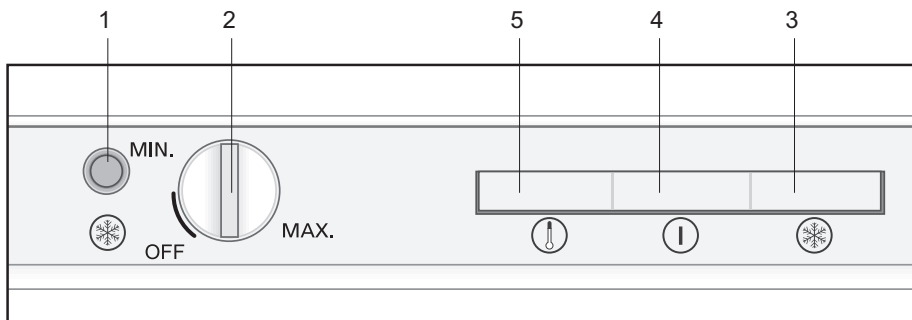
## Stoppe produktet

Hvis termostaten er utstyrt med en "0"-posisjon:

- Produktet vil stoppe driften når du stiller termostatknappen til "0" (null). Produktet vil ikke starte med mindre du stiller termostatknappen til "1" eller en av de andre posisjonene igjen.

Hvis termostaten er utstyrt med en "min"-posisjon:

- Koble fra produktet for å stoppe det.



## LED- indikatorer og kontroll panel

LED- indikatorer i front seksjonen av kjøleskapet ditt er beregnet på å skulle kunne hjelpe deg med å overvåke driften av apparatet du har skaffet deg.

Oppbevar din mat i kjøleskapet på en trygg måte ved å overvåke og benytte disse LED'ene og kontrollinnretningene som forklart under:

**Hurtig fryse knappen (1):** brukes til å fryse maten på en rask måte. Kompressoren vil kanskje ikke kunne settes i drift umiddelbart men først etter en tid når knappen trykkes ned og dette er noe som er helt normalt.

**Termostat innstillings knappen (2):** brukes til å stille inn ditt kjøleskap på mellom minimums- og maksimums-verdier.

Apparatet vil kunne settes i AV-posisjon når knotten blir stilt inn på under MIN. Når det grønne indikator lyset er AV, er også apparatet slått AV, det også.

Så snart det er slått AV (gjelder også for avising), vennligst sett knotten på noe over MIN for å være sikker på at

den er slått PÅ igjen. Når apparatet er slått PÅ, vil det grønne indikator lyset lyse opp automatisk.

**Oransje LED (3):** lyser opp når hurtig frys knappen på LED panelet trykkes inn av deg. I så fall, er kjøleskapet i kontinuerlig drift.

Trykk på knappen igjen når den maten du ønsker å hurtig fryse har oppnådd ønsket temperatur og når den oransje LED- en slår seg av.

**Grønn LED (4):** Lyser opp og fortsetter å lyse etter innplugging av kjøleskapet ditt.

**Rød LED (5):** Den advarer deg ved å lyse opp og å fortsette å lyse når kjøleskapet begynner å sette i gang sin drift, dersom det ikke oppnås tilstrekkelig kjøle effekt, når døren blir stående åpen i en lengre tidsperiode og når kjøleskapet over lastes med mat.

Dersom det røde LED 'en lyser opp for så å fortsette å lyse når de vilkårene som er omtalt i det forrige avsnittet ikke er til stede, må vår autoriserte service tilkalles.

## 6 Vedlikehold og rengjøring

- ⚠ Bruk aldri bensin, benzen eller lignende stoffer til rengjøring.
- ⚠ Vi anbefaler at du trekker ut støpselet på apparatet før rengjøring.
- i Bruk aldri noen skarpe redskaper eller rengjøringsmidler med skureeffekt, såpe, rengjøringsmidler for hjemmebruk eller voks til rengjøringen.
- i I andre enn No Frost-produkter dannes det vandråper og isklumper på opptil en fingerbreddes størrelse på baksiden av kjøleskapet. Ikke rengjør kjøleskapet og påfør heller aldri olje eller lignende midler.
- i Bruk bare lett fuktet mikrofiberduk til å rengjøre produktets ytre overflate. Svamper og andre typer rengjøringskluter vil kunne skrape opp overflaten.
- i Bruk lunkent vann for å vaske skapet og tørk det tørt.
- i Bruk en fuktig klut vridd opp i en oppløsning av en teskje bikarbonatsoda til ca. ½ liter vann for å rengjøre innsiden av skapet og tørk det tørt.
- ⚠ Pass på at det ikke kommer vann inn i pærehuset eller andre elektriske gjenstander.
- ⚠ Hvis kjøleskapet ikke skal brukes over en lengre periode, må du trekke ut støpselet, ta ut alle matvarer, rengjøre det og sette døren på klem.
- i Kontroller pakningene til dørene jevnlig for å sikre at de er rene og fri for matrester.
- i For å demontere dørstativene tar du først ut alt innholdet og så skyver du ganske enkelt dørstativet opp fra bunnen.
- i Bruk aldri rengjøringsmidler eller vann som inneholder klor til å rense de ytre overflatene og krombelagte delene av produktet. Klor forårsaker korrosjon på slike metallflater.
- i Ikke bruk skarpe og slipende verktøy eller såpe, rengjøringsmidler, vaskemidler, bensin, benzen, voks, osv. Hvis du gjør dette, vil frimerker på plastdeler komme av og det vil oppstå deformasjon. Bruk varmt vann og en myk klut for rengjøring og tørk.

### Beskyttelse av plastoverflater

- i Ikke putt flytende oljer eller oljekokte måltider i frysskapet i uforseglede beholdere, da disse kan ødelegge plastoverflatene i kjøleskapet. Ved søling eller smøring av olje på plastoverflater, rengjør og rens relevant del av overflaten med en gang med varmt vann.

## 7 Anbefalte løsninger på problemer

Gå igjennom følgende liste før du ringer etter service. Det kan spare deg tid og penger. Denne listen inkluderer hyppige klager som ikke oppstår fra defekt utføring eller materialbruk. Noen av funksjonene som beskrives her finnes kanskje ikke i ditt produkt.

### Kjøleskapet virker ikke.

- Er kjøleskapet plugget inn? Sett støpselet inn i strømuttaket.
- Har sikringen til uttaket kjøleskapet er tilknyttet eller hovedsikringen gått? Kontroller sikringen.

### Kondens på sideveggen av kjøleskapet (MULTIZONE, COOL CONTROL og FLEXI ZONE).

- Svært kalde omgivelser. Hyppig åpning eller lukking av døren. Svært fuktige omgivelser. Lagring av mat som inneholder væske i åpne beholdere. Døren står på gløtt. Still termostaten til en kaldere grad.
- Reduser tiden døren står åpen eller bruk mindre hyppig.
- Dekk til mat som lagres i åpne beholdere med egnet materiale.
- Tørk av kondensen med en tørr klut og kontroller om problemet fortsetter.

### Kompressoren går ikke

- Termovern for kompressoren vil koples ut under plutselig strømbrudd eller utplugging og innplugging hvis kjølevæsketrykket i kjølesystemet til kjøleskapet ikke er balansert. Kjøleskapet vil starte etter ca. 6 minutter. Vennligst ring service hvis kjøleskapet ikke starter etter utløpet av denne tiden.
- Kjøleskapet er i defrostsyklus. Dette er normalt for et helautomatisk avisningskjøleskap. Avisningssyklusen gjennomføres regelmessig.
- Kjøleskapet er ikke tilkoplest strømuttaket. Se til at støpselet passer godt inn i uttaket.
- Er temperaturinnstillingene foretatt riktig?
- Strømtilførselen kan være brutt.

### Kjøleskapet går hyppig eller over lang tid.

- Det nye produktet kan være bredere enn det gamle. Dette er helt normalt. Store kjøleskap arbeider over lengre tidsperioder.
- Omgivelsestemperaturen kan være høy. Dette er helt normalt.
- Kjøleskapet kan ha vært plagget inn nylig eller blitt lastet med mat. Fullstendig nedkjøling av kjøleskapet kan ta et par timer lenger.
- Store mengder varm mat har blitt lagt inn i kjøleskapet nylig. Varm mat forårsaker lengre drift av kjøleskapet inntil den oppnår sikker oppbevaringstemperatur.
- Dørene kan ha vært åpnet hyppig eller stått på gløtt i lang tid. Varm luft som har kommet inn i kjøleskapet gjør at kjøleskapet kjører over lang tid. Åpne dørene mindre hyppig.
- Fryser- eller kjøleskapsdør kan ha stått på gløtt. Kontroller om dørene er godt lukket.
- Kjøleskapet er justert til svært kald temperatur. Juster kjøleskapets temperatur til høyere grad og vent inntil temperaturen er oppnådd.
- Dørtetningen til kjøleskapet eller fryseren kan være tilsmusset, utslitt, ødelagt eller ikke på plass. Rengjør eller skift ut tetningen. Skadet/ødelagt tetning gjør at kjøleskapet går over lang tid for å opprettholde aktuell temperatur.

Frysertemperaturen er svært lav, mens kjøleskapstemperaturen er tilstrekkelig.

- Fryserens temperatur er justert til en svært lav temperatur. Juster fryserens temperatur til en høyere grad og kontroller.

Kjøleskapstemperaturen er svært lav, mens frysertemperaturen er tilstrekkelig.

- Kjøleskapets temperatur kan ha blitt justert til svært lav temperatur. Juster kjøleskapets temperatur til en høyere grad og kontroller.

Mat som oppbevares i skuffene fryser.

- Kjøleskapets temperatur kan ha blitt justert til svært lav temperatur. Juster kjøleskapets temperatur til en høyere grad og kontroller.

Temperaturen i kjøleskapet eller fryseren er svært høy.

- Kjøleskapets temperatur kan ha blitt justert til svært høy temperatur. Kjøleskapsjusteringen har virkning på temperaturen til fryseren. Endre temperaturen i kjøleskapet eller fryseren inntil kjøleskapets eller fryserens temperatur når et tilstrekkelig nivå.
- Dørene kan ha vært åpnet hyppig eller stått på gløtt i lang tid - åpne dem mindre hyppig.
- Døren kan ha blitt stående åpen - lukk døren helt.
- Store mengder varm mat har blitt lagt inn i kjøleskapet nylig. Vent inntil kjøleskap eller fryser når ønsket temperatur.
- Kjøleskapet kan ha vært tilkoplek nylig. Fullstendig nedkjøling av kjøleskapet tar tid.

Driftslyden øker når kjøleskapet går.

<ul style="list-style-type: none"> <li>• Ytelsen til kjøleskapet kan endres etter endringene i omgivelsestemperaturen. Dette er helt normalt og er ingen feil.</li> </ul>
<b>Vibrasjon eller klapping.</b>
<ul style="list-style-type: none"> <li>• Gulvet er ikke jevnt eller er svakt. Kjøleskapet vugger når det flyttes sakte. Se til at gulvet er sterkt nok til å bære kjøleskapet og at det er flatt.</li> <li>• Støyen kan forårsakes av gjenstandene som legges inn i kjøleskapet. Gjenstander oppå kjøleskapet skal fjernes.</li> </ul>
<b>Det kommer lyder fra kjøleskapet som ligner væskesøl eller spraying.</b>
<ul style="list-style-type: none"> <li>• Væske- og gasstrømninger skjer etter virkeprinsippene til kjøleskapet. Dette er helt normalt og er ingen feil.</li> </ul>
<b>Det høres støy som om det blåser vind.</b>
<ul style="list-style-type: none"> <li>• Det brukes vifter for å kjøle ned kjøleskapet. Dette er helt normalt og er ingen feil.</li> </ul>
<b>Kondens på de indre veggene på kjøleskapet.</b>
<ul style="list-style-type: none"> <li>• Varmt og fuktig vær øker ising og kondens. Dette er helt normalt og er ingen feil.</li> <li>• Døren kan ha blitt stående åpen - se til at dørene lukkes helt.</li> <li>• Dørene kan ha vært åpnet hyppig eller stått på gløtt i lang tid - åpne dem mindre hyppig.</li> </ul>
<b>Fuktighet oppstår på utsiden av kjøleskapet eller mellom dørene.</b>
<ul style="list-style-type: none"> <li>• Det kan være fuktighet i luften - dette er helt normalt ved fuktig vær. Når fuktigheten er lavere, vil kondensen forsvinne.</li> </ul>
<b>Dårlig lukt inni kjøleskapet.</b>
<ul style="list-style-type: none"> <li>• Det må rengjøres inni kjøleskapet. Rengjør innsiden av kjøleskapet med en svamp, lunkent vann eller karbonert vann.</li> <li>• Noen beholdere eller innpakkingsmaterialer kan forårsake lukten. Bruk en annen beholder eller annet merke på innpakkingsmaterialet.</li> </ul>
<b>Døren lukkes ikke.</b>
<ul style="list-style-type: none"> <li>• Matpakninger forhindrer lukking av døren. Flytt pakninger som forhindrer lukking av døren.</li> <li>• Kjøleskapet er ikke plassert helt vertikalt på gulvet og kan vugge når det beveges forsiktig. Juster høydeskruene.</li> <li>• Gulvet er ikke jevnt eller sterkt. Se til at gulvet er jevnt og har evne til å bære kjøleskapet.</li> </ul>
<b>Grønnsaksoppbevaringsboksene sitter fast.</b>
<ul style="list-style-type: none"> <li>• Mat kan berøre taket i skuffen. Omplasser maten i skuffen.</li> </ul>

## **Lue tämä käyttöopas ensin!**

Hyvä asiakas,  
toivomme, että nykyaikaisissa tuotantolaitoksissa valmistamamme ja erittäin huolellisella laadunvalvonnalla tarkastettu tuote toimii käytössäsi mahdollisimman tehokkaasti.




Tämän varmistamiseksi toivomme, että luet huolellisesti koko käyttöoppaan ennen jääkaapin käyttöön ottoa, ja säilytät sitä helposti saatavilla tulevaa käyttöä varten.

## **Tämä käyttöopas**

- Auttaa käyttämään jääkaappia nopeasti ja turvallisesti.
  - Lue käyttöopas ennen jääkaapin asennusta ja käyttöä.
  - Noudata ohjeita, erityisesti niitä, jotka koskevat turvallisuutta.
  - Säilytä käyttöopasta helposti saatavilla olevassa paikassa, sillä voit tarvita sitä myöhemmin.
  - Lue myös muut tuotteen mukana tulleet asiakirjat.
- Huomaa, että tämä käyttöopas voi soveltua myös muihin malleihin.

## **Symbolit ja niiden kuvaus**

Tässä käyttöoppaassa käytetään seuraavia symboleja:

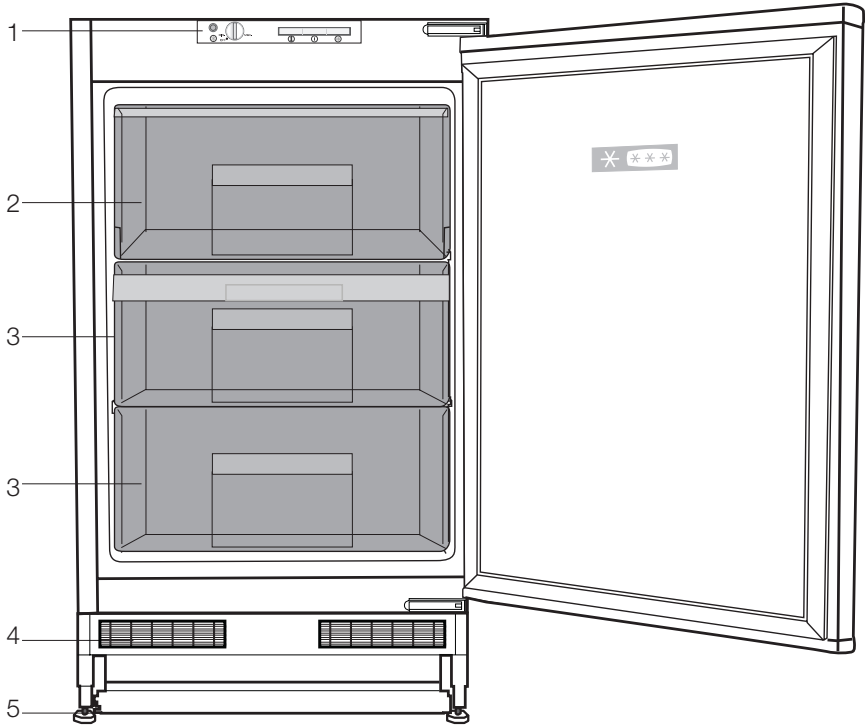
-  Tärkeitä tietoja tai hyödyllisiä käyttövihjeitä.
-  Varoitus hengelle ja omaisuudelle vaarallisista olosuhteista.
-  Varoitus sähköjännitteestä.

# SISÄLTÖ

<b>1 Jääkaappi</b>	<b>3</b>	<b>4 Valmistelu</b>	<b>14</b>
<b>2 Tärkeitä turvallisuusvaroituksia</b>	<b>4</b>	<b>5 Jääkaapin käyttäminen</b>	<b>15</b>
Käyttötarkoitus .....	4	Käyttölämpötilan asettaminen .....	15
Laitteet, joissa on vesiautomaatti .....	8	Pakastaminen .....	15
Lasten turvallisuus .....	8	Laitteen pysäyttäminen .....	16
Sähkö- ja elektroniikkaromua koskevan direktiivin (WEEE) vaatimustenmukaisuus ja tuotteen hävittäminen: .....	8	Sulatus .....	16
RoHS-direktiivin vaatimustenmukaisuus: .....	9	LED-merkkivalot ja ohjauspaneeli ....	17
Pakkaustiedot .....	9	<b>6 Ylläpito ja puhdistus</b>	<b>18</b>
HC-varoitus .....	9	Muoviosien suojelu .....	18
Energian säästötoimet .....	9	<b>7 Suositellut ongelmanratkaisut</b>	<b>19</b>
<b>3 Asennus</b>	<b>10</b>		
Jääkaapin kuljetuksessa huomioitavat asiat .....	10		
Ennen käyttöönottoa .....	10		
Sähköliitännät .....	10		
Pakkauksen hävittäminen .....	11		
Vanhan jääkaapin hävittäminen .....	11		
Sijoittaminen ja asennus .....	11		
Jääkaapin asettaminen työpöydän alle ja jalkojen säätäminen .....	12		
Ovien uudelleen sijoitus .....	13		



# 1 Jääkaappi



1. Ohjauspaneeli
2. Pikapakastusosasto
3. Pakasteiden säilytyslokero
4. Tuuletusaukon kansi
5. Säädettävät jalat

Tämän ohjekirjan kuvitus on mallikuviiin perustuvaa, eikä se ehkä vastaa täysin todellista tuotetta. Jos jokin osa puuttuu ostanastasi tuotteesta, kuvaus koskee muita malleja.

## 2 Tärkeitä turvallisuusvaroituksia

Tutustu seuraaviin ohjeisiin. Näiden ohjeiden noudattamatta jättäminen saattaa aiheuttaa loukkaantumisen tai aineellisia vahinkoja. Muuten kaikki takuu- ja käyttövarmuusvastuut mitätöityvät.

Ostamasi laitteen käyttöikä on 10 vuotta. Tämä on myös aika, jonka kuluessa laitteen toimintaan kuvatulla tavalla tarvittavia varaosia on saatavana.

### Käyttötarkoitus

Tämä tuote on suunniteltu

- sisätiloihin ja suljettuihin tiloihin kuten koteihin,
- suljettuihin työskentelyympäristöihin, kuten myymälöihin ja toimistoihin,
- suljettuihin majoitustiloihin kuten maatiloille, hotelleihin ja pensionaatteihin.
- Tuotetta ei saa käyttää ulkona.

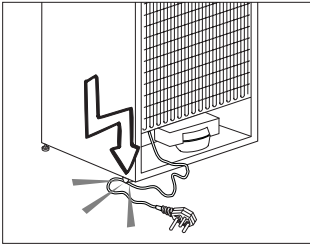
### Yleinen turvallisuus

- Kun haluat hävittää/romuttaa laitteen, suosittelemme ottamaan yhteyttä valtuutettuun huoltoon vaadittavien tietojen ja valtuutettujen tahojen selville saamiseksi.
- Ota yhteys valtuutettuun huoltoon kaikissa jääkaappiin liittyvissä kysymyksissä ja ongelmissa. Älä puutu tai anna kenenkään muun puuttua jääkaapin huoltoon ilmoittamatta valtuutettuun huoltoon.
- Tuotteet joissa on pakastusosasto: Älä laita jäätelöä tai jääkuutioita suuhusi heti otettuasi ne pakastinosastosta! (Se voi aiheuttaa suuhun paleltuman.)
- Tuotteet joissa on pakastusosasto: Älä laita pullotettuja tai tölkitettyjä nesteitä pakastinosastoon. Ne voivat pakastettaessa särkyä.

- Älä kosketa käsin pakastettua ruokaa, se voi tarttua käteesi.
- Irrota jääkaappi verkkovirrasta ennen puhdistamista tai sulattamista.
- Höyryä ja höyrystyviä puhdistusaineita ei saa koskaan käyttää jääkaapin puhdistuksessa ja sulatuksessa. Höyry voi tässä tapauksessa päästä kosketuksiin sähköosien kanssa ja aiheuttaa oikosulun tai sähköiskun.
- Älä koskaan käytä jääkaapin osia, kuten ovea, tukena tai askelmana.
- Älä käytä sähkölaitteita jääkaapin sisällä.
- Älä vahingoita poraamalla tai leikkaamalla osia, joissa jäähdytysaine kiertää. Jäähdytysainetta voi suihkuta ulos, kun haihduttimen kaasukanava, johdon jatke tai pinnoite puhkaistaan, ja se voi aiheuttaa ihon ärsytystä ja silmävahinkoja.
- Älä peitä tai tuki millään materiaalilla jääkaapin tuuletusaukkoja.
- Vain valtuutetut henkilöt saavat korjata sähkölaitteita. Epäpätevän henkilön tekemät korjaukset voivat aiheuttaa vaaran käyttäjälle.
- Vian ilmetessä tai jääkaappia huollettaessa tai korjattaessa sammuta virta joko kääntämällä sulake pois päältä tai irrottamalla virtajohto.
- Älä vedä johdosta irrottaessasi pistokkeen.
- Säilytä väkevät alkoholijuomat tiukasti suljettuna pystyasennossa.
- Älä säilytä jääkaapissa suihkepulloja, jotka sisältävät syttyviä ja räjähtäviä aineita.
- Älä käytä sulatusprosessin nopeuttamiseen mekaanisia tai muita keinoja, joita valmistaja ei suosittele.

- Tätä laitetta ei ole tarkoitettu sellaisten henkilöiden (lapset mukaan lukien) käytettäväksi, joilla on heikentyneet fyysiset, aistimelliset tai henkiset kyvyt tai joilta puuttuu kokemusta ja tietoa, jolle heidän turvallisuudestaan vastaava henkilö valvo heitä ja opasta heitä laitteen käytössä.
- Älä käytä rikkoutunutta jääkaappia. Jos epäilet vikaa, ota yhteys huoltoedustajaan.
- Jääkaapin sähköturvallisuus taataan vain, jos kodin maadoitusjärjestelmä on standardien mukainen.
- Laitteen altistaminen sateelle, lumelle, auringolle ja tuulelle on vaarallista sähköturvallisuuden kannalta.
- Ota yhteys valtuutettuun huoltoon, jos sähköjohto on vahingoittunut, jotta vältetään vaarat.
- Älä koskaan liitä jääkaappia pistorasiaan asennuksen aikana. Se voi aiheuttaa vaaran, joka voi johtaa kuolemaan tai vakavaan vammaan.
- Tämä jääkaappi on tarkoitettu pelkästään elintarvikkeiden säilytykseen. Sitä ei saa käyttää mihinkään muihin tarkoituksiin.
- Tekniset tiedot sisältävä tyyppikilpi sijaitsee jääkaapin sisällä vasemmalla seinällä.
- Älä liitä jääkaappia ähkönsäästöjärjestelmiin. Ne voivat vahingoittaa jääkaappia.
- Jos jääkaapissa palaa sininen valo, älä katso siihen pitkään paljain silmin tai optisilla laitteilla.
- Odota käsinohjattavalla jääkaapilla vähintään 5 minuuttia ennen jääkaapin käynnistämistä virtakatkon jälkeen.
- Tämä käyttöopas tulee luovuttaa uudelle omistajalle tuotteen mukana, jos tuote vaihtaa omistajaa.

- Vältä vahingoittamasta virtajohtoa, kun siirrät jääkaappia. Johdon taivuttaminen saattaa aiheuttaa tulipalon. Älä sijoita painavia esineitä sähköjohdon päälle. Älä kosketa pistoketta märin käsin, kun liität tuotteen.



- Älä kytke jääkaappia pistorasiaan, jos sähköliitäntä on löysä.
- Vettä ei saa turvallisuuden vuoksi koskaan suihkuttaa suoraan tuotteen sisä- tai ulko-osiin.
- Älä suihkuta lähellä jääkaappia syttyviä aineita, kuten propaanikaasua, sillä se aiheuttaa tulipalo- ja räjähdysvaaran.
- Älä aseta vettä sisältäviä astioita jääkaapin päälle, sillä sellainen voi aiheuttaa sähköiskun tai tulipalon.

- Älä täytä jääkaappia liian suurella elintarvikemäärällä. Jos jääkaappi on yliuormitettu, se saattaa kaatua ja vahingoittaa sinua, ja rikkoa jääkaapin ovea avattaessa. Älä aseta esineitä jääkaapin päälle, sillä ne saattavat pudota jääkaapin ovea avatessa tai sulkiessa.
- Sellaisia tuotteita, jotka vaativat tarkan lämpötilan säädön (esim. rokotteet, lämpöherkät lääkkeet, tieteellinen materiaali jne.), ei tule säilyttää jääkaapissa.
- Jos jääkaappia ei käytetä pidempään aikaan, se on irrotettava verkkovirrasta. Mahdollinen ongelma sähköjohdossa saattaa aiheuttaa tulipalon.
- Sähköpistokkeen kärki on puhdistettava säännöllisesti. Se voi muuten aiheuttaa tulipalon.
- Sähköpistokkeen kärki on puhdistettava säännöllisesti kuivalla liinalla. Se voi muuten aiheuttaa tulipalon.

- Jääkaappi saattaa siirtyä, jos säädettäviä jalkoja ei ole kiinnitetty oikein lattiaan. Säädettävien jalkojen kiinnittäminen lattiaan oikein voi estää jääkaappia siirtymästä.
- Kun kannat jääkaappia, älä pidä kiinni sen ovenkahvasta. Se saattaa silloin särkyä.
- Kun laite täytyy sijoittaa toisen jääkaapin tai pakastimen viereen, laitteiden välisen etäisyyden tulee olla vähintään 8 cm. Muuten vastakkaiset seinät saattavat härmistyä.

## Laitteet, joissa on vesiautomaatti

Jotta jääkaapin vesijohtopiiri toimii ongelmitta, veden syöttöpaineen tulee olla välillä [1]1-8 baria[2]. Jos veden syöttöpaine on yli [1]5 baria[2], paineensäädintä on käytettävä. Jos veden syöttöpaine on yli [1]8 baria[2], jääkaapin vesijohtopiiriä ei saa kytkeä veden syöttöön.

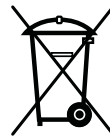
Jos et tiedä miten veden syöttöpaine mitataan, pyydä ammattilaista tarkistamaan se.

- Käytä vain juomavettä.

## Lasten turvallisuus

- Jos ovelle on lukko, avain tulee pitää lasten ulottumattomissa.
- Lapsia tulee valvoa, jotta he eivät pääse leikkimään laitteella.

## Sähkö- ja elektroniikkaromua koskevan direktiivin (WEEE) vaatimustenmukaisuus ja tuotteen hävittäminen:



Tämä tuote noudattaa Euroopan unionin sähkö- ja elektroniikkaromua koskevaa direktiiviä 2012/19/EY (WEEE-direktiivi). Tässä tuotteessa on sähkö- ja

elektroniikkalaitteiden (WEEE) kierrätysymboli.

Tämä laite on valmistettu korkealuokkaisista osista ja materiaaleista, jotka voidaan käyttää uudelleen ja jotka soveltuvat kierrätettäviksi. Älä hävitä tätä tuotetta normaalin kotitalousjätteen mukana sen käyttöänsä päätyttyä. Vie se sähkö- ja elektroniikkaromun kierrätyspisteeseen. Kysy paikallisilta viranomaisilta lähimmän kierrätyspisteen sijaintipaikka.

## RoHS-direktiivin vaatimustenmukaisuus:

Valitsemasi tuote noudattaa Euroopan unionin tiettyjen vaarallisten aineiden käytön rajoittamisesta sähkö- ja elektroniikkalaitteissa koskevaa direktiiviä 2011/65/EY (RoHS-direktiivi). Laite ei sisällä direktiivissä määritettyjä haitallisia ja kiellettyjä materiaaleja.

## Pakkaustiedot

Tuotteen pakkausmateriaalit on valmistettukierrätettävistä materiaaleista kansallisten ympäristösäädösten mukaisesti. Älä hävitä pakkausmateriaalia kotitalousjätteen tai muun jätteen mukana. Vie materiaalit pakkausmateriaalien keräyspisteisiin, joiden sijainnit saat tietoon paikallisilta viranomaisilta.

## HC-varoitus

### **Jos laite on varustettu jäähdytysjärjestelmällä, joka sisältää R600a-kylmäainetta:**

Tämä kaasu on syttyvää. Varo siksi vahingoittamasta jäähdytysjärjestelmää ja putkistoa käytön ja kuljetuksen aikana. Pidä laite erossa mahdollisista tulenlähteistä, jotka saattavat sytyttää sen tuleen. Tuuleta huone, johon laite on sijoitettu.

### **Ohita tämä varoitus, jos laitteen kylmäjärjestelmä sisältää R134a-kylmäainetta.**

Laitteessa käytetyn kaasun tyyppi on ilmoitettu jääkaapin sisäpuolella vasemmalla seinällä olevassa tyyppikilvessä.

Älä hävitä laitetta polttamalla.

## Energian säästötoimet

- Älä jätä jääkaapin ovea auki pitkäksi aikaa.
- Älä laita lämpimiä ruokia tai juomia jääkaappiin.
- Älä ylikuormita jääkaappia niin, että ilman kierto kaapin sisällä estyy.
- Älä asenna jääkaappia suoraan auringonpaisteeseen tai lähelle lämmönlähteitä, kuten uunit, astianpesukoneet tai lämpöpatterit.
- Pidä huoli, että säilytät elintarvikkeita suljetuissa astioissa.
- Tuotteet joissa on pakastusosasto: voit säilyttää pakastimessa mahdollisimman paljon elintarvikkeita, kun irrotat pakastimen hyllyn tai lokeron. Jääkaapissa ilmoitetut energiankulutusarvot on määritetty maksimitäytöllä irrottamalla jääkaapin hylly tai lokero. Vaaraa ei ole käytettäessä hyllyä tai vetolaatikkoa pakastettavien elintarvikkeiden mukaan.
- Pakastetun ruoan sulattaminen jääkaappiosastossa säästää sekä energiaa että säilyttää ruoan laadun.

### 3 Asennus

⚠ Valmistaja ei ole vastuussa, jos käyttöoppaassa annettuja ohjeita ei noudateta.

#### Jääkaapin kuljetuksessa huomioitavat asiat

1. Jääkaappi on aina tyhjennettävä ja puhdistettava ennen kuljetusta.
2. Jääkaapin hyllyt, lisävarusteet, vihanneslokerot jne., on kiinnitettävä paikoilleen kunnolla teipillä niiden suojaamiseksi tärinältä ennen uudelleenpakkausta.
3. Pakkaus on sidottava vahvoilla teipeillä ja narulla ja pakkaukseen painettuja kuljetusohjeita on noudatettava.

Älä unohda...

Kaikki kierrätetyt materiaalit ovat korvaamaton lähde luonnolle ja kansallisille resursseille.

Jos haluat osallistua pakkausmateriaalien kierrätykseen, saat lisätietoja ympäristöosastoilta tai paikallisilta viranomaisilta.

#### Ennen käyttöönottoa

Tarkista seuraavat seikat ennen kuin alat käyttää jääkaappia:

1. Ovatko jääkaapin sisäpinnat kuivia ja kiertääkö ilma vapaasti jääkaapin takana?
2. Asenna 2 muovikiilaa kuten kuvassa on esitetty. Muovikiilat varmistavat vaadittavan etäisyyden jääkaapin ja seinän välillä ilman kierron takaamiseksi. (Kuva on vain esimerkki eikä vastaa tuotetta täsmällisesti.)

3. Puhdista jääkaapin sisäpinnat, kuten on suositeltu osassa "Ylläpito ja puhdistus".
4. Liitä jääkaapin virtajohto pistorasiaan. Kun jääkaapin ovi avataan, jääkaapin sisätilan valo syttyy.
5. Kuulet ääntä, kun kompressori käynnistyy. Jäähdytysjärjestelmään suljetut nesteet ja kaasut voivat myös aiheuttaa jonkin verran ääntä silloinkin, kun kompressori ei ole käynnissä. Se on aivan normaalia.

#### Sähköliitännät

Liitä jääkaappi maadoitettuun pistorasiaan, joka on suojattu riittävän tehokkaalla sulakkeella.

Tärkeää:

- Liitännän on oltava kansallisten säädösten mukainen.
- Virtakaapelin pistokkeen on oltava helposti saatavilla asennuksen jälkeen.
- Määritetyn jännitteen on oltava sama kuin sähköverkolla.
- Liitäntään ei saa käyttää jatkokaapeleita tai haaroitusrasioita.

⚠ Vahingoittunut virtakaapeli on jätettävä päteväen sähkötekniikon vaihdettavaksi.

⚠ Tuotetta ei saa käyttää ennen kuin se on korjattu! Muuten se voi aiheuttaa sähköiskun!



## Pakkauksen hävittäminen

Pakkausmateriaali voi olla lapsille vaarallista. Pidä pakkausmateriaali lasten ulottumattomissa tai hävitä se lajittelemalla jätteidenhävitysohjeiden mukaisesti. Älä hävitä pakkausmateriaalia kotitalousjätteen mukana.

Jääkaapin pakkaus on valmistettu kierrätettävistä materiaaleista.


## Vanhan jääkaapin hävittäminen

Hävitä vanha jääkaappi aiheuttamatta vahinkoa ympäristölle.

- Voit ottaa yhteyden valtuutettuun jälleenmyyjään tai kunnalliseen jätehuoltokeskukseen saadaksesi ohjeet jääkaapin hävittämisestä.

Ennen kuin hävität jääkaapin, leikkaa virtapistoke irti, ja jos ovesa on lukitus, tee siitä toimintakyvytön, jottei siitä koidu vaaraa lapsille.

## Sijoittaminen ja asennus

 Jos oviaukko jääkaapin asennushuoneeseen ei ole tarpeeksi leveä, soita valtuutettuun huoltoon ja pyydä heitä irrottamaan jääkaapin ovet, jolloin se saattaa mahtua ovesta sivuttain.

1. Asenna jääkaappi paikkaan, jossa sitä on helppo käyttää.
2. Pidä jääkaappi etäällä lämmönlähteistä, kosteista paikoista ja suoralta auringonpaisteelta.

3. Jääkaapin ympärillä on oltavaa tilaa kunnolliselle tuuletukselle, jotta se toimisi tehokkaasti. Jos jääkaappi asetetaan seinän syvennykseen, väliä kattoon ja seiniin on jäätävä vähintään 5 cm. Jos lattia on päällystetty matolla, jääkaapin on oltava koholla lattiasta vähintään 2,5 cm.
4. Aseta jääkaappi tasaisella lattiapinnalle tärinän ehkäisemiseksi.

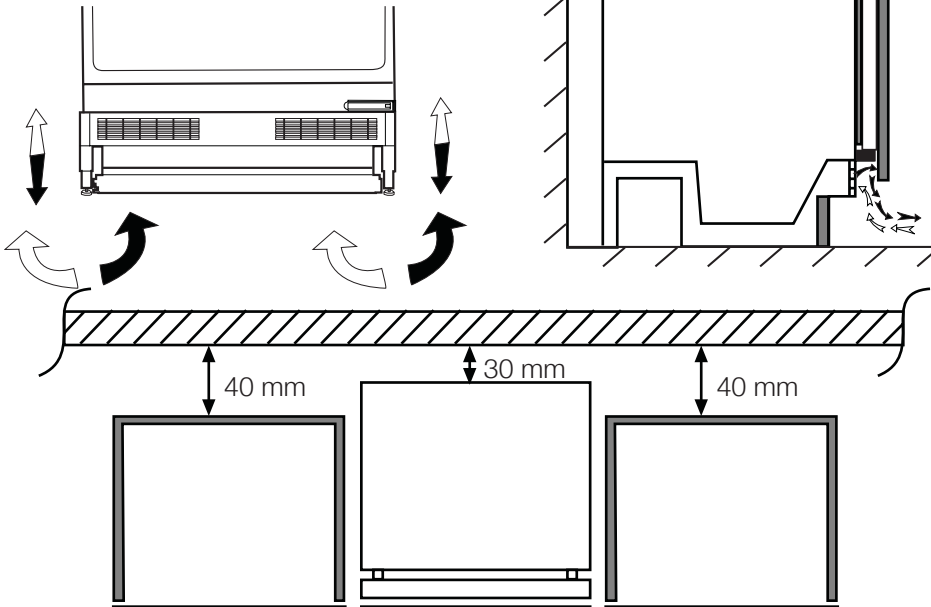
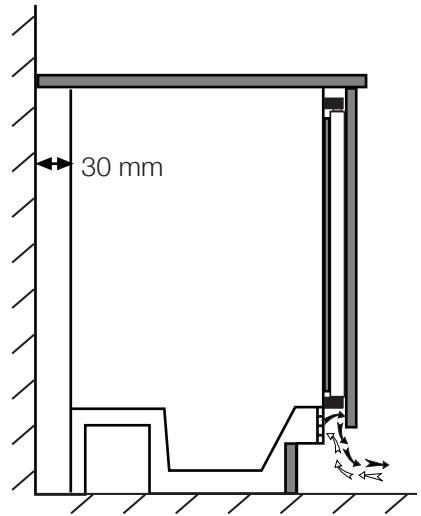
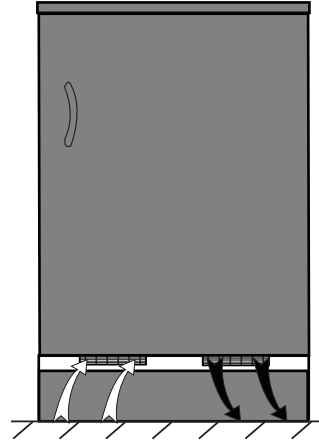
## Jääkaapin asettaminen työpöydän alle ja jalkojen säätäminen

Kun asetat jääkaapin paikoilleen, tuotteen ja seinän välisen etäisyyden tulee olla vähintään 30 cm, kuten kuvassa.

Ilmanpoistokanavia ei saa peittää, jotta jääkaapin suorituskyky ei laske. (140 cm<sup>2</sup>)

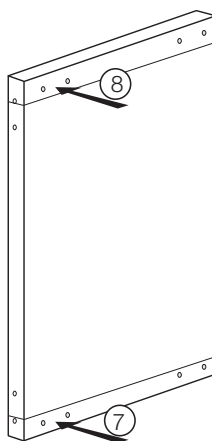
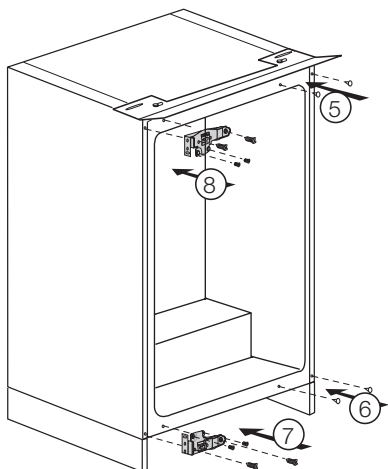
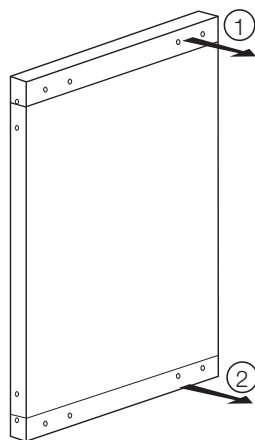
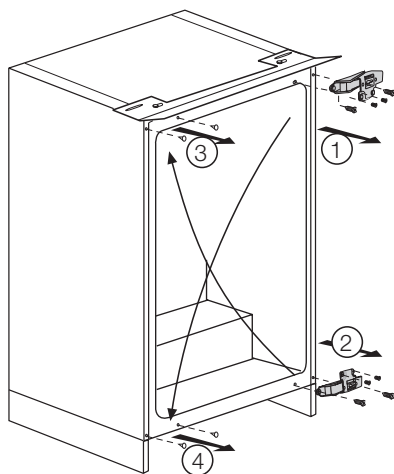
Jos jääkaappi on epätasapainossa:

Voit kääntää jääkaapin etujalkoja kuten kuvassa ja tasapainota se sillä tavoin. Jalan kulma laskeutuu, kun jalkaa kierretään mustan nuolen suuntaisesti ja nousee, kun sitä kierretään vastakkaiseen suuntaan. Tasapainottaminen on helpompaa, kun pyydät jonkun auttamaan sinua nostamaan laitetta toimenpiteen aikana.



# Ovien uudelleen sijoitus

Etene numerorjestyksessä



## 4 Valmistelu

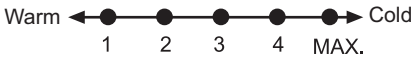
---

- Jääkaappi on asennettava vähintään 30 cm:n etäisyydelle lämmönlähteistä, kuten keittotaso, liesi, keskuslämmitin ja uuni sekä vähintään 5 cm:n etäisyydelle sähköliedestä, eikä sitä saa sijoittaa suoraan auringonpaisteeseen.
- Jääkaapin sijoitushuoneen lämpötilan on oltava vähintään -15 °C. Jääkaapin käyttöä kylmemmissä olosuhteissa ei suositella, sillä sen tehokkuus kärsii.
- Varmista, että jääkaapin sisäpinta on puhdistettu huolellisesti.
- Jos kaksi jääkaappia asennetaan rinnakkain, niiden väliin on jätettävä tilaa vähintään 2 cm.
- Kun käytät jääkaappia ensimmäistä kertaa, huomioi seuraavat ohjeet ensimmäisten kuuden tunnin aikana.
  - Ovea ei saa avata jatkuvasti.
  - Jääkaappia on käytettävä tyhjänä ilman elintarvikkeita.
  - Älä irrota jääkaappia verkkovirrasta. Jos ilmenee itsestäsi riippumaton virtakatkos, katso varoitukset osassa "Suositellut ongelmanratkaisut".
- Viileätilan hyllyjä/lokeroita tulee aina käyttää alhaisen energiankulutuksen ja parempien säilytysolosuhteiden saavuttamiseksi.
- Pakastetilan tunnistimen kanssa kosketuksissa oleva ruoka saattaa lisätä laitteen energiankulutusta. Kosketusta tunnistimien kanssa tulee siis välttää.
- Alkuperäiset pakkaus- ja vaahtomuovimateriaalit kannattaa säilyttää tulevaa kuljetusta tai siirtoa varten.
- Joissakin malleissa hallintapaneeli kääntyy automaattisesti pois päältä 5 minuutin kuluttua oven sulkemisesta. Se aktivoituu jälleen, kun ovi avataan tai painetaan jotakin painiketta.
- Laitteen oven avaamisen/sulkemisen käynnissä oloaikana aiheuttaman lämpötilan muutoksen vuoksi, veden tiivistyminen oven/rungon hyllyihin ja lasiastioihin on normaalia.

## 5 Jääkaapin käyttäminen

### Käyttölämpötilan asettaminen

Käyttölämpötilaa säädetään lämpötilasäätimellä.



Aseta asetus halutun lämpötilan mukaan.

Sisälämpötila riippuu myös ympäröivästä lämpötilasta, oven avaamistiheydestä ja laitteessa olevien ruokien määrästä.

Oven jatkuva avaaminen aiheuttaa sisälämpötilan nousun.

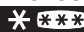
Tästä syystä suositellaan, että ovi suljetaan välittömästi käytön jälkeen.

Laitteen normaalin säilytyslämpötilan tulee olla  $-18\text{ }^{\circ}\text{C}$  ( $0\text{ }^{\circ}\text{F}$ ). Matalampiin lämpötiloihin päästään säätämällä termostaattivalitsinta kohti asentoa 4 (tai maks.).

Suosittelemme tarkistamaan lämpötilan lämpömittarilla, jotta varmistetaan, että säilytyslokerot ovat halutuissa lämpötiloissa. Muista lukea mittari heti sillä sen lämpötila nousee hyvin nopeasti, kun olet ottanut sen pakastimesta.

### Pakastaminen

#### Ruuan pakastaminen

Pakastuslokeron merkitys tällä  symbolilla.

Voit käyttää laitetta tuoreen ruoan pakastamiseen sekä pakasteruokien säilytykseen.

Tarkista ruokien päällysteen suositukset.

#### Huomio

Älä pakasta hiilihappojuomia, sillä jäätyvä neste saattaa rikkoa pullon.

Ole varovainen pakastetuotteiden, kuten värillisten jääkuutioiden, käsittelyssä.

Älä ylitä laitteen pakastuskykyä 24 tuntiin. Katso luokituskilpi.

Ruuan laadun säilyttämiseksi on pakastuksen tapahduttava mahdollisimman nopeasti.

Silloin ei pakastuskapasiteettia ylitetä eikä pakastimen sisälämpötila nouse.

#### Huomio

Säilytä jo pakastetut ruuat eri osastossa kuin juuri pakastimeen laitettu tuoreruoka.

Kun pakastat kuumia ruokia, jäähdytyskompressori toimii, kunnes ruoka on täysin pakastunut. Tämä voi tilapäisesti johtaa jääkaappiosan liialliseen kylmenemiseen.

Jos pakastimen oven avaaminen heti sulkemisen jälkeen on hankalaa, älä huolestu. Tämä johtuu paine-eroista, jotka tasoittuvat, jolloin oven voi avata normaalisti muutaman minuutin kuluttua.

Kuulet tyhjiöäänänen heti oven sulkemisen jälkeen. Tämä on aivan normaalia.

- Pakasteita voi säilyttää yleensä enintään 3 kuukautta alle 18 °C lämpötilassa. Säilytysajat vaihtelevat ruoan tyypin mukaan. Valmistajat ovat merkinneet tällaisten ruokien säilytysaikojen parasta ennen päiväyksiä pakasteiden pakkauksiin.
- Pakasteina ostetut ruoat tulee asettaa pakastimeen, ennen kuin ne sulavat.
- Pakasteita voidaan säilyttää vetolaatikoilla varustetuissa osastoissa.

Jotta varmistetaan pakasteruoan valmistajan ja jälleenmyyjän saavuttama elintarvikkeiden korkean laadun säilyminen, on muistettava seuraavaa:

1. Aseta pakkaukset pakastimeen niin nopeasti kuin mahdollista ostamisen jälkeen.
2. Älä ylitä pakkausten "Käytettävä ennen" ja "Parasta ennen" päivämääriä.
3. Huomaa, että lokerot, korit, läpät ja tasot ovat kaikki irrotettavia.

## Sulatus

Jääkaapin haihduttimeen muodostuvan jään paksuuden lisääntyminen heikentää jääkaapin jäähdytystehoa.

Siksi haihduttimen ympärille kertyvä jää on sulatettava, kun sen paksuus on noin 5 mm. Jäänsulatus suositellaan suoritettavaksi silloin, kun pakastelokero on suhteellisen vapaa tai tyhjä.

Kääri pakastelokerossa olevat ruoat muutamaan paperiarkkiin ja sijoita ne mahdollisimman kylmään paikkaan tai jos mahdollista toiseen jääkaappiin.

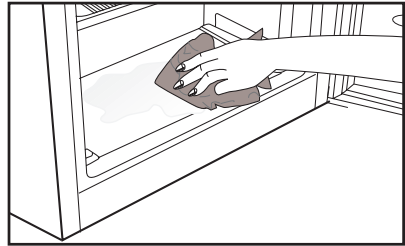
Kytke termostaatin asetuspainike asentoon "off" tai irrota sähköjohto pistorasiasta sulattamista varten.

Irrota jääkaapin lokerot (kannella varustettujen lokeroiden kantta ei tarvitse irrottaa). Jonkin ajan kuluttua sulava vesi kertyy lammikoksi jääkaapin pohjalle.

Poista kertynyt vesi pehmeällä sienellä tms. ja kuivaa lätäkkö huolellisesti.

Älä unohda kääntää termostaatin asetuspainiketta johonkin toiseen asentoon kuin "off", jotta jääkaappi käynnistyy uudelleen.

Käytä jääkaappia 2 tuntia tyhjänä ja ovet suljettuina, ennen kuin laitat ruokia sen sisälle.



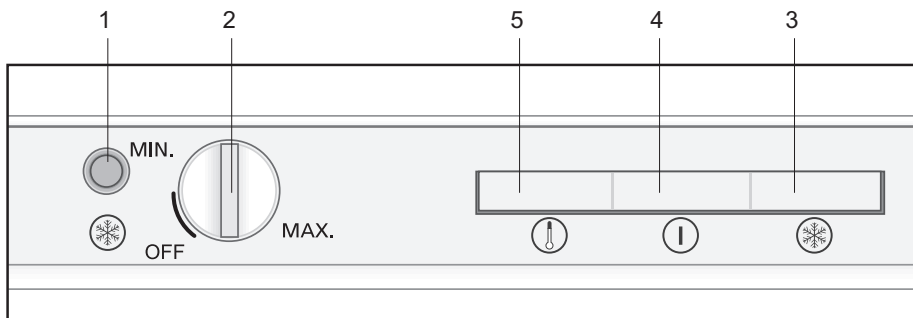
## Laitteen pysäyttäminen

Jos termostaatti on varustettu 0-asennolla:

- Laite lopettaa toiminnan, kun käännät termostaattipainikkeen 0 (nolla) -asentoon. Laite ei käynnisty, jolle käännä termostaattipainiketta 1-asentoon tai johonkin muuhun asentoon.

Jos termostaatti on varustettu min-asennolla:

- Pysäytä laite irrottamalla pistoke.



## LED-merkkivalot ja ohjauspaneeli

LED-merkkivalot jääkaapin etuosassa ovat tarkoitettu auttamaan sinua laitteen toiminnan seuraamisessa.

Säilytä ruoka jääkaapissa suojatulla tavalla seuraamalla ja käyttämällä näitä LED-valoja ja ohjaimia kuten seuraavassa on selitetty:

**Pikapakastuspainike (1):** Käytetään ruoan nopeaan pakastamiseen. Kompessori ei ehkä toimi välittömästi, mutta jonkin ajan kuluttua painikkeen painamisesta ja tämä on täysin normaalia.

**Termostaatin asetuspainike (2):** Käytetään jääkaapin asettamiseen minimi- ja maksimiarvojen välille.

Laitte saattaa siirtyä OFF-asentoon, kun valitsinta säädetään alle MIN-arvon. Kun vihreä merkkivalo on OFF, laite on myös kytketty OFF.

Kun se on kytketty OFF (myös sulatusta varten), säädä valitsinta johonkin yli MIN-arvon, jotta voit olla varma, että se on kytketty ON uudelleen. Kun laite on kytketty ON, vihreä merkkivalo syttyy palamaan.

**Oranssi LED-valo (3):** Syttyy palamaan, kun pikapakastuspainiketta LED-paneelissa on painettu. Tässä tapauksessa jääkaappi toimii keskeytyksettä.

Paina uudelleen painiketta, kun ruoka, jonka haluat saada pakastettua saavuttaa halutun lämpötilan ja oranssi LED-valo sammuu.

**Vihreä LED-valo(4):** Syttyy palamaan jatkuvasti, kun olet liittännyt jääkaapin pistorasiaan.

**Punainen LED-valo (5):** Se varoittaa sinua palamalla jatkuvasti, kun jääkaappisi toiminta ei enää jäähdytä riittävästi, ovi jää auki pitkäksi aikaa tai kun jääkaappiin on laitettu liikaa ruokaa.

Jos punainen LED-valo syttyy palamaan jatkuvasti, kun viereisessä sarakkeessa olevat olosuhteet eivät täyty, soita valtuutettuun huoltoon.

## 6 Ylläpito ja puhdistus

- ⚠ Älä koskaan käytä puhdistamiseen bensiiniä, bentseeniä tai vastaavia aineita.
- ⚠ Suosittelemme, että irrotat laitteen verkkovirrasta ennen puhdistusta.
- ❗ Älä koskaan käytä puhdistamiseen teräviä, hankaavia välineitä, saippuaa, puhdistusainetta, pesuainetta ja vahaa.
- ❗ Jos tuote ei ole itsesulattavaa mallia, jääkaappiosaston takaseinään saattaa muodostua vesipisaroita ja enintään sormenleveyden paksuinen jääkerros. Älä puhdista tai koskaan käytä öljyä tai muita samankaltaisia aineita laitteen takaseinän puhdistamiseen.
- ❗ Käytä ainoastaan hieman kosteaa mikrokuituliinaa laitteen ulkopinnan puhdistamiseen. Sienet ja muuntyyppiset puhdistusliinat voivat naarmuttaa laitteen pintaa.
- ❗ Käytä jääkaappi/pakastin sisätilojen puhdistukseen haaleaa vettä ja pyyhi kuivaksi.
- ❗ Käytä sisätilojen puhdistukseen liinaa, joka on kostutettu 1 tl ruokasoodaa ja 1/2 litraa vettä sisältävässä liuoksessa ja puristettu kuivaksi, kuivaa lopuksi.
- ⚠ Varmista, ettei vettä pääse lamppukoteloon ja muihin sähkökohteisiin.
- ⚠ Mikäli jääkaappia ei käytetä pitkään aikaan, irrota virtakaapeli pistorasiasta, poista kaikki ruuat, puhdista jääkaappi ja jätä ovi raolleen.
- ❗ Tarkista oven eristeet säännöllisesti varmistaaksesi, että ne ovat puhtaita ja vapaita ruuasta.
- ❗ Ovitelineiden irrottamiseksi poista niistä kaikki sisältö ja työnnä sitten ovitelinettä pohjasta ylöspäin.
- ❗ Älä käytä klooria sisältäviä puhdistusaineita tai vettä tuotteen ulkopintojen ja kromattujen osien puhdistamiseen. Kloori syövyttää sellaisia metallipintoja.
- ❗ Älä käytä teräviä tai hankaavia työkaluja tai saippuaa, kodin puhdistusaineita, pesuaineita, bensaa, bentseeniä, vahaa jne. muuten muoviosissa olevat merkinnät lähtevät irti ja osat voivat muuttua muotoaan. Käytä puhdistamiseen lämmintä vettä sekä pehmeää liinaa ja kuivaa laite sen jälkeen.

### Muoviosien suojele

- ❗ Älä laita nestemäistä öljyä tai öljyssä keitettyjä elintarvikkeita jääkaappiin avoimissa astioissa, sillä ne vahingoittavat jääkaappi/pakastin muovipintoja. Jos öljyä vuotaa tai tarttuu muovipinnoille, puhdista ja huuhtele kohta heti lämpimällä vedellä.



## 7 Suositellut ongelmanratkaisut

Tarkista tämä luettelo, ennen kuin soitat huoltoon. Se voi säästää aikaa ja rahaa. Tämä luettelo sisältää useita valituksia, jotka eivät johdu virheellisestä työstä tai käytetystä materiaalista. Joitain tässä kuvatuista ominaisuuksista ei ehkä ole laitteessasi.

### Jääkaappi ei toimi.

- Onko jääkaapin virtajohto kunnolla kiinni pistorasiassa? Aseta pistoke seinäpistorasiaan.
- Onko jääkaapin pistorasian sulake tai pääsulake palanut? Tarkista sulake.

### Kondensaatiota jääkaappiosaston sivuseinässä (MONIALUE, JÄÄHDYTYKSEN OHJAUS ja JOUSTAVA ALUE).

- Hyvin kylmä ympäristö. Oven jatkuva avaaminen ja sulkeminen. Hyvin kostea ympäristö. Nestepitoisten ruokien säilytys avoimessa astiassa. Oven jättäminen raolleen. Termostaatin kytkeminen kylmemmälle.
- Oven avoinna oloajan lyhentäminen tai käyttämällä sitä harvemmin.
- Avoimissa astioissa säilytettyjen ruokien peittäminen sopivalla materiaalilla.
- Pyyhi kondensoitunut vesi kuivalla liinalla ja tarkista tuleeko sitä lisää.

### Kompressor ei käy

- Kompressorin lämpövastus työntyy ulos äkillisen virtakatkoksen sattuessa tai kun virta sammuu ja syttyy uudelleen, kun jääkaapin jäähdytysjärjestelmän jäähdytysaineenpaine ei ole vielä tasapainossa. Jääkaappi käynnistyy noin 6 minuutin kuluttua. Soita huoltoon, jos jääkaappi ei käynnisty tässä ajassa.
- Jääkaapin sulatusjakso on käynnissä. Tämä on normaalia täysautomaattisesti itsesulattavassa jääkaapissa. Sulatuskierto tapahtuu tietyin väliajoin.
- Jääkaappia ei ole kytketty pistorasiaan. Varmista, että pistoke on asetettu kunnolla pistorasiaan.
- Onko lämpötila-asetukset tehty oikein?
- Kyse voi olla virtakatkoksesta.

### Jääkaappi käy alituisen tai pitkän ajan.

<ul style="list-style-type: none"> <li>• Uusi tuotteesi voi olla leveämpi kuin edellinen. Tämä on aivan normaalia. Suuret jääkaapit käyvät kauemmin.</li> <li>• Huonelämpötila voi olla liian korkea. Tämä on aivan normaalia.</li> <li>• Jääkaappi on voitu kytkeä päälle äskettäin tai siihen on säilöty äskettäin ruokaa. Jääkaapin jäähtyminen oikeaan lämpötilaan voi kestää muutamia tunteja kauemmin.</li> <li>• Suuri määrä ruokaa on voitu säilöä jääkaappiin äskettäin. Lämmin ruoka aiheuttaa jääkaapin käymisen pitempään, kunnes se saavuttaa turvallisen säilytyslämpötilan.</li> <li>• Ovet on voitu avata äskettäin tai jätetty raolleen pitkäksi aikaa. Jääkaappiin päässyt lämmin ilma aiheuttaa jääkaapin käymisen pitemmän aikaa. Avaa ovia harvemmin.</li> <li>• Pakastin- tai jääkaappiosaston ovi on voitu jättää raolleen. Tarkista onko ovet suljettu tiukasti.</li> <li>• Jääkaappi on säädetty hyvin alhaiselle lämpötilalle. Säädä jääkaapin lämpötila lämpimämmäksi ja odota, kunnes haluttu lämpötila on saavutettu.</li> <li>• Jääkaapin tai pakastimen oven tiiviste voi olla likainen, kulunut, rikkoutunut tai huonosti paikallaan. Puhdista tai vaihda tiiviste. Vahingoittunut, rikkoutunut tiiviste aiheuttaa jääkaapin käymisen pitempiä aikoja nykyisen lämpötilan ylläpitämiseksi.</li> </ul>
Pakastimen lämpötila on hyvin alhainen, kun jääkaapin lämpötila on sopiva.
<ul style="list-style-type: none"> <li>• Pakastin on säädetty hyvin alhaiselle lämpötilalle. Säädä pakastimen lämpötila lämpimämmäksi ja tarkista.</li> </ul>
Jääkaapin lämpötila on hyvin alhainen, kun pakastimen lämpötila on sopiva.
<ul style="list-style-type: none"> <li>• Jääkaappi on voitu säätää hyvin alhaiselle lämpötilalle. Säädä jääkaapin lämpötila lämpimämmäksi ja tarkista.</li> </ul>
Jääkaappiosaston vetolaatikoissa säilytetty ruoka jäätyy.
<ul style="list-style-type: none"> <li>• Jääkaappi on voitu säätää hyvin alhaiselle lämpötilalle. Säädä jääkaapin lämpötila lämpimämmäksi ja tarkista.</li> </ul>
Jääkaapin tai pakastimen lämpötila on hyvin korkea.
<ul style="list-style-type: none"> <li>• Jääkaapin lämpötila on voitu säätää hyvin korkealle lämpötilalle. Jääkaapin säädöt vaikuttavat pakastimen lämpötilaan. Muuta jääkaapin tai pakastimen lämpötilaa, kunnes jääkaappi tai pakastin saavuttaa riittävän tason.</li> <li>• Ovet on voitu avata äskettäin tai jätetty raolleen pitkäksi aikaa. Avaa niitä harvemmin.</li> <li>• Ovi on voitu jättää raolleen. Sulje ovi kokonaan.</li> <li>• Suuri määrä lämmintä ruokaa on voitu säilöä jääkaappiin äskettäin. Odota, kunnes jääkaappi tai pakastin saavuttaa halutun lämpötilan.</li> <li>• Jääkaapin virtajohto on voitu liittää pistorasiaan äskettäin. Jääkaapin kokonaan jäähtyminen kestää oman aikansa.</li> </ul>
Käyntiäni voimistuu, kun jääkaappi käy.

<ul style="list-style-type: none"> <li>Jääkaapin käyttöteho saattaa muuttua ympäristön lämpötilan muutosten mukaan. Se on normaalia eikä ole vika.</li> </ul>
<b>Tärinä tai käyntiääni.</b>
<ul style="list-style-type: none"> <li>Lattia ei ole tasainen tai se on heikko. Jääkaappi huojuu, kun sitä siirretään hitaasti. Varmista, että lattia kestää jääkaapin painon ja että se on tasainen.</li> <li>Melu saattaa johtua jääkaappiin laitetuista kohteista. Jääkaapin päällä olevat esineet on poistettava.</li> </ul>
<b>Jääkaapista kuuluu nesteen vuotamisen tai suihkuamisen kaltaisia ääniä.</b>
<ul style="list-style-type: none"> <li>Neste- ja kaasuvuotoja ilmenee jääkaapin käyttöperiaatteiden mukaisesti. Se on normaalia eikä ole vika.</li> </ul>
<b>Kuuluu tuulen huminan kaltaista ääntä.</b>
<ul style="list-style-type: none"> <li>Jääkaapin jäähdyttämiseen käytetään tuulettimia. Se on normaalia eikä ole vika.</li> </ul>
<b>Kondensaatio jääkaapin sisäseinissä.</b>
<ul style="list-style-type: none"> <li>Kuuma ja kostea sää lisää jäätymistä ja kondensaatiota. Se on normaalia eikä ole vika.</li> <li>Ovet on voitu jättää raolleen. Varmista, että ovet on suljettu kokonaan.</li> <li>Ovet on voitu avata äskettäin tai jätetty raolleen pitkäksi aikaa. Avaa niitä harvemmin.</li> </ul>
<b>Kosteutta esiintyy jääkaapin ulkopinnoilla tai ovien välissä.</b>
<ul style="list-style-type: none"> <li>Ilma saattaa olla kosteaa. Tämä on normaalia kostealla säällä. Kun kosteutta on vähemmän, kondensaatio häviää.</li> </ul>
<b>Paha haju jääkaapin sisällä.</b>
<ul style="list-style-type: none"> <li>Jääkaapin sisäpuoli on puhdistettava. Puhdista jääkaapin sisäpuoli sienellä, haalealla vedellä tai hiilihapollisella vedellä.</li> <li>Jotkut astiat tai pakkausmateriaalit voivat olla hajun aiheuttajia. Käytä erilaista säilytysastiaa tai erimerkkistä pakkausmateriaalia.</li> </ul>
<b>Ovi ei sulkeudu.</b>
<ul style="list-style-type: none"> <li>Elintarvikepakkaukset voivat estää oven sulkeutumisen. Poista pakkaukset, jotka ovat oven esteenä.</li> <li>Jääkaappi ei ole täysin suorassa lattialla ja se keinuu vähän liikutettaessa. Säädä nostoruuveja.</li> <li>Lattia ei ole tasainen tai kestävä. Varmista, että lattia on tasainen, ja että se kestää jääkaapin painon.</li> </ul>
<b>Lokerot ovat juuttuneet.</b>
<ul style="list-style-type: none"> <li>Elintarvikkeet voivat olla kosketuksissa lokeron katon kanssa. Järjestä ruoat uudelleen vetolaatikossa.</li> </ul>

## **Gelieve eerst deze gebruiksaanwijzing te lezen!**

Beste klant,

We hopen dat uw product, dat in een moderne fabriek werd geproduceerd en onder de meest nauwkeurige procedures voor kwaliteitscontrole werd gecontroleerd, u doeltreffend van dienst zal zijn.

Wij bevelen daarom aan dat u eerst zorgvuldig de volledige gebruiksaanwijzing van uw product leest voordat u het product gaat gebruiken. Bewaar de handleiding voor toekomstige raadpleging.




## **Deze gebruiksaanwijzing**

- Helpt u uw toestel snel en veilig te gebruiken.
- Lees de gebruiksaanwijzing voordat u het product installeert en gebruikt.
- Volg de instructies, in het bijzonder die met betrekking tot veiligheid.
- Bewaar de gebruiksaanwijzing op een eenvoudig toegankelijke plaats aangezien u deze later nodig kunt hebben.
- Daarnaast dient u ook de andere documenten die bij uw product worden geleverd te lezen.

Let erop dat deze gebruiksaanwijzing ook voor andere modellen kan gelden.

## **Symbolen en hun beschrijvingen**

Deze instructiehandleiding bevat de volgende symbolen:

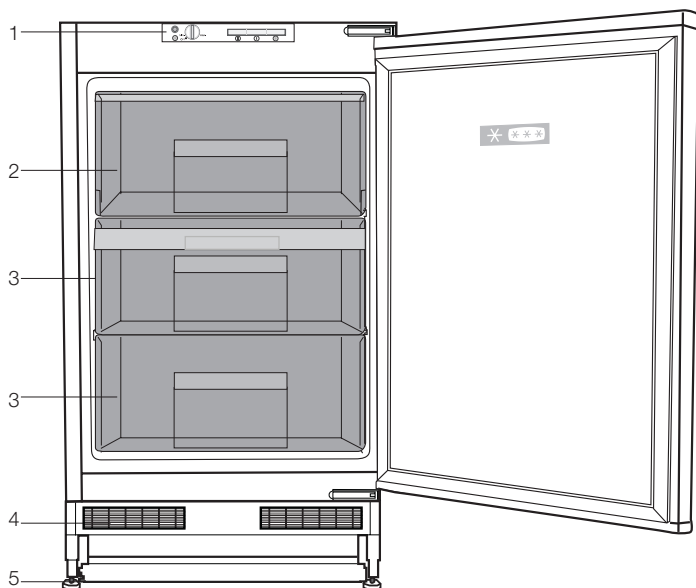
-  Belangrijke informatie of nuttige gebruikstips.
-  Waarschuwing tegen gevaarlijke omstandigheden voor leven en eigendommen.
-  Waarschuwing tegen elektrische spanning.

## INHOUD

---

<b>1 Uw koelkast</b>	<b>4</b>	<b>6 Onderhoud en reiniging</b>	<b>15</b>
<b>2 Belangrijke Veiligheids- en omgevingsinstructies</b>	<b>5</b>	Bescherming van de plastic oppervlakken .....	15
<b>3 Installatie</b>	<b>9</b>	<b>7 Fouten opsporen</b>	<b>16</b>
Punten waarop gelet moet worden bij de verplaatsing van een koelkast.....	9		
Voordat u de koelkast inschakelt,.....	9		
Elektrische aansluiting .....	9		
Afvoeren van de verpakking .....	10		
Afvoeren van uw oude koelkast.....	10		
Plaatsing en installatie.....	10		
Het plaatsen van de koelkast onder het werkblad en het instellen van de pootjes.....	11		
<b>4 Voorbereiding</b>	<b>12</b>		
<b>5 Gebruik van uw koelkast</b>	<b>13</b>		
Knop voor temperatuurstelling.....	13		
Diepvriesproducten bewaren .....	13		
Ontdooien.....	13		
Lampjes en bedieningspaneel.....	14		

# 1 Uw koelkast



- 1- Bedieningspaneel
- 2- Snelvriesvak
- 3- Gedeelte voor diepvriesvoedsel
- 4- Ventilatie-deksel
- 5- Stelvoetjes

**i** De afbeeldingen in deze gebruiksaanwijzing zijn schematisch en hoeven niet exact met uw product overeen te komen. Wanneer onderdelen niet tot het product behoren dat u hebt gekocht, zijn deze geldig voor andere modellen.

## 2 Belangrijke Veiligheids- en omgevingsinstructies

Deze sectie bevat de noodzakelijke veiligheidsinstructies om risico op letsels of materiële schade te vermijden. Het niet naleven van deze instructies resulteert in de nietigverklaring van alle mogelijke productgaranties.

### Bedoeld gebruik

#### **WAARSCHUWING:**

Indien het apparaat in zijn beschermingskap is of geplaatst is, zorg ervoor dat de ventilatieopeningen niet gedekt zijn.

#### **WAARSCHUWING:**

Gebruik geen mechanische apparaten of andere apparaten behalve apparaten welke door de producent worden geadviseerd om het proces voor ontdooien te versnellen.

#### **WAARSCHUWING:**

Beschadig koelmiddelstroom circuit niet.

#### **WAARSCHUWING:**

Gebruik geen elektrische apparaten welke niet aanbevolen worden door de producent binnen de opslag ruimten voor voedsel.

#### **WAARSCHUWING:**

Bewaar geen explosieve stoffen, zoals spuitbussen met een ontvlambaar drijfgas, in dit apparaat.

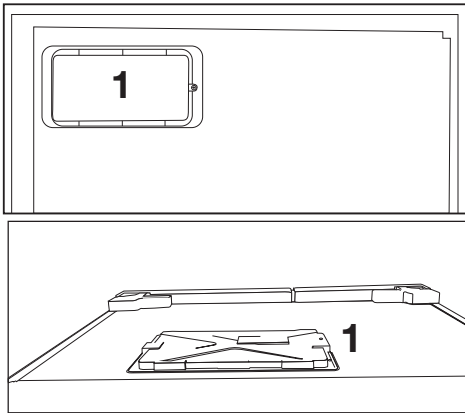
Dit apparaat is ontworpen om huiselijk gebruik of bij onderstaande soortgelijke gevallen gebruikt te worden.

- Voor het gebruik in personeel keukens bij winkels, bureaus en overige werkplaatsen;
- Voor het gebruik door klanten bij boerderijen en hotels, motels en overige plaatsen waar klanten kunnen verblijven;

### 1.1. Algemene veiligheid

- Dit product mag niet worden gebruikt door personen met fysieke, gevoelsmatige en mentale handicaps, door personen met onvoldoende kennis en ervaring of door kinderen. Het apparaat mag enkel worden gebruikt door dergelijke personen als ze onder toezicht en instructies staan van een persoon die verantwoordelijk is voor hun veiligheid. Kinderen mogen niet met dit apparaat spelen.
- Als er een defect optreedt, moet u de stekker verwijderen uit het stopcontact.
- Nadat u de stekker hebt verwijderd, moet u 5 minuten wachten voor u hem opnieuw in het stopcontact voert.
- Verwijder de stekker van het product uit het stopcontact als u het niet gebruikt.
- U mag het product niet aanraken met natte handen! Trek niet aan het netsnoer maar houd het steeds vast bij de stekker.

- U mag de stekker van de koelkast niet invoeren als het stopcontact los zit.
- Verwijder de stekker uit het stopcontact tijdens de installatie, onderhoudswerken, reiniging en reparaties.
- Als u het product gedurende een lange periode niet gebruikt, moet u de stekker van het product uit het stopcontact verwijderen en alle etenswaren verwijderen.
- Gebruik het product niet als het compartiment met circuitkaarten op het bovenste deel achteraan van het product (elektrische kaart doos deksel) (1) open is.

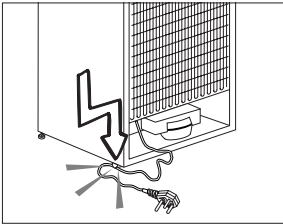


- Gebruik geen stoom of stoomreinigers om de koelkast te reinigen en het ijs te smelten. Stoom kan in contact komen met de geëlektrificeerde zones en kortsluitingen of elektrische schokken veroorzaken!
- U mag het product niet reinigen door er water op te verstuiwen of te gieten! Gevaar van elektrische schokken!

- Als er een defect optreedt, mag u het product niet gebruiken want dit kan elektrische schokken veroorzaken. Neem contact op met de geautoriseerde dienst voor u iets doet.
- Voer de stekker in een geaard stopcontact. De aarding moet worden uitgevoerd door een gekwalificeerde elektricien.
- Als het product voorzien is van een LED-type verlichting moet u contact opnemen met de geautoriseerde dienstverlening om het te vervangen als er een probleem optreedt.
- Raak geen bevroren goederen aan met natte handen! Ze kunnen blijven plakken aan uw handen!
- Plaats geen vloeistoffen in flessen en blikjes in het vriesvak. Deze kunnen namelijk barsten!
- Plaats vloeistoffen rechtop nadat u het deksel stevig hebt gesloten.
- U mag geen ontvlambare stoffen in de buurt van het product verstuiwen want deze kunnen branden of ontploffen.
- Bewaar geen ontvlambaar materiaal en producten met ontvlambaar gas (sprays, etc.) in de koelkast.
- Plaats geen containers met vloeistof bovenop het product. Water spatten op een geëlektrificeerd onderdeel kan elektrische schokken veroorzaken en fataal aflopen.
- Het product blootstellen aan regen, sneeuw, zonlicht en wind veroorzaakt elektrisch gevaar. Als u het product verplaatst, mag u er niet aan trekken bij het handvat. Het handvat kan los komen.



- Zorg ervoor uw handen of lichaam niet te klemmen in een van de bewegende delen van het product.
- U mag niet stappen of leunen op de deur, laden of gelijkaardige delen van de koelkast. Dit kan er toe leiden dat het product valt en het kan schade veroorzaken aan de onderdelen.
- Let erop het netsnoer niet te klemmen.



### 1.1.1 HC waarschuwing

Als het product voorzien is van een koelsysteem met R600 gas moet u er op letten het koelsysteem en de leiding niet te beschadigen wanneer u het product gebruikt of verplaatst. Dit gas is ontvlambaar. Als het koelsysteem beschadigd is, moet u het product uit te buurt van brandhaarden houden en de ruimte onmiddellijk ventileren.



Het label links aan de binnenzijde geeft het type gas aan dat in het product wordt gebruikt.

### 1.1.2 Voor modellen met een waterfontein

- De druk van de koud waterinlaat mag maximum 90psi (6,2 bar) bedragen. Als uw waterdruk hoger is dan 80psi (5,5 bar) moet u een drukbegrenzer gebruiken in uw netwerk. Als u niet weet hoe u uw waterdruk kunt controleren, moet u hulp vragen van een professionele loodgieter.
- Als het risico bestaat op een waterslageffect in uw installatie moet u altijd een waterslag preventie apparatuur installeren. Raadpleeg een professionele loodgieter als u niet zeker bent of er een waterslageffect aanwezig is in uw installatie.
- Installeer deze niet op de warme waterinlaat. Neem de nodige maatregelen tegen het bevriezen van de leidingen. De watertemperatuur bedrijfsinterval moet minimum 33°F (0,6°C) en maximum 100°F (38°C) zijn.
- Gebruik enkel drinkwater.

### 1.2. Bedoeld gebruik

- Dit product is ontworpen voor huishoudelijk gebruik. Het is niet bedoeld voor commercieel gebruik.
- Het product mag enkel worden gebruikt om etenswaren en dranken op te slaan.
- U mag geen gevoelige producten bewaren die een gecontroleerde temperatuur vereisen (vaccins, warmtegevoelige medicatie, medische producten, etc.) in de koelkast.
- De fabrikant aanvaardt geen

verantwoordelijkheid voor eventuele schade als het gevolg van misbruik of een incorrecte hantering.

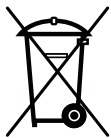
- Originele reserveonderdelen worden geleverd gedurende een periode van 10 jaar vanaf de product aankoopdatum.

### 1.3. Kinderveiligheid

- Houd de verpakking uit de buurt van kinderen.
- Laat kinderen nooit spelen met het product.
- Als de deur van het product voorzien is van een slot moet u ze uit de buurt van kinderen houden.

### 1.4. Conformiteit met de WEEE-richtlijn en Verwijdering van afvalproducten

Dit product is conform met de EU WEEE-richtlijn (2012/19/EU). Dit product draagt een classificatiesymbool voor afval elektrische en elektronische apparatuur (WEEE).



Dit product werd vervaardigd met kwalitatief hoogstaande onderdelen en materialen die opnieuw kunnen worden gebruikt en die geschikt zijn voor recycling. U mag het afvalproduct niet verwijderen met het normale huishoudelijke en andere afval aan het einde van de levensduur. Breng het naar een inzamelcentrum voor de

recycling van elektrische en elektronische apparatuur. Raadpleeg uw lokale autoriteiten voor meer informatie over deze inzamelcentra.

### 1.5. Conformiteit met de RoHS-richtlijn

- Dit product is conform met de EU WEEE-richtlijn (2011/65/EU). Het bevat geen schadelijk en verboden materiaal zoals gespecificeerd in de Richtlijn.

### 1.6. Informatie op de verpakking

- Het verpakkingsmateriaal van het product is gefabriceerd van recyclebaar materiaal in overeenstemming met onze Nationale Milieuwetgeving. U mag het verpakkingsmateriaal niet samen met het huishoudelijke of ander afval weggooien. Breng het naar de inzamelpunten voor verpakkingsmateriaal aangewezen door de lokale autoriteiten.

## 3 Installatie

⚠ Indien de informatie die in deze gebruikershandleiding wordt gegeven, niet wordt opgevolgd, is de fabrikant in geen geval aansprakelijk.

### Punten waarop gelet moet worden bij de verplaatsing van een koelkast

1. Uw koelkast moet van de stroom zijn afgesloten. Voor het vervoer van uw koelkast moet deze leeg zijn gemaakt en gereinigd.
2. Voordat deze wordt verpakt, moeten schappen, accessoires, groentelade, enz. in de koelkast worden vastgemaakt met tape en beschermd zijn tegen stoten. De verpakking dient met dikke tape of geschikt touw worden ingebonden en de vervoerregels op de verpakking dienen strikt te worden nageleefd.
3. Originele verpakking en schuimmaterialen moeten worden bewaard voor toekomstig transport of verhuizen.

### Voordat u de koelkast inschakelt,

Controleer het volgende voordat u uw koelkast gaat gebruiken:

1. Bevestig 2 plastic wiggen zoals hieronder afgebeeld. Plastic wiggen zijn bedoeld om afstand te houden, om zo een luchtcirculatie te behouden tussen uw koelkast en de muur. (De afbeelding is slechts een schets en is niet gelijk aan uw product.)
2. Maak de binnenkant van de koelkast schoon, zoals aanbevolen in het hoofdstuk "Onderhoud en reiniging".
3. Sluit de stekker van de koelkast aan op het stopcontact. Als de koelkastdeur wordt geopend, gaat de binnenverlichting van de koelkast aan.
4. Als de compressor begint te draaien, komt er een geluid vrij. De vloeistof en de gassen die zich in het koelsysteem bevinden, zouden ook wat lawaai kunnen veroorzaken zelfs wanneer de compressor niet werkt. Dit is normaal.
5. De buitenkant van de koelkast kan warm aanvoelen. Dit is normaal. Deze oppervlakken zijn bedoeld om warm te worden om condensvorming te voorkomen.

### Elektrische aansluiting

Sluit uw apparaat aan op een geaard stopcontact, beschermd door een zekering met de juiste capaciteit. Belangrijk:

- De aansluiting moet in naleving zijn met nationale voorschriften.
- De stroomstekker moet na installatie eenvoudig bereikbaar zijn.
- Elektrische veiligheid van uw koelkast wordt alleen gegarandeerd wanneer het aardingssysteem in uw huis aan de normen voldoet.
- Het voltage op het etiket dat zich links binnenin uw product bevindt moet gelijk zijn aan uw netstroomvoltage.

- **Verlengkabels en verdeelstekkers mogen voor aansluiting niet worden gebruikt.**

- ⚠ Een beschadigde stroomkabel moet door een gekwalificeerd elektricien worden vervangen.
- ⚠ Het product mag niet in werking worden gesteld voordat het gerepareerd is! Er bestaat anders gevaar op een elektrische schok!

## **Afvoeren van de verpakking**

De verpakkingsmaterialen kunnen gevaarlijk zijn voor kinderen. Houd het verpakkingsmateriaal buiten bereik van kinderen of voer deze af conform afvalinstructies zoals bepaald door uw lokale autoriteiten. Gooi het niet weg met het normale huishoudafval, maar maak gebruik van ophaalplaatsen voor verpakkingen die door lokale autoriteiten zijn aangewezen.

De verpakking van uw koelkast is vervaardigd uit herbruikbare materialen.

## **Afvoeren van uw oude koelkast**

Voer uw oude koelkast af zonder het milieu op enige wijze te schaden.

- U kunt uw bevoegde dealer of het afvalcentrum van uw gemeente raadplegen over het afvoeren van uw koelkast.

Voordat u uw koelkast afvoert, snijd de elektrische stekker af. Indien het apparaat is uitgevoerd met deursluitingen, dit slot dan onbruikbaar maken om kinderen tegen gevaar te beschermen.

## **Plaatsing en installatie**

⚠ Als de toegangsdeur van de kamer waarin de koelkast wordt geïnstalleerd niet breed genoeg is voor de koelkast om erdoor te passen, bel dan de bevoegde dienst zodat deze de deuren van uw koelkast kan verwijderen en de koelkast zijdelings door de deur kan.

1. Installeer uw koelkast op een plaats waar deze gemakkelijk kan worden gebruikt.
2. Houd uw koelkast uit de buurt van warmtebronnen, vochtige plaatsen en direct zonlicht.
3. Er moet geschikte luchtventilatie rond uw koelkast zijn om een efficiënte werking te verkrijgen. Als de koelkast in een uitsparing in de muur wordt geplaatst, moet er minstens 5 cm afstand zijn ten opzichte van het plafond en minstens 5 cm ten opzichte van de muur. Plaats uw product niet op materialen zoals een kleden of vloerbedekking.
4. Plaats uw koelkast op een vlak vloeroppervlak om schokken te vermijden.

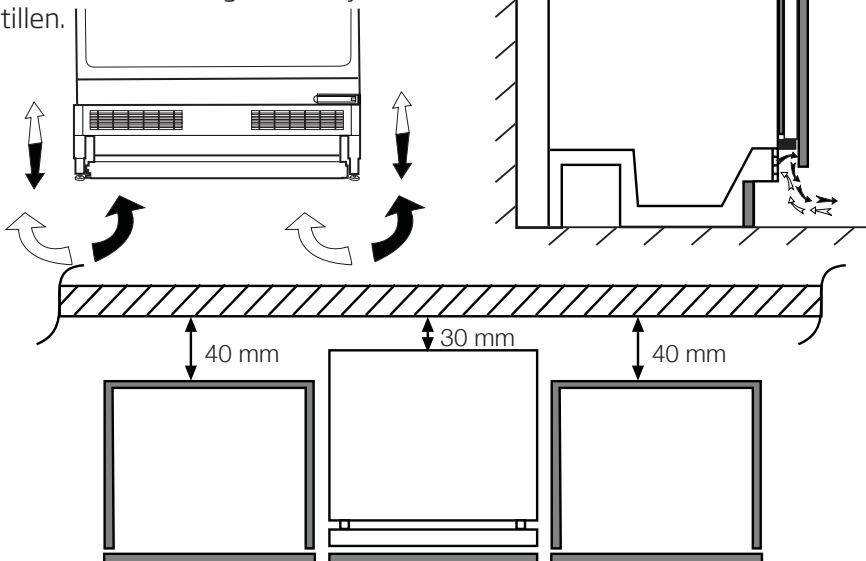
## Het plaatsen van de koelkast onder het werkblad en het instellen van de pootjes.

Bij het plaatsen van uw koelkast dient de afstand tussen het product en de muur minstens 30 cm te zijn, zoals aangegeven in de afbeelding.

De luchtzuigkanalen mogen niet geblokkeerd worden zodat de prestatie van uw koelkast niet achteruit gaat. (140 cm<sup>2</sup>)

Wanneer uw koelkast niet waterpas staat;

U kunt de voorpoten van uw koelkast draaien om deze waterpas te zetten, zoals getoond in de afbeelding. De hoek van de poot gaat omlaag als u de poot in de richting van de zwarte pijl draait; deze gaat omhoog als u de poot in de omgekeerde richting draait. Het is makkelijker voor u indien u hulp kunt krijgen van iemand die de eenheid tijdens deze handeling een beetje kan optillen.



## 4 Voorbereiding

---

- Uw koelkast moet worden geïnstalleerd op minstens 30 cm afstand van warmtebronnen zoals kookplaten, centrale verwarming en kachels en op minstens 5 cm afstand van elektrische ovens. De koelkast mag niet in direct zonlicht worden geplaatst.
- De omgevingstemperatuur van de kamer waarin u de koelkast installeert dient minstens 10°C te zijn. In verband met efficiëntie wordt gebruik van uw koelkast in koudere omstandigheden niet aanbevolen.
- Controleer of de binnenzijde van uw koelkast volledig schoon is.
- Bij installatie van twee koelkasten naast elkaar, moeten de koelkasten op een afstand van minstens 2 cm van elkaar worden geplaatst.
- Wanneer u de koelkast voor de eerste keer in gebruik neemt, gelieve tijdens de eerste zes uur de volgende instructies in acht te houden.
  - De deur niet regelmatig openen.
  - Koelkast moet in bedrijf gesteld worden zonder levensmiddelen.
  - De stekker van de koelkast niet uittrekken. Indien zich een stroomstoring voordoet buiten uw macht, zie de waarschuwingen in het deel "Aanbevolen oplossingen voor problemen".
- De manden/lades die met het koelcompartiment worden meegeleverd moeten altijd worden gebruikt om voor een laag energieverbruik en betere opslagcondities te zorgen.
- Wanneer voedsel in contact komt met de temperatuursensor in het vriezercompartiment dan kan dit het energieverbruik van het apparaat verhogen. Derhalve dient contact met de sensor(s) voorkomen te worden.
- Originele verpakking en schuimmaterialen moeten worden bewaard voor toekomstig transport of verhuizen.
- In bepaalde modellen schakelt het instrumentenpaneel uit 5 minuten nadat de deur werd gesloten. Het wordt opnieuw ingeschakeld als de deur wordt geopend of als een knop wordt ingedrukt.
- Als gevolg van temperatuurschommelingen door het openen/sluiten van de deur van het product tijdens zijn werking, is condens op de deur-/koelkastschappen en de glazen houders normaal

## 5 Gebruik van uw koelkast

### Knop voor temperatuurinstelling

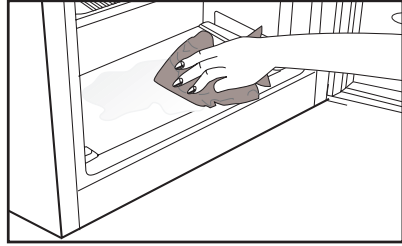
De binnentemperatuur van uw koelkast verandert om de volgende redenen;

- Seizoentemperaturen,
- Frequent openen van de deur of de deur lang open laten staan,
- Etenswaar dat in de koelkast wordt geplaatst zonder dat deze tot kamertemperatuur is zijn afgekoeld.
- De plaats van de koelkast in de kamer (bijv. blootgesteld aan zonlicht)

Met de thermostaat kunt u een als gevolg van deze redenen variërende binnentemperatuur aanpassen. Wanneer de omgevingstemperatuur hoger is dan 32°C, draait u de thermostaatknop in de maximumpositie.

### Diepvriesproducten bewaren

- Diepvriesproducten kunnen over het algemeen maximaal drie maanden worden bewaard onder -18°C. Bewaarperiodes kunnen afhankelijk zijn van het type etenswaar. Bewaarperiodes van houdbaarheidsdata van diepvriesproducten worden door de fabrikant op de verpakking vermeld.
- Door u gekochte diepvriesproducten moeten in de diepvriezer worden geplaatst voordat zij ontdooien.
- Diepvriesproducten kunnen inde vakken met laden worden bewaard.



### Ontdooien

Een toename in de dikte van ijsvorming op de verdamper van uw koelkast kan de koefficiëntie van de koelkast doen verminderen.

U moet daarom het ijs ontdooien wanneer de dikte van de ijslaag rondom de verdamper ongeveer 5 mm bedraagt. Het wordt aanbevolen om het ijs te ontdooien wanneer de koelkast niet te vol geladen of leeg is.

Verpak het voedsel in de koelkast in verschillende lagen papier en bewaar het op de koudst mogelijke plaats of in een andere koelkast.

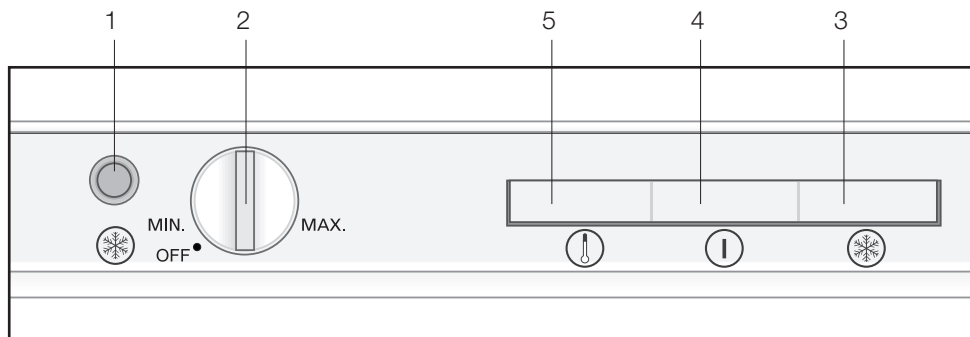
Draai de thermostaatknop naar "off" (uit) of trek de stroomkabel uit om te laten ontdooien.

Verwijder de laden van uw koelkast (het is niet nodig om het deksel van een vak, dat daarmee is uitgerust, te verwijderen). Na enige tijd komt het smeltwater terecht in de bak onderaan uw koelkast.

Verwijder het verzamelde water met een zachte spons en droog de opvangbak goed uit.

Vergeet niet om de thermostaatknop naar een andere positie dan de "off" (uit) stand te draaien voordat u uw koelkast weer opstart.

Laat uw koelkast gedurende 2 uur leeg werken, met de deuren gesloten, voordat u de etenswaren terugplaatst.



## Lampjes en bedieningspaneel

De lampjes aan de voorzijde van uw koelkast zijn bedoeld om u te helpen de werking van uw toestel in het oog te houden.

Bewaar de etensware in de koelkast op een veilige manier door deze lampjes te controleren en de lampjes en bedieningen zoals hieronder uitgelegd te gebruiken:

**Fast Freeze knop (1):** Wordt gebruikt om etenswaren snel in te vriezen. Het kan zijn dat de compressor na het indrukken van de knop niet onmiddellijk in werking treedt maar enige tijd later. Dit is zeer normaal.

**Instelknop Thermostaat (2):** Wordt gebruikt om uw koelkast in te stellen op een waarde tussen de minimum en maximum waarden.

**Oranje lampje (3):** Gaat branden wanneer de fast freeze knop op het paneel wordt ingedrukt. In dit geval blijft uw koelkast constant werken.

Wanneer de etenswaren die u snel wenst in te vriezen de gewenste temperatuur bereiken drukt u nogmaals de knop in en het oranje lampje gaat uit.

**Groen lampje (4):** Brandt voortdurend nadat de stekker van uw koelkast is ingestoken.

**Rood lampje (5):** Waarschuwt u door constant te branden wanneer uw koelkast begint te werken, als er niet genoeg koeleffect wordt bereikt, wanneer de koelkastdeur gedurende lange tijd open staat en wanneer er te veel etenswaren ingeladen worden.

Ingeval het rode lampje blijft branden en de situaties vermeld in de kolom hiernaast niet voorkomen, gelieve onze bevoegde onderhoudsdienst te bellen.



## 6 Onderhoud en reiniging

- ⚠ Gebruik nooit benzine, benzeen of gelijksoortige substanties voor het reinigingswerk.
- ⚠ Wij bevelen aan dat u de stekker uit het toestel trekt voordat u met reinigen begint.
- ⚠ Gebruik nooit scherpe voorwerpen, zeep, huishoudproducten, afwasmiddel of boenwas om te poetsen.
- ⓘ In producten die geen No Frost hebben ontstaan er op de achterwand van het koelvak waterdruppels en een vingerdikke ijslaag. Maak het niet schoon; doe er nooit olie op soortgelijke middelen op.
- ⓘ Gebruik uitsluitend licht vochtige microfvezeldoeken om de buitenkant van het product schoon te maken. Sponzen en andere soorten schoonmaakdoeken kunnen het oppervlak krassen.
- ⓘ Gebruik lauwwarm water om de kast van uw koelkast schoon te maken en wrijf deze droog.
- ⓘ Gebruik een vochtige doek, uitgewrongen in een oplossing van één koffielepel natriumbicarbonaat voor 50 cl water, om de binnenkant schoon te maken en wrijf vervolgens droog.
- ⚠ Zorg ervoor dat er geen water in de lamp en andere elektrische onderdelen binnensijpelt.
- ⚠ Als uw koelkast voor een lange periode niet zal worden gebruikt, trek dan de stroomkabel uit, verwijder alle etenswaren, maak de koelkast schoon en laat de deur op een kier staan.
- ⓘ Kijk de deurgrendels regelmatig na om u ervan te overtuigen dat ze schoon en vrij van etensresten zijn.
- ⚠ Om deurroosters te verwijderen, verwijder de inhoud en druk het deurrooster vervolgens eenvoudigweg naar boven vanaf de basis.
- ⚠ Gebruik nooit reinigingsmiddelen of water dat chloor bevat om de buitenkant en de verchroomde onderdelen van het product te reinigen. Chloor veroorzaakt corrosie op dergelijke metalen oppervlakken.
- ⚠ Gebruik geen scherpe en schurende werktuigen of zeep, huishoudelijke reinigingsmiddelen, oplosmiddelen, benzine, benzeen, was, etc. Zo niet zullen stempels op plastic onderdelen loskomen en kunnen vervormingen optreden. Gebruik warm water en een zachte doek om te reinigen en te drogen.

### Bescherming van de plastic oppervlakken

- ⓘ Plaats geen vloeibare olie of in olie bereide maaltijden in uw koelkast in onafgedichte bakjes. Deze kunnen de plastic oppervlakken van uw koelkast beschadigen. Mocht u olie morsen op de kunststof oppervlakken, reinig dit deel van het oppervlak dan direct met warm water en spoel af.

## 7 Fouten opsporen

Controleer de volgende punten voordat u de onderhoudsdienst belt. Dit kan u tijd en geld besparen. Deze lijst omvat regelmatige klachten die niet voortkomen uit defect vakmanschap of materiaalgebruik. Het is mogelijk dat bepaalde functies die hier beschreven zijn niet tot uw product behoren.

### De koelkast werkt niet.

- De stekker zit niet op de juiste manier in het stopcontact. >>>Zorg ervoor dat de stekker veilig in het stopcontact wordt geplaatst.
- De zekering van het stopcontact waarop de koelkast is aangesloten of de hoofdzekering is gesprongen. >>>Controleer de zekering.

### Condensvorming langs de wand van het koelgedeelte (MULTI ZONE, COOL CONTROL en FLEXI ZONE).

- Omgeving is erg koud. >>>Plaats de koelkast niet in een ruimte waar de temperatuur lager kan worden dan 10°C.
- De deur van de koelkast werd regelmatig open gemaakt. >>>Open en sluit de deur van de koelkast niet te veel.
- Omgeving is erg vochtig. >>>Plaats de koelkast niet in een vochtige ruimte.
- Voedsel met veel vloeistoffen wordt in open bakjes bewaard. >>>Bewaar dit soort voedsel in gesloten bakjes.
- De deur van de koelkast staat op een kier. >>>Sluit de deur van de koelkast.
- De thermostaat staat veel te laag. >>>Zet de thermostaat hoger.

- De compressor draait niet
- Thermische bescherming van de compressor kan springen gedurende plotselinge stroomuitval of afsluiting van de stroomtoevoer wanneer de druk van het koelmiddel in het koelsysteem van de koelkast niet in balans is. De koelkast gaat na ongeveer 6 minuten draaien. Neem contact op met de onderhoudsdienst wanneer uw koelkast na deze periode niet start.
- De koelkast zit in een ontdooicyclus. >>>Dit is normaal voor een volledig automatisch ontdooiende koelkast. Ontdooicyclus vindt periodiek plaats.
- De stekker van de koelkast steekt niet in het stopcontact. >>>Zorg ervoor dat de stekker in het stopcontact zit.
- De temperatuuraanpassingen werden niet correct uitgevoerd. >>>Kiest een geschikte temperatuurwaarde.
- Er is een stroomstoring. >>>Zodra de storing is verholpen keert de koelkast terug naar normale werking.

### Het werkingsgeluid neemt toe wanneer de koelkast werkt.

- De werking van de koelkast kan veranderen als gevolg van wijzigingen in de omgevingstemperatuur. Dit is normaal en geen defect.

### De koelkast werkt frequent of gedurende lange tijd.

- Uw nieuwe product is mogelijk breder dan het vorige. Grote koelkasten werken langer.
- De omgevingstemperatuur kan hoog zijn. >>> Het is normaal dat het product langer draait in een warme omgeving.
- De stekker van de koelkast kan onlangs ingestoken zijn of de koelkast kan zijn volgeladen met etenswaren. >>> Wanneer de koelkast pas is ingeschakeld of kortgeleden werd gevuld, duurt het langer om de ingestelde temperatuur te bereiken. Dit is normaal.
- Grote hoeveelheden warme levensmiddelen kunnen recentelijk in de koelkast zijn geplaatst. >>> Plaats geen warm voedsel in de koelkast.
- Deuren werden regelmatig geopend of hebben enige tijd op een kier gestaan. >>> De warme lucht die in de koelkast is binnengekomen maakt dat de koelkast langer werkt. Open de deuren niet te dikwijls.
- De deur van het vries- of koelcompartiment is mogelijk op een kier blijven staan. >>> Controleer of de deuren goed gesloten zijn.
- De koelkast is zeer koud ingesteld. >>> Stel de koelkasttemperatuur hoger en wacht tot de temperatuur wordt bereikt.
- Deurafdichting van de koelkast of diepvriezer kan vuil, versleten, gebroken of niet goed geplaatst zijn. >>> Maak de afdichting schoon of vervang deze. Een beschadigde/ gebroken afdichting maakt dat de koelkast langer moet werken om de huidige temperatuur te handhaven.

Diepvriestemperatuur is erg laag terwijl de koelkasttemperatuur voldoende is.

- De diepvriestemperatuur is zeer koud ingesteld. >>> Stel de diepvriezertemperatuur hoger in en controleer.

Koelkasttemperatuur is erg laag terwijl de diepvriestemperatuur voldoende is.

- De temperatuur van het koelvak is zeer koud ingesteld. >>> Stel de koelkasttemperatuur hoger in en controleer.

Etenswaren die in laden van het koelgedeelte worden bewaard, bevroren.

- De temperatuur van het koelvak is zeer hoog ingesteld. >>> Stel de koelkasttemperatuur lager in en controleer.

Temperatuur in de koelkast of diepvriezer is zeer hoog.

- De temperatuur van het koelvak is zeer hoog ingesteld. >>>De temperatuur van het koelvak heeft invloed op de temperatuur van de diepvriezer. Wijzig de temperatuur van de koelkast of de diepvriezer en wacht tot de betreffende compartimenten de gewenste temperatuur bereikt.
- Deuren werden regelmatig geopend of hebben enige tijd op een kier gestaan. >>>Open de deuren niet te vaak.
- De deur staat op een kier. >>>Sluit de deur volledig.
- De koelkast is pas ingeschakeld of werd recent geladen met voedsel. >>>Dit is normaal. Wanneer de koelkast net is ingeschakeld of kortgeleden werd gevuld, duurt het langer om de ingestelde temperatuur te bereiken.
- Grote hoeveelheden warme levensmiddelen kunnen recentelijk in de koelkast zijn geplaatst. >>>Plaats geen warm voedsel in de koelkast.

• Vibratie of geluid.

- De vloer is niet gelijk of stabiel. >>> Indien de koelkast schommelt bij enige beweging, moet u de stelvoetjes aanpassen. Zorg dat de vloer vlak en sterk genoeg is om de koelkast te dragen.
- De spullen die boven op de koelkast liggen kunnen geluid veroorzaken. >>>Verwijder deze van de bovenzijde van de koelkast.

Er komt een geluid van morsende of sprayende vloeistof uit de koelkast.

- Vloeistof- en gasstromen vinden plaats conform de werkingsprincipes van uw koelkast. Dit is normaal en geen defect.

Er komt een fluitend geluid van de koelkast.

- Er worden ventilatoren gebruikt om de koelkast te koelen. Dit is normaal en geen defect.

Condens op de binnenwanden van de koelkast.

- Met warm en vochtig weer neemt ijs- en condensvorming toe. Dit is normaal en geen defect.
- Deuren werden regelmatig geopend of hebben enige tijd op een kier gestaan. >>>Open de deuren niet te vaak. Sluit ze wanneer ze open staan.
- De deur staat op een kier. >>>Sluit de deur volledig.

Vocht aan de buitenkant van de koelkast of tussen de deuren.

- De lucht is mogelijk vochtig; dit is vrij normaal bij vochtig weer. Wanneer de vochtigheid minder wordt, zal de condens verdwijnen.

#### Slechte geur binnenin de koelkast.

- Ze wordt niet regelmatig schoongemaakt. >>>Maak de binnenkant van de koelkast regelmatig schoon met een spons met lauw water waarin eventueel wat carbonaat is opgelost.
- Sommige bakjes of verpakkingsmaterialen kunnen de geur veroorzaken. >>>Gebruik een ander bakje of ander soort verpakkingsmateriaal.
- Er is voedsel in de koelkast geplaatst in een open bakje. >>>Bewaar het voedsel altijd in een gesloten bakje. Micro-organismen die zich verspreiden vanuit containers zonder deksel kunnen onaangename geuren veroorzaken.
- Neem vervallen voedingswaren en gemorste gerechten altijd meteen uit de koelkast.

#### De deur sluit niet.

- Voedselpakketjes kunnen er de reden van zijn dat de deur niet sluit. >>>Verplaats de verpakkingen die de deur belemmeren.
- De koelkast staat niet volledig waterpas op de vloer. >>>Stel de stelvoetjes bij om de koelkast waterpas te zetten.
- De vloer is niet gelijk of stevig. >>>Zorg dat de vloer vlak is en de koelkast kan dragen.

#### Groenteladen zitten vast.

- De levensmiddelen kunnen de bovenzijde van de lade raken. >>>Herschik de levensmiddelen in de lade.

#### Als Het Oppervlak Van Het Product Heet Is.

- Tijdens de werking kunnen tussen de twee deuren, de zijpanelen en de achterste grill hoge temperaturen worden waargenomen. Dit is normaal en behoeft geen serviceonderhoud!

## **Ju lutem lexoni këtë manual më parë.**

I nderuar klient,

Shpresojmë që produkti juaj, i cili është prodhuar në fabrika moderne dhe është kontrolluar nën procedurat më të rrepta të kontrollit të cilësisë, do t'ju ofrojë një shërbim të efektshëm.

Prandaj, lexoni të gjithë këtë manual me kujdes para se ta përdorni këtë produkt dhe ruajeni si referencë. Nëse ia dorëzoni produktin dikujt tjetër, jepini gjithashtu edhe këtë manual.

## **Manuali i përdoruesit do t'ju ndihmojë ta përdorni produktin shpejt dhe në mënyrë të sigurt.**

- Lexoni manualin para se të instaloni dhe përdorni produktin.
- Sigurohuni që t'i lexoni udhëzimet e sigurisë.
- Mbajeni manualin në një vend që ta arrini me lehtësi pasi mund t'ju duhet më vonë.
- Lexoni dokumentet e tjera të dhëna me produktin.

Mos harroni që ky manual përdoruesi vlen gjithashtu edhe për disa modele të tjera. Ndryshimet midis modeleve do të tregohen në manual.

## **Shpjegim i simboleve**

### **Gjatë këtij manuali përdoruesi janë përdorur simbolet e mëposhtme:**

 Informacione të rëndësishme ose këshilla të dobishme.

 Paralajmërim kundrejt situatave të rrezikshme për jetën dhe pronën.

 Paralajmërim kundrejt tensionit elektrik.

## **PËRMBAJTJA**

---

### **1 Frigoriferi juaj 3**

### **2 Paralajmërimet dhe Rëndësishme Sigurie 4**

Përdorimi i synuar .....	4
Siguria e përgjithshme .....	4
Për produktet me dispenser uji; ...	8
Siguria për fëmijët .....	8
Pajtueshmëria me Direktivën WEEE dhe Hedhjen e Produkteve	
Mbeturina: .....	8
Informacione të paketimit.....	8
Paralajmërim HC .....	9
Gjërat që mund të bëhen për kursimin e energjisë .....	9

### **3 Instalimi 10**

Pikat të cilave u duhen kushtuar vëmendje kur zhvendosni frigoriferin	10
Para se ta vini frigoriferin në punë,	10
Lidhja elektrike.....	10
Hedhja e paketimit.....	11
Hedhja e frigoriferit të vjetër .....	11
Vendosja dhe Instalimi .....	11
Vendosja e frigoriferit poshtë banakut dhe rregullimi i këmbëve .....	12

### **4 Përgatitja 13**

Kthimi i dyerve .....	14
-----------------------	----

### **5 Përdorimi i frigoriferit tuaj 15**

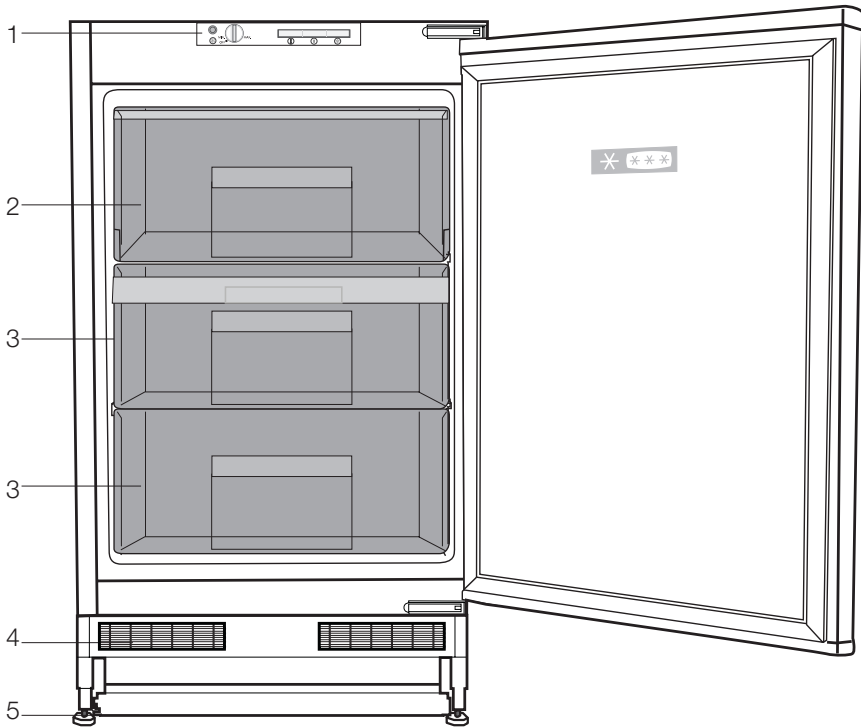
Vendosja e temperaturës të punimit	15
Ngrirja.....	15
Shkrirja .....	16
Treguesit LED dhe paneli i kontrollit	17

### **6 Mirëmbajtja dhe pastrimi 18**

Mbrojtja e sipërfaqeve plastike ...	18
-------------------------------------	----

### **7 Zgjidhja e problemeve 19**

# 1 Frigoriferi juaj



- 1- Paneli i kontrollit
- 2- Ndarja e ngrirjes të shpejtë
- 3- Ndarja e vendosjes të ushqimeve të ngrira
- 4- Kapaku i ventlimit
- 5- Këmbë regullueshme

**i** Figurat që ndodhen në këtë manual janë skematike dhe mund të mos korrespondojnë saktësisht me produktin tuaj. Nëse pjesët e subjektit nuk janë përfshirë në produktin që keni blerë, atëherë është vlejshme të keni parasysh modele të tjera.







## 2 Paralajmërimet të Rëndësishme Sigurie

Ju lutem shikoni informacionet e mëposhtme. Nëse nuk i përmbaheni këtyre informacioneve mund të shkaktohen lëndime ose dëmtime materiale. Përndryshe, të gjitha angazhimet e garancisë dhe besueshmërisë do të bëhen të pavlefshme.

Pjesët origjinale të ndërrimit do të ofrohen për 10 vite, pas datës së blerjes së produktit.

### Përdorimi i synuar

	<b>PARALAJMËRIM:</b> Mbajini të hapura dhe të lira nga pengesat vrimat e ajrimit, në kasën e pajisjes si dhe në strukturën e integruar.
	<b>PARALAJMËRIM:</b> Mos përdorni pajisje mekanike ose mjete të tjera për të përshpejtuar procesin e shkrirjes, përveç atyre që rekomandohen nga prodhuesi.
	<b>PARALAJMËRIM:</b> Mos e dëmtoni qarkun e lëngut ftohës.
	<b>PARALAJMËRIM:</b> Mos përdorni pajisje elektrike brenda ndarjeve të ushqimeve në pajisje, përveçse kur janë të tipit të rekomanduar nga prodhuesi.

### KUJDES!



Mos mbani substanca shpërthyes si kanaçe aerosoli me gaz shtytës brenda kësaj pajisjeje.

Kjo pajisje është projektuar për përdorim familjar dhe në aktivitete të ngjashme, si p.sh.  
– zona të kuzhinës së personelit në dyqane, zyra e ambiente të tjera pune;

– shtëpi në fermë dhe nga klientët në hotele, motele dhe ambiente të tjera banimi;

### Siguria e përgjithshme

- Kur doni ta hidhni/flakni produktin, rekomandojmë që të konsultoheni me shërbimin e autorizuar me qëllim që të mësoni informacionet që duhen dhe organet e autorizuar.
- Konsultohuni me shërbimin e autorizuar për të gjitha pyetjet dhe problemet që lidhen me frigoriferin tuaj. Mos ndërhyri ose mos lejoni asnjë që të ndërhyjë në frigorifer pa njoftuar shërbimet e autorizuar.
- Për produktet me një ndarje ngrirësi; Mos hani kone akulloresh dhe kuba akulli menjëherë pasi i keni nxjerrë nga ndarja e ngrirësit! (Kjo mund të shkaktojë kafshim ngrice në gojë.)
- Për produktet me ndarje ngrirësi; Mos vendosni pije në shishe dhe kanaçe në ndarjen e ngrirësit. Përndryshe ato

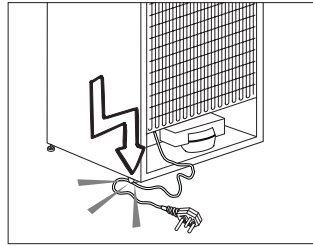
mund të çahen.

- Mos i prekni ushqimet e ngrira me dorë; ato mund t'ju ngjiten në dorë.
- Hiqeni frigoriferin nga priza para se ta pastroni ose shkruini.
- Avulli dhe materialet e pastrimit që avullojnë nuk duhet të përdoren asnjëherë në pastrim dhe proceset e shkrirjes të frigoriferit. Në këto raste, avulli mund të bjerë në kontakt me pjesët elektrike dhe të shkaktojë qark të shkurtër ose goditje elektrike.
- Mos e përdorni asnjëherë si mjet për t'u mbështetur ose si shkallë derën ose pjesët e frigoriferit.
- Mos përdorni pajisje elektrike brenda frigoriferit.
- Mos i dëmtoni pjesët, ku çarkullon lëngu ftohës, me mjete shpimi ose prerjeje. Lëngu ftohës që mund të dalë kur shpohen kanalet e evaporatorit, zgjatimeve të tubit ose shtresave të sipërfaqes shkakton irritime në lëkurë dhe dëmtime në sy.
- Mos i mbuloni ose bllokoni vrimat e ventilimit në frigorifer me asnjë lloj materiali.
- Pajisjet elektrike duhet të riparohen vetëm nga persona të autorizuar. Riparimet e bëra nga persona jo kompetentë krijojnë rreziqe për përdoruesin.
- Në rast të ndonjë defekti ose gjatë një pune mirëmbajtjeje ose riparimi, shkëputeni

frigoriferin nga korrenti qoftë duke fikur siguresën përkatëse ose duke e hequr pajisjen nga priza.

- Mos e tërhiqni kabllin kur tërhiqni spinën.
- Vendosini pijet e larta të mbyllura fort dhe në pozicion vertikal.
- Sigurohuni që pijet alkoolike të forta të mbahen të siguruara me tapë të mbyllur dhe të vendosen në pozicion vertikal.
- Mos përdorni pajisje mekanike ose mjete të tjera për të përshpejtuar procesin e shkrirjes, përveç atyre të rekomanduara nga prodhuesi.
- Ky produkt nuk është synuar të përdoret nga persona me çrregullime fizike, ndjesore ose mendore apo nga njerëz që nuk janë mësuar ose pa përvojë (përfshirë fëmijët) përveç nëse mbikëqyren nga një person i cili do të jetë përgjegjës për sigurinë e tyre ose që do t'i udhëzojë mirë për përdorimin e produktit.
- Mos e vini në punë një frigorifer të dëmtuar. Konsultohuni me agentin e shërbimit nëse keni ndonjë merak.
- Siguria elektrike e frigoriferit tuaj do të garantohet vetëm nëse sistemi i tokëzimit në shtëpinë tuaj përputhet me standardet.
- Ekspozimi ndaj shiut, borës, diellit dhe erës është i rrezikshëm në lidhje me sigurinë elektrike.

- Kontaktoni shërbimin e autorizuar kur ka një dëmtim të kabllit të energjisë për të shmangur rrezikun.
- Asnjëherë mos e vini frigoriferin në prizë gjatë instalimit. Përndryshe, mund të shkaktohet vdekje ose lëndime serioze.
- Ky frigorifer është synuar vetëm për të mbajtur ushqime. Nuk duhet të përdoret për asnjë qëllim tjetër.
- Etiketa e të dhënave teknike ndodhet në murin e majtë brenda frigoriferit.
- Asnjëherë mos e lidhni frigoriferin me sistemet e kursimit të energjisë; ato mund ta dëmtojnë frigoriferin.
- Nëse ka një dritë blu mbi frigorifer, mos e shikoni dritën blu me mjete optike.
- Për frigoriferët me kontroll manual, prisni të paktën 5 minuta para se ta vini frigoriferin në punë pas një ndërperje energjije.
- Ky manual përdorimi duhet t'i jepet pronarit të ri të produktit kur i jepet të tjerëve.
- Bëni kujdes të mos e dëmtoni kabllin e energjisë kur transportoni frigoriferin. Përkulja e kabllit mund të shkaktojë zjarr. Mos vendosni objekte të rënda mbi kabllin e energjisë.
- Mos e preni spinën me duar të lagura kur e hiqni produktin nga prizë.

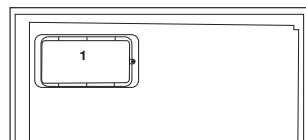
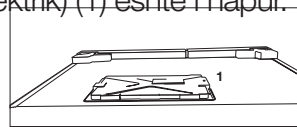


- Kur vendosni aparatit, sigurohuni që kordoni i furnizimit të mos jetë i bllokuar ose dëmtuar.
- Mos vendosni prizë të shumta portative ose furnizime të lëvizshme në pjesën e pasme të aparatit.
- Fëmijët të moshës prej 3 deri 8 ju lejohet të mbushin dhe të boshatisin pajisjet frigoriferike.
- Për të shmangur kontaminimin e ushqimit, ju lutemi respektoni udhëzimet e mëposhtme:
- - Hapja e derës për kohë të gjatë mund të shkakton rritje të ndjeshme të temperaturës në pjesët e pajisjes.
- - Pastroni rregullisht sipërfaqet që mund të vinë në kontakt me ushqim dhe akseset e sistemit për kullimit.
- - Pastroni tanket e ujit nëse ato nuk janë përdorur për 48 orë; lishoni sistemin e ujit të lidhur me ujësjellës nëse uji nuk është shterur për 5 ditë.
- - Ruani mishin e thatë dhe peshkun në kontejnerë të përshtatshëm në frigorifer, në mënyrë që ato të mos jenë në kontakt me ose të mos piket në ushqime të tjera.

- - Ndarjet për - dy - yje - ushqim i ngrirë janë të përshtatshme për ruajtjen e ushqimeve paraprakisht të ngrira, ruajtje ose bërjen e akullores dhe bërjen e kubeve të akullit.
- - Ndarjet një-dy dhe tre- yjeve nuk janë të përshtatshme për ngrirjen e ushqimit të freskët.
- - Nëse pajisja frigoriferike është lënë bosh për një kohë të gjatë, fikeni, shkroni, pastroni, thani, dhe leni derën të hapur të parandaloni zhvillimin e mykut në pajisje.
- Mos e vendosni frigoriferin nëse priza në mur është e lirë.
- Nuk duhet të spërkatet ujë në pjesët e brendshme ose të jashtme të produktit për arsye sigurie.
- Mos spërkatni substanca që përmbajnë gazra të djegshme si për shembull gaz propan pranë frigoriferit për të shmangur rrezikun e zjarrit dhe shpërthimit.
- Mos vendosni asnjëherë enë të mbushura me ujë mbi frigorifer; në rast spërkatjesh kjo mund të shkaktojë goditje elektrike ose zjarr.
- Mos e mbingarkoni frigoriferin me ushqime. Nëse ngarkohet tepër, ushqimet mund të bien dhe t'ju lëndojnë dhe të dëmtojnë frigoriferin kur hapni derën.
- Mos vendosni asnjëherë objekte mbi frigorifer; përndryshe, këto objekte mund të bien kur hapni ose mbyllni

derën e frigoriferit.

- Meqenëse kërkojnë një temperaturë shumë të saktë, vaksinat, ilaçet të ndjeshme ndaj nxehtësisë dhe materialet shkencore, etj. nuk duhet të mbahen në frigorifer.
- Nëse nuk do të përdoret për një kohë të gjatë, frigoriferi duhet të hiqet nga priza. Një problem i mundshëm në kabllin e energjisë mund të shkaktojë zjarr.
- Frigoriferi mund të lëvizë nëse këmbët e rregullueshme nuk janë siguruar mirë mbi dlysheme. Sigurimi mirë i këmbëve të rregullueshme mbi dlysheme mund të mos lejojë që frigoriferi të lëvizë.
- Kur lëvizni frigoriferin, mos e kapni nga doreza e derës. Përndryshe, mund të thyhet.
- Kur duhet ta lëvizni produktin pas një frigoriferi ose ngrirësi tjetër, distanca midis pajisjeve duhet të jetë të paktën 8 cm. Përndryshe, muret anësore pranë mund të krijojnë lagështi.
- Produkti nuk duhet të përdoret asnjëherë ndërkohë që ndarja që ndodhet sipër ose prapa produktit dhe në të cilin ndodhen qarqet elektronike (kapaku i kutisë të qarkut elektrik) (1) është i hapur.



## Për produktet me dispenser uji;

- Presioni nga vendi i hyrjes së ujit të ftohtë duhet të jetë maksimumi 90 psi (620 kPa). Nëse presioni i ujit e kalon 80 psi (550 kPa), përdorni një valvulë kufizuese të presionit në sistemin tuaj kryesor. Nëse nuk dini se si ta kontrolloni presionin e ujit, kërkoni ndihmën e një hidrauliku profesionist. Nëse ekziston rreziku i efektit të goditjes çekiç nga uji në instalimin tuaj, përdorni gjithmonë një pajisje për parandalimin e këtij efekti në instalimin tuaj. Këshillohuni me një hidraulik profesionist nëse nuk jeni të sigurt se nuk ka një efekt të goditjes çekiç nga uji në instalimin tuaj.
- Mos e instaloni te vendi i hyrjes së ujit të nxehtë. Tregoni kujdes ndaj rrezikut të ngrirjes së tubave. Intervali operativ i temperaturave të ujit duhet të jetë minimumi 0,6°C (33°F) dhe maksimumi 38°C (100°F).
- Përdorni vetëm ujë të pijshëm.

## Siguria për fëmijët

- Nëse dera ka një kyç, çelësi duhet të mbahet larg fëmijëve.
- Fëmijët duhet të mbikëqyren për të mos lejuar që të ngacmojnë produktin.

## Pajtueshmëria me Direktivën WEEE dhe Hedhjen e Produkteve Mbeturina:

Ky produkt i përmbahet Direktivës EU WEEE (2012/19/EU). Ky produkt mbart simbolin e klasifikimit për pajisjet mbeturina elektrike dhe elektronike (WEEE).



Ky produkt është prodhuar me pjesë dhe materiale të cilësisë të lartë të cilat mund të ripërdoren dhe janë të përshtatshme për riciklim. Prandaj, mos e hidhni produktin së bashku me mbeturinat e zakonshme të shtëpisë në fund të jetëgjatësisë së tij. Çojeni në një pikë grumbullimi për riciklimin e pajisjeve elektrike dhe elektronike. Ju lutem konsultohuni me autoritetet lokale për të mësuar pikën më të afërt të grumbullimit. Ndhmoni në mbrojtjen e mjedisit dhe burimeve natyrore duke i ricikluar produktet e përdorura. Për sigurinë e fëmijëve, priteni kabllin e energjisë dhe thyejeni mekanizmin e kyçjes të derës, nëse ka, kështu do të jetë jo-funksional para se ta hidhni produktin.

## Informacione të paketimit

Materialet e paketimit të produktit janë prodhuar nga materiale të riciklueshme në përputhje me Rregullat Kombëtare për Mjedisin. Mos i hidhni materialet e paketimit së bashku me mbeturinat e tjera ose ato shtëpiake. Çojini në pikat e grumbullimit të materialeve të paketimit të caktuara nga autoritetet lokale.

## **Mos harroni...**

Çdo substancë e ricikluar është një çështje e domosdoshme për natyrën dhe pasuritë tona kombëtare.

Nëse doni të kontribuoni në rivlerësimin e materialeve të paketimit, mund të konsultoheni me organizatat ambientaliste ose komunat ku ndodheni.

## **Paralajmërim HC**

### **Nëse sistemi i ftohjes të produktit tuaj përmban R600a:**

Ky gaz është i djegshëm. Prandaj, bëni kujdes të mos dëmtoni sistemin e ftohjes dhe tubacionet gjatë përdorimit dhe transportit. Në rast dëmtimi, mbajeni produktin larg nga substancat e dëmshme të zjarrit të cilat mund të bëjnë që këto produkte të marrin zjarr dhe ajroseni dhomën në të cilën është vendosur njësia.

### **Injoroni këtë paralajmërim nëse sistemi i ftohjes të produktit tuaj përmban R134a.**

Loji i gazit i përdorur në produkt është treguar në etiketën e tipit e cila ndodhet në murin e majtë brenda frigoriferit.

Asnjëherë mos e hidhni produktin në zjarr për ta hedhur.

## **Gjërat që mund të bëhen për kursimin e energjisë**

- Mos i lini dyert e frigoriferit të hapura për një kohë të gjatë.
- Mos vendosni ushqime ose pije të nxehta brenda frigoriferit.
- Mos e mbingarkoni frigoriferin në mënyrë që të mos pengohet qarkullimi i ajrit brenda frigoriferit.
- Mos e instaloni frigoriferin nën dritën direkte të diellit ose pranë pajisjeve që çlirojnë nxehtësi si për shembull furrat,

lavastoviljet ose radiatorët. Mbajeni frigoriferin të paktën 30cm larg burimeve që lëshojnë nxehtësi dhe të paktën 5cm nga furrat elektrike.

- Bëni kujdes që ta mbani ushqimin në enë të mbyllura.
- Për produktet me një ndarje ngrirësi; Mund të mbani më shumë ushqime në ngrirës kur e hiqni raftin ose sirtarin e ngrirësit. Vlera e konsumit të energjisë e treguar për frigoriferin tuaj është përcaktuar duke hequr raftin ose sirtarin e ngrirësit dhe nën ngarkesë maksimale. Nuk ka asnjë problem të përdorni një raft ose sirtar sipas formave dhe madhësisë që ushqimeve që do të ngrihen.
- Shkrirja e ushqimeve në ndarjen e frigoriferit do të sigurojë kursim energjie dhe do të ruajë cilësinë e ushqimit.

### 3 Instalimi

⚠ Në rastin se nuk merren parasysh informacionet që janë dhënë në këtë manual përdoruesi, prodhuesi nuk do të mbajë asnjë përgjegjësi për këtë.

#### **Pikat të cilave u duhen kushtuar vëmendje kur zhvendosni frigoriferin**

1. Frigoriferi duhet të hiqet nga prizat. Para transportit të frigoriferit, ai duhet të zbrazet dhe të pastrohet.

2. Para se të ripaketohet, raftet, aksesorët, krisperi, etj. brenda frigoriferit duhet të fiksohen me ngjitës dhe të sigurohen nga goditjet. Paketimi duhet të lidhet me një ngjitës të trashë ose litarë të shtrënguar dhe duhet të zbatohen me përpikëri rregullat e transportit mbi paketim.

3. Paketimi dhe materialet e shumës origjinale duhet të ruhen për transport ose lëvizje në të ardhmen.

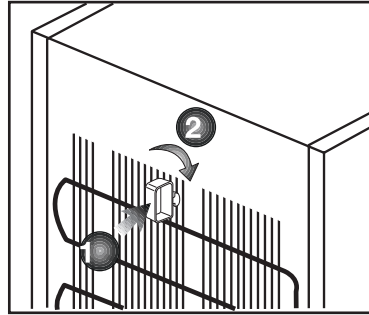
#### **Para se ta vini frigoriferin në punë,**

Kontrolloni të mëposhtmet para se ta vini në punë se përdorni frigoriferin tuaj:

1. Ngjitni 2 pyka plastike siç tregohet në figurë më poshtë. Pykat plastike janë synuar për të mbajtur distancën që do të garantojë qarkullimin e ajrit midis frigoriferit dhe murit. (Figura është vizatuar vetëm si prezantim dhe nuk është identike me produktin tuaj.)

2. Pastrojeni pjesën e brendshme të frigoriferit siç rekomandohet në pjesën "Mirëmbajtja dhe pastrimi".

3. Futeni spinën e frigoriferit në prizën në mur. Kur hapet dera e frigoriferit, llamba e brendshme do të ndizet.



4. Kur fillon të punojë kompresori, do të dëgjohet një tingull. Lëngu dhe gazrat e izoluar brenda sistemit të ftohjes mund të krijojnë zhurma, edhe nëse kompresori nuk është në punë dhe kjo është normale.

5. Anët e para të frigoriferit mund të ndihen të ngrohta. Kjo është normale. Këto zona janë bërë posaçërisht që të jenë të ngrohta për të shmangur kondensimin.

#### **Lidhja elektrike**

Lidheni produktin tuaj me një prizë të tokëzuar e cila mbrohet nga një siguresë me kapacitetin e duhur.

E rëndësishme:

Lidhja duhet të jetë në përputhje me rregullat kombëtare.

- Spina e korrentit duhet të jetë e arritshme me lehtësi pas instalimit.
- Siguria elektrike e frigoriferit tuaj do të garantohet vetëm nëse sistemi i tokëzimit në shtëpinë tuaj përputhet me standardet.
- Tensioni që tregohet në etiketën që ndodhet në anën e brendshme të produktit tuaj duhet të jetë e njëjtë me tensionin e rrjetit.

- **Nuk duhet të përdoren kablo zgjatimi dhe multi spina për lidhjen.**

⚠ Një dëmtim në kabllin e energjisë duhet të ndërrohet nga një elektrikist i kualifikuar.

⚠ Produktet nuk duhet të vihen në punë para se të riparohen! Ekziston rreziku i goditjes elektrike!

## **Hedhja e paketimit**

Materialet e paketimit mund të jenë të rrezikshme për fëmijët. Mbajini materialet e paketimit larg fëmijëve ose hidhini duke i klasifikuar sipas udhëzimeve për mbeturinat të treguara nga autoritetet vendase. Mos i hidhni së bashku me mbeturinat e zakonshme shtëpiake, hidhini në pikat e caktuara nga autoritetet vendase.

Paketimi i frigoriferit tuaj është prodhuar prej materialesh të riciklueshme.

## **Hedhja e frigoriferit të vjetër**

Hidhni frigoriferin tuaj të vjetër pa dëmtuar mjedisin.

- Mund të konsultoheni me shitësin e autorizuar ose qendrën e grumbullimit të mbeturinave të bashkisë tuaj për hedhjen e frigoriferit.

Para se ta hidhni frigoriferin, priteni spinën elektrike dhe, nëse ka ndonjë kyç në derë, bëjini të papërdorshme me qëllim që të mbron fëmijët nga ndonjë rrezik.

## **Vendosja dhe Instalimi**

⚠ Nëse dera e hyrjes të dhomës ku do të instalohet frigoriferi nuk është e gjerë mjaftueshëm që të kalojë frigoriferi, atëherë thërrisni shërbimin e autorizuar që ata të heqin dyert e frigoriferit dhe kalojeni anash përmes derës.

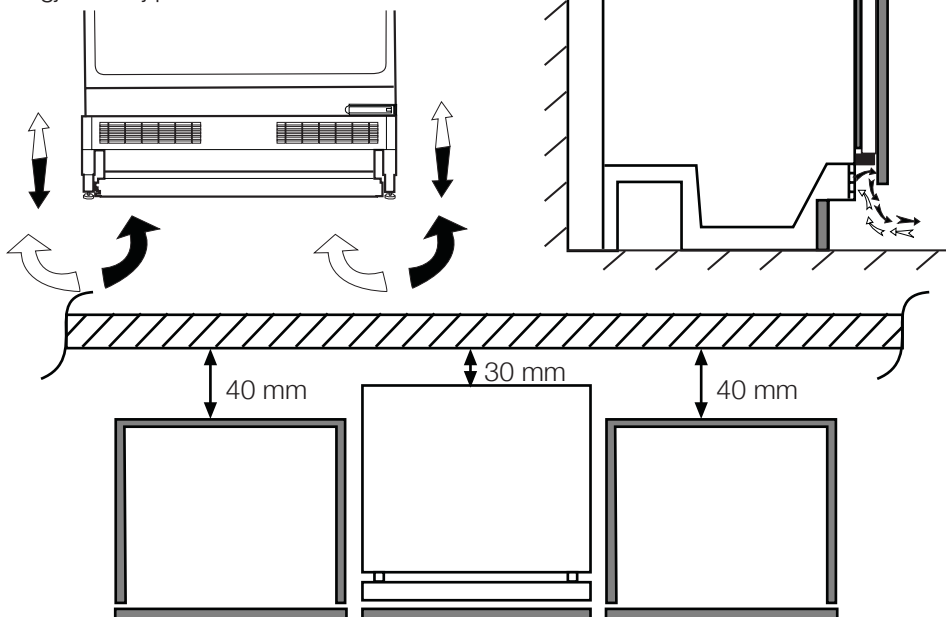
1. Montojeni frigoriferin në një vend që përdoret me lehtësi.
2. Mbajeni frigoriferin larg burimeve të nxehtësisë, vendeve të lagështa dhe dritës direkte të diellit.
3. Duhet të ketë ventilim të mjaftueshëm me qëllim që frigoriferi të punojë me efektshmëri. Nëse frigoriferi do të vendoset në një pjesë të futur në mur, duhet të ketë një distancë të paktën 5 cm nga tavani dhe të paktën 5 cm nga muri. Mos e vendosni produktin tuaj mbi materiale si për shembull tapet ose qilim.
4. Vendoseni frigoriferin mbi një sipërfaqe të sheshtë për të parandaluar lëkundjet.



## Vendosja e frigoriferit poshtë banakut dhe rregullimi i këmbëve

Kur e vendosni frigoriferin, distanca midis produktit dhe murit duhet të jetë të paktën 30 cm, siç shihet në figurë. Kanalet e ventilimit të ajrit nuk duhet të bllokohen në mënyrë që të mos ulet performanca e frigoriferit tuaj. (140 cm<sup>2</sup>)

Nëse frigoriferi juaj është i paqëndrueshëm; Mund të rotulloni këmbët e para të frigoriferit siç shihet në figurë për ta balancuar. Cepi i këmbës ulet kur këmba rotullohet në drejtim të shigjetës; ngrihet kur këmba rotullohet në drejtimin e kundërt. Do të jetë më e lehtë për ju nëse kërkonti ndihmë nga dikush tjetër nga ngrëjë njësinë pak gjatë këtij procesi.



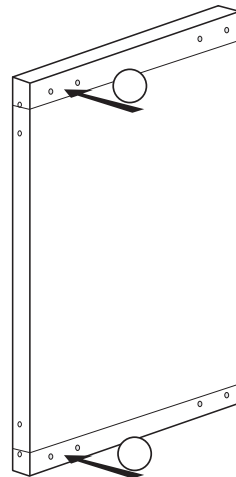
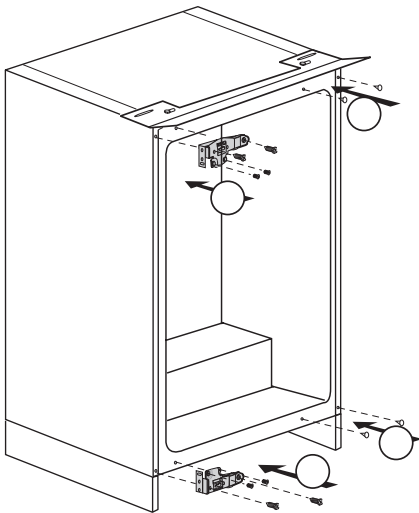
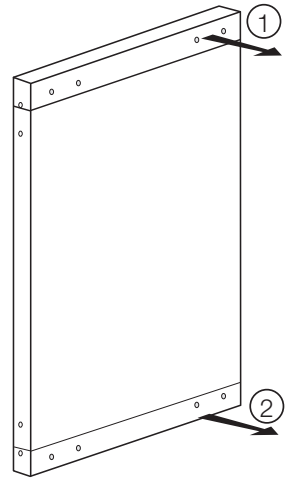
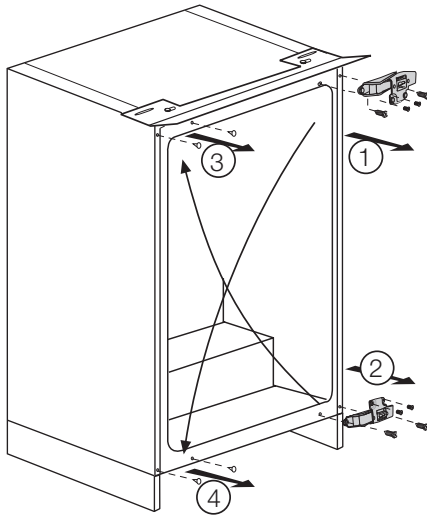
## 4 Përgatitja

---

- i** Frigoriferi duhet të montohet të paktën 30 cm larg nga burimet e nxehtësisë si pllakat e gatimit, furrat, ngrohësit qendrorë dhe sobat dhe të paktën 5 cm larg nga furrat elektrike dhe nuk duhet të ndodhet nën dritën e drejtpërdrejtë të diellit.
- i** Temperatura e ambientit e dhomës ku montoni frigoriferin duhet të jetë të paktën 10°C. Nuk rekomandohet përdorimi i frigoriferit në kushte më të ftohta, për sa i përket efikasitetit të tij.
- i** Sigurohuni që pjesa e brendshme e frigoriferit të jetë plotësisht e pastruar.
- i** Nëse montohen dy frigoriferë krah njëri-tjetri, duhet të ketë të paktën 2 cm distancë mes tyre.
- i** Kur e përdorni frigoriferin për herë të parë, kini parasysh udhëzimet e mëposhtme gjatë gjashtë orëve të para.
  - Dera nuk duhet të hapet shpesh.
  - Pajisja duhet të përdoret bosh pa ushqime në të.
  - Mos e hiqni frigoriferin nga priza.Në rast se ndodh një defekt elektrik jashtë kontrollit tuaj, shikoni paralajmërimet në paragrafin “Zgjidhjet e rekomanduara për problemet”.
- i** Paketimi origjinal dhe materialet e shumës duhet të mbahen për transporte ose lëvizje në të ardhmen.

# Kthimi i dyerve

Veproni në rend numerik,



## 5 Përdorimi i frigoriferit tuaj

### Vendosja e temperaturës të punimit

Temperatura e përdorimit rregullohet nga kontrolli i temperaturës.



Ju lutem zgjidhni konfigurimin sipas temperaturës të dëshiruar.

Temperatura e brendshme varet gjithashtu nga temperatura e ambientit, shpeshësia me të cilën hapet dera dhe sasia e ushqimeve që mbahet brenda.

Shpeshësia e hapjes të derës bën që temperatura e brendshme të rritet.

Për këtë arsye, rekomandohet që ta mbyllni derën menjëherë pasi përdorimit.

Temperatura normale e ruajtjes brenda pajisjes tuaj duhet të jetë  $-18\text{ }^{\circ}\text{C}$  ( $0\text{ }^{\circ}\text{F}$ ). Temperaturat më të ulëta mund të arrihen duke rregulluar çelësin e termostatit drejt Pozicionit 4 (ose Max).

Rekomandojmë të kontrolloni temperaturën me një termometër për t'u siguruar që ndarjet e vendosjes të ushqimeve të mbahen në temperaturën e dëshiruar. Mos harroni ta shikoni leximin menjëherë pasi temperatura e termostatit do të rritet shumë shpejt pasi ta hiqni nga ngrirësi.

### Ngrirja

#### Ngrirja e ushqimeve

Ndarja e ngrirjes është shënuar me këtë simbol ❄️❄️❄️.

Mund ta përdorni pajisjen për të ngrirë ushqime të freskëta si edhe për të ruajtur ushqime tashmë të ngrira.

Ju lutem shikoni rekomandimet e dhëna në paketimin e ushqimeve.

#### ⚠️ Kujdes

Mos i ngrini pijet me gaz, pasi shishja mund të çahet kur ngrihet lëngu.

Bëni kujdes me produktet e ngrira si kubat e akullit me ngjyrë.

Mos e tejkaloni kapacitetin e pajisjes tuaj në 24 orë. Shikoni etiketën e vlerave.

Për të ruajtur cilësinë e ushqimeve, ngrirja duhet të bëhet sa më shpejt të jetë e mundur.

Prandaj, kapaciteti i ngrirjes nuk duhet të tejkalohet, dhe temperatura brenda ngrirësit nuk duhet të rritet.

#### ⚠️ Kujdes

Mbani ushqimet e ngrira tashmë gjithmonë veç nga ushqimet e sapo vendosura.

Kur ngrini ushqime të ngrohta, kompresori i ftohjes do të punojë derisa ushqimi të ngrihet plotësisht. Kjo mund të shkaktojë ftohje të tepërt të ndarjes të frigoriferit.

Nëse e shihni që dera e ngrirësit është e vështirë të hapet menjëherë pasi e keni mbyllur, mos u shqetësoni. Kjo ndodh për shkak të diferencave të presionit të cilat do të barazohen dhe lini pak kohë që dera të hapet normalisht pas pak minutash.

Do të dëgjoni një zhurmë vakumi menjëherë pasi të keni mbyllur derën. Kjo është krejt normale.

- Ushqimet e ngrira mund të mbahen deri në 3 muaj në temperatura të zakonshme nën  $-18^{\circ}\text{C}$ . Periudhat e ruajtjes mund të ndryshojnë sipas llojit të ushqimit. Periudhat e ruajtjes të datave të skadimit të këtyre ushqimeve janë treguar në ambalazhin e ushqimit nga prodhuesit e tyre.
- Ushqimet e ngrira që keni blerë duhet të vendosen në ngrirës para se të shkrijnë.
- Ushqimet e ngrira mund të mbahen në ndarjet me sirtarë.

Për të garantuar që të ruhet cilësia e lartë e arritur nga prodhuesi i ushqimeve të ngrira dhe shitësi i ushqimeve duhet të mbahen mend të mëposhtmet:

- 1.** Vendosni pakot në ngrirës sa më shpejt të jetë e mundur pas blerjes.
- 2.** Mos i kaloni datat «Të përdoret deri», «Më mirë para» në ambalazh.
- 3.** Ju lutem vini re se sirtarët, koshet, flapat, tabakatë janë të gjitha të heqshme.

## Shkrirja

Rritja në trashësinë e akullit që formohet në evaporatorin e frigoriferit tuaj do të ulë efikasitetin e ftohjes të tij.

Prandaj, duhet ta shkrini akullin kur trashësia e shtresës të akullit në evaporator të arrijë afërsisht 5 mm.

Rekomandohet që ta shkrini akullin kur frigoriferi nuk mbushet shumë ose është bosh.

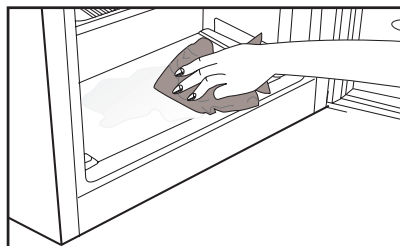
Mbështilleni ushqimin në frigorifer me disa fletë letre dhe mbajeni në vendin më të ftohtë të mundshëm ose në një frigorifer tjetër.

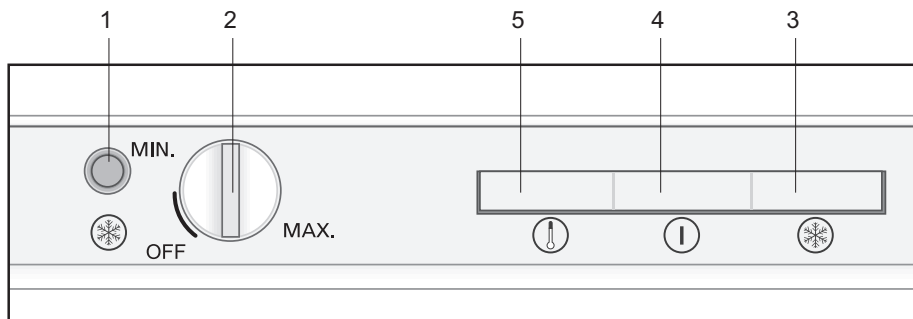
Rrotullojeni termostatin në pozicionin «off» ose hiqeni kabllin e energjisë nga priza për të bërë shkrirjen.

Hiqni sirtarët e frigoriferit tuaj (nuk kërkohet të hiqet kapaku i ndarjeve të pajisura me kapak). Pas njëfarë kohe, uji që shkrin do të grumbullohet në enën që ndodhet në pjesën e pasme të frigoriferit.

Hiqeni ujin e grumbulluar me një sfungjer të butë, etj. dhe thajeni plotësisht.

Mos harroni të rrotulloni butonin e termostatit në një pozicion tjetër përveç «off» që ta rindizni frigoriferin. Vëreni frigoriferin në punë për 2 orë ndërsa është bosh dhe me dyer të mbyllura para se të vendosni përsëri ushqim në të.





## Treguesit LED dhe paneli i kontrollit

Treguesit LED në pjesën përpara të frigoriferit tuaj janë synuar për t'ju ndihmuar në kontrollimin e punimit të pajisjes tuaj

Mbajeni ushqimin në frigorifer në një mënyrë të sigurt duke kontrolluar dhe përdorur këto drita LED dhe kontrole siç shpjegohet më poshtë:

### Butoni Fast Freeze (1):

Përdoret për të ngrirë ushqimet shpejt. Kompresori mund të mos punojë menjëherë por pas njëfarë kohe kur shtypet butoni dhe kjo është normale.

Butoni i Konfigurimit të Termostatit

(2): Përdoret për të vendosur frigoriferin tuaj midis vlerave minimale dhe maksimale.

Pajisja mund të shkojë në pozicionin OFF kur çelësi rregullohet nën MIN Kur drita treguese jeshile është e fikur, pajisja fiket gjithashtu.

Pasi fiket (edhe për shkrire), ju lutem rregulloni çelësin diku tjetër mbi MIN për t'u siguruar që të ndizet përsëri. Kur pajisja ndizet, treguesi me dritën jeshile do të ndizet.

**LED Portokalli (3):** Ndizet kur butoni i ngrirjes të shpejtë në panelin e dritave LED shtypet. Në këtë rast frigoriferi juaj punon pa pushim.

Shtypeni butonin përsëri kur ushqimi që doni të ngrini shpejt arrin në temperaturën e dëshiruar dhe drita LED portokalli do të fiket.

**LED Jeshile (4):** Qëndron ndezur pasi e lidhni në prizë frigoriferin.

**LED e Kuqe (5):** Ju paralajmëron duke qëndruar ndezur kur frigoriferët tuaj fillojnë të punojnë, nëse nuk arrihet efekt ftohjeje i mjaftueshëm, kur dera qëndron hapur për një kohë të gjatë dhe kur është vendosur sasi e tepërt ushqimi.

Nëse LED e kuqe qëndron ndezur kur kushtet e treguara në kolonën ngjitur nuk ekzistojnë, atëherë thërrisni Shërbimin e Autorizuar tonë.

## 6 Mirëmbajtja dhe pastrimi

- ⚠ Mos përdorni asnjëherë benzinë, benzen ose substanca të ngjashme për të pastruar.
- ⚠ Rekomandojmë që ta hiqni pajisjen nga priza para se ta pastroni.
- ⚠ Mos përdorni asnjëherë mjete të mprehta, sapun, pastrues shtëpiak, detergjent dhe dyll lustrues për pastrim.
- ⚠ Për produktet jo non-Frost, pikat e ujit dhe ngrirja deri në gjerësinë e gishtit ndodh në murin e pasmë të frigoriferit. Mos e pastroni; asnjëherë mos përdorni vaj ose agjentë të ngjashëm mbi të.
- ⚠ Përdorni vetëm leckë mikrofibër pak të njoma për të pastruar sipërfaqen e jashtme të produktit. Sfungjerët dhe llojet e tjera të leckave të pastrimit mund ta gërvishtin sipërfaqen.
- ℹ Përdorni ujë të ngrohtë për të pastruar kabinën e frigoriferit dhe thajeni me leckë.
- ℹ Përdorni një leckë të njomë të shtrydhur në një solucion me një lugë çaji bikarbonat sode në një pintë uji për të pastruar pjesën e brendshme dhe thajeni me leckë.
- ⚠ Sigurohuni që të mos hyjë ujë në kasën e llambës dhe në pjesët e tjera elektrike.
- ⚠ Nëse frigoriferi juaj nuk do të përdoret për një kohë të gjatë, hiqeni kabllin e korrentit, hiqni të gjitha ushqimet, pastrojeni dhe lëreni derën pak të hapur.

- ℹ Kontrolloni gominat e dyerve për t'u siguruar që të jenë të pastra dhe pa grimva ushqimesh.
- ⚠ Për të hequr raftet e derës, hiqni të gjitha gjërat në to dhe thjesht shtyjeni raftin e derës lart nga baza.
- ⚠ Mos përdorni asnjëherë agjentë pastrimi ose ujë që përmban klor për të pastruar sipërfaqet e jashtme dhe pjesët e lyer me krom të produktit. Klorigjend shkakton gërryerje mbi sipërfaqet metalike.

### Mbrojtja e sipërfaqeve plastike

- ℹ Mos vendosni vajra të lëngshme ose ushqime të gatuar me vaj në frigorifer në enë të pambyllura pasi ato mund të dëmtojnë sipërfaqet plastike të frigoriferit tuaj. Në rast të spërkatjes ose derdhjes të vajt mbi sipërfaqet plastike, pastrojeni dhe shpëlajeni pjesën përkatëse të sipërfaqes menjëherë me ujë të ngrohtë.

## 7 Zgjidhja e problemeve

Ju lutem shikoni këtë listë para se të thërrisni shërbimin. Do t'ju kursejë kohë dhe para. Kjo listë përmban ankesat e shpeshta që nuk lindin nga defektet e prodhimit ose përdorimi i materialeve. Disa nga karakteristikat të përshkruar këtu mundësisht nuk ekzistojnë në prodhimin juaj.

### Frigoriferi nuk punon.

- Spina nuk është futur mirë në prizë. >>>Vendoseni spinën mirë në prizë.
- Siguresa e prizës në të cilën është lidhur frigoriferi juaj ose siguresa kryesore mund të kenë rënë. >>>Kontrolloni siguresën.

### Kondensim në muret anësore të ndarjes të frigoriferit (MULTIZONE, COOL CONTROL dhe FLEXI ZONE).

- Dera është hapur shpesh. >>>Mos e hapni dhe mbyllni derën e frigoriferit shpesh.
- Ambienti është shumë i lagësht. >>>Mos e instaloni frigoriferin në vende me shumë lagështi.
- Ushqime që kanë lëngje janë vendosur në enë të hapura. >>>Mos e vendosni ushqimin me përmbajtje të lëngshme në enë të hapura.
- Dera e frigoriferit është lënë pak hapur. >>>Mbylleni derën e frigoriferit.
- Termostati është vendosur në një nivel shumë të ftohtë. >>>Vendoseni termostatin në një nivel të përshtatshëm.

### Kompresori nuk punon.

- Mbrojtja termike e kompresorit do të fryhet gjatë ndërprerjeve të papritura të energjisë ose heqjes dhe vënies në prizë pasi presioni i lëngut ftohës në sistemin e ftohjes të frigoriferit nuk është balancuar akoma. Frigoriferi do të fillojë të punojë për rreth 6 minuta. Ju lutem thërrisni shërbimin nëse frigoriferi nuk ndizet në fund të kësaj periudhe.
- Frigoriferi është në ciklin e shkrirjes. >>>Kjo është normale për një shkrirje të plotë automatike të frigoriferit. Cikli i shkrirjes ndodh rregullisht.
- Frigoriferi nuk është futur në prizë. >>>Sigurohuni që spina është futur në prizë.
- Parametrat e temperaturës nuk janë bërë mirë. >>>Zgjidhni vlerën e duhur të temperaturës.
- Ka një ndërprerje energjie. >>>Frigoriferi kthehet në punimin normal kur kthehet energjia.

### Zhurma e punimit rritet kur frigoriferi është në punë.

- Performanca e punimit të frigoriferit mund të ndryshojë për shkak të ndryshimeve në temperaturën e ambientit. Kjo është normale dhe nuk është defekt.

### Frigoriferi punon shpesh për një kohë të gjatë.



- Produkti i ri mund të jetë më i gjerë se ai i mëparshmi. Frigoriferët më të mëdhenj punojnë për një kohë më të gjatë.
- Temperatura e dhomës mund të jetë e lartë. >>>Është normale që produkti të punojë për periudha më të gjata në ambient të ngrohtë.
- Frigoriferi mund të jetë vënë në prizë së fundi ose mund të jetë i mbushur me ushqime. >>>Kur frigoriferi vihet në prizë ose është mbushur së fundi me ushqime, do të kërkojë më shumë kohë që të arrijë temperaturën e caktuar. Kjo është normale.
- Sasi të mëdha ushqimesh të nxehta mund të jenë vendosur në frigorifer së fundi. >>>Mos vendosni ushqime të nxehta në frigorifer.
- Dyert mund të hapen shpesh ose të lihen pak hapur për një kohë të gjatë. >>>Ajri i ngrohtë që ka hyrë në frigorifer bën që frigoriferi të punojë për periudha më të gjata. Mos i hapni dyert shpesh.
- Dera e ndarjes të frigoriferit ose ngrirësit mund të jetë lënë pak hapur. >>>Kontrolloni nëse dyert janë mbyllur plotësisht.
- Frigoriferi është rregulluar në një temperaturë shumë të ulët. >>>Rregulloni temperaturën e frigoriferit në një gradë më të ngrohtë dhe prisni derisa të arrihet temperatura.
- Gomina e derës të frigoriferit ose ngrirësit mund të jetë ndotur, konsumuar, çarë ose të mos jetë izoluar mirë. >>>Pastroni ose ndërroni gominën. Gominat e dëmtuara/çara bëjnë që frigoriferi të punojë më gjatë për të ruajtur temperaturën aktuale.

Temperatura e ngrirësit është shumë e ulët ndërsa temperatura e frigoriferit është e mjaftueshme.

- Temperatura e ngrirësit është rregulluar në një vlerë shumë të ulët. >>>Rregulloni temperaturën e ngrirësit në një gradë më të ngrohtë dhe kontrolloni.

Temperatura e frigoriferit është shumë e ulët ndërsa temperatura e ngrirësit është e mjaftueshme.

- Temperatura e frigoriferit është rregulluar në një vlerë shumë të ulët. >>>Rregulloni temperaturën e frigoriferit në një gradë më të ngrohtë dhe kontrolloni.

Ushqimet që mbahen në sirtarët e ndarjes të frigoriferit kanë ngrirë.

- Temperatura e frigoriferit është rregulluar në një vlerë shumë të lartë. >>>Rregulloni temperaturën e frigoriferit në një vlerë më të ulët dhe kontrolloni.

Temperatura në frigorifer ose ngrirës është shumë e lartë.

- Temperatura e frigoriferit është rregulluar në një vlerë shumë të lartë. >>>Konfigurimi i temperaturës të ndarjes të frigoriferit ka një efekt në temperaturën e ngrirësit. Ndryshoni temperaturat e frigoriferit ose ngrirësit dhe prisni derisa ndarjet përkatëse të arrijnë temperaturën e mjaftueshme.
- Dyert hapen shpesh ose janë lënë hapur për një kohë të gjatë. >>>Mos i hapni dyert shpesh.
- Dera është pak hapur. >>>Mbylleni derën plotësisht.
- Frigoriferi është vënë në prizë ose është mbushur me ushqime së fundi. >>>Kjo është normale. Kur frigoriferi vihet në prizë ose është mbushur së fundi me ushqime, do të kërkojë më shumë kohë që të arrijë temperaturën e caktuar.
- Sasi të mëdha ushqimesh të nxehta mund të jenë vendosur në frigorifer së fundi. >>>Mos vendosni ushqime të nxehta në frigorifer.

<ul style="list-style-type: none"> <li>• Dridhje ose zhurmë.</li> </ul>
<ul style="list-style-type: none"> <li>• Dyshemeja nuk është në nivel ose është e paqëndrueshme. &gt;&gt;&gt; Nëse frigoriferi tundet kur lëvizet ngadalë, balancojeni duke i rregulluar këmbët. Gjithashtu sigurohuni që dyshemeja të jetë e fortë mjaft për të mbajtur frigoriferin, dhe të jetë në nivel.</li> <li>• Sendet që vendosni në frigorifer mund të shkaktojnë zhurmë. &gt;&gt;&gt;Hiqni sendet që janë sipër frigoriferit.</li> </ul>
<p>Ka zhurma që vijnë nga frigoriferi si për shembull rrjedhje lëngjesh, shtërkatje, etj.</p>
<ul style="list-style-type: none"> <li>• Rrjedha e lëngut dhe gazit është sipas parimeve të punimit të frigoriferit tuaj. Kjo është normale dhe nuk është defekt.</li> </ul>
<p>Vjen një fishkëllimë nga frigoriferi.</p>
<ul style="list-style-type: none"> <li>• Përdoren ventilatorë për të ftohur frigoriferin. Kjo është normale dhe nuk është defekt.</li> </ul>
<p>Kondensim në muret e brendshme të frigoriferit.</p>
<ul style="list-style-type: none"> <li>• Moti i ngrohtë dhe i lagësht rrit akullin dhe kondensimin. Kjo është normale dhe nuk është defekt.</li> <li>• Dyert hapen shpesh ose janë lënë hapur për një kohë të gjatë. &gt;&gt;&gt;Mos i hapni dyert shpesh. Mbyllini nëse janë hapur.</li> <li>• Dera është pak hapur. &gt;&gt;&gt;Mbylleni derën plotësisht.</li> </ul>
<p>Ndodh lagështi nga jashtë frigoriferit ose midis dyerve.</p>
<ul style="list-style-type: none"> <li>• Mund të ketë lagështi në ajër; kjo është normale në mot me lagështi. Kur lagështia është më e ulët, do të shfaqet kondensimi.</li> </ul>

<p>Erë e keqe brenda frigoriferit.</p>
<ul style="list-style-type: none"> <li>• Nuk është bërë pastrimi rregullisht. &gt;&gt;&gt;Pastroni pjesën e brendshme të frigoriferit rregullisht me një sfungjer, ujë të ngrohtë ose karbonat të tretur në ujë.</li> <li>• Disa enë ose materiale paketimi mund të shkaktojnë erë. &gt;&gt;&gt;Përdorni enë të tjera ose materiale paketimi origjinale.</li> <li>• Ushqimi vendoset në frigorifer në enë të pambuluara. &gt;&gt;&gt;Mbajeni ushqimin në enë të mbyllura. Mikroorganizmat që përhapen nga enët e pambuluara mund të shkaktojnë erëra të pakëndshme.</li> <li>• Hiqni ushqimet që u ka kaluar data e skadencës dhe që janë prishur nga frigoriferi.</li> </ul>
<p>Dera nuk mbyllet.</p>
<ul style="list-style-type: none"> <li>• Paketimet e ushqimeve nuk lejojnë derën të mbyllet. &gt;&gt;&gt;Lëvizni paketimet që pengojnë derën.</li> <li>• Frigoriferi nuk është plotësisht shesh mbi dysheme. &gt;&gt;&gt;Rregulloni këmbët për të balancuar frigoriferin.</li> <li>• Dyshemeja nuk është në nivel ose nuk është e fortë. &gt;&gt;&gt;Sigurohuni që dyshemeja është në nivel dhe është në gjendje të mbajë frigoriferin.</li> </ul>
<p>Krisperët kanë ngecur.</p>
<ul style="list-style-type: none"> <li>• Ushqimi prek tavanin e sirtarit. &gt;&gt;&gt;Rivendosni ushqimet në sirtar.</li> </ul>
<p>Nëse Sipërfaqja E Produktit Është E Nxehtë.</p>
<ul style="list-style-type: none"> <li>• Mund të vërehen temperatura të larta midis dy dyerve, në panelet anësore dhe në grilën e pasme ndërsa produkti është në punë. Kjo është normale dhe nuk kërkon shërbim mirëmbajtjeje!Bëni kujdes kur prekni këto zona.</li> </ul>



**Морозильник**  
Посібник користувача



F60096EB  
BU 1200 - BU 1201- BU 1203N - BU1204N



**UK /**

48 4918 0004 / BA  
4/4

## Будь ласка, спочатку прочитайте цю інструкцію!

Шановний покупець!

Сподіваємося, що цей товар, виготовлений на сучасних підприємствах і перевірений за допомогою найприскіпливіших процедур контролю, ефективно слугуватиме вам у побуті.

Для цього рекомендуємо вам прочитати всю інструкцію до кінця, перш ніж користуватися холодильником, і зберегти її для майбутнього використання у довідкових цілях.




## Ця інструкція






- допоможе вам користуватися приладом у швидкий і безпечний спосіб;
- прочитайте інструкцію, перш ніж встановлювати холодильник і користуватися ним;
- дотримуйтесь інструкцій, особливо з питань техніки безпеки;
- зберігайте інструкцію в легкодоступному місці, оскільки вона може знадобитися вам пізніше;
- крім того, прочитайте також інші документи, що надаються разом із холодильником.

Зверніть увагу, що ця інструкція може бути дійсною для інших моделей.

## Символи та їхній опис

Ця інструкція містить наступні символи:

-  Важлива інформація або корисні поради з користування.
-  Попередження про небезпечні ситуації для життя та майна.
-  Попередження про електричну напругу.

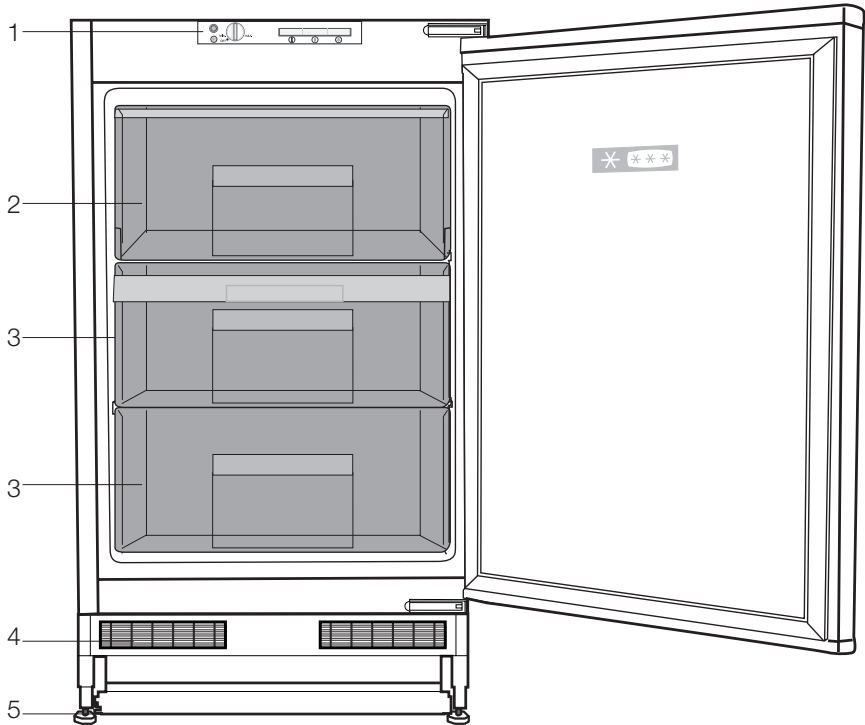
 <b>ІНФОРМАЦІЯ</b>	
	
<small>SUPPLIER'S NAME</small> 	<small>MODEL IDENTIFIER (*)</small> 
<small>Інформацію про модель, що зберігається в базі технічних даних виробу, можна отримати з нижченаведеного веб-сайту за ідентифікаційним номером моделі (*), розміщеним на етикетці з маркуванням енергоефективності.</small>	
<small><a href="https://eprel.ec.europa.eu/">https://eprel.ec.europa.eu/</a></small>	

## ЗМІСТ

---

<b>1 Холодильник</b>	<b>4</b>	<b>4 Підготовка</b>	<b>17</b>
<b>2 Важливі вказівки з техніки безпеки</b>	<b>5</b>	<b>5 Користування холодильником</b>	<b>18</b>
Призначення.....	5	Регулювання робочої температури .....	18
Для пристроїв із розподільником води: .....	10	Заморожування .....	18
Безпека дітей .....	10	Розморожування .....	19
Відповідність Директиві щодо відпрацьованого електричного й електронного обладнання (Директива WEEE) й утилізація відходів .....	10	Світлодіодні індикатори і панель управління .....	21
Відповідність Директиві щодо обмеження використанням шкідливих речовин (RoHS).....	11	<b>6 Догляд та очищення</b>	<b>22</b>
Інформація про упаковку.....	11	Захист пластикових поверхонь ...	22
Як заощадити електроенергію.....	12	<b>7 Рекомендації з усунення несправностей</b>	<b>23</b>
<b>3 Установка</b>	<b>13</b>		
Що слід враховувати при транспортуванні приладу .....	13		
Перед увімкненням холодильника .....	13		
Підключення до електромережі ...	14		
Утилізація упаковки .....	14		
Утилізація вашого старого холодильника .....	14		
Розміщення та Установка .....	14		
Установлення холодильника під кухонну поверхню і регулювання ніжок.....	15		
Перенавішування дверцят .....	16		

# 1 Холодильник



- 1- панель управління
- 2 - Швидке заморожування відсіку
- 3 - Frozen відсік для зберігання продуктів
- 4- Ventilation lid
- 5- Регульовані передні ніжки




❏ Ілюстрації в даній інструкції є схематичними і можуть відрізнятися від вашої моделі. Якщо до комплектації моделі, яку ви придбали, не входять згадані деталі, вони призначені для інших моделей.

## 2 Важливі вказівки з техніки безпеки

Ознайомтеся з наведеною нижче інформацією. Ігнорування цієї інформації може призвести до травмування чи пошкодження пристрою. В такому разі гарантія і будь-які зобов'язання виробника стосовно надійної роботи пристрою будуть анульовані.

Оригінальні запасні частини будуть постачатися протягом 10 років з моменту придбання виробу.

### Призначення

	<b>ПОПЕРЕДЖЕННЯ:</b> Під час зберігання або встановлення пристрою вентиляційні отвори повинні бути відкриті.
	<b>ПОПЕРЕДЖЕННЯ:</b> Для того, щоб прискорити процес розморожування не використовуйте механічні та інші предмети, крім пристосувань, рекомендованих виробником.
	<b>ПОПЕРЕДЖЕННЯ:</b> Контур холодоагенту не повинен бути пошкоджений.

### ПОПЕРЕДЖЕННЯ

Не кладіть всередину камери для зберігання продуктів електричні прилади, які не рекомендовані виробником.



Прилад призначений лише для використання в домашніх або нижченаведених умовах:

- на кухнях для персоналу в магазинах, офісах та інших установах;
- на фермах або готелях, в мотелях та інших гостьових будинках для використання клієнтами.
- готелі типу «ліжко та сніданок»;
- підприємства громадського харчування та інші види використання не в роздрібній торгівлі

### Загальні правила техніки безпеки

- Якщо ви бажаєте утилізувати/ліквідувати пристрій, рекомендуємо звернутися до авторизованої сервісної служби та компетентних органів для отримання необхідної інформації.
- З усіма питаннями та проблемами стосовно холодильника звертайтеся до уповноваженої сервісної служби. Без повідомлення уповноваженої сервісної служби не втручайтеся в

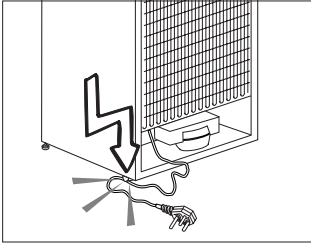
роботу холодильника й не дозволяйте робити це іншим.

- Для пристроїв з морозильним відділенням: не їжте морозиво та кубики льоду одразу після виймання їх з морозильного відділення! (Це може викликати обмороження ротової порожнини.)
- Для приладів з морозильним відділенням: не ставте рідкі напої у пляшках чи банках до морозильного відділення. Вони можуть лопнути.
- Не торкайтеся руками заморожених продуктів; вони можуть примерзнути до шкіри.
- Перед чисткою чи розморожуванням від'єднуйте холодильник від електромережі.
- Не використовуйте пару та засоби для чищення, які можуть випаруватися, для чищення та розморожування вашого холодильника. У такому випадку пара може скотактувати з електричними частинами та викликати коротке замикання чи удар електричним струмом " to " Не використовуйте пару та засоби для чищення, які можуть випаруватися, для чищення та розморожування вашого холодильника. У такому випадку пара може скотактувати з електричними частинами та викликати коротке замикання чи удар електричним струмом.
- Не використовуйте такі частини холодильника, як дверцята, як підставку чи опору.
- Не використовуйте електричні прилади всередині холодильника.
- Не допускайте пошкодження частин, у яких циркулює хладагент, ріжучими чи свердловальними інструментами. Хладагент може з'явитися із випаровувача, на трубопроводі чи на покриттях і викликати подразнення шкіри чи ураження очей.
- Не закривайте вентиляційні отвори вашого холодильника
- Ремонт електроприладів мають виконувати тільки кваліфіковані фахівці. Ремонт, виконаний недосвідченими особами, може спричинити ризик для користувача.
- У випадку несправностей під час експлуатації чи ремонту вимкніть холодильник, вимкнувши запобіжник чи вийнявши з розетки шнур живлення.
- При від'єднанні від мережі не тягніть за кабель – тільки за штепсель.



- Пляшки з алкогольними напоями мають зберігатися у надійному місці, із закритою кришкою та у вертикальному положенні.
- Суворо заборонено зберігати в холодильнику пляшки з горючими чи вибухонебезпечними речовинами.
- Не застосовуйте механічні пристрої або інші засоби для прискорення розмороження, крім рекомендованих виробником.
- Цей електроприлад не призначений для використання особами (включаючи дітей) зі знизженими фізичними, чутливими або розумовими можливостями або з браком досвіду і знань, якщо вони не перебувають під наглядом або не пройшли інструктаж щодо користування пристроєм від відповідальної за їхню безпеку особи.
- Не використовуйте несправний холодильник. При виникненні запитань звертайтеся до кваліфікованого фахівця.
- Електрична безпека може гарантуватися лише в тому випадку, якщо система заземлення у вашому будинку відповідає стандартам.
- Вплив на пристрій дощу, снігу, сонця чи вітру небезпечний з точки зору електробезпеки.
- Зверніться до сервісної служби, якщо пошкоджено шнур живлення, щоб це не створило небезпеку для вас.
- Не вмикайте холодильник в розетку під час його встановлення. Ризик смертельного випадку чи серйозних ушкоджень дуже високий.
- Цей холодильник призначений лише для зберігання харчових продуктів. Його не слід використовувати з будь-якою іншою метою.
- таблиця з описом технічних специфікацій виробу розташована зліва на внутрішній стінці холодильника.
- Не підключайте холодильник до електронних систем енергозбереження, оскільки це може призвести до несправності виробу.
- Якщо в холодильнику є підсвічування синім світлом, не слід довго дивитися на нього голим оком або через оптичні пристрої.
- У разі відключення холодильників із ручним управлінням від мережі електроживлення зачекайте щонайменше 5 хвилин, перш ніж підключати живлення.

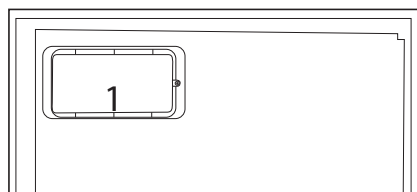
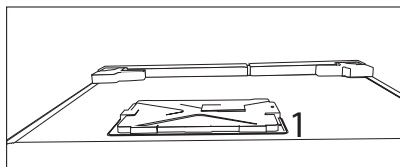
- У випадку продажу виробу цю інструкцію з експлуатації слід передати новому господарю.
- Під'єднуючи холодильник до електромережі, не торкайтеся до штепсельної вилки мокрими руками" to "Під'єднавши холодильник до електромережі, не торкайтеся до штепсельної вилки вологими руками



- При розміщенні приладу, впевніться, що шнур живлення не пошкоджений і не сплутаний.
- Не розміщувати переносні багатомісні розетки чи переносні джерела живлення на задній частині приладу.
- Дітям віком від 3 до 8 років дозволено завантажувати та розвантажувати холодильник.
- Щоб уникнути забруднення харчових продуктів, дотримуйтеся наступних інструкцій:
- - Відкривання дверцят на довгий час може призвести до суттєвого підвищення температури у відділеннях приладу.

- - Виконуйте регулярне очищення поверхонь, що можуть вступати у контакт з харчовими продуктами, а також доступних дренажних систем.
- - Виконуйте очищення баків для води, якщо вони не використовувались більш ніж 48 годин, або водних систем проточною водою,
- якщо вони не використовувались 5 днів.
- - Зберігайте м'ясо та рибу у спеціальних контейнерах холодильника, щоб рідина з них не потрапляла на решту харчових продуктів.
- - Морозильні відділення, позначені двома зірочками, призначені для зберігання заздалегідь заморожених продуктів, а також виготовлення да зберігання морозива і приготування кубиків льоду.
- - Морозильні відділення, позначені однією, двома чи трьома зірочками не придатні для заморожування свіжих продуктів.
- - Якщо холодильник лишається незаповненим тривалий час, вимкніть його, розморозьте, помийте, висушіть та лишіть дверцята відчиненими, щоб запобігти утворенню грибку у приладі.
- Не підключайте холодильник до погано закріпленої стінної розетки мережі електропостачання.

- Із міркувань безпеки не допускайте потрапляння води безпосередньо на зовнішні або внутрішні частини холодильника.
- Не розбризкуйте поряд із холодильником займісті матеріали, такі як газ пропан, через ризик пожежі та вибуху.
- Не ставте посудини з водою на холодильник, оскільки це може призвести до ураження електричним струмом або пожежі.
- Не перевантажуйте холодильник надмірною кількістю продуктів. Якщо холодильник перевантажено, продукти можуть випасти при відчиненні дверцят і травмувати вас чи пошкодити холодильник. Не кладіть предмети на холодильник, оскільки вони можуть впасти під час відчинення чи зачинення дверцят.
- У холодильнику не можна зберігати речовини, що вимагають певних температурних умов (вакцини, термочутливі медикаменти, наукові матеріали тощо).
- Холодильник слід від'єднати від електромережі, якщо він не буде використовуватися протягом тривалого часу. Можливі несправності шнура живлення можуть призвести до пожежі.
- Холодильник може переміщатися, якщо регульовані ніжки не зафіксовано на підлозі. Фіксація регульованих ніжок на підлозі може запобігти його переміщенню.
- При переміщенні холодильника не тримайте його за ручку, бо вона може зламатися.
- При встановленні холодильника відстань між ним й іншим холодильником чи морозильником має становити щонайменше 8 см. В іншому разі бічні стінки, що прилягають, зволожуватимуться.
- Ніколи не використовуйте цей виріб, якщо верхня або задня кришка відкрита та відкривають доступ до електронних плат (кришки електронних плат) (1).



## Для пристроїв із

### розподільником води:


- Тиск в місці підведення холодної води не повинен перевищувати 90 фунтів на квадратний дюйм (620 kPa). Якщо тиск води перевищує 80 фунтів на квадратний дюйм (550 kPa), встановіть у своїй магістральній мережі клапан обмеження тиску. Якщо ви не знаєте, як перевірити тиск води, зверніться за допомогою професійного сантехніка.
- Якщо у вашій установці існує ризик виникнення гідравлічного удару, обов'язково встановіть захисне обладнання для запобігання ризику виникнення гідравлічного удару. У разі виникнення сумнівів стосовно можливості виникнення гідравлічного удару у вашій установці, зверніться за допомогою до професійних сантехніків.
- Забороняється виконувати встановлення у місці підведення гарячої води. Необхідно вжити запобіжних заходів для запобігання ризику замерзання шлангів. Температура робочої води повинна знаходитися в інтервалі від 33 °F (0,6 °C) до 100 °F (38 °C).
- Використовуйте лише питну воду.

## Безпека дітей

- Якщо на дверцятах є замок, тримайте ключ у місці, недоступному для дітей.
- Слід наглядати за дітьми та не дозволяти їм псувати пристрій.

## Відповідність Директиві щодо відпрацьованого електричного й електронного обладнання (Директива WEEE) й утилізація відходів



Цей прилад відповідає вимогам Директиви WEEE (2012/19/EU). Цей виріб позначений  с и м в о л о м приналежності до категорії відходів електричного й електронного обладнання (WEEE).

Цей прилад виготовлений з високоякісних деталей та матеріалів, які підлягають повторному використанню й переробці. Після закінчення терміну експлуатації цей прилад не можна викидати разом зі звичайними побутовими відходами. Його слід здати у відповідний пункт збору відходів електричного й електронного обладнання як вторинної сировини. Інформацію про місцезнаходження найближчого пункту збору відходів можна отримати в місцевих органах влади.

## **Відповідність Директиві щодо обмеження використанням шкідливих речовин (RoHS)**

Цей прилад відповідає вимогам Директиви RoHS (2011/65/EU). Він не містить шкідливих та інших речовин, використання яких заборонено цією Директивою.

## **Інформація про упаковку**

Упаковка цього виробу виготовлена з матеріалів, які підлягають повторній переробці згідно з національними нормами й правилами щодо охорони довкілля. Ці пакувальні матеріали не можна викидати разом з побутовими чи іншими відходами. Їх слід здати в один з пунктів збору пакувальних матеріалів, визначених місцевими органами влади

## **Попередження HC Якщо система охолодження вашого пристрою містить R600a:**

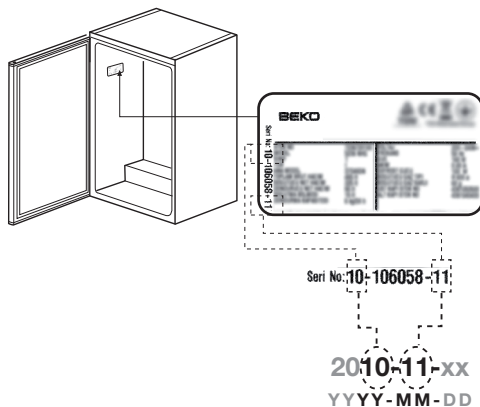
Цей газ горючий. Тому будьте уважні, не допускайте пошкодження системи охолодження та труб під час використання і транспортування. У випадку пошкодження пристрою зберігайте його подалі від потенційного джерела займання та провітрюйте приміщення, в якому знаходиться прилад.

## **Не звертайте уваги на попередження, якщо система охолодження вашого пристрою містить R134a.**

Тип газу, що використовується у приладі, наведений у паспортній таблиці, розташованій зліва на внутрішній стінці холодильника

## Як заощадити електроенергію

- Не тримайте двері холодильника відчиненими тривалий час.
- Не закладайте до холодильника гарячі продукти чи напої.
- Не зберігайте у холодильнику гарячі напої чи продукти.
- Не встановлюйте холодильник під прямим сонячним промінням чи поблизу джерела тепла, наприклад, плити, посудомийної машини чи радіатора опалення.
- Слідкуйте за тим, щоб продукти зберігалися у закритих контейнерах.
- Для холодильників із морозильним відділенням: у морозильному відділенні холодильника можна зберігати максимальну кількість продуктів, якщо дістати з нього полиці чи скрині. Наведене в технічних характеристиках енергоспоживання холодильника визначено за умови, що полиці чи скрині морозильного відділення вийняті, й у нього завантажена максимально можлива кількість продуктів. Полицю чи скриню можна використовувати відповідно до форми й розміру продуктів для заморожування.
- Розморожування заморожених продуктів у холодильному відділенні забезпечить економію електроенергії та збереження якості продуктів.
- Дата виробництва міститься в серійному номері продукту, що вказаний на етикетці, розташованій на продукті, а саме, перші дві цифри серійного номера позначають рік виробництва, а останні дві - місяць. Наприклад, «10-100001-05» означає, що продукт виготовлений в травні 2010 року.



Дата виготовлення товарів зазначена в серійному номері товару, який вказаний на етикетці, розташованій на товарі, а саме: перші дві цифри серійного номеру означають рік виробництва, а останні дві – місяць.

### 3 Установка

⚠ Будь ласка, пам'ятайте, що виробник не нестиме відповідальність, якщо не дотримано порад, наведених в інструкції з користування.

#### Що слід враховувати при транспортуванні приладу

1. Перед будь-яким транспортуванням холодильник має бути спорожнений і вимитий.
2. Перед упакуванням холодильника всі полиці, приналежності, контейнери для фруктів та овочів тощо у вашому холодильнику слід міцно закріпити скотчем для запобігання струсам.
3. Упаковувати холодильник слід за допомогою товстих стрічок і міцних мотузок, а також дотримуватися правил транспортування, надрукованих на упаковці.

Упевніться в тому, що всередині холодильник старанно вимитий.

Повторне використання матеріалів надзвичайно важливе для природи та наших національних ресурсів.

Якщо ви бажаєте посприяти повторному використанню матеріалів упаковки, ви можете отримати більше інформації від органів охорони довкілля або від органів місцевої влади.

#### Перед увімкненням холодильника

Перш ніж розпочати експлуатацію холодильника, перевірте дотримання таких умов:

2. Вставте 2 пластмасові розпірки для вентиляції на задню стінку, як показано на наступному малюнку. Пластмасові розпірки забезпечать потрібну відстань між холодильником і стіною для циркуляції повітря.
3. Вимийте внутрішню частину холодильника, як рекомендовано у розділі “Обслуговування й чищення”.
4. Під'єднайте холодильник до розетки електромережі. При відчиненні дверцят холодильника вмикається внутрішнє освітлення холодильного відділення.
5. Коли компресор почне працювати, ви почуєте шум. Рідина та газу всередині холодильної системи також можуть створювати шум, навіть якщо компресор не працює, що є цілком нормальним явищем.
6. Передні кромки холодильника можуть бути теплими на дотик. Це нормально. Ці області мають нагріватися, щоб уникнути конденсації.

## Підключення до електромережі

Підключіть холодильник до заземленої розетки, захищеної плавким запобіжником відповідної потужності.

Важливо!

- Підключення має відповідати національним нормам і правилам.
- Після встановлення холодильника має бути забезпечений легкий доступ до штепселя шнура живлення.
- Указана напруга має відповідати напрузі вашої електромережі.
- Для підключення не слід використовувати подовжувачі та штепсельні колодки на декілька гнізд.

⚠ У разі пошкодження шнура живлення його заміну має здійснювати кваліфікований електрик.

⚠ Забороняється користуватися холодильником, доки його не буде відремонтовано! Існує небезпека ураження електричним струмом!

## Утилізація упаковки

Пакувальні матеріали можуть становити небезпеку для дітей. Зберігайте пакувальні матеріали у недоступному для дітей місці, або утилізуйте їх, розсортувавши відповідно до інструкцій з утилізації відходів. Не утилізуйте їх разом із звичайними побутовими відходами.

Упаковка вашого холодильника вироблена з матеріалів, що можуть бути використані повторно.

## Утилізація вашого старого холодильника

Утилізуйте старий холодильник, не завдаючи шкоди довкіллю.

- З питань щодо утилізації холодильника ви можете звернутися до пункту збору відходів вашого населеного пункту.

Перед утилізацією холодильника відріжте штепсель електрошнура, а також виведіть з ладу замки (якщо такі існують) дверцят, щоб захистити дітей від небезпеки зачинення всередині.

## Розміщення та Установка

⚠ Якщо двері приміщення, в якому буде встановлено холодильник, недостатньо широкі, зверніться до сервісної служби; її співробітники допоможуть зняти двері з холодильника та пронести його боком.

1. Встановлюйте холодильник у місці, зручному для його використання.

2. Холодильник має знаходитися в місці, віддаленому від джерела тепла, підвищеної вологості та прямих сонячних променів.

3. Для ефективнішої роботи необхідно забезпечити гарну вентиляцію навколо холодильника. Якщо холодильник встановлюється в ніші стіни, мінімальна відстань має бути 5 см до стелі та 5 см до стіни. Якщо на підлозі лежить килим, треба підняти холодильник на 2,5 см над рівнем підлоги.

4. Холодильник має стояти на рівній поверхні, щоб не виникало трясіння.



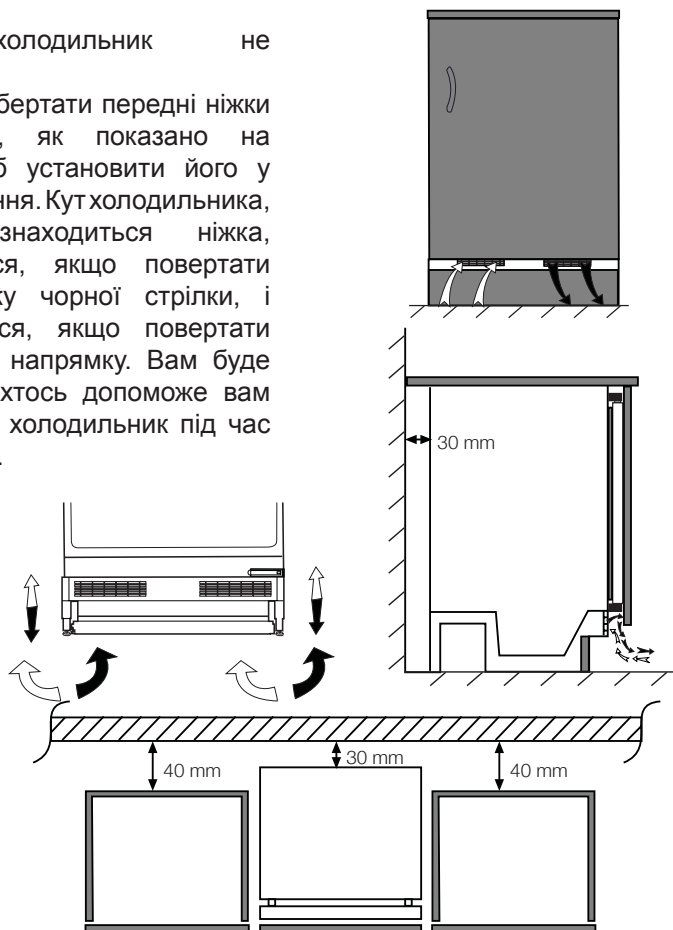
## Установлення холодильника під кухонну поверхню і регулювання ніжек

При встановленні холодильника відстань між ним і стіною не повинна бути менше 30 см, як показано на малюнку.

Отвори для всмоктування повітря не повинні перекриватися, щоб ефективність роботи холодильника не знижувалася. (140 см<sup>2</sup>)

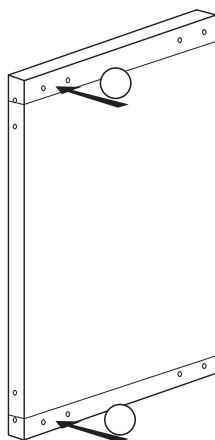
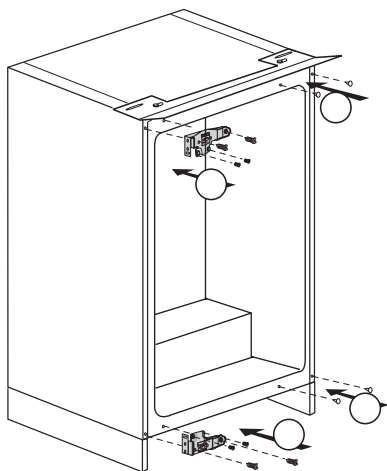
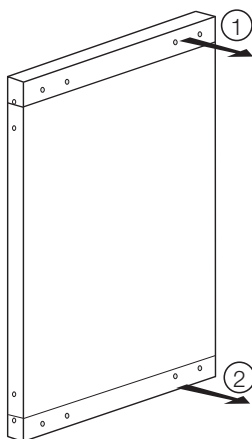
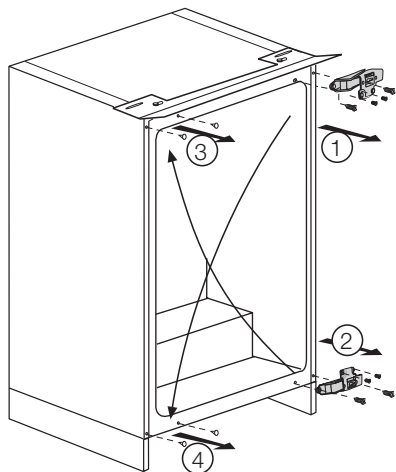
Якщо холодильник не збалансовано

Ви можете обертати передні ніжки холодильника, як показано на малюнку, щоб установити його у стійке положення. Кут холодильника, в якому знаходиться ніжка, опускатиметься, якщо повертати її в напрямку чорної стрілки, і підніматиметься, якщо повертати у зворотному напрямку. Вам буде легше, якщо хтось допоможе вам трохи підняти холодильник під час цього процесу.



## Перенавішування дверцят

Виконуйте у числовому порядку.



## 4 Підготовка

---

- Холодильник слід встановити на відстані щонайменше 30 см від джерел тепла, таких як жарівниці, плити, батареї центрального опалення й печі, а також не ближче 5 см від електричних духових шаф, у місцях, куди не духових шаф пічокпряме сонячне світло.
- Температура повітря в приміщенні, де встановлюється холодильник, має бути не менше 10°C. Використовувати холодильник в умовах нижчої температури не рекомендується з міркувань його низької ефективності.
- Упевніться в тому, що всередині холодильник старанно вимитий.
- Якщо два холодильники встановлюються поряд, між ними має бути відстань не менше 2 см.
- При першому увімкненні холодильника, протягом перших шести годин роботи дотримуйтеся наступних інструкцій.
- Не відчиняйте часто дверцята.
- Холодильник мусить працювати порожнім, без продуктів усередині.
- Не відключайте холодильник від електромережі. Якщо сталося порушення електропостачання, див. застереження у розділі "Рекомендації з вирішення проблем".
- Для забезпечення низького споживання енергії та поліпшення умов зберігання необхідно використовувати контейнери/ящики, що постачаються разом з морозильною камерою.
- Контакт їжі з датчиком температури в морозильній камері може спричинити збільшення споживання енергії пристроєм. Таким чином, слід уникати будь-якого контакту з датчиком(ами).
- Оригінальну упаковку та плівку слід зберегти для транспортування або переміщення холодильника в майбутньому.
- В деяких моделях приладова панель автоматично вимикається через 5 хвилин після закриття дверей. Вона повторно активізується після відчинення дверей або натискання будь-якої клавіші.
- Конденсація вологи на полицях дверцят/корпусу та скляних контейнерах є нормальним явищем і виникає завдяки зміні температури внаслідок відкриття/закриття дверцят під час функціонування виробу.

## 5 Користування холодильником

### Регулювання робочої температури

Робоча температура регулюється регулятором температури.



Виберіть налаштування відповідно до потрібної температури.

Температура всередині залежить також від зовнішньої температури, від того, як часто відкриваються дверцята, а також від кількості продуктів у холодильнику.

Часте відкривання дверцят сприяє підвищенню температури всередині.

Тому рекомендується після відкривання дверцят закрити їх якомога швидше.

Нормальна температура зберігання в холодильнику повинна становити  $-18^{\circ}\text{C}$  ( $0^{\circ}\text{F}$ ). Для одержання нижчих температур поверніть ручку термостата в бік позначки 4 (або Max.).

Для точного регулювання температури у відділеннях холодильника радимо користуватися термометром. Не забувайте про необхідність зчитувати температуру одразу, оскільки поза холодильником термометр швидко нагрівається.

### Заморожування

#### Заморожування продуктів

Морозильне відділення позначене символом **\* \*\* \***

Прилад можна використовувати для заморожування свіжих продуктів, а також для зберігання вже заморожених.

Див. рекомендації, наведені на упаковках продуктів.

#### **⚠ Увага!**

Не заморожуйте газовані напої, оскільки це може призвести до розриву пляшок.

Будьте обережними із замороженими продуктами на зразок кольорових кубиків льоду.

Не допускайте перевищення морозильної здатності приладу протягом 24 годин. Див. паспортну табличку.

Щоб якість продуктів не погіршувалась, процес заморожування повинен проходити якомога швидше.

Так вдасться уникнути перевищення морозильної здатності та підвищення температури всередині морозильника.

#### **⚠ Увага!**

Завжди зберігайте свіжі продукти окремо від продуктів глибокої заморозки.

Під час заморожування гарячих продуктів холодильний компресор працюватиме до повного їх заморожування. Це може призвести до тимчасового переохолодження холодильного відділення.

Якщо для відкривання щойно закритих дверцят холодильника потрібне певне зусилля, це не має викликати занепокоєння. Причина цього в різниці тиску: через декілька хвилин тиск зрівняється, і дверцята легко відкриються.

Відразу після закривання дверцят чути звук всмоктування. Це цілком нормально.

- Загалом заморожені продукти можуть зберігатися до 3 місяців за температури  $-18^{\circ}\text{C}$ . Періоди зберігання можуть відрізнятись в залежності від типу продуктів. Періоди й терміни зберігання таких продуктів указані виробниками на упаковках.
- Придбані заморожені продукти слід покласти до морозильного відділення, перш ніж вони відтануть.
- Заморожені продукти можуть зберігатися у відділеннях з висувними ящиками.

Для забезпечення підтримання найвищої якості продуктів, заморожених виробником і торговою організацією, слід пам'ятати наступне:

**1.** Розміщуйте пакети в морозильне відділення якомога швидше після придбання.

**2.** Не використовуйте продукти після завершення терміну їхнього зберігання та вживання.

**3.** Пам'ятайте, що всі ящики, корзини, щитки, лотки є висувними або знімними.

## Розморожування

Збільшення товщини льоду, що утворюється на випарнику холодильника, зменшує ефективність охолодження.

Тому слід розморожувати лід тоді, коли товщина льодового шару на випарнику досягає приблизно 5 мм. Рекомендується проводити розморожування, коли холодильник не заповнений повністю, або порожній.

Загорніть продукти в декілька аркушів паперу і тримайте їх у найпрохолоднішому місці, або в іншому холодильнику.

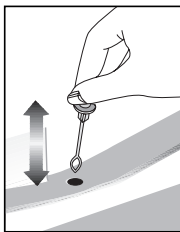
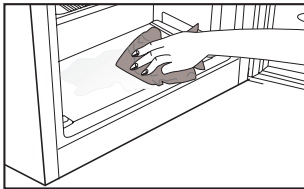
Для розморожування поверніть ручку термостата в положення вимкнення («off»), або вимкніть шнур живлення з електромережі.

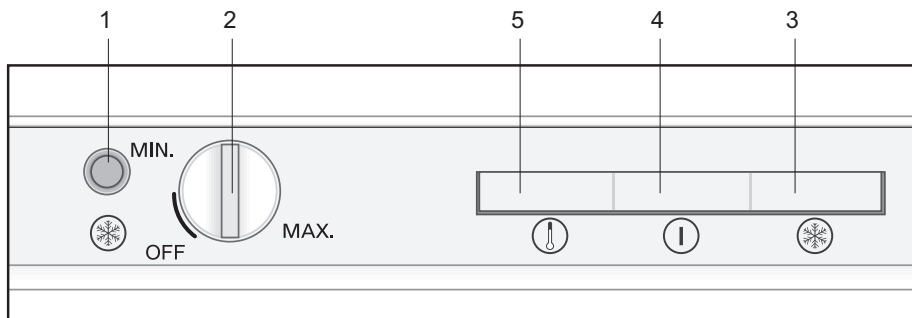
Витягніть з холодильника усі висувні ящики (не обов'язково знімати кришку з відділення, оснащеного кришкою). Через деякий час тала вода накопичиться в ємності в нижній частині холодильника.

Видаліть зібрану воду за допомогою м'якої губки або подібного засобу, і старанно витріть ємність.

Не забудьте повернути ручку регулювання термостата в інше положення, крім «off», щоб знову увімкнути холодильник.

Перш ніж знову завантажувати продукти до холодильника, дайте йому попрацювати протягом 2 годин у порожньому стані з зачиненими дверцятами.





## Світлодіодні індикатори і панель управління

Світлодіодні індикатори на передній панелі холодильника призначені для того, щоб допомагати вам контролювати його роботу.

Надійно зберігайте продукти в холодильнику, контролюючи ці індикатори та користуючись ними, як описано нижче:

**Кнопка швидкого заморожування (1):** використовується для швидкого заморожування продуктів. Компресор не може увімкнутися одразу, лише за деякий час після натискання кнопки, це цілком нормально.

**Кнопка регулювання термостата (2):** використовується для регулювання температури холодильника між мінімальним і максимальним значеннями.

Холодильник може вимкнутися, якщо ручка встановлена нижче мінімального значення (MIN.). Коли індикатор зеленого кольору гасне, холодильник також вимикається.

Якщо він вимкнувся (навіть для розморожування), установіть ручку в будь-яке положення вище MIN, щоби бути упевненим у тому, що холодильник знову увімкнено. Коли

холодильник увімкнеться, зелений індикатор засвітиться.

**Помаранчевий світлодіодний індикатор (3):** світиться, коли натиснуто кнопку швидкого заморожування на панелі управління. У цьому випадку холодильник працює безперервно.

Коли продукти, які ви хочете швидко заморозити, досягнуть потрібної температури, натисніть кнопку ще раз, і помаранчевий світлодіодний індикатор вимкнеться.

**Зелений світлодіодний індикатор (4):** світиться постійно після під'єднання холодильника до електромережі.

**Червоний світлодіодний індикатор (5):** коли холодильник починає працювати, індикатор попереджає вас, засвітившись постійним червоним світлом, про те, що потрібний ступінь охолодження не досягнуто, що дверцята надовго залишені відчиненими, а також про завантаження зовеликої кількості продуктів.

Якщо червоний світлодіодний індикатор світиться постійно за відсутності умов, наведених у колонці поряд, зверніться до авторизованої сервісної служби.

## 6 Догляд та очищення

- ⚠ Не використовуйте бензин чи подібні матеріали для чищення.
- ⚠ Перед виконанням чищення рекомендуємо від'єднати холодильник від електромережі.
- ❗ Заборонено використовувати для чистки гострі абразивні засоби, мило, засоби для видалення плям, миючі засоби та поліролі на основі воску.
- ❗ Промийте шафу холодильника ледь теплою водою та витріть насухо.
- ❗ Для мийки відділень усередині холодильника користуйтеся ганчіркою, змоченою у розчині, який складається з чайної ложки питної соди на півлітра води, потім витріть їх насухо.
- ⚠ Слідкуйте, щоб вода не потрапила до корпусу лампочки та в інші електричні прилади.
- ⚠ Якщо прилад не буде використовуватися протягом тривалого часу, вимкніть його з електромережі, звільніть від усіх продуктів, протріть і залишіть дверцята відчиненими.
- ❗ Регулярно перевіряйте, чи не забруднений шматочками їжі ущільнювач на дверях.
- ❗ Для знімання лотка у дверях розвантажте його, а потім просто підштовхніть угору.
- ❗ У жодному разі не використовуйте засоби для чищення чи воду, що містять хлор, для чищення зовнішніх поверхонь або хромованих деталей виробу. Хлор викликає корозію таких металевих поверхонь.
- ❗ Не використовуйте гострі та абразивні засоби або мило, засоби для догляду за оселею, синтетичні миючі засоби, бензин, бензол, віск і т.д., в іншому випадку на пластикових частинах з'являться сліди і відбудеться їх деформація. Використовуйте для чищення теплу воду і м'яку тканину, а потім витріть насухо.

### Захист пластикових поверхонь

- ❗ Не зберігайте рідкі олії чи продукти з додаванням олії в холодильник у відкритому вигляді чи негерметичній упаковці, вони можуть зіпсувати пластикові поверхні холодильника. У разі потрапляння олії на пластикову поверхню очистіть цю частину поверхні теплою водою.



## 7 Рекомендації з усунення несправностей

Перед тим як звертатися до авторизованої сервісної служби, ознайомтеся з наведеною інформацією. Це допоможе вам заощадити гроші й час. Наведений нижче перелік містить найчастіші несправності, не викликані зіпсованим обладнанням чи матеріалом. Деякі з функцій, що наведені тут, можуть бути відсутні у вашому виробі.

### Холодильник не працює.

- Чи під'єднаний холодильник до мережі правильним чином? Вставте штепсель до настінної розетки.
- Чи справна запобіжна пробка, до якої підключено холодильник, чи не перегорів запобіжник? Перевірте запобіжник.

### Конденсація на бічній стінці холодильного відділення (MULTI ZONE, COOL CONTROL і FLEXI ZONE).

- Дуже низька температура навколишнього середовища. Дверцята холодильника часто відчиняють і зачиняють. Висока вологість навколишнього середовища. Зберігання продуктів, які містять рідину, у відкритих контейнерах. Нецільно зачинені дверцята. Перемикніть термостат на нижчу температуру
- Не тримайте дверцята відчиненими або відчиняйте їх рідше.
- Накривайте продукти, які зберігаються у відкритих контейнерах, відповідним матеріалом.
- Витріть конденсат сухою тканиною та перевірте, чи з'являється він знову.

### Компресор не працює.

- Термозахист компресора може бути пошкоджений в результаті несподіваного збою енергопостачання чи увімкнення-вимкнення, оскільки тиск хладагенту в системі охолодження не встиг збалансуватися. Холодильник почне працювати орієнтовно через 6 хвилин. Якщо після закінчення цього періоду холодильник не запрацює, зверніться до сервісної служби.
- Холодильник перебуває у стані розморожування. Для холодильника, що розморожується автоматично, це цілком нормально. Розморожування відбувається періодично.
- Холодильник не під'єднано до мережі. Переконайтеся, що вилка належним чином вставлена в розетку.
- Чи правильно відрегульовано температуру?
- Можливо, відключена подача електроенергії.

Холодильник вмикається занадто часто або працює занадто довго.

- Ваш новий холодильник може бути ширшим за попередній. Це цілком нормально. Великі холодильники працюють протягом тривалішого часу.
- Температура навколишнього середовища може бути зависокою. Це цілком нормально.
- Холодильник міг бути нещодавно увімкнений чи завантажений продуктами. Повне охолодження холодильника може тривати на кілька годин довше.
- Можливо, у холодильник нещодавно завантажили велику кількість гарячих продуктів. Гарячі продукти спричиняють довшу роботу холодильника з метою досягнення потрібної температури зберігання.
- Можливо, двері часто відчиняють, або вони тривалий час були нещільно зачинені. Тепле повітря, що потрапляє до холодильника, спричиняє його довшу роботу. Відчиняйте дверцята рідше.
- Нещільно зачинені двері холодильного чи морозильного відділень. Перевірте, чи щільно зачинені дверцята.
- Холодильник відрегульовано на дуже низьку температуру. Відрегулюйте температуру холодильного відділення до вищого значення, поки не буде досягнута потрібна температура.
- Ущільнювач дверцята холодильного чи морозильного відділень, можливо, забруднений, зношений, зіпсутий або неправильно встановлений. Ущільнювач дверей треба почистити чи замінити. Пошкоджений ущільнювач примушує холодильник працювати довше для того, щоб підтримувати температуру.

Температура морозильного відділення занизька, тоді як температура холодильника достатня.

- Морозильне відділення відрегульовано на дуже низьку температуру. Відрегулюйте температуру морозильного відділення до вищого значення та перевірте.

Температура холодильника занизька, тоді як температура морозильного відділення достатня.

- Холодильник налаштовано на дуже низьку температуру. Відрегулюйте температуру холодильника до вищого значення та перевірте.

Продукти, що зберігаються у холодильному відділенні, заморожуються.

- Холодильник налаштовано на дуже низьку температуру. Відрегулюйте температуру холодильника до вищого значення та перевірте.

<b>Температура у холодильному чи морозильному відділеннях зависока.</b>
<ul style="list-style-type: none"> <li>• Холодильник налаштовано на дуже високу температуру. Температура холодильного відділення впливає на температуру морозильного. Змініть температуру холодильника чи морозильника, поки не буде досягнуто потрібне значення.</li> <li>• Можливо, дверцята часто відчиняють, або вони тривалий час були нещільно зачинені; відчиняйте дверцята рідше.</li> <li>• Можливо, дверцята холодильника прочинені; зачиніть їх повністю.</li> <li>• Можливо, у холодильник нещодавно завантажили велику кількість гарячих продуктів. Заждіть, поки холодильник чи морозильник досягне потрібної температури.</li> <li>• Можливо, холодильник нещодавно увімкнули. На повне охолодження холодильника буде потрібен час.</li> </ul>
<b>Рівень робочого шуму підвищується під час роботи холодильника.</b>
<ul style="list-style-type: none"> <li>• Робочі характеристики холодильника можуть змінюватися у залежності від температури навколишнього середовища. Це цілком нормально і не свідчить про несправність.</li> </ul>
<b>Вібрації або шум</b>
<ul style="list-style-type: none"> <li>• Нерівна чи нестійка підлога. При повільному переміщенні холодильник дрижить. Переконайтеся, що підлога рівна і може витримати вагу холодильника.</li> <li>• Шум може бути спричинений предметами, що покладені зверху на холодильник. Сторонні предмети слід прибрати з холодильника.</li> </ul>
<b>З холодильника лунає шум, наче ллється чи розбризкується рідина.</b>
<ul style="list-style-type: none"> <li>• Рідини і гази протікають у системі охолодження холодильника відповідно до принципу його роботи. Це цілком нормально і не свідчить про несправність.</li> </ul>
<b>Чується шум, наче дме вітер.</b>
<ul style="list-style-type: none"> <li>• Для охолодження холодильника використовуються вентилятори. Це цілком нормально і не свідчить про несправність.</li> </ul>
<b>Конденсат на внутрішніх стінках холодильника.</b>
<ul style="list-style-type: none"> <li>• Спекотна й волога погода сприяє утворенню льоду та появі конденсату. Це цілком нормально і не свідчить про несправність.</li> <li>• Можливо, дверцята холодильника прочинені; зачиніть їх повністю.</li> <li>• Можливо, дверцята часто відчиняють, або вони тривалий час були нещільно зачинені; відчиняйте дверцята рідше.</li> </ul>

<b>Поява вологи зовні холодильника чи між стулками дверей.</b>
<ul style="list-style-type: none"> <li>• Повітря вологе; при вологій погоді це цілком нормально. Коли волога зменшиться, конденсація зникне.</li> </ul>
<b>Поганий запах всередині холодильника.</b>
<ul style="list-style-type: none"> <li>• Слідкуйте за тим, щоб холодильник усередині був чистим. Протріть внутрішню частину холодильника губкою, змоченою в теплій чи газованій воді.</li> <li>• Деякі види упаковки чи контейнерів для зберігання також можуть бути джерелом запаху. Використовуйте інший контейнер чи матеріал для упакування.</li> </ul>
<b>Дверцята не зачиняються.</b>
<ul style="list-style-type: none"> <li>• Продукти можуть заважати зачиненню дверцят. Перекладіть продукти, які заважають зачиненню дверцят.</li> <li>• Можливо, холодильник стоїть не зовсім вертикально. Це може викликати дрижання при найменшому русі. Відрегулюйте гвинт регулювання висоти.</li> <li>• Нерівна чи неміцна підлога. Переконайтеся, що підлога рівна і може витримати вагу холодильника.</li> </ul>
<b>Контейнери злиплися.</b>
<ul style="list-style-type: none"> <li>• Можливо, продукти торкаються верхньої частини контейнера. Перекладіть продукти в контейнері.</li> </ul>

**Офіційний представник на території України:** ТОВ «Беко Україна», адреса: 03150, м. Київ, вул. Антоновича, буд. 72 тел/факс.: 0-800-500-4-3-2”

Інформацію про сертифікацію продукту Ви можете уточнити зателефонувавши на гарячу лінію 0-800-500-4-3-2.

Термін служби десять років