

SPECTRA

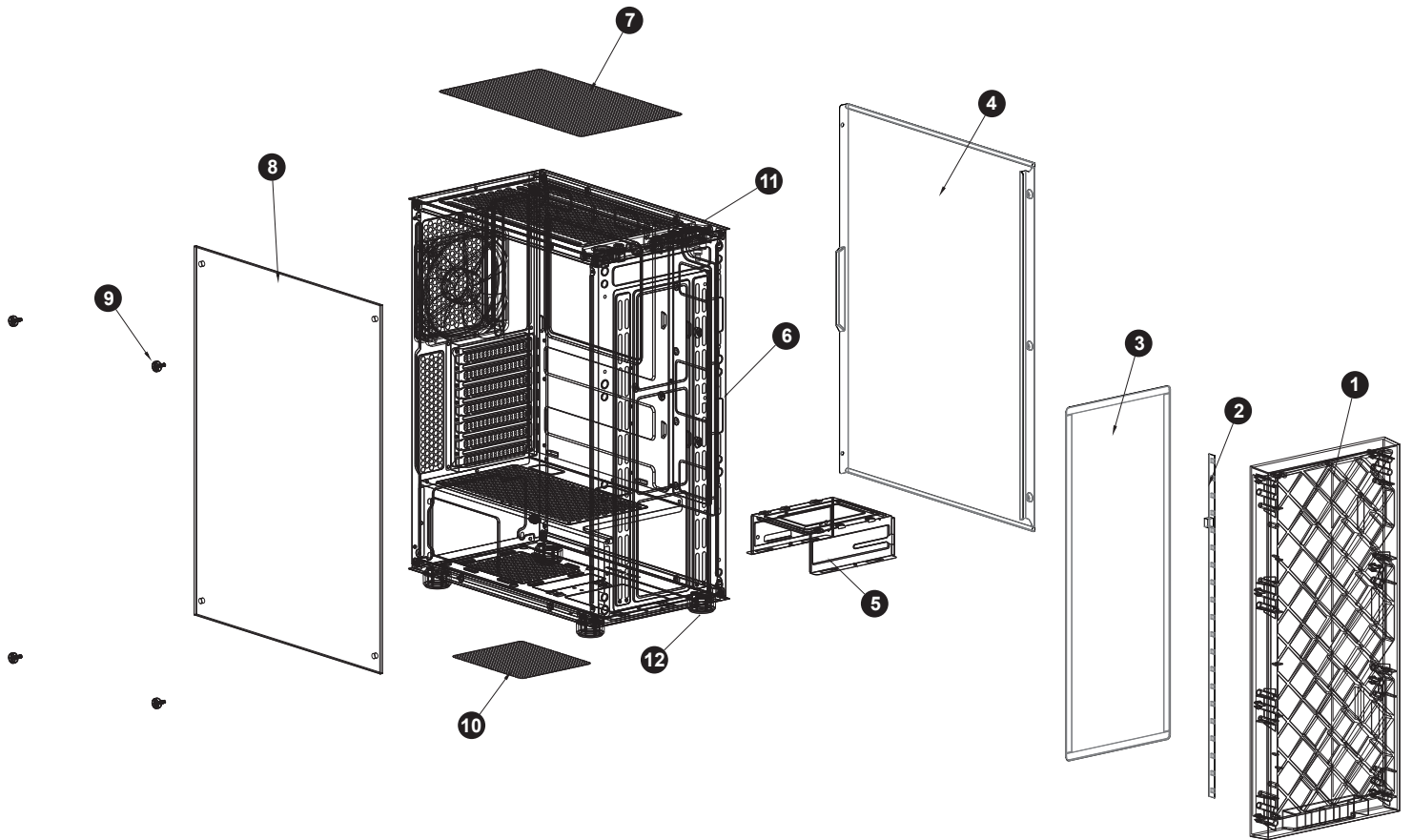
USER MANUAL

1. Specifications
2. Chassis Parts
3. Control Panel Functions
4. 3.5"/2.5" HDD/SSD Installation
5. Cooling System Installation
6. ARGB Control Modes Switching

Specifications

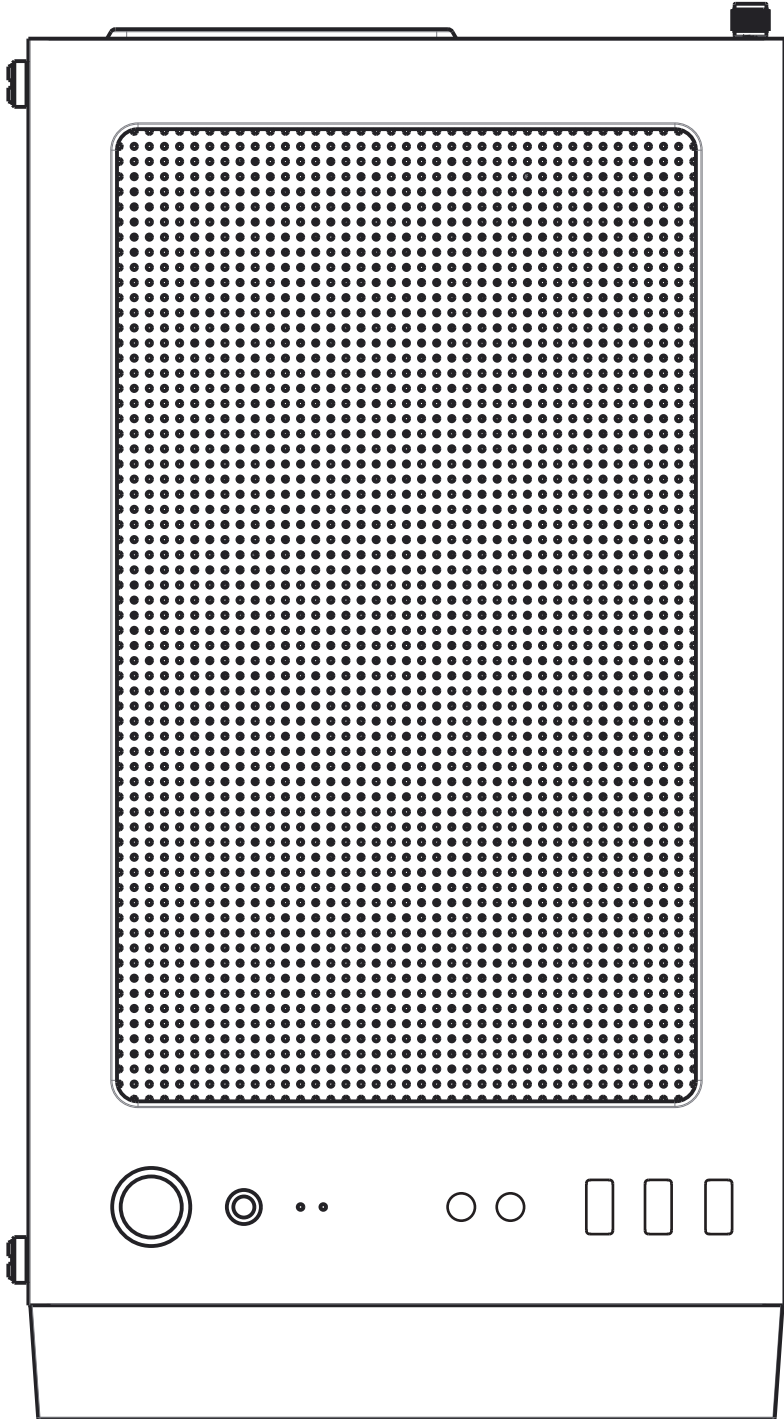
Model	
Model Name:	Spectra
Model Number:	CSAZ-280B/CSAZ-280W
Specifications	
Type:	ATX Mid Tower
Color:	Black/Black(interior), White/White(interior)
Side Panel Window:	Left side panel: Tempered glass with rubber mounts
Max CPU Cooler Height:	UP to 170mm
Max Video Card Length:	Up to 290mm long video card
Power Supply:	Not included
Motherboard Compatibility:	ATX · Micro ATX · ITX
Expansion	
External 5.25" Drive Bays:	0
Internal 2.5" Drive Bays:	Up to 3
Internal 3.5" Drive Bays:	Up to 2
Expansion Slots:	7
Top Ports:	Power button, LED button, HD Audio, USB 3.0 x 1, USB2.0x2
Physical Specifications	
Case Dimension (HxWxD)	458*200*365mm/18*7.9*14.4 inches
Weight:	4.4kg /9.7lbs
Features	
Tempered Glass Sides Window:	High-quality tempered glass side window allows for clear visuals to inner components
Addressable RGB Light Effects:	Allowing the LED button to cycle through different ARGB lighting modes.
Available Fan Ports:	3x120mm or 2x140mm fan ports in the front 2x120mm fan ports on the top 2x120mm fan ports on the top of PSU shroud 1x120mm fan port in the rear (1x120mm LFO-3612D ARGB fan included)
Water Cooling:	Supports radiators up to 240mm in the front
Dust Filters:	Removable (magnetic) dustproof net on the top and Front , removable dust filter on bottom of chassis.
Power Supply Support:	Bottom mounted ATX power supply


Chassis Parts

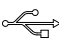



1	Front panel
2	Addressable RGB strip
3	Removable magnetic mesh
4	Metal side panel
5	Hard disk cage
6	Chassis
7	Removable magnetic mesh
8	Tempered glass panel
9	Glass panel screws
10	Removable dust filter
11	Top I/O & buttons
12	Shock-proof stand

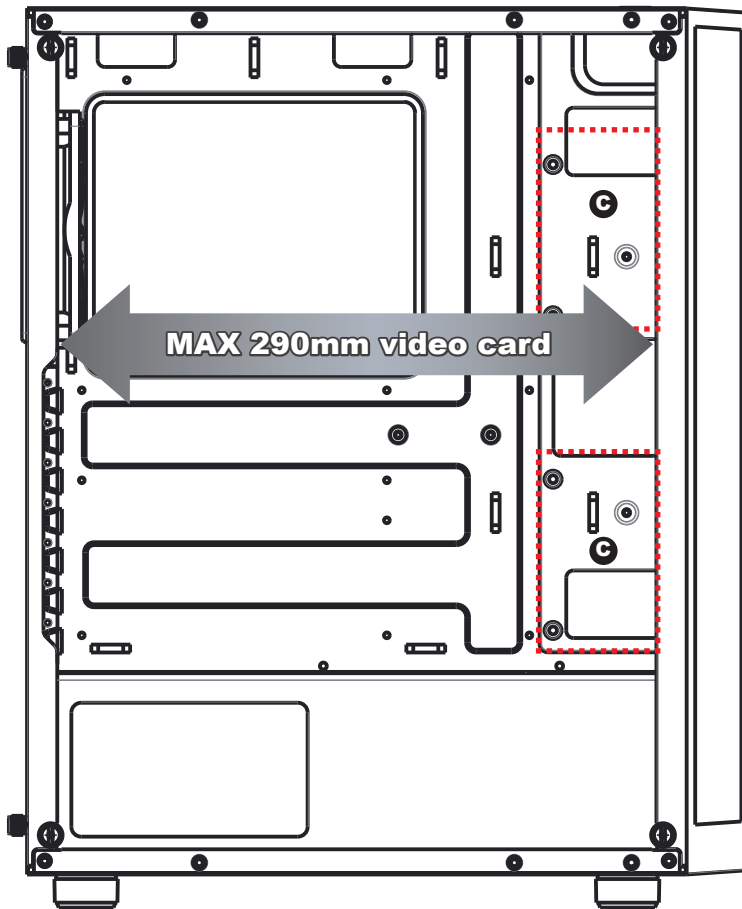
Control Panel Functions



	POWER
	LED
	Mic
	Audio

	USB 2.0
	USB 3.0

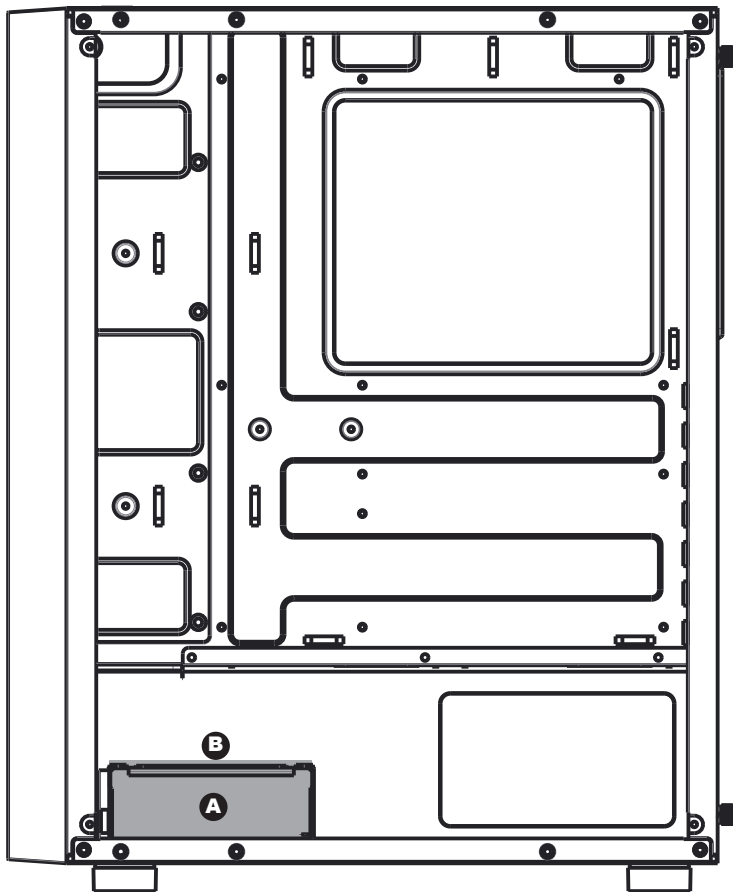
3.5" / 2.5" HDD/SSD Installation



- Supports up to 290mm long video cards.

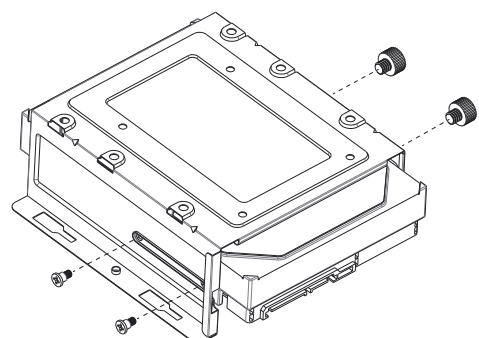


or

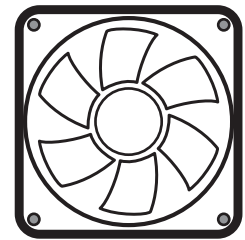
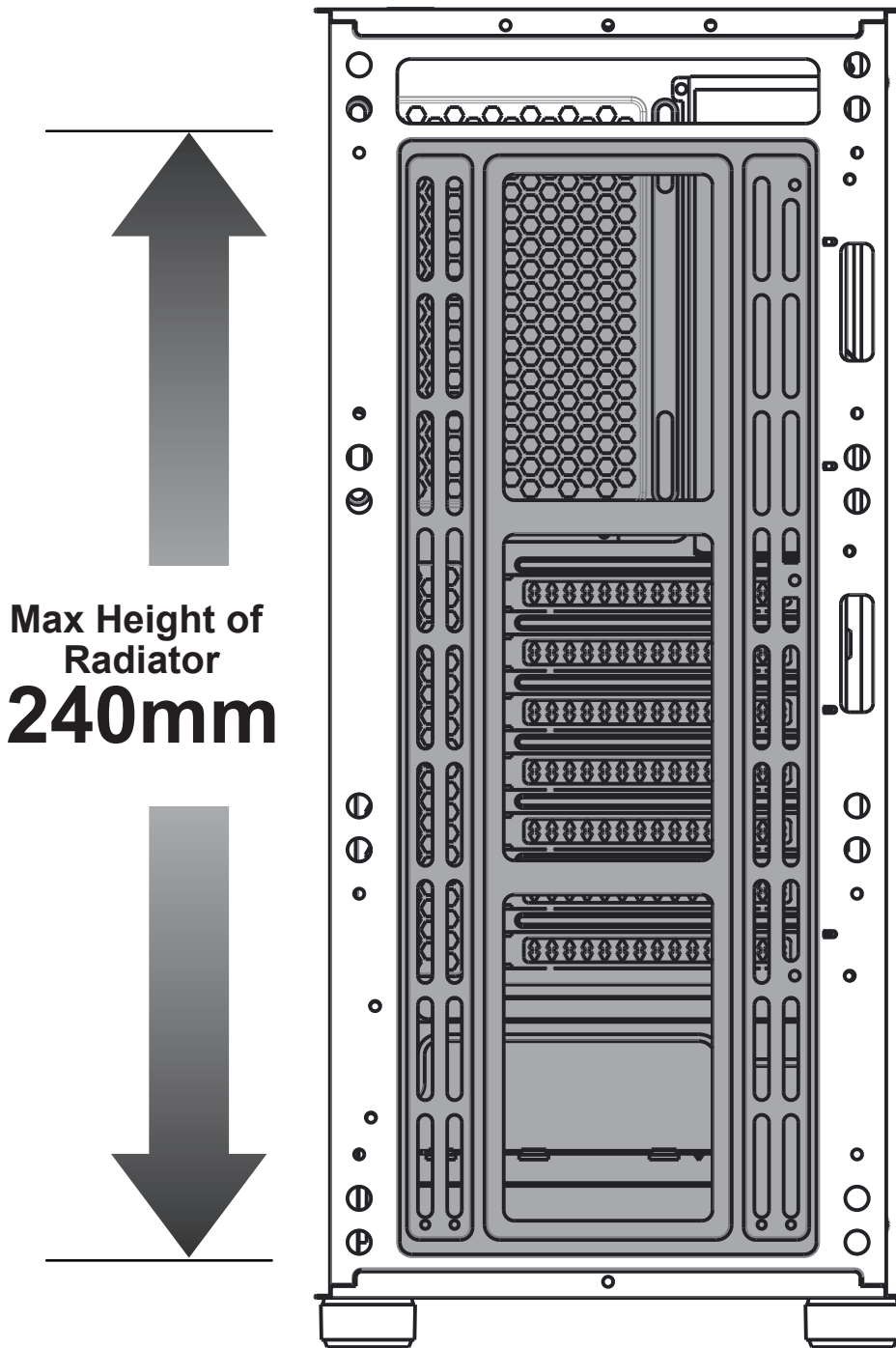


- Multifunctional hard disk bracket support 3.5" HDD x 1 (**A**)
- Multifunctional hard disk cage support 3.5" HDD or 2.5" SSD x 1 (**B**)
- Two mounting holes support 2.5" SSD x 2 (**C**)

3.5" HDD Install

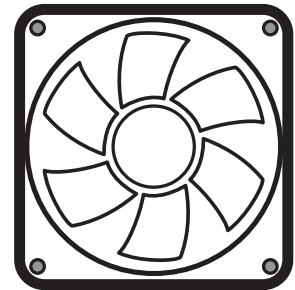


Front



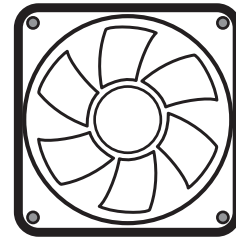
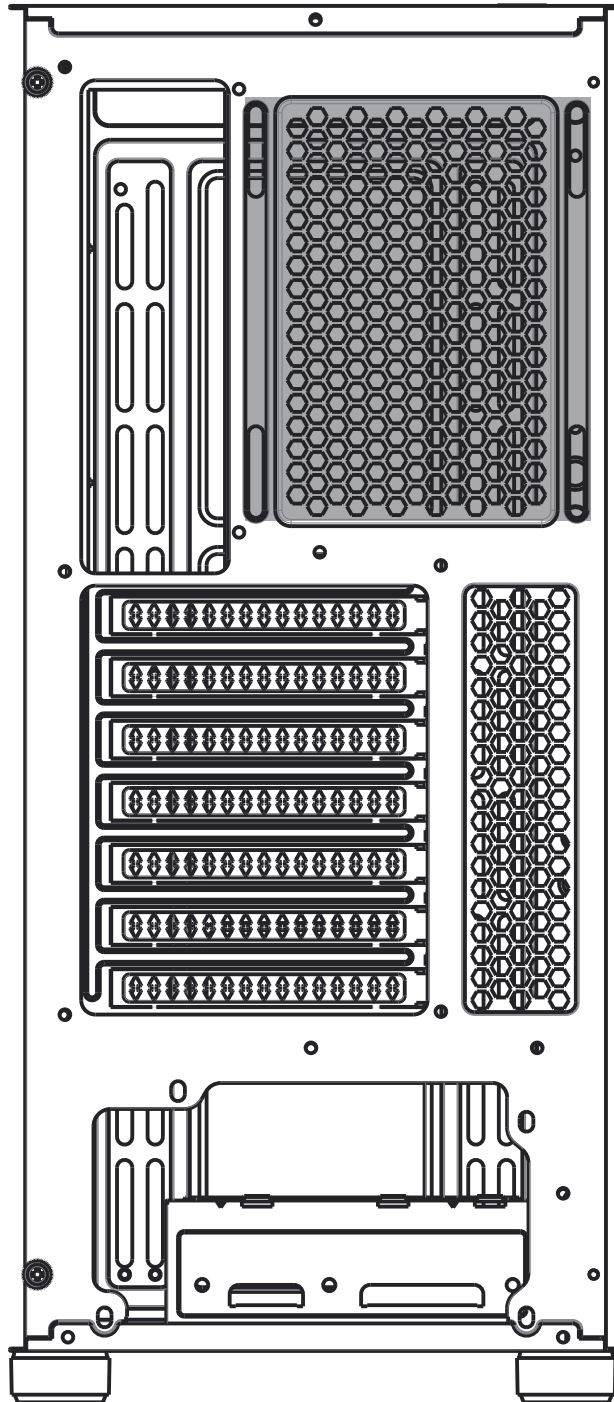
120mm x3

or



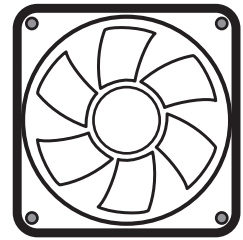
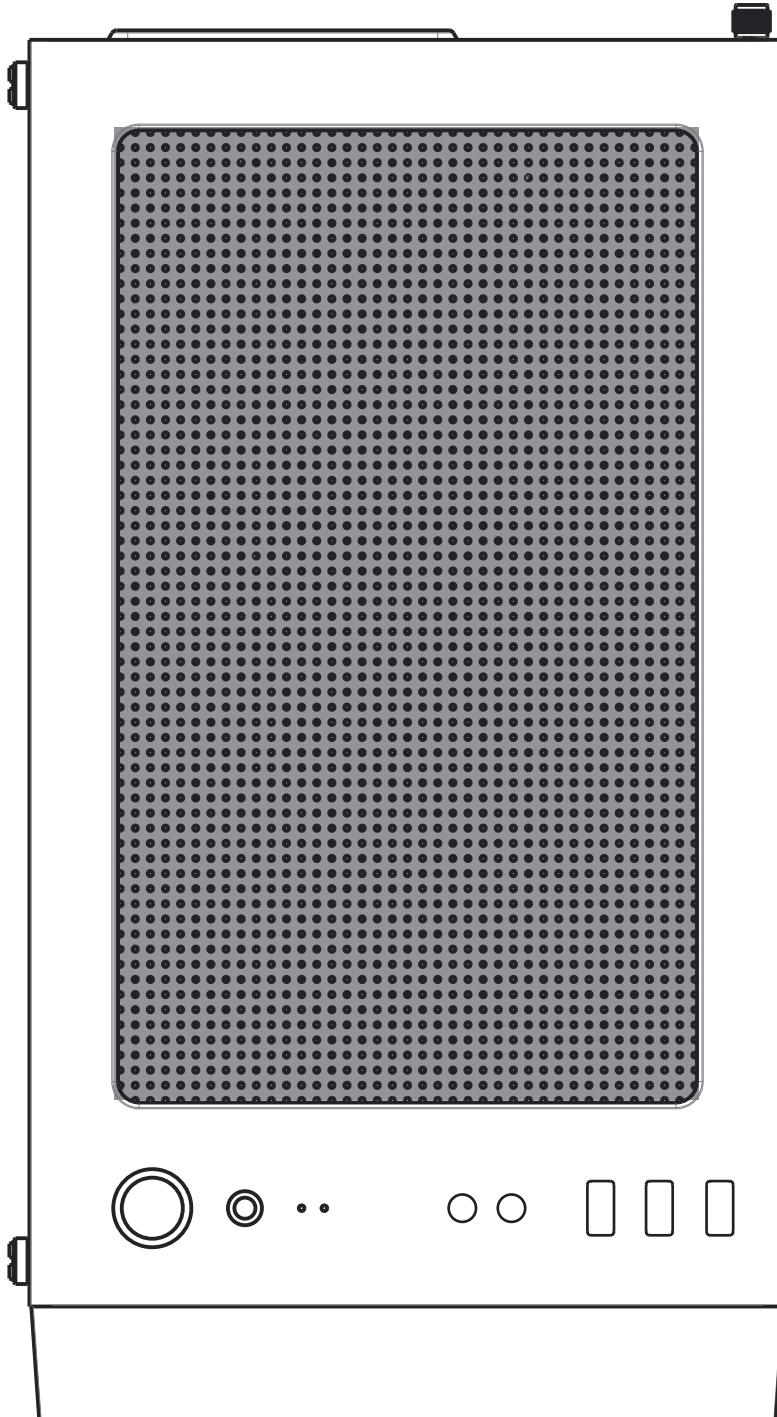
140mm x2

Rear



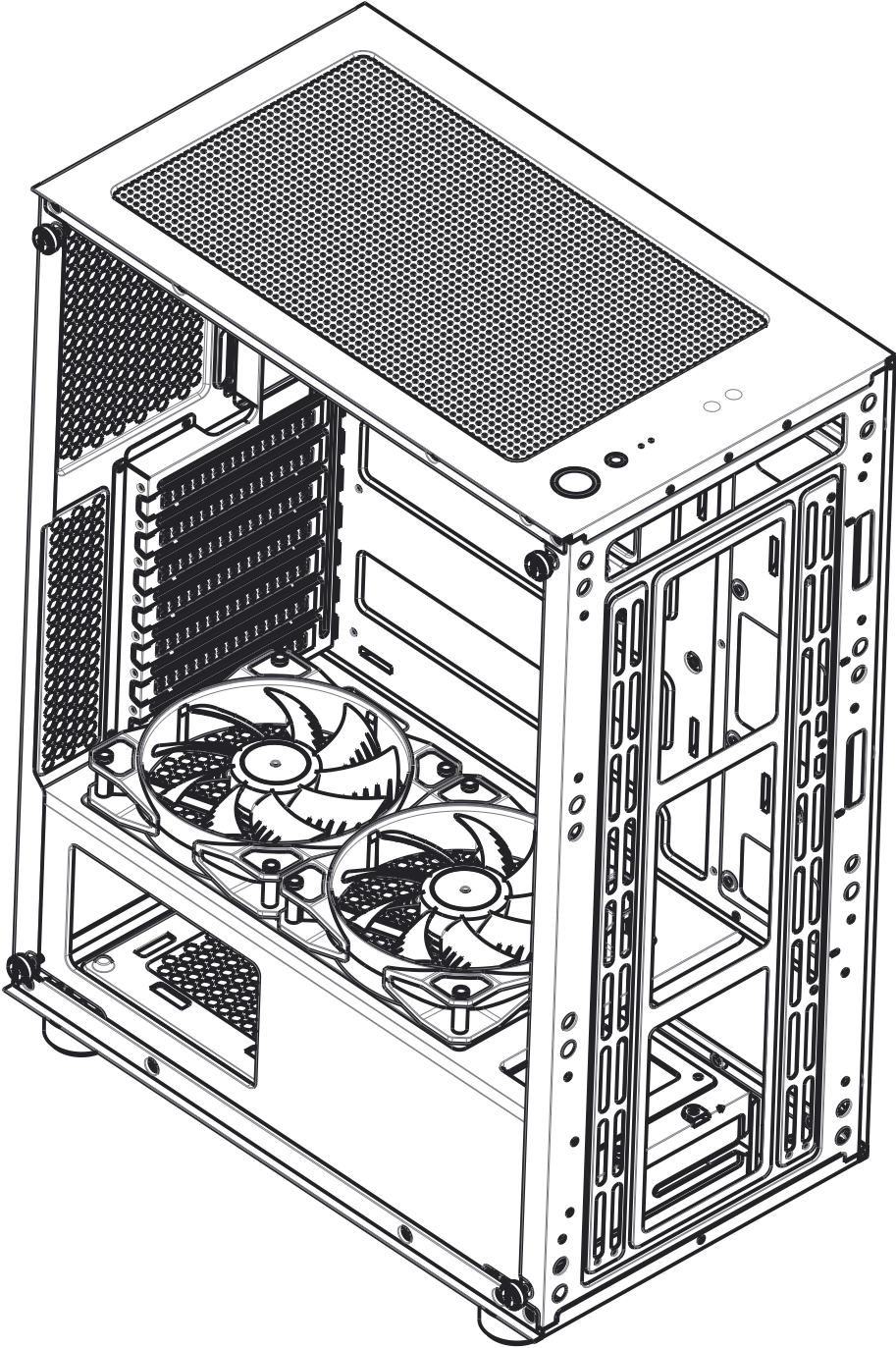
120mm x1

Top



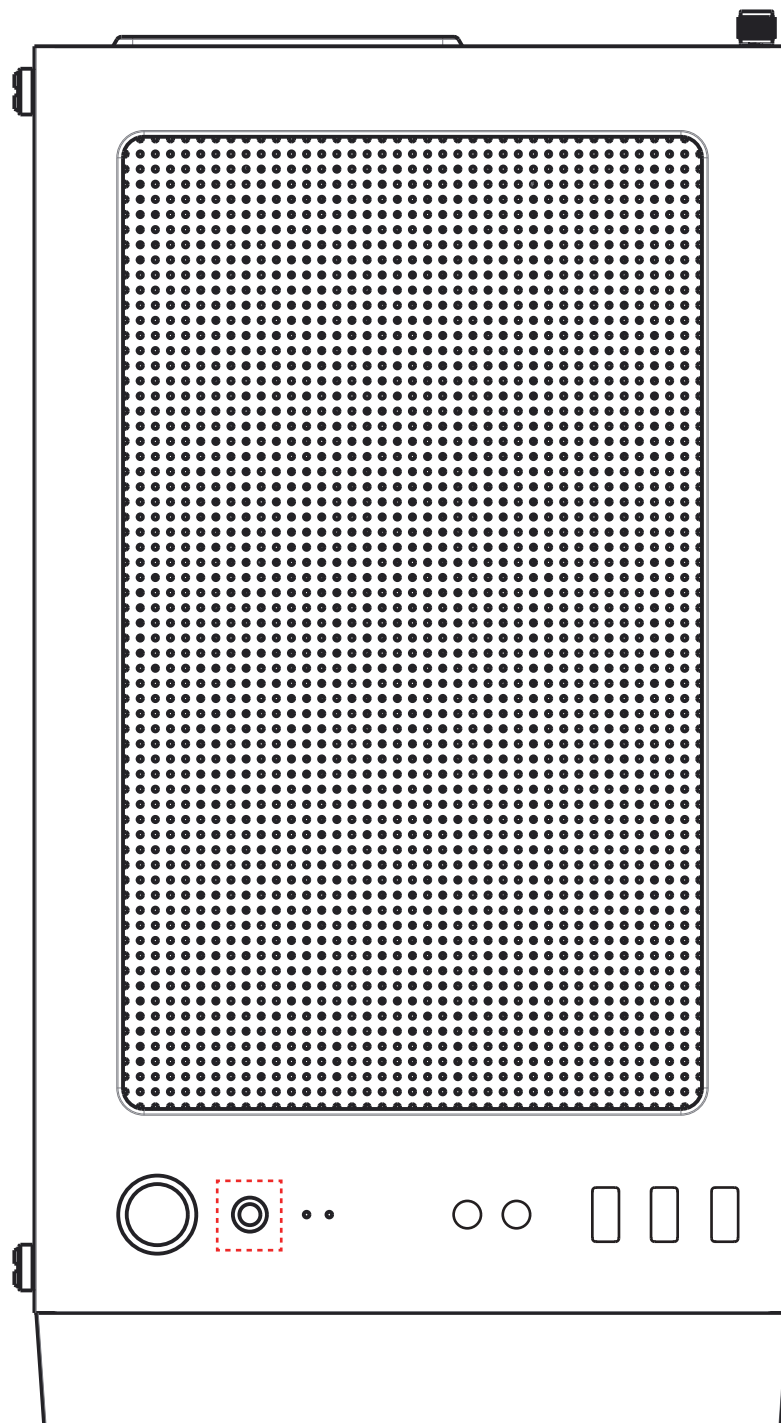
120mm x2

Cooling System Installation



2x120mm fan ports on the top of PSU shroud

ARGB Control Modes Switching



※ Press the LED button to cycle through different ARGB 13 lighting modes.