



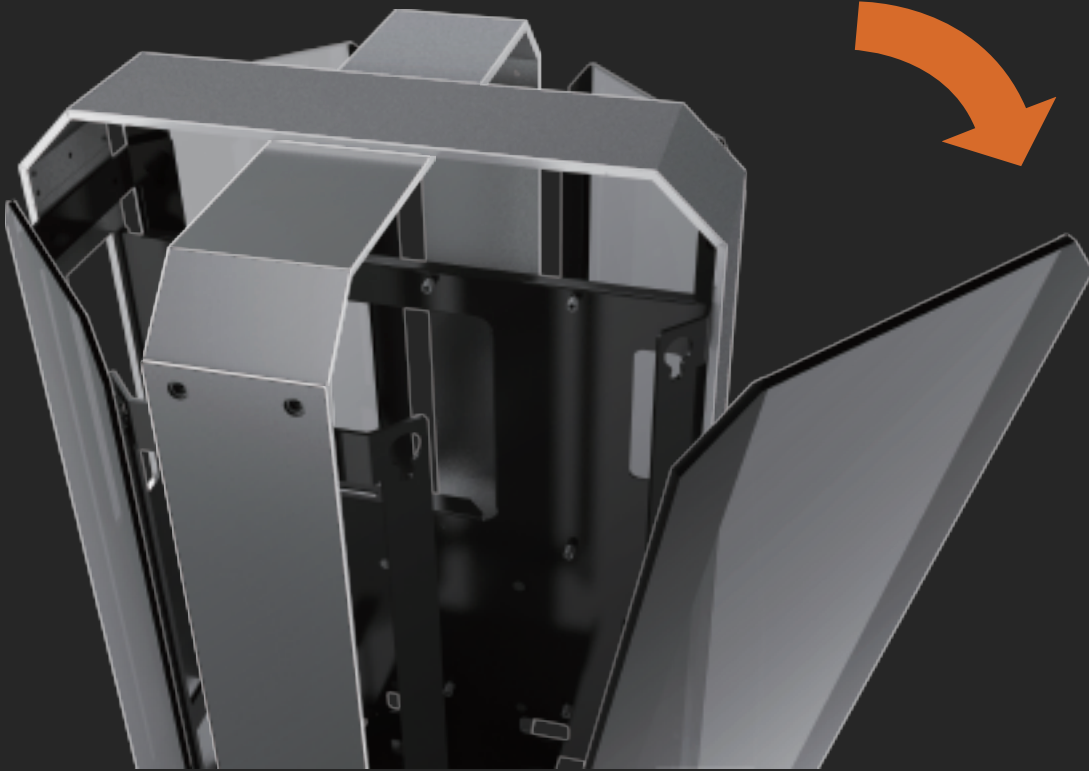
OPUS



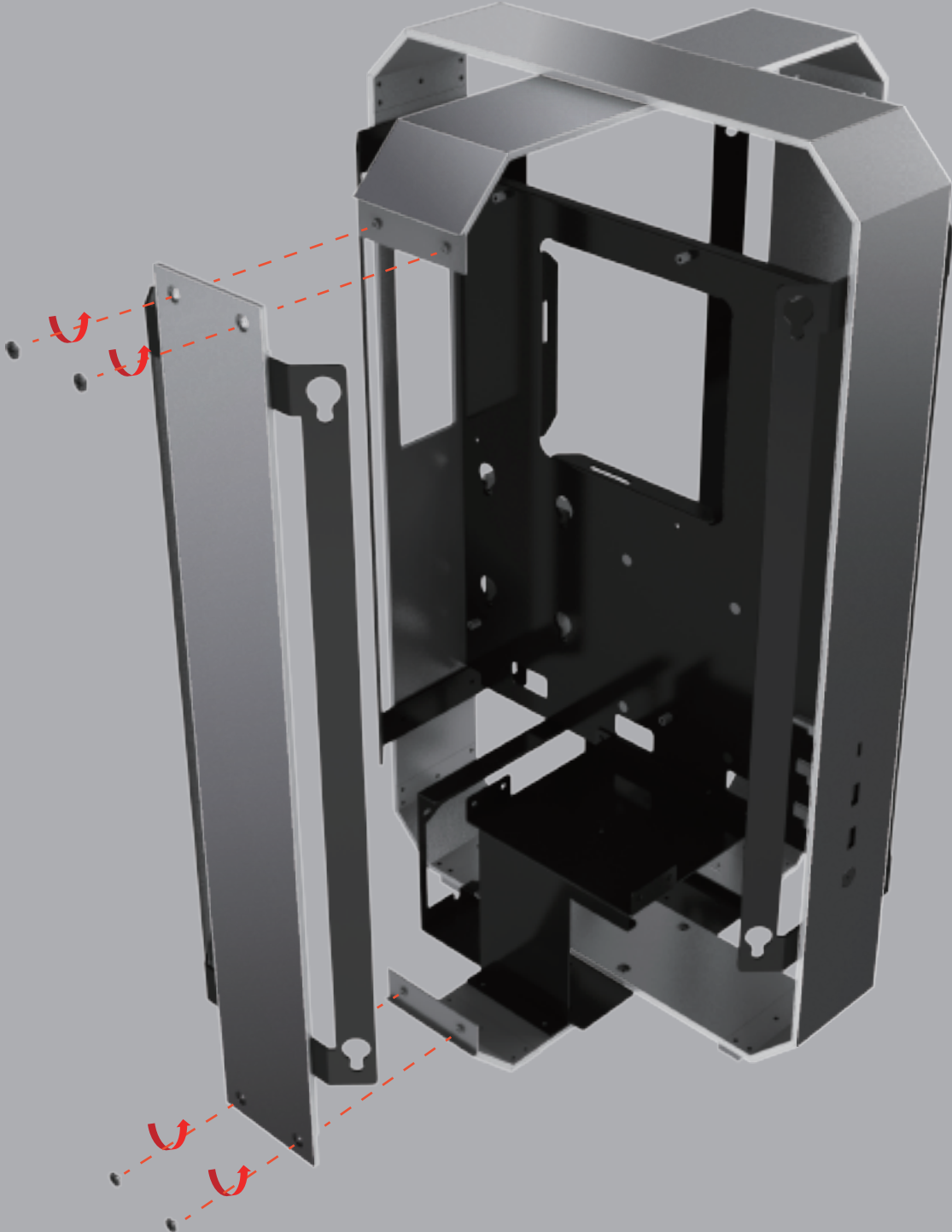
AZZA

<b>Model</b>	
Model Name	Opus
Model Number	CSAZ-809
<b>Specifications</b>	
Type	ATX
Color	Space gray and Black glass (exterior) / Black (interior)
Side Panels	4 Tempered glass panels Sandblasted anodized aluminum structure
Max CPU Cooler Height	Up to 60mm
Max Video Card Length	Up to 360mm (Vertical)
Power Supply	Not Included
Motherboard Compatibility	ATX, Micro-ATX, Mini-ITX
<b>Expansion</b>	
External 5.25" Drive Bays	0
Internal 2.5" Drive Bays	Up to 2
Internal 3.5" Drive Bays	1
Expansion Slots	3 (Vertical)
I/O Ports	Power button, USB 3.0 x2, Type C x1
<b>Physical Specifications</b>	
Dimensions (HxWxD)	539 x 320 x 320 mm / 21.2 x 12.6 x 12.6 inches
Weight	8.7 kg / 19.2 lbs
<b>Features</b>	
Tempered Glass	High-quality tempered glass panels allow for clear visuals of inner components
Available Fan Ports	3 x 120 mm ports on the rear
Included Fan	None
Radiator Support	Supports radiators up 360 mm
Accessories	30 cm PCI-e 3.0 Riser Cable & Power Mesh Another 30cm PCI-e 4.0 extension cable version is available

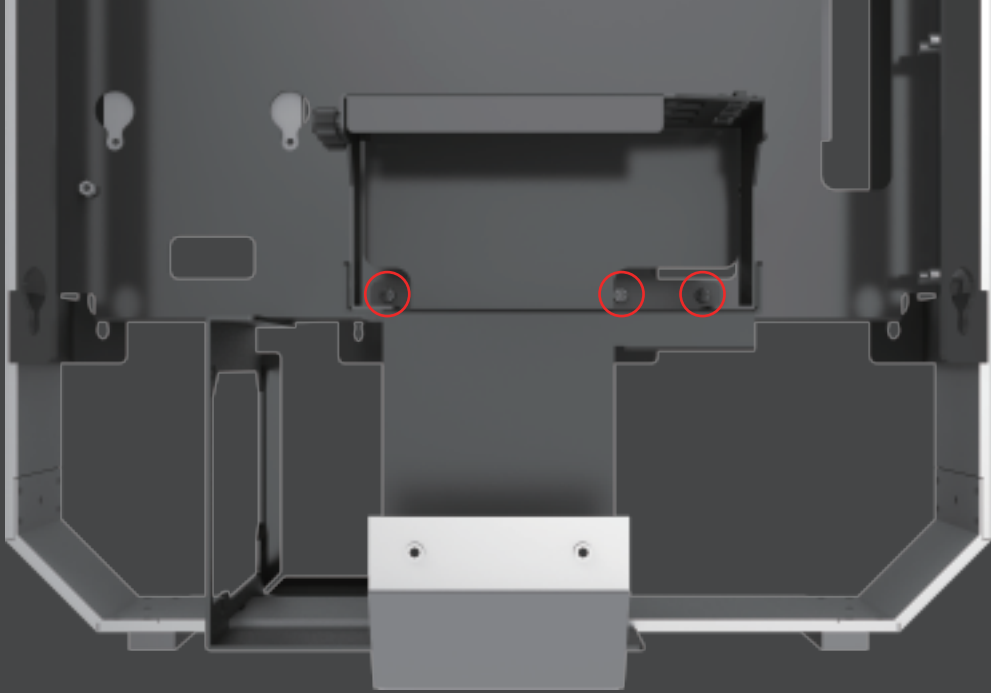
# 1. Removing Four Glass Panels.



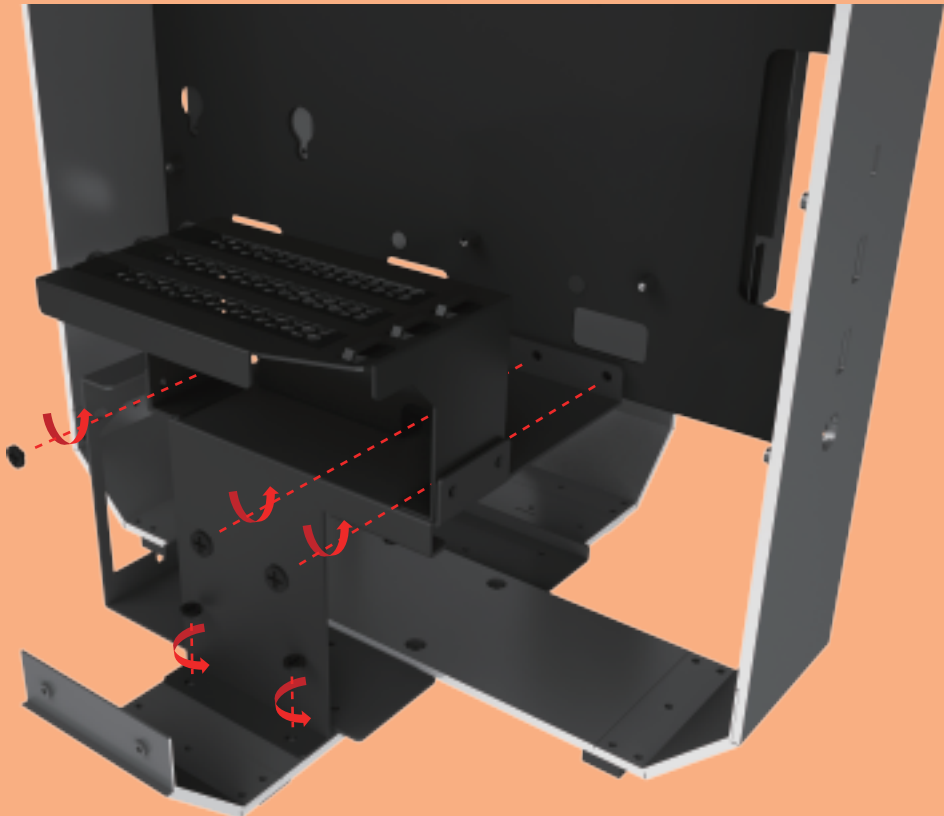
# 2. Removing Four Sides Metal Frame.



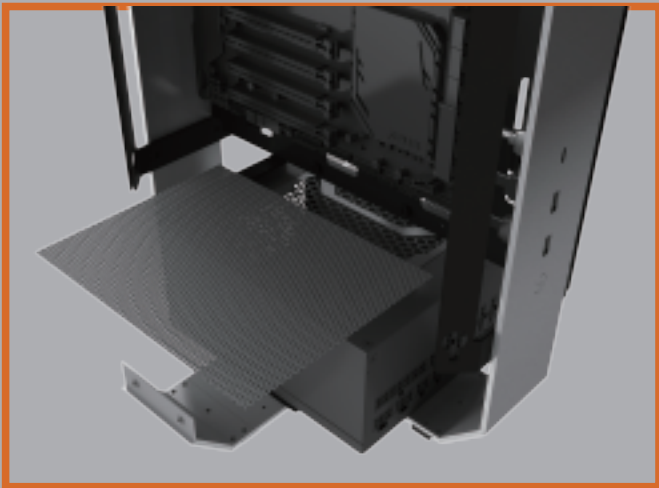
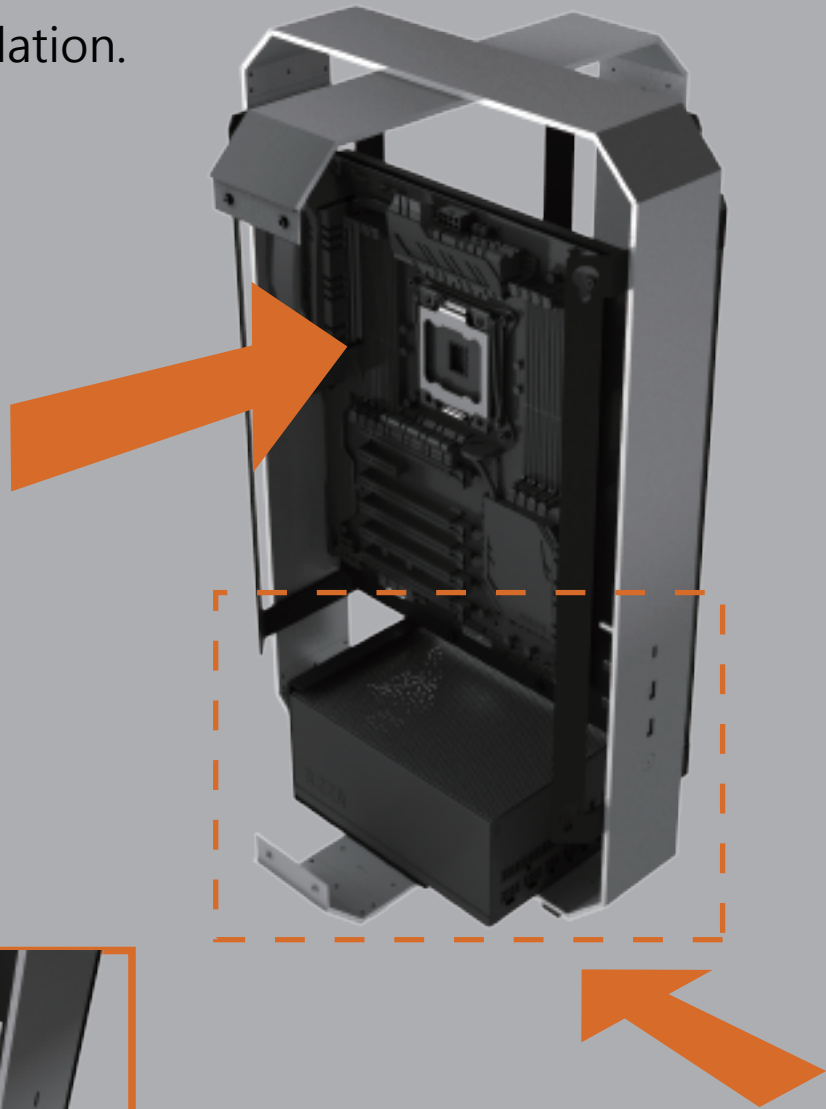
### 3. Removing GPU Holder and PSU Cover Together



The screwdriver can go straight through



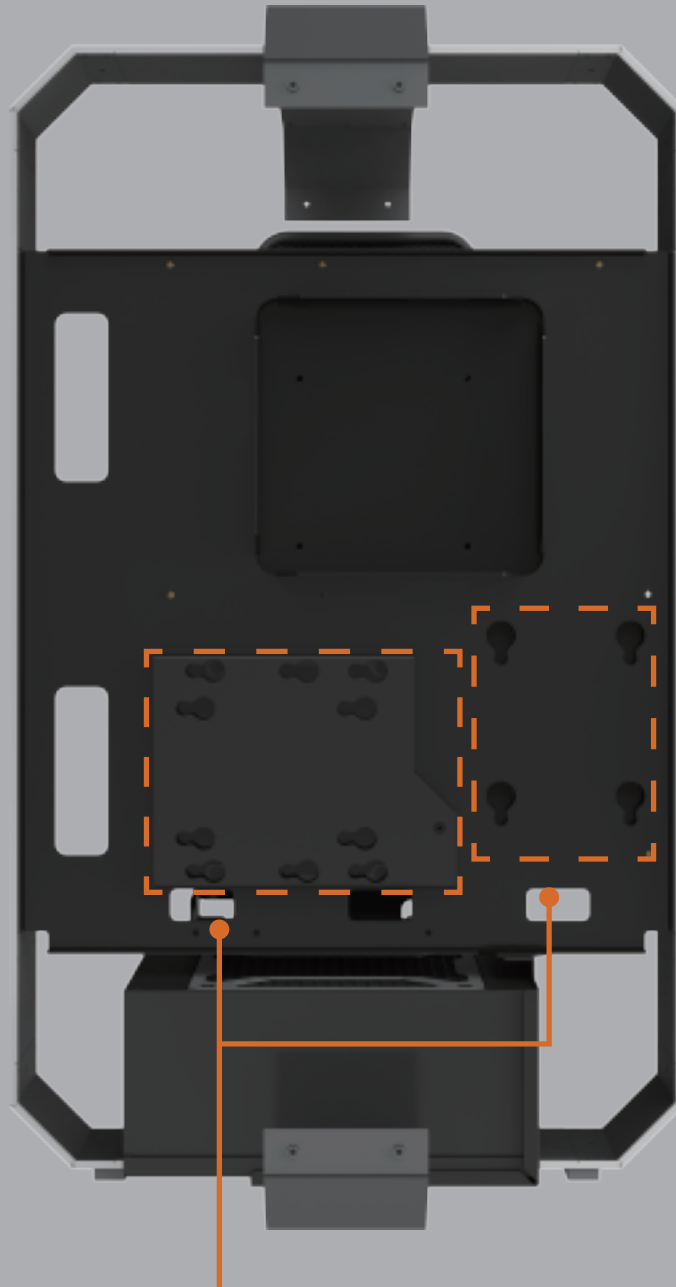
## 4. Motherboard Installation.



The parts kit contains a psu filter.

## 5. Power Supply Installation.

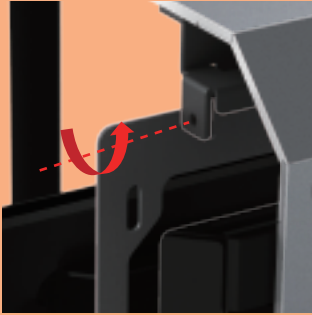
## 6. HDD & SSD Installation.



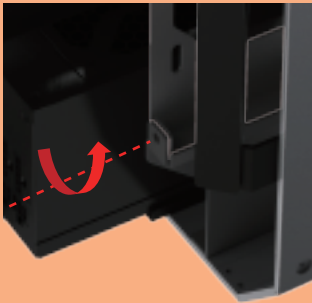
Supports up to:  
3.5" HDD x1 + 2.5" SSD x 1  
or  
2.5"SSD x 2

\* The bracket supports a 3.5" or 2.5" device.

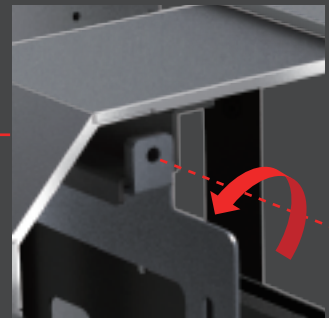
# 7. Removing The Radiator/Fan Bracket.



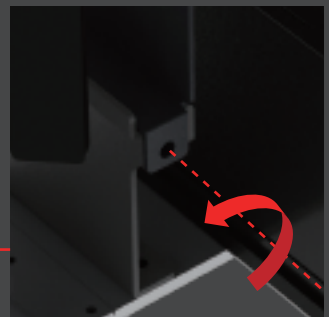
unscrew



unscrew



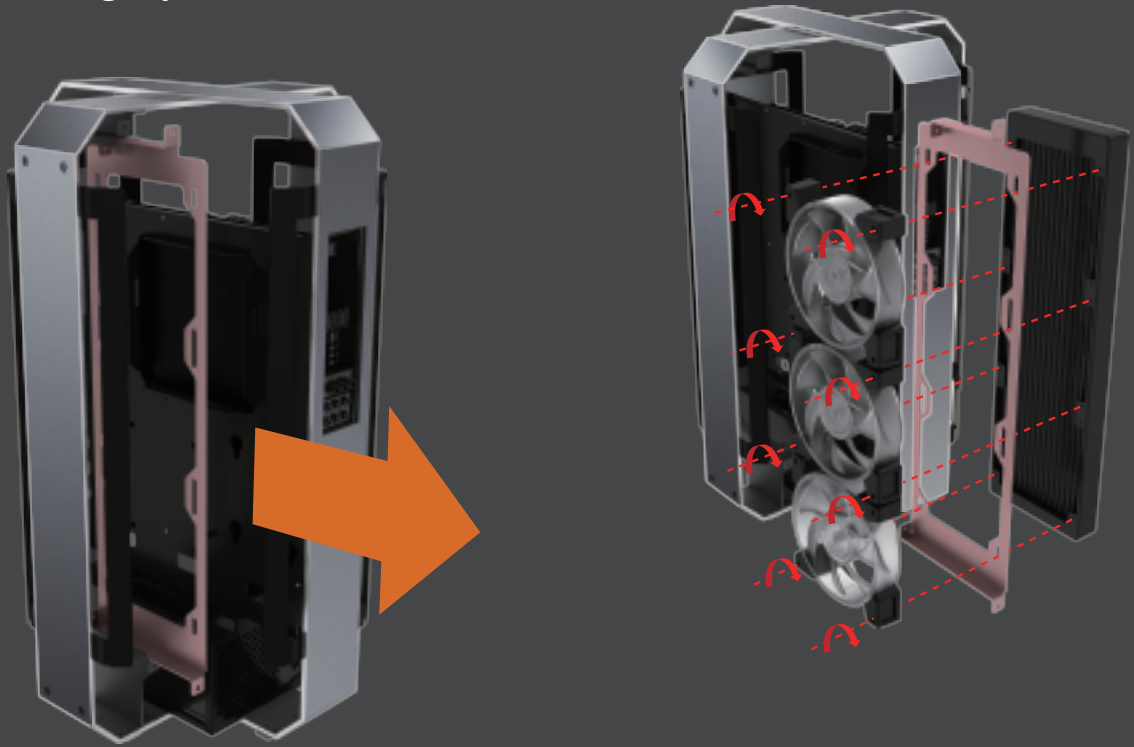
unscrew



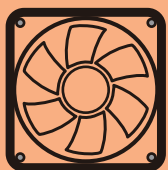
unscrew



## 8. Cooling System Installation

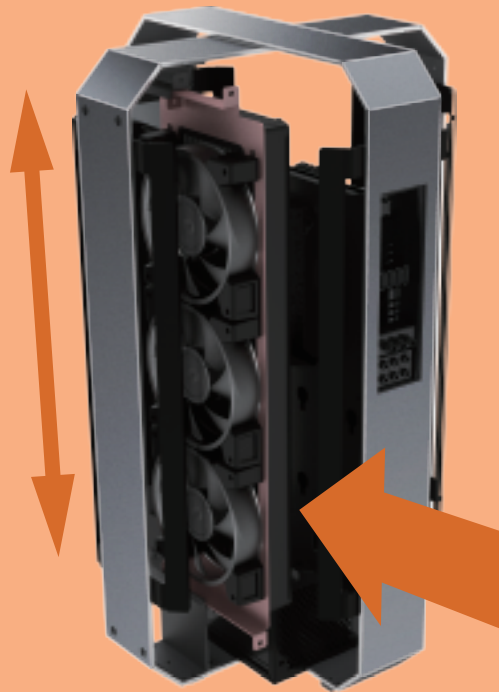


## 9. Cooling System Installation.



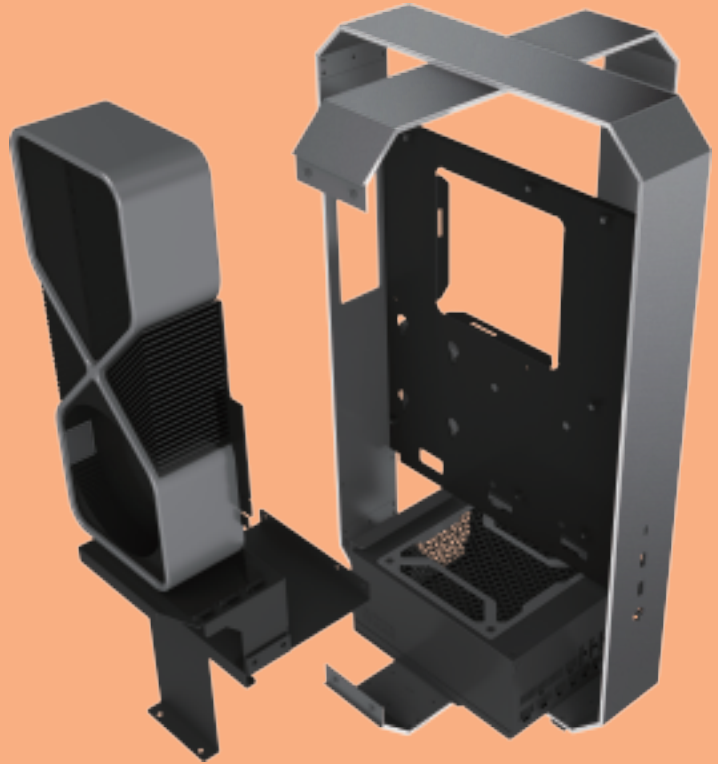
120mm x3

Max Height of Radiator 360 mm



Please install the CPU bracket and radiator pump into the motherboard before pushing the cooler into the chassis.

# 10. GPU Installation



Supports up to 360mm long video cards.



30cm PCI-E 3.0 extension cable for GPU card included

# 11. Accessories



300 mm PCI-E 3.0 Cable(Support ATX Motherboard)

Another 300mm PCI-e 4.0 extension cable version is available



THANK YOU