

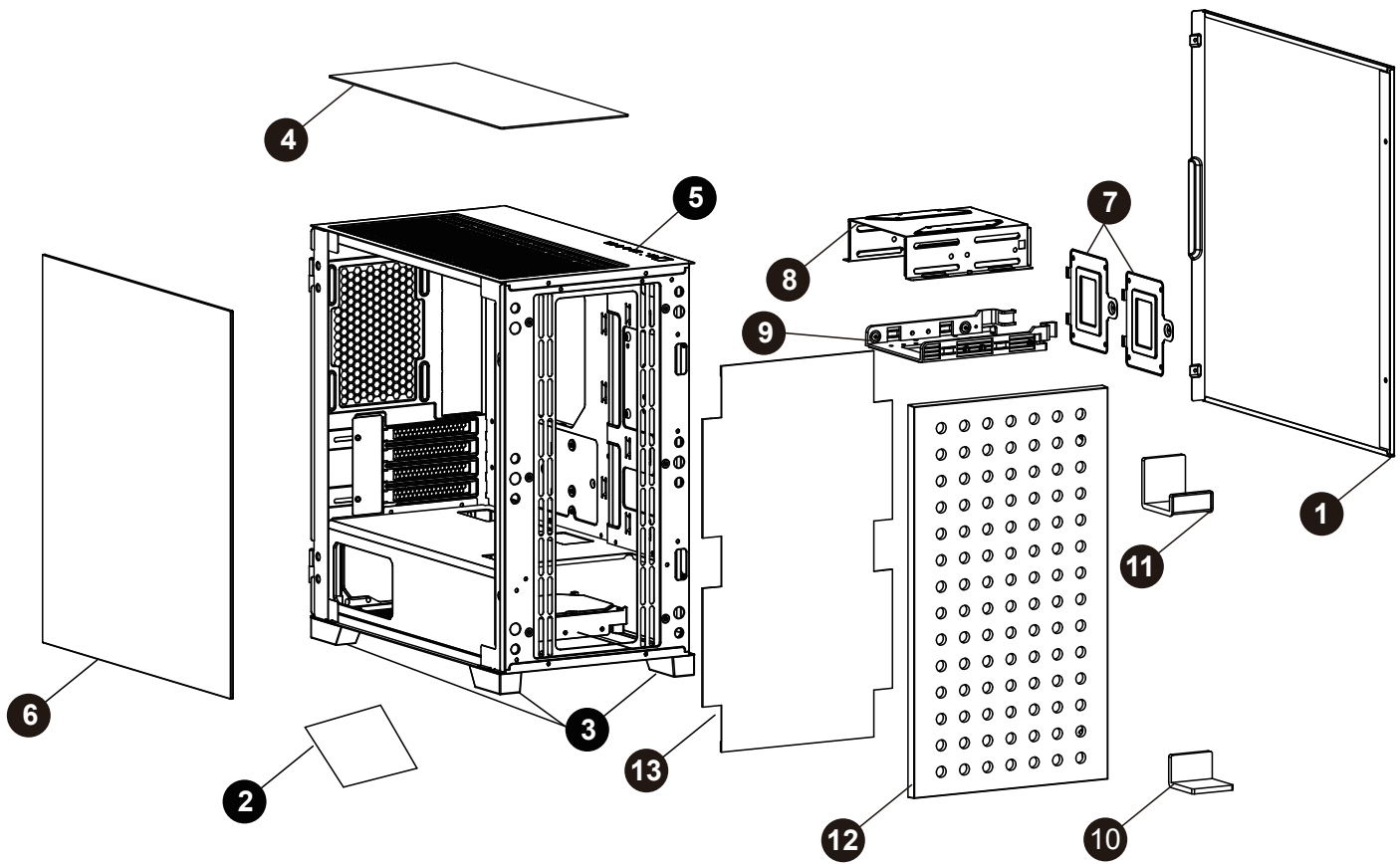
USER MANUAL

1. Specifications
2. Chassis Parts
3. Control Panel Functions
4. 3.5"/2.5" HDD/SSD Installation
5. Cooling System Installation
6. ARGB Control Board
9. Front Mesh Color Change

Specifications

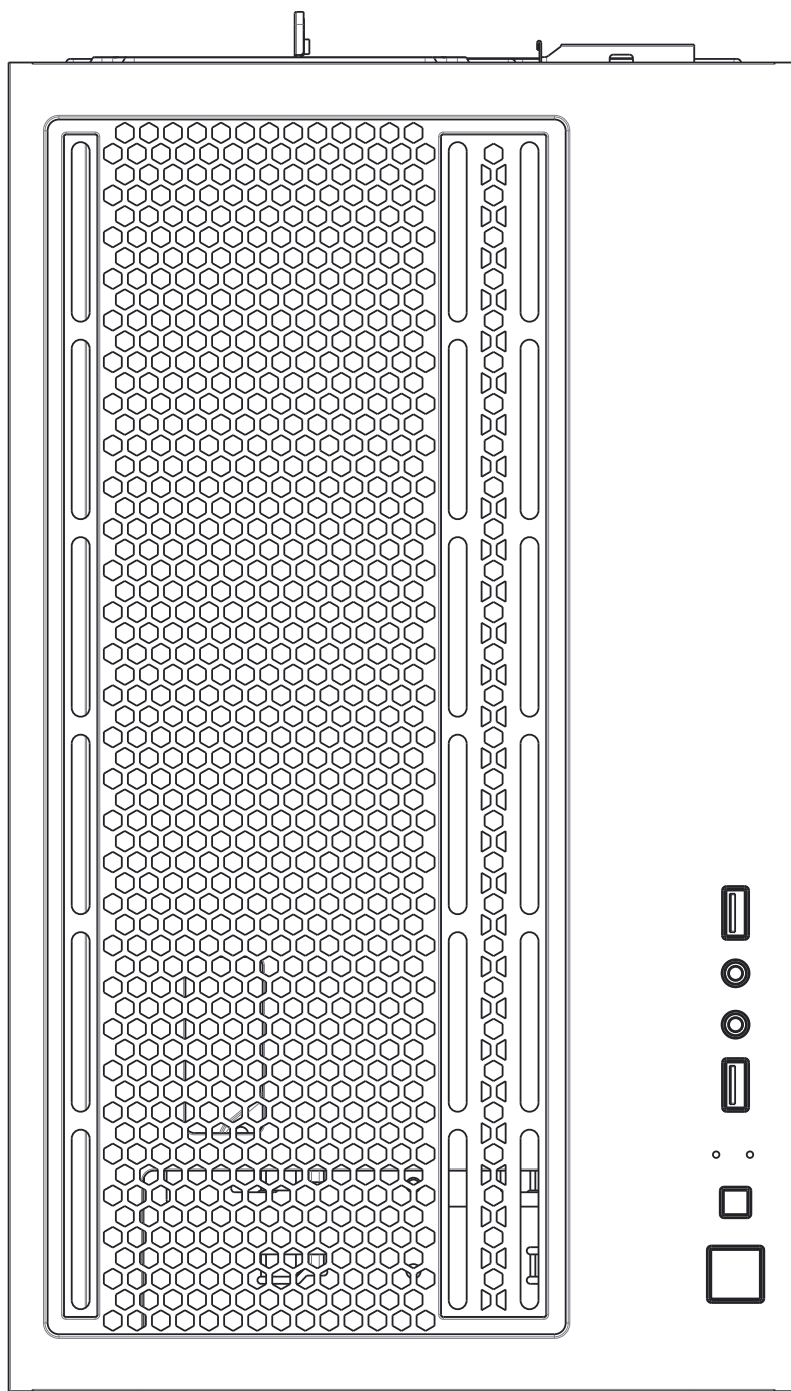
Model	
Model Name:	Elise
Model Number:	CSAZ-140
Specifications	
Type:	Micro ATX Mid Tower
Color:	Black/Black(interior)
Side Panel Window:	Left side panel: slidable tempered glass panel
Max CPU Cooler Height:	UP to 175mm
Max Video Card Length:	Up to 340mm long video card
Power Supply:	Not included
Motherboard Compatibility:	Micro ATX · ITX
Expansion	
External 5.25" Drive Bays:	0
Internal 2.5" Drive Bays:	Up to 4
Internal 3.5" Drive Bays:	Up to 2
Expansion Slots:	4
Top Ports:	Power button, LED button, HD Audio, USB 3.0 x 2
Physical Specifications	410x220x381 / 16.1x8.7x15 inches
Weight:	5.1kg/11.3 lbs
Features	
Tempered Glass Sides Window:	High-quality tempered glass side window allows for clear visuals to inner components
Addressable RGB Light Effects:	All ARGB light sync. devices connected to the ARGB control board, allowing the LED button or switch to the motherboard software to directly control the ARGB lighting.
Available Fan Ports:	3x120mm or 2x140mm Fan ports in the front 3x120mm or 2x140mm Fan ports on the top 1x120mm Fan port in the rear (1x120mm LFO-2812D addressable RGB fan included)
Water Cooling:	Supports radiators up to 240/280mm on the top Supports radiators up to 240/280mm in the front
Dust Filters:	Removable (magnetic) dustproof net on the top and front, dust filter on bottom of chassis.
Power Supply Support:	Bottom mounted ATX Power Supply
Accessories	Earphone holder x1 Display stand x1





Chassis Parts


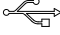


1	Metal side panel
2	Removable dust filter
3	Shock-proof stand
4	Removable magnetic mesh
5	TOP I/O & buttons
6	Sliding tempered glass panel
7	2.5" SSD tray x 2
8	Hard disk cage
9	3.5" HDD/ 2.5" SSD brackets
10	Display stand
11	Earphone holder
12	Front panel
13	Removable magnetic mesh

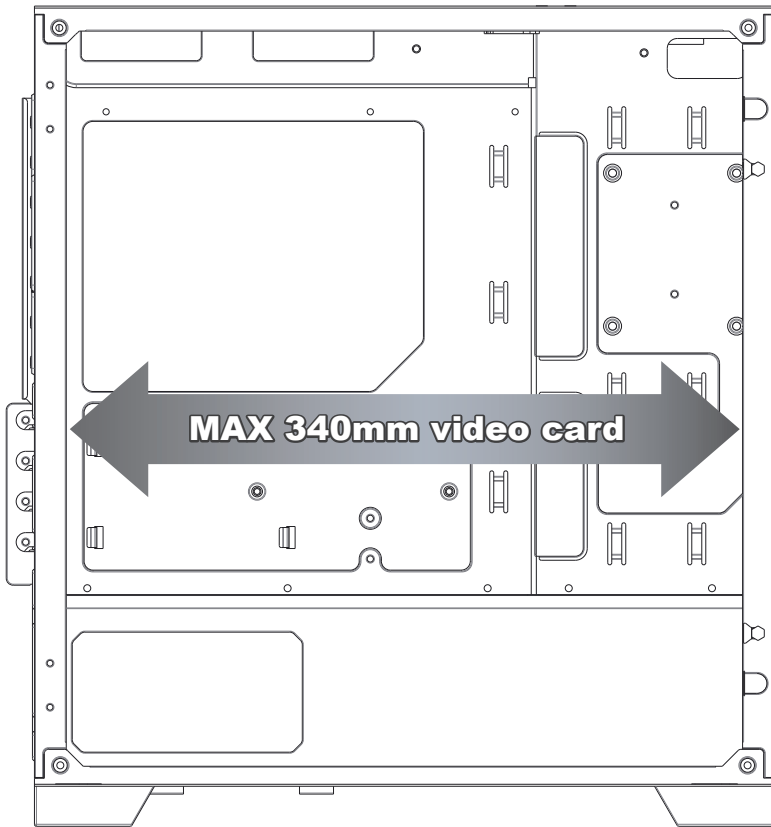
Control Panel Functions



	POWER
	LED
	Mic
	Audio

	USB 3.0 (Blue)
	USB 3.0 (Blue)

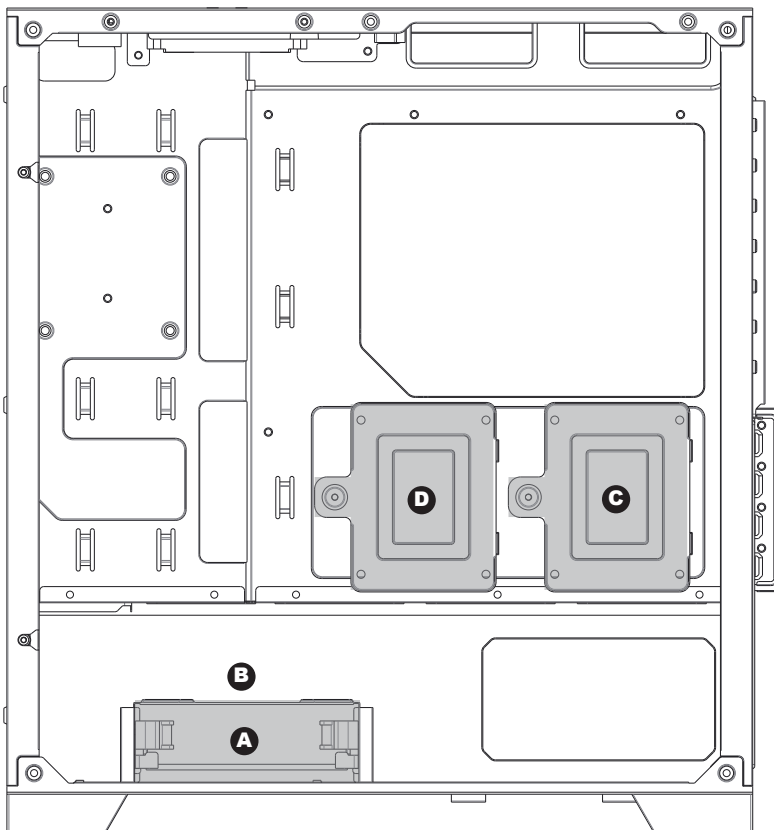
3.5" / 2.5" HDD/SSD Installation



- Supports up to 340mm long video cards.

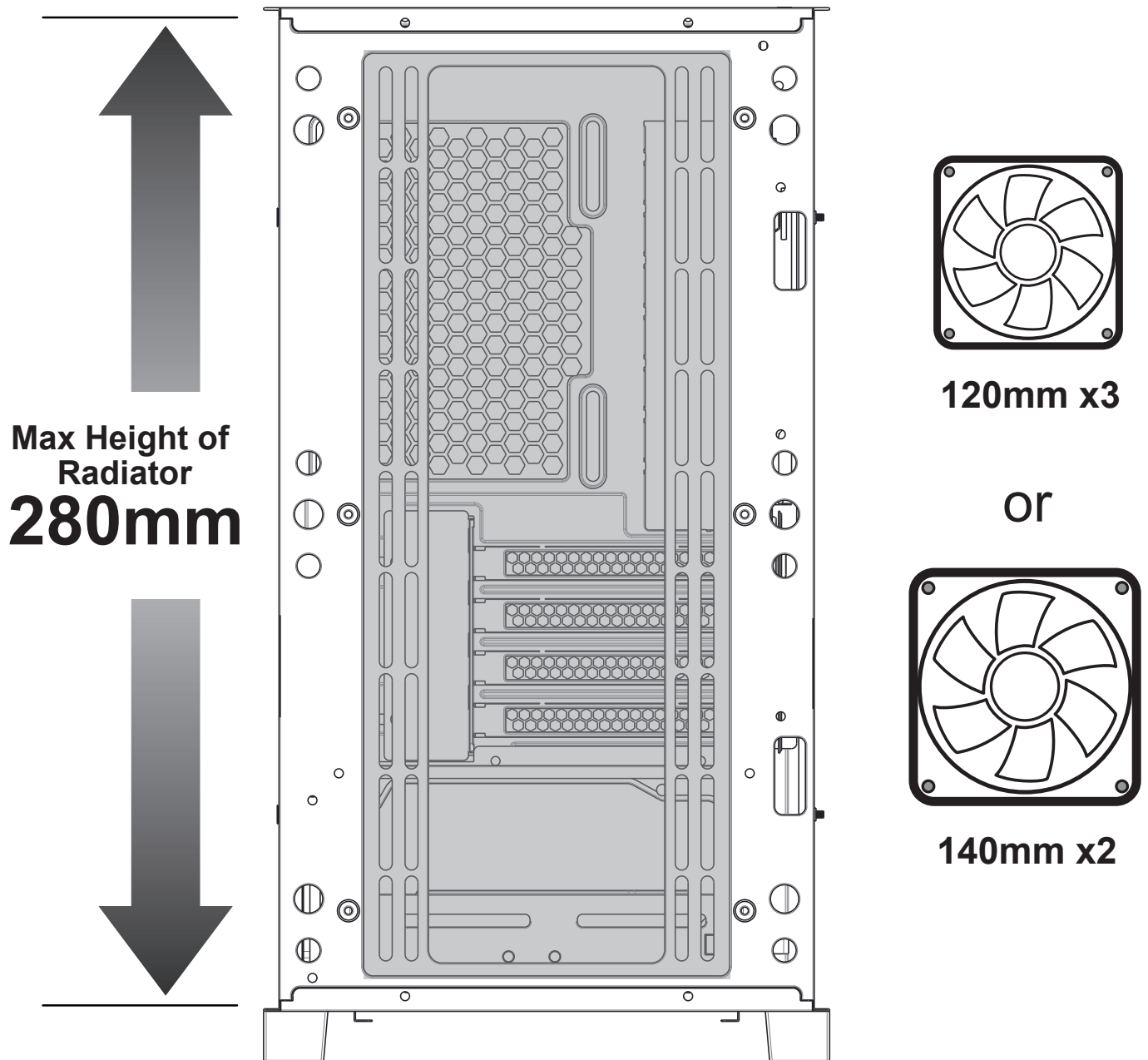


or

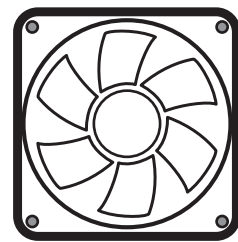
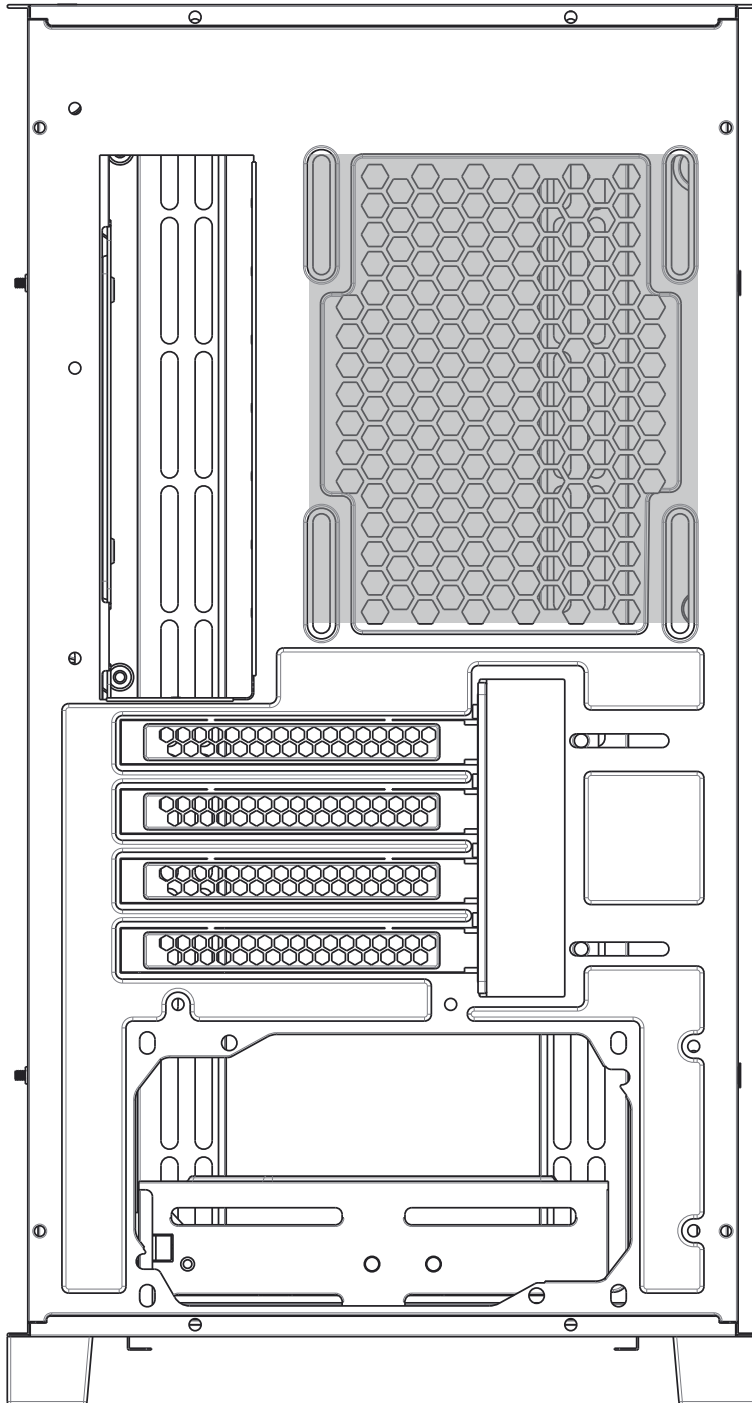


- Multifunctional hard disk bracket support 3.5" HDD or 2.5" SSD x 1 (**A**)
- Multifunctional hard disk cage support 3.5" HDD or 2.5" SSD x 1 (**B**)
- 2.5" SSD metal tray support 2.5" SSD x 2 (**C** **D**)

Front

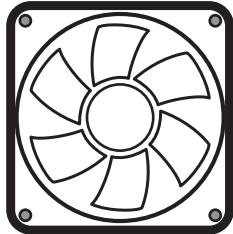


Rear



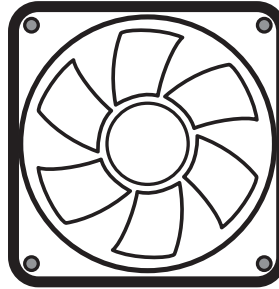
120mm x1

Top

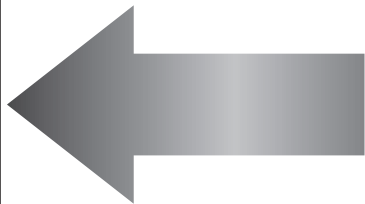
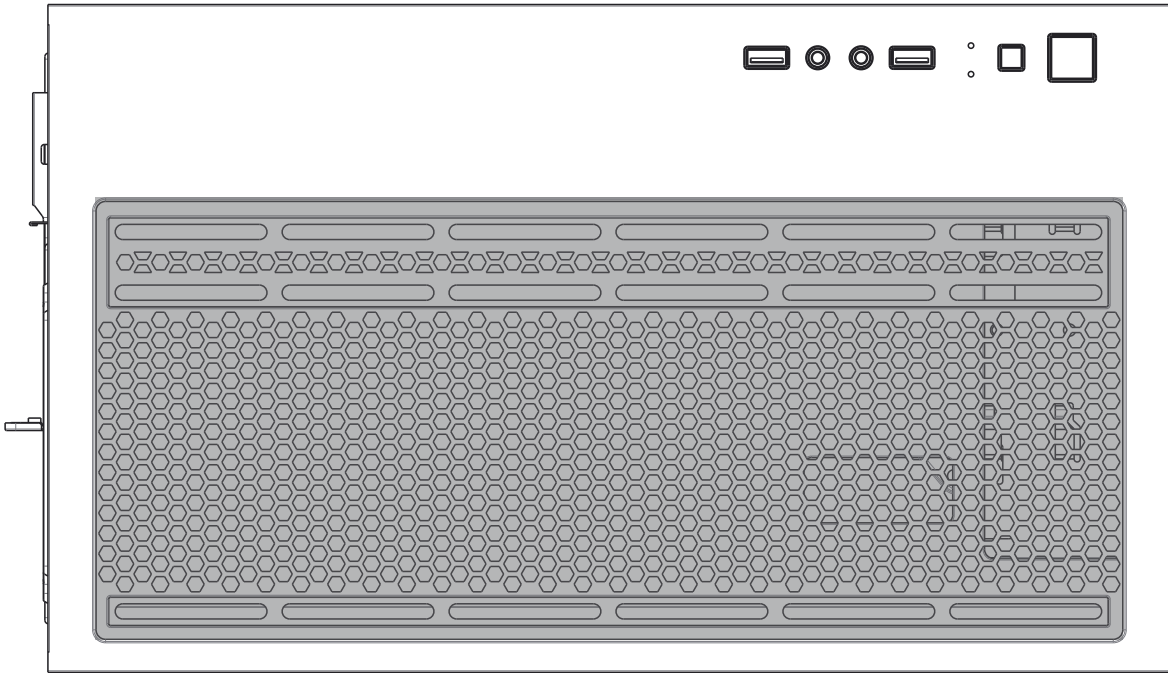


120mm x3

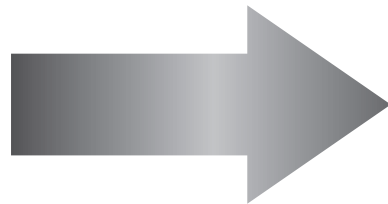
or



140mm x2

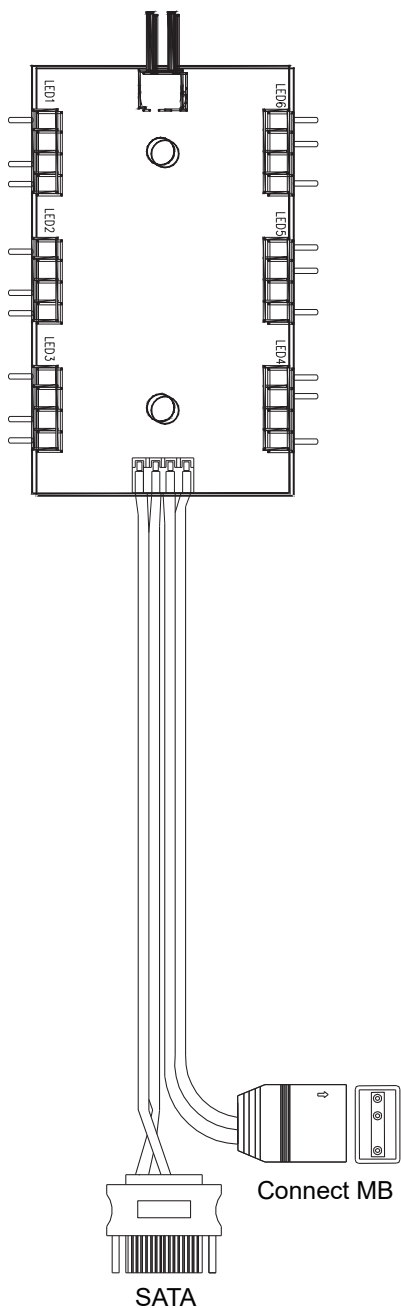


Max Length of
Radiator
280mm



ARGB Control Board

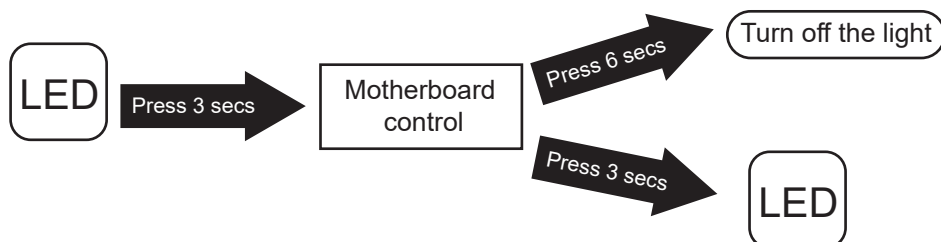
connect LED bottom



※ Press LED button to select different ARGB 26 modes



※ If the ARGB control board connected to the mainboard ARGB pin header.



If the ARGB control board connected to the mainboard ARGB pin header, Press the LED button for 3 seconds meanwhile the white light flash once to switch the control function to the motherboard sync. Software; Press the LED button for 6 seconds meanwhile the white light flashes twice to turn off the LED lights. When the LED lights are off, press the LED button for 3 seconds to turn on the LED lights.

Front Mesh Color Change

The front mesh is reversible with options of white & pink

