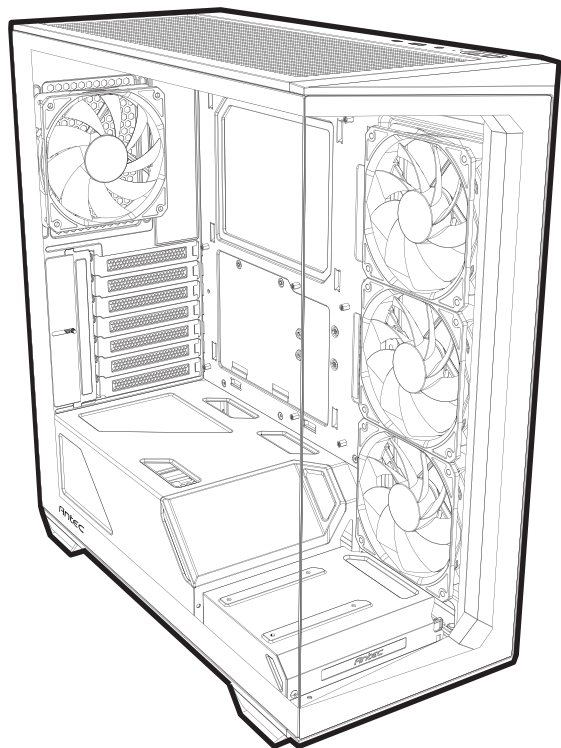
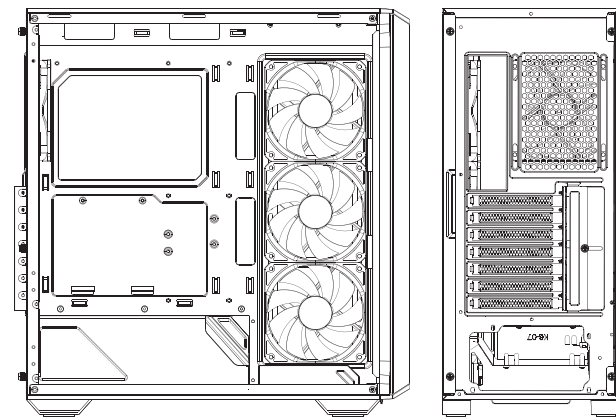
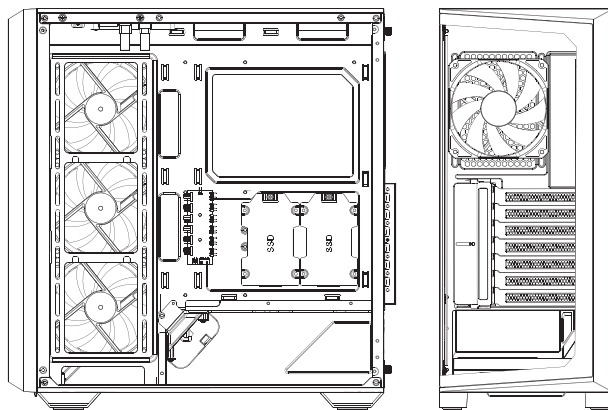


Antec



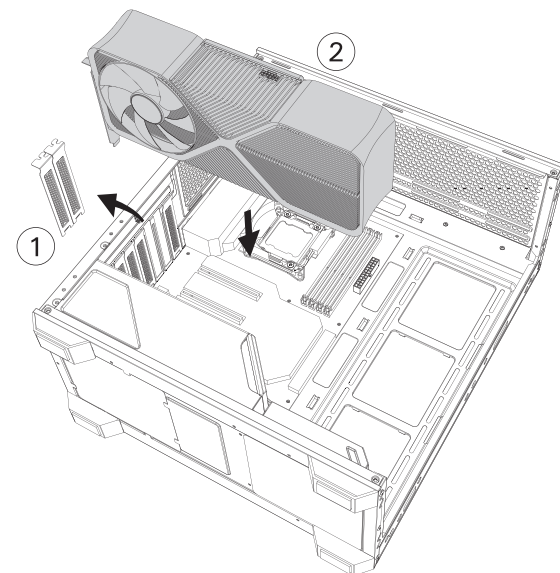
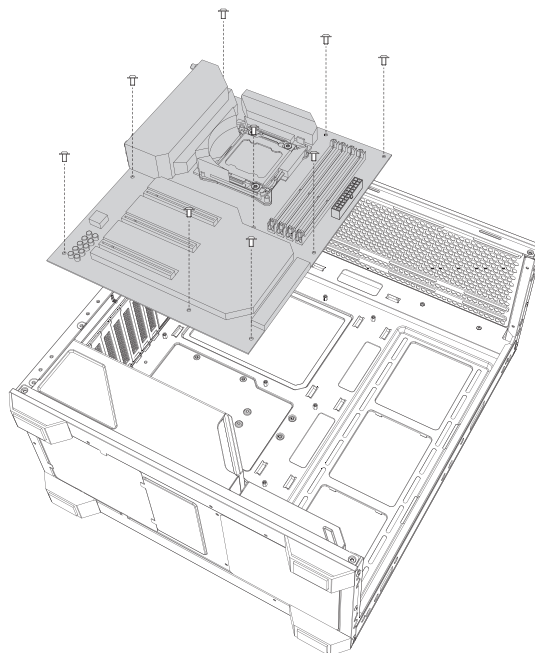
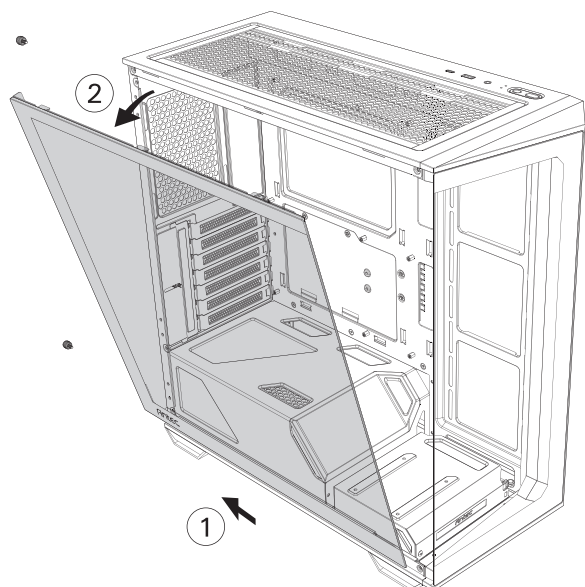
C3 ARGB



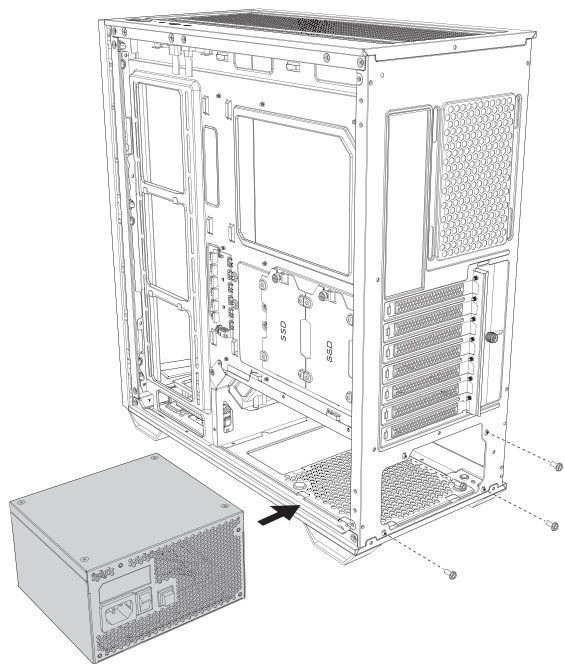
- 1 REMOVE SIDE PANEL**
 EXTRACCIÓN DEL PANEL LATERAL
 SEITENWAND ENTFERNEN
 RETIRER LE PANNEAU LATÉRAL
 사이드 패널 분리
 サイドパネルを取り外します
 拆下側面板

- 2 MOTHERBOARD INSTALLATION**
 INSTALACIÓN DE LA PLACA BASE
 INSTALLATION DES MOTHERBOARDS
 INSTALLATION DE LA CARTE MÈRE
 메인보드 장착
 マザーボードの設置
 安装主板

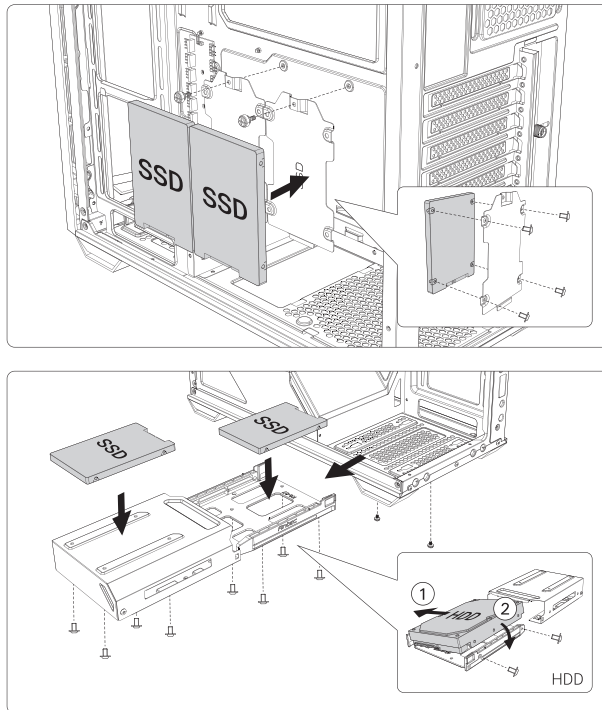
- 3 VGA/PCI-EXPRESS CARD INSTALLATION**
 INSTALACIÓN EXPRES DE LA TARJETA VGA/PCI
 VGA / PCI-EXPRESS KARTENINSTALLATION
 INSTALLATION DE LA CARTE VGA/PCI-EXPRESS
 VGA/PCI-E 카드 장착
 VGA/PCI-E의設置
 安装VGA/PCI-E卡



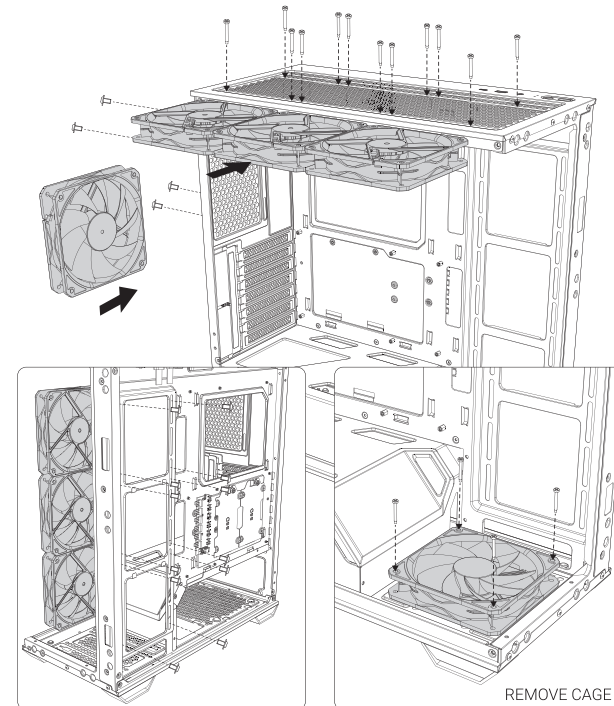
4 POWER SUPPLY INSTALLATION
 INSTALACIÓN DE LA FUENTE DE ALIMENTACIÓN
 INSTALLATION DES NETZTEILS
 INSTALLATION DU BLOC D'ALIMENTATION
 파워서플라이 장착
 電源の設置
 安装电源组件



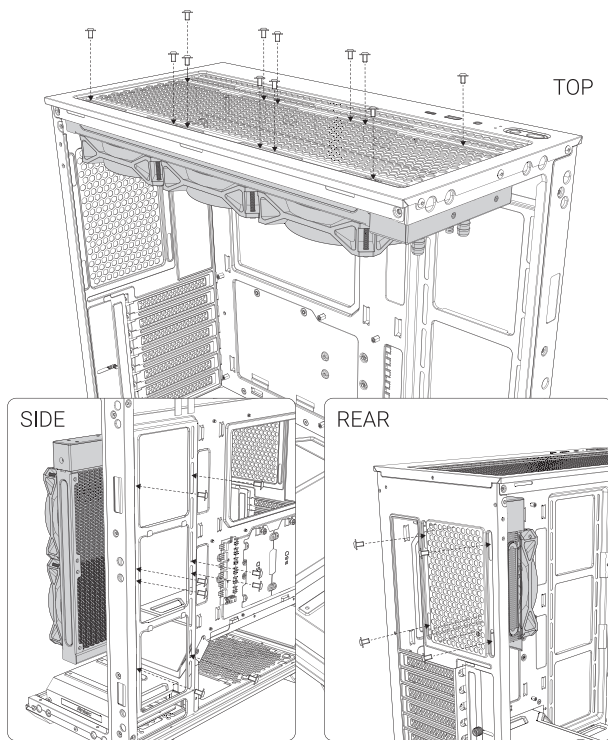
5 HARD DISK INSTALLATION
 INSTALACIÓN DEL DISCO DURO
 FESTPLATTENINSTALLATION
 INSTALLATION DES DISQUES DURS
 드라이브 장착
 ドライブの設置
 安装驱动器



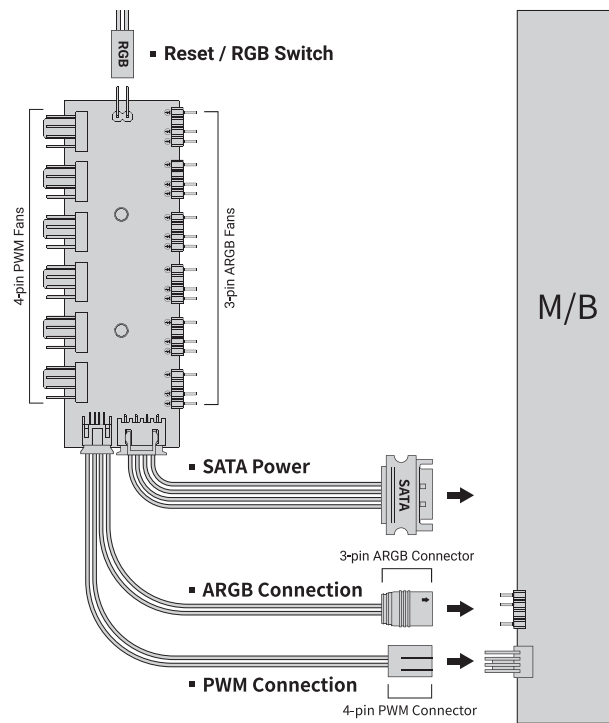
6 FAN INSTALLATION
 INSTALAR VENTILADOR
 LÜFTERINSTALLATION
 INSTALLATION DU VENTILATEUR
 팬 장착
 ケースファンの設置
 风扇安装



7 INSTALLING LIQUID COOLING RADIATOR
 INSTALAR EL RADIADOR DE REFRIGERACIÓN LÍQUIDA
 INSTALLATION EINES FLÜSSIGKEITSKÜHLERS
 INSTALLATION D'UN KIT DE REFOUILLISSEMENT LIQUIDE
 수냉쿨러 장착
 水冷の設置
 水冷安装



8 ARGB & PWM FAN CONTROLLER CONNECTIONS
 MULTIFUNKTIONS-LÜFTERSTEUERUNG
 CONTROLADOR DE VENTILADOR MULTIFUNCIÓN
 CONTRÔLEUR DE VENTILATEUR MULTIFONCTION
 ARGB & PWM 팬 허브 연결방법
 ARGB & PWM 팬接続用のマルチハブ
 多功能风扇控制器



Antec®

www.Antec.com

All rights reserved. Specifications are subject to change without prior notice. Actual products and accessories may differ from illustrations. Omissions and printing errors excepted. Content of delivery might differ in different countries or areas. Some trademarks may be claimed as the property of others.

V2.2

©1986 – 2024 Antec, Inc. All rights reserved.