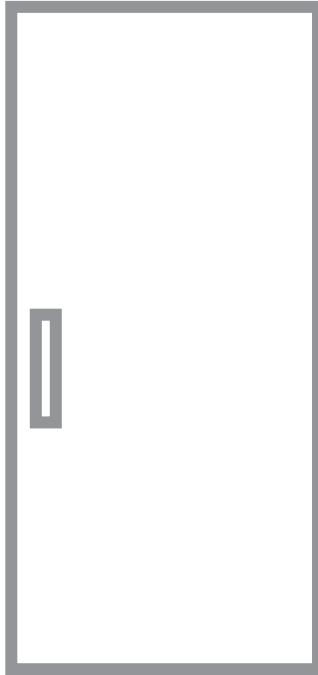


► SFB612F1DS

EN	User Manual Refrigerator	2
IT	Istruzioni per l'uso Frigorifero	21
ES	Manual de instrucciones Frigorífico	41

USER MANUAL



CONTENTS

1. SAFETY INFORMATION.....	2
2. SAFETY INSTRUCTIONS.....	4
3. INSTALLATION.....	6
4. CONTROL PANEL.....	9
5. DAILY USE.....	10
6. HINTS AND TIPS.....	11
7. CARE AND CLEANING.....	14
8. TROUBLESHOOTING.....	15
9. NOISES.....	19
10. TECHNICAL DATA.....	19
11. INFORMATION FOR TEST INSTITUTES.....	19

FOR PERFECT RESULTS

Thank you for choosing this AEG product. We have created it to give you impeccable performance for many years, with innovative technologies that help make life simpler – features you might not find on ordinary appliances. Please spend a few minutes reading to get the very best from it.

Visit our website to:



Get usage advice, brochures, trouble shooter, service and repair information:
www.aeg.com/support



Register your product for better service:
www.registeraeg.com



Buy Accessories, Consumables and Original spare parts for your appliance:
www.aeg.com/shop

CUSTOMER CARE AND SERVICE

Always use original spare parts.

When contacting our Authorised Service Centre, ensure that you have the following data available: Model, PNC, Serial Number.

The information can be found on the rating plate.

 Warning / Caution-Safety information

 General information and tips

 Environmental information

Subject to change without notice.

1. SAFETY INFORMATION

Before the installation and use of the appliance, carefully read the supplied instructions. The manufacturer is not responsible for any injuries or damage that are the result of incorrect installation or usage. Always keep the

instructions in a safe and accessible location for future reference.

1.1 Children and vulnerable people safety

- This appliance can be used by children aged from 8 years and above and persons with reduced physical, sensory or mental capabilities or lack of experience and knowledge if they have been given supervision or instruction concerning the use of the appliance in a safe way and understand the hazards involved.
- Children aged from 3 to 8 years are allowed to load and unload the appliance provided that they have been properly instructed.
- This appliance may be used by persons with very extensive and complex disabilities provided that they have been properly instructed.
- Children of less than 3 years of age should be kept away from the appliance unless continuously supervised.
- Do not let children play with the appliance.
- Children shall not carry out cleaning and user maintenance of the appliance without supervision.
- Keep all packaging away from children and dispose of it appropriately.

1.2 General Safety

- This appliance is intended to be used in household and similar applications such as:
 - Farm houses; staff kitchen areas in shops, offices and other working environments;
 - By clients in hotels, motels, bed and breakfast and other residential type environments.
- To avoid contamination of food respect the following instructions:
 - do not open the door for long periods;
 - clean regularly surfaces that can come in contact with food and accessible drainage systems;

- store raw meat and fish in suitable containers in the refrigerator, so that it is not in contact with or drip onto other food.
- **WARNING:** Keep ventilation openings, in the appliance enclosure or in the built-in structure, clear of obstruction.
- **WARNING:** Do not use mechanical devices or other means to accelerate the defrosting process, other than those recommended by the manufacturer.
- **WARNING:** Do not damage the refrigerant circuit.
- **WARNING:** Do not use electrical appliances inside the food storage compartments of the appliance, unless they are of the type recommended by the manufacturer.
- Do not use water spray and steam to clean the appliance.
- Clean the appliance with a moist soft cloth. Only use neutral detergents. Do not use abrasive products, abrasive cleaning pads, solvents or metal objects.
- When the appliance is empty for long period, switch it off, defrost, clean, dry and leave the door open to prevent mould from developing within the appliance.
- Do not store explosive substances such as aerosol cans with a flammable propellant in this appliance.
- If the supply cord is damaged, it must be replaced by the manufacturer, its Authorised Service Centre or similarly qualified persons in order to avoid a hazard.

2. SAFETY INSTRUCTIONS

2.1 Installation



WARNING!

Only a qualified person must install this appliance.

- Remove all the packaging.
- Do not install or use a damaged appliance.
- Do not use the appliance before installing it in the built-in structure due to safety manner.
- Follow the installation instructions supplied with the appliance.
- Always take care when moving the appliance as it is heavy. Always use safety gloves and enclosed footwear.
- Make sure the air can circulate around the appliance.
- At first installation or after reversing the door wait at least 4 hours before connecting the appliance to the power supply. This is to allow the oil to flow back in the compressor.

- Before carrying out any operations on the appliance (e.g. reversing the door), remove the plug from the power socket.
- Do not install the appliance close to radiators or cookers, ovens or hobs.
- Do not expose the appliance to the rain.
- Do not install the appliance where there is direct sunlight.
- Do not install this appliance in areas that are too humid or too cold.
- When you move the appliance, lift it by the front edge to avoid scratching the floor.

2.2 Electrical connection



WARNING!
Risk of fire and electric shock.



WARNING!
When positioning the appliance, ensure the supply cord is not trapped or damaged.



WARNING!
Do not use multi-plug adapters and extension cables.

- The appliance must be earthed.
- Make sure that the parameters on the rating plate are compatible with the electrical ratings of the mains power supply.
- Always use a correctly installed shockproof socket.
- Make sure not to cause damage to the electrical components (e.g. mains plug, mains cable, compressor). Contact the Authorised Service Centre or an electrician to change the electrical components.
- The mains cable must stay below the level of the mains plug.
- Connect the mains plug to the mains socket only at the end of the installation. Make sure that there is access to the mains plug after the installation.
- Do not pull the mains cable to disconnect the appliance. Always pull the mains plug.

2.3 Use



WARNING!
Risk of injury, burns, electric shock or fire.



The appliance contains flammable gas, isobutane (R600a), a natural gas with a high level of environmental compatibility. Be careful not to cause damage to the refrigerant circuit containing isobutane.

- Do not change the specification of this appliance.
- Do not put electrical appliances (e.g. ice cream makers) in the appliance unless they are stated applicable by the manufacturer.
- If damage occurs to the refrigerant circuit, make sure that there are no flames and sources of ignition in the room. Ventilate the room.
- Do not let hot items to touch the plastic parts of the appliance.
- Do not put soft drinks in the freezer compartment. This will create pressure on the drink container.
- Do not store flammable gas and liquid in the appliance.
- Do not put flammable products or items that are wet with flammable products in, near or on the appliance.
- Do not touch the compressor or the condenser. They are hot.
- Do not remove or touch items from the freezer compartment if your hands are wet or damp.
- Do not freeze again food that has been thawed.
- Follow the storage instructions on the packaging of frozen food.
- Wrap the food in any food contact material before putting it in the freezer compartment.

2.4 Internal lighting



WARNING!
Risk of electric shock.

- Concerning the lamp(s) inside this product and spare part lamps sold separately: These lamps are intended to withstand extreme physical

conditions in household appliances, such as temperature, vibration, humidity, or are intended to signal information about the operational status of the appliance. They are not intended to be used in other applications and are not suitable for household room illumination.

2.5 Care and cleaning



WARNING!

Risk of injury or damage to the appliance.

- Before maintenance, deactivate the appliance and disconnect the mains plug from the mains socket.
- This appliance contains hydrocarbons in the cooling unit. Only a qualified person must do the maintenance and the recharging of the unit.
- Regularly examine the drain of the appliance and if necessary, clean it. If the drain is blocked, defrosted water collects in the bottom of the appliance.

2.6 Service

- To repair the appliance contact the Authorised Service Centre. Use original spare parts only.
- Please note that self-repair or non-professional repair can have safety consequences and might void the guarantee.
- The following spare parts will be available for 7 years after the model

has been discontinued: thermostats, temperature sensors, printed circuit boards, light sources, door handles, door hinges, trays and baskets. Please note that some of these spare parts are only available to professional repairers, and that not all spare parts are relevant for all models.

- Door gaskets will be available for 10 years after the model has been discontinued.

2.7 Disposal



WARNING!

Risk of injury or suffocation.

- Disconnect the appliance from the mains supply.
- Cut off the mains cable and discard it.
- Remove the door to prevent children and pets to be closed inside of the appliance.
- The refrigerant circuit and the insulation materials of this appliance are ozone-friendly.
- The insulation foam contains flammable gas. Contact your municipal authority for information on how to discard the appliance correctly.
- Do not cause damage to the part of the cooling unit that is near the heat exchanger.

3. INSTALLATION



WARNING!

Refer to Safety chapters.



WARNING!

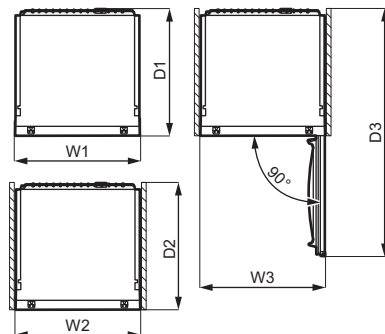
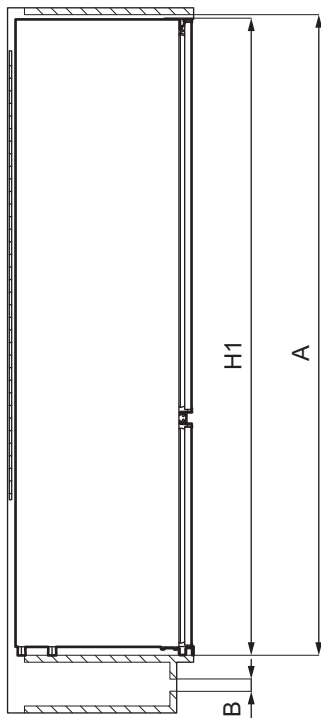
Refer to installation instruction document to install your appliance.



WARNING!

Fix the appliance in accordance with installation instruction document to avoid a risk of instability of the appliance.

3.1 Dimensions



Overall dimensions ¹		
H1	mm	1218
W1	mm	548
D1	mm	549

¹ the height, width and depth of the appliance without the handle and feet

Space required in use ²		
H2 (A+B)	mm	1261
W2	mm	548
D2	mm	551
A	mm	1225
B	mm	36

² the height, width and depth of the appliance including the handle, plus the space necessary for free circulation of the cooling air

Overall space required in use ³		
H3 (A+B)	mm	1261
W3	mm	548
D3	mm	1071




³ the height, width and depth of the appliance including the handle, plus the space necessary for free circulation of the cooling air, plus the space necessary to allow door opening to the minimum angle permitting removal of all internal equipment

3.2 Location

To ensure appliance's best functionality, you should not install the appliance in the nearby of the heat source (oven, stoves, radiators, cookers or hobs) or in a place with direct sunlight. Make sure that air can circulate freely around the back of the cabinet.

This appliance should be installed in a dry, well ventilated indoor position.

This appliance is intended to be used at ambient temperature ranging from 10°C to 43°C.

-  The correct operation of the appliance can only be guaranteed within the specified temperature range.
-  If you have any doubts regarding where to install the appliance, please turn to the vendor, to our customer service or to the nearest Authorised Service Centre.
-  It must be possible to disconnect the appliance from the mains power supply. The plug must therefore be easily accessible after installation.

3.3 Electrical connection

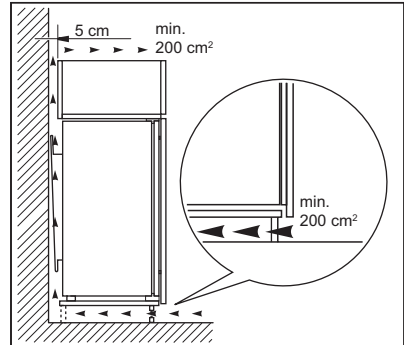
- Before plugging in, ensure that the voltage and frequency shown on the rating plate correspond to your domestic power supply.
- The appliance must be earthed. The power supply cable plug is provided with a contact for this purpose. If the domestic power supply socket is not earthed, connect the appliance to a

separate earth in compliance with current regulations, consulting a qualified electrician.

- The manufacturer declines all responsibility if the above safety precautions are not observed.
- This appliance complies with the E.E.C. Directives.

3.4 Ventilation requirements

The airflow behind the appliance must be sufficient.



CAUTION!

Refer to the installation instructions for the installation.

3.5 Door reversibility

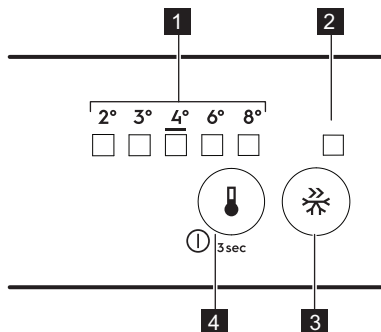
Please refer to the separate document with instructions on installation and door reversal.



CAUTION!

At every stage of reversing the door protect the floor from scratching with a durable material.

4. CONTROL PANEL



1. Temperature indicator LED
2. Frostmatic indicator
3. Frostmatic button
4. Temperature regulator ON/OFF button

4.1 Switching on

1. Insert the plug into the wall socket.
2. Touch the temperature regulator button if all LED indicators are off.

4.2 Switching off

Keep touching the temperature regulator button for 3 seconds.
All indicators light off.

4.3 Temperature regulation

To operate the appliance, touch the temperature regulator until the LED corresponding to the required temperature lights up. Selection is progressive, varying from 2°C to 8°C. Recommended setting is 4°C.

1. Touch temperature regulator. Current temperature indicator blinks. Any time you touch the temperature regulator, the setting moves by one position. The corresponding LED blinks for a while.
2. Touch the temperature regulator until the required temperature is selected.

i The set temperature will be reached within 24 hours. After a power failure the set temperature remains stored.

4.4 Frostmatic function

The Frostmatic function is used to perform pre-freezing and fast freezing in sequence in the freezer compartment. This function accelerates the freezing of fresh food and, at the same time, protects food products already stored in the freezer compartment from undesirable warming.

i To freeze fresh food activate the Frostmatic function at least 24 hours before placing the food to complete pre-freezing.

To activate Frostmatic function press the Frostmatic button. The Frostmatic indicator switches on.

i This function stops automatically after 52 hours.

It is possible to deactivate the function at any time by pressing Frostmatic button again. The Frostmatic indicator switches off.

4.5 Door open alarm

If the fridge door is left open for approximately 5 minutes, the sound is on.

During the alarm the sound can be muted by pressing any button. The sound switches off automatically after around one hour to avoid disturbing.

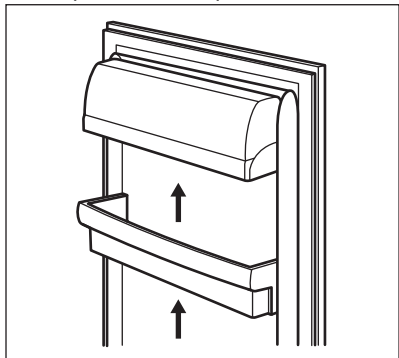
The alarm deactivates after closing the door.

5. DAILY USE

5.1 Positioning the door shelves

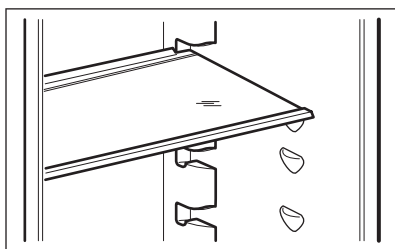
To permit storage of food packages of various sizes, the door shelves can be placed at different heights.

1. Gradually pull the shelf up until it comes free.
2. Reposition as required.



5.2 Movable shelves

The walls of the refrigerator are equipped with a series of runners so that the shelves can be positioned as desired.



Do not move the glass shelf above the vegetable drawer to ensure correct air circulation.

5.3 Vegetable drawer

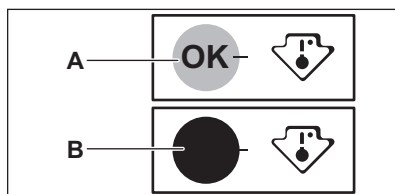
There is a special drawer in the bottom part of the appliance suitable for storage of fruits and vegetables.

5.4 Temperature indicator

For proper storage of food the refrigerator is equipped with the temperature indicator. The symbol on the side wall of the appliance indicates the coldest area in the refrigerator.

If OK is displayed (A), put fresh food into area indicated by symbol, if not (B), wait at least 12 hours and check if it is OK (A).

If it is still not OK (B), adjust the setting control to a colder setting.



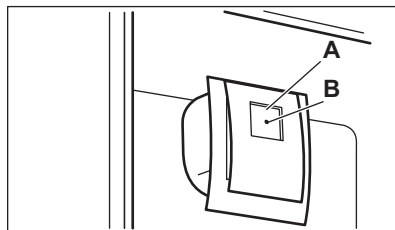
5.5 DYNAMICAIR


The refrigerator compartment is equipped with a device that allows rapid cooling of foods and keeps more uniform temperature in the compartment.



Switch on the device when you have to cool down a big amount of food or when the room temperature is higher than 35°C to guarantee a greater homogenization of internal temperature.

Press the button (A) to switch ON the fan. The green light (B) appears.



-  Before switching off the appliance, remember to turn off the fan by pressing the button (A). The green light (B) disappears.

5.6 Freezing fresh food


The freezer compartment is suitable for freezing fresh food and storing frozen and deep-frozen food for a long time.

To freeze fresh food activate the Frostmatic function at least 24 hours before placing the food to be frozen in the freezer compartment.

Store the fresh food evenly distributed in all compartments or drawers.

The maximum amount of food that can be frozen without adding other fresh food during 24 hours is specified on the rating plate (a label located inside the appliance).

When the freezing process is complete, the appliance automatically returns to the previous temperature setting (see "Frostmatic Function").

-  In this condition, the temperature inside the refrigerator might change slightly.

6. HINTS AND TIPS

6.1 Hints for energy saving

- Fridge: Most efficient use of energy is ensured in the configuration with the drawers in the bottom part of the appliance and shelves evenly distributed. Position of the door bins does not affect energy consumption.
- Do not open the door frequently or leave it open longer than necessary.
- Fridge: Do not set too high temperature to save energy unless it is required by the characteristics of the food.
- If the ambient temperature is high and the temperature control is set to low temperature and the appliance is fully loaded, the compressor may run continuously, causing frost or ice formation on the evaporator. In this

5.7 Storage of frozen food

When activating an appliance for the first time or after a period out of use, before putting the products in the compartment let the appliance run at least 3 hours with the Frostmatic function switched on.

Keep the food no closer than 15 mm from the door.



CAUTION!

In the event of accidental defrosting, for example due to a power failure, if the power has been off for longer than the value shown on rating plate under "rising time", the defrosted food must be consumed quickly or cooked immediately then cooled and then re-frozen.

5.8 Thawing

Deep-frozen or frozen food, prior to being consumed, can be thawed in the refrigerator or inside a plastic bag under cold water.

This operation depends on the time available and on the type of food. Small pieces may even be cooked still frozen.

case, set the temperature control toward higher temperature to allow automatic defrosting and to save energy this way.

- Ensure a good ventilation. Do not cover the ventilation grilles or holes.

6.2 Hints for freezing

- Activate Frostmatic function at least 24 hours before placing the food inside the freezer compartment.
- Before freezing wrap and seal fresh food in: aluminium foil, plastic film or bags, airtight containers with lid.
- For more efficient freezing and thawing divide food into small portions.
- It is recommended to put labels and dates on all your frozen food. This will

- help to identify foods and to know when they should be used before their deterioration.
- The food should be fresh when being frozen to preserve good quality. Especially fruits and vegetables should be frozen after the harvest to preserve all of their nutrients.
 - Do not freeze bottles or cans with liquids, in particular drinks containing carbon dioxide - they may explode during freezing.
 - Do not put hot food in the freezer compartment. Cool it down at room temperature before placing it inside the compartment.
 - To avoid increase in temperature of already frozen food, do not place fresh unfrozen food directly next to it. Place food at room temperature in the part of the freezer compartment where there is no frozen food.
 - Do not eat ice cubes, water ices or ice lollies immediately after taking them out of the freezer. Risk of frostbites.
 - Do not re-freeze defrosted food. If the food has defrosted, cook it, cool it down and then freeze it.

6.3 Hints for storage of frozen food

- The medium temperature setting ensures good preservation of frozen food products. Higher temperature setting inside the appliance may lead to shorter shelf life.

- The whole freezer compartment is suitable for storage of frozen food products.
- Leave enough space around the food to allow air to circulate freely.
- For adequate storage refer to food packaging label to see the shelf life of food.
- It is important to wrap the food in such a way that prevents water, humidity or condensation from getting inside.

6.4 Shopping tips

After grocery shopping:

- Ensure that the packaging is not damaged - the food could be deteriorated. If the package is swollen or wet, it might have not been stored in the optimal conditions and defrosting may have already started.
- To limit the defrosting process buy frozen goods at the end of your grocery shopping and transport them in a thermal and insulated cool bag.
- Place the frozen foods immediately in the freezer after coming back from the shop.
- If food has defrosted even partially, do not re-freeze it. Consume it as soon as possible.
- Respect the expiry date and the storage information on the package.

6.5 Shelf life for freezer compartment

Type of food	Shelf life (months)
Bread	3
Fruits (except citrus)	6 - 12
Vegetables	8 - 10
Leftovers without meat	1 - 2
Dairy food:	
Butter	6 - 9
Soft cheese (e.g. mozzarella)	3 - 4
Hard cheese (e.g. parmesan, cheddar)	6

Type of food	Shelf life (months)
Seafood:	
Fatty fish (e.g. salmon, mackerel)	2 - 3
Lean fish (e.g. cod, flounder)	4 - 6
Shrimps	12
Shucked clams and mussels	3 - 4
Cooked fish	1 - 2
Meat:	
Poultry	9 - 12
Beef	6 - 12
Pork	4 - 6
Lamb	6 - 9
Sausage	1 - 2
Ham	1 - 2
Leftovers with meat	2 - 3

6.6 Hints for fresh food refrigeration

- Good temperature setting that ensures preservation of fresh food is a temperature less than or equal to +4°C.
Higher temperature setting inside the appliance may lead to shorter shelf life of food.
- Cover the food with packaging to preserve its freshness and aroma.
- Always use closed containers for liquids and for food, to avoid flavours or odours in the compartment.
- To avoid the cross-contamination between cooked and raw food, cover the cooked food and separate it from the raw one.
- It is recommended to defrost the food inside the fridge.
- Do not insert hot food inside the appliance. Make sure it has cooled down at room temperature before inserting it.
- To prevent food waste the new stock of food should always be placed behind the old one.

6.7 Hints for food refrigeration

- Meat (all types): wrap in a suitable packaging and place it on the glass

shelf above the vegetable drawer.

Store meat for at most 1-2 days.

- Fruit and vegetables: clean thoroughly (eliminate the soil) and place in a special drawer (vegetable drawer).
- It is advisable not to keep the exotic fruits like bananas, mangos, papayas etc. in the refrigerator.
- Vegetables like tomatoes, potatoes, onions, and garlic should not be kept in the refrigerator.
- Butter and cheese: place in an airtight container or wrap in an aluminium foil or a polythene bag to exclude as much air as possible.
- Bottles: close them with a cap and place them on the door bottle shelf, or (if available) on the bottle rack.
- In order to accelerate cooling down of the goods, it is advisable to turn on the fan. The activation of dynamic air allows greater homogenization of internal temperatures.
- Always refer to the expiry date of the products to know how long to keep them.

7. CARE AND CLEANING



WARNING!
Refer to Safety chapters.

7.1 Cleaning the interior

Before using the appliance for the first time, the interior and all internal accessories should be washed with lukewarm water and some neutral soap to remove the typical smell of a brand-new product, then dried thoroughly.



CAUTION!
Do not use detergents, abrasive powders, chlorine or oil-based cleaners as they will damage the finish.



CAUTION!
The accessories and parts of the appliance are not suitable for washing in a dishwasher.

7.2 Periodic cleaning

The equipment has to be cleaned regularly:

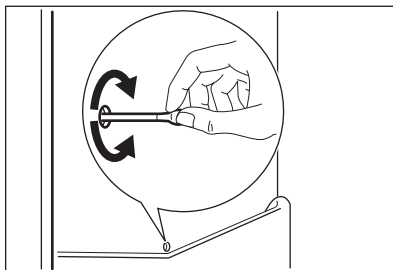
1. Clean the inside and accessories with lukewarm water and some neutral soap.
2. Regularly check the door seals and wipe them clean to ensure they are clean and free from debris.
3. Rinse and dry thoroughly.

7.3 Defrosting of the refrigerator

Frost is automatically eliminated from the evaporator of the refrigerator compartment during normal use. The defrost water drains out through a trough into a special container at the back of the appliance, over the motor compressor, where it evaporates.

It is important to periodically clean the defrost water drain hole in the middle of the refrigerator compartment channel to prevent the water overflowing and dripping onto the food inside.

For this purpose use the tube cleaner provided with the appliance.



7.4 Defrosting of the freezer



CAUTION!
Never use sharp metal tools to scrape off frost from the evaporator as you could damage it.
Do not use a mechanical device or any artificial means to speed up the thawing process other than those recommended by the manufacturer.



About 12 hours prior to defrosting set a lower temperature in order to build up sufficient chill reserve in case of any interruption in operation.

A certain amount of frost will always form on the freezer shelves and around the top compartment.

Defrost the freezer when the frost layer reaches a thickness of about 3-5 mm.

1. Switch off the appliance or pull out electrical plug from the wall socket.
2. Remove any stored food and put it in a cool place.

**CAUTION!**

A temperature rise of the frozen food packs during defrosting may shorten their safe storage life. Do not touch frozen goods with wet hands. Hands can freeze to the goods.

3. Leave the door open. Protect the floor from the defrosting water e.g. with a cloth or a flat vessel.
4. In order to speed up the defrosting process, place a pot of warm water in the freezer compartment. In addition, remove pieces of ice that break away before defrosting is complete.
5. When defrosting is complete, dry the interior thoroughly.
6. Switch on the appliance and close the door.

7. Set the temperature regulator to obtain the maximum coldness and run the appliance for at least 3 hours using this setting.

Only after this time put the food back into the freezer compartment.

7.5 Period of non-operation

When the appliance is not in use for long period, take the following precautions:

1. Disconnect the appliance from electricity supply.
2. Remove all food.
3. Defrost the appliance.
4. Clean the appliance and all accessories.
5. Leave the doors open to prevent unpleasant smells.

8. TROUBLESHOOTING**WARNING!**

Refer to Safety chapters.

8.1 What to do if...

Problem	Possible cause	Solution
The appliance does not operate.	The appliance is switched off.	Switch on the appliance.
	The mains plug is not connected to the mains socket correctly.	Connect the mains plug to the mains socket correctly.
	There is no voltage in the mains socket.	Connect a different electrical appliance to the mains socket. Contact a qualified electrician.
The appliance is noisy.	The appliance is not supported properly.	Check if the appliance stands stable.
Acoustic or visual alarm is on.	The cabinet has been recently switched on.	Refer to "Door Open Alarm" or "High Temperature Alarm".
	The temperature in the appliance is too high.	Refer to "Door Open Alarm" or "High Temperature Alarm".

Problem	Possible cause	Solution
	The door is left open.	Close the door.
The compressor operates continually.	Temperature is set incorrectly.	Refer to "Control Panel" chapter.
	Many food products were put in at the same time.	Wait a few hours and then check the temperature again.
	The room temperature is too high.	Refer to "Installation" chapter.
	Food products placed in the appliance were too warm.	Allow food products to cool to room temperature before storing.
	The door is not closed correctly.	Refer to "Closing the door" section.
	The Frostmatic function is switched on.	Refer to "Frostmatic function" section.
The compressor does not start immediately after pressing the "Frostmatic", or after changing the temperature.	The compressor starts after a period of time.	This is normal, no error has occurred.
Door is misaligned or interferes with ventilation grill.	The appliance is not levelled.	Refer to installation instructions.
Door does not open easily.	You attempted to re-open the door immediately after closing.	Wait a few seconds between closing and re-opening of the door.
The lamp does not work.	The lamp is in stand-by mode.	Close and open the door.
	The lamp is defective.	Contact the nearest Authorized Service Centre.
There is too much frost and ice.	The door is not closed correctly.	Refer to "Closing the door" section.
	The gasket is deformed or dirty.	Refer to "Closing the door" section.
	Food products are not wrapped properly.	Wrap the food products better.
	Temperature is set incorrectly.	Refer to "Control Panel" chapter.

Problem	Possible cause	Solution
	Appliance is fully loaded and is set to the lowest temperature.	Set a higher temperature. Refer to "Control Panel" chapter.
	Temperature set in the appliance is too low and the ambient temperature is too high.	Set a higher temperature. Refer to "Control Panel" chapter.
Water flows on the rear plate of the refrigerator.	During the automatic defrosting process, frost melts on the rear plate.	This is correct.
There is too much condensed water on the rear wall of the refrigerator.	Door was opened too frequently.	Open the door only when necessary.
	Door was not closed completely.	Make sure the door is closed completely.
	Stored food was not wrapped.	Wrap food in suitable packaging before storing it in the appliance.
Water flows inside the refrigerator.	Food products prevent the water from flowing into the water collector.	Make sure that food products do not touch the rear plate.
	The water outlet is clogged.	Clean the water outlet.
Water flows on the floor.	The melting water outlet is not connected to the evaporative tray above the compressor.	Attach the melting water outlet to the evaporative tray.
Temperature cannot be set.	The "Frostmatic function" is switched on.	Switch off "Frostmatic function" manually, or wait until the function deactivates automatically to set the temperature. Refer to "Frostmatic function" section.
The temperature in the appliance is too low/too high.	The temperature is not set correctly.	Set a higher/lower temperature.
	The door is not closed correctly.	Refer to "Closing the door" section.
	The food products' temperature is too high.	Let the food products temperature decrease to room temperature before storage.
	Many food products are stored at the same time.	Store less food products at the same time.

Problem	Possible cause	Solution
	The thickness of the frost is greater than 4-5 mm.	Defrost the appliance.
	The door has been opened often.	Open the door only if necessary.
	The Frostmatic function is switched on.	Refer to "Frostmatic function" section.
Some specific surfaces inside the fridge compartment are warmer at some times.		This is a normal state.
Temperature setting LEDs flash at the same time.	An error has occurred in measuring the temperature.	Contact the nearest Authorised Service Centre. The cooling system will continue to keep food products cold, but temperature adjustment will not be possible.



If the advice does not lead to the desired result, call the nearest Authorized Service Centre.

8.2 Replacing the lamp

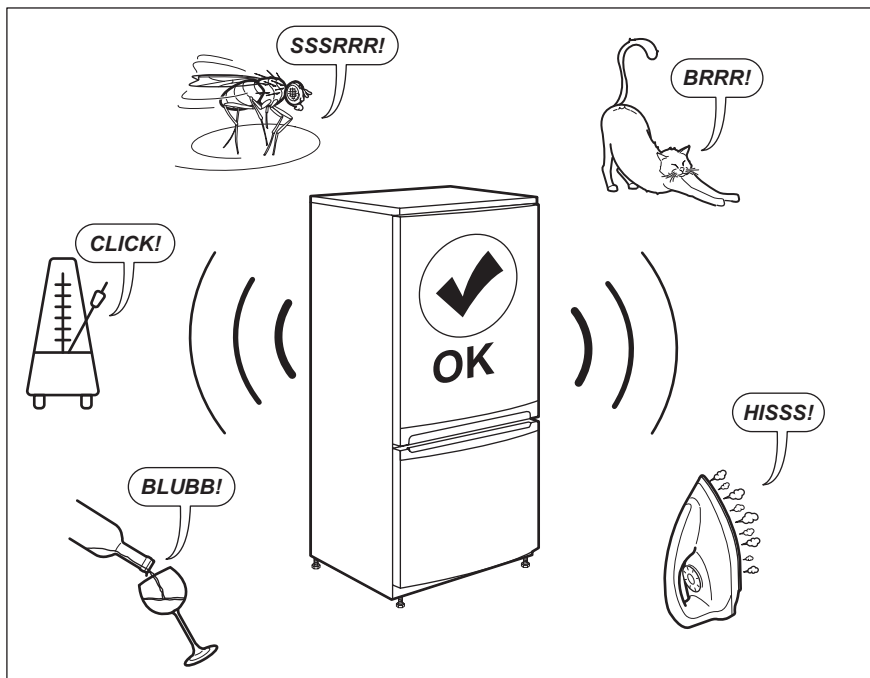
The appliance is equipped with a longlife LED interior light.

Only service is allowed to replace the lighting device. Contact your Authorised Service Centre.

8.3 Closing the door

1. Clean the door gaskets.
2. If necessary, adjust the door. Refer to installation instructions.
3. If necessary, replace the defective door gaskets. Contact the Authorised Service Centre.

9. NOISES



10. TECHNICAL DATA

The technical information is situated in the rating plate on the internal side of the appliance and on the energy label.

The QR code on the energy label supplied with the appliance provides a web link to the information related to the performance of the appliance in the EU EPREL database. Keep the energy label for reference together with the user manual and all other documents provided with this appliance.

It is also possible to find the same information in EPREL using the link <https://eprel.ec.europa.eu> and the model name and product number that you find on the rating plate of the appliance.


See the link www.theenergylabel.eu for detailed information about the energy label.

11. INFORMATION FOR TEST INSTITUTES

Installation and preparation of the appliance for any EcoDesign verification shall be compliant with EN 62552. Ventilation requirements, recess dimensions and minimum rear

clearances shall be as stated in this User Manual at Chapter 3. Please contact the manufacturer for any other further information, including loading plans.

12. ENVIRONMENTAL CONCERNS

Recycle materials with the symbol .
Put the packaging in relevant containers to recycle it. Help protect the environment and human health by recycling waste of electrical and electronic appliances. Do not dispose of

appliances marked with the symbol  with the household waste. Return the product to your local recycling facility or contact your municipal office.

INDICE

1. INFORMAZIONI DI SICUREZZA.....	21
2. ISTRUZIONI DI SICUREZZA.....	24
3. INSTALLAZIONE.....	26
4. PANNELLO DI CONTROLLO.....	29
5. UTILIZZO QUOTIDIANO.....	30
6. CONSIGLI E SUGGERIMENTI UTILI.....	31
7. PULIZIA E CURA.....	34
8. RISOLUZIONE DEI PROBLEMI.....	35
9. RUMORI.....	39
10. DATI TECNICI.....	40
11. INFORMAZIONI PER GLI ISTITUTI DI PROVA.....	40

PER RISULTATI PERFETTI

Grazie per aver scelto di acquistare questo prodotto AEG. Lo abbiamo creato per fornirvi prestazioni impeccabili per molti anni, grazie a tecnologie innovative che vi semplificheranno la vita - funzioni che non troverete sulle normali apparecchiature. Vi invitiamo di dedicare qualche minuto alla lettura per sapere come trarre il massimo dal vostro elettrodomestico.

Visitate il nostro sito web per:



Ricevere consigli, scaricare i nostri opuscoli, eliminare eventuali anomalie, ottenere informazioni sull'assistenza e la riparazione:

www.aeg.com/support



Per registrare il vostro prodotto e ricevere un servizio migliore:

www.registreaeg.com



Acquistare accessori, materiali di consumo e ricambi originali per la vostra apparecchiatura:

www.aeg.com/shop

SERVIZIO CLIENTI E MANUTENZIONE

Consigliamo sempre l'impiego di ricambi originali.

Quando si contatta l'Assistenza, accertarsi di disporre dei seguenti dati: Modello, PNC, numero di serie.

Le informazioni si trovano sulla targhetta dei dati.

 Avvertenza / Attenzione - Importanti Informazioni di Sicurezza.

 Informazioni e consigli generali

 Informazioni ambientali

Con riserva di modifiche.

1. INFORMAZIONI DI SICUREZZA

Leggere attentamente le istruzioni fornite prima di installare e utilizzare l'apparecchiatura. I produttori non sono responsabili di eventuali lesioni o danni derivanti

da un'installazione o un uso scorretti. Conservare sempre le istruzioni in un luogo sicuro e accessibile per poterle consultare in futuro.

1.1 Sicurezza dei bambini e delle persone vulnerabili

- Questa apparecchiatura può essere usata da bambini a partire dagli 8 anni e da adulti con limitate capacità fisiche, sensoriali o mentali o con scarsa esperienza o conoscenza sull'uso dell'apparecchiatura, solamente se sorvegliati o se istruiti relativamente all'uso dell'apparecchiatura e se hanno compreso i rischi coinvolti.
- I bambini di età compresa tra i 3 e gli 8 anni possono caricare e scaricare l'apparecchio a condizione che siano stati adeguatamente istruiti.
- Questa apparecchiatura può essere usata da persone con disabilità diffuse e complesse, se debitamente istruite.
- Tenere lontani dall'apparecchiatura i bambini al di sotto dei 3 anni se non costantemente supervisionati.
- Non consentire ai bambini di giocare con l'apparecchiatura.
- I bambini non devono eseguire interventi di pulizia e manutenzione sull'apparecchiatura senza essere supervisionati.
- Tenere gli imballaggi lontano dai bambini e smaltirli in modo adeguato.

1.2 Sicurezza generale

- Questa apparecchiatura è destinata all'uso domestico e applicazioni simili, tra cui:
 - Case di campagna; cucine di negozi, uffici e altri ambienti di lavoro;
 - Clienti di hotel, motel, bed and breakfast e altri ambienti residenziali.
- Per evitare la contaminazione degli alimenti rispettare le seguenti istruzioni:

- non aprire la porta per lunghi periodi;
- pulire regolarmente le superfici che possono venire a contatto con gli alimenti e i sistemi di drenaggio accessibili;
- conservare la carne e il pesce crudo in contenitori adeguati in frigorifero, in modo che non venga a contatto con altri alimenti e non goccioli su altri alimenti.
- **AVVERTENZA!** Verificare che le aperture di ventilazione, sia sull'apparecchiatura che nella struttura da incasso, siano libere da ostruzioni.
- **AVVERTENZA!** Non usare dispositivi elettrici o altri mezzi artificiali non raccomandati dal produttore allo scopo di accelerare il processo di sbrinamento.
- **AVVERTENZA!** Non danneggiare il circuito refrigerante.
- **AVVERTENZA!** Non utilizzare apparecchiature elettriche all'interno dei comparti di conservazione degli alimenti, ad eccezione di quelli consigliati dal costruttore.
- Non nebulizzare acqua né utilizzare vapore per pulire l'apparecchiatura.
- Pulire l'apparecchiatura con un panno inumidito e morbido. Utilizzare solo detergenti neutri. Non usare prodotti abrasivi, spugnette abrasive, solventi od oggetti metallici.
- Quando l'apparecchiatura resta vuota per un lungo periodo di tempo, spegnerla, sbrinarla, pulirla, asciugarla e lasciare la porta aperta per evitare la formazione di muffa al suo interno.
- Non conservare in questa apparecchiatura sostanze esplosive come bombolette spray contenenti un propellente infiammabile.
- Se il cavo di alimentazione è danneggiato, deve essere sostituito dal produttore, dal Centro di Assistenza Autorizzato o da una persona qualificata per evitare situazioni di pericolo.

2. ISTRUZIONI DI SICUREZZA

2.1 Installazione



AVVERTENZA!

L'installazione dell'apparecchiatura deve essere eseguita da personale qualificato.

- Rimuovere tutti i materiali di imballaggio.
- Non installare o utilizzare l'apparecchiatura se è danneggiata.
- Non usare l'apparecchiatura prima di installarla nella struttura a incasso date le misure di sicurezza.
- Attenersi alle istruzioni fornite insieme all'apparecchiatura.
- Prestare sempre attenzione in fase di spostamento dell'apparecchiatura, dato che è pesante. Usare sempre i guanti di sicurezza e le calzature adeguate.
- Assicurarsi che l'aria possa circolare liberamente attorno all'apparecchiatura.
- In fase di prima installazione o dopo aver girato la porta, attendere almeno 4 ore prima di collegare l'apparecchiatura alla sorgente di alimentazione. Questo serve a consentire all'olio di fluire nuovamente nel compressore.
- Prima di eseguire eventuali operazioni sull'apparecchiatura (ad esempio invertire la porta), togliere la spina dalla presa di corrente.
- Non installare l'apparecchiatura in prossimità di radiatori, fornelli, forni o piani di cottura.
- Non esporre l'apparecchiatura alla pioggia.
- Non installare l'apparecchiatura dove sia esposta alla luce solare diretta.
- Non installare questa apparecchiatura in aree troppo umide o troppo fredde.
- Quando si sposta l'apparecchiatura, sollevarla dal bordo anteriore, così da non graffiare il pavimento.

2.2 Collegamento elettrico



AVVERTENZA!

Rischio di incendio e scossa elettrica.



AVVERTENZA!

In fase di posizionamento dell'apparecchiatura, verificare che il cavo di alimentazione non sia intrappolato o danneggiato.



AVVERTENZA!

Non utilizzare prese multiple e prolunghe.

- L'apparecchiatura deve disporre di una messa a terra.
- Verificare che i parametri sulla targhetta siano compatibili con le indicazioni elettriche dell'alimentazione.
- Utilizzare sempre una presa elettrica con contatto di protezione correttamente installata.
- Accertarsi di non danneggiare i componenti elettrici (ad es. la spina di alimentazione, il compressore). Contattare il Centro di Assistenza Autorizzato o un elettricista per sostituire i componenti elettrici.
- Il cavo di alimentazione deve rimanere sotto il livello della spina di alimentazione.
- Inserire la spina di alimentazione nella presa solo al termine dell'installazione. Verificare che la spina di alimentazione rimanga accessibile dopo l'installazione.
- Non tirare il cavo di alimentazione per scollegare l'apparecchiatura. Tirare sempre dalla spina.

2.3 Utilizzare



AVVERTENZA!

Rischio di lesioni, scottature o scosse elettriche.



L'apparecchiatura contiene gas infiammabile, isobutano (R600a), un gas naturale con un alto livello di compatibilità ambientale, Fare attenzione a non danneggiare il circuito refrigerante che contiene isobutano.

- Non modificare le specifiche tecniche dell'apparecchiatura.
- Non introdurre apparecchiature elettriche (ad es. gelatiere) nell'apparecchiatura se non specificamente consentito dal produttore.
- Nel caso di danno al circuito refrigerante, assicurarsi che non si sviluppino fiamme libere e scintille nel locale. Aerare bene l'ambiente.
- Non appoggiare oggetti incandescenti sulle parti in plastica dell'apparecchiatura.
- Non introdurre bevande analcoliche nel vano congelatore. Si verrà a creare una pressione nel contenitore della bevanda.
- Non conservare gas e liquidi infiammabili nell'apparecchiatura.
- Non appoggiare o tenere liquidi o materiali infiammabili, né oggetti facilmente incendiabili sull'apparecchiatura, al suo interno o nelle immediate vicinanze.
- Non toccare il compressore o il condensatore. Sono incandescenti.
- Non togliere o toccare gli oggetti nel vano congelatore con le mani bagnate o umide.
- Non ricongelare del cibo precedentemente scongelato.
- Attenersi alle istruzioni per la conservazione riportate sulla confezione del cibo surgelato.
- Avvolgere gli alimenti con materiali per uso alimentare prima di metterli nello scomparto del congelatore.

2.4 Illuminazione interna



AVVERTENZA!
Pericolo di scosse elettriche.

- Per quanto riguarda la lampada o le lampade all'interno di questo prodotto e le lampade di ricambio vendute separatamente: Queste lampade

sono destinate a resistere a condizioni fisiche estreme negli elettrodomestici, come temperatura, vibrazioni, umidità, o sono destinate a segnalare informazioni sullo stato operativo dell'apparecchio. Non sono destinate ad essere utilizzate in altre applicazioni e non sono adatte per l'illuminazione di ambienti domestici.

2.5 Pulizia e cura



AVVERTENZA!

Vi è il rischio di ferirsi o danneggiare l'apparecchiatura.

- Prima di eseguire qualunque intervento di manutenzione, spegnere l'apparecchiatura ed estrarre la spina dalla presa.
- L'unità refrigerante di questa apparecchiatura contiene idrocarburi. L'unità deve essere ricaricata ed ispezionata esclusivamente da personale qualificato.
- Controllare regolarmente lo scarico dell'apparecchiatura e, se necessario, pulirlo. L'ostruzione dello scarico può causare un deposito di acqua di sbrinamento sul fondo dell'apparecchiatura.

2.6 Assistenza Tecnica

- Per riparare l'apparecchiatura contattare un Centro di Assistenza Autorizzato. Utilizzare esclusivamente ricambi originali.
- Tenere presente che la riparazione autonoma o non professionale possono avere conseguenze sulla sicurezza e potrebbero invalidare la garanzia.
- Le guarnizioni per porte saranno disponibili per 7 anni dopo l'interruzione del modello. termostati, sensori di temperatura, circuiti stampati, sorgenti luminose, maniglie delle porte, cerniere delle porte, vassoi e cestelli. Si prega di notare che alcuni di questi pezzi di ricambio sono disponibili solo per i riparatori professionisti e che non tutti i pezzi di ricambio sono rilevanti per tutti i modelli.

- Le guarnizioni per porte saranno disponibili per 10 anni dopo l'interruzione del modello.

2.7 Smaltimento



AVVERTENZA!

Rischio di lesioni o soffocamento.

- Staccare la spina dall'alimentazione elettrica.
- Tagliare il cavo di rete e smaltirlo.
- Rimuovere la porta per evitare che bambini e animali domestici

rimangano chiusi all'interno dell'apparecchiatura.

- Il circuito refrigerante e i materiali di isolamento di questa apparecchiatura rispettano l'ozono.
- La schiuma isolante contiene gas infiammabili. Contattare le autorità locali per ricevere informazioni su come smaltire correttamente l'apparecchiatura.
- Non danneggiare i componenti dell'unità refrigerante che si trovano vicino allo scambiatore di calore.

3. INSTALLAZIONE



AVVERTENZA!

Fare riferimento ai capitoli sulla sicurezza.



AVVERTENZA!

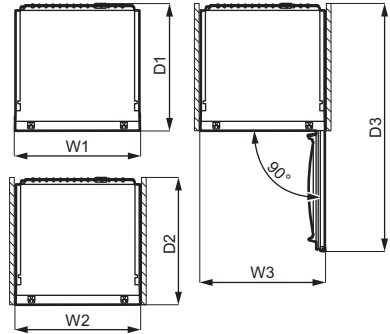
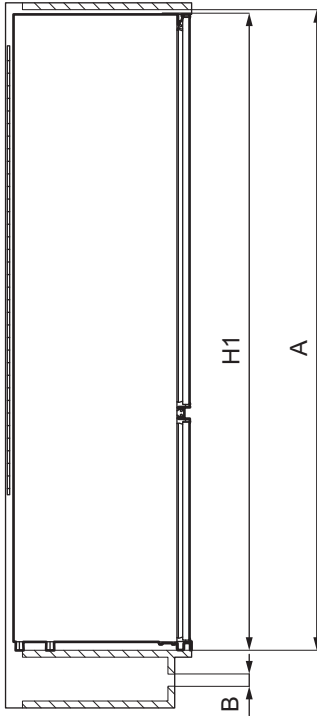
Per l'installazione dell'apparecchio, fare riferimento al documento di istruzioni per l'installazione.



AVVERTENZA!

Fissare l'apparecchio secondo le istruzioni di installazione per evitare il rischio di instabilità dell'apparecchio.

3.1 Dimensioni



Dimensioni complessive ¹		
H1	mm	1218
W1	mm	548
D1	mm	549

¹ l'altezza, la larghezza e la profondità dell'apparecchiatura senza l'impugnatura e i piedini

Spazio necessario durante l'uso ²		
H2 (A+B)	mm	1261
W2	mm	548
D2	mm	551
A	mm	1225

Spazio necessario durante l'uso ²		
B	mm	36

² l'altezza, la larghezza e la profondità dell'apparecchio, compresa la maniglia, più lo spazio necessario per la libera circolazione dell'aria di raffreddamento

Spazio complessivo necessario durante l'uso ³		
H3 (A+B)	mm	1261
W3	mm	548
D3	mm	1071

³ l'altezza, la larghezza e la profondità dell'apparecchiatura, compresa la maniglia, più lo spazio necessario per la libera circolazione dell'aria di

raffreddamento, più lo spazio necessario per consentire l'apertura della porta con l'angolazione minima che permette la rimozione di tutte le apparecchiature interne




3.2 Luogo

Per garantire la migliore funzionalità dell'apparecchiatura, non si dovrebbe installare l'apparecchio nelle vicinanze della fonte di calore (forno, stufe, termosifoni, fornelli o piani di cottura) o in un luogo con luce solare diretta.

Controllare che sul retro dell'apparecchio sia garantita un'adeguata circolazione dell'aria.

Questa apparecchiatura deve essere installata in una posizione interna asciutta e ben ventilata.

Questa apparecchiatura è destinata ad essere utilizzata a temperature ambiente che vanno da 10°C a 43°C.

-  Il corretto funzionamento dell'apparecchiatura può essere garantito solo nel rispetto delle temperature indicate.
-  In caso di dubbi sul luogo di installazione dell'apparecchiatura, contattare il venditore, il nostro Centro di Assistenza o il rivenditore autorizzato più vicino.
-  Deve essere possibile scollegare l'apparecchiatura dalla rete elettrica. Eseguire perciò l'installazione facendo sì che la spina rimanga facilmente accessibile.

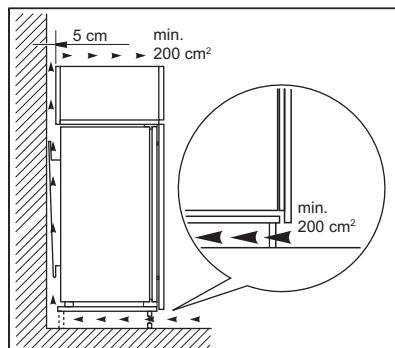
3.3 Collegamento elettrico

- Prima di inserire la spina, verificare che la tensione e la frequenza riportate sulla targhetta di identificazione corrispondano a quelle dell'impianto domestico.

- L'apparecchiatura deve disporre di una messa a terra. La spina del cavo di alimentazione è dotata di un apposito contatto. Se la presa di corrente dell'impianto domestico non è collegata a terra, allacciare l'apparecchiatura a una presa di terra separata in conformità alle norme in vigore, rivolgendosi a un elettricista qualificato.
- Il produttore declina ogni responsabilità qualora le suddette precauzioni di sicurezza non vengano rispettate.
- Questa apparecchiatura è conforme alle direttive CEE.

3.4 Requisiti di ventilazione

Assicurare un flusso d'aria sufficiente dietro l'apparecchiatura.



ATTENZIONE!

Consultare le istruzioni per l'installazione.

3.5 Possibilità di invertire la porta

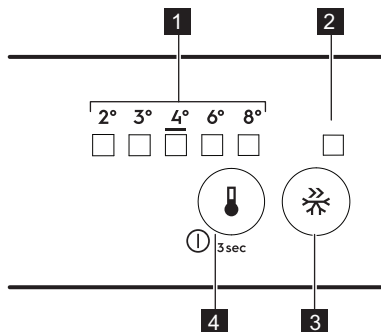
Fare riferimento al documento separato con le istruzioni per l'installazione e l'inversione della porta.



ATTENZIONE!

In ogni fase di inversione della porta proteggere il pavimento da graffi con un materiale resistente.

4. PANNELLO DI CONTROLLO



1. LED indicatore della temperatura
2. Frostmatic indicatore
3. Frostmatic tasto
4. Regolatore di temperatura
Tasto ON/OFF

4.1 Accensione

1. Inserire la spina nella presa a muro.
2. Premere il tasto regolatore della temperatura se tutti i LED sono spenti.

4.2 Spegnimento

Continuare a premere il tasto regolatore della temperatura per 3 secondi.
Tutte le spie si spengono.

4.3 Regolazione della temperatura

Per attivare l'apparecchiatura, sfiorare il regolatore della temperatura fino a quando non si accende il LED corrispondente alla temperatura desiderata. La selezione è progressiva, variando da +2°C a +8°C.
L'impostazione consigliata è 4°C.

1. Sfiore il regolatore della temperatura.
La spia della temperatura attuale lampeggia. Ogni volta che si sfiora il regolatore della temperatura, l'impostazione cambia di una posizione. Il LED corrispondente lampeggia per un istante.

2. Sfiore il regolatore della temperatura fino a che non viene selezionata la temperatura richiesta.

i La temperatura impostata verrà raggiunta entro 24 ore. Dopo un'interruzione di corrente la temperatura impostata rimane in memoria.

4.4 Frostmatic funzione

La funzione Frostmatic viene utilizzata per eseguire il pre-congelamento e il congelamento rapido in sequenza del vano congelatore. Accelera il congelamento di alimenti freschi e, al tempo stesso, protegge gli alimenti già conservati nello scomparto da riscaldamenti indesiderati.

i Per congelare alimenti freschi, attivare la funzione Frostmatic almeno 24 ore prima di introdurli nel vano congelatore.

Per attivare la funzione Frostmatic premere il pulsante Frostmatic. L'indicatore Frostmatic si accende.

i Questa funzione si arresta automaticamente dopo 52 ore.

È possibile disattivare la funzione in qualsiasi momento premendo nuovamente il tasto Frostmatic. La spia Frostmatic si spegne.

4.5 Allarme porta aperta

Se la porta del frigorifero viene lasciata aperta per circa 5 minuti, si avvia l'allarme acustico.

Durante l'allarme, il segnale acustico può essere disattivato premendo qualsiasi tasto. Il suono si spegne automaticamente dopo circa un'ora per evitare di disturbare.

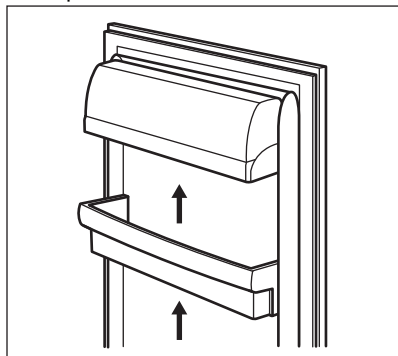
L'allarme si disattiva dopo la chiusura della porta.

5. UTILIZZO QUOTIDIANO

5.1 Posizionamento dei ripiani della porta

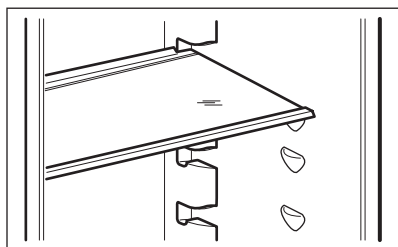
Per facilitare l'introduzione di alimenti di diverse dimensioni, i ripiani della porta possono essere posizionati ad altezze differenti.

1. Tirare gradualmente il ripiano fino a che non si libera.
2. Riposizionare secondo necessità.



5.2 Ripiani rimovibili

Le guide presenti sulle pareti del frigorifero permettono di posizionare i ripiani a diverse altezze.



Per garantire una corretta circolazione dell'aria, non spostare il ripiano di vetro posto sopra il cassetto delle verdure.

5.3 Cassetto per verdura

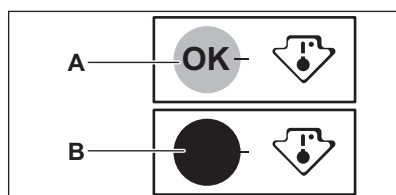
Nella parte inferiore dell'apparecchiatura è presente un cassetto speciale adatto alla conservazione di frutta e verdura.

5.4 Indicatore della temperatura

Per una corretta conservazione del cibo, il frigorifero è corredato di un indicatore di temperatura. Il simbolo sulla parete laterale dell'apparecchiatura indica la zona più fredda del frigorifero.

Se compare OK (A), mettere il cibo fresco nella zona indicata dal simbolo, se non (B), attendere almeno 12 ore e controllare se è OK (A).

Se non è ancora OK (B), regolare il controllo su un'impostazione più fredda.



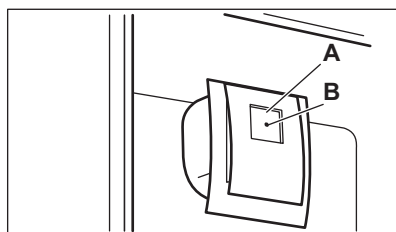
5.5 DYNAMICAIR

Il vano frigorifero è dotato di un dispositivo che consente un rapido raffreddamento degli alimenti e una temperatura più uniforme nel vano.



Accendere l'apparecchiatura quando si deve raffreddare una grande quantità di cibo o quando la temperatura ambiente è superiore a 35°C per garantire una maggiore omogeneizzazione della temperatura interna.

Per azionare la ventola, premere il pulsante (A). La spia verde (B) si accende.





Prima di spegnere l'apparecchiatura, ricordarsi di spegnere la ventola premendo il pulsante (A). La spia verde (B) si spegne.

5.6 Congelamento dei cibi freschi

Il vano congelatore è adatto al congelamento di cibi freschi e alla conservazione a lungo termine di alimenti congelati e surgelati.

Per congelare alimenti freschi, attivare la funzione Frostmatic almeno 24 ore prima di introdurli nel vano congelatore.

Conservare gli alimenti freschi distribuiti uniformemente in tutti gli scomparti o cassetti.

La quantità massima di cibo che può essere congelata, senza l'aggiunta di altri alimenti freschi per 24 ore, è indicata sulla targhetta (un'etichetta situata all'interno dell'apparecchio).

Al termine del processo di congelamento, l'apparecchio ritorna automaticamente alla precedente impostazione della temperatura (vedere "Funzione Frostmatic").



In questa condizione, la temperatura all'interno del frigorifero potrebbe cambiare leggermente.

5.7 Conservazione di cibi congelati

Al primo avvio o dopo un periodo di inutilizzo si consiglia di lasciare in

funzione l'apparecchiatura per almeno 3 ore, prima di introdurre gli alimenti nel vano, con la funzione Frostmatic attivata.

Il cibo deve trovarsi ad una distanza di 15 mm dalla porta.



ATTENZIONE!

In caso di scongelamento accidentale, ad esempio a causa di un'interruzione di corrente, se la corrente è rimasta spenta più a lungo del valore indicato sulla targhetta sotto "tempo di risalita", gli alimenti scongelati devono essere consumati rapidamente o cotti immediatamente, poi raffreddati e quindi ricongelati.

5.8 Scongelo

I cibi surgelati o congelati, prima di essere consumati, possono essere scongelati in frigorifero o all'interno di un sacchetto di plastica sotto l'acqua fredda.

Questa operazione dipende dal tempo a disposizione e dal tipo di alimento. Le piccole porzioni possono essere cucinate direttamente, senza essere prima scongelati.

6. CONSIGLI E SUGGERIMENTI UTILI

6.1 Consigli per il risparmio energetico

- Frigorifero: L'uso più efficiente dell'energia è garantito dalla configurazione con i cassetti nella parte inferiore dell'apparecchiatura e i ripiani distribuiti uniformemente. La posizione degli scomparti sulla porta non influisce sul consumo energetico.
- Non aprire frequentemente la porta e limitare il più possibile i tempi di apertura.
- Frigorifero: Non impostare una temperatura troppo alta per risparmiare energia, a meno che non sia richiesta dalle caratteristiche dell'alimento.
- Se la temperatura ambiente è elevata, il controllo della temperatura è

impostato su un valore basso e l'apparecchiatura è a pieno carico, il compressore può funzionare in maniera ininterrotta, causando la formazione di brina o di ghiaccio sull'evaporatore. In questo caso, impostare il controllo della temperatura su una posizione più elevata per consentire lo sbrinamento automatico e ridurre così il consumo di energia.

- Garantire una buona ventilazione. Non coprire le griglie di ventilazione o i fori.

6.2 Consigli per il congelamento

- Attivare la funzione Frostmatic almeno 24 ore prima di inserire gli alimenti nel vano congelatore.
- Prima di congelare avvolgere e sigillare gli alimenti freschi in: foglio di alluminio, pellicola di plastica o sacchetti, contenitori ermetici con coperchio.
- Per congelare e scongelare in modo più efficace, suddividere gli alimenti in piccole porzioni.
- Si raccomanda di mettere etichette e date su tutti gli alimenti surgelati. Questo aiuterà a identificare gli alimenti e a sapere quando devono essere utilizzati prima del loro deterioramento.
- Il cibo deve essere fresco quando viene congelato per preservarne la buona qualità. Soprattutto frutta e verdura dovrebbero essere congelate dopo il raccolto per preservare tutte le loro sostanze nutritive.
- Non congelare bottiglie o lattine con liquidi, in particolare bevande contenenti anidride carbonica - potrebbero esplodere durante il congelamento.
- Non mettere cibi caldi nel congelatore. Raffreddarli a temperatura ambiente prima di collocarli all'interno dello scomparto.
- Al fine di evitare gli aumenti di temperatura di alimenti già congelati, non mettere alimenti freschi scongelati nelle immediate vicinanze. Collocare gli alimenti a temperatura ambiente nella parte dello scomparto

del congelatore dove non ci sono cibi surgelati.

- Non mangiare i cubetti di ghiaccio, i ghiaccioli o granite subito dopo averli tolti dal congelatore. Rischio di sintomi da congelamento.
- Non congelare nuovamente il cibo scongelato. Se il cibo si è scongelato, cuocerlo, raffreddarlo e poi congelarlo.

6.3 Consigli per la conservazione dei surgelati

- L'impostazione della temperatura media garantisce una buona conservazione degli alimenti congelati. L'impostazione di una temperatura più elevata all'interno dell'apparecchio può portare a una minore durata di conservazione.
- L'intero scomparto del congelatore è adatto alla conservazione di prodotti alimentari surgelati.
- Lasciare abbastanza spazio intorno al cibo per permettere all'aria di circolare liberamente.
- Per una conservazione adeguata, fare riferimento all'etichetta dell'imballaggio alimentare per vedere la durata di conservazione degli alimenti.
- È importante avvolgere il cibo in modo tale da evitare che l'acqua, l'umidità o la condensa penetrino all'interno.

6.4 Consigli per l'acquisto

Dopo aver acquistato alimenti:

- Assicurarsi che l'imballaggio non sia danneggiato - il cibo potrebbe deteriorarsi. Se la confezione è gonfia o bagnata, potrebbe non essere stata conservata nelle condizioni ottimali e lo sbrinamento potrebbe essere già iniziato.
- Per limitare il processo di scongelamento, acquistare i prodotti surgelati alla fine della spesa e trasportarli in un sacchetto termico e isolato.
- Mettete i surgelati immediatamente nel congelatore dopo essere tornati dal negozio.

- Se il cibo si è scongelato anche solo parzialmente, non congelarlo di nuovo. Consumarlo il prima possibile.
- Rispettare la data di scadenza e le informazioni di conservazione sulla confezione.

6.5 Periodo di conservazione per scomparto congelatore

Tipo di cibo	Periodo di conservazione (mesi)
Pane	3
Frutta (a eccezione degli agrumi)	6 - 12
Verdure	8 - 10
Avanzi senza carne	1 - 2
Latticini:	
Burro	6 - 9
Formaggio a pasta molle (ad es. mozzarella)	3 - 4
Formaggio a pasta dura (ad es. parmigiano, cheddar)	6
Frutti di mare:	
Pesci grassi (ad es. salmone, sgombro)	2 - 3
Pesci magri (ad es. merluzzo, platessa)	4 - 6
Gamberetti	12
Vongole e cozze sguosciate	3 - 4
Pesce cotto	1 - 2
Carne:	
Pollame	9 - 12
Manzo	6 - 12
Maiale	4 - 6
Agnello	6 - 9
Salsiccia	1 - 2
Prosciutto	1 - 2
Avanzi con carne	2 - 3

6.6 Consigli per la refrigerazione dei cibi freschi

- Una buona impostazione della temperatura che garantisce la conservazione degli alimenti freschi è una temperatura inferiore o uguale a +4°C.
L'impostazione di una temperatura più elevata all'interno dell'apparecchio può portare a una minore durata di conservazione degli alimenti.
- Coprire il cibo con un imballaggio per preservarne la freschezza e l'aroma.
- Utilizzare sempre contenitori chiusi per liquidi e per alimenti, per evitare sapori o odori nello scomparto.
- Per evitare la contaminazione incrociata tra cibo cotto e crudo, coprire il cibo cotto e separarlo da quello crudo.
- Si consiglia di scongelare il cibo all'interno del frigorifero.
- Non inserire cibo caldo all'interno dell'apparecchiatura. Assicurarsi che si sia raffreddato a temperatura ambiente prima di inserirlo.
- Per evitare lo spreco di cibo, la nuova scorta di cibo dovrebbe essere

sempre collocata dietro a quella vecchia.

6.7 Consigli per la refrigerazione dei cibi

- Carne (tutti i tipi): deve essere avvolta in appositi sacchetti e collocata sul ripiano di vetro, sopra il cassetto delle verdure. La carne può essere conservata al massimo per 1-2 giorni.
- Frutta e verdura: pulire accuratamente (eliminare lo sporco) e riporre in un apposito cassetto (cassetto per la verdura).
- Si consiglia di non conservare in frigorifero i frutti esotici come banane, manghi, papaya, ecc.
- Le verdure come pomodori, patate, cipolle e aglio non devono essere conservate in frigorifero.
- Burro e formaggio: riporli in un apposito contenitore sottovuoto oppure avvolgerli in un foglio di alluminio o in un sacchetto di polietilene per limitare il più possibile la presenza di aria.
- Bottiglie: chiuderle con un tappo e conservarle sul ripiano portabottiglie della porta, o (se presente) sulla griglia portabottiglie.
- Per accelerare il raffreddamento degli alimenti, si consiglia di accendere la ventola. L'attivazione dell'aria dinamica permette una maggiore omogeneizzazione delle temperature interne.
- Fare sempre riferimento alla data di scadenza dei prodotti per sapere per quanto tempo conservarli.

7. PULIZIA E CURA



AVVERTENZA!

Fare riferimento ai capitoli sulla sicurezza.

7.1 Pulizia dell'interno

Prima di utilizzare l'apparecchiatura per la prima volta, lavare l'interno e gli accessori con acqua tiepida e sapone neutro per eliminare il tipico odore dei prodotti nuovi, quindi asciugare accuratamente.



ATTENZIONE!

Non usare detersivi, polveri abrasive, detersivi a base di cloro od olio, dato che potrebbero danneggiare le finiture.



ATTENZIONE!

Gli accessori e i componenti dell'apparecchiatura non sono lavabili in lavastoviglie.

7.2 Pulizia periodica

L'apparecchiatura deve essere pulita regolarmente:

1. Lavare l'interno e gli accessori con acqua tiepida e sapone neutro.

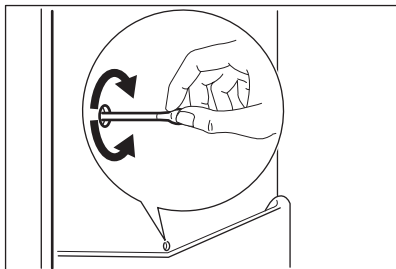
2. Ispezionare regolarmente le guarnizioni della porta ed eliminare con un panno umido tracce di sporco e residui.
3. Risciacquare e asciugare accuratamente.

7.3 Sbrinamento del frigorifero

Durante il normale utilizzo, la brina viene eliminata automaticamente dall'evaporatore dello scomparto del frigorifero. L'acqua di sbrinamento giunge attraverso un condotto in un apposito recipiente posto sul retro dell'apparecchiatura, sopra il motore compressore, dove evapora.

È importante pulire periodicamente il foro di scarico dell'acqua di sbrinamento, situato al centro del canale sulla parete posteriore, per evitare che l'acqua fuoriesca sugli alimenti.

A tal fine usare il pulisci-tubo fornito in dotazione con l'apparecchiatura.



7.4 Sbrinamento del congelatore



ATTENZIONE!

Per rimuovere la brina dall'evaporatore, non usare utensili metallici appuntiti che possano danneggiarlo. Non usare dispositivi meccanici o altri mezzi artificiali non raccomandati dal produttore allo scopo di accelerare il processo di sbrinamento.



Circa 12 ore prima dello sbrinamento, impostare una temperatura più bassa per accumulare una riserva di freddo sufficiente in caso di eventuale interruzione del funzionamento.

È normale che sui ripiani del congelatore e intorno allo scomparto superiore si formi, col tempo, uno strato di brina.

Quando tale strato raggiunge uno spessore di ca. 3-5 mm, il vano congelatore deve essere sbrinato.

1. Spegnerne l'apparecchiatura o estrarre la spina della presa a parete.
2. Rimuovere gli alimenti conservati e riporli in un luogo fresco.



ATTENZIONE!

Un innalzamento della temperatura dei surgelati durante lo sbrinamento può ridurre la loro durata di conservazione. Non toccare il cibo congelato con le mani bagnate. Le mani potrebbero aderire all'alimento congelato.

3. Lasciare la porta aperta. Proteggere il pavimento dall'acqua di sbrinamento, ad esempio con un panno o un recipiente piatto.
4. Per accelerare il processo di sbrinamento, collocare un recipiente di acqua calda nel vano congelatore. Rimuovere inoltre i pezzi di ghiaccio che si staccano prima che lo sbrinamento sia completo.
5. Una volta completato lo sbrinamento, asciugare accuratamente l'interno.
6. Accendere l'apparecchiatura e chiudere la porta.
7. Impostare il regolatore di temperatura al livello massimo di raffreddamento e lasciare in funzione l'apparecchiatura per almeno tre ore.

Solo successivamente rimettere gli alimenti nello scomparto congelatore.

7.5 Periodi di non utilizzo

Se l'apparecchiatura non viene utilizzata per un lungo periodo, adottare le seguenti precauzioni:

1. Scollegare l'apparecchiatura dalla rete elettrica.
2. Estrarre tutti gli alimenti.
3. Sbrinare l'apparecchiatura.
4. Pulire l'apparecchiatura e tutti gli accessori.
5. Lasciare la porte socchiusa/e per evitare la formazione di odori sgradevoli.

8. RISOLUZIONE DEI PROBLEMI



AVVERTENZA!

Fare riferimento ai capitoli sulla sicurezza.

8.1 Cosa fare se...

Problema	Causa possibile	Soluzione
L'apparecchiatura non funziona.	L'apparecchiatura è spenta.	Accendere l'apparecchiatura.
	La spina non è collegata correttamente alla presa elettrica.	Collegare correttamente la spina alla presa elettrica.
	La presa elettrica non ha tensione.	Collegare un'apparecchiatura elettrica diversa alla presa elettrica. Contattare un elettricista qualificato.
L'apparecchiatura è rumorosa.	L'apparecchiatura non è supportata correttamente.	Controllare che l'apparecchiatura sia appoggiata in modo stabile.
L'allarme acustico o visivo è attivo.	Il mobiletto è stato acceso di recente.	Fare riferimento alla sezione "Allarme porta aperta" o "Allarme di alta temperatura".
	La temperatura all'interno dell'apparecchiatura è troppo alta.	Fare riferimento alla sezione "Allarme porta aperta" o "Allarme di alta temperatura".
	La porta è aperta.	Chiudere la porta.
Il compressore funziona in modo continuo.	La temperatura non è impostata correttamente.	Fare riferimento al capitolo "Pannello di controllo".
	Sono stati introdotti molti alimenti contemporaneamente.	Attendere alcune ore e ricontrollare la temperatura.
	La temperatura ambiente è troppo alta.	Fare riferimento al capitolo "Installazione".
	Gli alimenti introdotti nell'apparecchiatura erano troppo caldi.	Prima di introdurre gli alimenti, lasciarli raffreddare a temperatura ambiente.
	La porta non è chiusa correttamente.	Vedere la sezione "Chiusura della porta".
	La Frostmatic funzione è attiva.	Vedere la sezione "Frostmatic funzione".
Il compressore non si avvia immediatamente dopo avere premuto il tasto "Frostmatic", o dopo aver cambiato la temperatura.	Il compressore si avvia dopo un certo periodo di tempo.	Non si tratta di un'anomalia di funzionamento.

Problema	Causa possibile	Soluzione
La porta non è allineata o interferisce con la griglia di ventilazione.	L'apparecchiatura non è perfettamente in piano.	Fare riferimento alle istruzioni di installazione.
La porta non si apre facilmente.	Si è cercato di ri-aprire la porta subito dopo averla chiusa.	Attendere alcuni secondi fra la chiusura e la riapertura della porta.
La lampadina non funziona.	La lampadina è in modalità stand-by.	Chiudere e aprire la porta.
	La lampadina è difettosa.	Contattare il Centro di Assistenza Autorizzato più vicino.
Sono presenti troppa brina e ghiaccio.	La porta non è chiusa correttamente.	Vedere la sezione "Chiusura della porta".
	La guarnizione è deformata o sporca.	Vedere la sezione "Chiusura della porta".
	Gli alimenti non sono avvolti correttamente nell'apposito materiale.	Avvolgere meglio gli alimenti nell'apposito materiale.
	La temperatura non è impostata correttamente.	Fare riferimento al capitolo "Pannello di controllo".
	L'apparecchiatura è completamente carica ed è impostata sulla temperatura più bassa.	Impostare una temperatura superiore. Fare riferimento al capitolo "Pannello di controllo".
	La temperatura impostata nell'apparecchiatura è troppo bassa e la temperatura ambiente è troppo alta.	Impostare una temperatura superiore. Fare riferimento al capitolo "Pannello di controllo".
Scorre dell'acqua sul pannello posteriore del frigorifero.	Durante lo sbrinamento automatico, la brina si scioglie sul pannello posteriore.	Questo è corretto.
C'è troppa acqua condensata sulla parete posteriore del frigorifero.	La porta è stata aperta con eccessiva frequenza.	Aprire la porta solo se necessario.
	La porta non è stata chiusa completamente.	Controllare che la porta sia chiusa completamente.
	Il cibo conservato non è stato avvolto nell'apposito materiale.	Avvolgere gli alimenti in un imballaggio adeguato prima di riporli all'interno dell'apparecchiatura.

Problema	Causa possibile	Soluzione
Scorre acqua all'interno del frigorifero.	Gli alimenti impediscono all'acqua di scorrere nell'apposito collettore.	Assicurarsi che gli alimenti non tocchino il pannello posteriore.
	Lo scarico dell'acqua è ostruito.	Pulire lo scarico dell'acqua.
Scorre acqua sul pavimento.	Lo scarico dell'acqua di sbrinamento non è collegato alla vaschetta di evaporazione posta sopra il compressore.	Collegare lo scarico dell'acqua di sbrinamento alla vaschetta di evaporazione.
Non è possibile impostare la temperatura.	La "Frostmatic funzione" è attiva.	Disattivare la "Frostmatic funzione" manualmente oppure aspettare finché la funzione si disattiva automaticamente per impostare la temperatura. Vedere la sezione "Frostmatic funzione".
La temperatura all'interno dell'apparecchiatura è troppo bassa/troppo alta.	La temperatura non è impostata correttamente.	Impostare una temperatura superiore/inferiore.
	La porta non è chiusa correttamente.	Vedere la sezione "Chiusura della porta".
	La temperatura degli alimenti è troppo alta.	Prima di introdurre gli alimenti, lasciarli raffreddare a temperatura ambiente.
	Sono stati introdotti molti alimenti contemporaneamente.	Introdurre gli alimenti poco alla volta.
	Lo spessore della brina è maggiore di 4-5 mm.	Sbrinare l'apparecchiatura.
	La porta è stata aperta frequentemente.	Aprire la porta solo se necessario.
	La Frostmatic funzione è attiva.	Vedere la sezione "Frostmatic funzione".
Alcune superfici specifiche all'interno del vano frigorifero sono più calde in alcuni momenti.		Questo è uno stato normale.

Problema	Causa possibile	Soluzione
I LED relativi alle impostazioni della temperatura lampeggiano contemporaneamente.	Si è verificato un errore durante la misurazione della temperatura.	Contattare il Centro Assistenza Autorizzato più vicino. Il sistema di raffreddamento continuerà a mantenere gli alimenti freddi, ma non sarà possibile regolare la temperatura.

i Se queste indicazioni non danno i risultati sperati, contattare il Centro di Assistenza Autorizzato più vicino.

8.2 Sostituzione della lampadina

L'apparecchiatura è dotata di una lampadina interna a LED a lunga durata.

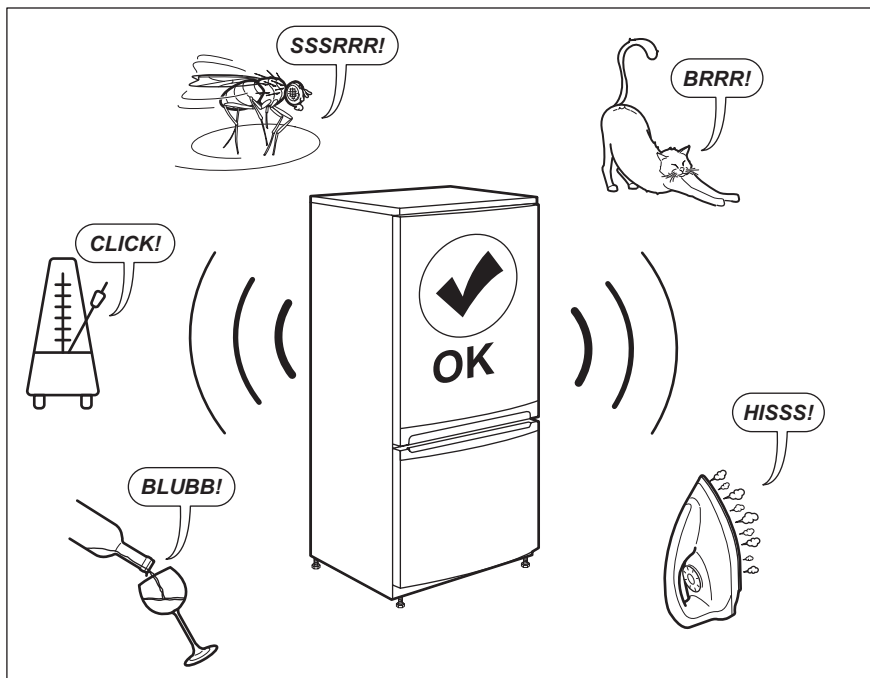
Solo al Centro di Assistenza è permesso sostituire l'impianto d'illuminazione.

Contattare un Centro Assistenza autorizzato.

8.3 Chiusura della porta

1. Pulire le guarnizioni della porta.
2. Se necessario, regolare la porta. Fare riferimento alle istruzioni di installazione.
3. Se necessario, sostituire le guarnizioni difettose. Contattare il Centro Assistenza Autorizzato.

9. RUMORI



10. DATI TECNICI

I dati tecnici sono riportati sulla targhetta dei dati applicata sul lato esterno dell'apparecchiatura e sull'etichetta dei valori energetici.

Il codice QR sull'etichetta energetica fornita con l'apparecchio fornisce un link web alle informazioni correlate al funzionamento di questa apparecchiatura nella banca dati EPREL dell'UE. Conservare l'etichetta energetica come riferimento insieme al manuale

d'uso e a tutti gli altri documenti forniti con questo apparecchio.

È possibile trovare le stesse informazioni anche in EPREL utilizzando il link <https://eprel.ec.europa.eu> e il nome del modello e il numero di prodotto che si trovano sulla targhetta dell'apparecchio.


Per informazioni dettagliate sull'etichetta energetica, vedere il sito www.theenergylabel.eu.


11. INFORMAZIONI PER GLI ISTITUTI DI PROVA

L'installazione e la preparazione dell'apparecchiatura per qualsiasi verifica di EcoDesign devono essere conformi a EN 62552. I requisiti di ventilazione, le dimensioni dell'incavo e le distanze minime dalla parte posteriore devono

essere conformi a quanto indicato nel presente manuale d'uso al capitolo 3. Si prega di contattare il produttore per qualsiasi altra informazione, compresi i piani di carico.

12. CONSIDERAZIONI SULL'AMBIENTE

Riciclare i materiali con il simbolo . Buttare l'imballaggio negli appositi contenitori per il riciclaggio. Aiutare a proteggere l'ambiente e la salute umana e a riciclare rifiuti derivanti da apparecchiature elettriche ed elettroniche. Non smaltire le

apparecchiature che riportano il simbolo  insieme ai normali rifiuti domestici. Portare il prodotto al punto di riciclaggio più vicino o contattare il comune di residenza.

CONTENIDO

1. INFORMACIÓN SOBRE SEGURIDAD.....	41
2. INSTRUCCIONES DE SEGURIDAD.....	44
3. INSTALACIÓN.....	46
4. PANEL DE CONTROL.....	48
5. USO DIARIO.....	49
6. CONSEJOS.....	51
7. MANTENIMIENTO Y LIMPIEZA.....	53
8. SOLUCIÓN DE PROBLEMAS.....	55
9. RUIDOS.....	59
10. DATOS TÉCNICOS.....	59
11. INFORMACIÓN PARA LOS INSTITUTOS DE PRUEBAS.....	59

PARA OBTENER RESULTADOS PERFECTOS

Gracias por escoger este producto AEG. Este artículo ha sido creado para ofrecer un rendimiento impecable durante muchos años, con innovadoras tecnologías que facilitarán su vida y prestaciones que probablemente no encuentre en electrodomésticos corrientes. Por favor, dedique algunos minutos a la lectura para disfrutar de todas sus ventajas.

Visite nuestro sitio web para:



Obtener consejos, folletos, soluciones a problemas e información de servicio y reparación:

www.aeg.com/support



Registrar su producto para recibir un mejor servicio:

www.registreaeg.com



Adquirir accesorios, artículos de consumo y recambios originales para su aparato:

www.aeg.com/shop

ATENCIÓN Y SERVICIO AL CLIENTE

Le recomendamos que utilice recambios originales.

Al contactar con nuestro centro autorizado de servicio técnico, cerciőrese de tener la siguiente información a mano: Modelo, PNC, Número de serie.

La información se puede encontrar en la placa de características.

 Advertencia / Precaución-Información sobre seguridad

 Información general y consejos

 Información sobre el medio ambiente

Salvo modificaciones.

1. INFORMACIÓN SOBRE SEGURIDAD

Antes de instalar y utilizar el aparato, lea atentamente las instrucciones facilitadas. El fabricante no se hace responsable de lesiones o daños producidos como

resultado de una instalación o un uso incorrectos. Conserve siempre estas instrucciones en lugar seguro y accesible para futuras consultas.

1.1 Seguridad de niños y personas vulnerables

- Este aparato puede ser utilizado por niños de 8 años en adelante y personas cuyas capacidades físicas, sensoriales o mentales estén disminuidas o que carezcan de la experiencia y conocimientos suficientes para manejarlo, siempre que cuenten con las instrucciones o la supervisión sobre el uso del electrodoméstico de forma segura y comprendan los riesgos.
- Los niños de 3 a 8 años pueden cargar y descargar el aparato siempre que hayan sido debidamente instruidos.
- Este aparato puede ser utilizado por personas con discapacidades muy extensas y complejas, siempre que hayan sido instruidas adecuadamente.
- Es necesario mantener alejados del aparato a los niños de menos de 3 años salvo que estén bajo supervisión continua.
- No deje que los niños jueguen con el aparato.
- La limpieza y mantenimiento de usuario del aparato no podrán ser realizados por niños sin supervisión.
- Mantenga todo el material de embalaje fuera del alcance de los niños y deséchelo de forma adecuada.

1.2 Seguridad general

- Este aparato está concebido para utilizarse en aplicaciones domésticas y similares, tales como:
 - Granjas; áreas de cocina para el personal en tiendas, oficinas y otros entornos de trabajo;
 - Por clientes en hoteles, moteles, pensiones y otros entornos de tipo residencial.
- Para evitar la contaminación alimentaria, respete las siguientes instrucciones:

- no abra la puerta durante largos periodos de tiempo;
- limpie regularmente las superficies que pueden entrar en contacto con los alimentos y los sistemas de drenaje accesibles;
- guarde la carne y el pescado crudos en recipientes adecuados en el frigorífico, de manera que no estén en contacto con otros alimentos ni goteen sobre ellos.
- ADVERTENCIA: Mantenga libres de obstrucciones las aberturas de ventilación del alojamiento del aparato o de la estructura empotrada.
- ADVERTENCIA: No utilice dispositivos mecánicos ni medios artificiales para acelerar el proceso de descongelación, excepto los recomendados por el fabricante.
- ADVERTENCIA: No dañe el circuito del refrigerante.
- ADVERTENCIA: No utilice dispositivos eléctricos dentro de los compartimientos para alimentos del aparato, salvo si son del tipo recomendado por el fabricante.
- No utilice pulverizadores ni vapor de agua para limpiar el aparato.
- Limpie el aparato con un paño suave humedecido. Utilice solo detergentes neutros. No utilice productos abrasivos, estropajos duros, disolventes ni objetos metálicos.
- Cuando el aparato esté vacío durante un largo período, apáguelo, descongélelo, límpielo, séquelo y deje la puerta abierta para evitar que se desarrolle moho en el interior del aparato.
- No almacene sustancias explosivas tales como latas de aerosol con un propulsor inflamable en este aparato.
- Si el cable eléctrico sufre algún daño, el fabricante, su servicio técnico autorizado o un profesional cualificado tendrán que cambiarlo para evitar riesgos.

2. INSTRUCCIONES DE SEGURIDAD

2.1 Instalación



ADVERTENCIA!

Sólo un técnico cualificado puede instalar el aparato.

- Retire todo el embalaje.
- No instale ni utilice un aparato dañado.
- No utilice el aparato antes de instalarlo en la estructura empotrada por motivos de seguridad.
- Siga las instrucciones de instalación suministradas con el aparato.
- Tenga cuidado al mover el aparato, porque es pesado. Utilice siempre guantes de protección y calzado cerrado.
- Asegúrese de que el aire pueda circular alrededor del aparato.
- En la primera instalación otras invertir el sentido de apertura de la puerta, espere al menos 4 horas antes de conectar el aparato a la alimentación eléctrica. Esto es para permitir que el aceite regrese al compresor.
- Desenchufe siempre el aparato antes de llevar a cabo cualquier operación, por ejemplo cambiar el sentido de apertura de la puerta.
- No instale el aparato cerca de radiadores, cocinas, hornos o placas de cocción.
- No exponga el aparato a la lluvia.
- No instale el aparato donde reciba luz solar directa.
- No instale este aparato en áreas excesivamente húmedas o frías.
- Al mover el aparato, levántelo por el borde frontal para no arañar el suelo.

2.2 Conexión eléctrica



ADVERTENCIA!

Riesgo de incendios y descargas eléctricas.



ADVERTENCIA!

Al colocar el producto, asegúrese de que el cable de alimentación no queda atrapado o doblado.



ADVERTENCIA!

No utilice adaptadores de enchufes múltiples ni cables prolongadores.

- El aparato debe conectarse a tierra.
- Asegúrese de que los parámetros de la placa de características son compatibles con los valores eléctricos del suministro eléctrico.
- Utilice siempre una toma con aislamiento de conexión a tierra correctamente instalada.
- Asegúrese de no provocar daños en los componentes eléctricos (como enchufe, cable de alimentación, compresor). Póngase en contacto con un electricista o con el servicio técnico autorizado para cambiar los componentes eléctricos.
- El cable de alimentación debe estar por debajo del nivel del enchufe de alimentación.
- Conecte el enchufe a la toma de corriente únicamente cuando haya terminado la instalación. Asegúrese de tener acceso al enchufe del suministro de red una vez finalizada la instalación.
- No desconecte el aparato tirando del cable de conexión a la red. Tire siempre del enchufe.

2.3 Uso del aparato



ADVERTENCIA!

Existe riesgo de lesiones, quemaduras, descargas eléctricas o incendios.



El aparato contiene un gas inflamable, isobutano (R600a), un gas natural con alto grado de compatibilidad medioambiental. Tenga cuidado para no dañar el circuito de refrigerante que contiene isobutano.

- No cambie las especificaciones de este aparato.
- No utilice otros aparatos eléctricos (como máquinas de hacer helados) dentro de aparatos de refrigeración,

salvo que el fabricante haya autorizado su utilización.

- Si se daña el circuito del refrigerante, evite las llamas y fuentes de ignición en la habitación. Ventile la habitación.
- No toque con elementos calientes las piezas de plástico del aparato.
- No coloque bebidas con gas en el congelador. Se creará presión en el contenedor de la bebida.
- No almacene gas ni líquido inflamable en el aparato.
- No coloque productos inflamables ni objetos mojados con productos inflamables dentro, cerca o encima del aparato.
- No toque el compresor ni el condensador. Están calientes.
- No retire ni toque elementos del compartimento congelador con las manos húmedas o mojadas.
- No vuelva a congelar alimentos que se hayan descongelado.
- Siga las instrucciones del envase de los alimentos congelados.
- Envuelva los alimentos en cualquier material adecuado antes de ponerlos en el congelador.

2.4 Luces interiores



ADVERTENCIA!

Riesgo de descarga eléctrica.

- En cuanto a la(s) bombilla(s) de este producto y las de repuesto vendidas por separado: Estas bombillas están destinadas a soportar condiciones físicas extremas en los aparatos domésticos, como la temperatura, la vibración, la humedad, o están destinadas a señalar información sobre el estado de funcionamiento del aparato. No están destinadas a utilizarse en otras aplicaciones y no son adecuadas para la iluminación de estancias domésticas.

2.5 Mantenimiento y limpieza



ADVERTENCIA!

Podría sufrir lesiones o dañar el aparato.

- Antes de proceder con el mantenimiento, apague el aparato y desconecte el enchufe de la red.
- Este equipo contiene hidrocarburos en la unidad de refrigeración. Solo una persona cualificada debe realizar el mantenimiento y la recarga de la unidad.
- Examine periódicamente el desagüe del aparato y límpielo si fuera necesario. Si el desagüe se bloquea, el agua descongelada se acumulará en la base del aparato.

2.6 Asistencia

- Para reparar el aparato, póngase en contacto con el centro de servicio autorizado. Utilice solamente piezas de recambio originales.
- Tenga en cuenta que la autorreparación o la reparación no profesional puede tener consecuencias de seguridad y podría anular la garantía.
- Las siguientes piezas de repuesto estarán disponibles durante 7 años después de que el modelo se haya retirado: termostatos, sensores de temperatura, placas de circuitos impresos, fuentes de luz, manijas de puertas, bisagras de puertas, bandejas y cestas. Tenga en cuenta que algunas de estas piezas de recambio solo están disponibles para los reparadores profesionales, y que no todas las piezas de recambio son relevantes para todos los modelos.
- Las juntas de las puertas estarán disponibles durante 10 años después de que el modelo se haya retirado.

2.7 Desecho



ADVERTENCIA!

Existe riesgo de lesiones o asfixia.

- Desconecte el aparato de la red.
- Corte el cable de conexión a la red y deséchelo.
- Retire la puerta para evitar que los niños y las mascotas queden encerrados en el aparato.
- El circuito del refrigerante y los materiales aislantes de este aparato no dañan la capa de ozono.

- La espuma aislante contiene gas inflamable. Póngase en contacto con las autoridades locales para saber cómo desechar correctamente el aparato.
- No dañe la parte de la unidad de refrigeración que está cerca del intercambiador de calor.

3. INSTALACIÓN



ADVERTENCIA!
Consulte los capítulos sobre seguridad.

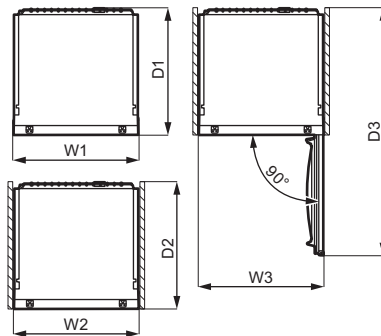
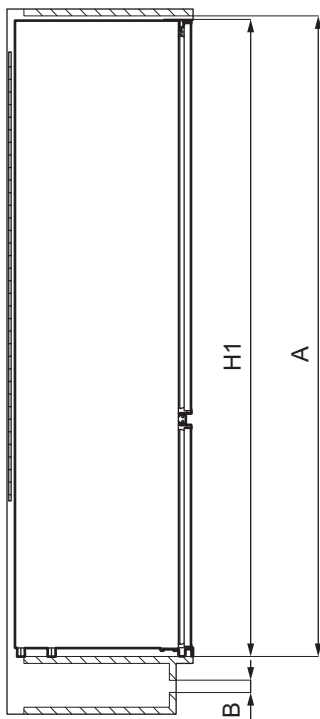


ADVERTENCIA!
Consulte el documento de instrucciones de instalación para instalar su aparato.



ADVERTENCIA!
Fije el aparato de acuerdo con las instrucciones de instalación para evitar el riesgo de inestabilidad.

3.1 Dimensiones



Dimensiones generales ¹		
H1	mm	1218

Dimensiones generales ¹		
W1	mm	548

Dimensiones generales ¹		
D1	mm	549

¹ la altura, anchura y profundidad del aparato sin el mango y las patas

Espacio necesario en uso ²		
H2 (A+B)	mm	1261
W2	mm	548
D2	mm	551
A	mm	1225
B	mm	36

² la altura, anchura y profundidad del aparato, incluyendo la manija, más el espacio necesario para la libre circulación del aire de refrigeración

Espacio total necesario en uso ³		
H3 (A+B)	mm	1261
W3	mm	548
D3	mm	1071

³ la altura, anchura y profundidad del aparato, incluido el mango, más el espacio necesario para la libre circulación del aire de refrigeración, más el espacio necesario para permitir la apertura de la puerta hasta el ángulo mínimo que permita la extracción de todo el equipo interno

3.2 Ubicación

Para garantizar el mejor funcionamiento del aparato, no debe instalarlo en las proximidades de la fuente de calor (horno, estufas, radiadores, cocinas o fogones) ni en un lugar con luz solar directa. Asegúrese de que el aire pueda circular libremente alrededor de la parte posterior del gabinete.

Este aparato debe instalarse en una ubicación interior seca y bien ventilada.

Este aparato está destinado a ser utilizado a una temperatura ambiente que oscila entre 10°C y 43°C.



Solo se puede garantizar el correcto funcionamiento del aparato dentro del rango de temperatura especificado.



Si tiene cualquier duda respecto al lugar de instalación del aparato, consulte al vendedor, a nuestro servicio de atención al cliente o al servicio técnico autorizado más cercano.



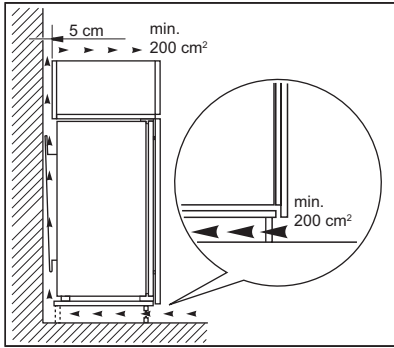
Puede que en algún momento sea necesario desenchufar el aparato de la toma de corriente. por lo que el enchufe debe quedar accesible tras la instalación del aparato.

3.3 Conexión eléctrica

- Antes de conectar el aparato, compruebe que el voltaje y la frecuencia indicados en la placa de datos técnicos se corresponden con el suministro de la vivienda.
- El aparato debe conectarse a tierra. El enchufe del cable de alimentación se suministra con un contacto para tal fin. Si la toma de red de la vivienda carece de conexión a tierra, conecte el aparato a una toma de tierra conforme con la normativa, después de consultar a un electricista profesional
- El fabricante declina toda responsabilidad si no se toman las precauciones antes indicadas.
- Este aparato cumple las directivas CEE.

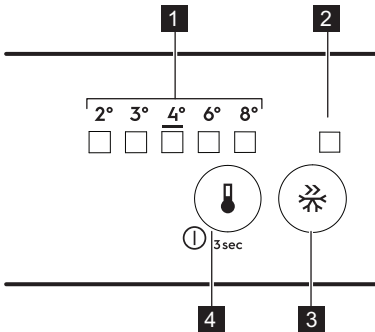
3.4 Requisitos de ventilación

El flujo de aire detrás del aparato debe ser suficiente.



PRECAUCIÓN!
Consulte las instrucciones para realizar la instalación.

4. PANEL DE CONTROL



1. Indicador LED de temperatura
2. Indicador Frostmatic
3. Botón Frostmatic
4. Regulador de temperatura
Botón de encendido/apagado

4.1 Encendido

1. Introduzca el enchufe en la toma de pared.
2. Toque el botón del regulador de temperatura si todos los LED están apagados.

4.2 Apagado

Siga tocando el botón del regulador de temperatura durante 3 segundos. Todos los indicadores se apagan.

3.5 Cambio del sentido de apertura de la puerta

Consulte el documento separado con instrucciones de instalación y de inversión de la puerta.



PRECAUCIÓN!

En todas las fases del cambio de sentido de la puerta, proteja la puerta de arañazos con un material resistente.

4.3 Regulación de la temperatura

Para utilizar el aparato, toque el regulador de temperatura hasta que se encienda el LED correspondiente a la temperatura que desea. La selección es progresiva y oscila de 2°C a 8°C. El ajuste recomendado es de 4°C.

1. Toque el regulador de temperatura. El indicador de temperatura actual parpadea. Cada vez que se toca el regulador de temperatura, el ajuste se mueve una posición. El LED parpadea un momento.
2. Toque el regulador de temperatura hasta que se seleccione la temperatura deseada.



La temperatura programada se alcanza en un plazo de 24 horas. Después de un corte del suministro eléctrico, la temperatura ajustada se guarda.

4.4 Función Frostmatic

La función Frostmatic se utiliza para realizar la pre congelación y la congelación rápida en secuencia en el compartimiento del congelador. Esta función acelera la congelación de alimentos frescos e impide que se

calienten los alimentos ya almacenados en el compartimento congelador.

- i** Para congelar alimentos frescos, active la función Frostmatic al menos 24 horas antes de introducir los alimentos para completar la precongelación.

Para activar la función Frostmatic, pulse el botón Frostmatic. Se enciende el indicador Frostmatic.

- i** La función se detiene automáticamente después de 52 horas.

La función se puede desactivar en cualquier momento pulsando de nuevo el

botón Frostmatic. Se apaga el indicador Frostmatic.

4.5 Alarma de puerta abierta

Si la puerta del frigorífico se deja abierta durante aproximadamente 5 minutos, el sonido se activa.

Durante la alarma, el sonido se puede desactivar pulsando cualquier botón. El sonido se apaga automáticamente después de aproximadamente una hora para evitar molestias.

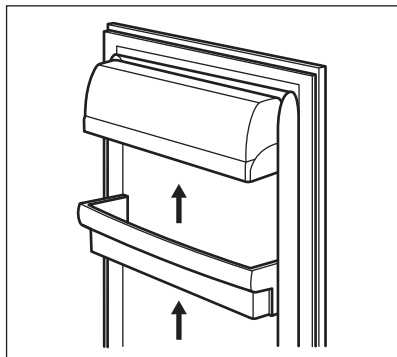
La alarma se desactiva después de cerrar la puerta.

5. USO DIARIO

5.1 Colocación de los estantes de la puerta

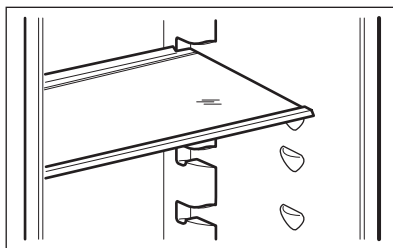
Para poder guardar alimentos de distintos tamaños, los estantes de la puerta se pueden colocar a diferentes alturas.

1. Tire gradualmente del estante hacia arriba hasta que se suelte.
2. Vuelva a colocarlo según sea necesario.



5.2 Estantes móviles

Las paredes del frigorífico cuentan con una serie de guías para colocar los estantes del modo que se prefiera.



- i** No coloque el estante de vidrio por encima del cajón de verduras para no impedir la correcta circulación del aire.

5.3 Cajón para verduras

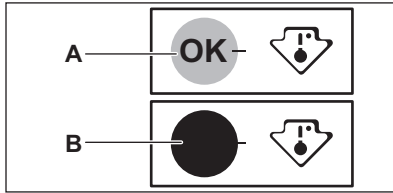
En la parte inferior del aparato hay un cajón especial para guardar frutas y verduras.

5.4 Indicador de temperatura

Para almacenar correctamente los alimentos, el frigorífico dispone de indicador de temperatura. El símbolo de la pared lateral indica el área más fría del frigorífico.


Si aparece OK (A), coloque los alimentos frescos en el área indicada por el símbolo, si no (B), espere al menos 12 horas y compruebe si aparece OK (A).

Si todavía no aparece OK (B), ajuste el control de configuración a un ajuste más frío.

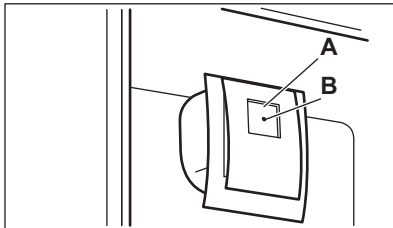



5.5 DYNAMICAIR

El compartimento frigorífico cuenta con un dispositivo que permite enfriar los alimentos con rapidez y mantiene una temperatura más uniforme dentro del compartimento.

-  Encienda el aparato cuando tenga que enfriar una gran cantidad de alimentos o cuando la temperatura ambiente sea superior a 35°C para garantizar una mayor homogeneización de la temperatura interna.

Pulse el interruptor (A) para encender el ventilador. Se enciende la luz verde (B).



-  Antes de apagar el aparato, recuerde apagar el ventilador pulsando el botón (A). Se apaga la luz verde (B).

5.6 Congelación de alimentos frescos


El compartimento del congelador es adecuado para congelar alimentos frescos y conservar a largo plazo los alimentos congelados y ultracongelados.

Para congelar alimentos frescos, active la función Frostmatic al menos 24 horas antes de introducir los alimentos en el compartimento congelador.

Guarde los alimentos frescos distribuidos uniformemente en todos los compartimentos o cajones.

La cantidad máxima de alimentos que pueden congelarse sin añadir otros alimentos frescos durante 24 horas, se indica en la placa de datos técnicos (una etiqueta situada en el interior del aparato).

Cuando haya finalizado el proceso de congelación, el aparato vuelve automáticamente al ajuste de temperatura anterior (consulte "Función Frostmatic").

-  En esta condición, la temperatura dentro del frigorífico puede cambiar ligeramente.

5.7 Almacenamiento de alimentos congelados

Al activar un aparato por primera vez o después de un periodo sin uso, déjelo en marcha al menos durante 3 horas antes de colocar productos en el compartimento con la función Frostmatic activada.

Todos los alimentos deben estar como mínimo a 15 mm de la puerta.



PRECAUCIÓN!

En caso de que se produzca una descongelación accidental, por ejemplo, por un corte del suministro eléctrico, si la interrupción ha sido más prolongada que el valor indicado en la placa de características bajo el "tiempo de elevación", los alimentos descongelados se deben consumir rápidamente o cocinar de inmediato y luego volverse a congelar.

5.8 Descongelación

Los alimentos ultracongelados o congelados, antes de consumirlos, pueden descongelarse en el frigorífico o dentro de una bolsa de plástico bajo agua fría.

Esta operación depende del tiempo disponible y del tipo de alimento. Los trozos pequeños pueden incluso cocinarse aún congelados.

6. CONSEJOS

6.1 Consejos para ahorrar energía

- Frigorífico: Se garantiza el consumo más eficiente de energía en la configuración con los cajones en la parte inferior del aparato y los estantes distribuidos uniformemente. La posición de los contenedores de la puerta no afecta al consumo de energía.
- No abra la puerta con frecuencia ni la deje abierta más tiempo del necesario.
- Frigorífico: No fije una temperatura demasiado alta para ahorrar energía, a menos que lo requieran las características del alimento.
- Si la temperatura ambiente es alta, se ha ajustado un valor de temperatura bajo y el aparato está totalmente lleno, el compresor podría funcionar sin detenerse y generar escarcha o hielo en el evaporador. En este caso, ajuste el control a una temperatura más alta para permitir la descongelación automática y ahorrar energía de esta manera.
- Asegure una buena ventilación. No cubra las rejillas de ventilación ni los agujeros.

6.2 Consejos sobre la congelación

- Active la función Frostmatic al menos 24 horas antes de colocar los alimentos en dentro del congelador.
- Antes de congelar, envuelva y selle los alimentos frescos en: papel de aluminio, film o bolsas de plástico, envases herméticos con tapa.
- Para congelar y descongelar con más eficacia, divida la comida en porciones pequeñas.

- Se recomienda poner etiquetas y fechas en todos sus alimentos congelados. Esto ayudará a identificar los alimentos y a saber cuándo deben utilizarse antes de su deterioro.
- Los alimentos deben ser frescos al congelarlos para preservar la buena calidad. Especialmente las frutas y verduras deben ser congeladas después de cosecharlos para preservar todos sus nutrientes.
- No congele las botellas o latas con líquidos, en particular las bebidas que contienen dióxido de carbono, ya que pueden explotar durante la congelación.
- No coloque alimentos calientes en el compartimento del congelador. Enfríelos a temperatura ambiente antes de colocarlos dentro del compartimento.
- Para evitar aumentos en la temperatura de comida ya congelada, no coloque comida no congelada justo al lado. Coloque los alimentos a temperatura ambiente en la parte del compartimento del congelador donde no hay alimentos congelados.
- No coma cubitos de hielo, sorbetes o helados inmediatamente después de sacarlos del congelador. Existe riesgo de quemaduras.
- No vuelva a congelar los alimentos descongelados. Si la comida se ha descongelado, cocínala, enfríela y luego congélela.

6.3 Consejos para el almacenamiento de alimentos congelados

- El ajuste de temperatura medio asegura una buena conservación de los alimentos congelados.

Una temperatura más alta en el interior del aparato puede reducir la vida útil.

- Todo el compartimento del congelador es adecuado para el almacenamiento de comida congelada.
- Deje suficiente espacio alrededor de los alimentos para permitir que el aire circule libremente.
- Para un almacenamiento adecuado, consulte la etiqueta de los envases de alimentos para ver la vida útil de los alimentos.
- Es importante envolver los alimentos de tal manera que se evite que el agua, la humedad o la condensación entren en su interior.

6.4 Consejos de compra

Después de la compra:

- Asegúrese de que el envase no esté dañado - los alimentos podrían estar

deteriorados. Si el paquete está hinchado o mojado, es posible que no se haya almacenado en condiciones óptimas y que la descongelación ya haya comenzado.

- Para limitar el proceso de descongelación, compre los productos congelados al final de su compra en el supermercado y transpórtelos en una bolsa térmica y aislada.
- Ponga los alimentos congelados inmediatamente en el congelador después de volver de la tienda.
- Si la comida se ha descongelado aunque sea parcialmente, no la vuelva a congelar. Se debe consumir lo antes posible.
- Respete la fecha de caducidad y la información de almacenamiento del paquete.

6.5 Vida útil en el congelador

Tipo de alimento	Vida útil (meses)
Pan	3
Frutas (excepto cítricos)	6 - 12
Verduras	8 - 10
Sobras sin carne	1 - 2
Lácteos:	
Mantequilla	6 - 9
Queso blando (p. ej. mozzarella)	3 - 4
Queso duro (p. ej. parmesano, cheddar)	6
Marisco:	
Pescado graso (p. ej. salmón, caballa)	2 - 3
Pescado magro (p. ej. bacalao, platija)	4 - 6
Langostinos	12
Almejas y mejillones desconchados	3 - 4
Pescado cocinado	1 - 2
Carne:	

Tipo de alimento	Vida útil (meses)
Aves	9 - 12
Vacuno	6 - 12
Cerdo	4 - 6
Cordero	6 - 9
Salchichas	1 - 2
Jamón	1 - 2
Sobras con carne	2 - 3

6.6 Consejos para la refrigeración de alimentos frescos

- Un buen ajuste de temperatura que asegure la conservación de los alimentos frescos es una temperatura menor o igual a +4°C. Una temperatura más alta en el interior del aparato puede reducir la vida útil de los alimentos.
- Cubra el alimento con el envase para preservar su frescura y aroma.
- Utilice siempre recipientes cerrados para líquidos y para alimentos, para evitar sabores u olores en el compartimento.
- Para evitar la contaminación cruzada entre alimentos cocidos y crudos, cubra la comida cocinada y sepárela de la cruda.
- Se recomienda descongelar los alimentos dentro de la nevera.
- No coloque alimentos calientes dentro del aparato. Asegúrese de que se haya enfriado a temperatura ambiente antes de introducirla.
- Para evitar el desperdicio de alimentos, los alimentos más recientes deben colocarse siempre detrás de los viejos.

estante de vidrio, sobre el cajón de las verduras. Almacene la carne durante un máximo de 1-2 días.

- Frutas y verduras: limpie a fondo (elimine la suciedad) y coloque en un cajón especial (cajón de verduras).
- Es aconsejable no guardar en el frigorífico las frutas exóticas como plátanos, mangos, papayas, etc.
- Las verduras como tomates, patatas, cebollas y ajos no deben guardarse en el frigorífico.
- Mantequilla y queso: coloque en un recipiente hermético, envuelva en papel de aluminio o en bolsas de polietileno para eliminar todo el aire posible.
- Botellas: cierre con un tapón y colóquelas en el estante para botellas de la puerta de la puerta o en el botellero (si dispone de él).
- Para acelerar el enfriamiento de los productos, se recomienda encender el ventilador. La activación del aire dinámico permite una mayor homogeneización de las temperaturas internas.
- Consulte siempre la fecha de caducidad de los productos para saber cuánto tiempo debe conservarlos.

6.7 Consejos para la refrigeración de alimentos

- Carne (de todo tipo): guárdela en un envoltorio adecuado y colóquela en el

7. MANTENIMIENTO Y LIMPIEZA



ADVERTENCIA!

Consulte los capítulos sobre seguridad.

7.1 Limpieza del interior

Antes de utilizar el aparato por primera vez, lave su interior y todos los accesorios internos con agua templada y jabón neutro para eliminar el típico olor de los productos nuevos. A continuación, seque todo bien.



PRECAUCIÓN!

No utilice detergentes, polvos abrasivos ni limpiadores a base de cloro o aceite, ya que podrían dañar el acabado.



PRECAUCIÓN!

Los accesorios y las piezas del aparato no deben lavarse en el lavavajillas.

7.2 Limpieza periódica

El equipo debe limpiarse de forma regular:

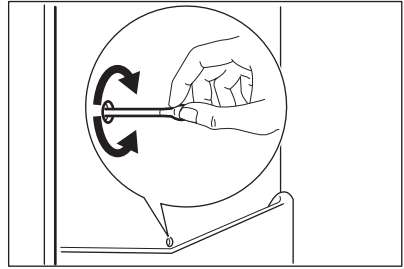
1. Limpie el interior y los accesorios con agua templada y un jabón neutro.
2. Revise y limpie periódicamente las juntas de la puerta para mantenerlas limpias y sin restos.
3. Aclare y seque a fondo.

7.3 Descongelación del frigorífico

La escarcha se elimina automáticamente del evaporador del compartimento frigorífico durante el uso normal. El agua de la descongelación se descarga por un canal hacia un recipiente especial situado en la parte posterior del aparato, sobre el motor compresor, desde donde se evapora.

Es importante limpiar periódicamente el orificio de salida del agua de descongelación situado en la mitad del canal del compartimento frigorífico para evitar que el agua se desborde y caiga sobre los alimentos del interior.

Utilice para ello la varilla limpiadora incluida con el aparato.



7.4 Descongelación del congelador



PRECAUCIÓN!

No utilice herramientas metálicas afiladas para raspar la escarcha del evaporador, ya que podría dañarlo.

No utilice dispositivos mecánicos ni medios artificiales para acelerar el proceso de descongelación, excepto los recomendados por el fabricante.



Unas 12 horas antes de realizar la descongelación, ajuste una temperatura más baja con el fin de acumular frío suficiente en caso de una interrupción del funcionamiento.

Siempre se forma un poco de escarcha en los estantes del congelador y en torno al compartimento superior.

Descongele el congelador cuando la capa de escarcha alcance un grosor de unos 3-5 mm.

1. Apague el aparato o desconecte el enchufe de la toma de corriente.
2. Retire cualquier alimento almacenado y póngalo en un lugar fresco.



PRECAUCIÓN!

El aumento de la temperatura de los paquetes de alimentos congelados durante la descongelación puede acortar su tiempo de almacenamiento.

No toque los alimentos congelados con las manos mojadas. Podrían congelarse al contacto con los alimentos.

3. Deje la puerta abierta. Proteja el suelo del agua de la descongelación p. ej., con un paño o recipiente plano.
4. Para acelerar el proceso de descongelación, coloque un recipiente con agua tibia en el compartimento congelador. Además, retire los trozos de hielo que se desprendan antes de que finalice la descongelación.
5. Cuando la descongelación haya terminado, seque a fondo el interior del aparato.

6. Encienda el aparato y cierre la puerta.
 7. Ajuste el regulador de temperatura para obtener el máximo frío y haga funcionar el aparato durante al menos 3 horas con dicho ajuste.
- Solo después de este tiempo vuelva a poner la comida en el congelador.

7.5 Periodos sin funcionamiento

Si el aparato no se utiliza durante un tiempo prolongado, tome las siguientes precauciones

1. Desconecte el aparato de la red eléctrica.
2. Extraiga todos los alimentos.
3. Descongele el aparato.
4. Limpie el aparato y todos los accesorios.
5. Deje las puertas abiertas para evitar olores desagradables.

8. SOLUCIÓN DE PROBLEMAS



ADVERTENCIA!

Consulte los capítulos sobre seguridad.

8.1 Qué hacer si...

Problema	Posible causa	Solución
El aparato no funciona.	El aparato está apagado.	Encienda el aparato.
	El enchufe no está bien conectado a la toma de corriente.	Enchufe el aparato a la toma de corriente correctamente.
	No hay tensión en la toma de corriente.	Conecte otro aparato a la de corriente. Póngase en contacto con un electricista cualificado.
El aparato hace ruido.	El aparato no está bien apoyado.	Compruebe que los soportes del aparato están estables.

Problema	Posible causa	Solución
La alarma audible o visual está activada.	El armario se ha encendido hace poco.	Consulte "Alarma de puerta abierta" o "Alarma de temperatura alta".
	La temperatura del aparato es demasiado alta.	Consulte "Alarma de puerta abierta" o "Alarma de temperatura alta".
	La puerta se queda abierta.	Cierre la puerta.
El compresor funciona continuamente.	La temperatura se ha ajustado incorrectamente.	Consulte el capítulo "Panel de control".
	Se han introducido muchos alimentos al mismo tiempo.	Espere unas horas y vuelva a comprobar la temperatura.
	La temperatura ambiente es demasiado alta.	Consulte el capítulo "Instalación".
	Los alimentos introducidos en el aparato estaban demasiado calientes.	Deje que los alimentos se enfríen a temperatura ambiente antes de guardarlos.
	La puerta no está bien cerrada.	Consulte la sección "Cierre de la puerta".
	La Frostmatic función está activada.	Consulte la sección Frostmatic "Función".
El compresor no se pone en marcha inmediatamente después de pulsar "Frostmatic", o tras cambiar la temperatura.	El compresor se pone en marcha al cabo de cierto tiempo.	Esto es normal, no se ha producido ningún error.
La puerta está mal alineada o interfiere con la rejilla de ventilación.	El aparato no está nivelado.	Consulte las instrucciones de instalación.
La puerta no se abre fácilmente.	Ha intentado volver a abrir la puerta inmediatamente después de cerrarla.	Espere unos segundos entre el cierre y la reapertura de la puerta.
La bombilla no funciona.	La bombilla está en modo de espera.	Cierre y abra la puerta.
	La bombilla es defectuosa.	Póngase en contacto con el servicio técnico autorizado más cercano.
Hay demasiada escarcha y hielo.	La puerta no está bien cerrada.	Consulte la sección "Cierre de la puerta".
	La junta de la puerta está sucia o deformada.	Consulte la sección "Cierre de la puerta".

Problema	Posible causa	Solución
	Los alimentos no están bien envueltos.	Envuelva mejor los productos.
	La temperatura se ha ajustado incorrectamente.	Consulte el capítulo "Panel de control".
	El aparato está completamente cargado y ajustado a la temperatura más baja.	Seleccione una temperatura más alta. Consulte el capítulo "Panel de control".
	La temperatura ajustada en el aparato es demasiado baja y la temperatura ambiente demasiado alta.	Seleccione una temperatura más alta. Consulte el capítulo "Panel de control".
El agua fluye por la placa posterior del frigorífico.	Durante el proceso de descongelación automática, la escarcha se derrite en la placa posterior.	Es correcto.
Hay demasiada agua de condensación en la pared posterior del frigorífico.	La puerta se abre con demasiada frecuencia.	Abra la puerta solo cuando sea necesario.
	La puerta no se cierra completamente.	Asegúrese de que la puerta está cerrada completamente.
	Los alimentos guardados no están envueltos correctamente.	Envuelva los alimentos correctamente antes de guardarlos en el aparato.
El agua fluye por el interior del frigorífico.	Los productos impiden que el agua fluya al colector de agua.	Asegúrese de que los alimentos no tocan la placa posterior.
	La salida de agua está obstruida.	Limpie la salida de agua.
El agua fluye por el suelo.	La salida de agua de descongelación no está conectada a la bandeja de evaporación situada sobre el compresor.	Acople la salida de agua de descongelación a la bandeja de evaporación.
No se puede ajustar la temperatura.	La "Frostmatic función" está encendida.	Apague la "Frostmatic función" manualmente, espere hasta que la función se desactive automáticamente antes de ajustar la temperatura. Consulte la sección "Frostmatic función".

Problema	Posible causa	Solución
La temperatura del aparato es demasiado baja/alta.	La temperatura no se ha ajustado correctamente.	Seleccione una temperatura más alta/más baja.
	La puerta no está bien cerrada.	Consulte la sección "Cierre de la puerta".
	La temperatura de los productos es demasiado alta.	Deje que la temperatura de los alimentos descienda a la temperatura ambiente antes de guardarlos.
	Se han guardado muchos alimentos al mismo tiempo.	Guarde menos alimentos al mismo tiempo.
	El grosor de la escarcha es superior a 4-5 mm.	Descongele el aparato.
	La puerta se ha abierto con frecuencia.	Abra la puerta sólo si es necesario.
	La Frostmatic función está activada.	Consulte la sección Frostmatic "Función".
Algunas superficies específicas dentro del compartimiento frigorífico están más calientes en algunos momentos.		Es un estado normal.
Los LED de ajuste de temperatura parpadean al mismo tiempo.	Se ha producido un error al medir la temperatura.	Póngase en contacto con el centro de servicio técnico más cercano. El sistema de refrigeración seguirá manteniendo fríos los alimentos, pero no podrá ajustar la temperatura.



Si el consejo anterior no ofrece resultados, llame al servicio técnico autorizado más cercano.

8.2 Cambio de la bombilla

El aparato está equipado con una luz LED interior de larga duración.

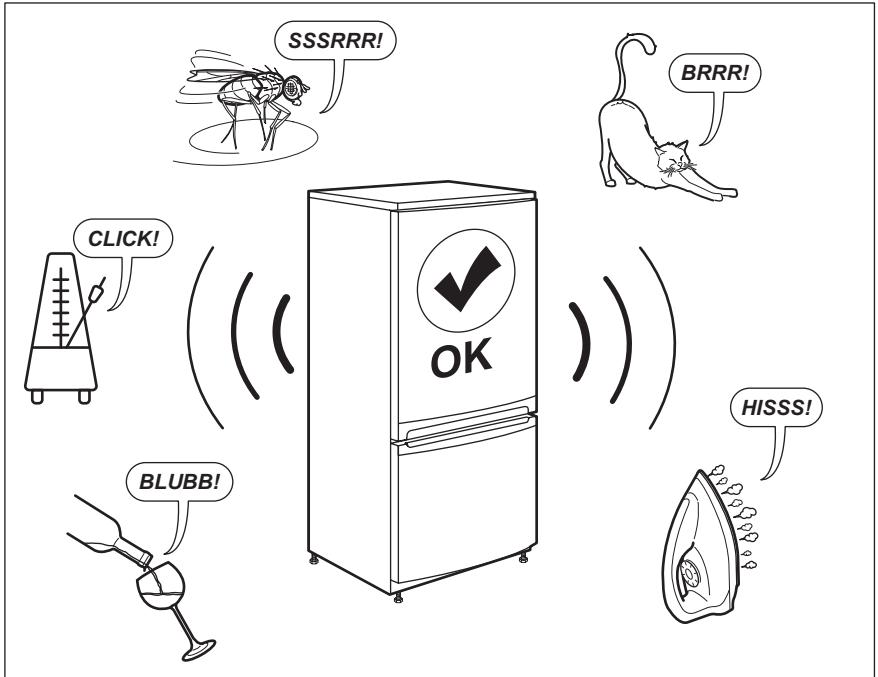
El dispositivo de iluminación solo debe ser sustituido por el servicio técnico.

Póngase en contacto con el servicio técnico.

8.3 Cierre de la puerta

1. Limpie las juntas de la puerta.
2. Si es necesario, ajuste la puerta. Consulte las instrucciones de instalación.
3. Si es necesario, cambie las juntas defectuosas. Póngase en contacto con el servicio técnico autorizado.

9. RUIDOS



10. DATOS TÉCNICOS

La información técnica se encuentra en la placa de datos técnicos en el lado interior izquierdo del aparato y en la etiqueta de energía.

El código QR de la etiqueta energética suministrada con el aparato proporciona un enlace web a la información relacionada con el rendimiento del aparato en la base de datos de EU EPREL. Guarde la etiqueta de energía como referencia junto con el manual de usuario y todos los demás documentos que se proporcionan con este aparato.

También puede encontrar la misma información en EPREL utilizando el enlace <https://eprel.ec.europa.eu> y el nombre del modelo y el número de producto que se encuentra en la placa de características del aparato.

Consulte el enlace www.theenergylabel.eu para información detallada sobre la etiqueta energética.


11. INFORMACIÓN PARA LOS INSTITUTOS DE PRUEBAS


La instalación y la preparación del aparato para cualquier verificación de EcoDiseño deberá cumplir con EN 62552. Los requisitos de ventilación, las

dimensiones de los huecos y las distancias mínimas traseras serán los indicados en el Capítulo 3 de este Manual de Usuario. Por favor, póngase

en contacto con el fabricante para cualquier otra información adicional, incluyendo los planos de carga.

12. ASPECTOS MEDIOAMBIENTALES

Recicle los materiales con el símbolo . Coloque el material de embalaje en los contenedores adecuados para su reciclaje. Ayude a proteger el medio ambiente y la salud pública, así como a reciclar residuos de aparatos eléctricos y

electrónicos. No deseche los aparatos marcados con el símbolo  junto con los residuos domésticos. Lleve el producto a su centro de reciclaje local o póngase en contacto con su oficina municipal.

www.aeg.com/shop



211626801-A-292020



AEG