

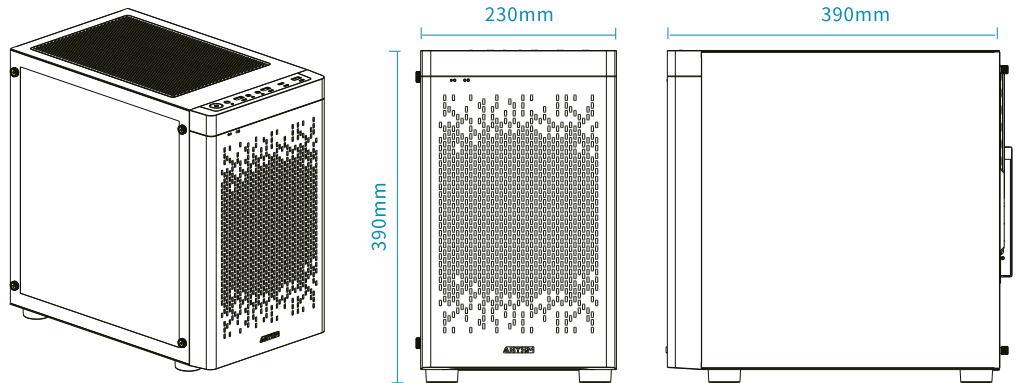
USER MANUAL

DANUBE INVA MX 202^{BLACK} COMPUTER CASE P/N.: AB123011

PRODUCT FEATURES

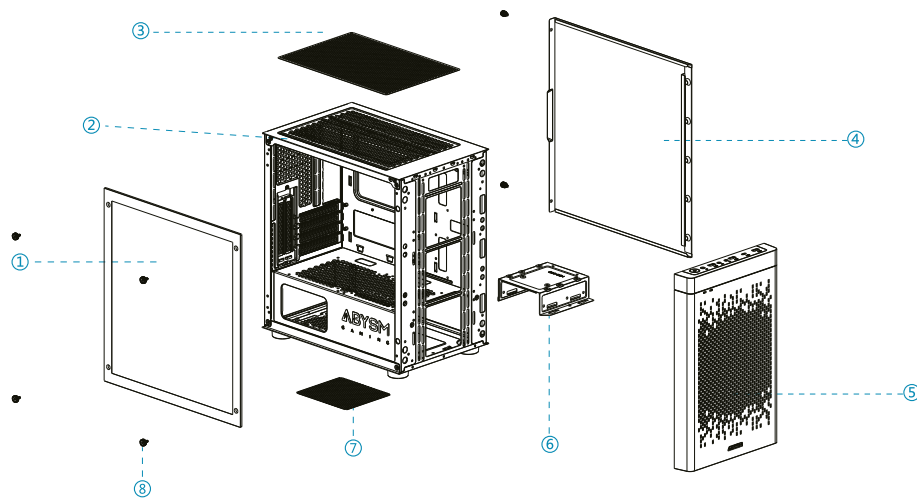
- 230 mm ultra-wide rack and ultra-strong compatibility
- Standard TYPE-C interface, which ensures quick transmission speed
- 3 mm tempered glass door, which is both convenient and safe.
- 280 mm water cooling design at the top; reasonable heat dissipation system.
- Support 20 cm fan, with strong heat dissipation effect and colorful lights.

* Product design and specifications may be revised to improve quality and performance without notice.

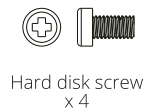


CASE STRUCTURE

- ① Glass side plate
- ② Main rack
- ③ Top dustproof mesh
- ④ Hardware side plate
- ⑤ Panel components
- ⑥ Hard disk rack
- ⑦ Bottom dustproof mesh
- ⑧ Side plate screws

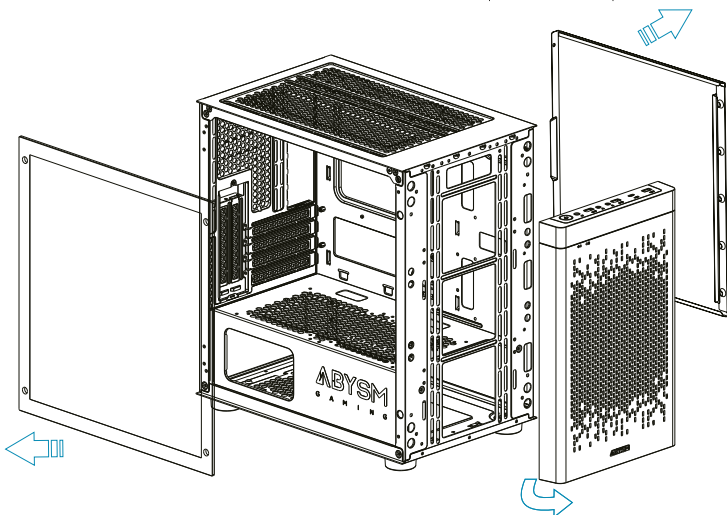


ACCESSORIES



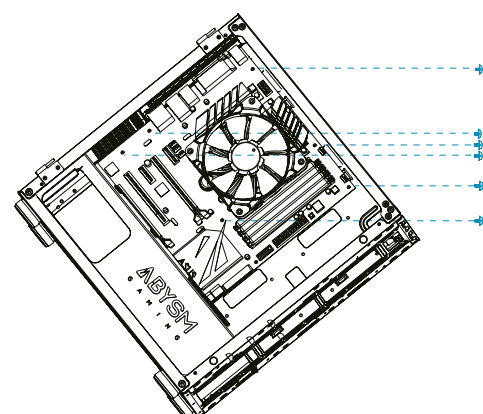
ASSEMBLY & DISASSEMBLY STEP

- Remove the screws to dismantle the glass side plate
- Remove the screws to dismantle the hardware side plate; removal panel



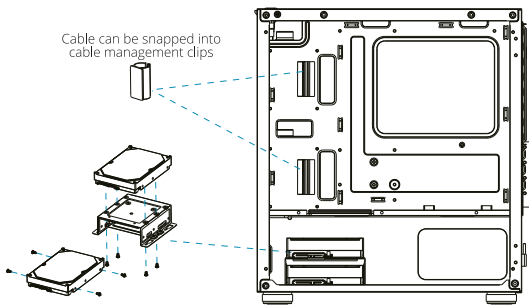
INSTALL MAINBOARD

- Mount copper columns based on mainboard hole, set mainboard into crate mounting site and fix it with screw



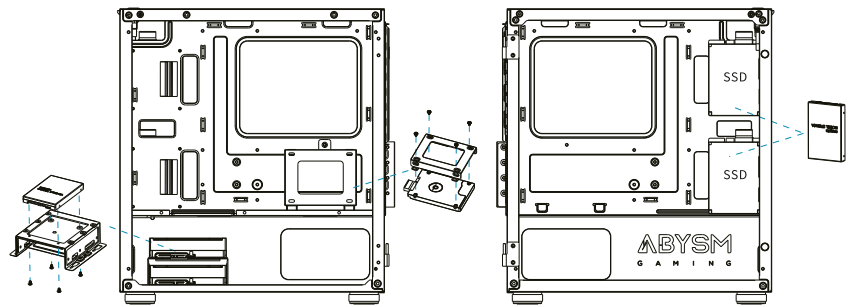
INSTALL HDD

Unscrew the screw to dismantle hard disk bracket and mount HDD; put back the hard disk bracket to rack and tighten it with screw.



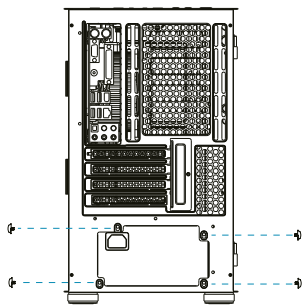
INSTALL SSD

1. Unscrew the screw to dismantle SSD bracket and mount SSD; put back the SSD bracket to rack and tighten it with screw;
2. Unscrew the screw to dismantle hard disk bracket and mount SSD; put back the hard disk bracket to rack and tighten it with screw;
3. Put SSD into rack mounting position and tighten it with screw.



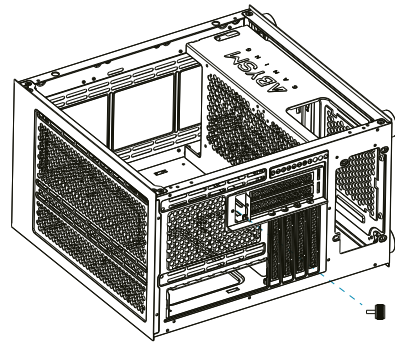
INSTALL POWER SUPPLY

Put the power supply at the crate installation position and fix it with 4 power supply screws.



INSTALL DISPLAY CARD

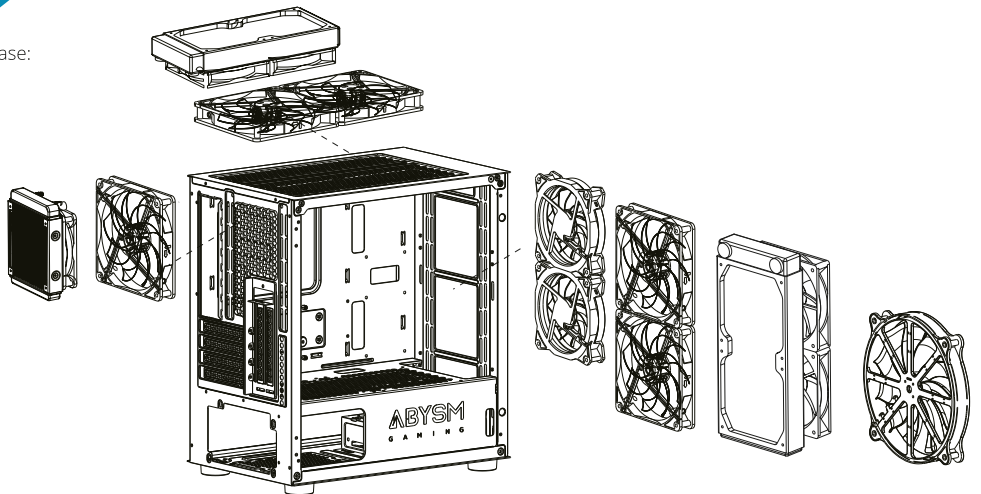
Unscrew the screw to lift the baffle plate, set display card into crate installation site, tighten it with screw and then assemble and lock the baffle plate.



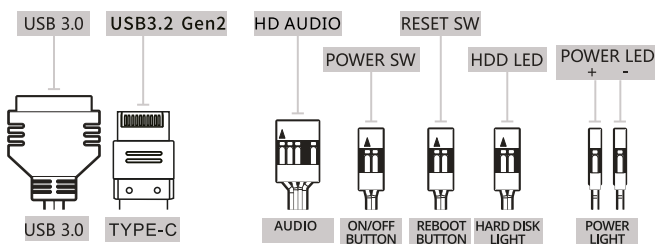
INSTALL CASE FAN

Installation configuration of fan and water cooling of the case:

- Front:**
 120mm fan x 2; 140mm fan x 2; 200mm fan x 1
 240mm cold exhaust fan x 1; 280mm cold exhaust fan x 1
- Top:**
 120mm fan x 2; 140mm fan x 2
 240mm cold exhaust fan x 1; 280mm cold exhaust fan x 1
- Rear:**
 120mm fan x 1; 140mm fan x 1



I/O PANEL



MEANING OF THE DUSTBIN SYMBOL



Protect our environment: do not dispose of electrical equipment in your domestic waste. Please return any electrical equipment that you will no longer use to the collection points provided for their disposal. These simple steps can help to avoid the potential effects that incorrect waste disposal can cause on the environment and human health. This will contribute to recycling and other forms of re-use of electrical and electronic equipment. Information concerning where the equipment can be disposed of can be obtained from your local authorities.

MADE IN CHINA
 Imported by: COLORS Information Technology, SL
 C/ Morse, 49 - Pol. Ind. San Marcos
 28906 Getafe (Madrid)
 CIF: B-84045574 · www.colors-it.es



*Note: Settings are subject to change.