

Always here to help you

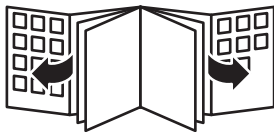
Register your product and get support at
www.philips.com/welcome

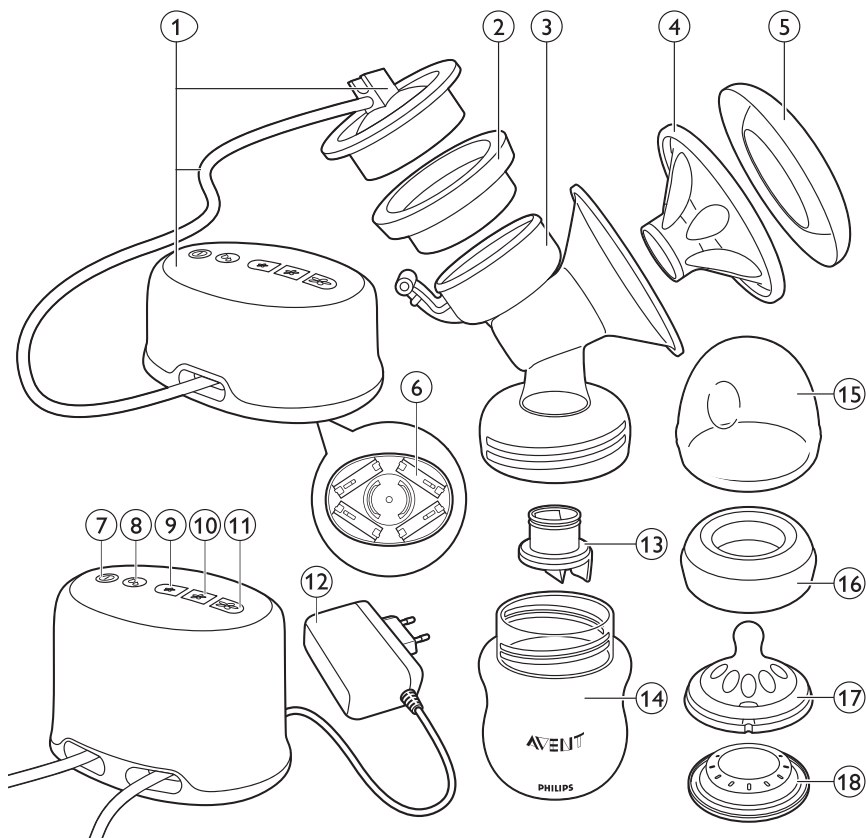
Question?
Contact
Philips

SCF334
SCF332

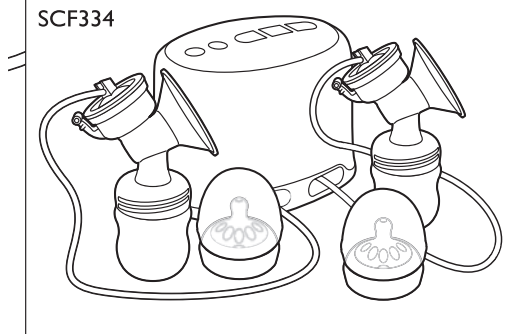


PHILIPS
AVENT





SCF334



SCF332



ENGLISH	6
DANSK	14
DEUTSCH	22
ΕΛΛΗΝΙΚΑ	31
ESPAÑOL	41
SUOMI	50
FRANÇAIS	58
ITALIANO	67
NEDERLANDS	76
NORSK	85
PORTUGUÊS	93
SVENSKA	102
עברית	117

Introduction

Congratulations on your purchase and welcome to Philips AVENT! To fully benefit from the support that Philips AVENT offers, register your product at www.philips.com/welcome.

The Philips AVENT breast pump has a unique design that enables you to sit in a more comfortable position while expressing. The soft massage cushion* is designed to feel soft and warm and imitates your baby's sipping action to provide fast milk flow - comfortably and gently. The breast pump starts in a gentle mode that helps to stimulate your milk flow. You can then choose from three suction modes, according to your own personal comfort. The pump is easy to assemble and operate and all parts that come into contact with breast milk are dishwasher-safe.

Healthcare professionals say that breast milk is the best nutrition for babies during the first year, combined with solid food after the first 6 months. Your breast milk is specially adapted to your baby's needs and contains antibodies which help protect your baby against infection and allergies. A breast pump can help you to breastfeed longer. You can express and store your milk so that your baby can still enjoy the benefits of it, even if you cannot be there to provide it yourself. As the pump is compact and discrete to use, you can take it with you anywhere, allowing you to express milk at your own convenience and maintain your milk supply.

*The cushion included with this pump was designed to comfortably fit the majority of mothers. However, should you need it, you can buy a cushion for larger nipples separately.

General description (Fig. 1)

- 1 Motor unit with silicone tube and cap*
- 2 Silicone diaphragm*
- 3 Pump body*
- 4 Massage cushion*
- 5 Cover*
- 6 Battery housing (SCF332 only)
- 7 On/off button
- 8 Stimulation button
- 9 Low suction button
- 10 Medium suction button
- 11 Deep suction button
- 12 Adapter
- 13 White valve*
- 14 Philips AVENT Natural bottle*
- 15 Cap*
- 16 Screw ring*
- 17 Teat*
- 18 Sealing disc*

*Note: Model SCF334 comes with two pieces of the marked parts, except for the motor unit.

Important

Read this user manual carefully before you use the breast pump and save it for future reference.

Danger

- Keep the motor unit and the adapter dry.
- Do not use the breast pump in the bath or in the shower.

- Do not place or store the breast pump near a tub or sink.
- Do not reach for a product that has fallen into water. Unplug immediately.

Warning

- Always unplug the breast pump immediately after use.
- This appliance can be used by children aged from 8 years and above and persons with reduced physical, sensory or mental capabilities or lack of experience and knowledge if they have been given supervision or instruction concerning use of the appliance in a safe way and if they understand the hazards involved. Children shall not play with the appliance. Cleaning and user maintenance shall not be made by children without supervision.
- Do not allow children or pets to play with the motor unit, the adapter or accessories, as these parts may pose a choking or strangulation danger.
- Inspect the breast pump, including the adapter, for signs of damage before each use. Do not use the breast pump if the adapter or plug is damaged, if it does not work properly, if it is damaged or if it has been dropped or submerged in water.
- Do not use the breast pump outdoors, where aerosol spray products are used or where oxygen is administered.
- The breast pump is not suitable for use in the presence of flammable anaesthetic mixtures with air or with oxygen or nitrous oxide.
- There are no user serviceable parts inside the motor unit of the breast pump. Do not attempt to open, service or repair the breast pump yourself. If you do, your guarantee becomes invalid.
- Keep the adapter and the silicone tubes away from heated surfaces.
- Only use the adapter indicated on the appliance.
- Do not attempt to remove the pump body from your breast while under vacuum. Switch off the appliance and break the seal between your breast and the pump funnel with your finger. Remove the pump from your breast.
- Never use the breast pump while you are pregnant, as pumping can induce labour.
- Never use the breast pump while you are sleepy or drowsy.
- Do not expose the breast pump to extreme heat and do not place it in direct sunlight.

Caution

- The breast pump is only intended for repeated use by a single user.
- Do not leave the breast pump unattended when it is plugged in.
- Never drop or insert any foreign object into any opening.

8 ENGLISH

- Although the breast pump is compliant with applicable EMC directives, it may still be susceptible to excessive emissions and/or may interfere with more sensitive equipment.
- Never use any accessories or parts from other manufacturers or that Philips AVENT does not specifically recommend. If you use such accessories or parts, your guarantee becomes invalid.
- Clean, rinse and sterilise all pump parts, except the motor unit, the tube and cap and the adapter before each use.
- Never put the motor unit or the adapter in water or in a steriliser, as this causes permanent damage to these parts.
- Do not use antibacterial or abrasive cleaning agents when you clean breast pump parts.
- Do not use the breast pump if the silicone diaphragm appears to be damaged or broken. See chapter 'Ordering accessories' for information on how to obtain replacement parts.
- Do not continue pumping for more than five minutes at a time if you do not succeed in expressing any milk.
- If the pressure generated is uncomfortable or causes pain, switch off the appliance, break the seal between the breast and the pump body with your finger and remove the pump from your breast.

Electromagnetic fields (EMF)

This Philips appliance complies with all applicable standards and regulations regarding exposure to electromagnetic fields.

Preparing for use

The motor unit, the silicone tube and cap and the adapter do not require cleaning and sterilising, as they do not come into contact with breast milk.

Clean and sterilise all other parts of the breast pump before first use as described in chapter 'Cleaning and sterilising'. Also clean these parts after each subsequent use and sterilise them before each subsequent use.

Assembling the breast pump

Note: Make sure you have cleaned and sterilised the appropriate parts of the breast pump. Wash your hands thoroughly before you handle the cleaned parts.

Be careful, the cleaned parts may still be hot.

Tip: You may find it easier to assemble the breast pump while it is wet.

- 1** Insert the white valve into the pump body from underneath. Push in the valve as far as possible (Fig. 2).
- 2** Screw the pump body clockwise onto the bottle until it is securely fixed (Fig. 3).
- 3** Place the silicone diaphragm into the pump body from above. Make sure it fits securely around the rim by pressing down with your fingers to ensure a perfect seal (Fig. 4).

- 4** Place the massage cushion into the funnel-shaped section of the pump body. Push in the inner part of the massage cushion as far as possible and make sure that it is perfectly sealed all around the rim of the pump body. Press in between the petals to remove any trapped air (Fig. 5).

Note: Place the cover over the massage cushion to keep the breast pump clean while you prepare for expressing.

- 5** Insert the adapter into the wall socket and insert the other end into the motor unit (Fig. 6). The adapter reference code is indicated on the bottom of the appliance. Only use the indicated adapter with the appliance.

- For battery operation (SCF332 only), turn the bottom of the motor unit in the direction indicated by the marks on the bottom (1) and remove it (2). Insert four new 1.5V AA batteries (or 1.2V, if rechargeable) into the battery housing. Reattach the bottom to the motor unit (Fig. 7).

Note: A new set of batteries provides up to 3 hours of operation. If you have inserted batteries in the battery housing of the motor unit and plug in the adapter, the breast pump will run from the main power supply. The batteries cannot be charged in the unit.

- 6** Attach the silicone tube and cap onto the diaphragm. Push down the cap until it is securely in place (Fig. 8).

Using the breast pump

When to express milk

If breastfeeding goes well for you, it is advisable (unless advised otherwise by your healthcare professional/breastfeeding advisor) to wait until your milk supply and breastfeeding schedule are established (normally at least 2 to 4 weeks after giving birth).

Exceptions:

- If breastfeeding does not immediately work for you, expressing regularly can help to establish and maintain your milk supply.
- If you are expressing milk for your baby to be given in hospital.
- If your breasts are engorged (painful or swollen): you can express a small amount of milk before or between feeds to ease the pain and to help your baby latch on more easily.
- If you have sore or cracked nipples, you may wish to express your milk until they are healed.
- If you are separated from your baby and wish to continue to breastfeed when you are reunited, you should express your milk regularly to stimulate your milk supply.

You need to find the optimum times of the day to express your milk, for example just before or after your baby's first feed in the morning when your breasts are full, or after a feed if your baby has not emptied both breasts. If you have returned to work, you may need to express during a break. Using a breast pump requires practice and it may take several attempts before you succeed.

Fortunately, the Philips AVENT electric breast pump is easy to assemble and use so you will soon get used to expressing with it.

Tips

- Familiarise yourself with the breast pump and how to operate it before you use it for the first time.
- Choose a time when you are not in a rush and will not be interrupted.
- A photograph of your baby can help encourage the 'let-down' reflex.
- Warmth can also help: try to express after a bath or shower, or place a warm cloth or Philips AVENT Thermopad on the breast for a few minutes before you start expressing.
- You may find it easier to express while your baby is feeding from the other breast, or immediately after a feed.
- If expressing becomes painful, stop and consult your breastfeeding advisor or healthcare professional.

Operating the breast pump

- 1** Wash your hands thoroughly and make sure your breasts are clean.
- 2** Relax in a comfortable chair (you may wish to use cushions to support your back). Make sure you have a glass of water nearby.
- 3** Press the assembled pump body against your breast. Make sure that your nipple is centered, so that the massage cushion creates an airtight seal.
SCF334: The twin electric breast pump enables you to express milk from both breasts at the same time. However, you can also use the appliance to express from one breast in just the same way.
- 4** Press the on/off button (Fig. 9).
 - ▶ The breast pump automatically starts up in stimulation mode and the on/off button and the stimulation button light up.
 - ▶ You begin to feel the suction on your breast.
- 5** Once your milk starts flowing, you can adopt a slower rhythm by pressing the lowest suction button (Fig. 10).
 - ▶ This button lights up instead of the stimulation button.

Note: Do not worry if your milk does not flow immediately. Relax and continue pumping. The first few times you use the breast pump, you may need to use a higher suction mode to get your milk flowing.

- 6** Depending on your own personal comfort, you may wish to use a higher suction mode that provides deeper suction. You can return to a lower suction mode, or switch off the breast pump whenever you like by pressing the appropriate button (Fig. 11).

Note: You do not need to use all suction modes, only use the modes that are comfortable for you.

Always switch off the breast pump before you remove the pump body from your breast.

Do not continue pumping for more than 5 minutes at a time if you do not succeed in expressing any milk. Try to express at another time during the day. If the process becomes very uncomfortable or painful, stop using the pump and consult your breastfeeding advisor.

- 7** On average, you need to pump for 10 minutes to express 60-125ml (2-4fl oz) of breast milk from one breast. However, this is just an indication and varies from woman to woman.

Note: If you regularly express more than 125ml per session, you can use a 260ml/9fl oz Philips AVENT bottle to prevent overflowing and spillage.

- 8** When you have finished expressing, switch off the breast pump and carefully remove the pump body from your breast.
- 9** Unscrew the bottle from the pump body ready for feeding/storage. Clean the other used parts of the breast pump according to the instructions in chapter 'Cleaning and sterilising'.
- 10** Unplug the motor unit. For easy storage, wrap the silicone tube around the motor unit and clip the cap onto the tube (Fig. 12).

After use

Storing breast milk

Only store breast milk collected with a sterile pump.

Breast milk can be stored in the fridge (not in the door) for up to 48 hours. Expressed milk should be refrigerated immediately. If you store milk in the fridge to add to during the day, only add milk that has been expressed into a sterilised bottle or breast milk container.

Breast milk can be stored in the freezer for up to three months as long as it is kept in either sterilised bottles fitted with a sterilised screw ring and sealing disc. Clearly label the bottle with the date and time of expression and use older breast milk first.

If you intend to feed your baby with the expressed breast milk within 48 hours, you can store the breast milk in the fridge in an assembled Philips AVENT bottle:

- 1** Unscrew the bottle and remove it from the pump body.
- 2** Assemble a sterilised teat and screw ring onto the bottle according to the separate instructions provided with the bottle. Seal the teat with the dome cap.
- 3** Alternatively, insert a sterilised sealing disc into a sterilised screw ring and screw this onto the bottle.

Do's

- Always refrigerate or freeze expressed milk immediately.
- Only store milk collected with a sterilised breast pump in sterilised bottles.

Don'ts

- Never refreeze thawed breast milk.
- Never add fresh breast milk to frozen breast milk.

Feeding your baby expressed breast milk

You can feed your baby with breast milk from Philips AVENT bottles and storage cups:

- 1 If you use frozen breast milk, let it defrost completely before you heat it.

Note: *In case of an emergency, you can defrost the milk in a bowl of hot water.*

- 2 Heat the bottle or storage cup with defrosted or refrigerated breast milk in a bowl of hot water or in a bottle warmer.
- 3 Remove the screw ring and sealing disc from the bottle or remove the lid from the storage cup.
- 4 If you are using a storage cup, screw the adapter ring onto the cup.
- 5 Screw a sterilised screw ring with sterilised teat onto the bottle or onto the storage cup with adapter ring.

Do's

- Always check the temperature of the milk before you feed it to your baby.
- Always discard any breast milk that is left over at the end of a feed.

Don'ts

- Never heat breast milk in a microwave, as this can cause uneven heating, which can lead to hot spots in the milk. It may also destroy nutrients in the milk.

Cleaning and sterilising

The motor unit, the silicone tube and cap and the adapter do not require cleaning and sterilising, as they do not come into contact with breast milk.

Clean and sterilise all other parts of the breast pump before first use. Also clean these parts after each subsequent use and sterilise them before each subsequent use.

Danger: Never put the motor unit or the adapter in water or in a steriliser.

- 1 Disassemble the breast pump completely. Also remove the white valve.

Be careful when you remove the white valve and when you clean it. If it gets damaged, your breast pump does not function properly. To remove the white valve, gently pull at the ribbed tab on the side of the valve.

- 2 Clean all parts, except the motor unit, the silicone tube and cap and the adapter, in the dishwasher (on the top rack only) or in hot water with some mild washing-up liquid and then rinse them thoroughly.

To clean the valve, rub it gently between your fingers in warm water with some washing-up liquid. Do not insert objects into the valve, as this may cause damage.

- 3 Sterilise the cleaned parts of the breast pump in a Philips AVENT steam steriliser or by boiling them for 5 minutes.

Never put the motor unit or the adapter in water or a steriliser. If necessary, you can wipe the motor unit with a soft, damp cloth.

Storage

Keep the breast pump out of direct sunlight as prolonged exposure may cause discolouration.

- 1 Store the breast pump and its accessories in a safe and dry place.

Compatibility

The Philips AVENT electric breast pump is compatible with Philips AVENT bottles in our range. When you use Classic bottles that feature our two-piece anti-colic system, always insert the ring in the top of the bottle before you attach it to the breast pump. When you use other Philips AVENT bottles, use the same type of teat that was supplied with that bottle. For details on how to assemble the teat and general cleaning instructions, refer to the user manual that came with your bottle. These details can also be found on our website, www.philips.com/support.

Replacement

Batteries

Only replace the non-rechargeable batteries of the breast pump (SCF332 only) with four 1.5V AA batteries (or 1.2V if rechargeable).

For instructions on how to replace the batteries see chapter 'Preparing for use'.

Ordering accessories

To buy accessories or spare parts, visit www.shop.philips.com/service or go to your Philips dealer. You can also contact the Philips Consumer Care Centre in your country (see the worldwide guarantee leaflet for contact details).

Recycling

- This symbol on a product means that the product is covered by European Directive 2012/19/EU (Fig. 13).
- This symbol means that the product contains batteries covered by European Directive 2006/66/EC which cannot be disposed of with normal household waste (Fig. 14).
- Inform yourself about the local separate collection system for electrical and electronic products and batteries. Follow local rules and never dispose of the product and batteries with normal household waste. Correct disposal of old products and batteries helps prevent negative consequences for the environment and human health.

Removing the disposable batteries

To remove the disposable batteries, see chapter 'Preparing for use', section 'Assembling the breast pump'.

Guarantee and support

If you need information or support, please visit www.philips.com/support or read the separate worldwide guarantee leaflet.

Troubleshooting

This chapter summarises the most common problems you could encounter with the appliance. If you are unable to solve the problem with the information below, contact the Consumer Care Centre in your country or visit us online at www.philips.com/support.

Problem	Solution
I experience pain when I use the breast pump.	Stop using the breast pump and consult your breastfeeding advisor. If the pump body does not come away easily from the breast, it may be necessary to break the vacuum by placing a finger between the breast and the massage cushion.
The breast pump is scratched.	In case of regular use, some light scratching is normal and does not cause problems. However, if a part of the breast pump becomes badly scratched or if it cracks, stop using the breast pump and contact the Philips Consumer Care Centre or visit www.shop.philips.com/service to obtain a replacement part. Be aware that combinations of cleaning agents, sterilising solution, softened water and temperature fluctuations may, under certain circumstances, cause the plastic to crack. Avoid contact with abrasive or antibacterial detergents as these can damage the plastic.
The breast pump does not work and the on/off button flashes.	First check if you have assembled the breast pump correctly and make sure that there is no kink in the tube. If you are using SCF332 with batteries, replace the batteries according to the instructions in chapter 'Preparing for use', action 5. If you are using SCF334 or SCF332 on mains electricity, check to make sure you are using the adapter that was supplied with the product. If the problem persists, contact the Consumer Care Centre in your country.
I do not feel any suction.	Check if you have assembled the breast pump correctly by following the steps in chapter 'Preparing for use'. Make sure the silicone tube is firmly attached to the motor unit and to the cap and diaphragm.
I need to replace the silicone tube, but do not know how to remove it.	To remove the tube, grab it close to the motor unit and pull while twisting it. To reconnect the tube, ease the tube back onto the connector on the motor unit with a slight twisting motion. Make sure it is securely attached.

Introduktion

Tillykke med dit køb, og velkommen til Philips AVENT! For at få fuldt udbytte af den support, Philips AVENT tilbyder, skal du registrere dit produkt på www.philips.com/welcome. Philips AVENT-brystpumpen har et unikt design, der tillader dig at sidde i en mere komfortabel stilling, imens du udmalker. Den bløde massagepude* er designet, så den føles blød og varm og efterligner dit barns suttebevægelser, så mælke tilstrømningen bliver hurtig – komfortabelt og blidt. Brystpumpen starter på en blid måde, der hjælper med til at stimulere mælke tilstrømningen. Du kan vælge mellem tre sugefunktioner i overensstemmelse med din egen personlige komfort. Pumpen er let at samle og betjene, og alle dele, der kommer i kontakt med brystmælken, kan vaskes i opvaskemaskinen. Sundhedsfaglige eksperter mener, at brystmælk er den bedste næring for babyer det første år i kombination med fast føde efter de første 6 måneder. Din brystmælk er særligt tilpasset din babys behov og indeholder antistoffer, som hjælper med at beskytte din baby imod infektioner og allergi. En brystpumpe kan hjælpe dig med at amme i længere tid. Du kan udmalke og opbevare din mælk, således at din baby stadig kan nyde fordelene ved den, også selvom du ikke er til stede til selv at kunne levere den. Eftersom pumpen er kompakt og diskret, kan du tage den med dig overalt, således at du kan udmalke mælk, når det passer dig, samt fastholde din mælkeforsyning. *Den pude, der medfølger til pumpen, er designet til at passe til de fleste mødre. Ved behov kan du dog købe en pude til større brystvorter separat.

Generel beskrivelse (fig. 1)

- 1 Motorenhed med silikonerør og hætte*
- 2 Silikonemembran*
- 3 Pumpeenhed*
- 4 Massagepude*
- 5 Dæksel*
- 6 Batterikabinet (kun SCF332)
- 7 On/off-knap
- 8 Stimuleringsknap
- 9 Knap for lav sugestyrke
- 10 Knap for medium sugestyrke
- 11 Knap for kraftig sugestyrke
- 12 Adapter
- 13 Hvid ventil*
- 14 Philips AVENT Natural flaske*
- 15 Hætte*
- 16 Skruering*
- 17 Sut*
- 18 Forseglingsskive*

**Bemærk: Model SCF334 leveres med to stykker af de markerede dele bortset fra motorenheden.*

Vigtigt

Læs denne brugervejledning omhyggeligt igennem, inden brystpumpen tages i brug, og opbevar den til eventuel senere brug.

Fare

- Hold motorenheden og adapteren tør.
- Brug ikke brystpumpen i badet eller under bruseren.

- Placer eller opbevar ikke brystpumpen nær et badekar eller en håndvask.
- Tag ikke fat i et produkt, der er faldet i vand. Træk stikket ud øjeblikkeligt.

Advarsel

- Tag altid brystpumpen ud af stikkontakten øjeblikkeligt efter brug.
- Dette apparat kan bruges af børn fra 8 år og opefter samt af personer med nedsatte fysiske, sensoriske eller mentale evner eller manglende viden eller erfaring, hvis de er blevet vejledt eller instrueret i brug af apparatet på en sikker måde og forstår de involverede risici. Børn må ikke lege med apparatet. Rengøring og brugervedligeholdelse må ikke foretages af børn uden opsyn.
- Lad ikke børn eller dyr lege med motorenheden, adapteren eller tilbehøret, da disse dele kan udgøre en fare for kvælning.
- Kontroller brystpumpen, inklusive adapteren, for tegn på beskadigelse før hver brug. Anvend ikke brystpumpen, hvis adapter eller stik er beskadiget, hvis den ikke fungerer ordentligt, hvis den er beskadiget, eller hvis den har været tabt eller nedsænket i vand.
- Anvend ikke brystpumpen udendørs, hvor produkter med aerosolspray anvendes, eller hvor der gives ilt.
- Brystpumpen bør ikke anvendes i nærheden af brændbare bedøvelsesblandinger med luft eller med ilt eller lattergas.
- Der er ingen dele i brystpumpens motorenhed, der kan udskiftes af brugeren. Prøv ikke selv at åbne, efterse eller reparere brystpumpen. Hvis du gør det, bortfalder garantien.
- Hold adapteren og silikonerørene væk fra opvarmede overflader.
- Anvend kun den adapter, der vises på apparatet.
- Prøv ikke at fjerne pumpeenheden fra dit bryst, imens det er under vakuum. Sluk for apparatet, og bryd forbindelsen mellem dit bryst og pumpens tragt med en finger. Fjern pumpen fra dit bryst.
- Brug aldrig brystpumpen, mens du er gravid, eftersom pumpning kan fremkalde fødsel.
- Benyt aldrig brystpumpen, hvis du er træt eller døsig.
- Udsæt ikke brystpumpen for ekstrem varme, og placer den ikke i direkte sollys.

Forsigtig

- Brystpumpen er kun beregnet til gentagen brug af en enkelt bruger.
- Efterlad ikke brystpumpen uden opsyn, når den er sat i stikkontakten.
- Tab ikke produktet, og isæt aldrig fremmedlegemer i nogen åbning.

- Selvom brystpumpen overholder gældende EMC-direktiver; kan der stadig være store emissioner; og/eller den kan forstyrre mere sensitivt udstyr.
- Brug aldrig tilbehør eller dele fra andre fabrikater, eller tilbehør/dele som ikke specifikt er anbefalet af Philips AVENT, da reklamationsretten i modsat fald bortfalder.
- Rengør; skyl og steriliser alle dele af pumpen undtagen motordelen, røret og hættten og adapteren før hver brug.
- Put aldrig motordelen eller adapteren i vand eller i en sterilisator, da dette forårsager permanent skade på disse dele.
- Benyt ikke antibakterielle eller skræppe rengøringsmidler, når du rengør brystpumpens dele.
- Anvend ikke brystpumpen, hvis silikonemembranen ser ud til at være beskadiget eller itu. Se kapitlet "Bestilling af tilbehør" for oplysninger om, hvordan reservedele skaffes.
- Fortsæt ikke pumpningen i mere end 5 minutter ad gangen, hvis det ikke lykkes dig at udmalke noget mælk.
- Hvis det tryk, der skabes, bliver ubehageligt eller forårsager smerter, skal du slukke for apparatet, bryde forseglingen mellem brystet og pumpeenheden med fingeren og fjerne pumpen fra brystet.

Elektromagnetiske felter (EMF)

Dette Philips-apparat overholder alle branchens gældende standarder og regler angående eksponering for elektromagnetiske felter:

Klargøring

Motordelen, silikonerøret og hættten og adapteren behøver ikke rengøring og sterilisering, da de ikke kommer i kontakt med brystmælk.

Rengør og steriliser alle brystpumpens dele før første brug som beskrevet i kapitlet "Rengøring og sterilisering". Rengør også alle dele efter hver efterfølgende brug, og steriliser alle dele før hver efterfølgende brug.

Samling af brystpumpen

Bemærk: Sørg for at have rensset og steriliseret alle brystpumpens dele. Vask hænderne grundigt, før du håndterer de rengjorte dele

Vær forsigtig, de rengjorte genstande kan stadig være varme.

Tip: Det kan være nemmere at samle brystpumpen, når den er våd.

- 1** Indsæt den hvide ventil i pumpeenheden nedefra. Skub ventilen så langt ind som muligt (fig. 2).
- 2** Skru pumpeenheden med uret, indtil den sidder sikkert fast på flasken (fig. 3).
- 3** Sæt silikonemembranen ind i pumpeenheden ovenfra. Kontroller, at den sidder tæt omkring kanten ved at trykke ned med dine fingre, så der opnås en perfekt forsegling (fig. 4).

- 4** Place massagepuden i pumpeenhedens tragtformede del. Skub den inderste del af massagepuden så langt tilbage som muligt, og kontroller, at den er perfekt forseglet omkring pumpeenhedens. Tryk ned mellem kronerne for at fjerne evt. indespærret luft (fig. 5).

Bemærk: Placer dækslet over massagepuden for at holde brystpumpen ren, mens du forbereder udmalkning.

- 5** Sæt adapteren i stikkontakten og i motorenheden (fig. 6).

Adapterreferencekoden er vist på bunden af apparatet. Anvend kun den viste adapter med apparatet.

- Ved brug med batterier (kun SCF332) drejes bunden af motorenheden i den retning, der er vist i bunden (1) og fjernes (2). Isæt fire nye 1,5V AA-batterier (eller 1,2V genopladelige) i batterikabinettet. Sæt bunden på motorenheden igen (fig. 7).

Bemærk: Et nyt sæt batteri giver op til 3 timers drift. Hvis du har sat batterier i batterikabinettet i motordelen og sætter adapteren på, vil brystpumpen få strøm fra hovedstrømforsyningen. Batterierne kan ikke oplades i enheden.

- 6** Sæt silikonerøret og hættten på membranen. Skub hættten ned, indtil den sidder sikkert på plads (fig. 8).

Brug af brystpumpen

Hvornår skal du udmalke?

Hvis din amning fungerer godt, anbefaler vi (medmindre din sundhedsfaglige ekspert/ammerådgiver instruerer dig i andet), at du venter, indtil dit mælkeforsynings- og ammeskema ligger fast (normalt tidligst 2-4 uger efter fødslen).

Undtagelser:

- Hvis amningen ikke umiddelbart fungerer, kan jævnlig udmalkning hjælpe med at etablere og vedligeholde din mælkeforsyning.
- Hvis du udmalker mælk til din baby, der skal gives på hospitalet.
- Hvis dine bryster er overfyldte (ømmelse eller hævede): Du kan udmalke en lille mængde mælk før eller mellem amningerne for at lindre smerten og hjælpe din baby med nemmere at få fat.
- Hvis du har ømme eller sprukne brystvorter, kan det være en god ide først at udmalke, når de er helede.
- Hvis du adskilles fra din baby og vil fortsætte med at amme, når I genforenes, bør du udmalke jævnligt for at stimulere din mælkeforsyning.

Du skal finde de optimale tidspunkter for udmalkning, f.eks. umiddelbart før eller efter din babys første amning om morgenen, når dine bryster er fulde, eller når amningen af din baby ikke har tømt begge bryster. Hvis du er tilbage på arbejdsmarkedet, kan du have behov for at udmalke i løbet af en pause. Brug af en brystpumpe kræver øvelse, og der skal muligvis adskillige forsøg til, før det lykkes. Heldigvis er Philips AVENT elektrisk brystpumpe nem at samle og bruge, således at du hurtigt kan komme i gang med at udmalke med den.

Gode råd

- Lær brystpumpen og dens betjening at kende, før du bruger den for første gang.
- Vælg et tidspunkt, hvor du ikke har travlt, og hvor du kan sidde uforstyrret.
- Et foto af din baby kan hjælpe med at stimulere reflexen til pause mellem tryk.
- Varme kan også hjælpe: Prøv at udmalke efter et kar- eller brusebad, og placer et varmt klæde eller Philips AVENT-termopuden på brystet i nogle få minutter, før du påbegynder udmalkningen.
- Det kan være nemmere at udmalke, mens du ammer din baby ved det andet bryst eller umiddelbart efter amning.
- Hvis udmalkningen bliver smertefuld, skal du ophøre med at bruge pumpen og rådføre dig med din ammerådgiver eller sundhedsfaglige ekspert.

Betjening af brystpumpen

- 1** Vask hænderne grundigt, og sørg for, at dine bryster er rene.
- 2** Sæt dig mageligt til rette i en behagelig stol (brug evt. puder som rygstøtte). Sørg for at have et glas vand ved hånden.
- 3** Tryk den samlede brystpumpe mod dit bryst. Sørg for, at brystvorten er centreret, således at massagepuden danner en lufttæt forsegling.

SCF334: Den dobbelte elektriske brystpumpe gør det muligt for dig at udmalke mælk fra begge bryster på samme tid. Du kan dog også anvende apparatet til at udmalke fra et bryst på samme måde.

- 4** Tryk på on/off-knappen (fig. 9).
 - ▶ Brystpumpen starter automatisk i stimuleringsstilstand, og on/off-knappen og stimuleringsknappen lyser.
 - ▶ Du begynder at føle suget på dit bryst.
- 5** Når din mælk begynder at løbe, kan du finde en langsom rytme ved at trykke på knappen for laveste sug (fig. 10).
 - ▶ Denne knap lyser i stedet for stimuleringsknappen.

Bemærk: Vær ikke bekymret, hvis din mælk ikke løber til øjeblikkeligt. Slap af og fortsæt med at pumpe. De første par gange, du anvender brystpumpen, skal du måske anvende en højere sugeindstilling for at få mælken til at løbe til.

- 6** Afhængig af din egen personlige komfort ønsker du måske en højere sugeindstilling, der giver et kraftigere sug. Du kan vende tilbage til en lavere sugeindstilling eller slukke for brystpumpen når som helst ved at trykke på den tilhørende knap (fig. 11).

Bemærk: Du behøver ikke at anvende alle sugeindstillinger, blot de indstillinger du finder komfortable.

Sluk altid for brystpumpen, inden du fjerner pumpeenheten fra dit bryst.

Fortsæt ikke med at pumpe i mere end 5 minutter ad gangen, hvis du ikke kan udmalke noget mælk. Forsøg at udmalke på et andet tidspunkt i løbet af dagen. Hvis processen begynder at blive meget ubehagelig eller smertefuld, skal du ophøre med at bruge pumpen og rådføre dig med din ammerådgiver.

- 7** I gennemsnit skal du pumpe i 10 minutter for at udmalke 60-125 ml brystmælk fra et bryst. Dette er dog kun vejledende og varierer fra kvinde til kvinde.

Bemærk: Hvis du jævnligt udmalke mere end 125 ml pr. gang, kan du bruge en 260 ml Philips AVENT-flaske for at forhindre overopfyldning og spild.

- 8** Når du er færdig med at udmalke, skal du slukke for brystpumpen og forsigtigt fjerne pumpeenheten fra dit bryst.
- 9** Skru flasken fra pumpeenheten mhp. madning eller opbevaring. Rengør de andre anvendte dele af brystpumpen ifølge instruktionerne i kapitlet "Rengøring og sterilisering".
- 10** Tag motorenheden ud af stikket. For nem opbevaring vikles silikonerøret omkring motorenheden, og hættten sættes på røret (fig. 12).

Efter brug

Opbevaring af brystmælk

Opbevar kun brystmælk opsamlet med den sterile pumpe.

Brystmælk kan opbevares i køleskabet (ikke i døren) i op til 48 timer: Udmalket mælk skal nedkøles med det samme. Hvis du opbevarer mælk i køleskabet til tilsætning i løbet af dagen, må du kun tilsætte mælk, der har været udmalket, til en steriliseret flaske eller brystmælksbeholder.

Brystmælk kan opbevares i fryseren i op til tre måneder, så længe den opbevares i steriliserede flasker udstyret med en steriliseret skruering og en forseglingskive. Mærk tydeligt flasken med dato og klokkeslæt for udmalkning, og brug den ældste brystmælk først.

Hvis du påtænker at made dit barn med den udmalkede brystmælk inden for 48 timer, kan du opbevare brystmælken i køleskabet i en samlet Philips AVENT-flaske:

- 1** Skru flasken af, og fjern den fra pumpeenheden.
- 2** Sæt en steriliseret sut og skruering på flasken ifølge den separate instruktion, der leveres med flasken. Forsegl sutten med beskyttelseshætten.
- 3** Alternativt kan du indsætte en steriliseret forseglingskive i en steriliseret skruering og skrue denne på flasken.

Husk

- At nedkøle eller fryse udmalket mælk med det samme.
- Opbevar kun mælk, der er samlet med steriliseret brystpumpe i steriliserede flasker.

Undlad

- At genindfryse optøet brystmælk.
- At tilsætte brystmælk til frossen brystmælk.

Madning af din baby med udmalket brystmælk

Du kan made din baby med brystmælk fra Philips AVENT-flasker og -bægre til opbevaring:

- 1 Hvis du benytter frossen brystmælk, skal du optø mælken helt, før du opvarmer den.

Bemærk: *I nødstilfælde kan du optø mælken i en skål med varmt vand.*

- 2 Opvarm flasken eller bægere til opbevaring med optøet eller nedkølet brystmælk i en skål med varmt vand eller i en flaskevarmer.
- 3 Fjern skrueringen og forseglingskiven fra flasken, eller fjern låget fra bægere til opbevaring.
- 4 Hvis du bruger et bæger til opbevaring, skal du skrue adapterringen fast på bægere.
- 5 Skru en steriliseret skruering med steriliseret sut fast på flasken eller bægere til opbevaring sammen med adapterringen.

Husk

- Altid at kontrollere mælkens temperatur, før du giver den til din baby.
- Kasser altid eventuel overskydende mælk efter madning af dit barn.

Undlad

- At opvarme mælken i mikrobølgeovn, eftersom dette kan skabe uensartet opvarmning, hvilket kan føre til varme dele i mælken. Det kan også ødelægge næringsstofferne i mælken.

Rengøring og sterilisering

Motordelen, silikonerøret og hættten og adapteren behøver ikke rengøring og sterilisering, da de ikke kommer i kontakt med brystmælk.

Rengør og steriliser alle brystpumpens dele før første brug. Rengør også disse dele efter hver efterfølgende brug, og steriliser dem før hver efterfølgende brug.

Fare: Læg aldrig motordelen eller adapteren i vand eller i en sterilisator.

- 1** Adskil brystpumpen helt. Fjern også den hvide ventil.

Pas på, når du fjerner den hvide ventil, og når du rengør den. Hvis den beskadiges, fungerer din brystpumpe ikke korrekt. Du fjerner den hvide ventil ved forsigtigt at trække i den rillede tap på siden af ventilen.

- 2** Rengør alle dele undtagen motorenheden, silikonerøret og hættten og adapteren i opvaskemaskinen (kun på øverste hylde) eller i varmt vand med mildt opvaskemiddel, og skyl dem derefter grundigt.

Ventilen rengøres ved forsigtigt at gnutte den mellem fingrene i varmt vand med lidt opvaskemiddel. Stik ikke noget ind i ventilen, eftersom dette kan beskadige den.

- 3** Steriliser de rengjorte dele af brystpumpen i en Philips AVENT dampsterilisator eller ved at koge dem i 5 minutter.

Læg aldrig motorenheden eller adapteren i vand eller en sterilisator. Hvis nødvendigt kan motorenheden tørres af med en blød, fugtig klud.

Opbevaring

Undgå at udsætte brystpumpen for direkte sollys, da længere tids eksponering kan forårsage misfarvning.

- 1** Opbevar brystpumpen og dens tilbehør på et sikkert og tørt sted.

Kompatibilitet

Den elektriske Philips AVENT-brystpumpe er kompatibel med vores udvalg af Philips AVENT-flasker. Når du bruger flasker med vores todelte anti-koliksystem, skal du altid sætte ringen i den øverste del af flasken, før du monterer den på brystpumpen. Når du bruger andre Philips AVENT-flasker, skal du bruge den samme type sut, som blev leveret sammen med flasken. Der findes yderligere oplysninger om, hvordan du samler sutten, samt generelle rengøringsinstruktioner i den brugervejledning, som blev leveret sammen med flasken. Disse detaljer er også tilgængelige på vores hjemmeside på www.philips.com/support.

Udskiftning

Batterier

Udskift kun ikke-genopladelige batterier til brystpumpen (kun SCF332) med fire 1,5V AA-batterier (eller 1,2V genopladelige).

For instruktioner om hvordan batterier udskiftes, se kapitlet "Klargøring".

Bestilling af tilbehør

For at købe tilbehør eller reservedele kan du besøge www.shop.philips.com/service eller gå til din Philips-forhandler. Du kan også kontakte det lokale Philips Kundecenter i dit land (se folderen "World-Wide Guarantee" for at få kontaktoplysninger).

Genanvendelse

- Dette symbol på et produkt betyder, at produktet er omfattet af EU-direktivet 2012/19/EU (fig. 13).
- Dette symbol betyder, at produktet indeholder batterier omfattet af EU-direktivet 2006/66/EC, som ikke må bortskaffes sammen med almindeligt husholdningsaffald (fig. 14).
- Hold dig orienteret om systemet for særskilt indsamling af elektriske og elektroniske produkter og batterier. Følg lokale regler, og bortskaf aldrig produktet og batterierne med almindeligt husholdningsaffald. Korrekt bortskaffelse af udtjente produkter og batterier er med til at forhindre negativ påvirkning af miljøet og menneskers helbred.

Udtagning af engangsbatterier

Du kan se, hvordan du fjerner engangsbatterierne, i kapitlet "Klargøring", afsnittet "Samling af brystpumpen".

Reklamationsret og support

Hvis du har brug for hjælp eller support, bedes du besøge www.philips.com/support eller læse i den separate folder "World-Wide Guarantee".

Fejlfinding

Dette kapitel opsummerer de mest almindelige problemer; du kan støde på ved brug af apparatet. Hvis du ikke kan løse problemet ved hjælp af nedenstående oplysninger, bedes du kontakte dit lokale Philips-kundecenter eller besøge os online på www.philips.com/support.

Problem	Løsning
Jeg oplever smerte, når jeg bruger brystpumpen.	Ophør med at bruge brystpumpen, og rådfør dig med din ammerådgiver. Hvis pumpen ikke nemt kan tages af brystet, kan det være nødvendigt at bryde vakuummet ved at placere en finger mellem brystet og massagepuden.
Brystpumpen er ridset.	Ved normal brug er lette ridser normalt og forårsager ikke driftsproblemer. Hvis en del af brystpumpen derimod bliver voldsomt ridset eller sprækker, skal du ophøre med brug af brystpumpen og kontakte dit lokale Philips-kundecenter eller besøge www.shop.philips.com/service med henblik på at rekvirere en reservedel. Vær opmærksom på, at kombinationer af rengøringsmidler; steriliseringsopløsning, blødgjort vand og temperaturudsving under visse omstændigheder kan få plastikken til at sprække. Undgå kontakt med skrappe eller antibakterielle rengøringsmidler, eftersom disse kan beskadige plastikken.
Brystpumpen fungerer ikke, og on/off-knappen blinker.	Kontroller først, om du har samlet brystpumpen korrekt, og derefter at der ikke er en brist på røret. Hvis du anvender SCF332 med batterier; udskiftes batterierne ifølge instruktionerne i kapitlet "Klargøring", handling 5. Hvis du anvender SCF334 eller SCF332 med netstrøm, skal du kontrollere, at du anvender den adapter, der blev leveret med produktet. Hvis problemet fortsætter, skal du kontakte dit lokale Kundecenter.
Jeg mærker ikke noget tryk.	Kontroller at du har samlet brystpumpen korrekt ved at følge trinene i kapitlet "Klargøring". Kontroller, at silikonerøret er sat godt fast på motorenheden og til hættten og membranen.
Jeg har brug for at udskifte silikonerøret men ved ikke, hvordan jeg tager det af.	Hvis du vil tage røret af, skal du tage fat i røret tæt på motorenheden og trække, mens røret drejes. For at sætte røret på igen sættes røret forsigtigt tilbage på tilslutningen på motorenheden med en let drejende bevægelse. Kontroller, at det sidder godt fast.

Einführung

Herzlichen Glückwunsch zu Ihrem Kauf und willkommen bei Philips AVENT! Um den Support von Philips AVENT optimal zu nutzen, registrieren Sie Ihr Produkt bitte unter www.philips.com/welcome. Das besondere Design der Milchpumpe von Philips AVENT sorgt dafür, dass Sie beim Abpumpen eine besonders bequeme Sitzhaltung einnehmen können. Das weiche Massagekissen* erzeugt ein angenehmes warmes Hautgefühl und ahmt das Saugen Ihres Babys nach, damit der Milchfluss angeregt wird – komfortabel und sanft. Die Milchpumpe startet in einem sanften Modus, der den Milchfluss anregt. Sie haben dann drei Saugstufen zur Wahl, je nachdem, welche für Sie am angenehmsten ist. Die Pumpe lässt sich einfach zusammensetzen und bedienen. Alle Teile, die mit Muttermilch in Kontakt kommen, sind spülmaschinenfest.

Gesundheitsexperten sind der Meinung, dass im ersten Lebensjahr Muttermilch in Kombination mit fester Nahrung nach den ersten 6 Monaten die beste Nahrung für Ihr Baby ist. Ihre Muttermilch ist speziell auf die Bedürfnisse Ihres Babys abgestimmt und enthält Antikörper, die Ihr Baby vor Infektionen und Allergien schützen.

Eine Milchpumpe kann Ihnen dabei helfen, länger zu stillen. Sie können Ihre Milch abpumpen und aufbewahren, sodass Ihr Baby selbst dann davon profitieren kann, wenn Sie nicht selbst vor Ort sein können. Da die Pumpe kompakt und diskret in der Verwendung ist, können Sie sie überallhin mitnehmen. So können Sie Ihre Milch abpumpen, wann immer Sie möchten, und Ihren Milchfluss aufrecht erhalten.

*Das in dieser Pumpe enthaltene Kissen wurde für angenehmen Tragekomfort bei den meisten Müttern entwickelt. Bei Bedarf können Sie jedoch auch separat ein größeres Kissen erwerben.

Allgemeine Beschreibung (Abb. 1)

- 1 Motoreinheit mit Silikonschlauch und Kappe*
- 2 Silikonmembran*
- 3 Pumpengehäuse*
- 4 Massagekissen*
- 5 Abdeckung*
- 6 Batteriefach (nur SCF332)
- 7 Ein-/Ausschalter
- 8 Stimulationstaste
- 9 Saugtaste "Niedrig"
- 10 Saugtaste "Mittel"
- 11 Saugtaste "Intensiv"
- 12 Ladegerät
- 13 Weißes Ventil*
- 14 Philips AVENT Naturnah-Flasche *
- 15 Kappe*
- 16 Schraubring*
- 17 Sauger*
- 18 Dichtungsscheibe*

**Hinweis: Modell SCF334 enthält mit Ausnahme der Motoreinheit je zwei Exemplare der markierten Teile.*

Wichtig

Lesen Sie diese Bedienungsanleitung vor dem Gebrauch der Milchpumpe aufmerksam durch, und bewahren Sie sie für eine spätere Verwendung auf.

Gefahr

- Motoreinheit und Adapter dürfen nicht nass werden.
- Benutzen Sie die Milchpumpe nicht in der Badewanne oder Dusche.
- Platzieren oder lagern Sie die Milchpumpe nicht in der Nähe einer Badewanne oder eines Waschbeckens.
- Sobald das Gerät ins Wasser gefallen ist, nehmen Sie es auf keinen Fall heraus. Ziehen Sie zuerst den Netzstecker.

Warnung

- Ziehen Sie nach jedem Gebrauch den Netzstecker aus der Steckdose.
- Dieses Gerät kann von Kindern ab 8 Jahren und Personen mit verringerten physischen, sensorischen oder psychischen Fähigkeiten oder Mangel an Erfahrung und Kenntnis verwendet werden, wenn sie bei der Verwendung beaufsichtigt werden oder Anweisungen zum sicheren Gebrauch des Geräts erhalten und die Gefahren verstanden haben. Kinder dürfen nicht mit dem Gerät spielen. Die Reinigung und Pflege des Geräts darf von Kindern nicht ohne Aufsicht durchgeführt werden.
- Lassen Sie Kinder oder Haustiere nicht mit der Motoreinheit, dem Adapter oder den Zubehörteilen spielen, da diese Teile eine Erstickungs- oder Strangulationsgefahr darstellen können.
- Prüfen Sie die Milchpumpe vor dem Gebrauch auf Anzeichen von Beschädigung. Verwenden Sie die Milchpumpe nicht, wenn der Adapter oder der Netzstecker beschädigt ist, nicht ordnungsgemäß funktioniert, beschädigt oder heruntergefallen ist oder in Wasser getaucht wurde.
- Verwenden Sie die Milchpumpe im Freien nicht an Orten, an denen Sprühprodukte verwendet werden oder Sauerstoff verabreicht wird.
- Die Milchpumpe ist für die Verwendung in der Nähe von leicht entzündbaren anästhetischen Mischungen aus Luft, Sauerstoff oder Stickstoffoxid nicht geeignet.
- Die Bauteile in der Motoreinheit der Milchpumpe können vom Benutzer nicht gewartet oder repariert werden. Versuchen Sie nicht, die Milchpumpe selbst zu öffnen, zu warten oder zu reparieren. Andernfalls erlischt Ihre Garantie.
- Halten Sie den Adapter und die Silikonschläuche von heißen Oberflächen fern.
- Verwenden Sie nur den auf dem Gerät angegebenen Adapter.

- Versuchen Sie nicht, das Pumpengehäuse von Ihrer Brust zu entfernen, solange ein Vakuum besteht. Schalten Sie das Gerät aus, lösen Sie den Pumpentrichter mit einem Finger von Ihrer Brust, und nehmen Sie die Pumpe ab.
- Verwenden Sie die Milchpumpe nicht während der Schwangerschaft, da das Pumpen die Geburt einleiten kann.
- Verwenden Sie die Milchpumpe nicht, wenn Sie sich schläfrig oder müde fühlen.
- Setzen Sie die Milchpumpe keiner extremen Hitze aus, und legen Sie sie nicht in direktes Sonnenlicht.

Achtung

- Die Milchpumpe sollte nur von einer einzigen Person verwendet werden.
- Lassen Sie die Milchpumpe nicht unbeaufsichtigt, solange sie an das Netz angeschlossen ist.
- Lassen Sie sie nicht fallen, und führen Sie keine Fremdkörper in die Öffnungen ein.
- Obwohl die Milchpumpe die zutreffenden EMV-Richtlinien erfüllt, kann sie dennoch gegenüber übermäßigen Emissionen anfällig sein bzw. Interferenzen mit empfindlicheren Geräten verursachen.
- Verwenden Sie keine Zubehörteile anderer Hersteller oder solche, die von Philips AVENT nicht ausdrücklich empfohlen werden. Falls Sie derartiges Zubehör benutzen, erlischt die Garantie.
- Reinigen, spülen und sterilisieren Sie alle Pumpenteile außer der Motoreinheit, dem Schlauch mit Kappe und dem Adapter vor jedem Gebrauch.
- Legen Sie die Motoreinheit und den Adapter nie in Wasser oder einen Sterilisator, da dies permanente Schäden an den Teilen verursacht.
- Verwenden Sie keine antibakteriellen Reiniger oder Scheuermittel zum Reinigen der Milchpumpenteile.
- Verwenden Sie die Milchpumpe nicht, wenn die Silikonmembran Beschädigungen aufweist. Informationen zum Bestellen von Ersatzteilen finden Sie unter "Zubehör bestellen".
- Pumpen Sie nicht länger als jeweils fünf Minuten, wenn sich keine Milch abpumpen lässt.
- Wenn der erzeugte Druck unangenehm ist oder Schmerzen verursacht, schalten Sie das Gerät aus, lösen Sie das Vakuum zwischen Ihrer Brust und der Pumpe mit dem Finger, und nehmen Sie die Pumpe ab.

Elektromagnetische Felder

Dieses Philips Gerät erfüllt sämtliche Normen und Regelungen bezüglich der Exposition in elektromagnetischen Feldern.

Für den Gebrauch vorbereiten

Die Motoreinheit, der Silikonschlauch mit Kappe und der Adapter müssen nicht gereinigt und sterilisiert werden, da sie nicht in Kontakt mit Muttermilch kommen.

Reinigen und sterilisieren Sie alle anderen Teile der Milchpumpe vor dem ersten Gebrauch wie im Kapitel "Reinigen und Sterilisieren" beschrieben. Reinigen Sie diese Teile nach jedem Gebrauch, und sterilisieren Sie sie vor jedem weiteren Gebrauch.

Milchpumpe zusammensetzen

Hinweis: Vergewissern Sie sich, dass Sie die entsprechenden Teile der Milchpumpe gereinigt und sterilisiert haben. Waschen Sie Ihre Hände gründlich, bevor Sie die gereinigten Teile in die Hand nehmen.

Vorsicht, die gereinigten Teile können noch heiß sein.

Tipp: Die Milchpumpe lässt sich möglicherweise leichter zusammensetzen, wenn sie noch nass ist.

- 1** Führen Sie das weiße Ventil von unten in das Pumpengehäuse ein, und drücken Sie es so weit wie möglich hinein (Abb. 2).
- 2** Schrauben Sie die Pumpe im Uhrzeigersinn auf der Flasche fest (Abb. 3).
- 3** Setzen Sie die Silikonmembran von oben in das Pumpengehäuse ein. Vergewissern Sie sich, dass sie den Rand sicher umschließt, indem Sie sie mit den Fingern nach unten drücken und so für eine perfekte Abdichtung sorgen (Abb. 4).
- 4** Legen Sie das Massagekissen in die trichterförmige Vertiefung des Pumpengehäuses. Drücken Sie den inneren Teil des Massagekissens so weit wie möglich hinein, und vergewissern Sie sich, dass er den Rand des Pumpengehäuses vollständig umschließt. Drücken Sie mit dem Finger zwischen die blütenförmigen Segmente, um eingeschlossene Luft zu entfernen (Abb. 5).

Hinweis: Legen Sie die Abdeckung über das Massagekissen, um die Milchpumpe während der Vorbereitung zum Abpumpen sauber zu halten.

- 5** Stecken Sie den Adapter in die Steckdose, und schließen Sie das andere Ende an die Motoreinheit an (Abb. 6).

Der Referenzcode des Adapters befindet sich am Boden des Geräts. Verwenden Sie nur den auf dem Gerät angegebenen Adapter:

- Drehen Sie für den Batteriebetrieb (nur SCF332) den Boden der Motoreinheit in die durch die Markierungen auf dem Boden (1) angezeigte Richtung, und entnehmen Sie sie (2). Legen Sie vier neue 1,5 V AA-Batterien (oder 1,2 V-Akkus) in das Batteriefach ein. Befestigen Sie den Boden wieder an der Motoreinheit (Abb. 7).

Hinweis: Ein neuer Satz von Batterien ermöglicht einen Betrieb von bis zu 3 Stunden. Wenn Sie Batterien in das Batteriefach der Motoreinheit eingelegt haben und den Adapter an eine Steckdose anschließen, wird die Milchpumpe über Netzstrom betrieben. Akkus können nicht im Gerät aufgeladen werden.

- 6** Befestigen Sie den Silikonschlauch mit Kappe an der Membran. Drücken Sie die Kappe herunter, bis sie sicher sitzt (Abb. 8).

Milchpumpe verwenden

Zeitpunkt zum Abpumpen der Milch

Wenn das Stillen kein Problem für Sie ist, ist es ratsam (nach Rücksprache mit Ihrem Gesundheitsexperten/Ihrer Stillberaterin) so lange zu warten, bis sich Ihr Milchfluss an einen festen Zeitplan zum Stillen angepasst hat (normalerweise mindestens 2 bis 4 Wochen nach dem Entbinden).
Ausnahmen:

- Wenn das Stillen Ihnen zu Beginn Probleme bereitet, kann ein regelmäßiges Abpumpen den Milchfluss fördern und beibehalten.
- Wenn Sie Milch zur Fütterung Ihres Baby im Krankenhaus abpumpen.
- Bei Milchstau (schmerzende oder geschwollene Brüste): Sie können etwas Milch vor und zwischen dem Stillen abpumpen, um den Schmerz zu lindern und das Anlegen Ihres Babys zu erleichtern.
- Bei wunden oder aufgesprungenen Brustwarzen möchten Sie möglicherweise Ihre Milch solange abpumpen, bis die Brustwarzen verheilt sind.
- Wenn Sie von Ihrem Baby getrennt sind und weiterhin stillen möchten, wenn Sie wieder bei Ihrem Baby sind, sollten Sie Ihre Milch regelmäßig abpumpen, um Ihren Milchfluss anzuregen.

Finden Sie heraus, welche Tageszeiten zum Abpumpen Ihrer Milch am besten sind, z. B. kurz vor oder nach dem ersten Stillen Ihres Babys am Morgen, wenn Ihre Brüste voll sind, oder wenn Ihr Baby Ihre Brüste nicht ganz leer getrunken hat. Wenn Sie wieder arbeiten, müssen Sie möglicherweise in den Pausen abpumpen. Die Verwendung einer Milchpumpe erfordert etwas Übung. Es können daher mehrere Versuche nötig sein, bis es Ihnen gelingt. Glücklicherweise lässt sich die elektrische Philips AVENT Milchpumpe einfach zusammensetzen und verwenden, sodass Sie sich schnell an das Abpumpen gewöhnen werden.

Tipps

- Machen Sie sich vor dem ersten Gebrauch mit der Milchpumpe und ihrer Bedienung vertraut.
- Wählen Sie eine Zeit, wenn Sie nicht in Eile sind und nicht gestört werden.
- Ein Foto Ihres Babys kann helfen, den Milchspendereflex zu stimulieren.
- Wärme kann ebenfalls helfen: Versuchen Sie das Abpumpen nach einem Bad oder einer Dusche, oder legen Sie ein warmes Tuch oder das Philips AVENT Thermopad einige Minuten lang auf die Brust, bevor Sie mit dem Abpumpen beginnen.
- Möglicherweise fällt Ihnen das Abpumpen leichter, wenn Ihr Baby gleichzeitig an der anderen Brust saugt, oder direkt nach dem Stillen.
- Wenn das Abpumpen schmerzhaft wird, hören Sie damit auf, und konsultieren Sie Ihre Stillberaterin oder einen Gesundheitsexperten.

Milchpumpe bedienen

- 1** Waschen Sie Ihre Hände gründlich, und vergewissern Sie sich, dass Ihre Brüste sauber sind.
- 2** Entspannen Sie sich in einem bequemen Stuhl (auf Wunsch können Sie zur Abstützung des Rückens auch ein Kissen unterlegen). Vergewissern Sie sich, dass ein Glas Wasser griffbereit ist.
- 3** Drücken Sie das zusammengesetzte Pumpengehäuse an Ihre Brust. Vergewissern Sie sich, dass Ihre Brustwarze in der Mitte ist, damit das Massagekissen luftdicht an der Brust sitzt.
SCF334: Mit der elektronischen Doppel-Milchpumpe können Sie Milch von beiden Brüsten gleichzeitig abpumpen. Sie können das Gerät jedoch auch verwenden, um nur eine Brust auf dieselbe Weise abzupumpen.
- 4** Drücken Sie den Ein-/Ausschalter (Abb. 9).
 - ▶ Die Milchpumpe startet automatisch im Stimulationsmodus, und der Ein-/Ausschalter und die Stimulationstaste leuchten.
 - ▶ Sie spüren die Saugwirkung auf Ihrer Brust.

- 5** Sobald der Milchfluss einsetzt, können Sie über die Saugtaste “Niedrig” einen langsameren Rhythmus auswählen (Abb. 10).
- ▮ Diese Taste leuchtet anstelle der Stimulationstaste auf.

Hinweis: Machen Sie sich keine Sorgen, wenn der Milchfluss nicht sofort beginnt. Entspannen Sie sich, und setzen Sie das Abpumpen fort. Wenn Sie die Milchpumpe die ersten paar Male verwenden, benötigen Sie möglicherweise einen höheren Saugmodus, um den Milchfluss anzuregen.

- 6** Je nachdem, wie es für Sie am angenehmsten ist, können Sie einen höheren Saugmodus anwenden, der einen intensiveren Saugeffekt bewirkt. Sie können jederzeit über die entsprechende Taste zu einem niedrigeren Saugmodus wechseln oder die Milchpumpe ausschalten (Abb. 11).

Hinweis: Sie müssen nicht alle Saugmodi verwenden. Verwenden Sie nur die Modi, die für Sie angenehm sind.

Schalten Sie die Milchpumpe immer aus, bevor Sie das Pumpengehäuse von Ihrer Brust nehmen.

Pumpen Sie nicht länger als jeweils fünf Minuten, wenn sich keine Milch abpumpen lässt. Versuchen Sie das Abpumpen zu einer anderen Tageszeit erneut. Wenn der Vorgang sehr unangenehm oder schmerzhaft wird, nehmen Sie die Pumpe ab, und kontaktieren Sie Ihre Stillberaterin.

- 7** Durchschnittlich müssen Sie 10 Minuten lang pumpen, um 60 bis 125 ml Muttermilch aus einer Brust abzupumpen. Dies ist jedoch nur ein Richtwert und von Frau zu Frau unterschiedlich.

Hinweis: Wenn Sie regelmäßig mehr als 125 ml pro Sitzung abpumpen, können Sie eine 260 ml Philips AVENT Flasche verwenden, um ein Überlaufen zu verhindern.

- 8** Wenn Sie mit dem Abpumpen fertig sind, schalten Sie die Milchpumpe aus, und nehmen Sie das Pumpengehäuse vorsichtig von Ihrer Brust.
- 9** Schrauben Sie die Flasche zum Füttern/Aufbewahren vom Pumpengehäuse ab. Reinigen Sie die anderen verwendeten Teile der Milchpumpe gemäß den Anweisungen im Kapitel “Reinigen und Sterilisieren”.
- 10** Trennen Sie die Motoreinheit von der Stromversorgung. Wickeln Sie zur einfachen Aufbewahrung den Silikonschlauch um die Motoreinheit, und befestigen Sie die Kappe am Schlauch (Abb. 12).

Nach dem Gebrauch

Muttermilch aufbewahren

Bewahren Sie nur mit einer sterilen Pumpe abgepumpte Muttermilch auf.

Muttermilch kann im Kühlschrank (nicht in der Tür) bis zu 48 Stunden lang aufbewahrt werden. Abgepumpte Milch sollte sofort gekühlt werden. Wenn Sie Milch im Kühlschrank aufbewahren, zu der Sie im Laufe des Tages mehr Milch hinzufügen, fügen Sie nur Milch hinzu, die in eine sterilisierte Flasche oder einen sterilisierten Muttermilchbehälter abgepumpt wurde.

Muttermilch kann im Tiefkühlschrank bis zu drei Monate lang aufbewahrt werden, solange sie in sterilisierten Flaschen mit sterilisiertem Schraubring und Verschlussdeckel aufbewahrt wird. Beschriften Sie die Flasche deutlich mit Datum und Uhrzeit des Abpumpens, und verwenden Sie ältere Muttermilch zuerst.

Wenn Sie Ihr Baby innerhalb von 48 Stunden mit der abgepumpten Muttermilch füttern, können Sie die Muttermilch im Kühlschrank in einer zusammengesetzten Philips AVENT Flasche aufbewahren:

- 1** Schrauben Sie die Flasche von der Pumpe ab.
- 2** Setzen Sie einen sterilisierten Sauger und Schraubring auf die Flasche auf, und befolgen Sie dabei die Anweisungen, die der Flasche beiliegen. Verschließen Sie den Sauger mit der Verschlusskappe.

- 3** Setzen Sie alternativ einen sterilisierten Verschlussdeckel in einen sterilisierten Schraubring ein, und schrauben Sie ihn auf die Flasche.

Was Sie tun sollten

- Stellen Sie abgepumpte Milch immer direkt in den Kühlschrank oder Tiefkühlschrank.
- Bewahren Sie nur Milch auf, die mit einer sterilisierten Milchpumpe in sterilisierte Flaschen abgepumpt wurde.

Was Sie nicht tun sollten

- Frieren Sie aufgetaute Muttermilch nicht wieder ein.
- Fügen Sie keine gefrorene Muttermilch zu frischer Muttermilch hinzu.

Ihr Baby mit abgepumpter Muttermilch füttern

Sie können Ihr Baby mit Muttermilch aus Philips AVENT Flaschen und Mehrwegbechern füttern:

- 1 Wenn Sie gefrorene Muttermilch verwenden, lassen Sie die Milch zunächst vollständig auftauen, bevor Sie sie erhitzen.

Hinweis: Im Notfall können Sie die Milch in einer Schüssel mit heißem Wasser auftauen.

- 2 Erhitzen Sie die Flasche bzw. den Mehrwegbecher mit aufgetauter oder gekühlter Muttermilch in einer Schüssel mit heißem Wasser oder in einem Flaschenwärmer;
- 3 Nehmen Sie den Schraubring und den Verschlussdeckel von der Flasche, oder schrauben Sie den Deckel von dem Mehrwegbecher;
- 4 Wenn Sie einen Mehrwegbecher verwenden, schrauben Sie den Adapterring auf den Becher;
- 5 Schrauben Sie einen sterilisierten Schraubring mit sterilisiertem Sauger auf die Flasche oder auf den Mehrwegbecher mit Adapterring.

Was Sie tun sollten

- Prüfen Sie stets die Temperatur der Milch, bevor Sie Ihr Baby damit füttern.
- Entsorgen Sie nach dem Füttern stets die gesamte restliche Muttermilch.

Was Sie nicht tun sollten

- Erhitzen Sie die Muttermilch nie in einer Mikrowelle, da die Milch darin ungleichmäßig erhitzt werden kann und sich heiße Stellen in der Milch bilden können. Darüber hinaus können Nährstoffe in der Milch zerstört werden.

Reinigen und Sterilisieren

Die Motoreinheit, der Silikonschlauch mit Kappe und der Adapter müssen nicht gereinigt und sterilisiert werden, da sie nicht in Kontakt mit Muttermilch kommen.

Reinigen und sterilisieren Sie alle anderen Teile der Milchpumpe vor dem ersten Gebrauch. Reinigen Sie diese Teile nach jedem Gebrauch, und sterilisieren Sie sie vor jedem weiteren Gebrauch.

Gefahr: Legen Sie die Motoreinheit und den Adapter nie in Wasser oder einen Sterilisator.

- 1 Zerlegen Sie die Milchpumpe vollständig. Nehmen Sie auch das weiße Ventil heraus.

Seien Sie vorsichtig, wenn Sie das weiße Ventil herausnehmen und reinigen. Wenn es beschädigt wird, funktioniert die Milchpumpe nicht mehr ordnungsgemäß. Um das weiße Ventil herauszunehmen, ziehen Sie vorsichtig an der gerippten Lasche auf der Seite des Ventils.

- 2 Reinigen Sie alle Teile, außer der Motoreinheit, dem Silikonschlauch mit Kappe und dem Adapter, im Geschirrspüler (nur im oberen Korb) oder in heißem Wasser mit einem milden Spülmittel, und spülen Sie sie anschließend gründlich ab.

Um das Ventil zu reinigen, reiben Sie es in warmem Spülwasser vorsichtig zwischen Ihren Fingern. Führen Sie keine Gegenstände in das Ventil ein, da es dadurch beschädigt werden könnte.

3 Sterilisieren Sie die gereinigten Teile der Milchpumpe in einem Philips AVENT Dampfsterilisator oder indem Sie sie 5 Minuten abkochen.

Legen Sie die Motoreinheit und den Adapter nie in Wasser oder einen Sterilisator. Falls notwendig, können Sie die Motoreinheit mit einem weichen, feuchten Tuch abwischen.

Aufbewahrung

Setzen Sie die Milchpumpe keinem direkten Sonnenlicht aus, da dies über längere Zeit Verfärbungen verursachen kann.

1 Bewahren Sie die Milchpumpe und seine Zubehörteile an einem sicheren und trockenen Ort auf.

Kompatibilität

Die elektronische Philips AVENT Milchpumpe ist mit den Philips AVENT Flaschen in unserem Sortiment kompatibel. Wenn Sie Klassik-Flaschen mit unserem zweiteiligen Anti-Kolik-System verwenden, setzen Sie immer den Ring oben in die Flasche ein, bevor Sie sie an der Milchpumpe befestigen. Wenn Sie andere Philips AVENT Flaschen verwenden, nutzen Sie denselben Saugertyp, der dieser Flasche beilieg. Einzelheiten zum Anbringen des Saugers sowie allgemeine Reinigungsanweisungen finden Sie in der Bedienungsanleitung Ihrer Flasche. Diese Informationen stehen ebenfalls auf unserer Website unter **www.philips.com/support** zur Verfügung.

Ersatz

Batterien

Ersetzen Sie die Batterien der Milchpumpe (nur SCF332) ausschließlich durch vier 1,5-V-Batterien des Typs AA.

Anweisungen zum Ersetzen der Batterien finden Sie im Kapitel "Für den Gebrauch vorbereiten".

Zubehör bestellen

Um Zubehörteile oder Ersatzteile zu kaufen, besuchen Sie **www.shop.philips.com/service**, oder gehen Sie zu Ihrem Philips Händler. Sie können auch das Philips Service-Center in Ihrem Land kontaktieren (die Kontaktdetails finden Sie in der internationalen Garantieschrift).

Recycling

- Dieses Symbol auf einem Produkt bedeutet, dass für dieses Produkt die Europäische Richtlinie 2012/19/EU gilt (Abb. 13).
- Dieses Symbol bedeutet, dass das Produkt Batterien enthält, für die die Europäische Richtlinie 2006/66/EG gilt. Entsorgen Sie diese niemals über den normalen Hausmüll (Abb. 14).
- Bitte informieren Sie sich über die örtlichen Bestimmungen zur getrennten Entsorgung von elektrischen und elektronischen Produkten und Batterien. Befolgen Sie die örtlichen Bestimmungen, und entsorgen Sie das Produkt und die Batterien nicht über den normalen Hausmüll. Durch die ordnungsgemäße Entsorgung von Altgeräten und Batterien werden Umwelt und Menschen vor möglichen negativen Folgen geschützt.

Herausnehmen der Batterien

Informationen zum Entfernen der Batterien finden Sie im Kapitel "Für den Gebrauch vorbereiten", Abschnitt "Milchpumpe zusammensetzen".

Garantie und Support

Für Unterstützung und weitere Informationen besuchen Sie die Philips Website unter www.philips.com/support, oder lesen Sie die internationale Garantieschrift.

Fehlerbehebung

In diesem Kapitel sind die häufigsten Probleme aufgeführt, die beim Gebrauch des Geräts auftreten können. Sollten Sie ein Problem mithilfe der nachstehenden Informationen nicht beheben können, wenden Sie sich bitte an das Philips Service Center in Ihrem Land, oder besuchen Sie unsere Website unter www.philips.com/support.

Problem	Lösung
Ich habe Schmerzen, wenn ich die Milchpumpe verwende.	Verwenden Sie die Milchpumpe nicht mehr, und konsultieren Sie Ihre Stillberaterin. Wenn sich das Pumpengehäuse nicht einfach von der Brust abnehmen lässt, müssen Sie möglicherweise das Vakuum lösen, indem Sie einen Finger zwischen Brust und Massagekissen oder zwischen Brust und Trichter der Pumpe schieben.
Die Milchpumpe ist verkratzt.	Bei regelmäßigem Gebrauch ist leichtes Verkratzen normal und verursacht keine Probleme. Wenn ein Teil der Milchpumpe jedoch sehr verkratzt ist oder Risse aufweist, stellen Sie den Gebrauch der Milchpumpe ein, und wenden Sie sich an ein Philips Service-Center, oder erwerben Sie ein Ersatzteil unter www.shop.philips.com/service . Beachten Sie, dass Kombinationen von Reinigungsmitteln, Sterilisierungslösung, enthärtetem Wasser und Temperaturschwankungen unter gewissen Umständen zu Rissen im Kunststoff führen können. Vermeiden Sie den Kontakt mit Scheuermitteln oder antibakteriellen Reinigern, da diese den Kunststoff beschädigen können.
Die Milchpumpe funktioniert nicht, und der Ein-/Ausschalter blinkt.	Stellen Sie zunächst sicher, dass Sie die Milchpumpe richtig zusammengesetzt haben und der Schlauch nicht geknickt ist. Wenn Sie SCF332 mit Batterien verwenden, ersetzen Sie die Batterien gemäß den Anweisungen in Kapitel "Für den Gebrauch vorbereiten", Schritt 5. Wenn Sie SCF334 oder SCF332 mit Netzstrom betreiben, stellen Sie sicher, dass Sie den Adapter verwenden, der mit dem Gerät geliefert wurde. Wenn das Problem weiterhin besteht, wenden Sie sich bitte an das Philips Service-Center in Ihrem Land.
Ich spüre keine Saugwirkung.	Stellen Sie sicher, dass Sie die Milchpumpe wie im Kapitel "Für den Gebrauch vorbereiten" beschrieben richtig zusammengesetzt haben. Vergewissern Sie sich, dass der Silikonschlauch fest an der Motoreinheit sowie der Kappe und der Membran befestigt ist.
Ich muss den Silikonschlauch ersetzen, weiß aber nicht, wie ich ihn entferne.	Um den Schlauch zu entfernen, nehmen Sie ihn dicht an der Motoreinheit in die Hand, und ziehen Sie ihn unter Drehen ab. Um den Schlauch wieder zu befestigen, schieben Sie ihn auf das Anschlussstück der Motoreinheit, und drehen Sie ihn dabei leicht. Vergewissern Sie sich, dass er fest sitzt.

Εισαγωγή

Συγχαρητήρια για την αγορά σας και καλώς ήρθατε στη Philips AVENT! Για να επωφεληθείτε πλήρως από την υποστήριξη που παρέχει η Philips AVENT, δηλώστε το προϊόν σας στη σελίδα www.philips.com/welcome.

Χάρη στη μοναδική του σχεδίαση, το θήλαστρο Philips AVENT σας επιτρέπει να κάθεστε πιο άνετα κατά την άντληση του γάλακτος. Το μαλακό μαξιλαράκι μασάζ* είναι ειδικά σχεδιασμένο ώστε να σας δίνει μια απαλή και ζεστή αίσθηση και μιμείται άψογα τις κινήσεις θηλασμού του μωρού σας, διασφαλίζοντας γρήγορη ροή του γάλακτος, άνετα και απαλά. Το θήλαστρο ζεκινά με ήπια λειτουργία για να διευκολύνει τη διέγερση της ροής γάλακτος. Εσείς μπορείτε να συνεχίσετε με μια από τις τρεις λειτουργίες εξαγωγής, ανάλογα με το ρυθμό που αισθάνεστε άνετα. Το θήλαστρο συναρμολογείται εύκολα και είναι ιδιαίτερα εύχρηστο, ενώ όλα τα μέρη που έρχονται σε επαφή με το μητρικό γάλα πλένονται άψοφα στο πλυντήριο. Σύμφωνα με τους γιατρούς, το μητρικό γάλα είναι η καλύτερη τροφή για τα μωρά κατά τον πρώτο χρόνο της ζωής τους, σε συνδυασμό με στερεά τροφή μετά τους πρώτους 6 μήνες. Το γάλα σας είναι ειδικά προσαρμοσμένο στις ανάγκες του μωρού σας και περιέχει αντισώματα που βοηθούν στην προστασία του μωρού σας από λοιμώξεις και αλλεργίες. Το θήλαστρο θα σας βοηθήσει να θηλάσετε για μεγαλύτερο χρονικό διάστημα. Μπορείτε να συλλέγετε και να αποθηκεύετε το γάλα σας ώστε το μωρό σας να συνεχίσει να απολαμβάνει τα οφέλη του μητρικού γάλακτος, ακόμη και αν δεν μπορείτε να είστε μαζί του για να του παρέχετε η ίδια. Χάρη στο πρακτικό του μέγεθος και τη διακριτική του χρήση, μπορείτε να το παίρνετε μαζί σας παντού, ώστε να συλλέγετε το γάλα σας με την άνεσή σας και να συντηρείτε την παραγωγή γάλακτος των μαστών σας.

*Το μαξιλαράκι που συνοδεύει αυτό το θήλαστρο έχει σχεδιαστεί ώστε να ταιριάζει άνετα στις περισσότερες μητέρες. Ωστόσο, εάν χρειάζεται, μπορείτε να αγοράσετε ξεχωριστά ένα μαξιλαράκι για μεγαλύτερες θηλές.

Γενική περιγραφή (Εικ. 1)

- 1 Μοτέρ με σωλήνα και κάλυμμα σιλικόνης*
- 2 Διάφραγμα σιλικόνης*
- 3 Σώμα θήλαστρου*
- 4 Μαξιλαράκι μασάζ*
- 5 Καπάκι*
- 6 Θήκη μπαταριών (μόνο SCF332)
- 7 Κουμπί ενεργοποίησης/απενεργοποίησης
- 8 Κουμπί διέγερσης
- 9 Κουμπί ήπιας εξαγωγής
- 10 Κουμπί μεσαίας εξαγωγής
- 11 Κουμπί έντονης εξαγωγής
- 12 Μετασχηματιστής
- 13 Λευκή βαλβίδα*
- 14 Μπιμπερό Philips AVENT Natural*
- 15 Κάλυμμα*
- 16 Βιδωτός δακτύλιος*
- 17 Θηλή*
- 18 Δίσκος σφράγισης*

*Σημείωση: Στο μοντέλο SCF334, τα εξαρτήματα που σημειώνονται με αστερίσκο παρέχονται ανά δύο τεμάχια (εκτός από το μοτέρ).

Σημαντικό

Προτού χρησιμοποιήσετε το θήλαστρο, διαβάστε προσεκτικά το παρόν εγχειρίδιο χρήσης και κρατήστε το για μελλοντική αναφορά.

Κίνδυνος

- Να διατηρείτε το μοτέρ και το μετασχηματιστή στεγνά.
- Μην χρησιμοποιείτε το θήλαστρο στην μπανιέρα ή στο ντους.
- Μην τοποθετείτε ή αποθηκεύετε το θήλαστρο κοντά σε μπανιέρα ή νεροχύτη.
- Αν το προϊόν πέσει στο νερό, μην επιχειρήσετε να το βγάλετε. Αποσυνδέστε το αμέσως από την πρίζα.

Προειδοποίηση

- Να αποσυνδέετε πάντα το θήλαστρο αμέσως μετά τη χρήση.
- Αυτή η συσκευή μπορεί να χρησιμοποιηθεί από παιδιά ηλικίας 8 ετών και άνω, καθώς και από άτομα με περιορισμένες σωματικές, αισθητήριες ή διανοητικές ικανότητες ή χωρίς εμπειρία και γνώση, με την προϋπόθεση ότι τη χρησιμοποιούν υπό επίβλεψη ή έχουν λάβει οδηγίες σχετικά με την ασφάλεια της χρήση και κατανοούν τους ενεχόμενους κινδύνους. Τα παιδιά δεν πρέπει να παίζουν με τη συσκευή. Τα παιδιά δεν πρέπει να καθαρίζουν τη συσκευή ή να εκτελούν διεργασίες συντήρησης χωρίς επίβλεψη.
- Μην επιτρέπετε σε παιδιά ή σε κατοικίδια να παίζουν με το μοτέρ, το μετασχηματιστή ή τα εξαρτήματα, καθώς αυτά τα μέρη μπορεί να ενέχουν κίνδυνο πνιγμού ή στραγγαλισμού.
- Πριν από κάθε χρήση, να ελέγχετε το θήλαστρο για τυχόν σημάδια φθοράς. Μην χρησιμοποιείτε το θήλαστρο αν δεν λειτουργεί κανονικά, αν έχει υποστεί φθορά ή αν έχει πέσει ή βυθιστεί σε νερό ή στην περίπτωση που ο μετασχηματιστής ή το φισ έχουν υποστεί φθορά.
- Μην χρησιμοποιείτε το θήλαστρο σε εξωτερικό χώρο, σε μέρη όπου χρησιμοποιούνται προϊόντα αεροζόλ ή παρέχεται οξυγόνο.
- Το θήλαστρο δεν είναι κατάλληλο για χρήση παρουσία εύφλεκτων αναισθητικών μειγμάτων με αέρα, οξυγόνο ή υποξείδιο του αζώτου.
- Το μοτέρ του θήλαστρου δεν περιλαμβάνει εξαρτήματα που μπορούν να επισκευαστούν από το χρήστη. Μην επιχειρήσετε να ανοίξετε, να συντηρήσετε ή να επισκευάσετε μόνοι σας το θήλαστρο. Στην αντίθετη περίπτωση, η εγγύηση ακυρώνεται.
- Μην πλησιάζετε το μετασχηματιστή και τους σωλήνες σιλικόνης σε ζεστές επιφάνειες.

- Χρησιμοποιείτε μόνο το μετασχηματιστή που αναγράφεται στη συσκευή.
- Μην επιχειρήσετε να απομακρύνετε το σώμα του θήλαστρου από το στήθος όσο υπάρχει κενό αέρος. Απενεργοποιήστε τη συσκευή και διακόψτε την άντληση τοποθετώντας το δάχτυλό σας ανάμεσα στο στήθος σας και το χωνί του θήλαστρου. Στη συνέχεια, μπορείτε να απομακρύνετε το θήλαστρο από το στήθος σας.
- Μην χρησιμοποιείτε ποτέ θήλαστρο κατά τη διάρκεια της εγκυμοσύνης σας; η άντληση γάλακτος μπορεί να προκαλέσει τοκετό.
- Μην χρησιμοποιείτε ποτέ το θήλαστρο αν είστε νυσταγμένη.
- Μην εκθέτετε το θήλαστρο σε πολύ υψηλές θερμοκρασίες ή σε άμεση επαφή με την ηλιακή ακτινοβολία.

Προσοχή

- Το θήλαστρο προορίζεται για επαναλαμβανόμενη χρήση από έναν μόνο χρήστη.
- Μην αφήνετε ποτέ το θήλαστρο χωρίς επίβλεψη όταν είναι συνδεδεμένο στην πρίζα.
- Μην ρίχνετε/εισάγετε ποτέ κανένα αντικείμενο σε οποιοδήποτε άνοιγμα του προϊόντος.
- Το θήλαστρο συμμορφώνεται με τις ισχύουσες οδηγίες για την Ηλεκτρομαγνητική Συμβατότητα, ωστόσο μπορεί να παρουσιάσει αυξημένες εκπομπές ή/και να δημιουργήσει παρεμβολές σε πιο ευαίσθητο εξοπλισμό.
- Μην χρησιμοποιείτε ποτέ εξαρτήματα άλλων κατασκευαστών ή εξαρτήματα που η Philips AVENT δεν συνιστά ρητά. Εάν χρησιμοποιήσετε τέτοια εξαρτήματα, η εγγύησή σας καθίσταται άκυρη.
- Πριν από κάθε χρήση, πρέπει να καθαρίζετε, να ξεπλένετε και να αποστειρώνετε όλα τα εξαρτήματα του θήλαστρου, εκτός από το μοτέρ, το σωλήνα, το κάλυμμα και το μετασχηματιστή.
- Μην τοποθετείτε ποτέ το μοτέρ ή το μετασχηματιστή σε νερό ή στον αποστειρωτή, καθώς μπορεί να προκληθεί μόνιμη βλάβη στα συγκεκριμένα εξαρτήματα.
- Μην χρησιμοποιείτε αντιβακτηριδιακά ή διαβρωτικά καθαριστικά κατά τον καθαρισμό των εξαρτημάτων του θήλαστρου.
- Μην χρησιμοποιείτε το θήλαστρο αν το διάφραγμα σιλικόνης έχει υποστεί φθορά ή έχει σπάσει. Για πληροφορίες σχετικά με την αγορά ανταλλακτικών εξαρτημάτων, ανατρέξτε στην ενότητα “Παραγγελία εξαρτημάτων”.

- Σε περίπτωση που δεν έχετε κανένα αποτέλεσμα για περισσότερα από 5 λεπτά, μην συνεχίσετε την άντληση.
- Αν η πίεση που ασκείται είναι ενοχλητική ή επώδυνη, απενεργοποιήστε τη συσκευή, διακόψτε την άντληση τοποθετώντας το δάχτυλό σας ανάμεσα στο στήθος σας και το θήλαστρο και απομακρύνετε το θήλαστρο από το στήθος.

Ηλεκτρομαγνητικά πεδία (EMF)

Η συγκεκριμένη συσκευή της Philips συμμορφώνεται με όλα τα ισχύοντα πρότυπα και τους κανονισμούς σχετικά με την έκθεση σε ηλεκτρομαγνητικά πεδία.

Προετοιμασία για χρήση

Το μοτέρ, ο σωλήνας και το κάλυμμα σιλικόνης και ο μετασχηματιστής δεν απαιτούν καθαρισμό και αποστείρωση, καθώς δεν έρχονται σε επαφή με το μητρικό γάλα. Πριν από την πρώτη χρήση, καθαρίστε και αποστειρώστε όλα τα υπόλοιπα εξαρτήματα του θήλαστρου σύμφωνα με όσα περιγράφονται στην ενότητα "Καθαρισμός και αποστείρωση". Επίσης, καθαρίστε αυτά τα εξαρτήματα μετά από κάθε χρήση και αποστειρώστε τα πριν από κάθε επόμενη χρήση.

Συναρμολόγηση του θήλαστρου

Σημείωση: Βεβαιωθείτε ότι έχετε καθαρίσει και αποστειρώσει τα κατάλληλα εξαρτήματα του θήλαστρου. Πλύνετε καλά τα χέρια σας πριν πιάσετε οποιοδήποτε από τα καθαρισμένα εξαρτήματα.

Προσέχετε, διότι τα αποστειρωμένα αντικείμενα ενδέχεται να είναι ακόμα ζεστά.

Συμβουλή: Η διαδικασία συναρμολόγησης ενδέχεται να είναι ευκολότερη όταν το θήλαστρο είναι βρεγμένο.

- 1** Εισαγάγετε τη λευκή βαλβίδα στο σώμα του θήλαστρου από κάτω. Σπρώξτε προς τα μέσα τη βαλβίδα όσο το δυνατόν περισσότερο (Εικ. 2).
- 2** Βιδώστε δεξιόστροφα το σώμα του θήλαστρου στο μπιμπερό, μέχρι να ασφαλίσει (Εικ. 3).
- 3** Τοποθετήστε το διάφραγμα σιλικόνης στο σώμα του θήλαστρου από πάνω. Βεβαιωθείτε ότι ασφαλίζει καλά γύρω από το χείλος, πιέζοντάς το προς τα κάτω με τα δάχτυλά σας για να εξασφαλίσετε τέλεια στεγανότητα (Εικ. 4).
- 4** Εισαγάγετε προσεκτικά το μαξιλαράκι μασάζ στο χωνί του θήλαστρου, σπρώξτε το εσωτερικό του μέρος όσο το δυνατόν πιο μέσα και βεβαιωθείτε ότι έχει ασφαλίσει εντελώς γύρω από το χείλος του σώματος του θήλαστρου. Πιέστε ανάμεσα στα πέταλα, ώστε να αφαιρέσετε τυχόν παγιδευμένο αέρα (Εικ. 5).

Σημείωση: Τοποθετήστε το κάλυμμα πάνω από το μαξιλαράκι μασάζ, ώστε το θήλαστρο να είναι προστατευμένο και καθαρό όσο εσείς προετοιμάζετε για την άντληση.

- 5** Συνδέστε το μετασχηματιστή στην πρίζα και στο μοτέρ (Εικ. 6).

Στο κάτω μέρος της συσκευής αναγράφεται ο κωδικός αναφοράς του μετασχηματιστή. Να χρησιμοποιείτε μόνο το μετασχηματιστή που αναγράφεται στη συσκευή.

- Για να χρησιμοποιήσετε τη συσκευή με μπαταρίες (μόνο στο SCF332), γυρίστε τη βάση του μετασχηματιστή προς την κατεύθυνση που υποδεικνύεται στο κάτω μέρος (1) και αφαιρέστε την (2). Τοποθετήστε τέσσερις καινούργιες μπαταρίες AA 1,5V (ή 1,2V αν είναι επαναφορτιζόμενες) στη θήκη μπαταριών. Επανατοποθετήστε τη βάση στο μοτέρ (Εικ. 7).

Σημείωση: Οι καινούργιες μπαταρίες παρέχουν χρόνο λειτουργίας έως 3 ώρες. Αν υπάρχουν μπαταρίες στη θήκη μπαταριών του μοτέρ και συνδέσετε το μετασχηματιστή στην πρίζα, το θήλαστρο θα λειτουργεί με παροχή ρεύματος. Οι μπαταρίες δεν φορτίζονται στο μοτέρ.

6 Τοποθετήστε το σωλήνα και το κάλυμμα σιλκόνης στο διάφραγμα. Πιέστε προς τα κάτω το κάλυμμα μέχρι να ασφαλίσει στη θέση του (Εικ. 8).

Χρήση του θήλαστρου

Πότε μπορείτε να αρχίσετε να χρησιμοποιείτε το θήλαστρο

Αν δεν αντιμετωπίζετε δυσκολίες στο θηλασμό, συνιστάται να περιμένετε μέχρι να καθοριστεί το πρόγραμμα ροής γάλακτος και θηλασμού (συνήθως τουλάχιστον 2-4 εβδομάδες μετά τη γέννηση), εκτός αν γιατρός ή ο σύμβουλος θηλασμού σας δώσει διαφορετικές οδηγίες. Εξαιρέσεις:

- Αν δυσκολεύεστε στην αρχή με το θηλασμό, η τακτική εξαγωγή μπορεί να σας βοηθήσει να επιτύχετε και να διατηρήσετε την παραγωγή γάλακτος από το στήθος σας.
- Εάν πραγματοποιείτε εξαγωγή γάλακτος για το μωρό σας που βρίσκεται σε νοσοκομείο.
- Εάν τα στήθη σας διογκωθούν (πόνος ή πρήξιμο), μπορείτε να εξαγάγετε μικρή ποσότητα γάλακτος πριν από το θηλασμό ή μεταξύ θηλασμών, προκειμένου να μειώσετε τον πόνο και να βοηθήσετε το μωρό σας να πιάσει ευκολότερα τη θηλή.
- Εάν οι θηλές σας είναι ερεθισμένες ή παρουσιάζουν ρωγμές, ίσως θέλετε να αντλείτε το γάλα σας μέχρι να επουλωθούν.
- Εάν είστε μακριά από το μωρό σας και επιθυμείτε να συνεχίσετε να θηλάζετε όταν συναντηθείτε, πρέπει να εξάγετε το γάλα σας τακτικά για να διεγείρετε την παροχή του γάλακτος.

Πρέπει να βρείτε τις σωστές ώρες της ημέρας για την άντληση του γάλακτος, για παράδειγμα νωρίς το πρωί όταν τα στήθη σας είναι γεμάτα, λίγο πριν ή μετά τον πρώτο θηλασμό του μωρού σας, ή μετά από το θηλασμό, εάν το μωρό σας δεν έχει αδειάσει και τα δύο στήθη σας. Σε κάποιο διάλειμμα, εάν έχετε επιστρέψει στην εργασία σας.

Η χρήση του θήλαστρου απαιτεί εξάσκηση - μπορεί να χρειαστεί να δοκιμάσετε αρκετές φορές μέχρι να πετύχετε το στόχο σας. Ευτυχώς, το ηλεκτρονικό θήλαστρο Philips AVENT συναρμολογείται εύκολα και είναι ιδιαίτερα εύχρηστο, οπότε θα εξοικειωθείτε γρήγορα με τη χρήση του για την εξαγωγή γάλακτος.

Συμβουλές

- Πριν από την πρώτη χρήση, εξοικειωθείτε με το θήλαστρο και τον τρόπο χρήσης του.
- Επιλέξτε μια στιγμή που δεν βιάζεστε και ξέρετε ότι δεν θα σας διακόψουν.
- Μια φωτογραφία του μωρού σας μπορεί να βοηθήσει την ενεργοποίησή του ανανακλαστικού απελευθέρωσης γάλακτος.
- Η ζεστασιά επίσης μπορεί να βοηθήσει: δοκιμάστε να αντλήσετε γάλα αφού έχετε κάνει μπάνιο ή ντους ή τοποθετήστε ένα ζεστό ύφασμα ή το θερμικό επίθεμα Philips AVENT στο στήθος σας για μερικά λεπτά πριν ξεκινήσετε την άντληση.
- Ίσως σας φανεί πιο εύκολο να εξαγάγετε γάλα από το ένα στήθος ενώ το μωρό τρέφεται από το άλλο ή να χρησιμοποιήσετε το θήλαστρο αμέσως μετά το θηλασμό.
- Αν η διαδικασία γίνει επώδυνη, σταματήστε και συζητήστε με το σύμβουλο θηλασμού ή το γιατρό σας.

Χρήση του θήλαστρου

- 1** Πλύνετε καλά τα χέρια σας και βεβαιωθείτε ότι τα στήθη σας είναι καθαρά.
- 2** Χαλαρώστε σε ένα βολικό κάθισμα (αν θέλετε, χρησιμοποιήστε μαξιλαράκια για να υποστηρίξετε την πλάτη σας). Φροντίστε να έχετε κοντά σας ένα ποτήρι νερό.
- 3** Πιέστε το συναρμολογημένο σώμα του θήλαστρου προς το στήθος σας. Βεβαιωθείτε ότι η θηλή σας βρίσκεται στο κέντρο, ώστε το μαξιλαράκι μασάζ να εφαρμόσει απολύτως στεγανά στο στήθος.

SCF334: Το διπλό ηλεκτρονικό θήλαστρο σάς επιτρέπει να εξαγάγετε γάλα από τους δύο μαστούς ταυτόχρονα. Ωστόσο, μπορείτε να χρησιμοποιήσετε τη συσκευή με τον ίδιο τρόπο για εξαγωγή από τον ένα μόνο μαστό.

- 4** Πιέστε το κουμπί ενεργοποίησης/απενεργοποίησης (Εικ. 9).
 - ▶ Το θήλαστρο ξεκινά αυτόματα στη λειτουργία διέγερσης και ανάβουν τα κουμπιά ενεργοποίησης/απενεργοποίησης και διέγερσης.
 - ▶ Αρχίζετε να νιώθετε την άντληση στο στήθος σας.
- 5** Μόλις αρχίσει να ρέει το γάλα, μπορείτε να συνεχίσετε με έναν πιο αργό ρυθμό, πιέζοντας το κουμπί ήπιας εξαγωγής (Εικ. 10).
 - ▶ Το συγκεκριμένο κουμπί ανάβει αντί για το κουμπί διέγερσης.

Σημείωση: Μην ανησυχήσετε αν το γάλα σας δεν αρχίσει αμέσως να ρέει. Χαλαρώστε και συνεχίστε τη διαδικασία άντλησης. Τις πρώτες φορές που θα χρησιμοποιήσετε το θήλαστρο, ίσως χρειαστεί να χρησιμοποιήσετε μια λειτουργία πιο έντονης εξαγωγής για να αρχίσει η ροή γάλακτος.

- 6** Ανάλογα με το ρυθμό που αισθάνεστε άνετα, μπορείτε να χρησιμοποιήσετε μια λειτουργία πιο έντονης εξαγωγής. Μπορείτε πάντα να επιστρέψετε σε μια πιο ήπια λειτουργία ή να απενεργοποιήσετε το θήλαστρο όποτε θέλετε, πιέζοντας το κατάλληλο κουμπί (Εικ. 11).

Σημείωση: Δεν είναι απαραίτητο να χρησιμοποιείτε όλες τις λειτουργίες εξαγωγής. Χρησιμοποιήστε μόνο τις λειτουργίες με τις οποίες αισθάνεστε άνετα.

Να απενεργοποιείτε πάντα το θήλαστρο προτού απομακρύνετε το σώμα του θήλαστρου από το στήθος.

Σε περίπτωση που δεν έχετε κανένα αποτέλεσμα για περισσότερα από 5 λεπτά, μην συνεχίσετε την άντληση. Δοκιμάστε κάποια άλλη στιγμή της ημέρας. Εάν η διαδικασία γίνει πολύ επίπονη ή δυσάρεστη, πρέπει να σταματήσετε τη χρήση του θήλαστρου και να συμβουλευτείτε το γιατρό ή το σύμβουλο θηλασμού σας.

- 7** Κατά μέσο όρο, θα χρειαστεί να χρησιμοποιήσετε το θήλαστρο για 10 λεπτά για την εξαγωγή 60-125 ml (2-4fl oz) γάλακτος από τον ένα μαστό. Ωστόσο, αυτό αποτελεί απλώς γενική οδηγία και διαφέρει από γυναίκα σε γυναίκα.

Σημείωση: Αν εξαγάγετε τακτικά περισσότερο από 125 ml ανά συνεδρία, μπορείτε να χρησιμοποιήσετε ένα μπιμπερό Philips AVENT χωρητικότητας 260 ml/9 oz, προς αποφυγή τυχόν υπερχειλίσης.

- 8** Όταν τελειώσετε την άντληση, απενεργοποιήστε το θήλαστρο και αφαιρέστε προσεκτικά το σώμα του θήλαστρου από το στήθος σας.
- 9** Ξεβιδώστε από το σώμα του θήλαστρου το μπιμπερό, το οποίο θα είναι πλέον έτοιμο για τάισμα ή φύλαξη. Καθαρίστε τα άλλα χρησιμοποιημένα εξαρτήματα του θήλαστρου σύμφωνα με τις οδηγίες που περιέχονται στην ενότητα “Καθαρισμός και αποστείρωση”.
- 10** Αποσυνδέστε το μοτέρ. Για εύκολη αποθήκευση, τυλίξτε το σωλήνα σιλικόνης γύρω από το μοτέρ και στερεώστε το κάλυμμα στο σωλήνα (Εικ. 12).

Μετά τη χρήση

Φύλαξη του μητρικού γάλακτος

Αποθηκεύετε μόνο δικό σας γάλα, το οποίο συλλέγεται με αποστειρωμένο θήλαστρο.

Το μητρικό γάλα μπορεί να διατηρηθεί στο ψυγείο (όχι στα ράφια της πόρτας) έως και για 48 ώρες. Το μητρικό γάλα πρέπει να τοποθετείται αμέσως στο ψυγείο. Εάν διατηρείτε γάλα στο ψυγείο με σκοπό να προσθέσετε κι άλλο στη διάρκεια της ημέρας, προσθέτετε μόνο γάλα που έχει συλλεχθεί σε αποστειρωμένο μπιμπερό ή δοχείο φύλαξης.

Το μητρικό γάλα μπορεί να διατηρηθεί στην κατάψυξη έως και τρεις μήνες, σε αποστειρωμένα μπιμπερό με αποστειρωμένο βιδωτό δακτύλιο και δίσκο σφράγισης. Τα μπιμπερό πρέπει να φέρουν ετικέτες με την ημερομηνία και την ώρα εξαγωγής και το παλαιότερο γάλα πρέπει να χρησιμοποιείται πρώτο.

Αν σκοπεύετε να ταΐσετε το μωρό σας με το μητρικό γάλα που αντλήσατε εντός 48 ωρών από την άντληση, μπορείτε να αποθηκεύσετε το μητρικό σας γάλα στο ψυγείο, σε ένα συναρμολογημένο μπιμπερό Philips AVENT:

- 1** Ξεβιδώστε το μπιμπερό και αφαιρέστε το από το θήλαστρο.
- 2** Τοποθετήστε στο μπιμπερό μια αποστειρωμένη θηλή και ένα αποστειρωμένο βιδωτό δακτύλιο, σύμφωνα με τις χωριστές οδηγίες που συνοδεύουν το μπιμπερό. Σκεπάστε τη θηλή με το θολωτό καπάκι.
- 3** Εναλλακτικά, τοποθετήστε έναν αποστειρωμένο δίσκο σφράγισης σε ένα αποστειρωμένο βιδωτό καπάκι και βιδώστε το καπάκι στο μπιμπερό.

ΠΑΝΤΑ

- Πάντα τοποθετείτε το μητρικό γάλα στο ψυγείο ή την κατάψυξη αμέσως μετά την άντληση.
- Να αποθηκεύετε μητρικό γάλα που έχετε αντλήσει μόνο με αποστειρωμένο θήλαστρο και μόνο σε αποστειρωμένα μπιμπερό.

ΠΟΤΕ

- Μην επαναψύχετε ποτέ μητρικό γάλα που έχετε ξεπαγώσει.
- Μην προσθέτετε ποτέ φρέσκο μητρικό γάλα σε κατεψυγμένο μητρικό γάλα.

Τάισμα του μωρού με μητρικό γάλα

Μπορείτε να ταΐζετε το μωρό σας με μητρικό γάλα από μπιμπερό και κύπελλα φύλαξης Philips AVENT:

- 1 Εάν χρησιμοποιήσετε κατεψυγμένο γάλα, αφήστε το να ξεπαγώσει εντελώς πριν το ζεσάνετε.

Σημείωση: Σε περίπτωση ανάγκης, μπορείτε να ξεπαγώσετε το γάλα εισάγοντας το δοχείο σε μια κανάτα με ζεστό νερό.

- 2 Ζεσάνετε το μπιμπερό/κύπελλο φύλαξης με το ξεπαγωμένο μητρικό γάλα ή το γάλα που φυλάξατε στο ψυγείο, σε μια κανάτα με ζεστό νερό ή σε ένα θερμαντήρα μπιμπερό.
- 3 Αφαιρέστε το βιδωτό δακτύλιο και το δίσκο σφράγισης από το μπιμπερό ή αντίστοιχα το καπάκι από το κύπελλο φύλαξης.
- 4 Εάν χρησιμοποιείτε κύπελλο φύλαξης, βιδώστε το δακτύλιο ρύθμισης στο κύπελλο.
- 5 Βιδώστε ένα αποστειρωμένο βιδωτό δακτύλιο με αποστειρωμένη θηλή στο μπιμπερό ή στο κύπελλο αποθήκευσης με το δακτύλιο ρύθμισης.

ΠΑΝΤΑ

- Ελέγχετε πάντα τη θερμοκρασία του γάλακτος πριν από το τσίσμα.
- Να πετάτε πάντα το γάλα που απέμεινε στο τέλος του τσίσματος.

ΠΟΤΕ

- Ποτέ μην θερμαίνετε το μητρικό γάλα στο φούρνο μικροκυμάτων, καθώς το ζέσταμα μπορεί να είναι ανομοιόμορφο ή να δημιουργήσει καυτά σημεία μέσα στο γάλα. Επίσης, ενδέχεται να καταστραφούν πολύτιμα θρεπτικά συστατικά του γάλακτος.

Καθαρισμός και αποστείρωση

Το μοτέρ, ο σωλήνας και το κάλυμμα σιλικόνης και ο μετασχηματιστής δεν απαιτούν καθαρισμό και αποστείρωση, καθώς δεν έρχονται σε επαφή με το μητρικό γάλα. Πριν από την πρώτη χρήση, καθαρίστε και αποστειρώστε όλα τα υπόλοιπα εξαρτήματα του θήλαστρου. Επίσης, να καθαρίζετε αυτά τα εξαρτήματα μετά από κάθε χρήση και να τα αποστειρώνετε πριν από κάθε επόμενη χρήση.

Κίνδυνος: Μην τοποθετείτε ποτέ το μοτέρ ή το μετασχηματιστή σε νερό ή αποστειρωτή.

1 Αποσυναρμολογήστε πλήρως το θήλαστρο και αφαιρέστε τη λευκή βαλβίδα.

Να είστε ιδιαίτερα προσεκτική κατά την αφαίρεση και τον καθαρισμό της λευκής βαλβίδας. Εάν υποστεί κάποια ζημιά, το θήλαστρο δεν θα λειτουργεί σωστά. Για να αφαιρέσετε τη λευκή βαλβίδα, τραβήξτε απαλά το ραβδωτό πτερύγιο στο πλάι της βαλβίδας.

2 Πλύνετε όλα τα εξαρτήματα του θήλαστρου, εκτός από το μοτέρ, το σωλήνα, το κάλυμμα και το μετασχηματιστή στο πλυντήριο πιάτων (μόνο στο επάνω ράφι) με ζεστό νερό και ήπιο, υγρό απορρυπαντικό και ξεπλύνετε τα σχολαστικά.

Για να καθαρίσετε τη βαλβίδα, τρίψτε τη μαλακά ανάμεσα στα δάχτυλά σας με σαπούνι και νερό. Μην τοποθετείτε αντικείμενα μέσα στη βαλβίδα, ώστε να αποφύγετε τυχόν φθορές.

3 Αποστειρώστε τα πλυμένα μέρη του θήλαστρου σε αποστειρωτή ατμού Philips AVENT βράζοντάς τα για 5 λεπτά.

Μην τοποθετείτε ποτέ το μοτέρ ή το μετασχηματιστή σε νερό ή στον αποστειρωτή. Αν χρειάζεται, μπορείτε να καθαρίσετε το μοτέρ με ένα μαλακό, νωπό πανί.

Συστήματα αποθήκευσης

Διατηρείτε το θήλαστρο μακριά από την άμεση ηλιακή ακτινοβολία, καθώς η παρατεταμένη έκθεσή του στο φως ενδέχεται να προκαλέσει αποχρωματισμό.

1 Αποθηκεύετε το θήλαστρο και τα εξαρτήματά του σε ασφαλές μέρος χωρίς υγρασία.

Συμβατότητα

Το ηλεκτρονικό θήλαστρο Philips AVENT είναι συμβατό με τα μπιμπερό Philips AVENT. Όταν χρησιμοποιείτε μπιμπερό Classic που διαθέτει το σύστημα δύο τεμαχίων κατά των κολικών, να εισαγάγετε πάντα το δακτύλιο στο πάνω μέρος του μπιμπερό πριν το προσαρτήσετε στο θήλαστρο. Όταν χρησιμοποιείτε άλλο μπιμπερό Philips AVENT, χρησιμοποιήστε τον ίδιο τύπο θηλής που συνόδευε το μπιμπερό. Για λεπτομέρειες σχετικά με την τοποθέτηση της θηλής αλλά και γενικές οδηγίες καθαρισμού, ανατρέξτε στο εγχειρίδιο χρήσης του μπιμπερό. Οι πληροφορίες αυτές είναι διαθέσιμες και στην τοποθεσία μας, στη διεύθυνση www.philips.com/support.

Αντικατάσταση

Μπαταρίες

Αντικαθιστάτε τις μη επαναφορτιζόμενες μπαταρίες του θήλαστρου (μόνο στο SCF332) με τέσσερις μπαταρίες AA 1,5 V (ή 1,2 V αν είναι επαναφορτιζόμενες).

Για οδηγίες σχετικά με την αντικατάσταση των μπαταριών, ανατρέξτε στην ενότητα "Προετοιμασία για χρήση".

Παραγγελία εξαρτημάτων

Για να αγοράσετε εξαρτήματα ή ανταλλακτικά, επισκεφτείτε τη διεύθυνση www.shop.philips.com/service ή απευθυνθείτε στον αντιπρόσωπο της Philips στην περιοχή σας. Μπορείτε επίσης να επικοινωνήσετε με το Κέντρο Εξυπηρέτησης Καταναλωτών της Philips στη χώρα σας (θα βρείτε τα στοιχεία επικοινωνίας στο φυλλάδιο της διεθνούς εγγύησης).

Ανακύκλωση

- Αυτό το σύμβολο δηλώνει ότι το προϊόν καλύπτεται από την Ευρωπαϊκή Οδηγία 2012/19/EK (Εικ. 13).
- Αυτό το σύμβολο δηλώνει ότι το προϊόν περιέχει μπαταρίες που καλύπτονται από την Ευρωπαϊκή Οδηγία 2006/66/EK, οι οποίες δεν μπορούν να απορριφθούν μαζί με τα συνηθισμένα οικιακά απορρίμματα (Εικ. 14).
- Ενημερωθείτε για τους τοπικούς κανόνες σχετικά με την ξεχωριστή συλλογή ηλεκτρικών και ηλεκτρονικών προϊόντων και μπαταριών. Τηρείτε τους τοπικούς κανόνες και μην απορρίπτετε ποτέ το προϊόν και τις μπαταρίες μαζί με τα συνηθισμένα οικιακά απορρίμματα. Η σωστή απόρριψη παλιών προϊόντων και μπαταριών συμβάλλει στην αποφυγή αρνητικών επιπτώσεων για το περιβάλλον και την ανθρώπινη υγεία.

Αφαίρεση των μπαταριών μίας χρήσης

Για να αφαιρέσετε τις μπαταρίες μίας χρήσης, ανατρέξτε στο κεφάλαιο "Προετοιμασία για χρήση" και στην ενότητα "Συναρμολόγηση του θήλαστρου".

Εγγύηση και υποστήριξη

Αν χρειάζεστε πληροφορίες ή υποστήριξη, επισκεφτείτε τη διεύθυνση www.philips.com/support ή διαβάστε το ξεχωριστό φυλλάδιο της διεθνούς εγγύησης.

Αντιμετώπιση προβλημάτων

Αυτό το κεφάλαιο συνοψίζει τα πιο συνηθισμένα προβλήματα που μπορεί να αντιμετωπίσετε με τη συσκευή. Αν δεν μπορείτε να επιλύσετε το πρόβλημα βάσει των παρακάτω πληροφοριών, επικοινωνήστε με το Κέντρο Εξυπηρέτησης Καταναλωτών στη χώρα σας ή επισκεφτείτε μας στη διεύθυνση www.philips.com/support.

Πρόβλημα	Λύση
Πόνος κατά τη χρήση του θήλαστρου.	Διακόψτε τη χρήση του θήλαστρου και συζητήστε με το σύμβουλο θηλασμού σας. Αν το σώμα του θήλαστρου δεν απομακρύνεται εύκολα από το στήθος, ίσως χρειάζεται να διακόψετε την άντληση τοποθετώντας ένα δάχτυλο ανάμεσα στο στήθος και το μαξιλαράκι μαςάζ.
Παρουσία γρατσουνιών στο θήλαστρο.	Μετά από πολλές χρήσεις, η παρουσία κάποιων ελαφρών γρατσουνιών είναι φυσιολογική και δεν προκαλεί προβλήματα. Ωστόσο, αν οι γρατσουνιές είναι έντονες ή κάποιο εξάρτημα του θήλαστρου έχει ραγίσει/σπάσει, σταματήστε να χρησιμοποιείτε το θήλαστρο και επικοινωνήστε με το Κέντρο Εξυπηρέτησης Καταναλωτών της Philips ή επισκεφτείτε τη διεύθυνση www.shop.philips.com/service για να αγοράσετε ένα ανταλλακτικό εξάρτημα. Να θυμάστε ότι συνδυασμοί απορρυπαντικών, διαλύματος αποστείρωσης, αποσκληρυνμένου νερού και διακυμάνσεων στη θερμοκρασία ενδέχεται, υπό ορισμένες συνθήκες, να προκαλέσουν ράγισμα του πλαστικού. Αποφεύγετε την επαφή με διαβρωτικά ή αντιβακτηριδιακά απορρυπαντικά, καθώς μπορούν να προκαλέσουν ζημιά στο πλαστικό.
Το θήλαστρο δεν λειτουργεί και το κουμπί ενεργοποίησης/ απενεργοποίησης αναβοσβήνει.	Ελέγξτε αρχικά αν το θήλαστρο είναι σωστά συναρμολογημένο και βεβαιωθείτε ότι δεν έχει συστραφεί ο σωλήνας. Αν χρησιμοποιείτε το μοντέλο SCF332 με μπαταρίες, αντικαταστήστε τις μπαταρίες σύμφωνα με τις οδηγίες που περιέχονται στην ενότητα "Προετοιμασία για χρήση" (βήμα 5). Αν χρησιμοποιείτε το μοντέλο SCF334 ή SCF332 με ρεύμα, βεβαιωθείτε ότι χρησιμοποιείτε το μετασχηματιστή που συνόδευε το προϊόν. Αν το πρόβλημα παραμένει, επικοινωνήστε με το Κέντρο Εξυπηρέτησης Καταναλωτών της χώρας σας.
Καμία αίσθηση άντλησης.	Ελέγξτε αν το θήλαστρο είναι σωστά συναρμολογημένο, σύμφωνα με τα βήματα που περιέχονται στην ενότητα "Προετοιμασία για χρήση". Βεβαιωθείτε ότι ο σωλήνας σιλικόνης είναι καλά τοποθετημένος στο μοτέρ, καθώς και στο κάλυμμα και το διάφραγμα.
Θέλω να αντικαταστήσω το σωλήνα σιλικόνης αλλά δεν ξέρω πώς αφαιρείται.	Για να αφαιρέσετε το σωλήνα, πιάστε τον από το σημείο που βρίσκεται κοντά στο μοτέρ και τραβήξτε τον στρίβοντάς τον. Για να επανατοποθετήσετε το σωλήνα, προσαρτήστε απαλά το σωλήνα στη σύνδεση του μοτέρ στρίβοντάς τον ελαφρώς. Βεβαιωθείτε ότι έχει ασφαλίσει στη θέση του.

Introducción

Enhorabuena por la compra de este producto y bienvenido a Philips AVENT. Para sacar el mayor partido de la asistencia que Philips AVENT le ofrece, registre su producto en **www.philips.com/welcome**.

El extractor de leche de Philips AVENT cuenta con un diseño exclusivo que le permite sentarse en una posición más cómoda durante la extracción. El suave cojín masajeador* se ha diseñado para ofrecer un tacto suave y cálido e imita el patrón de succión del bebé para proporcionar un flujo rápido de la leche, de forma cómoda y suave. El extractor de leche se inicia con un modo suave para ayudar a estimular el flujo de leche. Posteriormente, puede elegir entre tres modos de succión según su comodidad personal. El extractor es fácil de montar y manejar, y todas las piezas que están en contacto con la leche materna se pueden lavar en el lavavajillas.

Los profesionales de la salud afirman que la leche materna es la mejor nutrición para los bebés durante el primer año, combinada con comida sólida después de los 6 primeros meses. La leche materna es especialmente adecuada para las necesidades de su bebé y contiene anticuerpos que ayudan a proteger al bebé de infecciones y alergias.

El extractor de leche puede ayudarle a prolongar la lactancia. Podrá extraer y almacenar la leche para que el bebé siga disfrutando de sus ventajas, incluso si no está presente para alimentarlo usted misma. El extractor es compacto y discreto, por lo que podrá llevarlo a cualquier parte y extraer la leche con comodidad, manteniendo su producción.

*El cojín incluido con el extractor se ha diseñado para adaptarse cómodamente a la mayoría de madres. No obstante, si lo necesita, puede comprar un cojín para pezones más grandes por separado.

Descripción general (fig. 1)

- 1 Unidad motora con tubo y tapa de silicona*
- 2 Diafragma de silicona*
- 3 Cuerpo del extractor*
- 4 Cojín masajeador*
- 5 Cubierta*
- 6 Carcasa de las pilas (solo modelo SCF332)
- 7 Botón de encendido/apagado
- 8 Botón de estimulación
- 9 Botón de succión baja
- 10 Botón de succión media
- 11 Botón de succión intensa
- 12 Adaptador de corriente
- 13 Válvula blanca*
- 14 Biberón natural Philips AVENT*
- 15 Tapa*
- 16 Rosca*
- 17 Tetina*
- 18 Disco sellador*

**Nota: El modelo SCF334 incluye dos unidades de las piezas señaladas, excepto la unidad motora.*

Importante

Antes de usar el extractor de leche materna, lea atentamente este manual de usuario y consérvelo por si necesitara consultarlo en el futuro.

Peligro

- Mantenga la unidad motora y el adaptador secos.
- No utilice el extractor de leche materna en la bañera o en la ducha.
- No coloque ni guarde el extractor de leche materna cerca de una bañera o lavabo.
- No intente coger un producto que haya caído al agua; desenchúfelo inmediatamente.

Advertencia

- Desenchufe siempre el extractor de leche materna inmediatamente después de usarlo.
- Este aparato puede ser usado por niños a partir de 8 años y por personas con su capacidad física, psíquica o sensorial reducida y por quienes no tengan los conocimientos y la experiencia necesarios, si son supervisados o han sido instruidos acerca del uso del aparato de forma segura y siempre que sepan los riesgos que conlleva su uso. No permita que los niños jueguen con el aparato. Los niños no deben llevar a cabo la limpieza ni el mantenimiento a menos que sean supervisados.
- No permita a los niños ni las mascotas jugar con la unidad motora, el adaptador o los accesorios, ya que estas piezas pueden presentar peligro de asfixia o estrangulación.
- Inspeccione si el extractor de leche materna, incluido el adaptador, muestra signos de daños antes de cada uso. No utilice el extractor de leche materna si el adaptador o el enchufe están dañados, si no funciona correctamente, si está dañado o si se ha caído o sumergido en agua.
- No utilice el extractor de leche materna en exteriores, en lugares donde se utilicen aerosoles (spray) o donde se administre oxígeno.
- No utilice el extractor de leche materna en presencia de mezclas anestésicas inflamables con aire, oxígeno u óxido nitroso.
- La unidad motora del extractor de leche materna no contiene piezas que pueda reparar el usuario. No intente abrir ni reparar el extractor de leche materna usted mismo. Si lo hace, la garantía quedará anulada.
- Mantenga el adaptador y los tubos de silicona alejados de superficies calientes.
- Utilice solo el adaptador indicado en el aparato.

- No intente quitar el cuerpo del extractor del pecho en condiciones de vacío. Apague el aparato y elimine el vacío entre el pecho y el embudo del extractor con el dedo. Retire el extractor del pecho.
- Nunca utilice el extractor de leche si está embarazada, ya que la extracción puede inducir el parto.
- Nunca utilice el extractor de leche si se siente somnolencia.
- No exponga el extractor de leche al calor extremo ni a la luz solar directa.

Precaución

- El extractor de leche se ha diseñado para un solo usuario.
- No deje el extractor de leche materna desatendido cuando esté enchufado.
- No deje caer ni introduzca ningún objeto extraño en ninguna abertura.
- Aunque el extractor de leche materna cumple con las directivas EMC aplicables, puede que sea susceptible a emisiones excesivas o que interfiera con los equipos más sensibles.
- No utilice nunca accesorios o piezas de otros fabricantes o que no hayan sido específicamente recomendados por Philips AVENT. La garantía quedará anulada si utiliza tales piezas o accesorios.
- Limpie, enjuague y esterilice todas las piezas del extractor, excepto la unidad motora, el tubo y la tapa, y el adaptador antes de cada uso.
- Nunca sumerja la unidad motora ni el adaptador en agua ni en un esterilizador, ya que puede dañar permanentemente estas piezas.
- No utilice agentes de limpieza abrasivos o antibacterias para limpiar las piezas del extractor.
- No utilice el extractor de leche materna ni el diafragma de silicona si parecen dañados o rotos. Consulte el capítulo “Solicitud de accesorios” para obtener información sobre cómo obtener piezas de repuesto.
- No siga extrayendo durante más de cinco minutos de una sola vez si no consigue extraer nada de leche.
- Si la presión generada le resulta incómoda o dolorosa, apague el aparato, elimine el vacío que hay entre el pecho y el cuerpo del extractor con el dedo y retire el extractor del pecho.

Campos electromagnéticos (CEM)

Este aparato de Philips cumple los estándares y las normativas aplicables sobre exposición a campos electromagnéticos.

Preparación para su uso

No es necesario limpiar ni esterilizar la unidad motora, el tubo y la tapa de silicona, y el adaptador, ya que no entran en contacto con la leche materna.

Limpie y esterilice el resto de piezas del extractor de leche materna antes de usarlo por primera vez como se describe en el capítulo "Limpieza y esterilización". Limpie también y esterilice todas las piezas antes de cada uso posterior.

Montaje del extractor de leche

Nota: Asegúrese de que ha limpiado y esterilizado las piezas adecuadas del extractor de leche.

Lávese bien las manos antes de manipular las piezas limpias.

Tenga cuidado, las piezas esterilizadas aún pueden estar calientes.

Consejo: Puede que le resulte más fácil montar el extractor de leche mientras está húmedo.

- 1** Inserte la válvula blanca en el cuerpo del extractor desde la parte inferior. Empuje la válvula lo máximo posible (fig. 2).
- 2** Enrosque el cuerpo del extractor en el sentido de las agujas del reloj en el biberón hasta que esté bien sujeto (fig. 3).
- 3** Coloque el diafragma de silicona sobre el cuerpo del extractor desde arriba. Asegúrese de que está bien sujeto alrededor del borde presionándolo hacia abajo con los dedos para garantizar un sellado perfecto (fig. 4).
- 4** Coloque el cojín masajeador dentro de la sección con forma de embudo del cuerpo del extractor. Empuje la pieza interior del cojín masajeador lo máximo posible y asegúrese de que queda perfectamente sellada alrededor del borde del cuerpo del extractor. Presione entre los pétalos para eliminar el aire que pueda haber quedado atrapado (fig. 5).

Nota: Coloque la cubierta sobre el cojín masajeador para mantener el extractor de leche limpio mientras se prepara para la extracción.

- 5** Enchufe el adaptador a la toma de corriente e introduzca el otro extremo en la unidad motora (fig. 6).

El código de referencia del adaptador se indica en la parte inferior del aparato. Utilice solo el adaptador indicado con el aparato.

- Para utilizarlo con pilas (solo modelo SCF332), gire la parte inferior de la unidad motora en la dirección indicada por las marcas (1) y retírela (2). Inserte cuatro pilas AA de 1,5 V nuevas (o de 1,2 V si son recargables) en la carcasa de las pilas. Vuelva a colocar la parte inferior de la unidad motora (fig. 7).

Nota: Un juego de pilas nuevo proporciona hasta 3 horas de funcionamiento. Si ha introducido pilas en la carcasa de las pilas de la unidad motora y enchufa el adaptador, el extractor de leche materna funcionará a través de la fuente de alimentación de la red. Las pilas no se pueden cargar en la unidad.

- 6** Coloque el tubo y la tapa de silicona sobre el diafragma. Empuje la tapa hacia abajo hasta que esté colocada firmemente (fig. 8).

Uso del extracto de leche

Cuándo extraer la leche

Si la lactancia materna va bien en su caso, es conveniente (a menos que un profesional de la salud o asesor de lactancia se lo recomiende) esperar hasta que se haya establecido un horario de producción de leche y lactancia (normalmente, al menos entre 2 y 4 semanas después del nacimiento).

Excepciones:

- Si la lactancia materna no va bien en su caso de forma inmediata, la extracción regular puede ayudar a establecer y mantener el suministro de leche.
- Si extrae leche para su bebé para dársela en el hospital.
- Si tiene los pechos hinchados (doloridos o inflamados), puede extraer una pequeña cantidad de leche antes de cada toma o entre las mismas para aliviar el dolor o para ayudar a que el bebé se enganche al pecho más fácilmente.
- Si tiene los pezones irritados o agrietados, puede que prefiera extraer la leche hasta que se hayan curado.
- Si tiene que separarse del bebé y desea continuar con la lactancia cuando vuelva con él, debería extraer la leche con regularidad para estimular su producción.

Debe encontrar los momentos del día óptimos para extraer la leche, por ejemplo justo antes o después de la primera toma del bebé por la mañana cuando los pechos están llenos o después de una toma si el bebé no ha vaciado ambos pechos. Si ha vuelto al trabajo, puede hacerlo durante un descanso.

El uso de un extractor de leche requiere práctica y puede que necesite varios intentos para utilizarlo correctamente. Por suerte, el extractor de leche eléctrico de Philips AVENT es fácil de montar y utilizar; por lo que pronto se acostumbrará a extraer la leche.

Consejos

- Familiarícese con el extractor de leche y cómo manejarlo antes de utilizarlo por primera vez.
- Elija un momento en el que no tenga prisa y no vayan a interrumpirle.
- Una fotografía del bebé puede ayudar a fomentar el "efecto de bajada".
- El calor también ayuda: intente extraer la leche después de un baño o una ducha, o coloque un paño caliente o una almohadilla térmica de Philips AVENT en el pecho durante unos minutos antes de iniciar la extracción.
- Puede que le resulte más fácil extraer la leche mientras el bebé está tomando del otro pecho o inmediatamente después de la toma.
- Si la extracción le resulta dolorosa, pare y consulte a su asesor de lactancia o profesional de la salud.

Funcionamiento del extractor de leche

- 1** Lávese bien las manos y asegúrese de que los pechos están limpios.
 - 2** Relájese en una silla cómoda (puede utilizar cojines para apoyar la espalda). Asegúrese de tener un vaso de agua cerca.
 - 3** Presione el cuerpo del extractor montado contra el pecho. Asegúrese de que el pezón está centrado para que el cojín masajeador cree un sellado estanco.
- SCF334: El extractor de leche eléctrico doble le permite extraer leche de ambos pechos al mismo tiempo. No obstante, puede utilizar el aparato para extraer leche de un pecho de la misma forma.
- 4** Pulse el botón de encendido/apagado (fig. 9).
 - ▶ El extractor de leche materna se inicia automáticamente en modo de estimulación y el botón de encendido/apagado y el de estimulación se iluminan.
 - ▶ Comenzará a notar la succión en el pecho.

- 5** Una vez que la leche empiece a fluir, puede adoptar un ritmo más lento pulsado el botón de succión baja (fig. 10).
- Este botón se ilumina en lugar del botón de estimulación.

Nota: No se preocupe si la leche no fluye inmediatamente. Relájese y siga extrayendo. La primera vez que utilice el extractor de leche materna, puede que necesite utilizar un modo de succión superior para que la leche fluya.

- 6** En función de su comodidad personal, puede que desee utilizar un modo de succión superior para aumentar la intensidad. Puede volver al modo de succión inferior o apagar el extractor de leche materna cuando desee pulsando el botón correspondiente (fig. 11).

Nota: No es necesario que utilice todos los modos de succión, utilice solo los que le resulten más cómodos.

Apague siempre el extractor de leche materna antes de retirar el cuerpo del extractor del pecho.

No siga extrayendo durante más de 5 minutos de una sola vez si no consigue extraer nada de leche. Intente extraer la leche en otro momento del día. Si el proceso resulta muy incómodo o doloroso, deje de utilizar el extractor y consulte a su asesor de lactancia.

- 7** De media, deberá extraer durante 10 minutos para conseguir 60-125 ml de leche materna de un pecho. No obstante, esto es solo una indicación y puede variar en cada mujer.

Nota: Si extrae regularmente más de 125 ml por sesión, puede utilizar un biberón de Philips AVENT de 260 ml para evitar que se llene en exceso o se derrame.

- 8** Cuando termine de extraer la leche, apague el extractor de leche materna y retire con cuidado el cuerpo del extractor del pecho.

- 9** Desenrosque el biberón del cuerpo del extractor, listo para la alimentación o el almacenamiento. Limpie el resto de piezas utilizadas del extractor de leche según las instrucciones del capítulo "Limpieza y esterilización".

- 10** Desenchufe la unidad motora. Para almacenarlo fácilmente, enrolle el tubo de silicona alrededor de la unidad motora y sujete la tapa sobre el tubo (fig. 12).

Después del uso

Almacenamiento de la leche materna

Almacene solo leche materna que haya sido extraída con un extractor de leche.

La leche materna se puede guardar en el frigorífico (no en la puerta) durante un máximo de 48 horas. La leche extraída debería refrigerarse inmediatamente. Si guarda la leche en el frigorífico para añadir más durante el día, añada solo leche que haya sido extraída en un biberón esterilizado o un tarrito conservero para leche materna.

La leche materna se puede guardar en el congelador durante un máximo de tres meses, siempre que se conserve en biberones esterilizados que dispongan de una rosca y un disco sellador esterilizados. Etiquete claramente el biberón con la fecha y la hora de extracción y utilice la leche materna más antigua en primer lugar.

Si va a alimentar al bebé con la leche materna extraída en un plazo de 48 horas, puede guardarla en el frigorífico en un biberón de Philips AVENT montado:

- 1** Desenrosque el biberón y retírelo del cuerpo del extractor.
- 2** Monte una tetina esterilizada y una rosca sobre el biberón según las instrucciones que se proporcionan con el mismo. Selle la tetina con la tapa.

- 3** También puede introducir un disco sellador esterilizado en una rosca esterilizada y enroscarla en el biberón.

Recomendaciones

- Refrigere o congele siempre la leche extraída inmediatamente.
- Guarde solo la leche extraída con un extractor de leche esterilizado en biberones esterilizados.

Prohibiciones

- Nunca vuelva a congelar leche materna ya descongelada.
- Nunca añada leche materna fresca a leche materna congelada.

Alimentación del bebé con la leche materna extraída

Puede alimentar a su bebé con la leche materna en biberones y vasos de almacenamiento de Philips AVENT:

- 1 Si utiliza leche materna congelada, deje que se descongele antes de calentarla.

Nota: En caso de emergencia, puede descongelar la leche en un recipiente de agua caliente.

- 2 Caliente el biberón o el vaso de almacenamiento con leche materna descongelada o refrigerada en un recipiente de agua caliente o en un calentabiberones.
- 3 Quite la rosca y el disco sellador del biberón o retire la tapa del vaso de almacenamiento.
- 4 Si utiliza un vaso de almacenamiento, enrosque el anillo adaptador sobre el vaso.
- 5 Enrosque una rosca esterilizada con una tetina esterilizada en un biberón o un vaso de almacenamiento con anillo adaptador.

Recomendaciones

- Compruebe siempre la temperatura de la leche antes de dársela al bebé.
- Deseche siempre la leche materna que sobre al final de una toma.

Prohibiciones

- Nunca caliente la leche materna en el microondas, ya que puede calentarse de forma desigual y producir riesgos de quemaduras. También puede destruir los nutrientes de la leche.

Limpieza y esterilización

No es necesario limpiar ni esterilizar la unidad motora, el tubo y la tapa de silicona, y el adaptador, ya que no entran en contacto con la leche materna.

Limpie y esterilice el resto de piezas del extractor de leche materna antes de usarlo por primera vez. Limpie también y esterilice todas las piezas antes de cada uso posterior.

Peligro: Nunca sumerja la unidad motora ni el adaptador en agua ni en un esterilizador.

- 1** Desmonte el extractor de leche completamente. Quite también la válvula blanca.

Tenga cuidado al quitar la válvula blanca y limpiarla. Si se daña, el extractor de leche no funcionará bien. Para quitar la válvula blanca, tire suavemente de la pestaña estriada que hay en el lateral de la válvula.

- 2** Limpie todas las piezas, excepto la unidad motora, el tubo y la tapa de silicona, y el adaptador, en el lavavajillas (solo en la rejilla superior) o con agua caliente y un poco de detergente líquido y enjuáguelas bien.

Para limpiar la válvula, frótelas suavemente entre los dedos con agua templada y un poco de jabón líquido. No introduzca objetos en la válvula, ya que podría dañarla.

- 3 Esterilice todas las piezas limpias del extractor de leche materna en un esterilizador a vapor de Philips AVENT o hirviéndolas en agua durante 5 minutos.

Nunca sumerja la unidad motora ni el adaptador en agua ni en un esterilizador. Si es necesario, puede frotar la unidad motora con un trapo húmedo suave.

Almacenamiento

Mantenga el extractor de leche lejos de la luz del sol directa ya que la exposición prolongada puede causar decoloración.

- 1 Guarde el extractor de leche y sus accesorios en un lugar seguro y seco.

Compatibilidad

El extractor de leche eléctrico de Philips AVENT es compatible con los biberones de Philips AVENT de nuestra gama. Si utiliza biberones Classic con nuestro sistema anticólicos de dos piezas, introduzca siempre el anillo en la parte superior del biberón antes de acoplarlo al extractor de leche. Si utiliza otros biberones de Philips AVENT, utilice el mismo tipo de tetina que incluía el biberón. Para obtener información sobre el montaje de la tetina y las instrucciones generales de limpieza, consulte el manual del usuario que incluía el biberón. Esta información también se encuentra en nuestro sitio Web: **www.philips.com/support**.

Sustitución

Pilas

Sustituya las pilas no recargables del extractor de leche materna (solo modelo SCF332) únicamente por cuatro pilas AA de 1,5 V (o 1,2 V si son recargables).

Para obtener instrucciones sobre cómo sustituir las pilas, consulte el capítulo "Preparación para su uso".

Solicitud de accesorios

Para comprar accesorios o piezas de repuesto, visite **www.shop.philips.com/service** o acuda a su distribuidor de Philips. También puede ponerse en contacto con el Servicio de Atención al Cliente de Philips en su país (consulte el folleto de garantía mundial para encontrar los datos de contacto).

Reciclaje

- Este símbolo en un producto significa que el producto cumple con la directiva europea 2012/19/UE (fig. 13).
- Este símbolo significa que el producto contiene pilas o baterías contempladas por la directiva europea 2006/66/CE, que no se deben tirar con la basura normal del hogar (fig. 14).
- Infórmese sobre el sistema local de recogida selectiva de pilas o batería y productos eléctricos y electrónicos. Siga la normativa local y no deseche el producto ni las pilas o batería con la basura normal del hogar. El correcto desecho de los productos antiguos y las pilas o batería ayuda a evitar consecuencias negativas para el medio ambiente y la salud humana.

Cómo retirar las pilas desechables

Para retirar las pilas desechables, consulte el capítulo "Preparación para su uso" de la sección "Montaje del extractor de leche".

Garantía y asistencia

Si necesita asistencia o información, visite www.philips.com/support o lea el folleto de garantía mundial independiente.

Guía de resolución de problemas

En este capítulo se resumen los problemas más frecuentes que pueden surgir con el aparato. Si no puede resolver el problema con la siguiente información, póngase en contacto con el Servicio de Atención al Cliente de su país o visítenos en línea en www.philips.com/support.

Problema	Solución
Siento dolor al utilizar el extractor de leche.	Deje de utilizar el extractor de leche y consulte a su asesor de lactancia. Si el cuerpo del extractor no se separa del pecho con facilidad, puede que sea necesario eliminar el vacío colocando un dedo entre el pecho y el cojín masajeador.
El extractor de leche tiene arañazos.	Si lo utiliza con regularidad, es normal que aparezcan pequeños arañazos, que no producen problemas. No obstante, si alguna pieza del extractor de leche tiene muchos arañazos o está agrietada, deje de utilizar el extractor de leche y póngase en contacto con el Servicio de Atención al Cliente de Philips o visite www.shop.philips.com/service para obtener una pieza de repuesto. Tenga en cuenta que la combinación de detergentes, productos de limpieza, solución esterilizadora y agua descalcificada, junto con las fluctuaciones de temperatura, en determinadas circunstancias, pueden provocar que el plástico se resquebraje. Evite el contacto con detergentes abrasivos o antibacterias ya que pueden dañar el plástico.
El extractor de leche materna no funciona y el botón de encendido/apagado parpadea.	Primero, compruebe que ha montado el extractor de leche materna correctamente y asegúrese de que no hay nudos en el tubo. Si utiliza el modelo SCF332 con pilas, sustituya las pilas según las instrucciones del capítulo "Preparación para su uso", acción 5. Si utiliza el modelo SCF334 o SCF332 conectado a la red, asegúrese de que está utilizando el adaptador que incluía el producto. Si el problema continúa, póngase en contacto con el Servicio de Atención al Cliente en su país.
No siento ninguna succión.	Compruebe que ha montado correctamente el extractor de leche materna siguiendo los pasos del capítulo "Preparación para su uso". Asegúrese de que el tubo de silicona está bien colocado en la unidad motora, así como la tapa y el diafragma.
Necesito sustituir el tubo de silicona, pero no sé cómo quitarlo.	Para quitar el tubo de silicona, sujételo cerca de la unidad motora y tire de él mientras lo gira. Para volver a conectar el tubo, introduzca el tubo de nuevo en el conector de la unidad motora girándolo ligeramente. Asegúrese de que está bien colocado.

Johdanto

Onnitellut ostoksestasi ja tervetuloa Philips AVENT -tuotteiden käyttäjäksi! Hyödynnä Philips AVENTin tuki ja rekisteröi tuotteesi osoitteessa **www.philips.com/welcome**.

Philips AVENT -rintapumpun ainutlaatuisen muotoilun ansiosta voit istua mukavammassa asennossa lypsämisen aikana. Pehmeä hierontatyyny* tuntuu pehmeältä ja lämpimältä, ja se matkii vauvan imuliikkeitä ja saa maidon virtaamaan nopeasti - ja on samalla miellyttävä ja hellävarainen.

Käynnistyessään rintapumppu stimuloi maidon virtausta hellävaraisella teholla. Sen jälkeen voit valita kolmesta imutehosta itsellesi mukavimman. Pumppu on helppo koota ja käyttää, ja kaikki rintamaidon kanssa kosketuksissa olevat osat voi pestä astianpesukoneessa.

Terveystieteiden ammattilaiset sanovat, että rintamaito on parasta ravintoa vauvalle ensimmäisen elinvuoden aikana, kun ensimmäisen 6 kuukauden jälkeen vauvalle syötetään myös kiinteää ravintoa. Äidin rintamaito soveltuu parhaiten vauvan tarpeisiin, ja se sisältää vasta-aineita, jotka suojaavat vauvaa tulehduksilta ja allergioilta.

Rintapumppu voi auttaa sinua imettämään pitempään. Voit lypsää rintamaitoa varastoon ja vauvasi saa nauttia sen eduista silloinkin kun et itse ole häntä ruokkimassa. Pienikokoista pumppua on helppo käyttää missä hyvänsä, joten voit kuljettaa sitä mukana ja pitää maidon eritystä yllä.

*Pumpun mukana toimitettava hierontatyyny on sopivankokoinen suurimmalle osalle äideistä. Voit tarvittaessa ostaa isommille nänneille sopivan tyynyn erikseen.

Yleiskuvaus (Kuva 1)

- 1 Moottoriyksikkö, jossa silikoniputki ja kansi*
- 2 Silikonikuppi
- 3 Pumpun runko*
- 4 Hierontatyyny*
- 5 Kansi*
- 6 Paristokotelo (vain mallissa SCF332)
- 7 Virtapainike
- 8 Stimulointipainike
- 9 Alhaisen imutehon painike
- 10 Keskiuuren imutehon painike
- 11 Korkean imutehon imupainike
- 12 Verkkolaite
- 13 Valkoinen venttiili*
- 14 Philips AVENT Natural -pullo*
- 15 Korkki*
- 16 Kierrerengas*
- 17 Tutti*
- 18 Tiivistelevy*

***Huomautus:** Mallissa SCF334 on mukana kaksi kappaletta merkittyjä osia moottoriyksikköä lukuun ottamatta.

Tärkeää

Lue tämä käyttöopas huolellisesti ennen rintapumpun käyttöä ja säilytä se myöhempää tarvetta varten.

Vaara

- Pidä moottoriyksikkö ja verkkolaite kuivana.
- Älä käytä rintapumppua kylvyssä tai suihkussa.
- Älä pidä tai säilytä rintapumppua kylpyammeen tai pesualtaan lähellä.
- Älä kosketa veteen pudonnutta laitetta. Irrota pistoke pistorasiasta heti.

Varoitus

- Irrota aina rintapumppu pistorasiasta heti käytön jälkeen.
- Laitetta voivat käyttää myös yli 8-vuotiaat lapset ja henkilöt, joiden fyysinen tai henkinen toimintakyky on rajoittunut tai joilla ei ole kokemusta tai tietoa laitteen käytöstä, jos heitä on neuvottu laitteen turvallisesta käytöstä tai tarjolla on turvallisen käytön edellyttämä valvonta ja jos he ymmärtävät laitteeseen liittyvät vaarat. Lapset eivät saa leikkiä laitteella. Lasten ei saa antaa puhdistaa tai huoltaa laitetta ilman valvontaa.
- Älä anna lasten tai lemmikkieläinten leikkiä moottoriyksikön, verkkolaitteen tai lisäosien kanssa, koska ne voivat aiheuttaa tukehtumisen tai kuristumisen.
- Tarkista rintapumppu ja verkkolaite vikojen varalta ennen jokaista käyttökertaa. Älä käytä rintapumppua, jos verkkolaite tai pistoke on vioittunut, jos laite ei toimi kunnolla tai jos se on vioittunut, pudonnut tai uponnut veteen.
- Älä käytä rintapumppua ulkona tai ympäristössä, jossa käytetään aerosolisuihkeita, tai happilaitteiden lähetyillä.
- Rintapumppua ei saa käyttää samassa tilassa tulenaran anestesiaseoksen kanssa, jossa käytetään ilmaa, happea tai ilokaasua.
- Rintapumpun moottoriyksikön sisällä ei ole huollettavia osia. Älä yritä avata, huoltaa tai korjata rintapumppua. Jos teet niin, takuu raukeaa.
- Pidä verkkolaite ja silikoniputket pois kuumilta pinnoilta.
- Käytä vain laitteen merkinnän mukaista verkkolaitetta.
- Älä irrota pumpun runkoa rinnasta imun aikana. Sulje laite ja irrota ensin rinta pumpun suppilosta sormella ja tämän jälkeen koko pumppu rinnalta.
- Älä koskaan käytä rintapumppua, kun olet raskaana, koska pumppaaminen voi käynnistää synnytyksen.
- Älä koskaan käytä rintapumppua, kun olet uninen.
- Älä altista rintapumppua kuumuudelle tai jätä sitä suoraan auringonpaisteeseen.

Varoitus

- Rintapumppu on tarkoitettu yhden käyttäjän jatkuvaan käyttöön.
- Älä jätä rintapumppua ilman valvontaa, kun se on kytkettynä virtalähteeseen.
- Älä pudota tai laita mitään ylimääräistä laitteen aukkoihin.
- Vaikka rintapumppu on EMC-direktiivin mukainen, se voi aiheuttaa ylimääräisiä päästöjä ja/tai voi häiritä herkempiä materiaaleja.
- Älä koskaan käytä osia, jotka eivät ole Philipsin valmistamia tai suosittelemia. Jos käytät tällaisia osia, takuu raukeaa.
- Puhdista, huuhtelee ja steriloi pumpun kaikki osat paitsi moottoriyksikkö, putki, korkki ja verkkolaite ennen jokaista käyttöä.
- Älä koskaan laita moottoriyksikköä tai verkkolaitetta veteen tai sterilointilaitteeseen, koska se aiheuttaa pysyvän vaurion näihin osiin.
- Älä puhdista rintapumpun osia antibakteerisilla pesuaineilla tai hankausaineilla.
- Älä käytä rintapumppua, jos silikonikuppi näyttää vialliselta tai rikkinäiseltä. Katso lisätietoja varaosien hankkimisesta luvusta Tarvikkeiden tilaaminen.
- Lopeta lypsäminen viimeistään viiden minuutin kuluttua, jos maitoa ei erity.
- Jos pumppauspaine tuntuu epämukavalta tai kivuliaalta, sammuta laite, avaa rinnan ja pumpun rungon välinen imutyhjiö sormellasi ja irrota pumppu rinnasta.

Sähkömagneettiset kentät (EMF)

Tämä Philips-laite vastaa kaikkia sähkömagneettisia kenttiä (EMF) koskevia standardeja ja säännöksiä.

Käyttöönoton valmistelu

Moottoriyksikköä, silikoniputkea ja kannta sekä verkkolaitetta ei tarvitse pestä ja steriloida, koska ne eivät joudu kosketuksiin rintamaidon kanssa.

Puhdista ja steriloi rintapumpun kaikki osat ennen ensimmäistä käyttöä kohdan Puhdistus ja sterilointi ohjeiden mukaisesti. Puhdista kaikki osat myös jokaisen käyttökerran jälkeen, ja steriloi ne aina ennen käyttöä.

Rintapumpun kokoaminen

Huomautus: Varmista, että olet puhdistanut ja steriloinut rintapumpun kaikki tarvittavat osat. Pese kätesi perusteellisesti ennen kuin käsittelet puhdistettuja osia.

Varo, pestyt osat saattavat olla vielä kuumia.

Vinkki: Rintapumppu voi olla helpompi koota märkänä.

- 1** Kiinnitä valkoinen venttiili pumpun runkoon alapuolelta. Työnnä venttiili mahdollisimman syvälle (Kuva 2).
- 2** Kierrä pumpun runkoa myötäpäivään pullon suulla, kunnes se on tiukasti kiinni (Kuva 3).
- 3** Kiinnitä silikonikuppi pumpun runkoon yläpuolelta. Paina kupin reunoja sormillasi niin, että kuppi kiinnittyy tiiviisti runkoon (Kuva 4).

- 4** Laita hierontatyyny pumpun rungon suppilon muotoiseen osaan. Työnnä hierontatyynyn sisäinen osa mahdollisimman syvälle ja varmista, että tyyny on tiiviisti kiinni pumpun rungon reunoissa. Painele hierontatyynyn alle jäänyt ilma pois (Kuva 5).

Huomautus: Laita hierontatyynyn päälle suojakansi, jotta pumppu pysyy puhtaana siihen asti kun olet valmis aloittamaan lypsämisen.

- 5** Liitä verkkolaite pistorasiaan ja liitä toinen pää moottoriyksikköön (Kuva 6).

Verkkolaitteen viitenumero on merkitty laitteen pohjaan. Käytä vain merkinnän mukaista verkkolaitetta.

- Paristokäyttöä varten (vain mallissa SCF332) voit kiertää moottoriyksikön pohjaa merkkien suuntaisesti (1) ja irrottaa sen (2). Aseta sitten neljä uutta 1,5 V:n AA-paristoa (tai 1,2 V:n ladattavaa akkuparistoa) paristokoteloon. Kiinnitä pohja moottoriyksikköön (Kuva 7).

Huomautus: Uusilla paristoilla saa jopa 3 tuntia käyttöaikaa. Jos paristot ovat moottorin paristokotelossa kun laite liitetään verkkovirtaan, rintapumppu käyttää verkkovirtaa. Akkuparistoja ei voi ladata laitteessa.

- 6** Kiinnitä silikoniputki ja kansi silikonipussiin. Paina kantta, kunnes se on kunnolla paikallaan (Kuva 8).

Rintapumpun käyttö

Milloin rintamaitoa kannattaa lypsää

Jos imettäminen onnistuu hyvin, on suositeltavaa odottaa (ellei lääkäri tai terveydenhoitaja toisin neuvo), kunnes maidon erityis on kunnolla alkanut ja imetysaikataulu tasaantunut (normaalisti ainakin 2–4 viikkoa synnytyksen jälkeen).

Poikkeukset:

- Jos imettäminen ei heti onnistu odotetusti, säännöllinen lypsäminen voi auttaa käynnistämään maidon tasaisen erityksen ja ylläpitämään sitä.
- Jos lypsät maitoa vauvan ruokintaan sairaalassa.
- Jos rintasi ovat täynnä maitoa (kipeät ja turvonneet): voit lypsää vähän maitoa ennen ruokintaa tai ruokintojen välissä, jotta kipu helpottaisi tai vauva saisi otteen helpommin.
- Jos nännisi aristavat, voit lypsää maitoa kunnes ne ovat parantuneet.
- Jos joudut olemaan erossa vauvastasi, mutta haluat jatkaa myöhemmin imetystä, sinun on lypsettävä säännöllisesti, jotta maidoneritys ei lopu.

Maitoa kannattaa lypsää oikeaan aikaan, kun rintasi ovat täynnä. Hyvä hetki on esimerkiksi juuri ennen päivän ensimmäistä imetystä ja heti sen jälkeen, tai imetyksen jälkeen, jos vauvasi ei ole syönyt molempia rintoja tyhjäksi. Jos olet palannut työelämään, voit lypsää sopivalla tauolla.

Rintapumpun käyttö vaatii harjaantumista, ja voi olla, että lypsäminen onnistuu vasta usean yrityksen jälkeen. Sähkökäyttöinen Philips AVENT -rintapumppu on helppo koota ja käyttää, joten totut pian lypsämään sen avulla.

Vinkkejä

- Tutustu rintapumppuun ja käyttöohjeisiin ennen ensimmäistä käyttökertaa.
- Valitse sellainen aika, jolloin sinulla ei ole kiirettä eikä sinua keskeytetä.
- Vauvasi valokuva voi auttaa käynnistämään maidon herumisen.
- Lämpökin auttaa: yritä lypsämistä kylvyn tai suihkun jälkeen tai laita lämmin liina tai Philips AVENT -termotyyny rinnan päälle muutamaksi minuutiksi ennen kuin aloitat.
- Lypsäminen voi olla helpompaa, kun vauvasi imee samalla toista rintaa tai heti imetyksen jälkeen.
- Jos lypsäminen on kivuliasta, lopeta ja kysy neuvoa terveydenhoitajalta.

Rintapumpun käyttäminen

- 1** Pese kätesi huolellisesti ja varmista, että myös rintasi ovat puhtaat.
- 2** Rentoudu mukavassa tuolissa, tue selkäsi tyynyillä. Pidä lasillinen vettä lähetyvillä.
- 3** Paina koottu rintapumppu rintaasi vasten. Varmista, että nännisi on keskellä, jotta hierontatyyny asettuu rinnalle ilmatiiviisti.
SCF334: Sähkökäyttöisen kaksoisrintapumpun avulla voit lypsää maitoa molemmista rinnoista samanaikaisesti. Voit myös käyttää laitetta yhden rinnan lypsämiseen samalla tavalla.
- 4** Paina käynnistyspainiketta (Kuva 9).
 - ▶ Rintapumppu on käynnistyessään automaattisesti stimulaatiotilassa, ja käynnistyspainikkeeseen ja stimulointipainikkeeseen syttyy valo.
 - ▶ Imu alkaa tuntua rinnassa.
- 5** Kun maito alkaa virrata, voit ottaa käyttöön hitaamman tahdin painamalla alhaisen imutehon painiketta (Kuva 10).
 - ▶ Tähän painikkeeseen syttyy valo stimulointipainikkeen sijasta.

Huomautus: Älä huolestu, vaikka maito ei alkaisi heti virrata. Rentoudu ja jatka pumppaamista. Ensimmäisten käyttökertojen aikana sinun on ehkä käytettävä korkeampaa imutehoa, jotta maito alkaisi virrata.

- 6** Oman olosi mukaan saatat haluta käyttää korkeampaa imutehoa, joka imee tehokkaammin. Voit palata alhaisempaan imutehoon tai sammuttaa rintapumpun milloin vain painamalla kyseisen toiminnon painiketta (Kuva 11).

Huomautus: Sinun ei tarvitse käyttää kaikkia imutehoja, vaan ainoastaan niitä, jotka tuntuvat sinusta itsestäsi miellyttäviltä käyttää.

Sammuta rintapumppu aina ennen kuin irrotat pumpun rinnastasi.

Älä jatka pumppaamista yli 5 minuuttia, jos maidon lypsäminen ei onnistu. Kokeile lypsämistä myöhemmin. Jos se muuttuu kovin epämukavaksi tai kivuliaaksi, lopeta pumpun käyttö ja kysy terveydenhoitajan neuvoa.

- 7** 60–125 ml:n maidon pumppaaminen yhdestä rinnasta kestää keskimäärin 10 minuuttia. Tämä on kuitenkin vain viitteellinen arvo ja voi vaihdella eri naisilla.

Huomautus: Jos lypsät säännöllisesti yli 125 ml kerralla, voit käyttää 260 ml:n Philips AVENT -tuttipulloa, jotta maito ei vuotaisi yli tai läikkyisi.

- 8** Kun lopetat lypsämisen, sammuta rintapumppu ja irrota pumpun runko varovasti rinnalta.
- 9** Kierrä pullo irti pumpun rungosta, ja se on valmis käyttöön tai säilytykseen. Puhdista muut rintapumpun käytössä olleet osat kohdan Puhdistus ja sterilointi ohjeiden mukaisesti.
- 10** Irrota moottoriyksikkö pistorasiasta. Kierrä silikoniputki moottoriyksikön ympärille ja kiinnitä kansi putkeen (Kuva 12).

Käytön jälkeen

Rintamaidon säilytys

Säilytä vain steriilillä pumpulla lypettyä rintamaitoa.

Lypetty rintamaito säilyy jääkaapissa enintään 48 tuntia (ei ovihyllyssä). Lypetty maito on laitettava heti jääkaappiin. Jos lisää jääkaapissa olevaan maitoon myöhemmin päivällä lypettyä maitoa, on maidon oltava lypetty steriloituun pulloon tai rintamaidon säilytysastiaan.

Rintamaito säilyy pakastimessa enintään kolme kuukautta, kunhan se on pakastettu steriloiduissa pulloissa, joiden kierrenrenkaat ja tiivistelevyt on steriloitu. Kirjoita pullon etikettiin selkeästi päivämäärä ja aika, jolloin maito on lypetty. Käytä vanhempi rintamaito ensin.

Jos aiot syöttää lypsetyn maidon vauvallesi 48 tunnin sisällä, voit säilyttää rintamaitoa jääkaapissa kootussa Philips AVENT -tuttipullossa:

- 1** Kierrä pullo irti pumpun rungosta.
- 2** Liitä steriloitu pullo tutti ja kierrenrenkas pulloon mukana toimitettujen ohjeiden mukaisesti. Suojaa tutti korkilla.
- 3** Voit myös liittää steriloidun tiivistelevyn steriloituun kierrenrenkaaseen ja kiertää sen pulloon kiinni.

Tee näin

- Laita lypetty maito heti jääkaappiin tai pakastimeen.
- Säilytä ainoastaan maitoa, joka on lypetty steriloidulla rintapumpulla steriloihiin pulloihin.

Älä tee näin

- Älä koskaan pakasta rintamaitoa uudelleen.
- Älä koskaan lisää tuoretta rintamaitoa pakastettuun rintamaitoon.

Lypsetyn rintamaidon syöttäminen vauvalle

Voit syöttää vauvallesi rintamaitoa Philips AVENT-tuttipulloista ja säilytysmukeista:

- 1 Jos käytät pakastettua rintamaitoa, anna sen sulaa kokonaan ennen kuin lämmität sen.

Huomautus: Hätätilassa voit sulattaa maidon kuumassa vesikulhossa.

- 2 Lämmitä pullo tai säilytysmuki, jossa on sulatettua tai jääkaappikylmää rintamaitoa kuumassa vesikulhossa tai pullonlämmittimellä.
- 3 Irrota kierrenrenkas ja tiivistelevy pullosta tai irrota kansi säilytysmukista.
- 4 Jos käytät säilytysmukia, kierrä sovitinrenkas mukiin kiinni.
- 5 Kierrä steriloitu kierrenrenkas ja steriloitu tutti pulloon tai säilytysmukiin, jossa on sovitinrenkas.

Tee näin

- Tarkista aina maidon lämpötila ennen kuin syötät sen vauvallesi.
- Heitä aina ylimääräinen maito pois syötön jälkeen.

Älä tee näin

- Älä koskaan lämmitä rintamaitoa mikroaaltouunissa, koska se lämmittää maidon epätasaisesti ja osa maidosta voi kuumentua liikaa. Se voi myös tuhota maidon ravintoaineita.

Puhdistus ja sterilointi

Moottoriyksikköä, silikoniputkea ja kantta sekä verkkolaitetta ei tarvitse pestä ja steriloida, koska ne eivät joudu kosketuksiin rintamaidon kanssa.

Puhdista ja steriloi rintapumpun kaikki muut osat ennen ensimmäistä käyttöä. Puhdista nämä osat myös jokaisen käyttökerran jälkeen ja steriloi ne aina ennen käyttöä.

Vaara Älä koskaan laita moottoriyksikköä tai verkkolaitetta veteen tai sterilointilaitteeseen.

- 1 Pura rintapumppu osiin. Irrota myös valkoinen venttiili.

Irrota ja pese valkoinen venttiili varovasti. Jos se vahingoittuu, rintapumppu ei toimi kunnolla. Poista valkoinen venttiili vetämällä varovasti venttiilin sivussa olevasta juomuisesta ulokkeesta.

- 2 Puhdista kaikki osat, paitsi moottoriyksikkö, silikoniputki ja kansi sekä verkkolaite, astianpesukoneessa (ainoastaan ylähyllyllä) tai kuumalla vedellä ja astianpesuaineella ja huuhtele ne huolellisesti.

Pese venttiili hieromalla sitä varovasti sormien välissä lämpimässä astianpesuainevedessä. Älä työnnä mitään ylimääräistä venttiilin sisään, koska venttiili voi vaurioitua.

- 3 Steriloi rintapumpun puhdistetut osat Philips AVENT -höyrysterilointilaitteessa tai keittämällä niitä 5 minuuttia.

Älä koskaan laita moottoriyksikköä tai verkkolaitetta veteen tai sterilointilaitteeseen. Tarvittaessa voit pyyhkiä moottoriyksikön pehmeällä ja kostealla liinalla.

Säilytys

Pidä rintapumppu poissa suorasta auringonvalosta, koska pitkään jatkuva altistus saattaa muuttaa laitteen väriä.

- 1 Säilytä rintapumppua ja sen lisäosia turvallisessa ja kuivassa paikassa.

Yhteensopivuus

Sähkökäyttöistä Philips AVENT -rintapumppua voi käyttää yhdessä Philips AVENT -sarjan tuttipullojen kanssa. Kun käytät Classic-pulloja, joissa on kaksiosainen koliikkia ehkäisevä järjestelmä, kiinnitä pulloon aina rengas ennen kuin kiinnität sen rintapumppuun. Kun käytät muita Philips AVENT -tuttipulloja, käytä samanlaista tuttia, joka toimitettiin pullon mukana. Ohjeet pullotutin kokoamiseen ja puhdistamiseen ovat pullon mukana toimitetussa käyttöoppaassa. Ohjeet löytyvät myös Philipsin verkkosivuilta osoitteesta www.philips.com/support.

Varaosat

Paristot

Vaihda rintapumpun kertakäyttöiset paristot (vain mallissa SCF332) neljään 1,5 V:n AA-paristoon (tai 1,2 V:n ladattaviin akkuparistoihin).

Paristonvaihto-ohjeet ovat kohdassa Käyttöönoton valmistelu.

Tarvikkeiden tilaaminen

Voit ostaa lisävarusteita ja varaosia osoitteesta www.shop.philips.com/service tai Philips-jälleenmyyjältä. Voit myös ottaa yhteyden Philipsin kuluttajapalvelukeskukseen (katso yhteystiedot kansainvälisestä takuulehtisestä).

Kierrätys

- Tämä merkki tarkoittaa, että tuote kuuluu Euroopan parlamentin ja neuvoston direktiivin 2012/19/EU soveltamisalaan (Kuva 13).
- Tämä kuvake tarkoittaa, että tuotteessa on akkuja tai paristoja, joita Euroopan parlamentin ja neuvoston direktiivi 2006/66/EY koskee. Niitä ei saa hävittää tavallisen kotitalousjätteen mukana (Kuva 14).
- Tutustu paikalliseen sähkö- ja elektroniikkalaitteiden keräysjärjestelmään. Noudata paikallisia säädöksiä äläkä hävitä tuotetta, paristoja tai akkuja tavallisen kotitalousjätteen mukana. Vanhan tuotteen, paristojen ja akkujen asianmukainen hävittäminen auttaa ehkäisemään ympäristölle ja ihmisille mahdollisesti koituvia haittavaikutuksia.

Paristojen irrottaminen

Ohjeet paristojen irrottamista varten ovat luvun Käyttöönotto kohdassa Rintapumpun kokoaminen.

Takuu ja tuki

Jos haluat tukea tai lisätietoja, käy Philipsin verkkosivuilla osoitteessa www.philips.com/support tai lue erillinen kansainvälinen takuulehtinen.

Vianmääritys

Tässä kohdassa kuvataan tavallisimmat laitteen käyttöön liittyvät ongelmat. Ellet onnistu ratkaisemaan ongelmaa alla olevien ohjeiden avulla, ota yhteys Philipsin maakohtaiseen asiakaspalveluun tai katso ohjeita osoitteesta www.philips.com/support.

Ongelma	Ratkaisu
Laitteen käyttäminen on kivuliasta.	Lopeta rintapumpun käyttäminen, ja kysy neuvoa terveydenhoitajalta. Jos pumppu ei irtoa helposti rinnalta, avaa rinnan ja hierontatyynyn välinen imutyhjiö sormellasi.
Rintapumppu on naarmuuntunut.	Tavanomaisessa käytössä pumppuun voi tulla pieniä naarmuja eikä niistä aiheudu ongelmia. Jos rintapumppu naarmuuntuu pahasti tai jos siinä on halkeamia, lopeta käyttö ja ota yhteyttä Philipsin asiakaspalveluun tai osta varaosa osoitteesta www.shop.philips.com/service . Puhdistusaineiden, sterilointinesteen, pehmeän veden ja lämpötilan vaihtelun yhdistelmät voivat joissakin olosuhteissa tehdä muoviin säröjä. Älä käsittele pumppua hankaavilla tai antibakteerisilla pesuaineilla, sillä ne voivat rikkoa muoviosat.
Rintapumppu ei toimi ja virtapainikkeen valo vilkkuu.	Tarkista ensin, että olet koonnut rintapumpun oikein ja että putki ei ole mutkalla. Jos käytät mallia SCF332 paristoilla, vaihda paristot luvun Käyttöönoton valmistelu kohdan 5 ohjeiden mukaisesti. Jos käytät malleja SCF334 tai SCF332 verkkovirralla, tarkista, että käytössä on laitteen mukana toimitettu verkkolaite. Jos ongelma jatkuu, ota yhteyttä asiakaspalveluun.
En tunne imua.	Tarkista, oletko koonnut rintapumpun oikein kohdan Käyttöönoton valmistelu ohjeiden mukaisesti. Varmista, että silikoniputki on tiukasti kiinni moottoriyksikössä sekä kannessa ja silikonipupissa.
Minun on vaihdettava silikoniputki, mutta en osaa irrottaa sitä.	Irrota putki tarttumalla siihen moottoriyksikön läheltä ja vetämällä sitä kiertäen. Liitä putki uudelleen työntämällä sitä moottoriyksikön liittimeen varovasti kiertäen. Varmista, että putki kiinnittyy kunnolla.

Introduction

Félicitations pour votre achat et bienvenue dans l'univers Philips AVENT ! Pour profiter pleinement de l'assistance Philips AVENT, enregistrez votre produit sur le site www.philips.com/welcome. Le tire-lait Philips AVENT possède un design unique, qui vous permet de vous asseoir dans une position plus confortable lorsque vous tirez votre lait. Le coussin massEUR doux* est conçu pour une utilisation douce et agréable. Il imite le mouvement de succion de votre bébé afin de permettre un débit de lait rapide, tout en confort et douceur. Le tire-lait démarre en mode doux, ce qui vous permet de stimuler votre production de lait. Vous pouvez alors choisir parmi trois réglages d'expression, en fonction de votre confort personnel. Le tire-lait est simple à monter et à utiliser et toutes les parties en contact avec le lait maternel résistent au lave-vaisselle.

Selon les professionnels de santé, le lait maternel est la meilleure alimentation pour les bébés pendant la première année, combinée à des aliments solides après les 6 premiers mois. Votre lait maternel est spécialement adapté aux besoins de votre bébé et contient des anticorps qui aident à le protéger contre infections et allergies.

Un tire-lait peut vous aider à allaiter plus longtemps. Vous pouvez tirer et conserver votre lait afin que votre bébé puisse toujours en bénéficier, même lorsque vous ne pouvez pas l'allaiter vous-même. Le tire-lait étant compact et discret, vous pouvez le prendre partout avec vous. Grâce à lui, vous pourrez tirer votre lait à votre propre convenance et maintenir votre lactation.

*Le coussin massEUR de la tétérELLE fourni avec ce tire-lait a été conçu pour s'adapter confortablement à la plupart des mères. Vous pouvez toutefois acheter séparément un coussin massEUR de plus grande taille, si nécessaire.

Description générale (fig. 1)

- 1 Bloc moteur avec tube en silicone et capuchon*
- 2 Diaphragme en silicone*
- 3 Corps du tire-lait*
- 4 Coussin massEUR*
- 5 Couvercle*
- 6 Compartiment à piles (SCF332 uniquement)
- 7 Bouton marche/arrêt
- 8 Bouton de démarrage de la stimulation
- 9 Bouton d'expression faible
- 10 Bouton d'expression intermédiaire
- 11 Bouton d'expression élevée
- 12 Adaptateur
- 13 Valve blanche*
- 14 Biberon de la gamme « Natural » Philips AVENT*
- 15 Capuchon*
- 16 Bague d'étanchéité*
- 17 Tétine*
- 18 Disque d'étanchéité*

**Remarque : Le modèle SCF334 est fourni avec deux unités pour chaque pièce notée d'un astérisque, sauf pour le bloc moteur.*

Important

Lisez attentivement ce mode d'emploi avant d'utiliser le tire-lait et conservez-le pour un usage ultérieur.

Danger

- Évitez de mouiller le bloc moteur et l'adaptateur.
- N'utilisez jamais le tire-lait dans le bain ni sous la douche.
- Ne placez pas et ne rangez pas le tire-lait près d'une baignoire ou d'un lavabo.
- Ne touchez jamais un produit tombé dans l'eau. Débranchez-le immédiatement de la prise de courant.

Avertissement

- Débranchez toujours le tire-lait immédiatement après son utilisation.
- Cet appareil peut être utilisé par des enfants âgés de 8 ans ou plus, des personnes dont les capacités physiques, sensorielles ou intellectuelles sont réduites ou des personnes manquant d'expérience et de connaissances, à condition que ces enfants ou personnes soient sous surveillance ou qu'ils aient reçu des instructions quant à l'utilisation sécurisée de l'appareil et qu'ils aient pris connaissance des dangers encourus. Les enfants ne doivent pas jouer avec l'appareil. Le nettoyage et l'entretien ne doivent pas être réalisés par des enfants sans surveillance.
- Ne laissez pas les enfants ou les animaux jouer avec le bloc moteur, l'adaptateur ou les accessoires, car ces pièces peuvent présenter un risque d'étouffement ou d'étranglement.
- Avant chaque utilisation, vérifiez que le tire-lait (y compris l'adaptateur) ne présente pas de signe de détérioration. N'utilisez pas le tire-lait si l'adaptateur ou la fiche sont endommagés, si l'appareil ne fonctionne pas correctement, s'il est endommagé, s'il est tombé dans l'eau ou s'il a été immergé.
- N'utilisez pas le tire-lait à l'extérieur, à des endroits où des produits en spray ou dans des lieux où de l'oxygène est administré.
- Le tire-lait n'est pas conçu pour être utilisé en présence de mélanges anesthésiques inflammables avec de l'air, de l'oxygène ou de l'oxyde nitreux.
- Le bloc moteur du tire-lait ne contient aucune pièce réparable. N'essayez pas de l'ouvrir ou de le réparer. Dans le cas contraire, votre garantie s'annule.
- Éloignez l'adaptateur et les tubes en silicone des surfaces chauffantes.
- Utilisez uniquement l'adaptateur indiqué sur l'appareil.

- Ne tentez pas de retirer le corps du tire-lait de votre sein pendant son utilisation. Éteignez l'appareil et rompez le vide d'air entre le sein et la tétrelle du tire-lait avec votre doigt. Enlevez le tire-lait de votre sein.
- N'utilisez jamais le tire-lait si vous êtes enceinte car cela pourrait déclencher des contractions.
- N'utilisez jamais le tire-lait lorsque vous êtes endormie ou somnolente.
- N'exposez pas le tire-lait à une chaleur extrême ni à la lumière directe du soleil.

Attention

- Le tire-lait est uniquement destiné à l'usage répété d'une seule utilisatrice.
- Ne laissez jamais le tire-lait branché sans surveillance.
- Ne placez jamais d'objet étranger dans l'une des ouvertures.
- Bien que le tire-lait soit conforme aux directives CEM applicables, il peut toujours engendrer des émissions excessives et/ou interférer avec du matériel plus sensible.
- N'utilisez jamais d'accessoires, ni de pièces d'autres fabricants ou qui n'ont pas été spécifiquement recommandés par Philips AVENT. Votre garantie ne sera pas valable en cas d'utilisation de tels accessoires ou pièces.
- Nettoyez, rincez et stérilisez toutes les pièces du tire-lait, sauf le bloc moteur, le tube, le capuchon et l'adaptateur, avant chaque utilisation.
- Ne placez jamais le bloc moteur ou l'adaptateur dans l'eau ou dans un stérilisateur, car cela risque de les endommager de manière permanente.
- N'utilisez jamais de produits abrasifs ou antibactériens pour nettoyer les pièces du tire-lait.
- N'utilisez pas le tire-lait si le diaphragme en silicone semble endommagé ou cassé. Reportez-vous au chapitre « Commande d'accessoires » pour plus d'informations sur l'obtention des pièces de rechange.
- Cessez de tirer votre lait pendant plus de cinq minutes de suite si vous ne parvenez pas à en exprimer.
- Si la pression générée est inconfortable ou douloureuse, éteignez l'appareil, rompez le vide d'air entre le sein et le corps du tire-lait avec votre doigt et enlevez le tire-lait de votre sein.

Champs électromagnétiques (CEM)

Cet appareil Philips est conforme à toutes les normes et à tous les règlements applicables relatifs à l'exposition aux champs électromagnétiques.

Avant utilisation

Le bloc moteur, le tube en silicone, le capuchon et l'adaptateur ne nécessitent pas de nettoyage ni de stérilisation, car ils n'entrent pas en contact avec le lait maternel.

Avant la première utilisation, nettoyez et stérilisez toutes les autres pièces du tire-lait comme décrit dans le chapitre « Nettoyage et stérilisation ». Nettoyez aussi toutes ces pièces après chaque utilisation et stérilisez-les avant chaque utilisation ultérieure.

Assemblage du tire-lait

Remarque : Assurez-vous que vous avez nettoyé et stérilisé les pièces appropriées du tire-lait. Lavez-vous soigneusement les mains avant de manipuler les pièces nettoyées.

Soyez prudent : les pièces nettoyées peuvent être brûlantes.

Conseil : Il peut vous sembler plus facile d'assembler le tire-lait lorsqu'il est mouillé.

- 1** Insérez la valve blanche dans le corps du tire-lait par sa partie inférieure. Enfoncez la valve aussi loin que possible (fig. 2).
- 2** Vissez le corps du tire-lait sur le biberon en le faisant tourner dans le sens des aiguilles d'une montre jusqu'à ce qu'il soit correctement fixé (fig. 3).
- 3** Placez le diaphragme en silicone dans le corps du tire-lait par sa partie supérieure. Assurez-vous qu'il couvre parfaitement le bord en appuyant avec vos doigts (fig. 4).
- 4** Placez le coussin massEUR dans la section en forme d'entonnoir du corps du tire-lait. Enfoncez la partie intérieure du coussin massEUR aussi loin que possible et assurez-vous qu'il couvre parfaitement le bord du corps du tire-lait. Appuyez entre les pétales pour enlever toute bulle d'air (fig. 5).

Remarque : Placez le couvercle sur le coussin massEUR afin que le tire-lait reste propre pendant que vous préparez à tirer votre lait.

- 5** Branchez l'adaptateur sur la prise secteur et insérez l'autre extrémité dans le bloc moteur (fig. 6).

Le code de référence de l'adaptateur se trouve sous l'appareil. Utilisez uniquement l'adaptateur indiqué avec l'appareil.

- Pour un fonctionnement sur piles (SCF332 uniquement), tournez le bas du bloc moteur dans le sens indiqué par les repères sur la partie inférieure (1) et enlevez-le (2). Insérez quatre piles AA 1,5V neuves (ou 1,2V, s'il s'agit de piles rechargeables) dans le compartiment à piles. Remplacez le bas du bloc moteur (fig. 7).

Remarque : Un nouveau jeu de piles représente jusqu'à 3 heures d'autonomie. Si vous avez inséré des piles dans le compartiment à piles du bloc moteur et branché l'adaptateur, le tire-lait fonctionnera sur l'alimentation électrique. Les piles ne peuvent pas être rechargées dans le bloc.

- 6** Fixez le tube en silicone et le capuchon sur le diaphragme. Abaissez le capuchon jusqu'à ce qu'il soit correctement placé (fig. 8).

Utilisation du tire-lait

À quel moment faut-il tirer le lait ?

Si l'allaitement se passe bien pour vous, il est recommandé (sauf indication contraire de votre professionnel de santé/sage-femme) d'attendre que votre lactation et votre allaitement soient bien établis (en règle générale, au moins 2 à 4 semaines après l'accouchement) avant d'utiliser un tire-lait. Exceptions :

- Si l'allaitement ne fonctionne pas immédiatement, tirez régulièrement votre lait pour établir et maintenir votre lactation.
- Si vous tirez du lait pour votre bébé qui sera donné à l'hôpital.
- Si vos seins sont engorgés (douloureux ou gonflés) : vous pouvez tirer une petite quantité de lait avant ou entre les tétées pour soulager la douleur et permettre à votre bébé de téter plus facilement.
- Si vos mamelons sont douloureux ou crevassés, il se peut que vous souhaitiez tirer votre lait jusqu'à ce qu'ils soient guéris.
- Si vous êtes séparée de votre bébé mais souhaitez continuer à allaiter lorsque vous vous retrouvez, vous devriez tirer votre lait régulièrement afin de stimuler votre lactation.

Vous devez trouver les moments idéaux dans la journée pour tirer votre lait, par exemple juste avant ou après la première tétée matinale de votre bébé, lorsque vos seins sont remplis, ou après une tétée si votre bébé n'a pas vidé les deux seins. Si vous avez repris le travail, il se peut que vous deviez tirer votre lait durant une pause.

L'utilisation d'un tire-lait nécessite de la pratique et plusieurs essais peuvent s'avérer nécessaires avant d'y parvenir. Heureusement, le tire-lait électrique Philips AVENT est facile à assembler et à utiliser. Vous vous habituerez donc assez rapidement à son utilisation.

Conseils

- Familiarisez-vous avec le tire-lait et son fonctionnement avant de l'utiliser pour la première fois.
- Choisissez un moment calme, pendant lequel vous ne serez pas interrompue.
- Une photographie de votre bébé peut favoriser l'extraction du lait.
- La chaleur peut également aider : essayez de tirer votre lait après un bain ou une douche ou placez un tissu chaud ou un coussinet apaisant et raffermissant Philips AVENT sur le sein quelques minutes avant de commencer l'opération.
- Il peut vous sembler plus aisé de tirer votre lait lorsque votre bébé tète l'autre sein ou immédiatement après une tétée.
- Si l'opération devient douloureuse, interrompez-la et consultez votre conseiller allaitement ou professionnel de la santé.

Fonctionnement du tire-lait

- 1** Lavez-vous soigneusement les mains et assurez-vous que vos seins sont propres.
- 2** Détendez-vous en vous asseyant sur un siège confortable (vous pouvez ressentir le besoin d'utiliser des coussins pour soulager votre dos). Veillez à avoir un verre d'eau à portée de main.
- 3** Appuyez le corps du tire-lait assemblé contre votre sein. Assurez-vous que votre mamelon est bien centré, de sorte que le coussin masseur adhère parfaitement à la peau.
SCF334 : le tire-lait électrique double vous permet de tirer votre lait des deux seins en même temps. Toutefois, vous pouvez également utiliser l'appareil pour tirer d'un seul sein de la même manière.
- 4** Appuyez sur le bouton marche/arrêt (fig. 9).
 - Le tire-lait démarre automatiquement en mode de stimulation. Le bouton marche/arrêt et le bouton de stimulation s'allument.
 - Vous commencez à sentir l'aspiration sur votre sein.

- 5** Lorsque votre lait commence à s'écouler, vous pouvez adopter un rythme plus lent en appuyant sur le bouton d'aspiration le plus faible (fig. 10).
- Ce bouton s'allume au lieu du bouton de stimulation.

Remarque : Ne vous inquiétez pas si votre lait ne s'écoule pas immédiatement. Détendez-vous et continuez l'opération. Lors des premières utilisations, il se peut que vous deviez utiliser un mode d'aspiration plus élevé pour que votre lait s'écoule.

- 6** En fonction de votre confort personnel, vous pouvez souhaiter utiliser une fonction d'aspiration plus élevée pour une aspiration plus en profondeur. Vous pouvez revenir à une fonction d'aspiration plus faible ou éteindre le tire-lait quand vous le souhaitez en appuyant sur le bouton approprié (fig. 11).

Remarque : Vous n'avez pas besoin d'utiliser tous les modes d'aspiration, utilisez uniquement les modes qui vous conviennent.

Éteignez toujours le tire-lait avant d'enlever le corps du tire-lait de votre sein.

Cessez d'utiliser votre tire-lait pendant plus de 5 minutes de suite si vous ne parvenez pas à extraire du lait. Si le processus devient très inconfortable ou douloureux, cessez d'utiliser le tire-lait et consultez votre conseiller allaitement.

- 7** En moyenne, vous devez utiliser le tire-lait pendant 10 minutes pour extraire 60 à 125 ml (2-4 fl oz) de lait maternel d'un sein. Ceci n'est cependant qu'une simple indication et peut varier d'une femme à l'autre.

Remarque : Si vous tirez régulièrement plus de 125 ml de lait, vous pouvez utiliser un biberon Philips AVENT de 260 ml/9 fl oz afin d'éviter tout débordement ou déversement.

- 8** Après avoir tiré votre lait, éteignez le tire-lait et enlevez délicatement le corps du tire-lait de votre sein.
- 9** Dévissez le biberon du corps du tire-lait. Nettoyez les autres pièces utilisées du tire-lait selon les instructions décrites au chapitre « Nettoyage et stérilisation ».
- 10** Débranchez le bloc moteur. Pour un rangement aisé, enroulez le tube en silicone autour du bloc moteur et encliquez le capuchon sur le tube (fig. 12).

Après utilisation

Conservation du lait maternel

Conservez uniquement le lait maternel recueilli à l'aide d'un tire-lait stérile.

Le lait maternel peut être conservé au réfrigérateur pendant 48 heures maximum (pas dans la porte). Le lait maternel doit être mis au réfrigérateur immédiatement. Si vous conservez au réfrigérateur du lait auquel vous souhaitez ajouter du lait durant la journée, ajoutez uniquement du lait recueilli dans un biberon ou un pot de conservation de lait maternel stérilisé.

Le lait maternel peut être conservé au congélateur pendant trois mois maximum s'il est stocké dans des biberons stérilisés dotés d'une bague et d'un disque d'étanchéité stérilisés. Étiquetez clairement le biberon en indiquant la date et l'heure auxquelles le lait a été recueilli et commencez par utiliser le lait plus ancien.

Si vous avez l'intention de nourrir votre bébé avec le lait maternel recueilli dans les 48 heures, vous pouvez conserver le lait maternel au réfrigérateur dans un biberon Philips AVENT :

- 1** Dévissez le biberon et enlevez-le du corps du tire-lait.

- 2 Placez une tétine et une bague d'étanchéité stérilisées sur le biberon conformément aux instructions fournies séparément avec le biberon. Fermez la tétine avec le capuchon.
- 3 Vous pouvez également insérer un disque d'étanchéité stérilisé dans une bague d'étanchéité stérilisée et le visser sur le biberon.

À faire

- Placez toujours le lait maternel immédiatement au réfrigérateur ou au congélateur.
- Conservez uniquement le lait recueilli à l'aide d'un tire-lait stérilisé dans des biberons stérilisés.

À ne pas faire

- Ne recongelez jamais le lait maternel.
- N'ajoutez jamais de lait maternel frais à du lait maternel congelé.

Nourrir votre bébé avec du lait maternel recueilli

Vous pouvez nourrir votre bébé avec du lait maternel recueilli dans des biberons ou pots de conservation Philips AVENT :

- 1 Si vous utilisez du lait maternel congelé, laissez-le décongeler complètement avant de le chauffer.

Remarque : En cas d'urgence, vous pouvez décongeler le lait dans un bol d'eau chaude.

- 2 Chauffez le biberon ou le pot de conservation contenant du lait maternel décongelé ou réfrigéré dans un bol d'eau chaude ou dans un chauffe-biberon.
- 3 Enlevez la bague et le disque d'étanchéité du biberon ou retirez le couvercle du pot de conservation.
- 4 Si vous utilisez un pot de conservation, vissez la bague d'adaptation sur celui-ci.
- 5 Vissez une bague d'étanchéité stérilisée avec une tétine stérilisée sur le biberon ou le pot de conservation avec bague d'adaptation.

À faire

- Vérifiez toujours la température du lait avant de le donner à votre bébé.
- Jetez toujours le lait maternel restant après utilisation.

À ne pas faire

- Ne chauffez jamais le lait maternel au micro-ondes : il risquerait de ne pas être chauffé de façon homogène et pourrait brûler votre bébé. Il pourrait aussi détruire les nutriments contenus dans le lait.

Nettoyage et stérilisation

Le bloc moteur, le tube en silicone, le capuchon et l'adaptateur ne nécessitent pas de nettoyage ni de stérilisation, car ils n'entrent pas en contact avec le lait maternel.

Avant la première utilisation, nettoyez et stérilisez toutes les autres pièces du tire-lait. Nettoyez aussi toutes ces pièces après chaque utilisation et stérilisez-les avant chaque utilisation ultérieure.

Danger : Ne placez jamais le bloc moteur ou l'adaptateur dans l'eau ou dans un stérilisateur.

- 1 Désassemblez entièrement le tire-lait. Enlevez également la valve blanche.

Faites attention lorsque vous enlevez ou nettoyez la valve blanche. Si vous l'endommagez, votre tire-lait ne fonctionnera pas correctement. Pour enlever la valve blanche, tirez doucement sur la languette striée située sur le côté de la valve.

- 2** Nettoyez toutes les pièces, à l'exception du bloc moteur, du tube en silicone, du capuchon et de l'adaptateur, au lave-vaisselle (dans le compartiment du haut uniquement) ou à l'eau chaude savonneuse, puis rincez-les soigneusement.

Pour nettoyer la valve blanche, frottez-la doucement entre vos doigts à l'eau chaude savonneuse. N'y insérez jamais d'objets pour éviter tout dommage.

- 3** Stérilisez les pièces nettoyées du tire-lait à l'aide d'un stérilisateur Philips AVENT à vapeur ou en les plongeant dans de l'eau bouillante pendant 5 minutes.

Ne placez jamais le bloc moteur ou l'adaptateur dans l'eau ou dans un stérilisateur. Si nécessaire, vous pouvez essuyer le bloc moteur à l'aide d'un chiffon humide.

Rangement

N'exposez pas le tire-lait directement aux rayons du soleil car une exposition prolongée pourrait provoquer une décoloration.

- 1** Rangez le tire-lait et ses accessoires dans un endroit sûr et sec.

Compatibilité

Le tire-lait électrique Philips AVENT est compatible avec les biberons Philips AVENT de notre gamme. Si vous utilisez des biberons Classic dotés de notre système anti-coliques en deux pièces, insérez toujours l'anneau au sommet du biberon avant de fixer ce dernier au tire-lait. Si vous utilisez d'autres biberons Philips AVENT, utilisez le même type de tétine que celle fournie avec le biberon. Pour de plus amples informations sur l'assemblage de la tétine et sur le nettoyage en général, reportez-vous au mode d'emploi fourni avec le biberon. Vous trouverez également ces informations sur notre site Web à l'adresse **www.philips.com/support**.

Remplacement

Piles

Remplacez exclusivement les piles non rechargeables du tire-lait (SCF332 uniquement) par quatre piles AA 1,5 V (ou 1,2 V, s'il s'agit de piles rechargeables).

Pour savoir comment remplacer les piles, reportez-vous au chapitre « Avant utilisation ».

Commande d'accessoires

Pour acheter des accessoires ou des pièces de rechange, visitez le site Web **www.shop.philips.com/service** ou rendez-vous chez votre revendeur Philips. Vous pouvez également contacter le Service Consommateurs Philips de votre pays (voir le dépliant de garantie internationale pour les coordonnées).

Recyclage

- Ce symbole sur un produit indique que ce dernier est conforme à la directive européenne 2012/19/UE (fig. 13).
- Ce symbole signifie que le produit contient des piles conformes à la directive européenne 2006/66/CE, qui ne doivent pas être mises au rebut avec les déchets ménagers (fig. 14).
- Renseignez-vous sur les dispositions en vigueur dans votre région concernant la collecte séparée des appareils électriques et électroniques et des piles. Respectez les réglementations locales et ne jetez pas le produit et les piles avec les ordures ménagères. La mise au rebut citoyenne des anciens produits et des piles permet de protéger l'environnement et la santé.

Retrait des piles jetables

Pour retirer les piles jetables, reportez-vous au chapitre « Avant utilisation », section « Assemblage du tire-lait ».

Garantie et assistance

Si vous avez besoin d'une assistance ou d'informations supplémentaires, consultez le site Web www.philips.com/support ou lisez le dépliant séparé sur la garantie internationale.

Dépannage

Cette rubrique présente les problèmes les plus courants que vous pouvez rencontrer avec l'appareil. Si vous ne parvenez pas à résoudre le problème à l'aide des informations ci-dessous, contactez le Service Consommateurs Philips de votre pays ou visitez notre site Web à l'adresse www.philips.com/support.

Problème	Solution
Je ressens une douleur lorsque j'utilise le tire-lait.	Cessez d'utiliser le tire-lait et consultez votre conseiller allaitement. Si vous ne parvenez pas à enlever facilement le corps du tire-lait du sein, il peut être nécessaire de rompre le vide d'air en plaçant un doigt entre le sein et le coussin masseur.
Le tire-lait est rayé.	En cas d'utilisation régulière, le tire-lait peut présenter de légères rayures, ce qui est normal et ne cause aucun problème. Toutefois, si une pièce du tire-lait est fortement rayée ou se fissure, cessez d'utiliser le tire-lait et contactez le Service Consommateurs Philips ou visitez le site Web www.shop.philips.com/service pour obtenir une pièce de rechange. Notez que la combinaison de produits nettoyants, de solution de stérilisation, d'eau adoucie et de changements de température peut, dans certaines circonstances, fissurer le plastique. Évitez le contact avec des détergents abrasifs ou antibactériens car ils peuvent endommager le plastique.
Le tire-lait ne fonctionne pas et le bouton marche/arrêt clique.	Tout d'abord, assurez-vous d'avoir assemblé correctement le tire-lait et veillez à ce que le tube ne présente aucun nœud. Si vous utilisez SCF332 avec des piles, remplacez les piles selon les instructions du chapitre « Avant utilisation », action 5. Si vous utilisez SCF334 ou SCF332 sur le secteur, veillez à utiliser l'adaptateur fourni avec le produit. Si le problème persiste, contactez le Service Consommateurs de votre pays.
Je ne sens pas d'aspiration.	Vérifiez si vous avez assemblé le tire-lait correctement en suivant les étapes du chapitre « Avant utilisation ». Assurez-vous que le tube en silicone est bien fixé au bloc moteur, au capuchon et au diaphragme.
J'ai besoin de remplacer le tube en silicone, mais ne sais pas comment l'enlever.	Pour enlever le tube, tirez-le en direction du bloc moteur tout en le faisant tourner. Pour reconnecter le tube, replacez le tube sur le connecteur du bloc moteur avec un léger mouvement de torsion. Assurez-vous qu'il est bien mis en place.

Introduzione

Congratulazioni per l'acquisto e benvenuti in Philips AVENT! Per trarre il massimo vantaggio dall'assistenza Philips AVENT, registrate il vostro prodotto su www.philips.com/welcome. Il tiralatte Philips AVENT ha un design unico che vi permette di sedere in una posizione più confortevole mentre estraete il latte. La morbida coppa con petali per il massaggio* è progettata per offrire una sensazione di morbidezza e calore e imita la suzione del bambino, per produrre un flusso di latte veloce, in modo comodo e delicato. Il tiralatte comincia con una modalità delicata che aiuta a stimolare il flusso del latte. Potete scegliere tra tre modalità di estrazione, in base alle vostre preferenze. Il tiralatte è facile da assemblare e da usare e tutte le parti che vengono a contatto con il latte materno sono lavabili in lavastoviglie.

Gli esperti sostengono che il latte materno sia la migliore nutrizione per i bambini durante il primo anno di vita, in combinazione con alimenti solidi dopo i primi 6 mesi. Il vostro latte è specificamente adatto alle esigenze del vostro bambino e contiene anticorpi che aiutano a proteggerlo da infezioni e allergie.

Un tiralatte può aiutarvi ad allattare al seno più a lungo. Potete estrarre e conservare il latte in modo che il vostro bambino possa godere dei suoi benefici anche quando non potete fornirglielo voi stesse. Poiché la pompa è compatta e discreta da usare, potete portarla con voi ovunque, con il vantaggio di poter estrarre il latte quando vi è comodo e mantenere quantità di latte.

*La coppa inclusa con questa pompa è stata progettata per essere utilizzata comodamente dalla maggioranza delle mamme. Comunque, se necessario, è possibile acquistare separatamente una coppa per capezzoli più grandi.

Descrizione generale (fig. 1)

- 1 Gruppo motore con tubo in silicone e coperchio*
- 2 Diaframma in silicone*
- 3 Corpo del tiralatte*
- 4 Coppia con petali per il massaggio*
- 5 Coperchio*
- 6 Scomparto batterie (solo SCF332)
- 7 Pulsante on/off
- 8 Pulsante per la stimolazione
- 9 Pulsante per un'estrazione delicata
- 10 Pulsante per un'estrazione media
- 11 Pulsante per un'estrazione abbondante
- 12 Adattatore
- 13 Valvola bianca*
- 14 Biberon Philips AVENT Natural*
- 15 Coperchio*
- 16 Ghiera*
- 17 Tettarella*
- 18 Dischetto sigillante*

**Nota: Il modello SCF334 dispone di due pezzi per ciascuno dei componenti citati, eccetto per il gruppo motore.*

Importante

Prima di utilizzare il tiralatte, leggete attentamente il presente manuale dell'utente e conservatelo per eventuali riferimenti futuri.

Pericolo

- Mantenete il gruppo motore e l'adattatore asciutti.
- Non utilizzate il tiralatte nella vasca da bagno o nella doccia.
- Non posizionate né riponete il tiralatte vicino alla vasca o al lavello.
- Non cercate di recuperare il prodotto se quest'ultimo è caduto accidentalmente nell'acqua. Togliete immediatamente la spina dalla presa.

Avviso

- Scollegate sempre il tiralatte subito dopo l'uso.
- Questo apparecchio può essere usato da bambini a partire da 8 anni di età, da persone con capacità mentali, fisiche o sensoriali ridotte oppure persone prive di esperienza o conoscenze adatte a condizione che tali persone abbiano ricevuto assistenza o formazione per utilizzare l'apparecchio in maniera sicura e capiscano i potenziali pericoli associati a tale uso. Evitate che i bambini giochino con l'apparecchio. La manutenzione e la pulizia non devono essere eseguite da bambini se non in presenza di un adulto.
- Non consentite a bambini o animali domestici di giocare con il gruppo motore, l'adattatore o gli accessori, poiché queste parti potrebbero costituire pericolo di soffocamento o strangolamento.
- Ispezionate il tiralatte, compreso l'adattatore, prima di ogni uso per controllare che non vi siano segni di deterioramento. Non usate il tiralatte se l'adattatore o la spina sono danneggiati, se non funziona correttamente, se è danneggiato o se è stato fatto cadere o sommerso in acqua.
- Non usate il tiralatte all'aria aperta, dove vengono usati prodotti spray o dove viene somministrato ossigeno.
- Il tiralatte non è adatto per l'uso nelle vicinanze di composti anestetici infiammabili, ossigeno o protossido d'azoto.
- Il gruppo motore del tiralatte non contiene parti che possano essere sostituite dall'utente. Non tentate di aprire o riparare il tiralatte da soli, poiché la garanzia non risulterebbe più valida.
- Tenete l'adattatore e i tubi di silicone lontano dalle superfici riscaldate.
- Usate solo l'adattatore indicato sull'apparecchio.

- Non tentate di rimuovere il tiralatte dal seno quando è in funzione. Dovete spegnere l'apparecchio e rompere il sigillo ermetico tra il seno e il tiralatte con un dito per poi rimuovere il tiralatte dal seno.
- Non usate mai il tiralatte se siete incinte, poiché l'estrazione può indurre il travaglio.
- Non usate mai il tiralatte quando avete sonno o siete molto stanche.
- Non esponete il tiralatte ad elevate temperature o ai raggi diretti del sole.

Attenzione

- Il tiralatte è destinato esclusivamente all'uso ripetuto da parte di un solo utente.
- Non lasciate il tiralatte incustodito quando è collegato all'alimentazione.
- Non fate mai cadere o inserite alcun oggetto estraneo in alcuna apertura.
- Sebbene il tiralatte sia conforme alle direttive EMC applicabili, potrebbe essere ancora soggetto a emissioni eccessive e/o potrebbe interferire con apparecchiature più sensibili.
- Non usate mai accessori o parti di altri produttori o non specificatamente consigliati da Philips AVENT. Nel caso in cui utilizzate detti accessori o parti, la garanzia decade.
- Pulite, risciacquate e sterilizzate tutte le parti del tiralatte prima di ogni uso eccetto il gruppo motore, il tubo, il coperchio e l'adattatore.
- Non inserite mai il gruppo motore o l'adattatore in acqua o in uno sterilizzatore, poiché potreste danneggiare in modo permanente queste parti.
- Non usate detergenti antibatterici o abrasivi per la pulizia delle parti del tiralatte.
- Non usate il tiralatte se il diaframma in silicone appare danneggiato o rotto. Consultate il capitolo "Ordinazione degli accessori" per informazioni su come ottenere parti di ricambio.
- Non continuate a pompare per più di cinque minuti alla volta se non riuscite ad estrarre il latte.
- Se la pressione generata vi provoca disagio o dolore, spegnete l'apparecchio, rompete il sigillo ermetico tra il seno e il tiralatte con un dito e rimuovete il tiralatte dal seno.

Campi elettromagnetici (EMF)

Questo apparecchio Philips è conforme a tutti gli standard e alle norme relativi all'esposizione ai campi elettromagnetici.

Predisposizione dell'apparecchio

Non è necessario pulire o sterilizzare il gruppo motore, il tubo in silicone, il coperchio e l'adattatore poiché non vengono a contatto con il latte materno.

Pulite e sterilizzate tutte le altre parti del tiralatte prima di utilizzarlo la prima volta, come descritto nel capitolo "Pulizia e sterilizzazione" e dopo ciascun utilizzo, e sterilizzatele prima di ogni utilizzo successivo.

Assemblaggio del tiralatte

Nota: Assicuratevi che le parti del tiralatte che lo necessitano siano state pulite e sterilizzate. Lavatevi le mani con cura prima di maneggiare le parti pulite.

Fate attenzione, le parti sterilizzate potrebbero essere ancora calde.

Consiglio: Potrebbe risultare più facile assemblare il tiralatte mentre è bagnato.

- 1** Inserite la valvola bianca nel corpo del tiralatte dal basso. Fate penetrare la valvola il più possibile (fig. 2).
- 2** Avvitare il tiralatte in senso orario sul biberon fino a fissarlo saldamente (fig. 3).
- 3** Inserite il diaframma in silicone nel tiralatte dall'alto. Assicuratevi che aderisca bene al bordo premendo con le dita per assicurare che sia perfettamente sigillato (fig. 4).
- 4** Posizionate la coppa con petali per il massaggio nella sezione a forma di imbuto del tiralatte. Inserite la parte interna della coppa con petali per il massaggio più a fondo possibile e assicuratevi che sia perfettamente sigillata tutt'intorno al bordo del tiralatte. Premete tra i petali per rimuovere l'eventuale aria intrappolata (fig. 5).

Nota: Posizionate il coperchio sopra la coppa con petali per il massaggio per mantenere il tiralatte pulito mentre vi preparate per l'estrazione.

- 5** Inserite l'adattatore nella presa di corrente a muro ed inserite l'altra estremità nel gruppo motore (fig. 6).

Il codice di riferimento dell'adattatore è indicato sulla parte inferiore dell'apparecchio. Usate solo l'adattatore indicato con l'apparecchio.

- Per il funzionamento con batterie (solo SCF332), ruotate la parte inferiore del gruppo motore nella direzione indicata dai segni sulla parte inferiore (1) e rimuovetela (2). Inserite quattro batterie AA da 1,5V nuove (o da 1,2V, se ricaricabili) nell'alloggiamento della batteria. Riattaccate la parte inferiore al gruppo motore (fig. 7).

Nota: Una serie nuova di batterie garantisce un massimo di 3 ore di funzionamento. Se avete inserito batterie nel relativo alloggiamento del gruppo motore e collegate l'adattatore all'alimentazione, il tiralatte funzionerà tramite alimentazione di rete. Le batterie non possono essere caricate nell'unità.

- 6** Collegate il tubo in silicone e il coperchio sopra al diaframma. Abbassate il coperchio finché non è posizionato in maniera sicura nella sua sede (fig. 8).

Uso del tiralatte

Quando estrarre il latte

Se allattate al seno, è opportuno (salvo diverso parere del vostro specialista o consulente di fiducia per l'allattamento) attendere che la produzione di latte e la routine di allattamento si siano stabilizzate (normalmente a distanza di 2-4 settimane minimo dal parto).

Eccezioni:

- Se non riuscite ad allattare al seno, utilizzare un tiralatte regolarmente può aiutarvi a stimolare e a mantenere la produzione di latte.
- Se estraete il latte per darlo al vostro bambino in ospedale.
- Se avete i seni ingorgati (doloranti o gonfi): potete estrarre una piccola quantità di latte prima di una poppata o nell'intervallo tra due poppate per alleviare il dolore e aiutare il vostro bambino ad attaccarsi più facilmente.
- Se avete ragadi o capezzoli irritati, potreste preferire estrarre il latte finché non sono guariti.
- In caso di separazione dal vostro bambino, se desiderate continuare ad allattare al seno quando vi riunirete, è opportuno estrarre il latte regolarmente per stimolare la produzione.

Dovete trovare i momenti ottimali per estrarre il latte durante la giornata, ad esempio immediatamente prima o dopo la prima poppata del mattino, quando i seni sono pieni, dopo una poppata o quando il bambino non ha vuotato entrambi i seni. Se siete tornate al lavoro, potreste estrarre il latte durante una pausa.

L'uso di un tiralatte richiede pratica e potrebbero essere necessari diversi tentativi prima di riuscire. Fortunatamente, il tiralatte elettrico Philips AVENT è facile da assemblare e usare e in poco tempo vi abituerete a estrarre il latte.

Consigli

- Prendete confidenza con il tiralatte e con il suo funzionamento prima di usarlo la prima volta.
- Scegliete un momento tranquillo e in cui non sarete interrotte.
- Una fotografia del vostro bambino può aiutare a stimolare il riflesso di "emissione".
- Anche il calore può aiutare: provate a estrarre il latte dopo un bagno o una doccia oppure mettete un panno caldo o un Cuscinetto Termogel Philips AVENT sul seno per qualche minuto prima di cominciare l'estrazione.
- Potreste trovare più facile estrarre il latte mentre il vostro bambino è attaccato all'altro seno o subito dopo una poppata.
- Se l'estrazione diventa dolorosa, interrompete e chiedete il parere di un esperto o di un consulente.

Funzionamento del tiralatte

- 1** Lavatevi le mani con cura e assicuratevi che il seno sia pulito.
- 2** Rilassatevi su una sedia comoda (potrebbe essere utile usare dei cuscini per sostenere la schiena). Assicuratevi di avere vicino un bicchiere d'acqua.
- 3** Premete il tiralatte assemblato sul seno. Assicuratevi che il capezzolo sia centrato, in modo che la coppa con petali per il massaggio crei un sigillo ermetico.

SCF334: il tiralatte elettrico doppio vi permette di estrarre il latte da entrambi i seni. Potete comunque usare l'apparecchio per estrarre latte solo da un seno.

- 4** Premete il pulsante on/off (fig. 9).
 - ▶ Il tiralatte si avvia automaticamente nella modalità di stimolazione con il pulsante on/off e il pulsante di stimolazione accesi.
 - ▶ Inizierete ad avvertire l'aspirazione sul vostro seno.

- 5** Quando il latte comincia a scorrere, potete adottare un ritmo più lento premendo il pulsante per un'estrazione più delicata (fig. 10).
- D** Si accenderà questo pulsante e si spegnerà quello di stimolazione.

Nota: Non preoccupatevi se il latte non scorre subito. Rilassatevi e continuate a pompare. Le prime volte che usate il tiralatte, potrebbe essere necessario usare una modalità di estrazione più forte per consentire al latte di scorrere.

- 6** In base alle vostre preferenze, potete usare una modalità di estrazione che consente di avere un flusso di latte più abbondante per poi tornare alla modalità di estrazione più delicata oppure spegnere il tiralatte, premendo i pulsanti corrispondenti (fig. 11).

Nota: Non è necessario usare tutte le modalità di estrazione, bensì solo quelle più confortevoli per voi.

Spegnete sempre il tiralatte prima di staccarlo dal seno.

Non continuate a pompare per più di 5 minuti alla volta se non riuscite a estrarre nemmeno una piccola quantità di latte. Provate in un altro momento della giornata. Se l'operazione diventa molto scomoda o dolorosa, interrompete l'uso del tiralatte e chiedete un parere a un esperto.

- 7** In media, occorrono 10 minuti per estrarre 60-125 ml (2-4 once fluide) di latte materno da un seno. Comunque, questa è solo un'indicazione e il tempo può variare da donna a donna.

Nota: Se estraete regolarmente più di 125 ml per sessione, potete usare un biberon Philips AVENT da 260 ml per evitare che il contenitore si riempia troppo e il latte fuoriesca.

- 8** Quando avete finito, spegnete il tiralatte e rimuovetelo con attenzione dal seno.
- 9** Svitare il biberon dal corpo del tiralatte per la poppata o per conservarlo. Pulite le altre parti usate del tiralatte secondo le istruzioni riportate nel capitolo "Pulizia e sterilizzazione".
- 10** Scollegate il gruppo motore. Per riporre facilmente l'apparecchio, avvolgete il tubo in silicone intorno al gruppo motore e inserite il coperchio sul tubo (fig. 12).

Dopo l'uso

Conservazione del latte materno

Conservate solo il latte materno raccolto con un tiralatte sterile.

Il latte materno può essere conservato in frigorifero (non nello sportello) per un massimo di 48 ore. Il latte estratto deve essere subito refrigerato. Se conservate il latte in frigorifero per aggiungerne altro durante la giornata, aggiungete solo latte che è stato estratto in un biberon o contenitore per latte materno sterilizzato.

Il latte materno può essere conservato nel congelatore per un massimo di tre mesi purché venga conservato in biberon sterilizzati chiusi con una ghiera sterilizzata e un dischetto sigillante. Etichettate chiaramente il biberon con la data e l'ora dell'estrazione e usate prima il latte materno più vecchio.

Se intendete dare al bambino il latte materno estratto entro 48 ore, potete conservare il latte in frigorifero in un biberon Philips AVENT:

- 1** Svitare il biberon e rimuovetelo dal corpo del tiralatte.
- 2** Montate una tettarella e una ghiera sterilizzate sul biberon secondo le istruzioni separate fornite con il biberon. Sigillate la tettarella con il coperchio a cupola.
- 3** In alternativa, inserite un dischetto sigillante sterilizzato in una ghiera sterilizzata ed avvitatela sul biberon.

Cose da fare

- Refrigerate o congelate sempre il latte estratto immediatamente.
- Conservate il latte raccolto con il tiralatte solo in biberon sterilizzati.

Cose da non fare

- Una volta scongelato, non ricongelate mai il latte materno.
- Non aggiungete mai latte materno fresco al latte materno congelato.

Come dare al bambino il latte materno estratto

Potete dare al vostro bambino il latte materno utilizzando i biberon e i vasetti Philips AVENT:

- 1 Se usate il latte materno congelato, lasciatelo scongelare completamente prima di riscaldarlo.

Nota: in caso di emergenza, potete scongelare il latte in un recipiente di acqua calda.

- 2 Riscaldare il biberon o il vasetto contenente il latte materno scongelato o refrigerato in un recipiente di acqua calda o in uno scaldabiberon.
- 3 Rimuovete la ghiera e il dischetto sigillante dal biberon o rimuovete il coperchio dal vasetto.
- 4 Se usate un vasetto, avvitatevi sopra l'anello adattatore.
- 5 Avvitate una ghiera sterilizzata con tettarella sterilizzata sul biberon o, tramite l'anello adattatore, sul vasetto.

Cose da fare

- Controllate sempre la temperatura del latte prima di darlo al bambino.
- Buttate sempre via il latte materno rimasto alla fine della poppata.

Cose da non fare

- Non riscaldate mai il latte materno nel microonde, poiché questo può causare un riscaldamento irregolare con zone più calde. Inoltre può distruggere anche sostanze nutritive presenti nel latte.

Pulizia e sterilizzazione

Non è necessario pulire o sterilizzare il gruppo motore, il tubo in silicone, il coperchio e l'adattatore poiché non vengono a contatto con il latte materno.

Pulite e sterilizzate tutte le parti del tiralatte prima di utilizzarlo la prima volta. Pulite tutte le parti dopo ciascun utilizzo e sterilizzatele prima dell'utilizzo successivo.

Pericolo: Non inserite mai il gruppo motore o l'adattatore in acqua o in uno sterilizzatore.

- 1 Smontate il tiralatte completamente. Rimuovete anche la valvola bianca.

Fate attenzione quando rimuovete la valvola bianca e quando la pulite. Se si danneggia, il tiralatte non funziona correttamente. Per rimuovere la valvola bianca, tirate delicatamente la linguetta sul lato della valvola.

- 2 Pulite tutte le parti, eccetto il gruppo motore, il tubo in silicone, il coperchio e l'adattatore nella lavastoviglie (solo nel cestello superiore) o in acqua calda con un detergente per piatti delicato e risciacquatele a fondo.

Per pulire la valvola, strofinatela delicatamente tra le dita in acqua calda e sapone. Non inserite oggetti nella valvola, poiché potrebbero danneggiarla.

- 3 Sterilizzate le parti pulite del tiralatte in uno sterilizzatore a vapore Philips AVENT o fatele bollire per 5 minuti.

Non posizionate il gruppo motore o l'adattatore in acqua o in uno sterilizzatore. Se necessario, potete pulire il gruppo motore con un panno morbido umido.

Conservazione

Tenete il tiralatte lontano dalla luce diretta del sole, poiché l'esposizione prolungata potrebbe causare lo scolorimento.

- 1 Riponete il tiralatte e i suoi accessori in un luogo sicuro e asciutto.

Compatibilità

Il tiralatte Philips AVENT elettrico è compatibile con i biberon Philips AVENT. Se usate biberon Classic dotati di sistema a due pezzi anti-colica, inserite sempre la ghiera nella parte superiore del biberon prima di attaccarlo al tiralatte. Se usate altri biberon Philips AVENT, usate lo stesso tipo di tettarella fornita con quel biberon. Per informazioni dettagliate su come assemblare la tettarella e per istruzioni di pulizia generali, fate riferimento al manuale dell'utente fornito con il vostro biberon. Queste informazioni si trovano anche sul nostro sito Web, www.philips.com/support.

Sostituzione

Batterie

Sostituire le batterie non ricaricabili del tiralatte (solo modello SCF332) solo con quattro batterie AA da 1,5 V (o da 1,2 V se ricaricabili).

Per istruzioni su come sostituire le batterie, consultate il capitolo "Predisposizione dell'apparecchio".

Ordinazione degli accessori

Per acquistare accessori o parti di ricambio, visitate il sito www.shop.philips.com/service oppure recatevi presso il vostro rivenditore Philips. Potete contattare anche il centro assistenza Philips del vostro paese (per i dettagli di contatto, consultate l'opuscolo della garanzia internazionale).

Riciclaggio

- Questo simbolo indica che il prodotto è conforme alla Direttiva europea 2012/19/EU (fig. 13).
- Questo simbolo indica che il prodotto funziona con batterie conformi alla Direttiva europea 2006/66/CE e che quindi non possono essere smaltite con i normali rifiuti domestici (fig. 14).
- Informatevi sulle normative locali relative alla raccolta differenziata dei prodotti elettrici ed elettronici. Attenetevi alle normative locali per lo smaltimento dei rifiuti e non smaltite il prodotto e le batterie con i normali rifiuti domestici. Lo smaltimento corretto dei vostri prodotti usati contribuisce a prevenire potenziali effetti negativi sull'ambiente e sulla salute.

Rimozione delle batterie

Per rimuovere le batterie monouso, consultate il capitolo "Predisposizione dell'apparecchio", sezione "Assemblaggio del tiralatte".

Garanzia e assistenza

Per assistenza o informazioni, visitate il sito Web all'indirizzo www.philips.com/support oppure leggete l'opuscolo della garanzia internazionale.

Risoluzione dei problemi

In questo capitolo vengono riportati i problemi più ricorrenti legati all'uso dell'apparecchio. Se non riuscite a risolvere i problemi con le informazioni seguenti, vi preghiamo di contattare il centro assistenza clienti Philips del vostro paese oppure online all'indirizzo **www.philips.com/support**.

Problema	Soluzione
Provo dolore quando uso il tiralatte.	Interrompete l'uso del tiralatte e consultate un esperto di allattamento. Se il tiralatte non si stacca facilmente dal seno, potrebbe essere necessario rompere il vuoto posizionando un dito tra il seno e la coppa con petali per il massaggio.
Il tiralatte è graffiato.	In caso di uso regolare, qualche leggero graffio è normale e non causa problemi. Tuttavia, se una parte del tiralatte è molto graffiata o presenta crepe, interrompete l'uso del tiralatte e contattate il centro assistenza clienti Philips o visitate il sito www.shop.philips.com/service per ottenere una parte di ricambio. Tenete presente che combinazioni di detersivi, soluzione sterilizzante, uso di acqua distillata e sbalzi di temperatura possono, in certe circostanze, causare la rottura della plastica. Evitate il contatto con sostanze abrasive o detersivi antibatterici poiché questi possono danneggiare la plastica.
Il tiralatte non funziona e il pulsante on/off lampeggia.	Controllate dapprima se avete assemblato correttamente il tiralatte e assicuratevi che non ci siano strozzature nel tubo. Se usate il modello SCF332 con batterie, sostituite le batterie secondo le istruzioni nel capitolo "Predisposizione dell'apparecchio", sezione 5. Se usate i modelli SCF334 o SCF332 mediante alimentazione elettrica, accertatevi di usare l'adattatore fornito con il prodotto. Se il problema persiste, contattate il centro assistenza clienti del vostro paese.
Non sento alcuna aspirazione.	Controllate di aver inserito il tiralatte correttamente in base alla procedura riportata nel capitolo "Predisposizione dell'apparecchio". Assicuratevi che il tubo in silicone sia collegato saldamente al gruppo motore, al coperchio e alla diaframma.
Devo sostituire il tubo in silicone, ma non so come rimuoverlo.	Per rimuovere il tubo, afferratelo vicino al gruppo motore e tiratelo ruotando contemporaneamente. Per ricollegare il tubo, fatelo passare con cautela di nuovo sul connettore del gruppo motore con un leggero movimento rotatorio. Assicuratevi che sia attaccato saldamente.

Introductie

Gefeliciteerd met uw aankoop en welkom bij Philips AVENT! Wilt u volledig profiteren van de ondersteuning die Philips AVENT u kan bieden? Registreer dan uw product op www.philips.com/welcome.

De Philips AVENT-borstkolf heeft een uniek ontwerp, waarmee u een comfortabelere houding kunt aannemen tijdens het afkolven. Het zachte massagekussen* voelt heerlijk zacht en warm en bootst het zuigen van uw baby na, zodat uw melkafgifte snel op aangename en zachte wijze op gang wordt gebracht. De borstkolf start in een lichte zuigmodus waardoor uw melkafgifte wordt gestimuleerd. U kunt vervolgens kiezen uit drie zuigmodi en afkolven zoals u dat prettig vindt. De borstkolf is eenvoudig in elkaar te zetten en te bedienen. Alle onderdelen die in contact komen met moedermelk zijn vaatwasmachinebestendig.

Volgens medische professionals is moedermelk de beste voeding voor baby's tijdens het eerste jaar, afgewisseld met vast voedsel na 6 maanden. Uw moedermelk voldoet aan alle behoeften van uw baby en bevat antistoffen die helpen uw baby tegen infecties en allergieën te beschermen.

Een borstkolf kan u helpen langer borstvoeding te geven. U kunt uw melk afkolven en bewaren zodat uw baby er nog langer profijt van heeft, zelfs als u zelf niet aanwezig bent om borstvoeding te geven. De kolf is compact en discreet te gebruiken; u kunt de kolf overal mee naartoe nemen en melk afkolven wanneer het u uitkomt.

*Het kussen dat bij deze kolf wordt geleverd, is geschikt voor de meeste moeders. Indien nodig kunt u er een apart kussen voor grotere tepels bij kopen.

Algemene beschrijving (fig. 1)

- 1 Motorunit met siliconenslangetje en dop*
- 2 Siliconenmembraan*
- 3 Kolfgedeelte*
- 4 Massagekussen*
- 5 Deksel*
- 6 Batterijvak (alleen SCF332)
- 7 Aan/uitknop
- 8 Stimulatieknop
- 9 Knop voor lichte zuigkracht
- 10 Knop voor middelsterke zuigkracht
- 11 Knop voor sterke zuigkracht
- 12 Adapter
- 13 Wit ventiel*
- 14 Philips AVENT Natural-fles*
- 15 Dop*
- 16 Schroefring*
- 17 Speen*
- 18 Afsluitplaatje*

**Opmerking: Model SCF334 wordt geleverd met twee exemplaren van de gemarkeerde onderdelen, met uitzondering van de motorunit.*

Belangrijk

Lees deze gebruiksaanwijzing zorgvuldig door voordat u de borstkolf gaat gebruiken. Bewaar de gebruiksaanwijzing om deze indien nodig te kunnen raadplegen.

Gevaar

- Houd de motorunit en de adapter droog.
- Gebruik de borstkolf niet in bad of onder de douche.
- Zet de borstkolf nooit in de buurt van een badkuip of gootsteen, ook niet als u de borstkolf opbergt.
- Als het apparaat in het water valt, trek dan direct de stekker uit het stopcontact voordat u het apparaat uit het water haalt.

Waarschuwing

- Trek na gebruik altijd onmiddellijk de stekker van de borstkolf uit het stopcontact.
- Dit apparaat kan worden gebruikt door kinderen vanaf 8 jaar en door personen met verminderde lichamelijke, zintuiglijke of geestelijke capaciteiten, of die gebrek aan ervaring of kennis hebben, als iemand die verantwoordelijk is voor hun veiligheid toezicht op hen houdt, en zij de gevaren van het gebruik begrijpen. Kinderen mogen niet met het apparaat spelen. Reiniging en onderhoud dienen niet zonder toezicht door kinderen te worden uitgevoerd.
- Sta niet toe dat kinderen of huisdieren met de motorunit, de adapter of accessoires spelen, aangezien deze onderdelen verstikkings- of wurgingsgevaar kunnen opleveren.
- Controleer de borstkolf, inclusief de adapter, voor elk gebruik op beschadigingen. Gebruik de borstkolf niet als de adapter of stekker beschadigd is, als hij niet goed werkt, als hij beschadigd is of als hij in het water gevallen of ondergedompeld is.
- Gebruik de borstkolf niet buiten, en niet in omgevingen waar spuitbussen worden gebruikt of zuurstof wordt toegediend.
- De borstkolf is niet geschikt voor gebruik op plekken waar brandbare, verdovende mengsels met lucht, zuurstof of lachgas aanwezig zijn.
- De motorunit van de borstkolf bevat geen onderdelen die door de gebruiker moeten worden onderhouden. Probeer de borstkolf niet zelf te openen, te onderhouden of te repareren. Als u dit toch doet, is uw garantie niet langer geldig.
- Houd de adapter en de siliconenslangetjes uit de buurt van verwarmde oppervlakten.

- Gebruik uitsluitend de adapter die op het apparaat staat aangegeven.
- Probeer niet om het kolfgedeelte van uw borst te halen terwijl dit nog onder vacuüm staat. Schakel het apparaat uit en verbreek dan het vacuüm tussen uw borst en de trechter met uw vinger. Haal de kolf van uw borst.
- Gebruik de borstkolf niet tijdens de zwangerschap; het kolven kan weeën opwekken.
- Gebruik de borstkolf niet als u vermoeid of slaperig bent.
- Stel de borstkolf niet bloot aan extreme hitte en plaats de borstkolf niet in direct zonlicht.

Let op

- De borstkolf is uitsluitend bedoeld voor herhaaldelijk gebruik door één en dezelfde gebruiker.
- Laat de borstkolf nooit onbeheerd achter wanneer de stekker in het stopcontact zit.
- Steek geen vreemde voorwerpen in de openingen.
- Hoewel de borstkolf voldoet aan de van toepassing zijnde EMC-richtlijnen, kan deze gevoelig zijn voor buitensporige emissies en/of storing veroorzaken bij gevoelige apparatuur.
- Gebruik geen accessoires of onderdelen van andere fabrikanten of die niet specifiek door Philips AVENT worden aanbevolen. Als u dergelijke accessoires of onderdelen gebruikt, vervalt de garantie.
- Maak vóór gebruik alle kolfonderdelen schoon, met uitzondering van de motorunit, het slangetje, de dop en de adapter. Spoel ze af en steriliseer ze.
- Zet de motorunit of de adapter nooit in water of in een sterilisator. Hierdoor raken deze onderdelen permanent beschadigd.
- Gebruik geen antibacteriële of schurende schoonmaakmiddelen om de borstkolf schoon te maken.
- Gebruik de borstkolf niet als het siliconenmembraan beschadigd of kapot lijkt. Zie hoofdstuk 'Accessoires bestellen' voor informatie over waar u vervangende onderdelen kunt bestellen.
- Gebruik de borstkolf niet langer dan vijf minuten per keer als het afkolven niet lukt.
- Als de gegenereerde druk onprettig of pijnlijk is, schakel het apparaat dan uit, verbreek het vacuüm tussen uw borst en de kolf met uw vinger en haal de kolf van uw borst.

Elektromagnetische velden (EMV)

Dit Philips-apparaat voldoet aan alle toepasbare richtlijnen en voorschriften met betrekking tot blootstelling aan elektromagnetische velden.

Klaarmaken voor gebruik

De motorunit, het siliconenslangetje, de dop en de adapter hoeven niet te worden schoongemaakt of gesteriliseerd, omdat zij niet in contact komen met moedermelk.

Reinig en steriliseer alle onderdelen van de borstkolf vóór het eerste gebruik zoals beschreven in hoofdstuk 'Schoonmaken en steriliseren'. Maak alle onderdelen ook na elk gebruik schoon en steriliseer de onderdelen vóór elk gebruik.

De borstkolf monteren

Opmerking: Zorg ervoor dat alle onderdelen van de borstkolf zijn schoongemaakt en gesteriliseerd. Was uw handen grondig voordat u de schoongemaakte onderdelen aanraakt.

Wees voorzichtig; de schoongemaakte onderdelen kunnen nog heet zijn.

Tip: De borstkolf is mogelijk eenvoudiger in elkaar te zetten als deze nog nat is.

- 1** Plaats het witte ventiel vanaf de onderkant in het kolfgedeelte. Duw het ventiel zo ver mogelijk naar binnen (fig. 2).
- 2** Schroef het kolfgedeelte rechtsom op de fles tot het goed vast zit (fig. 3).
- 3** Plaats het siliconenmembraan vanaf de bovenkant in het kolfgedeelte. Zorg ervoor dat het membraan goed langs de rand zit door het met uw vingers naar beneden te duwen zodat perfecte afdichting gegarandeerd is (fig. 4).
- 4** Plaats het massagekussen in het trechtervormige deel van het kolfgedeelte. Duw het binnenste deel van het massagekussen zo ver mogelijk naar binnen en controleer of het kussen goed over de rand van het kolfgedeelte zit. Druk tussen de kussentjes om lucht te verwijderen (fig. 5).

Opmerking: Plaats de kap over het massagekussen om de borstkolf schoon te houden terwijl u zich voorbereidt om te gaan kolven.

- 5** Steek de adapter in het stopcontact en steek het andere einde in de motorunit (fig. 6). De adapterreferentiecode staat op de onderkant van het apparaat. Gebruik alleen de aangegeven adapter bij het apparaat.

- Voor werking op batterijen (alleen SCF332), draait u de onderkant van de motorunit in de richting die wordt aangegeven door de tekens op de onderkant (1) en verwijdt u deze (2). Plaats vier nieuwe AA-batterijen van 1,5V (of 1,2V, indien oplaadbaar) in het batterijvak. Bevestig de onderkant weer op de motorunit (fig. 7).

Opmerking: Het apparaat werkt maximaal 3 uur op een nieuw stel batterijen. Als u batterijen hebt geplaatst in het batterijvak van de motorunit en de stekker van de adapter in het stopcontact steekt, werkt de borstkolf op de hoofdstroomvoorziening. De batterijen kunnen niet worden opgeladen in het apparaat.

- 6** Bevestig het siliconenslangetje en de dop op het membraan. Duw de dop omlaag tot deze vastzit (fig. 8).

De borstkolf gebruiken

Wanneer kolven

Tenzij u andere instructies krijgt van uw gezondheidszorgprofessional of lactatieconsulent, wordt u, als het borstvoeden goed gaat, aangeraden te wachten tot u een regelmatige melktoevoer en een regelmatig borstvoedingsritme hebt (doorgaans 2 tot 4 weken na de geboorte).

Uitzonderingen:

- Als u niet onmiddellijk borstvoeding kunt geven, kan regelmatig kolven helpen om de melkafgifte te stimuleren en te handhaven.
- Als u melk afkolft om uw baby in het ziekenhuis te voeden.
- Als u last hebt van gestuwde (pijnlijke of gezwollen) borsten: u kunt een kleine hoeveelheid melk afkolven vóór of tussen de voedingen om de pijn te verlichten en uw baby eenvoudiger te kunnen aanleggen.
- Als u pijnlijke tepels of tepelkloven hebt, wilt u wellicht kolven tot uw tepels zijn genezen.
- Als u niet bij uw baby bent en u borstvoeding wilt geven wanneer u weer bij uw baby bent, dient u uw melk regelmatig af te kolven om uw melktoevoer te stimuleren.

Probeer te ontdekken op welke tijden van de dag u het beste melk kunt afkolven, bijvoorbeeld net voor of na de eerste voeding van uw baby in de ochtend wanneer uw borsten nog vol zijn, of na een voeding als uw baby niet beide borsten heeft leeggedronken. Als u weer aan het werk bent gegaan, moet u mogelijk melk afkolven tijdens een pauze.

Het gebruik van een borstkolf vereist oefening en mogelijk lukt het afkolven pas na enkele pogingen. Gelukkig is de Philips AVENT elektrische borstkolf eenvoudig in elkaar te zetten en te gebruiken, zodat u snel gewend raakt aan het afkolven.

Tips

- Maak uzelf vertrouwd met de borstkolf en de bediening ervan voordat u de borstkolf voor het eerst gebruikt.
- Kies een tijd waarop u kunt ontspannen en niet wordt gestoord.
- Een foto van uw baby kan u helpen de melkafgifte op gang te brengen.
- Warmte kan ook helpen: probeer te kolven na een bad of douche, of plaats enkele minuten voor het kolven een warme doek of thermokompres van Philips AVENT op de borst.
- Wellicht is het voor u eenvoudiger te kolven als uw baby aan de andere borst ligt, of direct na een voeding.
- Stop met kolven en raadpleeg je lactatieconsulent of gezondheidszorgprofessional als het kolven pijnlijk wordt.

De borstkolf bedienen

- 1** Was je handen grondig en zorg ervoor dat je borsten schoon zijn.
- 2** Ontspan in een comfortabele stoel (gebruik eventueel kussens voor extra steun in uw rug). Zorg ervoor dat u een glas water binnen handbereik hebt.
- 3** Druk de gemonteerde borstkolf tegen uw borst. Zorg ervoor dat uw tepel in het midden zit, zodat het massagekussen een luchtdichte afdichting creëert.

SCF334: met de dubbele elektrische borstkolf kunt u beide borsten tegelijkertijd afkolven. U kunt het apparaat ook gebruiken om op dezelfde manier één borst af te kolven.

- 4** Druk op de aan/uitknop (fig. 9).
 - ▶ De borstkolf start automatisch in stimulatiemodus en de aan/uitknop en stimulatieknop gaan branden.
 - ▶ U begint de zuigkracht op uw borst te voelen.

- 5** Zodra uw melk begint te stromen, kunt u voor een langzamer ritme kiezen door op de knop voor de laagste zuigkracht te drukken (fig. 10).
- Deze knop brandt nu in plaats van de stimulatieknop.

Opmerking: Maak u geen zorgen als uw melk niet onmiddellijk stroomt. Ontspan en blij kolven. De eerste keren dat u de borstkolf gebruikt, kan het zijn dat u een hogere zuigkracht moet gebruiken om uw melkafgifte op gang te brengen.

- 6** Afhankelijk van wat u prettig vindt, kunt u een hogere zuigmodus gebruiken met meer zuigkracht. U kunt terugkeren naar een lagere zuigmodus of de borstkolf wanneer u maar wilt uitschakelen door op de betreffende knop te drukken (fig. 11).

Opmerking: U hoeft niet alle zuigmodi te gebruiken. Gebruik alleen de modi die u prettig vindt.

Schakel de borstkolf altijd uit voor u het kolfgedeelte van uw borst haalt.

Gebruik de borstkolf niet langer dan vijf minuten per keer als het kolven niet lukt. Probeer op een ander moment van de dag te kolven. Stop met het gebruik van de kolf en raadpleeg uw lactatieconsulent als het kolven erg onprettig of pijnlijk wordt.

- 7** Gemiddeld moet u de kolf 10 minuten gebruiken om 60-125 ml moedermelk af te kolven van één borst. Dit is echter een gemiddelde waarde die voor elke vrouw anders is.

Opmerking: Als u regelmatig meer dan 125 ml per sessie afkolft, kunt u een Philips AVENT-fles van 260 ml gebruiken om overlopen en morsen te voorkomen.

- 8** Schakel de borstkolf uit en verwijder het kolfgedeelte voorzichtig van uw borst wanneer u klaar bent met kolven.
- 9** Schroef de fles los van het kolfgedeelte en gebruik de melk om uw baby te voeden of bewaar de melk. Maak de andere gebruikte onderdelen van de borstkolf schoon volgens de instructies in hoofdstuk 'Schoonmaken en steriliseren'.
- 10** Trek de stekker van de motorunit uit het stopcontact. Wikkel het siliconenslangetje rond de motorunit en klik de dop vast aan het slangetje, zodat u het apparaat makkelijk kunt opbergen (fig. 12).

Na gebruik

Afgekolfde melk bewaren

Bewaar alleen moedermelk die u met een gesteriliseerde kolf hebt afgekolfd.

U kunt moedermelk maximaal 48 uur in de koelkast (niet in de deur) bewaren. Afgekolfde melk moet onmiddellijk in de koelkast worden geplaatst. Als u melk in de koelkast bewaart en daar gedurende de dag nieuwe melk aan toevoegt, voeg dan alleen melk toe die is afgekolfd in een gesteriliseerde fles of beker.

U kunt moedermelk maximaal drie maanden in de diepvries bewaren, zolang de melk wordt bewaard in gesteriliseerde flessen met een gesteriliseerde schroefring en gesteriliseerd afsluitplaatje. Zet de datum en tijd van afkolven duidelijk op de fles en gebruik de oudere moedermelk eerst. Als u uw baby binnen 48 uur met de afgekolfde melk wilt voeden, kunt u de moedermelk in de koelkast bewaren in een gemonteerde Philips AVENT-fles:

- 1** Schroef de fles los en verwijder de fles van het kolfgedeelte.
- 2** Bevestig een gesteriliseerde speen en schroefring op de fles volgens de afzonderlijke instructies bij de fles. Dicht de speen af met de afsluitdop.

3 U kunt ook een gesteriliseerd afsluitplaatje in een gesteriliseerde schroefring plaatsen en dit op de fles schroeven.

Wel doen

- Plaats afgekolfd melk altijd onmiddellijk in de koelkast of diepvries.
- Bewaar alleen melk die u hebt afgekolfd met een gesteriliseerde borstkolf in gesteriliseerde flessen.

Niet doen

- Vries ontdooide moedermelk nooit opnieuw in.
- Voeg nooit verse moedermelk toe aan bevroren moedermelk.

Uw baby voeden met afgekolfd moedermelk

U kunt Philips AVENT-flessen en -bewaarbekers gebruiken om uw baby te voeden met moedermelk:

1 Laat bevroren moedermelk volledig ontdooien voordat u de melk opwarmt.

Opmerking: In geval van nood kunt u de melk ontdooien in een kom met warm water.

- 2 Verwarm de fles of bewaarbeker met ontdooide of gekoelde moedermelk in een kom met warm water of in een flessenwarmer.
- 3 Verwijder de schroefring en het afsluitplaatje van de fles of verwijder het deksel van de bewaarbeker.
- 4 Als u een bewaarbeker gebruikt, schroef de adapterring dan op de bewaarbeker.
- 5 Schroef een gesteriliseerde schroefring met gesteriliseerde speen op de fles of op de bewaarbeker met adapterring.

Wel doen

- Controleer altijd de temperatuur van de melk voordat u uw baby voedt.
- Gooi de moedermelk die overblijft na de voeding, altijd weg.

Niet doen

- Verwarm moedermelk nooit in de magnetron. Hierdoor kan de melk ongelijkmatig worden verwarmd. Bovendien kunnen de voedingsstoffen in de melk verloren gaan.

Schoonmaken en steriliseren

De motorunit, het siliconenslangetje, de dop en de adapter hoeven niet te worden schoongemaakt of gesteriliseerd, omdat zij niet in contact komen met moedermelk.

Reinig en steriliseer alle onderdelen van de borstkolf vóór het eerste gebruik. Maak alle onderdelen ook na elk gebruik schoon en steriliseer de onderdelen vóór elk gebruik.

Gevaar: Zet de motorunit of de adapter nooit in water of in een sterilisator.

1 Haal de borstkolf volledig uit elkaar. Verwijder ook het witte ventiel.

Wees voorzichtig wanneer u het witte ventiel verwijdert en schoonmaakt. Als het ventiel beschadigd raakt, werkt uw borstkolf niet goed. Verwijder het witte ventiel door voorzichtig aan het geribbelde lipje aan de zijkant van het ventiel te trekken.

2 Reinig alle onderdelen met uitzondering van de motorunit, het siliconenslangetje, de dop en de adapter in de vaatwasmachine (alleen in het bovenste rek) of in warm water met een mild afwasmiddel. Spoel de onderdelen vervolgens goed af.

Maak het ventiel schoon door het zacht tussen uw vingers te rollen in warm water met een beetje afwasmiddel. Steek geen voorwerpen in het ventiel, anders kan het ventiel beschadigd raken.

- 3** Steriliseer de schoongemaakte delen van de borstkolf in een Philips AVENT-stoomsterilisator of door ze 5 minuten te koken.

Zet de motorunit of de adapter nooit in water of in een sterilisator. Indien nodig kunt u de motorunit afvegen met een zachte, vochtige doek.

Opbergen

Houd de borstkolf uit direct zonlicht. Langdurige blootstelling aan zonlicht kan verkleuring veroorzaken.

- 1** Bewaar de borstkolf en de accessoires op een veilige en droge plaats.

Compatibiliteit

De Philips AVENT elektrische borstkolf past op de Philips AVENT-flessen in ons assortiment. Plaats voor traditionele flessen met het tweedelig antikolieksysteem altijd de ring boven in de fles voordat u de fles aan de borstkolf bevestigt. Gebruik voor andere Philips AVENT-flessen altijd een speen van hetzelfde type als de speen die bij die fles is geleverd. Raadpleeg de gebruiksaanwijzing van uw fles voor meer informatie over het bevestigen van de speen en voor algemene instructies voor het schoonmaken. Deze informatie is ook te vinden op onze website, **www.philips.com/support**.

Vervanging

Batterijen

Vervang de niet-oplaadbare batterijen van de borstkolf (alleen SCF332) uitsluitend door vier AA-batterijen van 1,5V (of 1,2V indien oplaadbaar).

Raadpleeg hoofdstuk 'Klaarmaken voor gebruik' voor instructies over het vervangen van batterijen.

Accessoires bestellen

Ga naar **www.shop.philips.com/service** om accessoires en reserveonderdelen te kopen of ga naar uw Philips-dealer. U kunt ook contact opnemen met het Philips Consumer Care Centre in uw land (zie het 'worldwide garantie'-vouwblad voor contactgegevens).

Recycling

- Dit symbool op een product betekent dat het product voldoet aan EU-richtlijn 2012/19/EU (fig. 13).
- Dit symbool betekent dat het product batterijen bevat die voldoen aan EU-richtlijn 2006/66/EG, die niet met regulier huishoudelijk afval kunnen worden weggegooid (fig. 14).
- Stel uzelf op de hoogte van de lokale wetgeving over gescheiden inzameling van afval van elektrische en elektronische producten en batterijen. Volg de lokale regels op en werp het product en de batterijen nooit samen met ander huisvuil weg. Als u oude producten en batterijen correct verwijdert, voorkomt u negatieve gevolgen voor het milieu en de volksgezondheid.

De wegwerp-batterijen verwijderen

Raadpleeg hoofdstuk 'Klaarmaken voor gebruik', sectie 'De borstkolf monteren' voor informatie over het verwijderen van wegwerp-batterijen.

Garantie en ondersteuning

Als u informatie of ondersteuning nodig hebt, ga dan naar **www.philips.com/support** of lees het 'worldwide garantie'-vouwblad.

Problemen oplossen

Dit hoofdstuk behandelt in het kort de problemen die u kunt ondervinden tijdens het gebruik van het apparaat. Als u er niet in slaagt het probleem op te lossen met behulp van de onderstaande informatie, neem dan contact op met het Consumer Care Centre in uw land of online op www.philips.com/support.

Probleem	Oplossing
Het gebruik van de borstkolf is pijnlijk.	Stop met het gebruik van de borstkolf en raadpleeg uw lactatieconsulent. Als u de borstkolf niet eenvoudig van uw borst kunt halen, moet u het vacuüm mogelijk verbreken door een vinger tussen uw borst en het massagekussen te steken.
Er zitten krassen op de borstkolf.	Bij regelmatig gebruik kunnen lichte krassen optreden. Dit is niet erg. Als een onderdeel van de borstkolf echter diepe krassen vertoont of barst, gebruik de borstkolf dan niet meer en neem contact op met het Philips Consumer Care Centre of bezoek www.shop.philips.com/service voor een vervangend onderdeel. In bepaalde omstandigheden kan de combinatie van schoonmaakmiddelen, sterilisatievloeistof, onthard water en temperatuurschommelingen ertoe leiden dat het kunststof barst. Vermijd contact met schurende of antibacteriële schoonmaakmiddelen; zij kunnen het kunststof beschadigen.
De borstkolf werkt niet en de aan/uitknop knippert.	Controleer eerst of u de borstkolf op de juiste manier in elkaar hebt gezet en controleer of er geen kink in het slangetje zit. Als u de SCF332 met batterijen gebruikt, vervang de batterijen dan volgens de instructies in hoofdstuk 'Klaarmaken voor gebruik', actie 5. Als u de SCF334 of SCF332 op netspanning gebruikt, controleer dan of u de adapter gebruikt die bij het product werd geleverd. Neem contact op met het Consumer Care Centre in uw land als het probleem blijft bestaan.
Ik voel geen zuigkracht.	Controleer of u de borstkolf op de juiste manier in elkaar hebt gezet volgens de stappen in hoofdstuk 'Klaarmaken voor gebruik'. Zorg ervoor dat het siliconenslangetje stevig vastzit aan de motorunit, de dop en het membraan.
Ik moet het siliconenslangetje vervangen, maar weet niet hoe ik het moet verwijderen.	Om het slangetje te verwijderen, pakt u het dicht tegen de motorunit aan beet en trekt u het met een draaibeweging los. Om het slangetje opnieuw aan te sluiten, schuift u het slangetje met een lichte draaibeweging op het verbindingstuk op de motorunit. Controleer of het goed vastzit.

Innledning

Gratulerer med kjøpet og velkommen til Philips AVENT! Du kan få enda større nytte av støtten fra Philips AVENT hvis du registrerer produktet ditt på www.philips.com/welcome.

Philips AVENT-brystpumpen har en unik design som gjør at du kan sitte i en mer behagelig stilling når du pumper morsmelk. Den myke massasjeputen* er designet for å kjennes myk og varm og etterligner babyens sugebevegelser for å gi rask melkestrøm på en komfortabel og skånsom måte. Brystpumpen starter i den skånsomme modusen som hjelper med å stimulere melkestrømmen. Deretter kan du velge mellom tre sugemodi etter din personlige komfort. Pumpen er lett å sette sammen og bruke, og alle delene som kommer i kontakt med morsmelk, kan vaskes i oppvaskmaskin.

Helsepersonell sier at morsmelk er den beste næringen for spedbarn det første leveåret, kombinert med fast føde etter de første seks månedene. Morsmelken er spesielt tilpasset barnets behov og inneholder antistoffer som bidrar til å beskytte spedbarnet mot infeksjoner og allergier.

En brystpumpe kan hjelpe deg med å amme lengre. Du har mulighet til å pumpe og lagre melken din slik at barnet kan nyte fordelene av den, selv om du ikke alltid er til stede og gir den selv.

Pumpen er kompakt og diskret slik at du enkelt tar den med hvor som helst. Dermed kan du pumpe morsmelken når det passer deg best og sikre at melkeproduksjonen ikke stanser.

*Puten som følger med pumpen er utformet for å passe til de fleste mødre. Hvis det imidlertid er behov for det, kan du kjøpe en pute for større brystvorter separat.

Generell beskrivelse (fig. 1)

- 1 Motorenhet med rør og hette i silikon*
- 2 Silikonmembran*
- 3 Pumpe*
- 4 Massasjepute*
- 5 Deksel*
- 6 Batterirom (kun SCF332)
- 7 Av/på-knapp
- 8 Stimuleringsknapp
- 9 Knapp for lav sugeseffekt
- 10 Knapp for middels sugeseffekt
- 11 Knapp for dyp sugeseffekt
- 12 Adapter
- 13 Hvit ventil*
- 14 Philips AVENT Naturlig flaske*
- 15 Hette*
- 16 Skruring*
- 17 Smokk*
- 18 Tetningsplate*

**Merk: Modellen SCF334 leveres med to stk. av de merkede delene, utenom motorenheten.*

Viktig

Les denne brukerveiledningen nøye før du bruker brystpumpen, og ta vare på den for fremtidig referanse.

Fare

- Hold motorenheten og adapteren tørr.
- Ikke bruk brystpumpen i badekaret eller i dusjen.
- Ikke plasser eller oppbevar brystpumpen i nærheten av badekaret eller vasken.
- Ikke ta på et produkt som har falt i vannet. Trekk ut støpselet umiddelbart.

Advarsel

- Trekk alltid ut støpselet til brystpumpen umiddelbart etter bruk.
- Dette apparatet kan brukes av barn over 8 år og av personer som har nedsatt sanseevne eller fysisk eller psykisk funksjonsevne, eller personer med manglende erfaring eller kunnskap, dersom de får tilsyn eller instruksjoner om bruk av apparatet på en sikker måte og forstår risikoen. Barn skal ikke leke med apparatet. Rengjøring og brukervedlikehold skal ikke utføres av barn uten tilsyn.
- Ikke la barn eller kjæledyr leke med motorenheten, adapteren eller tilbehøret, da disse delene kan medføre kvelningsfare.
- Inspiser brystpumpen, inkludert adapteren, for tegn på skader før hver bruk. Ikke bruk brystpumpen hvis adapteren eller støpselet er skadet, hvis den ikke fungerer slik den skal, hvis den er skadet, eller hvis den har blitt mistet i eller dyppet i vann.
- Ikke bruk brystpumpen utendørs, der sprayprodukter med aerosol brukes, eller der oksygen blir tilført.
- Brystpumpen skal ikke brukes i nærheten av brennbare bedøvende blandinger av luft, oksygen eller lystgass.
- Motorenheten til brystpumpen har ingen utskiftbare deler. Ikke prøv å åpne eller reparere brystpumpen selv. Hvis du gjør dette, opphører garantien.
- Hold adapteren og silikonrørene borte fra oppvarmede overflater.
- Bruk bare adapteren som er angitt på apparatet.
- Ikke forsøk å ta brystpumpen bort fra brystet mens det er vakuüm. Slå av apparatet, og bryt forsegingen mellom brystet og pumpetrakten med fingeren. Ta pumpen bort fra brystet.
- Du må aldri bruke brystpumpen mens du er gravid, fordi pumping kan fremkalle fødselsveer.

- Ikke bruk brystpumpen hvis du er søvning eller døsig.
- Ikke utsett brystpumpen for ekstrem varme eller plasser den i direkte sollys.

Forsiktig

- Brystpumpen er bare ment for gjentatt bruk av én enkelt bruker.
- Ikke legg fra deg brystpumpen uten tilsyn mens den er koblet til strømkilden.
- Du må aldri slippe ned i eller putte inn fremmedlegemer i noen åpninger.
- Selv om brystpumpen er kompatibel med gjeldende direktiver for elektromagnetisk kompatibilitet (EMC), kan det fremdeles komme for store utslipp og/eller den kan forstyrre mer følsomt utstyr.
- Du må aldri bruke tilbehør eller deler fra andre produsenter, eller deler som Philips Avent ikke spesifikt anbefaler. Hvis du bruker denne typen tilbehør eller deler, fører det til at garantien blir ugyldig.
- Rengjør, skyll og steriliser alle delene på brystpumpen, bortsett fra motorenheten, røret og hetten samt adapteren før hvert bruk.
- Legg aldri motorenheten eller adapteren i vann eller i et steriliseringsapparat, da dette skader disse delene permanent.
- Ikke bruk antibakterielle midler eller slipende rengjøringsmidler når du rengjør delene til brystpumpen.
- Ikke bruk brystpumpen hvis silikonmembranen ser ut som den er skadet eller ødelagt. Se avsnittet Bestille tilbehør for å få informasjon om hvordan du kan bestille nye deler.
- Ikke fortsett å pumpe i mer enn fem minutter om gangen hvis du ikke lykkes med å pumpe ut melk.
- Hvis trykket som oppstår er ubehagelig eller forårsaker smerte, må du slå av apparatet, bryte forseglingen mellom brystet og pumpen med fingeren, og ta pumpen bort fra brystet.

Elektromagnetiske felt (EMF)

Dette Philipsapparatet overholder alle aktuelle standarder og forskrifter for eksponering for elektromagnetiske felt.

Før bruk

Motorenheten, røret og hetten i silikon samt adapteren trenger ikke å rengjøres eller steriliseres, da de ikke kommer i kontakt med morsmelk.

Rengjør og steriliser alle de andre delene til brystpumpen før den tas i bruk første gang, som beskrevet i avsnittet Rengjøring og sterilisering. Rengjør disse delene hver gang du har brukt pumpen, og steriliser delene hver gang du skal bruke den.

Sette sammen brystpumpen

Merk: Sørg for at du har rengjort og sterilisert de aktuelle delene på brystpumpen. Vask hendene grundig før du håndterer de rengjorte delene.

Vær forsiktig. De rengjorte delene kan fremdeles være varme.

Tips: Det kan være enklere å sette sammen brystpumpen mens den er fuktig.

- 1** Sett den hvite ventilen inn i pumpen fra undersiden. Press inn ventilen så langt som mulig (fig. 2).
- 2** Skru pumpen med klokken for å feste den på flasken, helt til pumpen sitter godt fast (fig. 3).
- 3** Plasser silikonmembranen i pumpen ovenfra. Kontroller at den sitter godt rundt kanten ved å trykke med fingrene for å sikre at det er helt tett (fig. 4).
- 4** Plasser massasjeputen inn i den traktformede delen av pumpen. Press den indre delen av massasjeputen så langt inn som mulig, og kontroller at den er fullstendig forseglet rundt kanten av selve pumpen. Trykk innimellom de bladformede putene for å fjerne eventuelle luftdommer (fig. 5).

Merk: Sett på dekelet på massasjeputen for å holde brystpumpen ren mens du gjør deg klar til å pumpe.

- 5** Sett adapteren inn stikkkontakten, og sett den andre enden i motorenheten (fig. 6).

Referansekoden for adapteren står på bunnen av apparatet. Bruk bare adapteren som er indikert sammen med apparatet.

- Hvis du vil bruke apparatet batteridrevet (kun SCF332), vrir du bunnen av motorenheten i retningen av merkene på bunnen (1), og tar den av (2). Sett inn fire nye 1,5V AA-batterier (eller 1,2V hvis de er oppladbare) i batterirommet. Sett bunnen tilbake på motorenheten (fig. 7).

Merk: Et nytt sett med batterier gir opptil tre timers bruk. Hvis du har satt inn batteriene i batterirommet og satt adapteren i stikkkontakten, blir brystpumpen drevet av strømmettet. Batteriene kan ikke bli ladet i enheten.

- 6** Fest røret og hetten i silikon på membranen. Trykk hetten ned til den sitter ordentlig på plass (fig. 8).

Bruke brystpumpen

Slik vet du når du skal pumpe

Hvis amming går bra for deg, anbefaler vi (med mindre du har fått andre anbefalinger av helsepersonell/jordmor) at du venter med å pumpe til melkestrømmen og ammetidene har stabilisert seg (vanligvis minst to til fire uker etter fødselen).

Unntak:

- Hvis amming ikke fungerer for deg med en gang, kan regelmessig pumping av morsmelk hjelpe med å etablere og opprettholde melkeproduksjonen.
- Hvis du pumper for å gi barnet melk på sykehuset.
- Hvis brystene dine er melkesprengte (smertefulle eller oppsvulmede): Du kan pumpe en liten mengde melk før eller innimellom ammetidene for å lette på smertene eller for å gjøre det enklere for babyen å die.
- Hvis brystvortene er såre eller sprukne, ønsker du kanskje å pumpe melken til de er leget.
- Hvis du må være adskilt fra barnet og ønsker å fortsette ammingen når dere gjenforenes, bør du pumpe melk regelmessig for å stimulere melkeproduksjonen.

Hvis du må finne de perfekte tidspunktene på dagen for å pumpe melken, for eksempel rett før eller etter babyens første måltid om morgenen når brystene er fulle, eller etter amming når barnet ikke har tømt begge brystene. Hvis du har begynt i jobb, trenger du kanskje å pumpe i en pause. Det krever trening å bruke en brystpumpe, og det kan ta flere forsøk før du får det til. Den elektriske brystpumpen fra Philips AVENT er heldigvis enkel å sette sammen og bruke, slik at du raskt venner deg til å pumpe med den.

Tips

- Gjør deg kjent med brystpumpen og hvordan den fungerer før du bruker den første gang.
- Velg et tidspunkt der du ikke har det travelt og kan være uforstyrret.
- Et bilde av barnet kan stimulere laktasjonen.
- Varme kan også hjelpe: Du kan forsøke å pumpe etter et bad eller en dusj, eller legge en varm klut eller Philips AVENT-termopute på brystet i noen minutter før du setter i gang med å pumpe.
- Det kan hende du synes det er går lettere å pumpe mens barnet dier fra det andre brystet, eller umiddelbart etter en amming.
- Hvis det blir smertefullt å pumpe, må du stanse og kontakte jordmor eller helsepersonell for råd.

Bruke brystpumpen

- 1** Vask hendene grundig, og sørg for at brystene er rene.
- 2** Slapp av i en behagelig stol (det kan være godt å bruke puter til å støtte opp ryggen). Pass på at du har et glass vann i nærheten.
- 3** Trykk den ferdigmonterte brystpumpen mot brystet. Kontroller at brystvorten er midt i trakten, slik at massasjeputen skaper en lufttett forsegling.
SCF334: Den doble elektriske brystpumpen gjør at du kan pumpe melk fra begge brystene samtidig. Du kan også bruke apparatet til å pumpe fra ett bryst på akkurat samme måte.
- 4** Trykk på av/på-knappen (fig. 9).
 - ▶ Brystpumpen starter automatisk i stimuleringsmodus, og av/på-knappen og stimuleringsknappen begynner å lyse.
 - ▶ Du begynner å kjenne sugeeffekten på brystet.
- 5** Når melken begynner å strømme, kan du velge en saktere rytme ved å trykke på knappen for lavest sugeeffekt (fig. 10).
 - ▶ Denne knappen begynner å lyse i stedet for stimuleringsknappen.

Merk: Ikke bekymre deg hvis melken ikke begynner å strømme umiddelbart. Slapp av og fortsett å pumpe. De første gangene du bruker brystpumpen, kan det være at du må bruke en høyere sugeeffekt for å få melken til å strømme.

- 6** Avhengig av din personlige komfort kan det hende at du ønsker å bruke en høyere sugemodus, som gir en dypere sugeeffekt. Du kan bytte tilbake til en lavere sugemodus eller slå av brystpumpen når du vil ved å trykke på den aktuelle knappen (fig. 11).

Merk: Du trenger ikke å bruke alle sugemodiene. Bruk bare modiene som føles komfortable for deg.

Slå alltid av brystpumpen før du fjerner den fra brystet.

Ikke fortsett å pumpe i mer enn fem minutter om gangen hvis det ikke kommer melk, prøv heller å pumpe på en annen tid på dagen. Hvis prosessen blir veldig ubehagelig eller smertefull, må du stanse bruken av pumpen og søke råd hos helsepersonell.

- 7** Det tar i gjennomsnitt ti minutter å pumpe frem 60–125 ml morsmelk fra ett bryst. Dette er imidlertid bare en pekepinn og varierer fra kvinne til kvinne.

Merk: Hvis du regelmessig pumper ut mer enn 125 ml per økt, kan du bruke en Philips AVENT-flaske på 260 ml / 9 fl oz for å hindre overfylling og søl.

- 8** Når du er ferdig med å pumpe, slår du av brystpumpen og fjerner den forsiktig fra brystet.

- 9** Skru flasken løs fra pumpen, så er den klar til å mate eller til oppbevaring. Rengjør de delene til brystpumpen som du har brukt, etter instruksjonene i avsnittet Rengjøre og sterilisere.
- 10** Koble fra motorenheten. For enkel oppbevaring pakker du silikoneret rundt motorenheten og fester hetten på røret (fig. 12).

Etter bruk

Oppbevare morsmelk

Oppbevar kun morsmelk som er pumpet med en steril brystpumpe.

Morsmelken kan oppbevares i kjøleskapet (ikke i døren) i opptil 48 timer. Pumpet melk må settes i kjøleskapet umiddelbart. Hvis du oppbevarer morsmelk i kjøleskapet for å tilføre mer i løpet av dagen, må du kun bruke melk som er pumpet i en steril flaske eller morsmelkbeholder. Morsmelk kan også oppbevares i fryseren i opptil tre måneder; så lenge den er i en sterilisert flaske som er utstyrt med en sterilisert skruring og tetningsplate. Merk flasken tydelig med datoen og klokkeslettet for pumpingen, og bruk den eldste morsmelken først. Hvis du har tenkt til å mate babyen med pumpet melk innen 48 timer, kan du oppbevare morsmelken i kjøleskapet i en montert Philips AVENT-flaske:

- 1** Skru av flasken, og fjern den fra pumpen.
- 2** Monter en sterilisert smokk og skruring på flasken i henhold til de separate instruksjonene som fulgte med flasken. Forsegle smokken med den kuppelformede hetten.
- 3** Alternativt kan du sette inn en sterilisert tetningsplate i en sterilisert skruring og skru denne på flasken.

Gjør følgende:

- Sett alltid melk direkte i kjøleskapet eller i fryseren.
- Oppbevar kun morsmelk som er pumpet med en sterilisert brystpumpe, i steriliserte flasker.

Ikke gjør følgende:

- Frys aldri opptint morsmelk på nytt.
- Bland aldri fersk og frossen morsmelk.

Mate babyen med pumpet morsmelk

Du kan mate babyen med morsmelk fra Philips AVENT-flasker og -oppbevaringskopper:

- 1 Hvis du bruker frossen morsmelk, må du la den tine helt før du varmer den opp.

Merke: I nødstilfeller kan du tine melken i en bolle med varmt vann.

- 2 Varm opp flasken eller oppbevaringskoppene med opptint eller kald morsmelk fra kjøleskapet i en bolle med varmt vann eller i en flaskevarmer.
- 3 Ta av skruringen og tetningsplaten på flasken eller ta av lokket på oppbevaringskoppene.
- 4 Hvis du bruker oppbevaringskopp, må du skru adapterringen på koppen.
- 5 Skru en sterilisert skruring og smokk på flasken eller på oppbevaringskoppene med adapterringen.

Gjør følgende:

- Kontroller alltid temperaturen på melken før du mater babyen.
- Kast alltid morsmelk som er til overs etter måltidet.

Ikke gjør følgende:

- Varm aldri opp morsmelken i mikrobølgeovn, fordi det kan gi ujevn oppvarming med fare for at barnet kan brenne seg i munnen. Det kan også ødelegge næringsstoffer i morsmelken.

Rengjøre og sterilisere

Motorenheten, røret og hetten i silikon samt adapteren trenger ikke å rengjøres eller steriliseres, da de ikke kommer i kontakt med morsmelk.

Rengjør og steriliser alle de andre delene til brystpumpen før første bruk. Rengjør alle disse delene hver gang du har brukt pumpen, og steriliser delene hver gang du skal bruke den.

Fare: Legg aldri motorenheten eller adapteren i vann eller i et steriliseringsapparat.

1 Ta brystpumpen helt fra hverandre. Ta også ut den hvite ventilen.

Vær forsiktig når du tar ut den hvite ventilen fra pumpen og når du rengjør den. Hvis den blir ødelagt, virker ikke brystpumpen som den skal. Når ventilen skal tas ut, trekker du forsiktig i den rillete tappen på side av ventilen.

2 Rengjør alle delene unntatt motorenheten, røret og hetten i silikon samt adapteren i oppvaskmaskinen (kun i øverste skuff) eller i varmt vann med litt mildt oppvaskmiddel, og skyll dem deretter grundig.

Når du rengjør ventilen, gnir du den forsiktig mellom fingrene i varmt vann med litt oppvaskmiddel. Ikke før gjenstander inn i ventilen da dette kan skade den.

3 Steriliser de rengjorte delene av brystpumpen ved å legge dem i et dampsteriliseringsapparat fra Philips AVENT, eller ved å koke dem i fem minutter.

Legg aldri motorenheten eller adapteren i vann eller i et steriliseringsapparat. Hvis det blir nødvendig, kan du tørke over motorenheten med en myk, fuktig klut.

Oppbevaring

Oppbevar brystpumpen utenfor direkte sollys, ettersom produktet kan misfarges ved langvarig eksponering i sollys.

1 Oppbevar brystpumpen og tilbehøret på et trygt og tørt sted.

Kompatibilitet

Den elektriske brystpumpen fra Philips AVENT er kompatibel med vårt utvalg av Philips AVENT-flasker. Når du bruker klassiske flasker som har vårt system med to deler mot kollikk, må du alltid sette på ringen øverst på flasken før du skrur den på brystpumpen. Når du bruker andre Philips AVENT-flasker; bruker du samme type smokk som fulgte med den aktuelle flasken. Hvis du vil ha nærmere informasjon om hvordan smokken monteres samt generelle rengjøringsinstruksjoner, kan du se i brukerveiledningen som fulgte med flasken. Denne informasjonen finner du også på webområdet vårt, **www.philips.com/support**.

Utskiftning

Batterier

De ikke-oppladbare batteriene i brystpumpen (kun SCF332) må bare byttes ut med fire 1,5V AA-batterier (eller 1,2V hvis de er oppladbare).

Se i avsnittet Før bruk for å få instruksjoner om hvordan du skifter batteriene.

Bestille tilbehør

Hvis du vil kjøpe tilbehør eller reservedeler, kan du gå til **www.shop.philips.com/service** eller gå til en Philips-forhandler. Du kan også ta kontakt med Philips' forbrukerstøtte i landet der du bor (se i garantiheftet for kontaklinformasjon).

Resirkulering

- Dette symbolet på et produkt betyr at produktet omfattes av EU-direktiv 2012/19/EU (fig. 13).
- Dette symbolet betyr at produktet inneholder batterier som omfattes av EU-direktiv 2006/66/EF og som ikke kan kastes i vanlig husholdningsavfall (fig. 14).
- Gjør deg kjent med lokale innsamlingsordninger for elektriske og elektroniske produkter og batterier. Følg lokale bestemmelser, og kast aldri produktet og batteriene som vanlig restavfall. Riktig deponering av gamle produkter og batterier bidrar til å forhindre negative konsekvenser for helse og miljø.

Fjerne engangs batteriene

Hvis du vil fjerne engangsbatteriene, kan du se avsnittet Før bruk og delen Sette sammen brystpumpen.

Garanti og støtte

Hvis du trenger kundestøtte eller informasjon, kan du gå til **www.philips.com/support** eller lese i garantiheftet.

Feilsøking

Dette avsnittet oppsummerer de vanligste problemene som kan oppstå med apparatet. Hvis du ikke klarer å løse problemet med informasjonen nedenfor, kan du ta kontakt med forbrukerstøtten der du bor, eller du kan gå til **www.philips.com/support**.

Problem	Løsning
Jeg får smerter når jeg bruker brystpumpen.	Stans bruk av brystpumpen, og rådfør deg med jordmor. Hvis pumpen ikke slipper taket på brystet lett, kan det være nødvendig å bryte vakuuemet ved å plassere en finger mellom brystet og massasjeputen.
Brystpumpen har riper.	Når pumpen brukes regelmessig, er det helt normalt at den får noen riper, uten at dette medfører problemer. Hvis deler av brystpumpen imidlertid blir svært oppskrapet eller sprekker, må du stanse bruken og kontakte Philips forbrukerstøtte. Du kan også gå til www.shop.philips.com/service for å bestille nye deler. Vær oppmerksom på at kombinasjonen av vaskemidler, steriliseringsløsning, mykgjort vann og temperatursvingninger kan få plast til å sprekke under visse omstendigheter. Unngå kontakt med slipende og antibakterielle vaskemidler, da disse kan skade platen.
Brystpumpen fungerer ikke og av/på-knappen blinker.	Kontroller først at du har satt sammen brystpumpen riktig, og at røret ikke er bøyd. Hvis du bruker SCF332 med batterier, må du skifte ut batteriene i henhold til instruksjonene i avsnittet Før bruk, handling 5. Hvis du bruker SCF334 eller SCF332 via et strømuttak, må du kontrollere om du bruker adapteren som fulgte med produktet. Hvis problemet vedvarer, kontakter du forbrukerstøtten i landet der du bor.
Jeg kjenner ikke at det suger.	Kontroller at du har satt sammen brystpumpen riktig, ved å følge trinnene i avsnittet Før bruk. Kontroller at silikonrøret er godt festet til motorenheten samt til hetten og membranen.
Jeg må skifte ut silikonrøret, men vet ikke hvordan jeg tar det av enheten.	Når du skal fjerne røret, griper du det nærmeste motorenheten og drar mens du vrir det. Når du skal sette det tilbake på motorenheten, setter du røret forsiktig på kontakten på motorenheten med en forsiktig, dreierende bevegelse. Kontroller at det er festet ordentlig.

Introdução

Parabéns pela sua compra e bem-vindo à Philips AVENT! Para usufruir de todas as vantagens da assistência da Philips AVENT, registe o seu produto em **www.philips.com/welcome**.

A bomba tira leite Philips AVENT tem um design exclusivo que lhe permite sentar-se numa posição mais confortável durante a extracção. A almofada massajadora* macia foi concebida para proporcionar uma sensação de suavidade e calor e esta imita a acção de beber do seu bebé para proporcionar um fluxo de leite rápido - de forma calma, confortável e delicada. A bomba tira leite começa num modo suave que ajuda a estimular o seu fluxo de leite. Em seguida, pode seleccionar um de três modos de sucção, de acordo com o seu conforto pessoal. A bomba é fácil de montar e de utilizar e todas as peças que entram em contacto com o leite materno podem ser lavadas na máquina de lavar loiça. Os profissionais dos cuidados de saúde afirmam que o leite materno é o melhor alimento para bebés durante o primeiro ano, combinado com alimentos sólidos depois dos primeiros 6 meses de vida. O seu leite materno é especialmente adaptado às necessidades do bebé e contém anticorpos que ajudam a proteger o seu bebé contra infecções e alergias.

Uma bomba tira leite pode ajudá-la a amamentar durante mais tempo. Pode extrair e guardar o seu leite para que o seu bebé possa desfrutar dos benefícios deste, mesmo quando não puder estar presente para o alimentar. Visto que a bomba é compacta e a sua utilização discreta, pode levá-la consigo para todo o lado, permitindo-lhe extrair leite quando for mais conveniente para si, para poder manter o seu armazenamento de leite.

*A almofada incluída nesta bomba foi concebida para se adaptar confortavelmente à maioria de mães. No entanto, se necessitar, pode comprar uma almofada para mamilos maiores, vendida em separado.

Descrição geral (fig. 1)

- 1 Motor com tubo em silicone e tampa*
- 2 Diafragma em silicone*
- 3 Corpo da bomba*
- 4 Almofada massajadora*
- 5 Cobertura*
- 6 Compartimento das pilhas (apenas no modelo SCF332)
- 7 Botão ligar/desligar
- 8 Botão de estímulo do fluxo
- 9 Botão de sucção reduzida
- 10 Botão de sucção média
- 11 Botão de sucção intensa
- 12 Transformador
- 13 Válvula branca*
- 14 Biberão natural Philips AVENT*
- 15 Tampa*
- 16 Anel roscado*
- 17 Tetina*
- 18 Disco vedante*

*Nota: O modelo SCF334 é fornecido com dois conjuntos das peças marcadas, excepto no caso do motor.

Importante

Leia cuidadosamente este manual do utilizador antes de utilizar a bomba tira leite e guarde-o para uma eventual consulta futura.

Perigo

- Mantenha o motor e o transformador secos.
- Não utilize a bomba tira leite no banho ou no duche.
- Não coloque nem armazene a bomba tira leite num local próximo de uma banheira ou lavatório.
- Não tente agarrar um produto que caiu na água. Desligue a ficha de imediato.

Aviso

- Desligue sempre a bomba tira leite imediatamente depois de a utilizar.
- Este aparelho pode ser utilizado por crianças com idade igual ou superior a 8 anos e por pessoas com capacidades físicas, sensoriais ou mentais reduzidas, ou com falta de experiência e conhecimento, caso sejam supervisionadas ou tenham recebido instruções relativas à utilização segura do aparelho e se compreenderem para os perigos envolvidos. As crianças não podem brincar com o aparelho. A limpeza e a manutenção do aparelho não podem ser efectuadas por crianças sem supervisão.
- Não permita que crianças nem animais de estimação brinquem com o motor, o transformador ou com acessórios, visto que estas peças podem representar um perigo de asfixia ou estrangulamento.
- Verifique se alguma peça da bomba tira leite, incluindo o transformador, apresenta sinais de danos antes de cada utilização. Não utilize a bomba tira leite se o transformador ou a ficha estiverem danificados, se esta não funcionar correctamente, se apresentar dados ou se esta tiver caído ou sido imersa em água.
- Não utilize a bomba tira leite ao ar livre, em locais onde são utilizados sprays com aerossóis ou em locais onde é administrado oxigénio.
- A bomba tira leite não é apropriada para ser utilizada na presença de misturas anestésicas inflamáveis com ar ou com oxigénio ou óxido nitroso.
- O motor da bomba tira leite não contém peças no seu interior que possam ser reparadas pelo utilizador. Não tente abrir nem reparar a bomba tira leite. Se o fizer, a sua garantia perde a validade.
- Mantenha o transformador e os tubos em silicone afastados de superfícies aquecidas.
- Utilize apenas o transformador indicado no aparelho.

- Não tente retirar o corpo da bomba do seu peito enquanto existe vácuo. Desligue o aparelho e elimine o vácuo criado entre o seu peito e a abertura da bomba em forma de funil com o seu dedo. Retire a bomba do seu peito.
- Nunca utilize a bomba tira leite enquanto estiver grávida, pois a extracção pode provocar o parto.
- Nunca utilize a bomba tira leite enquanto estiver sonolenta.
- Não exponha a bomba tira leite a calor extremo e não a coloque sob a luz solar directa.

Cuidado

- A bomba tira leite destina-se apenas à utilização contínua por um único utilizador.
- Não deixe a bomba tira leite sem vigilância enquanto esta está ligada a uma tomada.
- Nunca deixe cair, nem introduza um objecto estranho em qualquer abertura.
- Embora a bomba tira leite cumpra as directivas de CEM aplicáveis, esta pode ser susceptível a emissões excessivas e/ou pode interferir com equipamento mais sensível.
- Nunca utilize quaisquer acessórios ou peças de outros fabricantes ou que a Philips AVENT não tenha recomendado especificamente. Se utilizar este tipo de acessórios ou peças, a garantia perde a validade.
- Limpe, enxágue e esterilize todas as peças da bomba, excepto o motor, o tubo e a tampa e o transformador antes de cada utilização.
- Nunca coloque o motor nem o transformador em água ou num esterilizador, pois isto causa danos permanentes nestas peças.
- Não utilize agentes de limpeza antibacterianos ou abrasivos para limpar a bomba tira leite.
- Não utilize a bomba tira leite se o diafragma em silicone apresentar sinais de danos ou avaria. Consulte o capítulo “Encomendar acessórios” para obter informações sobre como obter peças de substituição.
- Não continue a utilizar a bomba durante mais do que cinco minutos de cada vez, se não conseguir extrair nenhum leite.
- Se a pressão gerada for desconfortável ou provocar dor, desligue o aparelho, elimine o vácuo criado entre o peito e o corpo da bomba com o seu dedo e retire a bomba do seu peito.

Campos electromagnéticos (CEM)

Este aparelho Philips cumpre todas as normas e regulamentos aplicáveis relativos à exposição a campos electromagnéticos.

Preparar para a utilização

○ motor; o tubo em silicone e a tampa e o transformador não precisam de ser limpos nem esterilizados, visto que estes não entram em contacto com o leite materno.

Limpe e esterilize todas as peças da bomba tira leite antes da primeira utilização conforme descrito no capítulo "Limpeza e esterilização". Limpe todas as peças depois de cada utilização e esterilize-as antes da utilização seguinte.

Montar a bomba tira leite

Nota: Assegure-se de que limpou e esterilizou as peças adequadas da bomba tira leite. Lave as mãos cuidadosamente antes de manusear as peças limpas.

Tenha cuidado, as peças limpas podem estar quentes.

Sugestão: Para si, poderá ser mais fácil montar a bomba tira leite enquanto esta está húmida.

- 1** Introduza a válvula branca no corpo da bomba a partir de baixo. Pressione a válvula totalmente para dentro (fig. 2).
- 2** Rode o corpo da bomba para a direita, apertando-o no biberão até este estar fixo firmemente (fig. 3).
- 3** Coloque o diafragma em silicone no corpo da bomba a partir de cima. Assegure-se de que este encaixa firmemente à volta do rebordo, pressionando com os dedos para assegurar uma aderência perfeita (fig. 4).
- 4** Coloque a almofada massajadora na secção em forma de funil do corpo da bomba. Pressione a parte interior da almofada massajadora totalmente para dentro e assegure-se de que esta está totalmente vedada em todo o rebordo do corpo da bomba. Pressione o centro das secções em pétala para retirar algum eventual ar preso (fig. 5).

Nota: Coloque a cobertura sobre a almofada massajadora para manter a bomba tira leite limpa enquanto se prepara para extrair.

- 5** Ligue o transformador à tomada eléctrica e insira a outra extremidade no motor (fig. 6).
 - código de referência do transformador é indicado na parte inferior do aparelho. Utilize apenas o transformador indicado com o aparelho.
 - Para o funcionamento a pilhas (apenas no modelo SCF332), rode a parte inferior do motor na direcção indicada pelas marcas na parte inferior (1) e retire-a (2). Insira quatro pilhas novas AA de 1,5 V (ou 1,2 V, se forem recarregáveis) no compartimento das pilhas. Volte a colocar a parte inferior no motor (fig. 7).

Nota: Um novo conjunto de pilhas fornece até 3 horas de funcionamento. Se tiver inserido pilhas no respectivo compartimento do motor e ligar o transformador, a bomba tira leite funcionará a partir da alimentação de corrente. Não é possível carregar as pilhas no aparelho.

- 6** Encaixe o tubo em silicone e a tampa no diafragma. Pressione a tampa até esta estar firmemente na sua posição (fig. 8).

Utilizar a bomba tira leite

Quando extrair leite

Se a amamentação correr bem, é aconselhável (excepto se aconselhada em contrário pelo seu profissional de cuidados de saúde/especialista em amamentação) que aguarde até que a sua produção de leite e o seu horário de amamentação estejam estabelecidos (normalmente, no mínimo de 2 a 4 semanas após o parto).

Excepções:

- Se a amamentação não funcionar de imediato para si, a extracção regular pode ajudar a estabelecer e manter a sua produção de leite.
- Se estiver a extrair leite para alimentar o seu bebé no hospital.
- Se os seus peitos estiverem ingurgitados (doridos ou inchados): pode extrair uma quantidade pequena de leite antes ou entre amamentações para aliviar a dor e para ajudar o seu bebé a agarrar o peito mais facilmente.
- Se tiver mamilos doridos ou gretados, será melhor aguardar até estes estarem curados.
- Se estiver separada do seu bebé e desejar continuar a amamentar depois de estarem novamente juntos, deve extrair leite regularmente para estimular a sua produção de leite.

Precisa de descobrir a melhor altura do dia para extrair o seu leite, por exemplo, um pouco antes ou depois da primeira mamada do bebé de manhã, quando os seus peitos estão cheios ou depois de uma mamada, se o seu bebé não tiver esvaziado ambos os peitos. Se tiver regressado ao trabalho, pode necessitar de extrair o leite durante uma pausa.

A utilização de uma bomba tira leite exige prática e pode necessitar de várias tentativas até ser bem sucedida. Felizmente, a bomba tira leite eléctrica Philips AVENT é fácil de montar e utilizar, por isso vai habituar-se rapidamente a extrair leite com esta.

Sugestões

- Familiarize-se com a bomba tira leite e com a sua forma de funcionar antes de a utilizar pela primeira vez.
- Escolha uma altura em que não está com pressa e não será interrompida.
- Uma fotografia de seu bebé pode ajudar a estimular a saída do leite.
- O calor também pode ajudar: tente extrair depois do banho ou coloque um pano quente ou a almofada térmica Philips AVENT sobre o peito durante alguns minutos antes de iniciar a extracção.
- Pode ser mais simples para si extrair leite enquanto o seu bebé está a mamar do outro peito ou imediatamente após uma amamentação.
- Se a extracção se tornar dolorosa, pare e consulte o seu especialista em amamentação ou profissional de cuidados de saúde.

Funcionamento da bomba tira leite

- 1** Lave as suas mãos cuidadosamente e assegure-se de que os seus peitos estão limpos.
- 2** Descontraia numa cadeira confortável (poderá utilizar almofadas para apoiar as suas costas). Assegure-se de que tem um copo de água próximo.
- 3** Pressione o corpo da bomba montada contra o seu peito. Assegure-se que o seu mamilo está centrado, de modo que a almofada massajadora crie uma aderência de vácuo.

SCF334: A bomba tira leite eléctrica dupla permite-lhe extrair leite de ambos os peitos em simultâneo. No entanto, também pode utilizar o aparelho para extrair leite de apenas um peito da mesma forma.

- 4** Prima o botão para ligar/desligar (fig. 9).
- ▶ A bomba tira leite inicia automaticamente no modo de estímulo do fluxo e o botão ligar/desligar e o botão de estímulo do fluxo acendem-se.
 - ▶ Começa a sentir a sucção no seu peito.
- 5** Assim que o seu leite começar a fluir, pode mudar para um ritmo mais lento premindo o botão da sucção mais reduzida (fig. 10).
- ▶ Este botão acende-se em vez do botão de estímulo.

Nota: Não se preocupe se o seu leite não começar a fluir de imediato. Descontraia e continue a utilizar a bomba. As primeiras vezes que utilizar a bomba tira leite, poderá necessitar de utilizar um modo de sucção mais elevado para iniciar o fluxo de leite.

- 6** Dependendo do seu conforto pessoal, pode desejar utilizar um modo de sucção mais elevado que forneça uma sucção mais intensa. Pode voltar a um modo de sucção mais reduzido ou pode desligar a bomba tira leite em qualquer altura, premindo o botão apropriado (fig. 11).

Nota: Não precisa de utilizar todos os modos de sucção, utilize apenas os modos confortáveis para si.

Desligue sempre a bomba tira leite antes de retirar o corpo da bomba do seu peito.

Não continue a utilizar a bomba durante mais do que cinco minutos de cada vez, se não conseguir extrair nenhum leite. Tente extrair o leite noutra altura do dia. Se o processo se tornar muito desconfortável ou doloroso, pare de utilizar a bomba e consulte o seu especialista em amamentação.

- 7** Em média, precisa de utilizar a bomba durante 10 minutos para extrair 60 a 125 ml de leite materno de um peito. No entanto, isto é apenas um valor de referência e varia de mulher para mulher.

Nota: Se extrair regularmente mais de 125 ml por sessão, pode utilizar um biberão Philips AVENT de 260 ml para evitar enchimentos excessivos e derrames.

- 8** Depois de concluir a extracção, desligue a bomba tira leite e retire cuidadosamente o corpo da bomba do seu peito.
- 9** Desaperte o biberão do corpo da bomba, já pronto para a alimentação/o armazenamento. Limpe as outras peças utilizadas para um biberão ou um frasco para leite materno esterilizado. “Limpeza e esterilização”.
- 10** Desligue o motor: Para um armazenamento fácil, enrole o tubo em silicone à volta do motor e coloque a tampa no tubo (fig. 12).

Após a utilização

Armazenar o leite materno

Armazene apenas leite materno extraído com uma bomba esterilizada.

○ leite materno pode ser armazenado no frigorífico (não na porta) durante até 48 horas. O leite extraído deve ser refrigerado de imediato. Se armazenar leite no frigorífico para adicionar mais durante o dia, adicione apenas leite extraído para um biberão ou um frasco para leite materno esterilizado.

○ leite materno pode ser armazenado no congelador durante até três meses, desde que seja conservado em biberões esterilizados fechados com um anel roscado e um disco vedante esterilizados. Coloque rótulos claros nos biberões com a data e a hora da extracção e utilize primeiro o leite materno extraído há mais tempo.

Se pretender alimentar o seu bebé com o leite materno extraído dentro de um período de 48 horas, pode armazenar o leite materno no frigorífico dentro de um biberão montado Philips AVENT:

- 1** Desaperte o biberão e retire-o do corpo da bomba.
- 2** Coloque uma tetina e um anel roscado esterilizados no biberão de acordo com as instruções em separado fornecidas juntamente com o biberão. Tape a tetina com a tampa.
- 3** Alternativamente, coloque um disco vedante esterilizado num anel roscado esterilizado e aperte-os no biberão.

O que fazer

- Refrigere ou congele sempre o leite extraído de imediato.
- Guarde apenas leite extraído com uma bomba tira leite esterilizada em biberões esterilizados.

O que não fazer

- Nunca volte a congelar leite materno descongelado.
- Nunca adicione leite materno fresco a leite materno congelado.

Alimentar o seu bebé com leite materno extraído

Pode alimentar o seu bebé com leite materno em biberões e copos de armazenamento Philips AVENT:

- 1 Se utilizar leite materno congelado, deixe-o descongelar totalmente antes de o aquecer.

Nota: Em caso de emergência, pode descongelar o leite numa taça de água quente.

- 2 Aqueça o biberão ou o copo de armazenamento com o leite materno descongelado ou refrigerado numa taça de água quente ou num aquecedor de biberões.
- 3 Retire o anel roscado e o disco vedante do biberão ou retire a tampa do copo de armazenamento.
- 4 Se estiver a utilizar um copo de armazenamento, coloque o anel adaptador no copo.
- 5 Aparafuse um anel roscado esterilizado com uma tetina esterilizada no biberão ou sobre o copo de armazenamento com o anel adaptador.

O que fazer

- Verifique sempre a temperatura do leite antes alimentar o seu bebé com este.
- Elimine sempre qualquer leite materno que sobre no final de uma amamentação.

O que não fazer

- Nunca aqueça leite materno no microondas, pois isto pode causar um aquecimento irregular, que pode provocar a formação de áreas quentes no leite. Isto também pode destruir nutrientes no leite.

Limpeza e esterilização

O motor, o tubo em silicone e a tampa e o transformador não precisam de ser limpos nem esterilizados, visto que estes não entram em contacto com o leite materno.

Limpe e esterilize todas as peças da bomba tira leite antes da primeira utilização. Limpe todas as peças depois de cada utilização e esterilize-as antes da utilização seguinte.

Perigo: Nunca coloque o motor nem o transformador em água ou num esterilizador.

- 1** Desmonte completamente a bomba tira leite. Retire também a válvula branca.

Tenha cuidado ao retirar a válvula branca e ao limpá-la. Se esta for danificada, a sua bomba tira leite não funcionará adequadamente. Para retirar a válvula branca, puxe suavemente pela patilha ranhurada na parte lateral da válvula.

- 2 Lave todas as peças, excepto o motor, o tubo em silicone e a tampa e o transformador, na máquina de lavar a loiça (apenas no cesto superior) ou em água quente com um pouco de detergente da loiça suave e, em seguida, enxagúe-as cuidadosamente.

Para limpar a válvula, esfregue-a suavemente entre os seus dedos em água quente com um pouco de líquido da loiça. Não introduza objectos na válvula, pois isto pode causar danos.

- 3 Esterilize as peças limpas da bomba tira leite num esterilizador a vapor Philips AVENT ou fervendo-as durante 5 minutos.

Nunca coloque o motor nem o transformador em água ou num esterilizador. Se necessário, pode limpar o motor com um pano húmido e macio.

Arrumação

Mantenha a bomba tira leite afastada da luz solar directa, visto que a exposição prolongada pode causar descoloração.

- 1 Guarde a bomba tira leite e os seus acessórios num local seguro e seco.

Compatibilidade

A bomba tira leite eléctrica da Philips AVENT é compatível com os biberões Philips AVENT da nossa gama. Quando utiliza biberões clássicos com o nosso sistema anticólicas de duas peças, coloque sempre o anel na parte superior do biberão antes de o fixar à bomba tira leite. Quando utilizar outros biberões Philips AVENT, utilize o mesmo tipo de tetina que foi fornecido com esse biberão. Para obter mais detalhes sobre como montar a tetina e indicações gerais relativas à limpeza, consulte o manual do utilizador fornecido com o seu biberão. Estes detalhes também podem ser encontrados no nosso Web site, www.philips.com/support.

Substituição

Pilhas

Substitua as pilhas não recarregáveis da bomba tira leite (apenas o modelo SCF332) apenas por quatro pilhas AA de 1,5 V (ou 1,2 V se forem recarregáveis).

Para obter instruções sobre como substituir as pilhas, consulte o capítulo "Preparar para a utilização".

Encomendar acessórios

Para comprar acessórios ou peças sobressalentes, visite www.shop.philips.com/service ou vá ao seu revendedor Philips. Também pode contactar o Centro de Apoio ao Cliente da Philips no seu país (consulte os detalhes de contacto no folheto da garantia mundial).

Reciclagem

- Este símbolo num produto significa que o produto está abrangido pela Directiva Europeia 2012/19/UE (fig. 13).
- Este símbolo significa que o produto contém pilhas abrangidas pela Directiva Europeia 2006/66/CE que não podem ser eliminadas juntamente com os resíduos domésticos comuns (fig. 14).
- Informe-se acerca do sistema local de recolha de resíduos relativamente a produtos eléctricos e electrónicos e pilhas. Cumpra as regras locais e nunca elimine o produto e as pilhas com os resíduos domésticos comuns. A eliminação correcta de produtos usados e das pilhas ajuda a evitar consequências nocivas para o meio ambiente e para a saúde pública.

Retirar as pilhas descartáveis

Para remover as pilhas descartáveis, consulte o capítulo “Preparar para a utilização”, secção “Montar a bomba tira leite”.

Garantia e assistência

Se precisar de informações ou assistência, visite www.philips.com/support ou leia o folheto da garantia mundial em separado.

Resolução de problemas

Este capítulo resume alguns dos problemas mais comuns que podem ocorrer no aparelho. Se não conseguir resolver o problema através das indicações fornecidas a seguir, contacte o centro de assistência ao cliente da Philips no seu país ou visite-nos online em www.philips.com/support.

Problema	Solução
Sinto dor quando utilizo a bomba tira leite.	Pare de utilizar a bomba tira leite e consulte o seu especialista em amamentação. Se o corpo da bomba não se soltar facilmente do peito, poderá ser necessário libertar o vácuo colocando um dedo entre o peito e a almofada massajadora.
A bomba tira leite está riscada.	Em caso de utilização regular, é normal que surjam alguns riscos. Isto não causa qualquer problema. No entanto, se uma peça da bomba tira leite ficar muito riscada ou fender, deixe de utilizar a bomba tira leite de imediato e contacte o centro de assistência ao cliente da Philips ou visite www.shop.philips.com/service para obter uma peça de substituição. Tenha em atenção que combinações de agentes de limpeza, soluções de esterilização, água amaciada e flutuações de temperatura podem, sob determinadas circunstâncias, provocar fendas no plástico. Evite o contacto com detergentes abrasivos ou antibacterianos, pois estes podem danificar o plástico.
A bomba tira leite não funciona e o botão ligar/desligar fica intermitente.	Primeiro verifique se montou a bomba tira leite correctamente e assegure-se de que o tubo não está dobrado. Se estiver a utilizar a SCF332 com alimentação a pilhas, substitua as pilhas de acordo com as instruções no capítulo “Preparar para a utilização”, acção 5. Se estiver a utilizar a SCF334 ou a SCF332 com alimentação de corrente, assegure-se de que está a utilizar o transformador fornecido com o produto. Se o problema persistir, contacte o Centro de Apoio ao Cliente do seu país.
Não sinto nenhuma sucção.	Verifique se montou a bomba tira leite correctamente através dos passos no capítulo “Preparar para a utilização”. Assegure-se de que o tubo em silicone está fixo firmemente ao motor e à tampa e diafragma.
Preciso de substituir o tubo em silicone, mas não sei como retirá-lo.	Para retirar o tubo, agarre-o na zona próxima do motor e puxe-o enquanto o roda. Para voltar a ligar o tubo, introduza-o cuidadosamente no conector do motor; rodando-o um pouco. Certifique-se de que este está fixo firmemente.

Introduktion

Grattis till inköpet och välkommen till Philips AVENT! För att dra maximal nytta av den support som Philips erbjuder kan du registrera din produkt på www.philips.com/welcome.

Philips AVENT bröstpump har en unik formgivning som gör det möjligt för dig att sitta i en bekvämare ställning. Massagekudden* är mjuk och varm och imiterar barnets sugkraft för att ge ett bra mjölkflöde – bekvämt och varsamt. Bröstpumpen startar i ett skonsamt läge som hjälper till att stimulera mjölkflödet. Du kan sedan välja mellan tre olika suglägen, enligt vad som är bekvämast för dig. Pumpen är enkel att montera och använda, och alla delar som kommer i kontakt med bröstmjölken kan diskas i diskmaskin.

Sjukvårdspersonal säger att bröstmjölk är den bästa näringen för spädbarn under det första året, tillsammans med fast föda efter de första 6 månaderna. Bröstmjölken är anpassad till barnets behov och innehåller antikroppar som skyddar mot infektion och allergier.

En bröstpump kan hjälpa dig att amma längre. Du kan pumpa ut och spara mjölken så att barnet kan dra nytta av den längre, även när du inte kan vara där själv. Eftersom pumpen är kompakt och diskret att använda kan du ta den med dig överallt och pumpa ut mjölk när det passar dig och alltid ha mjölk redo till barnet.

*Kudden som medföljer pumpen passar de allra flesta mödrar. Om det skulle behövas finns en kudde anpassad för större bröstvårtor att köpa separat.

Allmän beskrivning (Bild 1)

- 1 Motorenhet med silikonrör och lock*
- 2 Silikonmembran*
- 3 Pumpenhet*
- 4 Massagekudde*
- 5 Skydd*
- 6 Batterifack (endast SCF332)
- 7 På/av-knapp
- 8 Stimuleringsknapp
- 9 Knapp för svag sugkraft
- 10 Knapp för medelstark sugkraft
- 11 Knapp för stark sugkraft
- 12 Adapter
- 13 Vit ventil*
- 14 Philips AVENT Natural-flaska*
- 15 Lock*
- 16 Skruvring*
- 17 Napp*
- 18 Förslutningslock*

**Obs! Modell SCF334 levereras med två stycken av de markerade delarna, med undantag för motorenheten.*

Viktigt

Läs användarhandboken noggrant innan du använder bröstpumpen, och spara den för framtida bruk.

Fara

- Håll motorenheten och adaptern torra.
- Använd inte bröstpumpen i badet eller duschen.
- Placera inte eller förvara bröstpumpen nära en balja eller diskbänken.
- Ta inte i en produkt som fallit i vatten. Dra ur sladden omedelbart.

Varning

- Dra alltid ur sladden till bröstpumpen omedelbart efter användning.
- Den här apparaten kan användas av barn från 8 års ålder, personer med olika funktionshinder samt av personer som inte har kunskap om apparaten såvida det sker under tillsyn eller om de har informerats om hur apparaten används på ett säkert sätt och förstår de eventuella medförda riskerna. Barn får inte leka med apparaten. Barn får inte rengöra eller underhålla apparaten utan överinseende av en vuxen.
- Låt inte barn eller sällskapsdjur leka med motorenheten, adaptern eller tillbehören, då dessa delar kan utgöra en kvävnings- eller stryplingsrisk.
- Inspektera bröstpumpen, inklusive adaptern, och leta efter tecken på skador före varje användning. Använd inte bröstpumpen om adaptern eller kontakten är skadad, om den inte fungerar som den ska, om den är skadad eller om den har tappats eller hamnat under vatten.
- Använd inte bröstpumpen utomhus, där aerosolsprayprodukter används eller där syre tillsätts.
- Bröstpumpen är inte lämplig för användning i närheten av lättantändliga anestesimedel blandade med luft, syre eller lustgas.
- Det finns inga delar inne i bröstpumpens motorenhet som kan bytas ut eller repareras av användaren. Försök inte att öppna, utföra service på eller reparera bröstpumpen själv. Om du gör det så blir garantin ogiltig.
- Håll adaptern och silikonrören borta från uppvärmda ytor.
- Använd bara adaptern som anges på apparaten.
- Försök inte att ta bort pumpenheten från bröstet medan den är vakuumfylld. Stäng av apparaten och stoppa in fingret mellan bröstet och pumptratten. Ta bort pumpen från bröstet.
- Använd aldrig bröstpumpen medan du är gravid, eftersom pumpningen kan sätta igång förlossningen.

- Använd aldrig bröstpumpen om du är sömning eller dåsig.
- Utsätt inte bröstpumpen för extrem värme och placera den aldrig i direkt solljus.

Försiktighet

- Bröstpumpen är endast avsedd för upprepad användning av en och samma användare.
- Lämna inte bröstpumpen obevakad när den är ansluten till elnätet.
- Låt aldrig några främmande föremål komma in i någon av öppningarna.
- Fastän bröstpumpen är kompatibel med gällande EMC-direktiv, så kanske den ändå avger för stora utsläpp och/eller kan störa känslig utrustning.
- Använd aldrig tillbehör eller delar från andra tillverkare om inte Philips AVENT har rekommenderat dem. Om du använder sådana tillbehör eller delar gäller inte garantin.
- Rengör, skölj och sterilisera alla pumpdelar utom motorenheten, röret, locket och adaptern före varje användning.
- Lägg aldrig motorenheten eller adaptern i vatten eller i en sterilisator, eftersom det kan orsaka permanenta skador på delarna.
- Använd inga antibakteriella eller slipande rengöringsmedel när du rengör bröstpumpens delar.
- Använd inte bröstpumpen om silikonmembranet ser skadat eller trasigt ut. Se kapitlet Beställa tillbehör om du vill ha information om hur du kan få reservdelar.
- Pumpa aldrig i mer än fem minuter åt gången om det inte kommer ut någon mjölk.
- Om trycket blir obekvämt eller orsakar smärta stänger du av apparaten, stoppar in fingret mellan bröstet och pumpenheten och tar bort pumpen från bröstet.

Elektromagnetiska fält (EMF)

Den här Philips-produkten uppfyller alla tillämpliga standarder och regler gällande exponering av elektromagnetiska fält.

Förberedelser inför användning

Motorenheten, silikonröret och locket samt adaptern behöver inte rengöras och steriliseras, eftersom de inte kommer i kontakt med bröstmjölk.

Rengör och sterilisera alla andra delar av bröstpumpen enligt beskrivningen i kapitlet Rengöring och sterilisering före första användning. Rengör sedan även alla delar efter varje användning och sterilisera dem före varje användning.

Montera bröstpumpen

Obs! Se till att du har rengjort och steriliserat alla de aktuella delarna av bröstpumpen. Tvätta händerna noggrant innan du hanterar de rengjorda delarna.

Var försiktig, de rengjorda delarna kan fortfarande vara varma.

Tips: Det kan vara lättare att montera bröstpumpen när den är blöt.

- 1** Sätt in den vita ventilen i pumpen underifrån. Skjut in ventilen så långt det går (Bild 2).
- 2** Skruva fast pumpenheten medurs på flaskan tills den sitter säkert på plats (Bild 3).
- 3** Placera silikonmembranet i pumpen ovanifrån. Se till att det hamnar ordentligt på plats och tätar ordentligt runt hela kanten genom att trycka nedåt med fingrarna (Bild 4).
- 4** Placera massagekudden i den trattformade delen av pumpen. Skjut in den inre delen av massagekudden så långt som möjligt och se till att den tätar ordentligt runt hela pumpenhetens kant. Tryck på de blombladsformade inläggen för att få bort eventuell luft (Bild 5).

Obs! Placera skyddet över massagekudden för att hålla bröstpumpen ren medan du förbereder pumpningen.

- 5** Sätt in adaptorns sladd i vägguttaget och sätt in den andra änden i motorenheten (Bild 6). Referenskoden för adaptorn anges på apparatens botten. Använd bara den angivna adaptorn med apparaten.
 - För batteridrift (endast SCF332) vänder du botten av motorenheten i den riktning som anges av märkena på botten (1), och tar loss den (2). Sätt in fyra nya 1,5V AA-batterier (eller 1,2V om de är uppladdningsbara) i batterifacket. Sätt tillbaka botten på motorenheten (Bild 7).

Obs! En ny uppsättning med batterier ger upp till 3 timmars drift. Om du har satt in batterier i batterifacket till motorenheten och anslutit adaptorn, så drivs bröstpumpen från huvudströmförsörjningen. Batterierna kan inte laddas i enheten.

- 6** Fäst silikonröret och locket på membranet. Skjut ned locket tills det sitter säkert på plats (Bild 8).

Använda bröstpumpen

När ska mjölken pumpas ut

Om det går bra för dig att amma rekommenderar vi (om du inte fått andra råd av din läkare/ barmorska) att du väntar tills mjölkproduktionen och amningen kommit igång (vanligen 2 till 4 veckor efter förlossningen).

Undantag:

- Om ammandet inte fungerar så bra för dig med en gång, så kan regelbunden utpumpning hjälpa till att upprätta och bibehålla mjölktillgången.
- Om du pumpar ut mjölk till barnet under sjukhusvistelse.
- Om bröstet förstoras (du upplever smärta eller svullnad) kan du pumpa ut en mindre mängd mjölk före eller mellan amningarna för att lindra smärtan och hjälpa barnet att få tag lättare.
- Om du har sår eller spruckna bröstvårtor kan du pumpa ut mjölk tills de läkt.
- Om du skiljs från barnet och vill fortsätta amma honom/henne längre fram, bör du pumpa ut mjölk regelbundet för att stimulera mjölkproduktionen.

Bestäm vilka tidpunkter på dagen som passar dig bäst för att pumpa ut mjölken, t.ex. strax före eller efter barnets första amning på morgonen när bröstet är fulla, eller efter amningen om barnet inte tömt båda bröstet. Om du har börjat arbeta igen kan du pumpa ut mjölken när du har rast.

Det krävs övning för att använda en bröstpump, och det behövs kanske flera försök innan du lär dig. Lyckligtvis är Philips AVENT elektriska bröstpump enkel att montera och använda, så du kommer snabbt igång med den.

Tips

- Bekanta dig med bröstpumpen och dess funktioner innan du använder den för första gången.
- Välj en tidpunkt när du inte är stressad och inte kommer att bli avbruten.
- Ett foto av barnet kan göra att mjölken rinner till' lättare.
- Värme kan också hjälpa: försök pumpa efter att du har badat eller duschat, eller placera en varm filt eller Philips AVENT-värmedyna på bröstet i några minuter innan du börjar pumpa.
- Det kanske är lättare att pumpa ut mjölken samtidigt som du ammar barnet från det andra bröstet eller direkt efter amning.
- Om du upplever smärta måste du genast avbryta och kontakta din barnmorska.

Använda bröstpumpen

- 1** Tvätta händerna noga och se till att bröstet är rena.
- 2** Koppla av i en bekväm fåtölj (du kanske vill använda kuddar som stöd för ryggen). Se till att du har ett glas vatten i närheten.
- 3** Tryck den monterade pumpenheten mot bröstet. Se till att bröstvårtan är centrerad så att massagekudden sluter tätt.

SCF334: Den elektriska tvillingbröstpumpen gör att du kan pumpa ut mjölk från båda bröstet samtidigt. Du kan dock även använda apparaten för att pumpa ut från ett bröst på precis samma sätt.

- 4** Tryck på på/av-knappen (Bild 9).
 - ▶ Bröstpumpen startas automatiskt i stimuleringsläge och på/av-knappen och stimuleringsknappen tänds.
 - ▶ Du börjar känna sugeffekten mot bröstet.

- 5** När mjölken börjar rinna, så kan du välja en långsammare rytm genom att trycka på den lägsta sugknappen (Bild 10).
 - ▶ Den här knappen tänds istället för stimuleringsknappen.

Obs! Oroa dig inte om mjölken inte flödar omedelbart. Koppla av och fortsätt att pumpa. De första gångerna som du använder bröstpumpen, så kan ett högre sugläge behöva användas för att få mjölken att flöda.

- 6** Beroende på vad du tycker känns bäst kanske du vill använda ett högre sugläge som ger starkare sugeffekt. Du kan återgå till ett lägre sugläge eller stänga av bröstpumpen när du vill genom att trycka på motsvarande knapp (Bild 11).

Obs! Du behöver inte använda alla suglägen, använd bara de lägen som är bekväma för dig.

Stäng av alltid bröstpumpen innan du tar bort pumpenheten från bröstet.

Fortsätt inte pumpa i mer än 5 minuter åt gången om du inte lyckas få ut någon mjölk. Försök pumpa senare på dagen. Om processen blir obekvämt eller plågsamt avbryter du genast användningen av pumpen och kontaktar läkare eller barnmorska.

- 7** I genomsnitt behöver du pumpa i 10 minuter för att få ut 60–125 ml bröstmjölk från ett bröst. Det är dock bara en uppskattning och kan variera från kvinna till kvinna.

Obs! Om du regelbundet pumpar ut mer än 125 ml per tillfälle, så kan du använda en Philips AVENT-flaska på 260 ml för att förhindra spill.

- 8** När du har slutat pumpa stänger du av bröstpumpen och tar försiktigt bort pumpenheten från bröstet.

- 9 Skruva av flaskan från pumpenheten, och den är klar för matning/förvaring. Rengör de andra använda delarna av bröstpumpen enligt instruktionerna i kapitlet Rengöring och sterilisering.
- 10 Dra ur sladden till motorenheten. För enkel förvaring linda silikonröret runt motorenheten och sätt fast locket på röret (Bild 12).

Efter användning

Förvara bröstmjölk

Förvara endast bröstmjölk som samlats upp med en steril pump.

Bröstmjölk kan förvaras i kylskåpet (inte i dörren) i upp till 48 timmar. Utpumpad mjölk bör kylas ned omedelbart. Om du förvarar mjölk i kylskåpet som ska kompletteras senare under dagen fyller du bara på med mjölk som pumpats ut i en steriliserad flaska eller bröstmjölksbehållare.

Bröstmjölk kan förvaras i frys i upp till tre månader förutsatt att den förvaras i steriliserade flaskor med steriliserad skruvring och förslutningslock. Märk alltid flaskan tydligt med datum och tid när mjölken pumpades ut, och använd den äldsta bröstmjölken först.

Om du tänker mata barnet med bröstmjölken inom 48 timmar kan du förvara den i kylskåpet i en monterad Philips AVENT-flaska:

- 1 Skruva av flaskan och ta bort den från pumpenheten.
- 2 Montera en steriliserad napp och skruvring på flaskan enligt de olika instruktionerna som medföljde flaskan. Försegla nappen med skyddslocket.
- 3 Alternativt, sätt in ett steriliserat förslutningslock i en steriliserad skruvring och skruva fast det på flaskan.

Gör så här

- Kyl eller frys alltid ned utpumpad mjölk omedelbart.
- Du ska bara lagra mjölk som samlats in med en steriliserad bröstpump i steriliserade flaskor.

Gör aldrig så här

- Frys aldrig ned bröstmjölk igen om den har tinats upp en gång.
- Fyll aldrig på färsk bröstmjölk i frusen bröstmjölk.

Ge barnet utpumpad bröstmjölk

Du kan mata barnet med bröstmjölk från Philips AVENT-flaskor och förvaringsmuggar:

- 1 Om du använder frusen bröstmjölk måste den tina helt innan du värmer den.

Obs! I nödlägen kan du tina mjölken i en skål med hett vatten.

- 2 Värm flaskan eller förvaringsmuggen med tinad eller kyld bröstmjölk i en skål med hett vatten eller i en flaskvärmare.
- 3 Ta bort skruvringen och förslutningslocket från flaskan eller ta bort locket från förvaringsmuggen.
- 4 Om du använder en förvaringsmugg skruvar du på adapterringen på koppen.
- 5 Skruva på en steriliserad skruvring med steriliserad napp på flaskan eller förvaringsmuggen med adapterring.

Gör så här

- Kontrollera alltid mjölkens temperatur innan du ger den till barnet.
- Kasta alltid bort bröstmjölk som blir över efter en matning.

Gör aldrig så här

- Värm aldrig bröstmjölk i mikrovågsugn eftersom det kan ge ojämn värme, vilket kan leda till att en del av mjölken blir för varm. Det kan även leda till att näringsämnen i mjölken går förlorade.

Rengöring och sterilisering

Motorenheten, silikonröret och locket samt adaptern behöver inte rengöras och steriliseras, eftersom de inte kommer i kontakt med bröstmjölk.

Rengör och sterilisera alla andra delar av bröstpumpen innan du använder den för första gången.

Rengör och sterilisera även alla delar före varje användning.

Fara: Lägg aldrig motorenheten eller adaptern i vatten eller i en sterilisator.

- 1 Ta isär bröstpumpen helt. Ta även bort den vita ventilen.

Var försiktig när du tar bort den och rengör den vita ventilen. Om den skadas fungerar inte bröstpumpen som den ska. Ta bort den vita ventilen genom att dra försiktigt i den räfflade fliken på sidan av ventilen.

- 2 Rengör alla delar utom motorenheten, silikonröret och locket samt adaptern i diskmaskinen (endast på det översta stället) eller i hett vatten med lite mildt diskmedel, och skölj dem sedan grundligt.

Rengör ventilen genom att gnida den försiktigt mellan fingrarna i varmt vatten med lite diskmedel. För inte in några föremål i ventilen eftersom den kan skadas.

- 3 Sterilisera de rengjorda delarna av bröstpumpen i en Philips AVENT-ångsterilisator eller genom att koka delarna i 5 minuter.

Lägg aldrig motorenheten eller adaptern i vatten eller en sterilisator. Om det behövs, så kan du torka motorenheten med en mjuk, fuktig trasa.

Förvaring

Förvara inte bröstpumpen i direkt solljus, eftersom långvarig exponering kan orsaka missfärgning.

- 1 Förvara bröstpumpen och dess tillbehör på en säker och torr plats.

Kompatibilitet

Philips AVENT elektriska bröstpump är kompatibel med våra Philips AVENT-flaskor. När du använder Classic-flaskor som har vårt tvädelade anti-koliksystem, för du in ringen i toppen av flaskan innan du fäster den vid bröstpumpen. Om du använder andra typer av Philips AVENT-flaskor ska du använda samma typ av napp som medföljde flaskan. Mer information om hur du monterar nappen, samt allmänna rengöringsinstruktioner, finns i den användarhandbok som medföljde flaskan. Informationen finns även på vår webbplats, www.philips.com/support.

Byten

Batterier

Ersätt endast de icke-laddningsbara batterierna i bröstpumpen (endast SCF332) med fyra 1,5 V AA-batterier (eller 1,2 V om de är uppladdningsbara).

Det finns instruktioner för att byta batterier i kapitlet Förberedelser inför användning.

Beställa tillbehör

Om du vill köpa tillbehör eller reservdelar kan du gå till **www.shop.philips.com/service** eller en Philips-återförsäljare. Du kan även kontakta Philips kundtjänst i ditt land (kontaktinformation finns i garantibroschyren).

Återvinning

- Den här symbolen innebär att produkten omfattas av EU-direktivet 2012/19/EU (Bild 13).
- Den här symbolen innebär att produkten innehåller batterier som omfattas av EU-direktivet 2006/66/EG och som inte får slängas bland hushållssoporna (Bild 14).
- Hitta närmaste återvinningsstation för elektriska och elektroniska produkter och batterier. Följ de lokala bestämmelserna och släng aldrig produkten eller batterierna bland normalt hushållsavfall. Korrekt kassering av gamla produkter och batterier bidrar till att förhindra negativ påverkan på miljö och hälsa.

Ta bort engångsbatterier

Information om hur du tar bort engångsbatterier hittar du i avsnittet "Montera bröstpumpen" i kapitlet "Förberedelser inför användning".

Garanti och support

Om du behöver information eller support kan du gå till **www.philips.com/support** eller läsa garantibroschyren.

Felsökning

I det här kapitlet finns en översikt över de vanligaste problemen som kan uppstå med apparaten. Om du inte kan lösa problemet med hjälp av nedanstående information kan du kontakta kundtjänst i ditt land eller online på **www.philips.com/support**.

Problem	Lösning
Det gör ont när jag använder bröstpumpen.	Sluta genast använda bröstpumpen och rådfråga läkare eller barnmorska. Om pumpenheten inte släpper lätt från bröstet kan det bli nödvändigt att släppa ut vakuumet genom att placera ett finger mellan bröstet och massagekudden.
Bröstpumpen har repats.	Vid vanlig användning kan lätta repor uppstå. Det är normalt och orsakar inte några problem. Om en del av bröstpumpen får stora repor, eller om den spricker, måste du sluta använda den och kontakta Philips kundtjänst eller besöka www.shop.philips.com/service och beställa en reservdel. Var medveten om att kombinationer av rengöringsmedel, steriliseringslösningar, mjukt vatten och temperaturförändringar under vissa omständigheter kan göra att platen spricker. Undvik kontakt med slipande eller antibakteriella rengöringsmedel, eftersom de kan skada platen.
Bröstpumpen fungerar inte och på/av-knappen blinkar.	Kontrollera först om du har monterat bröstpumpen på rätt sätt, och se till att det inte finns någon knut i röret. Om du använder SCF332 med batterier, så byter du ut batterierna enligt instruktionerna i kapitlet Förberedelser inför användning, åtgärd 5. Om du driver SCF334 eller SCF332 från eluttaget, så ska du kontrollera att du använder den adapter som levererades med produkten. Om problemet kvarstår, så bör du kontakta kundtjänst i ditt land.
Jag känner inte något sug.	Kontrollera att du har monterat bröstpumpen på rätt sätt genom att följa steget i kapitlet Förberedelser inför användning. Se till att silikonröret sitter ordentligt fast i motorenheten och i locket och membranet.
Jag behöver byta ut silikonröret, men vet inte hur jag ska ta bort det.	Om du vill ta bort röret, så ska du greppa det nära motorenheten och dra ut det samtidigt som du vrider det. Om du vill ansluta röret igen, så kan du skjuta tillbaka röret på anslutningen på motorenheten med en lätt vridande rörelse. Se till att det fäster ordentligt.

אחריות ותמיכה

אם אתם זקוקים למידע או תמיכה, בקרו באתר www.philips.com/support או קראו את עלון האחריות העולמית, המצורף בנפרד.

פתרון בעיות

פרק זה מסכם את הבעיות הנפוצות ביותר שעלולות להופיע במכשיר. אם המידע שבהמשך אינו פותר את הבעיה, ניתן לפנות למוקד שירות הלקוחות במדינתך או לתמיכה באמצעות האתר www.philips.com/support.

בעיה	פתרון
אני סובלת מכאבים כאשר אני משתמשת במשאבת החלב.	הפסיקי להשתמש במשאבת החלב לפני ליועצת ההנקה שלך. אם גוף המשאבה אינו מתנתק בקלות מהשד, ייתכן שיש לקטוע את הוואקום על ידי הנחת אצבע בין השד לכרית העיסוי.
משאבת החלב שרונה.	במקרה של שימוש רגיל, סביר שתהיינה שריטות קלות. זוהי אינה בעיה. עם זאת, אם משאבת החלב שרונה במידה חמורה או אם היא נסדקה, יש להפסיק להשתמש בה ולפנות למוקד שירות הלקוחות של Philips או לבקר באתר www.shop.philips.com/service כדי להזמין חלקי חילוף. יש לזכור כי שילוב של חומרי ניקוי, תמיסות חיבוי, מים מרוכזים ושינויים בטמפרטורה עלולים לגרום לסדקים בפלסטיק במקרים מסוימים. יש למנוע מגע בין המשאבה לחומרי ניקוי חזקים או אנטי בקטריאליים. חומרים אלה עלולים לפגוע בפלסטיק.
משאבת החלב אינה פועלת ולחצן ההפעלה/כיבוי מהבהב.	ראשית, בדקי שהרכבת נכון את משאבת החלב וודאי שהצינורית אינה מכופפת. אם את משתמשת בדגם SCF332 עם סוללות, החליפי את הסוללות בהתאם להנחיות שפרק "הכנה לקראת שימוש", סעיף 5. אם את משתמשת בדגם SCF334 או SCF332 עם חיבור לחשמל, ודאי שאת משתמשת במתאם שסופק עם המוצר. אם הבעיה נמשכת, פני למוקד שירות הלקוחות במדינתך.
אני מרגישה ניקה.	ודאי שהרכבת נכון את משאבת החלב באמצעות השלבים שמפורטים בפרק "הכנה לקראת שימוש". ודאי שצינורית הסיליקון מחוברת היטב ליחידת המנוע ולמכסה והממברנה.
צריך להחליף אך צינורית הסיליקון אך אני יודעת כיצד לנתק אותה.	כדי לנתק את צינורית הסיליקון אחיזי בה קרוב ליחידת המנוע ומשכי אותה תוך כדי סיבוב. כדי לחבר צינורית חדשה חברי את הצינורית אל החיבור ביחידת המנוע בתנועת סיבוב קלה. ודאי שהיא מחוברת היטב.

1 פרקי את כל חלקי משאבת החלב. הסירי גם את השסתום הלבן.

הקפידו להיזהר בעת הסרת השסתום הלבן ולאחר מכן, במהלך הניקוי שלו. אם הוא ניזוק, משאבת החלב לא תפעל בצורה תקינה. להסרת השסתום הלבן, יש למשוך בעדינות את הלשונית המצולעת שבצד השסתום.

2 נקי את כל החלקים למעט יחידת המנוע, צינורית הסיליקון עם המכסה והמתאם במדריך (במגירה העליונה בלבד) או במים חמים עם מעט נוזל כלים עדין ושטפי אותם היטב.

לניקוי השסתום, שפשפי אותו בעדינות בין אצבעותיך במים חמים עם נוזל ניקוי. אין להחזיר חפצים לתוכו - זה עלול לגרום לו נזק.

3 חטאי את כל החלקים בסטריליזטור קיטור של Philips AVENT או במים רותחים למשך 5 דקות.

לעולם אין להכניס את יחידת המנוע או המתאם למים או לסטריליזטור. במידת הצורך, ניתן לנגב את יחידת המנוע באמצעות מטלית לחה ורכה.

אחסון

יש להרחיק את המוצר מקרבי שמש ישירות: חשיפה ממושכת עלולה לגרום לדהיית הצבע שלו.

1 יש לאחסן את משאבת החלב ואת האביזרים שלה במקום יבש ובטוח.

תאימות

משאבת האם החשמלית של Philips AVENT מתאימה למבחר בקבוקי Philips AVENT. אם משתמשים בבקבוקים הקלאסיים שלנו, שכוללים את המערכת בת שני החלקים למניעת כאבי בטן, יש להקפיד להכניס את הטבעת אל ראש הבקבוק לפני חיבורו למשאבת החלב. אם משתמשים בבקבוקים אחרים של Philips AVENT, יש להשתמש באותו סוג של פטמה אשר סופקה יחד עם הבקבוק. לפרטים נוספים על אופן ההרכבה של הפטמה ולהוראות ניקוי כלליות, יש לעיין במדריך למשתמש אשר צורף לבקבוק, אפשר למצוא את הפרטים הללו גם באתר האינטרנט שלנו, שכתובתו www.philips.com/support.

החלפה

סוללות

יש להחליף את הסוללות החד-פעמיות של משאבת החלב (דגם SCF332 בלבד) רק בארבע סוללות AA 1.5V (או 1.2V אם אלה סוללות נטענות). להוראות נוספות להחלפת הסוללות יש לעיין בפרק "הכנה לקראת שימוש".

הזמנת אביזרים

לקניית אביזרים או חלקי חילוף, ניתן לבקר באתר www.shop.philips.com/service או לפנות לנציג של Philips. אפשר גם ליצור קשר עם מוקד שירות הלקוחות של Philips במדינתך (למידע על פרטי ההתקשרות, יש לעיין בעלון האחריות העולמית).

מיחזור

- הסמל שעל המוצר פירושו שהמוצר מכוסה על ידי ההנחיה האירופית EU/2012/19 (איור 13).
- סמל זה פירושו שהמוצר מכיל סוללות שעליהן חלה הנחיית האיחוד האירופאי 2006/66/EC. כלומר, אין להשליך אותו יחד עם האשפה הביתית הרגילה.
- באחריותך לדעת מהי המערכת המקומית לאיסוף פסולת חשמלית ואלקטרונית וסוללות. יש לפעול על פי החוקים המקומיים ולעולם אין להשליך את המוצר והסוללות יחד עם האשפה הביתית. השלכה נכונה של סוללות ומוצרים ישנים עוזרת למנוע פגיעה בסביבה ובבריאות האדם.

הוצאת סוללות חד-פעמיות

למידע על הוצאת הסוללות החד-פעמיות יש לעיין בפרק "הכנה לקראת שימוש", בסעיף "הרכבת משאבת החלב".

לאחר השימוש

אחסון חלב האם

יש לאחסן אך ורק חלב אם אשר נשאב בעזרת משאבה סטרילית.

ניתן לאחסן חלב אם במקרר (לא בדלת המקרר) עד 48 שעות. את החלב שנשאב יש להכניס מיד למקרר. אם את מאחסנת חלב במקרר וברצונך להוסיף לו חלב אחר במשך היום, יש להוסיף אך ורק חלב שנשאב אל תוך בקבוק סטרילי או אל מיכל ייעודי לחלב אם. ניתן לאחסן חלב אם במקפיא עד שלושה חודשים, כל עוד החלב נשמר בבקבוקים סטריליים עם טבעת הברגה סטרילית ודיסקית אטימה. יש לרשום בבירור את תאריך ושעת השאיבה על הבקבוק ולהשתמש קודם בחלב הישן יותר. אם ברצונך להאכיל את תינוקך בחלב האם שנשאב תוך 48 שעות, תוכלי לאחסן את החלב במקרר בבקבוקי Philips AVENT סגורים:

- 1** נתקי את הבקבוק מוגף המשאבה בתנועת הברגה.
- 2** חברי פטמה סטרילית וטבעת הברגה אל הבקבוק בהתאם להוראות הנפרדות שצורפו לבקבוק. אטמי את הפטמה באמצעות המכסה העגול.
- 3** לחלופין, חברי דיסקית אטימה סטרילית אל טבעת הברגה סטרילית והבריגי את שתייהן אל הבקבוק.

עשי

- הקפידי להכניס מיד את החלב השאוב למקרר או למקפיא.
- אחסני חלב שנשאב בעזרת משאבה סטרילית רק בתוך בקבוקים סטריליים.

אל תעשי

- לעולם אל תקפיאי מחדש חלב אם שהופשר.
- לעולם אל תוסיפי חלב אם טרי לחלב אם קפוא.

האכלת התינוק בחלב אם שאוב

אפשר להאכיל את התינוק בחלב אם שאוב שנשמר בבקבוקים או מיכלי האחסון של Philips AVENT: 1 אם משתמשים בחלב אם קפוא, יש להניח לו להפשר לגמרי לפני החימום.

הערה: במקרה חירום, ניתן להפשיר את החלב בקערת מים חמים.

- 2 חממי את הבקבוק או את מיכל האחסון עם חלב האם המקורר או המופשר בתוך קערה של מים חמים או במחמם בקבוקים.
- 3 הסירי את טבעת ההברגה ואת דיסקית האטימה מהבקבוק או את המכסה ממיכל האחסון.
- 4 אם את משתמשת במיכל אחסון, הבריגי את טבעת המתאם אל המיכל.
- 5 הבריגי טבעת הברגה סטרילית עם פטמה סטרילית אל הבקבוק או אל מיכל האחסון יחד עם המתאם.

עשי

- הקפידי לבדוק את טמפרטורת החלב לפני האכלת התינוק.
- אם נותר חלב אם בסיום האכילה השליכי אותו לפח.

אל תעשי

- לעולם אל תחממי חלב אם במיקרוגל. הדבר עלול לגרום לחימום לא שווה ולכך שתהיינה נקודות חמות בחלב. פעולה זו גם עלולה להרוס את הרכיבים התזונתיים שבחלב.

ניקי וחיטוי

אין צורך לנקות או לחטא את יחידת המנוע, צינורית הסיליקון עם המכסה והמתאם כיוון שהם לא נוגעים בחלב אם.

יש לנקות ולחטא את כל שאר חלקי משאבת החלב לפני השימוש הראשון. בנוסף, יש לנקות את כל החלקים האלה לאחר כל שימוש ולחטא אותם לפני השימוש הבא.

סכנה: לעולם אין להכניס את יחידת המנוע או המתאם למים או לסטריליזטור.

טיפים

- למדי להכיר את משאבת החלב ואת אופן השימוש בה לפני השימוש הראשון.
- בחרי שעה שבה אינך בלחץ והסיכוי להפרעות נמוך.
- תמונה של תינוקך עשויה לעורר את "רפלקס זרימת החלב".
- חום יכול לעזור: נסי לשאוב אחרי מקלחת או אמבטיה חמה, או הניחי מטלית חמה או משטח חימום של Philips AVENT על השד למשך מספר דקות, לפני תחילת השאיבה.
- יתכן שיהיה לך קל יותר לשאוב כאשר התינוק יונק מהשד השני, או מיד לאחר הנקה.
- אם השאיבה מכאיבה, הפסיקי לפני ליעצת הנקה או ליעוץ רפואי.

הפעלת משאבת החלב

- 1** שטפי את ידייך ביסודיות וודאי ששדייך נקיים.
- 2** שבי בכיסא נוח והירגעי (מומלץ להשתמש בכרית תמיכה לגב). ודאי שיש כוס מים בהישג יד.
- 3** לחצי על משאבת החלב המורכבת על השד. ודאי שהפטמה שלך במרכז, כך שכרית העיסוי תיצור אטימה מפני חדרת אוויר.
SCF334: משאבת החלב החשמלית הכפולה מאפשרת לשאוב חלב משני השדיים בו-זמנית. עם זאת, ניתן להשתמש במכשיר כדי לשאוב רק משד אחד.
- 4** לחצי על לחצן ההפעלה/כיבו (איור 9).
 - ▶ משאבת החלב תתחיל לפעול אוטומטית במצב המרצה. כמו כן לחצן ההפעלה/כיבו ולחצן ההמרצה ידלקו.
 - ▶ כעת תתחילי לחוש בשאיבה בשד.
- 5** לאחר שהחלב יחל לזרום ניתן להאט את קצב השאיבה באמצעות לחיצה על לחצן השאיבה החלשה (איור 10).
 - ▶ לחצן זה ידלק במקום לחצן ההמרצה.
- הערה: אל תדאגי אם החלב לא יתחיל לזרום מיד. הירגעי והמשיכי בשאיבה. בפעמים הראשונות של השימוש במשאבת החלב יתכן שיהיה עלייך להשתמש במצב שאיבה חזקה יותר כדי לגרום לחלב לזרום.
- 6** ניתן לבחור במצב שאיבה חזקה יותר בהתאם להעדפת הנוחות האישית. ניתן גם לחזור למצב שאיבה חלשה יותר או לכבות את משאבת החלב בכל עת באמצעות לחיצה על הלחצן המתאים (איור 11).
הערה: אין צורך להשתמש בכל מצבי השאיבה. השתמשי במצב שהכי נוח עבורך.
- הקפידו לכבות את משאבת החלב לפני שאת מנתקת אותה מהשד.
אם אינך מצליחה לשאוב חלב, נסי לשאוב במשך כ-5 דקות והפסיקי. אל תמשיכי לשאוב לאחר מכן. נסי לשאוב בשעה אחרת ביום. אם התהליך אינו נוח או מתחיל לכאוב, הפסיקי להשתמש במשאבה לפני אל יעצת ההנקה שלך.
- 7** יש לשאוב בממוצע במשך 10 דקות כדי לקבל כ-60 עד 125 מ"ל של חלב אם משד אחד. עם זאת, זהו נתון כללי בלבד והוא משתנה בין אישה לאישה.
- הערה: אם את שואבת יותר מ-125 מ"ל בכל פעם, תוכלי להשתמש בבקבוק Philips AVENT בנפח 260 מ"ל כדי למנוע מילוי יתר ושפיכה של החלב.
- 8** לאחר שסיימת לשאוב את החלב, כבי את משאבת החלב ונתקי אותה בזהירות מהשד.
- 9** נתקי את הבקבוק מגוף המשאבה בתנועת הברגה. כעת ניתן להשתמש בחלב להאכלה או לאחסנו. נקי את החלקים האחרים של משאבת החלב אשר היו בשימוש, בהתאם להוראות שבפרק "ניקוי וחיטוי".
- 10** נתקי את יחידת המנוע מהחשמל. כדי לאחסן את המוצר בקלות, לפני את צינורית הסיליקון סביב יחידת המנוע והשתמשי במכסה כדי לתפוס את הצינורית (איור 12).

הרכבת משאבת החלב

הערה: הקפדי לנקות ולחטא את כל החלקים הרלוונטיים של משאבת החלב. שטפי ידיים היטב לפני שאת נוגעת בחלקים הנקיים.

זהירות: הפריטים שחוטאו עשויים להיות חמים.

טיפ: ייתכן שיהיה לך קל יותר להרכיב את משאבת החלב כאשר היא רטובה.

1 הכניסי את השסתום הלבן אל תוך גוף המשאבה מלמטה. דחפי אותו פנימה עד כמה שניתן (איור 2).

2 הבריגי את גוף המשאבה על הבקבוק, בכיוון השעון, עד שהוא יקובע היטב (איור 3).

3 חברי את ממברנת הסיליקון בתוך גוף המשאבה מלמעלה. כדי להבטיח אטימה מושלמת סביב שולי המשאבה, לחצי על הממברנה באמצעות האצבעות (איור 4).

4 חברי את כרית העיסוי אל החלק דמוי המשפך של גוף המשאבה. דחפי פנימה את החלק הפנימי של כרית העיסוי עד כמה שניתן, וודאי שהכרית אוטמת היטב את טבעת גוף המשאבה. לחצי בין העלים כדי לסלק את האוויר שנלכד (איור 5).

הערה: הניחי את הכיסוי מעל לכרית העיסוי כדי לשמור על ניקיון משאבת החלב בזמן שאת מתכוננת לשאיבה.

5 חברי את המתאם לשקע ואת הקצה השני שלו אל יחידת המנוע (איור 6).

מסי האסמכתא של המתאם נמצא בתחתית המכשיר. יש להשתמש רק במתאם שמתאים למכשיר. - כדי להשתמש בסוללה (דגם SCF332 בלבד), סובבי את החלק התחתון של יחידת המנוע בכיוון שמסומן על ידי הסימונים שבתחתית (1) והוציאי אותו (2). הכניסי ארבע סוללות AA 1.5V חדשות (או 1.2V אם אלה סוללות נטענות) אל תא הסוללות. חברי את החלק התחתון בחזרה ליחידת המנוע (איור 7).

הערה: סוללות חדשות מאפשרות להשתמש במכשיר למשך 3 שעות לכל היותר. אם הכנסת סוללות לתא הסוללות ביחידת המנוע וחזרתי את המתאם לחשמל, המשאבה תפעל על אספקת החשמל. אי אפשר לטעון את הסוללות בתוך היחידה.

6 חברי את צינורית הסיליקון והמכסה אל הממברנה. לחצי על המכסה עד שיחובר היטב (איור 8).

שימוש במשאבת חלב

מתי לשאוב חלב

אם את מצליחה להיניק את תינוקך, ואלא אם איש איש הצוות הרפואי/ועצת ההנקה המטפלים בך ממליצים אחרת, מומלץ להמתין עד להתייצבות אספקת החלב וזמני ההנקה (לרוב לפחות 2 עד 4 שבועות לאחר הלידה).

וצאים מהכלל:

- אם אינך מצליחה להיניק את תינוקך, שאיבה קבועה עשויה לעזור ליצור ולשמור על אספקת חלב קבועה.
- אם את שואבת חלב כדי להאכיל את תינוקך בבית החולים.
- אם השדיים שלך גדושים (כואבים או נפוחים): תוכלי לשאוב כמות קטנה של חלב לפני או בין ההנקות, כדי להקל על הכאבים וכדי לסייע לתינוק לתפוס את הפטמה בקלות רבה יותר.
- אם את סובלת מכאבים או מסדקים בפטמות, תוכלי לשאוב חלב עד להחלמתן.
- אם לא שהית זמן מה במחיצת התינוק וברצונך להמשיך להיניק לאחר שתחזרי אליו, יהיה עלייך לשאוב חלב באופן קבוע כדי להמריץ את אספקת החלב.
- עלייך למצוא את הזמנים האופטימליים ביותר ביום לשאיבת חלב, לדוגמה לפני או אחרי ההנקה הראשונה של התינוק בבוקר, כאשר השדיים מלאים, או לאחר הנקה - אם התינוק לא רוקן לגמרי את שני השדיים. אם חוזרת לעבודה, תוכלי לשאוב במהלך הפסקות.
- השימוש במשאבת חלב מצריך תרגול וייתכן שיהיה עלייך לנסות מספר פעמים לפני שתצליחי. למרבה המזל, קל להרכיב ולהשתמש במשאבת החלב החשמלית של Philips AVENT ותוכלי להתרגל לשאיבה תוך זמן קצר.

- במכשיר ואם הם מבינים את הסכנות הכרוכות בשימוש. אין לאפשר לילדים לשחק עם המכשיר. אין לאפשר לילדים ללא פיקוח לנקות או לבצע פעולות תחזוקה במכשיר.
- אין לאפשר לילדים או לחיות מחמד לשחק עם יחידת המנוע, המתאם או האיבזרים, כיוון שחלקים אלה עלולים לגרום לחנק.
- לפני כל שימוש בדיק את משאבת החלב, כולל המתאם וודאי שאין סימנים לנזק. אין להשתמש במשאבת החלב עם המתאם או החלק ניזוק, אם היא אינה פועלת כהלכה, אם היא עצמה ניזוקה או אם היא נפלה על הרצפה או למים.
- אין להשתמש במשאבת החלב במקומות לא מקורים ובמקומות שבהם מרססים תרסיסים או מעשירים את רמת החמצן באוויר.
- משאבת החלב אינה מתאימה לשימוש בקרבת תערובות מאלחשות ודליקות של אוויר, חמצן או נתון.
- אין אף חלק בתוך יחידת המנוע של משאבת החלב שניתן לתיקון על ידי המשתמש. אין לנסות לפתוח או לתקן את משאבת החלב לבד. פעולה זו תבטל את האחריות.
- יש לשמור על המתאם וצינוריות הסיליקון הרחק ממשטחים חמים.
- יש להשתמש רק במתאם שמתאים למכשיר.
- אל תנסי לנתק את גוף המשאבה מהשד בזמן שאיבה. כבי את המכשיר ושחררי את האטימה שבין השד למשפך השאיבה באמצעות האצבע.
- רק אחר כך נקטי את המשאבה מהשד.
- לעולם אל תשתמשי במשאבת החלב אם את בהריון. השאיבה עלולה לזרז את הלידה.
- לעולם אל תשתמשי במשאבת החלב כשאת ישונית או עי"פה.
- אין לחשוף את משאבת החלב לטמפרטורות גבוהות מאוד או להניח אותה במקום בו היא תהיה חשופה לשמש ישירה.

זהירות

- משאבת החלב מיועדת לשימוש חוזר על ידי אותה משתמשת בלבד.
- אין להשאיר את משאבת החלב ללא השגחה כשהיא מחוברת לחשמל.
- אין להפעיל את המשאבה או להכניס חפצים כלשהם לפתחים.
- על אף שמשאבת החלב תואמת להנחיות הרלוונטיות של הנציבות האירופית בדבר תאימות ללקטרומוגנטיות, היא עשויה להיות רגישה לתדרים חזקים ו/או להפריע לצידוד רגיש יותר.
- לעולם אין להשתמש באיבזרים או בחלקים של 'צרנים אחרים או ש-Philips AVENT לא ממליצה עליהם מפורשות. שימוש באיבזרים או חלקים כאלה עלול לבטל את האחריות.
- יש לנקות, לשטוף ולחטא את כל חלקי המשאבה, למעט יחידת המנוע, הצינורית עם המכסה והמתאם לפני כל שימוש.
- לעולם אין להכניס את יחידת המנוע או המתאם למים או לסטריליזטור. פעולה זו עלולה לגרום לנזק קבוע בחלקים.
- אין להשתמש בחומרי ניקוי חזקים או אנטי בקטריאליים לניקוי של חלקי משאבת החלב.
- אין להשתמש במשאבת החלב אם ממברנת הסיליקון נראית פגומה או סדוקה. למידע נוסף על הזמנת חלקי חילוף, ניתן לעיין בפרק "הזמנת איבזרים".
- אם לא הצלחת לשאוב חלב כלל, הפסיקי לנסות למשך חמש דקות לפחות.
- אם הלחץ שנוצר גורם לך לא-נוחות או לכאב, שחררי את האטימה שבין גוף המשאבה לשד בעזרת האצבע ונתקי את המשאבה מהשד.

שדות אלקטרומוגנטיים (EMF)

מכשיר זה מבית Philips עומד בכל התקנים והתקנות הרלוונטיים הנוגעים לחשיפה לשדות אלקטרומוגנטיים.

הכנה לקראת שימוש

אין צורך לנקות או לחטא את יחידת המנוע, צינורית הסיליקון עם המכסה והמתאם כיוון שהם לא נוגעים בחלב אם. יש לנקות ולחטא את כל שאר החלקים של משאבת החלב לפני השימוש הראשון כמתואר בפרק "ניקוי וחיוווי". בנוסף, יש לנקות את כל החלקים האלה לאחר כל שימוש ולחטא אותם לפני השימוש הבא.

מבוא

ברכותינו על רכישתכם וברוכים הבאים למשפחת מוצרי Philips AVENT! כדי ליהנות ממלא התמיכה של Philips AVENT מציעה, רשמו את מוצרכם בכתובת www.philips.com/welcome.
 למשאבת החלב של Philips AVENT יש עיצוב ייחודי, שבעזרתו תוכלי לשבת בנוחות רבה יותר תוך כדי שאיבת החלב. כרית העיסוי הרכה* מעניקה תחושה רכה וחמימה ומחקה את פעולת היניקה של תינוקך לאספקת זרם חלב מהיר - בנוחות ובעדינות. משאבת החלב מתחילה בעדינות, כדי לעזור להמריץ את זרימת החלב. לאחר מכן ניתן לבחור מבין שלושה מצבי שאיבה, בהתאם להעדפת הנוחות האישית שלך. קל להרכיב ולהפעיל את משאבת החלב. כל החלקים שנוגעים בחלב אם ניתנים לשיטוף במדיח כלים. לדעת מומחי בריאות, משאבת חלב הנה דרך ההזנה הטובה ביותר של תינוקות בשנה הראשונה לחייהם, בשילוב עם מזון מוצק החל מגיל 6 חודשים. החלב שלך מותאם לצורכי התינוק שלך ומכיל נוגדנים שמסייעים להגן על התינוק מפני זיהומים ואלרגיות.
 בעזרת משאבת חלב תוכלי להיניק במשך זמן רב יותר. תוכלי לשאוב ולאחסן את החלב, ולאפשר לתינוקך ליהנות מכל היתרונות הגלומים בו, גם אם אינך פנויה להניק אותו בעצמך. המשאבה קומפקטית וניתן להשתמש בה באופן דיסקרטי. תוכלי לקחת אותה איתך לכל מקום, לשאוב חלב בנוחות ולשמור על אספקת חלב סדירה לילדך.
 *הכרית המצורפת למשאבה זו תוכננה כך שתתאים בצורה נוחה לרוב האימהות. יחד עם זאת, במידת הצורך ניתן לרכוש בנפרד כרית עיסוי המיועדת לפטמות גדולות יותר.

תיאור כללי (איור 1)

- 1 יחידת מנוע עם צינורית סיליקון ומכסה*
- 2 ממברנה מסיליקון*
- 3 גוף המשאבה*
- 4 כרית עיסוי*
- 5 כיסוי*
- 6 תא לסוללות (דגם SCF332 בלבד)
- 7 לחצן הפעלה/כיבוי
- 8 לחצן המרצה
- 9 לחצן שאיבה חלשה
- 10 לחצן שאיבה בינונית
- 11 לחצן שאיבה חזקה
- 12 מתאם
- 13 שסתום לבן*
- 14 בקבוק טבעי של Philips AVENT*
- 15 מכסה בקבוק*
- 16 טבעת הברגה*
- 17 פנמת האכלה*
- 18 דיסקית אטימה*

*הערה: דגם SCF334 כולל שתי יחידות מהחלקים המסומנים, למעט יחידת המנוע.

השואב

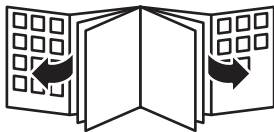
לפני השימוש במכשיר, יש לקרוא בקפידה את המדריך למשתמש ולשמור אותו לעיון בעתיד.

סכנה

- הקפידו לשמור על יחידת המנוע והמתאם יבשים.
- אין להשתמש במשאבת החלב באמבטיה או במקלחת.
- אין להניח או לשמור את משאבת החלב ליד אמבט או כוור.
- אם המוצר נפל למים, אין להרים אותו. יש לנתקו מהחשמל מיד.

אזהרה

- יש לנתק את משאבת החלב מהחשמל מיד לאחר כל שימוש.
- ילדים בני 8 ומעלה ואנשים בעלי יכולות פיזיות, מנטליות, או חישה ירודות או חסרי ניסיון או ידע רשאים להשתמש במכשיר הזה אם משגיחים עליהם או מדריכים אותם על שימוש נכון ובטוח



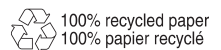
www.philips.com/avent

Philips Consumer Lifestyle BV
Tussendiepen 4, 9206 AD Drachten, Netherlands

**Trademarks owned by the Philips Group.
©2014 Koninklijke Philips N.V. All rights reserved**



www.philips.com



4213.354.1568.2 (11/14)